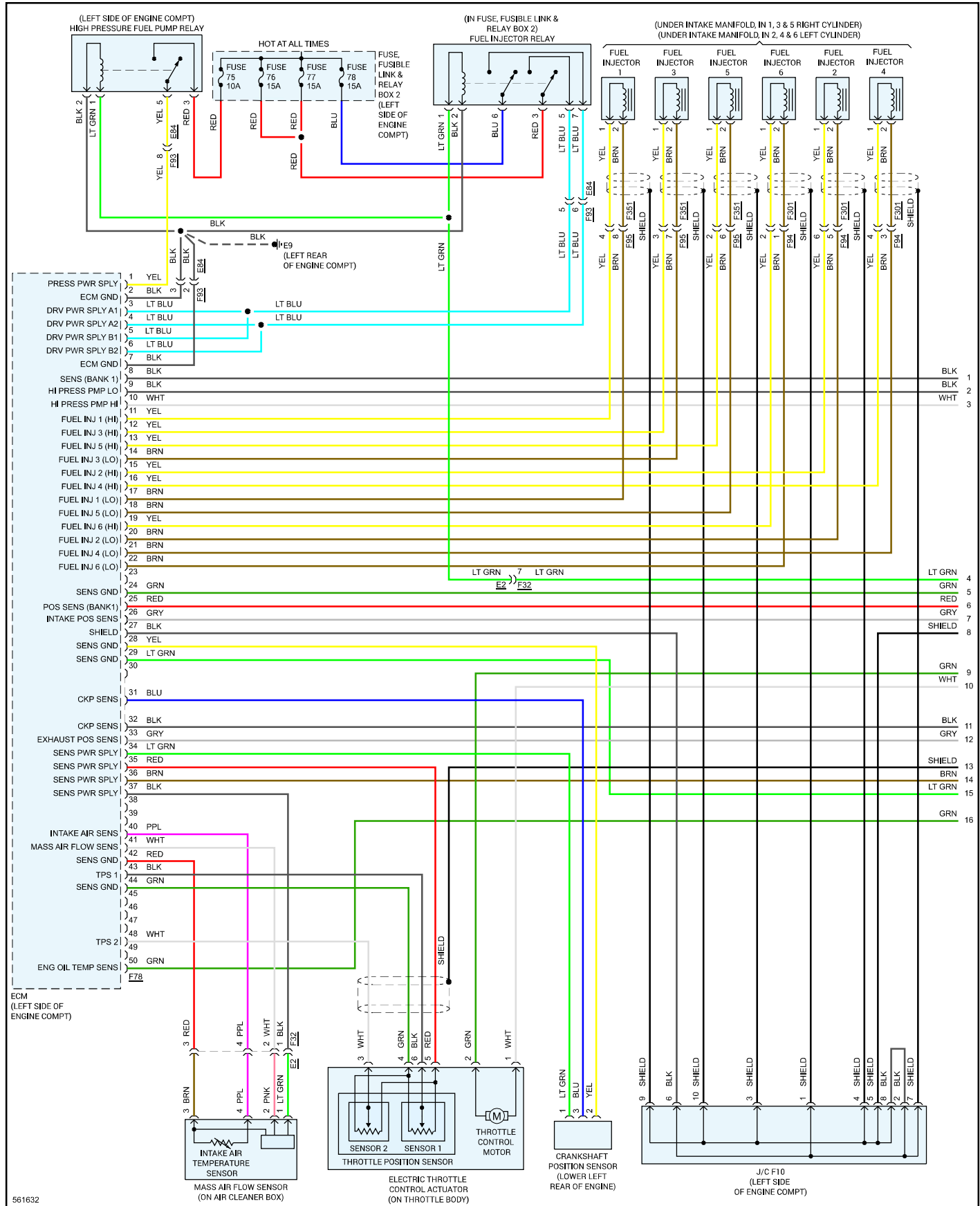


2017 Nissan-Datsun Truck Pathfinder 2WD V6-3.5L (VQ35DD)

Vehicle > Powertrain Management > Diagrams > Electrical - Interactive Color (Non OE)

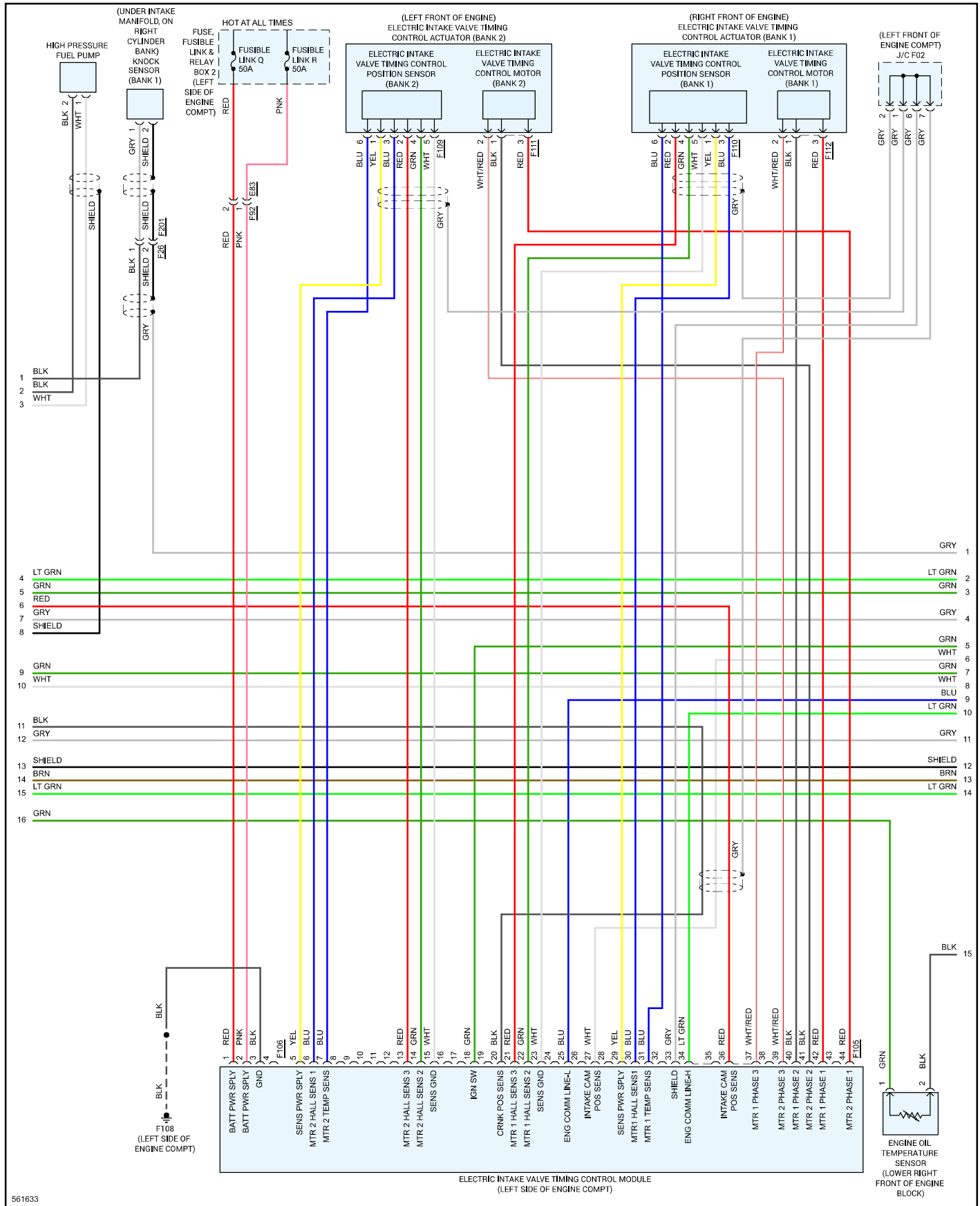
Engine Controls - Page 1 of 7



2017 Nissan-Datsun Truck Pathfinder 2WD V6-3.5L (VQ35DD)

Vehicle > Powertrain Management > Diagrams > Electrical - Interactive Color (Non OE)

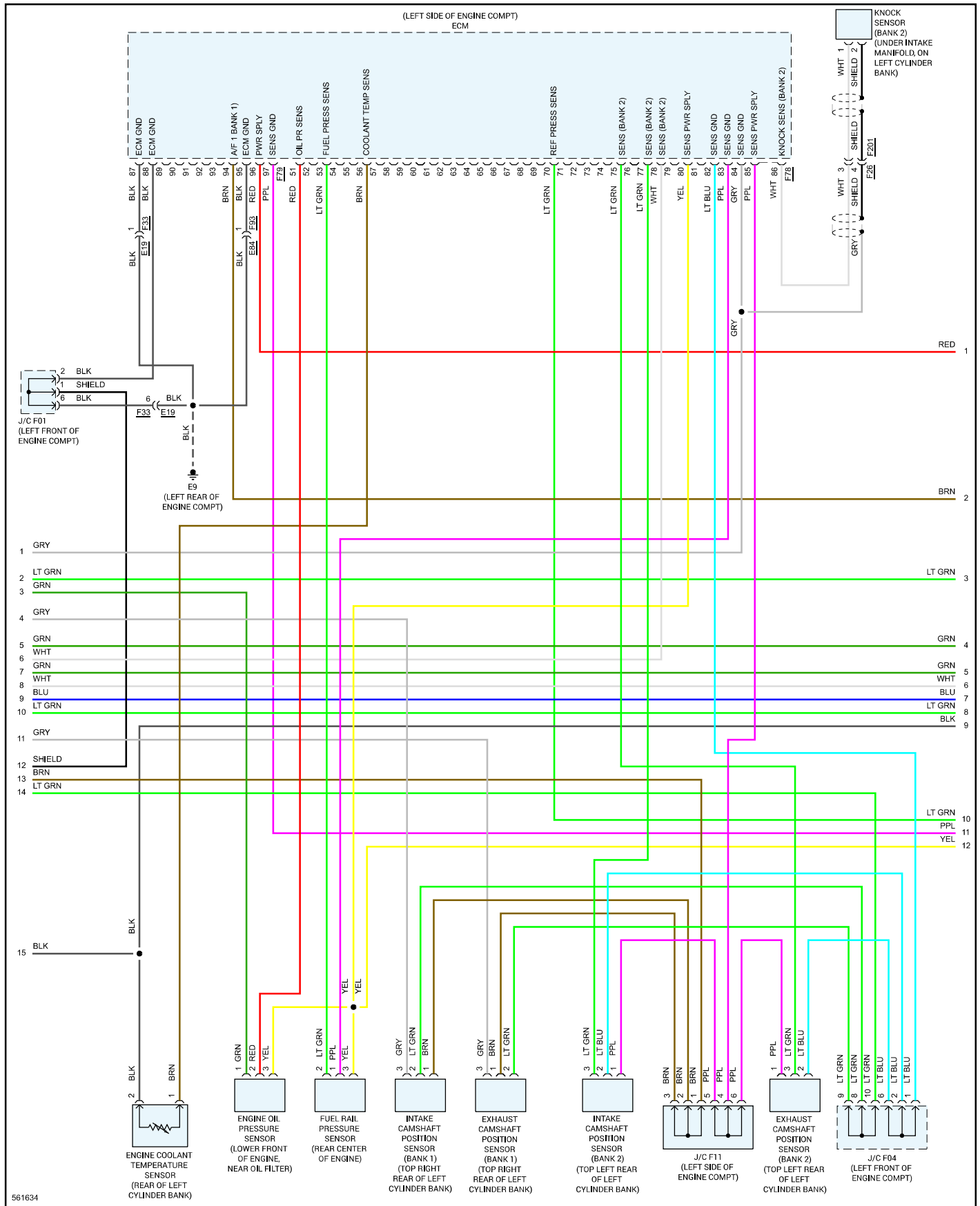
Engine Controls - Page 2 of 7



2017 Nissan-Datsun Truck Pathfinder 2WD V6-3.5L (VQ35DD)

Vehicle > Powertrain Management > Diagrams > Electrical - Interactive Color (Non OE)

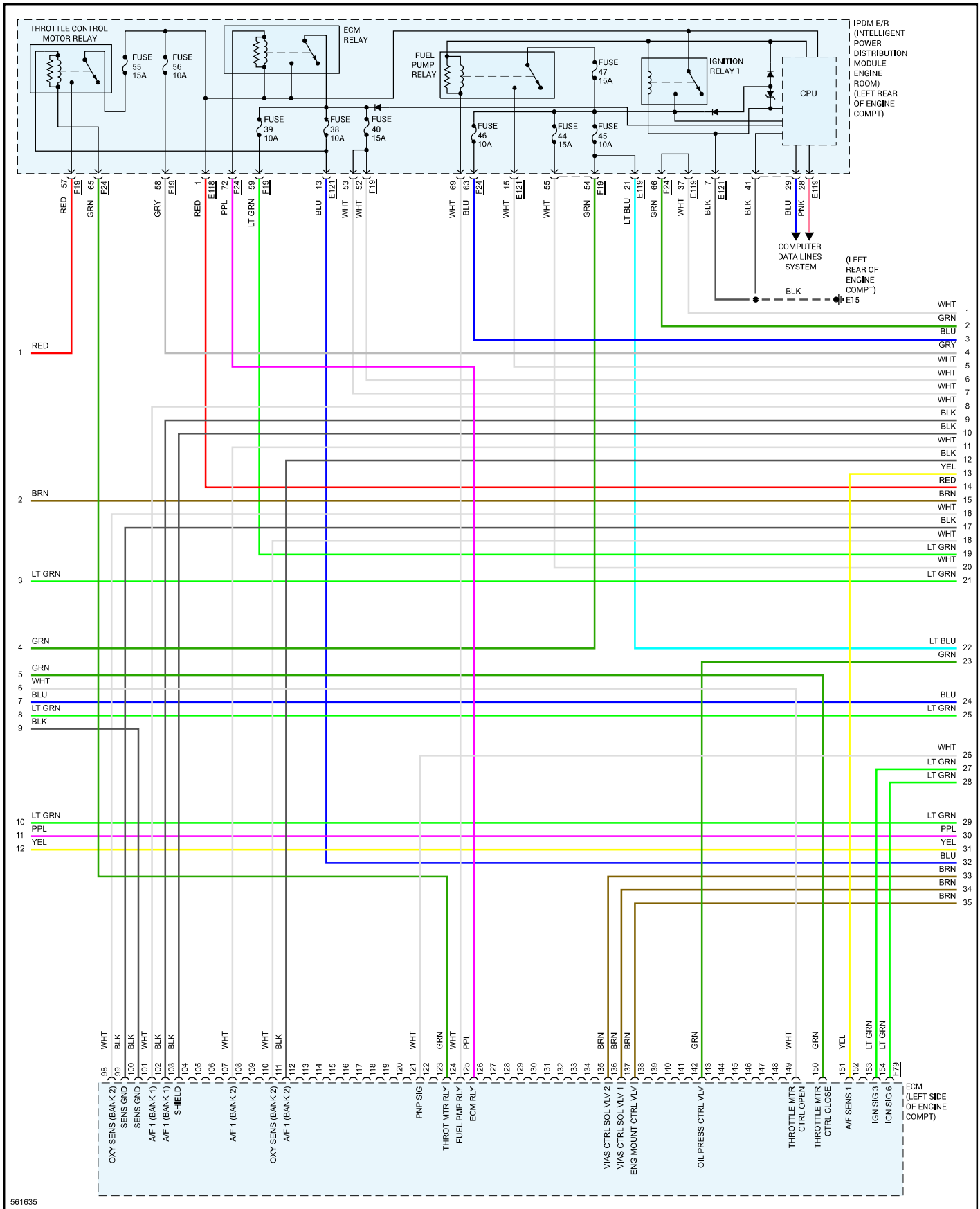
Engine Controls - Page 3 of 7



2017 Nissan-Datsun Truck Pathfinder 2WD V6-3.5L (VQ35DD)

Vehicle > Powertrain Management > Diagrams > Electrical - Interactive Color (Non OE)

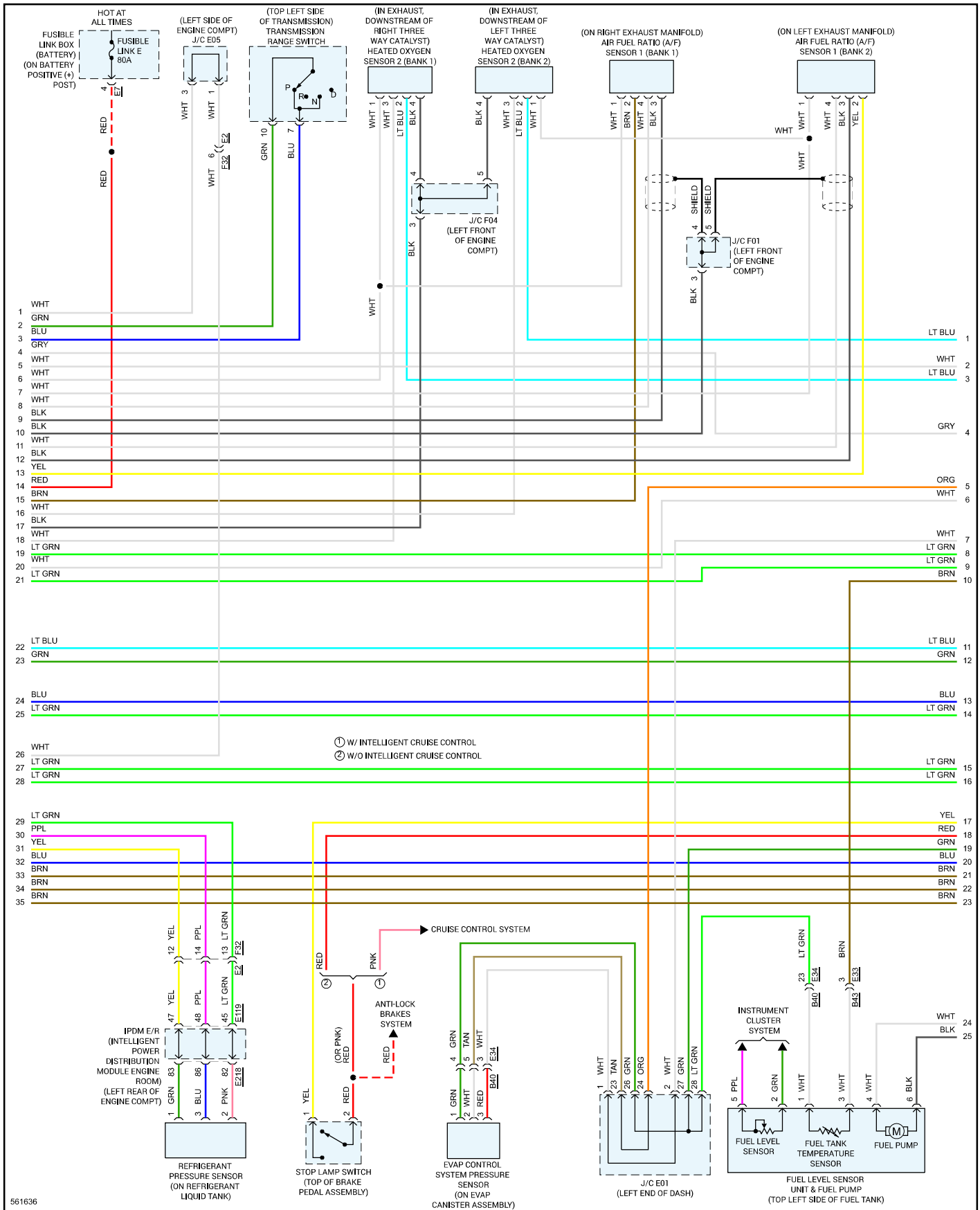
Engine Controls - Page 4 of 7



2017 Nissan-Datsun Truck Pathfinder 2WD V6-3.5L (VQ35DD)

Vehicle > Powertrain Management > Diagrams > Electrical - Interactive Color (Non OE)

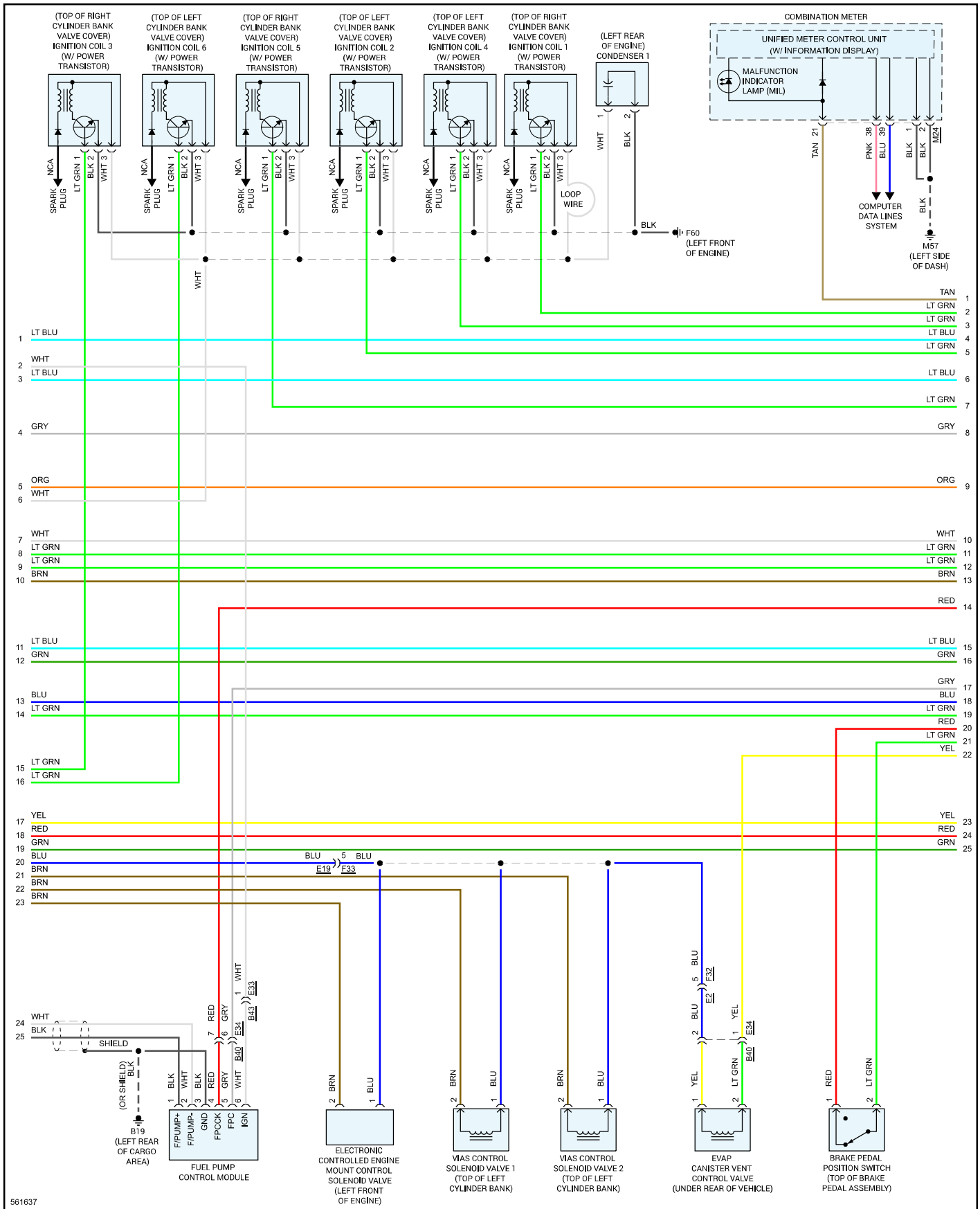
Engine Controls - Page 5 of 7



2017 Nissan-Datsun Truck Pathfinder 2WD V6-3.5L (VQ35DD)

Vehicle > Powertrain Management > Diagrams > Electrical - Interactive Color (Non OE)

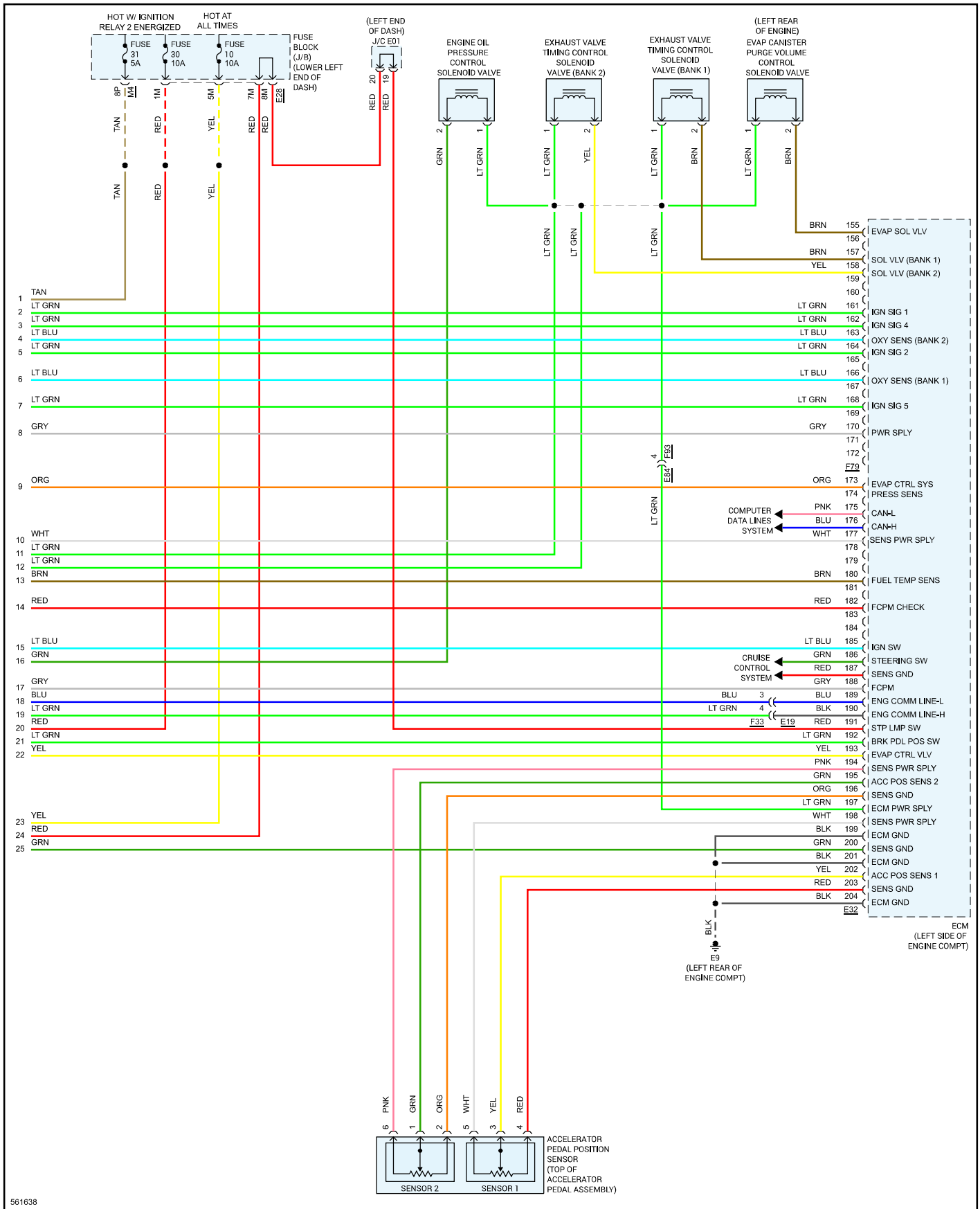
Engine Controls - Page 6 of 7



2017 Nissan-Datsun Truck Pathfinder 2WD V6-3.5L (VQ35DD)

Vehicle > Powertrain Management > Diagrams > Electrical - Interactive Color (Non OE)

Engine Controls - Page 7 of 7



561638