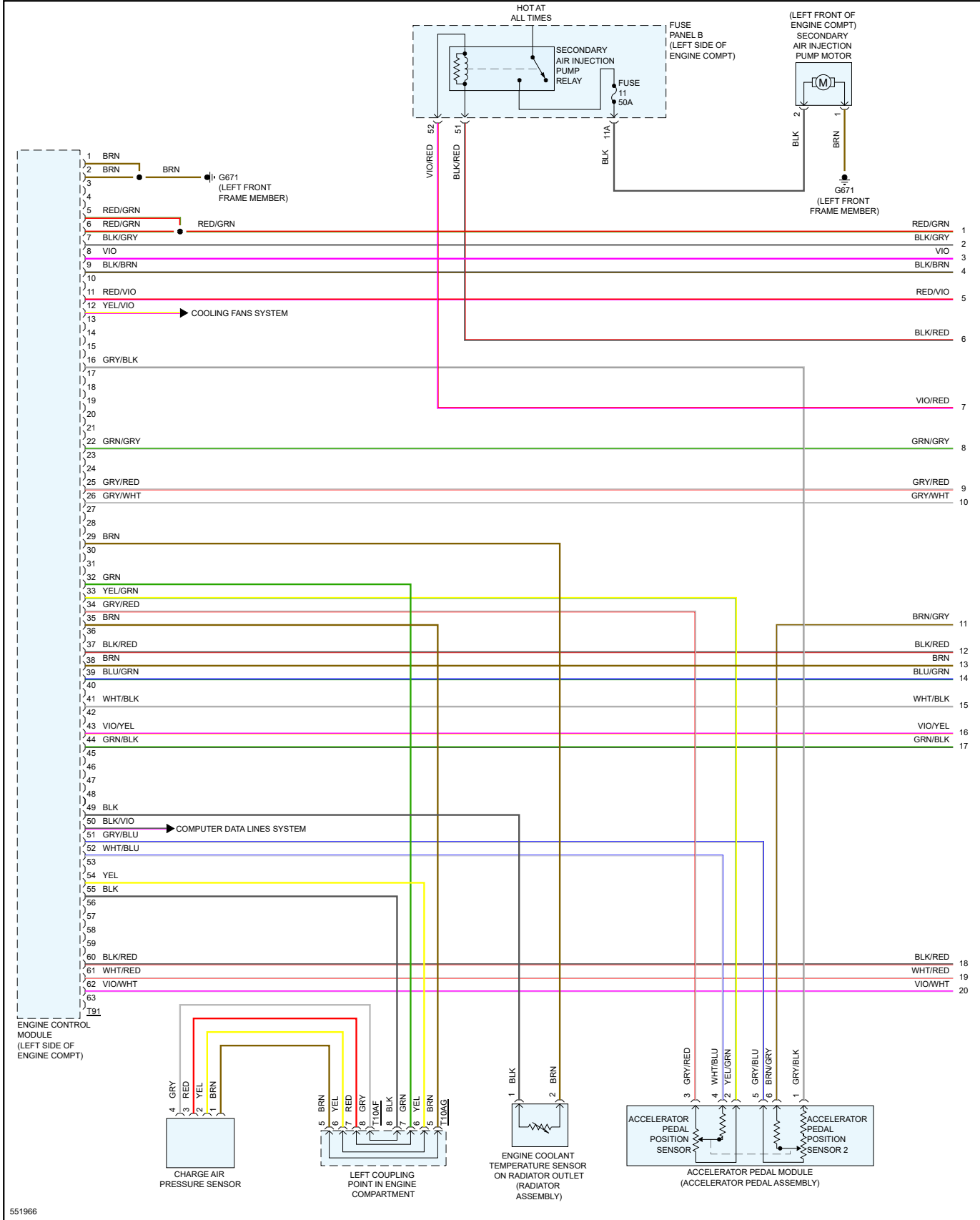
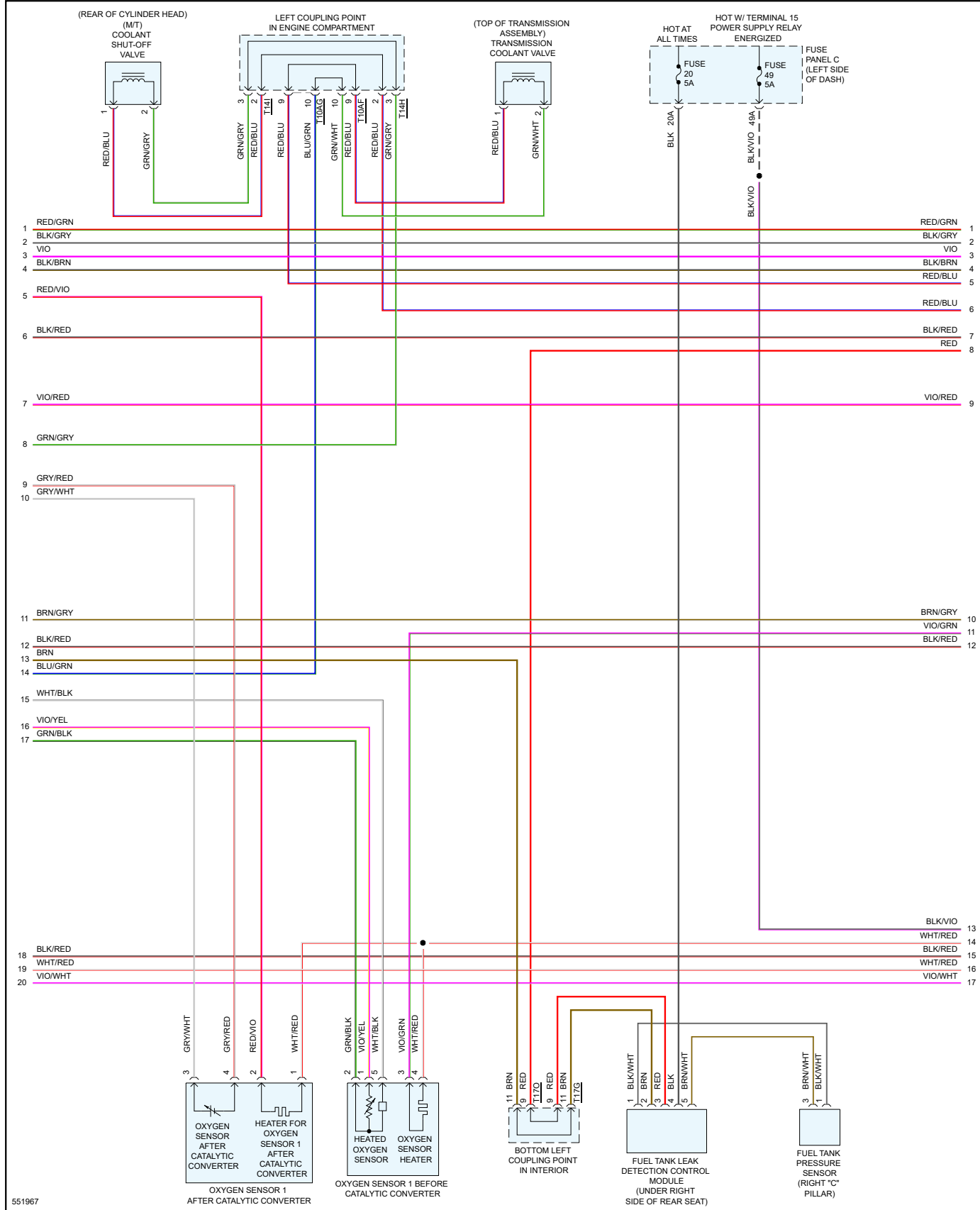


ENGINE CONTROLS

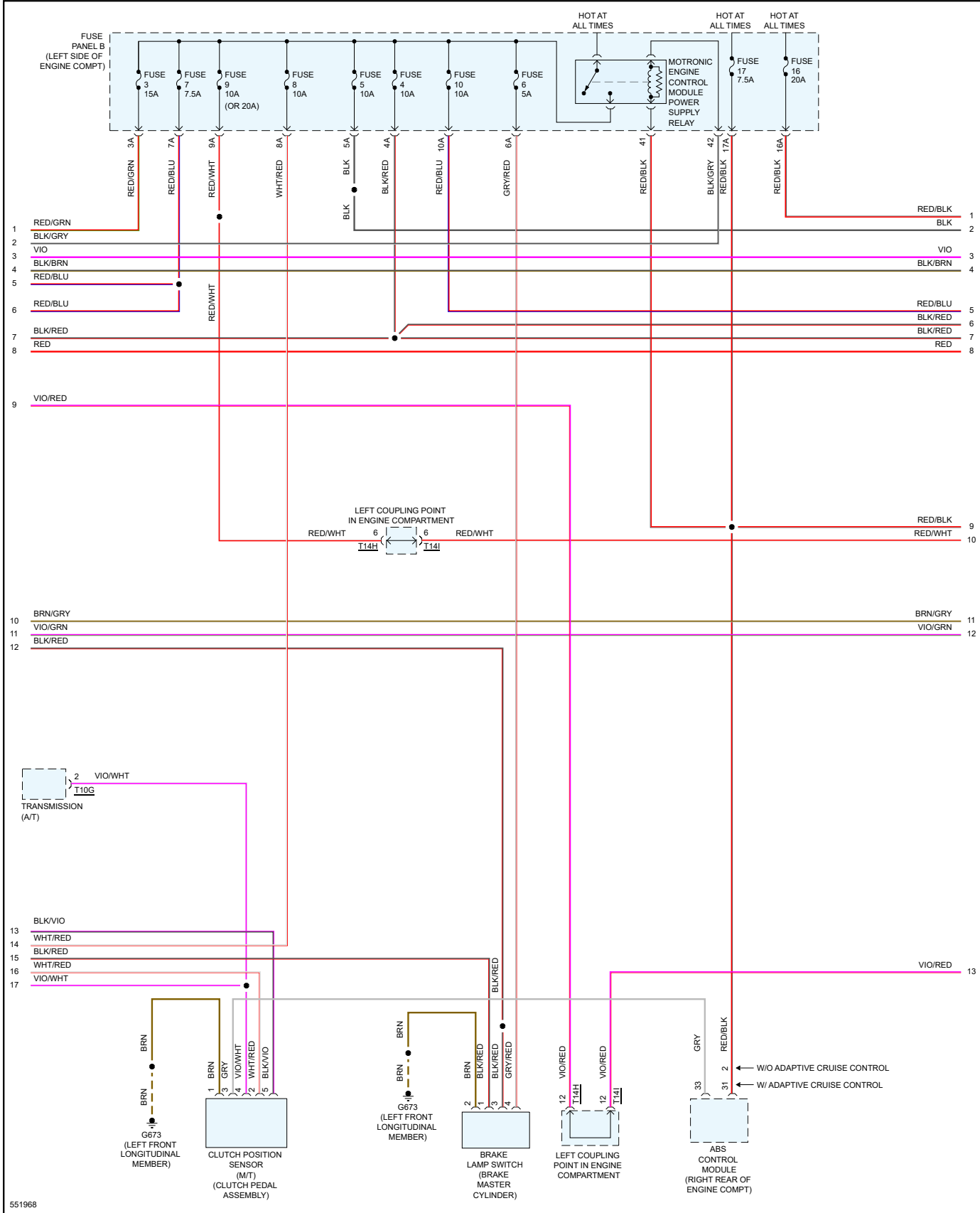
Engine Controls

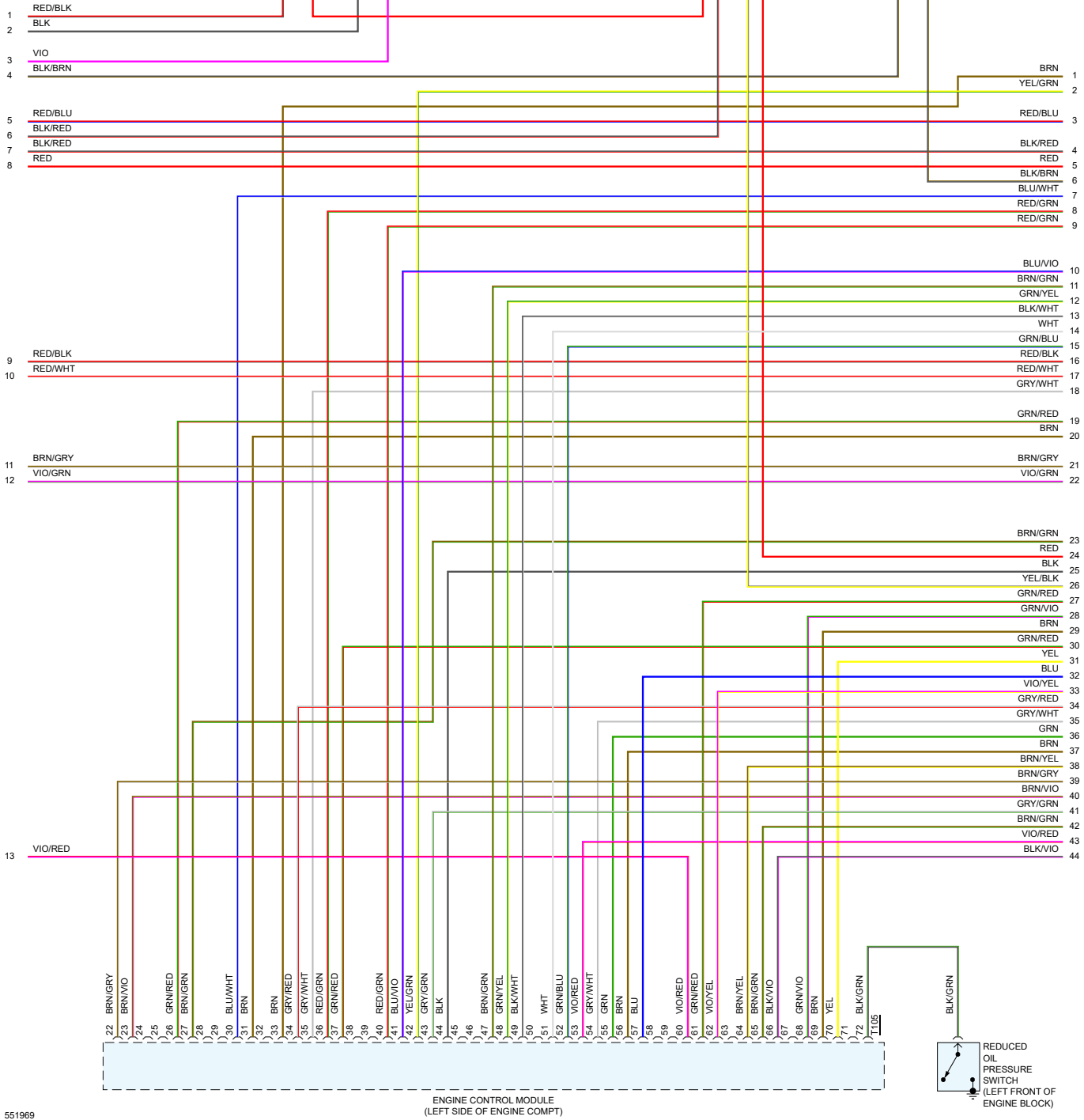
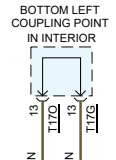
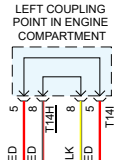
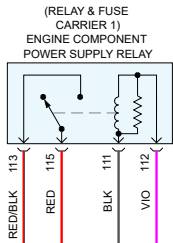


551966



551967





551969

(LEFT SIDE OF ENGINE BLOCK)
ENGINE TEMPERATURE CONTROL ACTUATOR

(LEFT REAR OF ENGINE BLOCK)
ENGINE SPEED SENSOR

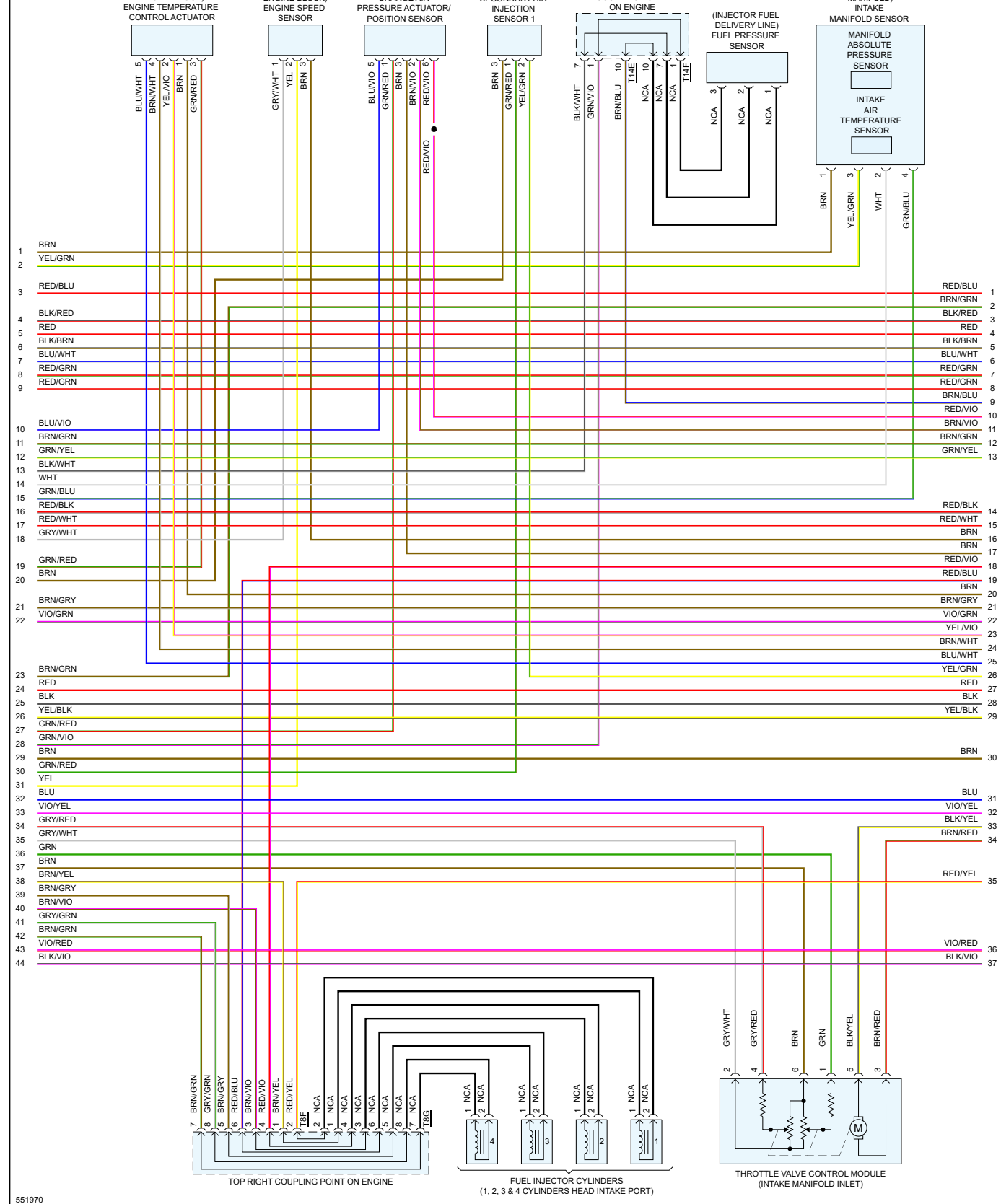
CHARGE AIR PRESSURE ACTUATOR/
POSITION SENSOR

SECONDARY AIR INJECTION SENSOR 1

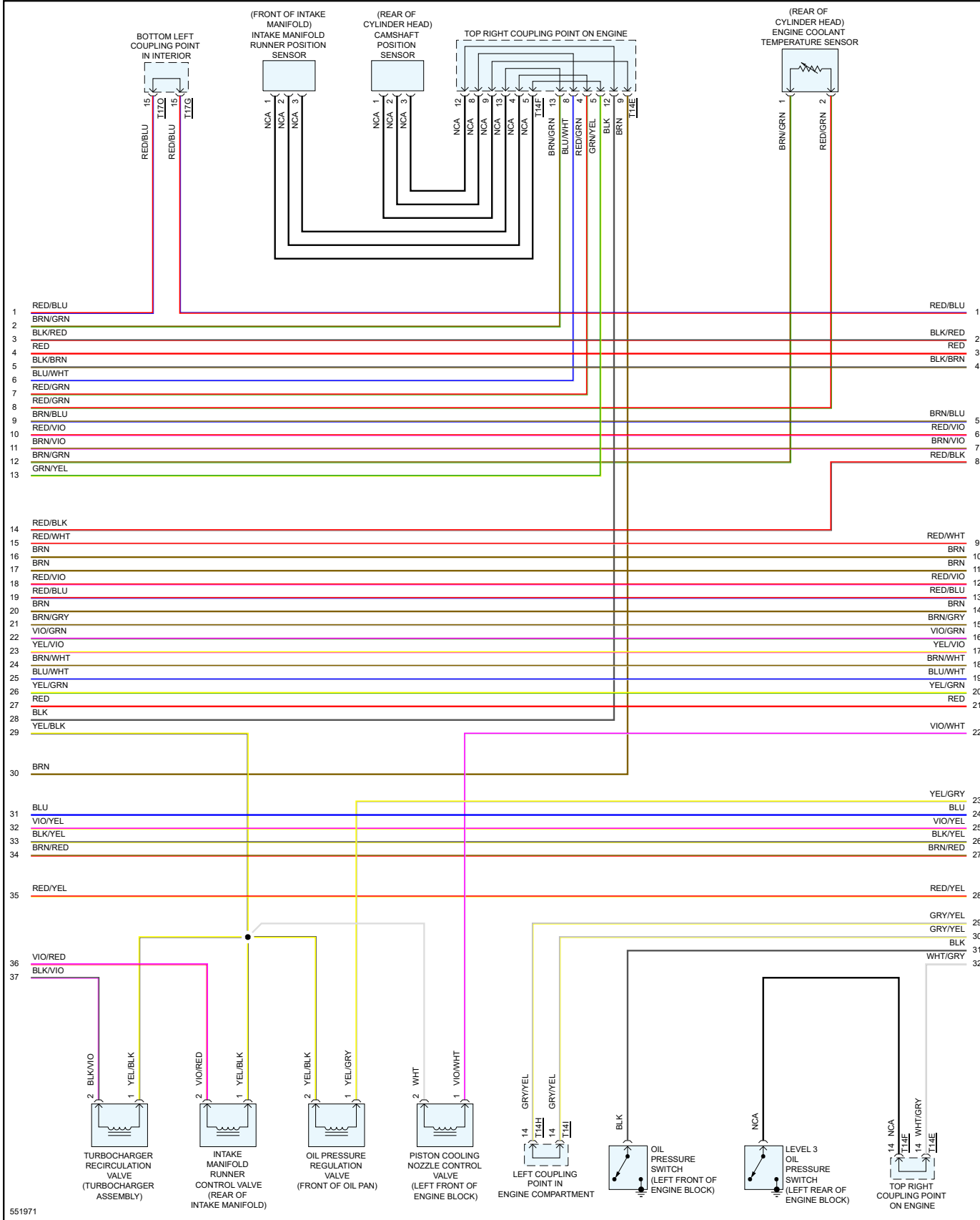
TOP RIGHT COUPLING POINT ON ENGINE

(INJECTOR FUEL DELIVERY LINE) FUEL PRESSURE SENSOR

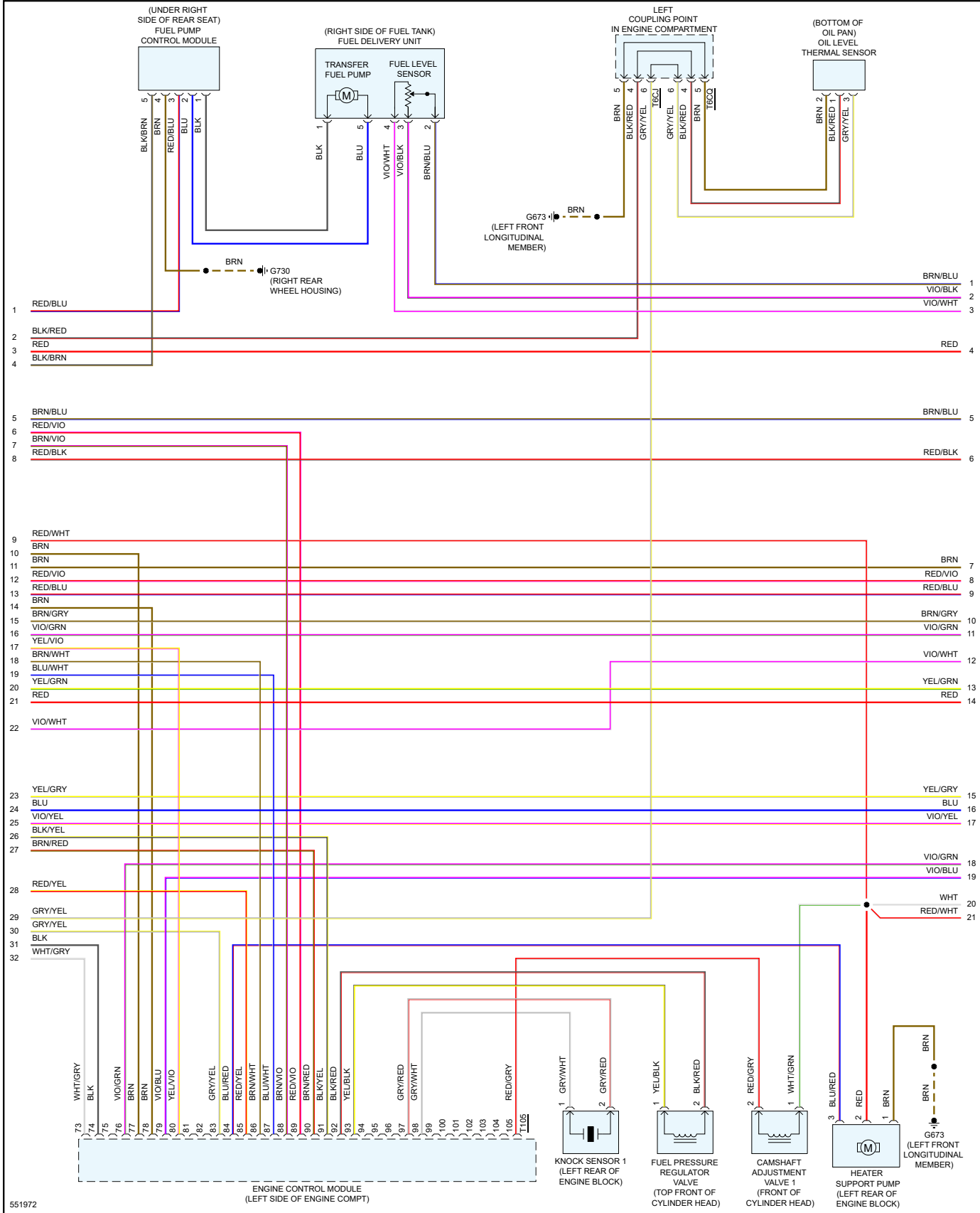
(TOP OF INTAKE MANIFOLD) MANIFOLD SENSOR



551970



551971



551972

