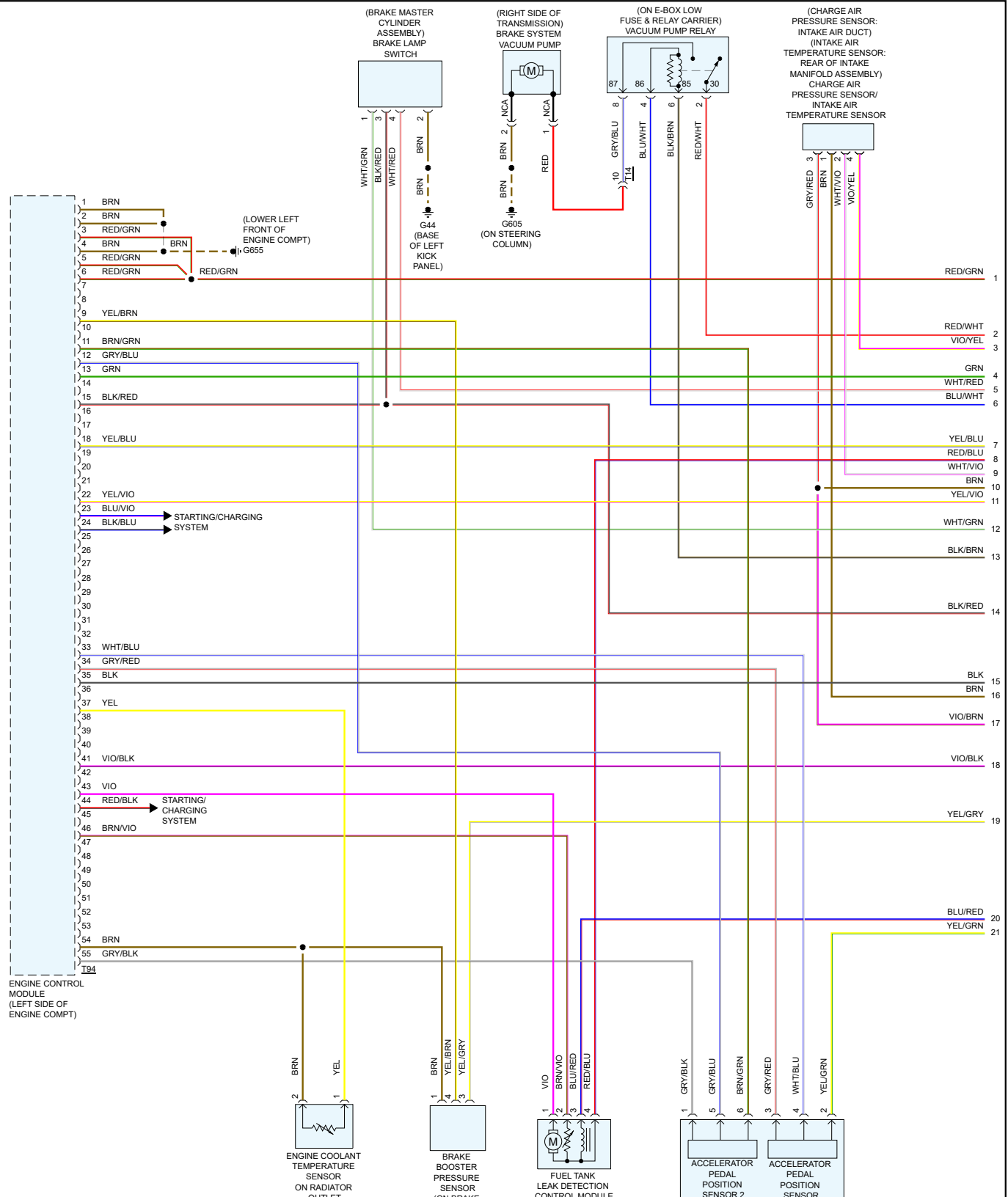


ENGINE CONTROLS

Engine Controls



OUTLET
(LOWER
RADIATOR OUTLET)

(ON BRAKE
VACUUM
BOOSTER
ASSEMBLY)

CONTROL RODS
(REAR OF RIGHT
REAR WHEELWELL)

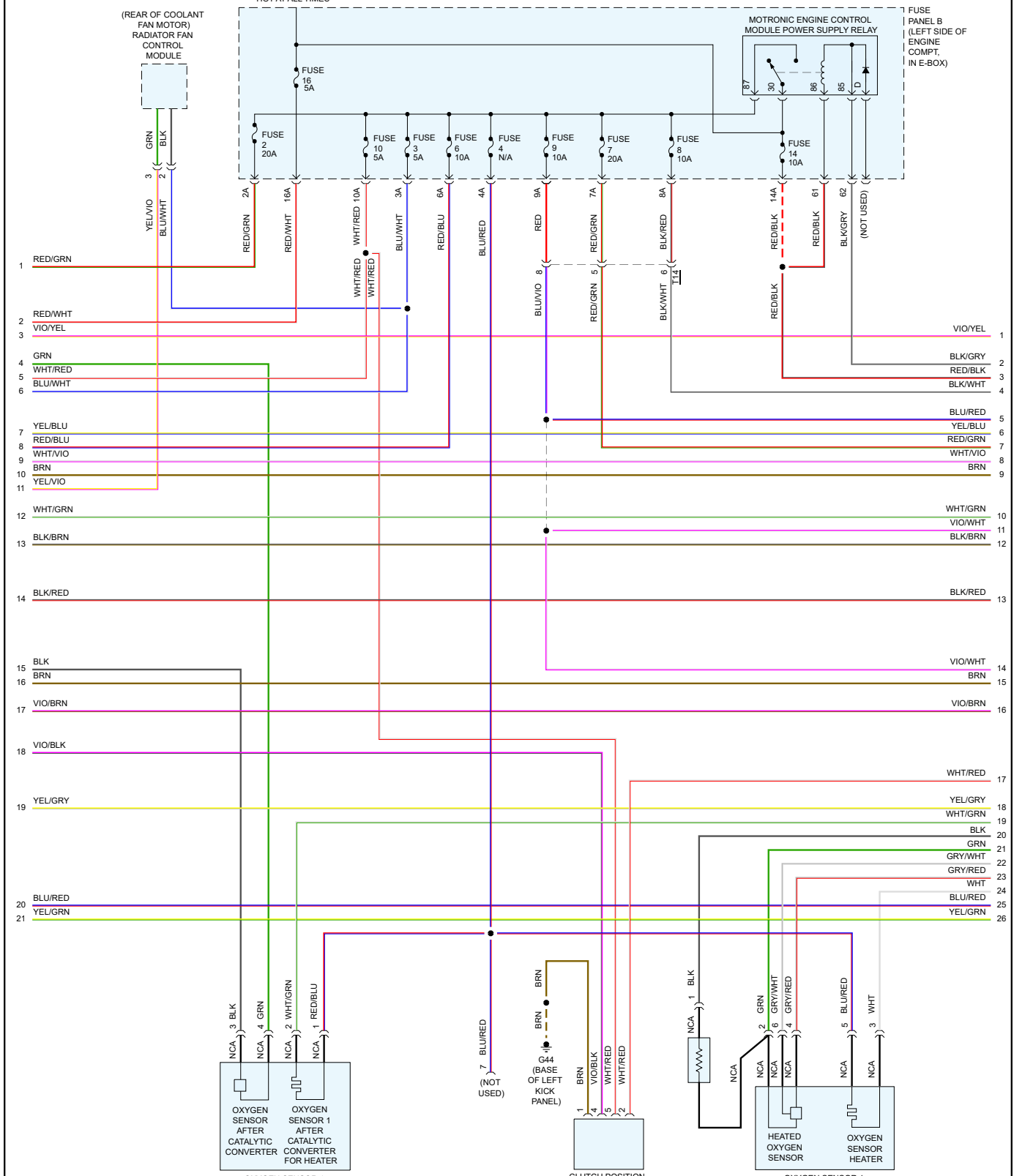
ACCELERATOR PEDAL MODULE
(PART OF ACCELERATOR PEDAL ASSEMBLY)

HOT AT ALL TIMES

(REAR OF COOLANT FAN MOTOR) RADIATOR FAN CONTROL MODULE

MOTRONIC ENGINE CONTROL MODULE POWER SUPPLY RELAY

FUSE PANEL B (LEFT SIDE OF ENGINE COMPT, IN E-BOX)



OXYGEN SENSOR 1

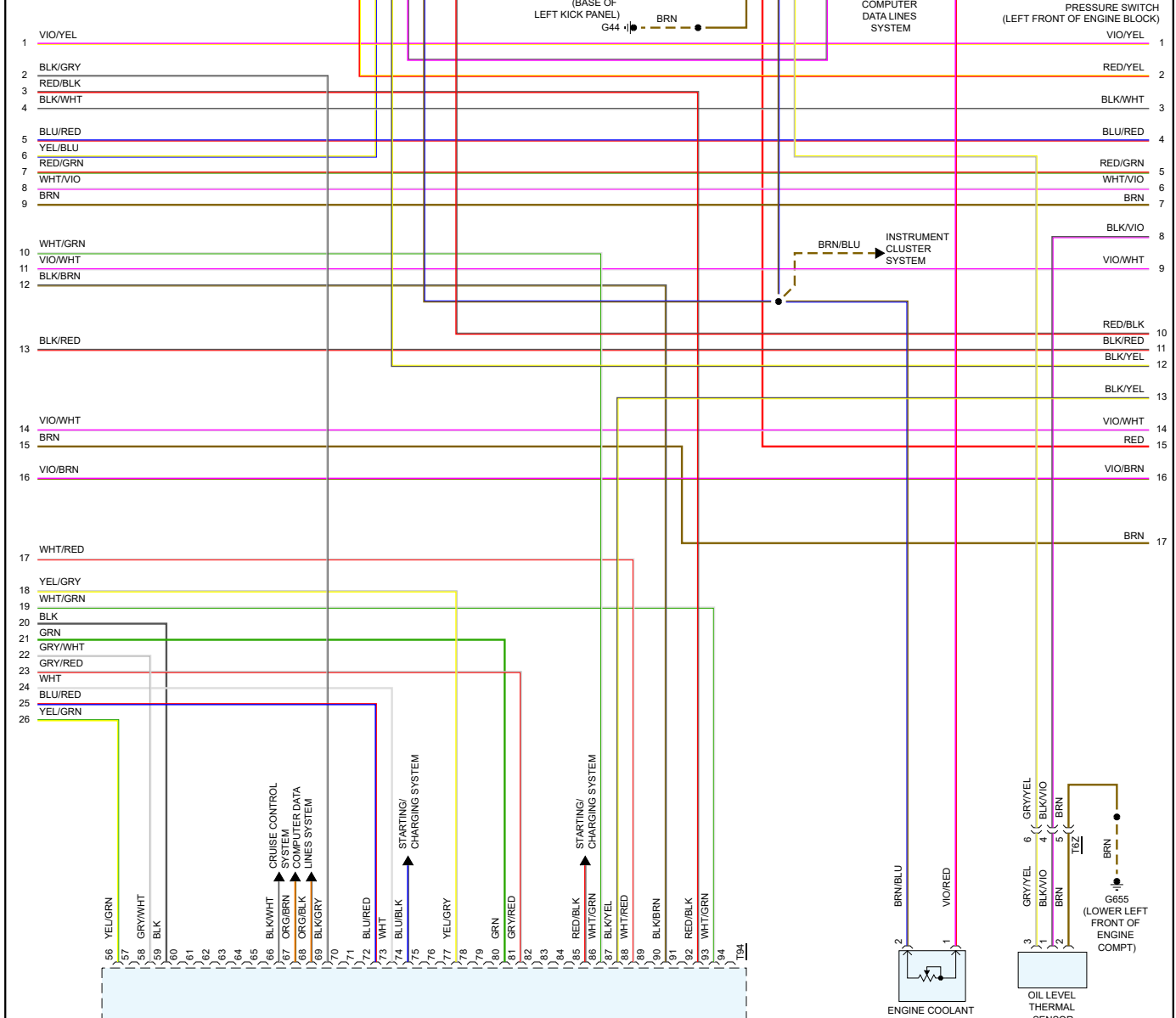
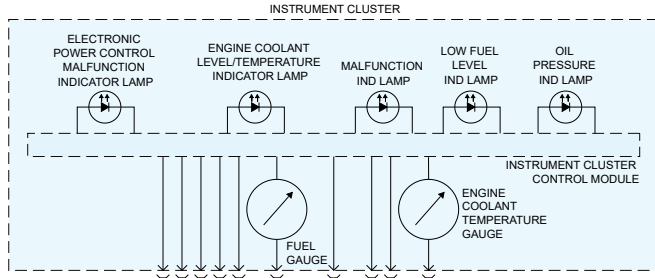
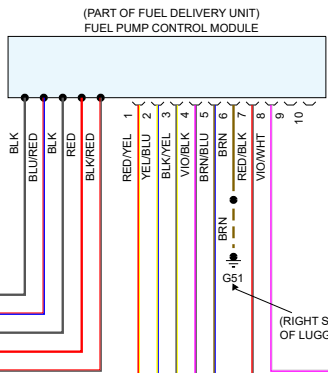
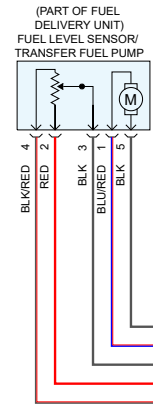
CLUTCH POSITION

OXYGEN SENSOR 1

AFTER CATALYTIC
CONVERTER
(CATALYTIC
CONVERTER 2
OUTLET)

SENSOR
(MT)
(ON CLUTCH PEDAL
SLAVE CYLINDER)

BEFORE
CATALYTIC
CONVERTER
(ON TURBOCHARGER)



(RIGHT SIDE OF LUGGAGE COMPT)

(BASE OF LEFT KICK PANEL)
G44

TI14

REDUCED OIL PRESSURE SWITCH (LEFT FRONT OF ENGINE BLOCK)

BRN/BLU

INSTRUMENT CLUSTER SYSTEM

3 GRY/YEL 6 GRY/YEL
1 BLK/VIO 4 BLK/VIO
2 BRN 5 BRN

TI12

G655 (LOWER LEFT FRONT OF ENGINE COMPT)

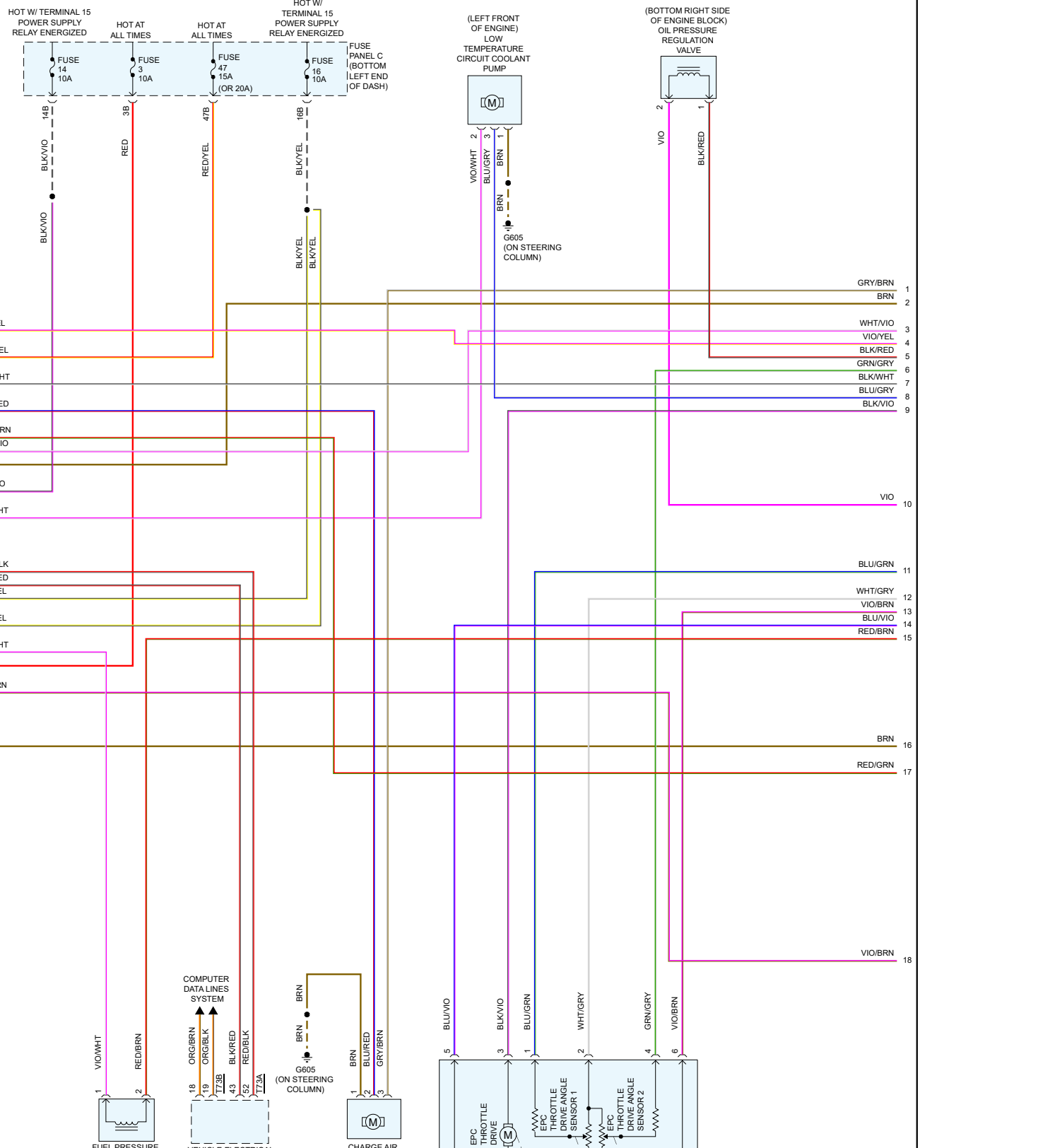
ENGINE COOLANT LEVEL SENSOR

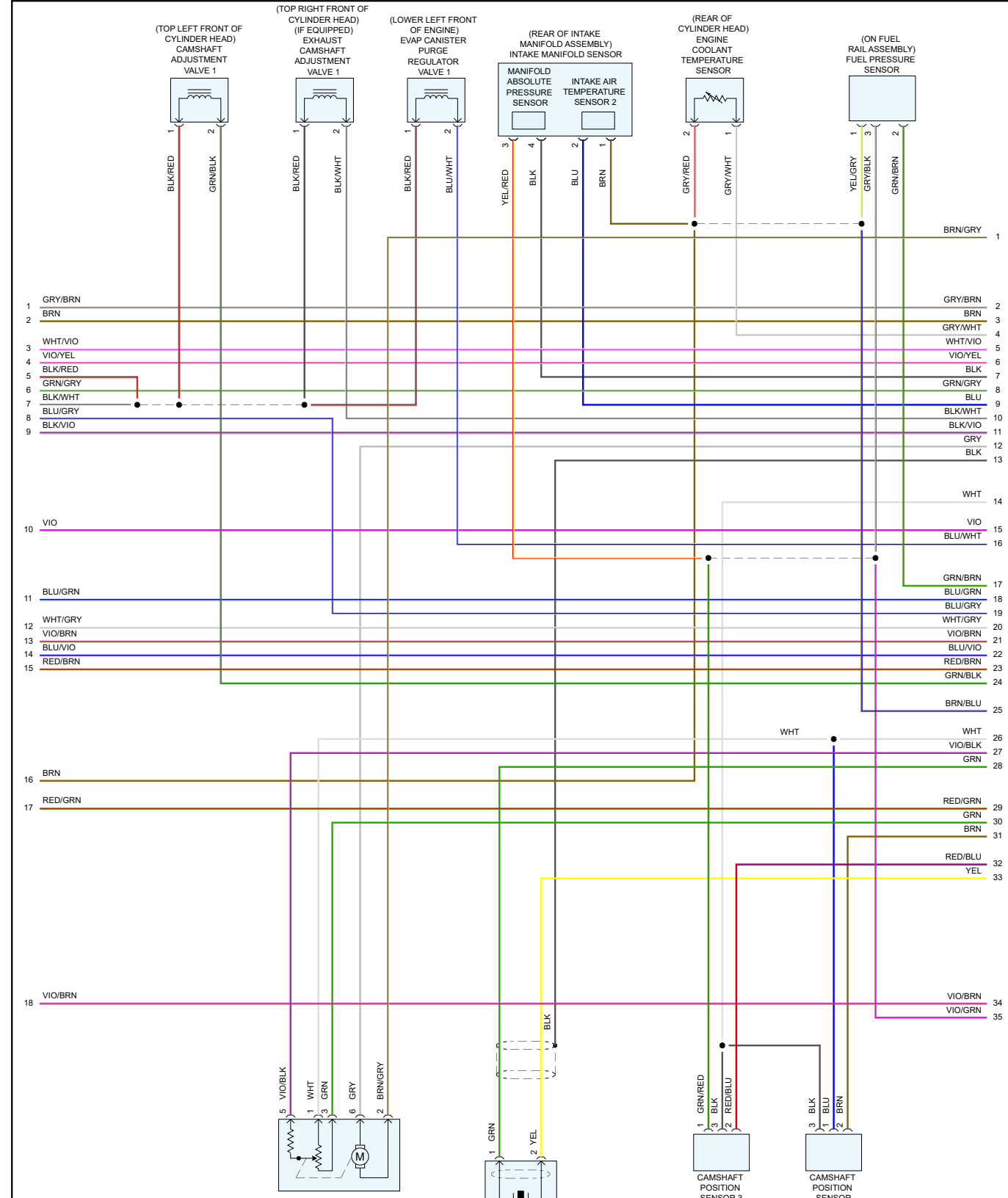
OIL LEVEL THERMAL SENSOR

ENGINE CONTROL MODULE
(LEFT SIDE OF ENGINE COMPT)


(COOLANT
RESERVOIR)

(W FLEXIBLE
SERVICE INTERVAL
REMINDER)
(OIL PAN ASSEMBLY)



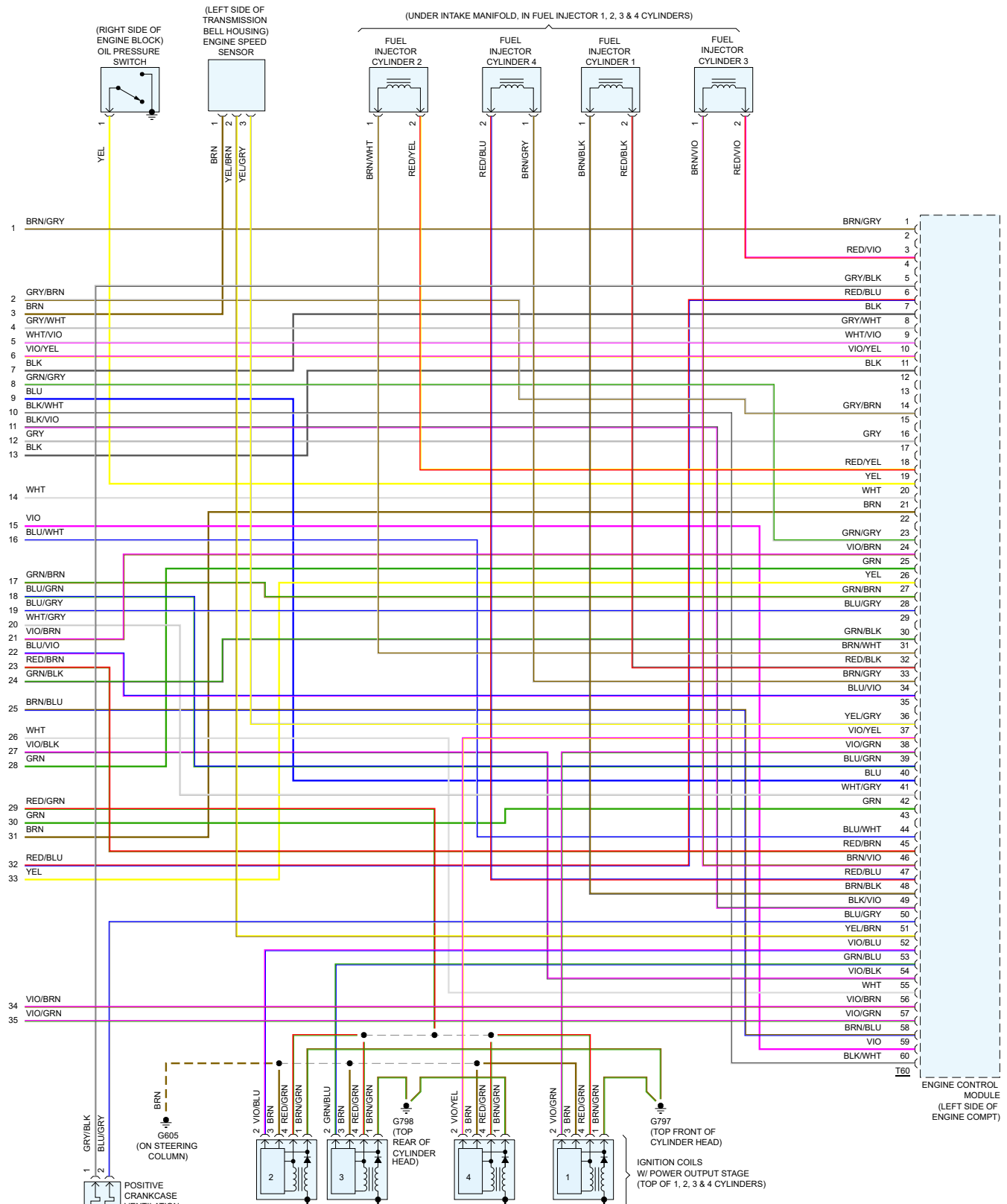


CHARGE AIR PRESSURE ACTUATOR &
CHARGE AIR PRESSURE ACTUATOR
POSITION SENSOR
(ON TURBOCHARGER ASSEMBLY)


KNOCK SENSOR 1
(LEFT SIDE OF
ENGINE BLOCK)

SENSOR 3
(LEFT REAR OF
CYLINDER HEAD)

SENSOR 4
(RIGHT REAR OF
CYLINDER HEAD)



- | | |
|----|---------|
| 1 | BRN/GRY |
| 2 | |
| 3 | RED/VIO |
| 4 | |
| 5 | GRY/BLK |
| 6 | RED/BLU |
| 7 | BLK |
| 8 | GRY/WHT |
| 9 | WHT/VIO |
| 10 | VIO/YEL |
| 11 | BLK |
| 12 | |
| 13 | |
| 14 | GRY/BRN |
| 15 | |
| 16 | GRY |
| 17 | |
| 18 | RED/YEL |
| 19 | YEL |
| 20 | WHT |
| 21 | BRN |
| 22 | |
| 23 | GRN/GRY |
| 24 | VIO/BRN |
| 25 | GRN |
| 26 | YEL |
| 27 | GRN/BRN |
| 28 | BLU/GRY |
| 29 | |
| 30 | GRN/BLK |
| 31 | BRN/WHT |
| 32 | RED/BLK |
| 33 | BRN/GRY |
| 34 | BLU/VIO |
| 35 | |
| 36 | YEL/GRY |
| 37 | VIO/YEL |
| 38 | VIO/GRN |
| 39 | BLU/GRN |
| 40 | BLU |
| 41 | WHT/GRY |
| 42 | GRN |
| 43 | |
| 44 | BLU/WHT |
| 45 | RED/BRN |
| 46 | BRN/VIO |
| 47 | RED/BLU |
| 48 | BRN/BLK |
| 49 | BLK/VIO |
| 50 | BLU/GRY |
| 51 | YEL/BRN |
| 52 | VIO/BLU |
| 53 | GRN/BLU |
| 54 | VIO/BLK |
| 55 | WHT |
| 56 | VIO/BRN |
| 57 | VIO/GRN |
| 58 | BRN/BLU |
| 59 | VIO |
| 60 | BLK/WHT |

ENGINE CONTROL MODULE (LEFT SIDE OF ENGINE COMPT)

VENTILATION
HEATING
ELEMENT
(ON CRANKCASE
VENT HOSE)

