



Fig 2: 4.4L VIN D, Engine Performance Circuit (2 of 5)

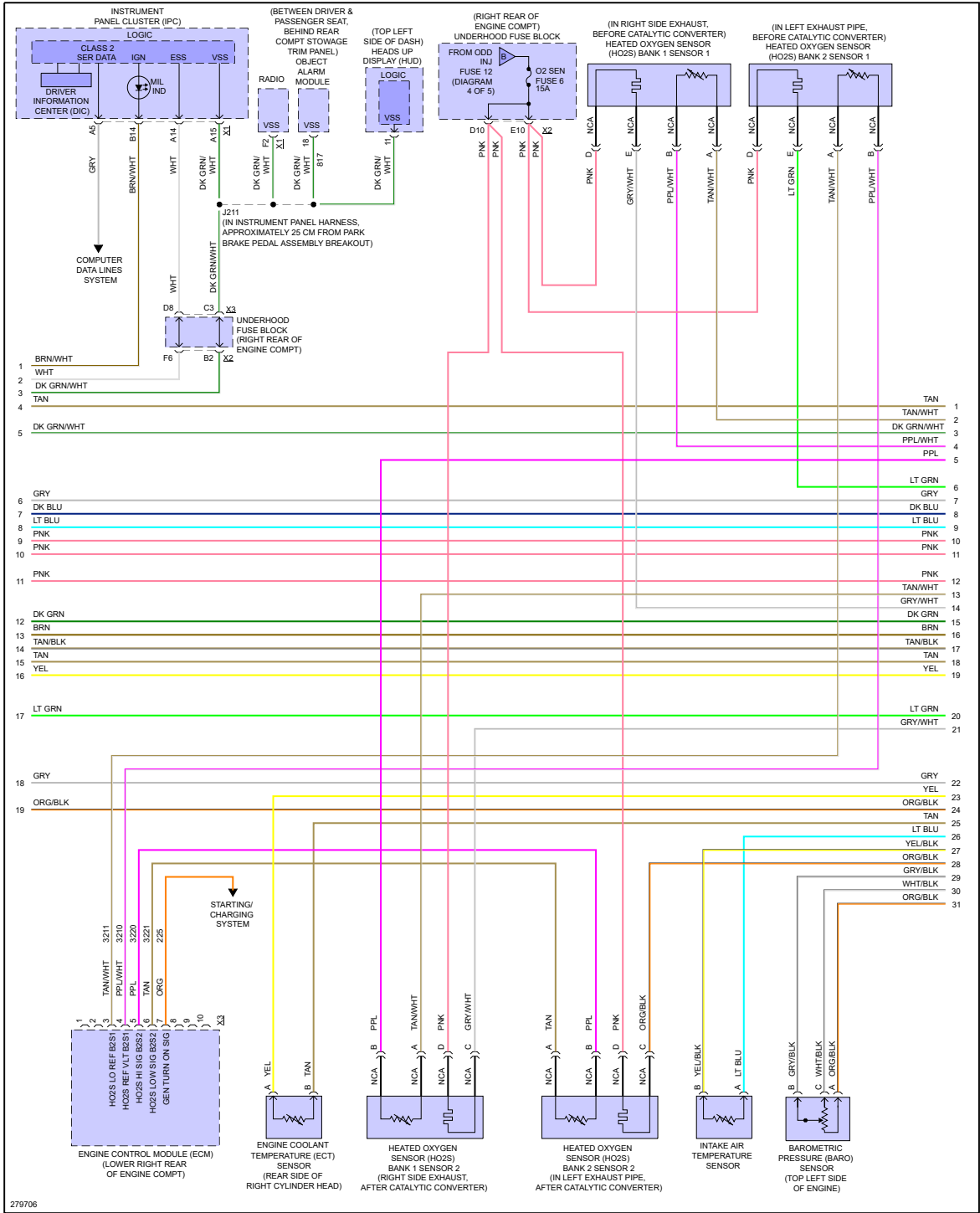


Fig 3: 4.4L VIN D, Engine Performance Circuit (3 of 5)

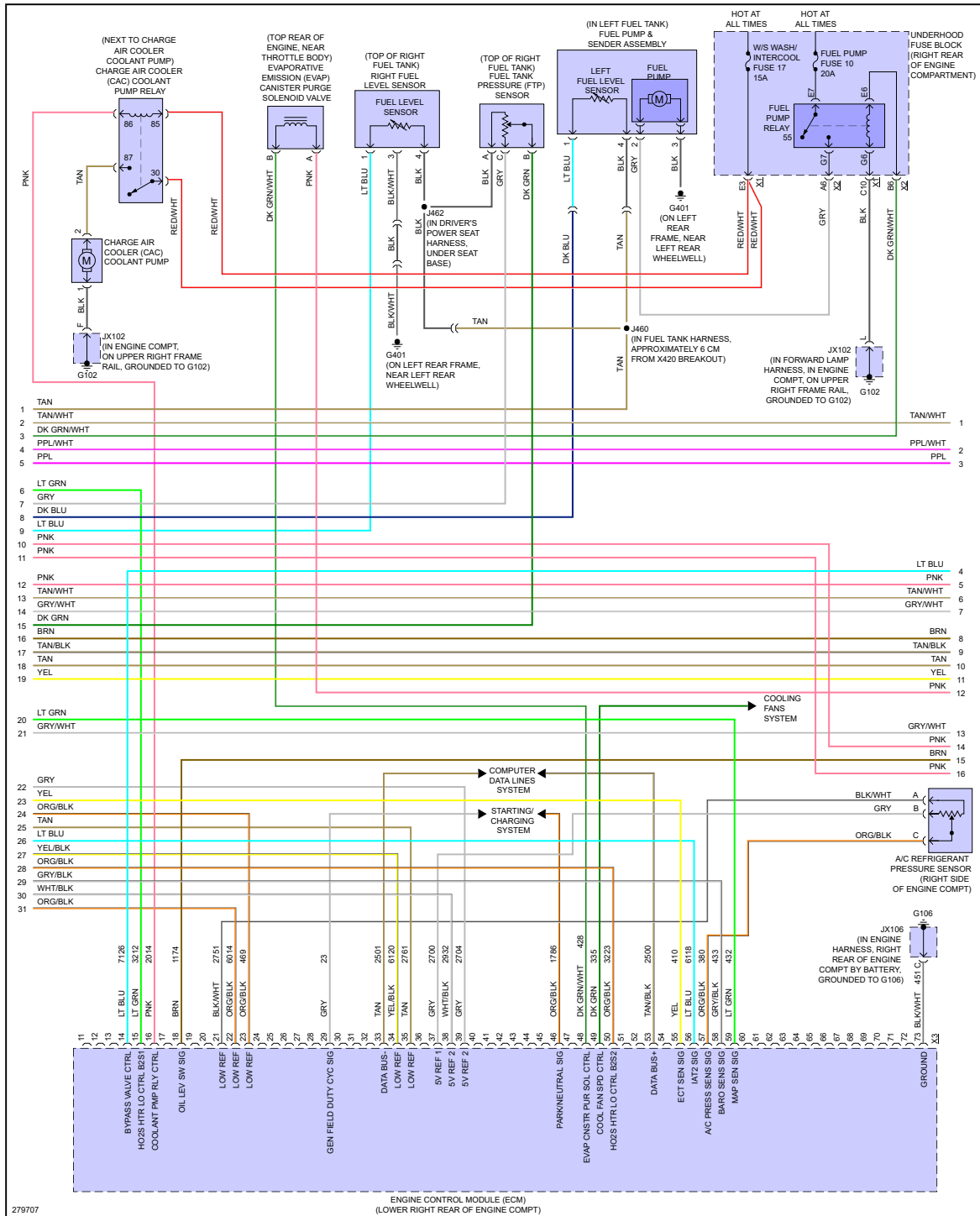


Fig 4: 4.4L VIN D, Engine Performance Circuit (4 of 5)

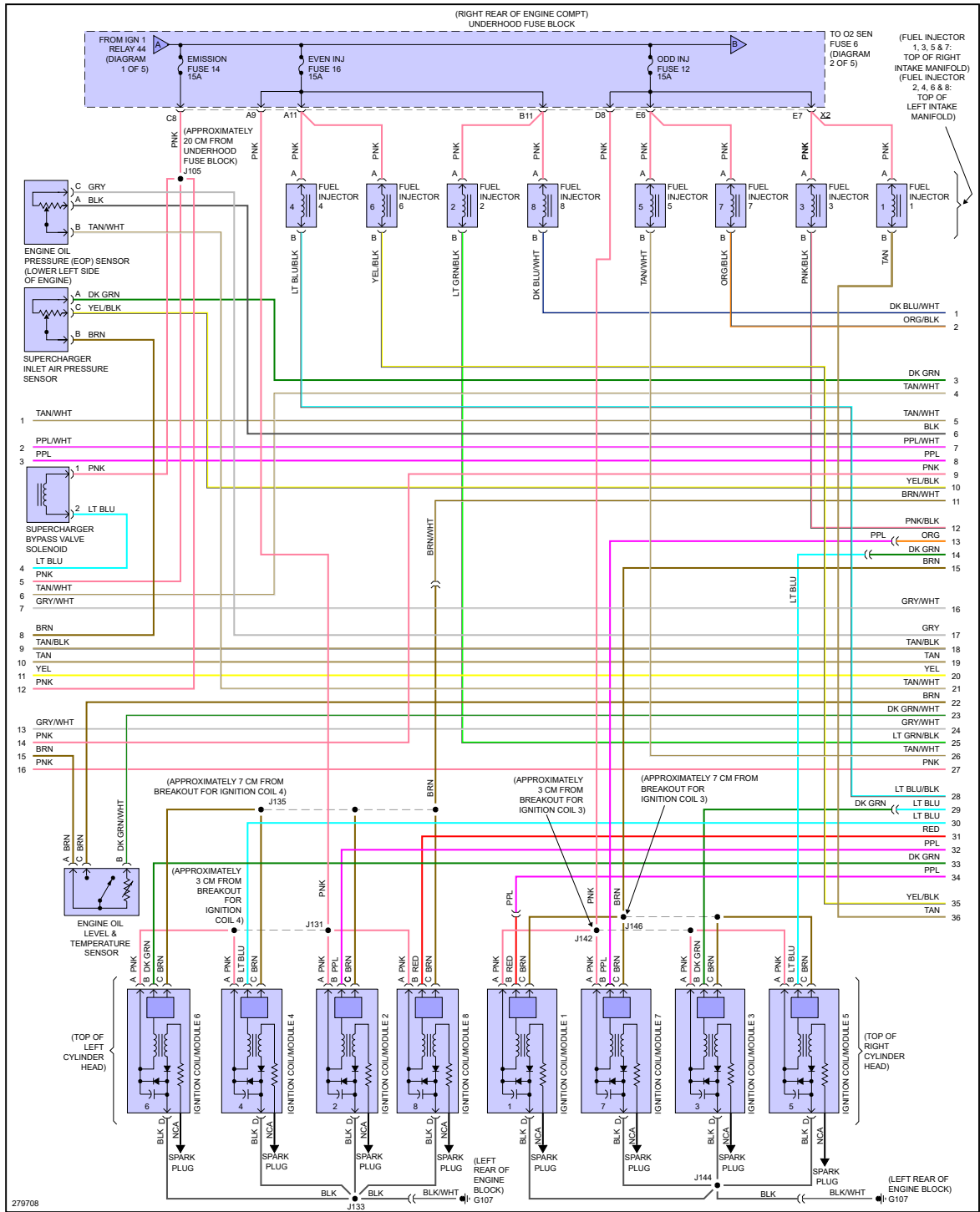


Fig 5: 4.4L VIN D, Engine Performance Circuit (5 of 5)

