



Fig 2: 1.6L, MFI Control Circuit, A/T (1 of 7)

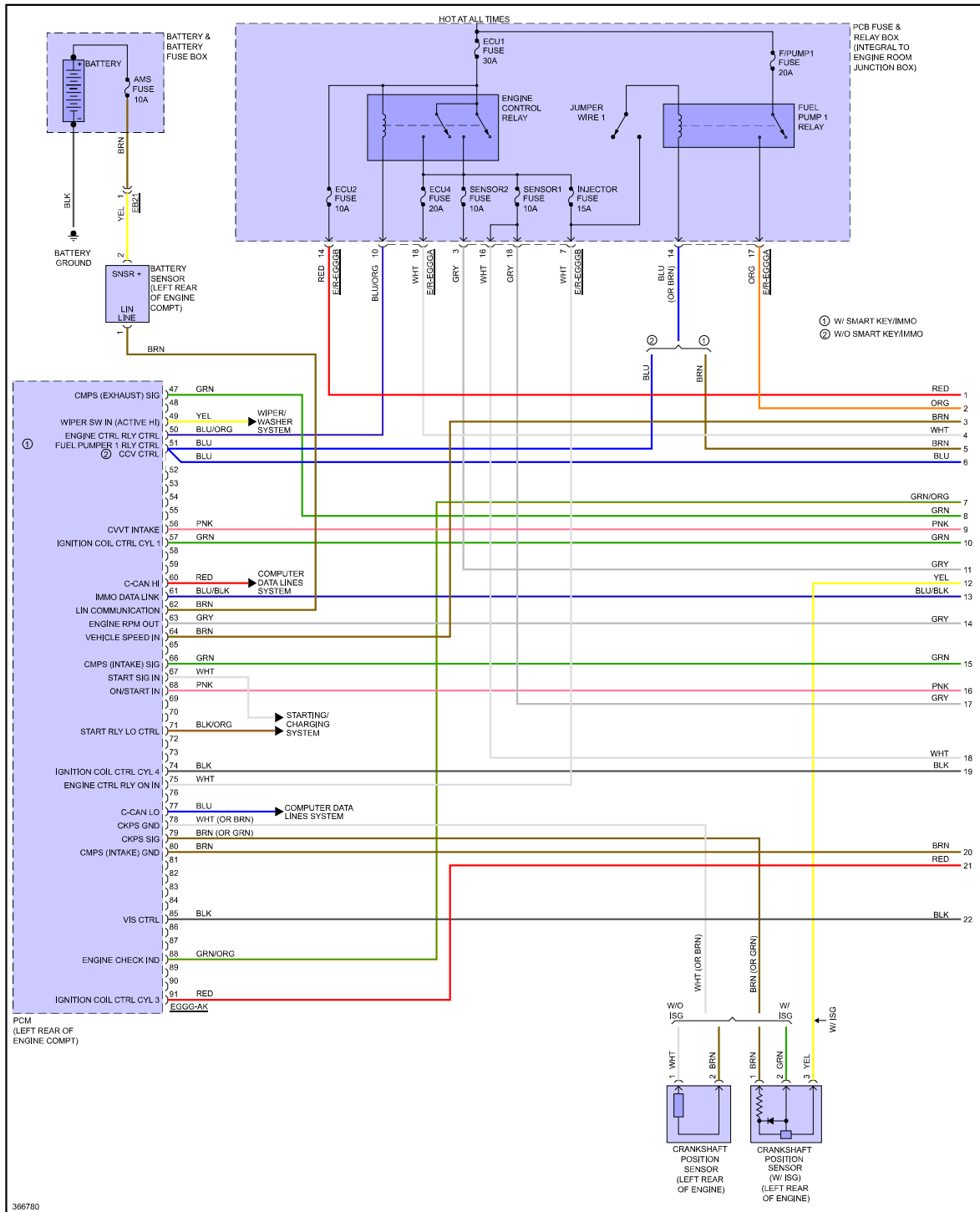


Fig 3: 1.6L, MFI Control Circuit, A/T (2 of 7)

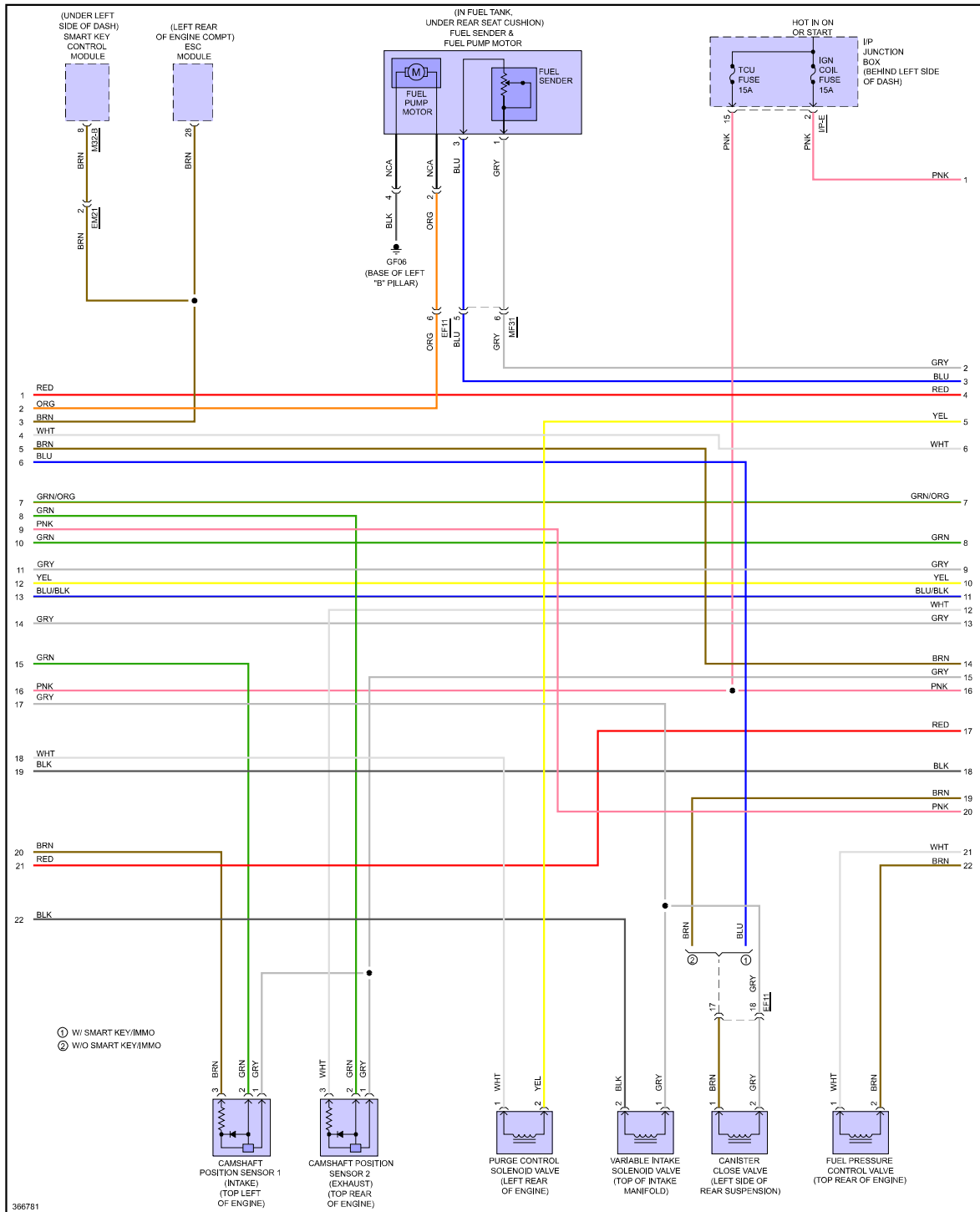


Fig 4: 1.6L, MFI Control Circuit, A/T (3 of 7)

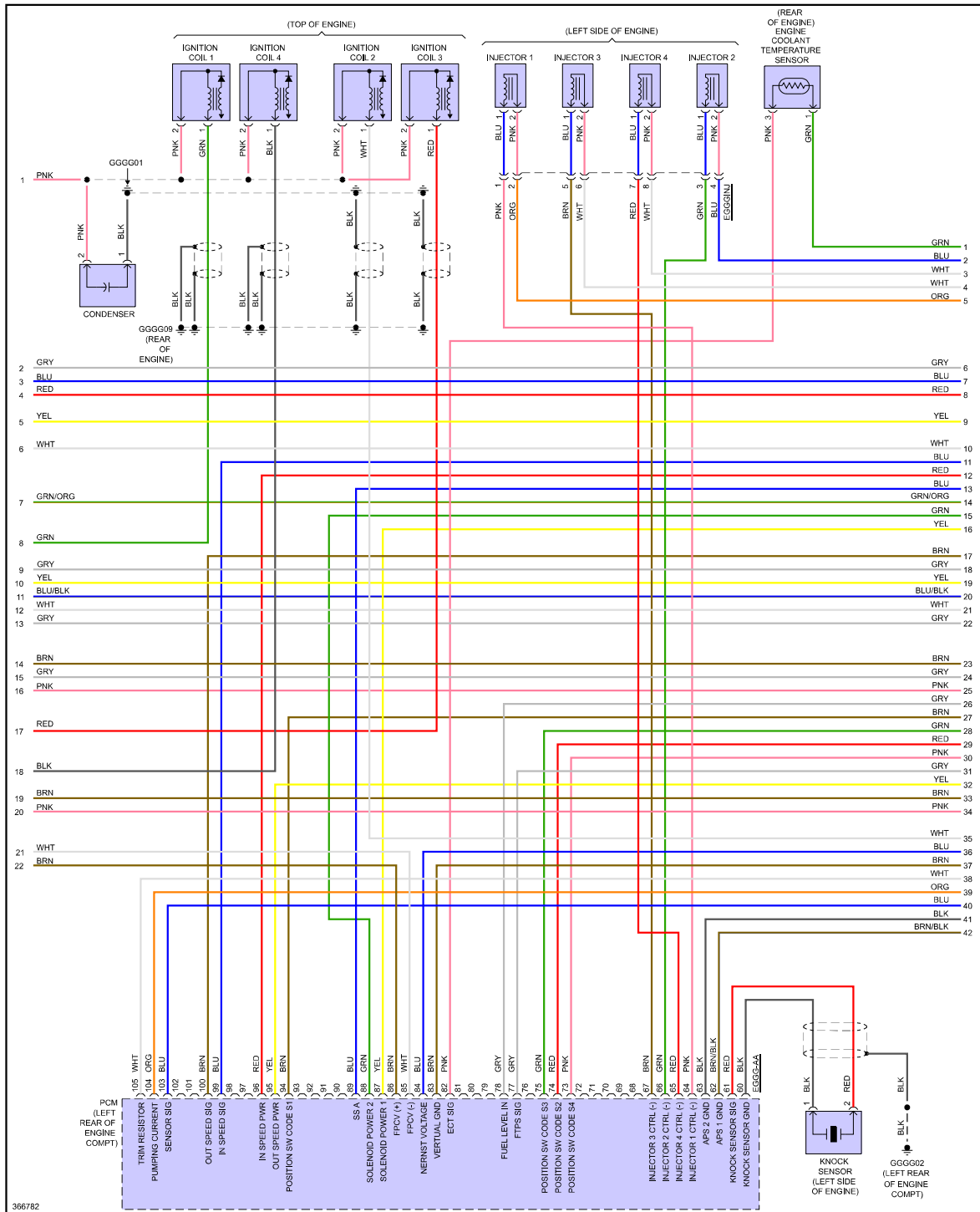


Fig 5: 1.6L, MFI Control Circuit, A/T (4 of 7)

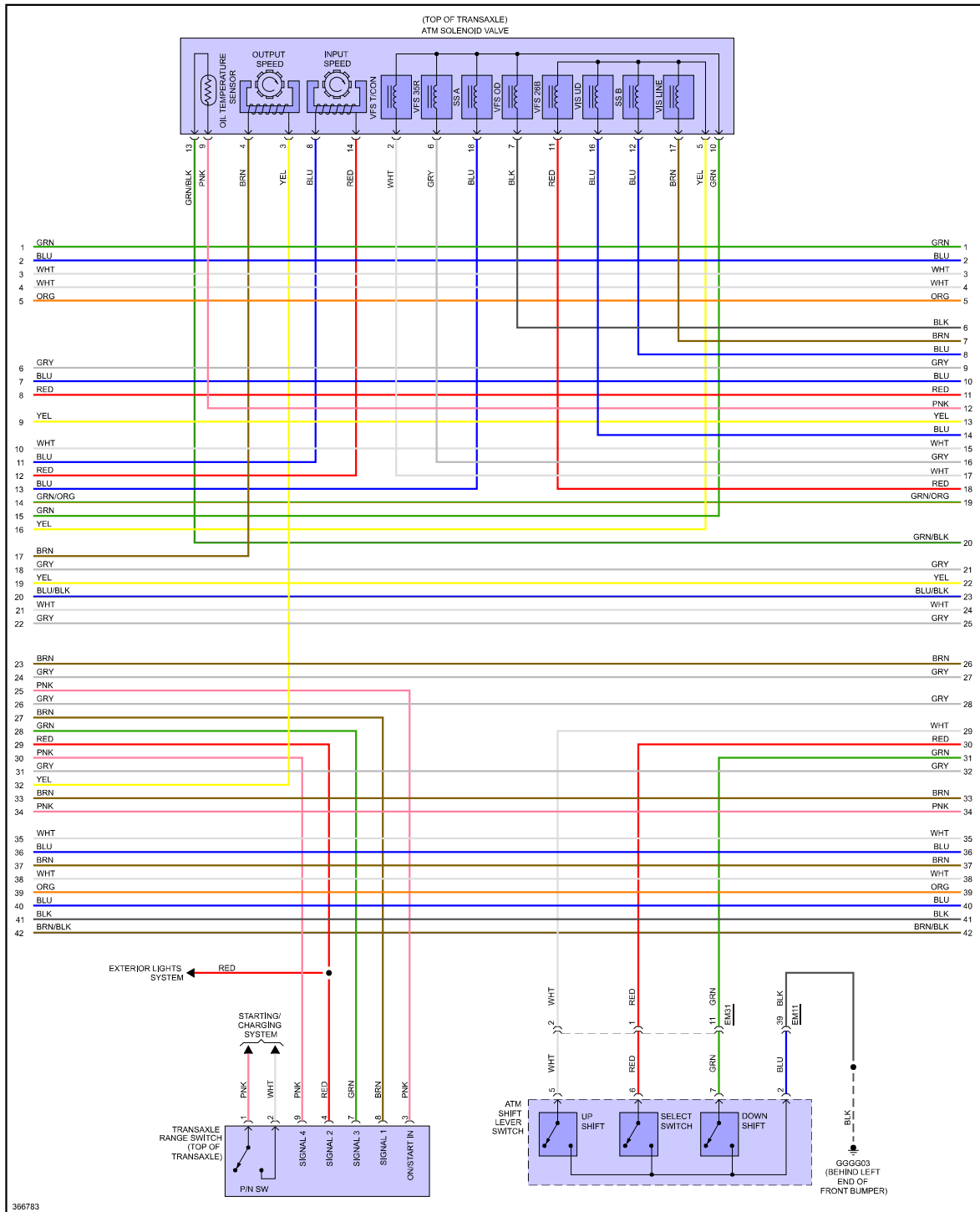


Fig 6: 1.6L, MFI Control Circuit, A/T (5 of 7)

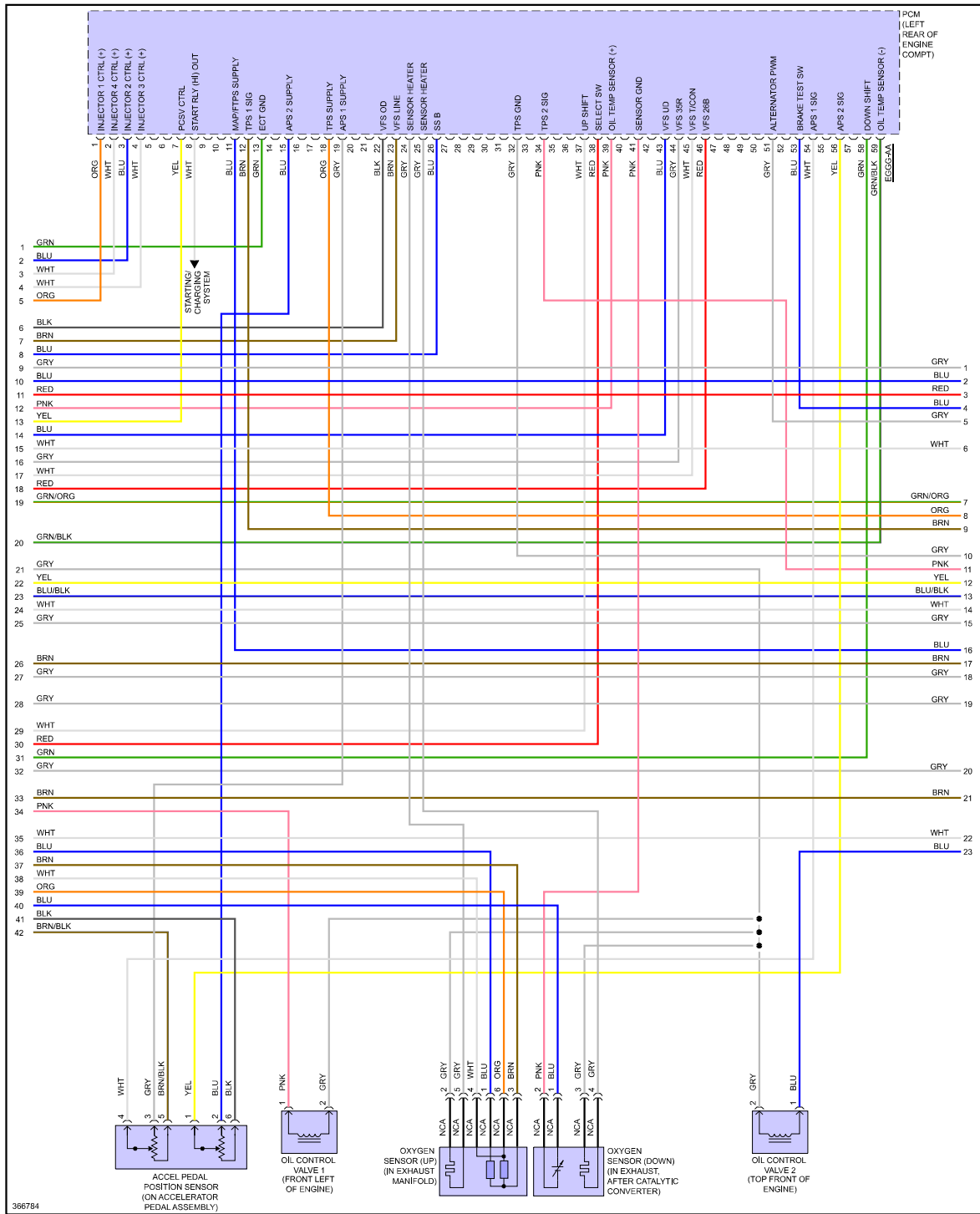


Fig 7: 1.6L, MFI Control Circuit, A/T (6 of 7)

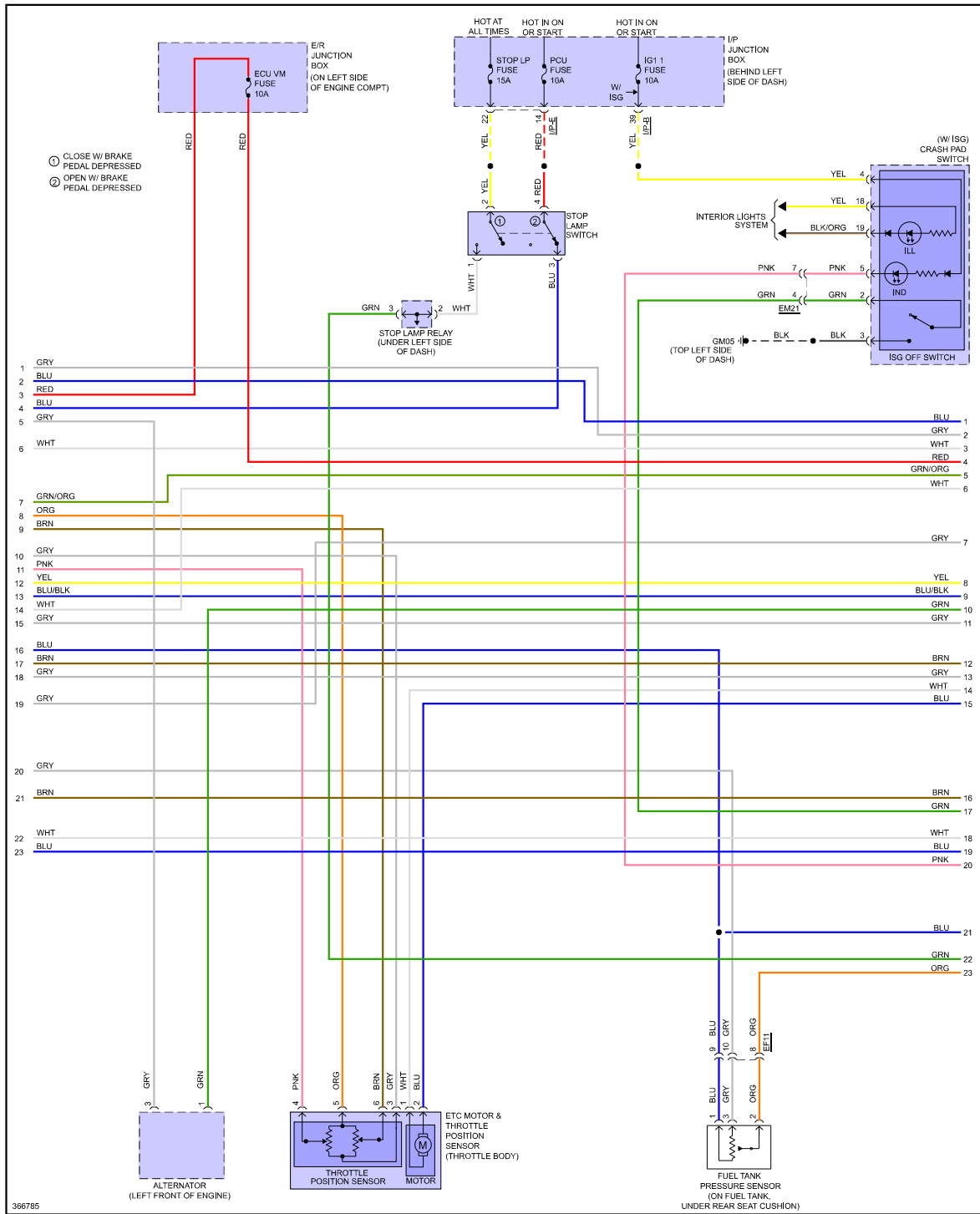


Fig 8: 1.6L, MFI Control Circuit, A/T (7 of 7)

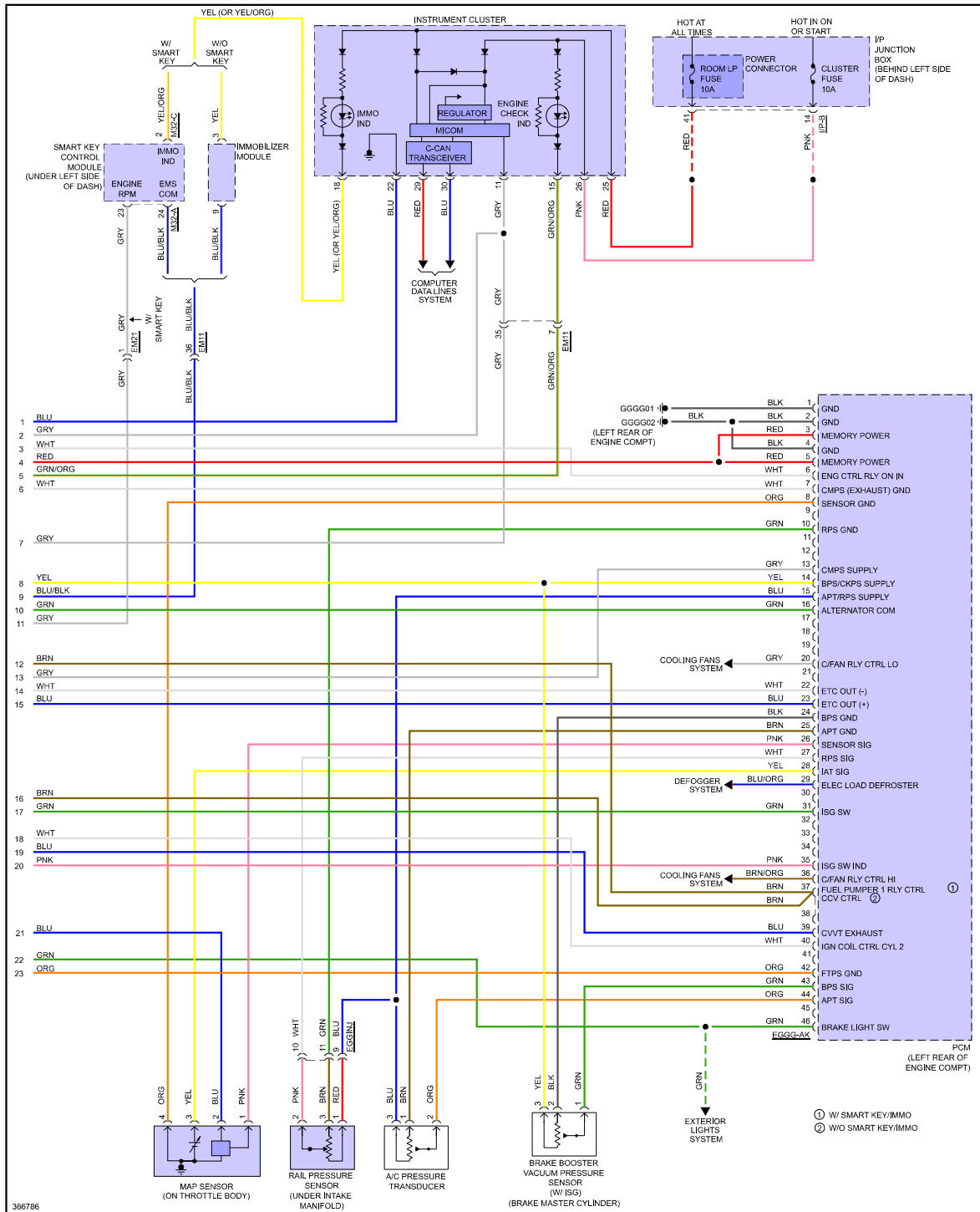




Fig 9: 1.6L, MFI Control Circuit, M/T (1 of 5)

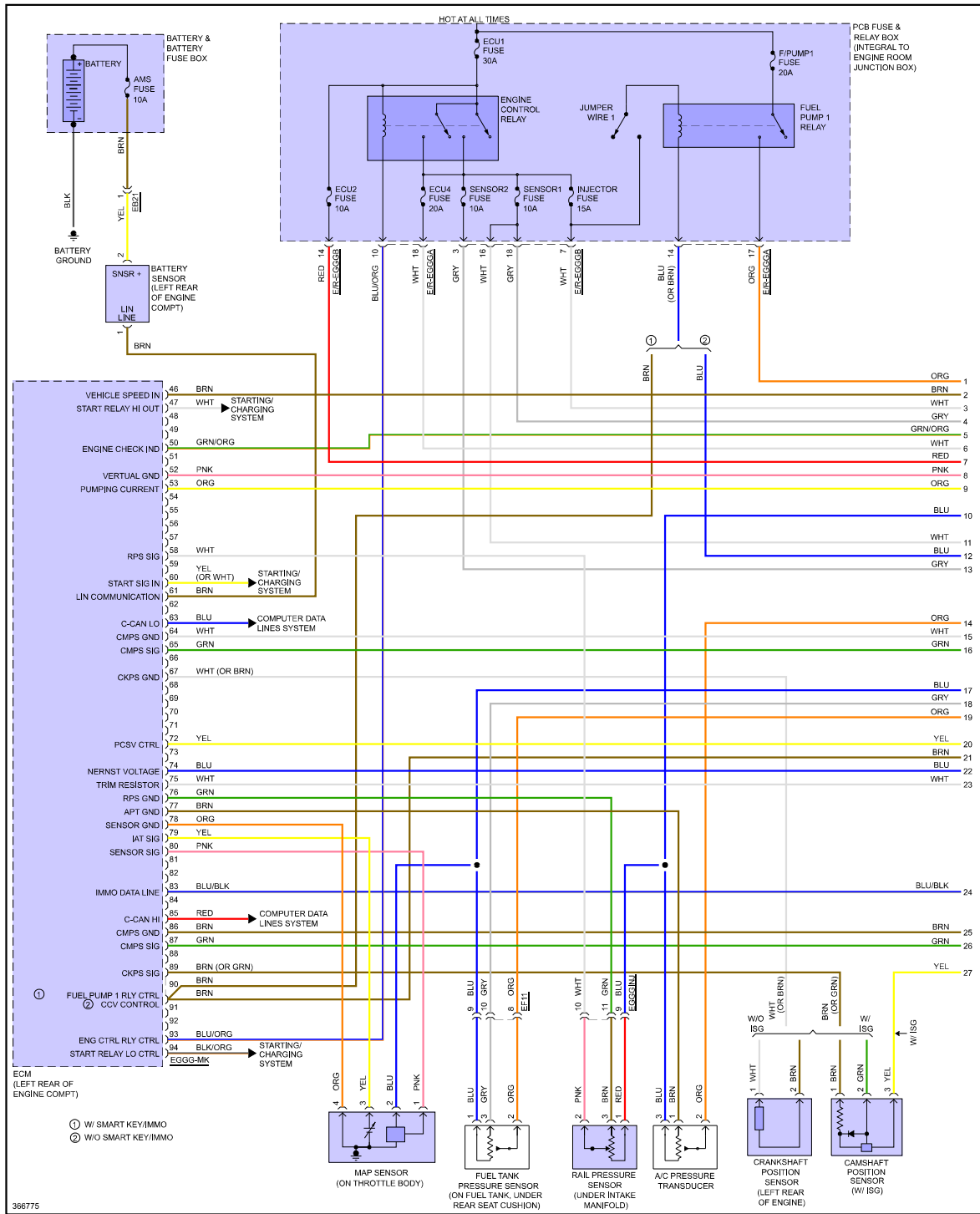


Fig 10: 1.6L, MFI Control Circuit, M/T (2 of 5)

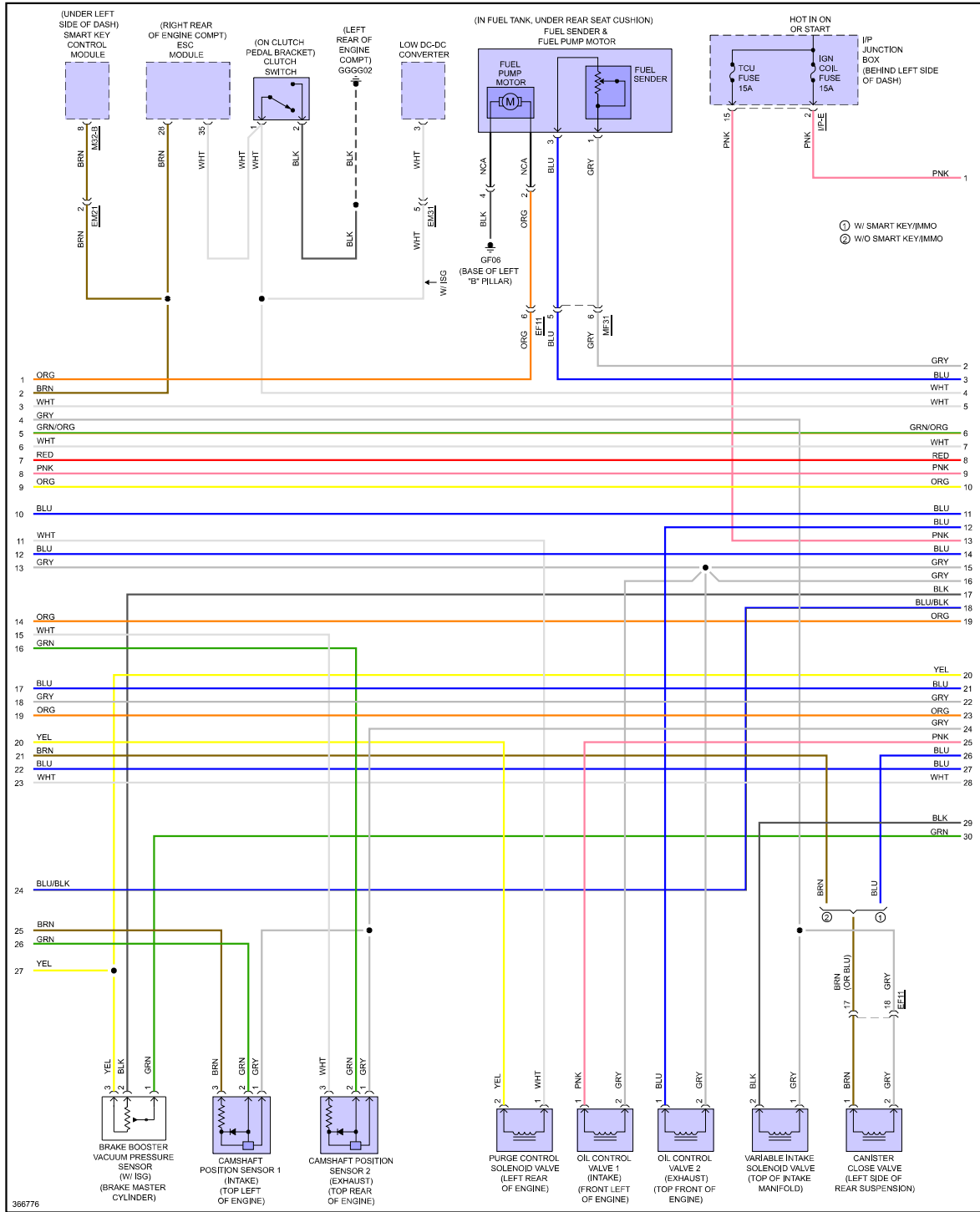
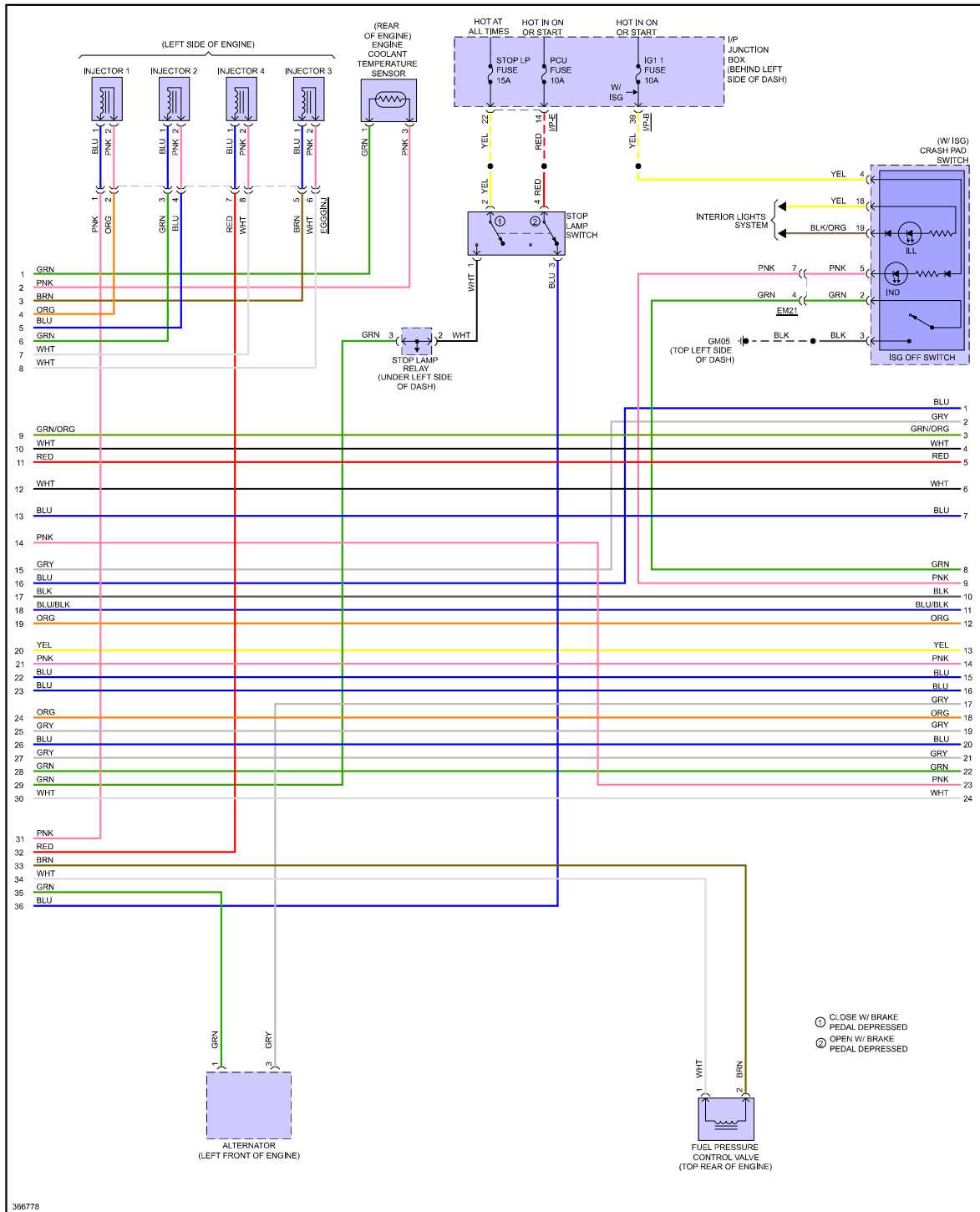




Fig 12: 1.6L, MFI Control Circuit, M/T (4 of 5)



366778

Fig 13: 1.6L, MFI Control Circuit, M/T (5 of 5)

