

Fig 8: 1.6L Turbo, Engine Performance Circuit, M/T (1 of 5)

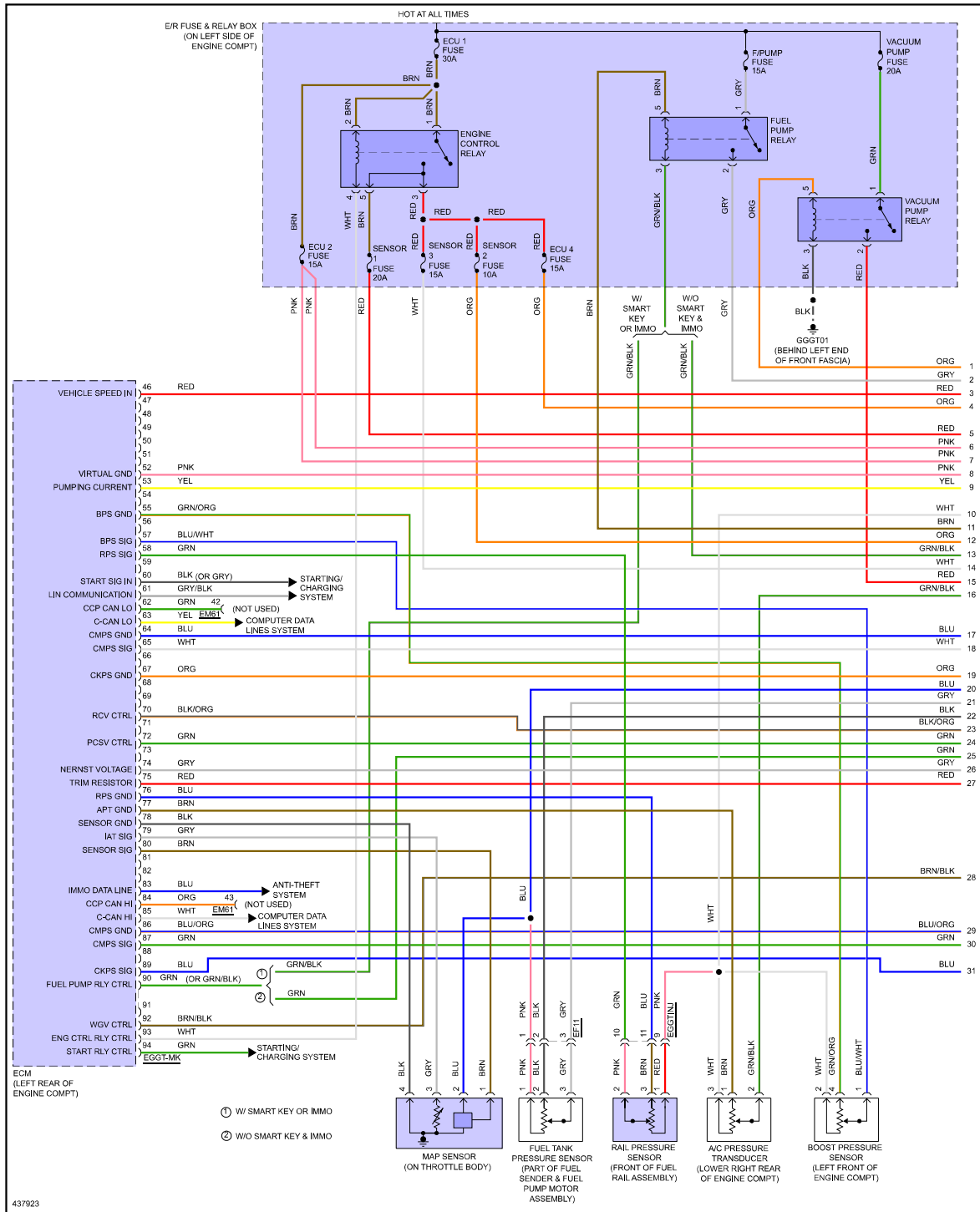


Fig 9: 1.6L Turbo, Engine Performance Circuit, M/T (2 of 5)

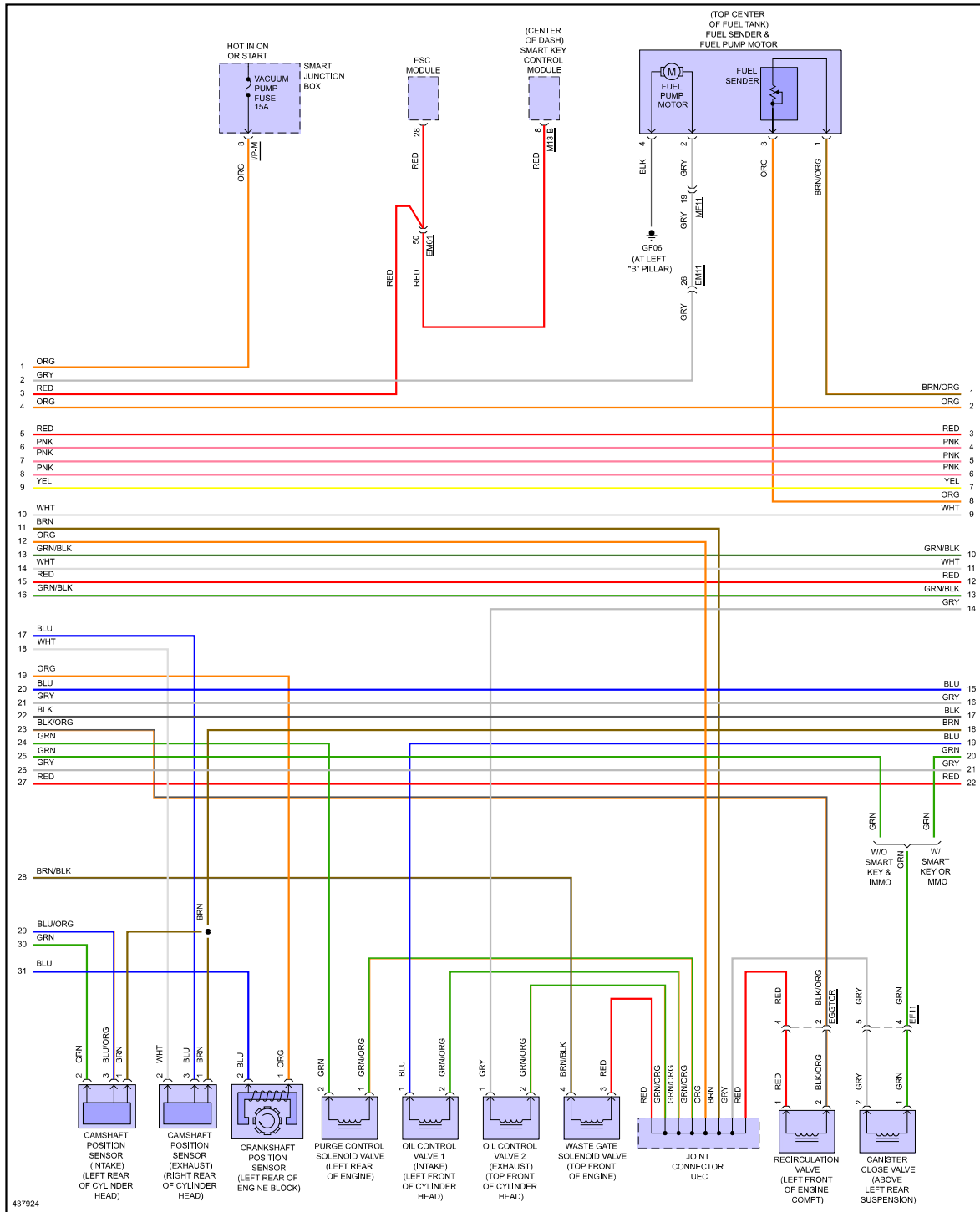


Fig 10: 1.6L Turbo, Engine Performance Circuit, M/T (3 of 5)

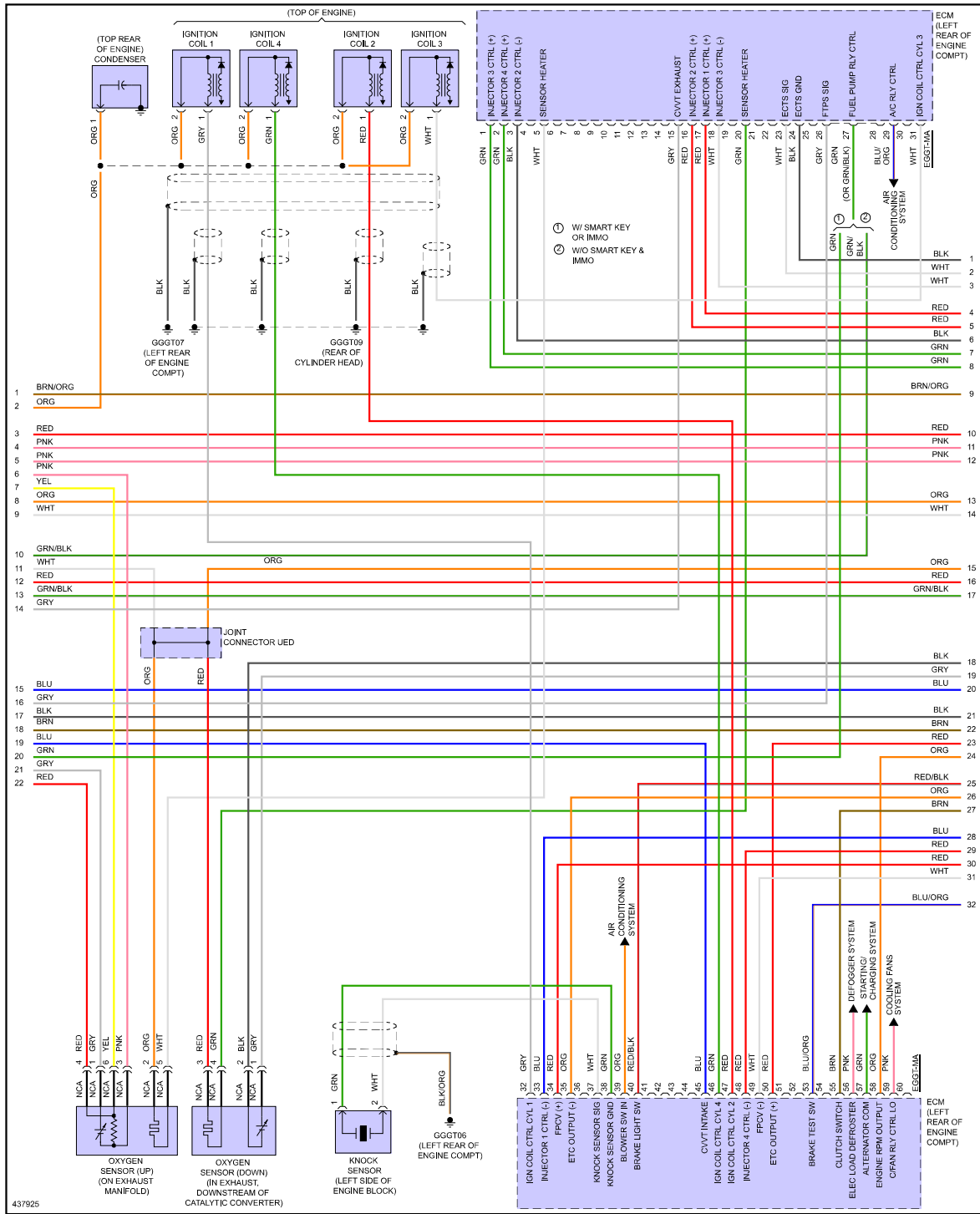


Fig 11: 1.6L Turbo, Engine Performance Circuit, M/T (4 of 5)

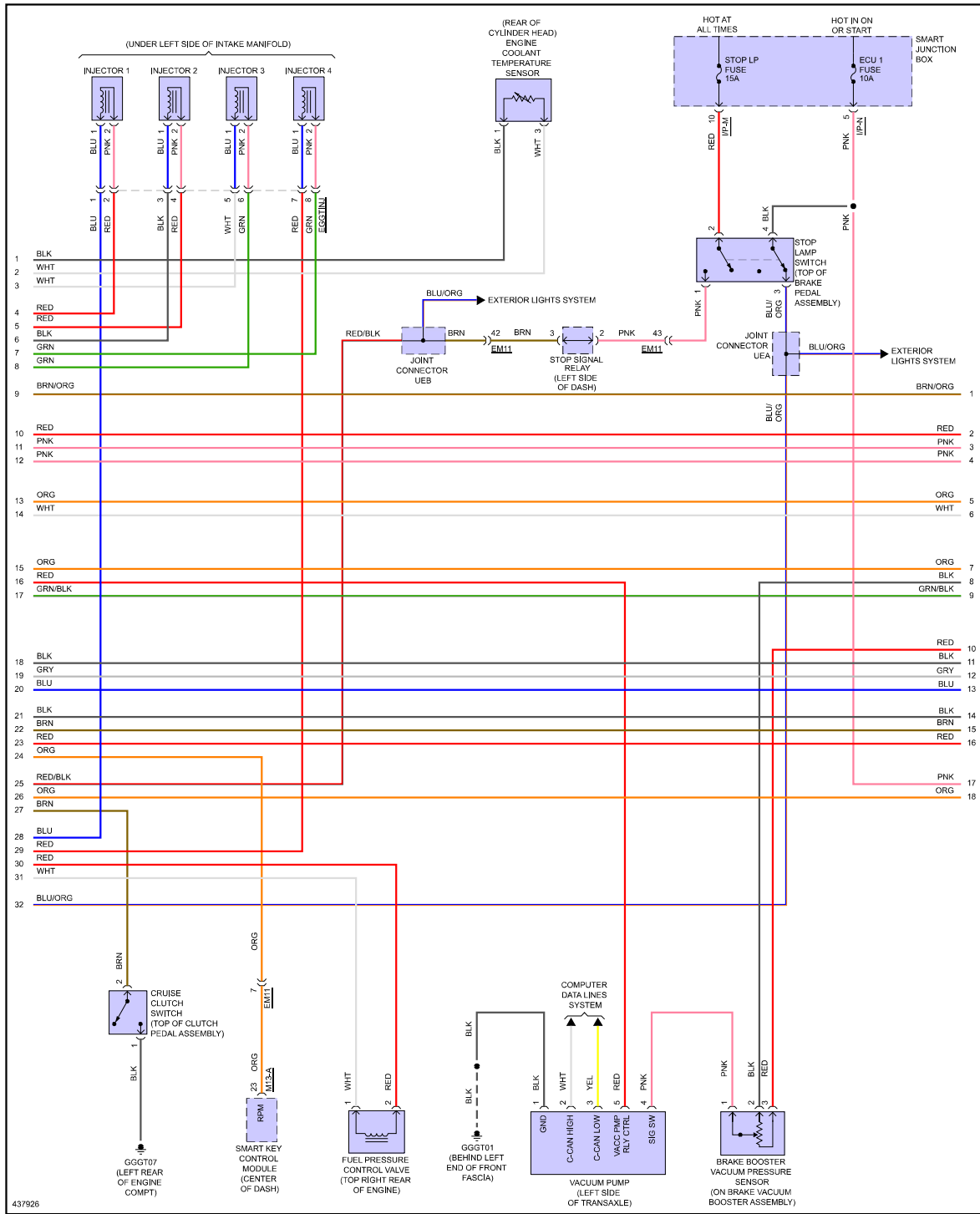
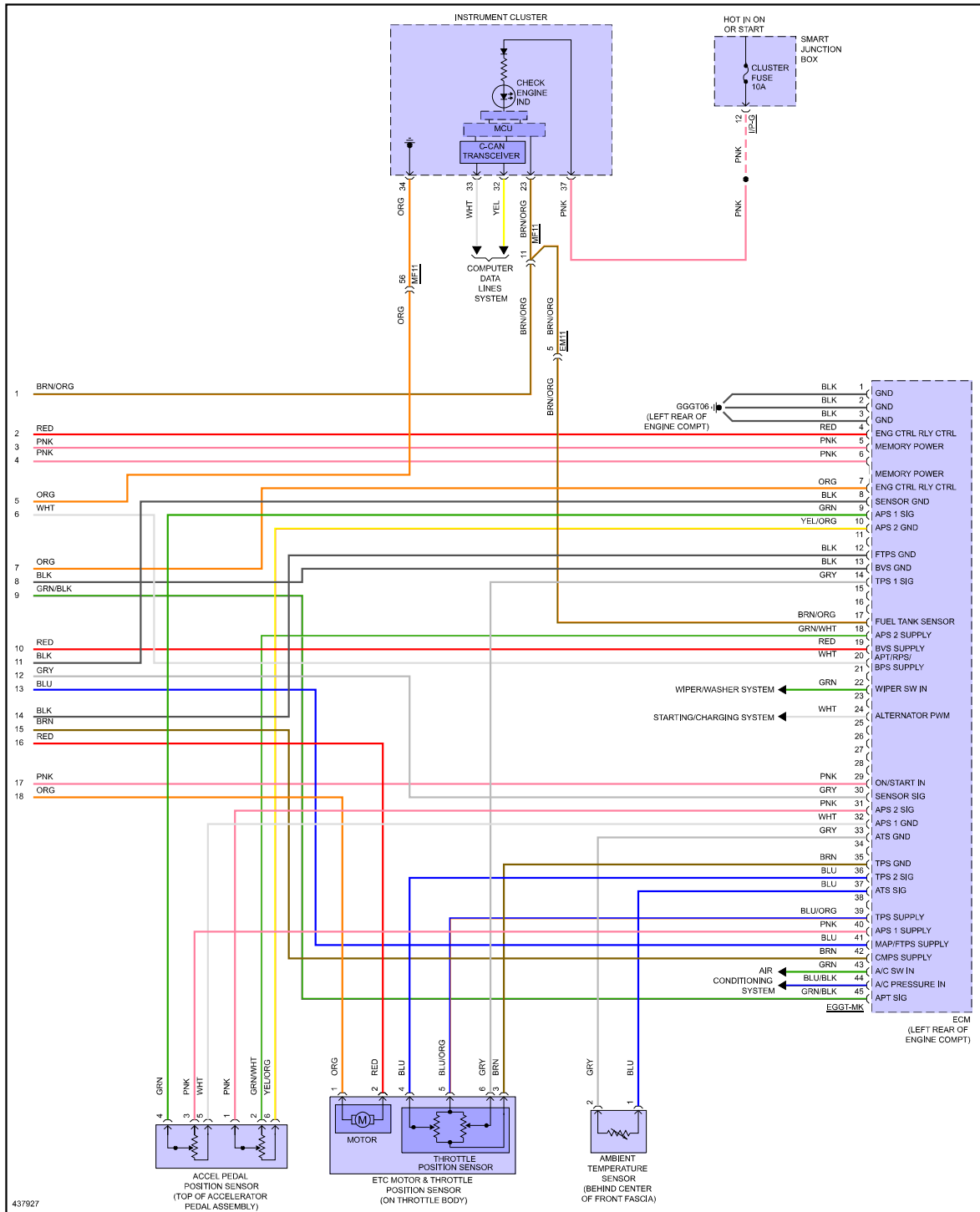


Fig 12: 1.6L Turbo, Engine Performance Circuit, M/T (5 of 5)



437927