

PRODEMAND

YMMS: 2014 Kia Cadenza Premium
Engine: 3.3L Eng
VIN:

May 13, 2023
License:
Odometer:

ENGINE PERFORMANCE > 3.3L

Fig 1: 3.3L, Engine Performance Circuit (1 of 8)

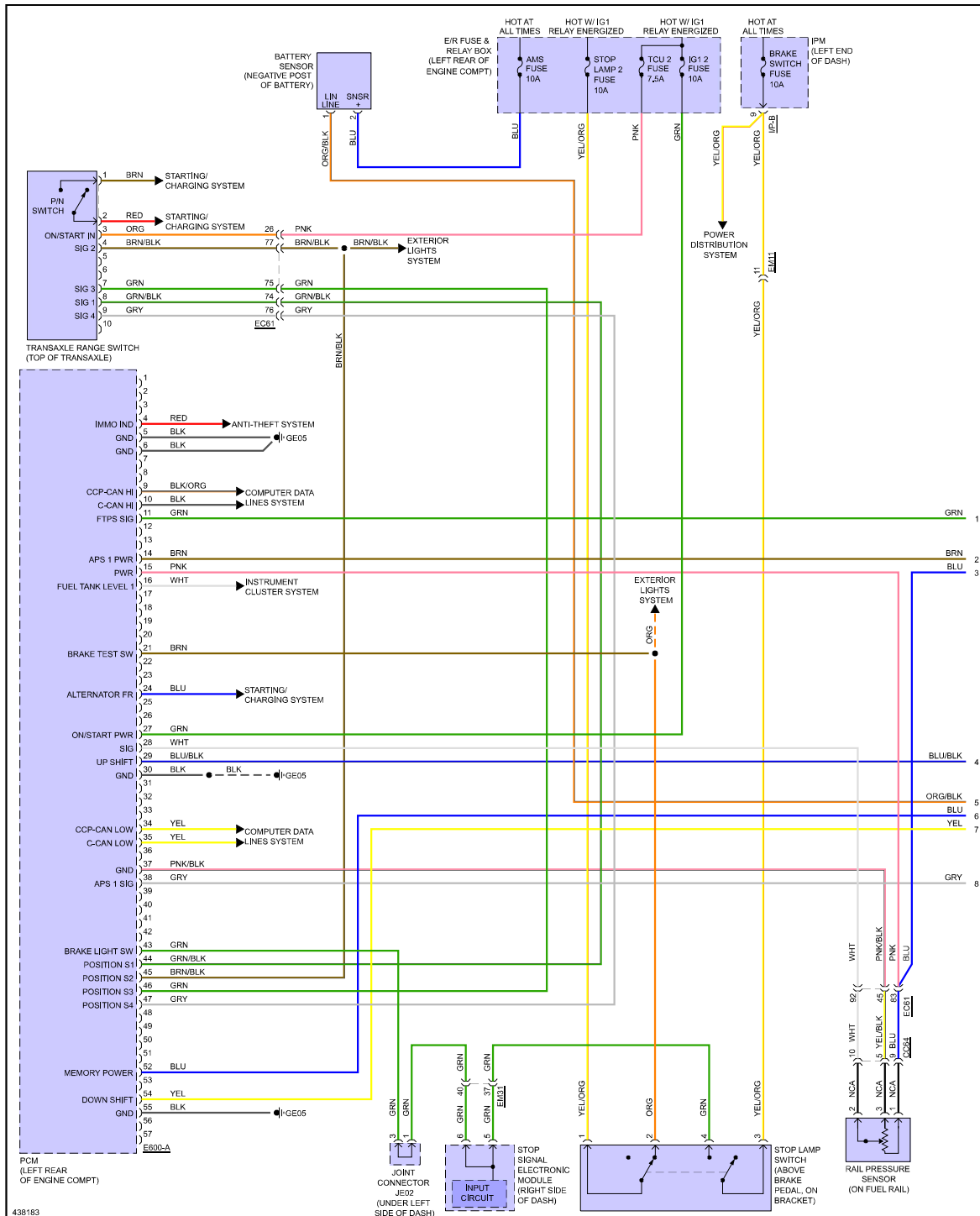


Fig 3: 3.3L, Engine Performance Circuit (3 of 8)

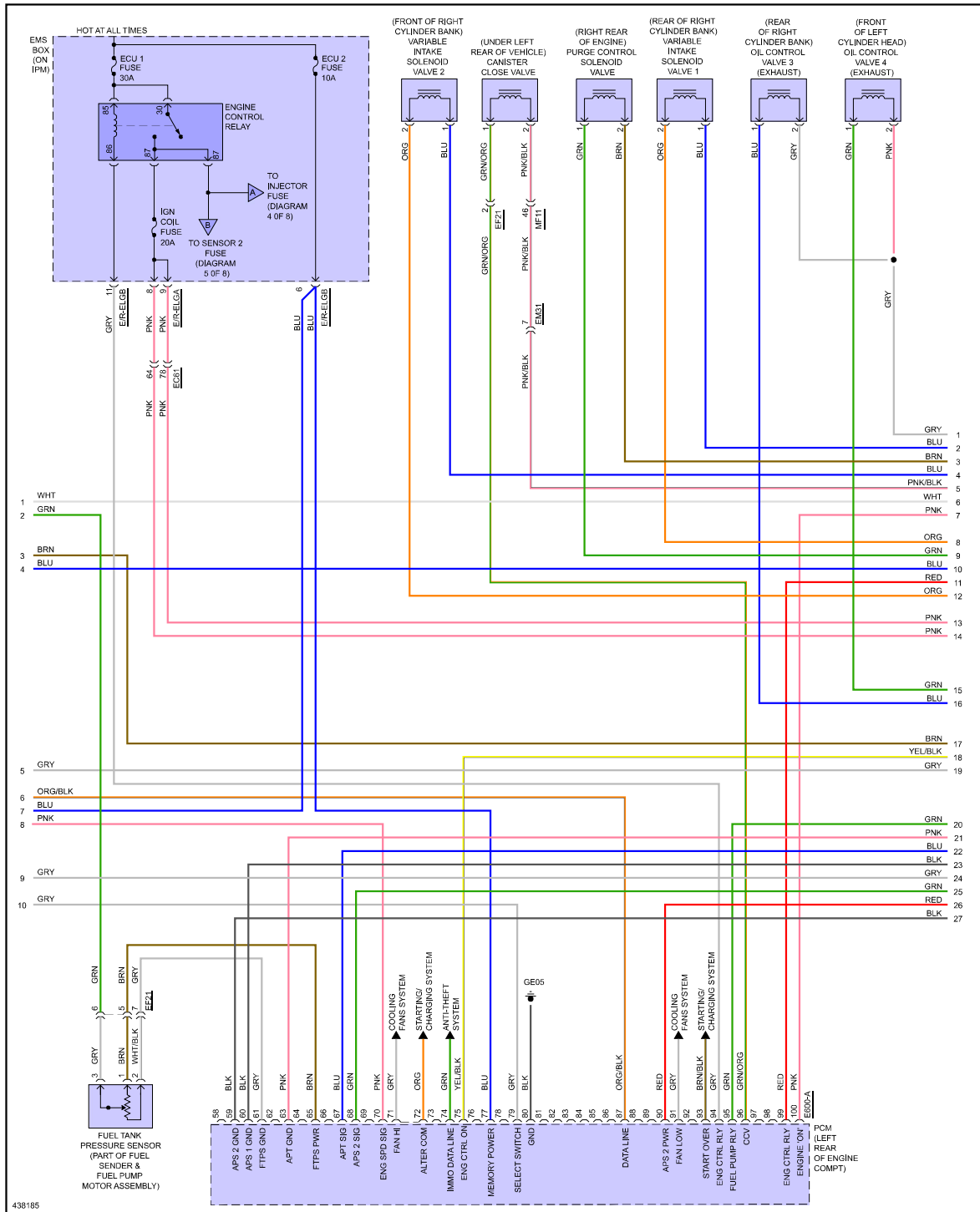
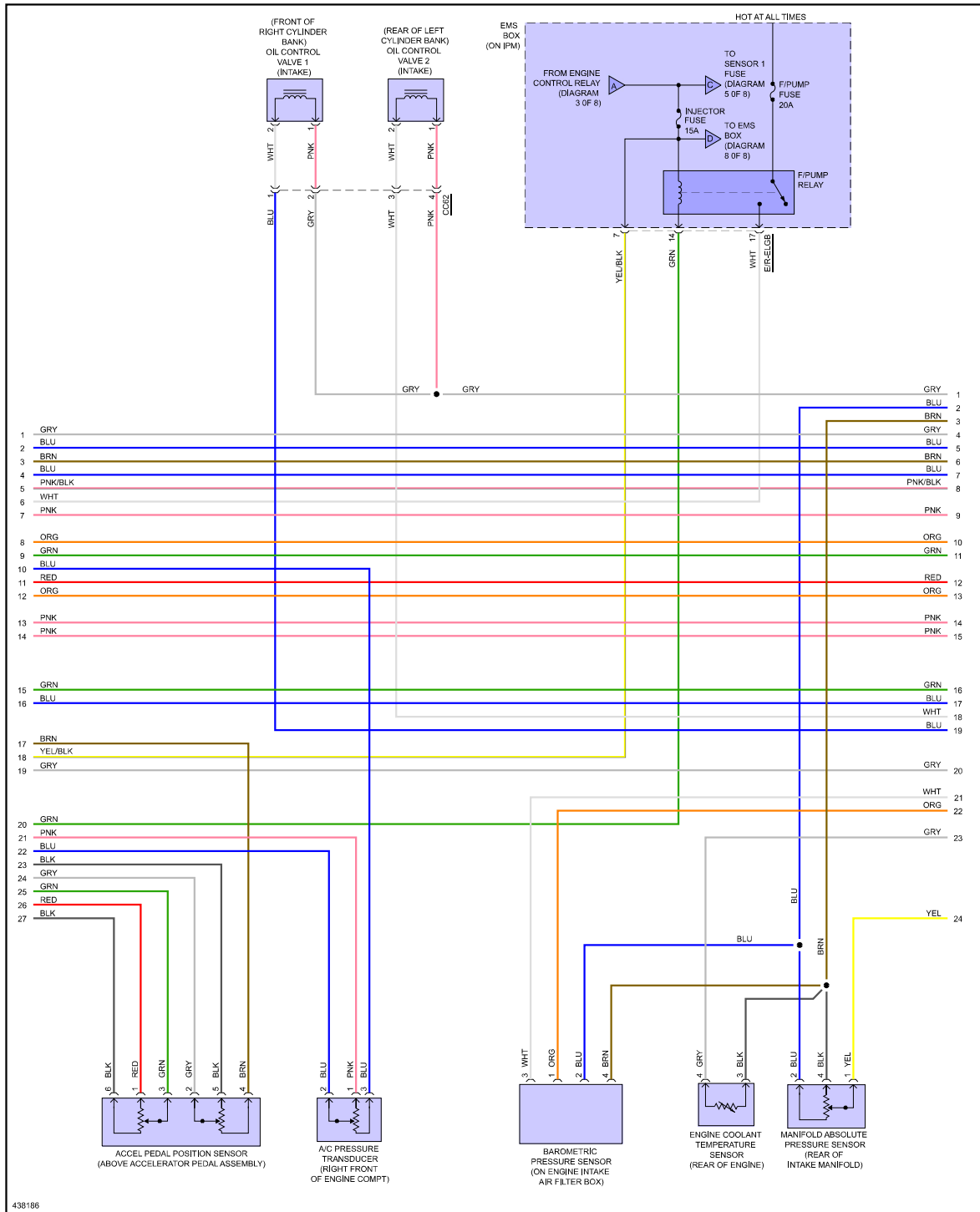


Fig 4: 3.3L, Engine Performance Circuit (4 of 8)



438186

Fig 5: 3.3L, Engine Performance Circuit (5 of 8)

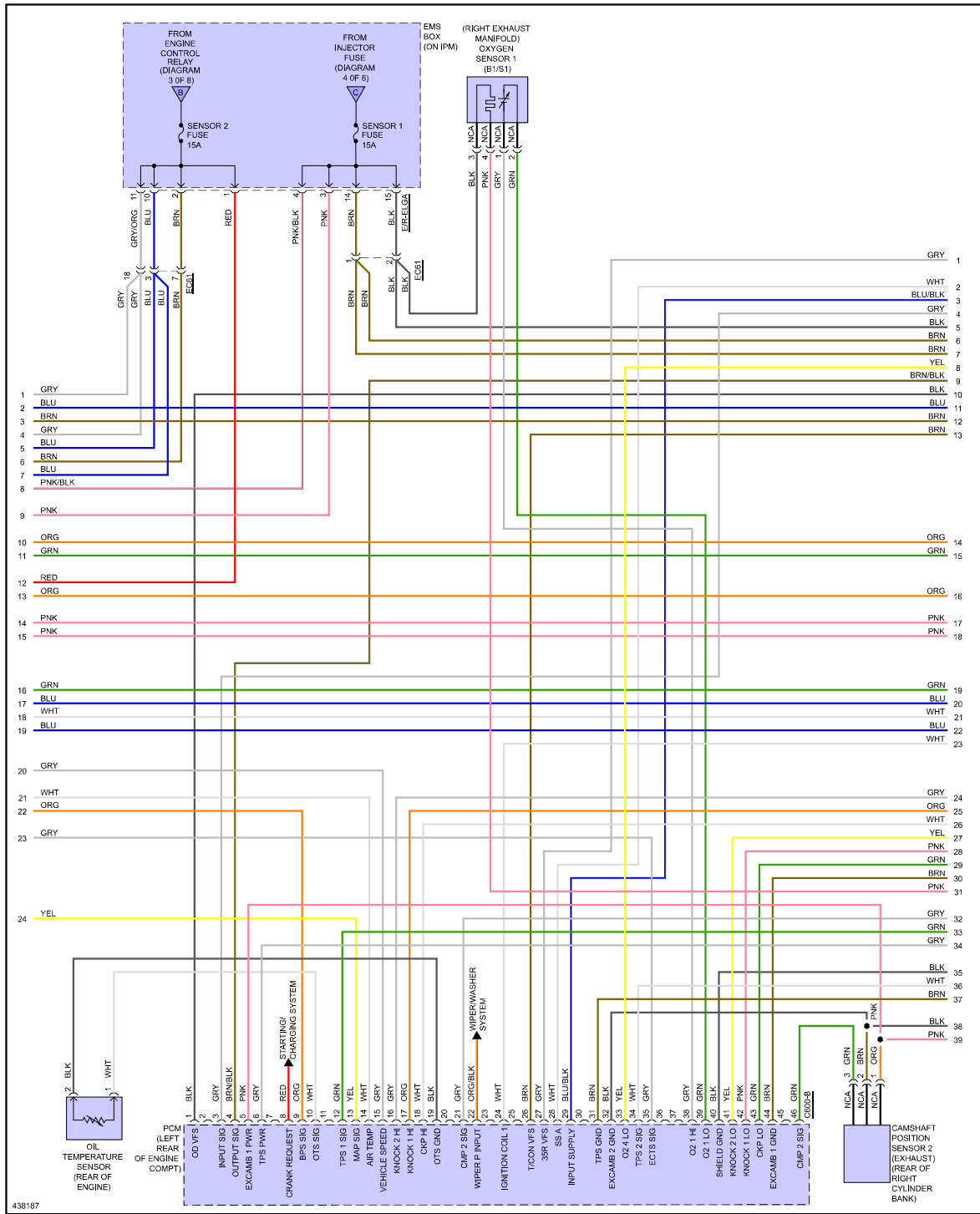


Fig 6: 3.3L, Engine Performance Circuit (6 of 8)

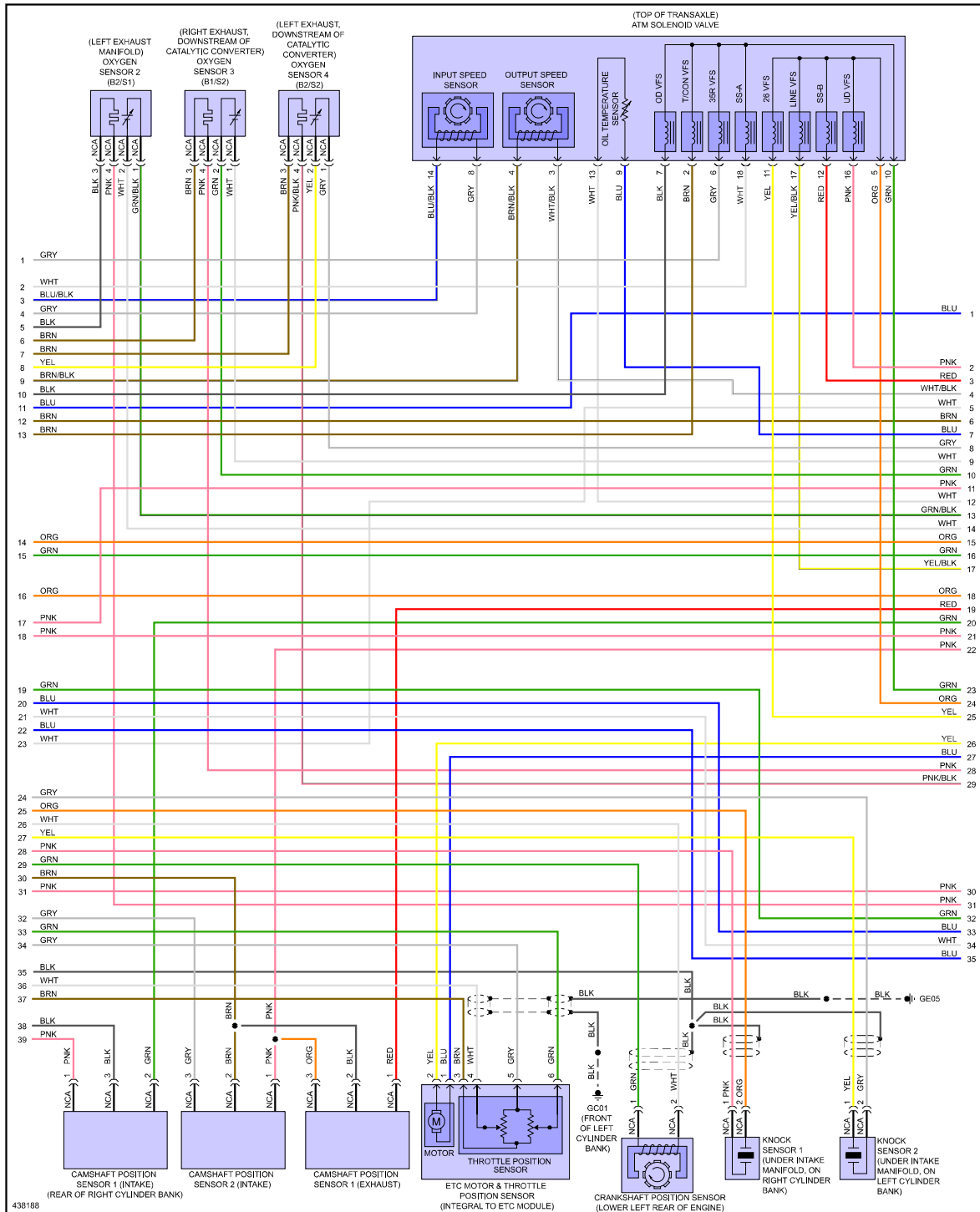


Fig 7: 3.3L, Engine Performance Circuit (7 of 8)

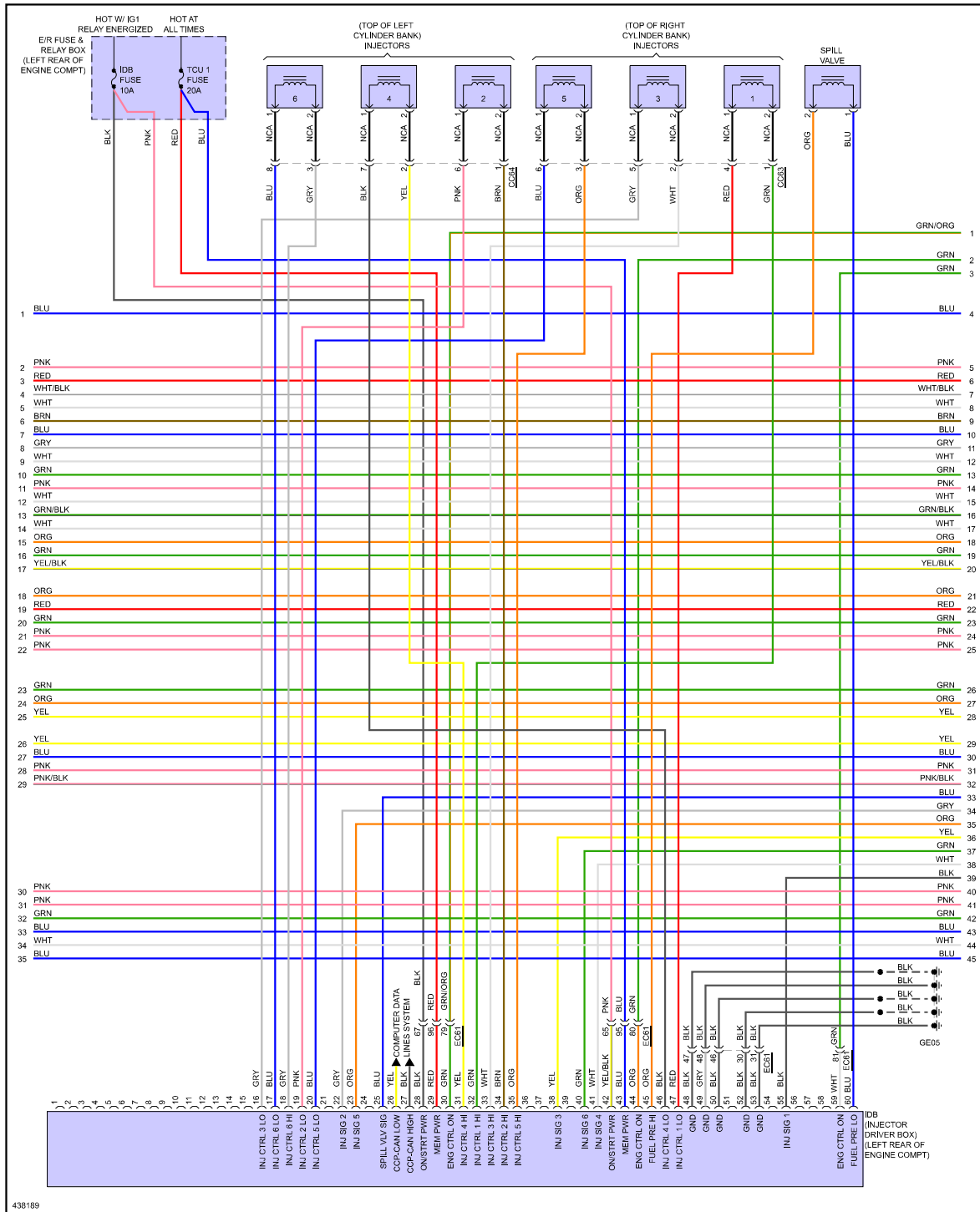


Fig 8: 3.3L, Engine Performance Circuit (8 of 8)

