



Fig 2: 5.0L, Engine Performance Circuit (2 of 6)

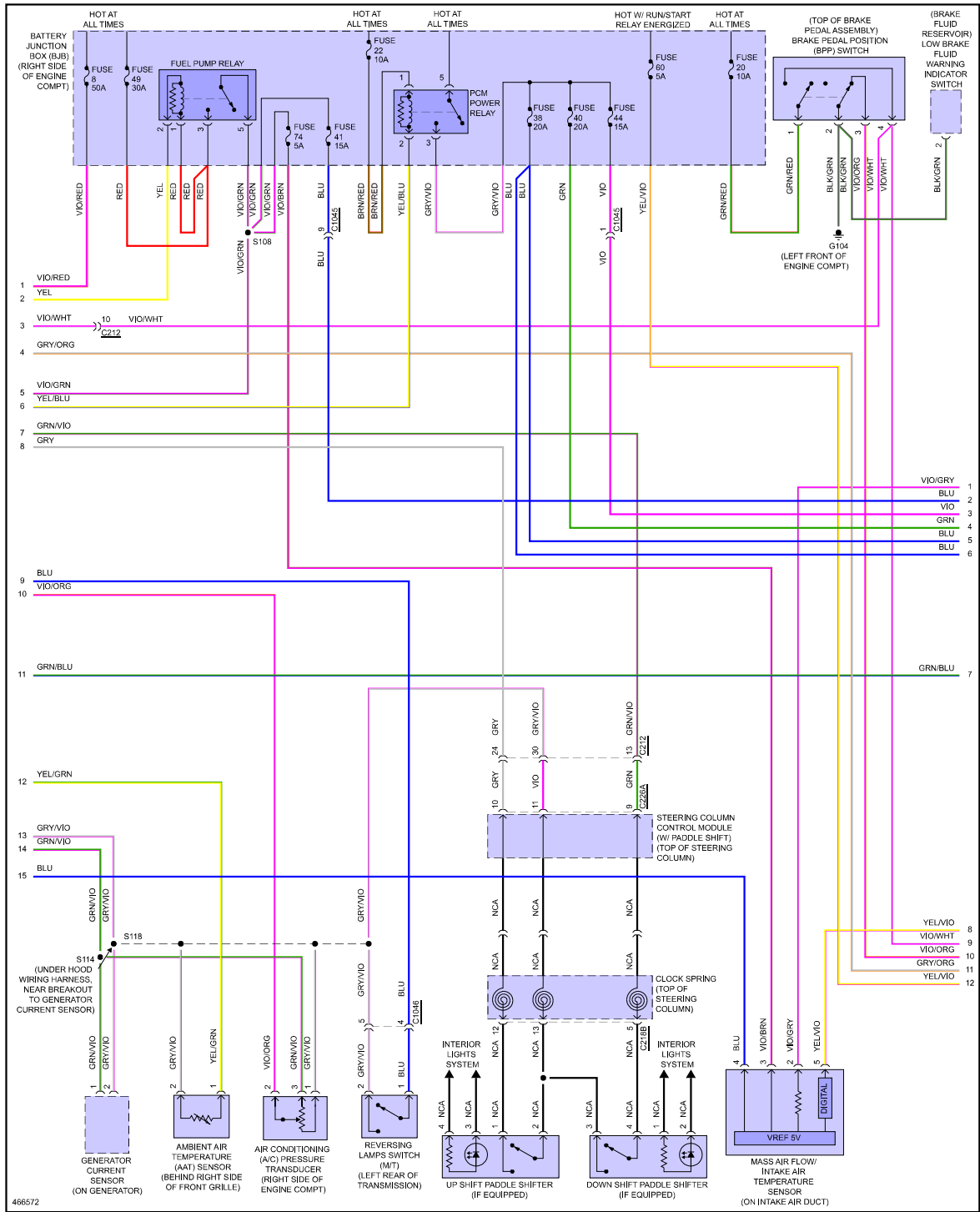


Fig 3: 5.0L, Engine Performance Circuit (3 of 6)

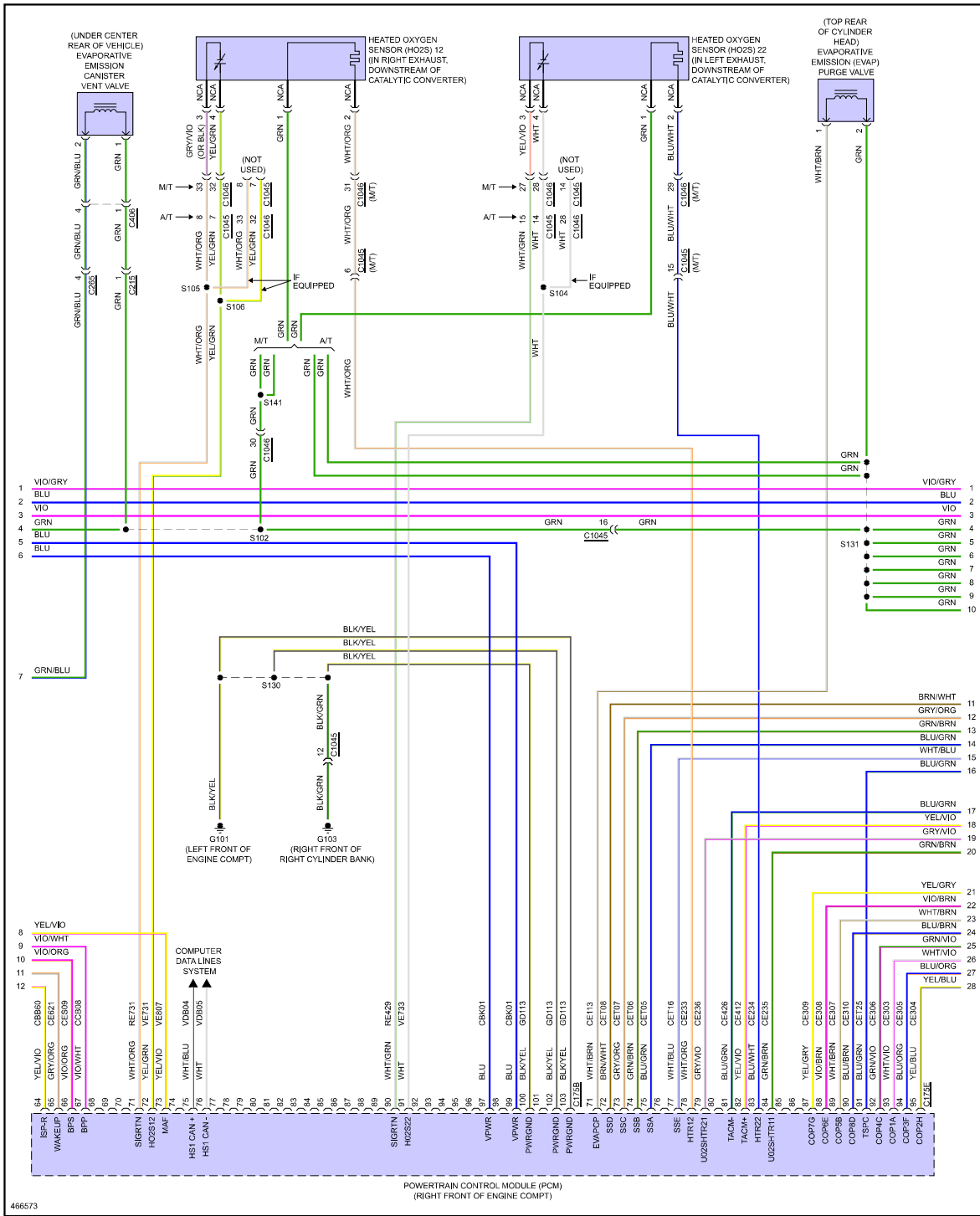


Fig 4: 5.0L, Engine Performance Circuit (4 of 6)

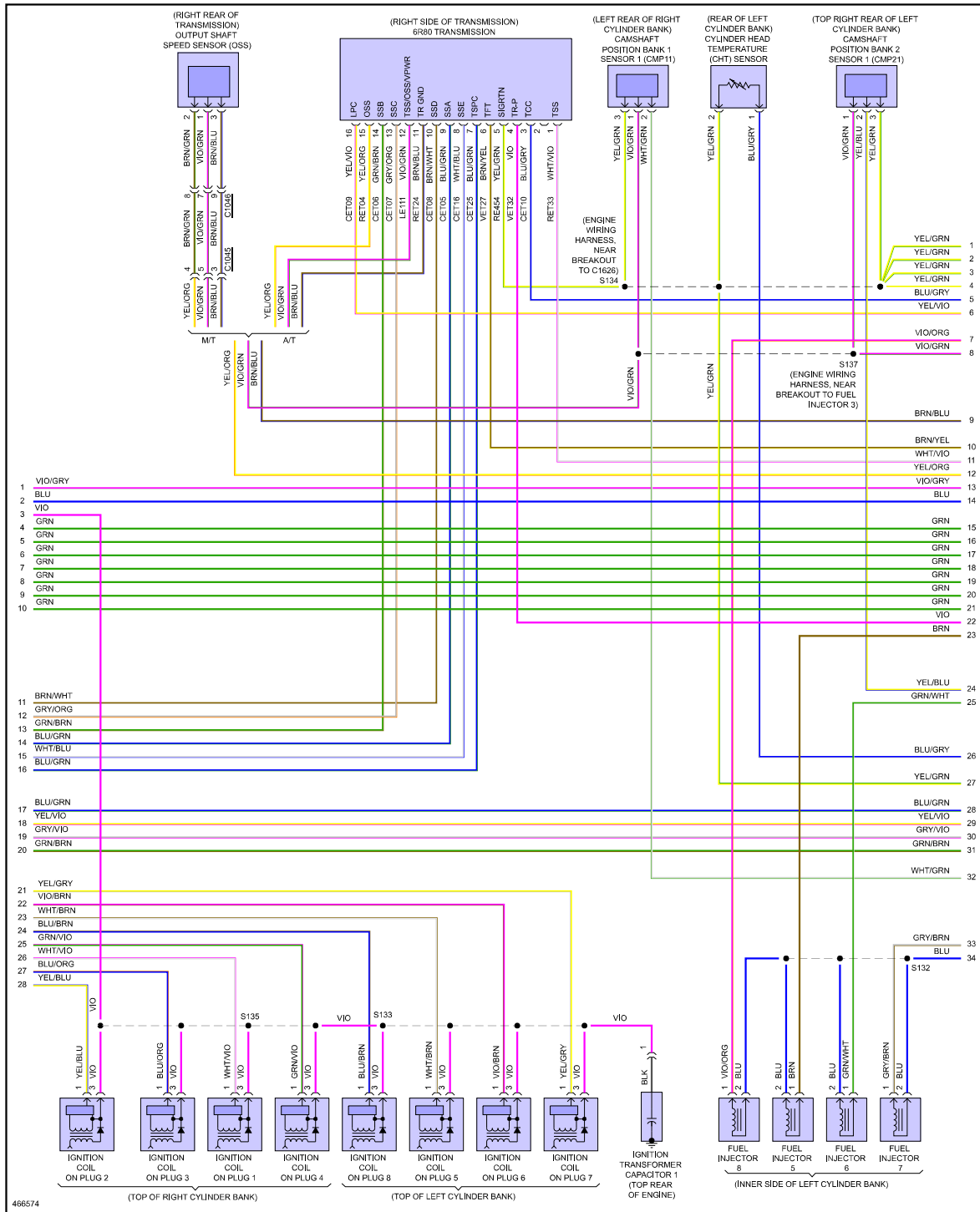
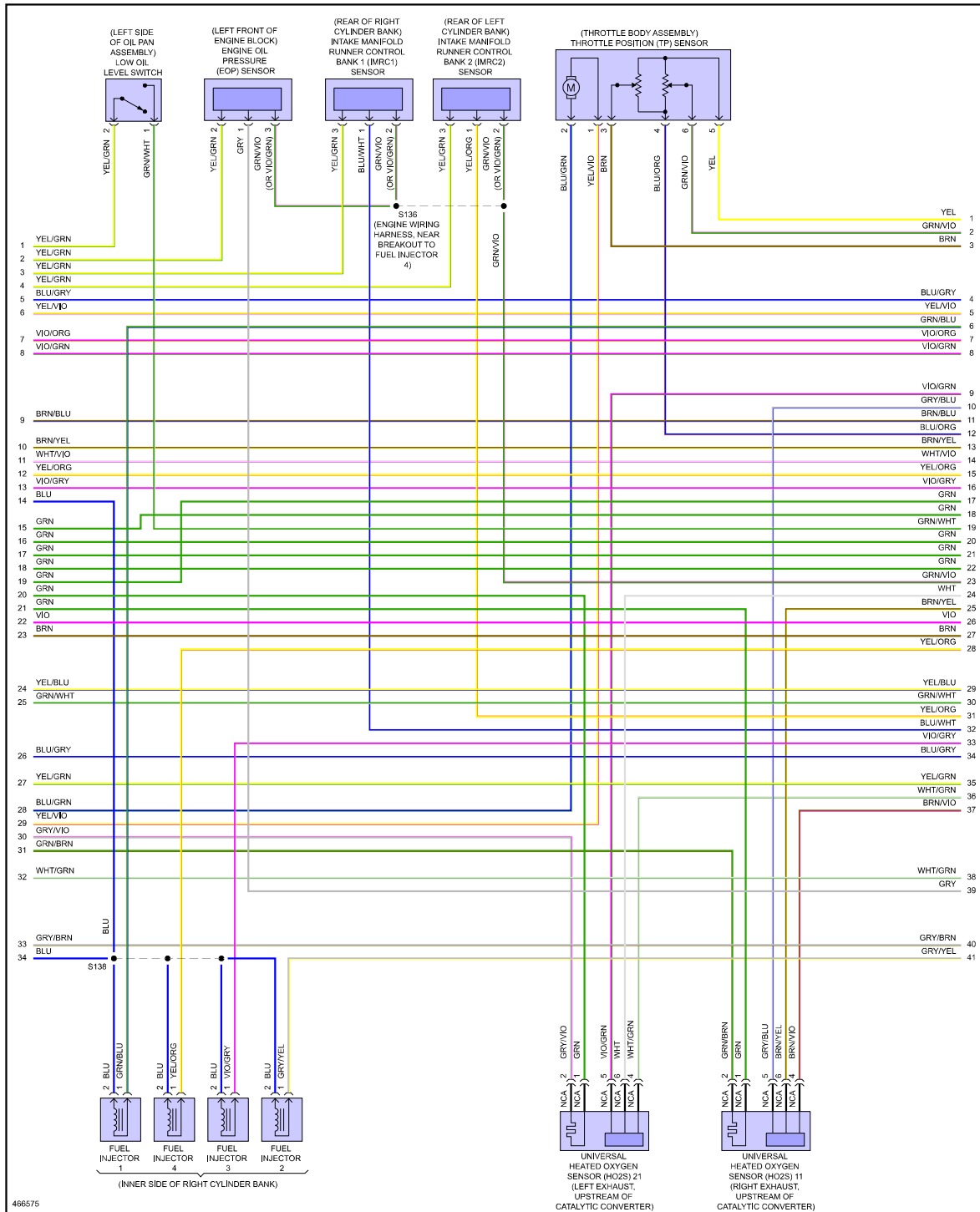


Fig 5: 5.0L, Engine Performance Circuit (5 of 6)



466575

Fig 6: 5.0L, Engine Performance Circuit (6 of 6)

