

STIHL®

STIHL TS 500i

Instruction Manual
Manual de instrucciones



⚠ WARNING

Read and follow all safety precautions in Instruction Manual – improper use can cause serious or fatal injury.

⚠ ADVERTENCIA

Lea y siga todas las precauciones de seguridad dadas en el manual de instrucciones – el uso incorrecto puede causar lesiones graves o mortales.



Instruction Manual

1 - 48

Manual de instrucciones

49 - 101

Contents

Guide to Using this Manual	2	STIHL Incorporated Federal Emission Control Warranty Statement	45
Safety Precautions and Working Techniques	3	Trademarks	47
Sample applications	16		
Cutting wheels	19		
Composite resin cutting wheels	19		
Diamond cutting wheels	19		
Electronic water control	23		
Assembling the cast arm and guard	24		
Tensioning the ribbed V-belt	28		
Fitting / replacing an abrasive wheel	28		
Fuel	30		
Fueling	30		
Starting / Stopping the Engine	31		
Air Filter System	33		
Engine Management	34		
STIHL Injection	34		
Spark Arresting Screen in Muffler	34		
Spark Plug	35		
Replacing the Starter Rope and Rewind Spring	36		
Replacing the V-belt	38		
Cut-off machine cart	39		
Storing the Machine	39		
Maintenance and Care	40		
Main Parts	42		
Specifications	44		
Special Accessories	45		
Maintenance and Repairs	45		

Allow only persons who fully understand this manual to operate your cut-off machine.

To receive maximum performance and satisfaction from your STIHL Cutquik cut-off machine, it is important that you read, understand and follow the safety precautions and the operating and maintenance instructions in the chapter "Safety Precautions and Working Techniques" before using your cut-off machine. For further information you can go to www.stihlusa.com

Contact your STIHL dealer or the STIHL distributor for your area if you do not understand any of the instructions in this manual.

WARNING

Because a cut-off machine is a high-speed cutting tool, some special safety precautions must be observed to reduce the risk of personal injury. Careless or improper use may cause serious or even fatal injury.

STIHL®

Guide to Using this Manual

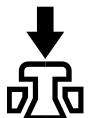
Pictograms

The meanings of the pictograms attached to or embossed on the machine are explained in this manual.

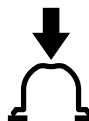
Depending on the model concerned, the following pictograms may be on your machine.



Fuel tank for gasoline and engine oil mixture



Press to operate decompression valve



Press to operate manual fuel pump



Water attachment, flow control



Tensioning nut for engaging drive belt



Pull starter grip

Symbols in Text

Many operating and safety instructions are supported by illustrations.

The individual steps or procedures described in the manual may be marked in different ways:

- A bullet marks a step or procedure.

A description of a step or procedure that refers directly to an illustration may contain item numbers that appear in the illustration. Example:

- Loosen the screw (1).
- Lever (2) ...

In addition to the operating instructions, this manual may contain paragraphs that require your special attention. Such paragraphs are marked with the symbols and signal words described below:



DANGER

Indicates an imminent risk of severe or fatal injury.



WARNING

Indicates a hazardous situation which, if not avoided, could result in severe or fatal injury.

NOTICE

Indicates a risk of property damage, including damage to the machine or its individual components.

Engineering Improvements

STIHL's philosophy is to continually improve all of its products. As a result, engineering changes and improvements are made from time to time. Therefore, some changes, modifications and improvements may not be covered in this manual. If the operating characteristics or the appearance of your machine differs from those described in this manual, please contact your STIHL dealer for assistance.

Safety Precautions and Working Techniques



The use of any cut-off machine may be hazardous. Because a cut-off machine is a high-speed, fast-cutting power tool, special safety precautions must be observed to reduce the risk of personal injury and fire.



It is important that you read, fully understand and observe the following safety precautions and warnings. Read the instruction manual and the safety precautions periodically.



WARNING

Careless or improper use of any cut-off machine may cause serious or fatal injury.

Have your STIHL dealer show you how to operate your cut-off machine. Observe all applicable national, state and local safety regulations, standards and ordinances.



WARNING

Your cut-off machine is for professional use only. Do not lend or rent your cut-off machine without the instruction manual. Be sure that anyone using it understands the information contained in this manual.

A first-time operator should obtain practical instruction before using the machine. Employers should establish a training program for operators of gasoline-powered, hand-held portable cut-off machines to assure safe operation of these machines. These safety precautions and warnings apply to the use of all current STIHL Cutquiks.



WARNING

Use your cut-off machine only for authorized uses. For instance, it is not suitable for cutting wood or wooden objects. Misuse may result in personal injury or property damage, including damage to the machine.



WARNING

Minors should never be allowed to use a cut-off machine. Bystanders, especially children, and animals should not be allowed in the area where a cut-off machine is in use. Never let the cut-off machine run unattended.

Different models may have different parts and controls. See the appropriate section of your instruction manual for a description of the controls and function of the parts of your model cut-off machine.

Safe use of a cut-off machine involves

1. the operator
2. the power tool
3. the use of the power tool.

THE OPERATOR

Physical Condition

You must be in good physical condition and mental health and not under the influence of any substance (drugs, alcohol, etc.) which might impair vision, dexterity or judgment. Do not operate a cut-off machine when you are fatigued. Be alert – if you get tired while operating your cut-off machine, take a break; tiredness may result in loss of control. Working with any cut-off machine can be strenuous. If you have any condition that might be aggravated by strenuous work, check with your doctor before operating a cut-off machine.



WARNING

Prolonged use of cut-off machines (or other machines) exposing the operator to vibrations may produce whitefinger disease (Raynaud's phenomenon) or carpal tunnel syndrome. These conditions reduce the hand's ability to feel and regulate temperature, produce numbness and burning sensations and cause nerve and circulation damage and tissue necrosis. All factors which contribute to whitefinger disease are not known, but cold weather, smoking and diseases or physical conditions that affect blood vessels and blood transport, as well as high vibration levels and long periods of exposure to vibration are mentioned as factors in the development of whitefinger disease. In order to reduce the risk of whitefinger disease and carpal tunnel syndrome, please note the following:

- STIHL cut-off machines are equipped with an anti-vibration ("AV") system designed to reduce the transmission of vibrations created by the machine to the operator's hands. An AV system is recommended for those persons using cut-off machines on a regular or sustained basis.
- Wear gloves and keep your hands warm.
- Keep the AV system well maintained. A cut-off machine with loose components or with damaged or worn AV elements will tend to have higher vibration levels.
- Maintain a firm grip at all times, but do not squeeze the handles with constant, excessive pressure. Take frequent breaks.

All the above-mentioned precautions do not guarantee that you will not sustain whitefinger disease or carpal tunnel syndrome. Therefore, continual and regular users should monitor closely the condition of their hands and fingers. If any of the above symptoms appear, seek medical advice immediately.

 **WARNING**

The ignition system of your unit produces an electromagnetic field of a very low intensity. This field may interfere with some pacemakers. To reduce the risk of serious or fatal injury, persons with a pacemaker should consult their physician and the pacemaker manufacturer before operating this tool.

Proper Clothing

 **WARNING**



To reduce the risk of injury, the operator should wear proper protective apparel.

Clothing must be sturdy and snug-fitting, but allow complete freedom of movement. Avoid loose-fitting jackets, scarfs, neckties, jewelry, flared or cuffed pants, unconfined long hair or anything that could become caught on any obstacles or moving parts of the unit. Wear overalls or long pants to protect your legs. Do not wear shorts.

 **WARNING**

When cutting metal, a cut-off machine generates sparks that can ignite clothing. Most fabrics used in clothing are flammable – even flame-retardant fabrics will ignite at higher temperatures. To reduce the risk of burn injury STIHL recommends wearing clothing made of leather, wool, flame-retardant-treated cotton or a tightly woven, heavier cotton such as denim. Some flame-retardant synthetic fabrics are also suitable, but others such as polyester, nylon, rayon and acetate can melt during a fire into a tar-like matter that burns into the skin. Check the clothing manufacturer's instructions. Keep clothing free of oil, fuel, grease and other flammable substances.



Always wear gloves when handling the cut-off machine. Heavy-duty, nonslip gloves improve your grip and help to protect your hands.



Good footing is important in cut-off machine work. Wear sturdy boots with nonslip soles. Steel-toed safety boots are recommended.

 **WARNING**

Loose objects may be thrown toward the operator by the cutting tool.



To reduce the risk of injury to your eyes never operate a cut-off machine unless wearing goggles or properly fitted safety glasses with adequate top and side protection complying with ANSI Z 87.1. Proper eye protection is a must.

Wear an approved safety hard hat to protect your head. Cut-off machine noise may damage your hearing. Always wear sound barriers (ear plugs or ear muffs) to help protect your hearing. Regular users should have their hearing checked regularly.

 **WARNING**


When wet cutting at the recommended flow rate is not utilized, the operator should always wear a respirator approved by NIOSH / MSHA for the material being cut to reduce the risk of serious or fatal respiratory illness. For additional details and warnings on this subject, see information under "Working Conditions" in this instruction manual.

THE POWER TOOL

For illustrations and definitions of the parts of the cut-off machine, see the chapter "Main Parts."

 **WARNING**

Never modify a cut-off machine in any way. Only STIHL branded parts and cutting attachments expressly approved by STIHL for use with the specific STIHL cut-off machine models are recommended. Although certain other parts or attachments may be useable with the STIHL powerhead, their use may, in fact, be extremely dangerous.

Abrasive Wheels

 **WARNING**

Before mounting the cutting wheel, make sure that the maximum operating wheel speed is above or equal to the spindle speed of your cut-off machine as provided in the specifications of this manual. A wheel that is not so rated may shatter or break and poses a threat of serious or fatal injury to the operator and other nearby persons.

Abrasive wheels for free-hand cutting are subjected to particularly high bending and compression stresses.

 **WARNING**

Wheels that are not STIHL branded may be more likely to shatter or break or create other hazards, such as increased reactive forces. Use only wheels with approved RPM ratings. Read and follow any additional safety precautions that accompany the wheel.

 **WARNING**


Inspect the abrasive wheel frequently and replace immediately if the abrasive wheel is cracked or warped.

Cracked or warped

wheels may shatter or break and cause serious or fatal personal injury. Out-of-round or unbalanced abrasive wheels increase vibration and reduce the service life of the cut-off machine.

Some diamond abrasive wheels that are not STIHL branded utilize poor quality steel cores, are not properly tensioned,

or have other design or manufacturing defects. As a result, they may begin to wobble during use, which can cause wheel breakage. Such wobbling can also lead to a severe binding of the wheel in the kerf, that, under certain circumstances, can then result in serious or fatal injury from reactive forces. See the section entitled "Reactive Forces including Kickback." Never use a wheel that wobbles or that has ever wobbled. Even though such a wheel may temporarily cease to wobble, e.g., if run without load, it will always be prone to wobble again under certain conditions. Replace it immediately before further use.

Composite abrasive wheels are heat sensitive. Always store your cut-off machine in a place where a composite wheel is not exposed to direct sunlight or other sources of heat. Store spare composite wheels flat on a level surface in a dry place where there is no risk of frost damage. Failure to follow these directions may cause the wheel to shatter or crack in use causing serious or fatal injury.

 **WARNING**



Never use circular saw blades, carbide tipped blades, rescue blades, wood-cutting blades or toothed blades of any nature. They can cause severe personal injury from blade contact, thrown objects and / or reactive forces, including kickback. See section on "Reactive Forces." Your STIHL dealer stocks a range of special abrasive wheels for the many applications of the cut-off machine.

 **WARNING**

Use of the wrong abrasive wheel or the cutting of material for which the wheel was not designed may cause the wheel to shatter causing serious or fatal injury.

Only use the abrasive wheel approved for the type of material to be cut. There are different types of abrasive wheels, each specially marked. With respect to STIHL composite wheels, for example:

1. Stone
Also can be used for concrete, masonry, reinforced concrete and brick cutting.
2. Steel
Can be used for all ferrous metal cutting.
3. Asphalt
Also can be used for aggregate concrete cutting.
4. Ductile iron
Also can be used for certain grades of cast iron (SG 17-24), bronze and copper cutting.

For cutting composite materials please ask your STIHL dealer.

Diamond Abrasive Wheels

Diamond abrasive wheels have a much better cutting performance than composite abrasive wheels. The diamond wheels are steel centered, and diamond particles are imbedded in their cutting edges.

They can be used for concrete, asphalt, natural stone, clay pipe, brick and the like.

They are not normally suitable for cutting most metal or other materials.

Wet or dry cutting is possible. Water attachments are included with your STIHL cut-off machine. See the appropriate section of your instruction manual.

 **WARNING**

Do not remount a used diamond abrasive wheel without first inspecting for under-cutting, flatness, core fatigue, segment damage or loss, signs of overheating (discoloration) and possible arbor hole damage. See the chapter "Diamond Cutting Wheels." Check the wheel for cracks and make sure that no pieces have broken off the wheel before use.

Always fit the wheel so that the arrow on the wheel points in the direction of the rotation of the spindle.

THE USE OF THE POWER TOOL

Transporting the STIHL Cutquik

 **WARNING**

To reduce the risk of injury from unintended activation and / or contact with a moving wheel, always stop the engine before putting a cut-off machine down or carrying it. The abrasive wheel continues to rotate (coast down) for a short while after the throttle trigger is released (flywheel effect). Bring the wheel to a stop by lightly contacting the bottom of the wheel with a hard surface or wait until the wheel comes to a complete stop on its own. Carrying a cut-off machine with the engine running is extremely dangerous. Accidental acceleration of the engine can cause the wheel to rotate. Avoid touching the hot muffler.

By hand: When carrying your cut-off machine by hand, the engine must be stopped and the cut-off machine must be in the proper position. Grip the front handle and place the muffler at the side away from the body with the cutting attachment to the rear.

 **WARNING**

Always protect the cutting wheel from hitting the ground or any other objects. Damaged wheels may shatter and cause serious or fatal injury.

By vehicle: Properly secure your cut-off machine to prevent turnover, fuel spillage and damage to the cut-off machine. Never transport with cutting wheel mounted. A wheel damaged

during transportation may shatter during operation and cause serious personal injury.

Fuel

Your STIHL power tool uses an oil-gasoline mixture for fuel (see the chapter on "Fuel" of your instruction manual.)

WARNING



Gasoline is an extremely flammable fuel. If spilled and ignited by a spark or other ignition source, it can cause fire and serious burn injury or

property damage. Use extreme caution when handling gasoline or fuel mix. Do not smoke or bring any fire or flame near the fuel or the power tool. Note that combustible fuel vapor may escape from the fuel system.

WARNING

Dust may collect on the powerhead and may absorb gasoline resulting in danger of fire. Clean dust from the powerhead regularly.

Fueling Instructions

WARNING

Fuel your power tool in well-ventilated areas, outdoors. Always shut off the engine and allow it to cool before refueling. Gasoline vapor pressure may build up inside the fuel tank depending on the fuel used, the weather conditions and the tank venting system.

In order to reduce the risk of burns and other personal injury from escaping gas vapor and fumes, remove the fuel filler cap on your power tool carefully so as to allow any pressure build-up in the tank to release slowly. Never remove the fuel filler cap while the engine is running.

Select bare ground for fueling and move at least 10 feet (3 m) from the fueling spot before starting the engine. Wipe off any spilled fuel before starting your machine.

WARNING



Check for fuel leakage while refueling and during operation. If fuel leakage is found, do not start or run the engine until the leak is fixed and

any spilled fuel has been wiped away. Take care not to get fuel on your clothing. If this happens, change your clothing immediately.

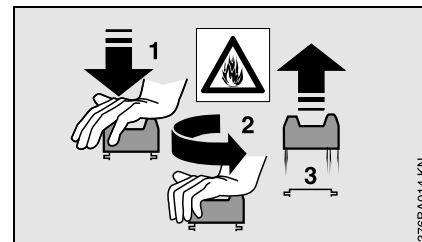
WARNING

If fuel gets spilled on clothes, especially trousers, it is very important to change clothes immediately. Do not rely upon evaporation. Flammable quantities of fuel may remain on clothes after a spill for longer than expected. Cutting metal with a cut-off machine when clothes are wet or damp from gasoline is extremely dangerous, as the operator's clothes might catch fire and cause serious or fatal injury.

WARNING

An improperly tightened fuel cap can loosen or come off and spill quantities of fuel.

Bayonet Fuel Filler Cap



Never use a tool to open or close the bayonet fuel filler cap, as this could damage the cap and cause fuel to leak out.

The bayonet fuel filler cap must be closed with care after refuelling.

WARNING

Never attempt to force the cap open by using a tool. It may damage the cap and allow fuel to leak.

Before use, make sure that the fuel cap has been properly tightened and any spilled fuel wiped away. Check for fuel leakage while refueling and during operation. If a fuel leak is suspected, do not start or run the engine until the leak is fixed and spilled fuel has been wiped away.

Before Starting

For assembly, follow the procedure described in the appropriate sections of your instruction manual.

Check fuel system for leaks, especially the visible parts, e.g., filler cap, hose connections, fuel pump. Do not start the engine if there are leaks or damage – risk of fire! Have the machine repaired by a servicing dealer before using it.

Never operate a cut-off machine that is damaged, improperly adjusted or not completely and securely assembled. Check machine that it is ready for proper operation.

Keep the handles dry, clean and free of oil and fuel.

 **WARNING**

Before operation of your cut-off machine, be sure the controls (e.g. throttle trigger, throttle trigger lockout, stop switch) and the safety devices are working properly, the wheel is properly mounted, and the wheel guard is in place and securely fastened to your unit. All wheels should be carefully inspected for good condition before mounting.



Adjust the wheel guard so that sparks, dust and cut material are deflected away from the operator, and cannot reach flammable surroundings. See section "Operating Instructions" of your instruction manual.

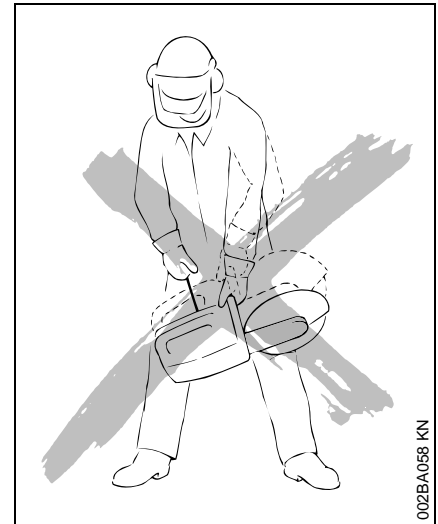
 **WARNING**

Check that the spark plug boot is securely mounted on the spark plug – a loose boot may cause arcing that could ignite combustible fumes and cause a fire.

Proper tensioning of the ribbed V-belt is important. In order to avoid an incorrect setting, the tensioning procedure must be followed as described in your manual. Always make sure the hexagonal collar nuts for the cast arm are tightened securely.

Check ribbed belt tension after one hour of operation and correct if necessary.

Starting



 **WARNING**

Your cut-off machine is a one-person tool. Do not allow other persons to be near a running cut-off machine. Start and operate your cut-off machine without assistance. For specific starting instructions, see the appropriate section of your instruction manual.

Do not drop start. This method is very dangerous because you may lose control of the cut-off machine. Place the cut-off machine on firm ground or other solid surface in an open area. Maintain good balance and secure footing. Be absolutely sure that the cutting wheel is clear of you and all other obstructions and objects, including the ground. When the engine starts at starting position, engine speed will be fast enough for the clutch to engage the belt pulley and turn

the wheel. Never attempt to start the cut-off machine when the abrasive wheel is in a cut.

Once the engine has started, immediately blip the throttle trigger, which should release the starting position and allow the engine to slow down to idle.

WARNING

When you pull the starter grip, do not wrap the starter rope around your hand. Do not allow the grip to snap back, but guide the starter rope slowly back to permit the rope to rewind properly. Failure to follow this procedure may result in injuries to hand or fingers and may damage the starter mechanism.

WARNING

At correct idle speed, the wheel should not turn. Do not use a cut-off machine with incorrect idle speed adjustment. The rotating wheel may cause injury. If the wheel rotates, have your STIHL dealer check your cut-off machine and make proper adjustments or repairs.

Working Conditions

Operate the cut-off machine under good visibility and daylight conditions only.

Wearing of hearing protection reduces sound perception. Be alert not to miss voice signals from co-workers. Keep within calling distance to other persons who may assist in case of emergency.

WARNING



As soon as the engine is running, this product generates toxic exhaust fumes containing chemicals, such as unburned hydrocarbons (including benzene) and carbon monoxide, that are known to cause respiratory problems, cancer, birth defects, or other reproductive harm. Some of the gases (e.g. carbon monoxide) may be colorless and odorless. To reduce the risk of serious or fatal injury/illness from inhaling toxic fumes, never run the machine indoors or in poorly ventilated locations. Ensure proper ventilation when working in trenches or other confined areas.

WARNING

Use of this product to cut masonry, concrete, metal and other materials can generate dust and fumes containing chemicals known to cause serious or fatal injury or illness, such as respiratory disease, cancer, birth defects or other reproductive harm. If you are unfamiliar with the risks associated with the particular material being cut, review the material safety data sheet and/or consult your employer, the material manufacturer/supplier, governmental agencies such as OSHA and NIOSH and other sources on hazardous materials. California and some other authorities, for instance, have published lists of substances known to cause cancer, reproductive toxicity, etc. Control dust and fumes at the source where possible.

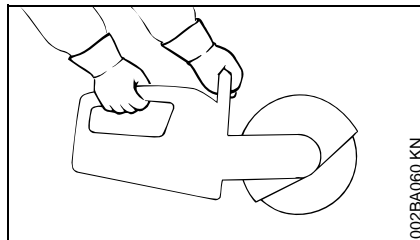
In this regard use good work practices and follow the recommendations of the manufacturer/supplier, OSHA/NIOSH, and occupational and trade associations. A water attachment kit is provided with your cut-off machine and should be used to reduce dust whenever wet cutting is feasible. For dust suppression purposes, the flow rate should be at least 0.6 liters (20 fl.oz) of water per minute. If wet cutting at the recommended flow rate is not utilized, the operator and any bystanders should always wear a respirator approved by NIOSH/MSHA for the material being cut. See the section on "Respiratory Protection" in the chapter "Sample Applications" in the instruction manual. Even if wet cutting at the recommended flow rate, an operator who is actively cutting for more than two hours in one day should wear at least a NIOSH-approved disposable respirator. Consult and follow any federal, state or local laws or regulations with respect to dry and wet cutting.

! WARNING

Cutting masonry, concrete and other materials with silica in their composition may give off dust containing crystalline silica. Silica is a basic component of sand, quartz, brick clay, granite and numerous other minerals and rocks. Repeated and / or substantial inhalation of airborne crystalline silica can cause serious or fatal respiratory diseases, including silicosis. In addition, California and some other authorities have listed respirable crystalline silica as a substance known to cause cancer. When cutting such materials, always follow the respiratory precautions mentioned above.

! WARNING

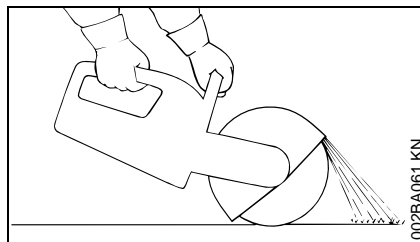
Breathing asbestos dust is dangerous and can cause severe or fatal injury, respiratory illness or cancer. The use and disposal of asbestos-containing products have been strictly regulated by OSHA and the Environmental Protection Agency. Do not use your cut-off machine to cut or disturb asbestos, asbestos-containing products, or products such as pipes which are wrapped or covered with asbestos insulation. If you have any reason to believe that you might be cutting asbestos, immediately contact your employer or a local OSHA representative.



! WARNING

Your STIHL cut-off machine is designed for hand-held use or operation on a cut-off machine cart. Cutting with your cut-off machine resting on the ground or other surface can cause excessive wear to the bracket designed to protect the bottom of the tank housing. Loss of fuel and personal injury from fire may result. Replace damaged or badly worn brackets immediately.

Grip: Never use the cut-off machine with one hand. Always hold the cut-off machine firmly with both hands when the engine is running. Place your left hand on front handle bar and your right hand on rear handle and throttle trigger. Left-handed users should follow this instruction too.



Wrap your fingers tightly around the handles, keeping the handles cradled between your thumbs and forefingers.

Make sure your cut-off machine handles and grip are in good condition and free of moisture, pitch, oil, fuel mix or grease.

Never touch a rotating wheel with your hand or any part of your body.

! WARNING

Clear the area where you are working. Avoid stumbling on obstacles and watch out for holes or ditches. Be extremely cautious when working on slopes or uneven ground. Take extreme care in wet and freezing weather (rain, snow, ice.)

! WARNING



Sparks from cutting metal can burn or cause clothing to catch fire. Always direct sparks away from the operator or any flammable surroundings.

Never cut metal while standing on a flammable surface, such as wood or tar paper. Where there is a risk of fire, have appropriate fire extinguishing equipment readily available.

! WARNING

To reduce the risk of injury from fire, do not cut into any pipe, drum or other container without first ensuring that it does not contain a volatile or flammable substance.

 **WARNING**

When cutting into existing walls, floors or similar structures, be alert for hidden hazards such as electrical cables, water and gas pipes and flammable substances. Make sure that power, water and gas have been shut off and pipes drained before starting to cut.

Operating Instructions

 **WARNING**

The wheel guard is adjustable. It is extremely important that the wheel guard is in place and set to suit the type of work and your stance. The guard should always be adjusted so that the user is not endangered by particles of the material being cut, sparks or pieces of damaged wheels either directly or by ricochet. Failure to follow this instruction could result in serious or fatal injury.

 **WARNING**

Your cut-off machine is equipped with a wheel guard limit stop that restricts the positioning of the wheel guard. To reduce the risk of injury from wheel contact and/or reactive forces and to avoid damaging the guarding system, never attempt to pull the adjusting lever past the limit stop.

 **WARNING**

Always check the wheel before use and after unintentionally striking any object; frequently check it during use when it is stopped. Look for cracks and make sure that it is undamaged and in good condition and that no pieces have broken off. See sections on "Abrasive Wheels" and "Reactive Forces" in this manual. Check the wheel guard for cracks. If you discover any breaks or cracks, fit a new guard before further use.

 **WARNING**

It is essential to determine the exact direction of the cut before applying the abrasive wheel to the work. Wheels are constructed for **radial** pressure only. **Lateral** pressure must be avoided. Hold the cut-off machine steady. To reduce the risk of serious or fatal injury, do not change the direction of the cut during the cut as this may produce a high torsional load on the abrasive wheel and may cause it to bind, break or shatter.

 **WARNING**

Do not use abrasive wheels for rough grinding. Large bending stresses occur during such work, which may cause abrasive wheels to shatter or break and result in serious or fatal injury.

 **WARNING**

To reduce the risk of injury from shattered abrasive wheels:

1. Do not exceed the maximum operating speed marked on the wheel.
2. Do not use a wheel that has been dropped.
3. Test each new wheel immediately after installation for approximately one minute at maximum speed without cutting, making sure to keep bystanders away.
4. Do not cut any material for which the abrasive wheel is not authorized.
5. Do not grind on the side of the abrasive wheel.
6. Do not twist, thrust, knock or drop the machine. This can cause damage to the wheel.

To achieve a clean and efficient cut, pull the abrasive wheel across the work or move it "to and fro" in the cutting direction. Do not use force to push the abrasive wheel into the work.

Insert the wheel into the material only as deep as necessary to make the cut. To reduce the amount of dust created, do not cut all the way through stone and concrete materials – leave a thin piece uncut. For most such materials, this piece can be easily broken afterwards. Do not cock, jam or wedge the wheel in the cut.

Always stop the engine and be sure the wheel has stopped rotating before setting down the cut-off machine.

If a cut-off machine cart is used, sweep debris from the path of the wheels, as debris under one of the cart's wheels may cause flexing of the abrasive wheel. This could result in high frictional forces and thus greatly reduce the engine

power available for the actual cutting work. It could also damage the abrasive wheel.

STIHL recommends the use of the cart for longer cuts in a straight line.

Wet Cutting with Abrasive Wheels

Before wet cutting, make sure water will not damage the floor or building.



WARNING

To reduce the risk of electrocution to you or bystanders, do not allow water or sludge to contact live electric wires.



WARNING

To reduce the risk of injury from wheel breakage when wet cutting with any composite wheel:

1. Make certain water does not flow on a wheel that is not running, since the wheel will absorb water, which will affect wheel balance.
2. Be certain water is applied to both sides of wheel, since uneven distribution can cause "one sided" wear.
3. After finishing work, run the cutting wheel at normal operating speed for about 3 to 6 seconds without water so that the remaining water is flung off.



WARNING

To reduce the risk of injury from wheel breakage when wet cutting with a composite wheel that is not specifically designed for wet cutting, never store and reuse such a wheel that has been used with water. Use these wheels up the same day.

Reactive Forces including Kickback



WARNING



Reactive forces may occur at any time the cutting wheel on a cut-off machine is rotating. The powerful force used to cut through a workpiece

can be reversed and work against the operator. If the wheel is slowed or stopped by frictional contact with any solid object or by a pinch or binding, reactive forces can occur instantly and may result in the operator losing control of the cut-off machine, which, in turn, may result in serious or fatal injury.

An understanding of the causes of these reactive forces may help you avoid loss of control. Reactive forces are exerted in a direction opposite to the direction in which the wheel is moving at the point of contact or of pinching / binding. If the wheel is slowed solely by frictional contact with a solid object, such as the workpiece, the resulting reactive forces are normally moderate and readily controllable by an operator who is holding the machine properly. If, however, the wheel is abruptly slowed or stopped by a pinch or severe bind, the reactive forces may be substantially

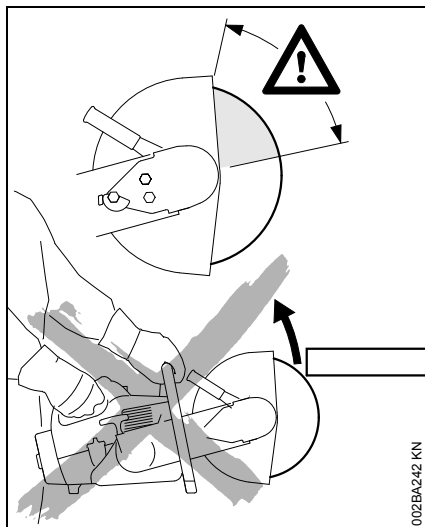
greater. The greater the force generated, the more difficult it will be for the operator to control the cut-off machine. Loss of control can result in severe personal injury or death.

Pull-away, Climbing, Pinching and Rotational Kickback Forces

The most common reactive forces are pull-away and climbing. If the contact is at the bottom of the wheel, a cut-off machine will try to pull away from the operator (pull-away.) If the contact is at the front of the wheel, the wheel may attempt to climb the object being cut (climbing.)

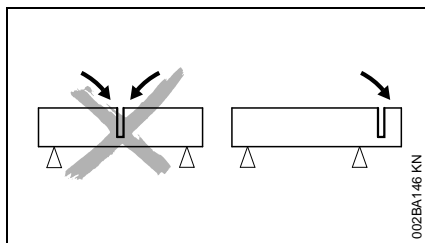
Pinching occurs when the piece being cut closes on the wheel. A severe binding may also occur if the wheel is substantially sideloaded in the kerf or if an improper or damaged diamond wheel begins or ceases to wobble in the kerf. If the wheel is severely pinched or bound in the upper quadrant, the wheel may be instantly thrown up and back towards the operator with great force in a rotational kickback motion. Such kickback situations can and should always be avoided. Pinching of the wheel can be prevented by proper support of the workpiece. (See below.) Severe binding of the wheel can be prevented by proper cutting techniques, e.g., not sideloading the wheel, and by the use of properly designed, manufactured and maintained wheels.

Reducing the Risk of Kickback Injury



WARNING

To reduce the risk of kickback injury, avoid cutting with the upper quadrant of the wheel where possible. Be especially cautious for a pinching or binding of the wheel in this area, which can cause severe reactive forces in a rotational kickback motion.



Be alert to potential movement of the workpiece or anything else that could cause the cut to close and pinch the wheel. In order to reduce the risk of

pinching, support the workpiece in such a way that the cut remains open during the cutting process and when the cut is finished (see illustration.) Never make a cut that results in a binding of the wheel. If you cannot properly support the workpiece, do not use a cutting-off machine to make the cut; select another tool or cutting technique that is not subject to kickback.

WARNING

Be particularly alert when cutting a workpiece such as a pipe with a belled end or a pipe in a trench that, if not properly supported, can sag upon completion of the cut, creating a pinch not where you are actually cutting but, rather, at or near the top of the workpiece. If the pinch is in the upper quadrant of the abrasive wheel, kickback can result.

WARNING

Use wet-cutting whenever feasible, since the water can act as a lubricant in a pinch situation and thus reduce the likelihood of reactive forces occurring and the energy of any such forces that do occur, making it easier to maintain control of the machine.

WARNING

Only STIHL branded cutting attachments are recommended. Use of certain non-STIHL branded wheels may be extremely dangerous. Many standard diamond wheels, for instance, are available in the market. If they are not manufactured with the proper quality steel in their core, if they are not properly tensioned, or if other design or manufacturing defects exist, they may, e.g., begin to wobble during use, lose segments or exhibit other operational problems that can substantially increase the risk of personal injury or death. If a diamond wheel begins or ceases to wobble within the kerf, the change in the behavior of the wheel may cause a severe binding that can lead to loss of control and/or kickback. If the wheel you are using begins to wobble or has ever wobbled, discard it immediately. Although such a wheel may temporarily cease to wobble, e.g., if run without load, it will always be prone to wobble again under certain conditions.

Some other non-STIHL branded diamond wheels are manufactured with abrasive material on their sides. Do not use such wheels, since the abrasive material may lead to substantially increased reactive forces in a pinch or sideloading situation.

! WARNING

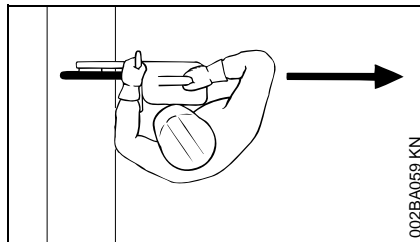
Never use chipped abrasive wheels or circular saw blades, carbide-tipped blades, rescue blades or wood-cutting or toothed blades of any nature on a cut-off machine. The use of such wheels or blades will greatly increase the risk of loss of control and severe personal injury or death from reactive forces, since the chipped section of an abrasive wheel or the teeth of a saw blade may catch in the material being cut and generate substantially greater reactive forces, including rotational kickback.

Cut-off machines are designed for use with abrasive wheels in good condition only. Machines designed for use with wood-cutting or other toothed blades use different types of guarding systems that provide the protection necessary for those types of blades. Machines, such as a cut-off machine, that are designed for use with abrasive wheels require a different guarding system, which is not designed to provide protection against all dangers presented by circular saw blades, carbide-tipped blades, rescue blades or wood-cutting or toothed blades of any nature.

! WARNING

To reduce the risk of injury from loss of control from reactive forces, including kickback:

1. Hold the cut-off machine firmly with both hands.
2. Maintain good balance and footing at all times. Never cut while standing on a ladder.



3. Position the cut-off machine in such a way that your body is clear of the cutting attachment. Avoid standing in direct line with the wheel (See illustration.) Never bend over the cutting attachment, especially when the guard is pulled back towards the top and there is a risk of reactive forces.
4. Do not cut above shoulder height.
5. Only STIHL branded diamond and composite abrasive wheels are recommended. The use of non-STIHL branded wheels can be extremely dangerous. Never work with a diamond wheel that wobbles or that has ever wobbled or that is manufactured with abrasive material on its sides.
6. Do not cut wood or any other material for which the abrasive wheel is not authorized.
7. Never use circular saw blades, carbide-tipped blades, rescue blades, wood-cutting blades or toothed blades of any nature. Their use increases the risk of injury from blade contact, thrown tips and reactive forces, including kickback.
8. Begin cutting and continue at full throttle.
9. Do not overreach.
10. Never sideload a wheel in the kerf.
11. Use your cut-off machine for cutting only. It is not designed for prying or shoveling away any objects.
12. Be especially alert for reactive forces, including kickback, when cutting with the front and upper quadrant of the wheel. Never pull the top of the wheel guard back beyond the limit stop.
13. Be alert to shifting of the workpiece or anything that could cause the cut to close and pinch the wheel, especially in the upper quadrant. Support the workpiece in such a way that the cut remains open. Never make a cut that results in a binding of the wheel.
14. Use wet-cutting whenever feasible. In a pinch situation the water can act as a lubricant and reduce the energy of reactive forces.
15. Release the pressure on the cut-off machine as you reach the end of the cut. Too much pressure may cause the operator to lose control of the cut-off machine when the abrasive wheel completes the cut. The abrasive wheel may contact the operator or strike some foreign object and shatter.
16. Use extreme caution when reentering a cut and do not turn the wheel at an angle or push the wheel into the cut as this may result in a binding of the wheel.

Gyroscopic Forces

Be alert for gyroscopic forces that are caused by the rapid spinning of the cut-off wheel. These forces result in

opposition to directional change, e.g., when the operator attempts to move the machine in a sideways direction.

Maintenance, Repair and Storing of the Cut-Off Machine

Maintenance, replacement, or repair of the emission control devices and systems may be performed by any nonroad engine repair establishment or individual. However, if you make a warranty claim for a component that has not been serviced or maintained properly or if nonapproved replacement parts were used, STIHL may deny warranty coverage.

Never operate a cut-off machine that is damaged, improperly adjusted or not completely or securely assembled. Follow the maintenance and repair instructions in the appropriate sections of your instruction manual.

WARNING

Use only STIHL replacement parts for maintenance and repair. Use of parts manufactured by others may cause serious or fatal injury.

WARNING

Always stop the machine, make sure that the wheel is stopped, and remove the spark plug boot from the spark plug before doing any maintenance or repair work or cleaning the cut-off machine. Do not attempt any maintenance or repair work not described in your instruction manual. Have such work performed only at your STIHL servicing dealer.

Clean off grinding dust after finishing work. Tighten all nuts, bolts and screws after each use.

Do not clean your machine with a pressure washer. The solid jet of water may damage parts of the machine.

WARNING

Never test the ignition system with spark plug boot removed from spark plug or with an unseated spark plug, since uncontained sparking may cause a fire.

WARNING

To reduce the risk of fire and burn injury, use only spark plugs authorized by STIHL. Always press spark plug boot snugly onto spark plug terminal of the proper size. (Note: If terminal has a detachable SAE adapter nut, it must be attached.) A loose connection between spark plug terminal and ignition wire connector in the boot may create arcing that could ignite combustible fumes and cause a fire. Keep spark plug clean, and make sure ignition lead is in good condition.

WARNING

Do not operate your cut-off machine if the muffler is damaged, missing or modified. An improperly maintained muffler will increase the risk of fire and hearing loss. Never touch a hot muffler or spill fuel or other flammable liquid over it. Burn injuries or fire will result. If your muffler was equipped with a spark-arresting screen to reduce the risk of fire (e. g. in the USA, Canada and Australia), never operate your cut-off machine if the screen is missing or damaged.

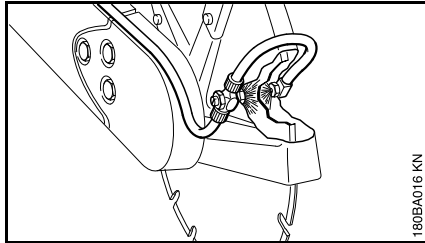
For any maintenance please refer to the maintenance chart and to the warranty statement near the end of the instruction manual.

Store wheels on a flat surface in a dry place, preferably at a constant temperature, where there is not a risk of frost. Do not store a cut-off machine with a wheel mounted on the machine. Store cut-off machine in a high or locked place, away from children.

Empty the fuel tank before storing for longer than a few days. Store fuel only in correctly labeled and approved containers. Avoid direct skin contact and do not inhale the gas vapors.

Sample applications

Most diamond cutting wheels are suitable for wet cutting



Wet cut whenever feasible. It increases the service life and cutting speed of diamond cutting wheels.

Ensure that the cutting wheel is generously supplied with water.

Wet cutting helps to suppress dust.

The water binds the dust.

The cutting wheel must be supplied with at least 20 fl. oz (0.6 liters) water per minute.

Wet cutting can reduce the energy of reactive forces. In a pinch situation, the water can act as a lubricant.

Water connection

- A water attachment kit is mounted on the machine for use with all types of water supply.
- A pressurized 10 liter water tank is available from STIHL for dust suppression.
- A water tank for mounting on the Cutquik cart is also available for dust suppression.

Composite resin wheels can be used for dry cutting of metals or for wet or dry cutting of concrete, stone or masonry.

Composite resin wheels designed for dry cutting

Special procedures must be followed when wet cutting with a composite non-diamond wheel designed for dry cutting. See the section entitled "Wet Cutting with Abrasive Wheels" in the safety precautions of this manual. Wet cutting is generally not suitable for cutting metals.

Composite resin wheels designed for wet cutting



Adjust water flow rate during cutting so it is sufficient to bind all the dust that occurs (at least 20 fl. oz (0.6 L/min)).

If the water flow rate is too high, the cutting wheel may skim on the water surface in the cut and greatly reduce cutting performance. To avoid this, do not exceed a water flow rate of about 135 fl. oz (4 L/min).

Use water properly:

1. Be certain water is applied to both sides of wheel, since uneven distribution can cause one sided wear with possible wheel breakage.
2. Make certain water does not flow on wheel that is not running, since the wheel will absorb water and that will affect wheel balance.
3. After finishing work, run the cutting wheel at normal operating speed for about 3 to 6 seconds **without** water so that the remaining water is flung off.

Water connection

- A water attachment kit is mounted on the machine for use with all types of water supply.
- A pressurized 10 liter water tank is available from STIHL for dust suppression.
- A water tank for mounting on the Cutquik cart is also available for dust suppression.

Respiratory protection



WARNING

When wet cutting at the recommended flow rate is not utilized, the operator and any bystanders should always wear a respirator approved by NIOSH/MSHA for the material being cut. Even if wet cutting, an operator who is actively cutting for more than two hours a day should wear at least a NIOSH-approved disposable respirator.

Points to be noted with diamond and composite cutting wheels

Object to be cut

- Must be fully supported
- Must be secured so that it cannot roll or slip away
- Must be protected against vibration

The cutting sequence

The cutting sequence is important when cutting openings and recesses, etc. The last cut must always be made in such a way that the cutting wheel cannot become bound and so that the user is not at risk of being injured by the part that has been cut off or out.

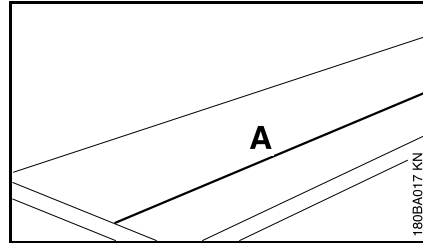
If applicable, leave small ridges of uncut material to hold the severed part in position. These ridges can subsequently be broken through.

A number of points must be decided before the part is finally severed:

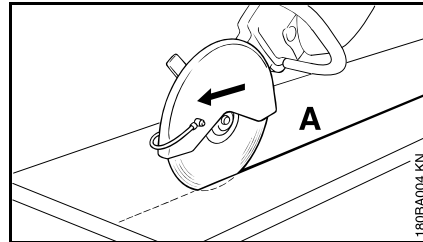
- How heavy is the part?
- In which direction can it move after being severed?
- Is it under tension?

Helpers must not be put at risk of injury when the part is broken off or out.

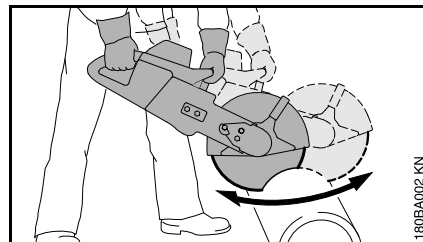
Cutting in several passes



- Mark cutting line (A).



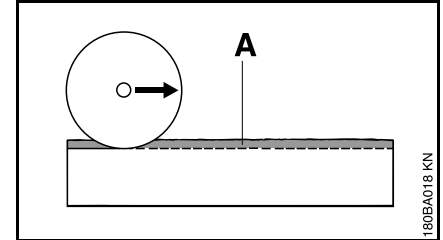
- Work along the cutting line. If corrections are necessary, always reposition the cutting wheel, taking care to ensure that it is not wedged. The cutting depth per pass should not exceed 5 to 6 cm (2" to 2 1/2"). Thicker material must be cut in several passes.



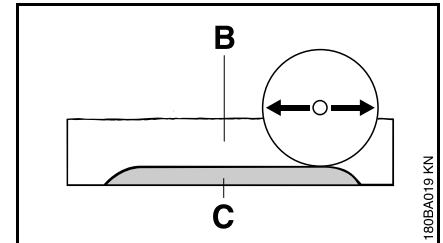
- Thick-walled workpieces should be cut with a uniform swinging movement, back and forth.

Cutting slabs

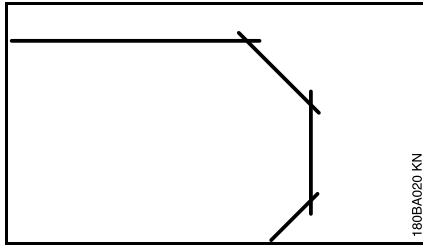
- Place the slab securely on a non-slip surface.



- Cut a guiding groove (A) along the marked line.



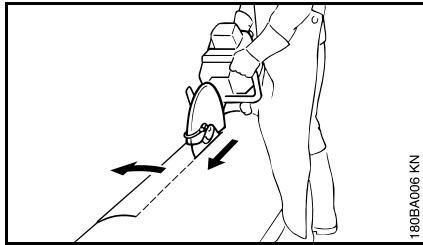
- Cut deeper into the parting cut (B) with uniform back-and-forth movements.
- Leave a ridge (C) of uncut material.
- Cut through the slab at the ends so the material does not chip.
- Then break the slab.



180BA020 KN

- Curves must be cut in several straight passes, taking care to ensure that the cutting wheel does not become wedged.

Cutting round and hollow workpieces

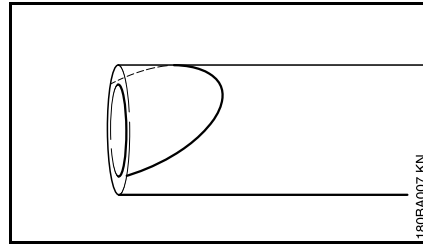


180BA006 KN

- Pipes and round objects, etc. must be secured so that they cannot roll.
- Avoid reinforcing elements, especially in the direction of the cut, when deciding on the cutting line.
- Cut a guiding groove along the marked line.
- Cut deeper into the parting cut with uniform back-and-forth movements. Advance the cutting wheel along the guiding groove at full cutting depth. Always reposition the cutting wheel, taking care not to wedge it, if the cutting direction has to be corrected slightly. If necessary, leave small ridges of uncut material to hold the

severed part in position. These ridges can subsequently be broken through.

Cutting shapes on pipes

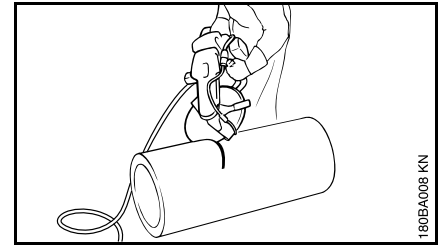


180BA007 KN

- Mark the cutting line.

WARNING

Particular care and precision are required for free-hand cutting along such cutting lines. Avoid side-loading the wheel or causing it to bind.



180BA008 KN

- Cut a guiding groove along the marked cutting line, starting at the top and moving out towards both sides.
- Cut into the pipe or round object, etc. at the ends of the cutting line so that the material does not chip.
- Cut deeper into the parting cut with uniform back-and-forth movements, starting at the top and moving out towards the sides. Advance the cutting wheel along the guiding groove at full cutting depth. Always reposition the cutting wheel afresh, taking care not to wedge it if the cutting direction has to be corrected slightly. If necessary, leave small ridges of uncut material to hold the severed part in position. These ridges can subsequently be broken through.

Cutting wheels

Cutting wheels are exposed to extremely high loads especially during freehand cutting.

The cutting wheels that have been developed for STIHL by well-known manufacturers of abrasive wheels are of high quality and tailored precisely to the respective intended use as well as the engine performance of the cut-off machine.

Transport and storage

- Do not expose cutting wheels to direct sunshine or other thermal stresses during transport and storage
- Avoid jolting and impacts
- Stack cutting wheels flat on a level surface in the original packaging in a dry place where the temperature is as constant as possible
- Do not store cutting wheels in the vicinity of aggressive fluids
- Store cutting wheels in a frost-free place

Composite resin cutting wheels



Economic benefit is improved and premature wear can be avoided by choosing and using the correct composite resin cutting wheel. The short name (e.g. "asphalt", "concrete")

- on the label and
- on the packaging (table with recommended uses)

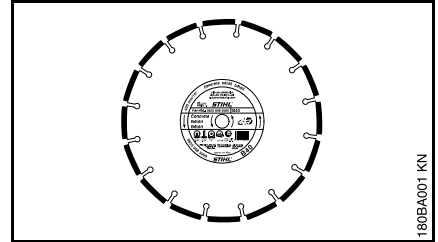
can help to ensure the correct choice.

STIHL composite resin cutting wheels are suitable, depending on the version, for cutting the following materials:

- Asphalt
- Concrete
- Stone
- Ductile cast pipes
- Steel

STIHL composite resin cutting wheels cannot be used to cut railway tracks.

Diamond cutting wheels



Economic benefit is improved and premature wear can be avoided by choosing and using the correct diamond cutting wheel. The short name (see following explanation)

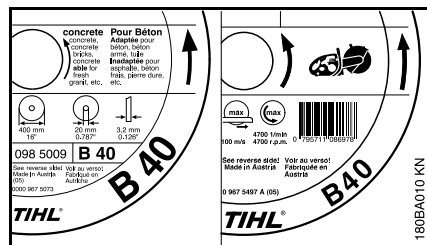
- on the label and
- on the packaging (table with recommended uses)

can help to ensure the correct choice.

STIHL diamond cutting wheels are suitable, depending on the version, for cutting the following materials:

- Asphalt
- Concrete
- Stone (hard rock)
- Abrasive concrete
- Green concrete
- Clay bricks
- Clay pipes

Short names



The short name is a combination of letters and numerals with up to four digits:

- The letters indicate the main area of use for the cutting wheel.
- The numerals indicate the performance class of the STIHL diamond cutting wheel.

Letter Main area of use

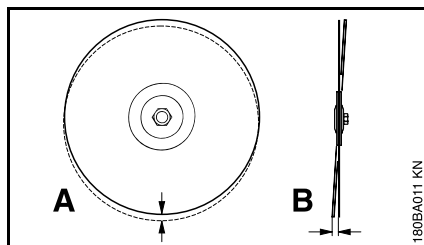
A	Asphalt
B	Concrete
BA	Concrete, Asphalt
S	Stone (rock)
SB*	Rock, Concrete

*) can be used for structural steel up to 10 mm thick and ductile iron – not suitable for continuous cutting of such materials

Radial and axial run-out

A correctly mounted spindle bearing on the cut-off machine is essential for a long service life and efficient operation of the diamond cutting wheel.

Using a cutting wheel on a cut-off machine with defective spindle bearing can lead to axial and radial run-out.



Excessive radial run-out (**A**) causes individual diamond segments to be overloaded and to overheat. This can in turn lead to stress cracking in the wheel core or to softening of individual segments.

Axial run-out or spindle wobble (**B**) results in higher thermal stress and wider cuts.

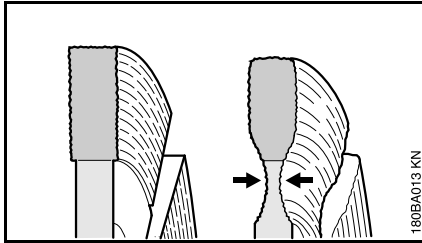
Troubleshooting

Cutting wheel

Problem	Cause	Remedy
Frayed edges or tears, cut wanders out of line, increased wear at the sides of the segments	Radial or axial run-out	Consult a dealer ¹⁾
	Cutting wheel wobbles	Use a new cutting wheel
Frayed edges, cut wanders out of line, little or no cutting performance, sparking	Cutting wheel is blunt; built-up edges on cutting wheels for stone	Dress the cutting wheel for stone by briefly cutting in abrasive material; use a new cutting wheel for cutting asphalt
Poor cutting performance, high level of segment wear	Cutting wheel rotates in the wrong direction	Mount the cutting wheel with correct direction of rotation
Chipping or cracking in the wheel core and segments	Overload	Replace immediately with a new cutting wheel
Undercutting	Cutting in a material for which the wheel is not rated	Use a new cutting wheel; note the different cutting layers in different materials

1) STIHL recommends that a STIHL servicing dealer be consulted.

Undercut



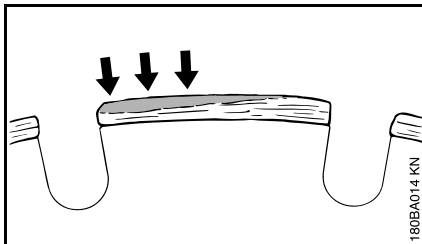
Undercutting is a wearing away of the steel core at or just below the diamond segments. When cutting road surfaces, do not cut through into the more abrasive ballast (gravel, crushed rock) below, as indicated by a light colored dust. This can cause excessive undercutting, resulting in wheel breakage and/or thrown segments.



WARNING

Immediately replace a diamond wheel if the core has been severely undercut.

Built-up edges, dressing



Built-up edges are identified by a pale grey deposit on the top of the diamond segments that clogs and blunts the segments.

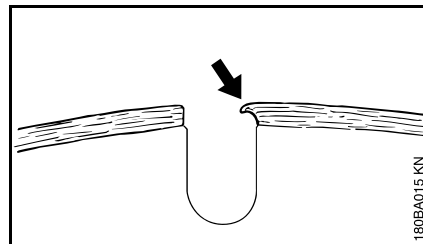
Built-up edges can form:

- when cutting extremely hard material, such as granite,
- as a result of incorrect handling, such as applying excessive feed force,
- if extremely large sections are cut without a pendulum movement (back and forth in the cutting plane).

Built-up edges increase vibrations, reduce cutting performance and cause sparking.

Diamond cutting wheels must be "dressed" at the first sign of built-up edges. For this purpose, briefly cut a more abrasive material, such as sandstone, aerated concrete or asphalt.

Wet cutting helps to prevent the formation of built-up edges.



If you continue to use a cutting wheel with blunt segments, the segments may soften as a result of excessive heat built up. The wheel core will also overheat and lose its mechanical strength. This can lead to considerable stress, as clearly indicated by stress cracks and/or a wobbling movement of the cutting wheel.



WARNING

Such cutting wheels may break apart or throw off segments during use or lead to significant reactive forces, causing serious or fatal injury. Replace them immediately.

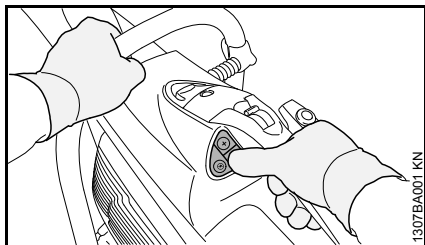
Electronic water control

STIHL cut-off machines may be equipped with an electronic water control system.

The electronic water control makes it possible to feed the optimum amount of water to the cutting wheel. No water is fed to the cutting wheel during idling or when the machine is turned off.

Before starting work

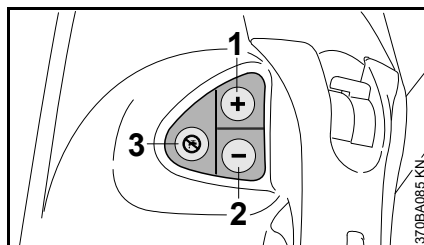
- Familiarize yourself with the control panel and sequence of motions while the engine is switched off.



- All of the control panel buttons can be reached with the thumb of the right hand while the right hand remains on the rear handle.
- The left hand always remains on the handlebar.

Control Panel

When the engine is running, it is possible to activate/deactivate the electronic water control and adjust the water flow.



- Button (+):**
activates the electronic water control or increases water flow to cutting wheel.
- Button (-):**
activates the electronic water control or decreases water flow to cutting wheel.
- Deactivates electronic water control;** no water is fed to the cutting wheel.

Using the Electronic Water Control

- Start engine: see the chapter "Starting/Stopping the Engine."
- Briefly push the (+) button or (-) button with the thumb of the right hand. The right hand must always remain on the rear handle while doing so; the left hand must always remain on the handlebar. No water is fed to the cutting wheel during idling.

During use, the set amount of water is fed to the cutting wheel.

- Adjust water flow if necessary – to do so, briefly push the (+) button or (-) button with the thumb of the right hand until the correct water quantity is attained at one of the settings.

The right hand must always remain on the rear handle while doing so; the left hand must always remain on the handlebar.

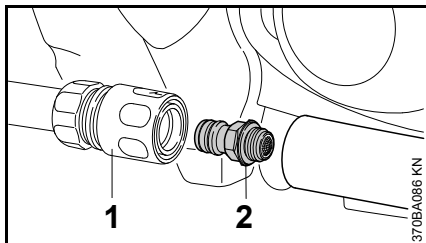
The water pressure will affect the actual amount of water flow at any setting. It may be necessary to use a higher setting with a lower water pressure, e.g., when using a pressurized or gravity water tank. For proper dust suppression and cutting performance, always make sure that the water flow is within the proper range, as described in the chapter "Sample Applications."

If the cut-off machine is idling after use, no more water will be fed to the cutting wheel – the electronic water control, however, remains activated. With continued use, the last setting will be automatically re-entered.

If the engine is stopped and restarted, the electronic water control is switched off.

Maintenance and Care

If too little water or no water is fed to the cutting wheel during use although the electronic water control has been activated:



- remove the coupling sleeve (1);
- unscrew the "water connection with screen" (2) and rinse under running water – the screen remains on the water connection.

Assembling the cast arm and guard

The "cast arm with guard" is mounted on the inboard side by the manufacturer.

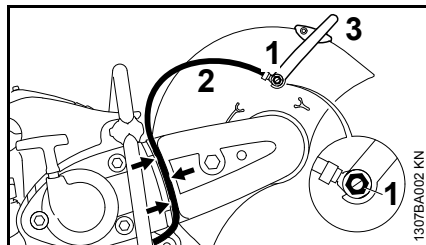
The "cast arm with guard" can also be mounted on the outboard side depending on requirements.

Assembly on the inboard side is recommended for freehand cutting on account of the better balance.

Outboard mounting

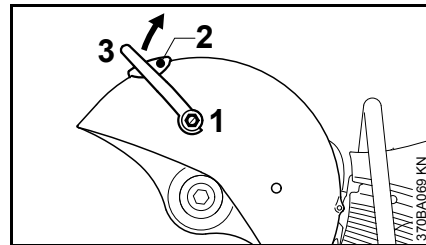
- Disassemble the abrasive wheel (see "Fitting / replacing an abrasive wheel")

Removing the water attachment



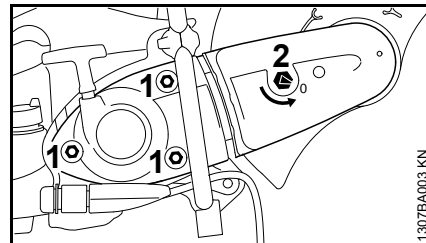
- Unscrew the banjo bolt (1) with the combination wrench – in the process, remove the square nut from the inside of the guard from the guide
- Remove the water hose (2) with connector from the adjusting lever (3)
- Pull the water hose (2) out of the guide (arrows) in the V-belt guard

Removing the adjusting lever



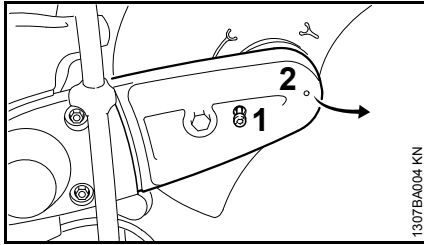
- Unscrew the banjo bolt (1) with the combination wrench and remove it together with the seal – in the process, remove the square nut from the inside of the guard from the guide
- Unscrew the screw (2)
- Turn the adjusting lever (3) upwards and remove

Slackening the V-belt

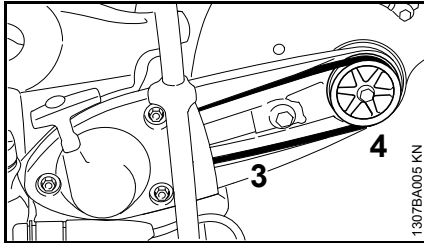


- Unscrew the nuts (1) – do not remove them
- Turn the tensioning nut (2) counterclockwise with the combination wrench – approx. 1/4 turn, as far as it will go = 0

Removing the V-belt guard

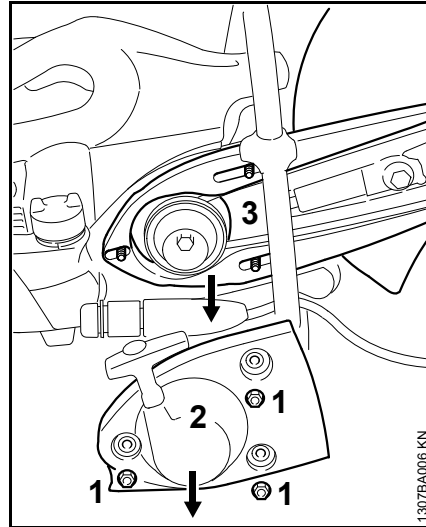


- Unscrew the screw (1) – screw (1) is secured on the V-belt guard (2) to prevent loss
- Raise the V-belt guard (2) slightly and pull it off to the front



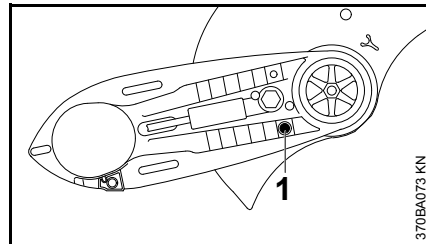
- Remove the V-belt (3) from the front pulley (4)

Removing the "cast arm with guard"

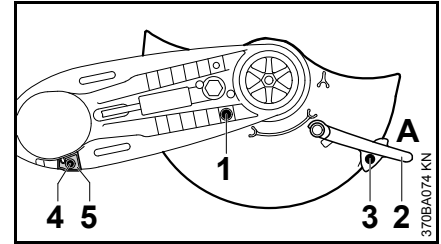


- Remove the nuts (1)
- Remove the "starter cover with rewind starter" (2)
- Remove the "cast arm with guard" (3) from the studs

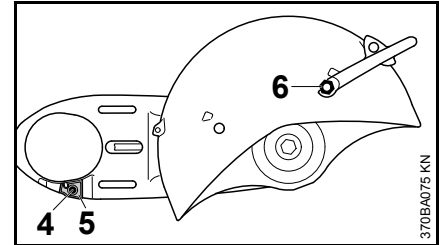
Preparing the "cast arm with guard" for outboard mounting



- Unscrew the stop pin (1)



- Turn the guard so that it is in the position shown (see picture)
- Screw in and tighten the stop pin (1)
- Move the adjusting lever (2) to position A
- Screw in the bolt (3) and tighten up
- Remove screw (4) from the limit stop (5)
- Pull off the limit stop (5)

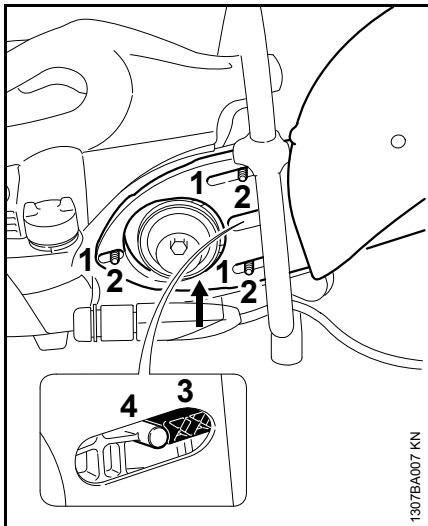


- Turn the "cast arm with guard" so that the guard is on the outboard side
- Insert limit stop (5) – align the hole in the limit stop with the hole in the cast arm
- Screw in the bolt (4) and tighten up

English

- Insert the square nut into the guide in the guard and hold it in place
- Screw in the shorter banjo bolt (6) and washer at the adjusting lever and tighten up with the combination wrench

Mounting "cast arm with guard" – guard on the outboard side

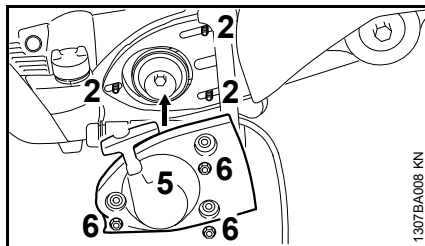


- Press the oblong holes (1) in the "cast arm and guard" on to the studs (2), guiding the ribbed V-belt over the front pulley

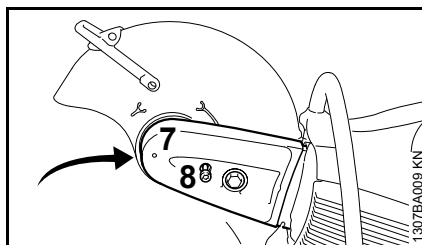


The belt action must run smoothly.

- The belt tensioner (3) must sit close to the lug (4)

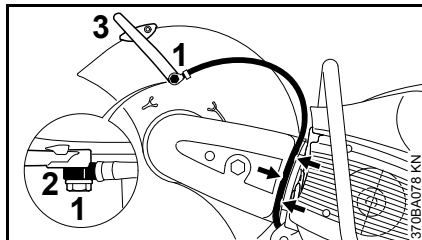


- Fit the "starter cover with rewind starter" (5) over the studs (2)
- Tighten up the nuts (6) by hand



- Push the V-belt guard (7) into place
- Screw in the bolt (8) and tighten up

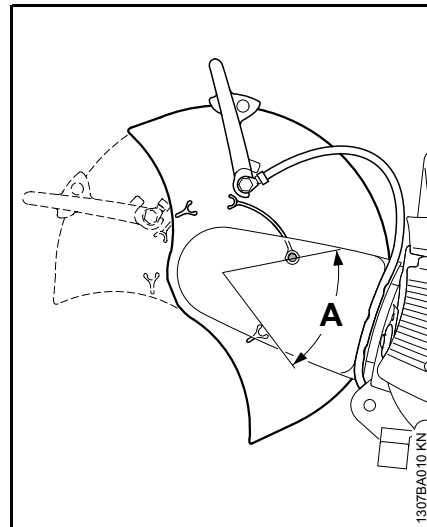
Connecting the water connection



- Insert the longer banjo bolt (1) through the connector (2) of the water attachment – observe the position of the connector
- Insert the square nut into the guide in the guard and hold it in place

- Fit the support with the longer banjo bolt on the adjusting lever (3) – screw in the banjo bolt and tighten with the combination wrench
- Insert the water hose into the guide in the V-belt guard (arrow) from the water connection towards the guard – avoid tight radiuses

Checking the adjustment range of the guard



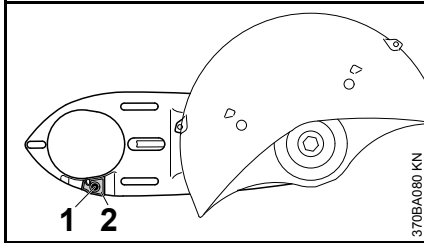
- Rotate the guard forwards and backwards as far as possible – adjustment range (A) must be limited by the stop pin

Continue as described in the chapter "Tensioning the V-belt".

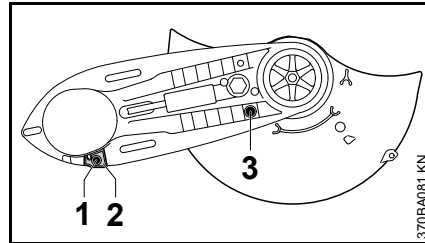
Inboard mounting

- Disassemble the abrasive wheel (see "Fitting / replacing an abrasive wheel")
- Remove the water attachment
- Remove the adjusting lever
- Slacken the V-belt
- Remove the V-belt guard
- Remove the "cast arm with guard"

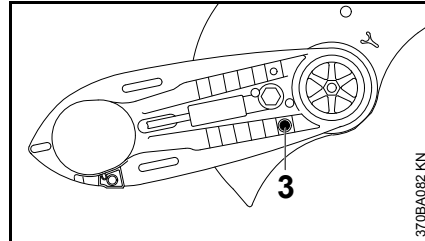
Preparing the "cast arm with guard" for inboard mounting



- Remove screw (1) from the limit stop (2)
- Pull off the limit stop (2)

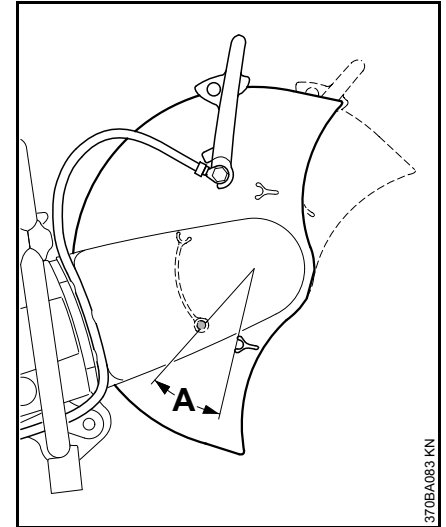


- Turn the "cast arm with guard" so that the guard is on the inboard side
- Insert limit stop (2) – align the hole in the limit stop with the hole in the cast arm
- Screw in the bolt (1) and tighten up
- Remove the nuts (3)



- Turn the guard so that it is in the position shown (see picture)
- Screw in and tighten the stop pin (3)
- Install the adjusting lever
- Mount "cast arm with guard" – guard on the inboard side
- Install the V-belt guard
- Connect water connection

Checking the adjustment range of the guard

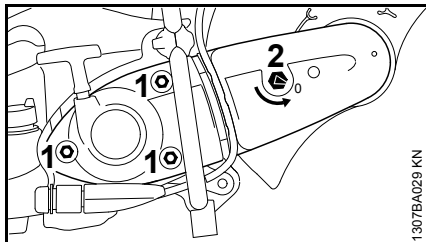


- Rotate the guard forwards and backwards as far as possible – adjustment range (A) must be limited by the stop pin

Continue as described in the chapter "Tensioning the V-belt".

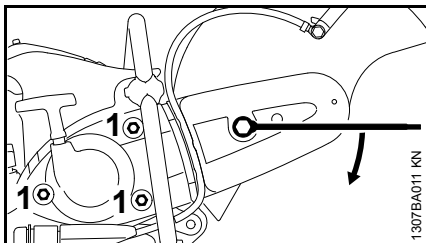
Tensioning the ribbed V-belt

This machine is equipped with an automatic spring-action V-belt tensioning device.



Prior to tensioning of the ribbed V-belt, the nuts (1) must be loosened and the arrow on the tensioning nut (2) must point to 0.

- otherwise loosen the nuts (1) and the tensioning nut (2) with the combination wrench counterclockwise – approx. 1/4 turn, as far as possible = 0



- to tighten the ribbed V-belt, fit the combination wrench over the tensioning nut as illustrated



The tensioning nut is spring-loaded – hold the combination wrench securely.

- Turn the tensioning nut clockwise approx. 1/8 turn – the tensioning nut will be engaged by the spring
- Continue turning approx. 1/8 turn – up to the stop



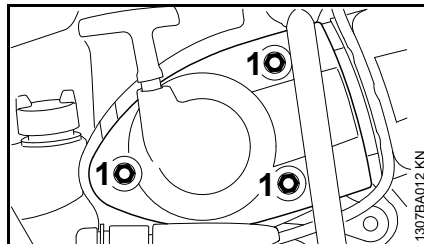
Do not turn the combination wrench further by force.

The V-belt is automatically tensioned by the force of the spring in this position.

- Remove the combination wrench from the tensioning nut
- Tighten up the nuts (1)

Retensioning the V-belt

The V-belt is retensioned without the aid of the tensioning nut.

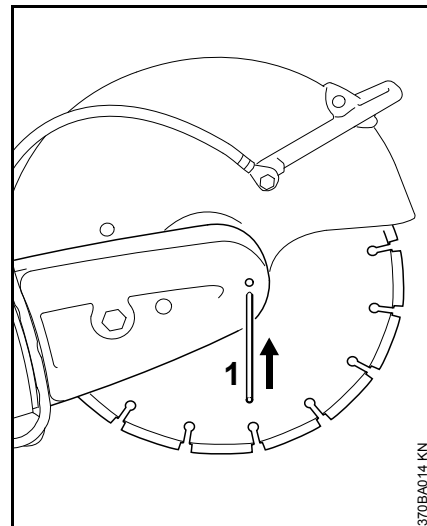


- Loosen the nuts (1) – V-belt is retensioned automatically by the force of the spring
- Tighten up the nuts (1) again

Fitting / replacing an abrasive wheel

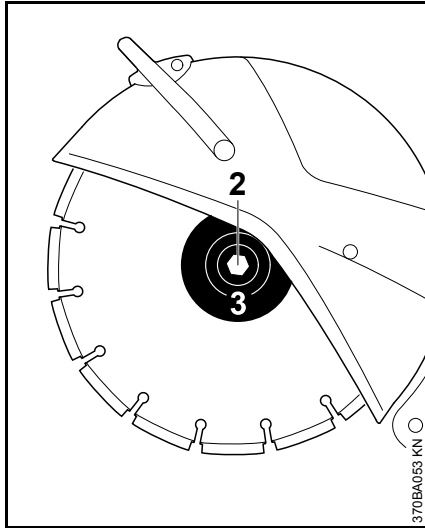
The engine must be switched off for fitting or replacement – move stop switch to **STOP** or 0.

Blocking the shaft



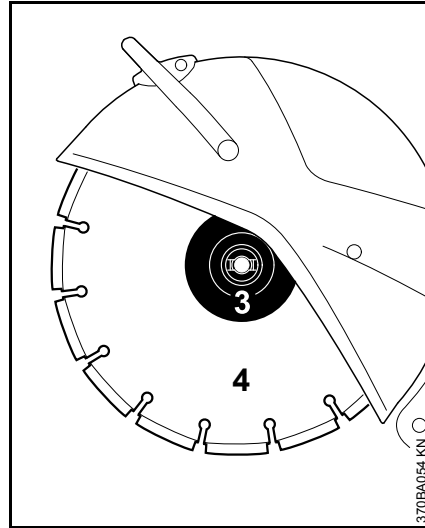
- Slide the locking pin (1) through the bore in the V-belt guard
- Turn the shaft with the combination wrench until the locking pin (1) engages in the bore behind the guard

Removing an abrasive wheel



- Use the combination wrench to loosen and remove the hexagon head screw (2)
- Remove the front thrust washer (3) from the shaft together with the abrasive wheel

Fitting an abrasive wheel



- Fit the new abrasive wheel (4)



Note the arrows indicating the direction of rotation on diamond abrasive wheels.

- Fit the front thrust washer (3). The catches of the front thrust washer (3) must engage in the shaft grooves
- Screw in the hexagon bolt and **tighten it** with the combination wrench – if using a torque wrench, refer to the "Specifications" for the tightening torque
- Draw the locking pin out of the V-belt guard



Never use two abrasive wheels at the same time. The uneven wear creates a risk of breaking and an injury hazard!

Fuel

This engine is certified to operate on unleaded gasoline and STIHL two-stroke engine oil at a mix ratio of 50:1.

Your engine requires a mixture of high-quality gasoline and two-stroke air cooled engine oil.

Use mid-grade unleaded gasoline with a minimum octane rating of 89 (R+M/2) and no more than 10% ethanol content.

Fuel with a lower octane rating may increase engine temperatures. This, in turn, increases the risk of piston seizure and damage to the engine.

The chemical composition of the fuel is also important. Some fuel additives not only detrimentally affect elastomers (carburetor diaphragms, oil seals, fuel lines, etc.), but magnesium castings and catalytic converters as well. This could cause running problems or even damage the engine. For this reason STIHL recommends that you use only high-quality unleaded gasoline!

Use only STIHL two-stroke engine oil or equivalent high-quality two-stroke engine oils that are designed for use only in air cooled two-cycle engines.

We recommend STIHL HP Ultra 2-Cycle Engine Oil since it is specially formulated for use in STIHL engines.

Do not use BIA or TCW rated (two-stroke water cooled) mix oils or other mix oils that state they are for use in both water cooled and air cooled engines (e.g., outboard motors, snowmobiles, chain saws, mopeds, etc.).

Take care when handling gasoline. Avoid direct contact with the skin and avoid inhaling fuel vapor. When filling at the pump, first remove the container from your vehicle and place the container on the ground before filling. To reduce the risk of sparks from static discharge and resulting fire and/or explosion, do not fill fuel containers that are sitting in or on a vehicle or trailer.

The container should be kept tightly closed in order to limit the amount of any moisture that gets into the mixture.

The machine's fuel tank should be cleaned as necessary.

Fuel mix ages

Only mix sufficient fuel for a few days work, not to exceed 3 months of storage. Store in approved fuel-containers only. When mixing, pour oil into the container first, and then add gasoline. Close the container and shake it vigorously by hand to ensure proper mixing of the oil with the fuel.

Gasoline	Oil (STIHL 50:1 or equivalent high-quality oils)
----------	--

US gal.	US fl.oz.
---------	-----------

1	2.6
2 1/2	6.4
5	12.8

Dispose of empty mixing-oil containers only at authorized disposal locations.

Fueling



Before fueling, clean the fuel filler cap and the area around it so that dirt cannot fall into the tank.

Thoroughly shake up the mixture in the canister before fueling your machine.



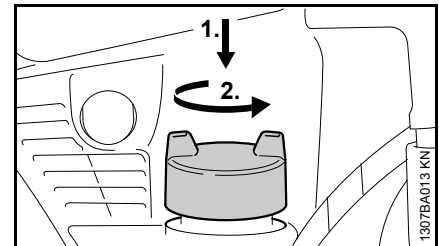
To avoid the risk of fire or other injuries due to escaping gasoline vapors, open the fuel filler cap carefully so that any excess pressure in the tank can escape slowly.



Never use a tool to open the bayonet cap. This could damage the cap and cause fuel to leak out.

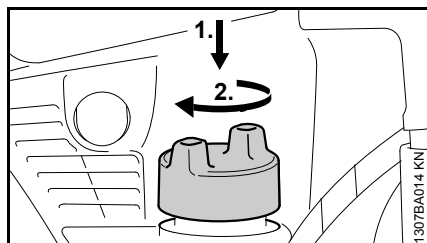
Do not spill any fuel and do not fill the tank up to the brim.

Open the fuel filler cap



Press the cap down with your hand as far as possible, turn it counterclockwise (approx. 1/8 turn) and remove it.

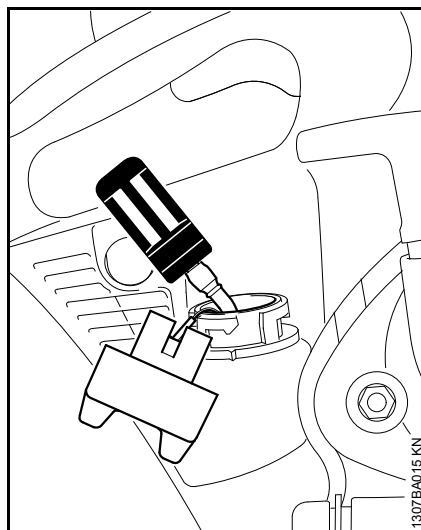
Close the fuel filler cap



- Fit the cap and turn it until it engages in the bayonet mount.
- Press the cap down with your hand and turn it clockwise (approx. 1/8 turn) until it engages completely. Check cap for tightness.

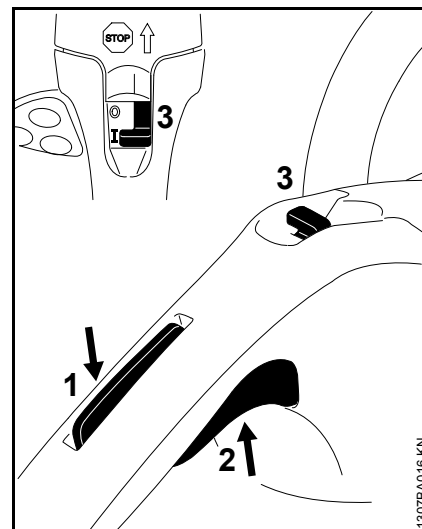
Change the fuel pickup body every year

The fuel pickup body is equipped with a magnetic separator.

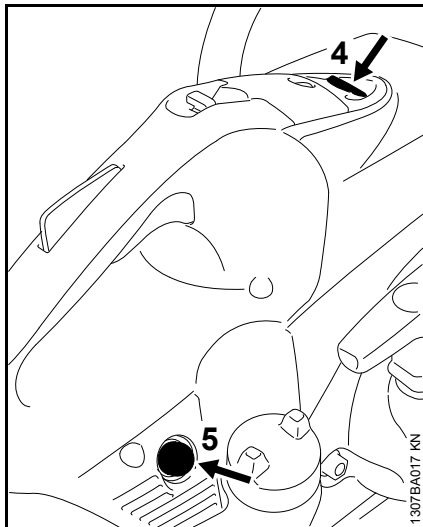


- Drain the fuel tank.
- Pull the fuel pickup body out of the tank with a hook and disconnect it from the hose.
- Connect a new fuel pickup body to the hose.
- Return the fuel pickup body to the tank.

Starting / Stopping the Engine

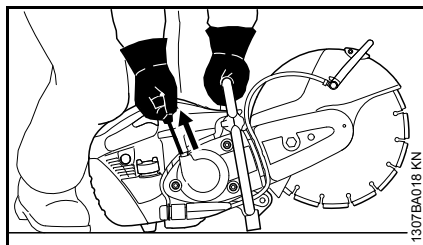


- Press throttle trigger lockout (1) and then throttle trigger (2)
- Hold both lockout and trigger down simultaneously
- Move the stop switch (3) to I
- Release the throttle trigger, stop switch and throttle trigger lockout in succession – **starting throttle position**



- Press the button (4) of the decompression valve before each starting procedure
- Press the fuel pump bulb (5) 7-10 times, even when the bulb is filled with fuel

Starting



- Place the cut-off machine carefully on the ground, ensuring that the abrasive wheel cannot touch the

ground or any objects. There must not be any bystanders near the cut-off machine

- Make sure you have a firm footing
- Press the cut-off machine firmly against the ground, holding the front handle with your left hand, thumb wrapped round the handle
- Press the cut-off machine against the ground with the right knee on the shroud
- Pull the starter grip slowly with your right hand until you feel it engage – then give it a brisk strong pull – do not pull out the starter rope all the way



Do not let the starter grip snap back – it **may break!** Guide it back into the housing in the opposite direction so that it can rewind properly.

Once the engine is running

- Let the engine run for a few seconds - important: the abrasive wheel may begin to rotate!
- Blip the throttle trigger and throttle trigger lockout so that the engine settles down to idle speed

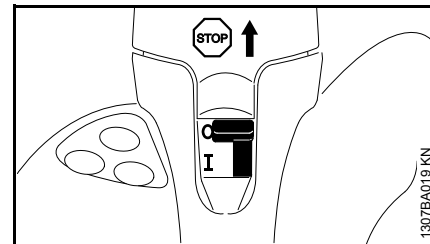
The cut-off machine is now ready for use.



The abrasive wheel must not rotate when the engine is idling. Have the machine repaired by a STIHL servicing

dealer if the abrasive wheel turns while the engine is idling. STIHL recommends STIHL servicing dealers.

Switching off the engine



- Move stop switch to **STOP** or **0**

Additional hints on starting

If the tank has been drained completely

- Refuel
- Press the fuel pump bulb 7-10 times – even if it is full of fuel
- Restart the engine

At very low temperatures or if the machine is extremely cold

- Allow the engine to warm up longer after starting – important: the abrasive wheel may begin to rotate!
- Blip the throttle trigger and throttle trigger lockout so that the engine settles down to idle speed

Air Filter System

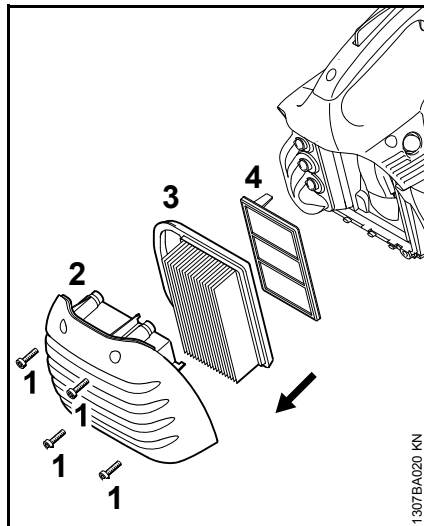
Basic information

The average filter life is more than 1 year. Do not dismantle the filter cover or fit a new air filter unless there is a noticeable loss of engine power.

In the long-life air filter system with the cyclone pre-separation system, dirty air is drawn in and deliberately rotated. The larger and heavier particles carried in the air are thus expelled and extracted. Only pre-cleaned air enters the air filter system and the result is extremely long filter life.

Replacing the air filter

Only if there is a noticeable loss of engine power



- Undo the screws (1)
- Remove the filter cover (2) and clean it
- Remove the main filter (3)
- Remove the auxiliary filter (4) – ensuring that dirt does not enter the intake area
- Clean the filter area
- Insert new auxiliary filter (4) and new main filter (3)
- Refit filter cover (2)
- Retighten screws (1)

Always use original STIHL air filters. The high quality of these parts will ensure trouble free operation, a long service life for the engine and extremely long filter life.

Engine Management

Exhaust emissions are controlled by the design of the fundamental engine parameters and components (e.g. ignition, timing and valve or port timing) without the addition of any major hardware.

STIHL Injection

STIHL Injection regulates the fuel quantity and ignition timing for all operating states electronically.

STIHL Injection stands for easy, fast starting, constant optimum engine performance, outstanding acceleration and automatic adaptation to changes in operating conditions.

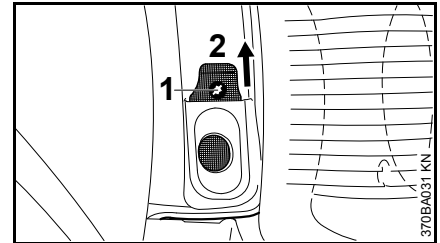
Spark Arresting Screen in Muffler

In some countries, the mufflers are fitted with a spark arresting screen.

- If engine performance deteriorates, check the spark arresting screen in the muffler



Wait until engine has cooled completely before performing the following operations.



- Remove screw (1)
- Pull the spark arresting screen (2) upwards out of the muffler
- Clean the soiled spark arresting screen
- If the screen is damaged or heavily carbonized, fit a new one
- Refit the spark arresting screen in reverse order of steps

Spark Plug

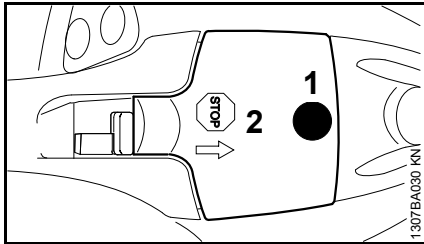
If engine is down on power, difficult to start or runs poorly at idling speed, first check the spark plug.

Fit a new spark plug after approx. 100 operating hours or earlier if the electrodes are badly eroded.

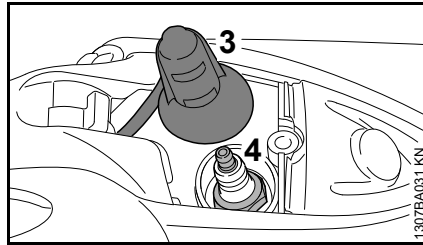
Wrong fuel mix (too much engine oil in the gasoline), a dirty air filter and unfavorable running conditions (mostly at part throttle etc.) affect the condition of the spark plug. These factors cause deposits to form on the insulator nose which may result in trouble in operation.

Removing the spark plug

- Switch off the engine – move stop switch to **STOP** or **0**

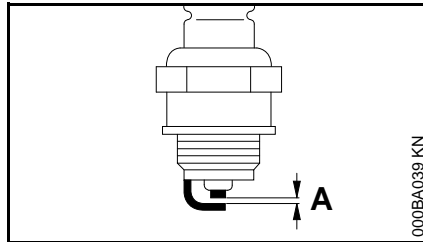


- Unscrew screw (1) and remove cap (2) – screw (1) is secured in the cap (2) to prevent loss



- Remove the spark plug boot (3).
- Unscrew the spark plug (4).

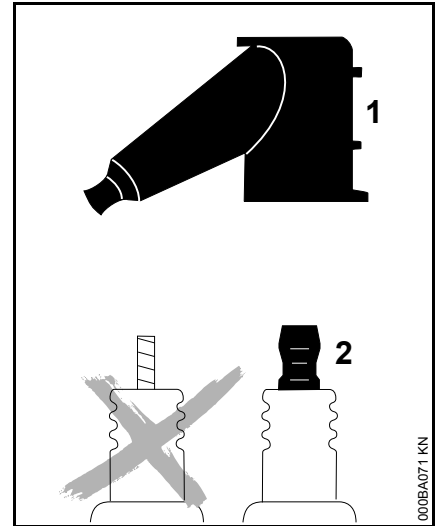
Checking the Spark Plug



- Clean dirty spark plug.
- Check electrode gap (A) and readjust if necessary – see "Specifications."
- Use only resistor type spark plugs of the approved range.

Rectify problems that have caused fouling of spark plug:

- too much oil in fuel mix,
- dirty air filter,
- unfavorable running conditions, e.g. operating at part load.



⚠ WARNING

To reduce the risk of fire and burn injury, use only spark plugs authorized by STIHL. Always press spark plug boot (1) snugly onto spark plug terminal (2) of the proper size. (Note: If terminal has detachable SAE adapter nut, it must be securely attached.) A loose connection between spark plug boot and ignition wire connector in the boot may create arcing that could ignite combustible fumes and cause a fire.

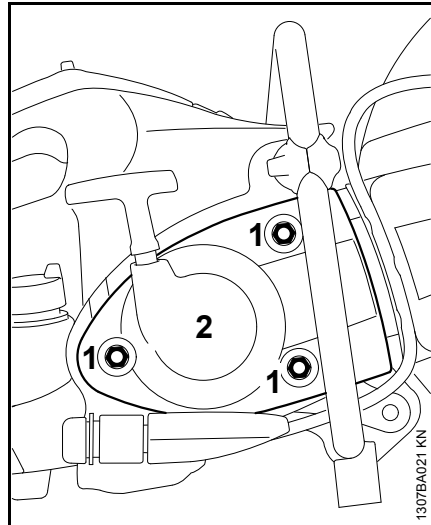
Installing the spark plug

- Fit the spark plug by hand and screw it in
- Tighten spark plug with combination wrench

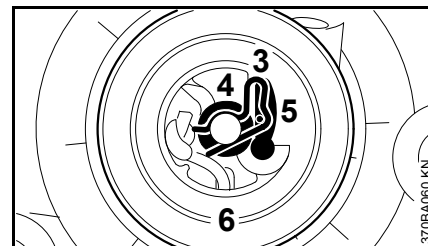
- Press the spark plug boot firmly onto the spark plug
- Position the cap for the spark plug boot and screw it down

Replacing the Starter Rope and Rewind Spring

Replacing a torn starter rope

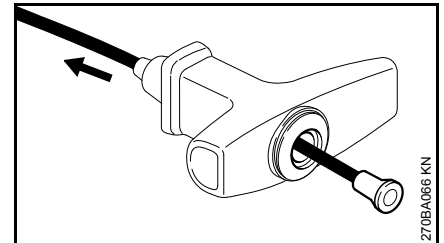


- Undo the nuts (1)
- Remove the starter cover (2)

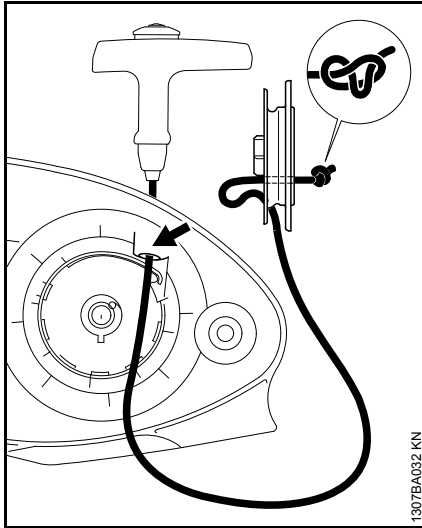


- Remove the spring clip (3)
- Remove the washer (4)
- Remove the pawl (5)
- Remove the rope rotor (6)

- Lever the rope out of the starter handle with a screwdriver
- Remove the remainder of the rope from the rotor and starter handle

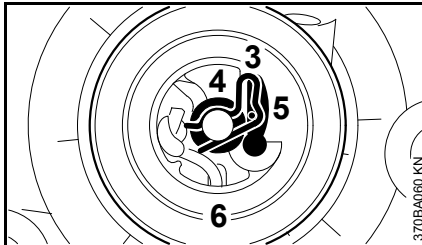


- Thread a new ElastoStart starter rope from top to bottom through the starter handle
- Press the remaining rope into the handle until the nipple is flush with the handle



1307BA032 KN

- Thread the starter handle with the starter rope from top to bottom through the rope guide bush (arrow)
- Thread the rope through the rotor and secure it in the rotor with the special knot illustrated

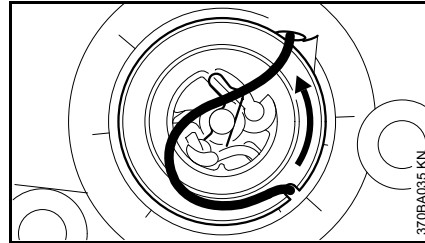


370BA060 KN

- Slip the rope rotor (6) on to the starter post and turn it back and forth a little until the anchor loop of the rewind spring engages
- Fit the pawl (5) in the rope rotor

- Place the washer (4) on the starter post
- Press the spring clip (3) on to the starter post and over the pegs of the pawl with a screwdriver or suitable pliers. The spring clip must point to the left, in counterclockwise direction

Tensioning the rewind spring



370BA035 KN

- Make a loop in the unwound starter rope and use it to turn the rope rotor six full revolutions in the direction of the arrow
- Hold the rope rotor tight – pull out the twisted rope and untangle it
- Release the rope rotor
- Slowly let go of the rope so that it winds on to the rotor. The starter grip must be drawn firmly into the rope guide bush. If it tips sideways: increase the spring tension by another turn
- It must be possible to turn the rope rotor another half-turn when the rope has been drawn out completely. If not, the spring has

been tensioned too tightly **and may break!** Remove one turn of the rope from the rotor

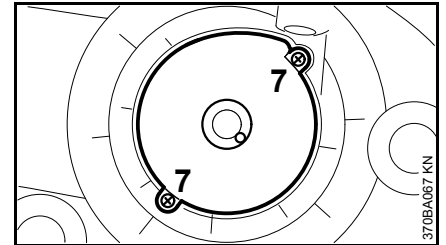
- Refit the starter cover

Replacing a broken rewind spring

- Remove the rope rotor as described for “Replacing torn starter rope”



The broken pieces of spring may still be under tension and can spring apart unexpectedly on removal from the housing – **risk of injury!** Wear a face shield and protective gloves.

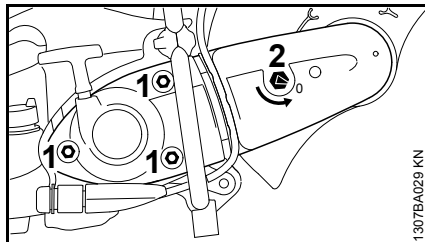


370BA067 KN

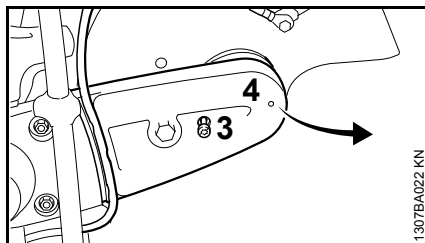
- Remove screws (7)
- Remove the spring housing and spring parts
- Apply a few drops of resin-free oil to the new replacement spring
- Fit a new spring housing with the bottom upwards
- Insert and tighten down the screws (7)
- Refit the rope rotor
- Tension the rewind spring

- Refit the starter cover
- If the spring has popped out of the spring housing: Refit it, working from the outside inwards

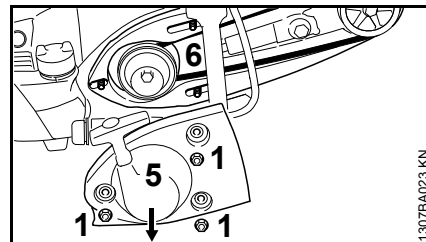
Replacing the V-belt



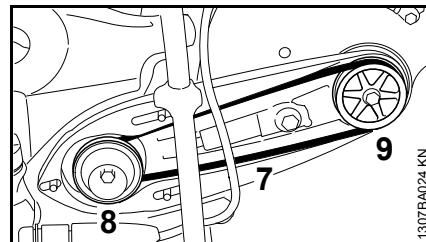
- Undo the nuts (1)
- Turn the tensioning nut (2) counterclockwise with the combination wrench – approx. 1/4 turn, as far as it will go = 0



- Pull the water hose out of the guide in the V-belt guard
- Unscrew the screw (3)
- Raise the V-belt guard (4) slightly and pull it off to the front



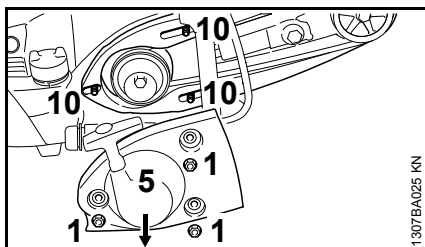
- Remove the V-belt from the front pulley
- Remove the nuts (1)
- Remove the starter cover (5)
- Do not remove the "cast arm and guard" (6) – hold it in place on the studs until the starter cover is fitted back in position
- Remove the defective V-belt



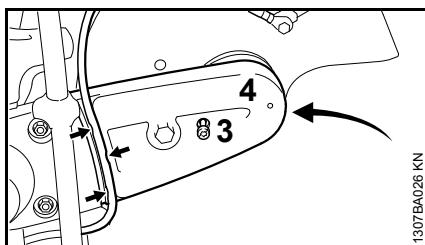
- Carefully insert the new V-belt (7) on the V-belt pulley (8) on the engine and the front V-belt pulley (9)



The belt action must run smoothly.



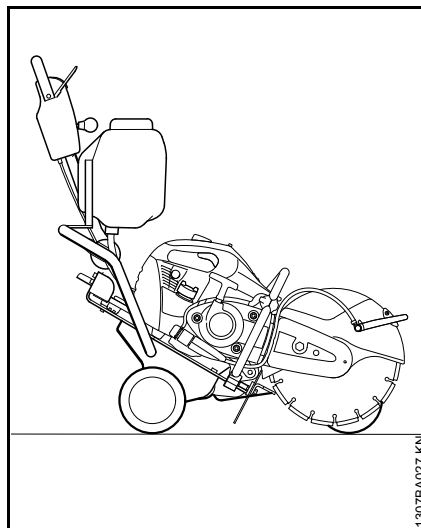
- Fit the starter cover (5) over the studs (10)
- Tighten up the nuts (1) by hand



- Push the V-belt guard (4) into place
- Screw in the bolt (3) and tighten up
- Insert the water hose into the guide in the V-belt guard (arrows) from the water connection towards the guard – avoid tight radiuses

Continue as described in the chapter “Tensioning the V-belt”.

Cut-off machine cart



The cut-off machine can be mounted on the STIHL cut-off machine cart FW 20 (special accessory) in a few easy steps.

The cut-off machine cart makes it easier to

- repair damaged roadways
- apply roadway markings
- cut expansion joints

Storing the Machine

If the machine is to remain out of use for approx. 3 months or more

- Drain and clean the fuel tank in a well ventilated place
- Dispose of fuel in accordance with the regulations and having regard for the environment
- Remove the abrasive wheel
- Thoroughly clean the machine
- Store machine in a safe and dry place. Protect against unauthorized use (e. g., by children)

Maintenance and Care

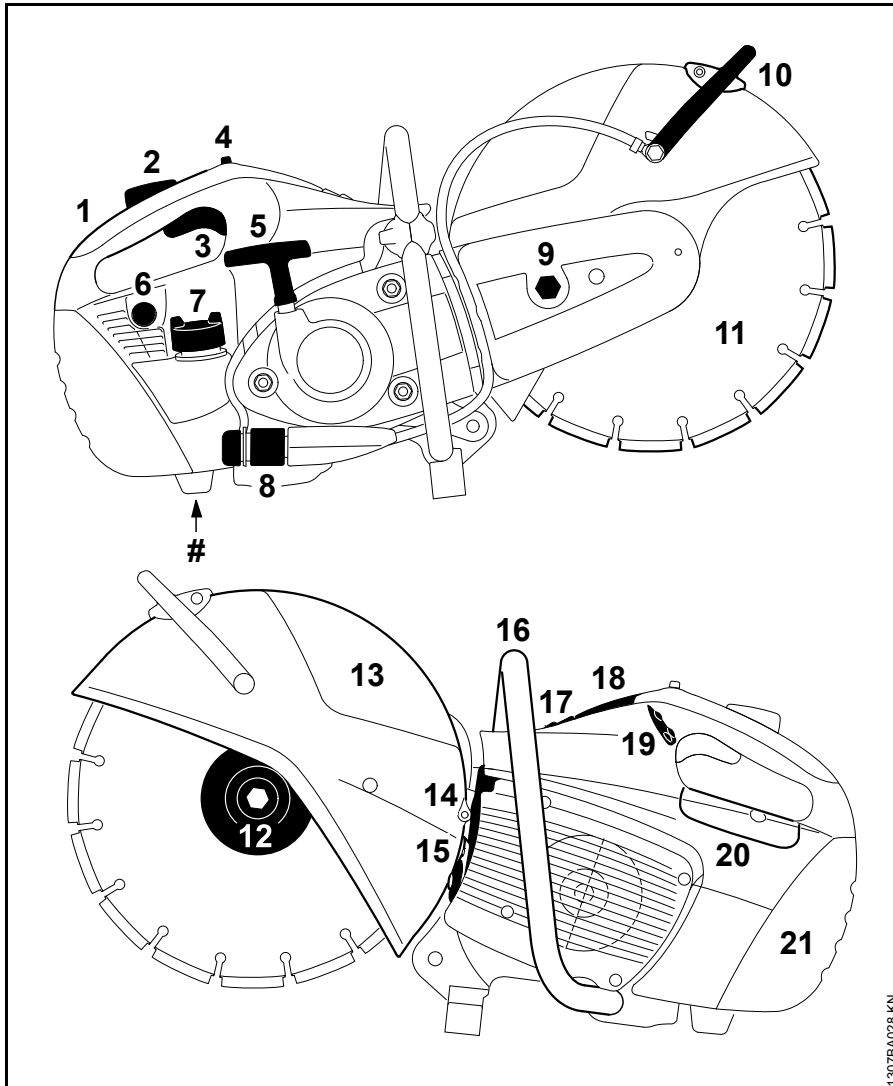
The following maintenance intervals apply in normal operating conditions. The specified intervals must be shortened accordingly when working for longer than normal or under difficult cutting conditions (extensive dust, etc.).		before starting work	at the end of work and/or daily	whenever tank is refilled	weekly	monthly	yearly	if not functioning properly	if damaged	as required
Complete machine	visual inspection (condition, leaks)	X		X						
	clean		X							
Operating controls	check operation	X		X						
Fuel pickup body in fuel tank	check							X		
	replace						X		X	X
Fuel tank	clean					X				
Poly V-belt	clean / retension					X				X
	replace								X	X
Air filter (all filter components)	change	Only if there is a noticeable loss of engine power								
Cooling air intake slits	clean		X							
Cylinder fins	have them cleaned by a servicing dealer ¹⁾						X			
Spark arresting screen ²⁾ in muffler	check		X							
	clean or replace									X
Electronic water control	check	X						X		
	have them maintained by a servicing dealer ¹⁾								X	
STIHL Injection	check idle adjustment – abrasive wheel must not rotate	X		X						
	have them maintained by a servicing dealer ¹⁾							X		X
Spark plug	adjust electrode gap							X		
	replace after 100 hours' operation									
All accessible screws, nuts and bolts	retighten		X							X

The following maintenance intervals apply in normal operating conditions. The specified intervals must be shortened accordingly when working for longer than normal or under difficult cutting conditions (extensive dust, etc.).		before starting work	at the end of work and/or daily	whenever tank is refilled	weekly	monthly	yearly	if not functioning properly	if damaged	as required
Antivibration elements	check	X						X		X
	have them replaced by a servicing dealer ¹⁾								X	
Abrasive wheel	check	X		X						
	replace								X	X
Supports/rubber buffers (underneath the machine)	check		X							
	replace								X	X
Warning labels	replace								X	

1) STIHL recommends STIHL servicing dealers

2) present only in some countries

Main Parts



- 1 Rear Handle
- 2 Throttle Trigger Lockout
- 3 Throttle Trigger
- 4 Stop Switch
- 5 Starter Grip
- 6 Fuel Pump
- 7 Fuel Filler Cap
- 8 Water Attachment
- 9 Tensioning Nut
- 10 Adjusting Lever
- 11 Abrasive Wheel
- 12 Front Thrust Washer
- 13 Guard
- 14 Muffler
- 15 Spark Arresting Screen
- 16 Front Handle
- 17 Decompression Valve
- 18 Cap for Spark Plug Boot
- 19 Water Control Panel
- 20 Cover for Control Unit
- 21 Filter Cover
- # Serial Number

1307BA028 KN

Definitions

1 Rear Handle

The support handle for the right hand.

2 Throttle Trigger Lockout

Must be depressed before the throttle trigger can be activated.

3 Throttle Trigger

Controls the speed of the engine.

4 Stop Switch

Switches the engine's ignition off and stops the engine.

5 Starter Grip

The grip of the pull starter, for starting the engine.

6 Fuel Pump

Provides additional fuel feed for a cold start.

7 Fuel Filler Cap

For closing the fuel tank.

8 Water Attachment

For connection of water supply for wet cutting.

9 Tensioning Nut

For tensioning the ribbed belt.

10 Adjusting Lever

To adjust the wheel guard in a way that sparks, dust, cutting debris or wheel fragments are directed away from the operator.

11 Abrasive Wheel

Can either be a composite abrasive wheel or a diamond abrasive wheel.

12 Front Thrust Washer

Distributes clamping pressure of mounting nut evenly over cutting wheel.

13 Guard

Guards the wheel and deflects sparks, dust, cutting debris or wheel fragments.

14 Muffler

Reduces engine exhaust noises and diverts exhaust gases away from operator.

15 Spark Arresting Screen

Designed to reduce the risk of fire.

16 Front Handle

Handlebar for the left hand of the power tool.

17 Decompression Valve

Releases compression pressure to make engine starting easier - when activated.

18 Cap for Spark Plug Boot

The spark plug boot connects the spark plug with the ignition lead.

19 Water Control Panel

When the engine is running, it is possible to activate / deactivate the electronic water control and adjust the water flow.

20 Cover for Control Unit

Covers and protects the control unit.

21 Filter Cover

Covers and protects the air filter element.

Clutch

Couples engine to the belt pulley when engine is accelerated beyond idle speed. (Not illustrated)

Belt Pulley

The wheel that drives the ribbed belt and the abrasive wheel. (Not illustrated)

Anti-Vibration System

The anti-vibration system includes a number of anti-vibration elements designed to reduce the transmission of vibrations created by the engine and cutting process to the operator's hands. (Not illustrated)

Specifications

EPA / CEPA

The Emission Compliance Period referred to on the Emissions Compliance Label indicates the number of operating hours for which the engine has been shown to meet Federal emission requirements.

Category

A = 300 hours

B = 125 hours

C = 50 hours

CARB

The Emission Compliance Period used on the CARB-Air Index Label indicates the terms:

Extended = 300 hours

Intermediate = 125 hours

Moderate = 50 hours

STIHL Injection

Control unit with characteristic-curve-driven ignition timing adjustment

Load dependent, characteristic-curve-driven fuel injection

Electronic water control

The electronic water control makes it possible to feed the optimum amount of water to the abrasive wheel. No water is fed to the abrasive wheel during idling.

Engine

STIHL single cylinder two-stroke engine

Displacement:	4.41 cu in (72.2 cm ³)
Bore:	2.05 in (52 mm)
Stroke:	1.34 in (34 mm)
Engine power to ISO 7293:	5.2 hp (3.9 kW) at 9500 rpm
Idle speed:	2500 rpm
Max. spindle speed:	5350 rpm

Spark plug, fuel tank capacity

Spark plug (suppressed):	Bosch WSR 6 F NGK BPMR 7 A
Electrode gap:	0.02 in (0.5 mm)
Fuel tank capacity:	24.5 oz (0.725 l)

Air filter

Main filter (paper filter) and flocked wire mesh auxiliary filter

Weight

Weight without abrasive wheel, with electronic water control, without fuel	22.5 lbs (10.2 kg)
--	-----------------------

Abrasive wheels

The quoted maximum permissible operating speed of the abrasive wheel must be greater than or equal to the maximum spindle speed of the cut-off machine used.

Outside diameter:	14 in (350 mm)
Hole diameter/spindle diameter:	0.787 in (20 mm)
Tightening torque:	22 lbf ft (30 Nm)

Composite resin abrasive wheels

Minimum outside diameter of front thrust washer:	4.06 in (103 mm)
Max. depth of cut:	4.9 in (125 mm)

Diamond abrasive wheels

Minimum outside diameter of front thrust washer:	4.06 in (103 mm)
Max. depth of cut:	4.9 in (125 mm)


Special Accessories

Contact your STIHL dealer for information regarding special accessories that may be available for your product.

Maintenance and Repairs

Users of this unit should carry out only the maintenance operations described in this manual. Other repair work may be performed only by authorized STIHL service shops.

Warranty claims following repairs can be accepted only if the repair has been performed by an authorized STIHL servicing dealer using original STIHL replacement parts.

Original STIHL parts can be identified by the STIHL part number, the **STIHL** logo and, in some cases, by the STIHL parts symbol . The symbol may appear alone on small parts.

STIHL Incorporated Federal Emission Control Warranty Statement

Your Warranty Rights and Obligations

The U.S. Environmental Protection Agency (EPA) and STIHL Incorporated are pleased to explain the Emission Control System Warranty on your equipment type engine. In the U.S. new 1997 and later model year small off-road equipment engines must be designed, built and equipped, at the time of sale, to meet the U.S. EPA regulations for small non road engines. The equipment engine must be free from defects in materials and workmanship which cause it to fail to conform with U.S. EPA standards for the first two years of engine use from the date of sale to the ultimate purchaser.

STIHL Incorporated must warrant the emission control system on your small off-road engine for the period of time listed below provided there has been no abuse, neglect or improper maintenance of your small off-road equipment engine.

Your emission control system includes parts such as the carburetor and the ignition system. Also included may be hoses, and connectors and other emission-related assemblies.

Where a warrantable condition exists, STIHL Incorporated will repair your small off-road equipment engine at no cost to you including diagnosis (if the diagnostic work is performed at an authorized dealer), parts and labor.

Manufacturer's Warranty Coverage

In the U.S., 1997 and later model year small off-road equipment engines are warranted for two years. If any emission-related part on your engine is defective, the part will be repaired or replaced by STIHL Incorporated free of charge.

Owner's Warranty Responsibilities

As the small off-road equipment engine owner, you are responsible for the performance of the required maintenance listed in your instruction manual. STIHL Incorporated recommends that you retain all receipts covering maintenance on your small off-road equipment engine, but STIHL Incorporated cannot deny warranty solely for the lack of receipts or for your failure to ensure the performance of all scheduled maintenance.

Any replacement part or service that is equivalent in performance and durability may be used in non-warranty maintenance or repairs, and shall not reduce the warranty obligations of the engine manufacturer.

As the small off-road equipment engine owner, you should be aware, however, that STIHL Incorporated may deny you warranty coverage if your small off-road equipment engine or a part has failed due to abuse, neglect, improper maintenance or unapproved modifications.

You are responsible for presenting your small off-road equipment engine to a STIHL service center as soon as a

problem exists. The warranty repairs will be completed in a reasonable amount of time, not to exceed 30 days.

If you have any questions regarding your warranty rights and responsibilities, please contact a STIHL customer service representative at 1-800-467-8445 or you can write to

STIHL Inc.,
536 Viking Drive, P.O. Box 2015,
Virginia Beach, VA 23450-2015

www.stihlusa.com

Coverage by STIHL Incorporated

STIHL Incorporated warrants to the ultimate purchaser and each subsequent purchaser that your small off-road equipment engine will be designed, built and equipped, at the time of sale, to meet all applicable regulations. STIHL Incorporated also warrants to the initial purchaser and each subsequent purchaser that your engine is free from defects in materials and workmanship which cause the engine to fail to conform with applicable regulations for a period of two years.

Warranty Period

The warranty period will begin on the date the utility equipment engine is purchased by the initial purchaser and you have signed and sent back the warranty card to STIHL.

If any emission-related part on your engine is defective, the part will be replaced by STIHL Incorporated at no cost to the owner. Any warranted part which is not scheduled for replacement

as required maintenance, or which is scheduled only for regular inspection to the effect of "repair or replace as necessary" will be warranted for the warranty period. Any warranted part which is scheduled for replacement as required maintenance will be warranted for the period of time up to the first scheduled replacement point for that part.

Diagnosis

You, as the owner, shall not be charged for diagnostic labor which leads to the determination that a warranted part is defective. However, if you claim warranty for a component and the machine is tested as non-defective, STIHL Incorporated will charge you for the cost of the emission test. Mechanical diagnostic work will be performed at an authorized STIHL servicing dealer. Emission test may be performed either at STIHL Incorporated or at any independent test laboratory.

Warranty Work

STIHL Incorporated shall remedy warranty defects at any authorized STIHL servicing dealer or warranty station. Any such work shall be free of charge to the owner if it is determined that a warranted part is defective.

Any manufacturer-approved or equivalent replacement part may be used for any warranty maintenance or repairs on emission-related parts and must be provided without charge to the owner. STIHL Incorporated is liable for

damages to other engine components caused by the failure of a warranted part still under warranty.

The following list specifically defines the emission-related warranted parts:

- Air Filter
- Carburetor
- Fuel Pump
- Choke (Cold Start Enrichment System)
- Control Linkages
- Intake Manifold
- Magneto or Electronic Ignition System (Ignition Module)
- Spark Plug
- Catalytic Converter (if applicable)
- Fuel Tank
- Fuel Cap
- Fuel Line
- Fuel Line Fittings
- Clamps
- Fasteners

Where to make a Claim for Warranty Service

Bring the product to any authorized STIHL servicing dealer and present the signed warranty card.

Maintenance Requirements

The maintenance instructions in this manual are based on the application of the recommended 2-stroke fuel-oil

mixture (see also instruction "Fuel"). Deviations from this recommendation regarding quality and mixing ratio of fuel and oil may require shorter maintenance intervals.

Limitations

This Emission Control Systems Warranty shall not cover any of the following:

- repair or replacement required because of misuse, neglect or lack of required maintenance,
- repairs improperly performed or replacements not conforming to STIHL Incorporated specifications that adversely affect performance and/or durability, and alterations or modifications not recommended or approved in writing by STIHL Incorporated,

and

- replacement of parts and other services and adjustments necessary for required maintenance at and after the first scheduled replacement point.

Trademarks

STIHL Registered Trademarks

STIHL®

STIHL®



The color combination orange-grey (U.S. Registrations #2,821,860; #3,010,057, #3,010,058, #3,400,477; and #3,400,476)



4-MIX®

AUTOCUT®

EASYSTART®

FARM BOSS®

iCademy®

MAGNUM®

MasterWrench Service®

MotoMix®

OIOMATIC®

STIHL Cutquik®

English

STIHL DUROMATIC®
STIHL Quickstop®
STIHL ROLLOMATIC®
STIHL WOOD BOSS®
TIMBERSPORTS®
WOOD BOSS®
YARD BOSS®

**Some of STIHL's Common Law
Trademarks**



BioPlus™
Easy2Start™
EasySpool™
ElastoStart™
Ematic™
FixCut™
HT Plus™
IntelliCarb™
Master Control Lever™
Micro™
Pro Mark™
Quad Power™
Quiet Line™
STIHL Arctic™
STIHL Compact™

STIHL HomeScaper Series™
STIHL Interchangeable Attachment
Series™
STIHL M-Tronic™
STIHL MiniBoss™
STIHL MotoPlus 4™
STIHL Multi-Cut HomeScaper Series™
STIHL OUTFITTERS™
STIHL PICCO™
STIHL PolyCut™
STIHL PowerSweep™
STIHL Precision Series™
STIHL Protech™
STIHL RAPID™
STIHL SuperCut™
STIHL Territory™
TapAction™
TrimCut™

This listing of trademarks is subject to
change.

Any unauthorized use of these
trademarks without the express written
consent of
ANDREAS STIHL AG & Co. KG,
Waiblingen is strictly prohibited.

Contenido

Acerca de este manual de instrucciones	50	Especificaciones	97
Medidas de seguridad y técnicas de manejo	51	Accesorios especiales	98
Ejemplos de usos	66	Información de reparación	98
Discos de corte	69	Declaración de garantía de STIHL Incorporated sobre sistemas de control de emisiones según normas Federales	98
Discos de corte de resina compuesta	70	Marcas comerciales	101
Discos de corte adiamantados	70		
Sistema de control electrónico de agua	74		
Armado del brazo fundido y protector	75		
Tensado de la correa trapezoidal nervada	79		
Colocación / sustitución de un disco abrasivo	80		
Combustible	81		
Llenado de combustible	82		
Arranque / parada del motor	83		
Sistema de filtro de aire	85		
Gestión del motor	86		
STIHL Injection	86		
Chispero en el silenciador	87		
Bujía	87		
Sustitución de la cuerda de arranque y del resorte de rebobinado	88		
Sustitución de la correa trapezoidal	90		
Carro para sierra	91		
Almacenamiento de la máquina	92		
Información para mantenimiento	93		
Componentes importantes	95		

Permita que solamente las personas que comprenden enteramente la materia descrita en este manual manejen su tronadora.

Para obtener el rendimiento y satisfacción máximos del podador de varilla STIHL, es importante que lea, comprenda y respete las medidas de seguridad y las instrucciones de uso y mantenimiento dadas en el capítulo "Medidas de seguridad y técnicas de uso", antes de usar su tronadora. Para información adicional, puede acudir a www.stihlusa.com.

Comuníquese con su representante de STIHL o el distribuidor de STIHL para su zona si no se entiende alguna de las instrucciones dadas en el presente manual.



ADVERTENCIA

Dado que la tronadora es una herramienta de corte motorizada de gran velocidad, es necesario tomar medidas especiales de seguridad para reducir el riesgo de lesiones. El uso descuidado o inadecuado puede causar lesiones graves e incluso mortales.

STIHL®

Acerca de este manual de instrucciones

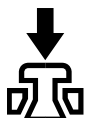
Pictogramas

Todos los pictogramas que se encuentran fijados o grabados en la máquina se explican en este manual.

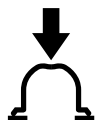
Según el modelo, los pictogramas siguientes pueden aparecer en su máquina.



Tanque de combustible que contiene la mezcla de combustible y aceite



Presione para accionar la válvula de descompresión



Presione para accionar la bomba manual de combustible



Accesorio para agua, control de caudal



Tuerca tensora para activar la correa impulsora



Mango de cuerda de arranque

Símbolos en el texto

Muchas de las instrucciones de uso y seguridad vienen acompañadas de ilustraciones.

Los pasos individuales o procedimientos descritos en el manual pueden estar señalados en diferentes maneras:

- Se usa un punto para denotar un paso o procedimiento.

Una descripción de un paso o procedimiento que se refiere directamente a una ilustración puede contener números de referencia que aparecen en la ilustración. Ejemplo:

- Suelte el tornillo (1).
- Palanca (2) ...

Además de las instrucciones de uso, en este manual pueden encontrarse párrafos a los que usted debe prestar atención especial. Tales párrafos están marcados con los símbolos y las palabras identificadoras que se describen a continuación.



PELIGRO

Indica un riesgo inminente de lesiones graves o mortales.



ADVERTENCIA

Identifica una situación de peligro que, al no evitarse, puede resultar en lesiones graves o mortales.

AVISO

Indica el riesgo de daños a la propiedad, incluyendo a la máquina o sus componentes.

Mejoramientos técnicos

La filosofía de STIHL es mejorar continuamente todos sus productos. Como resultado de ello, periódicamente se introducen cambios de diseño y mejoras. Por lo tanto, es posible que algunos cambios, modificaciones y mejoras no se describen en este manual. Si las características de funcionamiento o la apariencia de su máquina difieren de las descritas en este manual, comuníquese con el concesionario STIHL para obtener la ayuda que requiera.

Medidas de seguridad y técnicas de manejo



El uso de cualquier tron-
zadora puede ser
peligroso. Dado que la
tronzadora es una herra-
mienta de corte
motorizada que funciona
a gran velocidad, es
necesario tomar medi-
das especiales de
seguridad para reducir el
riesgo de lesiones y de
incendios.



Es importante que usted
lea, comprenda bien y
respete las siguientes
advertencias y medidas
de seguridad. Lea el
manual de instrucciones
y las precauciones de
seguridad
periódicamente.



ADVERTENCIA

El uso descuidado o inadecuado de
cualquier tronczadora puede causar
lesiones graves e incluso mortales.

Pida a su concesionario STIHL que le
enseñe el manejo de la tronczadora.
Respete todas las disposiciones,
reglamentos y normas de seguridad
nacionales, estatales y locales del caso.



ADVERTENCIA

Su tronczadora es solamente para uso
por profesionales. No preste ni alquile
nunca su tronczadora sin entregar el
manual de instrucciones. Asegúrese
que todas las personas que utilicen la
máquina lean y comprendan la
información contenida en este manual.

Un operador novato deberá recibir
capacitación práctica antes de utilizar la
máquina. Las empresas deberán
establecer un programa de capacitación
para los operadores de tronczadoras
portátiles de mano con motor de
gasolina para asegurar que las mismas
se utilicen de modo seguro. Las
medidas de seguridad y avisos
contenidos en este manual se refieren al
uso de todas las sierras Cutquik de
STIHL actuales.



ADVERTENCIA

Use su tronczadora solamente para los
propósitos autorizados. Por ejemplo, no
es adecuada para cortar madera u obje-
tos de madera. El uso indebido puede
resultar en lesiones personales o daños
a la propiedad, incluso daños de la
máquina.



ADVERTENCIA

Nunca permita a los niños que usen una
tronczadora. No se debe permitir la proxi-
midad de otros, especialmente niños y
animales, donde se esté utilizando la
tronczadora. Nunca deje desatendida
una tronczadora en marcha.

Los distintos modelos pueden contar
con piezas y controles diferentes. Vea la
sección correspondiente de su manual
de instrucciones para tener una
descripción de los controles y la función
de cada componente de su modelo de
tronczadora.

El uso seguro de una tronczadora
involucra a:

1. el operador
2. la herramienta motorizada
3. el uso de la herramienta
motorizada.

EL OPERADOR

Condición física

Usted debe estar en buenas
condiciones físicas y psíquicas y no
encontrarse bajo la influencia de
ninguna sustancia (drogas, alcohol,
etc.) que le pueda restar visibilidad,
destreza o juicio. No maneje la
tronczadora cuando está fatigado. Esté
atento - Si se fatiga mientras se usa la
tronczadora, tómese un descanso; la
fatiga puede dar por resultado la pérdida
del control. El uso de cualquier
tronczadora es fatigoso. Si usted padece
de alguna condición que puede
agravarse con el trabajo fatigoso,
consulte a un médico antes de usar una
tronczadora.



ADVERTENCIA

El uso prolongado de una tronadora (u otras máquinas) expone al operador a vibraciones que pueden provocar el fenómeno de Raynaud (dedos blancos) o el síndrome del túnel del carpio. Estas condiciones reducen la capacidad de las manos de sentir y regular la temperatura, producen entumecimiento y ardor y pueden provocar trastornos nerviosos y circulatorios, así como necrosis de los tejidos. No se conocen todos los factores que contribuyen a la enfermedad de Raynaud, pero el clima frío, el fumar y las enfermedades o condiciones físicas que afectan los vasos sanguíneos y la circulación de la sangre, como asimismo los niveles altos de vibración y períodos prolongados de exposición a la vibración son mencionados como factores en el desarrollo de la enfermedad de Raynaud. Por lo tanto, para reducir el riesgo de la enfermedad de dedos blancos y del síndrome del túnel carpiano, sírvase notar lo siguiente:

- Las tronadoras de STIHL se equipan con un sistema antivibración ("AV") diseñado para reducir la transmisión de las vibraciones creadas por la máquina a las manos del operador. Se recomienda el uso del sistema AV a aquellas personas que utilizan tronadoras en forma constante y regular.
- Use guantes y mantenga las manos abrigadas.

- Mantenga el sistema AV en buen estado. Una tronadora con los componentes flojos o con elementos AV dañados o desgastados también tendrá tendencia a tener niveles más altos de vibración.
- Agarre firmemente los mangos en todo momento, pero no los apriete con fuerza constante y excesiva. Tómese descansos frecuentes.

Todas las precauciones antes mencionadas no le garantizan que va a estar totalmente protegido contra la enfermedad de Raynaud o el síndrome del túnel carpiano. Por lo tanto, los operadores constantes y regulares deben controlar con frecuencia el estado de sus manos y dedos. Si aparece alguno de los síntomas arriba mencionados, consulte inmediatamente al médico.



ADVERTENCIA

El sistema de encendido de la máquina produce un campo electromagnético de intensidad muy baja. El mismo puede interferir con algunos tipos de marcapasos. Para reducir el riesgo de lesiones graves o mortales, las personas portadoras de marcapasos deben consultar a sus médicos y al fabricante del marcapasos antes de usar esta máquina.

Vestimenta adecuada



ADVERTENCIA



Para reducir el riesgo de lesiones el operador debe usar el equipo protector adecuado.

La ropa debe ser de confección fuerte y ajustada, pero permitir la completa libertad de movimiento. Evite el uso de chaquetas sueltas, bufandas, corbatas, joyas, pantalones acampanados o con vueltas, pelo largo suelto o cualquier cosa que pueda engancharse en los obstáculos o las piezas en movimiento de la máquina. Use monos o pantalones largos para protegerse las piernas. No vista pantalones cortos.

ADVERTENCIA

Cuando se corta metal, la máquina crea chispas capaces de incendiar la ropa. La mayoría de las telas usadas para fabricar la vestimenta son inflamables - aun las telas retardadoras de incendio se encienden si la temperatura es elevada. Para reducir el riesgo de quemaduras, STIHL recomienda vestir ropa de cuero, lana, algodón con tratamiento retardador de incendio o una tela de algodón gruesa y con tejido apretado, tal como la tela de jeans. Algunas telas sintéticas retardadoras de incendio también son adecuadas, pero otras tales como el poliéster, nilón, rayón y acetato pueden derretirse y formar una sustancia similar al alquitrán que quema la piel. Lea las instrucciones del fabricante de vestimentas. Mantenga la ropa libre de aceite, combustible, grasa y otras sustancias inflamables.



Siempre use guantes al manejar la tronadora. Los guantes gruesos y antideslizantes mejoran el manejo y ayudan a proteger las manos.



Una buena base de apoyo es indispensable cuando se maneja la tronadora. Póngase botas gruesas con suela antideslizante. Recomendamos las botas de seguridad con puntera de acero

ADVERTENCIA

La herramienta de corte puede lanzar objetos sueltos hacia el operador.



Para reducir el riesgo de lesionarse los ojos, nunca maneje la tronadora si no tiene puestas gafas o anteojos de seguridad bien ajustados con una protección adecuada en las partes superior y laterales que satisfagan la norma ANSI Z 87.1. La protección adecuada de los ojos es indispensable.

Use un casco de seguridad reglamentario para protegerse la cabeza. El ruido producido por la tronadora puede lesionarle los oídos. Siempre use amortiguadores del ruido (tapones u orejeras) para protegerse los oídos. Los usuarios regulares deben someterse con frecuencia a un examen o control auditivo.

ADVERTENCIA



Si no se está usando el corte mojado al caudal recomendado, el operador debe siempre usar un respirador aprobado por NIOSH / MSHA para el material en uso, con el fin de reducir el riesgo de sufrir una enfermedad respiratoria grave o mortal. Para más detalles y advertencias sobre este tema, lea la información bajo "Condiciones de trabajo" en este manual de instrucciones.

LA HERRAMIENTA MOTORIZADA

Para las ilustraciones y definiciones de las piezas de la tronadora, vea el capítulo "Piezas principales".

ADVERTENCIA

Nunca modifique, de ninguna manera, una tronadora. Las piezas y accesorios marca STIHL son los únicos expresamente aprobados por STIHL para uso con modelos específicos de tronadoras STIHL. Aunque otras piezas o accesorios pueden utilizarse con el motor STIHL, el uso de los mismos puede resultar ser extremadamente peligroso.

Discos abrasivos

ADVERTENCIA

Antes de montar el disco de corte, compruebe que la velocidad máxima de uso del disco sea mayor o igual que la velocidad del árbol de la tronadora dada en la sección de especificaciones de este manual. Un disco que no cumpla con estas condiciones puede romperse o hacerse pedazos y constituir una amenaza de lesiones graves o mortales al operador o a terceros.

Los discos abrasivos para cortes a manos libres soportan esfuerzos de torcedura y compresión particularmente altos.

ADVERTENCIA

Los discos de marca no STIHL tienen mayor probabilidad de quebrarse o de crear otros peligros, tales como fuerzas de reacción mayores. Utilice únicamente discos con capacidad de régimen aprobada. Lea y siga las precauciones de seguridad adicionales dadas con el disco.

ADVERTENCIA



Inspeccione el disco abrasivo con frecuencia y sustitúyalo de inmediato si tiene roturas o combaduras. Los discos rotos o combados pueden romperse o quebrarse y causar lesiones personales graves o mortales.

Los discos abrasivos deformados o desequilibrados pueden aumentar las vibraciones y acortar la vida útil de la tronzoadora

Algunos discos abrasivos adiamantados de marcas diferentes a STIHL tienen núcleos de acero de calidad deficiente, no están debidamente tensados o adolecen de defectos de diseño o de fabricación. Como resultado de ello, pueden empezar a oscilar durante el uso, lo cual puede causar la rotura del disco. Esta oscilación también puede resultar en el atascamiento del disco en la ranura, el cual, en ciertas condiciones, puede causar lesiones graves o mortales debido al efecto de las fuerzas reactivas. Vea la sección "Fuerzas reactivas incluyendo contragolpe." Nunca use un disco que oscila o que ha oscilado en el pasado. A pesar de que el disco puede dejar de

oscilar temporalmente, por ejemplo, al hacerlo girar sin carga, siempre tendrá una tendencia de volver a oscilar bajo ciertas condiciones. Sustitúyalo inmediatamente antes de volverlo a usar.

Los discos abrasivos de material compuesto son sensibles al calor. Siempre guarde la tronzoadora en un lugar en el cual el disco de material compuesto no quede expuesto a la luz solar directa ni a otras fuentes de calor. Guarde los discos de resina compuesta de reserva colocándolos sobre una superficie nivelada en un lugar seco, libre del riesgo de daños por congelación. El no seguir estas instrucciones puede hacer que el disco se rompa o se quiebre y causar lesiones graves o incluso mortales.

ADVERTENCIA



Nunca use discos de sierra circular, discos con puntas de carburo, discos reconstruidos, discos abrasivos para madera ni discos con dientes de tipo alguno. Pueden causar lesiones personales graves como resultado del contacto con el disco de sierra o los objetos lanzados y / o las fuerzas reactivas, incluyendo el contragolpe. Vea la sección "Fuerzas reactivas". El concesionario STIHL tiene un inventario de discos abrasivos especiales para los diversos usos de la tronzoadora.

ADVERTENCIA

Si se usa un modelo incorrecto de disco abrasivo o si el disco se usa para cortar un material para el cual no fue diseñado, el disco puede romperse y causar lesiones graves o mortales.

Sólo utilice el disco abrasivo aprobado para el tipo de material a cortarse. Existen diferentes tipos de discos abrasivos, cada uno de los cuales tiene marcas especiales. Por ejemplo, con respecto a los discos de material compuesto marca STIHL:

1. Piedra
También pueden usarse para cortar hormigón, mampostería, hormigón reforzado y ladrillo.
2. Acero
Pueden usarse para cortar todo tipo de metales ferrosos.
3. Asfalto
También pueden usarse para cortar hormigón con agregados.
4. Hierro dúctil
También puede usarse para cortar ciertos tipos de hierro fundido (SG 1724), bronce y cobre.

Para cortar materiales compuestos, consulte con el concesionario STIHL.

Discos adiamantados abrasivos

Los discos adiamantados abrasivos tienen un rendimiento de corte mucho mejor que los discos abrasivos de resina compuesta. Los discos adiamantados tienen su parte central de acero con partículas de diamante incrustadas en sus filos.

Se pueden usar para cortar hormigón, asfalto, piedra natural, tubería de arcilla, ladrillos y cosas por el estilo.

Normalmente no son adecuados para cortar la mayor parte de los metales u otros materiales.

Es posible cortar en seco o mojado. Se incluyen accesorios para conducir agua para usarse con la tronadora STIHL. Consulte la sección correspondiente del manual de instrucciones.



ADVERTENCIA

No vuelva a instalar un disco adiamantado abrasivo usado sin primero inspeccionar si existen muescas, planicidad, fatiga del centro, daño o pérdida de segmentos, evidencia de calor excesivo (decoloración) y posible daño del agujero para el portaherramienta. Vea el capítulo "Discos de corte adiamantados." Revise si el disco tiene grietas y asegúrese de que no se haya desprendido ningún pedazo de disco antes de comenzar a usarlo.

Siempre instale el disco de modo que la flecha que tiene marcada apunte en el sentido de giro del árbol.

USO DE LA HERRAMIENTA MOTORIZADA

Transporte de la tronadora Cutquik de STIHL



ADVERTENCIA

Para reducir el riesgo de lesionarse como resultado de la activación inesperada y / o el contacto con el disco en movimiento, siempre apague el motor antes de colocar la tronadora en el suelo o acarrearla. El disco abrasivo sigue girando por un tiempo breve (desaceleración en rueda libre) después que se suelta el gatillo de aceleración (efecto de volante). Detenga el disco poniendo el fondo del mismo en contacto ligero con una superficie dura o espere hasta que el disco se pare por sí solo. El acarrear la tronadora con el motor funcionando es extremadamente peligroso. La aceleración accidental del motor puede causar la rotación del disco. Evite tocar el silenciador caliente.

Por mano: Cuando acarree la tronadora a mano, apague el motor y colóquela en la posición correcta. Sujete el mango delantero y coloque el silenciador a un costado, alejado del cuerpo con el accesorio de corte hacia atrás.



ADVERTENCIA

Siempre evite que el disco de corte se golpee contra el suelo o contra otros objetos. Los discos dañados pueden quebrarse y causar lesiones graves o mortales.

Por vehículo: Sujete la tronadora debidamente para impedir que se vuelque, derrame combustible y dañe la tronadora. Nunca la transporte con el disco instalado. Un disco que se ha dañado durante el transporte puede quebrarse al usar la máquina y causar lesiones personales graves.

Combustible

La herramienta motorizada STIHL utiliza una mezcla de aceite-gasolina como combustible (vea el capítulo "Combustible" en el manual de instrucciones).



ADVERTENCIA



La gasolina es un combustible muy inflamable. Si se derrama y arde a causa de una chispa u otra fuente de ignición, puede provocar un

incendio y quemaduras graves o daños a la propiedad. Tenga sumo cuidado cuando manipule gasolina o la mezcla de combustible. No fume cerca del combustible o la herramienta motorizada, ni acerque ningún fuego o llama a ellos. Puede escapar vapor inflamable del sistema de combustible.



ADVERTENCIA

El polvo puede acumularse en el motor y puede absorber gasolina, aumentando el riesgo de un incendio. Limpie el polvo del motor periódicamente.

Instrucciones para el llenado de combustible

ADVERTENCIA

Cargue de combustible su herramienta motorizada en lugares al aire libre bien ventilados. Siempre apague el motor y deje que se enfríe antes de llenar de combustible. Dependiendo del combustible utilizado, de las condiciones climáticas y del sistema de ventilación del tanque, es posible que se forme vapor de gasolina a presión dentro del tanque de combustible.

Para reducir el riesgo de quemaduras, así como otras lesiones corporales ocasionadas por los escapes de vapor de gasolina y otras emanaciones, quite la tapa de llenado de combustible de la herramienta motorizada cuidadosamente de modo que la presión que se pueda haber acumulado en el tanque se disipe lentamente. Nunca quite la tapa de llenado de combustible mientras el motor esté funcionando.

Elija una superficie despejada para llenar el tanque y aléjese 3 m (10 pies) por lo menos del lugar en que lo haya llenado antes de arrancar el motor. Limpie todo el combustible derramado antes de arrancar la máquina.

ADVERTENCIA



Compruebe que no existan fugas de combustible mientras llena el tanque y durante el funcionamiento de la máquina. Si detecta alguna fuga de combustible, no arranque el motor ni lo haga funcionar sin antes reparar la fuga y limpiar el combustible derramado. Tenga cuidado de no mancharse la ropa con combustible. Si la mancha, cámbiesela inmediatamente.

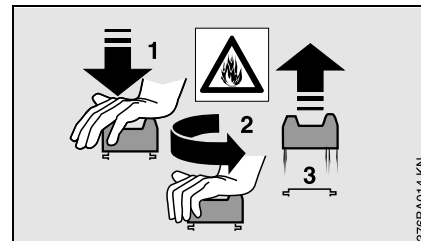
ADVERTENCIA

Si se derrama el combustible sobre la ropa, en particular sobre los pantalones, es sumamente importante cambiarse de ropa de inmediato. No dependa de la evaporación. Pueden quedar residuos inflamables de combustible en la ropa después de un derrame por más tiempo que lo esperado. Es sumamente peligroso cortar metal con la tronzadora cuando la ropa está húmeda o mojada con gasolina, puesto que la ropa del operador podría incendiarse y causar lesiones graves o mortales.

ADVERTENCIA

Si la tapa de combustible está mal apretada, la misma puede soltarse o salirse y causar el derramamiento del combustible.

Tapa de llenado de combustible tipo bayoneta



Nunca utilice herramientas para abrir ni cerrar la tapa de llenado de combustible tipo bayoneta, ya que esto podría dañarla y causar fugas de combustible.

La tapa de llenado de combustible tipo bayoneta debe cerrarse cuidadosamente después de haber abastecido el combustible.

ADVERTENCIA

Nunca intente abrir la tapa usando una herramienta. Esto puede dañar la tapa y permitir el escape de combustible.

Antes de usar la máquina asegúrese que la tapa de combustible esté bien apretada y quite el combustible derramado. Compruebe que no existen fugas de combustible mientras llena el tanque y durante el funcionamiento de la máquina. Si detecta alguna fuga de combustible, no arranque el motor ni lo haga funcionar sin antes reparar la fuga y limpiar el combustible derramado.

Antes de arrancar

Para la instalación, siga el procedimiento descrito en las secciones respectivas del manual de instrucciones.

Revise el sistema de combustible en busca de fugas, especialmente las partes visibles, por ejemplo, la tapa de llenado, conexiones de mangueras y la bomba de combustible. No arranque el motor si se observan fugas o daños – ¡Riesgo de incendios! Solicite al concesionario que repare la máquina antes de usarla.

No maneje nunca una tronadora que está dañada, mal ajustada o que no fue armada completa y seguramente. Revise que la máquina esté lista para usar correctamente.

Mantenga los mangos secos, limpios y sin aceite ni combustible.



ADVERTENCIA

Antes de usar la tronadora, compruebe que sus controles (gatillo de aceleración, bloqueo de gatillo de aceleración, interruptor de apagado) y los dispositivos de seguridad funcionen debidamente, que el disco esté correctamente instalado y que el protector del disco se encuentre en su lugar y bien fijado a la máquina. Inspeccione todos los discos detenidamente para comprobar que su condición sea buena antes de instalarlos.



Ajuste el protector de disco de modo que las chispas, el polvo y los materiales cortados se desvíen en sentido opuesto al operador y que no alcancen objetos inflamables en el entorno. Consulte la sección "Instrucciones de funcionamiento" del manual de instrucciones.



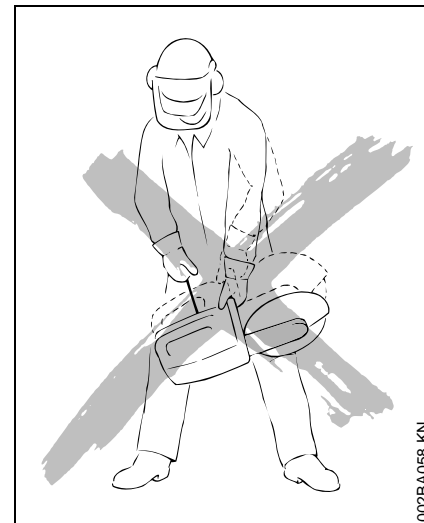
ADVERTENCIA

Asegúrese de que el casquillo de la bujía esté firmemente colocado – un casquillo suelto puede crear un arco voltaico y encender los vapores del combustible, provocando un incendio.

La tensión adecuada de la correa trapezoidal nervada es importante. Para evitar el ajuste inadecuado, ejecute los procedimientos de tensado tal como se describen en su manual. Siempre compruebe que las tuercas de collar hexagonales del brazo de fundición estén debidamente apretadas.

Compruebe la tensión de la correa nervada después de una hora de uso y corríjala de ser necesario.

Arranque



ADVERTENCIA

Su tronadora es una máquina que debe ser manejada por solamente una persona. No deje que otras personas se acerquen a la tronadora en marcha. Ponga en marcha y maneje su tronadora sin ayuda de nadie. Para las instrucciones específicas de arranque, vea la sección correspondiente en el manual de instrucciones.

Nunca arranque el motor por lanzamiento de la máquina. Este método es muy peligroso ya que es posible perder el control de la tronadora. Coloque la tronadora sobre suelo firme u otra superficie dura en una zona despejada. Mantenga el equilibrio y elija un buen punto de apoyo para los pies. Asegúrese que el disco de corte esté alejado de su persona y de las demás obstrucciones y objetos,

incluyendo el suelo. Al arrancar el motor en posición de arranque, su velocidad será suficiente para que el embrague engrane la polea de correa y se mueva el disco. Nunca intente arrancar la tronadora si el disco abrasivo está insertado en un corte.

Tan pronto arranque, accione inmediatamente por un breve momento el gatillo de aceleración para desconectarlo de la posición de arranque y permitir que el motor se desacelere a la marcha en vacío.



ADVERTENCIA

Cuando tire del mango de arranque, no enrolle la cuerda de arranque alrededor de la mano. No deje que el mango vuelva por sí solo a su posición original, sino guíe lentamente la cuerda con la mano para que se enrolle correctamente. Si no ejecuta este procedimiento puede lastimarse la mano o los dedos y también dañar el mecanismo de arranque.



ADVERTENCIA

A la velocidad de ralentí correcta, el disco no debe girar. No use una tronadora que tenga la velocidad de ralentí desajustada. El disco en movimiento puede causar lesiones. Si el disco gira, solicite al concesionario STIHL que revise su tronadora y que haga los ajustes o reparaciones del caso.

Condiciones de trabajo

Maneje la tronadora solamente en condiciones de buena visibilidad y a la luz del día.

El uso de protectores para los oídos reduce la percepción de sonidos. Esté atento para no perder las señales de voz de sus compañeros de trabajo. Manténgase a una distancia que le permita comunicarse con otras personas en caso de necesitar ayuda.



ADVERTENCIA



Tan pronto arranca, este producto genera vapores de escape tóxicos que contienen productos químicos (tales como hidrocarburos sin quemar y monóxido del carbono, incluyendo el benceno) considerados como causantes de enfermedades respiratorias, cáncer, defectos de nacimiento u otra toxicidad reproductora. Algunos de estos gases (por ej., monóxido de carbono) pueden ser incoloros e inodoros. Para reducir el riesgo de sufrir lesiones graves o mortales por respirar gases tóxicos, nunca haga funcionar la máquina puertas adentro o en lugares mal ventilados. Asegúrese de tener ventilación adecuada cuando trabaje en zanjas u otros lugares confinados.



ADVERTENCIA

El uso de este producto para cortar mampostería, hormigón, metal y otros materiales puede generar polvo o vapores que contienen productos químicos conocidos como causantes de lesiones graves o mortales o enfermedades como trastornos respiratorios, cáncer, defectos de nacimiento u otro daño a los órganos reproductores. Si usted desconoce los riesgos relacionados con el material en cuestión, lea la hoja de datos de seguridad del material y/o consulte con su empleador, el fabricante/proveedor del material, organismos gubernamentales tales como OSHA y NIOSH y otras fuentes de información sobre los materiales peligrosos. Por ejemplo, el estado de California y algunas otras autoridades han publicado varias listas de sustancias carcinógenas, de toxicidad reproductora, etc. Siempre que sea posible, controle el polvo y los vapores en su punto de origen.

Al respecto, emplee buenas prácticas de trabajo y siga las recomendaciones del fabricante/proveedor, OSHA/NIOSH y asociaciones laborales y comerciales. Se proporciona un juego de accesorio de agua con la tronadora, el cual debe usarse para suprimir el polvo cuando el corte en mojado es factible. Para suprimir el polvo, el caudal debe ser de por lo menos 0,6 litro (20 oz fl) de agua por minuto. Cuando no se efectúa el corte mojado al caudal recomendado, el operador y cualquier persona que se encuentre cerca siempre deben usar un respirador aprobado por NIOSH/MSHA para el material en uso. Consulte la sección de "Protección para las vías

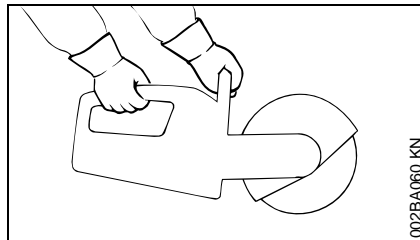
respiratorias", en el capítulo "Ejemplos de usos" del manual de instrucciones. Incluso si está empleando técnicas de corte mojado al caudal recomendado, un operador cortando por más de dos horas al día debe usar por lo menos un respirador desechable del tipo aprobado por NIOSH. Consulte y atégase a las leyes o reglamentos federales, estatales o locales referentes al corte en seco y corte mojado.

ADVERTENCIA

Al cortar mampostería, hormigón y otros materiales que contienen sílice en su composición, se puede despedir polvo con contenido de sílice cristalina. La sílice es un componente básico de la arena, cuarzo, arcilla de ladrillo, granito y numerosos minerales y rocas. La inhalación repetida y/o sustancial de la sílice cristalina en suspensión en el aire puede causar enfermedades respiratorias graves o mortales, incluida la silicosis. Además, el estado de California y algunas otras autoridades han colocado a la sílice cristalina en la lista de sustancias carcinógenas. Cuando corte tales materiales, siempre tome las medidas de precaución respiratorias antes mencionadas.

ADVERTENCIA

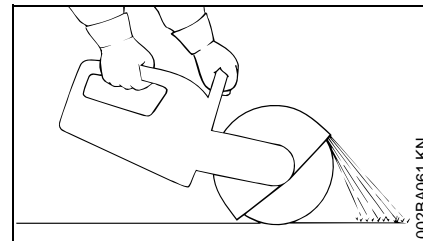
La aspiración del polvo de asbesto es peligrosa y puede causar lesiones graves o mortales, enfermedades de las vías respiratorias o cáncer. El uso y la eliminación de los productos que contienen asbesto están estrictamente reglamentados por OSHA y el Organismo para la Protección del Medio Ambiente (EPA) de los EE.UU. No use la tronadora para cortar o remover asbesto, productos que contengan asbesto u otros productos tales como tubería envuelta o cubierta con aislante de asbesto. Si por cualquier motivo cree que está cortando asbesto, póngase en contacto inmediatamente con su empleador o un representante de OSHA local.



ADVERTENCIA

La tronadora STIHL ha sido diseñada para usarse con las manos o con un carro para tronadoras. Si se hacen cortes con la v apoyada sobre el suelo u otra superficie, se puede causar el desgaste excesivo de la escuadra que protege la parte inferior de la caja del tanque. Se puede causar la pérdida de combustible y lesiones personales. Sustituya las escuadras dañadas o muy desgastadas de inmediato.

Agarre de la tronadora: Nunca use la tronadora con una sola mano. Siempre sujete la tronadora firmemente con ambas manos mientras el motor está funcionando. Coloque la mano izquierda sobre el mango delantero y la derecha sobre el mango trasero y el gatillo de aceleración. Las personas que trabajan con la mano izquierda (zurdos) también deben seguir estas instrucciones.



Cierre firmemente los dedos alrededor de los mangos, manteniéndolos bien apoyados entre el pulgar y dedo índice. Asegúrese que los mangos de la tronadora y el mango de arranque están en buenas condiciones y sin humedad, resina, aceite, mezcla de combustible o grasa.

No toque nunca con las manos o cualquier parte del cuerpo un disco que está girando.

ADVERTENCIA

Despeje la zona donde está trabajando. Evite tropezar con obstáculos y esté atento a los agujeros o zanjas. Sea sumamente precavido cuando trabaje en declives o terreno irregular. Proceda con sumo cuidado cuando trabaje en condiciones climáticas húmedas o frías (lluvia, nieve, hielo).

 **ADVERTENCIA**



Las chispas emitidas al cortar metal pueden causar quemaduras o incendiar la ropa. Siempre dirija las chispas en sentido opuesto al operador y a sustancias inflamables en el entorno. Nunca corte metales mientras está parado en una superficie inflamable, tal como las superficies de madera o papel alquitranado. Si existe el riesgo de que se produzca un incendio, tenga equipo extinguidor de incendios a mano.

 **ADVERTENCIA**

Para reducir el riesgo de lesionarse debido a un incendio, no corte ningún tubo, tambor ni otro tipo de envase sin antes verificar que el mismo no contenga sustancias volátiles o inflamables.

 **ADVERTENCIA**

Cuando se cortan paredes y pisos existentes o estructuras similares, esté atento a peligros ocultos tales como cables eléctricos, tuberías de agua o de gas y sustancias inflamables. Compruebe que los servicios de energía eléctrica, agua y gas hayan sido interrumpidos y que se hayan vaciado todos los tubos antes de empezar a cortar.

Instrucciones de manejo

 **ADVERTENCIA**

El protector del disco puede ajustarse. Es sumamente importante que el protector del disco se encuentre en su lugar y ajustado según el tipo de trabajo a efectuar y la posición. El protector siempre debe ajustarse de modo que el usuario no esté expuesto a los peligros causados por las partículas lanzadas ya sea directa o indirectamente del material cortado, las chispas o los pedazos de discos dañados. El no seguir estas instrucciones puede causar lesiones graves o mortales.

 **ADVERTENCIA**

Su tronzadora está equipada con un tope limitador para el protector del disco que limita la abertura del protector del disco. Para reducir el riesgo de lesiones como resultado del contacto con el disco y/o las fuerzas reactivas y para evitar dañar el sistema de protección, nunca intente desplazar la palanca de ajuste más allá del tope limitador.

 **ADVERTENCIA**

Siempre revise el disco antes de usarlo y después de haber chocado accidentalmente con algún objeto. Revíselo frecuentemente durante el uso, luego de haberlo detenido. Busque grietas y verifique que esté libre de daños, en buenas condiciones, y que ninguna de sus piezas se haya roto. Vea las secciones sobre "Discos abrasivos" y "Fuerzas reactivas" en este manual. Busque roturas en el protector del disco. Si se descubren roturas o grietas, instale un protector nuevo antes de seguir usando la máquina.

 **ADVERTENCIA**

Es esencial determinar el sentido del corte con precisión antes de aplicar el disco abrasivo al material a ser cortado. Los discos se fabrican para soportar presión en sentido **radial** solamente. Evite la presión **lateral**. Sostenga la tronzadora de modo constante. Para reducir el riesgo de sufrir lesiones graves o mortales, no cambie el sentido de avance del corte al hacerlo ya que esto puede imponer una carga torsional grande sobre el disco abrasivo y quebrarlo o romperlo.

 **ADVERTENCIA**

No use los discos abrasivos para limar. En estos trabajos se producen fuerzas de flexión que pueden resultar en la rotura de los discos abrasivos con la posibilidad de lesiones graves o mortales.

**ADVERTENCIA**

Para reducir el riesgo de lesiones causadas por discos abrasivos rotos:

1. No exceda la velocidad máxima de funcionamiento indicada en el disco.
2. No use un disco que haya caído al suelo.
3. Pruebe cada disco nuevo inmediatamente después de haberlo instalado haciéndolo funcionar a velocidad máxima por aproximadamente un minuto sin cortar, cerciorándose que las demás personas presentes se encuentren alejadas.
4. No corte ningún material para el cual el disco abrasivo no está diseñado o aprobado.
5. No esmerile aplicando el disco abrasivo de costado.
6. No tuerza, empuje, golpee ni deje caer la máquina. Eso puede dañar el disco.

Para obtener un corte limpio y eficaz, tire del disco abrasivo sobre la superficie trabajada o muévelo en uno y otro sentido de la dirección de corte. No aplique fuerza para meter el disco abrasivo en la superficie trabajada.

Inserte el disco en el material únicamente a la profundidad necesaria para hacer el corte. Para reducir la cantidad de polvo, no corte los materiales de piedra y hormigón completamente. Deje una franja delgada sin cortar. En la mayoría de estos tipos de materiales, esta franja

puede romperse con facilidad después. No tuerza, trabe o esfuerce el disco en el corte.

Siempre apague el motor y compruebe que el disco haya dejado de girar antes de poner la tronzadora en el suelo.

Si se usa un carro para tronzadoras, quite la basura de la trayectoria de las ruedas, ya que la misma puede causar la flexión del disco abrasivo. Esto puede causar fuerzas grandes de fricción y reducir significativamente la potencia del motor disponible para la tarea de corte. También puede dañar el disco abrasivo.

STIHL recomienda el uso de un carro para efectuar cortes largos en línea recta.

Corte en mojado con discos abrasivos

Antes de cortar en mojado, verifique que el agua no vaya a dañar el piso o el edificio.

**ADVERTENCIA**

Para reducir el riesgo de electrocución para usted u otras personas, no deje que el agua o lodo quede en contacto los alambres eléctricos con corriente.

**ADVERTENCIA**

Para reducir el riesgo de lesiones causadas por la rotura del disco al cortar en mojado con un disco de material compuesto:

1. Compruebe que el agua no fluya sobre un disco que no esté en marcha, ya que el disco absorbe el agua, lo cual altera su equilibrio.
2. Asegúrese de aplicar agua a ambos lados del disco, ya que la distribución desigual puede causar el desgaste desigual del disco.
3. Al terminar el trabajo, haga funcionar el disco de corte a la velocidad de funcionamiento normal durante 3 a 6 segundos sin agua para quitar el agua residual.

**ADVERTENCIA**

Para reducir la posibilidad de lesiones causadas por la rotura de un disco de material no diseñado específicamente para el corte en mojado, nunca guarde y vuelva a usar un disco de este tipo que ha sido empleado con agua. Use estos discos hasta agotarlos en un mismo día.

Fuerzas reactivas, incluido el contragolpe

ADVERTENCIA



Las fuerzas reactivas pueden producirse en cualquier momento que el disco de la tronadora esté girando. La gran fuerza utilizada para cortar el material puede cambiar de sentido y actuar contra el operador. Si el disco reduce su velocidad o se detiene como resultado del contacto con un objeto macizo o de la estricción o el aprisionamiento, las fuerzas reactivas pueden producirse instantáneamente, y pueden hacer que el operador pierda el control de la tronadora y resultar en lesiones graves o mortales.

Una buena comprensión de las causas de estas fuerzas reactivas puede ayudarle a evitar la pérdida del control. Las fuerzas reactivas se aplican en sentido opuesto al del movimiento del disco en el punto de contacto o de estricción / aprisionamiento. Si el disco reduce su velocidad solamente como resultado del contacto con un objeto macizo, tal como la pieza de trabajo, las fuerzas reactivas resultantes normalmente son moderadas y el operador que está agarrando correctamente la máquina puede mantener el control de la misma. Pero, si el disco reduce su velocidad o se detiene como resultado de una estricción o un aprisionamiento severo, las fuerzas reactivas pueden ser sustancialmente más grandes. Cuanto mayor sea la fuerza generada, tanto más difícil será para el operador

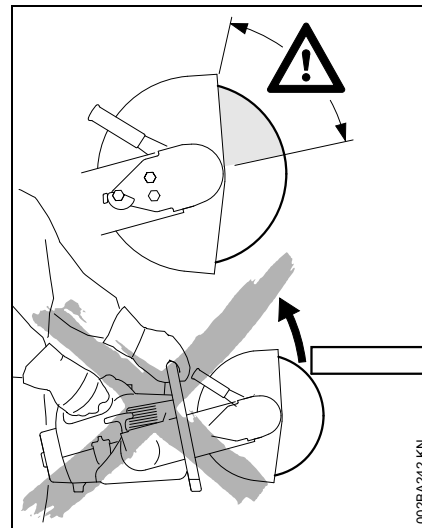
controlar la tronadora. La pérdida de control puede resultar en lesiones personales graves o la muerte.

Fuerzas de culatazo, trepado, estricción y contragolpe rotacional

Las fuerzas reactivas más comunes son los culatazos y el trepado. Si el contacto se produce en la parte inferior del disco, la tronadora intentará alejarse del operador (culatazo). Si el contacto se produce en el extremo delantero del disco, éste puede intentar "trepár" sobre el objeto cortado (trepado).

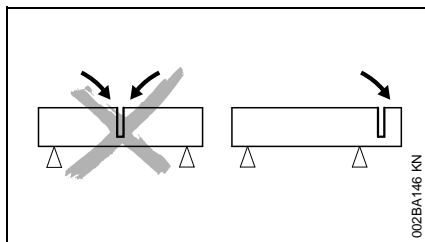
La estricción ocurre cuando la pieza que se está cortando se cierra contra el disco. Las fuerzas laterales aplicadas al disco en la ranura o un disco adiamantado incorrecto o dañado que empieza a oscilar o deja de hacerlo en la ranura pueden causar el aprisionamiento severo. Si el cuadrante superior del disco sufre una estricción o un aprisionamiento severo o se atasca, puede ser lanzado instantáneamente hacia arriba y hacia atrás, hacia el operador, con mucha fuerza y en sentido giratorio. Es posible evitar estas condiciones de contragolpe y siempre se debe hacerlo. Es posible evitar la estricción del disco al apoyar correctamente la pieza de trabajo. (Vea más abajo.) Es posible evitar el aprisionamiento severo del disco al emplear las técnicas correctas de corte, tales como el no aplicar cargas laterales en el disco y el usar los discos que han sido correctamente diseñados, fabricados y mantenidos.

Para reducir el riesgo de lesiones por contragolpes



ADVERTENCIA

Para reducir el riesgo de lesionarse por un contragolpe, evite cortar con el cuadrante superior del disco, siempre que sea posible. Tenga cuidado particular de no aprisionar el disco en esta zona, lo cual puede causar fuerzas reactivas severas con un efecto de contragolpe giratorio.



Esté alerta al movimiento potencial del material que se está cortando o a cualquier otra condición que pueda causar el cierre del corte y la estricción del disco. Para reducir el riesgo de estricción, sujete el material de tal manera que el corte permanezca abierto durante el proceso de corte y cuando se termine (vea la ilustración). Nunca haga un corte que cause el aprisionamiento del disco. Si no es posible apoyar correctamente el material, no utilice la tronzadora para hacer el corte; seleccione otra herramienta u otra técnica de corte que no involucre el riesgo de contragolpe.

ADVERTENCIA

Esté particularmente alerta al cortar un objeto tal como un tubo con un extremo abocinado o un tubo en una zanja que, al no apoyarse correctamente, pueda combarse cuando se termina el corte y atrapar el disco cerca de la parte superior del material que está cortando, en vez de en el lugar de corte real. Si la estricción se produce en el cuadrante superior del disco abrasivo, se puede producir un contragolpe.

ADVERTENCIA

Siempre que se posible, use la técnica de corte en mojado, ya que el agua puede servir como un lubricante en las zonas de estricción potencial y reducir la posibilidad de generar fuerza reactivas. Si realmente se producen tales fuerzas, se reducirá el efecto de las mismas y lo hace más fácil mantener el control de la máquina.

ADVERTENCIA

Se recomienda usar únicamente accesorios de corte marca STIHL. El uso de discos de marcas diferentes a STIHL puede ser extremadamente peligroso. Por ejemplo, en el mercado es posible obtener muchos discos adiamantados de calidad inferior al nivel normal. Si no se fabrican con núcleos de acero de calidad adecuada, si no están debidamente tensados, o si adolecen de otros defectos de diseño o fabricación, podrían, por ejemplo, oscilar durante el uso, perder algunos de sus segmentos, o mostrar otros problemas que aumentan significativamente el riesgo de lesiones personales o mortales. Si un disco adiamantado empieza a oscilar o deja de hacerlo en la ranura de corte, el cambio de comportamiento puede resultar en el aprisionamiento severo y la pérdida de control y/o contragolpe. Si el disco que está usando empieza a oscilar o lo ha hecho en el pasado, deséchelo inmediatamente. A pesar de que este disco puede dejar de oscilar temporalmente, por ejemplo, al hacerlo girar sin carga, siempre tendrá una tendencia de volver a oscilar bajo ciertas condiciones.

Algunos de los discos adiamantados de marcas diferentes a STIHL se fabrican con material abrasivo en los costados. No utilice estos discos, ya que el material abrasivo puede aumentar las fuerzas reactivas en una situación de estricción o de carga lateral.

ADVERTENCIA

Nunca use con la tronzadora los discos abrasivos picados o discos de sierra circulares, discos con puntas de carburo, discos de rescate, ni discos para madera o con dientes de tipo alguno. El uso de tales discos aumenta significativamente el riesgo de la pérdida del control y de sufrir lesiones personales graves o mortales como resultado de las fuerzas reactivas, puesto que la porción picada de un disco abrasivo, o los dientes de un disco de tronzadora circular pueden encajarse en el material cortado y generar fuerzas reactivas considerablemente más intensas, incluso un contragolpe en sentido giratorio.

Las tronzadoras han sido diseñadas para usarse con discos abrasivos en buenas condiciones solamente. Las máquinas diseñadas para usar discos abrasivos para madera y otros tipos de discos con dientes utilizan sistemas protectores diferentes que brindan la protección necesaria para tales tipos de discos. Las máquinas, tales como una tronzadora, que se han diseñado para usar discos abrasivos requieren un sistema protector diferente, que no ofrece protección contra todos los peligros presentados por los discos de sierra circular, los discos con puntas de

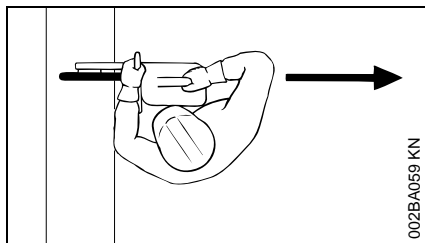
carburo, los discos para rescate o los discos abrasivos para madera o con dientes.



ADVERTENCIA

Para reducir el riesgo de lesionarse por la pérdida del control causada por las fuerzas reactivas, incluso el contragolpe:

1. Sujete firmemente la máquina de corte con ambas manos.
2. Mantenga los pies bien apoyados y equilibrados en todo momento. No corte nunca mientras está parado en una escalera.



3. Coloque la tronzadora en tal posición que su cuerpo quede alejado del accesorio de corte. Evite pararse en línea directa con el disco. (Vea la ilustración.) No se incline por encima del accesorio de corte, especialmente cuando el protector está deslizado hacia la parte superior y existe riesgo de que ocurran fuerzas reactivas.
4. No corte a una altura superior a la de los hombros.

5. Se recomienda el uso exclusivo de los discos adiamantados y discos abrasivos de material compuesto de marca STIHL. El uso de discos de marcas diferentes a STIHL puede ser extremadamente peligroso. Nunca trabaje con un disco adiamantado que oscila, que ha oscilado nunca o que se fabricó con material abrasivo en sus costados.
6. No corte madera ni ningún material para el cual el disco abrasivo no está diseñado o aprobado.
7. Nunca use discos de sierra circular, discos con puntas de carburo, discos reconstruidos, discos abrasivos para madera ni discos con dientes de tipo alguno. El usarlos aumenta el riesgo de las lesiones producidas por el contacto con el disco, partículas lanzadas y fuerzas reactivas, incluso el contragolpe.
8. Empiece a cortar y continúe trabajando a máxima aceleración.
9. No trate de alcanzar más lejos de lo debido.
10. Nunca aplique una carga lateral al disco en la ranura.
11. Use su tronzadora para cortar solamente. No está diseñada para usarla como una pala o barreta para quitar objetos del paso.
12. Esté especialmente alerta a las fuerzas reactivas, incluso el contragolpe, cuando esté cortando con el cuadrante superior del disco. Nunca tire de la parte superior del protector del disco más allá del tope limitador.
13. Esté alerta al desplazamiento de la pieza de trabajo o a otras fuerzas que puedan causar el cierre del corte y el aprisionamiento del disco, especialmente en su cuadrante superior. Sostenga la pieza de trabajo de manera que el corte permanezca abierto. Nunca haga un corte que cause el aprisionamiento del disco.
14. Utilice técnicas de corte mojado de ser posible. En una situación de aprisionamiento, el agua puede actuar como lubricante y reducir la energía de las fuerzas reactivas.
15. Deje de ejercer presión sobre la máquina de corte cuando llegue al extremo del corte. Demasiada presión puede hacer que el operador pierda control de la máquina cuando el disco abrasivo termina el corte. El disco abrasivo puede hacer contacto con el operador o chocar con algún objeto extraño y romperse en pedazos.
16. Tenga mucho cuidado cuando vuelva a entrar a un corte y no haga girar el disco en un ángulo ni empuje el disco contra el corte pues podría quedar aprisionado.

Fuerzas giroscópicas

Esté alerta a las fuerzas giroscópicas creadas por la rotación rápida del disco de corte. Estas fuerzas se oponen a los cambios de sentido, por ejemplo cuando el operador intenta mover la máquina lateralmente.

Mantenimiento, reparación y almacenamiento de la tronzadora

Los trabajos de mantenimiento, reemplazo o reparación de los dispositivos y sistemas de control de emisiones de escape pueden ser realizados por cualquier taller o técnico de motores no diseñados para vehículos. Sin embargo, si usted está reclamando cobertura de garantía para algún componente que no ha sido reparado o mantenido debidamente, o cuando se utilizan repuestos no autorizados, STIHL puede denegar la garantía.

No maneje nunca una tronzadora que está dañada, mal ajustada o que no fue armada completa o seguramente. Siga las instrucciones de mantenimiento y reparación dadas en las secciones correspondientes del manual de instrucciones.



ADVERTENCIA

Utilice solamente piezas de repuesto de STIHL para el mantenimiento y reparación. La utilización de piezas fabricadas por otras empresas puede causar lesiones graves o mortales.



ADVERTENCIA

Siempre apague el motor, asegúrese que el disco esté detenido y desconecte el casquillo de la bujía antes de efectuar algún trabajo de mantenimiento, reparación o limpieza en la tronzadora. No intente hacer ningún trabajo de mantenimiento o reparación que no esté descrito en su manual de instrucciones. Este tipo de trabajo debe realizarse únicamente por un concesionario de STIHL autorizado para servicio.

Limpie el polvo producido una vez acabado el trabajo. Apriete todas las tuercas, pernos y tornillos después de haber usado la máquina.

No limpie la máquina con una lavadora a presión. El chorro fuerte de agua puede dañar las piezas de la máquina.



ADVERTENCIA

No pruebe nunca el sistema de encendido con el casquillo desconectado de la bujía, o sin tener enroscada la bujía, ya que las chispas al descubierto pueden causar un incendio.



ADVERTENCIA

Para reducir el riesgo de incendio y de quemaduras, utilice solamente las bujías autorizadas por STIHL. Siempre inserte el casquillo de la bujía bien apretado en el borne de la bujía del tamaño adecuado. (Nota: Si el borne tiene una tuerca adaptadora SAE desmontable, tiene que ser instalada.) Una conexión suelta entre el borne de la bujía y el conector del cable de encendido en el manguito puede crear un arco voltaico y encender los vapores del combustible y provocar un incendio. Mantenga la bujía limpia, y asegúrese que el conductor de encendido esté en buen estado.



ADVERTENCIA

No maneje nunca su tronzadora si el silenciador está dañado, se ha perdido o si fue modificado. Un silenciador mal cuidado aumenta el riesgo de incendio y puede causar pérdida de audición. Nunca toque el silenciador cuando está caliente ni le vierta combustible u otros líquidos inflamables. Esto puede causar quemaduras o incendios. Si el silenciador está equipado con un chispero para reducir el riesgo de incendio (por ejemplo, en EE.UU., Canadá y Australia), no maneje nunca su tronzadora si le falta el chispero o si el mismo está dañado.

Para todo trabajo de mantenimiento, sírvase consultar la tabla de mantenimiento y la declaración de garantía que se encuentra al final del manual de instrucciones.

Almacene los discos sobre una superficie plana y en un lugar seco, preferiblemente a una temperatura

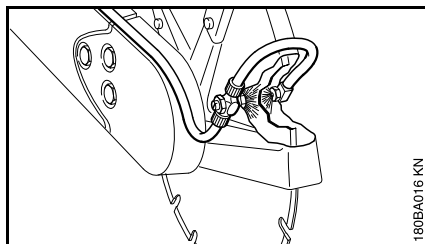
constante, en donde no exista el riesgo de congelación. No almacene la tronadora con un disco montado.

Almacene la tronadora en un lugar elevado o bajo llave, fuera del alcance de los niños.

Vacíe el tanque de combustible antes de guardar la máquina por un lapso de más de unos cuantos días. Guarde el combustible únicamente en envases debidamente rotulados y aprobados para ello. Evite el contacto directo del combustible con la piel y no inhale sus vapores.

Ejemplos de usos

La mayoría de los discos de corte adiamantados son adecuados para el corte en mojado



Siempre que sea posible, utilice técnicas de corte en mojado. Esto prolonga la vida útil y la velocidad de corte de los discos adiamantados.

Compruebe que el disco de corte tenga un suministro abundante de agua.

El corte en mojado ayuda a suprimir el polvo.

El agua captura el polvo.

El disco de corte requiere un suministro de por lo menos 0,6 litros (20 oz. fl.) de agua por minuto.

El corte en mojado puede reducir la energía de las fuerzas reactivas. En caso de un aprisionamiento, el agua puede actuar como lubricante.

Conexión del agua

- La máquina tiene un juego de conexión de agua que permite utilizar todo tipo de suministros de agua.
- STIHL ofrece un tanque de agua presurizado de 10 litros de capacidad para suprimir el polvo.
- También se ofrece un tanque de agua que se monta en el carro Cutquik para suprimir el polvo.

Los discos de resina compuesta pueden usarse para el corte en seco de metales o el corte en seco o en mojado de hormigón, piedra o mampostería.

Discos de resina compuesta diseñados para el corte en seco

Es necesario usar procedimientos especiales para el corte mojado con un disco no adiamantado de material compuesto diseñado para el corte en seco. Vea la sección titulada "Corte mojado con discos abrasivos" en las medidas de seguridad de este manual. El corte en mojado generalmente no es adecuado para cortar metales.

Discos de resina compuesta diseñados para el corte mojado



Ajuste el caudal de agua para que sea adecuado para aglutinar todo el polvo producido (por lo menos 0,6 l/min [20 oz. fl/min]).

Un caudal de agua excesivo puede hacer que el disco roce la superficie del agua, reduciendo significativamente la

capacidad de corte. Para evitar esto, no exceda un caudal de agua de aproximadamente 4 l/min (135 oz fl/min).

Utilice el agua correctamente:

1. Asegúrese de aplicar agua a ambos lados del disco, ya que la distribución desigual puede causar el desgaste desigual del disco y posiblemente hasta su rotura.
2. Compruebe que el agua no fluya sobre un disco que no esté en marcha, ya que el disco absorbe el agua, lo cual altera su equilibrio.
3. Al terminar el trabajo, haga funcionar el disco de corte a la velocidad de funcionamiento normal durante 3 a 6 segundos **sin** agua para quitar el agua residual.

Conexión del agua

- La máquina tiene un juego de conexión de agua que permite utilizar todo tipo de suministros de agua.
- STIHL ofrece un tanque de agua presurizado de 10 litros de capacidad para suprimir el polvo.
- También se ofrece un tanque de agua que se monta en el carro Cutquik para suprimir el polvo.

Protección para las vías respiratorias



ADVERTENCIA

Cuando no se efectúa el corte mojado al caudal recomendado, el operador y cualquier persona que se encuentre cerca siempre deben usar un respirador aprobado por NIOSH / MSHA para el material en uso. Incluso si está empleando técnicas de corte mojado, un operador cortando por más de dos horas al día debe usar por lo menos un respirador desechable del tipo aprobado por NIOSH.

Puntos que deben tomarse en cuenta al usar discos de corte adiamantados y de resina compuesta

El objeto a cortarse

- Debe estar completamente apoyado
- Debe estar asegurado de modo que no pueda rodar ni deslizarse
- Debe estar protegido contra las vibraciones

La secuencia de corte

La secuencia de corte es importante al recortar aberturas, hendiduras, etc. El último corte siempre debe hacerse de manera que el disco de corte no quede atrapado y de modo que el usuario no corra el peligro de ser lesionado por la pieza recortada.

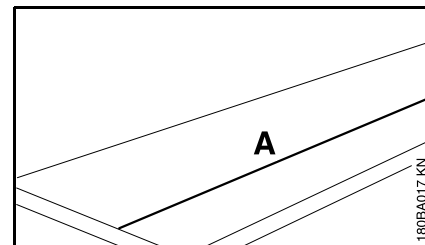
Si corresponde, deje "puentes" pequeños de material sin cortar para sujetar a la pieza cortada en posición. Estos puentes pueden romperse posteriormente.

Es necesario decidir algunos puntos antes de la separación final de la pieza cortada:

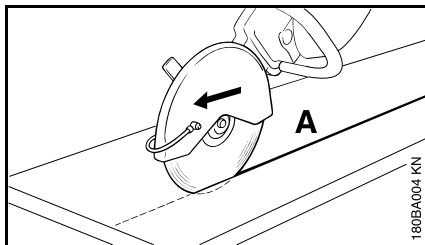
- ¿Qué tan pesada es la pieza?
- ¿En qué sentido se moverá luego de cortarla?
- ¿Se encuentra bajo tensión?

Los ayudantes no deberán correr el peligro de lesionarse al separar o romper la pieza.

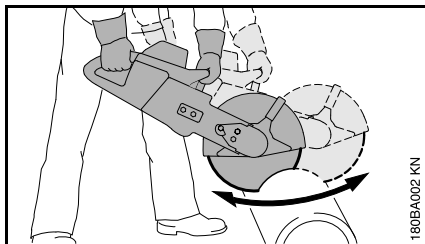
Corte en varias pasadas



- Marque la línea de corte (A).



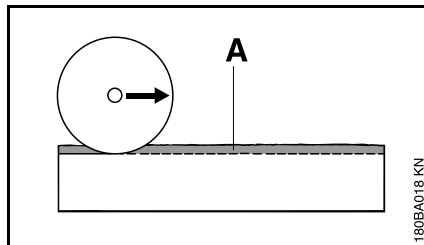
- Trabaje a lo largo de la línea de corte. Si hay que hacer correcciones, siempre ajuste la posición del disco de corte, procurando que no quede atascado. La profundidad de corte por pasada no deberá ser mayor que 5 a 6 cm (2 a 2-1/2 pulg). Los materiales más gruesos deberán cortarse haciendo varias pasadas.



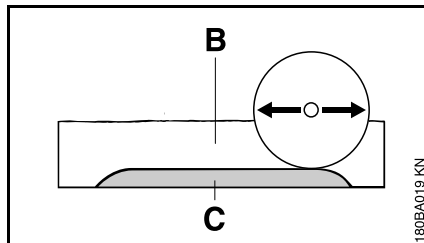
- Las piezas con paredes gruesas deben cortarse efectuando un movimiento uniforme de péndulo, en uno y otro sentido.

Corte de planchas

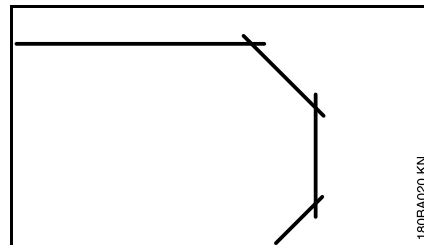
- Coloque la plancha firmemente sobre una superficie no resbaladiza.



- Corte una ranura guía (A) a lo largo de la línea marcada.

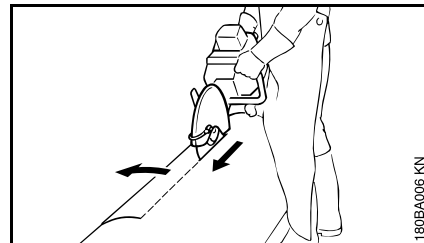


- Corte más profundamente en el corte de partida (B), efectuando movimientos uniformes en uno y otro sentido.
- Deje un puente (C) de material sin cortar.
- Corte todo el grosor de la plancha en sus extremos para evitar la formación de picaduras en el material.
- Después rompa la plancha para separarla.



- Las curvas se cortan efectuando varias pasadas rectas procurando que el disco de corte no se atasque.

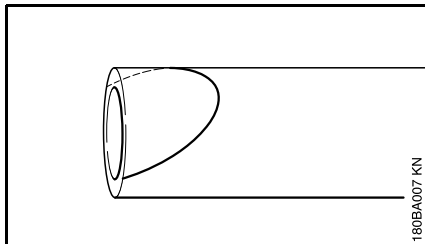
Corte de piezas redondas y huecas



- Los tubos y objetos circulares, etc., deberán asegurarse para impedir que rueden.
- Evite los elementos de refuerzo, especialmente en el sentido del corte, al elegir la línea de corte.
- Corte una ranura guía a lo largo de la línea marcada.
- Corte más profundamente en el corte de partida, efectuando movimientos uniformes en uno y otro sentido. Avance el disco de corte a lo largo de la ranura guía, con profundidad plena de corte. Siempre ajuste la posición del disco de corte, evitando que se atasque, si es necesario corregir levemente

el sentido del corte. De ser necesario, deje "puentes" pequeños de material sin cortar para sujetar a la pieza cortada en posición. Estos puentes pueden romperse posteriormente.

Corte de formas en tubos

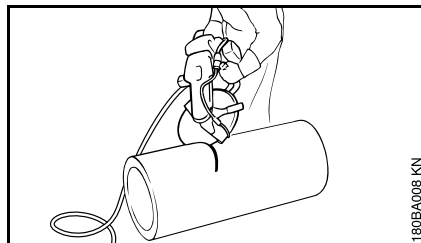


- Marque la línea de corte.



ADVERTENCIA

Hay que tener sumo cuidado y mucha precisión para el corte a mano alzada de tales líneas de corte. Evite aplicarle cargas laterales al disco o atorarlo.



- Corte una ranura guía a lo largo de la línea de corte que se marcó, empezando por la parte superior y avanzando hacia fuera, hacia ambos lados.
- Corte todo el tubo u objeto circular, etc., en los extremos de la línea de corte para evitar la formación de picaduras en el material.
- Corte más profundamente en el corte de partida, con movimientos uniformes en uno y otro sentido, empezando por la parte superior y avanzando hacia afuera, hacia ambos lados. Avance el disco de corte a lo largo de la ranura guía, con profundidad plena de corte. Siempre ajuste la posición del disco de corte, evitando que se atasque, si es necesario corregir levemente el sentido del corte. De ser necesario, deje "puentes" pequeños de material sin cortar para sujetar a la pieza cortada en posición. Estos puentes pueden romperse posteriormente.

Discos de corte

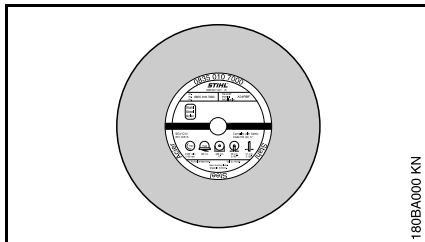
Los discos de corte soportan cargas extremadamente altas, especialmente durante los cortes a mano libre.

Los discos de corte desarrollados para STIHL por fabricantes de discos abrasivos de buena reputación son de alta calidad y han sido diseñados precisamente para la aplicación específica y para la potencia del motor de la tronadora en cuestión.

Transporte y almacenamiento

- No deje los discos de corte expuestos a la luz solar plena u otras fuentes de calor durante el transporte y almacenamiento
- Evite los golpes e impactos
- Apile los discos de corte en forma plana en una superficie a nivel, en el embalaje original, en un lugar seco con una temperatura lo más constante posible
- No almacene los discos de corte cerca de fluidos corrosivos
- Almacene los discos de corte en un lugar libre de escarcha

Discos de corte de resina compuesta



Se obtienen beneficios económicos y se evita el desgaste prematuro si se elige y utiliza el disco de resina compuesta correcto. El nombre corto (por ej., "asfalto", "hormigón")

- en la etiqueta y
- en la envoltura (tabla con usos recomendados)

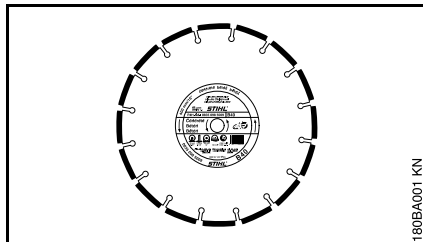
ayuda a elegir el modelo correcto.

Dependiendo de la versión, los discos de corte de resina compuesta de STIHL pueden usarse para cortar los materiales siguientes:

- Asfalto
- Hormigón
- Piedra
- Tubos fundidos dúctiles
- Acero

Los discos de corte de resina compuesta STIHL no pueden usarse para cortar vías ferroviarias.

Discos de corte adiamantados



Se obtienen beneficios económicos y se evita el desgaste prematuro si se elige y utiliza el disco adiamantado correcto. El nombre corto (vea la explicación siguiente)

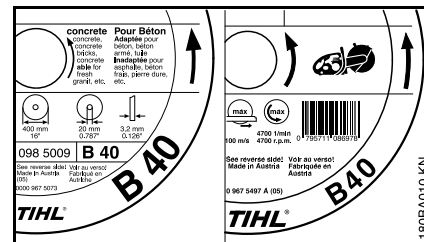
- en la etiqueta y
- en la envoltura (tabla con usos recomendados)

ayuda a elegir el modelo correcto.

Dependiendo de la versión, los discos de corte adiamantados de STIHL pueden usarse para cortar los materiales siguientes:

- Asfalto
- Hormigón
- Piedra (roca dura)
- Hormigón abrasivo
- Hormigón fresco
- Ladrillos de arcilla
- Tubos de arcilla

Nombres cortos



El nombre corto es una combinación de letras y números con hasta cuatro dígitos:

- Las letras indican el uso principal del disco de corte.
- Los números identifican la categoría de rendimiento del disco adiamantado STIHL.

Letra Uso principal

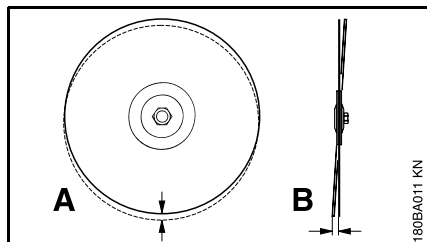
A	Asfalto
B	Hormigón
BA	Hormigón, asfalto
S	Piedra (roca)
SB*	Roca, hormigón

*) puede emplearse con acero estructural de hasta 10 mm de grosor y con hierro dúctil – no adecuado para el corte continuo de estos tipos de materiales

Descentramiento radial y axial

Es esencial que el cojinete del árbol esté debidamente montado en la tronzoadora para obtener una vida útil prolongada y funcionamiento eficiente del disco adiamantado.

Si se usa un disco de corte en una tronadora con un cojinete de árbol averiado, se puede causar el descentramiento axial y radial.



Un descentramiento radial (**A**) excesivo causa sobrecargas en segmentos adiamantados individuales y calor excesivo. Esto a su vez puede causar fracturas por esfuerzos en el centro del disco o el ablandamiento de segmentos individuales.

El descentramiento axial u oscilación del eje (**B**) causa esfuerzos térmicos elevados y produce cortes más anchos.

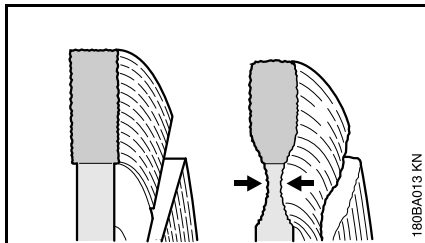
Localización de averías

Disco de corte

Problema	Causa	Solución
Bordes ásperos o con roturas, el corte se aleja de la línea, aumento del desgaste de los costados de los segmentos	Descentramiento radial o axial	Consulte con el concesionario ¹⁾
	El disco de corte oscila	Utilice un disco de corte nuevo
Bordes ásperos, el corte se aleja de la línea, rendimiento de corte pobre o nulo, producción de chispas	El disco de corte está romo; bordes con acumulación de materiales en los discos para piedra	Rectifique el disco para trabajar en piedra cortando brevemente un material abrasivo; utilice un disco nuevo para cortar asfalto
Rendimiento deficiente de corte, desgaste elevado de segmentos	El disco de corte gira en sentido incorrecto	Instale el disco de corte con el sentido de rotación correcto
Picaduras o roturas en centro y segmentos del disco	Sobrecarga	Sustituya el disco de corte inmediatamente por uno nuevo
Socavamiento	Se está cortando un material para el cual el disco no ha sido diseñado	Utilice un disco de corte nuevo; tome nota de las capas de corte distintas de materiales diferentes

1) STIHL recomienda acudir a un concesionario STIHL para servicio.

Socavamiento



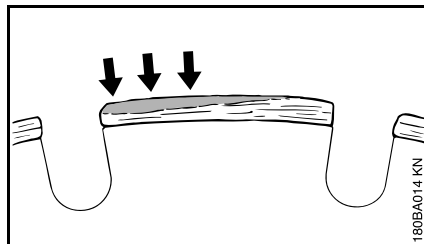
El socavamiento es el desgaste del núcleo de acero en los segmentos adiamantados o justo debajo de ellos. Cuando se cortan superficies pavimentadas, no corte más profundamente en la capa abrasiva (grava, piedra picada) bajo la superficie, la cual se indica porque produce un polvo de color claro. Esto causa un socavamiento excesivo, lo cual produce la rotura y/o el lanzamiento de segmentos del disco.



ADVERTENCIA

Reemplace un disco adiamantado de inmediato si su centro tiene socavamiento severo.

Bordes con acumulaciones, rectificación



Los bordes con acumulaciones se identifican por medio de depósitos gris claro encima de los segmentos adiamantados que obturan y reducen el filo de los segmentos.

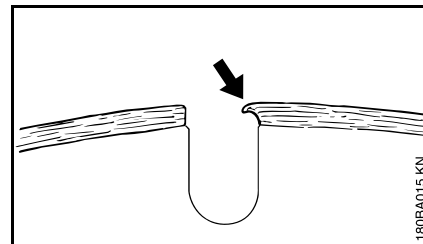
Los bordes pueden formar acumulaciones:

- cuando se cortan materiales extremadamente duros, tales como el granito,
- como resultado del manejo incorrecto, tal como al aplicar fuerza excesiva,
- si se cortan secciones extremadamente grandes sin efectuar un movimiento de péndulo (en uno y otro sentido sobre el plano del corte).

Los bordes con acumulaciones aumentan las vibraciones, reducen el rendimiento de corte y producen chispas.

Los discos de corte adiamantados requieren ser "rectificados" cuando se producen señas de acumulaciones en los bordes. Con este fin, corte brevemente en un material de calidad más abrasiva, tal como arenisca, hormigón aireado o asfalto.

El corte mojado ayuda a evitar la formación de acumulaciones en los bordes.



Si se continúa usando un disco con segmentos romos, éstos podrían ablandarse como resultado del calentamiento excesivo. El centro del disco también se sobrecalienta y pierde su resistencia mecánica. Esto puede causar esfuerzos grandes, los cuales se indican claramente por medio de las roturas de esfuerzo y/o movimientos de oscilación del disco.



ADVERTENCIA

Estos discos de corte pueden quebrarse o lanzar algunos de sus segmentos durante el uso, o causar fuerzas de reacción significativas, causando lesiones graves o mortales. Reemplácelos de inmediato.

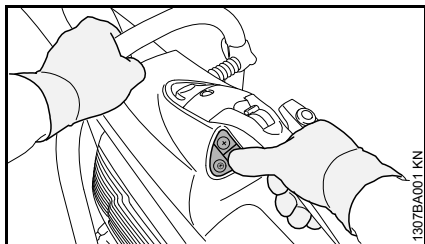
Sistema de control electrónico de agua

Las tronadoras STIHL podrían tener un equipo electrónico de control de agua.

El sistema de control electrónico de agua permite entregar la cantidad de agua óptima al disco de corte. No se entrega agua al disco de corte cuando la máquina está en marcha en vacío o apagada.

Antes de empezar a trabajar

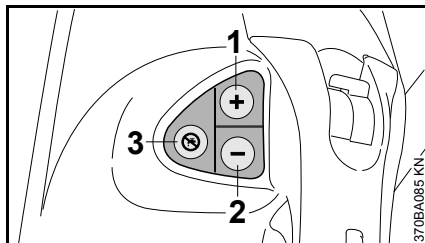
- Con el motor apagado, familiarícese con el tablero de control y las secuencias de movimientos necesarios.



- Todos los botones del tablero de control están al alcance del pulgar de la mano derecha cuando la misma queda en el mango trasero.
- La mano izquierda siempre queda en la barra de empuñadura.

Tablero de control

Cuando el motor está en marcha, se puede activar/desactivar el sistema de control electrónico de agua y regular el caudal de agua.



- 1 Botón (+): activa el sistema de control electrónico de agua o aumenta el caudal de agua suministrado al disco de corte.
- 2 Botón (-): activa el sistema de control electrónico de agua o reduce el caudal de agua suministrado al disco de corte.
- 3 Desactiva el sistema de control electrónico de agua; no se suministra agua al disco de corte.

Uso del sistema de control electrónico de agua

- Arranque el motor: consulte el capítulo "Arranque/parada del motor."
- Pulse momentáneamente el botón (+) o (-) con el pulgar de la mano derecha. La mano derecha siempre debe mantenerse en el mango trasero al hacerlo; la mano izquierda siempre debe quedar en la barra de empuñadura. No se suministra agua al disco de corte durante el funcionamiento a marcha en vacío.

Durante el uso, la cantidad de agua establecida se suministra al disco de corte.

- Ajuste el caudal de agua según sea necesario – para hacerlo, pulse momentáneamente el botón (+) o (-) con el pulgar de la mano derecha hasta que se obtenga la cantidad de agua correcta en una de las posiciones de regulación. La mano derecha siempre debe mantenerse en el mango trasero al hacerlo; la mano izquierda siempre debe quedar en la barra de empuñadura.

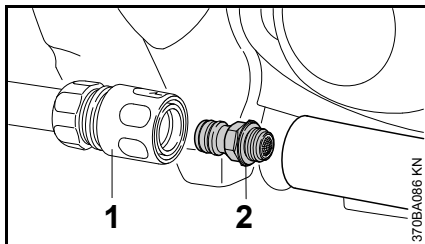
La presión de agua afectará el caudal real de agua en cualquiera de las posiciones de regulación. Puede ser necesario usar una posición de regulación más alta con una presión de agua baja, por ejemplo, cuando se usa un tanque de agua a presión o de flujo por gravedad. Para suprimir el polvo y obtener el rendimiento de corte deseado, siempre asegúrese que el caudal de agua esté dentro del intervalo correcto, tal como se describe en el capítulo "Ejemplos de usos."

Si la tronadora está en marcha en vacío después del uso, el sistema de control electrónico de agua queda activado pero no se suministra agua al disco de corte. Al reanudar el trabajo, se aplicará automáticamente la última posición de regulación empleada.

Si se para el motor y se lo vuelve a arrancar, el control electrónico de agua se desconecta.

Mantenimiento y cuidado

Si no se suministra suficiente agua al disco de corte durante el uso, a pesar de que el sistema de control electrónico de agua ha sido activado:



- quite el manguito acoplador (1);
- destornille la "conexión de agua con tamiz" (2) y lávela en un chorro de agua corriente - el tamiz queda fijado a la conexión de agua.

Armado del brazo fundido y protector

El fabricante instala el "brazo fundido con protector" en el lado interior.

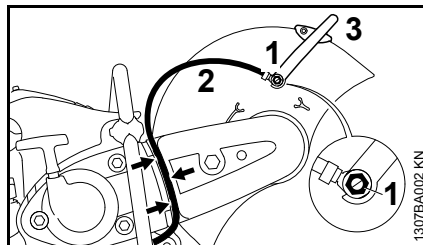
El "brazo fundido con protector" también puede instalarse en el lado exterior, dependiendo de los requerimientos.

Se recomienda la instalación en el lado interior para un mejor equilibrio durante el corte a mano libre.

Montaje al exterior

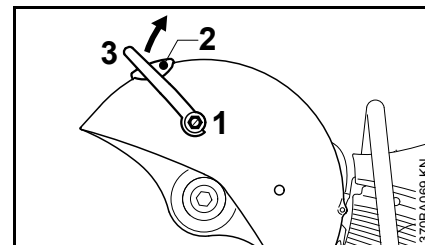
- Desmonte el disco abrasivo (vea "Colocación / Sustitución de un disco abrasivo")

Retiro del accesorio de agua



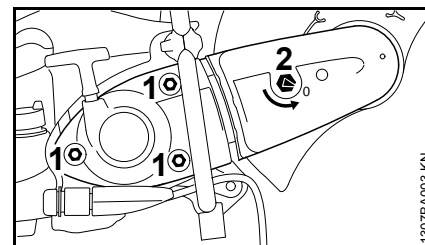
- Destornille con la llave combinada el perno banjo (1) – al hacerlo, quite la tuerca cuadrada de la guía del protector
- Quite la manguera de agua (2) con su conector de la palanca de ajuste (3)
- Extraiga la manguera de agua (2) fuera de la guía (flechas) en el protector de la correa trapezoidal

Retiro de la palanca de ajuste



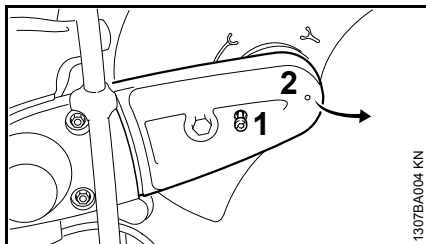
- Destornille con la llave combinada el perno banjo (1) y sáquelo con el sello – al hacerlo, quite la tuerca cuadrada de la guía del interior del protector
- Desenrosque el tornillo (2)
- Gire la palanca de ajuste (3) hacia arriba y quítela

Soltado de la correa trapezoidal

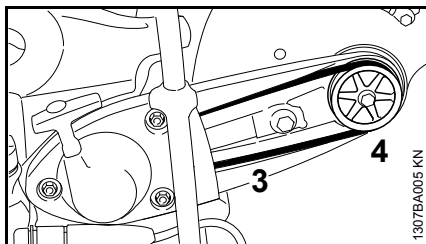


- Destornille las tuercas (1) - no las quite
- Gire la tuerca tensora (2) en sentido contrahorario con la llave combinada – aprox. 1/4 de vuelta, hasta que tope = 0

Retiro del protector de la correa trapezoidal

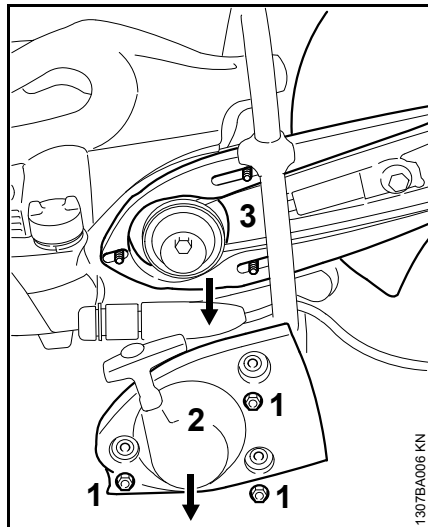


- Desenrosque el tornillo (1) – el tornillo (1) está fijado al protector (2) de la correa trapezoidal para evitar extraviarlo
- Eleve un poco el protector de la correa trapezoidal (2) y extráigalo hacia adelante



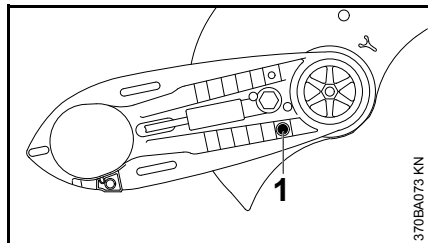
- Quite la correa trapezoidal (3) de la polea delantera (4)

Quite el "brazo fundido con protector"

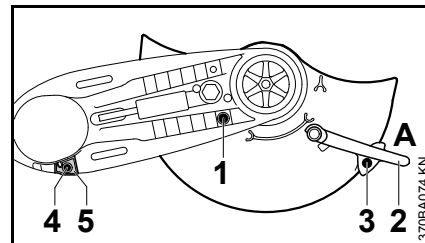


- Quite las tuercas (1)
- Quite la "cubierta del arrancador con arrancador de cuerda" (2)
- Quite el "brazo fundido con protector" (3) de los espárragos

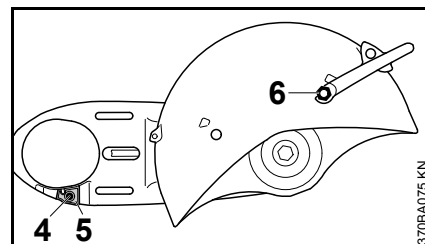
Preparación del "brazo fundido con protector" para montaje al exterior



- Desenrosque el pasador de tope (1)



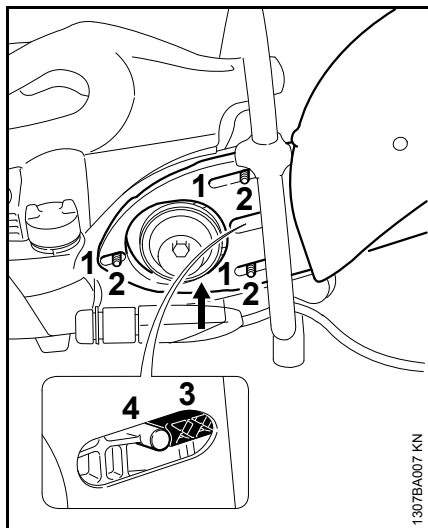
- Gire el protector a la posición ilustrada (vea la ilustración)
- Atornille y apriete el pasador de tope (1)
- Mueva la palanca de ajuste (2) a la posición A
- Atornille el perno (3) y apriételo
- Saque el tornillo (4) del tope limitador (5)
- Retire el tope limitador (5)



- Gire el "brazo fundido con protector" para que el protector quede en el lado exterior
- Inserte el tope limitador (5) – alinee el agujero en el tope limitador con el agujero en el brazo fundido
- Atornille el perno (4) y apriételo

- Introduzca la tuerca cuadrada en la guía en el protector y reténgala en su lugar
- Atornille el perno banjo corto (6) y la arandela en la palanca de ajuste y apriételes con la llave combinada

Montaje del "brazo fundido con protector" – con el protector en el lado exterior

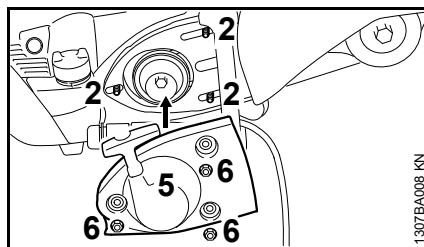


- Empuje los agujeros cuadrados (1) en el brazo fundido y el protector en los espárragos (2), guiando la correa trapezoidal nervada sobre la polea delantera

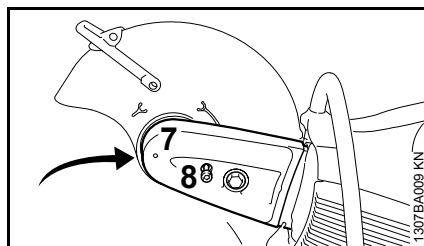


Debe ser posible desplazar suavemente la correa.

- El tensor de la correa (3) debe quedar cerca de la orejeta (4)

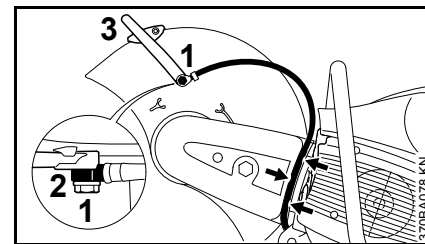


- Instale la "cubierta de arrancador con arrancador de cuerda" (5) sobre los espárragos (2)
- Apriete las tuercas (6) con la mano



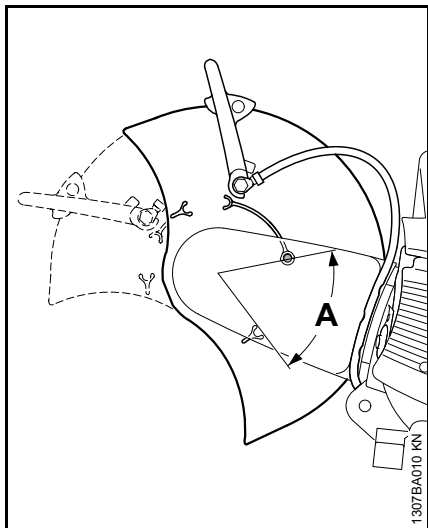
- Empuje el protector de la correa trapezoidal (2) en su lugar
- Atornille el perno (8) y apriétele

Conexión de agua



- Inserte el perno banjo largo (1) a través del conector (2) del accesorio para agua – observe la posición del conector
- Introduzca la tuerca cuadrada en la guía en el protector y reténgala en su lugar
- Instale el soporte con el perno banjo largo en la palanca de ajuste (3) – atornille el perno banjo y apriétele con la llave combinada
- Introduzca la manguera de agua del grifo de corte en la guía en el protector de la correa trapezoidal (flecha) hacia el protector - evite radios de curvatura aguda

Revisión del intervalo de ajuste del protector



- Gire el protector en lo posible hacia adelante y atrás – el pasador de tope (A) debe limitar el intervalo de ajuste

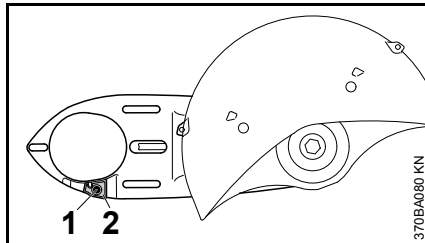
Proceda de la manera indicada en el capítulo "Tensado de la correa trapezoidal"

Montaje al interior

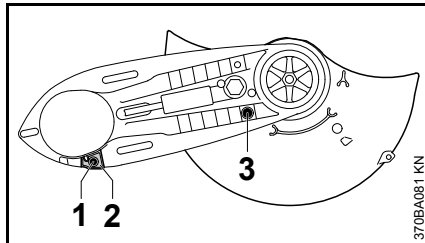
- Desmonte el disco abrasivo (vea "Colocación / Sustitución de un disco abrasivo")
- Retire el accesorio de agua
- Quite la palanca de ajuste
- Suelte la correa trapezoidal

- Quite el protector de la correa trapezoidal
- Quite el "brazo fundido con protector"

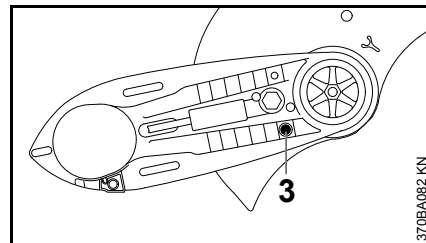
Preparación del "brazo fundido con protector" para montaje al interior



- Saque el tornillo (1) del tope limitador (2)
- Retire el tope limitador (2)

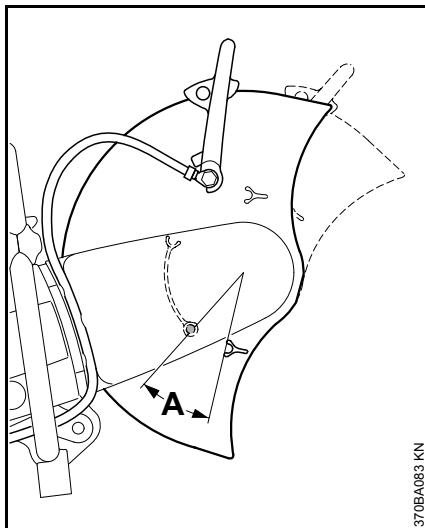


- Gire el "brazo fundido con protector" para que el protector quede en el lado interior
- Inserte el tope limitador (2) – alinee el agujero en el tope limitador con el agujero en el brazo fundido
- Atornille el perno (1) y apriételo
- Quite las tuercas (3)



- Gire el protector a la posición ilustrada (vea la ilustración)
- Atornille y apriete el pasador de tope (3)
- Instale la palanca de ajuste
- Monte el "brazo fundido con protector" – con el protector en el lado interior
- Coloque el protector de la correa trapezoidal
- Instale la conexión del agua

Revisión del intervalo de ajuste del protector



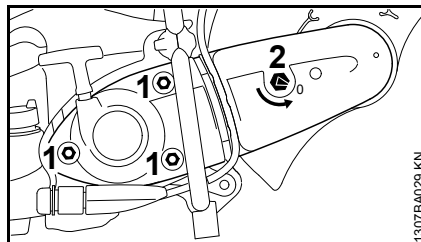
370BA083 KN

- Gire el protector en lo posible hacia adelante y atrás – el pasador de tope (A) debe limitar el intervalo de ajuste

Proceda de la manera indicada en el capítulo "Tensado de la correa trapezoidal"

Tensado de la correa trapezoidal nervada

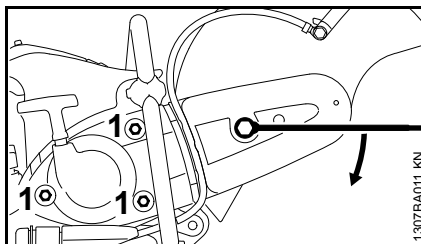
Esta máquina tiene un dispositivo automático con resorte para tensar la correa trapezoidal.



1307BA029 KN

Antes de tensar la correa trapezoidal nervada, es necesario soltar las tuercas (1) y la flecha en la tuerca tensora (2) debe apuntar a 0.

- De lo contrario, suelte las tuercas (1) y la tuerca tensora (2) con la llave combinada en sentido contrahorario – aprox. 1/4 de vuelta, hasta que tope = 0



1307BA011 KN

- para tensar la correa trapezoidal nervada, coloque la llave combinada sobre la tuerca tensora, tal como se ilustra



La tuerca tensora está tensada por resorte – agarre firmemente la llave combinada.

- Gire la tuerca tensora aprox. 1/8 de vuelta en sentido contrahorario para que el resorte encaje la misma
- Gírela aprox. 1/8 de vuelta adicional, hasta el tope.



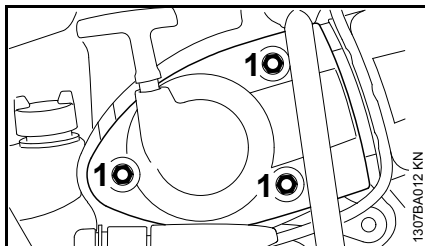
No siga girando la llave combinada con mucha fuerza.

En esta posición la fuerza del resorte tensa automáticamente la correa trapezoidal.

- Quite la llave combinada de la tuerca tensora
- Apriete las tuercas (1)

Tensado de nuevo de la correa trapezoidal

No es necesario ajustar la tuerca tensora para volver a tensar la correa trapezoidal.

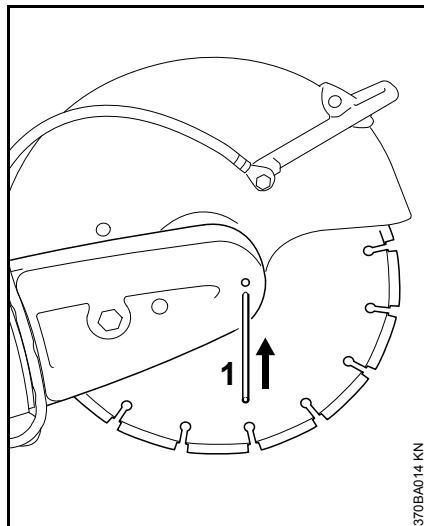


- Suelte las tuercas (1) – la correa trapezoidal se tensa automáticamente por la tensión del resorte
- Vuelva a apretar las tuercas (1)

Colocación / sustitución de un disco abrasivo

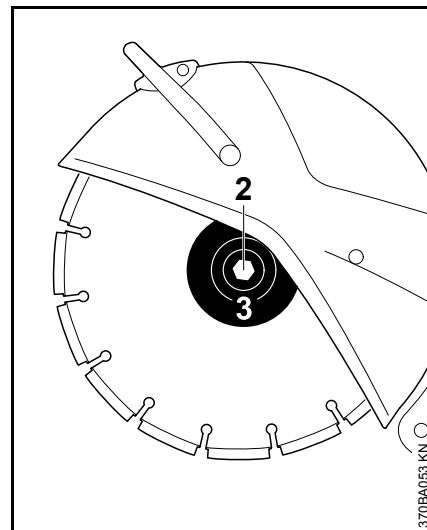
El motor deberá estar parado para la instalación o sustitución – mueva el interruptor a **PARADA** o 0.

Bloqueo del eje



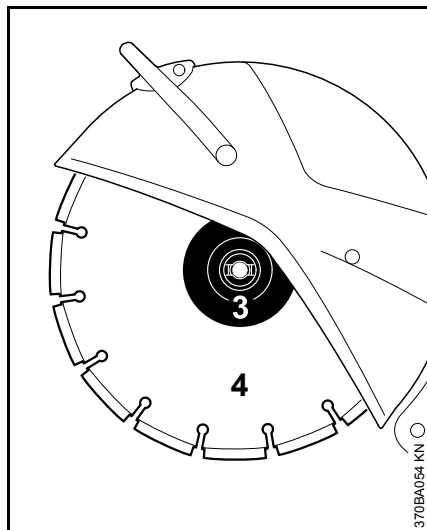
- Extraiga el pasador de bloqueo (1) por la cavidad en el protector de la correa trapezoidal
- Haga girar el eje con la llave combinada hasta que el pasador de bloqueo (1) se encaje en la cavidad detrás del protector

Retiro de un disco abrasivo



- Use la llave combinada para aflojar y quitar el tornillo de cabeza hexagonal (2).
- Retire la arandela de empuje delantera (3) del eje junto con el disco abrasivo

Instalación de un disco abrasivo



- Coloque el disco abrasivo nuevo (4).



¡Preste atención a las flechas que indican el sentido de giro en los discos abrasivos adiamantados!

- Coloque la arandela de empuje delantera (3). Las trabas de la arandela de empuje delantera (3) deben engancharse en las ranuras del eje.
- Atornille el perno hexagonal y **apriételo** con la llave combinada – si está usando una llave torsiométrica, vea el par de apriete en las "Especificaciones"
- Extraiga el pasador de bloqueo del protector de la correa trapezoidal



No use dos discos abrasivos al mismo tiempo. El desgaste desigual resulta en un **riesgo de rotura y la posibilidad de lesiones!**

Combustible

Este motor está certificado para funcionar con una mezcla de 50 a 1 de gasolina sin plomo y aceite STIHL para motores de dos tiempos.

Su motor requiere una mezcla de gasolina de alta calidad y aceite para motores de dos tiempos enfriados por aire.

Utilice gasolina de grado intermedio con un índice de octanaje mínimo de 89 (R+M/2) y un contenido de etanol no mayor que 10%.

El combustible de octanaje bajo puede aumentar la temperatura de funcionamiento del motor. Esto, a su vez, aumenta el riesgo de que se agarrote el pistón y se dañe el motor.

La composición química del combustible también es importante. Algunos aditivos de combustible no solamente tienen efectos perjudiciales en los elastómeros (diafragmas de carburador, sellos de aceite, tuberías de combustible, etc.), sino también en las piezas fundidas de magnesio y en los convertidores catalíticos. Esto podría causar problemas de funcionamiento e incluso daño del motor. Por esta razón, STIHL recomienda el uso exclusivo de gasolina sin plomo reconocida de buena calidad.

Use solamente el aceite STIHL para motores de dos tiempos o un aceite de marca equivalente para motores de dos tiempos diseñado para usar exclusivamente con los motores de dos tiempos enfriados por aire.

Se recomienda usar aceite STIHL HP Ultra para motores de 2 tiempos, puesto que éste ha sido formulado especialmente para uso en motores STIHL.

No use aceites para mezclar con designaciones BIA o TCW (para motores de dos tiempos enfriados por agua) ni otros aceites para mezclar diseñados para usar en motores enfriados por agua o por aire (por ejemplo, en motores marinos fuera de borda, motonieves, sierras de cadenas, bicimotos, etc.).

Manipule la gasolina con sumo cuidado. Evite el contacto directo con la piel y evite inhalar los vapores de combustible. Cuando se reabastece de combustible, quite primero el envase del vehículo y colóquelo en el suelo antes de llenarlo. Para reducir el riesgo de la formación de chispas causadas por la descarga de electricidad estática y un posible incendio y/o explosión, no llene los envases de combustible cuando están colocados dentro de un vehículo o remolque.

Mantenga el envase bien cerrado para limitar la cantidad de humedad que penetre en la mezcla.

Limpie el tanque de combustible de la máquina según sea necesario.

Duración de la mezcla de combustible

Mezcle una cantidad suficiente de combustible para trabajar unos pocos días, no lo guarde por más de 3 meses. Guárdelo únicamente en envases aprobados para combustible. Para el proceso de mezclado, vierta el aceite en

el envase primero y luego agregue la gasolina. Cierre el envase y agítelo vigorosamente a mano para asegurar que se mezclen bien el aceite y la gasolina.

Gasolina Aceite (STIHL 50:1 ó aceite de alta calidad equivalente)

gal EE.UU.	oz fl EE.UU.
1	2,6
2 1/2	6,4
5	12,8

Deseche los envases vacíos usados para mezclar el aceite únicamente en vertederos autorizados para ello.

Llenado de combustible



Antes de llenar la máquina con combustible, limpie la tapa de llenado y la zona alrededor de la misma para evitar la entrada de tierra al tanque.

Agite bien la mezcla en el recipiente antes de llenar la máquina con combustible.

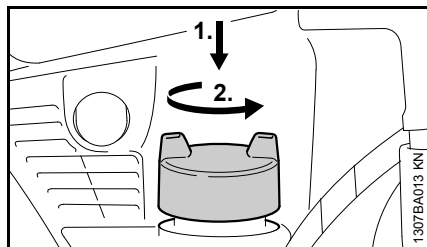


Para evitar el riesgo de incendios y lesiones ocasionadas por los escapes de vapor de gasolina, abra la tapa de llenado de combustible cuidadosamente para que la presión excesiva en el tanque pueda escapar lentamente.

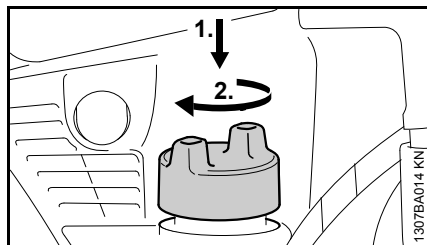


Nunca utilice herramientas para abrir o cerrar la tapa tipo bayoneta. Esto puede dañar la tapa y permitir el escape de combustible.

No derrame combustible y no llene en exceso el tanque.

Abra la tapa de llenado de combustible

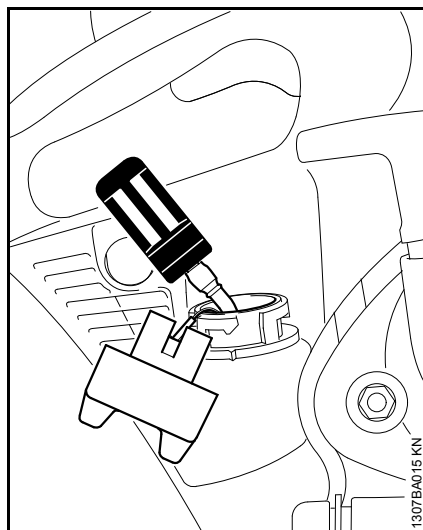
Presione a fondo la tapa con la mano, gírela en sentido contrahorario (aprox. 1/8 de vuelta) y quítela.

Cierre la tapa de llenado de combustible

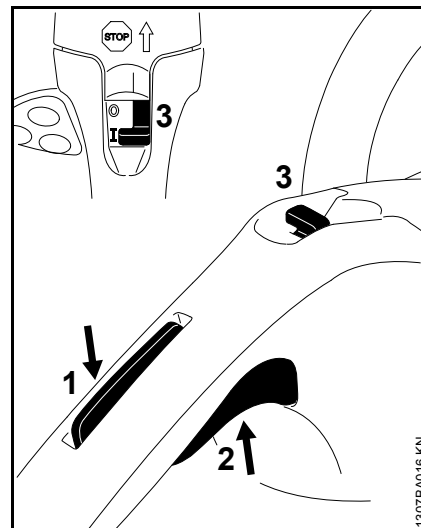
- Coloque la tapa y gírela hasta que se encaje en el punto de montaje tipo bayoneta.
- Presione a fondo la tapa con la mano y gírela en sentido horario (aprox. 1/8 de vuelta) hasta que se encaje completamente. Revisar el apriete de la tapa.

Cambie el recogedor de combustible una vez al año

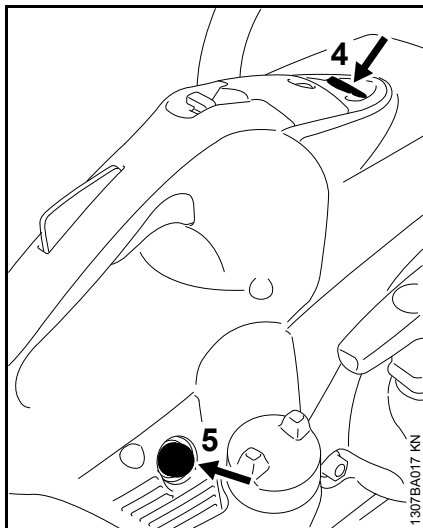
El recogedor de combustible está provisto de un separador magnético.



- Vacíe el tanque de combustible.
- Extraiga el recogedor de combustible del tanque con un gancho y desconéctelo de la manguera.
- Conecte un nuevo recogedor de combustible a la manguera.
- Vuelva a colocar el recogedor de combustible en el tanque.

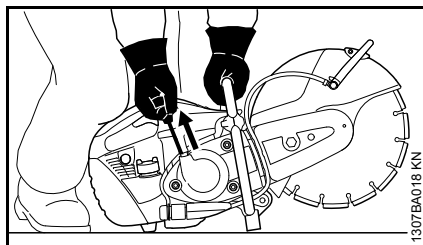
Arranque / parada del motor

- Pulse el bloqueo del gatillo de aceleración (1) y luego el gatillo de aceleración (2)
- Mantenga pulsados el bloqueo y el gatillo simultáneamente
- Mueva el interruptor de parada (3) a **I**.
- Después suelte sucesivamente el gatillo, la palanca de control y el bloqueo del gatillo - **posición de arranque**



- Pulse el botón (4) de la válvula de descompresión antes de cada intento de arranque
- Oprima el bulbo (5) de la bomba de combustible 7 a 10 veces, aunque el bulbo esté lleno de combustible

Arranque



- Coloque la tronzadora cuidadosamente sobre el suelo y asegúrese que el disco abrasivo no

pueda tocar ningún objeto ni el suelo No debe haber otras personas cerca de la tronzadora

- Asegúrese de tener los pies bien apoyados
- Presione la tronzadora firmemente contra el suelo sujetando el mango con la mano izquierda con el dedo pulgar alrededor del mango
- Presione la tronzadora contra el suelo colocando su rodilla derecha en la envuelta
- Con la mano derecha tire lentamente del mango de arranque hasta que sienta el engrane – en seguida dele un tirón fuerte y rápido – no tire de la cuerda de arranque totalmente hasta fuera



No deje que el mango de arranque salte bruscamente hacia atrás. **¡Puede romperse!** Guíelo lentamente en la caja para que se enrolle correctamente.

Cuando el motor se encuentre en marcha

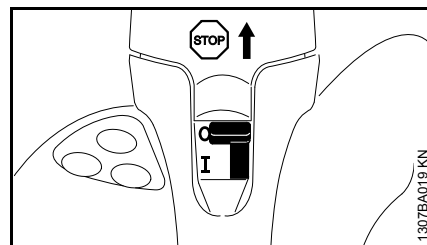
- Deje el motor en marcha por unos cuantos segundos - Importante: ¡El disco abrasivo puede empezar a girar!
- Pulse momentáneamente el gatillo de aceleración y su bloqueo de modo que el motor se desacelere a marcha en vacío

La tronzadora está lista para usarse.



El disco abrasivo no debe girar cuando el motor está funcionando a marcha en vacío. Solicite al concesionario de STIHL que repare la máquina si el disco abrasivo gira cuando el motor funciona a marcha en vacío. STIHL recomienda acudir a un concesionario STIHL para servicio.

Apagado del motor



- Mueva el interruptor de parada a **PARADA** o **0**

Sugerencias adicionales para el arranque

Si el tanque ha sido completamente vaciado

- Carga de combustible
- Oprima el bulbo de la bomba de combustible 7 a 10 veces, aunque el bulbo esté lleno de combustible.
- Vuelva a arrancar el motor

A temperaturas muy bajas, o si la máquina está extremadamente fría

- Permita que el motor se caliente por más tiempo después de haberlo arrancado – Importante: ¡El disco abrasivo puede empezar a girar!
- Pulse momentáneamente el gatillo de aceleración y su bloqueo de modo que el motor se desacelere a marcha en vacío

Sistema de filtro de aire

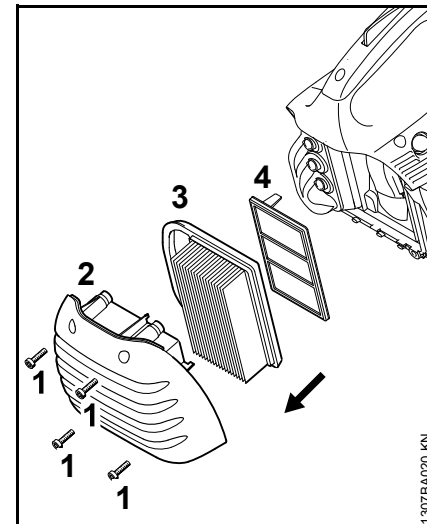
Información básica

La vida útil promedio del filtro es más de 1 año. No desarme la cubierta del filtro ni instale un filtro de aire nuevo a menos que se produzca una pérdida notable de potencia del motor.

En el sistema de filtro de aire de larga vida útil con el sistema ciclónico de separación inicial, el aire sucio se aspira y se hace girar a propósito. De esta manera se expulsan y extraen las partículas grandes y pesadas llevadas por la corriente de aire. Solamente el aire prefiltrado entra al sistema de filtro de aire y, como resultado, el filtro tiene una vida útil extremadamente larga.

Sustitución del filtro de aire

Solamente si hay una pérdida notable de la potencia del motor



- Suelte los tornillos (1)
- Quite la cubierta del filtro (2) y límpiela
- Retire el filtro principal (3)
- Quite el filtro auxiliar (4) – asegúrese que la suciedad entre en la zona de admisión
- Limpie la zona del filtro de aire
- Introduzca un filtro auxiliar (4) nuevo y un filtro principal (3) nuevo
- Vuelva a colocar la cubierta (2) en el filtro
- Apriete los tornillos (1)

Siempre utilice los filtros de aire STIHL originales. La alta calidad de estos componentes aseguran el funcionamiento sin problemas, una larga vida útil del motor y una vida útil extremadamente larga del filtro.

Gestión del motor

Las emisiones de gases de escape son controladas por el diseño de parámetros y componentes fundamentales del motor (por ej. encendido, sincronización y regulación de las válvulas o la lumbrera) sin la adición de ningún equipo importante.

STIHL Injection

STIHL Injection regula la cantidad de combustible y la sincronización del encendido para todas las condiciones de funcionamiento electrónicamente.

STIHL Injection significa arranque sencillo y rápido, rendimiento constante y óptimo del motor, aceleración sobresaliente y adaptación automática a los cambios en las condiciones de funcionamiento.

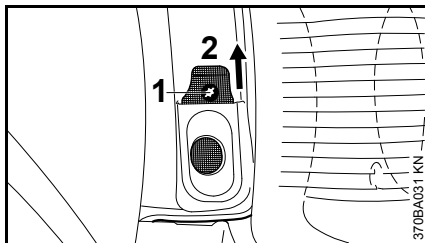
Chispero en el silenciador

En algunos países, los silenciadores tienen un chispero.

- Si el motor pierde potencia, revise el chispero en el silenciador.



Espera a que el motor se enfríe por completo antes de efectuar las operaciones siguientes.



- Quite el tornillo (1)
- Extraiga el chispero (2) hacia arriba, fuera del silenciador
- Limpie el chispero contaminado
- Si el chispero está dañado o con depósitos gruesos de carbón, instale uno nuevo
- Vuelva a instalar el chispero invirtiendo el orden de los pasos de retiro

Bujía

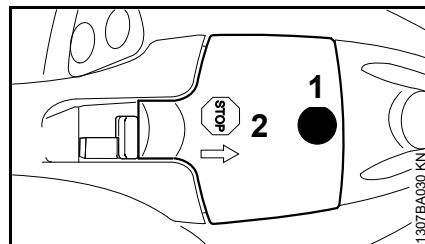
Si el motor pierde potencia, es difícil arrancarlo o funciona de modo irregular a ralentí, revise la bujía primero.

Instale una bujía nueva después de aprox. 100 horas de funcionamiento, o más temprano si los electrodos están muy gastados.

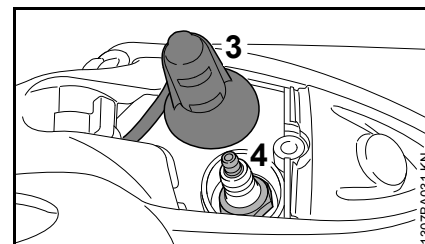
Si la mezcla del combustible es incorrecta (demasiado aceite en la gasolina), el filtro de aire está sucio, y las condiciones de trabajo no son favorables (especialmente a aceleraciones intermedias) se afecta la condición de la bujía. Estos factores permiten la formación de depósitos en la punta aislante, los cuales pueden perjudicar el rendimiento.

Retiro de la bujía

- Pare el motor – mueva el interruptor de parada a **PARADA** o **0**

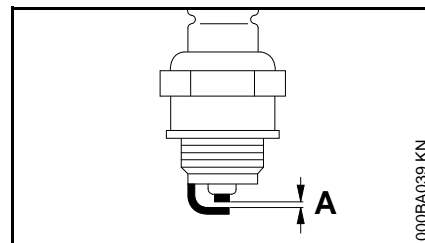


- Desenrosque el tornillo (1) y retire la tapa (2) – el tornillo (1) está fijado a la tapa (2) para evitar que se extravíe.



- Quite el casquillo de la bujía (3).
- Destornille la bujía (4).

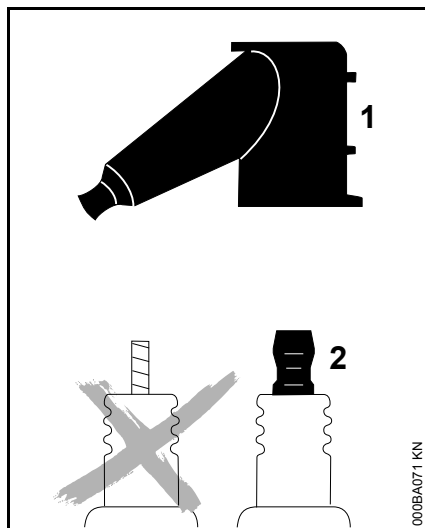
Revisión de la bujía



- Limpie la bujía si está sucia.
- Revise la separación entre electrodos (A) y ajústela de ser necesario – vea "Especificaciones".
- Utilice únicamente bujías tipo resistencia cuyo margen de rendimiento sea el aprobado.

Corrija los problemas que hayan causado la contaminación de la bujía:

- demasiado aceite en la mezcla de combustible,
- filtro de aire sucio,
- condiciones desfavorables de funcionamiento, por ejemplo, funcionando bajo carga parcial.



- Presione el casquillo firmemente sobre la bujía
- Coloque la tapa en el casquillo de la bujía y atorníllela

Sustitución de la cuerda de arranque y del resorte de rebobinado

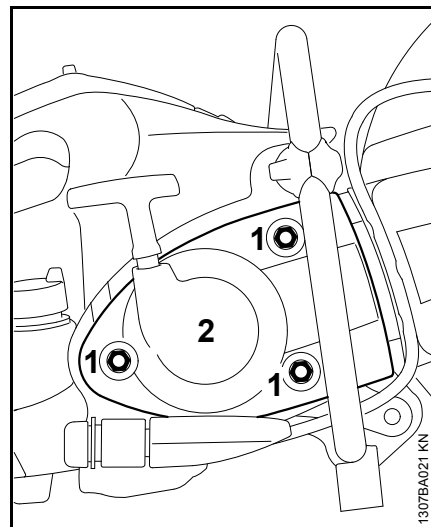
Sustitución de una cuerda de arranque rota

ADVERTENCIA

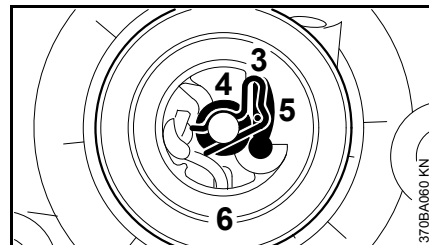
Para reducir el riesgo de incendio y de quemaduras, utilice solamente las bujías autorizadas por STIHL. Siempre empuje el casquillo (1) de la bujía firmemente en el borne (2) del tamaño adecuado. (Nota: Si el borne tiene una tuerca adaptadora SAE desmontable, tiene que ser firmemente instalada). Una conexión suelta entre el casquillo de la bujía y el conector del cable de encendido en el casquillo puede crear un arco voltaico y encender los vapores del combustible, provocando un incendio.

Instalación de la bujía

- Coloque la bujía en su lugar y atorníllela con la mano.
- Apriete la bujía con una llave combinada

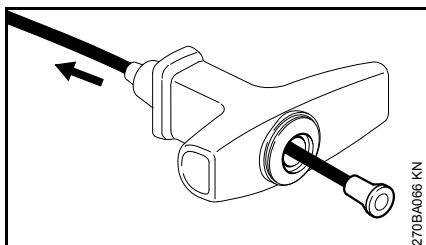


- Suelte las tuercas (1)
- Quite la cubierta del arrancador (2)

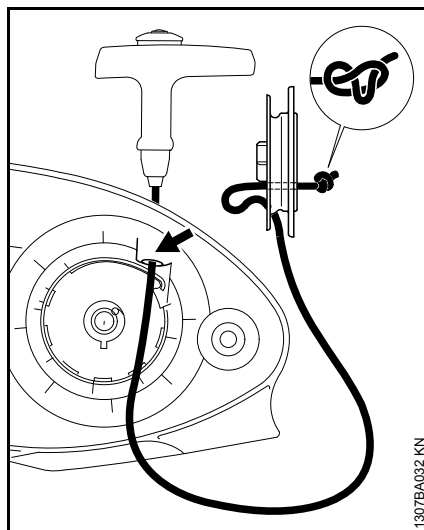


- Quite la pinza de resorte (3)
- Quite la arandela (4)

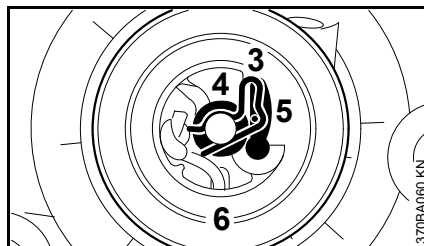
- Quite el trinquete (5)
- Quite el rotor de la cuerda (6)
- Apalanche la cuerda para sacarla del mango de arranque usando un destornillador
- Quite el resto de la cuerda del rotor y del mango de arranque



- Pase una nueva cuerda de arranque ElastoStart desde arriba hasta abajo por el mango de arranque
- Empuje el resto de la cuerda en el mango de arranque hasta que la boquilla quede a ras con el mango



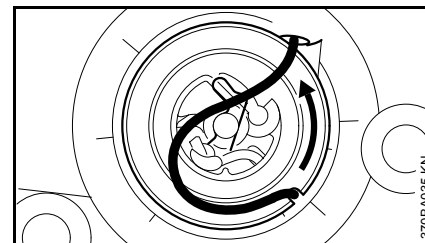
- Pase el mango de arranque con la cuerda de arranque desde arriba hasta abajo por el buje del mango de arranque (flecha)
- Pase la cuerda a través del rotor y fíjela en éste con el nudo especial que se ilustra



- Deslice el rotor (6) en el poste del arrancador y gírelo hacia uno y otro lado hasta que la espiral del resorte de rebobinado se enganche
- Instale el trinquete (5) en el rotor de la cuerda

- Coloque la arandela (4) en el poste del arrancador
- Presione la pinza de resorte (3) en el poste del arrancador y sobre las espigas del trinquete con un destornillador o alicates adecuados. La pinza de resorte debe apuntar hacia la izquierda, en sentido contrahorario

Tensado del resorte de rebobinado



- Forme un bucle con la cuerda de arranque sin enrollar y utilícelo para girar el rotor seis revoluciones completas en el sentido de la flecha
- Mantenga el rotor inmóvil. Tire de la cuerda retorcida y enderézcela
- Suelte el rotor de la cuerda
- Suelte lentamente la cuerda para que se enrolle en el rotor. El mango de arranque debe quedar firmemente sentado en el buje guía de la cuerda. Si cae a un lado: aumente la tensión del resorte en una vuelta adicional
- Debe ser posible girar el rotor de la cuerda media vuelta adicional cuando la cuerda está totalmente extendida. En caso contrario, el

resorte está sobretensado ¡y podría romperse! Qúitele una vuelta de la cuerda al rotor

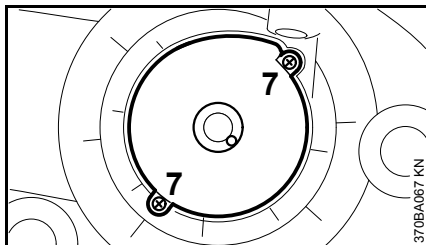
- Vuelva a colocar la cubierta del arrancador

Sustitución de un resorte de rebobinado roto

- Quite el rotor de la cuerda de la forma descrita en "Sustitución de una cuerda de arranque rota"



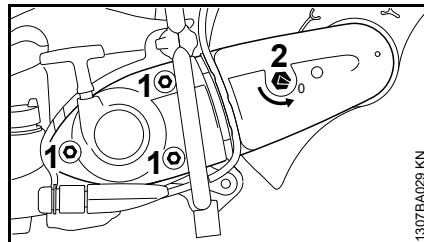
Las piezas del resorte roto pueden estar tensadas y pueden lanzarse inesperadamente cuando que quita el rotor de la caja – **riesgo de lesionarse!** Póngase un protector facial y guantes protectores.



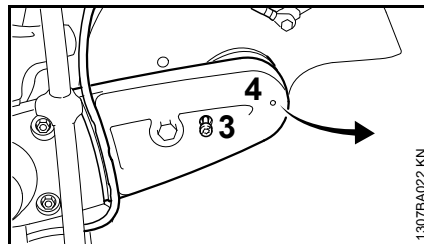
- Saque los tornillos (7)
- Retire la caja de resorte y las piezas del resorte
- Lubrique el resorte de repuesto nuevo con unas cuantas gotas de aceite sin resina.
- Coloque una nueva caja de resorte con el fondo hacia arriba
- Inserte los tornillos (7) y apriételos

- Vuelva a instalar el rotor de la cuerda
- Tense el resorte de rebobinado
- Vuelva a colocar la cubierta del arrancador
- Si el resorte se sale de la caja de resorte: Vuelva a colocarlo en sentido contrahorario desde la parte exterior hacia adentro

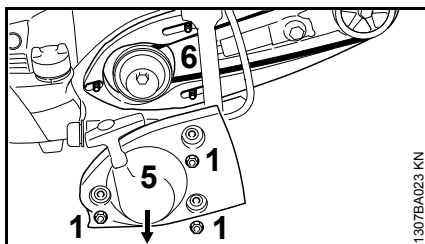
Sustitución de la correa trapezoidal



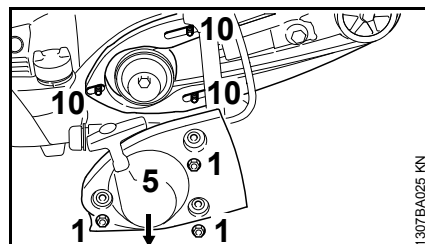
- Suelte las tuercas (1)
- Gire la tuerca tensora (2) en sentido contrahorario con la llave combinada – aprox. 1/4 de vuelta, hasta que tope = 0



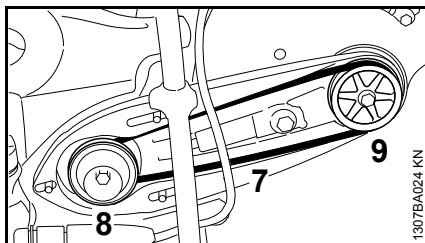
- Extraiga la manguera de agua fuera de la guía en el protector de la correa trapezoidal
- Desenrosque el tornillo (3)
- Eleve un poco el protector de la correa trapezoidal (4) y extráigalo hacia adelante



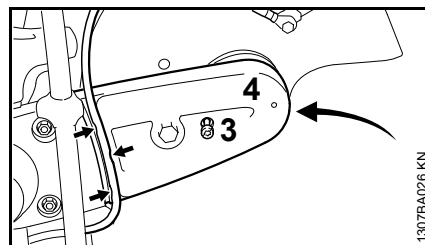
- Quite la correa trapezoidal de la polea delantera
- Quite las tuercas (1)
- Quite la cubierta del arrancador (5)
- No quite el "brazo fundido con protector" (6) – reténgalo en su lugar en los espárragos hasta que se coloque en su lugar la cubierta del arrancador
- Quite la correa trapezoidal defectuosa



- Instale la cubierta del arrancador (5) sobre los espárragos (10)
- Apriete las tuercas (1) con la mano



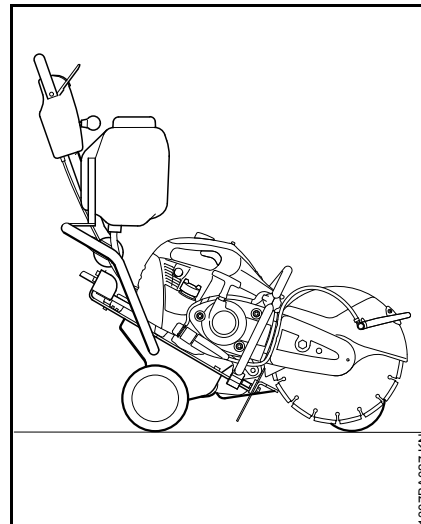
- Cuidadosamente inserte la correa trapezoidal nueva (7) en la polea (8) en el motor y en la polea delantera (9)



- Empuje el protector de la correa trapezoidal (4) en su lugar
- Atornille el perno (3) y apriételo
- Introduzca la manguera de agua en la guía en el protector de la correa trapezoidal (flecha) hacia el protector - evite radios de curvatura aguda

Proceda de la manera indicada en el capítulo "Tensado de la correa trapezoidal"

Carro para sierra



Al ejecutar unos pocos trabajos fáciles, la tronadora puede instalarse en un carrito STIHL FW 20 (accesorio especial) con unos cuantos pasos fáciles.

El carrito para tronadora lo hace fácil

- reparar el pavimento dañado de calzadas para vehículos
- aplicar marcas en las calzadas para vehículos
- cortar juntas de expansión.



Debe ser posible desplazar suavemente la correa.

Almacenamiento de la máquina

Si la máquina va a estar fuera de servicio por aprox. 3 meses ó más

- Vacíe y limpie el tanque de combustible en una zona bien ventilada
- Deseche el combustible de acuerdo con los reglamentos y teniendo en mente el cuidado del medio ambiente
- Retire el disco abrasivo
- Limpie a fondo la máquina
- Almacene la máquina en un lugar seguro y seco. Proteja contra el uso desautorizado (por ejemplo, por los niños)

Información para mantenimiento

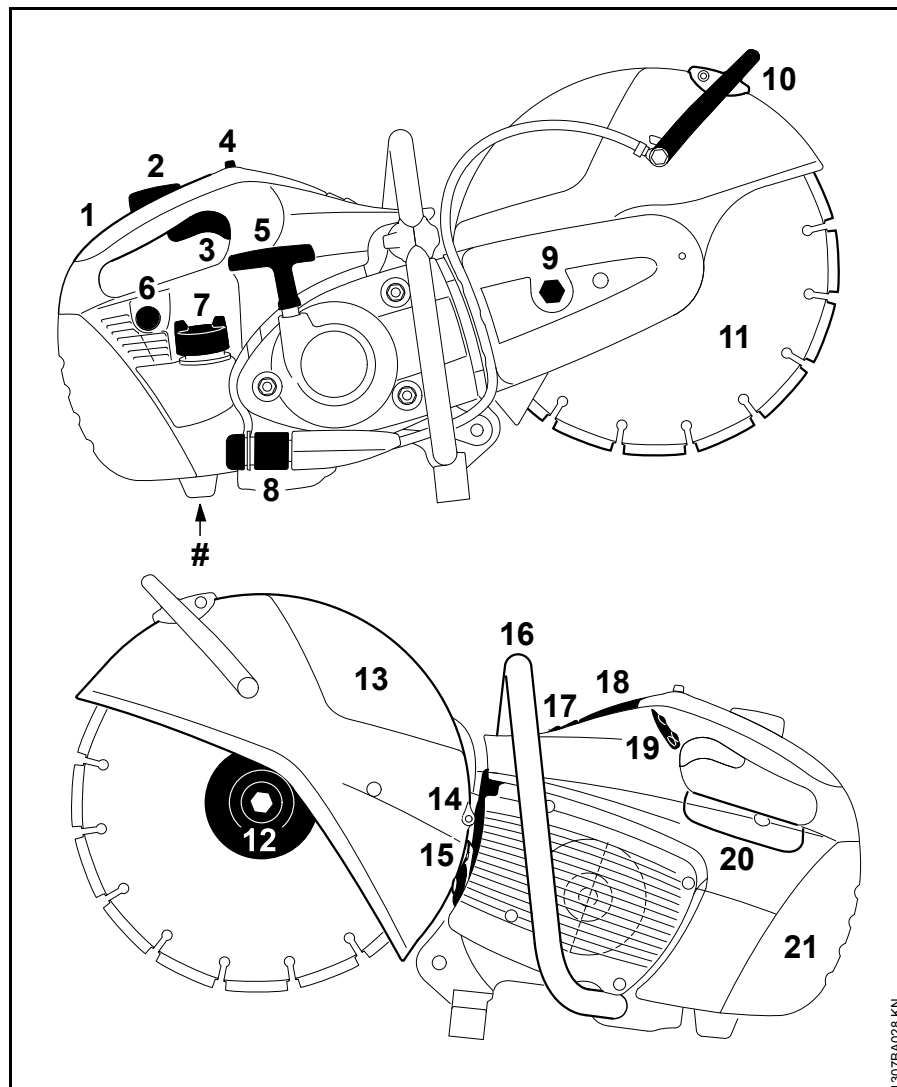
Los intervalos de mantenimiento dados a continuación corresponden a condiciones normales de trabajo. Los intervalos especificados deberán acortarse de modo correspondiente si se trabaja por lapsos más largos que lo normal o bajo condiciones difíciles de corte (polvo excesivo, etc.).		antes de comenzar el trabajo	al final del trabajo y/o diariamente	al volver a cargar el tanque con combustible	semanalmente	mensualmente	anualmente	si no funciona de modo adecuado	si tiene daños	según se requiera
Máquina completa	Inspección visual (condición general, fugas)	X		X						
	Limpiar		X							
Controles de funcionamiento	compruebe el funcionamiento	X		X						
Captador de combustible en el tanque	Revisar						X			
	Reemplazar						X		X	X
Tanque de combustible	Limpiar					X				
Correa politrapezoidal	Limpiar / volver a tensar					X				X
	Reemplazar								X	X
Filtro de aire (todos sus componentes)	Cambiar	Solamente si hay una pérdida notable de la potencia del motor								
Aberturas de admisión de aire de enfriamiento	Limpiar		X							
Aletas del cilindro	Solicite al concesionario especializado su limpieza ¹⁾						X			
Chispero en silenciador ²⁾	Revisar		X							
	limpiar o reemplazar									X
Sistema de control electrónico de agua	Revisar	X						X		
	Solicite al concesionario especializado el mantenimiento ¹⁾								X	
STIHL Injection	Compruebe el ajuste de marcha en vacío – el disco abrasivo no debe girar	X		X						
	Solicite al concesionario especializado el mantenimiento ¹⁾							X		X
Bujía	ajustar la distancia entre electrodos							X		
	Cambie después de cada 100 horas de funcionamiento									

Los intervalos de mantenimiento dados a continuación corresponden a condiciones normales de trabajo. Los intervalos especificados deberán acortarse de modo correspondiente si se trabaja por lapsos más largos que lo normal o bajo condiciones difíciles de corte (polvo excesivo, etc.).		antes de comenzar el trabajo	al final del trabajo y/o diariamente	al volver a cargar el tanque con combustible	semanalmente	mensualmente	anualmente	si no funciona de modo adecuado	si tiene daños	según se requiera
Todos los tornillos, tuercas y pernos accesibles	Volver a apretar		X							X
Elementos antivibración	Revisar	X						X		X
	Solicite al concesionario especializado la sustitución ¹⁾								X	
Disco abrasivo	Revisar	X		X						
	Reemplazar								X	X
Soportes/amortiguadores de caucho (debajo de la máquina)	Revisar		X							
	Reemplazar								X	X
Etiquetas de advertencia	Reemplazar								X	

1) STIHL recomienda acudir a un concesionario STIHL para servicio

2) sólo disponible en algunos países

Componentes importantes



- 1 Mango trasero
- 2 Bloqueo de gatillo de aceleración
- 3 Gatillo de aceleración
- 4 Interruptor de parada
- 5 Mango de arranque
- 6 Bomba de combustible
- 7 Tapa de llenado de combustible
- 8 Accesorio para agua
- 9 Tuerca tensora
- 10 Palanca de ajuste
- 11 Disco abrasivo
- 12 Arandela de empuje delantera
- 13 Protector
- 14 Silenciador
- 15 Chispero
- 16 Mango delantero
- 17 Válvula de descompresión
- 18 Tapa para casquillo de bujía
- 19 Tablero de control de agua
- 20 Cubierta de unidad de control
- 21 Cubierta del filtro
- # Número de serie

1307BA028 KN

Definiciones

1 Mango trasero

El mango de apoyo para la mano derecha.

2 Bloqueo de gatillo de aceleración

Debe ser oprimido antes de poder activar el gatillo de aceleración.

3 Gatillo de aceleración

Regula la velocidad del motor.

4 Interruptor de parada

Apaga el sistema de encendido del motor y para el motor.

5 Mango de arranque

El mango del arrancador usado para arrancar el motor.

6 Bomba de combustible

Suministra alimentación adicional de combustible para el arranque en frío.

7 Tapa de llenado de combustible

Para tapan el tanque de combustible.

8 Accesorio para agua

Para conectar el suministro de agua durante el corte en mojado.

9 Tuerca tensora

Para tensar la correa trapezoidal nervada.

10 Palanca de ajuste

Para ajustar el protector del disco orientándolo de tal manera que las chispas, el polvo, las virutas o los fragmentos de disco sean desviados en sentido opuesto al operador.

11 Disco abrasivo

Puede ser adiamantado o de material compuesto.

12 Arandela de empuje delantera

Distribuye la presión de fijación de la tuerca de montaje uniformemente sobre el disco de corte.

13 Protector

Protege el disco y desvía las chispas, el polvo, las virutas o los fragmentos de disco.

14 Silenciador

Reduce los ruidos del escape del motor y desvía los gases de escape lejos del usuario.

15 Chispero

Diseñado para reducir el riesgo de incendio.

16 Mango delantero

Manillar de la herramienta motorizada para la mano izquierda.

17 Válvula de descompresión

Al activarla, alivia la presión de compresión para facilitar el arranque del motor.

18 Tapa para casquillo de bujía

El casquillo de la bujía conecta la bujía al cable de encendido.

19 Tablero de control de agua

Cuando el motor está en marcha, se puede activar/desactivar el sistema de control electrónico de agua y regular el caudal de agua.

20 Cubierta de unidad de control

Cubre y protege a la unidad de control.

21 Cubierta del filtro

Cubre y protege el elemento del filtro de aire.

Embrague

Acopla el motor a la polea de la correa cuando se acelera el motor sobre la velocidad de marcha en vacío. (No se muestra)

Polea de la correa

La rueda que impulsa la correa nervada y el disco abrasivo. (No se muestra)

Sistema antivibración

El sistema antivibración incluye varios elementos antivibración diseñados para reducir la transmisión de las vibraciones creadas por el motor y el proceso de corte a las manos del operador. (No se muestra)

Especificaciones

EPA / CEPA

El período de cumplimiento de emisiones indicado en la etiqueta de cumplimiento de emisiones es la cantidad de horas de funcionamiento para la cual la máquina ha demostrado la conformidad con los requerimientos de emisiones del Gobierno federal de los EE.UU.

Categoría

A = 300 horas

B = 125 horas

C = 50 horas

CARB

El período de cumplimiento de emisiones empleado en la etiqueta del índice de aire CARB tiene las siguientes definiciones:

Extended = 300 horas

Intermediate = 125 horas

Moderate = 50 horas

STIHL Injection

Unidad de control con ajuste de sincronización de encendido guiado por curva característica

Inyección de combustible dependiente de carga, guiado por curva característica

Sistema de control electrónico de agua

El sistema de control electrónico de agua permite entregar la cantidad de agua óptima al disco abrasivo. No se suministra agua al disco abrasivo durante el funcionamiento a marcha en vacío.

Motor

Motor STIHL de un cilindro, dos tiempos

Cilindrada:	72,2 cm ³ (4,41 pulg ³)
Diámetro:	52 mm (2,05 pulg)
Carrera:	34 mm (1,34 pulg)
Potencia del motor según ISO 7293:	3,9 kW (5,2 hp) a 9500 r/min
Marcha en vacío:	2500 r/min
Velocidad máx. del árbol:	5350 rpm

Bujía, capacidad de tanque de combustible

Bujía (con supresión):	Bosch WSR 6 F NGK BPMR 7 A
Distancia entre electrodos:	0,5 mm (0,02 pulg)
Capacidad del tanque de combustible:	0,725 l (24,5 oz. fl.)

Filtro de aire

Filtro principal (de papel) y filtro auxiliar con malla de alambre revestido

Peso

Peso vacío sin disco abrasivo, con sistema de control electrónico de agua, sin combustible 10,2 kg
(22,5 lb)

Discos abrasivos

La velocidad máxima permisible de funcionamiento del disco indicada debe exceder o igualar la velocidad máxima del árbol de la máquina que se está usando.

Diámetro exterior:	350 mm (14 pulg)
Diámetro de orificio/diámetro de árbol:	20 mm (0,787 pulg)
Par de apriete:	30 Nm (22 lbf-pie)

Discos abrasivos de resina compuesta

Diámetro exterior mínimo de arandela de empuje delantera:	103 mm (4,06 pulg)
Profundidad de corte máx.:	125 mm (4,9 pulg)

Discos adiamantados abrasivos

Diámetro exterior mínimo de arandela de empuje delantera:	103 mm (4,06 pulg)
Profundidad de corte máx.:	125 mm (4,9 pulg)


Accesorios especiales

Comuníquese con su concesionario STIHL para información acerca de accesorios especiales que pueden estar disponibles para su producto.

Información de reparación

Los usuarios de esta máquina deben efectuar únicamente los trabajos de mantenimiento descritos en este manual. Solamente los talleres autorizados por STIHL deben llevar a cabo los demás trabajos de reparación.

Los reclamos de garantía presentados después de realizadas las reparaciones serán aceptados únicamente si las mismas fueron ejecutadas por un concesionario de servicio autorizado STIHL utilizando piezas de repuesto originales de STIHL.

Es posible identificar las piezas originales de STIHL por el número de pieza STIHL, el logotipo de **STIHL**® y, en ciertos casos, el símbolo  de piezas STIHL. En las piezas pequeñas el símbolo puede aparecer solo.

Declaración de garantía de STIHL Incorporated sobre sistemas de control de emisiones según normas Federales

Sus derechos y obligaciones de garantía

La Agencia de Protección del Medio Ambiente (EPA) de los EE.UU. y STIHL Incorporated se complacen en explicarle la garantía del sistema de control de emisiones instalado en el motor de su equipo. En los EE.UU., los nuevos motores pequeños para equipos de uso fuera de carretera modelos 1997 y posteriores deben estar diseñados, construidos y equipados, al tiempo de la venta, de conformidad con los reglamentos de la EPA de los EE.UU. para los motores pequeños de uso fuera de carretera. El motor del equipo debe carecer de defectos en el material y la fabricación que puedan causar el incumplimiento de las normas de la EPA de los EE.UU. durante los primeros dos años de uso del motor a partir de la fecha de compra por el último comprador.

STIHL Incorporated debe garantizar el sistema de control de emisiones en el motor pequeño para uso fuera de carretera por el intervalo mencionado más arriba, siempre que dicho motor no haya estado sujeto a maltrato, negligencia o cuidado inapropiado.

El sistema de control de emisiones de su máquina incluye piezas tales como el carburador y el sistema de encendido.

Además puede incluir mangueras, conectores y otros conjuntos asociados con el control de emisiones.

En los casos de existir una condición amparada bajo garantía, STIHL Incorporated reparará el motor pequeño para equipo de uso fuera de carretera sin costo alguno, incluido el diagnóstico (si el trabajo de diagnóstico fue realizado por un concesionario autorizado), las piezas y la mano de obra.

Cobertura de garantía del fabricante

En los EE.UU., los motores pequeños para equipos de uso fuera de carretera modelos 1997 y posteriores también están garantizados por dos años. En el caso de encontrarse defectos en cualquiera de las piezas del motor relacionadas con el sistema de control de emisiones, la pieza será reparada o sustituida por STIHL Incorporated sin costo alguno.

Responsabilidades del usuario relativas a la garantía

Como propietario de motor pequeño para equipo de uso fuera de carretera, usted tiene la responsabilidad de realizar el mantenimiento requerido descrito en su manual de instrucciones. STIHL Incorporated le recomienda guardar todos los recibos comprobantes de los trabajos de mantenimiento hechos a su motor pequeño para equipo de uso fuera de carretera, pero STIHL Incorporated no puede negar garantía basado en el solo hecho de faltar los

recibos o del incumplimiento del propietario de realizar todos los trabajos de mantenimiento programados.

El uso de cualquier pieza de repuesto o servicio cuyo comportamiento y durabilidad sean equivalentes está permitido en trabajos de mantenimiento o reparación no contemplados en la garantía, y no reducirá las obligaciones de la garantía del fabricante del motor.

Sin embargo, como propietario del motor pequeño para equipo de uso fuera de carretera usted debe ser consciente de que STIHL Incorporated puede negarle cobertura de garantía si dicho motor o una pieza del mismo ha fallado debido a maltrato, descuido, mantenimiento inadecuado o modificaciones no autorizadas.

Usted es responsable de llevar el motor pequeño para equipo de uso fuera de carretera a un centro de servicio STIHL tan pronto surja el problema. Las reparaciones bajo garantía serán realizadas en un tiempo razonable, sin exceder de 30 días.

Ante cualquier duda respecto a sus derechos y responsabilidades bajo esta garantía, sírvase contactar al representante de atención al cliente STIHL llamando al 1-800-467-8445, o si lo prefiere puede escribir a

STIHL Inc.,
536 Viking Drive, P.O. Box 2015,
Virginia Beach, VA 23450-2015 EE.UU.
www.stihlusa.com

Cobertura por STIHL Incorporated

STIHL Incorporated garantiza al último comprador y a cada comprador subsiguiente que el motor pequeño para equipo de uso fuera de carretera está diseñado, construido y equipado, al tiempo de la venta, de conformidad con todos los reglamentos aplicables. Además, STIHL Incorporated garantiza al comprador inicial y a cada comprador subsiguiente que el motor está libre de defectos en el material y fabricación que puedan causar el incumplimiento de los reglamentos aplicables durante un período de dos años.

Período de garantía

El período de garantía comienza en la fecha en que el motor del equipo utilitario es entregado a usted y usted firma y remite la tarjeta de garantía a STIHL.

Si cualquier componente relacionado con el sistema de control de emisiones está defectuoso, el mismo será sustituido por STIHL Incorporated sin costo alguno para el propietario. Cualquier pieza garantizada cuyo reemplazo no está programado como mantenimiento requerido, o que debe recibir únicamente inspección regular en el sentido de "reparar o sustituir según sea necesario", estará garantizada por el período de garantía. Cualquier pieza cuyo reemplazo está programado como mantenimiento requerido estará garantizada por el intervalo hasta el primer punto de reemplazo programado para esa pieza.

Diagnóstico

Como propietario, a usted no se le debe cobrar la mano de obra por los diagnósticos que determinen que una pieza garantizada está defectuosa. No obstante, si usted reclama garantía para un componente y se comprueba que la máquina no está defectuosa, STIHL Incorporated le cobrará el costo de la prueba del sistema de control de emisiones. El trabajo de diagnóstico mecánico se realiza en un centro de servicio autorizado por STIHL. La prueba del sistema de control de emisiones se realiza ya sea en la fábrica de STIHL Incorporated o en un laboratorio de ensayos independiente.

Trabajo bajo garantía

STIHL Incorporated reparará los defectos amparados por la garantía en cualquier estación de garantía o centro de servicio autorizado por STIHL. Todo trabajo de este tipo se hará gratis para el propietario siempre que se determine que la pieza cubierta por la garantía está defectuosa.

Se puede usar cualquier pieza de repuesto aprobada por el fabricante o equivalente en las piezas relacionadas con el sistema de control de emisiones, y debe ser suministrada gratis al propietario. STIHL Incorporated es responsable por daños a otros componentes del motor causados por la falla de una pieza garantizada que todavía está bajo garantía.

La lista siguiente define específicamente las piezas garantizadas y relacionadas con las emisiones:

- Filtro de aire
- Carburador
- Bomba de combustible
- Estrangulador (sistema de refuerzo para arranque en frío)
- Varillajes de control
- Múltiple de admisión
- Magneto o sistema de encendido electrónico (módulo de encendido)
- Bujía
- Convertidor catalítico (si lo tiene)
- Tanque de combustible
- Tapa de tanque de combustible
- Línea de combustible
- Adaptadores de línea de combustible
- Abrazaderas
- Sujetadores/pernos

Dónde presentar el reclamo para servicio bajo garantía

Lleve el producto a cualquier centro de servicio autorizado por STIHL y presente la tarjeta de garantía firmada.

Requerimientos de mantenimiento

Las instrucciones presentadas en este manual se basan en la aplicación de la mezcla recomendada para motores de 2 tiempos (vea también la instrucción

"Combustible"). Las discrepancias de estas recomendaciones con respecto a la calidad y la proporción de la mezcla de combustible y aceite pueden exigir intervalos de mantenimiento más cortos.

Limitaciones

Esta garantía de los sistemas de control de emisiones no cubrirá ninguno de los puntos siguientes:

- reparación o sustitución requerida debido a maltrato, negligencia o falta del mantenimiento requerido,
 - reparaciones mal hechas o sustituciones contrarias a las especificaciones de STIHL Incorporated que afecten desfavorablemente el funcionamiento y/o la durabilidad, y las alteraciones o modificaciones no recomendadas o aprobadas por escrito por STIHL Incorporated,
- y
- la sustitución de piezas y otros servicios y ajustes necesarios para el mantenimiento requerido en y después del primer punto de reemplazo programado.

Marcas comerciales

Marcas registradas de STIHL

STIHL®

STIHL®



La combinación de colores anaranjado-gris (Números de registro EE.UU. 2,821,860; 3,010,057, 3,010,058, 3,400,477; y 3,400,476)



4-MIX®

AUTOCUT®

EASYSTART®

FARM BOSS®

iCademy®

MAGNUM®

MasterWrench Service®

MotoMix®

OIOMATIC®

STIHL Cutquik®

STIHL DUROMATIC®

STIHL Quickstop®

STIHL ROLLOMATIC®

STIHL WOOD BOSS®

TIMBERSPORTS®

WOOD BOSS®

YARD BOSS®

Algunos de las marcas comerciales de STIHL por ley común



BioPlus™

Easy2Start™

EasySpool™

ElastoStart™

Ematic™

FixCut™

HT Plus™

IntelliCarb™

Master Control Lever™

Micro™

Pro Mark™

Quad Power™

Quiet Line™

STIHL Arctic™

STIHL Compact™

STIHL HomeScaper Series™

STIHL Interchangeable Attachment Series™

STIHL M-Tronic™

STIHL MiniBoss™

STIHL MotoPlus 4™

STIHL Multi-Cut HomeScaper Series™

Stihl Outfitters™

STIHL PICCO™

STIHL PolyCut™

STIHL PowerSweep™

STIHL Precision Series™

STIHL Protech™

STIHL RAPID™

STIHL SuperCut™

STIHL Territory™

TapAction™

TrimCut™

Esta lista de marcas comerciales está sujeta a cambios.

Queda terminantemente prohibido todo uso de estas marcas comerciales sin el consentimiento expreso por escrito de ANDREAS STIHL AG & Co. KG, Waiblingen.

⚠ WARNING

The engine exhaust from this product contains chemicals known to the State of California to cause cancer, birth defects or other reproductive harm.

⚠ WARNING

Some dust created by power grinding and other construction activities contains chemicals known to the State of California to cause cancer, birth defects or other reproductive harm.

Some examples of these chemicals are:

- lead from lead-based paints, and
- crystalline silica from bricks and cement and other masonry products.

Your risk from these exposures varies, depending on how often you do this type of work. To reduce your exposure to these chemicals : work in a well ventilated area, and work with approved safety equipment, such as those dust masks that are specially designed to filter out microscopic particles.

⚠ ADVERTENCIA

Los gases de escape del motor de este producto contienen sustancias químicas consideradas por el Estado de California como causantes de cáncer, defectos de nacimiento u otros daños a los órganos de la reproducción.

⚠ ADVERTENCIA

El polvo creado por los esmeriles eléctricos y otros trabajos de construcción puede contener sustancias químicas consideradas por el Estado de California como causantes de cáncer, defectos de nacimiento u otros daños a los órganos de la reproducción. Algunos ejemplos de estas sustancias químicas son:

- el plomo contenido en las pinturas a base de plomo, y
- la sílice cristalina de ladrillos y el cemento y otros productos de albañilería.

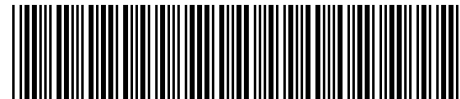
Su riesgo debido a la exposición a estas sustancias varía, dependiendo de la frecuencia con que usted hace este tipo de trabajo. Para reducir su exposición a estas sustancias químicas: trabaje en un lugar bien ventilado, utilizando el equipo de seguridad aprobado, tal como las mascarillas protectoras del polvo diseñadas especialmente para filtrar las partículas microscópicas.

0458-753-8621-A

englisch / spanisch USA



www.stihl.com



0458-753-8621-A