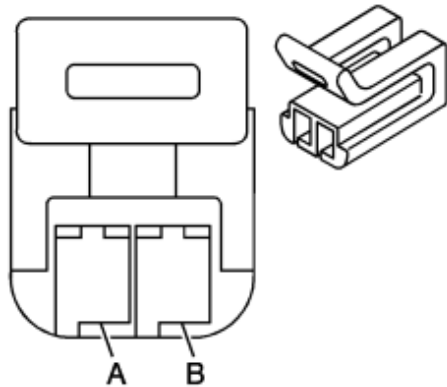


Component Connector End Views

Document ID: 2418916

1-2 Shift Solenoid (SS) Valve



[Click here for full size](#)

Connector Part Information

- OEM: 15473843
- Service: See Catalog
- Description: 2-Way F Metri-Pack 150.2 Series (CR)

Terminal Part Information

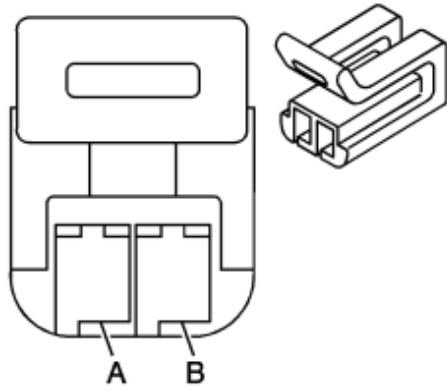
- Terminal/Tray: 12124075/5
- Core/Insulation Crimp: E/C
- Release Tool/Test Probe: 12180559-1/J-35616-14 (GN)

1-2 Shift Solenoid (SS) Valve

Pin	Wire	Circuit	Function
A	0.5 RD	839	Ignition 1 Voltage
B	0.5 L-GN	1222	1-2 Shift Solenoid Valve Control

2-3 Shift Solenoid (SS) Valve - 2-3 Shift Solenoid (SS) Valve

2-3 Shift Solenoid (SS) Valve



[Click here for full size](#)

Connector Part Information

- OEM: 15473843
- Service: See Catalog
- Description: 2-Way F Metri-Pack 150.2 Series (CR)

Terminal Part Information

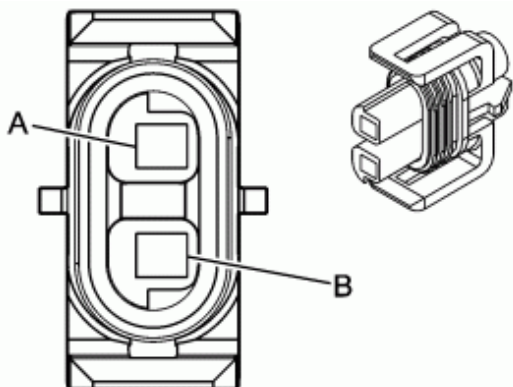
- Terminal/Tray: 12124075/5
- Core/Insulation Crimp: E/C
- Release Tool/Test Probe: 12180559-1/J-35616-14 (GN)

2-3 Shift Solenoid (SS) Valve

Pin	Wire	Circuit	Function
A	0.5 RD	839	Ignition 1 Voltage
B	0.5 YE	1223	2-3 Shift Solenoid Valve Control

A/C Compressor Clutch - A/C Compressor Clutch

A/C Compressor Clutch



[Click here for full size](#)

Connector Part Information

- OEM: 12162017
- Service: 12101937
- Description: 2-Way F Metri-Pack 150 Series Sealed (GY)

Terminal Part Information

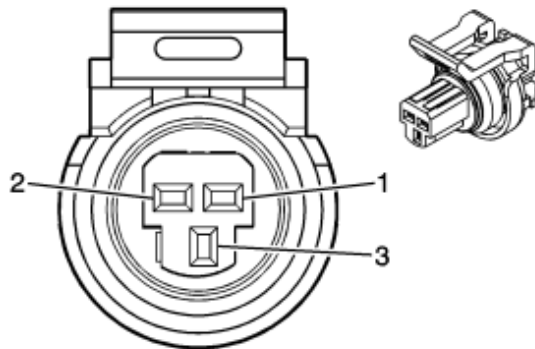
- Terminal/Tray: 12048074/2
- Core/Insulation Crimp: E/1
- Release Tool/Test Probe: 12094429/J-35616-2A (GY)

A/C Compressor Clutch

Pin	Wire	Circuit	Function
A	0.8 BK	1050	Ground
B	0.5 D-GN	59	A/C Compressor Clutch Supply Voltage

A/C Refrigerant Pressure Sensor - A/C Refrigerant Pressure Sensor

A/C Refrigerant Pressure Sensor



 [Click here for full size](#)

Connector Part Information

- OEM: 15477863
- Service: 88988301
- Description: 3-Way F GT 150 Series Sealed (BK)

Terminal Part Information

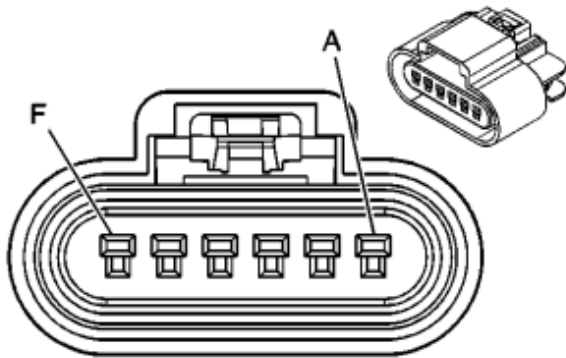
- Terminal/Tray: 15326267/19
- Core/Insulation Crimp: E/4
- Release Tool/Test Probe: 15315247/J-35616-2A (GY)

A/C Refrigerant Pressure Sensor

Pin	Wire	Circuit	Function
1	0.35 TN	5514	Low Reference (LZE, LZ4, LGD)
	0.35 BK/WH	2751	Low Reference (LS4)
2	0.35 GY	2700	5-Volt Reference 1
3	0.35 OG/BK	380	A/C Refrigerant Pressure Sensor Signal

Accelerator Pedal Position (APP) Sensor - Accelerator Pedal Position (APP) Sensor

Accelerator Pedal Position (APP) Sensor



[Click here for full size](#)

Connector Part Information

- OEM: 15326829
- Service: 88953153
- Description: 6-Way F Metri-Pack 150 Series, Sealed (BK)

Terminal Part Information

- Terminal/Tray: 12191819/8
- Core/Insulation Crimp: E/A
- Release Tool/Test Probe: 15315247/J-35616-2A (GY)

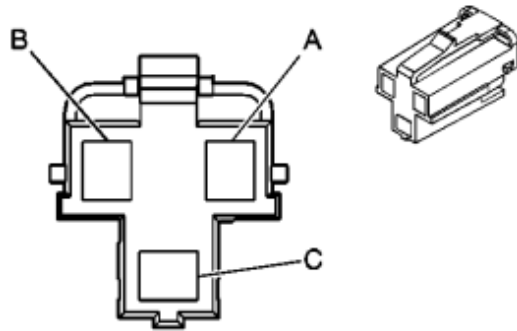
Accelerator Pedal Position (APP) Sensor

Pin	Wire	Circuit	Function
A	0.35 PU	1272	Low Reference
B	0.35 L-BU	1162	APP Sensor 2 Signal
C	0.35 TN	1274	5-Volt Reference 1
D	0.35 BN	1271	Low Reference
E	0.35 D-BU	1161	APP Sensor 1 Signal

F	0.35 WH/BK	1164	5-Volt Reference 2
---	------------	------	--------------------

**Accessory Power Outlet - Center Console 1 (with Floor Console)
- Accessory Power Outlet - Center Console 1 (with Floor Console)**

Accessory Power Outlet - Center Console 1 (with Floor Console)



[Click here for full size](#)

Connector Part Information

- OEM: 12176836
- Service: 15305923
- Description: 3-Way F Metri-Pack 280 Flex Lock (GY)

Terminal Part Information

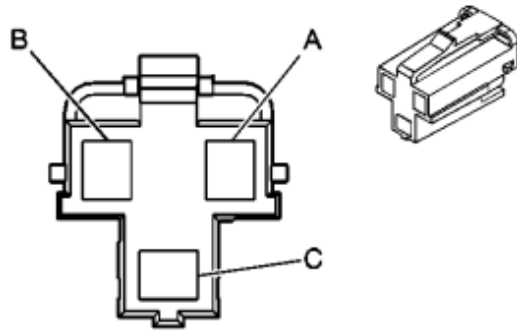
- Terminal/Tray: 12110842/4
- Core/Insulation Crimp: C/A
- Release Tool/Test Probe: 15315247/J-35616-4A (PU)

Accessory Power Outlet - Center Console 1 (with Floor Console)

Pin	Wire	Circuit	Function
A	1 RD/WH	1940	Battery Positive Voltage
B	—	—	Not Used
C	1 BK	750	Ground

**Accessory Power Outlet - Center Console 2 (with Floor Console)
- Accessory Power Outlet - Center Console 2 (with Floor Console)**

Accessory Power Outlet - Center Console 2 (with Floor Console)



 [Click here for full size](#)

Connector Part Information

- OEM: 12176836
- Service: 15305923
- Description: 3-Way F Metri-Pack 280 Flex Lock (GY)

Terminal Part Information

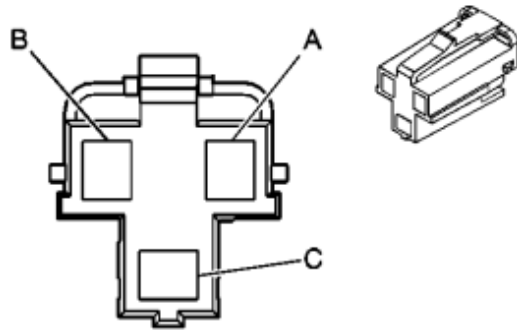
- Terminal/Tray: 12110842/4
- Core/Insulation Crimp: C/A
- Release Tool/Test Probe: 15315247/J-35616-4A (PU)

Accessory Power Outlet - Center Console 2 (with Floor Console)

Pin	Wire	Circuit	Function
A	1 RD/WH	1940	Battery Positive Voltage
B	—	—	Not Used
C	1 BK	750	Ground

Accessory Power Outlet - Center Console Compartment (with Floor Console) - Accessory Power Outlet - Center Console Compartment (with Floor Console)

Accessory Power Outlet - Center Console Compartment (with Floor Console)



 [Click here for full size](#)

Connector Part Information

- OEM: 12176836
- Service: 15305923
- Description: 3-Way F Metri-Pack 280 Flex Lock (GY)

Terminal Part Information

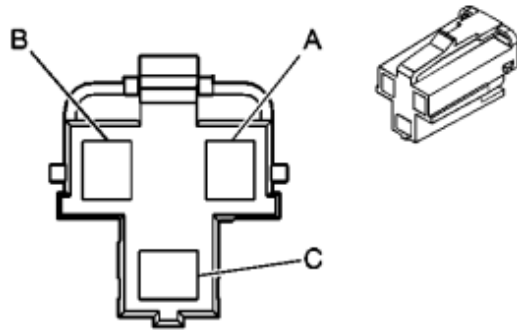
- Terminal/Tray: 12110842/4
- Core/Insulation Crimp: C/A
- Release Tool/Test Probe: 15315247/J-35616-4A (PU)


Accessory Power Outlet - Center Console Compartment (with Floor Console)

Pin	Wire	Circuit	Function
A	1 RD/WH	1940	Battery Positive Voltage
B	—	—	Not Used
C	1 BK	750	Ground

Accessory Power Outlet - Center Seat (without Floor Console) - Accessory Power Outlet - Center Seat (without Floor Console)

Accessory Power Outlet - Center Seat (without Floor Console)



 [Click here for full size](#)

Connector Part Information

- OEM: 12176836
- Service: 15305923
- Description: 3-Way F Metri-Pack 280 Flex Lock (GY)

Terminal Part Information

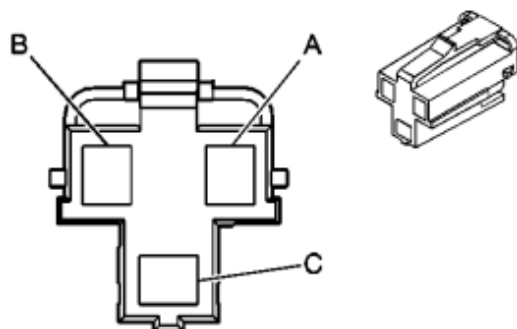
- Terminal/Tray: 12110842/4
- Core/Insulation Crimp: C/A
- Release Tool/Test Probe: 15315247/J-35616-4A (PU)

Accessory Power Outlet - Center Seat (without Floor Console)

Pin	Wire	Circuit	Function
A	1 RD/WH	1940	Battery Positive Voltage
B	—	—	Not Used
C	1 BK	750	Ground

Accessory Power Outlet - I/P 1 (without Floor Console) - Accessory Power Outlet - I/P 1 (without Floor Console)

Accessory Power Outlet - I/P 1 (without Floor Console)



 [Click here for full size](#)

Connector Part Information

- OEM: 12176836
- Service: 15305923
- Description: 3-Way F Metri-Pack 280 Flex Lock (GY)

Terminal Part Information

- Terminal/Tray: 12110842/4
- Core/Insulation Crimp: C/A
- Release Tool/Test Probe: 15315247/J-35616-4A (PU)

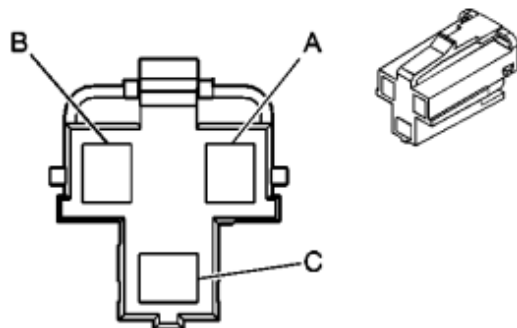
Accessory Power Outlet - I/P 1 (without Floor Console)

Pin	Wire	Circuit	Function
A	1 RD/WH	2540	Battery Positive Voltage
B	—	—	Not Used
C	1 BK	150	Ground

Accessory Power Outlet - I/P 2 (without Floor Console) -

Accessory Power Outlet - I/P 2 (without Floor Console)

Accessory Power Outlet - I/P 2 (without Floor Console)



 [Click here for full size](#)

Connector Part Information

- OEM: 12176836
- Service: 15305923
- Description: 3-Way F Metri-Pack 280 Flex Lock (GY)

Terminal Part Information

- Terminal/Tray: 12110842/4

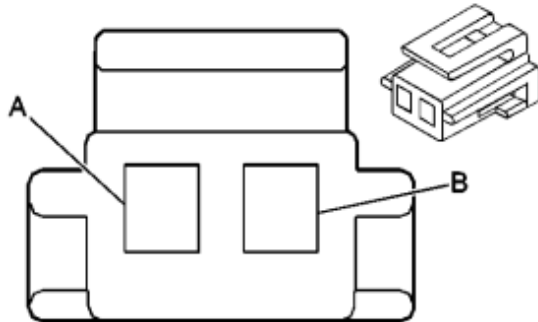
- Core/Insulation Crimp: C/A
- Release Tool/Test Probe: 15315247/J-35616-4A (PU)

Accessory Power Outlet - I/P 2 (without Floor Console)

Pin	Wire	Circuit	Function
A	1 RD/WH	2540	Battery Positive Voltage
B	—	—	Not Used
C	1 BK	150	Ground

Air Temperature Actuator - Left - Air Temperature Actuator - Left

Air Temperature Actuator - Left



[Click here for full size](#)

Connector Part Information

- OEM: 12059110
- Service: 88953271
- Description: 2-Way F Metri-Pack 150 Series (BK)

Terminal Part Information

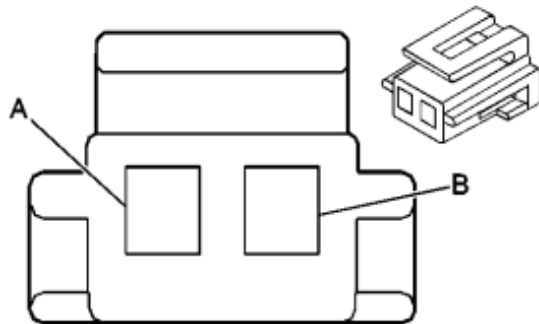
- Terminal/Tray: 12064971/5
- Core/Insulation Crimp: E/C
- Release Tool/Test Probe: 12094429/J-35616-2A (GY)


Air Temperature Actuator - Left

Pin	Wire	Circuit	Function
A	0.35 D-BU/WH	1199	Left Air Temperature Door Control B
B	0.35 YE	1791	Left Air Temperature Door Control A

Air Temperature Actuator - Right - Air Temperature Actuator - Right

Air Temperature Actuator - Right



 [Click here for full size](#)

Connector Part Information

- OEM: 12059110
- Service: 88953271
- Description: 2-Way F Metri-Pack 150 Series (BK)

Terminal Part Information

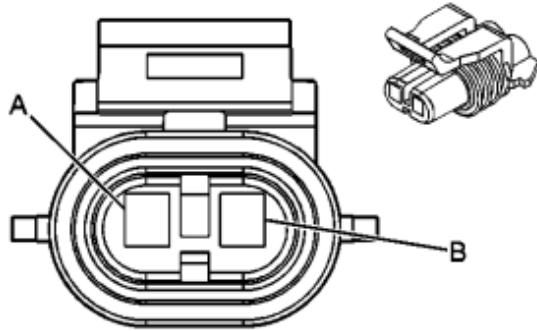
- Terminal/Tray: 12064971/5
- Core/Insulation Crimp: E/C
- Release Tool/Test Probe: 12094429/J-35616-2A (GY)

Air Temperature Actuator - Right

Pin	Wire	Circuit	Function
A	0.35 WH/BK	1236	Air Temperature Door Control B
B	0.35 D-BU	1646	Air Temperature Door Control A

Ambient Air Temperature Sensor - Ambient Air Temperature Sensor

Ambient Air Temperature Sensor



[Click here for full size](#)

Connector Part Information

- OEM: 12052642
- Service: 12101856
- Description: 2-Way F Metri-Pack 150 Series Sealed (GN)

Terminal Part Information

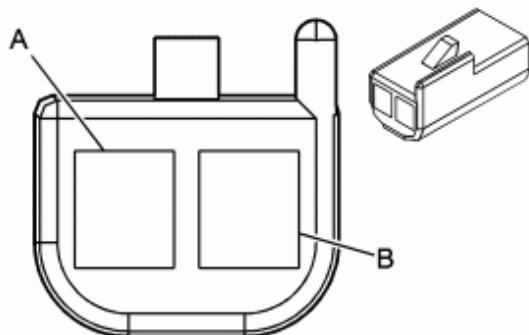
- Terminal/Tray: 12048074/2
- Core/Insulation Crimp: E/1
- Release Tool/Test Probe: 12094429/J-35616-2A (GY)

Ambient Air Temperature Sensor

Pin	Wire	Circuit	Function
A	0.35 L-GN/BK	735	Ambient Air Temperature Sensor Signal
B	0.35 YE	61	Low Reference

Ambient Light Sensor - Ambient Light Sensor

Ambient Light Sensor



[Click here for full size](#)

Connector Part Information

- OEM: 12047662
- Service: 12085535
- Description: 2-Way F Metri-Pack 150 Series (BK)

Terminal Part Information

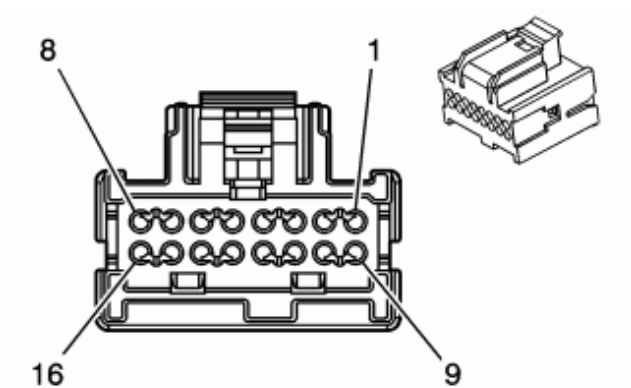
- Terminal/Tray: 12064971/5
- Core/Insulation Crimp: E/C
- Release Tool/Test Probe: 12094429/J-35616-2A (GY)

Ambient Light Sensor

Pin	Wire	Circuit	Function
A	0.35 L-GN/BK	1137	DRL Ambient Light Sensor Signal
B	0.5 BK/WH	1551	Ground

Audio Amplifier X1 (UQ3) - Audio Amplifier X1 (UQ3)

Audio Amplifier X1 (UQ3)



[Click here for full size](#)

Connector Part Information

- OEM: 15416970
- Service: See Catalog
- Description: 16-Way F Micro-Pack 64 Series (BK)

Terminal Part Information

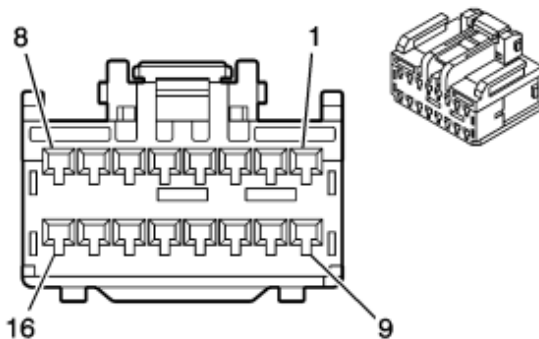
- Terminal/Tray: 15359541/4
- Core/Insulation Crimp: M/M
- Release Tool/Test Probe: 15381651-2/J-35616-64B (L-BU)

Audio Amplifier X1 (UQ3)

Pin	Wire	Circuit	Function
1-3	—	—	Not Used
4	0.5 TN	1946	Right Rear Low Level Audio Signal (-)
5	0.5 BN	1999	Left Rear Low Level Audio Signal (-)
6	0.5 L-GN/BK	1948	Right Front Low Level Audio Signal (-)
7	0.5 D-GN	1947	Left Front Low Level Audio Signal (-)
8	0.5 PK	5165	Antenna 14V Switched Supply Voltage
9-10	—	—	Not Used
11	0.35 OG	5748	Radio Audio Mute Signal
12	0.5 D-BU	546	Right Rear Low Level Audio Signal (+)
13	0.5 BN/WH	599	Left Rear Low Level Audio Signal (+)
14	0.5 L-GN	512	Right Front Low Level Audio Signal (+)
15	0.5 TN	511	Left Front Low Level Audio Signal (+)
16	—	—	Not Used

Audio Amplifier X2 (UQ3) - Audio Amplifier X2 (UQ3)

Audio Amplifier X2 (UQ3)



[Click here for full size](#)

Connector Part Information

- OEM: 15489823
- Service: See Catalog
- Description: 16-Way F 1.5 Series, Unsealed (BK)

Terminal Part Information

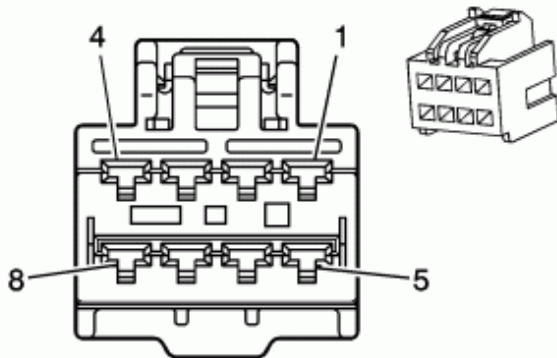
- Terminal/Tray: 33012-0002/26
- Core/Insulation Crimp: 2/C
- Release Tool/Test Probe: 12094429/J-35616-66 (YE)

Audio Amplifier X2 (UQ3)

Pin	Wire	Circuit	Function
1	0.8 D-GN	117	Right Front Speaker Output (-)
2	0.8 L-GN	200	Right Front Speaker Output (+)
3	0.8 GY	118	Left Front Speaker Output (-)
4	0.8 TN	201	Left Front Speaker Output (+)
5	0.8 L-BU	115	Right Rear Speaker Output (-)
6	0.8 D-BU	46	Right Rear Speaker Output (+)
7	0.8 YE	116	Left Rear Speaker Output (-)
8	0.8 BN	199	Left Rear Speaker Output (+)
9-16	-	-	Not Used

Audio Amplifier X3 (UQ3) - Audio Amplifier X3 (UQ3)

Audio Amplifier X3 (UQ3)



[Click here for full size](#)

Connector Part Information

- OEM: 15491286
- Service: 88988652
- Description: 8-Way F Receptacle 2.8 (BK)

Terminal Part Information

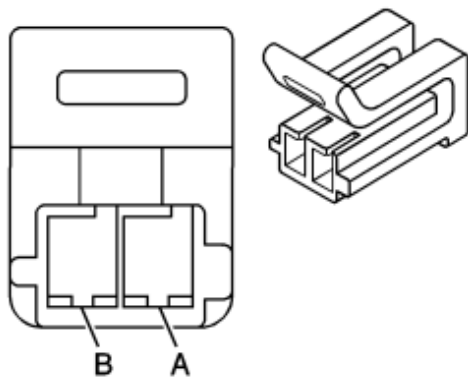
- Pins: 2, 3, 6, 7
- Terminal/Tray: 8100-4444/22
- Core/Insulation Crimp: 2/A
- Release Tool/Test Probe: 15315247/J-35616-4A (PU)
- Pins: 4, 8
- Terminal/Tray: 8100-4445/22
- Core/Insulation Crimp: 4/4
- Release Tool/Test Probe: 15315247/J-35616-4A (PU)


Audio Amplifier X3 (UQ3)

Pin	Wire	Circuit	Function
1	–	–	Not Used
2	0.8 L-BU/BK	315	Right Subwoofer Speaker Output (-)
3	0.8 L-GN/BK	1794	Left Subwoofer Speaker Output (-)
4	2 RD/WH	640	Battery Positive Voltage
5	–	–	Not Used
6	0.8 D-GN	1795	Right Subwoofer Speaker Output (+)
7	0.8 D-BU/WH	346	Left Subwoofer Speaker Output (+)
8	2 BK/WH	851	Ground

Automatic Transmission Fluid Pressure Manual Valve Position Switch - Automatic Transmission Fluid Pressure Manual Valve Position Switch

Automatic Transmission Fluid Pressure Manual Valve Position Switch



 [Click here for full size](#)

Connector Part Information

- OEM: 15466861
- Service: See Catalog
- Description: 2-Way F Metri-Pack 150.2 Series (GY)

Terminal Part Information

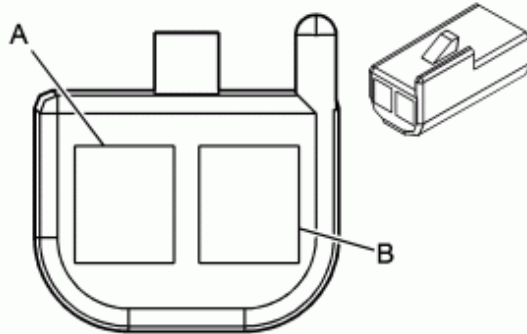
- Terminal/Tray: 12124075/5
- Core/Insulation Crimp: E/C
- Release Tool/Test Probe: 12180559-1/J-35616-14 (GN)

Automatic Transmission Fluid Pressure Manual Valve Position Switch

Pin	Wire	Circuit	Function
A	0.5 WH	1804	TCC Release Switch Signal
B	—	—	Not Used

Automatic Transmission Fluid Temperature Sensor - Automatic Transmission Fluid Temperature Sensor

Automatic Transmission Fluid Temperature Sensor



[Click here for full size](#)

Connector Part Information

- OEM: 12047662
- Service: 12085535
- Description: 2-Way F Metri-Pack 150 Series (BK)

Terminal Part Information

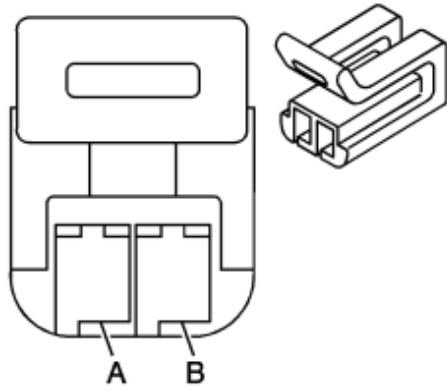
- Terminal/Tray: 12064971/5
- Core/Insulation Crimp: E/C
- Release Tool/Test Probe: 12094429/J-35616-14 (GN)

Automatic Transmission Fluid Temperature Sensor

Pin	Wire	Circuit	Function
A	0.5 BN	1227	TFT Sensor Signal
B	0.5 GY	452	Low Reference

Automatic Transmission Input Shaft Speed (ISS) Sensor - Automatic Transmission Input Shaft Speed (ISS) Sensor

Automatic Transmission Input Shaft Speed (ISS) Sensor



[Click here for full size](#)

Connector Part Information

- OEM: 15473843
- Service: See Catalog
- Description: 2-Way F Metri-Pack 150.2 Series (CR)

Terminal Part Information

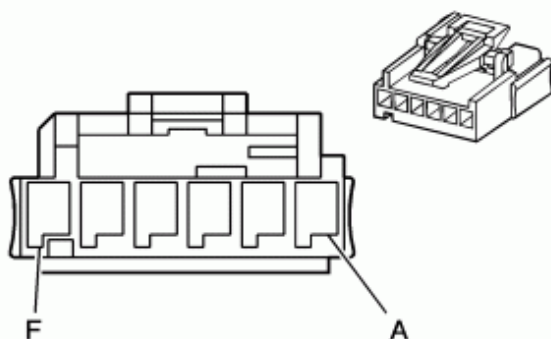
- Terminal/Tray: 12124075/5
- Core/Insulation Crimp: E/C
- Release Tool/Test Probe: 12180559-1/J-35616-14 (GN)

Automatic Transmission Input Shaft Speed (ISS) Sensor

Pin	Wire	Circuit	Function
A	0.5 D-GN	1231	AT ISS Low Signal
B	0.5 BK	1230	AT ISS High Signal

Automatic Transmission Internal Mode Switch (IMS) - Automatic Transmission Internal Mode Switch (IMS)

Automatic Transmission Internal Mode Switch (IMS)



 [Click here for full size](#)

Connector Part Information

- OEM: 15336500
- Service: 89046635
- Description: 6-Way F Metri-Pack 150.2 Series (GN)

Terminal Part Information

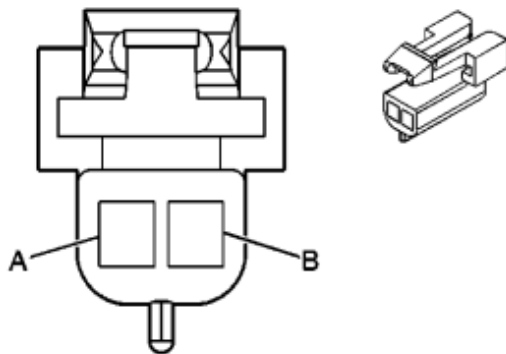
- Terminal/Tray: 12124075/5
- Core/Insulation Crimp: E/C
- Release Tool/Test Probe: 12180559-1/J-35616-14 (GN)


Automatic Transmission Internal Mode Switch (IMS)

Pin	Wire	Circuit	Function
A	0.5 OG	1786	Park/Neutral Signal
B	0.5 GY/WH	776	Transmission Range Switch Signal P
C	0.5 YE/BK	773	Transmission Range Switch Signal C
D	0.5 D-GN/WH	772	Transmission Range Switch Signal B
E	0.5 RD/BK	771	Transmission Range Switch Signal A
F	0.5 BK/WH	1050	Ground

Automatic Transmission Shift Lock Control Solenoid (without Floor Shifter) - Automatic Transmission Shift Lock Control Solenoid (without Floor Shifter)

Automatic Transmission Shift Lock Control Solenoid (without Floor Shifter)



 [Click here for full size](#)

Connector Part Information

- OEM: 12052832
- Service: 12101825
- Description: 2-Way F Metri-Pack 150 Series (BK)

Terminal Part Information

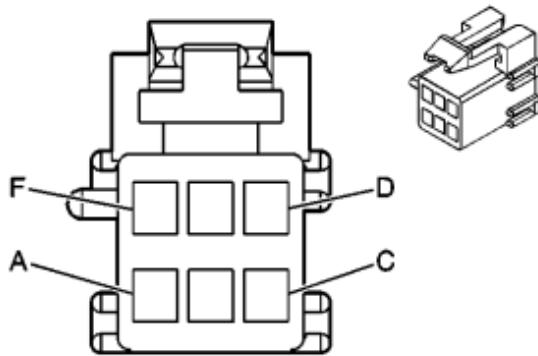
- Terminal/Tray: 12064971/5
- Core/Insulation Crimp: E/C
- Release Tool/Test Probe: 12094429/J-35616-2A (GY)

Automatic Transmission Shift Lock Control Solenoid (without Floor Shifter)

Pin	Wire	Circuit	Function
A	D-GN/WH	1135	A/T Shift Lock Control Solenoid Supply Voltage
B	BK	1450	Ground

Automatic Transmission Shift Lock Control Solenoid (with Floor Shifter) - Automatic Transmission Shift Lock Control Solenoid (with Floor Shifter)

Automatic Transmission Shift Lock Control Solenoid (with Floor Shifter)



[Click here for full size](#)

Connector Part Information

- OEM: 12064762
- Service: 12125665
- Description: 6-Way F Metri-Pack 150 Series (L-GY)

Terminal Part Information

- Pins: A
- Terminal/Tray: 12047767/2
- Core/Insulation Crimp: E/A

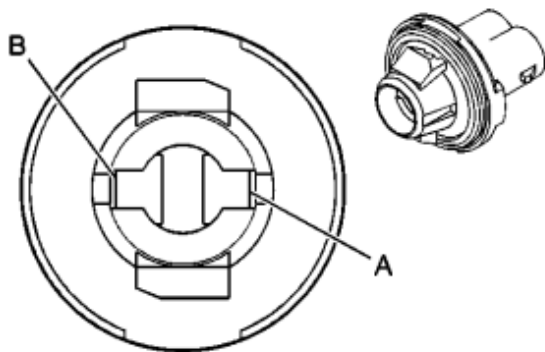
- Release Tool/Test Probe: 12094429/J-35616-2A (GY)
- Pins: B, C, F
- Terminal/Tray: 12064971/5
- Core/Insulation Crimp: E/C
- Release Tool/Test Probe: 12094429/J-35616-2A (GY)

Automatic Transmission Shift Lock Control Solenoid (with Floor Shifter)

Pin	Wire	Circuit	Function
A	0.8 BK	750	Ground
B	0.35 D-GN/WH	1135	A/T Shift Lock Control Solenoid Supply Voltage
C	0.35 PU/WH	1630	Steering Column Key Cylinder Lock Solenoid Control
D-E	—	—	Not Used
F	0.35 YE	643	Accessory Voltage

Backup Lamp - Left - Backup Lamp - Left

Backup Lamp - Left



[Click here for full size](#)

Connector Part Information

- OEM: 15324946
- Service: See Catalog
- Description: 2-Way F Lamp Socket Wedge Sealed W2 (D-GY)

Terminal Part Information

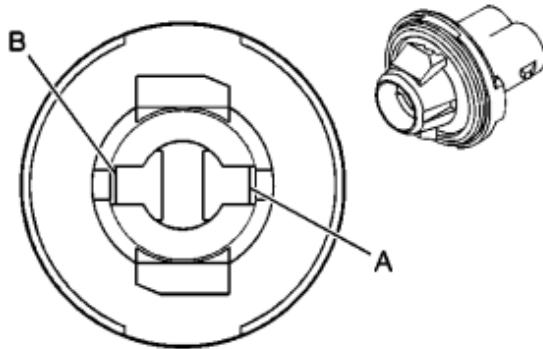
- Terminal/Tray: 12124471/5
- Core/Insulation Crimp: 2/3
- Release Tool/Test Probe: 12094430/ N/A

Backup Lamp - Left

Pin	Wire	Circuit	Function
A	0.5 BN	24	Backup Lamp Supply Voltage
B	0.5 BK	750	Ground
	0.5 BK	750	Ground

Backup Lamp - Right - Backup Lamp - Right

Backup Lamp - Right



[Click here for full size](#)

Connector Part Information

- OEM: 15324946
- Service: See Catalog
- Description: 2-Way F Lamp Socket Wedge Sealed W2 (D-GY)

Terminal Part Information

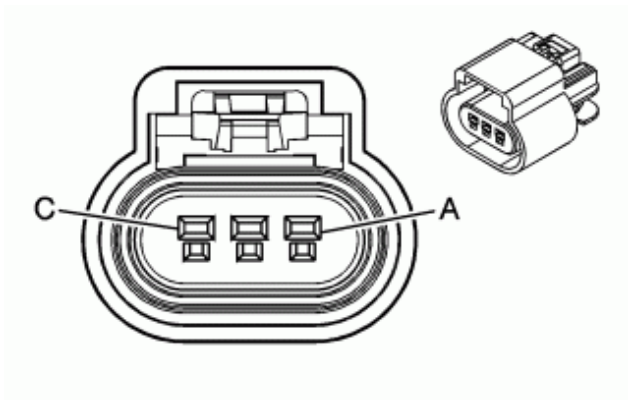
- Terminal/Tray: 12124471/5
- Core/Insulation Crimp: 2/3
- Release Tool/Test Probe: 12094430/ N/A

Backup Lamp - Right

Pin	Wire	Circuit	Function
A	0.5 BN	24	Backup Lamp Supply Voltage
B	0.5 BK	750	Ground
	0.5 BK	750	Ground

Battery Current Sensor - Battery Current Sensor

Battery Current Sensor



[Click here for full size](#)

Connector Part Information

- OEM: 15326808
- Service: 15326808
- Description: 3-Way F GT 150 Series Sealed (BK)

Terminal Part Information

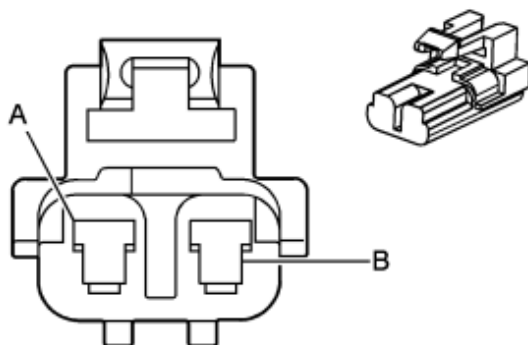
- Terminal/Tray: 12191819/8
- Core/Insulation Crimp: E/A
- Release Tool/Test Probe: 15315247/J-35616-2A (GY)

Battery Current Sensor

Pin	Wire	Circuit	Function
A	0.35 PK	5076	Current Sensor Supply Voltage
B	0.35 BN	5077	Low Reference
C	0.35 WH	5075	Current Sensor Signal

Blower Motor - Blower Motor

Blower Motor



[Click here for full size](#)

Connector Part Information

- OEM: 12084957
- Service: 12126461
- Description: 2-Way F Metri-Pack 280 Series (BK)

Terminal Part Information

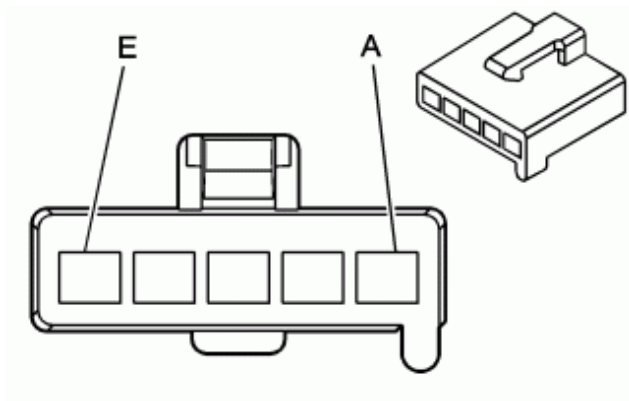
- Terminal/Tray: 12015858/4
- Core/Insulation Crimp: F/G
- Release Tool/Test Probe: 12094430/J-35616-4A (PU)

Blower Motor

Pin	Wire	Circuit	Function
A	3 PU	65	Blower Motor Supply Voltage
B	3 OG	5987	Ground

Blower Motor Control Module - Blower Motor Control Module

Blower Motor Control Module



[Click here for full size](#)

Connector Part Information

- OEM: 12041429
- Service: 12167129
- Description: 5-Way F Metri-Pack 280 Series (BK)

Terminal Part Information

- Pins: A, C, D, E
- Terminal/Tray: 12015858/4
- Core/Insulation Crimp: F/G
- Release Tool/Test Probe: 12094430/J-35616-4A (PU)

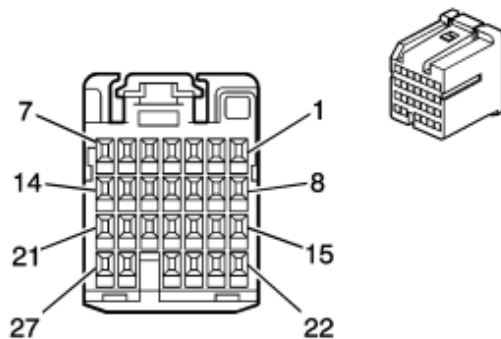
- Pins: B
- Terminal/Tray: 12034046/2
- Core/Insulation Crimp: E/A
- Release Tool/Test Probe: 12094430/J-35616-4A (PU)

Blower Motor Control Module

Pin	Wire	Circuit	Function
A	3 BK	150	Ground
B	0.35 GY/BK	754	Blower Motor Speed Control
C	3 RD	442	Battery Positive Voltage
D	3 OG	5987	Ground
E	3 PU	65	Blower Motor Supply Voltage

Body Control Module (BCM) X1 - Body Control Module (BCM) X1

Body Control Module (BCM) X1



[Click here for full size](#)

Connector Part Information

- OEM: 15482789
- Service: 88988838
- Description: 27-Way F 064 (L-GN)

Terminal Part Information

- Terminal/Tray: SNAC3-A021T-M0.64/20
- Core/Insulation Crimp: J/J
- Release Tool/Test Probe: 12094429/J-35616-64A (L-BU)

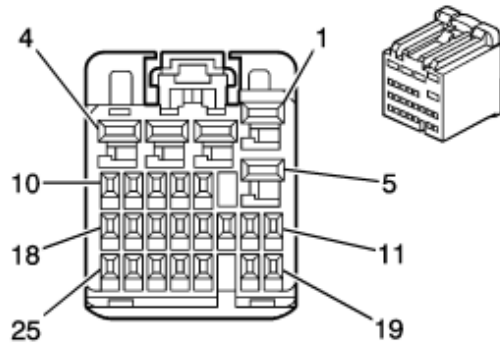
Body Control Module (BCM) X1

Pin	Wire	Circuit	Function

1	—	—	Not Used
2	0.35 WH	1390	Off/Run/Crank Voltage
3	0.35 GY	1884	Cruise Control Switch Signal
4	0.35 WH/BK	1073	5-Volt Reference
5	0.35 L-GN	1715	Windshield Wiper Switch High Signal
6	0.35 D-BU	1796	Steering Wheel Controls Signal
7	—	—	Not Used
8	0.35 BK/WH	1251	Ground
9	0.35 L-BU	1714	Windshield Wiper Switch Low Signal
10-13	—	—	Not Used
14	0.35 PK	3	Ignition 1 Voltage
15	0.35 L-BU/WH	1414	Left Turn Signal Switch Signal
16	0.35 D-BU/WH	1415	Right Turn Signal Switch Signal
17	0.35 PU	1375	Steering Wheel Control Supply Voltage
18	0.35 PU	524	Headlamp Dimmer Switch High Beam Signal
19	0.35 TN	2144	Hazard Switch Signal
20	—	—	Not Used
21	0.35 BN	4	Accessory Voltage
22-23	—	—	Not Used
24	0.35 PK	94	Windshield Washer Switch Signal
25	0.35 BN	1356	Flash To Pass Switch Signal
26	0.5 D-GN/WH	1135	A/T Shift Lock Control Solenoid Supply Voltage (without Floor Shifter)
27	—	—	Not Used

Body Control Module (BCM) X2 - Body Control Module (BCM) X2

Body Control Module (BCM) X2



[Click here for full size](#)

Connector Part Information

- OEM: 15482790
- Service: 88988839
- Description: 25-Way F Receptacle 0.64 2.8 (WH)

Terminal Part Information

- Pins: 1, 2, 3, 5
- Terminal/Tray: SNAC-A061T-M2.8/20
- Core/Insulation Crimp: E/A
- Release Tool/Test Probe: 12094429/J-35616-4A (PU)
- Pins: 8, 10, 11, 12, 17, 18, 21, 22
- Terminal/Tray: SNAC3-A021T-M0.64/20
- Core/Insulation Crimp: J/J
- Release Tool/Test Probe: 12094429/J-35616-64A (L-BU)

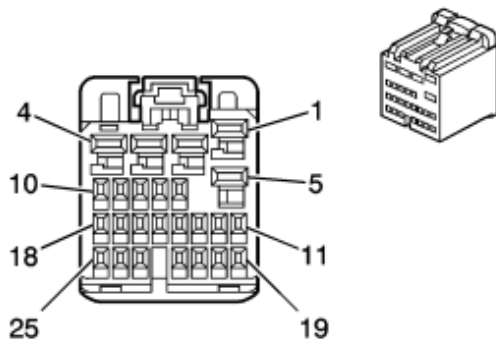
Body Control Module (BCM) X2

Pin	Wire	Circuit	Function
1	0.8 OG	1732	Inadvertent Power Courtesy Lamp
2	0.5 RD/WH	1240	Battery Positive Voltage
3	0.8 GY	8	Instrument Panel Lamp Supply Voltage
4	—	—	Not Used
5	0.5 GY/BK	690	Courtesy Lamp Supply Voltage
6-7	—	—	Not Used
8	0.35 BN/WH	301	Park Lamp Switch On Signal
9	—	—	Not Used
10	0.35 L-BU	383	Trunk Release Control
	0.35 L-		

11	GN/BK	1137	DRL Ambient Light Sensor Signal
12	0.35 WH	103	Headlamp Switch Headlamps On Signal
13-16	—	—	Not Used
17	0.35 D-GN	306	Headlamps Switch Headlamps Off Signal
18	0.35 PK/BK	1597	Courtesy Lamps Switch On Signal
19-20	—	—	Not Used
21	0.35 BN/WH	1571	Traction Control Switch Signal (JL9)
22	0.35 D-GN/WH	1135	A/T Shift Lock Control Solenoid Supply Voltage (Floor Shifter)
23-25	—	—	Not Used

Body Control Module (BCM) X3 - Body Control Module (BCM) X3

Body Control Module (BCM) X3



[Click here for full size](#)

Connector Part Information

- OEM: 15482791
- Service: 88988840
- Description: 25-Way F Receptacle 0.64 2.8 (L-BU)

Terminal Part Information

- Pins: 1, 2, 3, 5
- Terminal/Tray: SNAC-A061T-M2.8/20
- Core/Insulation Crimp: E/A
- Release Tool/Test Probe: 12094429/J-35616-4A (PU)
- Pins: 8, 9, 10, 11, 12, 13, 14, 15, 16, 17, 18, 19, 21, 22

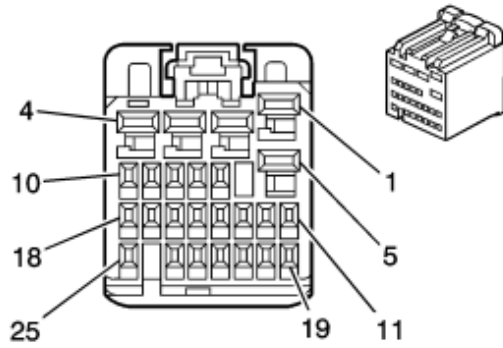
- Terminal/Tray: SNAC3-A021T-M0.64/20
- Core/Insulation Crimp: J/J
- Release Tool/Test Probe: 12094429/J-35616-64A (L-BU)


Body Control Module (BCM) X3

Pin	Wire	Circuit	Function
1	0.8 BK/WH	1551	Ground
2	0.8 RD/WH	1640	Battery Positive Voltage
3	0.5 RD/WH	1040	Battery Positive Voltage
4	—	—	Not Used
5	0.8 BK/WH	1551	Ground
6-7	—	—	Not Used
8	0.35 TN/BK	2500	High Speed GMLAN Serial Data Bus +
9	0.35 TN	2501	High Speed GMLAN Serial Data Bus -
10	0.35 L-GN/BK	5060	Low Speed GMLAN Serial Data
11	0.35 D-GN	44	Instrument Panel Lamps Dimmer Switch Signal
12	0.35 OG/WH	812	I/P Dimming Voltage Reference
13	0.35 L-GN	526	Stop Lamp Switch Signal
14	0.35 TN	552	Low Reference
15	0.35 GY	598	5-Volt Reference
16	0.35 TN/BK	2500	High Speed GMLAN Serial Data Bus +
17	0.35 TN	2501	High Speed GMLAN Serial Data Bus -
18	0.35 PU/WH	1382	LED Dimming Supply
19	0.35 L-BU	5986	Serial Data Communication Enable (JL9)
20	—	—	Not Used
21	0.35 OG	192	Front Fog Lamp Switch Signal (T96)
	0.5 D-BU/YE	6841	Rear Lamp Flasher Signal (9C1, 9C3)
22	0.35 D-GN/WH	7158	Cruise Control Indicator Dimming Signal
23-25	—	—	Not Used

Body Control Module (BCM) X4 - Body Control Module (BCM) X4

Body Control Module (BCM) X4



 [Click here for full size](#)

Connector Part Information

- OEM: 15482792
- Service: 88988841
- Description: 25-Way F Receptacle 0.64 2.8 (BK)

Terminal Part Information

- Pins: 1, 2, 3, 4, 5
- Terminal/Tray: SNAC-A061T-M2.8/20
- Core/Insulation Crimp: E/A
- Release Tool/Test Probe: 12094429/J-35616-4A (PU)
- Pins: 7, 9, 10, 11, 12, 13, 15, 16, 17, 19, 21, 23
- Terminal/Tray: SNAC3-A021T-M0.64/20
- Core/Insulation Crimp: J/J
- Release Tool/Test Probe: 12094429/J-35616-64A (L-BU)

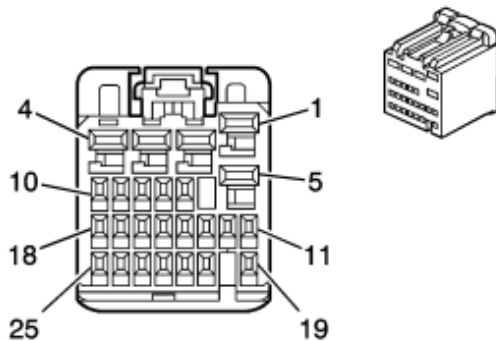
Body Control Module (BCM) X4

Pin	Wire	Circuit	Function
1	0.8 RD/WH	340	Battery Positive Voltage
2	0.8 RD/WH	240	Battery Positive Voltage
3	0.8 RD/WH	440	Battery Positive Voltage
4	0.8 RD/WH	1240	Battery Positive Voltage
5	0.5 D-BU/WH	1315	Right Front Turn Signal Lamp Supply Voltage
6	—	—	Not Used
7	0.35 YE	196	Windshield Wiper Motor Park Switch Signal
8	—	—	Not Used
9	0.5 BK	50	Ground

10	0.35 RD/WH	2440	Battery Positive Voltage
11	0.35 D-GN/WH	1317	Fog Lamp Relay Control (T96)
12	0.35 YE	5187	Right Trailer Turn Signal Lamp (6J6)
13	0.35 OG	5186	Left Trailer Turn Signal Lamp (6J6)
14	—	—	Not Used
15	0.35 OG	2268	Windshield Washer Relay Control
16	0.35 TN/WH	1969	Headlamp High Beam Relay Control
17	0.35 PK/BK	109	Hood Ajar Switch Signal
18	—	—	Not Used
19	0.35 D-BU	5985	Accessory Wakeup Serial Data
20	—	—	Not Used
21	0.35 YE	5199	Run/Crank Relay Coil Control
22	—	—	Not Used
23	0.35 PU	544	DRL PCB Relay Control
24- 25	—	—	Not Used

Body Control Module (BCM) X5 - Body Control Module (BCM) X5

Body Control Module (BCM) X5



[Click here for full size](#)

Connector Part Information

- OEM: 15480179
- Service: 88988837
- Description: 25-Way F Receptacle 0.64 2.8 (BN)

Terminal Part Information

- Pins: 1, 2, 4, 5
- Terminal/Tray: SNAC-A061T-M2.8/20

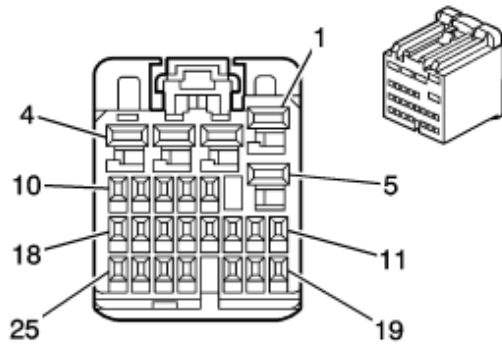
- Core/Insulation Crimp: E/A
- Release Tool/Test Probe: 12094429/J-35616-4A (PU)
- Pins: 6, 8, 9, 10, 11, 15, 18, 19, 20, 21, 23, 24
- Terminal/Tray: SNAC3-A021T-M0.64/20
- Core/Insulation Crimp: J/J
- Release Tool/Test Probe: 12094429/J-35616-64A (L-BU)

Body Control Module (BCM) X5

Pin	Wire	Circuit	Function
1	0.5 YE	18	Left Rear Stop/Turn Lamp Supply Voltage
2	0.5 D-GN	19	Right Rear Stop/Turn Lamp Supply Voltage
3	–	–	Not Used
4	0.5 L-BU/WH	1314	Left Front Turn Signal Lamp Supply Voltage
5	0.5 L-BU	1320	CHMSL Supply Voltage
6	0.5 WH	17	Stop Lamp Switch Signal
7	–	–	Not Used
8	0.35 PK	5076	Current Sensor Supply Voltage
9	0.35 WH	5075	Current Sensor Signal
10	0.35 BN	5077	Low Reference
11	0.35 TN	707	RAP Relay Coil Supply Voltage
12-14	–	–	Not Used
15	0.35 PU	5531	Hood Closed Switch Signal (AP3, AP8)
16-17	–	–	Not Used
18	0.35 TN	28	Horn Relay Control
19	0.5 YE/BK	5810	Park Enable Signal (6J1)
20	0.35 GY	91	Wiper Relay Control
21	0.35 TN	860	Wiper High Speed Relay Control
22	–	–	Not Used
23	0.35 PK/WH	1970	Headlamp Low Beam Relay Control
24	0.35 WH	1080	Park Lamp Relay Control
25	–	–	Not Used

Body Control Module (BCM) X6 - Body Control Module (BCM) X6

Body Control Module (BCM) X6



 [Click here for full size](#)

Connector Part Information

- OEM: 15482793
- Service: 88988842
- Description: 25-Way F Receptacle 0.64 2.8 (PK)

Terminal Part Information

- Pins: 1, 2, 3
- Terminal/Tray: SNAC-A061T-M2.8/20
- Core/Insulation Crimp: E/A
- Release Tool/Test Probe: 12094429/J-35616-4A (PU)
- Pins: 8, 9, 10, 12, 14, 15, 16, 18, 20, 22
- Terminal/Tray: SNAC3-A021T-M0.64/20
- Core/Insulation Crimp: J/J
- Release Tool/Test Probe: 12094429/J-35616-64A (L-BU)

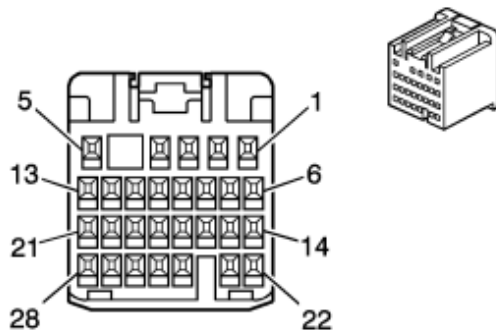
Body Control Module (BCM) X6

Pin	Wire	Circuit	Function
1	0.8 GY/BK	690	Courtesy Lamp Supply Voltage
2	0.8 L-GN	24	Backup Lamp Supply Voltage
3	0.5 GY	8	Instrument Panel Lamp Supply Voltage
4-7	—	—	Not Used
8	0.35 TN/WH	746	Right Front Door Ajar Switch Signal
9	0.35 D-BU	245	Passenger Door Lock Switch Unlock Signal
10	0.35 GY/BK	745	Left Front Door Ajar Switch Signal
11	—	—	Not Used
12	0.5 OG/BK	744	Rear Compartment Lid Ajar Switch Signal
13	—	—	Not Used

14	0.35 L-GN/BK	748	Right Rear Door Ajar Switch Signal
15	0.35 L-BU/BK	747	Left Rear Door Ajar Switch Signal
16	0.35 OG	5922	Passenger Door Open Switch Signal
17	—	—	Not Used
18	0.35 L-BU	244	Passenger Door Lock Switch Lock Signal
19	—	—	Not Used
20	0.35 PU	1124	Door Lock Key Switch Unlock Signal (without 9C1, 9C3)
21	—	—	Not Used
22	0.5 OG/BK	233	Park Brake Switch Signal
23- 25	—	—	Not Used

Body Control Module (BCM) X7 - Body Control Module (BCM) X7

Body Control Module (BCM) X7



[Click here for full size](#)

Connector Part Information

- OEM: 15466053
- Service: 88988806
- Description: 28-Way F Receptacle 0.64 (GY)

Terminal Part Information

- Terminal/Tray: SNAC3-A021T-M0.64/20
- Core/Insulation Crimp: J/J
- Release Tool/Test Probe: 12094429/J-35616-64A (L-BU)

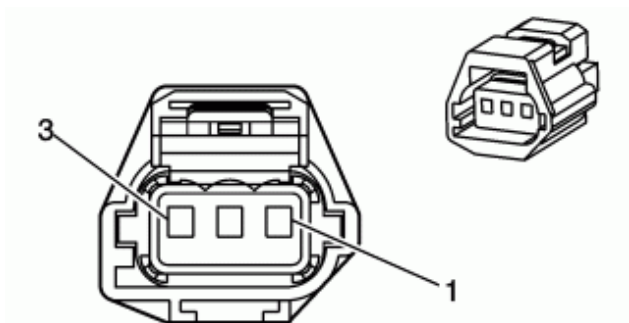
Body Control Module (BCM) X7

--	--	--	--

Pin	Wire	Circuit	Function
1	—	—	Not Used
2	0.35 L-BU	1344	Trunk Release Relay Control
3-5	—	—	Not Used
6	0.35 YE	356	Driver Door Unlock Relay Control
7	0.35 L-GN	1391	Door Lock Relay Control
8	—	—	Not Used
9	0.35 L-BU	5921	Door Unlock Relay Control
10	—	—	Not Used
11	0.35 OG/BK	781	Driver Door Lock Switch Unlock Signal
12	0.35 PK/BK	780	Driver Door Lock Switch Lock Signal
13-22	—	—	Not Used
23	0.35 TN	126	Left Front Door Open Switch Signal
24-28	—	—	Not Used

Brake Booster Vacuum Sensor (LS4) - Brake Booster Vacuum Sensor (LS4)

Brake Booster Vacuum Sensor (LS4)



[Click here for full size](#)

Connector Part Information

- OEM: 15448870
- Service: 88988602
- Description: 3-Way F GT 150 Series, Sealed (BK)

Terminal Part Information

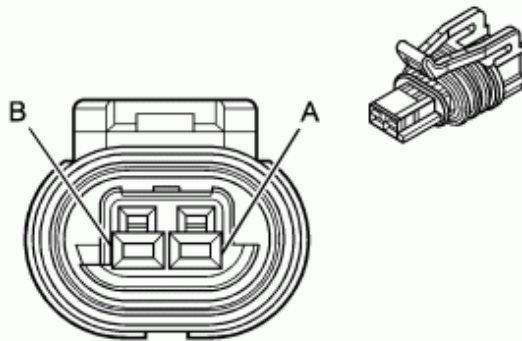
- Terminal/Tray: 7116-4102-08/9
- Core/Insulation Crimp: E/1
- Release Tool/Test Probe: 12094430/J-35616-2A (GY)

Brake Booster Vacuum Sensor (LS4)

Pin	Wire	Circuit	Function
1	0.35 OG	6030	Brake Booster Vacuum Signal
2	0.35 YE/BK	6032	Low Reference
3	0.35 GY	6031	5-Volt Reference 2

Brake Fluid Level Switch - Brake Fluid Level Switch

Brake Fluid Level Switch



[Click here for full size](#)

Connector Part Information

- OEM: 15449028
- Service: 88987978
- Description: 2-Way F GT 150 Sealed (BK)

Terminal Part Information

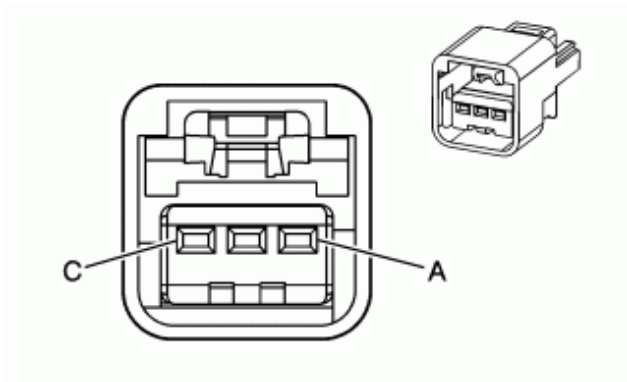
- Terminal/Tray: 15326267/19
- Core/Insulation Crimp: E/4
- Release Tool/Test Probe: 15315247/J-35616-2A (GY)


Brake Fluid Level Switch

Pin	Wire	Circuit	Function
A	0.5 BK/WH	1551	Ground
B	0.35 TN/WH	33	Brake Warning Indicator Control

Brake Pedal Position Sensor - Brake Pedal Position Sensor

Brake Pedal Position Sensor



 [Click here for full size](#)

Connector Part Information

- OEM: 15332132
- Service: 88953364
- Description: 3-Way F GT 150 Series (BK)

Terminal Part Information

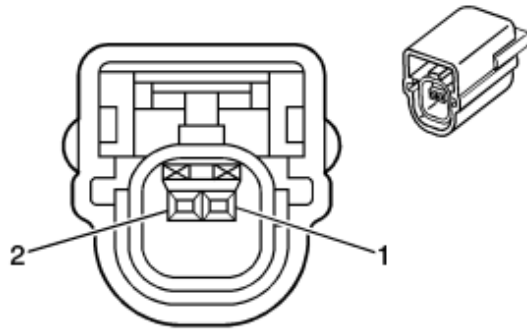
- Terminal/Tray: 12191812/19
- Core/Insulation Crimp: E/C
- Release Tool/Test Probe: 15315247/J-35616-2A (GY)


Brake Pedal Position Sensor

Pin	Wire	Circuit	Function
A	0.35 GY	598	5-Volt Reference
B	0.35 L-GN	526	Stop Lamp Switch Signal
C	0.35 TN	552	Low Reference

Camshaft Position (CMP) Actuator Solenoid Valve (LZE, LZ4, LGD) - Camshaft Position (CMP) Actuator Solenoid Valve (LZE, LZ4, LGD)

Camshaft Position (CMP) Actuator Solenoid Valve (LZE, LZ4, LGD)



 [Click here for full size](#)

Connector Part Information

- OEM: 15472554
- Service: 88988610
- Description: 2-Way F Receptacle 0.64 Series, Sealed (BK)

Terminal Part Information

- Terminal/Tray: 1393364-2/7
- Core/Insulation Crimp: K/K
- Release Tool/Test Probe: 15315247/J-35616-64B (L-BU)

Camshaft Position (CMP) Actuator Solenoid Valve (LZE, LZ4, LGD)

Pin	Wire	Circuit	Function
1	0.35 BN	2198	Camshaft Position Actuator Solenoid High Control
2	0.35 TN	2199	Low Reference

Camshaft Position (CMP) Sensor (LZE, LZ4, LGD) - Camshaft Position (CMP) Sensor (LZE, LZ4, LGD)

Camshaft Position (CMP) Sensor (LZE, LZ4, LGD)

Image not found: 2083721.gif

Connector Part Information

- OEM: 15485510
- Service: Service by Harness - See Part Catalog
- Description: 3-Way F 064 Series, Sealed (L-GY)

Terminal Part Information

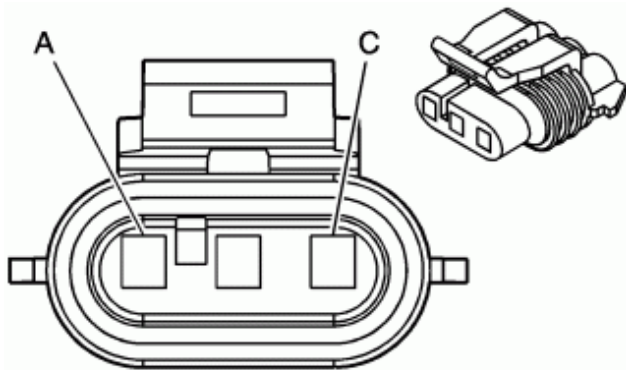
- Terminated Lead: Pending
- Release Tool: J-38125-553
- Diagnostic Test Probe: J-35616-64B (L-BU)
- Terminal/Tray: 8100-3456/26
- Core/Insulation Crimp: K/K

Camshaft Position (CMP) Sensor (LZE, LZ4, LGD)

Pin	Wire	Circuit	Function
1	0.5 BN/WH	633	CMP Sensor Signal
2	0.5 BK	407	Low Reference
3	0.5 RD	812	5-Volt Reference 1

Camshaft Position (CMP) Sensor (LS4) - Camshaft Position (CMP) Sensor (LS4)

Camshaft Position (CMP) Sensor (LS4)



[Click here for full size](#)

Connector Part Information

- OEM: 12059595
- Service: 88986451
- Description: 3-Way F Metri-Pack 150 Series, Sealed (BK)

Terminal Part Information

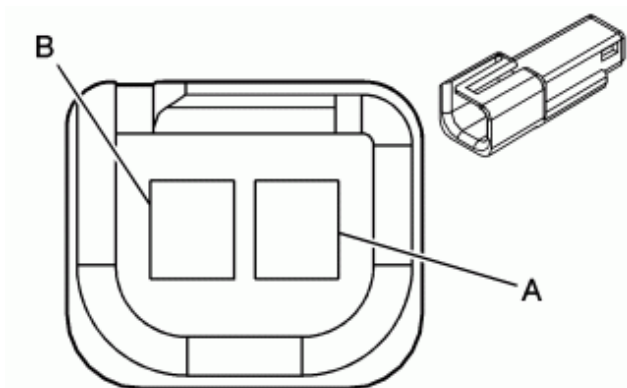
- Terminal/Tray: 12048074/2
- Core/Insulation Crimp: E/1
- Release Tool/Test Probe: 12094429/J-35616-2A (GY)

Camshaft Position (CMP) Sensor (LS4)

Pin	Wire	Circuit	Function
A	0.35 OG	631	5-Volt Reference 1
B	0.35 PK/BK	632	Low Reference
C	0.35 BN/WH	633	CMP Sensor Signal

Cellular Telephone Microphone (UE1) - Cellular Telephone Microphone (UE1)

Cellular Telephone Microphone (UE1)



[Click here for full size](#)

Connector Part Information

- OEM: 12047663
- Service: 12085481
- Description: 2-Way M Metri-Pack 150 Series (BK)

Terminal Part Information

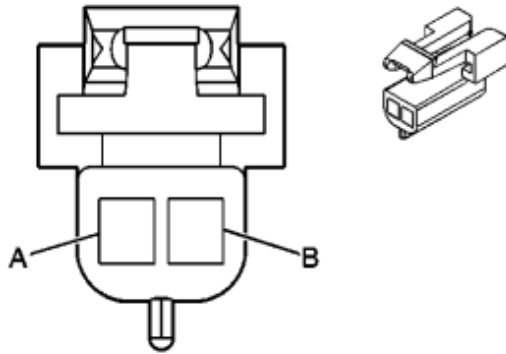
- Terminal/Tray: 12047581/2
- Core/Insulation Crimp: E/C
- Release Tool/Test Probe: 12094429/J-35616-3 (GY)

Cellular Telephone Microphone (UE1)

Pin	Wire	Circuit	Function
A	0.35 BARE	1489	Drain Wire
B	0.35 GY	655	Cellular Microphone Signal

Center High Mounted Stop Lamp (CHMSL) - Center High Mounted Stop Lamp (CHMSL)

Center High Mounted Stop Lamp (CHMSL)



[Click here for full size](#)

Connector Part Information

- OEM: 12052832
- Service: 12101825
- Description: 2-Way F Metri-Pack 150 Series (BK)

Terminal Part Information

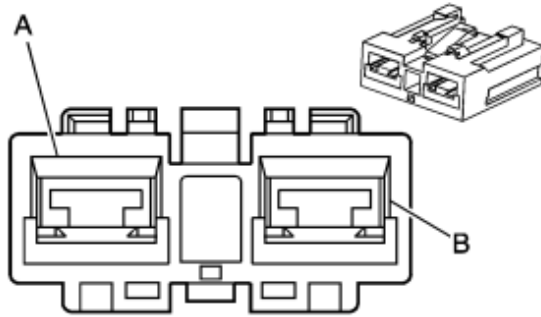
- Terminal/Tray: 12064971/5
- Core/Insulation Crimp: E/C
- Release Tool/Test Probe: 12094429/J-35616-2A (GY)

Center High Mounted Stop Lamp (CHMSL)

Pin	Wire	Circuit	Function
A	0.5 BK	750	Ground
B	0.5 L-BU	1320	CHMSL Supply Voltage

Circuit Breaker 1 (SEO 9C1/9C3) - Circuit Breaker 1 (SEO 9C1/9C3)

Circuit Breaker 1 (SEO 9C1/9C3)



 [Click here for full size](#)

Connector Part Information

- OEM: 12110057
- Service: 12110057
- Description: 2-Way F MAXI (BK)

Terminal Part Information

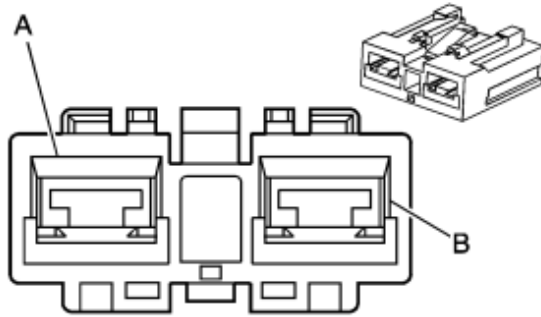
- Pins: A
- Terminal/Tray: 12092445/18
- Core/Insulation Crimp: G/G
- Release Tool/Test Probe: 12150860/J-35616-44 (YE)
- Pins: B
- Terminal/Tray: 12110127/19
- Core/Insulation Crimp: F/G
- Release Tool/Test Probe: 12150860/J-35616-44 (YE)

Circuit Breaker 1 (SEO 9C1/9C3)

Pin	Wire	Circuit	Function
A	8 RD/BK	502	Battery Positive Voltage
B	3 RD/WH	3040	Battery Positive Voltage

Circuit Breaker 2 (SEO 9C1/9C3) - Circuit Breaker 2 (SEO 9C1/9C3)

Circuit Breaker 2 (SEO 9C1/9C3)



 [Click here for full size](#)

Connector Part Information

- OEM: 12110057
- Service: 12110057
- Description: 2-Way F MAXI (BK)

Terminal Part Information

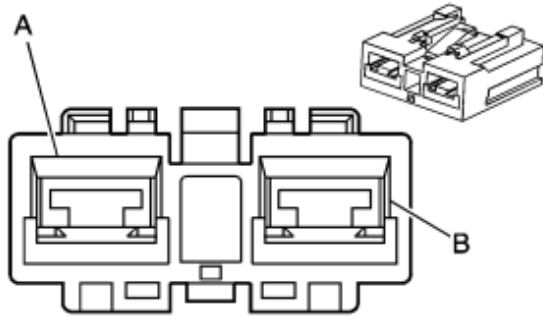
- Pins: A
- Terminal/Tray: 12092445/18
- Core/Insulation Crimp: G/G
- Release Tool/Test Probe: 12150860/J-35616-44 (YE)
- Pins: B
- Terminal/Tray: 12110127/19
- Core/Insulation Crimp: F/G
- Release Tool/Test Probe: 12150860/J-35616-44 (YE)


Circuit Breaker 2 (SEO 9C1/9C3)

Pin	Wire	Circuit	Function
A	8 RD/BK	502	Battery Positive Voltage
B	3 RD/WH	3140	Battery Positive Voltage

Circuit Breaker 3 (SEO 9C1/9C3) - Circuit Breaker 3 (SEO 9C1/9C3)

Circuit Breaker 3 (SEO 9C1/9C3)



 [Click here for full size](#)

Connector Part Information

- OEM: 12110057
- Service: 12110057
- Description: 2-Way F MAXI (BK)

Terminal Part Information

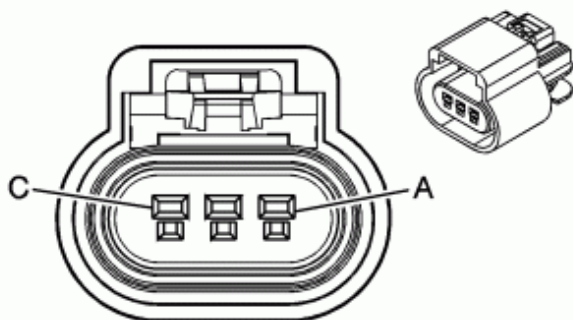
- Terminal/Tray: 12110127/19
- Core/Insulation Crimp: F/G
- Release Tool/Test Probe: 12150860/J-35616-44 (YE)


Circuit Breaker 3 (SEO 9C1/9C3)

Pin	Wire	Circuit	Function
A	5 RD/BK	402	Battery Positive Voltage
B	5 RD/WH	3740	Battery Positive Voltage

Crankshaft Position (CKP) Sensor (LZE, LZ4, LGD) - Crankshaft Position (CKP) Sensor (LZE, LZ4, LGD)

Crankshaft Position (CKP) Sensor (LZE, LZ4, LGD)



 [Click here for full size](#)

Connector Part Information

- OEM: 15326808
- Service: 15326808
- Description: 3-Way F GT 150 Series, Sealed (BK)

Terminal Part Information

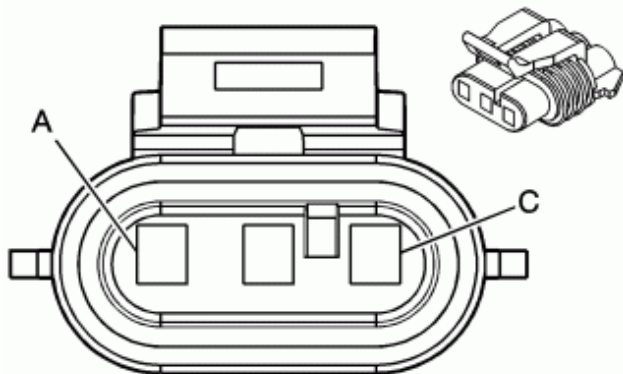
- Terminal/Tray: 12191819/8
- Core/Insulation Crimp: E/A
- Release Tool/Test Probe: 15315247/J-35616-2A (GY)

Crankshaft Position (CKP) Sensor (LZE, LZ4, LGD)

Pin	Wire	Circuit	Function
A	0.35 PU/WH	6270	5-Volt Reference 2
B	0.35 GY/BK	6272	Low Reference
C	0.35 WH/BK	6271	CKP Sensor Signal

Crankshaft Position (CKP) Sensor (LS4) - Crankshaft Position (CKP) Sensor (LS4)

Crankshaft Position (CKP) Sensor (LS4)



[Click here for full size](#)

Connector Part Information

- OEM: 12129946
- Service: 88987997
- Description: 3-Way F Metri-Pack 150 Series, Sealed (GY)

Terminal Part Information

- Terminal/Tray: 12048074/2
- Core/Insulation Crimp: E/1

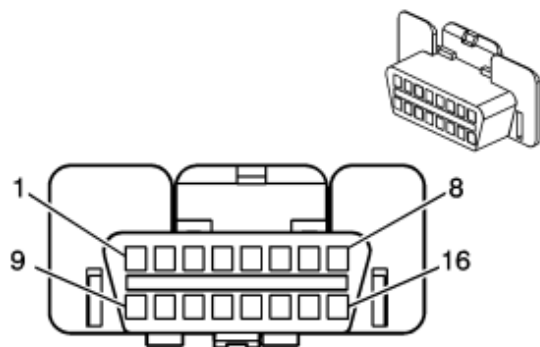
- Release Tool/Test Probe: 12094429/J-35616-14 (GN)

Crankshaft Position (CKP) Sensor (LS4)

Pin	Wire	Circuit	Function
A	0.35 D-BU	1869	CKP Sensor Signal
B	0.35 YE	1868	Low Reference
C	0.35 L-GN	1867	5-Volt Reference 2

Data Link Connector (DLC) - Data Link Connector (DLC)

Data Link Connector (DLC)



[Click here for full size](#)

Connector Part Information

- OEM: 15488184
- Service: 19115029
- Description: 16-Way F Metri-Pack 150 Series (BK)

Terminal Part Information

- Terminal/Tray: 12129484/19
- Core/Insulation Crimp: E/C
- Release Tool/Test Probe: 12094429/J-35616-2A (GY)

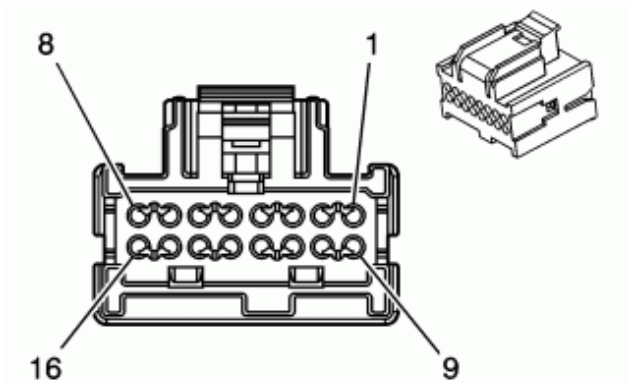
Data Link Connector (DLC)

Pin	Wire	Circuit	Function
1	0.35 D-GN	5060	Low Speed GMLAN Serial Data
2-3	—	—	Not Used
4	0.5 BK	1450	Ground
5	0.5 BK/WH	1551	Ground
6	0.35 TN/BK	2500	High Speed GMLAN Serial Data Bus +

7-13	-	-	Not Used
14	0.35 TN	2501	High Speed GMLAN Serial Data Bus -
15	-	-	Not Used
16	0.5 RD/WH	1840	Battery Positive Voltage

Digital Radio Receiver (U2K) - Digital Radio Receiver (U2K)

Digital Radio Receiver (U2K)



[Click here for full size](#)

Connector Part Information

- OEM: 15416970
- Service: See Catalog
- Description: 16-Way F Micro-Pack 64 Series (BK)

Terminal Part Information

- Pins: 1, 2, 3, 4, 5
- Terminal/Tray: 15359541/4
- Core/Insulation Crimp: M/M
- Release Tool/Test Probe: 15381651-2/J-35616-64B (L-BU)
- Pins: 9, 16
- Terminal/Tray: 15359541/4
- Core/Insulation Crimp: M/M
- Release Tool/Test Probe: 15381651-2/J-35616-64B (L-BU)

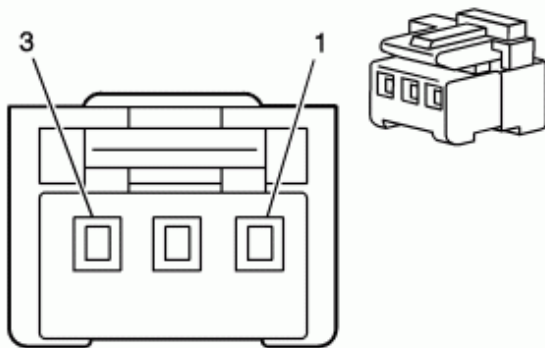
Digital Radio Receiver (U2K)

Pin	Wire	Circuit	Function
1	0.35 D-GN	7007	Left Audio Signal (-)
2	0.35 BN/WH	367	Left Audio Signal (+)
3	0.35 D-GN/WH	368	Right Audio Signal (+)

4	0.35 GY/BK	7008	Right Audio Signal (-)
5	0.35 D-GN	5060	Low Speed GMLAN Serial Data
6-8	-	-	Not Used
9	0.8 BK/WH	851	Ground (without UQ3)
	0.5 BK/WH	851	Ground (UQ3)
10-15	-	-	Not Used
16	0.5 RD/WH	3540	Battery Positive Voltage

Digital Video Disc (DVD) Control Module X1 (SPO Accessory) - Digital Video Disc (DVD) Control Module X1 (SPO Accessory)

Digital Video Disc (DVD) Control Module X1 (SPO Accessory)



[Click here for full size](#)

Connector Part Information

- Harness: SPO Accessory Power
- OEM: Not Available
- Service: Service by Harness - See Part Catalog
- Description: 3-Way F (WH)

Terminal Part Information

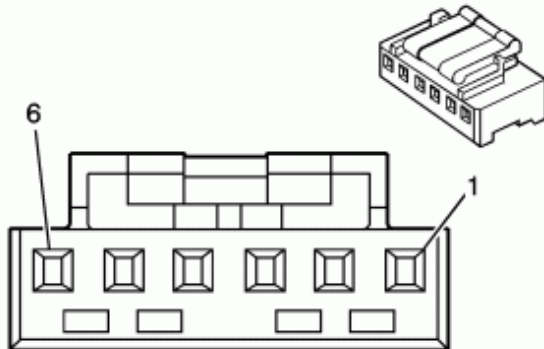
- Terminal/Tray: Service by Harness - See Part Catalog
- Core/Insulation Crimp: Not Available
- Release Tool/Test Probe: Not Available


Digital Video Disc (DVD) Control Module X1 (SPO Accessory)

Pin	Wire	Circuit	Function
1	BK	-	Ground
2	-	-	Not Used
3	RD	-	Accessory Voltage

**Digital Video Disc (DVD) Control Module X2 (SPO Accessory) -
Digital Video Disc (DVD) Control Module X2 (SPO Accessory)**

Digital Video Disc (DVD) Control Module X2 (SPO Accessory)



 [Click here for full size](#)

Connector Part Information

- Harness: SPO Accessory Signal Cable 3A
- OEM: Not Available
- Service: Service by Harness - See Part Catalog
- Description: 6-Way F (RD)

Terminal Part Information

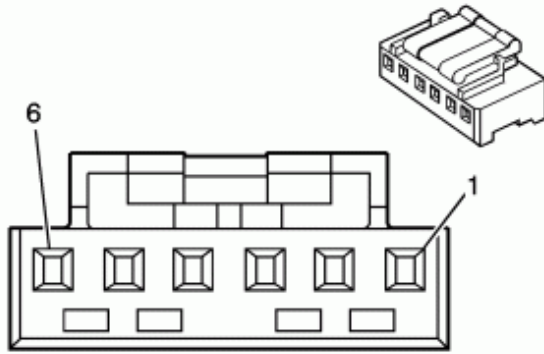
- Terminal/Tray: Service by Harness - See Part Catalog
- Core/Insulation Crimp: Not Available
- Release Tool/Test Probe: Not Available


Digital Video Disc (DVD) Control Module X2 (SPO Accessory)

Pin	Wire	Circuit	Function
1	BK	-	DVD Video (-)
2	YE	-	DVD Video Signal (+)
3	RD	-	Right Audio Signal (+)
4	WH	-	Left Audio Signal (+)
5	BK	-	Ground
6	RD	-	Ignition Voltage

**Digital Video Disc (DVD) Control Module X3 (SPO Accessory) -
Digital Video Disc (DVD) Control Module X3 (SPO Accessory)**

Digital Video Disc (DVD) Control Module X3 (SPO Accessory)



 [Click here for full size](#)

Connector Part Information

- Harness: SPO Accessory Signal Cable 3A
- OEM: Not Available
- Service: Service by Harness - See Part Catalog
- Description: 6-Way F (WH)

Terminal Part Information

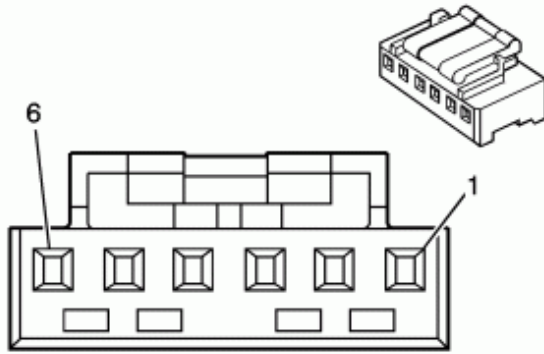
- Terminal/Tray: Service by Harness - See Part Catalog
- Core/Insulation Crimp: Not Available
- Release Tool/Test Probe: Not Available


Digital Video Disc (DVD) Control Module X3 (SPO Accessory)

Pin	Wire	Circuit	Function
1	BK	—	DVD Video (-)
2	YE	—	DVD Video Signal (+)
3	RD	—	Right Audio Signal (+)
4	WH	—	Left Audio Signal (+)
5	BK	—	I2C Clock Signal
6	RD	—	I2C Data

Digital Video Disc (DVD) Control Module X4 (SPO Accessory) - Digital Video Disc (DVD) Control Module X4 (SPO Accessory)

Digital Video Disc (DVD) Control Module X4 (SPO Accessory)



 [Click here for full size](#)

Connector Part Information

- Harness: SPO Accessory Signal Cable 3B
- OEM: Not Available
- Service: Service by Harness - See Part Catalog
- Description: 6-Way F (BK)

Terminal Part Information

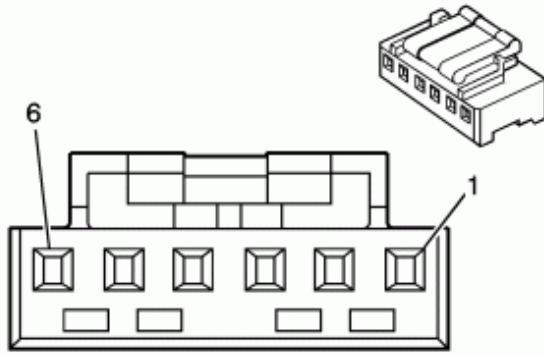
- Terminal/Tray: Service by Harness - See Part Catalog
- Core/Insulation Crimp: Not Available
- Release Tool/Test Probe: Not Available


Digital Video Disc (DVD) Control Module X4 (SPO Accessory)

Pin	Wire	Circuit	Function
1	BK	-	DVD Video (-)
2	YE	-	DVD Video Signal (+)
3	RD	-	Right Audio Signal (+)
4	WH	-	Left Audio Signal (+)
5	BK	-	Ground
6	RD	-	Ignition Voltage

Digital Video Disc (DVD) Control Module X5 (SPO Accessory) - Digital Video Disc (DVD) Control Module X5 (SPO Accessory)

Digital Video Disc (DVD) Control Module X5 (SPO Accessory)



 [Click here for full size](#)

Connector Part Information

- Harness: SPO Accessory Signal Cable 3B
- OEM: Not Available
- Service: Service by Harness - See Part Catalog
- Description: 6-Way F (BU)

Terminal Part Information

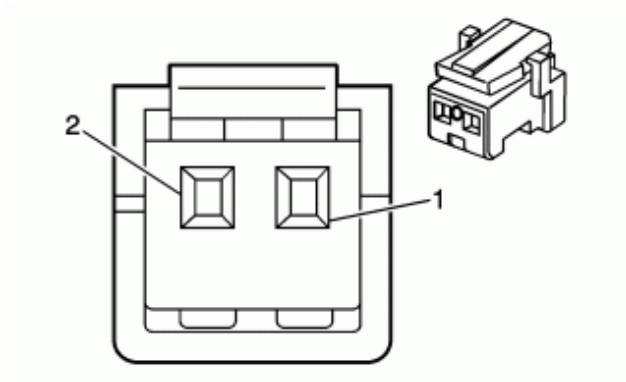
- Terminal/Tray: Service by Harness - See Part Catalog
- Core/Insulation Crimp: Not Available
- Release Tool/Test Probe: Not Available

Digital Video Disc (DVD) Control Module X5 (SPO Accessory)

Pin	Wire	Circuit	Function
1	BK	-	DVD Video (-)
2	YE	-	DVD Video Signal (+)
3	RD	-	Right Audio Signal (+)
4	WH	-	Left Audio Signal (+)
5	BK	-	I2C Clock Signal
6	RD	-	I2C Data

Digital Video Disc (DVD) Control Module X6 (SPO Accessory) - Digital Video Disc (DVD) Control Module X6 (SPO Accessory)

Digital Video Disc (DVD) Control Module X6 (SPO Accessory)



 [Click here for full size](#)

Connector Part Information

- Harness: SPO Accessory FM Antenna
- OEM: Not Available
- Service: Service by Harness - See Part Catalog
- Description: 2-Way F (WH)

Terminal Part Information

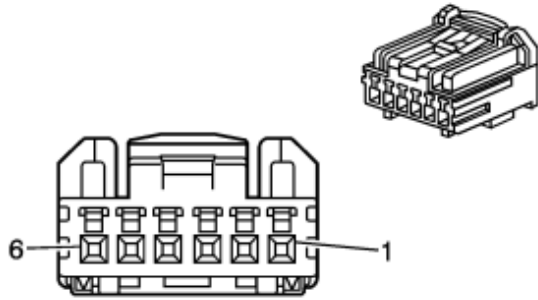
- Terminal/Tray: Service by Harness - See Part Catalog
- Core/Insulation Crimp: Not Available
- Release Tool/Test Probe: Not Available

Digital Video Disc (DVD) Control Module X6 (SPO Accessory)

Pin	Wire	Circuit	Function
1	YE	—	FM Antenna
2	BK	—	FM Antenna

Digital Video Disc (DVD) Display - Driver Seat Headrest X1 (SPO Accessory) - Digital Video Disc (DVD) Display - Driver Seat Headrest X1 (SPO Accessory)

Digital Video Disc (DVD) Display - Driver Seat Headrest X1 (SPO Accessory)



 [Click here for full size](#)

Connector Part Information

- Harness: SPO Accessory Signal Cable
- OEM: Not Available
- Service: Service by Harness - See Part Catalog
- Description: 6-Way F (RD)

Terminal Part Information

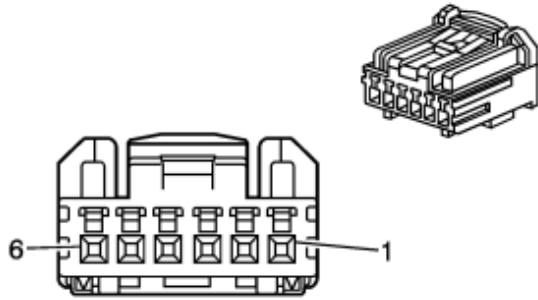
- Terminal/Tray: Service by Harness - See Part Catalog
- Core/Insulation Crimp: Not Available
- Release Tool/Test Probe: Not Available


Digital Video Disc (DVD) Display - Driver Seat Headrest X1 (SPO Accessory)

Pin	Wire	Circuit	Function
1	BK	-	DVD Video (-)
2	YE	-	DVD Video Signal (+)
3	RD	-	Right Audio Signal (+)
4	WH	-	Left Audio Signal (+)
5	BK	-	Ground
6	RD	-	Ignition Voltage

Digital Video Disc (DVD) Display - Driver Seat Headrest X2 (SPO Accessory) - Digital Video Disc (DVD) Display - Driver Seat Headrest X2 (SPO Accessory)

Digital Video Disc (DVD) Display - Driver Seat Headrest X2 (SPO Accessory)



 [Click here for full size](#)

Connector Part Information

- Harness: SPO Accessory Signal Cable
- OEM: Not Available
- Service: Service by Harness - See Part Catalog
- Description: 6-Way F (WH)

Terminal Part Information

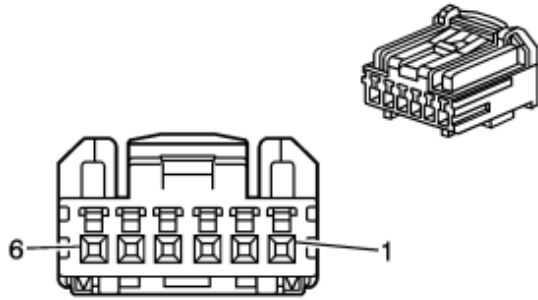
- Terminal/Tray: Service by Harness - See Part Catalog
- Core/Insulation Crimp: Not Available
- Release Tool/Test Probe: Not Available


Digital Video Disc (DVD) Display - Driver Seat Headrest X2 (SPO Accessory)

Pin	Wire	Circuit	Function
1	BK	-	DVD Video (-)
2	YE	-	DVD Video Signal (+)
3	RD	-	Right Audio Signal (+)
4	WH	-	Left Audio Signal (+)
5	BK	-	I2C Clock Signal
6	RD	-	I2C Data

Digital Video Disc (DVD) Display - Passenger Seat Headrest X1 (SPO Accessory) - Digital Video Disc (DVD) Display - Passenger Seat Headrest X1 (SPO Accessory)

Digital Video Disc (DVD) Display - Passenger Seat Headrest X1 (SPO Accessory)



 [Click here for full size](#)

Connector Part Information

- Harness: SPO Accessory Signal Cable
- OEM: Not Available
- Service: Service by Harness - See Part Catalog
- Description: 6-Way F (BK)

Terminal Part Information

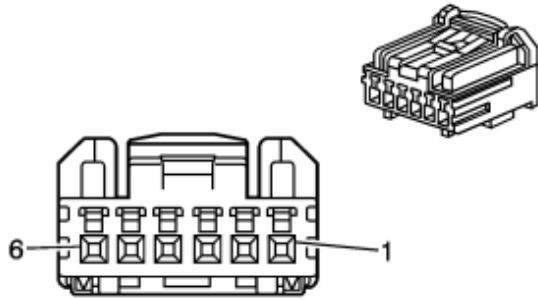
- Terminal/Tray: Service by Harness - See Part Catalog
- Core/Insulation Crimp: Not Available
- Release Tool/Test Probe: Not Available

Digital Video Disc (DVD) Display - Passenger Seat Headrest X1 (SPO Accessory)

Pin	Wire	Circuit	Function
1	BK	-	DVD Video (-)
2	YE	-	DVD Video Signal (+)
3	RD	-	Right Audio Signal (+)
4	WH	-	Left Audio Signal (+)
5	BK	-	Ground
6	RD	-	Ignition Voltage

Digital Video Disc (DVD) Display - Passenger Seat Headrest X2 (SPO Accessory) - Digital Video Disc (DVD) Display - Passenger Seat Headrest X2 (SPO Accessory)

Digital Video Disc (DVD) Display - Passenger Seat Headrest X2 (SPO Accessory)



 [Click here for full size](#)

Connector Part Information

- Harness: SPO Accessory Signal Cable
- OEM: Not Available
- Service: Service by Harness - See Part Catalog
- Description: 6-Way F (BU)

Terminal Part Information

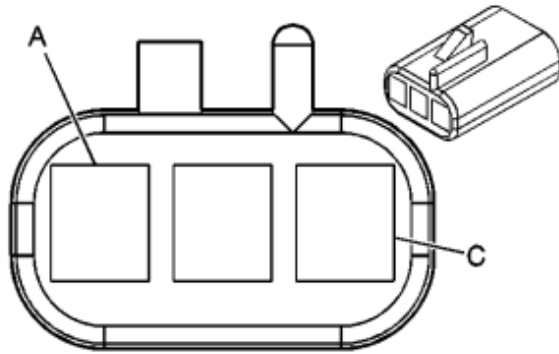
- Terminal/Tray: Service by Harness - See Part Catalog
- Core/Insulation Crimp: Not Available
- Release Tool/Test Probe: Not Available

Digital Video Disc (DVD) Display - Passenger Seat Headrest X2 (SPO Accessory)

Pin	Wire	Circuit	Function
1	BK	-	DVD Video (-)
2	YE	-	DVD Video Signal (+)
3	RD	-	Right Audio Signal (+)
4	WH	-	Left Audio Signal (+)
5	BK	-	I2C Clock Signal
6	RD	-	I2C Data

Dome/Reading Lamps - Dome/Reading Lamps

Dome/Reading Lamps



[Click here for full size](#)

Connector Part Information

- OEM: 12047781
- Service: 12101864
- Description: 3-Way F Metri-Pack 150 Series (BK)

Terminal Part Information

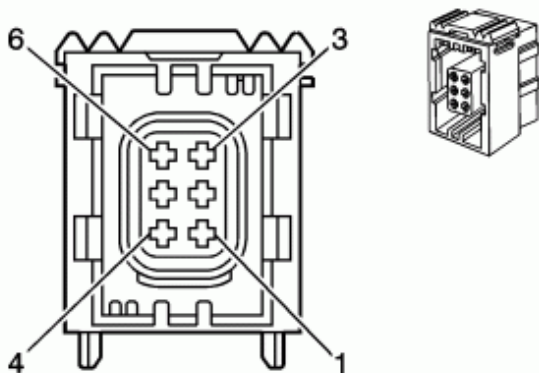
- Terminal/Tray: 12047767/2
- Core/Insulation Crimp: E/C
- Release Tool/Test Probe: 12094429/J-35616-2A (GY)

Dome/Reading Lamps

Pin	Wire	Circuit	Function
A	0.5 GY/BK	690	Courtesy Lamp Supply Voltage
B	0.5 BK	550	Ground
C	0.5 OG	1732	Inadvertent Power Courtesy Lamp

Door Lock - Driver (Base) - Door Lock - Driver (Base)

Door Lock - Driver (Base)



[Click here for full size](#)

Connector Part Information

- OEM: 10768369
- Service: 88986251
- Description: 6-Way F TIMER Micro III Sealed (BK)

Terminal Part Information

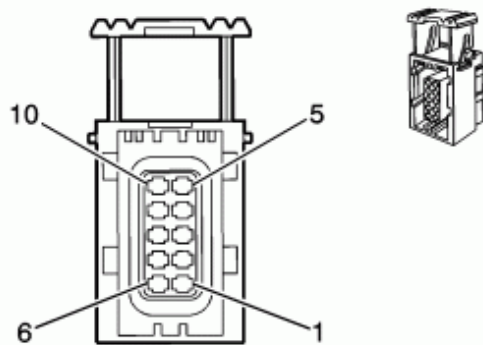
- Terminal/Tray: 4-969005-1/16
- Core/Insulation Crimp: E/1
- Release Tool/Test Probe: J-38125-560/J-35616-33 (YE)

Door Lock - Driver (Base)

Pin	Wire	Circuit	Function
1	—	—	Not Used
2	1 TN	694	Driver Door Lock Actuator Unlock Control
3	1 GY	295	Door Lock Actuator Lock Control
4	0.5 GY/BK	745	Left Front Door Ajar Switch Signal
5	0.5 TN	126	Left Front Door Open Switch Signal
6	0.35 BK	550	Ground

Door Lock - Driver (Uplevel) - Door Lock - Driver (Uplevel)

Door Lock - Driver (Uplevel)



[Click here for full size](#)

Connector Part Information

- OEM: 107683673
- Service: 88952463
- Description: 10-Way F Timer Micro III Sealed (BK)

Terminal Part Information

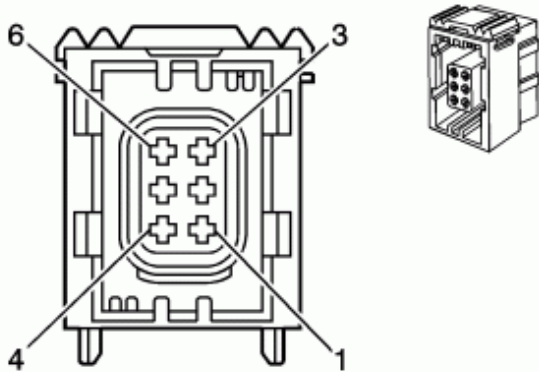
- Terminal/Tray: 964274-2/16
- Core/Insulation Crimp: E/1
- Release Tool/Test Probe: J-38125-560/J-35616-33 (YE)

Door Lock - Driver (Uplevel)

Pin	Wire	Circuit	Function
1	–	–	Not Used
2	1 TN	694	Driver Door Lock Actuator Unlock Control
3	1 GY	295	Door Lock Actuator Lock Control
4-5	–	–	Not Used
6	0.5 GY/BK	745	Left Front Door Ajar Switch Signal
7	0.5 TN	126	Left Front Door Open Switch Signal
8	0.35 BK	550	Ground
9	0.5 PU	1124	Door Lock Key Switch Unlock Signal
10	–	–	Not Used

Door Lock - Left Rear - Door Lock - Left Rear

Door Lock - Left Rear



[Click here for full size](#)

Connector Part Information

- OEM: 10768369
- Service: 88986251
- Description: 6-Way F TIMER Micro III Sealed (BK)

Terminal Part Information

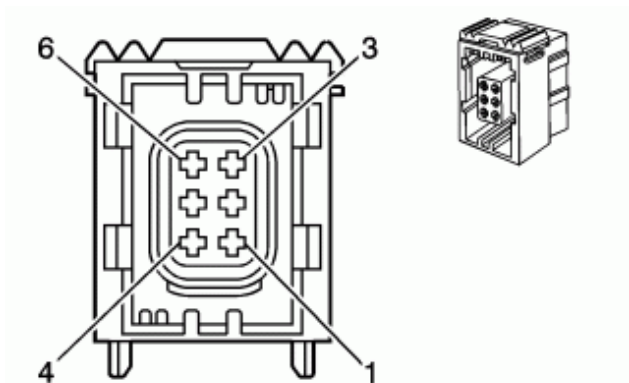
- Terminal/Tray: 964274-2/16
- Core/Insulation Crimp: E/1
- Release Tool/Test Probe: J-38125-560/J-35616-33 (YE)

Door Lock - Left Rear

Pin	Wire	Circuit	Function
1	—	—	Not Used
2	1 TN	294	Door Lock Actuator Unlock Control
3	1 GY	295	Door Lock Actuator Lock Control
4	0.5 L-BU/BK	747	Left Rear Door Ajar Switch Signal
5	0.5 OG	5922	Passenger Door Open Switch Signal
6	0.5 BK	550	Ground

Door Lock - Passenger - Door Lock - Passenger

Door Lock - Passenger


[Click here for full size](#)
Connector Part Information

- OEM: 10768369
- Service: 88986251
- Description: 6-Way F TIMER Micro III Sealed (BK)

Terminal Part Information

- Terminal/Tray: 964274-2/16
- Core/Insulation Crimp: E/1
- Release Tool/Test Probe: J-38125-560/J-35616-33 (YE)

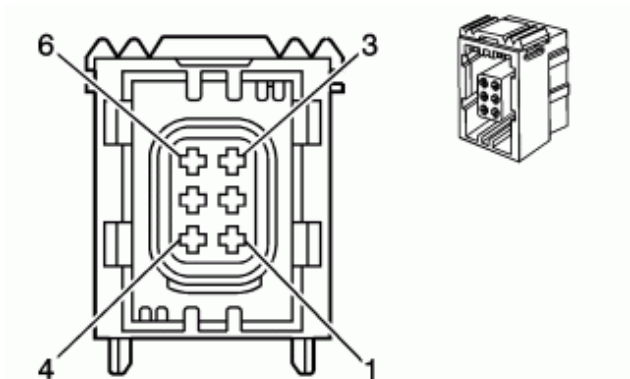
Door Lock - Passenger

Pin	Wire	Circuit	Function
1	0.5 TN/WH	746	Right Front Door Ajar Switch Signal
2	0.5 OG	5922	Passenger Door Open Switch Signal
3	0.35 BK	750	Ground

4	–	–	Not Used
5	1 TN	294	Door Lock Actuator Unlock Control
6	1 GY	295	Door Lock Actuator Lock Control

Door Lock - Right Rear - Door Lock - Right Rear

Door Lock - Right Rear



[Click here for full size](#)

Connector Part Information

- OEM: 10768369
- Service: 88986251
- Description: 6-Way F TIMER Micro III Sealed (BK)

Terminal Part Information

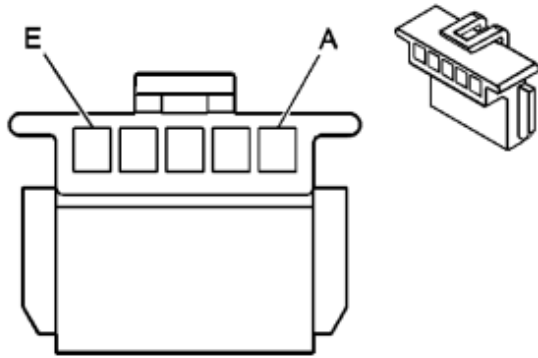
- Terminal/Tray: 964274-2/16
- Core/Insulation Crimp: E/1
- Release Tool/Test Probe: J-38125-560/J-35616-33 (YE)

Door Lock - Right Rear

Pin	Wire	Circuit	Function
1	0.5 L-GN/BK	748	Right Rear Door Ajar Switch Signal
2	0.5 OG	5922	Passenger Door Open Switch Signal
3	0.5 BK	750	Ground
4	–	–	Not Used
5	1 TN	294	Door Lock Actuator Unlock Control
6	1 GY	295	Door Lock Actuator Lock Control

Door Lock Switch - Driver - Door Lock Switch - Driver

Door Lock Switch - Driver



 [Click here for full size](#)

Connector Part Information

- OEM: 12124997
- Service: 12167130
- Description: 5-Way F Metri-Pack 150 Series RT Angled (BK)

Terminal Part Information

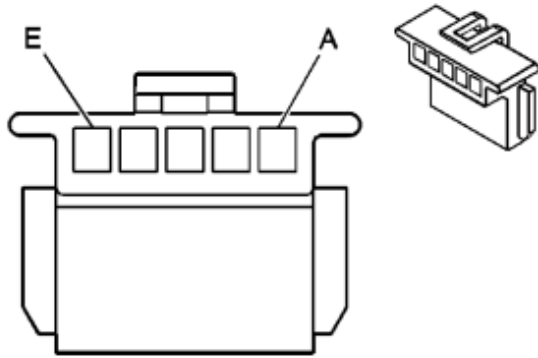
- Terminal/Tray: 12103359/18
- Core/Insulation Crimp: E/C
- Release Tool/Test Probe: 12094429/J-35616-2A (GY)

Door Lock Switch - Driver

Pin	Wire	Circuit	Function
A	0.35 GY	8	Instrument Panel Lamp Supply Voltage
B	0.35 BK	550	Ground
C	—	—	Not Used
D	0.35 OG/BK	780	Driver Door Lock Switch Lock Signal
E	0.35 OG	781	Driver Door Lock Switch Unlock Signal

Door Lock Switch - Passenger - Door Lock Switch - Passenger

Door Lock Switch - Passenger



 [Click here for full size](#)

Connector Part Information

- OEM: 12124997
- Service: 12167130
- Description: 5-Way F Metri-Pack 150 Series RT Angled (BK)

Terminal Part Information

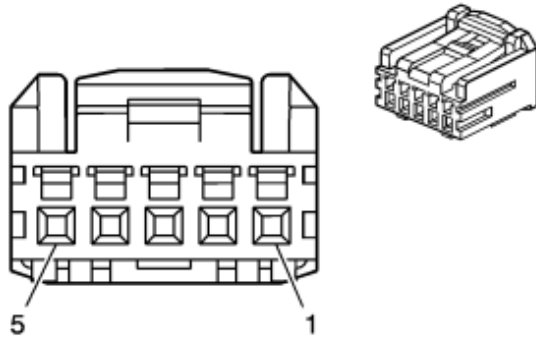
- Terminal/Tray: 12103359/18
- Core/Insulation Crimp: E/C
- Release Tool/Test Probe: 12094429/J-35616-2A (GY)

Door Lock Switch - Passenger

Pin	Wire	Circuit	Function
A	0.35 GY	8	Instrument Panel Lamp Supply Voltage
B	0.5 BK	750	Ground
C	—	—	Not Used
D	0.35 L-BU	244	Passenger Door Lock Switch Lock Signal
E	0.35 D-BU	245	Passenger Door Lock Switch Unlock Signal

Driver Information Center (DIC) Switch - Driver Information Center (DIC) Switch

Driver Information Center (DIC) Switch



 [Click here for full size](#)

Connector Part Information

- OEM: 15491277
- Service: 88988747
- Description: 5-Way F HCM (BK)

Terminal Part Information

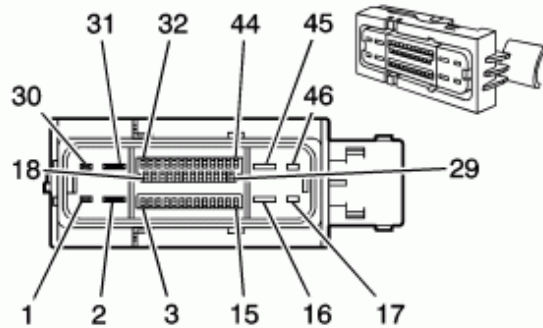
- Terminal/Tray: SHCM-A03T-P025/20
- Core/Insulation Crimp: J/J
- Release Tool/Test Probe: 12094429/J-35616-64A (L-BU)

Driver Information Center (DIC) Switch

Pin	Wire	Circuit	Function
1	0.35 D-GN/WH	1358	DIC Switch Signal
2	0.35 BN	897	DIC Switch Low Reference
3	0.35 PK	893	DIC Select Menu Switch Signal
4	0.35 PU/WH	1382	LED Dimming Supply
5	0.5 BK	1450	Ground

Electronic Brake Control Module (EBCM) (JL9) - Electronic Brake Control Module (EBCM) (JL9)

Electronic Brake Control Module (EBCM) (JL9)



 [Click here for full size](#)

Connector Part Information

- OEM: 13608443 (LZE, LZ4), 15492334 (LGD)
- Service: See Catalog (LZE, LZ4), 88988755 (LGD)
- Description: 46-Way F 0.64 6.3 Series, Sealed (BK)

Terminal Part Information

- Pins: 2, 31
- Terminal/Tray: 7116-4142-02/10
- Core/Insulation Crimp: D/3
- Release Tool/Test Probe: 12094430/J-35616-42 (RD)

- Pins: 3, 4, 18, 19, 32
- Terminal/Tray: 638551-1/16
- Core/Insulation Crimp: J/J
- Release Tool/Test Probe: 15315247/J-35616-64B (L-BU)

- Pins: 12, 13, 21, 26, 27, 41-44
- Terminal/Tray: 638551-1/16
- Core/Insulation Crimp: K/K
- Release Tool/Test Probe: 15315247/J-35616-64B (L-BU)

- Pins: 16, 45
- Terminal/Tray: 7116-4142-02/10
- Core/Insulation Crimp: A/3
- Release Tool/Test Probe: 12094430/J-35616-42 (RD)

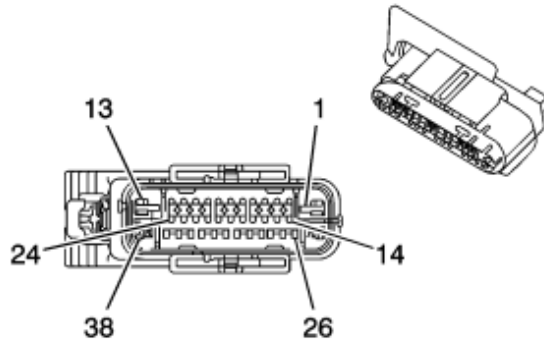
Electronic Brake Control Module (EBCM) (JL9)

Pin	Wire	Circuit	Function
1	—	—	Not Used
2	5 RD/BK	1342	Battery Positive Voltage

3	0.35 TN/BK	2500	High Speed GMLAN Serial Data Bus +
4	0.35 TN/BK	2500	High Speed GMLAN Serial Data Bus +
5-11	—	—	Not Used
12	0.5 L-BU	830	Left Front Wheel Speed Sensor Signal
13	0.5 YE	873	Low Reference
14-15	—	—	Not Used
16	3 BK/WH	251	Ground
17	—	—	Not Used
18	0.35 TN	2501	High Speed GMLAN Serial Data Bus -
19	0.35 TN	2501	High Speed GMLAN Serial Data Bus -
20	—	—	Not Used
21	—	—	Not Used (LZE, LZ4)
	0.5 BN	818	Vehicle Speed Signal (LGD)
22-25	—	—	Not Used
26	0.5 D-GN	872	Right Front Wheel Speed Sensor Signal
27	0.5 TN	833	Low Reference
28-30	—	—	Not Used
31	5 RD/BK	1442	Battery Positive Voltage
32	0.35 L-BU	5986	Serial Data Communication Enable
33-40	—	—	Not Used
41	0.5 OG	885	Low Reference
42	0.5 TN	884	Left Rear Wheel Speed Sensor Signal
43	0.5 BN	882	Right Rear Wheel Speed Sensor Signal
44	0.5 WH	883	Low Reference
45	3 BK/WH	251	Ground
46	—	—	Not Used

Electronic Brake Control Module (EBCM) (JL4) - Electronic Brake Control Module (EBCM) (JL4)

Electronic Brake Control Module (EBCM) (JL4)



 [Click here for full size](#)

Connector Part Information

- OEM: 13676530
- Service: See Catalog
- Description: 38-Way F 0.64, 6.3 GT 280 Series, Sealed (BK)

Terminal Part Information

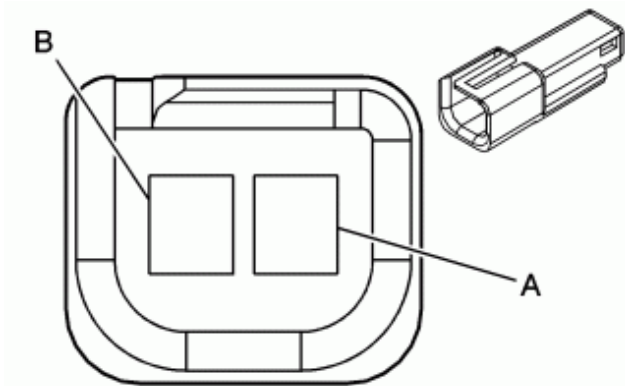
- Pins: 1
 - Terminal/Tray: 7116-4142-02/10
 - Core/Insulation Crimp: A/3
 - Release Tool/Test Probe: 12094430/J-35616-42 (RD)
- Pins: 3, 4, 12, 15-19, 21, 23, 24, 27, 28, 30, 33, 36, 37
 - Terminal/Tray: SAITS-A03T-M064/14
 - Core/Insulation Crimp: 9/9
 - Release Tool/Test Probe: J-38125-215/J-35616-64B (L-BU)
- Pins: 13
 - Terminal/Tray: 7116-4142-02/10
 - Core/Insulation Crimp: D/3
 - Release Tool/Test Probe: 12094430/J-35616-42 (RD)
- Pins: 25
 - Terminal/Tray: 15304720/19
 - Core/Insulation Crimp: 4/5
 - Release Tool/Test Probe: 15315247/J-35616-4A (PU)
- Pins: 38
 - Terminal/Tray: 15392777/23
 - Core/Insulation Crimp: B/5
 - Release Tool/Test Probe: 15315247/J-35616-4A (PU)

Electronic Brake Control Module (EBCM) (JL4)

Pin	Wire	Circuit	Function
1	3 BK/WH	251	Ground
2	—	—	Not Used
3	0.5 BN	882	Right Rear Wheel Speed Sensor Signal
4	0.5 TN	884	Left Rear Wheel Speed Sensor Signal
5-11	—	—	Not Used
12	0.35 L-BU	5986	Serial Data Communication Enable (JL9)
13	5 RD/BK	1442	Battery Positive Voltage
14	—	—	Not Used
15	0.5 WH	883	Low Reference
16	0.5 OG	885	Low Reference
17	0.5 D-GN	872	Right Front Wheel Speed Sensor Signal
18	0.35 GY	1056	Steering Wheel Position Sensor 12V Reference Voltage
19	0.35 GY/BK	1337	12-Volt Reference
20	—	—	Not Used
21	0.35 L-GN/BK	6432	CAN Bus Low Serial Data
22	—	—	Not Used
23	0.35 TN	2501	High Speed GMLAN Serial Data Bus -
24	0.35 TN	2501	High Speed GMLAN Serial Data Bus -
25	3 BK/WH	251	Ground
26	—	—	Not Used
27	0.5 YE	873	Low Reference
28	0.5 L-BU	830	Left Front Wheel Speed Sensor Signal
29	—	—	Not Used
30	0.5 TN	833	Low Reference
31-32	—	—	Not Used
33	0.35 TN/WH	6433	CAN Bus High Serial Data
34-35	—	—	Not Used
36	0.35 TN/BK	2500	High Speed GMLAN Serial Data Bus +
37	0.35 TN/BK	2500	High Speed GMLAN Serial Data Bus +
38	5 RD/BK	1342	Battery Positive Voltage

**Emergency Vehicle Rear Window Panel Lamp - Left (T53) -
Emergency Vehicle Rear Window Panel Lamp - Left (T53)**

Emergency Vehicle Rear Window Panel Lamp - Left (T53)



[Click here for full size](#)

Connector Part Information

- OEM: 12047663
- Service: 12085481
- Description: 2-Way M Metri-Pack 150 Series (BK)

Terminal Part Information

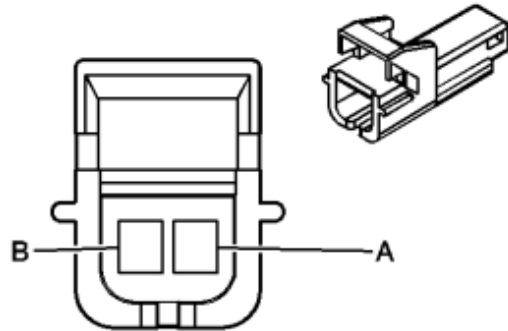
- Terminal/Tray: 12047581/2
- Core/Insulation Crimp: E/A
- Release Tool/Test Probe: 12094429/J-35616-3 (GY)

Emergency Vehicle Rear Window Panel Lamp - Left (T53)

Pin	Wire	Circuit	Function
A	0.8 YE	18	Left Rear Stop/Turn Lamp Supply Voltage
B	—	—	Not Used

Emergency Vehicle Rear Window Panel Lamp - Right (T53) -
Emergency Vehicle Rear Window Panel Lamp - Right (T53)

Emergency Vehicle Rear Window Panel Lamp - Right (T53)



[Click here for full size](#)

Connector Part Information

- OEM: 12047663
- Service: 12085481
- Description: 2-Way M Metri-Pack 150 Series (BK)

Terminal Part Information

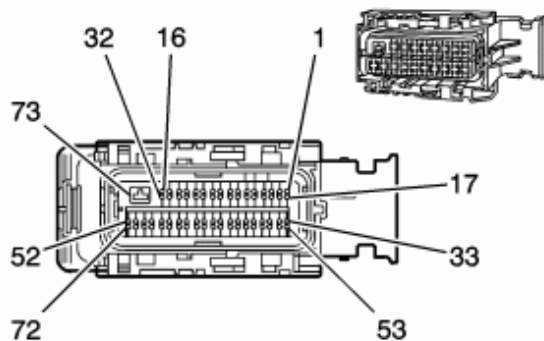
- Terminal/Tray: 12047581/2
- Core/Insulation Crimp: E/A
- Release Tool/Test Probe: 12094429/J-35616-3 (GY)

Emergency Vehicle Rear Window Panel Lamp - Right (T53)

Pin	Wire	Circuit	Function
A	0.8 D-GN	19	Right Rear Stop/Turn Lamp Supply Voltage
B	—	—	Not Used

Engine Control Module (ECM) X1 (LZE, LZ4, LGD) - Engine Control Module (ECM) X1 (LZE, LZ4, LGD)

Engine Control Module (ECM) X1 (LZE, LZ4, LGD)



[Click here for full size](#)

Connector Part Information

- OEM: 13676531
- Service: See Catalog
- Description: 73-Way F 0.64 2.8 Series, Sealed (BK)

Terminal Part Information

- Pins: 1, 12, 13, 16-19, 23-24, 29-34, 36-38, 41, 50, 52, 56, 58-59, 61, 63, 68
- Terminal/Tray: 33467-0003/23
- Core/Insulation Crimp: H/H
- Release Tool/Test Probe: J-38125-213/J-35616-64B (L-BU)
- Pins: 9-11, 20, 27-28, 47, 65
- Terminal/Tray: 33467-0005/23
- Core/Insulation Crimp: J/J
- Release Tool/Test Probe: J-38125-213/J-35616-64B (L-BU)
- Pins: 73
- Terminal/Tray: 7116-4152-02/9
- Core/Insulation Crimp: 2/5
- Release Tool/Test Probe: 12094430/J-35616-35 (VT)

Engine Control Module (ECM) X1 (LZE, LZ4, LGD)

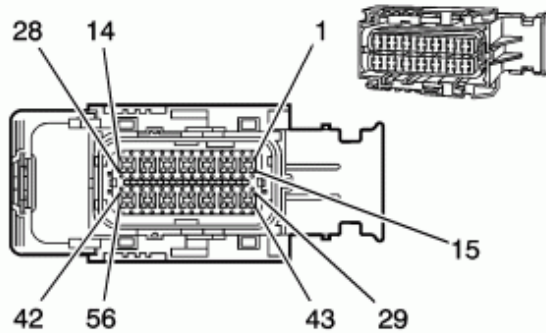
Pin	Wire	Circuit	Function
1	0.35 OG/BK	1786	Park/Neutral Signal
2-8	—	—	Not Used
9	0.5 WH	17	Stop Lamp Switch Signal
10	0.5 PU	3120	HO2S High Signal Sensor 2
11	0.5 TN/WH	3121	HO2S Low Signal Sensor 2
12	0.35 OG/BK	380	A/C Refrigerant Pressure Sensor Signal
13	0.35 TN	5514	Low Reference
14-15	—	—	Not Used
16	0.35 PU	30	Fuel Level Sensor Signal
17	0.35 D-BU	473	High Speed Cooling Fan Relay Control
18	0.35 D-BU	5985	Accessory Wake Up Serial Data
19	0.35 PK	439	Ignition 1 Voltage
20	0.5 RD/WH	540	Battery Positive Voltage
21-22	—	—	Not Used
23	0.35 PU	1272	Low Reference

24	0.35 D-GN	890	Fuel Tank Pressure Sensor Signal
25	0.35 BN	436	AIR Pump Relay Control (NU6)
26	–	–	Not Used
27	0.5 TN	2501	High Speed GMLAN Serial Data Bus-
28	0.5 TN/BK	2500	High Speed GMLAN Serial Data Bus +
29	0.35 D-BU	1161	APP Sensor 1 Signal
30	0.35 BN	1271	Low Reference
31	0.35 TN	2759	Low Reference
32	0.35 L-BU	1162	APP Sensor 2 Signal
33	0.35 GY	2709	5-Volt Reference 1
34	0.35 GY	2700	5-Volt Reference 1
35	–	–	Not Used
36	0.35 TN	1274	5-Volt Reference 1
37	0.35 TN/BK	472	IAT Sensor Signal
38	0.35 TN	2760	Low Reference
39-40	–	–	Not Used
41	0.35 YE	492	MAF Sensor Signal
42-46	–	–	Not Used
47	0.5 PK/BK	5290	Ignition 1 Voltage
48-49	–	–	Not Used
50	0.35 D-GN/WH	465	Fuel Pump Relay Control
51	–	–	Not Used
52	0.35 YE	447	Starter Relay Coil Control
53-55	–	–	Not Used
56	0.35 WH/BK	1164	5-Volt Reference 2
57	–	–	Not Used
58	0.35 D-GN	335	Low Speed Cooling Fan Relay Control
59	0.35 BN	5069	PWR/TRN Relay Control
60	–	–	Not Used
61	0.35 WH	1310	EVAP Canister Vent Solenoid Control
62	–	–	Not Used
63	0.35 D-GN/WH	459	A/C Compressor Clutch Relay Control
64	–	–	Not Used
65	0.5 GY/WH	3122	HO2S Heater Low Control Sensor 2
66-67	–	–	Not Used
68	0.35 BN/WH	419	MIL Control

69-72	-	-	Not Used
73	2 BK/WH	451	Ground

Engine Control Module (ECM) X1 (LS4) - Engine Control Module (ECM) X1 (LS4)

Engine Control Module (ECM) X1 (LS4)



[Click here for full size](#)

Connector Part Information

- OEM: 15492335
- Service: 88988373
- Description: 56-Way F 64 Series, Sealed (BU)

Terminal Part Information

- Terminated Lead: 13575811
- Release Tool: J-38125-213
- Diagnostic Test Probe: J-35616-64B (L-BU)
- Terminal/Tray: 33467-0003/23
- Core/Insulation Crimp: H/H

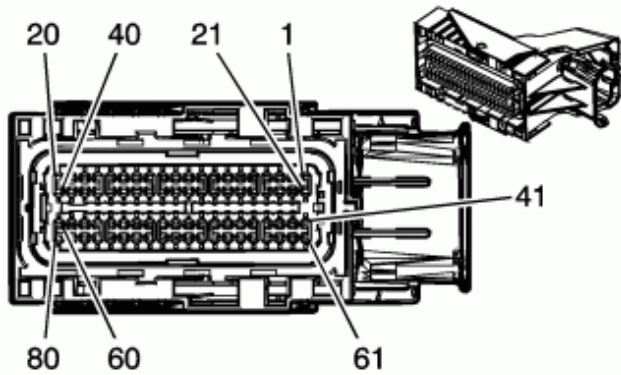
Engine Control Module (ECM) X1 (LS4)

Pin	Wire	Circuit	Function
1-6	-	-	Not Used
7	0.5 WH	17	Stop Lamp Switch Signal
8	-	-	Not Used
9	0.35 TN	2759	Low Reference
10-11	-	-	Not Used
12	0.35 BN/WH	419	MIL Control
13	0.35 D-GN/WH	465	Fuel Pump Relay Control

14-17	—	—	Not Used
18	0.35 D-BU	5985	Accessory Wake Up Serial Data
19	0.35 PK	439	Ignition 1 Voltage
20	0.5 RD/WH	540	Battery Positive Voltage
21-25	—	—	Not Used
26	0.35 YE	447	Starter Relay Coil Control
27-30	—	—	Not Used
31	0.35 YE/BK	6032	Low Reference
32	0.35 GY	6031	5-Volt Reference 2
33	0.35 WH/BK	1164	5-Volt Reference 2
34	0.35 GY/BK	2709	5-Volt Reference 1
35	0.35 TN	1274	5-Volt Reference 1
36	0.35 BN	1271	Low Reference
37	0.35 PU	1272	Low Reference
38-39	—	—	Not Used
40	0.35 BN	5069	PWR/TRN Relay Control
41-43	—	—	Not Used
44	0.35 PU	30	Fuel Level Sensor Signal
45	—	—	Not Used
46	0.35 OG	6030	Brake Booster Vacuum Signal
47	0.35 D-BU	1161	APP Sensor 1 Signal
48	0.35 D-GN	890	Fuel Tank Pressure Sensor Signal
49	0.35 L-BU	1162	APP Sensor 2 Signal
50-52	—	—	Not Used
53	0.35 D-GN/WH	459	A/C Compressor Clutch Relay Control
54	0.35 D-BU	473	High Speed Cooling Fan Relay Control
55	0.35 WH	1310	EVAP Canister Vent Solenoid Control
56	—	—	Not Used

Engine Control Module (ECM) X2 (LZE, LZ4, LGD) - Engine Control Module (ECM) X2 (LZE, LZ4, LGD)

Engine Control Module (ECM) X2 (LZE, LZ4, LGD)



[Click here for full size](#)

Connector Part Information

- OEM: 13676531 (without NU6), 13676535 (NU6)
- Service: See Catalog
- Description: 80-Way F 0.64 Series, Sealed (BK)

Terminal Part Information

- Pins: 1, 3, 5-6, 12, 17-20, 22, 26-27, 29-30, 32, 34-35, 37, 40-41, 43, 50-51, 53, 56-58, 61, 63, 65, 67
- Terminal/Tray: 33467-0005/23
- Core/Insulation Crimp: J/J
- Release Tool/Test Probe: J-38125-213/J-35616-64B (L-BU)
- Pins: 2, 7-8, 16, 21, 44, 52, 64, 66, 68-72, 78
- Terminal/Tray: 33467-0003/23
- Core/Insulation Crimp: H/H
- Release Tool/Test Probe: J-38125-213/J-35616-64B (L-BU)

Engine Control Module (ECM) X2 (LZE, LZ4, LGD)

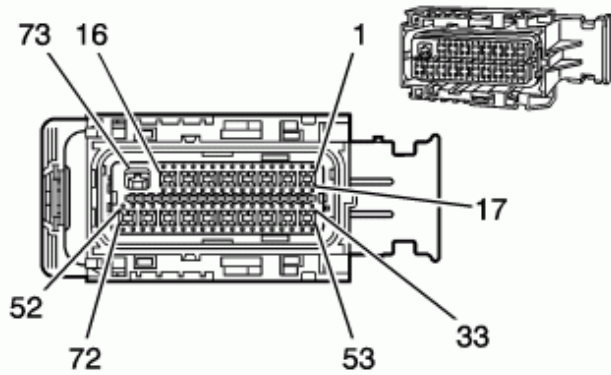
Pin	Wire	Circuit	Function
1	0.5 GY	474	5-Volt Reference (NU6)
2	0.35 PU/WH	6270	5-Volt Reference 2
3	0.5 GY	2701	5-Volt Reference 2
4	—	—	Not Used
5	0.5 YE	581	TAC Motor Control - 1
6	0.5 BN	582	TAC Motor Control - 2
7	0.35 PK/BK	429	AIR Solenoid Control (NU6)
8	0.35 D-GN/WH	428	EVAP Canister Purge Solenoid Control
9-11	—	—	Not Used

12	0.5 GY/WH	3113	HO2S Heater Low Control Sensor 1
13-15	—	—	Not Used
16	0.35 BN	2198	Camshaft Position Actuator Solenoid High Control
17	0.5 L-GN/BK	1745	Fuel Injector 2 Control
18	0.5 YE/BK	846	Fuel Injector 6 Control
19	0.5 TN/WH	845	Fuel Injector 5 Control
20	0.5 TN	1744	Fuel Injector 1 Control
21	0.35 YE	410	ECT Sensor Signal
22	0.5 TN	2761	Low Reference
23-25	—	—	Not Used
26	0.5 D-BU	496	KS 1 Signal
27	0.5 GY	1716	KS 1 Signal
28	—	—	Not Used
29	0.5 L-BU	1876	KS 2 Signal
30	0.5 GY	2303	KS 2 Signal
31	—	—	Not Used
32	0.5 GY	23	Generator Field Duty Cycle Signal
33	—	—	Not Used
34	0.5 BK	2755	Low Reference
35	0.5 TN	2752	Low Reference
36	—	—	Not Used
37	0.5 L-BU/BK	844	Fuel Injector 4 Control
38-39	—	—	Not Used
40	0.5 PK/BK	1746	Fuel Injector 3 Control
41	0.5 GY	2705	5-Volt Reference 1
42	—	—	Not Used
43	0.5 GY	2704	5-Volt Reference 1
44	0.35 D-BU	6259	5-Volt Reference 1
45-49	—	—	Not Used
50	0.5 TN/WH	331	Oil Pressure Sensor Signal
51	0.5 TN	476	Low Reference (NU6)

52	0.35 TN	2199	Low Reference
53	0.5 OG/BK	469	Low Reference
54- 55	—	—	Not Used
56	0.5 TN/WH	3111	HO2S Low Signal Sensor 1
57	0.5 PU/WH	3110	HO2S High Signal Sensor 1
58	0.5 L-GN	432	MAP Sensor Signal
59- 60	—	—	Not Used
61	0.5 OG	225	Generator Turn On Signal
62	—	—	Not Used
63	0.5 PU	486	TP Sensor 2 Signal
64	0.35 BN/WH	633	CMP Sensor Signal
65	0.5 D-GN	485	TP Sensor 1 Signal
66	0.35 PK/BK	632	Low Reference
67	0.5 WH	5268	Air Pressure Sensor Signal (NU6)
68	0.35 WH/BK	6271	CKP Sensor Signal
69	0.35 GY/BK	6272	Low Reference
70	0.35 PU	2121	IC 1 Control
71	0.35 OG/WH	2122	IC 2 Control
72	0.35 L-BU	2123	IC 3 Control
73- 77	—	—	Not Used
78	0.35 YE	2174	Low Reference
79- 80	—	—	Not Used

Engine Control Module (ECM) X2 (LS4) - Engine Control Module (ECM) X2 (LS4)

Engine Control Module (ECM) X2 (LS4)



[Click here for full size](#)

Connector Part Information

- OEM: 13574286
- Service: See Catalog
- Description: 73-Way F MX123 34566 Series (BK)

Terminal Part Information

- Pins: 1-5, 11-13, 16-19, 33-35, 48-49, 52-55, 68-72
- Terminal/Tray: 33467-0005/23
- Core/Insulation Crimp: J/J
- Release Tool/Test Probe: J-38125-213/J-35616-64B (L-BU)
- Pins: 6-9, 23-24, 27, 29, 39-40, 42-44, 59-60, 62-64, 66-67
- Terminal/Tray: 33467-0003/23
- Core/Insulation Crimp: H/H
- Release Tool/Test Probe: J-38125-213/J-35616-64B (L-BU)
- Pins: 73
- Terminal/Tray: 1326030-8/17
- Core/Insulation Crimp: A/4
- Release Tool/Test Probe: 12094429/J-35616-35 (VT)

Engine Control Module (ECM) X2 (LS4)

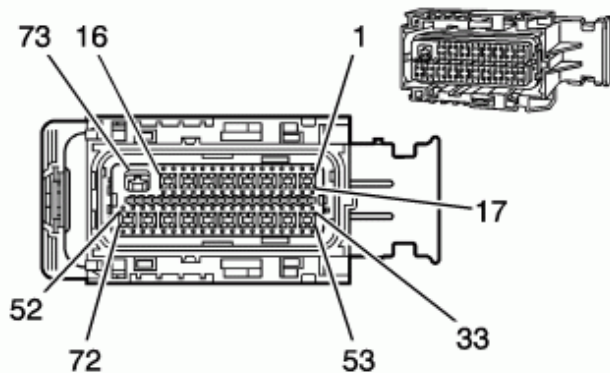
Pin	Wire	Circuit	Function
1	0.5 PU	2121	IC 1 Control
2	0.5 TN	1664	HO2S Low Signal Sensor 1
3	0.5 PU/WH	1665	HO2S High Signal Sensor 1
4	0.5 PU/WH	1668	HO2S High Signal Sensor 2
5	0.5 TN/WH	1669	HO2S Low Signal Sensor 2
6	0.35 L-BU	1876	KS 2 Signal

7	0.35 GY	2303	KS 2 Signal
8	0.35 D-BU	496	KS 1 Signal
9	0.35 GY	1716	KS 1 Signal
10	—	—	Not Used
11	0.5 YE	581	TAC Motor Control - 1
12	0.5 BN	582	TAC Motor Control - 2
13	0.5 PK/BK	5290	Ignition 1 Voltage
14-15	—	—	Not Used
16	0.5 PK/BK	1746	Fuel Injector 3 Control
17	0.5 PU/WH	2128	IC 8 Control
18	0.5 D-GN/WH	2124	IC 4 Control
19	0.5 BN/WH	2130	Low Reference
20-22	—	—	Not Used
23	0.35 PK/BK	632	Low Reference
24	0.35 BK	2755	Low Reference
25-26	—	—	Not Used
27	0.35 YE/BK	1868	Low Reference
28	—	—	Not Used
29	0.35 TN	2752	Low Reference
30-31	—	—	Not Used
32	0.5 L-GN/BK	1745	Fuel Injector 2 Control
33	0.5 OG	2127	IC 7 Control
34	0.5 D-GN	2125	IC 5 Control
35	0.5 BN	2129	Low Reference
36-38	—	—	Not Used
39	0.35 OG	631	5-Volt Reference 1
40	0.35 GY	2705	5-Volt Reference 1
41	—	—	Not Used
42	0.35 TN	2760	Low Reference
43	0.35 L-GN	1867	5-Volt Reference 2
44	0.35 GY	2701	5-Volt Reference 2
45-47	—	—	Not Used
48	0.5 D-BU/WH	878	Fuel Injector 8 Control
49	0.5 TN/WH	845	Fuel Injector 5 Control
50-51	—	—	Not Used
52	0.5 YE/BK	846	Fuel Injector 6 Control
53		2122	

	0.5 OG/WH		IC 2 Control
54	0.5 L-BU/WH	2126	IC 6 Control
55	0.5 L-BU	2123	IC 3 Control
56-58	—	—	Not Used
59	0.35 BN/WH	633	CMP Sensor Signal
60	0.35 TN/WH	331	Oil Pressure Sensor Signal
61	—	—	Not Used
62	0.35 TN/BK	472	IAT Sensor Signal
63	0.35 D-BU/WH	1869	CKP Sensor Signal
64	0.35 D-GN	485	TP Sensor 1 Signal
65	—	—	Not Used
66	0.35 PU	486	TP Sensor 2 Signal
67	0.35 YE	492	MAF Sensor Signal
68	0.5 GY/WH	3113	HO2S Heater Low Control Sensor 1
69	0.5 BN	2391	HO2S Heater Low Control Sensor 2
70	0.5 L-BU/BK	844	Fuel Injector 4 Control
71	0.5 OG/BK	877	Fuel Injector 7 Control
72	0.5 TN	1744	Fuel Injector 1 Control
73	2 BK/WH	451	Ground

Engine Control Module (ECM) X3 (LS4) - Engine Control Module (ECM) X3 (LS4)

Engine Control Module (ECM) X3 (LS4)



[Click here for full size](#)

Connector Part Information

- OEM: 13584164
- Service: See Catalog

- Description: 73-Way F MX123 34566 Series (GY)

Terminal Part Information

- Pins: 7, 10-11, 23, 29, 33, 39, 48, 53, 59, 66, 68-69
- Terminal/Tray: 33467-0005/23
- Core/Insulation Crimp: J/J
- Release Tool/Test Probe: J-38125-213/J-35616-64B (L-BU)

- Pins: 21, 35, 37, 46, 49, 55, 57
- Terminal/Tray: 33467-0003/23
- Core/Insulation Crimp: H/H
- Release Tool/Test Probe: J-38125-213/J-35616-64B (L-BU)

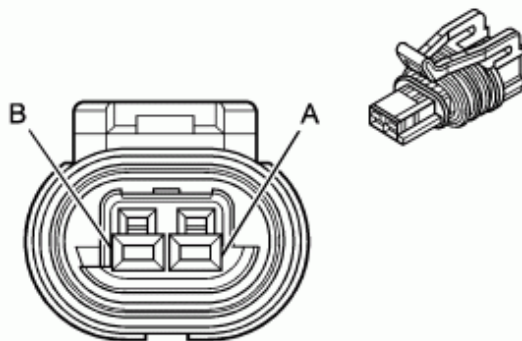
Engine Control Module (ECM) X3 (LS4)

Pin	Wire	Circuit	Function
1-6	—	—	Not Used
7	0.5 OG	225	Generator Turn On Signal
8-9	—	—	Not Used
10	0.5 TN	5496	Cylinder Shutoff Solenoid Control 3
11	0.5 D-BU	5491	Cylinder Shutoff Solenoid Control 1
12-20	—	—	Not Used
21	0.35 BK/WH	2751	Low Reference
22	—	—	Not Used
23	0.5 OG/BK	469	Low Reference
24-28	—	—	Not Used
29	0.5 GY	23	Generator Field Duty Cycle Signal
30-32	—	—	Not Used
33	0.5 TN	2501	High Speed GMLAN Serial Data Bus -
34	—	—	Not Used
35	0.35 TN	2761	Low Reference
36	—	—	Not Used
37	0.35 GY	2700	5-Volt Reference 1
38	—	—	Not Used
39	0.5 GY	2704	5-Volt Reference 1
40-45	—	—	Not Used
46	0.35 OG/BK	1786	Park/Neutral Signal
47	—	—	Not Used
48	0.5 D-GN/WH	428	EVAP Canister Purge Solenoid Control

49	0.35 D-GN	335	Low Speed Cooling Fan Relay Control
50-52	—	—	Not Used
53	0.5 TN/BK	2500	High Speed GMLAN Serial Data Bus +
54	—	—	Not Used
55	0.35 YE	410	ECT Sensor Signal
56	—	—	Not Used
57	0.35 OG/BK	380	A/C Refrigerant Pressure Sensor Signal
58	—	—	Not Used
59	0.5 L-GN	432	MAP Sensor Signal
60-65	—	—	Not Used
66	0.5 OG	381	Vehicle Speed Signal
67	—	—	Not Used
68	0.5 WH	5497	Cylinder Shutoff Solenoid Control 2
69	0.5 OG	5494	Cylinder Shutoff Solenoid Control 4
70-73	—	—	Not Used

Engine Coolant Temperature (ECT) Sensor - Engine Coolant Temperature (ECT) Sensor

Engine Coolant Temperature (ECT) Sensor



[Click here for full size](#)

Connector Part Information

- OEM: 15449028
- Service: 88987993
- Description: 2-Way F GT 150 Series, Sealed (BK)

Terminal Part Information

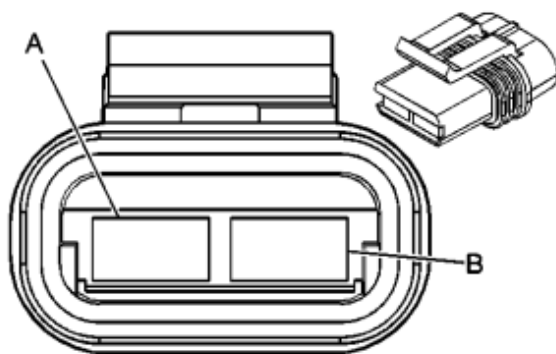
- Terminal/Tray: 15326267/19
- Core/Insulation Crimp: E/4
- Release Tool/Test Probe: 15315247/J-35616-2A (GY)

Engine Coolant Temperature (ECT) Sensor

Pin	Wire	Circuit	Function
A	0.5 OG/BK	469	Low Reference (LZE, LZ4, LGD)
	0.35 TN	2761	Low Reference (LS4)
B	0.5 YE	410	ECT Sensor Signal (LZE, LZ4, LGD)
	0.35 YE	410	ECT Sensor Signal (LS4)

Engine Cooling Fan - Left - Engine Cooling Fan - Left

Engine Cooling Fan - Left



[Click here for full size](#)

Connector Part Information

- OEM: 12033769
- Service: 12101917
- Description: 2-Way F Metri-Pack 630 Series Sealed (BK)

Terminal Part Information

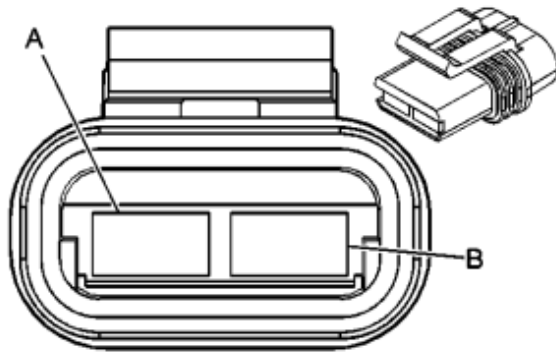
- Terminal/Tray: 12033997/8
- Core/Insulation Crimp: D/B
- Release Tool/Test Probe: 12094430/J-35616-42 (RD)

Engine Cooling Fan - Left

Pin	Wire	Circuit	Function
A	3 GY	532	Cooling Fan Low Reference
B	3 WH	504	Cooling Fan Motor Supply Voltage

Engine Cooling Fan - Right - Engine Cooling Fan - Right

Engine Cooling Fan - Right



[Click here for full size](#)

Connector Part Information

- OEM: 12033769
- Service: 12101917
- Description: 2-Way F Metri-Pack 630 Series Sealed (BK)

Terminal Part Information

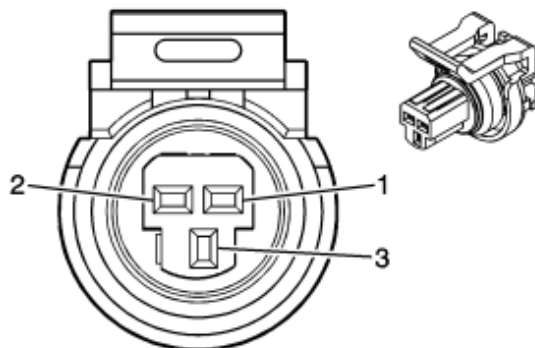
- Terminal/Tray: 12033997/8
- Core/Insulation Crimp: D/B
- Release Tool/Test Probe: 12094430/J-35616-42 (RD)

Engine Cooling Fan - Right

Pin	Wire	Circuit	Function
A	3 BK	250	Ground
B	3 L-BU	409	Cooling Fan Motor Supply Voltage

Engine Oil Pressure (EOP) Sensor (LZE, LZ4, LGD) - Engine Oil Pressure (EOP) Sensor (LZE, LZ4, LGD)

Engine Oil Pressure (EOP) Sensor (LZE, LZ4, LGD)



[Click here for full size](#)

Connector Part Information

- OEM: 15477863
- Service: 88988301
- Description: 3-Way F GT 150 Sealed (BK)

Terminal Part Information

- Terminal/Tray: 15326267/19
- Core/Insulation Crimp: E/4
- Release Tool/Test Probe: 15315247/J-35616-2A (GY)

Engine Oil Pressure (EOP) Sensor (LZE, LZ4, LGD)

Pin	Wire	Circuit	Function
1	0.5 BK	2755	Low Reference
2	0.5 GY	2705	5-Volt Reference 1
3	0.5 TN/WH	331	Oil Pressure Sensor Signal

Engine Oil Pressure (EOP) Sensor (LS4) - Engine Oil Pressure (EOP) Sensor (LS4)

Engine Oil Pressure (EOP) Sensor (LS4)

Image not found: 2159957.gif

Connector Part Information

- OEM: 13512092
- Service: See Catalog
- Description: 3-Way F GT 150 Series, Sealed (BK)

Terminal Part Information

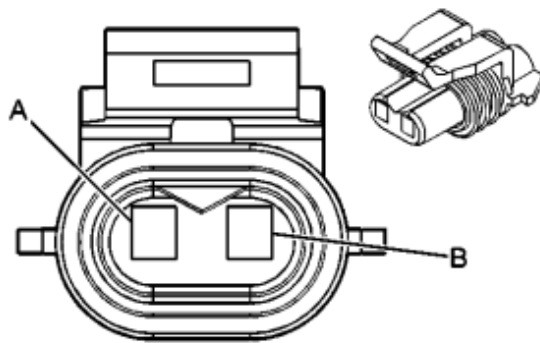
- Terminal/Tray: 12191819/8
- Core/Insulation Crimp: E/A
- Release Tool/Test Probe: 15315247/J-35616-2A (GY)

Engine Oil Pressure (EOP) Sensor (LS4)

Pin	Wire	Circuit	Function
1	0.35 TN/WH	331	Oil Pressure Sensor Signal
2	0.35 GY	2705	5-Volt Reference 1
3	0.35 BK	2755	Low Reference

Evaporative Emission (EVAP) Canister Purge Solenoid Valve - Evaporative Emission (EVAP) Canister Purge Solenoid Valve

Evaporative Emission (EVAP) Canister Purge Solenoid Valve



[Click here for full size](#)

Connector Part Information

- OEM: 12124037 (LZE, LZ4, LGD) 12052643 (LS4)
- Service: 12101858
- Description: 2-Way F Metri-Pack 150 Series, Sealed (BK)

Terminal Part Information

- Terminal/Tray: 12048074/2
- Core/Insulation Crimp: E/1
- Release Tool/Test Probe: 12094429/J-35616-2A (GY)

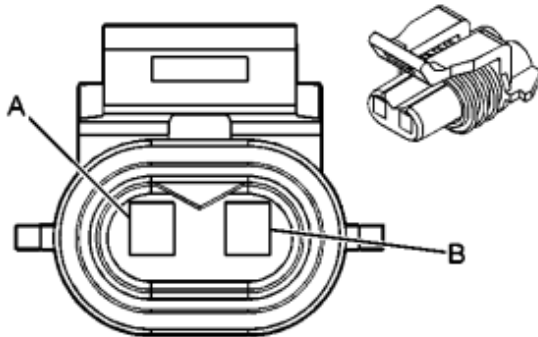
Evaporative Emission (EVAP) Canister Purge Solenoid Valve

Pin	Wire	Circuit	Function
A	0.5 PK/BK	5293	Ignition 1 Voltage
	0.35 D-	428	EVAP Canister Purge Solenoid Control (LZE,

B	GN/WH		LZ4, LGD)
	0.5 D- GN/WH	428	EVAP Canister Purge Solenoid Control (LS4)

Evaporative Emission (EVAP) Canister Vent Solenoid Valve - Evaporative Emission (EVAP) Canister Vent Solenoid Valve

Evaporative Emission (EVAP) Canister Vent Solenoid Valve



[Click here for full size](#)

Connector Part Information

- OEM: 12124037
- Service: 12101858
- Description: 2-Way F Metri-Pack 150 Series, Sealed (BK)

Terminal Part Information

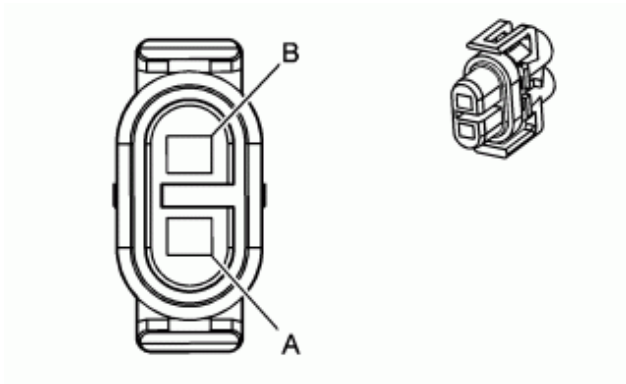
- Terminal/Tray: 12048074/2
- Core/Insulation Crimp: E/1
- Release Tool/Test Probe: 12094429/J-35616-14 (GN)


Evaporative Emission (EVAP) Canister Vent Solenoid Valve

Pin	Wire	Circuit	Function
A	0.5 RD/WH	2840	Battery Positive Voltage
B	0.35 WH	1310	EVAP Canister Vent Solenoid Control

Fog Lamp - Left Front (T96) - Fog Lamp - Left Front (T96)

Fog Lamp - Left Front (T96)



 [Click here for full size](#)

Connector Part Information

- OEM: 13511639
- Service: See Catalog
- Description: 2-Way F Metri-Pack 280 Series, Sealed (BU)

Terminal Part Information

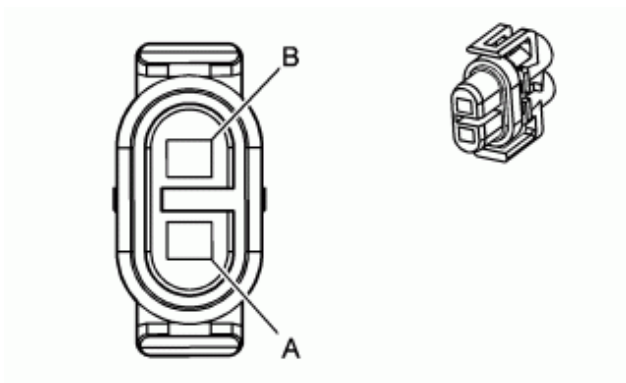
- Terminal/Tray: 12077411/2
- Core/Insulation Crimp: 2/5
- Release Tool/Test Probe: 12094430/J-35616-4A (PU)


Fog Lamp - Left Front (T96)

Pin	Wire	Circuit	Function
A	0.5 PU	34	Front Fog Lamp Supply Voltage
B	0.5 BK	1350	Ground

Fog Lamp - Right Front (T96) - Fog Lamp - Right Front (T96)

Fog Lamp - Right Front (T96)



 [Click here for full size](#)

Connector Part Information

- OEM: 13511639
- Service: See Catalog
- Description: 2-Way F Metri-Pack 280 Series, Sealed (BU)

Terminal Part Information

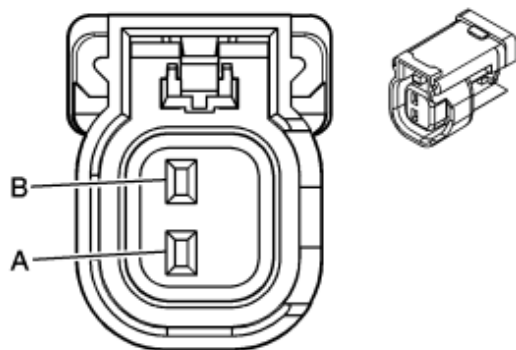
- Terminal/Tray: 12077411/2
- Core/Insulation Crimp: 2/5
- Release Tool/Test Probe: 12094430/J-35616-4A (PU)

Fog Lamp - Right Front (T96)

Pin	Wire	Circuit	Function
A	0.5 PU	34	Front Fog Lamp Supply Voltage
B	0.5 BK	1250	Ground

Fuel Injector 1 (LZE, LZ4, LGD) - Fuel Injector 1 (LZE, LZ4, LGD)

Fuel Injector 1 (LZE, LZ4, LGD)



 [Click here for full size](#)

Connector Part Information

- OEM: 15355226
- Service: 89046636
- Description: 2-Way F Metri-Pack 150 Series, Sealed (BK)

Terminal Part Information

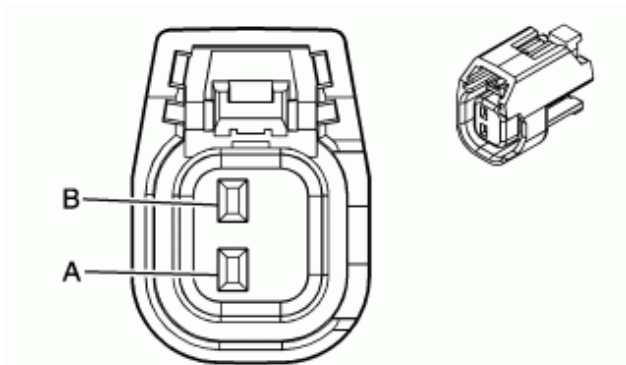
- Terminal/Tray: 12176636/19
- Core/Insulation Crimp: C/1
- Release Tool/Test Probe: 12094429/J-35616-14 (GN)

Fuel Injector 1 (LZE, LZ4, LGD)

Pin	Wire	Circuit	Function
A	0.5 PK	639	Ignition 1 Voltage
B	0.5 BK	1744	Fuel Injector 1 Control

Fuel Injector 1 (LS4) - Fuel Injector 1 (LS4)

Fuel Injector 1 (LS4)



[Click here for full size](#)

Connector Part Information

- OEM: 15419715
- Service: 88988313
- Description: 2-Way F GT 150 Series, Sealed (GY)

Terminal Part Information

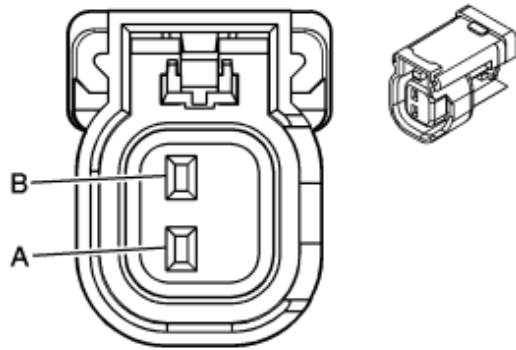
- Terminal/Tray: 12191819/8
- Core/Insulation Crimp: Pins A - 2/1
- Core/Insulation Crimp: Pins B - E/A
- Release Tool/Test Probe: 15315247/J-35616-2A (GY)


Fuel Injector 1 (LS4)

Pin	Wire	Circuit	Function
A	0.8 PK/BK	5291	Ignition 1 Voltage
B	0.5 TN	1744	Fuel Injector 1 Control

Fuel Injector 2 (LZE, LZ4, LGD) - Fuel Injector 2 (LZE, LZ4, LGD)

Fuel Injector 2 (LZE, LZ4, LGD)



 [Click here for full size](#)

Connector Part Information

- OEM: 15355226
- Service: 89046636
- Description: 2-Way F Metri-Pack 150 Series, Sealed (BK)

Terminal Part Information

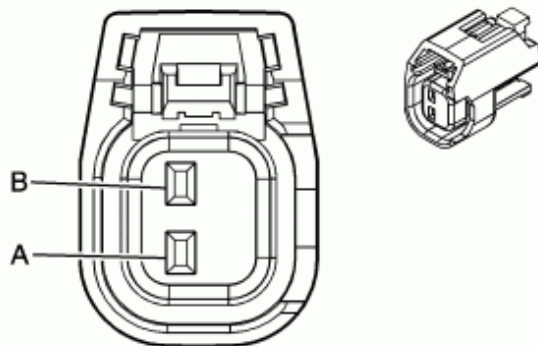
- Terminal/Tray: 12176636/19
- Core/Insulation Crimp: C/1
- Release Tool/Test Probe: 12094429/J-35616-14 (GN)


Fuel Injector 2 (LZE, LZ4, LGD)

Pin	Wire	Circuit	Function
A	0.5 PK	639	Ignition 1 Voltage
B	0.5 OG	1745	Fuel Injector 2 Control

Fuel Injector 2 (LS4) - Fuel Injector 2 (LS4)

Fuel Injector 2 (LS4)



 [Click here for full size](#)

Connector Part Information

- OEM: 15419715
- Service: 88988313
- Description: 2-Way F GT 150 Series, Sealed (GY)

Terminal Part Information

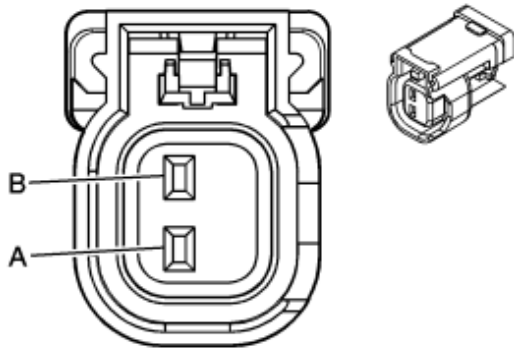
- Terminal/Tray: 12191819/8
- Core/Insulation Crimp: Pins A - 2/1
- Core/Insulation Crimp: Pins B - E/A
- Release Tool/Test Probe: 15315247/J-35616-2A (GY)

Fuel Injector 2 (LS4)

Pin	Wire	Circuit	Function
A	0.8 PK/BK	5292	Ignition 1 Voltage
B	0.5 L-GN/BK	1745	Fuel Injector 2 Control

Fuel Injector 3 (LZE, LZ4, LGD) - Fuel Injector 3 (LZE, LZ4, LGD)

Fuel Injector 3 (LZE, LZ4, LGD)



 [Click here for full size](#)

Connector Part Information

- OEM: 15355226
- Service: 89046636
- Description: 2-Way F Metri-Pack 150 Series, Sealed (BK)

Terminal Part Information

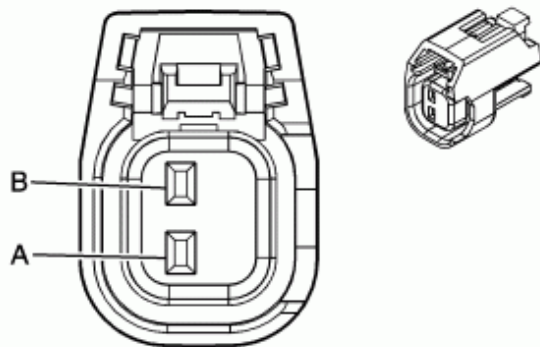
- Terminal/Tray: 12176636/19
- Core/Insulation Crimp: C/1
- Release Tool/Test Probe: 12094429/J-35616-14 (GN)

Fuel Injector 3 (LZE, LZ4, LGD)

Pin	Wire	Circuit	Function
A	0.5 PK	639	Ignition 1 Voltage
B	0.5 PK/BK	1746	Fuel Injector 3 Control

Fuel Injector 3 (LS4) - Fuel Injector 3 (LS4)

Fuel Injector 3 (LS4)



 [Click here for full size](#)

Connector Part Information

- OEM: 15419715
- Service: 88988313
- Description: 2-Way F GT 150 Series, Sealed (GY)

Terminal Part Information

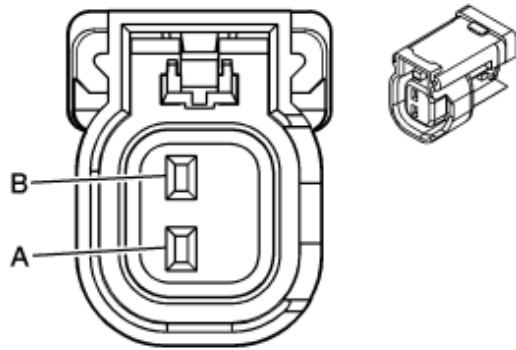
- Terminal/Tray: 12191819/8
- Core/Insulation Crimp: Pins A - 2/1
- Core/Insulation Crimp: Pins B - E/A
- Release Tool/Test Probe: 15315247/J-35616-2A (GY)


Fuel Injector 3 (LS4)

Pin	Wire	Circuit	Function
A	0.8 PK/BK	5291	Ignition 1 Voltage
B	0.5 PK/BK	1746	Fuel Injector 3 Control

Fuel Injector 4 (LZE, LZ4, LGD) - Fuel Injector 4 (LZE, LZ4, LGD)

Fuel Injector 4 (LZE, LZ4, LGD)



 [Click here for full size](#)

Connector Part Information

- OEM: 15355226
- Service: 89046636
- Description: 2-Way F Metri-Pack 150 Series, Sealed (BK)

Terminal Part Information

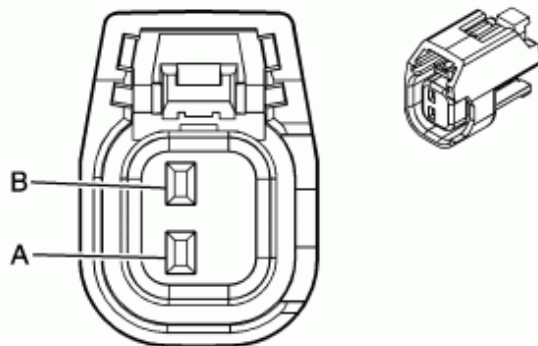
- Terminal/Tray: 12176636/19
- Core/Insulation Crimp: C/1
- Release Tool/Test Probe: 12094429/J-35616-14 (GN)


Fuel Injector 4 (LZE, LZ4, LGD)

Pin	Wire	Circuit	Function
A	0.5 PK	639	Ignition 1 Voltage
B	0.5 D-GN	844	Fuel Injector 4 Control

Fuel Injector 4 (LS4) - Fuel Injector 4 (LS4)

Fuel Injector 4 (LS4)



 [Click here for full size](#)

Connector Part Information

- OEM: 15419715
- Service: 88988313
- Description: 2-Way F GT 150 Series, Sealed (GY)

Terminal Part Information

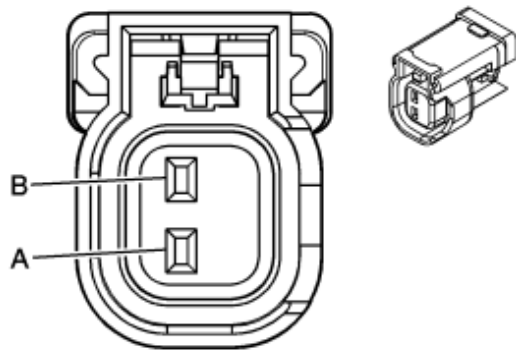
- Terminal/Tray: 12191819/8
- Core/Insulation Crimp: Pins A - 2/1
- Core/Insulation Crimp: Pins B - E/A
- Release Tool/Test Probe: 15315247/J-35616-2A (GY)


Fuel Injector 4 (LS4)

Pin	Wire	Circuit	Function
A	0.8 PK/BK	5292	Ignition 1 Voltage
B	0.5 L-BU/BK	844	Fuel Injector 4 Control

Fuel Injector 5 (LZE, LZ4, LGD) - Fuel Injector 5 (LZE, LZ4, LGD)

Fuel Injector 5 (LZE, LZ4, LGD)



 [Click here for full size](#)

Connector Part Information

- OEM: 15355226
- Service: 89046636
- Description: 2-Way F Metri-Pack 150 Series, Sealed (BK)

Terminal Part Information

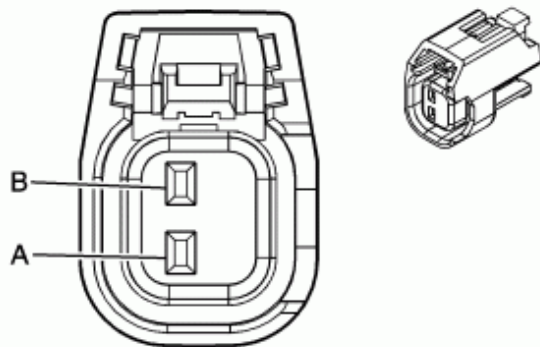
- Terminal/Tray: 12176636/19
- Core/Insulation Crimp: C/1
- Release Tool/Test Probe: 12094429/J-35616-14 (GN)

Fuel Injector 5 (LZE, LZ4, LGD)

Pin	Wire	Circuit	Function
A	0.5 PK	639	Ignition 1 Voltage
B	0.5 BK/WH	845	Fuel Injector 5 Control

Fuel Injector 5 (LS4) - Fuel Injector 5 (LS4)

Fuel Injector 5 (LS4)



 [Click here for full size](#)

Connector Part Information

- OEM: 15419715
- Service: 88988313
- Description: 2-Way F GT 150 Series, Sealed (GY)

Terminal Part Information

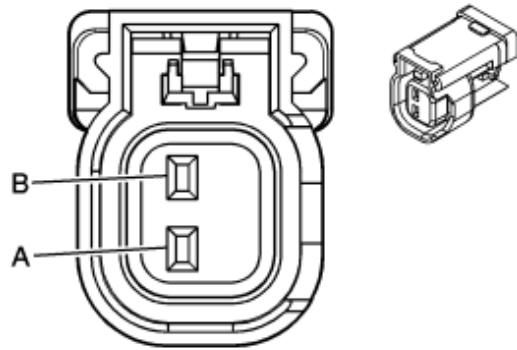
- Terminal/Tray: 12191819/8
- Core/Insulation Crimp: Pins A - 2/1
- Core/Insulation Crimp: Pins B - E/A
- Release Tool/Test Probe: 15315247/J-35616-2A (GY)


Fuel Injector 5 (LS4)

Pin	Wire	Circuit	Function
A	0.8 PK/BK	5291	Ignition 1 Voltage
B	0.5 TN/WH	845	Fuel Injector 5 Control

Fuel Injector 6 (LZE, LZ4, LGD) - Fuel Injector 6 (LZE, LZ4, LGD)

Fuel Injector 6 (LZE, LZ4, LGD)



 [Click here for full size](#)

Connector Part Information

- OEM: 15355226
- Service: 89046636
- Description: 2-Way F Metri-Pack 150 Series, Sealed (BK)

Terminal Part Information

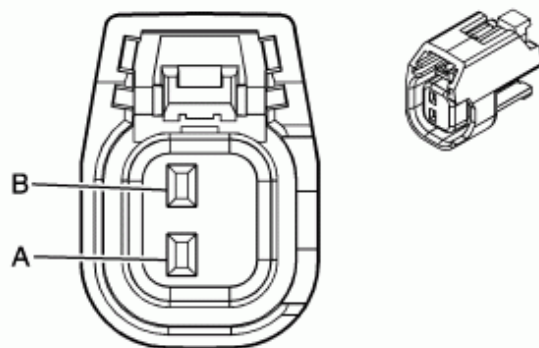
- Terminal/Tray: 12176636/19
- Core/Insulation Crimp: C/1
- Release Tool/Test Probe: 12094429/J-35616-14 (GN)


Fuel Injector 6 (LZE, LZ4, LGD)

Pin	Wire	Circuit	Function
A	0.5 PK	639	Ignition 1 Voltage
B	0.5 WH	846	Fuel Injector 6 Control

Fuel Injector 6 (LS4) - Fuel Injector 6 (LS4)

Fuel Injector 6 (LS4)



 [Click here for full size](#)

Connector Part Information

- OEM: 15419715
- Service: 88988313
- Description: 2-Way F GT 150 Series, Sealed (GY)

Terminal Part Information

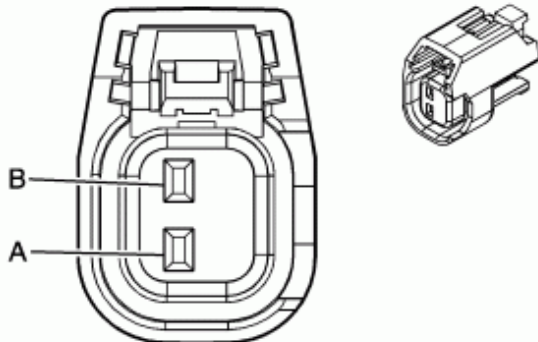
- Terminal/Tray: 12191819/8
- Core/Insulation Crimp: Pins A - 2/1
- Core/Insulation Crimp: Pins B - E/A
- Release Tool/Test Probe: 15315247/J-35616-2A (GY)

Fuel Injector 6 (LS4)

Pin	Wire	Circuit	Function
A	0.8 PK/BK	5292	Ignition 1 Voltage
B	0.5 YE/BK	846	Fuel Injector 6 Control

Fuel Injector 7 (LS4) - Fuel Injector 7 (LS4)

Fuel Injector 7 (LS4)



[Click here for full size](#)

Connector Part Information

- OEM: 15419715
- Service: 88988313
- Description: 2-Way F GT 150 Series, Sealed (GY)

Terminal Part Information

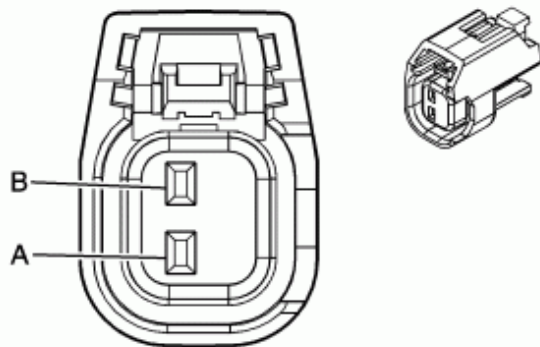
- Terminal/Tray: 12191819/8
- Core/Insulation Crimp: Pins A - 2/1
- Core/Insulation Crimp: Pins B - E/A
- Release Tool/Test Probe: 15315247/J-35616-2A (GY)

Fuel Injector 7 (LS4)

Pin	Wire	Circuit	Function
A	0.8 PK/BK	5291	Ignition 1 Voltage
B	0.5 OG/BK	877	Fuel Injector 7 Control

Fuel Injector 8 (LS4) - Fuel Injector 8 (LS4)

Fuel Injector 8 (LS4)



 [Click here for full size](#)

Connector Part Information

- OEM: 15419715
- Service: 88988313
- Description: 2-Way F GT 150 Series, Sealed (GY)

Terminal Part Information

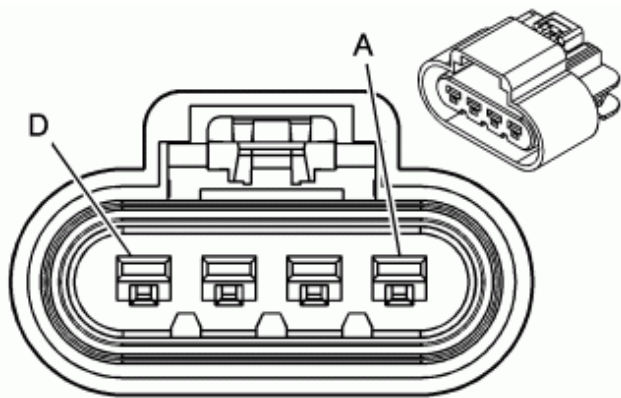
- Terminal/Tray: 12191819/8
- Core/Insulation Crimp: Pins A - 2/1
- Core/Insulation Crimp: Pins B - E/A
- Release Tool/Test Probe: 15315247/J-35616-2A (GY)

Fuel Injector 8 (LS4)

Pin	Wire	Circuit	Function
A	0.8 PK/BK	5292	Ignition 1 Voltage
B	0.5 D-BU/WH	878	Fuel Injector 8 Control

Fuel Pump and Sender Assembly - Fuel Pump and Sender Assembly

Fuel Pump and Sender Assembly



[Click here for full size](#)

Connector Part Information

- OEM: 15326631
- Service: 15306360
- Description: 4-Way F GT 280 Series (BK)

Terminal Part Information

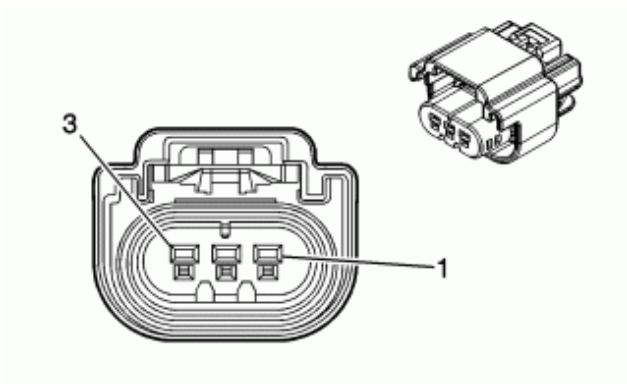
- Terminal/Tray: 15304719/19
- Core/Insulation Crimp: Pins A, D - E/5
- Core/Insulation Crimp: Pins B, C - 2/5
- Release Tool/Test Probe: 15315247/J-35616-4A (PU)

Fuel Pump and Sender Assembly

Pin	Wire	Circuit	Function
A	2 BK	750	Ground
B	0.5 PU	30	Fuel Level Sensor Signal
C	0.35 BK/WH	510	Low Reference
D	2 GY	120	Fuel Pump Supply Voltage

Fuel Tank Pressure (FTP) Sensor - Fuel Tank Pressure (FTP) Sensor

Fuel Tank Pressure (FTP) Sensor



[Click here for full size](#)

Connector Part Information

- OEM: 13522407
- Service: 19179274
- Description: 3-Way F GT 150 Series, Sealed (BK)

Terminal Part Information

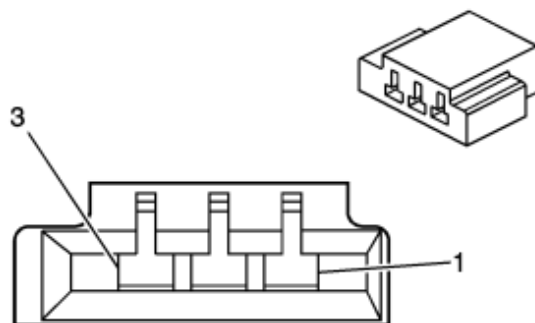
- Terminal/Tray: 12048074/2
- Core/Insulation Crimp: E/1
- Release Tool/Test Probe: 12094429/J-35616-2A (GY)

Fuel Tank Pressure (FTP) Sensor

Pin	Wire	Circuit	Function
1	0.5 D-GN	890	Fuel Tank Pressure Sensor Signal
2	0.5 OG/BK	2759	Low Reference
3	0.5 GY/BK	416	5-Volt Reference 1

Garage Door Opener (UG1) - Garage Door Opener (UG1)

Garage Door Opener (UG1)



[Click here for full size](#)

Connector Part Information

- OEM: 12162335
- Service: 12162335
- Description: 3-Way F P/C Series (WH)

Terminal Part Information

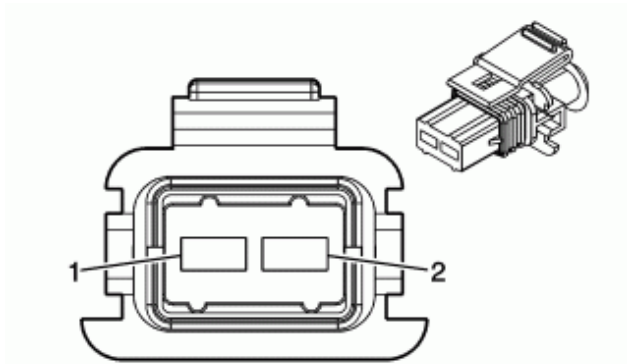
- Terminal/Tray: 08-50-0115/20
- Core/Insulation Crimp: E/C
- Release Tool/Test Probe: J-38125-213/J-35616-4A (PU)

Garage Door Opener (UG1)

Pin	Wire	Circuit	Function
1	0.35 RD/WH	2340	Battery Positive Voltage
2	—	—	Not Used
3	0.35 BK	550	Ground

Generator, X1 - Generator, X1

Generator, X1



[Click here for full size](#)

Connector Part Information

- OEM: 15397337
- Service: 88988744
- Description: 2-Way F Timer JR-Power Sealed (BK)

Terminal Part Information

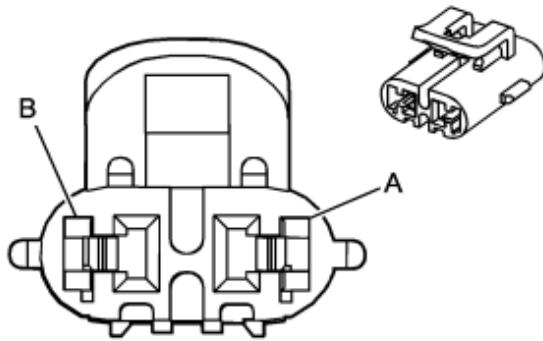
- Terminal/Tray: 4-964286-1/16
- Core/Insulation Crimp: E/1
- Release Tool/Test Probe: 12093647/J-35616-4A (PU)


Generator, X1

Pin	Wire	Circuit	Function
1	0.5 OG	225	Generator Turn On Signal
2	0.5 GY	23	Generator Field Duty Cycle Signal

Headlamp - Left High Beam - Headlamp - Left High Beam

Headlamp - Left High Beam



 [Click here for full size](#)

Connector Part Information

- OEM: H9
- Service: See Catalog
- Description: 2-Way F (BK)

Terminal Part Information

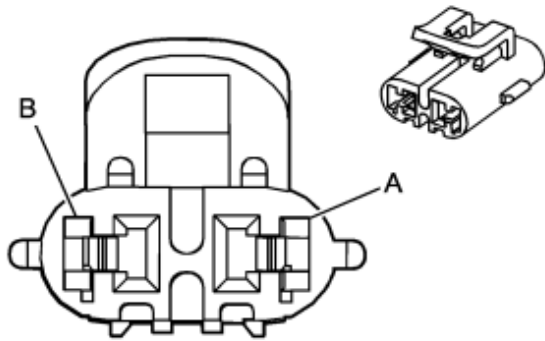
- Terminal/Tray: See Terminal Repair Kit
- Core/Insulation Crimp: See Terminal Repair Kit
- Release Tool/Test Probe: See Terminal Repair Kit


Headlamp - Left High Beam

Pin	Wire	Circuit	Function
A	0.8 BU	711	Left Headlamp High Beam Supply Voltage
B	0.8 BK	1350	Ground

Headlamp - Right High Beam - Headlamp - Right High Beam

Headlamp - Right High Beam



 [Click here for full size](#)

Connector Part Information

- OEM: H9
- Service: See Catalog
- Description: 2-Way F (BK)

Terminal Part Information

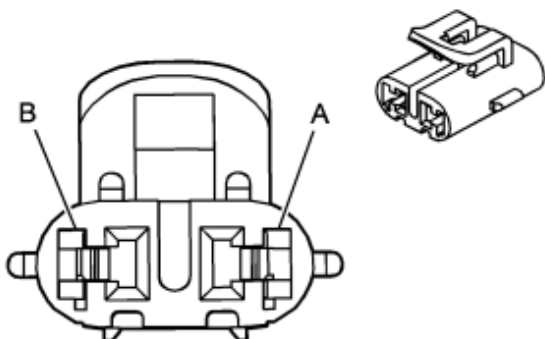
- Terminal/Tray: See Terminal Repair Kit
- Core/Insulation Crimp: See Terminal Repair Kit
- Release Tool/Test Probe: See Terminal Repair Kit


Headlamp - Right High Beam

Pin	Wire	Circuit	Function
A	0.8 BU	311	Right Headlamp High Beam Supply Voltage
B	0.8 BK	1250	Ground

Headlamp - Left Low Beam - Headlamp - Left Low Beam

Headlamp - Left Low Beam



 [Click here for full size](#)

Connector Part Information

- OEM: H11
- Service: See Catalog
- Description: 2-Way F (WH)

Terminal Part Information

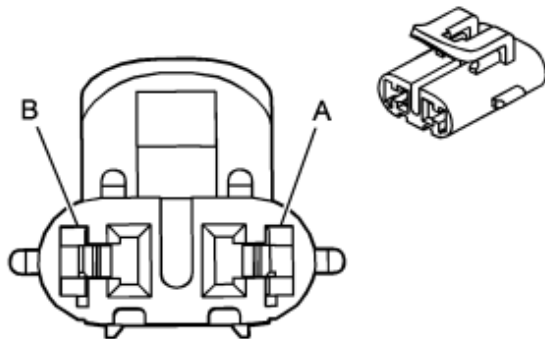
- Terminal/Tray: See Terminal Repair Kit
- Core/Insulation Crimp: See Terminal Repair Kit
- Release Tool/Test Probe: See Terminal Repair Kit

Headlamp - Left Low Beam

Pin	Wire	Circuit	Function
A	0.8 GN	712	Left Headlamp Low Beam Supply Voltage
B	0.8 BK	1350	Ground

Headlamp - Right Low Beam - Headlamp - Right Low Beam

Headlamp - Right Low Beam



 [Click here for full size](#)

Connector Part Information

- OEM: H11
- Service: See Catalog
- Description: 2-Way F (WH)

Terminal Part Information

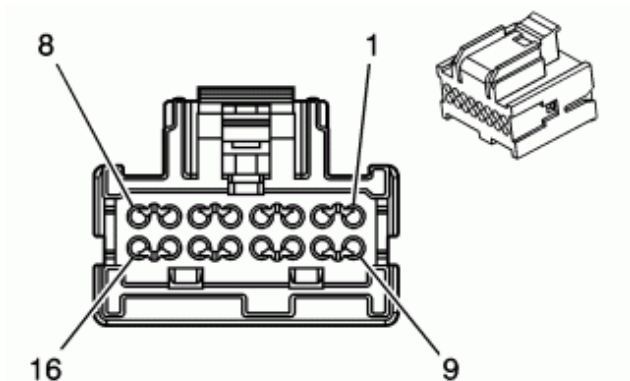
- Terminal/Tray: See Terminal Repair Kit
- Core/Insulation Crimp: See Terminal Repair Kit
- Release Tool/Test Probe: See Terminal Repair Kit

Headlamp - Right Low Beam

Pin	Wire	Circuit	Function
A	0.8 GN	312	Right Headlamp Low Beam Supply Voltage
B	0.8 BK	1250	Ground

Headlamp Switch - Headlamp Switch

Headlamp Switch



[Click here for full size](#)

Connector Part Information

- OEM: 15416970
- Service: 22715969
- Description: 16-Way F Micro 64 Modular (BK)

Terminal Part Information

- Terminal/Tray: 15359541/4
- Core/Insulation Crimp: M/M
- Release Tool/Test Probe: 15381651-2/J-35616-64B (L-BU)

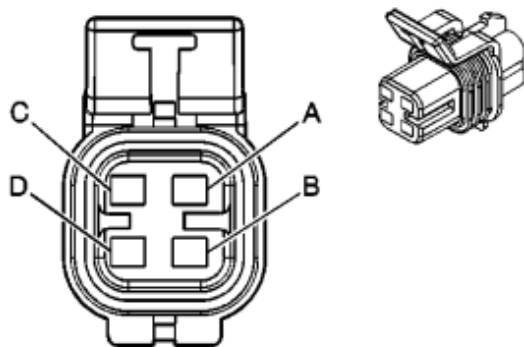
Headlamp Switch

Pin	Wire	Circuit	Function
1	0.35 WH	103	Headlamp Switch Headlamps On Signal
2	0.35 BN/WH	301	Park Lamp Switch On Signal
3	0.35 D-GN	306	Headlamp Switch Headlamps Off Signal
4-5	—	—	Not Used
6	0.35 OG	192	Front Fog Lamp Switch Signal (T96)
7	0.35 GY	8	Instrument Panel Lamp Supply Voltage
8	0.5 BK/WH	1551	Ground
9	0.35 L-BU	383	Trunk Release Control
10	0.35 BN/WH	1571	Traction Control Switch Signal (JL9)

11	–	–	Not Used
12	0.35 PK/BK	1597	Courtesy Lamps Switch On Signal
13	0.35 D-GN	44	Instrument Panel Lamps Dimmer Switch Signal
14	–	–	Not Used
15	0.35 OG/WH	812	IP Dimming Voltage Reference
16	–	–	Not Used

Heated Oxygen Sensor (HO2S) 1 (LZE, LZ4, LGD) - Heated Oxygen Sensor (HO2S) 1 (LZE, LZ4, LGD)

Heated Oxygen Sensor (HO2S) 1 (LZE, LZ4, LGD)



[Click here for full size](#)

Connector Part Information

- OEM: 12176897
- Service: 15305960
- Description: 4-Way F Metri-Pack 150 Series, Sealed (L-GY)

Terminal Part Information

- Terminal/Tray: 12048074/2
- Core/Insulation Crimp: E/1
- Release Tool/Test Probe: 12094429/J-35616-2A (GY)

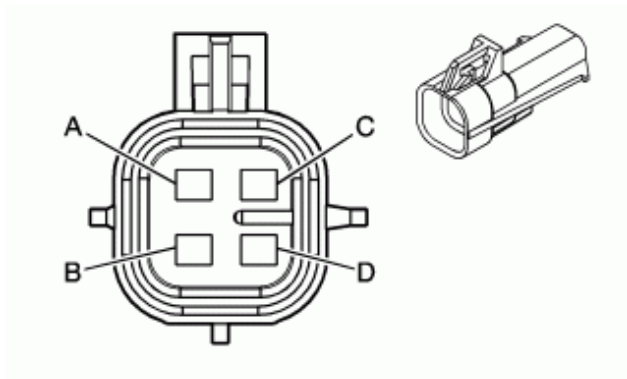
Heated Oxygen Sensor (HO2S) 1 (LZE, LZ4, LGD)

Pin	Wire	Circuit	Function
A	0.5 TN/WH	3111	HO2S Low Signal Sensor 1
B	0.5 PU/WH	3110	HO2S High Signal Sensor 1
C	0.5 GY/WH	3113	HO2S Heater Low Control Sensor 1
D	0.5 PK/BK	5293	Ignition 1 Voltage

Heated Oxygen Sensor (HO2S) 1 (LS4) - Heated Oxygen Sensor

(HO2S) 1 (LS4)

Heated Oxygen Sensor (HO2S) 1 (LS4)



[Click here for full size](#)

Connector Part Information

- OEM: 12160825
- Service: 15305801
- Description: 4-Way M Metri-Pack 150 Series, Sealed (BK)

Terminal Part Information

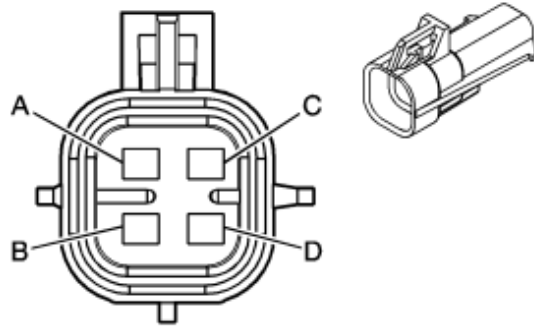
- Terminal/Tray: 12045773/2
- Core/Insulation Crimp: E/1
- Release Tool/Test Probe: 12094429/J-35616-3 (GY)

Heated Oxygen Sensor (HO2S) 1 (LS4)

Pin	Wire	Circuit	Function
A	0.5 TN	1664	HO2S Low Signal Sensor 1
B	0.5 PU/WH	1665	HO2S High Signal Sensor 1
C	0.5 GY/WH	3113	HO2S Heater Low Control Sensor 1
D	0.5 PK/BK	5293	Ignition 1 Voltage

Heated Oxygen Sensor (HO2S) 2 (LZE, LZ4, LGD) - Heated Oxygen Sensor (HO2S) 2 (LZE, LZ4, LGD)

Heated Oxygen Sensor (HO2S) 2 (LZE, LZ4, LGD)



 [Click here for full size](#)

Connector Part Information

- OEM: 15326423
- Service: See Catalog
- Description: 4-Way M Metri-Pack 150 Series, Sealed (GY)

Terminal Part Information

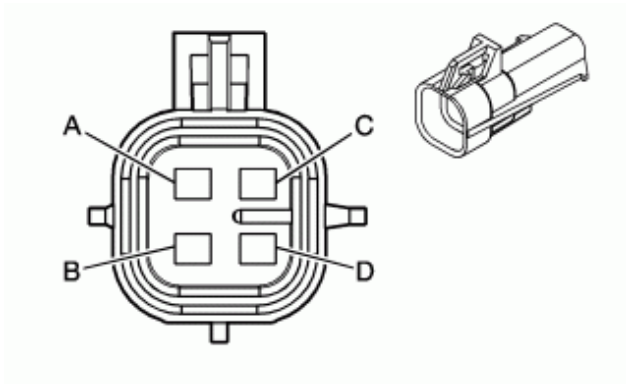
- Terminal/Tray: 12045773/2
- Core/Insulation Crimp: E/1
- Release Tool/Test Probe: 12094429/J-35616-3 (GY)


Heated Oxygen Sensor (HO2S) 2 (LZE, LZ4, LGD)

Pin	Wire	Circuit	Function
A	0.5 TN/WH	3121	HO2S Low Signal Sensor 2
B	0.5 PU	3120	HO2S High Signal Sensor 2
C	0.5 GY/WH	3122	HO2S Heater Low Control Sensor 2
D	0.5 PK/BK	5293	Ignition 1 Voltage

Heated Oxygen Sensor (HO2S) 2 (LS4) - Heated Oxygen Sensor (HO2S) 2 (LS4)

Heated Oxygen Sensor (HO2S) 2 (LS4)



 [Click here for full size](#)

Connector Part Information

- OEM: 12160825
- Service: 15305801
- Description: 4-Way M Metri-Pack 150 Series, Sealed (BK)

Terminal Part Information

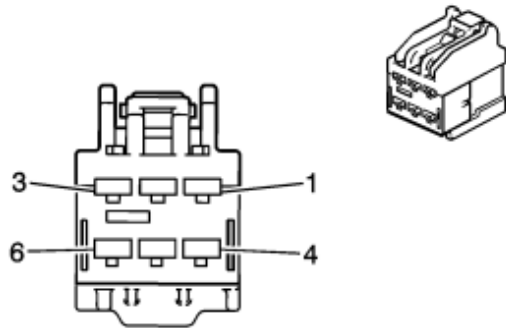
- Terminal/Tray: 12045773/2
- Core/Insulation Crimp: E/1
- Release Tool/Test Probe: 12094429/J-35616-3 (GY)

Heated Oxygen Sensor (HO2S) 2 (LS4)

Pin	Wire	Circuit	Function
A	0.5 TN/WH	1669	HO2S Low Signal Sensor 2
B	0.5 PU/WH	1668	HO2S High Signal Sensor 2
C	0.5 BN	2391	HO2S Heater Low Control Sensor 2
D	0.5 PK/BK	5293	Ignition 1 Voltage

Heated Seat Control Module (KA1) X1 - Heated Seat Control Module (KA1) X1

Heated Seat Control Module (KA1) X1



 [Click here for full size](#)

Connector Part Information

- OEM: 15486524
- Service: See Catalog
- Description: 6-Way F 2.8 mm Sumitomo (BN)

Terminal Part Information

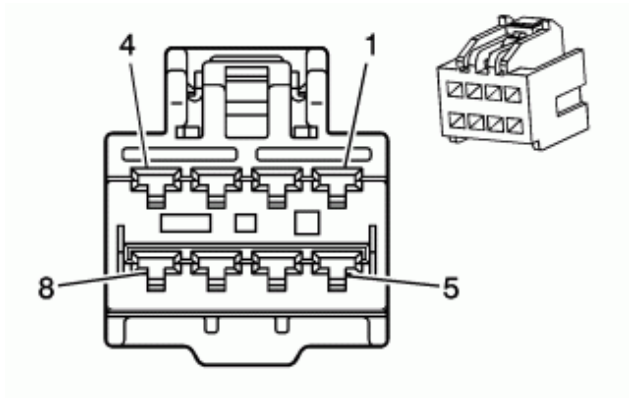
- Terminal/Tray: 8100-4444/22
- Core/Insulation Crimp: 2/A
- Release Tool/Test Probe: 15315247/J-35616-4A (PU)

Heated Seat Control Module (KA1) X1

Pin	Wire	Circuit	Function
1	—	—	Not Used
2	0.8 L-BU	2433	Passenger Heated Seat Back Element Control
3	0.8 PK	2077	Driver Heated Seat Cushion Element Supply Voltage
4	—	—	Not Used
5	0.8 PU	2424	Driver Heated Seat Back Element Control
6	0.8 D-BU	2479	Passenger Heated Seat Element Supply Voltage

Heated Seat Control Module (KA1) X2 - Heated Seat Control Module (KA1) X2

Heated Seat Control Module (KA1) X2



[Click here for full size](#)

Connector Part Information

- OEM: 15491286
- Service: 88988652
- Description: 8-Way F Receptacle 2.8 (BK)

Terminal Part Information

- Pins: 1, 2
- Terminal/Tray: 8100-4444/22
- Core/Insulation Crimp: 2/A
- Release Tool/Test Probe: 15315247/J-35616-4A (PU)
- Pins: 6, 8
- Terminal/Tray: 8100-4443/22
- Core/Insulation Crimp: E/A
- Release Tool/Test Probe: 15315247/J-35616-4A (PU)

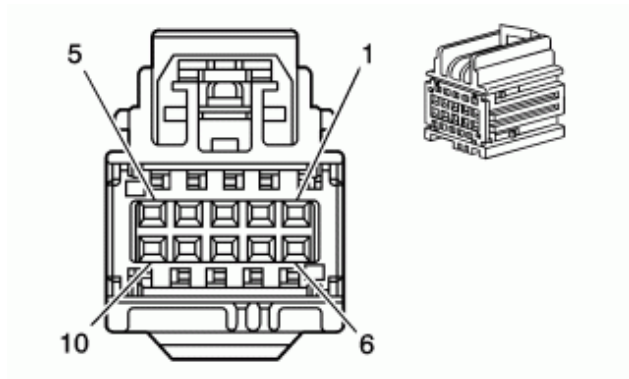
Heated Seat Control Module (KA1) X2

Pin	Wire	Circuit	Function
1	1 RD/WH	1440	Battery Positive Voltage
2	1 BK	550	Ground
3-5	—	—	Not Used
6	0.35 YE	2080	Driver Heated Seat Cushion Temperature Sensor Low Reference
7	—	—	Not Used
8	0.35 PK	2435	Passenger Heated Seat Cushion Temperature Sensor Low Reference

Heated Seat Control Module (KA1) X3 - Heated Seat Control

Module (KA1) X3

Heated Seat Control Module (KA1) X3



 [Click here for full size](#)

Connector Part Information

- OEM: 15491259
- Service: See Catalog
- Description: 10-Way F Yazaki Unsealed (BK)

Terminal Part Information

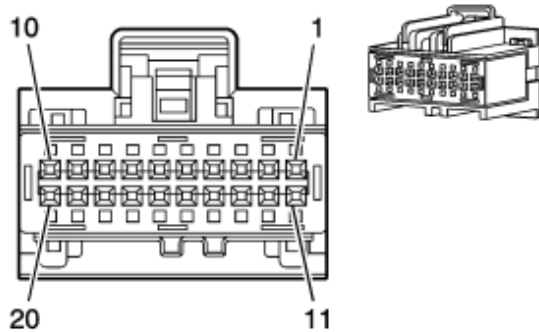
- Terminal/Tray: SAIT-A03T-M064/14
- Core/Insulation Crimp: P/P
- Release Tool/Test Probe: J-38125-215A/J-35616-64B (L-BU)

Heated Seat Control Module (KA1) X3

Pin	Wire	Circuit	Function
1-5	—	—	Not Used
6	0.35 D-GN	5060	Low Speed GMLAN Serial Data
7-10	—	—	Not Used

Heated Seat Control Module (KA1) X4 - Heated Seat Control Module (KA1) X4

Heated Seat Control Module (KA1) X4



 [Click here for full size](#)

Connector Part Information

- OEM: 15489824
- Service: See Catalog
- Description: 20-Way F Receptacle 0.64 (BK)

Terminal Part Information

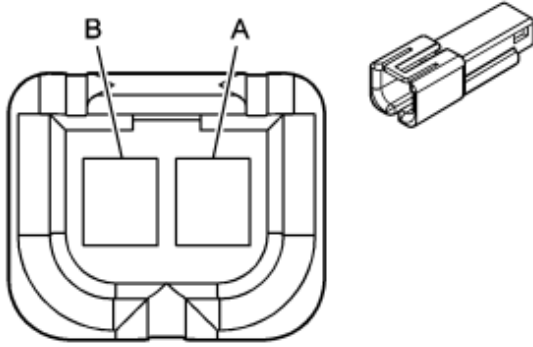
- Terminal/Tray: SAIT-A03T-M064/14
- Core/Insulation Crimp: P/P
- Release Tool/Test Probe: J-38125-215A/J-35616-64B (L-BU)

Heated Seat Control Module (KA1) X4

Pin	Wire	Circuit	Function
1-8	—	—	Not Used
9	0.35 YE/BK	2079	Heated Seat Cushion Temperature Sensor Signal
10- 19	—	—	Not Used
20	0.35 GY	2434	Passenger Heated Seat Cushion Temperature Sensor Signal

Heated Seat Element - Driver Back (KA1) - Heated Seat Element - Driver Back (KA1)

Heated Seat Element - Driver Back (KA1)



[Click here for full size](#)

Connector Part Information

- OEM: 12064778
- Service: 12126020
- Description: 2-Way M Metri-Pack 150 Series (L-GN)

Terminal Part Information

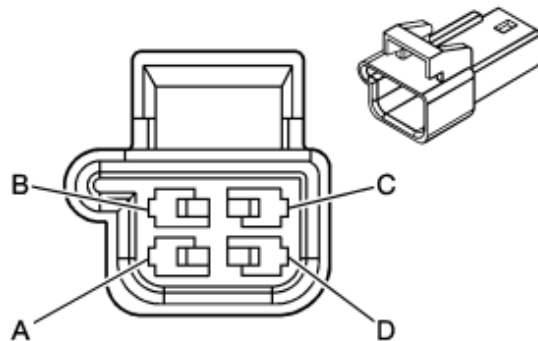
- Terminal/Tray: 12047581/2
- Core/Insulation Crimp: E/A
- Release Tool/Test Probe: 12094429/J-35616-3 (GY)

Heated Seat Element - Driver Back (KA1)

Pin	Wire	Circuit	Function
A	0.8 BN	2432	Driver Heated Seat Back Element Supply Voltage
B	0.8 PU	2424	Driver Heated Seat Back Element Control

Heated Seat Element - Driver Seat (KA1) - Heated Seat Element - Driver Seat (KA1)

Heated Seat Element - Driver Seat (KA1)



[Click here for full size](#)

Connector Part Information

- OEM: 12066496
- Service: See Catalog
- Description: 4-Way M Metri-Pack 150 Series (BK)

Terminal Part Information

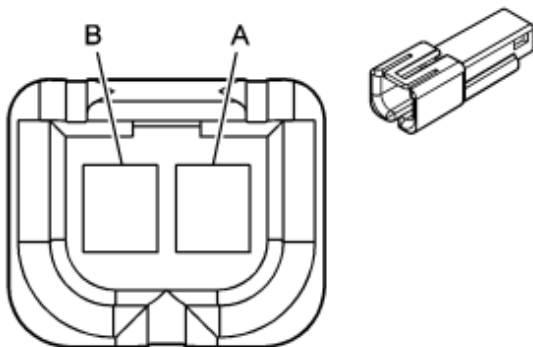
- Terminal/Tray: 12047581/2
- Core/Insulation Crimp: Pins A, B - E/A
- Core/Insulation Crimp: Pins C, D - E/C
- Release Tool/Test Probe: 12094429/J-35616-3 (GY)

Heated Seat Element - Driver Seat (KA1)

Pin	Wire	Circuit	Function
A	0.8 PK	2077	Heated Seat Cushion Element Supply Voltage
B	0.8 BN	2432	Driver Heated Seat Back Element Supply Voltage
C	0.35 YE/BK	2079	Heated Seat Cushion Temperature Sensor Signal
D	0.35 YE	2080	Driver Heated Seat Cushion Temperature Sensor Low Reference

Heated Seat Element - Passenger Back (KA1) - Heated Seat Element - Passenger Back (KA1)

Heated Seat Element - Passenger Back (KA1)



[Click here for full size](#)

Connector Part Information

- OEM: 12064778
- Service: 12126020

- Description: 2-Way M Metri-Pack 150 Series (L-GN)

Terminal Part Information

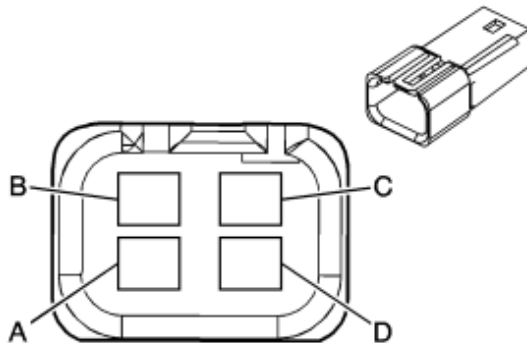
- Terminal/Tray: 12047581/2
- Core/Insulation Crimp: E/A
- Release Tool/Test Probe: 12094429/J-35616-3 (GY)

Heated Seat Element - Passenger Back (KA1)

Pin	Wire	Circuit	Function
A	0.8 TN	2481	Passenger Heated Seat Back Element Supply Voltage
B	0.8 L-BU	2433	Passenger Heated Seat Back Element Control

Heated Seat Element - Passenger Seat (KA1) - Heated Seat Element - Passenger Seat (KA1)

Heated Seat Element - Passenger Seat (KA1)



[Click here for full size](#)

Connector Part Information

- OEM: 12066498
- Service: 12085536
- Description: 4-Way M Metri-Pack 150 Series (BK)

Terminal Part Information

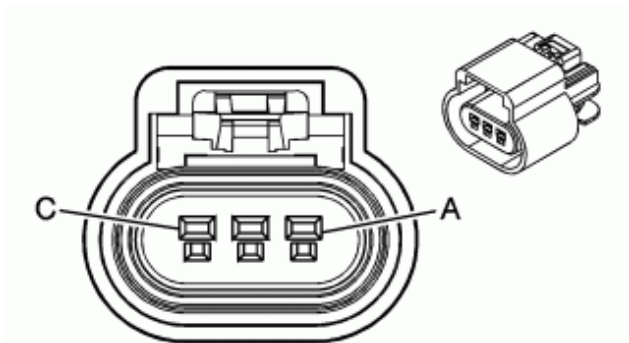
- Terminal/Tray: 12047581/2
- Core/Insulation Crimp: Pins A, B - E/A
- Core/Insulation Crimp: Pins C, D - E/C
- Release Tool/Test Probe: 12094429/J-35616-3 (GY)

Heated Seat Element - Passenger Seat (KA1)

Pin	Wire	Circuit	Function
A	0.8 D-BU	2479	Passenger Heated Seat Element Supply Voltage
B	0.8 TN	2481	Passenger Heated Seat Back Element Supply Voltage
C	0.35 GY	2434	Passenger Heated Seat Cushion Temperature Sensor Signal
D	0.35 PK	2435	Passenger Heated Seat Cushion Temperature Sensor Low Reference

Hood Ajar Switch (AP3, AP8) - Hood Ajar Switch (AP3, AP8)

Hood Ajar Switch (AP3, AP8)



[Click here for full size](#)

Connector Part Information

- OEM: 13519047
- Service: See Catalog
- Description: 3-Way F GT 150 Series Sealed (BK)

Terminal Part Information

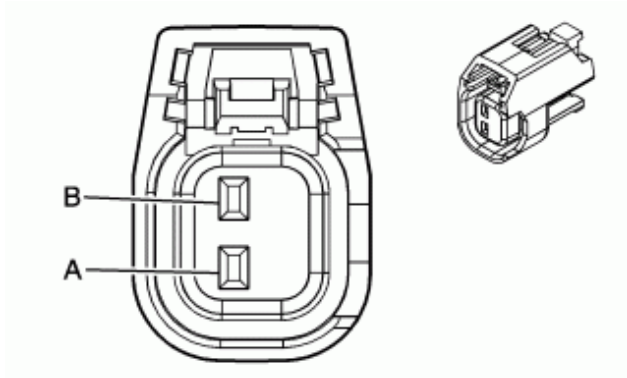
- Terminal/Tray: 12191819/8
- Core/Insulation Crimp: E/A
- Release Tool/Test Probe: 15315247/J-35616-2A (GY)

Hood Ajar Switch (AP3, AP8)

Pin	Wire	Circuit	Function
A	0.35 PK/BK	109	Hood Ajar Switch Signal
B	0.35 PU	5531	Hood Closed Switch Signal
C	0.35 BK	1350	Ground

Horn Assembly - Horn Assembly

Horn Assembly



 [Click here for full size](#)

Connector Part Information

- OEM: 15419715
- Service: 88988313
- Description: 2-Way F GT 150 Series, Sealed (GY)

Terminal Part Information

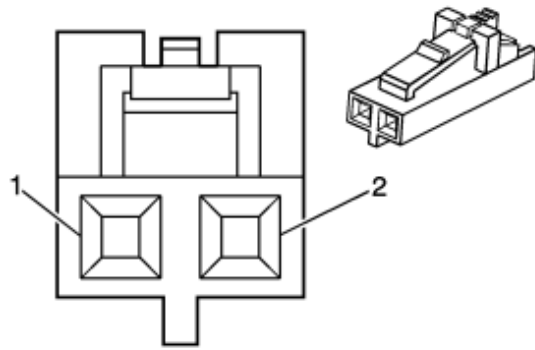
- Terminal/Tray: 12191819/8
- Core/Insulation Crimp: Pins A - E/A
- Core/Insulation Crimp: Pins B - 2/A
- Release Tool/Test Probe: 15315247/J-35616-2A (GY)


Horn Assembly

Pin	Wire	Circuit	Function
A	0.5 BK	1250	Ground
B	0.8 D-GN	29	Horn Control

Horn Switch - Horn Switch

Horn Switch



 [Click here for full size](#)

Connector Part Information

- OEM: 50-57-9402
- Service: 15306026
- Description: 2-Way F C/Grid/SL 70066G Series (BK)

Terminal Part Information

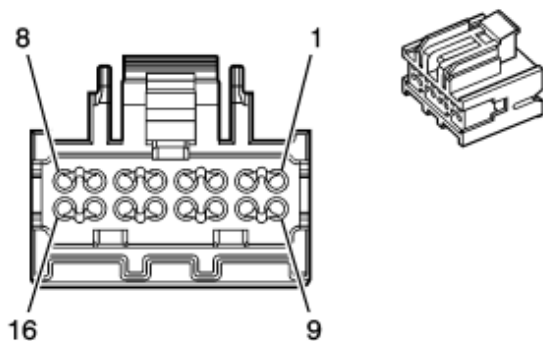
- Terminal/Tray: See Terminal Repair Kit
- Core/Insulation Crimp: See Terminal Repair Kit
- Release Tool/Test Probe: See Terminal Repair Kit


Horn Switch

Pin	Wire	Circuit	Function
1	0.35 TN	28	Horn Relay Control
2	0.35 BK	1450	Ground

HVAC Control Module X1 - HVAC Control Module X1

HVAC Control Module X1



 [Click here for full size](#)

Connector Part Information

- OEM: 15429808
- Service: See Catalog
- Description: 16-Way F Micro 64 Modular (BU)

Terminal Part Information

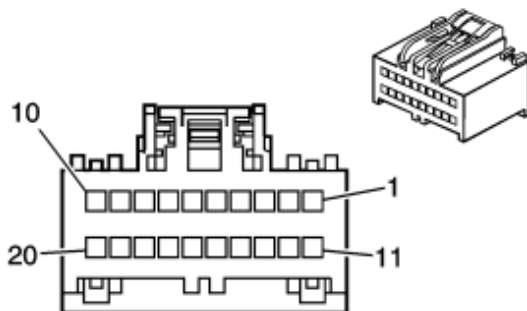
- Terminal/Tray: 15359541/4
- Core/Insulation Crimp: M/M
- Release Tool/Test Probe: 15381651-2/J-35616-64A (L-BU)

HVAC Control Module X1

Pin	Wire	Circuit	Function
1	0.35 PU/WH	1382	LED Dimming Supply
2	0.35 PK	1139	Ignition 1 Voltage
3	0.5 BK/WH	1551	Ground
4	0.35 RD/WH	1840	Battery Positive Voltage
5-7	—	—	Not Used
8	0.35 WH	193	Rear Defog Relay Control
9	0.35 L-GN/BK	735	Ambient Air Temperature Sensor Signal
10	0.5 BK	1450	Ground
11	—	—	Not Used
12	0.35 YE	61	Low Reference
13	0.35 L-GN/WH	5060	Low Speed GMLAN Serial Data
14-16	—	—	Not Used

HVAC Control Module X2 - HVAC Control Module X2

HVAC Control Module X2



 [Click here for full size](#)

Connector Part Information

- OEM: 15491304
- Service: See Catalog
- Description: 20-Way F USCAR 64 Series (GY)

Terminal Part Information

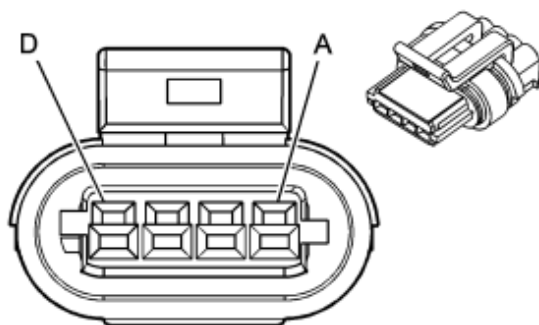
- Terminal/Tray: SAIT-A03T-M064/14
- Core/Insulation Crimp: P/P
- Release Tool/Test Probe: J-38125-215A/J-35616-64B (L-BU)

HVAC Control Module X2

Pin	Wire	Circuit	Function
1-3	—	—	Not Used
4	0.35 GY/BK	754	Blower Motor Speed Control
5	0.35 L-GN	2275	Mode Door Control A
6	0.35 YE	1791	Left Air Temperature Door Control A
7	0.35 PK/WH	1648	Recirculation Door Control A
8	0.35 D-BU	1646	Air Temperature Door Control A
9-14	—	—	Not Used
15	0.35 TN	2273	Mode Door Control B
16	0.35 D-BU/WH	1199	Left Air Temperature Door Control B
17	0.35 L-GN/BK	1647	Recirculation Door Control B
18	0.35 WH/BK	1236	Air Temperature Door Control B
19-20	—	—	Not Used

Ignition Coil 1 (LS4) - Ignition Coil 1 (LS4)

Ignition Coil 1 (LS4)



 [Click here for full size](#)

Connector Part Information

- OEM: 15439568
- Service: 88987184
- Description: 4-Way F GT 150 Series (BK)

Terminal Part Information

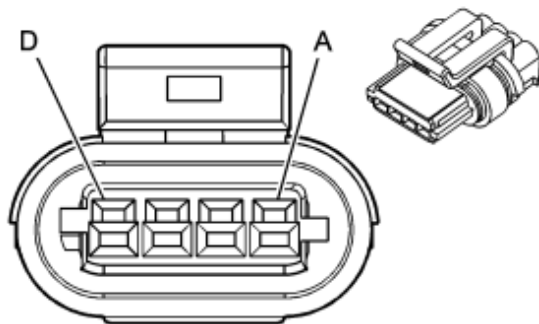
- Terminal/Tray: 15326267/19
- Core/Insulation Crimp: Pins A, D - E/1
- Core/Insulation Crimp: Pins B, C - E/4
- Release Tool/Test Probe: 15315247/J-35616-2A (GY)

Ignition Coil 1 (LS4)

Pin	Wire	Circuit	Function
A	0.8 BK	151	Ground
B	0.5 BN	2129	Low Reference
C	0.5 PU	2121	IC 1 Control
D	0.8 PK	39	Ignition 1 Voltage

Ignition Coil 2 (LS4) - Ignition Coil 2 (LS4)

Ignition Coil 2 (LS4)



[Click here for full size](#)

Connector Part Information

- OEM: 15439568
- Service: 88987184
- Description: 4-Way F GT 150 Series (BK)

Terminal Part Information

- Terminal/Tray: 15326267/19
- Core/Insulation Crimp: Pins A, D - E/1

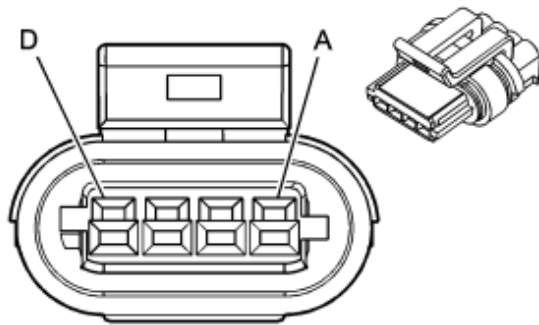
- Core/Insulation Crimp: Pins B, C - E/4
- Release Tool/Test Probe: 15315247/J-35616-2A (GY)

Ignition Coil 2 (LS4)

Pin	Wire	Circuit	Function
A	0.8 BK	151	Ground
B	0.5 BN	2129	Low Reference
C	0.5 RD	2127	IC 2 Control
D	0.8 PK	39	Ignition 1 Voltage

Ignition Coil 3 (LS4) - Ignition Coil 3 (LS4)

Ignition Coil 3 (LS4)



[Click here for full size](#)

Connector Part Information

- OEM: 15439568
- Service: 88987184
- Description: 4-Way F GT 150 Series (BK)

Terminal Part Information

- Terminal/Tray: 15326267/19
- Core/Insulation Crimp: Pins A, D - E/1
- Core/Insulation Crimp: Pins B, C - E/4
- Release Tool/Test Probe: 15315247/J-35616-2A (GY)

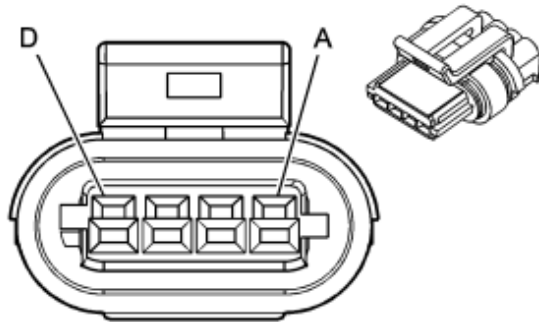
Ignition Coil 3 (LS4)

Pin	Wire	Circuit	Function
A	0.8 BK	151	Ground
B	0.5 BN	2129	Low Reference

C	0.5 L-BU	2123	IC 3 Control
D	0.8 PK	39	Ignition 1 Voltage

Ignition Coil 4 (LS4) - Ignition Coil 4 (LS4)

Ignition Coil 4 (LS4)



[Click here for full size](#)

Connector Part Information

- OEM: 15439568
- Service: 88987184
- Description: 4-Way F GT 150 Series (BK)

Terminal Part Information

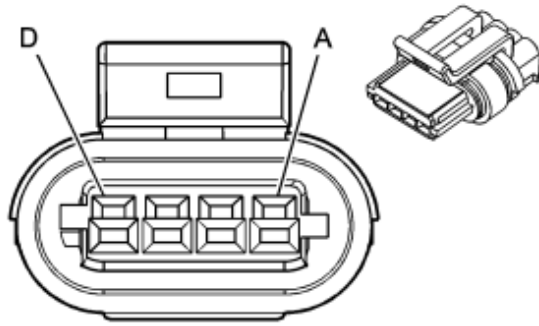
- Terminal/Tray: 15326267/19
- Core/Insulation Crimp: Pins A, D - E/1
- Core/Insulation Crimp: Pins B, C - E/4
- Release Tool/Test Probe: 15315247/J-35616-2A (GY)


Ignition Coil 4 (LS4)

Pin	Wire	Circuit	Function
A	0.8 BK	151	Ground
B	0.5 BN	2129	Low Reference
C	0.5 D-GN	2125	IC 4 Control
D	0.8 PK	39	Ignition 1 Voltage

Ignition Coil 5 (LS4) - Ignition Coil 5 (LS4)

Ignition Coil 5 (LS4)



 [Click here for full size](#)

Connector Part Information

- OEM: 15439568
- Service: 88987184
- Description: 4-Way F GT 150 Series (BK)

Terminal Part Information

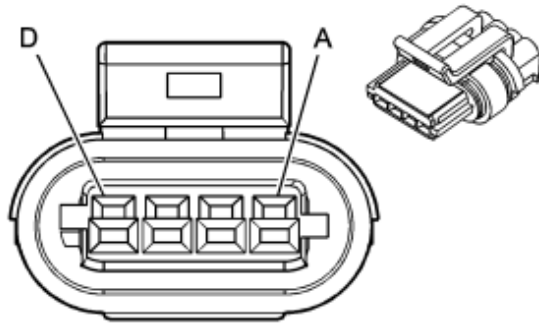
- Terminal/Tray: 15326267/19
- Core/Insulation Crimp: Pins A, D - E/1
- Core/Insulation Crimp: Pins B, C - E/4
- Release Tool/Test Probe: 15315247/J-35616-2A (GY)


Ignition Coil 5 (LS4)

Pin	Wire	Circuit	Function
A	0.8 BK	151	Ground
B	0.5 BN	2129	Low Reference
C	0.5 D-GN	2125	IC 5 Control
D	0.8 PK	39	Ignition 1 Voltage

Ignition Coil 6 (LS4) - Ignition Coil 6 (LS4)

Ignition Coil 6 (LS4)



 [Click here for full size](#)

Connector Part Information

- OEM: 15439568
- Service: 88987184
- Description: 4-Way F GT 150 Series (BK)

Terminal Part Information

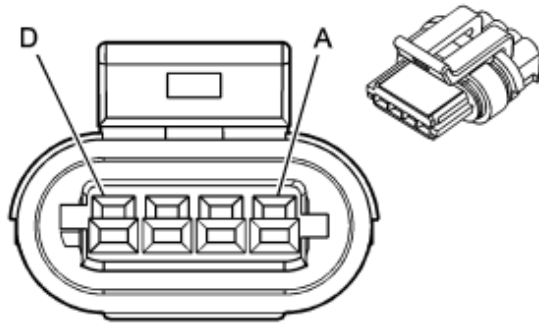
- Terminal/Tray: 15326267/19
- Core/Insulation Crimp: Pins A, D - E/1
- Core/Insulation Crimp: Pins B, C - E/4
- Release Tool/Test Probe: 15315247/J-35616-2A (GY)


Ignition Coil 6 (LS4)

Pin	Wire	Circuit	Function
A	0.8 BK	151	Ground
B	0.5 BN	2129	Low Reference
C	0.5 L-BU	2123	IC 6 Control
D	0.8 PK	39	Ignition 1 Voltage

Ignition Coil 7 (LS4) - Ignition Coil 7 (LS4)

Ignition Coil 7 (LS4)



 [Click here for full size](#)

Connector Part Information

- OEM: 15439568
- Service: 88987184
- Description: 4-Way F GT 150 Series (BK)

Terminal Part Information

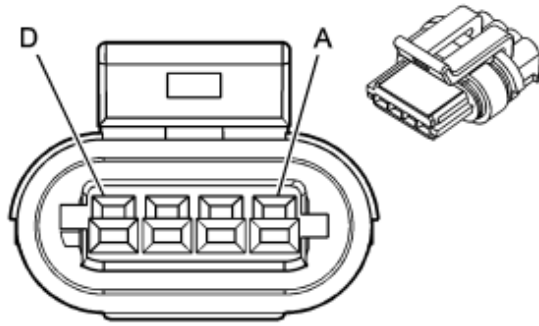
- Terminal/Tray: 15326267/19
- Core/Insulation Crimp: Pins A, D - E/1
- Core/Insulation Crimp: Pins B, C - E/4
- Release Tool/Test Probe: 15315247/J-35616-2A (GY)


Ignition Coil 7 (LS4)

Pin	Wire	Circuit	Function
A	0.8 BK	151	Ground
B	0.5 BN	2129	Low Reference
C	0.5 RD	2127	IC 7 Control
D	0.8 PK	39	Ignition 1 Voltage

Ignition Coil 8 (LS4) - Ignition Coil 8 (LS4)

Ignition Coil 8 (LS4)



 [Click here for full size](#)

Connector Part Information

- OEM: 15439568
- Service: 88987184
- Description: 4-Way F GT 150 Series (BK)

Terminal Part Information

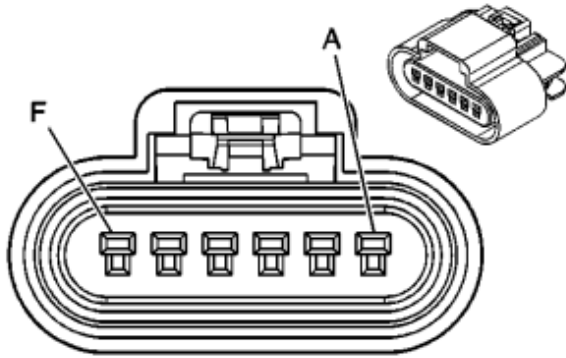
- Terminal/Tray: 15326267/19
- Core/Insulation Crimp: Pins A, D - E/1
- Core/Insulation Crimp: Pins B, C - E/4
- Release Tool/Test Probe: 15315247/J-35616-2A (GY)

Ignition Coil 8 (LS4)

Pin	Wire	Circuit	Function
A	0.8 BK	151	Ground
B	0.5 BN	2129	Low Reference
C	0.5 PU	2121	IC 8 Control
D	0.8 PK	39	Ignition 1 Voltage

Ignition Control Module (ICM) (LZE, LZ4, LGD) - Ignition Control Module (ICM) (LZE, LZ4, LGD)

Ignition Control Module (ICM) (LZE, LZ4, LGD)



[Click here for full size](#)

Connector Part Information

- OEM: 15397577
- Service: See Catalog
- Description: 6-Way F GT 150 Series, Sealed (BK)

Terminal Part Information

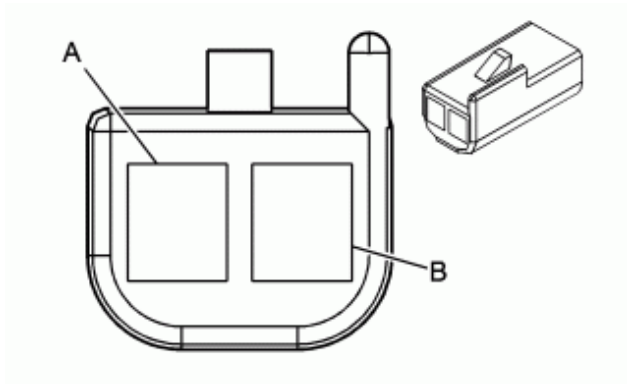
- Terminal/Tray: 12191819/8
- Core/Insulation Crimp: Pins A, B, C, D - E/A
- Core/Insulation Crimp: Pins E, F - 2/1
- Release Tool/Test Probe: 15315247/J-35616-2A (GY)

Ignition Control Module (ICM) (LZE, LZ4, LGD)

Pin	Wire	Circuit	Function
A	0.35 OG/WH	2122	IC 2 Control
B	0.35 PU	2121	IC 1 Control
C	0.35 L-BU	2123	IC 3 Control
D	0.35 YE	2174	Low Reference
E	0.8 BK/WH	51	Ground
F	0.8 PK/BK	5292	Ignition 1 Voltage

Ignition Lock Cylinder Control Actuator (D55) - Ignition Lock Cylinder Control Actuator (D55)

Ignition Lock Cylinder Control Actuator (D55)



[Click here for full size](#)

Connector Part Information

- OEM: 12047662
- Service: 12085535
- Description: 2-Way F Metri-Pack 150 Series (BK)

Terminal Part Information

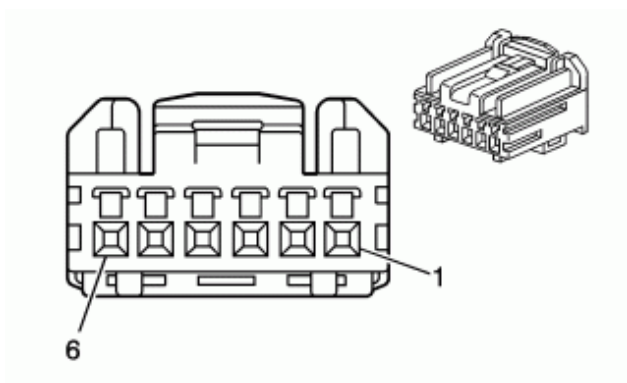
- Terminal/Tray: 15326030/2
- Core/Insulation Crimp: E/C
- Release Tool/Test Probe: 12094429/J-35616-14 (GN)

Ignition Lock Cylinder Control Actuator (D55)

Pin	Wire	Circuit	Function
A	0.35 PU/WH	1630	Steering Column Key Cylinder Lock Solenoid Control
B	0.35 BK	1450	Ground

Ignition Switch - Ignition Switch

Ignition Switch



[Click here for full size](#)

Connector Part Information

- OEM: 15484551
- Service: See Catalog
- Description: 6-Way F HCM Series (BK)

Terminal Part Information

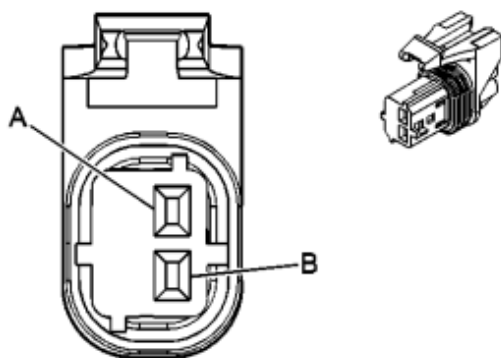
- Terminal/Tray: SHCM-A03T-P025/20
- Core/Insulation Crimp: J/J
- Release Tool/Test Probe: 12094429/J-35616-64B (L-BU)

Ignition Switch

Pin	Wire	Circuit	Function
1	0.35 PK	3	Ignition 1 Voltage
2	0.35 RD/WH	1040	Battery Positive Voltage
3	0.35 BN	4	Accessory Voltage
4	—	—	Not Used
5	0.35 WH	1390	Off/Run/Crank Voltage
6	0.35 WH/BK	1073	5-Volt Reference

Inflatable Restraint Front End Sensor - Left - Inflatable Restraint Front End Sensor - Left

Inflatable Restraint Front End Sensor - Left



[Click here for full size](#)

Connector Part Information

- OEM: 15356723
- Service: 15306439
- Description: 2-Way F GT 150 Series, Sealed (YE)

Terminal Part Information

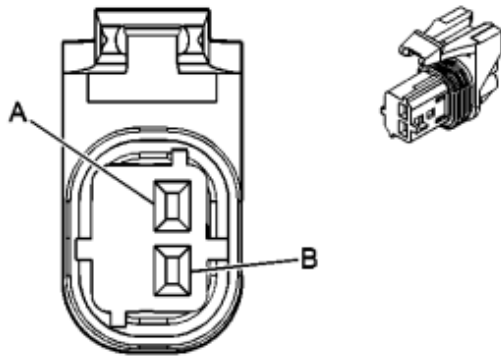
- Terminal/Tray: Service with Pigtail
- Core/Insulation Crimp: N/A
- Release Tool/Test Probe: 15315247/J-35616-2A (GY)

Inflatable Restraint Front End Sensor - Left

Pin	Wire	Circuit	Function
A	0.8 TN/OG	5045	Discriminating Sensor - Left - Low Reference
B	0.8 YE	354	Discriminating Sensor - Left - Signal

Inflatable Restraint Front End Sensor - Right - Inflatable Restraint Front End Sensor - Right

Inflatable Restraint Front End Sensor - Right



[Click here for full size](#)

Connector Part Information

- OEM: 15356723
- Service: 15306439
- Description: 2-Way F GT 150 Series, Sealed (YE)

Terminal Part Information

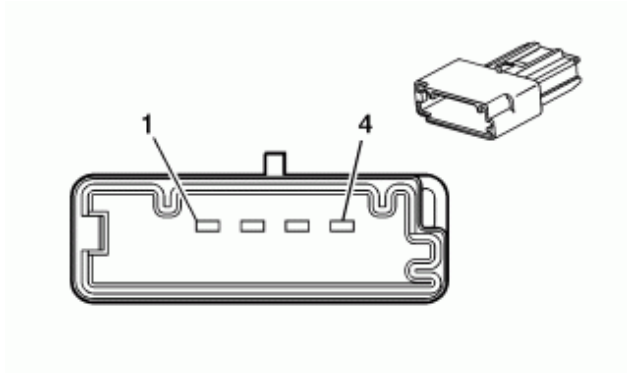
- Terminal/Tray: Service with Pigtail
- Core/Insulation Crimp: N/A
- Release Tool/Test Probe: 15315247/J-35616-2A (GY)

Inflatable Restraint Front End Sensor - Right

Pin	Wire	Circuit	Function
A	0.8 GY	5600	Discriminating Sensor - Right - Low Reference
B	0.8 D-GN	1409	Discriminating Sensor - Right - Signal

Inflatable Restraint Front Passenger Presence System (PPS) Module - Inflatable Restraint Front Passenger Presence System (PPS) Module

Inflatable Restraint Front Passenger Presence System (PPS) Module



[Click here for full size](#)

Connector Part Information

- OEM: 13640937
- Service: See Catalog
- Description: 4-Way Low Profile 1.5 Series (BK)

Terminal Part Information

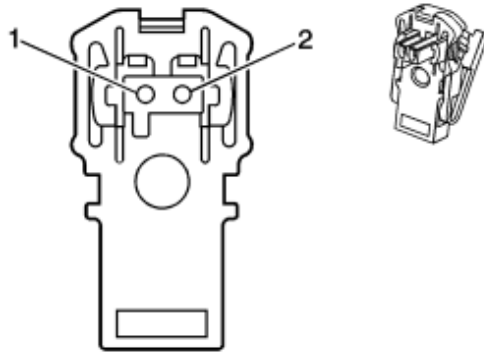
- Terminal/Tray: Service with Terminated Lead
- Core/Insulation Crimp: N/A
- Release Tool/Test Probe: 15315247/J-35616-3 (GY)

Inflatable Restraint Front Passenger Presence System (PPS) Module

Pin	Wire	Circuit	Function
1	0.35 D-GN	5060	Low Speed GMLAN Serial Data
2	—	—	Not Used
3	0.35 RD/WH	1340	Battery Positive Voltage
4	0.35 BK/WH	1751	Ground

Inflatable Restraint I/P Module, X1 - Inflatable Restraint I/P Module, X1

Inflatable Restraint I/P Module, X1



 [Click here for full size](#)

Connector Part Information

- OEM: CA54561236
- Service: See Catalog
- Description: 2-Way F AMP (WH with YE Lock)

Terminal Part Information

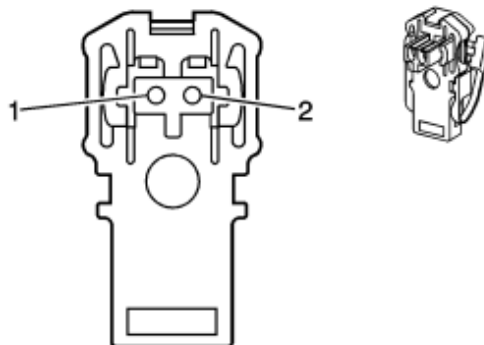
- Terminal/Tray: Service with Pigtail
- Core/Insulation Crimp: N/A
- Release Tool/Test Probe: N/A


Inflatable Restraint I/P Module, X1

Pin	Wire	Circuit	Function
1	0.35 YE	3025	I/P Module - Stage 1 - High Control
2	0.35 OG	3024	I/P Module - Stage 1 - Low Control

Inflatable Restraint I/P Module, X2 - Inflatable Restraint I/P Module, X2

Inflatable Restraint I/P Module, X2



 [Click here for full size](#)

Connector Part Information

- OEM: CA54560222
- Service: See Catalog
- Description: 2-Way F AMP (PK with YE Lock)

Terminal Part Information

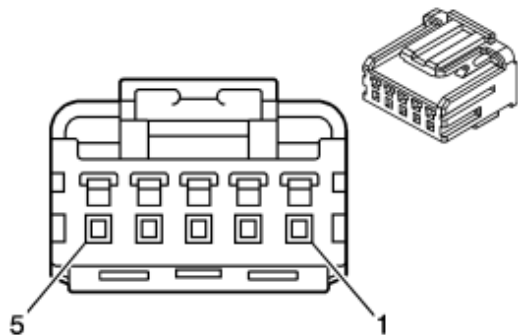
- Terminal/Tray: Service with Pigtail
- Core/Insulation Crimp: N/A
- Release Tool/Test Probe: N/A

Inflatable Restraint I/P Module, X2

Pin	Wire	Circuit	Function
1	0.35 GY	3027	I/P Module - Stage 2 - High Control
2	0.35 PU	3026	I/P Module - Stage 2 - Low Control

Inflatable Restraint Passenger Air Bag On/Off Indicator (without 9C1/9C3) - Inflatable Restraint Passenger Air Bag On/Off Indicator (without 9C1/9C3)

Inflatable Restraint Passenger Air Bag On/Off Indicator (without 9C1/9C3)



[Click here for full size](#)

Connector Part Information

- OEM: 15398877
- Service: See Catalog
- Description: 5-Way F HCM (WH)

Terminal Part Information

- Terminal/Tray: Service with Pigtail
- Core/Insulation Crimp: N/A

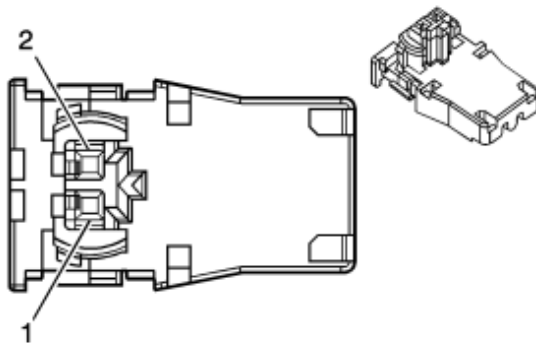
- Release Tool/Test Probe: 12094429/J-35616-64A (L-BU)

Inflatable Restraint Passenger Air Bag On/Off Indicator (without 9C1/9C3)

Pin	Wire	Circuit	Function
1	0.35 D-BU	2307	Passenger Air Bag On Indicator Control
2	0.5 BK	1450	Ground
3	0.35 D-GN	2308	Passenger Air Bag Off Indicator Control
4	0.35 PK	1139	Ignition 1 Voltage
5	0.35 PU	5234	Passenger Seat Belt Indicator Control

Inflatable Restraint Roof Rail Module - Left - Inflatable Restraint Roof Rail Module - Left

Inflatable Restraint Roof Rail Module - Left



[Click here for full size](#)

Connector Part Information

- OEM: 15454450
- Service: See Catalog
- Description: 2-Way F 90 Degree Lockable Squib (YE)

Terminal Part Information

- Terminal/Tray: Service with Pigtail
- Core/Insulation Crimp: N/A
- Release Tool/Test Probe: N/A

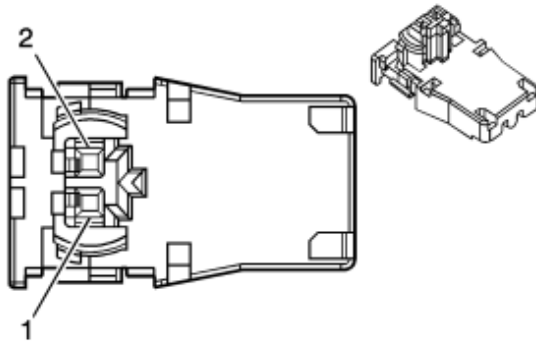
Inflatable Restraint Roof Rail Module - Left

Pin	Wire	Circuit	Function
1	0.5 PK/BK	2137	Side Impact Module - Left - High Control

2	0.5 L-BU/RD	2138	Side Impact Module - Left - Low Control
---	-------------	------	---

Inflatable Restraint Roof Rail Module - Right - Inflatable Restraint Roof Rail Module - Right

Inflatable Restraint Roof Rail Module - Right



[Click here for full size](#)

Connector Part Information

- OEM: 15454451
- Service: See Catalog
- Description: 2-Way F 90 Degree Lockable Squib (YE)

Terminal Part Information

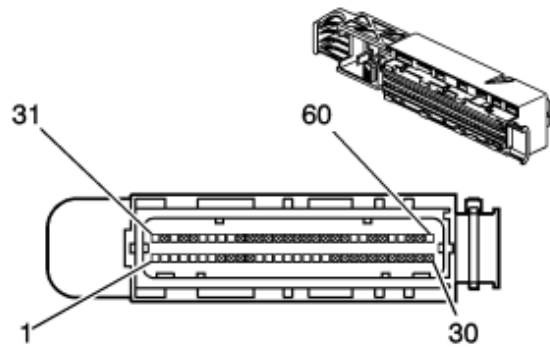
- Terminal/Tray: Service with Pigtail
- Core/Insulation Crimp: N/A
- Release Tool/Test Probe: N/A

Inflatable Restraint Roof Rail Module - Right

Pin	Wire	Circuit	Function
1	0.5 PK/BK	2135	Side Impact Module - Right - High Control
2	0.5 L-BU/RD	2136	Side Impact Module - Right - Low Control

Inflatable Restraint Sensing and Diagnostic Module - Inflatable Restraint Sensing and Diagnostic Module

Inflatable Restraint Sensing and Diagnostic Module



 [Click here for full size](#)

Connector Part Information

- OEM: 13675414
- Service: See Catalog
- Description: 40-Way F Receptacle 0.64 Series Sealed (YE)

Terminal Part Information

- Terminal/Tray: Service with Terminated Lead
- Core/Insulation Crimp: N/A
- Release Tool/Test Probe: N/A

Inflatable Restraint Sensing and Diagnostic Module

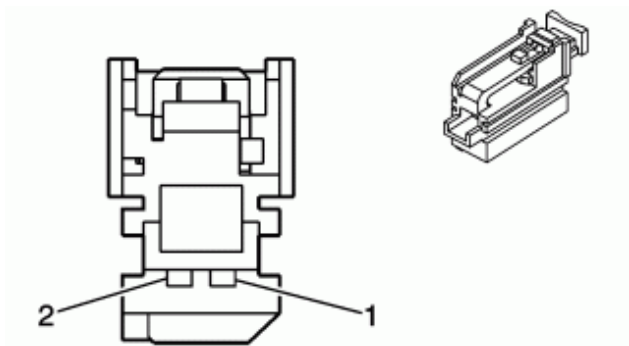
Pin	Wire	Circuit	Function
1	0.5 BK/WH	1751	Ground
2	0.35 D-GN	5060	Low Speed GMLAN Serial Data
3	0.35 D-GN	5060	Low Speed GMLAN Serial Data
4	0.35 PK	3022	Steering Wheel Module - Stage 2 - Low Control
5	0.35 WH	3023	Steering Wheel Module - Stage 2 - High Control
6	0.35 GY	3027	I/P Module - Stage 2 - High Control
7	0.35 PU	3026	I/P Module - Stage 2 - Low Control
8	0.35 BN	3020	Steering Wheel Module - Stage 1 - Low Control
9	0.35 TN	3021	Steering Wheel Module - Stage 1 - High Control
10	0.35 YE	3025	I/P Module - Stage 1 - High Control
11	0.35 OG	3024	I/P Module - Stage 1 - Low Control
12	0.5 PK	5020	Roof Rail Module - Left - Low Control

13	0.5 PU/WH	5019	Roof Rail Module - Left - High Control
14	0.5 YE/BK	5021	Roof Rail Module - Right - High Control
15	0.5 WH/BK	5022	Roof Rail Module - Right - Low Control
16	0.35 OG/BK	2119	Seat Belt Pretensioner - Left - Low Control
17	0.35 TN/WH	2118	Seat Belt Pretensioner - Left - High Control
18	0.35 L-GN	2116	Seat Belt Pretensioner - Right - High Control
19	0.35 OG	2117	Seat Belt Pretensioner - Right - Low Control
20	0.5 YE/BK	2138	Left Front Side Impact Module - Low Control
21	0.5 BN	2137	Left Front Side Impact Module - High Control
22	0.5 TN/WH	2135	Right Front Side Impact Module - High Control
23	0.5 L-GN	2136	Right Front Side Impact Module - Low Control
24	0.5 YE	3065	Seat Belt Anchor Pretensioner - Driver - Low Control
25	0.5 WH	3064	Seat Belt Anchor Pretensioner - Driver - High Control
26	0.5 TN	3062	Seat Belt Anchor Pretensioner - Passenger - High Control
27	0.5 L- BU/BK	3063	Seat Belt Anchor Pretensioner - Passenger - Low Control
28	0.35 PK	5057	Low Reference
29- 30	-	-	Not Used
31	0.5 RD/WH	1340	Battery Positive Voltage
32	0.35 PK	1139	Ignition 1 Voltage
33- 35	-	-	Not Available
36	0.35 YE	354	Discriminating Sensor - Left - Signal
37	0.35 D-GN	1409	Discriminating Sensor - Right - Signal
38	0.35 TN/OG	5045	Discriminating Sensor - Left - Low Reference
39	0.35 GY	5600	Discriminating Sensor - Right - Low Reference
40	0.35 WH	2132	Side Impact Sensing Module - Left - Signal
41	0.35 D-GN	2134	Side Impact Sensing Module - Right - Signal

42	0.35 YE	2131	Side Impact Sensing Module - Left - Voltage
43	0.35 TN	2133	Side Impact Sensing Module - Right - Voltage
44-58	-	-	Not Available
59	0.35 D-GN	5016	Seat Belt Switch - Left - Signal
60	0.35 OG	1362	Seat Belt Switch - Right - Signal

Inflatable Restraint Side Impact Module - Left - Inflatable Restraint Side Impact Module - Left

Inflatable Restraint Side Impact Module - Left



[Click here for full size](#)

Connector Part Information

- OEM: 13647550
- Service: See Catalog
- Description: 2-Way F 0.64 Series Unsealed (YE)

Terminal Part Information

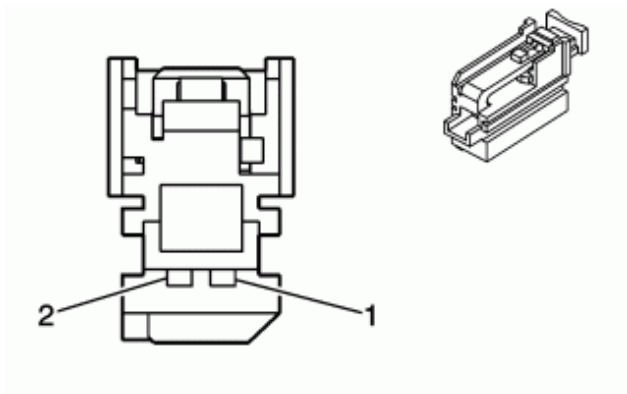
- Terminal/Tray: Service with Pigtail
- Core/Insulation Crimp: N/A
- Release Tool/Test Probe: J-38125-215A/J-35616-64B (L-BU)


Inflatable Restraint Side Impact Module - Left

Pin	Wire	Circuit	Function
1	0.5 YE/BK	2138	Left Front Side Impact Module - Low Control
2	0.5 BN	2137	Left Front Side Impact Module - High Control

Inflatable Restraint Side Impact Module - Right - Inflatable Restraint Side Impact Module - Right

Inflatable Restraint Side Impact Module - Right



 [Click here for full size](#)

Connector Part Information

- OEM: 13647550
- Service: See Catalog
- Description: 2-Way F 0.64 Series Unsealed (YE)

Terminal Part Information

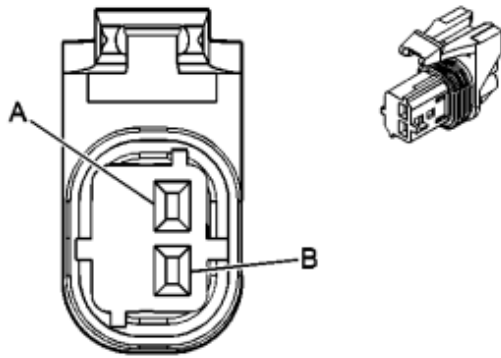
- Terminal/Tray: Service with Pigtail
- Core/Insulation Crimp: N/A
- Release Tool/Test Probe: J-38125-215A/J-35616-64B (L-BU)

Inflatable Restraint Side Impact Module - Right

Pin	Wire	Circuit	Function
1	0.5 L-GN	2136	Right Front Side Impact Module - Low Control
2	0.5 TN/WH	2135	Right Front Side Impact Module - High Control

Inflatable Restraint Side Impact Sensor (SIS) - Left -
Inflatable Restraint Side Impact Sensor (SIS) - Left

Inflatable Restraint Side Impact Sensor (SIS) - Left



[Click here for full size](#)

Connector Part Information

- OEM: 15356723
- Service: 15306439
- Description: 2-Way F GT 150 Series, Sealed (YE)

Terminal Part Information

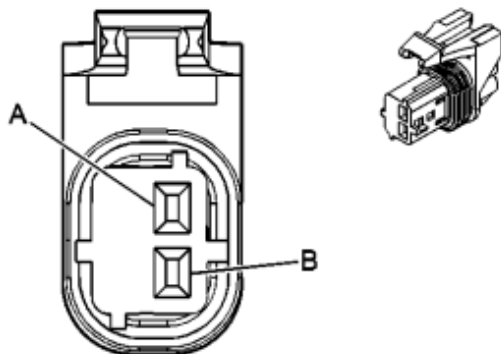
- Terminal/Tray: Service with Pigtail
- Core/Insulation Crimp: N/A
- Release Tool/Test Probe: 15315247/J-35616-2A (GY)

Inlatable Restraint Side Impact Sensor (SIS) - Left

Pin	Wire	Circuit	Function
A	0.5 WH	2132	Side Impact Sensing Module - Left - Signal
B	0.5 YE	2131	Side Impact Sensing Module - Left - Voltage

Inlatable Restraint Side Impact Sensor (SIS) - Right - Inlatable Restraint Side Impact Sensor (SIS) - Right

Inlatable Restraint Side Impact Sensor (SIS) - Right



[Click here for full size](#)

Connector Part Information

- OEM: 15356723
- Service: 15306439
- Description: 2-Way F GT 150 Series Sealed (YE)

Terminal Part Information

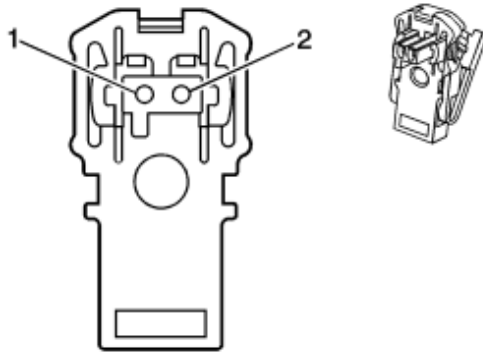
- Terminal/Tray: Service with Pigtail
- Core/Insulation Crimp: N/A
- Release Tool/Test Probe: 15315247/J-35616-2A (GY)

Inflatable Restraint Side Impact Sensor (SIS) - Right

Pin	Wire	Circuit	Function
A	0.5 D-GN	2134	Side Impact Sensing Module - Right - Signal
B	0.5 TN	2133	Side Impact Sensing Module - Right - Voltage

Inflatable Restraint Steering Wheel Module, X1 - Inflatable Restraint Steering Wheel Module, X1

Inflatable Restraint Steering Wheel Module, X1



 [Click here for full size](#)

Connector Part Information

- OEM: CA54561236
- Service: See Catalog
- Description: 2-Way F AMP (WH with YE Lock)

Terminal Part Information

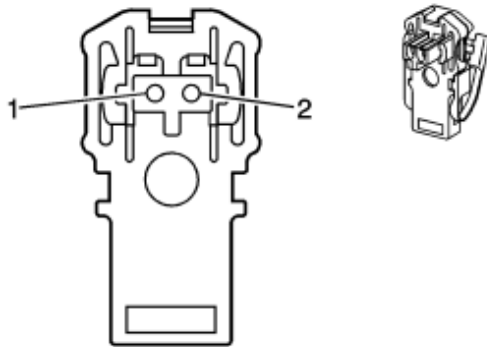
- Terminal/Tray: Service with Pigtail
- Core/Insulation Crimp: N/A
- Release Tool/Test Probe: N/A

Inflatable Restraint Steering Wheel Module, X1

Pin	Wire	Circuit	Function
1	0.5 TN	3021	Steering Wheel Module - Stage 1 - High Control
2	0.5 BN	3020	Steering Wheel Module - Stage 1 - Low Control

Inflatable Restraint Steering Wheel Module, X2 - Inflatable Restraint Steering Wheel Module, X2

Inflatable Restraint Steering Wheel Module, X2



[Click here for full size](#)

Connector Part Information

- OEM: CA54560222
- Service: See Catalog
- Description: 2-Way F AMP (PK with YE Lock)

Terminal Part Information

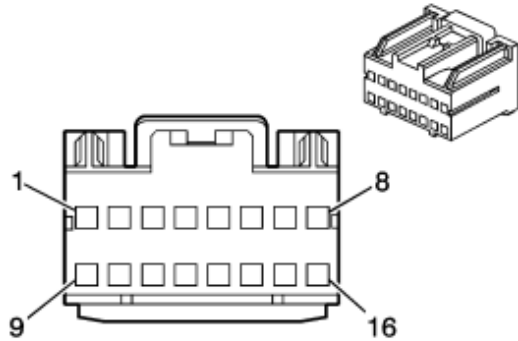
- Terminal/Tray: Service with Pigtail
- Core/Insulation Crimp: N/A
- Release Tool/Test Probe: N/A


Inflatable Restraint Steering Wheel Module, X2

Pin	Wire	Circuit	Function
1	0.5 WH	3023	Steering Wheel Module - Stage 2 - High Control
2	0.5 PK	3022	Steering Wheel Module - Stage 2 - Low Control

Inside Rearview Mirror (DD6, UE1) - Inside Rearview Mirror (DD6, UE1)

Inside Rearview Mirror (DD6, UE1)



 [Click here for full size](#)

Connector Part Information

- OEM: 15441350
- Service: See Catalog
- Description: 16-Way F Micro-Pack 100A Series (BK)

Terminal Part Information

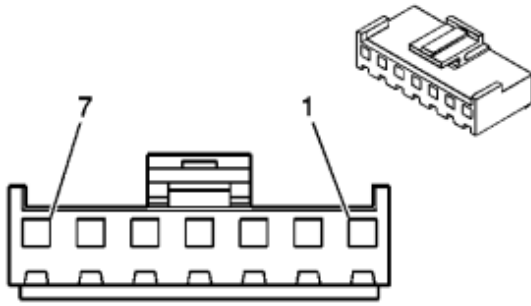
- Terminal/Tray: 15445905/23
- Core/Insulation Crimp: J/J
- Release Tool/Test Probe: 12180559/J-35616-16 (L-GN)


Inside Rearview Mirror (DD6, UE1)

Pin	Wire	Circuit	Function
1-5	—	—	Not Used
6	0.5 OG	1732	Inadvertent Power Courtesy Lamp
7	—	—	Not Used
8	0.5 BK	550	Ground
9	0.5 L-GN	24	Backup Lamp Supply Voltage
10	—	—	Not Used
11	0.35 D-GN/WH	2514	Keypad Signal
12	0.35 L-GN/BK	2515	Keypad Supply Voltage
13	0.5 YE	643	Accessory Voltage
14	0.35 YE/BK	2516	Keypad Green LED Signal
15	0.35 BN/WH	2517	Keypad Red LED Signal
16	—	—	Not Used

Inside Rearview Mirror (without DD6 or UE1) - Inside Rearview Mirror (without DD6 or UE1)

Inside Rearview Mirror (without DD6 or UE1)



 [Click here for full size](#)

Connector Part Information

- OEM: 12124782
- Service: 15306078
- Description: 7-Way F VH Series (BK)

Terminal Part Information

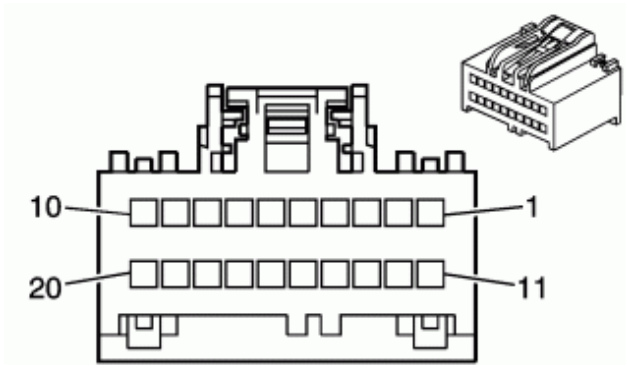
- Terminal/Tray: SVH-21T-P1.1/20
- Core/Insulation Crimp: E/2
- Release Tool/Test Probe: 12094429/J-35616-18 (BK)

Inside Rearview Mirror (without DD6 or UE1)

Pin	Wire	Circuit	Function
1	—	—	Not Used
2	0.5 OG	1732	Inadvertent Power Courtesy Lamp
3-6	—	—	Not Used
7	0.5 BK	550	Ground

Instrument Panel Cluster (IPC) - Instrument Panel Cluster (IPC)

Instrument Panel Cluster (IPC)



[Click here for full size](#)

Connector Part Information

- OEM: 15489824
- Service: See Catalog
- Description: 20-Way F 64 Series (BK)

Terminal Part Information

- Terminal/Tray: SAIT-A03T-M064/14
- Core/Insulation Crimp: P/P
- Release Tool/Test Probe: J-38125-215A/J-35616-64B (L-BU)

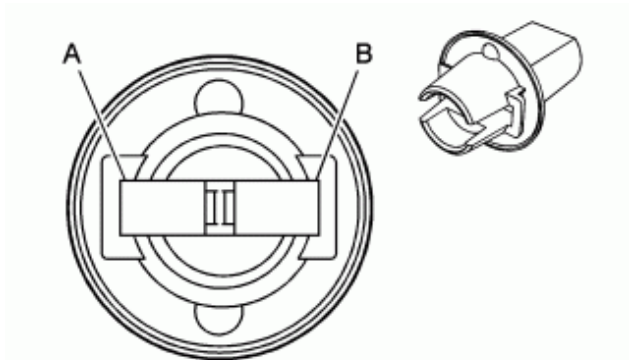
Instrument Panel Cluster (IPC)

Pin	Wire	Circuit	Function
1	—	—	Not Used
2	0.35 D-GN/BK	5060	Low Speed GMLAN Serial Data
3	—	—	Not Used
4	0.35 BN/WH	419	MIL Control
5	0.5 BK/WH	1551	Ground
6	0.5 BK	1450	Ground
7	—	—	Not Used
8	0.35 GY	8	Instrument Panel Lamp Supply Voltage
9	—	—	Not Used
10	0.35 RD/WH	1840	Battery Positive Voltage
11	0.35 PU	5234	Passenger Seat Belt Indicator Control
12	0.35 D-BU	2307	Passenger Air Bag On Indicator Control
13	0.35 D-GN	2308	Passenger Air Bag Off Indicator Control
14	0.35 TN	185	Low Washer Fluid Indicator Control
15	0.35 TN/WH	33	Brake Warning Indicator Control

16	0.35 PK	893	DIC Select Menu Switch Signal
17	0.35 D-GN/WH	1358	DIC Switch Signal
18	0.35 BN	897	DIC Switch Low Reference
19	—	—	Not Used
20	0.35 PK	1139	Ignition 1 Voltage

I/P Courtesy Lamp - Left - I/P Courtesy Lamp - Left

I/P Courtesy Lamp - Left



[Click here for full size](#)

Connector Part Information

- OEM: 12084388
- Service: See Catalog
- Description: 2-Way F Lamp Socket Connectors, Bulb Bases, Type W-2 (BK)

Terminal Part Information

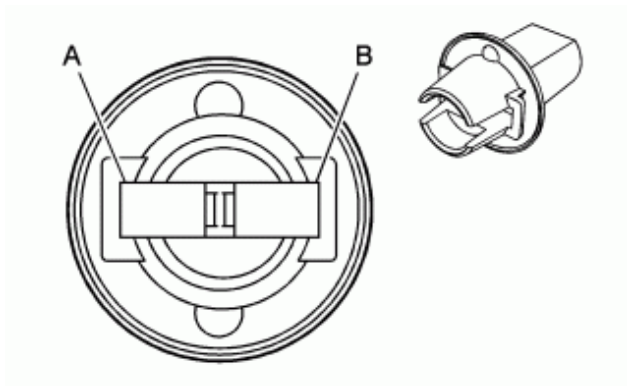
- Terminal/Tray: Service with Pigtail
- Core/Insulation Crimp: N/A
- Release Tool/Test Probe: N/A

I/P Courtesy Lamp - Left

Pin	Wire	Circuit	Function
A	0.5 GY/BK	690	Courtesy Lamp Supply Voltage
	0.5 GY/BK	690	Courtesy Lamp Supply Voltage
B	0.35 BK	150	Ground

I/P Courtesy Lamp - Right - I/P Courtesy Lamp - Right

I/P Courtesy Lamp - Right



[Click here for full size](#)

Connector Part Information

- OEM: 12084388
- Service: See Catalog
- Description: 2-Way F Lamp Socket Connectors, Bulb Bases, Type W-2 (BK)

Terminal Part Information

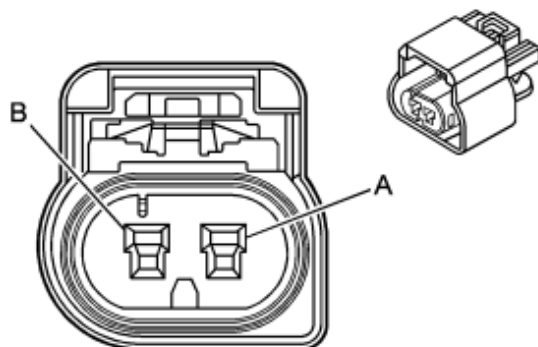
- Terminal/Tray: Service with Pigtail
- Core/Insulation Crimp: N/A
- Release Tool/Test Probe: N/A

I/P Courtesy Lamp - Right

Pin	Wire	Circuit	Function
A	0.5 GY/BK	690	Courtesy Lamp Supply Voltage
B	0.35 BK	150	Ground

Knock Sensor (KS) 1 - Knock Sensor (KS) 1

Knock Sensor (KS) 1



[Click here for full size](#)

Connector Part Information

- OEM: 15374222
- Service: See Catalog
- Description: 2-Way F GT 150 Series Sealed (WH)

Terminal Part Information

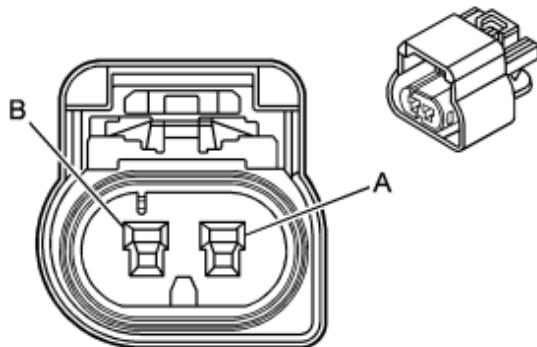
- Terminal/Tray: 12191819/8
- Core/Insulation Crimp: E/A
- Release Tool/Test Probe: 15315247/J-35616-2A (GY)

Knock Sensor (KS) 1

Pin	Wire	Circuit	Function
A	0.5 D-BU	496	KS 1 Signal (LZE, LZ4, LGD)
	0.35 D-BU	496	KS 1 Signal (LS4)
B	0.5 GY	1716	KS 1 Signal (LZE, LZ4, LGD)
	0.35 GY	1716	KS 1 Signal (LS4)

Knock Sensor (KS) 2 - Knock Sensor (KS) 2

Knock Sensor (KS) 2



[Click here for full size](#)

Connector Part Information

- OEM: 15374222
- Service: See Catalog
- Description: 2-Way F GT 150 Series Sealed (WH)

Terminal Part Information

- Terminal/Tray: 12191819/8
- Core/Insulation Crimp: E/A

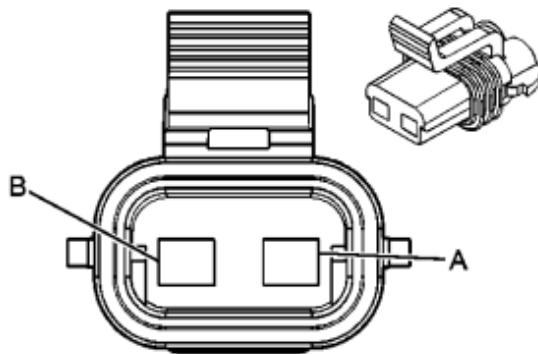
- Release Tool/Test Probe: 15315247/J-35616-2A (GY)

Knock Sensor (KS) 2

Pin	Wire	Circuit	Function
A	0.5 L-BU	1876	KS 2 Signal (LZE, LZ4, LGD)
	0.35 L-BU	1876	KS 2 Signal (LS4)
B	0.5 GY	2303	KS 2 Signal (LZE, LZ4, LGD)
	0.35 GY	2303	KS 2 Signal (LS4)

License Lamp - License Lamp

License Lamp



[Click here for full size](#)

Connector Part Information

- OEM: 15300027
- Service: 12101855
- Description: 2-Way F Metri-Pack 280 Series, Sealed (BK)

Terminal Part Information

- Terminal/Tray: 12077411/2
- Core/Insulation Crimp: 2/5
- Release Tool/Test Probe: 12094430/J-35616-4A (PU)

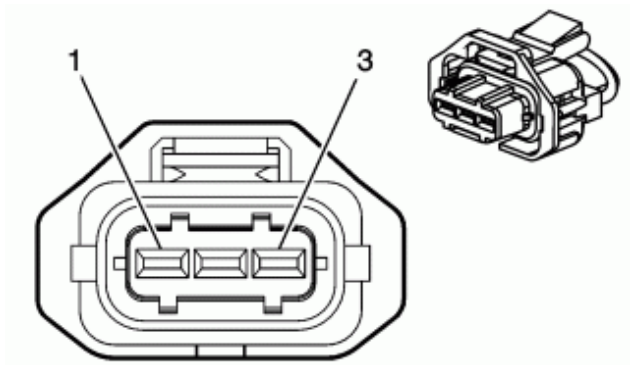
License Lamp


Pin	Wire	Circuit	Function
A	0.5 BN/WH	309	Right Park Lamp Supply Voltage
B	0.5 BK	850	Ground

Manifold Absolute Pressure (MAP) Sensor - Manifold Absolute

Pressure (MAP) Sensor

Manifold Absolute Pressure (MAP) Sensor



 [Click here for full size](#)

Connector Part Information

- OEM: 15365614
- Service: See Catalog
- Description: 3-Way F Kompakt 2.8 Series, Sealed (BK)

Terminal Part Information

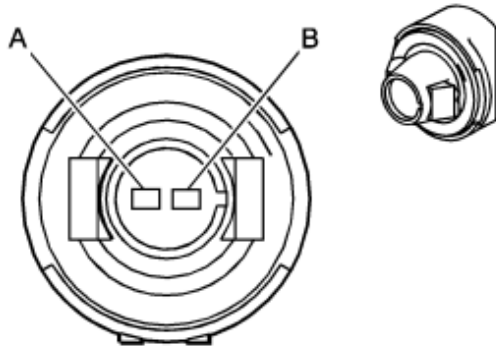
- Terminal/Tray: 1928498056/8
- Core/Insulation Crimp: E/1
- Release Tool/Test Probe: J-38125-561/J-35616-35 (VT)


Manifold Absolute Pressure (MAP) Sensor

Pin	Wire	Circuit	Function
1	0.5 GY	2704	5-Volt Reference 1
2	0.5 OG/BK	469	Low Reference
3	0.5 L-GN	432	MAP Sensor Signal

Marker Lamp - Left Front - Marker Lamp - Left Front

Marker Lamp - Left Front



 [Click here for full size](#)

Connector Part Information

- OEM: 16530674
- Service: See Catalog
- Description: 2-Way F Socket (GY)

Terminal Part Information

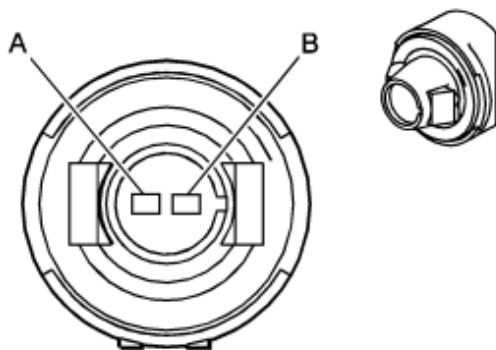
- Terminal/Tray: See Terminal Repair Kit
- Core/Insulation Crimp: See Terminal Repair Kit
- Release Tool/Test Probe: See Terminal Repair Kit

Marker Lamp - Left Front

Pin	Wire	Circuit	Function
A	0.8 RD	709	Left Park Lamp Supply Voltage
	0.8 RD	709	Left Park Lamp Supply Voltage
B	0.8 BK	1350	Ground

Marker Lamp - Right Front - Marker Lamp - Right Front

Marker Lamp - Right Front



 [Click here for full size](#)

Connector Part Information

- OEM: 16530674
- Service: See Catalog
- Description: 2-Way F Socket (GY)

Terminal Part Information

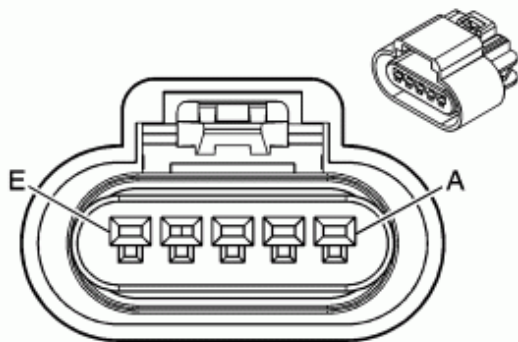
- Terminal/Tray: See Terminal Repair Kit
- Core/Insulation Crimp: See Terminal Repair Kit
- Release Tool/Test Probe: See Terminal Repair Kit

Marker Lamp - Right Front

Pin	Wire	Circuit	Function
A	0.8 RD	309	Right Park Lamp Supply Voltage
	0.8 RD	309	Right Park Lamp Supply Voltage
B	0.8 BK	1250	Ground

Mass Air Flow (MAF)/Intake Air Temperature (IAT) Sensor - Mass Air Flow (MAF)/Intake Air Temperature (IAT) Sensor

Mass Air Flow (MAF)/Intake Air Temperature (IAT) Sensor



[Click here for full size](#)

Connector Part Information

- OEM: 15326822
- Service: See Catalog
- Description: 5-Way F GT 150 Series, Sealed (BK)

Terminal Part Information

- Terminal/Tray: 12191819/8
- Core/Insulation Crimp: E/A

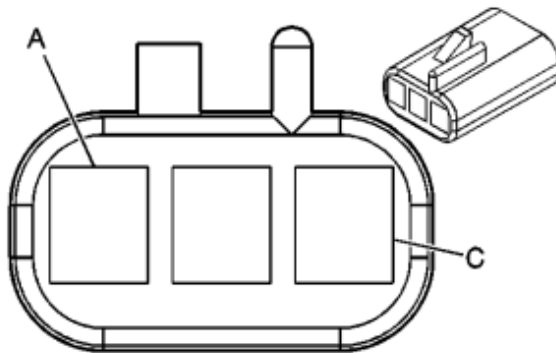
- Release Tool/Test Probe: 15315247/J-35616-2A (GY)

Mass Air Flow (MAF)/Intake Air Temperature (IAT) Sensor

Pin	Wire	Circuit	Function
A	0.35 YE	492	MAF Sensor Signal
B	0.5 PK/BK	5294	Ignition 1 Voltage
C	0.35 BK/WH	451	Ground
D	0.35 TN/BK	472	IAT Sensor Signal
E	0.35 TN	2760	Low Reference

Mode Actuator - Mode Actuator

Mode Actuator



[Click here for full size](#)

Connector Part Information

- OEM: 12047781
- Service: 12101864
- Description: 3-Way F Metri-Pack 150 Series (BK)

Terminal Part Information

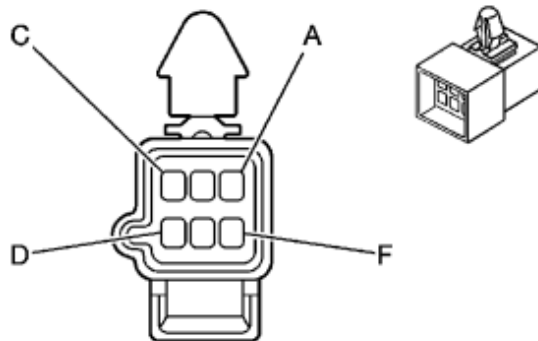
- Terminal/Tray: 12064971/5
- Core/Insulation Crimp: E/C
- Release Tool/Test Probe: 12094429/J-35616-14 (GN)

Mode Actuator

Pin	Wire	Circuit	Function
A	0.35 TN	2273	Mode Door Control B
B	—	—	Not Used
C	0.35 L-GN	2275	Mode Door Control A

Outside Rearview Mirror - Driver - Outside Rearview Mirror - Driver

Outside Rearview Mirror - Driver



[Click here for full size](#)

Connector Part Information

- OEM: 12065781
- Service: 12101876
- Description: 6-Way M Metri-Pack 150 Series (GY)

Terminal Part Information

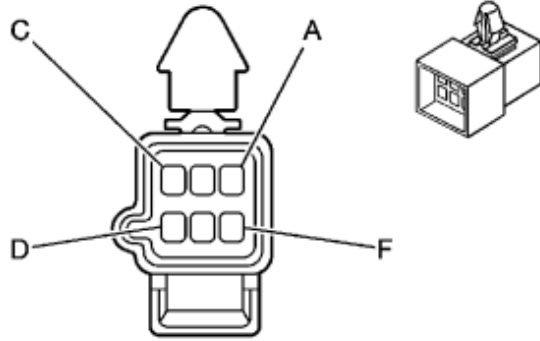
- Terminal/Tray: 12047581/2
- Core/Insulation Crimp: E/C
- Release Tool/Test Probe: 12094429/J-35616-3 (GY)

Outside Rearview Mirror - Driver

Pin	Wire	Circuit	Function
A	0.5 WH	81	Driver Mirror Motor Right Control
B	0.5 L-GN	89	Driver Mirror Motor Down Control
C	0.5 TN	329	Driver Mirror Motor Supply Voltage
D	—	—	Not Used
E	0.5 BK	550	Ground
F	0.5 OG	267	Heated Mirror Element Supply Voltage

Outside Rearview Mirror - Passenger - Outside Rearview Mirror - Passenger

Outside Rearview Mirror - Passenger



 [Click here for full size](#)

Connector Part Information

- OEM: 12065781
- Service: 12101876
- Description: 6-Way M Metri-Pack 150 Series (GY)

Terminal Part Information

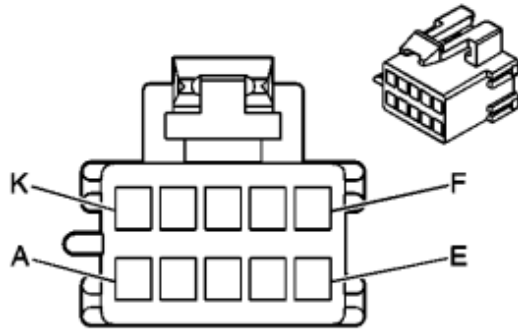
- Terminal/Tray: 12047581/2
- Core/Insulation Crimp: E/C
- Release Tool/Test Probe: 12094429/J-35616-3 (GY)

Outside Rearview Mirror - Passenger

Pin	Wire	Circuit	Function
A	0.5 OG/WH	881	Passenger Mirror Motor Right Control
B	0.5 PU/WH	889	Passenger Mirror Motor Down Control
C	0.5 TN/WH	330	Passenger Mirror Motor Supply Voltage
D	—	—	Not Used
E	0.5 BK	750	Ground
F	0.5 OG	267	Heated Mirror Element Supply Voltage

Outside Rearview Mirror Switch - Outside Rearview Mirror Switch

Outside Rearview Mirror Switch



 [Click here for full size](#)

Connector Part Information

- OEM: 12064769
- Service: 12101762
- Description: 10-Way F Metri-Pack 150 Series (WH)

Terminal Part Information

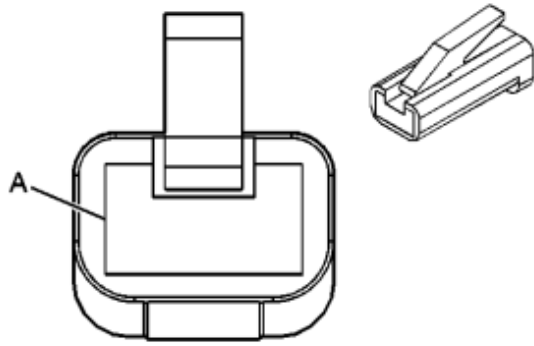
- Terminal/Tray: 12064971/5
- Core/Insulation Crimp: E/C
- Release Tool/Test Probe: 12094429/J-35616-14 (GN)


Outside Rearview Mirror Switch

Pin	Wire	Circuit	Function
A	—	—	Not Used
B	0.35 BK	550	Ground
C	0.5 WH	330	Passenger Mirror Motor Supply Voltage
D	0.35 WH	81	Driver Mirror Motor Right Control
E	0.35 GY	8	Instrument Panel Lamp Supply Voltage
F	0.35 L-GN	89	Driver Mirror Motor Down Control
G	0.35 RD/WH	840	Battery Positive Voltage
H	0.35 YE	329	Driver Mirror Motor Supply Voltage
J	0.5 OG/WH	881	Passenger Mirror Motor Right Control
K	0.5 PU/WH	889	Passenger Mirror Motor Down Control

Park Brake Switch - Park Brake Switch

Park Brake Switch



 [Click here for full size](#)

Connector Part Information

- OEM: 12004267
- Service: 12102561
- Description: 1-Way F 56 Series Lock Type (BK)

Terminal Part Information

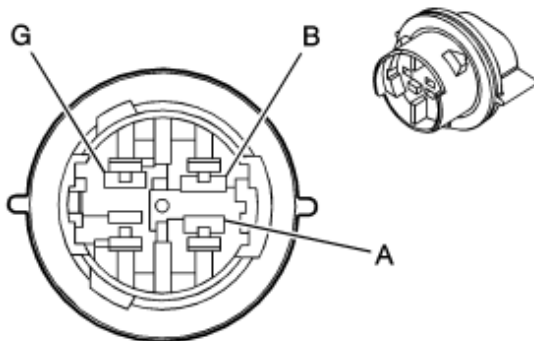
- Terminal/Tray: 12124515/1
- Core/Insulation Crimp: C/D
- Release Tool/Test Probe: 12094430/J-35616-42 (RD)

Park Brake Switch

Pin	Wire	Circuit	Function
A	0.5 OG/BK	233	Park Brake Switch Signal

Park/Turn Signal Lamp - Left - Park/Turn Signal Lamp - Left

Park/Turn Signal Lamp - Left



 [Click here for full size](#)

Connector Part Information

- OEM: 16530873
- Service: See Catalog
- Description: 3-Way F Lamp Socket (WH)

Terminal Part Information

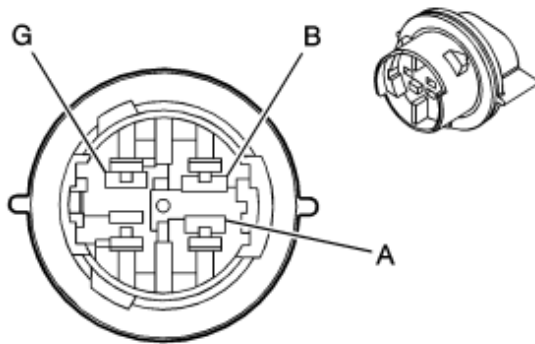
- Terminal/Tray: See Terminal Repair Kit
- Core/Insulation Crimp: See Terminal Repair Kit
- Release Tool/Test Probe: See Terminal Repair Kit

Park/Turn Signal Lamp - Left

Pin	Wire	Circuit	Function
A	0.8 YE	1314	Left Front Turn Signal Lamp Supply Voltage
B	0.8 RD	709	Left Park Lamp Supply Voltage
G	0.8 BK	1350	Ground

Park/Turn Signal Lamp - Right - Park/Turn Signal Lamp - Right

Park/Turn Signal Lamp - Right



[Click here for full size](#)

Connector Part Information

- OEM: 16530873
- Service: See Catalog
- Description: 3-Way F Lamp Socket (WH)

Terminal Part Information

- Terminal/Tray: See Terminal Repair Kit
- Core/Insulation Crimp: See Terminal Repair Kit
- Release Tool/Test Probe: See Terminal Repair Kit

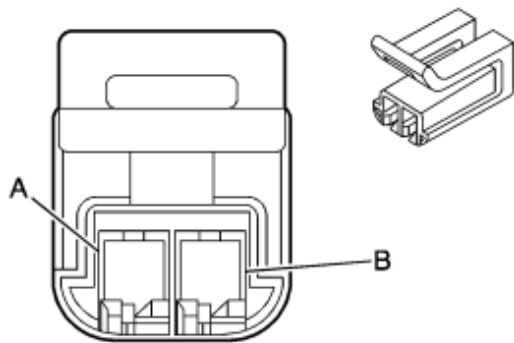
Park/Turn Signal Lamp - Right



Pin	Wire	Circuit	Function
A	0.8 YE	1315	Right Front Turn Signal Lamp Supply Voltage
B	0.8 RD	309	Right Park Lamp Supply Voltage
G	0.8 BK	1250	Ground

Pressure Control (PC) Solenoid Valve - Pressure Control (PC) Solenoid Valve

Pressure Control (PC) Solenoid Valve



[Click here for full size](#)

Connector Part Information

- OEM: 15466861
- Service: See Catalog
- Description: 2-Way F Metri-Pack 150.2 Series (GY)

Terminal Part Information

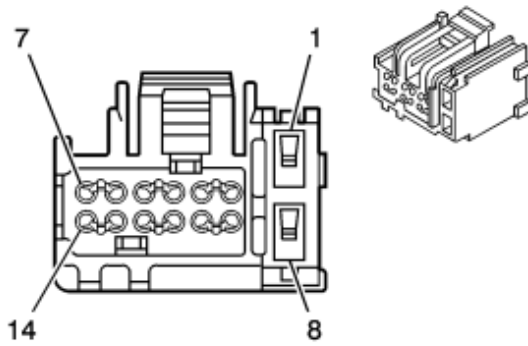
- Terminal/Tray: 12124075/5
- Core/Insulation Crimp: E/C
- Release Tool/Test Probe: 12180559-1/J-35616-14 (GN)


Pressure Control (PC) Solenoid Valve

Pin	Wire	Circuit	Function
A	0.5 PU	1228	PC Solenoid Valve High Control
B	0.5 L-BU	1229	PC Solenoid Valve Low Control

Radio X1 - Radio X1

Radio X1



 [Click here for full size](#)

Connector Part Information

- OEM: 15488568
- Service: See Catalog
- Description: 14-Way F GT 150 Micro 64 Series (BK)

Terminal Part Information

- Pins: 1, 8
- Terminal/Tray: 12191812/19
- Core/Insulation Crimp: C/A
- Release Tool/Test Probe: 15315247/J-35616-2A (GY)
- Pins: 2, 3, 6, 7, 9, 10, 13
- Terminal/Tray: 15359541/4
- Core/Insulation Crimp: M/M
- Release Tool/Test Probe: 15381651-2/J-35616-64B (L-BU)

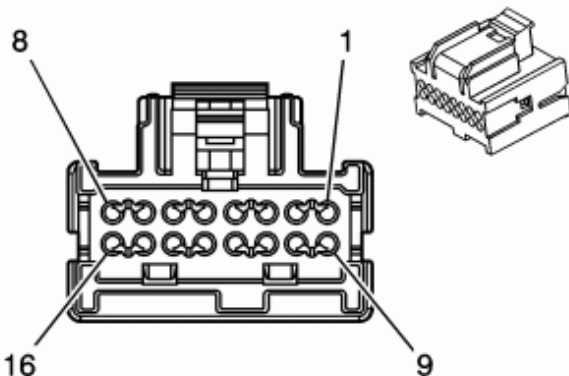
Radio X1

Pin	Wire	Circuit	Function
1	1 RD/WH	2040	Battery Positive Voltage
2	0.8 TN	201	Left Front Speaker Output (+) (UW6, 9C1, 9C3)
			Left Front Low Level Audio Signal (+) (UQ3)
3	0.8 L-GN	200	Right Front Speaker Output (+) (UW6, 9C1, 9C3)
			Right Front Low Level Audio Signal (+) (UQ3)
4-5	—	—	Not Used
6	0.35 PK	5165	Antenna 14V Switched Supply Voltage
7		1382	

	0.35 PU/WH		LED Dimming Signal
8	1 BK/WH	351	Ground
9	0.8 GY	118	Left Front Speaker Output (-) (UW6, 9C1, 9C3)
			Left Front Low Level Audio Signal (-) (UQ3)
10	0.8 D-GN	117	Right Front Speaker Output (-) (UW6, 9C1, 9C3)
			Right Front Low Level Audio Signal (-) (UQ3)
11-12	-	-	Not Used
13	0.35 D-GN/WH	5060	Low Speed GMLAN Serial Data
14	-	-	Not Used

Radio X2 - Radio X2

Radio X2



[Click here for full size](#)

Connector Part Information

- OEM: 15416970
- Service: See Catalog
- Description: 16-Way F Micro-Pack 64 Series (BK)

Terminal Part Information

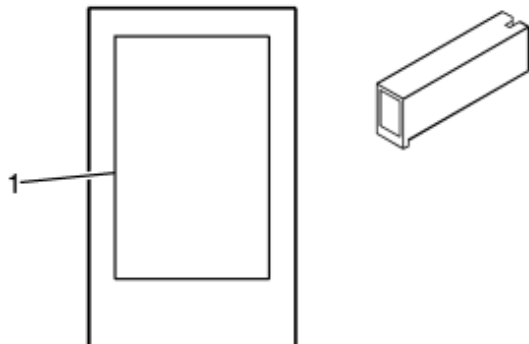
- Terminal/Tray: 15359541/4
- Core/Insulation Crimp: M/M
- Release Tool/Test Probe: 15381651-2/J-35616-64B (L-BU)

Radio X2

Pin	Wire	Circuit	Function
1	0.35 BN/WH	367	Left Audio Signal (+) (U2K)
2	0.35 D-GN/WH	368	Right Audio Signal (+) (U2K)
3-4	—	—	Not Used
5	0.8 BN	199	Left Rear Speaker Output (+) (UW6, 9C1, 9C3)
			Left Rear Low Level Audio Signal (+) (UQ3)
6	0.8 D-BU	46	Right Rear Speaker Output (+) (UW6, 9C1, 9C3)
			Right Rear Low Level Audio Signal (+) (UQ3)
7	0.35 OG/BK	1406	Left Audio Signal (+) (UE1)
8	0.35 OG	5748	Radio Audio Mute Signal (UQ3)
9	0.35 D-GN	7007	Left Audio Signal (-) (U2K)
10	0.35 GY/BK	7008	Right Audio Signal (-) (U2K)
11	0.35 BARE	814	Drain Wire (U2K)
12	—	—	Not Used
13	0.8 YE	116	Left Rear Speaker Output (-) (UW6, 9C1, 9C3)
			Left Rear Low Level Audio Signal (-) (UQ3)
14	0.8 L-BU	115	Right Rear Speaker Output (-) (UW6, 9C1, 9C3)
			Right Rear Low Level Audio Signal (-) (UQ3)
15	0.35 L-BU	1405	Audio Common Signal (UE1)
16	—	—	Not Used

Radio Antenna Module - Radio Antenna Module

Radio Antenna Module



 [Click here for full size](#)

Connector Part Information

- OEM: 15368970
- Service: See Catalog
- Description: 1-Way F Positive Lock 187 Series (BK)

Terminal Part Information

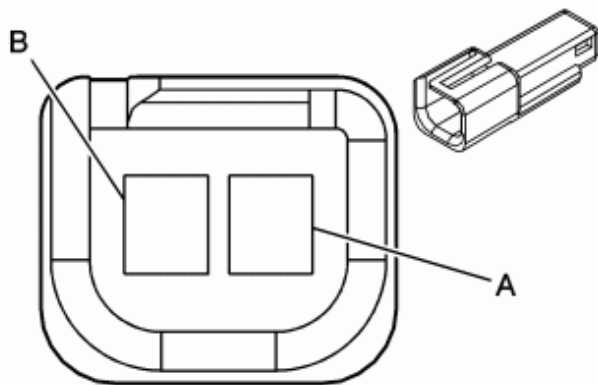
- Terminal/Tray: 170325-1/24
- Core/Insulation Crimp: E/A
- Release Tool/Test Probe: J-38125-218/J-35616-40 (BU)

Radio Antenna Module

Pin	Wire	Circuit	Function
1	0.5 PK	5165	Antenna 14V Switched Supply Voltage

Reading Lamp Auxiliary (9C1/9C3) - Reading Lamp Auxiliary (9C1/9C3)

Reading Lamp Auxiliary (9C1/9C3)



 [Click here for full size](#)

Connector Part Information

- OEM: 12047663
- Service: 12085481
- Description: 2-Way M Metri-Pack 150 Series (BK)

Terminal Part Information

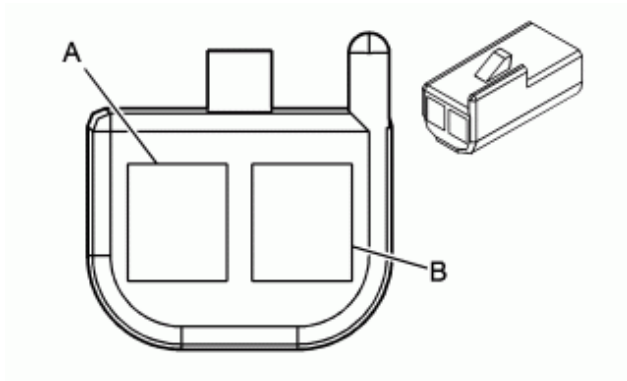
- Terminal/Tray: 12047581/2
- Core/Insulation Crimp: E/C
- Release Tool/Test Probe: 12094429/J-35616-3 (GY)

Reading Lamp Auxiliary (9C1/9C3)

Pin	Wire	Circuit	Function
A	0.5 OG	1732	Inadvertent Power Courtesy Lamp
B	0.5 BK	550	Ground

Rear Compartment Courtesy Lamp - Rear Compartment Courtesy Lamp

Rear Compartment Courtesy Lamp



[Click here for full size](#)

Connector Part Information

- OEM: 12047662
- Service: 12085535
- Description: 2-Way F Metri-Pack 150 Series (BK)

Terminal Part Information

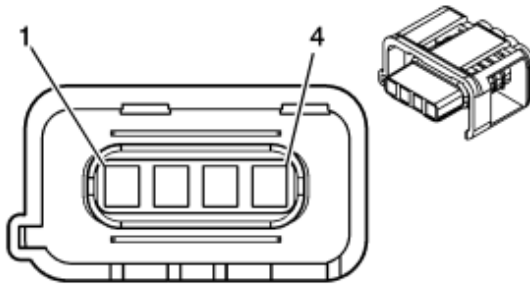
- Pins: A
- Terminal/Tray: 15326030/2
- Core/Insulation Crimp: Pin: A E/A
- Core/Insulation Crimp: Pin: B E/C
- Release Tool/Test Probe: 12094429/J-35616-14 (GN)

Rear Compartment Courtesy Lamp

Pin	Wire	Circuit	Function
A	0.8 BK	1732	Inadvertent Power Courtesy Lamp
B	0.5 BK	737	Rear Compartment Lamp Control

Rear Compartment Lid Release Actuator - Rear Compartment Lid Release Actuator

Rear Compartment Lid Release Actuator



[Click here for full size](#)

Connector Part Information

- OEM: 15489982
- Service: See Catalog
- Description: 4-Way F TIMER Micro III Sealed (BK)

Terminal Part Information

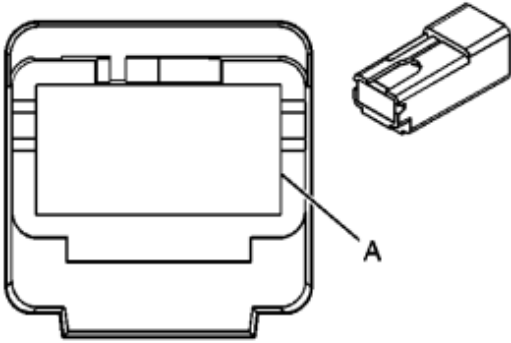
- Terminal/Tray: 964274-2/16
- Core/Insulation Crimp: E/1
- Release Tool/Test Probe: J-38125-560/J-35616-14 (GN)


Rear Compartment Lid Release Actuator

Pin	Wire	Circuit	Function
1	0.5 BK	737	Rear Compartment Lamp Control
2	0.5 OG/BK	744	Rear Compartment Lid Ajar Switch Signal
3	0.5 BK	750	Ground
4	0.5 TN/WH	56	Trunk Release Motor Control

Rear Window Defogger Grid X1 - Rear Window Defogger Grid X1

Rear Window Defogger Grid X1



 [Click here for full size](#)

Connector Part Information

- OEM: 12092133
- Service: 12167133
- Description: 1-Way F Metri-Pack 630 Series Self Lock (BK)

Terminal Part Information

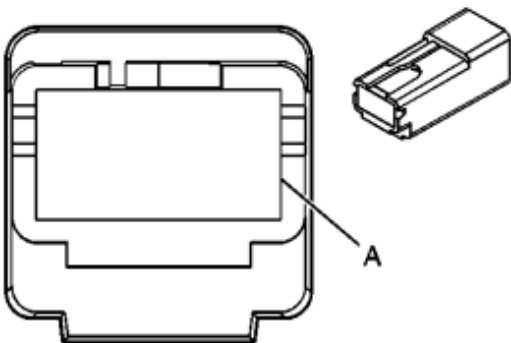
- Terminal/Tray: 12034110/18
- Core/Insulation Crimp: F/G
- Release Tool/Test Probe: 12094430/J-35616-42 (RD)

Rear Window Defogger Grid X1

Pin	Wire	Circuit	Function
A	3 BK	293	Rear Defog Element Supply Voltage

Rear Window Defogger Grid X2 - Rear Window Defogger Grid X2

Rear Window Defogger Grid X2



 [Click here for full size](#)

Connector Part Information

- OEM: 12092133
- Service: 12167133
- Description: 1-Way F Metri-Pack 630 Series Self Lock (BK)

Terminal Part Information

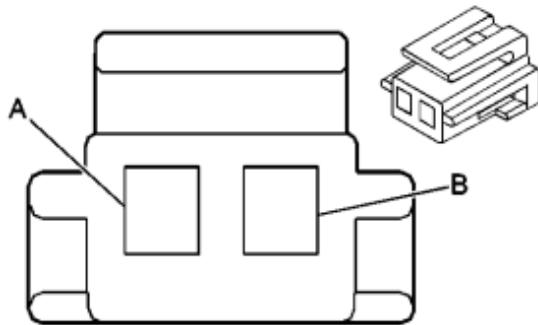
- Terminal/Tray: 12034110/18
- Core/Insulation Crimp: F/G
- Release Tool/Test Probe: 12094430/J-35616-42 (RD)

Rear Window Defogger Grid X2

Pin	Wire	Circuit	Function
A	5 BK	1150	Ground

Recirculation Actuator - Recirculation Actuator

Recirculation Actuator



[Click here for full size](#)

Connector Part Information

- OEM: 12059110
- Service: 88953271
- Description: 2-Way F Metri-Pack 150 Series (BK)

Terminal Part Information

- Terminal/Tray: 12064971/5
- Core/Insulation Crimp: E/C
- Release Tool/Test Probe: 12094429/J-35616-14 (GN)

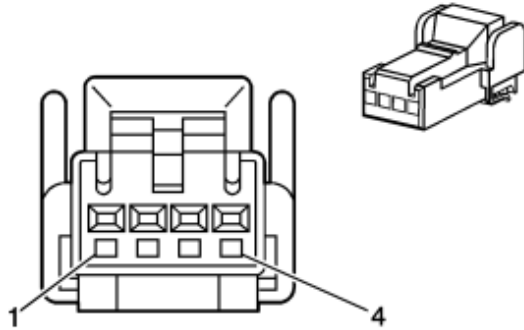
Recirculation Actuator

Pin	Wire	Circuit	Function
A	0.35 L-GN/BK	1647	Recirculation Door Control B

B	0.35 PK/WH	1648	Recirculation Door Control A
---	------------	------	------------------------------

Remote Control Door Lock Receiver (RCDLR) - Remote Control Door Lock Receiver (RCDLR)

Remote Control Door Lock Receiver (RCDLR)



[Click here for full size](#)

Connector Part Information

- OEM: 15462684
- Service: See Catalog
- Description: 4-Way F ILAG5 Series (GN)

Terminal Part Information

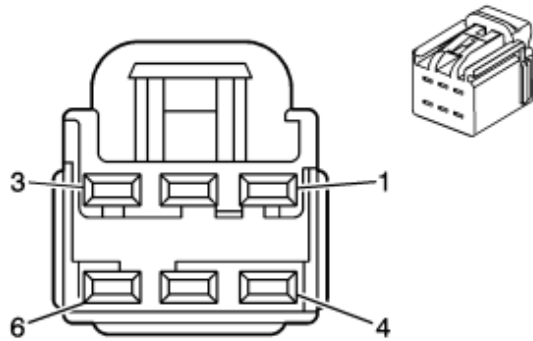
- Terminal/Tray: IL-AG5-C1-5000/20
- Core/Insulation Crimp: Pins 1, 2 - K/K
- Core/Insulation Crimp: Pins 4 - J/J
- Release Tool/Test Probe: J-38125-211/J-35616-64B (L-BU)

Remote Control Door Lock Receiver (RCDLR)

Pin	Wire	Circuit	Function
1	0.35 RD/WH	1840	Battery Positive Voltage
2	0.35 D-GN/RD	5060	Low Speed GMLAN Serial Data
3	—	—	Not Used
4	0.5 BK/WH	1551	Ground

Seat Adjuster Motor Assembly - Driver (AG1, AH5) - Seat Adjuster Motor Assembly - Driver (AG1, AH5)

Seat Adjuster Motor Assembly - Driver (AG1, AH5)



 [Click here for full size](#)

Connector Part Information

- OEM: 10847014
- Service: See Catalog
- Description: 6-Way F Kaizen YESC Series (L-GY)

Terminal Part Information

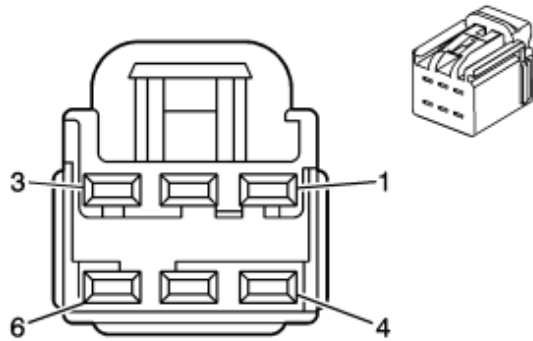
- Terminal/Tray: 7116-4112-02/9
- Core/Insulation Crimp: C/D
- Release Tool/Test Probe: 12094430/J-35616-35 (VT)

Seat Adjuster Motor Assembly - Driver (AG1, AH5)

Pin	Wire	Circuit	Function
1	3 YE	282	Driver Seat Rear Vertical Motor Up Control
2	3 D-GN	286	Driver Seat Front Vertical Motor Up Control
3	3 TN	285	Driver Seat Horizontal Motor Forward Control
4	3 L-BU	283	Driver Seat Rear Vertical Motor Down Control
5	3 D-BU	287	Driver Seat Front Vertical Motor Down Control
6	3 L-GN	284	Driver Seat Horizontal Motor Rearward Control

Seat Adjuster Motor Assembly - Passenger (AG2) - Seat Adjuster Motor Assembly - Passenger (AG2)

Seat Adjuster Motor Assembly - Passenger (AG2)



 [Click here for full size](#)

Connector Part Information

- OEM: 10847014
- Service: See Catalog
- Description: 6-Way F Kaizen YESC Series (L-GY)

Terminal Part Information

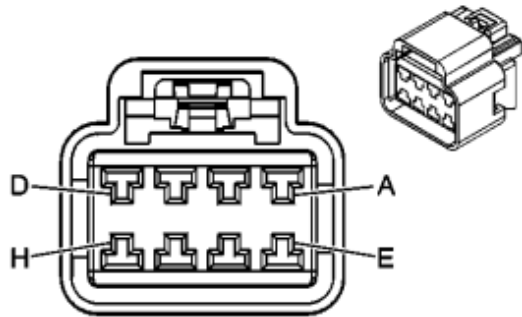
- Terminal/Tray: 7116-4112-02/9
- Core/Insulation Crimp: C/D
- Release Tool/Test Probe: 12094430/J-35616-35 (VT)

Seat Adjuster Motor Assembly - Passenger (AG2)

Pin	Wire	Circuit	Function
1	3 YE	282	Passenger Seat Rear Vertical Motor Up Control
2	3 D- GN	286	Passenger Seat Front Vertical Motor Up Control
3	3 TN	285	Passenger Seat Horizontal Motor Forward Control
4	3 L- BU	283	Passenger Seat Rear Vertical Motor Down Control
5	3 D- BU	287	Passenger Seat Front Vertical Motor Down Control
6	3 L- GN	284	Passenger Seat Horizontal Motor Rearward Control

Seat Adjuster Switch - Driver (AG1) - Seat Adjuster Switch - Driver (AG1)

Seat Adjuster Switch - Driver (AG1)



[Click here for full size](#)

Connector Part Information

- OEM: 15459914
- Service: See Catalog
- Description: 8-Way F GT 280 Series (BK)

Terminal Part Information

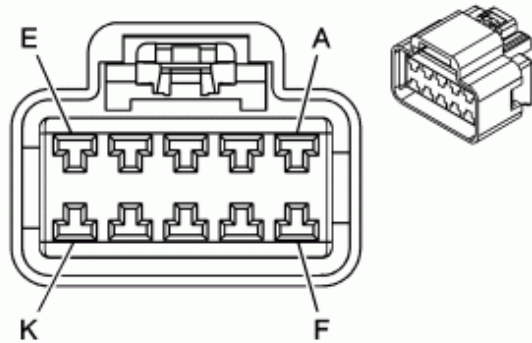
- Terminal/Tray: 15304713/19
- Core/Insulation Crimp: F/D
- Release Tool/Test Probe: 15315247/J-35616-4A (PU)

Seat Adjuster Switch - Driver (AG1)

Pin	Wire	Circuit	Function
A	3 D-GN	286	Driver Seat Front Vertical Motor Up Control
B	3 BK	550	Ground
C	3 TN	285	Driver Seat Horizontal Motor Forward Control
D	3 RD/WH	1140	Battery Positive Voltage
E	3 YE	282	Driver Seat Rear Vertical Motor Up Control
F	3 L-GN	284	Driver Seat Horizontal Motor Rearward Control
G	3 L-BU	283	Driver Seat Rear Vertical Motor Down Control
H	3 D-BU	287	Driver Seat Front Vertical Motor Down Control

Seat Adjuster Switch - Driver (AH5) - Seat Adjuster Switch - Driver (AH5)

Seat Adjuster Switch - Driver (AH5)



 [Click here for full size](#)

Connector Part Information

- OEM: 15326931
- Service: 15306309
- Description: 10-Way F GT 280 Series (BK)

Terminal Part Information

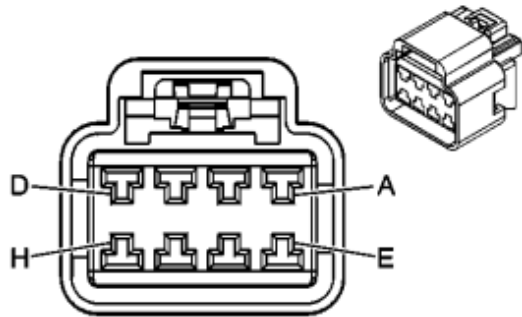
- Terminal/Tray: 15304713/19
- Core/Insulation Crimp: F/D
- Release Tool/Test Probe: 15315247/J-35616-4A (PU)

Seat Adjuster Switch - Driver (AH5)

Pin	Wire	Circuit	Function
A	3 D-GN	286	Driver Seat Front Vertical Motor Up Control
B	3 BK	550	Ground
C	3 L-GN	284	Driver Seat Horizontal Motor Rearward Control
D	3 TN	285	Driver Seat Horizontal Motor Forward Control
E	3 RD/WH	1140	Battery Positive Voltage
F	3 YE	282	Driver Seat Rear Vertical Motor Up Control
G	3 D-BU	77	Driver Seat Recline Motor Rearward Control
H	3 D-GN	76	Driver Seat Recline Motor Forward Control
J	3 L-BU	283	Driver Seat Rear Vertical Motor Down Control
K	3 D-BU	287	Driver Seat Front Vertical Motor Down Control

Seat Adjuster Switch - Passenger (AG2) - Seat Adjuster Switch - Passenger (AG2)

Seat Adjuster Switch - Passenger (AG2)



[Click here for full size](#)

Connector Part Information

- OEM: 15459914
- Service: See Catalog
- Description: 8-Way F GT 280 Series (BK)

Terminal Part Information

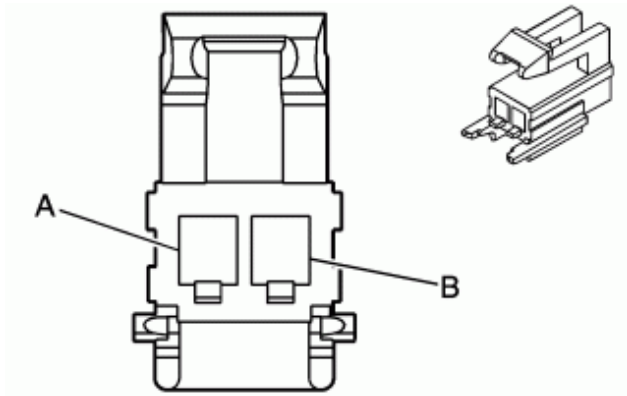
- Terminal/Tray: 15304713/19
- Core/Insulation Crimp: F/D
- Release Tool/Test Probe: 15315247/J-35616-4A (PU)

Seat Adjuster Switch - Passenger (AG2)

Pin	Wire	Circuit	Function
A	3 D-BU	287	Passenger Seat Front Vertical Motor Down Control
B	3 BK	750	Ground
C	3 TN	285	Passenger Seat Horizontal Motor Forward Control
D	3 RD/WH	1140	Battery Positive Voltage
E	3 L-BU	283	Passenger Seat Rear Vertical Motor Down Control
F	3 L-GN	284	Passenger Seat Horizontal Motor Rearward Control
G	3 YE	282	Passenger Seat Rear Vertical Motor Up Control
H	3 D-GN	286	Passenger Seat Front Vertical Motor Up Control

Seat Belt Retractor Pretensioner - Driver - Seat Belt Retractor Pretensioner - Driver

Seat Belt Retractor Pretensioner - Driver



[Click here for full size](#)

Connector Part Information

- OEM: 12110505
- Service: 15306044
- Description: 2-Way F Metri-Pack 150 Series (YE)

Terminal Part Information

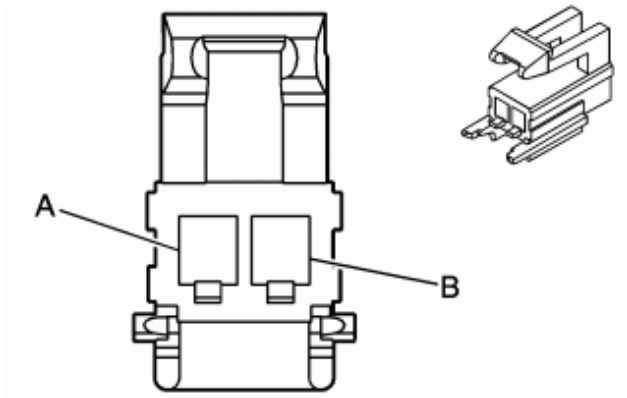
- Terminal/Tray: Service with Pigtail
- Core/Insulation Crimp: N/A
- Release Tool/Test Probe: 12094429/J-35616-14 (GN)

Seat Belt Retractor Pretensioner - Driver

Pin	Wire	Circuit	Function
A	0.35 TN/WH	2118	Seat Belt Retractor Pretensioner - Driver - High Control
B	0.35 OG/BK	2119	Seat Belt Retractor Pretensioner - Driver - Low Control

Seat Belt Retractor Pretensioner - Passenger - Seat Belt Retractor Pretensioner - Passenger

Seat Belt Retractor Pretensioner - Passenger



[Click here for full size](#)

Connector Part Information

- OEM: 12110505
- Service: 15306044
- Description: 2-Way F Metri-Pack 150 Series (YE)

Terminal Part Information

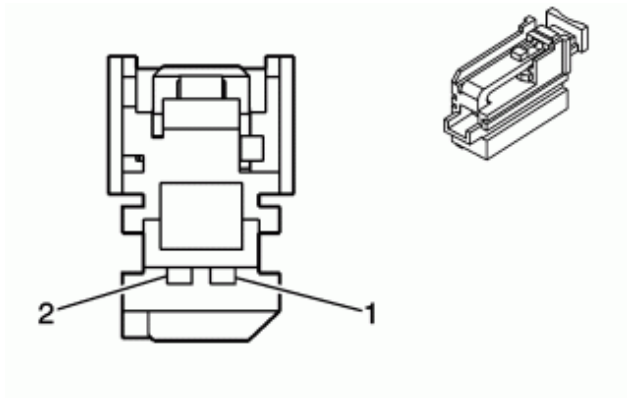
- Terminal/Tray: Service with Pigtail
- Core/Insulation Crimp: N/A
- Release Tool/Test Probe: 12094429/J-35616-14 (GN)

Seat Belt Retractor Pretensioner - Passenger

Pin	Wire	Circuit	Function
A	0.35 L-GN	2116	Seat Belt Retractor Pretensioner - Passenger - High Control
B	0.35 OG	2117	Seat Belt Retractor Pretensioner - Passenger - Low Control

Seat Belt Pretensioner - Driver - Seat Belt Pretensioner - Driver

Seat Belt Pretensioner - Driver



[Click here for full size](#)

Connector Part Information

- OEM: 13676743
- Service: See Catalog
- Description: 2-Way F 0.64 Series (YE)

Terminal Part Information

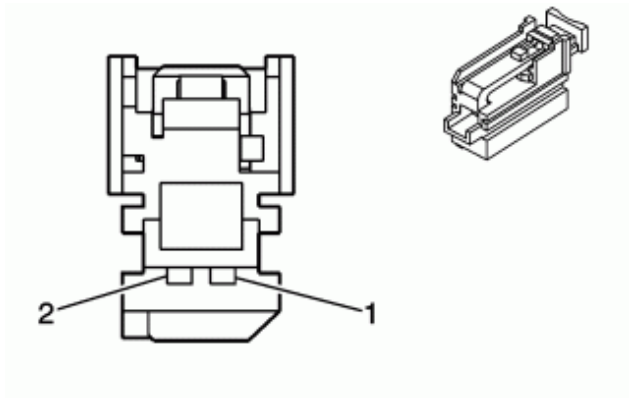
- Terminal/Tray: Service with Pigtail
- Core/Insulation Crimp: N/A
- Release Tool/Test Probe: J-38125-215A/J-35616-64B (L-BU)

Seat Belt Pretensioner - Driver

Pin	Wire	Circuit	Function
1	0.5 WH	3064	Seat Belt Pretensioner - Driver - High Control
2	0.5 YE/BK	3065	Seat Belt Pretensioner - Driver - Low Control

Seat Belt Pretensioner - Passenger - Seat Belt Pretensioner - Passenger

Seat Belt Pretensioner - Passenger



[Click here for full size](#)

Connector Part Information

- OEM: 13676743
- Service: See Catalog
- Description: 2-Way F 0.64 Series (YE)

Terminal Part Information

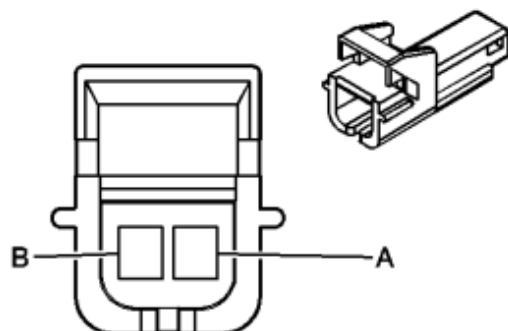
- Terminal/Tray: Service with Pigtail
- Core/Insulation Crimp: N/A
- Release Tool/Test Probe: J-38125-215A/J-35616-64B (L-BU)

Seat Belt Pretensioner - Passenger

Pin	Wire	Circuit	Function
1	0.5 TN	3062	Seat Belt Pretensioner - Passenger - High Control
2	0.5 L-BU/BK	3063	Seat Belt Pretensioner - Passenger - Low Control

Seat Belt Switch - Driver - Seat Belt Switch - Driver

Seat Belt Switch - Driver



 [Click here for full size](#)

Connector Part Information

- OEM: 12124451
- Service: 12117275
- Description: 2-Way M Metri-Pack 150 Series (BK)

Terminal Part Information

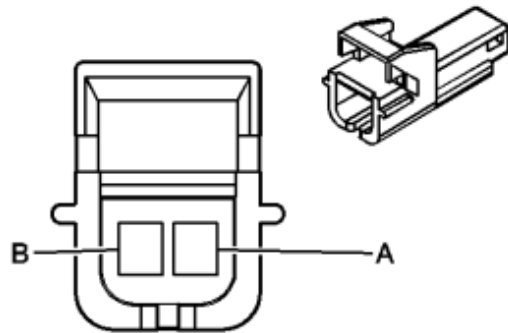
- Terminal/Tray: 12047581/2
- Core/Insulation Crimp: E/C
- Release Tool/Test Probe: 12094429/J-35616-3 (GY)

Seat Belt Switch - Driver

Pin	Wire	Circuit	Function
A	0.35 D-GN	5016	Seat Belt Switch - Left - Signal
B	0.35 PK	5057	Low Reference

Seat Belt Switch - Passenger - Seat Belt Switch - Passenger

Seat Belt Switch - Passenger



 [Click here for full size](#)

Connector Part Information

- OEM: 12124451
- Service: 12117275
- Description: 2-Way M Metri-Pack 150 Series (BK)

Terminal Part Information

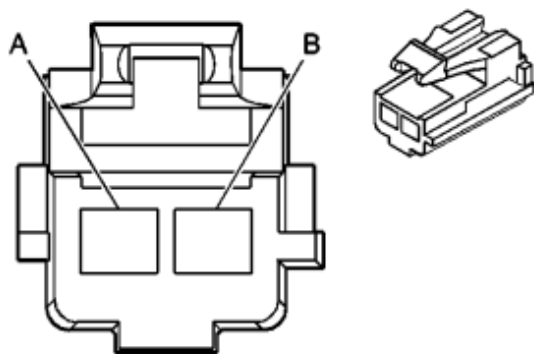
- Terminal/Tray: 12047581/2
- Core/Insulation Crimp: E/C
- Release Tool/Test Probe: 12094429/J-35616-3 (GY)

Seat Belt Switch - Passenger

Pin	Wire	Circuit	Function
A	0.35 OG	1362	Seat Belt Switch - Right - Signal
B	0.35 PK	5057	Low Reference

Seat Recline Motor - Driver (AH5) - Seat Recline Motor - Driver (AH5)

Seat Recline Motor - Driver (AH5)



[Click here for full size](#)

Connector Part Information

- OEM: 12129081
- Service: 12129081
- Description: 2-Way F Metri-Pack 280 Series, Flexlock (BK)

Terminal Part Information

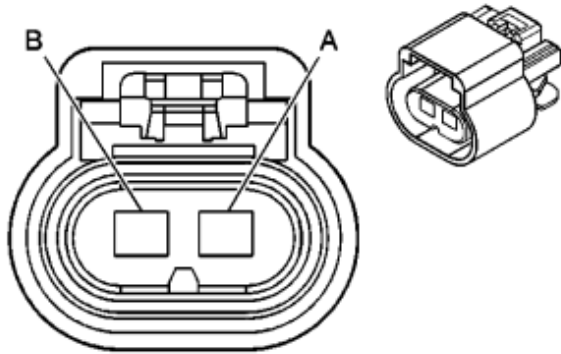
- Terminal/Tray: 12110842/4
- Core/Insulation Crimp: F/G
- Release Tool/Test Probe: 15315247/J-35616-4A (PU)

Seat Recline Motor - Driver (AH5)

Pin	Wire	Circuit	Function
A	3 D-GN	76	Driver Seat Recline Motor Forward Control
B	3 D-BU	77	Driver Seat Recline Motor Rearward Control

Secondary Air Injection (AIR) Pump (NU6) - Secondary Air Injection (AIR) Pump (NU6)

Secondary Air Injection (AIR) Pump (NU6)



[Click here for full size](#)

Connector Part Information

- OEM: 13518845
- Service: See Catalog
- Description: 2-Way F GT 280 Series, Sealed (BK)

Terminal Part Information

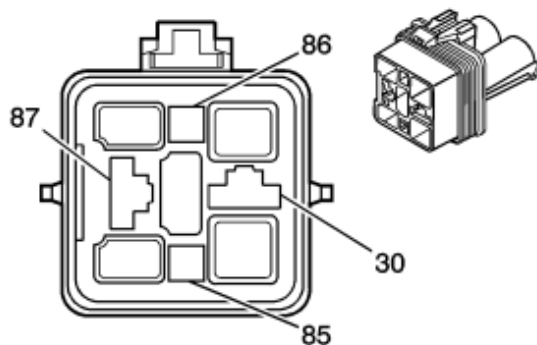
- Terminal/Tray: 15392777/23
- Core/Insulation Crimp: B/5
- Release Tool/Test Probe: 15315247/J-35616-4A (PU)

Secondary Air Injection (AIR) Pump (NU6)

Pin	Wire	Circuit	Function
A	5 OG	78	AIR Pump Supply Voltage
B	5 BK	350	Ground

Secondary Air Injection (AIR) Pump Relay (NU6) - Secondary Air Injection (AIR) Pump Relay (NU6)

Secondary Air Injection (AIR) Pump Relay (NU6)



[Click here for full size](#)

Connector Part Information

- OEM: 15336745
- Service: 15306331
- Description: 4-Way F GR 280 Series, Metri-Pack 800 Series, Sealed (GY)

Terminal Part Information

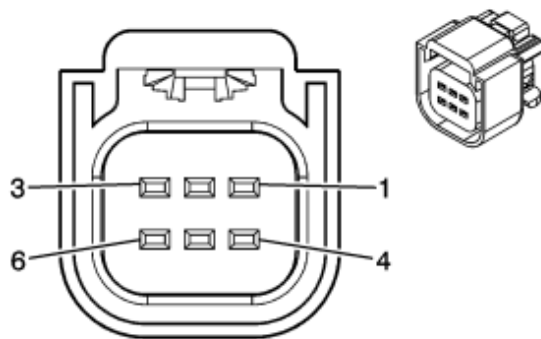
- Pins: 30, 87
- Terminal/Tray: 15336748/20
- Core/Insulation Crimp: G/F/3
- Release Tool/Test Probe: 12150860/J-35616-44 (YE)
- Pins: 85, 86
- Terminal/Tray: 15304719/19
- Core/Insulation Crimp: E/5
- Release Tool/Test Probe: 15315247/J-35616-4A (PU)

Secondary Air Injection (AIR) Pump Relay (NU6)

Pin	Wire	Circuit	Function
30	5 RD/BK	742	Battery Positive Voltage
85	0.5 PK/BK	5294	Ignition 1 Voltage
86	0.35 BN	436	AIR Pump Relay Control
87	5 OG	78	AIR Pump Supply Voltage

Secondary Air Injection (AIR) Pump Solenoid (NU6) - Secondary Air Injection (AIR) Pump Solenoid (NU6)

Secondary Air Injection (AIR) Pump Solenoid (NU6)



[Click here for full size](#)

Connector Part Information

- OEM: 13539171
- Service: See Catalog
- Description: 6-Way F GT 150 Series, Sealed (BK)

Terminal Part Information

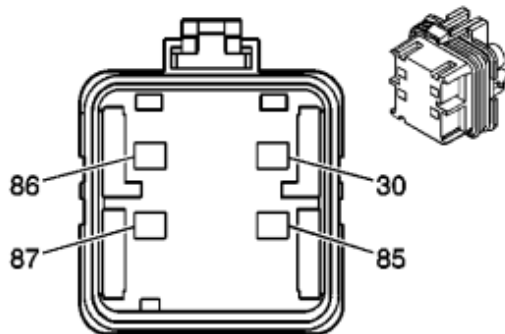
- Pins: 1-3
- Terminal/Tray: 15326427/5
- Core/Insulation Crimp: E/A
- Release Tool/Test Probe: 15315247/J-35616-2A (GY)
- Pins: 4, 6
- Terminal/Tray: 12191819/8
- Core/Insulation Crimp: E/A
- Release Tool/Test Probe: 15315247/J-35616-2A (GY)

Secondary Air Injection (AIR) Pump Solenoid (NU6)

Pin	Wire	Circuit	Function
1	0.5 TN	476	Low Reference
2	0.5 WH	5268	Air Pressure Sensor Signal
3	0.5 GY	474	5-Volt Reference
4	0.5 BK/WH	451	Ground
5	—	—	Not Used
6	0.5 PU	421	AIR Solenoid Supply Voltage

Secondary Air Injection (AIR) Pump Solenoid Relay (NU6) - Secondary Air Injection (AIR) Pump Solenoid Relay (NU6)

Secondary Air Injection (AIR) Pump Solenoid Relay (NU6)



[Click here for full size](#)

Connector Part Information

- OEM: 12129716
- Service: 15306045
- Description: 4-Way F Metri-Pack 280 Series, Flexlock (GY)

Terminal Part Information

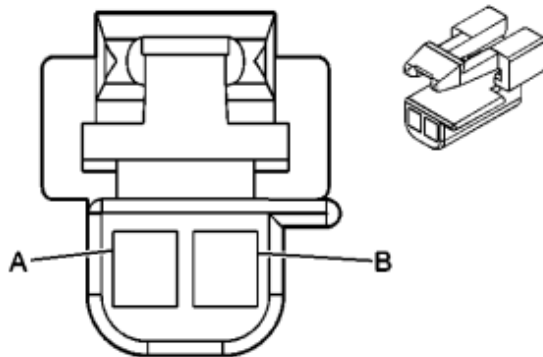
- Terminal/Tray: 12110847/4
- Core/Insulation Crimp: E/5
- Release Tool/Test Probe: 15315247/J-35616-4A (PU)

Secondary Air Injection (AIR) Pump Solenoid Relay (NU6)

Pin	Wire	Circuit	Function
30	0.5 RD/WH	2140	Battery Positive Voltage
85	0.35 PK/BK	429	AIR Solenoid Control
86	0.5 PK/BK	5294	Ignition 1 Voltage
87	0.5 PU	421	AIR Solenoid Supply Voltage

Speaker - Left Front Door - Speaker - Left Front Door

Speaker - Left Front Door



[Click here for full size](#)

Connector Part Information

- OEM: 12064867
- Service: 88987981
- Description: 2-Way F Metri-Pack 150 Series (WH)

Terminal Part Information

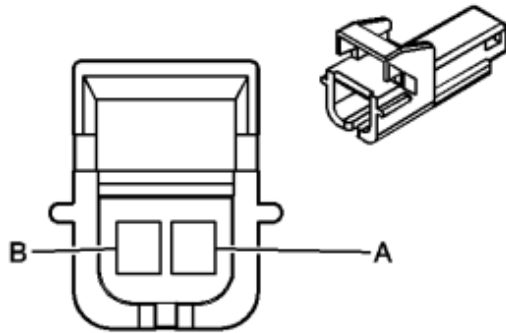
- Terminal/Tray: 15326030/2
- Core/Insulation Crimp: E/C
- Release Tool/Test Probe: 12094429/J-35616-14 (GN)

Speaker - Left Front Door

Pin	Wire	Circuit	Function
A	0.5 GY	118	Left Front Speaker Output (-)
B	0.5TN	201	Left Front Speaker Output (+)

Speaker - Left Front Tweeter - Speaker - Left Front Tweeter

Speaker - Left Front Tweeter



[Click here for full size](#)

Connector Part Information

- OEM: 15393225
- Service: See Catalog
- Description: 2-Way M Metri-Pack 150 Series (BK)

Terminal Part Information

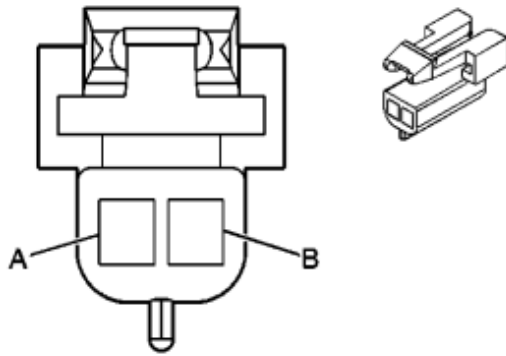
- Terminal/Tray: 12047581/2
- Core/Insulation Crimp: E/A
- Release Tool/Test Probe: 12094429/J-35616-3 (GY)

Speaker - Left Front Tweeter

Pin	Wire	Circuit	Function
A	0.8 GY	118	Left Front Speaker Output (-) (UW6)
	0.8 YE	1956	Left Front Speaker Output (-) (UQ3)
B	0.8 TN	201	Left Front Speaker Output (+) (UW6)
	0.8 TN	1856	Left Front Speaker Output (+) (UQ3)

Speaker - Left Rear (UW6) - Speaker - Left Rear (UW6)

Speaker - Left Rear (UW6)



[Click here for full size](#)

Connector Part Information

- OEM: 12052832
- Service: 12101825
- Description: 2-Way F Metri-Pack 150 Series (BK)

Terminal Part Information

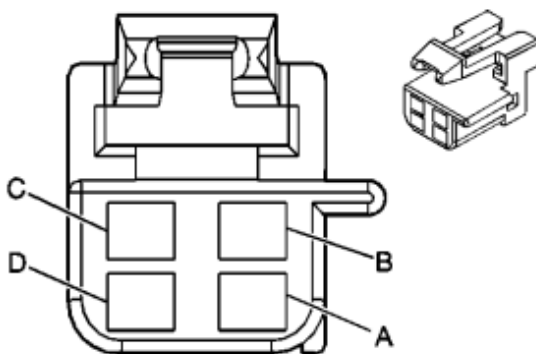
- Terminal/Tray: 15326030/2
- Core/Insulation Crimp: E/A
- Release Tool/Test Probe: 12094429/J-35616-14 (GN)

Speaker - Left Rear (UW6)

Pin	Wire	Circuit	Function
A	0.8 YE	116	Left Rear Speaker Output (-)
B	0.8 BN	199	Left Rear Speaker Output (+)

Speaker - Left Rear (UQ3) - Speaker - Left Rear (UQ3)

Speaker - Left Rear (UQ3)



[Click here for full size](#)

Connector Part Information

- OEM: 12064760
- Service: 12085208
- Description: 4-Way F Metri-Pack 150 Series (BK)

Terminal Part Information

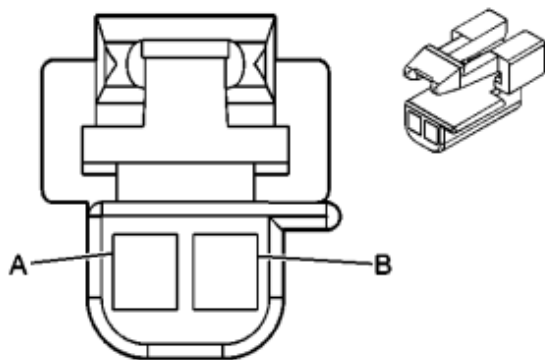
- Terminal/Tray: 15326030/2
- Core/Insulation Crimp: E/A
- Release Tool/Test Probe: 12094429/J-35616-14 (GN)

Speaker - Left Rear (UQ3)

Pin	Wire	Circuit	Function
A	0.8 YE	116	Left Rear Speaker Output (-)
B	0.8 BN	199	Left Rear Speaker Output (+)
C	0.8 D-BU/WH	346	Left Subwoofer Speaker Output (+)
D	0.8 L-GN/BK	1794	Left Subwoofer Speaker Output (-)

Speaker - Right Front Door - Speaker - Right Front Door

Speaker - Right Front Door



[Click here for full size](#)

Connector Part Information

- OEM: 12064867
- Service: 88987981
- Description: 2-Way F Metri-Pack 150 Series (WH)

Terminal Part Information

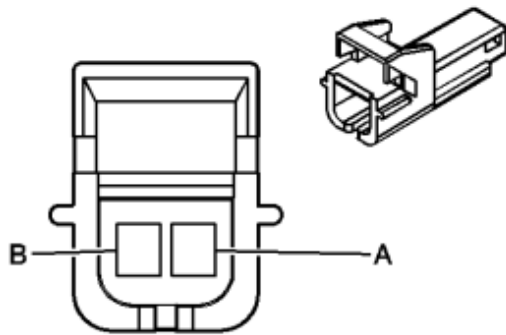
- Terminal/Tray: 15326030/2
- Core/Insulation Crimp: E/C
- Release Tool/Test Probe: 12094429/J-35616-14 (GN)

Speaker - Right Front Door

Pin	Wire	Circuit	Function
A	0.5 D-GN	117	Right Front Speaker Output (-)
B	0.5 L-GN	200	Right Front Speaker Output (+)

Speaker - Right Front Tweeter - Speaker - Right Front Tweeter

Speaker - Right Front Tweeter



 [Click here for full size](#)

Connector Part Information

- OEM: 15393225
- Service: See Catalog
- Description: 2-Way M Metri-Pack 150 Series (BK)

Terminal Part Information

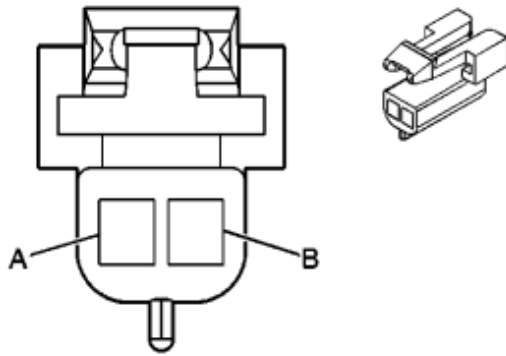
- Terminal/Tray: 12047581/2
- Core/Insulation Crimp: E/A
- Release Tool/Test Probe: 12094429/J-35616-3 (GY)

Speaker - Right Front Tweeter

Pin	Wire	Circuit	Function
A	0.8 D-GN	117	Right Front Speaker Output (-) (UW6)
	0.8 PU	1952	Right Front Speaker Output (-) (UQ3)
B	0.8 L-GN	200	Right Front Speaker Output (+) (UW6)
	0.8 L-GN	1852	Right Front Speaker Output (+) (UQ3)

Speaker - Right Rear (UW6) - Speaker - Right Rear (UW6)

Speaker - Right Rear (UW6)



[Click here for full size](#)

Connector Part Information

- OEM: 12052832
- Service: 12101825
- Description: 2-Way F Metri-Pack 150 Series (BK)

Terminal Part Information

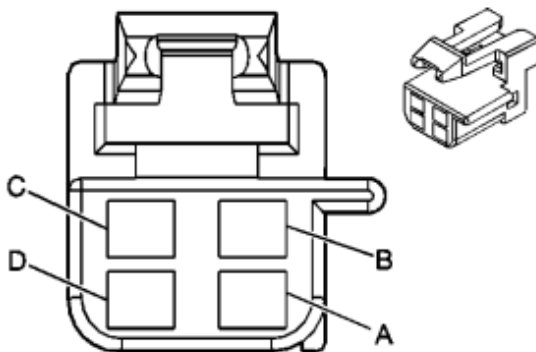
- Terminal/Tray: 15326030/2
- Core/Insulation Crimp: E/A
- Release Tool/Test Probe: 12094429/J-35616-14 (GN)

Speaker - Right Rear (UW6)

Pin	Wire	Circuit	Function
A	0.8 L-BU	115	Right Rear Speaker Output (-)
B	0.8 D-BU	46	Right Rear Speaker Output (+)

Speaker - Right Rear (UQ3) - Speaker - Right Rear (UQ3)

Speaker - Right Rear (UQ3)



[Click here for full size](#)

Connector Part Information

- OEM: 12064760
- Service: 12085208
- Description: 4-Way F Metri-Pack 150 Series (BK)

Terminal Part Information

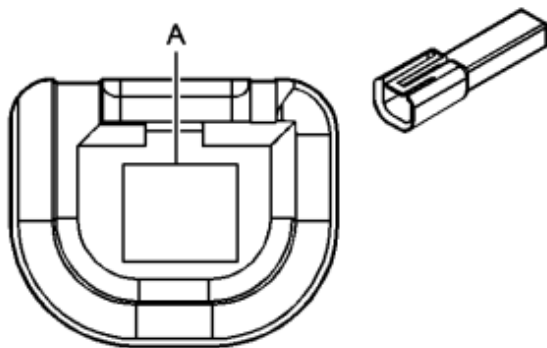
- Terminal/Tray: 15326030/2
- Core/Insulation Crimp: E/A
- Release Tool/Test Probe: 12094429/J-35616-14 (GN)

Speaker - Right Rear (UQ3)

Pin	Wire	Circuit	Function
A	0.8 L-BU	115	Right Rear Speaker Output (-)
B	0.8 D-BU	46	Right Rear Speaker Output (+)
C	0.8 D-GN	1795	Right Subwoofer Speaker Output (+)
D	0.8 L-BU/BK	315	Right Subwoofer Speaker Output (-)

Spot Lamp - Left (7X6, 7X7) - Spot Lamp - Left (7X6, 7X7)

Spot Lamp - Left (7X6, 7X7)



[Click here for full size](#)

Connector Part Information

- OEM: 12047683
- Service: 12101828
- Description: 1-Way M Metri-Pack 150 Series (BK)

Terminal Part Information

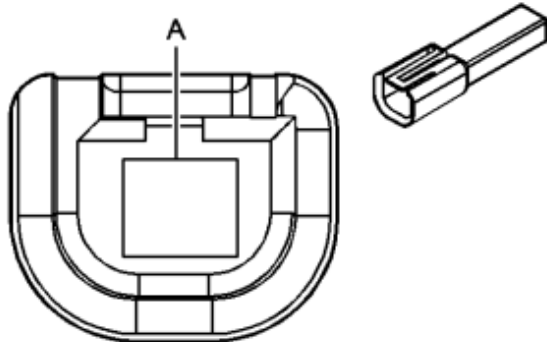
- Terminal/Tray: 12047581/2
- Core/Insulation Crimp: E/C
- Release Tool/Test Probe: 12094429/J-35616-3 (GY)

Spot Lamp - Left (7X6, 7X7)

Pin	Wire	Circuit	Function
A	0.5 RD/WH	2640	Battery Positive Voltage

Spot Lamp - Right (7X7) - Spot Lamp - Right (7X7)

Spot Lamp - Right (7X7)



 [Click here for full size](#)

Connector Part Information

- OEM: 12047683
- Service: 12101828
- Description: 1-Way M Metri-Pack 150 Series (BK)

Terminal Part Information

- Terminal/Tray: 12047581/2
- Core/Insulation Crimp: E/C
- Release Tool/Test Probe: 12094429/J-35616-3 (GY)

Spot Lamp - Right (7X7)

Pin	Wire	Circuit	Function
A	0.5 RD/WH	2740	Battery Positive Voltage

Starter X1 - Starter X1

Starter X1

Terminal Part Information

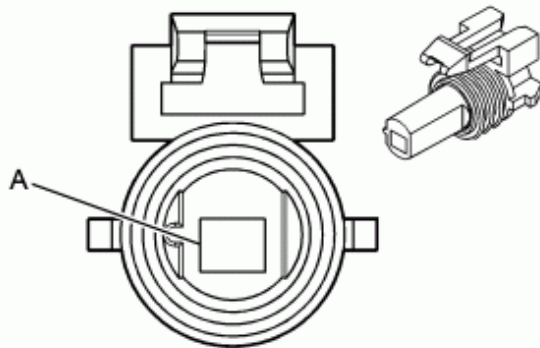
- Terminal: 15317798 (LZ4/LZE/LGD), 12146361 (LS4), 12103502 (LZ4/LZE/LGD/- 6J1), 12146365 (LS4/LGD +6J1)
- Description: Ring Terminal

Starter X1

Pin	Wire	Circuit	Function
1	32 RD	1	Battery Positive Voltage
	8 BK/WH	2	Battery Positive Voltage (LZ4/LZE/LGD/- 6J1)
	RD/BK	2	Battery Positive Voltage (LS4/LGD +6J1)

Starter X2 - Starter X2

Starter X2



[Click here for full size](#)

Connector Part Information

- OEM: 12089916
- Service: 12101763
- Description: 1-Way F Metri-Pack 280 Series, Sealed (GY)

Terminal Part Information

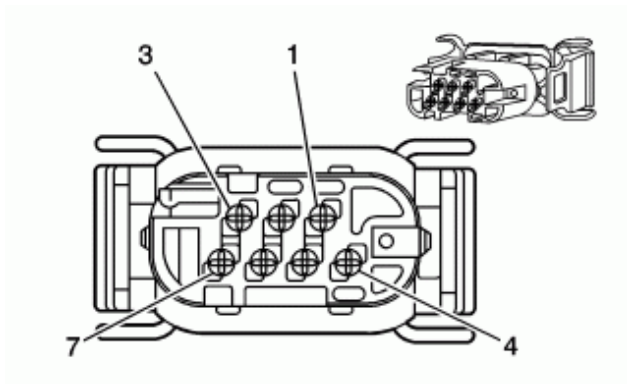
- Terminal/Tray: 12077413/4
- Core/Insulation Crimp: F/5
- Release Tool/Test Probe: 12094430/J-35616-4A (PU)


Starter X2

Pin	Wire	Circuit	Function
A	3 PU	6	Starter Solenoid Crank Voltage

Steering Angle Sensor (JL4) - Steering Angle Sensor (JL4)

Steering Angle Sensor (JL4)



 [Click here for full size](#)

Connector Part Information

- OEM: 15324351
- Service: 88987967
- Description: 7-Way F 0.6 Series (BK)

Terminal Part Information

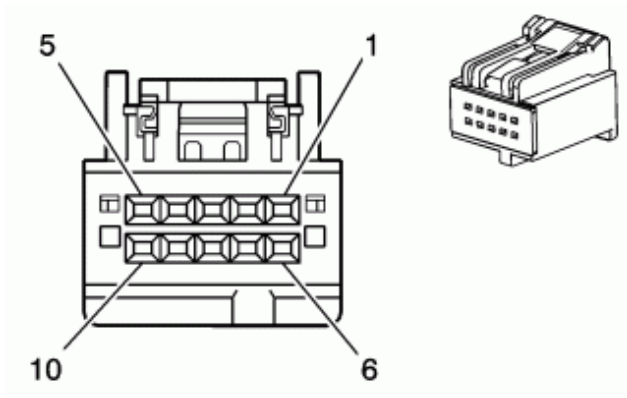
- Terminal/Tray: 1928498014/17
- Core/Insulation Crimp: N/N
- Release Tool/Test Probe: J-38125-560/J-35616-64B (L-BU)

Steering Angle Sensor (JL4)

Pin	Wire	Circuit	Function
1	0.35 BK/WH	1551	Ground
2	0.35 WH	1056	Steering Wheel Position Sensor 12V Reference Voltage
3	0.35 TN	6433	CAN Bus High Serial Data
4	0.35 L-GN	6432	CAN Bus Low Serial Data
5-7	—	—	Not Used

Steering Wheel Control Switch - Left - Steering Wheel Control Switch - Left

Steering Wheel Control Switch - Left



[Click here for full size](#)

Connector Part Information

- OEM: 30700-1100
- Service: See Catalog
- Description: 10-Way F 30700 Series (GY)

Terminal Part Information

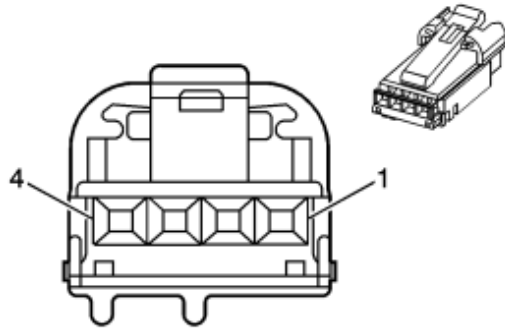
- Terminal/Tray: See Terminal Repair Kit
- Core/Insulation Crimp: See Terminal Repair Kit
- Release Tool/Test Probe: See Terminal Repair Kit


Steering Wheel Control Switch - Left

Pin	Wire	Circuit	Function
1	0.35 PU	1375	Steering Wheel Control Supply Voltage
2	—	—	Not Used
3	0.35 GY	1884	Cruise Control Switch Signal
4-5	—	—	Not Used
6	0.35 PU/WH	7005	LED Dimming Supply
7	—	—	Not Used
8	0.35 BK	1450	Ground
9	0.35 D-GN/WH	7158	Cruise Control Indicator Dimming Signal
10	—	—	Not Used

Steering Wheel Control Switch - Right - Steering Wheel Control Switch - Right

Steering Wheel Control Switch - Right



 [Click here for full size](#)

Connector Part Information

- OEM: 31068-1010
- Service: See Catalog
- Description: 4-Way F HDAC64 SR (BK)

Terminal Part Information

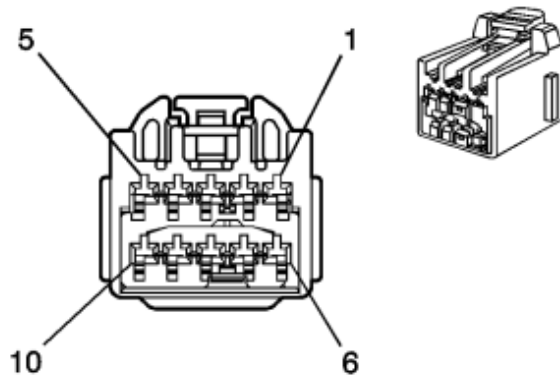
- Terminal/Tray: See Terminal Repair Kit
- Core/Insulation Crimp: See Terminal Repair Kit
- Release Tool/Test Probe: See Terminal Repair Kit

Steering Wheel Control Switch - Right

Pin	Wire	Circuit	Function
1	0.35 BK	1450	Ground
2	0.35 PU/WH	7005	LED Dimming Supply
3	0.35 PU	1375	Steering Wheel Control Supply Voltage
4	0.35 D-BU	1796	Steering Wheel Controls Signal

Sunroof Control Module (CF5) - Sunroof Control Module (CF5)

Sunroof Control Module (CF5)



[Click here for full size](#)

Connector Part Information

- OEM: 7283-5909-40
- Service: See Catalog
- Description: 10-Way F 1.5 Series (L-GY)

Terminal Part Information

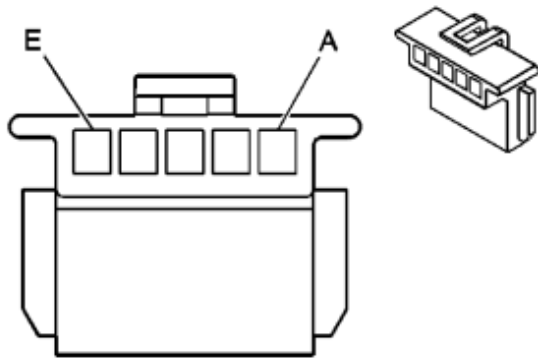
- Pins: 1, 6
- Terminal/Tray: 7116-4101-08/9
- Core/Insulation Crimp: E/A
- Release Tool/Test Probe: 12094430/J-35616-2A (GY)
- Pins: 2, 3, 5, 10
- Terminal/Tray: 7116-4100-08/9
- Core/Insulation Crimp: E/C
- Release Tool/Test Probe: 12094430/J-35616-2A (GY)

Sunroof Control Module (CF5)

Pin	Wire	Circuit	Function
1	1 BK	550	Ground
2	0.5 D-BU	128	Sunroof Switch Low Reference
3	0.5 YE	643	Accessory Voltage
4	—	—	Not Used
5	0.5 BN	100	Sunroof Switch Open Signal
6	1 RD/WH	3440	Battery Positive Voltage
7-9	—	—	Not Used
10	0.5 OG	110	Sunroof Switch Close Signal

Sunroof Switch (CF5) - Sunroof Switch (CF5)

Sunroof Switch (CF5)



[Click here for full size](#)

Connector Part Information

- OEM: 12124997
- Service: 12167130
- Description: 5-Way F Metri-Pack 150 Series (BK)

Terminal Part Information

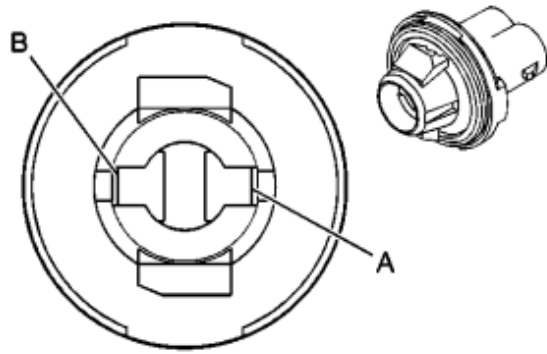
- Terminal/Tray: 12103359/18
- Core/Insulation Crimp: E/C
- Release Tool/Test Probe: 12094429/J-35616-14 (GN)


Sunroof Switch (CF5)

Pin	Wire	Circuit	Function
A-B	—	—	Not Used
C	0.35 D-BU	128	Sunroof Switch Low Reference
D	0.35 BN	100	Sunroof Switch Open Signal
E	0.35 OG	110	Sunroof Switch Close Signal

Tail Lamp - Left - Tail Lamp - Left

Tail Lamp - Left



 [Click here for full size](#)

Connector Part Information

- OEM: 15324946
- Service: See Catalog
- Description: 2-Way F Lamp Socket Wedge Sealed W2 (D-GY)

Terminal Part Information

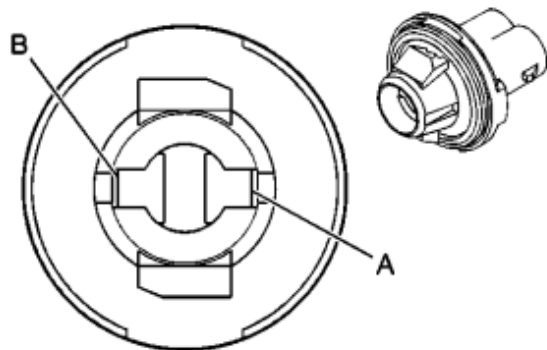
- Terminal/Tray: 12124471/5
- Core/Insulation Crimp: 2/3
- Release Tool/Test Probe: 12094430/ N/A


Tail Lamp - Left

Pin	Wire	Circuit	Function
A	0.5 L-GN	709	Left Park Lamp Supply Voltage
B	0.5 BK	750	Ground

Tail Lamp - Right - Tail Lamp - Right

Tail Lamp - Right



 [Click here for full size](#)

Connector Part Information

- OEM: 15324946
- Service: See Catalog
- Description: 2-Way F Lamp Socket Wedge Sealed W2 (D-GY)

Terminal Part Information

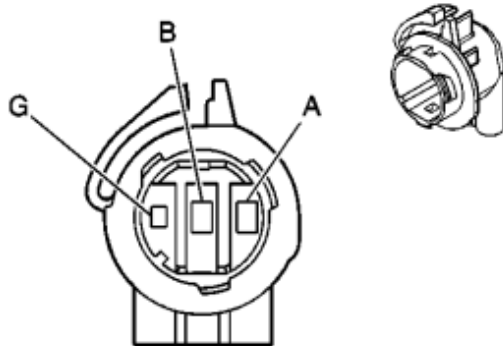
- Terminal/Tray: 12124471/5
- Core/Insulation Crimp: 2/3
- Release Tool/Test Probe: 12094430/ N/A

Tail Lamp - Right

Pin	Wire	Circuit	Function
A	0.5 L-GN	309	Left Park Lamp Supply Voltage
B	0.5 BK	750	Ground

Tail/Stop and Turn Signal Lamp - Left - Tail/Stop and Turn Signal Lamp - Left

Tail/Stop and Turn Signal Lamp - Left



[Click here for full size](#)

Connector Part Information

- OEM: 12160394
- Service: See Catalog
- Description: 3-Way Socket (GY)

Terminal Part Information

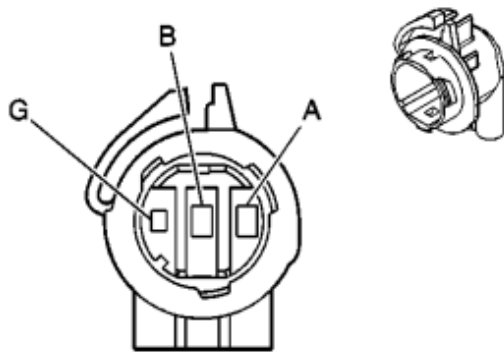
- Terminal/Tray: 12066638/5
- Core/Insulation Crimp: 2/5
- Release Tool/Test Probe: 12180559-1/J-35616-4A (PU)

Tail/Stop and Turn Signal Lamp - Left

Pin	Wire	Circuit	Function
A	0.5 YE	18	Left Rear Stop/Turn Lamp Supply Voltage
B	0.5 L-GN	709	Left Park Lamp Supply Voltage
	0.5 L-GN	709	Left Park Lamp Supply Voltage
G	0.5 BK	750	Ground
	0.5 BK	750	Ground

Tail/Stop and Turn Signal Lamp - Right - Tail/Stop and Turn Signal Lamp - Right

Tail/Stop and Turn Signal Lamp - Right



[Click here for full size](#)

Connector Part Information

- OEM: 12160394
- Service: See Catalog
- Description: 3-Way Socket (GY)

Terminal Part Information

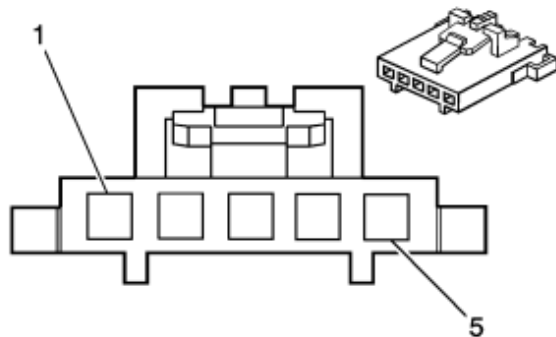
- Terminal/Tray: 12066638/5
- Core/Insulation Crimp: 2/5
- Release Tool/Test Probe: 12180559-1/J-35616-4A (PU)

Tail/Stop and Turn Signal Lamp - Right

Pin	Wire	Circuit	Function
A	0.5 YE	19	Right Rear Stop/Turn Lamp Supply Voltage
B	0.5 L-GN	309	Right Park Lamp Supply Voltage
	0.5 L-GN	309	Right Park Lamp Supply Voltage
G	0.5 BK	750	Ground
	0.5 BK	750	Ground

Theft Deterrent Module (TDM) - Theft Deterrent Module (TDM)

Theft Deterrent Module (TDM)



 [Click here for full size](#)

Connector Part Information

- OEM: 15383337
- Service: See Catalog
- Description: 5-Way F SL Series (BK)

Terminal Part Information

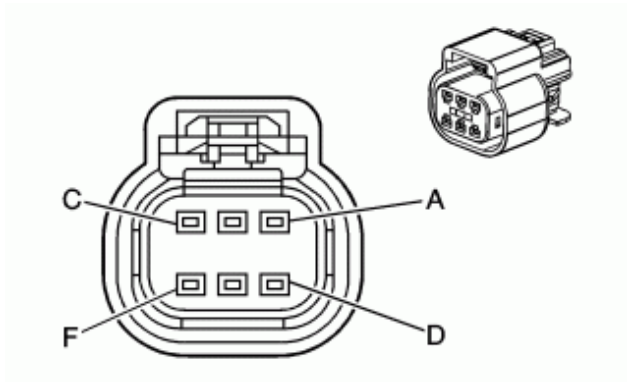
- Terminal/Tray: 16-02-1110/20
- Core/Insulation Crimp: H/H
- Release Tool/Test Probe: J-38125-213/J-35616-64B (L-BU)

Theft Deterrent Module (TDM)

Pin	Wire	Circuit	Function
1	0.35 RD/WH	1040	Battery Positive Voltage
2	0.35 BN	4	Accessory Voltage
3	0.35 BK/WH	1551	Ground
4	—	—	Not Used
5	0.35 D-GN	5060	Low Speed GMLAN Serial Data

Throttle Body (LZE, LZ4, LGD) - Throttle Body (LZE, LZ4, LGD)

Throttle Body (LZE, LZ4, LGD)



[Click here for full size](#)

Connector Part Information

- OEM: 15355297
- Service: See Catalog
- Description: 6-Way F GT 150 Series, Sealed (BK)

Terminal Part Information

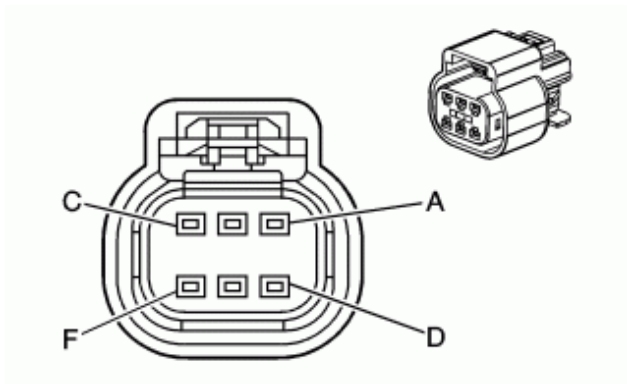
- Terminal/Tray: 15326427/5
- Core/Insulation Crimp: E/A
- Release Tool/Test Probe: 15315247/J-35616-2A (GY)

Throttle Body (LZE, LZ4, LGD)

Pin	Wire	Circuit	Function
A	0.5 YE	581	TAC Motor Control - 1
B	0.5 BN	582	TAC Motor Control - 2
C	0.5 TN	2752	Low Reference
D	0.5 D-GN	485	TP Sensor 1 Signal
E	0.5 GY	2701	5-Volt Reference 2
F	0.5 PU	486	TP Sensor 2 Signal

Throttle Body (LS4) - Throttle Body (LS4)

Throttle Body (LS4)



[Click here for full size](#)

Connector Part Information

- OEM: 15355297
- Service: See Catalog
- Description: 6-Way F GT 150 Series, Sealed (BK)

Terminal Part Information

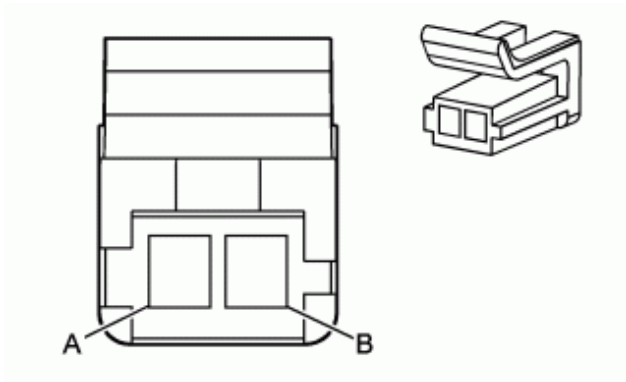
- Terminal/Tray: 15326427/5
- Core/Insulation Crimp: E/A
- Release Tool/Test Probe: 15315247/J-35616-2A (GY)


Throttle Body (LS4)

Pin	Wire	Circuit	Function
A	0.5 BN	582	TAC Motor Control - 2
B	0.5 YE	581	TAC Motor Control - 1
C	0.35 TN	2752	Low Reference
D	0.35 D-GN	485	TP Sensor 1 Signal
E	0.35 GY	2701	5-Volt Reference 2
F	0.35 PU	486	TP Sensor 2 Signal

Torque Converter Clutch (TCC) Solenoid Valve - Torque Converter Clutch (TCC) Solenoid Valve

Torque Converter Clutch (TCC) Solenoid Valve



 [Click here for full size](#)

Connector Part Information

- OEM: 15473845
- Service: See Catalog
- Description: 2-Way F Metri-Pack 150.2 P2S Series (BU)

Terminal Part Information

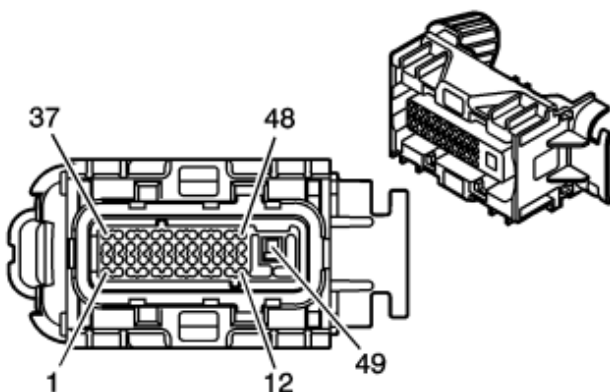
- Terminal/Tray: 12124075/5
- Core/Insulation Crimp: E/C
- Release Tool/Test Probe: 12180559-1/J-35616-14 (GN)

Torque Converter Clutch (TCC) Solenoid Valve

Pin	Wire	Circuit	Function
A	0.5 RD	839	Ignition 1 Voltage
B	0.5 TN	418	TCC PWM Solenoid Valve Control

Transmission Control Module (TCM) - Transmission Control Module (TCM)

Transmission Control Module (TCM)



 [Click here for full size](#)

Connector Part Information

- OEM: 13667270 (LZE, LZ4, LGD), 15491233 (LS4)
- Service: See Catalog
- Description: 49-Way F GT 280 Micro-64 Series, Sealed (BK)

Terminal Part Information

- Terminal/Tray: 15359541/4
- Core/Insulation Crimp: M/M
- Release Tool/Test Probe: 15381651-2/J-35616-64B (L-BU)
- Pins: 49 (LS4)
- Terminal/Tray: 15491972/24
- Core/Insulation Crimp: E/5
- Release Tool/Test Probe: 15315247/J-35616-4A (PU)

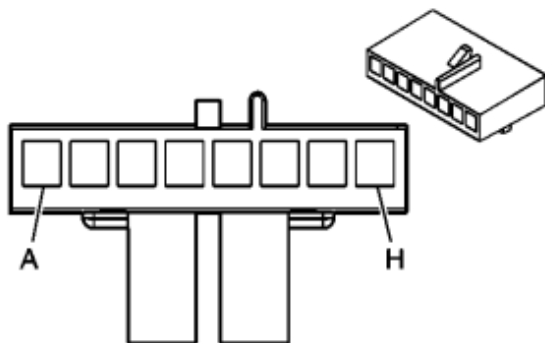
Transmission Control Module (TCM)

Pin	Wire	Circuit	Function
1	0.35 BN	418	TCC PWM Solenoid Valve Control
2	0.35 L-GN	1222	1-2 Shift Solenoid Valve Control
3	0.35 OG/BK	1230	AT ISS High Signal
4	—	—	Not Used
5	0.5 OG	381	Vehicle Speed Signal (LS4)
6	0.35 TN	2501	High Speed GMLAN Serial Data Bus -
7	0.35 TN/BK	2500	High Speed GMLAN Serial Data Bus +
8	—	—	Not Used
9	0.35 WH	1804	TCC Release Switch Signal
10	—	—	Not Used
11	0.35 D-BU	5985	Accessory Wake Up Serial Data
12-15	—	—	Not Used
16	0.35 PU	401	Signal Low - Front
17	0.35 L-BU/WH	1229	PC Solenoid Valve Low Control
18-19	—	—	Not Used
20	0.35 YE/BK	1223	2-3 Shift Solenoid Valve Control
21-22	—	—	Not Used
23	0.35 GY	773	Transmission Range Switch Signal C
24-25	—	—	Not Used
26	0.35 D-BU/WH	1231	AT ISS Low Signal

27-28	-	-	Not Used
29	0.35 TN/WH	771	Transmission Range Switch Signal A
30	0.35 TN	2762	Low Reference
31	0.35 PK	1339	Ignition 1 Voltage
32	0.5 RD/WH	540	Battery Positive Voltage
33-34	-	-	Not Used
35	0.35 YE/BK	1227	TFT Sensor Signal
36	-	-	Not Used
37	0.5 TN	2501	High Speed GMLAN Serial Data Bus -
38	0.5 TN/BK	2500	High Speed GMLAN Serial Data Bus +
39	0.35 WH	776	Transmission Range Switch Signal P
40	0.35 OG/BK	1228	PC Solenoid Valve High Control
41	0.35 YE	400	Signal High - Front
42-45	-	-	Not Used
46	0.35 YE	772	Transmission Range Switch Signal B
47-48	-	-	Not Used
49	0.8 BK/WH	451	Ground

Turn Signal/Multifunction Switch X1 - Turn Signal/Multifunction Switch X1

Turn Signal/Multifunction Switch X1



[Click here for full size](#)

Connector Part Information

- OEM: 12064862
- Service: 12126438
- Description: 8-Way F Metri-Pack 150 Series (BK)

Terminal Part Information

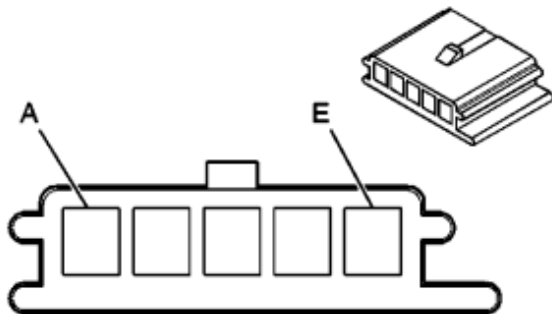
- Terminal/Tray: 12064971/5
- Core/Insulation Crimp: E/C
- Release Tool/Test Probe: 12094429/J-35616-14 (GN)

Turn Signal/Multifunction Switch X1

Pin	Wire	Circuit	Function
A-B	—	—	Not Used
C	0.35 TN	2144	Hazard Switch Signal
D	0.35 L-BU/WH	1414	Left Turn Signal Switch Signal
E	0.35 BK/WH	1551	Ground
F	0.35 D-BU/WH	1415	Right Turn Signal Switch Signal
G	—	—	Not Used
H	0.35 BK/WH	1551	Ground

Turn Signal/Multifunction Switch X2 - Turn Signal/Multifunction Switch X2

Turn Signal/Multifunction Switch X2



[Click here for full size](#)

Connector Part Information

- OEM: 12059800
- Service: 15306169
- Description: 5-Way F Metri-Pack 150 Series (BK)

Terminal Part Information

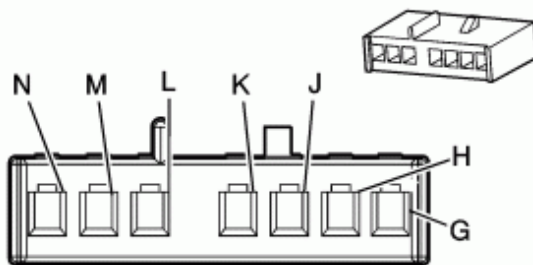
- Terminal/Tray: 12064971/5
- Core/Insulation Crimp: E/C
- Release Tool/Test Probe: 12094429/J-35616-14 (GN)

Turn Signal/Multifunction Switch X2

Pin	Wire	Circuit	Function
A	0.35 BN	1356	Flash To Pass Switch Signal
B-C	—	—	Not Used
D	0.35 BK/WH	1551	Ground
E	0.35 PU	524	Headlamp Dimmer Switch High Beam Signal

Turn Signal/Multifunction Switch X3 - Turn Signal/Multifunction Switch X3

Turn Signal/Multifunction Switch X3



[Click here for full size](#)

Connector Part Information

- OEM: 15339058
- Service: See Catalog
- Description: 7-Way F Metri-Pack 150 Series (GY)

Terminal Part Information

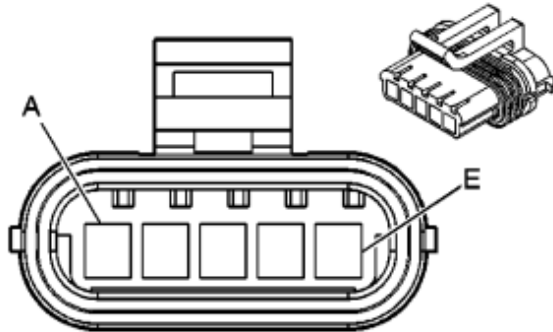
- Terminal/Tray: 12064971/5
- Core/Insulation Crimp: E/C
- Release Tool/Test Probe: 12094429/J-35616-14 (GN)

Turn Signal/Multifunction Switch X3

Pin	Wire	Circuit	Function
G	—	—	Not Used
H	0.35 BK/WH	1251	Ground
J	0.35 PK	94	Windshield Washer Switch Signal
K	0.35 L-GN	1715	Windshield Wiper Switch High Signal
L	0.35 L-BU	1714	Windshield Wiper Switch Low Signal
M-N	—	—	Not Used

Valve Lifter Oil Manifold (VLOM) Assembly (LS4) - Valve Lifter Oil Manifold (VLOM) Assembly (LS4)

Valve Lifter Oil Manifold (VLOM) Assembly (LS4)



[Click here for full size](#)

Connector Part Information

- OEM: 12186057
- Service: 15306027
- Description: 5-Way F Metri-Pack 150.2 , Pull To Seat Series, Sealed (BK)

Terminal Part Information

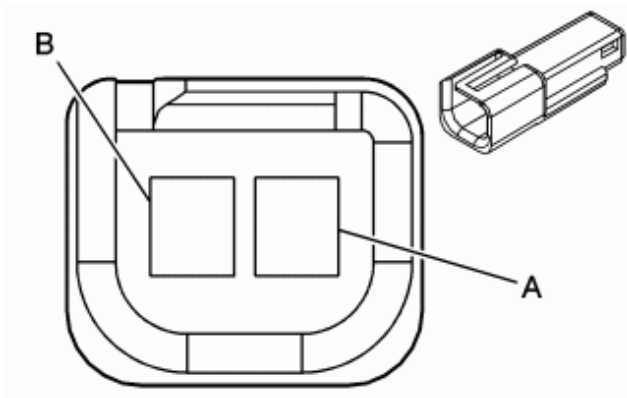
- Terminal/Tray: 12124075/5
- Core/Insulation Crimp: E/C
- Release Tool/Test Probe: 12180559-1/J-35616-14 (GN)

Valve Lifter Oil Manifold (VLOM) Assembly (LS4)

Pin	Wire	Circuit	Function
A	0.5 OG	5494	Cylinder Shutoff Solenoid Control 4
B	0.5 TN	5496	Cylinder Shutoff Solenoid Control 3
C	0.5 D-BU	5491	Cylinder Shutoff Solenoid Control 1
D	0.5 WH	5497	Cylinder Shutoff Solenoid Control 2
E	0.5 PK/BK	5294	Ignition 1 Voltage

Vanity Mirror Lamp - Left (DH6) - Vanity Mirror Lamp - Left (DH6)

Vanity Mirror Lamp - Left (DH6)



[Click here for full size](#)

Connector Part Information

- OEM: 12047663
- Service: 12085481
- Description: 2-Way M Metri-Pack 150 Series (BK)

Terminal Part Information

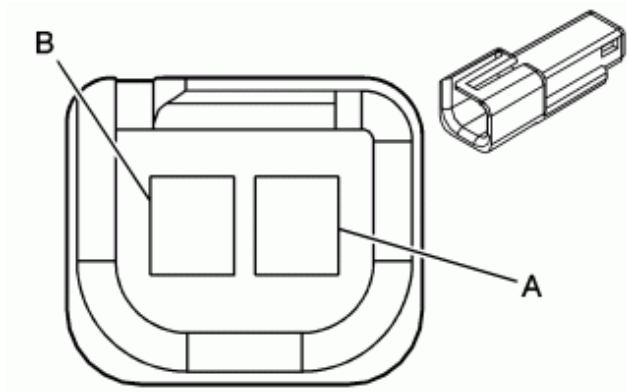
- Terminal/Tray: 12047581/2
- Core/Insulation Crimp: E/C
- Release Tool/Test Probe: 12094429/J-35616-3 (GY)

Vanity Mirror Lamp - Left (DH6)

Pin	Wire	Circuit	Function
A	0.5 OG	1732	Inadvertent Power Courtesy Lamp
B	0.5 BK	550	Ground

Vanity Mirror Lamp - Right (DH6) - Vanity Mirror Lamp - Right (DH6)

Vanity Mirror Lamp - Right (DH6)



 [Click here for full size](#)

Connector Part Information

- OEM: 12047663
- Service: 12085481
- Description: 2-Way M Metri-Pack 150 Series (BK)

Terminal Part Information

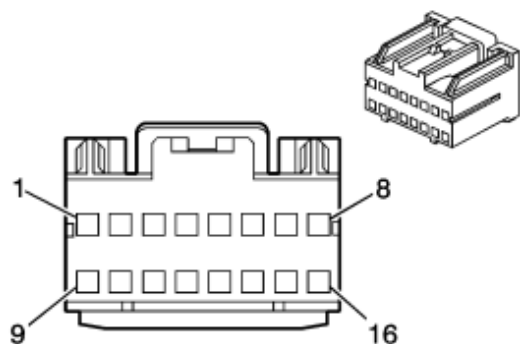
- Terminal/Tray: 12047581/2
- Core/Insulation Crimp: E/C
- Release Tool/Test Probe: 12094429/J-35616-3 (GY)

Vanity Mirror Lamp - Right (DH6)

Pin	Wire	Circuit	Function
A	0.5 OG	1732	Inadvertent Power Courtesy Lamp
B	0.5 BK	550	Ground

Vehicle Communication Interface Module (VCIM) (UE1) X1 - Vehicle Communication Interface Module (VCIM) (UE1) X1

Vehicle Communication Interface Module (VCIM) (UE1) X1



 [Click here for full size](#)

Connector Part Information

- OEM: 15441350
- Service: See Catalog
- Description: 16-Way F Micro-Pack 100A Series (BK)

Terminal Part Information

- Terminal/Tray: 15445905/23
- Core/Insulation Crimp: J/J
- Core/Insulation Crimp: Pin 7 K/K

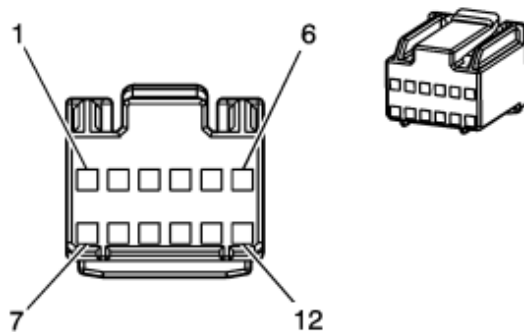
- Release Tool/Test Probe: 12180559/J-35616-16 (L-GN)

Vehicle Communication Interface Module (VCIM) (UE1) X1

Pin	Wire	Circuit	Function
1	0.35 D-GN	5060	Low Speed GMLAN Serial Data
2	0.35 BN/WH	2517	Keypad Red LED Signal
3	0.35 YE/BK	2516	Keypad Green LED Signal
4-5	—	—	Not Used
6	0.35 L-GN/BK	2515	Keypad Supply Voltage
7	0.8 BK/WH	1351	Ground
8-9	—	—	Not Used
10	0.35 TN/BK	2500	High Speed GMLAN Serial Data Bus +
11	0.35 D-GN/WH	2514	Keypad Signal
12	0.35 TN	2501	High Speed GMLAN Serial Data Bus -
13	0.5 GY/BK	5167	Battery Backup Low Reference
14	0.5 RD/WH	5235	Battery Backup Supply Voltage
15	0.5 RD/WH	2340	Battery Positive Voltage
16	—	—	Not Used

Vehicle Communication Interface Module (VCIM) (UE1) X2 - Vehicle Communication Interface Module (VCIM) (UE1) X2

Vehicle Communication Interface Module (VCIM) (UE1) X2



[Click here for full size](#)

Connector Part Information

- OEM: 15431365
- Service: See Catalog
- Description: 12-Way F Micro-Pack 100A Series (WH)

Terminal Part Information

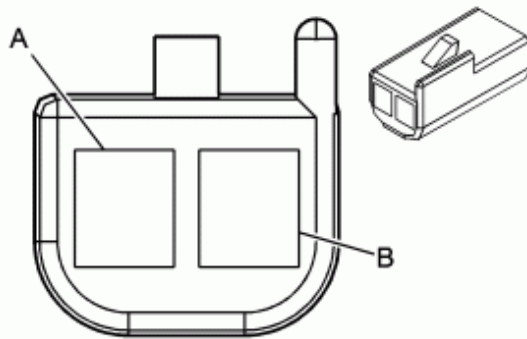
- Terminal/Tray: 15445905/23
- Core/Insulation Crimp: J/J
- Release Tool/Test Probe: 12180559/J-35616-16 (L-GN)

Vehicle Communication Interface Module (VCIM) (UE1) X2

Pin	Wire	Circuit	Function
1	0.35 OG/BK	1406	Left Audio Signal (+)
2	0.35 L-BU	1405	Audio Common Signal
3	0.35 TN/BK	2500	High Speed GMLAN Serial Data Bus +
4	0.35 TN	2501	High Speed GMLAN Serial Data Bus -
5-7	-	-	Not Used
8	0.35 BARE	813	Drain Wire
9	0.35 GY	655	Cellular Microphone Signal
10	0.35 BARE	1489	Drain Wire
11-12	-	-	Not Used

Vehicle Communication Interface Module (VCIM) Battery (UE1) - Vehicle Communication Interface Module (VCIM) Battery (UE1)

Vehicle Communication Interface Module (VCIM) Battery (UE1)



[Click here for full size](#)

Connector Part Information

- OEM: 12047662
- Service: 12085535
- Description: 2-Way F Metri-Pack 150 Series (BK)

Terminal Part Information

- Terminal/Tray: 12064971/5
- Core/Insulation Crimp: E/C

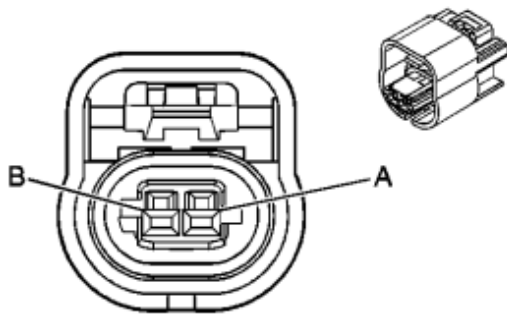
- Release Tool/Test Probe: 12094429/J-35616-14 (GN)

Vehicle Communication Interface Module (VCIM) Battery (UE1)

Pin	Wire	Circuit	Function
A	0.5 RD/WH	5235	Battery Backup Supply Voltage
B	0.5 GY/BK	5167	Battery Backup Low Reference

Vehicle Speed Sensor (VSS) - Vehicle Speed Sensor (VSS)

Vehicle Speed Sensor (VSS)



[Click here for full size](#)

Connector Part Information

- OEM: 15336004
- Service: 19178093
- Description: 2-Way F GT 150 Series, Sealed (BK)

Terminal Part Information

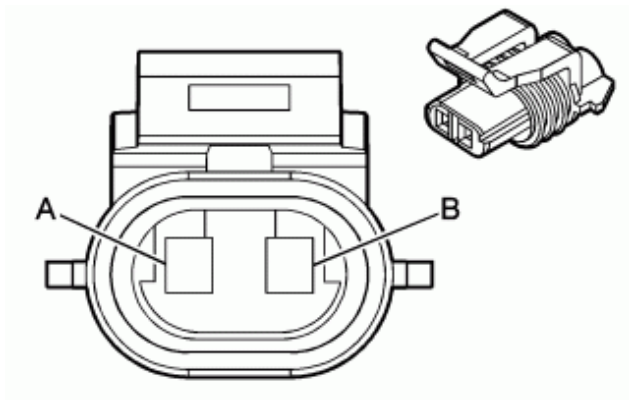
- Terminal/Tray: 15326267/19
- Core/Insulation Crimp: E/4
- Release Tool/Test Probe: 15315247/J-35616-2A (GY)

Vehicle Speed Sensor (VSS)

Pin	Wire	Circuit	Function
1	0.35 PU	401	Signal Low - Front
2	0.35 YE	400	Signal High - Front

Wheel Speed Sensor (WSS) - Left Front - Wheel Speed Sensor (WSS) - Left Front

Wheel Speed Sensor (WSS) - Left Front



[Click here for full size](#)

Connector Part Information

- OEM: 12052644
- Service: See Catalog
- Description: 2-Way F Metri-Pack 150 Series, Sealed (GY)

Terminal Part Information

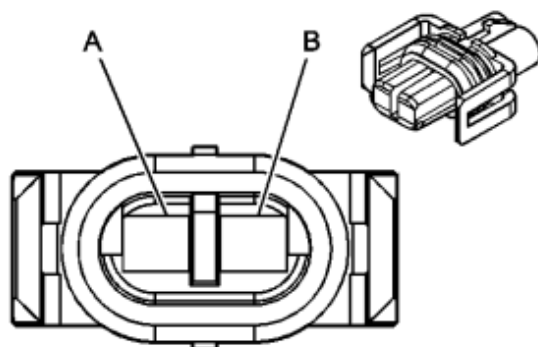
- Terminal/Tray: 12048074/2
- Core/Insulation Crimp: E/1
- Release Tool/Test Probe: 12094429/J-35616-14 (GN)

Wheel Speed Sensor (WSS) - Left Front

Pin	Wire	Circuit	Function
A	0.5 YE	873	Left Front Wheel Speed Sensor Low Reference
B	0.5 L-BU	830	Left Front Wheel Speed Sensor Signal

Wheel Speed Sensor (WSS) - Left Rear - Wheel Speed Sensor (WSS) - Left Rear

Wheel Speed Sensor (WSS) - Left Rear



[Click here for full size](#)

Connector Part Information

- OEM: 15305168
- Service: See Catalog
- Description: 2-Way F Metri-Pack 150 Series, Sealed (GY)

Terminal Part Information

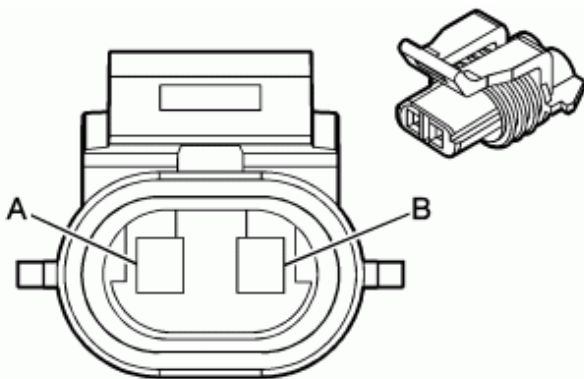
- Terminal/Tray: 12048074/2
- Core/Insulation Crimp: E/1
- Release Tool/Test Probe: 12094429/J-35616-14 (GN)

Wheel Speed Sensor (WSS) - Left Rear

Pin	Wire	Circuit	Function
A	0.5 BK	884	Left Rear Wheel Speed Sensor Signal
B	0.5 RD	885	Left Rear Wheel Speed Sensor Low Reference

Wheel Speed Sensor (WSS) - Right Front - Wheel Speed Sensor (WSS) - Right Front

Wheel Speed Sensor (WSS) - Right Front



[Click here for full size](#)

Connector Part Information

- OEM: 12052644
- Service: See Catalog
- Description: 2-Way F Metri-Pack 150 Series, Sealed (GY)

Terminal Part Information

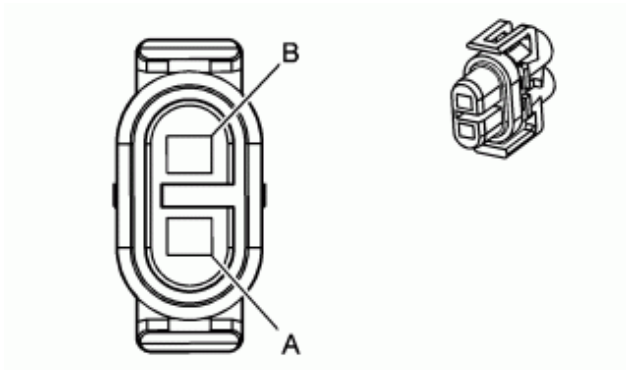
- Terminal/Tray: 12048074/2
- Core/Insulation Crimp: E/1
- Release Tool/Test Probe: 12094429/J-35616-14 (GN)

Wheel Speed Sensor (WSS) - Right Front

Pin	Wire	Circuit	Function
A	0.5 TN	833	Right Front Wheel Speed Sensor Low Reference
B	0.5 D-GN	872	Right Front Wheel Speed Sensor Signal

Wheel Speed Sensor (WSS) - Right Rear - Wheel Speed Sensor (WSS) - Right Rear

Wheel Speed Sensor (WSS) - Right Rear



[Click here for full size](#)

Connector Part Information

- OEM: 15305168
- Service: See Catalog
- Description: 2-Way F Metri-Pack 150 Series, Sealed (GY)

Terminal Part Information

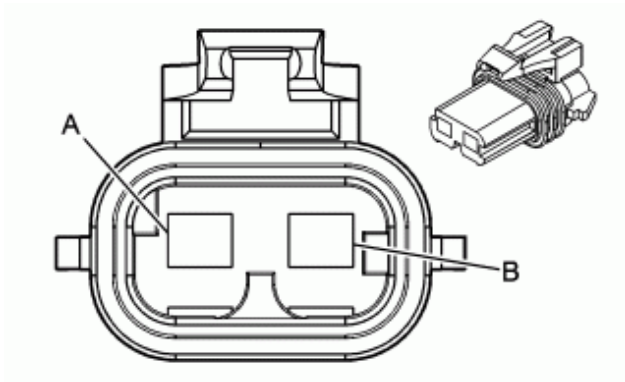
- Terminal/Tray: 12048074/2
- Core/Insulation Crimp: E/1
- Release Tool/Test Probe: 12094429/J-35616-14 (GN)

Wheel Speed Sensor (WSS) - Right Rear

Pin	Wire	Circuit	Function
A	0.5 BN	882	Right Rear Wheel Speed Sensor Signal
B	0.5 WH	883	Right Rear Wheel Speed Sensor Low Reference

Window Motor - Driver - Window Motor - Driver

Window Motor - Driver



[Click here for full size](#)

Connector Part Information

- OEM: 15497548
- Service: See Catalog
- Description: 2-Way F Metri-Pack 280 Series, Sealed (GY)

Terminal Part Information

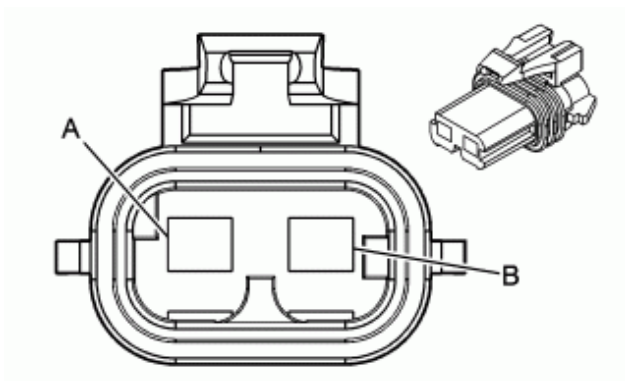
- Terminal/Tray: 12110845/4
- Core/Insulation Crimp: A/5
- Release Tool/Test Probe: 15315247/J-35616-4A (PU)

Window Motor - Driver

Pin	Wire	Circuit	Function
A	2 BN	165	Power Window Motor Left Front Down Control
B	2 D-BU	164	Power Window Motor Left Front Up Control

Window Motor - Left Rear - Window Motor - Left Rear

Window Motor - Left Rear



[Click here for full size](#)

Connector Part Information

- OEM: 15497548
- Service: See Catalog
- Description: 2-Way F Metri-Pack 280 Series, Sealed (GY)

Terminal Part Information

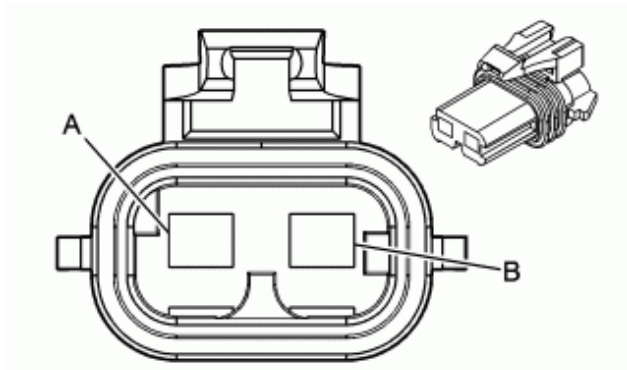
- Terminal/Tray: 12015858/4
- Core/Insulation Crimp: F/5
- Release Tool/Test Probe: 15315247/J-35616-4A (PU)

Window Motor - Left Rear

Pin	Wire	Circuit	Function
A	3 BN	669	Power Window Motor Left Rear Down Control
B	3 D-BU	668	Power Window Motor Left Rear Up Control

Window Motor - Passenger - Window Motor - Passenger

Window Motor - Passenger



[Click here for full size](#)

Connector Part Information

- OEM: 15497548
- Service: See Catalog
- Description: 2-Way F Metri-Pack 280 Series, Sealed (GY)

Terminal Part Information

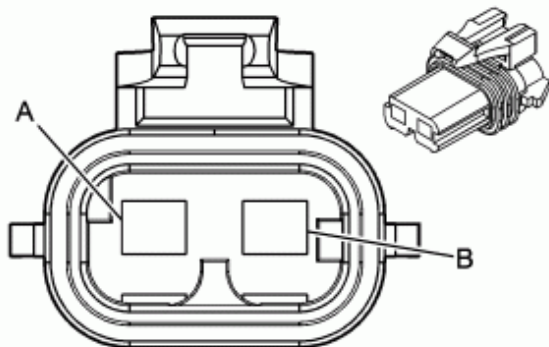
- Terminal/Tray: 12110845/4
- Core/Insulation Crimp: F/5
- Release Tool/Test Probe: 15315247/J-35616-4A (PU)

Window Motor - Passenger

Pin	Wire	Circuit	Function
A	3 BN	667	Power Window Motor Right Front Down Control
B	3 D-BU	666	Power Window Motor Right Front Up Control

Window Motor - Right Rear - Window Motor - Right Rear

Window Motor - Right Rear



[Click here for full size](#)

Connector Part Information

- OEM: 15497548
- Service: See Catalog
- Description: 2-Way F Metri-Pack 280 Series, Sealed (GY)

Terminal Part Information

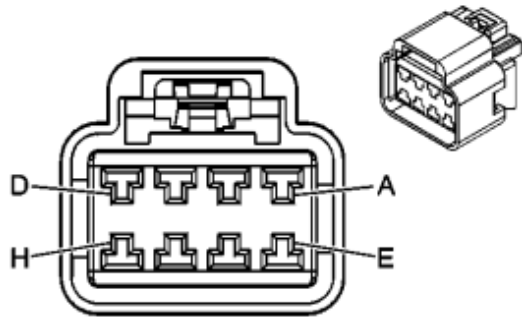
- Terminal/Tray: 12110845/4
- Core/Insulation Crimp: F/5
- Release Tool/Test Probe: 15315247/J-35616-4A (PU)

Window Motor - Right Rear

Pin	Wire	Circuit	Function
A	3 BN	671	Power Window Motor Right Rear Down Control
B	3 D-BU	670	Power Window Motor Right Rear Up Control

Window Switch - Driver X1 - Window Switch - Driver X1

Window Switch - Driver X1



[Click here for full size](#)

Connector Part Information

- OEM: 15326924
- Service: 15306174
- Description: 8-Way F GT 280 Series (BK)

Terminal Part Information

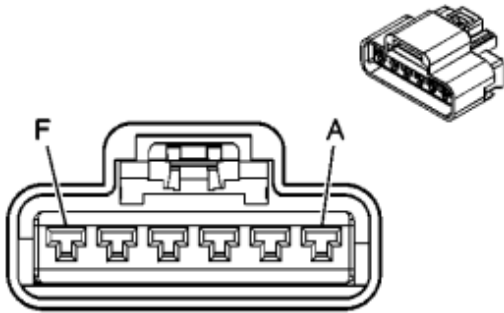
- Terminal/Tray: 15304713/19
- Core/Insulation Crimp: 4/4
- Release Tool/Test Probe: 15315247/J-35616-4A (PU)

Window Switch - Driver X1

Pin	Wire	Circuit	Function
A	—	—	Not Used
B	2 BK	550	Ground
C	2 PU	169	Power Window Master Switch Left Rear Down Signal
D	2 D-GN	168	Power Window Master Switch Left Rear Up Signal
E	2 YE	143	Accessory Voltage
F	2 D-BU	1307	Power Window Master Switch Lockout Signal
G	2 L-GN	170	Power Window Master Switch Right Rear Up Signal
H	2 PU	171	Power Window Master Switch Right Rear Down Signal

Window Switch - Driver X2 - Window Switch - Driver X2

Window Switch - Driver X2



[Click here for full size](#)

Connector Part Information

- OEM: 15326900
- Service: 15306380
- Description: 6-Way F GT 280 Series (BK)

Terminal Part Information

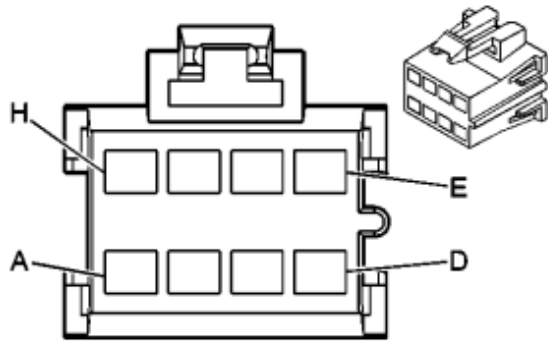
- Pins: A, B, C, E
- Terminal/Tray: 15304713/19
- Core/Insulation Crimp: 4/4
- Release Tool/Test Probe: 15315247/J-35616-4A (PU)
- Pins: F
- Terminal/Tray: 15304711/8
- Core/Insulation Crimp: E/A
- Release Tool/Test Probe: 15315247/J-35616-4A (PU)

Window Switch - Driver X2

Pin	Wire	Circuit	Function
A	2 BN	165	Power Window Motor Left Front Down Control
B	2 L-BU	166	Power Window Master Switch Right Front Up Signal
C	2 TN	167	Power Window Master Switch Right Front Down Signal
D	—	—	Not Used
E	2 D-BU	164	Power Window Motor Left Front Up Control
F	0.35 GY	8	Instrument Panel Lamp Supply Voltage

Window Switch - Left Rear - Window Switch - Left Rear

Window Switch - Left Rear



[Click here for full size](#)

Connector Part Information

- OEM: 12064998
- Service: 15306189
- Description: 8-Way F Metri-Pack 280 Series (BK)

Terminal Part Information

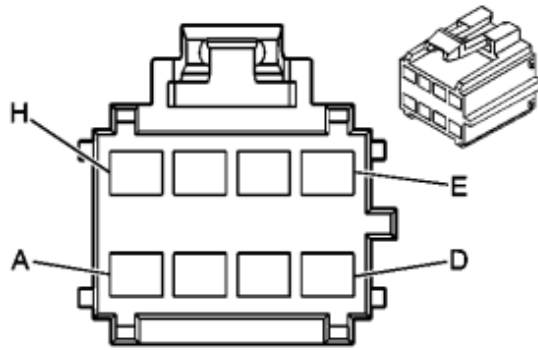
- Terminal/Tray: 12015858/4
- Core/Insulation Crimp: F/G
- Release Tool/Test Probe: 12094430/J-35616-4A (PU)

Window Switch - Left Rear

Pin	Wire	Circuit	Function
A	3 BN	669	Power Window Motor Left Rear Down Control
B	—	—	Not Used
C	3 D-GN	168	Power Window Master Switch Left Rear Up Signal
D	3 D-BU	668	Power Window Motor Left Rear Up Control
E	3 D-BU	1307	Power Window Master Switch Lockout Signal
F-G	—	—	Not Used
H	3 PU	169	Power Window Master Switch Left Rear Down Signal

Window Switch - Passenger - Window Switch - Passenger

Window Switch - Passenger



 [Click here for full size](#)

Connector Part Information

- OEM: 12191825
- Service: 15306048
- Description: 8-Way F Metri-Pack 280 Series (BN)

Terminal Part Information

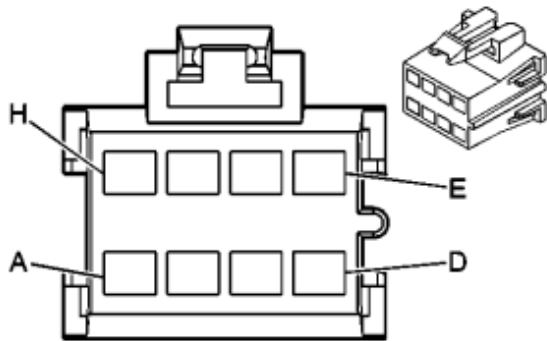
- Pins: A, D, F, G, H
- Terminal/Tray: 15304713/19
- Core/Insulation Crimp: F/D
- Release Tool/Test Probe: 15315247/J-35616-4A (PU)
- Pins: B, C
- Terminal/Tray: 15304711/8
- Core/Insulation Crimp: E/A
- Release Tool/Test Probe: 15315247/J-35616-4A (PU)

Window Switch - Passenger

Pin	Wire	Circuit	Function
A	3 YE	143	Accessory Voltage
B	0.35 GY	8	Instrument Panel Lamp Supply Voltage
C	0.5 BK	750	Ground
D	3 TN	167	Power Window Master Switch Right Front Down Signal
E	—	—	Not Used
F	3 BN	667	Power Window Motor Right Front Down Control
G	3 D-BU	666	Power Window Motor Right Front Up Control
H	3 L-BU	166	Power Window Master Switch Right Front Up Signal

Window Switch - Right Rear - Window Switch - Right Rear

Window Switch - Right Rear



 [Click here for full size](#)

Connector Part Information

- OEM: 12064998
- Service: 15306189
- Description: 8-Way F Metri-Pack 280 Series (BK)

Terminal Part Information

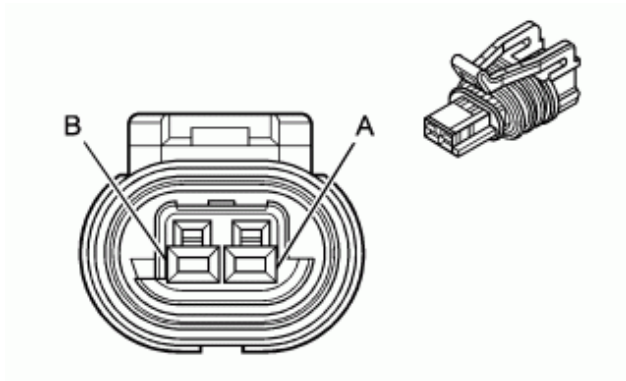
- Terminal/Tray: 12015858/4
- Core/Insulation Crimp: F/G
- Release Tool/Test Probe: 12094430/J-35616-4A (PU)

Window Switch - Right Rear

Pin	Wire	Circuit	Function
A	3 BN	671	Power Window Motor Right Rear Down Control
B	—	—	Not Used
C	3 L-GN	170	Power Window Master Switch Right Rear Up Signal
D	3 D-BU	670	Power Window Motor Right Rear Up Control
E	3 D-BU	1307	Power Window Master Switch Lockout Signal
F-G	—	—	Not Used
H	3 PU	171	Power Window Master Switch Right Rear Down Signal

Windshield Washer Fluid Level Switch - Windshield Washer Fluid Level Switch

Windshield Washer Fluid Level Switch



[Click here for full size](#)

Connector Part Information

- OEM: 15449028
- Service: See Catalog
- Description: 2-Way F GT 150 Series, Sealed (BK)

Terminal Part Information

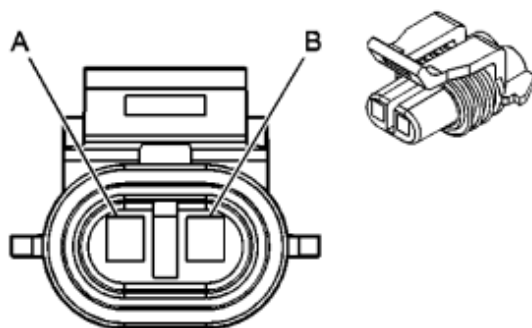
- Terminal/Tray: 15326267/19
- Core/Insulation Crimp: E/4
- Release Tool/Test Probe: 15315247/J-35616-2A (GY)

Windshield Washer Fluid Level Switch

Pin	Wire	Circuit	Function
A	0.35 TN	185	Low Washer Fluid Indicator Signal
B	0.5 BK	1250	Ground

Windshield Washer Fluid Pump - Windshield Washer Fluid Pump

Windshield Washer Fluid Pump



[Click here for full size](#)

Connector Part Information

- OEM: 12052641
- Service: 12102747
- Description: 2-Way F Metri-Pack 150 Series, Sealed (BK)

Terminal Part Information

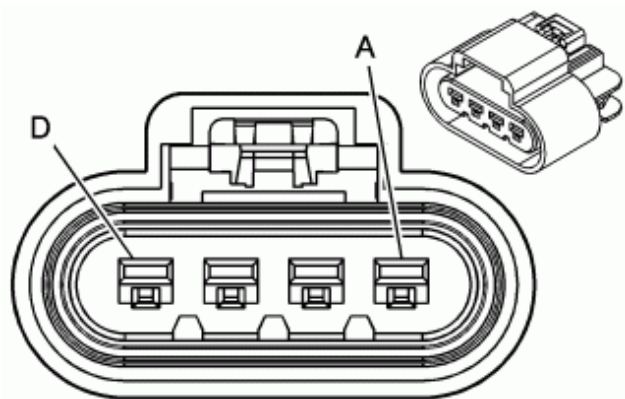
- Terminal/Tray: 12048074/2
- Core/Insulation Crimp: E/1
- Release Tool/Test Probe: 12094429/J-35616-14 (GN)

Windshield Washer Fluid Pump

Pin	Wire	Circuit	Function
A	0.8 OG	228	Windshield Washer Pump Control
B	0.8 BK	1250	Ground

Windshield Wiper Motor - Windshield Wiper Motor

Windshield Wiper Motor



[Click here for full size](#)

Connector Part Information

- OEM: 15326631
- Service: 19152589
- Description: 4-Way F GT 280 5.8 Series, Sealed (BK)

Terminal Part Information

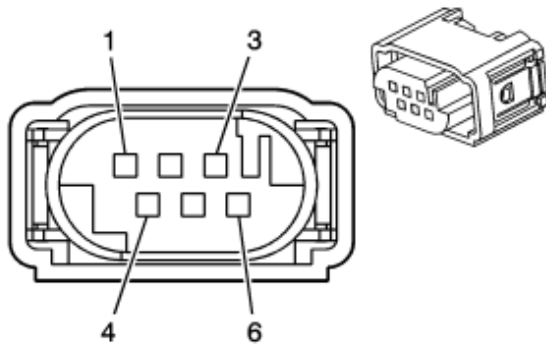
- Terminal/Tray: 15304719/19
- Core/Insulation Crimp: Pins A, C, D - 2/5
- Core/Insulation Crimp: Pins B - E/5
- Release Tool/Test Probe: 15315247/J-35616-4A (PU)

Windshield Wiper Motor

Pin	Wire	Circuit	Function
A	1 BK	150	Ground
B	0.35 YE	196	Windshield Wiper Motor Park Switch Signal
C	1 PU	92	Windshield Wiper Motor High Speed Control
D	1 D-GN	95	Windshield Wiper Motor Low Speed Control

Yaw and Lateral Accelerometer Sensor (JL4) - Yaw and Lateral Accelerometer Sensor (JL4)

Yaw and Lateral Accelerometer Sensor (JL4)



[Click here for full size](#)

Connector Part Information

- OEM: 15355474
- Service: 15306420
- Description: 6-Way F MQS Socket Housing, Sealed (BK)

Terminal Part Information

- Terminal/Tray: 962885-5/15
- Core/Insulation Crimp: 6/6
- Release Tool/Test Probe: 12094429/J-35616-64B (L-BU)

Yaw and Lateral Accelerometer Sensor (JL4)

Pin	Wire	Circuit	Function
1	0.35 GY/BK	1337	12-Volt Reference
2	0.35 TN/WH	6433	CAN Bus High Serial Data
3	0.35 L-GN/BK	6432	CAN Bus Low Serial Data
4	0.35 TN	6433	CAN Bus High Serial Data
5	0.35 L-GN	6432	CAN Bus Low Serial Data

6	0.35 BK/WH	1551	Ground
---	------------	------	--------

Document ID: 2418916

This content is owned by Par-Tech Inc., its affiliates or third party licensors. The copying or re-distribution of this material is strictly prohibited. Please see the [Terms & Conditions](#) for more information.