

YMMS: 2018 Dodge Challenger SRT 392
 Engine: 6.4L Eng
 VIN:

Nov 8, 2022
 License:
 Odometer:

ENGINE PERFORMANCE > 3.6L

Fig 1: 3.6L, Engine Performance Circuit (1 of 7)

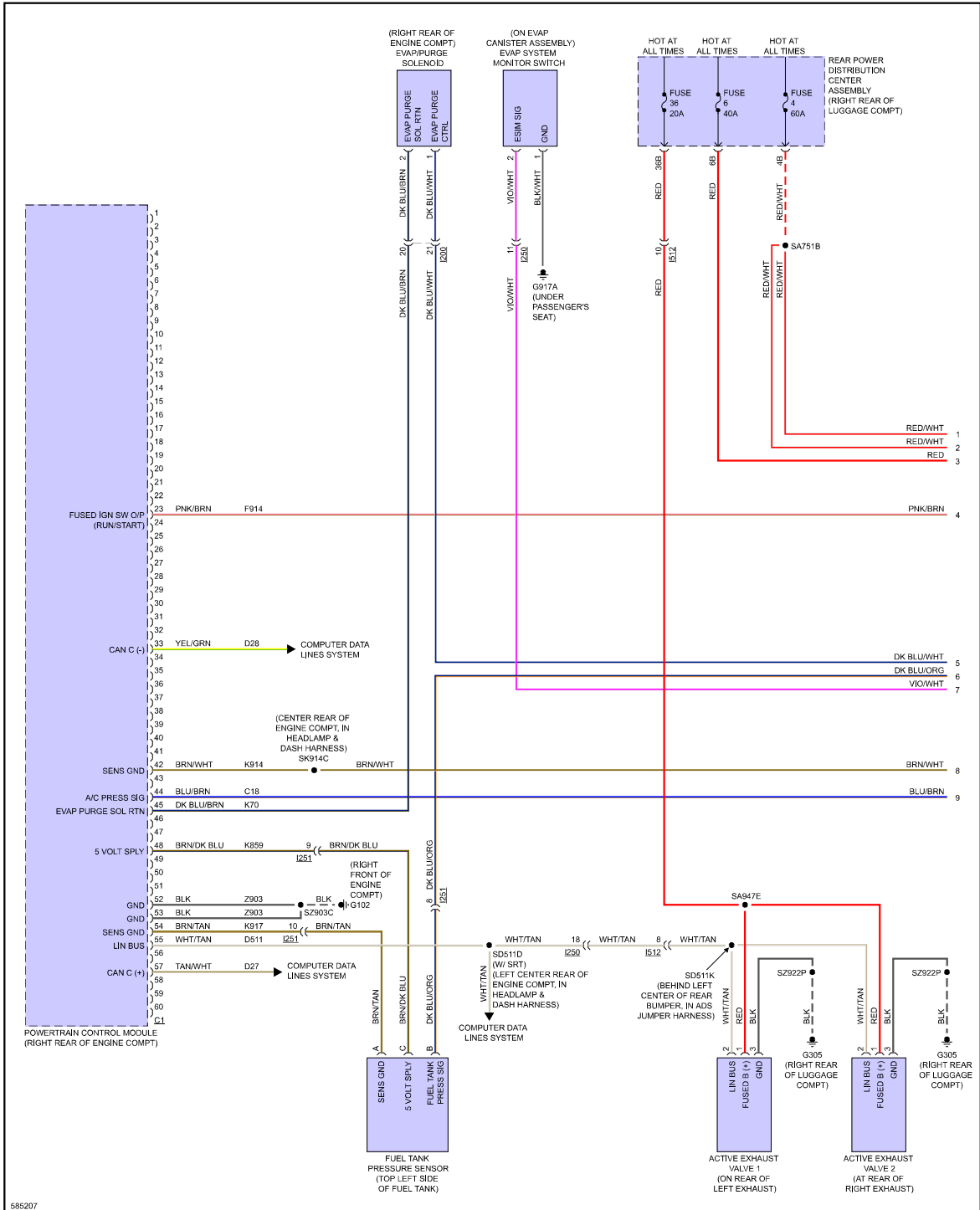


Fig 2: 3.6L, Engine Performance Circuit (2 of 7)

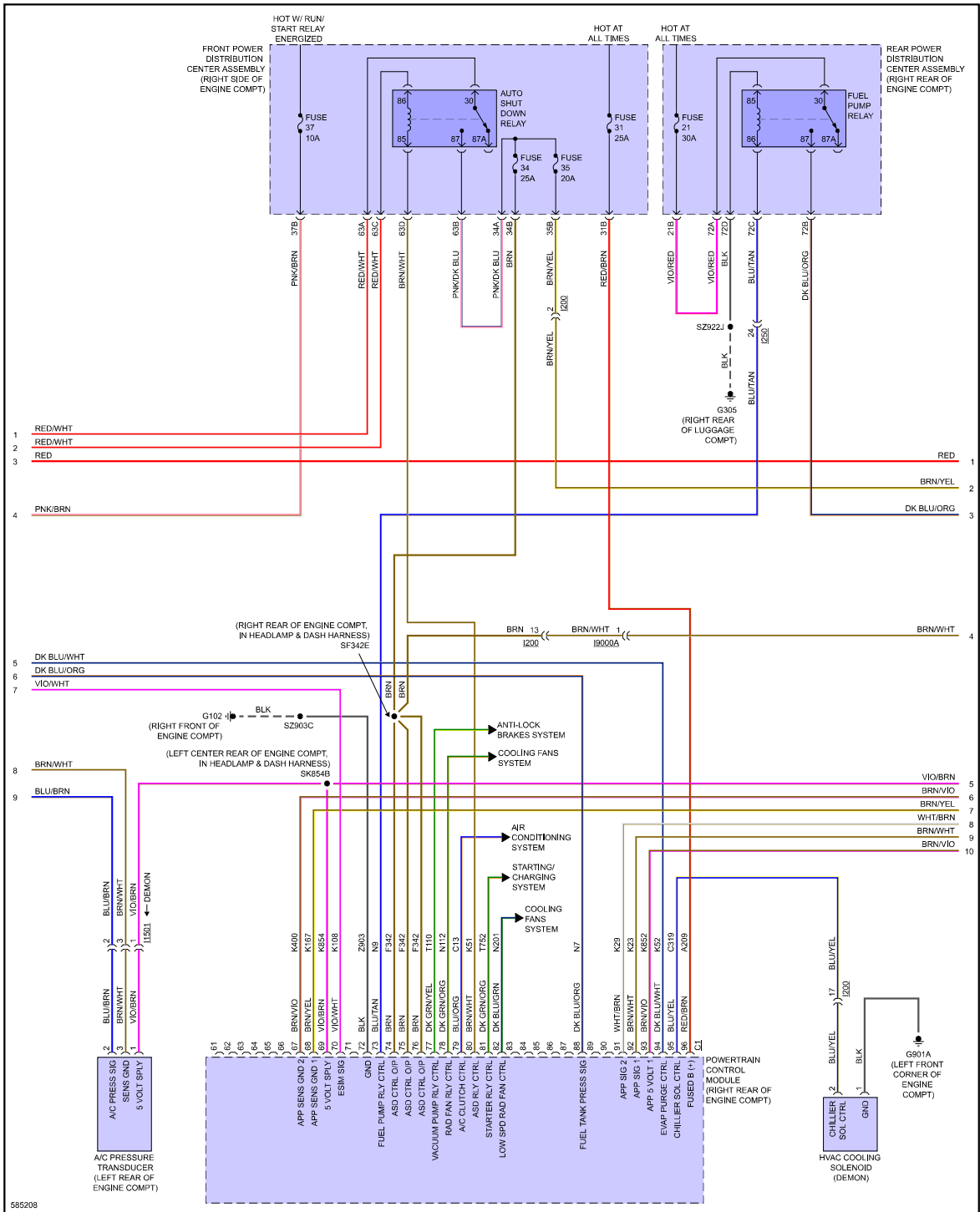


Fig 3: 3.6L, Engine Performance Circuit (3 of 7)

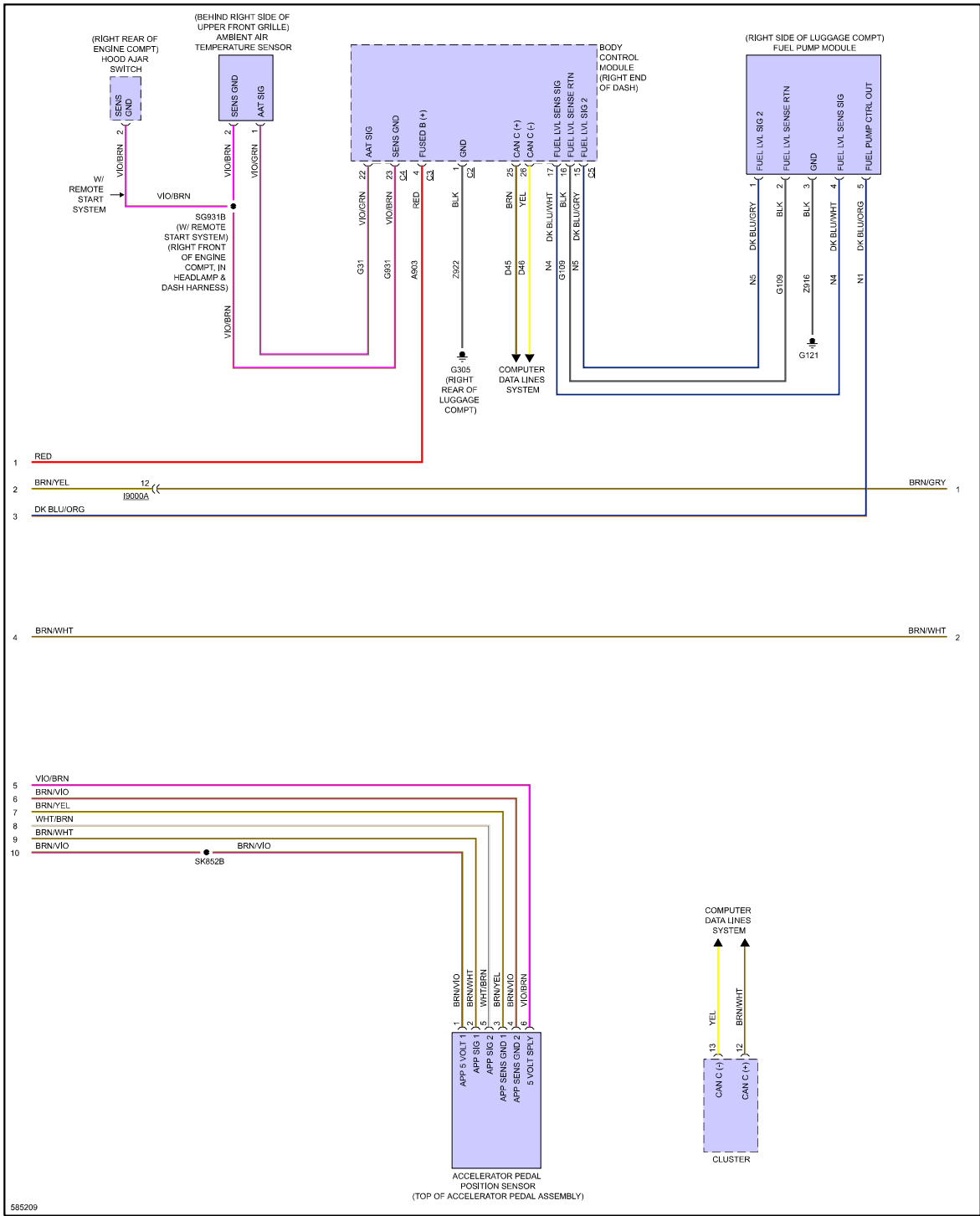


Fig 4: 3.6L, Engine Performance Circuit (4 of 7)

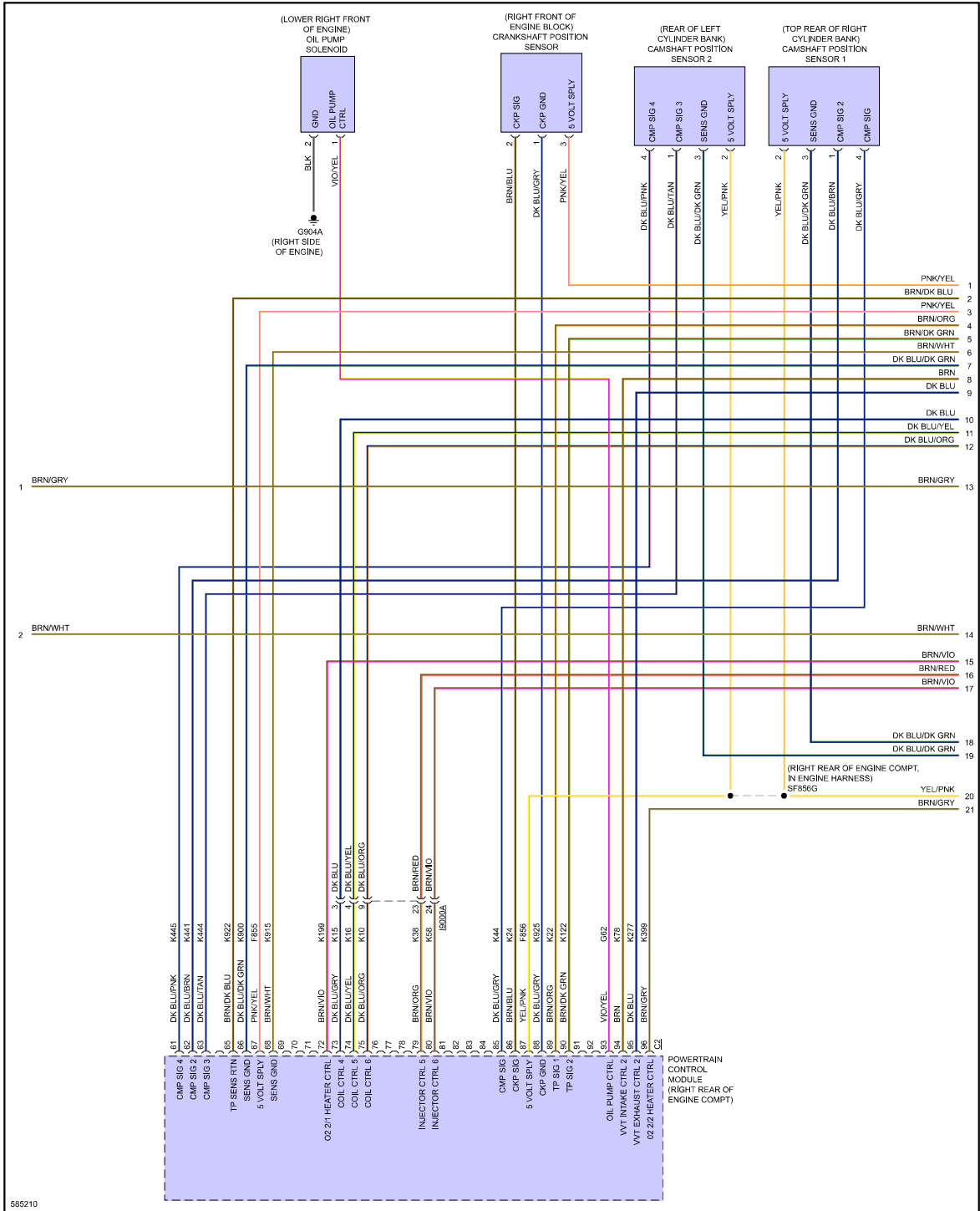


Fig 5: 3.6L, Engine Performance Circuit (5 of 7)

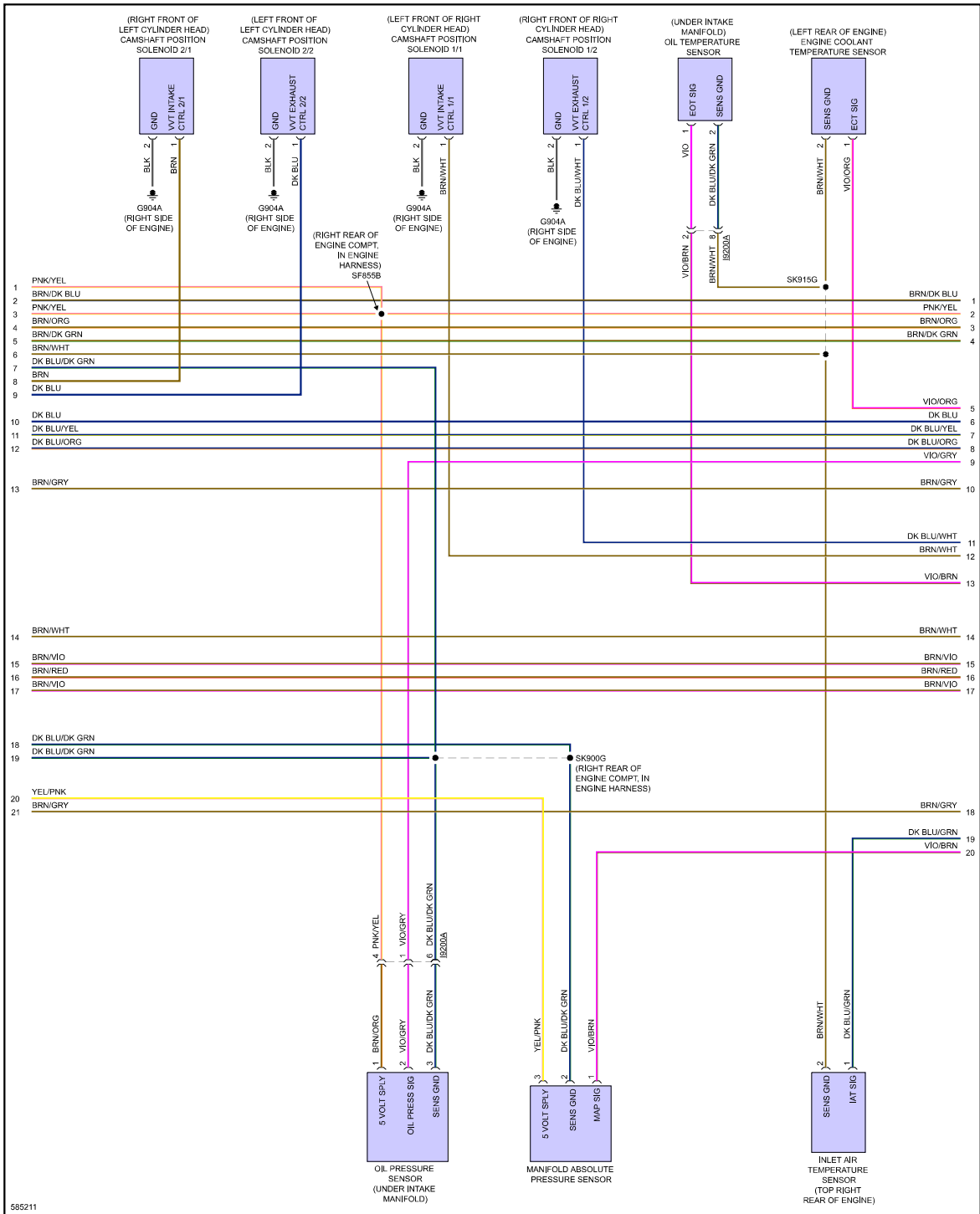
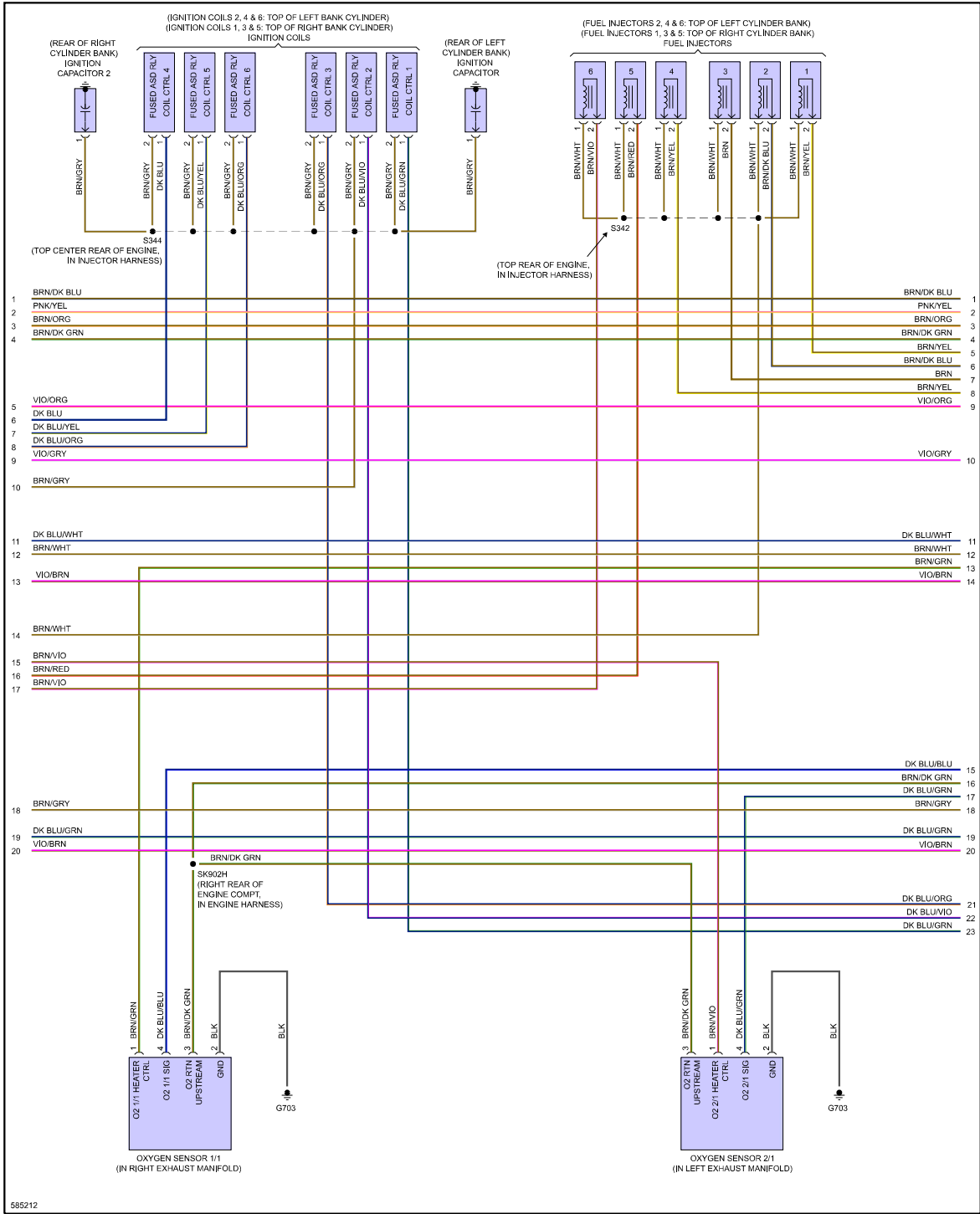


Fig 6: 3.6L, Engine Performance Circuit (6 of 7)



ENGINE PERFORMANCE > 5.7L

Fig 1: 5.7L, Engine Performance Circuit (1 of 5)

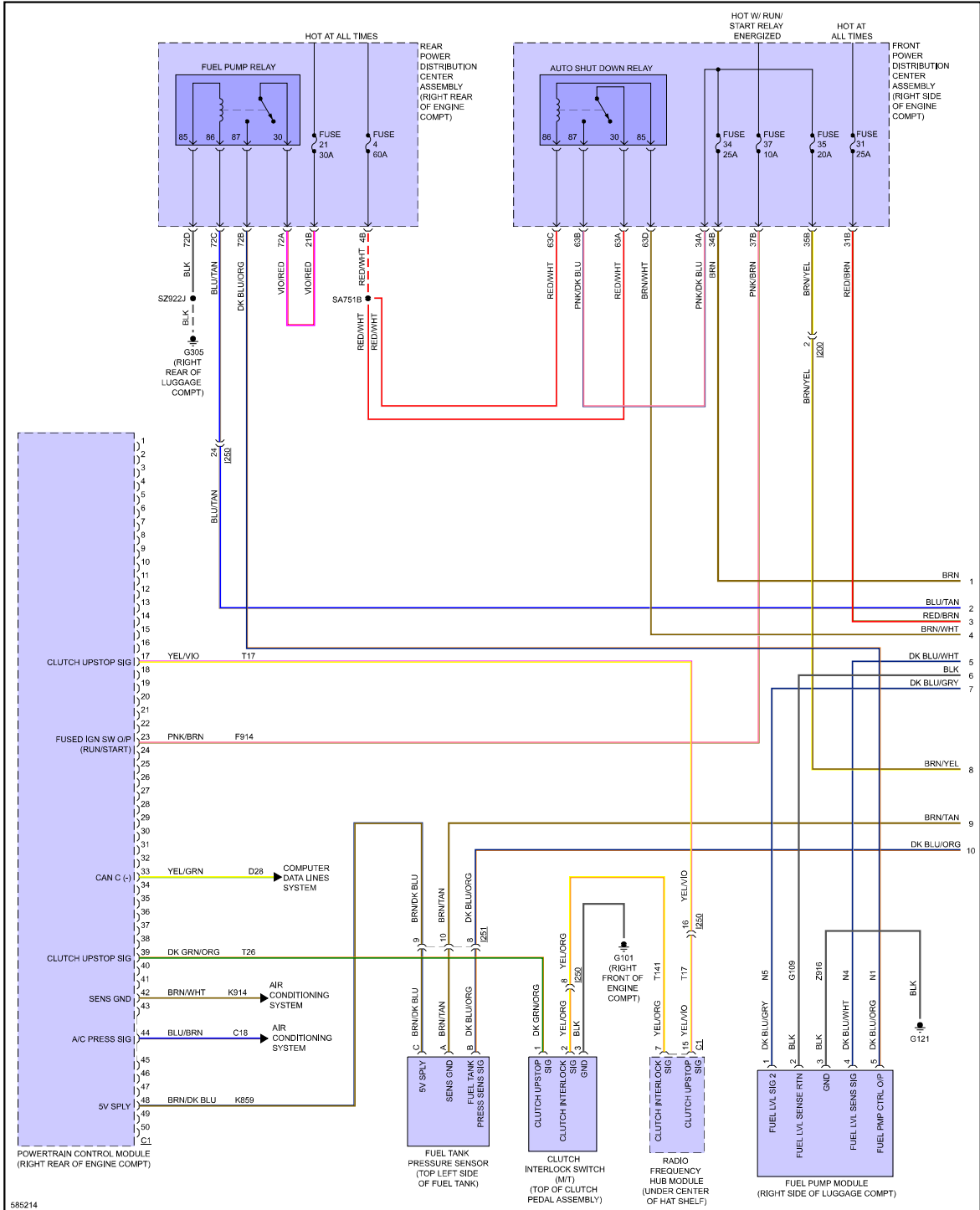


Fig 3: 5.7L, Engine Performance Circuit (3 of 5)

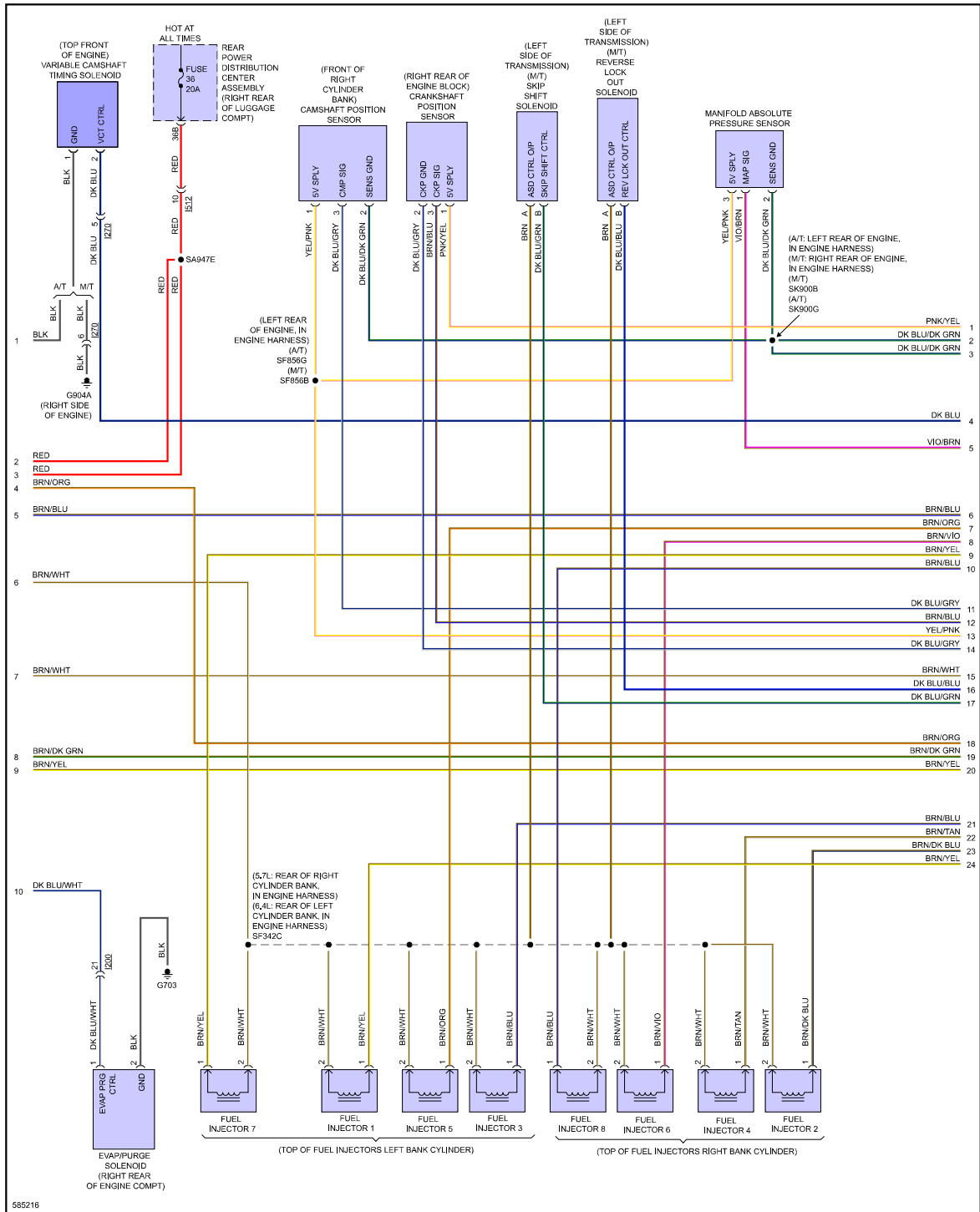


Fig 4: 5.7L, Engine Performance Circuit (4 of 5)

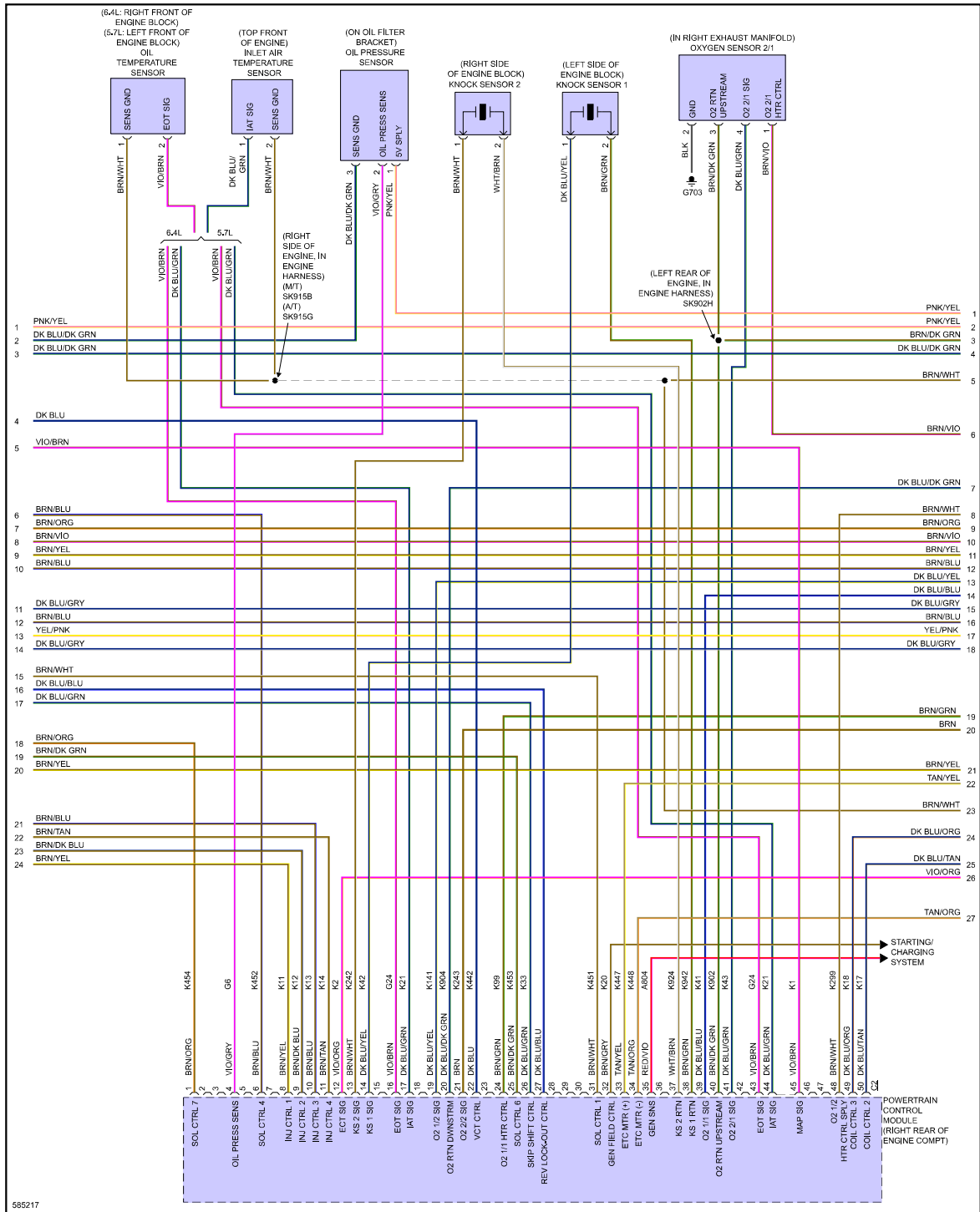
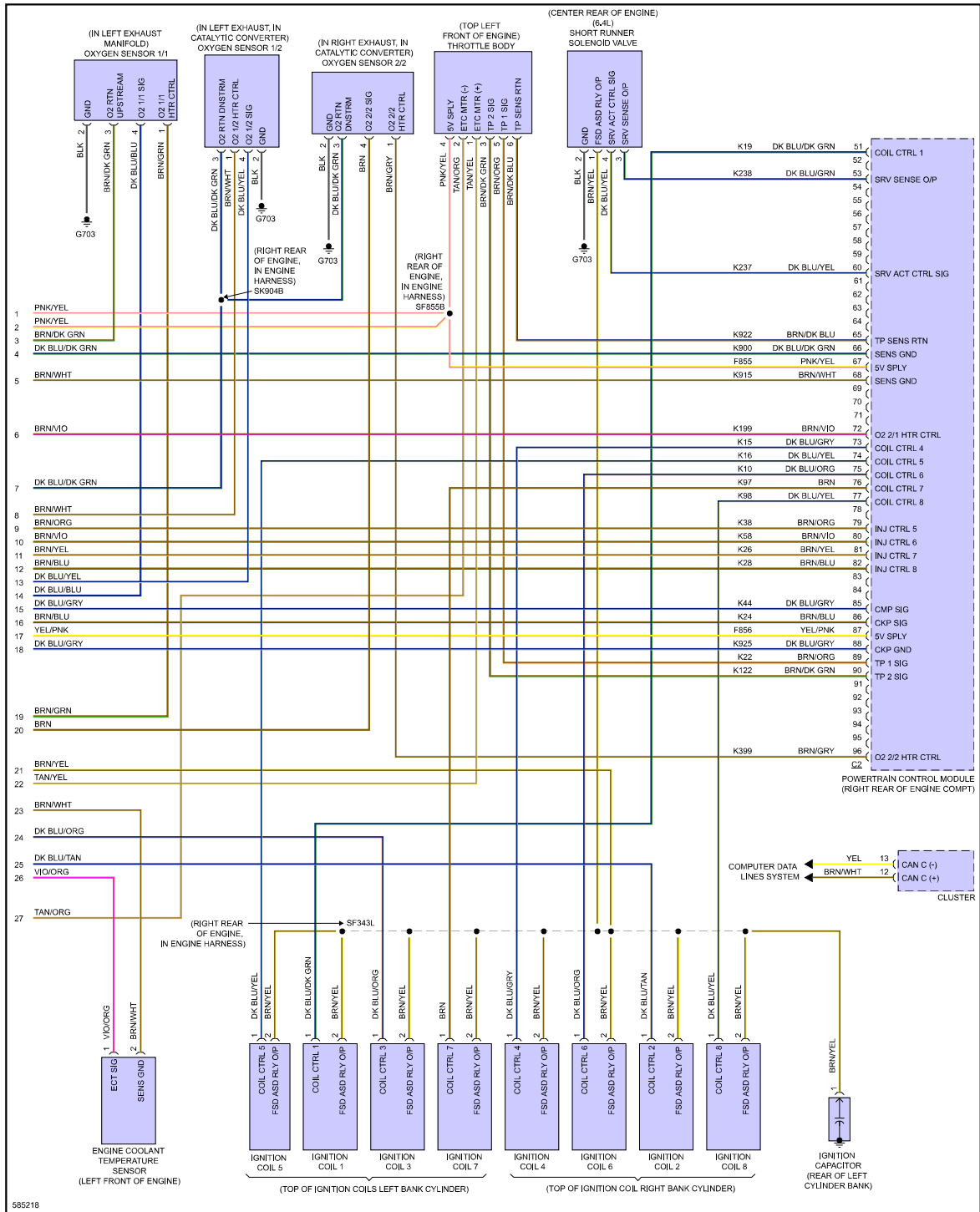


Fig 5: 5.7L, Engine Performance Circuit (5 of 5)



ENGINE PERFORMANCE > 6.2L SUPERCHARGED

Fig 1: 6.2L Supercharged, Engine Performance Circuit (1 of 6)

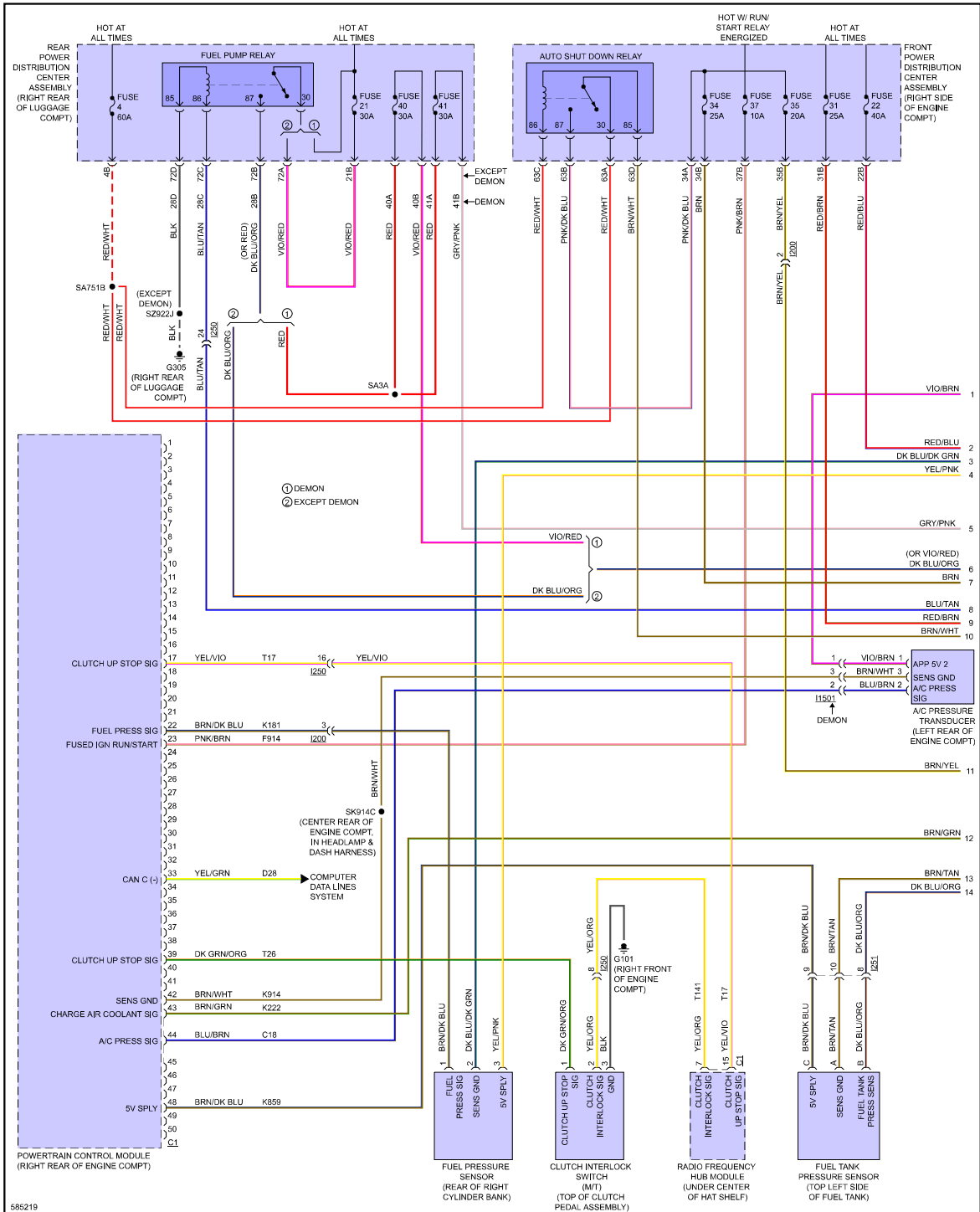


Fig 3: 6.2L Supercharged, Engine Performance Circuit (3 of 6)

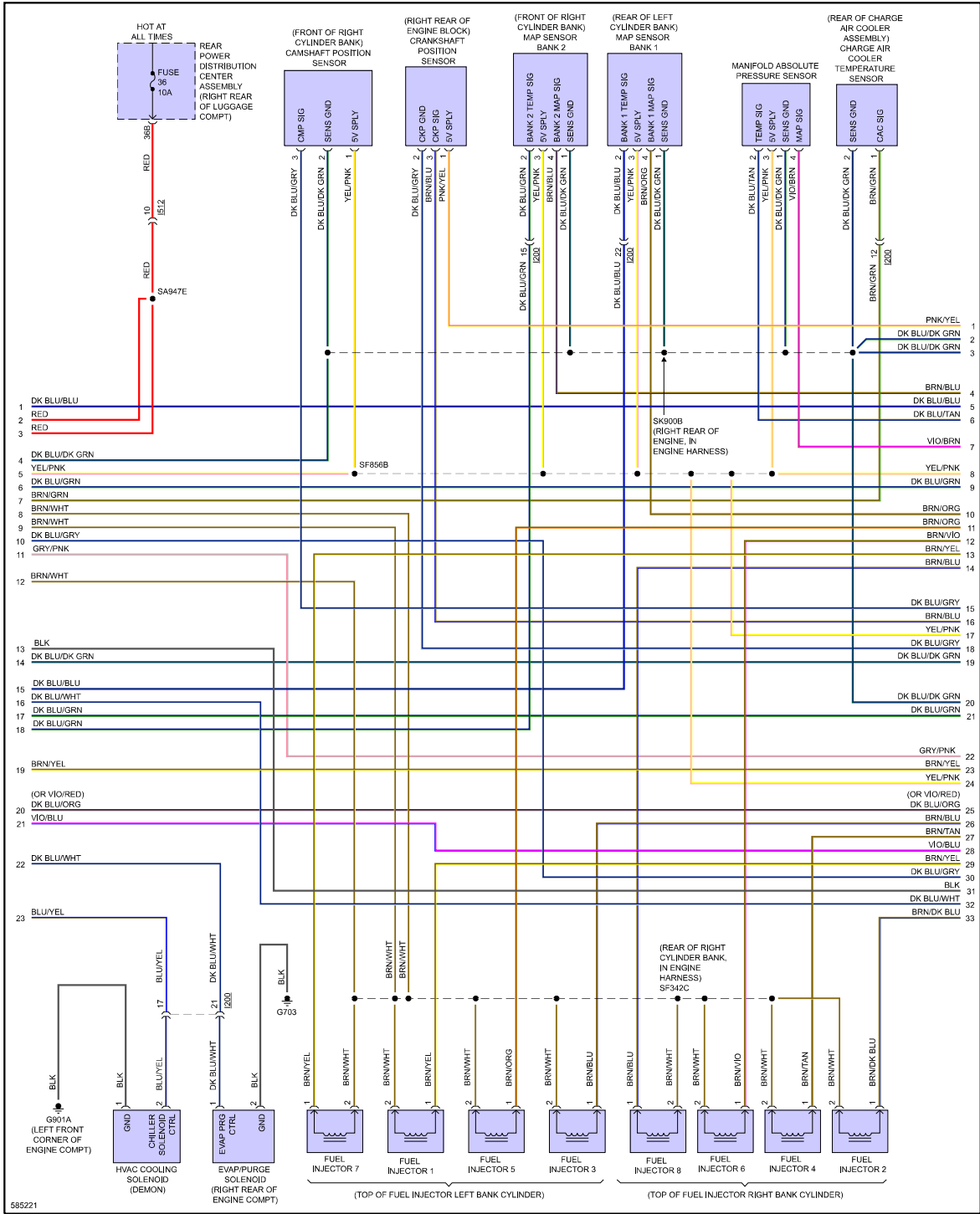


Fig 4: 6.2L Supercharged, Engine Performance Circuit (4 of 6)

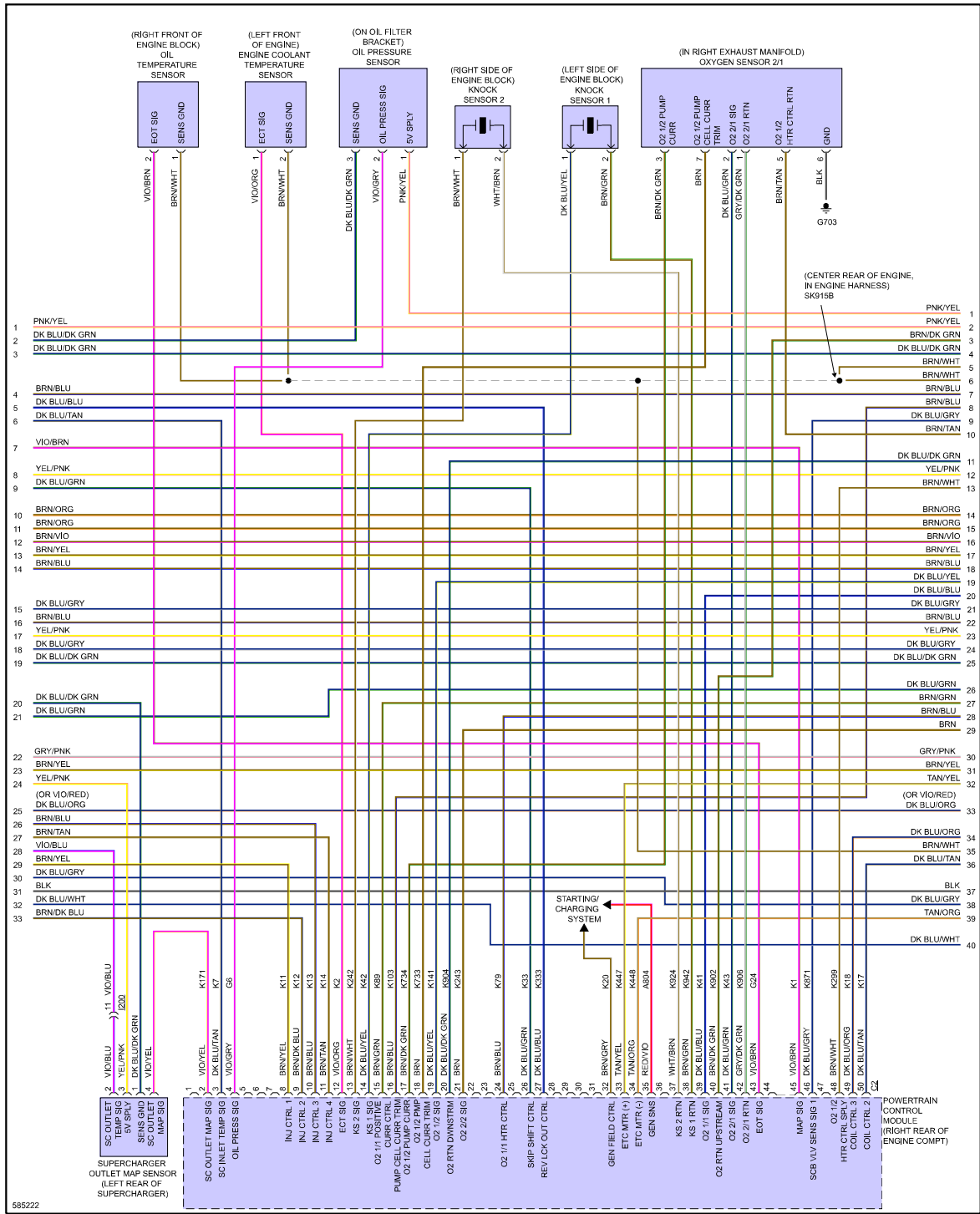
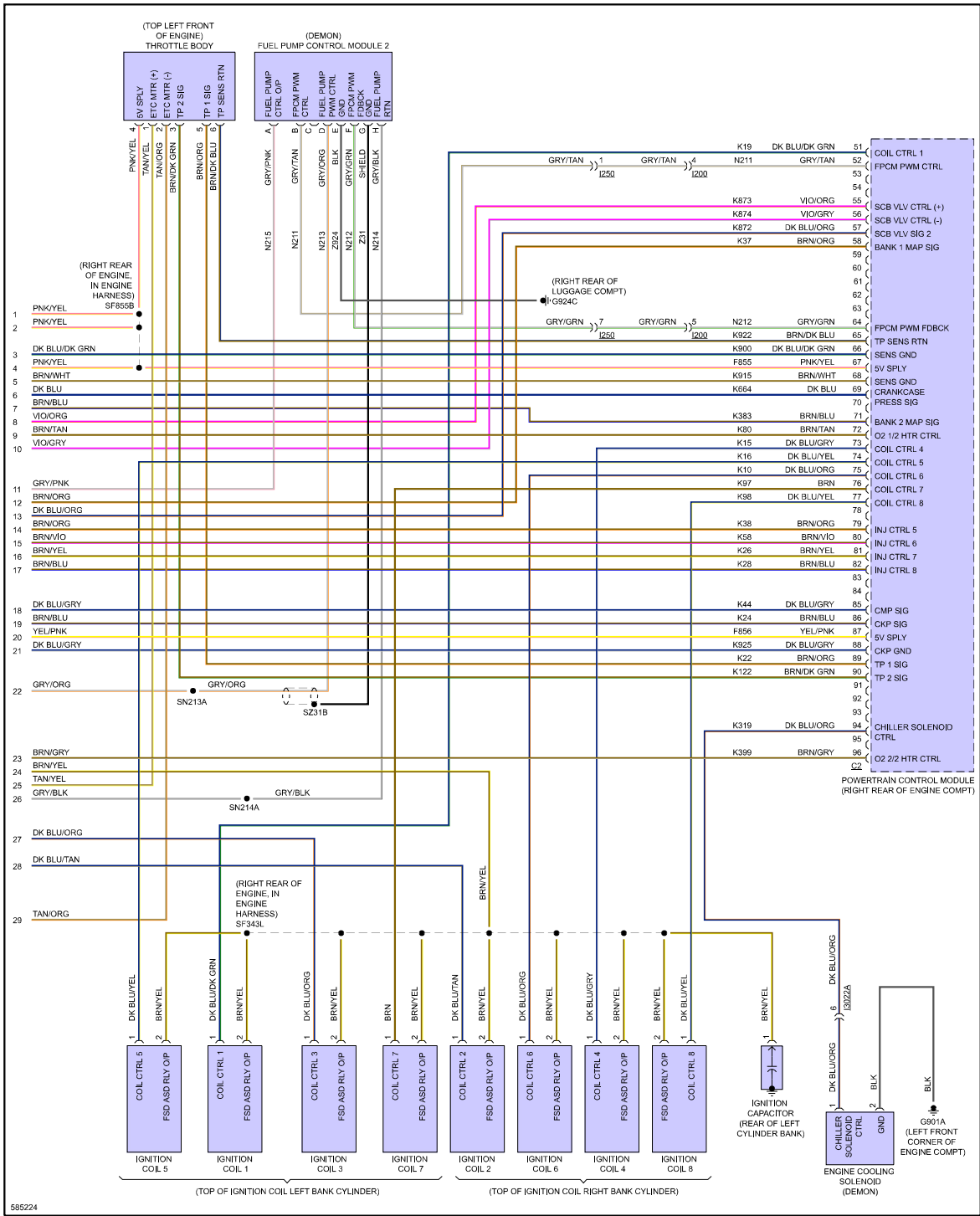


Fig 6: 6.2L Supercharged, Engine Performance Circuit (6 of 6)



ENGINE PERFORMANCE > 6.4L

Fig 1: 6.4L, Engine Performance Circuit (1 of 5)

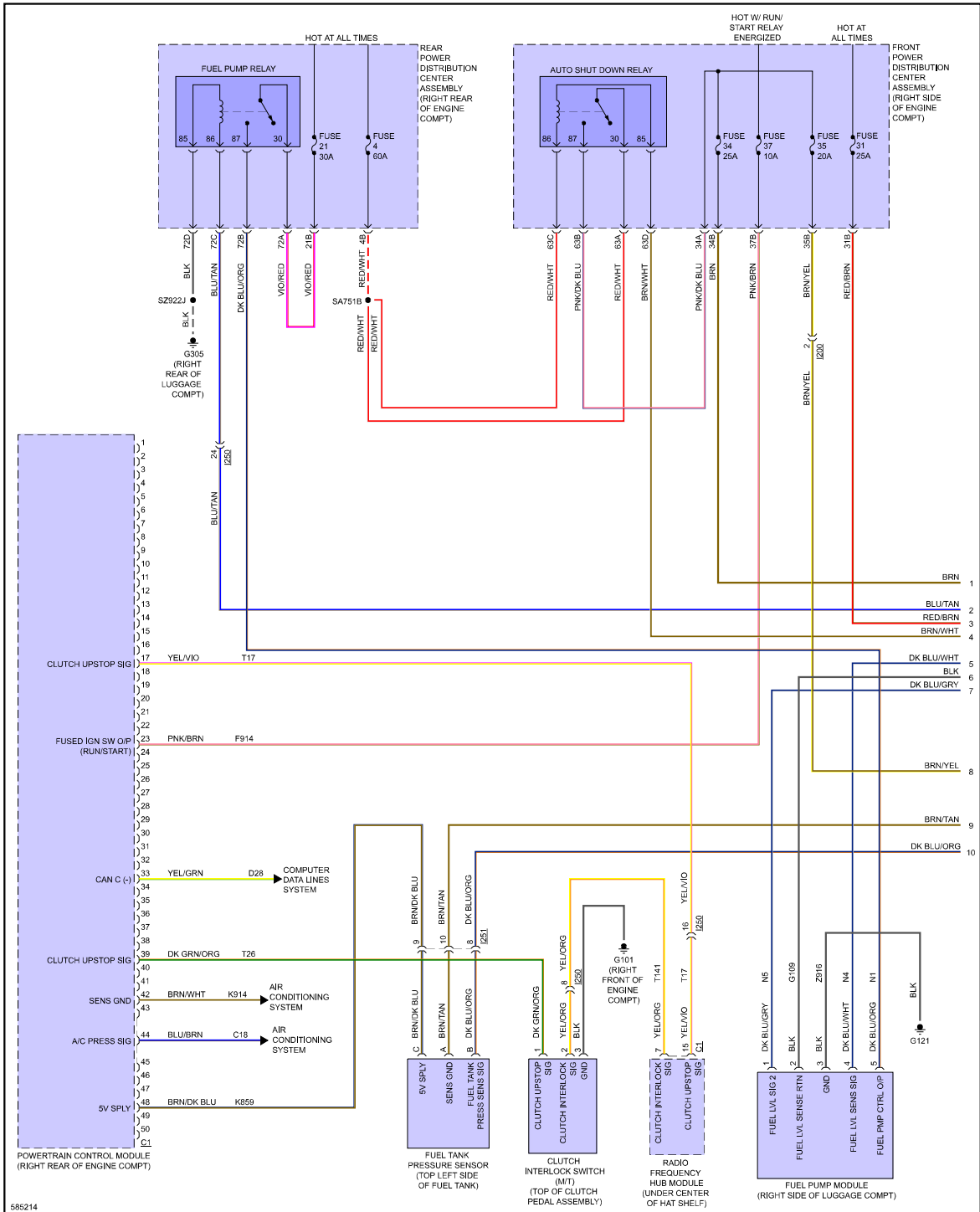


Fig 2: 6.4L, Engine Performance Circuit (2 of 5)

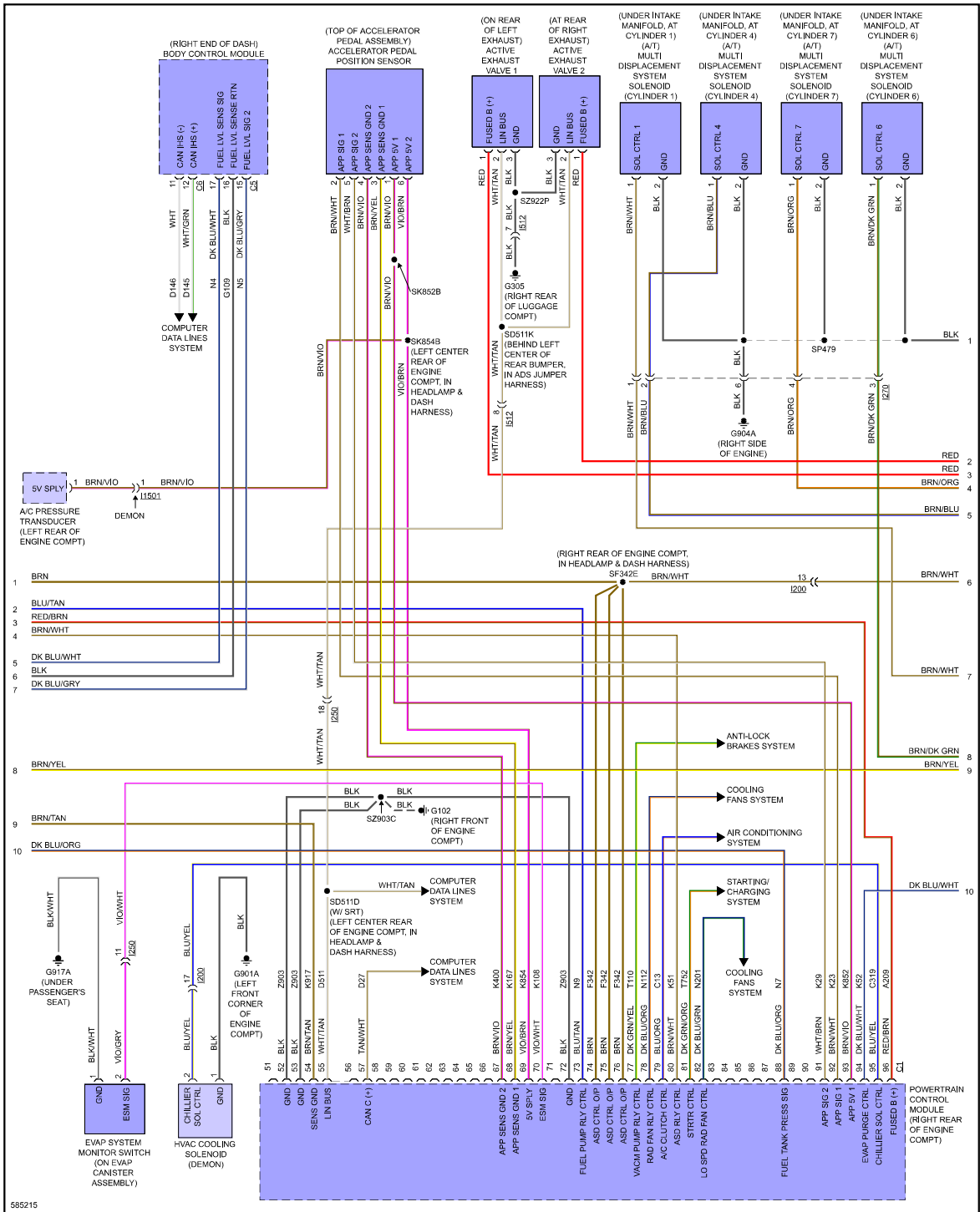


Fig 3: 6.4L, Engine Performance Circuit (3 of 5)

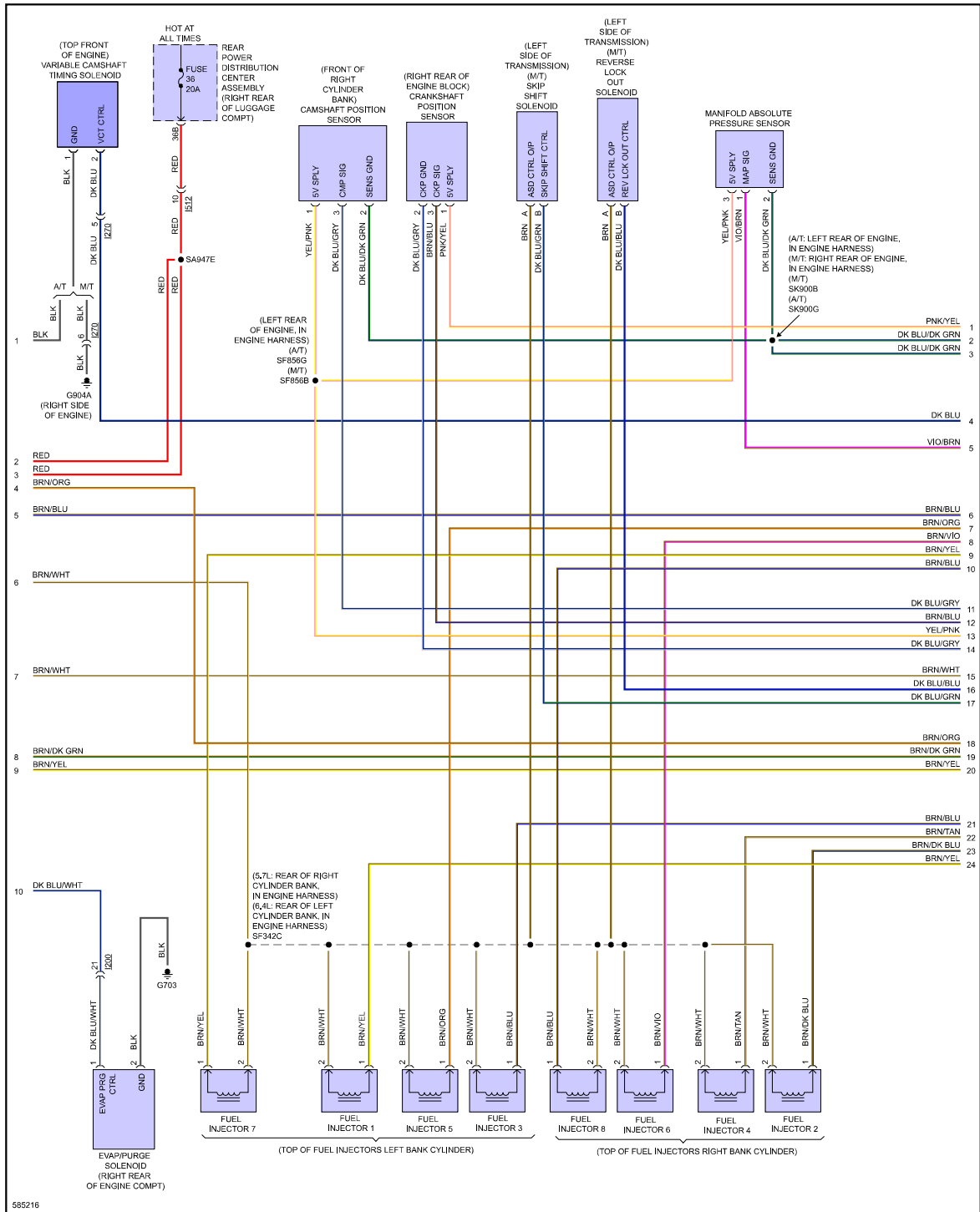


Fig 4: 6.4L, Engine Performance Circuit (4 of 5)

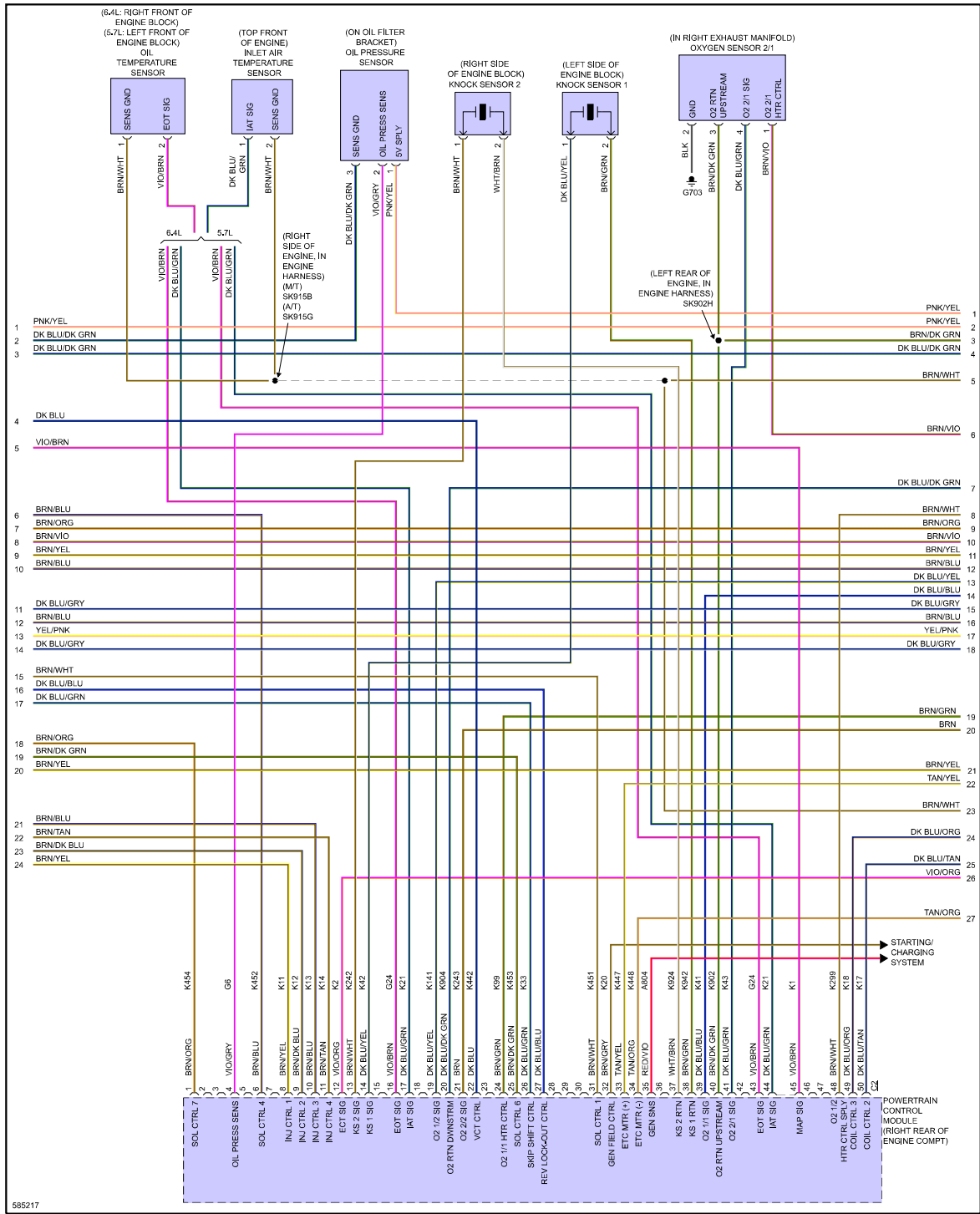


Fig 5: 6.4L, Engine Performance Circuit (5 of 5)

