

YMMS: 2008 Toyota Camry XLE
 Engine: 3.5L Eng
 VIN:

Aug 20, 2022

License:
 Odometer:

ENGINE PERFORMANCE > 2.4L

Fig 1: 2.4L, Engine Controls Circuit (1 of 4)

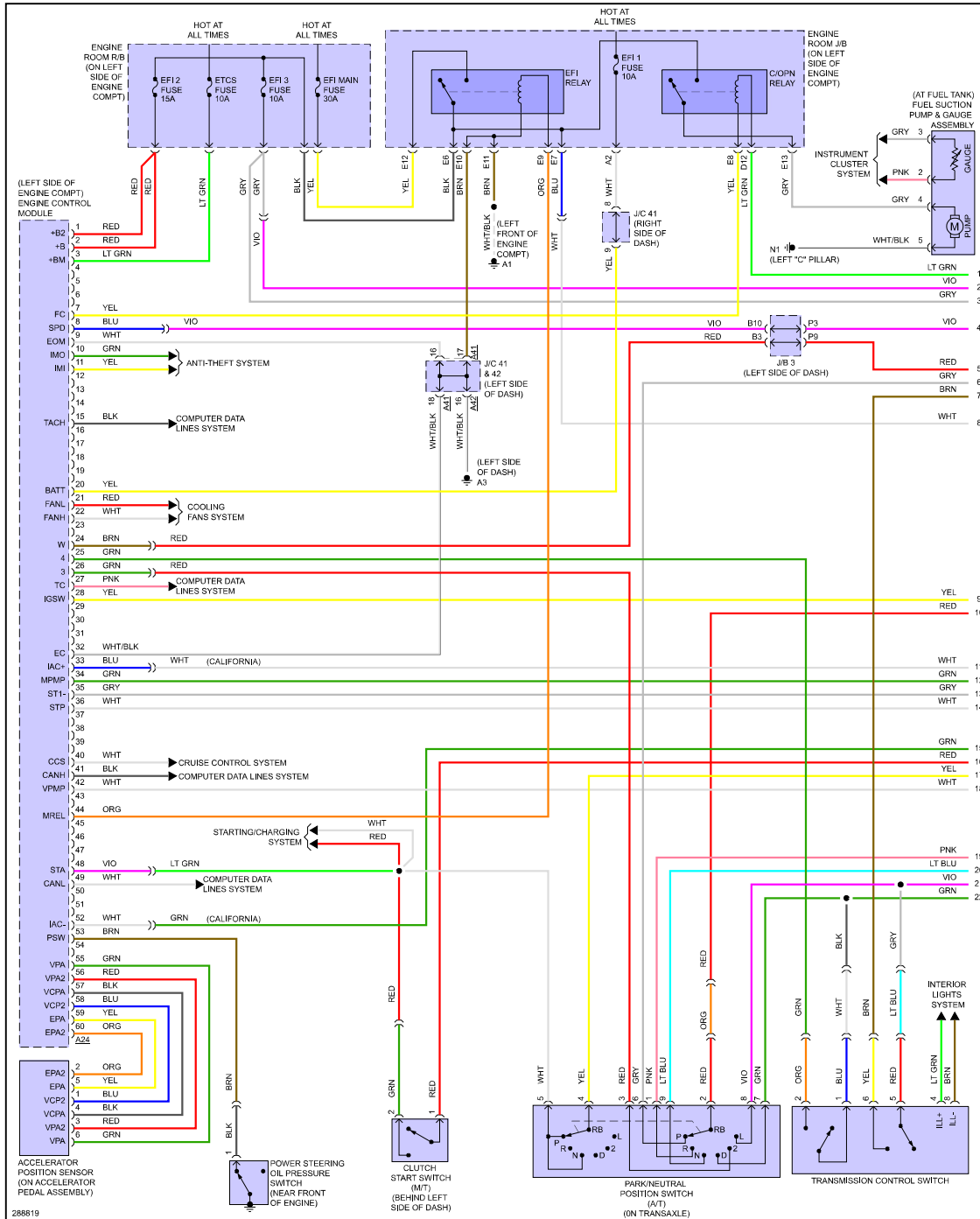


Fig 2: 2.4L, Engine Controls Circuit (2 of 4)

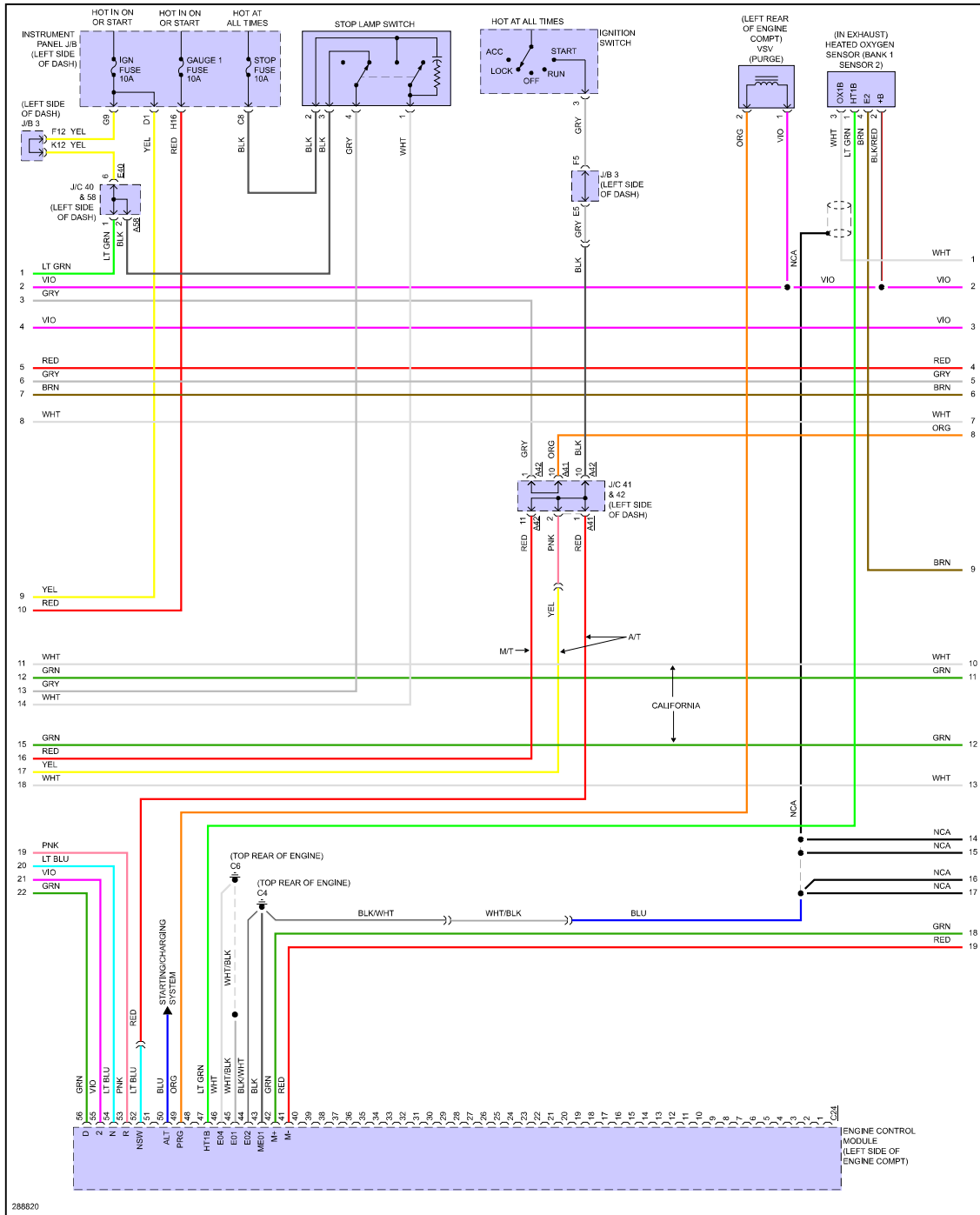
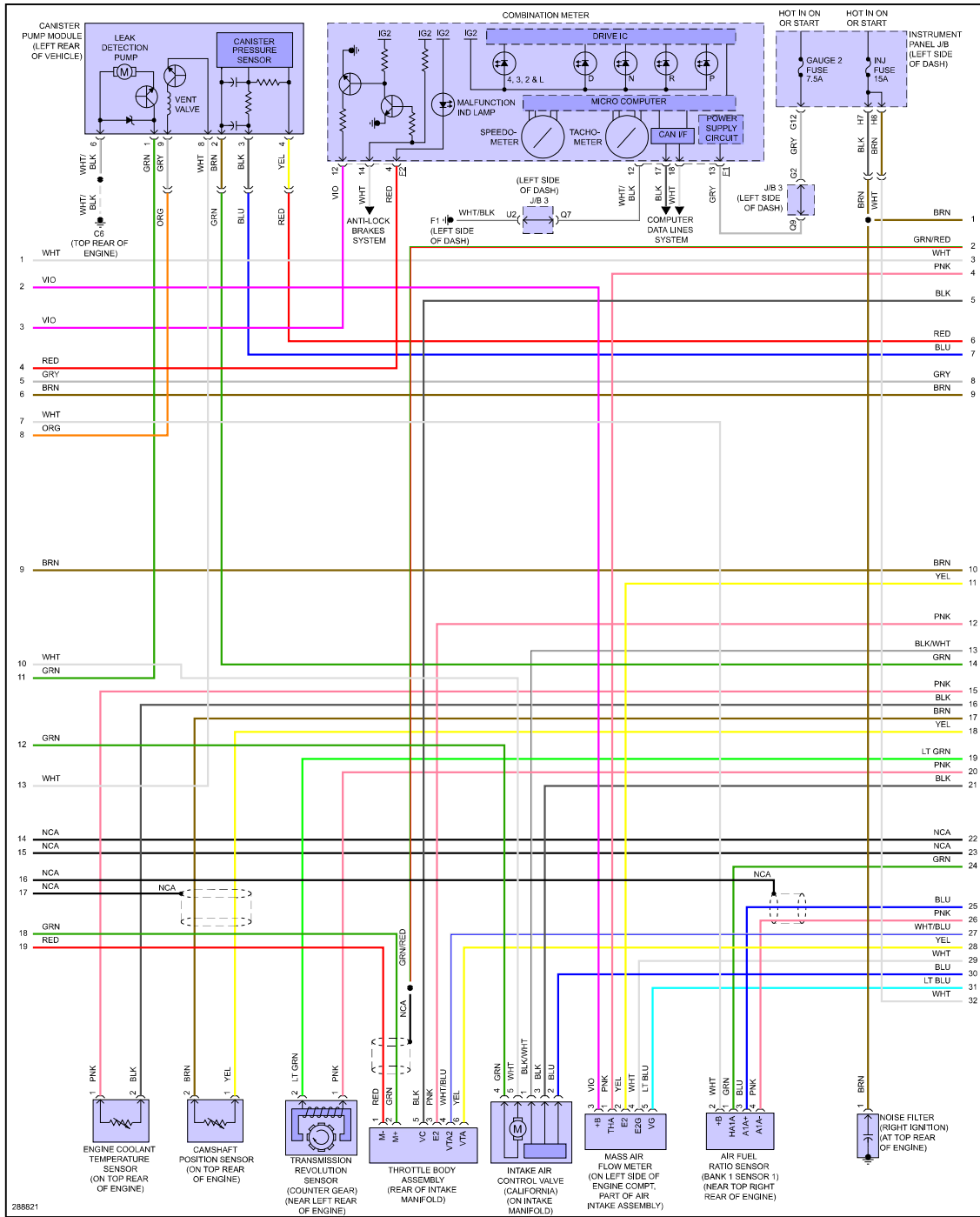


Fig 3: 2.4L, Engine Controls Circuit (3 of 4)



288821

Fig 4: 2.4L, Engine Controls Circuit (4 of 4)

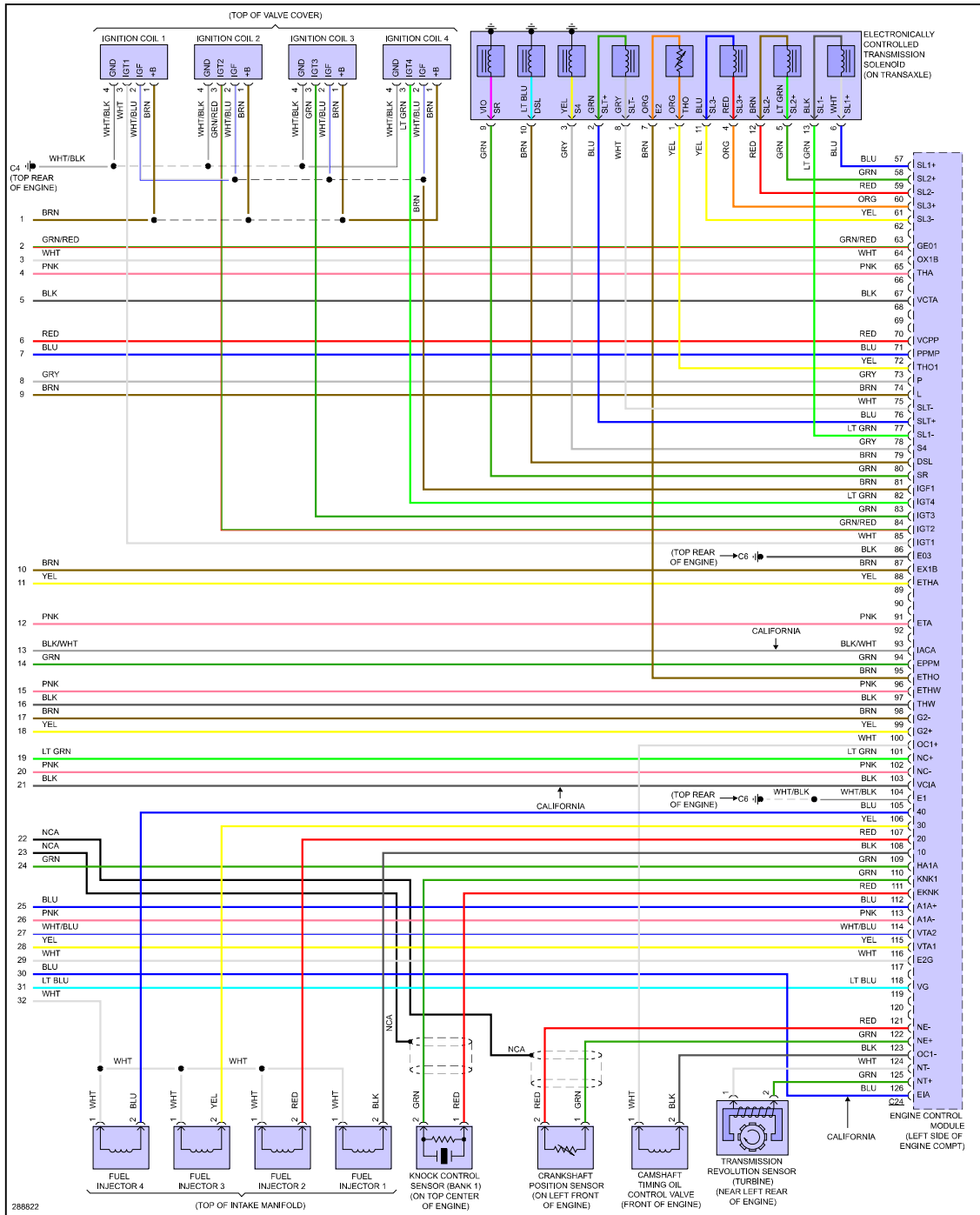


Fig 5: 2.4L, Hybrid System Circuit (1 of 7)

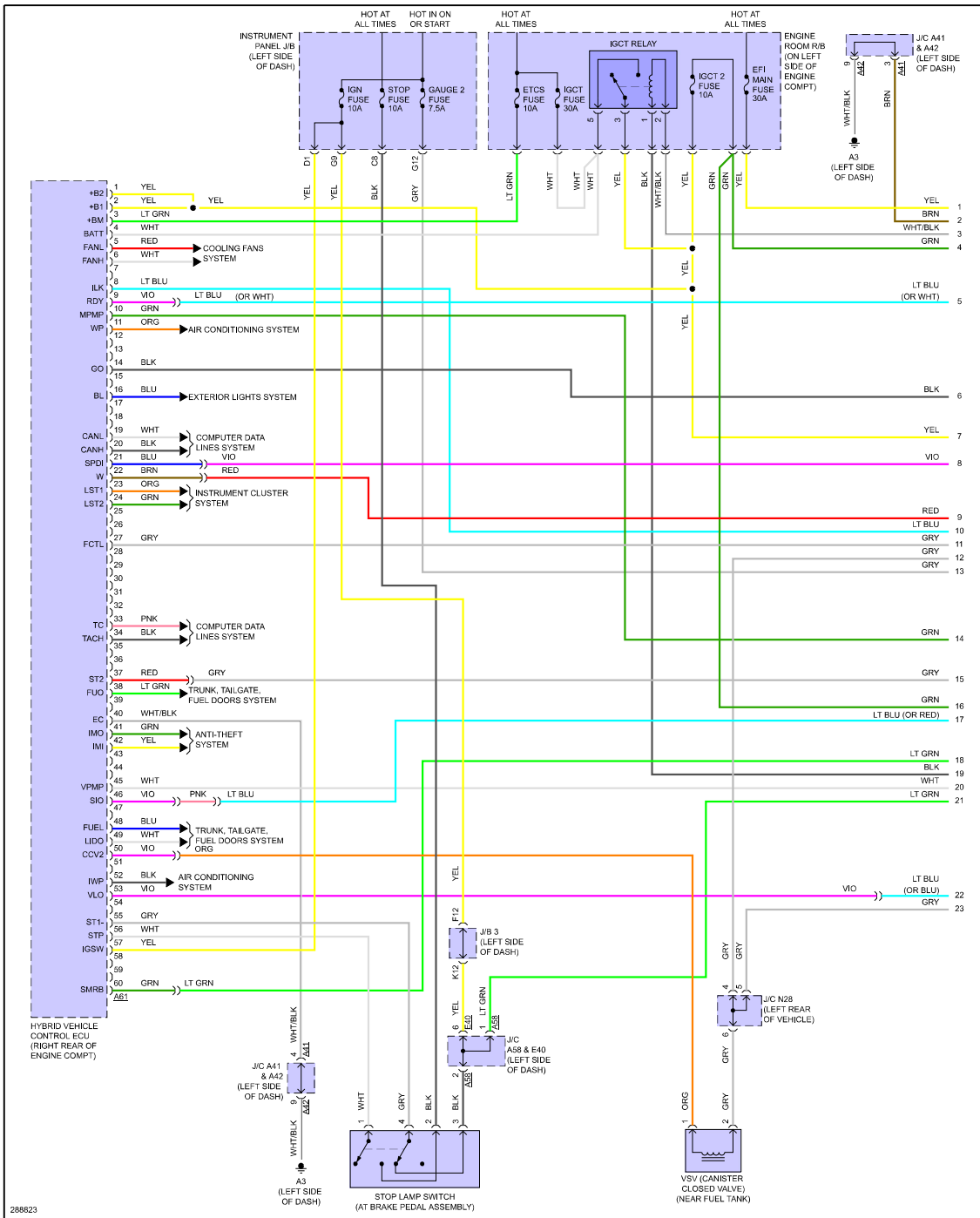


Fig 6: 2.4L, Hybrid System Circuit (2 of 7)

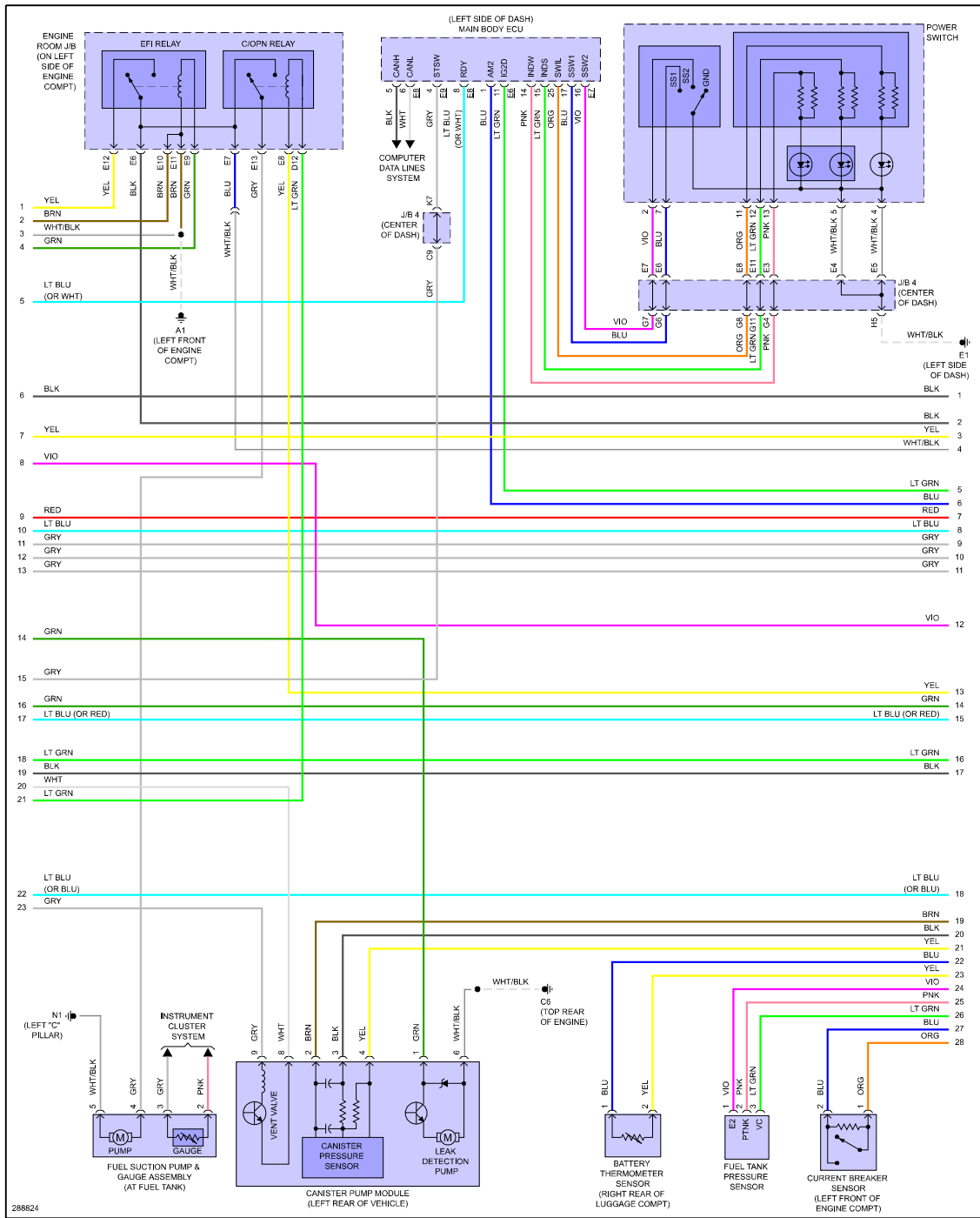


Fig 7: 2.4L, Hybrid System Circuit (3 of 7)

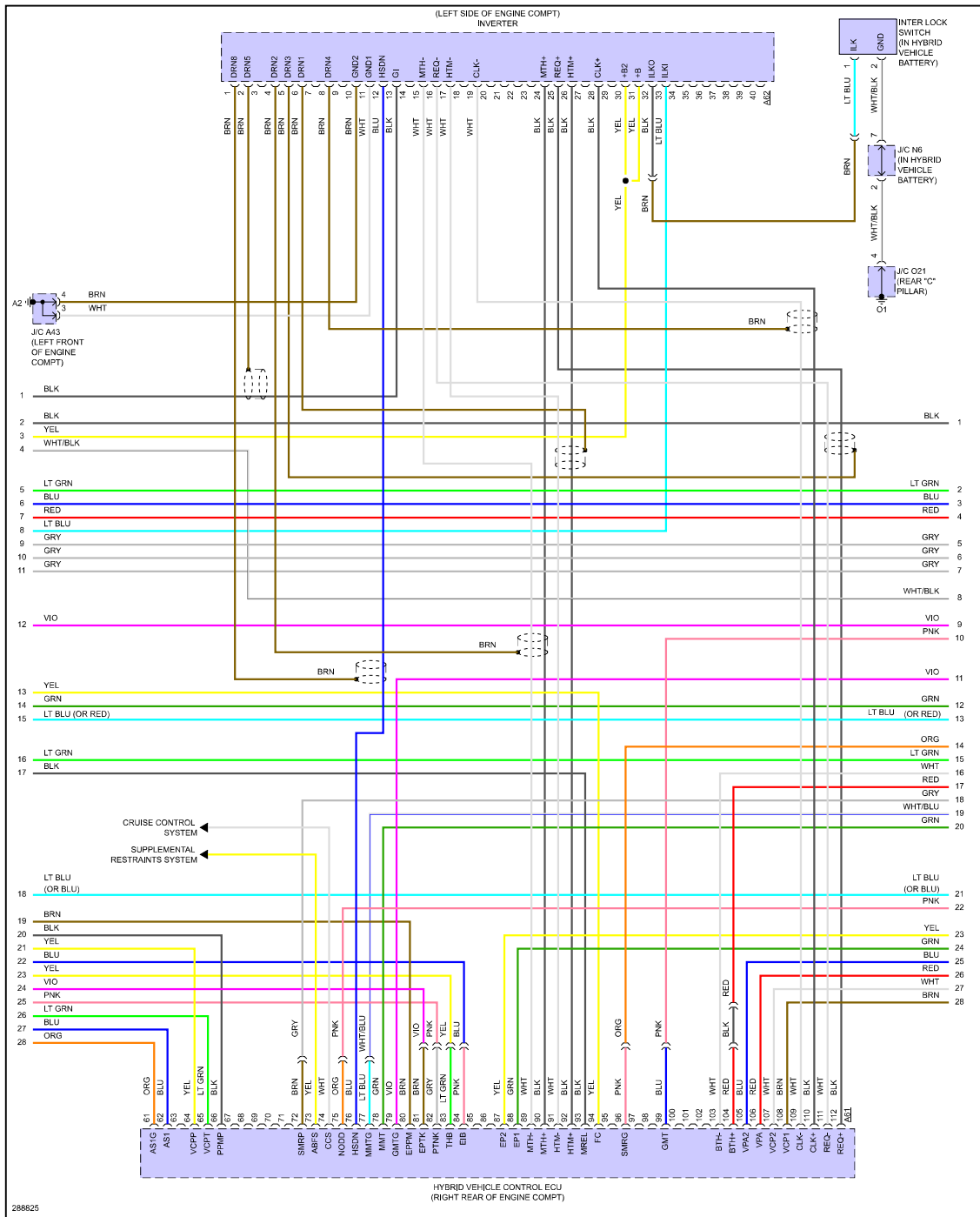


Fig 8: 2.4L, Hybrid System Circuit (4 of 7)

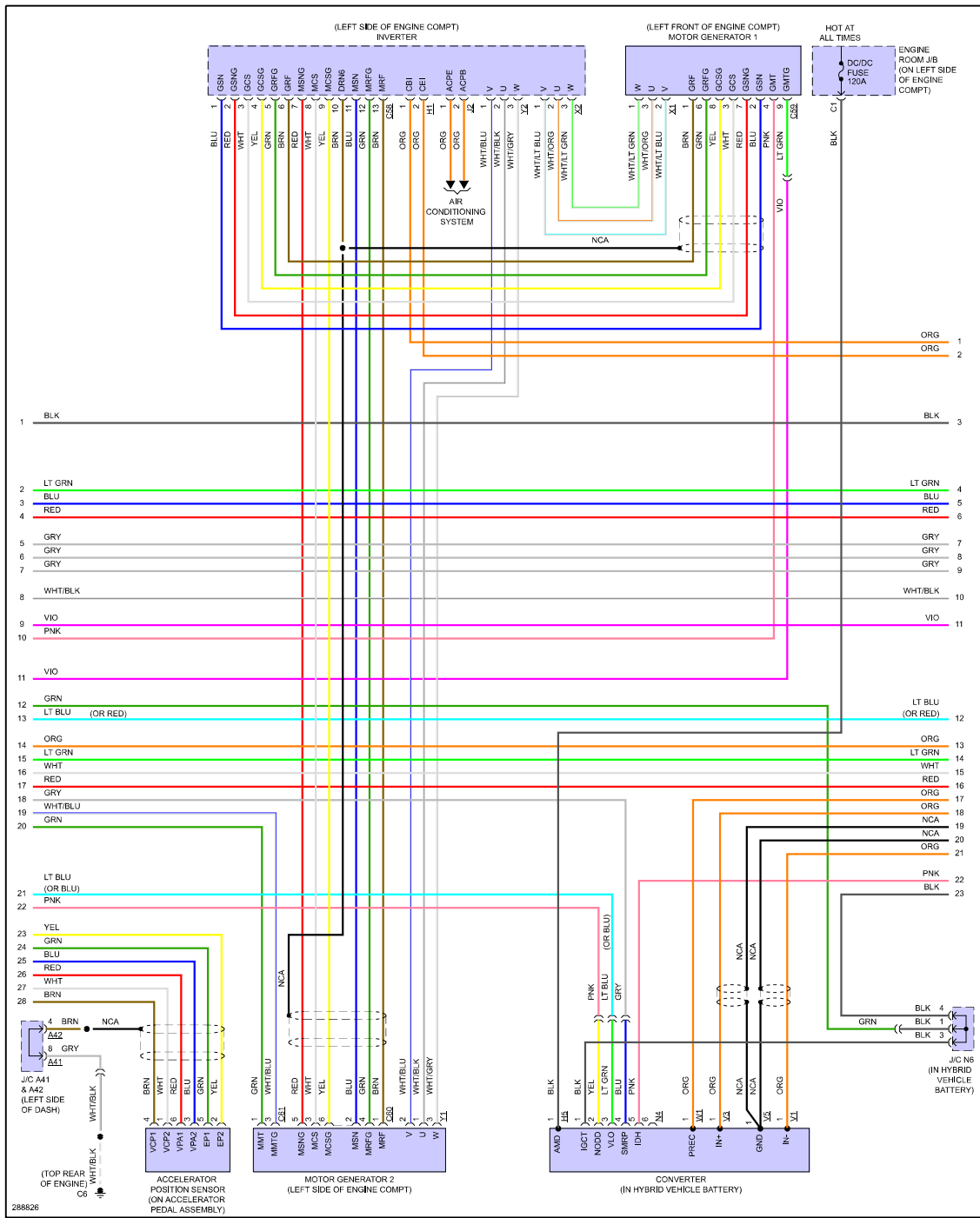


Fig 9: 2.4L, Hybrid System Circuit (5 of 7)

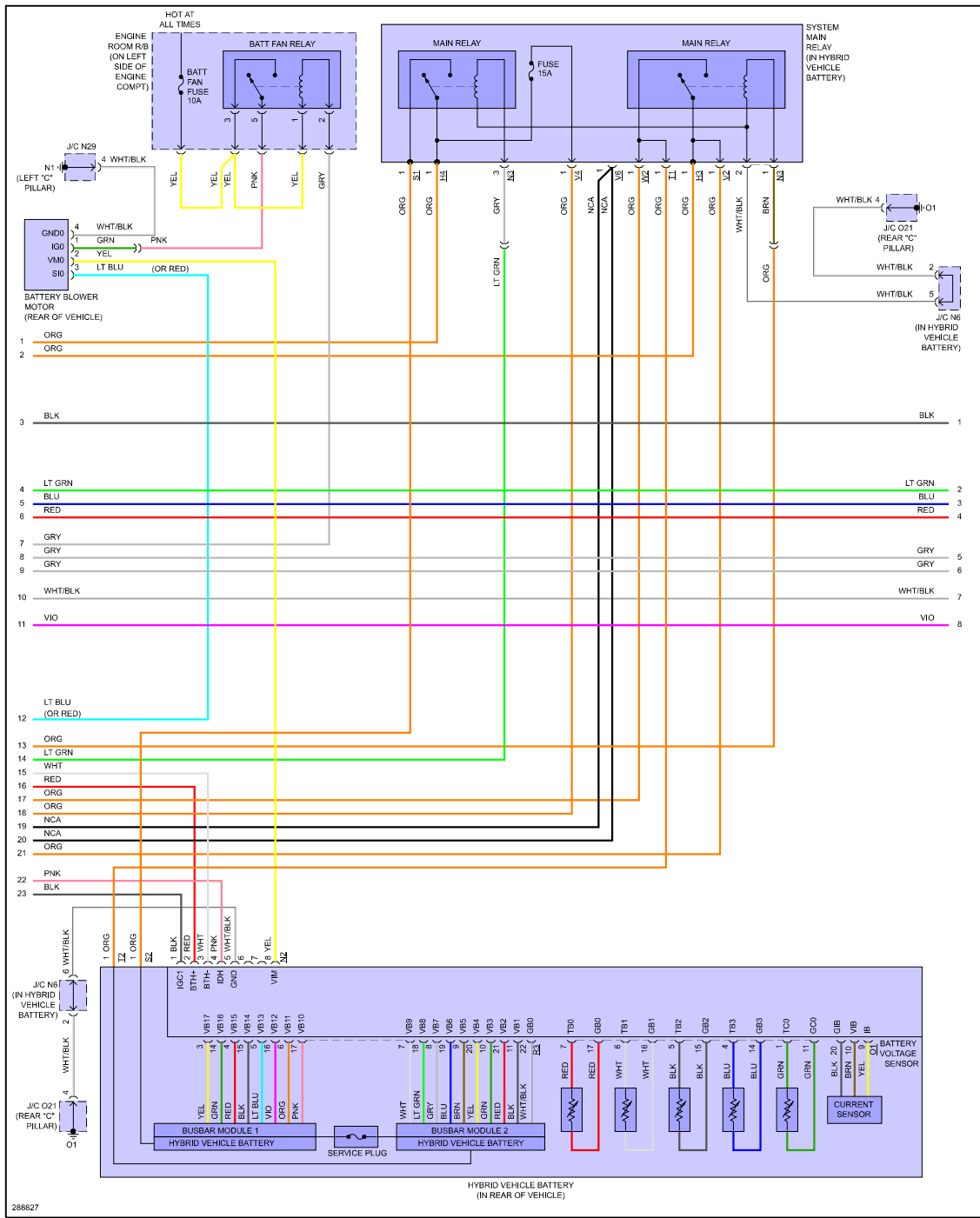


Fig 10: 2.4L, Hybrid System Circuit (6 of 7)

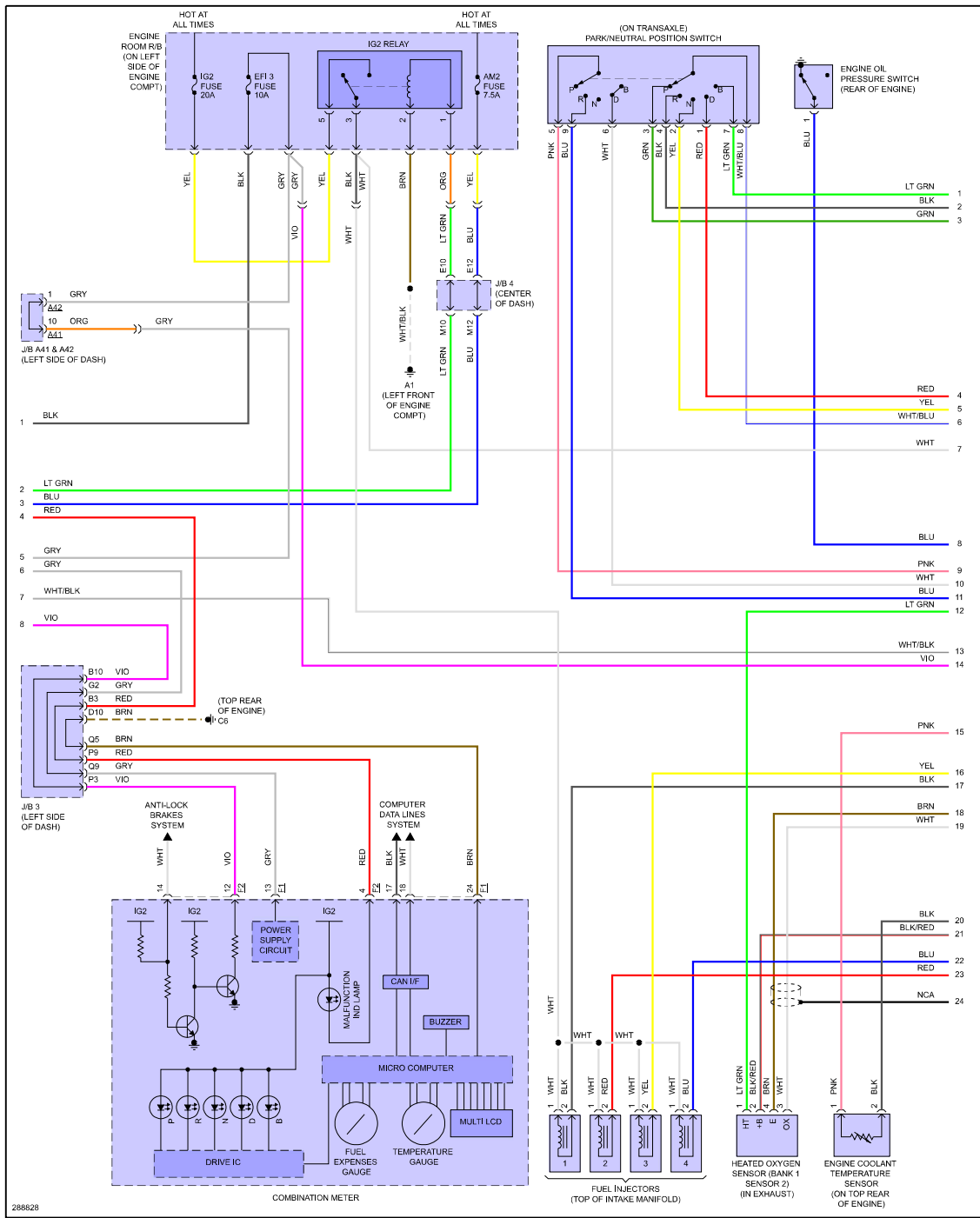
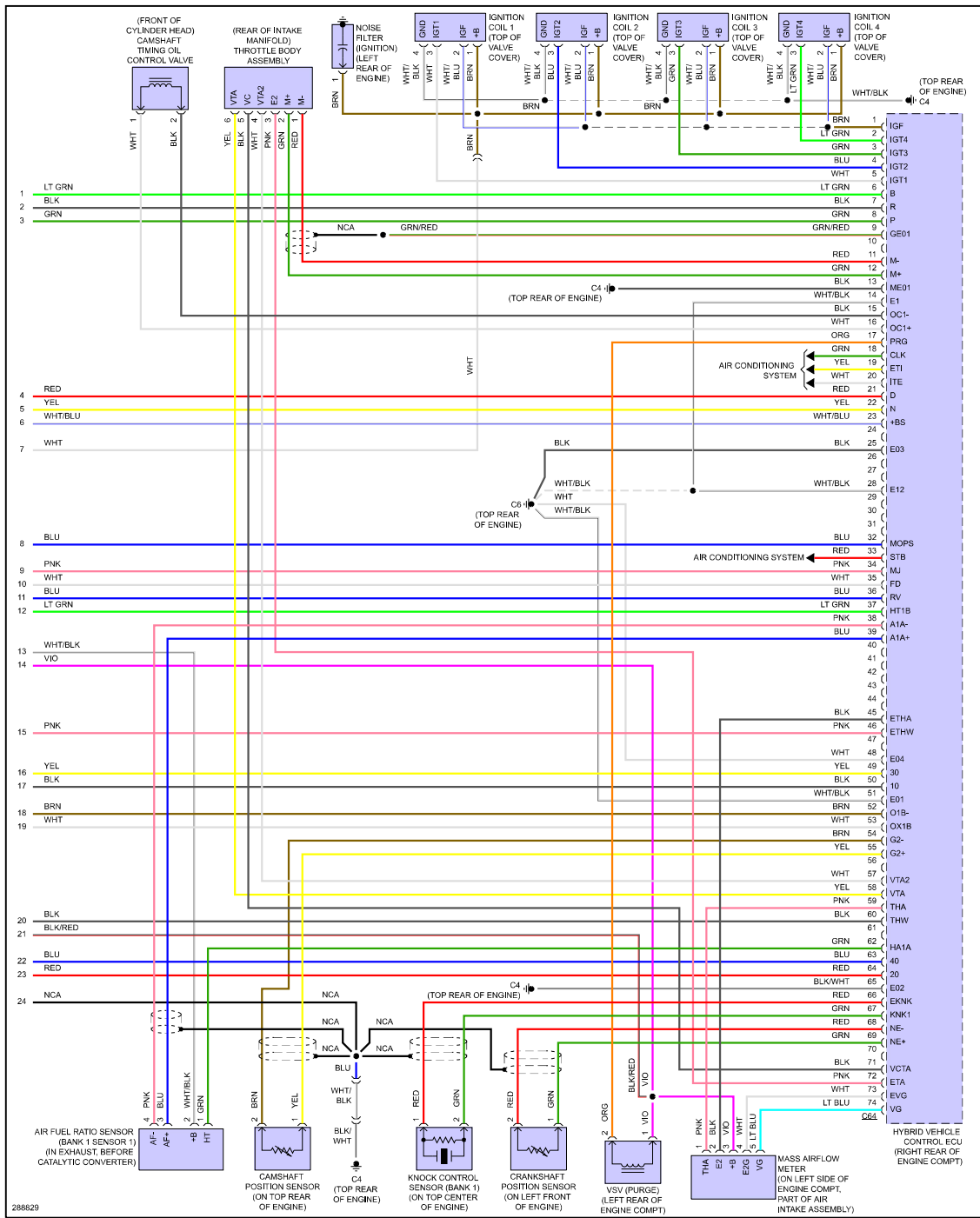


Fig 11: 2.4L, Hybrid System Circuit (7 of 7)



ENGINE PERFORMANCE > 3.5L

Fig 1: 3.5L, Engine Performance Circuit (1 of 5)

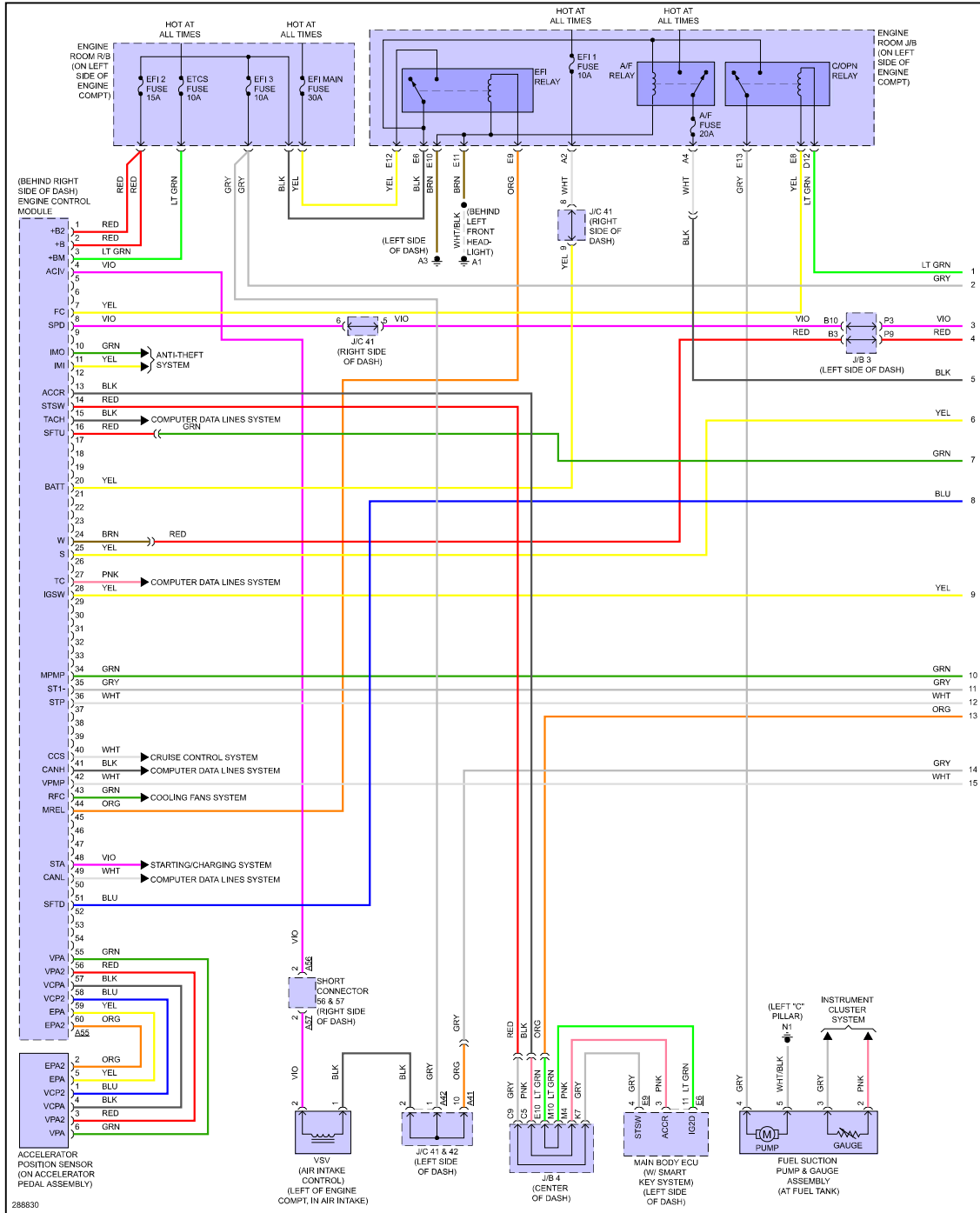
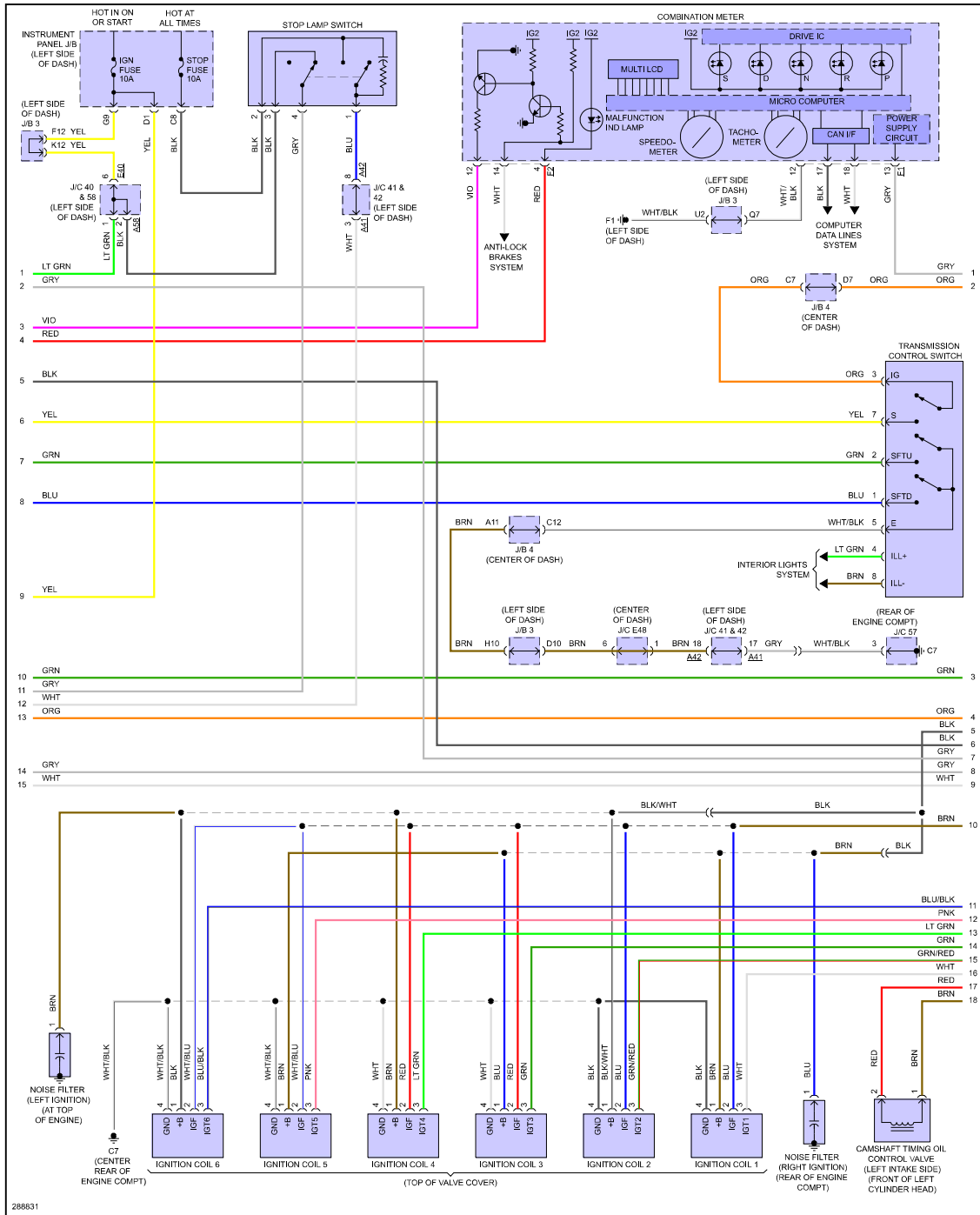


Fig 2: 3.5L, Engine Performance Circuit (2 of 5)



288831

Fig 3: 3.5L, Engine Performance Circuit (3 of 5)

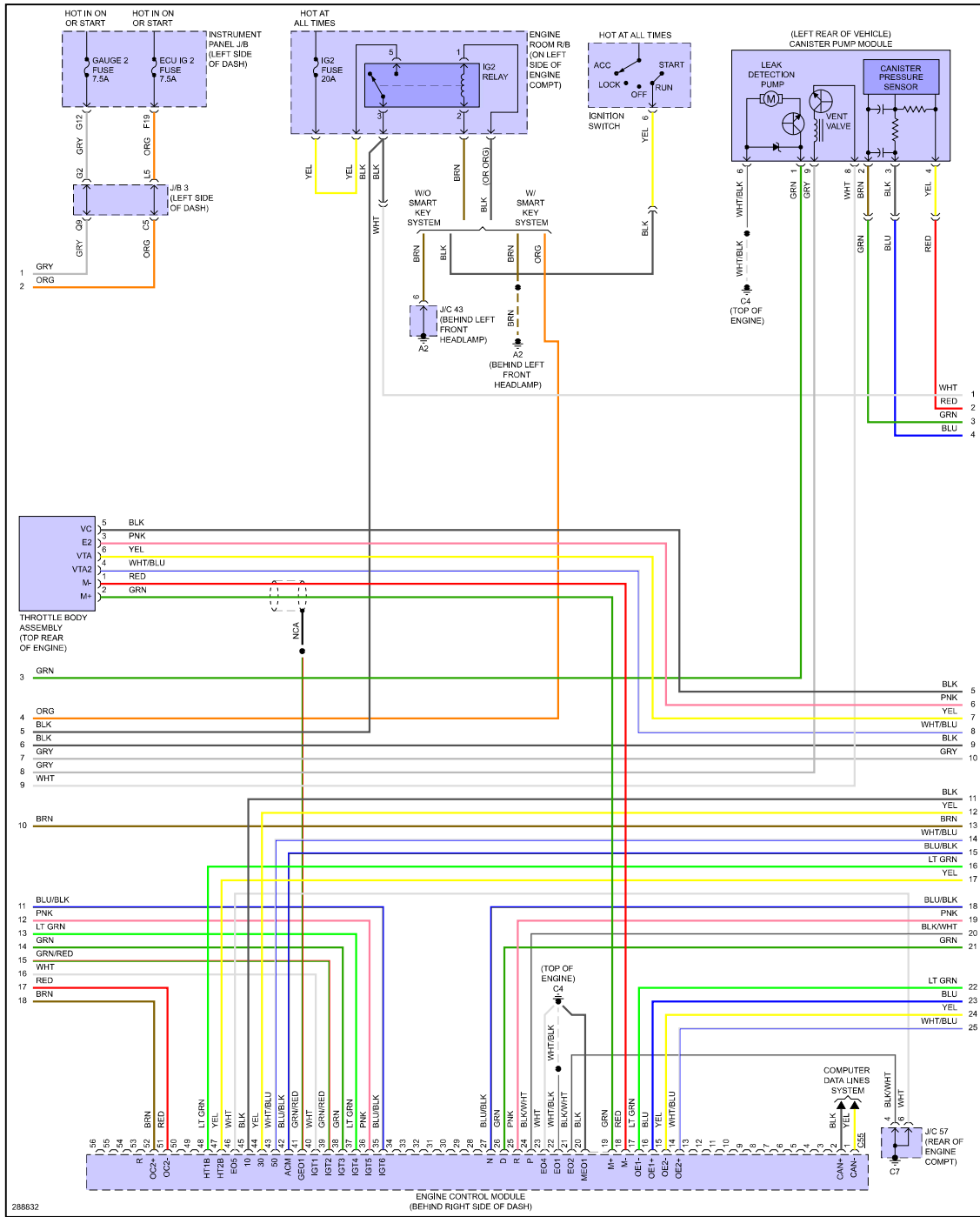


Fig 4: 3.5L, Engine Performance Circuit (4 of 5)

Fig 4: 3.5L, Engine Performance Circuit (4 of 5)

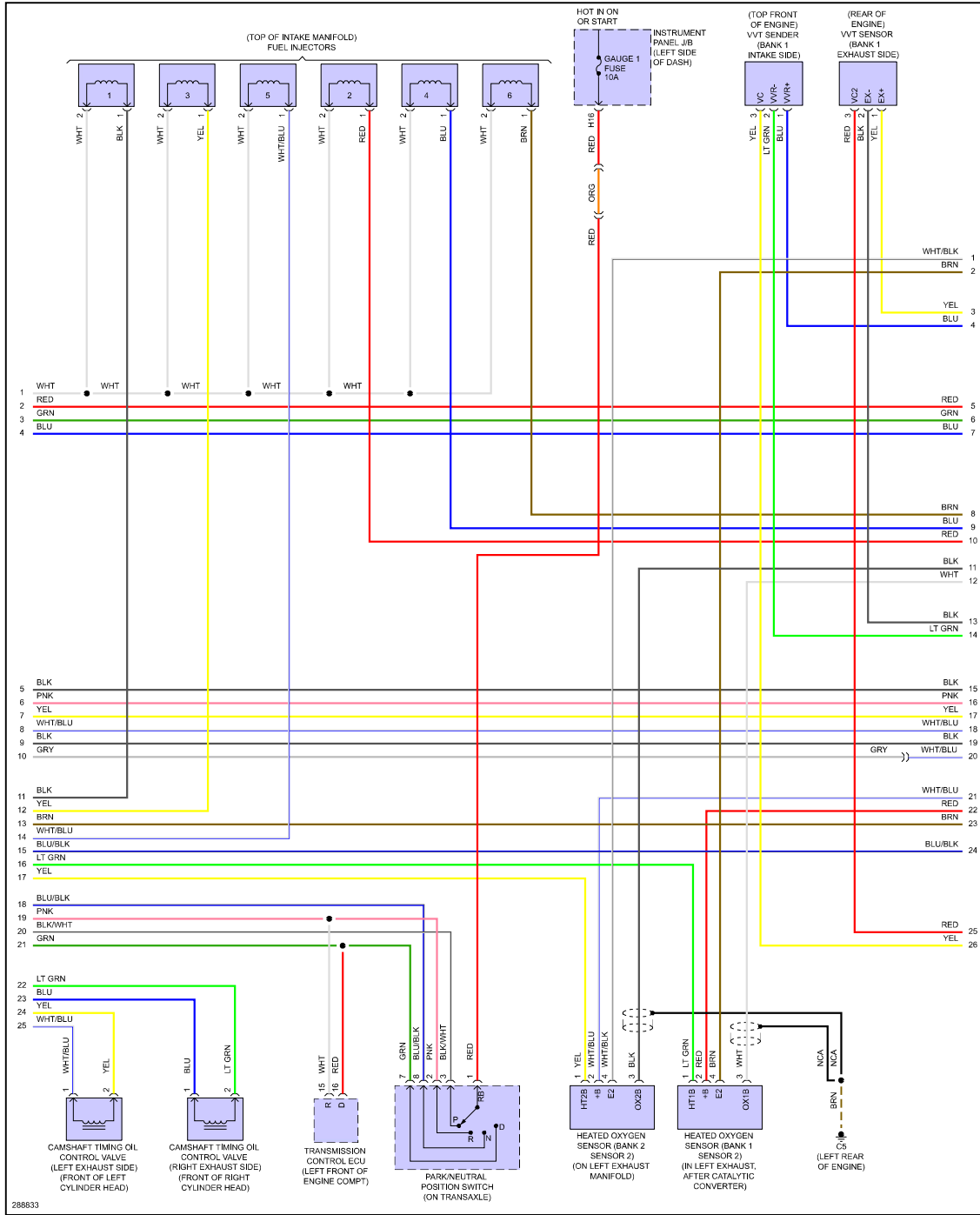
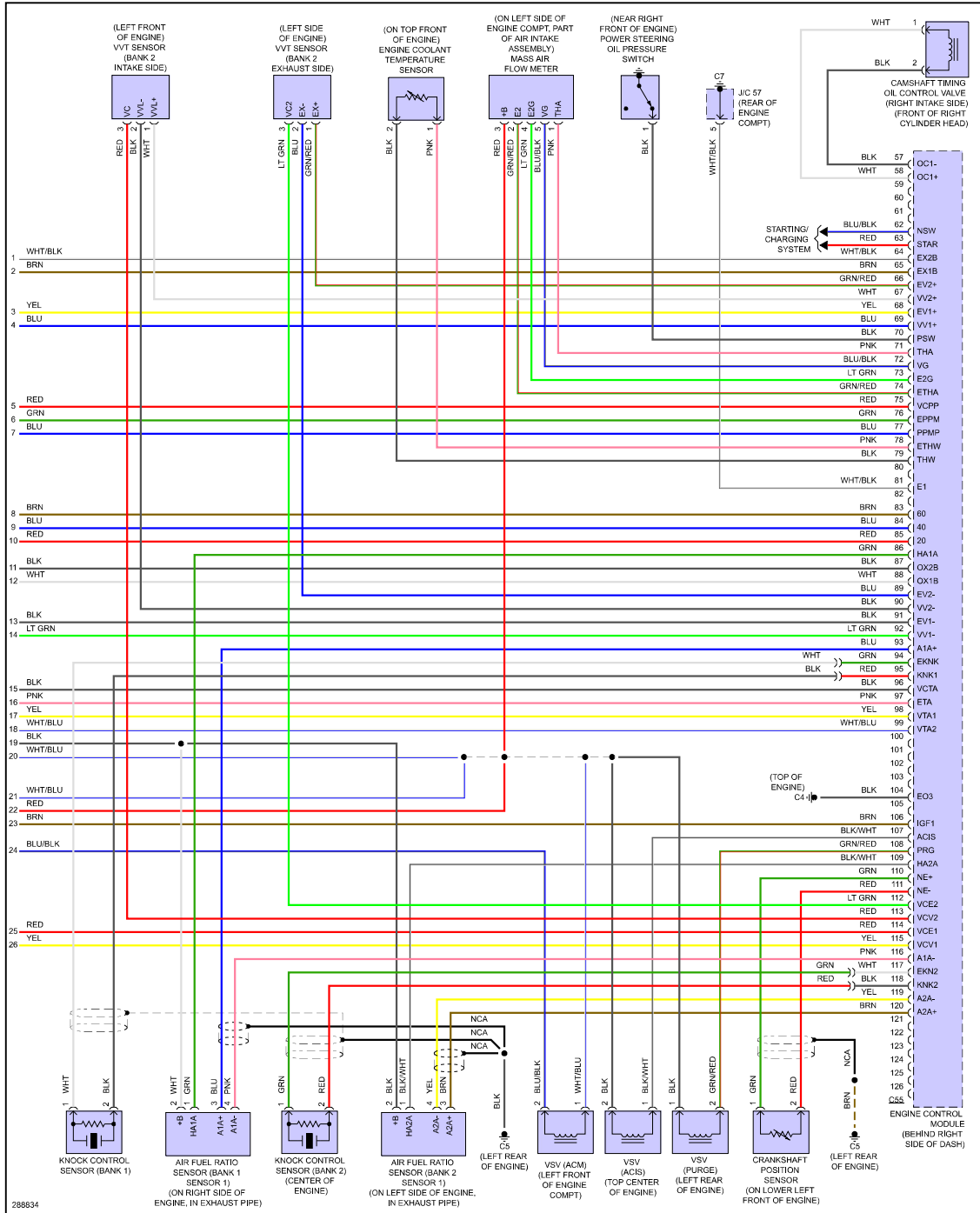


Fig 5: 3.5L, Engine Performance Circuit (5 of 5)

FIG 5: 3.5L, Engine Performance Circuit (5 of 5)



Reprinted Under License from Toyota Motor Sales, U.S.A., Inc., License Agreement TMS1002