

YMMS: 2009 Chevrolet Corvette ZR-1
 Engine: 6.2L Eng
 VIN:

Feb 7, 2022

License:
 Odometer:

ENGINE PERFORMANCE > 6.2L VIN R

Fig 1: 6.2L VIN R, Engine Performance Circuit (1 of 6)

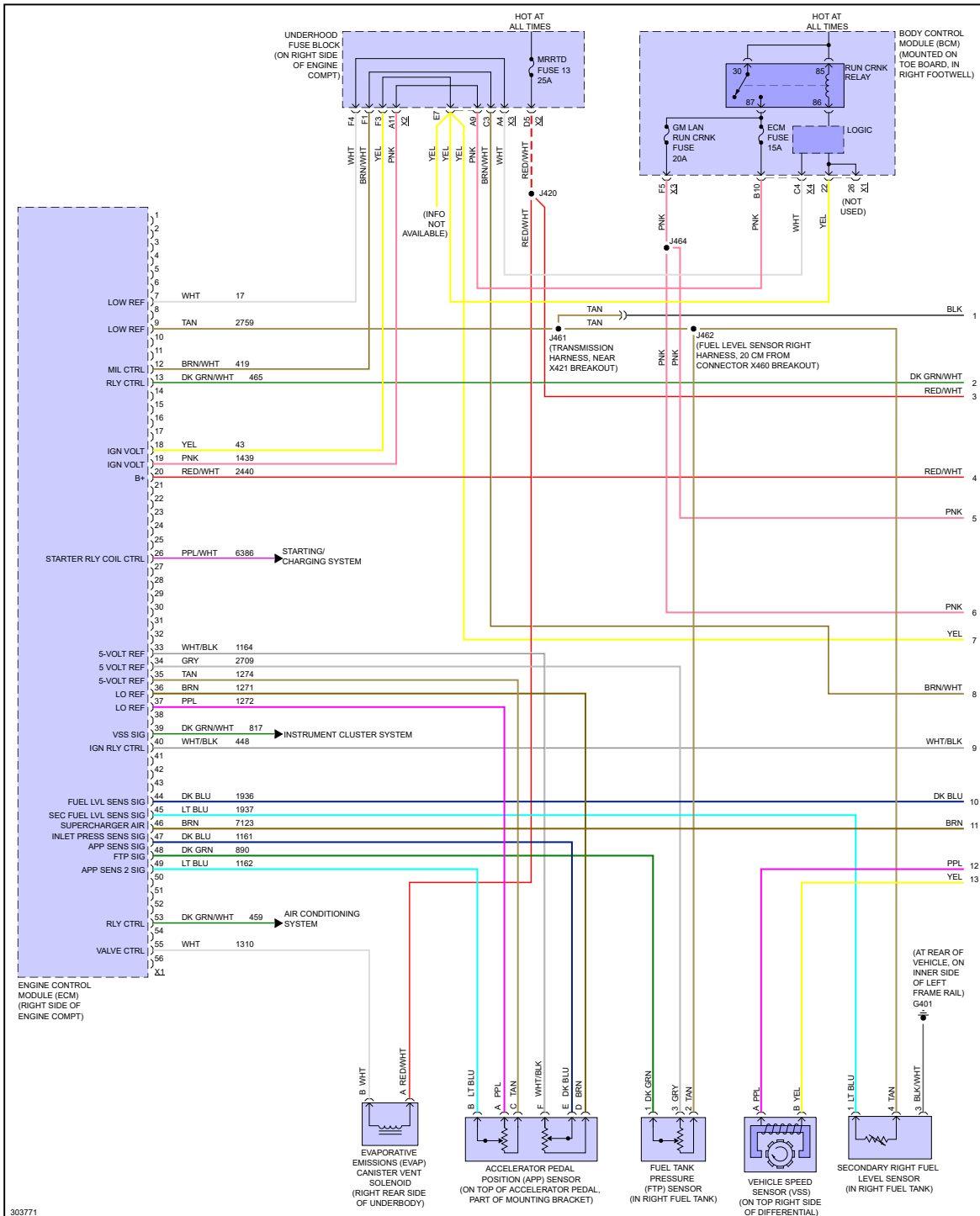


Fig 2: 6.2L VIN R, Engine Performance Circuit (2 of 6)

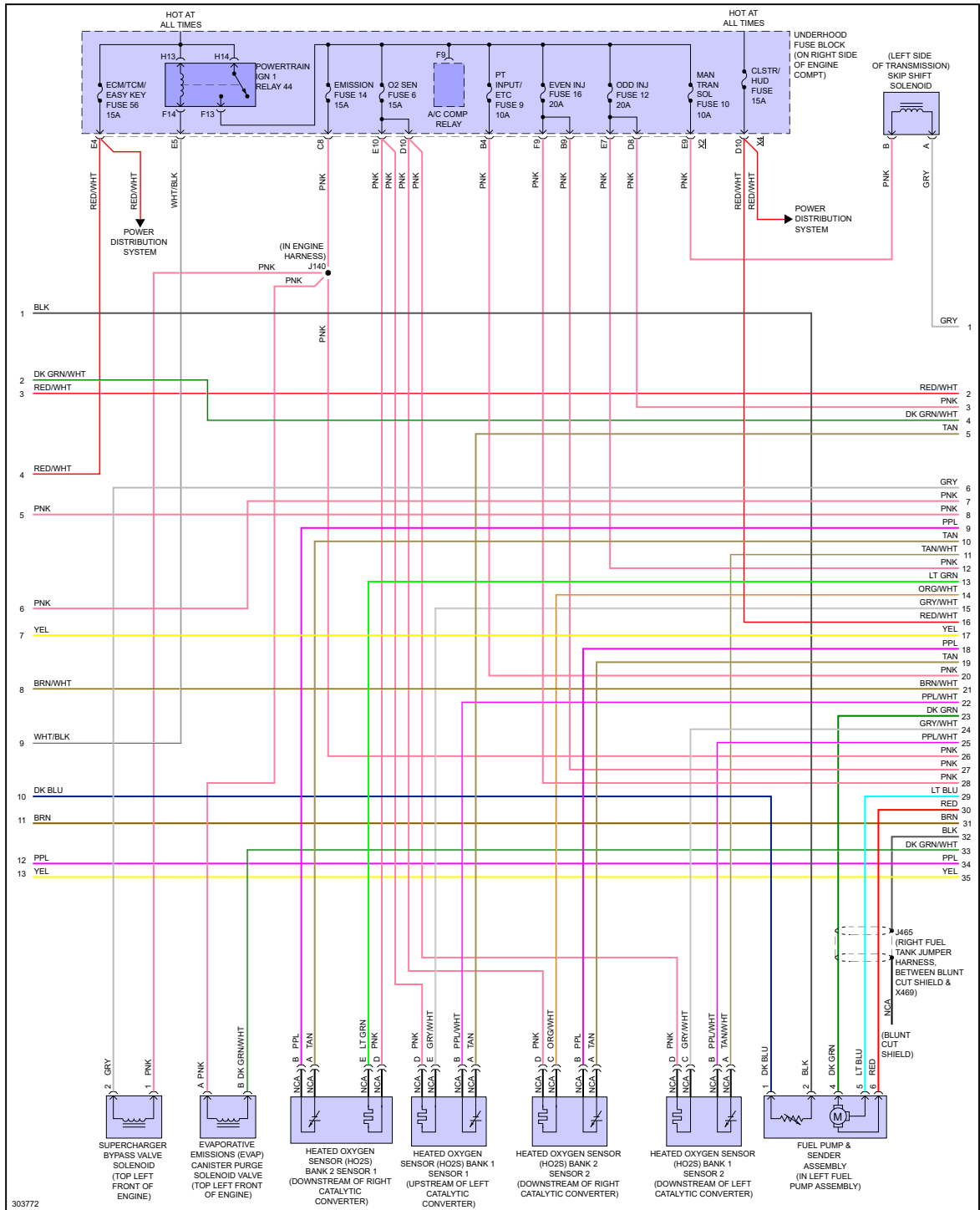


Fig 3: 6.2L VIN R, Engine Performance Circuit (3 of 6)

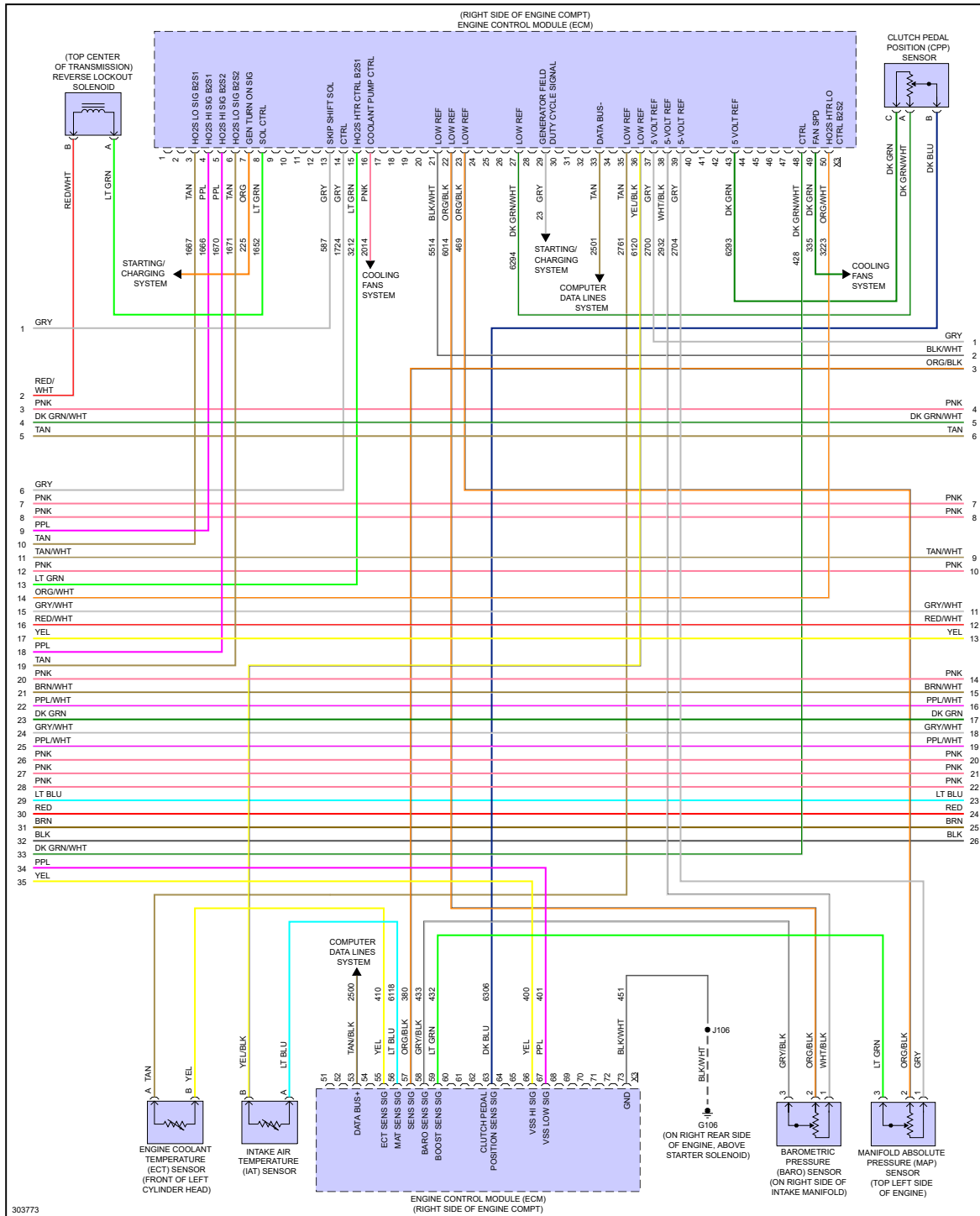


Fig 4: 6.2L VIN R, Engine Performance Circuit (4 of 6)

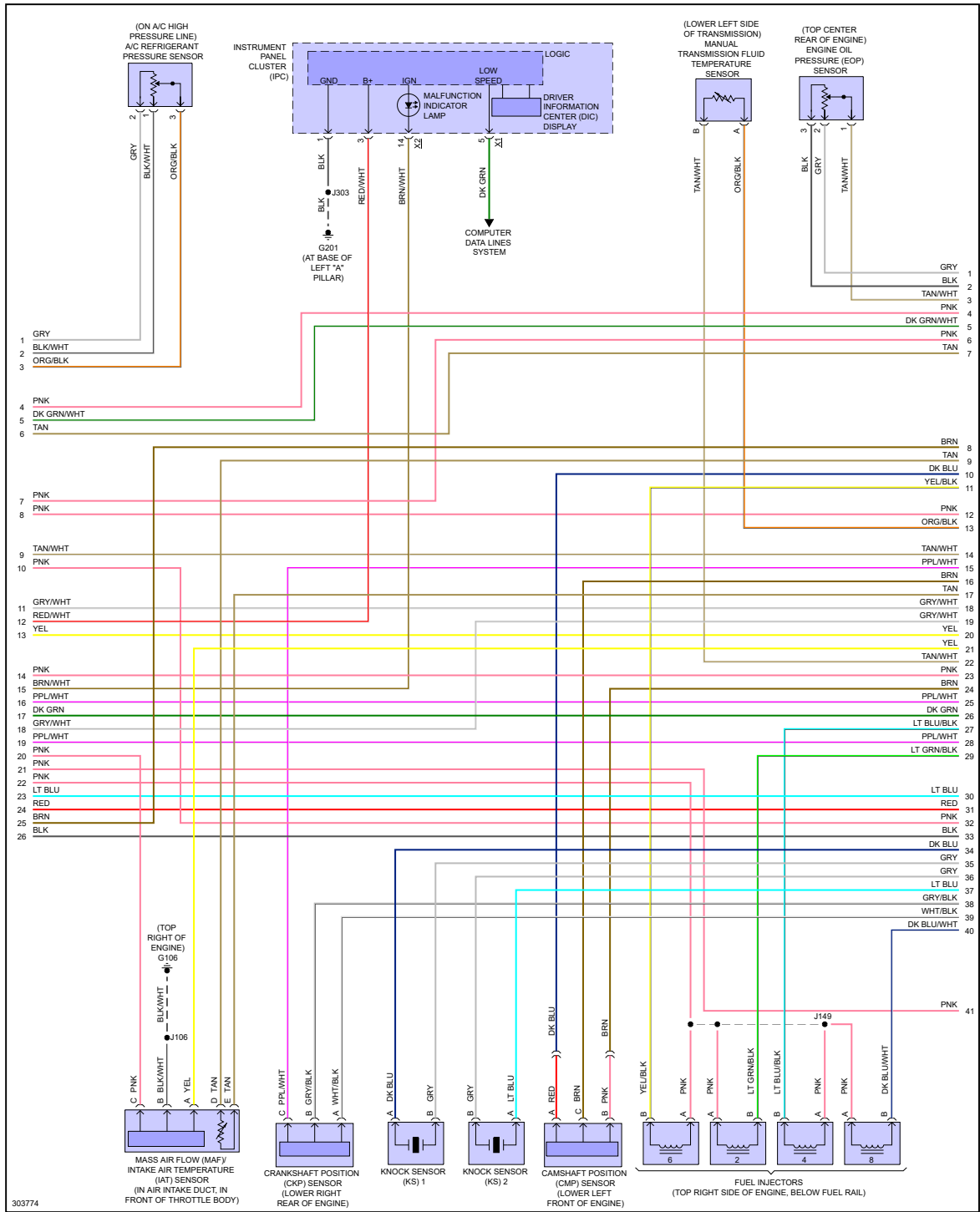


Fig 5: 6.2L VIN R, Engine Performance Circuit (5 of 6)

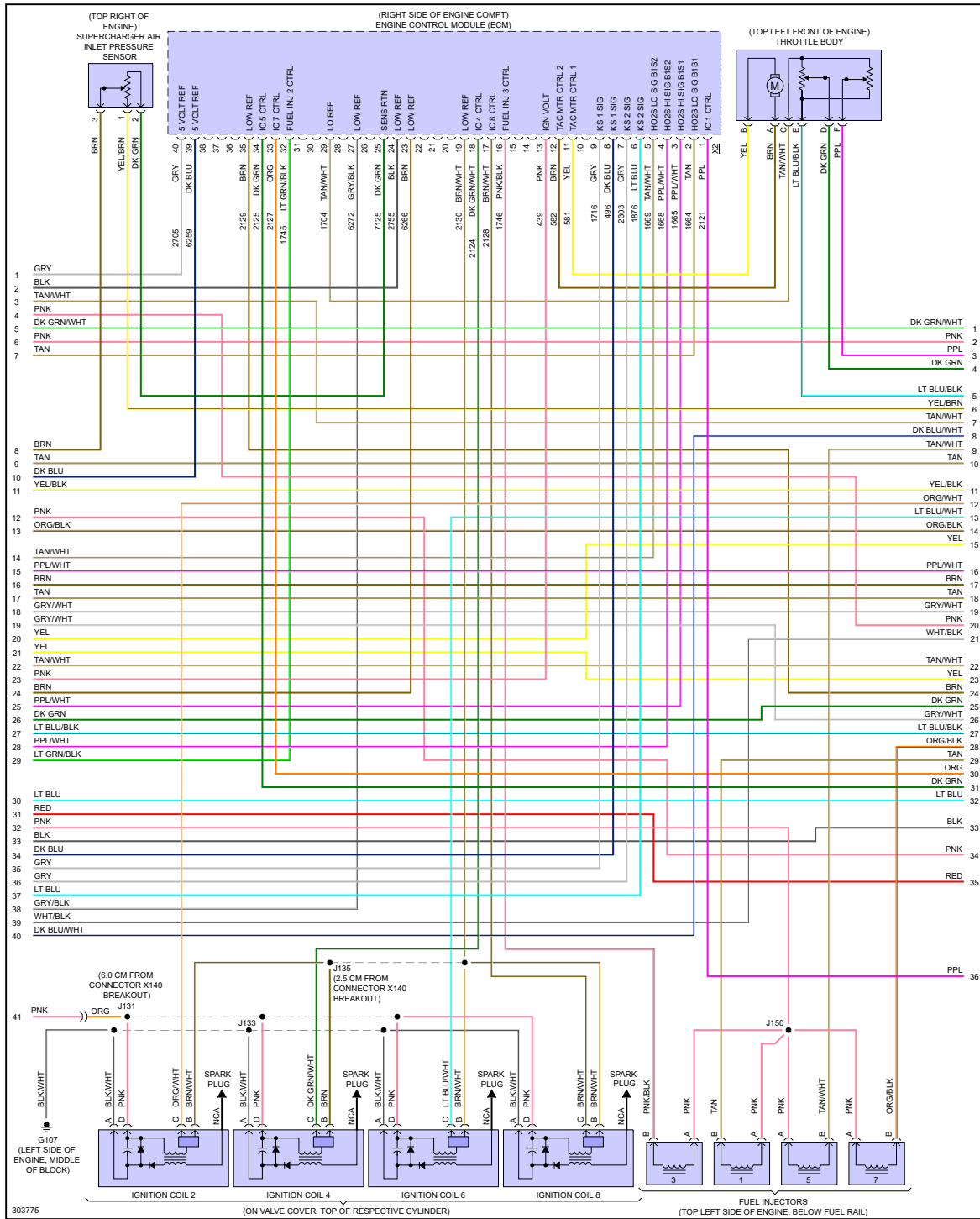


Fig 6: 6.2L VIN R, Engine Performance Circuit (6 of 6)

