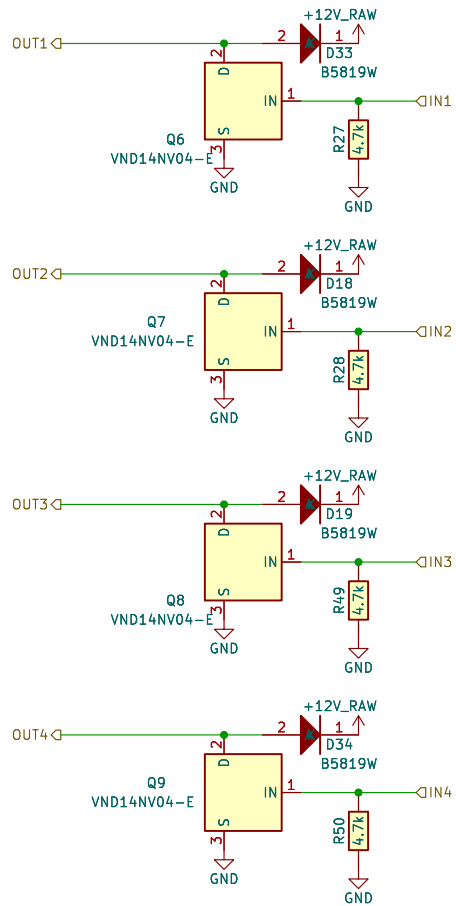


FOR OFF ROAD PURPOSES ONLY  
 This is not for applications with  
 emissions or safety regulations  
 (AKA not for street use). This is  
 for closed stages, track  
 and equipment.



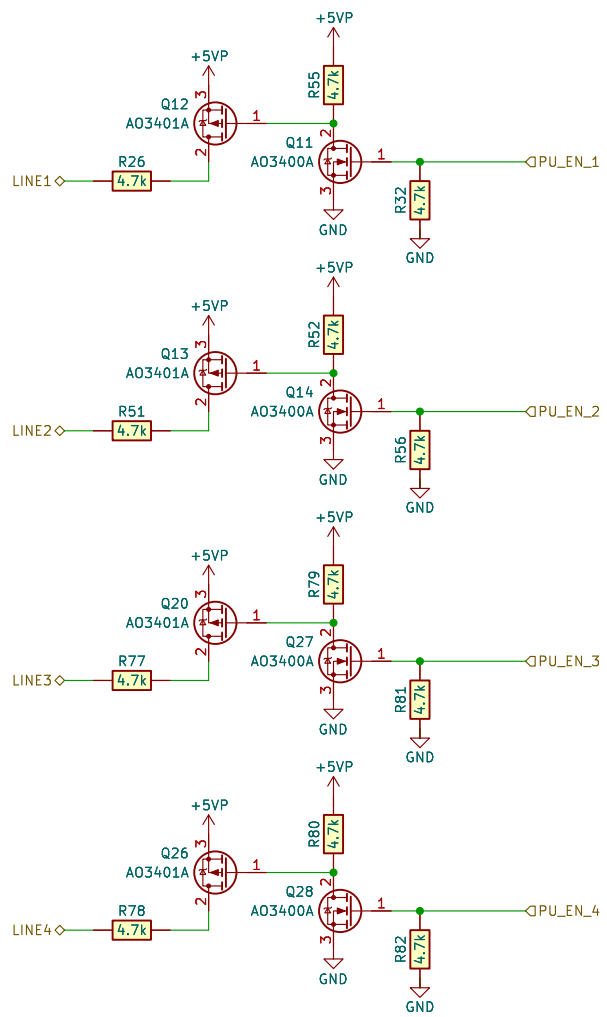
Sheet: /LS/  
 File: LS4.kicad\_sch

**Title:**

Size: A4  
 KiCad E.D.A. kicad 7.0.1

Date:

Rev:  
 Id: 2/4



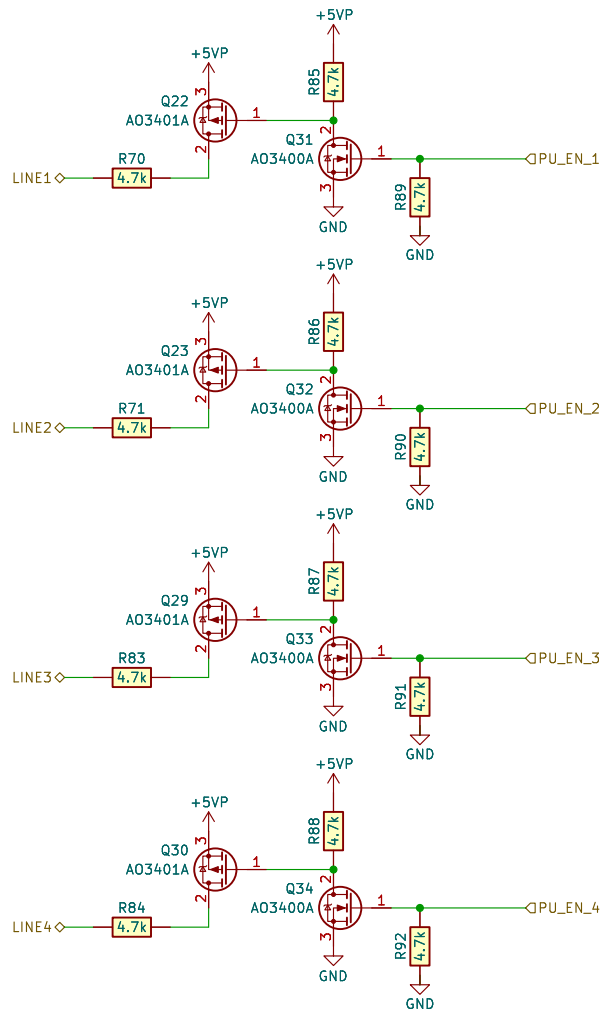
Sheet: /PU/  
 File: PU4.kicad\_sch

**Title:**

Size: A4  
 KiCad E.D.A. kicad 7.0.1

Date:

Rev:  
 Id: 5/4



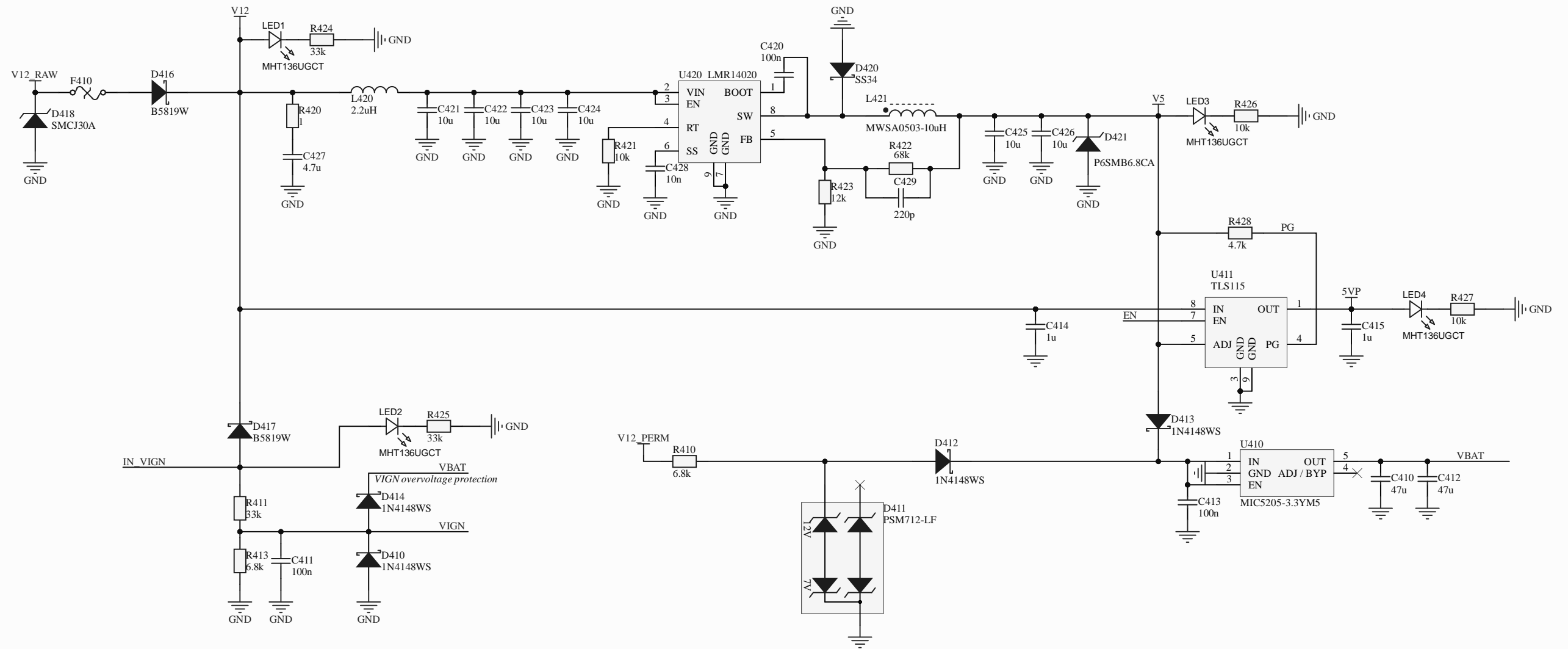
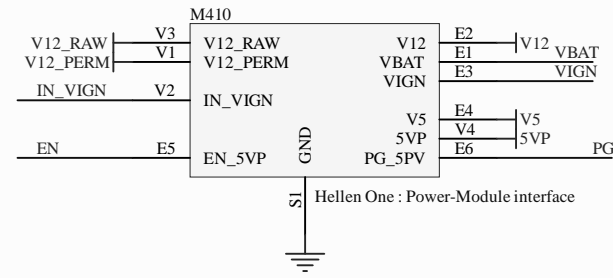
Sheet: /PU1/  
 File: PU4.kicad\_sch

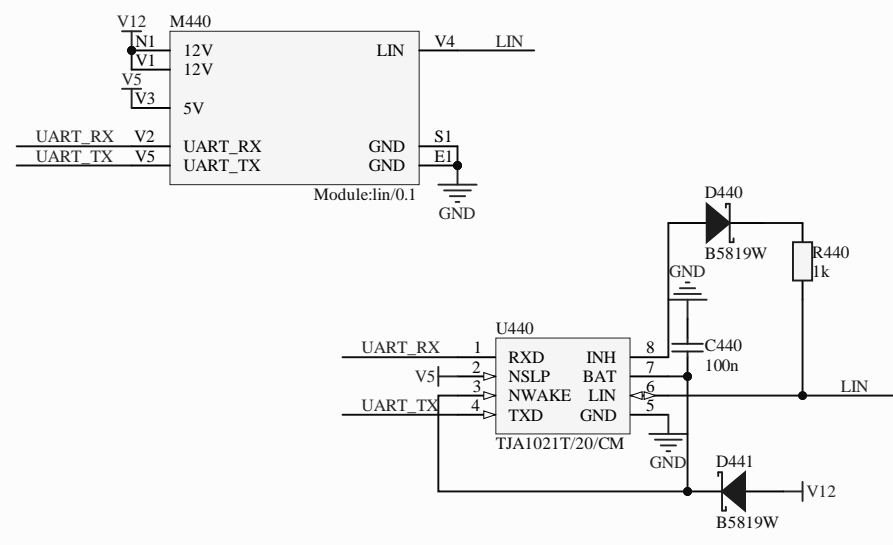
**Title:**

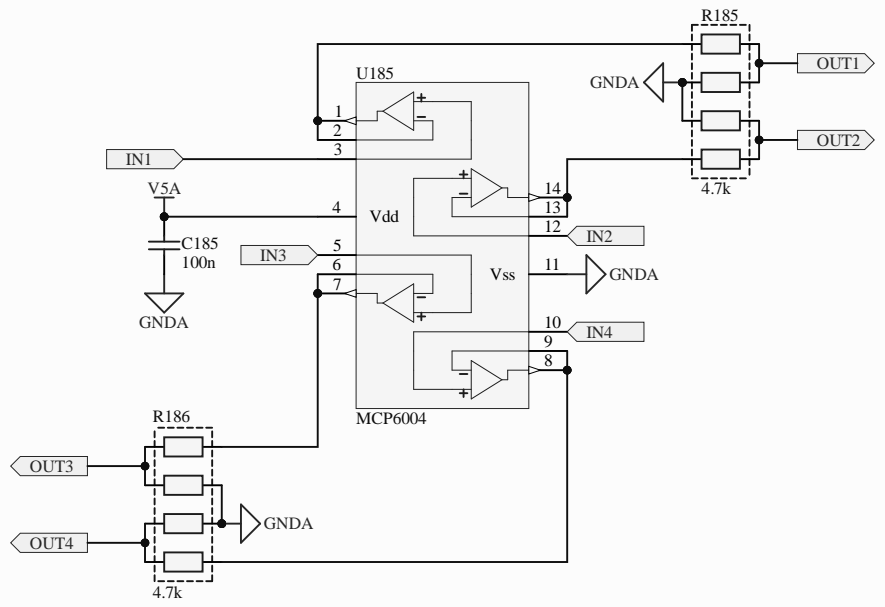
Size: A4  
 KiCad E.D.A. kicad 7.0.1

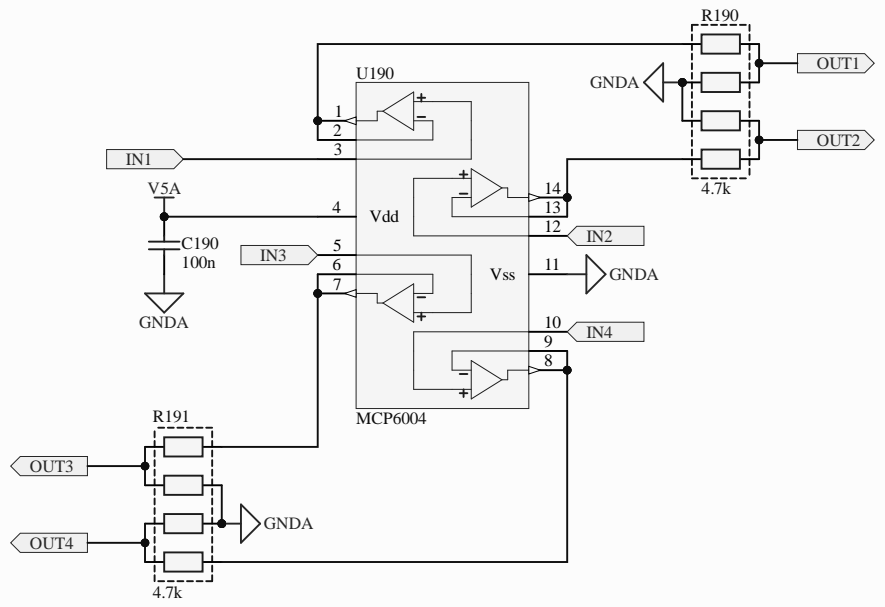
Date:

Rev:  
 Id: 8/4

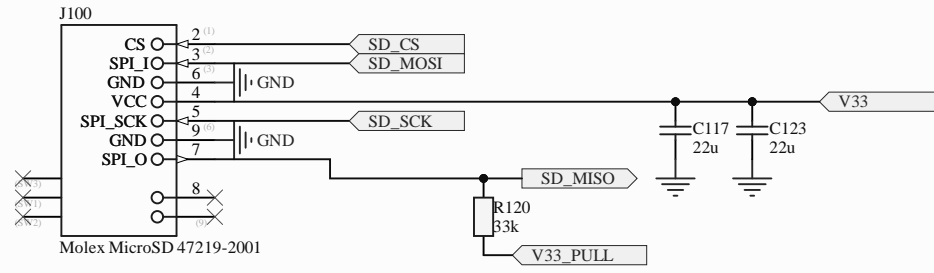


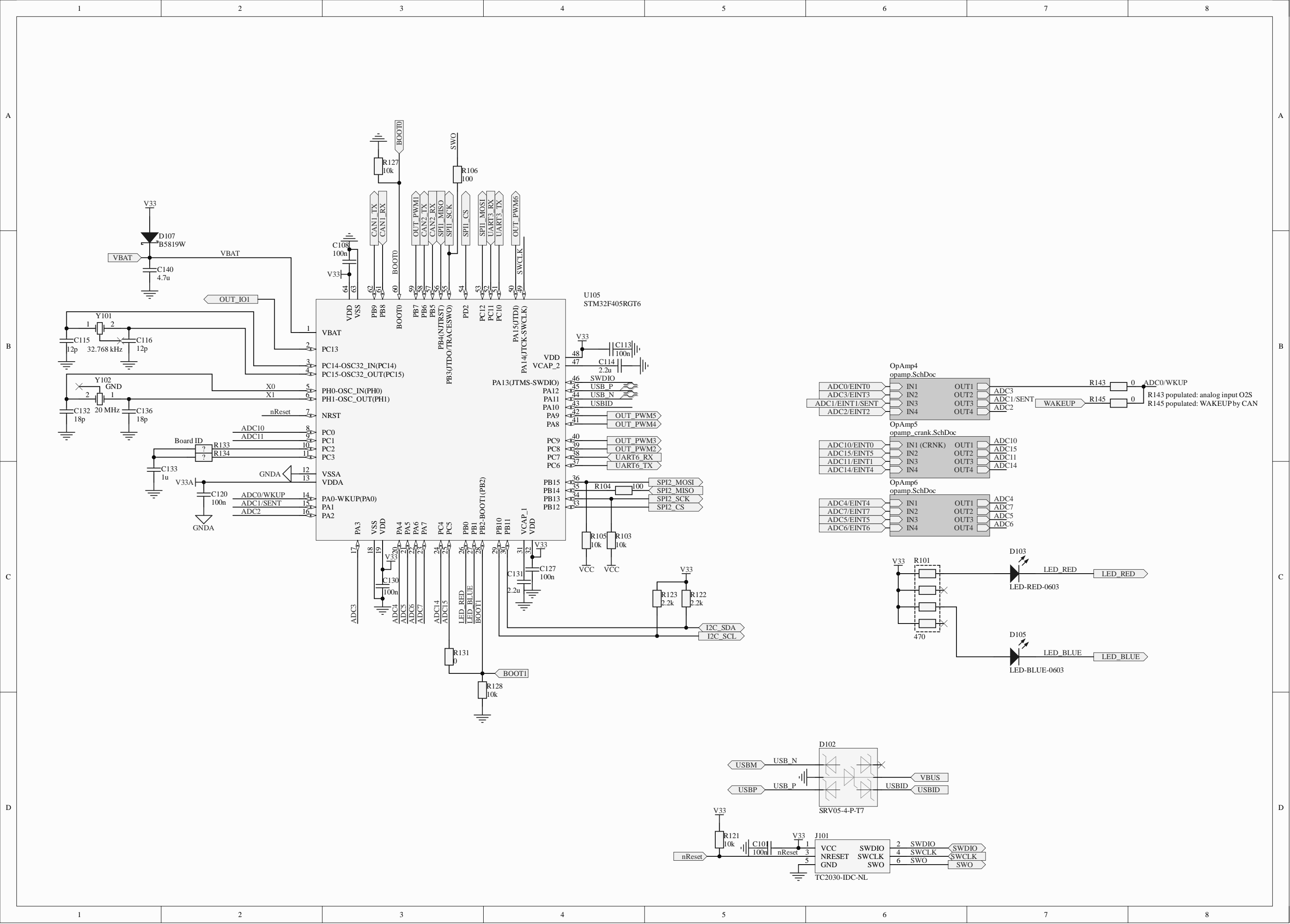






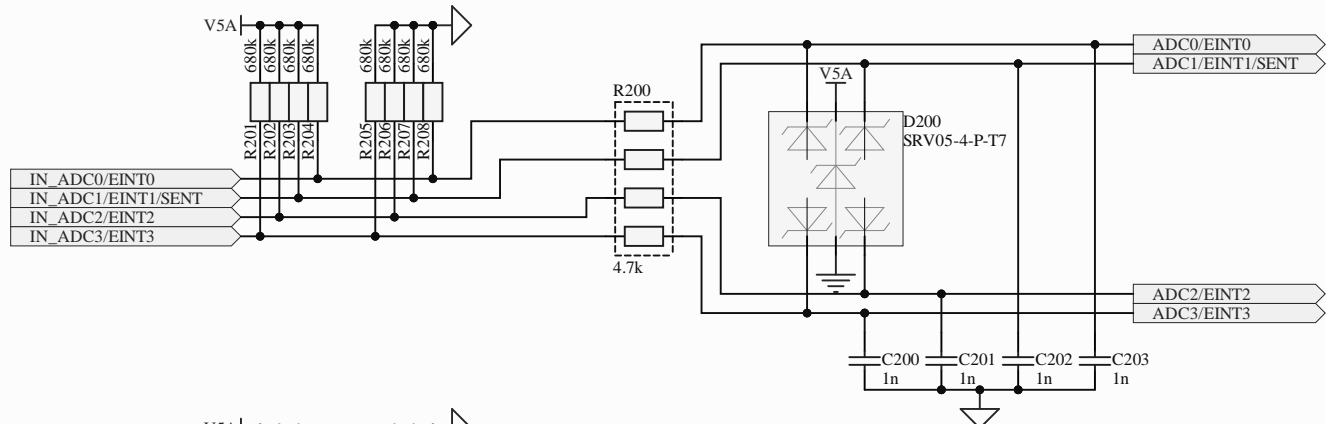






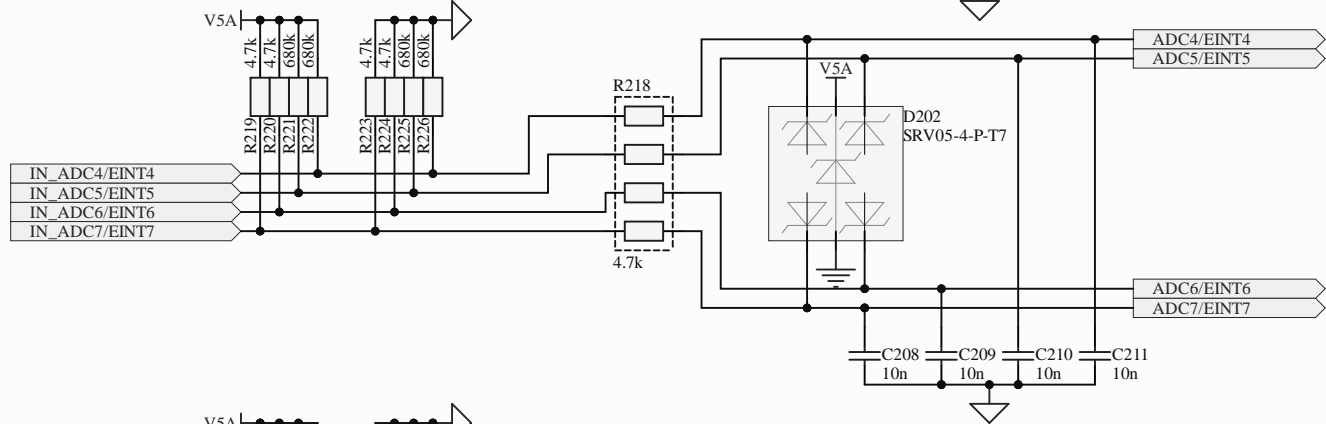
A

A



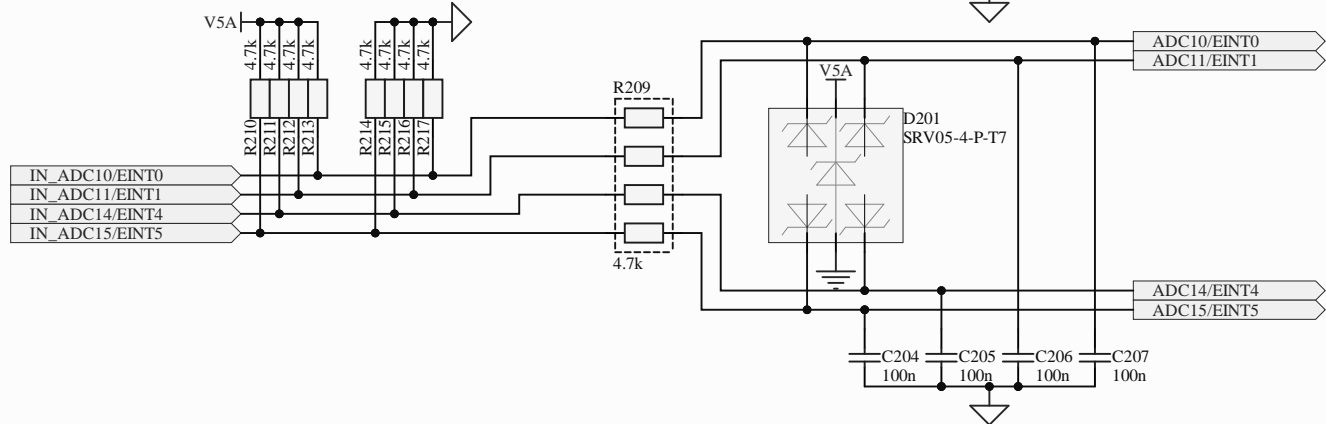
B

B



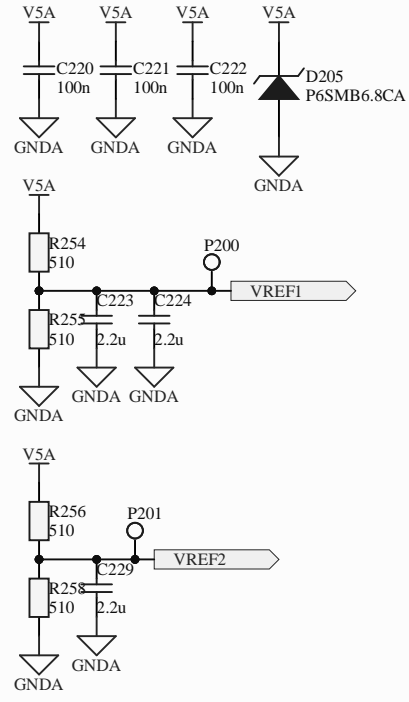
C

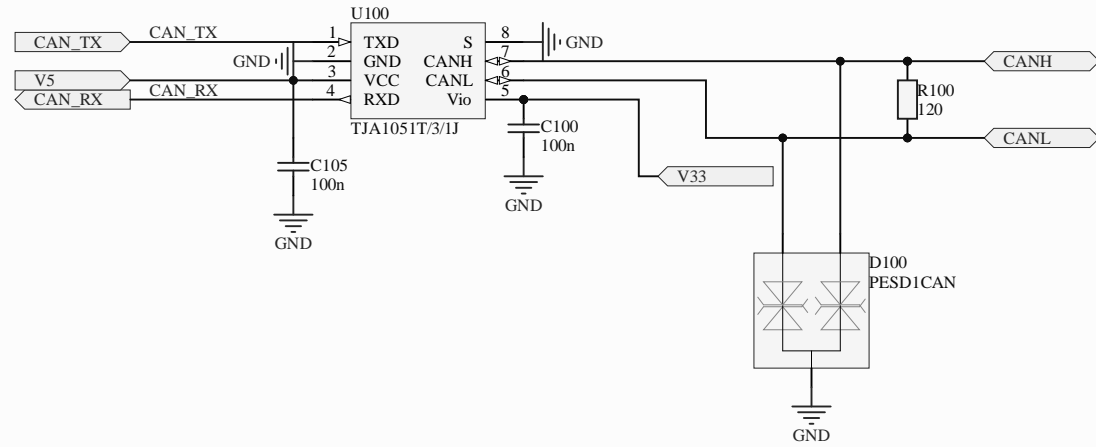
C

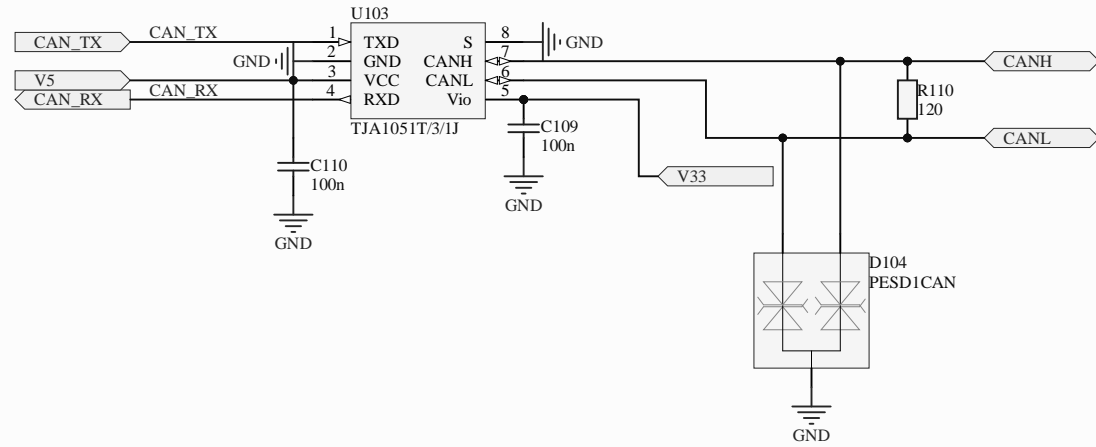


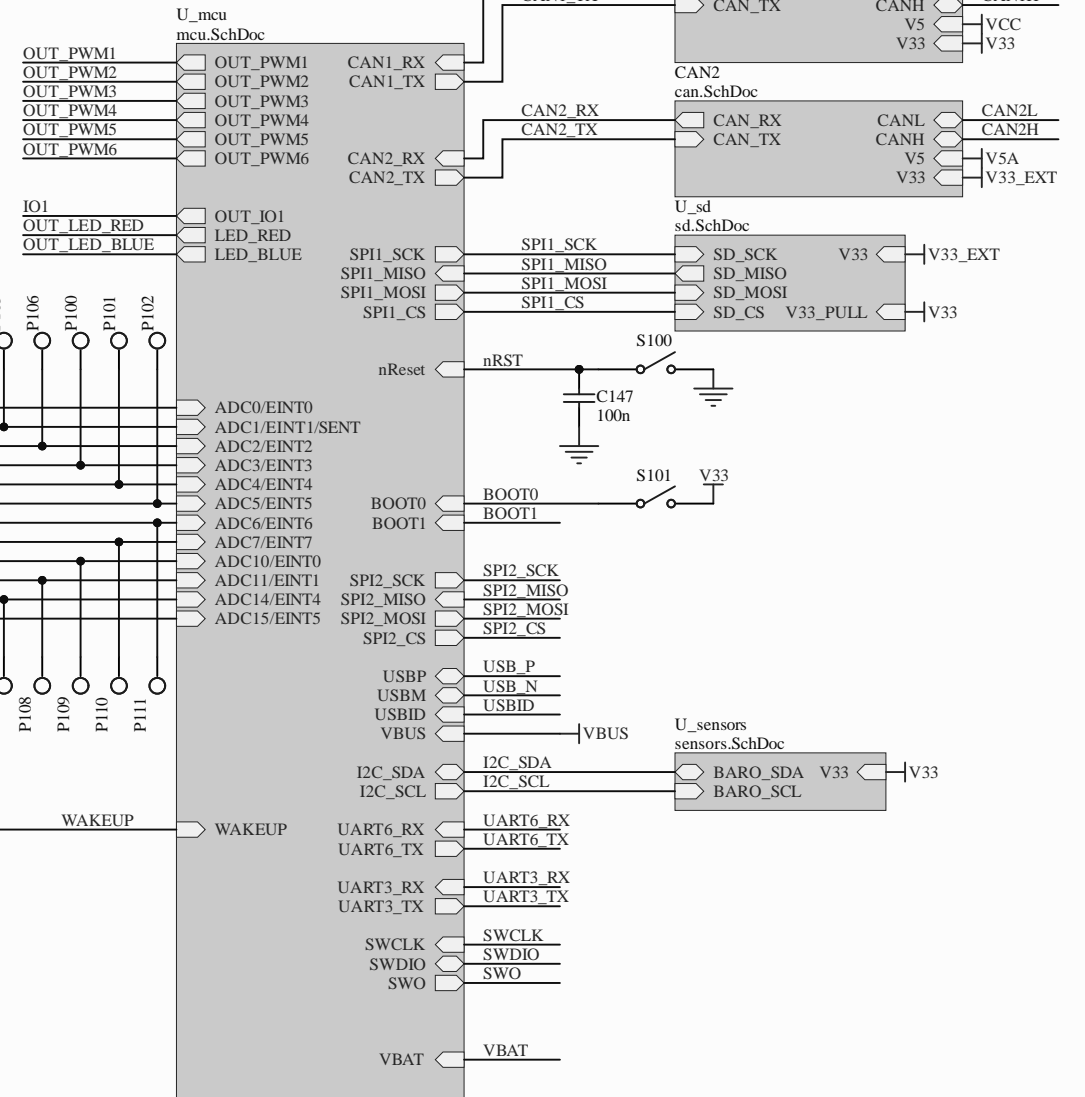
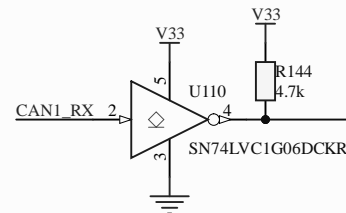
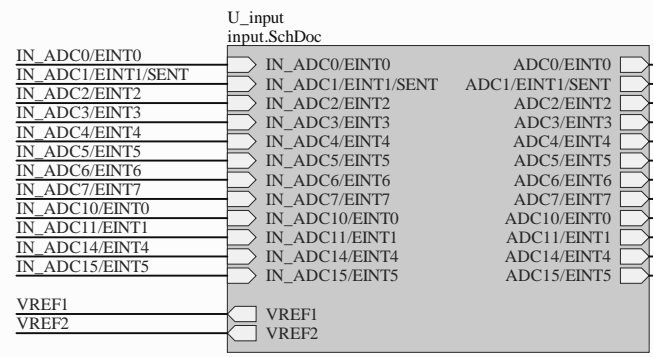
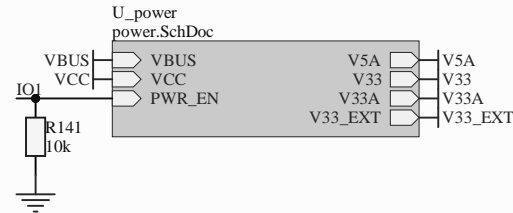
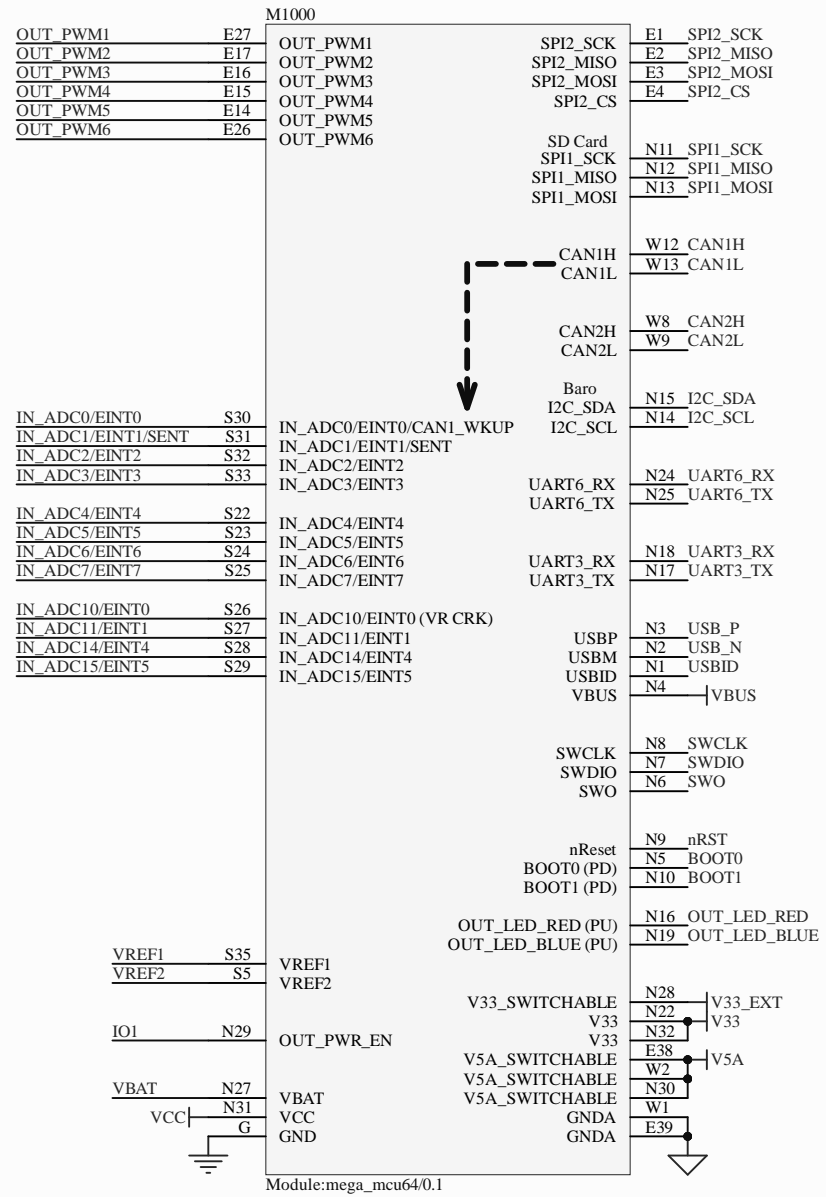
D

D

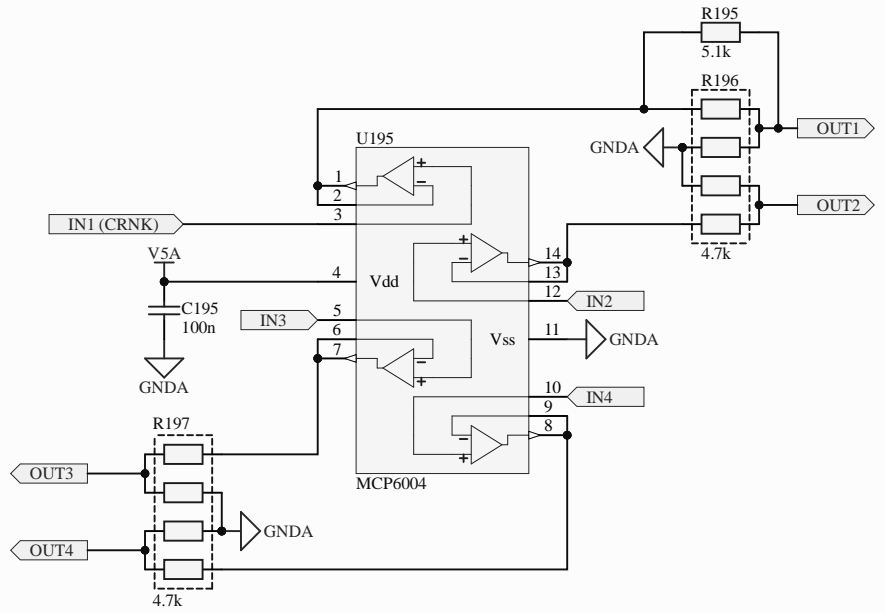


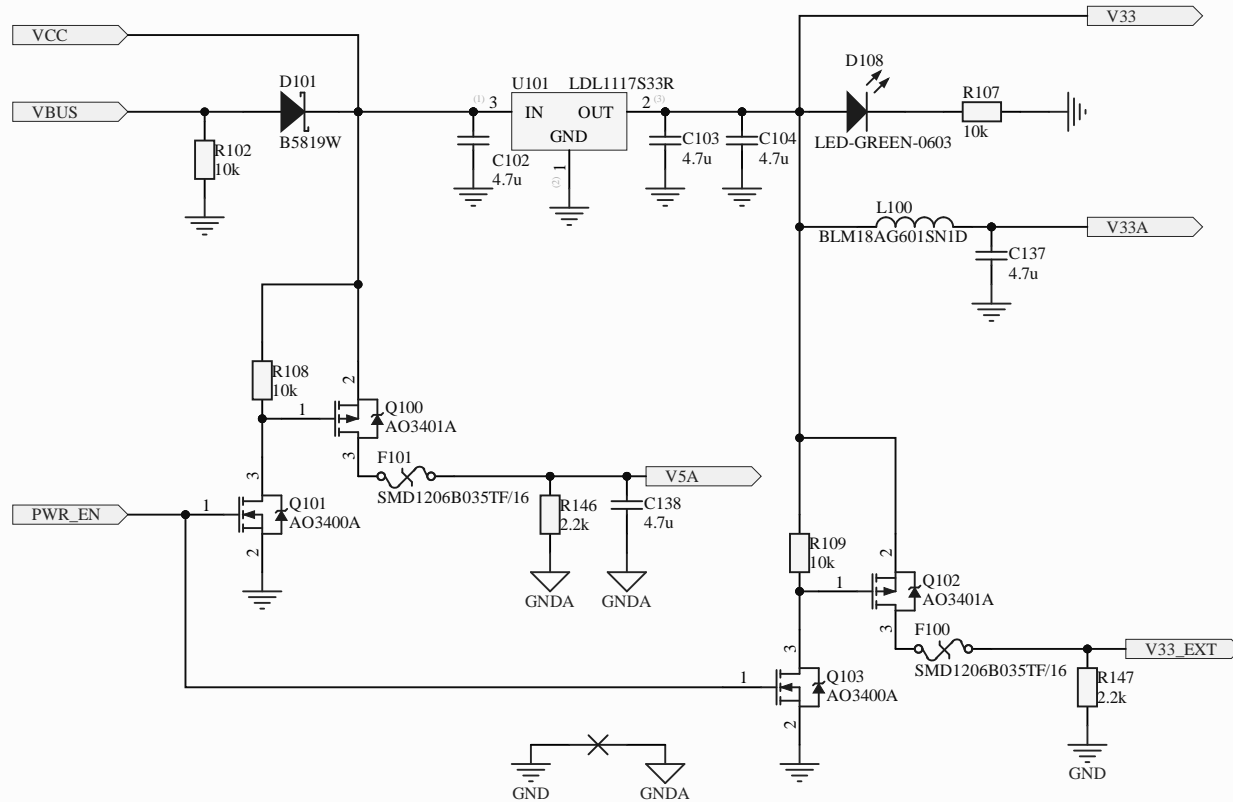






More accurate threshold for "raw" connection of VR sensors





Title		
Size	Number	Revision
A4		
Date:	6.10.2023	Sheet of
File:	C:\Work\...\power.SchDoc	Drawn By:



