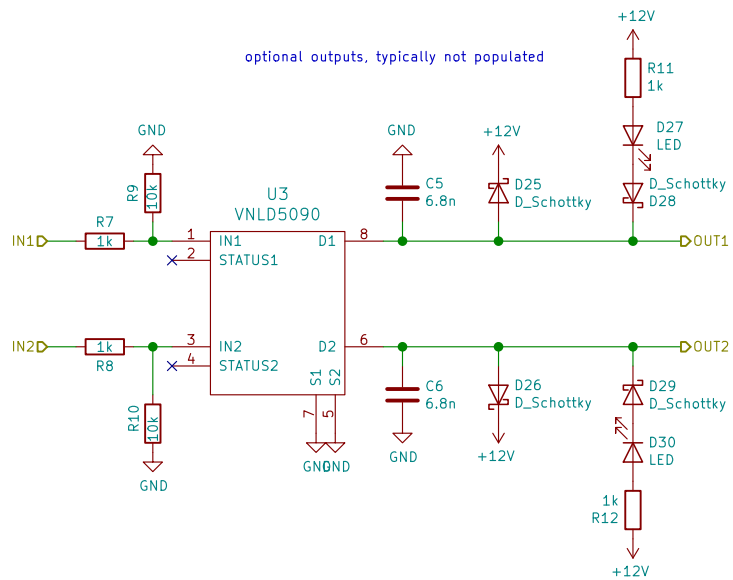
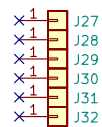
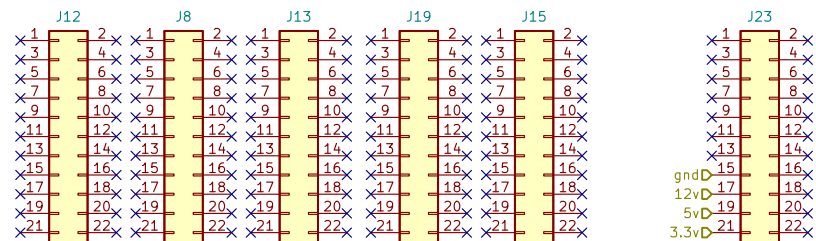


rusEFI	
Sheet: /LowSide1/	
File: pair.sch	
Title: 48 NA MRE PNP	
Size: A4	Date: 2020-05-18
KiCad E.D.A. kicad (5.1.5)-3	Rev: R0.1.1
	Id: 2/4



rusEFI	
Sheet: /LowSide2/	
File: pair.sch	
Title: 48 NA MRE PNP	
Size: A4	Date: 2020-05-18
KiCad E.D.A. kicad (5.1.5)-3	Rev: R0.1.1
	Id: 3/4



Sheet: /Proto/		Date: 2020-05-18	
File: Proto.sch		Rev: R0.1.1	
Title: 48 NA MRE PNP		Id: 4/4	
Size: A4	KiCad E.D.A. kicad (5.1.5)-3		