

YMMS: 2020 Ford Mustang GT  
 Engine: 5.0L Eng  
 VIN:

Nov 8, 2022  
 License:  
 Odometer:

## ENGINE PERFORMANCE > 2.3L TURBO

Fig 1: 2.3L Turbo, Engine Performance Circuit (1 of 8)

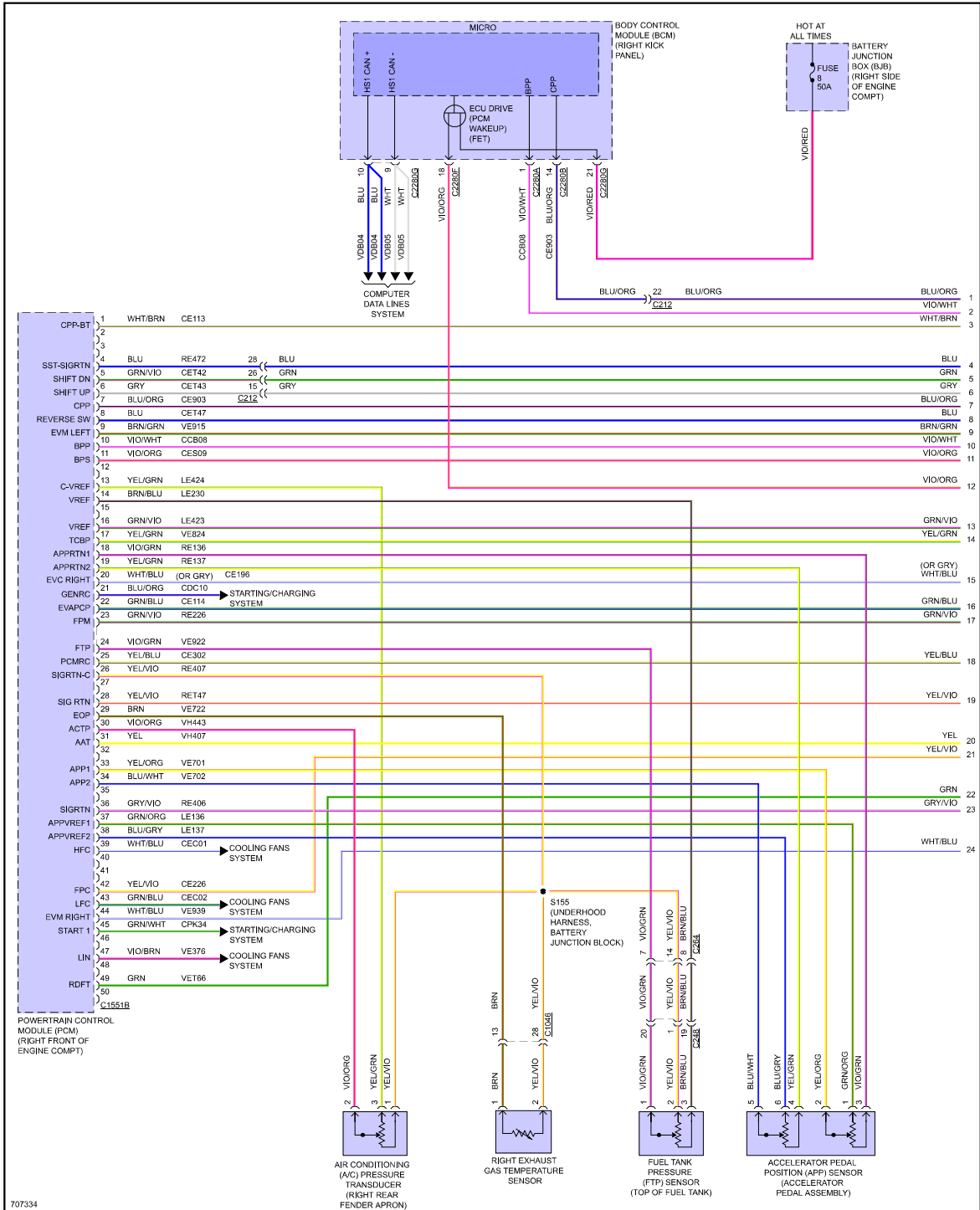


Fig 2: 2.3L Turbo, Engine Performance Circuit (2 of 8)

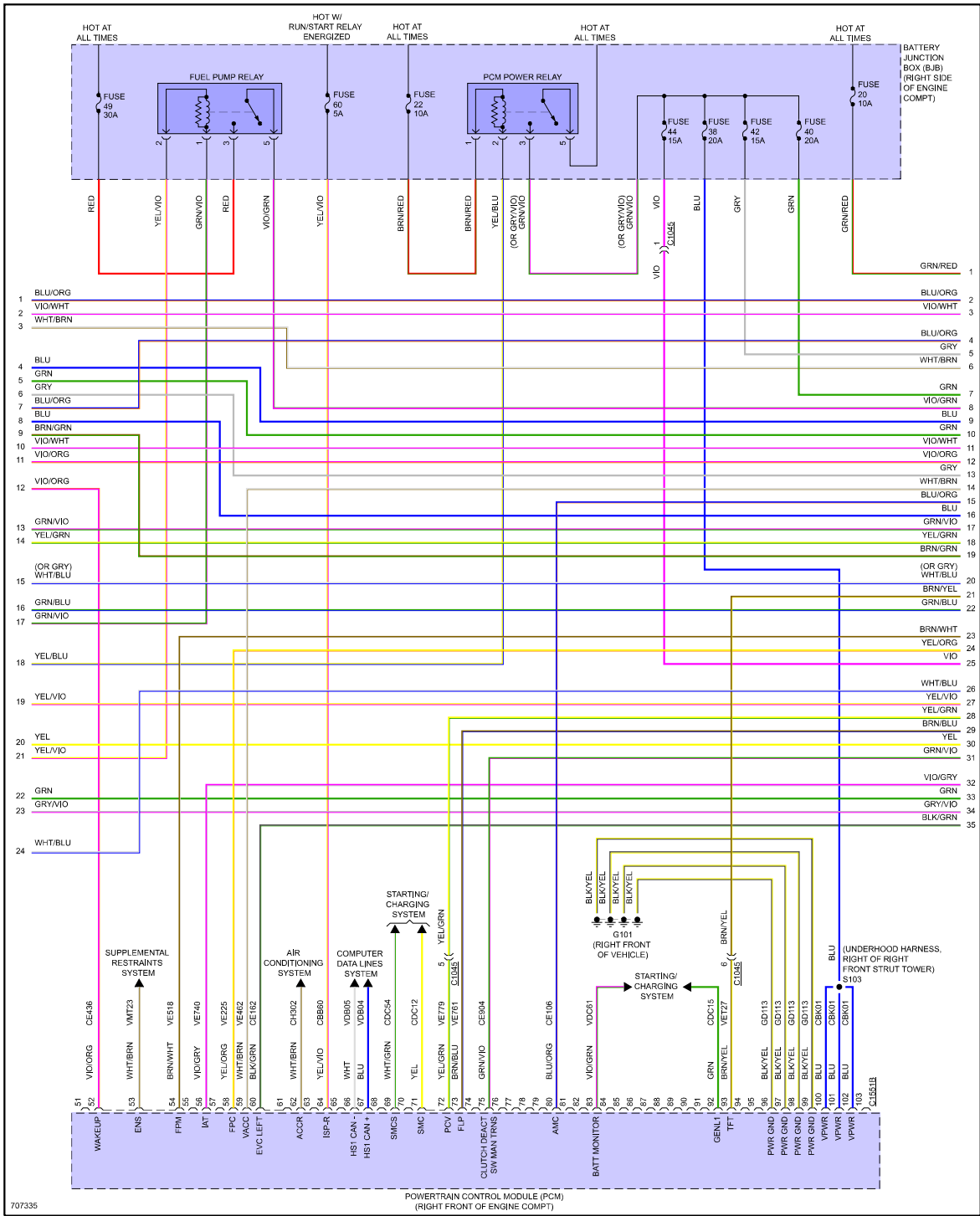


Fig 3: 2.3L Turbo, Engine Performance Circuit (3 of 8)

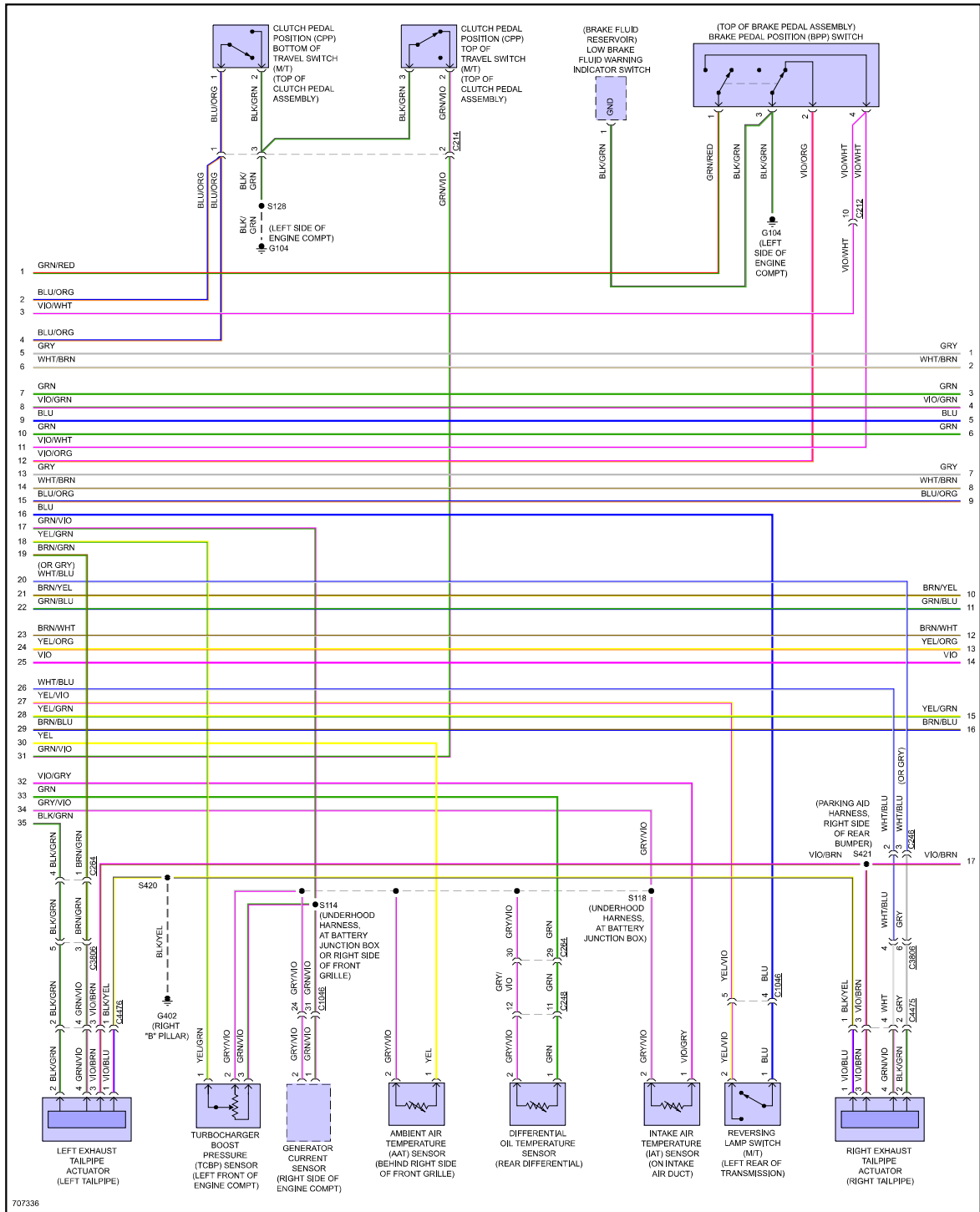


Fig 4: 2.3L Turbo, Engine Performance Circuit (4 of 8)

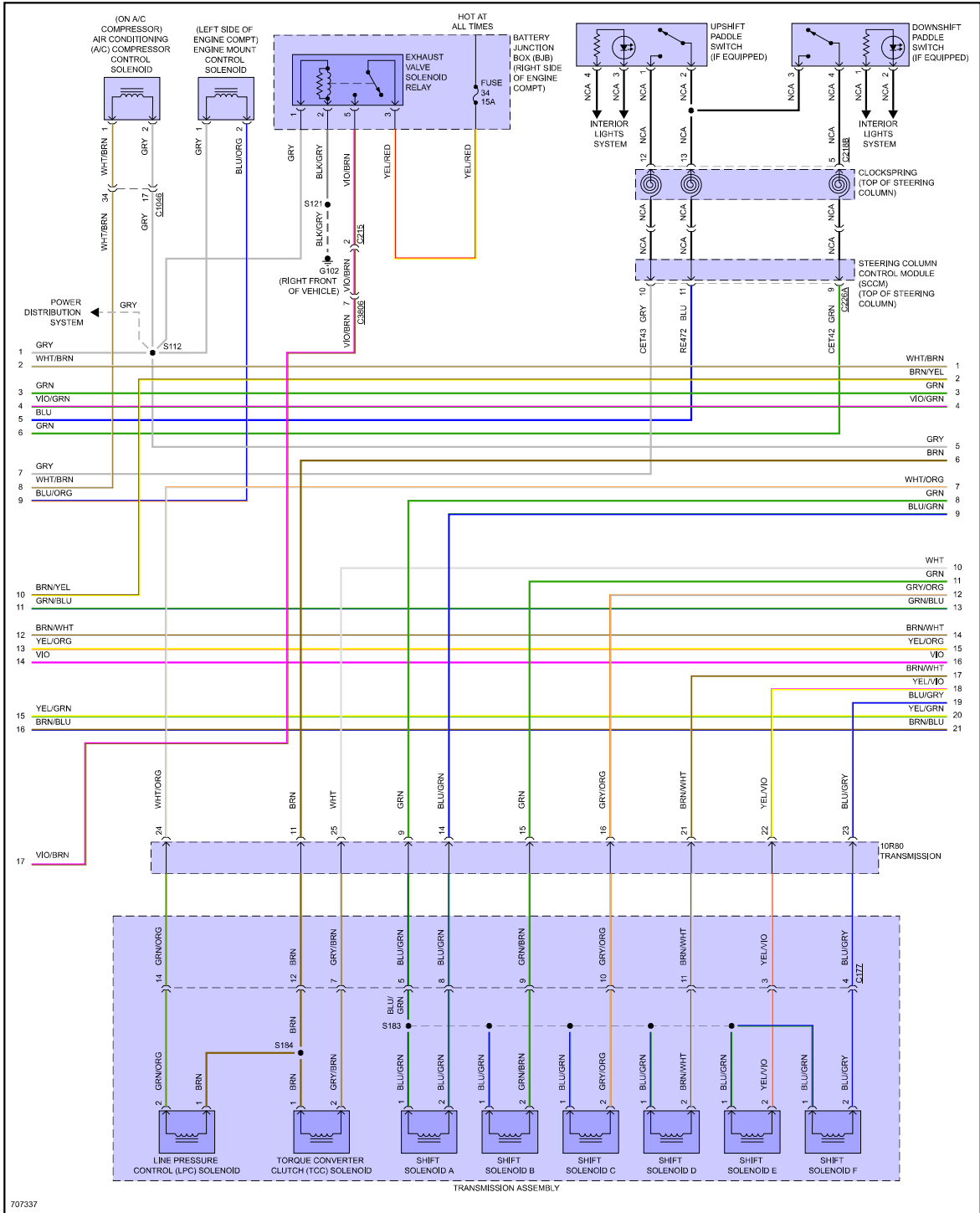


Fig 5: 2.3L Turbo, Engine Performance Circuit (5 of 8)

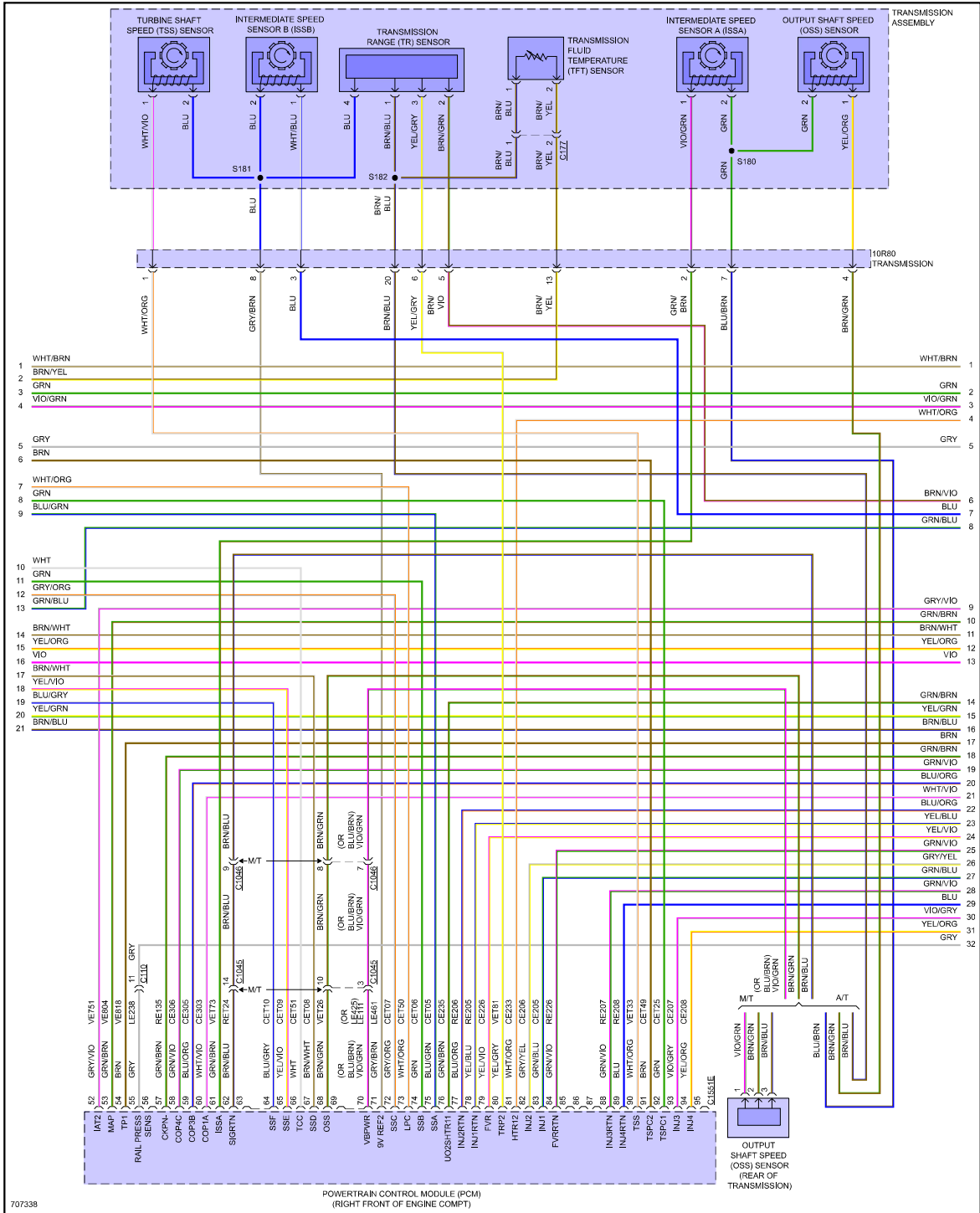


Fig 6: 2.3L Turbo, Engine Performance Circuit (6 of 8)

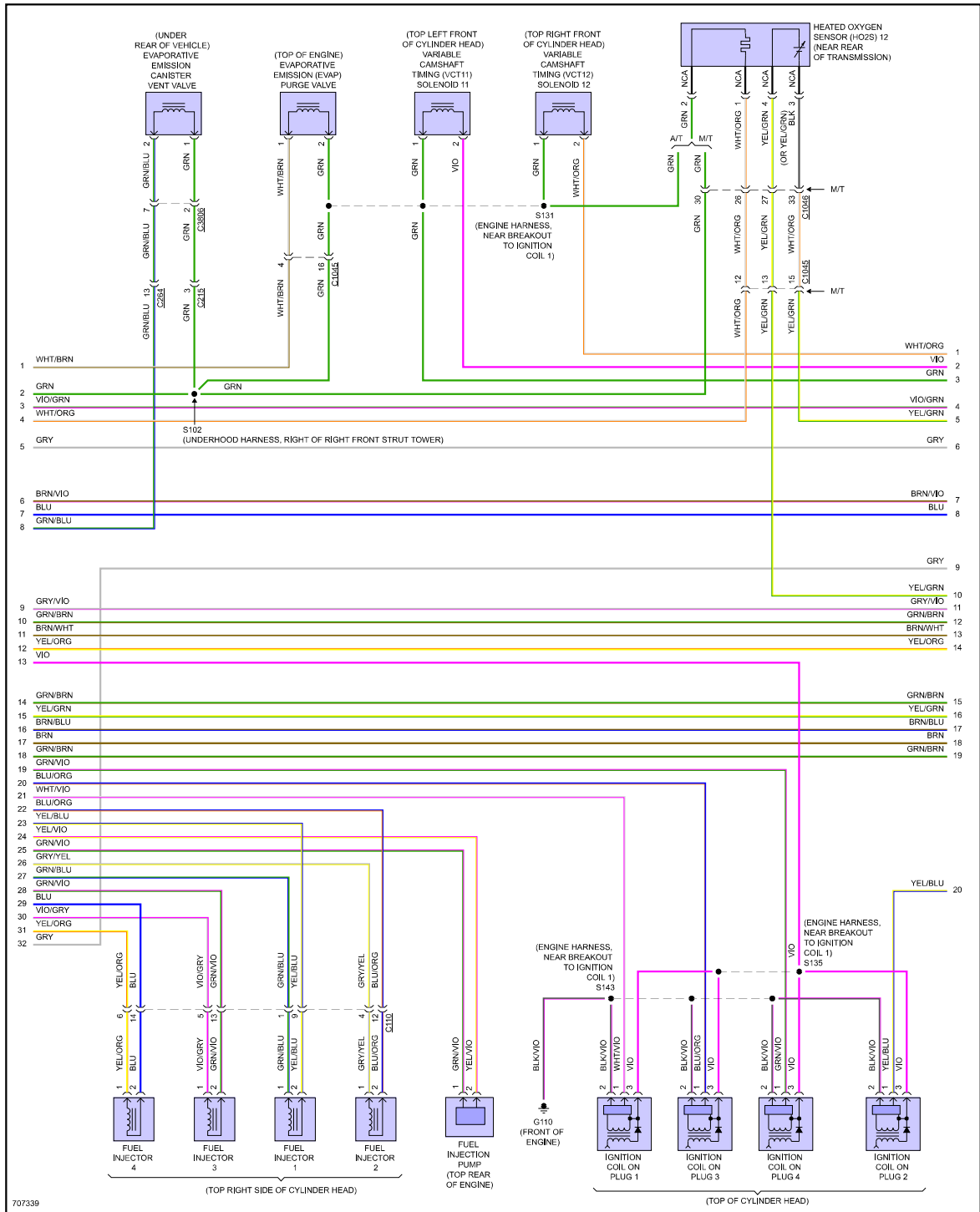


Fig 7: 2.3L Turbo, Engine Performance Circuit (7 of 8)

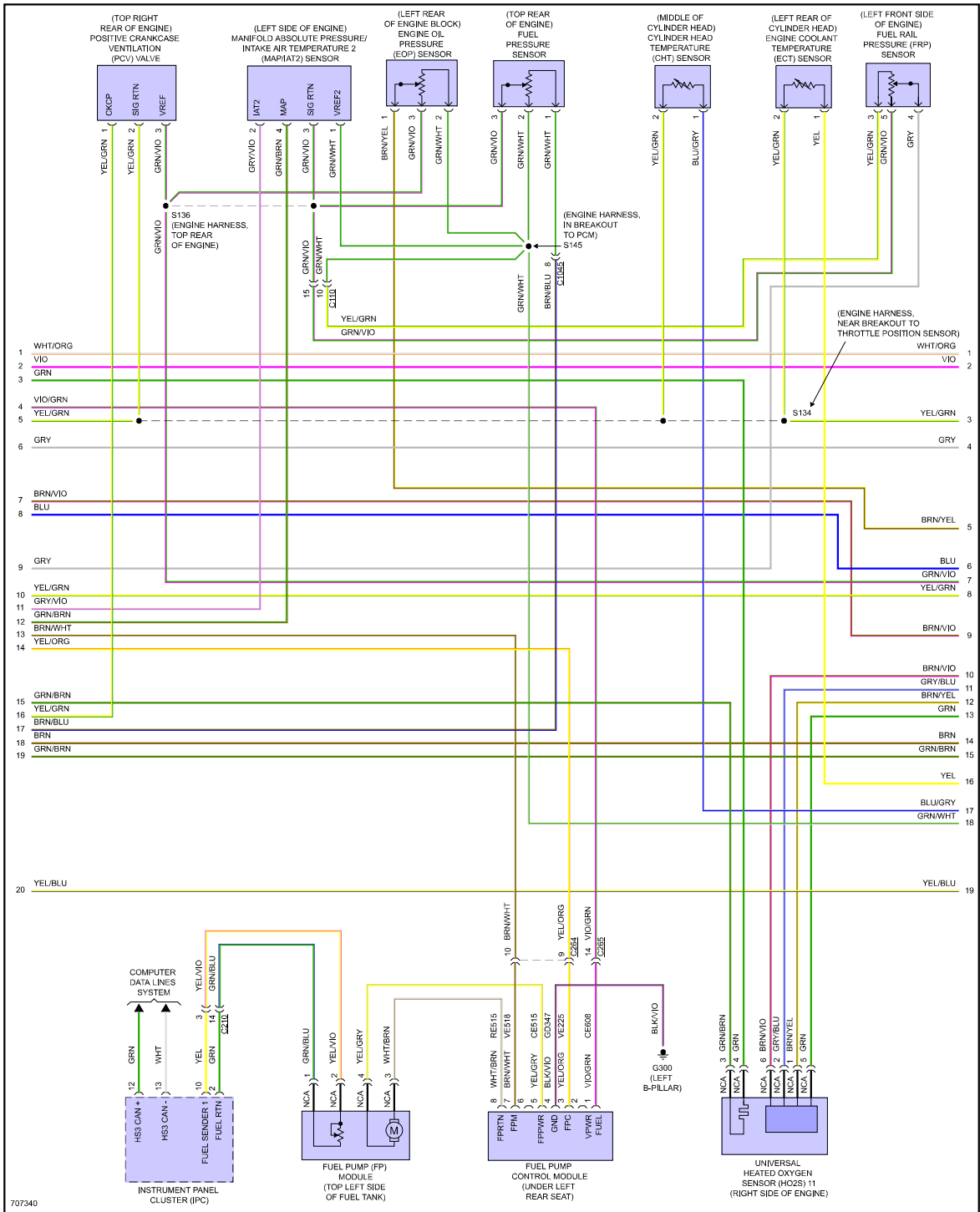
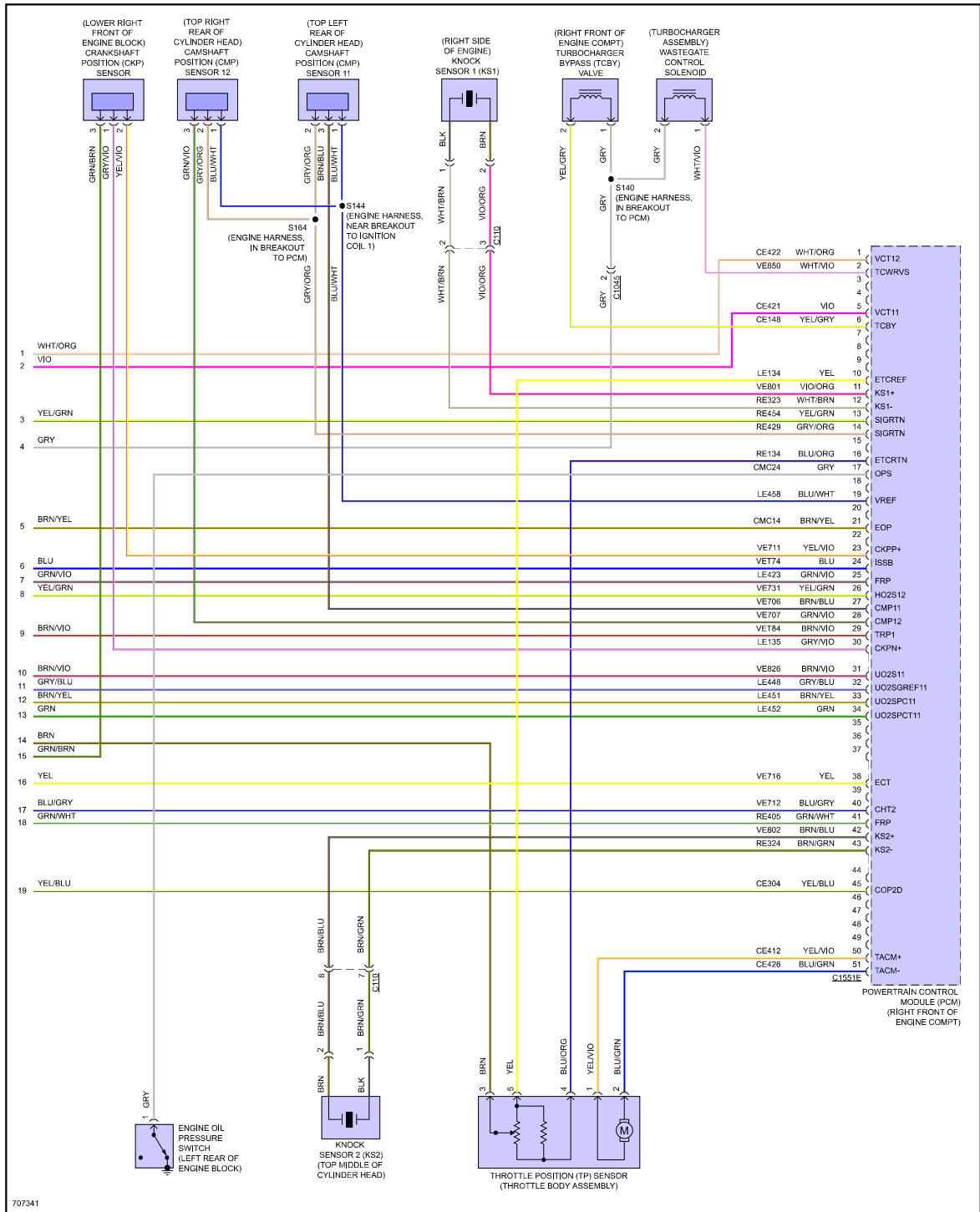


Fig 8: 2.3L Turbo, Engine Performance Circuit (8 of 8)





# ENGINE PERFORMANCE > 5.0L

Fig 1: 5.0L, Engine Performance Circuit (1 of 11)

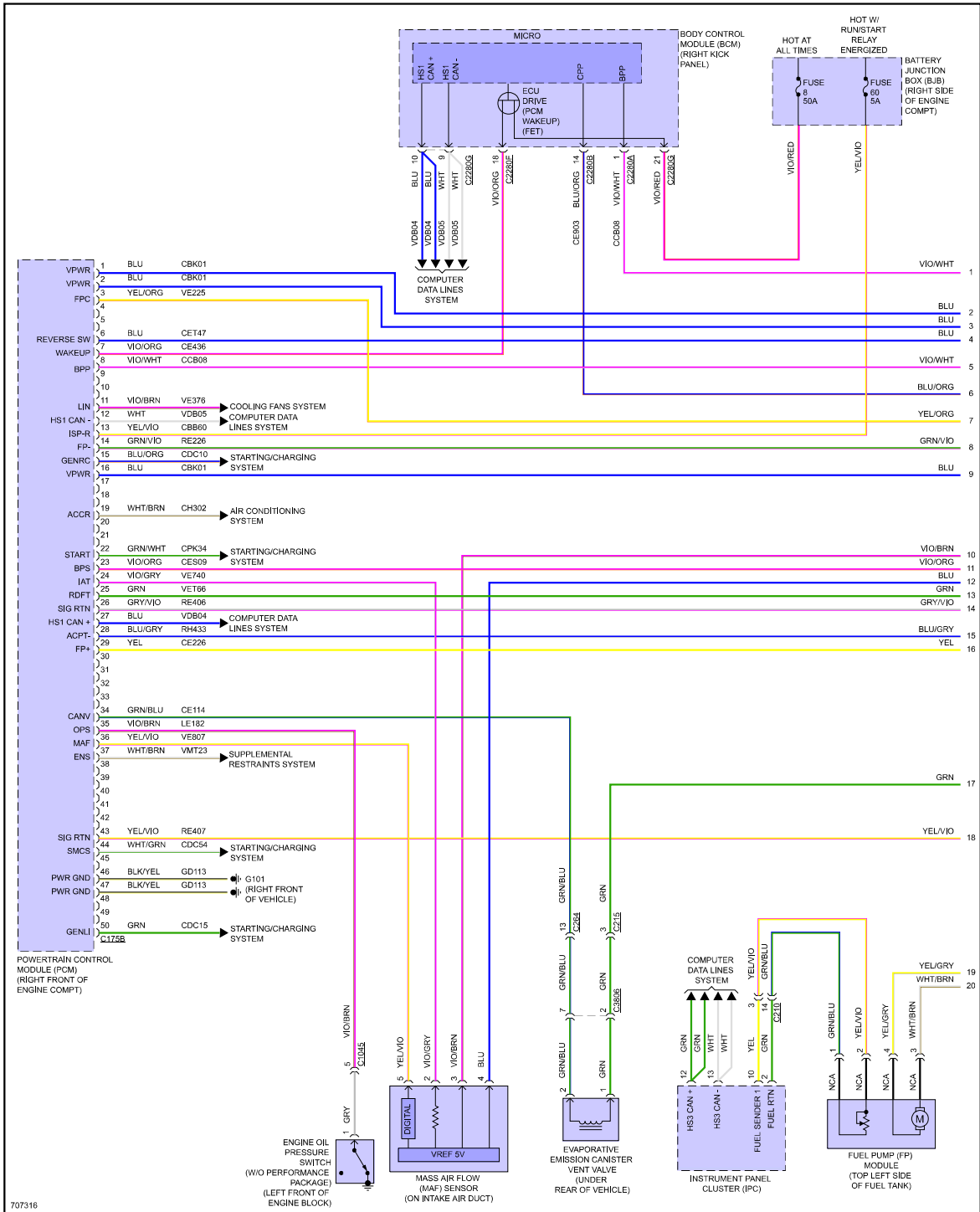


Fig 2: 5.0L, Engine Performance Circuit (2 of 11)

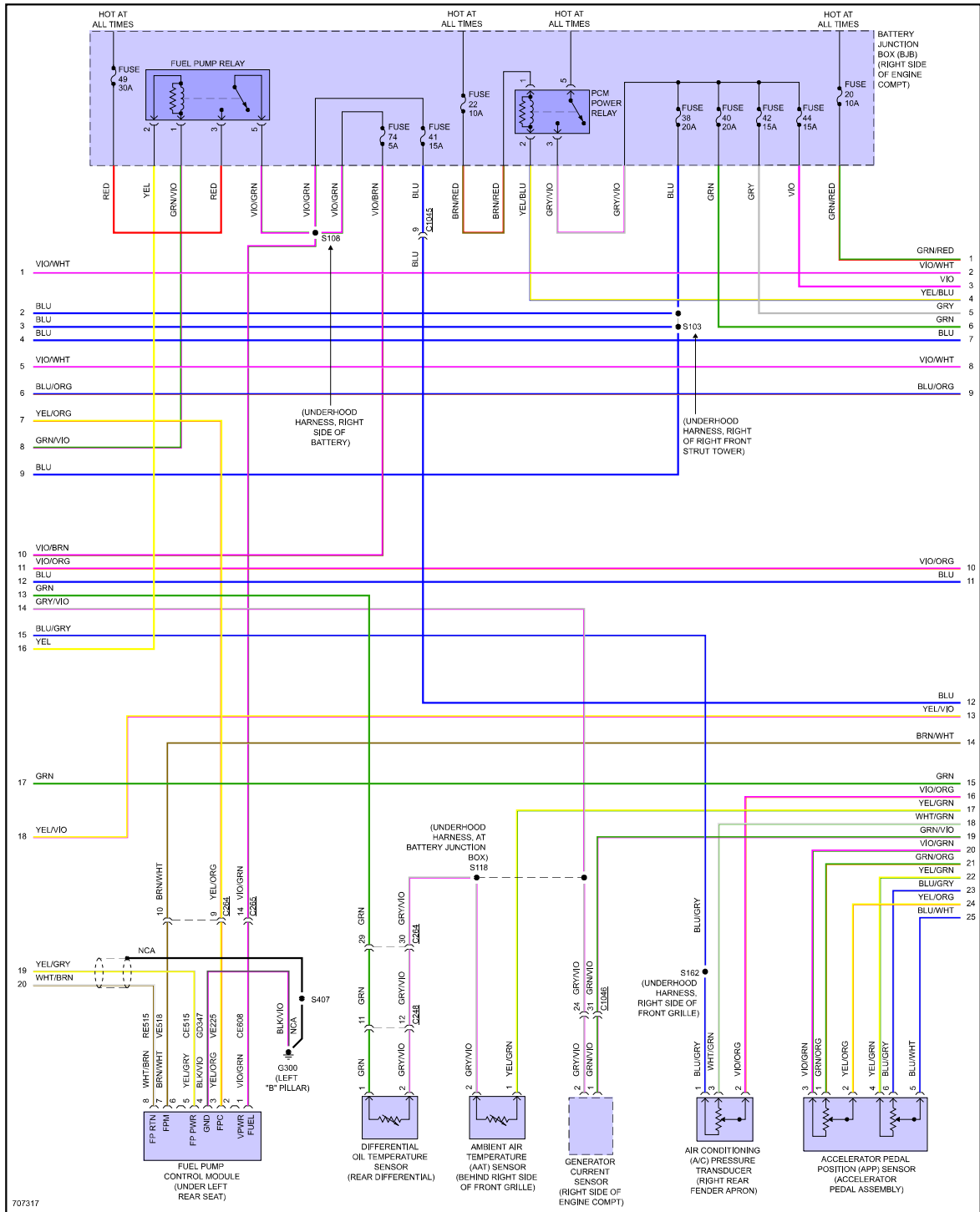


Fig 3: 5.0L, Engine Performance Circuit (3 of 11)

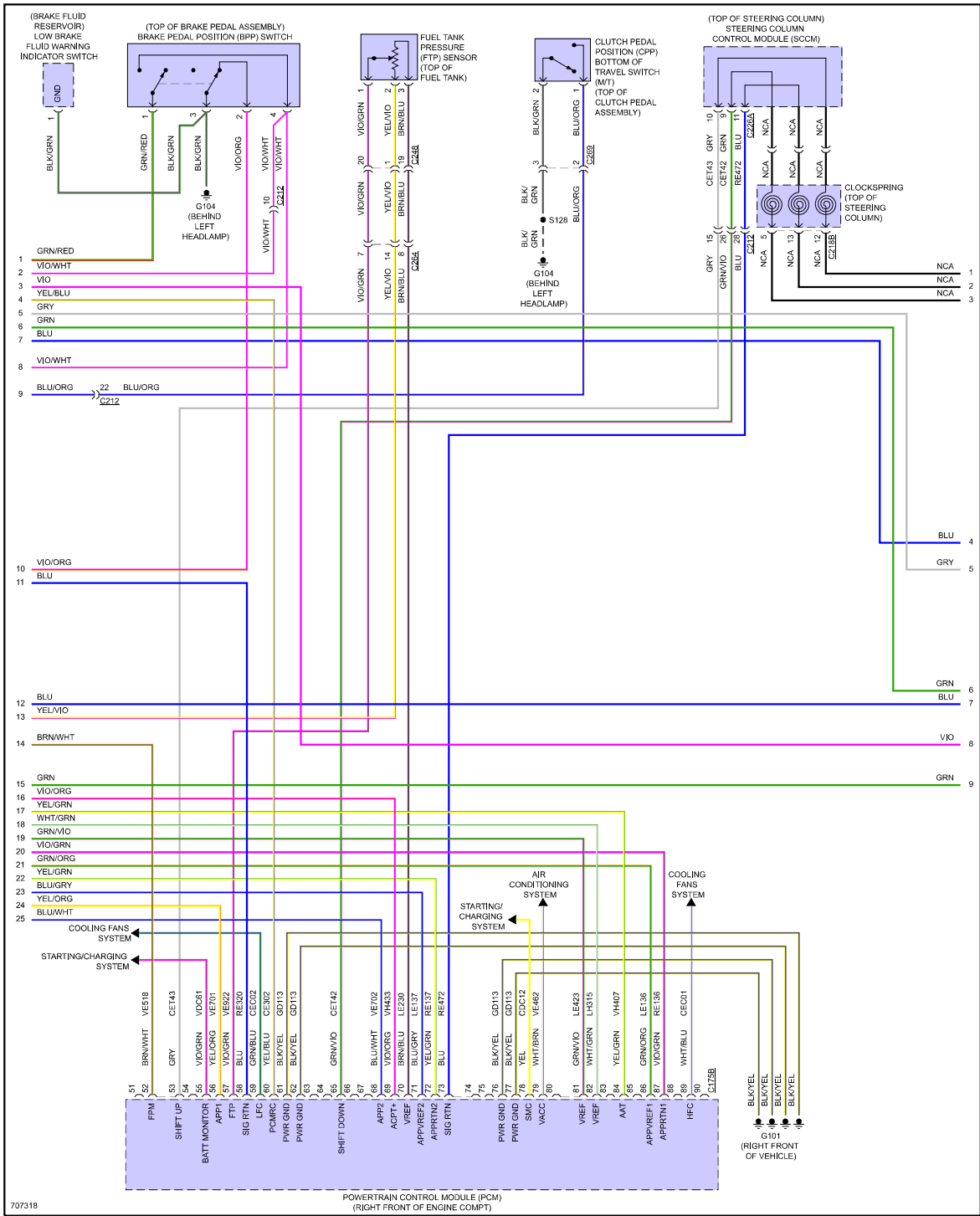


Fig 4: 5.0L, Engine Performance Circuit (4 of 11)

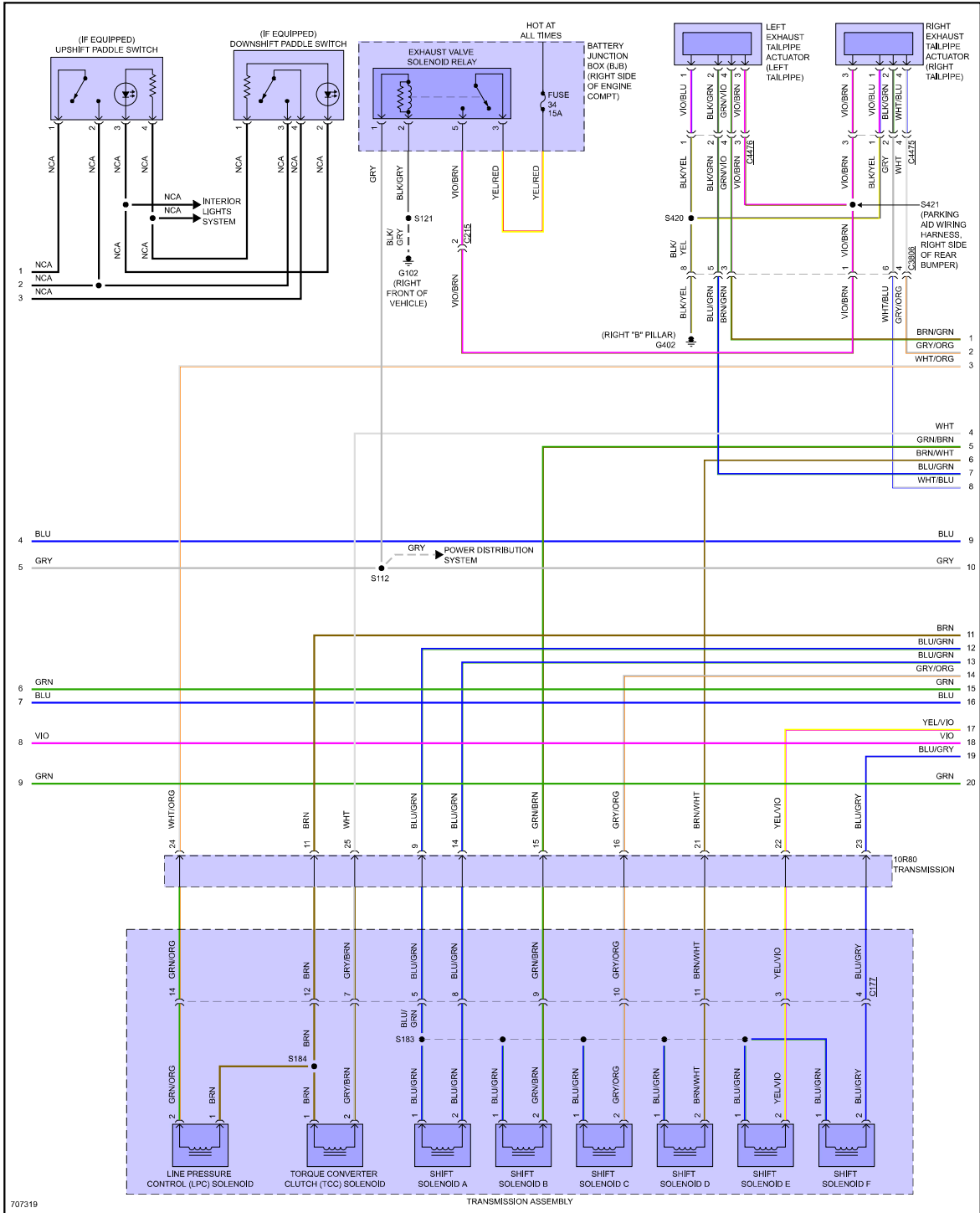


Fig 5: 5.0L, Engine Performance Circuit (5 of 11)

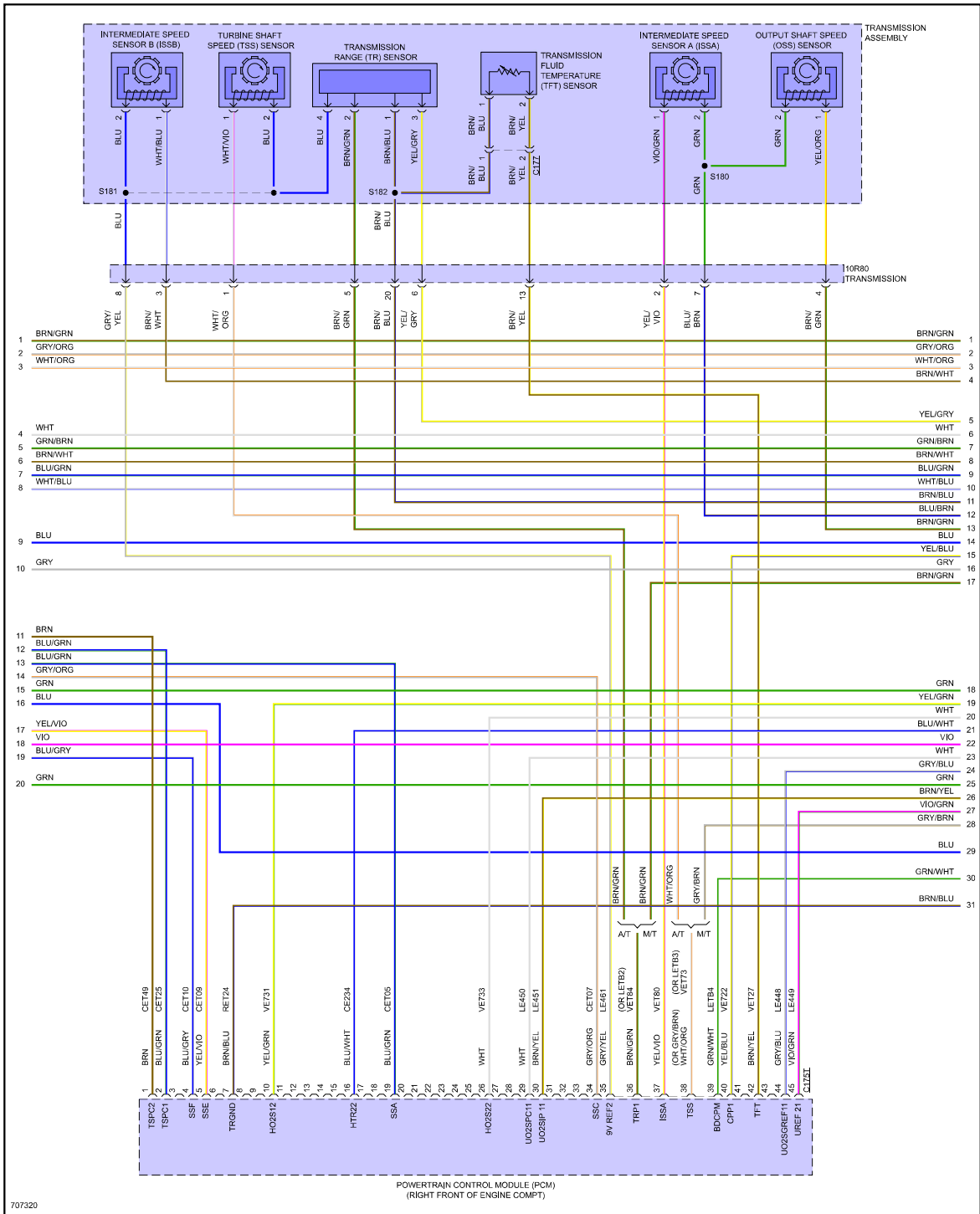


Fig 6: 5.0L, Engine Performance Circuit (6 of 11)

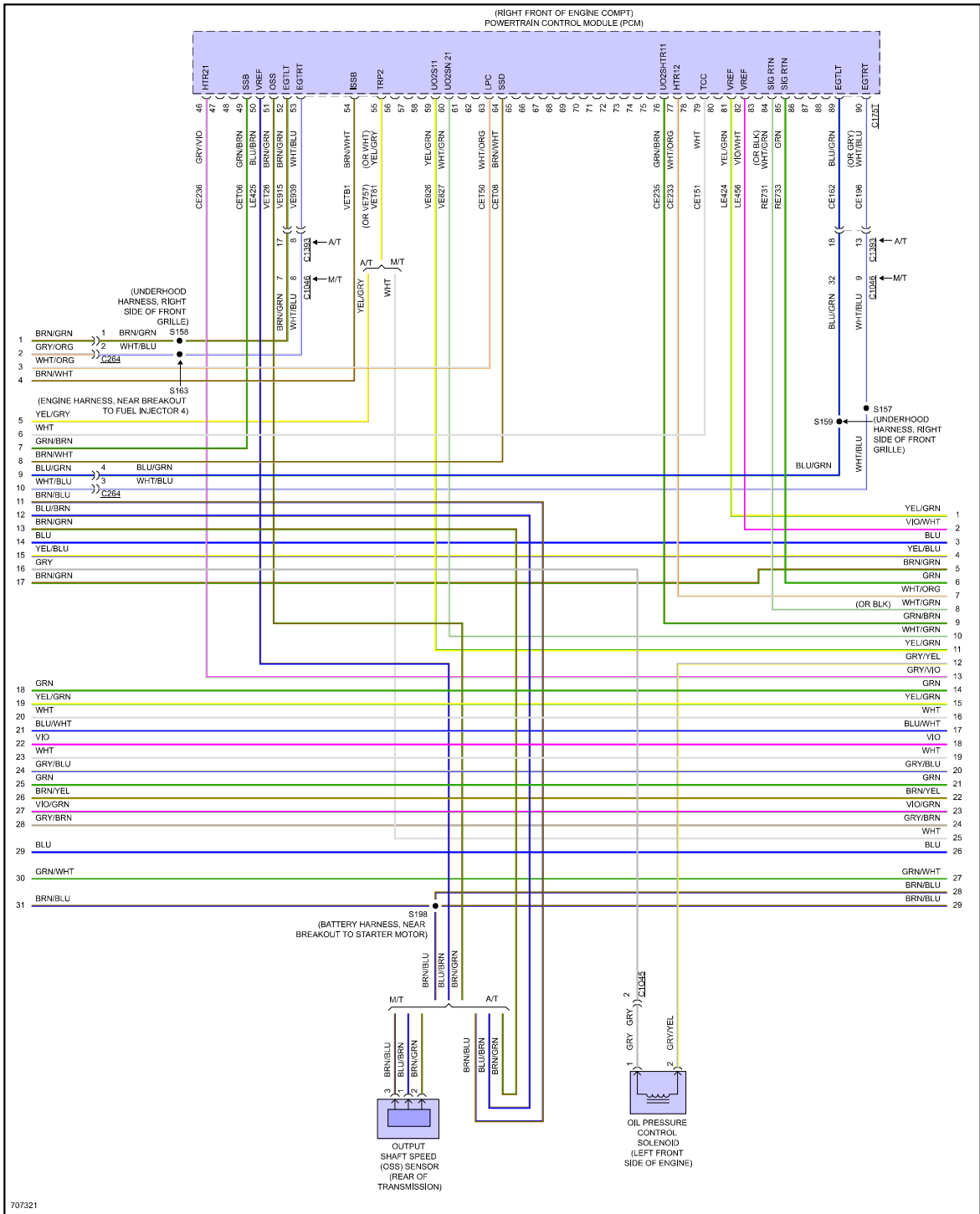


Fig 7: 5.0L, Engine Performance Circuit (7 of 11)

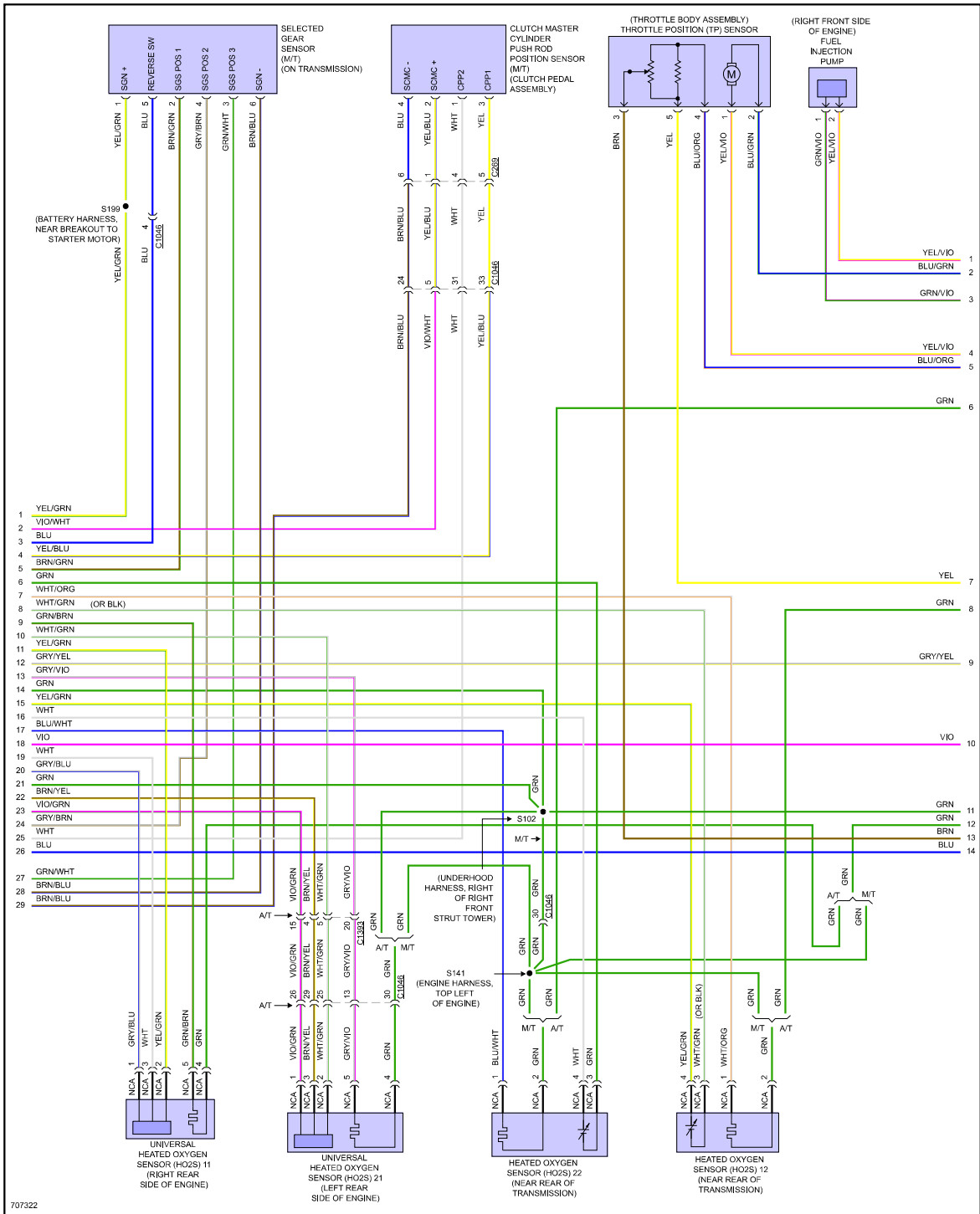


Fig 8: 5.0L, Engine Performance Circuit (8 of 11)

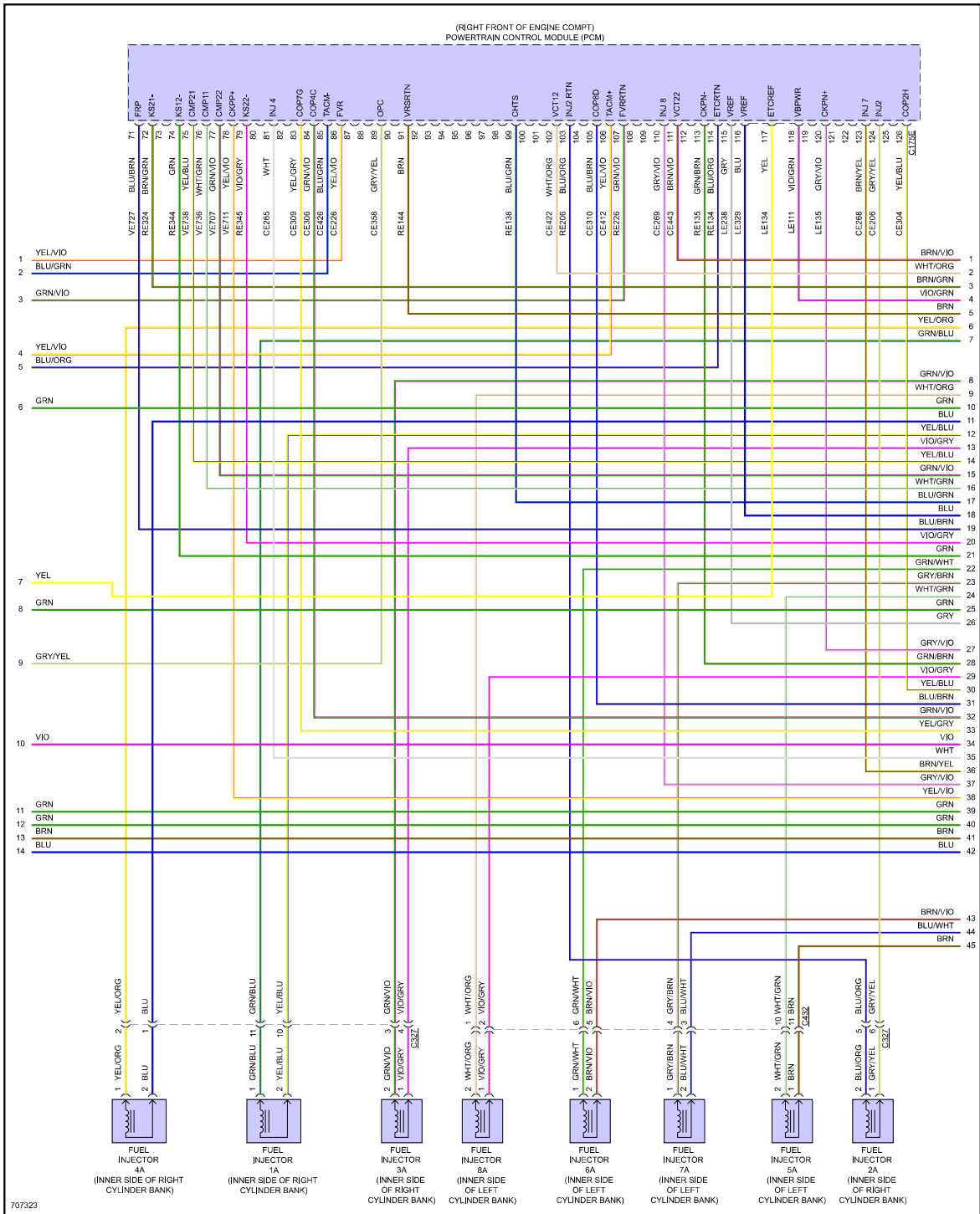




Fig 9: 5.0L, Engine Performance Circuit (9 of 11)

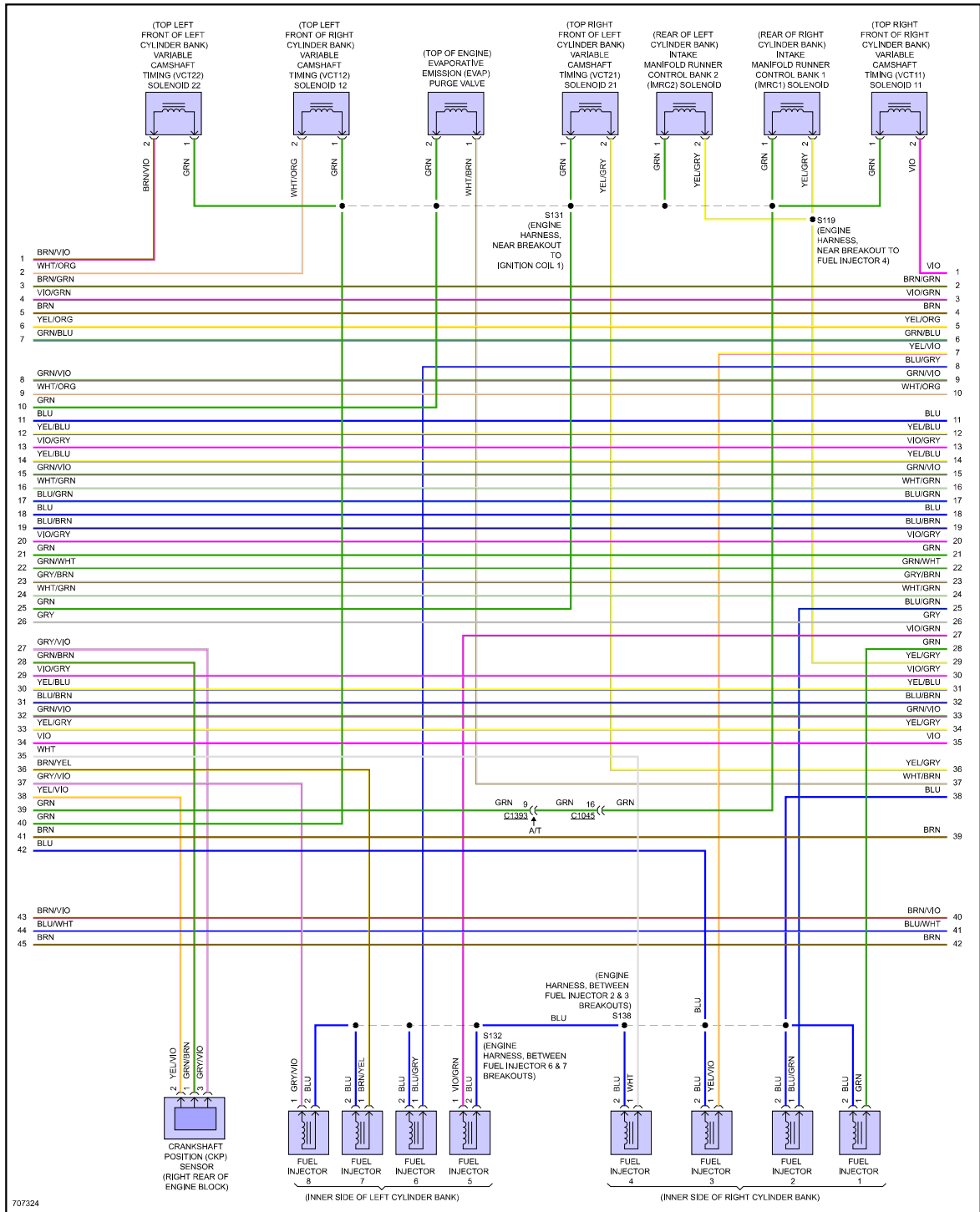


Fig 10: 5.0L, Engine Performance Circuit (10 of 11)

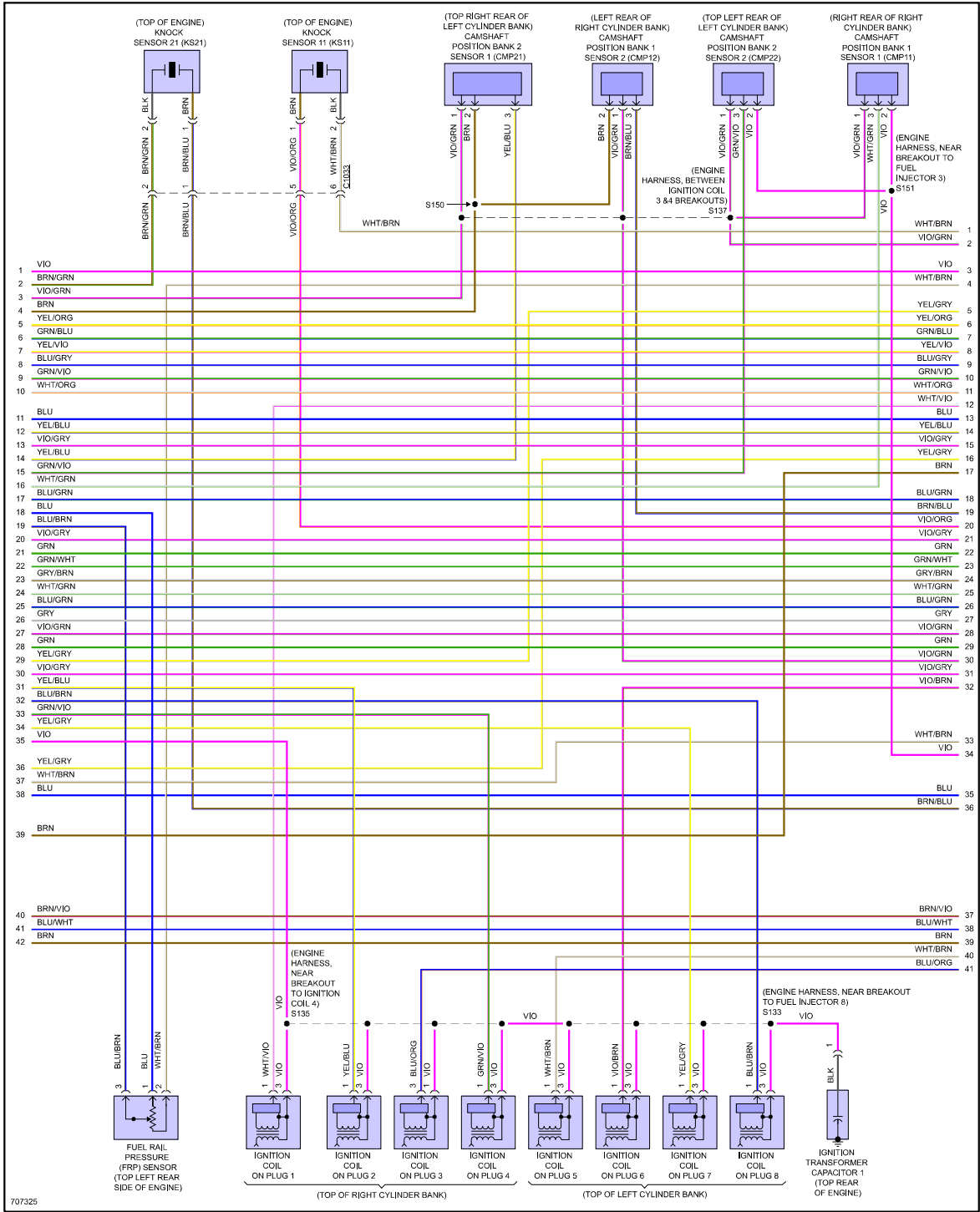
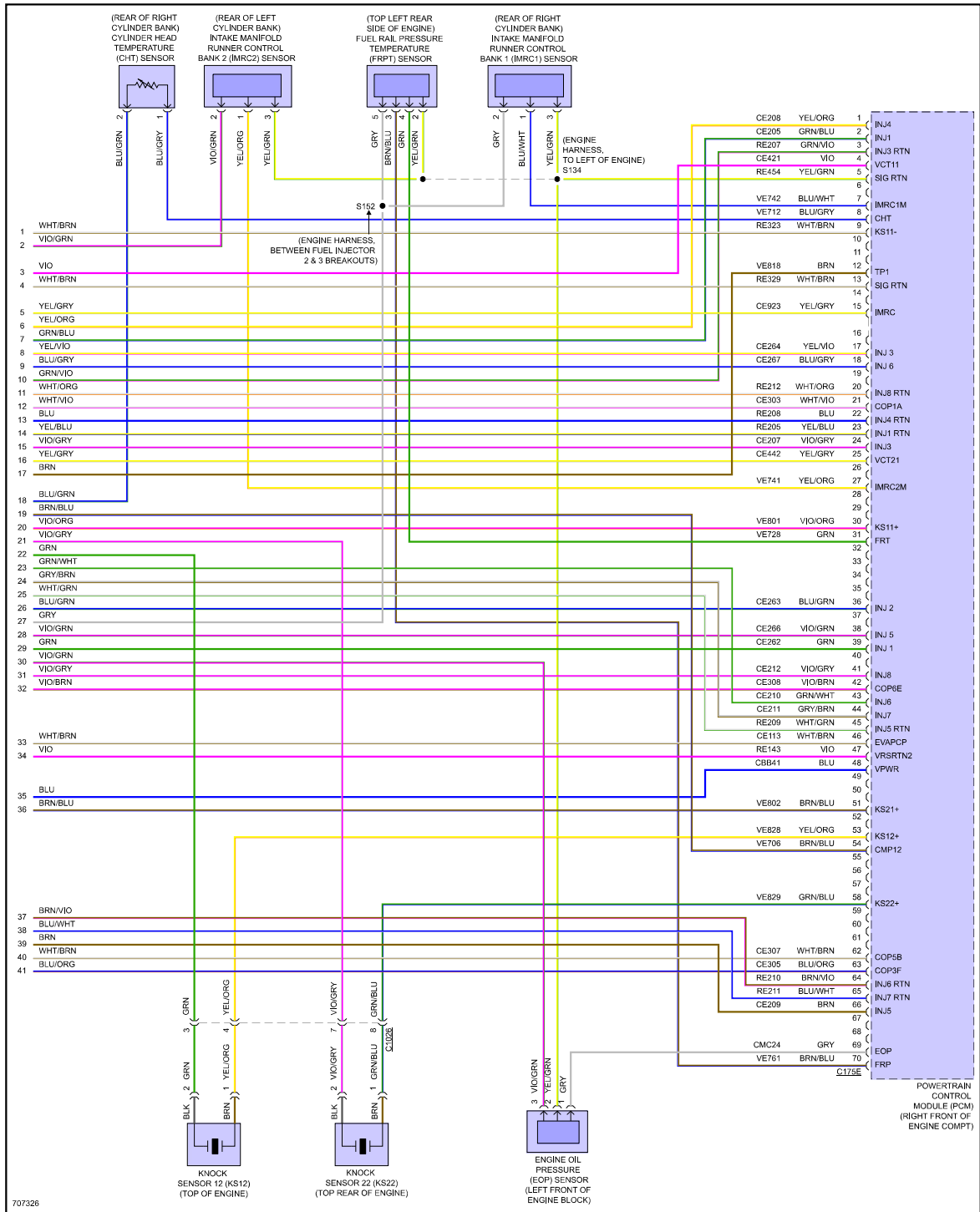


Fig 11: 5.0L, Engine Performance Circuit (11 of 11)



# ENGINE PERFORMANCE > 5.2L

Fig 1: 5.2L, Engine Performance Circuit (1 of 7)

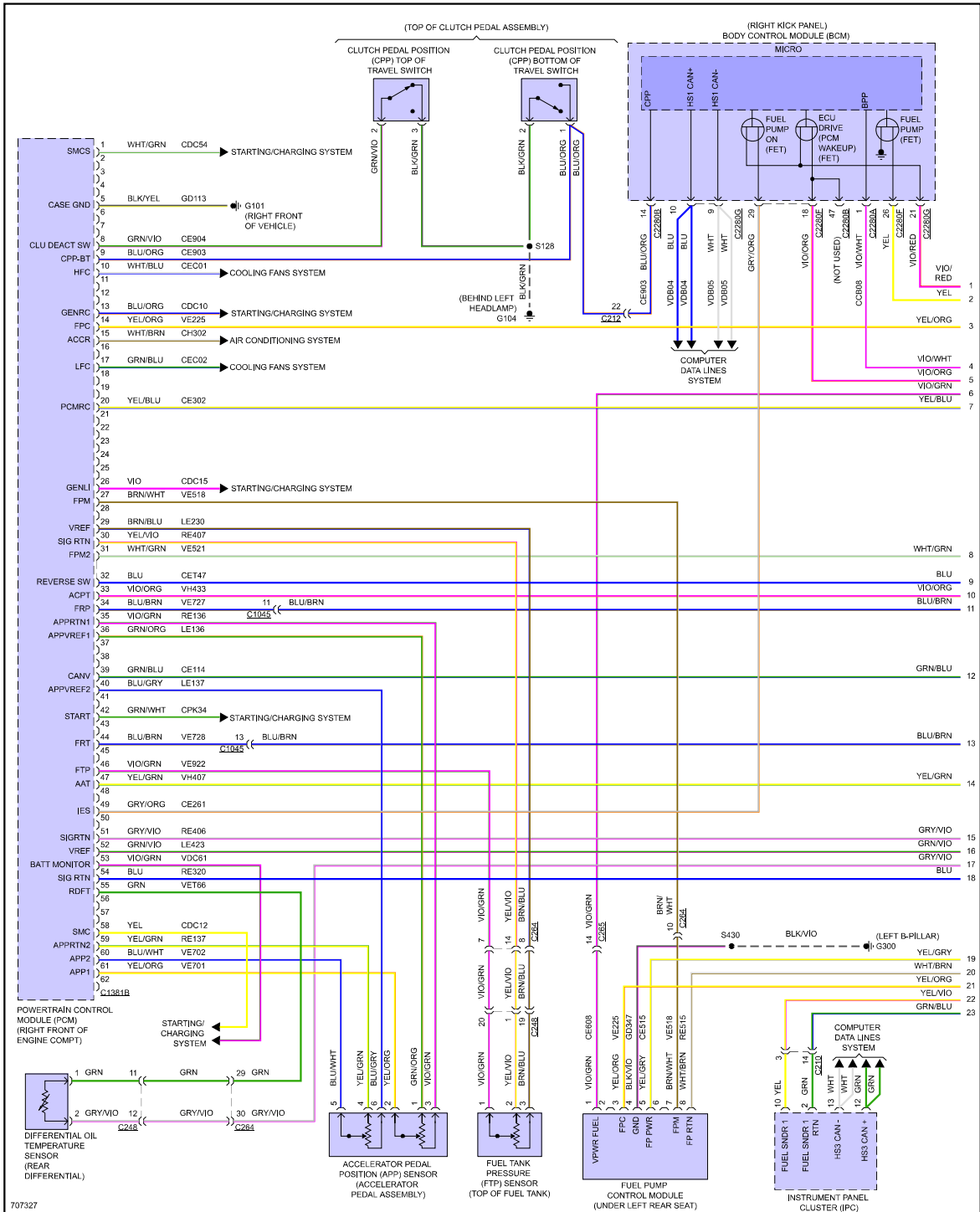
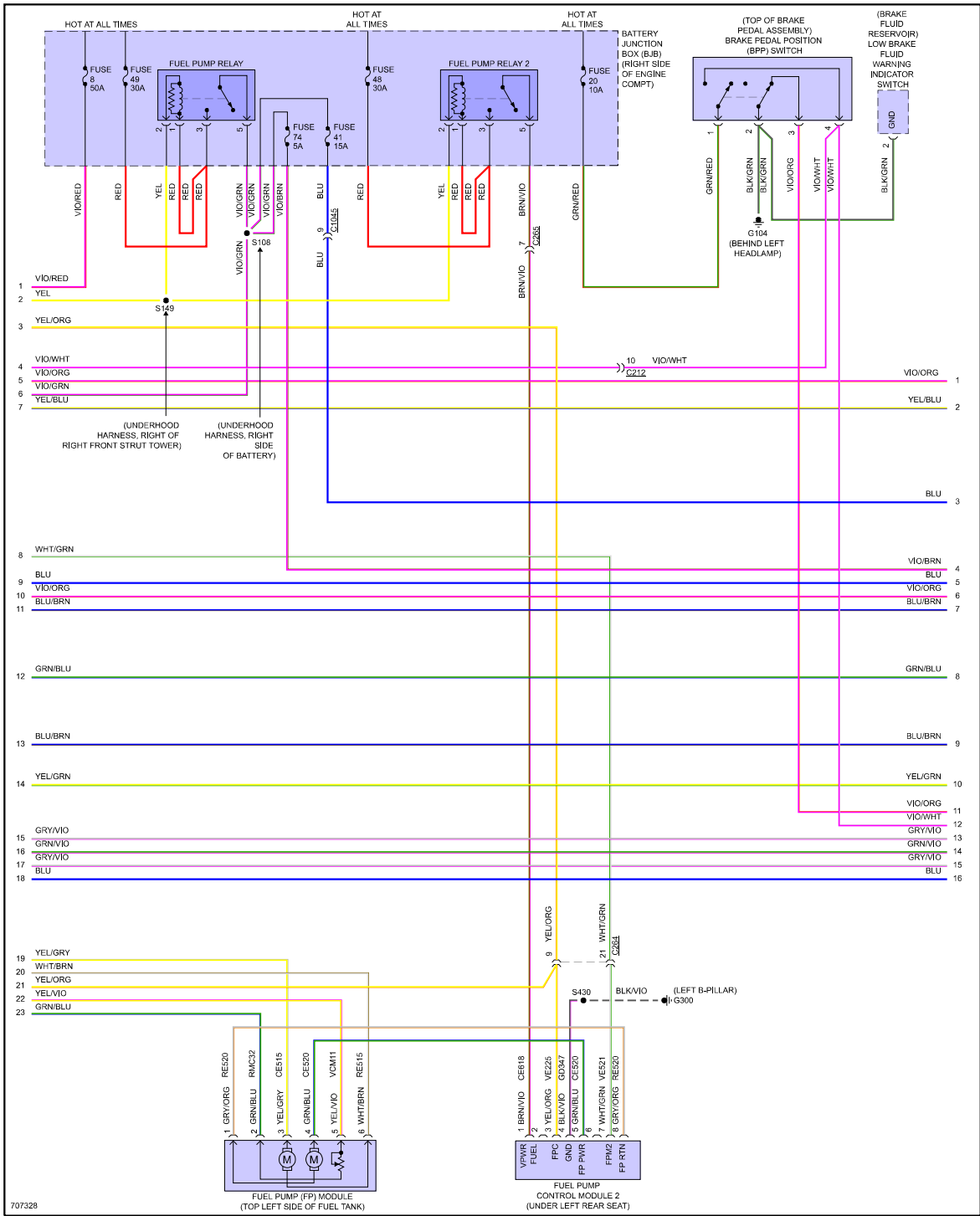


Fig 2: 5.2L, Engine Performance Circuit (2 of 7)



707328

Fig 3: 5.2L, Engine Performance Circuit (3 of 7)

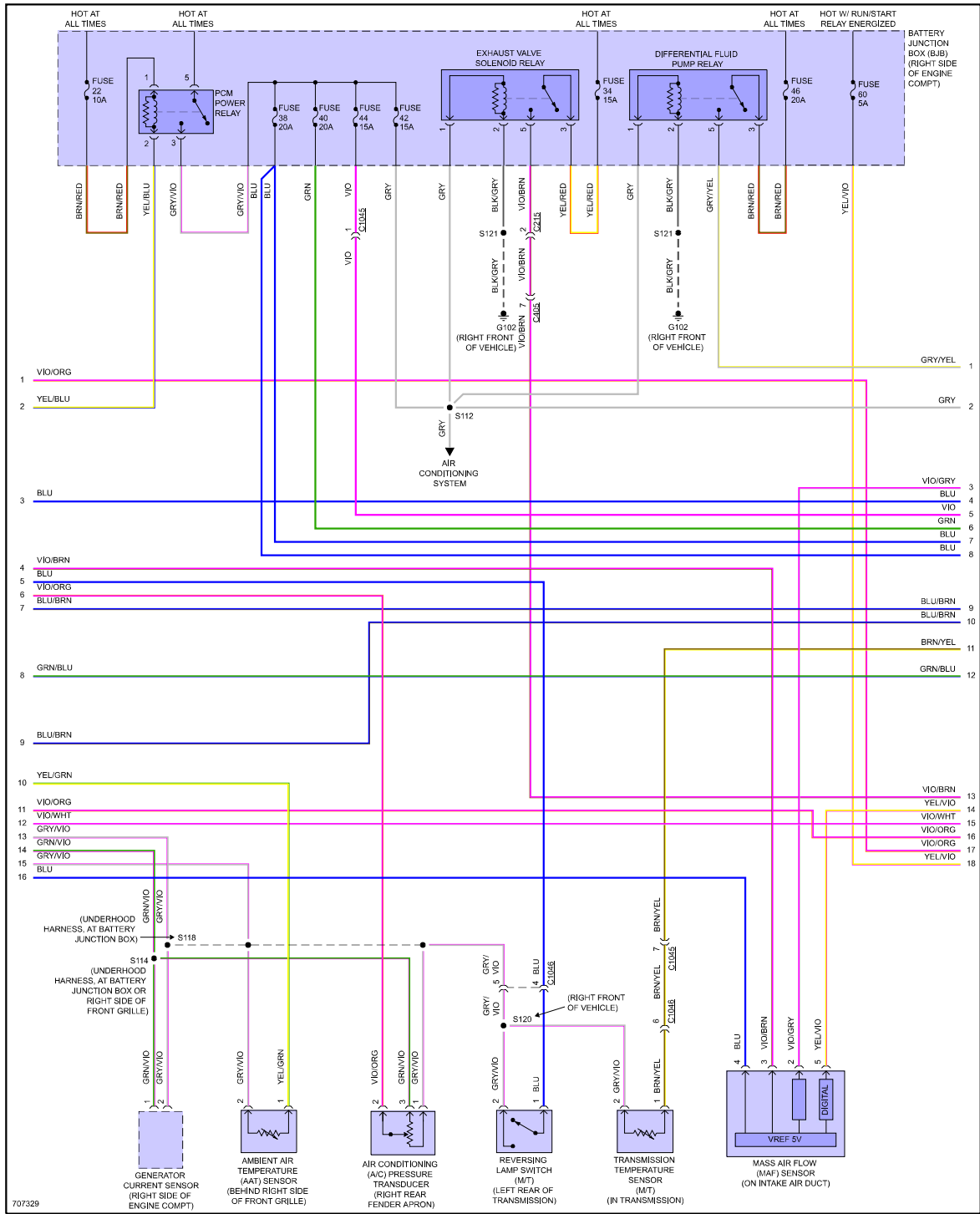


Fig 4: 5.2L, Engine Performance Circuit (4 of 7)

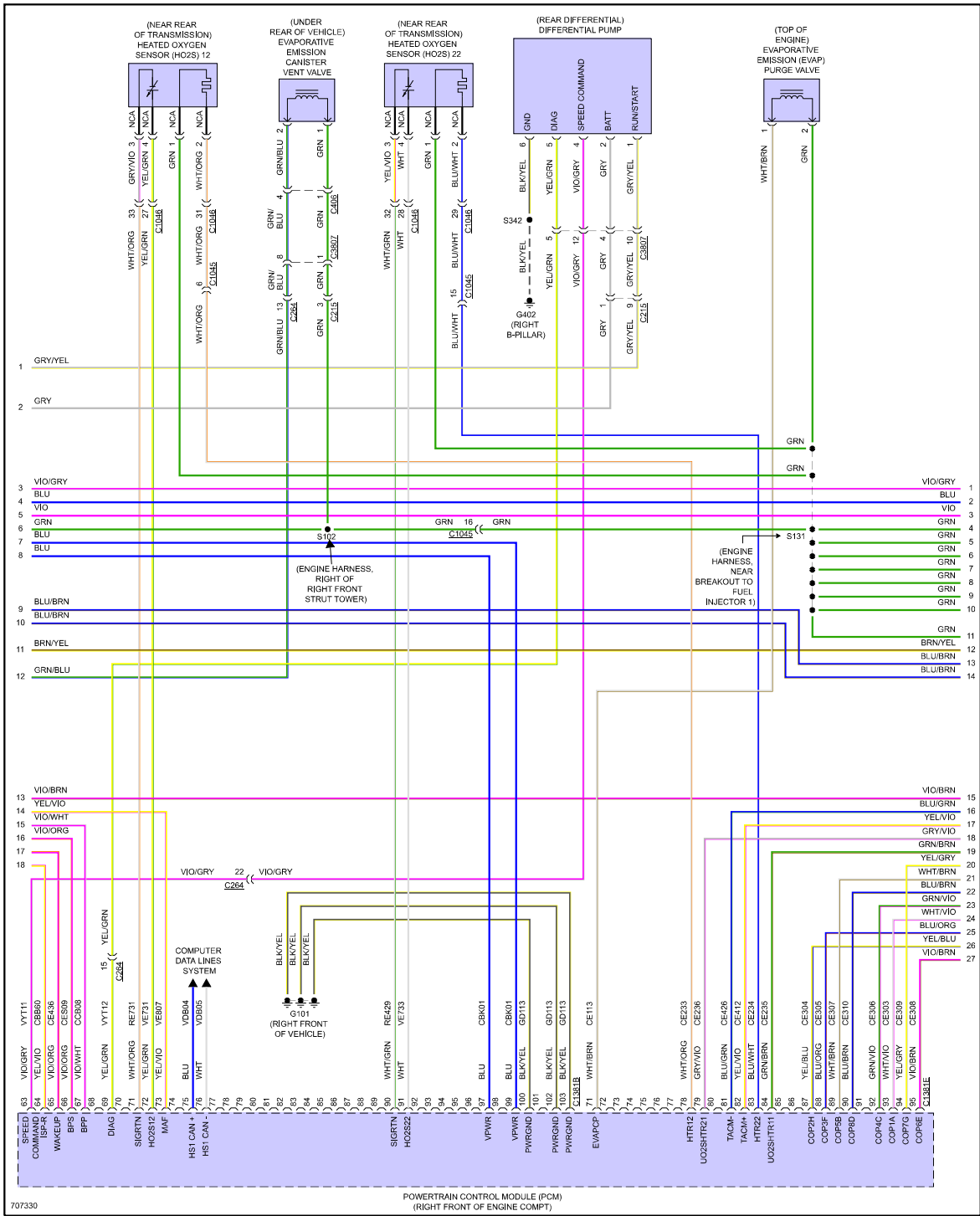


Fig 5: 5.2L, Engine Performance Circuit (5 of 7)

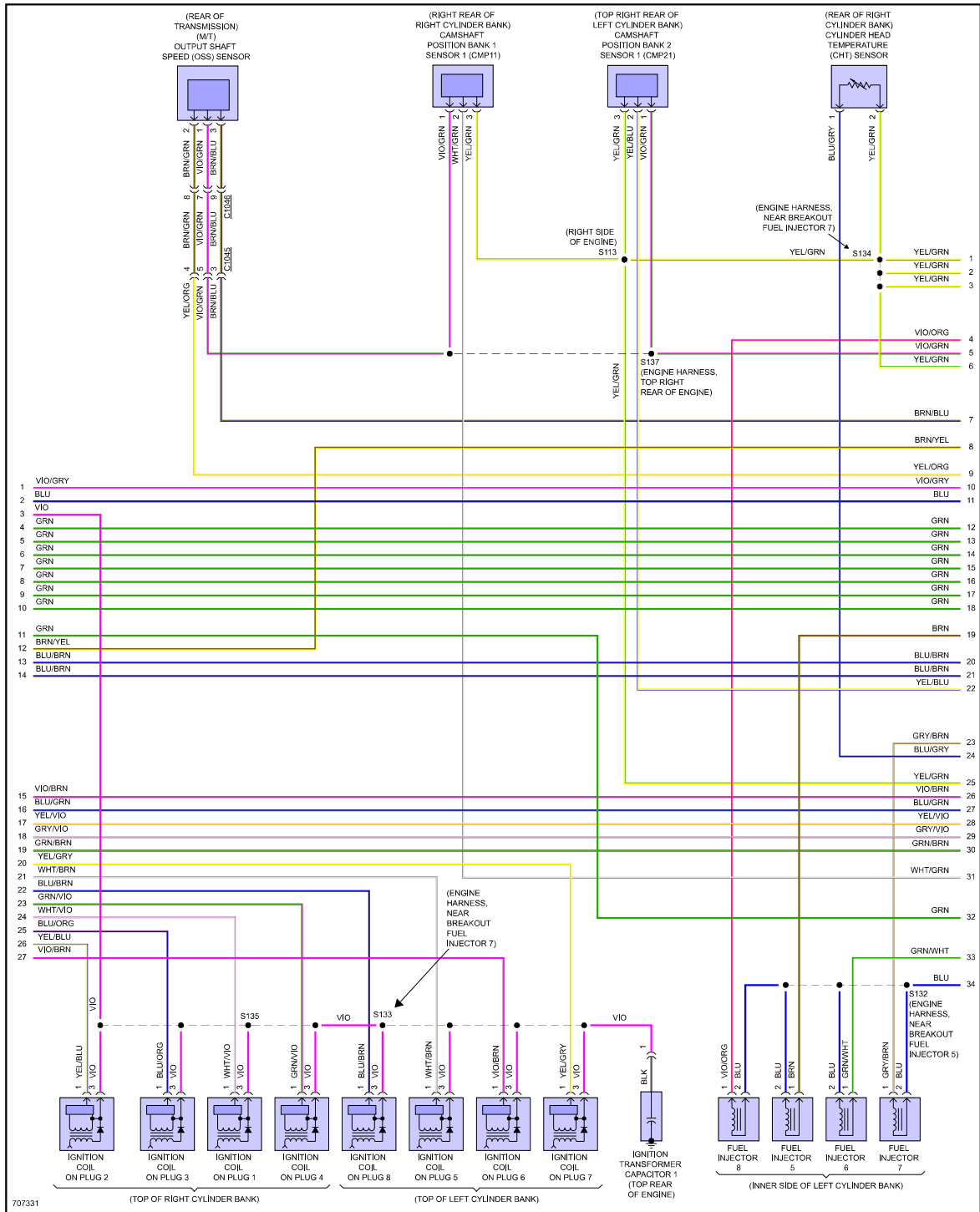




Fig 6: 5.2L, Engine Performance Circuit (6 of 7)

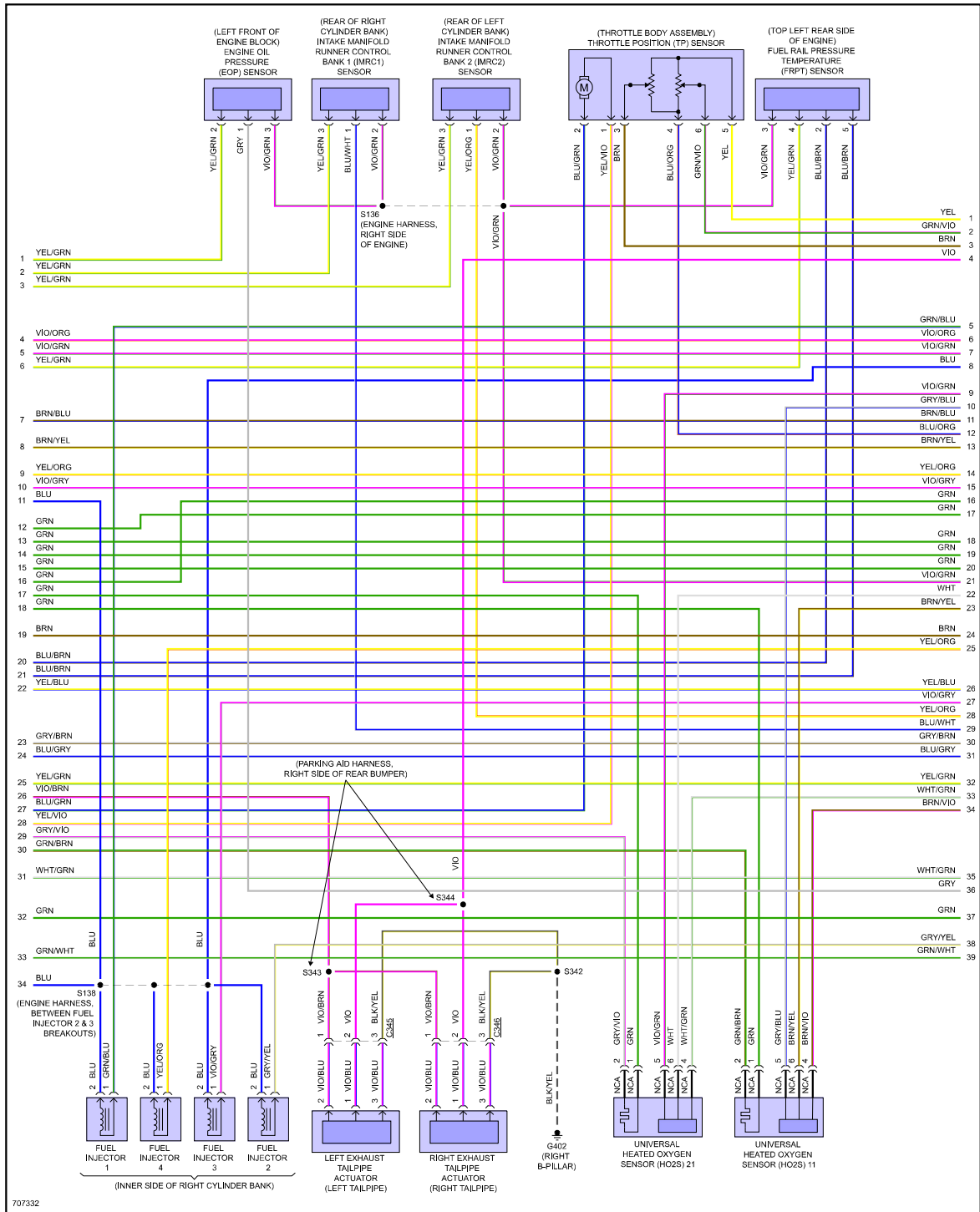
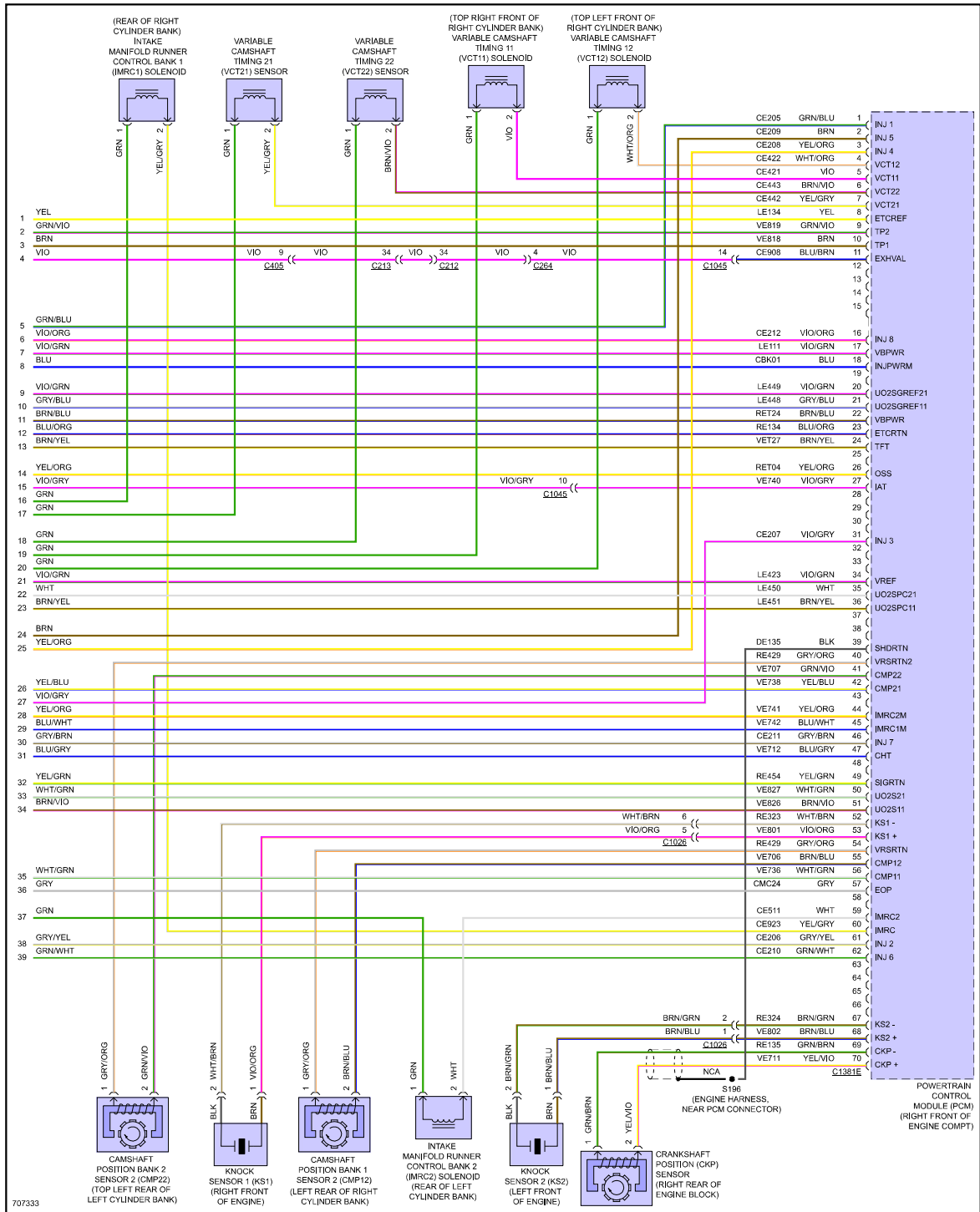


Fig 7: 5.2L, Engine Performance Circuit (7 of 7)



# ENGINE PERFORMANCE > 5.2L SUPERCHARGED

Fig 1: 5.2L Supercharged, Engine Performance Circuit (1 of 7)

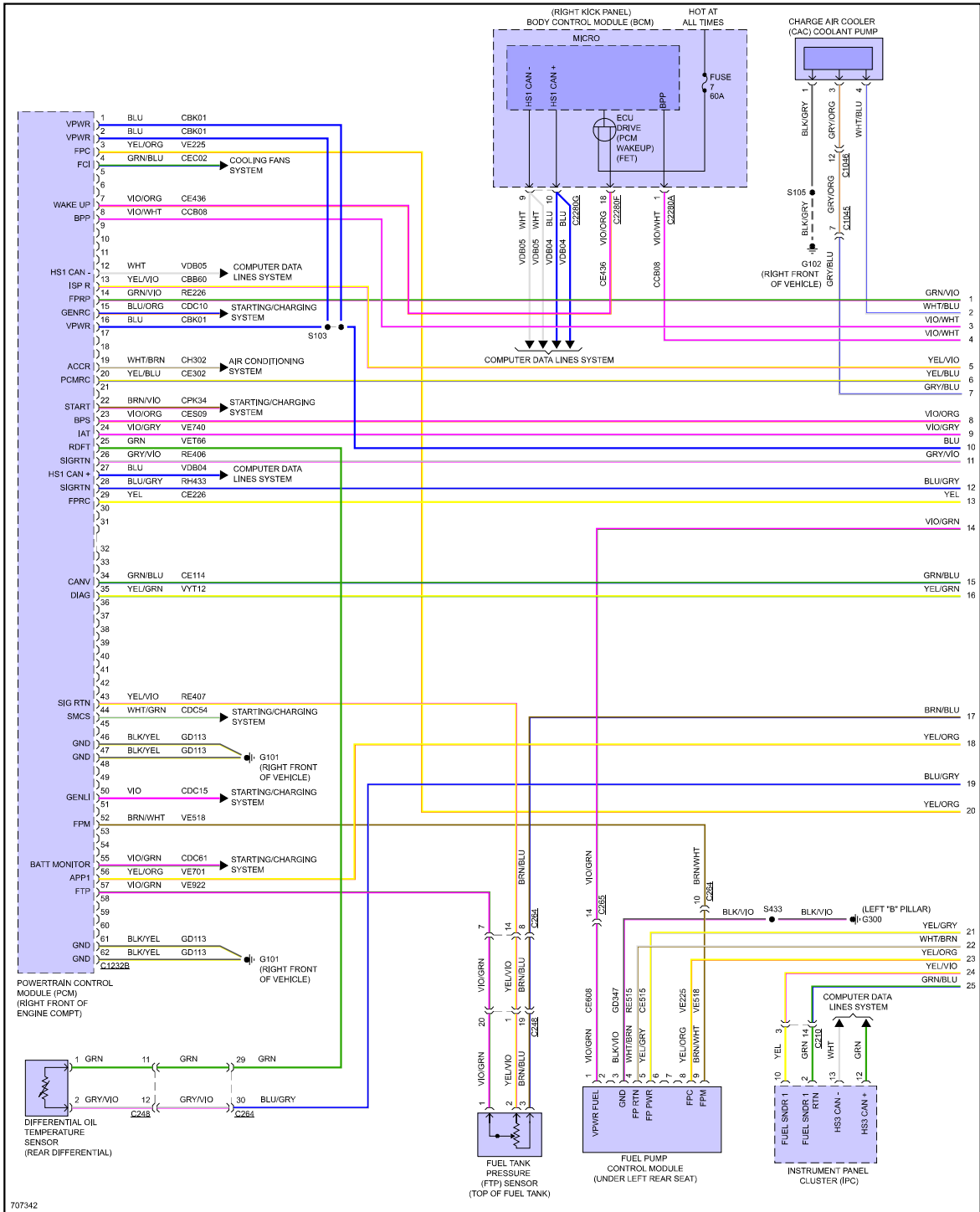


Fig 2: 5.2L Supercharged, Engine Performance Circuit (2 of 7)

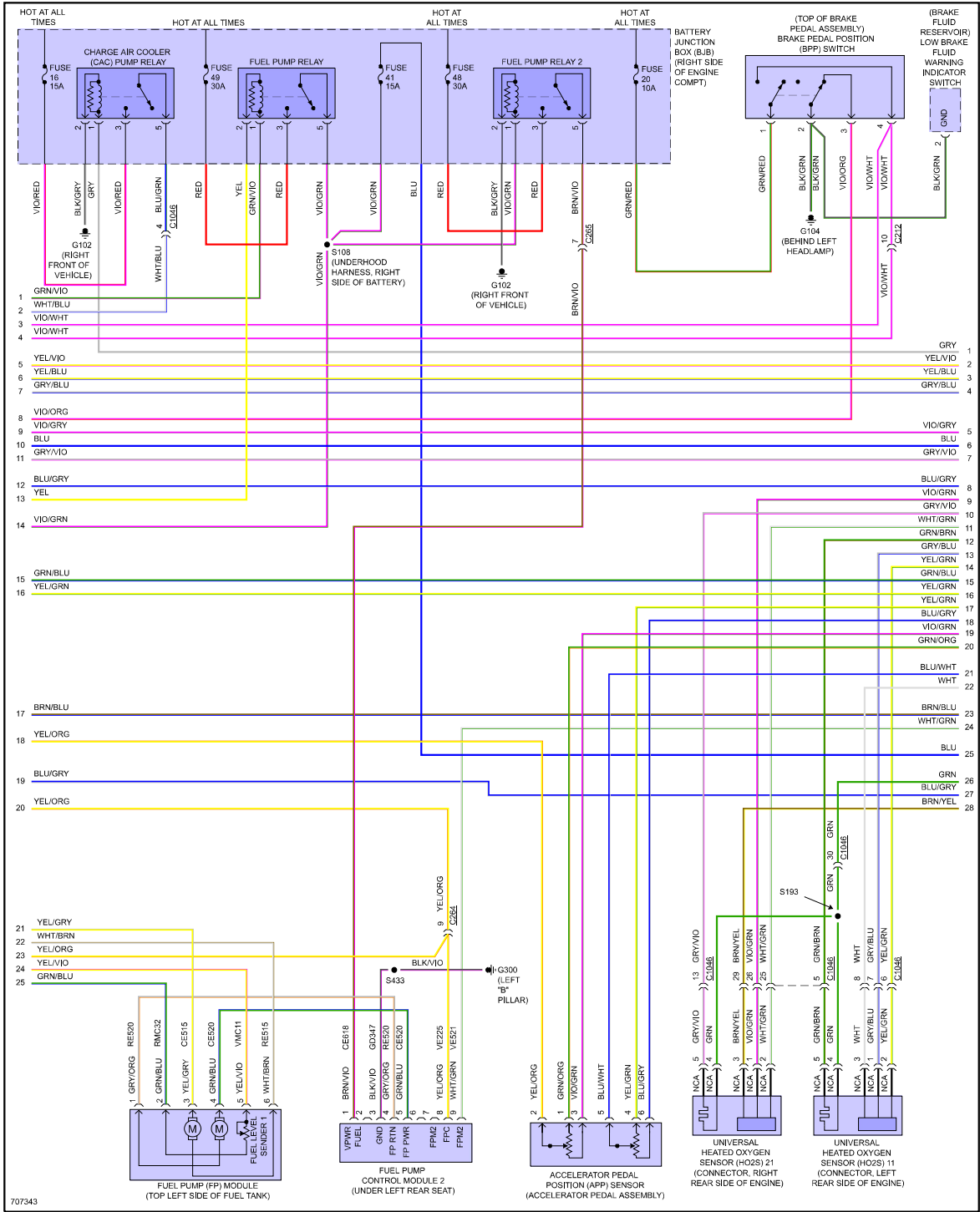


Fig 3: 5.2L Supercharged, Engine Performance Circuit (3 of 7)

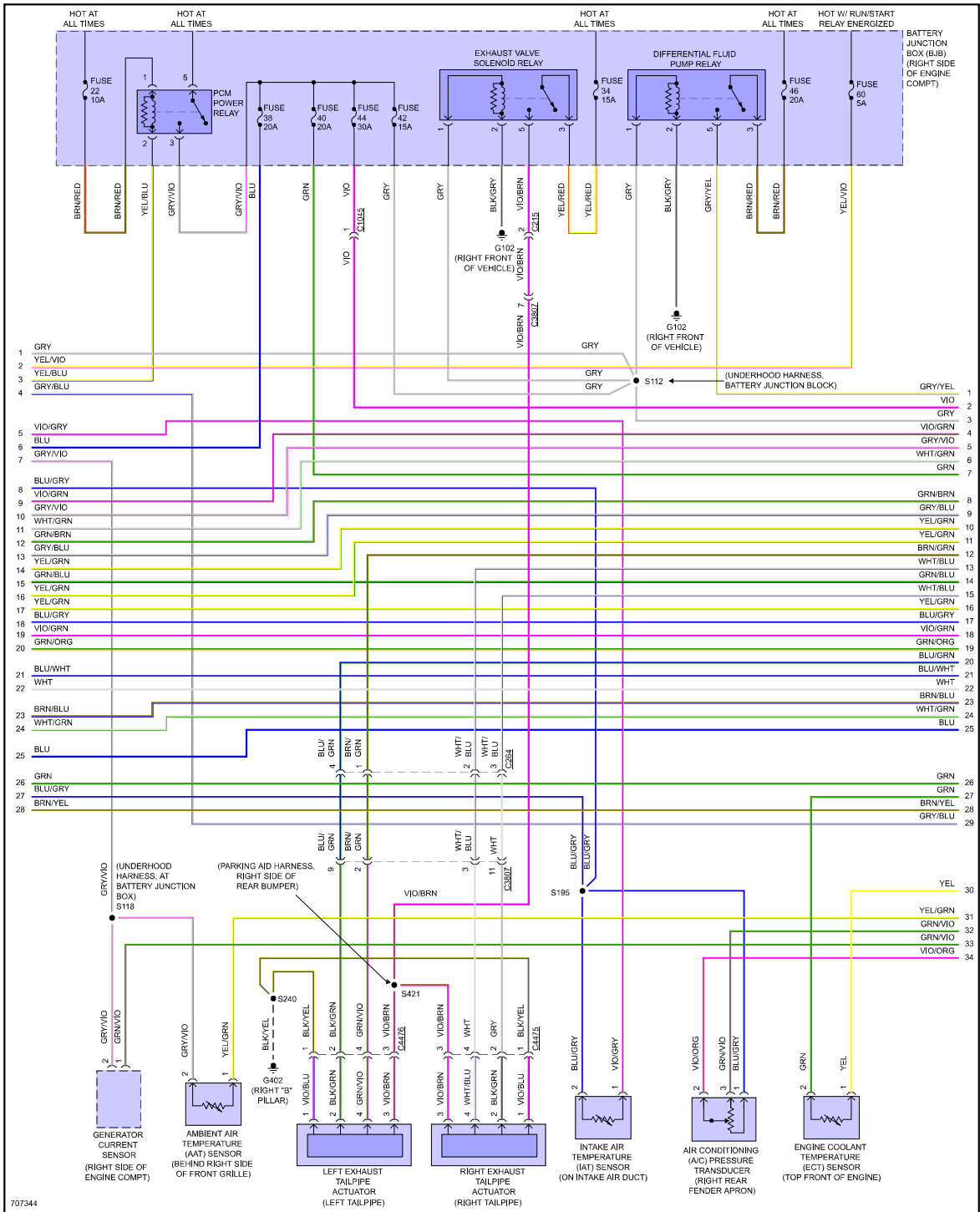


Fig 4: 5.2L Supercharged, Engine Performance Circuit (4 of 7)

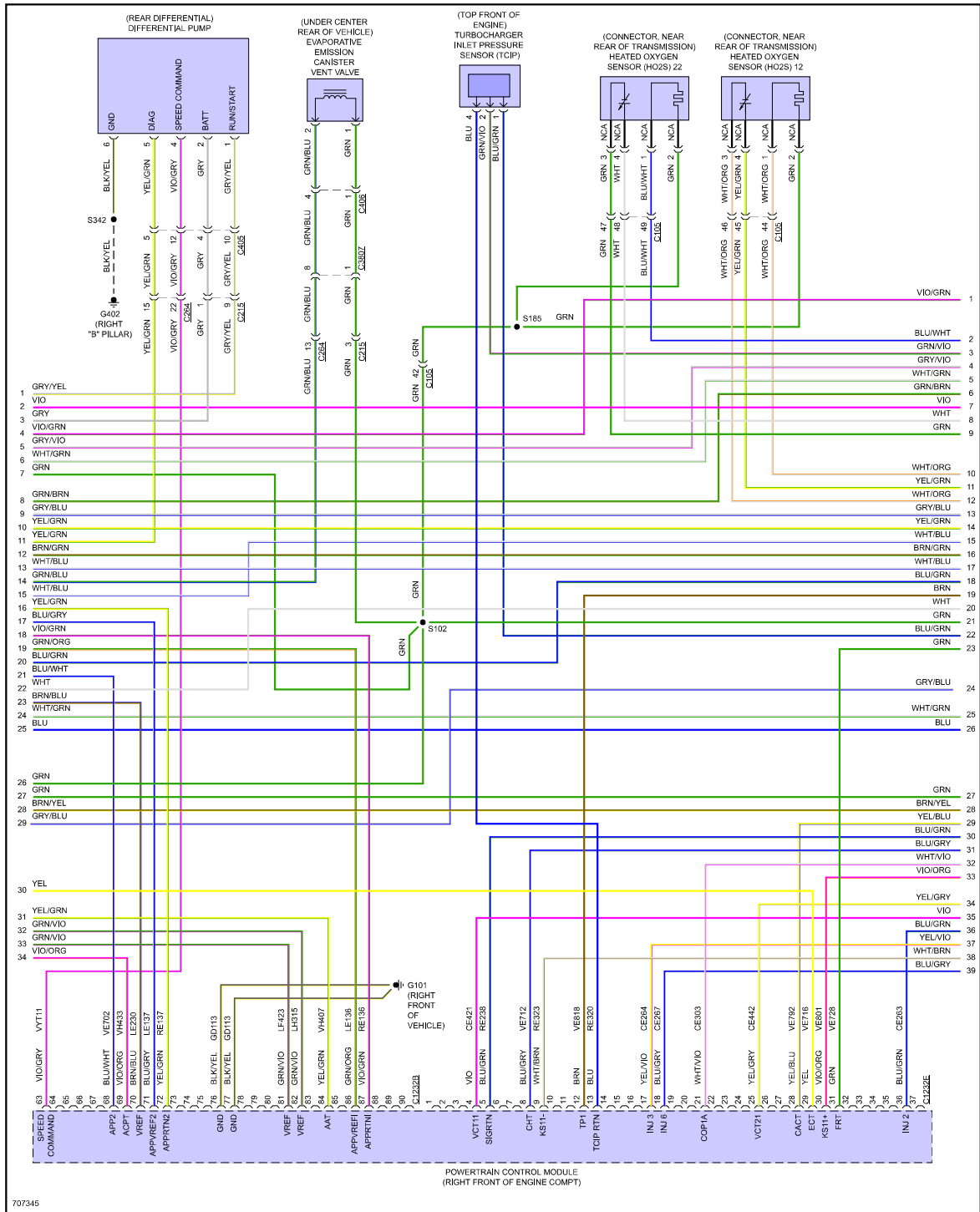


Fig 5: 5.2L Supercharged, Engine Performance Circuit (5 of 7)

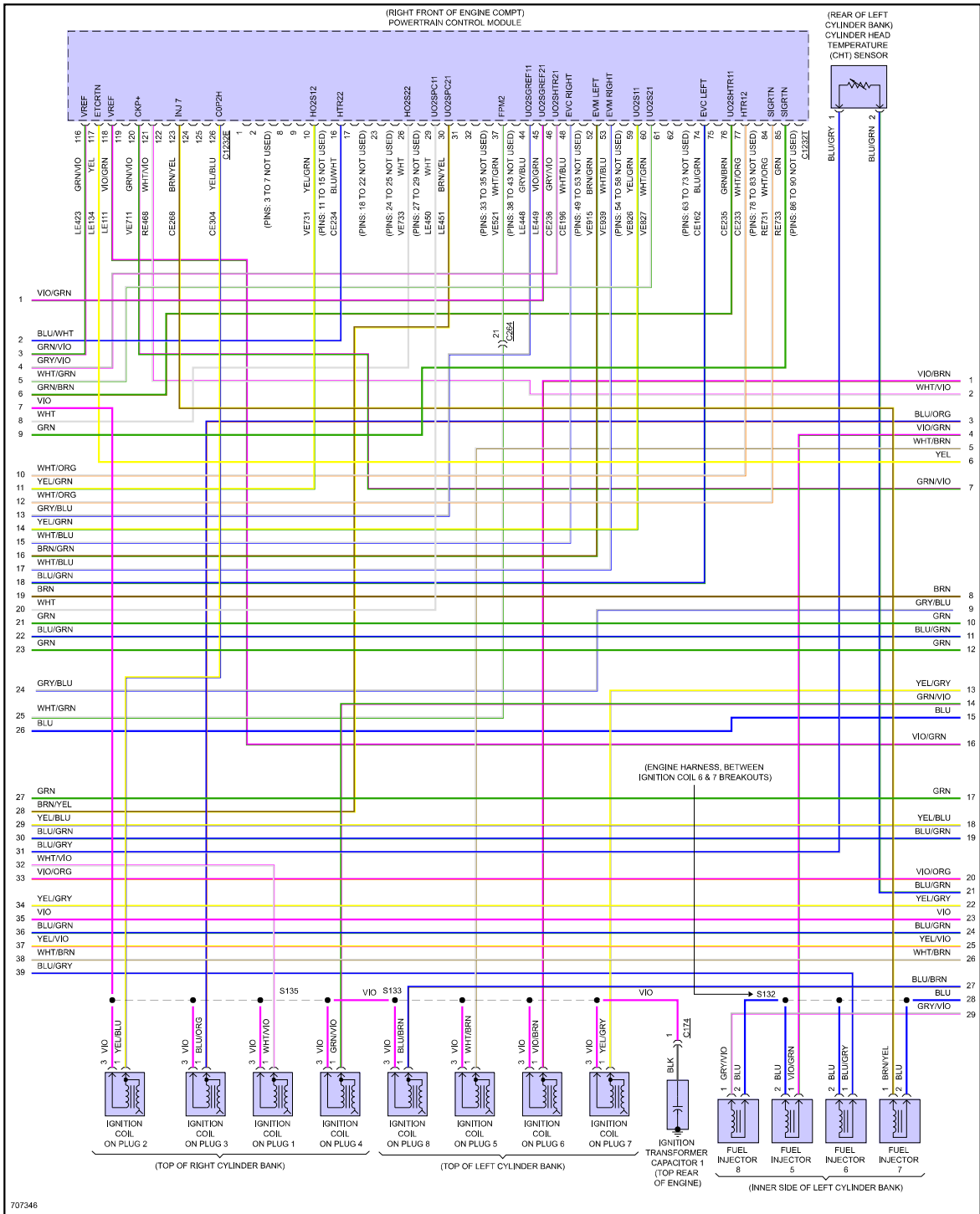


Fig 6: 5.2L Supercharged, Engine Performance Circuit (6 of 7)

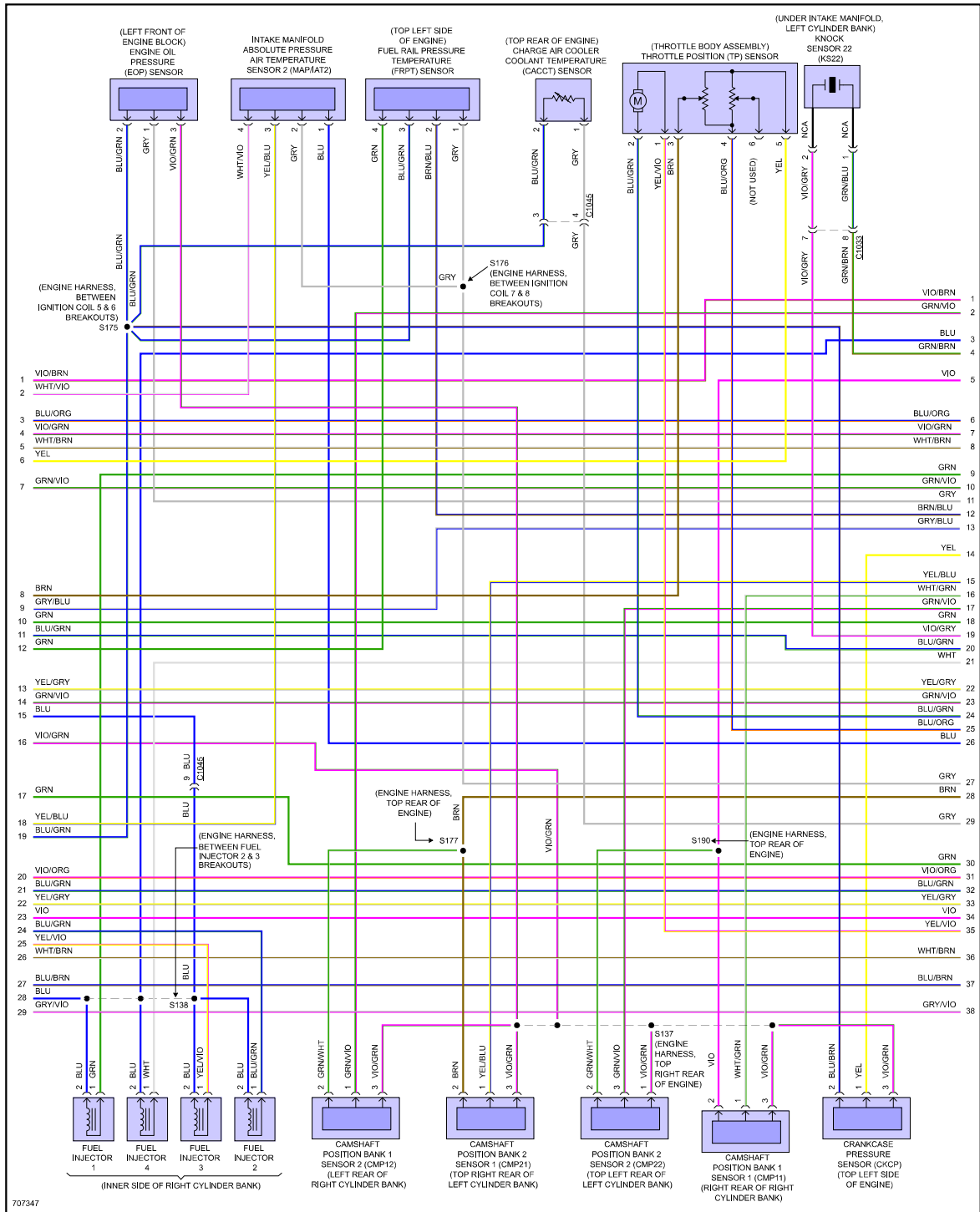




Fig 7: 5.2L Supercharged, Engine Performance Circuit (7 of 7)

