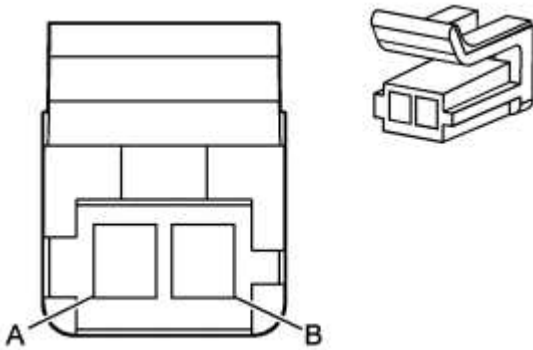


## Component Connector End Views

Document ID: 1965000

### 1-2 Shift Solenoid (SS) Valve, Wiring Harness Side



[Click here for full size](#)

#### Connector Part Information

- OEM: 12162201
- Service: Non-Serviceable
- Description: 2-Way F Metri-Pack 150.2 P2 Series (NA)

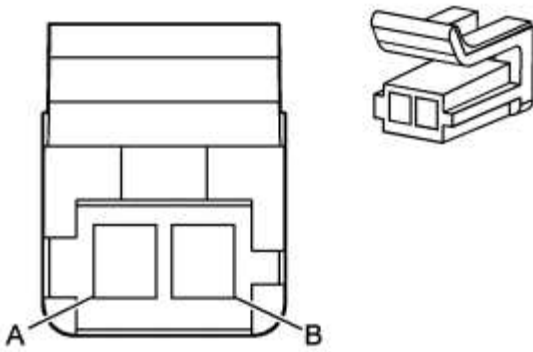
#### Terminal Part Information

- Terminal/Tray: Non-Serviceable
- Core/Insulation Crimp: Non-Serviceable
- Release Tool/Test Probe: Non-Serviceable

### 1-2 Shift Solenoid (SS) Valve, Wiring Harness Side

Pin	Wire	Circuit	Function
A	0.5 RD	839	Ignition 1 Voltage
B	0.5 L-GN	1222	1-2 Shift Solenoid Valve Control

### 2-3 Shift Solenoid (SS) Valve, Wiring Harness Side



[Click here for full size](#)

### Connector Part Information

- OEM: 12162201
- Service: Non-Serviceable
- Description: 2-Way F Metri-Pack 150.2 P2 Series (NA)

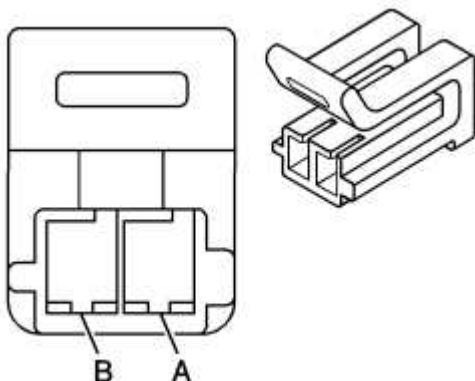
### Terminal Part Information

- Terminal/Tray: Non-Serviceable
- Core/Insulation Crimp: Non-Serviceable
- Release Tool/Test Probe: Non-Serviceable

### 2-3 Shift Solenoid (SS) Valve, Wiring Harness Side

Pin	Wire	Circuit	Function
A	0.5 RD	839	Ignition 1 Voltage
B	0.35 YE	1223	2-3 Shift Solenoid Valve Control

### 3-2 Shift Solenoid (SS) Valve Assembly, Wiring Harness Side



[Click here for full size](#)

**Connector Part Information**

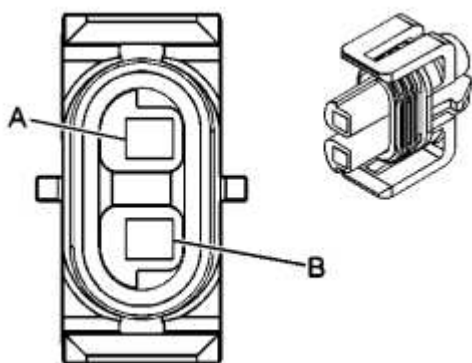
- OEM: 12146094
- Service: Non-Serviceable
- Description: 2-Way F Metri-Pack 150.2 P2 Series (GY)

**Terminal Part Information**

- Terminal/Tray: Non-Serviceable
- Core/Insulation Crimp: Non-Serviceable
- Release Tool/Test Probe: Non-Serviceable

**3-2 Shift Solenoid (SS) Valve Assembly, Wiring Harness Side**

Pin	Wire	Circuit	Function
A	0.35 WH	687	3-2 Shift Solenoid Valve Control
B	0.5 RD	839	Ignition 1 Voltage

**A/C Compressor Clutch Assembly**

[Click here for full size](#)

**Connector Part Information**

- OEM: 12162017
- Service: 12101937
- Description: 2-Way F Metri-Pack 150 Series Sealed (GY)

**Terminal Part Information**

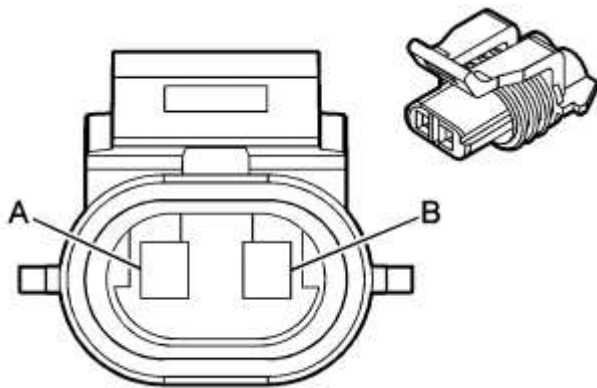
- Terminal/Tray: 12048074/2
- Core/Insulation Crimp: E/1

- Release Tool/Test Probe: 12094429/J-35616-2A (GY)

## A/C Compressor Clutch Assembly

Pin	Wire	Circuit	Function
A	0.35 BK	350	Ground
B	0.35 D-GN	59	A/C Compressor Clutch Supply Voltage

## A/C Low Pressure Switch



[Click here for full size](#)

### Connector Part Information

- OEM: 12052644
- Service: See Catalog
- Description: 2-Way F Metri-Pack 150 Series Sealed (L-GY)

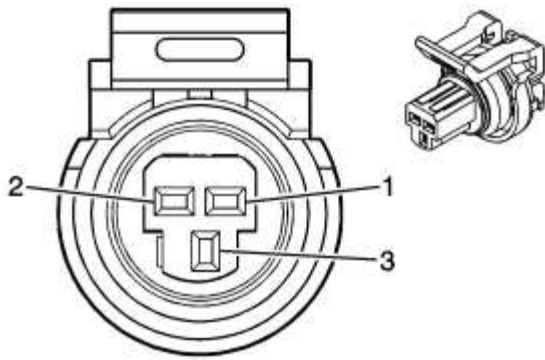
### Terminal Part Information

- Terminal/Tray: 12048074/2
- Core/Insulation Crimp: E/1
- Release Tool/Test Probe: 12094429/J-35616-2A (GY)

## A/C Low Pressure Switch

Pin	Wire	Circuit	Function
A	0.35 D-BU	204	A/C Low Pressure Sensor Signal
B	0.5 BK	250	Ground

## A/C Refrigerant Pressure Sensor



[Click here for full size](#)

### Connector Part Information

- OEM: 15477863
- Service: 88988144
- Description: 3-Way F GT 150 Series Sealed (BK)

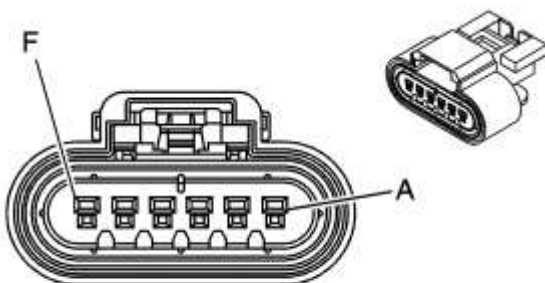
### Terminal Part Information

- Terminal/Tray: 15326267/19
- Core/Insulation Crimp: E/4
- Release Tool/Test Probe: 15315247/J-35616-2A (GY)

### A/C Refrigerant Pressure Sensor

Pin	Wire	Circuit	Function
1	0.35 BK	2751	Low Reference
2	0.35 GY	2700	5-Volt Reference
3	0.35 RD/BK	380	A/C Refrigerant Pressure Sensor Signal

### Accelerator Pedal Position (APP) Sensor (LL8)



 [Click here for full size](#)

### Connector Part Information

- OEM: 15326830
- Service: 88953153
- Description: 6-Way F GT 150 Series Sealed (BK)

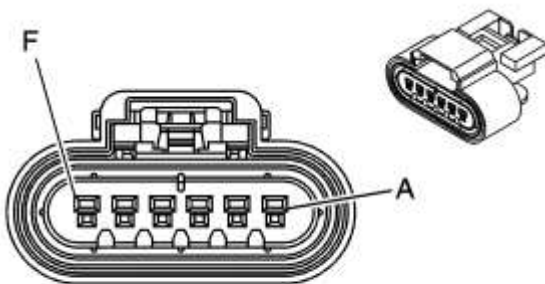
### Terminal Part Information

- Terminal/Tray: 12191819/8
- Core/Insulation Crimp: E/A
- Release Tool/Test Probe: 15315247/J-35616-2A (GY)

### Accelerator Pedal Position (APP) Sensor (LL8)

Pin	Wire	Circuit	Function
A	0.35 PU	1272	Low Reference
B	0.35 L-BU	1162	APP Sensor 2 Signal
C	0.35 TN	1274	5-Volt Reference
D	0.35 BN	1271	Low Reference
E	0.35 D-BU	1161	APP Sensor 1 Signal
F	0.35 WH/BK	1164	5-Volt Reference

### Accelerator Pedal Position (APP) Sensor (LH6/LS2)



 [Click here for full size](#)

### Connector Part Information

- OEM: 15326830

- Service: 88953153
- Description: 6-Way F GT 150 Series Sealed (BK)

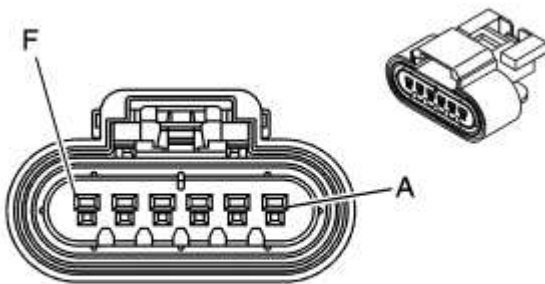
#### Terminal Part Information

- Terminal/Tray: 12191819/8
- Core/Insulation Crimp: E/A
- Release Tool/Test Probe: 15315247/J-35616-2A (GY)

#### Accelerator Pedal Position (APP) Sensor (LH6/LS2)

Pin	Wire	Circuit	Function
A	0.35 TN	1274	5-Volt Reference
B	L-BU	1162	APP Sensor 2 Signal
C	0.35 PU	1272	Low Reference
D	0.35 BN	1271	Low Reference
E	0.35 D-BU	1161	APP Sensor 1 Signal
F	0.35 WH/BK	1164	5-Volt Reference

#### Accelerator Pedal Position (APP) Sensor



[Click here for full size](#)

#### Connector Part Information

- OEM: 15326830
- Service: 88953153
- Description: 6-Way F GT 150 Series Sealed (BK)

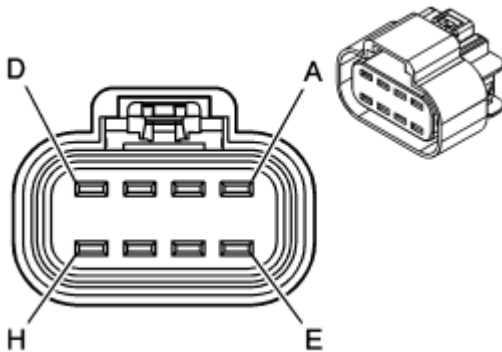
#### Terminal Part Information

- Terminal/Tray: 12191819/8
- Core/Insulation Crimp: E/A
- Release Tool/Test Probe: 15315247/J-35616-2A (GY)

### Accelerator Pedal Position (APP) Sensor

Pin	Wire	Circuit	Function
A	TN	1274	5-Volt Reference
B	L-BU	1162	APP Sensor 2 Signal
C	PU	1272	Low Reference
D	BN	1271	Low Reference
E	D-BU	1161	APP Sensor 1 Signal
F	WH/BK	1164	5-Volt Reference

### Air Suspension Compressor Assembly X1



[Click here for full size](#)

#### Connector Part Information

- OEM: 15326654
- Service: 88986254
- Description: 8-Way F GT 280 Series Sealed (BK)

#### Terminal Part Information

- Pins: A-C, E-G
- Terminal/Tray: 15304719/19
- Core/Insulation Crimp: E/5
- Release Tool/Test Probe: 15315247/J-35616-4A (PU)
- Pins: D, H

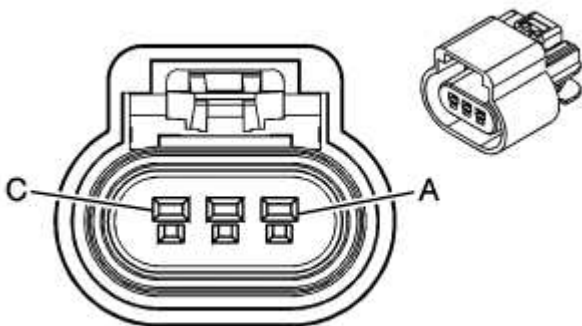


- Terminal/Tray: 15304720/19
- Core/Insulation Crimp: 4/5
- Release Tool/Test Probe: 15315247/J-35616-4A (PU)

### Air Suspension Compressor Assembly X1

Pin	Wire	Circuit	Function
A	0.35 PU	2264	Right Rear Air Suspension Sensor Low Reference
B	0.35 PU	2185	Left Rear Air Suspension Sensor Low Reference
C	0.35 D-GN/WH	817	Vehicle Speed Signal
D	3 BK	2450	Ground
E	0.35 BN	2227	Right Rear Air Suspension Sensor Signal
F	0.35 BN	2184	Left Rear Air Suspension Sensor Signal
G	0.5 BN	241	Ignition 3 Voltage
H	3 OG	2840	Battery Positive Voltage

### Air Suspension Compressor Assembly X2 (Air Suspension Inflator Switch)



[Click here for full size](#)

#### Connector Part Information

- OEM: 15326808
- Service: 15306388
- Description: 3-Way F GT 150 Series Sealed (BK)

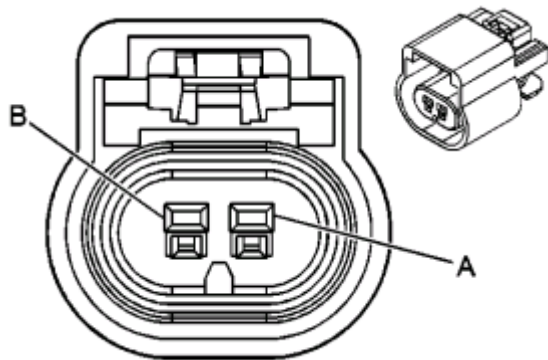
#### Terminal Part Information

- Terminal/Tray: 12191819/8
- Core/Insulation Crimp: E/1
- Release Tool/Test Probe: 15315247/J-35616-2A (GY)

### Air Suspension Compressor Assembly X2 (Air Suspension Inflator Switch)

Pin	Wire	Circuit	Function
A	RD	—	Switch Signal
B	BK	—	Ground
C	TN	—	Indicator Control

### Air Suspension Sensor - Left Rear



[Click here for full size](#)

#### Connector Part Information

- OEM: 15326801
- Service: 15306156
- Description: 2-Way F GT 150 Series Sealed (BK)

#### Terminal Part Information

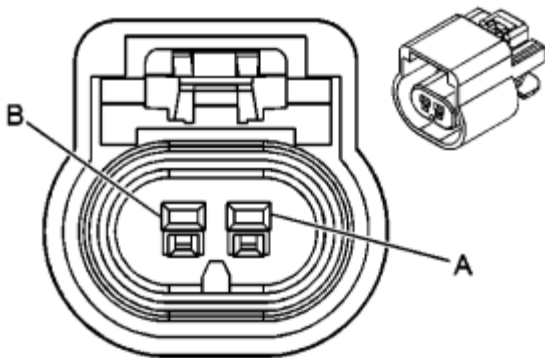
- Terminal/Tray: 12191819/8
- Core/Insulation Crimp: E/A
- Release Tool/Test Probe: 15315247/J-35616-2A (GY)

### Air Suspension Sensor - Left Rear

Pin	Wire	Circuit	Function
-----	------	---------	----------

A	0.35 BN	2184	Left Rear Air Suspension Sensor Signal
B	0.35 PU	2185	Left Rear Air Suspension Sensor Low Reference

### Air Suspension Sensor - Right Rear



[Click here for full size](#)

#### Connector Part Information

- OEM: 15326801
- Service: 15306156
- Description: 2-Way F GT 150 Series Sealed (BK)

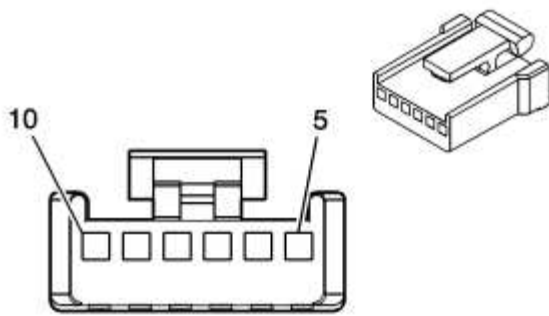
#### Terminal Part Information

- Terminal/Tray: 12191819/8
- Core/Insulation Crimp: E/A
- Release Tool/Test Probe: 15315247/J-35616-2A (GY)

### Air Suspension Sensor - Right Rear

Pin	Wire	Circuit	Function
A	0.35 BN	2227	Right Rear Air Suspension Sensor Signal
B	0.35 PU	2264	Right Rear Air Suspension Sensor Low Reference

### Air Temperature Actuator - Left



[Click here for full size](#)

### Connector Part Information

- OEM: 12040953
- Service: 12102632
- Description: 6-Way F Micro-Pack 100 Series Unsealed (BK)

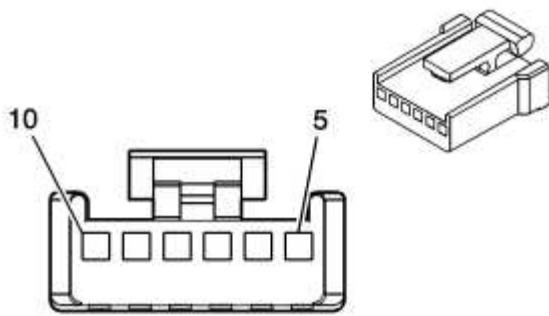
### Terminal Part Information

- Pins: 5-7, 9-10
- Terminal/Tray: 12146447/3
- Core/Insulation Crimp: E/C
- Release Tool/Test Probe: 12031876-1/J-35616-6 (BN)

### Air Temperature Actuator - Left

Pin	Wire	Circuit	Function
5	0.35 BN	341	Ignition 3 Voltage
6	0.35 D-BU	1199	Left Air Temperature Door Control
7	0.35 YE	1791	Low Reference
8	—	—	Not Used
9	0.35 L-BU	733	Left Air Temperature Door Position Signal
10	0.35 L-BU/BK	1688	5-Volt Reference

### Air Temperature Actuator - Right



[Click here for full size](#)

### Connector Part Information

- OEM: 12040953
- Service: 12102632
- Description: 6-Way F Micro-Pack 100 Series Unsealed (BK)

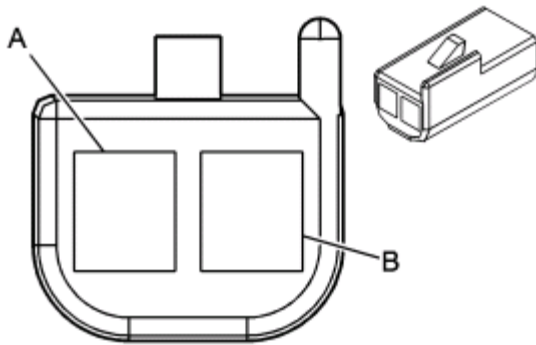
### Terminal Part Information

- Pins: 5-7, 9-10
- Terminal/Tray: 12146447/3
- Core/Insulation Crimp: E/C
- Release Tool/Test Probe: 12031876-1/J-35616-6 (BN)

### Air Temperature Actuator - Right

Pin	Wire	Circuit	Function
5	0.35 BN	341	Ignition 3 Voltage
6	0.35WH/BK	1236	Right Air Temperature Door Control
7	0.35 YE	1791	Low Reference
8	—	—	Not Used
9	0.35 D-BU	1646	Right Air Temperature Door Position Signal
10	0.35 L-BU/BK	1688	5-Volt Reference

### Air Temperature Sensor - Lower Left



[Click here for full size](#)

### Connector Part Information

- OEM: 12047662
- Service: 12085535
- Description: 2-Way F Metri-Pack 150 Series Unsealed (BK)

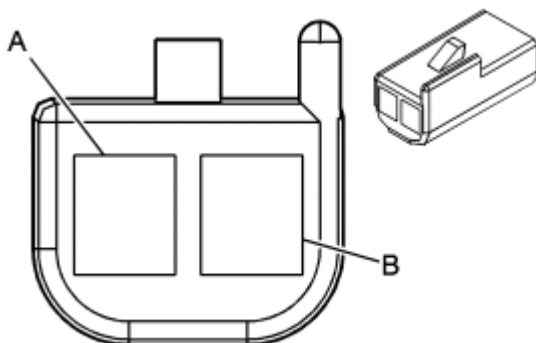
### Terminal Part Information

- Terminal/Tray: 12064971/5
- Core/Insulation Crimp: E/C
- Release Tool/Test Probe: 12094429/J-35616-2A (GY)

### Air Temperature Sensor - Lower Left

Pin	Wire	Circuit	Function
A	0.35 BN	718	Low Reference
B	0.35 WH/BK	2339	Lower Left Air Temperature Sensor Signal

### Air Temperature Sensor - Lower Right



[Click here for full size](#)

**Connector Part Information**

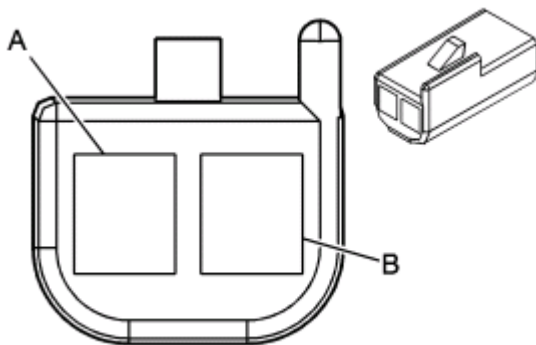
- OEM: 12047662
- Service: 12085535
- Description: 2-Way F Metri-Pack 150 Series Unsealed (BK)


**Terminal Part Information**

- Terminal/Tray: 12064971/5
- Core/Insulation Crimp: E/C
- Release Tool/Test Probe: 12094429/J-35616-2A (GY)

**Air Temperature Sensor - Lower Right**

Pin	Wire	Circuit	Function
A	0.35 BN	718	Low Reference
B	0.35 GY/BK	2337	Lower Right Air Temperature Sensor Signal

**Air Temperature Sensor - Upper Left**

 [Click here for full size](#)

**Connector Part Information**

- OEM: 12047662
- Service: 12085535
- Description: 2-Way F Metri-Pack 150 Series Unsealed (BK)

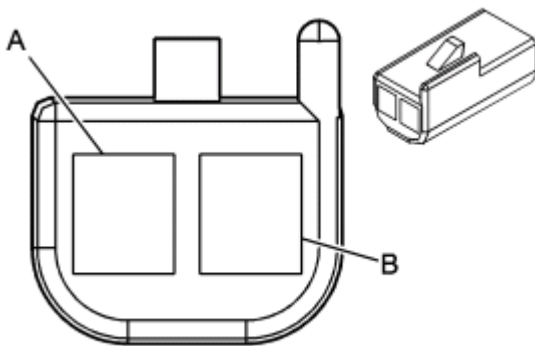
**Terminal Part Information**


- Terminal/Tray: 12064971/5
- Core/Insulation Crimp: E/C
- Release Tool/Test Probe: 12094429/J-35616-2A (GY)

### Air Temperature Sensor - Upper Left

Pin	Wire	Circuit	Function
A	0.35 BN	718	Low Reference
B	0.35WH	2338	Upper Left Air Temperature Sensor Signal

### Air Temperature Sensor - Upper Right



 [Click here for full size](#)

### Connector Part Information

- OEM: 12047662
- Service: 12085535
- Description: 2-Way F Metri-Pack 150 Series Unsealed (BK)

### Terminal Part Information

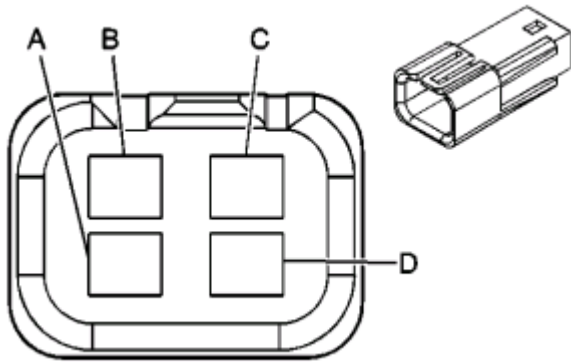
- Terminal/Tray: 12064971/5
- Core/Insulation Crimp: E/C
- Release Tool/Test Probe: 12094429/J-35616-2A (GY)

### Air Temperature Sensor - Upper Right

Pin	Wire	Circuit	Function
A	0.35 BN	718	Low Reference
B	0.35 GY	2336	Upper Right Air Temperature Sensor Signal



## Air Temperature Sensor Assembly - Inside



[Click here for full size](#)

### Connector Part Information

- OEM: 12047786
- Service: 12085536
- Description: 4-Way M Metri-Pack 150 Series Unsealed (BK)

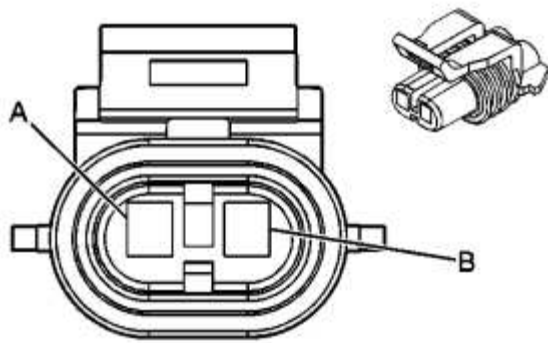
### Terminal Part Information

- Terminal/Tray: 12047581/2
- Core/Insulation Crimp: E/C
- Release Tool/Test Probe: 12094429/J-35616-3 (GY)

## Air Temperature Sensor Assembly - Inside

Pin	Wire	Circuit	Function
A	0.35 D-GN	734	Inside Air Temperature Sensor Signal
B	0.35WH/BK	1236	Inside Air Temperature Sensor Assembly Control
C	0.35 BK	1350	Ground
D	0.35 BN	718	Low Reference

## Ambient Air Temperature Sensor



 [Click here for full size](#)

### Connector Part Information

- OEM: 12052642
- Service: 12101856
- Description: 2-Way F Metri-Pack 150 Series Sealed (L-GN)

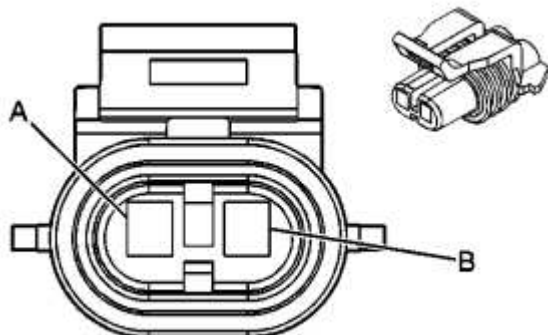
### Terminal Part Information

- Terminal/Tray: 12048074/2
- Core/Insulation Crimp: E/1
- Release Tool/Test Probe: 12094429/J-35616-2A (GY)

### Ambient Air Temperature Sensor

Pin	Wire	Circuit	Function
A	0.35 L-GN/BK	735	Ambient Air Temperature Sensor Signal
B	0.35 BN	718	Low Reference

### Ambient Air Temperature Sensor (DF5)



 [Click here for full size](#)

**Connector Part Information**

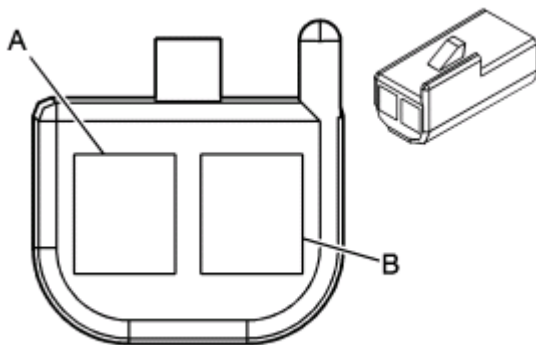
- OEM: 12052642
- Service: 12101856
- Description: 2-Way F Micro-Pack 150 Series Sealed (L-GN)

**Terminal Part Information**

- Terminal/Tray: 12048074/2
- Core/Insulation Crimp: E/1
- Release Tool/Test Probe: 12094429/J-35616-2A (GY)

**Ambient Air Temperature Sensor (DF5)**

Pin	Wire	Circuit	Function
A	L-GN/BK	735	Ambient Air Temperature Sensor Signal
B	BN	718	Low Reference

**Ambient Light Sensor (CJ3)**

 [Click here for full size](#)

**Connector Part Information**

- OEM: 12047662
- Service: 12085535
- Description: 2-Way F Metri-Pack 150 Series Unsealed (BK)

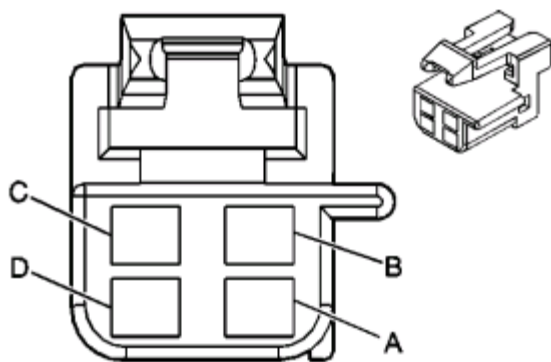
**Terminal Part Information**


- Terminal/Tray: 12064971/5
- Core/Insulation Crimp: E/C
- Release Tool/Test Probe: 12094429/J-35616-2A (GY)

### Ambient Light Sensor (CJ3)

Pin	Wire	Circuit	Function
A	0.35WH	278	Ambient Light Sensor Signal
B	0.35 BK	279	Ambient Light Sensor Low Reference

### Ambient Light/Sunload Sensor Assembly



 [Click here for full size](#)

#### Connector Part Information

- OEM: 12064760
- Service: 12085208
- Description: 4-Way F Metri-Pack 150 Series Unsealed (BK)

#### Terminal Part Information

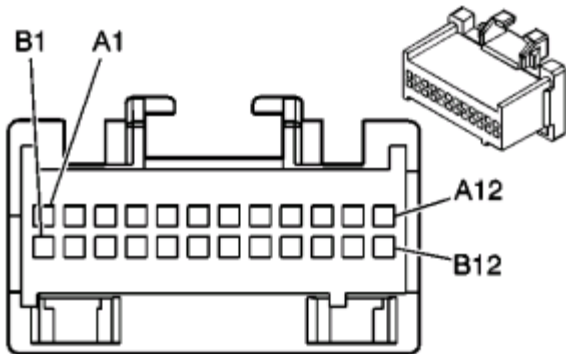
- Terminal/Tray: 12064971/5
- Core/Insulation Crimp: E/C
- Release Tool/Test Probe: 12094429/J-35616-2A (GY)

### Ambient Light/Sunload Sensor Assembly

Pin	Wire	Circuit	Function
A	0.35 L-BU/BK	2519	Left Sunload Sensor Signal
B	0.35 GY	2521	Right Sunload Sensor Signal

C	0.35 BK	279	Ambient Light Sensor Low Reference
D	0.35WH	278	Ambient Light Sensor Signal

### Audio Amplifier C1 (with UQA)



[Click here for full size](#)

### Connector Part Information

- OEM: 12110088
- Service: 15306210
- Description: 24-Way F Micro-Pack 100 Series (GY)

### Terminal Part Information

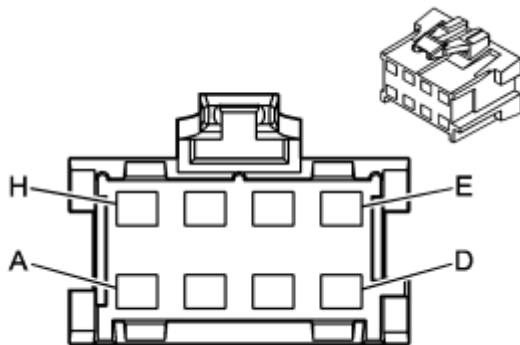
- Pins: A5-A7, A8
- Terminal/Tray: 12146448/19
- Core/Insulation Crimp: E/A
- Release Tool/Test Probe: 12031876-1/J-35616-6 (BN)
- Pins: A9-A12, B1-B12
- Terminal/Tray: 12146447/3
- Core/Insulation Crimp: E/C
- Release Tool/Test Probe: 12031876-1/J-35616-6 (BN)

### Audio Amplifier C1 (with UQA)

Pin	Wire	Circuit	Function
A1-A4	—	—	Not Used
A5	1 TN	201	Left Front Speaker Output (+)
A6	1 GY	118	Left Front Speaker Output (-)
A7	1 L-GN	200	Right Front Speaker Output (+)

A8	1 D-GN	117	Right Front Speaker Output (-)
A9	0.35 D-BU	1857	Left Front Midrange Speaker Output (+)
A10	0.35 L-BU	1957	Left Front Midrange Speaker Output (-)
A11	0.35 OG	1853	Right Front Midrange Speaker Output (+)
A12	0.35 D-GN	1953	Right Front Midrange Speaker Output (-)
B1	0.35 GY/BK	2334	Radio Mute Signal
B2	0.35 PU	493	Rear Seat Audio Enable Signal
B3	0.5 BK	1946	Right Rear Low Level Audio Signal (-)
B4	0.5 D-BU	546	Right Rear Low Level Audio Signal (+)
B5	0.5 D-GN/WH	1547	Left Rear Low Level Audio Signal (-)
B6	0.5 BN	599	Left Rear Low Level Audio Signal (+)
B7	0.35 OG/BK	1546	Right Front Low Level Audio Signal (-)
B8	0.35 L-GN	512	Right Front Low Level Audio Signal (+)
B9	0.35 D-GN	1947	Left Front Low Level Audio Signal (-)
B10	0.35 TN	511	Left Front Low Level Audio Signal (+)
B11	0.35 PK	314	Radio On Signal
B12	BARE	2099	Drain Wire

### Audio Amplifier C2 (with UQA)



[Click here for full size](#)

#### Connector Part Information

- OEM: 15357040
- Service: 12110626
- Description: 8-Way F Metri-Pack 280 Series (L-GY)

#### Terminal Part Information

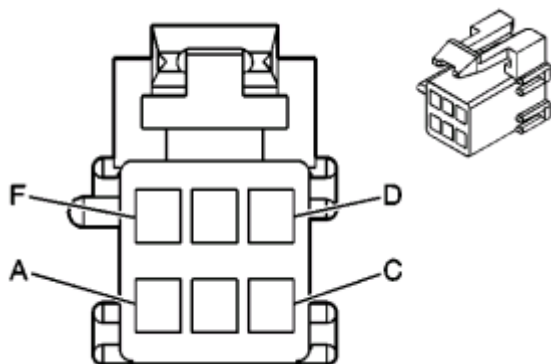
- Pins: A

- Terminal/Tray: 12110842/4
- Core/Insulation Crimp: A/B
- Release Tool/Test Probe: 15315247/J-35616-4A (PU)
- Pins: B-C, F-H
- Terminal/Tray: 12110844/4
- Core/Insulation Crimp: C/A
- Release Tool/Test Probe: 15315247/J-35616-4A (PU)
- Pins: E
- Terminal/Tray: 12110844/4
- Core/Insulation Crimp: E/A
- Release Tool/Test Probe: 15315247/J-35616-4A (PU)

### Audio Amplifier C2 (with UQA)

Pin	Wire	Circuit	Function
A	2 BK	1650	Ground
B	0.8 BN	199	Left Rear Speaker Output (+)
C	0.8 D-BU	46	Right Rear Speaker Output (+)
D	—	—	Not Used
E	BARE	1573	Drain Wire
F	0.8 L-BU	115	Right Rear Speaker Output (-)
G	0.8 YE	116	Left Rear Speaker Output (-)
H	0.8 OG	3740	Battery Positive Voltage

### Automatic Transmission Shift Lock Actuator



[Click here for full size](#)

### Connector Part Information

- OEM: 12064762

- Service: 12125665
- Description: 6-Way F Metri-Pack 150 Series Unsealed (L-GY)

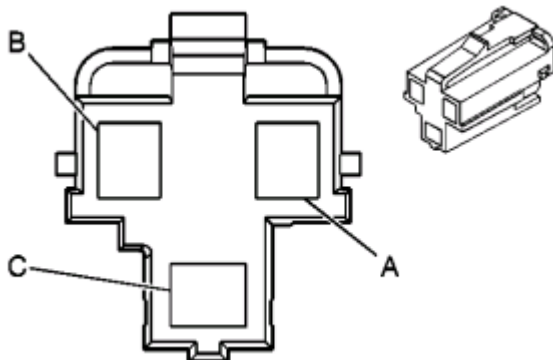
### Terminal Part Information

- Terminal/Tray: 12064971/5
- Core/Insulation Crimp: E/C
- Release Tool/Test Probe: 12094429/J-35616-14 (GN)

### Automatic Transmission Shift Lock Actuator

Pin	Wire	Circuit	Function
A	0.35 BK	150	Ground (without SPO DVD)
	BK	—	Ground (with SPO DVD)
B	0.35 RD	275	A/T Shift Lock Control Switch Supply Voltage (without SPO DVD)
	L-GN/BK	—	A/T Shift Lock Control Switch Supply Voltage (with SPO DVD)
C	0.35 PU	961	Remote Shift Selector Signal (without SPO DVD)
	YE	—	Remote Shift Selector Signal (with SPO DVD)
D	—	—	Not Used
E	0.35 OG	1135	A/T Shift Lock Control Solenoid Supply Voltage (without SPO DVD)
	D-GN/BK	—	A/T Shift Lock Control Solenoid Supply Voltage (with SPO DVD)
F	YE	1020	Ignition 3 Voltage (without SPO DVD)
	RD	—	Ignition 3 Voltage (with SPO DVD)

### Auxiliary Power Outlet - Console



[Click here for full size](#)



### Connector Part Information

- OEM: 12176446
- Service: 15305923
- Description: 3-Way F Metri-Pack 280 Series (BK)

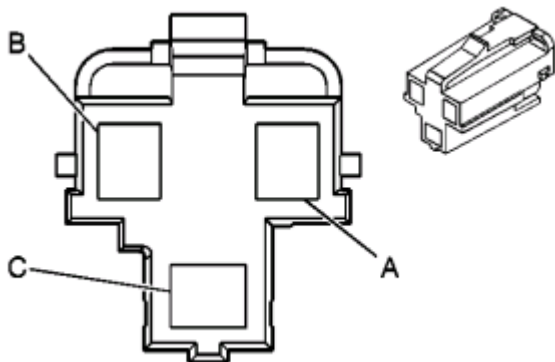
### Terminal Part Information

- Pins: A, C
- Terminal/Tray: 12110844/4
- Core/Insulation Crimp: C/A
- Release Tool/Test Probe: 15315247/J-35616-4A (PU)

### Auxiliary Power Outlet - Console

Pin	Wire	Circuit	Function
A	0.8 OG	1040	Battery Positive Voltage
B	—	—	Not Used
C	0.8 BK	2250	Ground

### Auxiliary Power Outlet - Front



[Click here for full size](#)

### Connector Part Information

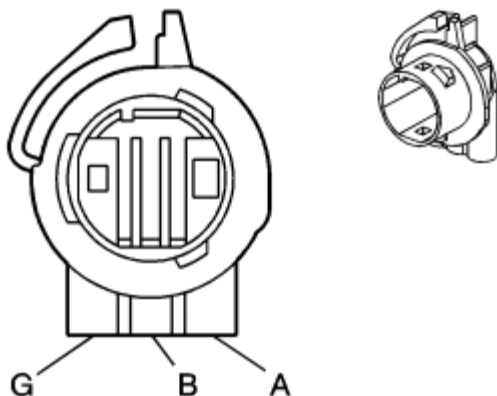
- OEM: 12176446
- Service: 15305923
- Description: 3-Way F Metri-Pack 280 Series (BK)

**Terminal Part Information**

- Pins: A, C
- Terminal/Tray: 12110844/4
- Core/Insulation Crimp: C/A
- Release Tool/Test Probe: 15315247/J-35616-4A (PU)

**Auxiliary Power Outlet - Front**

Pin	Wire	Circuit	Function
A	1 OG	1040	Battery Positive Voltage
B	—	—	Not Used
C	0.8 BK	2250	Ground

**Backup Lamp - Left (Z88)**

 [Click here for full size](#)

**Connector Part Information**

- OEM: 15435155
- Service: 88953356
- Description: 3-Way F Lamp Socket Wedge (GY)

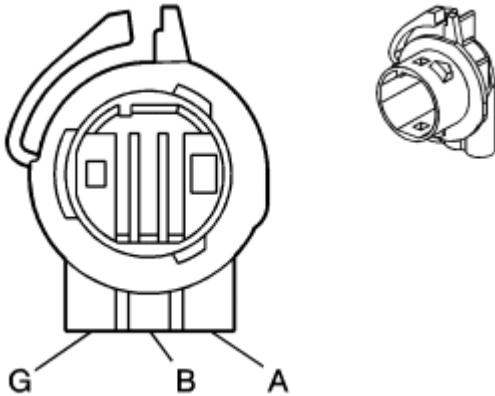
**Terminal Part Information**

- Terminal/Tray: Service by Pigtail - See Part Catalog
- Core/Insulation Crimp: N/A
- Release Tool/Test Probe: N/A

**Backup Lamp - Left (Z88)**

Pin	Wire	Circuit	Function
A	0.5 L-GN	24	Backup Lamp Supply Voltage
B	—	—	Not Used
G	0.5 BK	2450	Ground

### Backup Lamp - Right (Z88)



[Click here for full size](#)

### Connector Part Information

- OEM: 15435155
- Service: 88953356
- Description: 3-Way F Lamp Socket Wedge (GY)

### Terminal Part Information

- Terminal/Tray: Service by Pigtail - See Part Catalog
- Core/Insulation Crimp: N/A
- Release Tool/Test Probe: N/A

### Backup Lamp - Right (Z88)

Pin	Wire	Circuit	Function
A	0.5 L-GN	24	Backup Lamp Supply Voltage
B	—	—	Not Used
G	0.5 BK	2450	Ground

### Battery -

### Terminal Part Information

- Terminal: 12146466
- Core/Insulation Crimp: N/A
- Description: Ring Terminal

### Battery -

Pin	Wire	Circuit	Function
A	13 BK	150	Ground
	19 BK	650	Ground

### Battery +

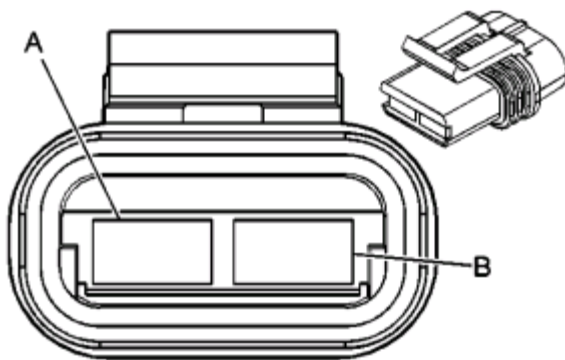
#### Terminal Part Information

- Terminal: 12129465
- Core/Insulation Crimp: N/A
- Description: Ring Terminal

### Battery +

Pin	Wire	Circuit	Function
A	19 RD	1	Battery Positive Voltage
	19 RD	1	Battery Positive Voltage
	8 RD	1	Battery Positive Voltage

### Blower Motor



[Click here for full size](#)

#### Connector Part Information

- OEM: 12066681
- Service: 12126446
- Description: 2-Way F Metri-Pack 630 Series Sealed (BK)

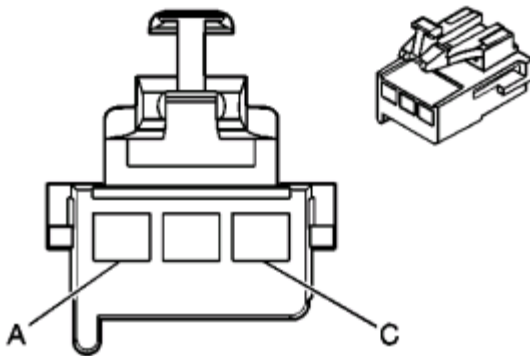
### Terminal Part Information

- Terminal/Tray: Service by Assembly - See Part Catalog
- Core/Insulation Crimp: N/A
- Release Tool/Test Probe: N/A

### Blower Motor

Pin	Wire	Circuit	Function
A	PU	65	Blower Motor Supply Voltage
B	BK	850	Ground

### Blower Motor Control Module



[Click here for full size](#)

### Connector Part Information

- OEM: 12129489
- Service: 12126486
- Description: 3-Way F Metri-Pack 280 Series Unsealed (BK)

### Terminal Part Information

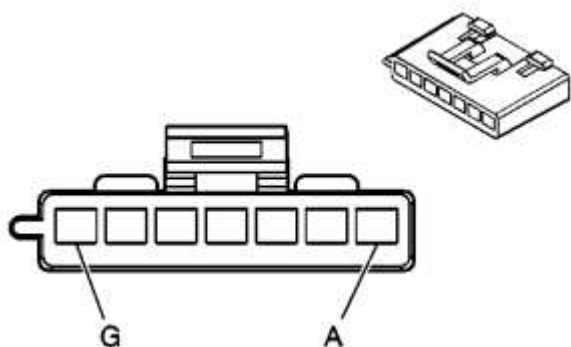
- Pins: A, C
- Terminal/Tray: 15324340/19
- Core/Insulation Crimp: F/G

- Release Tool/Test Probe: 12094430/J-35616-4A (PU)
- Pins: B
- Terminal/Tray: 12110844/4
- Core/Insulation Crimp: E/C
- Release Tool/Test Probe: 15315247/J-35616-4A (PU)

## Blower Motor Control Module

Pin	Wire	Circuit	Function
A	3 RD	542	Battery Positive Voltage
B	0.35 PU/WH	760	Blower Motor Speed Control
C	3 BK	2250	Ground

## Blower Motor Resistor Assembly



[Click here for full size](#)

### Connector Part Information

- OEM: 12052854
- Service: 88953358
- Description: 7-Way F Metri-Pack 280 Series Unsealed (BK)

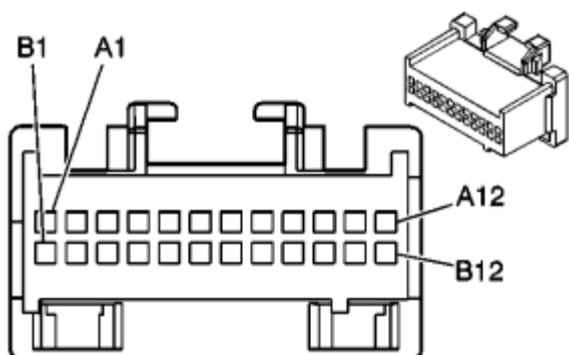
### Terminal Part Information

- Terminal/Tray: 12015858/4
- Core/Insulation Crimp: F/G
- Release Tool/Test Probe: 12094430/J-35616-4A (PU)

## Blower Motor Resistor Assembly

Pin	Wire	Circuit	Function
A	2 TN	63	Medium 1 Blower Motor Control
B	2 YE	60	Low Blower Motor Control
C	2 PU	73	Medium 3 Blower Motor Control
D	2 L-BU	72	Medium 2 Blower Motor Control
E	3 BK	2250	Ground
F	2 OG	52	High Blower Motor Control
G	3 RD	542	Battery Positive Voltage

### Body Control Module (BCM) X1



[Click here for full size](#)

### Connector Part Information

- OEM: 12110088
- Service: 15306210
- Description: 24-Way F Micro-Pack 100 Series (GY)

### Terminal Part Information

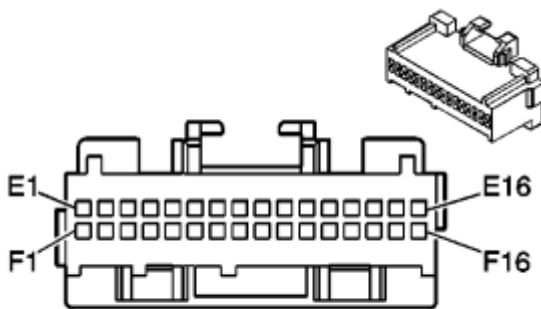
- Pins: A2-A6, A12, B1-B12
- Terminal/Tray: 12146447/3
- Core/Insulation Crimp: E/C
- Release Tool/Test Probe: 12031876-1/J-35616-6 (BN)

### Body Control Module (BCM) X1

Pin	Wire	Circuit	Function
A1	—	—	Not Used
A2	0.35 WH	2282	Headlamp Washer Relay Control (CE4)

A3	0.35 OG	1140	Battery Positive Voltage
A4	0.35 BK/WH	1969	Headlamp High Beam Relay Control
A5	0.35 PK/WH	1970	Headlamp Low Beam Relay Control
A6	0.35 PK	5363	Inclination Sensor Low Reference (BAE)
A7-A11	—	—	Not Used
A12	0.35 WH	278	Ambient Light Sensor Signal
B1	0.35 L-GN	1037	Class 2 Serial Data
B2	0.35 BK	279	Ambient Light Sensor Low Reference
B3	0.35 L-GN	2270	Rear Window Washer Relay Control
B4	0.35 GY/BK	2226	Instrument Panel Lamps Dimmer Switch Low Reference
B5	0.35 GY	705	5-Volt Reference
B6	0.35WH	2283	12-Volt Reference
B7	0.35 OG/BK	2090	Courtesy Lamps Supply Voltage
B8	0.35 L-GN	1011	Remote Radio Control Signal (STW)
B9	0.35 GY	391	Rear Window Wiper Switch Signal
B10	0.35 YE	1836	Security System Sensor Signal (w/o BAE)
B11	0.35 GY	2521	Right Sunload Sensor Signal (CJ2)
B12	0.35 L-BU/BK	2519	Left Sunload Sensor Signal (CJ2)

### Body Control Module (BCM) X2



[Click here for full size](#)

### Connector Part Information

- OEM: 12110112
- Service: 12110112
- Description: 32-Way F Micro-Pack 100 Series (TN)



**Terminal Part Information**

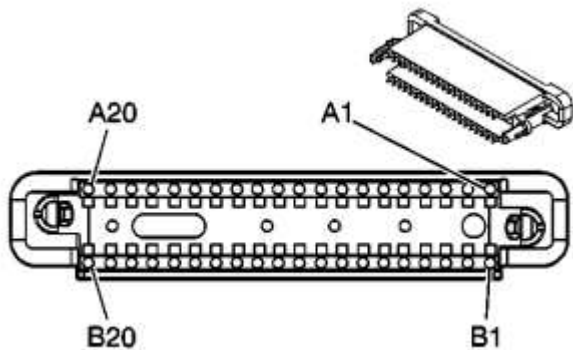
- Pins: E3-9, E11-E12, E14, F3-F11, F13
- Terminal/Tray: 12146447/3
- Core/Insulation Crimp: E/C
- Release Tool/Test Probe: 12031876-1/J-35616-6 (BN)

**Body Control Module (BCM) X2**

Pin	Wire	Circuit	Function
E1-E2	—	—	Not Used
E3	0.35 L-GN	80	Key In Ignition Switch Signal
E4	0.35 YE	307	Headlamp Switch Flash to Pass Signal
E5	0.35 GY/BK	308	Park Lamp Switch On Signal
E6	0.35 PK/BK	109	Hood Ajar Switch Signal (UA2)
E7	0.35 PK	1348	Headlamp On Indicator Control
E8	0.35 BK	1835	Security System Sensor Low Reference (w/o BAE)
E9	0.35 RD/WH	812	12-Volt Reference (w/o BAE)
E10	—	—	Not Used
E11	0.35 D-GN/WH	1317	Fog Lamp Relay and Indicator Control (T96)
E12	0.35 BK	28	Horn Relay Control
E13	—	—	Not Used
E14	0.35 TN	5463	Daytime Running Lamp Override Indicator (w/o WX7)
E15-E16	—	—	Not Used
F1-F2	—	—	Not Used
F3	0.35 D-GN	113	Windshield Wiper Switch Signal 2
F4	0.35 D-BU/WH	1495	Courtesy Lamps On Signal
F5	0.35 BN/WH	1871	Headlamp Washer Switch Signal (CE4)
F6	0.35 OG	192	Front Fog Lamps Switch Signal (T96)
F7	0.35 L-BU	187	Rear Fog Lamps Switch Signal (T79)
F8	0.35 L-GN	5462	DRL Defeat Switch Signal (w/o WX7)
F9	0.35 WH	103	Headlamp Switch Headlamps On Signal
F10	0.35 L-GN	11	Headlamp High Beam Supply Voltage
F11	0.35 PU	328	Interior Lamp Defeat Switch Signal
F12	—	—	Not Used

F13	0.35 PK	5068	Intrusion Sensor Switch Disable Signal (BAE)
F14-F16	—	—	Not Used

### Body Control Module (BCM) X3



[Click here for full size](#)

#### Connector Part Information

- OEM: 15354797
- Service: Service by Assembly - See Part Catalog
- Description: 40-Way M Flexible Circuit Header Series Unsealed (BK)

#### Terminal Part Information

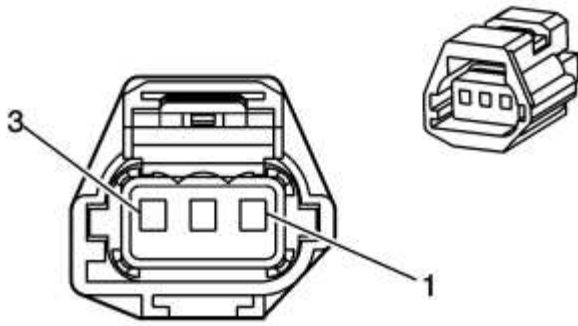
- Terminal/Tray: Service by Assembly - See Part Catalog
- Core/Insulation Crimp: N/A
- Release Tool/Test Probe: N/A

### Body Control Module (BCM) X3

Pin	Wire	Circuit	Function
A1	—	2140	Battery Positive Voltage
A2	—	2140	Battery Positive Voltage
A3	—	748	Right Rear Door Ajar Switch Signal
A4	—	1134	Park Brake Switch Signal
A5	—	195	Door Lock Control
A6	—	2265	Power Window Lockout Left Rear Control
A7	—	HD11	Not Used

A8	—	747	Left Rear Door Ajar Switch Signal
A9	—	LD14	Not Used
A10	—	LD16	Not Used
A11	—	1350	Ground
A12	—	1353	RAP Supply Voltage
A13	—	194	Door Unlock Control
A14	—	1080	Park Lamp Relay Control
A15	—	LS05	Power Sounder Enable Signal (BAE)
A16	—	1828	Intrusion Sensor Data Signal (BAE)
A17	—	A12	Not Used
A18	—	992	Ignition 0 Voltage
A19	—	39	Ignition 1 Voltage
A20	—	541	Ignition 3 Voltage
B1	—	230	Instrument Panel Lamps Dimming Control
B2	—	230	Instrument Panel Lamps Dimming Control
B3	—	690	Courtesy Lamp Supply Voltage
B4	—	2240	Battery Positive Voltage
B5	—	1196	Power Window Switch Right Rear Up Signal
B6	—	2266	Power Window Lockout Right Rear Control
B7	—	1188	Power Window Switch Right Rear Down Signal
B8	—	1185	Power Window Switch Left Rear Up Signal
B9	—	1187	Power Window Switch Left Rear Down Signal
B10	—	LD11	Not Used
B11	—	1350	Ground
B12	—	24	Backup Lamp Supply Voltage
B13	—	4440	Battery Positive Voltage
B14	—	1382	LED Dimming Signal
B15	—	543	Accessory Voltage
B16	—	HS02	Not Used
B17	—	4040	Battery Positive Voltage
B18	—	1732	Courtesy Lamps Supply Voltage
B19	—	1977	Rear Fog Lamp Relay and Indicator Control
B20	—	LS03	Incline Sensor Signal (BAE)

### Brake Booster Vacuum Sensor (LH6/LS2)



 [Click here for full size](#)

### Connector Part Information

- OEM: 15448870
- Service: 88988602
- Description: 3-Way F 1.5 Sealed (GY)

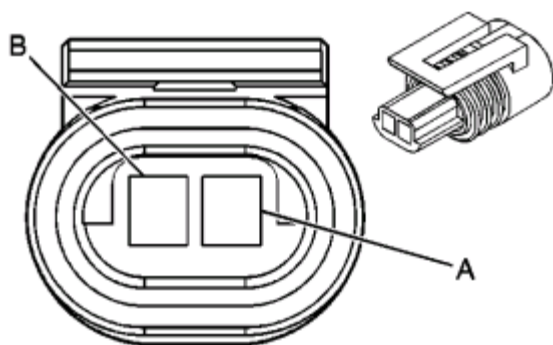
### Terminal Part Information

- Terminal/Tray: 7116-4102-08/9
- Core/Insulation Crimp: E/1
- Release Tool/Test Probe: 12094430/J-35616-2A (GY)

### Brake Booster Vacuum Sensor (LH6/LS2)

Pin	Wire	Circuit	Function
1	0.35 D-BU	1809	Brake Booster Vacuum Sensor Signal
2	0.35 BK	452	Low Reference
3	0.35 GY	416	5-Volt Reference

### Brake Fluid Level Switch



[Click here for full size](#)

### Connector Part Information

- OEM: 15304635
- Service: 15306031
- Description: 2-Way F Metri-Pack 150.2 Series Sealed (GY)

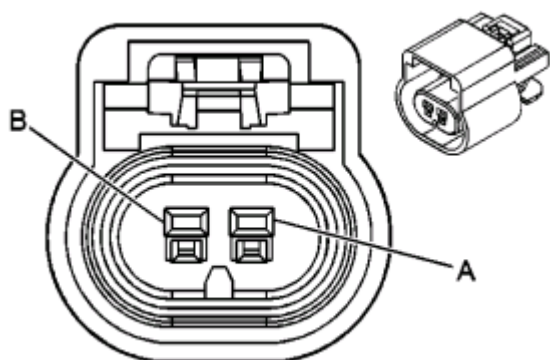
### Terminal Part Information

- Terminal/Tray: 12124075/5
- Core/Insulation Crimp: E/C
- Release Tool/Test Probe: 12180559-1/J-35616-2A (GY)

### Brake Fluid Level Switch

Pin	Wire	Circuit	Function
A	0.5 BK	350	Ground
B	0.5 PU	333	Brake Fluid Level Sensor Signal

### Camshaft Actuator Solenoid Assembly (LL8)



[Click here for full size](#)

**Connector Part Information**

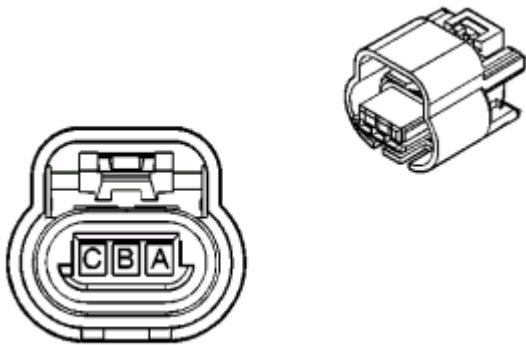
- OEM: 15326801
- Service: 15306156
- Description: 2-Way F GT 150 Series Sealed (BK)

**Terminal Part Information**

- Terminal/Tray: 12191819/8
- Core/Insulation Crimp: E/A
- Release Tool/Test Probe: 15315247/J-35616-2A (GY)

**Camshaft Actuator Solenoid Assembly (LL8)**

Pin	Wire	Circuit	Function
A	0.35 BN	2198	Camshaft Position Solenoid Actuator High Control
B	0.35 BK	2199	Low Reference

**Camshaft Position (CMP) Sensor (LL8)**

 [Click here for full size](#)

**Connector Part Information**

- OEM: 15393906
- Service: 12117025
- Description: 3-Way F Metri-Pack 150 Series, Sealed (BK)

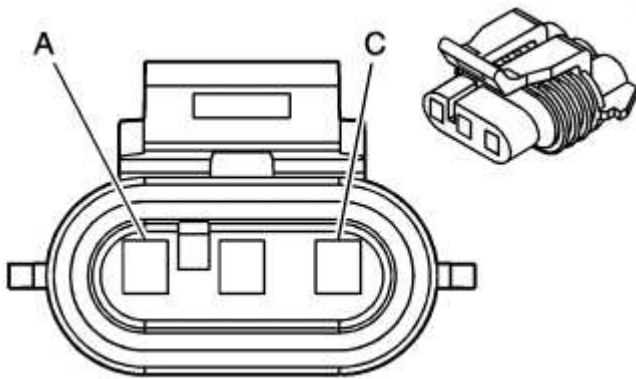
**Terminal Part Information**

- Terminal/Tray: 15326267/19
- Core/Insulation Crimp: E/4
- Release Tool/Test Probe: 15315247/J-35616-2A (GY)

### Camshaft Position (CMP) Sensor (LL8)

Pin	Wire	Circuit	Function
A	0.35 RD	631	12-Volt Reference
B	0.35 PK/BK	632	CMP Sensor Signal
C	0.35 BK	630	Low Reference

### Camshaft Position (CMP) Sensor (LH6/LS2)



[Click here for full size](#)

### Connector Part Information

- OEM: 12059595
- Service: 88986451
- Description: 3-Way F Metri-Pack 150 Series Sealed (BK)

### Terminal Part Information

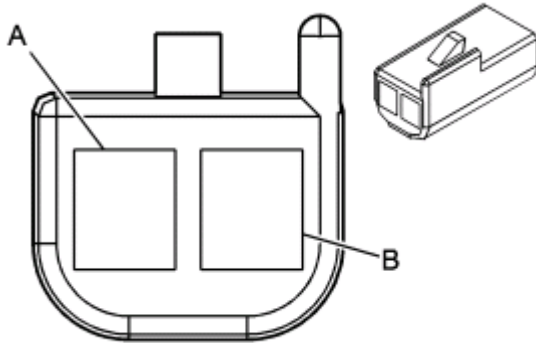
- Terminal/Tray: 12048074/2
- Core/Insulation Crimp: E/1
- Release Tool/Test Probe: 12094429/J-35616-2A (GY)

### Camshaft Position (CMP) Sensor (LH6/LS2)

Pin	Wire	Circuit	Function
-----	------	---------	----------

A	0.35 RD	631	12-Volt Reference
B	0.35 PK/BK	632	Low Reference
C	0.35 BN/WH	633	CMP Sensor Signal

### Cargo Lamp



[Click here for full size](#)

### Connector Part Information

- OEM: 12047662
- Service: 12085535
- Description: 2-Way F Metri-Pack 150 Series Unsealed (BK)

### Terminal Part Information

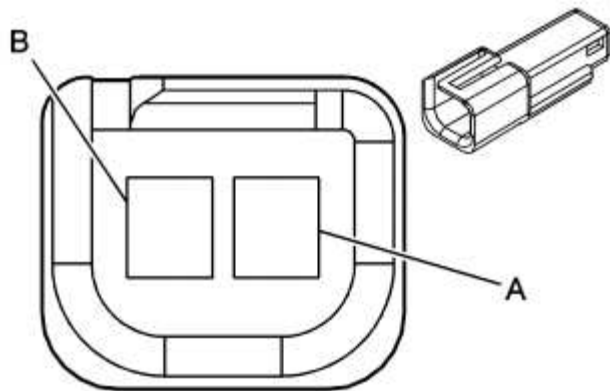
- Terminal/Tray: 12064971/5
- Core/Insulation Crimp: E/C
- Release Tool/Test Probe: 12094428/J-35616-2A (GY)

### Cargo Lamp

Pin	Wire	Circuit	Function
A	0.35 BK	1350	Ground
B	0.35 GY/BK	690	Courtesy Lamp Supply Voltage

### Cellular Microphone (UE1)





 [Click here for full size](#)

### Connector Part Information

- OEM: 12047663
- Service: 12085481
- Description: 2-Way M Metri-Pack 150 Series (BK)

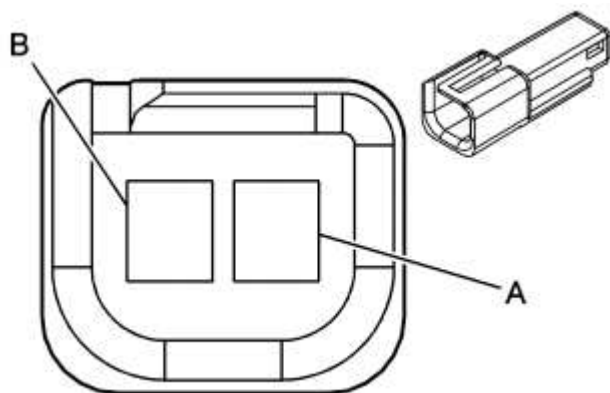
### Terminal Part Information

- Terminal/Tray: 12047581/2
- Core/Insulation Crimp: E/C
- Release Tool/Test Probe: 12094429/J-35616-3 (GY)

### Cellular Microphone (UE1)

Pin	Wire	Circuit	Function
A	0.35 GY	655	Cellular Microphone Low Reference
B	0.35 D-GN	654	Cellular Microphone Signal

### Center High Mounted Stop Lamp (CHMSL)



 [Click here for full size](#)

### Connector Part Information

- OEM: 12047663
- Service: 12085481
- Description: 2-Way M Metri-Pack 150 Series Unsealed (BK)

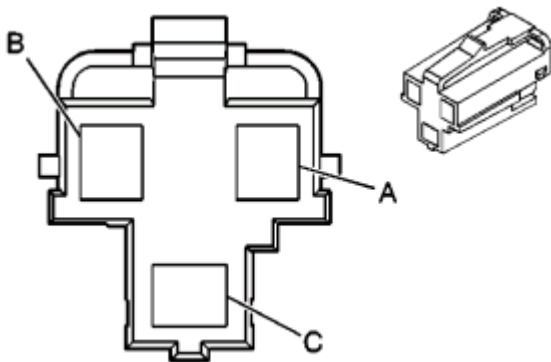
### Terminal Part Information


- Terminal/Tray: 12047581/2
- Core/Insulation Crimp: E/C
- Release Tool/Test Probe: 12094429/J-35616-3 (GY)

### Center High Mounted Stop Lamp (CHMSL)

Pin	Wire	Circuit	Function
A	0.35 YE	820	CHMSL Supply Voltage
B	0.35 BK	1550	Ground

### Cigar Lighter



 [Click here for full size](#)

### Connector Part Information

- OEM: 12176445
- Service: 15305923
- Description: 3-Way F Metri-Pack 280 Series (NA)

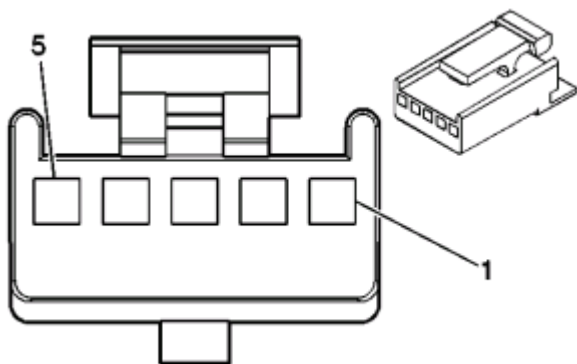
### Terminal Part Information

- Pins: A, C
- Terminal/Tray: 12110844/4
- Core/Insulation Crimp: C/A
- Release Tool/Test Probe: 15315247/J-35616-4A (PU)

## Cigar Lighter

Pin	Wire	Circuit	Function
A	0.8 OG	640	Battery Positive Voltage
B	—	—	Not Used
C	0.8 BK	2250	Ground

## Console Mode Actuator - Auxiliary (CJ2)



[Click here for full size](#)

### Connector Part Information

- OEM: 12064982
- Service: 12102633
- Description: 5-Way F Micro-Pack 100 Series Unsealed (BK)

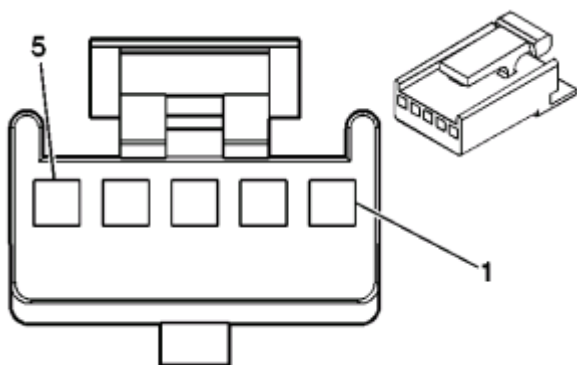
### Terminal Part Information

- Pins: 1-3
- Terminal/Tray: 12146447/3
- Core/Insulation Crimp: E/C
- Release Tool/Test Probe: 12031876-1/J-35616-6 (BN)

## Console Mode Actuator - Auxiliary (CJ2)

Pin	Wire	Circuit	Function
1	0.35 BN	341	Ignition 3 Voltage
2	0.35 WH	119	Auxiliary Mode Door Control
3	0.35 BK	2250	Ground
4-5	—	—	Not Used

### Console Mode Actuator - Auxiliary (CJ3)



[Click here for full size](#)

### Connector Part Information

- OEM: 12064982
- Service: 12102633
- Description: 5-Way F Micro-Pack 100 Series Unsealed (BK)

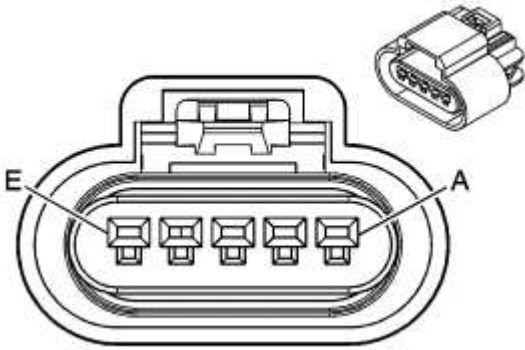
### Terminal Part Information

- Pins: 1-3
- Terminal/Tray: 12146447/3
- Core/Insulation Crimp: E/C
- Release Tool/Test Probe: 12031876-1/J-35616-6 (BN)

### Console Mode Actuator - Auxiliary (CJ3)

Pin	Wire	Circuit	Function
1	0.35 BN	341	Ignition 3 Voltage
2	0.35 WH	119	Auxiliary Mode Door Control
3	0.35 BK	2250	Ground
4-5	—	—	Not Used

## Cooling Fan



[Click here for full size](#)

### Connector Part Information

- OEM: 15326822
- Service: 88987186
- Description: 5-Way F GT 150 Series Sealed (BK)

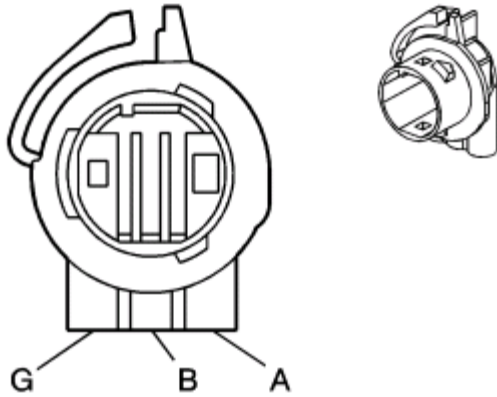
### Terminal Part Information

- Terminal/Tray: 12191819/8
- Core/Insulation Crimp: E/1
- Release Tool/Test Probe: 15315247/J-35616-2A (GY)

## Cooling Fan

Pin	Wire	Circuit	Function
A	0.35 BK	250	Ground
B	0.35 WH	2368	Cooling Fan Clutch Supply Voltage
C	0.35 GY/WH	2365	Low Reference
D	0.35 D-BU	2364	Cooling Fan Speed Signal
E	0.35 GY	597	5-Volt Reference

## Cornering Lamp - Left (Z88)



[Click here for full size](#)

### Connector Part Information

- OEM: 15326291
- Service: 15306358
- Description: 2-Way F Lamp Socket Wedge (NA)

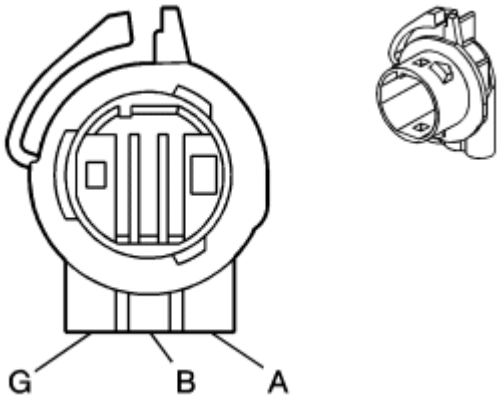
### Terminal Part Information

- Terminal/Tray: Service by Assembly - See Part Catalog
- Core/Insulation Crimp: N/A
- Release Tool/Test Probe: N/A

### Cornering Lamp - Left (Z88)

Pin	Wire	Circuit	Function
A	0.35 OG	57	Left Cornering Lamp Supply Voltage
G	0.35 BK	350	Ground

### Cornering Lamp - Right (Z88)



 [Click here for full size](#)

### Connector Part Information

- OEM: 15326291
- Service: 15306358
- Description: 2-Way F Lamp Socket Wedge (NA)

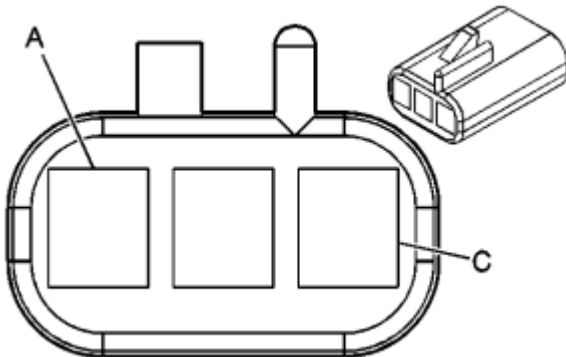
### Terminal Part Information


- Terminal/Tray: Service by Assembly - See Part Catalog
- Core/Insulation Crimp: N/A
- Release Tool/Test Probe: N/A

### Cornering Lamp - Right (Z88)

Pin	Wire	Circuit	Function
A	0.35 BK	58	Right Cornering Lamp Supply Voltage
G	0.35 BK	250	Ground

### Courtesy/Reading Lamp - Center



 [Click here for full size](#)

### Connector Part Information

- OEM: 12047781
- Service: 12101864
- Description: 3-Way F Metri-Pack 150 Series Unsealed (BK)

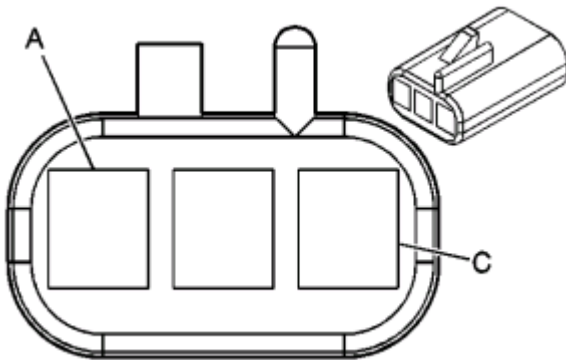
### Terminal Part Information

- Terminal/Tray: 12064971/5
- Core/Insulation Crimp: E/C
- Release Tool/Test Probe: 12094429/J-35616-2A (GY)

### Courtesy/Reading Lamp - Center

Pin	Wire	Circuit	Function
A	0.35 GY/BK	690	Courtesy Lamp Supply Voltage
B	0.35 BK	1350	Ground
C	0.35 OG	1732	Courtesy Lamps Supply Voltage

### Courtesy/Reading Lamp - Front



[Click here for full size](#)

### Connector Part Information

- OEM: 12047781
- Service: 12101864
- Description: 3-Way F Metri-Pack 150 Series Unsealed (BK)

### Terminal Part Information

- Terminal/Tray: 12064971/5
- Core/Insulation Crimp: E/C
- Release Tool/Test Probe: 12094429/J-35616-2A (GY)

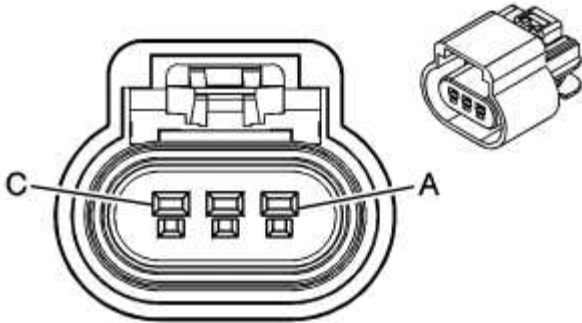
### Courtesy/Reading Lamp - Front

Pin	Wire	Circuit	Function
A	0.35 GY/BK	690	Courtesy Lamp Supply Voltage



B	0.35 BK	1350	Ground
C	0.35 OG	1732	Courtesy Lamps Supply Voltage

### Crankshaft Position (CKP) Sensor (LL8)



[Click here for full size](#)

#### Connector Part Information

- OEM: 13519047
- Service: 15306388
- Description: 3-Way F GT 150 Series, Sealed (BK)

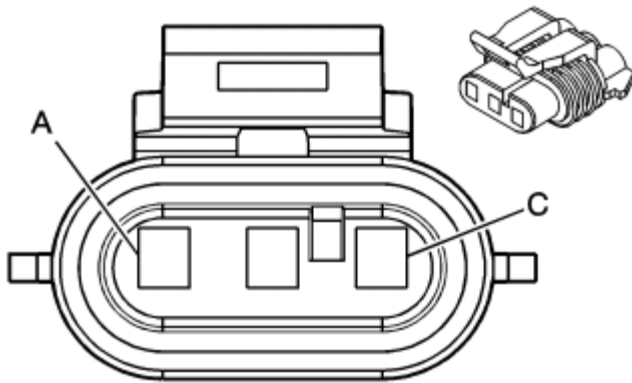
#### Terminal Part Information

- Terminal/Tray: 12191819/8
- Core/Insulation Crimp: E/A
- Release Tool/Test Probe: 15315247/J-35616-2A (GY)

### Crankshaft Position (CKP) Sensor (LL8)

Pin	Wire	Circuit	Function
A	0.5 D-BU	6259	5-Volt Reference
B	0.5 BK	407	Low Reference
C	0.5 BN/WH	633	CKP Sensor Signal

### Crankshaft Position (CKP) Sensor (LH6/LS2)



[Click here for full size](#)

### Connector Part Information

- OEM: 12129946
- Service: 88987997
- Description: 3-Way F Metri-Pack 150 Series Sealed (GY)

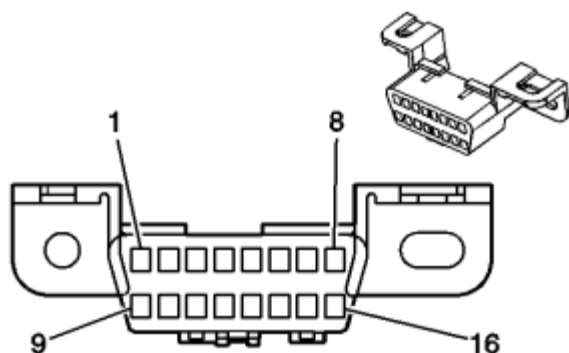
### Terminal Part Information

- Terminal/Tray: 12048074/2
- Core/Insulation Crimp: E/1
- Release Tool/Test Probe: 12094429/J-35616-2A (GY)

### Crankshaft Position (CKP) Sensor (LH6/LS2)

Pin	Wire	Circuit	Function
A	0.35 D-BU/WH	1869	CKP Sensor Signal
B	0.35 YE/BK	1868	Low Reference
C	0.35 L-GN	1867	12-Volt Reference

### Data Link Connector (DLC)



[Click here for full size](#)

### Connector Part Information

- OEM: 12110250
- Service: 12110250
- Description: 16-Way F Metri-Pack 150 Series (BK)

### Terminal Part Information

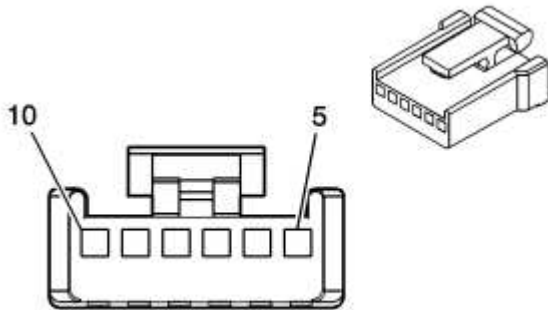
- Pins: 2, 5-6, 14
- Terminal/Tray: 12129484/19
- Core/Insulation Crimp: E/C
- Release Tool/Test Probe: 12094429/J-35616-2A (GY)
- Pins: 4, 16
- Terminal/Tray: 12129484/19
- Core/Insulation Crimp: E/A
- Release Tool/Test Probe: 12094429/J-35616-2A (GY)

### Data Link Connector (DLC)

Pin	Wire	Circuit	Function
1	—	—	Not Used
2	0.35 PU	1132	DLC Class 2 Serial Data
3	—	—	Not Used
4	0.8 BK	2250	Ground
5	0.35 BK/WH	751	Ground
6	0.5 D-BU	6105	High Speed GMLAN Serial Data (+)
7-13	—	—	Not Used
14	0.5 L-BU/BK	6106	High Speed GMLAN Serial Data (-)
15	—	—	Not Used

16	0.8 OG	640	Battery Positive Voltage
----	--------	-----	--------------------------

## Defrost Actuator



[Click here for full size](#)

### Connector Part Information

- OEM: 12040953
- Service: 12102632
- Description: 6-Way F Micro-Pack 100 Series Unsealed (BK)

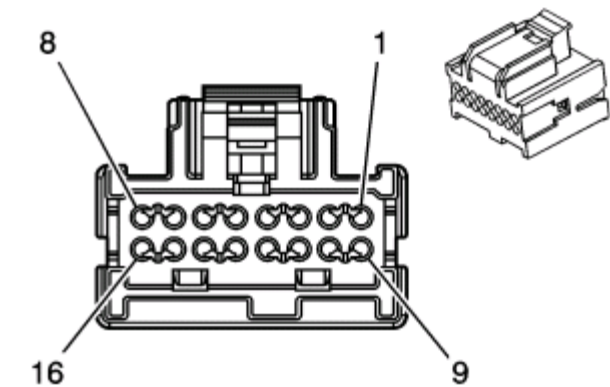
### Terminal Part Information

- Pins: 5-7, 9-10
- Terminal/Tray: 12146447/3
- Core/Insulation Crimp: E/C
- Release Tool/Test Probe: 12031876-1/J-35616-6 (BN)

## Defrost Actuator

Pin	Wire	Circuit	Function
5	0.35 BN	341	Ignition 3 Voltage
6	0.35 TN/BK	2274	Defrost Door Control
7	0.35 YE	1791	Low Reference
8	—	—	Not Used
9	0.35 L-GN/BK	2276	Defrost Door Position Signal
10	0.35 L-BU/BK	1688	5-Volt Reference

## Digital Radio Receiver (with U2K)



[Click here for full size](#)

### Connector Part Information

- OEM: 15394150
- Service: 15394150
- Description: 16-Way F Micro 64 Series (BK)

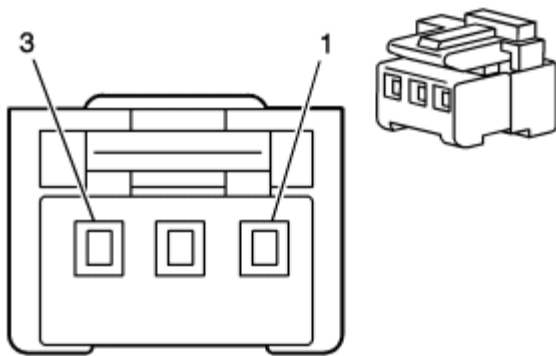
### Terminal Part Information

- Pins: 2-3, 7, 9-10, 16
- Terminal/Tray: 15359541/4
- Core/Insulation Crimp: M/M
- Release Tool/Test Probe: 15381651-2/J-35616-64B (L-BU)

### Digital Radio Receiver (with U2K)

Pin	Wire	Circuit	Function
1	—	—	Not Used
2	0.35 BN/WH	367	Left Audio Signal (+)
3	0.35 D-GN/WH	368	Right Audio Signal (+)
4-6	—	—	Not Used
7	0.35 YE	5679	Class 2 Serial Data
8	—	—	Not Used
9	0.5 BK/WH	751	Ground
10	0.35 BK/WH	372	Audio Common
11-15	—	—	Not Used
16	0.5 OG	340	Battery Positive Voltage

### Digital Video Disc (DVD) Control Module X1 (SPO DVD)



[Click here for full size](#)

### Connector Part Information

- Harness: SPO Accessory Power Jumper
- OEM: Not Available
- Service: Service by Harness - See Part Catalog
- Description: 3-Way F (WH)

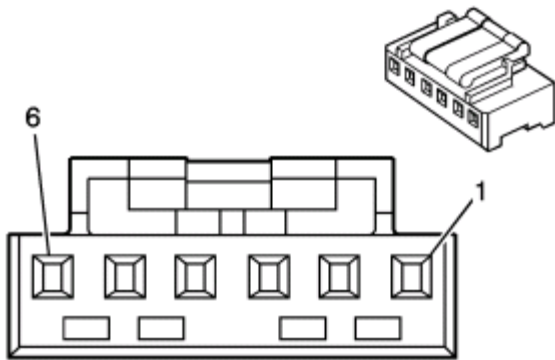
### Terminal Part Information

- Terminal/Tray: Service by Harness - See Part Catalog
- Core/Insulation Crimp: Not Available
- Release Tool/Test Probe: Not Available

### Digital Video Disc (DVD) Control Module X1 (SPO DVD)

Pin	Wire	Circuit	Function
1	BK	—	Ground
2	—	—	Not Used
3	RD	—	Ignition Voltage

### Digital Video Disc (DVD) Control Module X2 (SPO DVD)



[Click here for full size](#)

### Connector Part Information

- Harness: SPO Accessory Signal Cable 3A
- OEM: Not Available
- Service: Service by Harness - See Part Catalog
- Description: 6-Way F (RD)

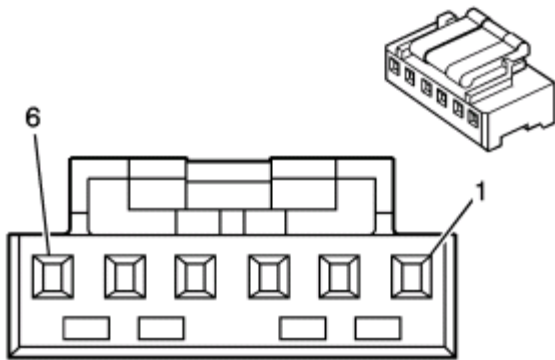
### Terminal Part Information

- Terminal/Tray: Service by Harness - See Part Catalog
- Core/Insulation Crimp: Not Available
- Release Tool/Test Probe: Not Available

### Digital Video Disc (DVD) Control Module X2 (SPO DVD)

Pin	Wire	Circuit	Function
1	BK	—	Audio/Video Common B (-)
2	YE	—	DVD Video Signal B (+)
3	RD	—	Right Audio Signal B (+)
4	WH	—	Left Audio Signal B (+)
5	BK	—	Ground
6	RD	—	Ignition Voltage

### Digital Video Disc (DVD) Control Module X3 (SPO DVD)



[Click here for full size](#)

### Connector Part Information

- Harness: SPO Accessory Signal Cable 3A
- OEM: Not Available
- Service: Service by Harness - See Part Catalog
- Description: 6-Way F (WH)

### Terminal Part Information

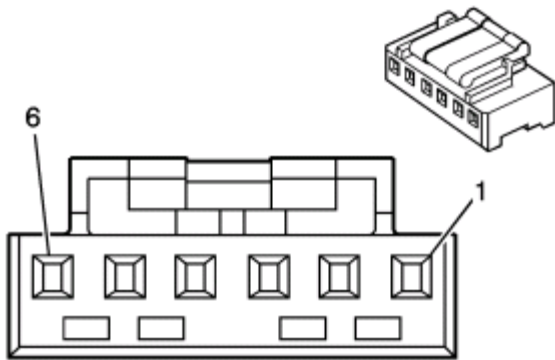
- Terminal/Tray: Service by Harness - See Part Catalog
- Core/Insulation Crimp: Not Available
- Release Tool/Test Probe: Not Available

### Digital Video Disc (DVD) Control Module X3 (SPO DVD)

Pin	Wire	Circuit	Function
1	BK	—	Audio/Video Common A (-)
2	YE	—	DVD Video Signal A (+)
3	RD	—	Right Audio Signal A (+)
4	WH	—	Left Audio Signal A (+)
5	BK	—	I2C Clock Signal
6	RD	—	I2C Data

### Digital Video Disc (DVD) Control Module X4 (SPO DVD)





[Click here for full size](#)

### Connector Part Information

- Harness: SPO Accessory Signal Cable 3B
- OEM: Not Available
- Service: Service by Harness - See Part Catalog
- Description: 6-Way F (BK)

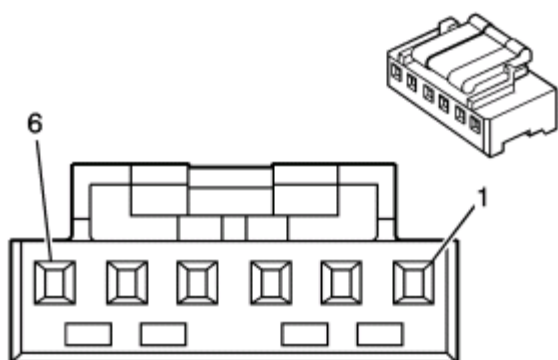
### Terminal Part Information

- Terminal/Tray: Service by Harness - See Part Catalog
- Core/Insulation Crimp: Not Available
- Release Tool/Test Probe: Not Available

### Digital Video Disc (DVD) Control Module X4 (SPO DVD)

Pin	Wire	Circuit	Function
1	BK	—	Audio/Video Common A (-)
2	YE	—	DVD Video Signal A (+)
3	RD	—	Right Audio Signal A (+)
4	WH	—	Left Audio Signal A (+)
5	BK	—	Ground
6	RD	—	Ignition Voltage

### Digital Video Disc (DVD) Control Module X5 (SPO DVD)



[Click here for full size](#)

### Connector Part Information

- Harness: SPO Accessory Signal Cable 3B
- OEM: Not Available
- Service: Service by Harness - See Part Catalog
- Description: 6-Way F (BU)

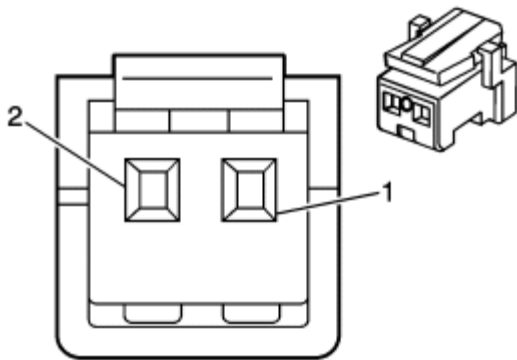
### Terminal Part Information

- Terminal/Tray: Service by Harness - See Part Catalog
- Core/Insulation Crimp: Not Available
- Release Tool/Test Probe: Not Available

### Digital Video Disc (DVD) Control Module X5 (SPO DVD)

Pin	Wire	Circuit	Function
1	BK	—	Audio/Video Common B (-)
2	YE	—	DVD Video Signal B (+)
3	RD	—	Right Audio Signal B (+)
4	WH	—	Left Audio Signal B (+)
5	BK	—	I2C Clock Signal
6	RD	—	I2C Data

### Digital Video Disc (DVD) Control Module X6 (SPO DVD)



[Click here for full size](#)

### Connector Part Information

- Harness: SPO Accessory FM Antenna
- OEM: Not Available
- Service: Service by Harness - See Part Catalog
- Description: 2-Way F (WH)

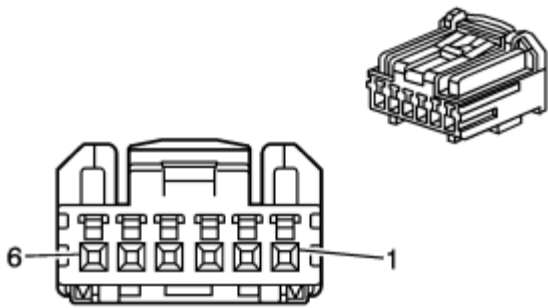
### Terminal Part Information

- Terminal/Tray: Service by Harness - See Part Catalog
- Core/Insulation Crimp: Not Available
- Release Tool/Test Probe: Not Available

### Digital Video Disc (DVD) Control Module X6 (SPO DVD)

Pin	Wire	Circuit	Function
1	YE	—	FM Antenna Signal
2	BK	—	FM Antenna Shield

### Digital Video Disc (DVD) Display - Driver Seat Headrest X1 (SPO DVD)



[Click here for full size](#)

### Connector Part Information

- Harness: SPO Accessory Signal Cable 1A
- OEM: Not Available
- Service: Service by Harness - See Part Catalog
- Description: 6-Way F (RD)

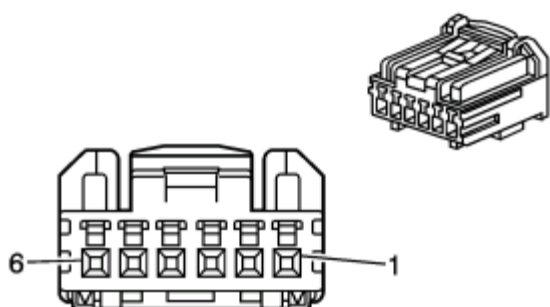
### Terminal Part Information

- Terminal/Tray: Service by Harness - See Part Catalog
- Core/Insulation Crimp: Not Available
- Release Tool/Test Probe: Not Available

### Digital Video Disc (DVD) Display - Driver Seat Headrest X1 (SPO DVD)

Pin	Wire	Circuit	Function
1	BK	-	Audio/Video Common B (-)
2	YE	-	DVD Video Signal B (+)
3	RD	-	Right Audio Signal B (+)
4	WH	-	Left Audio Signal B (+)
5	BK	-	Ground
6	RD	-	Ignition Voltage

### Digital Video Disc (DVD) Display - Driver Seat Headrest X2 (SPO DVD)



[Click here for full size](#)

### Connector Part Information

- Harness: SPO Accessory Signal Cable 2A
- OEM: Not Available
- Service: Service by Harness - See Part Catalog
- Description: 6-Way F (WH)

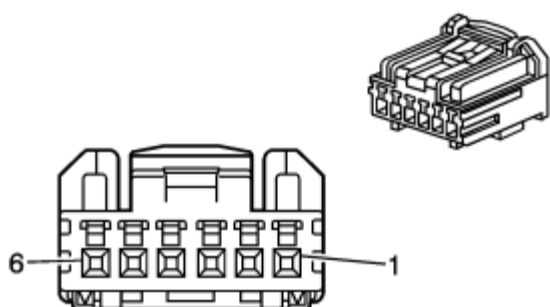
### Terminal Part Information

- Terminal/Tray: Service by Harness - See Part Catalog
- Core/Insulation Crimp: Not Available
- Release Tool/Test Probe: Not Available

### Digital Video Disc (DVD) Display - Driver Seat Headrest X2 (SPO DVD)

Pin	Wire	Circuit	Function
1	BK	-	Audio/Video Common A (-)
2	YE	-	DVD Video Signal A (+)
3	RD	-	Right Audio Signal A (+)
4	WH	-	Left Audio Signal A (+)
5	BK	-	I2C Clock Signal
6	RD	-	I2C Data

### Digital Video Disc (DVD) Display - Passenger Seat Headrest X1 (SPO DVD)



[Click here for full size](#)

### Connector Part Information

- Harness: SPO Accessory Signal Cable 1B
- OEM: Not Available
- Service: Service by Harness - See Part Catalog
- Description: 6-Way F (BK)

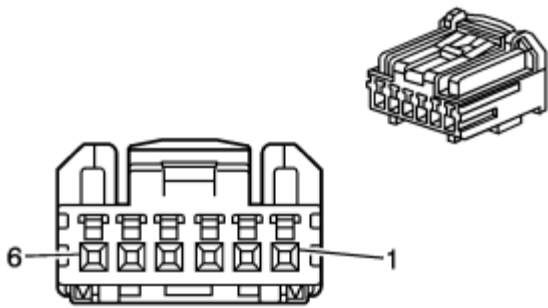
### Terminal Part Information

- Terminal/Tray: Service by Harness - See Part Catalog
- Core/Insulation Crimp: Not Available
- Release Tool/Test Probe: Not Available

### Digital Video Disc (DVD) Display - Passenger Seat Headrest X1 (SPO DVD)

Pin	Wire	Circuit	Function
1	BK	-	Audio/Video Common A (-)
2	YE	-	DVD Video Signal A (+)
3	RD	-	Right Audio Signal A (+)
4	WH	-	Left Audio Signal A (+)
5	BK	-	Ground
6	RD	-	Ignition Voltage

### Digital Video Disc (DVD) Display - Passenger Seat Headrest X2 (SPO DVD)



[Click here for full size](#)

### Connector Part Information

- Harness: SPO Accessory Signal Cable 2B
- OEM: Not Available
- Service: Service by Harness - See Part Catalog
- Description: 6-Way F (BU)

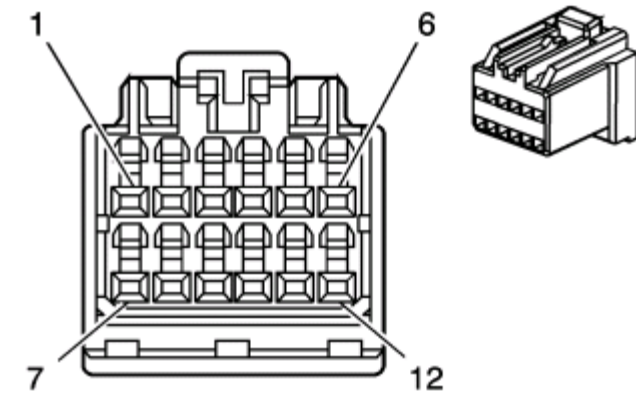
### Terminal Part Information

- Terminal/Tray: Service by Harness - See Part Catalog
- Core/Insulation Crimp: Not Available
- Release Tool/Test Probe: Not Available

### Digital Video Disc (DVD) Display - Passenger Seat Headrest X2 (SPO DVD)

Pin	Wire	Circuit	Function
1	BK	-	Audio/Video Common B (-)
2	YE	-	DVD Video Signal B (+)
3	RD	-	Right Audio Signal B (+)
4	WH	-	Left Audio Signal B (+)
5	BK	-	I2C Clock Signal
6	RD	-	I2C Data

### Digital Video Disc (DVD) Player (U42)



[Click here for full size](#)

### Connector Part Information

- OEM: 15341086
- Service: 88986454
- Description: 12-Way F Multilock 040 Series (BK)

### Terminal Part Information

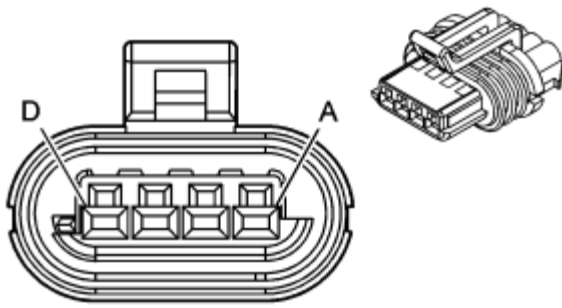
- Pins: 2, 5-7, 9, 12
- Terminal/Tray: 173681-2/17
- Core/Insulation Crimp: E/4
- Release Tool/Test Probe: 15315247/J-35616-16 (L-GN)

### Digital Video Disc (DVD) Player (U42)

Pin	Wire	Circuit	Function
1	—	—	Not Used
2	0.35 YE/BK	5485	Class 2 Serial Data
3-4	—	—	Not Used
5	0.35 D-GN/WH	368	Right Audio Signal (+)
6	0.35 BN/WH	367	Left Audio Signal (+)
7	0.35 BK	1350	Ground
8	—	—	Not Used
9	0.35 OG	3140	Battery Positive Voltage
10-11	—	—	Not Used
12	0.35 BK/WH	372	Audio Common

### Door Latch Assembly - Driver X1





 [Click here for full size](#)

### Connector Part Information

- OEM: 15366025
- Service: 15306406
- Description: 4-Way F GT 150 Series Sealed (GY)

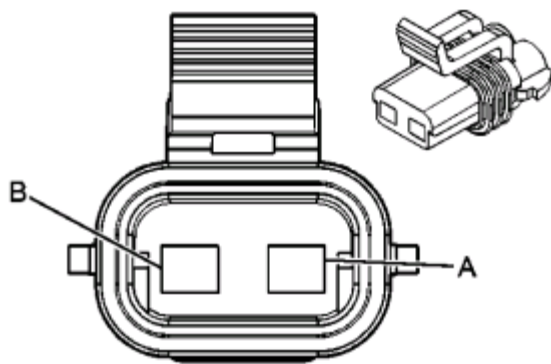
### Terminal Part Information

- Pins: B, D
- Terminal/Tray: 15326267/19
- Core/Insulation Crimp: E/4
- Release Tool/Test Probe: 15315247/J-35616-2A (GY)

### Door Latch Assembly - Driver X1

Pin	Wire	Circuit	Function
A	—	—	Not Used
B	0.35 GY/BK	745	Left Front Door Ajar Switch Signal
C	—	—	Not Used
D	0.35 BN	1183	Left Front Door Switch Low Reference

### Door Latch Assembly - Driver X2



 [Click here for full size](#)

### Connector Part Information

- OEM: 15300027
- Service: 12101855
- Description: 2-Way F Metri-Pack 280 Series Sealed (BK)

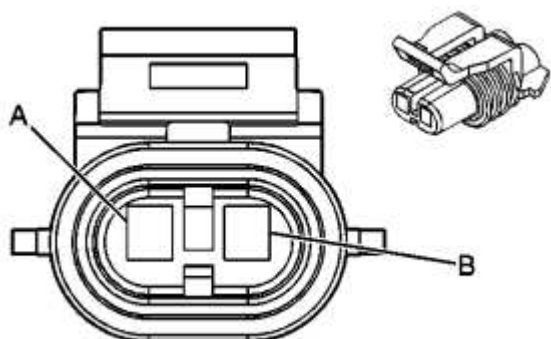
### Terminal Part Information

- Terminal/Tray: 12077411/2
- Core/Insulation Crimp: 2/5
- Release Tool/Test Probe: 12094430/J-35616-4A (PU)

### Door Latch Assembly - Driver X2

Pin	Wire	Circuit	Function
A	0.35 TN	294	Door Lock Actuator Unlock Control
B	0.35 GY	295	Door Lock Actuator Lock Control

### Door Latch Assembly - Driver X3 (UA6/UA2)



 [Click here for full size](#)

**Connector Part Information**

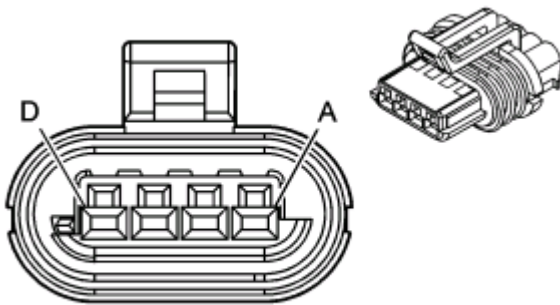
- OEM: 12052642
- Service: 12101856
- Description: 2-Way F Metri-Pack 150 Series Sealed (L-GN)

**Terminal Part Information**

- Terminal/Tray: 12048074/2
- Core/Insulation Crimp: E/1
- Release Tool/Test Probe: 12094429/J-35616-2A (GY)

**Door Latch Assembly - Driver X3 (UA6/UA2)**

Pin	Wire	Circuit	Function
A	0.35 D-BU	536	Driver Door Key Switch Low Reference
B	0.35 L-GN	262	Driver Door Key Switch Signal

**Door Latch Assembly - Left Rear X1**

 [Click here for full size](#)

**Connector Part Information**

- OEM: 15366025
- Service: 15306406
- Description: 4-Way F GT 150 Series Sealed (GY)

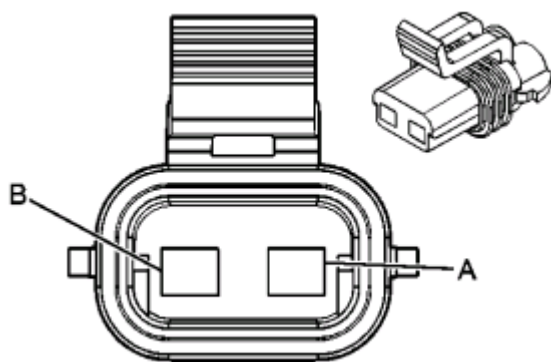
**Terminal Part Information**

- Pins: B, D
- Terminal/Tray: 15326267/19
- Core/Insulation Crimp: E/4
- Release Tool/Test Probe: 15315247/J-35616-2A (GY)

### Door Latch Assembly - Left Rear X1

Pin	Wire	Circuit	Function
A	—	—	Not Used
B	0.35 L-BU/BK	747	Left Rear Door Ajar Switch Signal
C	—	—	Not Used
D	0.35 BK	1350	Ground

### Door Latch Assembly - Left Rear X2



[Click here for full size](#)

#### Connector Part Information

- OEM: 15300027
- Service: 12101855
- Description: 2-Way F Metri-Pack 280 Series Sealed (BK)

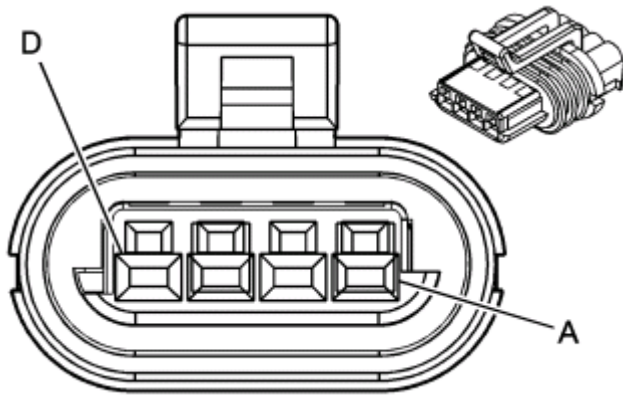
#### Terminal Part Information

- Terminal/Tray: 12077411/2
- Core/Insulation Crimp: 2/5
- Release Tool/Test Probe: 12094430/J-35616-4A (PU)

### Door Latch Assembly - Left Rear X2

Pin	Wire	Circuit	Function
A	0.35 TN	294	Door Lock Actuator Unlock Control
B	0.35 GY	295	Door Lock Actuator Lock Control

### Door Latch Assembly - Passenger X1



[Click here for full size](#)

### Connector Part Information

- OEM: 15366027
- Service: 15306417
- Description: 4-Way F GT 150 Series Sealed (D-BU)

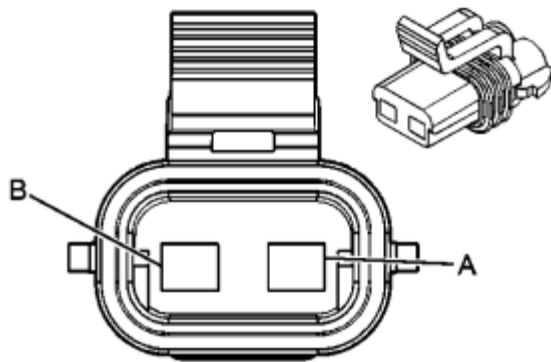
### Terminal Part Information

- Pins: A, C
- Terminal/Tray: 15326267/19
- Core/Insulation Crimp: E/4
- Release Tool/Test Probe: 15315247/J-35616-2A (GY)

### Door Latch Assembly - Passenger X1

Pin	Wire	Circuit	Function
A	0.35 D-GN	1178	Right Front Door Switch Low Reference
B	—	—	Not Used
C	0.35 BK/WH	746	Right Front Door Ajar Switch Signal
D	—	—	Not Used

### Door Latch Assembly - Passenger X2



[Click here for full size](#)

#### Connector Part Information

- OEM: 15300027
- Service: 12101855
- Description: 2-Way F Metri-Pack 280 Series Sealed (BK)

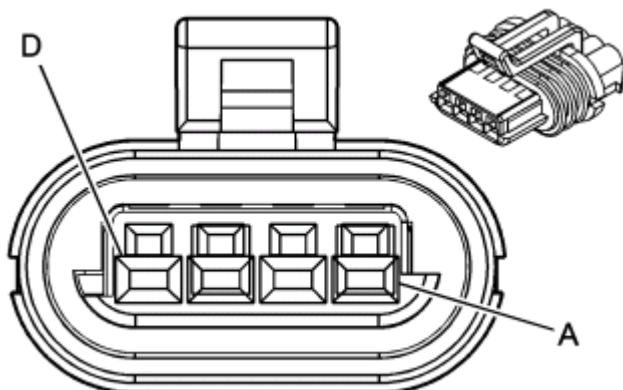
#### Terminal Part Information

- Terminal/Tray: 12077411/2
- Core/Insulation Crimp: 2/5
- Release Tool/Test Probe: 12094430/J-35616-4A (PU)

#### Door Latch Assembly - Passenger X2

Pin	Wire	Circuit	Function
A	0.35 TN	294	Door Lock Actuator Unlock Control
B	0.35 GY	295	Door Lock Actuator Lock Control

#### Door Latch Assembly - Right Rear X1



[Click here for full size](#)

**Connector Part Information**

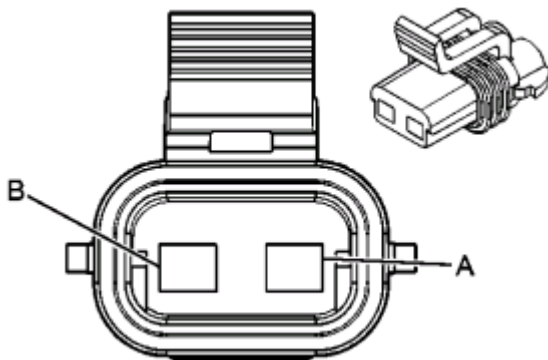
- OEM: 15366027
- Service: 15306417
- Description: 4-Way F GT 150 Series Sealed (D-BU)

**Terminal Part Information**

- Pins: A, C
- Terminal/Tray: 15326267/19
- Core/Insulation Crimp: E/4
- Release Tool/Test Probe: 15315247/J-35616-2A (GY)

**Door Latch Assembly - Right Rear X1**

Pin	Wire	Circuit	Function
A	0.35 BK	1450	Ground
B	—	—	Not Used
C	0.35 L-GN/BK	748	Right Rear Door Ajar Switch Signal
D	—	—	Not Used

**Door Latch Assembly - Right Rear X2**

[Click here for full size](#)

**Connector Part Information**

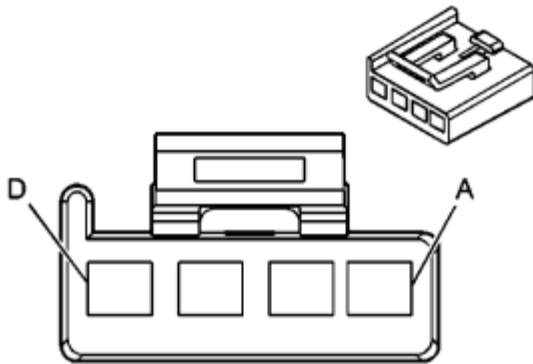
- OEM: 15300027
- Service: 12101855
- Description: 2-Way F Metri-Pack 280 Series Sealed (BK)

**Terminal Part Information**

- Terminal/Tray: 12077411/2
- Core/Insulation Crimp: 2/5
- Release Tool/Test Probe: 12094430/J-35616-4A (PU)

**Door Latch Assembly - Right Rear X2**

Pin	Wire	Circuit	Function
A	0.35 TN	294	Door Lock Actuator Unlock Control
B	0.35 GY	295	Door Lock Actuator Lock Control

**Driver Door Module (DDM) X1**

[Click here for full size](#)

**Connector Part Information**

- OEM: 12052856
- Service: 12125636
- Description: 4-Way F Metri-Pack 280 Series Unsealed (BK)

**Terminal Part Information**

- Pins: A, D
- Terminal/Tray: 12015858/4
- Core/Insulation Crimp: F/G
- Release Tool/Test Probe: 12094430/J-35616-4A (PU)
- Pins: B-C
- Terminal/Tray: 12066214/2
- Core/Insulation Crimp: F/D

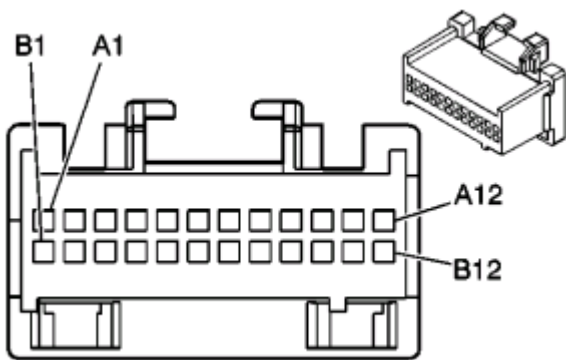


- Release Tool/Test Probe: 12094430/J-35616-4A (PU)

### Driver Door Module (DDM) X1

Pin	Wire	Circuit	Function
A	2 BK	1350	Ground
B	1 D-BU	164	Power Window Motor Left Front Up Control
C	1 BN	165	Power Window Motor Left Front Down Control
D	2 OG	1240	Battery Positive Voltage

### Driver Door Module (DDM) X2



[Click here for full size](#)

### Connector Part Information

- OEM: 12110088
- Service: 12110088
- Description: 24-Way F Micro-Pack 100 Series Unsealed (GY)

### Terminal Part Information

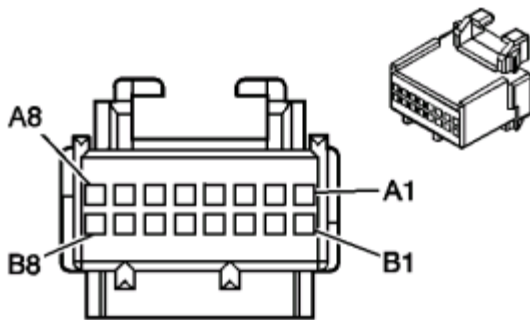
- Pins: A2, A4, A9-A11, B2-B3, B5, B10
- Terminal/Tray: 12146447/3
- Core/Insulation Crimp: E/C
- Release Tool/Test Probe: 12031876-1/J-35616-6 (BN)

### Driver Door Module (DDM) X2

Pin	Wire	Circuit	Function
A1	—	—	Not Used

A2	0.35 GY/BK	745	Left Front Door Ajar Switch Signal
A3	—	—	Not Used
A4	0.35 L-GN	262	Driver Door Key Switch Signal (UA2/UA6)
A5-A8	—	—	Not Used
A9	0.35 BN	1046	Class 2 Serial Data
A10	0.35 D-BU	536	Driver Door Key Switch Low Reference (UA2/UA6)
A11	0.35 L-BU	2114	Left Turn Signal Lamps Supply Voltage
A12	—	—	Not Used
B1	—	—	Not Used
B2	0.35 TN	294	Door Lock Actuator Unlock Control
B3	0.35 GY	295	Door Lock Actuator Lock Control
B4	—	—	Not Used
B5	0.35 OG	4140	Battery Positive Voltage
B6-B9	—	—	Not Used
B10	0.35 BN	1183	Left Front Door Switch Low Reference
B11- B12	—	—	Not Used

### Driver Door Module (DDM) X3 (Outside Rearview Mirror - Driver) (DS3/DL2)



[Click here for full size](#)

#### Connector Part Information

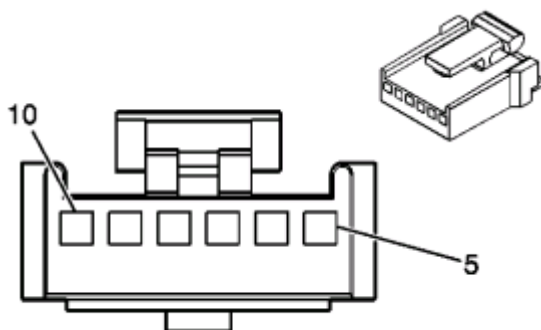
- OEM: 12110259
- Service: 12110259
- Description: 16-Way F Micro-Pack 100 Series Unsealed (GN)

**Terminal Part Information**

- Terminal/Tray: Service by Assembly - See Part Catalog
- Core/Insulation Crimp: N/A
- Release Tool/Test Probe: N/A

**Driver Door Module (DDM) X3 (Outside Rearview Mirror - Driver) (DS3/DL2)**

Pin	Wire	Circuit	Function
A1	—	—	Mirror Extend (DL2)
A2	WH/RD	—	5-Volt Reference
A3	L-GN	—	Mirror Left Outside Turn Signal - Return
A4	PU	—	Low Reference
A5	D-BU	—	Vertical Position Data
A6	GY	—	Horizontal Position Data
A7	WH	—	Mirror Left Outside Turn Signal
A8	—	—	Not Used
B1	—	—	Mirror Retract (DL2)
B2	OG	—	Mirror Right
B3	BK	—	Heater Ground
B4	PK	—	Mirror Down
B5	—	—	Not Used
B6	RD	—	Mirror Common
B7	BK	—	Mirror Heater
B8	—	—	Not Used

**Driver Door Module (DDM) X4 (Memory Seat Switch - Driver) (AAB)**

[Click here for full size](#)

**Connector Part Information**

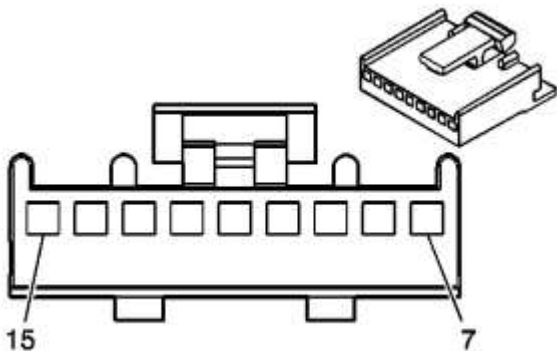
- OEM: 12064978
- Service: 12125678
- Description: 6-Way F Micro-Pack 100 Series Unsealed (GY)

**Terminal Part Information**

- Terminal/Tray: 12103114/3
- Core/Insulation Crimp: E/C
- Release Tool/Test Probe: 12031876-1/J-35616-6 (BN)

**Driver Door Module (DDM) X4 (Memory Seat Switch - Driver) (AAB)**

Pin	Wire	Circuit	Function
5	OG	—	Battery Positive Voltage
6	WH	—	Memory 1 Control
7	PU	—	Memory 2 Control
8	—	—	Not Used
9	BN/WH	—	Illumination Control
10	—	—	Not Used

**Driver Door Module (DDM) X5 (Outside Rearview Mirror Switch) (DS3/DL2)**

[Click here for full size](#)

**Connector Part Information**

- OEM: 12064980
- Service: 12102629
- Description: 9-Way F Micro-Pack 100 Series Unsealed (BK)

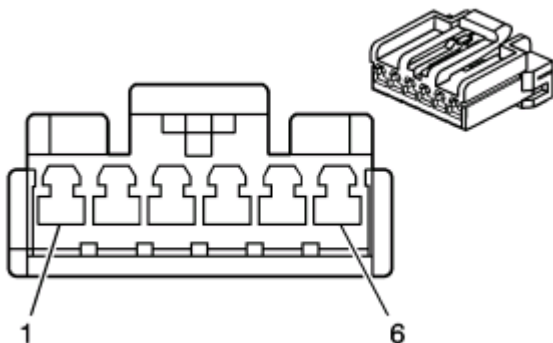
#### Terminal Part Information

- Terminal/Tray: 12146447/3
- Core/Insulation Crimp: E/C
- Release Tool/Test Probe: 12031876-1/J-35616-6 (BN)

#### Driver Door Module (DDM) X5 (Outside Rearview Mirror Switch) (DS3/DL2)

Pin	Wire	Circuit	Function
7	—	—	Not Used
8	L-BU	—	Passenger Signal
9	D-BU	—	Driver Signal
10	PK	—	Right Signal
11	BK	—	Left Signal
12	WH/BK	—	Down Signal
13	BN	—	Up Signal
14	—	—	Not Used
15	OG	—	Ignition Voltage

#### Electronic Adjustable Pedals (EAP) Assembly



[Click here for full size](#)

#### Connector Part Information

- OEM: 174923-1

- Service: See Catalog
- Description: 6-Way F AMP Multilock 070 Series (BK)

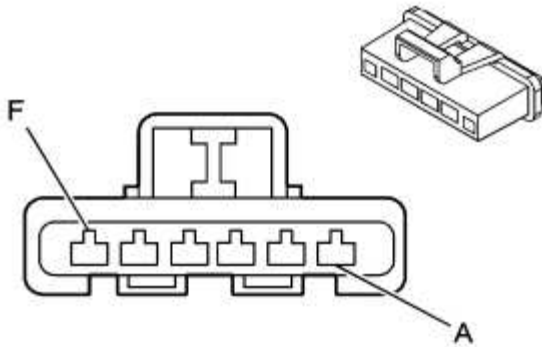
### Terminal Part Information

- Terminal/Tray: Service by Assembly - See Part Catalog
- Core/Insulation Crimp: N/A
- Release Tool/Test Probe: N/A

### Electronic Adjustable Pedals (EAP) Assembly

Pin	Wire	Circuit	Function
1	0.8 WH	—	5-Volt Reference
2	0.8 PK	—	Adjustable Pedals Position Sensor Signal
3	0.8 BN/WH	—	Low Reference
4	0.8 D-BU	—	Electronic Adjustable Pedals (EAP) Motor Rearward Control
5	0.8 RD	—	Electronic Adjustable Pedals (EAP) Motor Forward Control
6	—	—	Not Used

### Electronic Adjustable Pedals (EAP) Relay



[Click here for full size](#)

### Connector Part Information

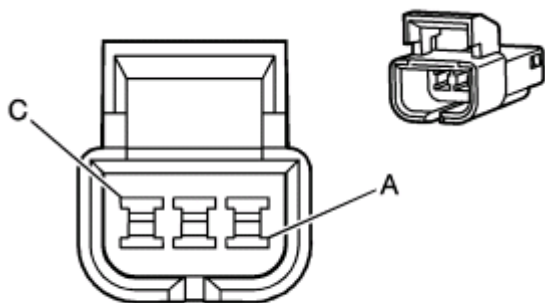
- OEM: 12059561
- Service: 12101847
- Description: 6-Way F Metri-Pack 280 480 Series (BK)

**Terminal Part Information**

- Terminal/Tray: 12034046/2
- Core/Insulation Crimp: E/A
- Release Tool/Test Probe: 12094430/J-35616-4A (PU)

**Electronic Adjustable Pedals (EAP) Relay**

Pin	Wire	Circuit	Function
A	0.8 PU	—	Adjustable Pedals Relay Forward Control
B	0.8 RD	—	Electronic Adjustable Pedals (EAP) Motor Forward Control
C	0.8 OG	—	Battery Positive Voltage
D	0.8 BK	—	Ground
E	0.8 D-BU	—	Electronic Adjustable Pedals (EAP) Motor Rearward Control
F	0.8 OG/BK	—	Adjustable Pedals Relay Rearward Control

**Electronic Adjustable Pedals (EAP) Switch**

[Click here for full size](#)

**Connector Part Information**

- OEM: 12064759
- Service: 12117322
- Description: 3-Way M Metri-Pack 150 Series (BK)

**Terminal Part Information**

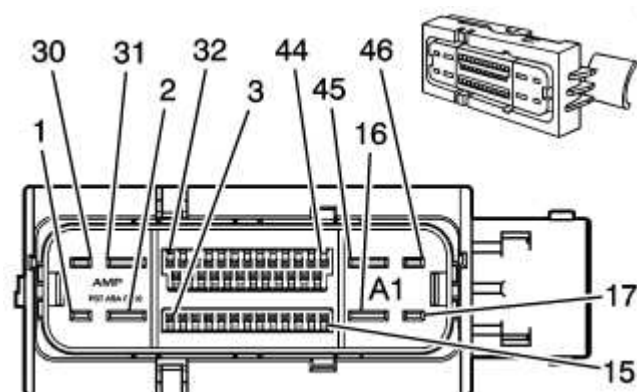
- Terminal/Tray: 12047581/2

- Core/Insulation Crimp: E/C
- Release Tool/Test Probe: 12094429/J-35616-3 (GY)

## Electronic Adjustable Pedals (EAP) Switch

Pin	Wire	Circuit	Function
A	0.5 OG	5286	Adjustable Pedals Relay Forward Control
B	0.5 PK	5285	Adjustable Pedals Relay Rearward Control
C	0.5 BK	3240	Battery Positive Voltage

## Electronic Brake Control Module (EBCM)



[Click here for full size](#)

### Connector Part Information

- OEM: 13551457
- Service: 88988940
- Description: 46-Way F EBC-440 (BK)

### Terminal Part Information

- Pins: 2, 16, 31, 45
- Terminal/Tray: 7116-4142-02/10
- Core/Insulation Crimp: D/3
- Release Tool/Test Probe: 12094430/J-35616-42 (RD)
- Pins: 5-6, 8, 10-15, 22-28, 32, 37, 38, 39, 41-44
- Terminal/Tray: 638551-1/16
- Core/Insulation Crimp: J/J
- Release Tool/Test Probe: 15315247/J-35616-64B (L-BU)
- Pins: 29



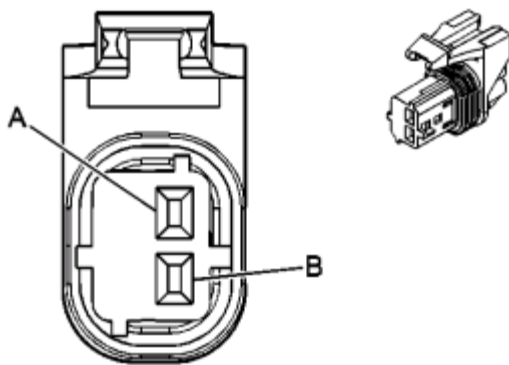
- Terminal/Tray: 638551-1/16
- Core/Insulation Crimp: K/K
- Release Tool/Test Probe: 15315247/J-35616-64B (L-BU)

### Electronic Brake Control Module (EBCM)

Pin	Wire	Circuit	Function
1	—	—	Not Used
2	5 RD	4042	Battery Positive Voltage
3	—	—	Not Used
4	0.35 L-BU	1122	ABS/TCS Class 2 Serial Data
5	0.35 L-BU	2206	Traction Control Preference Switch Signal
6	0.35 PU	420	TCC Brake Switch/Cruise Control Release Signal
7	—	—	Not Used
8	0.35 L-BU	715	Lateral Accelerometer Signal
9	—	—	Not Used
10	0.35 D-BU	6047	Steering Wheel Position Signal B
11	0.35 L-BU	1059	Steering Wheel Position Sensor Signal
12	0.35 L-BU	830	Left Front Wheel Speed Sensor Signal
13	0.35 YE	873	Left Front Wheel Speed Sensor Low Reference
14	0.35 TN/BK	464	Delivered Torque Signal
15	0.35 D-BU	5370	Yaw Ring Raster Control
16	5 BK	1850	Ground
17-21	—	—	Not Used
22	0.35 L-BU	2088	Steering Wheel Position Sensor Low Reference
23	0.35 D-GN	2087	5-Volt Reference
24	0.35 OG/BK	556	Low Reference
25	0.35 GY	626	Steering Wheel Position Sensor 5-Volt Reference
26	0.35 D-GN	872	Right Front Wheel Speed Sensor Signal
27	0.35 TN	833	Right Front Wheel Speed Sensor Low Reference
28	0.35 OG/BK	463	Requested Torque Signal
29	0.35 PU	333	Brake Fluid Level Sensor Signal
30	—	—	Not Used
31	5 RD	642	Battery Positive Voltage

32	0.35 BN	441	Ignition 3 Voltage
33-36	—	—	Not Used
37	0.35 D-BU	716	Yaw Rate Sensor Signal
38	0.35 YE	5353	Yaw Ring Raster Control
39	0.35 L-GN	1763	Steering Wheel Position Signal A
40	—	—	Not Used
41	0.35 RD	885	Left Rear Wheel Speed Sensor Low Reference
42	0.35 BK	884	Left Rear Wheel Speed Sensor Signal
43	0.35 BN	882	Right Rear Wheel Speed Sensor Signal
44	0.35WH	883	Right Rear Wheel Speed Sensor Low Reference
45	5 BK	1850	Ground
46	—	—	Not Used

### Electronic Frontal Sensor (EFS) - Left



[Click here for full size](#)

#### Connector Part Information

- OEM: 15356723
- Service: 15306439
- Description: 2-Way F GT 150 Series Sealed (YE)

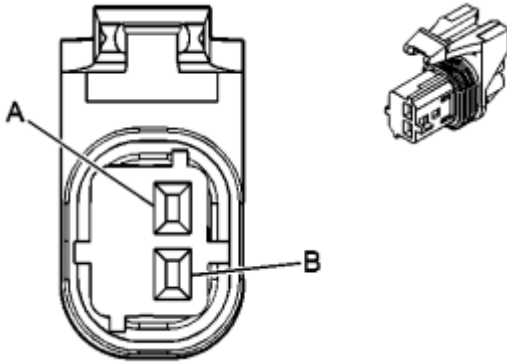
#### Terminal Part Information

- Terminal/Tray: Service with Pigtail
- Core/Insulation Crimp: N/A
- Release Tool/Test Probe: 15315247/J-35616-2A (GY)

### Electronic Frontal Sensor (EFS) - Left

Pin	Wire	Circuit	Function
A	0.8 YE	354	Discriminating Sensor - Signal
B	0.8 GY	349	Discriminating Sensor - Left - Signal

### Electronic Frontal Sensor (EFS) - Right



[Click here for full size](#)

### Connector Part Information

- OEM: 15356723
- Service: 15306439
- Description: 2-Way F GT 150 Series Sealed (YE)

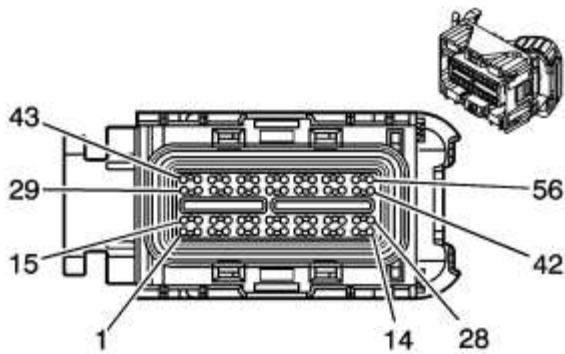
### Terminal Part Information

- Terminal/Tray: Service with Pigtail
- Core/Insulation Crimp: N/A
- Release Tool/Test Probe: 15315247/J-35616-2A (GY)

### Electronic Frontal Sensor (EFS) - Right

Pin	Wire	Circuit	Function
A	0.8 D-GN	1409	Discriminating Sensor - Right - Signal
B	0.8 YE	1834	Forward Discriminating Sensor Signal

### Engine Control Module (ECM) X1



[Click here for full size](#)

### Connector Part Information

- OEM: 13587097 (LL8)/13574282 (LH6/LS2)
- Service: 88988373
- Description: 56-Way F 0.64 Series Sealed (BU)

### Terminal Part Information

- Pins: 1, 2, 4, 9, 12, 13, 16, 18, 20-22, 25, 30-37, 39-40, 44, 46-49, 53, 55, 56
- Terminal/Tray: 33467-0003/23
- Core/Insulation Crimp: H/H
- Release Tool/Test Probe: J-38125-213/J-35616-64B (L-BU)
- Pins: 7, 19, 51
- Terminal/Tray: 33467-0005/23
- Core/Insulation Crimp: J/J
- Release Tool/Test Probe: J-38125-213/J-35616-64B (L-BU)

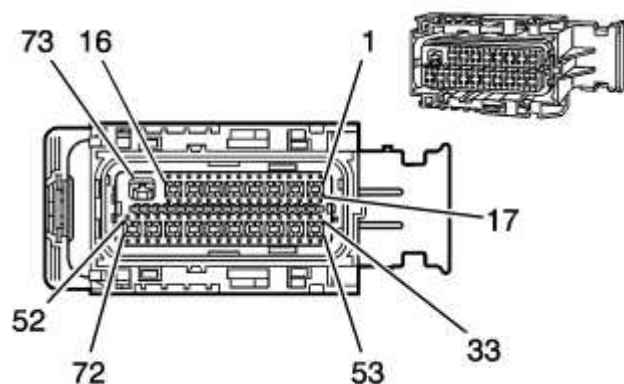
### Engine Control Module (ECM) X1

Pin	Wire	Circuit	Function
1	0.35 PU	806	Crank Voltage
2	0.35 PU	420	TCC Brake Switch/Cruise Control Release Signal
3	—	—	Not Available
4	0.35 GY/BK	1694	4WD Low Signal (NP8)
5-6	—	—	Not Available
7	0.35 L-BU	1320	CHMSL Control (K34)
8	—	—	Not Available

9	0.35 BK	2759	Low Reference
10-11	—	—	Not Available
12	0.35 BN/WH	419	MIL Control
13	0.35 D-GN/WH	465	Fuel Pump Relay Control
14	—	—	Not Available
15	—	—	Not Used (LL8)
	—	—	Not Available (LH6/LS2)
16	0.35 D-GN	1049	Class 2 Serial Data
17	—	—	Not Available
18	0.35 PK	1020	Ignition Voltage
19	0.35 PK	439	Ignition Voltage
20	0.35 OG	240	Battery Positive Voltage
21	0.35 GY/BK	87	Cruise Control Resume/Accel Switch Signal (K34)
22	0.35 D-BU	84	Cruise Control Set/Coast Switch Signal (K34)
23	—	—	Not Available
24	—	—	Not Used (LL8)
	—	—	Not Available (LH6/LS2)
25	0.35 WH	121	Engine Speed Signal
26-29	—	—	Not Available
30	0.35 GY	397	Cruise Control On Switch Signal (K34)
31	—	—	Not Available (LL8)
	0.35 BK	452	Low Reference (LH6/LS2)
32	—	—	Not Available (LL8)
	0.35 GY	416	5-Volt Reference (LH6/LS2)
33	0.35 WH/BK	1164	5-Volt Reference
34	0.35 GY	2709	5-Volt Reference
35	0.35 TN	1274	5-Volt Reference
36	0.35 BN	1271	Low Reference
37	0.35 PU	1272	Low Reference
38	—	—	Not Available
39	0.35 D-GN/WH	817	Vehicle Speed Signal
40	0.35 YE	5991	Powertrain Relay Coil Control
41-43	—	—	Not Available
44	0.35 PU	1589	Fuel Level Sensor Signal
45	—	—	Not Available

46	—	—	Not Available (LL8)
	0.35 D-BU	1809	Brake Booster Vacuum Sensor (LH6/LS2)
47	0.35 D-BU	1161	APP Sensor 1 Signal
48	0.35 D-GN	890	Fuel Tank Pressure Sensor
49	0.35 L-BU	1162	App Sensor 2 Signal
50	—	—	Not Available
51	0.5 PK/BK	429	Air Injection Reaction Solenoid Relay Coil Control (LL8)
52	—	—	Not Available
53	0.35 D-GN/WH	459	A/C Compressor Clutch Relay Control
54	—	—	Not Available
55	0.35 WH	1310	EVAP Canister Vent Solenoid Control
56	0.35 YE/BK	625	Starter Enable Relay Control

## Engine Control Module (ECM) X2



[Click here for full size](#)

### Connector Part Information

- OEM: 13606070 (LL8)/13574286 (LH6/LS2)
- Service: 88988931
- Description: 73-Way F 0.64 2.8 Series Sealed (BK)

### Terminal Part Information

- Pins: 2-5, 11-13, 16, 18, 19, 32, 35, 42, 48, 49, 52, 55, 67-69, 70-72
- Pins: 27, 43 (LL8)
- Pins: 1, 17, 33, 34, 53, 54, 62 (LH6/LS2)
- Terminal/Tray: 33467-005/23

- Core/Insulation Crimp: J/J
- Release Tool/Test Probe: J-38125-213/J-35616-64B (L-BU)
  
- Pins: 6-9, 14, 23, 24, 29, 39, 40, 44, 46, 59, 60, 63, 64, 66
- Pins: 1, 17, 33, 34, 53, 54, 62 (LL8)
- Pins: 27, 43 (LH6/LS2)
- Terminal/Tray: 33467-0003/23
- Core/Insulation Crimp: H/H
- Release Tool/Test Probe: J-38125-213/J-35616-64B (L-BU)
  
- Pin: 73 (LL8)
- Terminal/Tray: 4-964286-1/16
- Core/Insulation Crimp: E/1
- Release Tool/Test Probe: J-38125-36/J-35616-35 (VT)
  
- Pin: 73 (LH6/LS2)
- Terminal/Tray: 7116-4152-02/9
- Core/Insulation Crimp: A/5
- Release Tool/Test Probe: 12094430/J-35616-35 (VT)

## Engine Control Module (ECM) X2

Pin	Wire	Circuit	Function
1	0.35 PU	2121	IC 1 Control
2	0.5 TN	1664	HO2S Low Signal - Bank 1 Sensor 1
3	0.5 PU/WH	1665	HO2S High Signal - Bank 1 Sensor 1
4	0.5 PU/WH	1668	HO2S High Signal - Bank 1 Sensor 2
5	0.5 TN/WH	1669	HO2S Low Signal - Bank 1 Sensor 2
6	0.35 L-BU	1876	KS 2 Signal
7	0.35 GY	2303	KS 2 Signal
8	0.35 D-BU	496	KS 1 Signal
9	0.35 GY	1716	KS 1 Signal
10	—	—	Not Available
11	0.5 YE	581	TAC Motor Control 1
12	0.5 BN	582	TAC Motor Control 2
13	0.5 PK	839	Ignition Voltage
14	0.35 BN	2198	Camshaft Position Actuator Solenoid High Control (LL8)
	—	—	Not Available (LH6/LS2)
15	—	—	Not Available
16	—	—	Not Available (LL8)
	0.5 PK/BK	1746	Fuel Injector 3 Control (LH6/LS2)

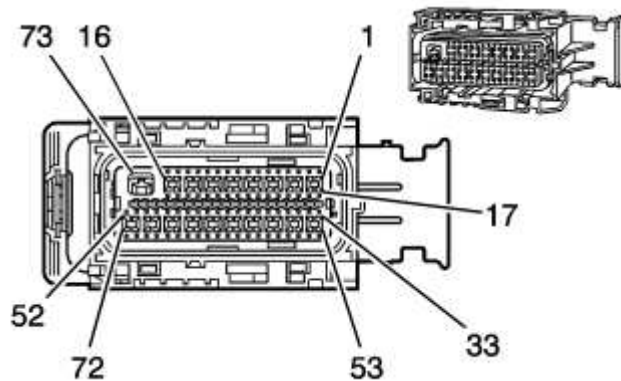
17	0.35 D-GN	2125	IC 5 Control (LL8)
	0.5 PU/WH	2128	IC 8 Control (LH6/LS2)
18	—	—	Not Available (LL8)
	0.5 D-GN/WH	2124	IC 4 Control (LH6/LS2)
19	—	—	Not Available (LL8)
	0.5 BN/WH	2130	Low Reference (LH6/LS2)
20-22	—	—	Not Available
23	0.35 PK/BK	632	Low Reference
24	0.35 PU	114	Low Oil Pressure Switch Signal (LL8)
	0.35 BK	2755	Low Reference (LH6/LS2)
25-26	—	—	Not Available
27	0.5 BK	407	Low Reference (LL8)
	0.35 YE/BK	1868	Low Reference (LH6/LS2)
28	—	—	Not Available
29	0.35 BK/WH	1704	Low Reference
30-31	—	—	Not Available
32	0.5 YE/BK	846	Fuel Injector 6 Control
	0.5 L-GN/BK	1745	Fuel Injector 2 Control (LH6/LS2)
33	0.35 L-BU	2123	IC 3 Control (LL8)
	0.5 RD	2127	IC 7 Control (LH6/LS2)
34	0.35 D-GN/WH	2124	IC 4 Control (LL8)
	0.5 D-GN	2125	IC 5 Control (LH6/LS2)
35	—	—	Not Available (LL8)
	0.5 BN	2129	Low Reference (LH6/LS2)
36-38	—	—	Not Available
39	0.35 RD	631	12-Volt Reference
40	—	—	Not Available (LL8)
	0.35 GY	2705	5-Volt Reference (LH6/LS2)
41	—	—	Not Available
42	0.5 BK	2760	Low Reference
43	0.35 YE	6259	Starter Enable Relay Control (LL8)
	0.35 L-GN	1867	12-Volt Reference (LH6/LS2)
44	0.35 GY	2701	5-Volt Reference (LL8)
	0.35 L-BU/BK	1688	5-Volt Reference (LH6/LS2)
45	—	—	Not Available



46	0.35 BK	2199	Low Reference (LL8)
	—	—	Not Available (LH6/LS2)
47	—	—	Not Available
48	0.5 BK/WH	845	Fuel Injector 5 Control (LL8)
	0.5 D-BU/WH	878	Fuel Injector 8 Control (LH6/LS2)
49	0.5 L-BU/BK	844	Fuel Injector 4 Control (LL8)
	0.5 BK/WH	845	Fuel Injector 5 Control (LH6/LS2)
50-51	—	—	Not Available
52	0.5 L-GN/BK	1745	Fuel Injector 2 Control (LL8)
	0.5 YE/BK	846	Fuel Injector 6 Control (LH6/LS2)
53	0.35 L-BU/WH	2126	IC 6 Control (LL8)
	0.5 RD/WH	2122	IC 2 Control (LH6/LS2)
54	0.35 RD/WH	2122	IC 2 Control (LL8)
	0.5 L-BU/WH	2126	IC 6 Control (LH6/LS2)
55	—	—	Not Available (LL8)
	0.5 L-BU	2123	IC 3 Control (LH6/LS2)
56-58	—	—	Not Available
59	0.35 BK	630	CMP Sensor Signal (LL8)
	0.35 BN/WH	633	CMP Sensor Signal (LH6/LS2)
60	—	—	Not Available (LL8)
	0.35 TN/WH	332	Oil Pressure Sensor Signal (LH6/LS2)
61	—	—	Not Available
62	0.5 TN	472	IAT Sensor Signal
63	0.5 BN/WH	633	CKP Sensor Signal (LL8)
	0.35 D-BU/WH	1869	CKP Sensor Signal (LH6/LS2)
64	0.35 D-GN	485	TP Sensor 1 Signal
65	—	—	Not Available
66	0.35 PU	486	TP Sensor 2 Signal
67	0.5 YE	492	MAF Sensor Signal
68	0.5 D-GN	676	HO2S Heater Low Control - Bank 1 Sensor 1 (LL8)
	0.5 BK/WH	3113	HO2S Heater Low Control - Bank 1 Sensor 1
69	0.5 BK/WH	1423	HO2S Heater Low Control - Bank 1 Sensor 2 (LL8)

	0.5 BN	2391	HO2S Heater Low Control - Bank 1 Sensor 2 (LH6/LS2)
70	-	-	Not Available (LL8)
	0.5 L-BU/BK	844	Fuel Injector 4 Control (LH6/LS2)
71	0.5 PK/BK	1746	Fuel Injector 3 Control (LL8)
	0.5 RD/BK	877	Fuel Injector 7 Control (LH6/LS2)
72	0.5 BK	1744	Fuel Injector 1 Control
73	1 BK/WH	451	Ground (LL8)
	3 BK	451	Ground (LH6/LS2)

### Engine Control Module (ECM) X3



[Click here for full size](#)

### Connector Part Information

- OEM: 13608385 (LL8)/13574284 (LH6/LS2)
- Service: 88988372
- Description: 73-Way F 0.64 Series Sealed (GY)

### Engine Control Module (ECM) X3

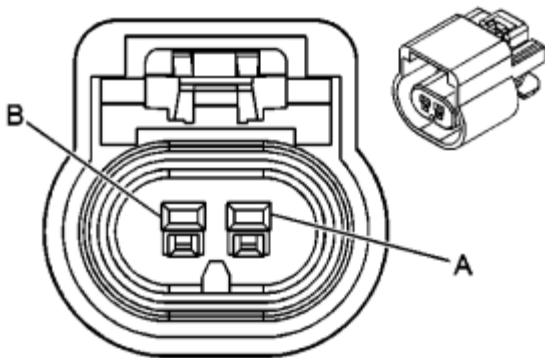
Pin	Pins	Wire	Circuit	Function
1	2	Terminal/Tray: 33467-0005/23	26, 42, 48, 50, 6	Not Available
3		Core/Insulation Crimp: J/J Release Tool/Test Probe: J-38125-213/J-35616-64B (L-BU) 0.5 TN 1667	Not Available (LL8)	HO2S Low Signal - Bank 2 Sensor 1 (LH6/LS2)
4	65, 66	0.5 PU 1666	Not Available (LL8)	HO2S High Signal - Bank 2 Sensor 1 (LH6/LS2)
5		Terminal/Tray: 33467-0003/23 Core/Insulation Crimp: Not Available (LL8) Release Tool/Test Probe: H/H	28, 29, 35, 37, 39, 47, 53, 55, 57, 59,	HO2S High Signal - Bank 2 Sensor 2 (LH6/LS2)

6	—	—	Not Available (LL8)
	0.5 TN	1671	HO2S Low Signal - Bank 2 Sensor 2 (LH6/LS2)
7	0.35 PU	5428	Generator Regulator Control
8	—	—	Not Available
9	0.5 BN	436	AIR Pump Relay Control (LL8)
	—	—	Not Available (LH6/LS2)
10	—	—	Not Available (LL8)
	0.5 GY	5493	Cylinder Shutoff Solenoid Control (3) (LH6/LS2)
11	—	—	Not Available (LL8)
	0.5 D-BU	5491	Cylinder Shutoff Solenoid Control (1) (LH6/LS2)
12	0.35 TN/BK	464	Delivered Torque Signal
13-14	—	—	Not Available
15	—	—	Not Available (LL8)
	0.5 L-GN	3212	HO2S Heater Low Control - Bank 2 Sensor 1 (LH6/LS2)
16	—	—	Not Available
17	0.35 OG/BK	463	Requested Torque Signal
18-20	—	—	Not Available
21	0.35 BK	2751	Low Reference
22	—	—	Not Available
23	0.35 OG/BK	469	Low Reference
24-25	—	—	Not Available
26	0.5 D-BU/WH	6785	Air Injection Reaction Control Valve 1 Low Reference (LL8)
	—	—	Not Available (LH6/LS2)
27	—	—	Not Available
28	—	—	Not Used
29	0.35 GY	23	Generator Field Duty Cycle Signal
30-32	—	—	Not Available
33	0.35 TN	2501	High Speed GMLAN Serial Data Bus -
34	—	—	Not Available
35	0.35 BK	2761	Low Reference
36	—	—	Not Available
37	0.35 GY	2700	5-Volt Reference

38	—	—	Not Available
39	0.35 GY	2704	5-Volt Reference
40-41	—	—	Not Available
42	0.5 BN/WH	6789	Air Injection Reaction Control Valve 1-Volt Reference (LL8)
	—	—	Not Available (LH6/LS2)
43	—	—	Not Available
44	—	—	Not Used
45-46	—	—	Not Available
47	0.35 OG/BK	1786	PNP Switch Signal
48	0.5 D-GN/WH	428	EVAP Canister Purge Solenoid Control
49	—	—	Not Used
50	—	—	Not Available (LL8)
	0.5 RD/WH	3223	HO2S Heater Low Control - Bank 2 Sensor 2 (LH6/LS2)
51-52	—	—	Not Available
53	0.35 TN/WH	2500	High Speed GMLAN Serial Data Bus +
54	—	—	Not Available
55	0.35 YE	410	ECT Sensor Signal
56	—	—	Not Available
57	0.35 RD/BK	380	A/C Refrigerant Pressure Sensor
58	—	—	Not Available
59	0.35 L-GN	432	MAP Sensor Signal
60-61	—	—	Not Available
62	0.5 YE	6787	Secondary Air Injection Pressure Sensor Signal (LL8)
	—	—	Not Available (LH6/LS2)
63	—	—	Not Available
64	—	—	Not Used
65	0.35 TN/BK	231	Oil Pressure Switch Signal (LL8)
	—	—	Not Available (LH6/LS2)
66	0.35 RD	381	Signal High - Front
67	—	—	Not Available
68	—	—	Not Available (LL8)

	0.5 L-GN	5492	Cylinder Shutoff Solenoid Control (4) (LH6/LS2)
69	—	—	Not Available (LL8)
	0.5 OG	5494	Cylinder Shutoff Solenoid Control (2) (LH6/LS2)
70-72	—	—	Not Available
73	—	—	Not Used

### Engine Coolant Temperature (ECT) Sensor (LL8)



[Click here for full size](#)

### Connector Part Information

- OEM: 15326801
- Service: 15306156
- Description: 2-Way F GT 150 Series Sealed (BK)

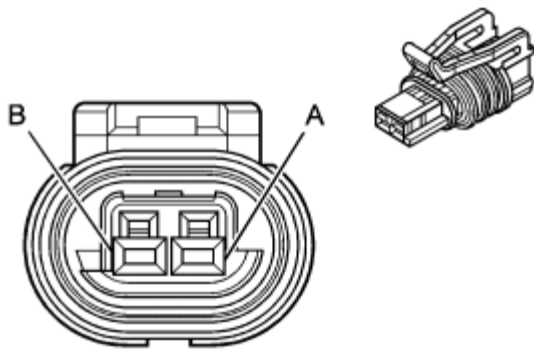
### Terminal Part Information

- Terminal/Tray: 12191819/8
- Core/Insulation Crimp: E/1
- Release Tool/Test Probe: 15315247/J-35616-2A (GY)

### Engine Coolant Temperature (ECT) Sensor (LL8)

Pin	Wire	Circuit	Function
A	0.35 YE	410	ECT Sensor Signal
B	0.35 BK	2761	Low Reference

### Engine Coolant Temperature (ECT) Sensor (LH6/LS2)



[Click here for full size](#)

### Connector Part Information

- OEM: 15449028
- Service: 88987993
- Description: 2-Way F GT 150 Series Sealed (BK)

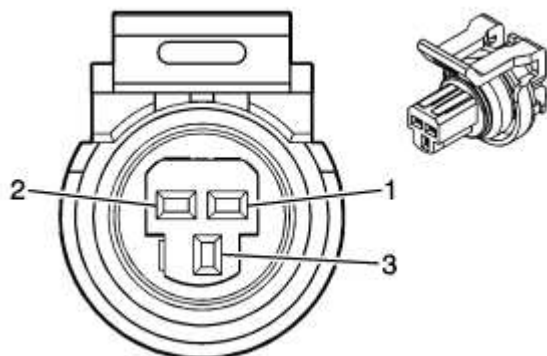
### Terminal Part Information

- Terminal/Tray: 15326267/19
- Core/Insulation Crimp: E/4
- Release Tool/Test Probe: 15315247/J-35616-2A (GY)

### Engine Coolant Temperature (ECT) Sensor (LH6/LS2)

Pin	Wire	Circuit	Function
A	0.35 BK	2761	Low Reference
B	0.35 YE	410	ECT Sensor Signal

### Engine Oil Pressure (EOP) Sensor (LH6/LS2)



[Click here for full size](#)

**Connector Part Information**

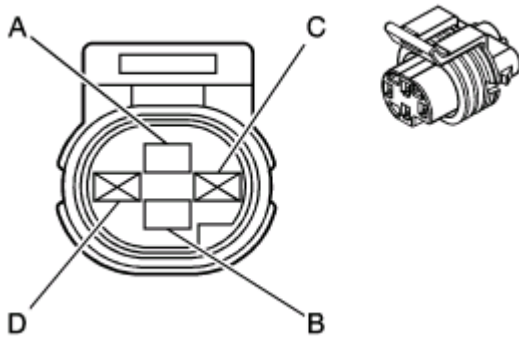
- OEM: 15477863
- Service: 88988301
- Description: 3-Way F GT 150 Series Sealed (BK)

**Terminal Part Information**

- Terminal/Tray: 15326267/19
- Core/Insulation Crimp: E/4
- Release Tool/Test Probe: 15315247/J-35616-2A (GY)

**Engine Oil Pressure (EOP) Sensor (LH6/LS2)**

Pin	Wire	Circuit	Function
1	0.35 BK	2755	Low Reference
2	0.35 GY	2705	5-Volt Reference
3	0.35 TN/WH	332	Oil Pressure Sensor Signal

**Engine Oil Pressure (EOP) Switch (LL8)**

 [Click here for full size](#)

**Connector Part Information**

- OEM: 12065400
- Service: 12126436
- Description: 2-Way F Metri-Pack 150 Series Sealed (GN)

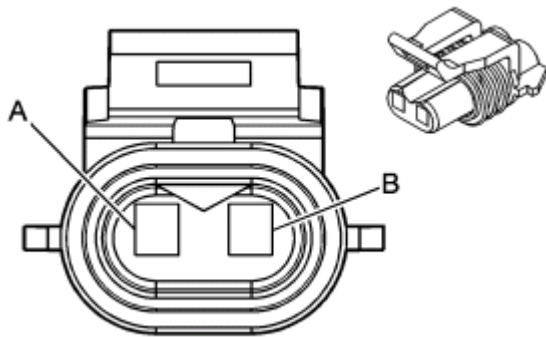
**Terminal Part Information**

- Pins: A-B
- Terminal/Tray: 12048074/2
- Core/Insulation Crimp: E/1
- Release Tool/Test Probe: 12094429/J-35616-2A (GY)

### Engine Oil Pressure (EOP) Switch (LL8)

Pin	Wire	Circuit	Function
A	0.35 TN/BK	231	Oil Pressure Switch Signal
B	0.35 PU	114	Low Oil Pressure Switch Signal
C-D	-	-	Not Available

### Evaporative Emission (EVAP) Canister Purge Solenoid (LL8)



[Click here for full size](#)

#### Connector Part Information

- OEM: 12052643
- Service: 12101858
- Description: 2-Way F Metri-Pack 150 Series Sealed (RD)

#### Terminal Part Information

- Terminal/Tray: 12048074/2
- Core/Insulation Crimp: E/1
- Release Tool/Test Probe: 12094429/J-35616-2A (GY)

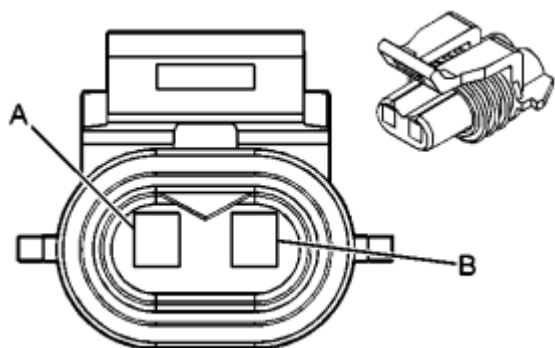
### Evaporative Emission (EVAP) Canister Purge Solenoid (LL8)

Pin	Wire	Circuit	Function
-----	------	---------	----------



A	0.35 OG	540	Battery Positive Voltage
B	0.5 D-GN/WH	428	EVAP Canister Purge Solenoid Control

### Evaporative Emission (EVAP) Canister Purge Solenoid (LH6/LS2)



[Click here for full size](#)

#### Connector Part Information

- OEM: 12124037
- Service: 12101858
- Description: 2-Way F Metri-Pack 150 Series Sealed (BK)

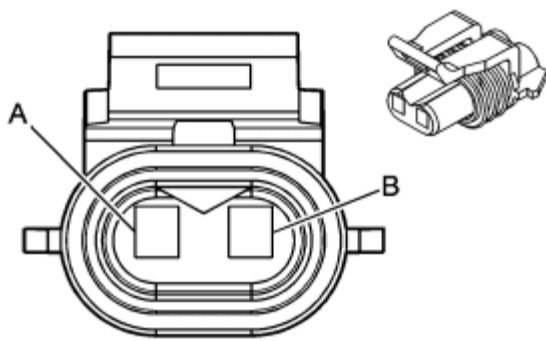
#### Terminal Part Information

- Terminal/Tray: 12048074/2
- Core/Insulation Crimp: E/1
- Release Tool/Test Probe: 12094429/J-35616-2A (GY)

### Evaporative Emission (EVAP) Canister Purge Solenoid (LH6/LS2)

Pin	Wire	Circuit	Function
A	0.5 PK	239	Ignition 1 Voltage
B	0.5 D-GN/WH	428	EVAP Canister Purge Solenoid Control

### Evaporative Emission (EVAP) Canister Vent Solenoid



[Click here for full size](#)

### Connector Part Information

- OEM: 12052643
- Service: 12101858
- Description: 2-Way F Metri-Pack 150 Series Sealed (RD)

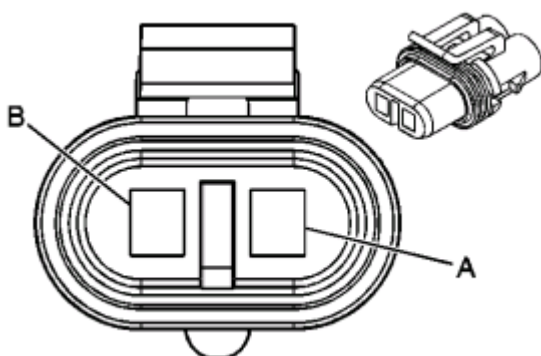
### Terminal Part Information

- Terminal/Tray: 12048074/2
- Core/Insulation Crimp: E/1
- Release Tool/Test Probe: 12094429/J-35616-2A (GY)

### Evaporative Emission (EVAP) Canister Vent Solenoid

Pin	Wire	Circuit	Function
A	0.35 OG	540	Battery Positive Voltage
B	0.35 WH	1310	EVAP Canister Vent Solenoid Control

### Fog Lamp - Left Front (with T96)



[Click here for full size](#)

**Connector Part Information**

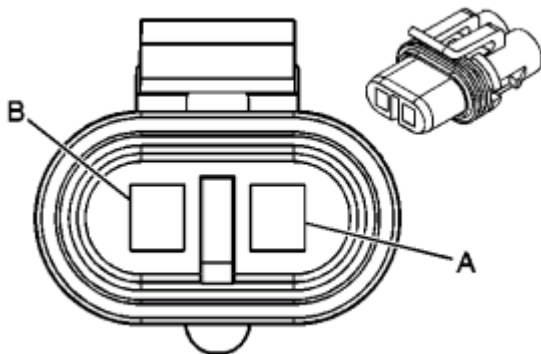
- OEM: 12020599
- Service: 12102664
- Description: 2-Way F Metri-Pack 280 Series Sealed (BK)

**Terminal Part Information**

- Terminal/Tray: 12077411/2
- Core/Insulation Crimp: 2/5
- Release Tool/Test Probe: 12094430/J-35616-4A (PU)

**Fog Lamp - Left Front (with T96)**

Pin	Wire	Circuit	Function
A	0.8 PU	34	Fog Lamps Supply Voltage
B	0.8 BK	350	Ground

**Fog Lamp - Right Front (with T96)**

[Click here for full size](#)

**Connector Part Information**

- OEM: 12020599
- Service: 12102664
- Description: 2-Way F Metri-Pack 280 Series Sealed (BK)

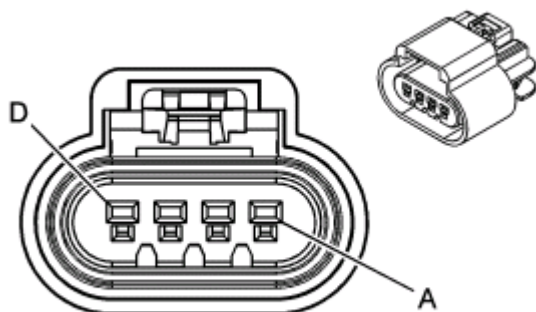
**Terminal Part Information**

- Terminal/Tray: 12077411/2
- Core/Insulation Crimp: 2/5
- Release Tool/Test Probe: 12094430/J-35616-4A (PU)

### Fog Lamp - Right Front (with T96)

Pin	Wire	Circuit	Function
A	0.8 PU	34	Fog Lamps Supply Voltage
B	0.8 BK	250	Ground

### Front Axle Actuator



[Click here for full size](#)

### Connector Part Information

- OEM: 15326815
- Service: 15306396
- Description: 4-Way F GT 150 Series Sealed (BK)

### Terminal Part Information

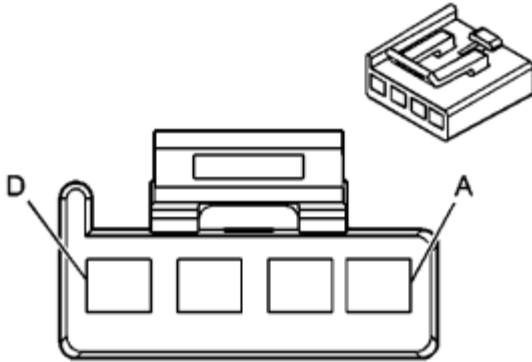
- Terminal/Tray: 12191819/8
- Core/Insulation Crimp: E/A
- Release Tool/Test Probe: 15315247/J-35616-2A (GY)

### Front Axle Actuator

Pin	Wire	Circuit	Function
A	0.5 L-BU	1296	Axle Actuator - Control
B	0.5 BK	350	Ground

C	0.5 BK/WH	1695	Axle Switch Signal
D	0.5 BN	241	Ignition 3 Voltage

### Front Passenger Door Module (FPDM) X1



[Click here for full size](#)

### Connector Part Information

- OEM: 12052856
- Service: 12125636
- Description: 4-Way F Metri-Pack 280 Series Unsealed (BK)

### Terminal Part Information

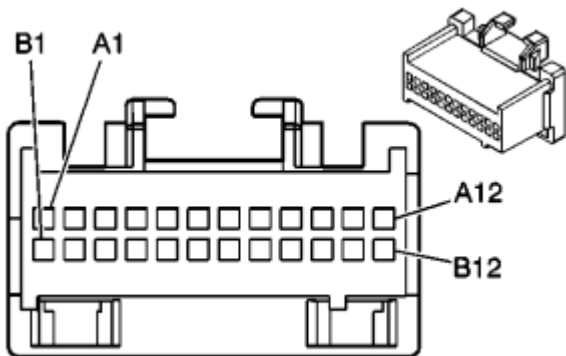
- Pins: A, D
- Terminal/Tray: 12015858/4
- Core/Insulation Crimp: F/G
- Release Tool/Test Probe: 12094430/J-35616-4A (PU)
- Pins: B-C
- Terminal/Tray: 12066214/2
- Core/Insulation Crimp: F/D
- Release Tool/Test Probe: 12094430/J-35616-4A (PU)

### Front Passenger Door Module (FPDM) X1

Pin	Wire	Circuit	Function
A	2 BK	1450	Ground
B	1 L-BU	166	Power Window Motor Switch Right Front Up Control
C	1 TN	167	Power Window Motor Switch Right Front Down Control

D	2 OG	1340	Battery Positive Voltage
---	------	------	--------------------------

### Front Passenger Door Module (FPDM) X2



[Click here for full size](#)

#### Connector Part Information

- OEM: 12110088
- Service: 12110088
- Description: 24-Way F Micro-Pack 100 Series Unsealed (GY)

#### Terminal Part Information

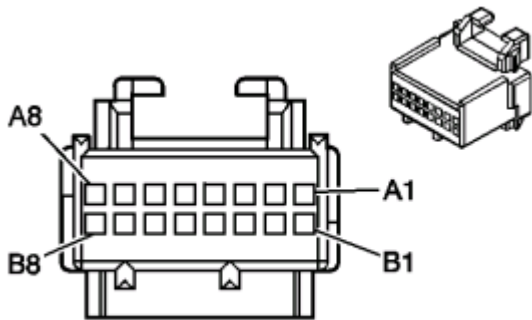
- Pins: A2, A9, A11, B2-B3, B5, B10
- Terminal/Tray: 12146447/3
- Core/Insulation Crimp: E/C
- Release Tool/Test Probe: 12031876-1/J-35616-6 (BN)

### Front Passenger Door Module (FPDM) X2

Pin	Wire	Circuit	Function
A1	—	—	Not Used
A2	0.35 BK/WH	746	Right Front Door Ajar Switch Signal
A3-A8	—	—	Not Used
A9	0.35 TN	1047	Class 2 Serial Data
A10	—	—	Not Used
A11	0.35 D-BU	2115	Right Turn Signal Lamps Supply Voltage
A12	—	—	Not Used
B1	—	—	Not Used
B2	0.35 TN	294	Door Lock Actuator Unlock Control

B3	0.35 GY	295	Door Lock Actuator Lock Control
B4	—	—	Not Used
B5	0.35 OG	4240	Battery Positive Voltage
B6-B9	—	—	Not Used
B10	0.35 D-GN	1178	Right Front Door Switch Low Reference
B11-B12	—	—	Not Used

### Front Passenger Door Module (FPDM) X3 (Outside Rearview Mirror Passenger) (DS3/DL2)



[Click here for full size](#)

#### Connector Part Information

- OEM: 12110259
- Service: 12110259
- Description: 16-Way F Micro-Pack 100 Series Unsealed (GN)

#### Terminal Part Information

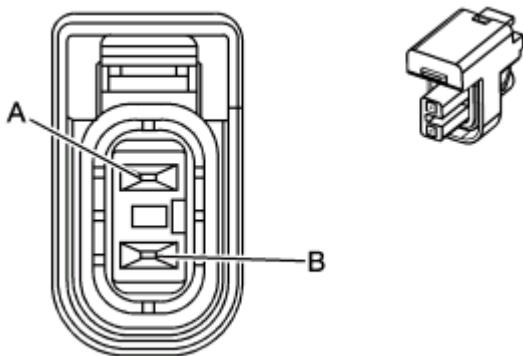
- Terminal/Tray: Service by Assembly - See Part Catalog
- Core/Insulation Crimp: N/A
- Release Tool/Test Probe: N/A

### Front Passenger Door Module (FPDM) X3 (Outside Rearview Mirror Passenger) (DS3/DL2)

Pin	Wire	Circuit	Function
A1	—	—	Mirror Extend (DL2)
A2	WH/RD	—	5-Volt Reference
A3	L-GN	—	Mirror Right Outside Turn Signal - Return

A4	PU	—	Low Reference
A5	L-BU	—	Vertical Position Data
A6	GY	—	Horizontal Position Data
A7	WH	—	Mirror Right Outside Turn Signal
A8	—	—	Not Used
B1	—	—	Mirror Retract (DL2)
B2	OG	—	Mirror Right
B3	BK	—	Heater Ground
B4	PK	—	Mirror Down
B5	—	—	Not Used
B6	RD	—	Mirror Common
B7	BK	—	Mirror Heater
B8	—	—	Not Used

### Fuel Injector 1 (LL8)



 [Click here for full size](#)

#### Connector Part Information

- OEM: 15411634
- Service: 15306160
- Description: 2-Way F Micro-Pack 064 Series Sealed (GY)

#### Terminal Part Information

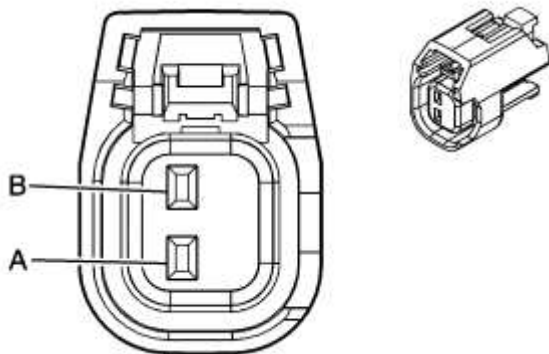
- Terminal/Tray: 15305174/8
- Core/Insulation Crimp: E/1
- Release Tool/Test Probe: 12181559-1/J-35616-64 (L-BU)

### Fuel Injector 1 (LL8)



Pin	Wire	Circuit	Function
A	0.5 PK	439	Ignition 1 Voltage
B	0.5 BK	1744	Fuel Injector 1 Control

### Fuel Injector 1 (LH6/LS2)



[Click here for full size](#)

### Connector Part Information

- OEM: 15419715
- Service: 88988313
- Description: 2-Way F GT 150 Series Sealed (GY)

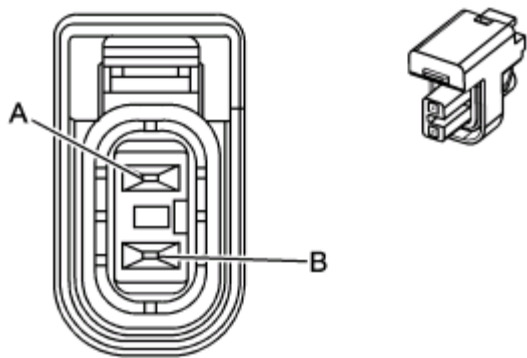
### Terminal Part Information

- Pins: A
- Terminal/Tray: 12191819/8
- Core/Insulation Crimp: 2/A
- Release Tool/Test Probe: 15315247/J-35616-2A (GY)
- Pins: B
- Terminal/Tray: 12191819/8
- Core/Insulation Crimp: E/A
- Release Tool/Test Probe: 15315247/J-35616-2A (GY)

### Fuel Injector 1 (LH6/LS2)

Pin	Wire	Circuit	Function
A	0.8 PK	1239	Ignition 1 Voltage
B	0.5 BK	1744	Fuel Injector 1 Control

### Fuel Injector 2 (LL8)



[Click here for full size](#)

### Connector Part Information

- OEM: 15411634
- Service: 15306160
- Description: 2-Way F Micro-Pack 064 Series Sealed (GY)

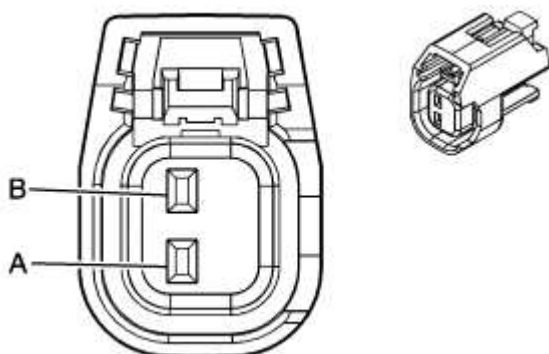
### Terminal Part Information

- Terminal/Tray: 15305174/8
- Core/Insulation Crimp: E/1
- Release Tool/Test Probe: 12181559-1/J-35616-64 (L-BU)

### Fuel Injector 2 (LL8)

Pin	Wire	Circuit	Function
A	0.5 PK	439	Ignition 1 Voltage
B	0.5 L-GN/BK	1745	Fuel Injector 2 Control

### Fuel Injector 2 (LH6/LS2)



[Click here for full size](#)

### Connector Part Information

- OEM: 15419715
- Service: 88988313
- Description: 2-Way F GT 150 Series Sealed (GY)

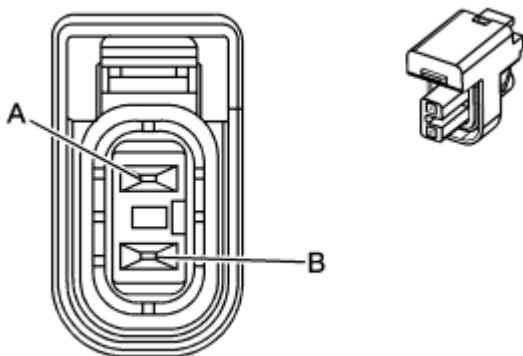
### Terminal Part Information

- Pins: A
- Terminal/Tray: 12191819/8
- Core/Insulation Crimp: 2/A
- Release Tool/Test Probe: 15315247/J-35616-2A (GY)
- Pins: B
- Terminal/Tray: 12191819/8
- Core/Insulation Crimp: E/A
- Release Tool/Test Probe: 15315247/J-35616-2A (GY)

### Fuel Injector 2 (LH6/LS2)

Pin	Wire	Circuit	Function
A	0.8 PK	1339	Ignition 1 Voltage
B	0.5 L-GN/BK	1745	Fuel Injector 2 Control

### Fuel Injector 3 (LL8)



 [Click here for full size](#)

### Connector Part Information

- OEM: 15411634

- Service: 15306160
- Description: 2-Way F Micro-Pack 064 Series Sealed (GY)

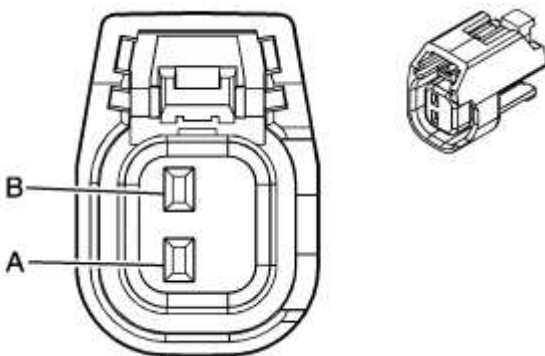
#### Terminal Part Information

- Terminal/Tray: 15305174/8
- Core/Insulation Crimp: E/1
- Release Tool/Test Probe: 12181559-1/J-35616-64 (L-BU)

#### Fuel Injector 3 (LL8)

Pin	Wire	Circuit	Function
A	0.5 PK	439	Ignition 1 Voltage
B	0.5 PK/BK	1746	Fuel Injector 3 Control

#### Fuel Injector 3 (LH6/LS2)



[Click here for full size](#)

#### Connector Part Information

- OEM: 15419715
- Service: 88988313
- Description: 2-Way F GT 150 Series Sealed (GY)

#### Terminal Part Information

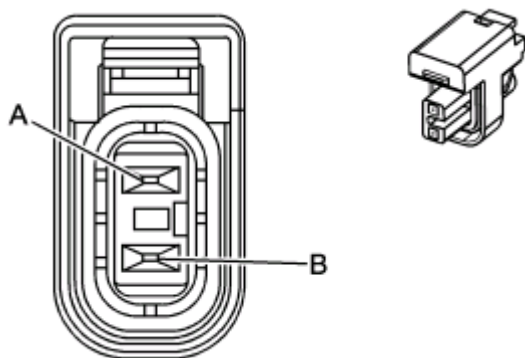
- Pins: A
- Terminal/Tray: 12191819/8
- Core/Insulation Crimp: 2/A
- Release Tool/Test Probe: 15315247/J-35616-2A (GY)

- Pins: B
- Terminal/Tray: 12191819/8
- Core/Insulation Crimp: E/A
- Release Tool/Test Probe: 15315247/J-35616-2A (GY)

### Fuel Injector 3 (LH6/LS2)

Pin	Wire	Circuit	Function
A	0.8 PK	1239	Ignition 1 Voltage
B	0.5 PK/BK	1746	Fuel Injector 3 Control

### Fuel Injector 4 (LL8)



[Click here for full size](#)

### Connector Part Information

- OEM: 15411634
- Service: 15306160
- Description: 2-Way F Micro-Pack 064 Series Sealed (GY)

### Terminal Part Information

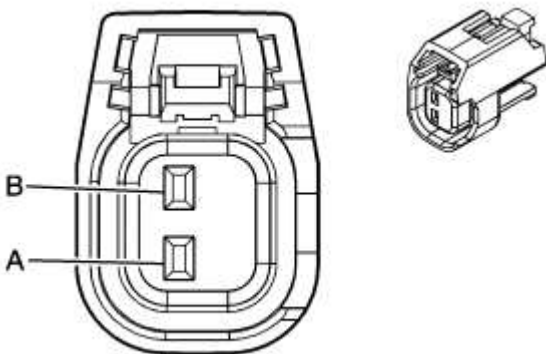
- Terminal/Tray: 15305174/8
- Core/Insulation Crimp: E/1
- Release Tool/Test Probe: 12181559-1/J-35616-64 (L-BU)

### Fuel Injector 4 (LL8)

Pin	Wire	Circuit	Function
A	0.5 PK	439	Ignition 1 Voltage

B	0.5 L-BU/BK	844	Fuel Injector 4 Control
---	-------------	-----	-------------------------

### Fuel Injector 4 (LH6/LS2)



[Click here for full size](#)

#### Connector Part Information

- OEM: 15419715
- Service: 88988313
- Description: 2-Way F GT 150 Series Sealed (GY)

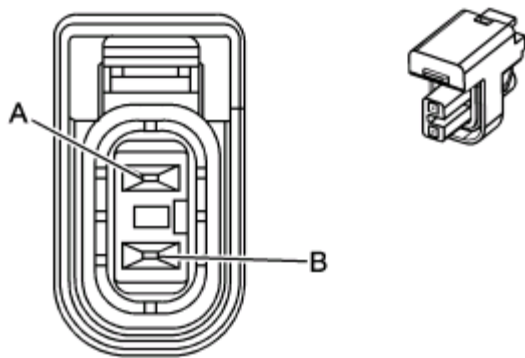
#### Terminal Part Information

- Pins: A
- Terminal/Tray: 12191819/8
- Core/Insulation Crimp: 2/A
- Release Tool/Test Probe: 15315247/J-35616-2A (GY)
- Pins: B
- Terminal/Tray: 12191819/8
- Core/Insulation Crimp: E/A
- Release Tool/Test Probe: 15315247/J-35616-2A (GY)

### Fuel Injector 4 (LH6/LS2)

Pin	Wire	Circuit	Function
A	0.8 PK	1339	Ignition 1 Voltage
B	0.5 L-BU/BK	844	Fuel Injector 4 Control

### Fuel Injector 5 (LL8)



 [Click here for full size](#)

### Connector Part Information

- OEM: 15411634
- Service: 15306160
- Description: 2-Way F Micro-Pack 064 Series Sealed (GY)

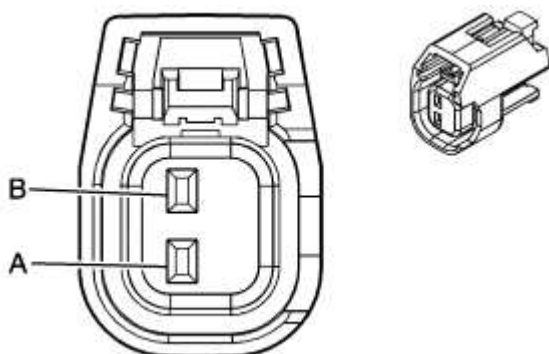
### Terminal Part Information

- Terminal/Tray: 15305174/8
- Core/Insulation Crimp: E/1
- Release Tool/Test Probe: 12181559-1/J-35616-64 (L-BU)

### Fuel Injector 5 (LL8)

Pin	Wire	Circuit	Function
A	0.5 PK	439	Ignition 1 Voltage
B	0.5 BK/WH	845	Fuel Injector 5 Control

### Fuel Injector 5 (LH6/LS2)



 [Click here for full size](#)

### Connector Part Information

- OEM: 15419715
- Service: 88988313
- Description: 2-Way F GT 150 Series Sealed (GY)

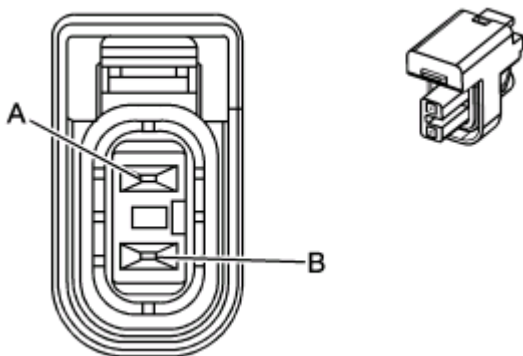
### Terminal Part Information

- Pins: A
- Terminal/Tray: 12191819/8
- Core/Insulation Crimp: 2/A
- Release Tool/Test Probe: 15315247/J-35616-2A (GY)
- Pins: B
- Terminal/Tray: 12191819/8
- Core/Insulation Crimp: E/A
- Release Tool/Test Probe: 15315247/J-35616-2A (GY)

### Fuel Injector 5 (LH6/LS2)

Pin	Wire	Circuit	Function
A	0.8 PK	1239	Ignition 1 Voltage
B	0.5 BK/WH	845	Fuel Injector 5 Control

### Fuel Injector 6 (LL8)



 [Click here for full size](#)

### Connector Part Information

- OEM: 15411634



- Service: 15306160
- Description: 2-Way F Micro-Pack 064 Series Sealed (GY)

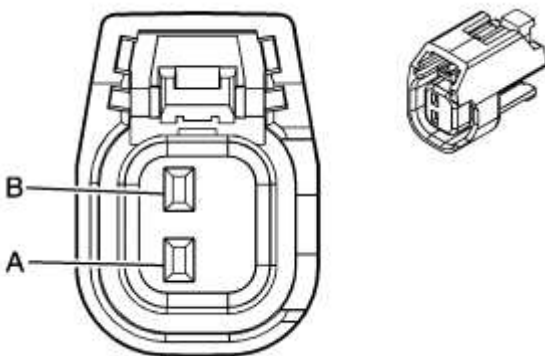
#### Terminal Part Information

- Terminal/Tray: 15305174/8
- Core/Insulation Crimp: E/1
- Release Tool/Test Probe: 12181559-1/J-35616-64 (L-BU)

#### Fuel Injector 6 (LL8)

Pin	Wire	Circuit	Function
A	0.5 PK	439	Ignition 1 Voltage
B	0.5 YE/BK	846	Fuel Injector 6 Control

#### Fuel Injector 6 (LH6/LS2)



 [Click here for full size](#)

#### Connector Part Information

- OEM: 15419715
- Service: 88988313
- Description: 2-Way F GT 150 Series Sealed (GY)

#### Terminal Part Information

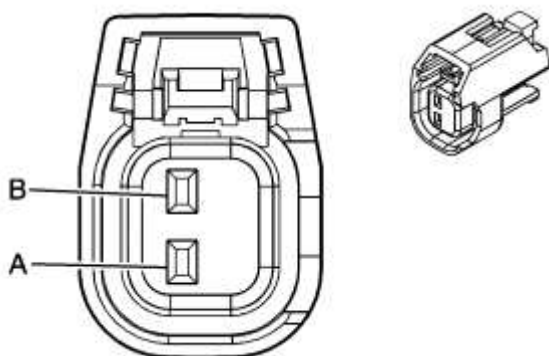
- Pins: A
- Terminal/Tray: 12191819/8
- Core/Insulation Crimp: 2/A
- Release Tool/Test Probe: 15315247/J-35616-2A (GY)

- Pins: B
- Terminal/Tray: 12191819/8
- Core/Insulation Crimp: E/A
- Release Tool/Test Probe: 15315247/J-35616-2A (GY)

### Fuel Injector 6 (LH6/LS2)

Pin	Wire	Circuit	Function
A	0.8 PK	1339	Ignition 1 Voltage
B	0.5 YE/BK	846	Fuel Injector 6 Control

### Fuel Injector 7 (LH6/LS2)



[Click here for full size](#)

### Connector Part Information

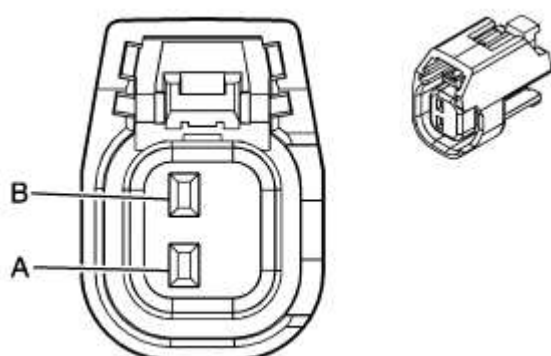
- OEM: 15419715
- Service: 88988313
- Description: 2-Way F GT 150 Series Sealed (GY)

### Terminal Part Information

- Pins: A
  - Terminal/Tray: 12191819/8
  - Core/Insulation Crimp: 2/A
  - Release Tool/Test Probe: 15315247/J-35616-2A (GY)
- 
- Pins: B
  - Terminal/Tray: 12191819/8
  - Core/Insulation Crimp: E/A
  - Release Tool/Test Probe: 15315247/J-35616-2A (GY)

**Fuel Injector 7 (LH6/LS2)**

Pin	Wire	Circuit	Function
A	0.8 PK	1239	Ignition 1 Voltage
B	0.5 RD/BK	877	Fuel Injector 7 Control

**Fuel Injector 8 (LH6/LS2)**

[Click here for full size](#)

**Connector Part Information**

- OEM: 15419715
- Service: 88988313
- Description: 2-Way F GT 150 Series Sealed (GY)

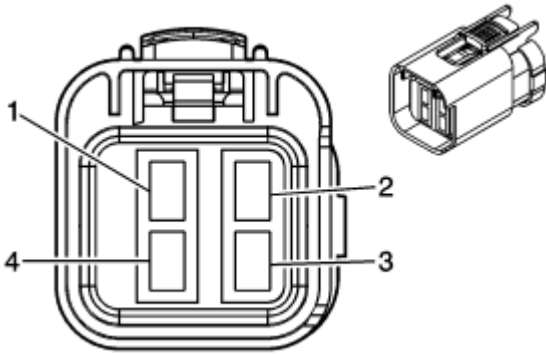
**Terminal Part Information**

- Pins: A
- Terminal/Tray: 12191819/8
- Core/Insulation Crimp: 2/A
- Release Tool/Test Probe: 15315247/J-35616-2A (GY)
- Pins: B
- Terminal/Tray: 12191819/8
- Core/Insulation Crimp: E/A
- Release Tool/Test Probe: 15315247/J-35616-2A (GY)

**Fuel Injector 8 (LH6/LS2)**

Pin	Wire	Circuit	Function
A	0.8 PK	1339	Ignition 1 Voltage
B	0.5 D-BU/WH	878	Fuel Injector 8 Control

## Fuel Pump and Sender Assembly



[Click here for full size](#)

### Connector Part Information

- OEM: 15324862
- Service: 15306441
- Description: 4-Way F APEX 2.8 Series Sealed (GY)

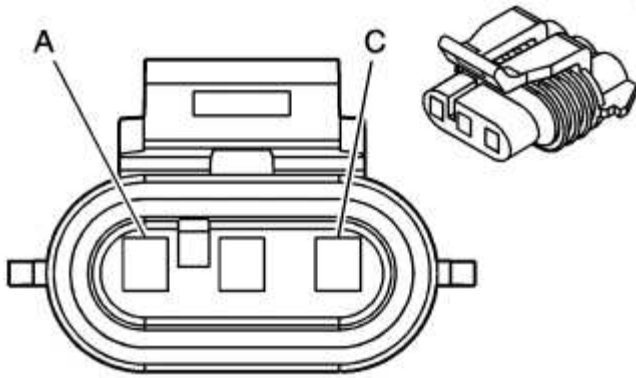
### Terminal Part Information

- Terminal/Tray: 54001800/22
- Core/Insulation Crimp: 2/4
- Release Tool/Test Probe: 12094429/J-35616-4A (PU)

## Fuel Pump and Sender Assembly

Pin	Wire	Circuit	Function
1	0.8 BK	2450	Ground
2	0.35 PU	1589	Fuel Level Sensor Signal
3	0.35 OG/BK	510	Low Reference (LL8)
	0.35 BK	2759	Low Reference (LH6/LS2)
4	0.8 GY	120	Fuel Pump Supply Voltage

## Fuel Tank Pressure (FTP) Sensor



[Click here for full size](#)

### Connector Part Information

- OEM: 12059595
- Service: 88986451
- Description: 3-Way F Metri-Pack 150 Series Sealed (BK)

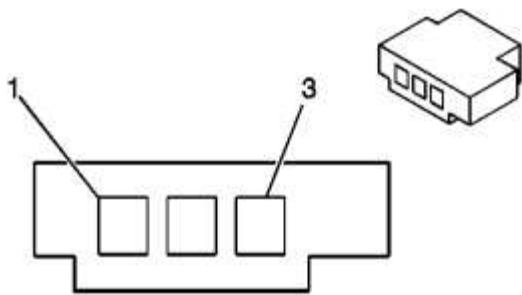
### Terminal Part Information

- Terminal/Tray: 12048074/2
- Core/Insulation Crimp: E/1
- Release Tool/Test Probe: 12094429/J-35616-2A (GY)

### Fuel Tank Pressure (FTP) Sensor

Pin	Wire	Circuit	Function
1	0.35 D-GN	890	Fuel Tank Pressure Sensor Signal
2	0.35 BK	2759	Low Reference
3	0.35 GY	2709	5-Volt Reference

### Garage Door Opener (UG1)



 [Click here for full size](#)

### Connector Part Information

- OEM: 12103301
- Service: Service by Harness - See Part Catalog
- Description: 3-Way F 0.156 Series (NA)

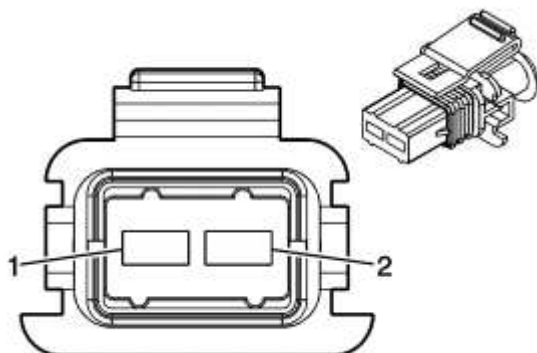
### Terminal Part Information

- Terminal/Tray: Service by Harness - See Part Catalog
- Core/Insulation Crimp: N/A
- Release Tool/Test Probe: N/A

### Garage Door Opener (UG1)

Pin	Wire	Circuit	Function
1	0.35 OG	3140	Battery Positive Voltage
2	0.35 BN/WH	230	Instrument Panel Lamps Dimming Control
3	0.35 BK	1350	Ground

### Generator X1



 [Click here for full size](#)

### Connector Part Information

- OEM: 12186308
- Service: 89046837
- Description: 2-Way F Timer Junior Power Timer Series Sealed (BK)

### Terminal Part Information

- Terminal/Tray: 4-964286-1/16
- Core/Insulation Crimp: E/1
- Release Tool/Test Probe: 12093647/J-35616-4A (PU)

### Generator X1

Pin	Wire	Circuit	Function
1	0.35 RD	225	Generator Turn On Signal
2	0.35 GY	23	Generator Field Duty Cycle Signal

### Generator X2

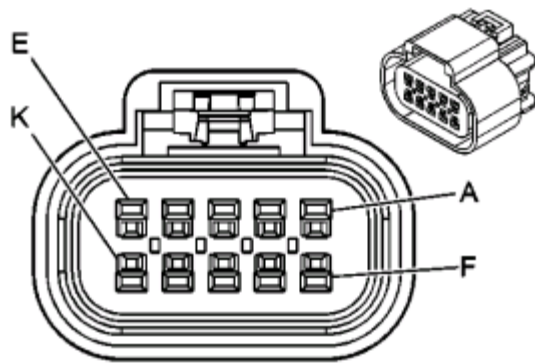
#### Terminal Part Information

- Terminal: 12146366
- Core/Insulation Crimp: N/A
- Description: Ring Terminal

### Generator X2

Pin	Wire	Circuit	Function
A	19 RD	1	Battery Positive Voltage

### Generator Battery Control Module



[Click here for full size](#)

### Connector Part Information

- OEM: 15326842
- Service: 15326842
- Description: 10-Way F GT 150 Series Sealed (BK)

### Terminal Part Information

- Pins: A, C, F, H
- Terminal/Tray: 12191819/8
- Core/Insulation Crimp: 2/A
- Release Tool/Test Probe: 15315247/J-35616-2A (GY)
- Pins: B, D, J-K
- Terminal/Tray: 12191819/8
- Core/Insulation Crimp: E/1
- Release Tool/Test Probe: 15315247/J-35616-2A (GY)

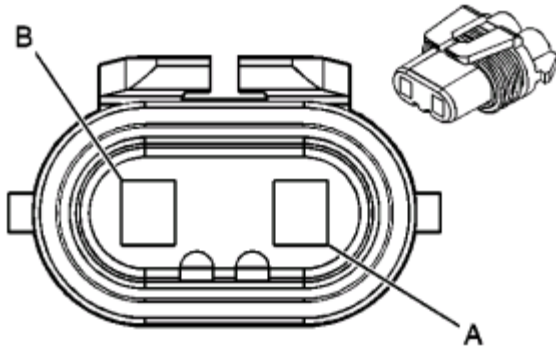
### Generator Battery Control Module

Pin	Wire	Circuit	Function
A	0.8 OG	3840	Battery Positive Voltage
B	0.35 GY	23	Generator Field Duty Cycle Signal
C	0.8 OG	3840	Battery Positive Voltage
D	0.35 RD	225	Generator Turn On Signal
E	—	—	Not Used
F	0.8 BK	450	Ground
G	—	—	Not Used
H	0.8 BK	450	Ground



J	0.35 PU	5428	Generator Regulator Control
K	0.35WH	1038	Class 2 Serial Data

### Headlamp - High Beam - Left



[Click here for full size](#)

### Connector Part Information

- OEM: 12059183
- Service: 12101898
- Description: 2-Way F Metri-Pack 280 Series Sealed (BK)

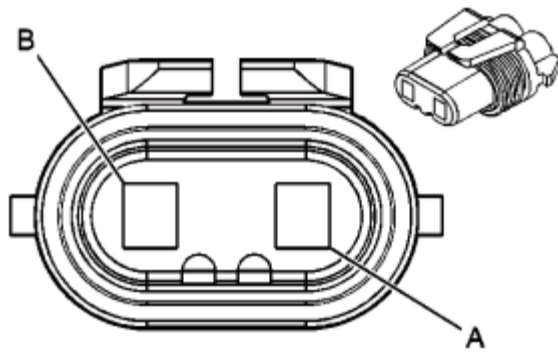
### Terminal Part Information

- Terminal/Tray: 12077411/2
- Core/Insulation Crimp: 2/5
- Release Tool/Test Probe: 12094430/J-35616-4A (PU)

### Headlamp - High Beam - Left

Pin	Wire	Circuit	Function
A	YE	—	Left Headlamp High Beam Supply Voltage
B	D-GN	—	Ground

### Headlamp - High Beam - Right



 [Click here for full size](#)

### Connector Part Information

- OEM: 12059183
- Service: 12101898
- Description: 2-Way F Metri-Pack 280 Series Sealed (BK)

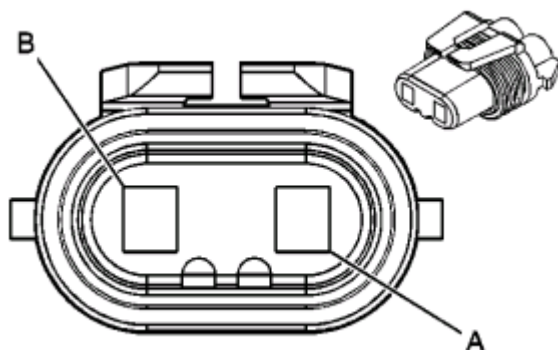
### Terminal Part Information

- Terminal/Tray: 12077411/2
- Core/Insulation Crimp: 2/5
- Release Tool/Test Probe: 12094430/J-35616-4A (PU)

### Headlamp - High Beam - Right

Pin	Wire	Circuit	Function
A	YE	-	Right Headlamp High Beam Supply Voltage
B	D-GN	-	Ground

### Headlamp - Low Beam - Left



 [Click here for full size](#)

**Connector Part Information**

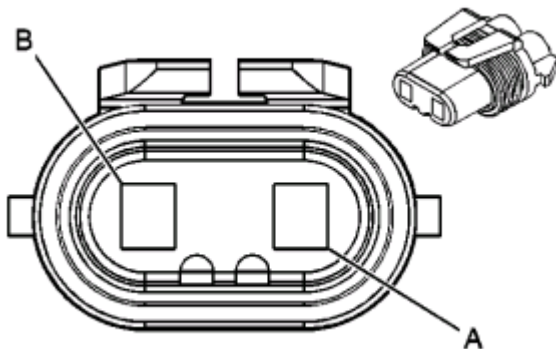
- OEM: 12059183
- Service: 12101898
- Description: 2-Way F Metri-Pack 280 Series Sealed (BK)

**Terminal Part Information**

- Terminal/Tray: 12077411/2
- Core/Insulation Crimp: 2/5
- Release Tool/Test Probe: 12094430/J-35616-4A (PU)

**Headlamp - Low Beam - Left**

Pin	Wire	Circuit	Function
A	OG	—	Left Headlamp Low Beam Supply Voltage
B	WH	—	Ground

**Headlamp - Low Beam - Right**

[Click here for full size](#)

**Connector Part Information**

- OEM: 12059183
- Service: 12101898
- Description: 2-Way F Metri-Pack 280 Series Sealed (BK)

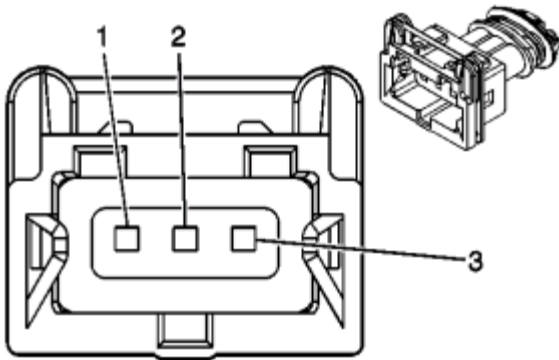
**Terminal Part Information**

- Terminal/Tray: 12077411/2
- Core/Insulation Crimp: 2/5
- Release Tool/Test Probe: 12094430/J-35616-4A (PU)

### Headlamp - Low Beam - Right

Pin	Wire	Circuit	Function
A	OG	—	Right Headlamp Low Beam Supply Voltage
B	WH	—	Ground

### Headlamp Leveling Actuator - Left (TR6)



[Click here for full size](#)

### Connector Part Information

- OEM: 12184995
- Service: 15306392
- Description: 3-Way F Timer Junior Power Timer Series Sealed (BK)

### Terminal Part Information

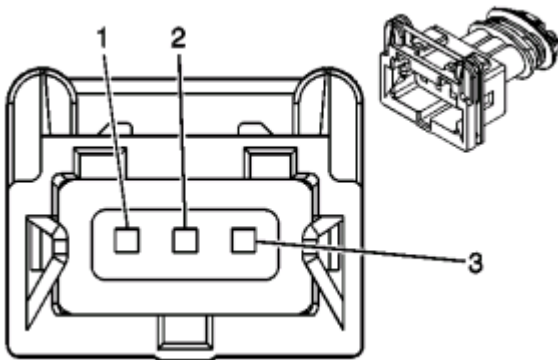
- Terminal/Tray: 4-964286-1/16
- Core/Insulation Crimp: E/1
- Release Tool/Test Probe: 12093647/J-35616-4A (PU)

### Headlamp Leveling Actuator - Left (TR6)

Pin	Wire	Circuit	Function
1	0.5 BK	350	Ground
2	0.5 D-GN	189	Headlamp Leveling Motor Supply Voltage

3	0.35 PK	639	Ignition 1 Voltage
---	---------	-----	--------------------

### Headlamp Leveling Actuator - Right (TR6)



[Click here for full size](#)

#### Connector Part Information

- OEM: 12184995
- Service: 15306392
- Description: 3-Way F Timer Junior Power Timer Series Sealed (BK)

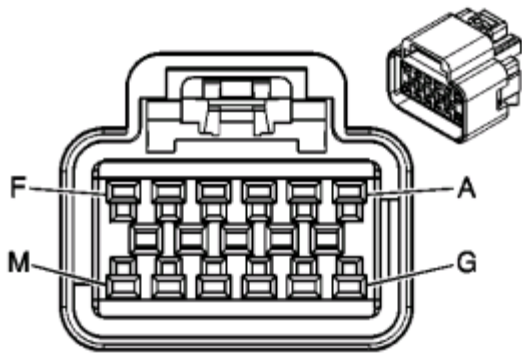
#### Terminal Part Information

- Terminal/Tray: 4-964286-1/16
- Core/Insulation Crimp: E/1
- Release Tool/Test Probe: 12093647/J-35616-4A (PU)

### Headlamp Leveling Actuator - Right (TR6)

Pin	Wire	Circuit	Function
1	0.5 BK	250	Ground
2	0.5 D-GN	189	Headlamp Leveling Motor Supply Voltage
3	0.35 PK	639	Ignition 1 Voltage

### Headlamp Switch X1



[Click here for full size](#)

### Connector Part Information

- OEM: 15332161
- Service: 15306416
- Description: 12-Way F GT 150 Series Unsealed (BK)

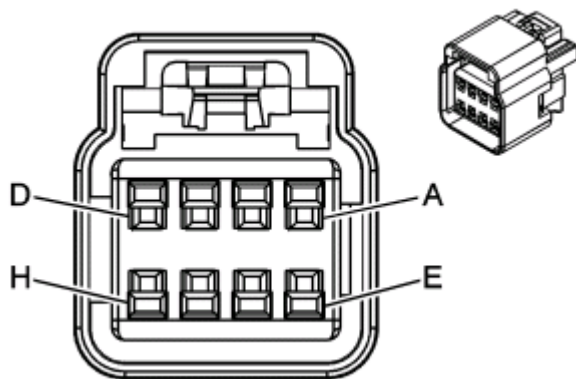
### Terminal Part Information

- Terminal/Tray: 12191812/19
- Core/Insulation Crimp: E/C
- Release Tool/Test Probe: 15315247/J-35616-2A (GY)

### Headlamp Switch X1

Pin	Wire	Circuit	Function
A	0.35 GY	705	5-Volt Reference
B	0.35 BN/WH	230	Instrument Panel Lamps Dimming Control
C	0.35 BK	2250	Ground
D	0.35WH	103	Headlamp Switch Headlamps On Signal
E	0.35 GY/BK	308	Park Lamp Switch On Signal
F	0.35 L-GN	5462	DRL Defeat Switch Signal (w/o WX7)
G	0.35 OG/BK	2090	Courtesy Lamps Dimming Input
H	0.35 GY/BK	2226	Instrument Panel Lamps Dimmer Switch Low Reference
J	0.35 D-BU/WH	1495	Courtesy Lamp On Signal
K	0.35 PU/WH	1382	LED Dimming Signal
L	0.35 PK	1348	Headlamp On Indicator Control
M	0.35 PU	328	Interior Lamp Defeat Switch Signal

## Headlamp Switch X2



[Click here for full size](#)

### Connector Part Information

- OEM: 15332145
- Service: 15306407
- Description: 8-Way F GT 150 Series Unsealed (BK)

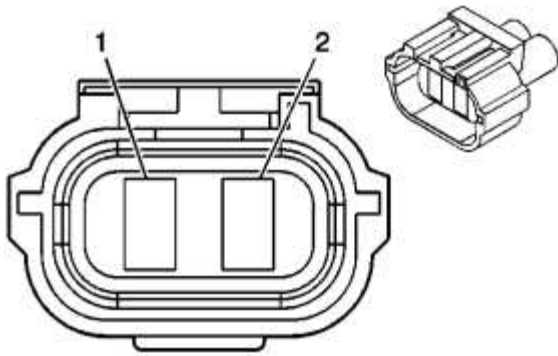
### Terminal Part Information

- Terminal/Tray: 12191812/19
- Core/Insulation Crimp: E/C
- Release Tool/Test Probe: 15315247/J-35616-2A (GY)

## Headlamp Switch X2

Pin	Wire	Circuit	Function
A	0.35 OG	192	Front Fog Lamp Switch Signal (T96)
B	0.35 L-BU	187	Rear Fog Lamp Switch Signal (T79)
C	0.35 D-GN/WH	1317	Front Fog Lamp Relay and Indicator Control (T96)
D	0.35 YE	1977	Rear Fog Lamp Relay and Indicator Control (T79)
E	0.35 TN	5463	Daytime Running Lamp Override Indicator (w/o WX7)
F	0.5 D-GN	189	Headlamp Leveling Motor Supply Voltage (TR6)
G	0.35 PK	639	Ignition 1 Voltage (TR6)
H	0.35 BN/WH	1871	Headlamp Washer Switch Signal (CE4)

## Headlamp Washer Fluid Pump (CE4)



 [Click here for full size](#)

#### Connector Part Information

- OEM: 15324474
- Service: 15306394
- Description: 2-Way F 6.3 Series Sealed (BK)

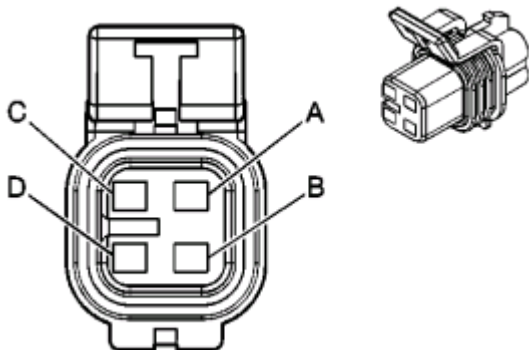
#### Terminal Part Information

- Terminal/Tray: 344070-1/17
- Core/Insulation Crimp: 2/B
- Release Tool/Test Probe: 12094429/J-35616-42 (RD)

#### Headlamp Washer Fluid Pump (CE4)

Pin	Wire	Circuit	Function
1	0.5 BK	250	Ground
2	0.8 PU	1197	Headlamp Washer Pump Control

#### Heated Oxygen Sensor (HO2S) Bank 1 Sensor 1 (LH6/LS2)



 [Click here for full size](#)



**Connector Part Information**

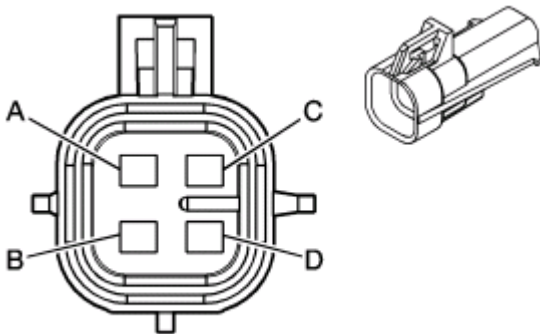
- OEM: 1210482
- Service: 88988598
- Description: 4-Way F Metri-Pack 150 Series Sealed (BK)


**Terminal Part Information**

- Terminal/Tray: 12048074/2
- Core/Insulation Crimp: E/1
- Release Tool/Test Probe: 12094429/J-35616-2A (GY)

**Heated Oxygen Sensor (HO2S) Bank 1 Sensor 1 (LH6/LS2)**

Pin	Wire	Circuit	Function
A	0.5 TN	1664	HO2S Low Signal - Bank 1 Sensor 1
B	0.5 PU/WH	1665	HO2S High Signal - Bank 1 Sensor 1
C	0.5 BK/WH	3113	HO2S Heater Low Control - Bank 1 Sensor 1
D	0.5 PK	1539	Ignition 1 Voltage

**Heated Oxygen Sensor (HO2S) Bank 1 Sensor 2 (LH6/LS2)**

 [Click here for full size](#)

**Connector Part Information**

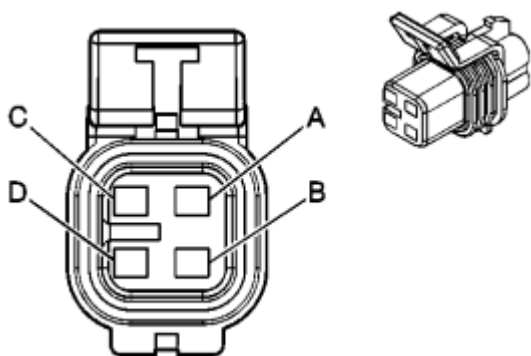
- OEM: 12160825
- Service: 15305801
- Description: 4-Way M Metri-Pack 150 Series Sealed (BK)

**Terminal Part Information**

- Terminal/Tray: 12045773/2
- Core/Insulation Crimp: E/1
- Release Tool/Test Probe: 12094429/J-35616-3 (GY)

**Heated Oxygen Sensor (HO2S) Bank 1 Sensor 2 (LH6/LS2)**

Pin	Wire	Circuit	Function
A	0.5 TN/WH	1669	HO2S Low Signal - Bank 1 Sensor 2
B	0.5 PU/WH	1668	HO2S High Signal - Bank 1 Sensor 2
C	0.5 BN	2391	HO2S Heater Low Control - Bank 1 Sensor 2
D	0.5 PK	539	Ignition 1 Voltage

**Heated Oxygen Sensor (HO2S) Bank 2 Sensor 1 (LH6/LS2)**

 [Click here for full size](#)

**Connector Part Information**

- OEM: 12160482
- Service: 88988598
- Description: 4-Way F Metri-Pack 150 Series Sealed (BK)

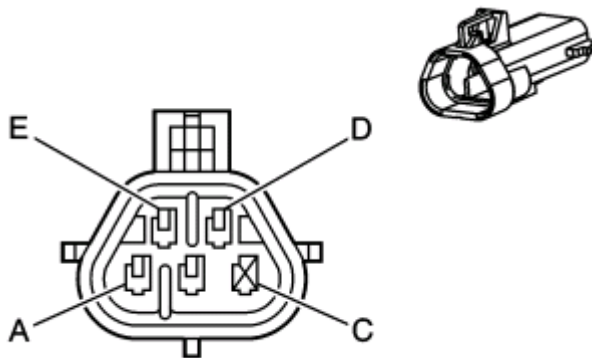
**Terminal Part Information**


- Terminal/Tray: 12048074/2
- Core/Insulation Crimp: E/1
- Release Tool/Test Probe: 12094429/J-35616-2A (GY)

**Heated Oxygen Sensor (HO2S) Bank 2 Sensor 1 (LH6/LS2)**

Pin	Wire	Circuit	Function
A	0.5 TN	1667	HO2S Low Signal - Bank 2 Sensor 1
B	0.5 PU	1666	HO2S High Signal - Bank 2 Sensor 1
C	0.5 L-GN	3212	HO2S Heater Low Control - Bank 2 Sensor 1
D	0.5 PK	1539	Ignition 1 Voltage

### Heated Oxygen Sensor (HO2S) Bank 2 Sensor 2 (LH6/LS2)



 [Click here for full size](#)

#### Connector Part Information

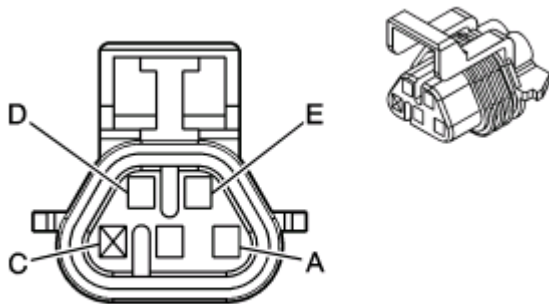
- OEM: 12092839
- Service: 88987991
- Description: 4-Way M Metri-Pack 150 Series Sealed (BK)


#### Terminal Part Information

- Pins: A-B, D-E
- Terminal/Tray: 12045773/2
- Core/Insulation Crimp: E/1
- Release Tool/Test Probe: 12094429/J-35616-3 (GY)

### Heated Oxygen Sensor (HO2S) Bank 2 Sensor 2 (LH6/LS2)

Pin	Wire	Circuit	Function
A	0.5 TN	1671	HO2S Low Signal - Bank 2 Sensor 2
B	0.5 PU	1670	HO2S High Signal - Bank 2 Sensor 2
C	-	-	Not Available
D	0.5 PK	539	Ignition 1 Voltage
E	0.5 RD/WH	3223	HO2S Heater Low Control - Bank 2 Sensor 2

**Heated Oxygen Sensor (HO2S) Sensor 1 (LL8)**

 [Click here for full size](#)

**Connector Part Information**

- OEM: 12146046
- Service: 15306365
- Description: 4-Way F Metri-Pack 150 Series Sealed (GY)

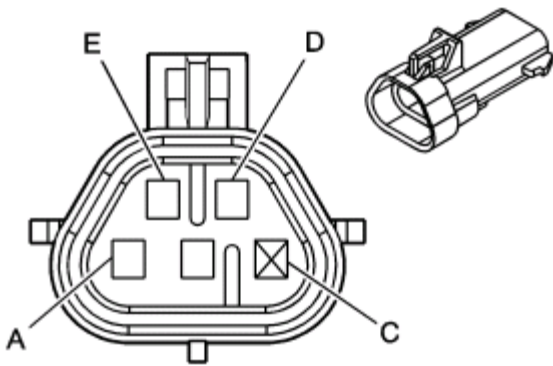
**Terminal Part Information**

- Terminal/Tray: 12048074/2
- Core/Insulation Crimp: E/1
- Release Tool/Test Probe: 12094429/J-35616-2A (GY)

**Heated Oxygen Sensor (HO2S) Sensor 1 (LL8)**

Pin	Wire	Circuit	Function
A	0.5 TN	1664	HO2S Low Signal - Bank 1 Sensor 1
B	0.5 PU/WH	1665	HO2S High Signal - Bank 1 Sensor 1
C	-	-	Not Available
D	0.5 PK	539	Ignition 1 Voltage
E	0.5 D-GN	676	HO2S Heater Low Control - Bank 1 Sensor 1

**Heated Oxygen Sensor (HO2S) Sensor 2 (LL8)**



[Click here for full size](#)

### Connector Part Information

- OEM: 12092840
- Service: 15306311
- Description: 4-Way M Metri-Pack 150 Series Sealed (GY)

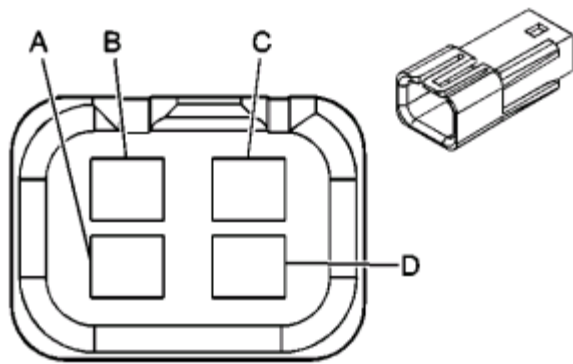
### Terminal Part Information

- Terminal/Tray: 12045773/2
- Core/Insulation Crimp: E/1
- Release Tool/Test Probe: 12094429/J-35616-3 (GY)

### Heated Oxygen Sensor (HO2S) Sensor 2 (LL8)

Pin	Wire	Circuit	Function
A	0.5 TN/WH	1669	HO2S Low Signal - Bank 1 Sensor 2
B	0.5 PU/WH	1668	HO2S High Signal - Bank 1 Sensor 2
C	—	—	Not Available
D	0.5 PK	539	Ignition 1 Voltage
E	0.5 BK/WH	1423	HO2S Heater Low Control - Bank 1 Sensor 2

### Heated Seat Element - Driver Back (KA1)



 [Click here for full size](#)

### Connector Part Information

- OEM: 15419810
- Service: 12085536
- Description: 4-Way M Metri-Pack 150 Series (BK)

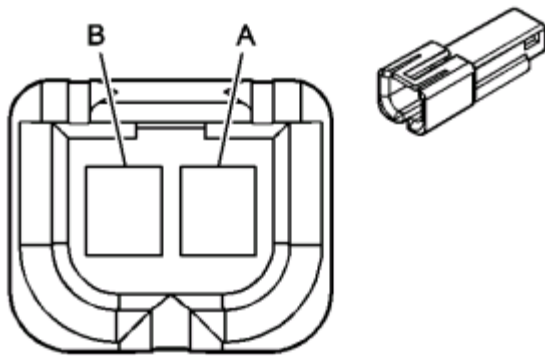
### Terminal Part Information

- Pins: A-B
- Terminal/Tray: 12047581/2
- Core/Insulation Crimp: Pins: A-B: E/A
- Core/Insulation Crimp: Pins: C-D: E/C
- Release Tool/Test Probe: 12094428/J-35616-3 (GY)

### Heated Seat Element - Driver Back (KA1)

Pin	Wire	Circuit	Function
A	0.8 RD/WH	2078	Heated Seat Cushion Element Control
B	0.8 BN	2432	Heated Seat Back Element Supply Voltage
C	0.35 YE/BK	2079	Heated Seat Cushion Temperature Sensor Signal
D	0.35 YE	2080	Low Reference

### Heated Seat Element - Driver Cushion (KA1)



[Click here for full size](#)

### Connector Part Information

- OEM: 12064778
- Service: 12126020
- Description: 2-Way M Metri-Pack 150 Series Unsealed (L-GN)

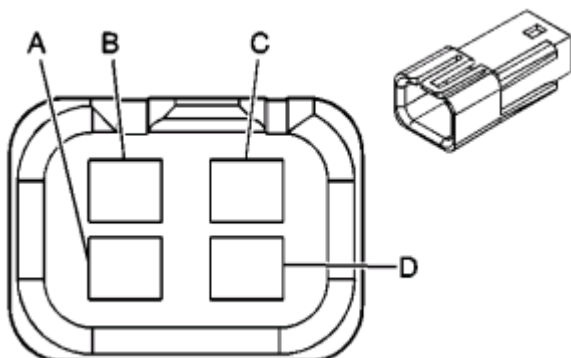
### Terminal Part Information

- Terminal/Tray: 12047581/2
- Core/Insulation Crimp: E/A
- Release Tool/Test Probe: 12094429/J-35616-3 (GY)

### Heated Seat Element - Driver Cushion (KA1)

Pin	Wire	Circuit	Function
A	0.8 RD/WH	2078	Heated Seat Cushion Element Control
B	0.8 L-GN	2077	Heated Seat Cushion Element Supply Voltage

### Heated Seat Element - Passenger Back (KA1)



[Click here for full size](#)

**Connector Part Information**

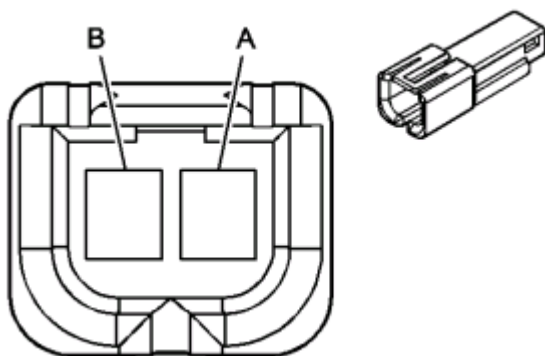
- OEM: 15419810
- Service: 12085536
- Description: 4-Way M Metri-Pack 150 Series (BK)

**Terminal Part Information**

- Terminal/Tray: 12047581/2
- Core/Insulation Crimp: E/A
- Release Tool/Test Probe: 12094429/J-35616-3 (GY)

**Heated Seat Element - Passenger Back (KA1)**

Pin	Wire	Circuit	Function
A	0.8 TN	2481	Passenger Heated Seat Back Element Supply Voltage
B	0.8 BK	2480	Passenger Heated Seat Element Control
C	0.8 BN	5475	Passenger Heated Seat Back Temperature Sensor Signal
D	0.8 GY	5476	Passenger Heated Seat Back Low Reference

**Heated Seat Element - Passenger Cushion (KA1)**

 [Click here for full size](#)

**Connector Part Information**

- OEM: 12064778



- Service: 12126020
- Description: 2-Way M Metri-Pack 150 Series Unsealed (L-GN)

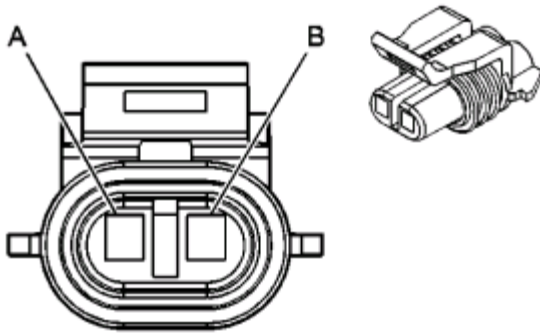
#### Terminal Part Information

- Terminal/Tray: 12047581/2
- Core/Insulation Crimp: E/A
- Release Tool/Test Probe: 12094429/J-35616-3 (GY)

#### Heated Seat Element - Passenger Cushion (KA1)

Pin	Wire	Circuit	Function
A	0.8 BK	2479	Passenger Heated Seat Cushion Element Supply Voltage
B	0.8 BK	2480	Passenger Heated Seat Element Control

#### Hood Ajar Switch (UA2)



[Click here for full size](#)

#### Connector Part Information

- OEM: 12052641
- Service: 12102747
- Description: 2-Way F Metri-Pack 150 Series Sealed (BK)

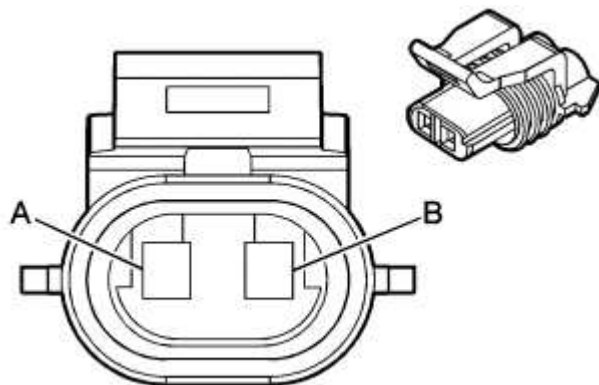
#### Terminal Part Information

- Terminal/Tray: 12048074/2
- Core/Insulation Crimp: E/1
- Release Tool/Test Probe: 12094429/J-35616-2A (GY)

## Hood Ajar Switch (UA2)

Pin	Wire	Circuit	Function
A	0.35 PK/BK	109	Hood Ajar Switch Signal
B	0.5 BK	350	Ground

## Horn Assembly



[Click here for full size](#)

### Connector Part Information

- OEM: 12052644
- Service: See Catalog
- Description: 2-Way F Metri-Pack 150 Series Sealed (L-GY)

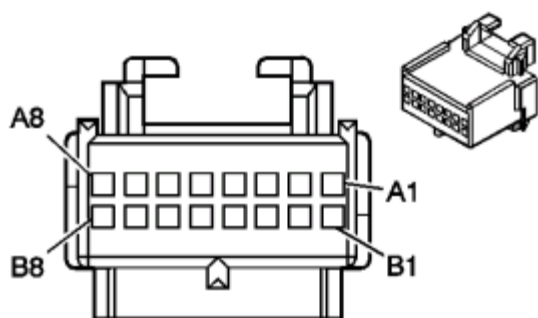
### Terminal Part Information

- Terminal/Tray: 12048074/2
- Core/Insulation Crimp: E/1
- Release Tool/Test Probe: 12094429/J-35616-2A (GY)

## Horn Assembly

Pin	Wire	Circuit	Function
A	0.5 BK	250	Ground
B	0.5 D-GN	1329	Horn Fuse Supply Voltage

## HVAC Control Module - Auxiliary (CJ2)



[Click here for full size](#)

### Connector Part Information

- OEM: 12084944
- Service: 12084944
- Description: 16-Way F Micro-Pack 100 Series Unsealed (BK)

### Terminal Part Information

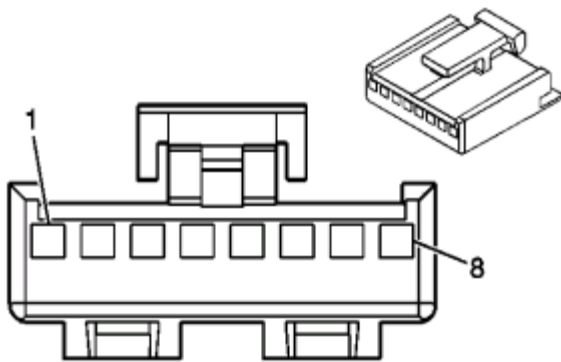
- Pins: A1-A2, A4-A8, B1-B8
- Terminal/Tray: 12146447/3
- Core/Insulation Crimp: E/C
- Release Tool/Test Probe: 12031876-1/J-35616-6 (BN)

### HVAC Control Module - Auxiliary (CJ2)

Pin	Wire	Circuit	Function
A1	0.35 OG	4340	Battery Positive Voltage
A2	0.35 GY	2289	Rear HVAC/Audio Class 2 Serial Data
A3	—	—	Not Used
A4	0.35 BK	2250	Ground
A5	0.35 BN/WH	230	Instrument Panel Lamps Dimming Control
A6	0.35 WH	119	Auxiliary Mode Door Control
A7	0.35 D-GN	2347	Auxiliary Blower Motor High Speed Control
A8	0.35 D-BU	2348	Auxiliary Blower Motor Medium Speed Control
B1	0.5 BN	199	Left Rear Speaker Output (+) (w/o UQA)
	0.5 BN	199	Left Rear Low Level Audio Signal (+) (w/UQA)
B2	0.5 D-BU	46	Right Rear Speaker Output (+) (w/o UQA)
	0.5 D-BU	46	Right Rear Low Level Audio Signal (+) (w/UQA)

B3	0.5 BN	599	Left Rear Low Level Audio Signal (+)
B4	0.5 D-BU	546	Right Rear Low Level Audio Signal (+)
B5	0.5 YE	116	Left Rear Speaker Output (-) (w/o UQA)
	0.5 YE	116	Rear Low Level Audio Signal (-) (w/UQA)
B6	0.5 L-BU	115	Right Rear Speaker Output (-) (w/o UQA)
	0.5 L-BU	115	Right Rear Low Level Audio Signal (-) (w/UQA)
B7	0.35 BN	199	Left Rear Low Level Audio Signal (-)
B8	0.5 BK	1946	Right Rear Low Level Audio Signal (-)

### HVAC Control Module - Auxiliary (CJ3)



[Click here for full size](#)

#### Connector Part Information

- OEM: 12052444
- Service: 12101874
- Description: 8-Way F Micro-Pack 100 Series Unsealed (BK)

#### Terminal Part Information

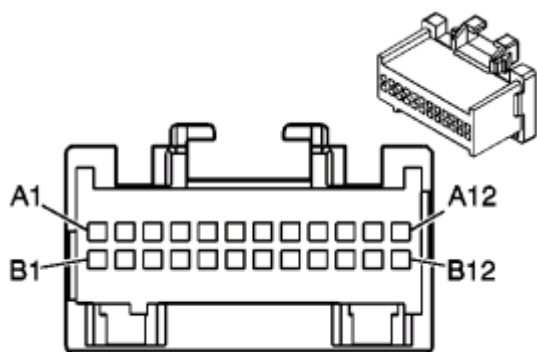
- Pins: 1, 4, 6-8
- Terminal/Tray: 12146447/3
- Core/Insulation Crimp: E/C
- Release Tool/Test Probe: 12031876-1/J-35616-6 (BN)

### HVAC Control Module - Auxiliary (CJ3)

Pin	Wire	Circuit	Function
1	0.35 BN	341	Ignition 3 Voltage
2-3	-	-	Not Used

4	0.35 YE	2277	Auxiliary HVAC Enable Control
5	—	—	Not Used
6	0.35WH	119	Auxiliary Mode Door Control
7	0.35 BK	2250	Ground
8	0.35 BN/WH	230	Instrument Panel Lamps Dimming Control

### HVAC Control Module X1



[Click here for full size](#)

### Connector Part Information

- OEM: 12110206
- Service: 12110206
- Description: 24-Way F Micro-Pack 100 Series Unsealed (L-BU)

### Terminal Part Information

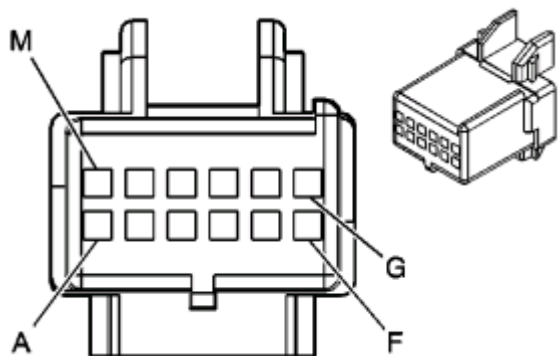
- Pins: A1-A5, A7-A8, A10, A12, B1-B9, B1-B12
- Terminal/Tray: 12146447/3
- Core/Insulation Crimp: E/C
- Release Tool/Test Probe: 12031876-1/J-35616-6 (BN)
- Pins: A11
- Terminal/Tray: 12146448/19
- Core/Insulation Crimp: E/A
- Release Tool/Test Probe: 12031876-1/J-35616-6 (BN)

### HVAC Control Module X1

Pin	Wire	Circuit	Function
A1	0.35 D-GN	1614	Recirculation Door Control

A2	0.35 D-BU	1646	Right Air Temperature Door Position Signal
A3	0.35 L-BU	733	Left Air Temperature Door Position Signal
A4	0.35 L-GN/BK	2276	Defrost Door Position Signal
A5	0.35 L-GN	2275	Mode Door Position Signal
A6	—	—	Not Used
A7	0.35 BN/WH	230	Instrument Panel Lamps Dimming Control
A8	0.35 BK/WH	751	Ground
A9	—	—	Not Used
A10	0.35 YE	2277	Auxiliary HVAC Enable Control (CJ3)
A11	1 D-GN	71	OFF Blower Motor Control
A12	0.35 D-BU	204	A/C Low Pressure Sensor Signal
B1	0.35 WH/BK	1236	Right Air Temperature Door Control
B2	0.35 D-BU	1199	Left Air Temperature Door Control
B3	0.35 TN/BK	2274	Defrost Door Control
B4	0.35 TN	2273	Mode Door Control
B5	0.35 BN	341	Ignition 3 Voltage
B6	0.35 YE	1791	Low Reference
B7	0.35 OG	4340	Battery Positive Voltage
B8	0.35 L-BU/BK	1688	5-Volt Reference
B9	0.35 BK	2250	Ground
B10	—	—	Not Used
B11	0.35WH	1038	Class 2 Serial Data
B12	0.35 L-GN	2278	A/C Compressor Status Signal

### HVAC Control Module X2 (CJ2)



[Click here for full size](#)

### Connector Part Information

- OEM: 15336594
- Service: 15336594
- Description: 12-Way F Micro-Pack 100 Series Unsealed (GY)

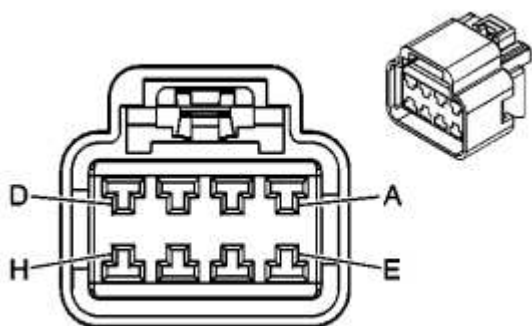
### Terminal Part Information

- Pins: A-G, K-M
- Terminal/Tray: 12146447/3
- Core/Insulation Crimp: E/C
- Release Tool/Test Probe: 12031876-1/J-35616-6 (BN)

### HVAC Control Module X2 (CJ2)

Pin	Wire	Circuit	Function
A	0.35 D-GN	734	Inside Air Temperature Sensor Signal
B	0.35 L-GN/BK	735	Ambient Air Temperature Sensor Signal
C	0.35WH	2338	Upper Left Air Temperature Sensor Signal
D	0.35 GY	2336	Upper Right Air Temperature Sensor Signal
E	0.35WH/BK	2339	Lower Left Air Temperature Sensor Signal
F	0.35 GY/BK	2337	Lower Right Air Temperature Sensor Signal
G	0.35 PU	1838	Recirculation Door Position Signal
H-J	—	—	Not Used
K	0.35 BN	718	Low Reference
L	0.35WH/BK	1236	Inside Air Temperature Sensor Assembly Control
M	0.35 PU/WH	760	Blower Motor Speed Control

### HVAC Control Module X2 (CJ3)



[Click here for full size](#)

**Connector Part Information**

- OEM: 15326924
- Service: 15306174
- Description: 8-Way F GT 280 Series Unsealed (BK)

**Terminal Part Information**

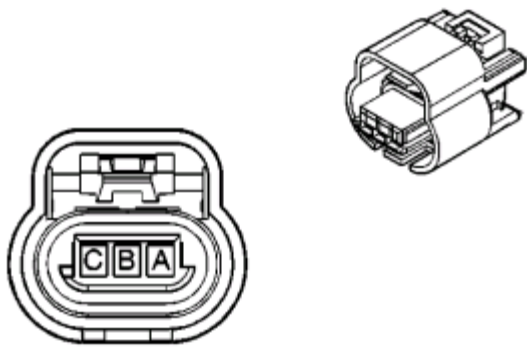
- Pins: H
- Terminal/Tray: 15304711/8
- Core/Insulation Crimp: 2/A
- Release Tool/Test Probe: 15315247/J-35616-4A (PU)
- Pins: A-D, F
- Terminal/Tray: 15304713/19
- Core/Insulation Crimp: 4/4
- Release Tool/Test Probe: 15315247/J-35616-4A (PU)
- Pins: G
- Terminal/Tray: 15304713/19
- Core/Insulation Crimp: F/D
- Release Tool/Test Probe: 15315247/J-35616-4A (PU)

**HVAC Control Module X2 (CJ3)**

Pin	Wire	Circuit	Function
A	2 PU	73	Medium 3 Blower Motor Control
B	2 L-BU	72	Medium 2 Blower Motor Control
C	2 TN	63	Medium 1 Blower Motor Control
D	2 YE	60	Low Blower Motor Control
E	—	—	Not Used
F	2 OG	52	High Blower Motor Control
G	3 BN	141	Ignition 3 Voltage
H	1 D-GN	71	OFF Blower Motor Control

**Ignition Coil 1 (LL8)**





 [Click here for full size](#)

### Connector Part Information

- OEM: 15355370
- Service: 15306431
- Description: 3-Way F GT Series Sealed (BK)

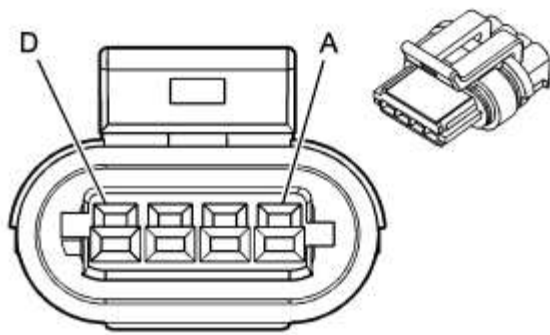
### Terminal Part Information

- Pins: A-B
- Terminal/Tray: 15326267/19
- Core/Insulation Crimp: E/4
- Release Tool/Test Probe: 15315247/J-35616-2A (GY)
- Pins: C
- Terminal/Tray: 15326267/19
- Core/Insulation Crimp: E/1
- Release Tool/Test Probe: 15315247/J-35616-2A (GY)

### Ignition Coil 1 (LL8)

Pin	Wire	Circuit	Function
A	0.5 PK	439	Ignition 1 Voltage
B	0.35 PU	2121	IC 1 Control
C	0.8 BK	550	Ground

### Ignition Coil 1 (LH6/LS2)



[Click here for full size](#)

### Connector Part Information

- OEM: 15439568
- Service: 88987184
- Description: 4-Way F GT 150 Series Sealed (BK)

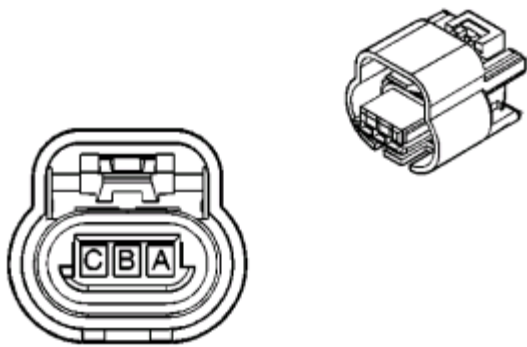
### Terminal Part Information

- Terminal/Tray: 15326267/19
- Core/Insulation Crimp: E/4
- Release Tool/Test Probe: 15315247/J-35616-2A (GY)

### Ignition Coil 1 (LH6/LS2)

Pin	Wire	Circuit	Function
A	0.8 BK	151	Ground
B	0.5 BN	2129	Low Reference
C	0.5 PU	2121	IC 1 Control
D	0.8 PK	39	Ignition 1 Voltage

### Ignition Coil 2 (LL8)



 [Click here for full size](#)

### Connector Part Information

- OEM: 15355370
- Service: 15306431
- Description: 3-Way F GT Series Sealed (BK)

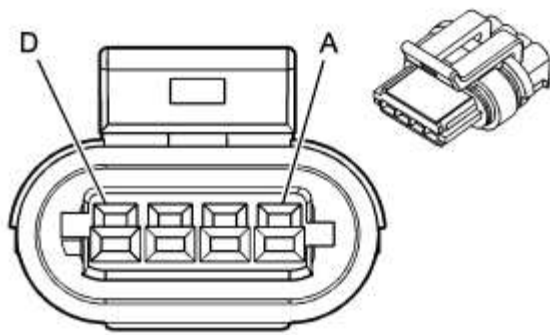
### Terminal Part Information

- Pins: A-B
- Terminal/Tray: 15326267/19
- Core/Insulation Crimp: E/4
- Release Tool/Test Probe: 15315247/J-35616-2A (GY)
- Pins: C
- Terminal/Tray: 15326267/19
- Core/Insulation Crimp: E/1
- Release Tool/Test Probe: 15315247/J-35616-2A (GY)

### Ignition Coil 2 (LL8)

Pin	Wire	Circuit	Function
A	0.5 PK	439	Ignition 1 Voltage
B	0.35 RD/WH	2122	IC 2 Control
C	0.8 BK	550	Ground

### Ignition Coil 2 (LH6/LS2)



[Click here for full size](#)

### Connector Part Information

- OEM: 15439568
- Service: 88987184
- Description: 4-Way F GT 150 Series Sealed (BK)

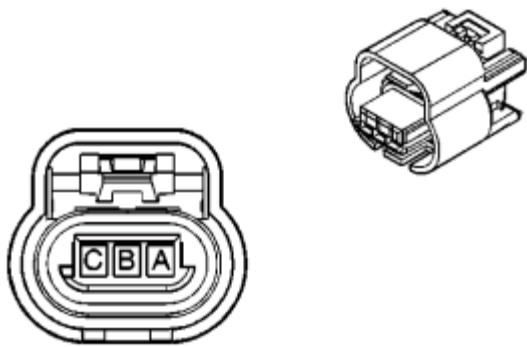
### Terminal Part Information

- Terminal/Tray: 15326267/19
- Core/Insulation Crimp: E/4
- Release Tool/Test Probe: 15315247/J-35616-2A (GY)

### Ignition Coil 2 (LH6/LS2)

Pin	Wire	Circuit	Function
A	0.8 BK	151	Ground
B	0.5 BN	2129	Low Reference
C	0.5 RD	2127	IC 2 Control
D	0.8 PK	39	Ignition 1 Voltage

### Ignition Coil 3 (LL8)



 [Click here for full size](#)

### Connector Part Information

- OEM: 15355370
- Service: 15306431
- Description: 3-Way F GT Series Sealed (BK)

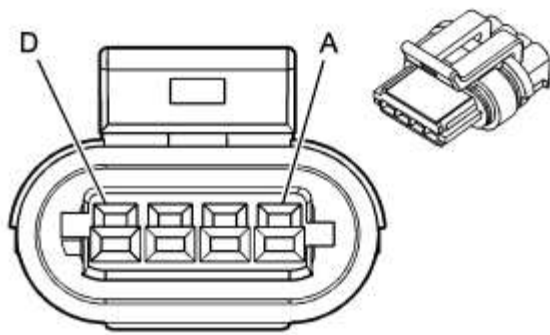
### Terminal Part Information

- Pins: A-B
- Terminal/Tray: 15326267/19
- Core/Insulation Crimp: E/4
- Release Tool/Test Probe: 15315247/J-35616-2A (GY)
- Pins: C
- Terminal/Tray: 15326267/19
- Core/Insulation Crimp: E/1
- Release Tool/Test Probe: 15315247/J-35616-2A (GY)

### Ignition Coil 3 (LL8)

Pin	Wire	Circuit	Function
A	0.5 PK	439	Ignition 1 Voltage
B	0.35 L-BU	2123	IC 3 Control
C	0.8 BK	550	Ground

### Ignition Coil 3 (LH6/LS2)



[Click here for full size](#)

### Connector Part Information

- OEM: 15439568
- Service: 88987184
- Description: 4-Way F GT 150 Series Sealed (BK)

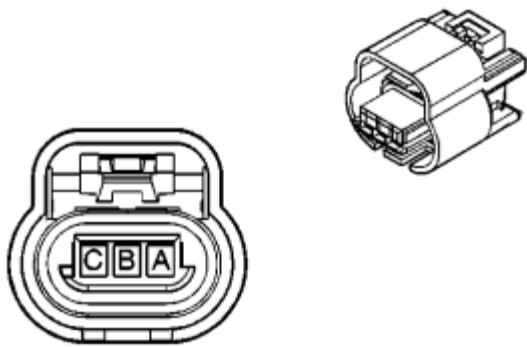
### Terminal Part Information

- Terminal/Tray: 15326267/19
- Core/Insulation Crimp: E/4
- Release Tool/Test Probe: 15315247/J-35616-2A (GY)

### Ignition Coil 3 (LH6/LS2)

Pin	Wire	Circuit	Function
A	0.8 BK	151	Ground
B	0.5 BN	2129	Low Reference
C	0.5 L-BU	2123	IC 3 Control
D	0.8 PK	39	Ignition 1 Voltage

### Ignition Coil 4 (LL8)



 [Click here for full size](#)

### Connector Part Information

- OEM: 15355370
- Service: 15306431
- Description: 3-Way F GT Series Sealed (BK)

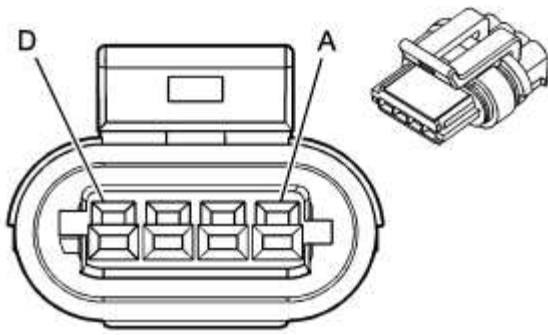
### Terminal Part Information

- Pins: A-B
- Terminal/Tray: 15326267/19
- Core/Insulation Crimp: E/4
- Release Tool/Test Probe: 15315247/J-35616-2A (GY)
- Pins: C
- Terminal/Tray: 15326267/19
- Core/Insulation Crimp: E/1
- Release Tool/Test Probe: 15315247/J-35616-2A (GY)

### Ignition Coil 4 (LL8)

Pin	Wire	Circuit	Function
A	0.5 PK	439	Ignition 1 Voltage
B	0.35 D-GN/WH	2124	IC 4 Control
C	0.8 BK	550	Ground

### Ignition Coil 4 (LH6/LS2)



[Click here for full size](#)

### Connector Part Information

- OEM: 15439568
- Service: 88987184
- Description: 4-Way F GT 150 Series Sealed (BK)

### Terminal Part Information

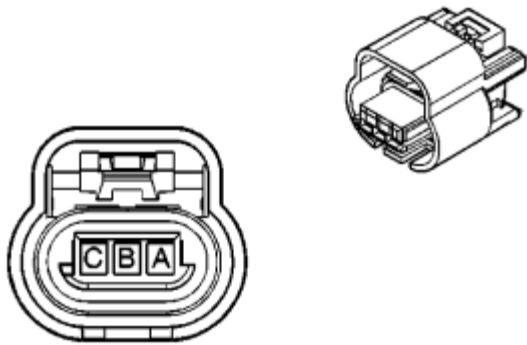
- Terminal/Tray: 15326267/19
- Core/Insulation Crimp: E/4
- Release Tool/Test Probe: 15315247/J-35616-2A (GY)

### Ignition Coil 4 (LH6/LS2)

Pin	Wire	Circuit	Function
A	0.8 BK	151	Ground
B	0.5 BN	2129	Low Reference
C	0.5 D-GN	2125	IC 4 Control
D	0.8 PK	39	Ignition 1 Voltage

### Ignition Coil 5 (LL8)





 [Click here for full size](#)

### Connector Part Information

- OEM: 15355370
- Service: 15306431
- Description: 3-Way F GT Series Sealed (BK)

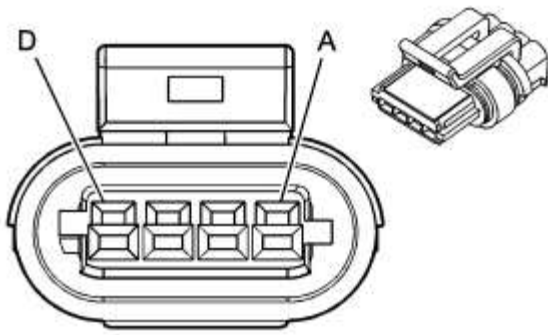
### Terminal Part Information

- Pins: A-B
- Terminal/Tray: 15326267/19
- Core/Insulation Crimp: E/4
- Release Tool/Test Probe: 15315247/J-35616-2A (GY)
- Pins: C
- Terminal/Tray: 15326267/19
- Core/Insulation Crimp: E/1
- Release Tool/Test Probe: 15315247/J-35616-2A (GY)

### Ignition Coil 5 (LL8)

Pin	Wire	Circuit	Function
A	0.5 PK	439	Ignition 1 Voltage
B	0.35 D-GN	2125	IC 5 Control
C	0.8 BK	550	Ground

### Ignition Coil 5 (LH6/LS2)



[Click here for full size](#)

### Connector Part Information

- OEM: 15439568
- Service: 88987184
- Description: 4-Way F GT 150 Series Sealed (BK)

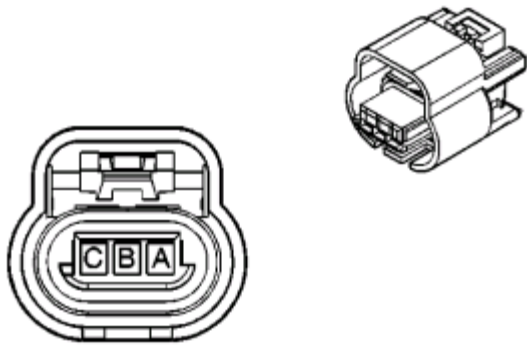
### Terminal Part Information

- Terminal/Tray: 15326267/19
- Core/Insulation Crimp: E/4
- Release Tool/Test Probe: 15315247/J-35616-2A (GY)

### Ignition Coil 5 (LH6/LS2)

Pin	Wire	Circuit	Function
A	0.8 BK	151	Ground
B	0.5 BN	2129	Low Reference
C	0.5 D-GN	2125	IC 5 Control
D	0.8 PK	39	Ignition 1 Voltage

### Ignition Coil 6 (LL8)



 [Click here for full size](#)

### Connector Part Information

- OEM: 15355370
- Service: 15306431
- Description: 3-Way F GT Series Sealed (BK)

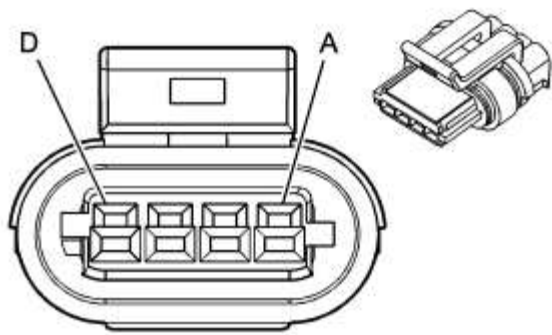
### Terminal Part Information

- Pins: A-B
- Terminal/Tray: 15326267/19
- Core/Insulation Crimp: E/4
- Release Tool/Test Probe: 15315247/J-35616-2A (GY)
- Pins: C
- Terminal/Tray: 15326267/19
- Core/Insulation Crimp: E/1
- Release Tool/Test Probe: 15315247/J-35616-2A (GY)

### Ignition Coil 6 (LL8)

Pin	Wire	Circuit	Function
A	0.5 PK	439	Ignition 1 Voltage
B	0.35 L-BU/WH	2126	IC 6 Control
C	0.8 BK	550	Ground

### Ignition Coil 6 (LH6/LS2)



[Click here for full size](#)

### Connector Part Information

- OEM: 15439568
- Service: 88987184
- Description: 4-Way F GT 150 Series Sealed (BK)

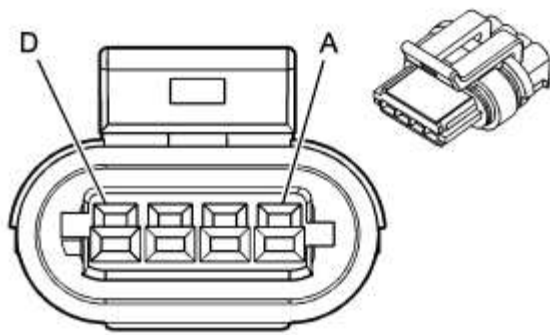
### Terminal Part Information

- Terminal/Tray: 15326267/19
- Core/Insulation Crimp: E/4
- Release Tool/Test Probe: 15315247/J-35616-2A (GY)

### Ignition Coil 6 (LH6/LS2)

Pin	Wire	Circuit	Function
A	0.8 BK	151	Ground
B	0.5 BN	2129	Low Reference
C	0.5 L-BU	2123	IC 6 Control
D	0.8 PK	39	Ignition 1 Voltage

### Ignition Coil 7 (LH6/LS2)



[Click here for full size](#)

### Connector Part Information

- OEM: 15439568
- Service: 88987184
- Description: 4-Way F GT 150 Series Sealed (BK)

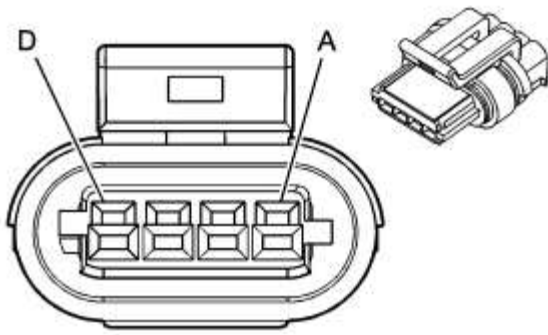
### Terminal Part Information

- Terminal/Tray: 15326267/19
- Core/Insulation Crimp: E/4
- Release Tool/Test Probe: 15315247/J-35616-2A (GY)

### Ignition Coil 7 (LH6/LS2)

Pin	Wire	Circuit	Function
A	0.8 BK	151	Ground
B	0.5 BN	2129	Low Reference
C	0.5 RD	2127	IC 7 Control
D	0.8 PK	39	Ignition 1 Voltage

### Ignition Coil 8 (LH6/LS2)



[Click here for full size](#)

### Connector Part Information

- OEM: 15439568
- Service: 88987184
- Description: 4-Way F GT 150 Series Sealed (BK)

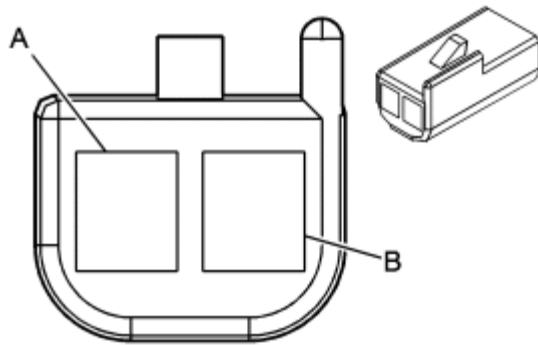
### Terminal Part Information

- Terminal/Tray: 15326267/19
- Core/Insulation Crimp: E/4
- Release Tool/Test Probe: 15315247/J-35616-2A (GY)

### Ignition Coil 8 (LH6/LS2)

Pin	Wire	Circuit	Function
A	0.8 BK	151	Ground
B	0.5 BN	2129	Low Reference
C	0.5 PU	2121	IC 8 Control
D	0.8 PK	39	Ignition 1 Voltage

### Ignition Lock Cylinder Control Actuator



[Click here for full size](#)

### Connector Part Information

- OEM: 12047662
- Service: 12085535
- Description: 2-Way F Metri-Pack 150 Series Unsealed (BK)

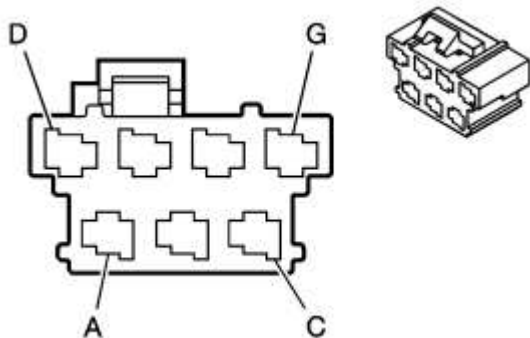
### Terminal Part Information

- Terminal/Tray: 12064971/5
- Core/Insulation Crimp: E/C
- Release Tool/Test Probe: 12094429/J-35616-14 (GN)

### Ignition Lock Cylinder Control Actuator

Pin	Wire	Circuit	Function
A	0.35 YE	1996	Remote Shift Selector Signal
B	0.35 BK	2250	Ground

### Ignition Switch



[Click here for full size](#)

### Connector Part Information

- OEM: 19900853490
- Service: Service by Harness - See Part Catalog
- Description: 7-Way F (BK)

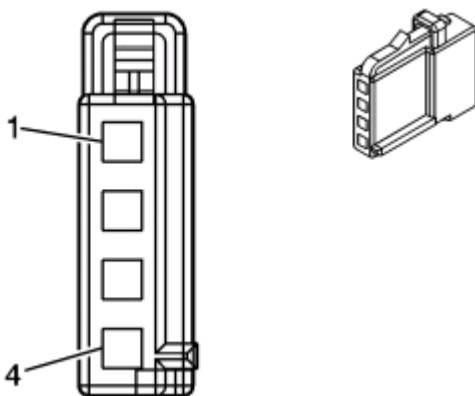
### Terminal Part Information

- Terminal/Tray: Service by Harness - See Part Catalog
- Core/Insulation Crimp: N/A
- Release Tool/Test Probe: N/A

### Ignition Switch

Pin	Wire	Circuit	Function
A	3 BN	4	Accessory Voltage
B	3 RD/WH	342	Battery Positive Voltage
C	3 PK	3	Ignition 1 Voltage
D	3 YE	5	Crank Voltage
E	3 WH	1390	Acc/Run/Crank Voltage
F	3 RD	142	Battery Positive Voltage
G	3 OG	300	Ign 3 Voltage

### Inclination Sensor (BAE)



 [Click here for full size](#)

### Connector Part Information

- OEM: 15324229



- Service: 15306167
- Description: 4-Way F Timer Micro I Series (BK)

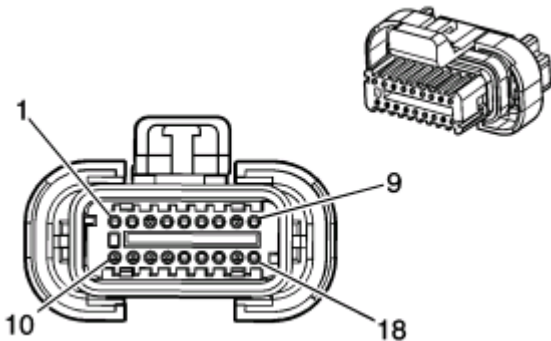
#### Terminal Part Information

- Pins: 1, 3-4
- Terminal/Tray: 962943-5/16
- Core/Insulation Crimp: E/A
- Release Tool/Test Probe: J-38125-560/J-35616-33 (YE)

#### Inclination Sensor (BAE)

Pin	Wire	Circuit	Function
1	0.5 OG	2740	Battery Positive Voltage
2	—	—	Not Used
3	0.5 PK	5363	Inclination Sensor Signal
4	0.5 L-BU	5362	Inclination Sensor Low Reference

#### Inflatable Restraint Front Passenger Presence System (PPS) Module



[Click here for full size](#)

#### Connector Part Information

- OEM: 15431682
- Service: See Catalog
- Description: 18-Way F Micro-Pack 100W Series Sealed (BK)

#### Terminal Part Information

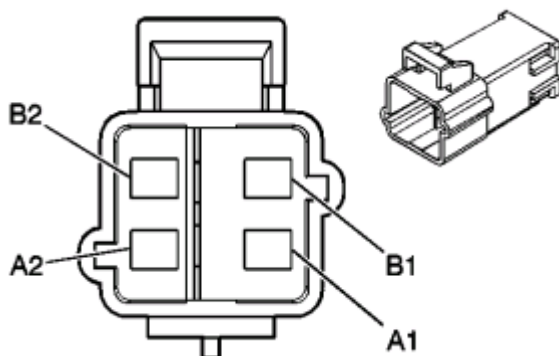
- Pins: 1-2, 4-7, 9, 14-16, 18

- Terminal/Tray: Service With Terminated Lead
- Core/Insulation Crimp: N/A
- Release Tool/Test Probe: 12122523/J-35616-6 (BN)

## Inflatable Restraint Front Passenger Presence System (PPS) Module

Pin	Wire	Circuit	Function
1	0.35 D-BU	2307	Passenger Air Bag On Indicator Control (AL0)
2	0.35 D-GN	2308	Passenger Air Bag Off Indicator Control (AL0)
3	—	—	Not Used
4	0.35 PU	5611	Passenger Seat Belt Tension Sensor Signal
5	0.35 BK/WH	1751	Ground
6	0.35 YE	5608	Occupant Pressure Sensor Signal
7	0.35 D-GN	5609	Occupant Pressure Sensor Voltage Reference
8	—	—	Not Used
9	0.35 YE	1139	Ignition 1 Voltage
10-13	—	—	Not Used
14	0.35 TN	5613	Passenger Seat Belt Tension Sensor Low Reference
15	0.35 GY	5610	Occupant Pressure Sensor Low Reference
16	0.35 L-BU	5612	Passenger Seat Belt Tension Sensor Voltage Reference
17	—	—	Not Used
18	0.35 PK	2306	Occupant Sensor - Serial Data Link

## Inflatable Restraint I/P Module



[Click here for full size](#)

**Connector Part Information**

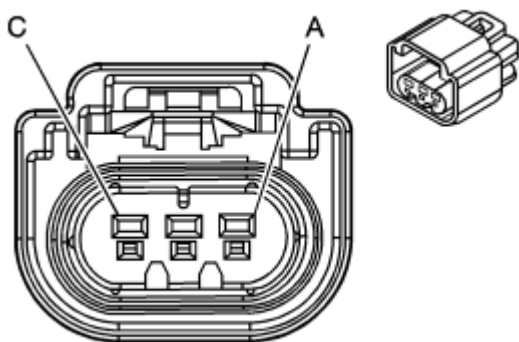
- OEM: 15336476
- Service: 15306363
- Description: 4-Way M Metri-Pack 280 Series (YE)

**Terminal Part Information**

- Terminal/Tray: Service with Pigtail
- Core/Insulation Crimp: N/A
- Release Tool/Test Probe: 12094430/J-35616-5 (PU)

**Inflatable Restraint I/P Module**

Pin	Wire	Circuit	Function
A1	0.35 YE	3025	I/P Module - Stage 1 - High Control
A2	0.35 OG	3024	I/P Module - Stage 1 - Low Control
B1	0.35 GY	3027	I/P Module - Stage 2 - High Control
B2	0.35 PU	3026	I/P Module - Stage 2 - Low Control

**Inflatable Restraint Passenger Presence System (PPS) Sensor**

[Click here for full size](#)

**Connector Part Information**

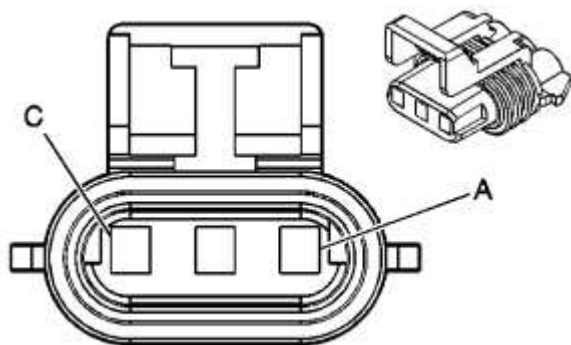
- OEM: 15422250
- Service: 88987995
- Description: 3-Way F GT 150 Series Sealed (D-GY)

**Terminal Part Information**

- Terminal/Tray: Service with Pigtail
- Core/Insulation Crimp: N/A
- Release Tool/Test Probe: N/A

**Inflatable Restraint Passenger Presence System (PPS) Sensor**

Pin	Wire	Circuit	Function
A	0.35 D-GN	5609	Occupant Pressure Sensor Voltage Reference
B	0.35 YE	5608	Occupant Pressure Sensor Signal
C	0.35 GY	5610	Occupant Pressure Sensor Low Reference

**Inflatable Restraint Passenger Seat Belt Tension Retractor Sensor**

[Click here for full size](#)

**Connector Part Information**

- OEM: 12110293
- Service: 12117025
- Description: 3-Way F Metri-Pack 150 Series Sealed (BK)

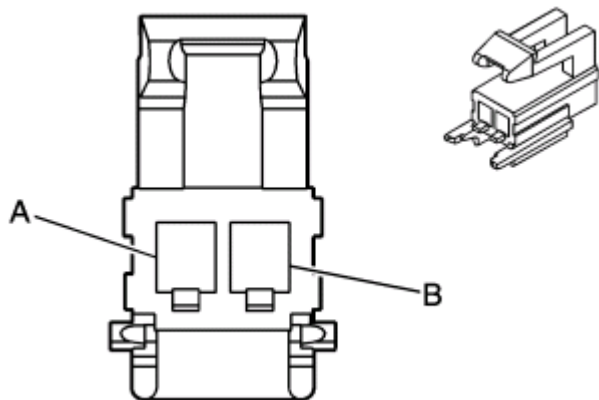
**Terminal Part Information**

- Terminal/Tray: Service with Pigtail
- Core/Insulation Crimp: N/A
- Release Tool/Test Probe: 12094429/J-35616-14 (GN)

**Inflatable Restraint Passenger Seat Belt Tension Retractor**

**Sensor**

Pin	Wire	Circuit	Function
A	0.35 L-BU	5612	Passenger Seat Belt Tension Sensor Voltage Reference
B	0.35 TN	5613	Passenger Seat Belt Tension Sensor Low Reference
C	0.35 PU	5611	Passenger Seat Belt Tension Sensor Signal

**Inflatable Restraint Roof Rail Module - Left (ASF)**

[Click here for full size](#)

**Connector Part Information**

- OEM: 12110505
- Service: 15306044
- Description: 2-Way F Metri-Pack 150 Series (YE)

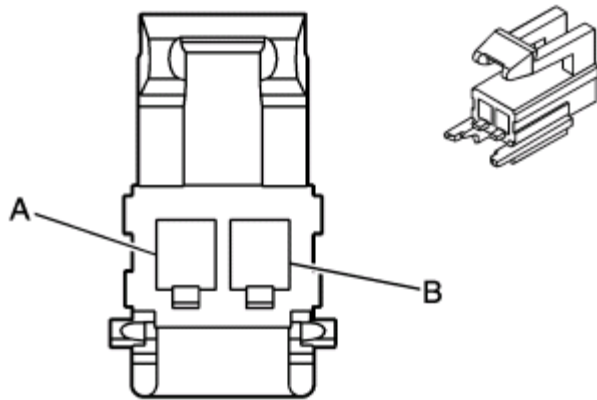
**Terminal Part Information**

- Terminal/Tray: Service with Pigtail
- Core/Insulation Crimp: N/A
- Release Tool/Test Probe: 12094429/J-35616-14 (GN)

**Inflatable Restraint Roof Rail Module - Left (ASF)**

Pin	Wire	Circuit	Function
A	0.35 D-GN	2105	Side Impact Module - Left - High Control
B	0.35 BN	2106	Side Impact Module - Left - Low Control

**Inflatable Restraint Roof Rail Module - Right (ASF)**



[Click here for full size](#)

### Connector Part Information

- OEM: 12110505
- Service: 15306044
- Description: 2-Way F Metri-Pack 150 Series (YE)

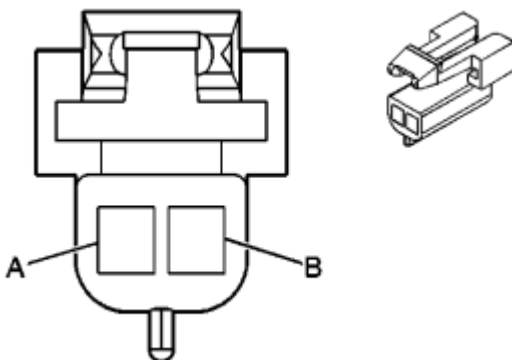
### Terminal Part Information

- Terminal/Tray: Service with Pigtail
- Core/Insulation Crimp: N/A
- Release Tool/Test Probe: 12094429/J-35616-14 (GN)

### Inflatable Restraint Roof Rail Module - Right (ASF)

Pin	Wire	Circuit	Function
A	0.35 GY	2103	Side Impact Module - Right - High Control
B	0.35 D-BU	2104	Side Impact Module - Right - Low Control

### Inflatable Restraint Seat Position Sensor (SPS) - Left



[Click here for full size](#)

**Connector Part Information**

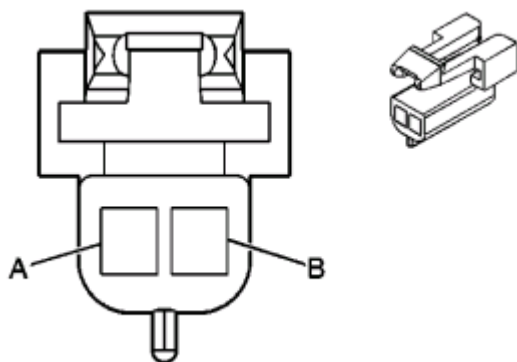
- OEM: 12052832
- Service: 12101825
- Description: 2-Way F Metri-Pack 150 Series (BK)


**Terminal Part Information**

- Terminal/Tray: Service with Pigtail
- Core/Insulation Crimp: N/A
- Release Tool/Test Probe: 12094429/J-35616-14 (GN)

**Inflatable Restraint Seat Position Sensor (SPS) - Left**

Pin	Wire	Circuit	Function
A	0.35 BK	2638	Driver Seat Position Sensor - High
B	0.35 BK	2644	Seat Position Sensor Return

**Inflatable Restraint Seat Position Sensor (SPS) - Right**

 [Click here for full size](#)

**Connector Part Information**

- OEM: 12052832
- Service: 12101825
- Description: 2-Way F Metri-Pack 150 Series (BK)

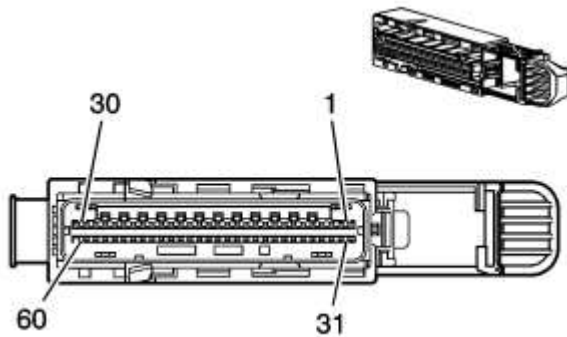
**Terminal Part Information**

- Terminal/Tray: Service with Pigtail
- Core/Insulation Crimp: N/A
- Release Tool/Test Probe: 12094429/J-35616-14 (GN)

### Inflatable Restraint Seat Position Sensor (SPS) - Right

Pin	Wire	Circuit	Function
A	0.35 BK	2645	Passenger Seat Position - High
B	0.35 BK	2644	Seat Position Sensor Return

### Inflatable Restraint Sensing and Diagnostic Module (SDM)



[Click here for full size](#)

#### Connector Part Information

- OEM: 13526089
- Service: See Catalog
- Description: 33-Way F Receptacle 0.64 Series Sealed (YE)

#### Terminal Part Information

- Pins: 1-2, 4-19, 28-31, 35-39, 59-60
- Terminal/Tray: Service with Terminated Lead
- Core/Insulation Crimp: N/A
- Release Tool/Test Probe: 15315247/J-35616-64B (L-BU)
- Pins: 40-43
- Terminal/Tray: Service with Terminated Lead
- Core/Insulation Crimp: N/A
- Release Tool/Test Probe: 15315247/J-35616-64B (L-BU)

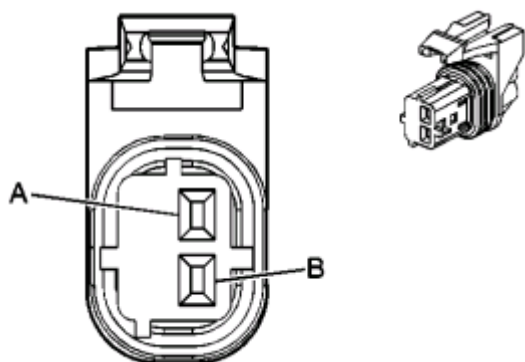


**Inflatable Restraint Sensing and Diagnostic Module (SDM)**

Pin	Wire	Circuit	Function
1	0.35 BK/WH	751	Ground
2	0.35 D-BU	1128	Class 2 Serial Data
3	—	—	Not Available
4	0.35 BN	3020	Steering Wheel Module - Stage 1 - Low Control
5	0.35 TN	3021	Steering Wheel Module - Stage 1 - High Control
6	YE	3025	I/P Module - Stage 1 - High Control
7	0.35 OG	3024	I/P Module - Stage 1 - Low Control
8	0.35PK	3022	Steering Wheel Module - Stage 2 - Low Control
9	0.35WH	3023	Steering Wheel Module - Stage 2 - High Control
10	0.35 GY	3027	I/P Module - Stage 2 - High Control
11	0.35 PU	3026	I/P Module - Stage 2 - Low Control
12	0.35 BN	2106	Side Impact Module - Left - Low Control (ASF)
13	0.35 D-GN	2105	Side Impact Module - Left - High Control (ASF)
14	0.35 GY	2103	Side Impact Module - Right - High Control (ASF)
15	0.35 D-BU	2104	Side Impact Module - Right - Low Control (ASF)
16	0.35 OG/BK	2119	Seat Belt Pretensioner - Left - Low Control
17	0.35 BK/WH	2118	Seat Belt Pretensioner - Left - High Control
18	0.35 L-GN	2116	Seat Belt Pretensioner - Right - High Control
19	0.35 OG	2117	Seat Belt Pretensioner - Right - Low Control
20-27	—	—	Not Available
28	0.35 BK/WH	2644	Seat Position Sensor Return
29	0.35 L-GN/WH	2638	Driver Seat Position Sensor - High
30	0.35 L-BU	2645	Passenger Seat Position - High
31	0.35 YE	1139	Ignition 1 Voltage
32-34	—	—	Not Available
35	0.35 PK	2306	Serial Data Link

36	0.8 GY	349	Discriminating Sensor - Left - Signal
37	0.8 YE	1834	Forward Discriminating Sensor Signal
38	0.8 YE	354	Discriminating Sensor - Signal
39	0.8 D-GN	1409	Discriminating Sensor - Right - Signal
40	0.5 WH	2162	Side Impact Sensor - Left - Signal (ASF)
41	0.5 D-GN	2164	Side Impact Sensor - Right - Signal (ASF)
42	0.5 YE	2161	Side Impact Sensor - Left - Voltage (ASF)
43	0.5 TN	2163	Side Impact Sensor - Right - Voltage (ASF)
44-58	-	-	Not Available
59	0.35 BK/WH	238	Seat Belt Switch - Left
60	0.35 RD	2484	Seat Belt Switch - Right

### Inflatable Restraint Side Impact Sensor (SIS) - Left (ASF)



[Click here for full size](#)

#### Connector Part Information

- OEM: 15356722
- Service: 15306405
- Description: 2-Way F GT 150 Series Sealed (YE)

#### Terminal Part Information

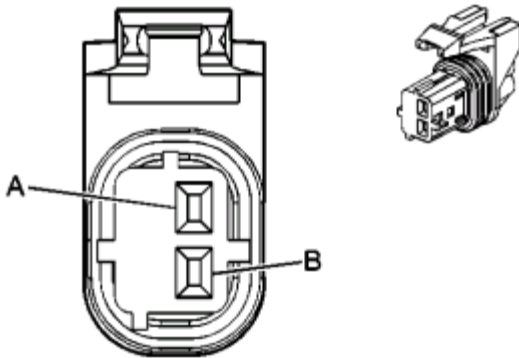
- Terminal/Tray: Service with Pigtail
- Core/Insulation Crimp: N/A
- Release Tool/Test Probe: N/A

### Inflatable Restraint Side Impact Sensor (SIS) - Left (ASF)

Pin	Wire	Circuit	Function
-----	------	---------	----------

A	0.5 WH	2162	Side Impact Sensor - Left - Signal
B	0.5 YE	2161	Side Impact Sensor - Left - Voltage

### Inflatable Restraint Side Impact Sensor (SIS) - Right (ASF)



[Click here for full size](#)

#### Connector Part Information

- OEM: 15356722
- Service: 15306405
- Description: 2-Way F GT 150 Series Sealed (YE)

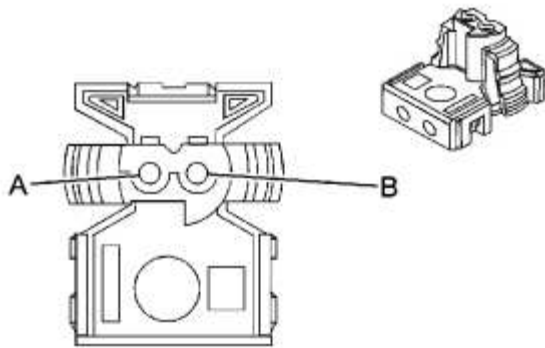
#### Terminal Part Information

- Terminal/Tray: Service with Pigtail
- Core/Insulation Crimp: N/A
- Release Tool/Test Probe: N/A

### Inflatable Restraint Side Impact Sensor (SIS) - Right (ASF)

Pin	Wire	Circuit	Function
A	0.5 D-GN	2164	Side Impact Sensor - Right Signal
B	0.5 TN	2163	Side Impact Sensor - Right - Voltage

### Inflatable Restraint Steering Wheel Module X1



[Click here for full size](#)

#### Connector Part Information

- OEM: 54560236
- Service: Service by Assembly - See Part Catalog
- Description: 2-Way F ABX-3 Code B (L-GY)

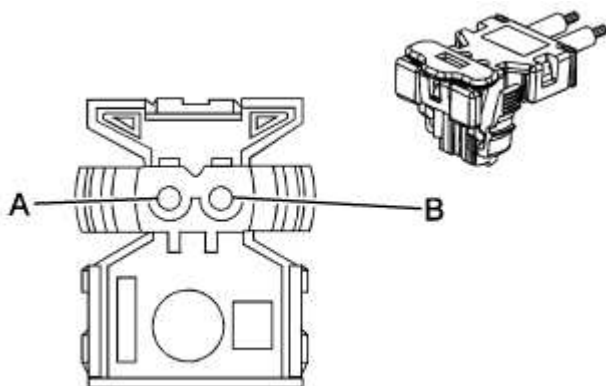
#### Terminal Part Information

- Terminal/Tray: Service by Assembly - See Part Catalog
- Core/Insulation Crimp: N/A
- Release Tool/Test Probe: N/A

#### Inflatable Restraint Steering Wheel Module X1

Pin	Wire	Circuit	Function
A	0.35 TN	3021	Steering Wheel Module - Stage 1 - High Control
B	0.35 BN	3020	Steering Wheel Module - Stage 1 - Low Control

#### Inflatable Restraint Steering Wheel Module X2



[Click here for full size](#)

### Connector Part Information

- OEM: 54560222
- Service: Service by Assembly - See Part Catalog
- Description: 2-Way F ABX-3 Code G (PK)

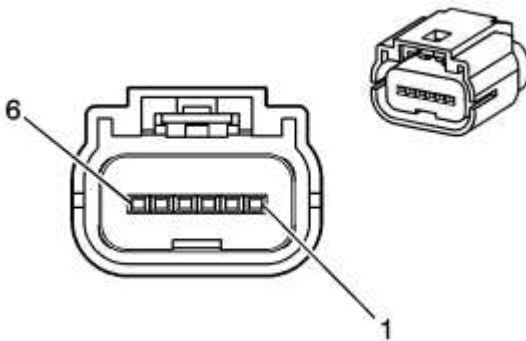
### Terminal Part Information

- Terminal/Tray: Service by Assembly - See Part Catalog
- Core/Insulation Crimp: N/A
- Release Tool/Test Probe: N/A

### Inflatable Restraint Steering Wheel Module X2

Pin	Wire	Circuit	Function
A	0.35WH	3023	Steering Wheel Module - Stage 2 - High Control
B	0.35 PK	3022	Steering Wheel Module - Stage 2 - Low Control

### Inflatable Restraint Vehicle Rollover Sensor



[Click here for full size](#)

### Connector Part Information

- OEM: 15418083
- Service: 88987982
- Description: 6-Way F 0.64 Series Sealed (YE)

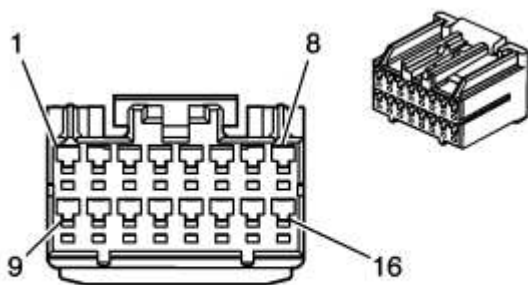
### Terminal Part Information

- Pins: 1, 5, 6
- Terminal/Tray: Service with Pigtail
- Core/Insulation Crimp: N/A
- Release Tool/Test Probe: 15315247/J-35616-64B (L-BU)

### Inflatable Restraint Vehicle Rollover Sensor

Pin	Wire	Circuit	Function
1	0.35 YE	1139	Ignition 1 Voltage
2-4	—	—	Not Used
5	0.35 PK	2306	Occupant Sensor - Serial Data
6	0.35 BK/WH	751	Ground

### Inside Rearview Mirror



[Click here for full size](#)

### Connector Part Information

- OEM: 15324871
- Service: 15306351
- Description: 16-Way F 040 II Series Unsealed (BK)

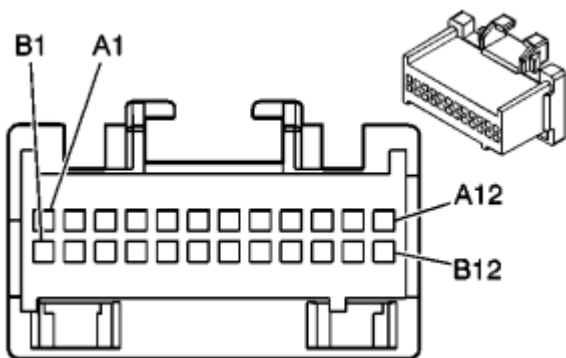
### Terminal Part Information

- Pins: 3-4, 6-9, 11-15
- Terminal/Tray: 175266-5/15
- Core/Insulation Crimp: J/J
- Release Tool/Test Probe: 15315247/J-35616-16 (L-GN)

### Inside Rearview Mirror

Pin	Wire	Circuit	Function
1-2	—	—	Not Used
3	0.35 D-BU	2307	Passenger Air Bag On Indicator Control (AL0)
4	0.35 D-GN	2308	Passenger Air Bag Off Indicator Control (AL0)
5	—	—	Not Used
6	0.35 L-GN/BK	735	Ambient Air Temperature Sensor Signal (DD7/DF5)
7	0.35 BN	718	Low Reference (DD7/DF5)
8	0.35 BK	1350	Ground (DD7/DF5)
9	0.35 L-GN	24	Backup Lamp Supply Voltage (DD7/DF5)
10	—	—	Not Used
11	0.35 D-GN/WH	2514	Keypad Signal (w/UE1)
12	0.35 L-GN/BK	2515	Keypad Supply Voltage (w/UE1)
13	0.35 PK	639	Ignition 1 Voltage (AL0/DD7/DF5)
14	0.35 YE/BK	2516	Keypad Green LED Signal (w/UE1)
15	0.35 BN/WH	2517	Keypad Red LED Signal (w/UE1)
16	—	—	Not Used

### Instrument Panel Cluster (IPC)



[Click here for full size](#)

### Connector Part Information

- OEM: 12110088
- Service: 15306210
- Description: 24-Way F Micro-Pack 100 Series Unsealed (GY)

**Terminal Part Information**

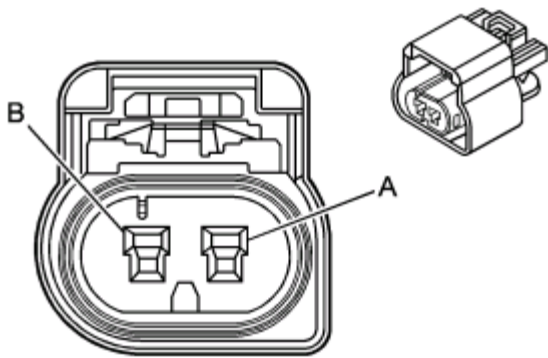
- Pins: A1-A2, A4-A5, A7-A12, B1, B4, B7, B9-B10, B12
- Terminal/Tray: 12146447/3
- Core/Insulation Crimp: E/C
- Release Tool/Test Probe: 12031876-1/J-35616-6 (BN)

**Instrument Panel Cluster (IPC)**

Pin	Wire	Circuit	Function
A1	0.35 L-BU	2114	Left Turn Signal Lamps Supply Voltage
A2	0.35 OG	2340	Battery Positive Voltage
A3	—	—	Not Used
A4	0.5 BK/WH	751	Ground
A5	0.35 BK	2250	Ground
A6	—	—	Not Used
A7	0.35 BN/WH	230	Instrument Panel Lamps Dimming Control
A8	0.35 YE	1327	DIC Fuel Signal (w/STW)
A9	0.35 D-GN/WH	1358	DIC Switch Signal (w/STW)
A10	0.35 D-BU	894	DIC Toggle Switch Signal (w/STW)
A11	0.35 OG	1816	DIC Set/Reset Switch Signal (w/STW)
A12	0.35 WH	121	Engine Speed Signal
B1	0.35 GY	1036	IPC Class 2 Serial Data
B2-B3	—	—	Not Used
B4	0.35 BN/WH	419	MIL Control
B5-B6	—	—	Not Used
B7	0.35 PK	639	Ignition 1 Voltage
B8	—	—	Not Used
B9	0.35 D-GN/WH	817	Vehicle Speed Signal
B10	0.35 D-BU	2115	Right Turn Signal Lamps Supply Voltage
B11	—	—	Not Used
B12	0.35 BK/WH	174	Low Washer Fluid Indicator Signal (U68)

**Knock Sensor (KS) 1**





[Click here for full size](#)

### Connector Part Information

- OEM: 15374222
- Service: 88953268
- Description: 2-Way F GT 150 Series Sealed (WH)

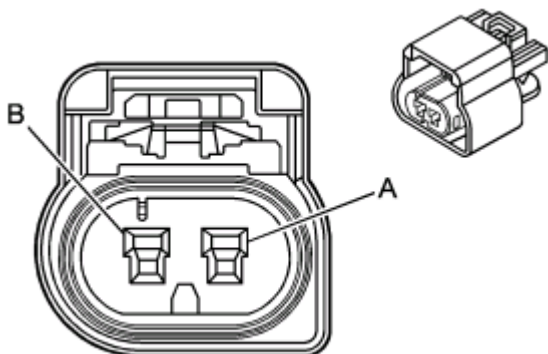
### Terminal Part Information

- Terminal/Tray: 12191819/8
- Core/Insulation Crimp: E/A
- Release Tool/Test Probe: 15315247/J-35616-2A (GY)

### Knock Sensor (KS) 1

Pin	Wire	Circuit	Function
A	0.35 D-BU	496	KS 1 Signal
B	0.35 GY	1716	KS 1 Signal

### Knock Sensor (KS) 2



[Click here for full size](#)

**Connector Part Information**

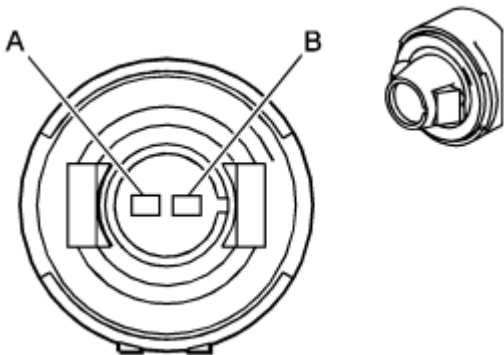
- OEM: 15374222
- Service: 88953268
- Description: 2-Way F GT 150 Series Sealed (WH)


**Terminal Part Information**

- Terminal/Tray: 12191819/8
- Core/Insulation Crimp: E/A
- Release Tool/Test Probe: 15315247/J-35616-2A (GY)

**Knock Sensor (KS) 2**

Pin	Wire	Circuit	Function
A	0.35 L-BU	1876	KS 2 Signal
B	0.35 GY	2303	KS 2 Signal

**License Lamp - Left**

 [Click here for full size](#)

**Connector Part Information**

- OEM: 16530675
- Service: Service by Pigtail - See Part Catalog
- Description: 2-Way F W2 Socket Sealed (L-GY)

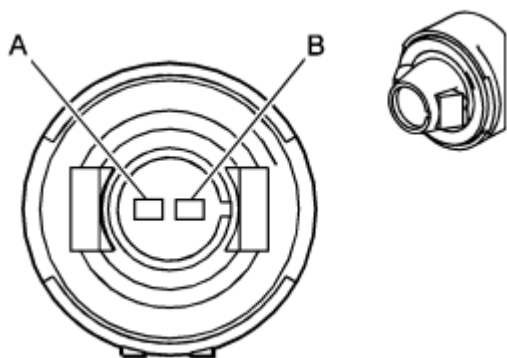
**Terminal Part Information**


- Terminal/Tray: Service by Pigtail - See Part Catalog
- Core/Insulation Crimp: N/A
- Release Tool/Test Probe: N/A

### License Lamp - Left

Pin	Wire	Circuit	Function
A	BN	—	License Lamps Supply Voltage
	BN	—	License Lamps Supply Voltage
B	BK	—	Ground
	BK	—	Ground

### License Lamp - Right



 [Click here for full size](#)

### Connector Part Information

- OEM: 16530675
- Service: Service by Pigtail - See Part Catalog
- Description: 2-Way F W2 Socket Sealed (L-GY)

### Terminal Part Information

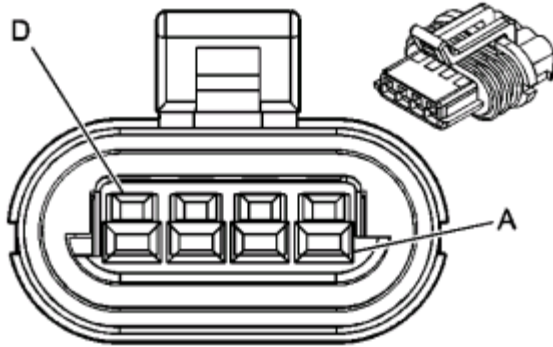
- Terminal/Tray: Service by Pigtail - See Part Catalog
- Core/Insulation Crimp: N/A
- Release Tool/Test Probe: N/A

### License Lamp - Right

Pin	Wire	Circuit	Function
-----	------	---------	----------

A	BN	—	License Lamps Supply Voltage
B	BK	—	Ground

### Liftgate Latch Assembly X1



[Click here for full size](#)

### Connector Part Information

- OEM: 15354716
- Service: 88986450
- Description: 4-Way F GT 150 Series Sealed (BK)

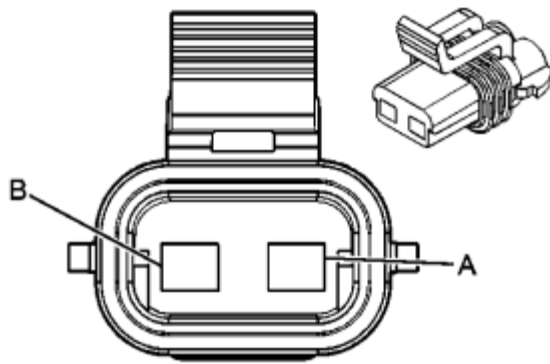
### Terminal Part Information

- Pins: B-D
- Terminal/Tray: 15326267/19
- Core/Insulation Crimp: E/4
- Release Tool/Test Probe: 15315247/J-35616-2A (GY)

### Liftgate Latch Assembly X1

Pin	Wire	Circuit	Function
A	—	—	Not Used
B	0.35 PK/BK	1303	Liftgate Ajar Switch Signal
C	0.35 D-GN	5512	Liftgate Open Switch Signal
D	0.35 D-BU	2201	Liftgate Ajar Switch Low Reference

### Liftgate Latch Assembly X2



 [Click here for full size](#)

#### Connector Part Information

- OEM: 15300027
- Service: 12101855
- Description: 2-Way F Metri-Pack 280 Series Sealed (BK)

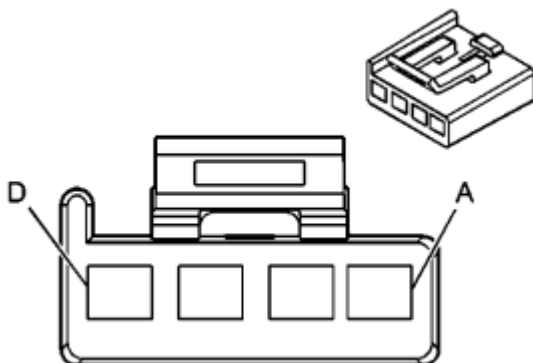
#### Terminal Part Information

- Terminal/Tray: 12077411/2
- Core/Insulation Crimp: 2/5
- Release Tool/Test Probe: 12094430/J-35616-4A (PU)

#### Liftgate Latch Assembly X2

Pin	Wire	Circuit	Function
A	0.35 TN	294	Door Lock Actuator Unlock Control
B	0.35 GY	295	Door Lock Actuator Lock Control

#### Liftgate Module (LGM) X1



 [Click here for full size](#)

### Connector Part Information

- OEM: 12052856
- Service: 12125636
- Description: 4-Way F Metri-Pack 280 Series Unsealed (BK)

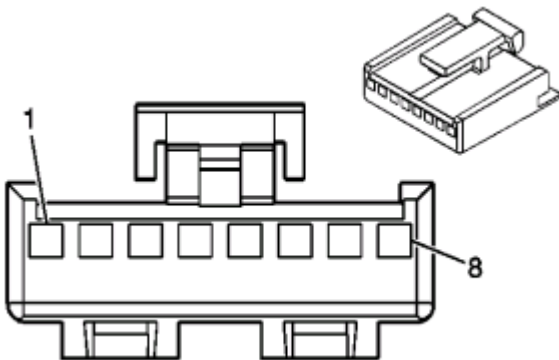
### Terminal Part Information

- Pins: A-B
- Terminal/Tray: 12015858/4
- Core/Insulation Crimp: F/G
- Release Tool/Test Probe: 12094430/J-35616-4A (PU)
- Pins: C-D
- Terminal/Tray: 12034046/2
- Core/Insulation Crimp: E/A
- Release Tool/Test Probe: 12094430/J-35616-4A (PU)

### Liftgate Module (LGM) X1

Pin	Wire	Circuit	Function
A	2 OG	3640	Battery Positive Voltage
B	2 PU	293	Rear Defog Element Supply Voltage
C	0.35 OG	2740	Battery Positive Voltage (C49)
D	0.35 BK	1550	Ground

### Liftgate Module (LGM) X2



[Click here for full size](#)

### Connector Part Information

- OEM: 12052444
- Service: 12101874
- Description: 8-Way F Micro-Pack 100 Series Unsealed (BK)

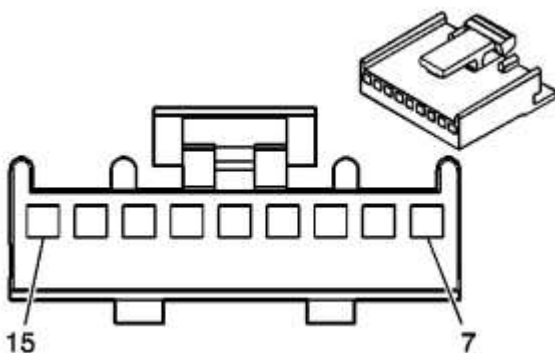
### Terminal Part Information

- Pins: 2-3, 6, 8
- Terminal/Tray: 12146447/3
- Core/Insulation Crimp: E/C
- Release Tool/Test Probe: 12031876-1/J-35616-6 (BN)

### Liftgate Module (LGM) X2

Pin	Wire	Circuit	Function
1	—	—	Not Used
2	0.35 L-BU	2288	Class 2 Serial Data
3	0.35 D-GN	2269	Rear Window Motor Speed Signal
4-5	—	—	Not Used
6	0.35 TN	294	Door Lock Actuator Unlock Control
7	—	—	Not Used
8	0.35 GY	295	Door Lock Actuator Lock Control

### Liftgate Module (LGM) X3



[Click here for full size](#)

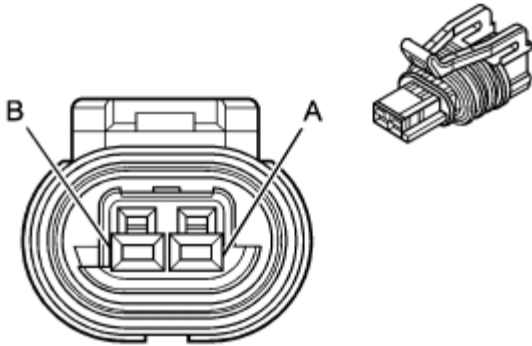
### Liftgate Module (LGM) X3

Pin	Wire	Circuit	Function
7	130	2628	Not Used

- Description: 9-Way F Micro-Pack 100 Series Unsealed (NA)

8	0.35 D-GN	5512	Liftgate Open Switch Signal
9	0.35 L-BU	2200	Liftglass Ajar Switch Low Reference
10	0.35 PU	2279	Liftglass Ajar Switch Signal
11	0.35 D-BU	2201	Liftgate Ajar Switch Low Reference
12	0.35 PK/BK	1303	Liftgate Ajar Switch Signal
13-15	—	—	Not Used

### Liftglass Ajar Switch



[Click here for full size](#)

#### Connector Part Information

- OEM: 15449028
- Service: 88987993
- Description: 2-Way F GT 150 Series Sealed (BK)

#### Terminal Part Information

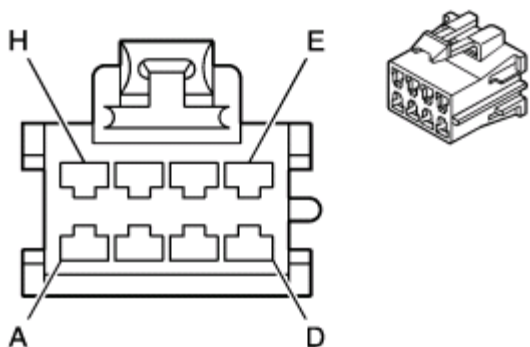
- Terminal/Tray: 15326267/19
- Core/Insulation Crimp: E/4
- Release Tool/Test Probe: 15315247/J-35616-2A (GY)

### Liftglass Ajar Switch

Pin	Wire	Circuit	Function
A	0.35 PU	2279	Liftglass Ajar Switch Signal
B	0.35 L-BU	2200	Liftglass Ajar Switch Low Reference

### Lumbar Adjuster Switch - Driver (AR9)





[Click here for full size](#)

### Connector Part Information

- OEM: 12089287
- Service: 15306189
- Description: 8-Way F Metri-Pack 280 Series (NA)

### Terminal Part Information

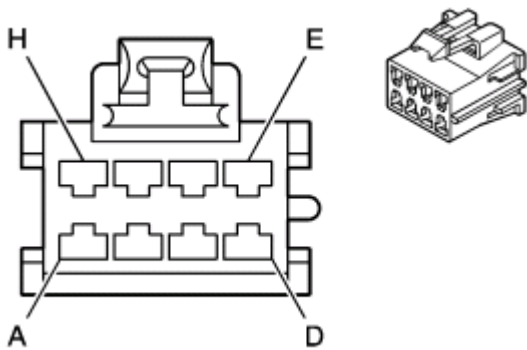
- Pins: A, D-E, H (AAB)
- Terminal/Tray: 12034046/2
- Core/Insulation Crimp: E/A
- Release Tool/Test Probe: 12094430/J-35616-4A (PU)
- Pins: A, D (w/o Memory)
- Terminal/Tray: 12034046/2
- Core/Insulation Crimp: E/A
- Release Tool/Test Probe: 12094430/J-35616-4A (PU)
- Pins: E, H (w/o Memory)
- Terminal/Tray: 12066214/2
- Core/Insulation Crimp: F/D
- Release Tool/Test Probe: 12094430/J-35616-4A (PU)

### Lumbar Adjuster Switch - Driver (AR9)

Pin	Wire	Circuit	Function
A	0.8 D-BU	611	Driver Seat Lumbar Motor Forward Control (w/o Memory)
	0.35 PK	2407	Driver Seat Lumbar Forward Switch Signal (AAB)
B-C	—	—	Not Used

D	0.8 PK	610	Driver Seat Lumbar Motor Rearward Control (w/o Memory)
	0.35 RD	2408	Driver Seat Lumbar Rearward Switch Signal (AAB)
E	3 OG	3540	Battery Positive Voltage (w/o Memory)
	0.35 GY	961	Battery Positive Voltage (AAB)
F-G	—	—	Not Used
H	1 BK	1350	Ground (w/o memory)
	0.35 BK	1350	Ground (AAB)

### Lumbar Adjuster Switch - Passenger (V40)



[Click here for full size](#)

#### Connector Part Information

- OEM: 12089287
- Service: 15301689
- Description: 8-Way F Metri-Pack 280 Series (NA)

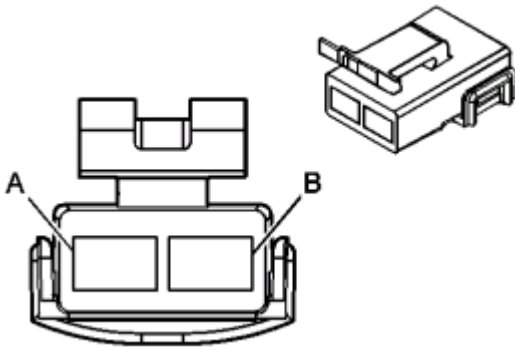
#### Terminal Part Information

- Pins: A, F
- Terminal/Tray: 12034046/2
- Core/Insulation Crimp: E/A
- Release Tool/Test Probe: 12094430/J-35616-4A (PU)
- Pins: E, G
- Terminal/Tray: 12066214/2
- Core/Insulation Crimp: F/D
- Release Tool/Test Probe: 12094430/J-35616-4A (PU)

### Lumbar Adjuster Switch - Passenger (V40)

Pin	Wire	Circuit	Function
A	0.35 PK	610	Passenger Seat Lumbar Motor Forward Control
B-D	—	—	Not Used
E	1 BK	1450	Ground
F	0.35 D-BU	611	Passenger Seat Lumbar Motor Rearward Control
G	1 OG	3540	Battery Positive Voltage
H	—	—	Not Used

### Lumbar Horizontal Motor - Driver (AR9)



[Click here for full size](#)

### Connector Part Information

- OEM: 12020556
- Service: 12101820
- Description: 2-Way F Metri-Pack 480 Series Unsealed (BK)

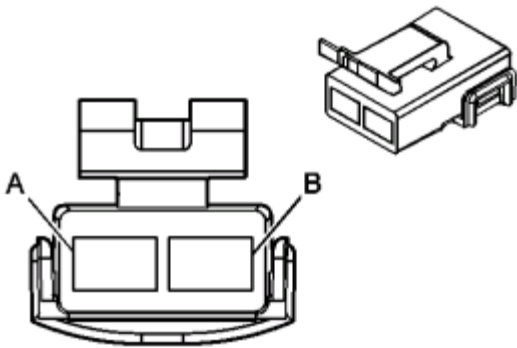
### Terminal Part Information

- Terminal/Tray: 12015860/4
- Core/Insulation Crimp: C/A
- Release Tool/Test Probe: 12094430/J-35616-40 (BU)

### Lumbar Horizontal Motor - Driver (AR9)

Pin	Wire	Circuit	Function
A	0.8 D-BU	611	Driver Seat Lumbar Motor Forward Control
B	0.8 PK	610	Driver Seat Lumbar Motor Rearward Control

### Lumbar Horizontal Motor - Passenger (V40)



 [Click here for full size](#)

### Connector Part Information

- OEM: 12020556
- Service: 12101820
- Description: 2-Way F Metri-Pack 480 Series Unsealed (BK)

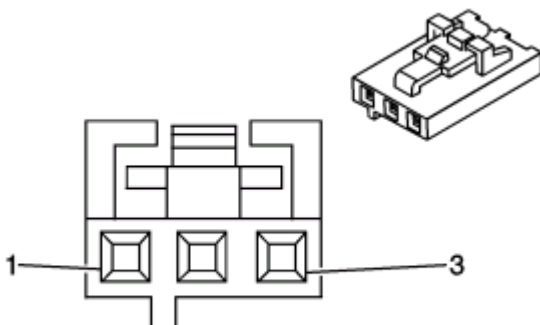
### Terminal Part Information

- Terminal/Tray: 12015860/4
- Core/Insulation Crimp: E/A
- Release Tool/Test Probe: 12094430/J35616-40 (BU)

### Lumbar Horizontal Motor - Passenger (V40)

Pin	Wire	Circuit	Function
A	0.35 PK	610	Passenger Seat Lumbar Motor Forward Control
B	0.35 D-BU	611	Passenger Seat Lumbar Motor Rearward Control

### Lumbar Horizontal Position Sensor - Driver (AAB)



 [Click here for full size](#)

**Connector Part Information**

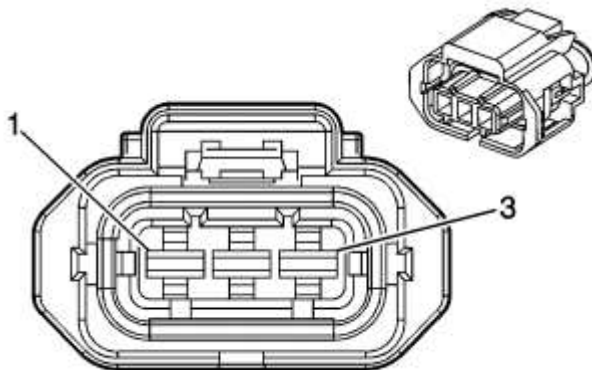
- OEM: 15324655
- Service:21019417
- Description: 3-Way F Receptacle 0.64 Series (BK)


**Terminal Part Information**

- Terminal/Tray: 16-02-1110/20
- Core/Insulation Crimp: H/H
- Release Tool/Test Probe: J-38125-213/J-35616-64B (L-BU)

**Lumbar Horizontal Position Sensor - Driver (AAB)**

Pin	Wire	Circuit	Function
1	0.35 BK	5288	Low Reference
2	0.35 YE	1063	Driver Seat Lumbar Horizontal Position Sensor Signal
3	0.35 OG	5287	5-Volt Reference

**Manifold Absolute Pressure (MAP) Sensor (LL8)**

 [Click here for full size](#)

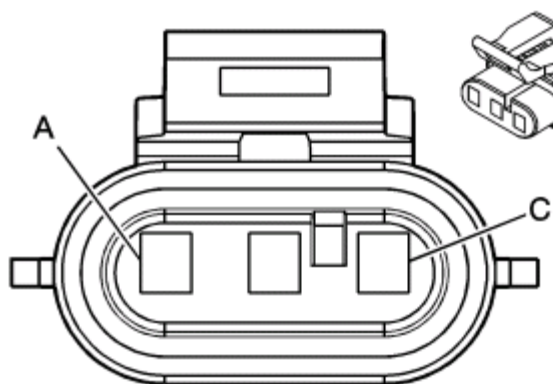
**Manifold Absolute Pressure (MAP) Sensor (LL8)**

Pin	OEM: 1539	Wire	Circuit	Function
1	Service:0	See Catalog	2704	5-Volt Reference

- Description: 3-Way F 2.8 Series Sealed (BK)

2	0.35 L-GN	469	Low Reference
3	0.35 OG/BK	432	MAP Sensor Signal

### Manifold Absolute Pressure (MAP) Sensor (LH6/LS2)



[Click here for full size](#)

#### Connector Part Information

- OEM: 12129946
- Service: 88987997
- Description: 3-Way F Metri-Pack 150 Series Sealed (GY)

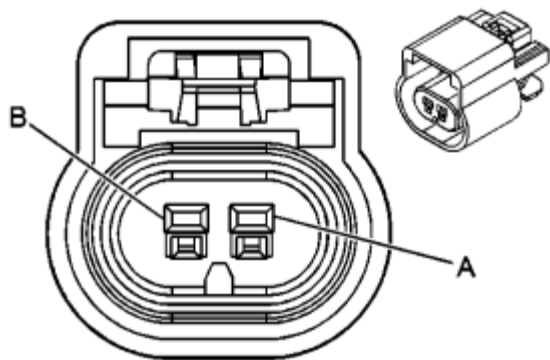
#### Terminal Part Information

- Terminal/Tray: 12048074/2
- Core/Insulation Crimp: E/1
- Release Tool/Test Probe: 12094429/J-35616-2A (GY)

### Manifold Absolute Pressure (MAP) Sensor (LH6/LS2)

Pin	Wire	Circuit	Function
A	0.35 OG/BK	469	Low Reference
B	0.35 L-GN	432	MAP Sensor Signal
C	0.35 GY	2704	5-Volt Reference

### Marker Lamp - Left Front (X88)



 [Click here for full size](#)

### Connector Part Information

- OEM: 15326801
- Service: 15306156
- Description: 2-Way F GT 150 Series Sealed (BK)

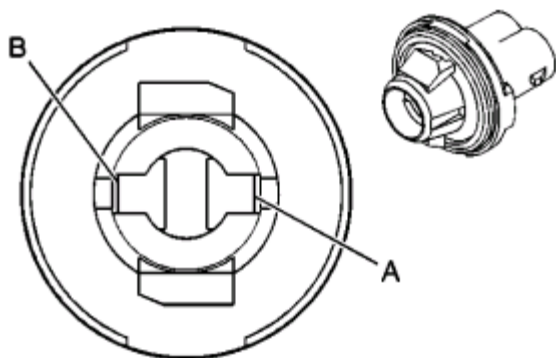
### Terminal Part Information


- Terminal/Tray: 12191819/8
- Core/Insulation Crimp: E/A
- Release Tool/Test Probe: 15315247/J-35616-2A (GY)

### Marker Lamp - Left Front (X88)

Pin	Wire	Circuit	Function
A	0.35 BN	2309	Front Park Lamps Supply Voltage
B	0.35 L-BU	2114	Left Turn Signal Lamps Supply Voltage (w/o WX7)
	0.35 BK	350	Ground (w/WX7)

### Marker Lamp - Left Front (Z88/Z89)



 [Click here for full size](#)

### Connector Part Information

- OEM: 15324946
- Service: Service by Pigtail - See Part Catalog
- Description: 2-Way F Lamp Socket Wedge Series (GY)

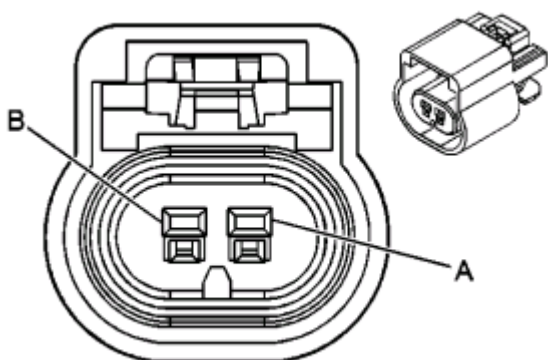
### Terminal Part Information

- Terminal/Tray: 12124471/5
- Core/Insulation Crimp: 2/3
- Release Tool/Test Probe: 12094430/N/A

### Marker Lamp - Left Front (Z88/Z89)

Pin	Wire	Circuit	Function
A	0.35 BN	2309	Front Park Lamps Supply Voltage
B	0.35 L-BU	2114	Left Turn Signal Lamps Supply Voltage

### Marker Lamp - Right Front (X88)



 [Click here for full size](#)



**Connector Part Information**

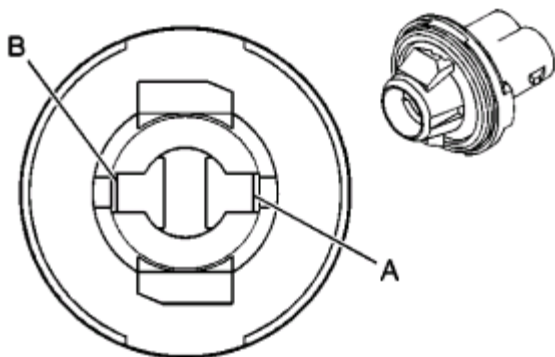
- OEM: 15326801
- Service: 15306156
- Description: 2-Way F GT 150 Series Sealed (BK)


**Terminal Part Information**

- Terminal/Tray: 12191819/8
- Core/Insulation Crimp: E/A
- Release Tool/Test Probe: 15315247/J-35616-2A (GY)

**Marker Lamp - Right Front (X88)**

Pin	Wire	Circuit	Function
A	0.35 BN	2309	Front Park Lamps Supply Voltage
B	0.35 D-BU	2115	Right Turn Signal Lamps Supply Voltage (w/o WX7)
	0.35 BK	250	Ground (w/WX7)

**Marker Lamp - Right Front (Z88/Z89)**

 [Click here for full size](#)

**Connector Part Information**

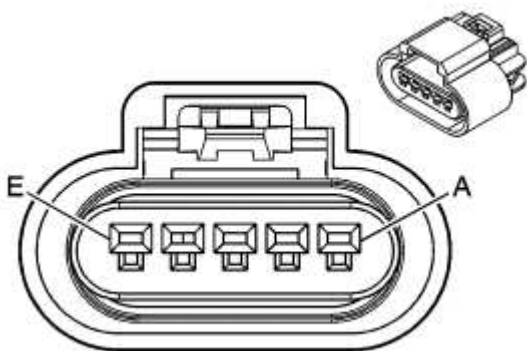
- OEM: 15324946
- Service: Service by Pigtail - See Part Catalog
- Description: 2-Way F Lamp Socket Wedge Series (GY)

**Terminal Part Information**

- Terminal/Tray: 12124471/5
- Core/Insulation Crimp: 2/3
- Release Tool/Test Probe: 12094430/N/A

**Marker Lamp - Right Front (Z88/Z89)**

Pin	Wire	Circuit	Function
A	0.35 BN	2309	Front Park Lamps Supply Voltage
B	0.35 D-BU	2115	Right Turn Signal Lamps Supply Voltage

**Mass Air Flow (MAF)/Intake Air Temperature (IAT) Sensor (LL8)**

[Click here for full size](#)

**Connector Part Information**

- OEM: 15326822
- Service: 88987186
- Description: 5-Way F GT 150 Series Sealed (BK)

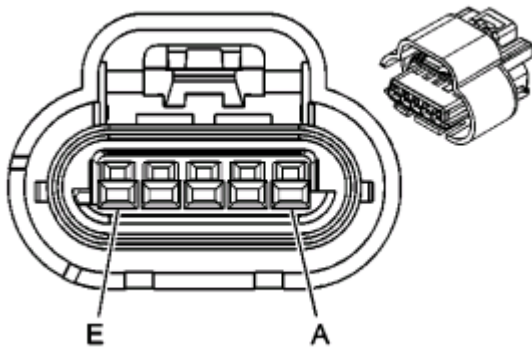
**Terminal Part Information**

- Terminal/Tray: 12191819/8
- Core/Insulation Crimp: E/A
- Release Tool/Test Probe: 15315247/J-35616-2A (GY)

**Mass Air Flow (MAF)/Intake Air Temperature (IAT) Sensor (LL8)**

Pin	Wire	Circuit	Function
A	0.5 YE	492	MAF Sensor Signal
B	0.35 BK	450	Ground
C	0.35 PK	839	Ignition 1 Voltage
D	0.35 BK	2760	Low Reference
E	0.35 TN	472	IAT Sensor Signal

### Mass Air Flow (MAF)/Intake Air Temperature (IAT) Sensor (LH6/LS2)



[Click here for full size](#)

#### Connector Part Information

- OEM: 15305555
- Service: 15306113
- Description: 5-Way GT 150 Series Sealed (BK)

#### Terminal Part Information

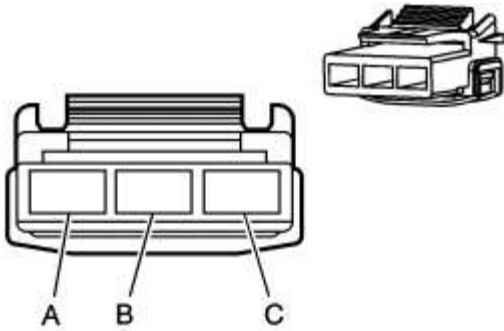
- Terminal/Tray: 15326267/19
- Core/Insulation Crimp: E/4
- Release Tool/Test Probe: 15315247/J-35616-2A (GY)

### Mass Air Flow (MAF)/Intake Air Temperature (IAT) Sensor (LH6/LS2)

Pin	Wire	Circuit	Function
A	0.5 BK	2760	Low Reference
B	0.5 TN	472	IAT Sensor Signal
C	0.5 BK	450	Ground

D	0.5 PK	239	Ignition 1 Voltage
E	0.5 YE	492	MAF Sensor Signal

### Memory Seat Module - Driver X1 (AAB)



[Click here for full size](#)

### Connector Part Information

- OEM: 12020557
- Service: 12117269
- Description: 3-Way F Metri-Pack 480 Series (BK)

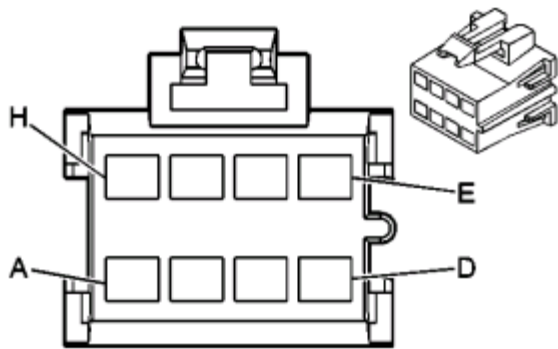
### Terminal Part Information

- Pins: B-C
- Terminal/Tray: 12084595/2
- Core/Insulation Crimp: F/G
- Release Tool/Test Probe: 12094430/J-35616-40 (BU)

### Memory Seat Module - Driver X1 (AAB)

Pin	Wire	Circuit	Function
A	—	—	Not Used
B	3 BK	1350	Ground
C	3 OG	3540	Battery Positive Voltage

### Memory Seat Module - Driver X2 (AAB)



[Click here for full size](#)

### Connector Part Information

- OEM: 12064998
- Service: 15306189
- Description: 8-Way F Metri-Pack 280 Series (BK)

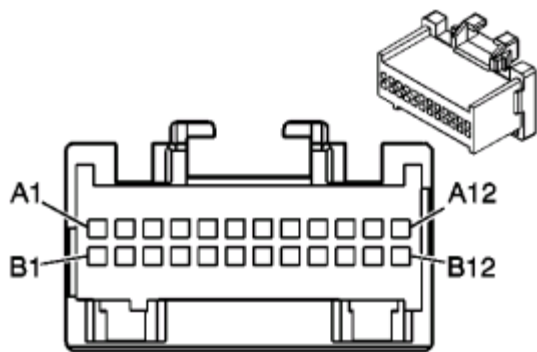
### Terminal Part Information

- Terminal/Tray: 12015858/4
- Core/Insulation Crimp: F/G
- Release Tool/Test Probe: 12094430/J-35616-4A (PU)

### Memory Seat Module - Driver X2 (AAB)

Pin	Wire	Circuit	Function
A	2 D-GN	286	Driver Seat Front Vertical Motor Up Control
B	2 D-BU	287	Driver Seat Front Vertical Motor Down Control
C	2 L-BU	283	Driver Seat Rear Vertical Motor Down Control
D	2 YE	282	Driver Seat Rear Vertical Motor Up Control
E	2 L-GN	284	Driver Seat Horizontal Motor Rearward Control
F	2 TN	285	Driver Seat Horizontal Motor Forward Control
G	2 L-BU	277	Driver Seat Recline Motor Rearward Control
H	2 L-GN	276	Driver Seat Recline Motor Forward Control

### Memory Seat Module - Driver X3 (AAB)



[Click here for full size](#)

### Connector Part Information

- OEM: 12110206
- Service: 12110206
- Description: 24-Way F Metri-Pack 100 Series (L-BU)

### Terminal Part Information

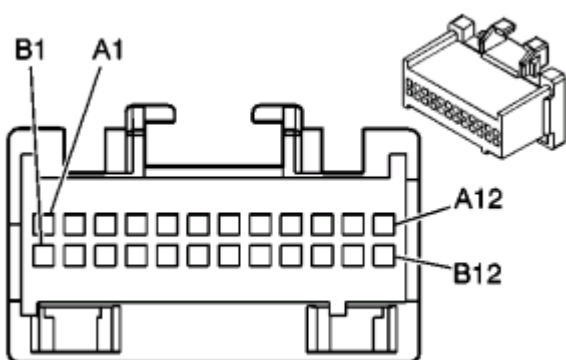
- Pins: A1, A3-A7, A11, B1-B2
- Terminal/Tray: 12146447/3
- Core/Insulation Crimp: E/C
- Release Tool/Test Probe: 12031876-1/J-35616-6 (BN)
- Pins: A10, B5-B12
- Terminal/Tray: 12146448/19
- Core/Insulation Crimp: E/C
- Release Tool/Test Probe: 12031876-1/J-35616-6 (BN)

### Memory Seat Module - Driver X3 (AAB)

Pin	Wire	Circuit	Function
A1	0.35 BK	5289	Low Reference (JF4)
A2	—	—	Not Used
A3	0.35 YE	1063	Driver Seat Lumbar Horizontal Position Sensor Signal
A4	0.35 WH/BK	570	Driver Seat Recline Motor Position Sensor Signal
A5	0.35 D-GN	569	Horizontal Seat Motor Position Sensor Signal
A6	0.35 TN	568	Rear Vertical Seat Motor Position Sensor Signal

A7	0.35 BN/WH	557	Front Vertical Seat Motor Position Sensor Signal
A8-A9	—	—	Not Used
A10	0.8 D-BU	5475	Passenger Heated Seat Back Temperature Sensor Signal (KA1)
A11	0.35 YE/BK	2079	Heated Seat Cushion Temperature Sensor Signal (KA1)
A12	—	—	Not Used
B1	0.35 TN	5604	Adjustable Pedal Relay Rearward Control (JF4)
B2	0.35 YE	5603	Adjustable Pedal Relay Forward Control (JF4)
B3-B4	—	—	Not Used
B5	0.8 PK	610	Driver Seat Lumbar Motor Rearward Control
B6	0.8 D-BU	611	Driver Seat Lumbar Motor Forward Control
B7	0.8 TN	2481	Passenger Heated Seat Back Element Supply Voltage (KA1)
B8	0.8 BK	2479	Passenger Heated Seat Cushion Element Supply Voltage (KA1)
B9	0.8 PK	2480	Passenger Heated Seat Element Control (KA1)
B10	0.8 BN	2432	Heated Seat Back Element Supply Voltage (KA1)
B11	0.8 L-GN	2077	Heated Seat Cushion Element Supply Voltage (KA1)
B12	0.8 L-GN	2078	Heated Seat Cushion Element Control (KA1)

### Memory Seat Module - Driver X4 (AAB)



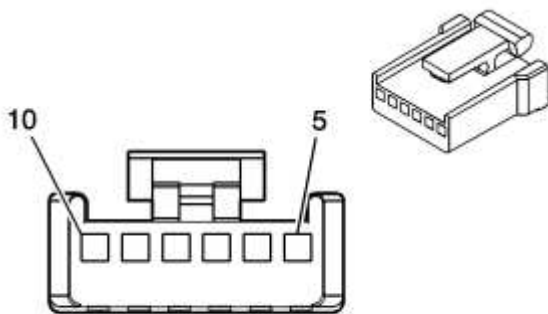
[Click here for full size](#)

### Memory Seat Module - Driver X4 (AAB)

Pin	OEM: Wire	Circuit	Function
A1	0.35 08326	210740	Battery Positive Voltage
A2	Description: 24-way F		Metri-Pack 100 Series (GY) Not Used

A3	0.35 OG	840	5-Volt Reference
A4	0.35 D-GN/WH	1270	Power Seat Recline Rearward Switch Signal
A5	0.35 GY/BK	1269	Power Seat Recline Forward Switch Signal
A6	0.35 L-GN	1523	Power Seat Horizontal Rearward Switch Signal
A7	0.35 TN	1522	Power Seat Horizontal Forward Switch Signal
A8	0.35 L-BU	1521	Power Seat Rear Vertical Down Switch Signal
A9	0.35 YE	1519	Power Seat Rear Vertical Up Switch Signal
A10	0.35 D-BU	1520	Power Seat Front Vertical Down Switch Signal
A11	0.35 D-GN	1518	Power Seat Front Vertical Up Switch Signal
A12	0.35 YE	2080	Low Reference (KA1)
B1	0.35 BK	1048	Class 2 Serial Data
B2	—	—	Not Used
B3	0.35 OG	5287	5-Volt Reference
B4	0.35 GY	961	Battery Positive Voltage
B5	0.35 OG	240	Battery Positive Voltage
B6-B7	—	—	Not Used
B8	0.35 RD	2408	Left Rear Lumbar Motor Rearward Control
B9	0.35 PK	2407	Left Rear Lumbar Motor Forward Control
B10	0.35 BK	5288	Low Reference
B11	0.35 BK	850	Ground
B12	0.8 D-GN	5476	Passenger Heated Seat Back Low Reference

## Mode Actuator



[Click here for full size](#)



### Connector Part Information

- OEM: 12040953
- Service: 12102632
- Description: 6-Way F Micro-Pack 100 Series Unsealed (BK)

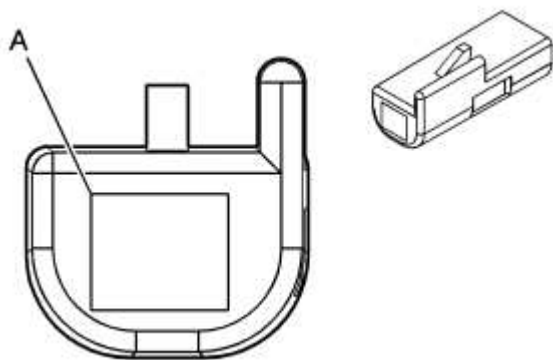
### Terminal Part Information

- Pins: 5-7, 9-10
- Terminal/Tray: 12146447/3
- Core/Insulation Crimp: E/C
- Release Tool/Test Probe: 12031876-1/J-35616-6 (BN)

### Mode Actuator

Pin	Wire	Circuit	Function
5	0.35 BN	341	Ignition 3 Voltage
6	0.35 TN	2273	Mode Door Control
7	0.35 YE	1791	Low Reference
8	—	—	Not Used
9	0.35 L-GN	2275	Mode Door Position Signal
10	0.35 L-BU/BK	1688	5-Volt Reference

### Park Brake Switch



 [Click here for full size](#)

### Connector Part Information

- OEM: 12047682
- Service: 12101850

- Description: 1-Way F Metri-Pack 150 Series Unsealed (BK)

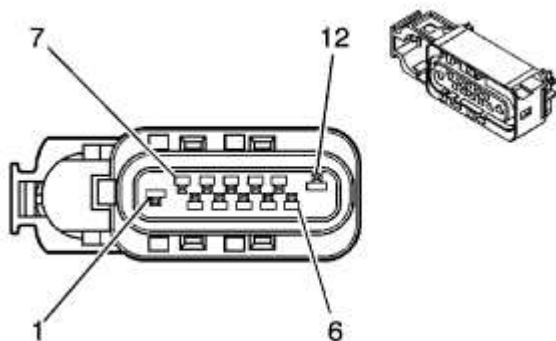
### Terminal Part Information

- Terminal/Tray: 12064971/5
- Core/Insulation Crimp: E/C
- Release Tool/Test Probe: 12094429/J-35616-2A (GY)

### Park Brake Switch

Pin	Wire	Circuit	Function
A	0.35 L-BU	1134	Park Brake Switch Signal

### Park/Neutral Position (PNP) Switch



[Click here for full size](#)

### Connector Part Information

- OEM: 15416722
- Service: Non-Serviceable
- Description: ASM Conn 12-Way F GT (GY)

### Terminal Part Information

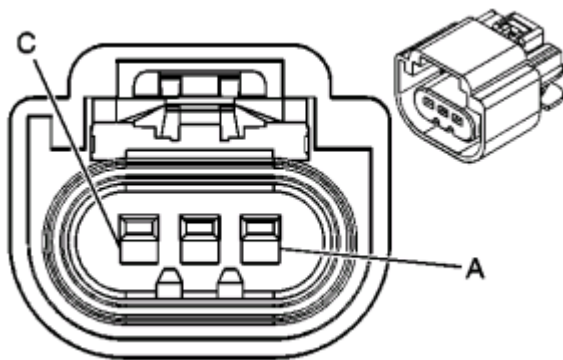
- Pins: 1, 12
- Terminal/Tray: 15304719/49
- Core/Insulation Crimp: E/5
- Release Tool/Test Probe: 15315247/J-35616-4A (PU)
- Pins: 4-9
- Terminal/Tray: 12191819/8
- Core/Insulation Crimp: E/A
- Release Tool/Test Probe: 15315247/J-35616-2A (GY)

- Pins: 10-11
- Terminal/Tray: 12191819/8
- Core/Insulation Crimp: 2/A
- Release Tool/Test Probe: 15315247/J-35616-2A (GY)

### Park/Neutral Position (PNP) Switch

Pin	Wire	Circuit	Function
1	0.35 YE	1737	Starter Relay Coil Supply Voltage
2-3	—	—	Not Used
4	0.35 YE	772	Transmission Range Switch Signal B
5	0.35 BK/WH	771	Transmission Range Switch Signal A
6	0.35 GY	773	Transmission Range Switch Signal C
7	0.35 BK/WH	451	Ground (LL8)
	0.35 BK	451	Ground (5.2L)
8	0.35 WH	776	Transmission Range Switch Signal P
9	0.5 L-GN	275	P/N Position Switch Signal
10	0.8 GY	1524	Backup Lamp Supply Voltage
11	0.8 PK	339	Ignition Voltage
12	0.35 PK	639	Crank Voltage

### Park/Turn Signal Lamp - Left Front (X88)



[Click here for full size](#)

### Connector Part Information

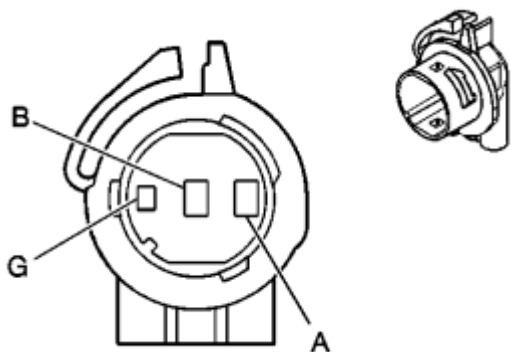
- OEM: 15355377
- Service: 15306398
- Description: 3-Way F GT 150 Series Sealed (GY)

**Terminal Part Information**

- Terminal/Tray: 12191819/8
- Core/Insulation Crimp: E/A
- Release Tool/Test Probe: 15315247/J-35616-2A (GY)

**Park/Turn Signal Lamp - Left Front (X88)**

Pin	Wire	Circuit	Function
A	0.35 BK	350	Ground
B	0.35 BN	2309	Front Park Lamps Supply Voltage (w/o WX7)
C	0.35 L-BU	2114	Left Turn Signal Lamps Supply Voltage

**Park/Turn Signal Lamp - Left Front (Z88/Z89)**

 [Click here for full size](#)

**Connector Part Information**

- OEM: 12160395
- Service: 12159662
- Description: 3-Way F Lamp Socket Wedge (GY)

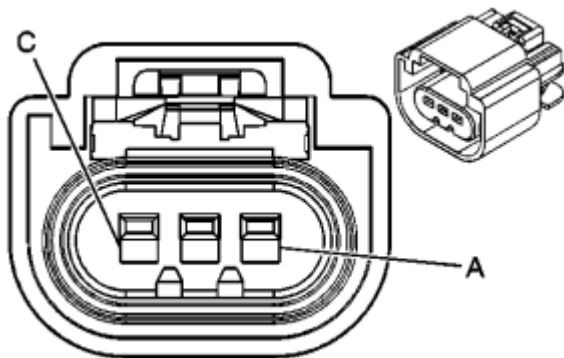
**Terminal Part Information**

- Terminal/Tray: Service by Pigtail - See Part Catalog
- Core/Insulation Crimp: N/A
- Release Tool/Test Probe: 12180559-1/J-35616-4A (PU)

**Park/Turn Signal Lamp - Left Front (Z88/Z89)**

Pin	Wire	Circuit	Function
A	0.35 L-BU	2114	Left Turn Signal
B	0.35 BN	2309	Front Park Lamp Supply Voltage
G	0.35 BK	350	Ground

### Park/Turn Signal Lamp - Right Front (X88)



[Click here for full size](#)

### Connector Part Information

- OEM: 15355377
- Service: 15306398
- Description: 3-Way F GT 150 Series Sealed (GY)

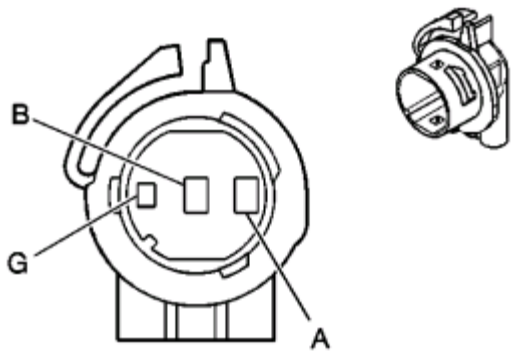
### Terminal Part Information

- Terminal/Tray: 12191819/8
- Core/Insulation Crimp: E/A
- Release Tool/Test Probe: 15315247/J-35616-2A (GY)

### Park/Turn Signal Lamp - Right Front (X88)

Pin	Wire	Circuit	Function
A	0.35 BK	250	Ground
B	0.35 BN	2309	Front Park Lamps Supply Voltage (w/o WX7)
C	0.35 D-BU	2115	Left Turn Signal Lamps Supply Voltage

### Park/Turn Signal Lamp - Right Front (Z88/Z89)



 [Click here for full size](#)

### Connector Part Information

- OEM: 12160395
- Service: 12159662
- Description: 3-Way F Lamp Socket Wedge (GY)

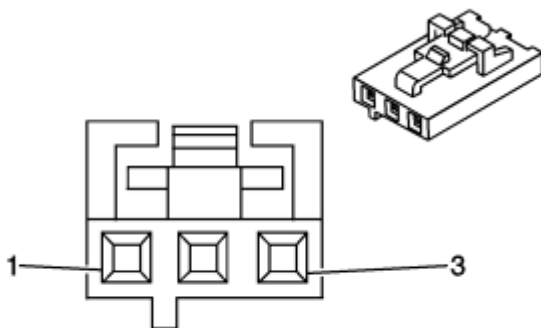
### Terminal Part Information

- Terminal/Tray: Service by Pigtail - See Part Catalog
- Core/Insulation Crimp: N/A
- Release Tool/Test Probe: 12180559-1/J-35616-4A (PU)

### Park/Turn Signal Lamp - Right Front (Z88/Z89)

Pin	Wire	Circuit	Function
A	0.35 D-BU	2115	Right Turn Signal Lamps Supply Voltage
B	0.35 BN	2309	Front Park Lamps Supply Voltage
G	0.5 BK	250	Ground

### Passlock Sensor (without BAE)



 [Click here for full size](#)

### Connector Part Information

- OEM: 50-57-9403
- Service: 21019417
- Description: 3-Way F Molex 70066 Series (BK)

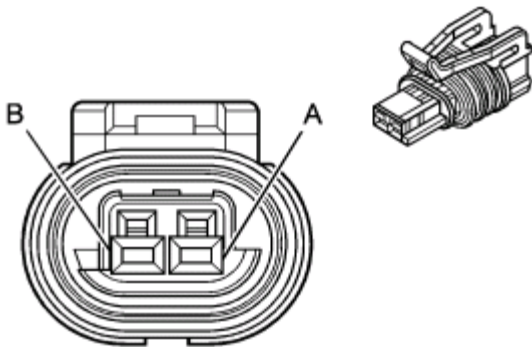
### Terminal Part Information


- Terminal/Tray: Service by Harness - See Part Catalog
- Core/Insulation Crimp: N/A
- Release Tool/Test Probe: N/A

### Passlock Sensor (without BAE)

Pin	Wire	Circuit	Function
1	0.35 YE	1836	Security System Sensor Signal
2	0.35 OG/BK	1835	Security System Sensor Low Reference
3	0.35 RD/WH	812	12-Volt Reference

### Propshaft Speed Sensor - Front



 [Click here for full size](#)

### Connector Part Information

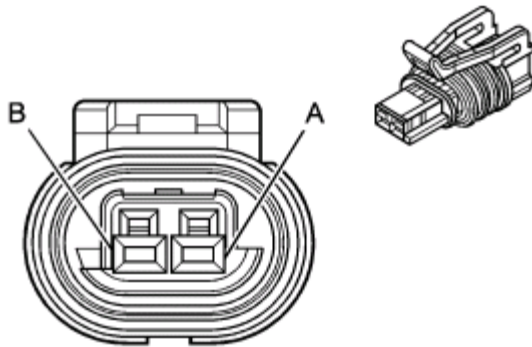
- OEM: 15449028
- Service: 88987993
- Description: 2-Way F GT 150 Series Sealed (BK)

**Terminal Part Information**

- Terminal/Tray: 15326267/19
- Core/Insulation Crimp: E/4
- Release Tool/Test Probe: 15315247/J-35616-2A (GY)

**Propshaft Speed Sensor - Front**

Pin	Wire	Circuit	Function
A	0.35 YE	400	Signal High - Front
B	0.35 PU	401	Signal Low - Front

**Propshaft Speed Sensor - Rear**

[Click here for full size](#)

**Connector Part Information**

- OEM: 15449028
- Service: 88987993
- Description: 2-Way F GT 150 Series Sealed (BK)

**Terminal Part Information**

- Terminal/Tray: 15326267/19
- Core/Insulation Crimp: E/4
- Release Tool/Test Probe: 15315247/J-35616-2A (GY)

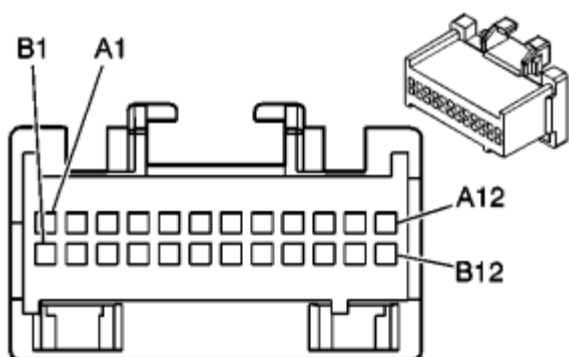
**Propshaft Speed Sensor - Rear**

Pin	Wire	Circuit	Function
-----	------	---------	----------



A	0.35 L-BU	2221	Signal High - Rear
B	0.35 D-GN	2222	Signal Low - Rear

### Radio X1 (without UQA)



[Click here for full size](#)

### Connector Part Information

- OEM: 12110088
- Service: 15306210
- Description: 24-Way F Micro-Pack 100 Series (GY)

### Terminal Part Information

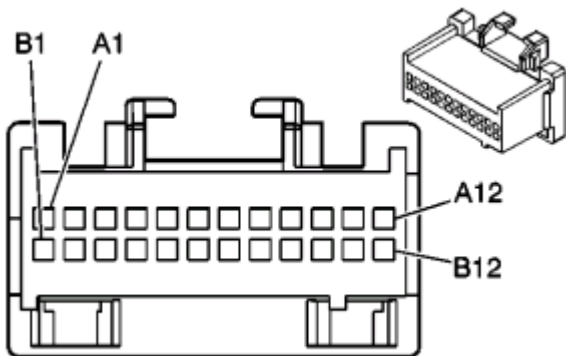
- Pins: A1, A8-A12, B1, B8-B11
- Terminal/Tray: 12146447/3
- Core/Insulation Crimp: E/C
- Release Tool/Test Probe: 12031876-1/J-35616-6 (BN)

### Radio X1 (without UQA)

Pin	Wire	Circuit	Function
A1	0.35 OG	1044	Radio Class 2 Serial Data
A2-A7	—	—	Not Used
A8	0.5 TN	201	Left Front Speaker Output (+)
A9	0.5 GY	118	Left Front Speaker Output (-)
A10	0.5 L-BU	115	Right Rear Speaker Output (-) (w/o UK6)
	0.5 BK	1946	Right Rear Low Level Audio Signal (-) (w/UK6)
A11	0.5 D-BU	46	Right Rear Speaker Output (+) (w/o UK6)

	0.5 D-BU	546	Right Rear Low Level Audio Signal (+) (w/UK6)
A12	0.5 BK/WH	751	Ground
B1	0.5 OG	340	Battery Positive Voltage
B2-B7	—	—	Not Used
B8	0.5 BN	199	Left Rear Speaker Output (+) (w/o UK6)
	0.5 BN/WH	599	Left Rear Low Level Audio Signal (+) (w/UK6)
B9	0.5 YE	116	Left Rear Speaker Output (-) (w/o UK6)
	0.5 D-GN/WH	1547	Left Rear Low Level Audio Signal (-) (w/UK6)
B10	0.5 D-GN	117	Right Front Speaker Output (-)
B11	0.5 L-GN	200	Right Front Speaker Output (+)
B12	—	—	Not Used

### Radio X1 (with UQA)



[Click here for full size](#)

### Connector Part Information

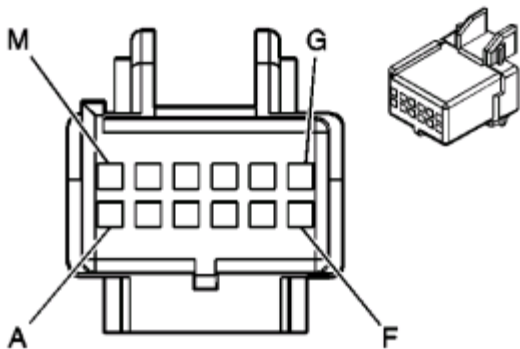
- OEM: 12110088
- Service: 15306210
- Description: 24-Way F Micro-Pack 100 Series (GY)

### Terminal Part Information

- Pins: A1, A3, A5, A8-A12, B1, B3, B6, B8-B11
- Terminal/Tray: 12146447/3
- Core/Insulation Crimp: E/C
- Release Tool/Test Probe: 12031876-1/J-35616-6 (BN)

**Radio X1 (with UQA)**

Pin	Wire	Circuit	Function
A1	0.35 OG	1044	Radio Class 2 Serial Data
A2	—	—	Not Used
A3	0.35 PU	493	Rear Seat Audio Enable Signal
A4	—	—	Not Used
A5	BARE	2099	Drain Wire
A6-A7	—	—	Not Used
A8	0.35 TN	511	Left Front Low Level Audio Signal (+)
A9	0.35 D-GN	1947	Left Front Low Level Audio Signal (-)
A10	0.5 BK	1946	Right Rear Low Level Audio Signal (-)
A11	0.5 D-BU	546	Right Rear Low Level Audio Signal (+)
A12	0.5 BK/WH	751	Ground
B1	0.5 OG	340	Battery Positive Voltage
B2	—	—	Not Used
B3	0.35 PK	314	Radio On Signal
B4-B5	—	—	Not Used
B6	0.35 GY/BK	2334	Radio Mute Signal
B7	—	—	Not Used
B8	0.5 BN	599	Left Rear Low Level Audio Signal (+)
B9	0.5 D-GN/WH	1547	Left Rear Low Level Audio Signal (-)
B10	0.35 OG/BK	1546	Right Front Low Level Audio Signal (-)
B11	0.35 L-GN	512	Right Front Low Level Audio Signal (+)
B12	—	—	Not Used

**Radio X2**

[Click here for full size](#)

## Connector Part Information

- OEM: 12064799
- Service: 15305996
- Description: 12-Way F Micro-Pack 100 Series (BK)

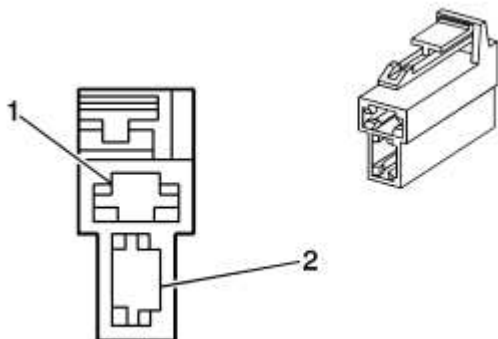
## Terminal Part Information

- Pins: C, E, H, J-M
- Terminal/Tray: 12146447/3
- Core/Insulation Crimp: E/C
- Release Tool/Test Probe: 12031876-1/J-35616-6 (BN)

## Radio X2

Pin	Wire	Circuit	Function
A-B	—	—	Not Used
C	BARE	1573	Drain Wire (U42/U2K)
D	—	—	Not Used
E	0.35 D-GN/WH	817	Vehicle Speed Signal (w/UQA)
F-G	—	—	Not Used
H	0.35 D-GN/WH	368	Right Audio Signal (+) (U42/U2K)
J	0.35 BN/WH	367	Left Audio Signal (-) (U42/U2K)
K	0.35 BK/WH	372	Audio Common (U42/U2K)
L	0.35 OG/BK	2061	Remote Radio Audio Output (-) (w/UE1)
M	0.35 PK/BK	2062	Remote Radio Left Audio Signal (w/UE1)

## Rear Blower Motor (CJ2)



[Click here for full size](#)

### Connector Part Information

- OEM: KET MG 610043
- Service: Service by Assembly - See Part Catalog
- Description: 2-Way F 250 Series (WH)

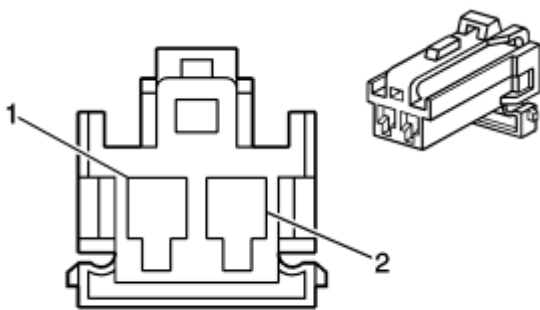
### Terminal Part Information


- Terminal/Tray: Service by Assembly - See Part Catalog
- Core/Insulation Crimp: N/A
- Release Tool/Test Probe: N/A

### Rear Blower Motor (CJ2)

Pin	Wire	Circuit	Function
1	BK	—	Ground
2	RD	—	Auxiliary Blower Motor High Speed Control
	RD	—	Auxiliary Blower Motor High Speed Control

### Rear Blower Resistor



 [Click here for full size](#)

### Connector Part Information

- OEM: KET MG 610392
- Service: Service by Assembly - See Part Catalog
- Description: 2-Way F SDL Series (WH)

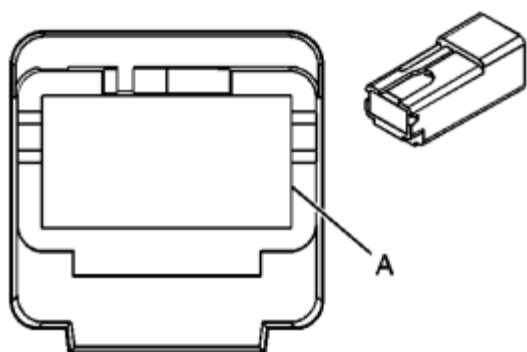
### Terminal Part Information


- Terminal/Tray: Service by Assembly - See Part Catalog
- Core/Insulation Crimp: N/A
- Release Tool/Test Probe: N/A

### Rear Blower Resistor

Pin	Wire	Circuit	Function
1	RD	-	Auxiliary Blower Motor High Speed Control
2	L-BU	-	Auxiliary Blower Motor Medium Speed Control

### Rear Window Defogger Grid X1 (C49)



 [Click here for full size](#)

### Connector Part Information

- OEM: 12092133
- Service: 12167133
- Description: 1-Way F Metri-Pack 630 Series Unsealed (BK)

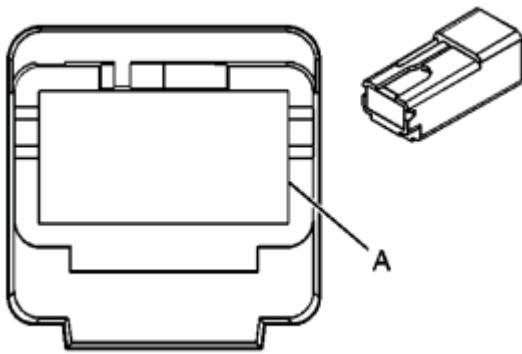
### Terminal Part Information

- Terminal/Tray: Service by Harness - See Part Catalog
- Core/Insulation Crimp: N/A
- Release Tool/Test Probe: N/A

### Rear Window Defogger Grid X1 (C49)

Pin	Wire	Circuit	Function
A	2 BK	293	Rear Defogger Element Supply Voltage

## Rear Window Defogger Grid X2 (C49)



[Click here for full size](#)

### Connector Part Information

- OEM: 12092133
- Service: 12167133
- Description: 1-Way F Metri-Pack 630 Series Unsealed (BK)

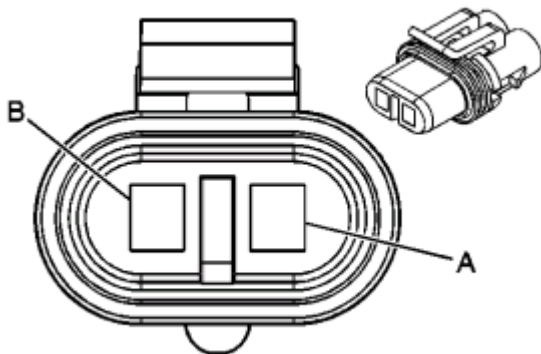
### Terminal Part Information

- Terminal/Tray: Service by Harness - See Part Catalog
- Core/Insulation Crimp: N/A
- Release Tool/Test Probe: N/A

## Rear Window Defogger Grid X2 (C49)

Pin	Wire	Circuit	Function
A	2 BK	1550	Ground

## Rear Window Washer Fluid Pump



 [Click here for full size](#)

### Connector Part Information

- OEM: 12020599
- Service: 12102664
- Description: 2-Way F Metri-Pack 280 Series Unsealed (BK)

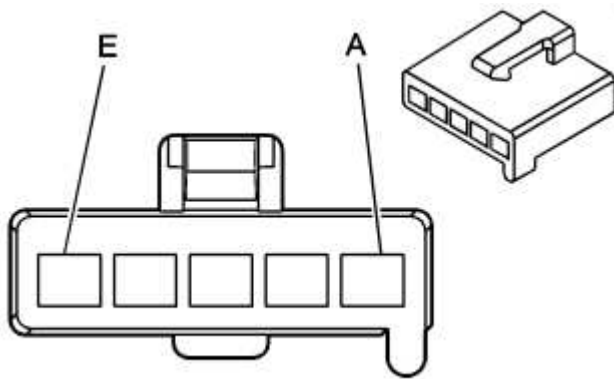
### Terminal Part Information


- Terminal/Tray: 12077411/2
- Core/Insulation Crimp: 2/5
- Release Tool/Test Probe: 12094430/J-35616-4A (PU)

### Rear Window Washer Fluid Pump

Pin	Wire	Circuit	Function
A	0.8 BK	250	Ground
B	0.8 D-GN	392	Rear Window Washer Pump Control

### Rear Window Wiper Motor



 [Click here for full size](#)

### Connector Part Information

- OEM: 12041429
- Service: 12167129
- Description: 5-Way F Metri-Pack 280 Series Unsealed (BK)

### Terminal Part Information

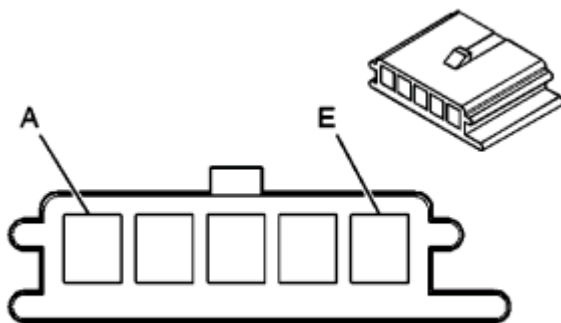


- Pins: A
  - Terminal/Tray: 12015858/4
  - Core/Insulation Crimp: F/G
  - Release Tool/Test Probe: 12094430/J-35616-4A (PU)
- Pins: C
  - Terminal/Tray: 12034046/2
  - Core/Insulation Crimp: C/D
  - Release Tool/Test Probe: 12094430/J-35616-4A (PU)
- Pins: E
  - Terminal/Tray: 12034046/2
  - Core/Insulation Crimp: E/A
  - Release Tool/Test Probe: 12094430/J-35616-4A (PU)

### Rear Window Wiper Motor

Pin	Wire	Circuit	Function
A	2 BK	1550	Ground
B	—	—	Not Used
C	1 OG	4440	Battery Positive Voltage
D	—	—	Not Used
E	0.35 D-GN	2269	Rear Window Motor Speed Signal

### Rear Window Wiper/Washer Switch



[Click here for full size](#)

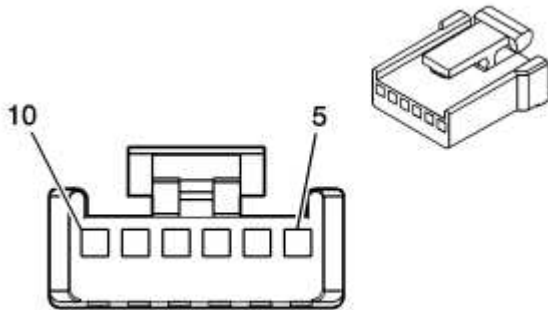
### Rear Window Wiper/Washer Switch

Pin	OEM:Wire	Circuit	Function
A	Service 15306169 0.35WH1532283	15306169 2283	12-Volt Reference

- Description: 5-Way F Metri-Pack 150 Series Unsealed (BK)

B	0.35 BK	2250	Ground
C	0.35 BN/WH	230	Instrument Panel Lamps Dimming Control
D	—	—	Not Used
E	0.35 GY	391	Rear Window Wiper Switch Signal

### Recirculation Actuator (CJ2)



[Click here for full size](#)

### Connector Part Information

- OEM: 12040953
- Service: 12102632
- Description: 6-Way F Micro-Pack 100 Series Unsealed (BK)

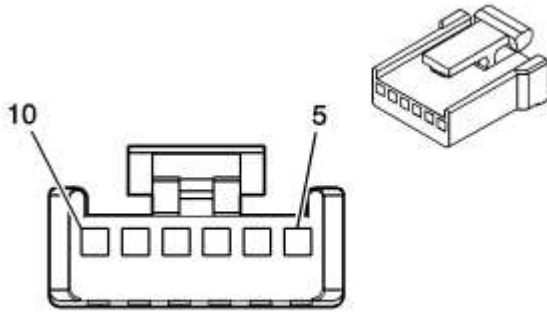
### Terminal Part Information

- Pins: 5-7, 9-10
- Terminal/Tray: 12146447/3
- Core/Insulation Crimp: E/C
- Release Tool/Test Probe: 12031876-1/J-35616-6 (BN)

### Recirculation Actuator (CJ2)

Pin	Wire	Circuit	Function
5	0.35 BN	341	Ignition 3 Voltage
6	0.35 D-GN	1614	Recirculation Door Control
7	0.35 YE	1791	Low Reference
8	—	—	Not Used
9	0.35 PU	1838	Recirculation Door Position Signal
10	0.35 L-BU/BK	1688	5-Volt Reference

## Recirculation Actuator (CJ3)



[Click here for full size](#)

### Connector Part Information

- OEM: 12040953
- Service: 12102632
- Description: 6-Way F Micro-Pack 100 Series Unsealed (BK)

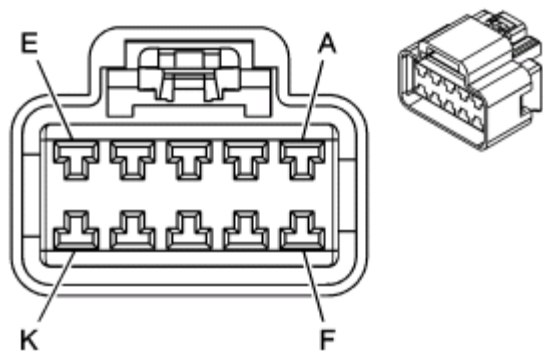
### Terminal Part Information

- Pins: 5-7
- Terminal/Tray: 12146447/3
- Core/Insulation Crimp: E/C
- Release Tool/Test Probe: 12031876-1/J-35616-6 (BN)

## Recirculation Actuator (CJ3)

Pin	Wire	Circuit	Function
5	0.35 BN	341	Ignition 3 Voltage
6	0.35 D-GN	1614	Recirculation Door Control
7	0.35 BK	2250	Ground
8-10	—	—	Not Used

## Seat Adjuster Switch - Driver (AR9)



[Click here for full size](#)

### Connector Part Information

- OEM: 15326931
- Service: 15306309
- Description: 10-Way F GT 280 Series Unsealed (BK)

### Terminal Part Information

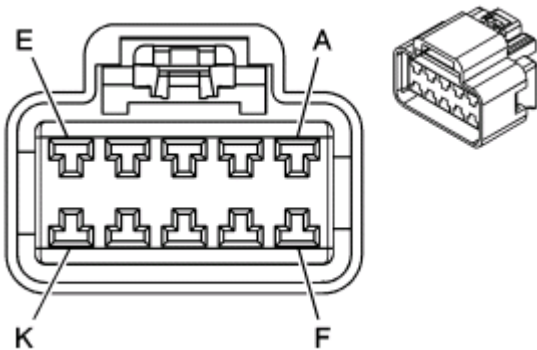
- Pins: A, C-H, J-K (AAB)
- Pins: B
- Terminal/Tray: 15304711/8
- Core/Insulation Crimp: E/A
- Release Tool/Test Probe: 15315247/J-35616-4A (PU)
- Pins: A, C-D, F-H, J-K (w/o Memory)
- Terminal/Tray: 15304713/19
- Core/Insulation Crimp: 4/4
- Release Tool/Test Probe: 15315247/J-35616-4A (PU)
- Pins: E (w/o Memory)
- Terminal/Tray: 15304713/19
- Core/Insulation Crimp: F/D
- Release Tool/Test Probe: 15315247/J-35616-4A (PU)

### Seat Adjuster Switch - Driver (AR9)

Pin	Wire	Circuit	Function
A	0.35 D-GN/WH	1270	Power Seat Recline Rearward Switch Signal (AAB)
	2 L-BU	277	Driver Seat Recline Motor Rearward Control (w/o Memory)

B	0.35 BK	1350	Ground
C	0.35 L-GN	1523	Power Seat Horizontal Rearward Switch Signal (AAB)
	2 L-GN	284	Driver Seat Horizontal Motor Rearward Control (w/o Memory)
D	0.35 TN	1522	Power Seat Horizontal Forward Switch Signal (AAB)
	2 TN	285	Driver Seat Horizontal Motor Forward Control (w/o Memory)
E	0.35 OG	240	Battery Positive Voltage (AAB)
	3 OG	3540	Battery Supply Voltage (w/o Memory)
F	0.35 GY/BK	1269	Power Seat Recline Forward Switch Signal (AAB)
	2 L-GN	276	Driver Seat Recline Motor Forward Control (w/o Memory)
G	0.35 L-BU	1521	Power Seat Rear Vertical Down Switch Signal (AAB)
	2 L-BU	283	Driver Seat Rear Vertical Motor Down Control (w/o Memory)
H	0.35 YE	1519	Power Seat Rear Vertical Up Switch Signal (AAB)
	2 YE	282	Driver Seat Rear Vertical Motor Up Control (w/o Memory)
J	0.35 D-BU	1520	Power Seat Front Vertical Down Switch Signal (AAB)
	2 D-BU	287	Driver Seat Front Vertical Motor Up Control (w/o Memory)
K	0.35 D-GN	1518	Power Seat Front Vertical Up Switch Signal (AAB)
	2 D-GN	286	Driver Seat Front Vertical Motor Down Control (w/o Memory)

### Seat Adjuster Switch - Passenger (V40)



 [Click here for full size](#)

### Connector Part Information

- OEM: 15326931
- Service: 15306309
- Description: 10-Way F GT 280 Series Unsealed (BK)

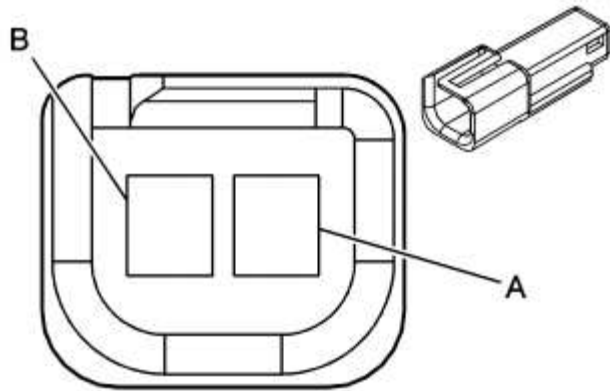
### Terminal Part Information

- Pins: A, D
- Terminal/Tray: 15304713/19
- Core/Insulation Crimp: F/D
- Release Tool/Test Probe: 15315247/J-35616-4A (PU)
- Pins: B-C, E-H, J-K
- Terminal/Tray: 15304713/19
- Core/Insulation Crimp: 4/4
- Release Tool/Test Probe: 15315247/J-35616-4A (PU)

### Seat Adjuster Switch - Passenger (V40)

Pin	Wire	Circuit	Function
A	3 OG	3540	Battery Positive Voltage
B	2 L-GN	284	Passenger Seat Horizontal Motor Rearward Control
C	2 TN	285	Passenger Seat Horizontal Motor Forward Control
D	3 BK	1450	Ground
E	2 L-GN	276	Passenger Seat Recline Motor Forward Control
F	2 D-BU	287	Passenger Seat Front Vertical Motor Down Control
G	2 D-GN	286	Passenger Seat Front Vertical Motor Up Control
H	2 L-BU	283	Passenger Seat Rear Vertical Motor Down Control
J	2 YE	282	Driver Seat Rear Vertical Motor Up Control
K	2 L-BU	277	Passenger Seat Recline Motor Rearward Control

### Seat Belt Buckle - Driver



[Click here for full size](#)

### Connector Part Information

- OEM: 12048457
- Service: 12058709
- Description: 2-Way M Metri-Pack 150 Series (BK)

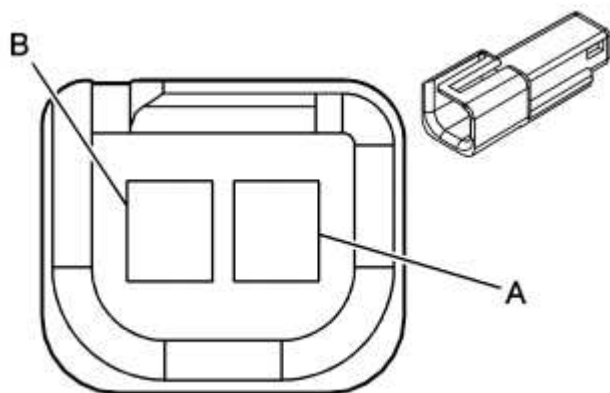
### Terminal Part Information

- Terminal/Tray: 12047581/2
- Core/Insulation Crimp: E/C
- Release Tool/Test Probe: 12094429/J-35616-3 (GY)

### Seat Belt Buckle - Driver

Pin	Wire	Circuit	Function
A	0.35 BK	2644	Seat Position Sensor Return
B	0.35 BK/WH	238	Driver Seat Belt Switch Signal

### Seat Belt Buckle - Passenger



 [Click here for full size](#)

### Connector Part Information

- OEM: 12048457
- Service: 12058709
- Description: 2-Way M Metri-Pack 150 Series (BK)

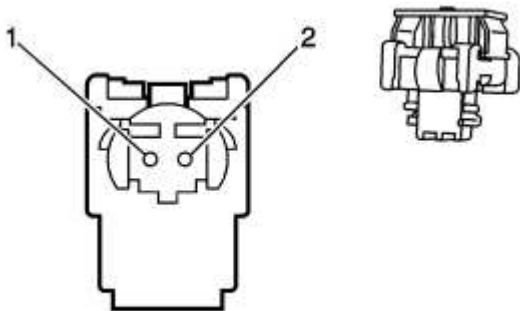
### Terminal Part Information

- Terminal/Tray: 12047581/2
- Core/Insulation Crimp: E/C
- Release Tool/Test Probe: 12094429/J-35616-3 (GY)

### Seat Belt Buckle - Passenger

Pin	Wire	Circuit	Function
A	0.35 BK	2644	Seat Position Sensor Return
B	0.35 BK	2484	Passenger Seat Belt Switch Signal

### Seat Belt Pretensioner - Left



 [Click here for full size](#)

### Connector Part Information

- OEM: 9098012138
- Service: Service by Pigtail - See Part Catalog
- Description: 2-Way F (YE)

### Terminal Part Information

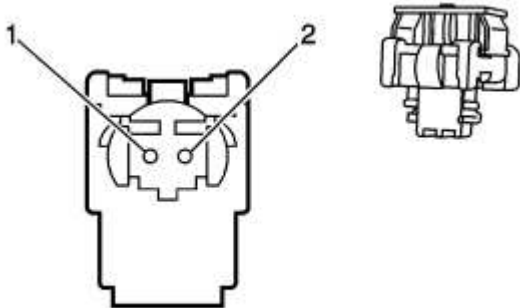


- Terminal/Tray: Service by Pigtail - See Part Catalog
- Core/Insulation Crimp: N/A
- Release Tool/Test Probe: N/A

### Seat Belt Pretensioner - Left

Pin	Wire	Circuit	Function
1	0.35 BK	2118	Seat Belt Pretensioner - Left - High Control
2	0.35WH	2119	Seat Belt Pretensioner - Left - Low Control

### Seat Belt Pretensioner - Right



[Click here for full size](#)

#### Connector Part Information

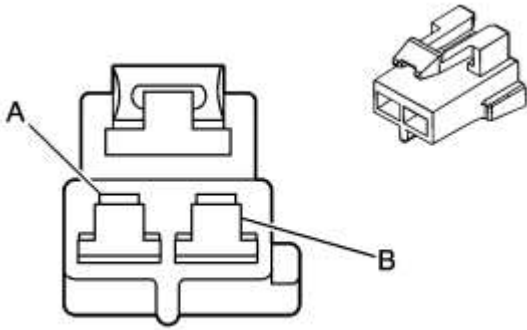
- OEM: 9098012138
- Service: Service by Pigtail - See Part Catalog
- Description: 2-Way F (YE)

#### Terminal Part Information

- Terminal/Tray: Service by Pigtail - See Part Catalog
- Core/Insulation Crimp: N/A
- Release Tool/Test Probe: N/A

### Seat Belt Pretensioner - Right

Pin	Wire	Circuit	Function
1	0.35 BK	2116	Seat Belt Pretensioner - Right - High Control
2	0.35WH	2117	Seat Belt Pretensioner - Right - Low Control

**Seat Front Vertical Motor - Driver (AR9)**

 [Click here for full size](#)

**Connector Part Information**

- OEM: 12064749
- Service: 12101888
- Description: 2-Way F Metri-Pack 480 Series Unsealed (BK)

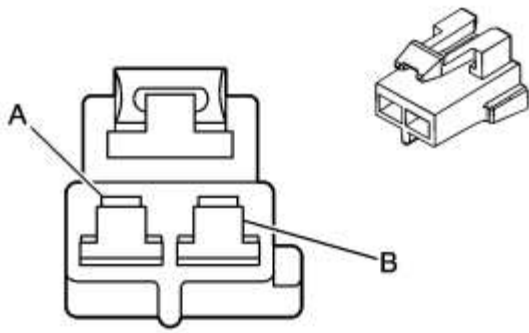
**Terminal Part Information**

- Terminal/Tray: 12124304/2
- Core/Insulation Crimp: A/B
- Release Tool/Test Probe: 12094430/J-35616-40 (BU)

**Seat Front Vertical Motor - Driver (AR9)**

Pin	Wire	Circuit	Function
A	2 D-BU	287	Driver Seat Front Vertical Motor Down Control
B	2 D-GN	286	Driver Seat Front Vertical Motor Up Control

**Seat Front Vertical Motor - Passenger (V40)**



 [Click here for full size](#)

### Connector Part Information

- OEM: 12064749
- Service: 12101888
- Description: 2-Way F Metri-Pack 480 Series Unsealed (BK)

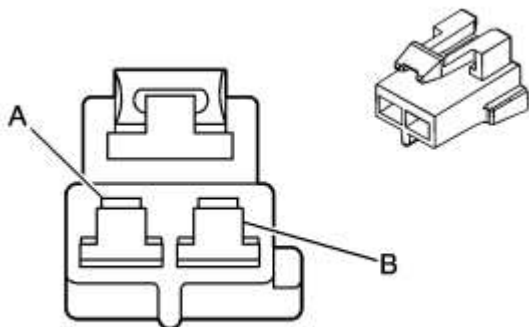
### Terminal Part Information


- Terminal/Tray: 12124304/2
- Core/Insulation Crimp: A/B
- Release Tool/Test Probe: 12094430/J-35616-40 (BU)

### Seat Front Vertical Motor - Passenger (V40)

Pin	Wire	Circuit	Function
A	2 D-BU	287	Passenger Seat Front Vertical Motor Down Control
B	2 D-GN	286	Passenger Seat Front Vertical Motor Up Control

### Seat Horizontal Motor - Driver (AR9)



 [Click here for full size](#)

**Connector Part Information**

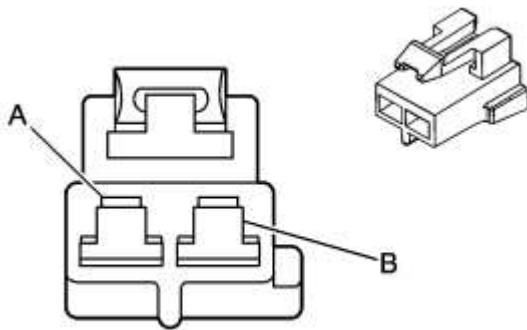
- OEM: 12064749
- Service: 12101888
- Description: 2-Way F Metri-Pack 480 Series Unsealed (BK)

**Terminal Part Information**

- Terminal/Tray: 12124304/2
- Core/Insulation Crimp: A/B
- Release Tool/Test Probe: 12094430/J-35616-40 (BU)

**Seat Horizontal Motor - Driver (AR9)**

Pin	Wire	Circuit	Function
A	2 L-GN	284	Seat Horizontal Motor Rearward Control
B	2 TN	285	Seat Horizontal Motor Forward Control

**Seat Horizontal Motor - Passenger (V40)**

[Click here for full size](#)

**Connector Part Information**

- OEM: 12064749
- Service: 12101888
- Description: 2-Way F Metri-Pack 480 Series Unsealed (BK)

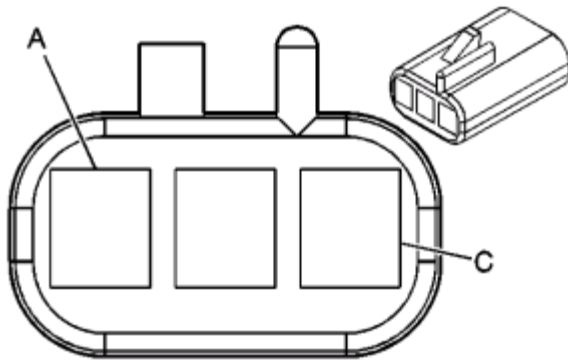
**Terminal Part Information**

- Terminal/Tray: 12124304/2
- Core/Insulation Crimp: A/B
- Release Tool/Test Probe: 12094430/J-35616-40 (BU)

### Seat Horizontal Motor - Passenger (V40)

Pin	Wire	Circuit	Function
A	2 L-GN	284	Seat Horizontal Motor Rearward Control
B	2 TN	285	Seat Horizontal Motor Forward Control

### Seat Position Sensor - Front (AAB)



[Click here for full size](#)

### Connector Part Information

- OEM: 12047781
- Service: 12101864
- Description: 3-Way F Metri-Pack 150 Series Unsealed (BK)

### Terminal Part Information

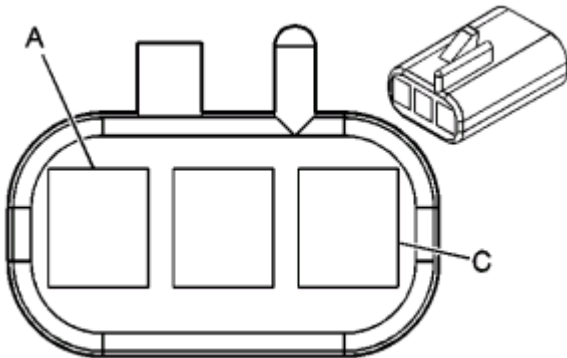
- Terminal/Tray: 12064971/5
- Core/Insulation Crimp: E/C
- Release Tool/Test Probe: 12094429/J-35616-2A (GY)

### Seat Position Sensor - Front (AAB)

Pin	Wire	Circuit	Function
A	0.35 OG	840	Battery Positive Voltage

B	0.35 BN/WH	557	Front Vertical Seat Motor Position Sensor Signal
C	0.35 BK	850	Ground

### Seat Position Sensor - Horizontal (AAB)



[Click here for full size](#)

### Connector Part Information

- OEM: 12047781
- Service: 12101864
- Description: 3-Way F Metri-Pack 150 Series Unsealed (BK)

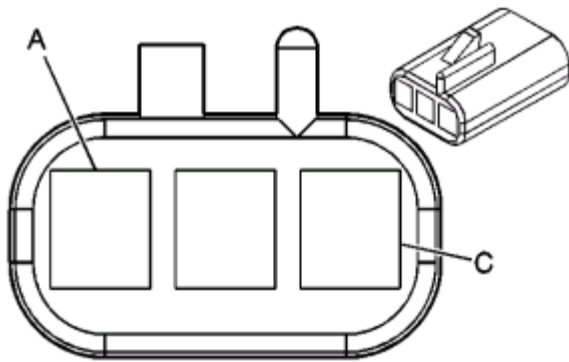
### Terminal Part Information

- Terminal/Tray: 12064971/5
- Core/Insulation Crimp: E/C
- Release Tool/Test Probe: 12094429/J-35616-2A (GY)

### Seat Position Sensor - Horizontal (AAB)

Pin	Wire	Circuit	Function
A	0.35 BK	850	Ground
B	0.35 D-GN	569	Horizontal Seat Motor Position Sensor Signal
C	0.35 OG	840	Battery Positive Voltage

### Seat Position Sensor - Rear (AAB)



[Click here for full size](#)

### Connector Part Information

- OEM: 12047781
- Service: 12101864
- Description: 3-Way F Metri-Pack 150 Series Unsealed (BK)

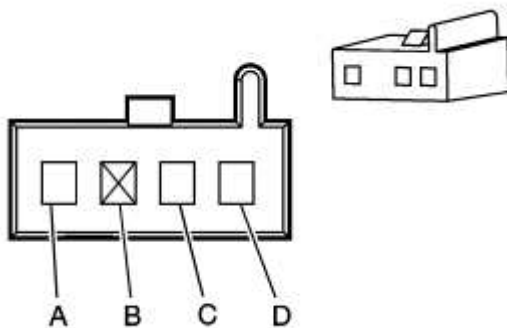
### Terminal Part Information

- Terminal/Tray: 12064971/5
- Core/Insulation Crimp: E/C
- Release Tool/Test Probe: 12094429/J-35616-2A (GY)

### Seat Position Sensor - Rear (AAB)

Pin	Wire	Circuit	Function
A	0.35 BK	850	Ground
B	0.35 TN	568	Rear Vertical Seat Motor Position Sensor Signal
C	0.35 OG	840	Battery Positive Voltage

### Seat Position Sensor - Recline (AAB)



 [Click here for full size](#)

### Connector Part Information

- OEM: 12059583
- Service: 15305814
- Description: 4-Way F Metri-Pack 150 Series Unsealed (NA)

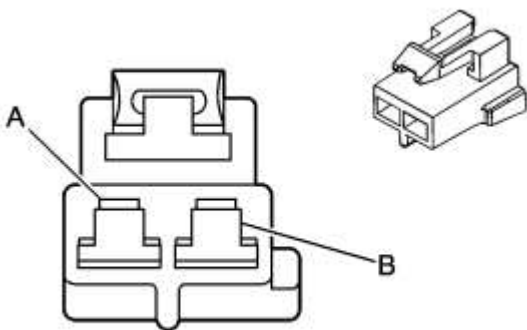
### Terminal Part Information

- Terminal/Tray: 12064971/5
- Core/Insulation Crimp: E/C
- Release Tool/Test Probe: 12094429/J-35616-2A (GY)

### Seat Position Sensor - Recline (AAB)

Pin	Wire	Circuit	Function
A	0.35 OG	840	Battery Positive Voltage
B	—	—	Not Available
C	0.35WH/BK	570	Driver Seat Recline Motor Position Sensor Signal
D	0.35 BK	850	Ground

### Seat Rear Vertical Motor - Driver (AR9)



 [Click here for full size](#)

### Seat Rear Vertical Motor - Driver (AR9)

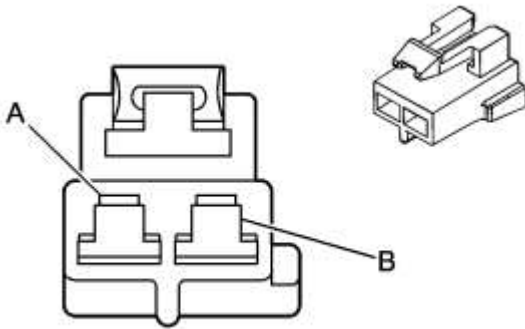
Pin	Wire	Circuit	Function
A	2-L-BK	283	Driver Seat Rear Vertical Motor Down Control

- Description: 2-Way F Metri-Pack 480 Series Unsealed (BK)



B	2 YE	282	Driver Seat Rear Vertical Motor Up Control
---	------	-----	--

### Seat Rear Vertical Motor - Passenger (V40)



[Click here for full size](#)

#### Connector Part Information

- OEM: 12064749
- Service: 12101888
- Description: 2-Way F Metri-Pack 480 Series Unsealed (BK)

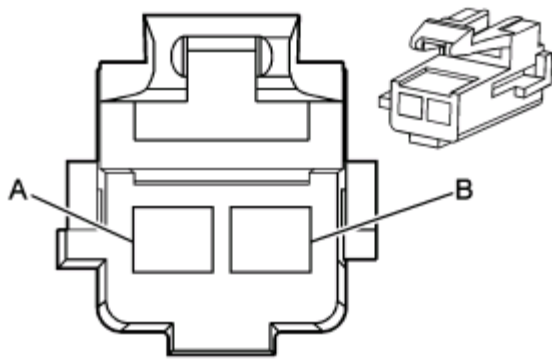
#### Terminal Part Information

- Terminal/Tray: 12124304/2
- Core/Insulation Crimp: A/B
- Release Tool/Test Probe: 12094430/J35616-40 (BU)

### Seat Rear Vertical Motor - Passenger (V40)

Pin	Wire	Circuit	Function
A	2 L-BU	283	Passenger Seat Rear Vertical Motor Down Control
B	2 YE	282	Passenger Seat Rear Vertical Motor Up Control

### Seat Recline Motor - Driver (AR9)



[Click here for full size](#)

### Connector Part Information

- OEM: 12129082
- Service: 15305896
- Description: 2-Way F Metri-Pack 280 Series Unsealed (GY)

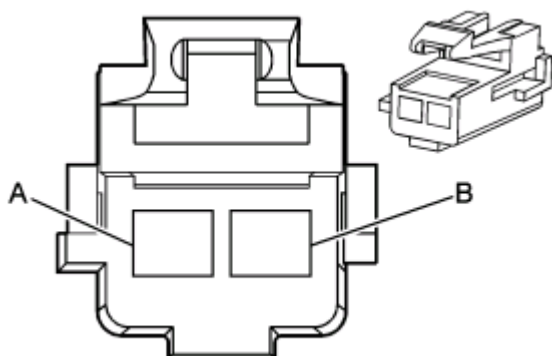
### Terminal Part Information

- Terminal/Tray: 12110842/4
- Core/Insulation Crimp: A/B
- Release Tool/Test Probe: 15315247/J-35616-4A (PU)

### Seat Recline Motor - Driver (AR9)

Pin	Wire	Circuit	Function
A	2 L-BU	277	Driver Seat Recline Motor Rearward Control
B	2 L-GN	276	Driver Seat Recline Motor Forward Control

### Seat Recline Motor - Passenger (V40)



[Click here for full size](#)

**Connector Part Information**

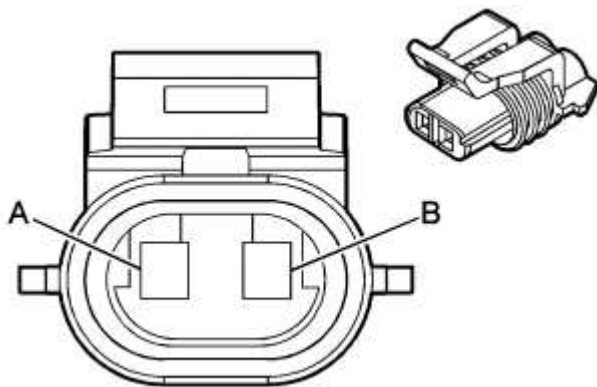
- OEM: 12129082
- Service: 15305896
- Description: 2-Way F Metri-Pack 280 Series Unsealed (GY)

**Terminal Part Information**

- Terminal/Tray: 12110842/4
- Core/Insulation Crimp: A/B
- Release Tool/Test Probe: 15315247/J-35616-4A (PU)

**Seat Recline Motor - Passenger (V40)**

Pin	Wire	Circuit	Function
A	2 L-BU	277	Passenger Seat Recline Motor Rearward Control
B	2 L-GN	276	Passenger Seat Recline Motor Forward Control

**Secondary Air Injection (AIR) Pump (K18)**

 [Click here for full size](#)

**Connector Part Information**

- OEM: 12147067
- Service: 89046640
- Description: 2-Way F Metri-Pack 630 Series Sealed (GY)

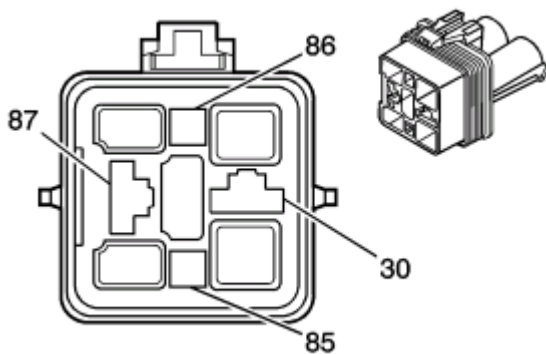
**Terminal Part Information**

- Terminal/Tray: 12147474/24
- Core/Insulation Crimp: G/F/3
- Release Tool/Test Probe: 12094430/J-35616-42 (RD)

### Secondary Air Injection (AIR) Pump (K18)

Pin	Wire	Circuit	Function
A	5 RD	78	Air Pump Supply Voltage
B	5 BK	2450	Ground

### Secondary Air Injection (AIR) Pump Relay (K18)



[Click here for full size](#)

### Connector Part Information

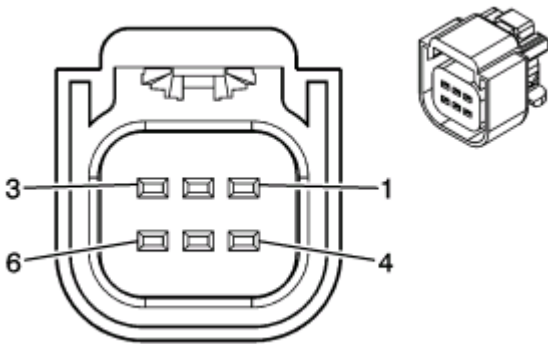
- OEM: 15336745
- Service: 15306331
- Description: 4-Way F GT 280 Metri-Pack 800 Series Sealed (GY)


### Terminal Part Information

- Pins: 30, 87
- Terminal/Tray: 15336748/20
- Core/Insulation Crimp: F/3
- Release Tool/Test Probe: 12150860/J-35616-44 (YE)
- Pins: 85-86
- Terminal/Tray: 15304719/19
- Core/Insulation Crimp: E/5
- Release Tool/Test Probe: 15315247/J-35616-4A (PU)

**Secondary Air Injection (AIR) Pump Relay (K18)**

Pin	Wire	Circuit	Function
30	5 RD	1042	Battery Positive Voltage
85	0.5 BN	436	Air Pump Relay Control
86	0.5 PK	739	Ignition 1 Voltage
87	5 RD	78	Air Pump Supply Voltage

**Secondary Air Injection (AIR) Solenoid (K18)**

 [Click here for full size](#)

**Connector Part Information**

- OEM: 13539171
- Service: See Catalog
- Description: 6-Way F GT 150 Series Sealed (BK)

**Terminal Part Information**

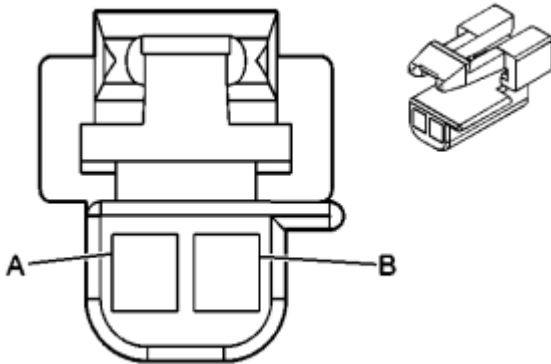
- Pins: 1-4, 6
- Terminal/Tray: 12191819/8
- Core/Insulation Crimp: E/A
- Release Tool/Test Probe: 15315247/J-35616-2A (GY)

**Secondary Air Injection (AIR) Solenoid (K18)**

Pin	Wire	Circuit	Function
1	0.5 D-BU/WH	6785	Air Injection Reaction Control Valve 1 Low Reference
2	0.5 YE	6787	Secondary Air Injection Pressure Sensor Signal

3	0.5 BN/WH	6789	Air Injection Reaction Control Valve 1-Volt Reference
4	0.5 BK	350	Ground
5	—	—	Not Used
6	0.5 PK/BK	415	Air Injection Reaction Solenoid Supply Voltage

### Speaker - Left Front Door (with UQA)



[Click here for full size](#)

### Connector Part Information

- OEM: 12064867
- Service: 88987981
- Description: 2-Way F Metri-Pack 150 Series (NA)

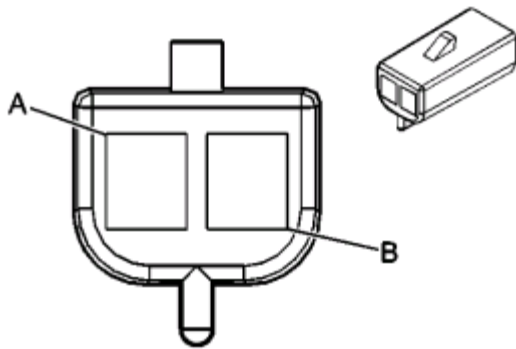
### Terminal Part Information

- Terminal/Tray: 12047767/2
- Core/Insulation Crimp: E/A
- Release Tool/Test Probe: 12094429/J-35616-2A (GY)

### Speaker - Left Front Door (with UQA)

Pin	Wire	Circuit	Function
A	1 GY	118	Left Front Speaker Output (-)
B	1 TN	201	Left Front Speaker Output (+)

### Speaker - Left Front I/P (with UQA)



 [Click here for full size](#)

### Connector Part Information

- OEM: 12059253
- Service: 12125690
- Description: 2-Way F Metri-Pack 150 Series (L-GN)

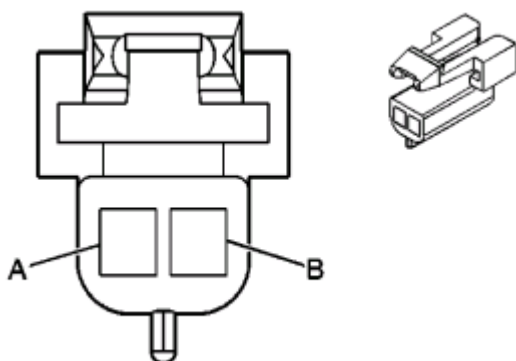
### Terminal Part Information

- Terminal/Tray: 12064971/5
- Core/Insulation Crimp: E/C
- Release Tool/Test Probe: 12094429/J-35616-2A (GY)

### Speaker - Left Front I/P (with UQA)

Pin	Wire	Circuit	Function
A	0.35 L-BU	1957	Left Front Midrange Speaker Output (-)
B	0.35 D-BU	1857	Left Front Midrange Speaker Output (+)

### Speaker - Left Rear Door (without UQA)



 [Click here for full size](#)

**Connector Part Information**

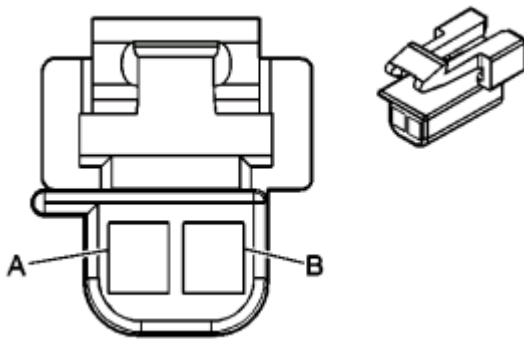
- OEM: 12052832
- Service: 12101825
- Description: 2-Way F Metri-Pack 150 Series (BK)

**Terminal Part Information**

- Terminal/Tray: 12064971/5
- Core/Insulation Crimp: E/C
- Release Tool/Test Probe: 12094429/J-35616-2A (GY)

**Speaker - Left Rear Door (without UQA)**

Pin	Wire	Circuit	Function
A	0.5 BN	199	Left Rear Speaker Output (+)
B	0.5 YE	116	Left Rear Speaker Output (-)

**Speaker - Left Rear Door (with UQA)**

 [Click here for full size](#)

**Connector Part Information**

- OEM: 12064869
- Service: 12117323
- Description: 2-Way F Metri-Pack 150 Series (BU)

**Terminal Part Information**

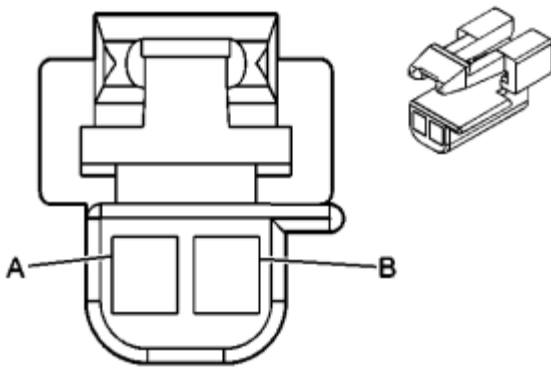


- Terminal/Tray: 12047767/2
- Core/Insulation Crimp: E/A
- Release Tool/Test Probe: 12094429/J-35616-2A (GY)

### Speaker - Left Rear Door (with UQA)

Pin	Wire	Circuit	Function
A	0.8 YE	116	Left Rear Speaker Output (-)
B	0.8 BN	199	Left Rear Speaker Output (+)

### Speaker - Right Front Door (with UQA)



[Click here for full size](#)

### Connector Part Information

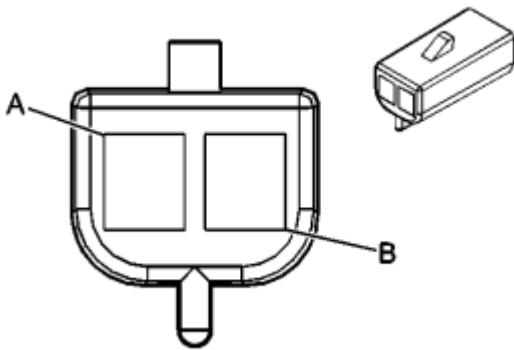
- OEM: 12064867
- Service: 88987981
- Description: 2-Way F Metri-Pack 150 Series (NA)

### Terminal Part Information

- Terminal/Tray: 12047767/2
- Core/Insulation Crimp: E/A
- Release Tool/Test Probe: 12094429/J-35616-2A (GY)

### Speaker - Right Front Door (with UQA)

Pin	Wire	Circuit	Function
A	1 D-GN	117	Right Front Speaker Output (-)
B	1 L-GN	200	Right Front Speaker Output (+)

**Speaker - Right Front I/P (with UQA)**

 [Click here for full size](#)

**Connector Part Information**

- OEM: 12059253
- Service: 12125690
- Description: 2-Way F Metri-Pack 150 Series (L-GN)

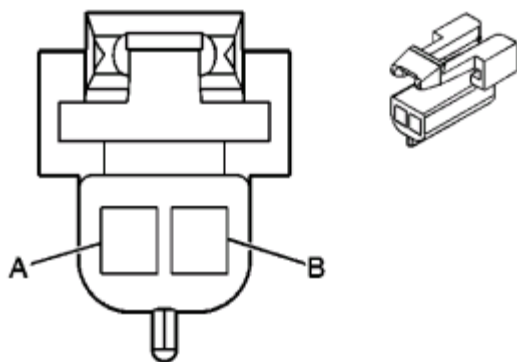
**Terminal Part Information**


- Terminal/Tray: 12064971/5
- Core/Insulation Crimp: E/C
- Release Tool/Test Probe: 12094429/J-35616-2A (GY)

**Speaker - Right Front I/P (with UQA)**

Pin	Wire	Circuit	Function
A	0.35 D-GN	1953	Right Front Midrange Speaker Output (-)
B	0.35 OG	1853	Right Front Midrange Speaker Output (+)

**Speaker - Right Rear Door (without UQA)**



 [Click here for full size](#)

### Connector Part Information

- OEM: 12052832
- Service: 12101825
- Description: 2-Way F Metri-Pack 150 Series (BK)

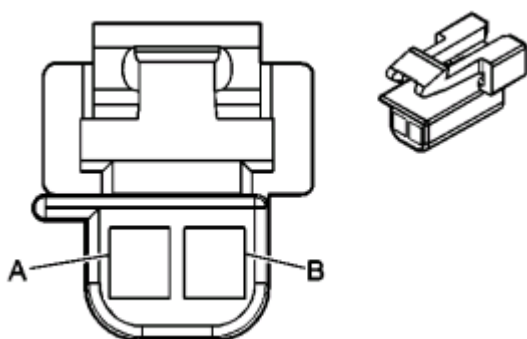
### Terminal Part Information

- Terminal/Tray: 12064971/5
- Core/Insulation Crimp: E/C
- Release Tool/Test Probe: 12094429/J-35616-2A (GY)

### Speaker - Right Rear Door (without UQA)

Pin	Wire	Circuit	Function
A	0.5 D-BU	46	Right Rear Speaker Output (+)
B	0.5 L-BU	115	Right Rear Speaker Output (-)

### Speaker - Right Rear Door (with UQA)



 [Click here for full size](#)

**Connector Part Information**

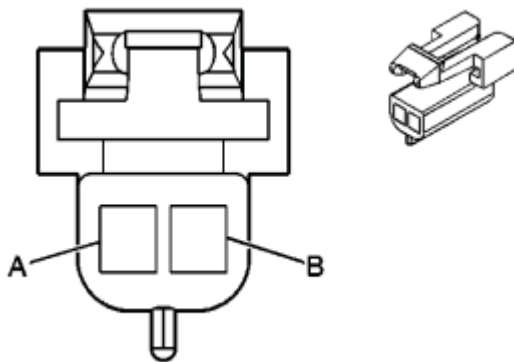
- OEM: 12064869
- Service: 12117323
- Description: 2-Way F Metri-Pack 150 Series (BU)

**Terminal Part Information**

- Terminal/Tray: 12047767/2
- Core/Insulation Crimp: E/A
- Release Tool/Test Probe: 12094429/J-35616-2A (GY)

**Speaker - Right Rear Door (with UQA)**

Pin	Wire	Circuit	Function
A	0.8 L-BU	115	Right Rear Speaker Output (-)
B	0.8 D-BU	46	Right Rear Speaker Output (+)

**Speaker Assembly - Left Front Door (without UQA)**

[Click here for full size](#)

**Connector Part Information**

- OEM: 12052832
- Service: 12101825
- Description: 2-Way F Metri-Pack 150 Series (BK)

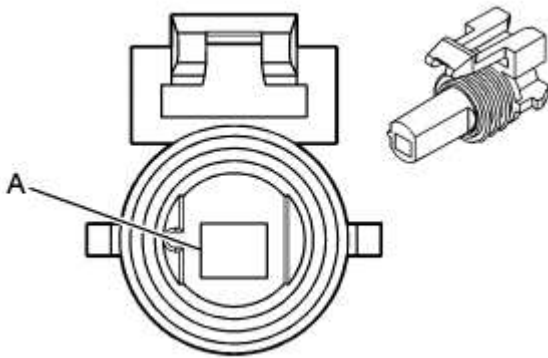
**Terminal Part Information**


- Terminal/Tray: 12064971/5
- Core/Insulation Crimp: E/C
- Release Tool/Test Probe: 12094429/J-35616-2A (GY)

### Speaker Assembly - Left Front Door (without UQA)

Pin	Wire	Circuit	Function
A	0.5 TN	201	Left Front Speaker Output (+)
B	0.5 GY	118	Left Front Speaker Output (-)

### Starter Motor X1 (LL8)



 [Click here for full size](#)

### Connector Part Information

- OEM: 12089916
- Service: 12101825
- Description: 1-Way F Metri-Pack 280 Series, Sealed (BK)

### Terminal Part Information

- Terminal/Tray: 12129493/2
- Core/Insulation Crimp: 4/5
- Release Tool/Test Probe: 12094430/J-35616-4A (PU)

### Starter Motor X1 (LL8)

Pin	Wire	Circuit	Function
A	5 PU	6	Starter Solenoid Crank Voltage

**Starter Motor X1 (LH6/LS2)****Terminal Part Information**

- Terminal: 12103517
- Core/Insulation Crimp: N/A
- Description: Ring Terminal

**Starter Motor X1 (LH6/LS2)**

Pin	Wire	Circuit	Function
S	5 PU	6	Starter Solenoid Crank Voltage

**Starter Motor X2 (LL8)****Terminal Part Information**

- Terminal: 13546704
- Core/Insulation Crimp: N/A
- Description: Ring Terminal

**Starter Motor X2 (LL8)**

Pin	Wire	Circuit	Function
B	19 RD	1	Battery Positive Voltage

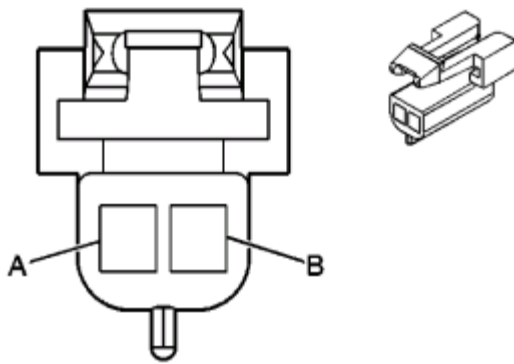
**Starter Motor X2 (LH6/LS2)****Terminal Part Information**

- Terminal: 15326159
- Core/Insulation Crimp: N/A
- Description: Ring Terminal

**Starter Motor X2 (LH6/LS2)**

Pin	Wire	Circuit	Function
B	32 RD	1	Battery Positive Voltage

**Speaker Assembly - Right Front Door (without UQA)**



 [Click here for full size](#)

### Connector Part Information

- OEM: 12052832
- Service: 12101825
- Description: 2-Way F Metri-Pack 150 Series (BK)

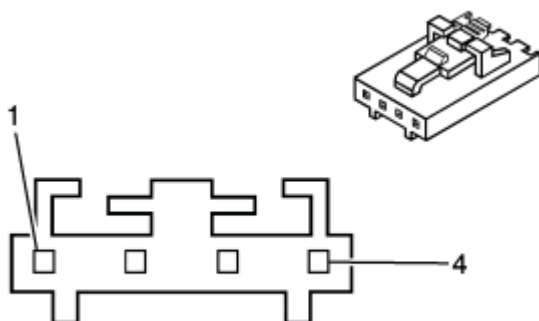
### Terminal Part Information

- Terminal/Tray: 12064971/5
- Core/Insulation Crimp: E/C
- Release Tool/Test Probe: 12094429/J-35616-2A (GY)

### Speaker Assembly - Right Front Door (without UQA)

Pin	Wire	Circuit	Function
A	0.5 L-GN	200	Right Front Speaker Output (+)
B	0.5 D-GN	117	Right Front Speaker Output (-)

### Steering Wheel Control Switch Assembly - Lower Left (STW)



 [Click here for full size](#)

**Connector Part Information**

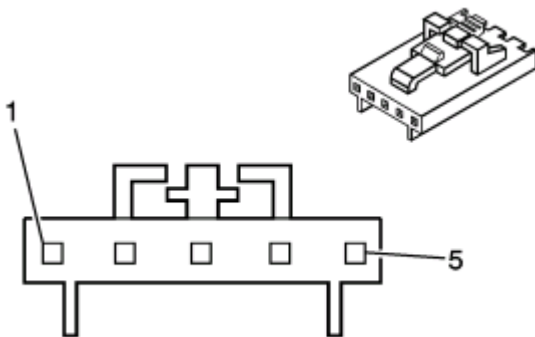
- OEM: 50-57-9404
- Service: Service by Assembly - See Part Catalog
- Description: 4-Way F (BK)

**Terminal Part Information**

- Terminal/Tray: Service by Assembly - See Part Catalog
- Core/Insulation Crimp: N/A
- Release Tool/Test Probe: N/A

**Steering Wheel Control Switch Assembly - Lower Left (STW)**

Pin	Wire	Circuit	Function
1	0.22 BN	230	Instrument Panel Lamps Dimming Control
2	0.22 YE	1327	DIC Fuel Signal
3	0.22 D-BU	894	DIC Toggle Switch Signal
4	0.22 BK	2250	Ground

**Steering Wheel Control Switch Assembly - Lower Right (STW)**

[Click here for full size](#)

**Connector Part Information**

- OEM: 50-57-9405
- Service: 89046734
- Description: 5-Way F (BK)

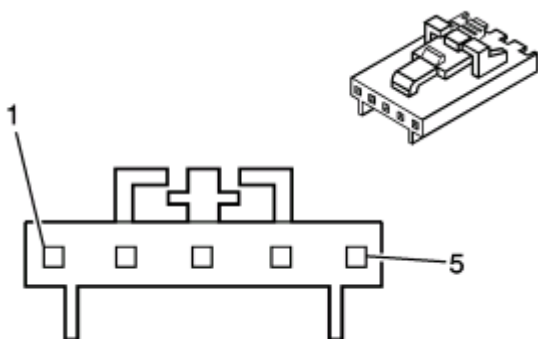


**Terminal Part Information**

- Terminal/Tray: Service by Assembly - See Part Catalog
- Core/Insulation Crimp: N/A
- Release Tool/Test Probe: N/A

**Steering Wheel Control Switch Assembly - Lower Right (STW)**

Pin	Wire	Circuit	Function
1	0.22 BN	230	Instrument Panel Lamps Dimming Control
2	0.22 D-GN	1358	DIC Switch Signal
3	0.22 OG	1816	DIC Set/Reset Switch Signal
4	0.22 BK	2250	Ground
5	—	—	Not Used

**Steering Wheel Control Switch Assembly - Upper Left (STW)**

 [Click here for full size](#)

**Connector Part Information**

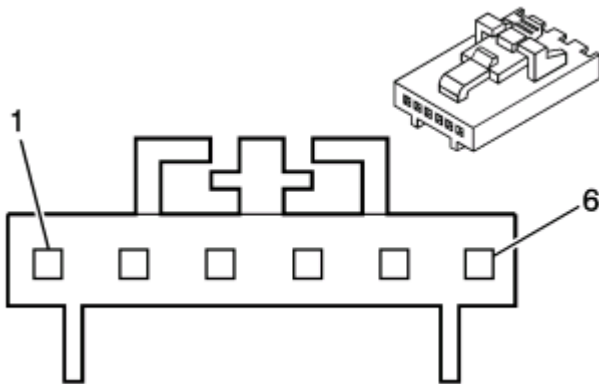
- OEM: 50-57-9405
- Service: 89046734
- Description: 5-Way F Molex (BK)


**Terminal Part Information**

- Terminal/Tray: Service by Assembly - See Part Catalog
- Core/Insulation Crimp: N/A
- Release Tool/Test Probe: N/A

**Steering Wheel Control Switch Assembly - Upper Left (STW)**

Pin	Wire	Circuit	Function
1	0.22 L-GN	1101	12-Volt Reference Jumper
2	0.22 BN	230	Instrument Panel Lamps Dimming Control
3	0.22 BK	2250	Ground
4	—	—	Not Used
5	0.22 L-GN	1011	Remote Radio Control Signal

**Steering Wheel Control Switch Assembly - Upper Right (STW)**

 [Click here for full size](#)

**Connector Part Information**

- OEM: 50-57-9406
- Service: 89046732
- Description: 6-Way F Molex (BK)

**Terminal Part Information**

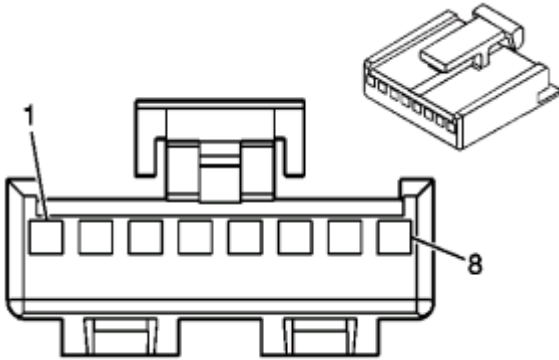
- Terminal/Tray: Service by Assembly - See Part Catalog
- Core/Insulation Crimp: N/A
- Release Tool/Test Probe: N/A

**Steering Wheel Control Switch Assembly - Upper Right (STW)**

Pin	Wire	Circuit	Function
1	0.22 WH	2283	12-Volt Reference
2	0.22 L-GN	1101	12-Volt Reference Jumper
3	0.22 BN	230	Instrument Panel Lamps Dimming Control

4	—	—	Not Used
5	0.22 BK	2250	Ground
6	0.22 L-GN	1011	Remote Radio Control Signal

## Steering Wheel Speed/Position Sensor



[Click here for full size](#)

### Connector Part Information

- OEM: 12052444
- Service: 12101874
- Description: 8-Way F Micro-Pack 100 Series Unsealed (BK)

### Terminal Part Information

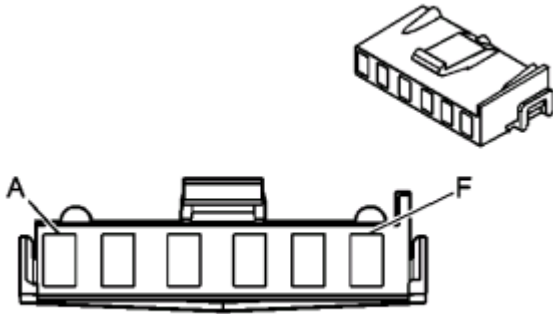
- Pins: 1-4, 6-8
- Terminal/Tray: 12146447/3
- Core/Insulation Crimp: E/C
- Release Tool/Test Probe: 12031876-1/J-35616-6 (BN)

## Steering Wheel Speed/Position Sensor

Pin	Wire	Circuit	Function
1	0.35 GY	626	Steering Wheel Position Sensor 5-Volt Reference
2	0.35 OG/BK	556	Steering Wheel Position Sensor Signal Low Reference
3	0.35 L-GN	1763	Steering Wheel Position Signal A
4	0.35 D-BU	6047	Steering Wheel Position Signal B
5	—	—	Not Used
6	0.35 L-BU	1059	Steering Wheel Position Sensor Signal

7	0.35 BN	341	Ignition 3 Voltage
8	0.35 BK/WH	751	Ground

## Stop Lamp Switch



 [Click here for full size](#)

## Connector Part Information

- OEM: 12040551
- Service: 12102763
- Description: 6-Way F Metri-Pack 480 Series Unsealed (BK)

## Terminal Part Information

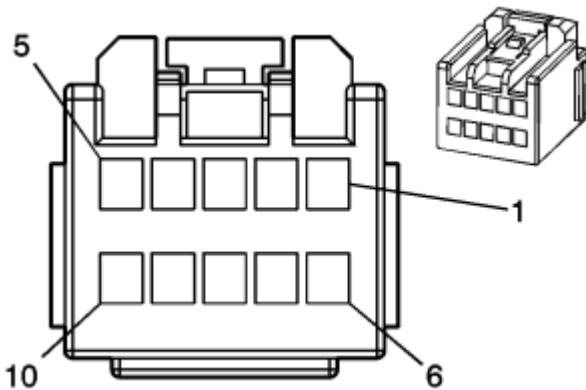
- Pins: A, C-F
- Terminal/Tray: 12015860/4
- Core/Insulation Crimp: E/A
- Release Tool/Test Probe: 12094430/J-35616-40 (BU)
- Pins: B
- Terminal/Tray: 12015860/4
- Core/Insulation Crimp: C/D
- Release Tool/Test Probe: 12094430/J-35616-40 (BU)

## Stop Lamp Switch

Pin	Wire	Circuit	Function
A	1 WH	17	Stop Lamp Switch Signal
	1 WH	17	Stop Lamp Switch Signal
B	1 OG	1540	Battery Positive Voltage

C	0.35 PU	420	TCC Brake/Cruise Control Release Signal
D	0.35 PK	639	Ignition 1 Voltage
E	0.35 D-GN/WH	1135	A/T Shift Lock Control Solenoid Supply Voltage
F	0.35 L-GN/BK	584	A/T Shift Lock Control Switch Supply Voltage

## Sunroof Motor



[Click here for full size](#)

### Connector Part Information

- OEM: 7283-5909-40
- Service: 88988798
- Description: 10-Way F 1.5 Series Unsealed (L-GY)

### Terminal Part Information

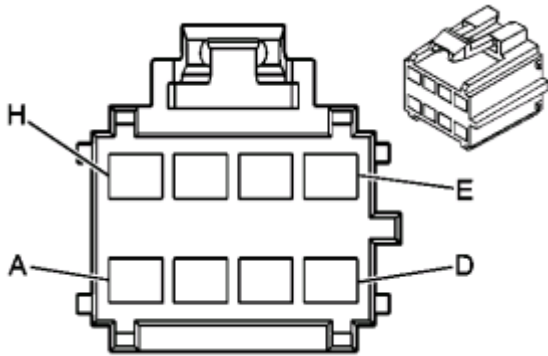
- Terminal/Tray: Service by Harness - See Part Catalog
- Core/Insulation Crimp: N/A
- Release Tool/Test Probe: N/A

## Sunroof Motor

Pin	Wire	Circuit	Function
1	1 BK/PU	1150	Ground
2	0.5 BN	128	Sunroof Switch Low Reference
3	0.5 PU	1353	RAP Supply Voltage
4	—	—	Not Used
5	0.5 WH	100	Sunroof Switch Open Signal

6	1 YE/RD	1840	Battery Positive Voltage
7-9	—	—	Not Used
10	0.5 L-BU	110	Sunroof Switch Close Signal

## Sunroof Switch



[Click here for full size](#)

## Connector Part Information

- OEM: 12191825
- Service: 15306048
- Description: 8-Way F GT 280 Series Unsealed (BN)

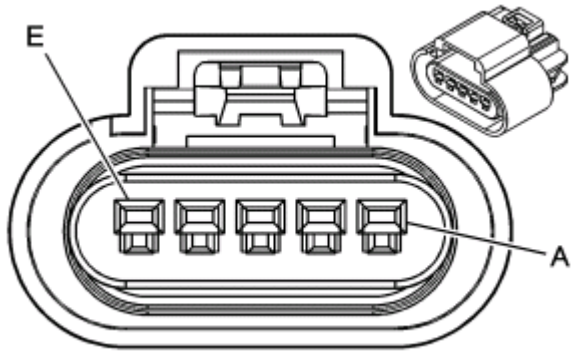
## Terminal Part Information

- Terminal/Tray: 15304711/8
- Core/Insulation Crimp: E/A
- Release Tool/Test Probe: 15315247/J-35616-4A (PU)

## Sunroof Switch

Pin	Wire	Circuit	Function
A	0.35 D-BU	128	Sunroof Switch Low Reference
B	0.35 BN/WH	230	Instrument Panel Lamps Dimming Control
C	0.35 BK	1350	Ground
D-E	—	—	Not Used
F	0.35 OG	110	Sunroof Switch Close Signal
G	0.35 BN	100	Sunroof Switch Open Signal
H	—	—	Not Used

## Tail Lamp Circuit Board - Left (without T84)



[Click here for full size](#)

### Connector Part Information

- OEM: 15355207
- Service: 88953146
- Description: 5-Way F GT 150 Series Sealed (BK)

### Terminal Part Information

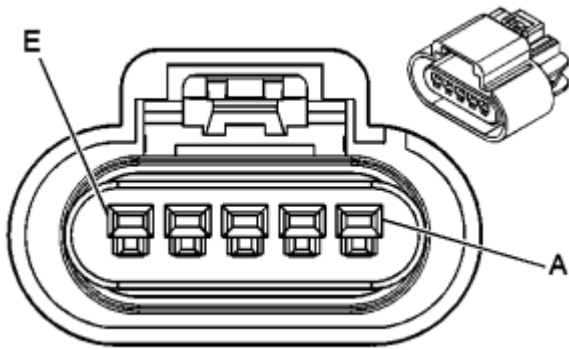
- Terminal/Tray: 12191819/8
- Core/Insulation Crimp: E/A
- Release Tool/Test Probe: 15315247/J-35616-2A (GY)

## Tail Lamp Circuit Board - Left (without T84)

Pin	Wire	Circuit	Function
A	0.35 BN	2509	Left Rear Park Lamps and License Lamps Supply Voltage (X88/Z89)
	0.5 L-BU	1320	Stop Lamp Supply Voltage (Z88)
B	0.35 L-BU	2114	Left Turn Signal Lamps Supply Voltage (X88/Z89)
C	0.35 L-GN	24	Backup Lamp Supply Voltage (X88/Z89)
	0.35 BN	2509	Left Rear Park Lamps and License Lamps Supply Voltage (Z88)
D	0.5 L-BU	1320	Stop Lamp Supply Voltage (X88/Z89)
	0.35 L-BU	2114	Left Turn Signal Lamps Supply Voltage (Z88)

E	0.5 BK	1550	Ground
---	--------	------	--------

### Tail Lamp Circuit Board - Left (with T84)



[Click here for full size](#)

### Connector Part Information

- OEM: 15355208
- Service: 88953145
- Description: 5-Way F GT 150 Series Sealed (D-GY)

### Terminal Part Information

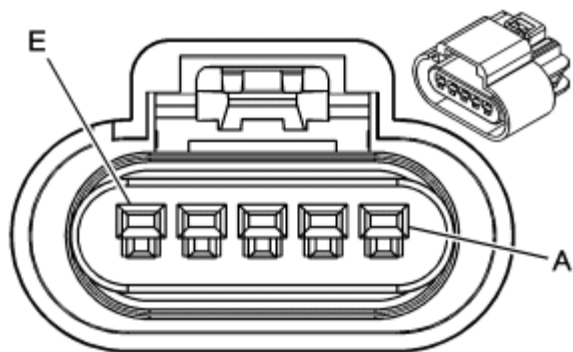
- Terminal/Tray: 12191819/8
- Core/Insulation Crimp: E/A
- Release Tool/Test Probe: 15315247/J-35616-2A (GY)

### Tail Lamp Circuit Board - Left (with T84)

Pin	Wire	Circuit	Function
A	0.35 BN	2509	Left Rear Park Lamps and License Lamp Supply Voltage
B	0.35 L-BU	2114	Left Turn Signal Lamps Supply Voltage
C	0.35 RD	122	Rear Fog Lamp Supply Voltage
D	0.5 L-BU	1320	Stop Lamp Supply Voltage
E	0.5 BK	1550	Ground

### Tail Lamp Circuit Board - Right (without T85)





[Click here for full size](#)

### Connector Part Information

- OEM: 15355207
- Service: 88953146
- Description: 5-Way F GT 150 Series Sealed (BK)

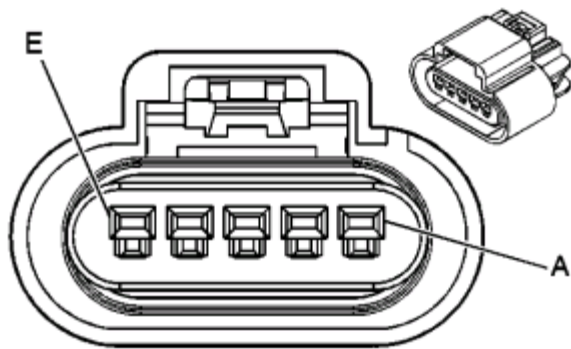
### Terminal Part Information

- Terminal/Tray: 12191819/8
- Core/Insulation Crimp: E/A
- Release Tool/Test Probe: 15315247/J-35616-2A (GY)

### Tail Lamp Circuit Board - Right (without T85)

Pin	Wire	Circuit	Function
A	0.35 BN/WH	2609	Right Rear Park Lamps Supply Voltage (X88/Z89)
	0.5 L-BU	1320	Stop Lamp Supply Voltage (Z88)
B	0.35 D-BU	2115	Right Turn Signal Lamps Supply Voltage (X88/Z89)
C	0.35 L-GN	24	Backup Lamp Supply Voltage (X88/Z89)
	0.35 BN/WH	2609	Right Rear Park Lamps Supply Voltage (Z88)
D	0.5 L-BU	1320	Stop Lamp Supply Voltage (X88/Z89)
	0.35 D-BU	2115	Right Turn Signal Lamps Supply Voltage (Z88)
E	0.5 BK	1650	Ground

### Tail Lamp Circuit Board - Right (with T85)



 [Click here for full size](#)

### Connector Part Information

- OEM: 15355208
- Service: 88953145
- Description: 5-Way F GT 150 Series Sealed (D-GY)

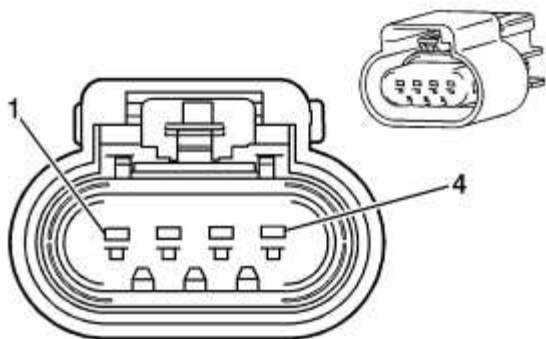
### Terminal Part Information

- Terminal/Tray: 12191819/8
- Core/Insulation Crimp: E/A
- Release Tool/Test Probe: 15315247/J-35616-2A (GY)

### Tail Lamp Circuit Board - Right (with T85)

Pin	Wire	Circuit	Function
A	0.35 BN/WH	2609	Right Rear Park Lamps and License Lamp Supply Voltage
B	0.35 D-BU	2115	Right Turn Signal Lamps Supply Voltage
C	0.35 RD	122	Rear Fog Lamp Supply Voltage
D	0.5 L-BU	1320	Stop Lamp Supply Voltage
E	0.5 BK	1650	Ground

### Theft Deterrent Alarm (BAE)



[Click here for full size](#)

### Connector Part Information

- OEM: 10756595
- Service: 88953370
- Description: 4-Way F Quadlock Micro Series Sealed (BK)

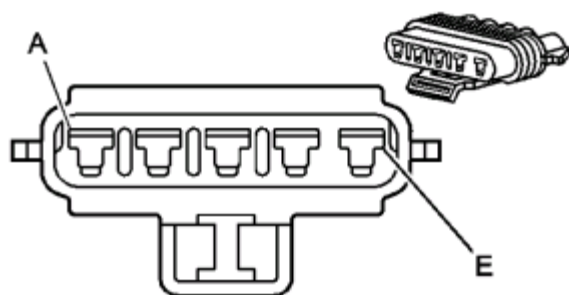
### Terminal Part Information

- Terminal/Tray: 962885-5/15
- Core/Insulation Crimp: 6/6
- Release Tool/Test Probe: 12094429/J-35616-64B (L-BU)

### Theft Deterrent Alarm (BAE)

Pin	Wire	Circuit	Function
1	0.35 PK	739	Ignition 1 Voltage
2	0.35 OG	1140	Battery Positive Voltage
3	0.35 TN/BK	5168	Power Sender Enable Signal
4	0.5 BK	2450	Ground

### Theft Deterrent Control Module (BAE)



[Click here for full size](#)

### Connector Part Information

- OEM: 50-57-9705
- Service: 88988353
- Description: 5-Way F Molex 70066 Series (BK)

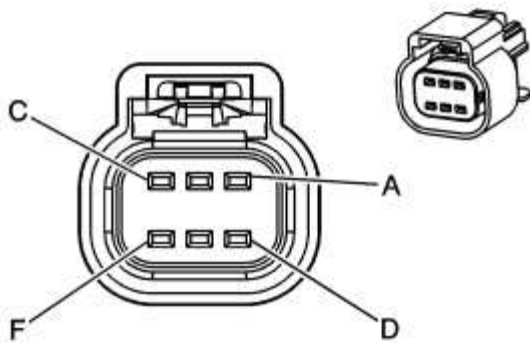
### Terminal Part Information

- Terminal/Tray: Service by Pigtail - See Part Catalog
- Core/Insulation Crimp: N/A
- Release Tool/Test Probe: N/A

### Theft Deterrent Control Module (BAE)

Pin	Wire	Circuit	Function
A	0.35 OG	1140	Battery Positive Voltage
B	0.35 PK	1020	Ignition 0 Voltage
C	0.35 BK/WH	751	Ground
D	0.35WH	710	Class 2 Serial Data
E	0.35WH	1132	Class 2 Serial Data

### Throttle Body



[Click here for full size](#)

### Connector Part Information

- OEM: 15355297
- Service: 88988106
- Description: 6-Way F GT 150 Series Sealed (BK)

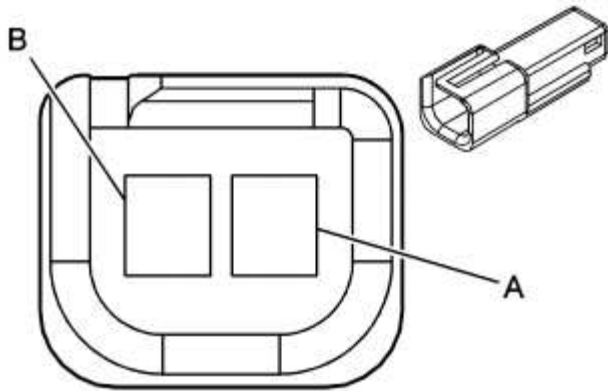
### Terminal Part Information

- Terminal/Tray: 12191819/8
- Core/Insulation Crimp: E/A
- Release Tool/Test Probe: 15315247/J-35616-2A (GY)

### Throttle Body

Pin	Wire	Circuit	Function
A	0.5 BN	582	TAC Motor Control - 2
B	0.5 YE	581	TAC Motor Control - 1
C	0.35 BK/WH	1704	Low Reference
D	0.35 D-GN	485	TP Sensor 1 Signal
E	0.35 L-BU/BK	1688	5-Volt Reference
F	0.35 PU	486	TP Sensor 2 Signal

### Traction Control Switch



[Click here for full size](#)

### Connector Part Information

- OEM: 12047663
- Service: 12085481
- Description: 2-Way M Metri-Pack 150 Series Unsealed (BK)

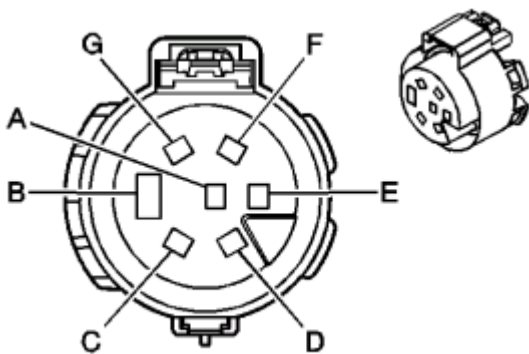
### Terminal Part Information

- Terminal/Tray: Service by Assembly - See Part Catalog
- Core/Insulation Crimp: N/A
- Release Tool/Test Probe: N/A

### Traction Control Switch

Pin	Wire	Circuit	Function
A	0.35 GN	751	Ground
B	0.35 BU	2206	Serial Data Signal

### Trailer Connector (UY7)



[Click here for full size](#)

### Connector Part Information

- OEM: 15354653
- Service: 15306164
- Description: 7-Way F Metri-Pack 280 630 Series Sealed (BK)

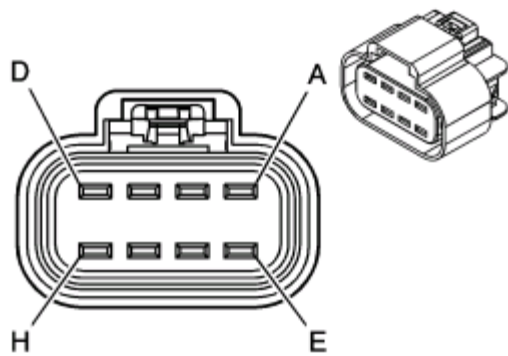
### Terminal Part Information

- Pins: B
- Terminal/Tray: 15305232/23
- Core/Insulation Crimp: B/3
- Release Tool/Test Probe: J-38125-11A/J-35616-42 (RD)
- Pins: A, D, F-G
- Terminal/Tray: 12110847/4
- Core/Insulation Crimp: C/5
- Release Tool/Test Probe: 15315247/J-35616-4A (PU)
- Pins: C, E
- Terminal/Tray: 12110845/4
- Core/Insulation Crimp: F/5
- Release Tool/Test Probe: 15315247/J-35616-4A (PU)

### Trailer Connector (UY7)

Pin	Wire	Circuit	Function
A	0.8 L-GN	1624	Trailer Backup Lamps Supply Voltage
B	5 WH	22	Ground
C	3 D-BU	47	Trailer Auxiliary Supply Voltage
D	0.8 D-GN	1619	Trailer Right Rear Turn/Stop Lamp Supply Voltage
E	3 RD	742	Battery Positive Voltage
F	0.8 BN	2109	Trailer Park Lamps Supply Voltage
G	0.8 YE	1618	Trailer Left Rear Turn/Stop Lamp Supply Voltage

### Transfer Case Encoder Motor



[Click here for full size](#)

### Connector Part Information

- OEM: 15326654
- Service: 88986254
- Description: 8-Way F GT 280 Series Sealed (BK)

### Terminal Part Information

- Pins: A-C
- Terminal/Tray: 15304719/19
- Core/Insulation Crimp: E/5
- Release Tool/Test Probe: 15315247/J-35616-4A (PU)
- Pins: D-F
- Terminal/Tray: 15304720/19
- Core/Insulation Crimp: 4/5
- Release Tool/Test Probe: 15315247/J-35616-4A (PU)
- Pins: G
- Terminal/Tray: 15304719/19
- Core/Insulation Crimp: 2/5
- Release Tool/Test Probe: 15315247/J-35616-4A (PU)

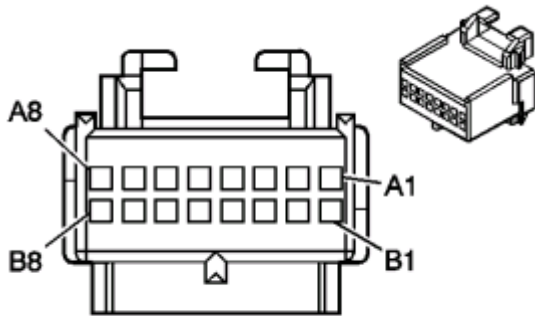
### Transfer Case Encoder Motor

Pin	Wire	Circuit	Function
A	0.35 GY	605	5-Volt Reference
B	0.35 BN/WH	1555	Encoder Signal
C	0.35 BK/WH	1554	Encoder Low Reference
D	2 BK	1552	Motor Control A
E	2 RD	1553	Motor Control B



F	2 OG	1640	Battery Positive Voltage
G	1 TN	1569	Lock Solenoid Control
H	—	—	Not Used

### Transfer Case Shift Control Module X1 (NP4)



[Click here for full size](#)

### Connector Part Information

- OEM: 12084944
- Service: 12084944
- Description: 16-Way F Micro-Pack 100 Series Unsealed (BK)

### Terminal Part Information

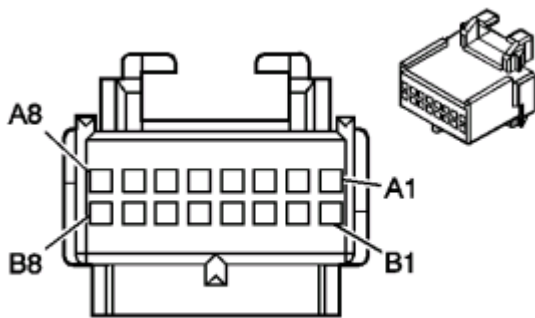
- Pins: A1, A7, B6, B8
- Terminal/Tray: 12146447/3
- Core/Insulation Crimp: E/C
- Release Tool/Test Probe: 12031876-1/J-35616-6 (BN)

### Transfer Case Shift Control Module X1 (NP4)

Pin	Wire	Circuit	Function
A1	0.35 D-GN/WH	1133	Class 2 Serial Data
A2-A6	—	—	Not Used
A7	0.35 BK/WH	1554	Encoder Low Reference
A8	—	—	Not Used
B1-B5	—	—	Not Used
B6	0.35 BN/WH	1555	Encoder Signal
B7	—	—	Not Used

B8	0.35 BK/WH	751	Ground
----	------------	-----	--------

### Transfer Case Shift Control Module X1 (NP8)



[Click here for full size](#)

#### Connector Part Information

- OEM: 12084944
- Service: 12084944
- Description: 16-Way F Micro-Pack 100 Series Unsealed (BK)

#### Terminal Part Information

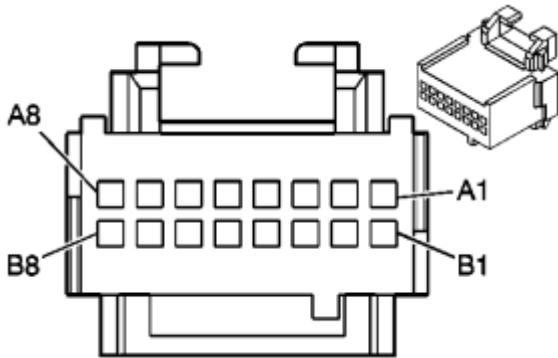
- Pins: A1-A7, B3-B6, B8
- Terminal/Tray: 12146447/3
- Core/Insulation Crimp: E/C
- Release Tool/Test Probe: 12031876-1/J-35616-6 (BN)
- Pins: B2
- Terminal/Tray: 12146448/19
- Core/Insulation Crimp: E/A
- Release Tool/Test Probe: 12031876-1/J-35616-6 (BN)

### Transfer Case Shift Control Module X1 (NP8)

Pin	Wire	Circuit	Function
A1	0.35 D-GN/WH	1133	ATC Class 2 Serial Data
A2	0.5 L-BU	1296	Axle Actuator - Control
A3	0.35 PK	1561	AWD Indicator Control
A4	0.35 PU/WH	1565	4 LO Indicator - Control
A5	0.35 TN/BK	1566	4 HI Indicator - Control

A6	0.35 L-BU	1693	Switch Signal
A7	0.35 BK/WH	1554	Encoder Low Reference
A8	—	—	Not Used
B1	—	—	Not Used
B2	1 TN	1569	Lock Solenoid Control
B3	0.35 L-GN/BK	1563	2 HI Indicator - Control
B4	0.5 BN	1560	Neutral Indicator Control
B5	0.35 GY/BK	1694	4WD Low Signal
B6	0.35 BN/WH	1555	Encoder Signal
B7	—	—	Not Used
B8	0.35 BK/WH	751	Ground

### Transfer Case Shift Control Module X2 (NP4)



[Click here for full size](#)

#### Connector Part Information

- OEM: 12084945
- Service: 12084945
- Description: 16-Way F Micro-Pack 100 Series Unsealed (GY)

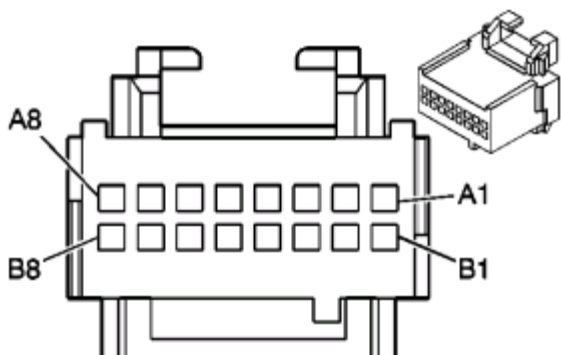
#### Terminal Part Information

- Pins: A1-A2, A8, B1-B2
- Terminal/Tray: 12146447/3
- Core/Insulation Crimp: E/C
- Release Tool/Test Probe: 12031876-1/J-35616-6 (BN)

### Transfer Case Shift Control Module X2 (NP4)

Pin	Wire	Circuit	Function
A1	0.35 PU	401	Signal Low - Front
A2	0.35 YE	400	Signal High - Front
A3-A7	—	—	Not Used
A8	0.35 GY	605	5-Volt Reference
B1	0.35 L-BU	2221	Signal High - Rear
B2	0.35 D-GN	2222	Signal Low - Rear
B3-B8	—	—	Not Used

### Transfer Case Shift Control Module X2 (NP8)



[Click here for full size](#)

### Connector Part Information

- OEM: 12084945
- Service: 12084945
- Description: 16-Way F Micro-Pack 100 Series Unsealed (GY)

### Terminal Part Information

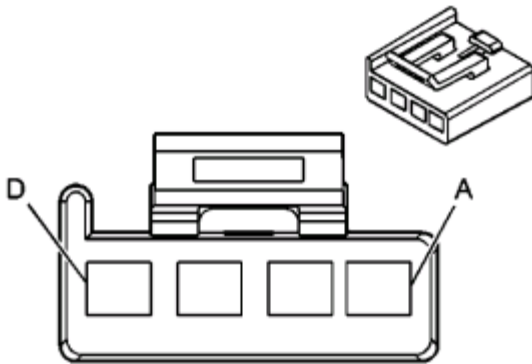
- Pins: A1-A2, A8, B1-B2, B6, B8
- Terminal/Tray: 12146447/3
- Core/Insulation Crimp: E/C
- Release Tool/Test Probe: 12031876-1/J-35616-6 (BN)

### Transfer Case Shift Control Module X2 (NP8)

Pin	Wire	Circuit	Function
A1	0.35 PU	401	Signal Low - Front
A2	0.35 YE	400	Signal High - Front

A3-A7	—	—	Not Used
A8	0.35 GY	605	5-Volt Reference
B1	0.35 L-BU	2221	Signal High - Rear
B2	0.35 D-GN	2222	Signal Low - Rear
B3-B5	—	—	Not Used
B6	0.5 BK/WH	1695	Axle Switch Signal
B7	—	—	Not Used
B8	0.35 GY	596	5-Volt Reference

### Transfer Case Shift Control Module X3



[Click here for full size](#)

#### Connector Part Information

- OEM: 12052856
- Service: 12125636
- Description: 4-Way F Metri-Pack 280 Series Unsealed (BK)

#### Terminal Part Information

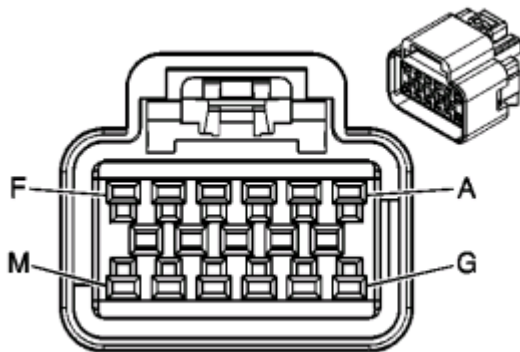
- Terminal/Tray: 12015858/4
- Core/Insulation Crimp: F/G
- Release Tool/Test Probe: 12094430/J-35616-4A (PU)

### Transfer Case Shift Control Module X3

Pin	Wire	Circuit	Function
A	2 BK	850	Ground
B	2 OG	1640	Battery Positive Voltage
C	2 BK	1552	Motor Control A

D	2 RD	1553	Motor Control B
---	------	------	-----------------

## Transfer Case Shift Control Switch



[Click here for full size](#)

### Connector Part Information

- OEM: 15332161
- Service: 15306416
- Description: 12-Way F GT 150 Series Unsealed (BK)

### Terminal Part Information

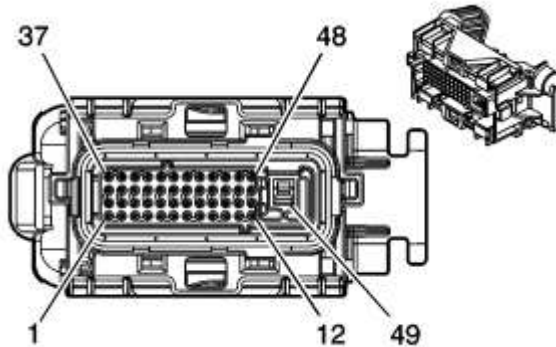
- Pins: A-H, J, L-M
- Terminal/Tray: 12191812/19
- Core/Insulation Crimp: E/C
- Release Tool/Test Probe: 15315247/J-35616-2A (GY)

## Transfer Case Shift Control Switch

Pin	Wire	Circuit	Function
A	0.35 PU/WH	1565	4 LO Indicator - Control
B	0.35 PU/WH	1382	LED Dimming Signal
C	0.35 BN/WH	230	Instrument Panel Lamps Dimming Control
D	0.35 BK	2250	Ground
E	0.35 TN/BK	1566	4 HI Indicator - Control
F	0.35 PK	1561	AWD Indicator Control
G	0.5 BN	1560	Neutral Indicator Control
H	0.5 BN	241	Ignition 3 Voltage
J	0.35 GY	596	5-Volt Reference

K	—	—	Not Used
L	0.35 L-GN/BK	1563	2 HI Indicator - Control
M	0.35 L-BU	1693	Switch Signal

### Transmission Control Module (TCM)



[Click here for full size](#)

### Connector Part Information

- OEM: 13511976
- Service: 88987979
- Description: 49-Way F GT 280 Series Sealed (BK)

### Terminal Part Information

- Pins: 1-3, 5-7, 11, 14, 16, 17, 20, 23-25, 29-33, 35, 37-42, 44-46
- Terminal/Tray: 15359541/4
- Core/Insulation Crimp: M/M
- Release Tool/Test Probe: 15381651-2/J-35616-64B (L-BU)
- Pins: 49
- Terminal/Tray: 15304720/19
- Core/Insulation Crimp: 4/5
- Release Tool/Test Probe: 15315247/J-35616-4A (PU)

### Transmission Control Module (TCM)

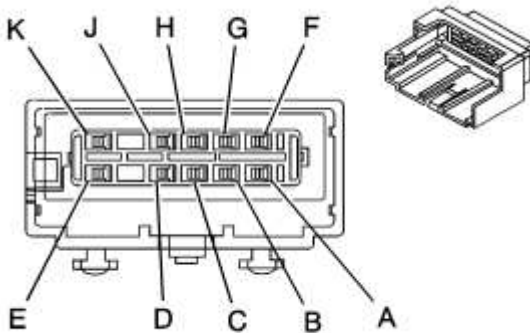
Pin	Wire	Circuit	Function
1	0.5 BN	418	TC PWM Solenoid Valve Control
2	0.5 L-GN	1222	1-2 Shift Solenoid Valve Control
3	0.35 OG	1983	ISS Signal

4	—	—	Not Available
5	0.35 RD	381	Signal High - Front
6	0.35 L-BU/BK	6106	High Speed GMLAN Serial Data Bus - (CAN)
7	0.35 D-BU	6105	High Speed GMLAN Serial Data Bus + (CAN)
8-10	—	—	Not Available
11	0.35 YE	243	Accessory Voltage
12-13	—	—	Not Available
14	0.5 WH	687	3-2 Shift Solenoid Valve Control
15	—	—	Not Available
16	0.35 L-GN/BK	822	VSS Low Signal
17	0.5 L-BU/WH	1229	PC Solenoid Valve Low Control
18-19	—	—	Not Available
20	0.5 YE/BK	1223	2-3 Shift Solenoid Valve Control
21-22	—	—	Not Available
23	0.35 GY	773	Transmission Range Switch Signal C
24	0.5 PK	1224	Transmission Fluid Pressure Switch Signal A
25	0.5 TN/BK	422	TCC Solenoid Valve Control
26-28	—	—	Not Available
29	0.35 BK/WH	771	Transmission Range Switch Signal A
30	0.5 BK	2762	Low Reference
31	0.5 PK	139	Ignition 1 Voltage
32	0.35 OG	540	Battery Positive Voltage
33	0.5 RD	1226	Transmission Fluid Pressure Switch Signal C
34	—	—	Not Available
35	0.5 YE/BK	1227	TFT Sensor Signal
36	—	—	Not Available
37	0.35 TN	2501	High Speed GMLAN Serial Data Bus - (CAN)
38	0.35 TN/WH	2500	High Speed GMLAN Serial Data Bus + (CAN)
39	0.35 WH	776	Transmission Range Switch Signal P
40	0.5 RD/BK	1228	PC Solenoid Valve High Control
41	0.35 PU/WH	821	VSS High Signal
42	0.35 L-BU	1320	Stop Lamp Switch Signal
43	—	—	Not Available
44	0.5 D-BU	1225	Transmission Fluid Pressure Switch Signal B



45	0.35 L-BU	1984	Low Reference
46	0.35 YE	772	Transmission Range Switch Signal B
47-48	—	—	Not Available
49	2 BK/WH	451	Ground (LL8)
	2 BK	451	Ground (LH6/LS2)

### Turn Signal/Hazard Flasher Module



[Click here for full size](#)

### Connector Part Information

- OEM: 15359360
- Service: 15306411
- Description: 10-Way F GT 280 Series Unsealed (GY)

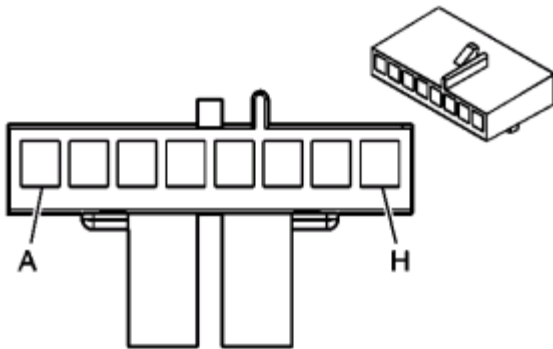
### Terminal Part Information

- Pins: E, K
- Terminal/Tray: 15304713/19
- Core/Insulation Crimp: 4/4
- Release Tool/Test Probe: 15315247/J-35616-4A (PU)
- Pins: A, F-H, J
- Terminal/Tray: 15304711/8
- Core/Insulation Crimp: E/A
- Release Tool/Test Probe: 15315247/J-35616-4A (PU)
- Pins: B-D
- Terminal/Tray: 15304711/8
- Core/Insulation Crimp: 2/A
- Release Tool/Test Probe: 15315247/J-35616-4A (PU)

## Turn Signal/Hazard Flasher Module

Pin	Wire	Circuit	Function
A	0.35 L-GN	1427	Right Turn Signal Switch Signal
B	1 WH	17	Stop Lamp Switch Signal
C	0.8 YE	18	Left Rear Stop/Turn Lamp Supply Voltage (UY7)
D	0.8 D-GN	19	Right Rear Stop/Turn Lamp Supply Voltage (UY7)
E	2 BK	2250	Ground
F	0.35 D-GN	1428	Left Turn Signal Switch Signal
G	0.35WH	111	Hazard Switch Signal
H	0.35 YE	685	Left Turn Signal Flasher Signal
J	0.35 TN	686	Right Turn Signal Flasher Signal
K	2 OG	140	Battery Positive Voltage

## Turn Signal/Multifunction Switch X1



[Click here for full size](#)

### Connector Part Information

- OEM: 12064862
- Service: 12126438
- Description: 8-Way F Metri-Pack 150 Series Unsealed (BK)

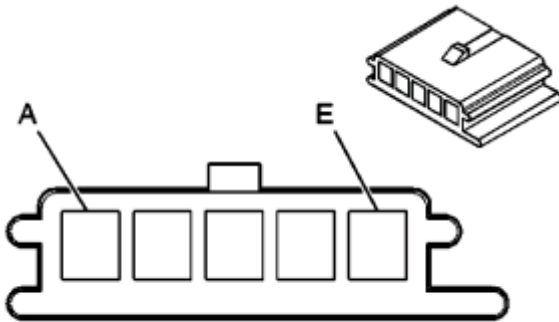
### Terminal Part Information

- Terminal/Tray: 12064971/5
- Core/Insulation Crimp: E/C
- Release Tool/Test Probe: 12094429/J-35616-14 (GN)

## Turn Signal/Multifunction Switch X1

Pin	Wire	Circuit	Function
A	0.35 L-GN	1427	Right Turn Signal Switch Signal
B	0.35 PK	639	Ignition 1 Voltage
C	0.35 D-GN	1428	Left Turn Signal Switch Signal
D	0.35 OG	57	Left Cornering Lamp Supply Voltage
E	0.35 BN	2309	Front Park Lamps Supply Voltage
F	0.35 BK	58	Right Cornering Lamp Supply Voltage
G	0.35 BK/YE	28	Horn Relay Control
H	0.35 WH	111	Hazard Switch Signal

### Turn Signal/Multifunction Switch X2



[Click here for full size](#)

#### Connector Part Information

- OEM: 12059800
- Service: 15306169
- Description: 5-Way F Metri-Pack 150 Series Unsealed (BK)

#### Terminal Part Information

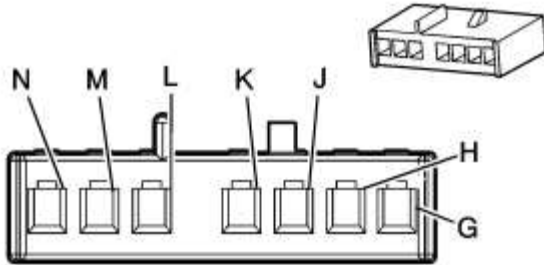
- Terminal/Tray: 12064971/5
- Core/Insulation Crimp: E/C
- Release Tool/Test Probe: 12094429/J-35616-14 (GN)

### Turn Signal/Multifunction Switch X2

Pin	Wire	Circuit	Function
A	0.35 TN	751	Ground
B	0.35 YE/BK	307	Flash To Pass Signal

C	0.35 L-GN	11	Headlamp High Beam Supply Voltage
D-E	—	—	Not Used

### Turn Signal/Multifunction Switch X3



[Click here for full size](#)

#### Connector Part Information

- OEM: 15339058
- Service: See Catalog
- Description: 7-Way F Metri-Pack 150 Series Unsealed (GY)

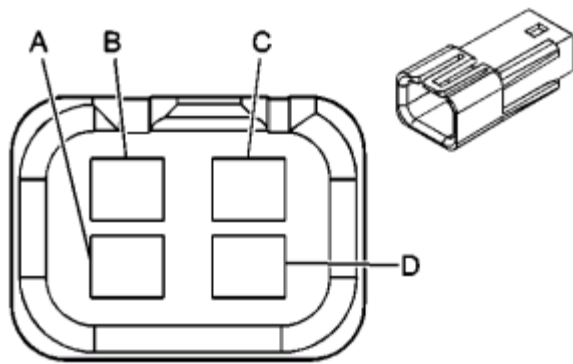
#### Terminal Part Information

- Terminal/Tray: 12064971/5
- Core/Insulation Crimp: E/C
- Release Tool/Test Probe: 12094429/J-35616-14 (GN)

### Turn Signal/Multifunction Switch X3

Pin	Wire	Circuit	Function
G	—	—	Not Used
H	0.35 PK	94	Windshield Washer Switch Signal 1
J	0.35 GY	478	Windshield Wiper Switch Supply Voltage
K	0.35 D-BU/WH	477	Windshield Wiper Switch High Signal
L-N	—	—	Not Used

### Turn Signal/Multifunction Switch X4 (K34)



 [Click here for full size](#)

### Connector Part Information

- OEM: 12047786
- Service: 12085536
- Description: 4-Way M Metri-Pack 150 Series Unsealed (BK)

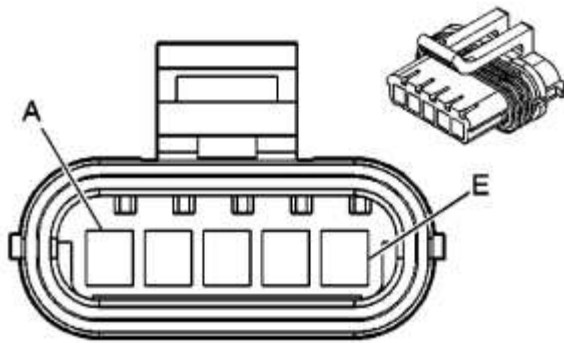
### Terminal Part Information

- Terminal/Tray: 12047581/2
- Core/Insulation Crimp: E/C
- Release Tool/Test Probe: 12094429/J-35616-3 (GY)

### Turn Signal/Multifunction Switch X4 (K34)

Pin	Wire	Circuit	Function
A	0.35 BN	341	Ignition 3 Voltage
B	0.35 GY/WH	397	Cruise Control Switch On Signal
C	0.35 GY/BK	87	Cruise Control Resume/Accel Switch Signal
D	0.35 D-BU	84	Cruise Control Set/Coast Switch Signal

### Valve Lifter Oil Manifold (VLOM) Assembly



 [Click here for full size](#)

### Connector Part Information

- OEM: 12186057
- Service: 15306027
- Description: 5-Way F Metri-Pack 150.2 Series Sealed (BK)

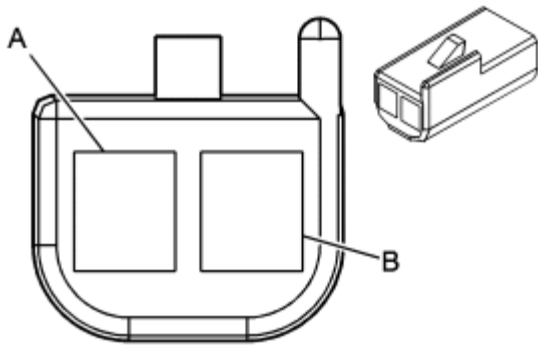
### Terminal Part Information

- Terminal/Tray: 12124075/5
- Core/Insulation Crimp: E/C
- Release Tool/Test Probe: 12180559-1/J-35616-2A (GY)

### Valve Lifter Oil Manifold (VLOM) Assembly

Pin	Wire	Circuit	Function
A	0.5 OG	5494	Cylinder Shutoff Solenoid Control 2
B	0.5 GY	5493	Cylinder Shutoff Solenoid Control 3
C	0.5 D-BU	5491	Cylinder Shutoff Solenoid Control 1
D	0.5 L-GN	5492	Cylinder Shutoff Solenoid Control 4
E	0.5 PK	239	Ignition 1 Voltage

### Vanity Mirror Lamp - Left (DH2)



[Click here for full size](#)

### Connector Part Information

- OEM: 12047662
- Service: 12085535
- Description: 2-Way F Metri-Pack 150 Series Unsealed (BK)

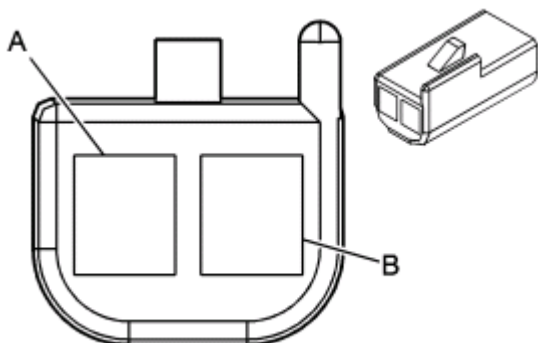
### Terminal Part Information

- Terminal/Tray: 12064971/5
- Core/Insulation Crimp: E/C
- Release Tool/Test Probe: 12094429/J-35616-2A (GY)

### Vanity Mirror Lamp - Left (DH2)

Pin	Wire	Circuit	Function
A	0.35 OG	1732	Courtesy Lamps Supply Voltage
B	0.35 BK	1350	Ground

### Vanity Mirror Lamp - Right (DH2)



[Click here for full size](#)

**Connector Part Information**

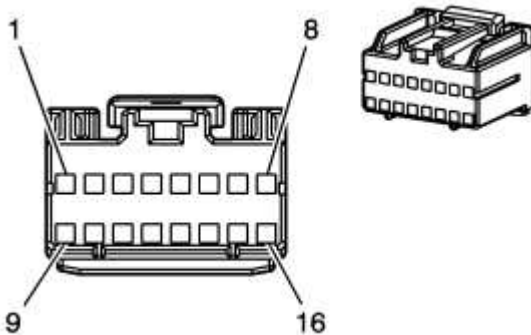
- OEM: 12047662
- Service: 12085535
- Description: 2-Way F Metri-Pack 150 Series Unsealed (BK)

**Terminal Part Information**

- Terminal/Tray: 12064971/5
- Core/Insulation Crimp: E/C
- Release Tool/Test Probe: 12094429/J-35616-2A (GY)

**Vanity Mirror Lamp - Right (DH2)**

Pin	Wire	Circuit	Function
A	0.35 OG	1732	Courtesy Lamps Supply Voltage
B	0.35 BK	1350	Ground

**Vehicle Communication Interface Module (VCIM) X1 (UE1)**

[Click here for full size](#)

**Connector Part Information**

- OEM: 15431362
- Service: 15306351
- Description: 16-Way F Micro 100A Series (NA)

**Terminal Part Information**

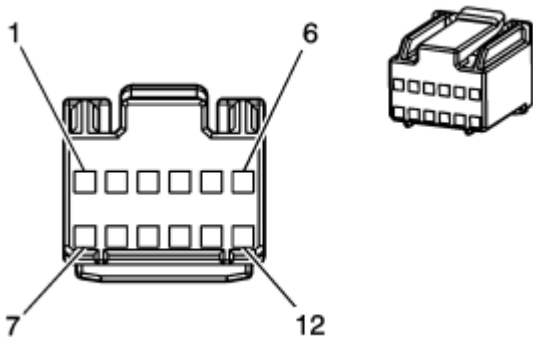


- Pins: 2-3, 6-8, 11, 15-16
- Terminal/Tray: 15445905/23
- Core/Insulation Crimp: J/J
- Release Tool/Test Probe: 12180559/J-35616-6 (BN)

### Vehicle Communication Interface Module (VCIM) X1 (UE1)

Pin	Wire	Circuit	Function
1	—	—	Not Used
2	0.35 BN/WH	2517	Keypad Red LED Signal
3	0.35 YE/BK	2516	Keypad Green LED Signal
4-5	—	—	Not Used
6	0.35 L-GN/BK	2515	Keypad Supply Voltage
7	0.35 BK	1450	Ground
8	0.35 BK	1450	Ground
9-10	—	—	Not Used
11	0.35 D-GN/WH	2514	Keypad Signal
12-14	—	—	Not Used
15	0.35 OG	3140	Battery Positive Voltage
16	0.35 OG	3140	Battery Positive Voltage

### Vehicle Communication Interface Module (VCIM) X2 (UE1)



 [Click here for full size](#)

#### Connector Part Information

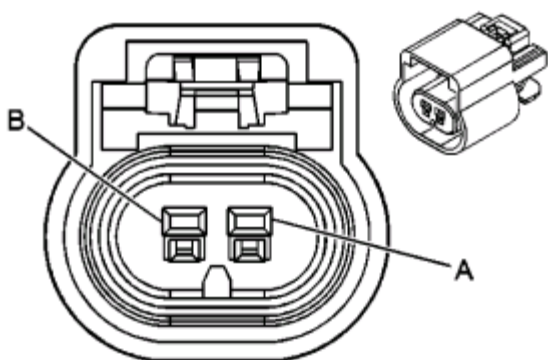
- OEM: 15431365
- Service: 88952886
- Description: 12-Way F Micro 100A Series (NA)


**Terminal Part Information**

- Pins: 1-2, 6, 8-10
- Terminal/Tray: 15445905/23
- Core/Insulation Crimp: J/J
- Release Tool/Test Probe: 12180559/J-35616-6 (BN)

**Vehicle Communication Interface Module (VCIM) X2 (UE1)**

Pin	Wire	Circuit	Function
1	0.35 PK/BK	2062	Navigation Mono Audio Signal (+)
2	0.35 OG/BK	2061	Navigation Mono Audio Signal (-)
3-5	—	—	Not Used
6	0.35 L-GN/BK	1098	Radio Class 2 Serial Data
7	—	—	Not Used
8	BARE	1705	Shielded Ground
9	0.35 D-GN	654	Cellular Microphone Signal
10	0.35 GY	655	Cellular Microphone Low Reference
11-12	—	—	Not Used

**Wheel Speed Sensor - Left Front**

 [Click here for full size](#)

**Connector Part Information**

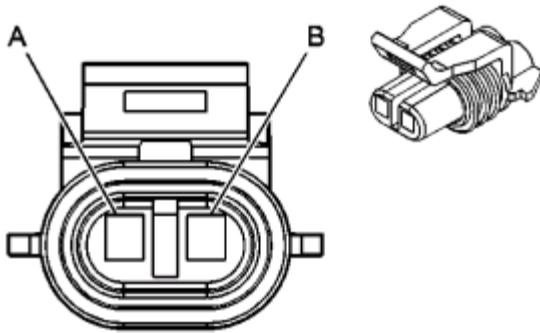
- OEM: 15326801
- Service: 15306156
- Description: 2-Way F GT 150 Series Sealed (BK)

**Terminal Part Information**

- Terminal/Tray: 12191819/8
- Core/Insulation Crimp: E/A
- Release Tool/Test Probe: 15315247/J-35616-2A (GY)

**Wheel Speed Sensor - Left Front**

Pin	Wire	Circuit	Function
A	0.35 L-BU	830	Left Front Wheel Speed Sensor Signal
B	0.35 YE	873	Left Front Wheel Speed Sensor Low Reference

**Wheel Speed Sensor - Left Rear**

[Click here for full size](#)

**Connector Part Information**

- OEM: 12052641
- Service: 12102747
- Description: 2-Way F Metri-Pack 150 Series Sealed (BK)

**Terminal Part Information**

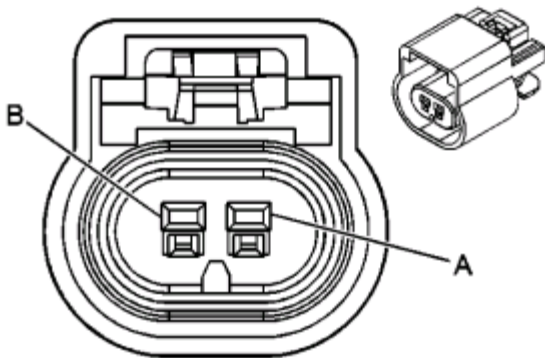
- Terminal/Tray: 12048074/2
- Core/Insulation Crimp: E/1
- Release Tool/Test Probe: 12094429/J-35616-2A (GY)

**Wheel Speed Sensor - Left Rear**

Pin	Wire	Circuit	Function
-----	------	---------	----------

A	0.35 BK	884	Left Rear Wheel Speed Sensor Signal
B	0.35 RD	885	Left Rear Wheel Speed Sensor Low Reference

### Wheel Speed Sensor - Right Front



[Click here for full size](#)

### Connector Part Information

- OEM: 15326801
- Service: 15306156
- Description: 2-Way F GT 150 Series Sealed (BK)

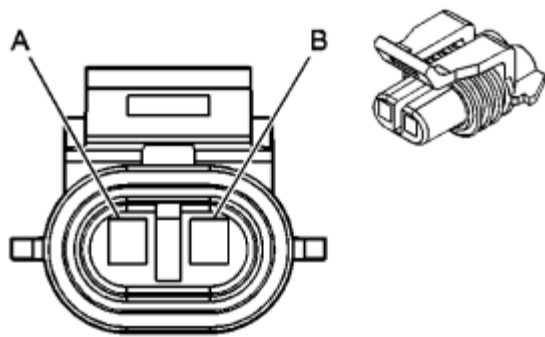
### Terminal Part Information

- Terminal/Tray: 12191819/8
- Core/Insulation Crimp: E/A
- Release Tool/Test Probe: 15315247/J-35616-2A (GY)

### Wheel Speed Sensor - Right Front

Pin	Wire	Circuit	Function
A	0.35 D-GN	872	Right Front Wheel Speed Sensor Signal
B	0.35 TN	833	Right Front Wheel Speed Sensor Low Reference

### Wheel Speed Sensor - Right Rear



 [Click here for full size](#)

### Connector Part Information

- OEM: 12052641
- Service: 12102747
- Description: 2-Way F Metri-Pack 150 Series Sealed (BK)

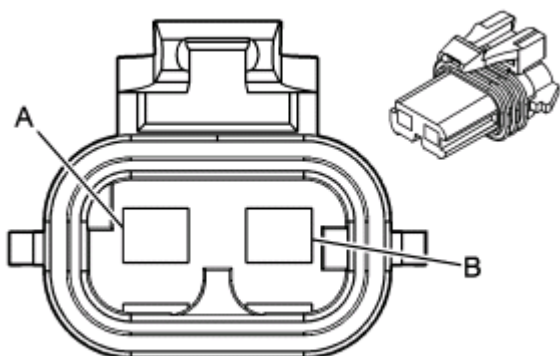
### Terminal Part Information

- Terminal/Tray: 12048074/2
- Core/Insulation Crimp: E/1
- Release Tool/Test Probe: 12094429/J-35616-2A (GY)

### Wheel Speed Sensor - Right Rear

Pin	Wire	Circuit	Function
A	0.35 BN	882	Right Rear Wheel Speed Sensor Signal
B	0.35WH	883	Right Rear Wheel Speed Sensor Low Reference

### Window Motor - Driver



 [Click here for full size](#)

**Connector Part Information**

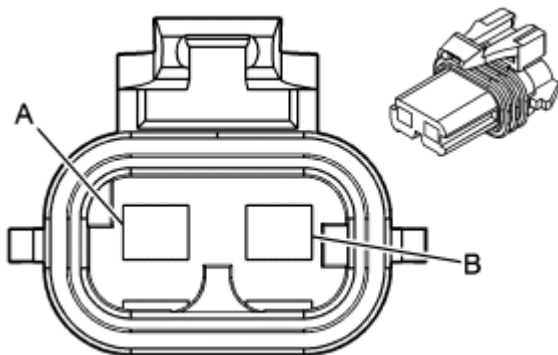
- OEM: 12129487
- Service: 88988609
- Description: 2-Way F Metri-Pack 280 Series Sealed (GY)

**Terminal Part Information**

- Terminal/Tray: 12110845/4
- Core/Insulation Crimp: A/5
- Release Tool/Test Probe: 15315247/J-35616-4A (PU)

**Window Motor - Driver**

Pin	Wire	Circuit	Function
A	1 D-BU	164	Power Window Motor Left Front Up Control
B	1 BN	165	Power Window Motor Left Front Down Control

**Window Motor - Front Passenger**

[Click here for full size](#)

**Connector Part Information**

- OEM: 12129487
- Service: 88988609
- Description: 2-Way F Metri-Pack 280 Series Sealed (GY)

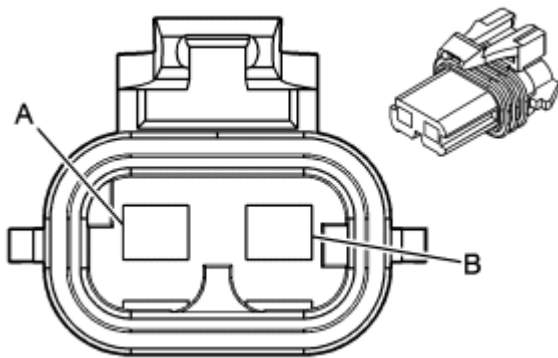
**Terminal Part Information**

- Terminal/Tray: 12110845/4
- Core/Insulation Crimp: A/5
- Release Tool/Test Probe: 15315247/J-35616-4A (PU)

### Window Motor - Front Passenger

Pin	Wire	Circuit	Function
A	1 L-BU	166	Power Window Motor Right Front Up Control
B	1 TN	167	Power Window Motor Right Front Down Control

### Window Motor - Left Rear



[Click here for full size](#)

### Connector Part Information

- OEM: 12129487
- Service: 88988609
- Description: 2-Way F Metri-Pack 280 Series Sealed (GY)

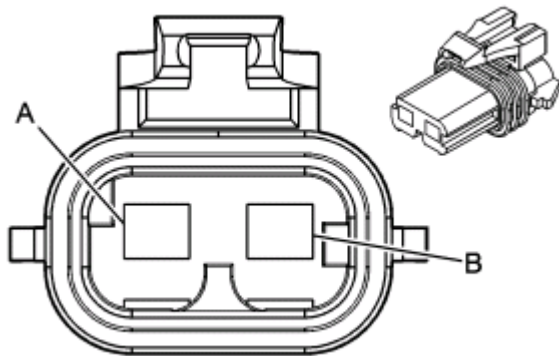
### Terminal Part Information

- Terminal/Tray: 12110847/4
- Core/Insulation Crimp: C/5
- Release Tool/Test Probe: 15315247/J-35616-4A (PU)

### Window Motor - Left Rear

Pin	Wire	Circuit	Function
A	1 D-BU	668	Power Window Motor Left Rear Up Control
B	1 BN	669	Power Window Motor Left Rear Down Control

## Window Motor - Right Rear



[Click here for full size](#)

### Connector Part Information

- OEM: 12129487
- Service: 88988609
- Description: 2-Way F Metri-Pack 280 Series Sealed (GY)

### Terminal Part Information

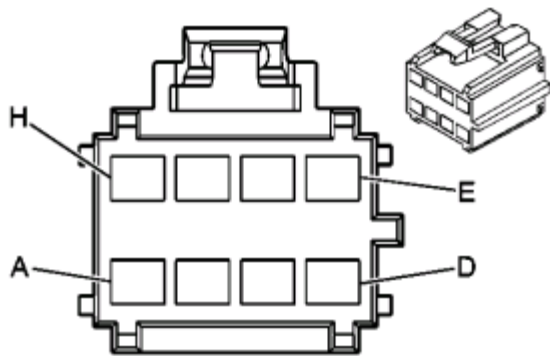
- Terminal/Tray: 12110847/4
- Core/Insulation Crimp: C/5
- Release Tool/Test Probe: 15315247/J-35616-4A (PU)

## Window Motor - Right Rear

Pin	Wire	Circuit	Function
A	1 D-BU	670	Power Window Motor Right Rear Up Control
B	1 BN	671	Power Window Motor Right Rear Down Control

## Window Switch - Left Rear





 [Click here for full size](#)

### Connector Part Information

- OEM: 12191825
- Service: 15306048
- Description: 8-Way F GT 280 Series Unsealed (BN)

### Terminal Part Information

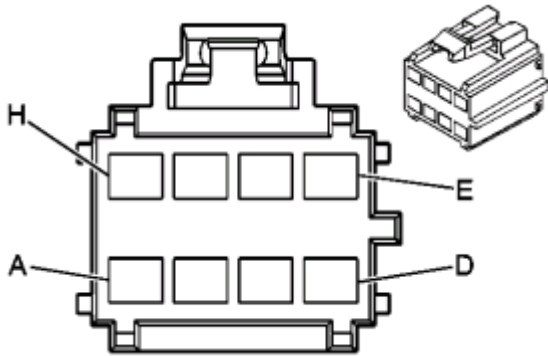
- Pins: A, E
- Terminal/Tray: 15304713/19
- Core/Insulation Crimp: 4/4
- Release Tool/Test Probe: 15315247/J-35616-4A (PU)
- Pins: B-D
- Terminal/Tray: 15304711/8
- Core/Insulation Crimp: E/A
- Release Tool/Test Probe: 15315247/J-35616-4A (PU)
- Pins: F-G
- Terminal/Tray: 15304711/8
- Core/Insulation Crimp: 2/A
- Release Tool/Test Probe: 15315247/J-35616-4A (PU)

### Window Switch - Left Rear

Pin	Wire	Circuit	Function
A	2 OG	1240	Battery Positive Voltage
B	0.35 YE	1187	Power Window Switch Left Rear Down Control
C	0.35WH	1185	Power Window Switch Left Rear Up Control
D	0.35 L-BU	2265	Power Window Lockout Left Rear Control
E	2 BK	1350	Ground

F	1 D-BU	668	Power Window Motor Left Rear Up Control
G	1 BN	669	Power Window Motor Left Rear Down Control
H	-	-	Not Used

### Window Switch - Right Rear



[Click here for full size](#)

### Connector Part Information

- OEM: 12191825
- Service: 15306048
- Description: 8-Way F GT 280 Series Unsealed (BN)

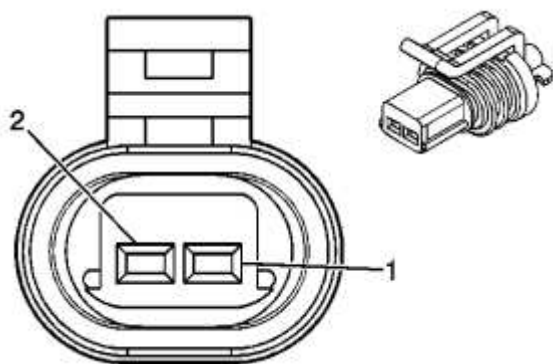
### Terminal Part Information

- Pins: A, E
- Terminal/Tray: 15304713/19
- Core/Insulation Crimp: 4/4
- Release Tool/Test Probe: 15315247/J-35616-4A (PU)
- Pins: B-D
- Terminal/Tray: 15304711/8
- Core/Insulation Crimp: E/A
- Release Tool/Test Probe: 15315247/J-35616-4A (PU)
- Pins: F-G
- Terminal/Tray: 15304711/8
- Core/Insulation Crimp: 2/A
- Release Tool/Test Probe: 15315247/J-35616-4A (PU)

### Window Switch - Right Rear

Pin	Wire	Circuit	Function
A	2 OG	1340	Battery Positive Voltage
B	0.35 D-GN	1188	Power Window Motor Right Rear Down Control
C	0.35 GY/BK	1186	Power Window Motor Right Rear Up Control
D	0.35 L-GN	2266	Power Window Lockout Right Rear Control
E	2 BK	1450	Ground
F	1 D-BU	670	Power Window Motor Right Rear Up Control
G	1 BN	671	Power Window Motor Right Rear Down Control
H	—	—	Not Used

### Windshield Washer Fluid Level Switch (U68)



[Click here for full size](#)

#### Connector Part Information

- OEM: 15336024
- Service: 88987993
- Description: 2-Way F GT 150 Series Sealed (BK)

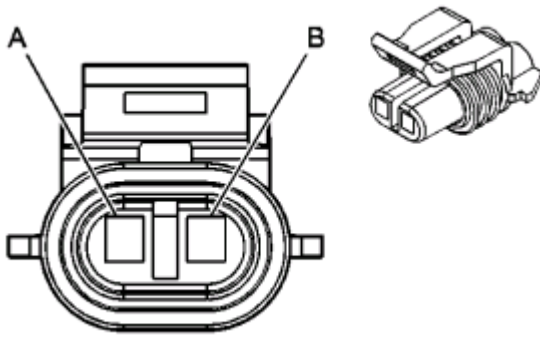
#### Terminal Part Information


- Terminal/Tray: 15326267/19
- Core/Insulation Crimp: E/4
- Release Tool/Test Probe: 15315247/J-35616-2A (GY)

### Windshield Washer Fluid Level Switch (U68)

Pin	Wire	Circuit	Function
1	0.35 BK/WH	174	Low Washer Fluid Indicator Signal
2	0.35 BK	250	Ground

## Windshield Washer Fluid Pump



 [Click here for full size](#)

### Connector Part Information

- OEM: 12052641
- Service: 12102747
- Description: 2-Way F Metri-Pack 150 Series Sealed (BK)

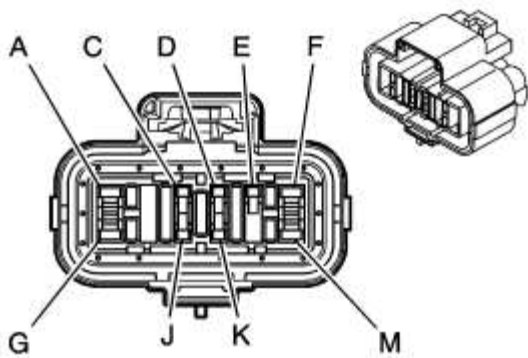
### Terminal Part Information

- Terminal/Tray: 12048074/2
- Core/Insulation Crimp: E/1
- Release Tool/Test Probe: 12094429/J-35616-2A (GY)

## Windshield Washer Fluid Pump

Pin	Wire	Circuit	Function
A	0.5 RD	228	Windshield Washer Pump Control
B	0.5 BK	250	Ground

## Windshield Wiper Motor



[Click here for full size](#)

### Connector Part Information

- OEM: 15401343
- Service: 88986271
- Description: 9-Way F GT 150 280 Series Sealed (BK)

### Terminal Part Information

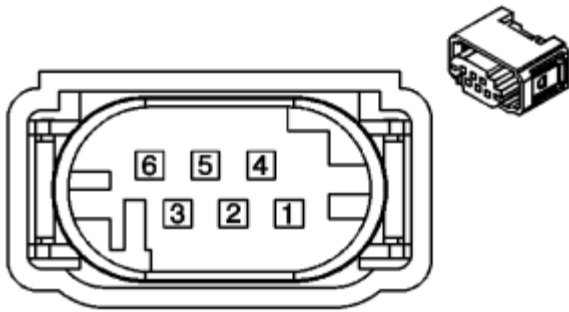
- Pins: C-E, J
- Terminal/Tray: 12191819/8
- Core/Insulation Crimp: E/A
- Release Tool/Test Probe: 15315247/J-35616-2A (GY)
- Pins: A, G
- Terminal/Tray: 15304716/8
- Core/Insulation Crimp: E/1
- Release Tool/Test Probe: 15315247/J-35616-4A (PU)
- Pins: F, M
- Terminal/Tray: 15304716/8
- Core/Insulation Crimp: 2/1
- Release Tool/Test Probe: 15315247/J-35616-4A (PU)

### Windshield Wiper Motor

Pin	Wire	Circuit	Function
A-B	—	—	Not Available
C	0.35 PK	94	Windshield Wiper Switch Signal 1
D	0.35 D-BU	477	Windshield Wiper Switch High Signal
E	0.35 GY	478	Windshield Wiper Switch Supply Voltage
F	1 YE	143	Accessory Voltage

G	0.35 D-GN	113	Windshield Wiper Switch Signal 2
H	—	—	Not Available
J	0.35 OG	2268	Windshield Washer Relay Control
K	—	—	Not Used
L	—	—	Not Available
M	1 BK	850	Ground

## Yaw Rate and Lateral Acceleration Sensor



 [Click here for full size](#)

### Connector Part Information

- OEM: 10750569
- Service: 88953345
- Description: 6-Way F Quadlock Micro Sealed (GY)

### Terminal Part Information

- Terminal/Tray: 962885-5/15
- Core/Insulation Crimp: 6/6
- Release Tool/Test Probe: 12094429/J-35616-64B (L-BU)

## Yaw Rate and Lateral Acceleration Sensor

Pin	Wire	Circuit	Function
1	0.35 D-GN	2087	5-Volt Reference
2	0.35 L-BU	715	Lateral Accelerometer Signal
3	0.35 D-BU	716	Yaw Rate Sensor Signal
4	0.35 YE	5353	Yaw Ring Raster Control
5	0.35 YE	5353	Yaw Ring Raster Control

6	0.35 L-BU	2088	Low Reference
---	-----------	------	---------------

**Document ID:** 1965000

This content is owned by Par-Tech Inc., its affiliates or third party licensors. The copying or re-distribution of this material is strictly prohibited. Please see the [Terms & Conditions](#) for more information.