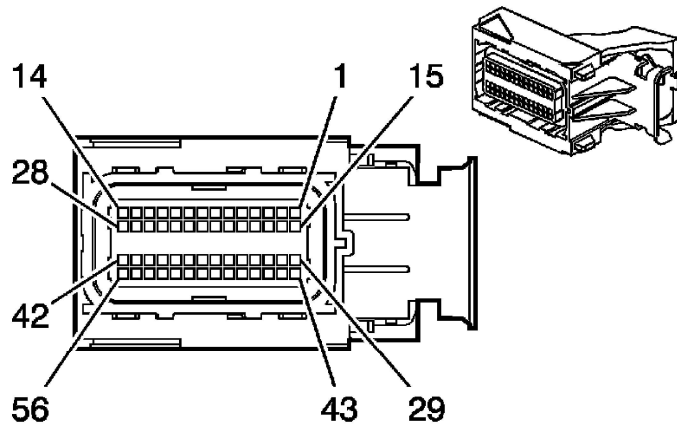


Vehicle: Connector Views

Engine Control Module (ECM) X1

Component Connector End Views

Engine Control Module (ECM) X1 (LSA)



Connector Part Information

- Harness Type: Engine
- OEM Connector: 12582680
- Service Connector: 88988373
- Description: 56-Way F MX123 34576 Series (BK with BU Terminal Position Assurance Lock)

Terminal Part Information

- Pins: 7, 33-37, 47, 49
 - Terminated Lead: 13575811
 - Release Tool: J-38125-213
 - Diagnostic Test Probe: J-35616-64B (L-BU)
 - Terminal/Tray: 33467-0003/23
 - Core/Insulation Crimp: H/H
-
- Pins: 9, 12, 13, 18-20, 26, 34, 40, 44-46, 48, 53-55
 - Terminated Lead: 13575575
 - Release Tool: J-38125-213
 - Diagnostic Test Probe: J-35616-64B (L-BU)
 - Terminal/Tray: 33467-0005/23
 - Core/Insulation Crimp: J/J

Engine Control Module (ECM) X1 (LSA)

Pin	Wire	Circuit	Function
1-6	-	-	Not Used
7	0.5 WH	17	Low Reference
8	-	-	Not Used
9	0.5 TN	2759	Fuel Tank Pressure Sensor Low Reference
10-11	-	-	Not Used
12	0.5 BN/WH	419	Malfunction Indicator Lamp (MIL) Control
13	0.5 D-GN/WH	465	Fuel System Control Module Signal Fuel Pump Relay Control - Primary
14-17	-	-	Not Used
18	0.5 D-BU	5985	Accessory Wakeup Serial Data
19	0.5 PK	339	Ignition 1 Voltage
20	0.5 RD/WH	340	Battery Positive Voltage
21-25	-	-	Not Used
26	0.5 YE	447	Starter Relay Coll Control
27-32	-	-	Not Used
33	0.35 WH/BK	1164	5-Volt Reference 2
34	0.5 GY	2709	Fuel Tank Pressure Sensor 5 Volt Reference
35	0.35 TN	1274	5-Volt Reference 1
36	0.35 BN	1271	Low Reference
37	0.35 PU	1272	Low Reference
38-39	-	-	Not Used
40	0.5 BN	5069	Main Relay Control
41-43	-	-	Not Used
44	0.5 D-BU	1936	Primary Fuel Level Sensor Signal
45	0.5 L-BU	1937	Secondary Fuel Level Sensor Signal
46	0.8 BN	7123	Supercharger Air Inlet Pressure Sensor Signal
47	0.35 D-BU	1161	Accelerator Pedal Position (APP) Sensor 1 Signal
48	0.5 D-GN	890	Fuel Tank Pressure (FTP) Sensor Signal
49	0.35 L-BU	1162	Accelerator Pedal Position (APP) Sensor 2 Signal
50-52	-	-	Not Used
53	0.5 D-GN/WH	459	A/C Compressor Clutch Relay Control
54	0.5 D-BU	473	High Speed Cooling Fan Relay Control
55	0.8 WH	1310	EVAP Canister Vent Solenoid Valve Control
56	-	-	Not Used