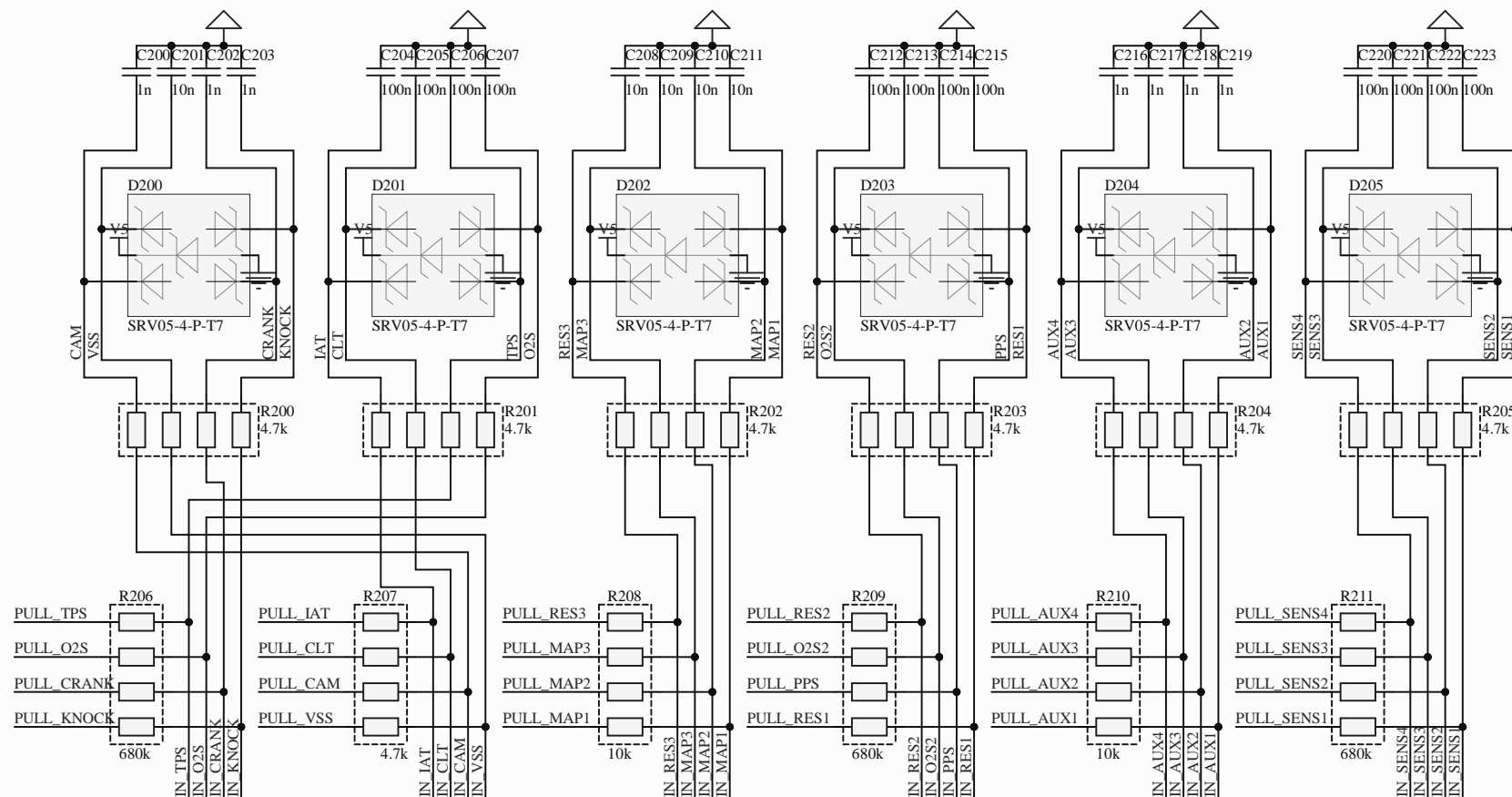


M200D			
PULL_CRANK J21	PULL_CRANK	PULL_MAP1	J14 PULL_MAP1
PULL_CAM J17	PULL_CAM	PULL_MAP2	J13 PULL_MAP2
PULL_VSS J18	PULL_VSS	PULL_MAP3	J12 PULL_MAP3
PULL_TPS J19	PULL_TPS	PULL_AUX1	J10 PULL_AUX1
PULL_PPS J5	PULL_PPS	PULL_AUX2	J9 PULL_AUX2
PULL_IAT J15	PULL_IAT	PULL_AUX3	J8 PULL_AUX3
PULL_CLT J16	PULL_CLT	PULL_AUX4	J7 PULL_AUX4
PULL_O2S J20	PULL_O2S	PULL_SENS1	J26 PULL_SENS1
PULL_O2S2 J4	PULL_O2S2	PULL_SENS2	J25 PULL_SENS2
		PULL_SENS3	J24 PULL_SENS3
		PULL_SENS4	J23 PULL_SENS4
PULL_RES1 J6	PULL_RES1	PULL_SENS4	J22 PULL_KNOCK
PULL_RES2 J3	PULL_RES2		
PULL_RES3 J11	PULL_RES3		

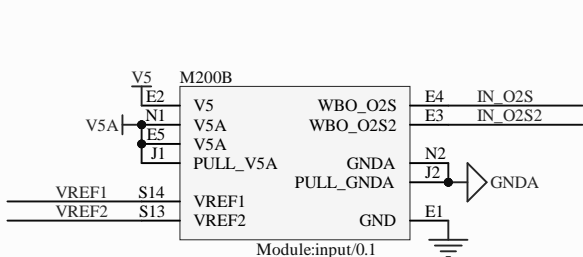
Module:input/0.1



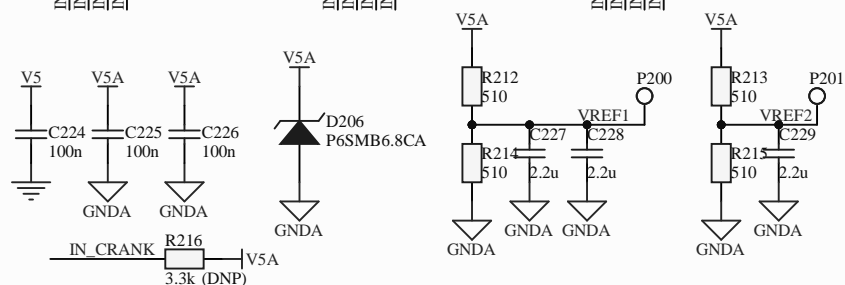
M200C		M200A	
IN_CRANK S8	IN_CRANK	N21 CRANK	
IN_CAM S5	IN_CAM	N19 CAM	
IN_VSS S6	IN_VSS	N20 VSS	
IN_TPS S10	IN_TPS	N17 TPS	
IN_PPS S24	IN_PPS	N5 PPS	
IN_IAT S16	IN_IAT	N15 IAT	
IN_CLT S15	IN_CLT	N16 CLT	
IN_O2S S9	IN_O2S	N18 O2S	
IN_O2S2 S25	IN_O2S2	N4 O2S2	
IN_RES1 S23	IN_RES1	N6 RES1	
IN_RES2 S26	IN_RES2	N3 RES2	
IN_RES3 S22	IN_RES3	N11 RES3	
IN_MAP1 S11	IN_MAP1	N14 MAP1	
IN_MAP2 S12	IN_MAP2	N13 MAP2	
IN_MAP3 S19	IN_MAP3	N12 MAP3	
IN_AUX1 S17	IN_AUX1	N10 AUX1	
IN_AUX2 S18	IN_AUX2	N9 AUX2	
IN_AUX3 S20	IN_AUX3	N8 AUX3	
IN_AUX4 S21	IN_AUX4	N7 AUX4	
IN_SENS1 S1	IN_SENS1	N26 SENS1	
IN_SENS2 S2	IN_SENS2	N25 SENS2	
IN_SENS3 S3	IN_SENS3	N24 SENS3	
IN_SENS4 S4	IN_SENS4	N23 SENS4	
IN_KNOCK S7	IN_KNOCK	N22 KNOCK	

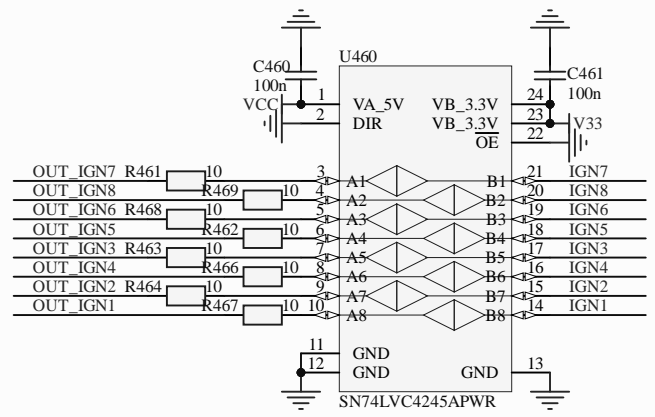
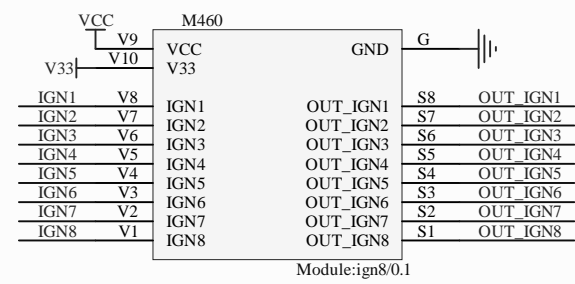
Module:input/0.1

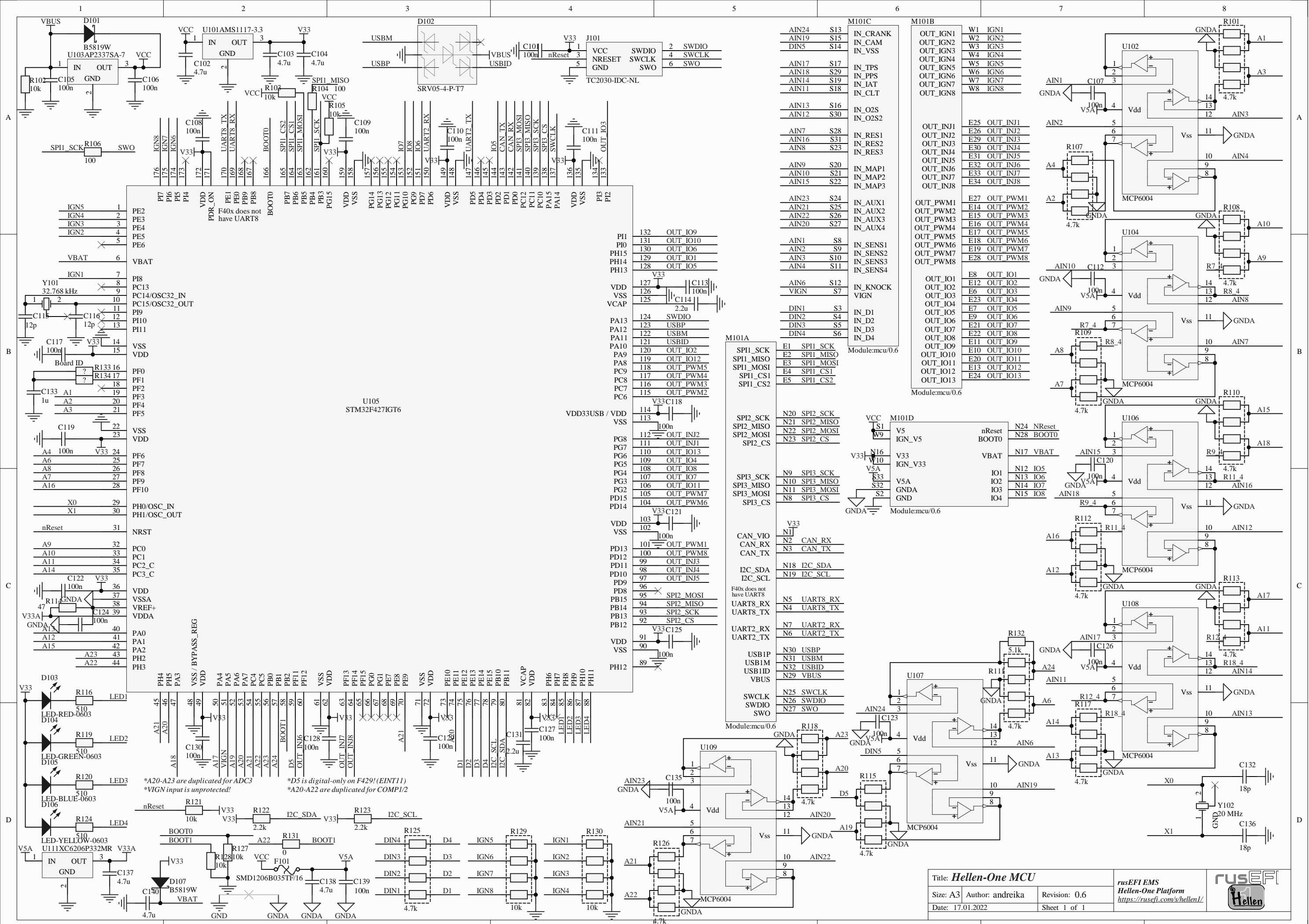
Module:input/0.1



Module:input/0.1





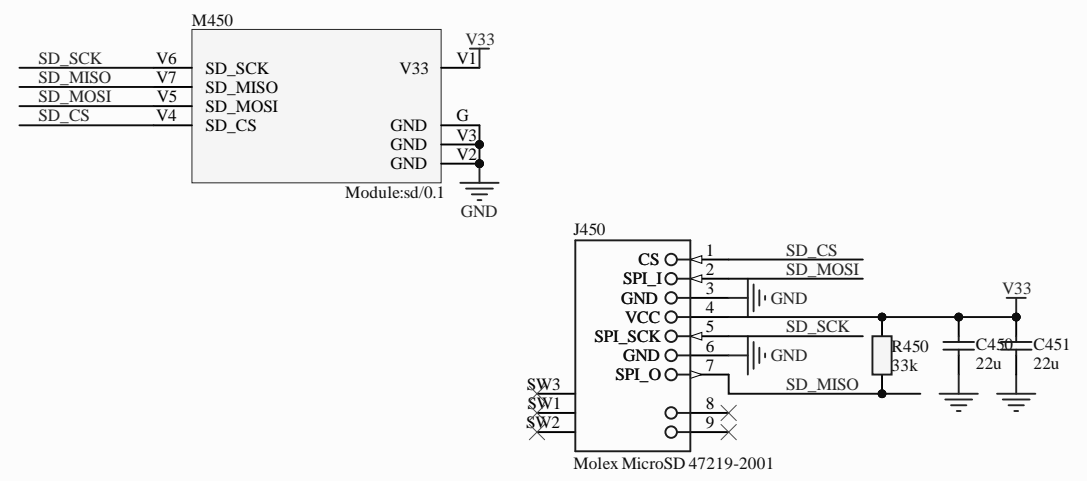


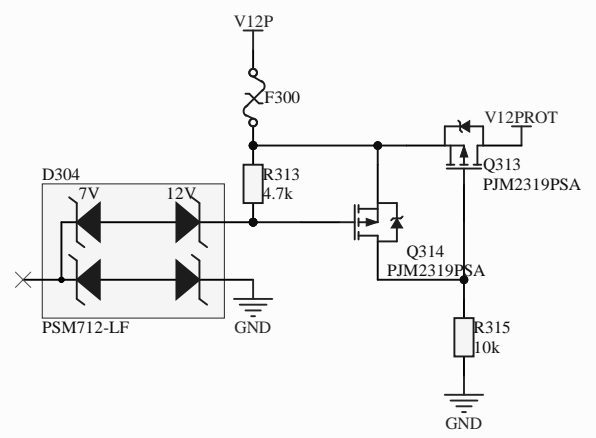
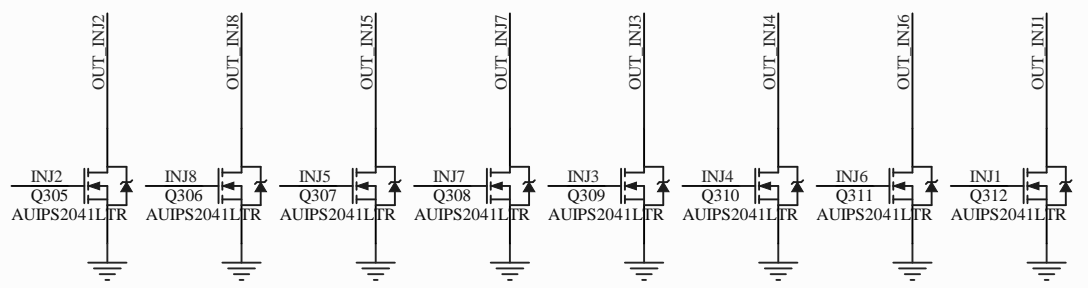
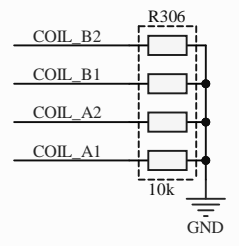
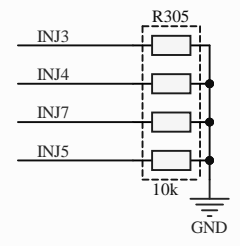
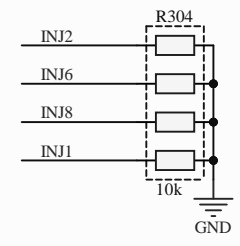
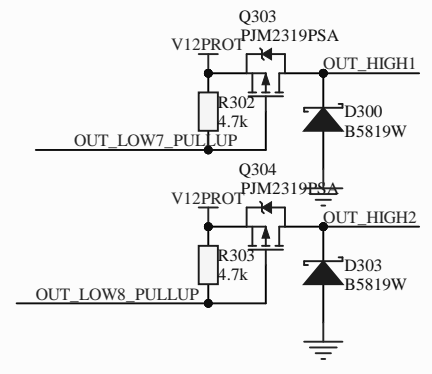
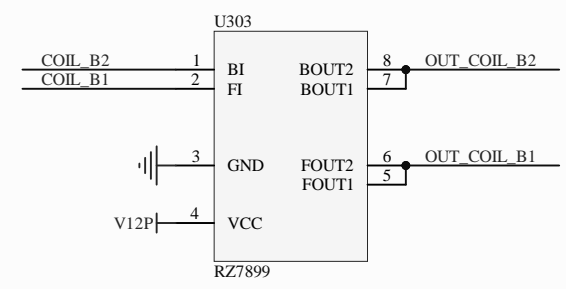
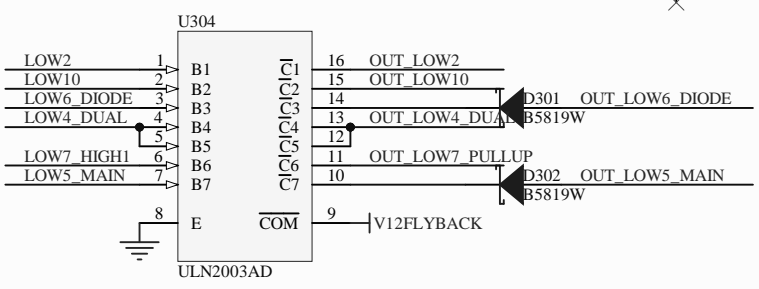
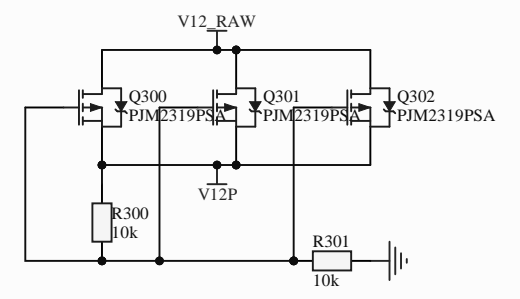
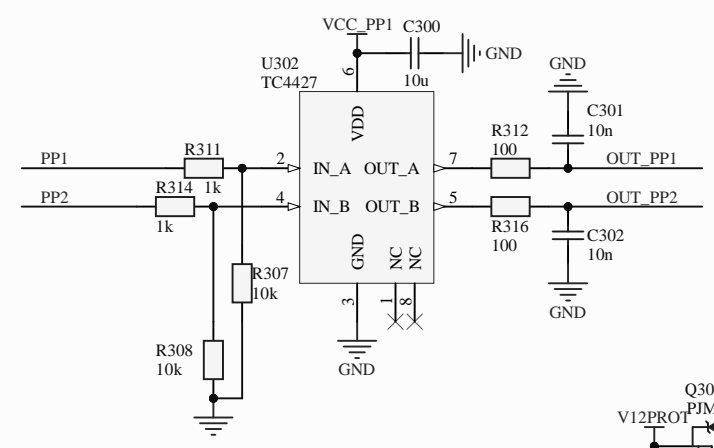
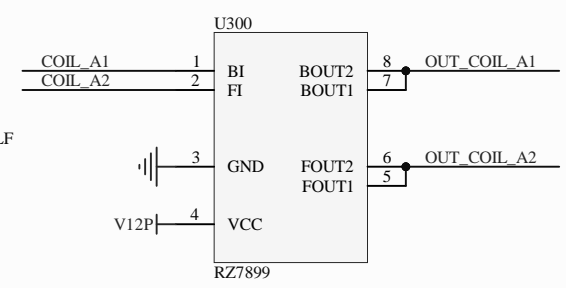
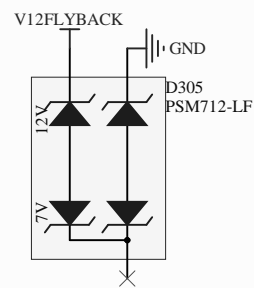
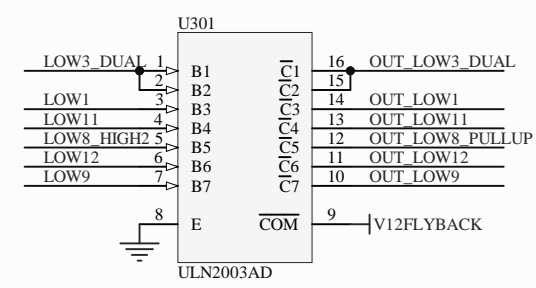
Pin	Signal	Notes
PE2	IGN5	
PE3	IGN4	
PE4	IGN3	
PE5	IGN2	
PE6	IGN1	
VBAT	VBAT	
PI8	PC13	
PC14/OSC32_IN	Y101 32.768 kHz	
PC15/OSC32_OUT		
PF0	PF1	
PF2	PF3	
PF4	PF5	
VSS	VDD	
VSS	VDD	
PF6	PF7	
PF8	PF9	
PF10		
PH0/OSC_IN	X0	
PH1/OSC_OUT	X1	
NRST	nReset	
PC0	A9	
PC1	A10	
PC2_C	A11	
PC3_C	A14	
VDD	VSSA	
VREF+	VREF+	
VDDA	VDDA	
PA0	A12	
PA1	A1	
PA2	A2	
PH2	A22	
PH3	A44	

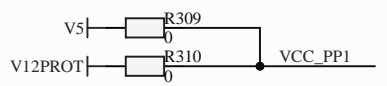
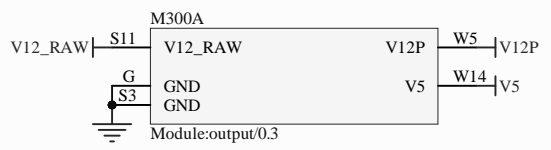
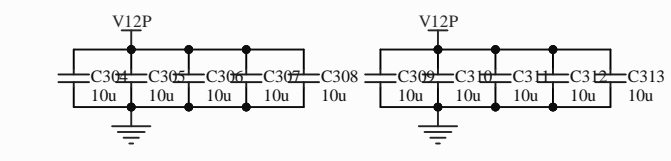
Pin	Signal	Notes
PI1	OUT_IO9	
PH15	OUT_IO6	
PH14	OUT_IO1	
PH13	OUT_IO5	
VDD	VSS	
VSS	VDD	
VCAP		
PA13	SWDIO	
PA12	USBP	
PA11	USBM	
PA10	USBID	
PA9	OUT_IO2	
PA8	OUT_IO12	
PC9	OUT_PWM5	
PC8	OUT_PWM4	
PC7	OUT_PWM3	
PC6	OUT_PWM2	
VDD	VSS	
VSS	VDD	
PG8	OUT_INJ2	
PG7	OUT_INJ1	
PG6	OUT_IO13	
PG5	OUT_IO4	
PG4	OUT_IO8	
PG3	OUT_IO7	
PG2	OUT_IO11	
PD15	OUT_PWM7	
PD14	OUT_PWM6	
VDD	VSS	
VSS	VDD	
PD13	OUT_PWM1	
PD12	OUT_PWM8	
PD11	OUT_INJ3	
PD10	OUT_INJ4	
PD9	OUT_INJ5	
PD8	SPI2_MOSI	
PB15	SPI2_MISO	
PB14	SPI2_SCK	
PB13	SPI2_CS	
PB12	SPI2_CS	
VDD	VSS	
VSS	VDD	
PH12		

Pin	Signal	Notes
AIN24	S13	IN_CRANK
AIN19	S15	IN_CAM
DIN5	S14	IN_VSS
AIN17	S17	IN_TPS
AIN18	S29	IN_PPS
AIN14	S19	IN_IAT
AIN11	S18	IN_CLT
AIN13	S16	IN_O2S
AIN12	S30	IN_O2S2
AIN7	S28	IN_RES1
AIN16	S31	IN_RES2
AIN8	S23	IN_RES3
AIN9	S20	IN_MAP1
AIN10	S21	IN_MAP2
AIN15	S22	IN_MAP3
AIN23	S24	IN_AUX1
AIN21	S25	IN_AUX2
AIN22	S26	IN_AUX3
AIN20	S27	IN_AUX4
AIN1	S8	IN_SENS1
AIN2	S9	IN_SENS2
AIN3	S10	IN_SENS3
AIN4	S11	IN_SENS4
AIN6	S12	IN_KNOCK
VIGN	S7	VIGN
DIN1	S3	IN_D1
DIN2	S4	IN_D2
DIN3	S5	IN_D3
DIN4	S6	IN_D4
E1	SPI1_SCK	SPI1_SCK
E2	SPI1_MISO	SPI1_MISO
E3	SPI1_MOSI	SPI1_MOSI
E4	SPI1_CS1	SPI1_CS1
E5	SPI1_CS2	SPI1_CS2
N20	SPI2_SCK	SPI2_SCK
N21	SPI2_MISO	SPI2_MISO
N22	SPI2_MOSI	SPI2_MOSI
N23	SPI2_CS	SPI2_CS
N9	SPI3_SCK	SPI3_SCK
N10	SPI3_MISO	SPI3_MISO
N11	SPI3_MOSI	SPI3_MOSI
N8	SPI3_CS	SPI3_CS
N1	V33	CAN_VIO
N2	N2	CAN_RX
N3	N3	CAN_TX
N18	I2C_SDA	I2C_SDA
N19	I2C_SCL	I2C_SCL
N5	UART8_RX	UART8_RX
N4	UART8_TX	UART8_TX
N7	UART2_RX	UART2_RX
N6	UART2_TX	UART2_TX
N30	USBP	USB1P
N31	USBM	USB1M
N32	USBID	USB1ID
N29	VBUS	VBUS
N25	SWCLK	SWCLK
N26	SWDIO	SWDIO
N27	SWO	SWO

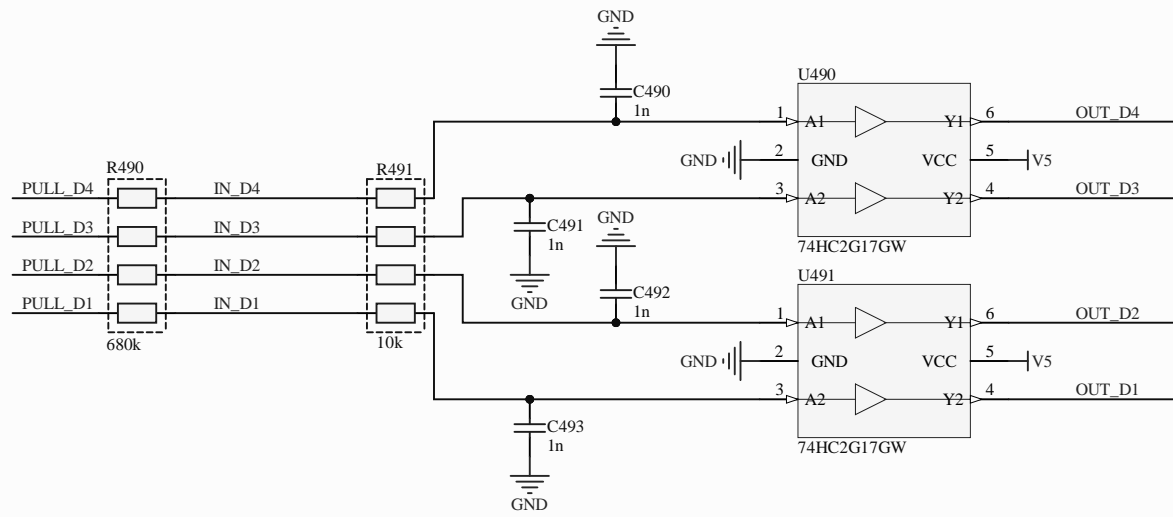
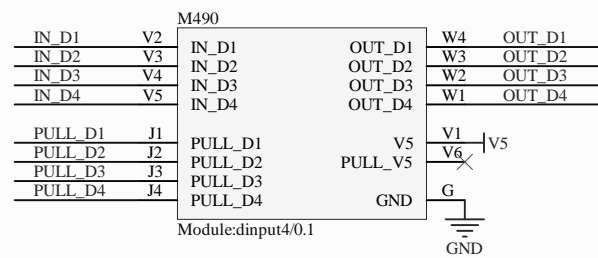


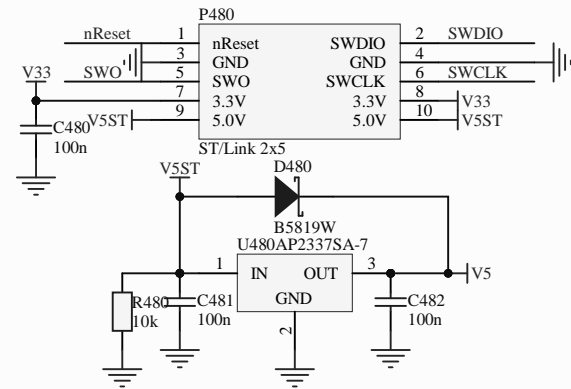
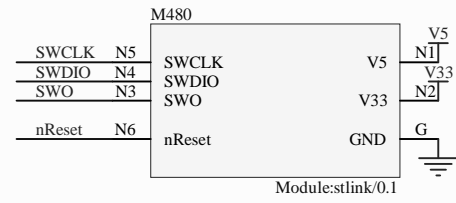


M300B		M300C	
INJ1	W24	OUT_INJ1	S18
INJ2	W23	OUT_INJ2	S16
INJ3	W20	OUT_INJ3	S17
INJ4	W19	OUT_INJ4	W7
INJ5	W18	OUT_INJ5	W10
INJ6	W17	OUT_INJ6	S15
INJ7	W16	OUT_INJ7	W12
INJ8	W15	OUT_INJ8	W11
PP1	W28	OUT_PP1	W6
PP2	W22	OUT_PP2	S6
COIL_A1	W33	OUT_SOLENOID_A1	S1
COIL_A2	W32	OUT_SOLENOID_A2	S2
COIL_B1	W31	OUT_SOLENOID_B1	S4
COIL_B2	W30	OUT_SOLENOID_B2	S5
LOW1	W21	OUT_LOW1	S8
LOW2	W29	OUT_LOW2	W1
LOW3_DUAL	W38	OUT_LOW3_DUAL	S7
LOW4_DUAL	W34	OUT_LOW4_DUAL	W4
LOW5_MAIN	W40	OUT_LOW5_MAIN	W13
LOW6_DIODE	W25	OUT_LOW6_DIODE	W3
LOW7_HIGH1	W39	OUT_LOW7_PULLUP	W9
LOW8_HIGH2	W37	OUT_LOW8_PULLUP	S12
LOW9	W27	OUT_LOW9	S14
LOW10	W26	OUT_LOW10	W2
LOW11	W35	OUT_LOW11	S10
LOW12	W36	OUT_LOW12	S13
		OUT_HIGH1	W8
		OUT_HIGH2	S9

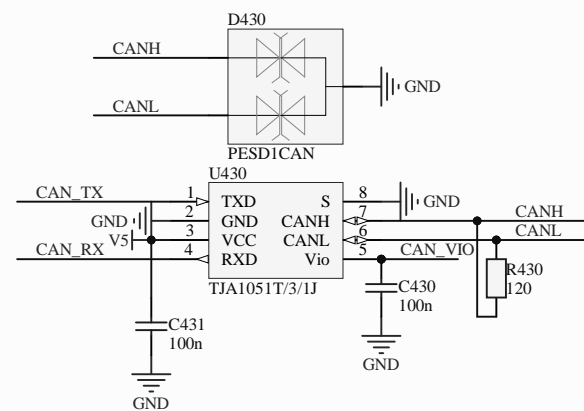
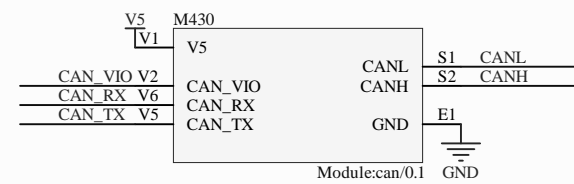


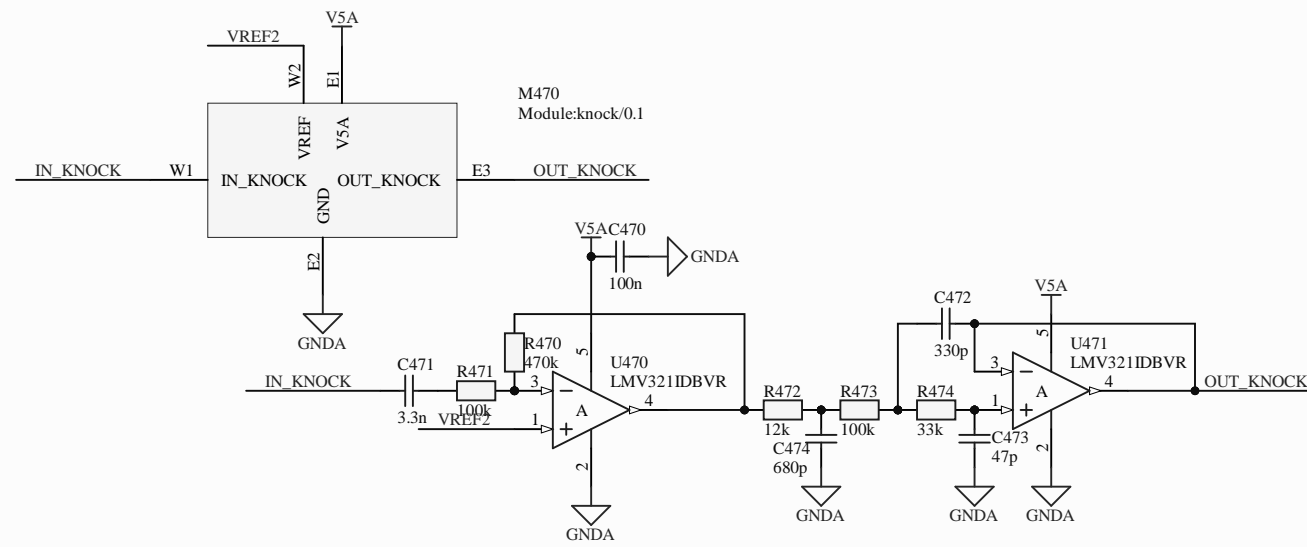
\* These can be removed in the board compilation file

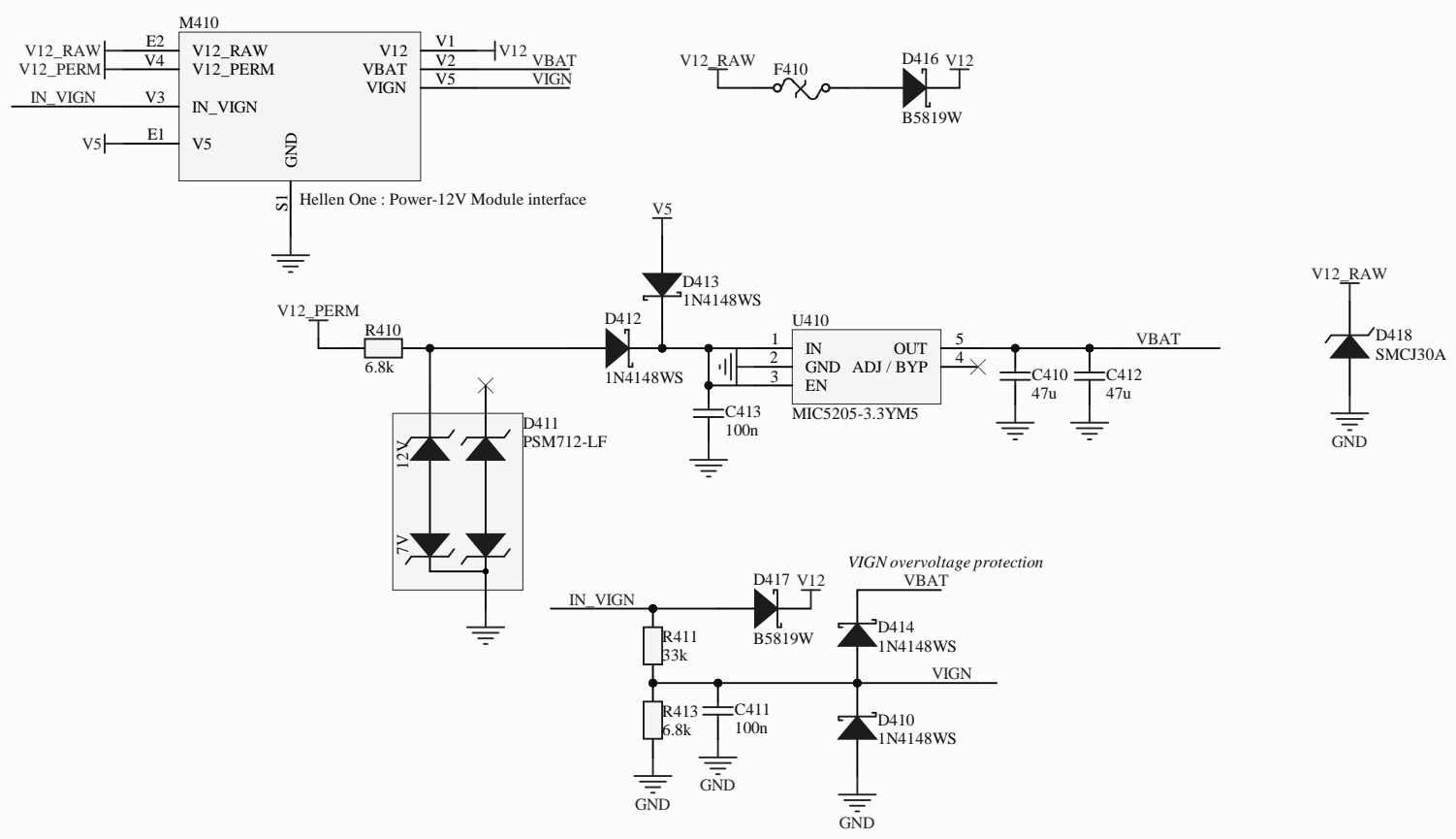


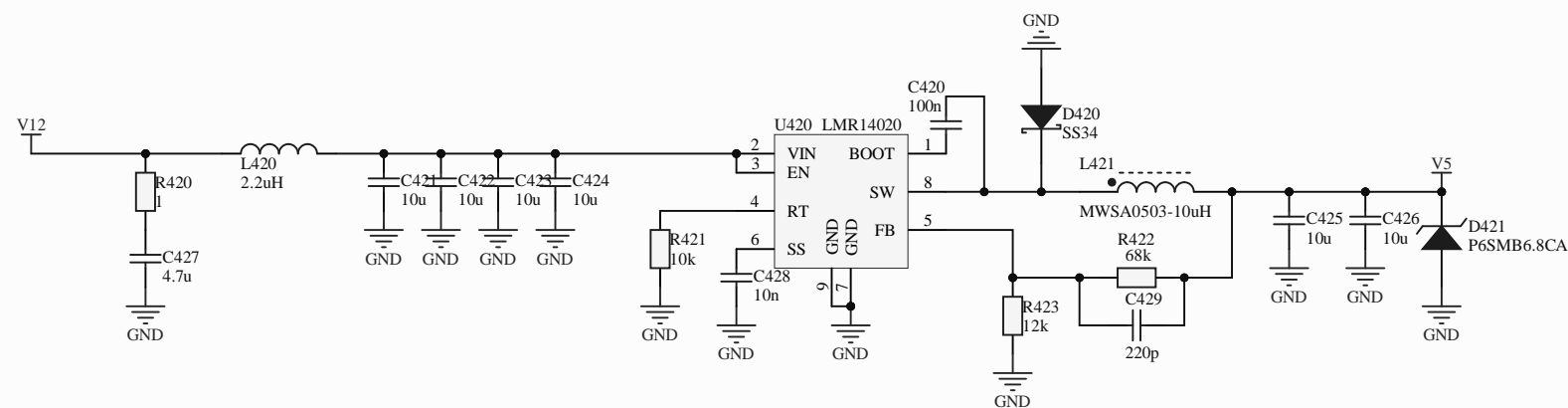
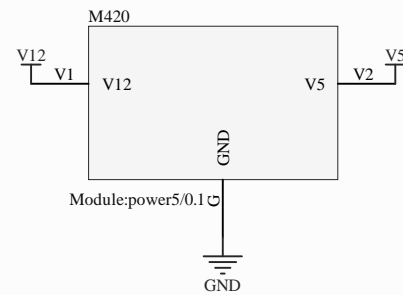


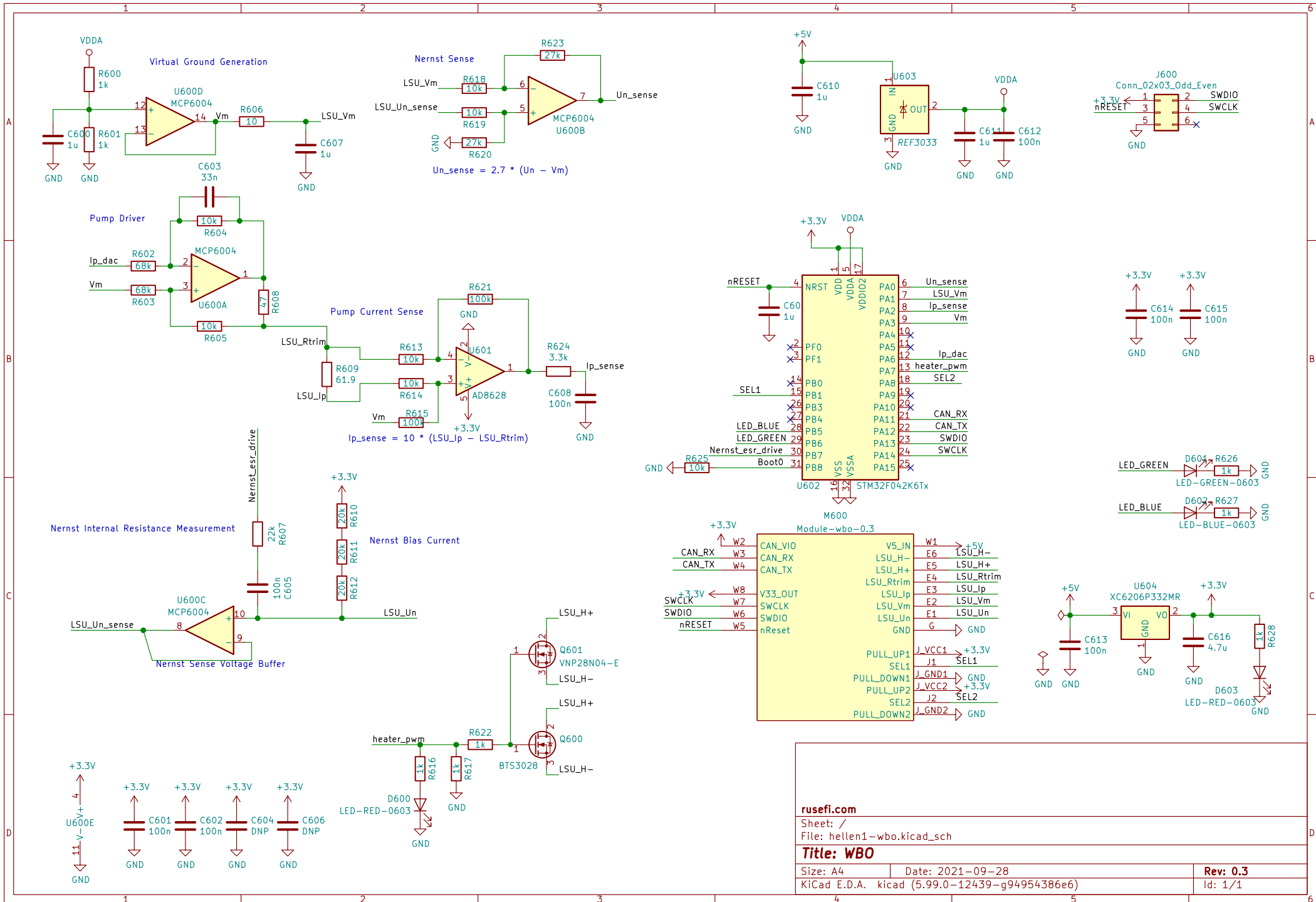












rusefi.com

Sheet: /  
File: hellen1-wbo.kicad\_sch

**Title: WBO**

Size: A4  
KiCad E.D.A. kicad (5.99.0-12439-g94954386e6)

Date: 2021-09-28

Rev: 0.3

Id: 1/1