

Hellen-One-PCB-Logo

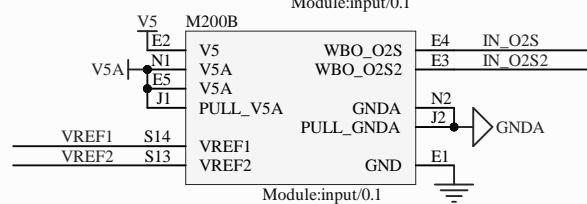
FOR OFF ROAD PURPOSES ONLY
 This is not for applications with emissions or safety regulations (AKA not for street use). This is for closed stages, track and equipment.

<http://rusefi.com/s/hellenNA6>

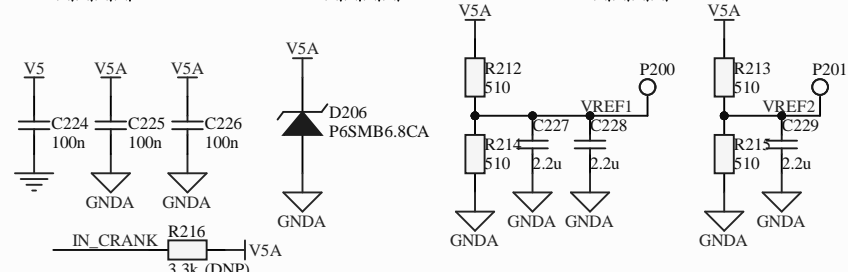
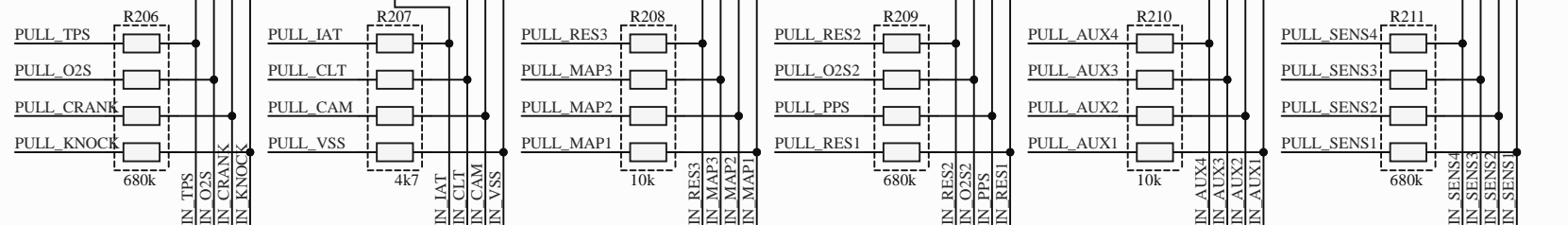
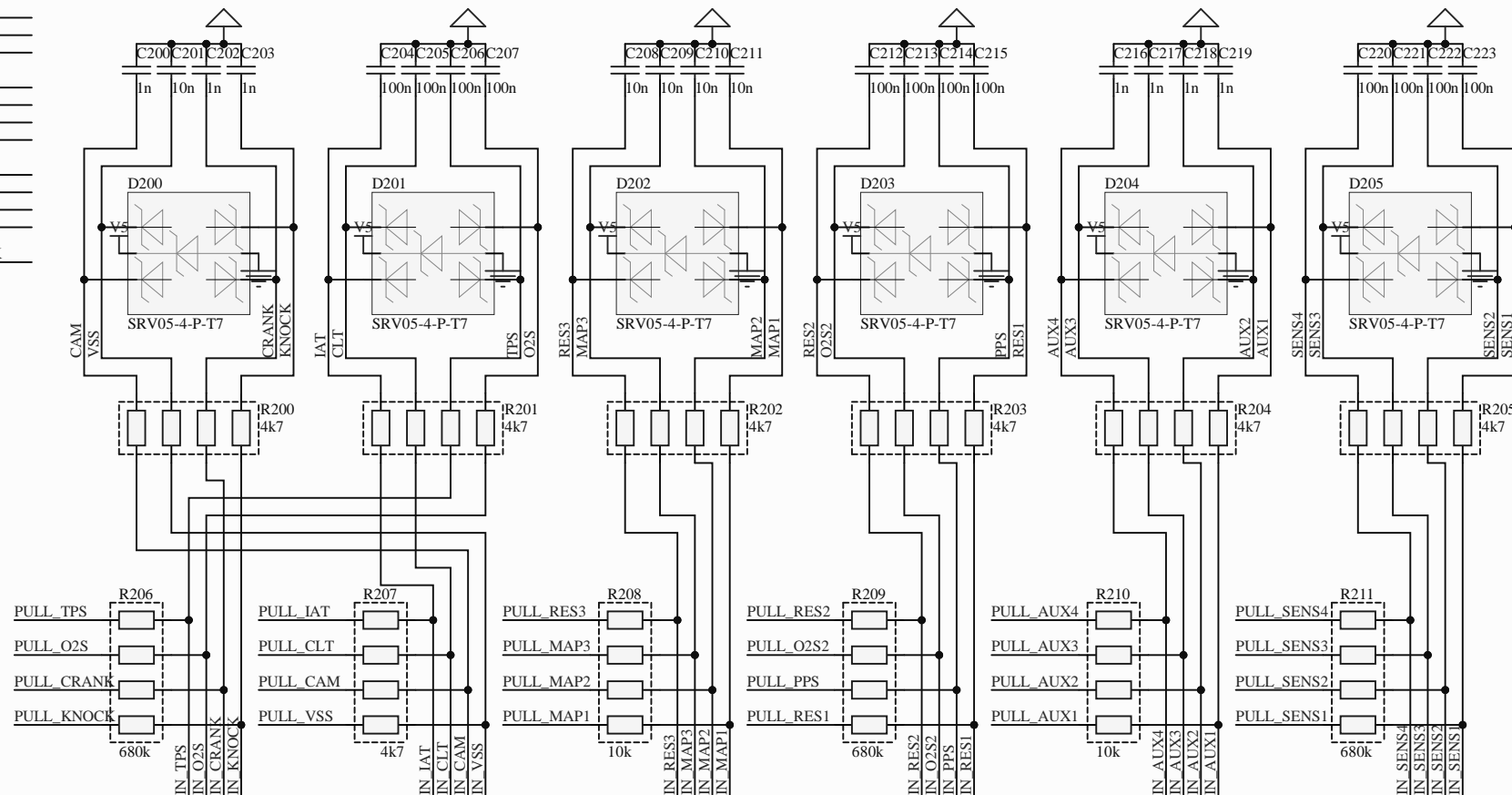
rusEFI		Sheet: /	
File: hellen64_miataNA6_94.kicad_sch		Date: 2021-03-28	
Title: hellen64 miataNA6 94		Rev: R0.1	
Size: A2	KiCad E.D.A. kicad (5.99.0-10328-gc52b7eaf9)	Id: 1/1	

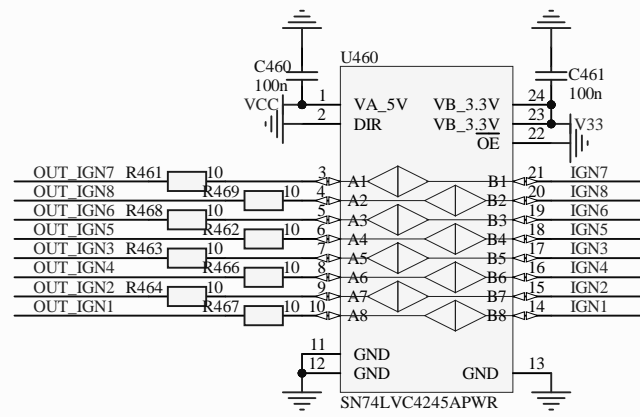
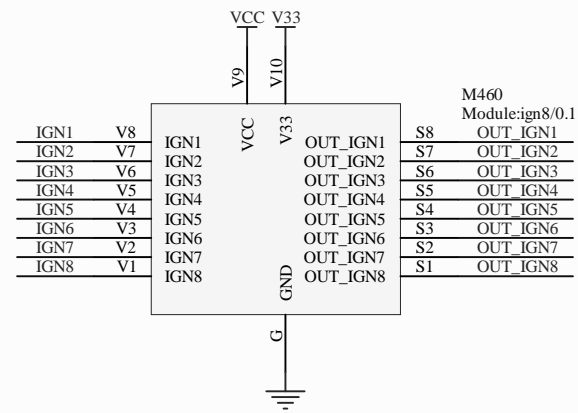
M200D			
PULL_CRANK	J21	PULL_CRANK	PULL_MAP1
PULL_CAM	J17	PULL_CAM	PULL_MAP2
PULL_VSS	J18	PULL_VSS	PULL_MAP3
PULL_TPS	J19	PULL_AUX1	J10
PULL_PPS	J5	PULL_AUX2	J9
PULL_IAT	J15	PULL_AUX3	J8
PULL_CLT	J16	PULL_AUX4	J7
PULL_O2S	J20	PULL_SENS1	J26
PULL_O2S2	J4	PULL_SENS2	J25
PULL_RES1	J6	PULL_SENS3	J24
PULL_RES2	J3	PULL_SENS4	J23
PULL_RES3	J11	PULL_KNOCK	J22

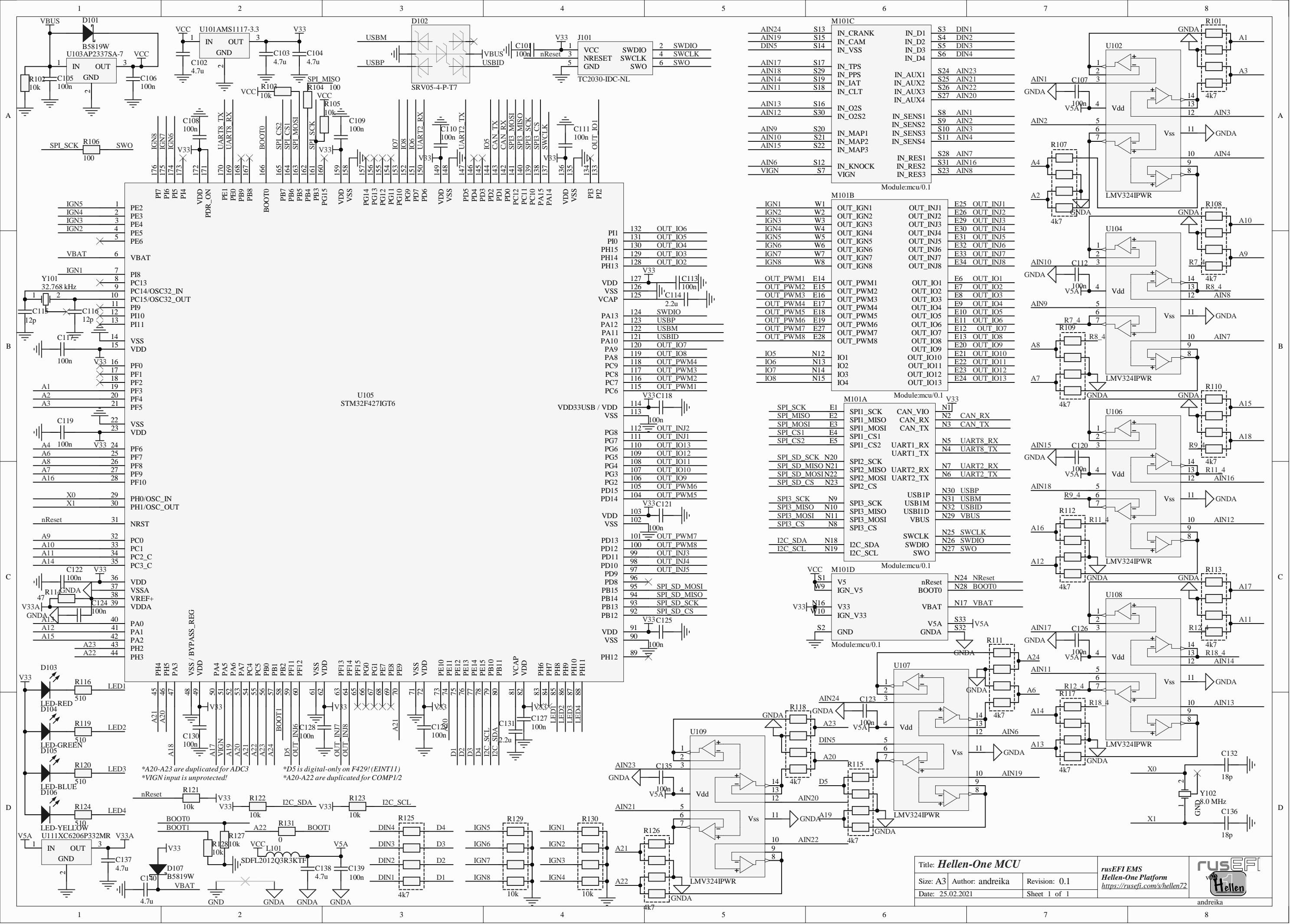
M200C			
IN_CRANK	S8	IN_MAP1	S11
IN_CAM	S5	IN_MAP2	S12
IN_VSS	S6	IN_MAP3	S19
IN_TPS	S10	IN_AUX1	S17
IN_PPS	S24	IN_AUX2	S18
IN_IAT	S16	IN_AUX3	S20
IN_CLT	S15	IN_AUX4	S21
IN_O2S	S9	IN_SENS1	S1
IN_O2S2	S25	IN_SENS2	S2
IN_RES1	S23	IN_SENS3	S3
IN_RES2	S26	IN_SENS4	S4
IN_RES3	S22	IN_KNOCK	S7



M200A			
CRANK	N21	MAP1	N14
CAM	N19	MAP2	N13
VSS	N20	MAP3	N12
TPS	N17	AUX1	N10
PPS	N5	AUX2	N9
IAT	N15	AUX3	N8
CLT	N16	AUX4	N7
O2S	N18	SENS1	N26
O2S2	N4	SENS2	N25
RES1	N6	SENS3	N24
RES2	N3	SENS4	N23
RES3	N11	KNOCK	N22







M101C

AIN24	S13	IN_CRANK	IN_D1	S3	DIN1
AIN19	S15	IN_CAM	IN_D2	S4	DIN2
DIN5	S14	IN_VSS	IN_D3	S5	DIN3
			IN_D4	S6	DIN4
AIN17	S17	IN_TPS	IN_AUX1	S24	AIN23
AIN18	S29	IN_PPS	IN_AUX2	S25	AIN21
AIN14	S19	IN_IAT	IN_AUX3	S26	AIN22
AIN11	S18	IN_CLT	IN_AUX4	S27	AIN20
AIN13	S16	IN_O2S	IN_SENS1	S8	AIN1
AIN12	S30	IN_O2S2	IN_SENS2	S9	AIN2
AIN9	S20	IN_MAP1	IN_SENS3	S10	AIN3
AIN10	S21	IN_MAP2	IN_SENS4	S11	AIN4
AIN15	S22	IN_MAP3	IN_RES1	S28	AIN7
AIN6	S12	IN_KNOCK	IN_RES2	S31	AIN16
VIGN	S7	VIGN	IN_RES3	S23	AIN8

Module:mcu/0.1

M101B

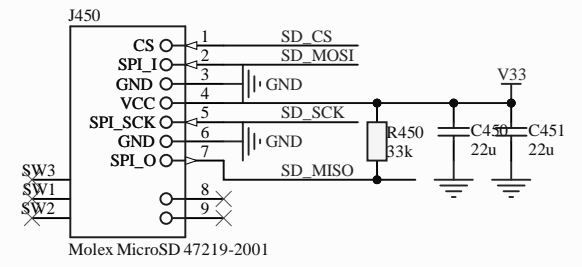
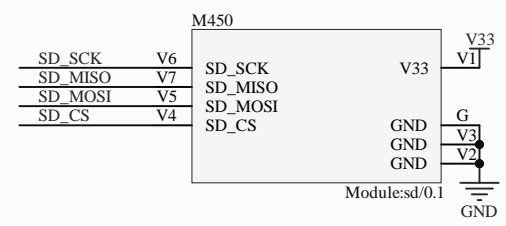
IGN1	W1	OUT_IGN1	OUT_INJ1	E25	OUT_INJ1
IGN2	W2	OUT_IGN2	OUT_INJ2	E26	OUT_INJ2
IGN3	W3	OUT_IGN3	OUT_INJ3	E29	OUT_INJ3
IGN4	W4	OUT_IGN4	OUT_INJ4	E30	OUT_INJ4
IGN5	W5	OUT_IGN5	OUT_INJ5	E31	OUT_INJ5
IGN6	W6	OUT_IGN6	OUT_INJ6	E32	OUT_INJ6
IGN7	W7	OUT_IGN7	OUT_INJ7	E33	OUT_INJ7
IGN8	W8	OUT_IGN8	OUT_INJ8	E34	OUT_INJ8
OUT_PWM1	E14	OUT_PWM1	OUT_IO1	E6	OUT_IO1
OUT_PWM2	E15	OUT_PWM2	OUT_IO2	E7	OUT_IO2
OUT_PWM3	E16	OUT_PWM3	OUT_IO3	E8	OUT_IO3
OUT_PWM4	E17	OUT_PWM4	OUT_IO4	E9	OUT_IO4
OUT_PWM5	E18	OUT_PWM5	OUT_IO5	E10	OUT_IO5
OUT_PWM6	E19	OUT_PWM6	OUT_IO6	E11	OUT_IO6
OUT_PWM7	E27	OUT_PWM7	OUT_IO7	E12	OUT_IO7
OUT_PWM8	E28	OUT_PWM8	OUT_IO8	E13	OUT_IO8
			OUT_IO9	E20	OUT_IO9
			OUT_IO10	E21	OUT_IO10
			OUT_IO11	E22	OUT_IO11
			OUT_IO12	E23	OUT_IO12
			OUT_IO13	E24	OUT_IO13
IO5	N12	IO1	OUT_IO10		
IO6	N13	IO2	OUT_IO11		
IO7	N14	IO3	OUT_IO12		
IO8	N15	IO4	OUT_IO13		

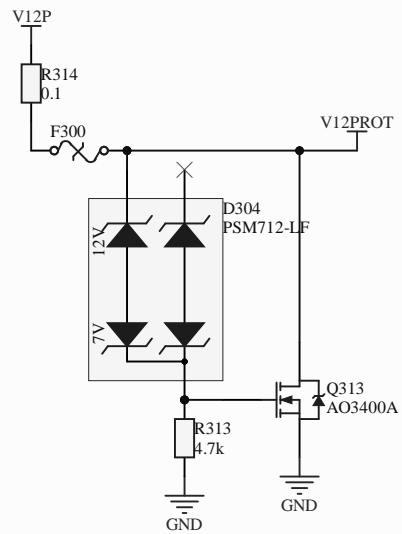
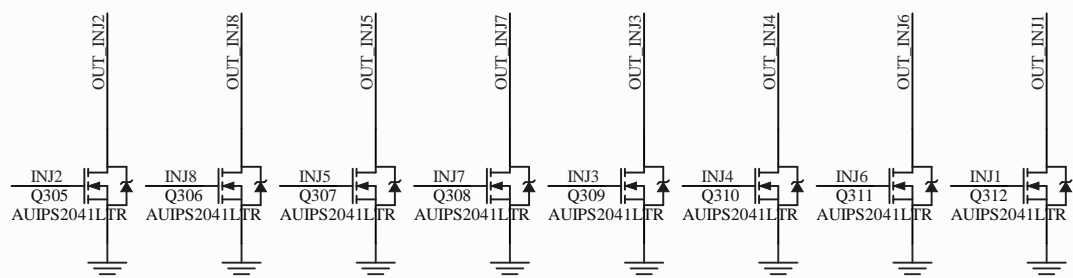
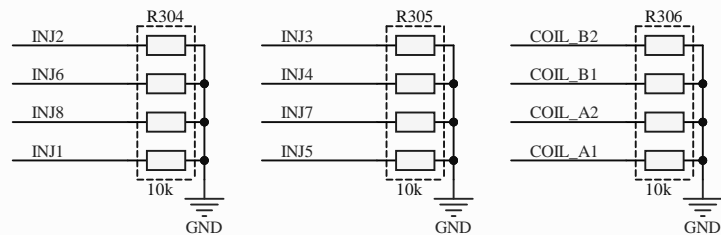
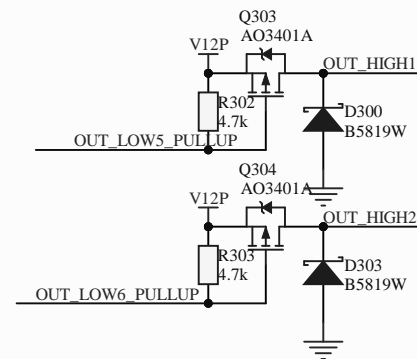
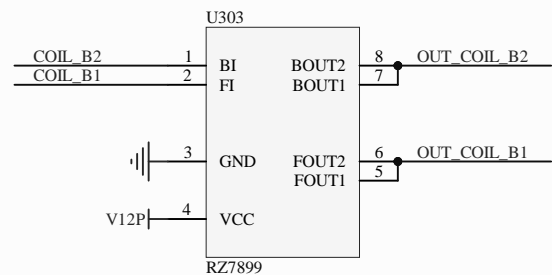
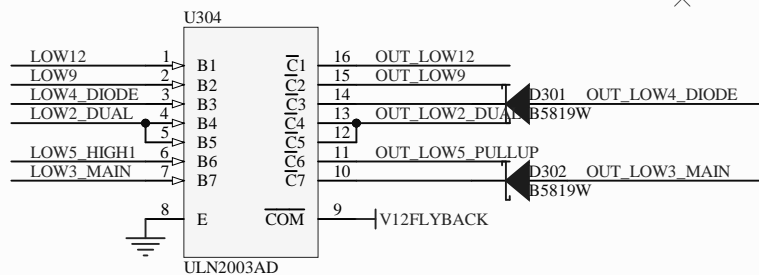
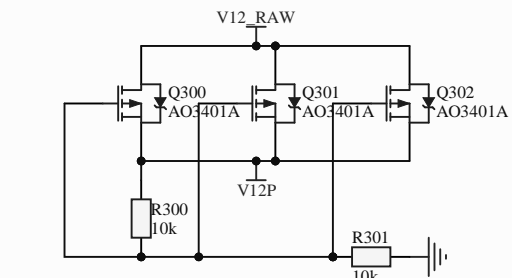
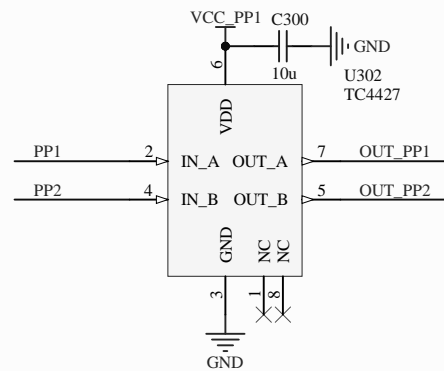
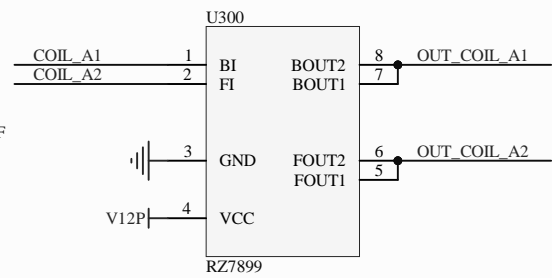
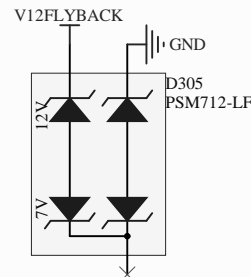
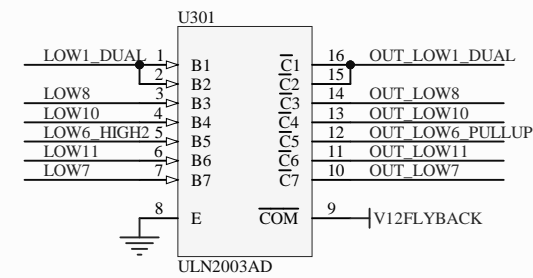
M101A

SPI_SCK	E1	SPI1_SCK	CAN_VIO	N1	CAN_RX
SPI_MISO	E2	SPI1_MISO	CAN_RX	N2	CAN_TX
SPI_MOSI	E3	SPI1_MOSI	CAN_TX	N3	CAN_TX
SPI_CS1	E4	SPI1_CS1	UART1_RX	N5	UART8_RX
SPI_CS2	E5	SPI1_CS2	UART1_TX	N4	UART8_TX
SPI_SD_SCK	N20	SPI2_SCK	UART2_RX	N7	UART2_RX
SPI_SD_MISO	N21	SPI2_MISO	UART2_TX	N6	UART2_TX
SPI_SD_MOSI	N22	SPI2_MOSI	UART2_TX		
SPI_SD_CS	N23	SPI2_CS			
SPI3_SCK	N9	SPI3_SCK	USB1P	N30	USBP
SPI3_MISO	N10	SPI3_MISO	USB1M	N31	USBM
SPI3_MOSI	N11	SPI3_MOSI	USB1D	N32	USBID
SPI3_CS	N8	SPI3_CS	VBUS	N29	VBUS
I2C_SDA	N18	I2C_SDA	SWCLK	N25	SWCLK
I2C_SCL	N19	I2C_SCL	SWDIO	N26	SWDIO
			SWO	N27	SWO

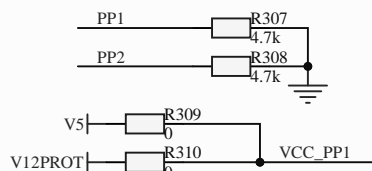
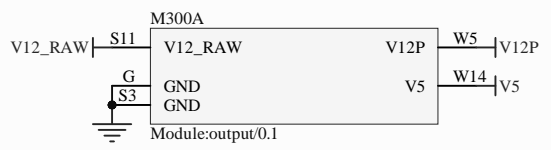
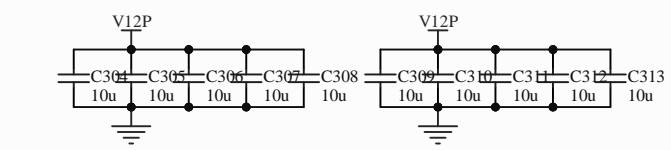
M101D

VCC	S1	nReset	N24	NReset
V9	W9	BOOT0	N28	BOOT0
V33	V10	VBAT	N17	VBAT
IGN_V33	V16	V5A	S33	V5A
GND	S2	GND	S32	GND

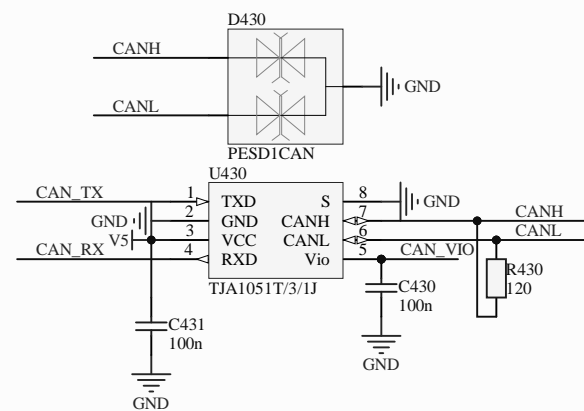
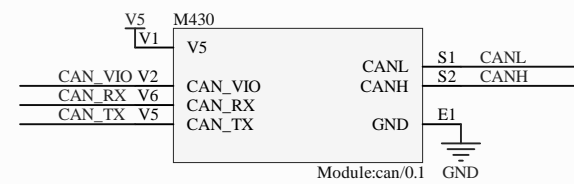


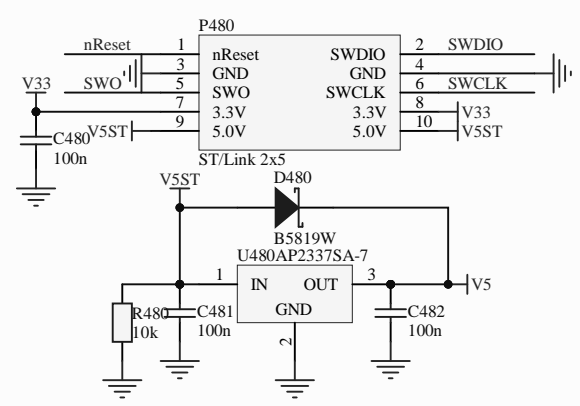
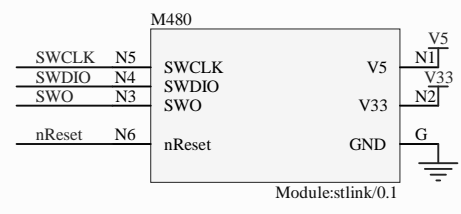


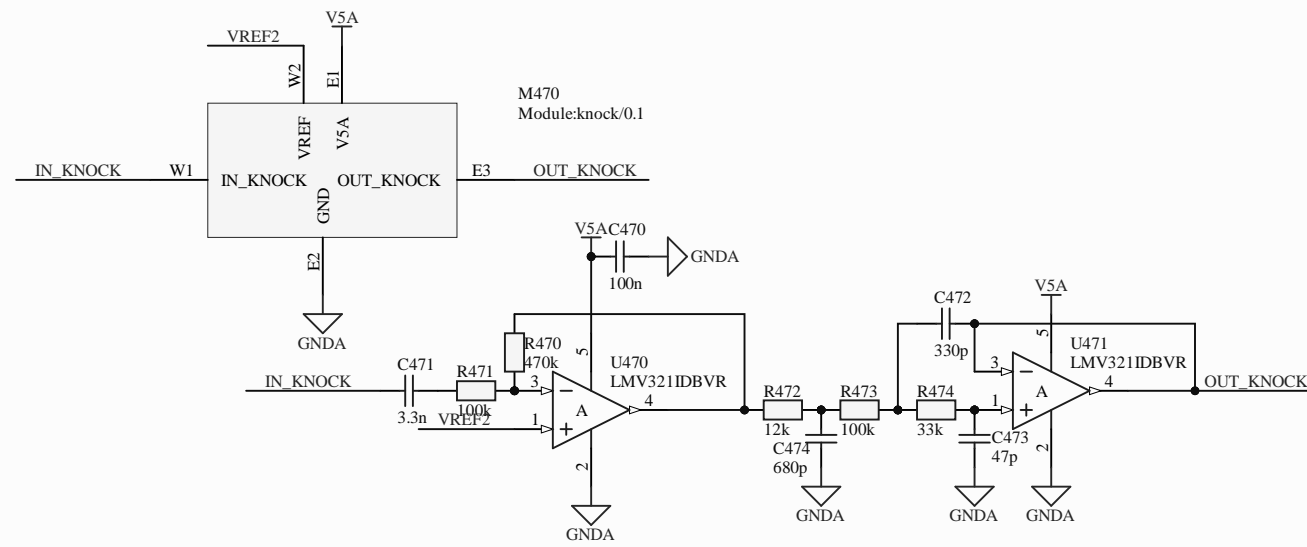
M300B			
INJ1	W24	INJ1	OUT_INJ1
INJ2	W23	INJ2	OUT_INJ2
INJ3	W20	INJ3	OUT_INJ3
INJ4	W19	INJ4	OUT_INJ4
INJ5	W18	INJ5	OUT_INJ5
INJ6	W17	INJ6	OUT_INJ6
INJ7	W16	INJ7	OUT_INJ7
INJ8	W15	INJ8	OUT_INJ8
LOW1_DUAL	W38	LOW1_DUAL	OUT_LOW1_DUAL
LOW2_DUAL	W34	LOW2_DUAL	OUT_LOW2_DUAL
LOW3_MAIN	W40	LOW3_MAIN	OUT_LOW3_MAIN
LOW4_DIODE	W25	LOW4_DIODE	OUT_LOW4_DIODE
LOW5_HIGH1	W39	LOW5_HIGH1	OUT_LOW5_PULLUP
LOW6_HIGH2	W37	LOW6_HIGH2	OUT_LOW6_PULLUP
LOW7	W27	LOW7	OUT_LOW7
LOW8	W21	LOW8	OUT_LOW8
LOW9	W26	LOW9	OUT_LOW9
LOW10	W35	LOW10	OUT_LOW10
LOW11	W36	LOW11	OUT_LOW11
LOW12	W29	LOW12	OUT_LOW12
PP1	W28	PP1	OUT_PP1
PP2	W22	PP2	OUT_PP2
COIL_A1	W33	SOLENOID_A1	OUT_SOLENOID_A1
COIL_A2	W32	SOLENOID_A2	OUT_SOLENOID_A2
COIL_B1	W31	SOLENOID_B1	OUT_SOLENOID_B1
COIL_B2	W30	SOLENOID_B2	OUT_SOLENOID_B2
			OUT_HIGH1
			OUT_HIGH2

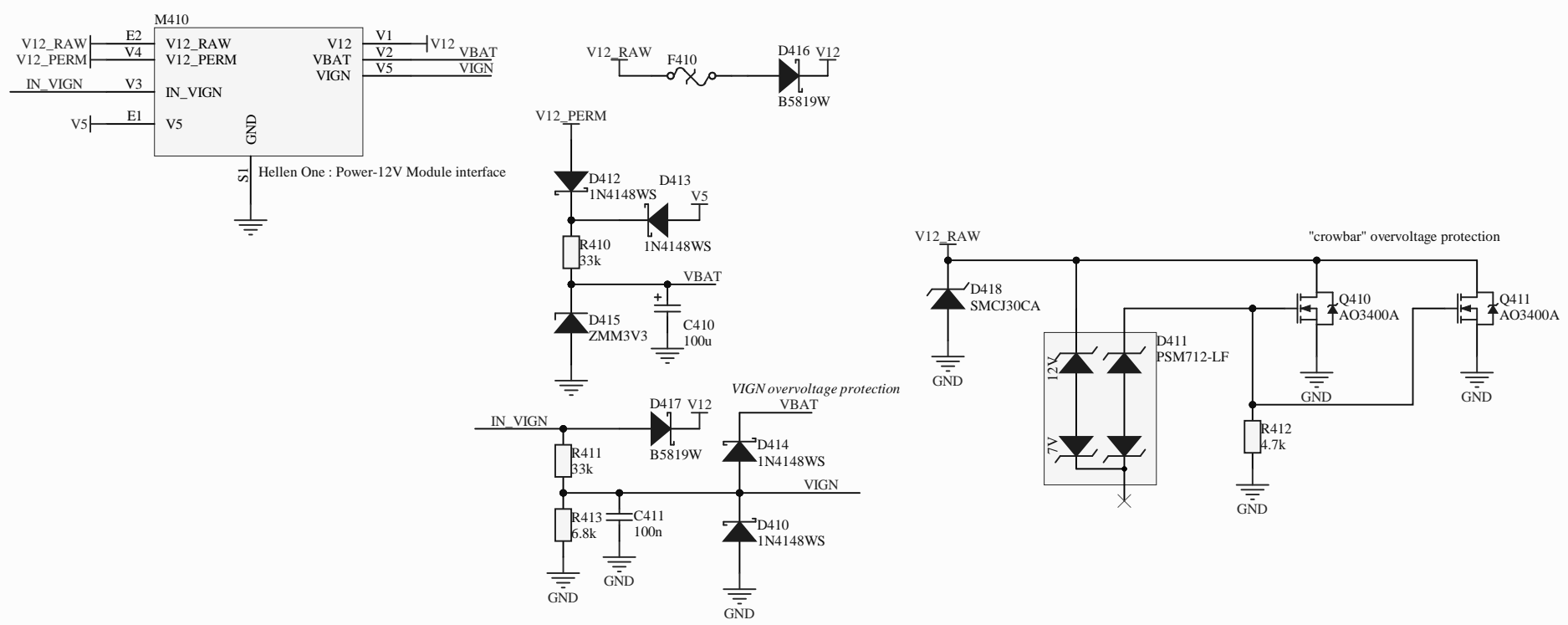


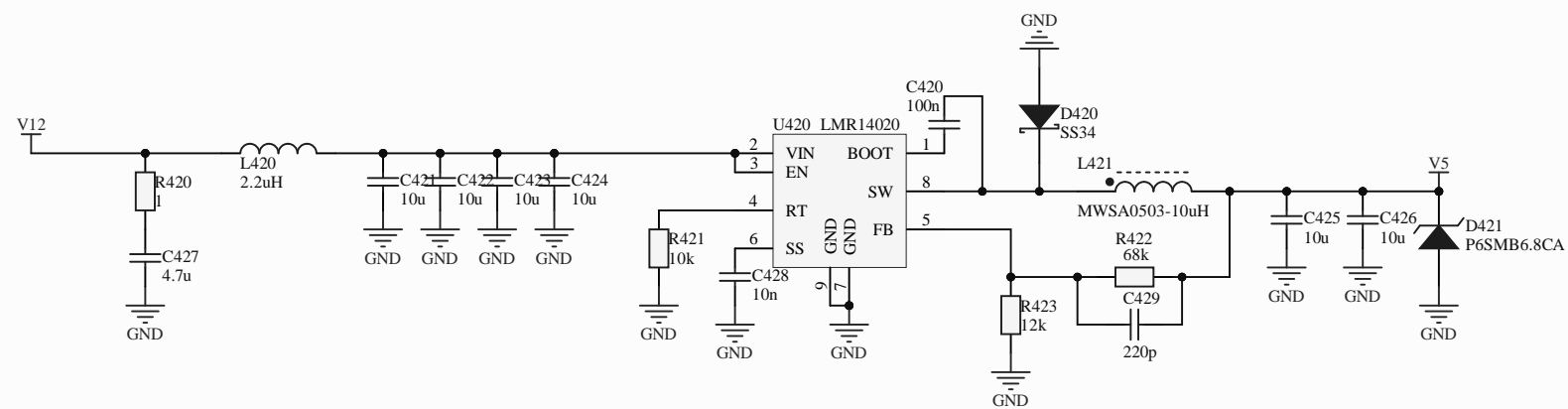
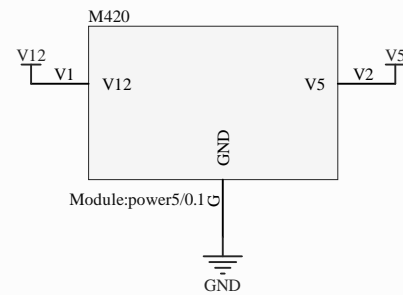
* These can be removed in the board compilation file

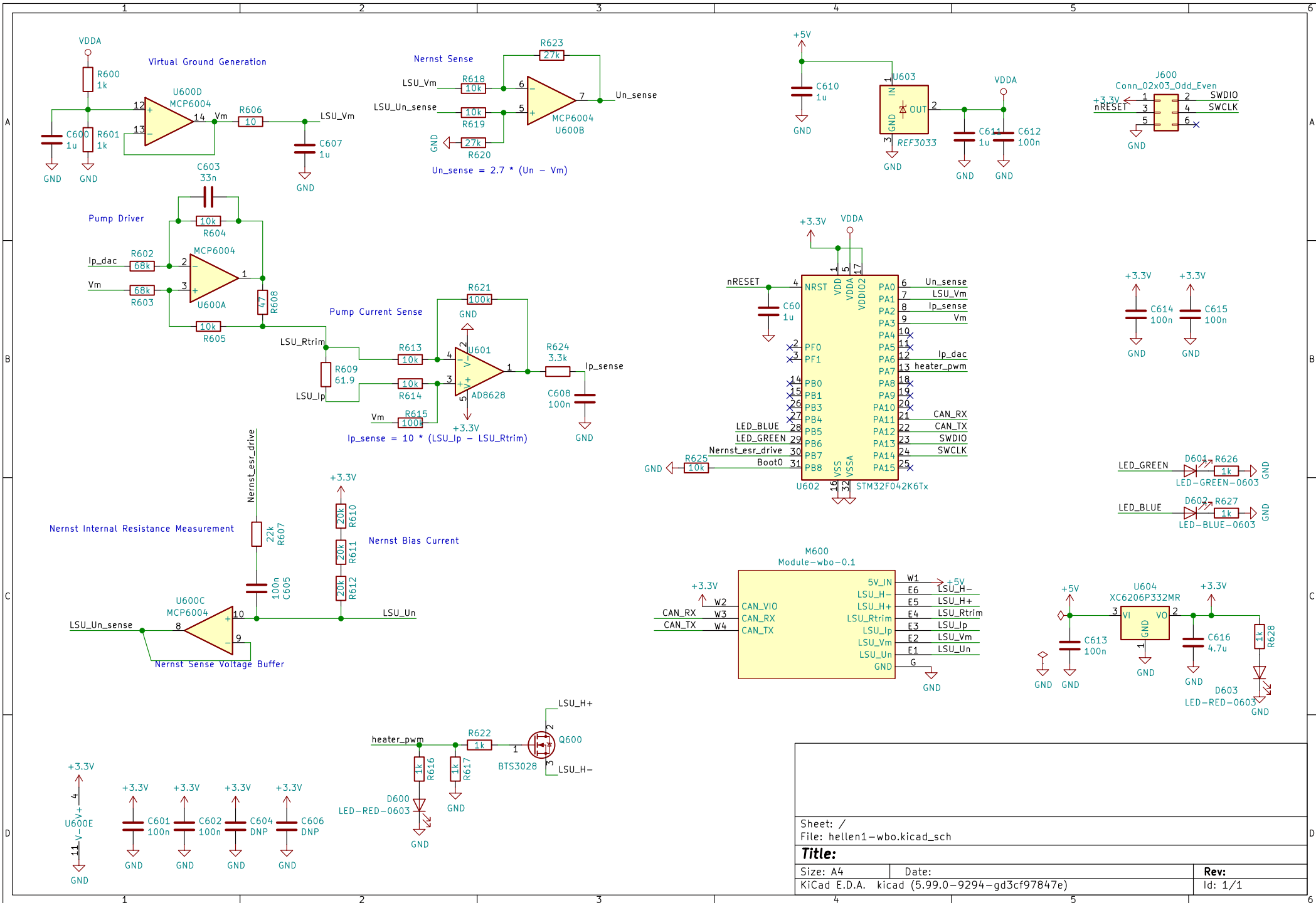












Sheet: /	
File: hellen1-wbo.kicad_sch	
Title:	
Size: A4	Date:
KiCad E.D.A. kicad (5.99.0-9294-gd3cf97847e)	
Rev:	Id: 1/1