



Fig 2: 6.2L VIN L, Engine Performance Circuit (2 of 7)

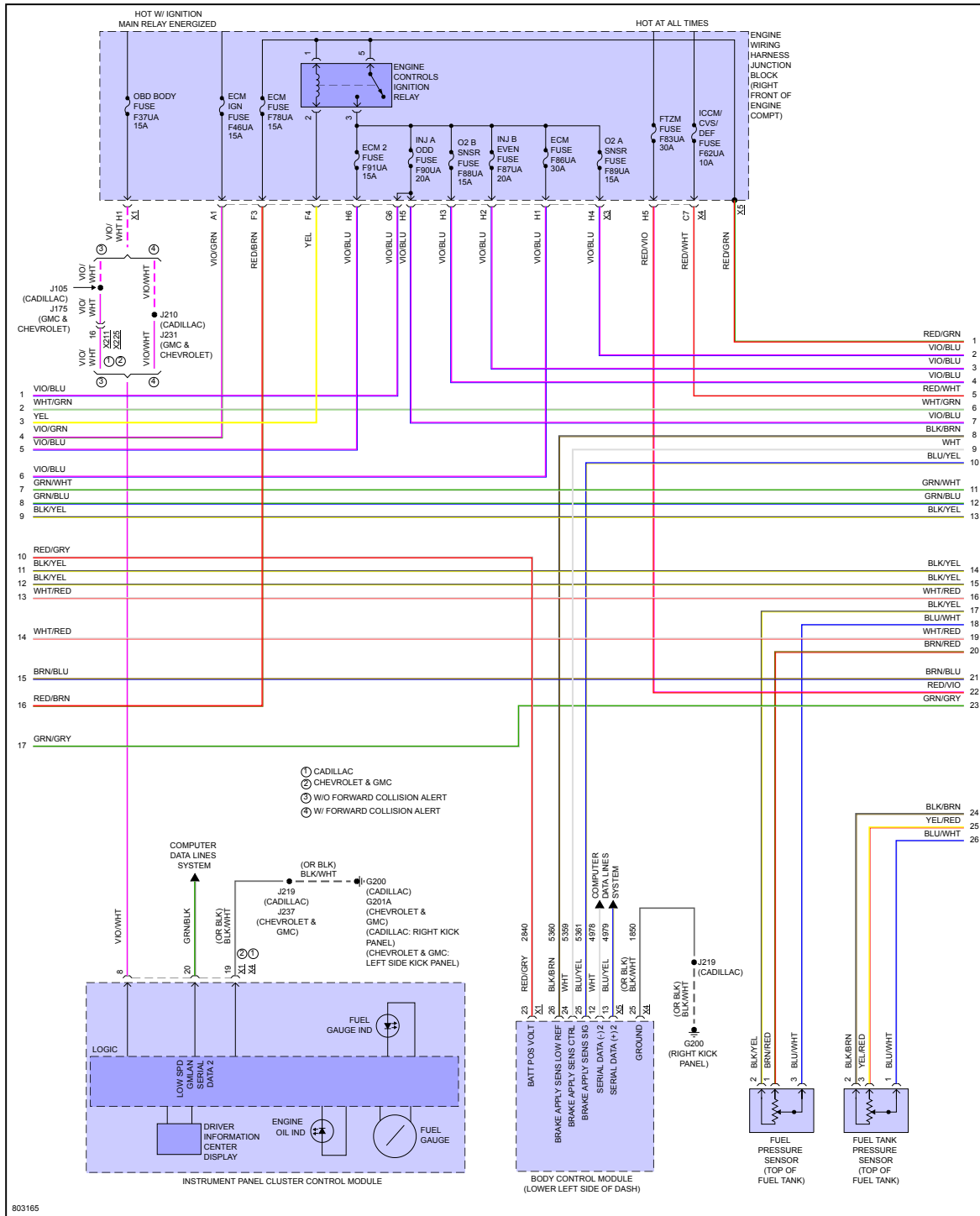




Fig 4: 6.2L VIN L, Engine Performance Circuit (4 of 7)

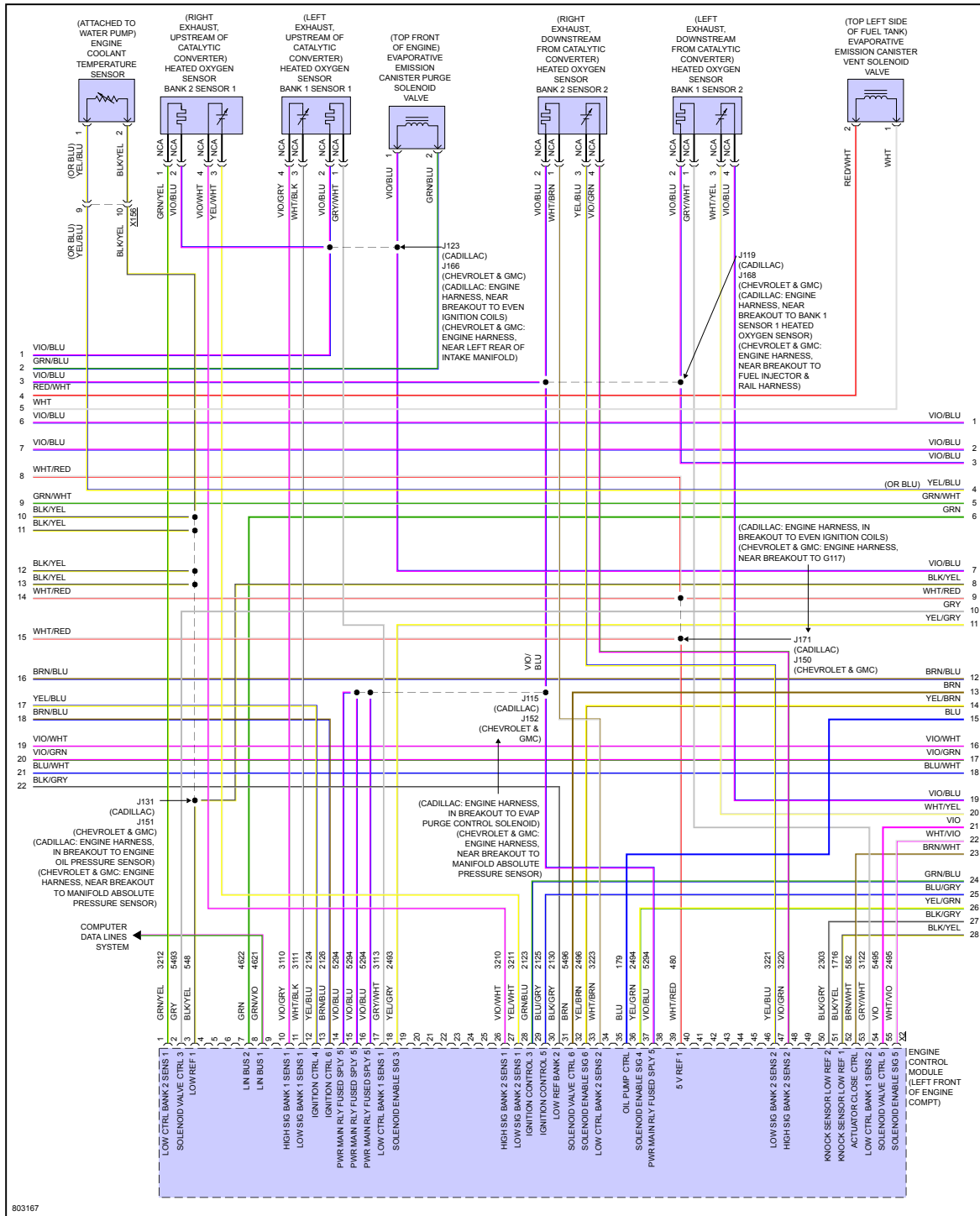




Fig 6: 6.2L VIN L, Engine Performance Circuit (6 of 7)

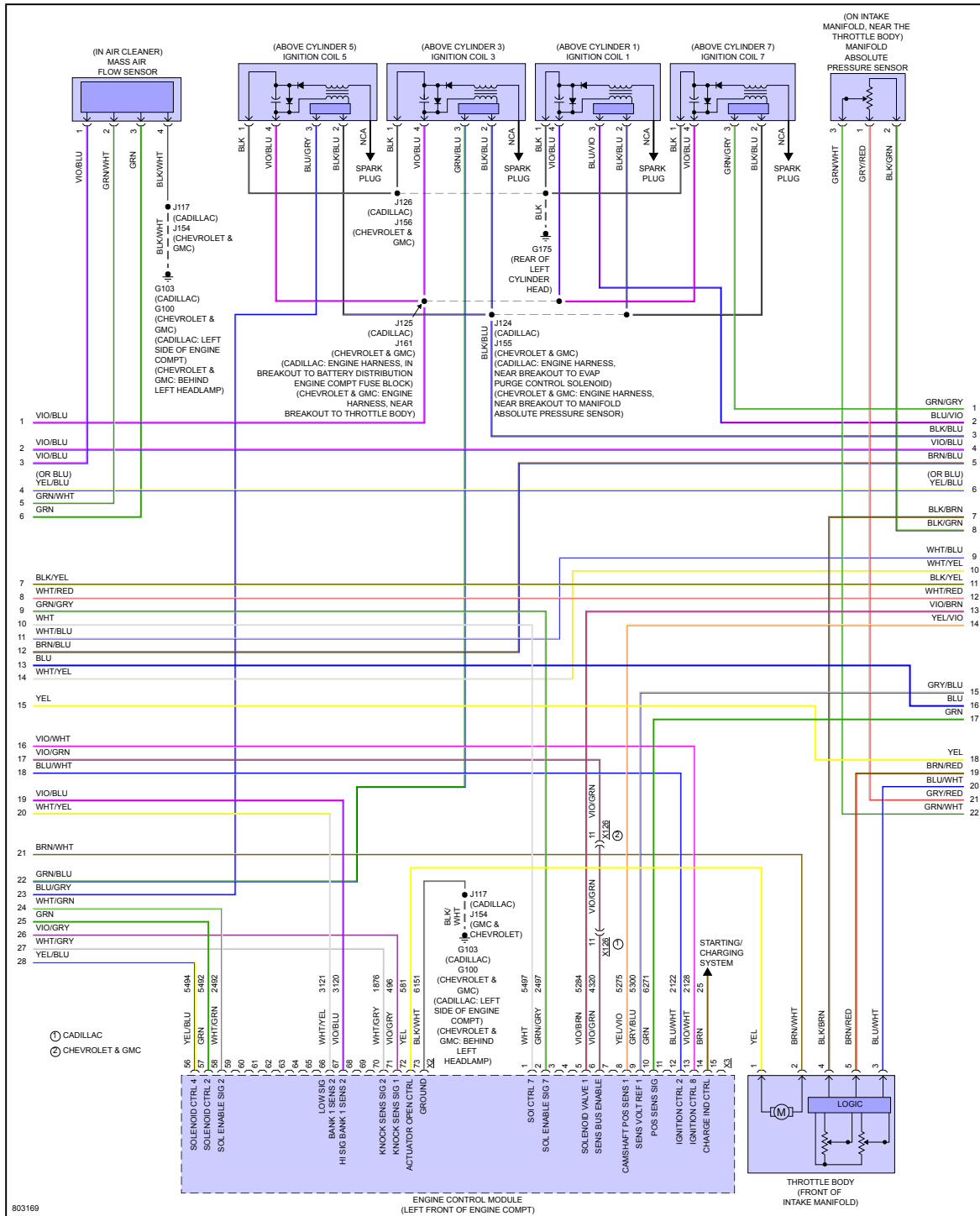


Fig 7: 6.2L VIN L, Engine Performance Circuit (7 of 7)

