

YMMS: 2016 Ford Mustang GT Premium
 Engine: 5.0L Eng
 VIN:

Sep 20, 2022
 License:
 Odometer:

ENGINE PERFORMANCE > 2.3L TURBO

Fig 1: 2.3L Turbo, Engine Performance Circuit (1 of 6)

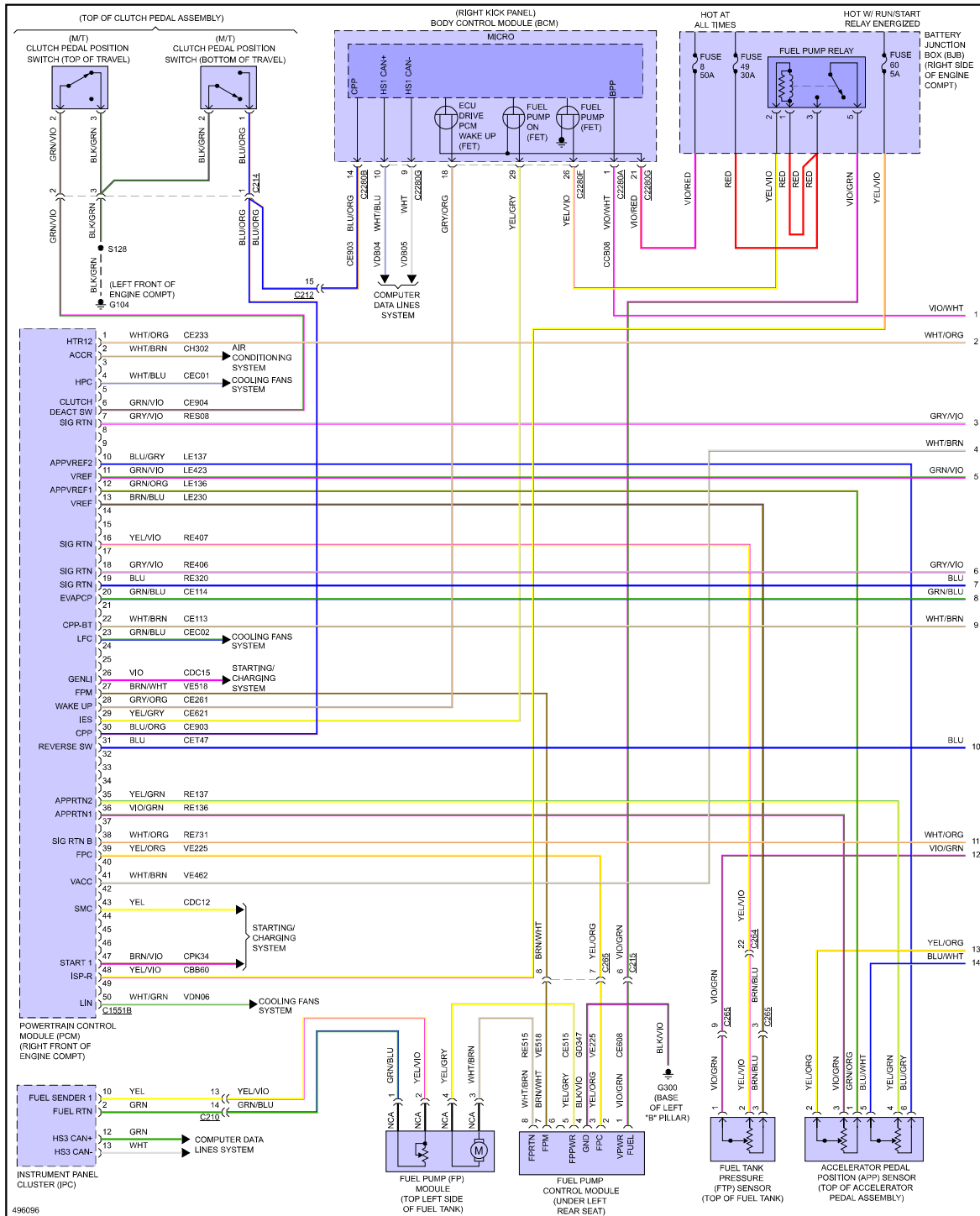
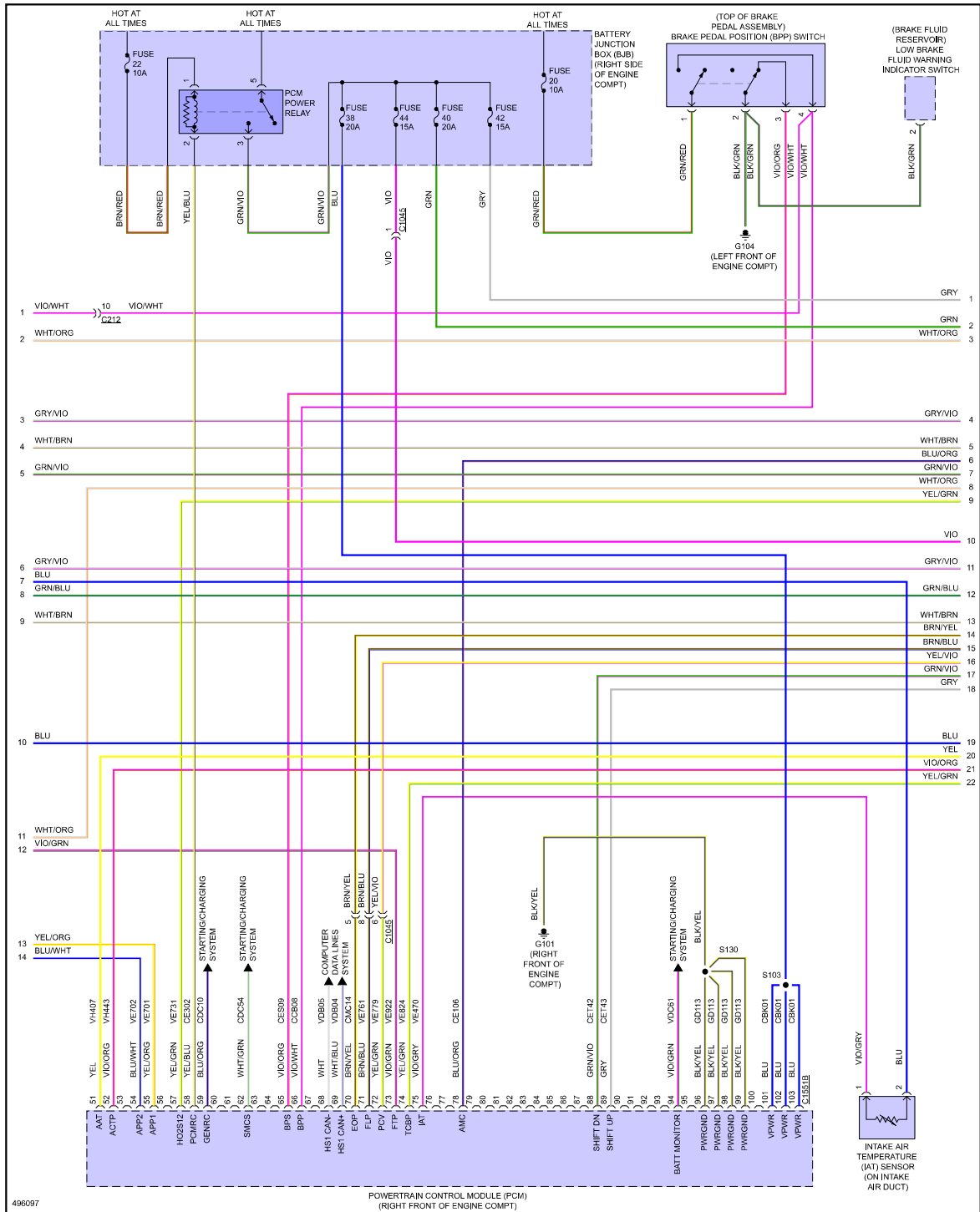


Fig 2: 2.3L Turbo, Engine Performance Circuit (2 of 6)



496097

Fig 3: 2.3L Turbo, Engine Performance Circuit (3 of 6)

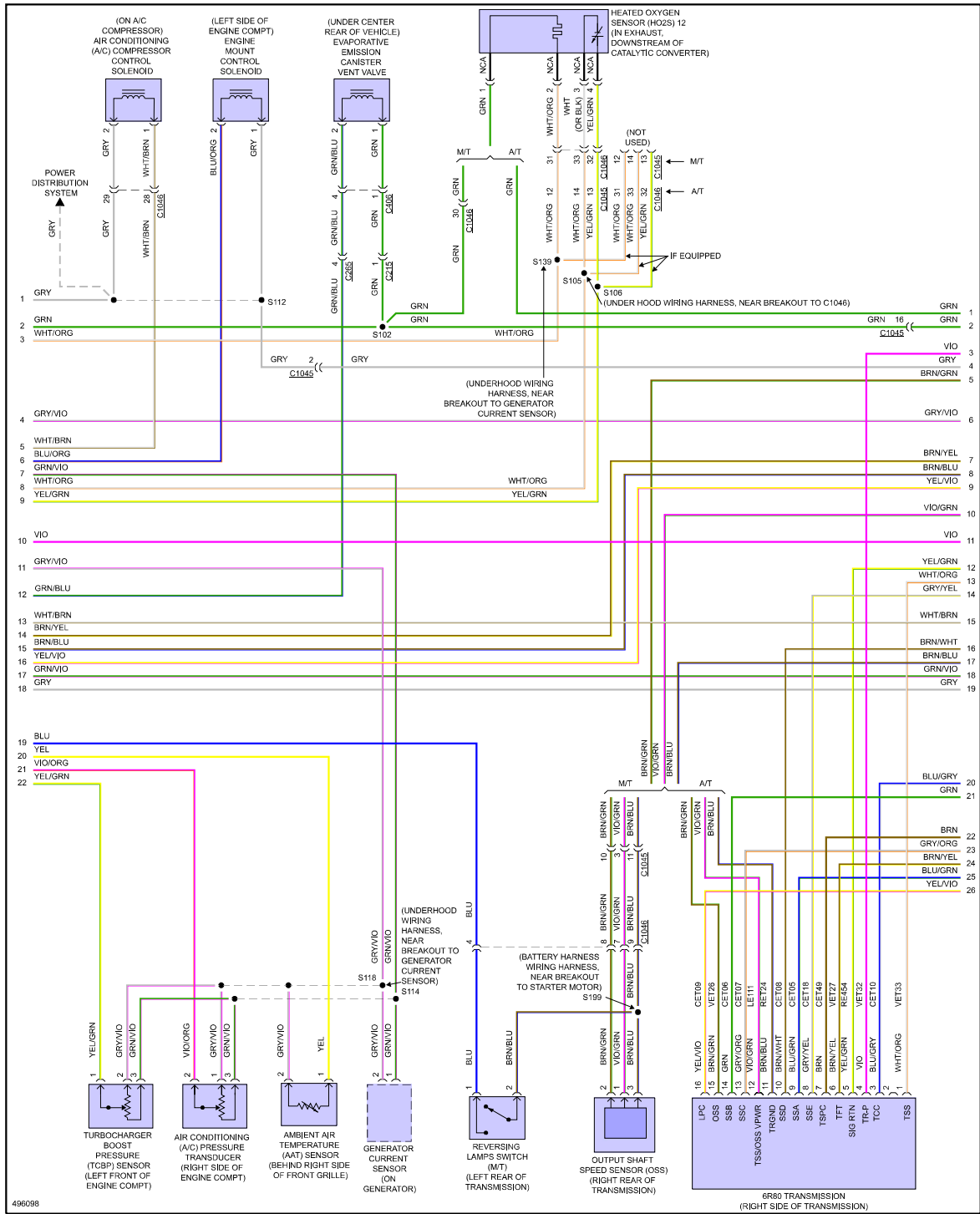


Fig 4: 2.3L Turbo, Engine Performance Circuit (4 of 6)

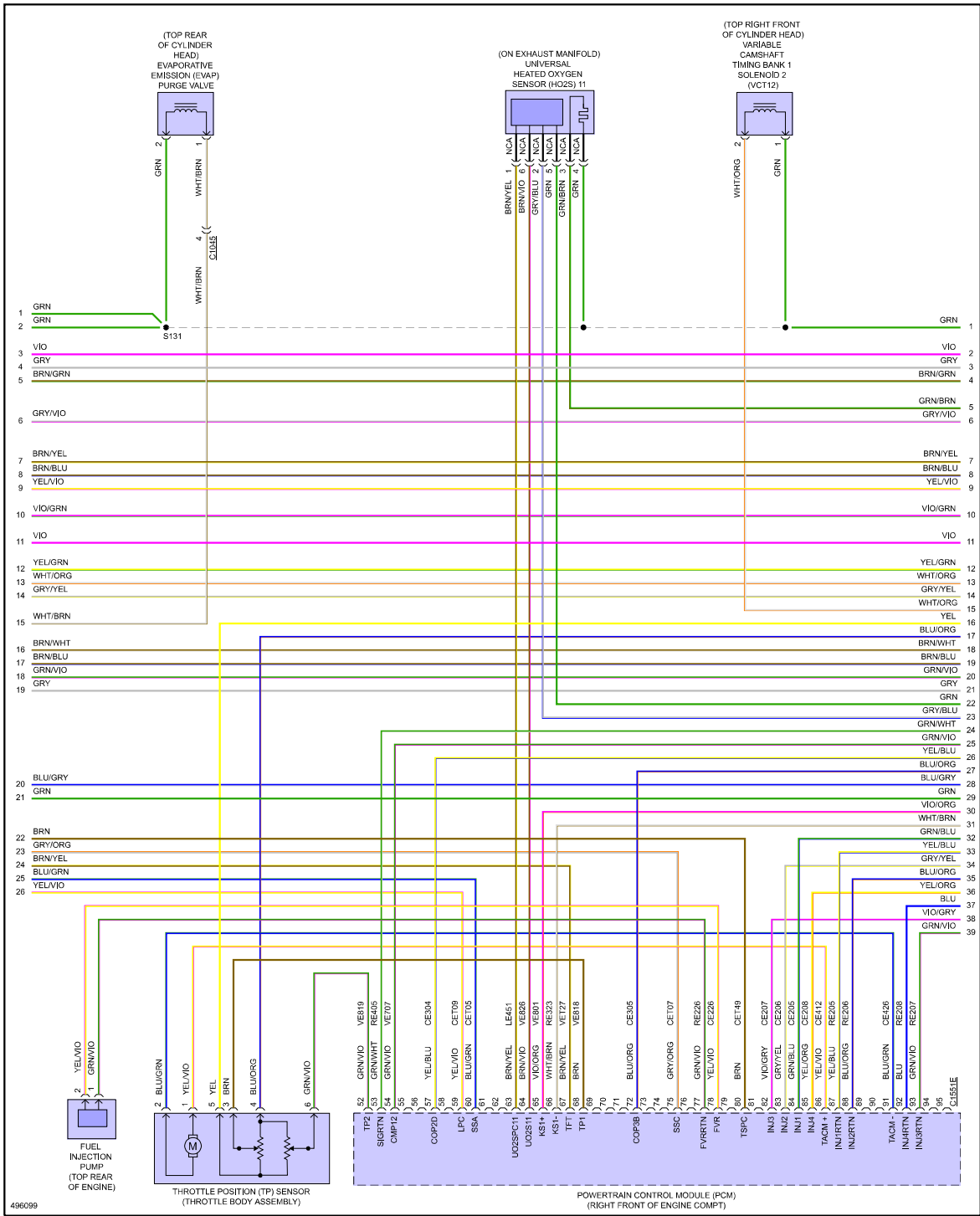


Fig 5: 2.3L Turbo, Engine Performance Circuit (5 of 6)

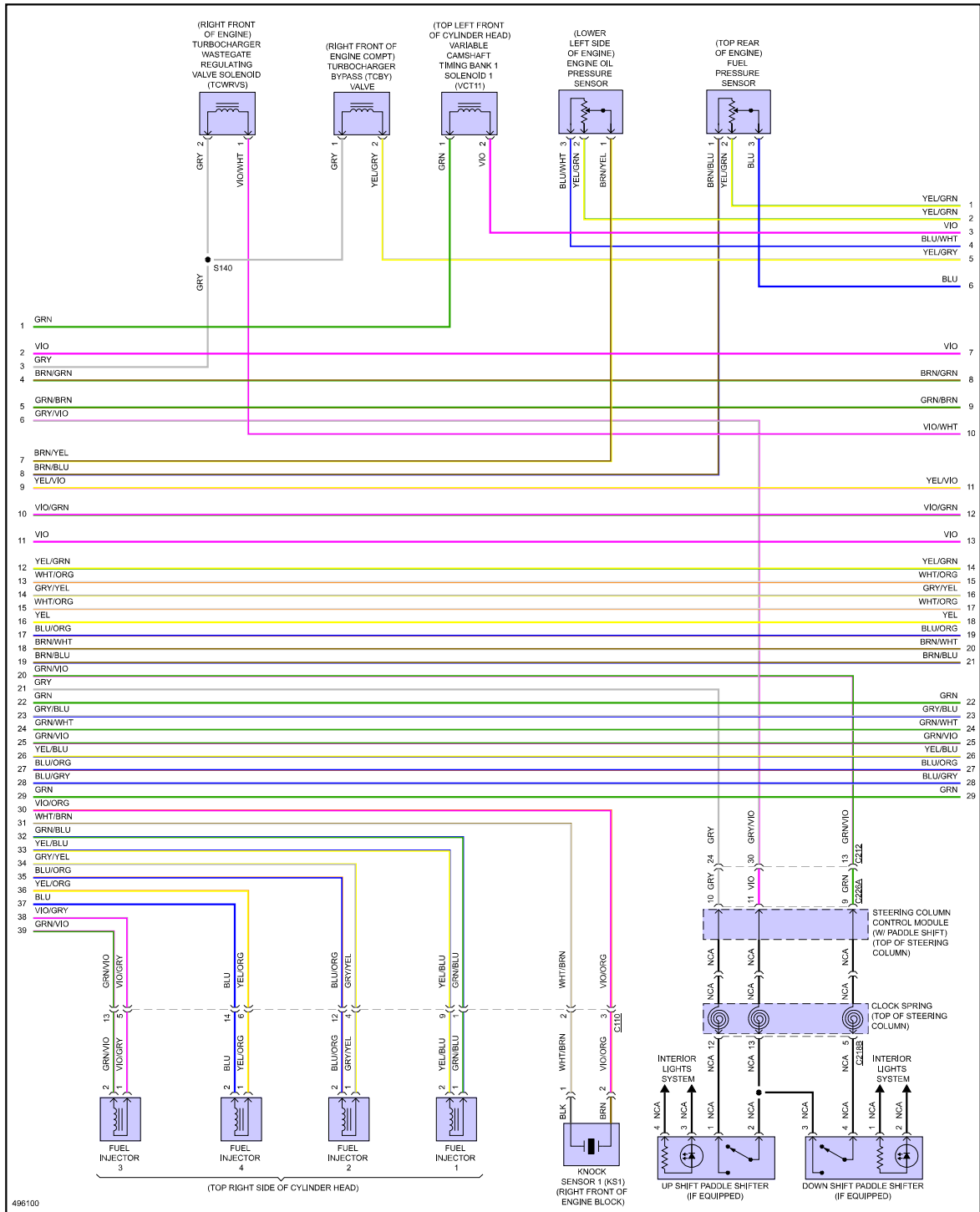
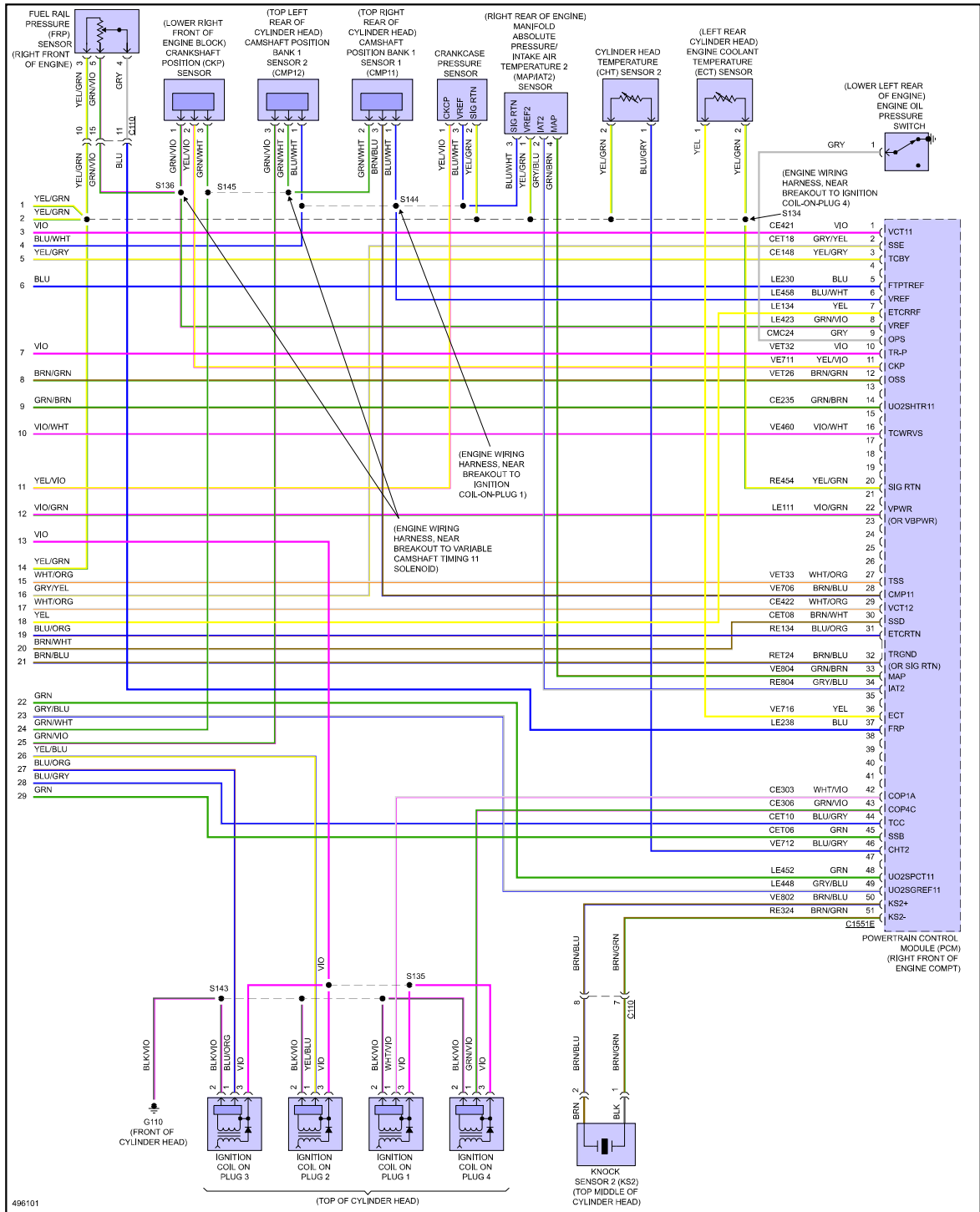


Fig 6: 2.3L Turbo, Engine Performance Circuit (6 of 6)



ENGINE PERFORMANCE > 3.7L

Fig 1: 3.7L, Engine Performance Circuit (1 of 6)

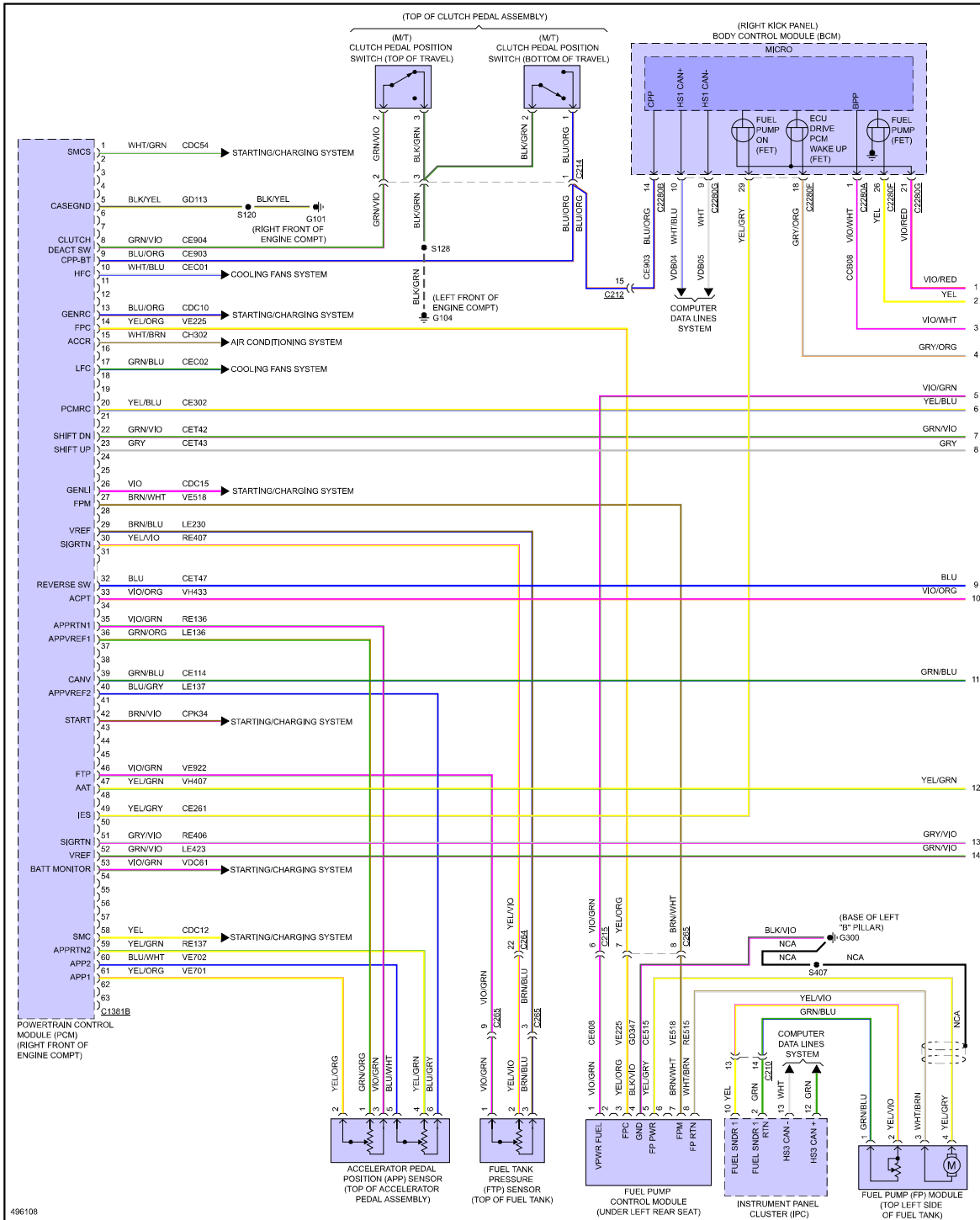


Fig 2: 3.7L, Engine Performance Circuit (2 of 6)

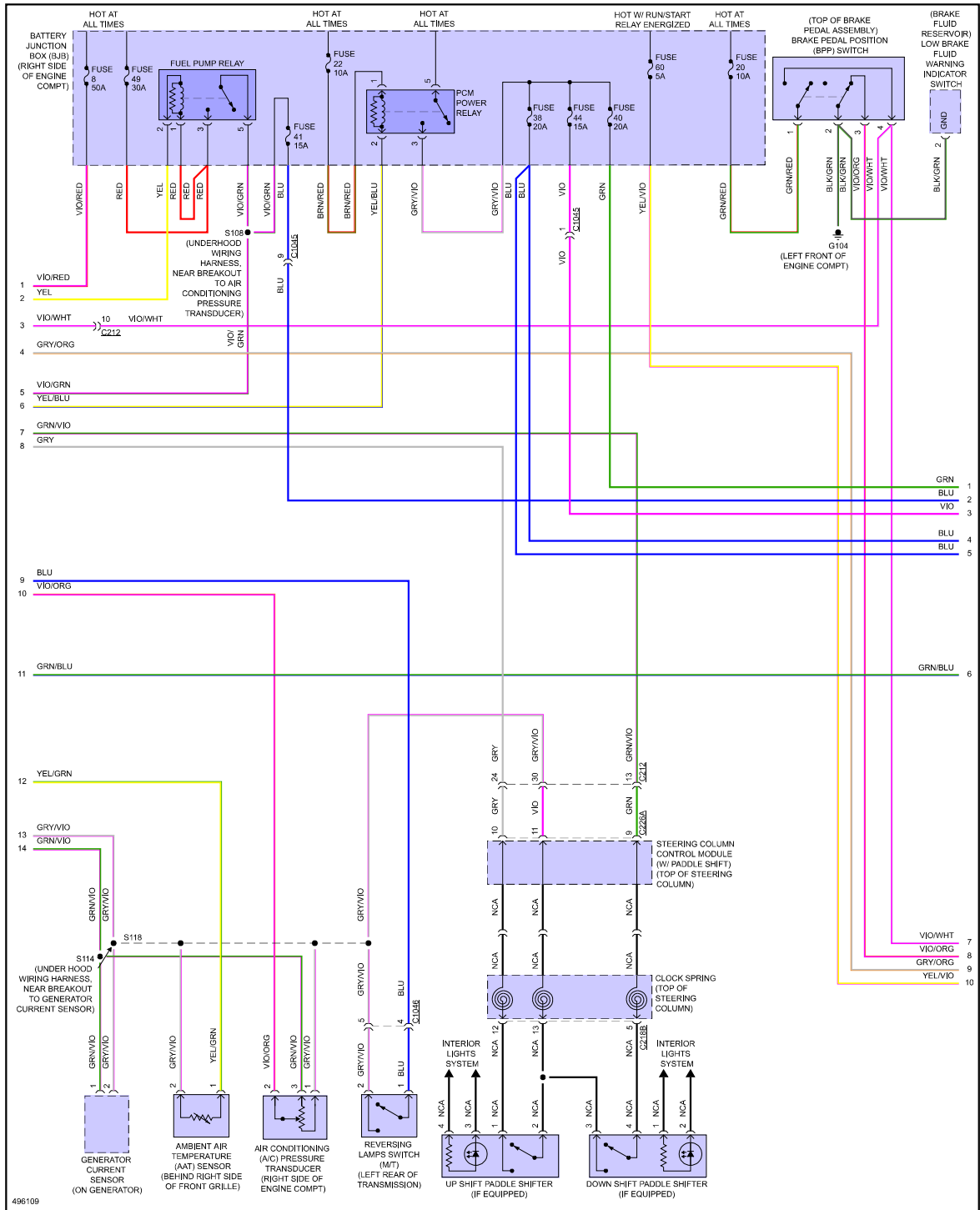


Fig 4: 3.7L, Engine Performance Circuit (4 of 6)

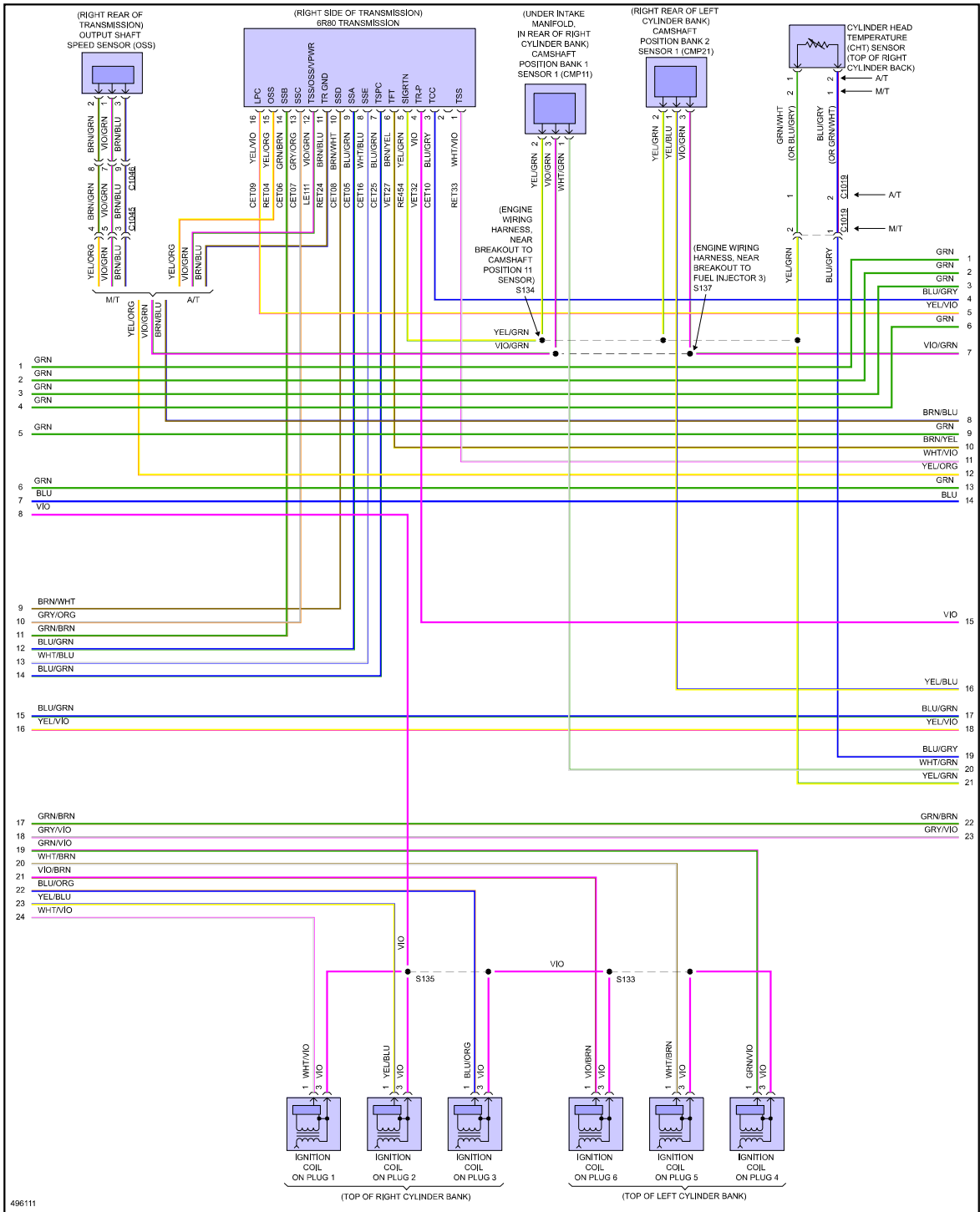


Fig 5: 3.7L, Engine Performance Circuit (5 of 6)

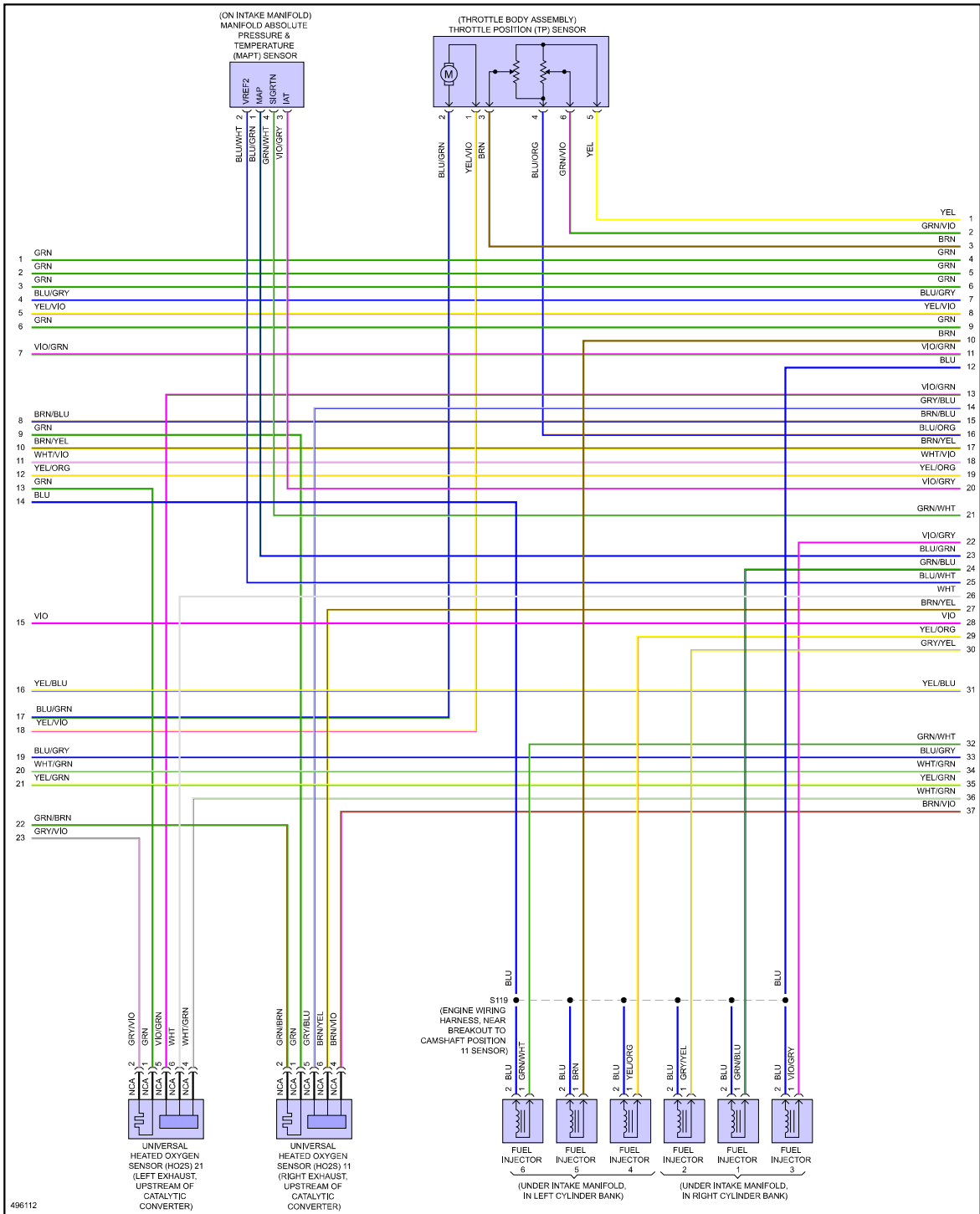


Fig 6: 3.7L, Engine Performance Circuit (6 of 6)

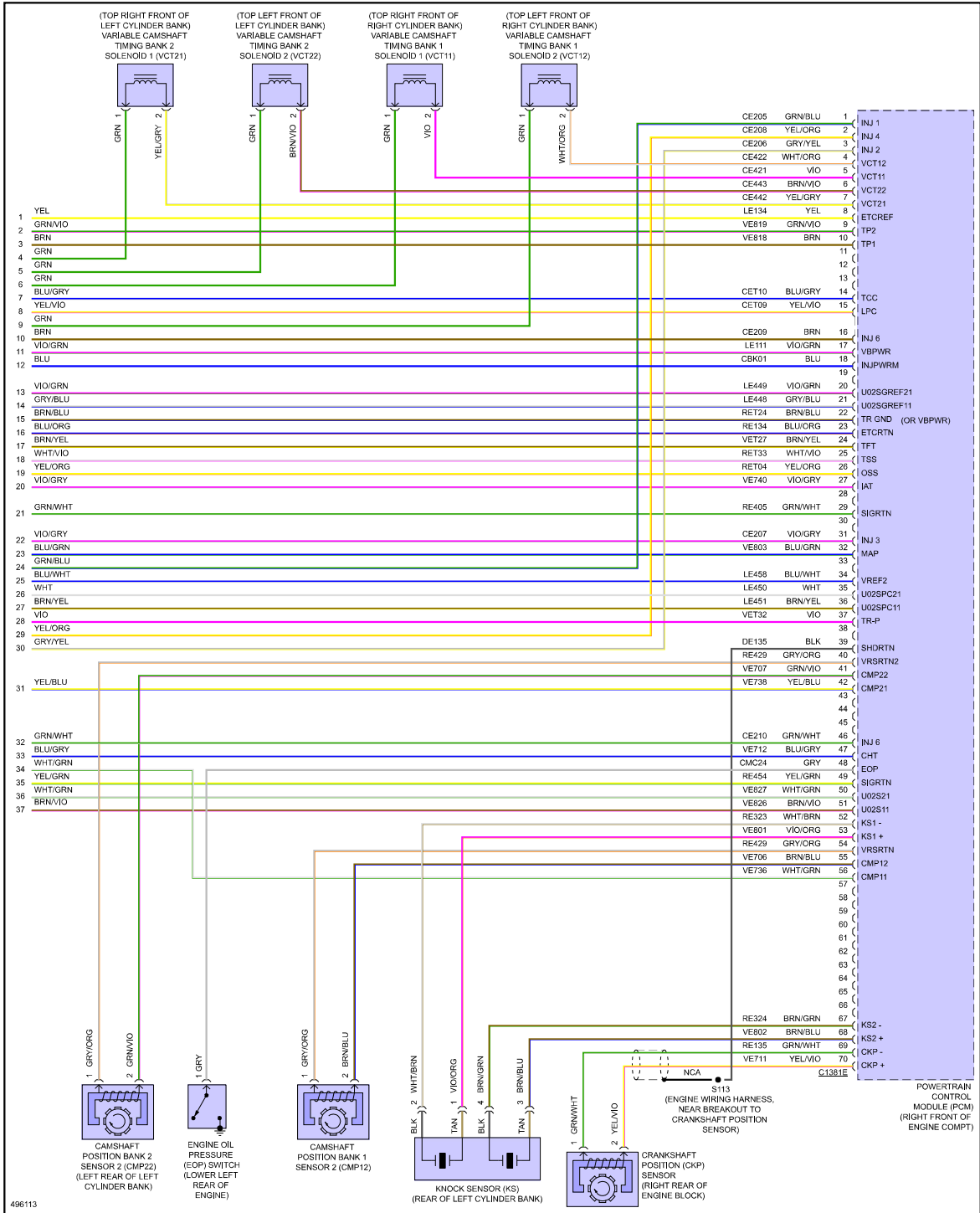


Fig 2: 5.0L, Engine Performance Circuit (2 of 6)

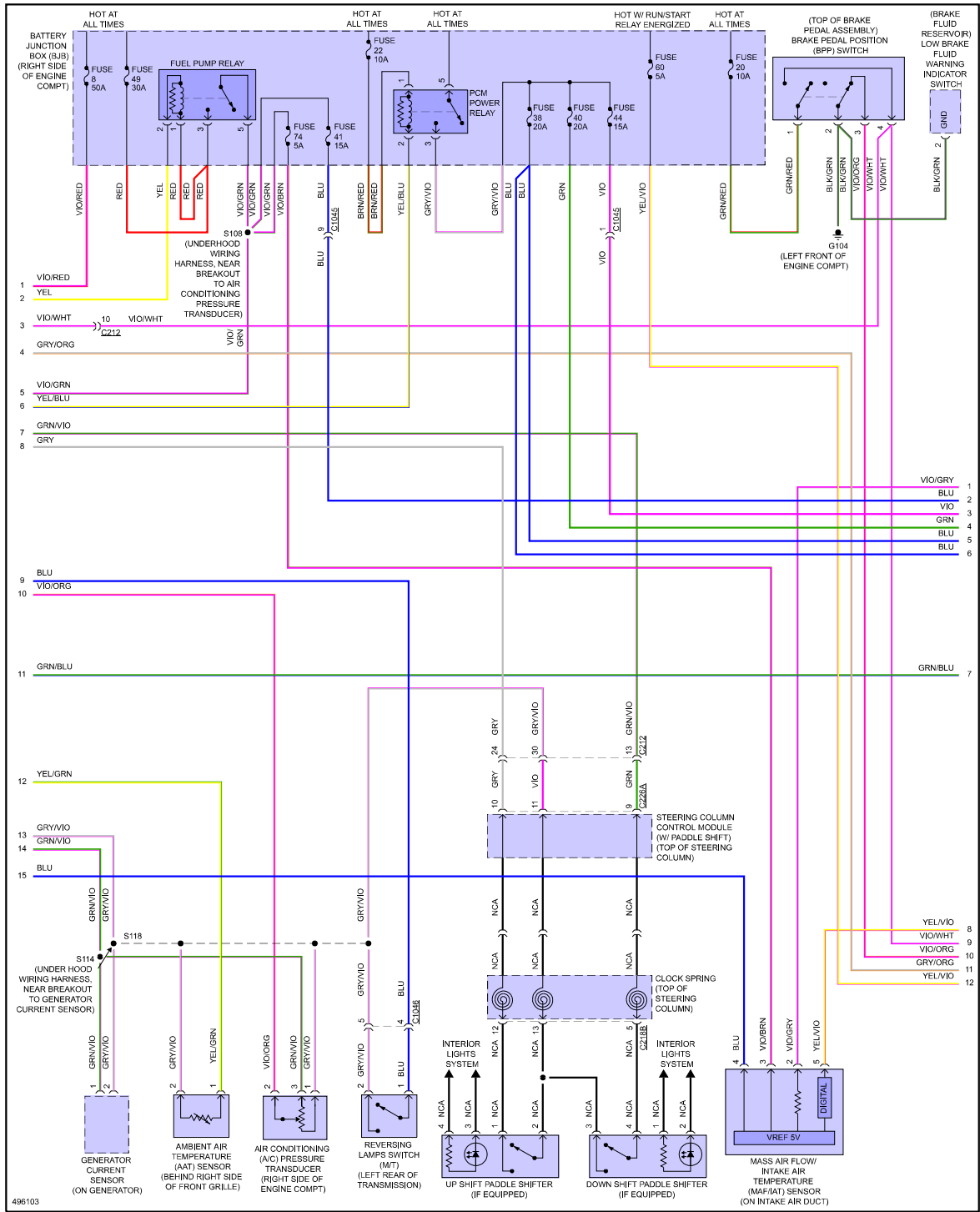


Fig 4: 5.0L, Engine Performance Circuit (4 of 6)

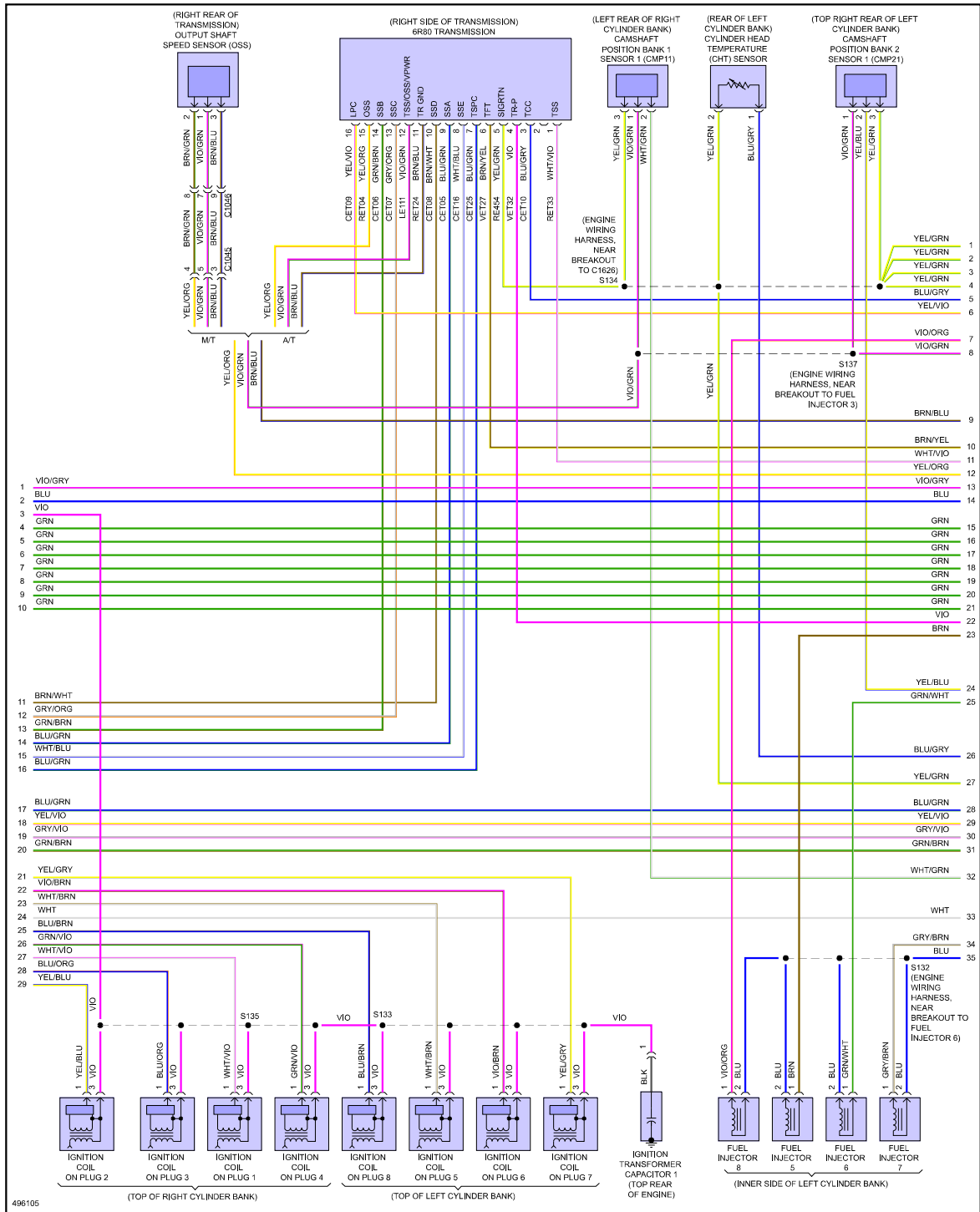


Fig 5: 5.0L, Engine Performance Circuit (5 of 6)

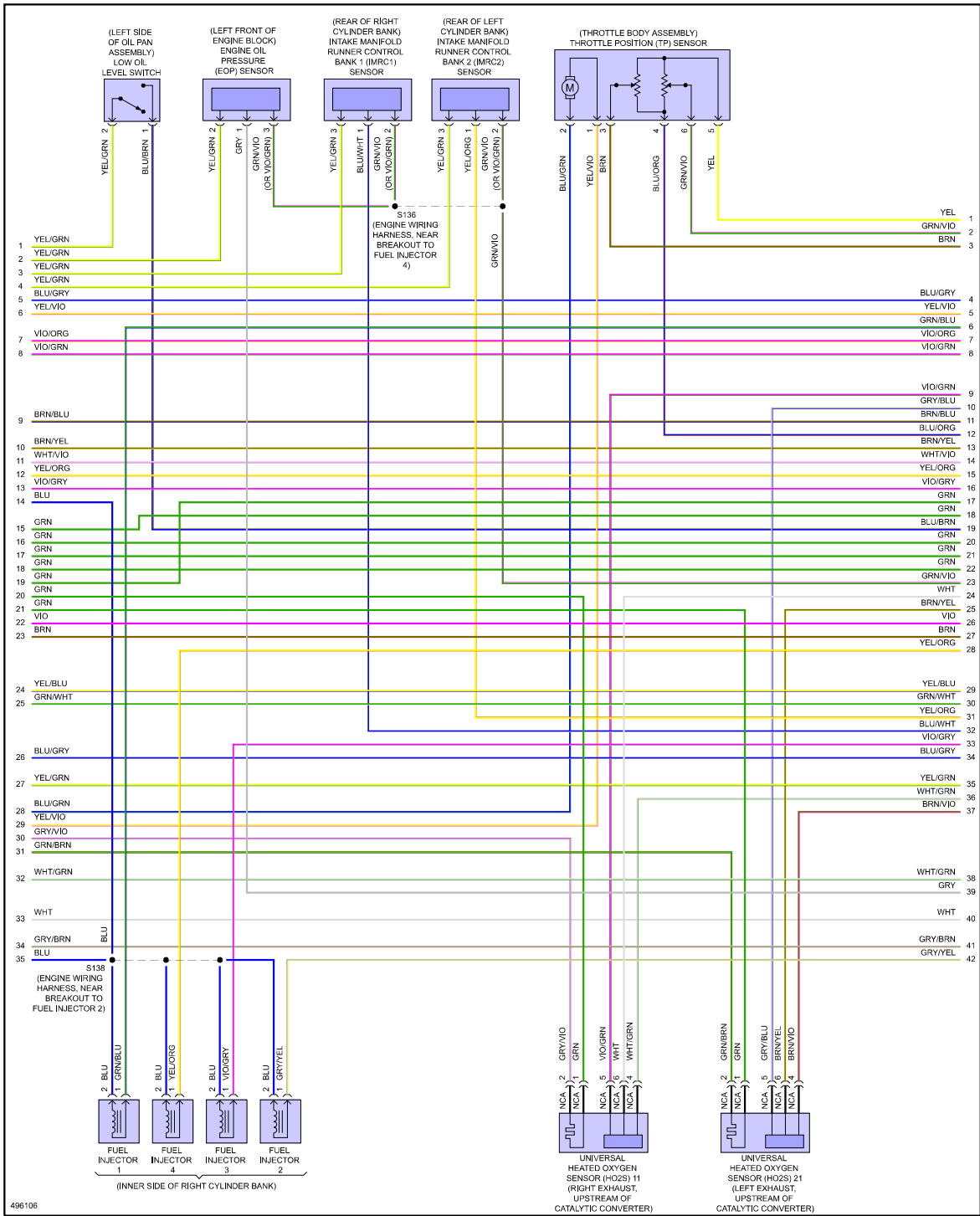
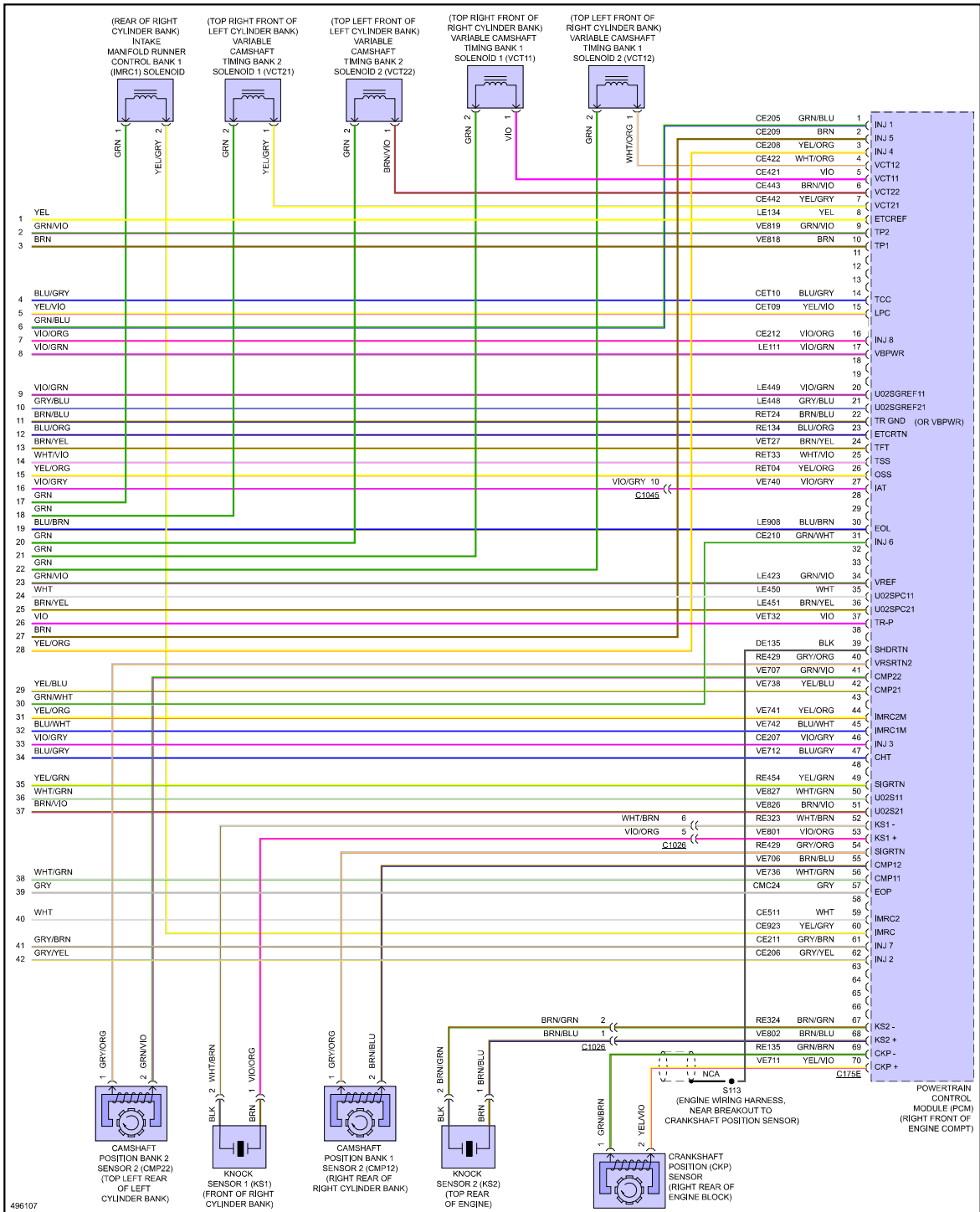


Fig 6: 5.0L, Engine Performance Circuit (6 of 6)



ENGINE PERFORMANCE > 5.2L

Fig 1: 5.2L, Engine Performance Circuit (1 of 7)

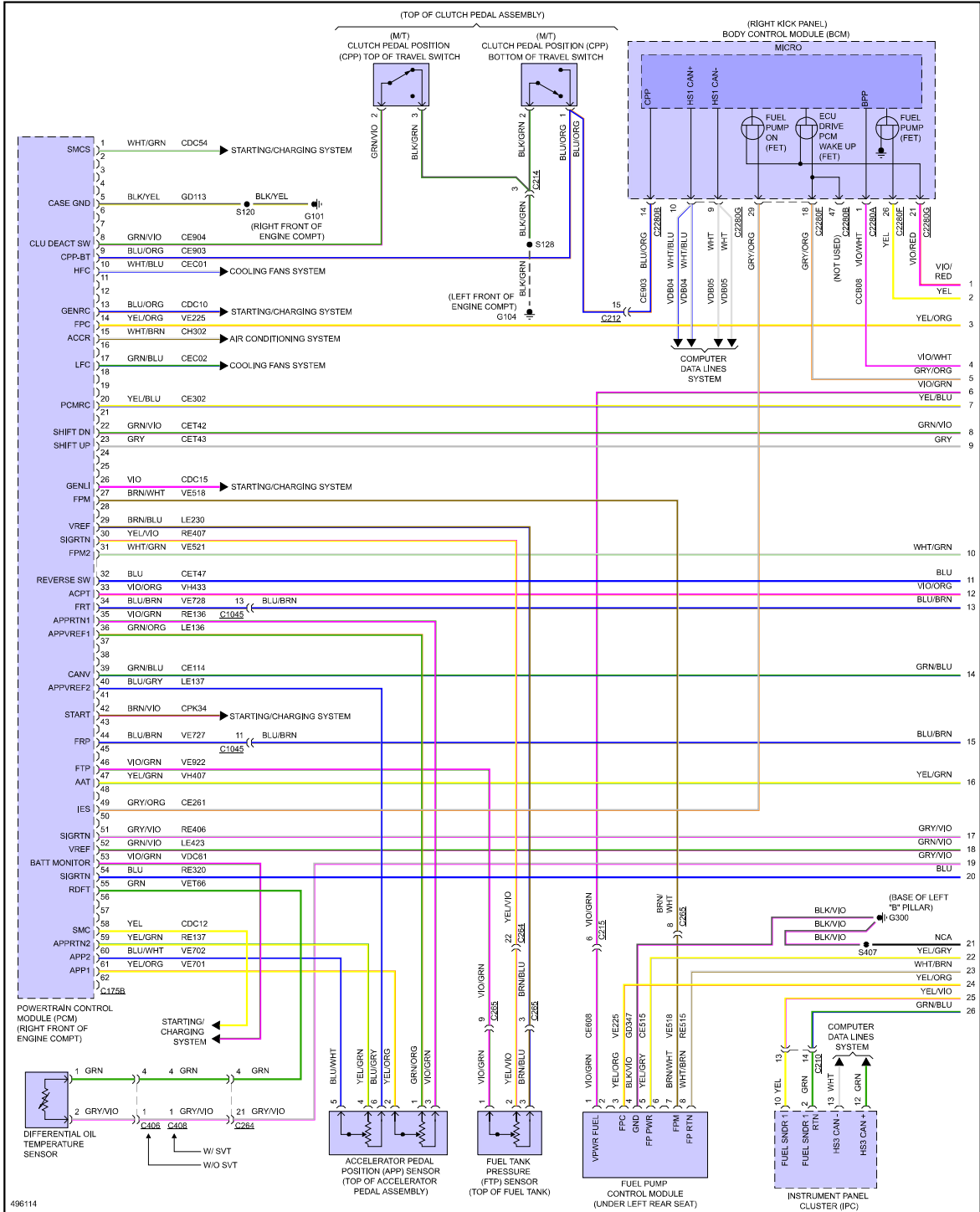


Fig 3: 5.2L, Engine Performance Circuit (3 of 7)

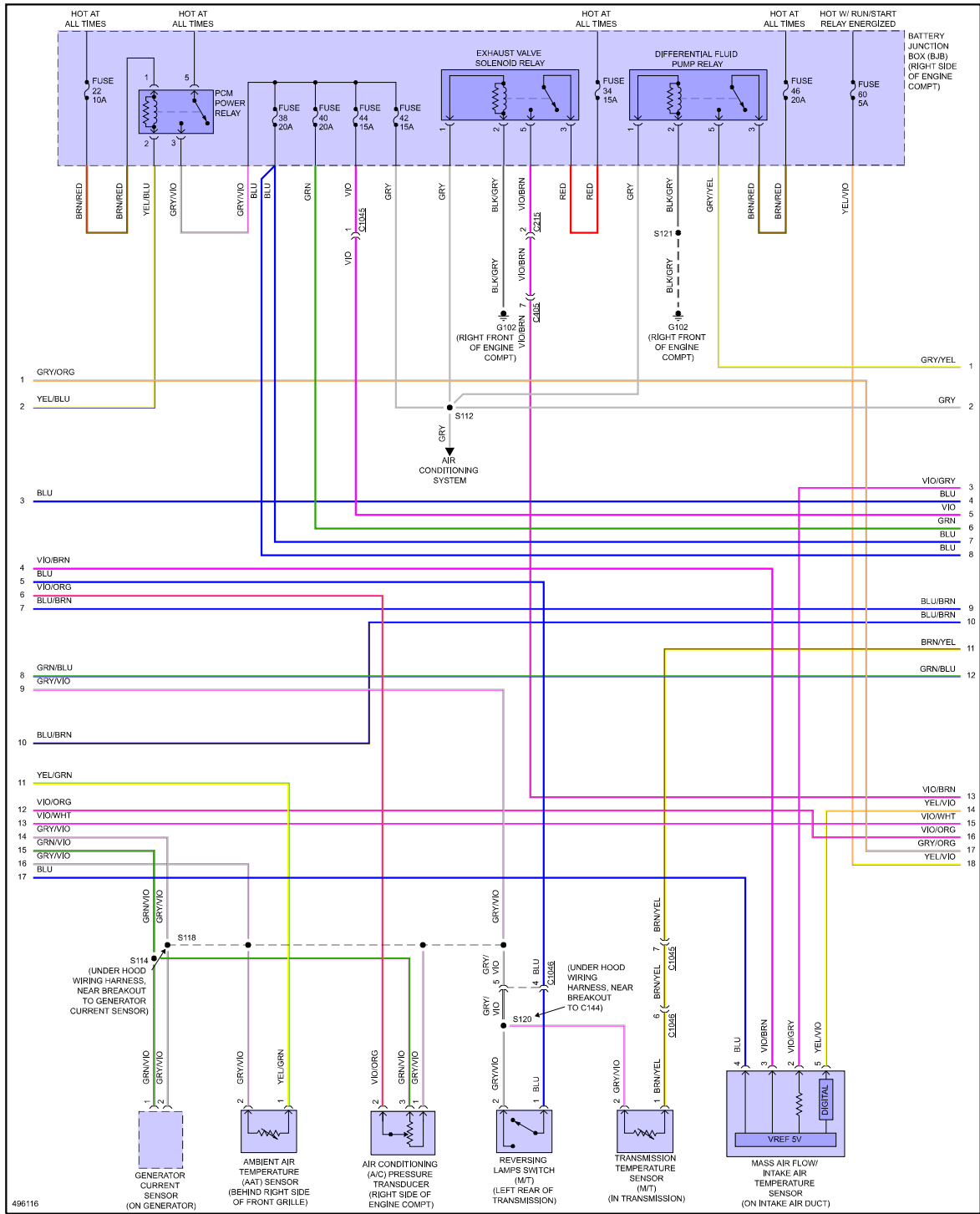


Fig 4: 5.2L, Engine Performance Circuit (4 of 7)

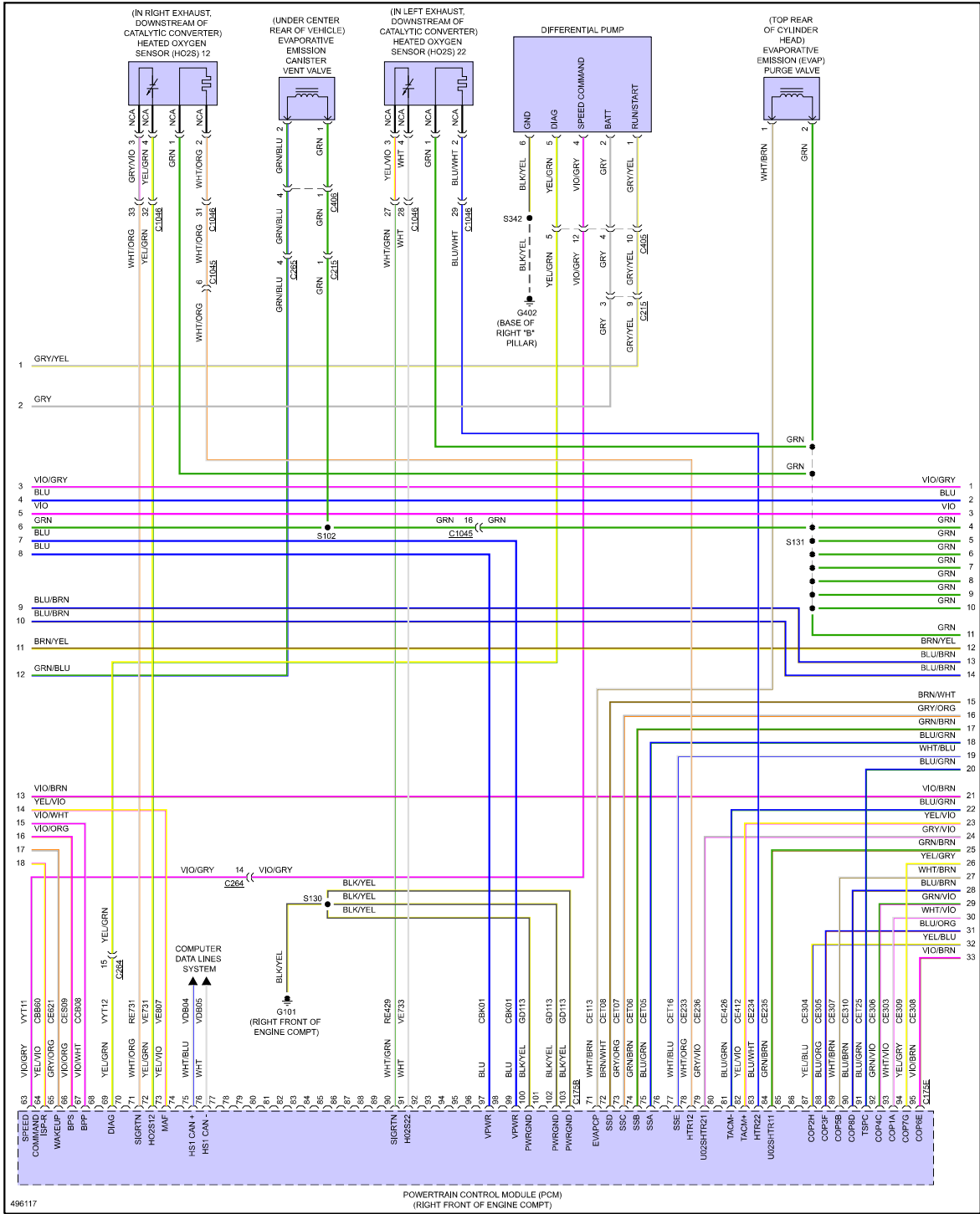


Fig 5: 5.2L, Engine Performance Circuit (5 of 7)

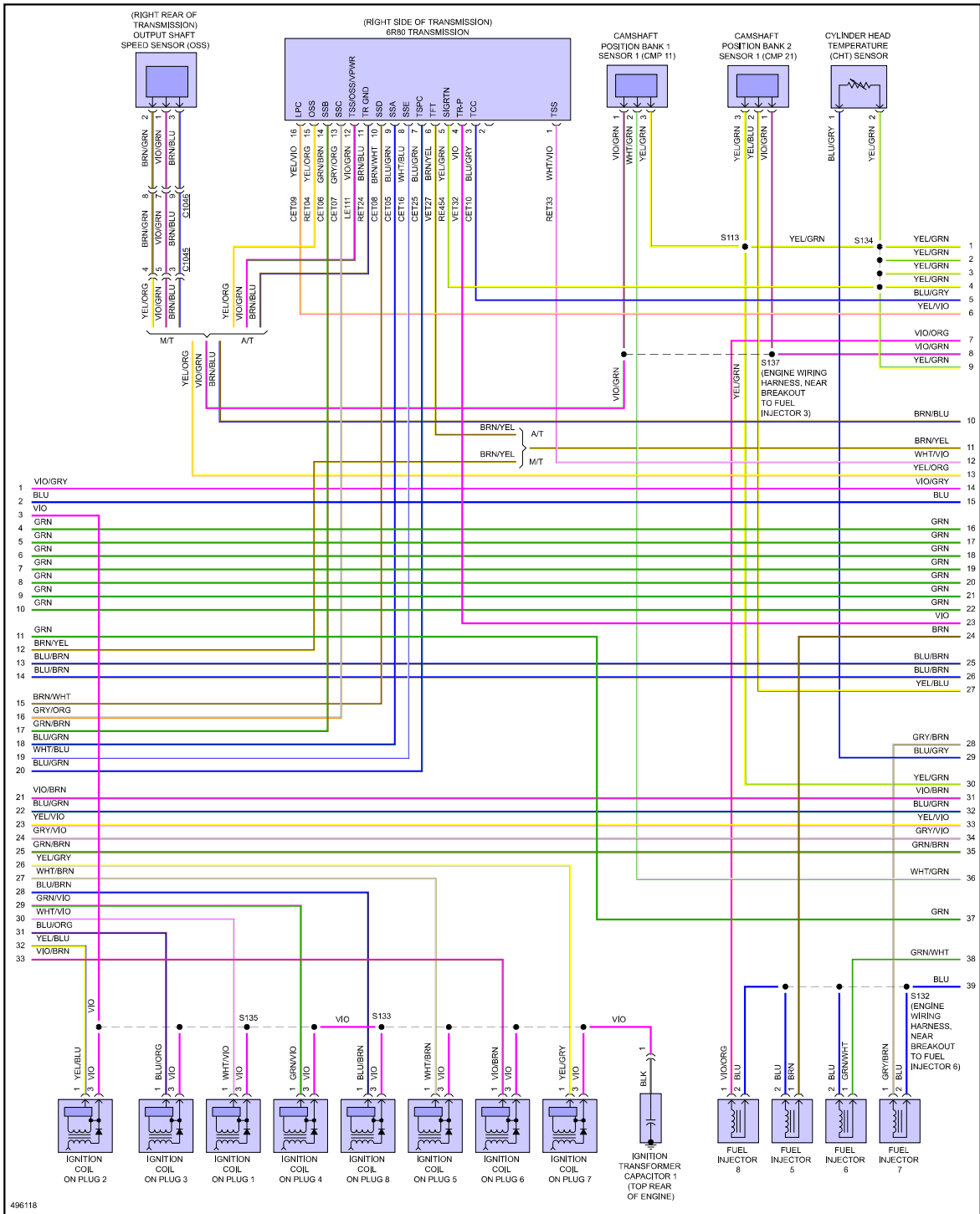


Fig 6: 5.2L, Engine Performance Circuit (6 of 7)

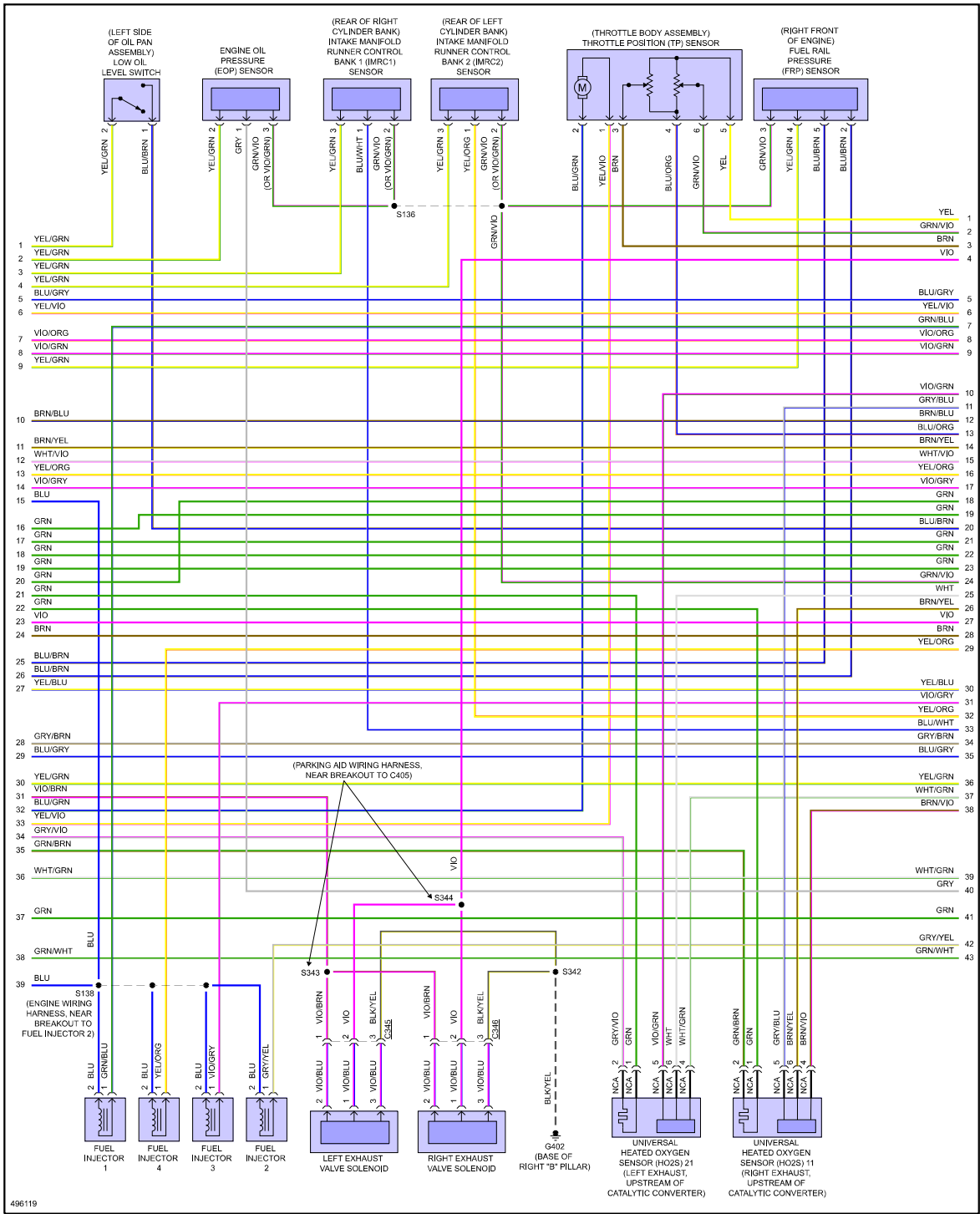


Fig 7: 5.2L, Engine Performance Circuit (7 of 7)

