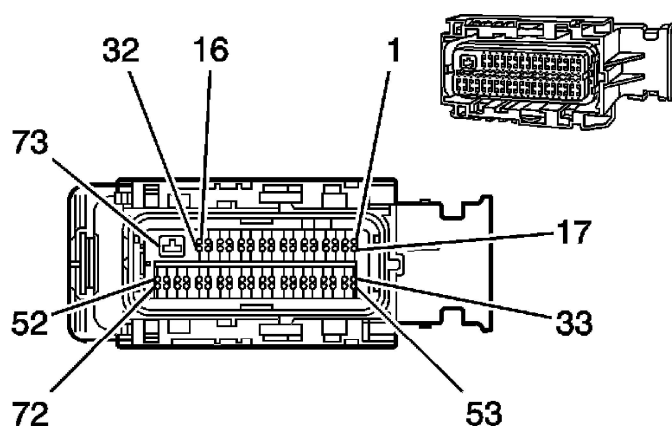


## Vehicle: Connector Views

### Engine Control Module (ECM) X3

#### Component Connector End Views

#### Engine Control Module (ECM) X3 (LSA)



#### Connector Part Information

- Harness Type: Engine
- OEM Connector: 34566-0203
- Service Connector: 88988372
- Description: 73-Way F MX123 34566 Series (BK with GY Terminal Position Assurance Lock)

#### Terminal Part Information

- Pins: 3-8, 13, 15, 16, 18, 21, 27, 29, 33, 34, 37, 43, 46, 48-50, 53, 57, 63
  - Terminated Lead: 13575575
  - Release Tool: J-38125-213
  - Diagnostic Test Probe: J-35616-64B (L-BU)
  - Terminal/Tray: 33467-0005/23
  - Core/Insulation Crimp: J/J
- Pins: 14, 45, 66, 67
  - Terminated Lead: 13575811
  - Release Tool: J-38125-213
  - Diagnostic Test Probe: J-35616-64B (L-BU)
  - Terminal/Tray: 33467-0003/23
  - Core/Insulation Crimp: H/H
- Pins: 22, 23, 35, 36, 38, 39, 55, 56, 58, 59, 65
  - Terminated Lead: 13575575
  - Release Tool: J-38125-213
  - Diagnostic Test Probe: J-35616-64B (L-BU)
  - Terminal/Tray: 33467-0005/23
  - Core/Insulation Crimp: K/K
- Pins: 73
  - Terminated Lead: Pending
  - Release Tool: J-38125-11A
  - Diagnostic Test Probe: J-35616-35 (VT)
  - Terminal/Tray: 7116-4152-02/9
  - Core/Insulation Crimp: A/5

## Engine Control Module (ECM) X3 (LSA)

Pin	Wire	Circuit	Function
1-2	-	-	Not Used
3	0.5 TN	1667	HO2S Low Signal - Bank 2 Sensor 1
4	0.5 PU	1666	HO2S High Signal - Bank 2 Sensor 1
5	0.5 PU	1670	HO2S High Signal - Bank 2 Sensor 2
6	0.5 TN	1671	HO2S Low Signal - Bank 2 Sensor 2
7	0.5 OG	225	Generator Turn On Signal
8	0.5 L-GN	1652	Reverse Lockout Solenoid Signal (MG9)
9-12	-	-	Not Used
13	0.5 GY	587	Skip Shift Signal (MG9)
14	0.35 L-BU	7126	Super Charger Vacuum Bypass Valve Control
15	0.5 L-GN	3212	HO2S Heater Low Control - Bank 2 Sensor 1
16	0.5 PK	2014	Charge Air Cooler Coolant Pump Control
17	-	-	Not Used
18	0.8 BN	1174	Oil Level Switch Signal
19-20	-	-	Not Used
21	0.5 TN	5514	A/C Refrigerant Pressure Sensor Low Reference
22	0.8 OG/BK	6014	Barometric Pressure Sensor Low Reference
23	0.8 OG/BK	469	Manifold Absolute Pressure Sensor Low Reference
24-26	-	-	Not Used
27	0.5 OG/D-GN	7360	Manual Transmission Clutch Position Sensor Return (MG9)
28	-	-	Not Used
29	0.5 GY	23	Generator Field Duty Cycle Signal
30-32	-	-	Not Used
33	0.5 TN	2501	High Speed GMLAN Serial Data Bus-
34	0.5 TN	470	Sensor Low Reference
35	0.8 TN	2761	Coolant Temperature Sensor Low Reference
36	0.8 YE/BK	6120	Manifold Air Temperature Sensor Low Reference
37	0.5 GY	2700	A/C Pressure Sensor 5 Volt Reference
38	0.8 WH/BK	2932	Barometric Pressure Sensor (5) Volt Reference
39	0.8 GY	2704	Manifold Absolute Pressure Sensor 5 Volt Reference
40-42	-	-	Not Used
43	0.5 D-BU/YE	7361	Manual Transmission Clutch Position Sensor Supply (MG9)
44	-	-	Not Used
45	0.35 L-GN	5007	Backup Lamp Switch Signal (MG9)
46	0.5 OG/BK	1786	Ignition Lock Cylinder Control Actuator Signal (MYD)
47	-	-	Not Used
48	0.5 D-GN/WH	428	EVAP Canister Purge Solenoid Control
49	0.5 D-GN	335	Low Speed Cooling Fan Relay Control
50	0.5 OG/WH	3223	HO2S Heater Low Control - Bank 2 Sensor 2
51-52	-	-	Not Used
53	0.5 TN/BK	2500	High Speed GMLAN Serial Data Bus+
54	-	-	Not Used

Pin	Wire	Circuit	Function
55	0.8 YE	410	Engine Coolant Temperature Sensor Signal
56	0.8 L-BU	6118	Manifold Air Temperature Sensor Signal
57	0.5 OG/BK	380	A/C Refrigerant Pressure Sensor Signal
58	0.8 GY/BK	433	Barometric Pressure Sensor Signal
59	0.8 L-GN	432	Manifold Absolute Pressure Sensor Signal
60-62	-	-	Not Used
63	0.5 L-GN	6338	Manual Transmission Clutch Position Sensor Signal Position (MG9)
64-65	-	-	Not Used
66	0.35 YE	400	Vehicle Speed Sensor Signal
67	0.35 PU	401	Vehicle Speed Sensor Low Reference
68-72	-	-	Not Used
73	3.0 BK	1550	Ground