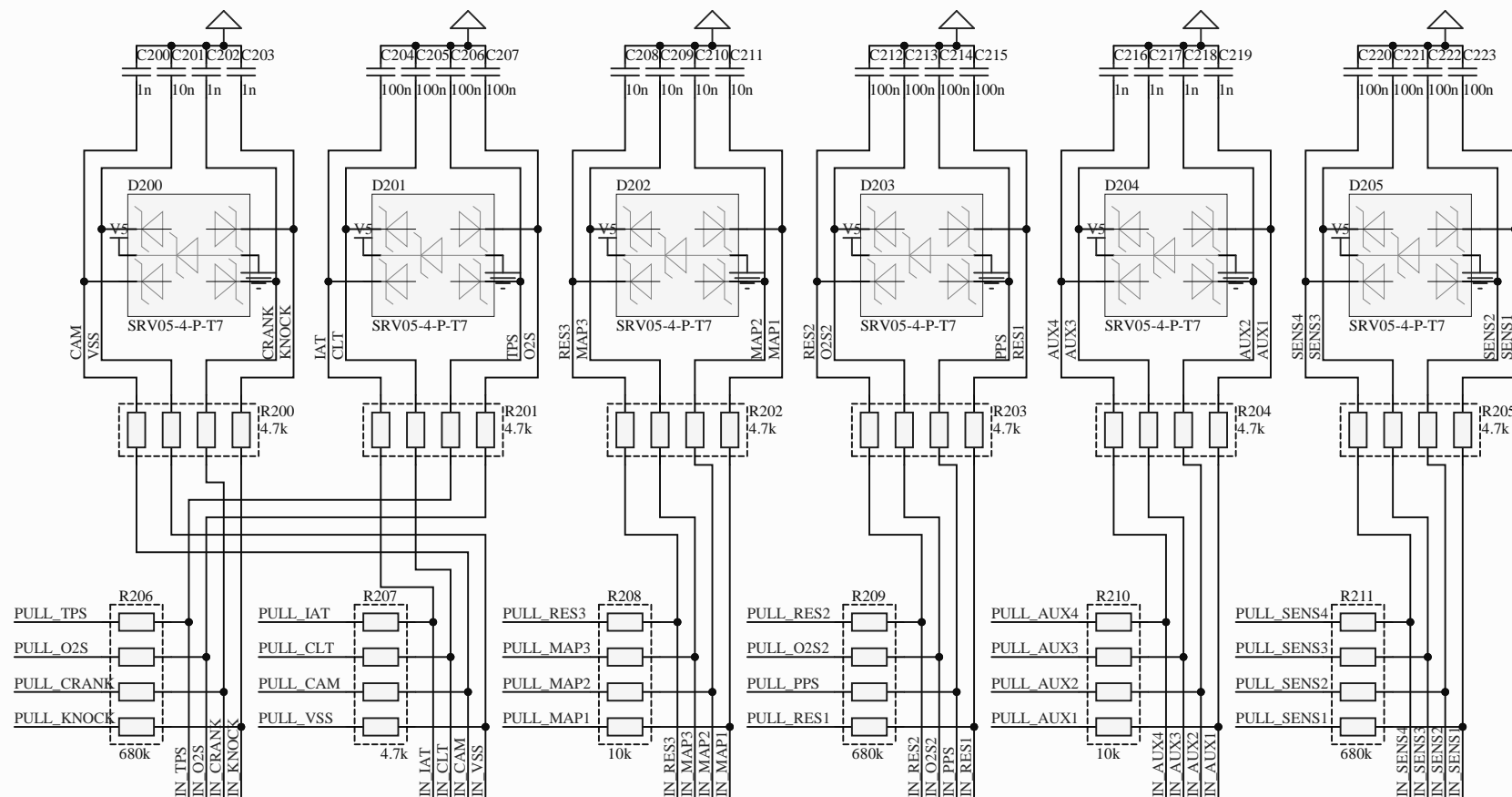


M200D			
PULL_CRANK J21	PULL_CRANK	PULL_MAP1	J14 PULL_MAP1
PULL_CAM J17	PULL_CAM	PULL_MAP2	J13 PULL_MAP2
PULL_VSS J18	PULL_VSS	PULL_MAP3	J12 PULL_MAP3
PULL_TPS J19	PULL_TPS	PULL_AUX1	J10 PULL_AUX1
PULL_PPS J5	PULL_PPS	PULL_AUX2	J9 PULL_AUX2
PULL_IAT J15	PULL_IAT	PULL_AUX3	J8 PULL_AUX3
PULL_CLT J16	PULL_CLT	PULL_AUX4	J7 PULL_AUX4
PULL_O2S J20	PULL_O2S	PULL_SENS1	J26 PULL_SENS1
PULL_O2S2 J4	PULL_O2S2	PULL_SENS2	J25 PULL_SENS2
		PULL_SENS3	J24 PULL_SENS3
		PULL_SENS4	J23 PULL_SENS4
PULL_RES1 J6	PULL_RES1	PULL_SENS4	J22 PULL_KNOCK
PULL_RES2 J3	PULL_RES2		
PULL_RES3 J11	PULL_RES3		

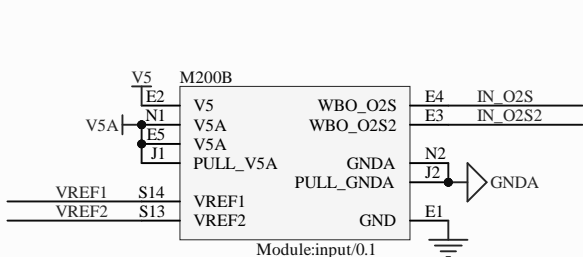
Module:input/0.1



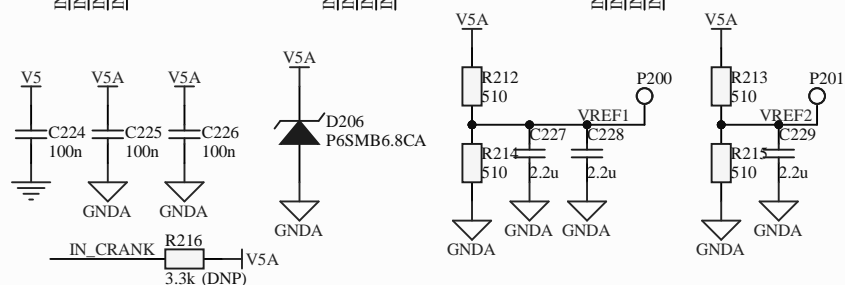
M200C		M200A	
IN_CRANK S8	IN_CRANK	N21 CRANK	
IN_CAM S5	IN_CAM	N19 CAM	
IN_VSS S6	IN_VSS	N20 VSS	
IN_TPS S10	IN_TPS	N17 TPS	
IN_PPS S24	IN_PPS	N5 PPS	
IN_IAT S16	IN_IAT	N15 IAT	
IN_CLT S15	IN_CLT	N16 CLT	
IN_O2S S9	IN_O2S	N18 O2S	
IN_O2S2 S25	IN_O2S2	N4 O2S2	
IN_RES1 S23	IN_RES1	N6 RES1	
IN_RES2 S26	IN_RES2	N3 RES2	
IN_RES3 S22	IN_RES3	N11 RES3	
IN_MAP1 S11	IN_MAP1	N14 MAP1	
IN_MAP2 S12	IN_MAP2	N13 MAP2	
IN_MAP3 S19	IN_MAP3	N12 MAP3	
IN_AUX1 S17	IN_AUX1	N10 AUX1	
IN_AUX2 S18	IN_AUX2	N9 AUX2	
IN_AUX3 S20	IN_AUX3	N8 AUX3	
IN_AUX4 S21	IN_AUX4	N7 AUX4	
IN_SENS1 S1	IN_SENS1	N26 SENS1	
IN_SENS2 S2	IN_SENS2	N25 SENS2	
IN_SENS3 S3	IN_SENS3	N24 SENS3	
IN_SENS4 S4	IN_SENS4	N23 SENS4	
IN_KNOCK S7	IN_KNOCK	N22 KNOCK	

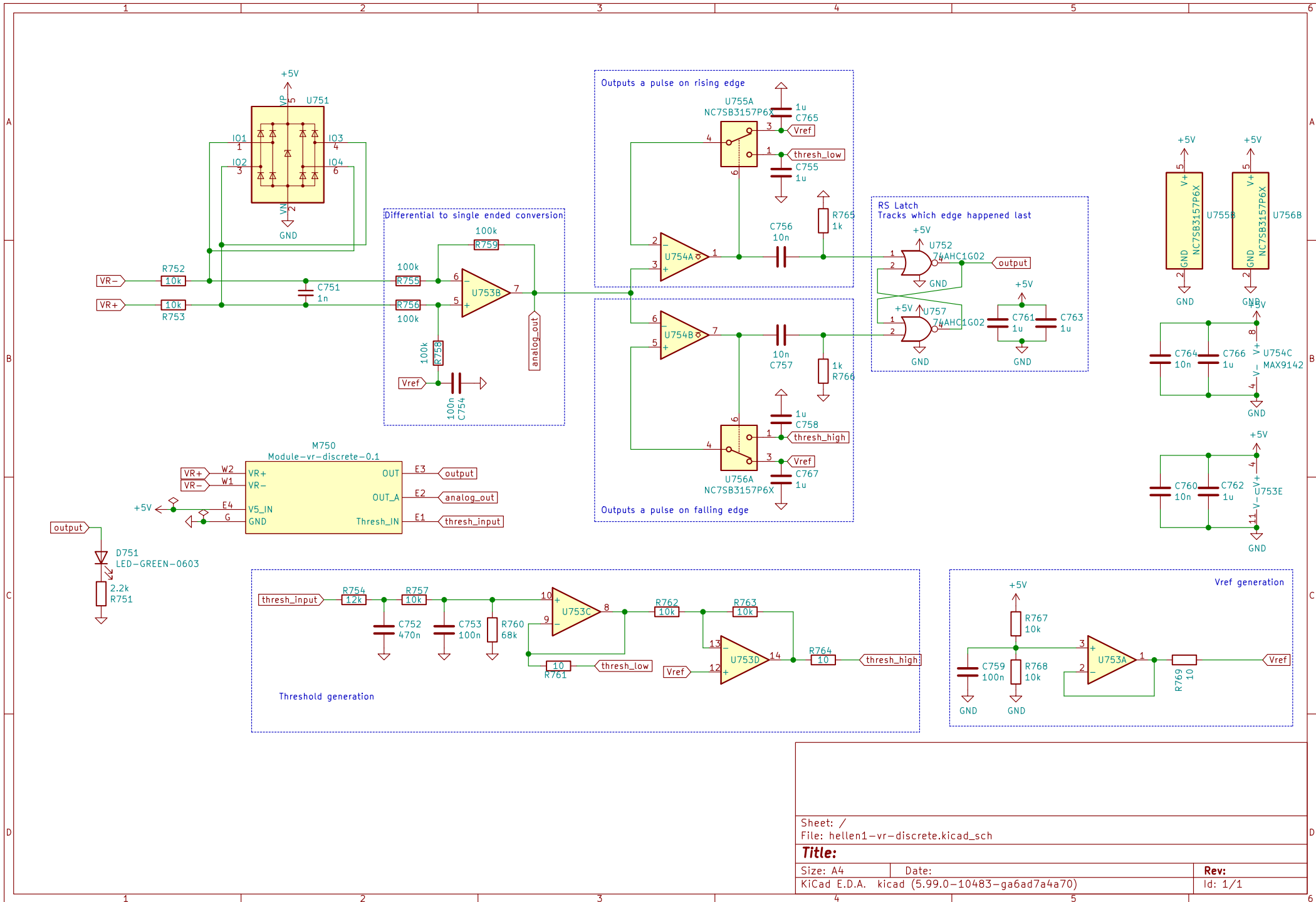
Module:input/0.1

Module:input/0.1



Module:input/0.1

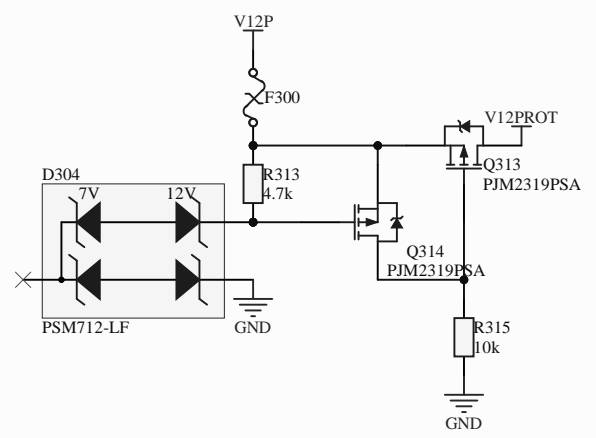
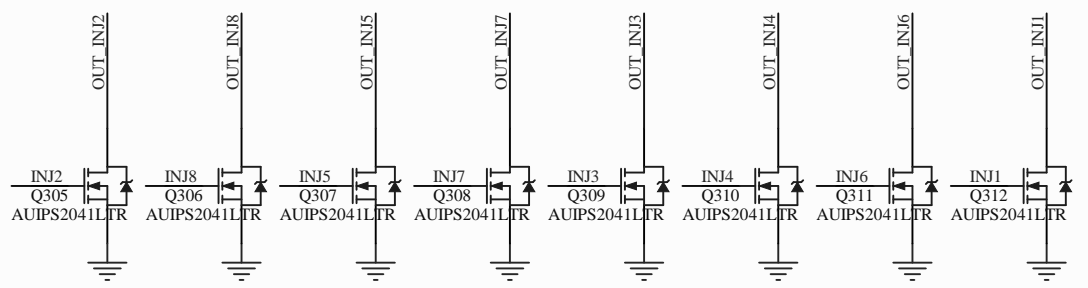
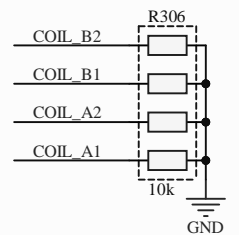
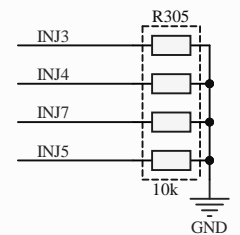
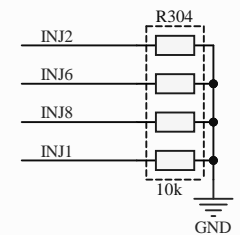
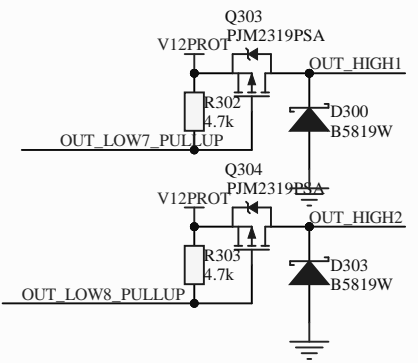
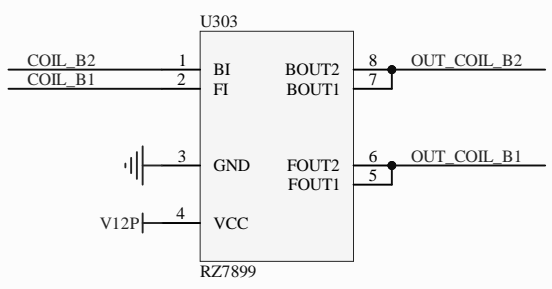
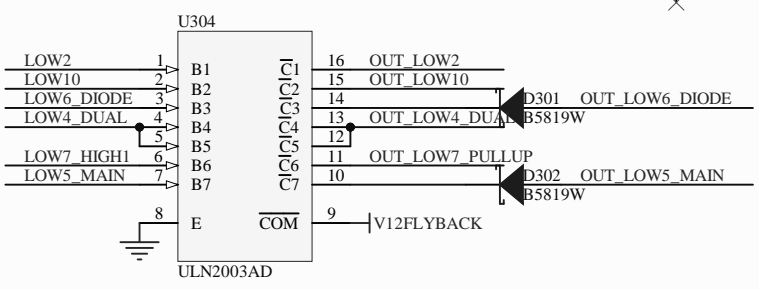
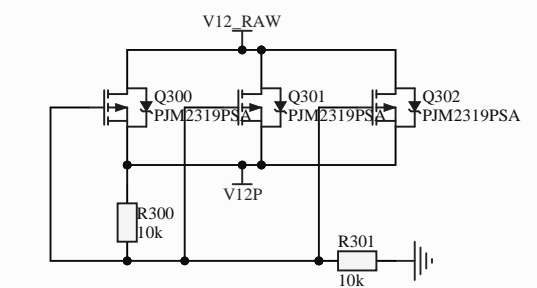
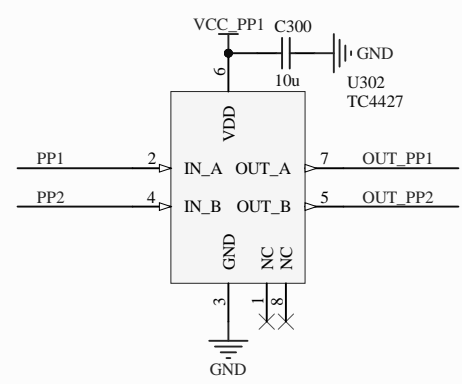
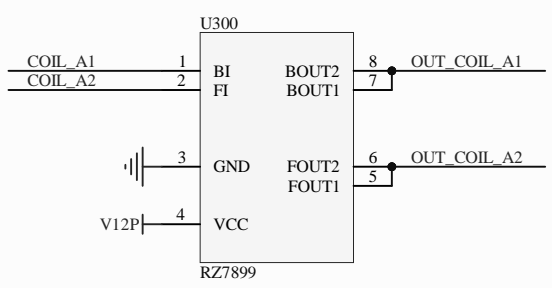
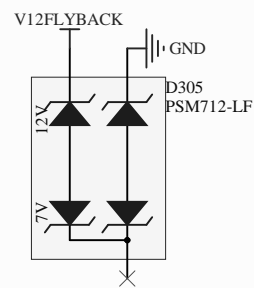
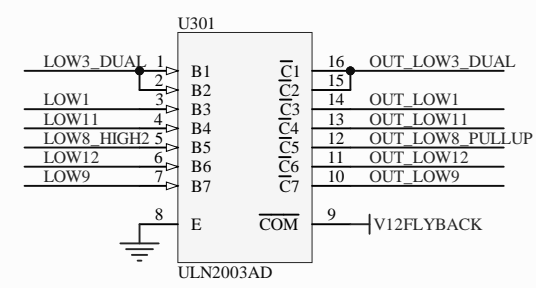




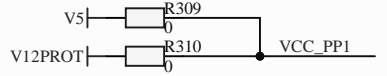
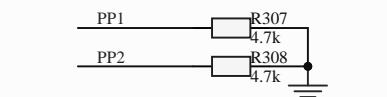
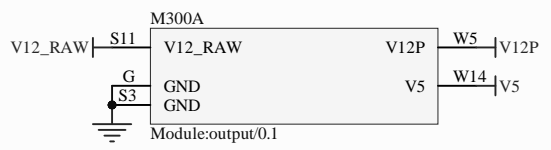
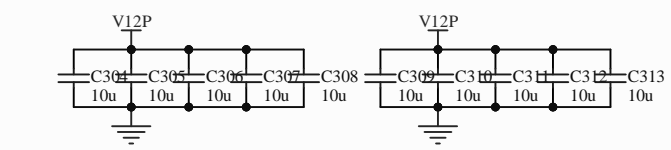
Sheet: /
 File: hellen1-vr-discrete.kicad_sch

Title:
 Size: A4 Date:
 KiCad E.D.A. kicad (5.99.0-10483-ga6ad7a4a70)

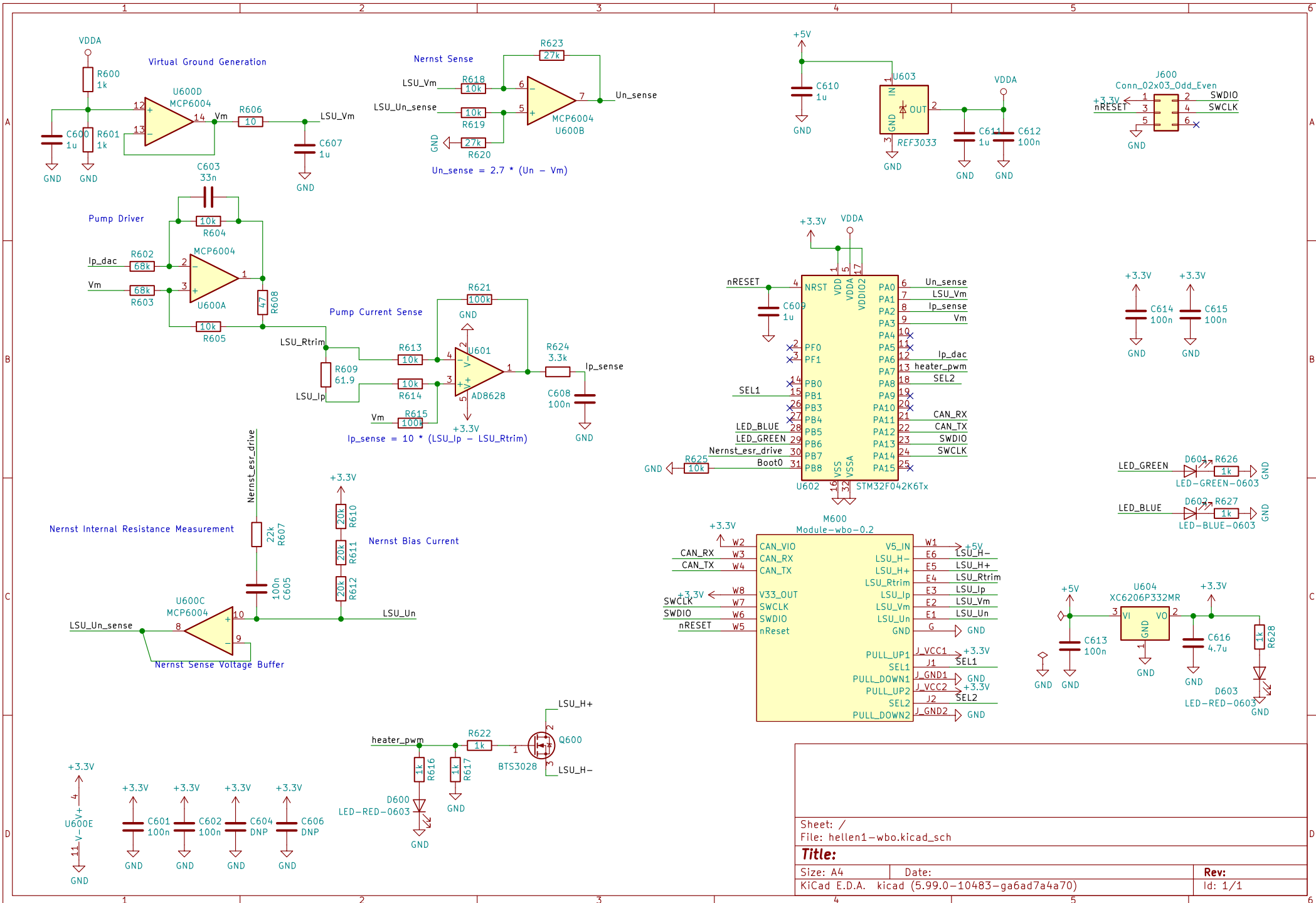
Rev:
 Id: 1/1



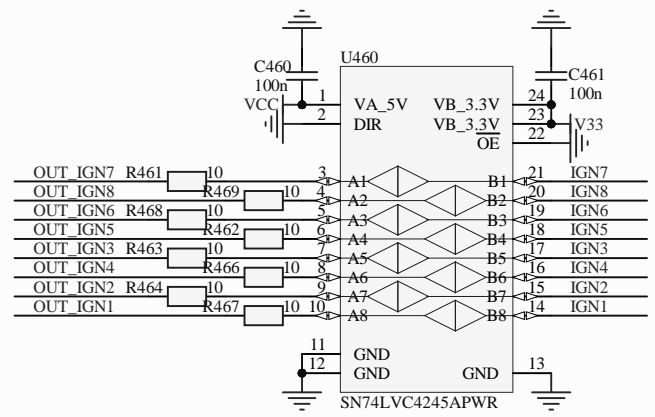
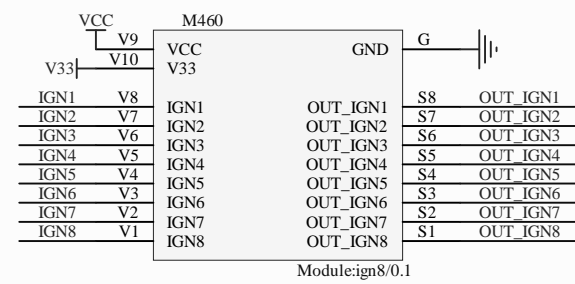
M300B		M300C	
INJ1	W24	OUT_INJ1	S18
INJ2	W23	OUT_INJ2	S16
INJ3	W20	OUT_INJ3	S17
INJ4	W19	OUT_INJ4	W7
INJ5	W18	OUT_INJ5	W10
INJ6	W17	OUT_INJ6	S15
INJ7	W16	OUT_INJ7	W12
INJ8	W15	OUT_INJ8	W11
PP1	W28	OUT_PP1	W6
PP2	W22	OUT_PP2	S6
COIL_A1	W33	OUT_SOLENOID_A1	S1
COIL_A2	W32	OUT_SOLENOID_A2	S2
COIL_B1	W31	OUT_SOLENOID_B1	S4
COIL_B2	W30	OUT_SOLENOID_B2	S5
LOW1	W21	OUT_LOW1	S8
LOW2	W29	OUT_LOW2	W1
LOW3_DUAL	W38	OUT_LOW3_DUAL	S7
LOW4_DUAL	W34	OUT_LOW4_DUAL	W4
LOW5_MAIN	W40	OUT_LOW4_DUAL	W13
LOW6_DIODE	W25	OUT_LOW5_MAIN	W3
LOW7_HIGH1	W39	OUT_LOW6_DIODE	W9
LOW8_HIGH2	W37	OUT_LOW7_PULLUP	S12
LOW9	W27	OUT_LOW8_PULLUP	S14
LOW10	W26	OUT_LOW9	W2
LOW11	W35	OUT_LOW10	S10
LOW12	W36	OUT_LOW11	S13
		OUT_LOW12	
		OUT_HIGH1	W8
		OUT_HIGH2	S9

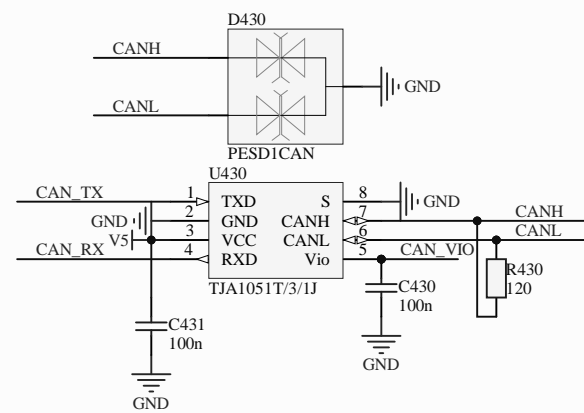
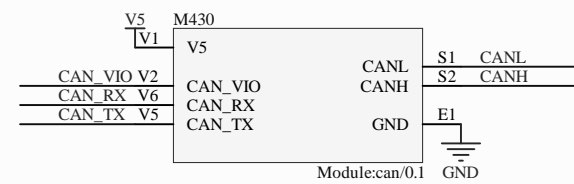


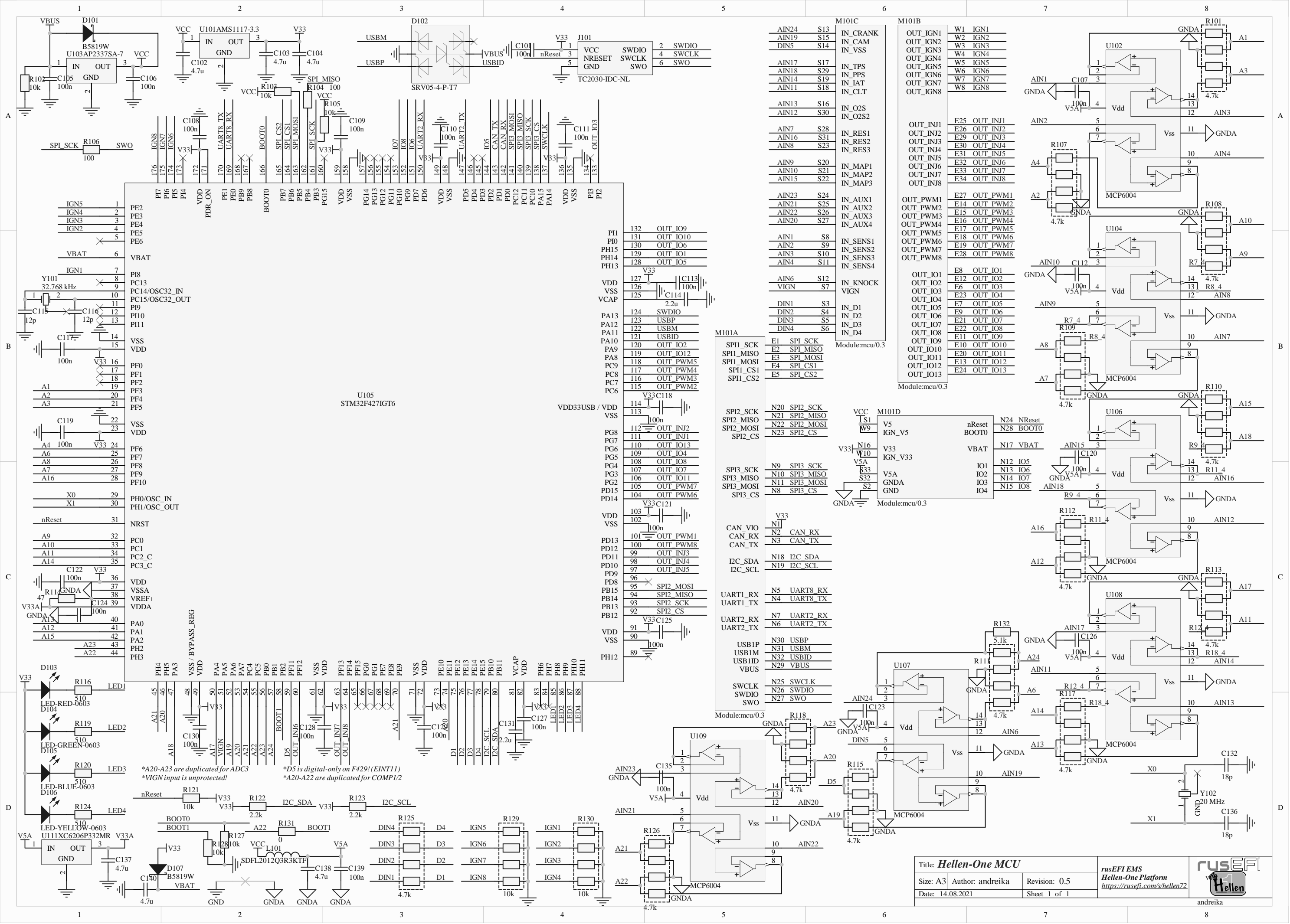
* These can be removed in the board compilation file



Sheet: /	
File: hellen1-wbo.kicad_sch	
Title:	
Size: A4	Date:
KiCad E.D.A. kicad (5.99.0-10483-ga6ad7a4a70)	
Rev:	Id: 1/1







U105 STM32F427IGT6

1	PE2	IGN5
2	PE3	IGN4
3	PE4	IGN3
4	PE5	IGN2
5	PE6	
6	VBAT	VBAT
7	PI8	IGN1
8	PC13	
9	PC14/OSC32_IN	
10	PC15/OSC32_OUT	
11	PI9	
12	PI10	
13	PI11	
14	VSS	
15	VDD	
16	PF0	
17	PF1	
18	PF2	
19	PF3	
20	PF4	
21	PF5	
22	VSS	
23	VDD	
24	PF6	
25	PF7	
26	PF8	
27	PF9	
28	PF10	
29	PH0/OSC_IN	
30	PH1/OSC_OUT	
31	NRST	nReset
32	PC0	A9
33	PC1	A10
34	PC2_C	A11
35	PC3_C	A14
36	VDD	
37	VSSA	
38	VREF+	
39	VDDA	
40	PA0	A13
41	PA1	A12
42	PA2	A15
43	PH2	A23
44	PH3	A22
45	PH4	A21
46	PH5	A20
47	PA3	A18
48	VSS / BYPASS_REG	
49	VDD	
50	PA4	A17
51	PA5	A16
52	PA6	A19
53	PA7	A20
54	PA8	A21
55	PC4	A22
56	PC5	A23
57	PB0	A24
58	PB1	
59	PB2	
60	PB3	
61	PB4	
62	PB5	
63	PB6	
64	PB7	
65	PB8	
66	PB9	
67	PB10	
68	PB11	
69	PB12	
70	PB13	
71	PB14	
72	PB15	
73	PE10	
74	PE11	
75	PE12	
76	PE13	
77	PE14	
78	PE15	
79	PG0	
80	PG1	
81	PG2	
82	PG3	
83	PG4	
84	PG5	
85	PG6	
86	PG7	
87	PG8	
88	PG9	
89	PH12	
90	VDD	
91	VSS	
92	SP2_CS	
93	SP2_SCK	
94	SP2_MISO	
95	SP2_MOSI	
96	SP2_CS	
97	OUT_INJ5	
98	OUT_INJ4	
99	OUT_INJ3	
100	OUT_PWM8	
101	OUT_PWM1	
102	VSS	
103	VDD	
104	OUT_PWM6	
105	OUT_PWM7	
106	OUT_IO11	
107	OUT_IO7	
108	OUT_IO8	
109	OUT_IO4	
110	OUT_IO13	
111	OUT_INJ1	
112	OUT_INJ2	
113	VSS	
114	VDD	
115	OUT_PWM2	
116	OUT_PWM3	
117	OUT_PWM4	
118	OUT_PWM5	
119	OUT_IO12	
120	OUT_IO2	
121	USBID	
122	USBM	
123	USBP	
124	SWDIO	
125	VCAP	
126	VSS	
127	VDD	
128	OUT_IO5	
129	OUT_IO1	
130	OUT_IO6	
131	OUT_IO9	
132	OUT_IO9	
133	PI2	
134	PI3	
135	VDD	
136	VSS	
137	SWCLK	
138	SPI3_CS	
139	SPI3_SCK	
140	SPI3_MISO	
141	SPI3_MOSI	
142	CAN_RX	
143	CAN_TX	
144	IO5	
145	PD3	
146	PD4	
147	UART2_TX	
148	VSS	
149	VDD	
150	UART2_RX	
151	IO6	
152	IO8	
153	IO7	
154	PG1	
155	PG12	
156	PG14	
157	PG15	
158	VDD	
159	VSS	
160	PG15	
161	PB3	
162	PB4	
163	PB5	
164	PB6	
165	SPI_CS2	
166	BOOT0	
167	PB8	
168	PB9	
169	PE0	
170	PE1	
171	VDD_ON	
172	PD7	
173	PD8	
174	PD9	
175	PD10	
176	PD11	
177	PD12	
178	PD13	
179	PD14	
180	PD15	
181	PD16	
182	PD17	
183	PD18	
184	PD19	
185	PD20	
186	PD21	
187	PD22	
188	PD23	
189	PD24	
190	PD25	
191	PD26	
192	PD27	
193	PD28	
194	PD29	
195	PD30	
196	PD31	
197	PD32	
198	PD33	
199	PD34	
200	PD35	
201	PD36	
202	PD37	
203	PD38	
204	PD39	
205	PD40	
206	PD41	
207	PD42	
208	PD43	
209	PD44	
210	PD45	
211	PD46	
212	PD47	
213	PD48	
214	PD49	
215	PD50	
216	PD51	
217	PD52	
218	PD53	
219	PD54	
220	PD55	
221	PD56	
222	PD57	
223	PD58	
224	PD59	
225	PD60	
226	PD61	
227	PD62	
228	PD63	
229	PD64	
230	PD65	
231	PD66	
232	PD67	
233	PD68	
234	PD69	
235	PD70	
236	PD71	
237	PD72	
238	PD73	
239	PD74	
240	PD75	
241	PD76	
242	PD77	
243	PD78	
244	PD79	
245	PD80	
246	PD81	
247	PD82	
248	PD83	
249	PD84	
250	PD85	
251	PD86	
252	PD87	
253	PD88	
254	PD89	
255	PD90	

M101C

AIN24	S13	IN_CRANK
AIN19	S15	IN_CAM
DIN5	S14	IN_VSS
AIN17	S17	IN_TPS
AIN18	S29	IN_PPS
AIN14	S19	IN_IAT
AIN11	S18	IN_CLT
AIN13	S16	IN_O2S
AIN12	S30	IN_O2S2
AIN7	S28	IN_RES1
AIN16	S31	IN_RES2
AIN8	S23	IN_RES3
AIN9	S20	IN_MAP1
AIN10	S21	IN_MAP2
AIN15	S22	IN_MAP3
AIN23	S24	IN_AUX1
AIN21	S25	IN_AUX2
AIN22	S26	IN_AUX3
AIN20	S27	IN_AUX4
AIN1	S8	IN_SENS1
AIN2	S9	IN_SENS2
AIN3	S10	IN_SENS3
AIN4	S11	IN_SENS4
AIN6	S12	IN_KNOCK
VIGN	S7	VIGN
DIN1	S3	IN_D1
DIN2	S4	IN_D2
DIN3	S5	IN_D3
DIN4	S6	IN_D4

M101A

SPI1_SCK	E1	SPI_SCK
SPI1_MISO	E2	SPI_MISO
SPI1_MOSI	E3	SPI_MOSI
SPI1_CS1	E4	SPI_CS1
SPI1_CS2	E5	SPI_CS2
SPI2_SCK	N20	SPI2_SCK
SPI2_MISO	N21	SPI2_MISO
SPI2_MOSI	N22	SPI2_MOSI
SPI2_CS	N23	SPI2_CS
SPI3_SCK	N9	SPI3_SCK
SPI3_MISO	N10	SPI3_MISO
SPI3_MOSI	N11	SPI3_MOSI
SPI3_CS	N8	SPI3_CS
CAN_VIO	N1	CAN_VIO
CAN_RX	N2	CAN_RX
CAN_TX	N3	CAN_TX
I2C_SDA	N18	I2C_SDA
I2C_SCL	N19	I2C_SCL
UART1_RX	N5	UART8_RX
UART1_TX	N4	UART8_TX
UART2_RX	N7	UART2_RX
UART2_TX	N6	UART2_TX
USB1P	N30	USBP
USB1M	N31	USBM
USB1D	N32	USBID
VBUS	N29	VBUS
SWCLK	N25	SWCLK
SWDIO	N26	SWDIO
SWO	N27	SWO

M101B

OUT_IGN1	W1	IGN1
OUT_IGN2	W2	IGN2
OUT_IGN3	W3	IGN3
OUT_IGN4	W4	IGN4
OUT_IGN5	W5	IGN5
OUT_IGN6	W6	IGN6
OUT_IGN7	W7	IGN7
OUT_IGN8	W8	IGN8
OUT_INJ1	E25	OUT_INJ1
OUT_INJ2	E26	OUT_INJ2
OUT_INJ3	E29	OUT_INJ3
OUT_INJ4	E30	OUT_INJ4
OUT_INJ5	E31	OUT_INJ5
OUT_INJ6	E32	OUT_INJ6
OUT_INJ7	E33	OUT_INJ7
OUT_INJ8	E34	OUT_INJ8
OUT_PWM1	E27	OUT_PWM1
OUT_PWM2	E14	OUT_PWM2
OUT_PWM3	E15	OUT_PWM3
OUT_PWM4	E16	OUT_PWM4
OUT_PWM5	E17	OUT_PWM5
OUT_PWM6	E18	OUT_PWM6
OUT_PWM7	E19	OUT_PWM7
OUT_PWM8	E28	OUT_PWM8
OUT_IO1	E8	OUT_IO1
OUT_IO2	E12	OUT_IO2
OUT_IO3	E6	OUT_IO3
OUT_IO4	E23	OUT_IO4
OUT_IO5	E7	OUT_IO5
OUT_IO6	E9	OUT_IO6
OUT_IO7	E21	OUT_IO7
OUT_IO8	E22	OUT_IO8
OUT_IO9	E11	OUT_IO9
OUT_IO10	E10	OUT_IO10
OUT_IO11	E20	OUT_IO11
OUT_IO12	E13	OUT_IO12
OUT_IO13	E24	OUT_IO13

M101D

V5	TS1	V5	
IGN_V5	W9	IGN_V5	
nReset		N24	NReset
BOOT0		N28	BOOT0
VBAT		N17	VBAT
IO1		N12	IO5
IO2		N13	IO6
IO3		N14	IO7
IO4		N15	IO8

