

# PRODEMAND

YMMS: 1998 Lexus GS 300  
Engine: 3.0L Eng  
VIN:

Feb 17, 2024

License:  
Odometer:

## ENGINE PERFORMANCE > 3.0L

Fig 1: 3.0L, Engine Performance Circuits (1 of 4)

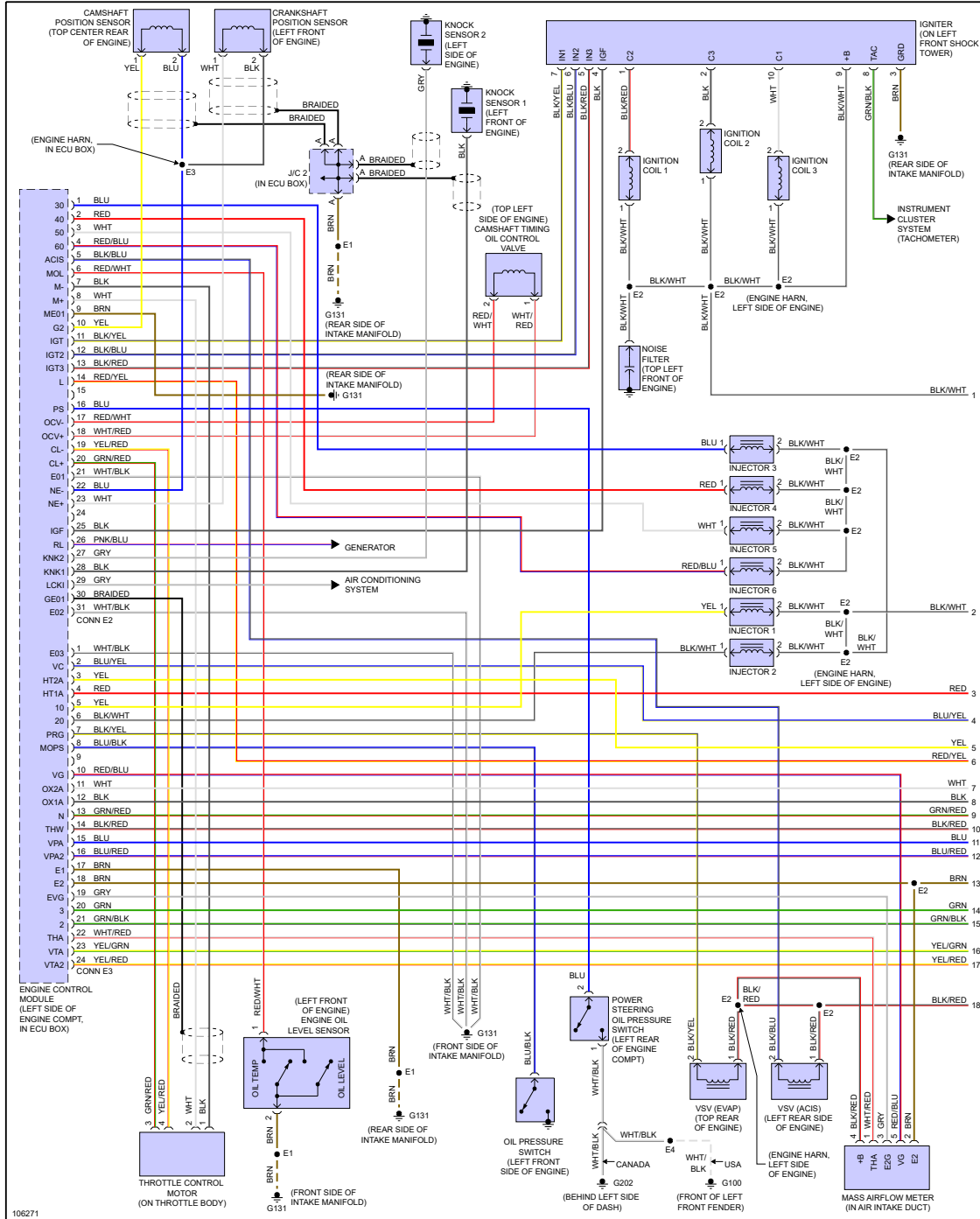


Fig 2: 3.0L, Engine Performance Circuits (2 of 4)

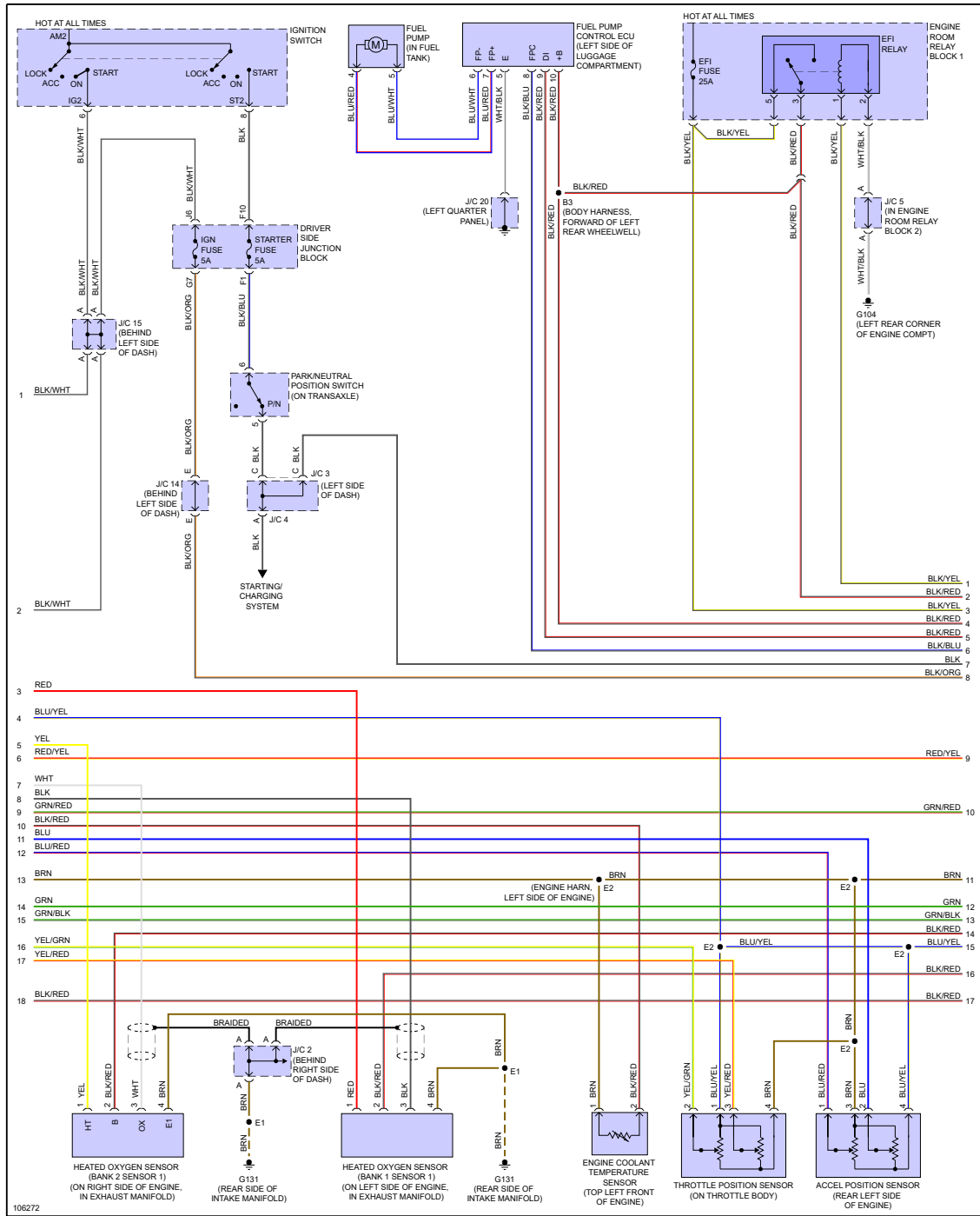


Fig 3: 3.0L, Engine Performance Circuits (3 of 4)

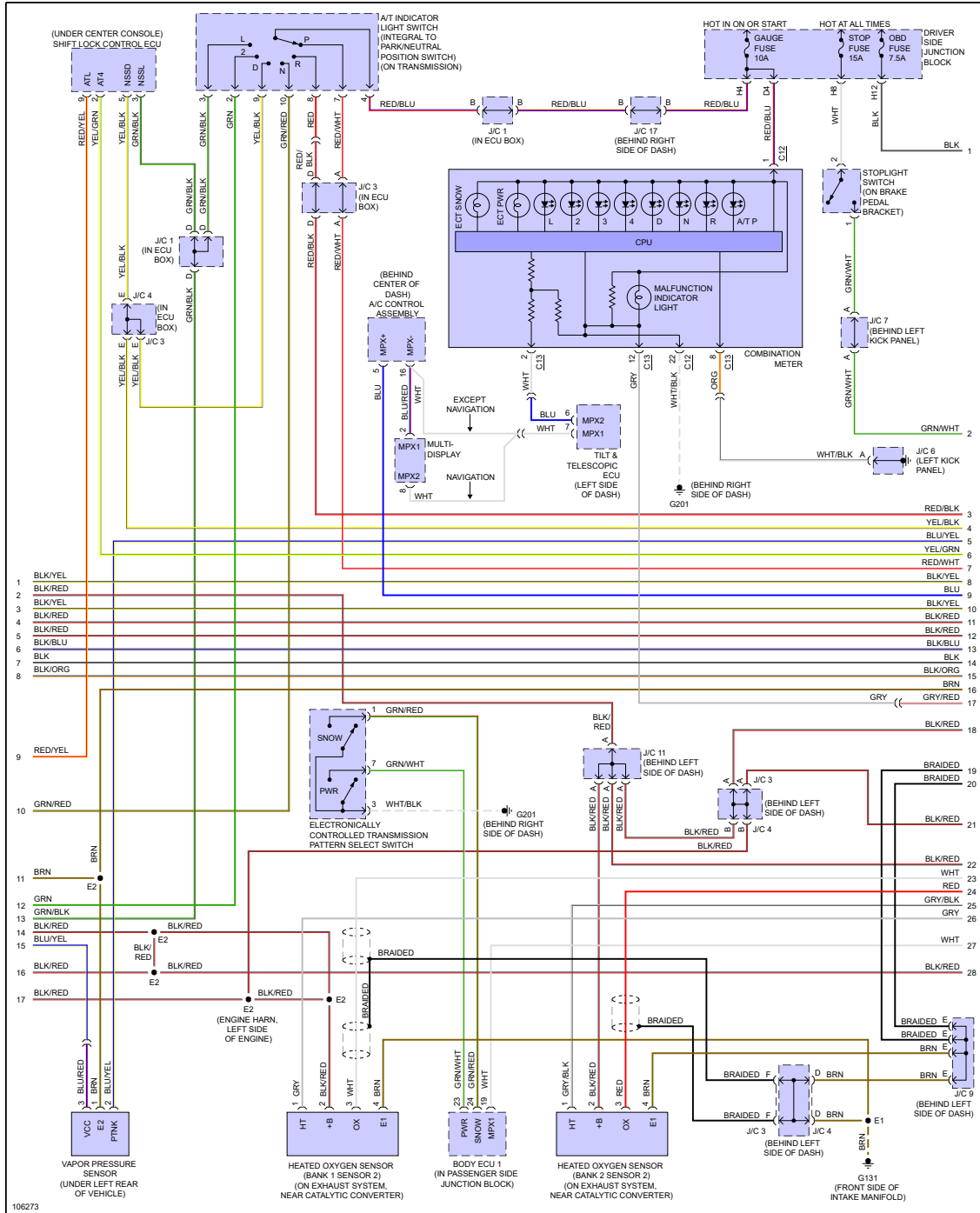
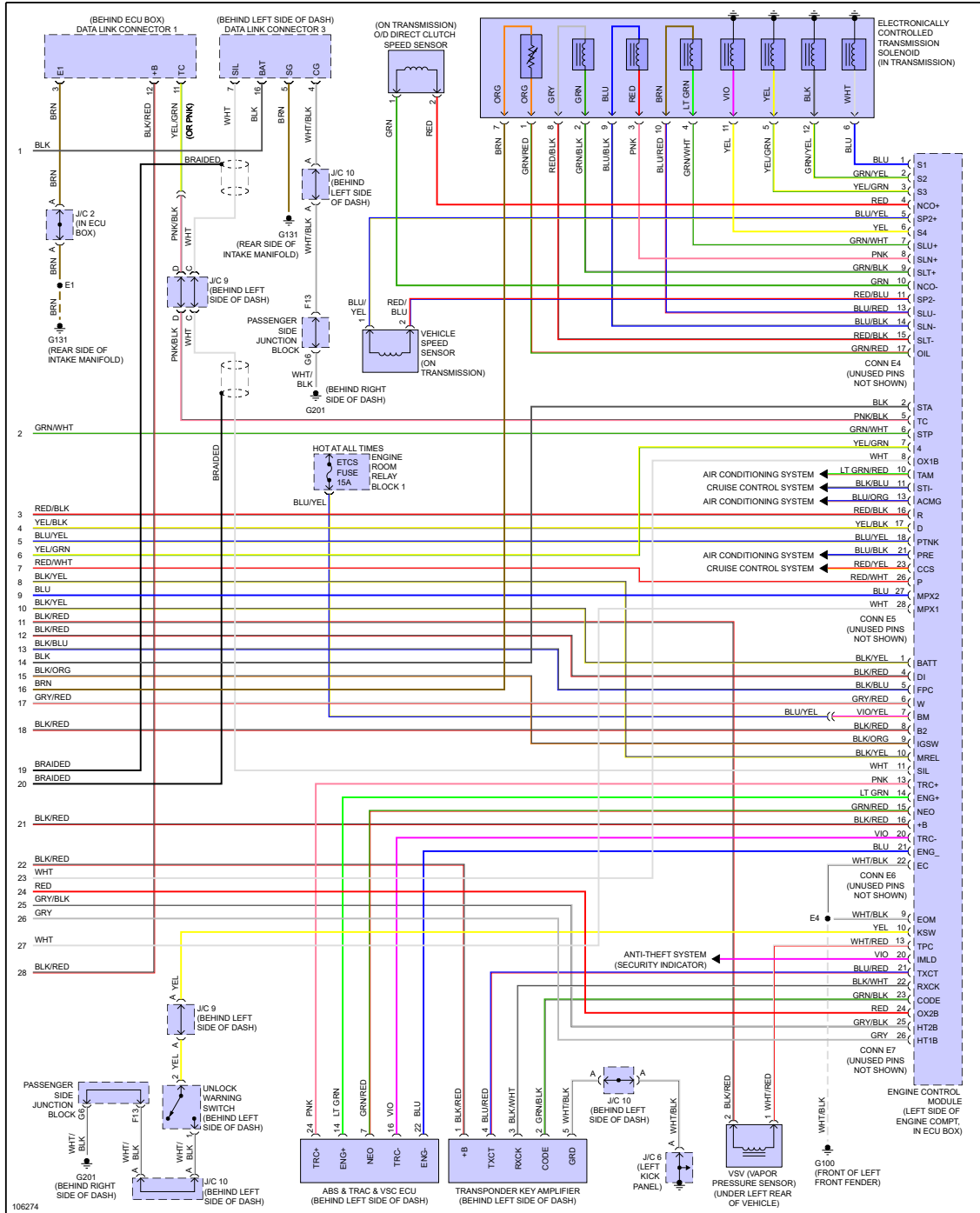


Fig 4: 3.0L, Engine Performance Circuits (4 of 4)



Reprinted Under License from Toyota Motor Sales, U.S.A., Inc., License Agreement TMS1002