

P-Town Auto & Offroad, LLC

688 Harshaw Ave.
Patagonia, AZ 85624
(520) 394-0181 T

YMMS: 2022 Toyota Corolla LE

Engine: 1.8L Eng

VIN:

Aug 6, 2024

License:

Odometer:

ENGINE PERFORMANCE > 1.8L

Fig 1: 1.8L, Engine Performance Circuit (1 of 6)

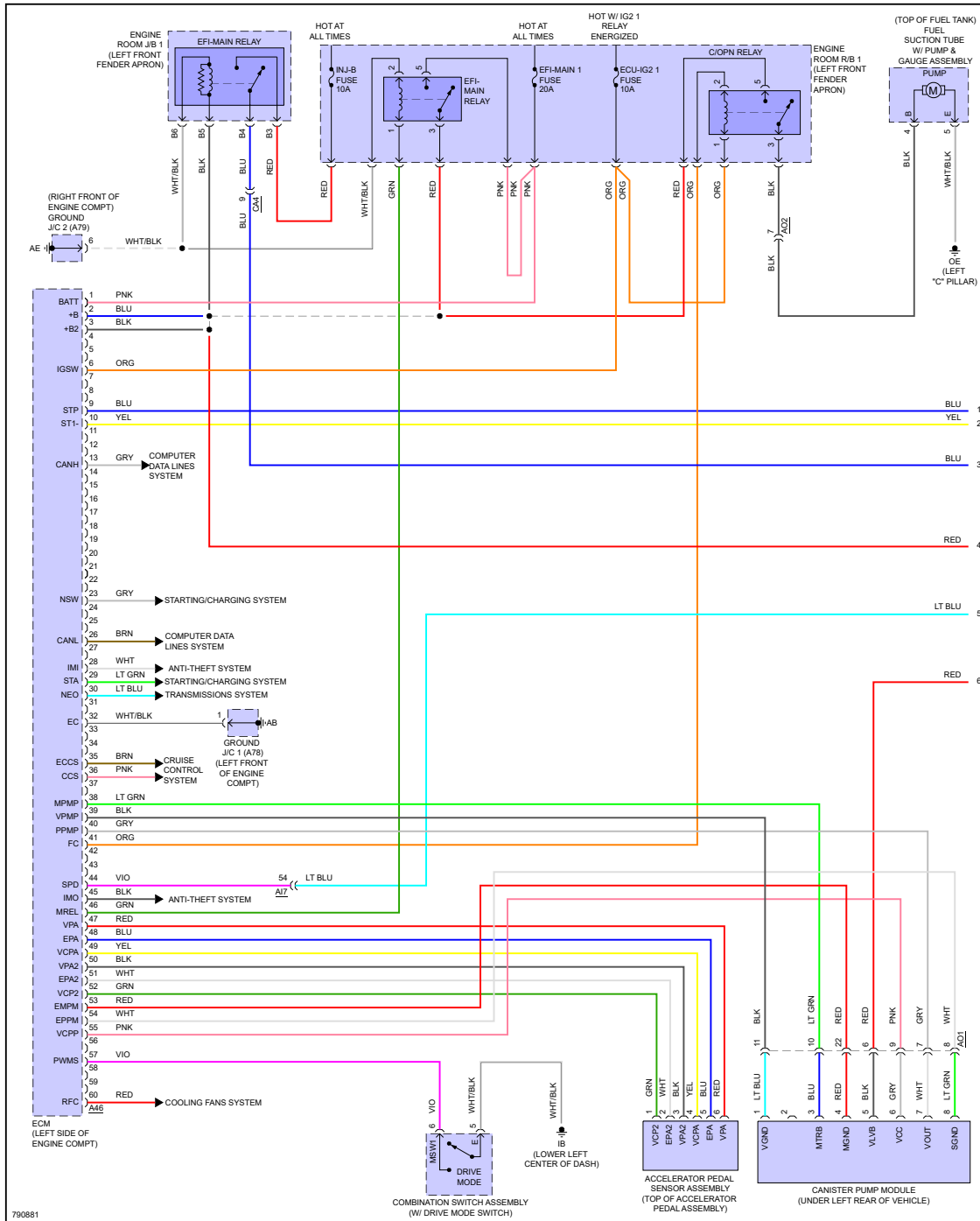


Fig 2: 1.8L, Engine Performance Circuit (2 of 6)

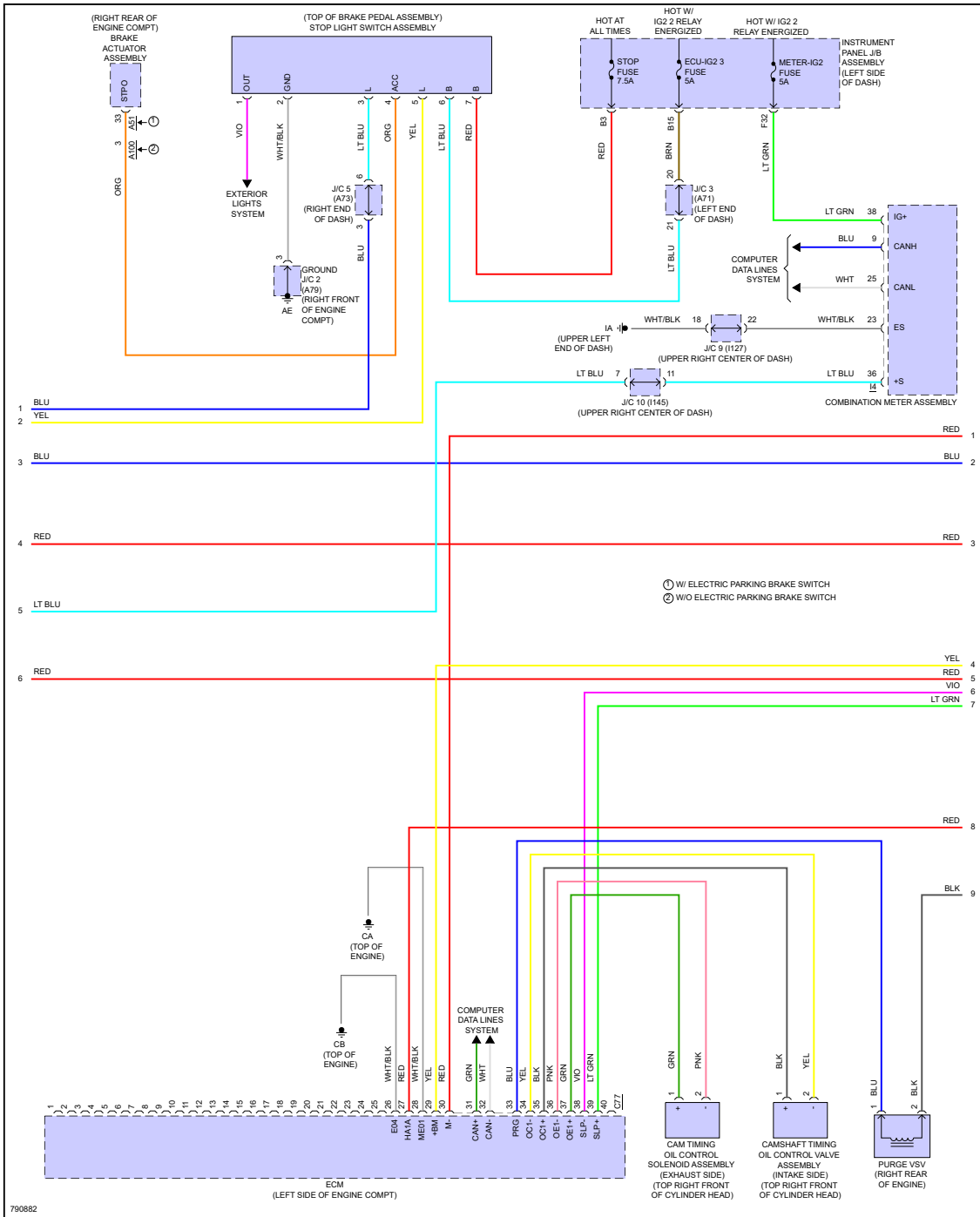


Fig 3: 1.8L, Engine Performance Circuit (3 of 6)

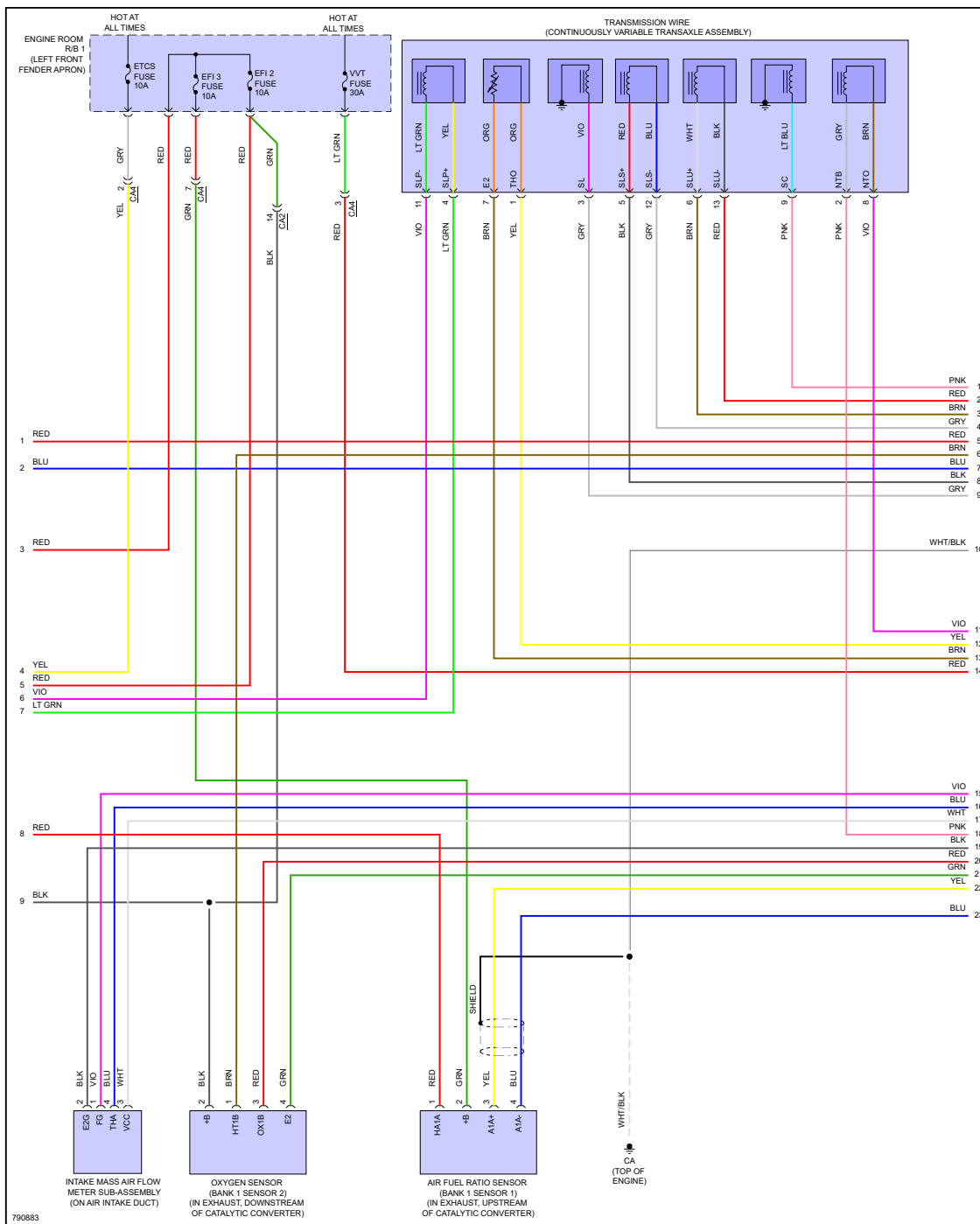


Fig 4: 1.8L, Engine Performance Circuit (4 of 6)

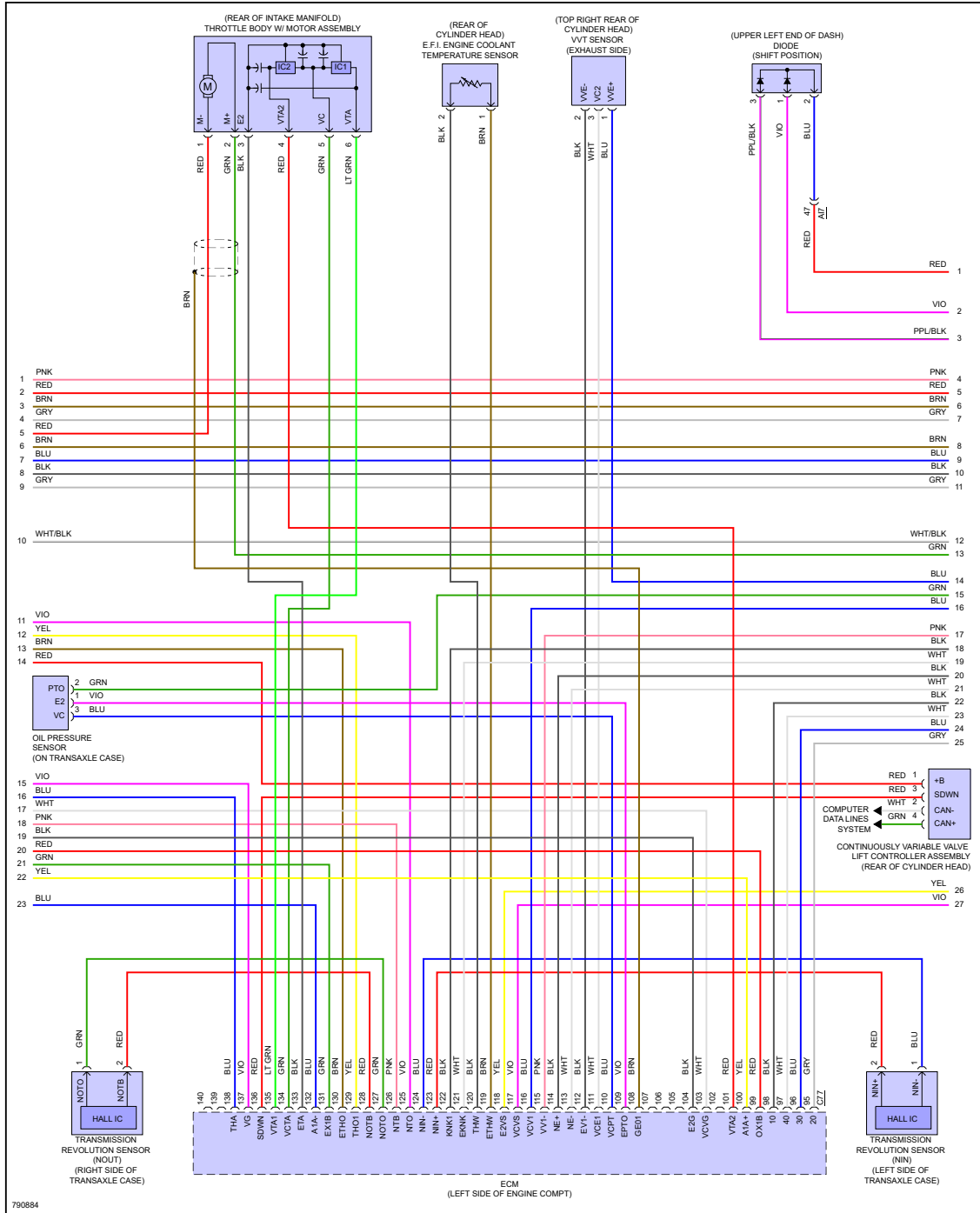


Fig 5: 1.8L, Engine Performance Circuit (5 of 6)

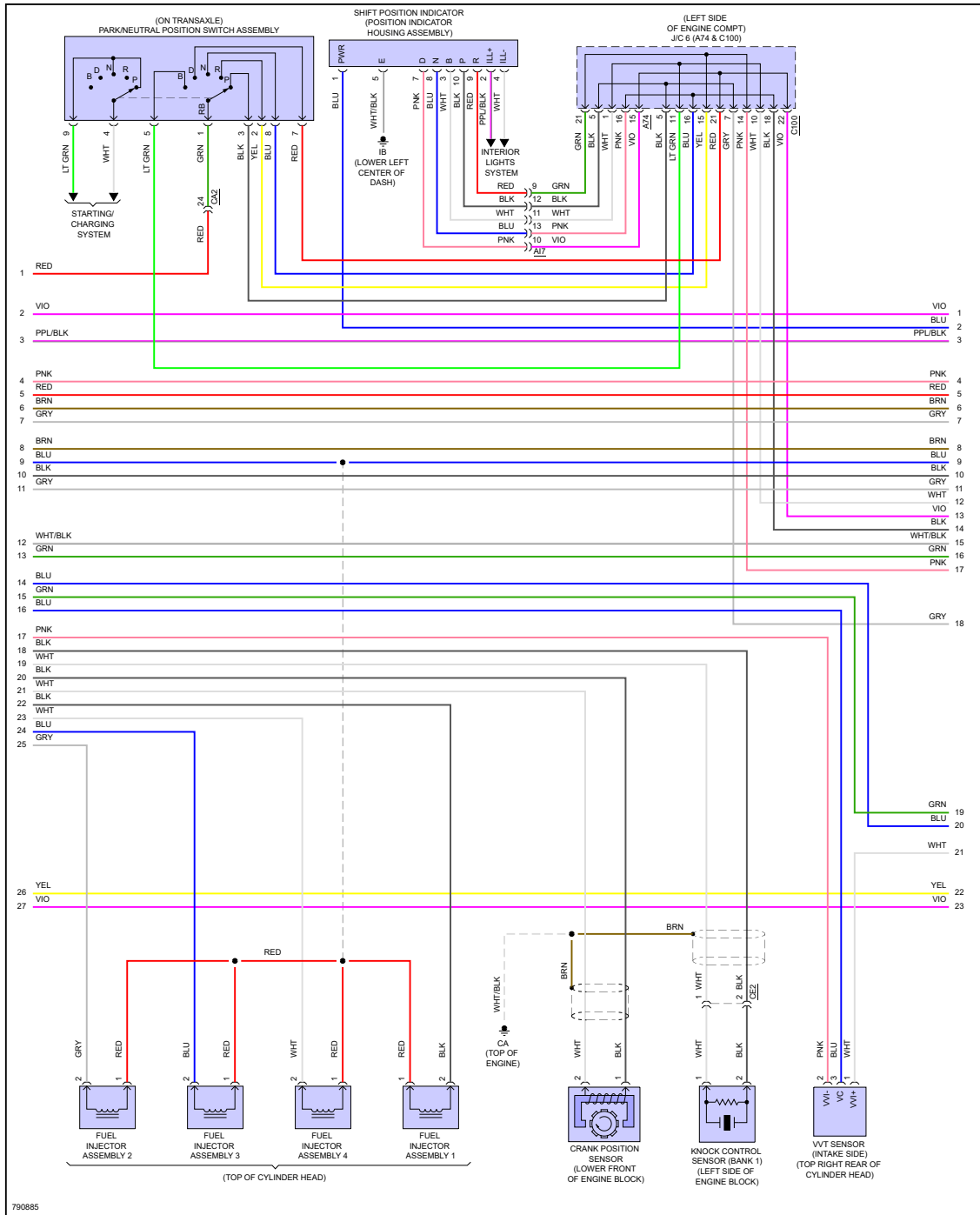
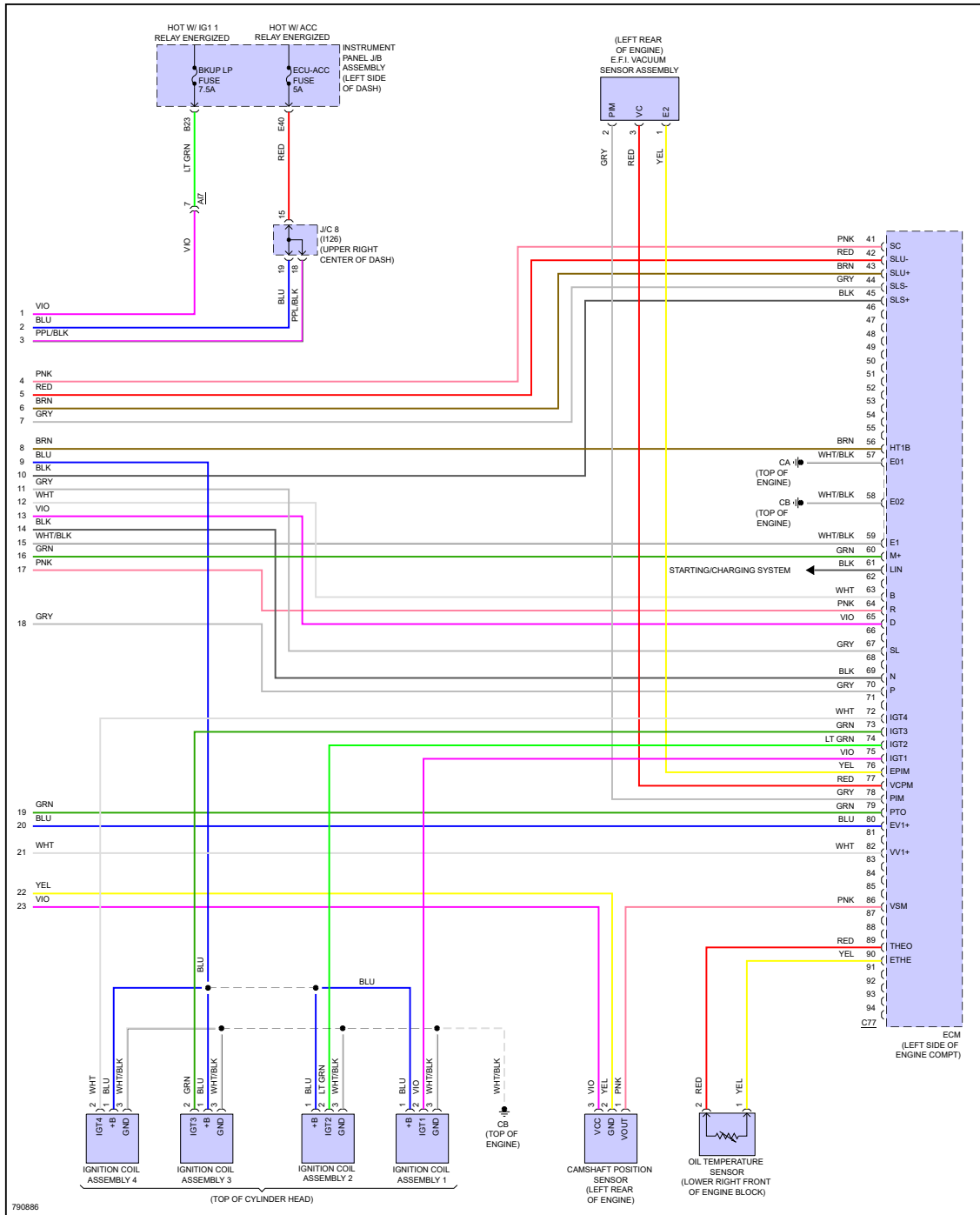


Fig 6: 1.8L, Engine Performance Circuit (6 of 6)



"If your car is beat down, bring it to P-Town!"

Reprinted Under License from Toyota Motor Sales, U.S.A., Inc., License Agreement TMS1002