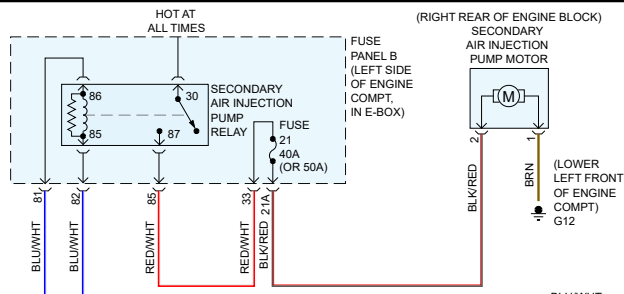
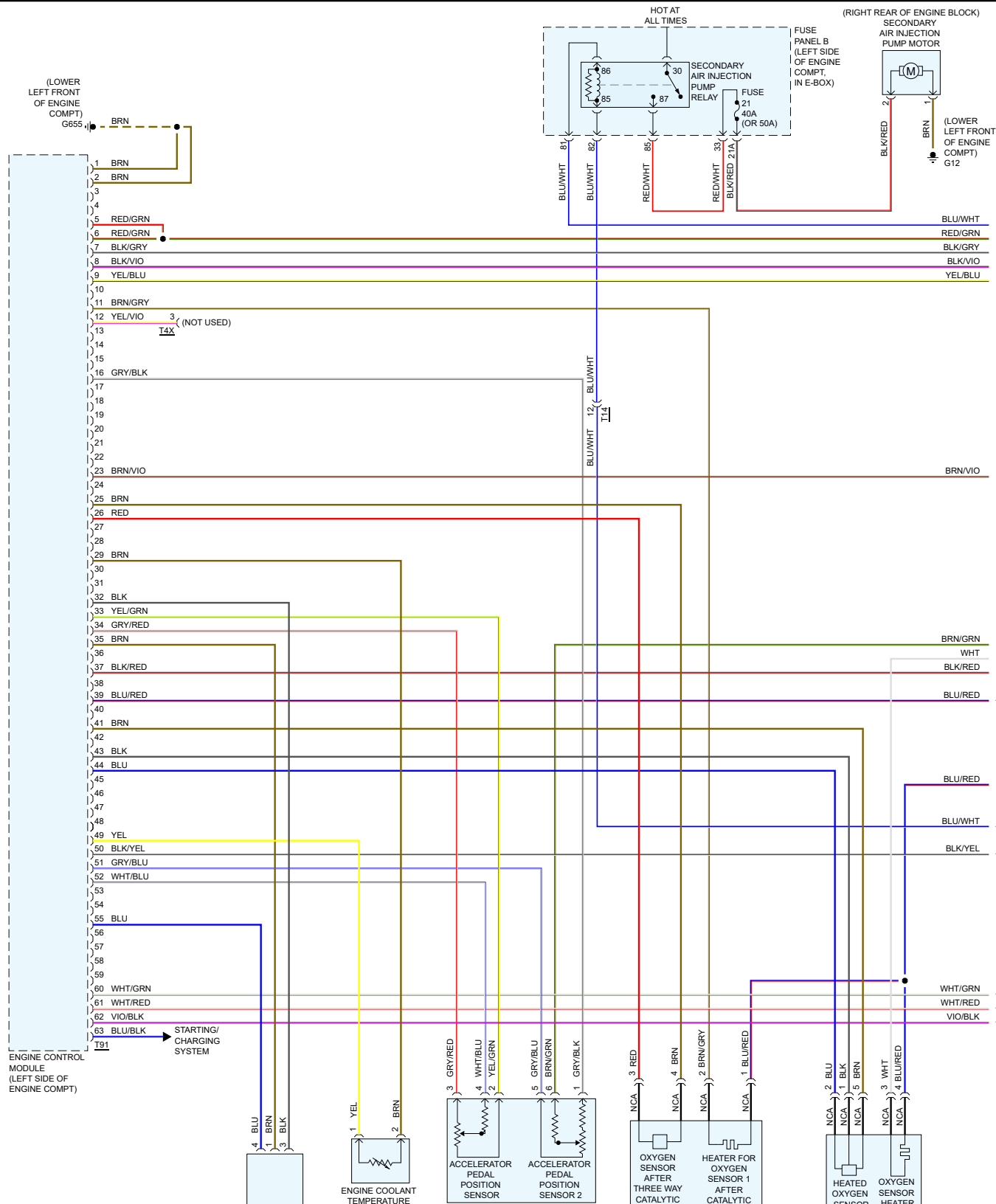


ENGINE CONTROLS

Engine Controls



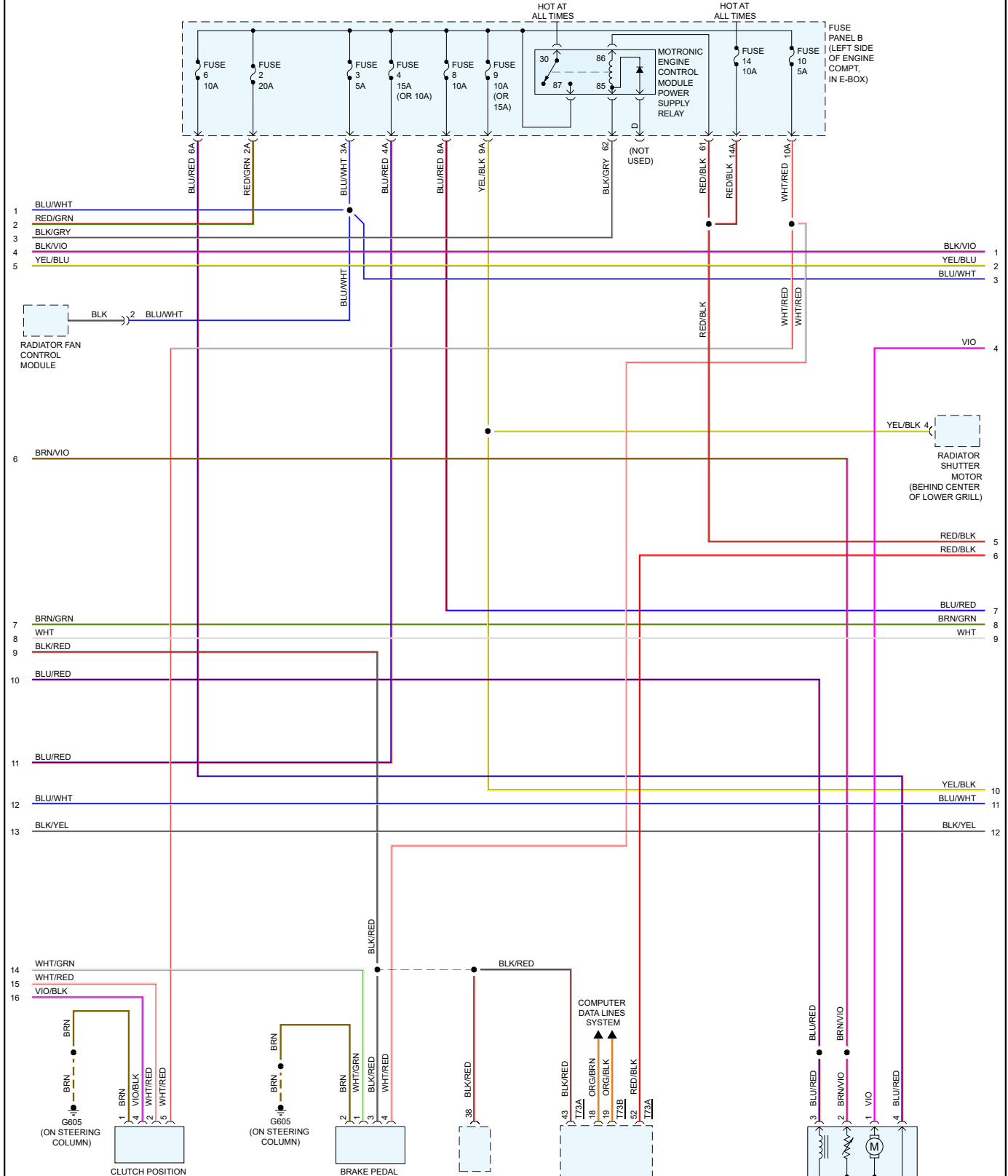
CHARGE AIR
PRESSURE SENSOR
(INTAKE AIR
DUCT)

SENSOR ON
RADIATOR OUTLET
(LOWER RADIATOR
OUTLET)

ACCELERATOR PEDAL MODULE
(PART OF ACCELERATOR
PEDAL ASSEMBLY)

CONVERTER CONVERTER
OXYGEN SENSOR 1
AFTER CATALYTIC CONVERTER
(CATALYTIC CONVERTER 2 INLET)

SENSOR SENSOR
OXYGEN SENSOR 1 BEFORE
CATALYTIC CONVERTER
(ON TURBOCHARGER)



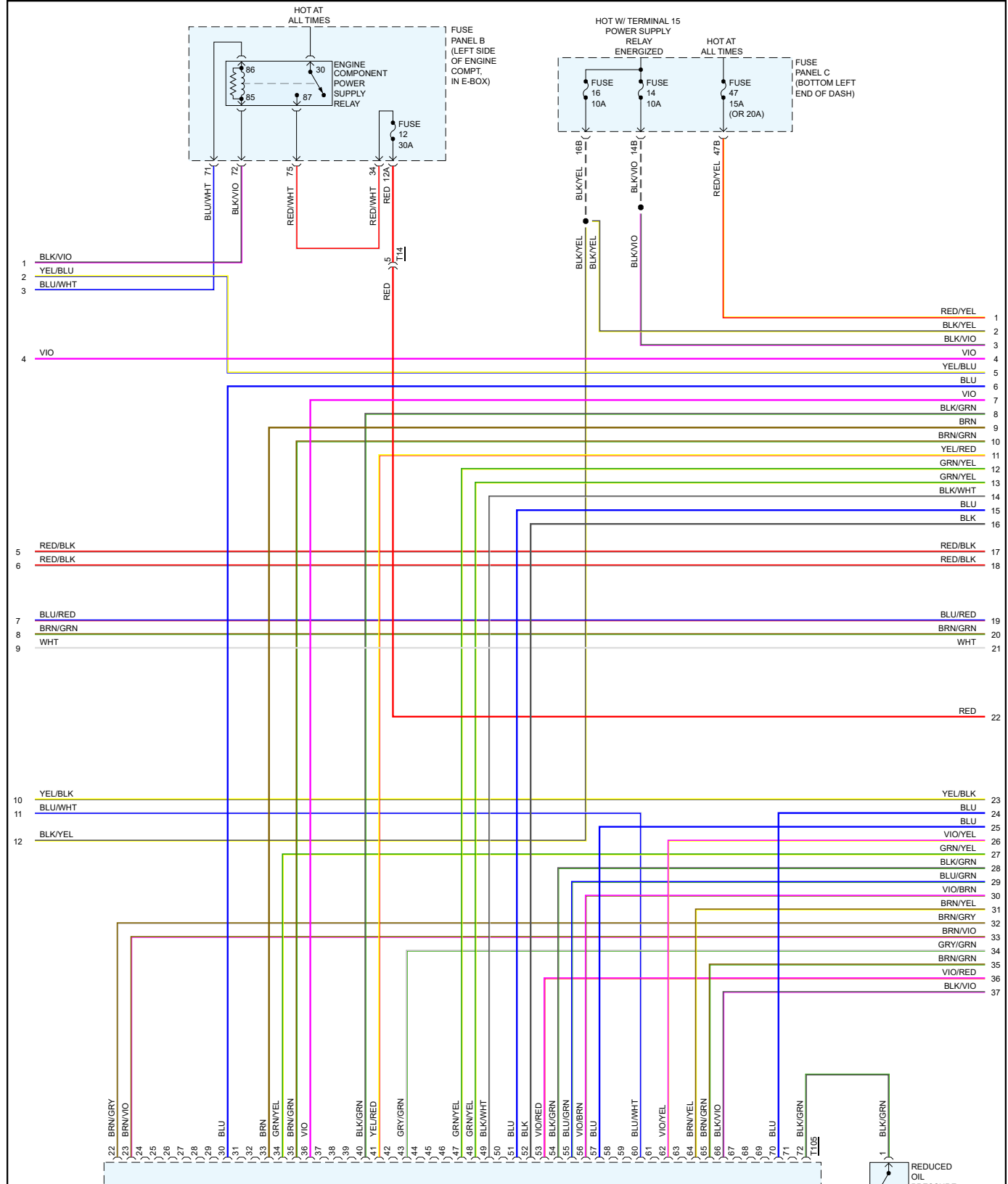
SENSOR
(MT)
(ON CLUTCH PEDAL
SLAVE CYLINDER)

SWITCH & BRAKE
LAMP SWITCH
(BRAKE MASTER
CYLINDER
ASSEMBLY)

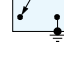
ABS CONTROL
MODULE
(RIGHT REAR CORNER
OF ENGINE COMP)

VEHICLE ELECTRICAL
SYSTEM CONTROL MODULE
(BEHIND FUSE PANEL C)

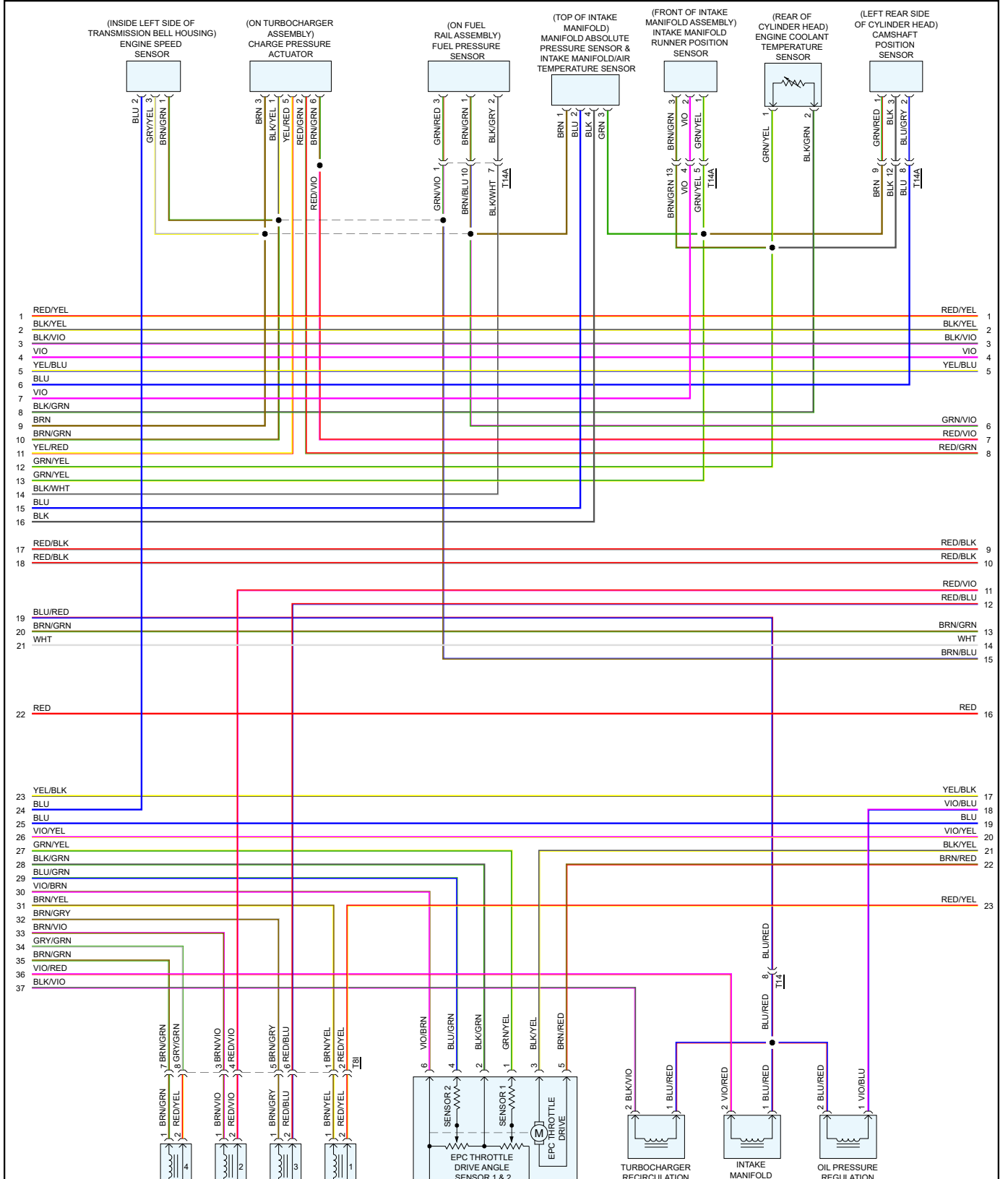
LEAK DETECTION PUMP
(IF EQUIPPED)
(RIGHT REAR WHEELWELL)

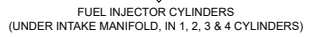


ENGINE CONTROL MODULE
(LEFT SIDE OF ENGINE COMPT)



PRESSURE
SWITCH
(BASE OF OIL
FILTER HOUSING)





FUEL INJECTOR CYLINDERS
(UNDER INTAKE MANIFOLD, IN 1, 2, 3 & 4 CYLINDERS)



THROTTLE VALVE CONTROL MODULE
(ON THROTTLE BODY)

WHEEL SPEED
VALVE
(TURBOCHARGER
ASSEMBLY)

RUNNER
CONTROL
VALVE
(LEFT REAR
SIDE OF ENGINE)

WHEEL SPEED
VALVE
(BOTTOM LEFT
FRONT OF
ENGINE BLOCK)

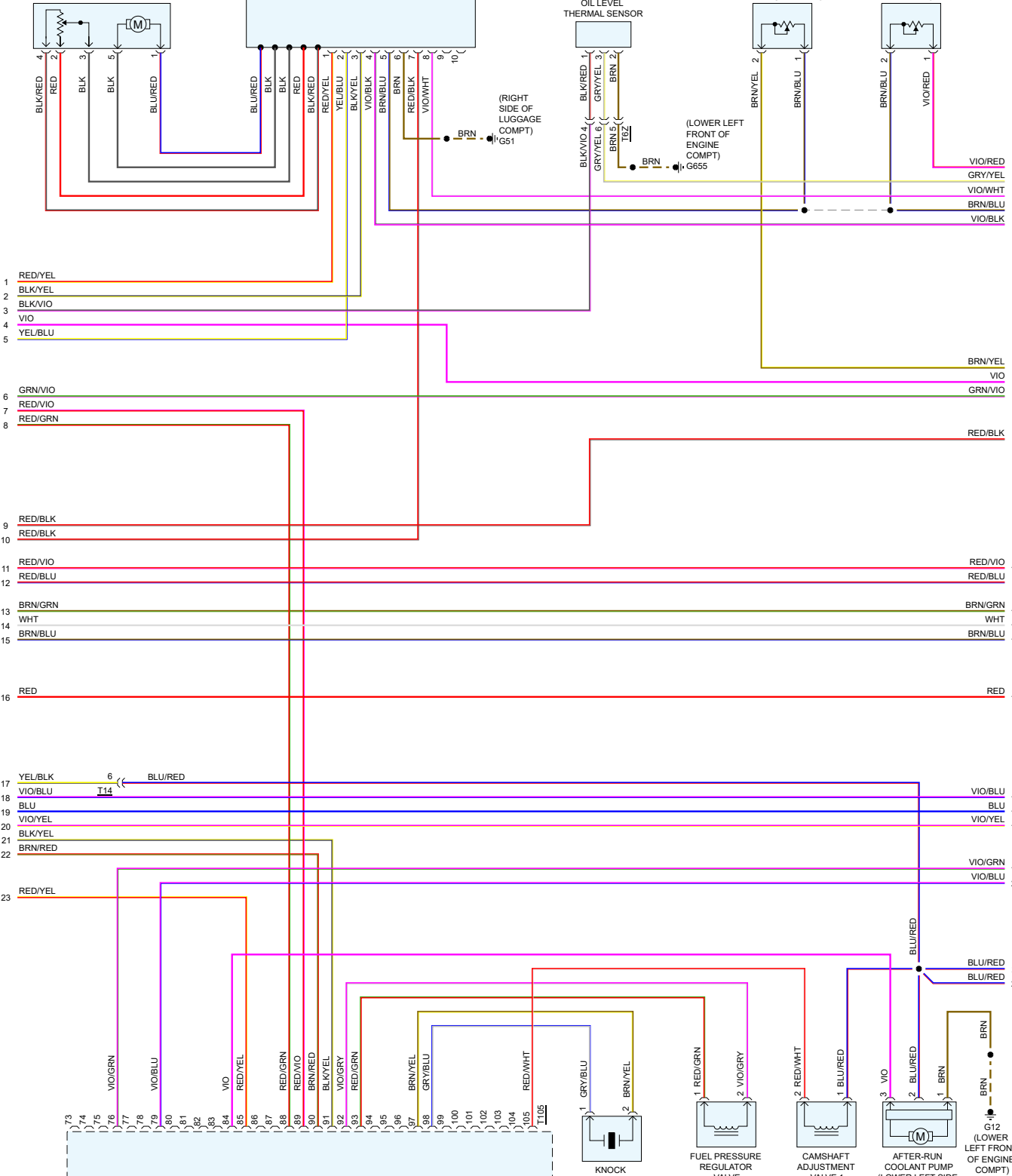
(PART OF FUEL DELIVERY UNIT)
FUEL LEVEL SENSOR &
TRANSFER FUEL PUMP

(PART OF FUEL DELIVERY UNIT)
FUEL PUMP CONTROL MODULE

(OIL PAN ASSEMBLY)
(W/ FLEXIBLE SERVICE
INTERVAL REMINDER)
OIL LEVEL
THERMAL SENSOR

(BEHIND CENTER OF
FRONT BUMPER FASCIA)
OUTSIDE AIR
TEMPERATURE SENSOR

(COOLANT
RESERVOIR)
ENGINE COOLANT
LEVEL SENSOR



- 1 VIO/RED
- 2 GRY/YEL
- 3 VIO/WHT
- 4 BRN/BLU
- 5 VIO/BLK

- 6 BRN/YEL
- 7 VIO
- 8 GRN/VIO

- 9 RED/BLK
- 10 RED/VIO
- 11 RED/BLU

- 12 BRN/GRN
- 13 WHT
- 14 BRN/BLU

- 15 RED
- 16 VIO/BLU
- 17 BLU
- 18 VIO/YEL
- 19 VIO/GRN
- 20 VIO/BLU
- 21 BLU/RED
- 22 BLU/RED

- G12 (LOWER FRONT OF ENGINE COMPT)

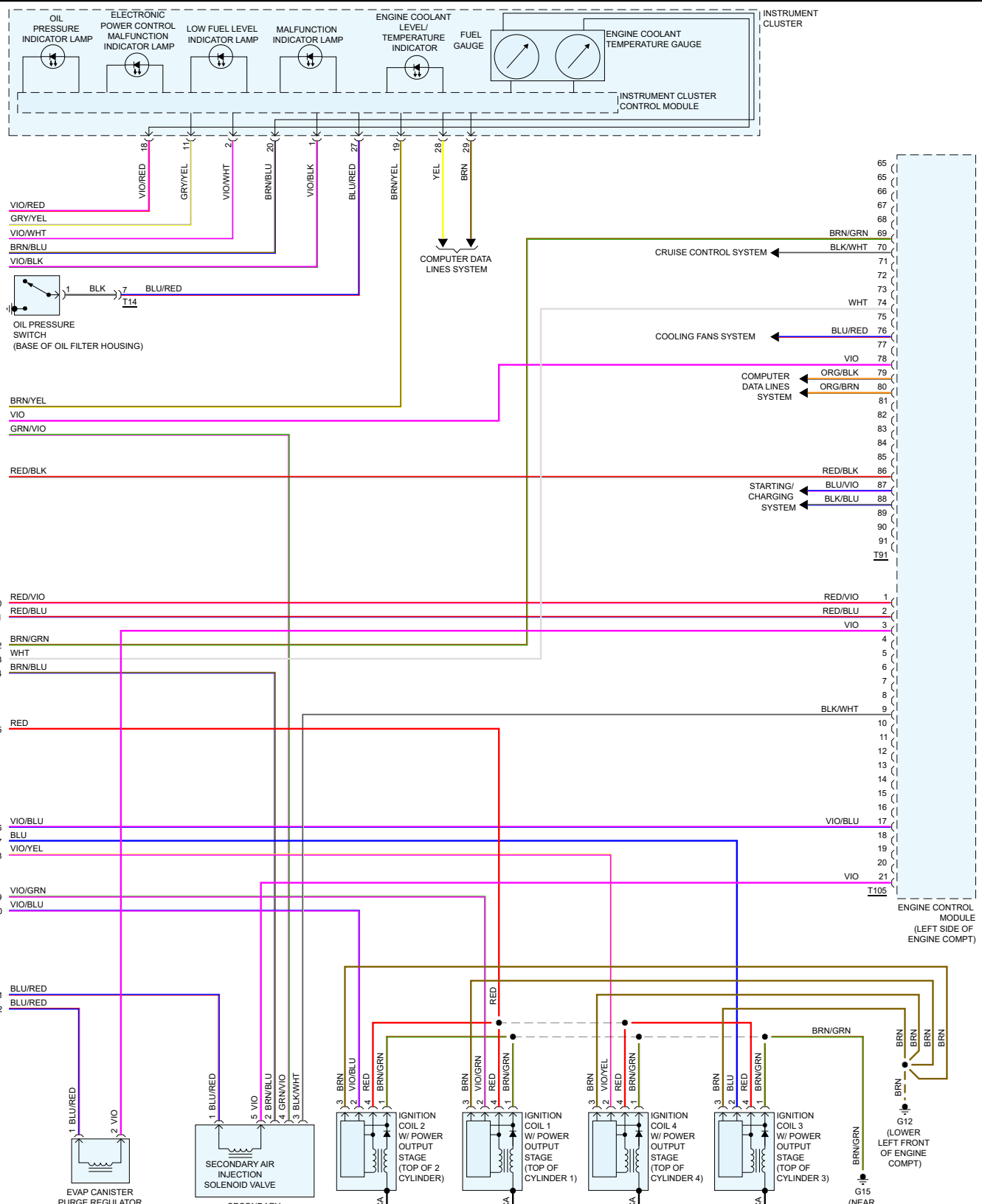
ENGINE CONTROL MODULE
(LEFT SIDE OF ENGINE COMPT)

(LEFT SIDE OF
ENGINE BLOCK)

(TOP REAR OF
CYLINDER HEAD)

(TOP FRONT OF
CYLINDER HEAD)

OF ENGINE)



- 65
- 66
- 67
- 68
- 69
- 70
- 71
- 72
- 73
- 74
- 75
- 76
- 77
- 78
- 79
- 80
- 81
- 82
- 83
- 84
- 85
- 86
- 87
- 88
- 89
- 90
- 91
- T91
- 1
- 2
- 3
- 4
- 5
- 6
- 7
- 8
- 9
- 10
- 11
- 12
- 13
- 14
- 15
- 16
- 17
- 18
- 19
- 20
- 21
- T105

- G12 (LOWER LEFT FRONT OF ENGINE COMPT)
- G15 (NEAR)

485260

CRUISE SENSOR
VALVE 1
(TOP FRONT
OF ENGINE)

SECONDARY
AIR SYSTEM &
INJECTION SENSOR 1
(REAR OF
EXHAUST MANIFOLD)

NC
↓
TO
SPARK
PLUG

NC
↓
TO
SPARK
PLUG

NC
↓
TO
SPARK
PLUG

NC
↓
TO
SPARK
PLUG

IGNITION
COIL
ASSEMBLIES)