

YMMS: 2007 Chevrolet Silverado 1500
Engine: 5.3L Eng
VIN:

Mar 18, 2022
License:
Odometer:

TRANSMISSION > 5.3L VIN J

Fig 1: 5.3L VIN J, A/T Circuit (1 of 2)

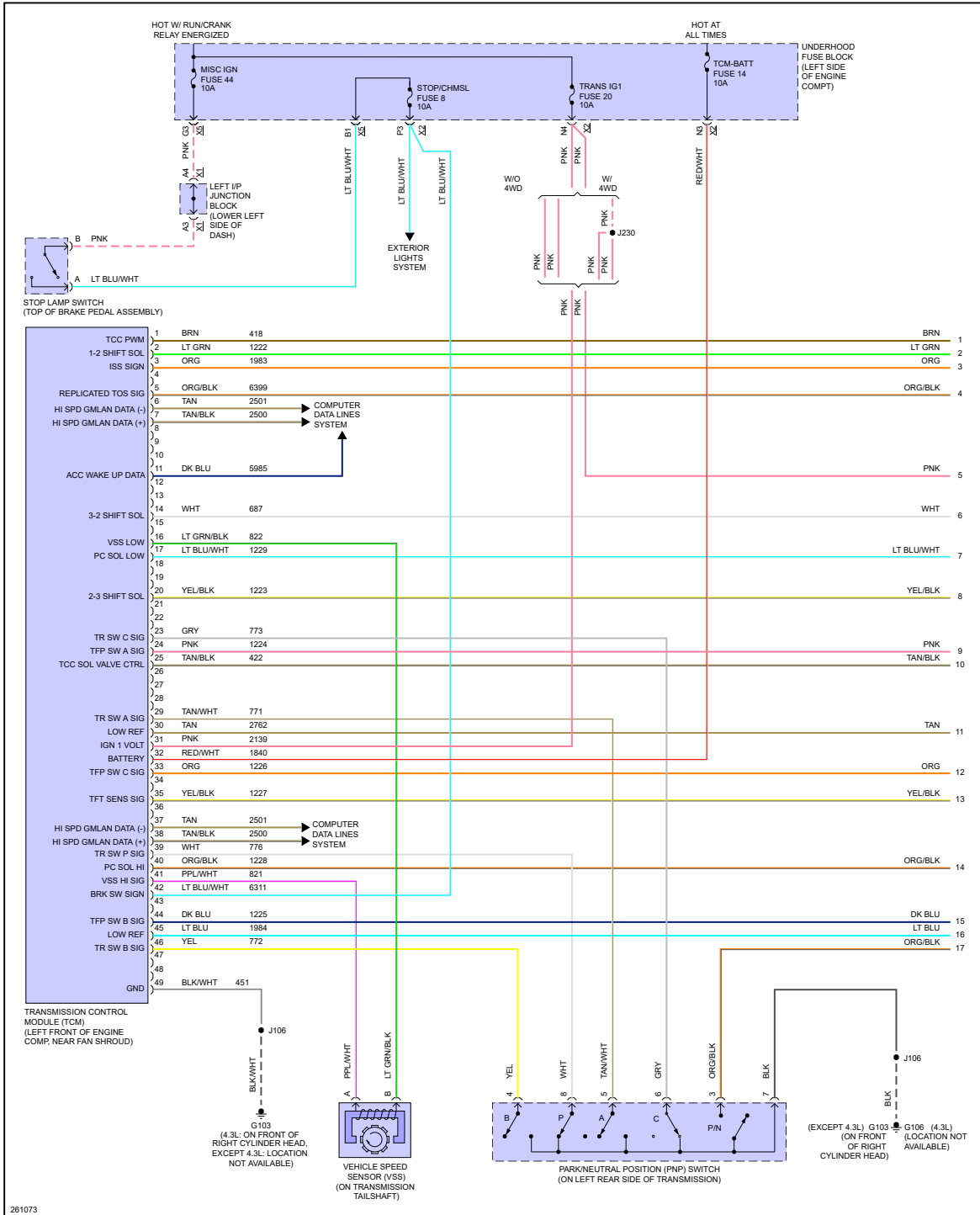


Fig 2: 5.3L VIN J, A/T Circuit (2 of 2)

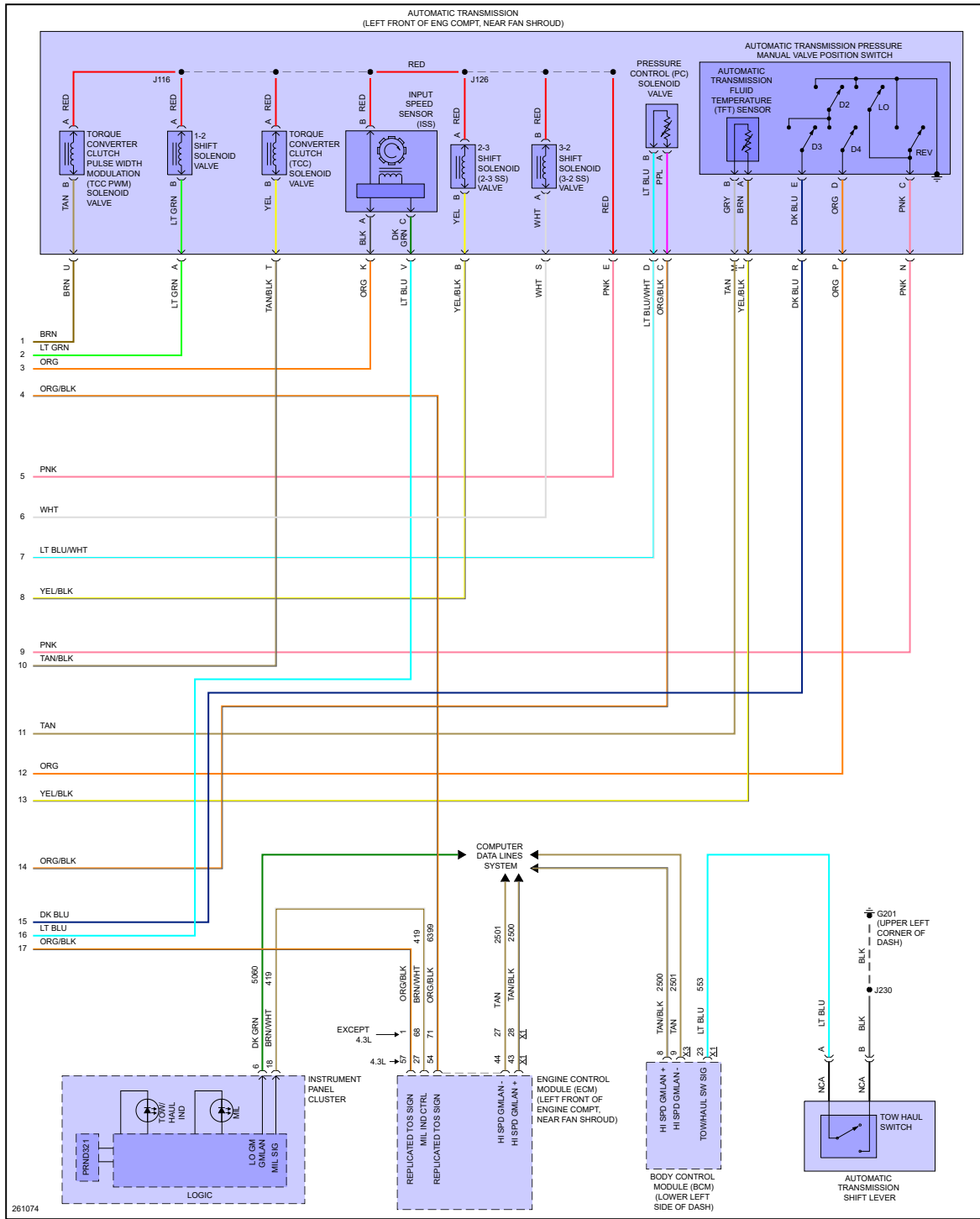


Fig 3: 5.3L VIN J, Transfer Case Circuit, 2-Speed Automatic

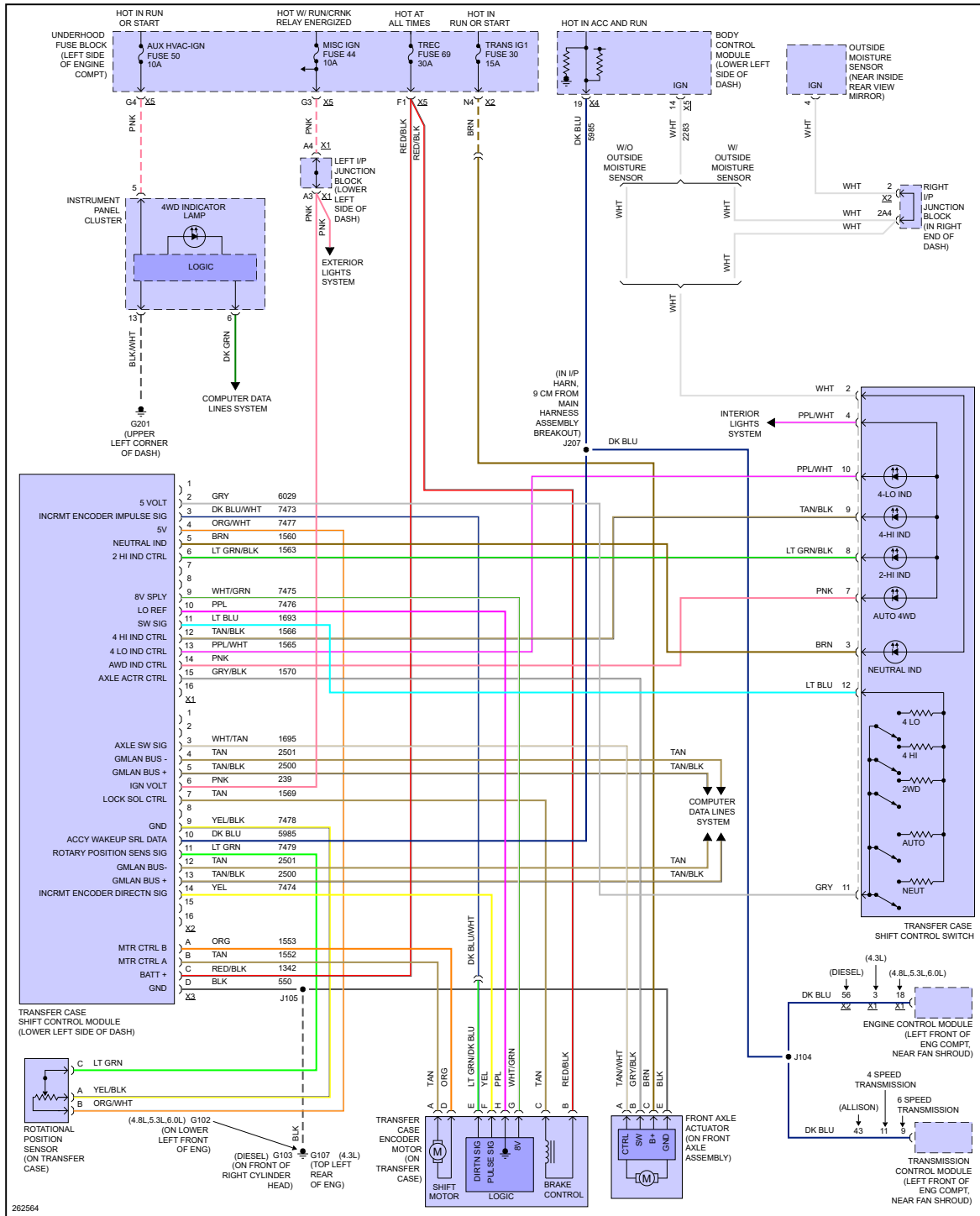


Fig 4: 5.3L VIN J, Transfer Case Circuit, 2-Speed Manual

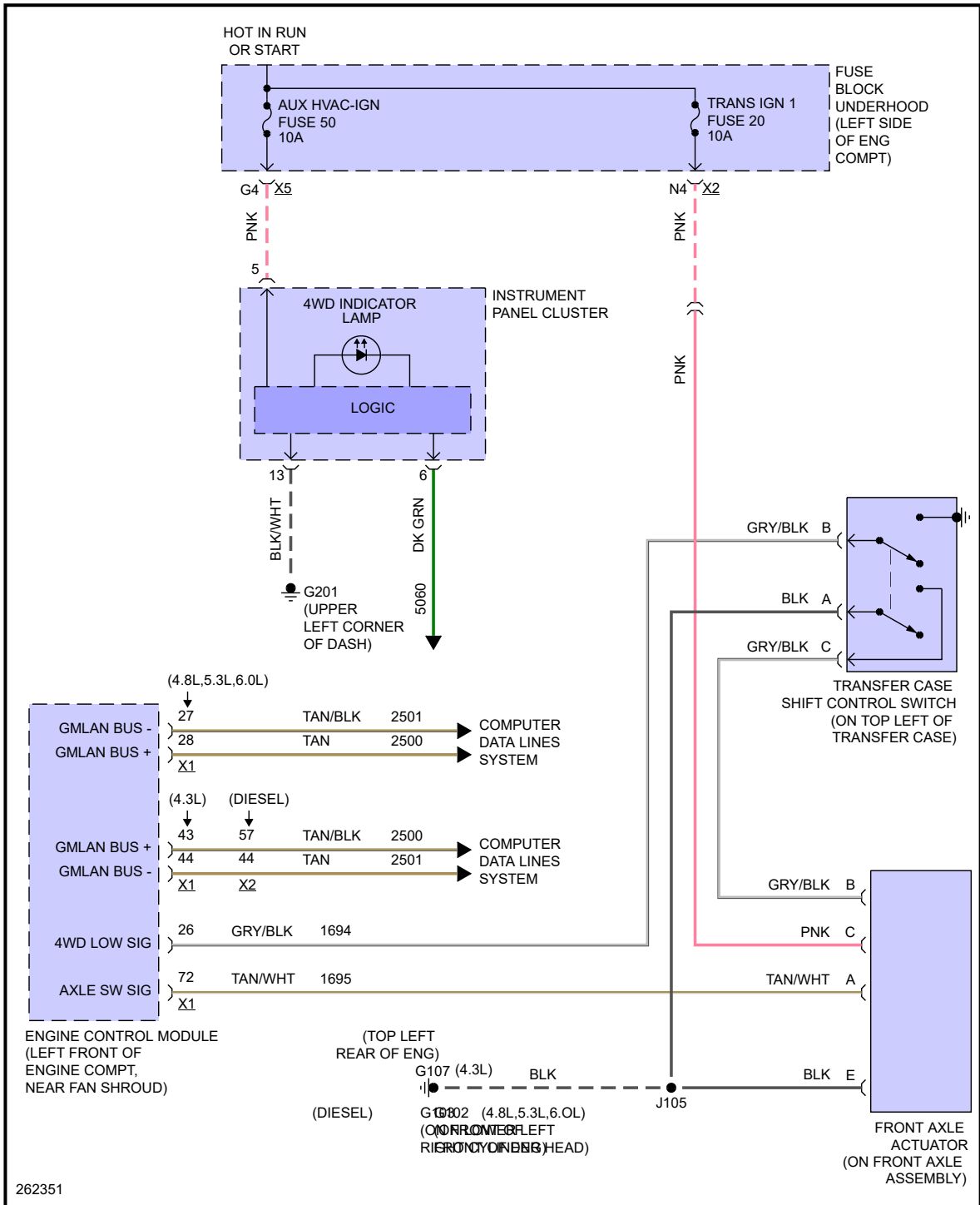


Fig 5: 5.3L VIN J, Transfer Case Circuit, Selectable

