

Standard equipment (Canada, Mexico, USA)

From May 2006



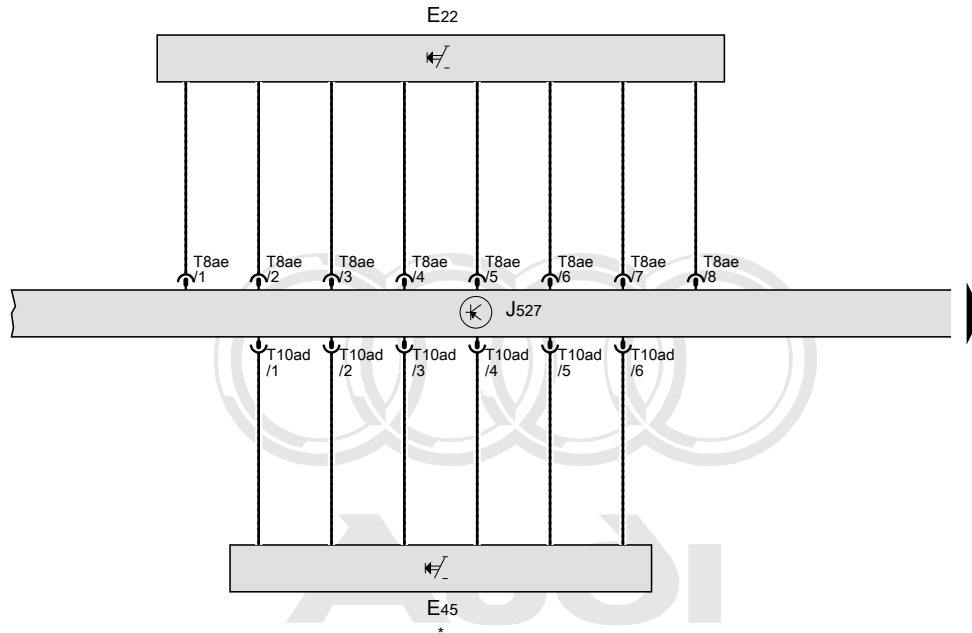
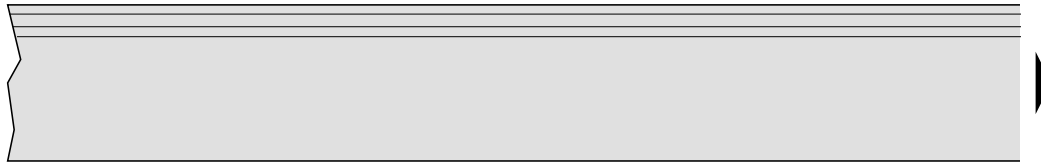
Audi

Protected by copyright. Copying for private or commercial purposes, in part or in whole, is not permitted unless authorised by AUDI AG. AUDI AG does not guarantee or accept any liability with respect to the correctness of information in this document. Copyright by AUDI AG.



Windshield wiper intermittent mode switch, Cruise control switch, Steering column electronics control module

- E22 Windshield wiper intermittent mode switch
- E45 Cruise control switch
- J527 Steering column electronics control module
- T8ae 8-pin connector
- T10ad 10-pin connector
- * Only for vehicles with cruise control



Protected by copyright. Copying for private or commercial purposes, in part or in whole, is not permitted unless authorised by AUDI AG. AUDI AG does not guarantee or accept any liability with respect to the correctness of information in this document. Copyright by AUDI AG.



- ws = white
- sw = black
- ro = red
- rt = red
- br = brown
- gn = green
- bl = blue
- gr = grey
- li = lilac
- vi = lilac
- ge = yellow
- or = orange
- rs = pink

1 2 3 4 5 6 7 8 9 10 11 12 13 14

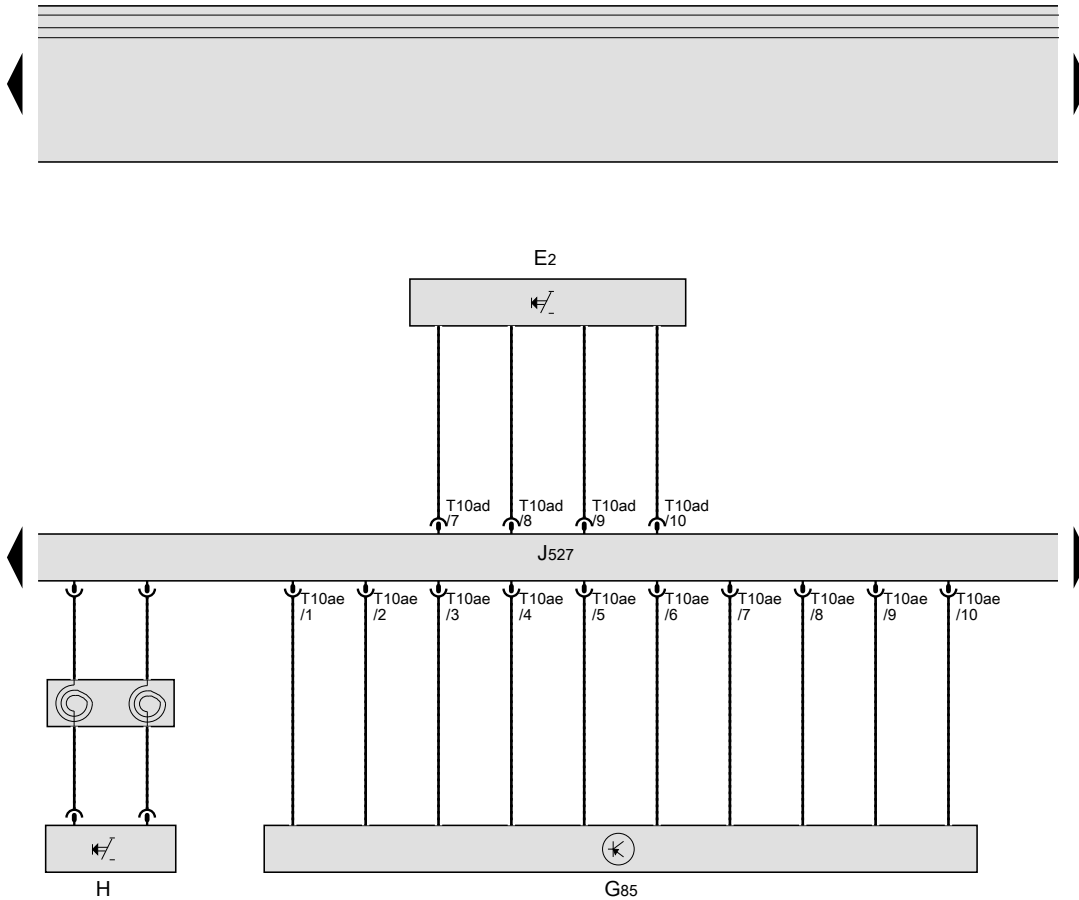
1RPA-002020R101

Turn signal switch, Steering angle sensor, Signal horn activation, Steering column electronics control module

- E2 Turn signal switch
- G85 Steering angle sensor
- H Signal horn activation
- J527 Steering column electronics control module
- T10ad 10-pin connector
- T10ae 10-pin connector



Protected by copyright. Copying for private or commercial purposes, in part or in whole, is not permitted unless authorised by AUDI AG. AUDI AG does not guarantee or accept any liability with respect to the correctness of information in this document. Copyright by AUDI AG.



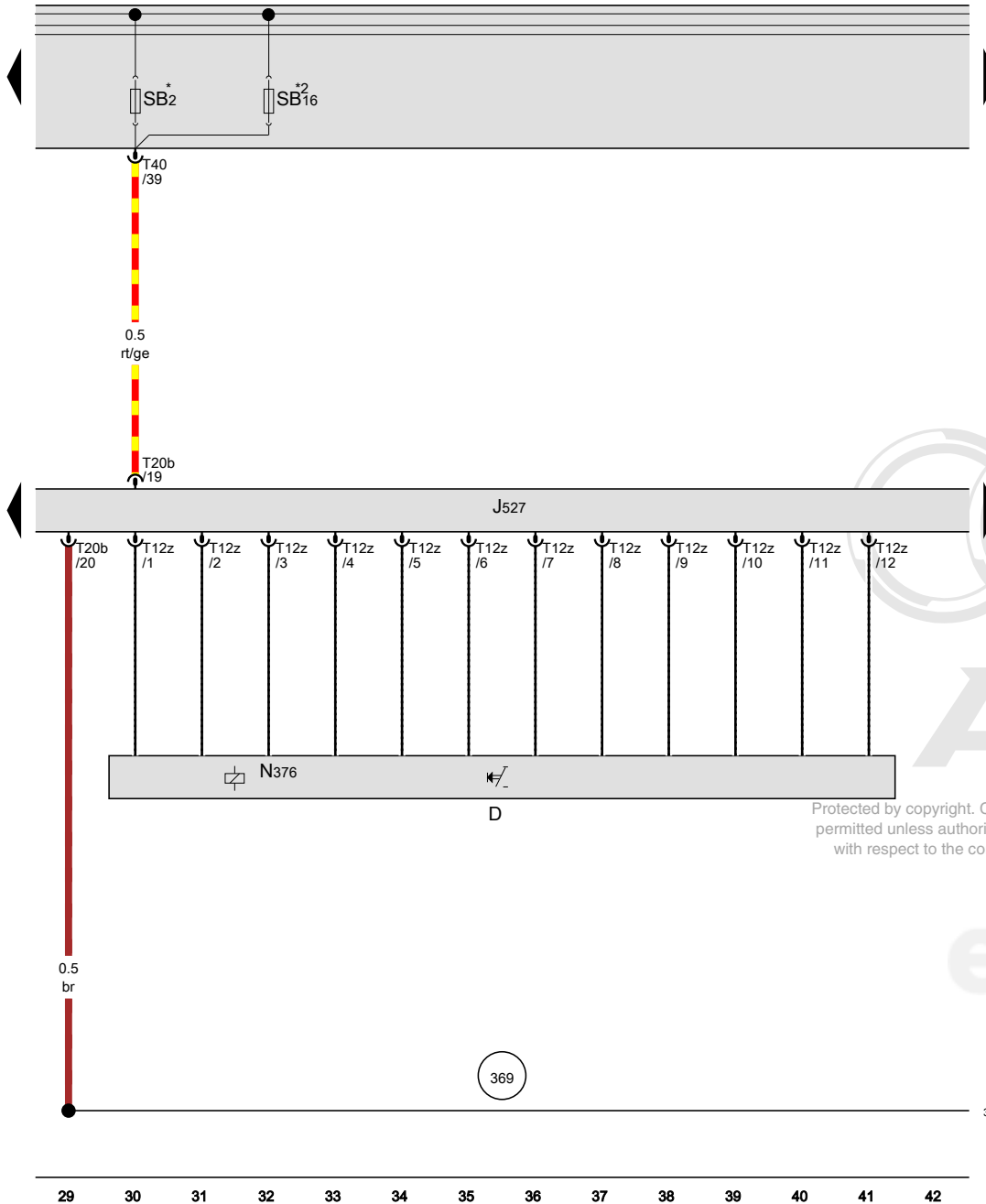
15 16 17 18 19 20 21 22 23 24 25 26 27 28

1RPA-002030R101

- ws = white
- sw = black
- ro = red
- rt = red
- br = brown
- gn = green
- bl = blue
- gr = grey
- li = lilac
- vi = lilac
- ge = yellow
- or = orange
- rs = pink

Ignition/starter switch, Steering column electronics control module

- D Ignition/starter switch
- J527 Steering column electronics control module
- N376 Ignition switch key lock solenoid
- SB2 Fuse 2 (on fuse panel B)
- SB16 Fuse 16 (on fuse panel B)
- T12z 12-pin connector
- T20b 20-pin connector
- T40 40-pin connector
- 369 Ground connection 4 (in main wiring harness)
- * E-Box low
- *2 E-Box high



Protected by copyright. Copying for private or commercial purposes, in part or in whole, is not permitted unless authorised by AUDI AG. AUDI AG does not guarantee or accept any liability with respect to the correctness of information in this document. Copyright by AUDI AG.

- ws = white
- sw = black
- ro = red
- rt = red
- br = brown
- gn = green
- bl = blue
- gr = grey
- li = lilac
- vi = lilac
- ge = yellow
- or = orange
- rs = pink

29 30 31 32 33 34 35 36 37 38 39 40 41 42

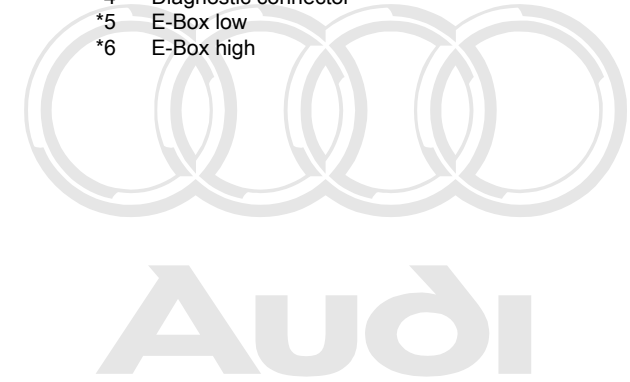
18PA-002040R10

Steering column electronics control module, Data bus on board diagnostic interface

- J527 Steering column electronics control module
- J533 Data bus on board diagnostic interface
- J587 Selector lever sensor system control module
- J623 Engine control module
- J743 DSG transmission Mechatronic
- SB12 Fuse 12 (on fuse panel B)
- SB24 Fuse 24 (on fuse panel B)
- T16 16-pin connector
- T20b 20-pin connector
- T20d 20-pin connector
- T40 40-pin connector

- 369 Ground connection 4 (in main wiring harness)
- B444 OBD connection 1 (in main wiring harness)

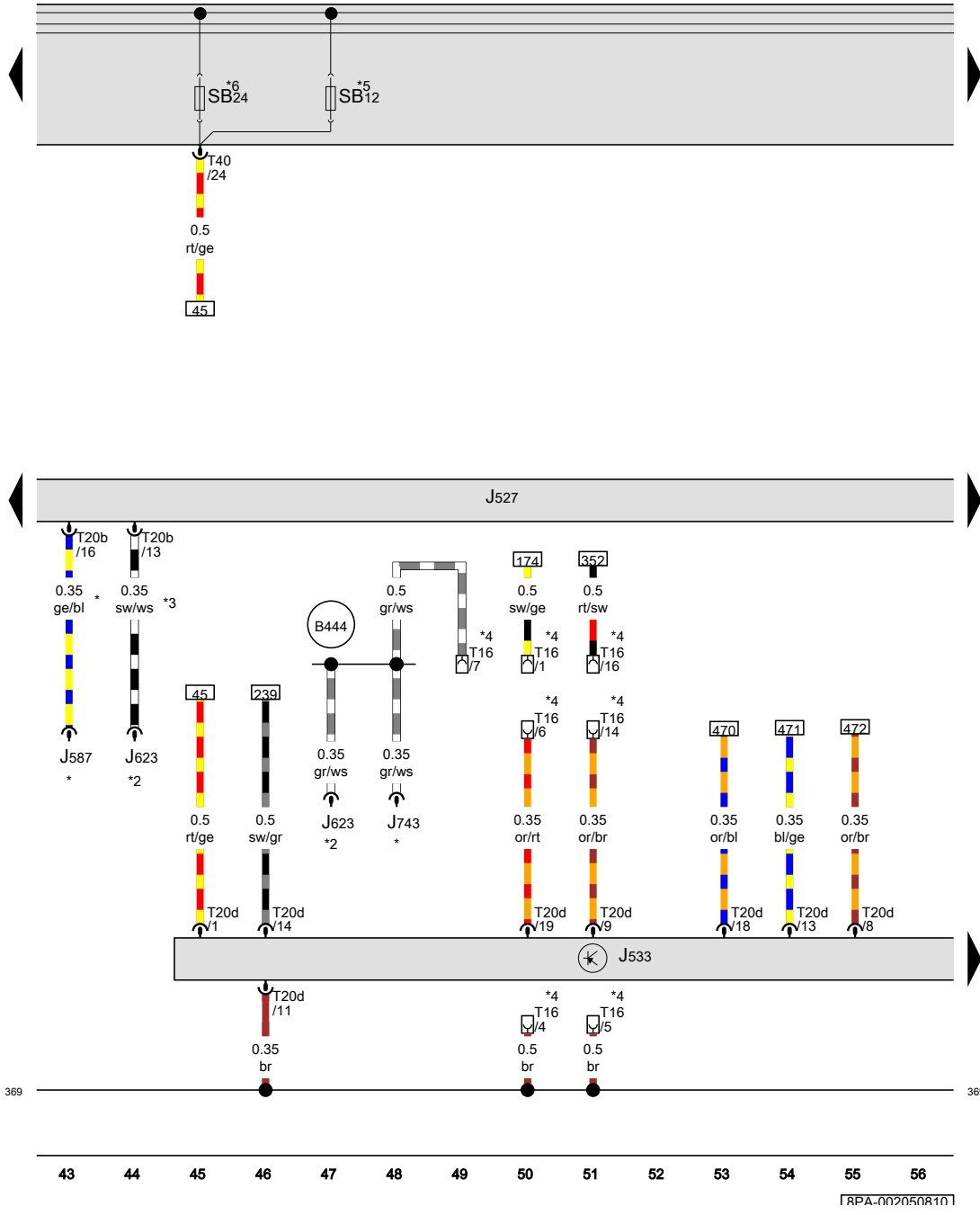
- * Refer to applicable wiring diagram for automatic transmission
- *2 Refer to applicable engine wiring diagram
- *3 Only for vehicles with cruise control
- *4 Diagnostic connector
- *5 E-Box low
- *6 E-Box high



Protected by copyright. Copying for private or commercial purposes, in part or in whole, is not permitted unless authorised by AUDI AG. AUDI AG does not guarantee or accept any liability with respect to the correctness of information in this document. Copyright by AUDI AG.



- ws = white
- sw = black
- ro = red
- rt = red
- br = brown
- gn = green
- bl = blue
- gr = grey
- li = lilac
- vi = lilac
- ge = yellow
- or = orange
- rs = pink



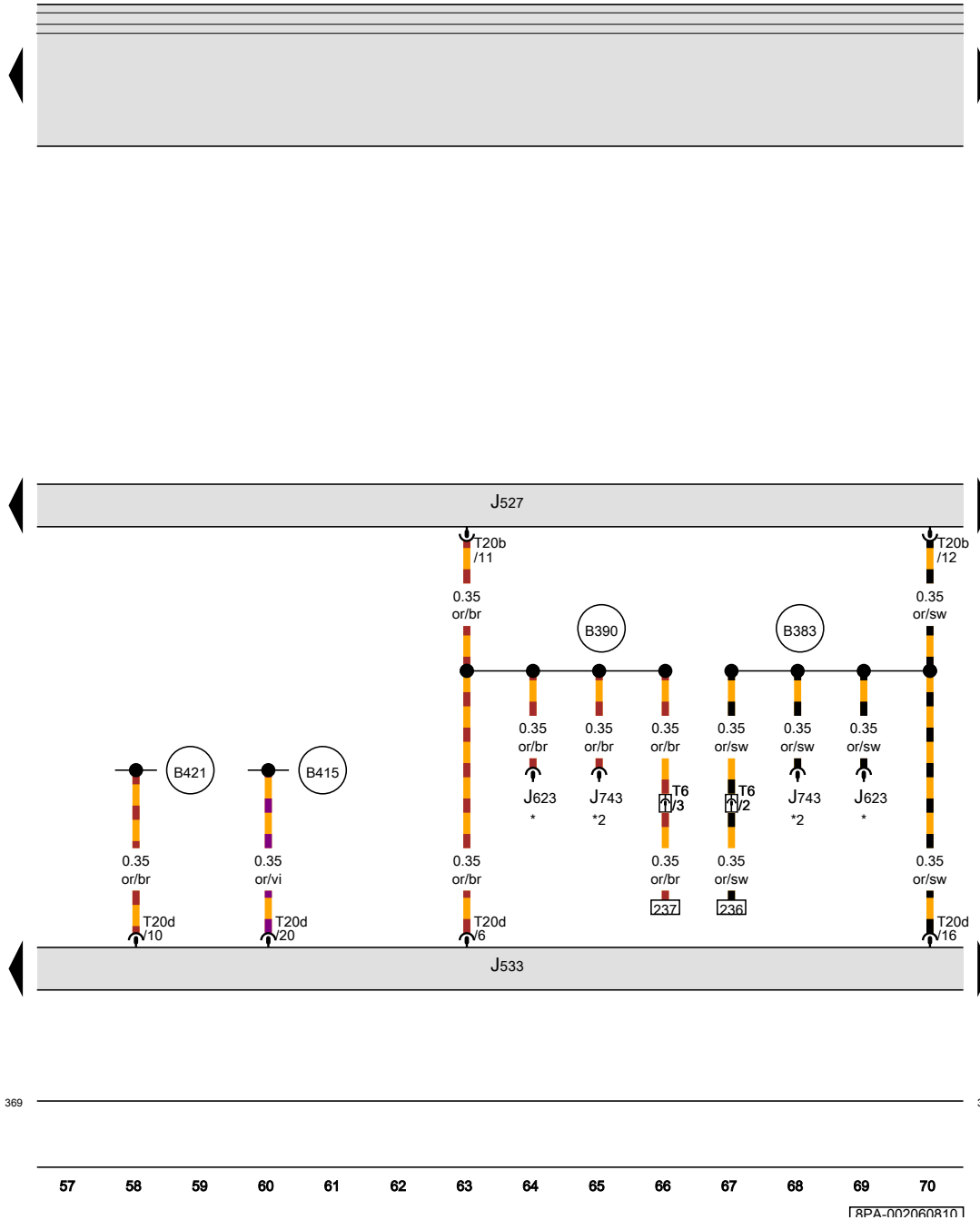
Steering column electronics control module, Data bus on board diagnostic interface

- J527 Steering column electronics control module
- J533 Data bus on board diagnostic interface
- J623 Engine control module
- J743 DSG transmission Mechatronic
- T6 6-pin connector, near the left front longitudinal member
- T20b 20-pin connector
- T20d 20-pin connector

- 369 Ground connection 4 (in main wiring harness)
- B383 Powertrain CAN bus high connection 1 (in main wiring harness)
- B390 Powertrain CAN bus low connection 1 (in main wiring harness)
- B415 Infotainment CAN Bus high connection 1 (in main wiring harness)
- B421 Infotainment CAN bus low connection 1 (in main wiring harness)

- * Refer to applicable engine wiring diagram
- *2 Refer to applicable wiring diagram for automatic transmission

Protected by copyright. Copying for private or commercial purposes, in part or in whole, is not permitted unless authorised by AUDI AG. AUDI AG does not guarantee or accept any liability with respect to the correctness of information in this document. Copyright by AUDI AG.



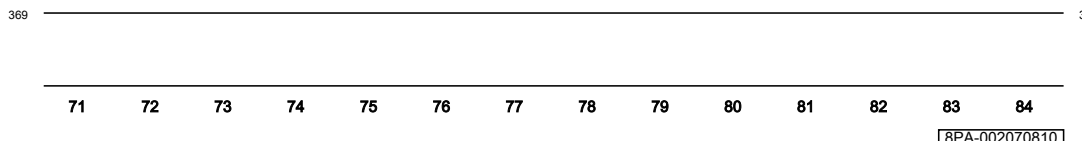
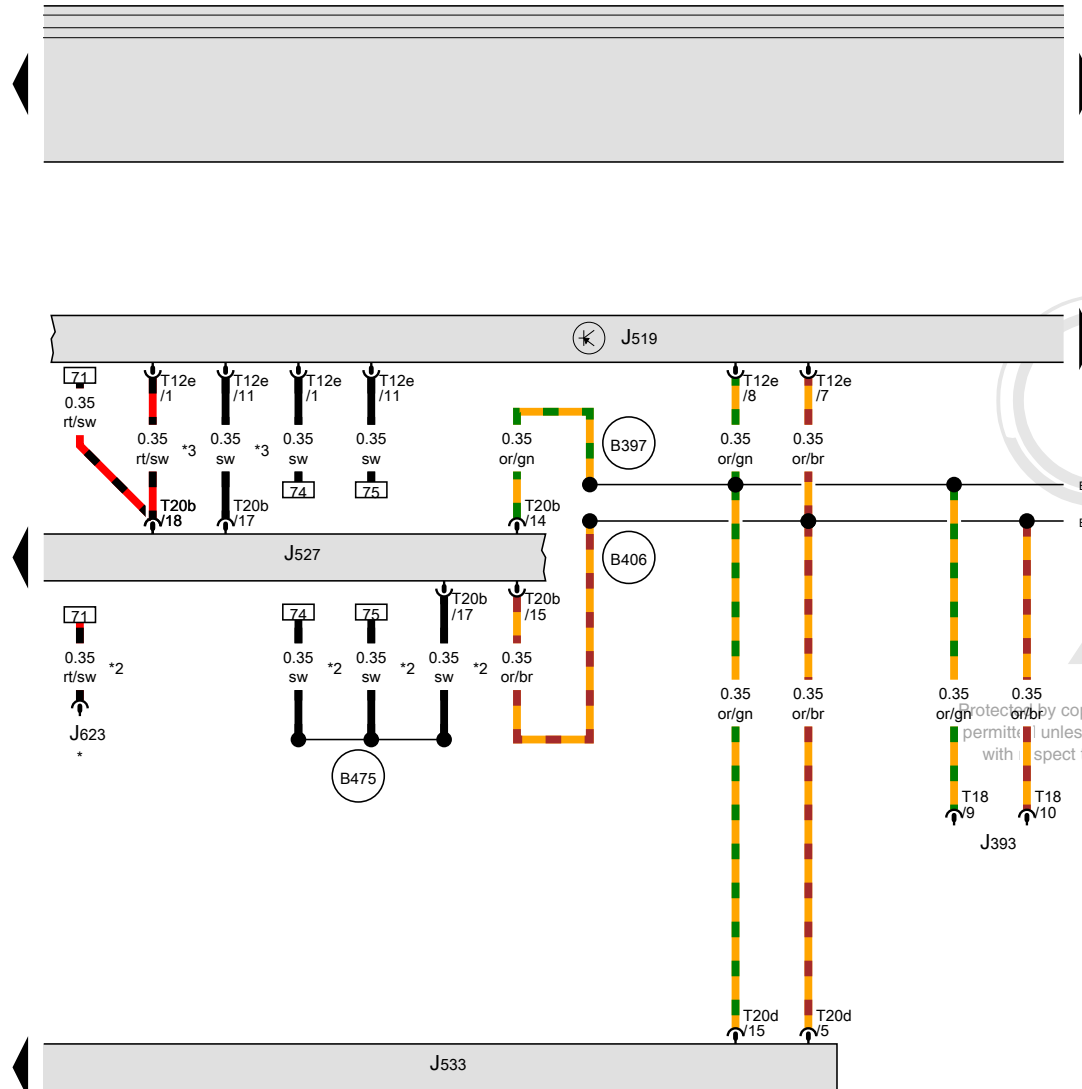
- ws = white
- sw = black
- ro = red
- rt = red
- br = brown
- gn = green
- bl = blue
- gr = grey
- li = lilac
- vi = lilac
- ge = yellow
- or = orange
- rs = pink

18PA-002060810

Vehicle electrical system control module, Steering column electronics control module, Data bus on board diagnostic interface

- J393 Comfort system central control module
- J519 Vehicle electrical system control module
- J527 Steering column electronics control module
- J533 Data bus on board diagnostic interface
- J623 Engine control module
- T12e 12-pin connector
- T18 18-pin connector
- T20b 20-pin connector
- T20d 20-pin connector

- 369 Ground connection 4 (in main wiring harness)
- B397 Comfort system CAN bus high connection 1 (in main wiring harness)
- B406 Comfort system CAN bus low connection 1 (in main wiring harness)
- B475 Connection 11 (in main wiring harness)
- * Refer to applicable engine wiring diagram only for vehicles with engine code CBFA
- *2 not for vehicles with engine code CBFA
- *3 not for vehicles with engine code CBFA

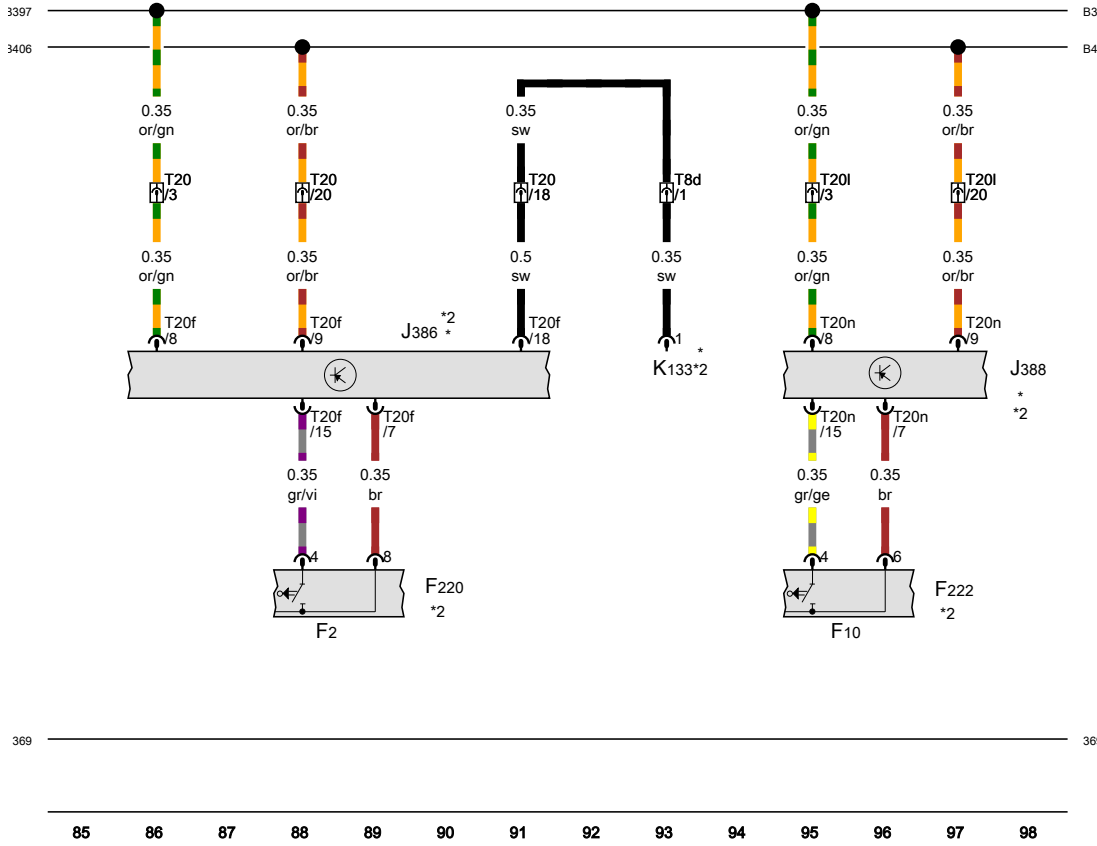


- ws = white
- sw = black
- ro = red
- rt = red
- br = brown
- gn = green
- bl = blue
- gr = grey
- li = lilac
- vi = lilac
- ge = yellow
- or = orange
- rs = pink

18PA-002070R10

Driver central locking lock unit, Left rear central locking lock unit, Driver door control module, Left rear door control module, Vehicle electrical system control module

- F2 Driver door contact switch
- F10 Left rear door contact switch
- F220 Driver central locking lock unit
- F222 Left rear central locking lock unit
- J386 Driver door control module
- J388 Left rear door control module
- J519 Vehicle electrical system control module
- K133 Central locking -SAFE- indicator lamp
- T8d 8-pin connector, behind the center console
- T20 20-pin connector, on the left A-pillar
- T20f 20-pin connector
- T20i 20-pin connector, on the left B-pillar
- T20n 20-pin connector



- 369 Ground connection 4 (in main wiring harness)
- B397 Comfort system CAN bus high connection 1 (in main wiring harness)
- B406 Comfort system CAN bus low connection 1 (in main wiring harness)
- * Refer to applicable convenience system wiring diagram Through April 2007
- *2

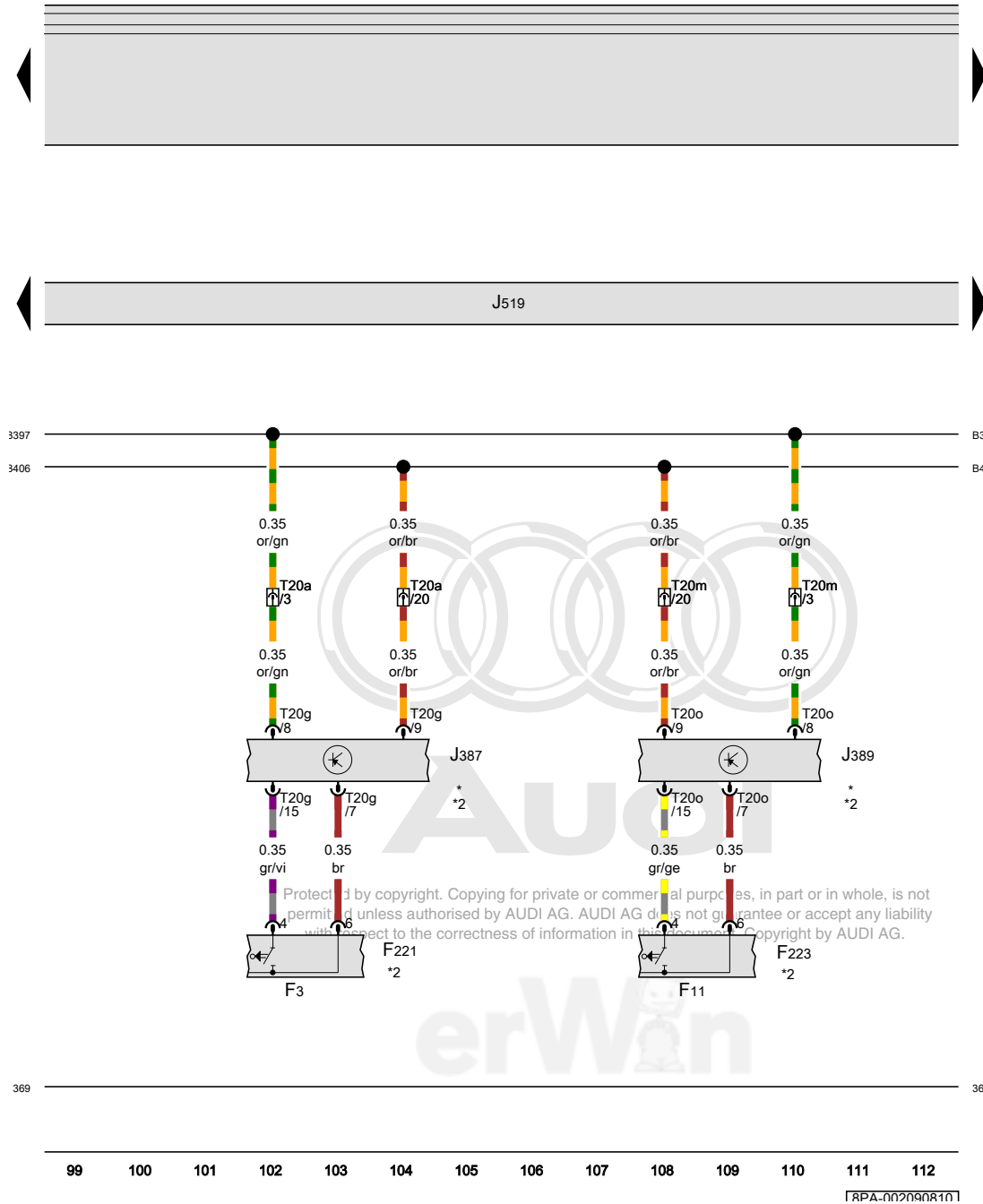
- ws = white
- sw = black
- ro = red
- rt = red
- br = brown
- gn = green
- bl = blue
- gr = grey
- li = lilac
- vi = lilac
- ge = yellow
- or = orange
- rs = pink

18PA-002080810

Front passenger central locking lock unit, Right rear central locking lock unit, Front passenger door control module, Right rear door control module, Vehicle electrical system control module

- F3 Front passenger door contact switch
- F11 Right rear door contact switch
- F221 Front passenger central locking lock unit
- F223 Right rear central locking lock unit
- J387 Front passenger door control module
- J389 Right rear door control module
- J519 Vehicle electrical system control module
- T20a 20-pin connector, on the right A-pillar
- T20g 20-pin connector
- T20m 20-pin connector, on the right B-pillar
- T20o 20-pin connector

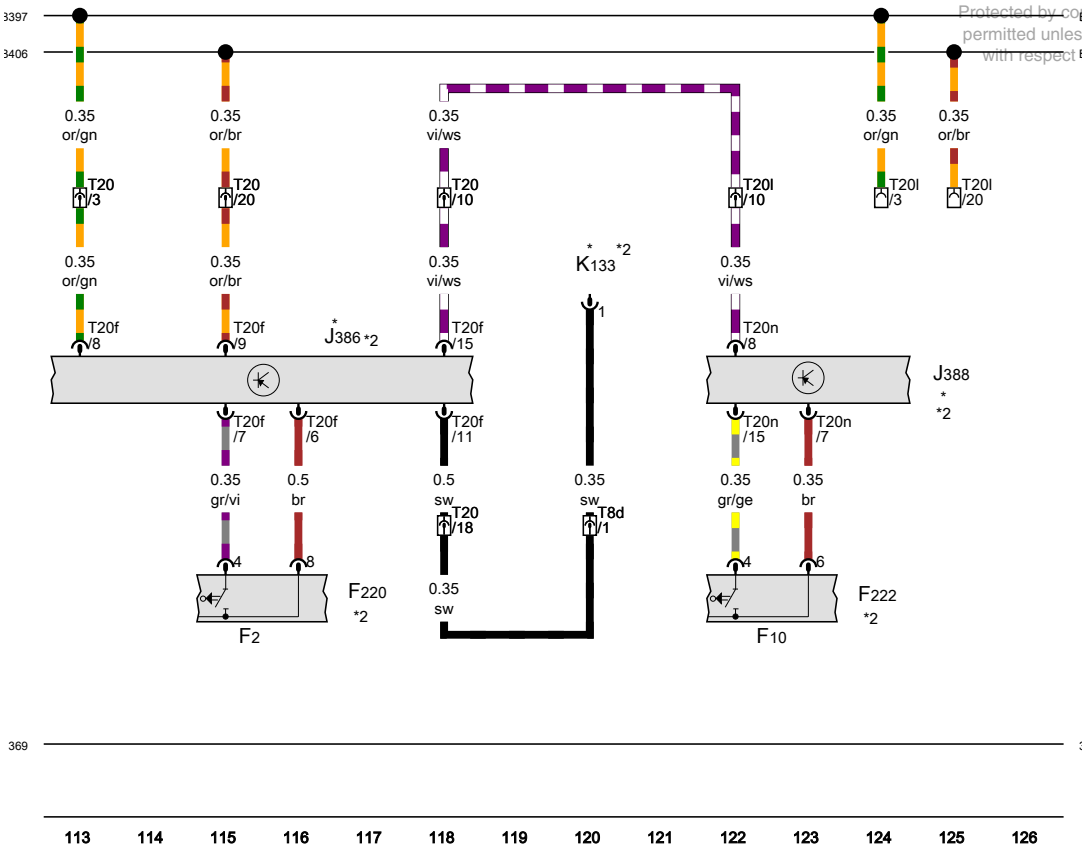
- 369 Ground connection 4 (in main wiring harness)
- B397 Comfort system CAN bus high connection 1 (in main wiring harness)
- B406 Comfort system CAN bus low connection 1 (in main wiring harness)
- * Refer to applicable convenience system wiring diagram
- *2 Through April 2007



- ws = white
- sw = black
- ro = red
- rt = red
- br = brown
- gn = green
- bl = blue
- gr = grey
- li = lilac
- vi = lilac
- ge = yellow
- or = orange
- rs = pink

Driver central locking lock unit, Left rear central locking lock unit, Driver door control module, Left rear door control module, Vehicle electrical system control module

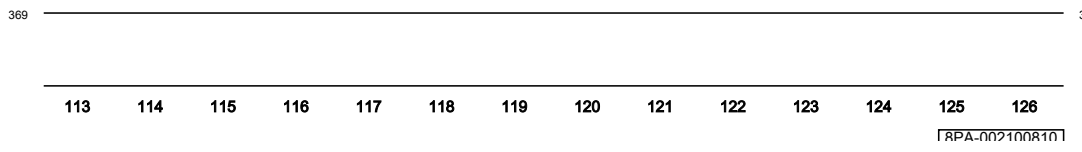
- F2 Driver door contact switch
- F10 Left rear door contact switch
- F220 Driver central locking lock unit
- F222 Left rear central locking lock unit
- J386 Driver door control module
- J388 Left rear door control module
- J519 Vehicle electrical system control module
- K133 Central locking -SAFE- indicator lamp
- T8d 8-pin connector, behind the center console
- T20 20-pin connector, on the left A-pillar
- T20f 20-pin connector
- T20l 20-pin connector, on the left B-pillar
- T20n 20-pin connector



Protected by copyright. Copying for private or commercial purposes, in part or in whole, is not permitted unless authorised by AUDI AG. AUDI AG does not guarantee or accept any liability with respect to the correctness of information in this document. Copyright by Audi AG.

- 369 Ground connection 4 (in main wiring harness)
- B397 Comfort system CAN bus high connection 1 (in main wiring harness)
- B406 Comfort system CAN bus low connection 1 (in main wiring harness)
- * From May 2007
- *2 Refer to applicable convenience system wiring diagram

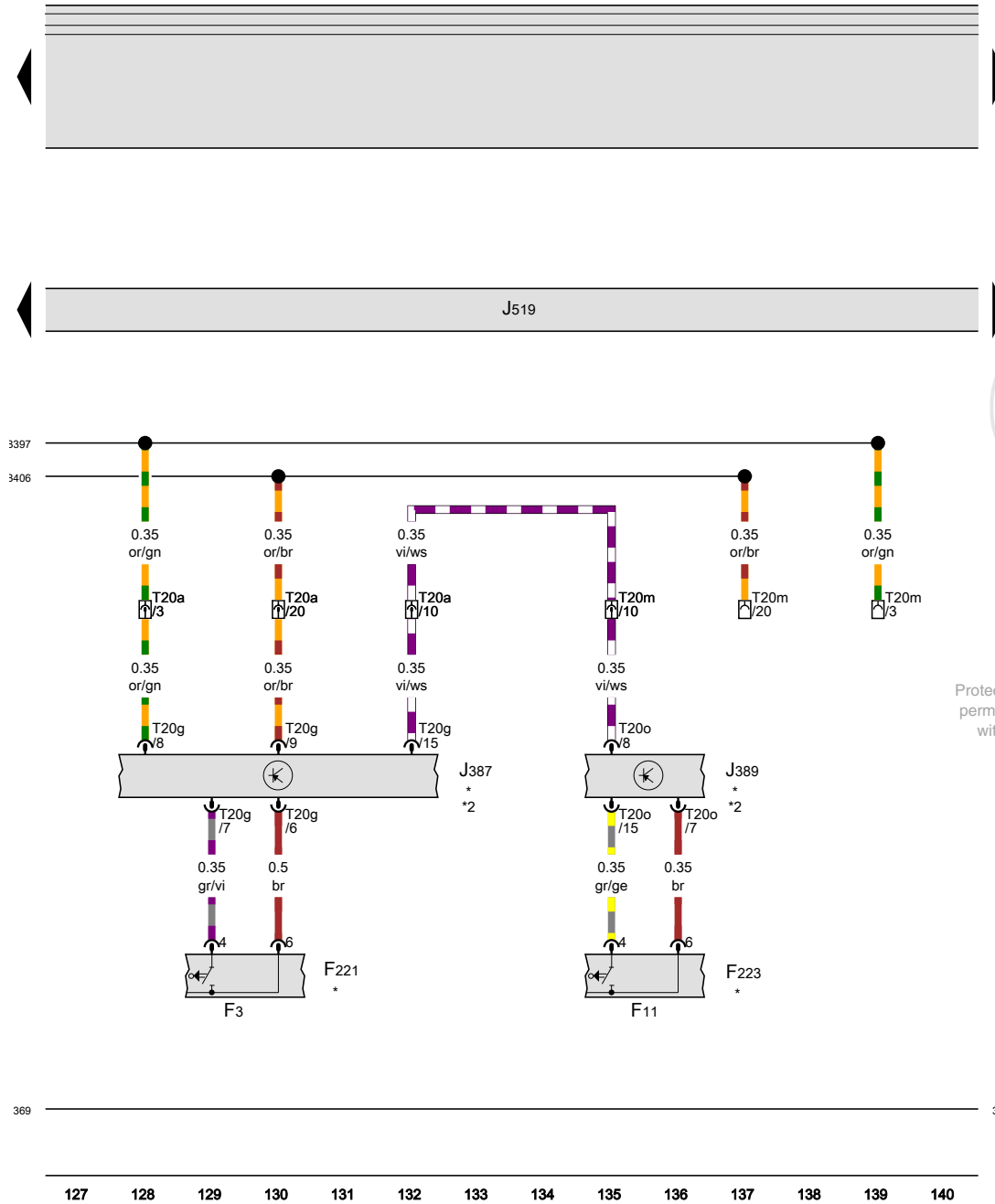
- ws = white
- sw = black
- ro = red
- rt = red
- br = brown
- gn = green
- bl = blue
- gr = grey
- li = lilac
- vi = lilac
- ge = yellow
- or = orange
- rs = pink



Front passenger central locking lock unit, Right rear central locking lock unit, Front passenger door control module, Right rear door control module, Vehicle electrical system control module

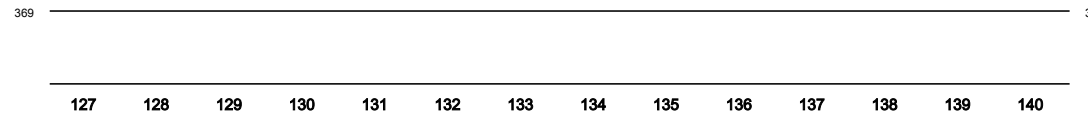
- F3 Front passenger door contact switch
- F11 Right rear door contact switch
- F221 Front passenger central locking lock unit
- F223 Right rear central locking lock unit
- J387 Front passenger door control module
- J389 Right rear door control module
- J519 Vehicle electrical system control module
- T20a 20-pin connector, on the right A-pillar
- T20g 20-pin connector
- T20m 20-pin connector, on the right B-pillar
- T20o 20-pin connector

- 369 Ground connection 4 (in main wiring harness)
- B397 Comfort system CAN bus high connection 1 (in main wiring harness)
- B406 Comfort system CAN bus low connection 1 (in main wiring harness)
- * From May 2007
- *2 Refer to applicable convenience system wiring diagram



Protected by copyright. Copying for private or commercial purposes, in part or in whole, is not permitted unless authorised by AUDI AG. AUDI AG does not guarantee or accept any liability with respect to the correctness of information in this document. Copyright by AUDI AG.

- ws = white
- sw = black
- ro = red
- rt = red
- br = brown
- gn = green
- bl = blue
- gr = grey
- li = lilac
- vi = lilac
- ge = yellow
- or = orange
- rs = pink

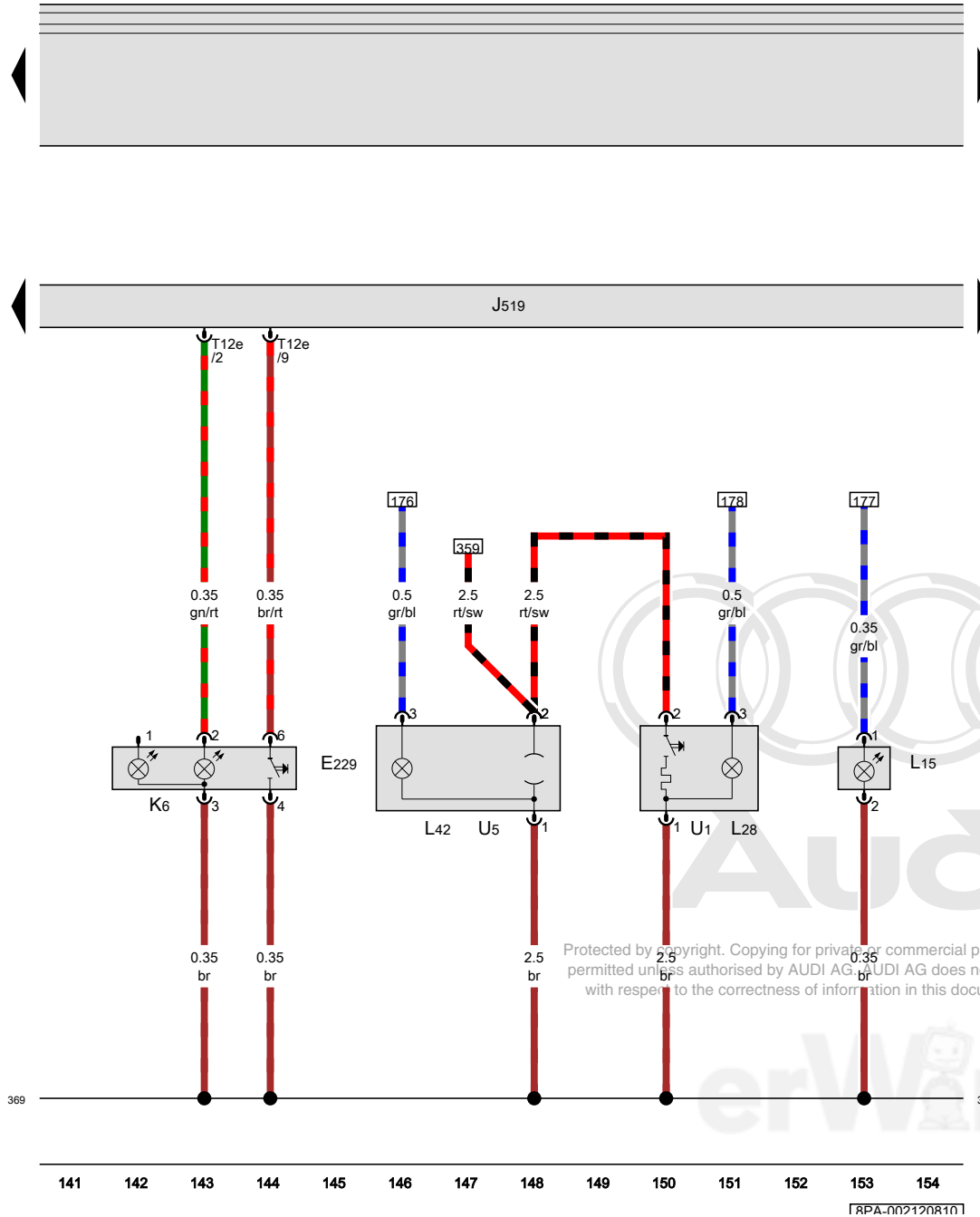


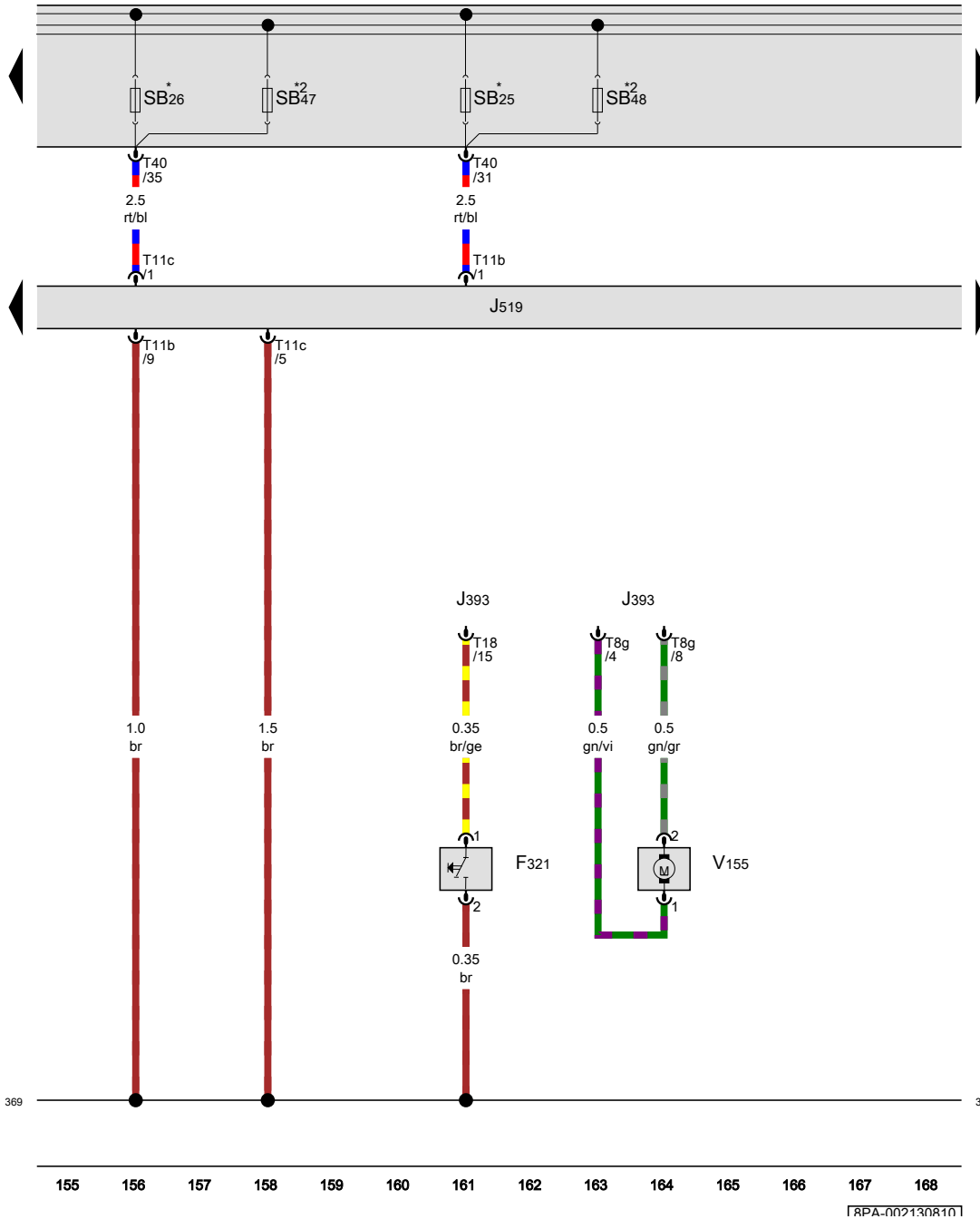
18PA-0021108101

Emergency flasher button, Vehicle electrical system control module, Cigarette lighter, 12 V socket

- E229 Emergency flasher button
- J519 Vehicle electrical system control module
- K6 Emergency flasher indicator lamp
- L15 Ashtray illumination bulb
- L28 Cigarette lighter illumination bulb
- L42 Socket illumination bulb
- T12e 12-pin connector
- U1 Cigarette lighter
- U5 12 V socket

369 Ground connection 4 (in main wiring harness)



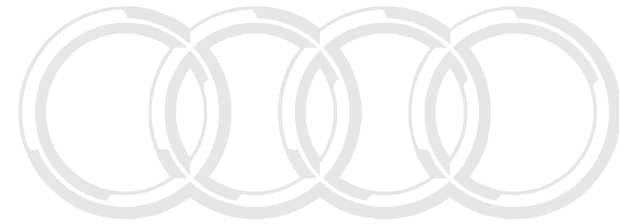


Parking brake contact switch, Vehicle electrical system control module, Fuel filler door unlock motor

- F321 Parking brake contact switch
- J393 Comfort system central control module
- J519 Vehicle electrical system control module
- SB25 Fuse 25 (on fuse panel B)
- SB26 Fuse 26 (on fuse panel B)
- SB47 Fuse 47 (on fuse panel B)
- SB48 Fuse 48 (on fuse panel B)
- T8g 8-pin connector
- T11b 11-pin connector
- T11c 11-pin connector
- T18 18-pin connector
- T40 40-pin connector
- V155 Fuel filler door unlock motor

369 Ground connection 4 (in main wiring harness)

- * E-Box low
- *2 E-Box high



Audi

- ws = white
- sw = black
- ro = red
- rt = red
- br = brown
- gn = green
- bl = blue
- gr = grey
- li = lilac
- vi = lilac
- ge = yellow
- or = orange
- rs = pink

Copyrighted by copyright. Copying for private or commercial purposes, in part or in whole, is not permitted unless authorised by AUDI AG. AUDI AG does not guarantee or accept any liability with respect to the correctness of information in this document. Copyright by AUDI AG.



Light switch, Fog lamp and rear fog lamp switch, Vehicle electrical system control module

- E1 Light switch
- E23 Fog lamp and rear fog lamp switch
- J519 Vehicle electrical system control module
- L120 Storage compartment illumination bulb
- L121 Cupholder illumination bulb
- T7 7-pin connector
- T10e 10-pin connector
- T12c 12-pin connector
- T16a 16-pin connector

44 Ground connection on A-pillar, lower left

368 Ground connection 3 (in main wiring harness)

369 Ground connection 4 (in main wiring harness)

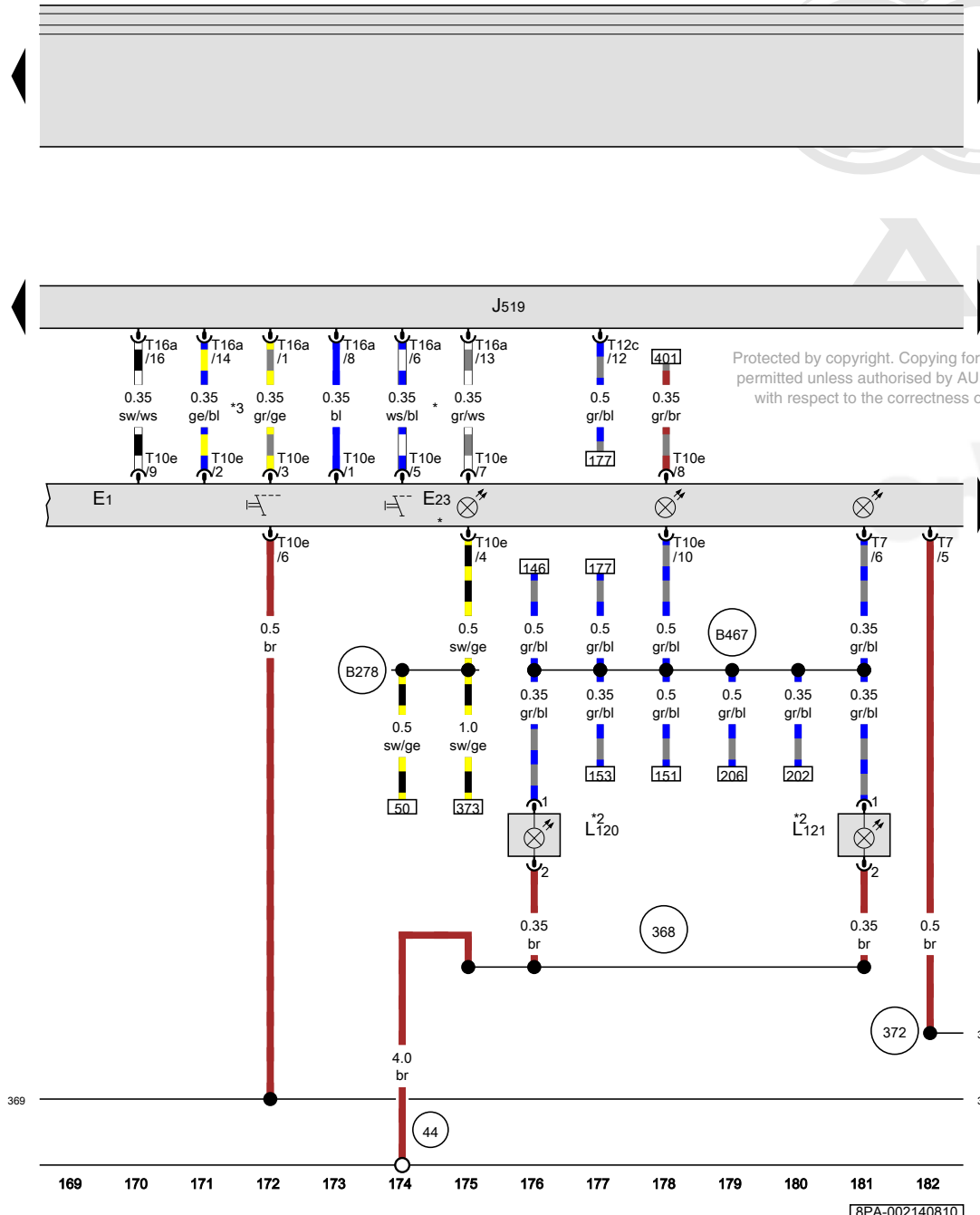
372 Ground connection 7 (in main wiring harness)

B278 Positive connection 2 (15a) (in main wiring harness)

B467 Connection 3 (in main wiring harness)

- * Only for vehicles with fog lamps
- *2 Only for vehicles with illuminated storage compartments and cupholders
- *3 Only for vehicles with automatic headlamp assist

Protected by copyright. Copying for private or commercial purposes, in whole or in part, is prohibited unless authorised by AUDI AG. AUDI AG does not guarantee or accept any liability with respect to the correctness of information in this document. Copyright by AUDI AG.



18PA-002140R101

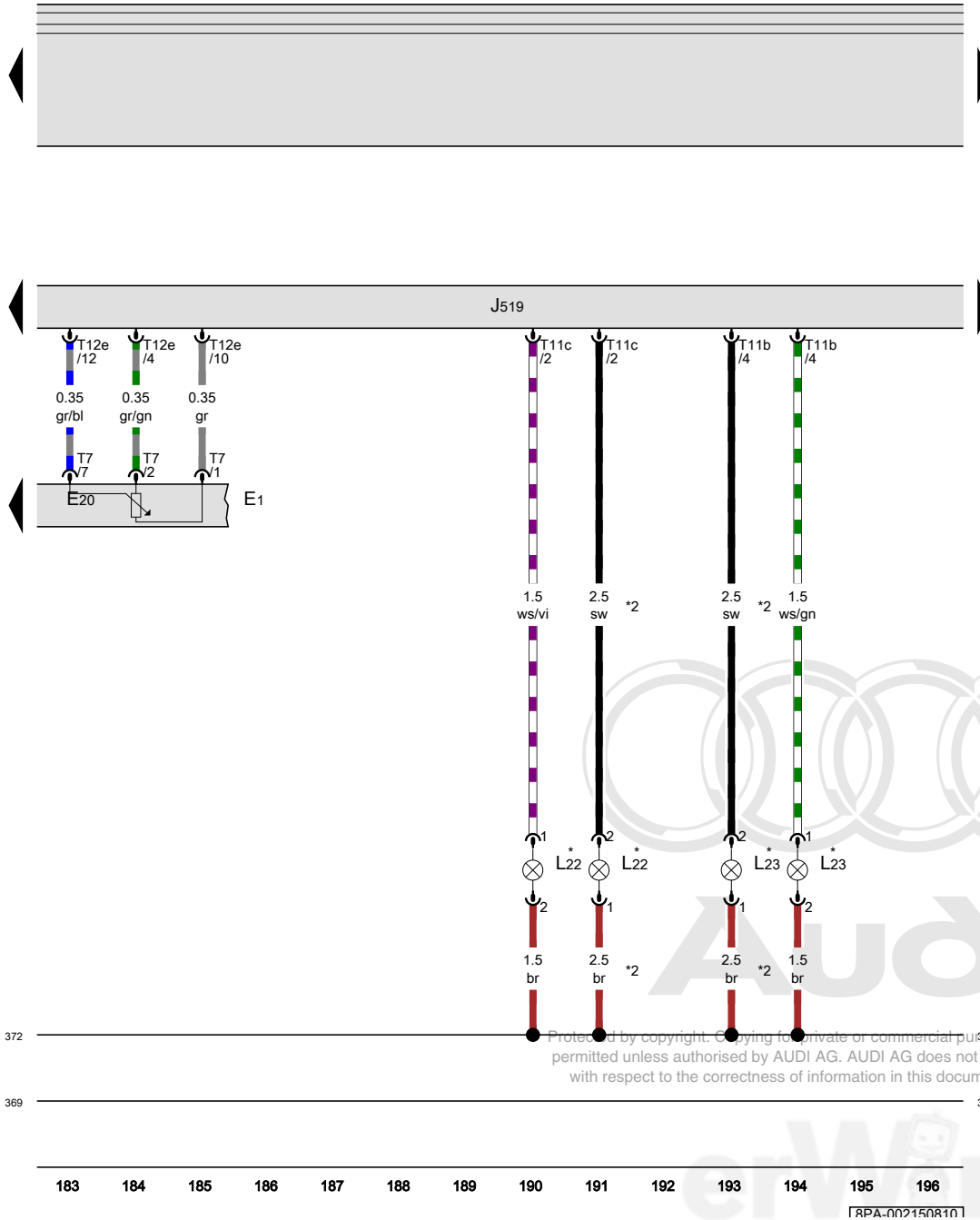
Light switch, Instrument panel and switch illumination dimmer switch, Vehicle electrical system control module, Left front fog lamp bulb, Right front fog lamp bulb

- E1 Light switch
- E20 Instrument panel and switch illumination dimmer switch
- J519 Vehicle electrical system control module
- L22 Left front fog lamp bulb
- L23 Right front fog lamp bulb
- T7 7-pin connector
- T11b 11-pin connector
- T11c 11-pin connector
- T12e 12-pin connector

369 Ground connection 4 (in main wiring harness)

372 Ground connection 7 (in main wiring harness)

- * Only for vehicles with fog lamps
- *2 only for vehicles with S line equipment



- ws = white
- sw = black
- ro = red
- rt = red
- br = brown
- gn = green
- bl = blue
- gr = grey
- li = lilac
- vi = lilac
- ge = yellow
- or = orange
- rs = pink

Protected by copyright. Copying for private or commercial purposes, in part or in whole, is not permitted unless authorised by AUDI AG. AUDI AG does not guarantee or accept any liability with respect to the correctness of information in this document. Copyright © AUDI AG.

Glove compartment lamp switch, Vehicle electrical system control module, Front roof module, Glove compartment lamp, Right footwell lamp, Rear interior lamp

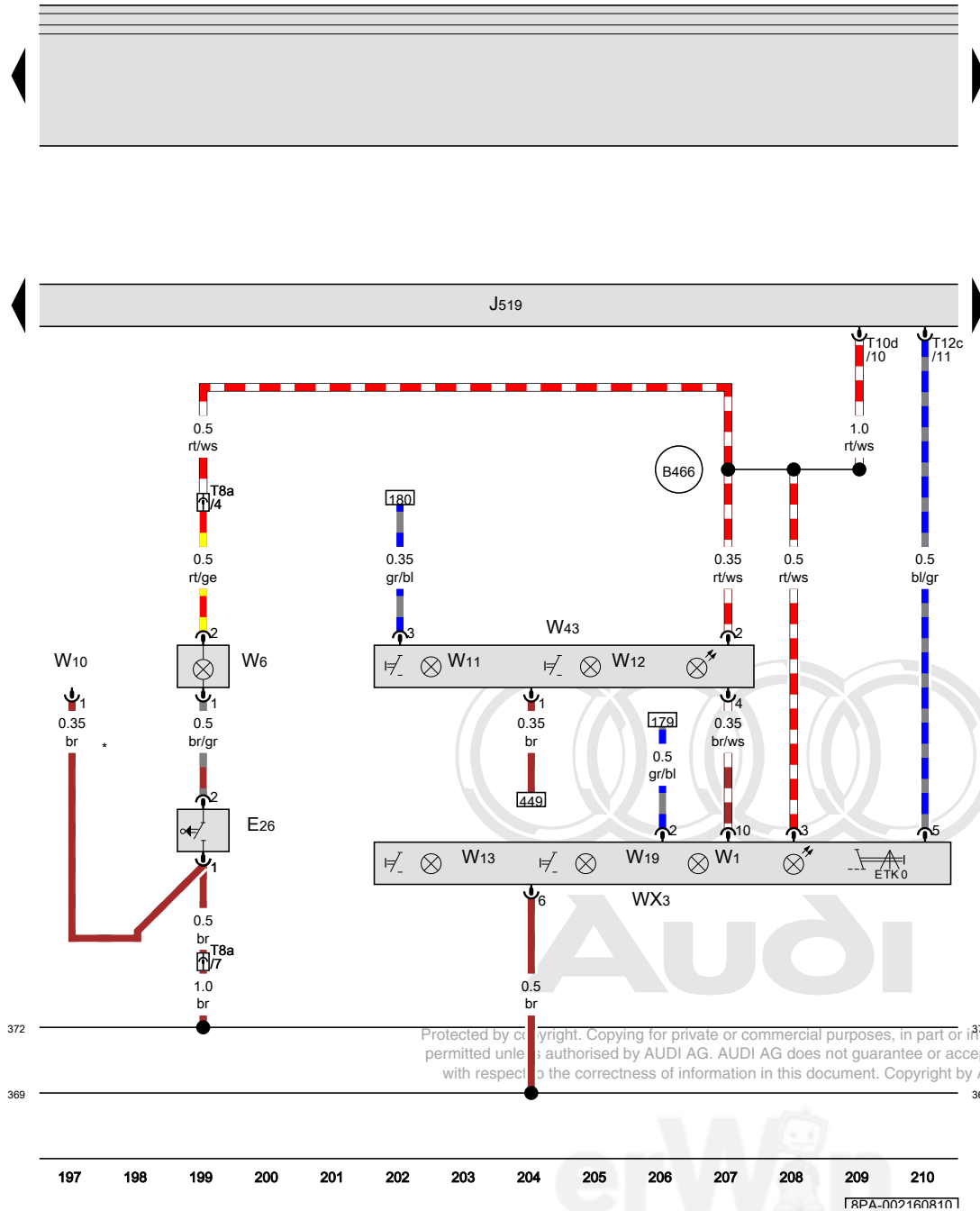
- E26 Glove compartment lamp switch
- J519 Vehicle electrical system control module
- T8a 8-pin connector, near the glove compartment
- T10d 10-pin connector
- T12c 12-pin connector
- W1 Front interior lamp
- WX3 Front roof module
- W6 Glove compartment lamp
- W10 Right footwell lamp
- W11 Left rear reading lamp
- W12 Right rear reading lamp
- W13 Front passenger reading lamp
- W19 Driver reading lamp
- W43 Rear interior lamp

369 Ground connection 4 (in main wiring harness)

372 Ground connection 7 (in main wiring harness)

B466 Connection 2 (in main wiring harness)

* Refer to applicable convenience system wiring diagram



- ws = white
- sw = black
- ro = red
- rt = red
- br = brown
- gn = green
- bl = blue
- gr = grey
- li = lilac
- vi = lilac
- ge = yellow
- or = orange
- rs = pink

Protected by copyright. Copying for private or commercial purposes, in part or in whole, is not permitted unless authorised by AUDI AG. AUDI AG does not guarantee or accept any liability with respect to the correctness of information in this document. Copyright by AUDI AG.

197 198 199 200 201 202 203 204 205 206 207 208 209 210

18PA-002160R10

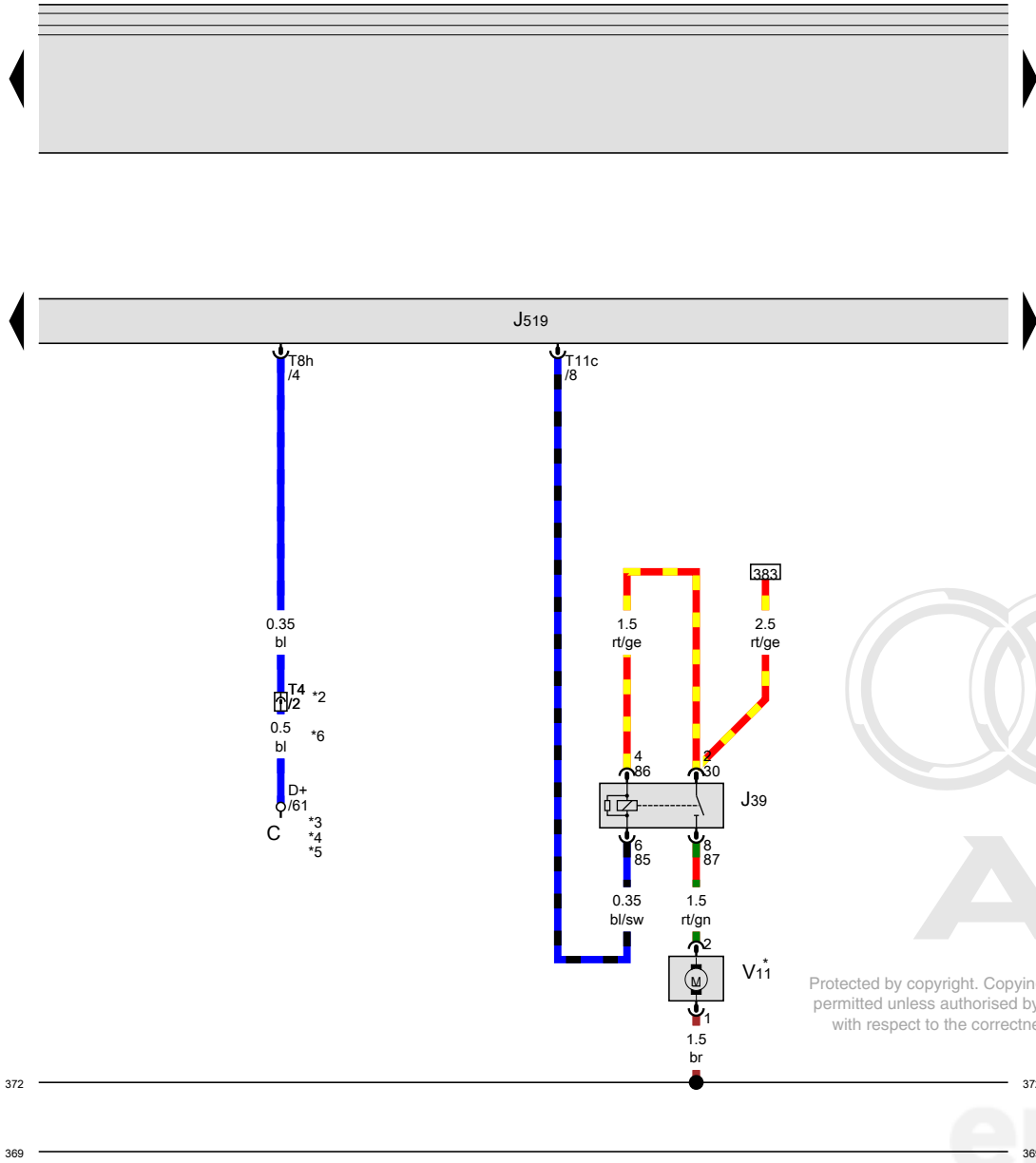
Headlamp washer relay, Vehicle electrical system control module, Headlamp washer pump

- C Generator
- J39 Headlamp washer relay
- J519 Vehicle electrical system control module
- T4 4-pin connector
- T8h 8-pin connector
- T11c 11-pin connector
- V11 Headlamp washer pump

369 Ground connection 4 (in main wiring harness)

372 Ground connection 7 (in main wiring harness)

- * Only for vehicles with a headlamp washer system
- *2 Only for vehicles with A/C system
- *3 Only for vehicles with a battery in the engine compartment
- *4 Only for vehicles with a battery in the luggage compartment
- *5 Refer to applicable wiring diagram
- *6 Refer to applicable engine wiring diagram

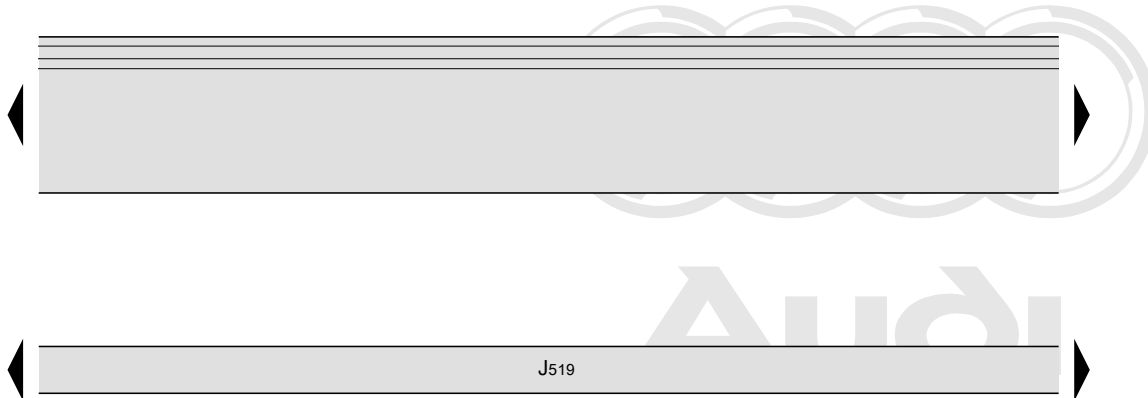


Protected by copyright. Copying for private or commercial purposes, in part or in whole, is not permitted unless authorised by AUDI AG. AUDI AG does not guarantee or accept any liability with respect to the correctness of information in this document. Copyright by AUDI AG.

- ws = white
- sw = black
- ro = red
- rt = red
- br = brown
- gn = green
- bl = blue
- gr = grey
- li = lilac
- vi = lilac
- ge = yellow
- or = orange
- rs = pink



18PA-002170810



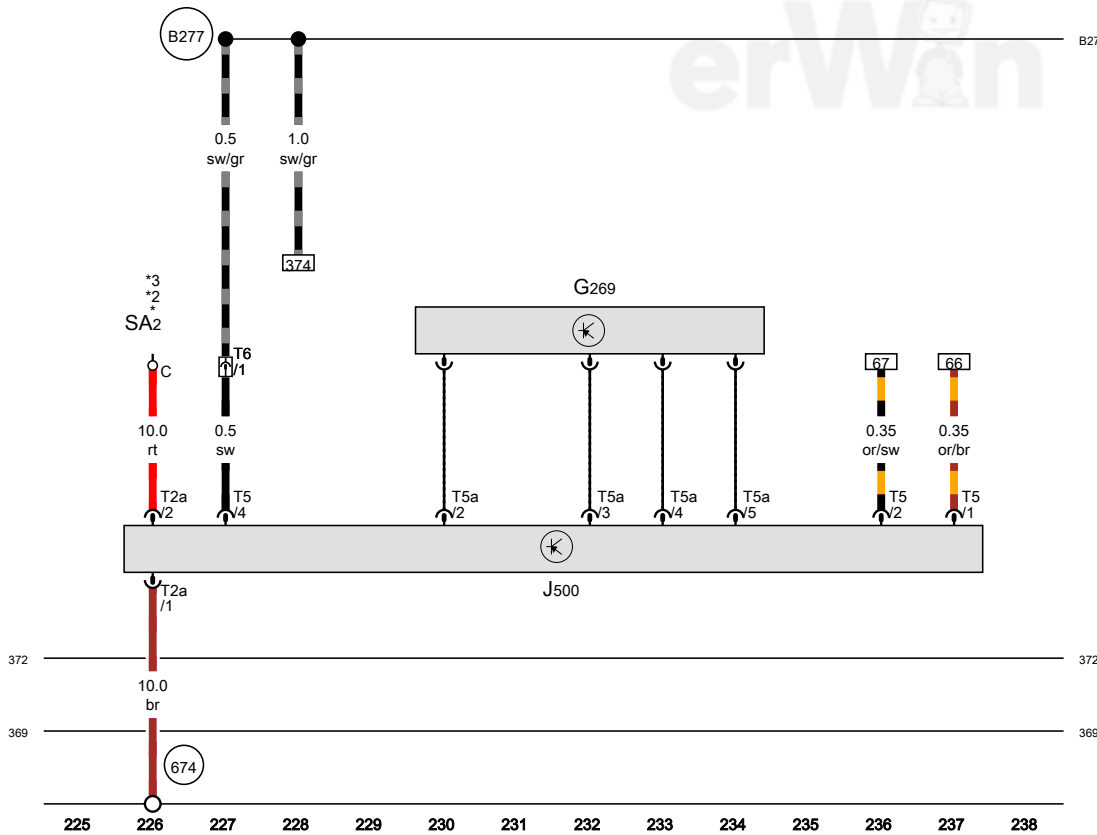
Protected by copyright. Copying for private or commercial purposes, in part or in whole, is not permitted unless authorised by AUDI AG. AUDI AG does not guarantee or accept any liability with respect to the correctness of information in this document. Copyright by AUDI AG.

Steering torque sensor, Power steering control module, Vehicle electrical system control module

- G269 Steering torque sensor
- J500 Power steering control module
- J519 Vehicle electrical system control module
- SA2 Fuse 2 (on fuse panel A)
- T2a Double connector
- T5 5-pin connector
- T5a 5-pin connector
- T6 6-pin connector, near the left front longitudinal member

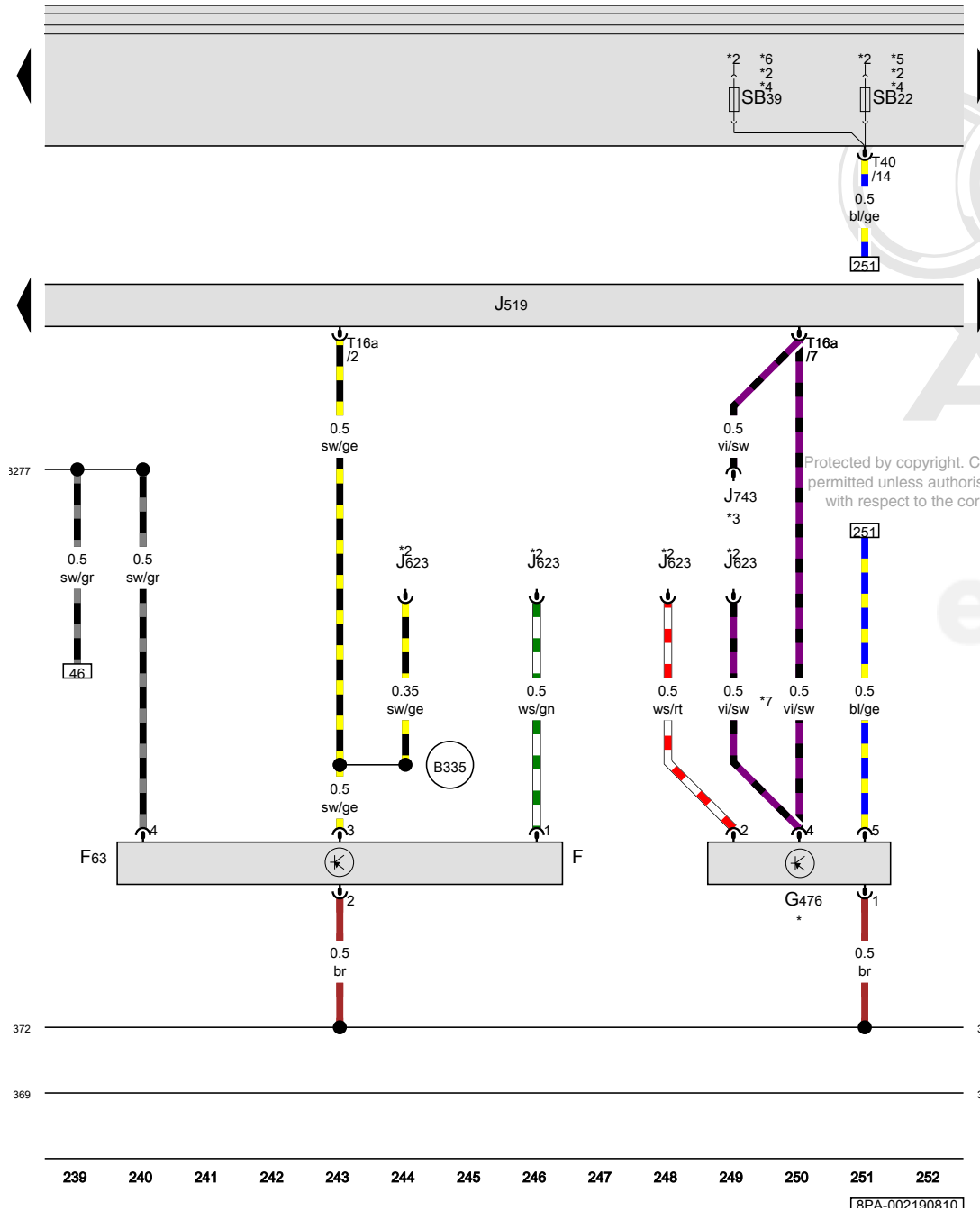
- 369 Ground connection 4 (in main wiring harness)
- 372 Ground connection 7 (in main wiring harness)
- 674 Ground connection 4 on left front longitudinal member
- B277 Positive connection 1 (15a) (in main wiring harness)

- * Only for vehicles with a battery in the engine compartment
- *2 Only for vehicles with a battery in the luggage compartment
- *3 Refer to applicable wiring diagram



- ws = white
- sw = black
- ro = red
- rt = red
- br = brown
- gn = green
- bl = blue
- gr = grey
- li = lilac
- vi = lilac
- ge = yellow
- or = orange
- rs = pink

18PA-002180810



Brake lamp switch, Brake pedal switch, Clutch position sensor, Vehicle electrical system control module

- F Brake lamp switch
- F63 Brake pedal switch
- G476 Clutch position sensor
- J519 Vehicle electrical system control module
- J623 Engine control module
- J743 DSG transmission Mechatronic
- SB22 Fuse 22 (on fuse panel B)
- SB39 Fuse 39 (on fuse panel B)
- T16a 16-pin connector
- T40 40-pin connector

- 369 Ground connection 4 (in main wiring harness)
- 372 Ground connection 7 (in main wiring harness)
- B277 Positive connection 1 (15a) (in main wiring harness)
- B335 Connection 1 (54) (in main wiring harness)

- * Only for vehicles with a manual transmission
- *2 Refer to applicable engine wiring diagram
- *3 Refer to applicable wiring diagram for automatic transmission
- *4 Only for vehicles with automatic transmission
- *5 E-Box low
- *6 E-Box high
- *7 only for vehicles with engine code CBFA

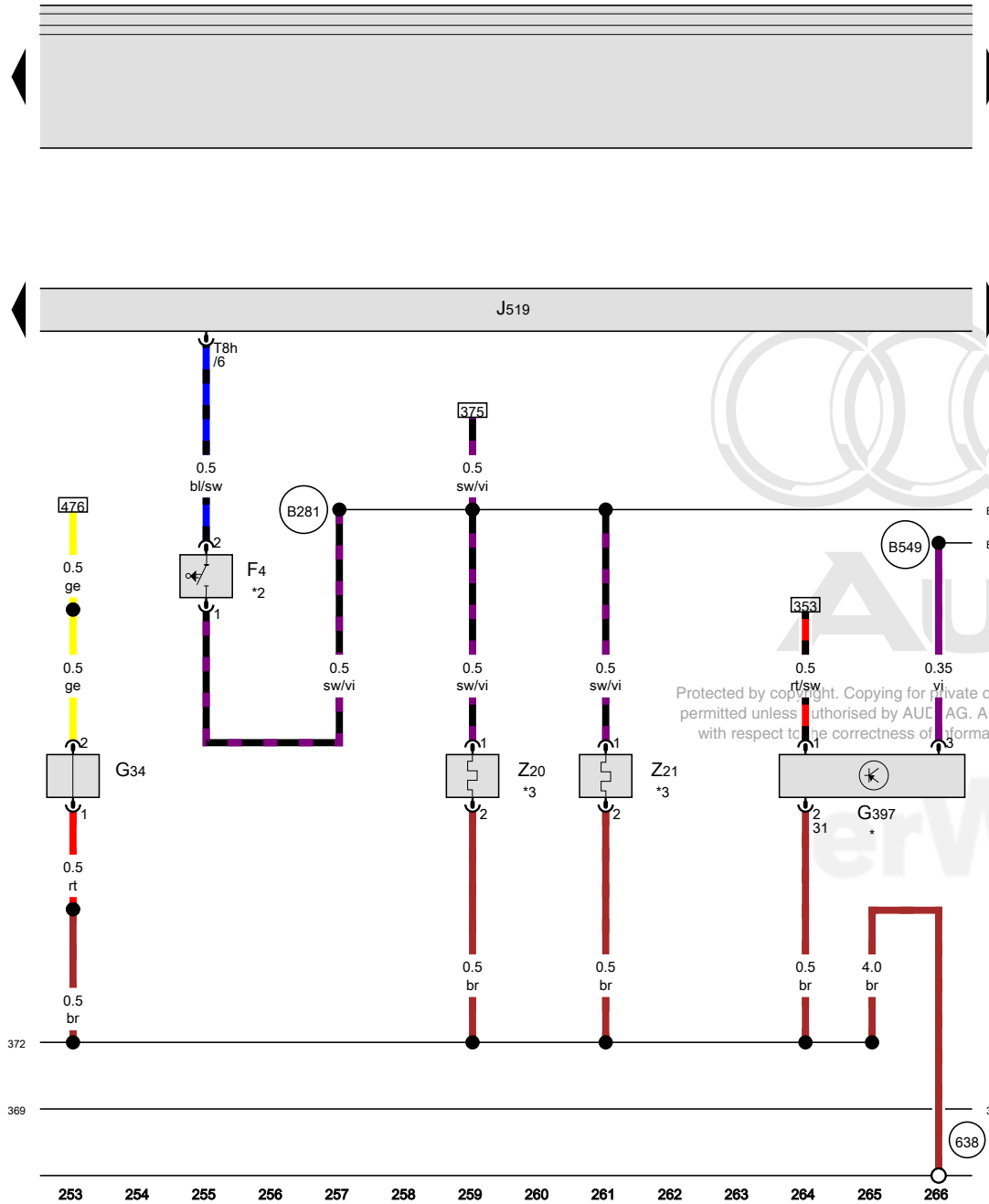
- ws = white
- sw = black
- ro = red
- rt = red
- br = brown
- gn = green
- bl = blue
- gr = grey
- li = lilac
- vi = lilac
- ge = yellow
- or = orange
- rs = pink

Protected by copyright. Copying for private or commercial purposes, in part or in whole, is not permitted unless authorised by AUDI AG. AUDI AG does not guarantee or accept any liability with respect to the correctness of information in this document.

Back-up lamp switch, Left front brake pad wear sensor, Rain/light recognition sensor, Vehicle electrical system control module, Left washer nozzle heater, Right washer nozzle heater

- F4 Back-up lamp switch
- G34 Left front brake pad wear sensor
- G397 Rain/light recognition sensor
- J519 Vehicle electrical system control module
- T8h 8-pin connector
- Z20 Left washer nozzle heater
- Z21 Right washer nozzle heater

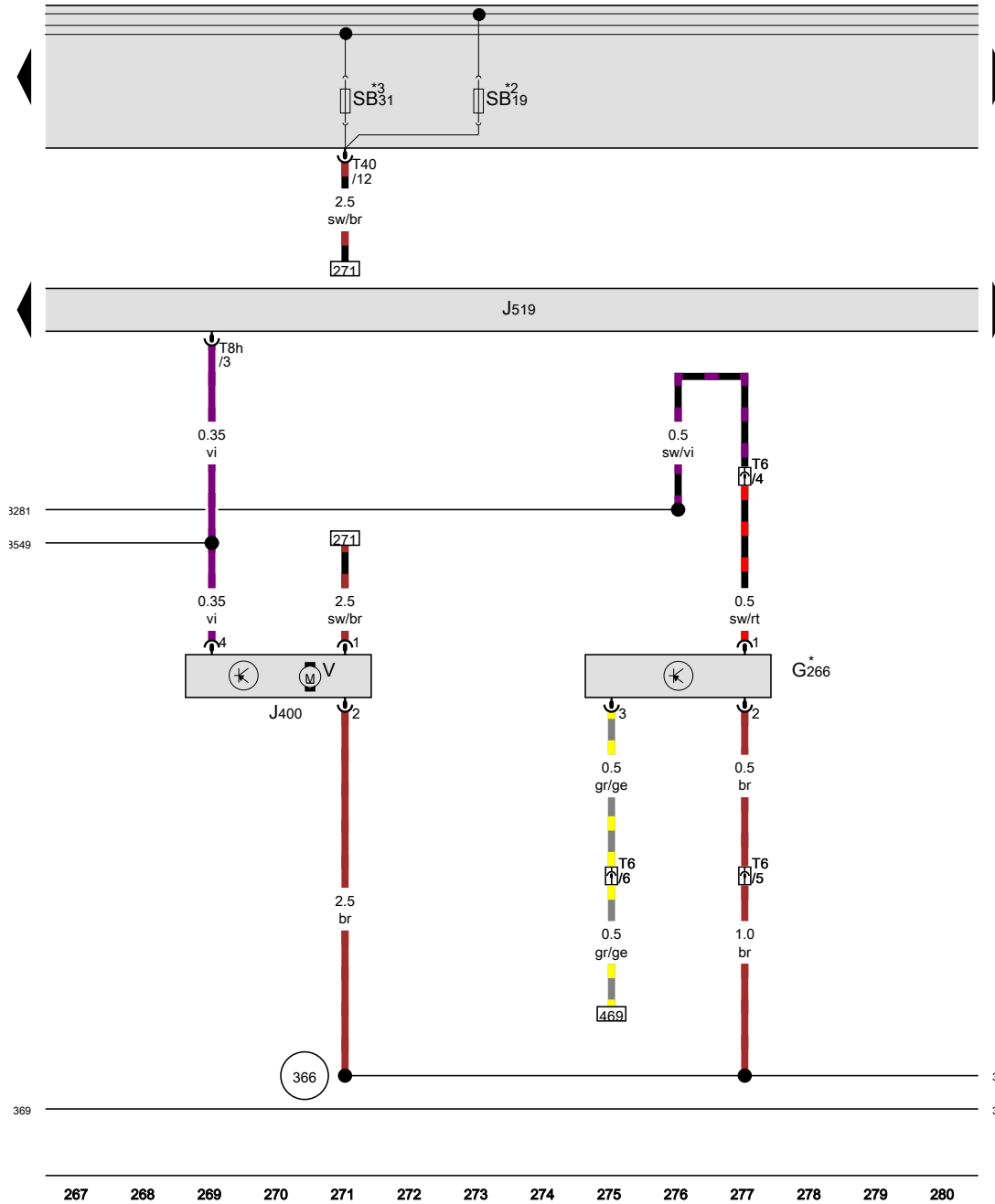
- 369 Ground connection 4 (in main wiring harness)
- 372 Ground connection 7 (in main wiring harness)
- 638 Ground connection on right A-pillar
- B281 Positive connection 5 (15a) (in main wiring harness)
- B549 LIN bus connection 2 (in main wiring harness)
- * Only for vehicles with automatic headlamp assist
- *2 Only for vehicles with a manual transmission
- *3 Only for vehicles with spray nozzle heater



Protected by copyright. Copying for private or commercial purposes, in part or in whole, is not permitted unless authorised by AUDI AG. AUDI AG does not guarantee or accept any liability with respect to the correctness of information in this document. Copyright by AUDI AG.

- ws = white
- sw = black
- ro = red
- rt = red
- br = brown
- gn = green
- bl = blue
- gr = grey
- li = lilac
- vi = lilac
- ge = yellow
- or = orange
- rs = pink

18PA-002200R10



Oil level thermal sensor, Wiper motor control module, Vehicle electrical system control module, Windshield wiper motor

- G266 Oil level thermal sensor
- J400 Wiper motor control module
- J519 Vehicle electrical system control module
- SB19 Fuse 19 (on fuse panel B)
- SB31 Fuse 31 (on fuse panel B)
- T6 6-pin connector, near the left front longitudinal member
- T8h 8-pin connector
- T40 40-pin connector
- V Windshield wiper motor

- 366 Ground connection 1 (in main wiring harness)
- 369 Ground connection 4 (in main wiring harness)
- B281 Positive connection 5 (15a) (in main wiring harness)
- B549 LIN bus connection 2 (in main wiring harness)
- * Only for vehicles with maintenance interval extension
- *2 E-Box low
- *3 E-Box high

Protected by copyright. Copying for private or commercial purposes, in part or in whole, is not permitted unless authorised by AUDI AG. AUDI AG does not guarantee or accept any liability with respect to the correctness of information in this document. Copyright by AUDI AG.

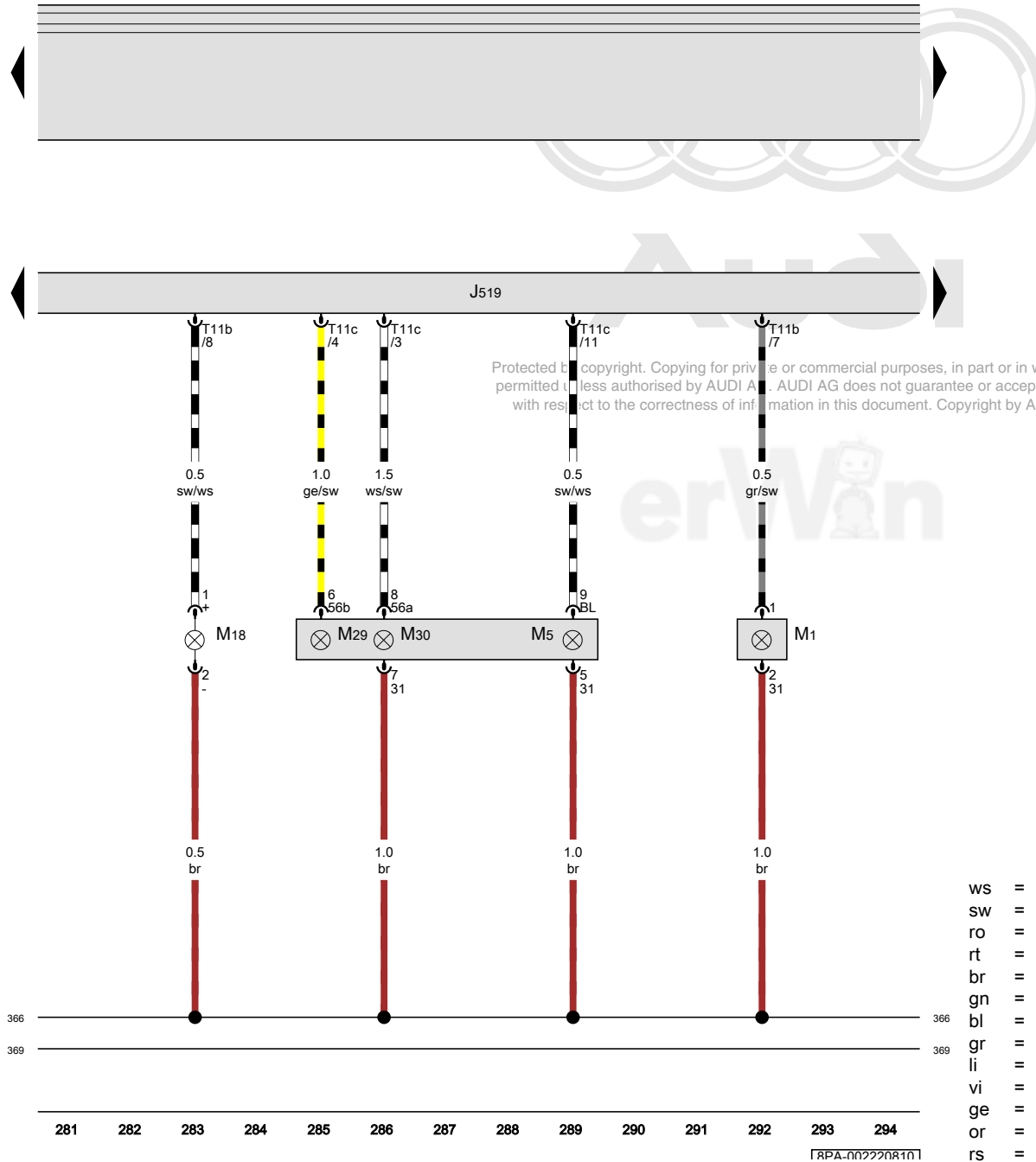
- ws = white
- sw = black
- ro = red
- rt = red
- br = brown
- gn = green
- bl = blue
- gr = grey
- li = lilac
- vi = lilac
- ge = yellow
- or = orange
- rs = pink

Vehicle electrical system control module, Left side marker lamp bulb, Left front turn signal bulb, Left side turn signal bulb, Left low beam headlamp bulb, Left high beam headlamp bulb

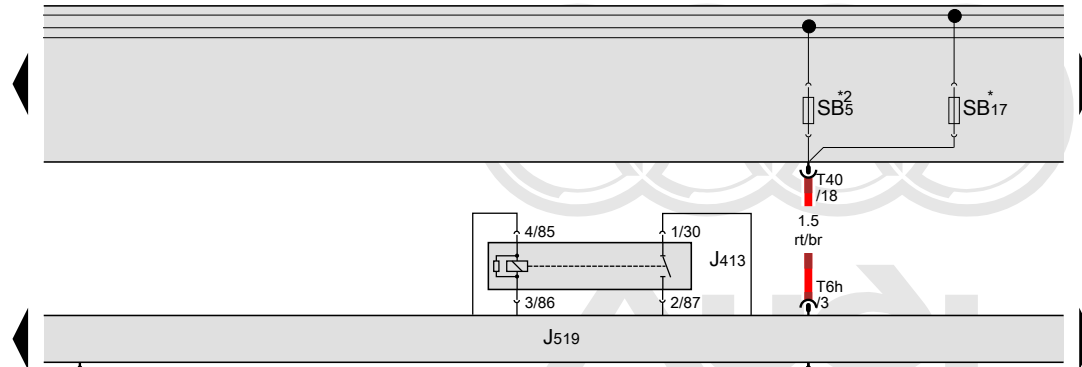
- J519 Vehicle electrical system control module
- M1 Left side marker lamp bulb
- M5 Left front turn signal bulb
- M18 Left side turn signal bulb
- M29 Left low beam headlamp bulb
- M30 Left high beam headlamp bulb
- T11b 11-pin connector
- T11c 11-pin connector

366 Ground connection 1 (in main wiring harness)

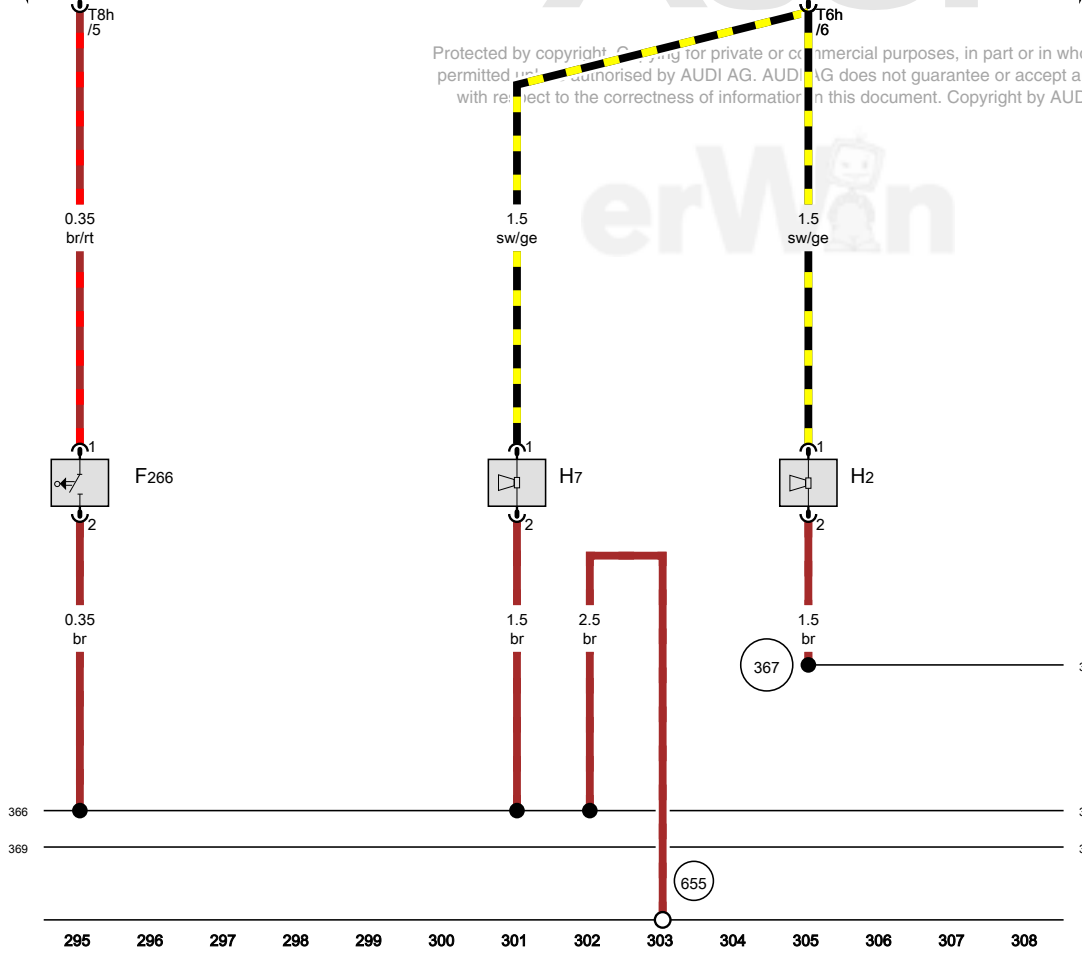
369 Ground connection 4 (in main wiring harness)



- ws = white
- sw = black
- ro = red
- rt = red
- br = brown
- gn = green
- bl = blue
- gr = grey
- li = lilac
- vi = lilac
- ge = yellow
- or = orange
- rs = pink



Protected by copyright. Copying for private or commercial purposes, in part or in whole, is not permitted without the prior written authorisation by AUDI AG. AUDI AG does not guarantee or accept any liability with respect to the correctness of information in this document. Copyright by AUDI AG.



Engine hood contact switch, High tone horn, Low tone horn, Horn relay, Vehicle electrical system control module

- F266 Engine hood contact switch
- H2 High tone horn
- H7 Low tone horn
- J413 Horn relay
- J519 Vehicle electrical system control module
- SB5 Fuse 5 (on fuse panel B)
- SB17 Fuse 17 (on fuse panel B)
- T6h 6-pin connector
- T8h 8-pin connector
- T40 40-pin connector

- 366 Ground connection 1 (in main wiring harness)
- 367 Ground connection 2 (in main wiring harness)
- 369 Ground connection 4 (in main wiring harness)
- 655 Ground connection on left headlamp

- * E-Box low
- *2 E-Box high

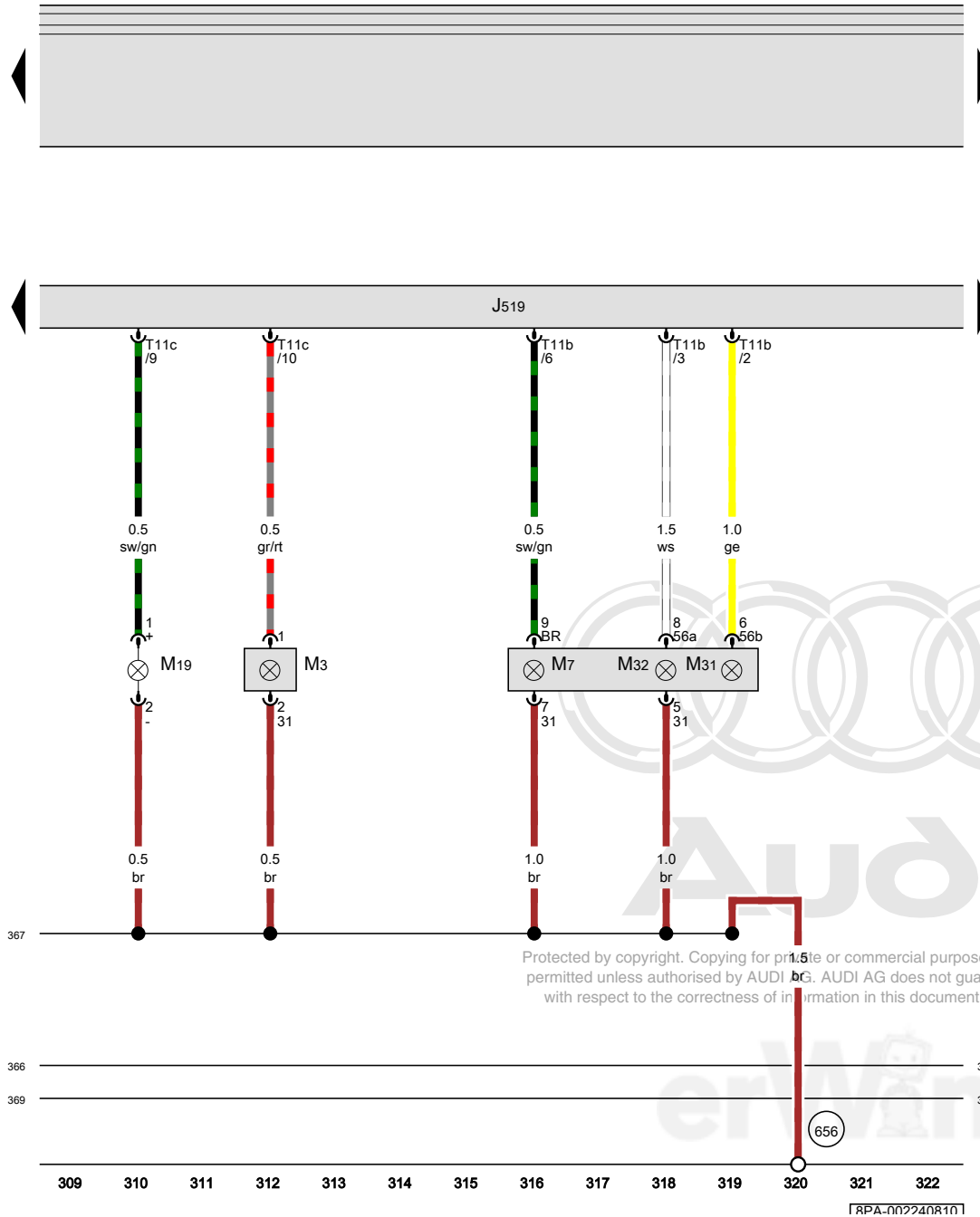
- ws = white
- sw = black
- ro = red
- rt = red
- br = brown
- gn = green
- bl = blue
- gr = grey
- li = lilac
- vi = lilac
- ge = yellow
- or = orange
- rs = pink

18PA-002230810

Vehicle electrical system control module, Right side marker lamp bulb, Right front turn signal bulb, Right side turn signal bulb, Right low beam headlamp bulb, Right high beam headlamp bulb

- J519 Vehicle electrical system control module
- M3 Right side marker lamp bulb
- M7 Right front turn signal bulb
- M19 Right side turn signal bulb
- M31 Right low beam headlamp bulb
- M32 Right high beam headlamp bulb
- T11b 11-pin connector
- T11c 11-pin connector

- 366 Ground connection 1 (in main wiring harness)
- 367 Ground connection 2 (in main wiring harness)
- 369 Ground connection 4 (in main wiring harness)
- 656 Ground connection on right headlamp



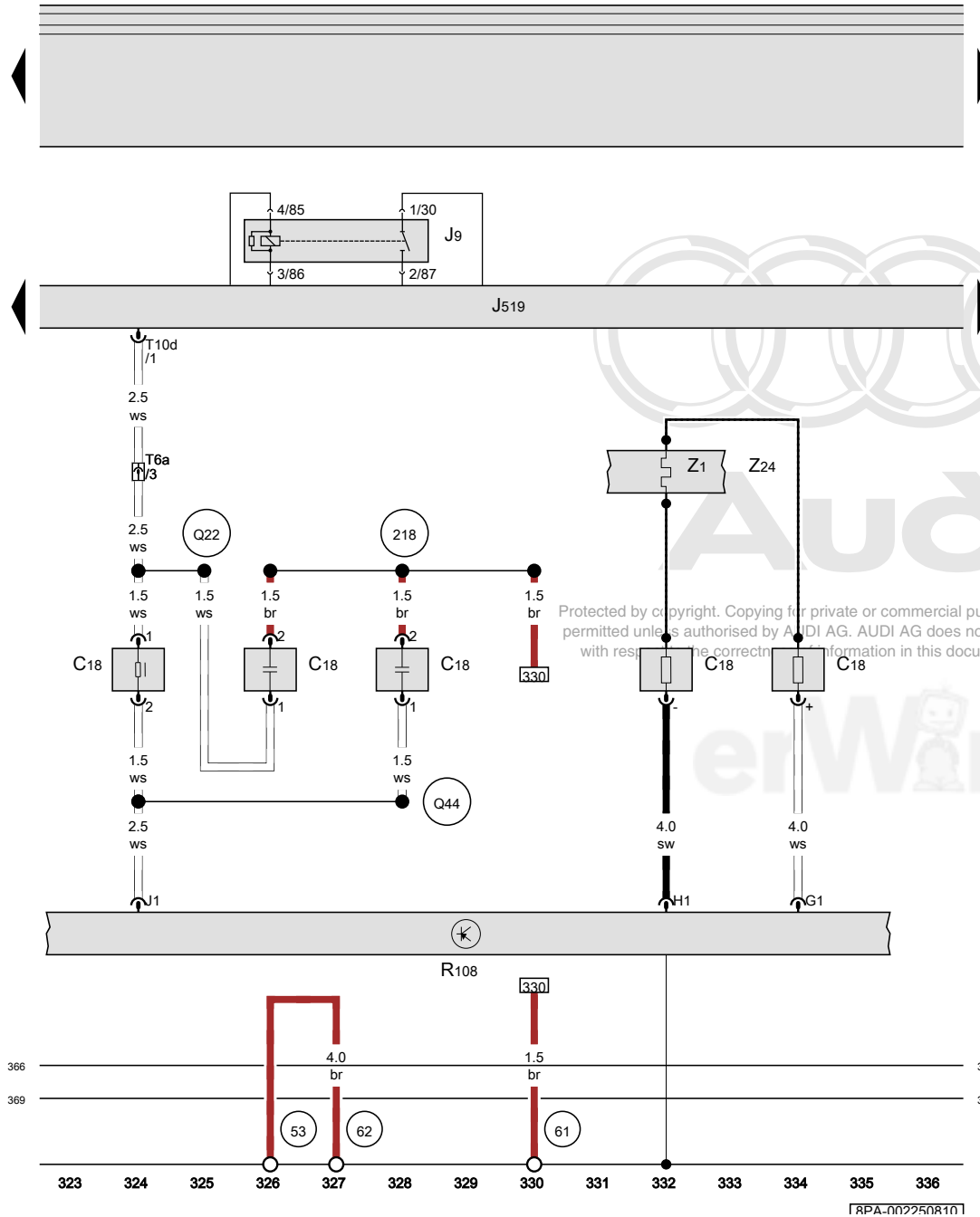
Protected by copyright. Copying for private or commercial purposes, in whole or in part, is not permitted unless authorised by AUDI AG. AUDI AG does not guarantee or accept any liability with respect to the correctness of information in this document. Copyright © Audi AG.

18PA-002240R101

Windshield antenna suppression filter, Rear window defogger relay, Vehicle electrical system control module, Left antenna module, Rear window defogger, Rear window defogger with window antenna

- C18 Windshield antenna suppression filter
- J9 Rear window defogger relay
- J519 Vehicle electrical system control module
- R108 Left antenna module
- T6a 6-pin connector, on the left C-pillar
- T10d 10-pin connector
- Z1 Rear window defogger
- Z24 Rear window defogger with window antenna

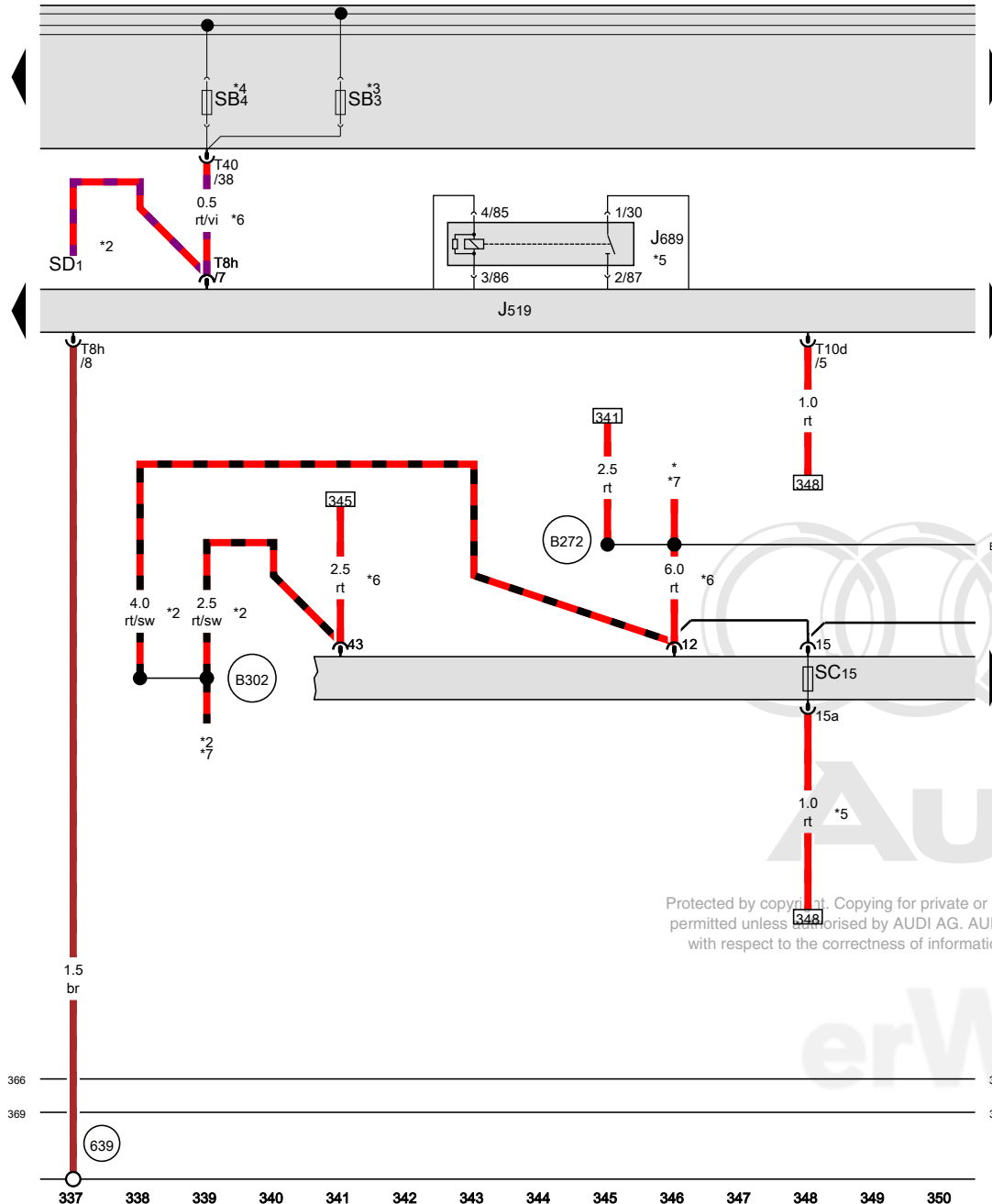
- 53 Ground connection in rear lid, right
- 61 Ground connection on left C-pillar
- 62 Ground connection on right C-pillar
- 218 Ground connection 1 (in rear lid wiring harness)
- 366 Ground connection 1 (in main wiring harness)
- 369 Ground connection 4 (in main wiring harness)
- Q22 Connection 1 (in rear lid wiring harness)
- Q44 Connection 2 (in rear lid wiring harness)



Protected by copyright. Copying for private or commercial purposes, in part or in whole, is not permitted unless authorised by AUDI AG. AUDI AG does not guarantee or accept any liability with respect to the correctness of the information in this document. Copyright by AUDI AG.

- ws = white
- sw = black
- ro = red
- rt = red
- br = brown
- gn = green
- bl = blue
- gr = grey
- li = lilac
- vi = lilac
- ge = yellow
- or = orange
- rs = pink

18PA-002250810



Vehicle electrical system control module, Terminal 30 power supply relay 2

- J519 Vehicle electrical system control module
- J689 Terminal 30 power supply relay 2
- SD1 Fuse 1 (on fuse panel D)
- SB3 Fuse 3 (on fuse panel B)
- SB4 Fuse 4 (on fuse panel B)
- SC15 Fuse 15 (on fuse panel C)
- T8h 8-pin connector
- T10d 10-pin connector
- T40 40-pin connector

- 366 Ground connection 1 (in main wiring harness)
- 369 Ground connection 4 (in main wiring harness)
- 639 Ground connection on left A-pillar
- B272 Positive connection (30) (in main wiring harness)
- B302 Positive connection 6 (30) (in main wiring harness)

- * Only for vehicles with a battery in the engine compartment
- *2 Only for vehicles with a battery in the luggage compartment
- *3 E-Box low
- *4 E-Box high
- *5 Only for vehicles with interior lighting
- *6 Refer to applicable wiring diagram for battery in engine compartment
- *7 Refer to applicable wiring diagram

Protected by copyright. Copying for private or commercial purposes, in part or in whole, is not permitted unless authorised by AUDI AG. AUDI AG does not guarantee or accept any liability with respect to the correctness of information in this document. Copyright by AUDI AG.

- ws = white
- sw = black
- ro = red
- rt = red
- br = brown
- gn = green
- bl = blue
- gr = grey
- li = lilac
- vi = lilac
- ge = yellow
- or = orange
- rs = pink

18PA-002260810

Vehicle electrical system control module

- J519 Vehicle electrical system control module
- SC16 Fuse 16 (on fuse panel C)
- SC24 Fuse 24 (on fuse panel C)
- SC25 Fuse 25 (on fuse panel C)
- SC26 Fuse 26 (on fuse panel C)
- T10d 10-pin connector

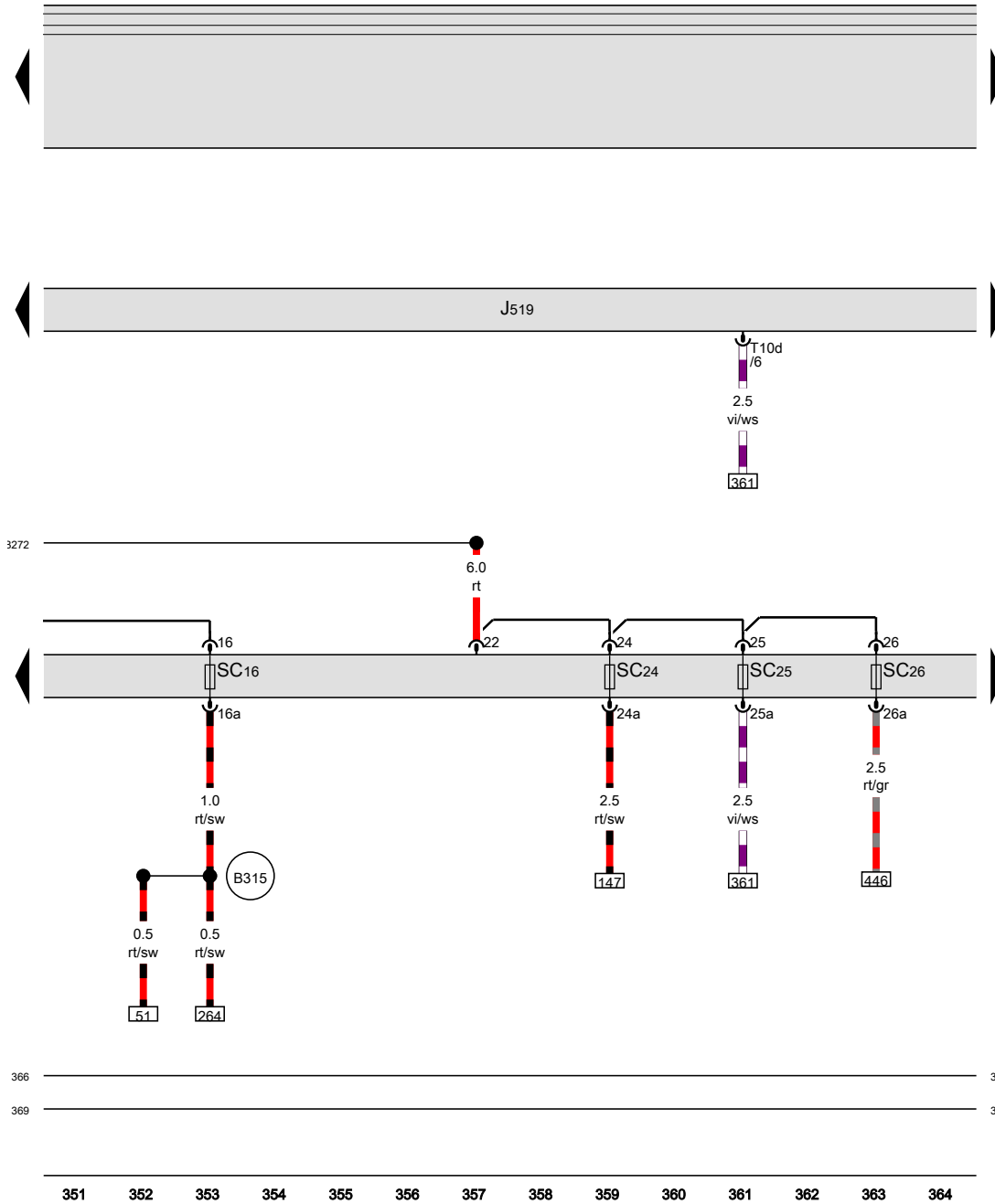
366 Ground connection 1 (in main wiring harness)

369 Ground connection 4 (in main wiring harness)

B272 Positive connection (30) (in main wiring harness)

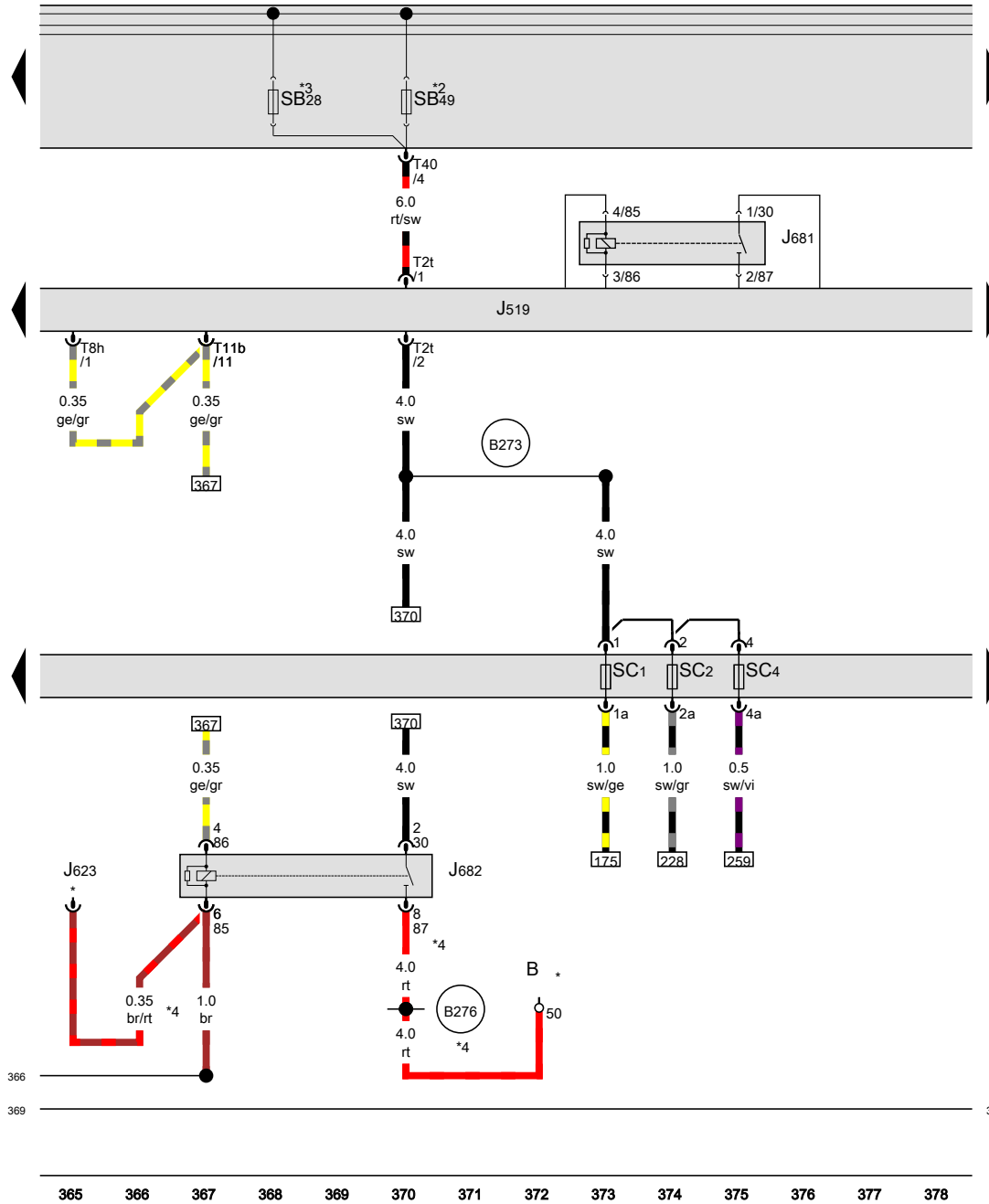
Protected by copyright. Copying for private or commercial purposes, in part or in whole, is not permitted unless authorised by AUDI AG. AUDI AG does not guarantee or accept any liability with respect to the correctness of information in this document. Copyright by AUDI AG.

B315 Positive connection 1 (30a) (in main wiring harness)



- ws = white
- sw = black
- ro = red
- rt = red
- br = brown
- gn = green
- bl = blue
- gr = grey
- li = lilac
- vi = lilac
- ge = yellow
- or = orange
- rs = pink

18PA-002270R10



Vehicle electrical system control module, Terminal 15 power supply relay 2, Terminal 50 power supply relay

- B Starter
- J519 Vehicle electrical system control module
- J623 Engine control module
- J681 Terminal 15 power supply relay 2
- J682 Terminal 50 power supply relay
- SC1 Fuse 1 (on fuse panel C)
- SC2 Fuse 2 (on fuse panel C)
- SC4 Fuse 4 (on fuse panel C)
- SB28 Fuse 28 (on fuse panel B)
- SB49 Fuse 49 (on fuse panel B)
- T1 Single connector
- T2t Double connector
- T8h 8-pin connector
- T11b 11-pin connector
- T40 40-pin connector

366 Ground connection 1 (in main wiring harness)

369 Ground connection 4 (in main wiring harness)

Protected by copyright. Copying for private or commercial purposes, in part or in whole, is not permitted unless authorised by AUDI AG. AUDI AG does not guarantee or accept any liability with respect to the correctness of information in this document. Copyright by AUDI AG.

B273 Positive connection (15) (in main wiring harness)

B276 Positive connection (50) (in main wiring harness)

- * Refer to applicable engine wiring diagram
- *2 E-Box high
- *3 E-Box low
- *4 only for vehicles with engine code CBFA

- ws = white
- sw = black
- ro = red
- rt = red
- br = brown
- gn = green
- bl = blue
- gr = grey
- li = lilac
- vi = lilac
- ge = yellow
- or = orange
- rs = pink

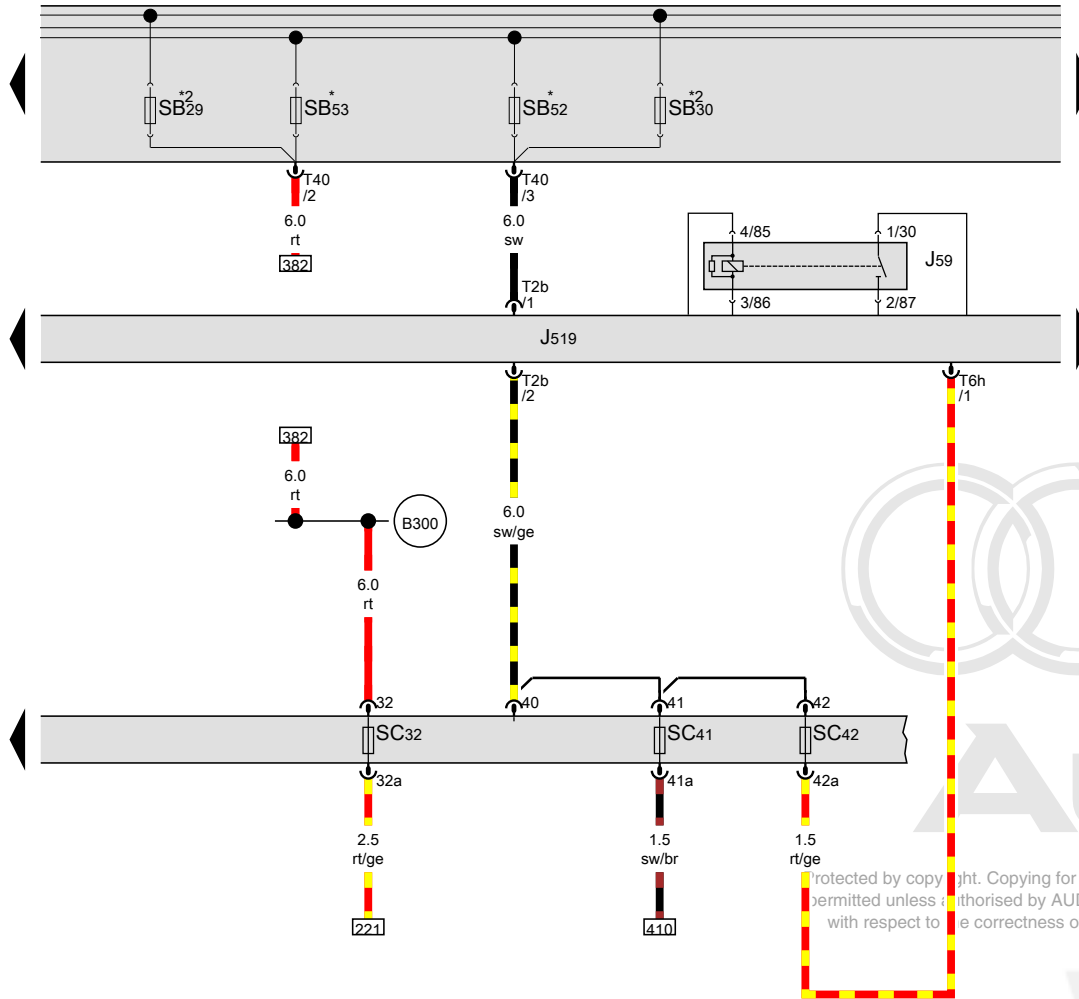
Load reduction relay, Vehicle electrical system control module

- J59 Load reduction relay
- J519 Vehicle electrical system control module
- SB29 Fuse 29 (on fuse panel B)
- SB30 Fuse 30 (on fuse panel B)
- SC32 Fuse 32 (on fuse panel C)
- SC41 Fuse 41 (on fuse panel C)
- SC42 Fuse 42 (on fuse panel C)
- SB52 Fuse 52 (on fuse panel B)
- SB53 Fuse 53 (on fuse panel B)
- T2b Double connector
- T6h 6-pin connector
- T40 40-pin connector

369 Ground connection 4 (in main wiring harness)

B300 Positive connection 4 (30) (in main wiring harness)

* E-Box high
*2 E-Box low



protected by copyright. Copying for private or commercial purposes, in part or in whole, is not permitted unless authorised by AUDI AG. AUDI AG does not guarantee or accept any liability with respect to the correctness of information in this document. Copyright by AUDI AG.

- ws = white
- sw = black
- ro = red
- rt = red
- br = brown
- gn = green
- bl = blue
- gr = grey
- li = lilac
- vi = lilac
- ge = yellow
- or = orange
- rs = pink

369 _____ 369

379 380 381 382 383 384 385 386 387 388 389 390 391 392

18PA-002290R10

Release button in rear lid handle, Rear lid alarm switch, Vehicle electrical system control module, Rear lid central locking system motor, License plate lamp

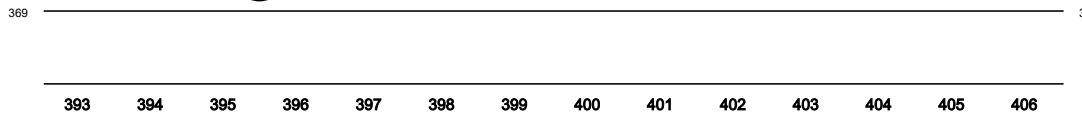
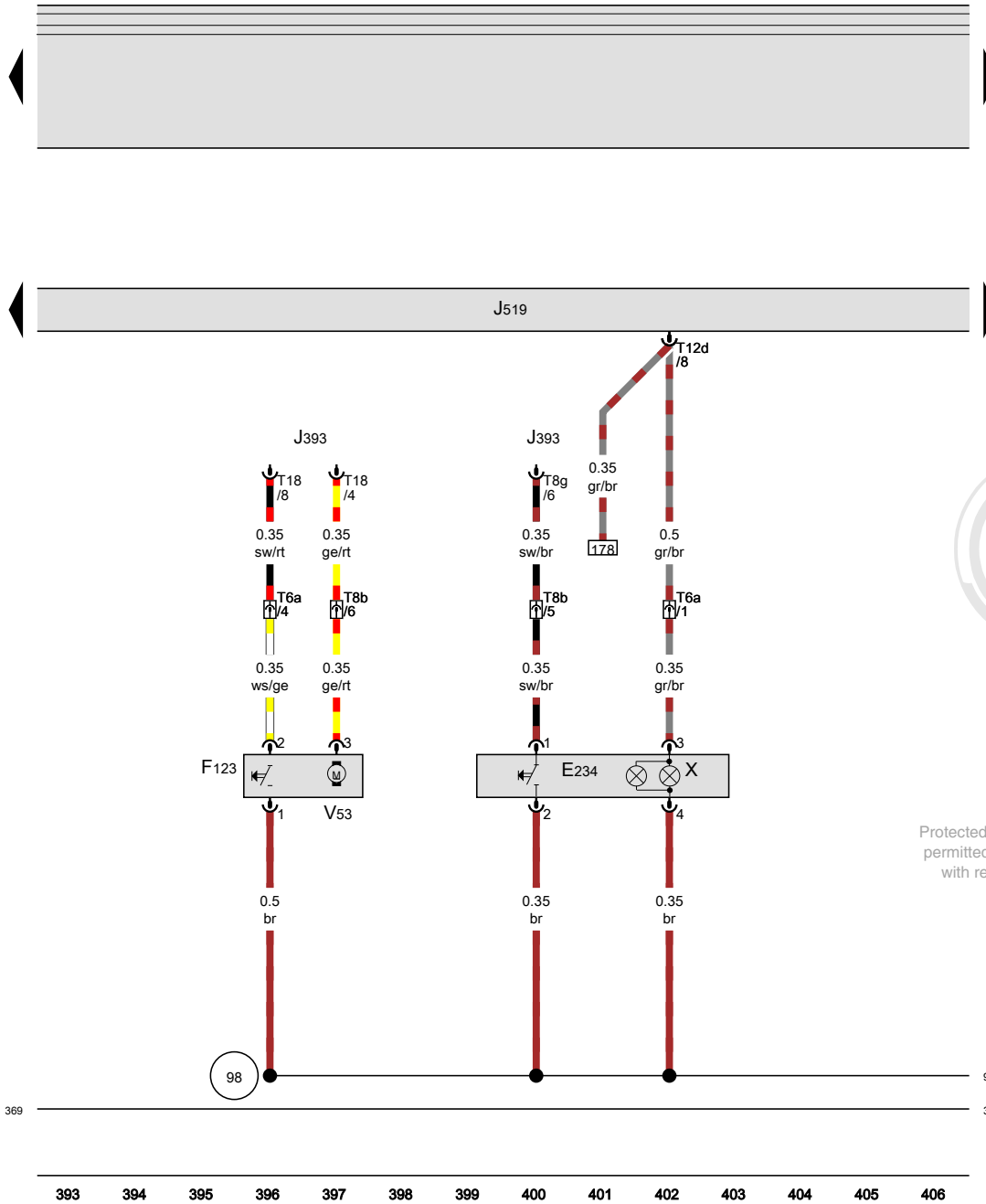
- E234 Release button in rear lid handle
- F123 Rear lid alarm switch
- J393 Comfort system central control module
- J519 Vehicle electrical system control module
- T6a 6-pin connector, on the left C-pillar
- T8b 8-pin connector, on the left C-pillar
- T8g 8-pin connector
- T12d 12-pin connector
- T18 18-pin connector
- V53 Rear lid central locking system motor
- X License plate lamp

- 98 Ground connection (in rear lid wiring harness)
- 369 Ground connection 4 (in main wiring harness)



Protected by copyright. Copying for private or commercial purposes, in part or in whole, is not permitted unless authorised by AUDI AG. AUDI AG does not guarantee or accept any liability with respect to the correctness of information in this document. Copyright by AUDI AG.

- ws = white
- sw = black
- ro = red
- rt = red
- br = brown
- gn = green
- bl = blue
- gr = grey
- li = lilac
- vi = lilac
- ge = yellow
- or = orange
- rs = pink

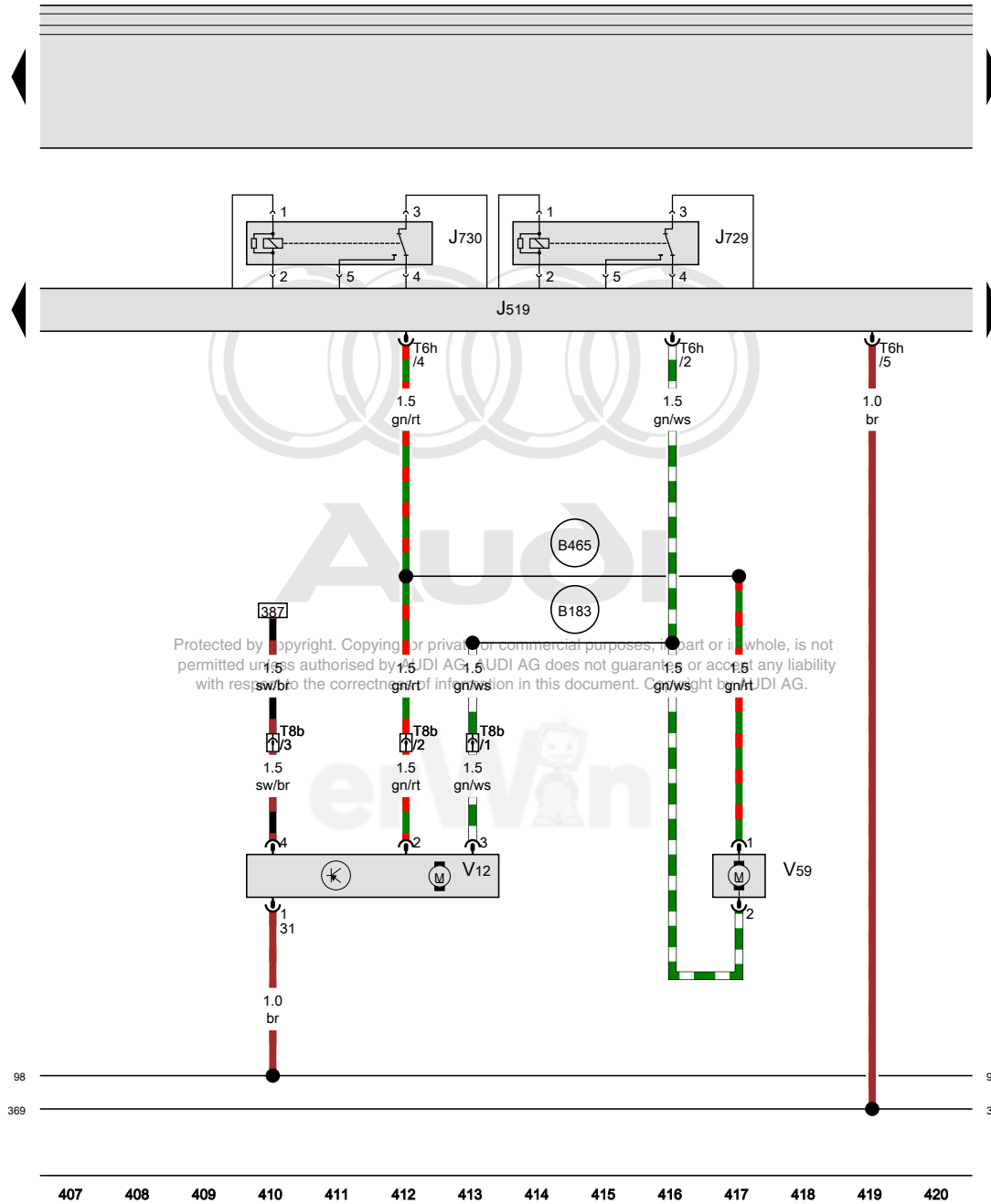


18PA-002300810

Vehicle electrical system control module, Rear window wiper motor, Windshield and rear window washer pump

- J519 Vehicle electrical system control module
- J729 Dual washer pump relay 1
- J730 Dual washer pump relay 2
- T6h 6-pin connector
- T8b 8-pin connector, on the left C-pillar
- V12 Rear window wiper motor
- V59 Windshield and rear window washer pump

- 98 Ground connection (in rear lid wiring harness)
- 369 Ground connection 4 (in main wiring harness)
- B183 Windshield washer pump connection 1 (in interior wiring harness)
- B465 Connection 1 (in main wiring harness)



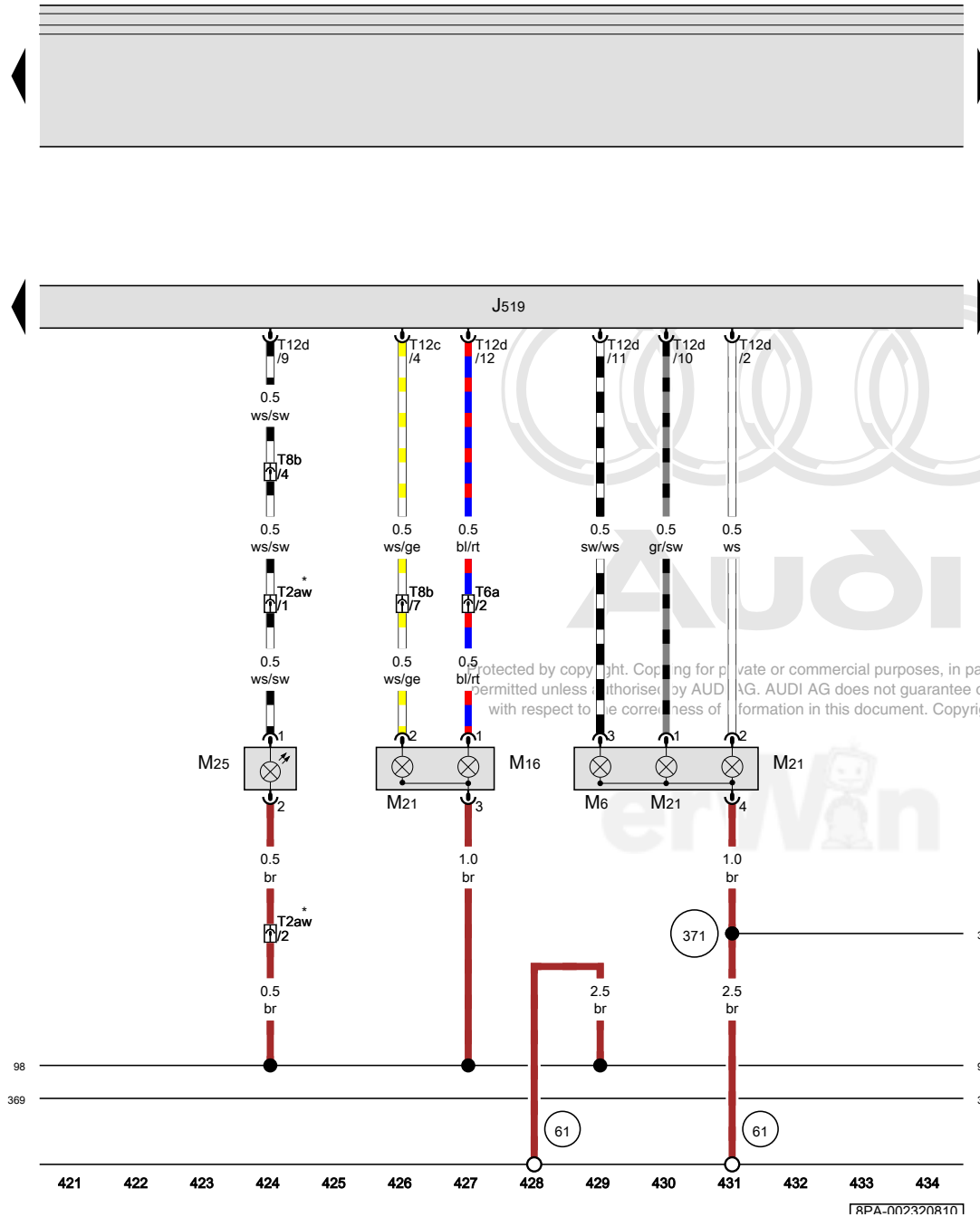
- ws = white
- sw = black
- ro = red
- rt = red
- br = brown
- gn = green
- bl = blue
- gr = grey
- li = lilac
- vi = lilac
- ge = yellow
- or = orange
- rs = pink

Protected by copyright. Copying for private or commercial purposes, in part or in whole, is not permitted unless authorized by AUDI AG. AUDI AG does not guarantee or accept any liability with respect to the correctness of information in this document. Copyright by AUDI AG.

Vehicle electrical system control module, Left rear turn signal bulb, Left back-up lamp bulb, Left brake/tail lamp bulb, High-mounted brake lamp bulb

- J519 Vehicle electrical system control module
- M6 Left rear turn signal bulb
- M16 Left back-up lamp bulb
- M21 Left brake/tail lamp bulb
- M25 High-mounted brake lamp bulb
- T2aw Double connector, in the rear lid
- T6a 6-pin connector, on the left C-pillar
- T8b 8-pin connector, on the left C-pillar
- T12c 12-pin connector
- T12d 12-pin connector

- 61 Ground connection on left C-pillar
- 98 Ground connection (in rear lid wiring harness)
- 369 Ground connection 4 (in main wiring harness)
- 371 Ground connection 6 (in main wiring harness)
- * only for vehicles with S line equipment



- ws = white
- sw = black
- ro = red
- rt = red
- br = brown
- gn = green
- bl = blue
- gr = grey
- li = lilac
- vi = lilac
- ge = yellow
- or = orange
- rs = pink

18PA-002320810

Vehicle electrical system control module, Right rear turn signal bulb, Right back-up lamp bulb, Right brake/tail lamp bulb, Socket

- J519 Vehicle electrical system control module
- M8 Right rear turn signal bulb
- M17 Right back-up lamp bulb
- M22 Right brake/tail lamp bulb
- T6a 6-pin connector, on the left C-pillar
- T8b 8-pin connector, on the left C-pillar
- T12c 12-pin connector
- T12d 12-pin connector
- U Socket

- 62 Ground connection on right C-pillar

- 98 Ground connection (in rear lid wiring harness)

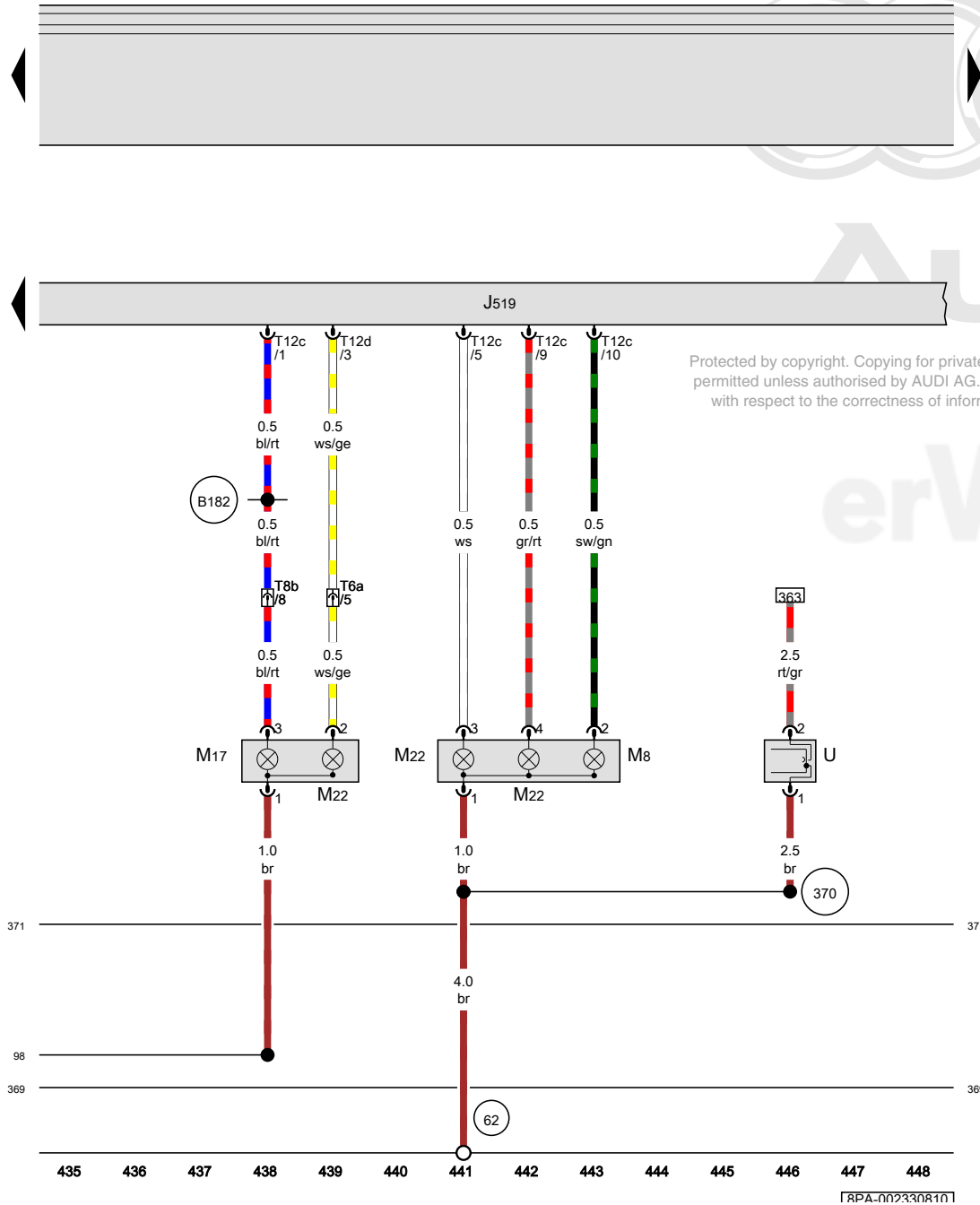
- 369 Ground connection 4 (in main wiring harness)

- 370 Ground connection 5 (in main wiring harness)

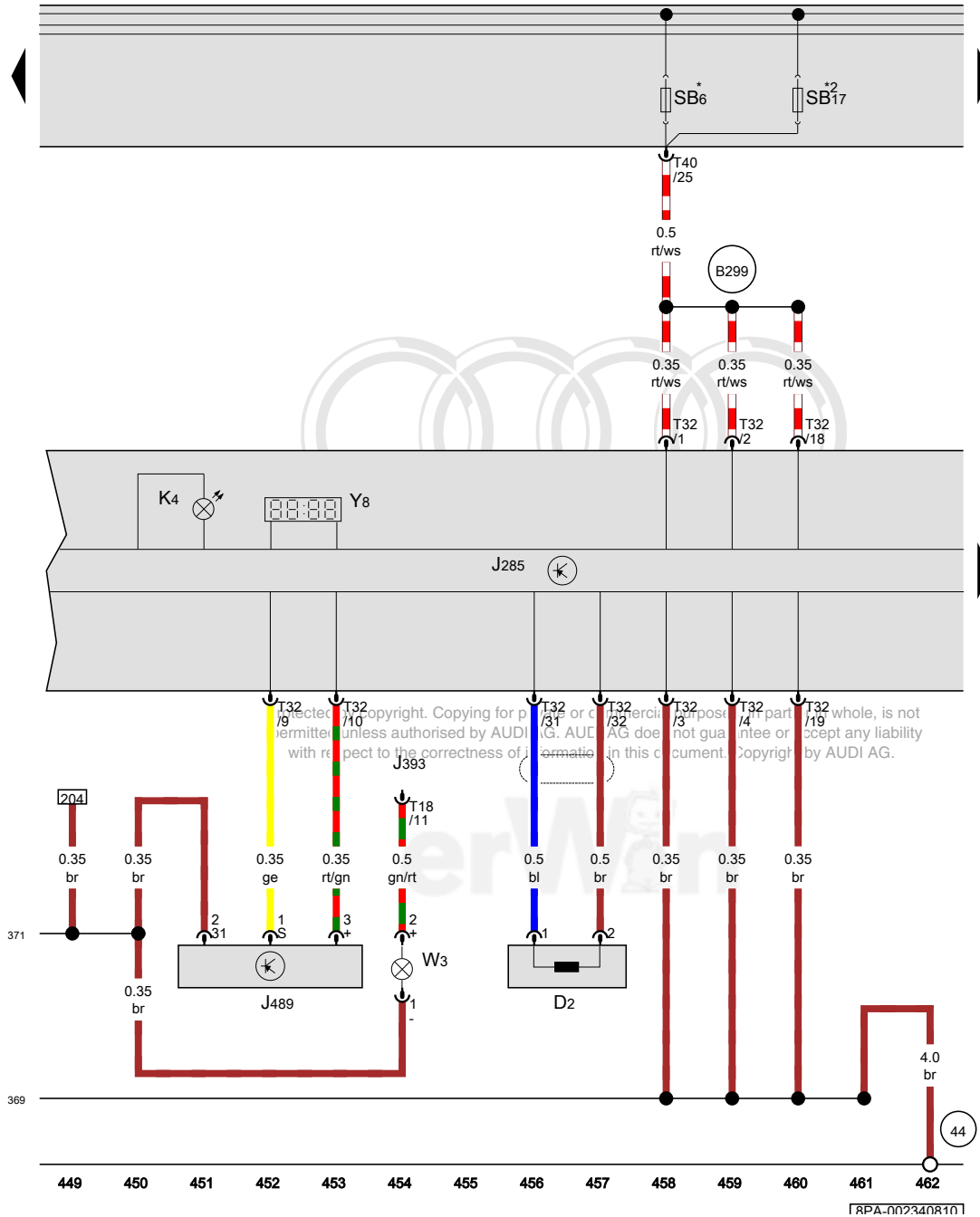
- 371 Ground connection 6 (in main wiring harness)

- B182 Connection (RF) (in interior wiring harness)

Protected by copyright. Copying for private or commercial purposes, in part or in whole, is not permitted unless authorised by AUDI AG. AUDI AG does not guarantee or accept any liability with respect to the correctness of information in this document. Copyright by AUDI AG.



- ws = white
- sw = black
- ro = red
- rt = red
- br = brown
- gn = green
- bl = blue
- gr = grey
- li = lilac
- vi = lilac
- ge = yellow
- or = orange
- rs = pink



Anti-theft immobilizer reader coil, Instrument cluster control module, Radio frequency controlled clock receiver, Luggage compartment lamp

- D2 Anti-theft immobilizer reader coil
- J285 Instrument cluster control module
- J393 Comfort system central control module
- J489 Radio frequency controlled clock receiver
- K4 Parking lamp indicator lamp
- SB6 Fuse 6 (on fuse panel B)
- SB17 Fuse 17 (on fuse panel B)
- T18 18-pin connector
- T32 32-pin connector
- T40 40-pin connector
- W3 Luggage compartment lamp
- Y8 Radio frequency controlled clock

- 44 Ground connection on A-pillar, lower left
- 369 Ground connection 4 (in main wiring harness)
- 371 Ground connection 6 (in main wiring harness)
- B299 Positive connection 3 (30) (in main wiring harness)

- * E-Box low
- *2 E-Box high

- ws = white
- sw = black
- ro = red
- rt = red
- br = brown
- gn = green
- bl = blue
- gr = grey
- li = lilac
- vi = lilac
- ge = yellow
- or = orange
- rs = pink

18PA-002340R10

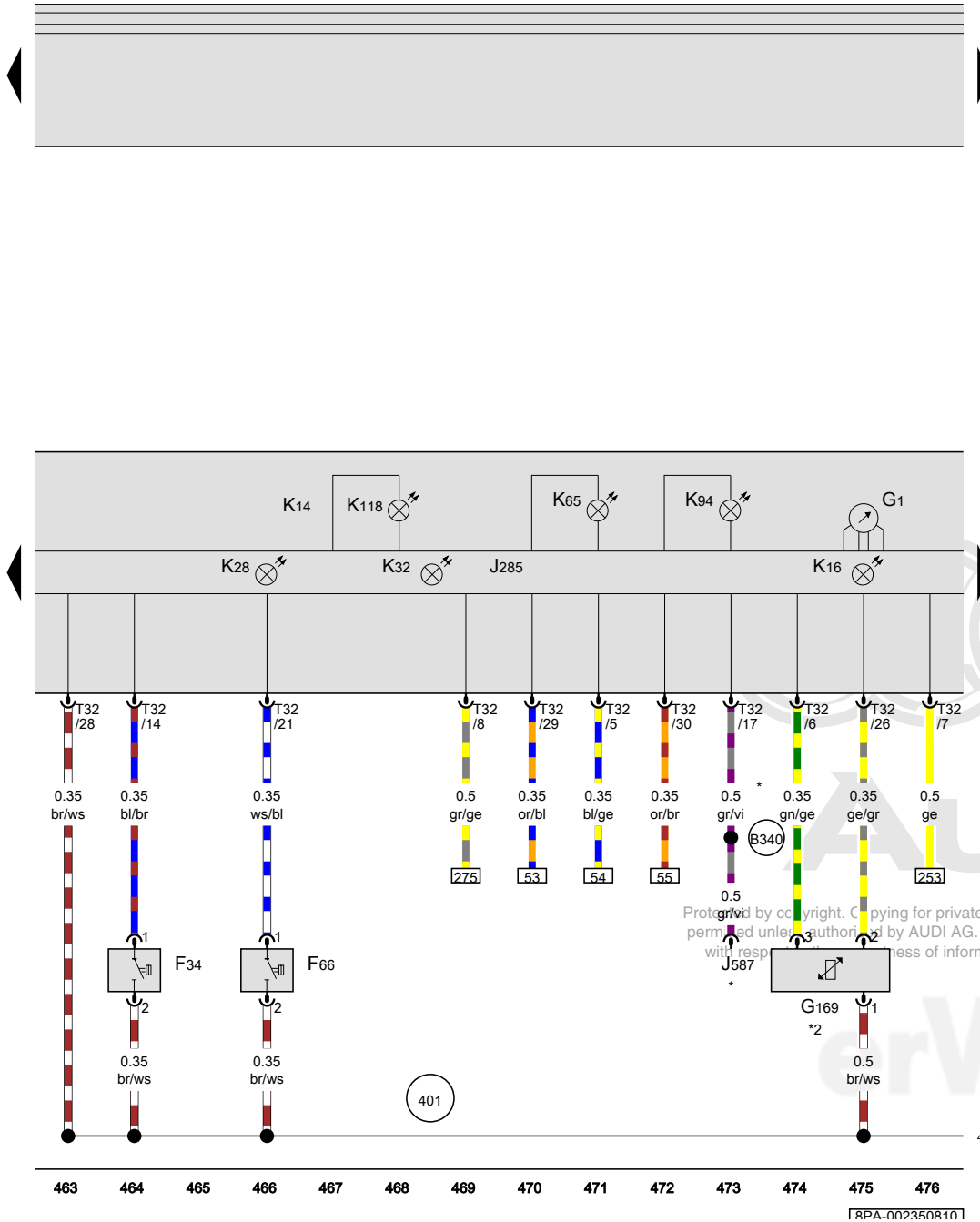
Brake fluid level warning switch, Engine coolant level warning switch, Fuel level sensor 2, Instrument cluster control module

- F34 Brake fluid level warning switch
- F66 Engine coolant level warning switch
- G1 Fuel gauge
- G169 Fuel level sensor 2
- J285 Instrument cluster control module
- J587 Selector lever sensor system control module
- K14 Hand brake indicator lamp
- K16 Low fuel level indicator lamp
- K28 Engine coolant level/temperature indicator lamp
- K32 Brake pad wear indicator lamp
- K65 Indicator lamp for left turn signal
- K94 Right turn signal indicator lamp
- K118 Brake system indicator lamp
- T32 32-pin connector

401 Sensor ground connection (in interior wiring harness)

B340 Connection 1 (58d) (in main wiring harness)

* Refer to applicable wiring diagram for automatic transmission
 *2 Only for vehicles with all wheel drive



- ws = white
- sw = black
- ro = red
- rt = red
- br = brown
- gn = green
- bl = blue
- gr = grey
- li = lilac
- vi = lilac
- ge = yellow
- or = orange
- rs = pink

Outside air temperature sensor, Windshield washer fluid level sensor, Instrument cluster control module

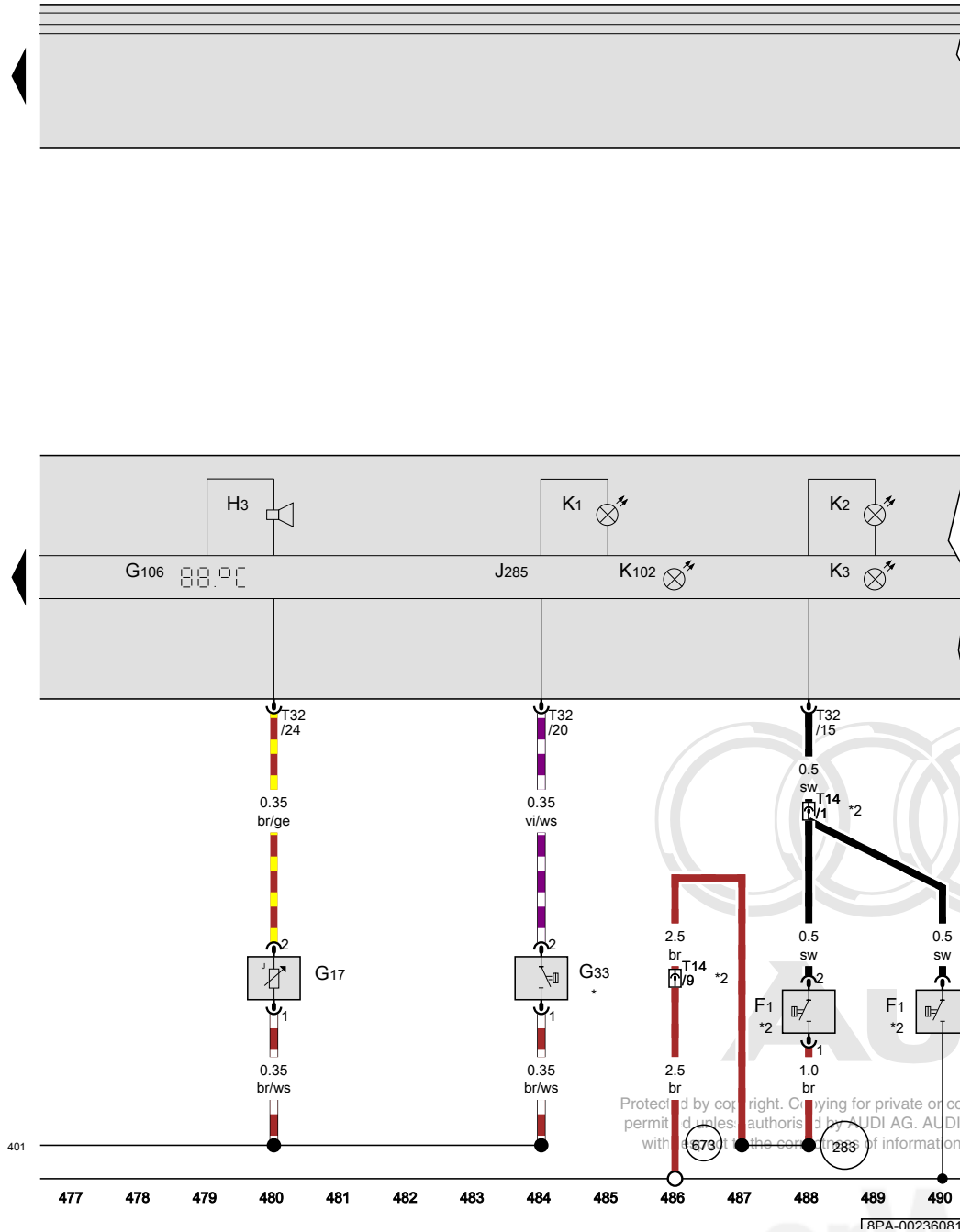
- F1 Oil pressure switch
- G17 Outside air temperature sensor
- G33 Windshield washer fluid level sensor
- G106 Outside air temperature display
- H3 Warning buzzer and tone
- J285 Instrument cluster control module
- K1 High beam indicator lamp
- K2 Generator indicator lamp
- K3 Oil pressure indicator lamp
- K102 Rear lid -closed- indicator lamp
- T14 14-pin connector
- T32 32-pin connector

283 Ground connection 2 (in engine wiring harness)

401 Sensor ground connection (in interior wiring harness)

673 Ground connection 3 on left front longitudinal member

- * Only for vehicles with washer fluid level sensor
- *2 Refer to applicable engine wiring diagram



Comfort System

from model year 2007

Note:

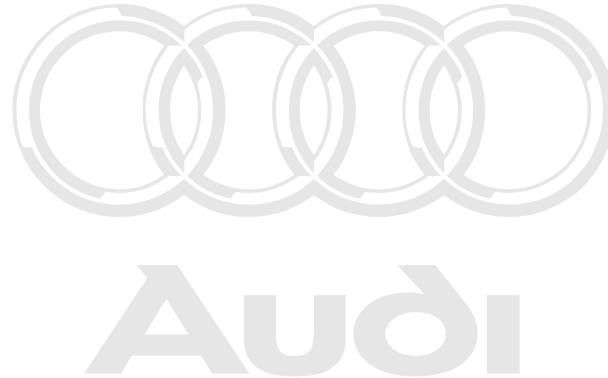
Information for

- ◆ Relay and fuse arrangements
- ◆ Connector arrangements
- ◆ Control Modules and Relays
- ◆ Ground Connections

⇒ Component Locations

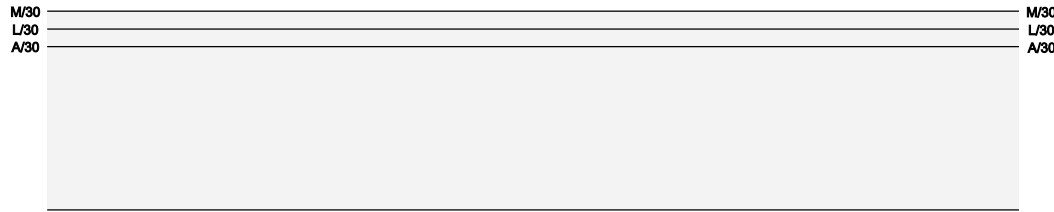
Information for

- ◆ Troubleshooting Procedures
- ⇒ Guided Fault Finding using VAS 5051 / 5052



Protected by copyright. Copying for private or commercial purposes, in part or in whole, is not permitted unless authorised by AUDI AG. AUDI AG does not guarantee or accept any liability with respect to the correctness of information in this document. Copyright by AUDI AG.





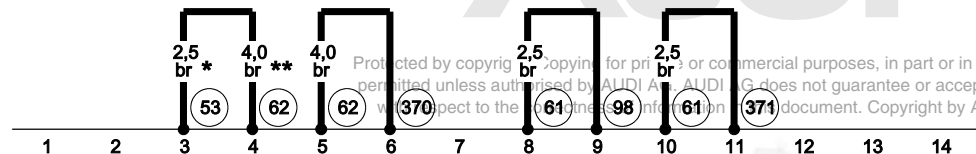
Ground Connections

- 53 Ground Connection (in rear lid, right)
- 61 Ground Connection (on left C-pillar)
- 62 Ground Connection (on right C-pillar)
- 98 Ground Connection (in rear lid wiring harness)
- 370 Ground Connection 5 (in main wiring harness)
- 371 Ground Connection 6 (in main wiring harness)

* Only models without radio
 ** Only models with radio



Audi



- ws = white
- sw = black
- ro = red
- br = brown
- gn = green
- bl = blue
- gr = grey
- li = lilac
- ge = yellow
- or = orange
- rs = pink

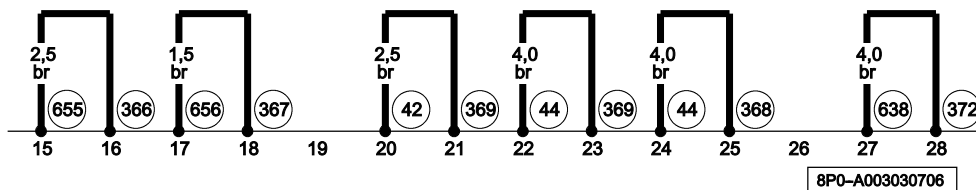
8P0-A003020706



Ground Connections

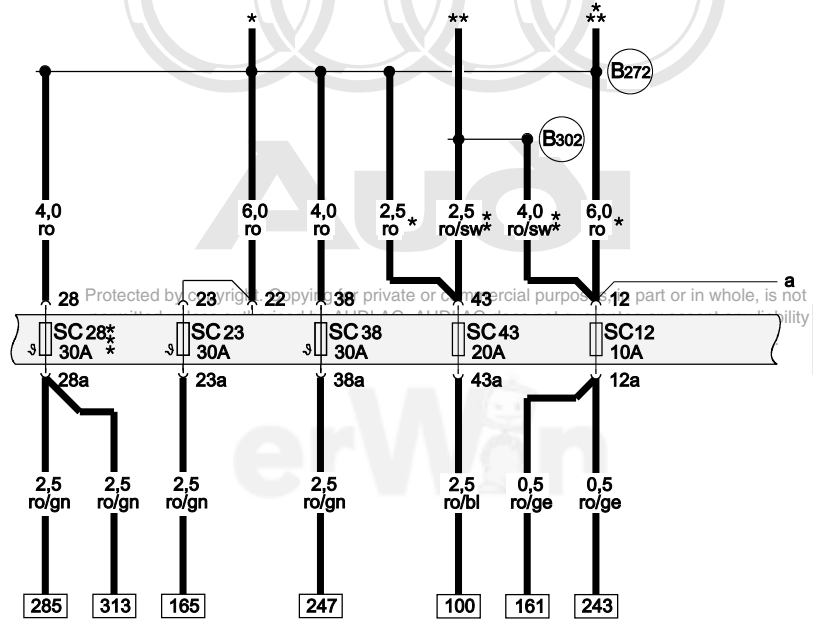
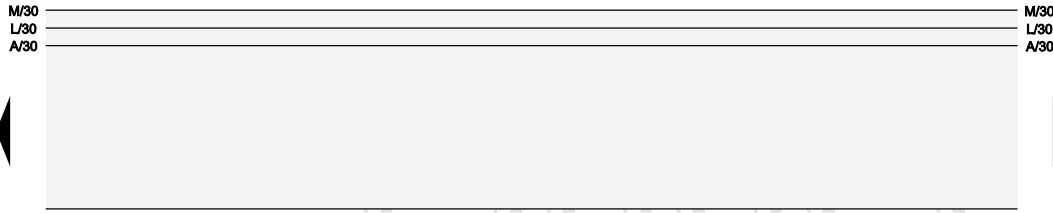
- 42 Ground Connection (beside steering column)
- 44 Ground Connection (on left lower A-pillar)
- 366 Ground Connection 1 (in main wiring harness)
- 367 Ground Connection 2 (in main wiring harness)
- 368 Ground Connection 3 (in main wiring harness)
- 369 Ground Connection 4 (in main wiring harness)
- 372 Ground Connection 7 (in main wiring harness)
- 638 Ground Connection (on right A-pillar)
- 655 Ground Connection (on left headlamp)
- 656 Ground Connection (on right headlamp)

Profess by Copyright. Construction (in main wiring harness) part or in whole, is not permitted unless authorised by AUDI AG. AUDI AG does not guarantee or accept any liability with respect to the correctness of information in this document. Copyright by AUDI AG.



8P0-A003030706

- ws = white
- sw = black
- ro = red
- br = brown
- gn = green
- bl = blue
- gr = grey
- li = lilac
- ge = yellow
- or = orange
- rs = pink



Fuses (on fuse panel)

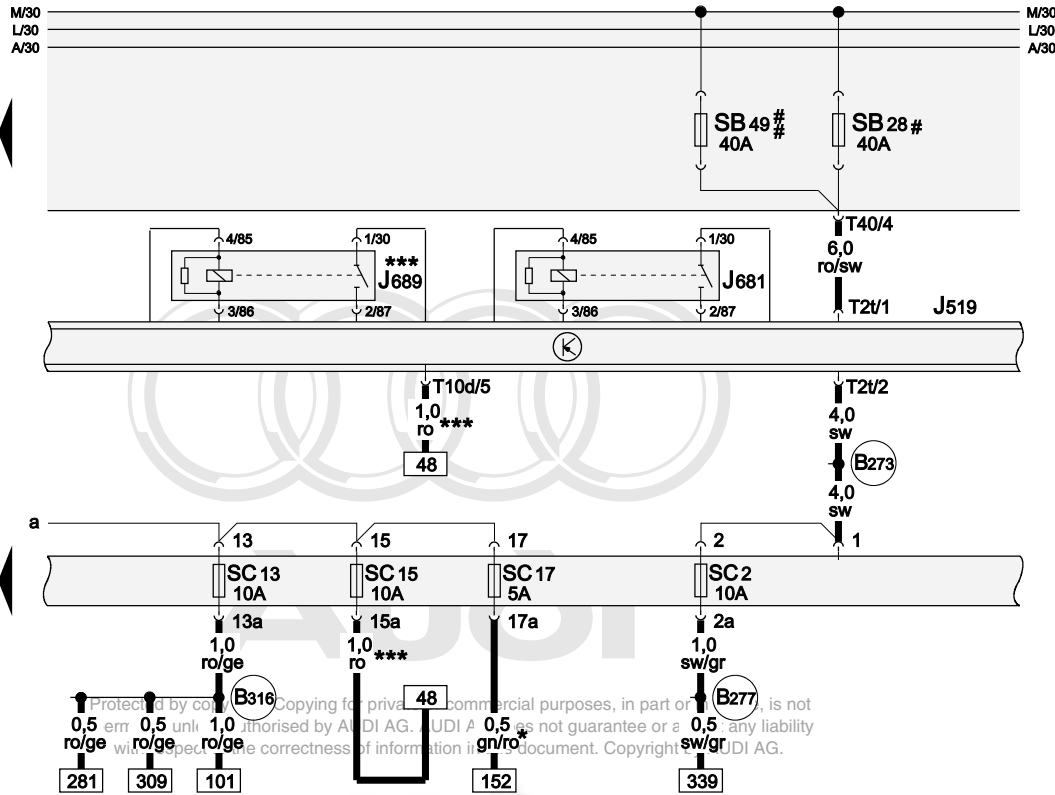
- SC12 Fuse 12 (on fuse panel C)
- SC23 Fuse 23 (on fuse panel C)
- SC28 Fuse 28 (on fuse panel C)
- SC38 Fuse 38 (on fuse panel C)
- SC43 Fuse 43 (on fuse panel C)

B272 Plus Connection (30) (in main wiring harness)

B302 Plus Connection 6 (30) (in main wiring harness)

- * ⇒ Applicable Wiring Diagram with battery in engine compartment
- ** ⇒ Applicable Wiring Diagram with battery in luggage compartment
- *** Only 5-door models

- ws = white
- sw = black
- ro = red
- br = brown
- gn = green
- bl = blue
- gr = grey
- li = lilac
- ge = yellow
- or = orange
- rs = pink



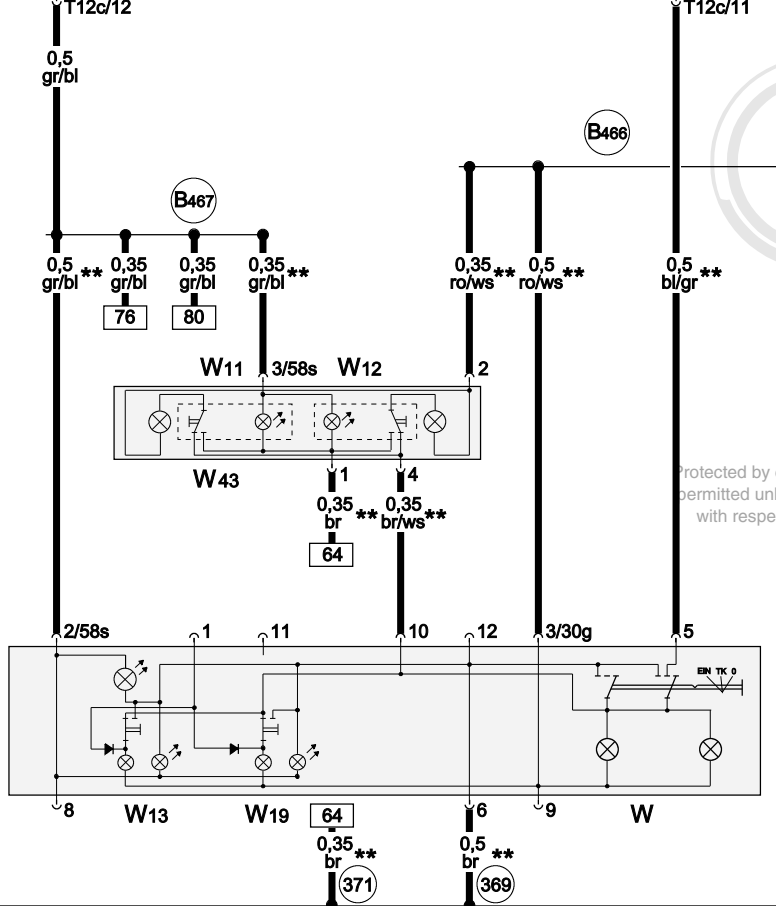
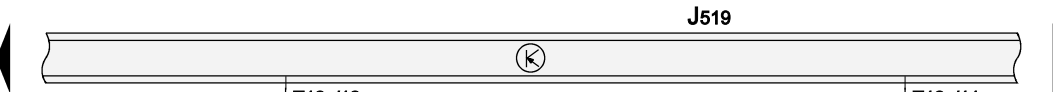
Fuses (on fuse panel), Power Supply Relay 2 (terminal 15)

- J519 Vehicle Electrical System Control Module
- J681 Power Supply Relay 2 (terminal 15)
- J689 Power Supply Relay 2 (terminal 30)
- SB28 Fuse 28 (on fuse panel B)
- SB49 Fuse 49 (on fuse panel B)
- SC2 Fuse 2 (on fuse panel C)
- SC13 Fuse 13 (on fuse panel C)
- SC15 Fuse 15 (on fuse panel C)
- SC17 Fuse 17 (on fuse panel C)
- T2t Double Connector, black (Connector L)
- T10d 10-Pin Connector, black (Connector K)
- T40 40-Pin Connector, black, on electronics box engine compartment (Connector J)

- B273** Plus Connection (15) (in main wiring harness)
- B277** Plus Connection 1 (15a) (in main wiring harness)
- B316** Plus Connection 2 (30a) (in main wiring harness)

- * Only models with anti-theft alarm system
- *** Only models with interior illumination
- # Only models with electronics box Low ⇒ Component Locations
- ## Only models with electronics box High ⇒ Component Locations

- ws = white
- sw = black
- ro = red
- br = brown
- gn = green
- bl = blue
- gr = grey
- li = lilac
- ge = yellow
- or = orange
- rs = pink



Front and Rear Interior Light with Reading Lights

- J519 Vehicle Electrical System Control Module
- T12c 12-Pin Connector, black (Connector B)
- W Front Interior Light
- W11 Left Rear Reading Light
- W12 Right Rear Reading Light
- W13 Front Passenger's Map/Reading Light
- W19 Driver's Map/Reading Light
- W43 Rear Interior Light

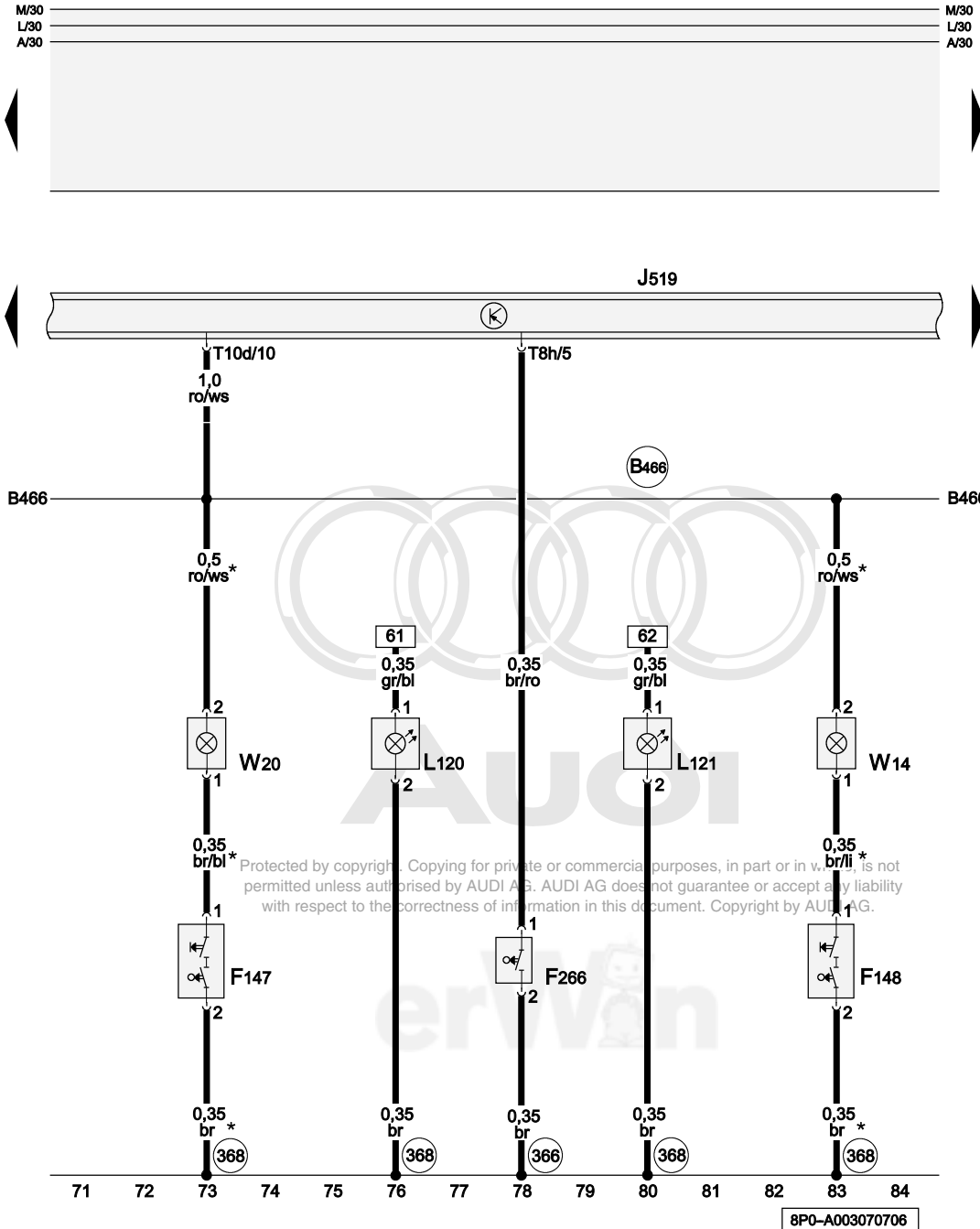
- 369 Ground Connection 4 (in main wiring harness)
- 371 Ground Connection 6 (in main wiring harness)
- B466 Connection 2 (in main wiring harness)
- B467 Connection 3 (in main wiring harness)
- ** Only models with reading lights

protected by copyright. Copying for private or commercial purposes, in part or in whole, is not permitted unless authorised by AUDI AG. AUDI AG does not guarantee or accept any liability with respect to the correctness of information in this document. Copyright by AUDI AG.

- ws = white
- sw = black
- ro = red
- br = brown
- gn = green
- bl = blue
- gr = grey
- li = lilac
- ge = yellow
- or = orange
- rs = pink

57 58 59 60 61 62 63 64 65 66 67 68 69 70

8P0-A003060706



Front Hood Switch, Driver and Front Passenger Vanity Mirror Lamp Contact Switch

- F147 Driver Vanity Mirror Lamp Contact Switch
- F148 Front Passenger Vanity Mirror Lamp Contact Switch
- F266 Front Hood Switch
- J519 Vehicle Electrical System Control Module
- L120 Storage Compartment Illumination
- L121 Cup Holder Illumination
- T8h 8-Pin Connector, black (Connector F)
- T10d 10-Pin Connector, black (Connector K)
- W14 Front Passenger's Illuminated Make-up Mirror
- W20 Driver's Illuminated Make-up Mirror Light

366 Ground Connection 1 (in main wiring harness)

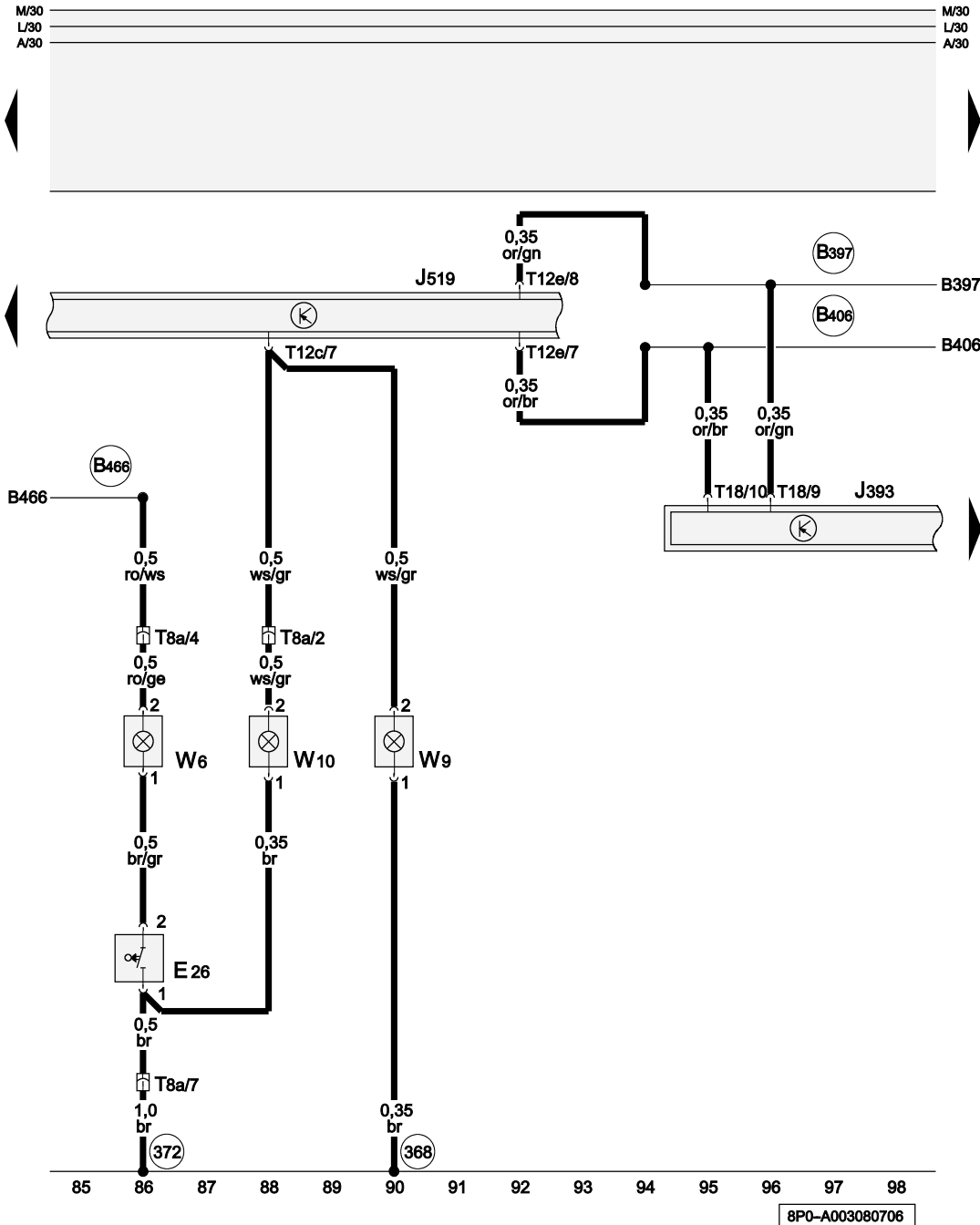
368 Ground Connection 3 (in main wiring harness)

B466 Connection 2 (in main wiring harness)

* Only models with illuminated Make-up mirrors without garage door opener

- ws = white
- sw = black
- ro = red
- br = brown
- gn = green
- bl = blue
- gr = grey
- li = lilac
- ge = yellow
- or = orange
- rs = pink

Protected by copyright. Copying for private or commercial purposes, in part or in whole, is not permitted unless authorised by AUDI AG. AUDI AG does not guarantee or accept any liability with respect to the correctness of information in this document. Copyright by AUDI AG.



Left and Right Footwell Light, Glove Compartment Light

- E26 Glove Compartment Lamp Switch
- J393 Comfort System Central Control Module
- J519 Vehicle Electrical System Control Module
- T8a 8-Pin Connector, black, near glove compartment
- T12c 12-Pin Connector, black (Connector B)
- T12e 12-Pin Connector, black (Connector G)
- T18 18-Pin Connector, brown (Connector A)
- W6 Glove Compartment Light
- W9 Left Footwell Light
- W10 Right Footwell Light

- 368 Ground Connection 3 (in main wiring harness)
- 372 Ground Connection 7 (in main wiring harness)
- B397 Comfort System CAN-Bus High Connection 1 (in main wiring harness)
- B406 Comfort System CAN-Bus Low Connection 1 (in main wiring harness)
- B466 Connection 2 (in main wiring harness)

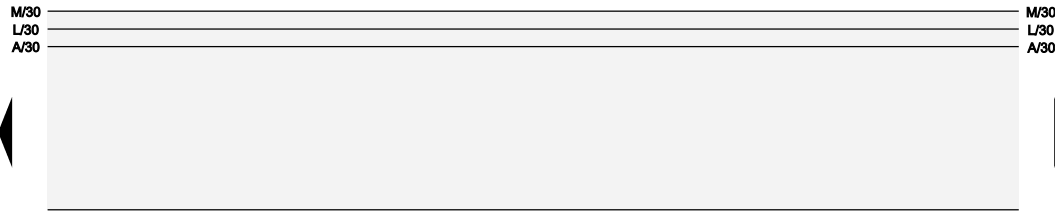


Protected by copyright. Copying for private or commercial purposes, in part or in whole, is not permitted unless authorised by AUDI AG. AUDI AG does not guarantee or accept any liability with respect to the correctness of information in this document. Copyright by AUDI AG.



- ws = white
- sw = black
- ro = red
- br = brown
- gn = green
- bl = blue
- gr = grey
- li = lilac
- ge = yellow
- or = orange
- rs = pink

8P0-A003080706



B397

B397

B406

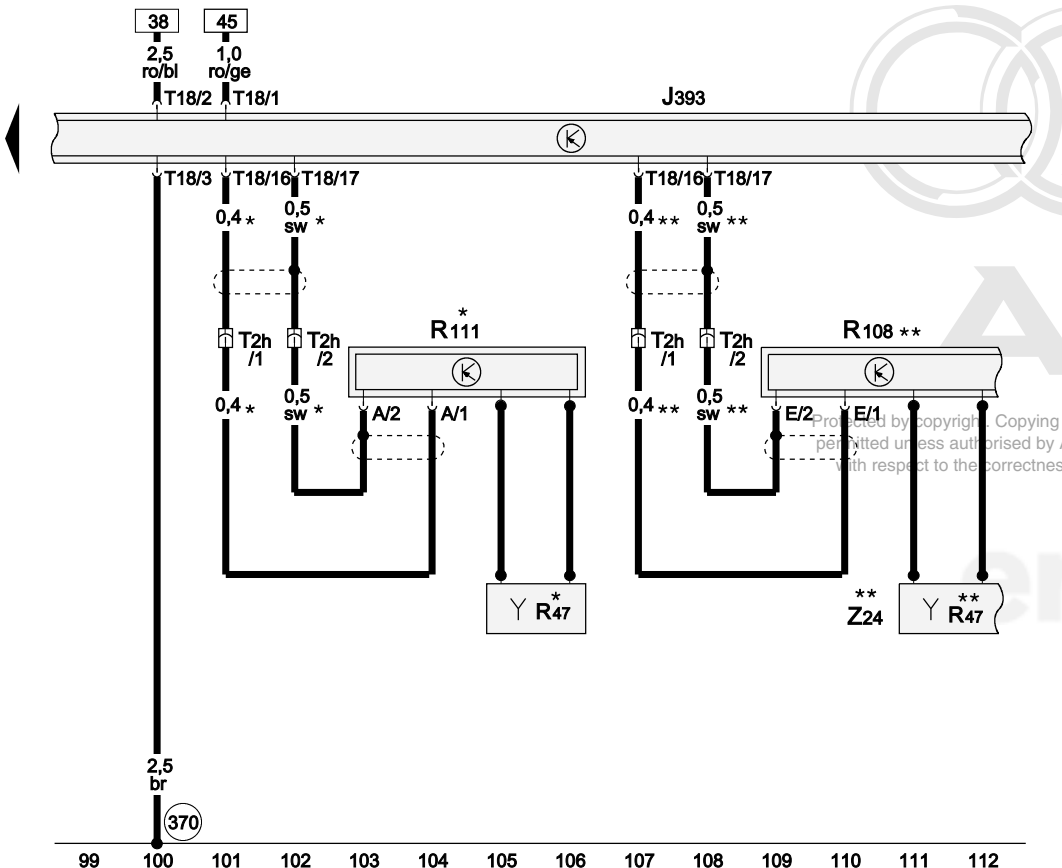
B406

Central Locking and Anti-Theft Alarm System Antenna

- J393 Comfort System Central Control Module
- R47 Central Locking and Anti-Theft Alarm System Antenna
- R108 Left Antenna Module
- R111 Antenna Amplifier 2
- T2h Double Connector, on C-pillar, right
- T18 18-Pin Connector, brown (Connector A)
- Z24 Rear Window Defogger with Window Antenna

- 370 Ground Connection 5 (in main wiring harness)
- B397 Comfort System CAN-Bus High Connection 1 (in main wiring harness)
- B406 Comfort System CAN-Bus Low Connection 1 (in main wiring harness)

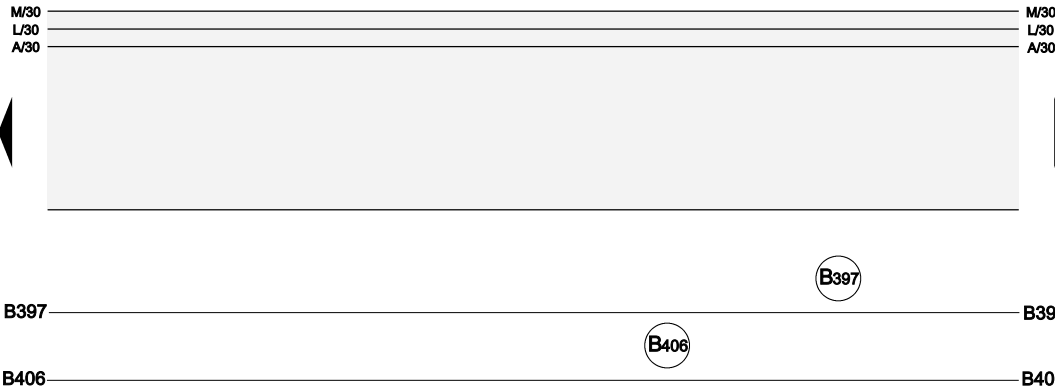
* Not for models with radio or radio/navigation system
 ** Only models with radio or radio/navigation system



Protected by copyright. Copying for private or commercial purposes, in part or in whole, is not permitted unless authorised by AUDI AG. AUDI AG does not guarantee or accept any liability with respect to the correctness of information in this document. Copyright by AUDI AG.

- ws = white
- sw = black
- ro = red
- br = brown
- gn = green
- bl = blue
- gr = grey
- li = lilac
- ge = yellow
- or = orange
- rs = pink

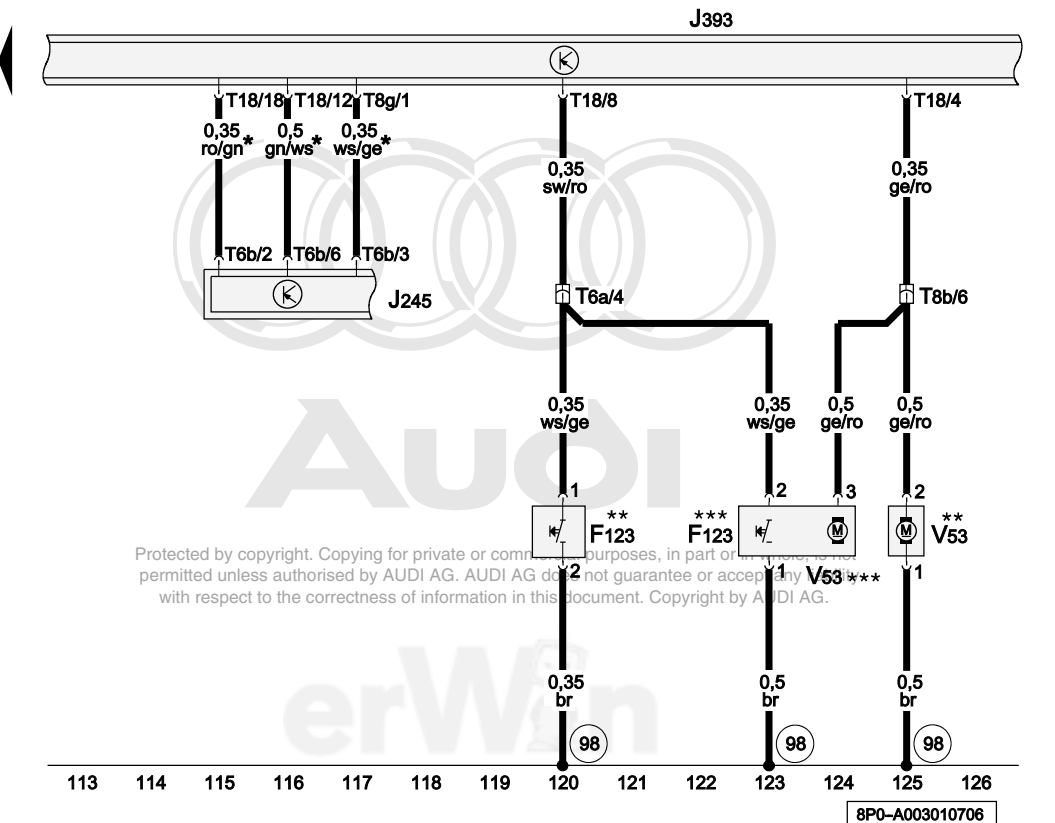
8P0-A003090706



Rear Lid Central Locking System Motor

- F123 Trunk Lid Alarm Switch
- J245 Power Sunroof Control Module
- J393 Comfort System Central Control Module
- T6a 6-Pin Connector, black, on C-pillar, left
- T6b 6-Pin Connector, blue, sunroof, near interior light
- T8b 8-Pin Connector, brown, on C-pillar, left
- T8g 8-Pin Connector, black (Connector B)
- T18 18-Pin Connector, brown (Connector A)
- V53 Rear Lid Central Locking System Motor

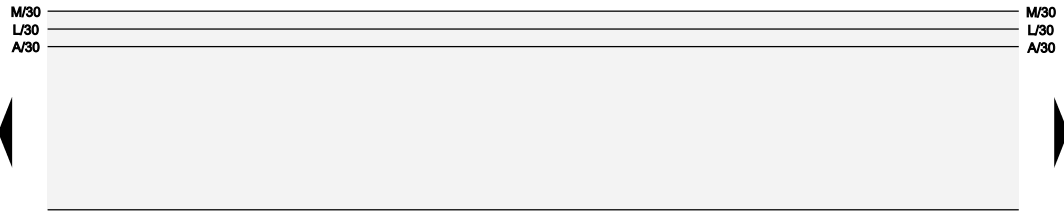
- 98 Ground Connection (in rear lid wiring harness)
- B397 Comfort System CAN-Bus High Connection 1 (in main wiring harness)
- B406 Comfort System CAN-Bus Low Connection 1 (in main wiring harness)
- * ⇒ Applicable Wiring Diagram Sliding-/Tilting Sunroof
- ** Only 3-door models
- *** Only 5-door models



Protected by copyright. Copying for private or commercial purposes, in part or in full, is not permitted unless authorised by AUDI AG. AUDI AG does not guarantee or accept any liability with respect to the correctness of information in this document. Copyright by AUDI AG.

- ws = white
- sw = black
- ro = red
- br = brown
- gn = green
- bl = blue
- gr = grey
- li = lilac
- ge = yellow
- or = orange
- rs = pink

8P0-A003010706

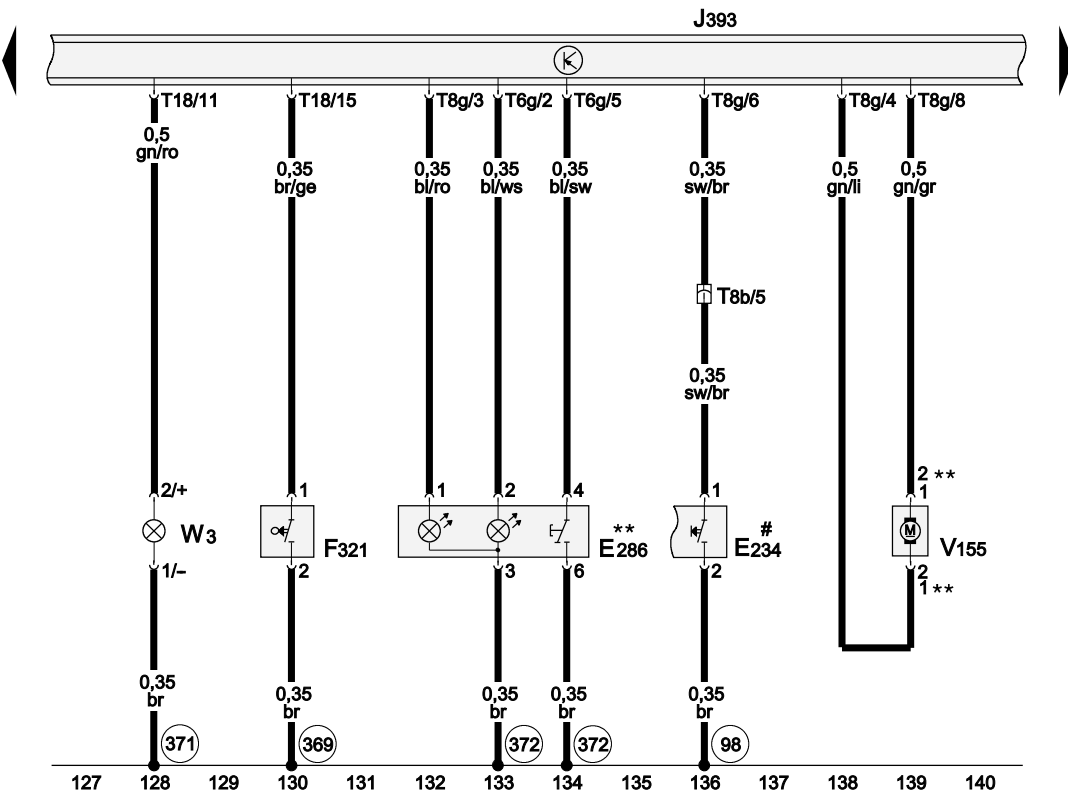


B397

B397

B406

B406



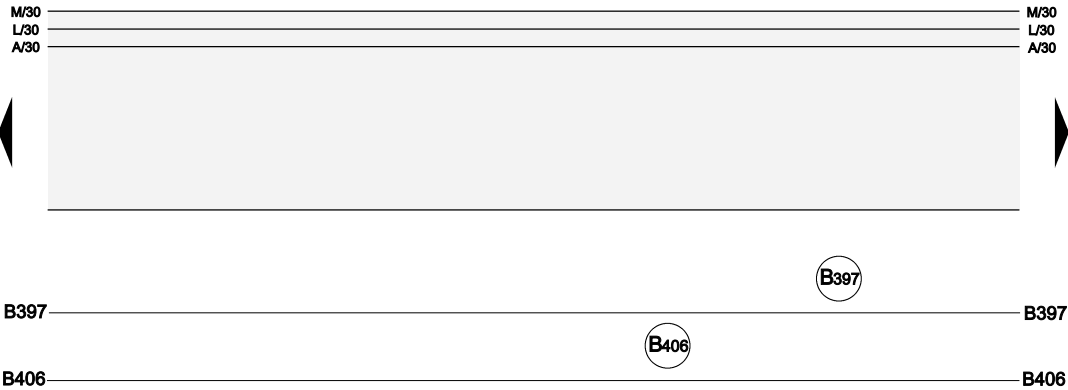
8P0-A003110706

- ws = white
- sw = black
- ro = red
- br = brown
- gn = green
- bl = blue
- gr = grey
- li = lilac
- ge = yellow
- or = orange
- rs = pink

Parking Brake Contact Switch, Fuel Tank Lid Unlock Motor, Luggage Compartment Light

- E234 Rear Lid Handle Unlock Switch
- E286 Rear/Center Interior Lock Switch
- F321 Parking Brake Contact Switch
- J393 Comfort System Central Control Module
- T6g 6-Pin Connector, black (Connector E)
- T8b 8-Pin Connector, brown, on C-pillar, left
- T8g 8-Pin Connector, black (Connector B)
- T18 18-Pin Connector, brown (Connector A)
- V155 Fuel Tank Lid Unlock Motor
- W3 Luggage Compartment Light

- 98 Ground Connection (in rear lid wiring harness)
- 369 Ground Connection 4 (in main wiring harness)
- 371 Ground Connection 6 (in main wiring harness)
- 372 Ground Connection 7 (in main wiring harness)
- B397 Comfort System CAN-Bus High Connection 1 (in main wiring harness)
- B406 Comfort System CAN-Bus Low Connection 1 (in main wiring harness)
- # E234 replace F248
- ** Only models with US equipment

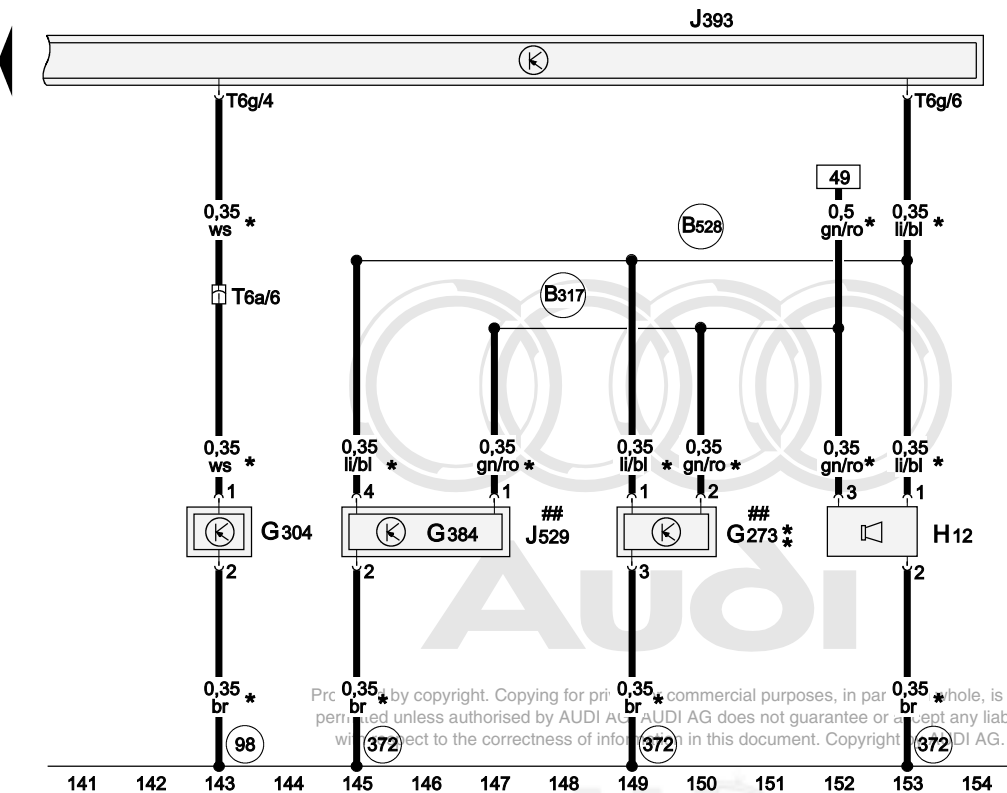


Alarm Horn, Vehicle Inclination Sensor, Glass Breakage Sensors, Rear Window, Interior Monitoring Sensor

- G273 Interior Monitoring Sensor
- G304 Rear Window Glass Breakage Sensor
- G384 Vehicle Inclination Sensor
- H12 Alarm Horn
- J393 Comfort System Central Control Module
- J529 Inclination-/Anti-Theft Control Module
- T6a 6-Pin Connector, black, on C-pillar, left
- T6g 6-Pin Connector, black (Connector E)

- 98 Ground Connection (in rear lid wiring harness)
- 372 Ground Connection 7 (in main wiring harness)
- B317 Plus Connection 3 (30a) (in main wiring harness)
- B397 Comfort System CAN-Bus High Connection 1 (in main wiring harness)
- B406 Comfort System CAN-Bus Low Connection 1 (in main wiring harness)
- B528 LIN-Bus Connection 1 (in main wiring harness)

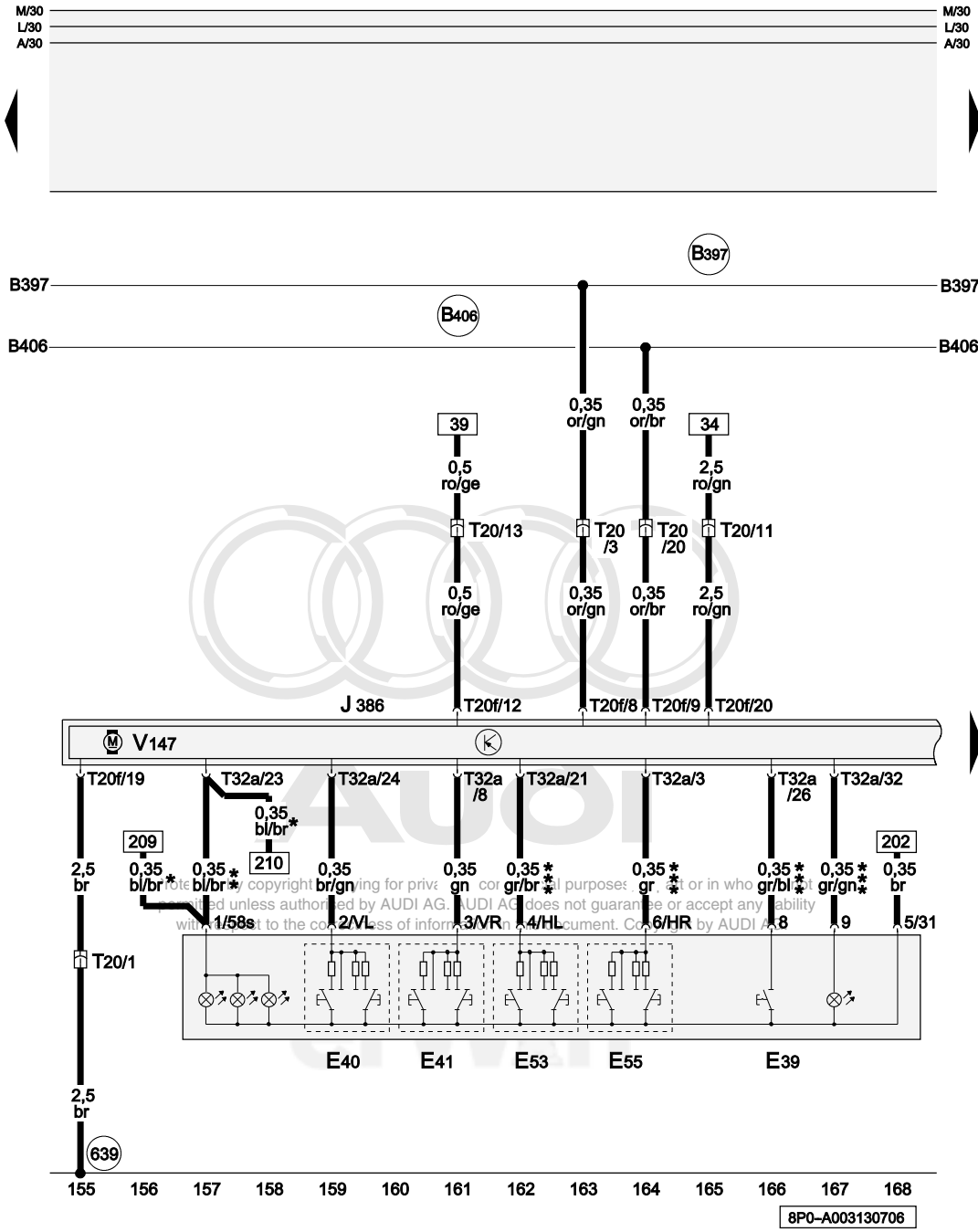
- * Only models with anti-theft alarm system
- ** Only models with interior monitoring sensor
- ## Not for models with US equipment



- ws = white
- sw = black
- ro = red
- br = brown
- gn = green
- bl = blue
- gr = grey
- li = lilac
- ge = yellow
- or = orange
- rs = pink

Copyright © 2006 Audi AG. All rights reserved. Audi AG does not guarantee or accept any liability for the correctness of information in this document. Copyright © 2006 Audi AG.

8P0-A003120706



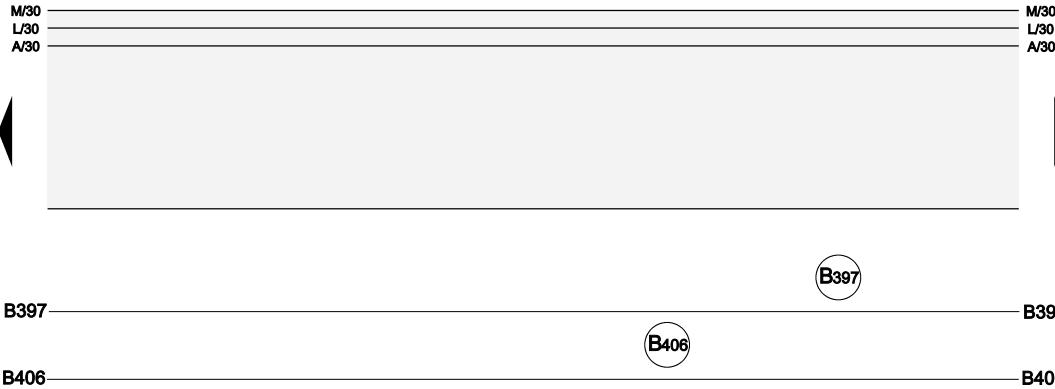
Driver's Window Regulator Switch

- E39 Rear Window Regulator Safety Switch
- E40 Left Front Window Regulator Switch
- E41 Right Front Window Regulator Switch
- E53 Driver's Left Rear Window Regulator Switch
- E55 Driver's Right Rear Window Regulator Switch
- J386 Driver's Door Control Module
- T20 20-Pin Connector, black, door A-pillar, left
- T20f 20-Pin Connector, black (Connector A)
- T32a 32-Pin Connector, grey (Connector C)
- V147 Driver's Window Regulator Motor

- 639 Ground Connection (on left A-pillar)
- B397 Comfort System CAN-Bus High Connection 1 (in main wiring harness)
- B406 Comfort System CAN-Bus Low Connection 1 (in main wiring harness)
- * Only models with interior monitoring
- ** Only models without interior monitoring
- *** Only 5-door models

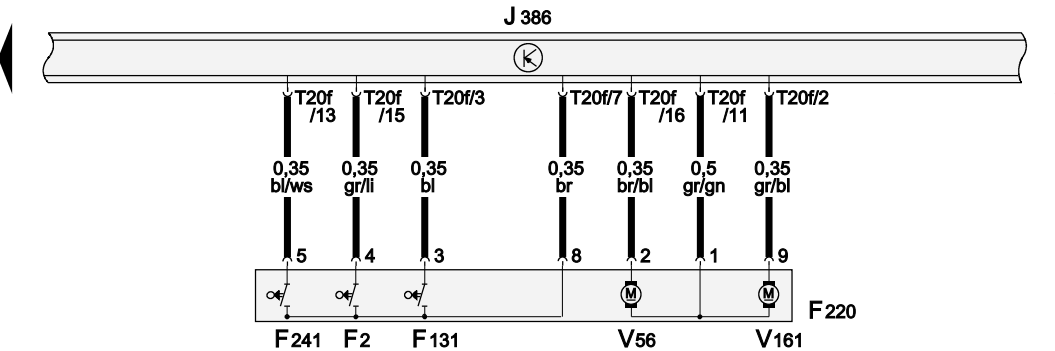
- ws = white
- sw = black
- ro = red
- br = brown
- gn = green
- bl = blue
- gr = grey
- li = lilac
- ge = yellow
- or = orange
- rs = pink

8P0-A003130706



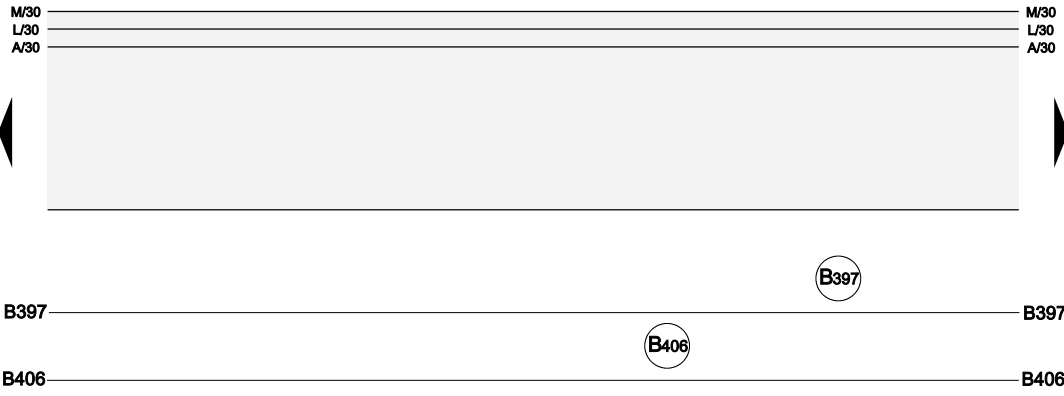
Driver's Door Central Locking Lock Unit, Central Locking - SAFE- Indicator Lamp

- F2 Driver's Door Contact Switch
- F131 Left Front Central Locking System Actuator
- F220 Driver's Door Central Locking Lock Unit
- F241 Driver Lock Cylinder Contact Switch
- J386 Driver's Door Control Module
- T20f 20-Pin Connector, black (Connector A)
- V56 Driver's Door Central Locking System Motor
- V161 Driver's Door Central Locking (Safe) Motor
- B397 Comfort System CAN-Bus High Connection 1 (in main wiring harness)
- B406 Comfort System CAN-Bus Low Connection 1 (in main wiring harness)



Audi

- ws = white
- sw = black
- rd = red
- br = brown
- gn = green
- bl = blue
- gr = grey
- li = lilac
- ge = yellow
- or = orange
- rs = pink

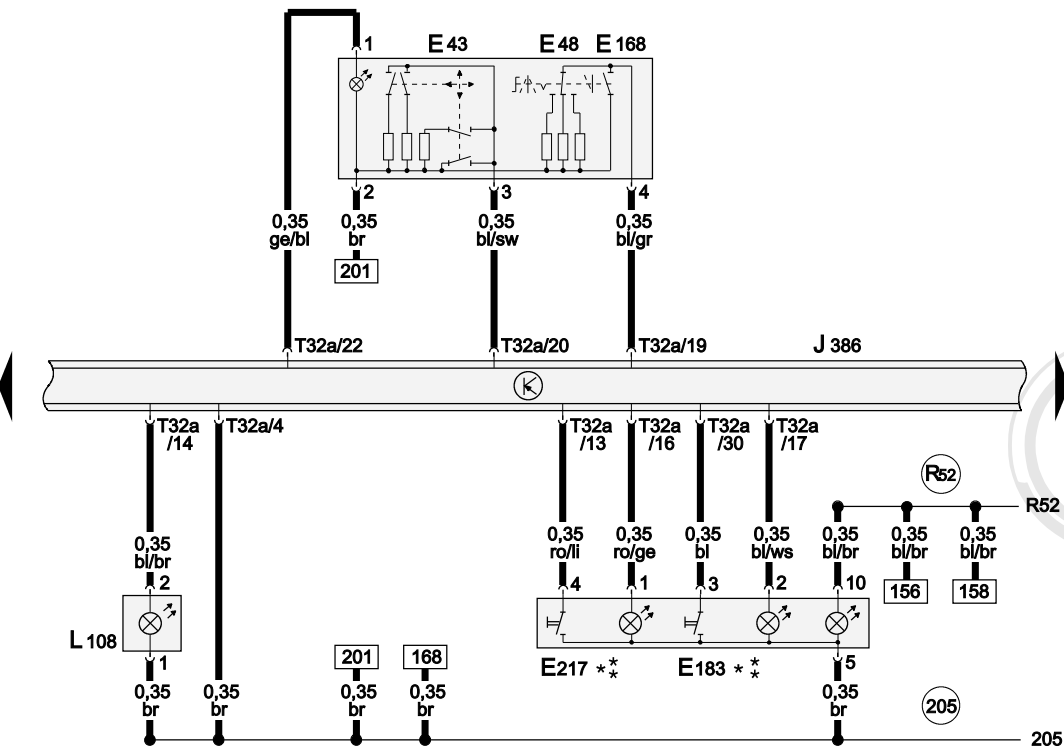


Mirror Adjustment Switch, Alarm System -Off- Switch

- E43 Mirror Adjustment Switch
- E48 Mirror Selector Switch
- E168 Mirror Adjustment (with fold-in function) Switch
- E183 Passenger Compartment Monitoring Switch
- E217 Alarm System -Off- Switch
- J386 Driver's Door Control Module
- L108 Driver's Door Opener Illumination
- T32a 32-Pin Connector, grey (Connector C)

- 205 Ground Connection (in Driver's door wiring harness)
- B397 Comfort System CAN-Bus High Connection 1 (in main wiring harness)
- B406 Comfort System CAN-Bus Low Connection 1 (in main wiring harness)
- R52 Connection (58s) (in driver's door wiring harness)

* Only models with interior monitoring
** Not for models with US equipment



- ws = white
- sw = black
- ro = red
- br = brown
- gn = green
- bl = blue
- gr = grey
- li = lilac
- ge = yellow
- or = orange
- rs = pink

Protected by copyright. Copying for private or commercial purposes, in part or in whole, is not permitted unless authorized by AUDI AG. AUDI AG does not guarantee or accept any liability with respect to the correctness of information in this document. Copyright by AUDI AG.

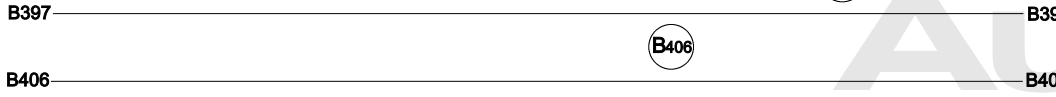
197 198 199 200 201 202 203 204 205 206 207 208 209 210

8P0-A003160706



Alarm System -Off- Switch, Rear Lid Remote Control Lock Switch

- E233 Rear Lid Remote Control Lock Switch
- E319 Fuel Tank Lid Unlock Button
- J386 Driver's Door Control Module
- K133 Central Locking -SAFE- Indicator Lamp
- T8d 8-Pin Connector, black, behind center console
- T20 20-Pin Connector, black, door A-pillar, left
- T20f 20-Pin Connector, black (Connector A)
- T32a 32-Pin Connector, grey (Connector C)

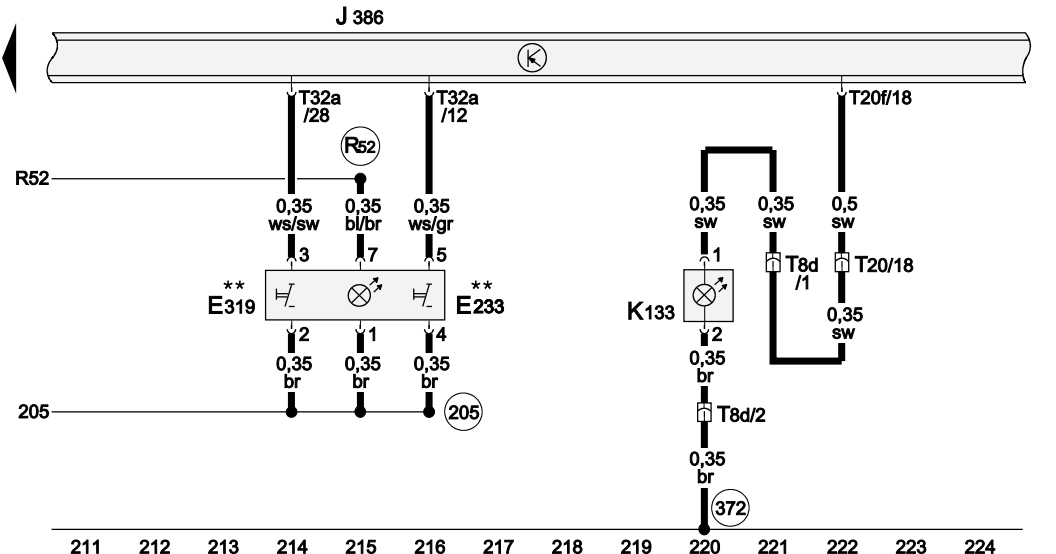


- 205 Ground Connection (in Driver's door wiring harness)
- 372 Ground Connection 7 (in main wiring harness)

Protected by copyright. Copying for private or commercial purposes, in part or in whole, is not permitted unless authorised by AUDI AG. AUDI AG does not guarantee or accept any liability with respect to the correctness of information in this document. Copyright by AUDI AG

- B397 Comfort System CAN-Bus High Connection 1 (in main wiring harness)
- B406 Comfort System CAN-Bus Low Connection 1 (in main wiring harness)
- R52 Connection (58s) (in driver's door wiring harness)

** Only models with US equipment



- ws = white
- sw = black
- ro = red
- br = brown
- gn = green
- bl = blue
- gr = grey
- li = lilac
- ge = yellow
- or = orange
- rs = pink

8P0-A003170706



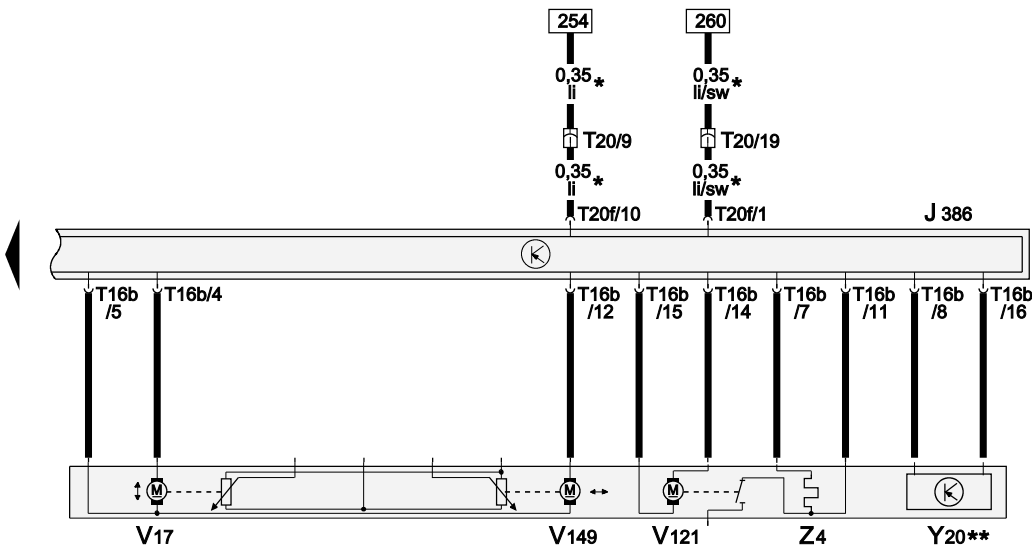
Driver's Mirror Adjustment Motor, Driver's Mirror Fold-in Motor

- J386 Driver's Door Control Module
- T16b 16-Pin Connector (Connector B)
- T20 20-Pin Connector, black, door A-pillar, left
- T20f 20-Pin Connector, black (Connector A)
- V17 Driver's Mirror Adjustment Motor
- V121 Driver's Mirror Fold-in Motor
- V149 Driver's Mirror Adjustment Motor
- Y20 Driver's Automatic Day/Night Outside Mirror
- Z4 Driver's Heated Outside Mirror

B397 Comfort System CAN-Bus High Connection 1 (in main wiring harness)

B406 Comfort System CAN-Bus Low Connection 1 (in main wiring harness)

- * Only models with automatic day/night interior mirror
- ** Only models with automatic day/night outside mirror



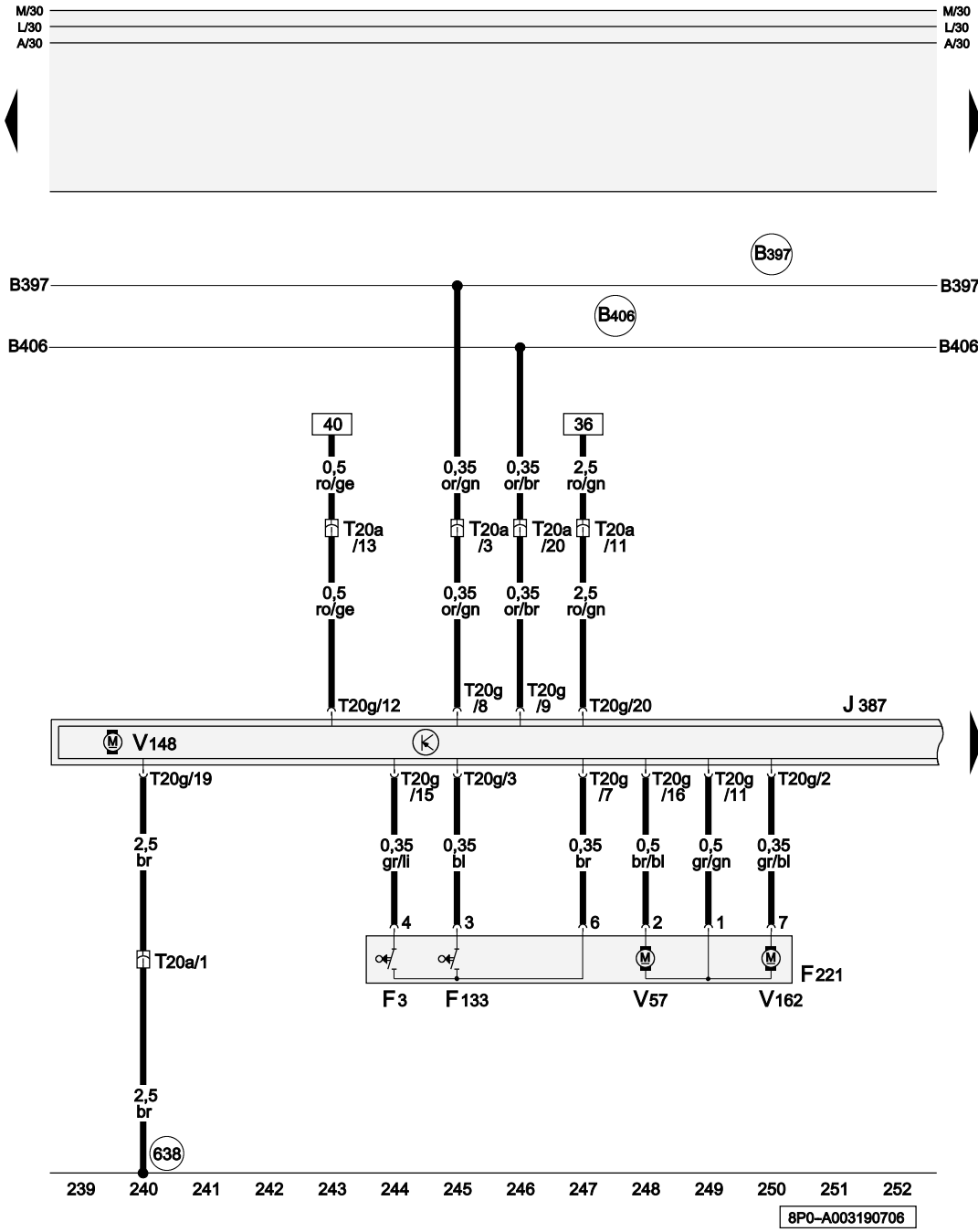
225 226 227 228 229 230 231 232 233 234 235 236 237 238

8P0-A003180706

- ws = white
- sw = black
- ro = red
- br = brown
- gn = green
- bl = blue
- gr = grey
- li = lilac
- ge = yellow
- or = orange
- rs = pink

Protected by copyright. Copying for private or commercial purposes, in part or in whole, is not permitted unless authorised by AUDI AG. AUDI AG does not guarantee or accept any liability with respect to the correctness of information in this document. Copyright by AUDI AG.





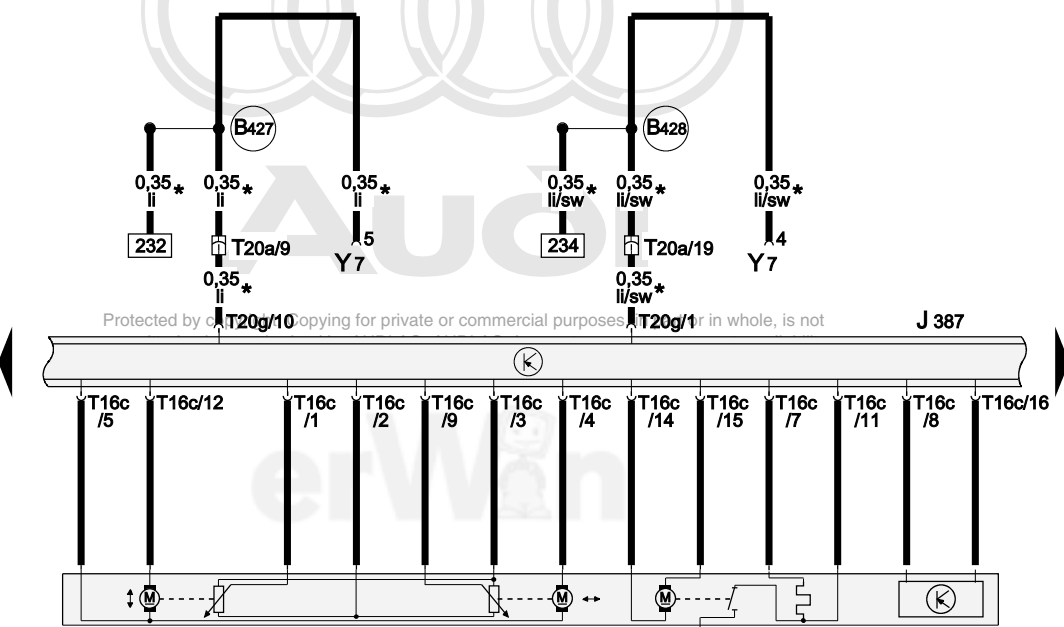
Front Passenger's Door Central Locking Lock Unit

- F3 Front Passenger's Door Contact Switch
- F133 Right Front Central Locking System Actuator
- F221 Front Passenger's Door Central Locking Lock Unit
- J387 Front Passenger's Door Control Module
- T20a 20-Pin Connector, black, door A-pillar, right
- T20g 20-Pin Connector, black (Connector A)
- V57 Front Passenger's Door Central Locking System Motor
- V148 Front Passenger's Window Regulator Motor
- V162 Front Passenger's Central Locking (Safe) Motor

- 638 Ground Connection (on right A-pillar)
- B397 Comfort System CAN-Bus High Connection 1 (in main wiring harness)
- B406 Comfort System CAN-Bus Low Connection 1 (in main wiring harness)

Protected by copyright. Copying for private or commercial purposes, in part or in whole, is not permitted unless authorised by AUDI AG. AUDI AG does not guarantee or accept any liability with respect to the correctness of information in this document. Copyright by AUDI AG.

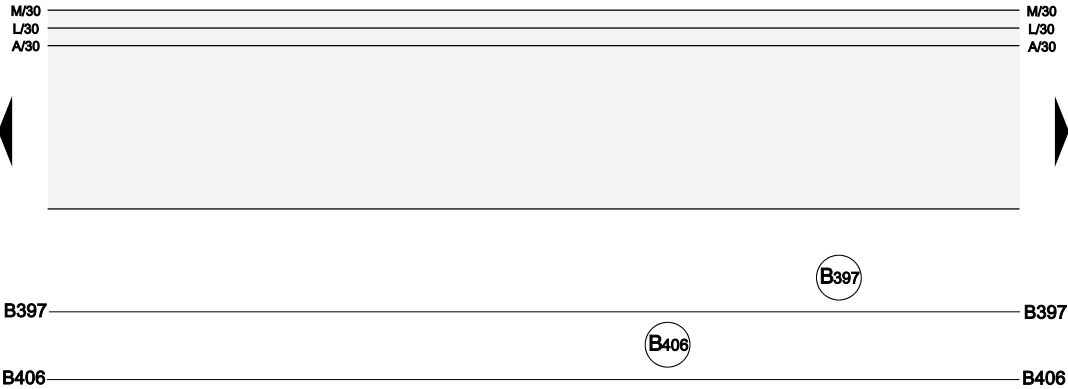
- ws = white
- sw = black
- ro = red
- br = brown
- gn = green
- bl = blue
- gr = grey
- li = lilac
- ge = yellow
- or = orange
- rs = pink



Front Passenger's Mirror Adjustment Motor, Front Passenger's Mirror Fold-in Motor

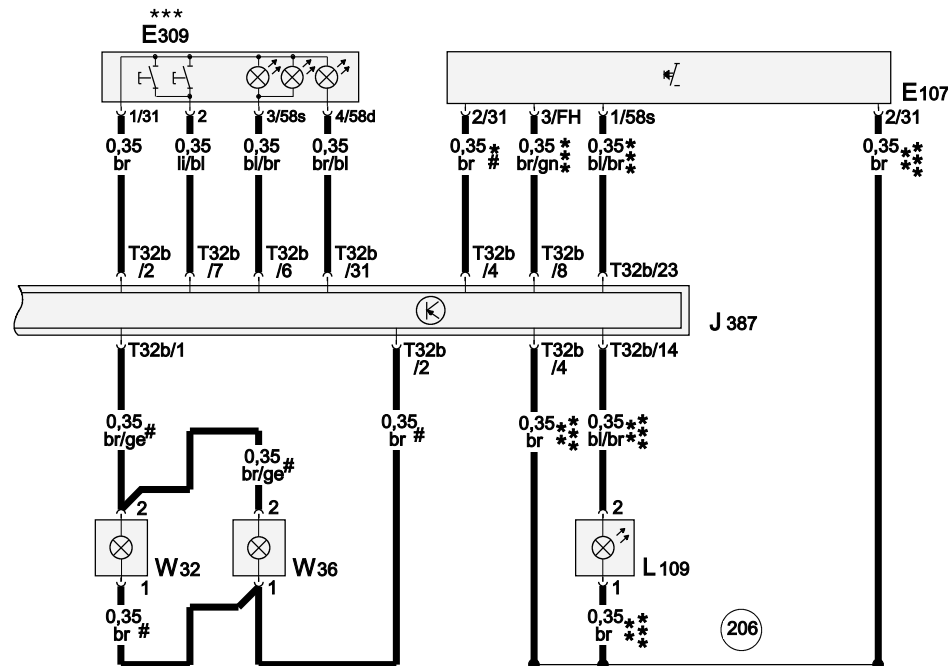
- J387 Front Passenger's Door Control Module
- T16c 16-Pin Connector (Connector B)
- T20a 20-Pin Connector, black, door A-pillar, right
- T20g 20-Pin Connector, black (Connector A)
- V25 Front Passenger's Mirror Adjustment Motor
- V122 Front Passenger's Mirror Fold-in Motor
- V150 Front Passenger's Mirror Adjustment Motor
- Y7 Automatic Day/Night Interior Mirror
- Y21 Front Passenger's Automatic Day/Night Outside Mirror
- Z5 Front Passenger's Heated Outside Mirror
- B397 Comfort System CAN-Bus High Connection 1 (in main wiring harness)
- B406 Comfort System CAN-Bus Low Connection 1 (in main wiring harness)
- B427 Mirror Auto-dimming Signal Connection 1 (in main wiring harness)
- B428 Mirror Auto-dimming Signal Connection 2 (in main wiring harness)
- * Only models with automatic day/night interior mirror
- ** Only models with automatic day/night outside mirror

- ws = white
- sw = black
- ro = red
- br = brown
- gn = green
- bl = blue
- gr = grey
- li = lilac
- ge = yellow
- or = orange
- rs = pink



Right Front Entry Light, Front Passenger's Door Warning Light, Front Passenger's Door Window Regulator Switch

- E107 Window Regulator Switch (in RF door)
- E309 Front Passenger's Interior Locking Button
- J387 Front Passenger's Door Control Module
- L109 Front Passenger's Door Opener Illumination
- T32b 32-Pin Connector, grey (Connector C)
- W32 Right Front Entry Light
- W36 Front Passenger's Door Warning Light
- 206 Ground Connection (in front passenger's door wiring harness)
- B397 Comfort System CAN-Bus High Connection 1 (in main wiring harness)
- B406 Comfort System CAN-Bus Low Connection 1 (in main wiring harness)
- * Only models without front passenger's door opener illumination
- ** Only models with front passenger's door opener illumination
- *** Only models with US equipment
- # Not for models with US equipment

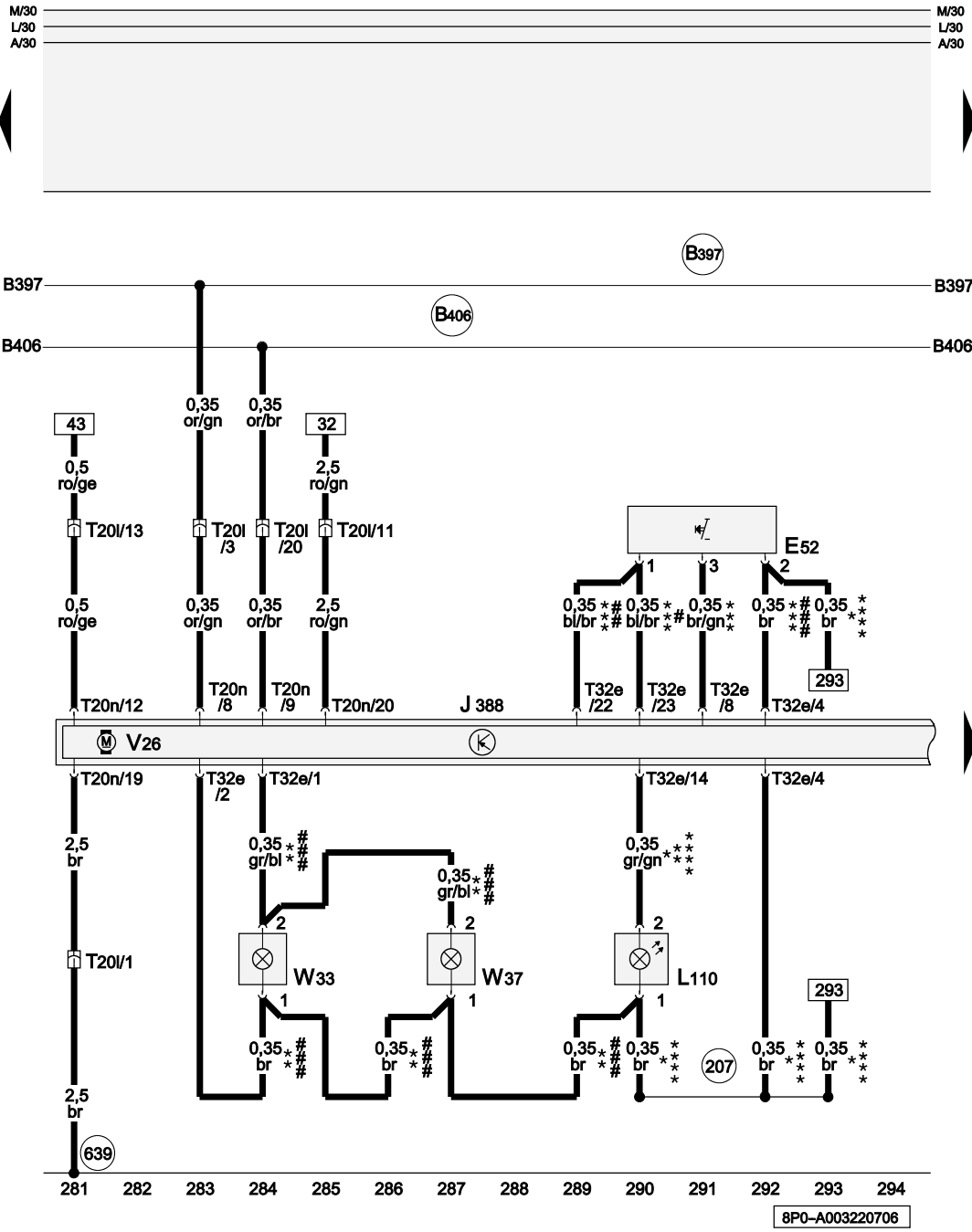


Protected by copyright. Copying for private or commercial purposes, in part or in whole, is not permitted unless authorised by AUDI AG. AUDI AG does not guarantee or accept any liability with respect to the correctness of information in this document. Copyright by AUDI AG.

- ws = white
- sw = black
- ro = red
- br = brown
- gn = green
- bl = blue
- gr = grey
- li = lilac
- ge = yellow
- or = orange
- rs = pink

267 268 269 270 271 272 273 274 275 276 277 278 279 280

8P0-A003210706



Left Rear Door Control Module

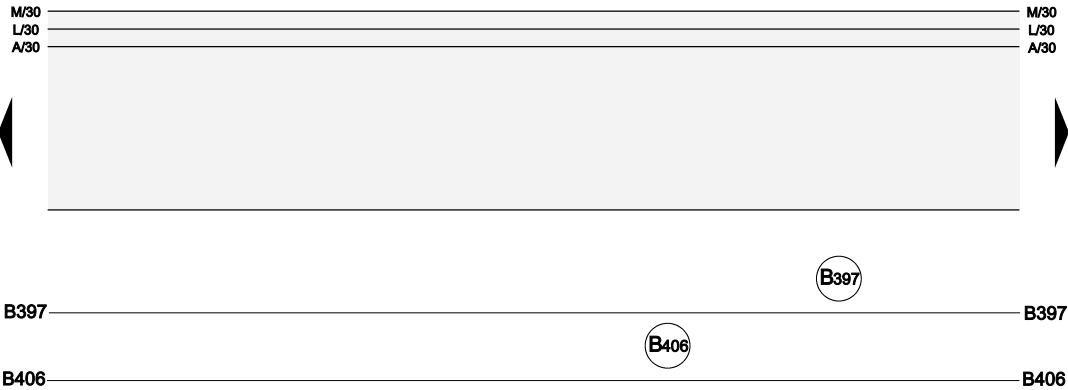
- E52 Left Rear Window Switch in Left Rear Door
- J388 Left Rear Door Control Module
- L110 Left Rear Door Opener Illumination
- T20l 20-Pin Connector, black, door B-pillar, left
- T20n 20-Pin Connector, black (Connector A)
- T32e 32-Pin Connector, grey (Connector C)
- V26 Left Rear Window Regulator Motor
- W33 Left Rear Entry Light
- W37 Left Rear Door Warning Light

- (207) Ground Connection (in left rear door wiring harness)
- (639) Ground Connection (on left A-pillar)
- (B397) Comfort System CAN-Bus High Connection 1 (in main wiring harness)
- (B406) Comfort System CAN-Bus Low Connection 1 (in main wiring harness)
- * Only models with window regulator switch and door opener illumination
- ** Only models with door opener illumination, entry light and door warning light
- *** Only models with window regulator switch
- **** Only models with US equipment
- # Not applicable from November 2005
- ## Applicable from November 2005
- ### Not for models with US equipment

- ws = white
- sw = black
- ro = red
- br = brown
- gn = green
- bl = blue
- gr = grey
- li = lilac
- ge = yellow
- or = orange
- rs = pink



Protected by copyright. Copying for private or commercial purposes, in part or in whole, is not permitted unless authorised by AUDI AG. AUDI AG does not guarantee or accept any liability with respect to the correctness of information in this document. Copyright by AUDI AG.



Left Rear Door Central Locking System Motor

- F10 Left Rear Door Contact Switch
- F132 Left Rear Central Locking System Actuator
- F222 Left Rear Central Locking Lock Unit
- J388 Left Rear Door Control Module
- T20n 20-Pin Connector, black (Connector A)
- V115 Left Rear Door Central Locking System Motor
- V163 Left Rear Central Locking (Safe) Motor
- (B397) Comfort System CAN-Bus High Connection 1 (in main wiring harness)
- (B406) Comfort System CAN-Bus Low Connection 1 (in main wiring harness)

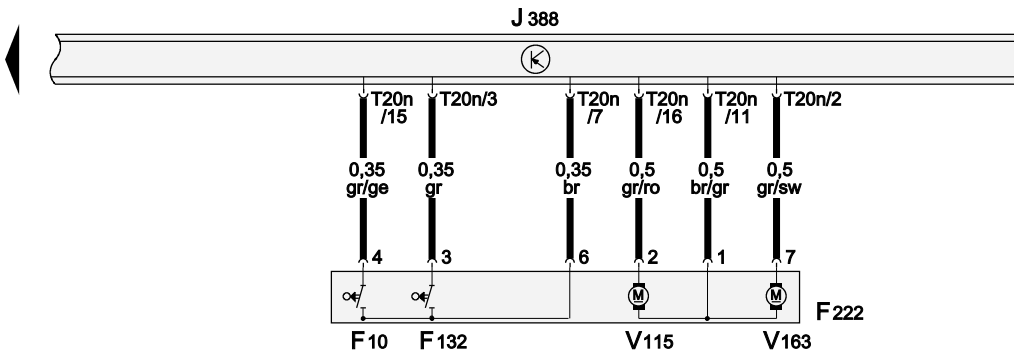


Audi

Protected by copyright. Copying for private or commercial purposes, in part or in whole, is not permitted unless authorised by AUDI AG. AUDI AG does not guarantee or accept any liability with respect to the correctness of information in this document. Copyright by AUDI AG.

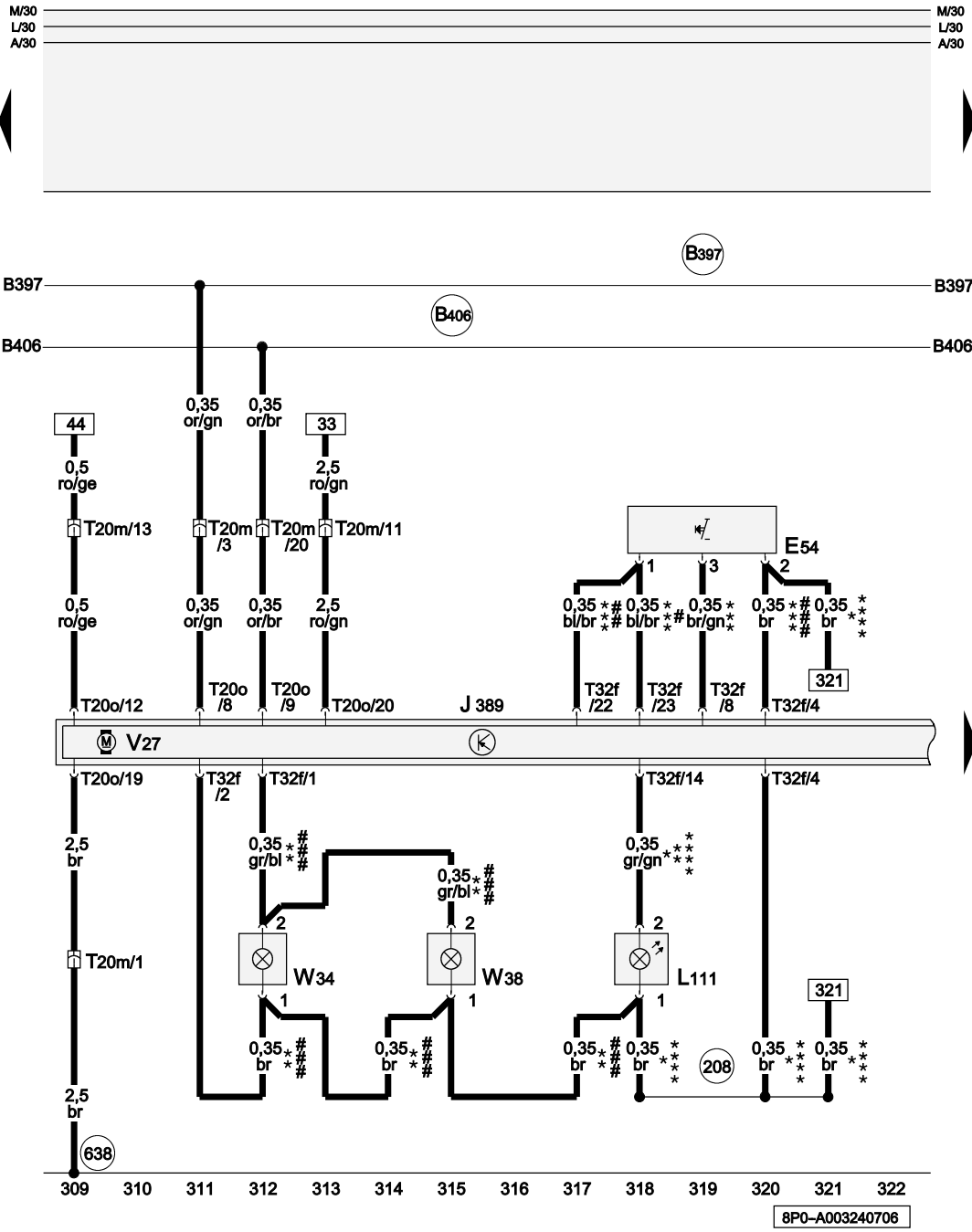


- ws = white
- sw = black
- ro = red
- br = brown
- gn = green
- bl = blue
- gr = grey
- li = lilac
- ge = yellow
- or = orange
- rs = pink



295 296 297 298 299 300 301 302 303 304 305 306 307 308

8P0-A003230706

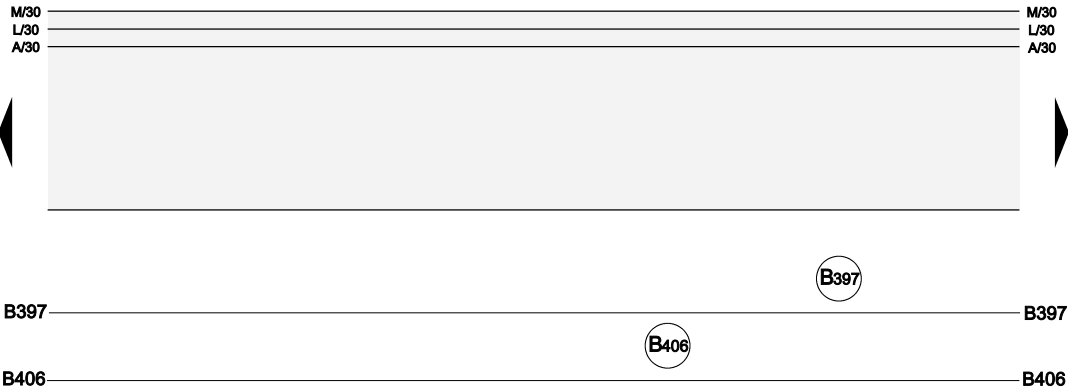


Right Rear Door Control Module

- E54 Right Rear Window Regulator Switch (In RR Door)
 - J389 Right Rear Door Control Module
 - L111 Right Rear Door Opener Illumination
 - T20m 20-Pin Connector, black, door B-pillar, right
 - T20o 20-Pin Connector, black (Connector A)
 - T32f 32-Pin Connector, grey (Connector C)
 - V27 Right Rear Window Regulator Motor
 - W34 Right Rear Entry Light
 - W38 Right Rear Door Warning Light
- (208) Ground Connection (in right rear door wiring harness)
 - (638) Ground Connection (on right A-pillar)
 - (B397) Comfort System CAN-Bus High Connection 1 (in main wiring harness)
 - (B406) Comfort System CAN-Bus Low Connection 1 (in main wiring harness)
- * Only models with window regulator switch and door opener illumination
 - ** Only models with door opener illumination, entry light and door warning light
 - *** Only models with window regulator switch
 - **** Only models with US equipment
 - # Not applicable from November 2005
 - ## Applicable from November 2005
 - ### Not for models with US equipment

Protected by copyright. Copying for private or commercial purposes in part or in whole is not permitted unless authorised by AUDI AG. AUDI AG does not guarantee or accept any liability with respect to the correctness of information in this document. Copyright by AUDI AG.

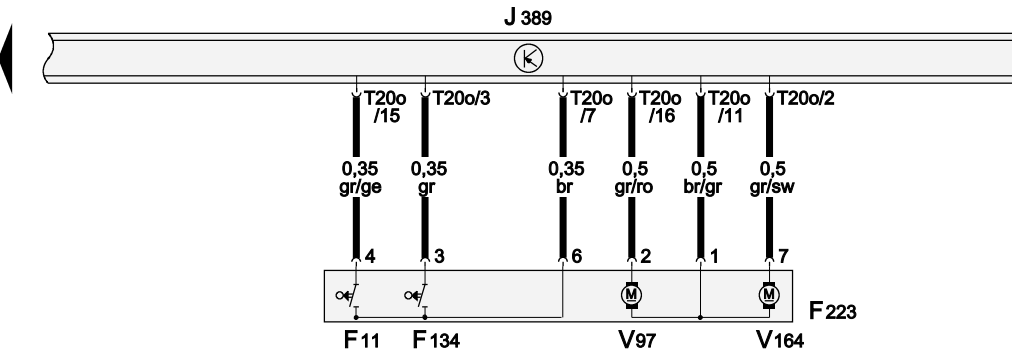
- ws = white
- sw = black
- ro = red
- br = brown
- gn = green
- bl = blue
- gr = grey
- li = lilac
- ge = yellow
- or = orange
- rs = pink



Right Rear Door Control Module, Right Rear Central Locking Lock Unit

- F11 Right Rear Door Contact Switch
- F134 Right Rear Central Locking System Actuator
- F223 Right Rear Central Locking Lock Unit
- J389 Right Rear Door Control Module
- T20o 20-Pin Connector, black (Connector A)
- V97 Right Rear Door Central Locking System Motor
- V164 Right Rear Central Locking (Safe) Motor
- B397 Comfort System CAN-Bus High Connection 1 (in main wiring harness)
- B406 Comfort System CAN-Bus Low Connection 1 (in main wiring harness)

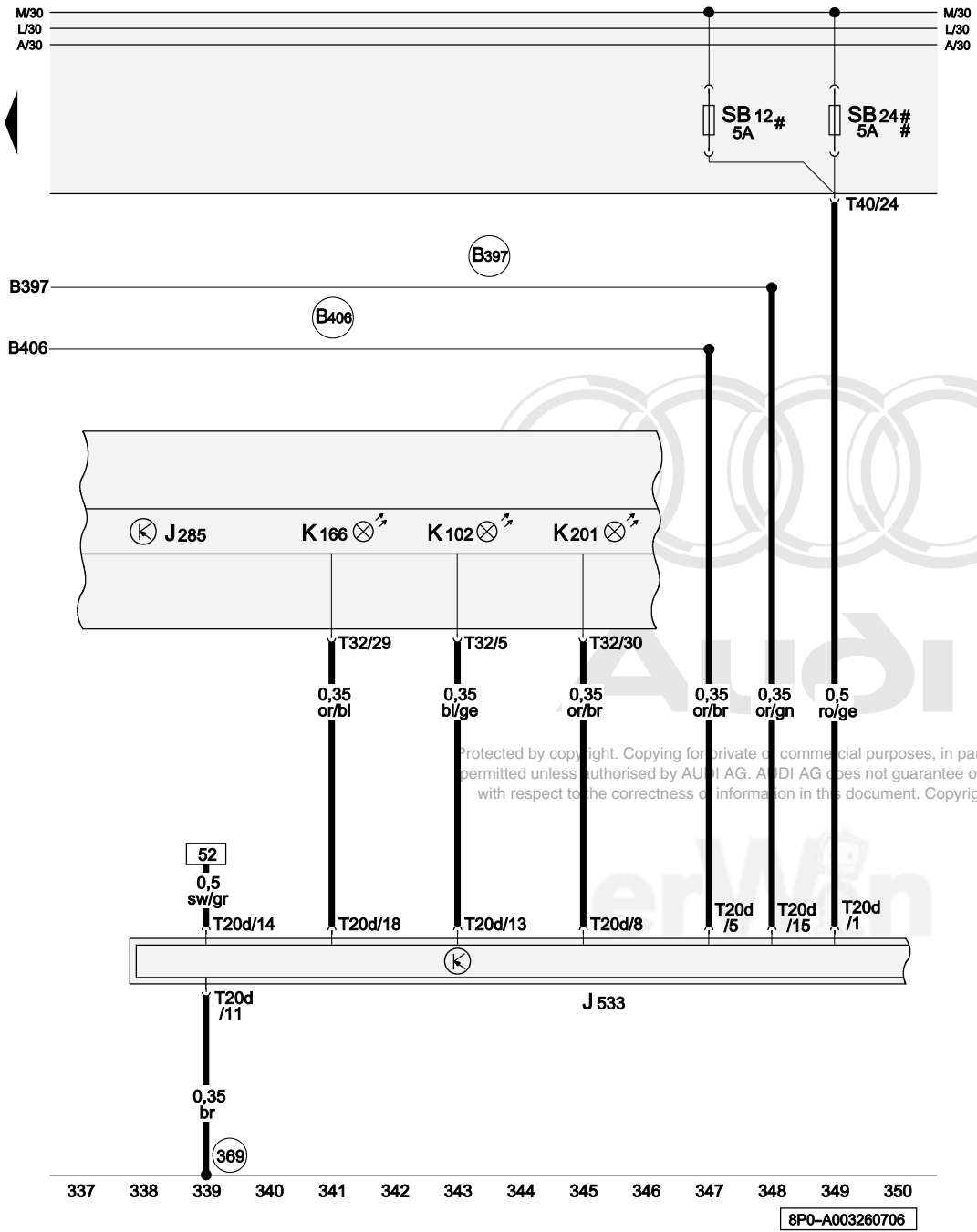
Protected by copyright. Copying for private or commercial purposes, in part or in whole, is not permitted unless authorised by AUDI AG. AUDI AG does not guarantee or accept any liability with respect to the correctness of information in this document. Copyright by AUDI AG.



- ws = white
- sw = black
- ro = red
- br = brown
- gn = green
- bl = blue
- gr = grey
- li = lilac
- ge = yellow
- or = orange
- rs = pink

323 324 325 326 327 328 329 330 331 332 333 334 335 336

8P0-A003250706



Instrument Cluster Control Module, Data Bus On Board Diagnostic Interface

- J285 Instrument Cluster Control Module
- J533 Data Bus On Board Diagnostic Interface
- K102 Rear Hatch/Trunk Lid Ajar Warning Lamp
- K166 Door Ajar Indicator Lamp
- K201 Fuel Filler Lid Lock Warning Lamp
- SB12 Fuse 12 (on fuse panel B)
- SB24 Fuse 24 (on fuse panel B)
- T20d 20-Pin Connector, yellow (Connector A)
- T32 32-Pin Connector, blue (Connector A)
- T40 40-Pin Connector, black, on electronics box engine compartment (Connector J)

- 369 Ground Connection 4 (in main wiring harness)
- B397 Comfort System CAN-Bus High Connection 1 (in main wiring harness)
- B406 Comfort System CAN-Bus Low Connection 1 (in main wiring harness)
- # Only models with electronics box Low ⇒ Component Locations
- ## Only models with electronics box High ⇒ Component Locations

Protected by copyright. Copying for private or commercial purposes, in part or in whole, is not permitted unless authorised by AUDI AG. AUDI AG does not guarantee or accept any liability with respect to the correctness of information in this document. Copyright by AUDI AG.

- ws = white
- sw = black
- ro = red
- br = brown
- gn = green
- bl = blue
- gr = grey
- li = lilac
- ge = yellow
- or = orange
- rs = pink

Battery in Engine Compartment

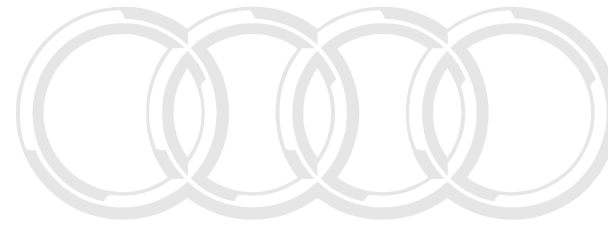
⇒ Main Fuse Panel Electronics Box Low

⇒ Engine code BSE, BSF, BLF, BPU, BPT, BYT, BLS, BKC, BXE, AZV, BKD, BMM, BMN, BUY, BVY, BVZ

from May 2006

⇒ Engine codes CAXC, BZB, CAWB, CBFA, CCTA

from May 2007



Audi

Protected by copyright. Copying for private or commercial purposes, in part or in whole, is not permitted unless authorised by AUDI AG. AUDI AG does not guarantee or accept any liability with respect to the correctness of information in this document. Copyright by AUDI AG.



Note:

Information for

◆ Relay and fuse arrangements

◆ Connector arrangements

◆ Control Modules and Relays

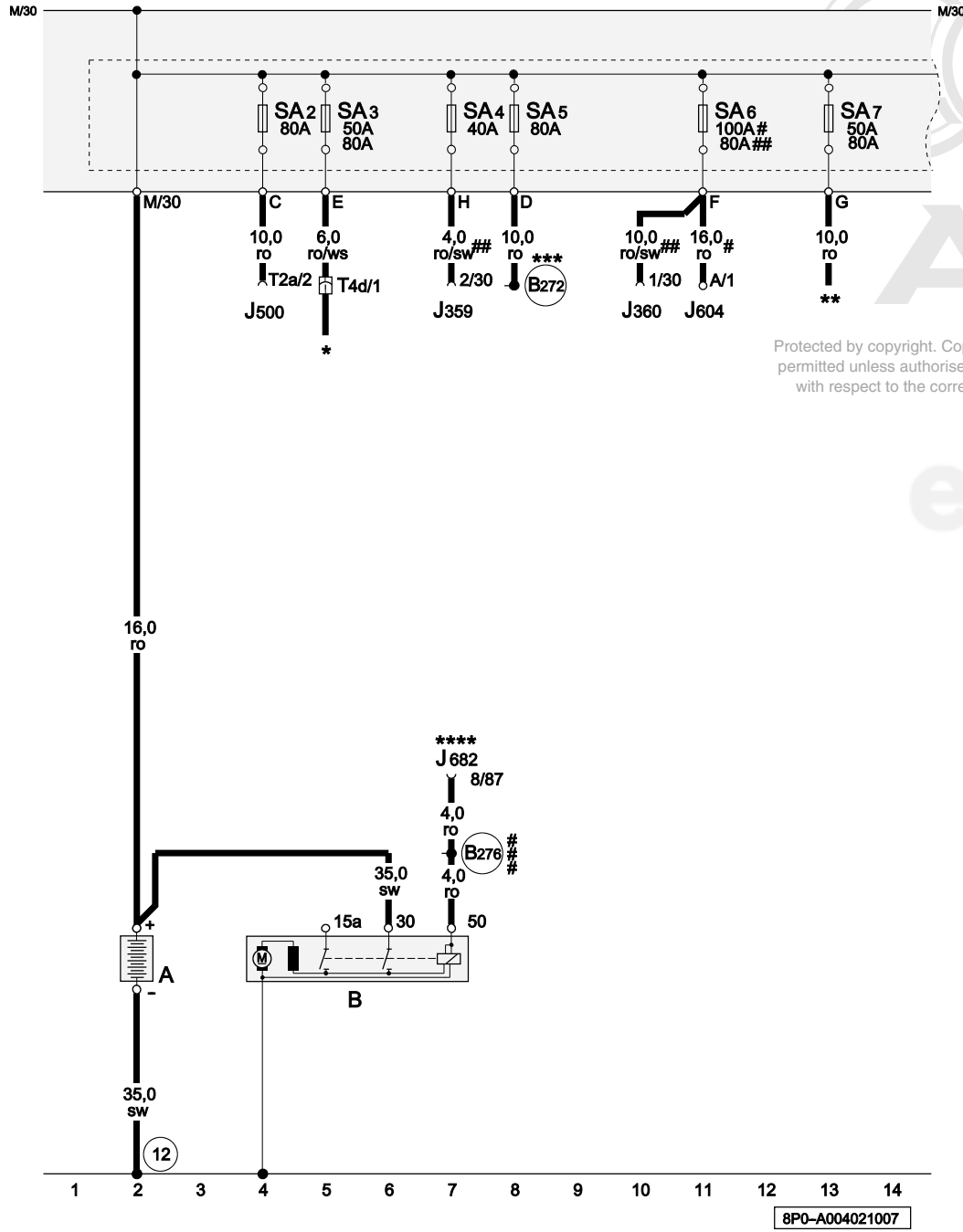
◆ Ground Connections

⇒ Component Locations

Information for

◆ Troubleshooting Procedures

⇒ Guided Fault Finding using VAS 5051 / 5052

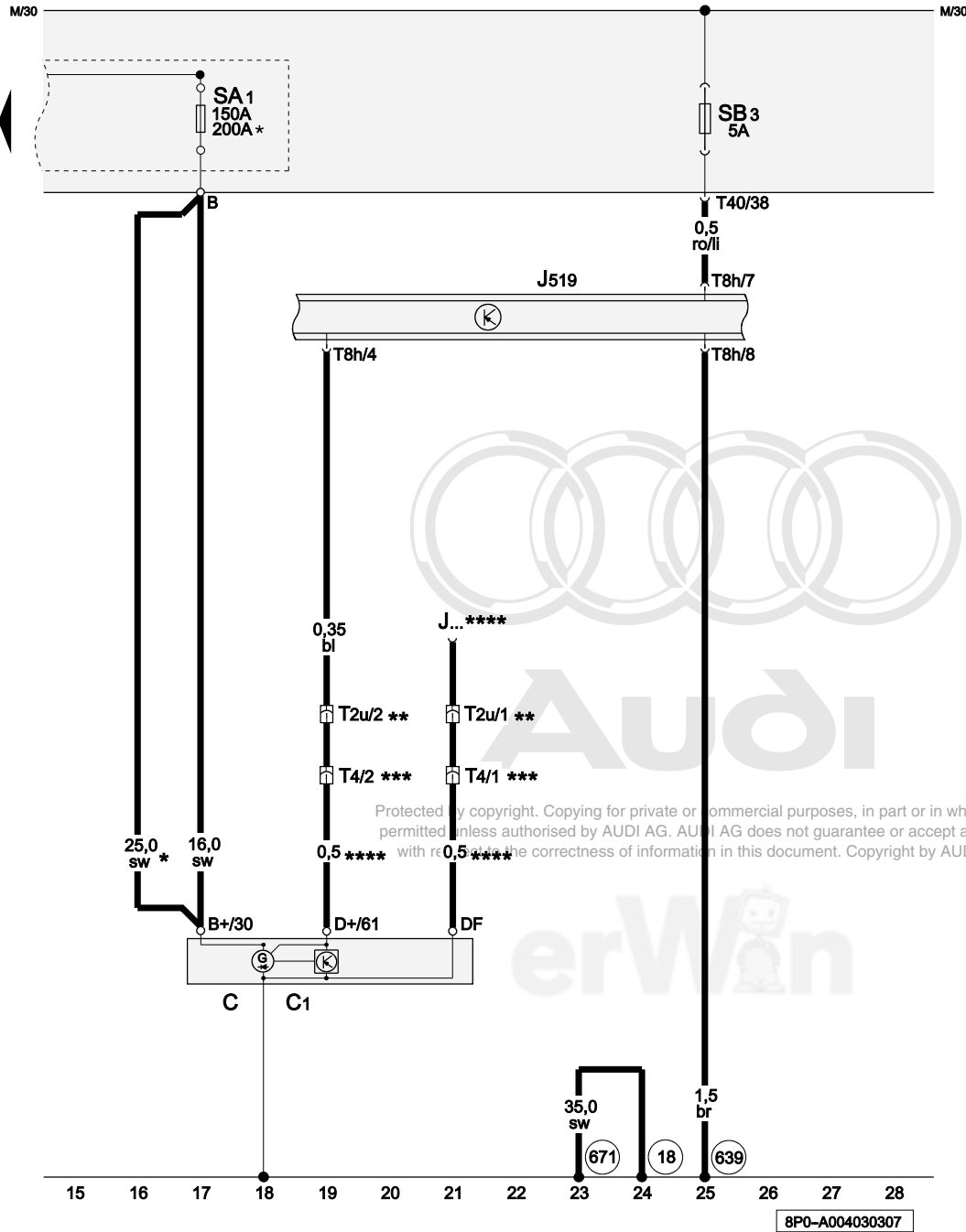


Starter, Battery, Fuses SA2 through SA7

- A Battery
- B Starter
- J359 Preheating Coolant, Low Heat Output Relay
- J360 Preheating Coolant, High Heat Output Relay
- J500 Power Steering Control Module
- J604 Auxiliary Air Heater Control Module
- J682 Power Supply Relay (terminal 50)
- SA2 Fuse 2 (on fuse panel A)
- SA3 Fuse 3 (on fuse panel A)
- SA4 Fuse 4 (on fuse panel A)
- SA5 Fuse 5 (on fuse panel A)
- SA6 Fuse 6 (on fuse panel A)
- SA7 Fuse 7 (on fuse panel A)
- T2a Double Connector, black (Connector A)
- T4d 4-Pin Connector, black, on coolant fan control (FC) (front end)
- 12 Ground Connection (in engine compartment, left)
- B272 Plus Connection (30) (in main wiring harness)
- B276 Plus Connection (50) (in main wiring harness)
- * => Applicable Wiring Diagram Coolant Fan Control
- ** => Applicable Wiring Diagram criminal investigation, special models
- *** Fuses Supply SC12 through SC17, SC22 through SC27, SC28, SC38, SC43
- **** => Applicable Wiring Diagram Engine
- # Not applicable from November 2006
- ## Applicable from November 2006
- ### Only models with engine code CBFA

- ws = white
- sw = black
- ro = red
- rt = red
- br = brown
- gn = green
- bl = blue
- gr = grey
- li = lilac
- vi = lilac
- ge = yellow
- or = orange
- rs = pink

8P0-A004021007



Generator (GEN), Voltage Regulator (VR), Fuse SA1

- J... Engine Control Modules (ECM)
- C Generator (GEN)
- C1 Voltage Regulator (VR)
- J519 Vehicle Electrical System Control Module
- SA1 Fuse 1 (on fuse panel A)
- SB3 Fuse 3 (on fuse panel B)
- T2u Double Connector, brown, in engine compartment, front left
- T4 4-Pin Connector, black, in engine compartment, front left
- T8h 8-Pin Connector, black (Connector F)
- T40 40-Pin Connector, black, on electronics box engine compartment (Connector J)

- 18 Ground Connection (on engine block)
- 639 Ground Connection (on left A-pillar)
- 671 Ground Connection 1 (on left front long member)

- * Only models with generator (140A)
- ** Only models without A/C
- *** Only models with A/C
- **** => Applicable Wiring Diagram Engine

- ws = white
- sw = black
- ro = red
- rt = red
- br = brown
- gn = green
- bl = blue
- gr = grey
- li = lilac
- vi = lilac
- ge = yellow
- or = orange
- rs = pink

Protected by copyright. Copying for private or commercial purposes, in part or in whole, is not permitted unless authorised by AUDI AG. AUDI AG does not guarantee or accept any liability with respect to the correctness of information in this document. Copyright by AUDI AG.

Battery in Engine Compartment

- ⇒ Main Fuse Panel Electronics Box High
 - ⇒ Engine codes BPY, BWA, BHZ, BZC
- from May 2006

Note:

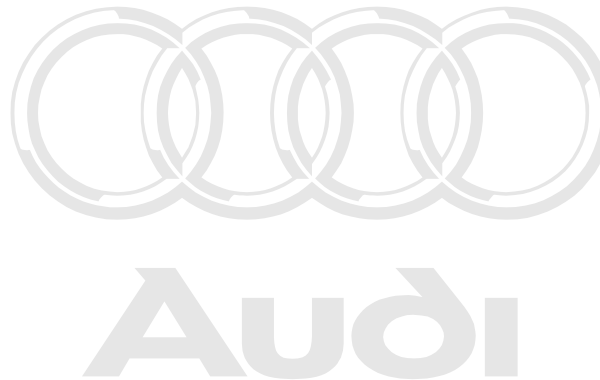
Information for

- ◆ Relay and fuse arrangements
- ◆ Connector arrangements
- ◆ Control Modules and Relays
- ◆ Ground Connections

⇒ Component Locations

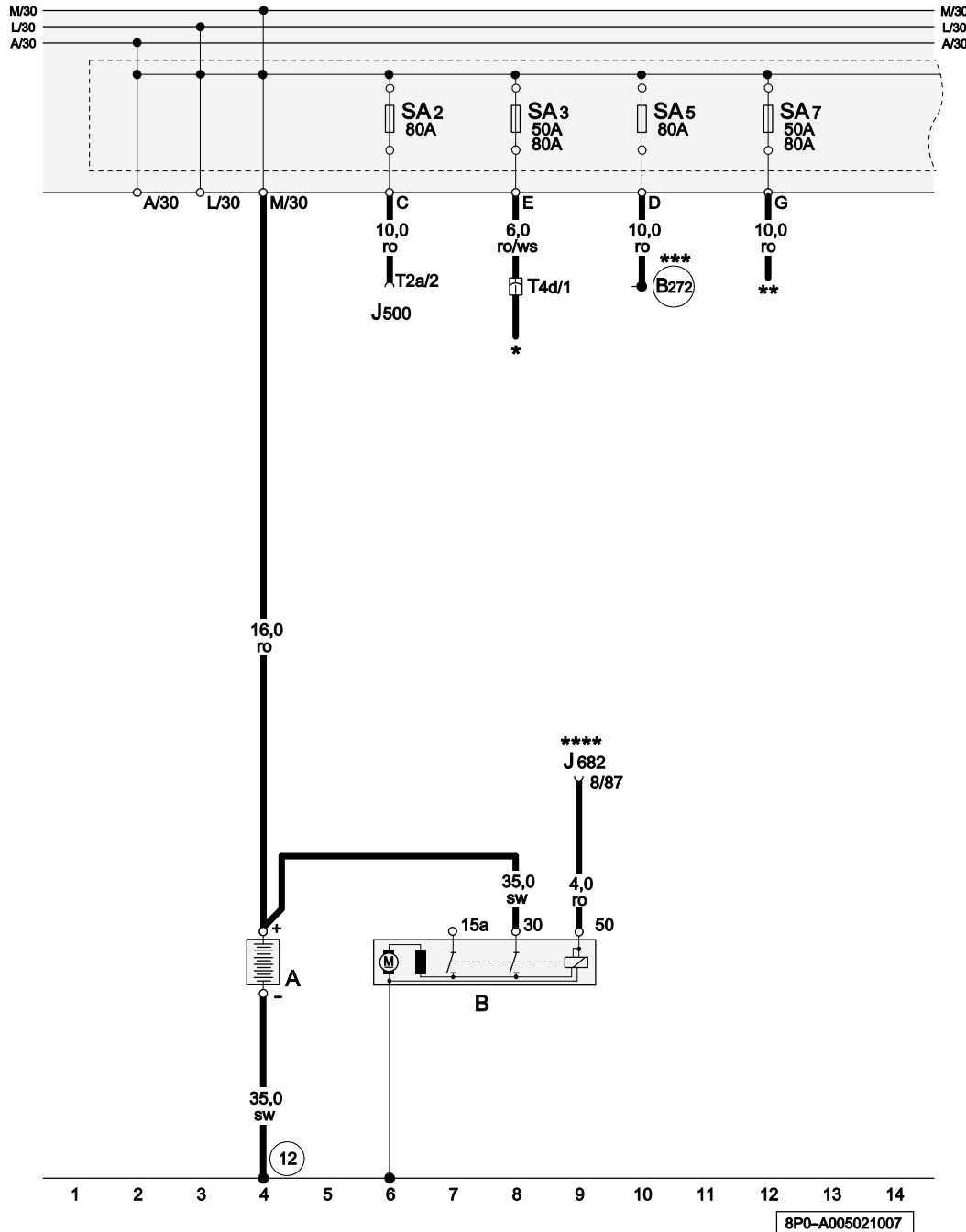
Information for

- ◆ Troubleshooting Procedures
- ⇒ Guided Fault Finding using VAS 5051 / 5052



Protected by copyright. Copying for private or commercial purposes, in part or in whole, is not permitted unless authorised by AUDI AG. AUDI AG does not guarantee or accept any liability with respect to the correctness of information in this document. Copyright by AUDI AG.





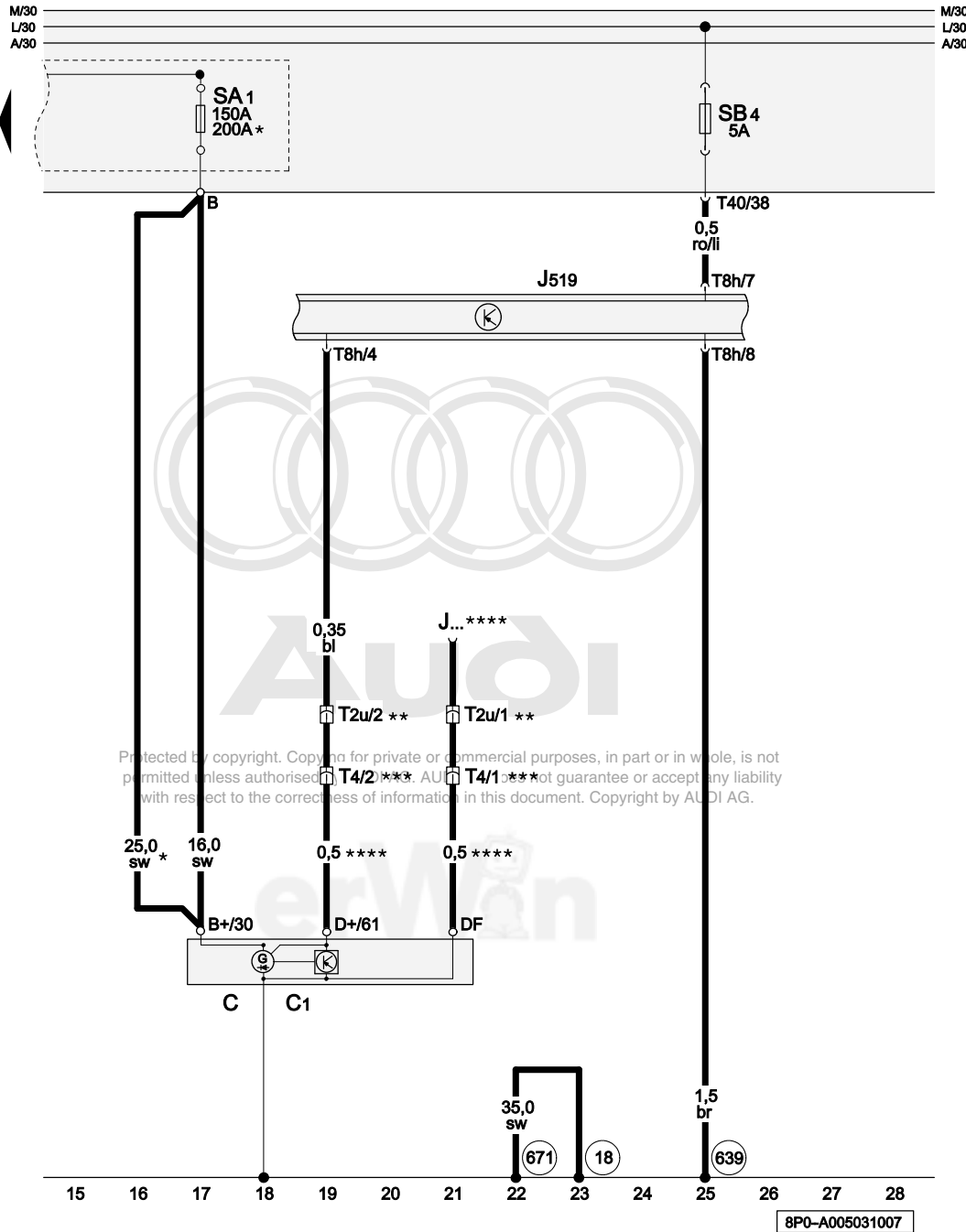
Starter, Battery, Fuses SA2 through SA7

- A Battery
- B Starter
- J500 Power Steering Control Module
- J682 Power Supply Relay (terminal 50)
- SA2 Fuse 2 (on fuse panel A)
- SA3 Fuse 3 (on fuse panel A)
- SA5 Fuse 5 (on fuse panel A)
- SA7 Fuse 7 (on fuse panel A)
- T2a Double Connector, black (Connector A)
- T4d 4-Pin Connector, black, on coolant fan control (FC) (front end)
- 12 Ground Connection (in engine compartment, left)
- B272 Plus Connection (30) (in main wiring harness)
- * => Applicable Wiring Diagram Coolant Fan Control
- ** => Applicable Wiring Diagram criminal investigation, special models
- *** Fuses Supply SC12 through SC17, SC22 through SC27, SC28, SC38, SC43
- **** => Applicable Wiring Diagram Engine

- ws = white
- sw = black
- ro = red
- rt = red
- br = brown
- gn = green
- bl = blue
- gr = grey
- li = lilac
- vi = lilac
- ge = yellow
- or = orange
- rs = pink

Protected by copyright. Copying for private or commercial purposes, in part or in whole, is not permitted unless authorised by AUDI AG. AUDI AG does not guarantee or accept any liability with respect to the correctness of information in this document. Copyright by AUDI AG.

8P0-A005021007



Generator (GEN), Voltage Regulator (VR), Fuse SA1

- C Generator (GEN)
- C1 Voltage Regulator (VR)
- J... Engine Control Modules (ECM)
- J519 Vehicle Electrical System Control Module
- SA1 Fuse 1 (on fuse panel A)
- SB4 Fuse 4 (on fuse panel B)
- T2u Double Connector, brown, in engine compartment, front left
- T4 4-Pin Connector, black, in engine compartment, front left
- T8h 8-Pin Connector, black (Connector F)
- T40 40-Pin Connector, black, on electronics box engine compartment (Connector J)

- 18 Ground Connection (on engine block)
- 639 Ground Connection (on left A-pillar)
- 671 Ground Connection 1 (on left front long member)

- * Only models with generator (140A)
- ** Only models without A/C
- *** Only models with A/C
- **** => Applicable Wiring Diagram Engine

Protected by copyright. Copying for private or commercial purposes, in part or in whole, is not permitted unless authorised. Audi AG does not guarantee or accept any liability with respect to the correctness of information in this document. Copyright by AUDI AG.

- ws = white
- sw = black
- ro = red
- rt = red
- br = brown
- gn = green
- bl = blue
- gr = grey
- li = lilac
- vi = lilac
- ge = yellow
- or = orange
- rs = pink

Battery in Luggage Compartment

- ⇒ Main Fuse Panel Electronics Box High
- ⇒ Models with engine codes BUB, CBRA
from model year 2007

Note:

Information for

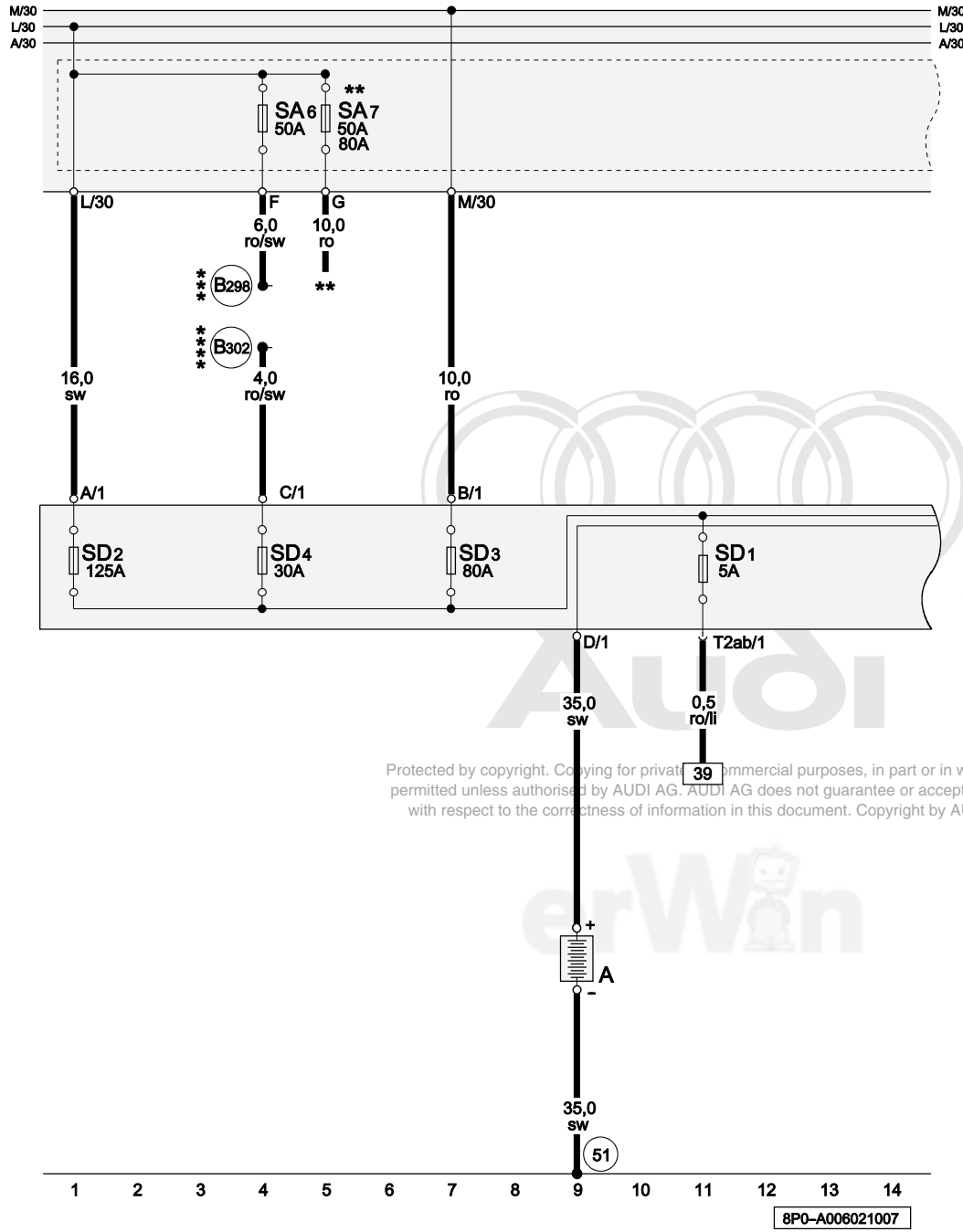
- ◆ Relay and fuse arrangements
- ◆ Connector arrangements
- ◆ Control Modules and Relays
- ◆ Ground Connections

⇒ Component Locations

Information for

- ◆ Troubleshooting Procedures
- ⇒ Guided Fault Finding using VAS 5051 / 5052

Protected by copyright. Copying for private or commercial purposes, in part or in whole, is not permitted unless authorised by AUDI AG. AUDI AG does not guarantee or accept any liability with respect to the correctness of information in this document. Copyright by AUDI AG.



Protected by copyright. Copying for private or commercial purposes, in part or in whole, is not permitted unless authorised by AUDI AG. AUDI AG does not guarantee or accept any liability with respect to the correctness of information in this document. Copyright by AUDI AG.

Battery

- A Battery
- SA6 Fuse 6 (on fuse panel A)
- SA7 Fuse 7 (on fuse panel A)
- SD1 Fuse 1 (on fuse panel D)
- SD2 Fuse 2 (on fuse panel D)
- SD3 Fuse 3 (on fuse panel D)
- SD4 Fuse 4 (on fuse panel D)
- T2ab Double Connector, black

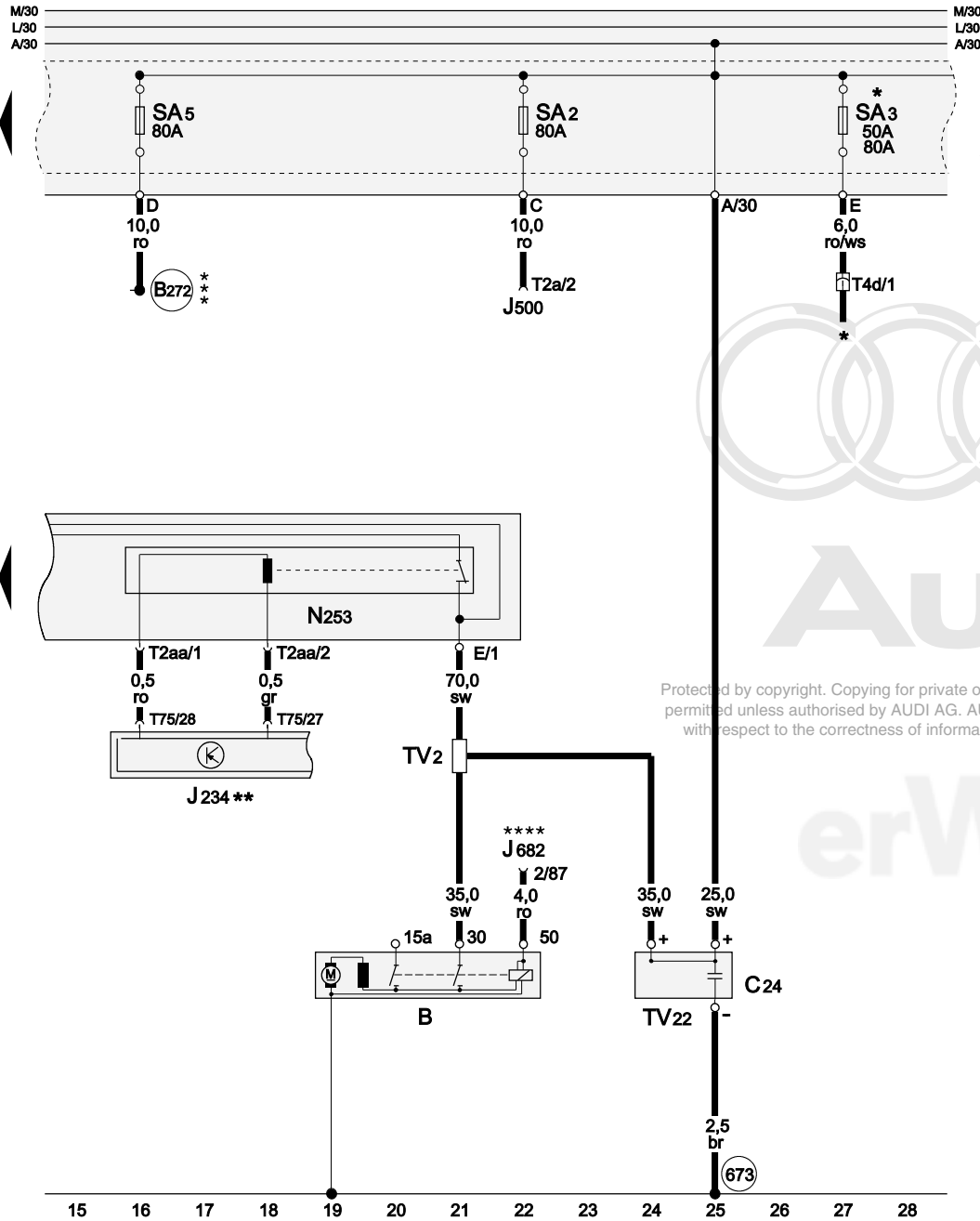
51 Ground Connection (in luggage compartment, right)

B298 Plus Connection 2 (30) (in main wiring harness)

B302 Plus Connection 6 (30) (in main wiring harness)

- ** => Applicable Wiring Diagram criminal investigation, special models
- *** Fuses Supply SC44, SC45
- **** Fuses Supply SC12 through SC17, SC43

- ws = white
- sw = black
- ro = red
- rt = red
- br = brown
- gn = green
- bl = blue
- gr = grey
- li = lilac
- vi = lilac
- ge = yellow
- or = orange
- rs = pink



Starter, Suppressor, Battery Interrupt Igniter

- B Starter
- C24 Suppressor
- J234 Airbag Control Module
- J500 Power Steering Control Module
- J682 Power Supply Relay (terminal 50)
- N253 Battery Interrupt Igniter
- SA2 Fuse 2 (on fuse panel A)
- SA3 Fuse 3 (on fuse panel A)
- SA5 Fuse 5 (on fuse panel A)
- T2a Double Connector, black (Connector A)
- T2aa Double Connector, purple (connector locking yellow)
- T4d 4-Pin Connector, black, on coolant fan control (FC) (front end)
- TV2 Terminal 30 Wire Junction
- TV22 Terminal 30 Wire Junction 2

673 Ground Connection 3 (on left front long member)

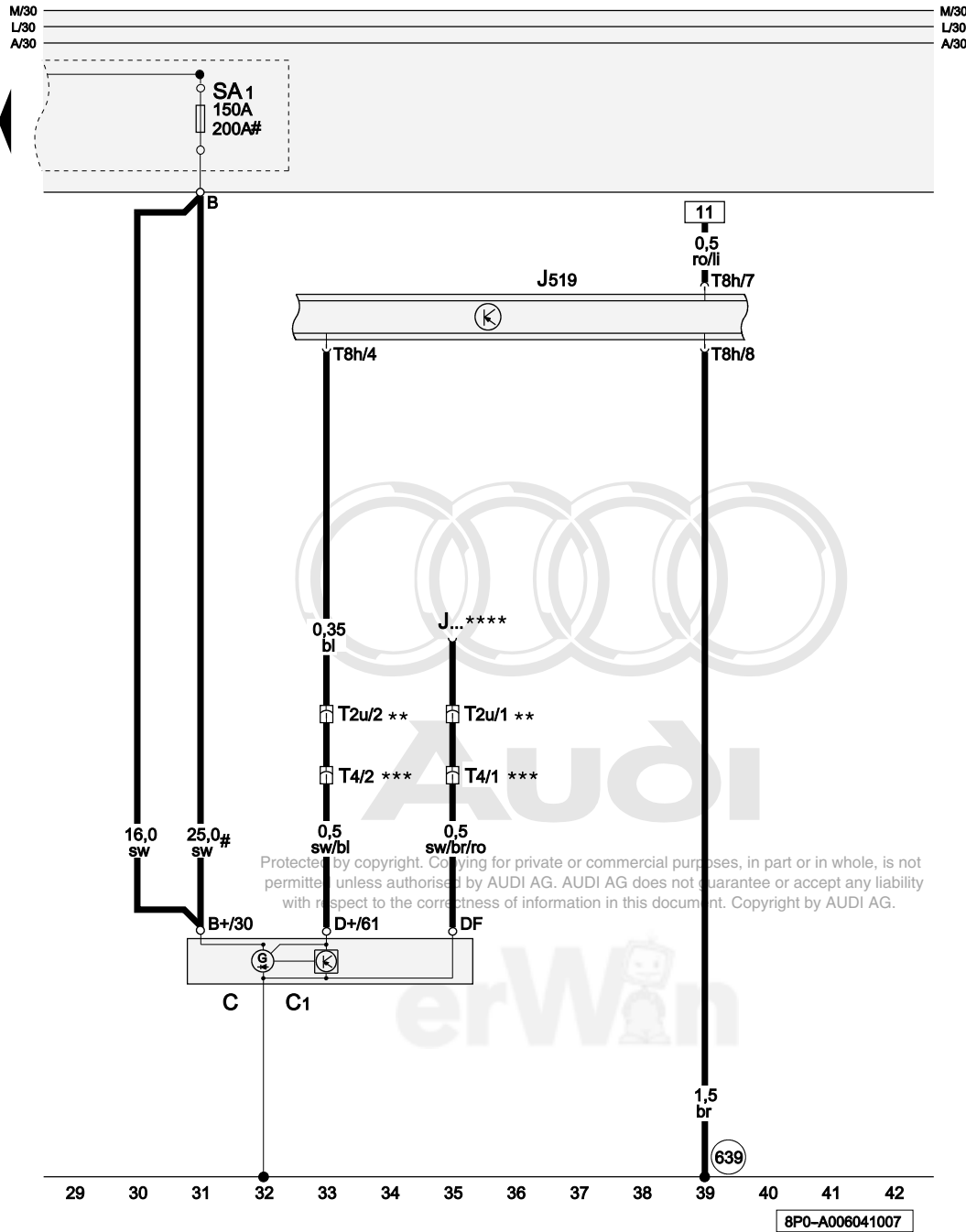
B272 Plus Connection (30) (in main wiring harness)

- * ⇒ Applicable Wiring Diagram Coolant Fan Control
- ** ⇒ Applicable Wiring Diagram Airbag
- *** Fuses Supply SC22 through SC27, SC28, SC38
- **** ⇒ Applicable Wiring Diagram Engine

Protected by copyright. Copying for private or commercial purposes, in part or in whole, is not permitted unless authorised by AUDI AG. AUDI AG does not guarantee or accept any liability with respect to the correctness of information in this document. Copyright by AUDI AG.

- ws = white
- sw = black
- ro = red
- rt = red
- br = brown
- gn = green
- bl = blue
- gr = grey
- li = lilac
- vi = lilac
- ge = yellow
- or = orange
- rs = pink

8P0-A006031007



Generator (GEN)

- C Generator (GEN)
- C1 Voltage Regulator (VR)
- J... Engine Control Modules (ECM)
- J519 Vehicle Electrical System Control Module
- SA1 Fuse 1 (on fuse panel A)
- T2u Double Connector, brown, in engine compartment, front left
- T4 4-Pin Connector, black, in engine compartment, front left
- T8h 8-Pin Connector, black (Connector F)
- 639 Ground Connection (on left A-pillar)
- ** Only models without A/C
- *** Only models with A/C
- **** => Applicable Wiring Diagram Engine
- # Only models with generator (140A)

- ws = white
- sw = black
- ro = red
- rt = red
- br = brown
- gn = green
- bl = blue
- gr = grey
- li = lilac
- vi = lilac
- ge = yellow
- or = orange
- rs = pink

Protected by copyright. Copying for private or commercial purposes, in part or in whole, is not permitted unless authorised by AUDI AG. AUDI AG does not guarantee or accept any liability with respect to the correctness of information in this document. Copyright by AUDI AG.

2.0L gasoline engine , BHZ,BPY,BWA,BZC,CDLC

From May 2006



Audi

Protected by copyright. Copying for private or commercial purposes, in part or in whole, is not permitted unless authorised by AUDI AG. AUDI AG does not guarantee or accept any liability with respect to the correctness of information in this document. Copyright by AUDI AG.

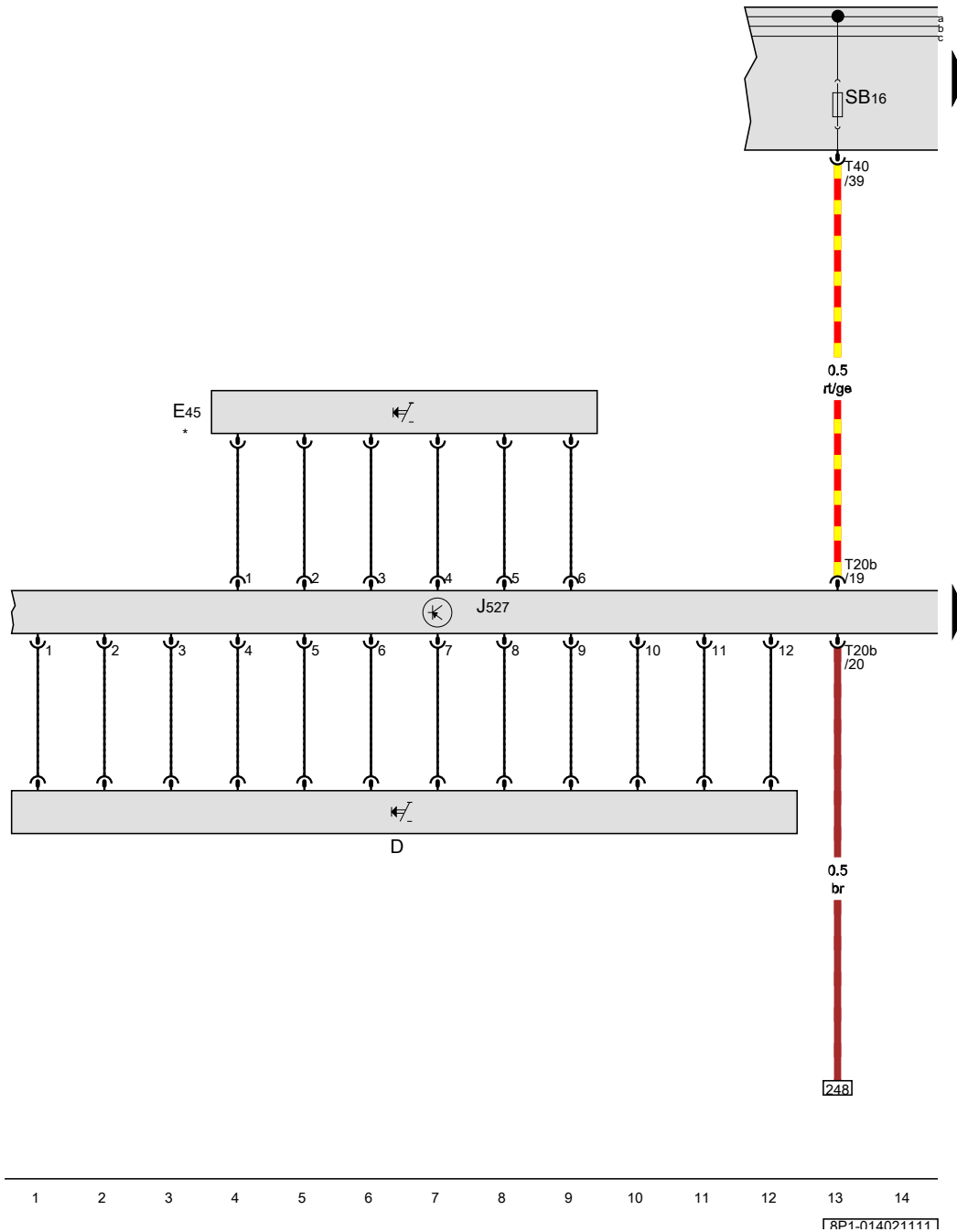


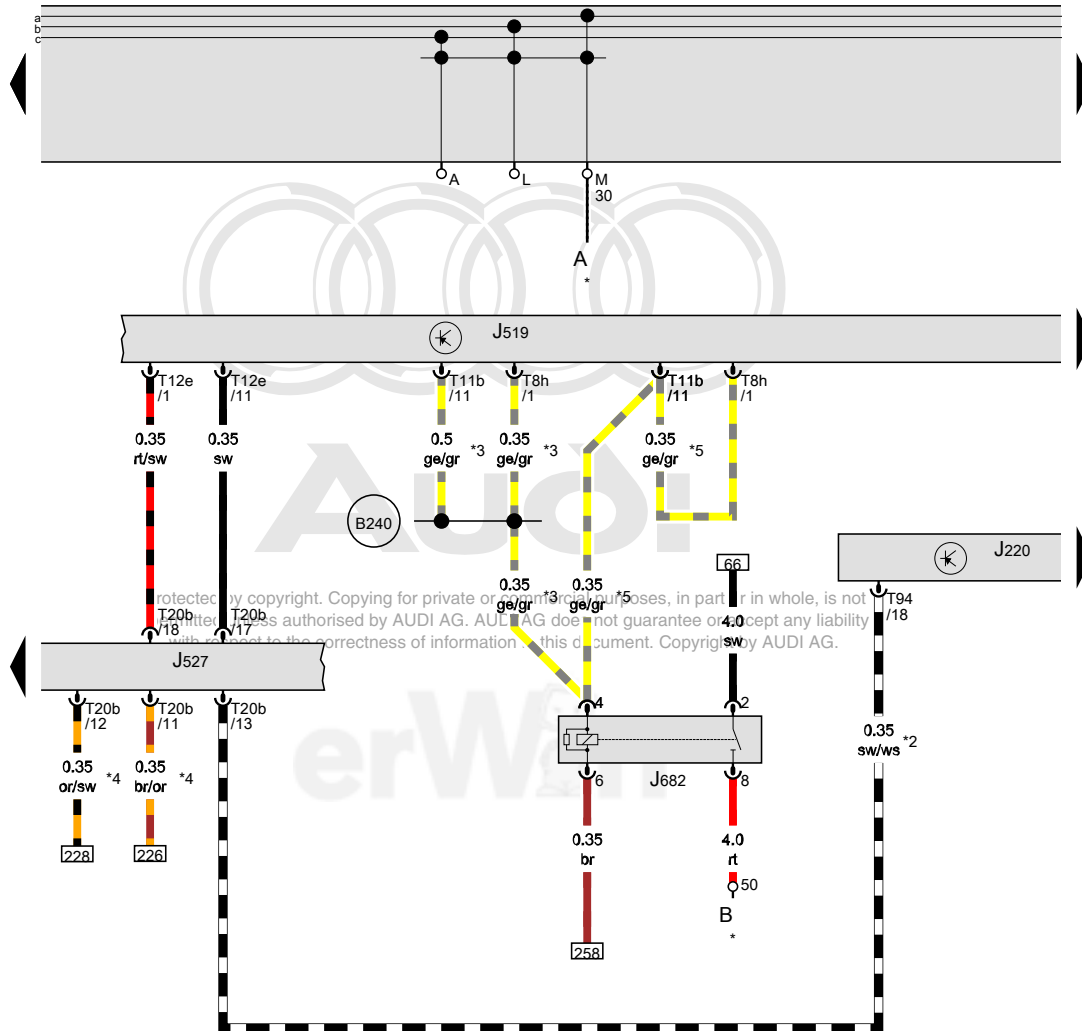
Ignition/starter switch, Cruise control switch, Steering column electronics control module

- D Ignition/starter switch
- E45 Cruise control switch
- J527 Steering column electronics control module
- SB16 Fuse 16 (on fuse panel B)
- T20b 20-pin connector
- T40 40-pin connector
- * Only for vehicles with cruise control



Protected by copyright. Copying for private or commercial purposes, in part or in whole, is not permitted unless authorised by AUDI AG. AUDI AG does not guarantee or accept any liability with respect to the correctness of information in this document. Copyright by AUDI AG.





Motronic engine control module, Vehicle electrical system control module, Steering column electronics control module, Terminal 50 power supply relay

- A Battery
- B Starter
- J220 Motronic engine control module
- J519 Vehicle electrical system control module
- J527 Steering column electronics control module
- J682 Terminal 50 power supply relay
- T8h 8-pin connector
- T11b 11-pin connector
- T12e 12-pin connector
- T20b 20-pin connector
- T94 94-pin connector

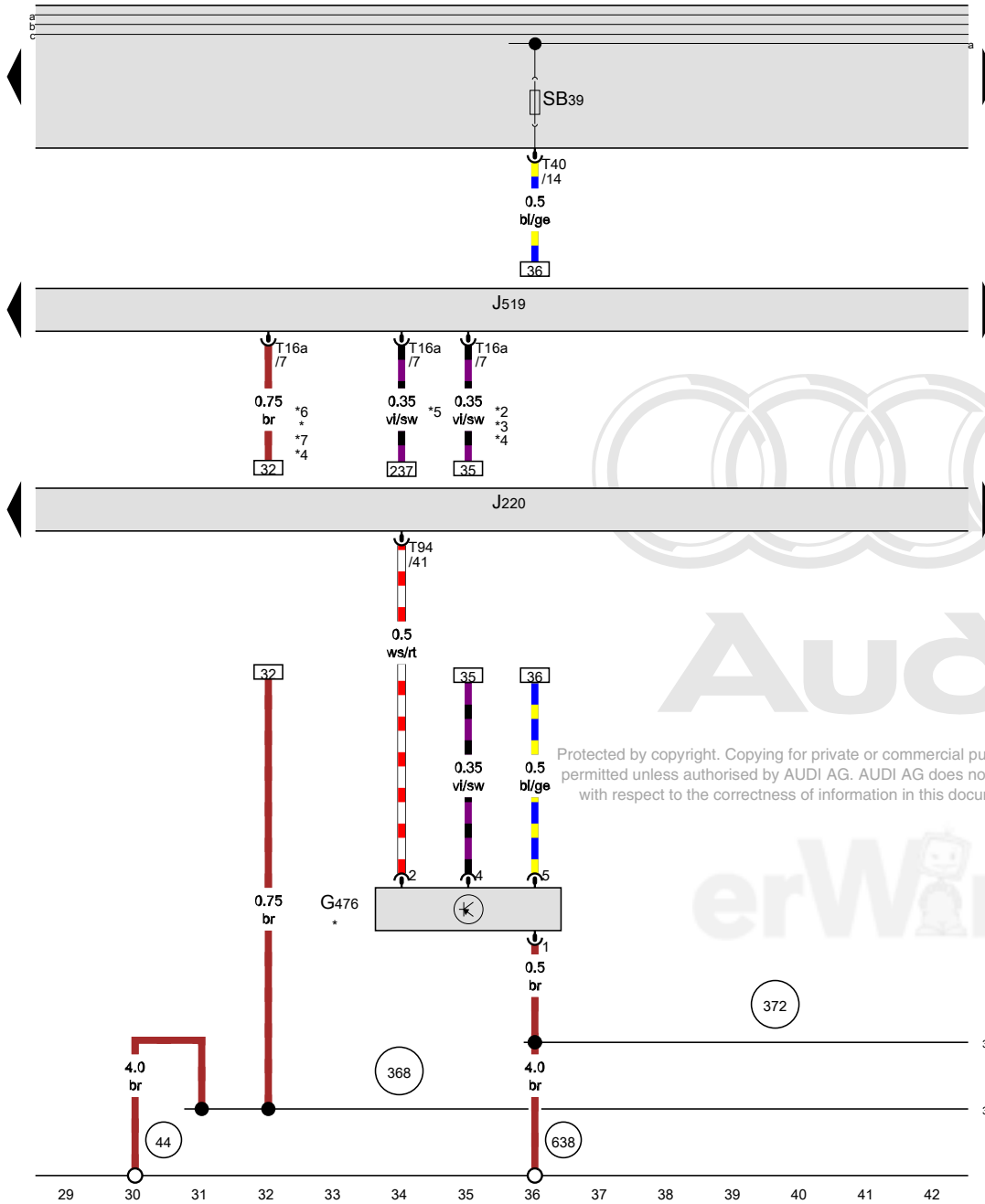
B240 Positive connection 2 (50) (in interior wiring harness)

- * Refer to applicable wiring diagram for battery in engine compartment
- *2 Only for vehicles with cruise control
- *3 Only for vehicles without US equipment
- *4 If available
- *5 Only for vehicles with US equipment

- ws = white
- sw = black
- ro = red
- br = brown
- gn = green
- bl = blue
- gr = grey
- li = lilac
- ge = yellow
- or = orange
- rs = pink

15 16 17 18 19 20 21 22 23 24 25 26 27 28

18P1-014031111



Clutch position sensor, Motronic engine control module, Vehicle electrical system control module

- G476 Clutch position sensor
- J220 Motronic engine control module
- J519 Vehicle electrical system control module
- SB39 Fuse 39 (on fuse panel B)
- T16a 16-pin connector
- T40 40-pin connector
- T94 94-pin connector

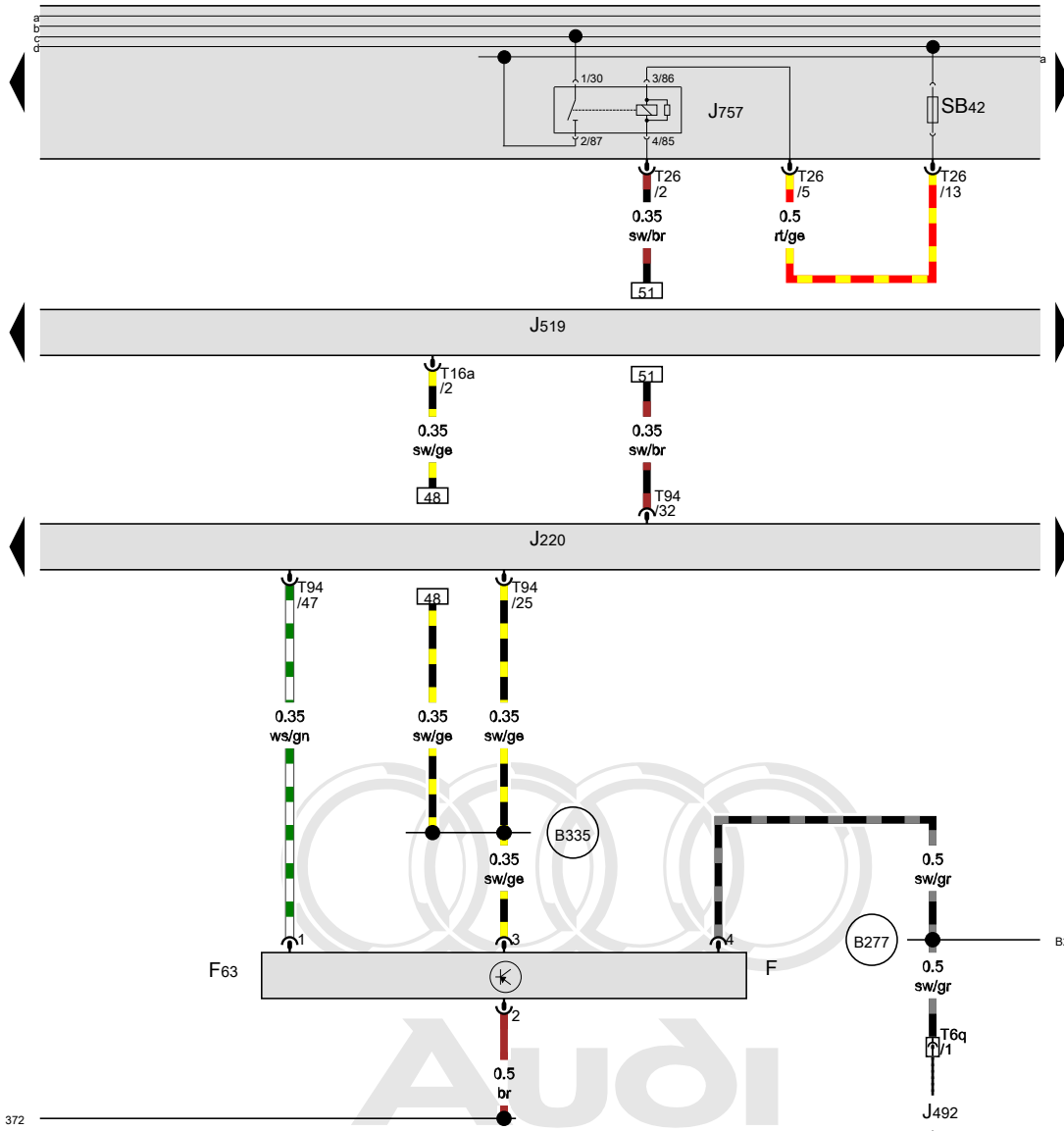
- 44 Ground connection on A-pillar, lower left
- 368 Ground connection 3 (in main wiring harness)
- 372 Ground connection 7 (in main wiring harness)
- 638 Ground connection on right A-pillar

- * Only for vehicles with a manual transmission
- *2 Only for vehicles with US equipment
- *3 Running change
- *4 Depending on equipment
- *5 Only for vehicles with DSG transmission
- *6 Only for vehicles without US equipment
- *7 Omitted as a running change

Protected by copyright. Copying for private or commercial purposes, in part or in whole, is not permitted unless authorised by AUDI AG. AUDI AG does not guarantee or accept any liability with respect to the correctness of information in this document. Copyright by AUDI AG.

- ws = white
- sw = black
- ro = red
- br = brown
- gn = green
- bl = blue
- gr = grey
- li = lilac
- ge = yellow
- or = orange
- rs = pink

18P1-014041111



Brake pedal switch, Motronic engine control module, Vehicle electrical system control module

- F Brake lamp switch
- F63 Brake pedal switch
- J220 Motronic engine control module
- J492 All wheel drive control module
- J519 Vehicle electrical system control module
- J757 Engine component power supply relay
- SB42 Fuse 42 (on fuse panel B)
- T6q 6-pin connector
- T16a 16-pin connector
- T26 26-pin connector
- T94 94-pin connector

- 368 Ground connection 3 (in main wiring harness)
- 372 Ground connection 7 (in main wiring harness)
- B277 Positive connection 1 (15a) (in main wiring harness)
- B335 Connection 1 (54) (in main wiring harness)

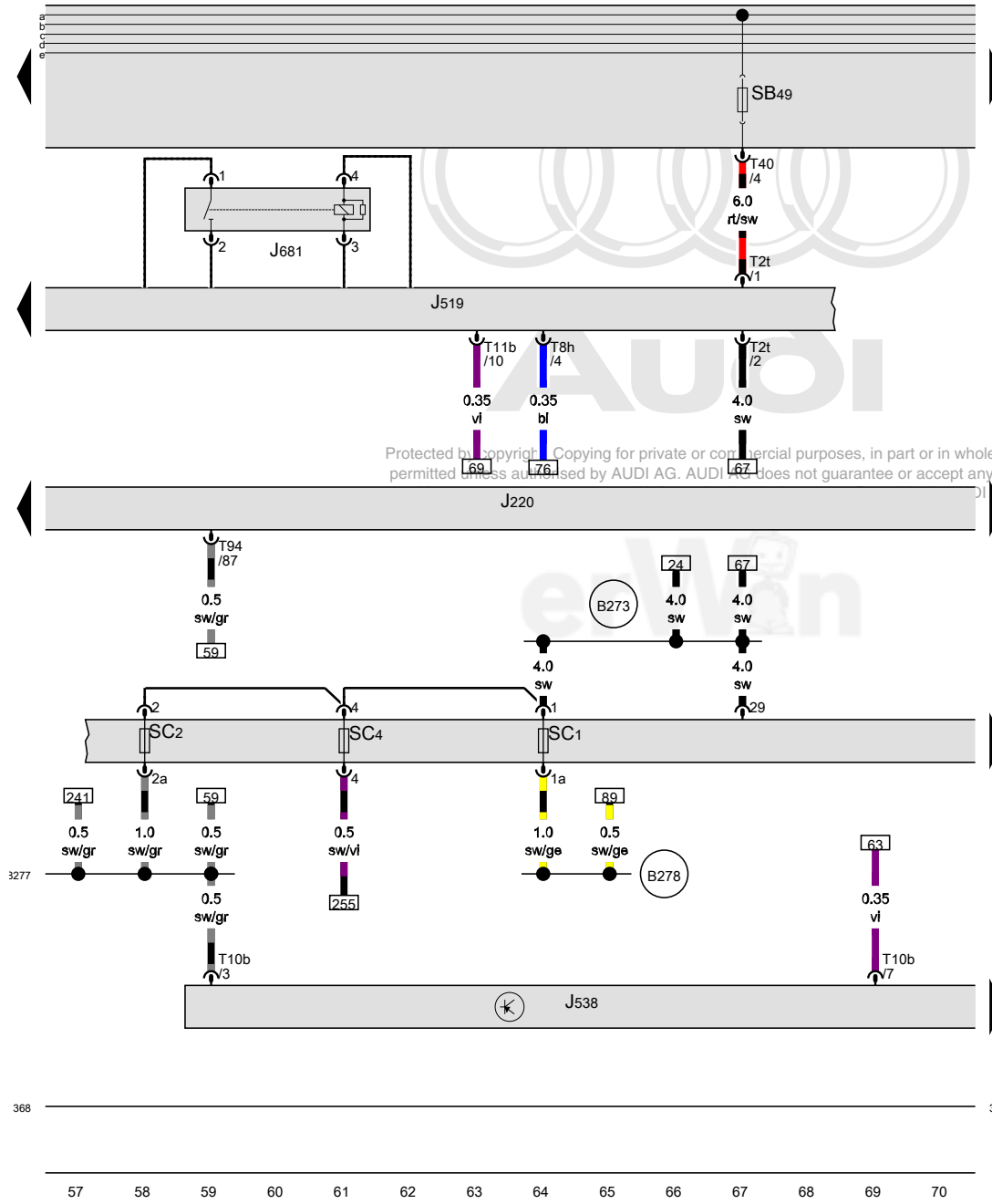
* Only for vehicles with all wheel drive

- ws = white
- sw = black
- ro = red
- br = brown
- gn = green
- bl = blue
- gr = grey
- li = lilac
- ge = yellow
- or = orange
- rs = pink

Protected by copyright. Copying for private or commercial purposes, in part or in whole, is not permitted unless authorised by AUDI AG. AUDI AG does not guarantee or accept any liability with respect to the correctness of information in this document. Copyright by AUDI AG.

43 44 45 46 47 48 49 50 51 52 53 54 55 56

18P1-014051111



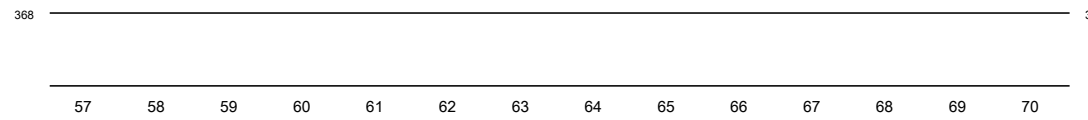
Protected by copyright. Copying for private or commercial purposes, in part or in whole, is not permitted unless authorized by AUDI AG. AUDI AG does not guarantee or accept any liability for errors.

Motronic engine control module, Vehicle electrical system control module, Fuel pump control module, Terminal 15 power supply relay 2

- J220 Motronic engine control module
- J519 Vehicle electrical system control module
- J538 Fuel pump control module
- J681 Terminal 15 power supply relay 2
- SC1 Fuse 1 (on fuse panel C)
- SC2 Fuse 2 (on fuse panel C)
- SC4 Fuse 4 (on fuse panel C)
- SB49 Fuse 49 (on fuse panel B)
- T2t Double connector
- T8h 8-pin connector
- T10b 10-pin connector
- T11b 11-pin connector
- T40 40-pin connector
- T94 94-pin connector

- 368 Ground connection 3 (in main wiring harness)
- B273 Positive connection (15) (in main wiring harness)
- B277 Positive connection 1 (15a) (in main wiring harness)
- B278 Positive connection 2 (15a) (in main wiring harness)

- ws = white
- sw = black
- ro = red
- br = brown
- gn = green
- bl = blue
- gr = grey
- li = lilac
- ge = yellow
- or = orange
- rs = pink



18P1-014061111

Fuel level sensor, Motronic engine control module, Fuel pump control module

- C Generator
- G Fuel level sensor
- G6 Transfer fuel pump
- J220 Motronic engine control module
- J538 Fuel pump control module
- SA5 Fuse 5 (on fuse panel A)
- SC27 Fuse 27 (on fuse panel C)
- T1 Single connector
- T2u Double connector
- T4 4-pin connector
- T10b 10-pin connector
- T94 94-pin connector

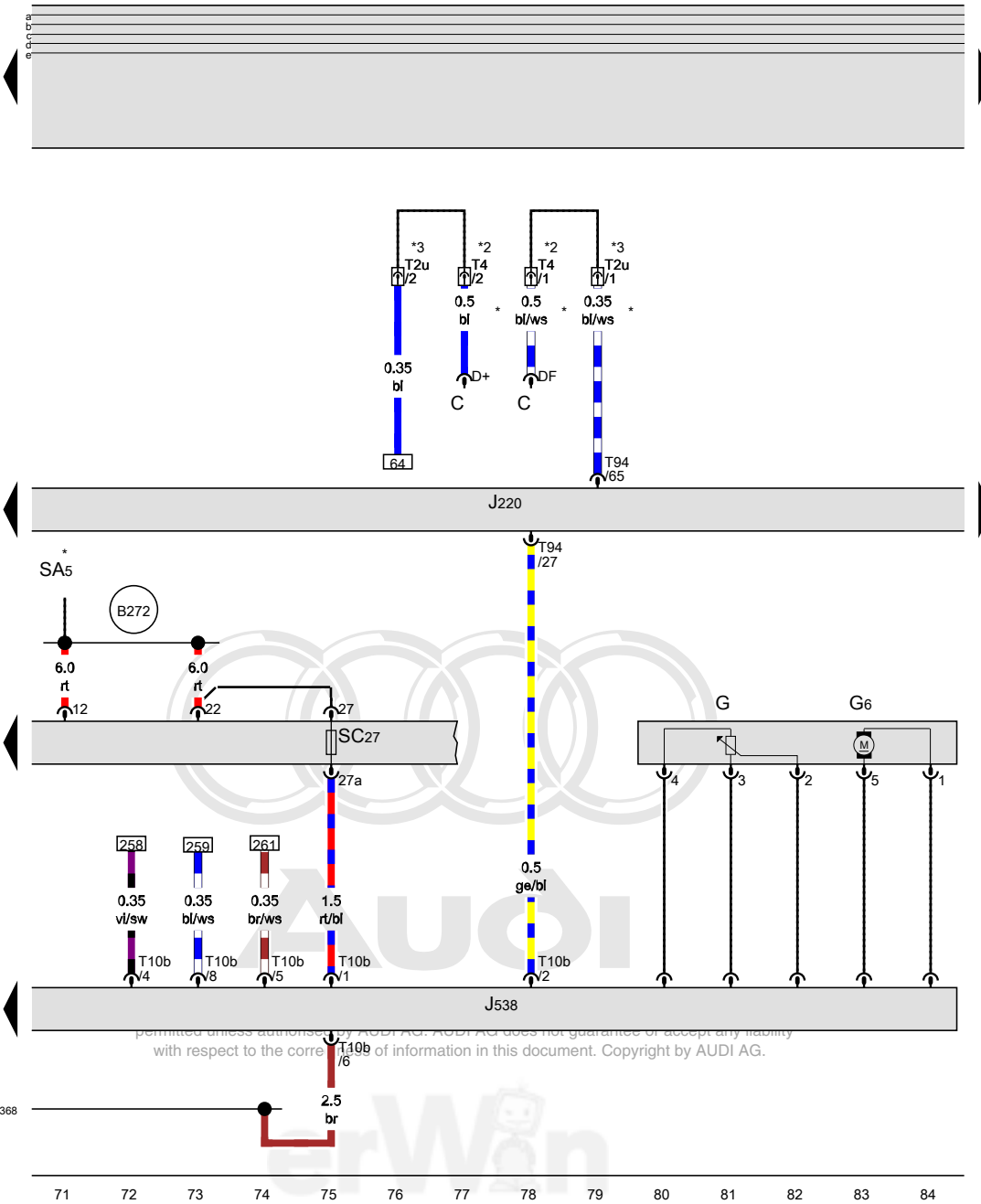
368 Ground connection 3 (in main wiring harness)

B272 Positive connection (30) (in main wiring harness)

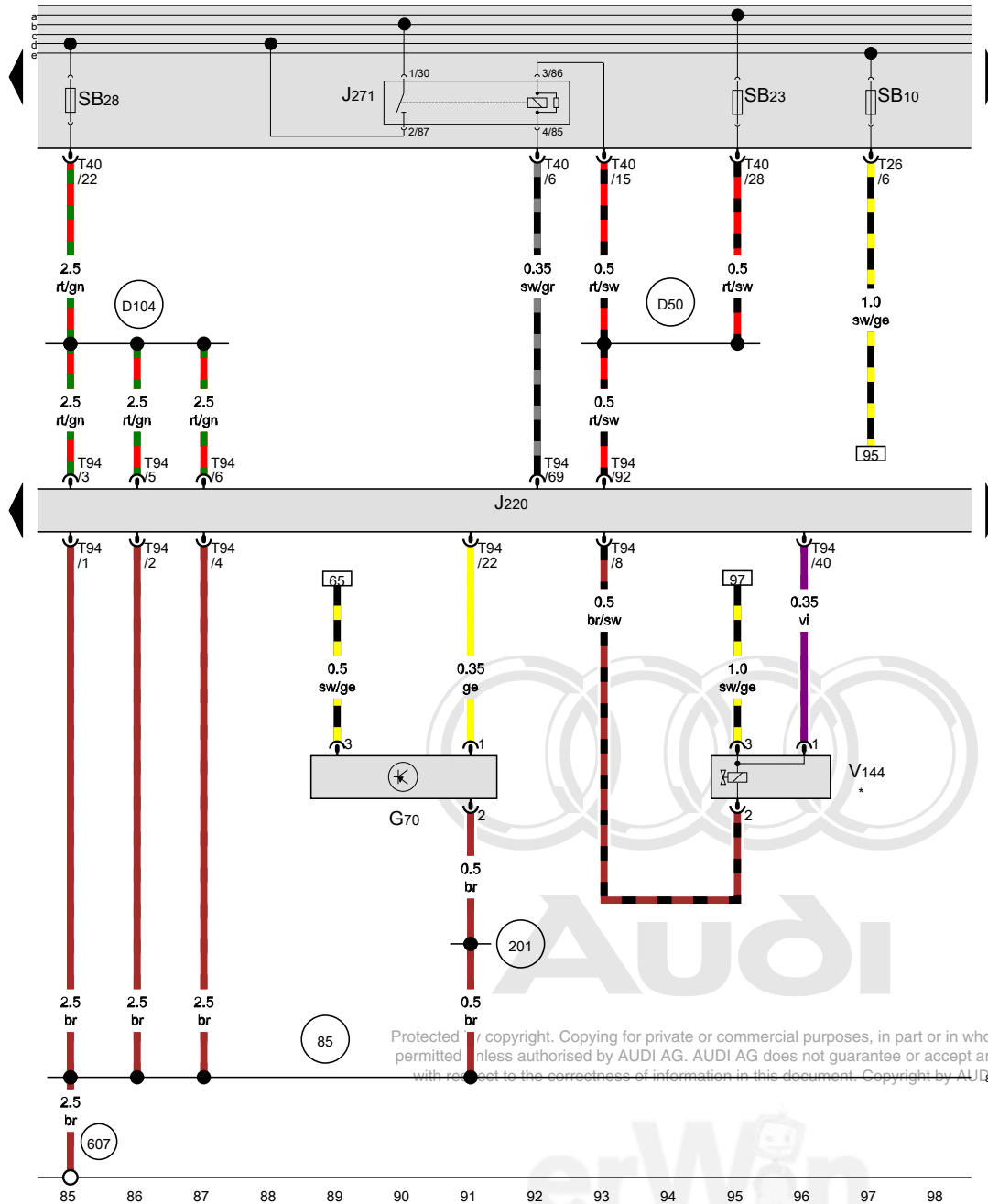
* Refer to applicable wiring diagram for battery in engine compartment

*2 Only for vehicles with A/C system

*3 Only for vehicles without an A/C system



- ws = white
- sw = black
- ro = red
- br = brown
- gn = green
- bl = blue
- gr = grey
- li = lilac
- ge = yellow
- or = orange
- rs = pink



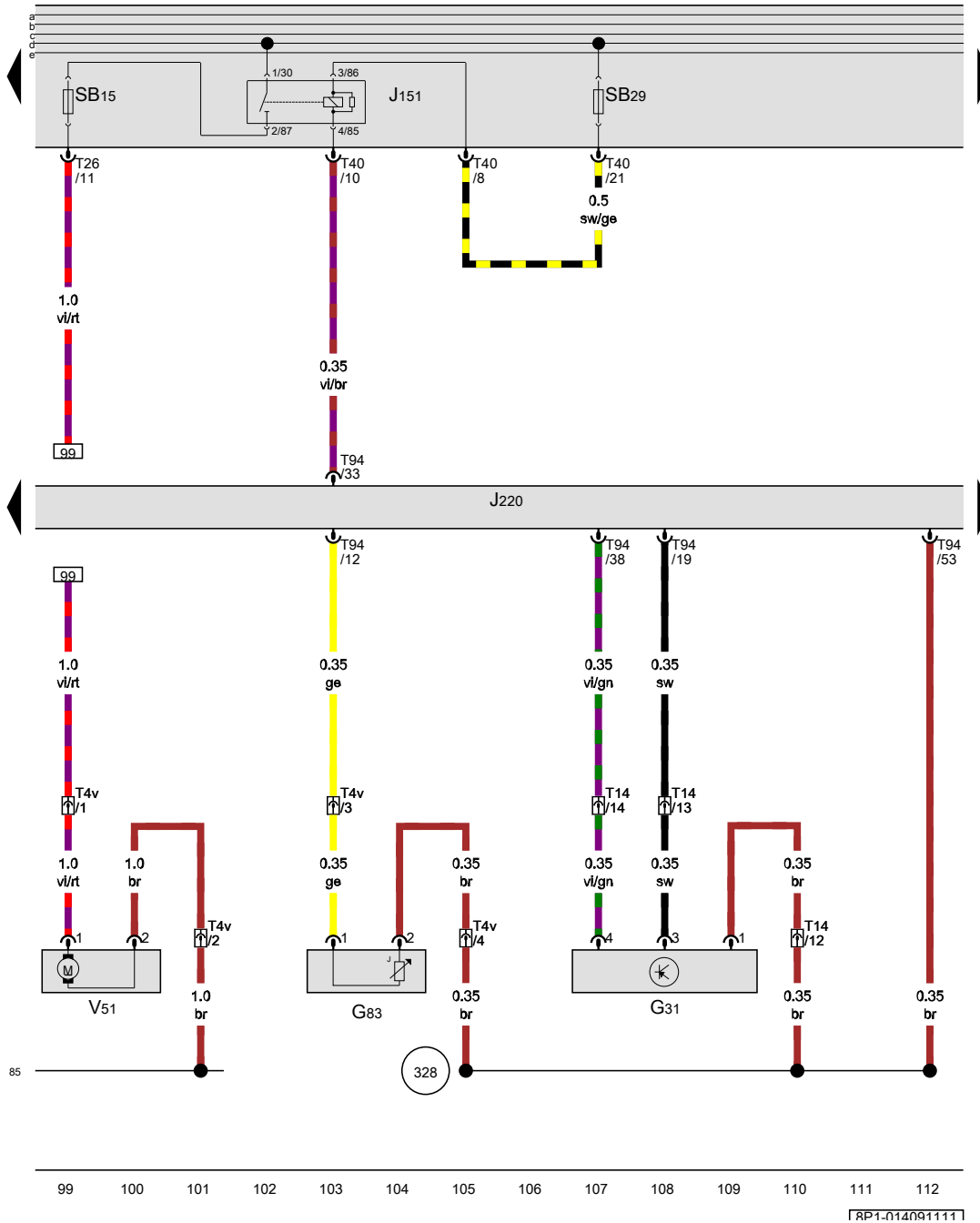
Motronic engine control module, Motronic engine control module power supply relay

- G70 Mass airflow sensor
- J220 Motronic engine control module
- J271 Motronic engine control module power supply relay
- SB10 Fuse 10 (on fuse panel B)
- SB23 Fuse 23 (on fuse panel B)
- SB28 Fuse 28 (on fuse panel B)
- T26 26-pin connector
- T40 40-pin connector
- T94 94-pin connector
- V144 Leak detection pump

- 85 Ground connection 1 (in engine compartment wiring harness)
- 201 Ground connection 5 (in engine compartment wiring harness)
- 607 Ground connection in plenum chamber, left
- D50 Positive connection (30) (in engine compartment wiring harness)
- D104 Positive connection 2 (30a) (in engine compartment wiring harness)
- * Only for vehicles with US equipment

- ws = white
- sw = black
- ro = red
- br = brown
- gr = green
- bl = blue
- gr = grey
- li = lilac
- ge = yellow
- or = orange
- rs = pink

Protected by copyright. Copying for private or commercial purposes, in part or in whole, is not permitted unless authorised by AUDI AG. AUDI AG does not guarantee or accept any liability with respect to the correctness of information in this document. Copyright by AUDI AG



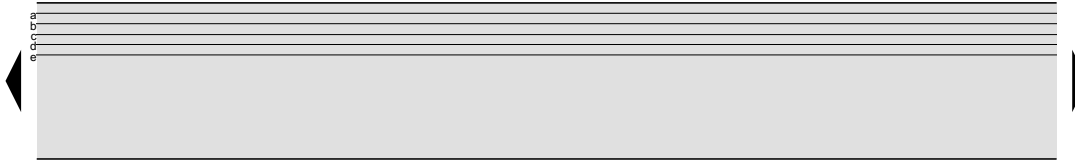
Engine coolant temperature sensor on radiator outlet, Motronic engine control module, After-run coolant pump

- G31 Charge air pressure sensor
- G83 Engine coolant temperature sensor on radiator outlet
- J151 Coolant circulation pump relay
- J220 Motronic engine control module
- SB15 Fuse 15 (on fuse panel B)
- SB29 Fuse 29 (on fuse panel B)
- T4v 4-pin connector
- T14 14-pin connector
- T26 26-pin connector
- T40 40-pin connector
- T94 94-pin connector
- V51 After-run coolant pump

- 85 Ground connection 1 (in engine compartment wiring harness)
- 328 Sensor ground connection 2 (in engine compartment wiring harness)

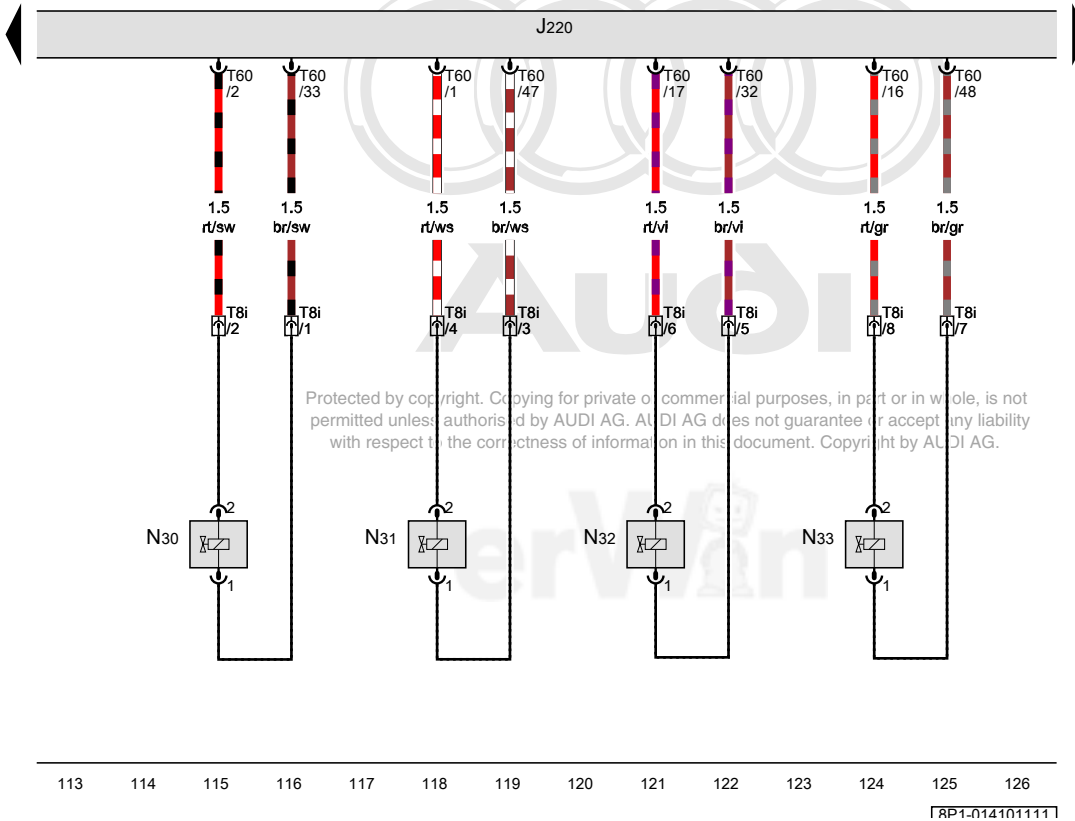
Protected by copyright. Copying for private or commercial purposes, in part or in whole, is not permitted unless authorised by AUDI AG. AUDI AG does not guarantee or accept any liability with respect to the correctness of information in this document. Copyright by AUDI AG.

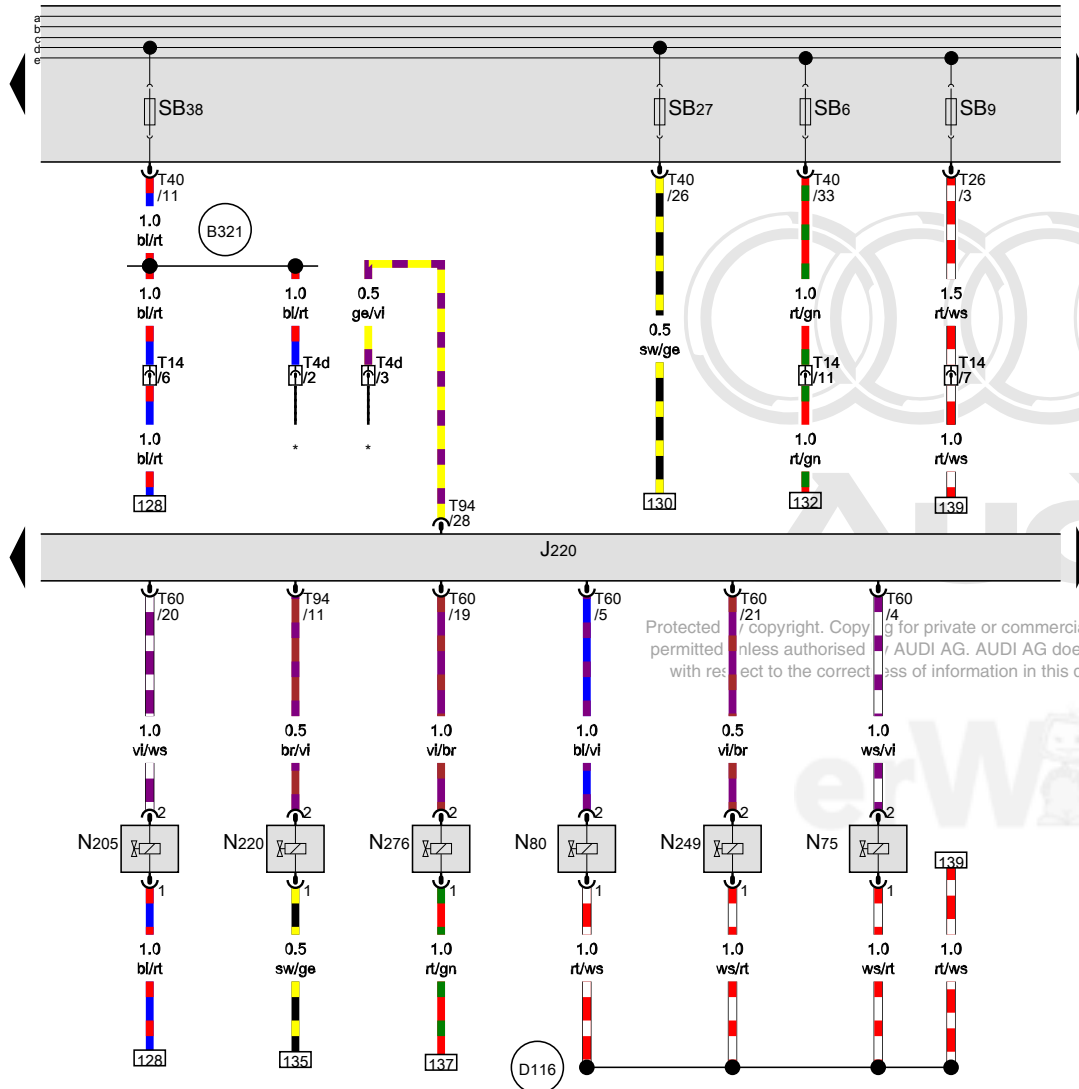
- ws = white
- sw = black
- ro = red
- br = brown
- gn = green
- bl = blue
- gr = grey
- li = lilac
- ge = yellow
- or = orange
- rs = pink



Motronic engine control module, Cylinder 1 fuel injector, Cylinder 2 fuel injector, Cylinder 3 fuel injector, Cylinder 4 fuel injector

- J220 Motronic engine control module
- N30 Cylinder 1 fuel injector
- N31 Cylinder 2 fuel injector
- N32 Cylinder 3 fuel injector
- N33 Cylinder 4 fuel injector
- T8i 8-pin connector
- T60 60-pin connector





Motronic engine control module, Wastegate bypass regulator valve, EVAP canister purge regulator valve 1, Camshaft adjustment valve 1, Exhaust door valve, Turbocharger recirculation valve, Fuel pressure regulator valve

- J220 Motronic engine control module
- N75 Wastegate bypass regulator valve
- N80 EVAP canister purge regulator valve 1
- N205 Camshaft adjustment valve 1
- N220 Exhaust door valve
- N249 Turbocharger recirculation valve
- N276 Fuel pressure regulator valve
- SB6 Fuse 6 (on fuse panel B)
- SB9 Fuse 9 (on fuse panel B)
- SB27 Fuse 27 (on fuse panel B)
- SB38 Fuse 38 (on fuse panel B)
- T4d 4-pin connector
- T14 14-pin connector
- T26 26-pin connector
- T40 40-pin connector
- T60 60-pin connector
- T94 94-pin connector

B321 Positive connection 7 (30a) (in main wiring harness)

D116 Connection (14) (in engine compartment wiring harness)

* Refer to applicable coolant fan wiring diagram

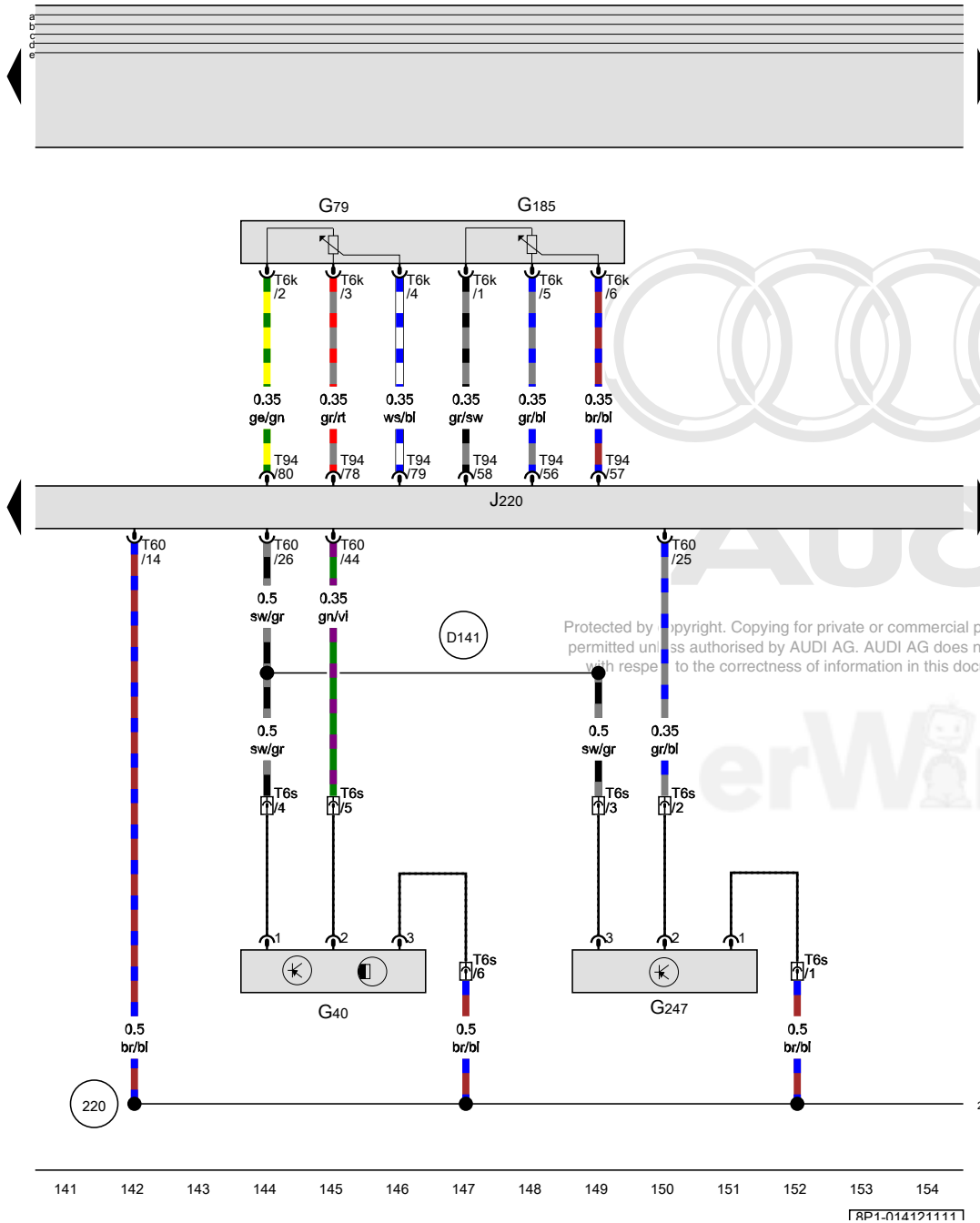
- ws = white
- sw = black
- ro = red
- br = brown
- gn = green
- bl = blue
- gr = grey
- li = lilac
- ge = yellow
- or = orange
- rs = pink

127 128 129 130 131 132 133 134 135 136 137 138 139 140

[RP1-014111111]

Camshaft position sensor, Accelerator pedal position sensor, Motronic engine control module

- G40 Camshaft position sensor
- G79 Accelerator pedal position sensor
- G185 Accelerator pedal position sensor 2
- G247 Fuel pressure sensor
- J220 Motronic engine control module
- T6k 6-pin connector
- T6s 6-pin connector
- T60 60-pin connector
- T94 94-pin connector
- 220 Sensor ground connection (in engine compartment wiring harness)
- D141 Connection (5V) (in engine wiring harness)



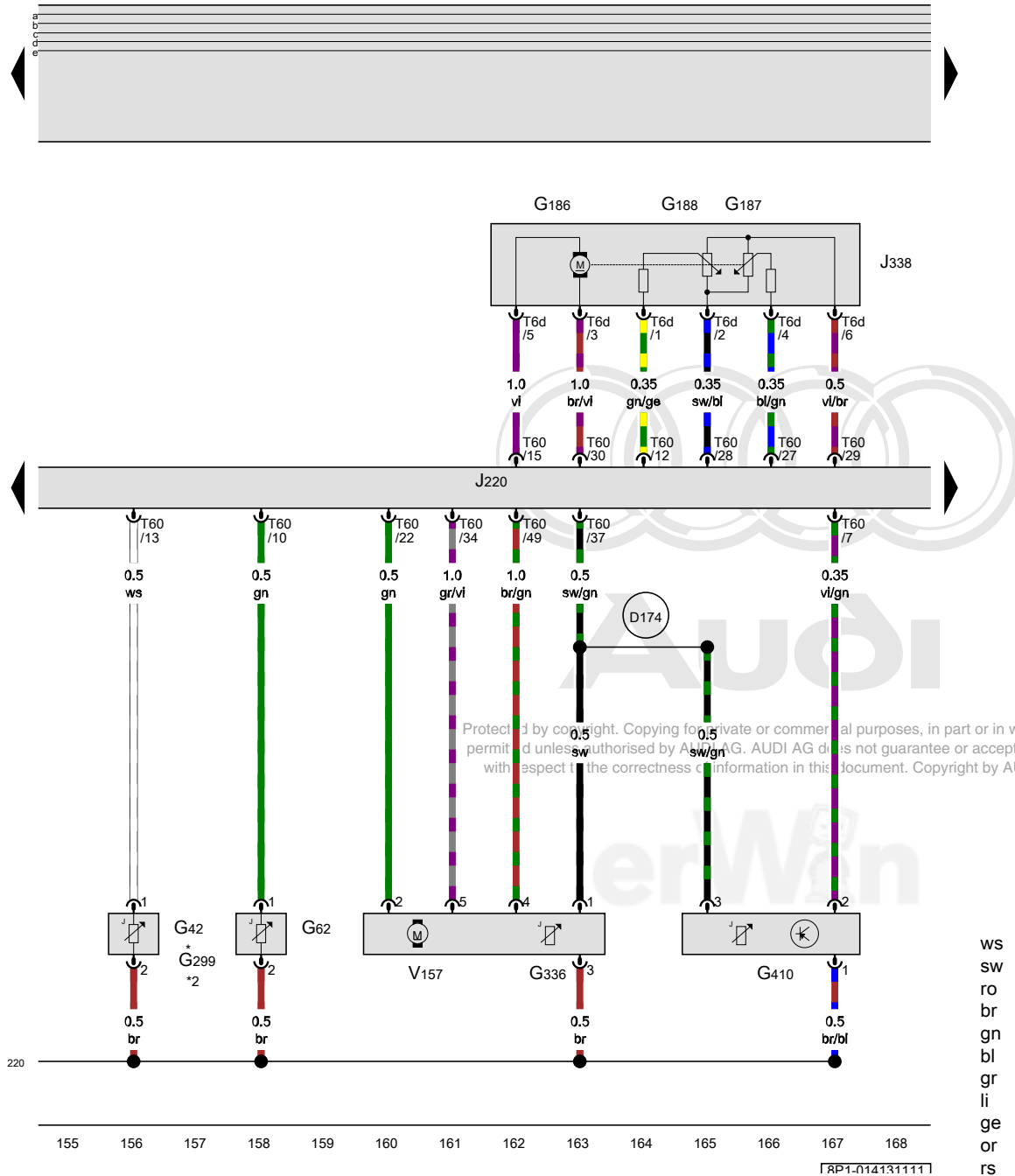
Protected by copyright. Copying for private or commercial purposes, in part or in whole, is not permitted unless authorised by AUDI AG. AUDI AG does not guarantee or accept any liability with respect to the correctness of information in this document. Copyright by AUDI AG.

18P1-014121111

Intake air temperature sensor, Engine coolant temperature sensor, Motronic engine control module, Throttle valve control module

- G42 Intake air temperature sensor
- G62 Engine coolant temperature sensor
- G186 EPC throttle drive
- G187 EPC throttle drive angle sensor 1
- G188 EPC throttle drive angle sensor 2
- G299 Intake air temperature sensor 2
- G336 Intake manifold runner position sensor
- G410 Low fuel pressure sensor
- J220 Motronic engine control module
- J338 Throttle valve control module
- T6d 6-pin connector
- T60 60-pin connector
- V157 Intake flap motor

- (220) Sensor ground connection (in engine compartment wiring harness)
- (D174) Connection 2 (5V) (in engine wiring harness)
- * Running change
- *2 Omitted as a running change

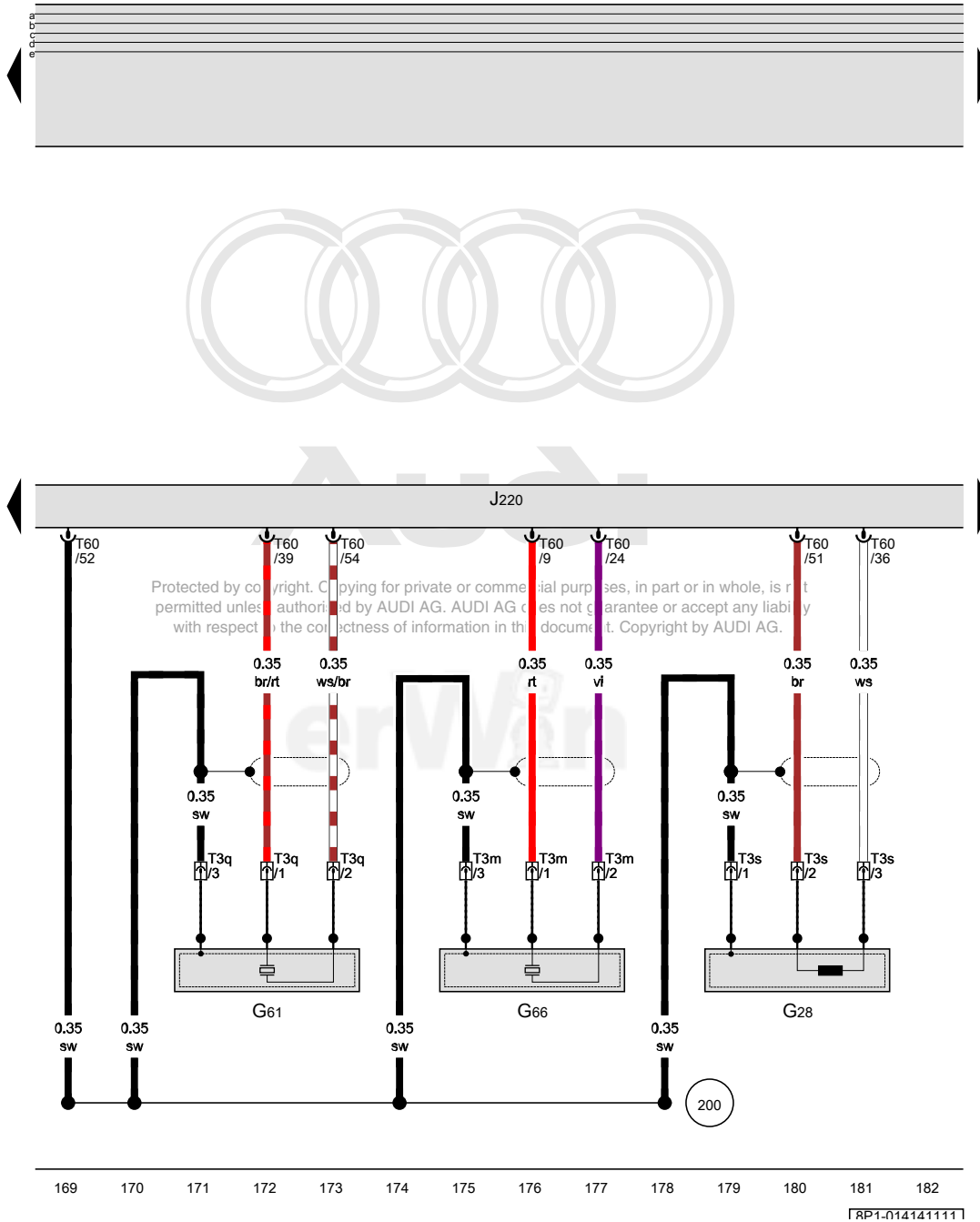


- ws = white
- sw = black
- ro = red
- br = brown
- gn = green
- bl = blue
- gr = grey
- li = lilac
- ge = yellow
- or = orange
- rs = pink

FRP1-014131111

Motronic engine control module

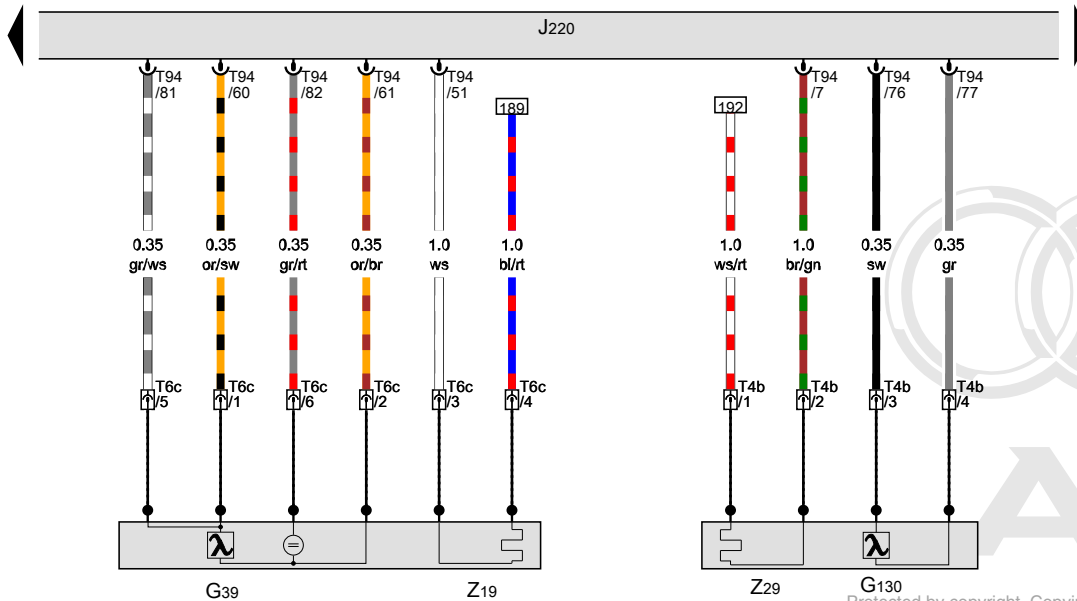
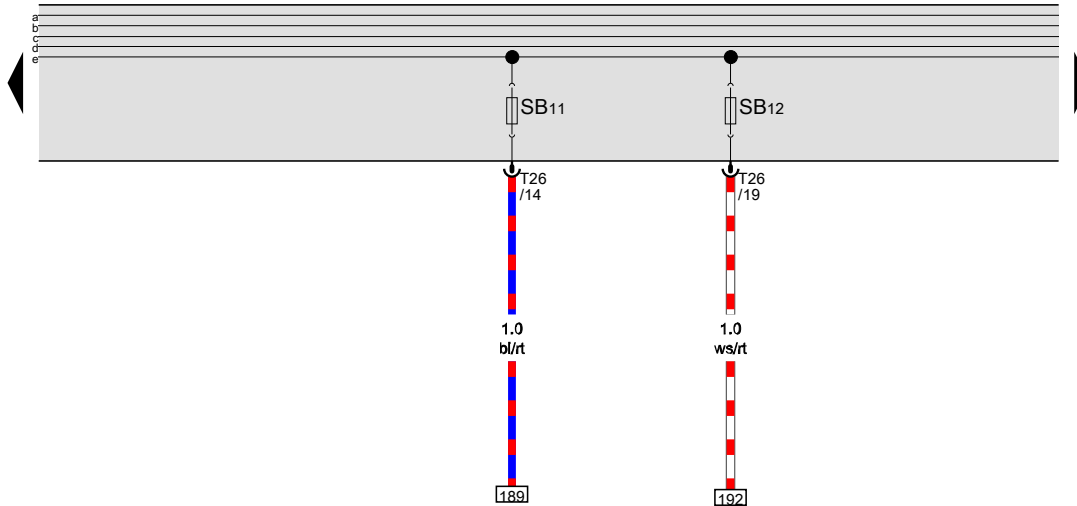
- G28 Engine speed sensor
- G61 Knock sensor 1
- G66 Knock sensor 2
- J220 Motronic engine control module
- T3m 3-pin connector
- T3q 3-pin connector
- T3s 3-pin connector
- T60 60-pin connector
- (200) Ground connection shielding (in engine compartment wiring harness)



- ws = white
- sw = black
- ro = red
- br = brown
- gn = green
- bl = blue
- gr = grey
- li = lilac
- ge = yellow
- or = orange
- rs = pink

Heated oxygen sensor, Motronic engine control module, Oxygen sensor heater

- G39 Heated oxygen sensor
- G130 Oxygen sensor after three way catalytic converter
- J220 Motronic engine control module
- SB11 Fuse 11 (on fuse panel B)
- SB12 Fuse 12 (on fuse panel B)
- T4b 4-pin connector, on the oxygen sensor after the catalytic converter
- T6c 6-pin connector, on the oxygen sensor before the catalytic converter
- T26 26-pin connector
- T94 94-pin connector
- Z19 Oxygen sensor heater
- Z29 Heater for oxygen sensor 1 after catalytic converter

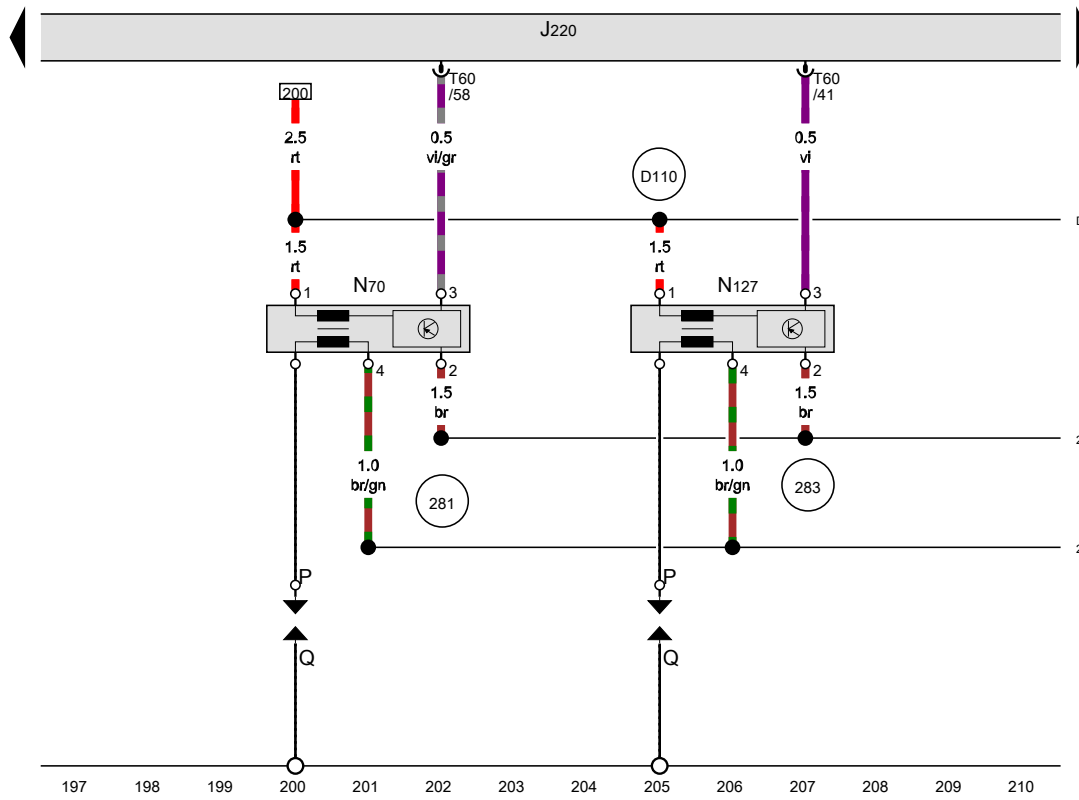
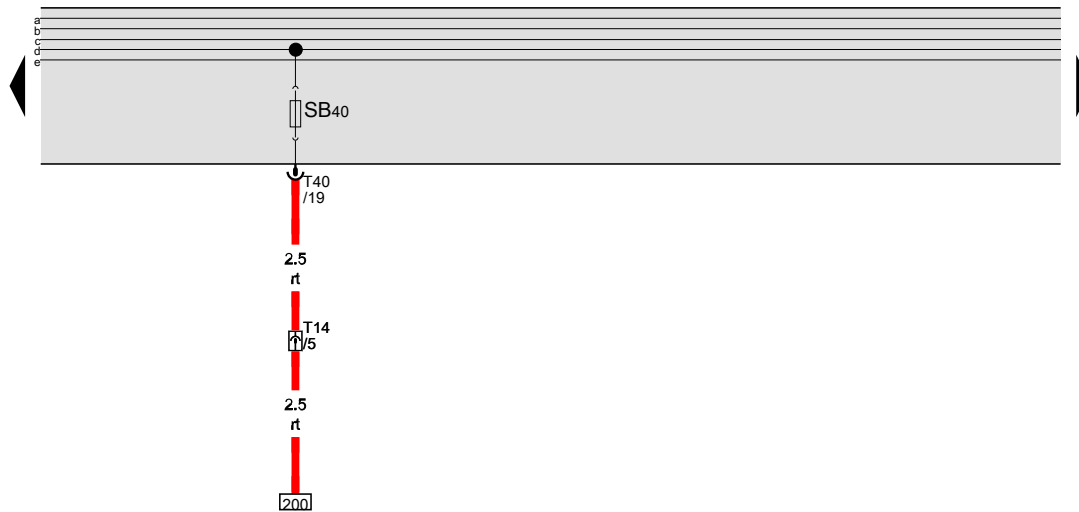


- ws = white
- sw = black
- ro = red
- br = brown
- gn = green
- bl = blue
- gr = grey
- li = lilac
- ge = yellow
- or = orange
- rs = pink

Protected by copyright. Copying for private or commercial purposes, in part or in whole, is not permitted unless authorised by AUDI AG. AUDI AG does not guarantee or accept any liability with respect to the correctness of information in this document. Copyright by AUDI AG.

183 184 185 186 187 188 189 190 191 192 193 194 195 196

[RP1-014151111]



Motronic engine control module, Ignition coil 1 with power output stage, Ignition coil 2 with power output stage

- J220 Motronic engine control module
- N70 Ignition coil 1 with power output stage
- N127 Ignition coil 2 with power output stage
- P Spark plug connectors
- Q Spark plugs
- SB40 Fuse 40 (on fuse panel B)
- T14 14-pin connector
- T40 40-pin connector
- T60 60-pin connector

- 281 Ground connection 1 (in engine wiring harness)
- 283 Ground connection 2 (in engine wiring harness)
- D110 Connection (8) (in engine compartment wiring harness)



Audi

Protected by copyright. Copying for private or commercial purposes, in part or in whole, is not permitted unless authorised by AUDI AG. AUDI AG does not guarantee or accept any liability with respect to the correctness of information in this document. Copyright by AUDI AG.



- ws = white
- sw = black
- ro = red
- br = brown
- gn = green
- bl = blue
- gr = grey
- li = lilac
- ge = yellow
- or = orange
- rs = pink

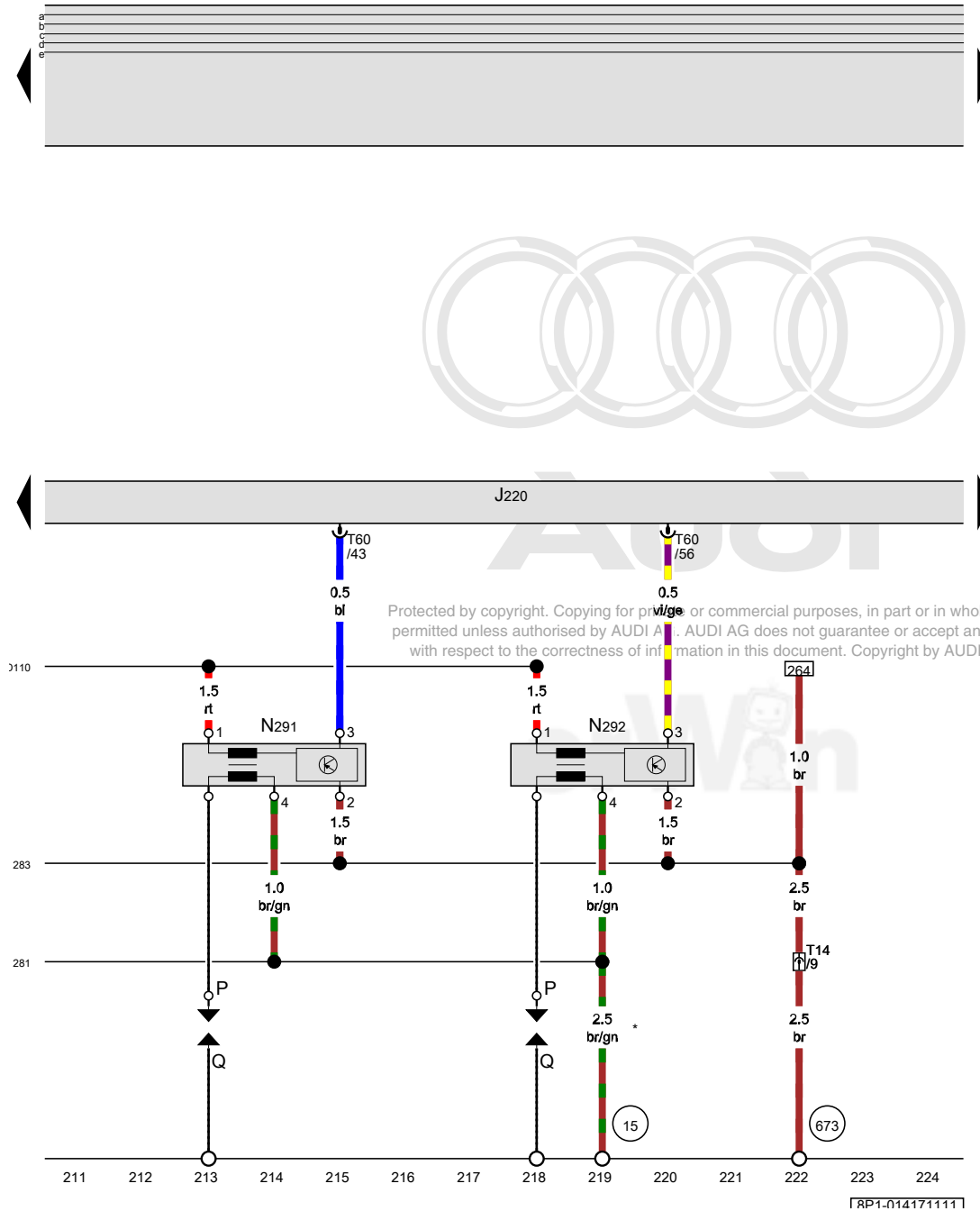
18P1-014161111

Motronic engine control module, Ignition coil 3 with power output stage, Ignition coil 4 with power output stage

- J220 Motronic engine control module
- N291 Ignition coil 3 with power output stage
- N292 Ignition coil 4 with power output stage
- P Spark plug connectors
- Q Spark plugs
- T14 14-pin connector, near the left front longitudinal member
- T60 60-pin connector

- 15 Ground connection on cylinder head
- 281 Ground connection 1 (in engine wiring harness)
- 283 Ground connection 2 (in engine wiring harness)
- 673 Ground connection 3 on left front longitudinal member
- D110 Connection (8) (in engine compartment wiring harness)

* The color of the wires depends on vehicle equipment

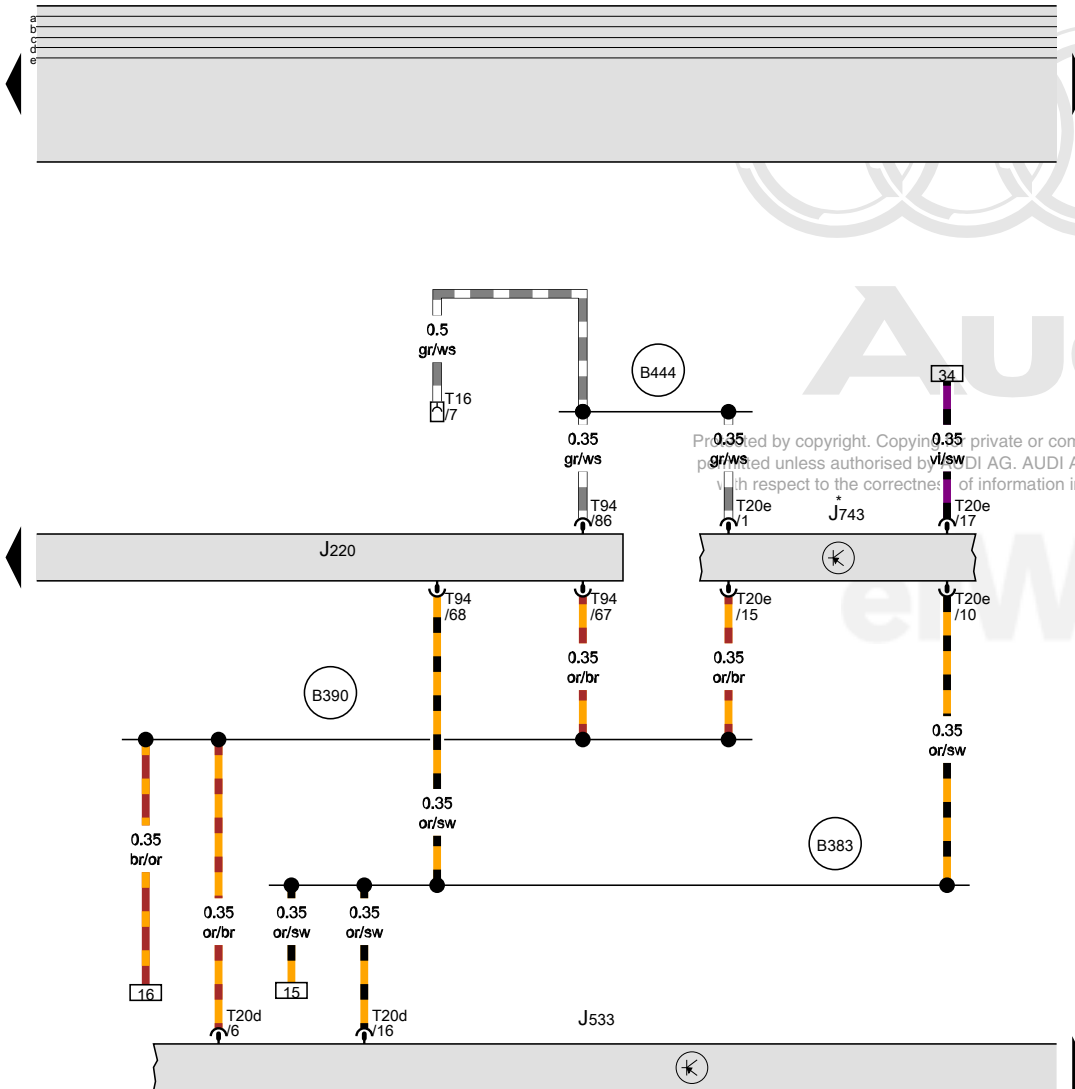


[RP1-014171111]

Motronic engine control module, Data bus on board diagnostic interface, DSG transmission Mechatronic

- J220 Motronic engine control module
- J533 Data bus on board diagnostic interface
- J743 DSG transmission Mechatronic
- T16 16-pin connector
- T20d 20-pin connector
- T20e 20-pin connector
- T94 94-pin connector

- (B383) Powertrain CAN bus high connection 1 (in main wiring harness)
- (B390) Powertrain CAN bus low connection 1 (in main wiring harness)
- (B444) OBD connection 1 (in main wiring harness)



Protected by copyright. Copying for private or commercial purposes, in part or in whole, is not permitted unless authorised by AUDI AG. AUDI AG does not guarantee or accept any liability with respect to the correctness of information in this document. Copyright by AUDI AG. Refer to applicable wiring diagram for automatic transmission

- ws = white
- sw = black
- ro = red
- br = brown
- gn = green
- bl = blue
- gr = grey
- li = lilac
- ge = yellow
- or = orange
- rs = pink

225 226 227 228 229 230 231 232 233 234 235 236 237 238

[RP1-0141R1111]

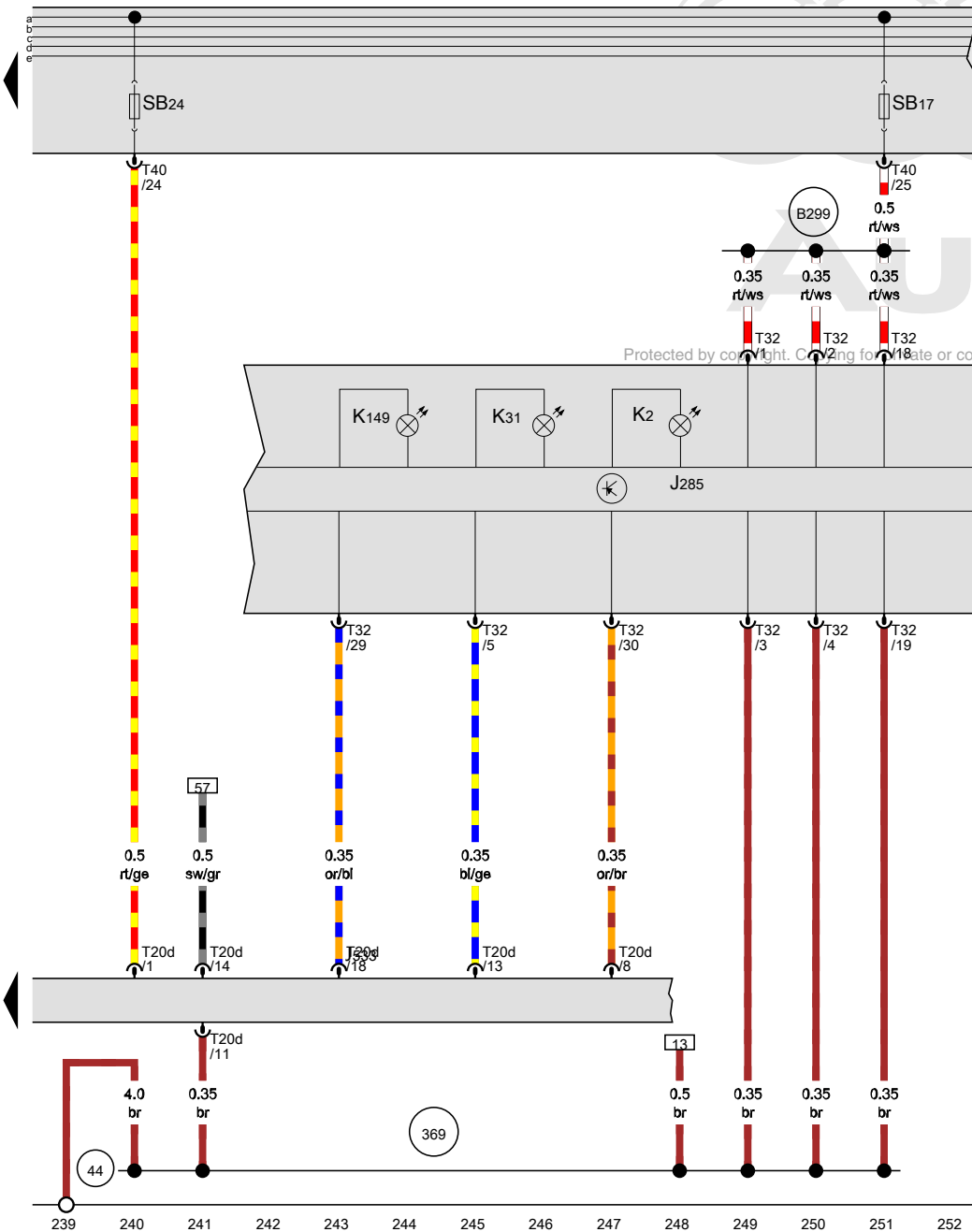
Instrument cluster control module, Data bus on board diagnostic interface

- J285 Instrument cluster control module
- J533 Data bus on board diagnostic interface
- K2 Generator indicator lamp
- K31 Cruise control indicator lamp
- K149 Engine electronics indicator lamp
- SB17 Fuse 17 (on fuse panel B)
- SB24 Fuse 24 (on fuse panel B)
- T20d 20-pin connector
- T32 32-pin connector
- T40 40-pin connector

44 Ground connection on A-pillar, lower left

369 Ground connection 4 (in main wiring harness)

B299 Positive connection 3 (30) (in main wiring harness)



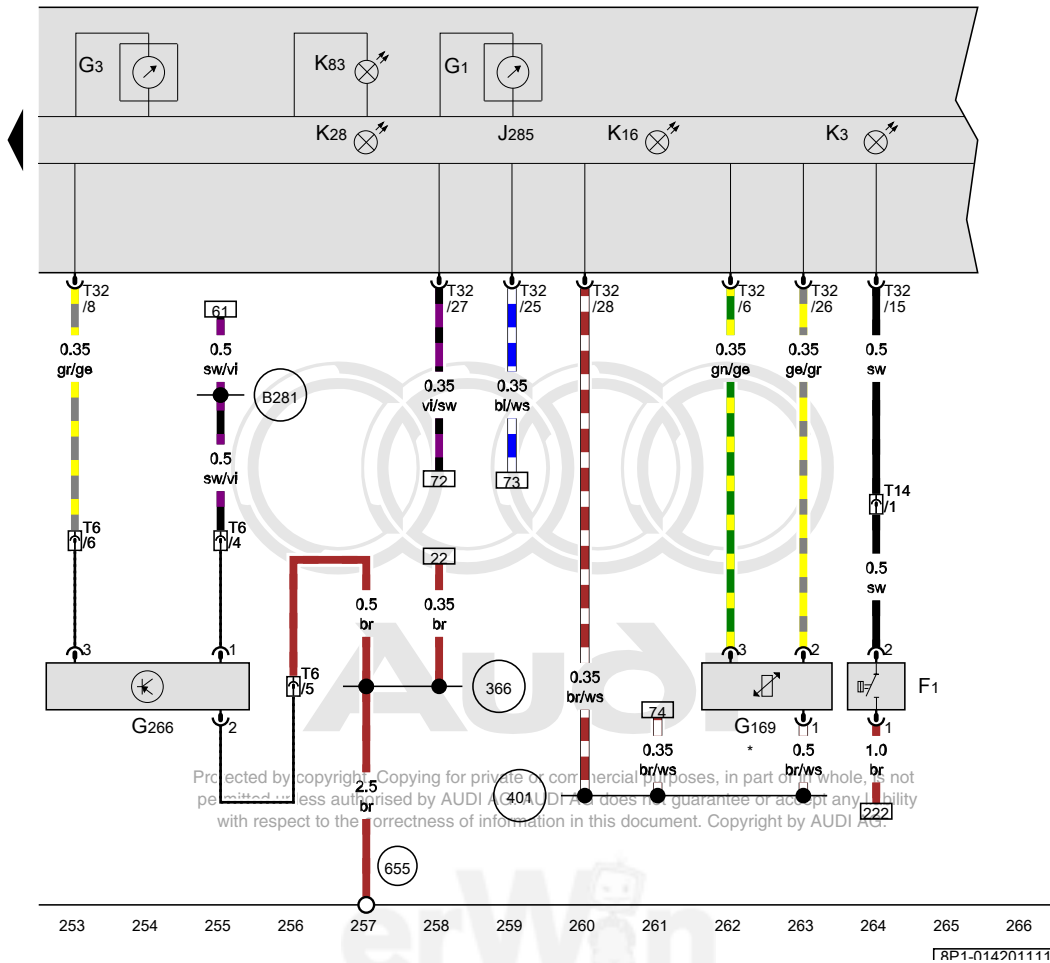
- ws = white
- sw = black
- ro = red
- br = brown
- gn = green
- bl = blue
- gr = grey
- li = lilac
- ge = yellow
- or = orange
- rs = pink

[RP1-014191111]

Oil pressure switch, Fuel level sensor 2, Oil level thermal sensor, Instrument cluster control module

- F1 Oil pressure switch
- G1 Fuel gauge
- G3 Engine coolant temperature gauge
- G169 Fuel level sensor 2
- G266 Oil level thermal sensor
- J285 Instrument cluster control module
- K3 Oil pressure indicator lamp
- K16 Low fuel level indicator lamp
- K28 Engine coolant level/temperature indicator lamp
- K83 Malfunction indicator lamp
- T6 6-pin connector
- T14 14-pin connector, near the left front longitudinal member
- T32 32-pin connector

- 366 Ground connection 1 (in main wiring harness)
- 401 Sensor ground connection (in interior wiring harness)
- 655 Ground connection on left headlamp
- B281 Positive connection 5 (15a) (in main wiring harness)
- * Only for vehicles with all wheel drive



- ws = white
- sw = black
- ro = red
- br = brown
- gn = green
- bl = blue
- gr = grey
- li = lilac
- ge = yellow
- or = orange
- rs = pink

Protected by copyright. Copying for private or commercial purposes, in part or in whole, is not permitted without the express authorisation by AUDI AG. AUDI AG does not guarantee or accept any liability with respect to the correctness of information in this document. Copyright by AUDI AG.

3.2L fuel injection engine (Motronic - cylinder 6), BUB, CBRA

from May 2006

Note:

Information for

- ◆ Relay and fuse arrangements
- ◆ Connector arrangements
- ◆ Control Modules and Relays
- ◆ Ground Connections

⇒ Component Locations

Information for

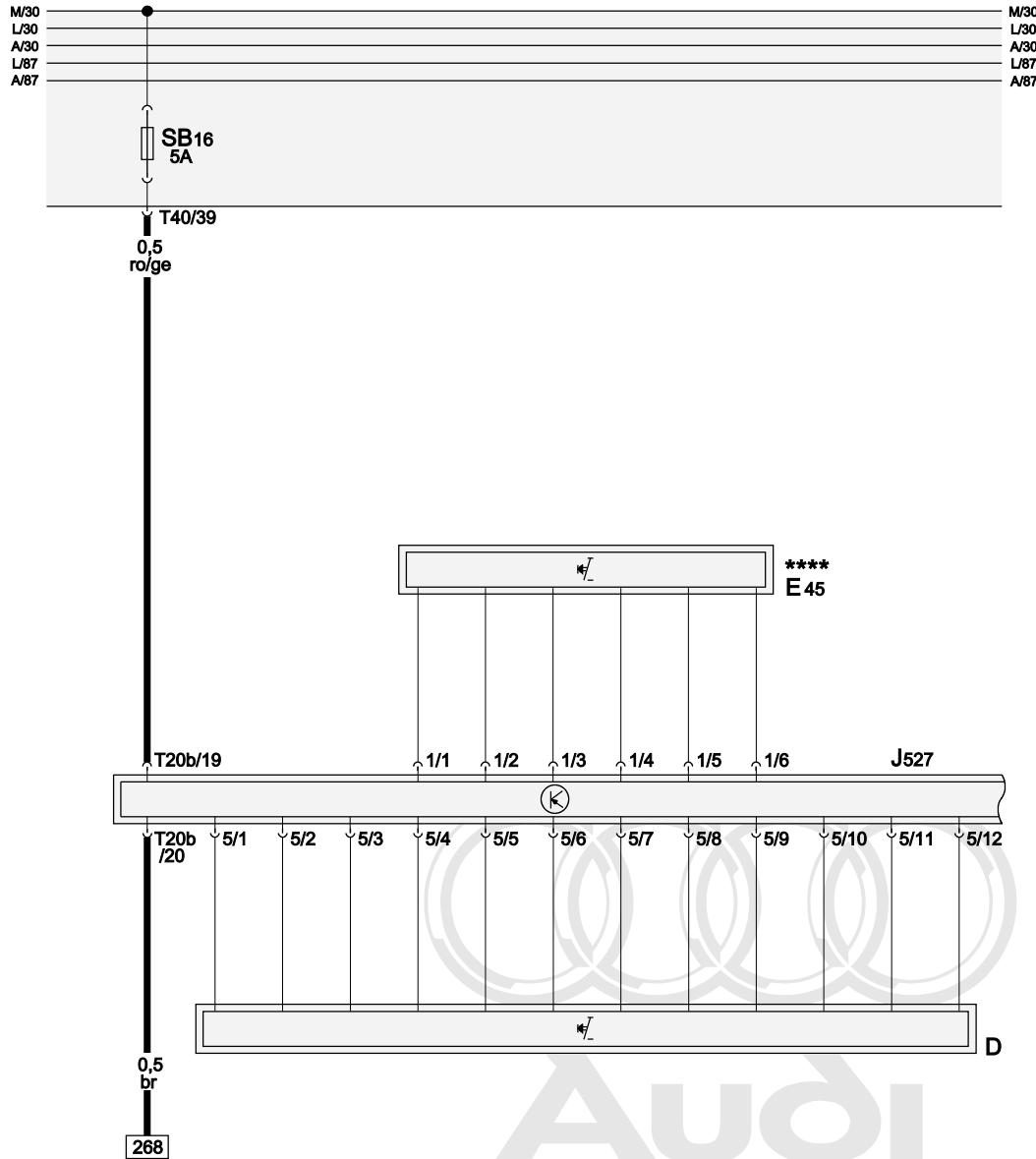
- ◆ Troubleshooting Procedures
- ⇒ Guided Fault Finding using VAS 5051 / 5052



Audi

Protected by copyright. Copying for private or commercial purposes, in part or in whole, is not permitted unless authorised by AUDI AG. AUDI AG does not guarantee or accept any liability with respect to the correctness of information in this document. Copyright by AUDI AG.





Cruise Control Switch, Ignition/Starter Switch

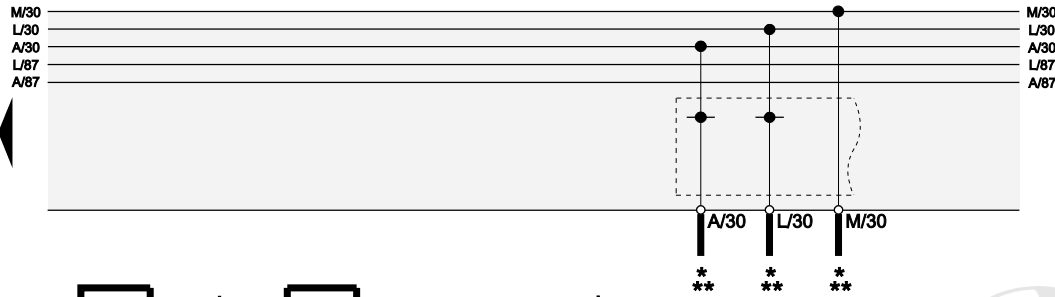
- D Ignition/Starter Switch
- E45 Cruise Control Switch
- J527 Steering Column Electronic Systems Control Module
- SB16 Fuse 16 (on fuse panel B)
- T20b 20-Pin Connector, black (Connector A)
- T40 40-Pin Connector, black, on electronics box engine compartment (Connector J)
- **** Only for models with cruise control system

- ws = white
- sw = black
- ro = red
- br = brown
- gn = green
- bl = blue
- gr = grey
- li = lilac
- ge = yellow
- or = orange
- rs = pink

Protected by copyright. Copying for private or commercial purposes, in part or in whole, is not permitted unless authorised by AUDI AG. AUDI AG does not guarantee or accept any liability with respect to the correctness of information in this document. Copyright by AUDI AG.

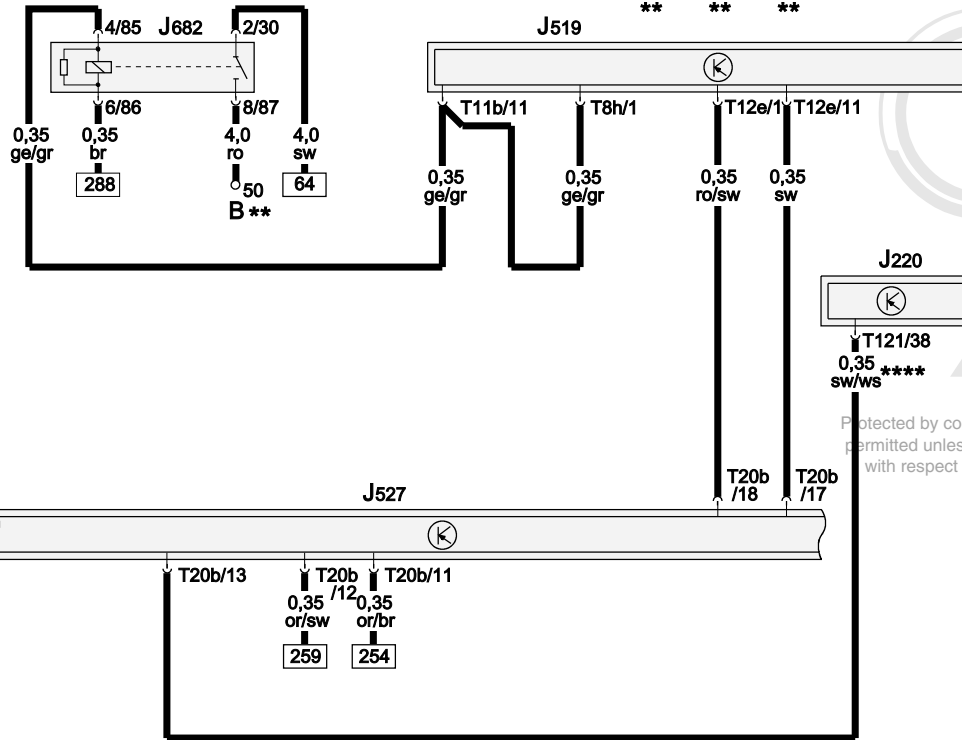
1 2 3 4 5 6 7 8 9 10 11 12 13 14

8P0-A015020307



Electronics Box Supply, Power Supply Relay (terminal 50)

- B Starter
- J220 Motronic Engine Control Module (ECM)
- J519 Vehicle Electrical System Control Module
- J527 Steering Column Electronic Systems Control Module
- J682 Power Supply Relay (terminal 50)
- T8h 8-Pin Connector, black (Connector F)
- T11b 11-Pin Connector, black (Connector A)
- T12e 12-Pin Connector, black (Connector G)
- T20b 20-Pin Connector, black (Connector A)
- T121 121-Pin Connector, black, on engine control module (ECM)
- * Luggage compartment main fuse panel supply
- ** ⇒ Applicable Wiring Diagram for models with battery in luggage compartment
- **** Only for models with cruise control system

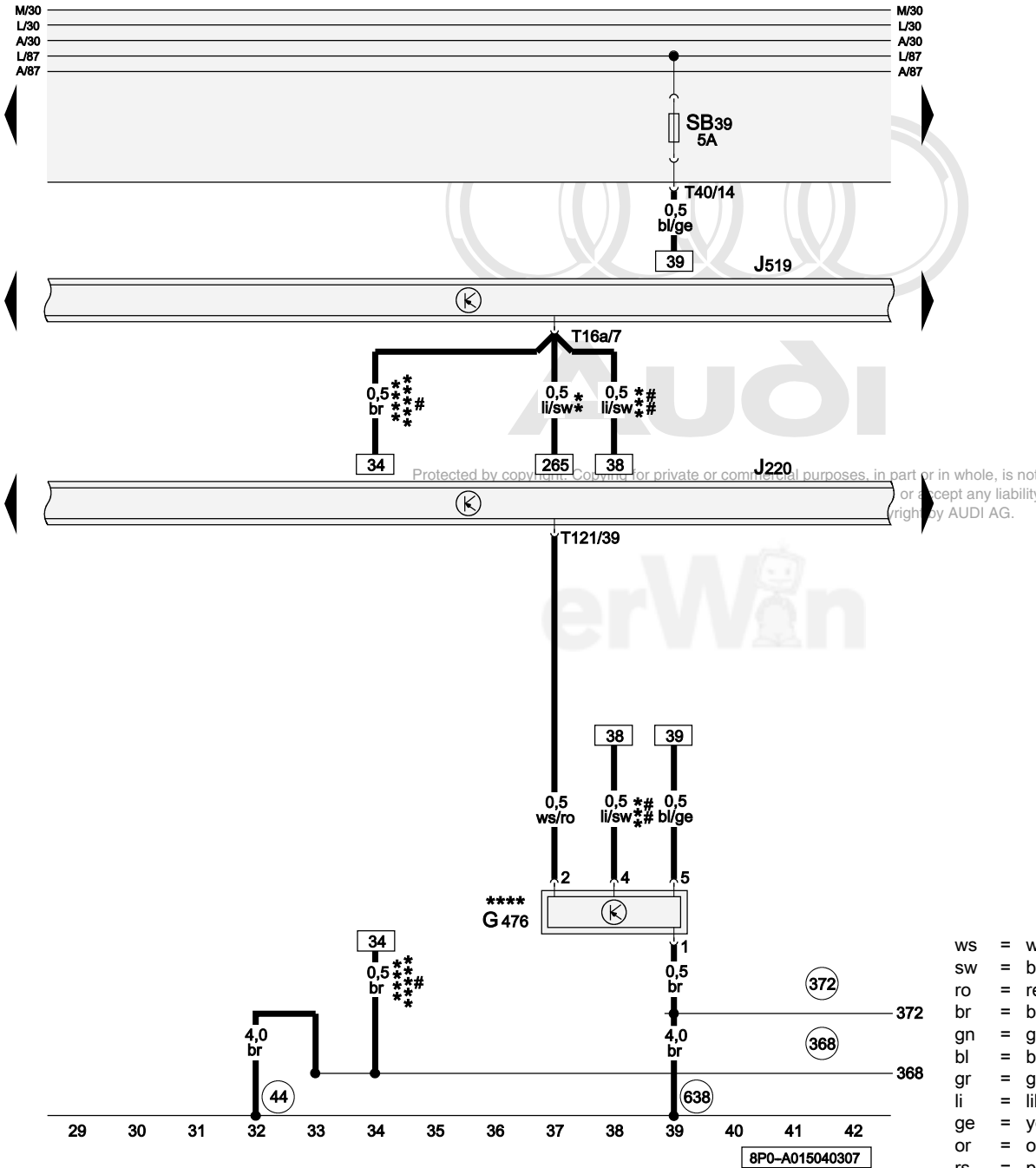


Protected by copyright. Copying for private or commercial purposes, in part or in whole, is not permitted unless authorised by AUDI AG. AUDI AG does not guarantee or accept any liability with respect to the correctness of information in this document. Copyright by AUDI AG.

- ws = white
- sw = black
- ro = red
- br = brown
- gn = green
- bl = blue
- gr = grey
- li = lilac
- ge = yellow
- or = orange
- rs = pink

15 16 17 18 19 20 21 22 23 24 25 26 27 28

8P0-A015030307



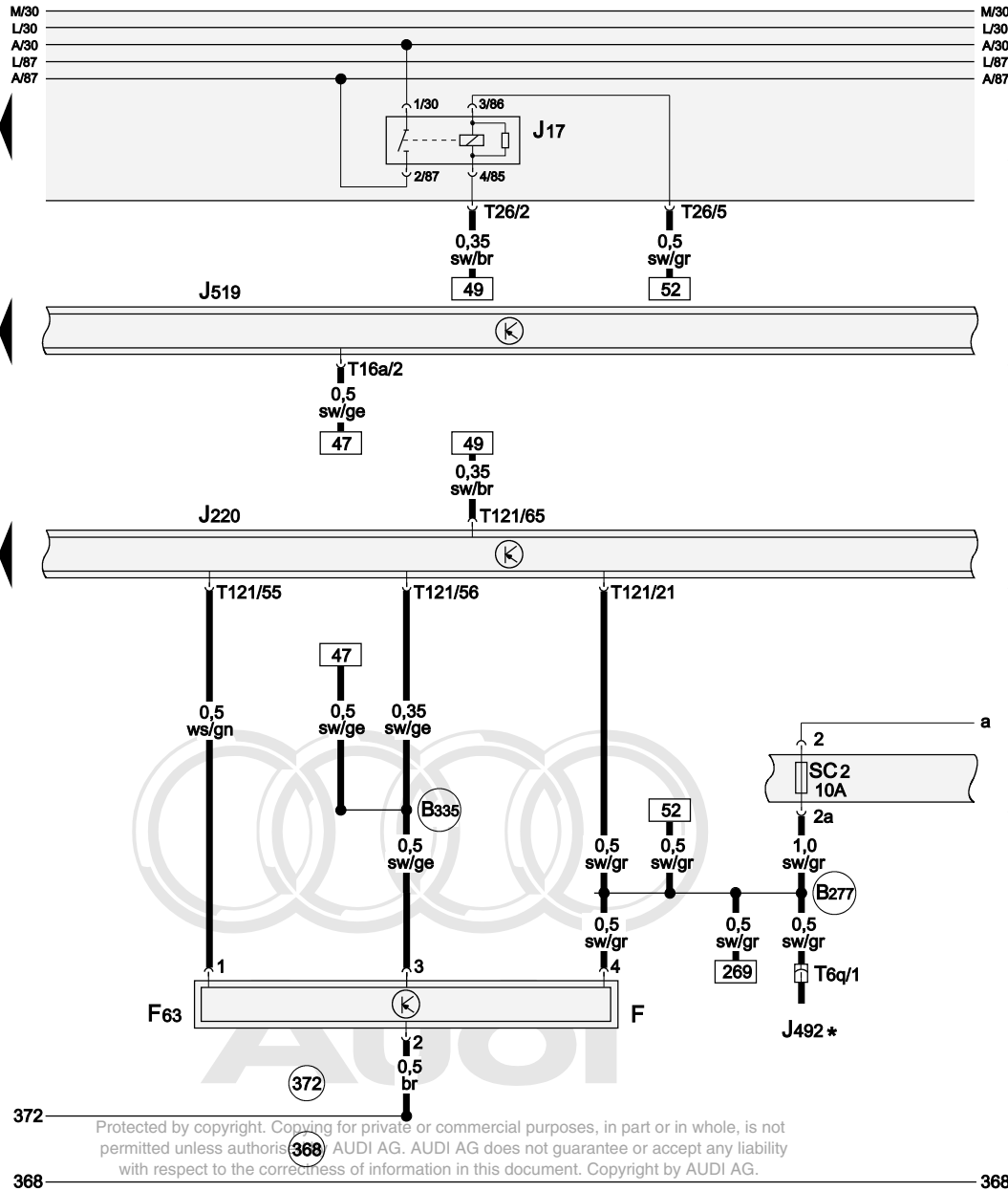
Clutch Position Sensor

- G476 Clutch Position Sensor
- J220 Motronic Engine Control Module (ECM)
- J519 Vehicle Electrical System Control Module
- SB39 Fuse 39 (on fuse panel B)
- T16a 16-Pin Connector, black (Connector E)
- T40 40-Pin Connector, black, on electronics box engine compartment (Connector J)
- T121 121-Pin Connector, black, on engine control module (ECM)

- 44 Ground Connection (on left lower A-pillar)
- 368 Ground Connection 3 (in main wiring harness)
- 372 Ground Connection 7 (in main wiring harness)
- 638 Ground Connection (on right A-pillar)

- ** Only models with automatic transmission
- *** Only models with US equipment
- **** Only models with manual transmission
- ***** Not for models with US equipment
- # Not applicable from May 2007
- ## Applicable worldwide from May 2007

- ws = white
- sw = black
- ro = red
- br = brown
- gn = green
- bl = blue
- gr = grey
- li = lilac
- ge = yellow
- or = orange
- rs = pink



Brake Light Switch, Brake Pedal Switch

- F Brake Light Switch
- F63 Brake Pedal Switch
- J17 Fuel Pump (FP) Relay
- J220 Motronic Engine Control Module (ECM)
- J492 All-Wheel Drive Control Module
- J519 Vehicle Electrical System Control Module
- SC2 Fuse 2 (on fuse panel C)
- T6q 6-Pin Connector, black, near fuel level sensor 2
- T16a 16-Pin Connector, black (Connector E)
- T26 26-Pin Connector, black, on electronics box engine compartment (Connector K)
- T121 121-Pin Connector, black, on engine control module (ECM)

- 368 Ground Connection 3 (in main wiring harness)
- 372 Ground Connection 7 (in main wiring harness)
- B277 Plus Connection 1 (15a) (in main wiring harness)
- B335 Connection 1 (54) (in main wiring harness)

* Only models with all-wheel drive

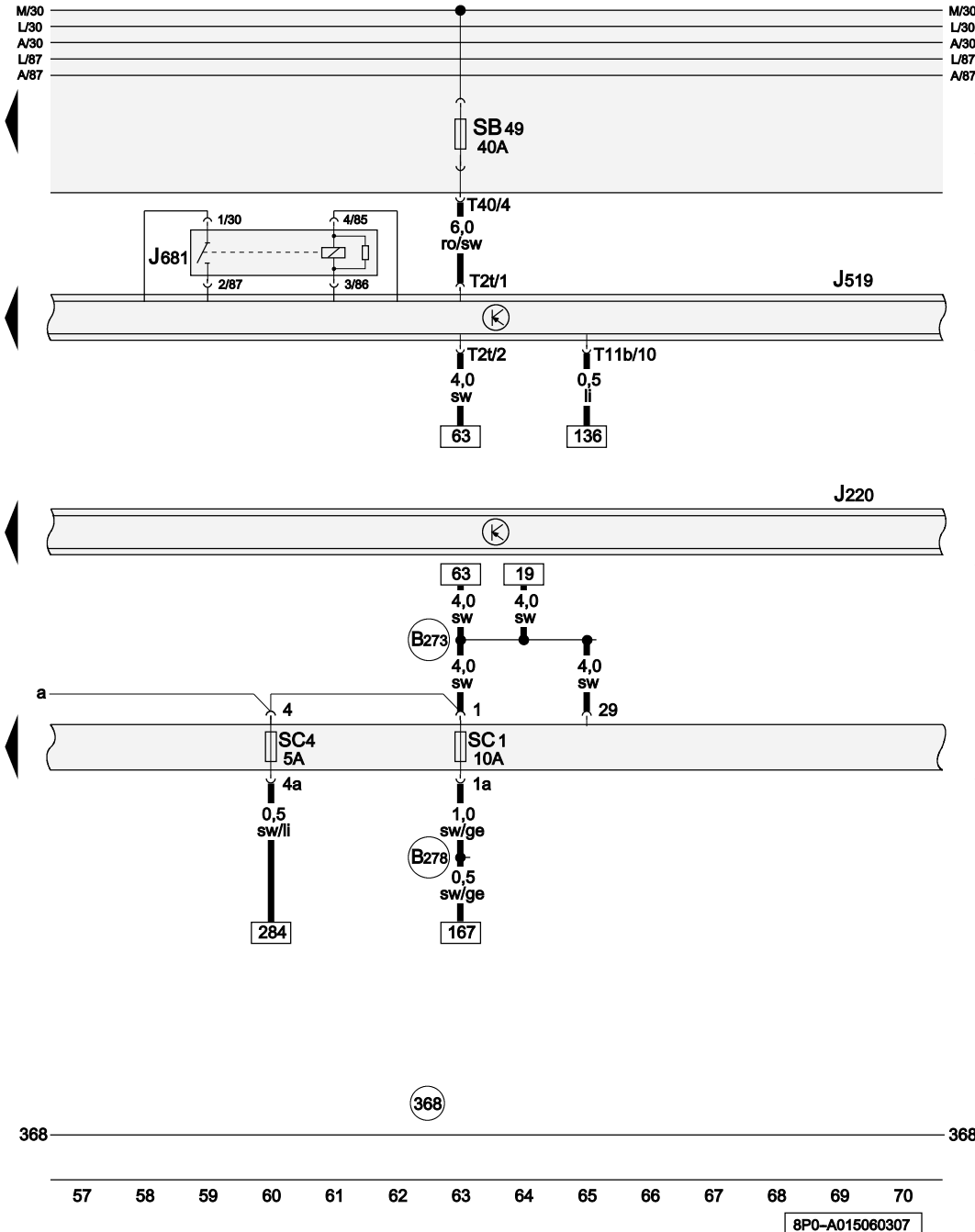
- ws = white
- sw = black
- ro = red
- br = brown
- gn = green
- bl = blue
- gr = grey
- li = lilac
- ge = yellow
- or = orange
- rs = pink

372 Protected by copyright. Copying for private or commercial purposes, in part or in whole, is not permitted unless authorized by AUDI AG. AUDI AG does not guarantee or accept any liability with respect to the correctness of information in this document. Copyright by AUDI AG.

368

43 44 45 46 47 48 49 50 51 52 53 54 55 56

8P0-A015051007



Power Supply Relay 2 (terminal 15)

- J220 Motronic Engine Control Module (ECM)
- J519 Vehicle Electrical System Control Module
- J681 Power Supply Relay 2 (terminal 15)
- SB49 Fuse 49 (on fuse panel B)
- SC1 Fuse 1 (on fuse panel C)
- SC4 Fuse 4 (on fuse panel C)
- T2t Double Connector, black (Connector L)
- T11b 11-Pin Connector, black (Connector A)
- T40 40-Pin Connector, black, on electronics box engine compartment (Connector J)

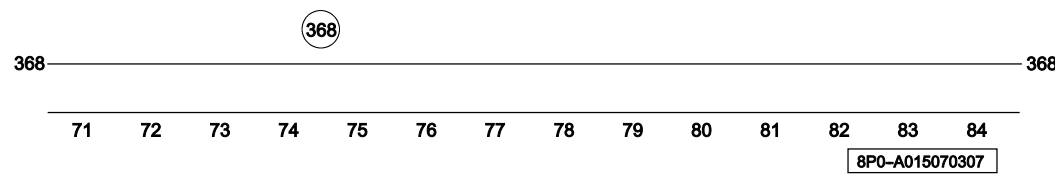
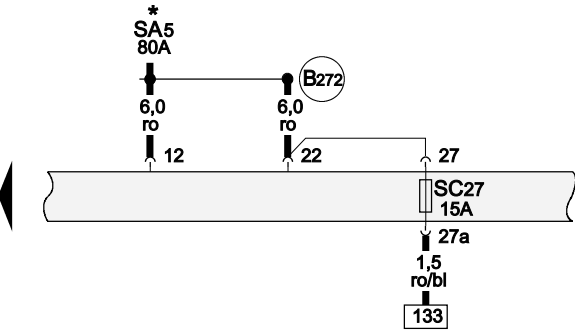
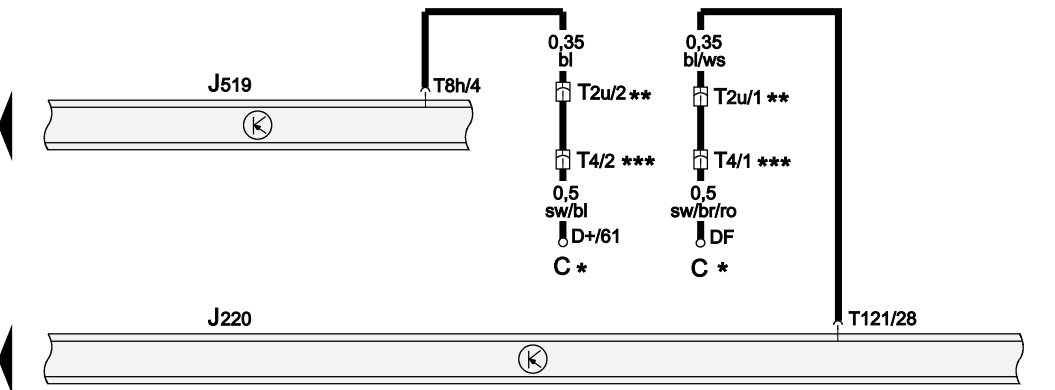
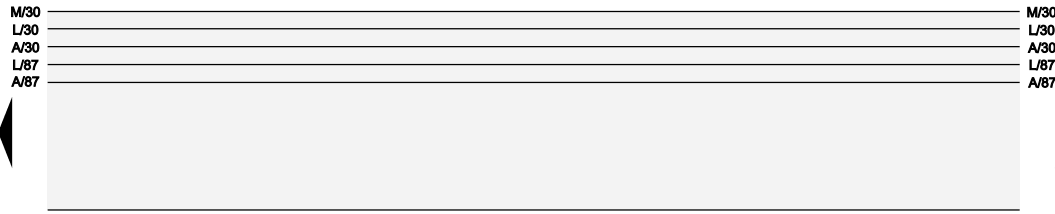
368 Ground Connection 3 (in main wiring harness)

B273 Plus Connection (15) (in main wiring harness)

Protected by copyright. Copying for private or commercial purposes, in part or in whole, is not permitted unless authorised by AUDI AG. AUDI AG does not guarantee or accept any liability with respect to the correctness of information in this document. Copyright by AUDI AG.

B278 Plus Connection 2 (15a) (in main wiring harness)

- ws = white
- sw = black
- ro = red
- br = brown
- gn = green
- bl = blue
- gr = grey
- li = lilac
- ge = yellow
- or = orange
- rs = pink



Generator (GEN)

- C Generator (GEN)
- J519 Vehicle Electrical System Control Module
- J220 Motronic Engine Control Module (ECM)
- SA5 Fuse 5 (on fuse panel A)
- SC27 Fuse 27 (on fuse panel C)
- T2u Double Connector, brown, in engine compartment, front left
- T4 4-Pin Connector, black, in engine compartment, front left
- T8h 8-Pin Connector, black (Connector F)
- T121 121-Pin Connector, black, on engine control module (ECM)

368 Ground Connection 3 (in main wiring harness)

B272 Plus Connection (30) (in main wiring harness)

- * ⇒ Applicable Wiring Diagram for models with battery in luggage compartment
- ** Only models without A/C
- *** Only models with A/C

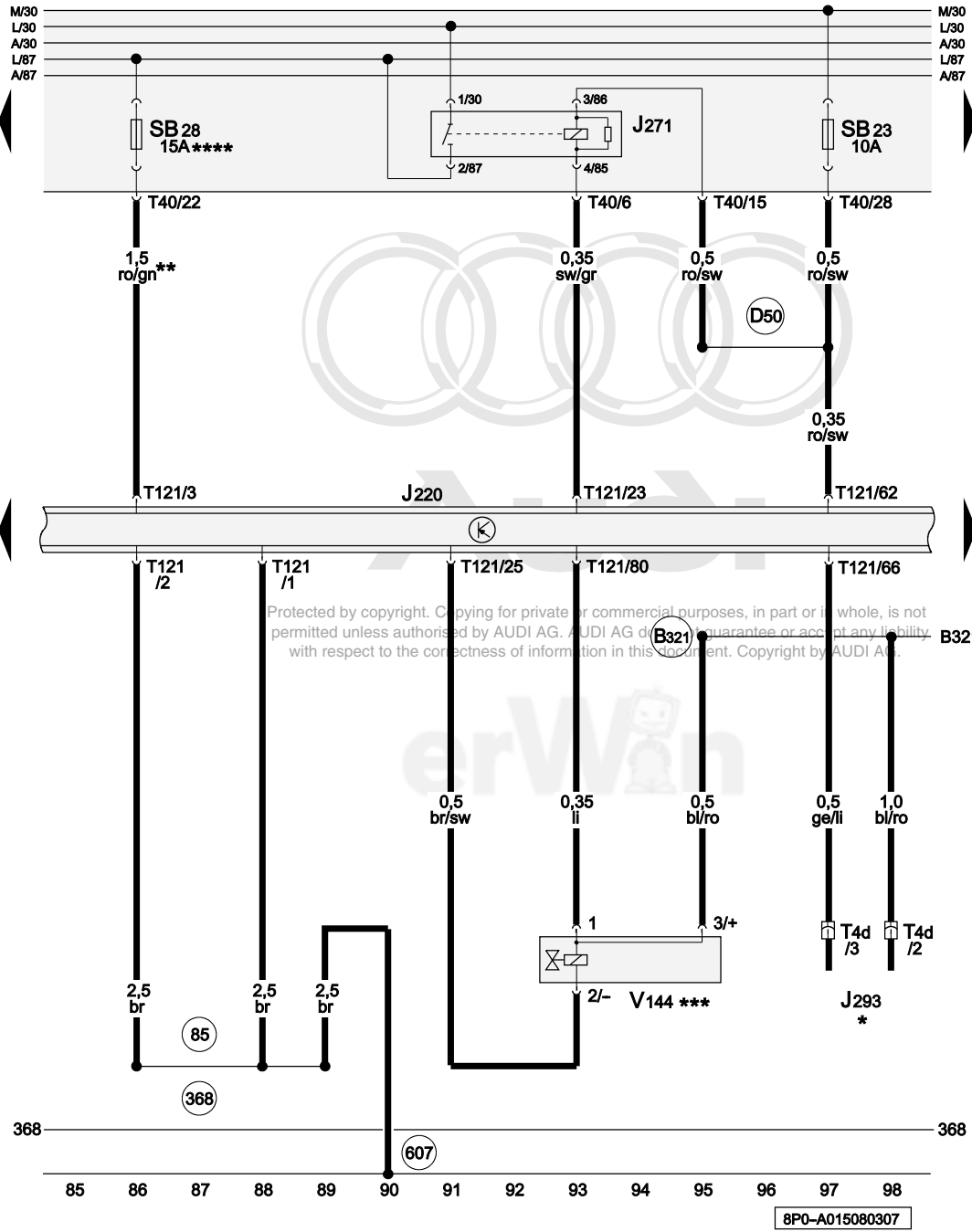


Audi

- ws = white
- sw = black
- ro = red
- br = brown
- gn = green
- bl = blue
- gr = grey
- li = lilac
- ge = yellow
- or = orange
- rs = pink

protected by copyright. Copying for private or commercial purposes, in part or in whole, is not permitted unless authorised by AUDI AG. AUDI AG does not guarantee or accept any liability with respect to the correctness of information in this document. Copyright by AUDI AG.





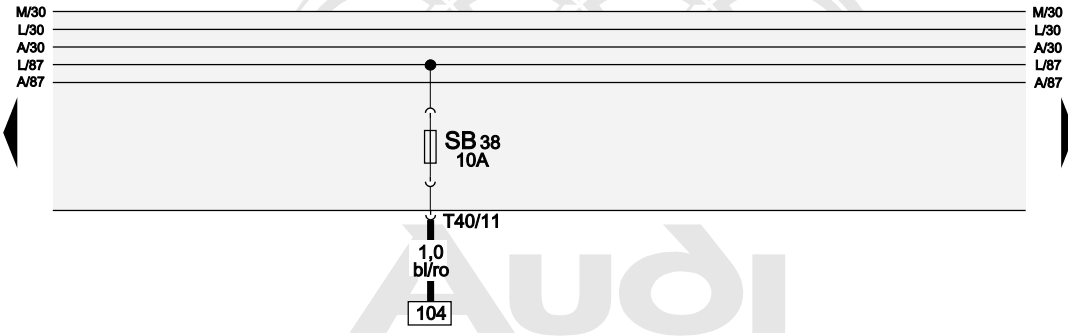
Motronic Engine Control Module (ECM) Power Supply Relay, Leak Detection Pump (LDP)

- J220 Motronic Engine Control Module (ECM)
- J271 Motronic Engine Control Module (ECM) Power Supply Relay
- J293 Coolant Fan Control (FC) Control Module
- SB23 Fuse 23 (on fuse panel B)
- SB28 Fuse 28 (on fuse panel B)
- T4d 4-Pin Connector, black, on coolant fan control (FC) (front end)
- T40 4-Pin Connector, black, on electronics box engine compartment (Connector J)
- T121 121-Pin Connector, black, on engine control module (ECM)
- V144 Leak Detection Pump (LDP)
- 85 Ground Connection 1 (in engine compartment wiring harness)
- 368 Ground Connection 3 (in main wiring harness)
- 607 Ground Connection (in plenum chamber, left)
- B321 Plus Connection 7 (30a) (in main wiring harness)
- D50 Plus Connection (30) (in engine compartment wiring harness)

* => Applicable Wiring Diagram Coolant Fan Control
 ** Cross-section was reduced from 0.004 square inches (2,5 mm²) to 0.003 square inches (1,5 mm²), applicable from May 2007
 *** Only models with US equipment
 **** Fuse was reduced from 25 A to 15 A, applicable from May 2007

- ws = white
- sw = black
- ro = red
- br = brown
- gn = green
- bl = blue
- gr = grey
- li = lilac
- ge = yellow
- or = orange
- rs = pink

8P0-A015080307

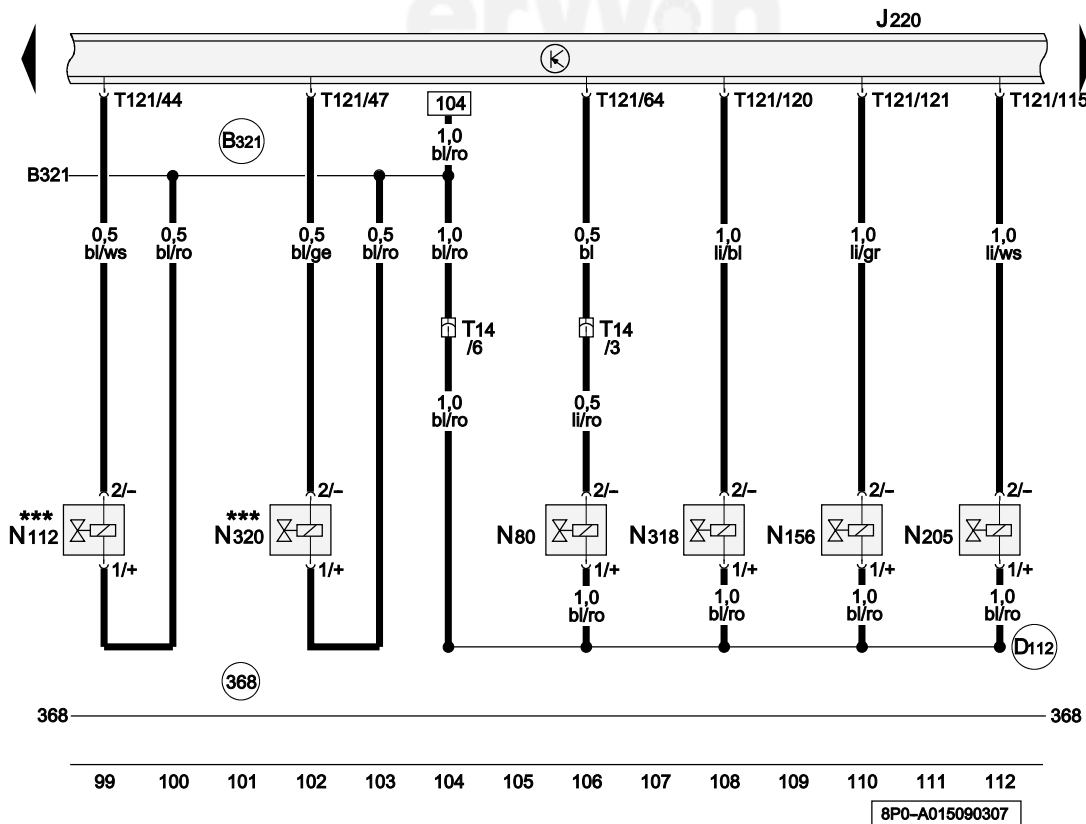


Protected by copyright. Copying for private or commercial purposes, in part or in whole, is not permitted unless authorised by AUDI AG. AUDI AG does not guarantee or accept any liability with respect to the correctness of information in this document. Copyright by AUDI AG.

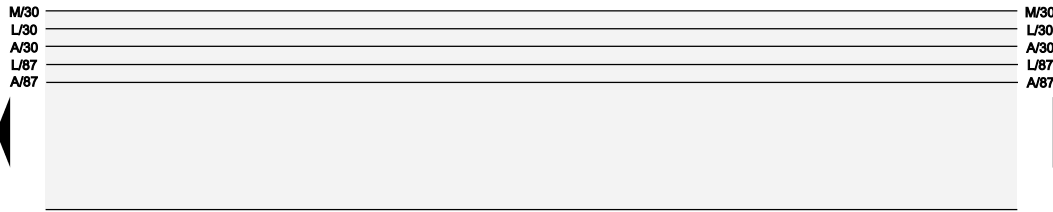
Solenoid Valves

- J220 Motronic Engine Control Module (ECM)
- N80 Evaporative Emission (EVAP) Canister Purge Regulator Valve 1
- N112 Secondary Air Injection (AIR) Solenoid Valve
- N156 Intake Manifold Tuning (IMT) Valve
- N205 Camshaft Adjustment Valve 1
- N318 Camshaft Adjustment Valve 1 (exhaust)
- N320 Secondary Air Injection (AIR) Solenoid Valve 2
- SB38 Fuse 38 (on fuse panel B)
- T14 14-Pin Connector, black, near left front long member
- T40 40-Pin Connector, black, on electronics box engine compartment (Connector J)
- T121 121-Pin Connector, black, on engine control module (ECM)

- 368 Ground Connection 3 (in main wiring harness)
- B321 Plus Connection 7 (30a) (in main wiring harness)
- D112 Connection 10 (in engine compartment wiring harness)
- *** Only models with US equipment, applicable from May 2007



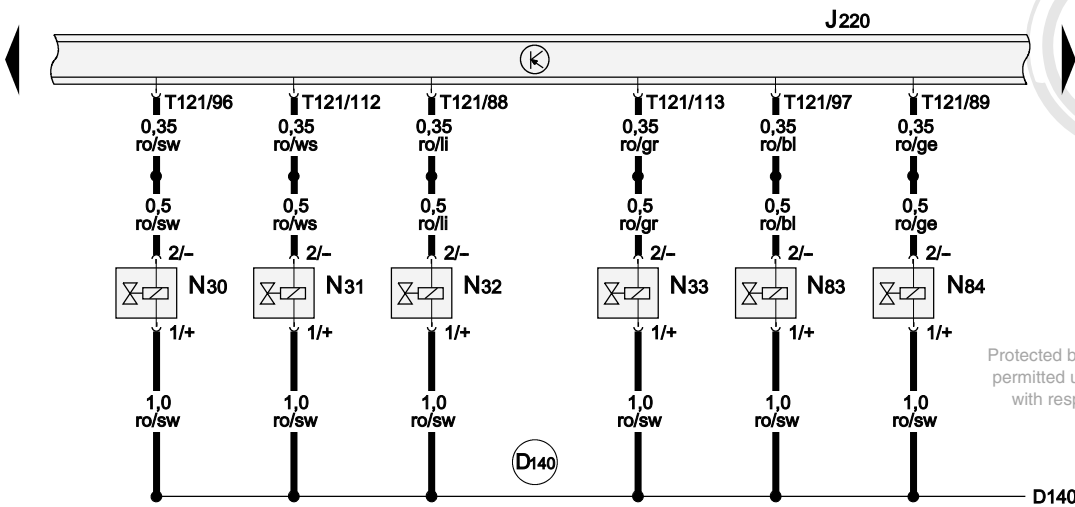
- ws = white
- sw = black
- ro = red
- br = brown
- gn = green
- bl = blue
- gr = grey
- li = lilac
- ge = yellow
- or = orange
- rs = pink



Injectors

- J220 Motronic Engine Control Module (ECM)
- N30 Cylinder 1 Fuel Injector
- N31 Cylinder 2 Fuel Injector
- N32 Cylinder 3 Fuel Injector
- N33 Cylinder 4 Fuel Injector
- N83 Cylinder 5 Fuel Injector
- N84 Cylinder 6 Fuel Injector
- T121 121-Pin Connector, black, on engine control module (ECM)

- 368 Ground Connection 3 (in main wiring harness)
- D140 Connection (injectors) (in engine pre-wiring wiring harness)



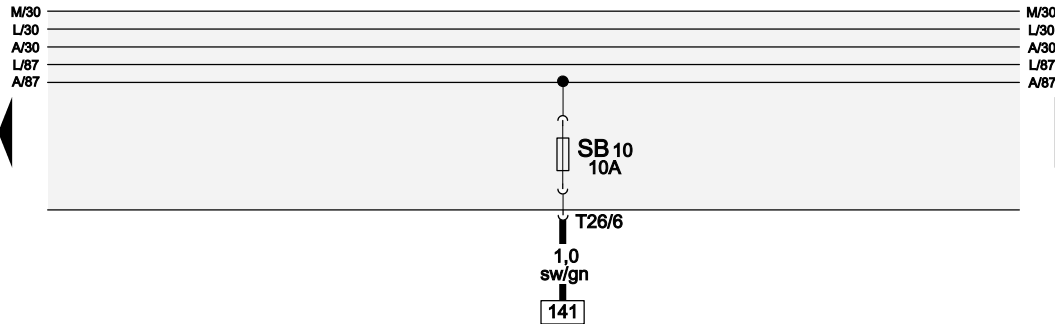
Protected by copyright. Copying for private or commercial purposes, in part or in whole, is not permitted unless authorised by AUDI AG. AUDI AG does not guarantee or accept any liability with respect to the correctness of information in this document. Copyright by AUDI AG.

- ws = white
- sw = black
- ro = red
- br = brown
- gn = green
- bl = blue
- gr = grey
- li = lilac
- ge = yellow
- or = orange
- rs = pink

368 ————— 368

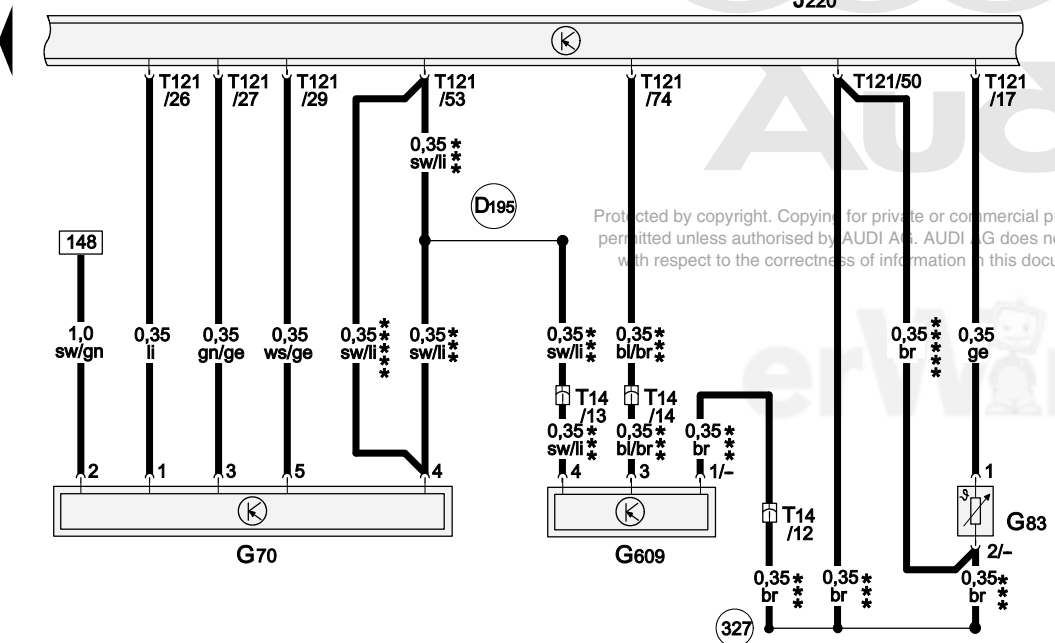
113 114 115 116 117 118 119 120 121 122 123 124 125 126

8P0-A015100307



Mass Air Flow (MAF) Sensor, Engine Coolant Temperature (ECT) Sensor (on Radiator), Secondary Air Injection (AIR) Sensor 1

- G70 Mass Air Flow (MAF) Sensor
- G83 Engine Coolant Temperature (ECT) Sensor (on Radiator)
- G609 Secondary Air Injection (AIR) Sensor 1
- J220 Motronic Engine Control Module (ECM)
- SB10 Fuse 10 (on fuse panel B)
- T14 14-Pin Connector, black, near left front long member
- T26 26-Pin Connector, black, on electronics box engine compartment (Connector K)
- T121 121-Pin Connector, black, on engine control module (ECM)
- 327 Sensor Ground Connection (in engine compartment wiring harness)
- D195 Connection 1 (5V) (in engine compartment wiring harness)
- *** Only models with US equipment, applicable from May 2007
- **** Not for models with US equipment

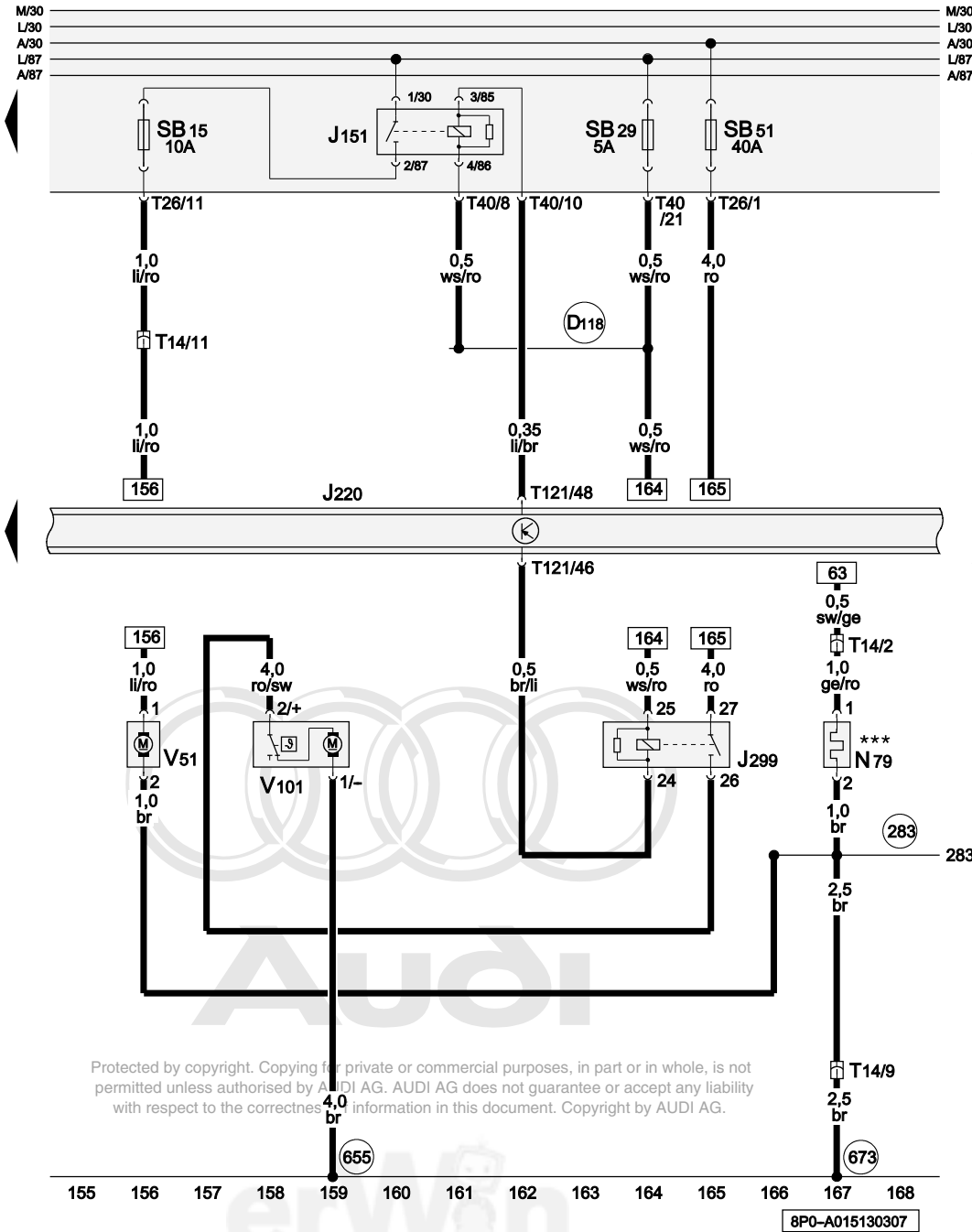


Protected by copyright. Copying for private or commercial purposes, in part or in whole, is not permitted unless authorised by AUDI AG. AUDI AG does not guarantee or accept any liability with respect to the correctness of information in this document. Copyright by AUDI AG.

- ws = white
- sw = black
- ro = red
- br = brown
- gn = green
- bl = blue
- gr = grey
- li = lilac
- ge = yellow
- or = orange
- rs = pink

141 142 143 144 145 146 147 148 149 150 151 152 153 154

8P0-A015120408



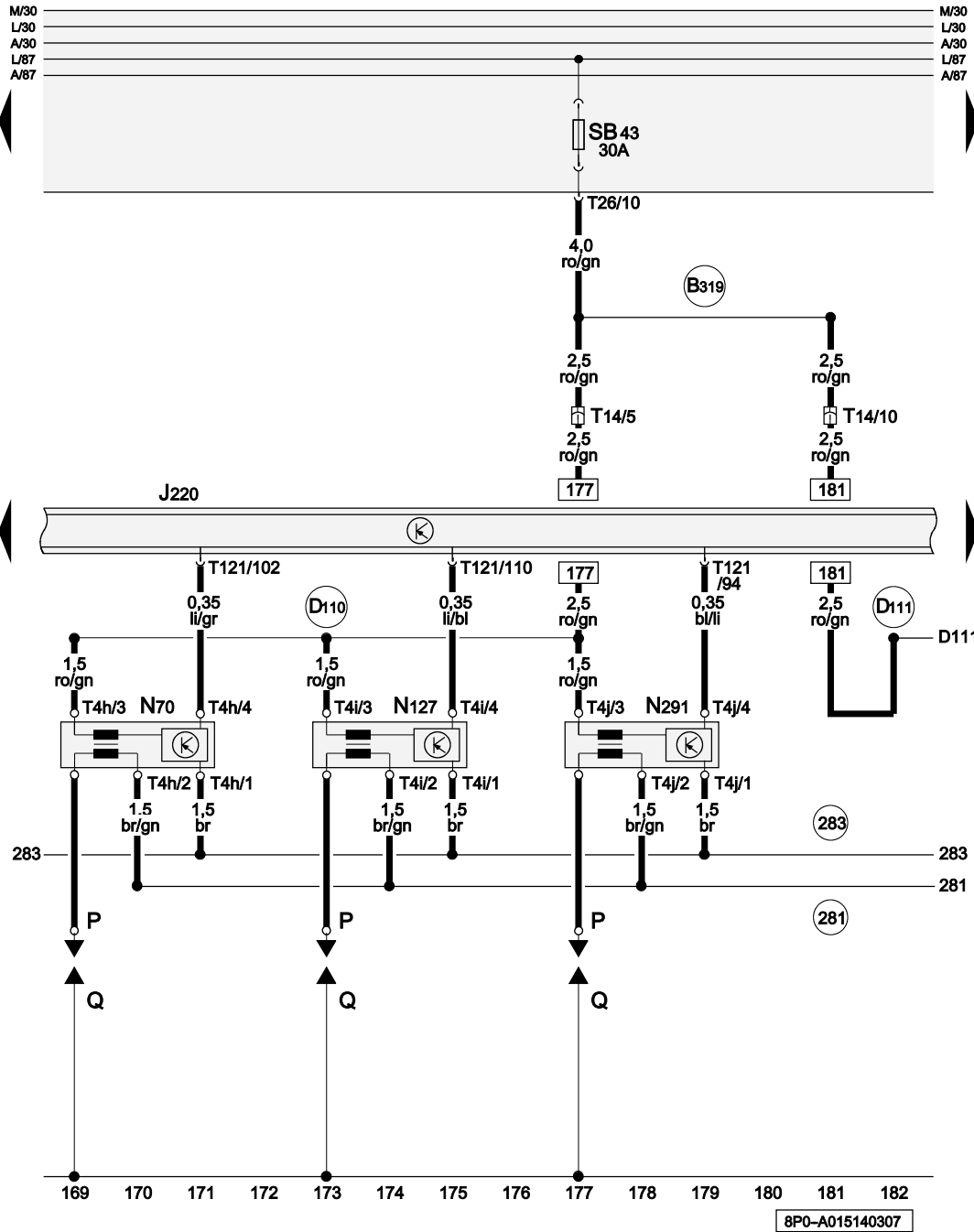
Coolant Circulation and Secondary Air Injection (AIR) Pump Relay, Positive Crankcase Ventilation (PCV) Heating Element

- J151 Coolant Circulation Pump Relay
- J220 Motronic Engine Control Module (ECM)
- J299 Secondary Air Injection (AIR) Pump Relay
- N79 Positive Crankcase Ventilation (PCV) Heating Element
- SB15 Fuse 15 (on fuse panel B)
- SB29 Fuse 29 (on fuse panel B)
- SB51 Fuse 51 (on fuse panel B)
- T14 14-Pin Connector, black, near left front long member
- T26 26-Pin Connector, black, on electronics box engine compartment (Connector K)
- T40 40-Pin Connector, black, on electronics box engine compartment (Connector J)
- T121 121-Pin Connector, black, on engine control module (ECM)
- V51 After-Run Coolant Pump
- V101 Secondary Air Injection (AIR) Pump Motor

- 283 Ground Connection 2 (in engine pre-wiring wiring harness)
- 655 Ground Connection (on left headlamp)
- 673 Ground Connection 3 (on left front long member)
- D118 Connection 16 (in engine compartment wiring harness)
- *** Only models with heating element

- ws = white
- sw = black
- ro = red
- br = brown
- gn = green
- bl = blue
- gr = grey
- li = lilac
- ge = yellow
- or = orange
- rs = pink

Protected by copyright. Copying for private or commercial purposes, in part or in whole, is not permitted unless authorised by AUDI AG. AUDI AG does not guarantee or accept any liability with respect to the correctness of information in this document. Copyright by AUDI AG.



Ignition Coils 1 through 3 with Power Output Stage, Spark Plug Connectors, Spark Plugs

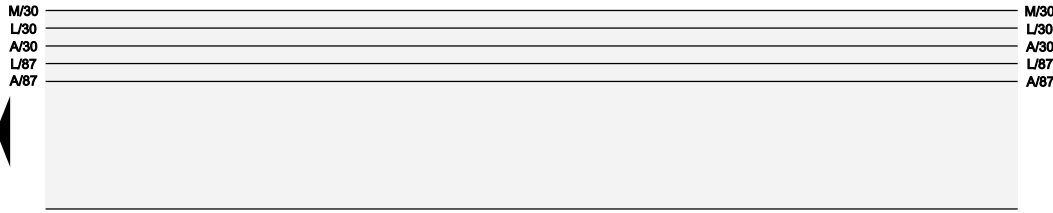
- J220 Motronic Engine Control Module (ECM)
- N70 Ignition Coil 1 with Power Output Stage
- N127 Ignition Coil 2 with Power Output Stage
- N291 Ignition Coil 3 with Power Output Stage
- SB43 Fuse 43 (on fuse panel B)
- P Spark Plug Connectors
- Q Spark Plugs
- T4h 4-Pin Connector, black, on ignition coil 1 with power output stage
- T4i 4-Pin Connector, black, on ignition coil 2 with power output stage
- T4j 4-Pin Connector, black, on ignition coil 3 with power output stage
- T14 14-Pin Connector, black, near left front long member
- T26 26-Pin Connector, black, on electronics box engine compartment (Connector K)
- T121 121-Pin Connector, black, on engine control module (ECM)

Protected by copyright. Copying for private or commercial purposes, in part or in whole, is not permitted unless authorised by AUDI AG. AUDI AG does not guarantee or accept any liability with respect to the correctness of information in this document. Copyright by AUDI AG.

- 281 Ground Connection 1 (in engine pre-wiring wiring harness)
- 283 Ground Connection 2 (in engine pre-wiring wiring harness)
- B319 Plus Connection 5 (30a) (in main wiring harness)
- D110 Connection 8 (in engine compartment wiring harness)
- D111 Connection 9 (in engine compartment wiring harness)

- ws = white
- sw = black
- ro = red
- br = brown
- gn = green
- bl = blue
- gr = grey
- li = lilac
- ge = yellow
- or = orange
- rs = pink

8P0-A015140307

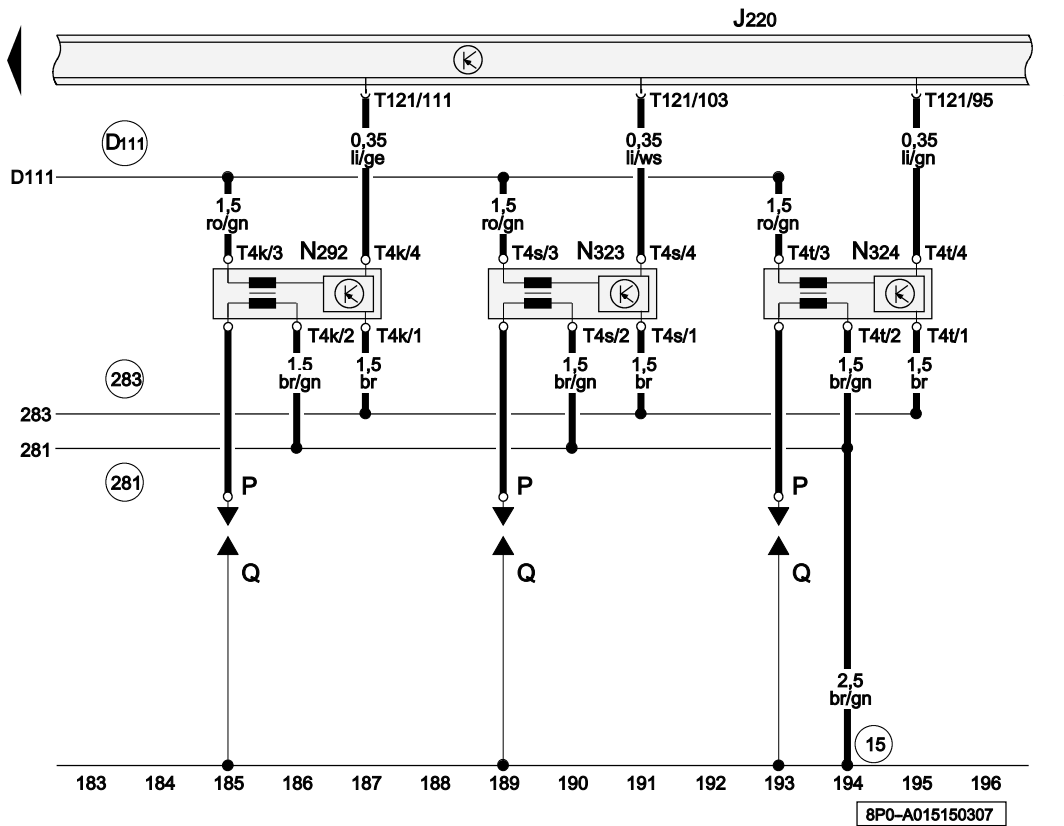


Ignition Coils 4 through 6 with Power Output Stage, Spark Plug Connectors, Spark Plugs

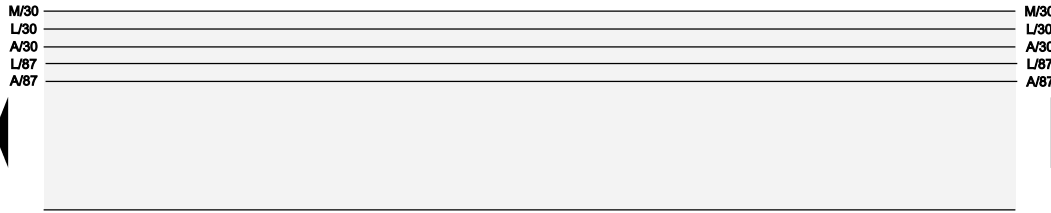
- J220 Motronic Engine Control Module (ECM)
- N292 Ignition Coil 4 with Power Output Stage
- N323 Ignition Coil 5 with Power Output Stage
- N324 Ignition Coil 6 with Power Output Stage
- P Spark Plug Connectors
- Q Spark Plugs
- T4k 4-Pin Connector, black, on ignition coil 4 with power output stage
- T4s 4-Pin Connector, black, on ignition coil 5 with power output stage
- T4t 4-Pin Connector, black, on ignition coil 6 with power output stage
- T121 121-Pin Connector, black, on engine control module (ECM)

Protected by copyright. Copying, in whole or in part, is not permitted unless authorised by AUDI AG. AUDI AG does not guarantee or accept any liability with respect to the correctness of information in this document. Copyright by AUDI AG.

- 15 Ground Connection (on cylinder head) or in whole, is not permitted unless authorised by AUDI AG. AUDI AG does not guarantee or accept any liability with respect to the correctness of information in this document. Copyright by AUDI AG.
- 281 Ground Connection 1 (in engine pre-wiring wiring harness)
- 283 Ground Connection 2 (in engine pre-wiring wiring harness)
- D111 Connection 9 (in engine compartment wiring harness)



- ws = white
- sw = black
- ro = red
- br = brown
- gn = green
- bl = blue
- gr = grey
- li = lilac
- ge = yellow
- or = orange
- rs = pink

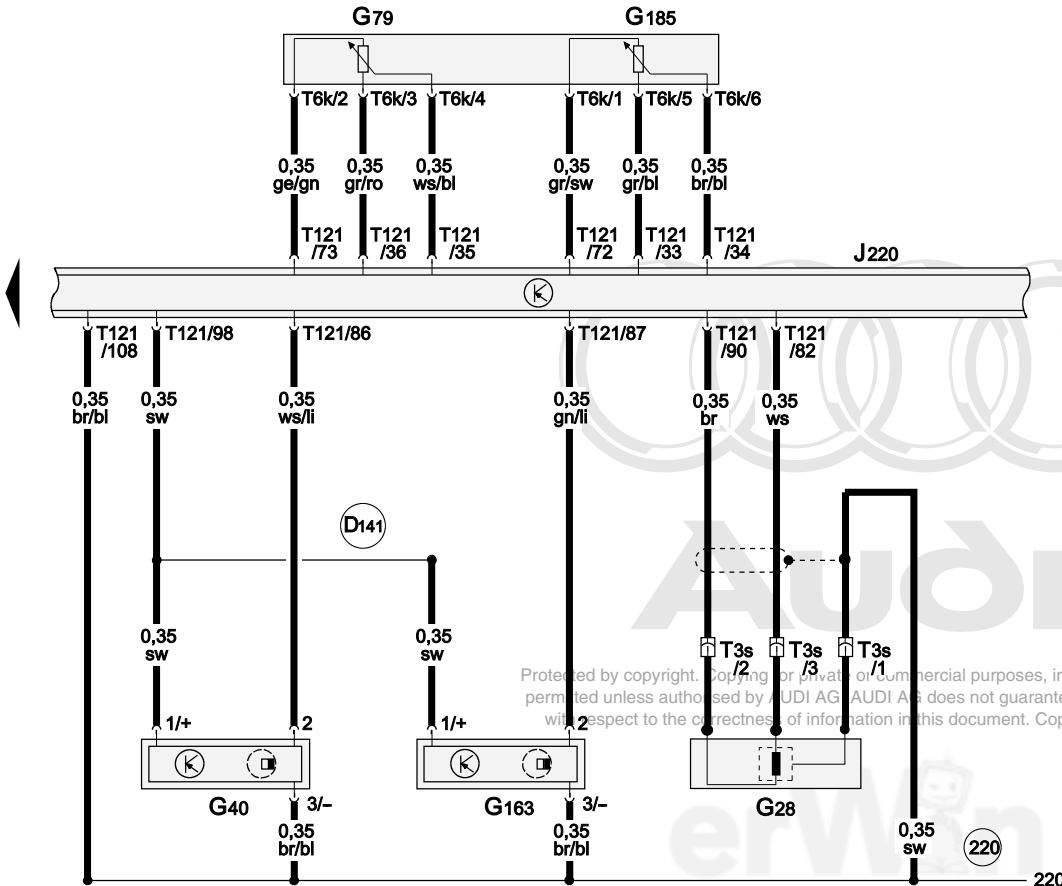


Camshaft Position (CMP) Sensor, Throttle Position (TP) Sensor, Engine Speed (RPM) Sensor

- G28 Engine Speed (RPM) Sensor
- G40 Camshaft Position (CMP) Sensor
- G79 Throttle Position (TP) Sensor
- G163 Camshaft Position (CMP) Sensor 2
- G185 Accelerator Pedal Position Sensor 2
- J220 Motronic Engine Control Module (ECM)
- T3s 3-Pin Connector
- T6k 6-Pin Connector, black, near throttle position (TP) sensor
- T121 121-Pin Connector, black, on engine control module (ECM)

220 Sensor Ground Connection (in engine wiring harness)

D141 Connection (5V) (in engine pre-wiring wiring harness)

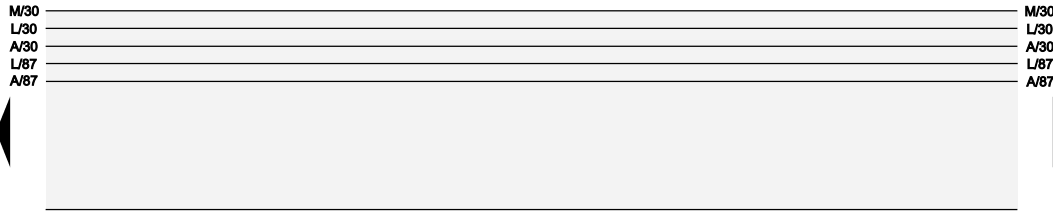


Protected by copyright. Copying for private or commercial purposes, in part or in whole, is not permitted unless authorised by AUDI AG. AUDI AG does not guarantee or accept any liability with respect to the correctness of information in this document. Copyright by AUDI AG.

- ws = white
- sw = black
- ro = red
- br = brown
- gn = green
- bl = blue
- gr = grey
- li = lilac
- ge = yellow
- or = orange
- rs = pink

197 198 199 200 201 202 203 204 205 206 207 208 209 210

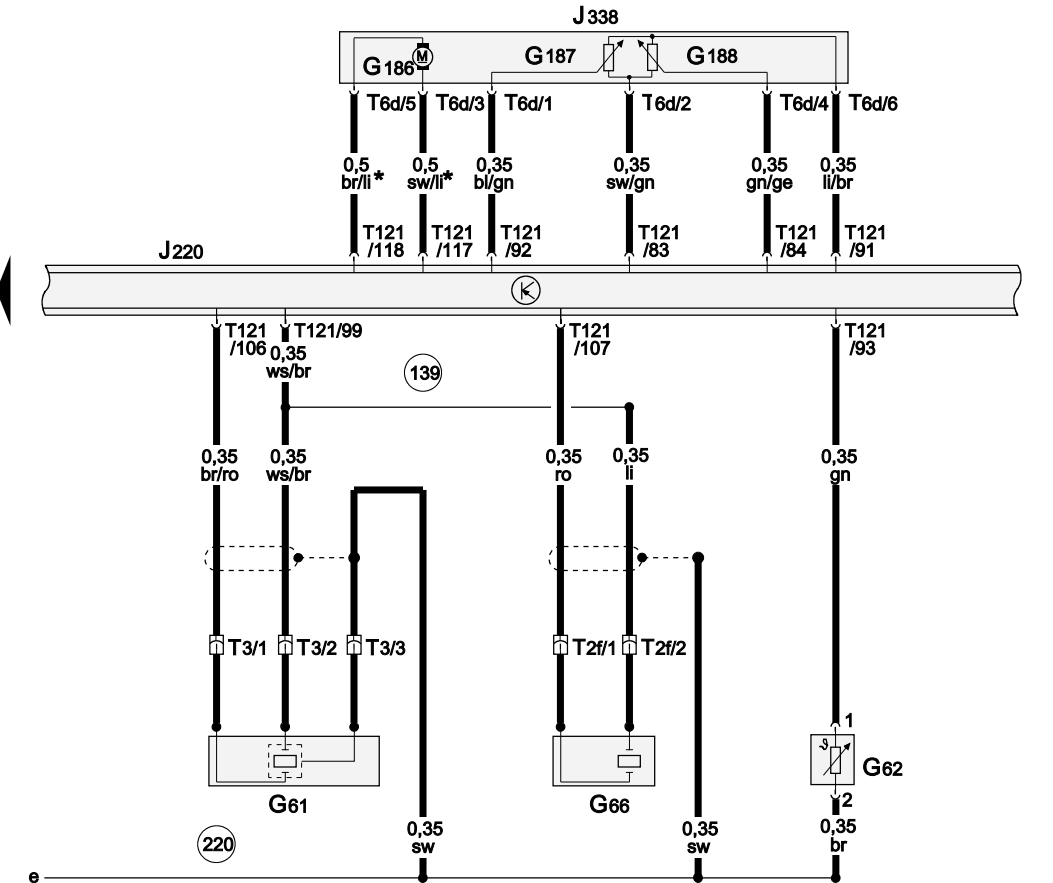
8P0-A015160307



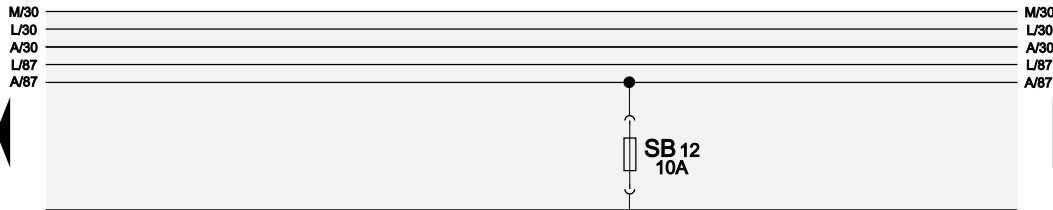
Throttle Valve Control Module, Knock Sensors (KS), Temperature Sensor

- G61 Knock Sensor (KS) 1
- G62 Engine Coolant Temperature (ECT) Sensor
- G66 Knock Sensor (KS) 2
- G186 Throttle Drive (for Electronic Power Control (EPC))
- G187 Throttle Drive Angle Sensor 1 (for Electronic Power Control (EPC))
- G188 Throttle Drive Angle Sensor 2 (for Electronic Power Control (EPC))
- J220 Motronic Engine Control Module (ECM)
- J338 Throttle Valve Control Module
- T2f Double Connector, black, in left engine compartment (knock sensor 2)
- T3 3-Pin Connector, red, in left engine compartment (knock sensor)
- T6d 6-Pin Connector, black, near throttle valve control module
- T121 121-Pin Connector, black, on engine control module (ECM)
- 139 Sensor Ground Connection (in Motronic Multipoint Fuel Injection (MFI) wiring harness)
- 220 Sensor Ground Connection (in engine wiring harness)

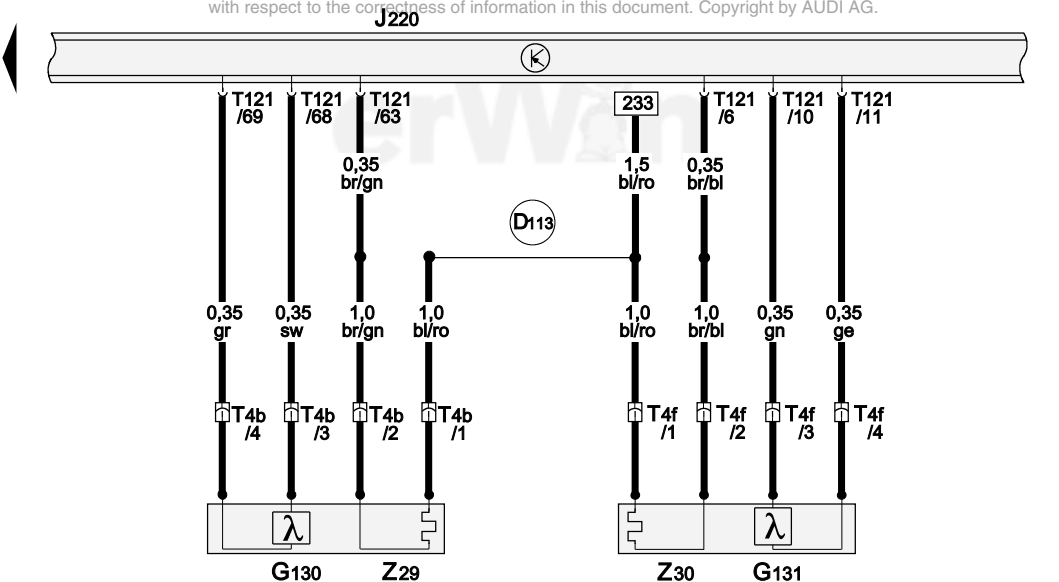
* Cross-section was reduced from 0.002 square inches (1,0 mm²) to 0.001 square inches (0,5 mm²), applicable from November 2006



ws = white
 sw = black
 ro = red
 br = brown
 gn = green
 bl = blue
 gr = grey
 li = lilac
 ge = yellow
 or = orange
 rs = pink



Protected by copyright. Copying for private or commercial purposes, in part or in whole, is not permitted unless authorised by AUDI AG. AUDI AG does not guarantee or accept any liability with respect to the correctness of information in this document. Copyright by AUDI AG.



Oxygen Sensor (O2S) Behind Three Way Catalytic Converter (TWC), Oxygen Sensor (O2S) 2 Behind Three Way Catalytic Converter (TWC)

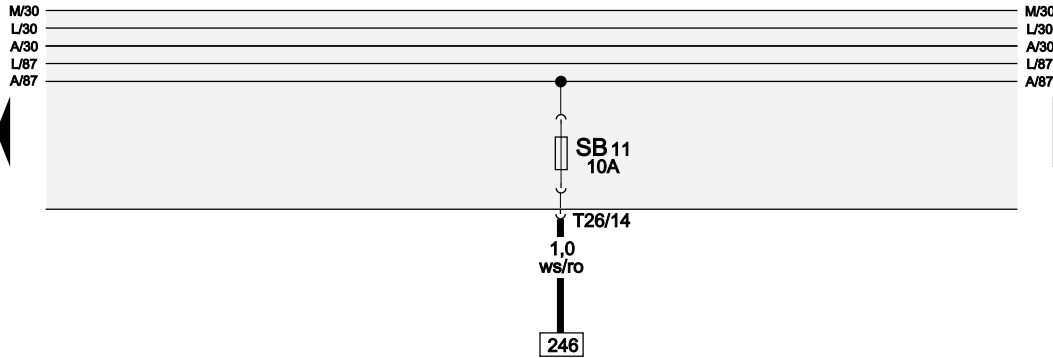
- G130 Oxygen Sensor (O2S) Behind Three Way Catalytic Converter (TWC)
- G131 Oxygen Sensor (O2S) 2 Behind Three Way Catalytic Converter (TWC)
- J220 Motronic Engine Control Module (ECM)
- SB12 Fuse 12 (on fuse panel B)
- T4b 4-Pin Connector, black, on oxygen sensor (O2S) behind three way catalytic converter (TWC)
- T4f 4-Pin Connector, brown, on oxygen sensor (O2S) 2 behind three way catalytic converter (TWC)
- T26 26-Pin Connector, black, on electronics box engine compartment (Connector K)
- T121 121-Pin Connector, black, on engine control module (ECM)
- Z29 Oxygen Sensor (O2S) Heater 1 (behind Three Way Catalytic Converter (TWC)
- Z30 Oxygen Sensor (O2S) Heater 2 (behind Three Way Catalytic Converter (TWC)

D113 Connection 11 (in engine compartment wiring harness)

- ws = white
- sw = black
- ro = red
- br = brown
- gn = green
- bl = blue
- gr = grey
- li = lilac
- ge = yellow
- or = orange
- rs = pink

225 226 227 228 229 230 231 232 233 234 235 236 237 238

8P0-A015180307

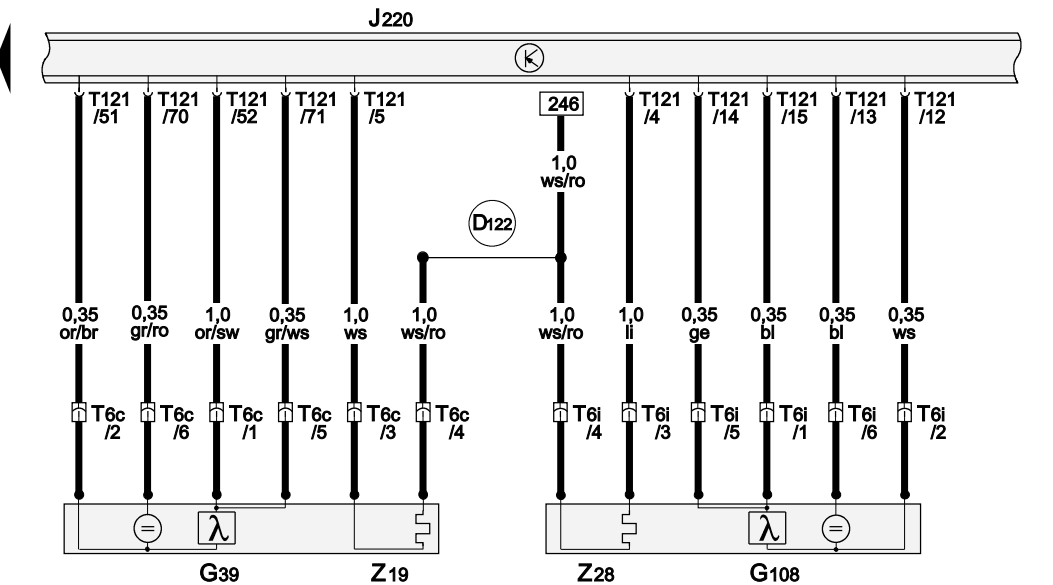


Heated Oxygen Sensor (HO2S), Heated Oxygen Sensor (HO2S) 2

- G39 Heated Oxygen Sensor (HO2S)
- G108 Heated Oxygen Sensor (HO2S) 2
- J220 Motronic Engine Control Module (ECM)
- SB11 Fuse 11 (on fuse panel B)
- T6c 6-Pin Connector, black, on oxygen sensor (O2S) before three way catalytic converter (TWC)
- T6i 6-Pin Connector, brown, on oxygen sensor (O2S) 2 before three way catalytic converter (TWC)
- T26 26-Pin Connector, black, on electronics box engine compartment (Connector K)
- T121 121-Pin Connector, black, on engine control module (ECM)
- Z19 Oxygen Sensor (O2S) Heater
- Z28 Oxygen Sensor (O2S) Heater 2

Protected by copyright. Copying for private or commercial purposes in part or in whole is not permitted unless authorised by AUDI AG. AUDI AG does not guarantee or accept any liability with respect to the correctness of information in this document. Copyright by AUDI AG.

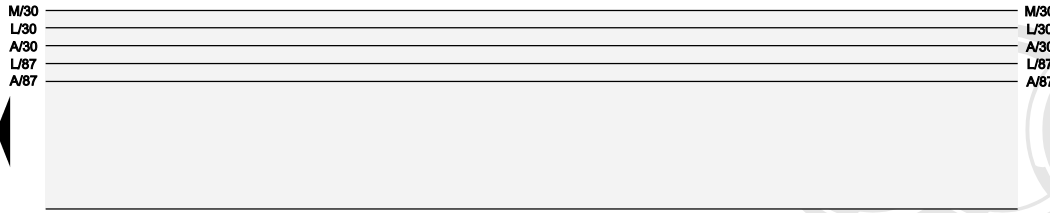
D122 Connection 20 (in engine compartment wiring harness)



- ws = white
- sw = black
- ro = red
- br = brown
- gn = green
- bl = blue
- gr = grey
- li = lilac
- ge = yellow
- or = orange
- rs = pink

239 240 241 242 243 244 245 246 247 248 249 250 251 252

8P0-A015190307

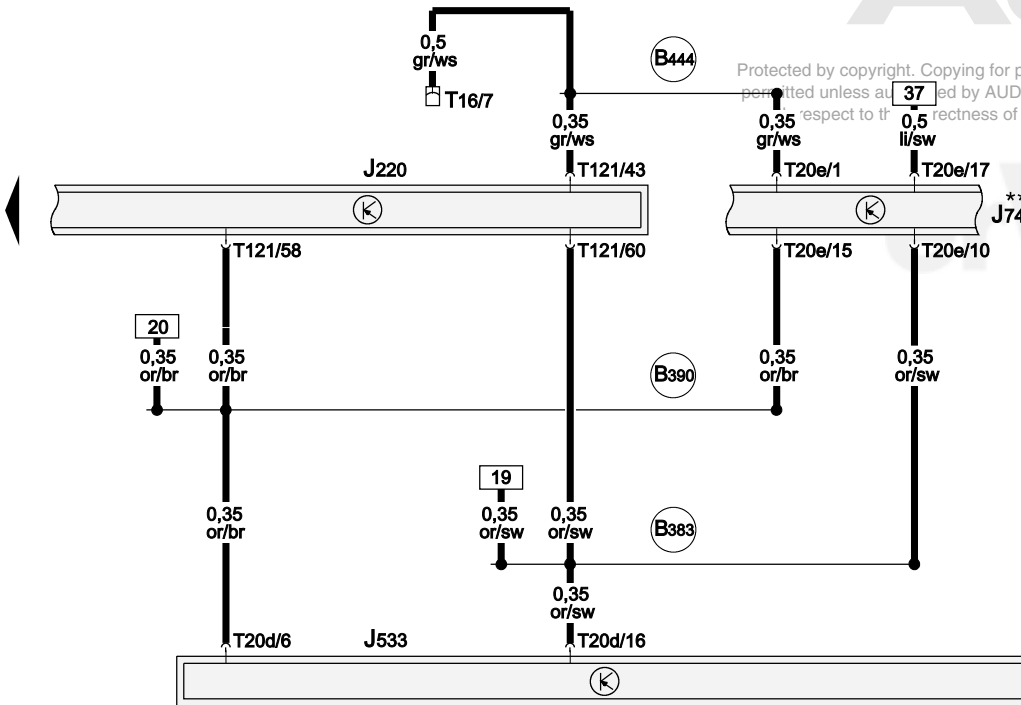


Powertrain CAN-Bus, Diagnostic

- J220 Motronic Engine Control Module (ECM)
- J533 Data Bus On Board Diagnostic Interface
- J743 Direct Shift Gearbox (DSG) Mechatronic
- T16 16-Pin Connector, black, instrument panel driver's side, bottom left (diagnostic connector)
- T20d 20-Pin Connector, yellow (Connector A)
- T20e 20-Pin Connector, black (Connector A)
- T121 121-Pin Connector, black, on engine control module (ECM)

- (B383) Powertrain CAN-Bus High Connection 1 (in main wiring harness)
- (B390) Powertrain CAN-Bus Low Connection 1 (in main wiring harness)
- (B444) OB D Connection 1 (in main wiring harness)

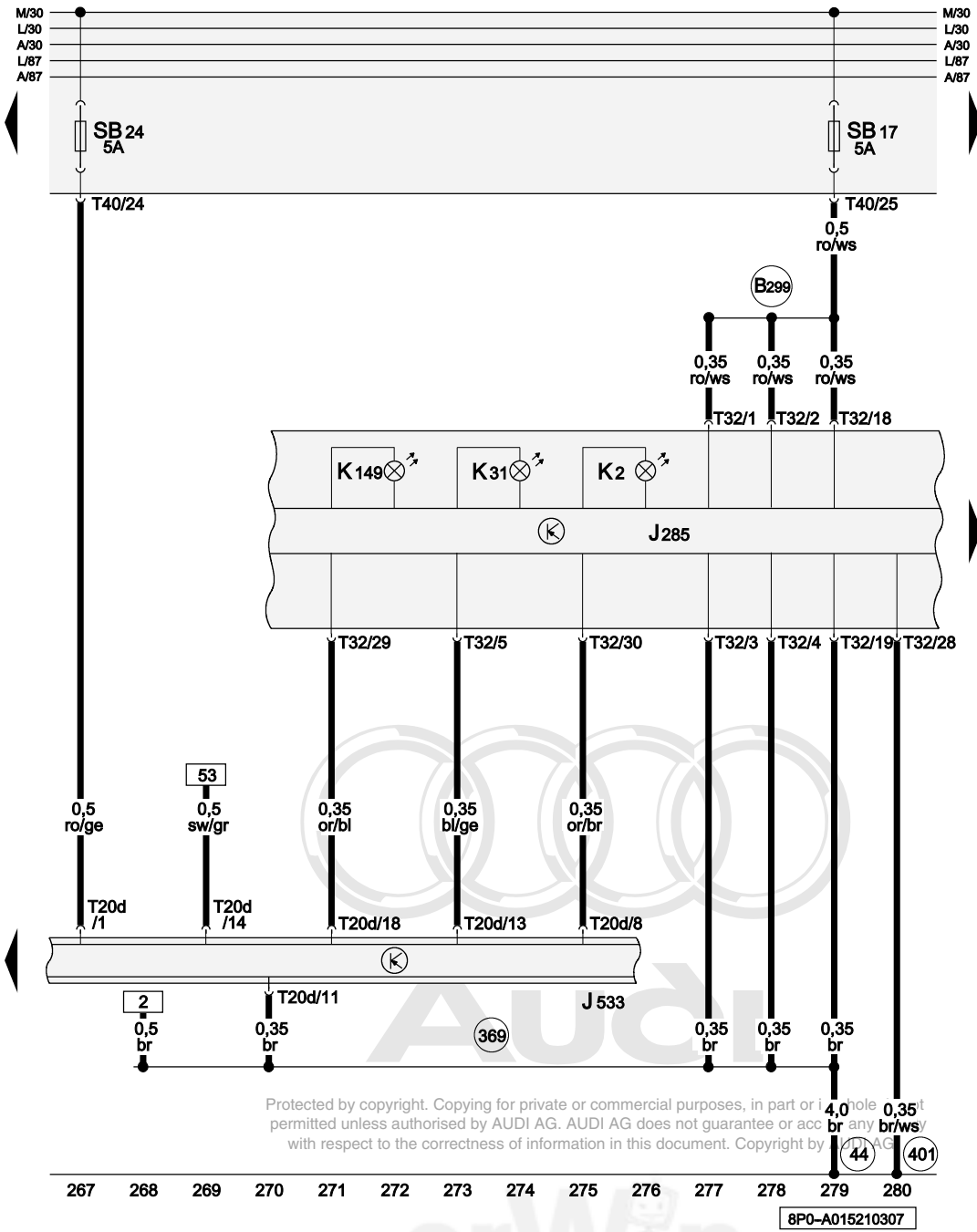
Protected by copyright. Copying for private or commercial purposes, in part or in whole, is prohibited unless authorized by AUDI AG. AUDI AG does not guarantee or accept any liability for the correctness of information in this document. Copyright by AUDI AG. Only models with automatic transmission



- ws = white
- sw = black
- ro = red
- br = brown
- gn = green
- bl = blue
- gr = grey
- li = lilac
- ge = yellow
- or = orange
- rs = pink

253 254 255 256 257 258 259 260 261 262 263 264 265 266

8P0-A015200307



Data Bus On Board Diagnostic Interface

- J285 Instrument Cluster Control Module
- J533 Data Bus On Board Diagnostic Interface
- K2 Generator (GEN) Warning Lamp
- K31 Cruise Control Indicator Lamp
- K149 Engine Electronics Warning Lamp
- SB17 Fuse 17 (on fuse panel B)
- SB24 Fuse 24 (on fuse panel B)
- T20d 20-Pin Connector, yellow (Connector A)
- T32 32-Pin Connector, blue (Connector A)
- T40 40-Pin Connector, black, on electronics box engine compartment (Connector J)

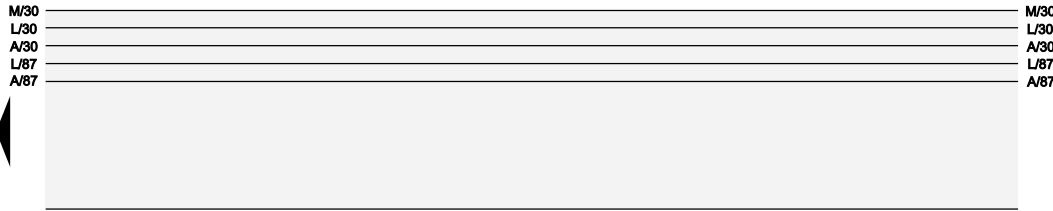
- 44 Ground Connection (on left lower A-pillar)
- 369 Ground Connection 4 (in main wiring harness)
- 401 Sensor Ground Connection (in interior wiring harness)
- B299 Plus Connection 3 (30) (in main wiring harness)

- ws = white
- sw = black
- ro = red
- br = brown
- gn = green
- bl = blue
- gr = grey
- li = lilac
- ge = yellow
- or = orange
- rs = pink

Protected by copyright. Copying for private or commercial purposes, in part or in whole, is not permitted unless authorised by AUDI AG. AUDI AG does not guarantee or accept any liability with respect to the correctness of information in this document. Copyright by AUDI AG.

267 268 269 270 271 272 273 274 275 276 277 278 279 280

8P0-A015210307



Oil Pressure Switch, Oil Level Thermal Sensor

- F1 Oil Pressure Switch
- G1 Fuel Gauge
- G3 Engine Coolant Temperature (ECT) Gauge
- G169 Fuel Level Sensor 2
- G266 Oil Level Thermal Sensor
- J285 Instrument Cluster Control Module
- K3 Oil Pressure Warning Lamp
- K16 Fuel Reserve Warning Lamp
- K28 Engine Coolant Level/Temperature (ECL/ECT) Warning Lamp
- T6 6-Pin Connector, black, near left front long member
- T14 14-Pin Connector, black, near left front long member
- T32 32-Pin Connector, blue (Connector A)

366 Ground Connection 1 (in main wiring harness)

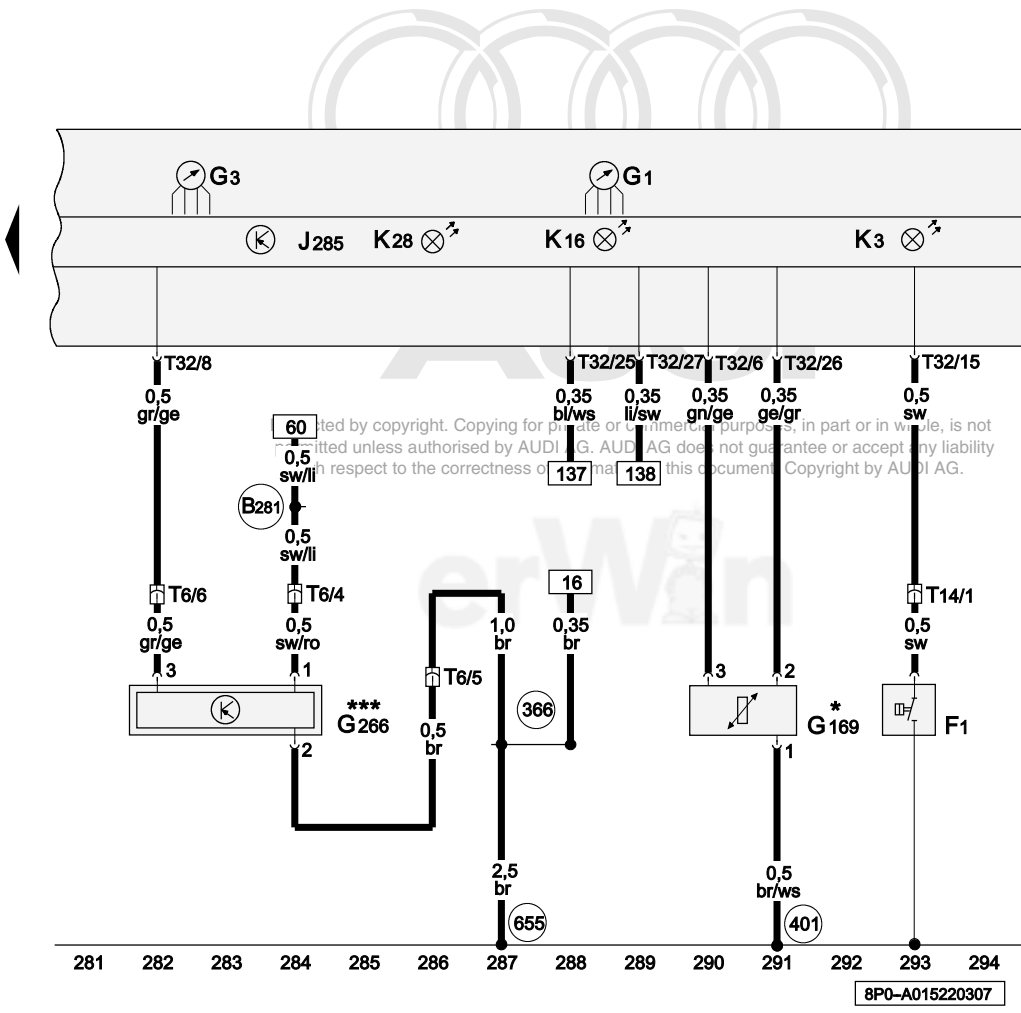
401 Sensor Ground Connection (in interior wiring harness)

655 Ground Connection (on left headlamp)

B281 Plus Connection 5 (15a) (in main wiring harness)

* Only models with all-wheel drive

*** Only models with extended service intervals



- ws = white
- sw = black
- ro = red
- br = brown
- gn = green
- bl = blue
- gr = grey
- li = lilac
- ge = yellow
- or = orange
- rs = pink

8P0-A015220307

Navigation System NS-Low

from model year 2007

Note:

Information for

- ◆ Relay and fuse arrangements
- ◆ Connector arrangements
- ◆ Control Modules and Relays
- ◆ Ground Connections

⇒ Component Locations

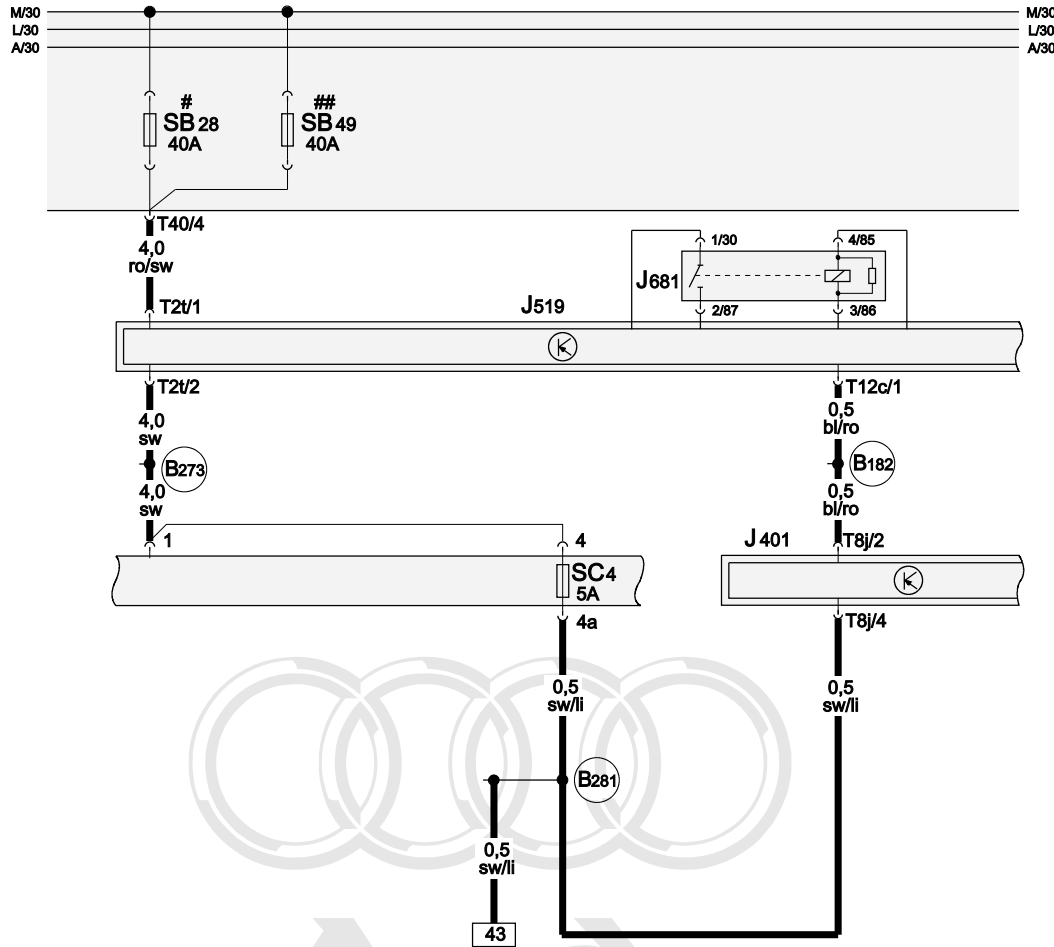
Information for

- ◆ Troubleshooting Procedures
- ⇒ Guided Fault Finding using VAS 5051 / 5052



Protected by copyright. Copying for private or commercial purposes, in part or in whole, is not permitted unless authorised by AUDI AG. AUDI AG does not guarantee or accept any liability with respect to the correctness of information in this document. Copyright by AUDI AG.





Fuses, Navigation System Control Module with CD Drive, Vehicle Electrical System Control Module

- J401 Navigation System Control Module with CD Drive
- J519 Vehicle Electrical System Control Module
- J681 Power Supply Relay 2 (terminal 15)
- SB28 Fuse 28 (on fuse panel B)
- SB49 Fuse 49 (on fuse panel B)
- SC4 Fuse 4 (on fuse panel C)
- T2t Double Connector, black (Connector L)
- T8j 8-Pin Connector, black (Connector A)
- T12c 12-Pin Connector, black (Connector B)
- T40 40-Pin Connector, black, on electronics box engine compartment (Connector J)

(B182) Connection (RF) (in passenger compartment wiring harness)

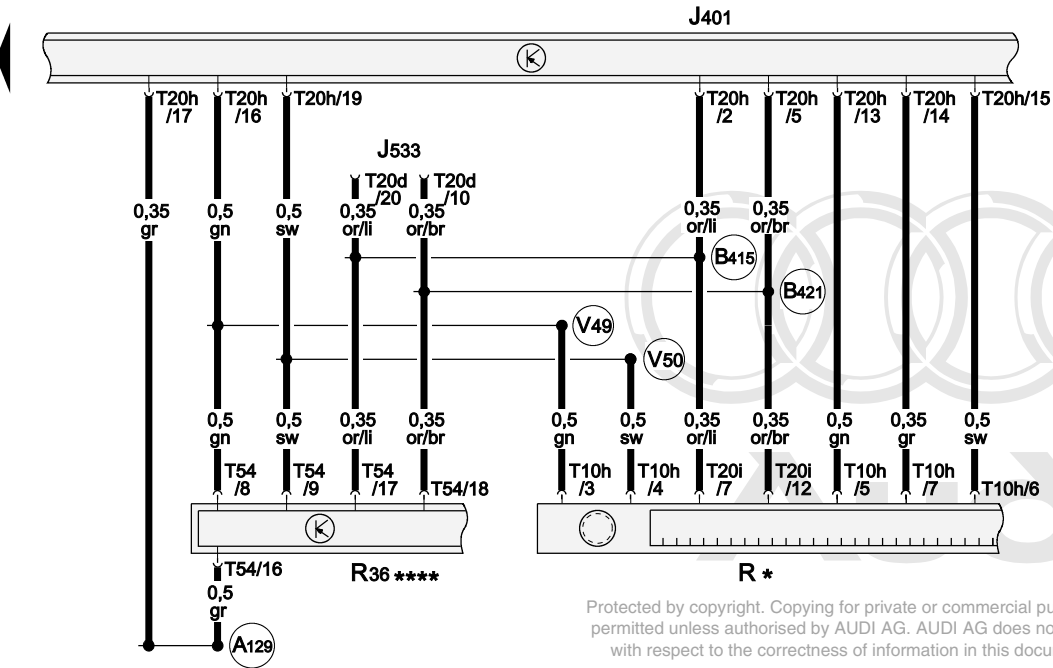
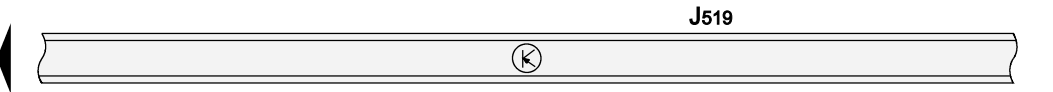
(B273) Plus Connection (15) (in main wiring harness)

(B281) Plus Connection 5 (15a) (in main wiring harness)

- # Only models with electronics box Low ⇒ Component Locations
- ## Only models with electronics box High ⇒ Component Locations

Protected by copyright. Copying for private or commercial purposes, in part or in whole, is not permitted unless authorised by AUDI AG. AUDI AG does not guarantee or accept any liability with respect to the correctness of information in this document. Copyright by AUDI AG.

- ws = white
- sw = black
- ro = red
- br = brown
- gn = green
- bl = blue
- gr = grey
- li = lilac
- ge = yellow
- or = orange
- rs = pink



Mute, Infotainment CAN-Bus

- J401 Navigation System Control Module with CD Drive
- J519 Vehicle Electrical System Control Module
- J533 Data Bus On Board Diagnostic Interface
- R Radio
- R36 Telephone Transceiver
- T10h 10-Pin Connector, red
- T20d 20-Pin Connector, yellow (Connector A)
- T20h 20-Pin Connector, black (Connector C)
- T20i 20-Pin Connector, black (Connector A)
- T54 54-Pin Connector, black (Connector A)

- A129 Mute Connection (in instrument panel wiring harness)
- B415 Infotainment CAN-Bus High Connection 1 (in main wiring harness)
- B421 Infotainment CAN-Bus Low Connection 1 (in main wiring harness)
- V49 Low Frequency + Connection (in communication wiring harness)
- V50 Low Frequency - Connection (in communication wiring harness)

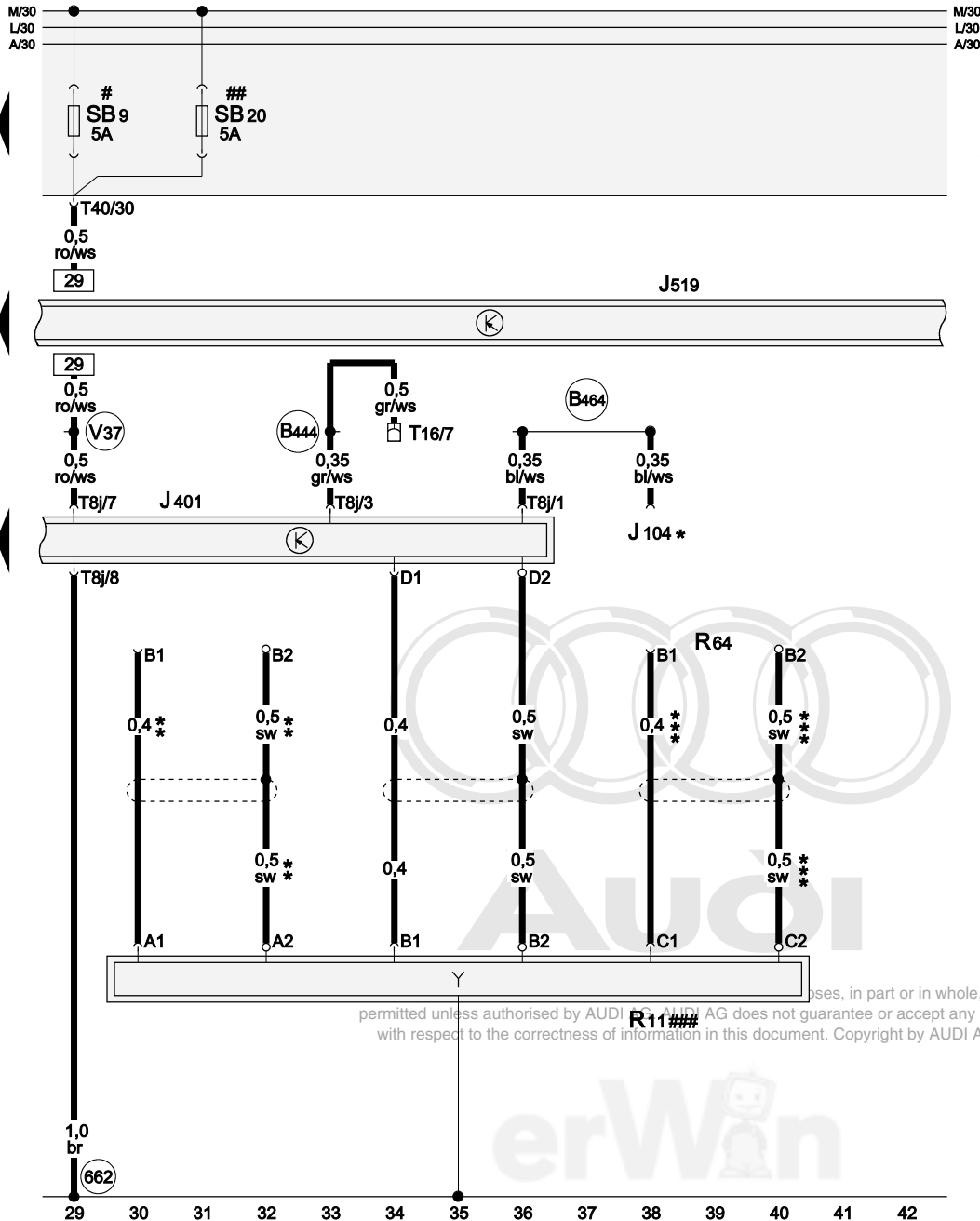
* Only models with radio generation II
 **** Cellular telephone preparation with hands free system only

- ws = white
- sw = black
- ro = red
- br = brown
- gn = green
- bl = blue
- gr = grey
- li = lilac
- ge = yellow
- or = orange
- rs = pink

Protected by copyright. Copying for private or commercial purposes, in part or in whole, is not permitted unless authorised by AUDI AG. AUDI AG does not guarantee or accept any liability with respect to the correctness of information in this document. Copyright © 2005 AUDI AG.

15 16 17 18 19 20 21 22 23 24 25 26 27 28

8P0-016030406



Roof Antenna

- J104 ABS Control Module
- J401 Navigation System Control Module with CD Drive
- J519 Vehicle Electrical System Control Module
- R64 Auxiliary Heater RF Receiver
- R11 Antenna
- SB9 Fuse 9 (on fuse panel B)
- SB20 Fuse 20 (on fuse panel B)
- T8j 8-Pin Connector, black (Connector A)
- T16 16-Pin Connector, black, instrument panel driver's side, bottom left (diagnostic connector)
- T40 40-Pin Connector, black, on electronics box engine compartment (Connector J)

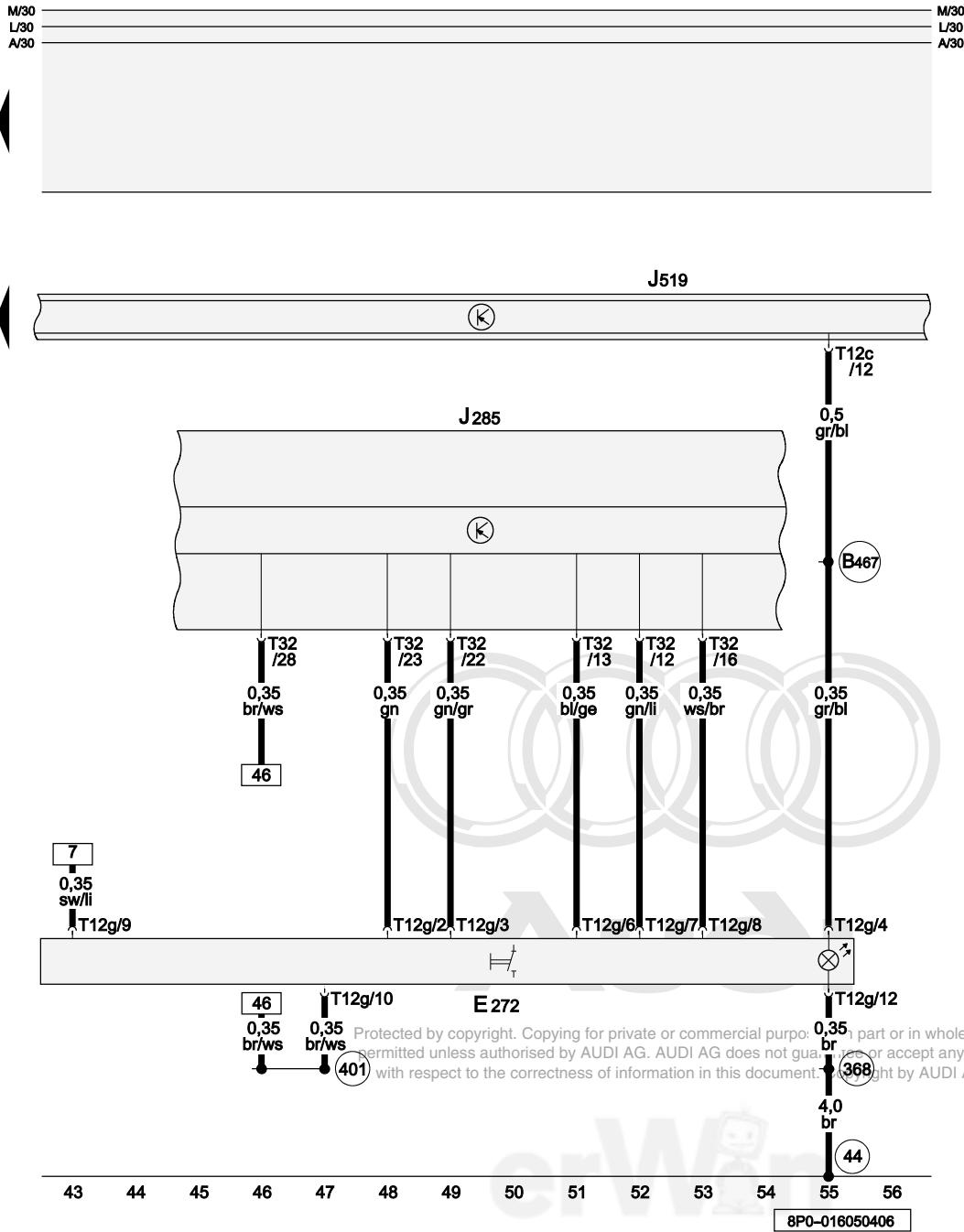
- 662 Ground Connection (on left rear side panel)
- B444 OBD Connection 1 (in main wiring harness)
- B464 Speedometer Connection (in main wiring harness)
- V37 Plus Connection (30) (in communications wiring harness)

- * ⇒ Applicable Wiring Diagram ABS
- ** Only models with telephone / cellular telephone preparation
- *** Only models with auxiliary heater
- # Only models with electronics box Low ⇒ Component Locations
- ## Only models with electronics box High ⇒ Component Locations
- ### R11 replace R66

- ws = white
- sw = black
- ro = red
- br = brown
- gn = green
- bl = blue
- li = lilac
- ge = yellow
- or = orange
- rs = pink

uses, in part or in whole, is not permitted unless authorised by AUDI AG. AUDI AG does not guarantee or accept any liability with respect to the correctness of information in this document. Copyright by AUDI AG.

8P0-016040406



Function Selection Switch 2, Instrument Cluster Control Module

- E272 Function Selection Switch 2
- J285 Instrument Cluster Control Module
- J519 Vehicle Electrical System Control Module
- T12c 12-Pin Connector, black (Connector B)
- T12g 12-Pin Connector, brown
- T32 32-Pin Connector, blue (Connector A)

- 44 Ground Connection (on left lower A-pillar)
- 368 Ground Connection 3 (in main wiring harness)
- 401 Sensor Ground Connection (in interior wiring harness)
- B467 Connection 3 (in main wiring harness)

- ws = white
- sw = black
- ro = red
- br = brown
- gn = green
- bl = blue
- gr = grey
- li = lilac
- ge = yellow
- or = orange
- rs = pink

Driver's Airbag, Front Passenger's Safety Belt Tensioner and Side Airbag

⇒ Only US equipment
from model year 2007

Note:

Information for

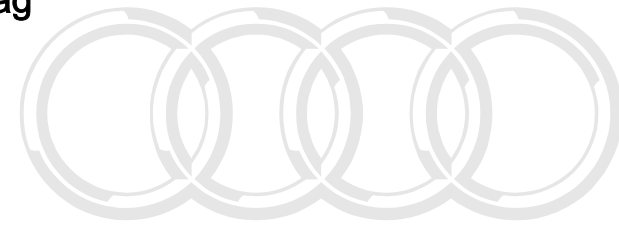
- ◆ Relay and fuse arrangements
- ◆ Connector arrangements
- ◆ Control Modules and Relays
- ◆ Ground Connections

⇒ Component Locations

Information for

- ◆ Troubleshooting Procedures

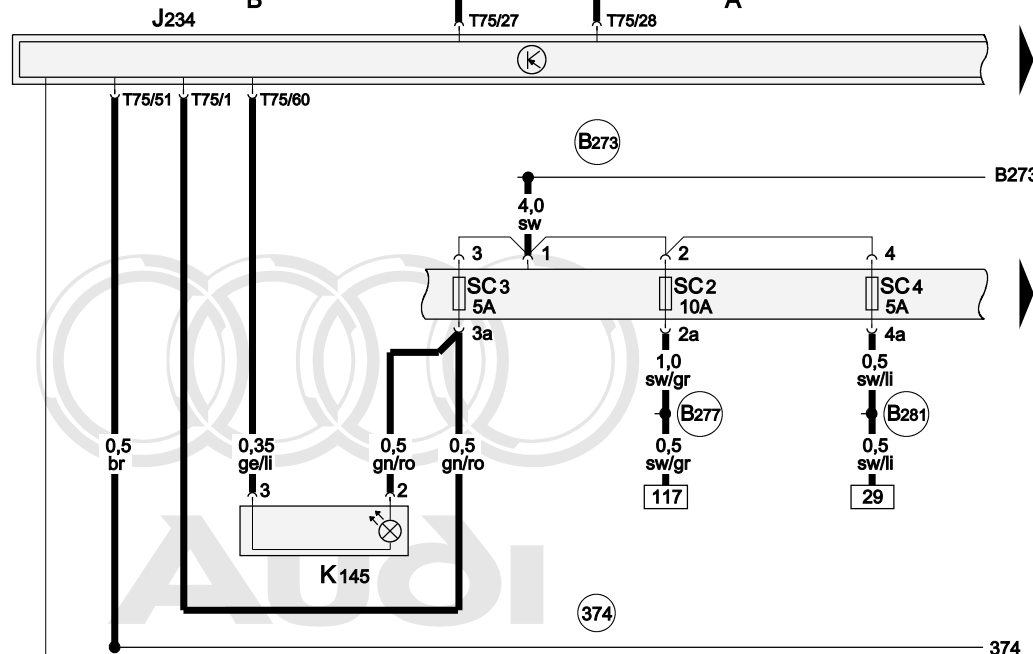
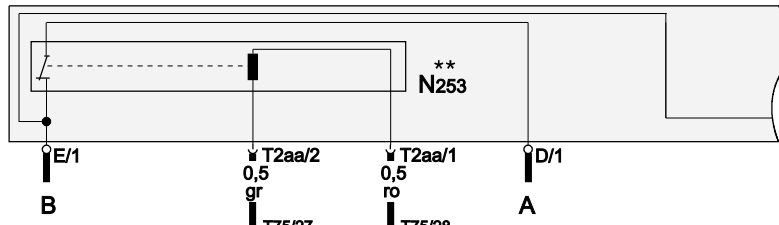
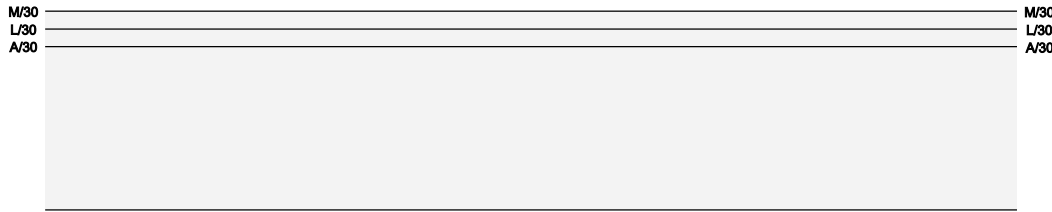
⇒ Guided Fault Finding using VAS 5051 / 5052



Audi

Protected by copyright. Copying for private or commercial purposes, in part or in whole, is not permitted unless authorised by AUDI AG. AUDI AG does not guarantee or accept any liability with respect to the correctness of information in this document. Copyright by AUDI AG.





Fuses (on fuse panel), Battery Interrupt Igniter

- A Battery
- B Starter
- J234 Airbag Control Module
- K145 Front Passenger's Airbag Disabled Indicator Lamp
- N253 Battery Interrupt Igniter
- SC2 Fuse 2 (on fuse panel C)
- SC3 Fuse 3 (on fuse panel C)
- SC4 Fuse 4 (on fuse panel C)
- T2aa Double Connector, purple (connector locking yellow)
- T75 75-Pin Connector, yellow (connector locking green)

- (374) Ground Connection 9 (in main wiring harness)
- (B273) Plus Connection (15) (in main wiring harness)
- (B277) Plus Connection 1 (15a) (in main wiring harness)
- (B281) Plus Connection 5 (15a) (in main wiring harness)

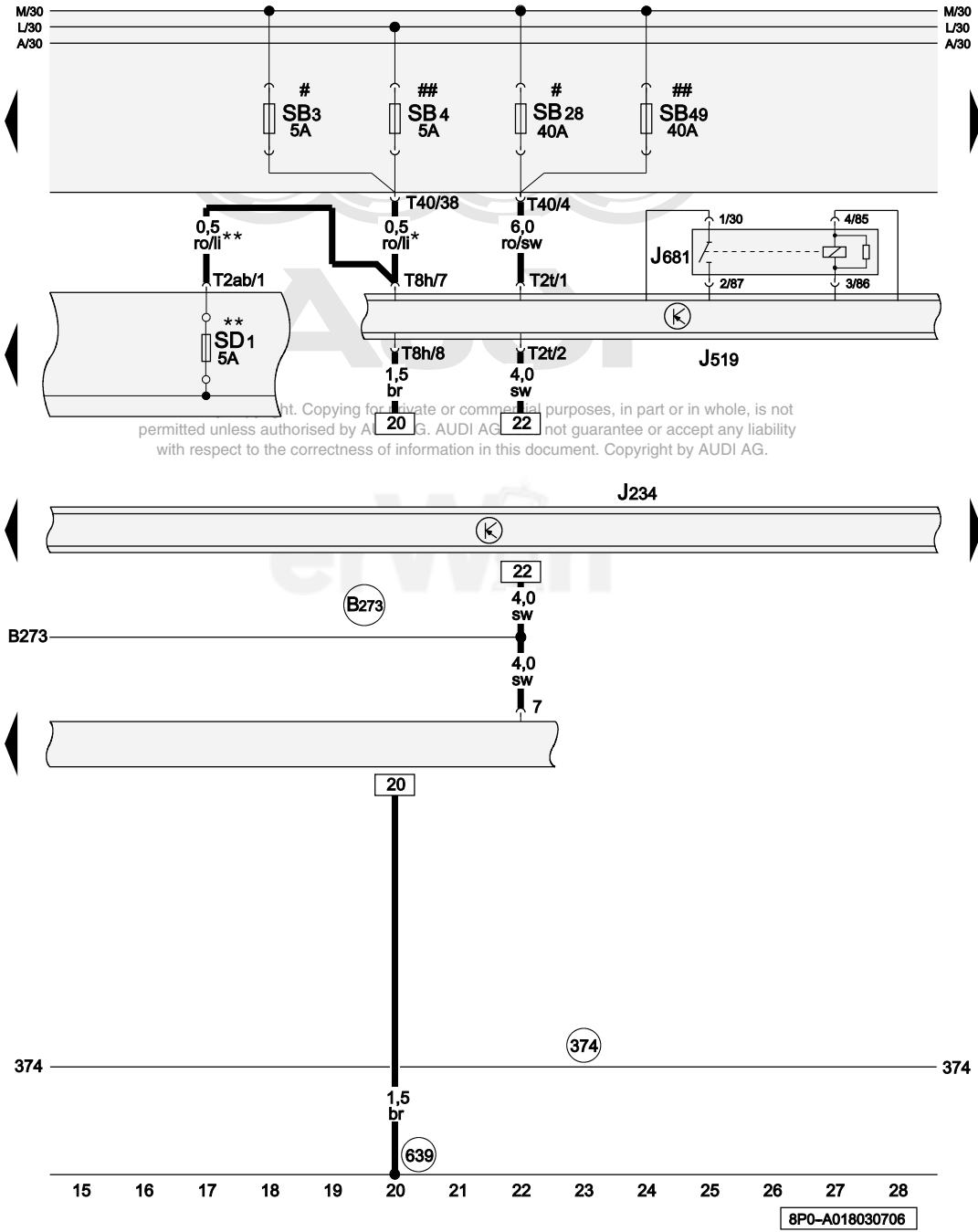
** => Applicable Wiring Diagram for models with battery in luggage compartment
 *** Ground supply via the housing from airbag control module

- ws = white
- sw = black
- ro = red
- rt = red
- br = brown
- gn = green
- bl = blue
- gr = grey
- li = lilac
- vi = lilac
- ge = yellow
- or = orange
- rs = pink

Protected by copyright. Copying for private or commercial purposes, in part or in whole, is not permitted unless authorised by AUDI AG. AUDI AG does not guarantee or accept any liability with respect to the correctness of information in this document. Copyright by AUDI AG.



8P0-A018020706



Power Supply Relay 2 (terminal 15)

- J234 Airbag Control Module
- J519 Vehicle Electrical System Control Module
- J681 Power Supply Relay 2 (terminal 15)
- SB3 Fuse 3 (on fuse panel B)
- SB4 Fuse 4 (on fuse panel B)
- SB28 Fuse 28 (on fuse panel B)
- SB49 Fuse 49 (on fuse panel B)
- SD1 Fuse 1 (on fuse panel D)
- T2t Double Connector, black (Connector L)
- T2ab Double Connector, black
- T8h 8-Pin Connector, black (Connector F)
- T40 40-Pin Connector, black, on electronics box engine compartment (Connector J)

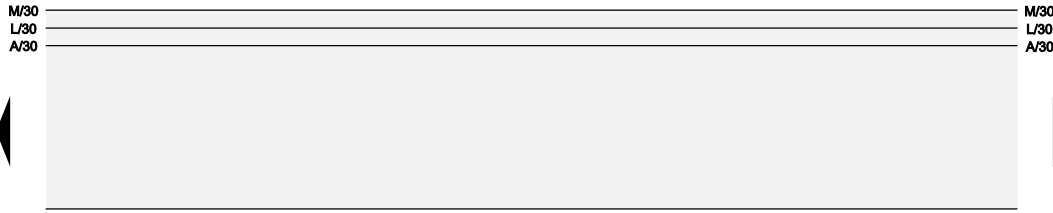
- 374 Ground Connection 9 (in main wiring harness)
- 639 Ground Connection (on left A-pillar)
- B273 Plus Connection (15) (in main wiring harness)

- * ⇒ Applicable Wiring Diagram for models with battery in engine compartment
- ** ⇒ Applicable Wiring Diagram for models with battery in luggage compartment
- # Only models with electronics box Low ⇒ Component Locations
- ## Only models with electronics box High ⇒ Component Locations

ht. Copying for private or commercial purposes, in part or in whole, is not permitted unless authorised by Audi AG. Audi AG does not guarantee or accept any liability with respect to the correctness of information in this document. Copyright by Audi AG.

- ws = white
- sw = black
- ro = red
- rt = red
- br = brown
- gn = green
- bl = blue
- gr = grey
- li = lilac
- vi = lilac
- ge = yellow
- or = orange
- rs = pink

8P0-A018030706



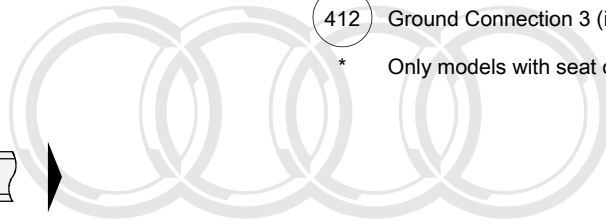
Safety Belt Switch, Seat Occupied Recognition Control Module

- E24 Driver's Safety Belt Switch
- E25 Front Passenger's Safety Belt Switch
- G452 Seat Occupied Recognition Pressure Sensor
- G453 Seat Occupied Recognition Safety Belt Force Sensor
- J234 Airbag Control Module
- J706 Seat Occupied Recognition Control Module
- T2at Double Connector, black, below driver's seat
- T5g 5-Pin Connector, black, below front passenger's seat
- T75 75-Pin Connector, yellow (connector locking green)

374 Ground Connection 9 (in main wiring harness)

412 Ground Connection 3 (in power seat wiring harness)

* Only models with seat occupied recognition

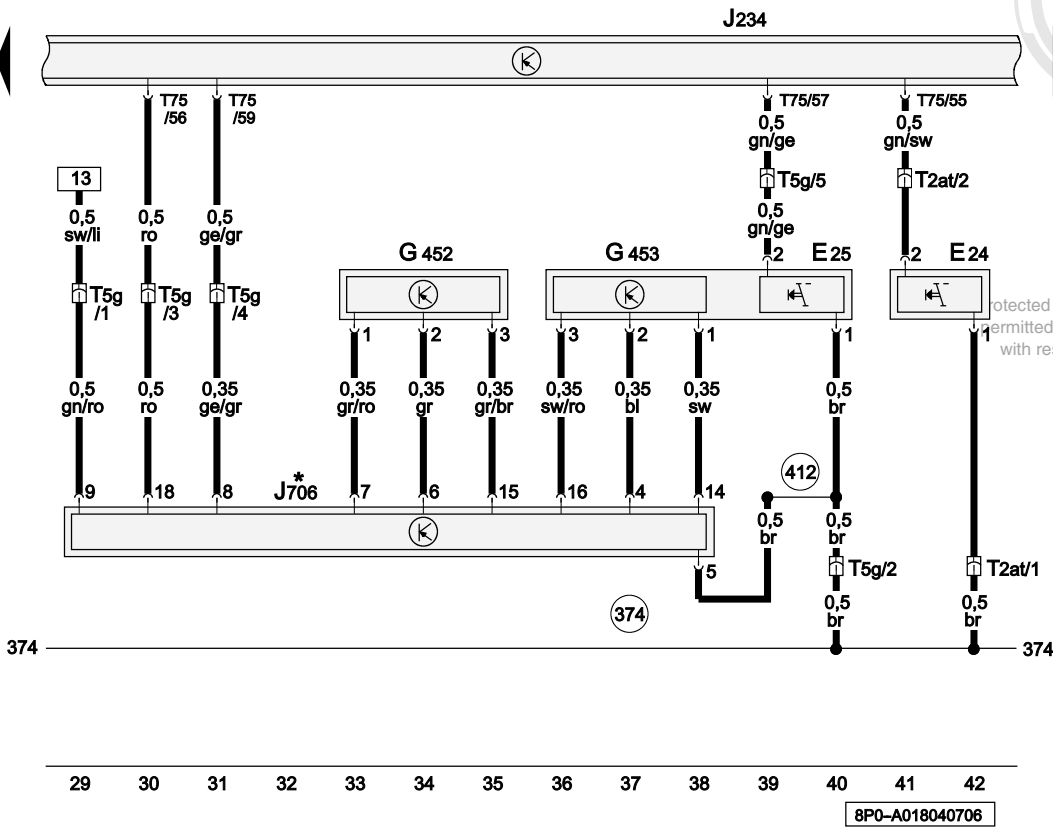


Audi

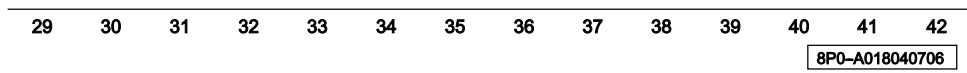
Protected by copyright. Copying for private or commercial purposes, in part or in whole, is not permitted unless authorised by AUDI AG. AUDI AG does not guarantee or accept any liability with respect to the correctness of information in this document. Copyright by AUDI AG.

erWin

- ws = white
- sw = black
- ro = red
- rt = red
- br = brown
- gn = green
- bl = blue
- gr = grey
- li = lilac
- vi = lilac
- ge = yellow
- or = orange
- rs = pink



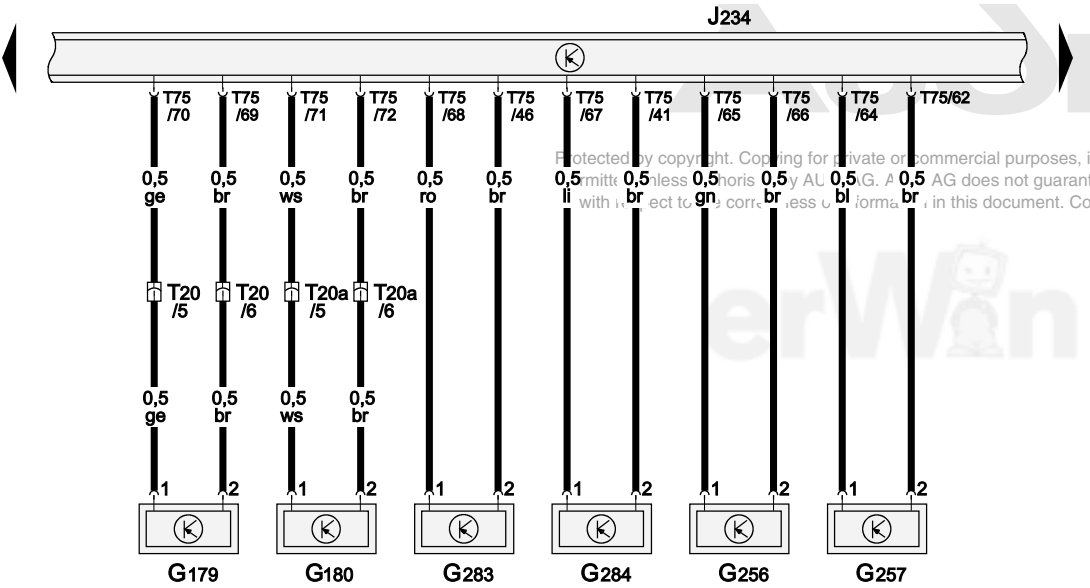
374 _____ 374





Crash Sensors

- G179 Driver's Side Airbag Crash Sensor
- G180 Front Passenger's Side Airbag Crash Sensor
- G256 Rear Side Airbag Crash Sensor (on driver's side)
- G257 Rear Side Airbag Crash Sensor (on front passenger's side)
- G283 Driver's Front Airbag Crash Sensor
- G284 Front Passenger's Front Airbag Crash Sensor
- J234 Airbag Control Module
- T20 20-Pin Connector, black, door A-pillar, left
- T20a 20-Pin Connector, black, door A-pillar, right
- T75 75-Pin Connector, yellow (connector locking green)



Protected by copyright. Copying for private or commercial purposes, in part or in whole, is not permitted, unless authorized by AUDI AG. AUDI AG does not guarantee or accept any liability with respect to the correctness of the information in this document. Copyright by AUDI AG.

- ws = white
- sw = black
- ro = red
- rt = red
- br = brown
- gn = green
- bl = blue
- gr = grey
- li = lilac
- vi = lilac
- ge = yellow
- or = orange
- rs = pink

374 374

43 44 45 46 47 48 49 50 51 52 53 54 55 56

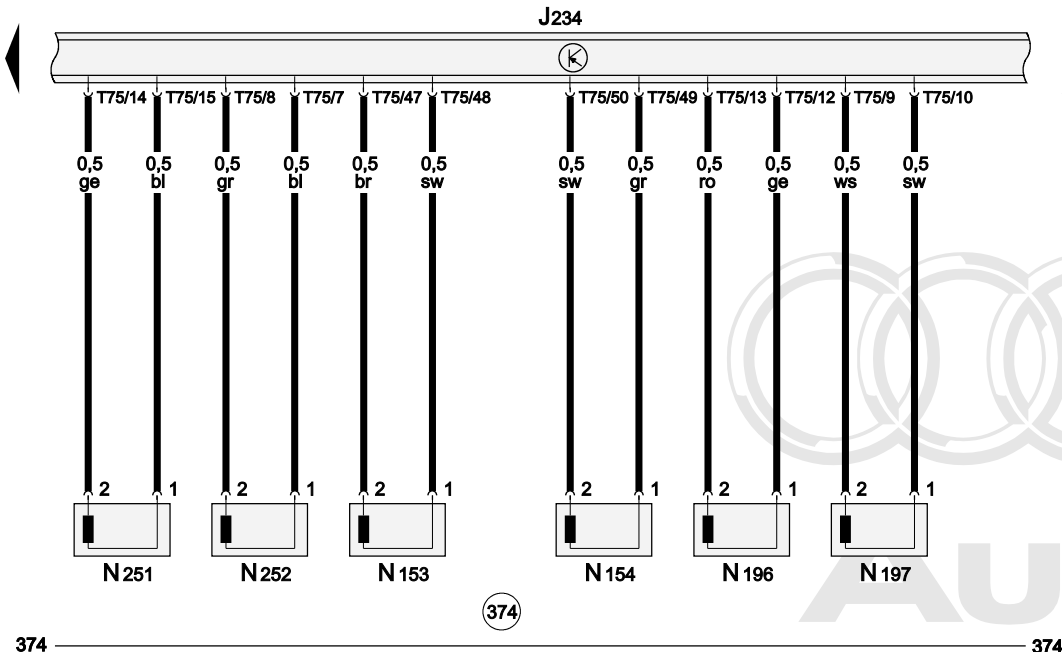
8P0-A018050706



Safety Belt Tensioner Igniter, Head Curtain Airbag Igniter

- J234 Airbag Control Module
- N153 Driver's Safety Belt Tensioner Igniter 1
- N154 Front Passenger's Safety Belt Tensioner Igniter 1
- N196 Rear Safety Belt (driver's side) Tensioner Igniter
- N197 Rear Safety Belt (front passenger's side) Tensioner Igniter
- N251 Driver's Head Curtain Airbag Igniter
- N252 Front Passenger's Head Curtain Airbag Igniter
- T75 75-Pin Connector, yellow (connector locking green)

374 Ground Connection 9 (in main wiring harness)



- ws = white
- sw = black
- ro = red
- rt = red
- br = brown
- gn = green
- bl = blue
- gr = grey
- li = lilac
- vi = lilac
- ge = yellow
- or = orange
- rs = pink

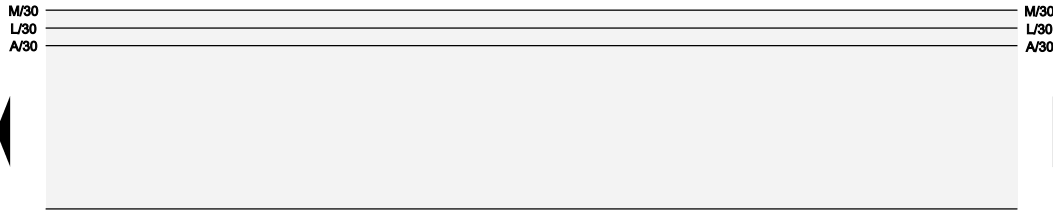
Protected by copyright. Copying for private or commercial purposes in part or in whole, is not permitted unless authorised by AUDI AG. AUDI AG does not guarantee or accept any liability with respect to the correctness of information in this document. Copyright by AUDI AG.

374

374

57 58 59 60 61 62 63 64 65 66 67 68 69 70

8P0-A018060307

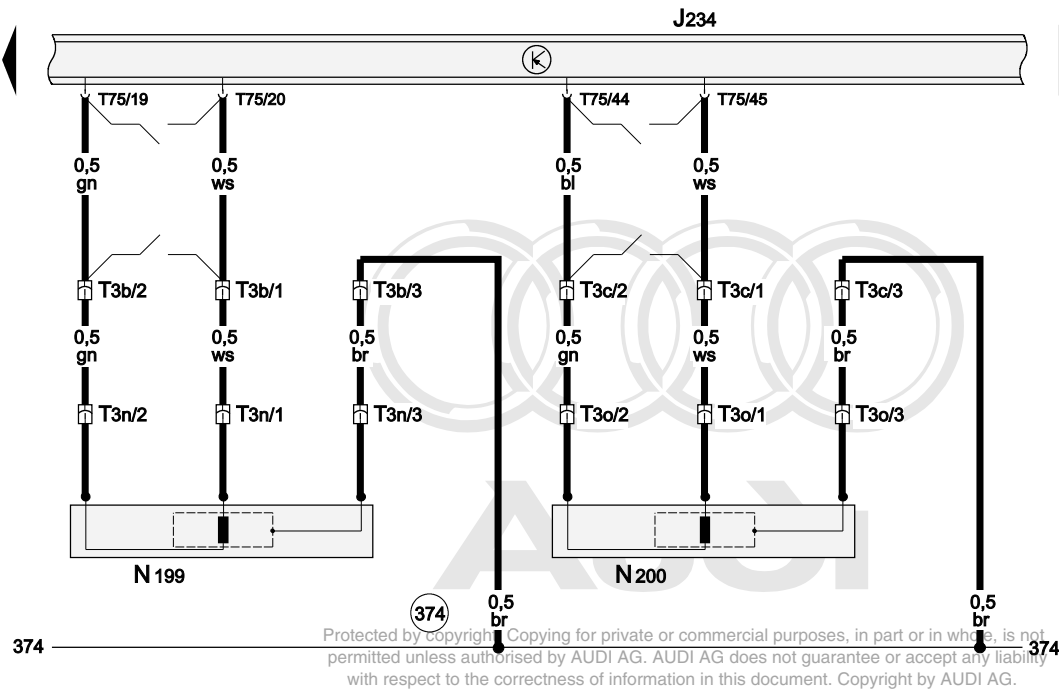


Driver's Side Airbag Igniter, Front Passenger's Side Airbag Igniter

- J234 Airbag Control Module
- N199 Driver's Side Airbag Igniter
- N200 Front Passenger's Side Airbag Igniter
- T3b 3-Pin Connector, yellow, near driver's seat
- T3c 3-Pin Connector, yellow, near front passenger's seat
- T3n 3-Pin Connector, in driver's seat
- T3o 3-Pin Connector, in front passenger's seat
- T75 75-Pin Connector, yellow (connector locking green)

374 Ground Connection 9 (in main wiring harness)

Short circuit bridge becomes effective when connector is unplugged



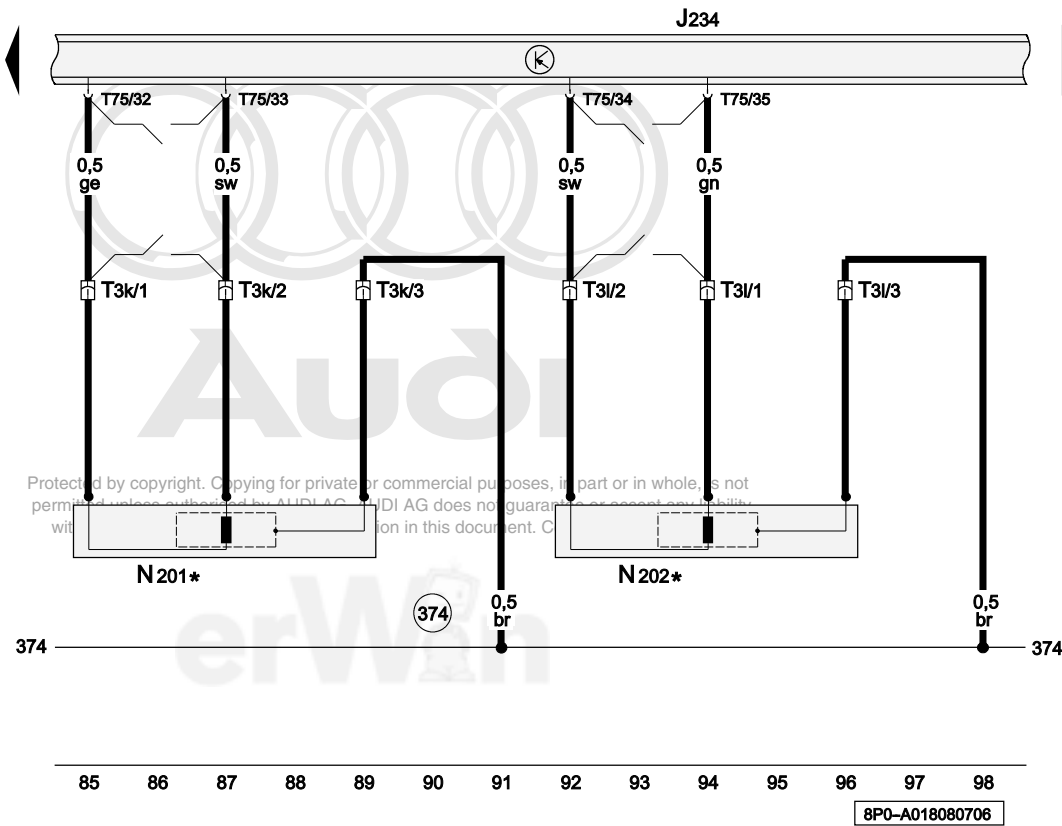
- ws = white
- sw = black
- ro = red
- rt = red
- br = brown
- gn = green
- bl = blue
- gr = grey
- li = lilac
- vi = lilac
- ge = yellow
- or = orange
- rs = pink



Rear Driver's Side Airbag Igniter, Rear Front Passenger's Side Airbag Igniter

- J234 Airbag Control Module
- N201 Rear Side Airbag (front driver's side) Igniter
- N202 Rear Passenger's Side Airbag (front passenger's side) Igniter
- T3k 3-Pin Connector, yellow, near C-pillar, left (connector locking purple)
- T3l 3-Pin Connector, yellow, near C-pillar, right (connector locking purple)
- T75 75-Pin Connector, yellow (connector locking green)
- 374 Ground Connection 9 (in main wiring harness)

Short circuit bridge becomes effective when connector is unplugged



graphic
src=""/>
PDOC/
samba/
tools/
png-
convert/
out//slp/
ft_icons/
kurzbr_l.
png"
content-
width="2
0pt"
scaling="

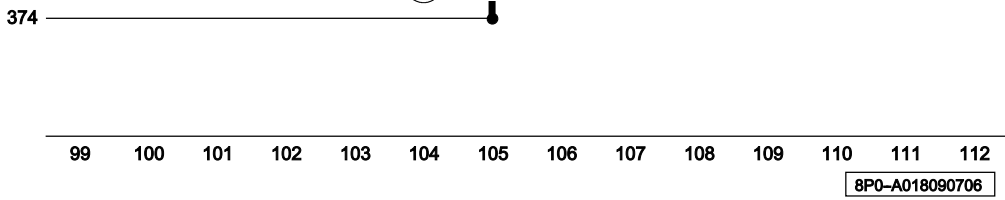
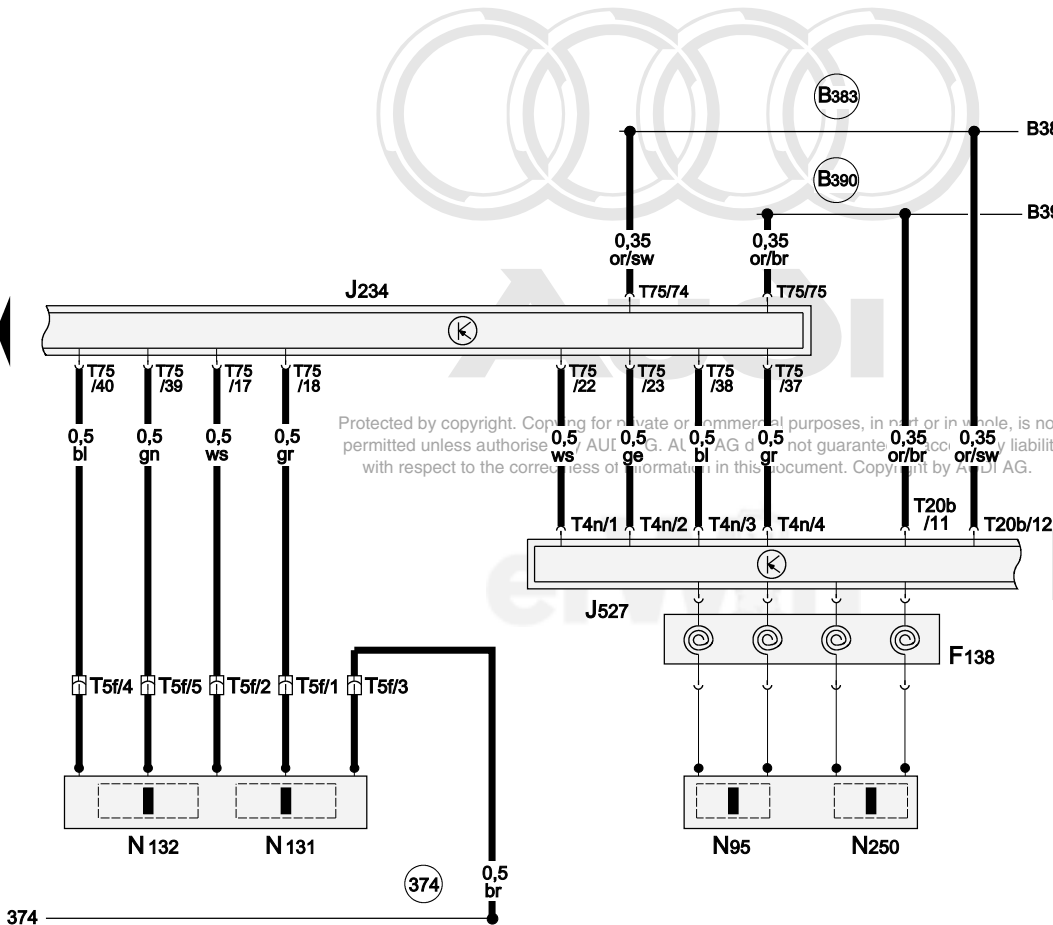
* Only models with side airbags



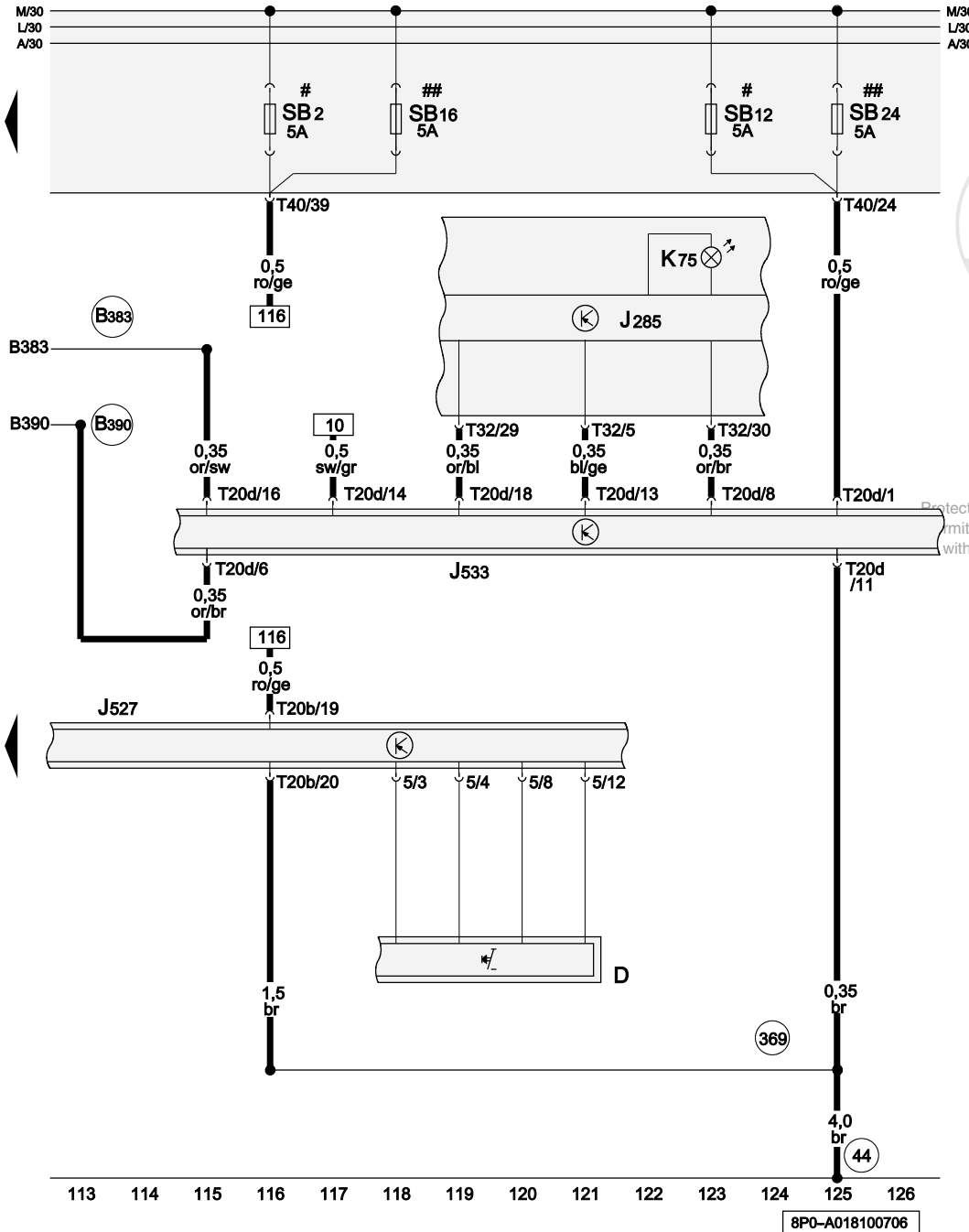
Driver's Airbag Igniter, Front Passenger's Airbag Igniter

- F138 Airbag Spiral Spring/Return Spring With Slip Ring
- J234 Airbag Control Module
- J527 Steering Column Electronic Systems Control Module
- N95 Driver's Airbag Igniter
- N131 Front Passenger's Airbag Igniter 1
- N132 Front Passenger's Airbag Igniter 2
- N250 Driver's Airbag Igniter 2
- T4n 4-Pin Connector, yellow (Connector B)
- T5f 5-Pin Connector, black
- T20b 20-Pin Connector, black (Connector A)
- T75 75-Pin Connector, yellow (connector locking green)

- 374 Ground Connection 9 (in main wiring harness)
- B383 Powertrain CAN-Bus High Connection 1 (in main wiring harness)
- B390 Powertrain CAN-Bus Low Connection 1 (in main wiring harness)



- ws = white
- sw = black
- ro = red
- rt = red
- br = brown
- gn = green
- bl = blue
- gr = grey
- li = lilac
- vi = lilac
- ge = yellow
- or = orange
- rs = pink



Instrument Cluster Control Module, Steering Column Electronic Systems Control Module, Airbag Malfunction Indicator Lamp (MIL)

- D Ignition/Starter Switch
- J285 Instrument Cluster Control Module
- J527 Steering Column Electronic Systems Control Module
- J533 Data Bus On Board Diagnostic Interface
- K75 Airbag Malfunction Indicator Lamp (MIL)
- SB2 Fuse 2 (on fuse panel B)
- SB12 Fuse 12 (on fuse panel B)
- SB16 Fuse 16 (on fuse panel B)
- SB24 Fuse 24 (on fuse panel B)
- T20b 20-Pin Connector, black (Connector A)
- T20d 20-Pin Connector, yellow (Connector A)
- T32 32-Pin Connector, blue (Connector A)
- T40 40-Pin Connector, black, on electronics box engine compartment (Connector J)
- 44 Ground Connection (on left lower A-pillar)
- 369 Ground Connection 4 (in main wiring harness)
- B383 Powertrain CAN-Bus High Connection 1 (in main wiring harness)
- B390 Powertrain CAN-Bus Low Connection 1 (in main wiring harness)
- # Only models with electronics box Low ⇒ Component Locations
- ## Only models with electronics box High ⇒ Component Locations

- ws = white
- sw = black
- ro = red
- rt = red
- br = brown
- gn = green
- bl = blue
- gr = grey
- li = lilac
- vi = lilac
- ge = yellow
- or = orange
- rs = pink

8P0-A018100706

Direct Shift Gearbox (02E)

from model year 2007

Note:

Information for

- ◆ Relay and fuse arrangements
- ◆ Connector arrangements
- ◆ Control Modules and Relays
- ◆ Ground Connections

⇒ Component Locations

Information for

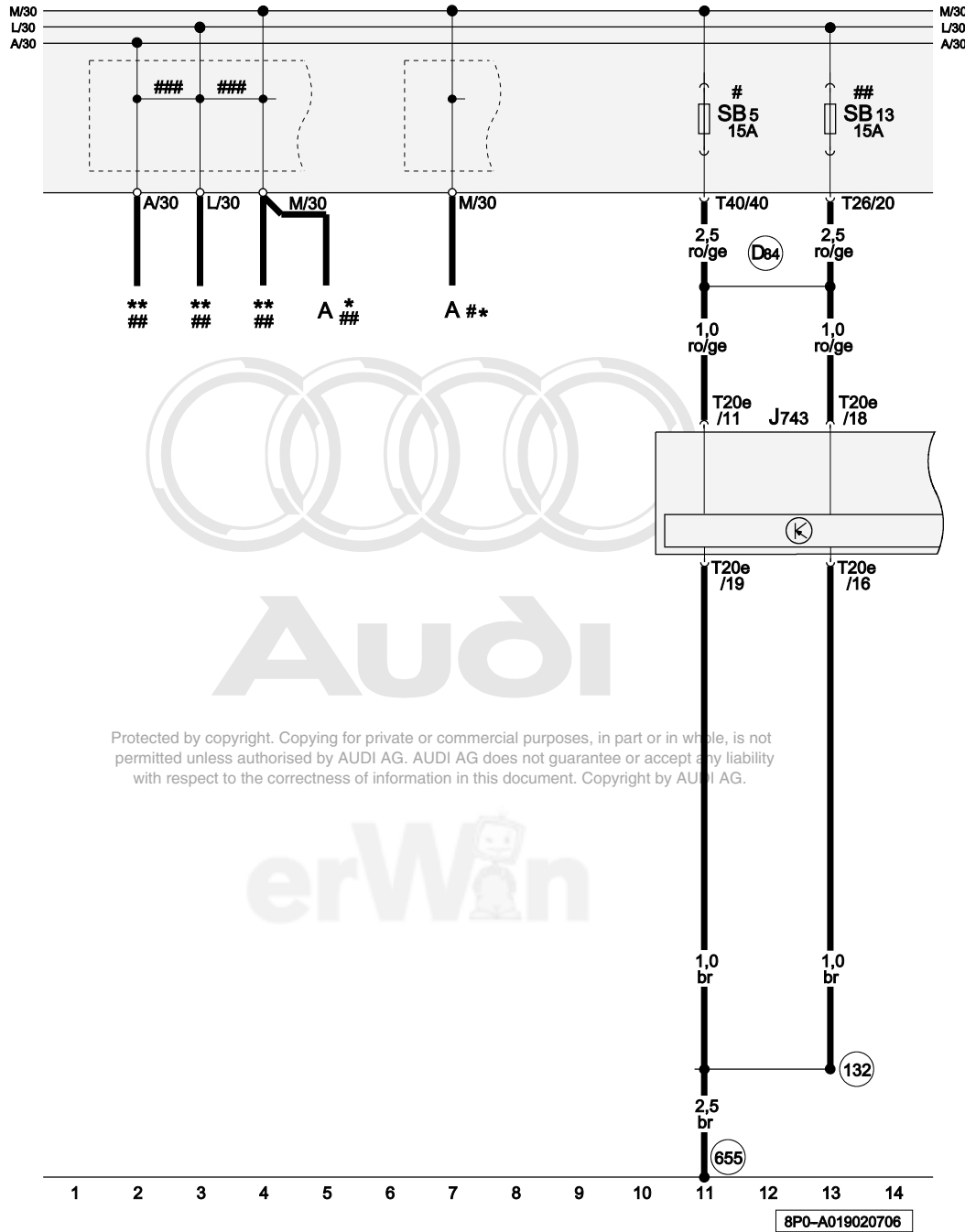
- ◆ Troubleshooting Procedures
- ⇒ Guided Fault Finding using VAS 5051 / 5052



Audi

Protected by copyright. Copying for private or commercial purposes, in part or in whole, is not permitted unless authorised by AUDI AG. AUDI AG does not guarantee or accept any liability with respect to the correctness of information in this document. Copyright by AUDI AG.





Electronics Box Supply, Fuses (on fuse panel)

- A Battery
- J743 Direct Shift Gearbox (DSG) Mechatronic
- SB5 Fuse 5 (on fuse panel B)
- SB13 Fuse 13 (on fuse panel B)
- T20e 20-Pin Connector, black (Connector A)
- T26 26-Pin Connector, black, on electronics box engine compartment (Connector K)
- T40 40-Pin Connector, black, on electronics box engine compartment (Connector J)

- 132 Ground Connection 3 (in engine compartment wiring harness)
- 655 Ground Connection (on left headlamp)
- D84 Automatic Transmission Connection (in engine compartment wiring harness)

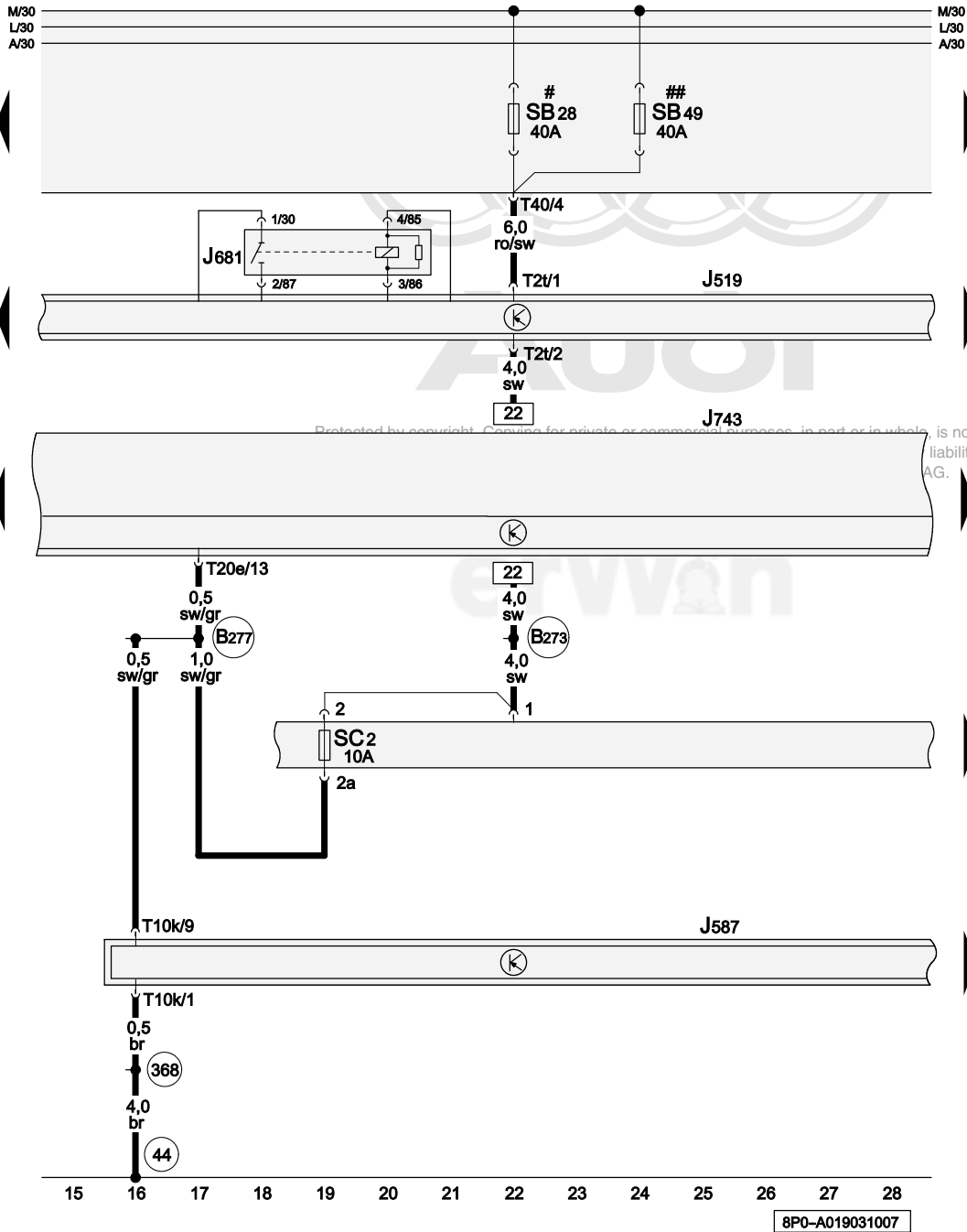
- * ⇒ Applicable Wiring Diagram for models with battery in engine compartment
- ** Main fuse panel supply ⇒ Applicable Wiring Diagram for models with battery in luggage compartment
- # Only models with electronics box Low ⇒ Component Locations
- ## Only models with electronics box High ⇒ Component Locations
- ### Connection bridge, only models with engine codes BWA, BPY, BHZ, BZC

- ws = white
- sw = black
- ro = red
- br = brown
- gn = green
- bl = blue
- gr = grey
- li = lilac
- ge = yellow
- or = orange
- rs = pink

Protected by copyright. Copying for private or commercial purposes, in part or in whole, is not permitted unless authorised by AUDI AG. AUDI AG does not guarantee or accept any liability with respect to the correctness of information in this document. Copyright by AUDI AG.



8P0-A019020706



Power Supply (terminal 15), Selector Lever Sensor Control Module, Direct Shift Gearbox (DSG) Mechatronic

- J519 Vehicle Electrical System Control Module
- J587 Selector Lever Sensor Control Module
- J681 Power Supply Relay 2 (terminal 15)
- J743 Direct Shift Gearbox (DSG) Mechatronic
- SB28 Fuse 28 (on fuse panel B)
- SB49 Fuse 49 (on fuse panel B)
- SC2 Fuse 2 (on fuse panel C)
- T2t Double Connector, black (Connector L)
- T10k 10-Pin Connector, black, on selector lever
- T20e 20-Pin Connector, black (Connector A)
- T40 40-Pin Connector, black, on electronics box engine compartment (Connector J)

44 Ground Connection (on left lower A-pillar)

368 Ground Connection 3 (in main wiring harness)

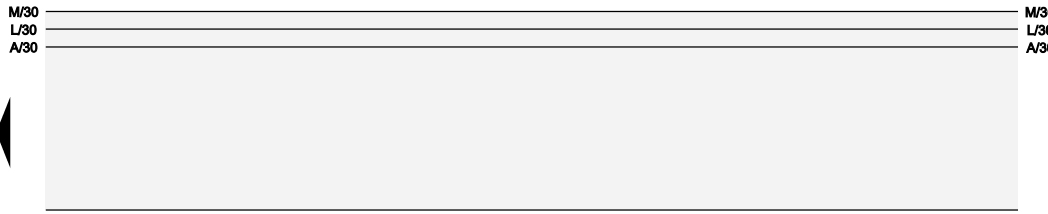
B273 Plus Connection (15) (in main wiring harness)

B277 Plus Connection 1 (15a) (in main wiring harness)

Only models with electronics box Low ⇒ Component Locations
 ## Only models with electronics box High ⇒ Component Locations

- ws = white
- sw = black
- ro = red
- br = brown
- gn = green
- bl = blue
- gr = grey
- li = lilac
- ge = yellow
- or = orange
- rs = pink

8P0-A019031007



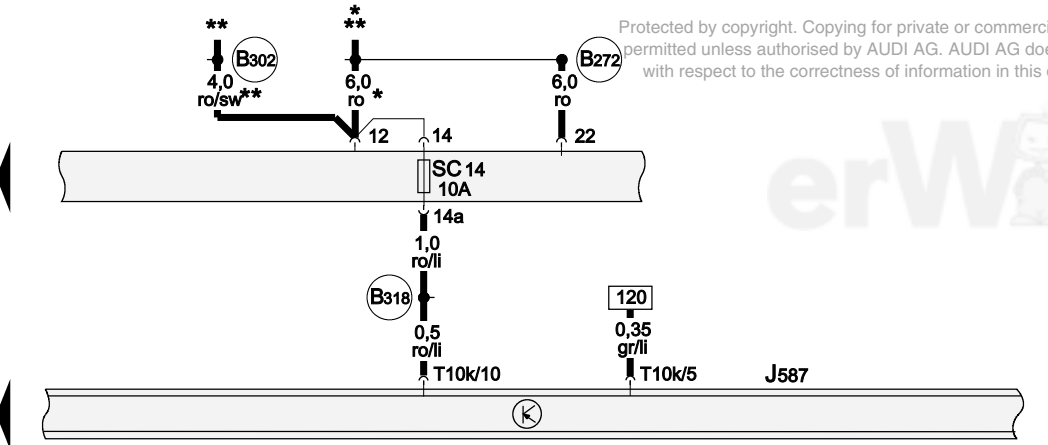
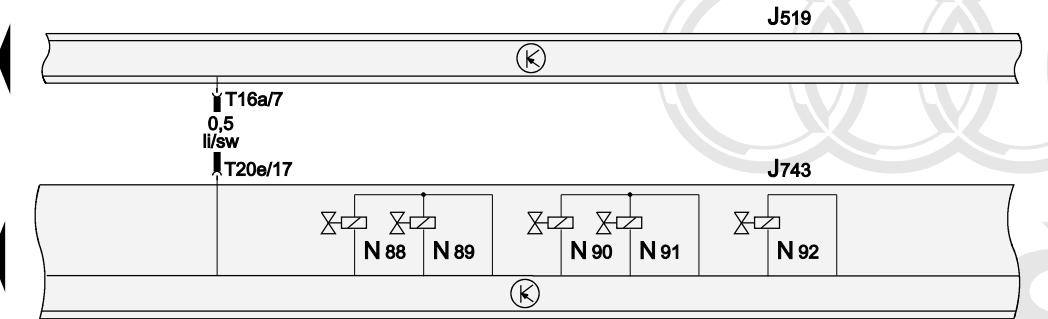
Solenoid Valves, Power Supply (terminal 30), Selector Lever Sensor Control Module

- J519 Vehicle Electrical System Control Module
- J587 Selector Lever Sensor Control Module
- J743 Direct Shift Gearbox (DSG) Mechatronic
- N88 Solenoid Valve 1
- N89 Solenoid Valve 2
- N90 Solenoid Valve 3
- N91 Solenoid Valve 4
- N92 Solenoid Valve 5
- SC14 Fuse 14 (on fuse panel C)
- T10k 10-Pin Connector, black, on selector lever
- T20e 20-Pin Connector, black (Connector A)
- T16a 16-Pin Connector, black (Connector E)

- B272** Plus Connection (30) (in main wiring harness)
- B302** Plus Connection 6 (30) (in main wiring harness)
- B318** Plus Connection 4 (30a) (in main wiring harness)

* => Applicable Wiring Diagram for models with battery in engine compartment
 => Applicable Wiring Diagram for models with battery in luggage compartment

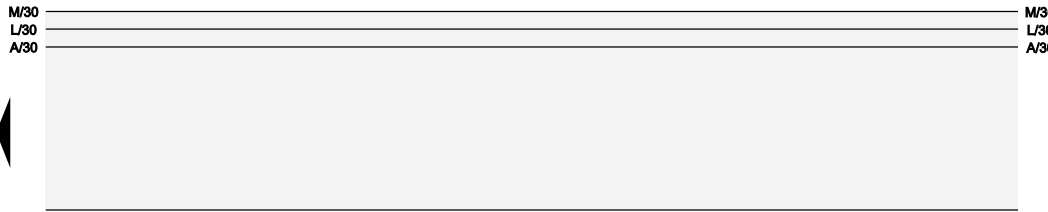
Protected by copyright. Copying for private or commercial purposes, in part or in whole, is not permitted unless authorised by AUDI AG. AUDI AG does not guarantee or accept any liability with respect to the correctness of information in this document. Copyright by AUDI AG.



- ws = white
- sw = black
- ro = red
- br = brown
- gn = green
- bl = blue
- gr = grey
- li = lilac
- ge = yellow
- or = orange
- rs = pink

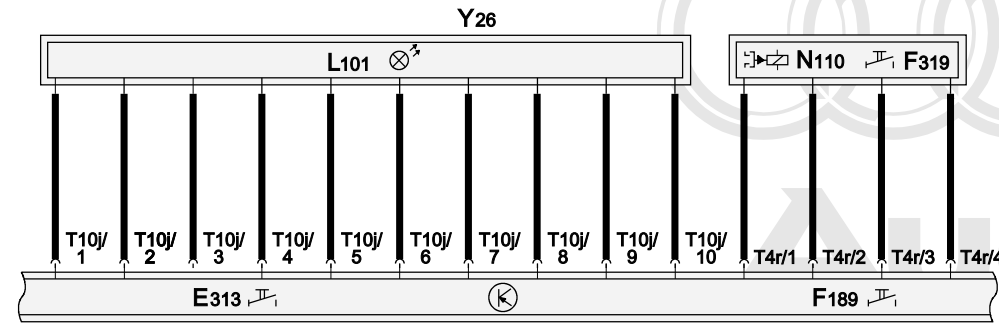
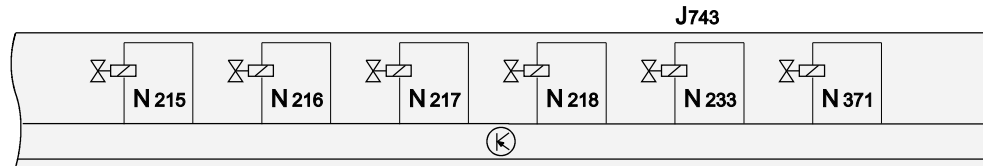
29 30 31 32 33 34 35 36 37 38 39 40 41 42

8P0-A019040307



Selector Lever Transmission Range (TR) Position Display Unit, Pressure Regulating Valves, Selector Lever Park Position Lock Switch

- E313 Selector Lever
- F189 Tiptronic Switch
- F319 Selector Lever Park Position Lock Switch
- J587 Selector Lever Sensor Control Module
- J743 Direct Shift Gearbox (DSG) Mechatronic
- L101 Selector Lever Scale Illumination
- N110 Shift Lock Solenoid
- N215 Automatic Transmission Pressure Regulating Valve 1
- N216 Automatic Transmission Pressure Regulating Valve 2
- N217 Automatic Transmission Pressure Regulating Valve 3
- N218 Automatic Transmission Pressure Regulating Valve 4
- N233 Automatic Transmission Pressure Regulating Valve 5
- N371 Automatic Transmission Pressure Regulating Valve 6
- T4r 4-Pin Connector, on selector lever
- T10j 10-Pin Connector, black, on selector lever
- Y26 Selector Lever Transmission Range (TR) Position Display Unit

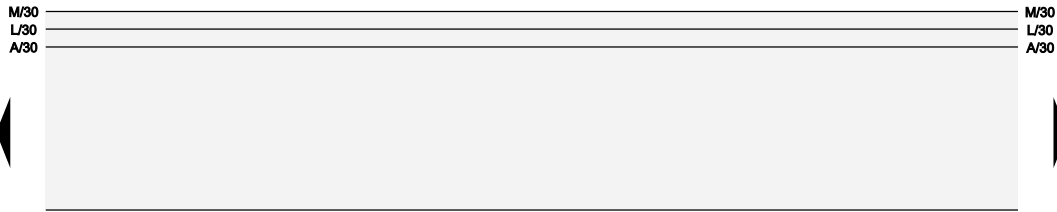


Protected by copyright. Copying for private or commercial purposes, in whole or in part, is not permitted unless authorised by AUDI AG. AUDI AG does not guarantee or accept any liability with respect to the correctness of information in this document. Copyright by AUDI AG.

- ws = white
- sw = black
- ro = red
- br = brown
- gn = green
- bl = blue
- gr = grey
- li = lilac
- ge = yellow
- or = orange
- rs = pink

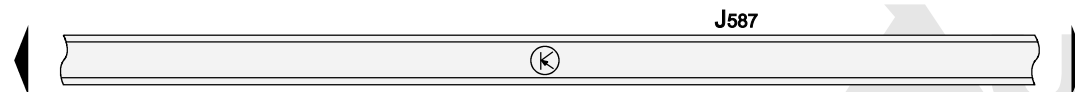
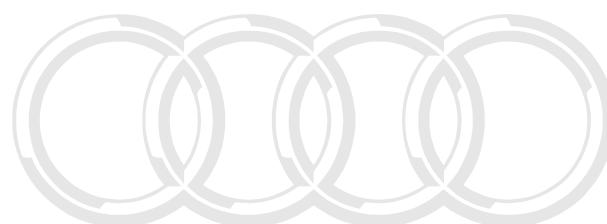
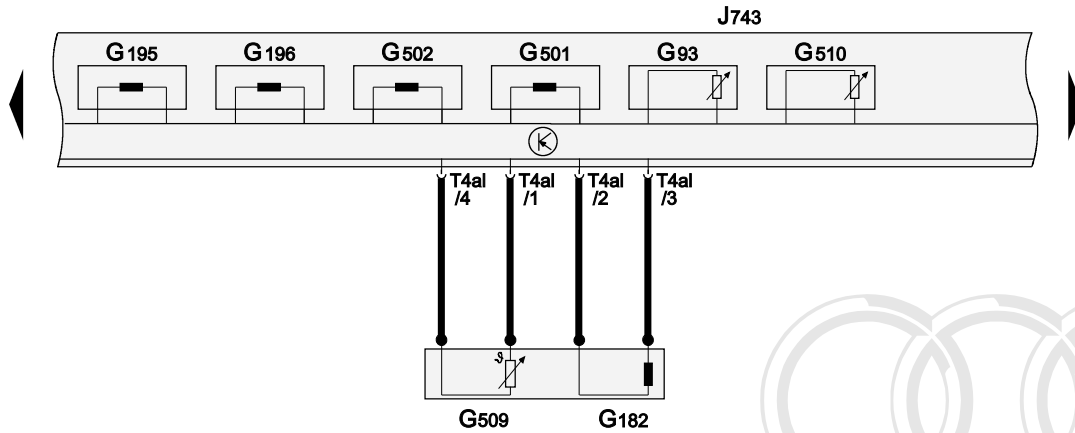
43 44 45 46 47 48 49 50 51 52 53 54 55 56

8P0-A019050307



Transmission Speed Sensor, Temperature Sensor

- G93 Transmission Fluid Temperature Sensor
- G182 Transmission Input Speed (RPM) Sensor
- G195 Transmission Output Speed (RPM) Sensor
- G196 Transmission Output Speed (RPM) Sensor 2
- G501 Driveshaft 1 Speed Sensor
- G502 Driveshaft 2 Speed Sensor
- G509 Clutch Temperature Sensor
- G510 Temperature Sensor (in Control Module)
- J587 Selector Lever Sensor Control Module
- J743 Direct Shift Gearbox (DSG) Mechatronic
- T4al 4-Pin Connector



- ws = white
- sw = black
- ro = red
- br = brown
- gn = green
- bl = blue
- gr = grey
- li = lilac
- ge = yellow
- or = orange
- rs = pink

Protected by copyright. Copying for private or commercial purposes, in part or in whole, is not permitted unless authorised by AUDI AG. AUDI AG does not warrant or accept any liability with respect to the correctness of information in this document. Copyright by AUDI AG.

57 58 59 60 61 62 63 64 65 66 67 68 69 70

8P0-A019060307



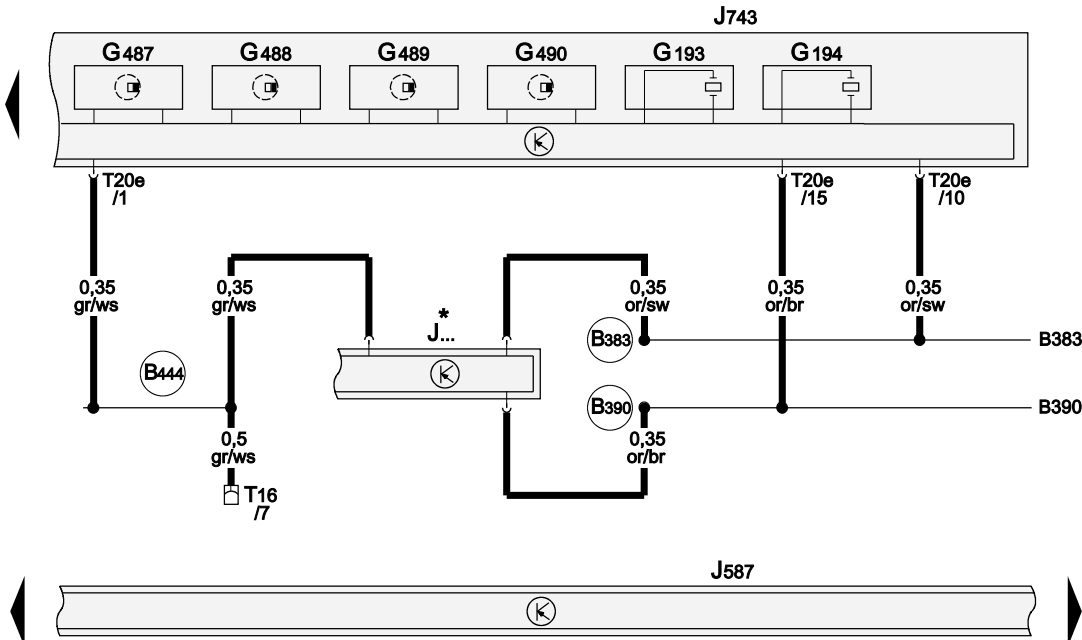
Powertrain CAN-Bus, Hydraulic Pressure Sensor, Gear Position Distance Sensor

- G193 Automatic Transmission Hydraulic Pressure Sensor 1
- G194 Automatic Transmission Hydraulic Pressure Sensor 2
- G487 Gear Position Distance Sensor 1
- G488 Gear Position Distance Sensor 2
- G489 Gear Position Distance Sensor 3
- G490 Gear Position Distance Sensor 4
- J... Engine Control Modules (ECM)
- J587 Selector Lever Sensor Control Module
- J743 Direct Shift Gearbox (DSG) Mechatronic
- T16 16-Pin Connector, black, instrument panel driver's side, bottom left (diagnostic connector)
- T20e 20-Pin Connector, black (Connector A)

Protected by copyright. Copying for private or commercial purposes, in part or in whole, is not permitted unless authorised by AUDI AG. AUDI AG does not guarantee or accept any liability with respect to the correctness of information. All rights reserved. Copying, distributing, or otherwise using this information without the written permission of AUDI AG is prohibited.

- B383** Powertrain CAN-Bus High Connection 1 (in main wiring harness)
- B390** Powertrain CAN-Bus Low Connection 1 (in main wiring harness)
- B444** OBD Connection 1 (in main wiring harness)

* => Applicable Wiring Diagram Engine



- ws = white
- sw = black
- ro = red
- br = brown
- gn = green
- bl = blue
- gr = grey
- li = lilac
- ge = yellow
- or = orange
- rs = pink

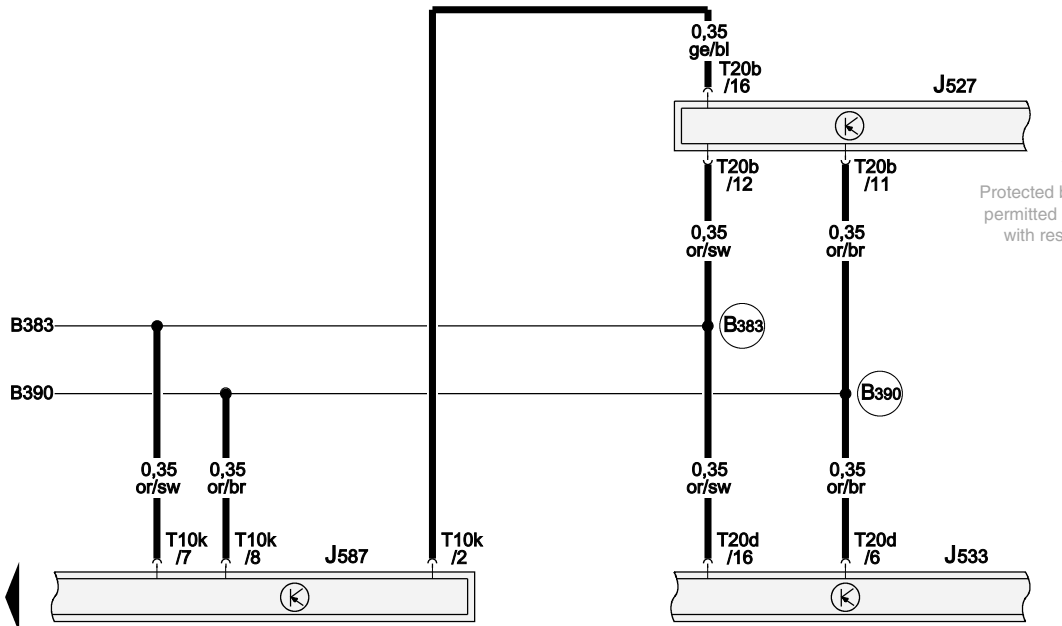
71 72 73 74 75 76 77 78 79 80 81 82 83 84

8P0-A019070307

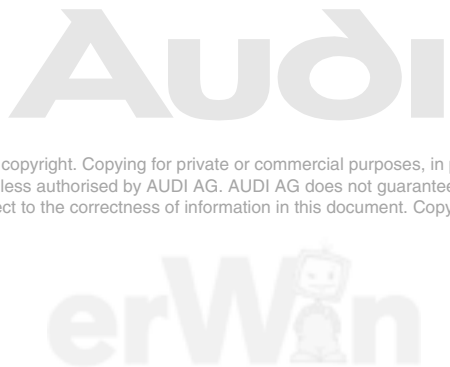


Powertrain CAN-Bus

- J527 Steering Column Electronic Systems Control Module
- J533 Data Bus On Board Diagnostic Interface
- J587 Selector Lever Sensor Control Module
- T10k 10-Pin Connector, black, on selector lever
- T20b 20-Pin Connector, black (Connector A)
- T20d 20-Pin Connector, yellow (Connector A)
- B383 Powertrain CAN-Bus High Connection 1 (in main wiring harness)
- B390 Powertrain CAN-Bus Low Connection 1 (in main wiring harness)



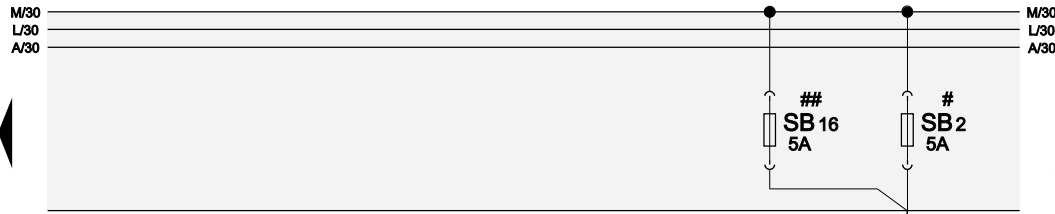
Protected by copyright. Copying for private or commercial purposes, in part or in whole, is not permitted unless authorised by AUDI AG. AUDI AG does not guarantee or accept any liability with respect to the correctness of information in this document. Copyright by AUDI AG.



- ws = white
- sw = black
- ro = red
- br = brown
- gn = green
- bl = blue
- gr = grey
- li = lilac
- ge = yellow
- or = orange
- rs = pink

85 86 87 88 89 90 91 92 93 94 95 96 97 98

8P0-A019080307



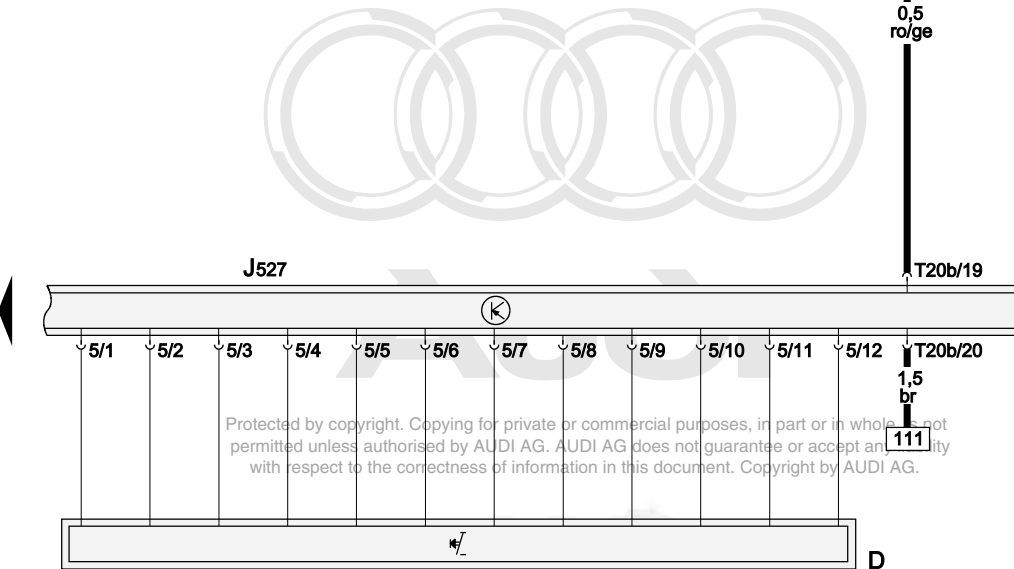
Ignition/Starter Switch

- D Ignition/Starter Switch
- J527 Steering Column Electronic Systems Control Module
- J533 Data Bus On Board Diagnostic Interface
- SB2 Fuse 2 (on fuse panel B)
- SB16 Fuse 16 (on fuse panel B)
- T20b 20-Pin Connector, black (Connector A)
- T40 40-Pin Connector, black, on electronics box engine compartment (Connector J)

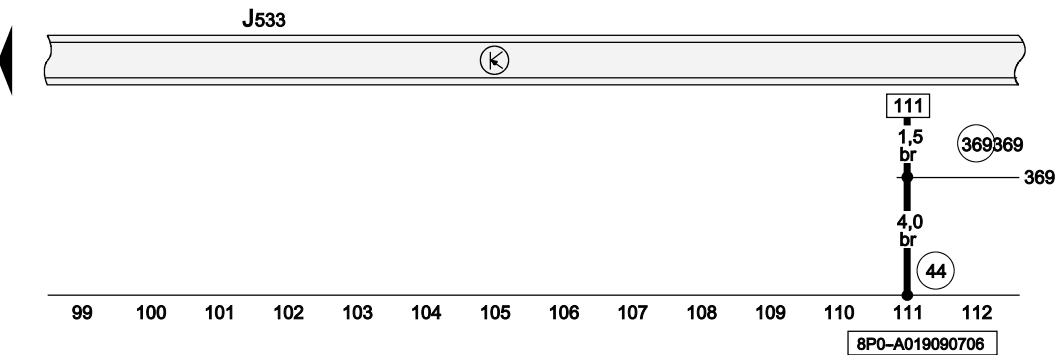
44 Ground Connection (on left lower A-pillar)

369 Ground Connection 4 (in main wiring harness)

Only models with electronics box Low ⇒ Component Locations
 ## Only models with electronics box High ⇒ Component Locations

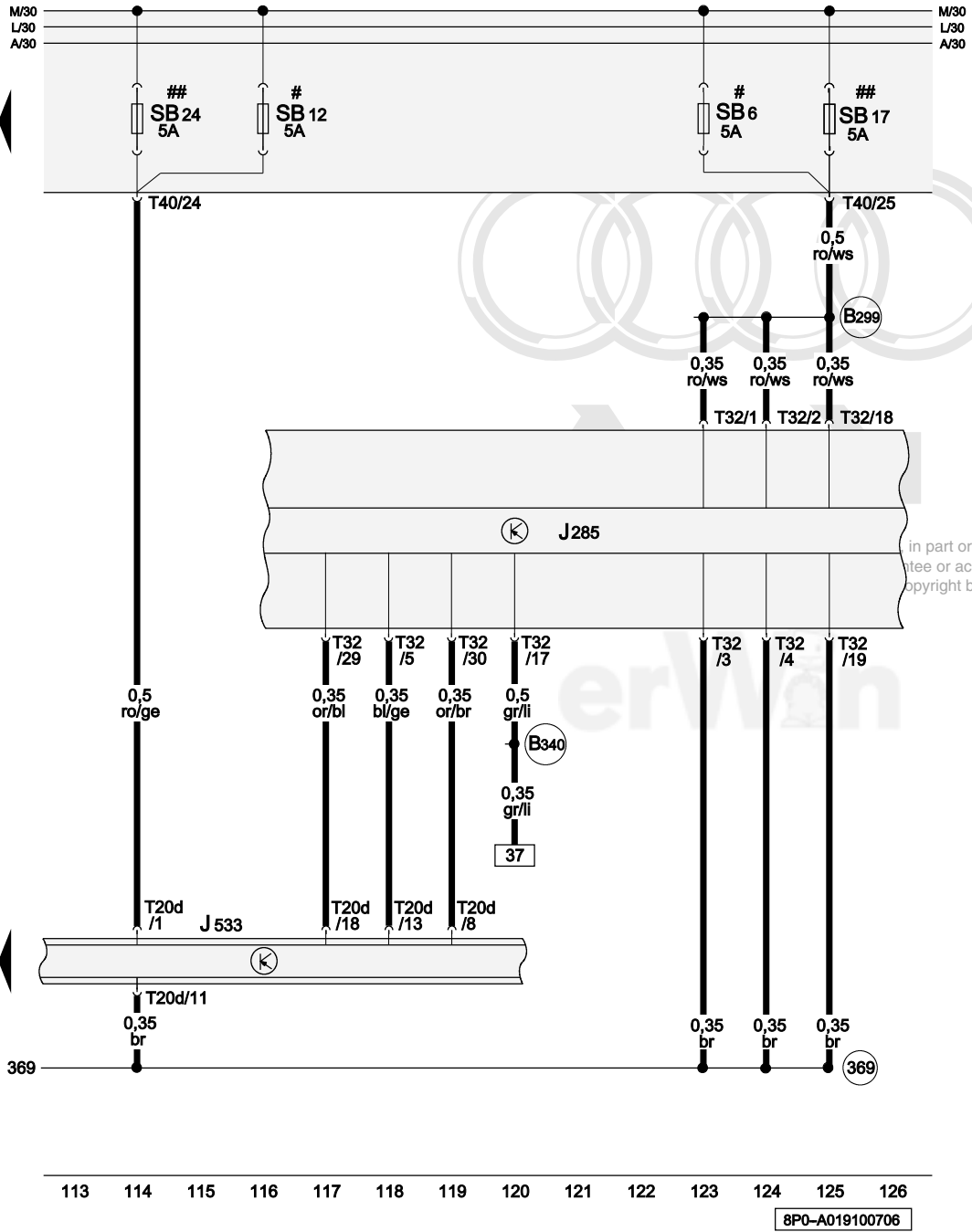


Protected by copyright. Copying for private or commercial purposes, in part or in whole, is not permitted unless authorised by AUDI AG. AUDI AG does not guarantee or accept any liability with respect to the correctness of information in this document. Copyright by AUDI AG.



- ws = white
- sw = black
- ro = red
- br = brown
- gn = green
- bl = blue
- gr = grey
- li = lilac
- ge = yellow
- or = orange
- rs = pink

8P0-A019090706



Data Bus On Board Diagnostic Interface, Instrument Cluster Control Module

- J285 Instrument Cluster Control Module
- J533 Data Bus On Board Diagnostic Interface
- SB6 Fuse 6 (on fuse panel B)
- SB12 Fuse 12 (on fuse panel B)
- SB17 Fuse 17 (on fuse panel B)
- SB24 Fuse 24 (on fuse panel B)
- T20d 20-Pin Connector, yellow (Connector A)
- T32 32-Pin Connector, blue (Connector A)
- T40 40-Pin Connector, black, on electronics box engine compartment (Connector J)

369 Ground Connection 4 (in main wiring harness)

B299 Plus Connection 3 (30) (in main wiring harness)

B340 Connection 1 (58d) (in main wiring harness)

- # Only models with electronics box Low ⇒ Component Locations
- ## Only models with electronics box High ⇒ Component Locations

in part or in whole, is not
warranty or accept any liability
copyright by AUDI AG.

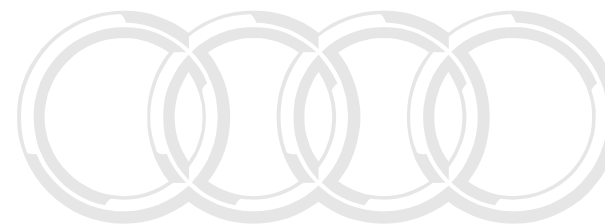
- ws = white
- sw = black
- ro = red
- br = brown
- gn = green
- bl = blue
- gr = grey
- li = lilac
- ge = yellow
- or = orange
- rs = pink

113 114 115 116 117 118 119 120 121 122 123 124 125 126

8P0-A019100706

Anti-lock braking system (ABS) with electronic stabilization program (ESP), traction control (ASR) and hydraulic brake booster (HBB)

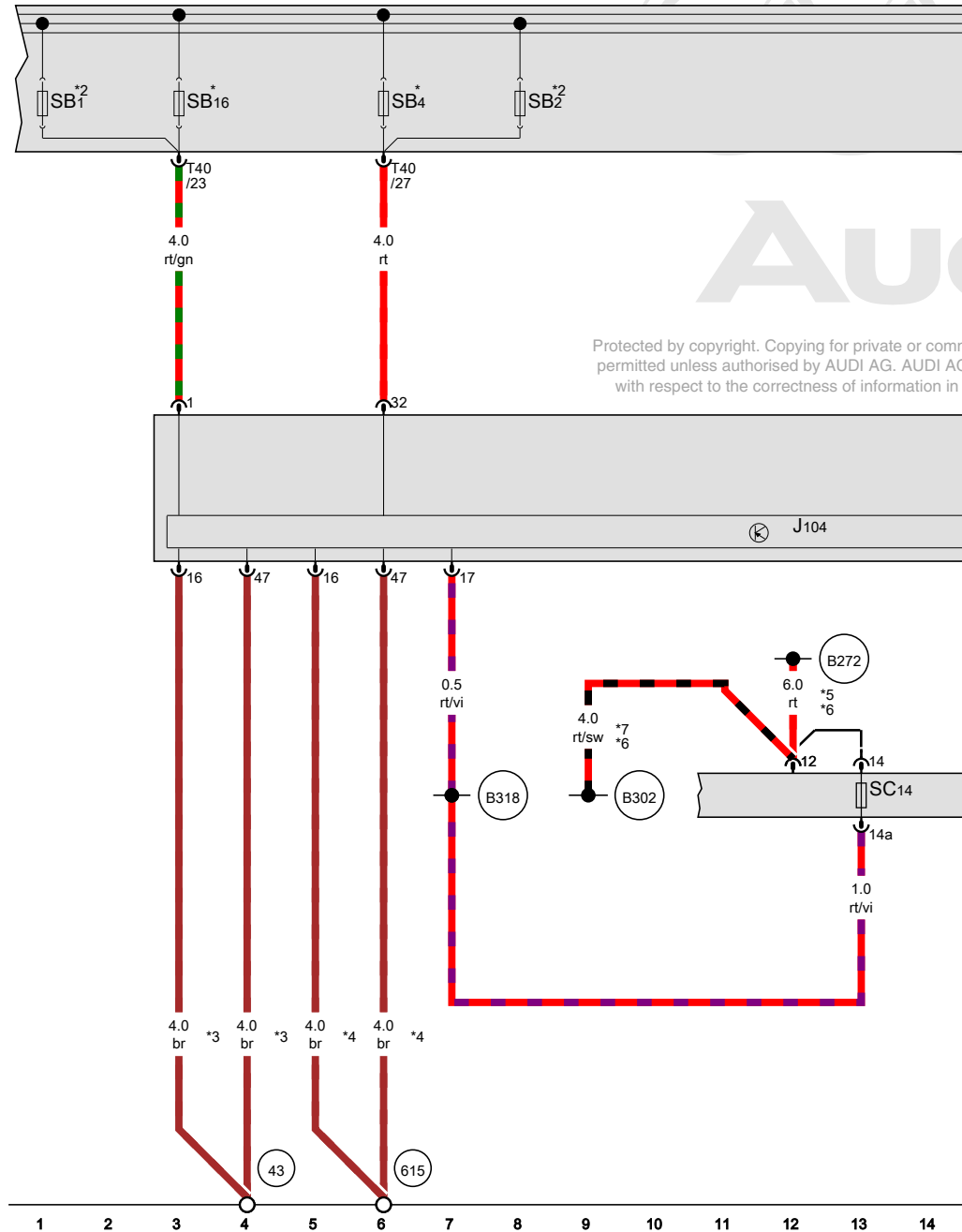
From May 2006



Audi

Protected by copyright. Copying for private or commercial purposes, in part or in whole, is not permitted unless authorised by AUDI AG. AUDI AG does not guarantee or accept any liability with respect to the correctness of information in this document. Copyright by AUDI AG.





ABS control module

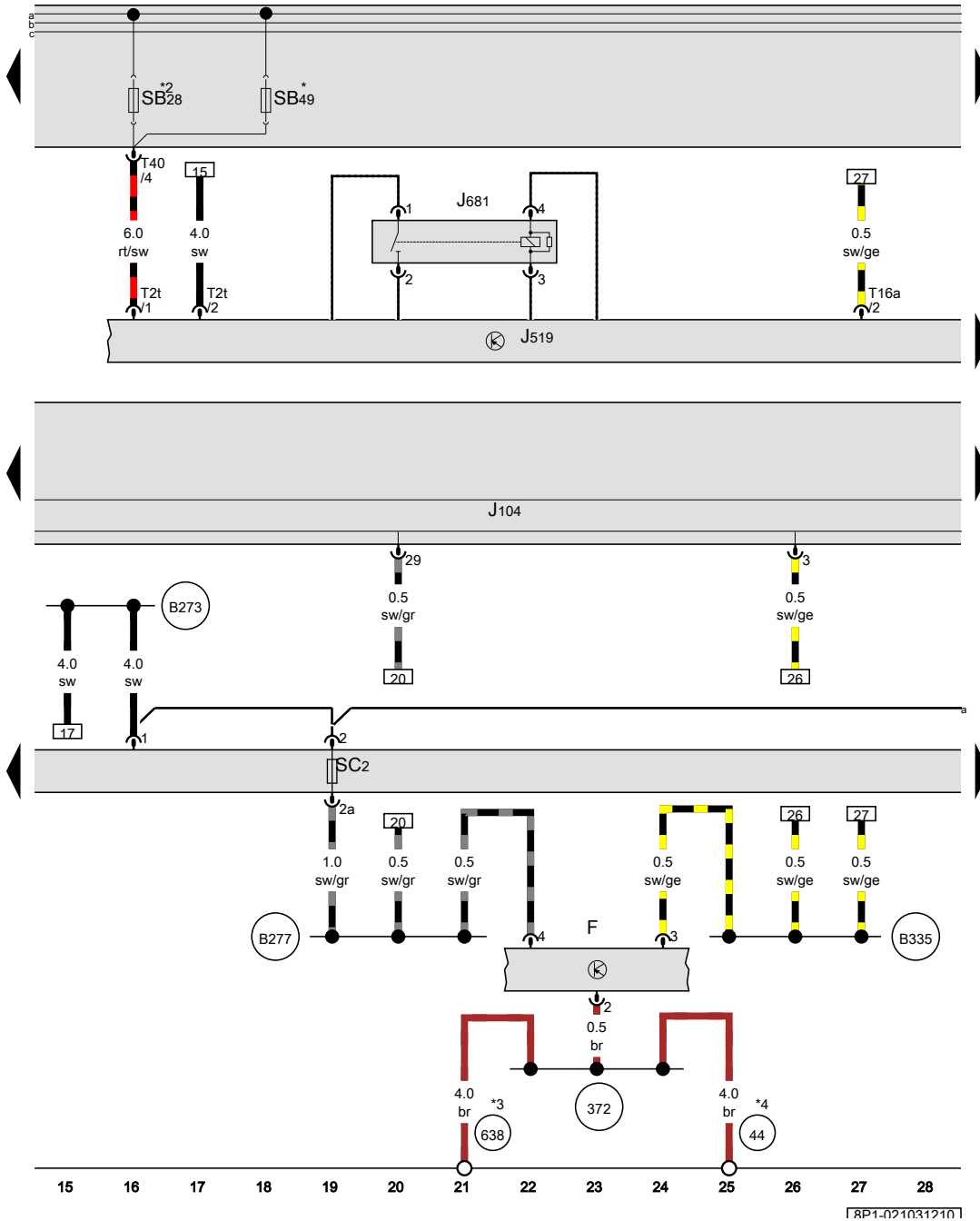
- J104 ABS control module
- SB1 Fuse 1 (on fuse panel B)
- SB2 Fuse 2 (on fuse panel B)
- SB4 Fuse 4 (on fuse panel B)
- SC14 Fuse 14 (on fuse panel C)
- SB16 Fuse 16 (on fuse panel B)
- T40 40-pin connector

- 43 Ground connection on A-pillar, lower right
- 615 Ground connection on left strut
- B272 Positive connection (30) (in main wiring harness)
- B302 Positive connection 6 (30) (in main wiring harness)
- B318 Positive connection 4 (30a) (in main wiring harness)

- * E-Box low
- *2 E-Box high
- *3 Only for left-hand drive vehicles
- *4 Only for right-hand drive vehicles
- *5 Only for vehicles with a battery in the engine compartment
- *6 Refer to applicable wiring diagram
- *7 Only for vehicles with a battery in the luggage compartment

- ws = white
- sw = black
- ro = red
- rt = red
- br = brown
- gn = green
- bl = blue
- gr = grey
- li = lilac
- vi = lilac
- ge = yellow
- or = orange
- rs = pink

18P1-0210212101



Brake lamp switch, ABS control module, Vehicle electrical system control module, Terminal 15 power supply relay 2

- F Brake lamp switch
- J104 ABS control module
- J519 Vehicle electrical system control module
- J681 Terminal 15 power supply relay 2
- SC2 Fuse 2 (on fuse panel C)
- SB28 Fuse 28 (on fuse panel B)
- SB49 Fuse 49 (on fuse panel B)
- T2t Double connector
- T16a 16-pin connector
- T40 40-pin connector

44 Ground connection on A-pillar, lower left

372 Ground connection 7 (in main wiring harness)

638 Ground connection on right A-pillar

Protected by copyright. Copying for private or commercial purposes, in part or in whole, is not permitted unless authorised by AUDI AG. AUDI AG does not guarantee or accept any liability with respect to the correctness of the information.

B273 Positive connection (15) (in main wiring harness)

B277 Positive connection 1 (15a) (in main wiring harness)

B335 Connection 1 (54) (in main wiring harness)

* E-Box high

*2 E-Box low

*3 Only for left-hand drive vehicles

*4 Only for right-hand drive vehicles

- ws = white
- sw = black
- ro = red
- rt = red
- br = brown
- gn = green
- bl = blue
- gr = grey
- li = lilac
- vi = lilac
- ge = yellow
- or = orange
- rs = pink

Tire pressure monitoring button, ASR/ESP button, ABS control module, Vehicle electrical system control module

- E226 Tire pressure monitoring button
- E256 ASR/ESP button
- J104 ABS control module
- J519 Vehicle electrical system control module
- SC4 Fuse 4 (on fuse panel C)
- T12c 12-pin connector

43 Ground connection on A-pillar, lower right

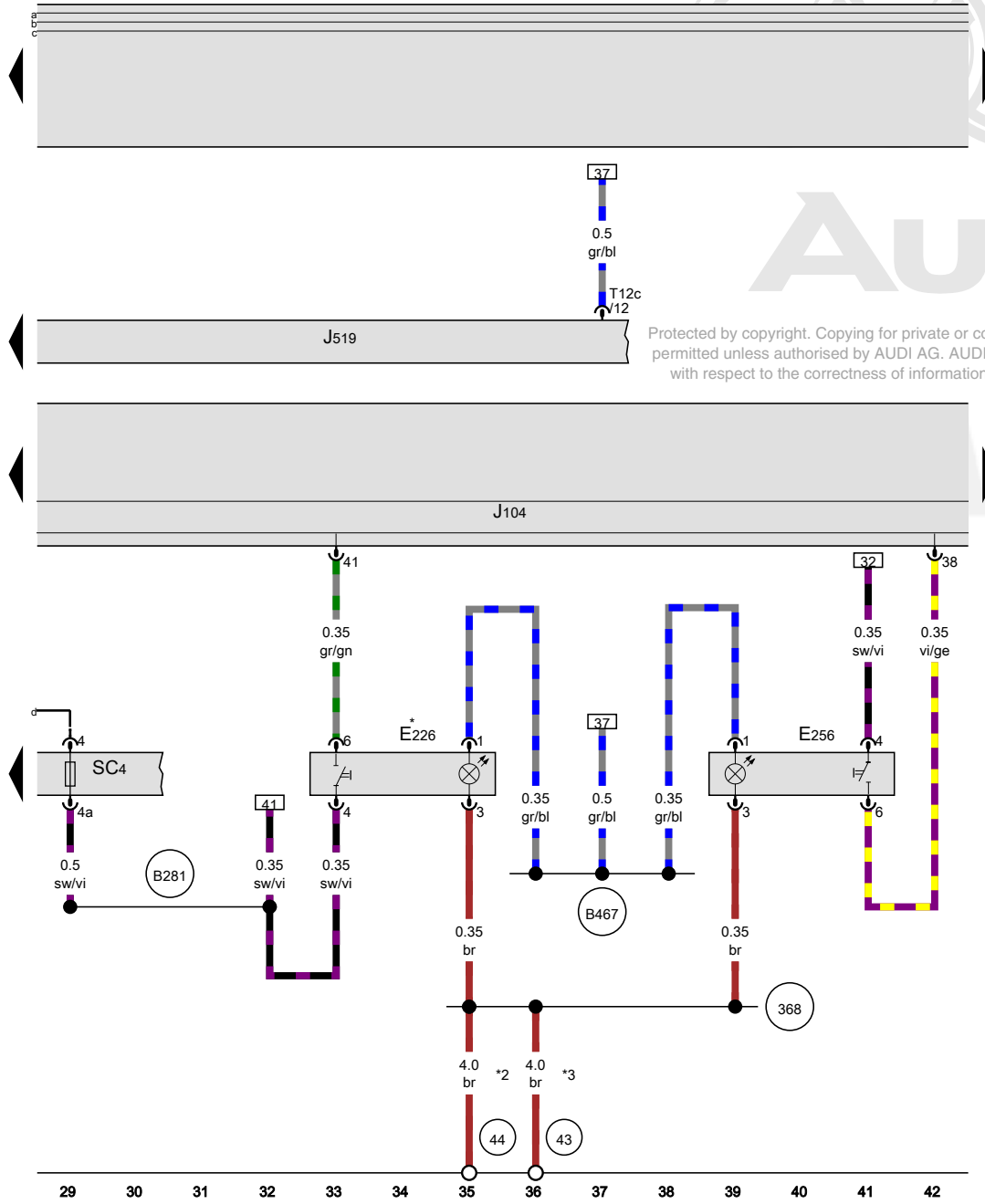
44 Ground connection on A-pillar, lower left

368 Ground connection 3 (in main wiring harness)

B281 Positive connection 5 (15a) (in main wiring harness)

B467 Connection 3 (in main wiring harness)

- * If available
- *2 Only for left-hand drive vehicles
- *3 Only for right-hand drive vehicles

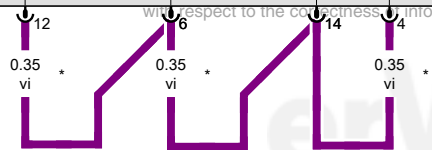
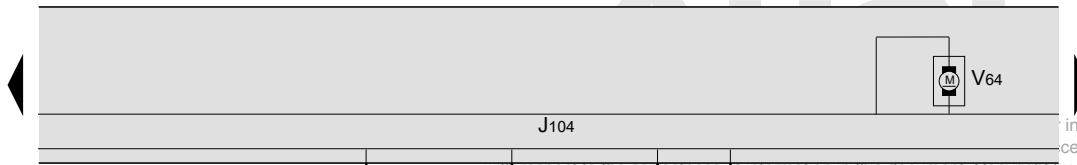


- ws = white
- sw = black
- ro = red
- rt = red
- br = brown
- gn = green
- bl = blue
- gr = grey
- li = lilac
- vi = lilac
- ge = yellow
- or = orange
- rs = pink

18P1-0210412101

ABS control module

- J104 ABS control module
- V64 ABS hydraulic pump
- * Depending on equipment



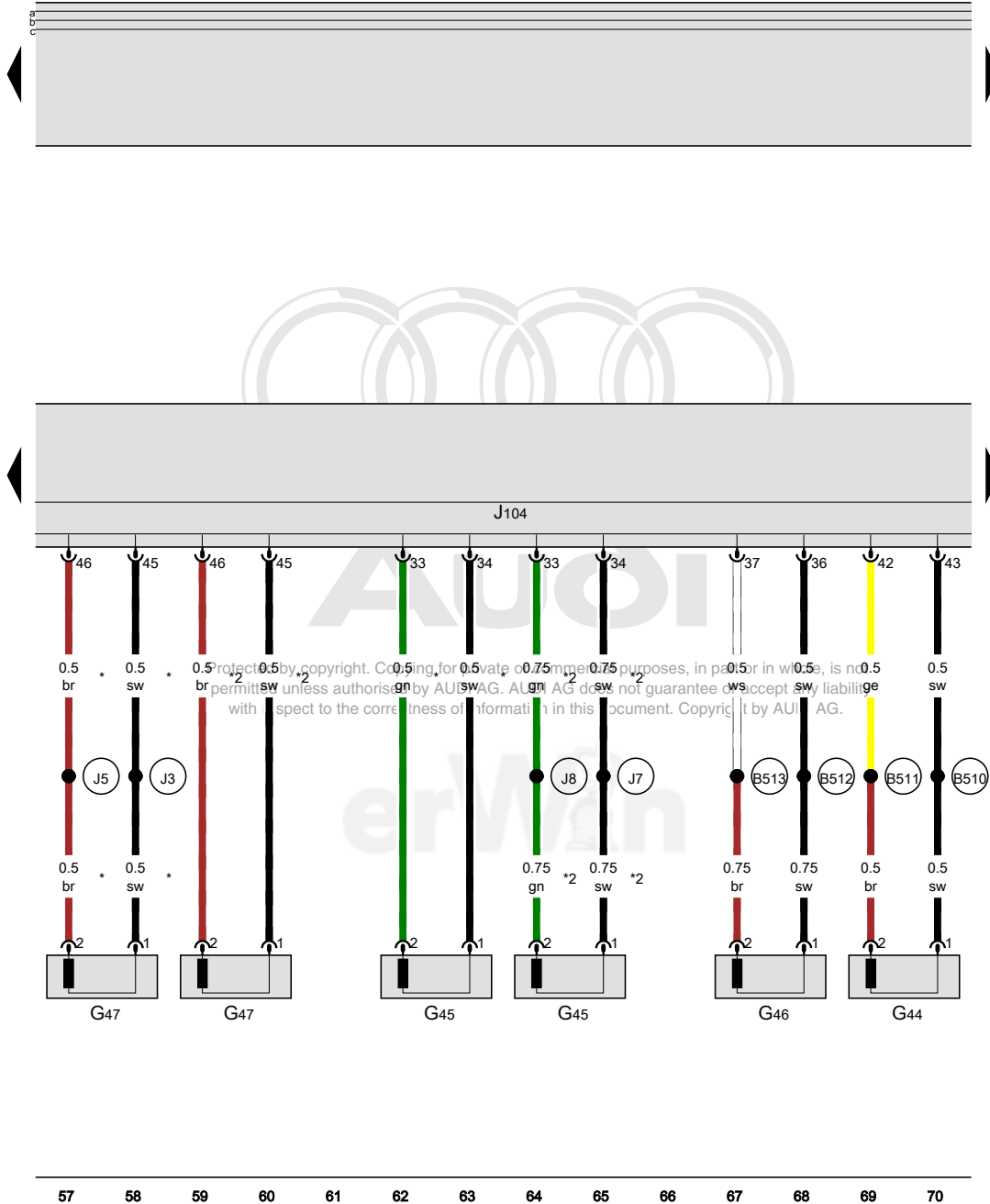
in whole, is not
cept any liability

with respect to the correctness of information in this document. Copyright by AUDI AG.

- ws = white
- sw = black
- ro = red
- rt = red
- br = brown
- gn = green
- bl = blue
- gr = grey
- li = lilac
- vi = lilac
- ge = yellow
- or = orange
- rs = pink

43 44 45 46 47 48 49 50 51 52 53 54 55 56

[RP1-021051210]



Right rear ABS wheel speed sensor, Right front ABS wheel speed sensor, Left rear ABS wheel speed sensor, Left front ABS wheel speed sensor, ABS control module

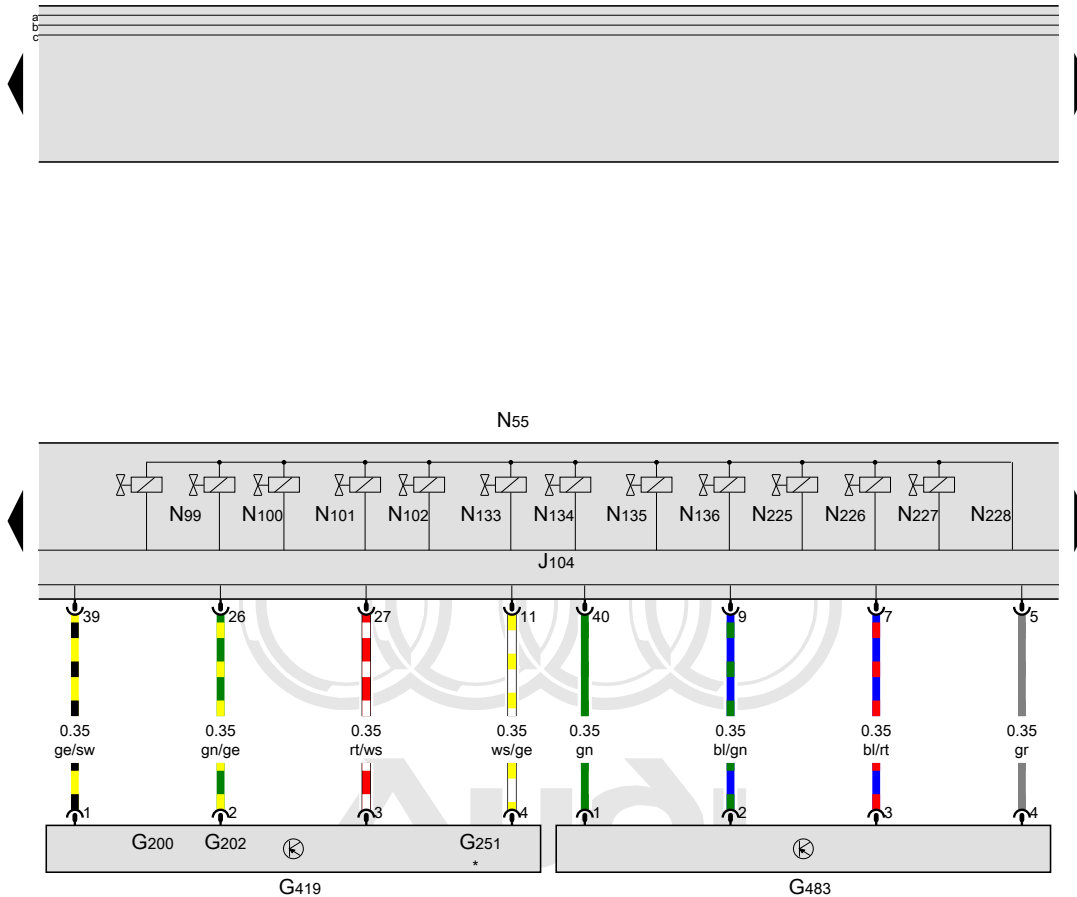
- G44 Right rear ABS wheel speed sensor
- G45 Right front ABS wheel speed sensor
- G46 Left rear ABS wheel speed sensor
- G47 Left front ABS wheel speed sensor
- J104 ABS control module

- (B510) Right rear speed sensor connection 1 (in interior wiring harness)
- (B511) Right rear speed sensor connection 2 (in interior wiring harness)
- (B512) Left rear speed sensor connection 1 (in interior wiring harness)
- (B513) Left rear speed sensor connection 2 (in interior wiring harness)
- (J3) Connection 1 (in ABS wiring harness)
- (J5) Connection 2 (in ABS wiring harness)
- (J7) Connection 3 (in ABS wiring harness)
- (J8) Connection 4 (in ABS wiring harness)
- * Only for left-hand drive vehicles
- *2 Only for right-hand drive vehicles

- ws = white
- sw = black
- ro = red
- rt = red
- br = brown
- gn = green
- bl = blue
- gr = grey
- vi = lilac
- ge = yellow
- or = orange
- rs = pink

ESP sensor unit, Brake booster vacuum sensor, ABS control module, ABS hydraulic unit

- G200 Transverse acceleration sensor
- G202 Rotation rate sensor
- G251 Longitudinal acceleration sensor
- G419 ESP sensor unit
- G483 Brake booster vacuum sensor
- J104 ABS control module
- N55 ABS hydraulic unit
- N99 Right front ABS inlet valve
- N100 Right front ABS outlet valve
- N101 Left front ABS inlet valve
- N102 Left front ABS outlet valve
- N133 Right rear ABS inlet valve
- N134 Left rear ABS inlet valve
- N135 Right rear ABS outlet valve
- N136 Left rear ABS outlet valve
- N225 Driving dynamics regulation switch valve 1
- N226 Driving dynamics regulation switch valve 2
- N227 Driving dynamics regulation high pressure switch valve 1
- N228 Driving dynamics regulation high pressure switch valve 2
- * Only for vehicles with all wheel drive



Protected by copyright. Copying for private or commercial purposes, in part or in whole, is not permitted unless authorised by AUDI AG. AUDI AG does not guarantee or accept any liability with respect to the correctness of information in this document. Copyright by AUDI AG.



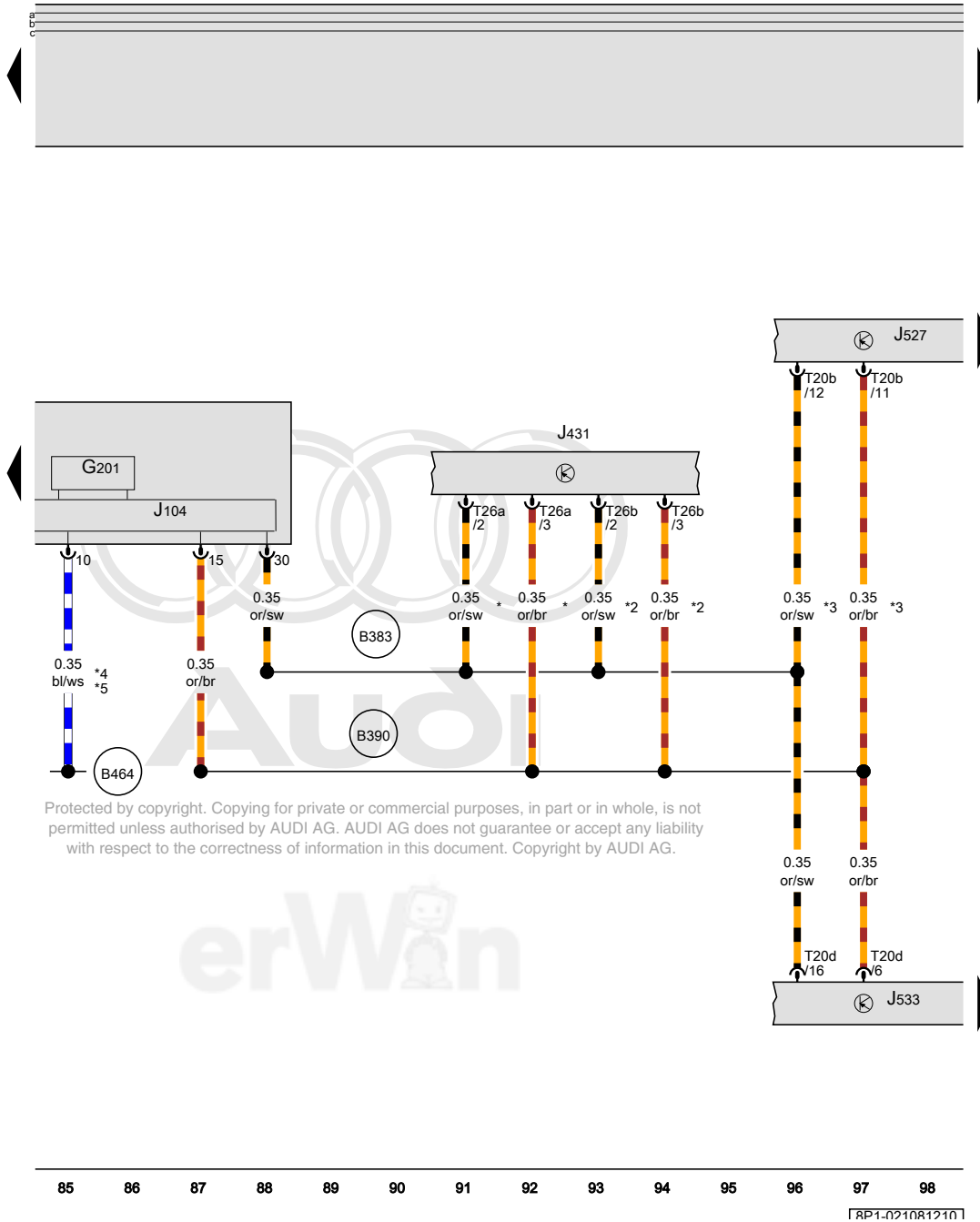
- ws = white
- sw = black
- ro = red
- rt = red
- br = brown
- gn = green
- bl = blue
- gr = grey
- li = lilac
- vi = lilac
- ge = yellow
- or = orange
- rs = pink

Brake pressure sensor 1, ABS control module, Headlamp range control module, Steering column electronics control module, Data bus on board diagnostic interface

- G201 Brake pressure sensor 1
- J104 ABS control module
- J431 Headlamp range control module
- J527 Steering column electronics control module
- J533 Data bus on board diagnostic interface
- T20b 20-pin connector
- T20d 20-pin connector
- T26a 26-pin connector
- T26b 26-pin connector

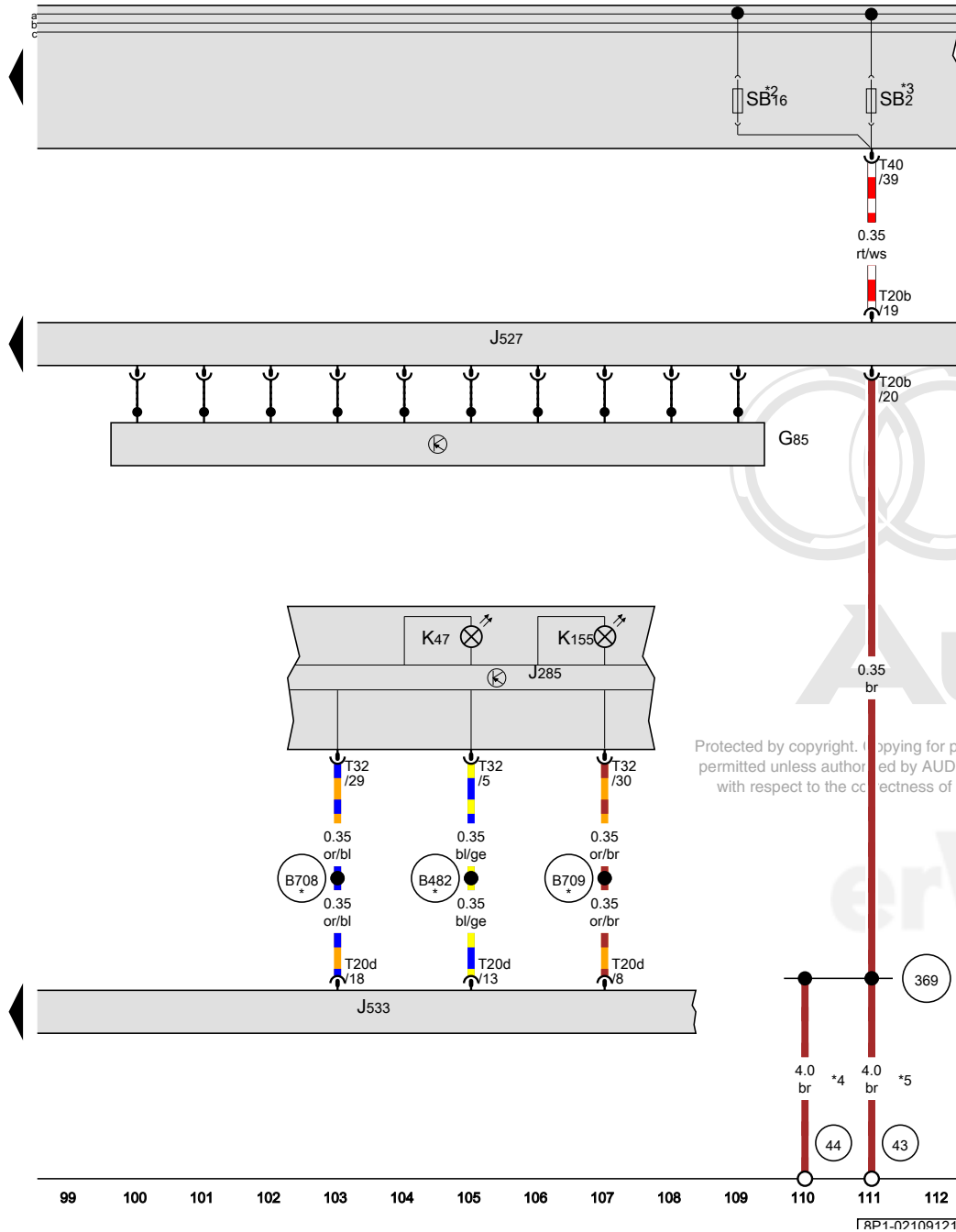
- B383** Powertrain CAN bus high connection 1 (in main wiring harness)
- B390** Powertrain CAN bus low connection 1 (in main wiring harness)
- B464** Vehicle speed signal connection (in main wiring harness)

- * Depending on equipment
- *2 Only for vehicles with dynamic cornering lamp
- *3 If available
- *4 Only for vehicles with navigation system
- *5 Refer to applicable wiring diagram



Protected by copyright. Copying for private or commercial purposes, in part or in whole, is not permitted unless authorised by AUDI AG. AUDI AG does not guarantee or accept any liability with respect to the correctness of information in this document. Copyright by AUDI AG.

- ws = white
- sw = black
- ro = red
- rt = red
- br = brown
- gn = green
- bl = blue
- gr = grey
- li = lilac
- vi = lilac
- ge = yellow
- or = orange
- rs = pink



Steering angle sensor, Instrument cluster control module, Steering column electronics control module, Data bus on board diagnostic interface, ABS indicator lamp, ASR/ESP indicator lamp

- G85 Steering angle sensor
- J285 Instrument cluster control module
- J527 Steering column electronics control module
- J533 Data bus on board diagnostic interface
- K47 ABS indicator lamp
- K155 ASR/ESP indicator lamp
- SB2 Fuse 2 (on fuse panel B)
- SB16 Fuse 16 (on fuse panel B)
- T20b 20-pin connector
- T20d 20-pin connector
- T32 32-pin connector
- T40 40-pin connector

- 43 Ground connection on A-pillar, lower right
- 44 Ground connection on A-pillar, lower left
- 369 Ground connection 4 (in main wiring harness)
- B482 Connection 18 (in main wiring harness)
- B708 Instrument cluster CAN bus high connection 1 (in main wiring harness)
- B709 Instrument cluster CAN bus low connection 1 (in main wiring harness)
- * Omitted as a running change
- *2 E-Box high
- *3 E-Box low
- *4 Only for left-hand drive vehicles
- *5 Only for right-hand drive vehicles

- ws = white
- sw = black
- ro = red
- rt = red
- br = brown
- gn = green
- bl = blue
- gr = grey
- li = lilac
- vi = lilac
- ge = yellow
- or = orange
- rs = pink

Protected by copyright. Copying for private or commercial purposes, in part or in full, is not permitted unless authorized by AUDI AG. AUDI AG does not guarantee or accept any liability with respect to the correctness of information in this document. Copyright by AUDI AG.

Anti-lock braking system (ABS) with electronic stabilization program (ESP), traction control (ASR) and without hydraulic brake booster (HBB)

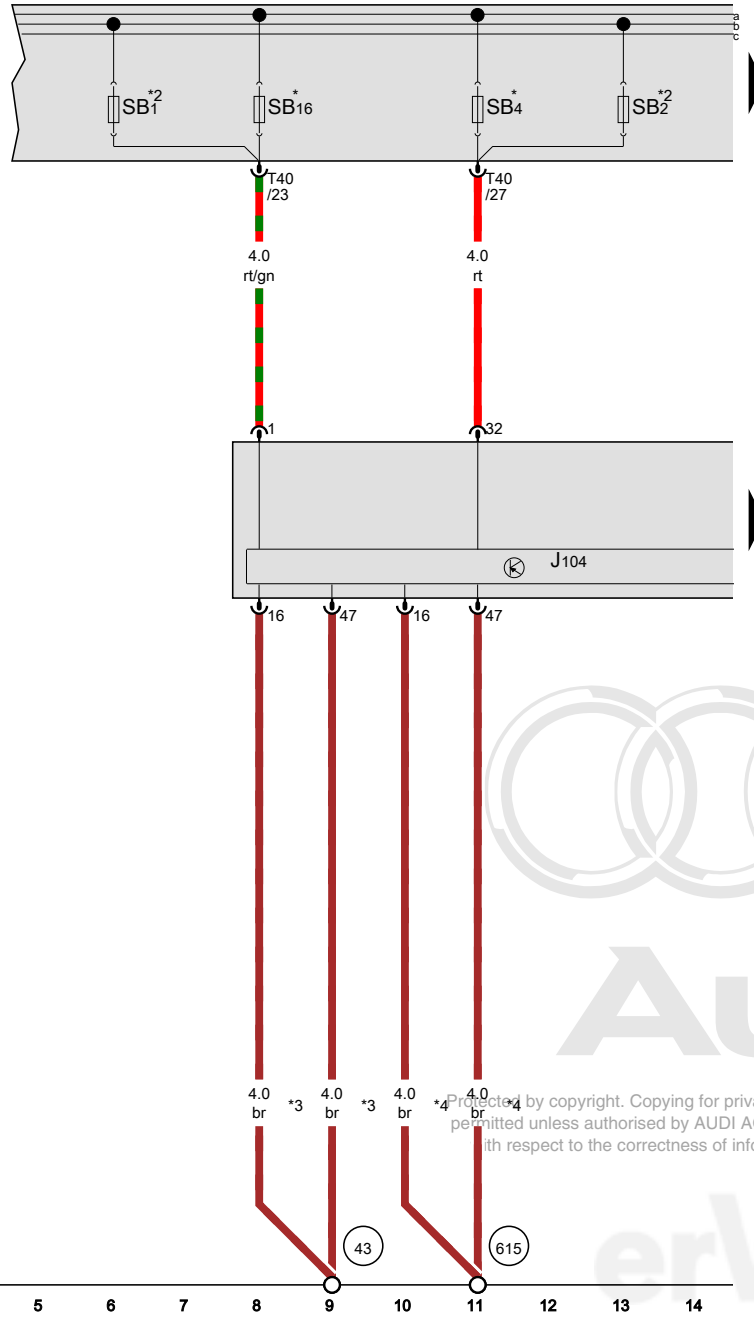
From May 2006



Audi

Protected by copyright. Copying for private or commercial purposes, in part or in whole, is not permitted unless authorised by AUDI AG. AUDI AG does not guarantee or accept any liability with respect to the correctness of information in this document. Copyright by AUDI AG.





ABS control module

- J104 ABS control module
- SB1 Fuse 1 (on fuse panel B)
- SB2 Fuse 2 (on fuse panel B)
- SB4 Fuse 4 (on fuse panel B)
- SB16 Fuse 16 (on fuse panel B)
- T40 40-pin connector

43 Ground connection on A-pillar, lower right

615 Ground connection on left strut

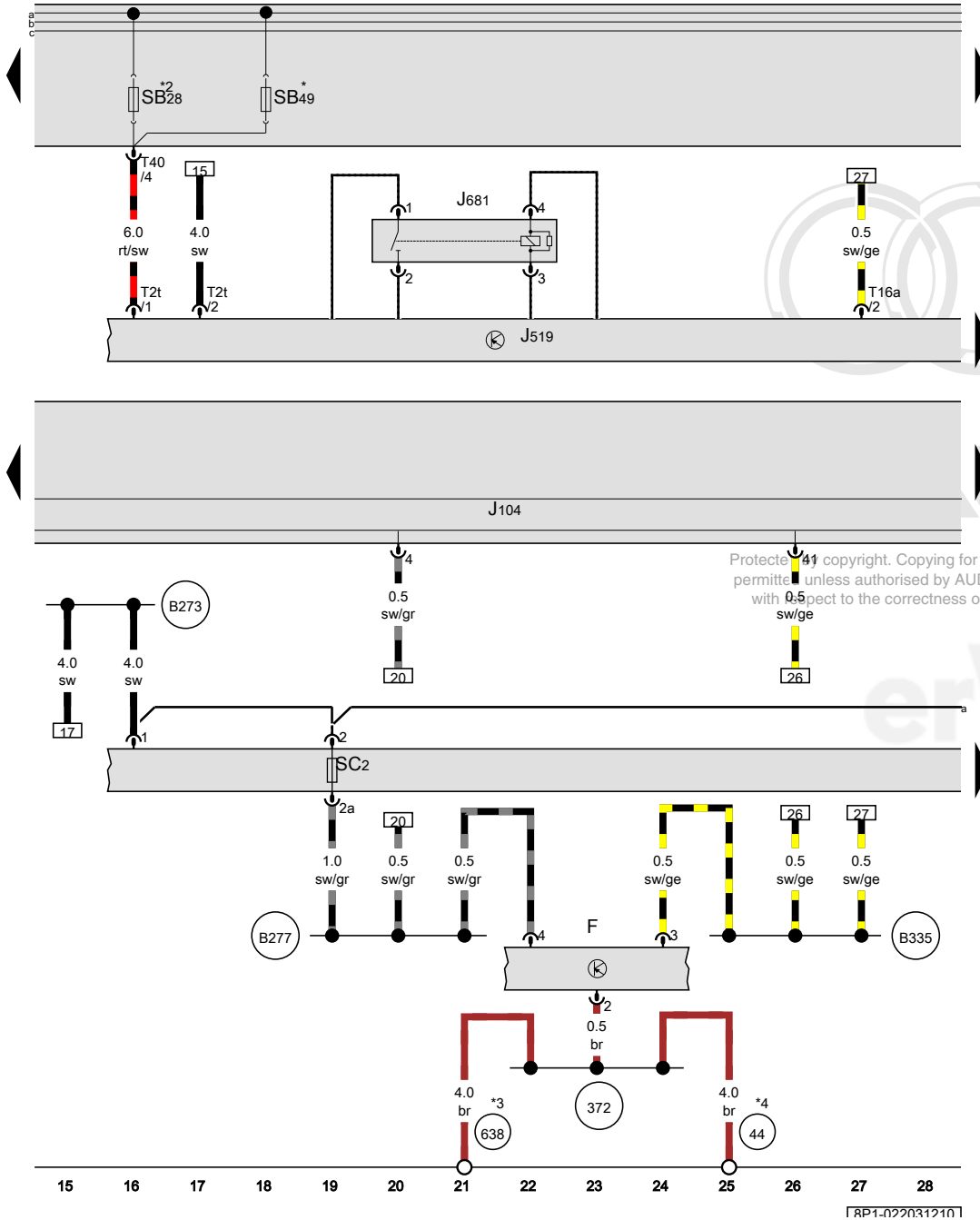
- * E-Box low
- *2 E-Box high
- *3 Only for left-hand drive vehicles
- *4 Only for right-hand drive vehicles

- ws = white
- sw = black
- ro = red
- rt = red
- br = brown
- gn = green
- bl = blue
- gr = grey
- li = lilac
- vi = lilac
- ge = yellow
- or = orange
- rs = pink

Protected by copyright. Copying for private or commercial purposes, in part or in whole, is not permitted unless authorised by AUDI AG. AUDI AG does not guarantee or accept any liability with respect to the correctness of information in this document. Copyright by AUDI AG.

18P1-0220212101

Brake lamp switch, ABS control module, Vehicle electrical system control module, Terminal 15 power supply relay 2



- F Brake lamp switch
- J104 ABS control module
- J519 Vehicle electrical system control module
- J681 Terminal 15 power supply relay 2
- SC2 Fuse 2 (on fuse panel C)
- SB28 Fuse 28 (on fuse panel B)
- SB49 Fuse 49 (on fuse panel B)
- T2t Double connector
- T16a 16-pin connector
- T40 40-pin connector

- 44 Ground connection on A-pillar, lower left
- 372 Ground connection 7 (in main wiring harness)
- 638 Ground connection on right A-pillar
- B273 Positive connection (15) (in main wiring harness)
- B277 Positive connection 1 (15a) (in main wiring harness)
- B335 Connection 1 (54) (in main wiring harness)
- * E-Box high
- *2 E-Box low
- *3 Only for left-hand drive vehicles
- *4 Only for right-hand drive vehicles

- ws = white
- sw = black
- ro = red
- rt = red
- br = brown
- gn = green
- bl = blue
- gr = grey
- li = lilac
- vi = lilac
- ge = yellow
- or = orange
- rs = pink

Protected by copyright. Copying for private or commercial purposes, in part or in whole, is not permitted unless authorised by AUDI AG. AUDI AG does not guarantee the accuracy of the information with respect to the correctness of information in this document. Copyright by AUDI AG.

18P1-0220312101

Tire pressure monitoring button, ASR/ESP button, ABS control module, Vehicle electrical system control module

- E226 Tire pressure monitoring button
- E256 ASR/ESP button
- J104 ABS control module
- J519 Vehicle electrical system control module
- SC4 Fuse 4 (on fuse panel C)
- T12c 12-pin connector

43 Ground connection on A-pillar, lower right

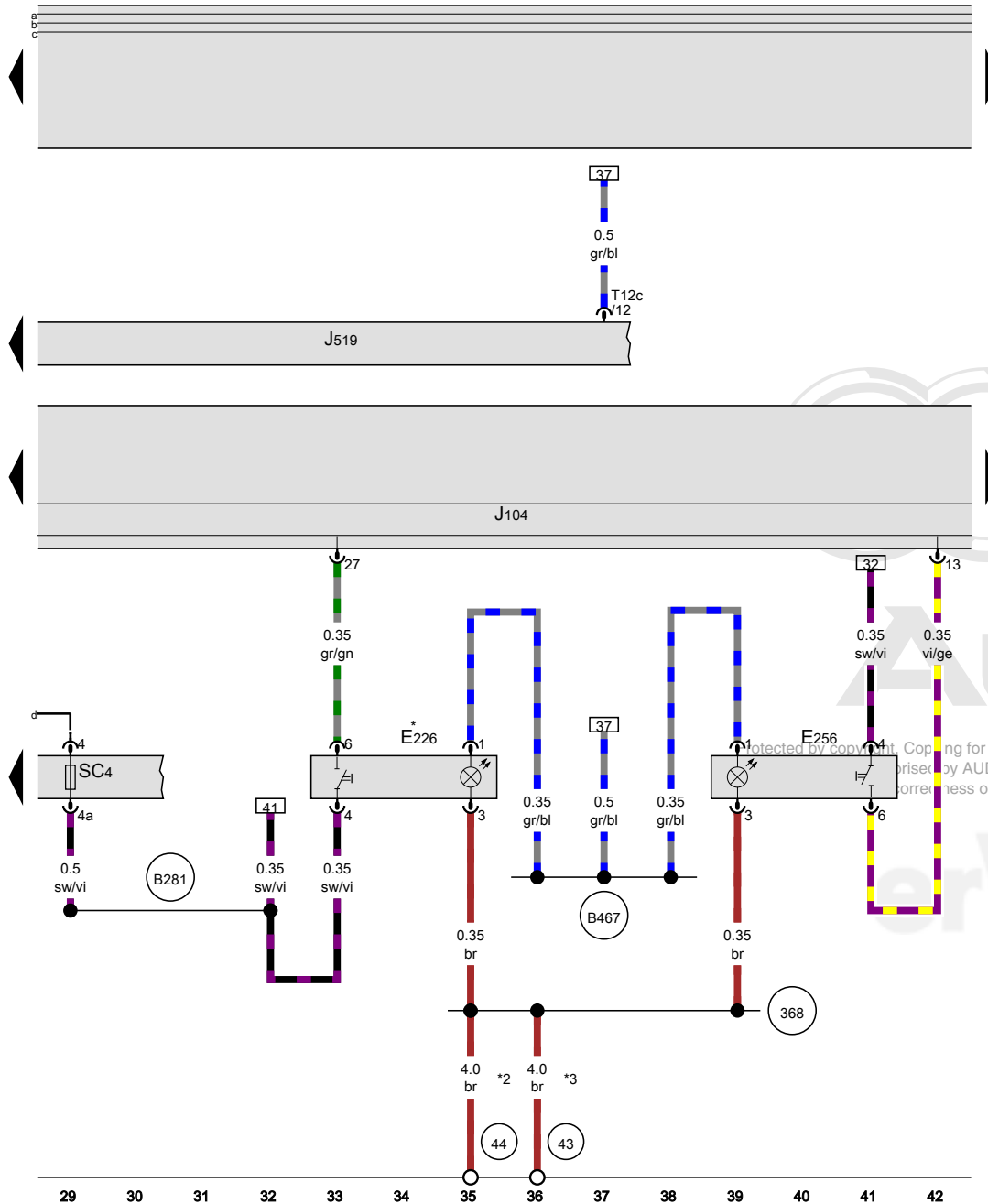
44 Ground connection on A-pillar, lower left

368 Ground connection 3 (in main wiring harness)

B281 Positive connection 5 (15a) (in main wiring harness)

B467 Connection 3 (in main wiring harness)

- * If available
- *2 Only for left-hand drive vehicles
- *3 Only for right-hand drive vehicles

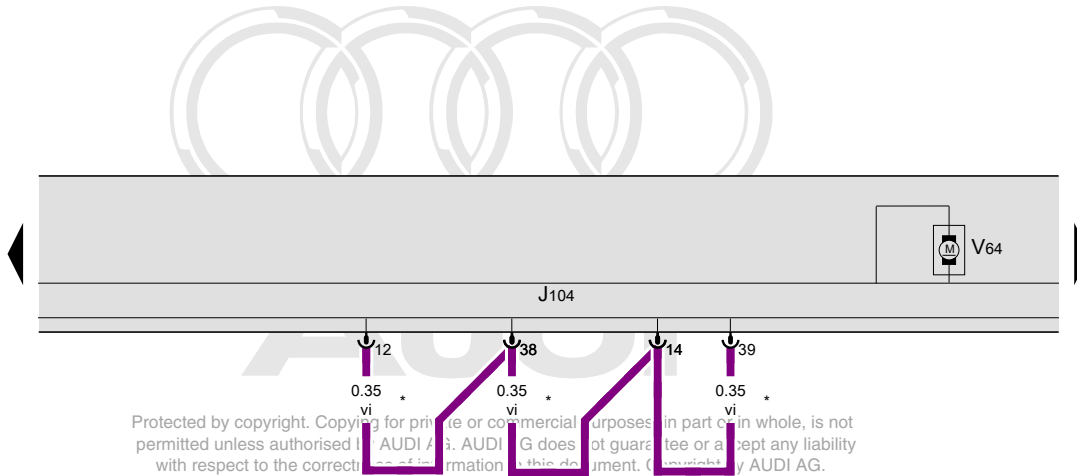
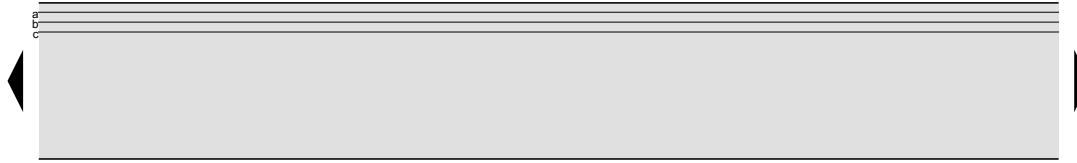


- ws = white
- sw = black
- ro = red
- rt = red
- br = brown
- gn = green
- bl = blue
- gr = grey
- li = lilac
- vi = lilac
- ge = yellow
- or = orange
- rs = pink

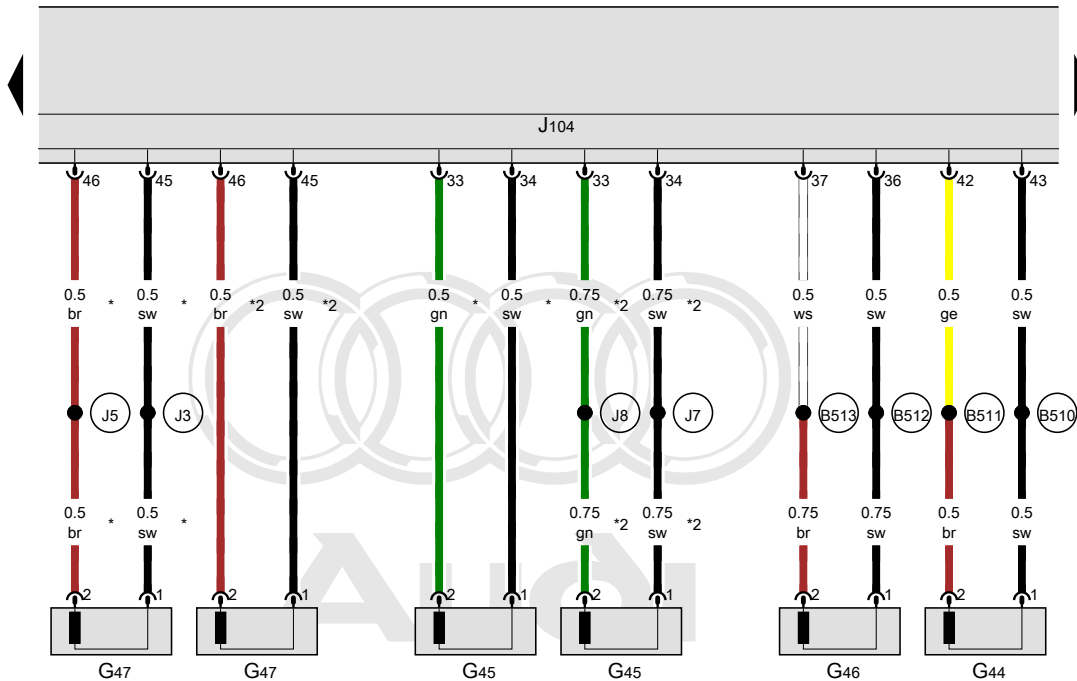
18P1-022041210

ABS control module

- J104 ABS control module
- V64 ABS hydraulic pump
- * Depending on equipment



- ws = white
- sw = black
- ro = red
- rt = red
- br = brown
- gn = green
- bl = blue
- gr = grey
- li = lilac
- vi = lilac
- ge = yellow
- or = orange
- rs = pink



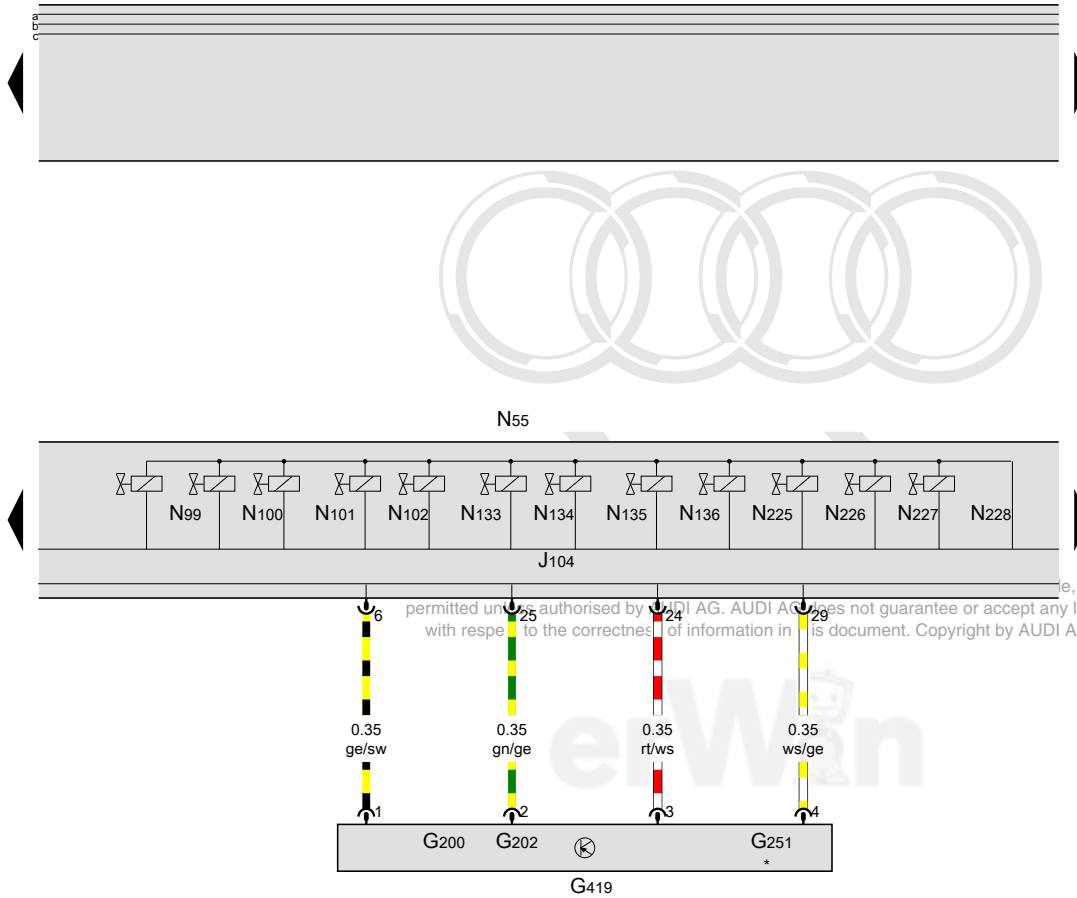
Right rear ABS wheel speed sensor, Right front ABS wheel speed sensor, Left rear ABS wheel speed sensor, Left front ABS wheel speed sensor, ABS control module

- G44 Right rear ABS wheel speed sensor
- G45 Right front ABS wheel speed sensor
- G46 Left rear ABS wheel speed sensor
- G47 Left front ABS wheel speed sensor
- J104 ABS control module

- (B510) Right rear speed sensor connection 1 (in interior wiring harness)
- (B511) Right rear speed sensor connection 2 (in interior wiring harness)
- (B512) Left rear speed sensor connection 1 (in interior wiring harness)
- (B513) Left rear speed sensor connection 2 (in interior wiring harness)
- (J3) Connection 1 (in ABS wiring harness)
- (J5) Connection 2 (in ABS wiring harness)
- (J7) Connection 3 (in ABS wiring harness)
- (J8) Connection 4 (in ABS wiring harness)
- * Only for left-hand drive vehicles
- *2 Only for right-hand drive vehicles

- ws = white
- sw = black
- ro = red
- rt = red
- br = brown
- gn = green
- bl = blue
- gr = grey
- li = lilac
- vi = lilac
- ge = yellow
- or = orange
- rs = pink

Protected by copyright. Copying for private or commercial purposes, in part or in whole, is not permitted unless authorised by AUDI AG. AUDI AG does not guarantee or accept any liability with respect to the correctness of information in this document. Copyright by AUDI AG.



ESP sensor unit, ABS control module, ABS hydraulic unit

- G200 Transverse acceleration sensor
- G202 Rotation rate sensor
- G251 Longitudinal acceleration sensor
- G419 ESP sensor unit
- J104 ABS control module
- N55 ABS hydraulic unit
- N99 Right front ABS inlet valve
- N100 Right front ABS outlet valve
- N101 Left front ABS inlet valve
- N102 Left front ABS outlet valve
- N133 Right rear ABS inlet valve
- N134 Left rear ABS inlet valve
- N135 Right rear ABS outlet valve
- N136 Left rear ABS outlet valve
- N225 Driving dynamics regulation switch valve 1
- N226 Driving dynamics regulation switch valve 2
- N227 Driving dynamics regulation high pressure switch valve 1
- N228 Driving dynamics regulation high pressure switch valve 2
- * Only for vehicles with all wheel drive

permitted under the terms of the license agreement with Audi AG. Audi AG does not guarantee or accept any liability with respect to the correctness of information in this document. Copyright by Audi AG.

Brake pressure sensor 1, ABS control module, Headlamp range control module, Steering column electronics control module, Data bus on board diagnostic interface

- G201 Brake pressure sensor 1
- J104 ABS control module
- J431 Headlamp range control module
- J527 Steering column electronics control module
- J533 Data bus on board diagnostic interface
- T20b 20-pin connector
- T20d 20-pin connector
- T26a 26-pin connector
- T26b 26-pin connector

B383 Powertrain CAN bus high connection 1 (in main wiring harness)

B390 Powertrain CAN bus low connection 1 (in main wiring harness)

B464 Vehicle speed signal connection (in main wiring harness)

Protected by copyright. Copying for private or commercial purposes, in part or in whole, is not permitted unless authorised by AUDI AG. AUDI AG does not guarantee or accept any liability with respect to the correctness of information in this document. Copyright © 2010 Audi AG.

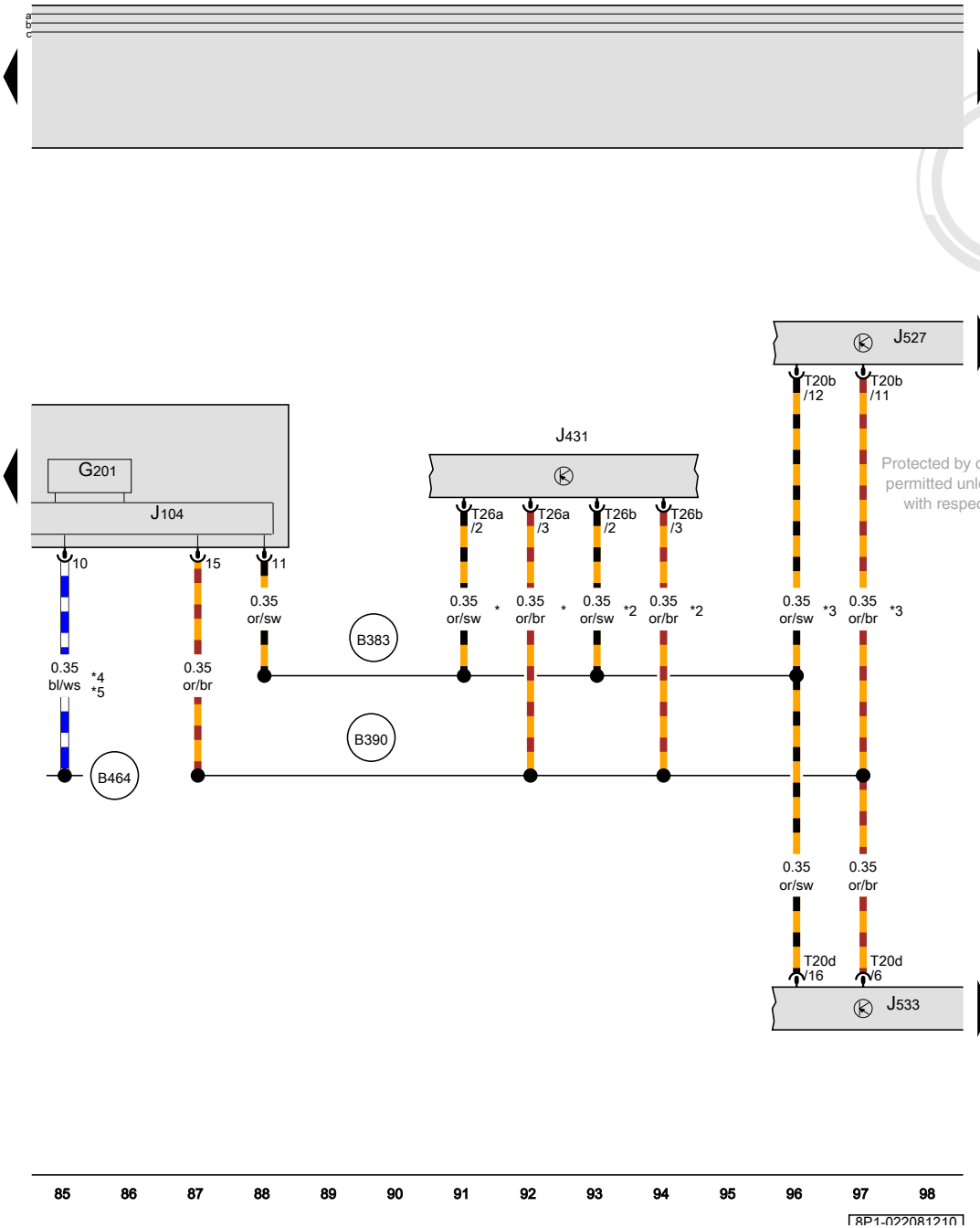
* Depending on equipment

*2 Only for vehicles with dynamic cornering lamp

*3 If available

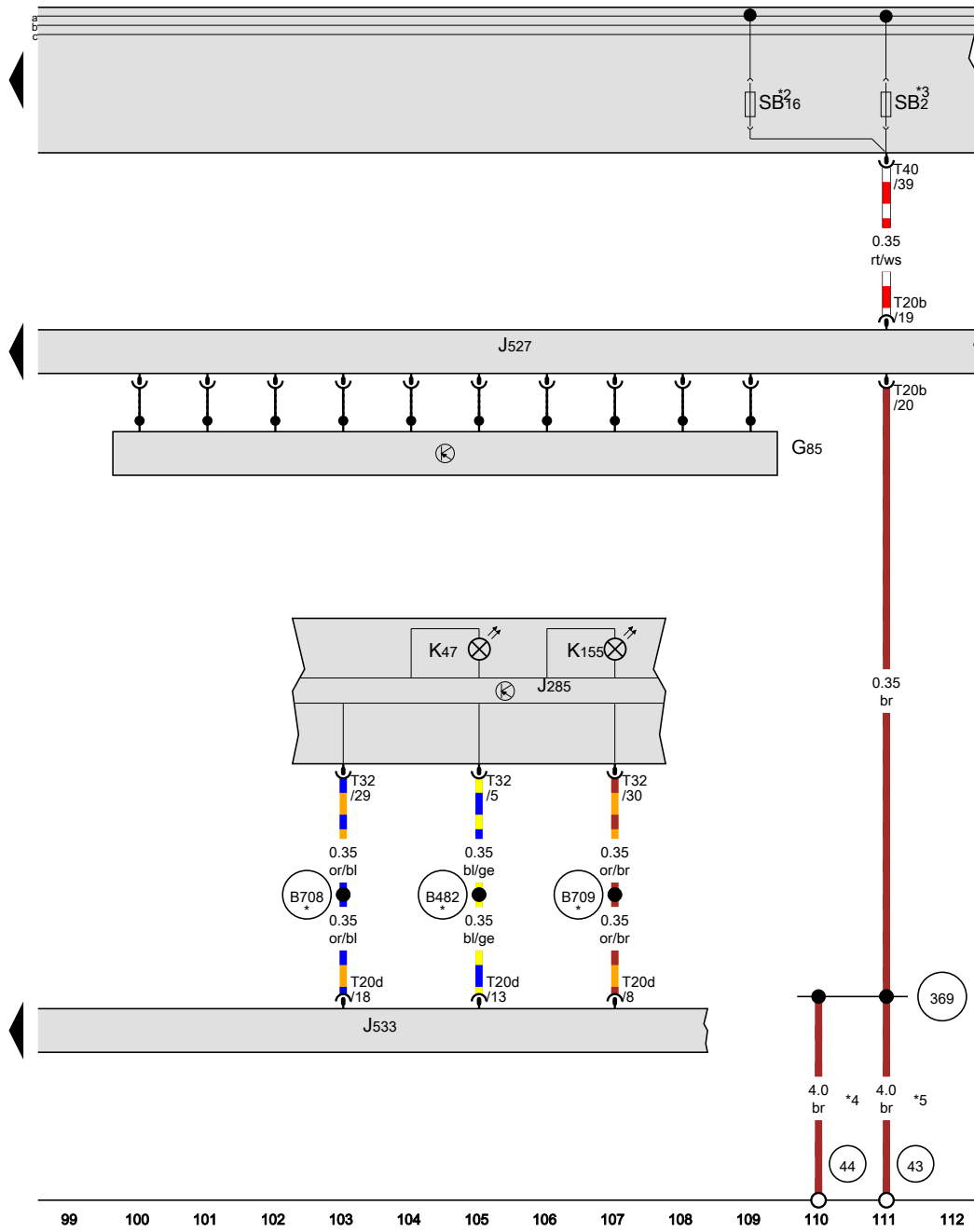
*4 Only for vehicles with navigation system

*5 Refer to applicable wiring diagram



85 86 87 88 89 90 91 92 93 94 95 96 97 98

18P1-0220R12101



Steering angle sensor, Instrument cluster control module, Steering column electronics control module, Data bus on board diagnostic interface, ABS indicator lamp, ASR/ESP indicator lamp

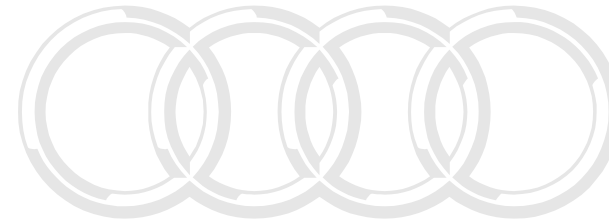
- G85 Steering angle sensor
- J285 Instrument cluster control module
- J527 Steering column electronics control module
- J533 Data bus on board diagnostic interface
- K47 ABS indicator lamp
- K155 ASR/ESP indicator lamp
- SB2 Fuse 2 (on fuse panel B)
- SB16 Fuse 16 (on fuse panel B)
- T20b 20-pin connector
- T20d 20-pin connector
- T32 32-pin connector
- T40 40-pin connector

Protected by copyright. No reproduction, distribution or commercial purposes, in part or in whole, is not permitted without express authorization by AUDI AG. AUDI AG does not guarantee or accept any liability with respect to the correctness of information in this document. Copyright by AUDI AG.

- 43 Ground connection on A-pillar, lower right
- 44 Ground connection on A-pillar, lower left
- 369 Ground connection 4 (in main wiring harness)
- B482 Connection 18 (in main wiring harness)
- B708 Instrument cluster CAN bus high connection 1 (in main wiring harness)
- B709 Instrument cluster CAN bus low connection 1 (in main wiring harness)
- * Omitted as a running change
- *2 E-Box high
- *3 E-Box low
- *4 Only for left-hand drive vehicles
- *5 Only for right-hand drive vehicles

- ws = white
- sw = black
- ro = red
- rt = red
- br = brown
- gn = green
- bl = blue
- gr = grey
- li = lilac
- vi = lilac
- ge = yellow
- or = orange
- rs = pink

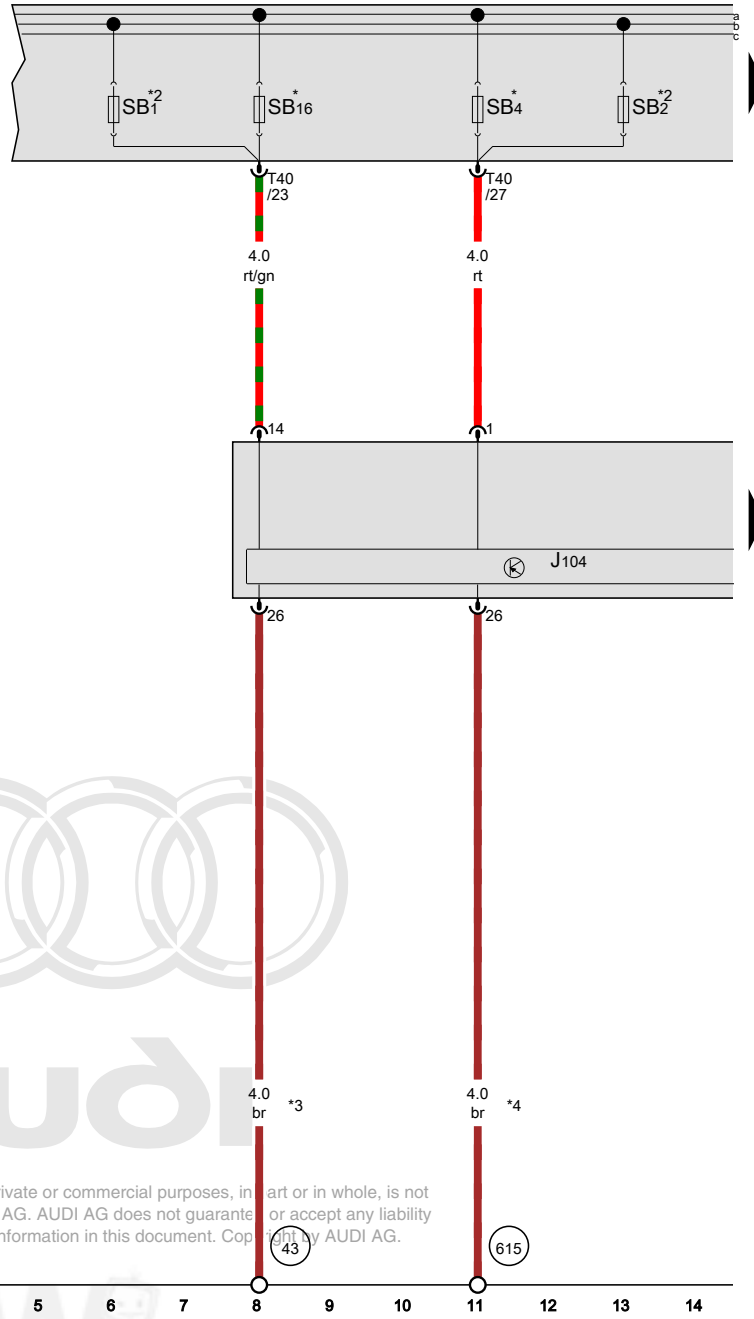
ABS with ASR
From May 2006



Audi

Protected by copyright. Copying for private or commercial purposes, in part or in whole, is not permitted unless authorised by AUDI AG. AUDI AG does not guarantee or accept any liability with respect to the correctness of information in this document. Copyright by AUDI AG.





ABS control module

- J104 ABS control module
- SB1 Fuse 1 (on fuse panel B)
- SB2 Fuse 2 (on fuse panel B)
- SB4 Fuse 4 (on fuse panel B)
- SB16 Fuse 16 (on fuse panel B)
- T40 40-pin connector

43 Ground connection on A-pillar, lower right

615 Ground connection on left strut

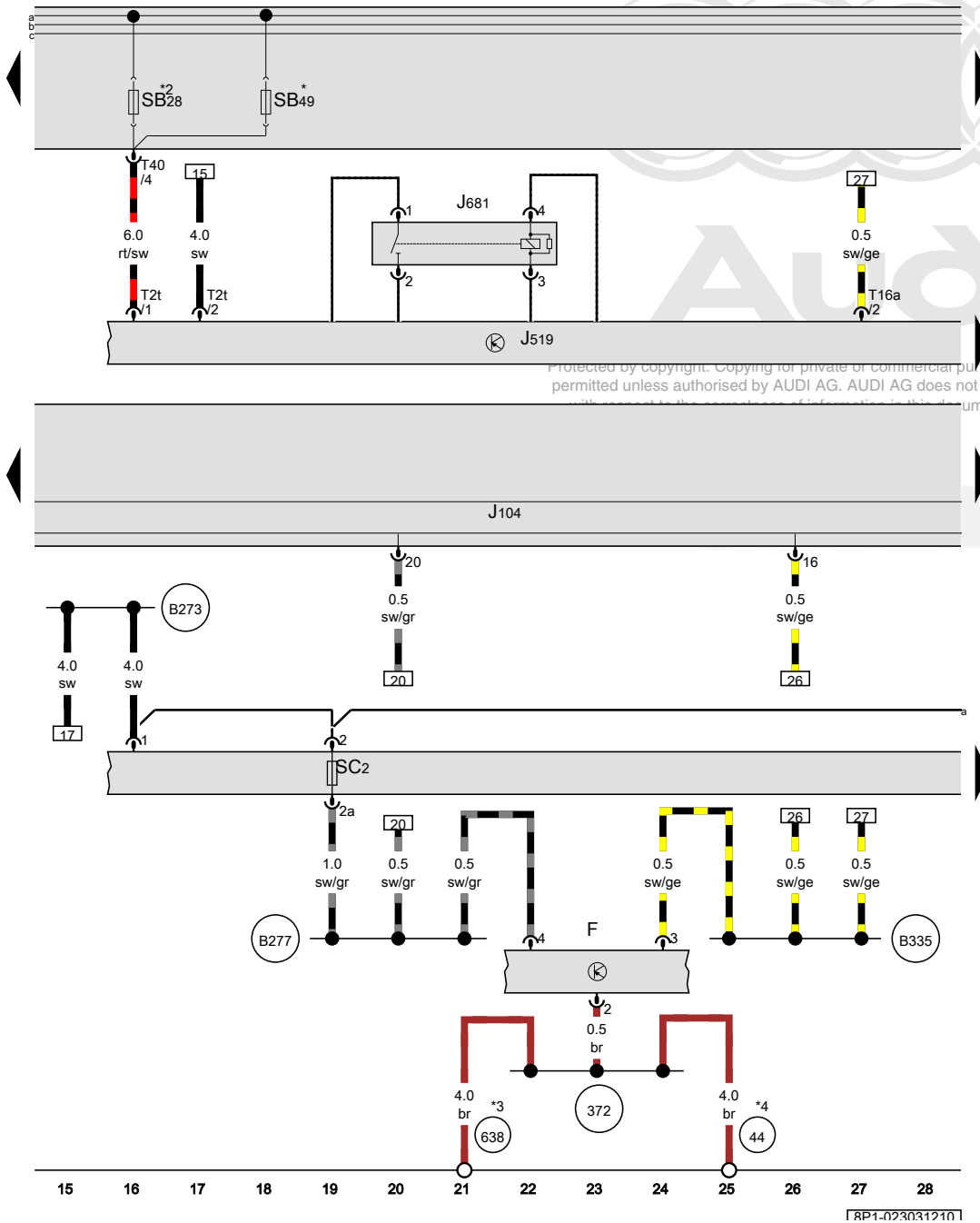
- * E-Box low
- *2 E-Box high
- *3 Only for left-hand drive vehicles
- *4 Only for right-hand drive vehicles

- ws = white
- sw = black
- ro = red
- rt = red
- br = brown
- gn = green
- bl = blue
- gr = grey
- li = lilac
- vi = lilac
- ge = yellow
- or = orange
- rs = pink

Protected by copyright. Copying for private or commercial purposes, in part or in whole, is not permitted unless authorised by AUDI AG. AUDI AG does not guarantee or accept any liability with respect to the correctness of information in this document. Copyright © 2010 by AUDI AG.

1 2 3 4 5 6 7 8 9 10 11 12 13 14

18P1-0230212101



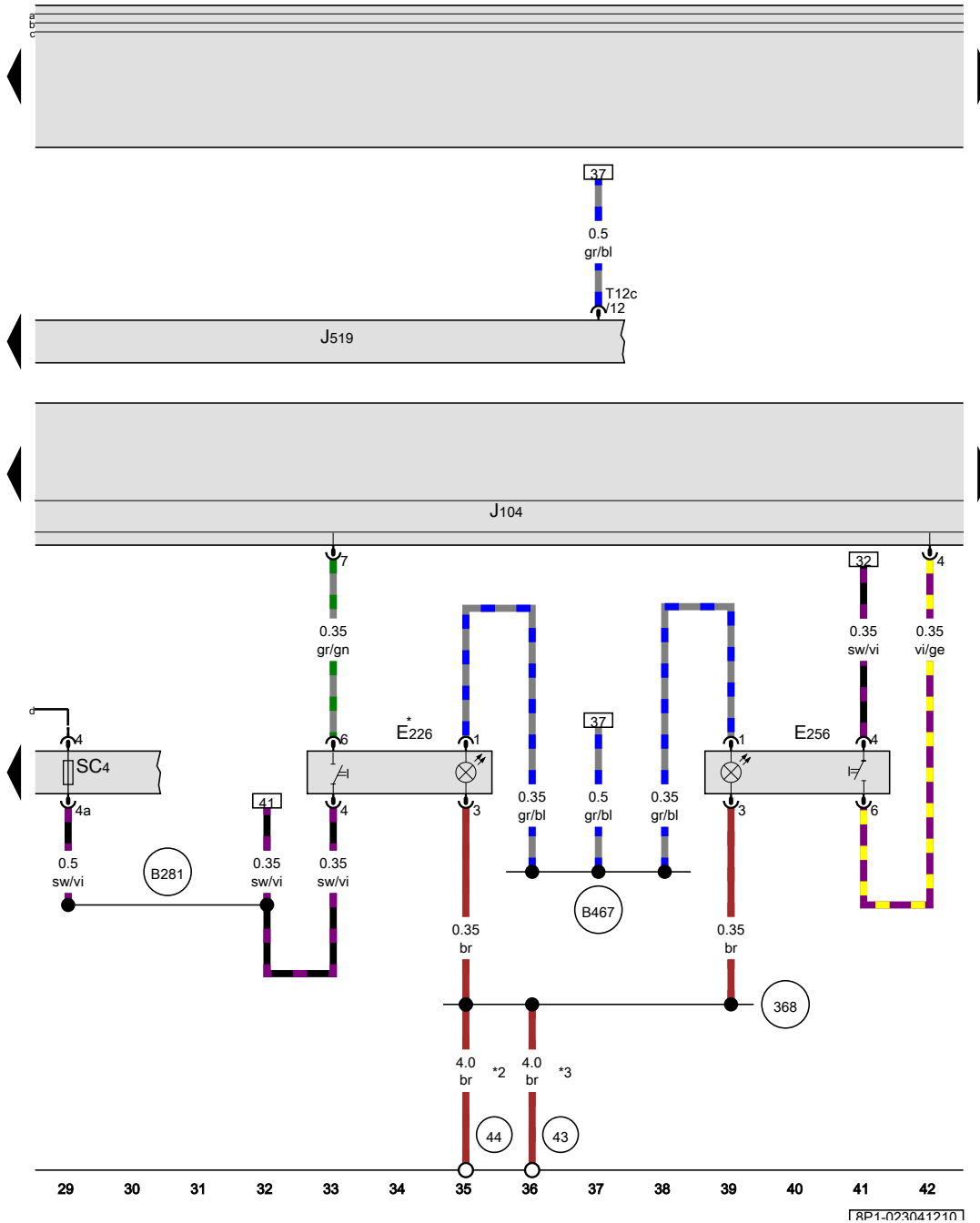
Brake lamp switch, ABS control module, Vehicle electrical system control module, Terminal 15 power supply relay 2

- F Brake lamp switch
- J104 ABS control module
- J519 Vehicle electrical system control module
- J681 Terminal 15 power supply relay 2
- SC2 Fuse 2 (on fuse panel C)
- SB28 Fuse 28 (on fuse panel B)
- SB49 Fuse 49 (on fuse panel B)
- T2t Double connector
- T16a 16-pin connector
- T40 40-pin connector

- 44 Ground connection on A-pillar, lower left
- 372 Ground connection 7 (in main wiring harness)
- 638 Ground connection on right A-pillar
- B273 Positive connection (15) (in main wiring harness)
- B277 Positive connection 1 (15a) (in main wiring harness)
- B335 Connection 1 (54) (in main wiring harness)
- * E-Box high
- *2 E-Box low
- *3 Only for left-hand drive vehicles
- *4 Only for right-hand drive vehicles

- ws = white
- sw = black
- ro = red
- rt = red
- br = brown
- gn = green
- bl = blue
- gr = grey
- li = lilac
- vi = lilac
- ge = yellow
- or = orange
- rs = pink

18P1-0230312101



Tire pressure monitoring button, ASR/ESP button, ABS control module, Vehicle electrical system control module

- E226 Tire pressure monitoring button
- E256 ASR/ESP button
- J104 ABS control module
- J519 Vehicle electrical system control module
- SC4 Fuse 4 (on fuse panel C)
- T12c 12-pin connector

- 43 Ground connection on A-pillar, lower right
- 44 Ground connection on A-pillar, lower left
- 368 Ground connection 3 (in main wiring harness)
- B281 Positive connection 5 (15a) (in main wiring harness)
- B467 Connection 3 (in main wiring harness)
- * If available
- *2 Only for left-hand drive vehicles
- *3 Only for right-hand drive vehicles

Protected by copyright. Copying for private or commercial purposes, in part or in whole, is not permitted unless authorised by AUDI AG. AUDI AG does not guarantee or accept any liability with respect to the correctness of information in this document. Copyright by AUDI AG.

- ws = white
- sw = black
- ro = red
- rt = red
- br = brown
- gn = green
- bl = blue
- gr = grey
- li = lilac
- vi = lilac
- ge = yellow
- or = orange
- rs = pink

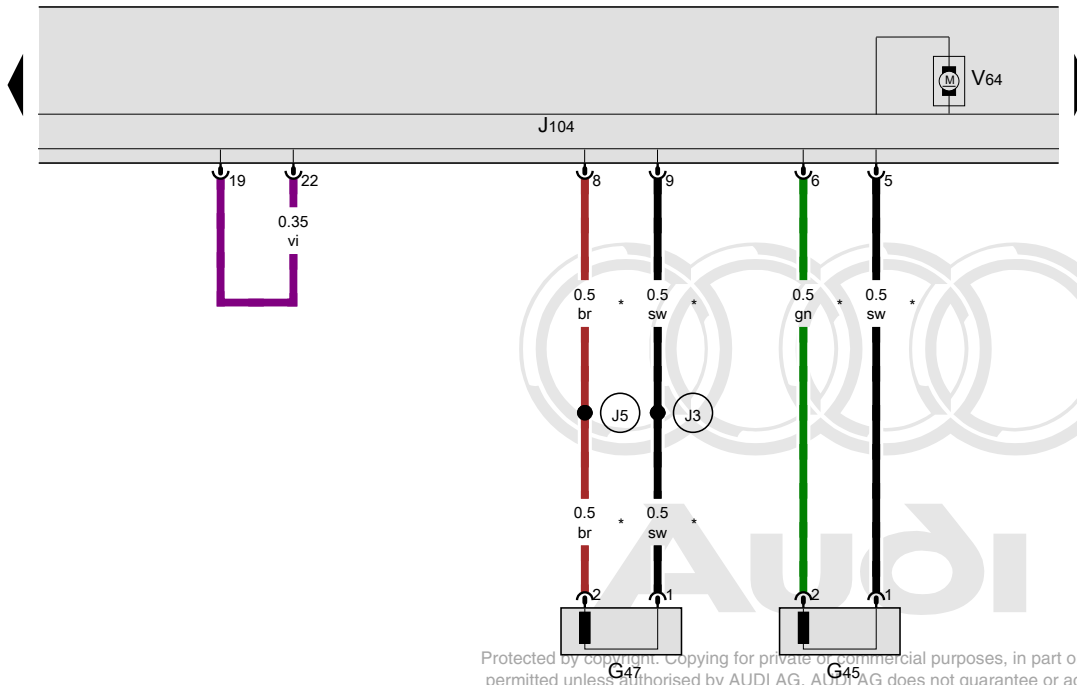
Right front ABS wheel speed sensor, Left front ABS wheel speed sensor, ABS control module

- G45 Right front ABS wheel speed sensor
- G47 Left front ABS wheel speed sensor
- J104 ABS control module
- V64 ABS hydraulic pump

J3 Connection 1 (in ABS wiring harness)

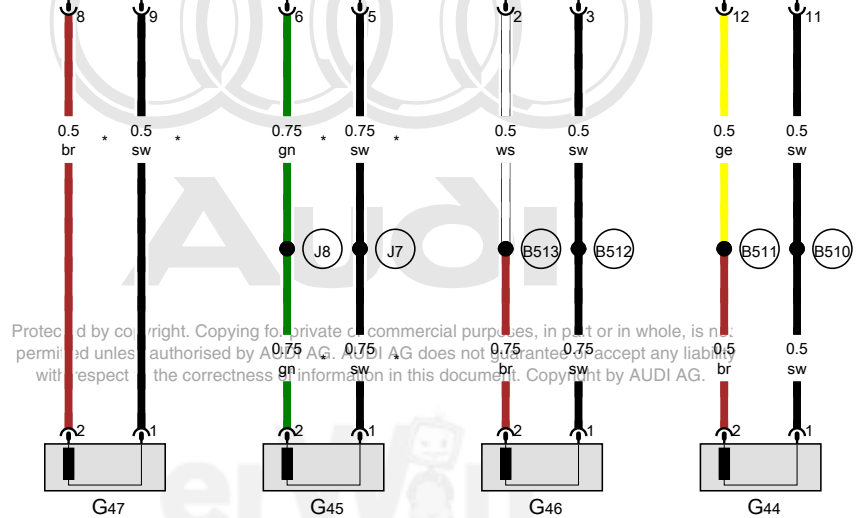
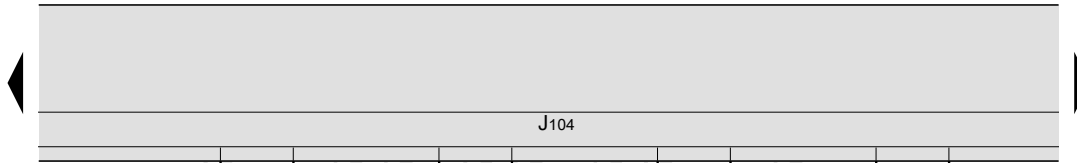
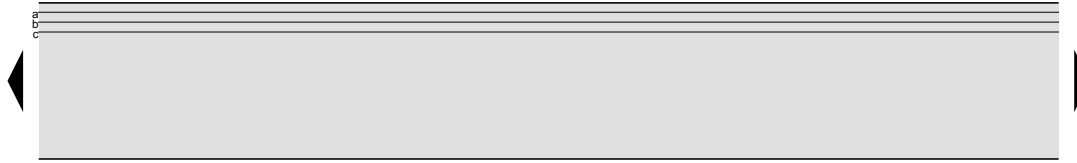
J5 Connection 2 (in ABS wiring harness)

* Only for left-hand drive vehicles



Protected by copyright. Copying for private or commercial purposes, in part or in whole, is not permitted unless authorised by AUDI AG. AUDI AG does not guarantee or accept any liability with respect to the correctness of information in this document. Copyright by AUDI AG.

- ws = white
- sw = black
- ro = red
- rt = red
- br = brown
- gn = green
- bl = blue
- gr = grey
- li = lilac
- vi = lilac
- ge = yellow
- or = orange
- rs = pink



Protected by copyright. Copying for private or commercial purposes, in part or in whole, is not permitted unless authorised by AUDI AG. AUDI AG does not warrant or accept any liability with respect to the correctness of information in this document. Copyright by AUDI AG.

Right rear ABS wheel speed sensor, Right front ABS wheel speed sensor, Left rear ABS wheel speed sensor, Left front ABS wheel speed sensor, ABS control module

- G44 Right rear ABS wheel speed sensor
- G45 Right front ABS wheel speed sensor
- G46 Left rear ABS wheel speed sensor
- G47 Left front ABS wheel speed sensor
- J104 ABS control module

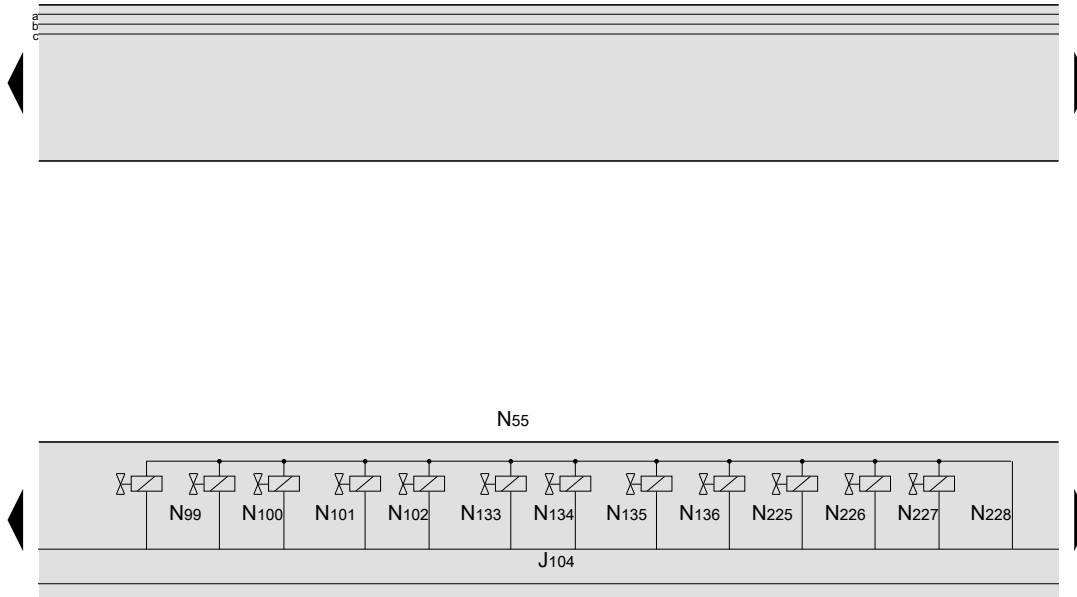
- (B510) Right rear speed sensor connection 1 (in interior wiring harness)
- (B511) Right rear speed sensor connection 2 (in interior wiring harness)
- (B512) Left rear speed sensor connection 1 (in interior wiring harness)
- (B513) Left rear speed sensor connection 2 (in interior wiring harness)
- (J7) Connection 3 (in ABS wiring harness)
- (J8) Connection 4 (in ABS wiring harness)

* Only for right-hand drive vehicles

- ws = white
- sw = black
- ro = red
- rt = red
- br = brown
- gn = green
- bl = blue
- gr = grey
- li = lilac
- vi = lilac
- ge = yellow
- or = orange
- rs = pink

ABS control module, ABS hydraulic unit

- J104 ABS control module
- N55 ABS hydraulic unit
- N99 Right front ABS inlet valve
- N100 Right front ABS outlet valve
- N101 Left front ABS inlet valve
- N102 Left front ABS outlet valve
- N133 Right rear ABS inlet valve
- N134 Left rear ABS inlet valve
- N135 Right rear ABS outlet valve
- N136 Left rear ABS outlet valve
- N225 Driving dynamics regulation switch valve 1
- N226 Driving dynamics regulation switch valve 2
- N227 Driving dynamics regulation high pressure switch valve 1
- N228 Driving dynamics regulation high pressure switch valve 2



Audi

Protected by copyright. Copying for private or commercial purposes, in part or in whole, is not permitted unless authorised by AUDI AG. AUDI AG does not guarantee or accept any liability with respect to the correctness of information in this document. Copyright by AUDI AG.

- ws = white
- sw = black
- ro = red
- rt = red
- br = brown
- gn = green
- bl = blue
- gr = grey
- li = lilac
- vi = lilac
- ge = yellow
- or = orange
- rs = pink

Brake pressure sensor 1, ABS control module, Headlamp range control module, Steering column electronics control module, Data bus on board diagnostic interface

- G201 Brake pressure sensor 1
- J104 ABS control module
- J431 Headlamp range control module
- J527 Steering column electronics control module
- J533 Data bus on board diagnostic interface
- T20b 20-pin connector
- T20d 20-pin connector
- T26a 26-pin connector
- T26b 26-pin connector

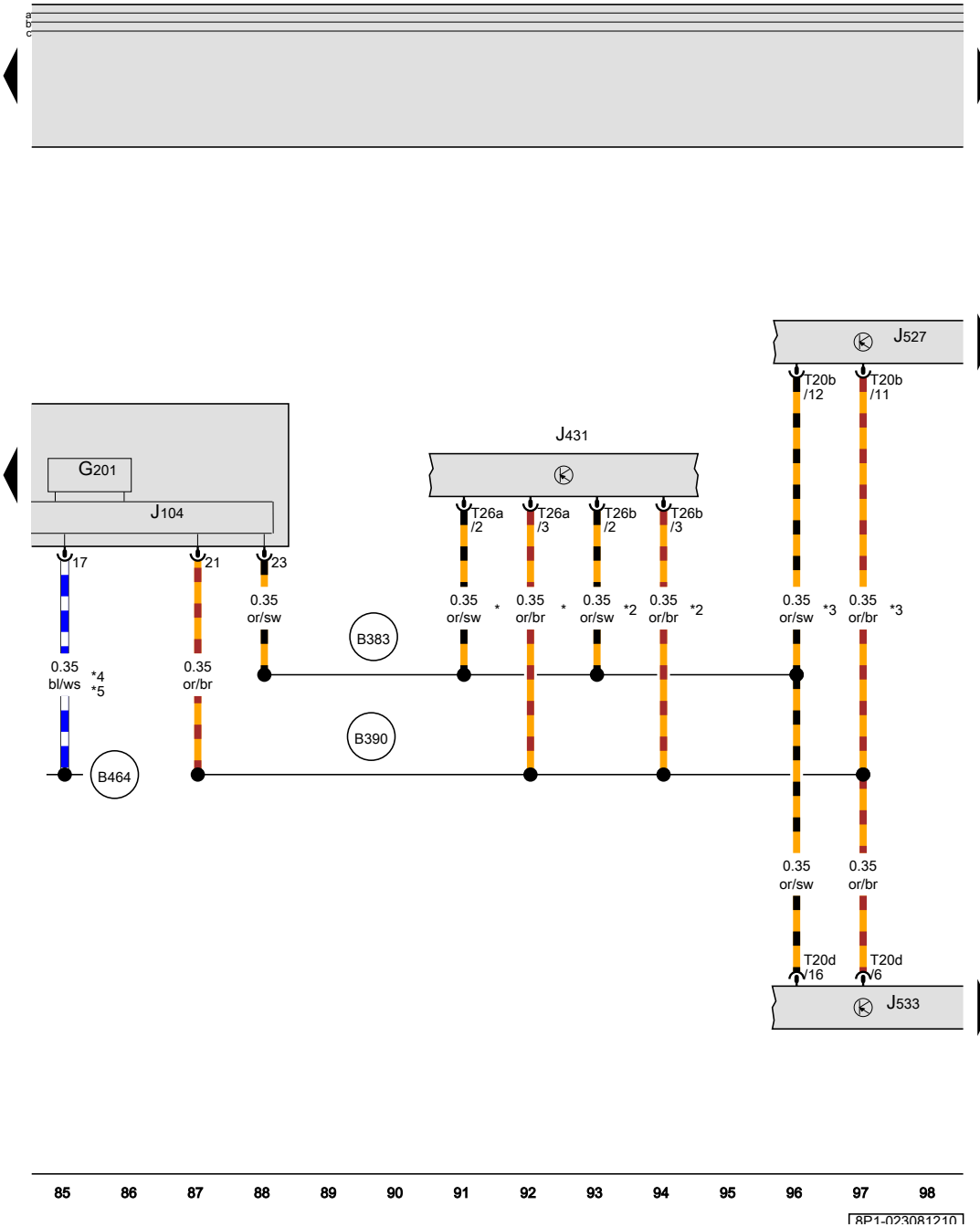
(B383) Powertrain CAN bus high connection 1 (in main wiring harness)

(B390) Powertrain CAN bus low connection 1 (in main wiring harness)

(B464) Vehicle speed signal connection (in main wiring harness)

- * Depending on equipment
- *2 Only for vehicles with dynamic cornering lamp
- *3 If available
- *4 Only for vehicles with navigation system
- *5 Refer to applicable wiring diagram

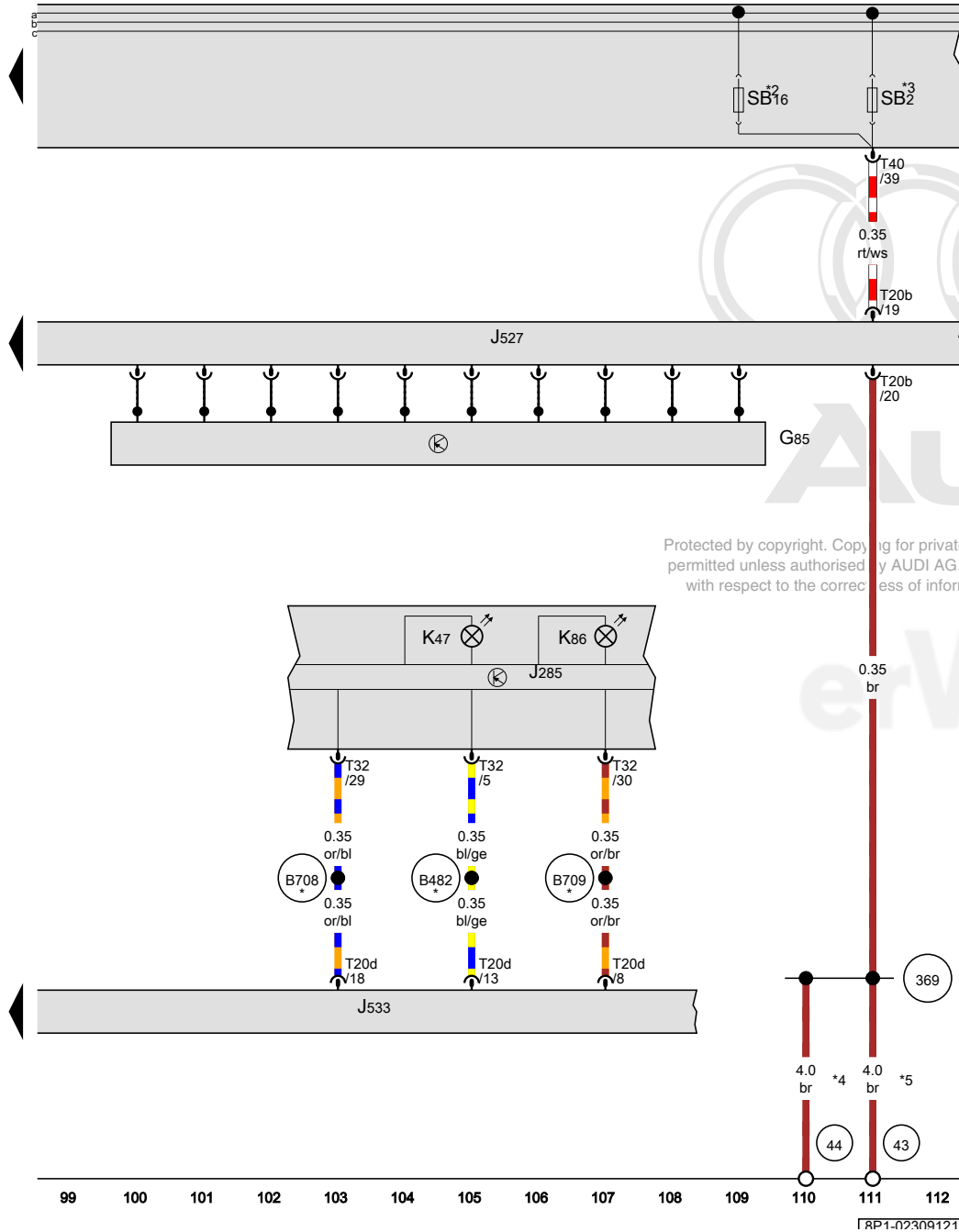
Protected by copyright. Copying for private or commercial purposes, in part or in whole, is not permitted unless authorised by AUDI AG. AUDI AG does not guarantee or accept any liability with respect to the correctness of information in this document. Copyright by AUDI AG.



- ws = white
- sw = black
- ro = red
- rt = red
- br = brown
- gn = green
- bl = blue
- gr = grey
- li = lilac
- vi = lilac
- ge = yellow
- or = orange
- rs = pink

85 86 87 88 89 90 91 92 93 94 95 96 97 98

18P1-0230R1210



Steering angle sensor, Instrument cluster control module, Steering column electronics control module, Data bus on board diagnostic interface, ABS indicator lamp, Traction control indicator lamp

- G85 Steering angle sensor
- J285 Instrument cluster control module
- J527 Steering column electronics control module
- J533 Data bus on board diagnostic interface
- K47 ABS indicator lamp
- K86 Traction control indicator lamp
- SB2 Fuse 2 (on fuse panel B)
- SB16 Fuse 16 (on fuse panel B)
- T20b 20-pin connector
- T20d 20-pin connector
- T32 32-pin connector
- T40 40-pin connector

- 43 Ground connection on A-pillar, lower right
- 44 Ground connection on A-pillar, lower left
- 369 Ground connection 4 (in main wiring harness)
- B482 Connection 18 (in main wiring harness)
- B708 Instrument cluster CAN bus high connection 1 (in main wiring harness)
- B709 Instrument cluster CAN bus low connection 1 (in main wiring harness)
- * Omitted as a running change
- *2 E-Box high
- *3 E-Box low
- *4 Only for left-hand drive vehicles
- *5 Only for right-hand drive vehicles

- ws = white
- sw = black
- ro = red
- rt = red
- br = brown
- gn = green
- bl = blue
- gr = grey
- li = lilac
- vi = lilac
- ge = yellow
- or = orange
- rs = pink

Protected by copyright. Copying for private or commercial purposes, in part or in whole, is not permitted unless authorised by AUDI AG. AUDI AG does not guarantee or accept any liability with respect to the correctness of information in this document. Copyright by AUDI AG.

99 100 101 102 103 104 105 106 107 108 109 110 111 112

18P1-0230912101

Garage Door Opener (Homelink)

from model year 2007

Note:

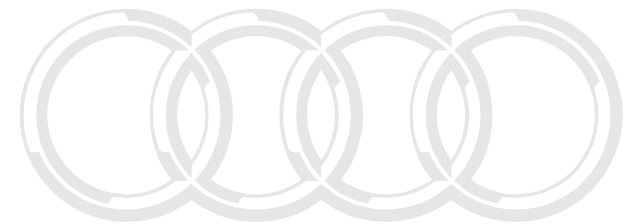
Information for

- ◆ Relay and fuse arrangements
- ◆ Connector arrangements
- ◆ Control Modules and Relays
- ◆ Ground Connections

⇒ Component Locations

Information for

- ◆ Troubleshooting Procedures
- ⇒ Guided Fault Finding using VAS 5051 / 5052



Audi

Protected by copyright. Copying for private or commercial purposes, in part or in whole, is not permitted unless authorised by AUDI AG. AUDI AG does not guarantee or accept any liability with respect to the correctness of information in this document. Copyright by AUDI AG.





Garage Door Opener Control Head

- E284 Garage Door Opener Control Head
- F147 Driver Vanity Mirror Lamp Contact Switch
- F148 Front Passenger Vanity Mirror Lamp Contact Switch
- J519 Vehicle Electrical System Control Module
- T10d 10-Pin Connector, black (Connector K)
- W14 Front Passenger's Illuminated Make-up Mirror
- W20 Driver's Illuminated Make-up Mirror Light

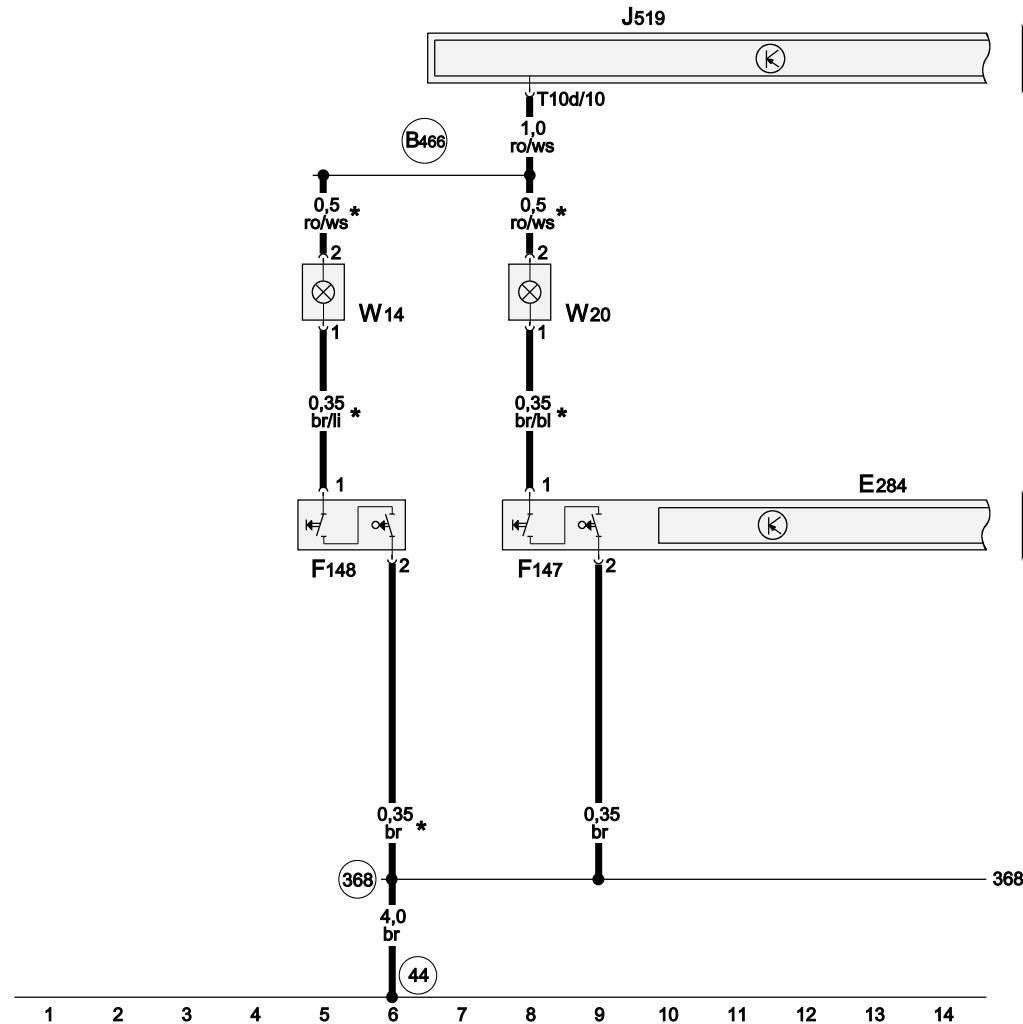
44 Ground Connection (on left lower A-pillar)

368 Ground Connection 3 (in main wiring harness)

B466 Connection 2 (in main wiring harness)

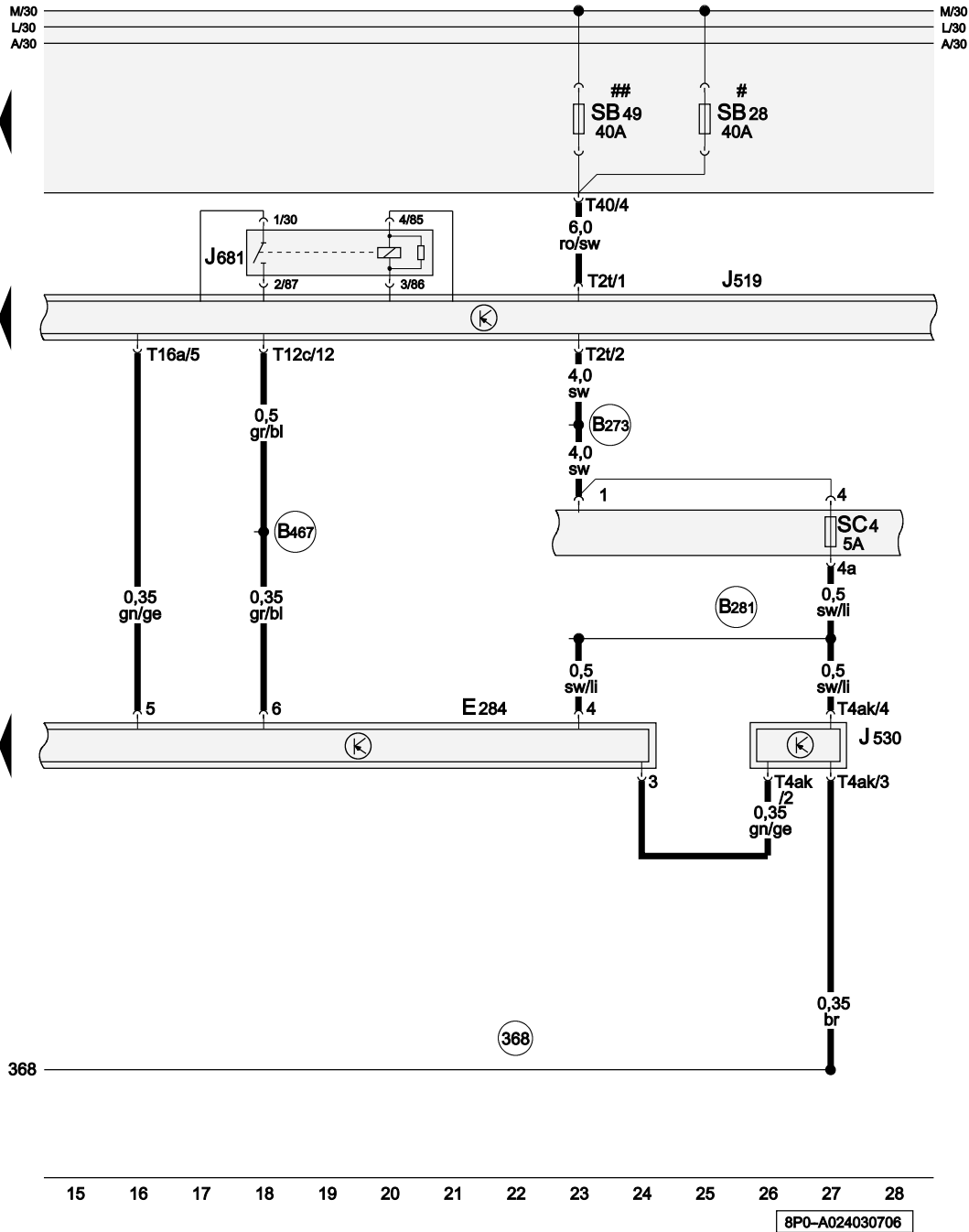
* Only models with illuminated Make-up mirrors

Protected by copyright. Copying for private or commercial purposes, in part or in whole, is not permitted unless authorised by AUDI AG. AUDI AG does not guarantee or accept any liability with respect to the correctness of information in this document. Copyright by AUDI AG.



- ws = white
- sw = black
- ro = red
- br = brown
- gn = green
- bl = blue
- gr = grey
- li = lilac
- ge = yellow
- or = orange
- rs = pink

8P0-A024020706



Garage Door Opener Control Head, Garage Door Opener Control Module

- E284 Garage Door Opener Control Head
- J519 Vehicle Electrical System Control Module
- J530 Garage Door Opener Control Module
- J681 Power Supply Relay 2 (terminal 15)
- SB28 Fuse 28 (on fuse panel B)
- SB49 Fuse 49 (on fuse panel B)
- SC4 Fuse 4 (on fuse panel C)
- T2t Double Connector, black (Connector L)
- T4ak 4-Pin Connector, black (Connector A)
- T12c 12-Pin Connector, black (Connector B)
- T16a 16-Pin Connector, black (Connector E)
- T40 40-Pin Connector, black, on electronics box engine compartment (Connector J)

Protected by copyright. Copying for private or commercial purposes, in part or in whole, is not permitted unless authorised by AUDI AG. AUDI AG does not guarantee or accept any liability with respect to the correctness of information in this document. Copyright by AUDI AG.

368 Ground Connection 3 (in main wiring harness)

B273 Plus Connection (15) (in main wiring harness)

B281 Plus Connection 5 (15a) (in main wiring harness)

B467 Connection 3 (in main wiring harness)

- # Only models with electronics box Low => Component Locations
- ## Only models with electronics box High => Component Locations

- ws = white
- sw = black
- ro = red
- br = brown
- gn = green
- bl = blue
- gr = grey
- li = lilac
- ge = yellow
- or = orange
- rs = pink

8P0-A024030706

Automatic Transmission (09G)

from model year 2006

Note:

Information for

- ◆ Relay and fuse arrangements
- ◆ Connector arrangements
- ◆ Control Modules and Relays
- ◆ Ground Connections

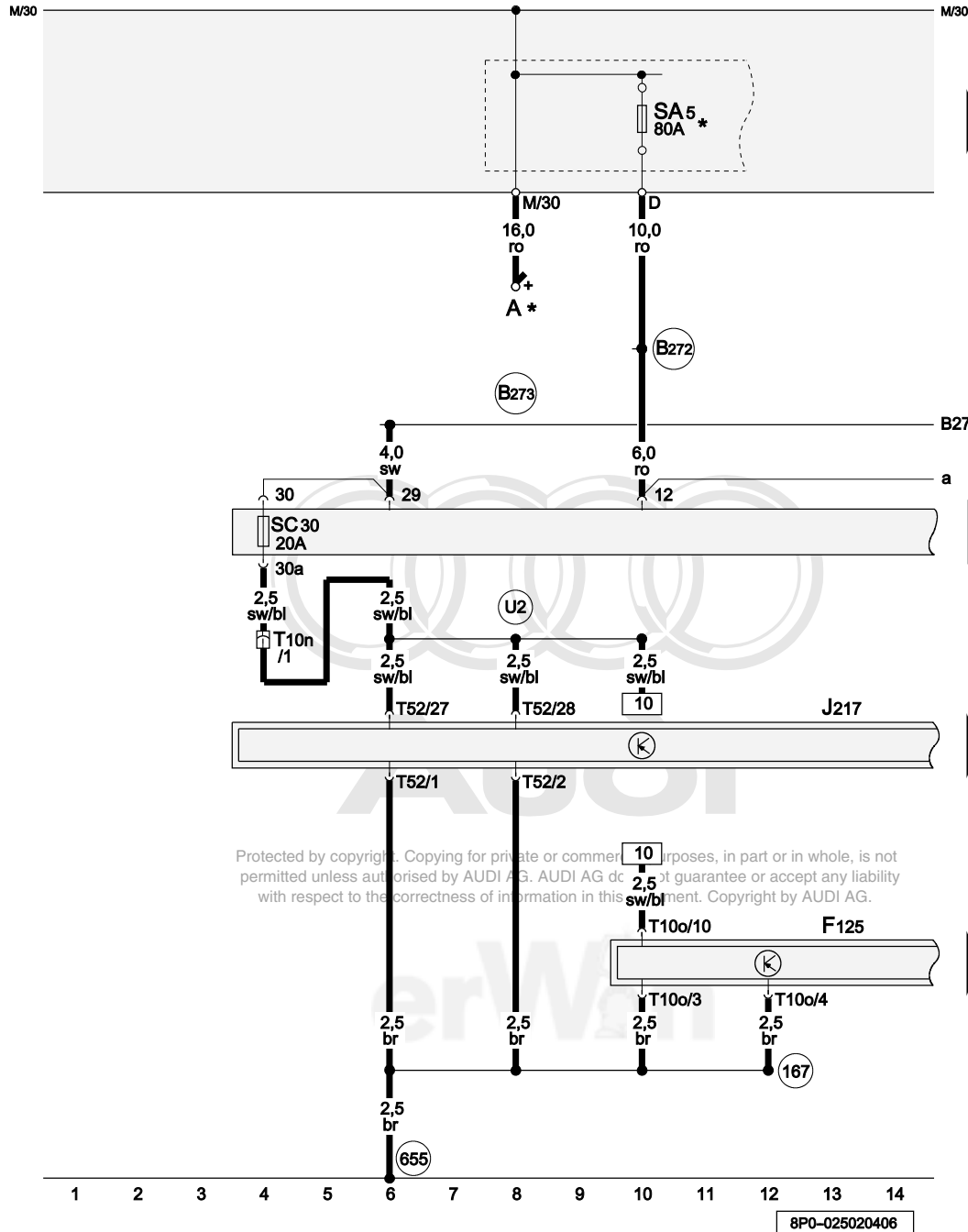
⇒ Component Locations

Information for

- ◆ Troubleshooting Procedures
- ⇒ Guided Fault Finding using VAS 5051 / 5052

Protected by copyright. Copying for private or commercial purposes, in part or in whole, is not permitted unless authorised by AUDI AG. AUDI AG does not guarantee or accept any liability with respect to the correctness of information in this document. Copyright by AUDI AG.



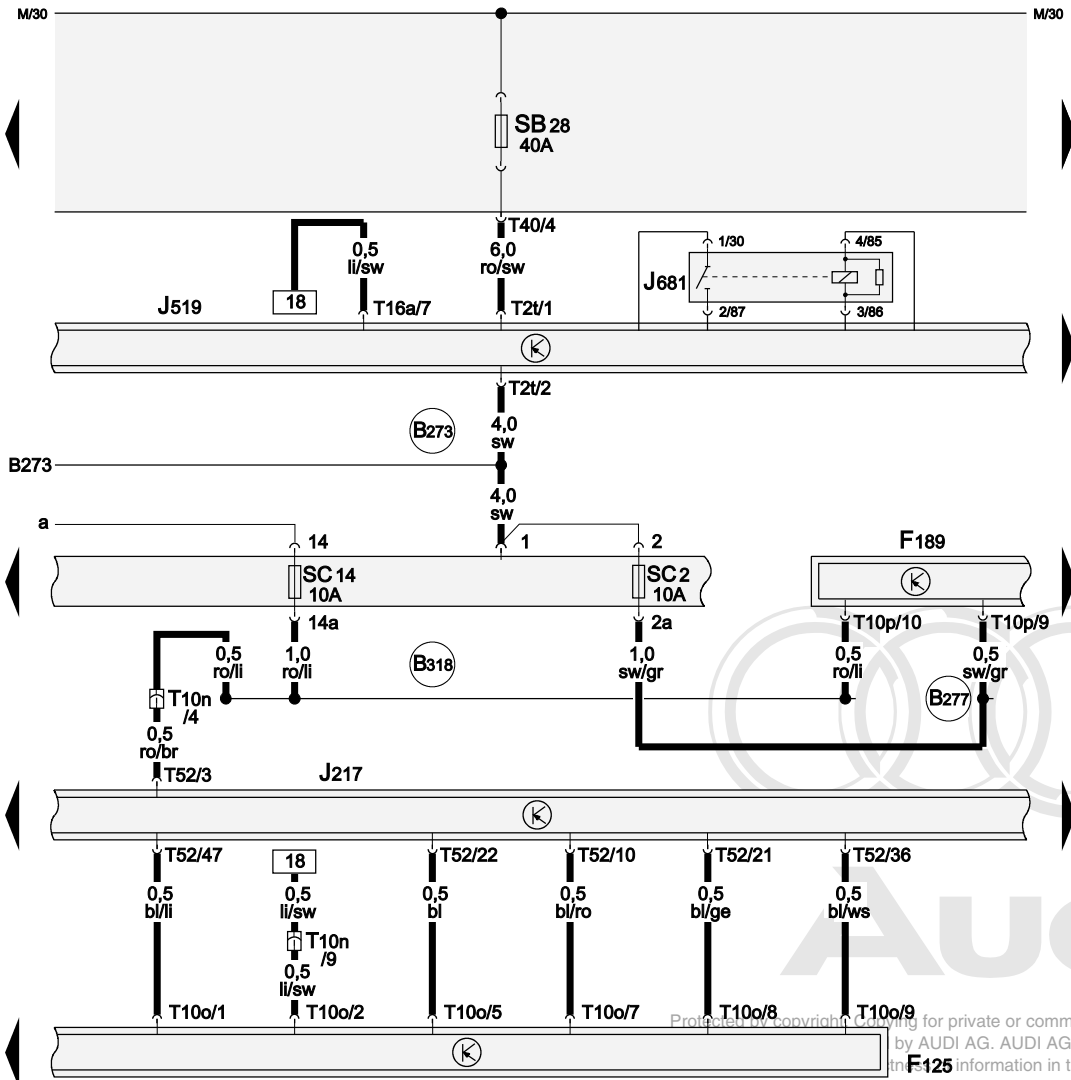


Fuses (on fuse panel), Transmission Control Module (TCM)

- A Battery
- F125 Multi-Function Transmission Range (TR) Switch
- J217 Transmission Control Module (TCM)
- SA5 Fuse 5 (on fuse panel A)
- SC30 Fuse 30 (on fuse panel C)
- T10n 10-Pin Connector, black, near left front long member
- T10o 10-Pin Connector, black (Connector C)
- T52 52-Pin Connector, black (Connector A)
- 167 Ground Connection 4 (in engine compartment wiring harness)
- 655 Ground Connection (on left headlamp)
- B272 Plus Connection (30) (in main wiring harness)
- B273 Plus Connection (15) (in main wiring harness)
- U2 Connection 1 (15) (in automatic transmission wiring harness)
- * => Applicable Wiring Diagram for models with battery in engine compartment

Protected by copyright. Copying for private or commercial purposes, in part or in whole, is not permitted unless authorised by AUDI AG. AUDI AG does not guarantee or accept any liability with respect to the correctness of information in this document. Copyright by AUDI AG.

- ws = white
- sw = black
- ro = red
- br = brown
- gn = green
- bl = blue
- gr = grey
- li = lilac
- ge = yellow
- or = orange
- rs = pink



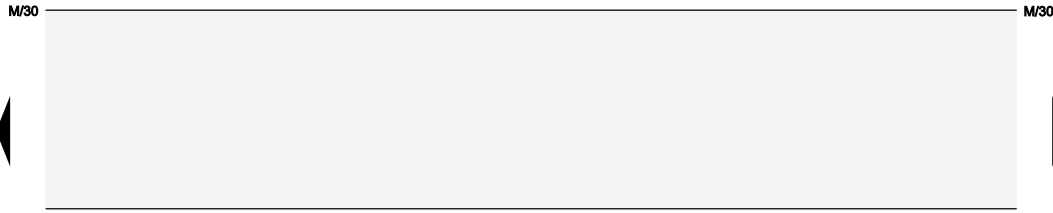
Fuses (on fuse panel), Multi-Function Transmission Range (TR) Switch, Tiptronic Switch

- F125 Multi-Function Transmission Range (TR) Switch
- F189 Tiptronic Switch
- J217 Transmission Control Module (TCM)
- J519 Vehicle Electrical System Control Module
- J681 Power Supply Relay 2 (terminal 15)
- SC2 Fuse 2 (on fuse panel C)
- SC14 Fuse 14 (on fuse panel C)
- SB28 Fuse 28 (on fuse panel B)
- T2t Double Connector, black (Connector L)
- T10n 10-Pin Connector, black, near left front long member
- T10o 10-Pin Connector, black (Connector C)
- T10p 10-Pin Connector, black (Connector A)
- T16a 16-Pin Connector, black (Connector E)
- T40 40-Pin Connector, black, on electronics box engine compartment (Connector J)
- T52 52-Pin Connector, black (Connector A)
- B273 Plus Connection (15) (in main wiring harness)
- B277 Plus Connection 1 (15a) (in main wiring harness)
- B318 Plus Connection 4 (30a) (in main wiring harness)

- ws = white
- sw = black
- ro = red
- br = brown
- gn = green
- bl = blue
- gr = grey
- li = lilac
- ge = yellow
- or = orange
- rs = pink

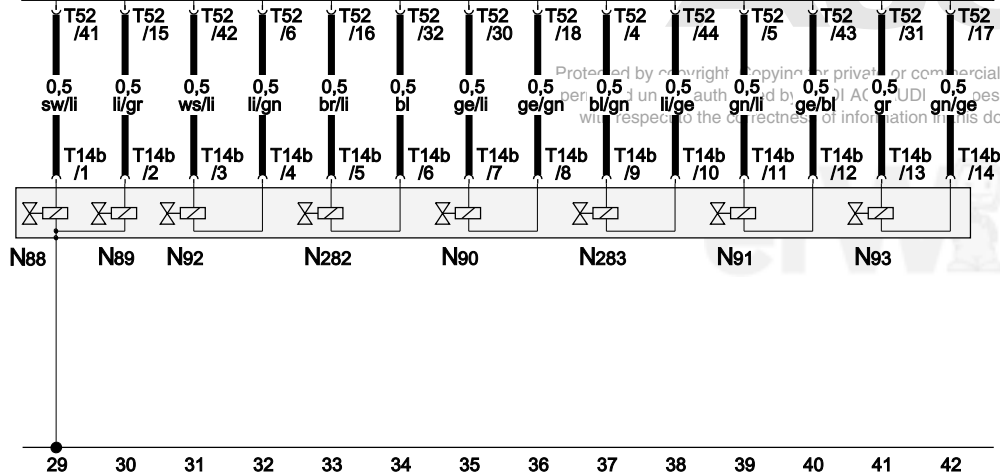
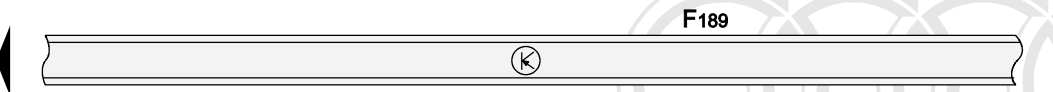
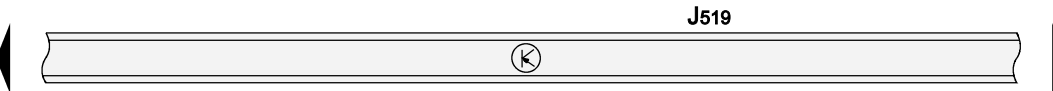
15 16 17 18 19 20 21 22 23 24 25 26 27 28

8P0-025030406



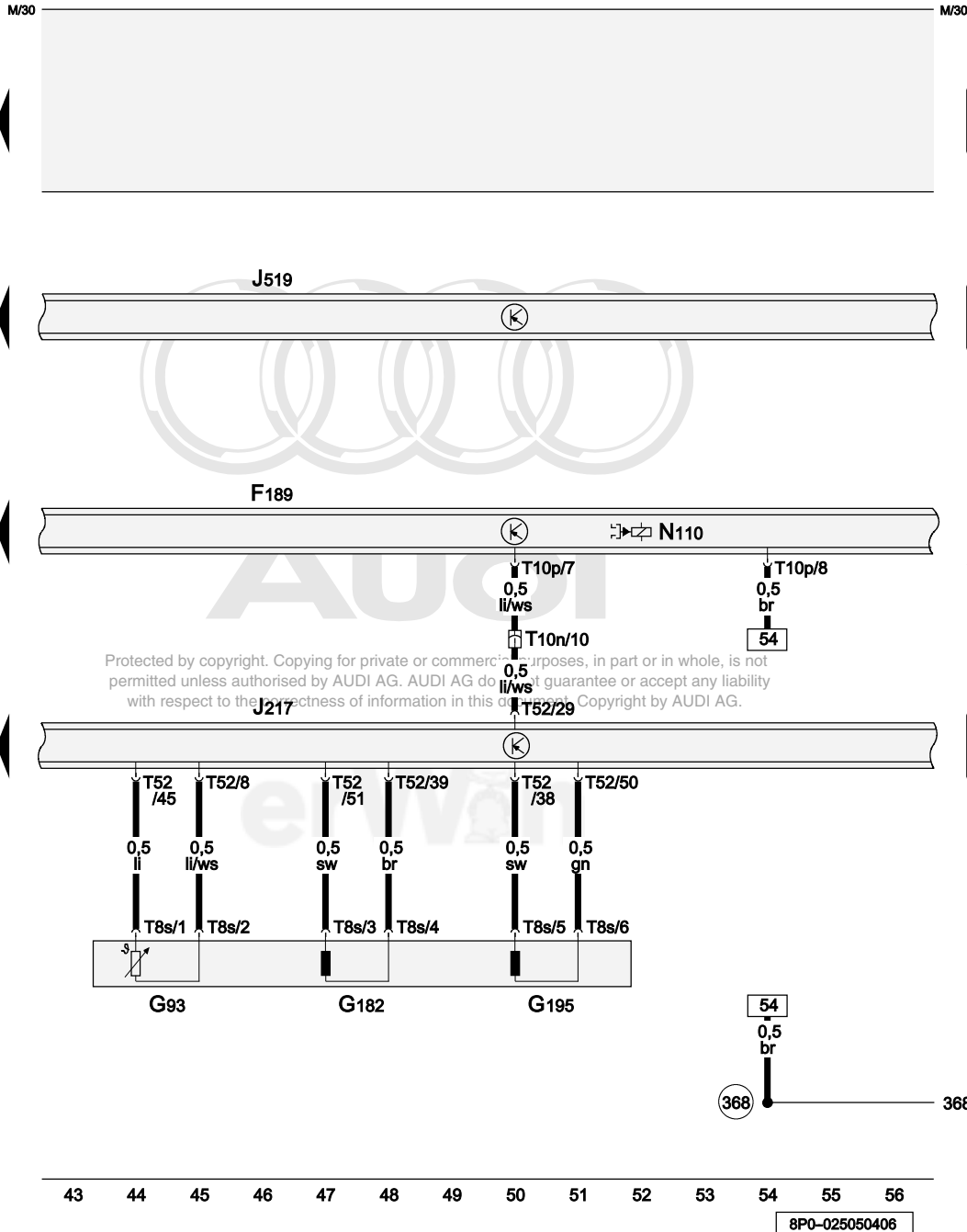
Solenoid Valves

- F189 Tiptronic Switch
- J217 Transmission Control Module (TCM)
- J519 Vehicle Electrical System Control Module
- N88 Solenoid Valve 1
- N89 Solenoid Valve 2
- N90 Solenoid Valve 3
- N91 Solenoid Valve 4
- N92 Solenoid Valve 5
- N93 Solenoid Valve 6
- N282 Solenoid Valve 9
- N283 Solenoid Valve 10
- T14b 14-Pin Connector, black (Connector A)
- T52 52-Pin Connector, black (Connector A)



- ws = white
- sw = black
- ro = red
- br = brown
- gn = green
- bl = blue
- gr = grey
- li = lilac
- ge = yellow
- or = orange
- rs = pink

8P0-025040406



Transmission Input Speed (RPM) Sensor, Transmission Output Speed (RPM) Sensor, Transmission Fluid Temperature Sensor, Shift Lock Solenoid

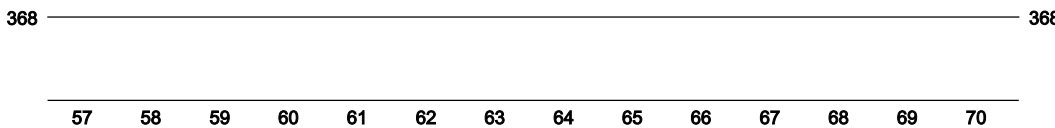
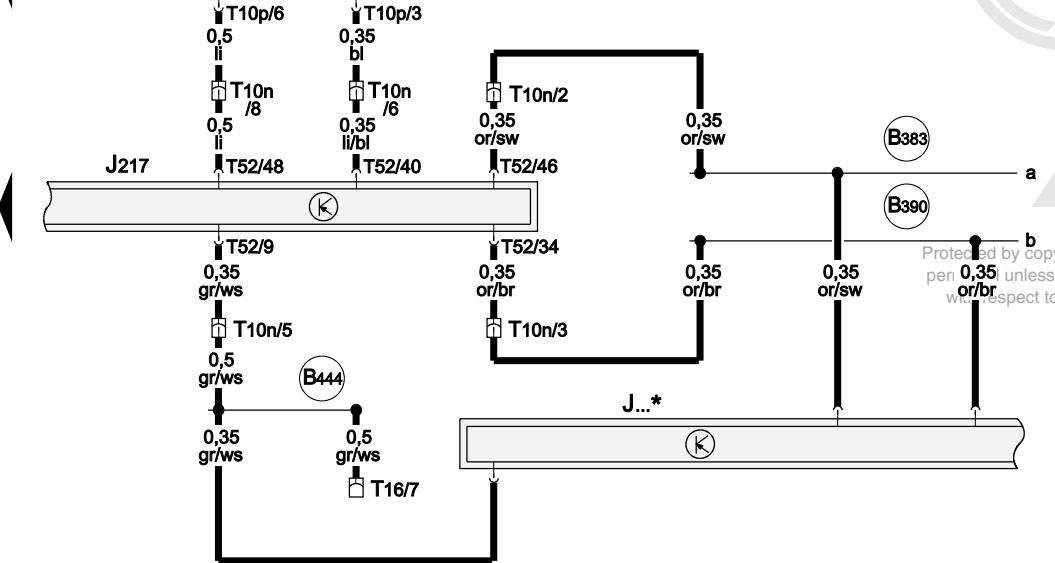
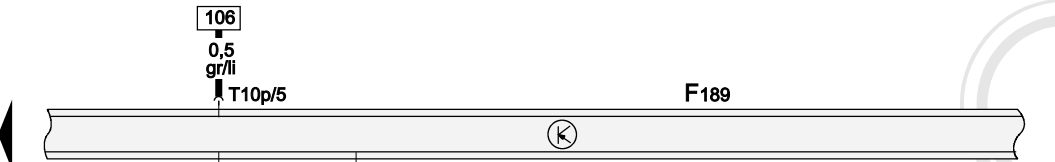
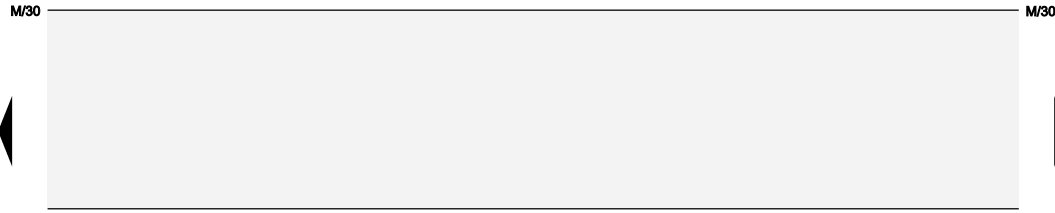
- F189 Tiptronic Switch
- G93 Transmission Fluid Temperature Sensor
- G182 Transmission Input Speed (RPM) Sensor
- G195 Transmission Output Speed (RPM) Sensor
- J217 Transmission Control Module (TCM)
- J519 Vehicle Electrical System Control Module
- N110 Shift Lock Solenoid
- T8s 8-Pin Connector, black (Connector B)
- T10n 10-Pin Connector, black, near left front long member
- T10p 10-Pin Connector, black (Connector A)
- T52 52-Pin Connector, black (Connector A)

368 Ground Connection 3 (in main wiring harness)

Protected by copyright. Copying for private or commercial purposes, in part or in whole, is not permitted unless authorised by AUDI AG. AUDI AG does not guarantee or accept any liability with respect to the correctness of information in this document. Copyright by AUDI AG.

- ws = white
- sw = black
- ro = red
- br = brown
- gn = green
- bl = blue
- gr = grey
- li = lilac
- ge = yellow
- or = orange
- rs = pink

8P0-025050406



8P0-025060406

Powertrain CAN-Bus, Diagnostic

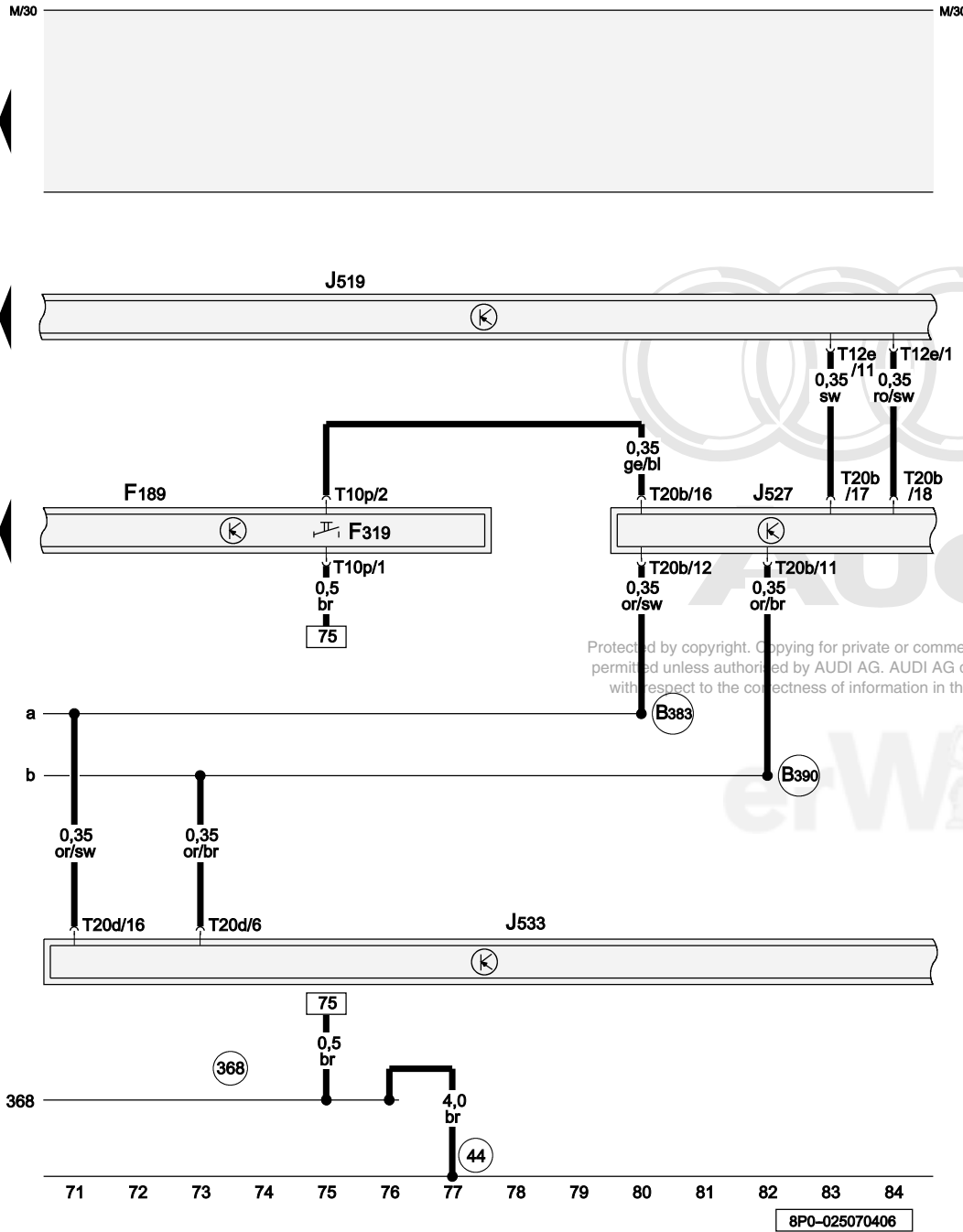
- F189 Tiptronic Switch
- J... Engine Control Modules (ECM)
- J217 Transmission Control Module (TCM)
- J519 Vehicle Electrical System Control Module
- T10n 10-Pin Connector, black, near left front long member
- T10p 10-Pin Connector, black (Connector A)
- T16 16-Pin Connector, black, instrument panel driver's side, bottom left (diagnostic connector)
- T52 52-Pin Connector, black (Connector A)

- B383 Powertrain CAN-Bus High Connection 1 (in main wiring harness)
- B390 Powertrain CAN-Bus Low Connection 1 (in main wiring harness)
- B444 OBD Connection 1 (in main wiring harness)

* ⇒ Applicable Wiring Diagram Engine

Protected by copyright. Copying for private or commercial purposes, in part or in whole, is not permitted unless authorised by AUDI AG. AUDI AG does not guarantee or accept any liability with respect to the correctness of information in this document. Copyright by AUDI AG.

- ws = white
- sw = black
- ro = red
- br = brown
- gn = green
- bl = blue
- gr = grey
- li = lilac
- ge = yellow
- or = orange
- rs = pink



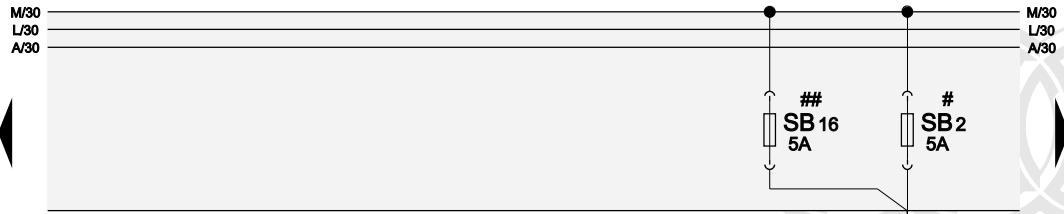
Selector Lever Park Position Lock Switch

- F189 Tiptronic Switch
- F319 Selector Lever Park Position Lock Switch
- J519 Vehicle Electrical System Control Module
- J527 Steering Column Electronic Systems Control Module
- J533 Data Bus On Board Diagnostic Interface
- T10p 10-Pin Connector, black (Connector A)
- T12e 12-Pin Connector, black (Connector G)
- T20b 20-Pin Connector, black (Connector A)
- T20d 20-Pin Connector, yellow (Connector A)
- 44 Ground Connection (on left lower A-pillar)
- 368 Ground Connection 3 (in main wiring harness)
- B383 Powertrain CAN-Bus High Connection 1 (in main wiring harness)
- B390 Powertrain CAN-Bus Low Connection 1 (in main wiring harness)

Protected by copyright. Copying for private or commercial purposes, in part or in whole, is not permitted unless authorized by AUDI AG. AUDI AG does not guarantee or accept any liability with respect to the correctness of information in this document. Copyright by AUDI AG.

- ws = white
- sw = black
- ro = red
- br = brown
- gn = green
- bl = blue
- gr = grey
- li = lilac
- ge = yellow
- or = orange
- rs = pink

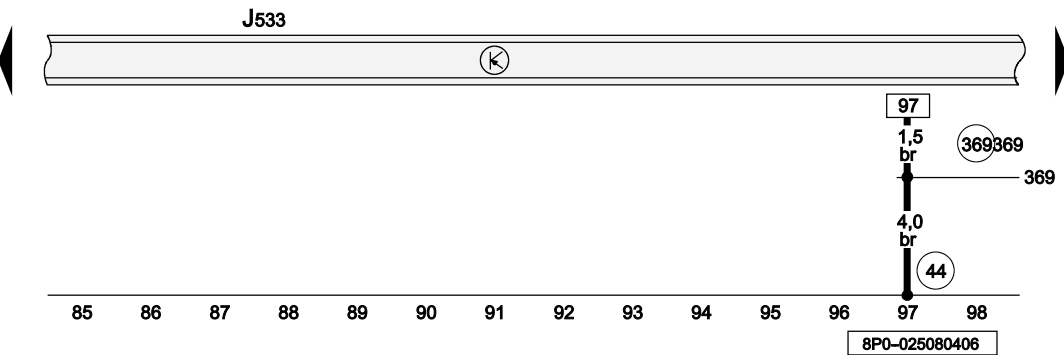
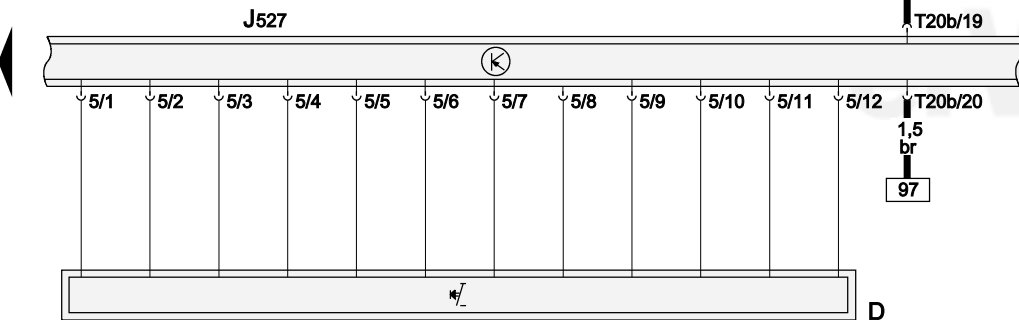
8P0-025070406



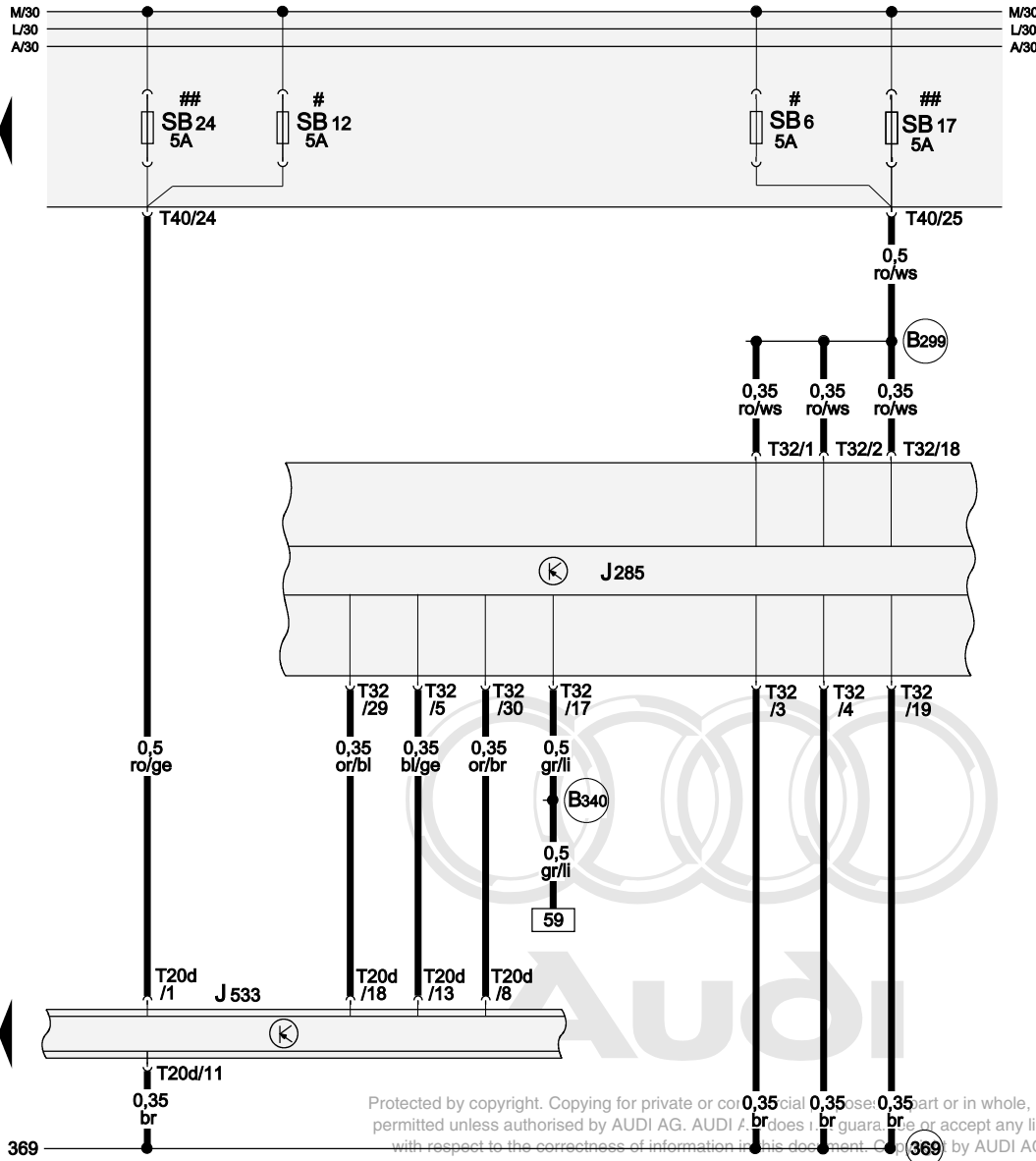
Ignition/Starter Switch

- D Ignition/Starter Switch
- J519 Vehicle Electrical System Control Module
- J527 Steering Column Electronic Systems Control Module
- J533 Data Bus On Board Diagnostic Interface
- SB2 Fuse 2 (on fuse panel B)
- T20b 20-Pin Connector, black (Connector A)
- T40 40-Pin Connector, black, on electronics box engine compartment (Connector J)
- 369 Ground Connection 4 (in main wiring harness)

Protected by copyright. Copying for private or commercial purposes, in part or in whole, is not permitted unless authorised by AUDI AG. AUDI AG does not guarantee or accept any liability with respect to the correctness of information in this document. Copyright by AUDI AG.



- ws = white
- sw = black
- ro = red
- br = brown
- gn = green
- bl = blue
- gr = grey
- li = lilac
- ge = yellow
- or = orange
- rs = pink



Data Bus On Board Diagnostic Interface, Instrument Cluster Control Module

- J285 Instrument Cluster Control Module
- J533 Data Bus On Board Diagnostic Interface
- SB12 Fuse 12 (on fuse panel B)
- T20d 20-Pin Connector, yellow (Connector A)
- T32 32-Pin Connector, blue (Connector A)
- T40 40-Pin Connector, black, on electronics box engine compartment (Connector J)

- 44 Ground Connection (on left lower A-pillar)
- 369 Ground Connection 4 (in main wiring harness)
- B301 Plus Connection 5 (30) (in main wiring harness)
- B340 Connection 1 (58d) (in main wiring harness)

- ws = white
- sw = black
- ro = red
- br = brown
- gn = green
- bl = blue
- gr = grey
- li = lilac
- ge = yellow
- or = orange
- rs = pink

Protected by copyright. Copying for private or commercial use, in whole or in part, is not permitted unless authorised by AUDI AG. AUDI AG does not guarantee or accept any liability with respect to the correctness of information in this document. Copyright © 2010 by AUDI AG.

Haldex Clutch with All-Wheel Drive

from model year 2007

Note:

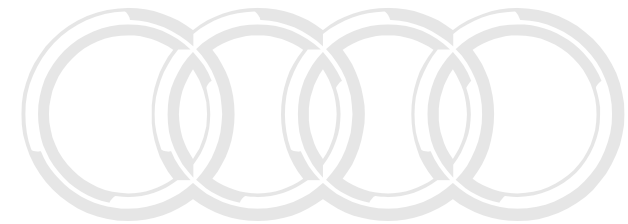
Information for

- ◆ Relay and fuse arrangements
- ◆ Connector arrangements
- ◆ Control Modules and Relays
- ◆ Ground Connections

⇒ Component Locations

Information for

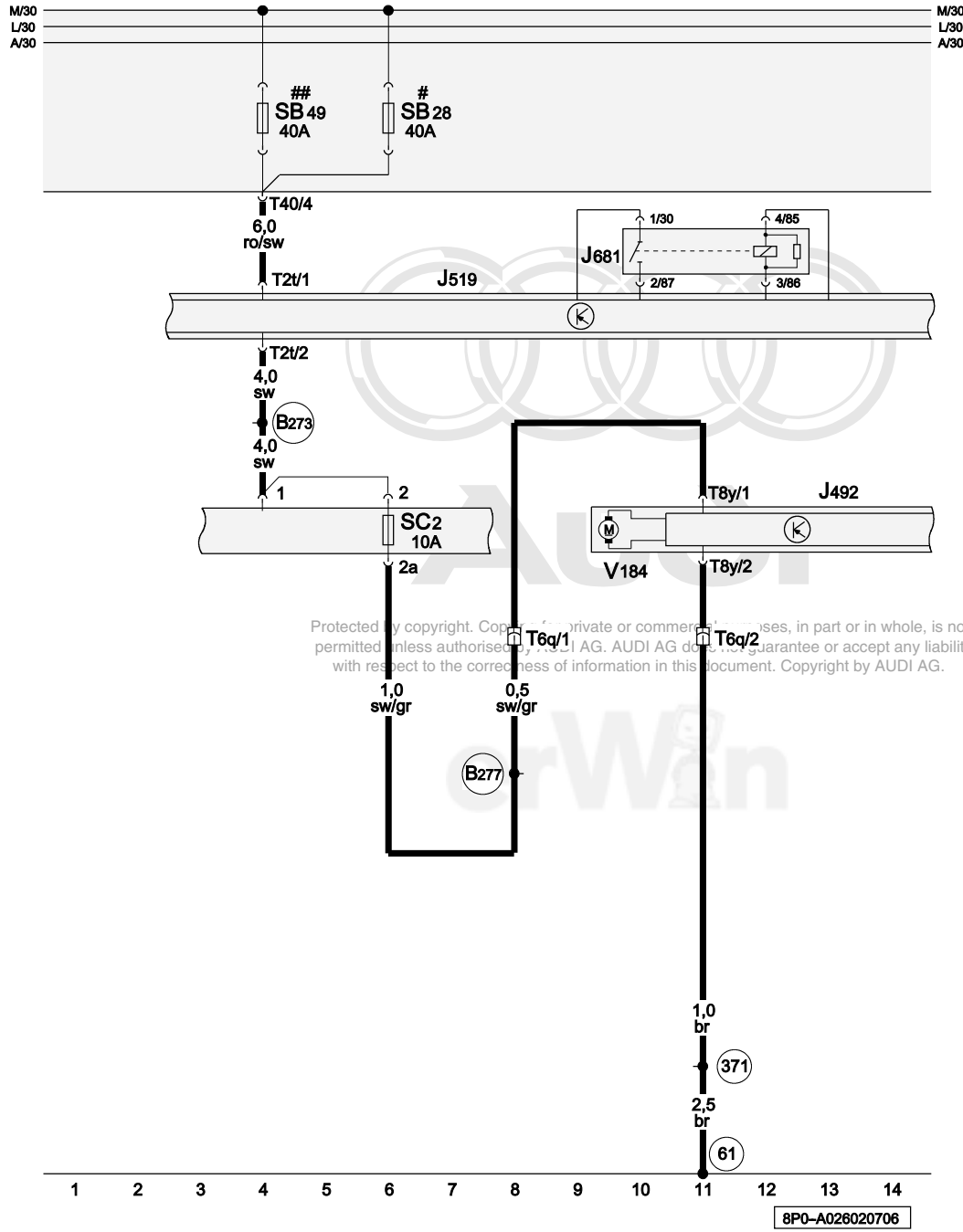
- ◆ Troubleshooting Procedures
- ⇒ Guided Fault Finding using VAS 5051 / 5052



Audi

Protected by copyright. Copying for private or commercial purposes, in part or in whole, is not permitted unless authorised by AUDI AG. AUDI AG does not guarantee or accept any liability with respect to the correctness of information in this document. Copyright by AUDI AG.





Protected by copyright. Copying for private or commercial purposes, in part or in whole, is not permitted unless authorised by AUDI AG. AUDI AG does not guarantee or accept any liability with respect to the correctness of information in this document. Copyright by AUDI AG.

Power Supply Relay 2 (terminal 15), Fuses (on fuse panel)

- J492 All-Wheel Drive Control Module
 - J519 Vehicle Electrical System Control Module
 - J681 Power Supply Relay 2 (terminal 15)
 - SB28 Fuse 28 (on fuse panel B)
 - SB49 Fuse 49 (on fuse panel B)
 - SC2 Fuse 2 (on fuse panel C)
 - T2t Double Connector, black (Connector L)
 - T6q 6-Pin Connector, black, near fuel level sensor 2
 - T8y 8-Pin Connector, black (Connector A)
 - T40 40-Pin Connector, black, on electronics box engine compartment (Connector J)
 - V184 Oil Pressure Actuator
- 61 Ground Connection (on left C-pillar)
 - 371 Ground Connection 6 (in main wiring harness)
 - B273 Plus Connection (15) (in main wiring harness)
 - B277 Plus Connection 1 (15a) (in main wiring harness)
- # Only models with electronics box Low ⇒ Component Locations
 - ## Only models with electronics box High ⇒ Component Locations

- ws = white
- sw = black
- ro = red
- br = brown
- gn = green
- bl = blue
- gr = grey
- li = lilac
- ge = yellow
- or = orange
- rs = pink



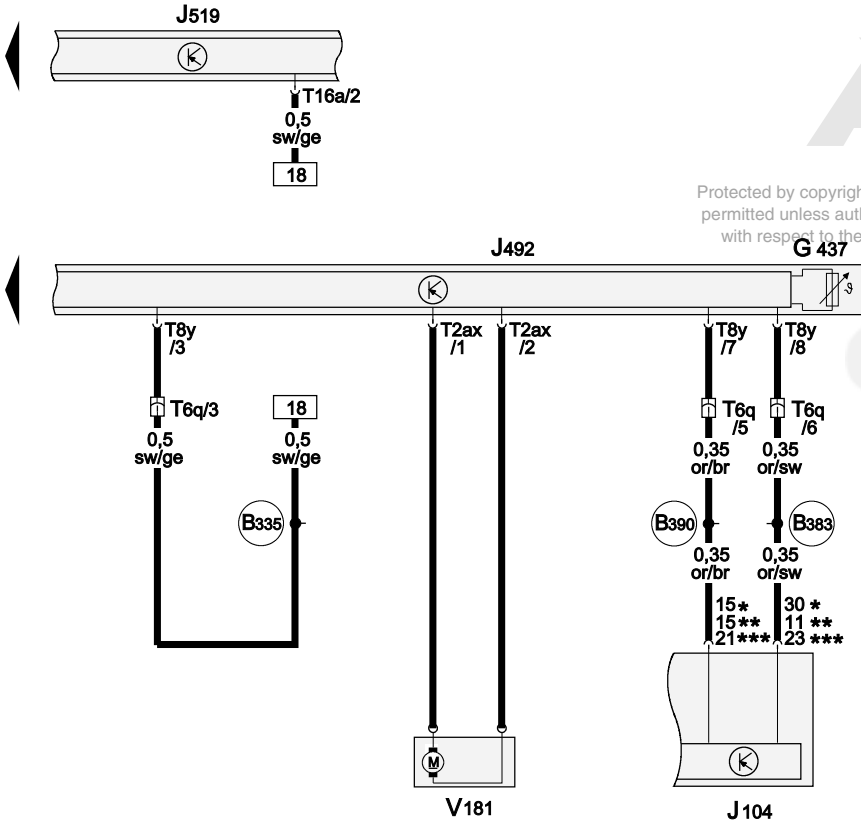
Oil Pressure/Temperature Sensor, Haldex Clutch Pump

- G437 Oil Pressure/Temperature Sensor
- J104 ABS Control Module
- J492 All-Wheel Drive Control Module
- J519 Vehicle Electrical System Control Module
- T2ax Double Connector, near all-wheel drive control module
- T6q 6-Pin Connector, black, near fuel level sensor 2
- T8y 8-Pin Connector, black (Connector A)
- T16a 16-Pin Connector, black (Connector E)
- V181 Haldex Clutch Pump

- B335** Connection 1 (54) (in main wiring harness)
- B383** Powertrain CAN-Bus High Connection 1 (in main wiring harness)
- B390** Powertrain CAN-Bus Low Connection 1 (in main wiring harness)

- Only models with anti-lock brake system (ABS) MK60 and hydraulic brake booster
- ** Only models with anti-lock brake system (ABS) MK60 and without hydraulic brake booster
- *** Only models with anti-lock brake system (ABS) MK70

Protected by copyright. Copying for private or commercial purposes, in part or in whole, is not permitted unless authorised by AUDI AG. AUDI AG does not guarantee or accept any liability with respect to the correctness of information in this document. Copyright by AUDI AG.



- ws = white
- sw = black
- ro = red
- br = brown
- gn = green
- bl = blue
- gr = grey
- li = lilac
- ge = yellow
- or = orange
- rs = pink

15 16 17 18 19 20 21 22 23 24 25 26 27 28

8P0-A026030706

Diagnostic Connector

from model year 2007

Note:

Information for

- ◆ Relay and fuse arrangements
- ◆ Connector arrangements
- ◆ Control Modules and Relays
- ◆ Ground Connections

⇒ Component Locations

Information for

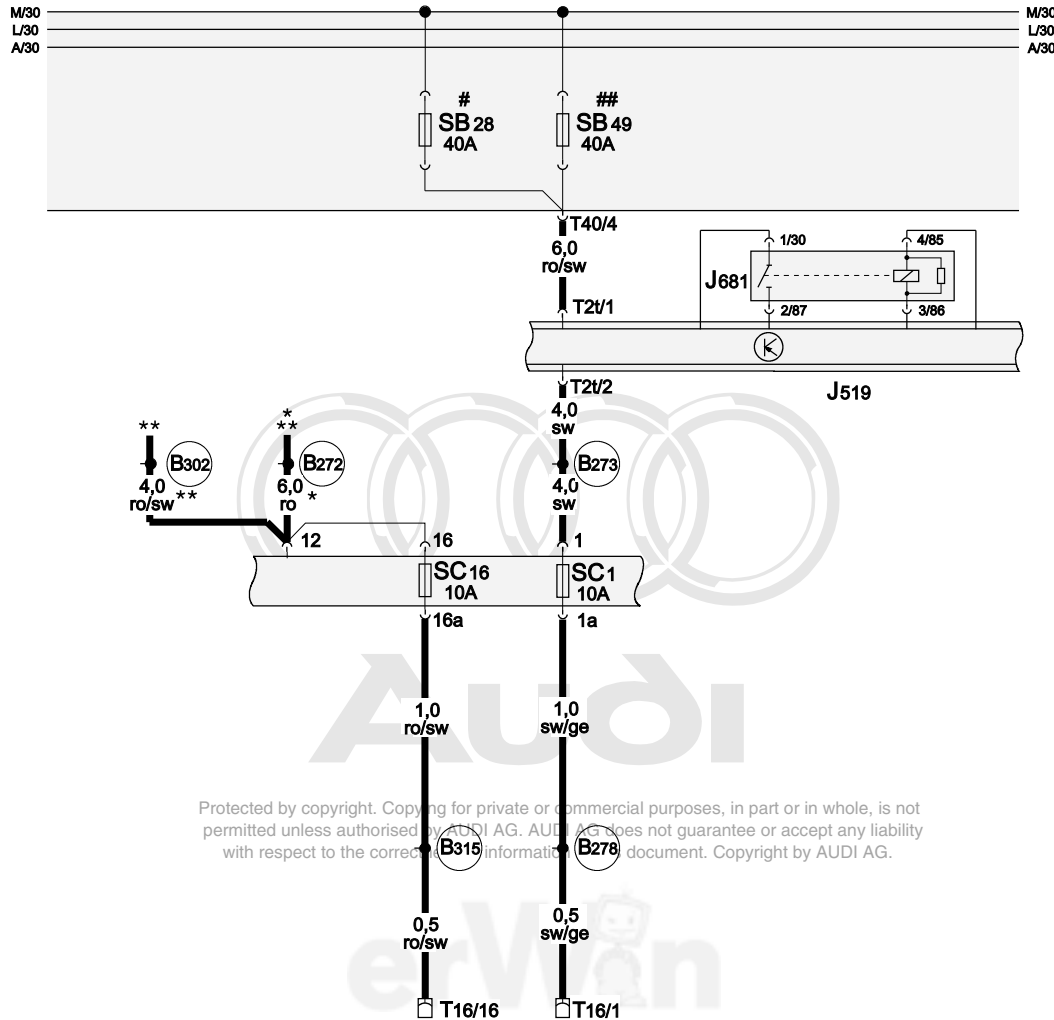
- ◆ Troubleshooting Procedures
- ⇒ Guided Fault Finding using VAS 5051 / 5052



Audi

Protected by copyright. Copying for private or commercial purposes, in part or in whole, is not permitted unless authorised by AUDI AG. AUDI AG does not guarantee or accept any liability with respect to the correctness of information in this document. Copyright by AUDI AG.





Diagnostic Connector, Power Supply Relay 2 (terminal 15), Fuses

- J519 Vehicle Electrical System Control Module
- J681 Power Supply Relay 2 (terminal 15)
- SB28 Fuse 28 (on fuse panel B)
- SB49 Fuse 49 (on fuse panel B)
- SC1 Fuse 1 (on fuse panel C)
- SC16 Fuse 16 (on fuse panel C)
- T2t Double Connector, black (Connector L)
- T16 16-Pin Connector, black, instrument panel driver's side, bottom left (diagnostic connector)
- T40 40-Pin Connector, black, on electronics box engine compartment (Connector J)

- (B272) Plus Connection (30) (in main wiring harness)
- (B273) Plus Connection (15) (in main wiring harness)
- (B278) Plus Connection 2 (15a) (in main wiring harness)
- (B302) Plus Connection 6 (30) (in main wiring harness)
- (B315) Plus Connection 1 (30a) (in main wiring harness)

- * => Applicable Wiring Diagram for models with battery in engine compartment
- ** => Applicable Wiring Diagram for models with battery in luggage compartment
- # Only models with electronics box Low => Component Locations
- ## Only models with electronics box High => Component Locations

Protected by copyright. Copying for private or commercial purposes, in part or in whole, is not permitted unless authorised by AUDI AG. AUDI AG does not guarantee or accept any liability with respect to the correctness of the information in this document. Copyright by AUDI AG.

- ws = white
- sw = black
- ro = red
- br = brown
- gn = green
- bl = blue
- gr = grey
- li = lilac
- ge = yellow
- or = orange
- rs = pink

1 2 3 4 5 6 7 8 9 10 11 12 13 14

8P0-027020406



Data Bus On Board Diagnostic Interface, Diagnostic Connector

- J... Engine Control Modules (ECM)
- J217 Transmission Control Module (TCM)
- J533 Data Bus On Board Diagnostic Interface
- J743 Direct Shift Gearbox (DSG) Mechatronic
- T16 16-Pin Connector, black, instrument panel driver's side, bottom left (diagnostic connector)
- T20d 20-Pin Connector, yellow (Connector A)

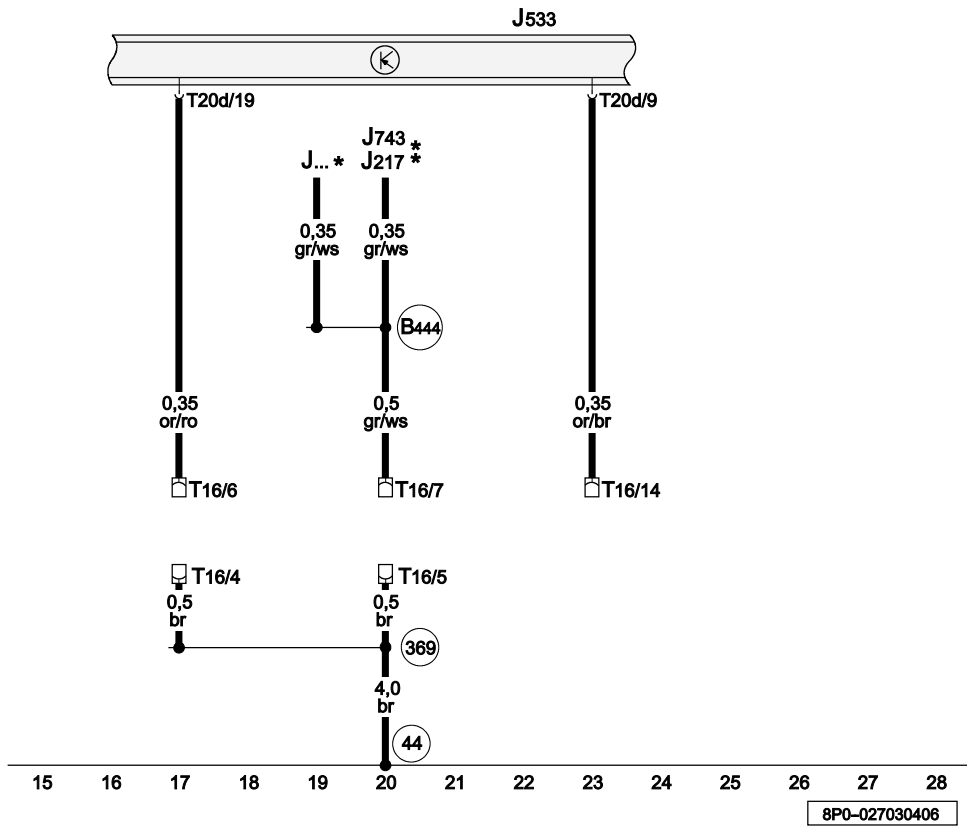
44 Ground Connection (on left lower A-pillar)

369 Ground Connection 4 (in main wiring harness)

Protected by copyright. Copying for private or commercial purposes, in part or in whole, is not permitted unless authorised by AUDI AG. B444 OBD Connection 1 (in main wiring harness) with respect to the correctness of information in this document. Copyright by AUDI AG.

* => Applicable Wiring Diagram Engine

** => Applicable Wiring Diagram Automatic Transmission



- ws = white
- sw = black
- ro = red
- br = brown
- gn = green
- bl = blue
- gr = grey
- li = lilac
- ge = yellow
- or = orange
- rs = pink

Rear Ultrasonic Parking Aid

from model year 2007

Note:

Information for

- ◆ Relay and fuse arrangements
- ◆ Connector arrangements
- ◆ Control Modules and Relays
- ◆ Ground Connections

⇒ Component Locations

Information for

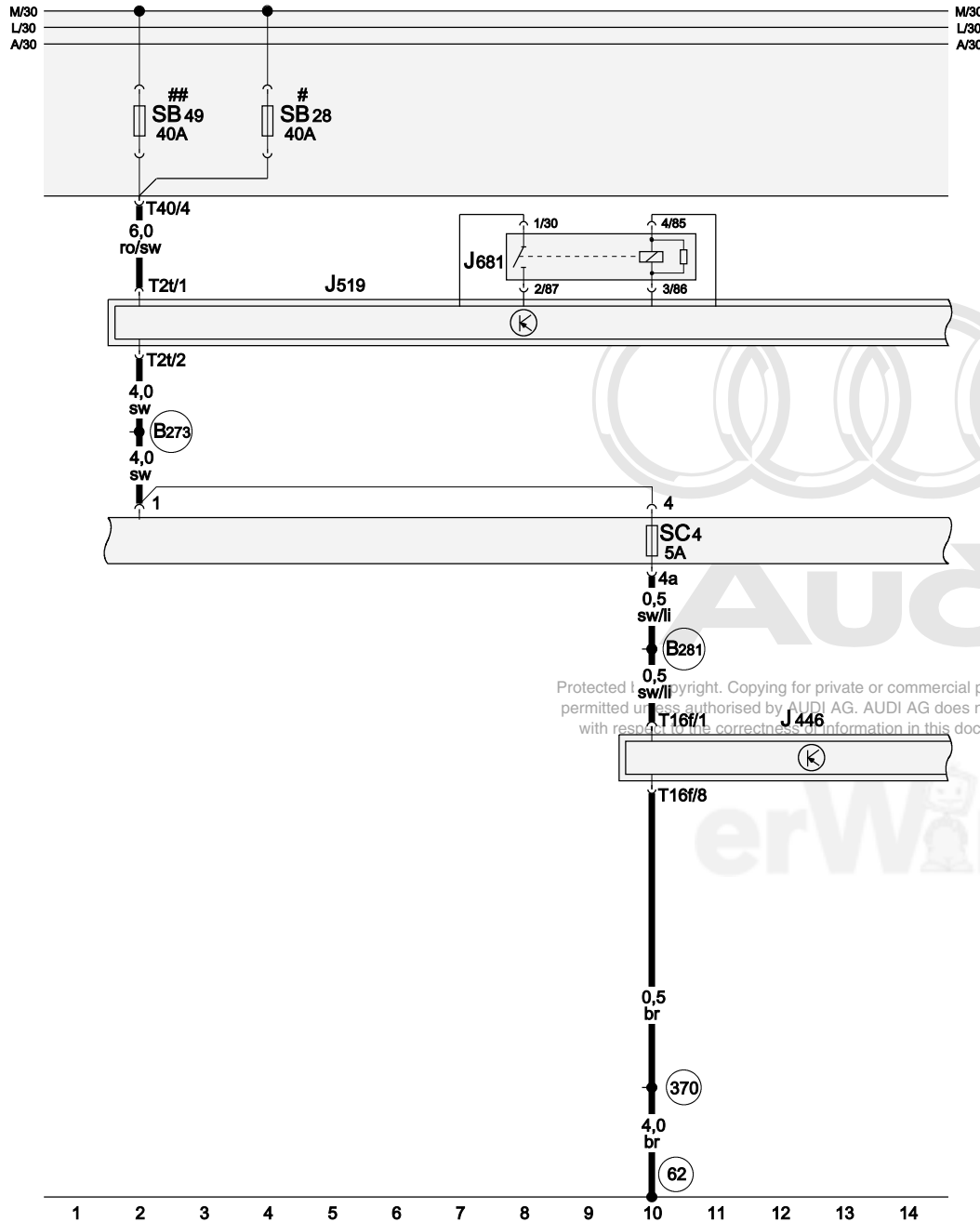
- ◆ Troubleshooting Procedures
- ⇒ Guided Fault Finding using VAS 5051 / 5052



Audi

Protected by copyright. Copying for private or commercial purposes, in part or in whole, is not permitted unless authorised by AUDI AG. AUDI AG does not guarantee or accept any liability with respect to the correctness of information in this document. Copyright by AUDI AG.





Power Supply Relay 2 (terminal 15), Parking Aid Control Module, Fuses (on fuse panel)

- J446 Parking Aid Control Module
- J519 Vehicle Electrical System Control Module
- J681 Power Supply Relay 2 (terminal 15)
- SB28 Fuse 28 (on fuse panel B)
- SB49 Fuse 49 (on fuse panel B)
- SC4 Fuse 4 (on fuse panel C)
- T2t Double Connector, black (Connector L)
- T16f 16-Pin Connector, brown (Connector A)
- T40 40-Pin Connector, black, on electronics box engine compartment (Connector J)

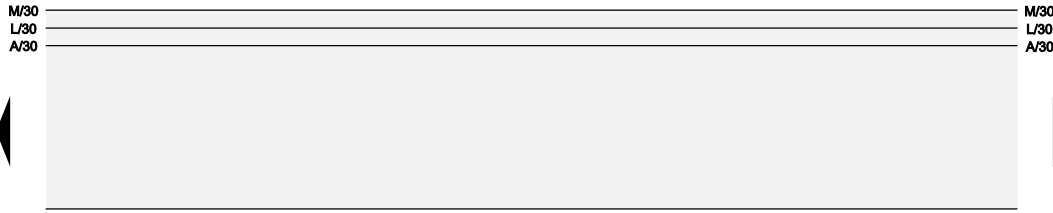
- (62) Ground Connection (on right C-pillar)
- (370) Ground Connection 5 (in main wiring harness)
- (B273) Plus Connection (15) (in main wiring harness)
- (B281) Plus Connection 5 (15a) (in main wiring harness)

- # Only models with electronics box Low ⇒ Component Locations
- ## Only models with electronics box High ⇒ Component Locations

Protected by copyright. Copying for private or commercial purposes, in part or in whole, is not permitted unless authorised by AUDI AG. AUDI AG does not guarantee or accept any liability with respect to the correctness of information in this document. Copyright by AUDI AG.

- ws = white
- sw = black
- ro = red
- br = brown
- gn = green
- bl = blue
- gr = grey
- li = lilac
- ge = yellow
- or = orange
- rs = pink

8PO-028020406

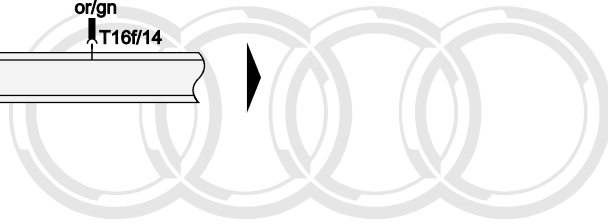
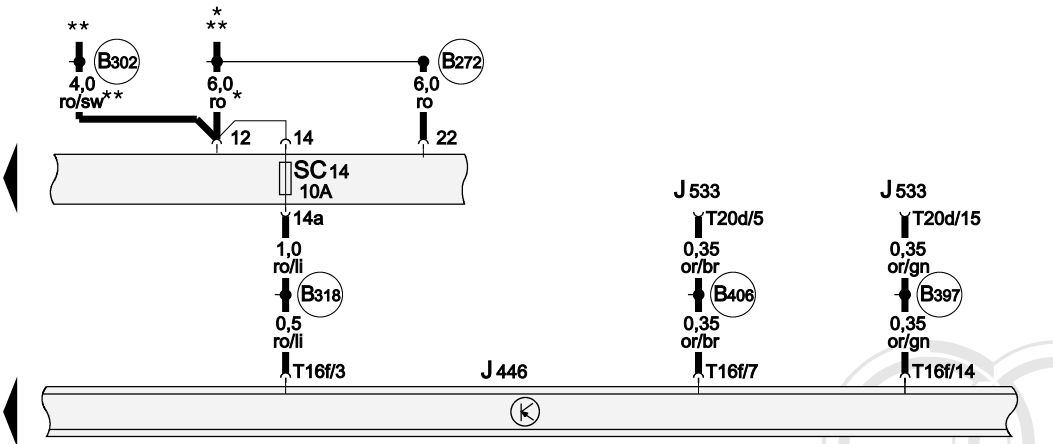


Parking Aid Control Module, Data Bus On Board Diagnostic Interface

- J446 Parking Aid Control Module
- J533 Data Bus On Board Diagnostic Interface
- SC14 Fuse 14 (on fuse panel C)
- T16f 16-Pin Connector, brown (Connector A)
- T20d 20-Pin Connector, yellow (Connector A)

- (B272) Plus Connection (30) (in main wiring harness)
- (B302) Plus Connection 6 (30) (in main wiring harness)
- (B318) Plus Connection 4 (30a) (in main wiring harness)
- (B397) Comfort System CAN-Bus High Connection 1 (in main wiring harness)
- (B406) Comfort System CAN-Bus Low Connection 1 (in main wiring harness)

- * => Applicable Wiring Diagram for models with battery in engine compartment
- ** => Applicable Wiring Diagram for models with battery in luggage compartment



Audi

- ws = white
- sw = black
- ro = red
- br = brown
- gn = green
- bl = blue
- gr = grey
- li = lilac
- ge = yellow
- or = orange
- rs = pink

Protected by copyright. Copying for private or commercial purposes, in part or in whole, is not permitted unless authorised by AUDI AG. AUDI AG does not guarantee or accept any liability with respect to the correctness of information in this document. Copyright by AUDI AG.

15 16 17 18 19 20 21 22 23 24 25 26 27 28

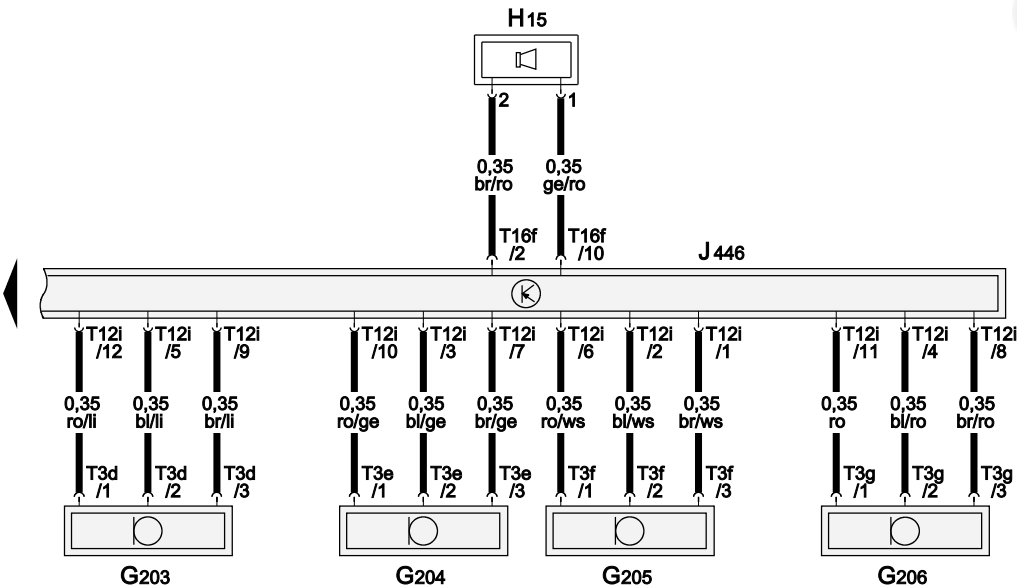
8P0-028030406



Parking Aid Sensor, Parking Aid Warning Buzzer, Parking Aid Control Module

- G203 Left Rear Parking Aid Sensor
- G204 Left Rear Center Parking Aid Sensor
- G205 Right Rear Center Parking Aid Sensor
- G206 Right Rear Parking Aid Sensor
- H15 Rear Parking Aid Warning Buzzer
- J446 Parking Aid Control Module
- T3d 3-Pin Connector, black, on left rear parking aid sensor
- T3e 3-Pin Connector, black, on left rear center parking aid sensor
- T3f 3-Pin Connector, black, on right rear center parking aid sensor
- T3g 3-Pin Connector, black, on right rear parking aid sensor
- T12i 12-Pin Connector, black (Connector C)
- T16f 16-Pin Connector, brown (Connector A)

Protected by copyright. Copying for private or commercial purposes, in part or in whole, is not permitted unless authorised by AUDI AG. AUDI AG does not guarantee or accept any liability with respect to the correctness of information in this document. Copyright by AUDI AG.



- ws = white
- sw = black
- ro = red
- br = brown
- gn = green
- bl = blue
- gr = grey
- li = lilac
- ge = yellow
- or = orange
- rs = pink

29 30 31 32 33 34 35 36 37 38 39 40 41 42

8P0-028040406

A/C with automatic regulation

from model year 2007

Note:

Information for

- ◆ Relay and fuse arrangements
- ◆ Connector arrangements
- ◆ Control Modules and Relays
- ◆ Ground Connections

⇒ Component Locations

Information for

- ◆ Troubleshooting Procedures
- ⇒ Guided Fault Finding using VAS 5051 / 5052



Audi

Protected by copyright. Copying for private or commercial purposes, in part or in whole, is not permitted unless authorised by AUDI AG. AUDI AG does not guarantee or accept any liability with respect to the correctness of information in this document. Copyright by AUDI AG.



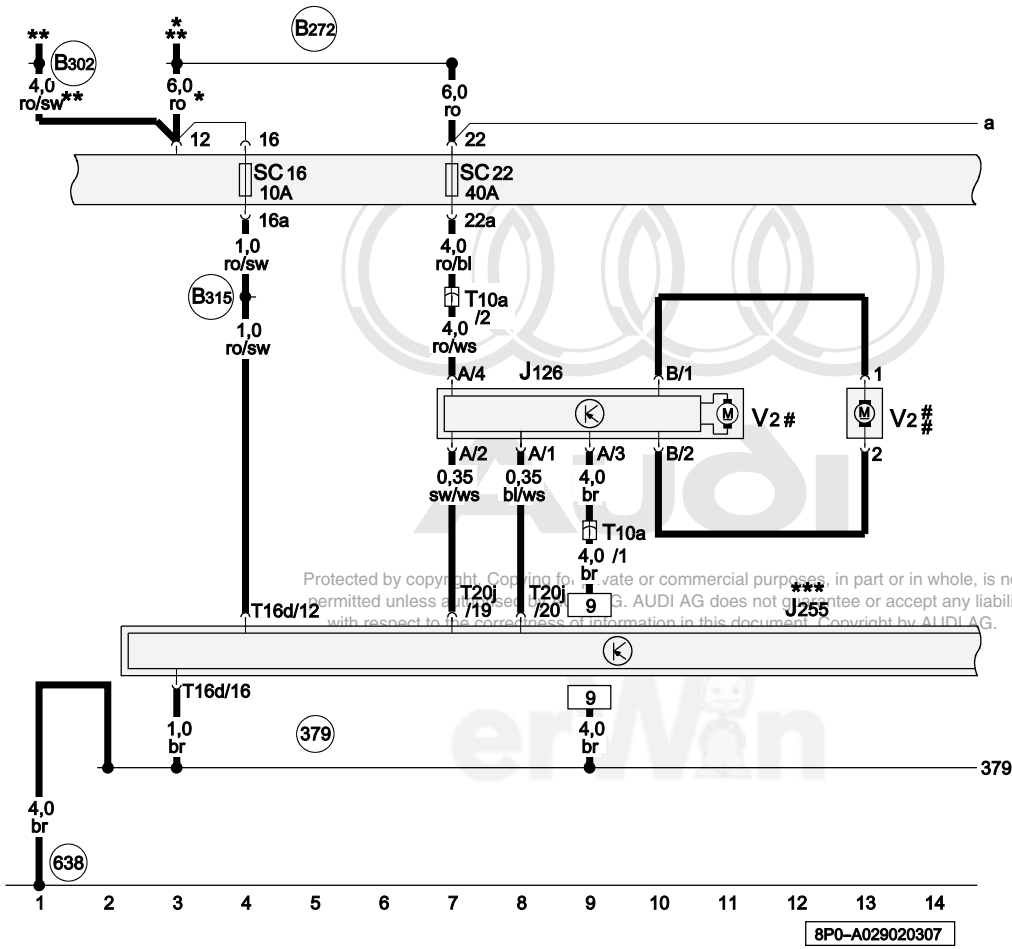


Fresh Air Blower Control Module, Fuses (on fuse panel)

- J126 Fresh Air Blower Control Module
- J255 Climatronic Control Module
- SC16 Fuse 16 (on fuse panel C)
- SC22 Fuse 22 (on fuse panel C)
- T10a 10-Pin Connector, black, behind glove compartment
- T16d 16-Pin Connector, black (Connector D)
- T20j 20-Pin Connector, red (Connector B)
- V2 Fresh Air Blower

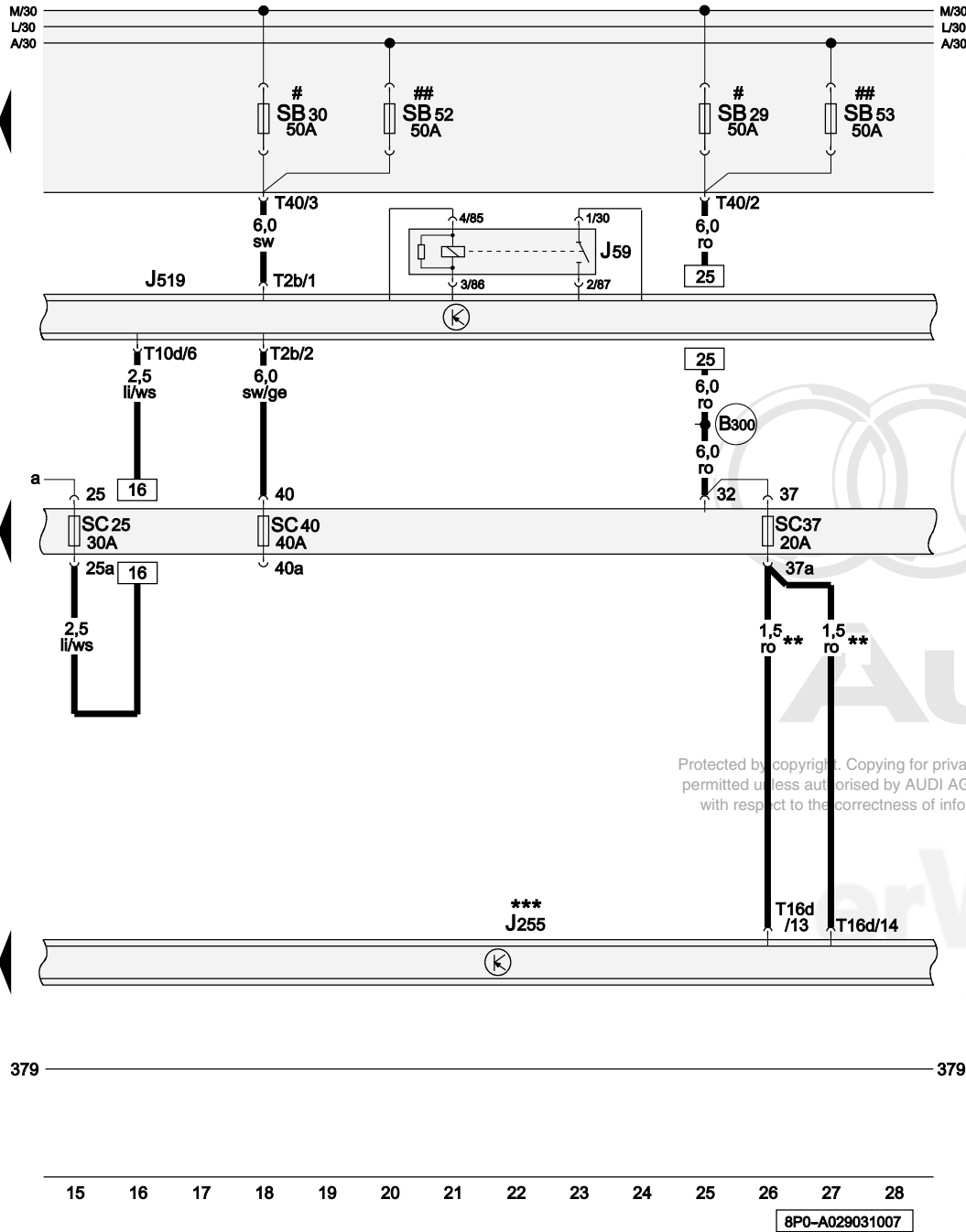
- 379 Ground Connection 14 (in main wiring harness)
- 638 Ground Connection (on right A-pillar)
- B272 Plus Connection (30) (in main wiring harness)
- B302 Plus Connection 6 (30) (in main wiring harness)
- B315 Plus Connection 1 (30a) (in main wiring harness)

- * => Applicable Wiring Diagram for models with battery in engine compartment
- ** => Applicable Wiring Diagram for models with battery in luggage compartment
- *** A/C Control Head (A/C, Climatronic)
- # Not applicable from May 2007
- ## Applicable from May 2007



- ws = white
- sw = black
- ro = red
- br = brown
- gn = green
- bl = blue
- gr = grey
- li = lilac
- ge = yellow
- or = orange
- rs = pink

8P0-A029020307



Load Reduction Relay, Fuses (on fuse panel)

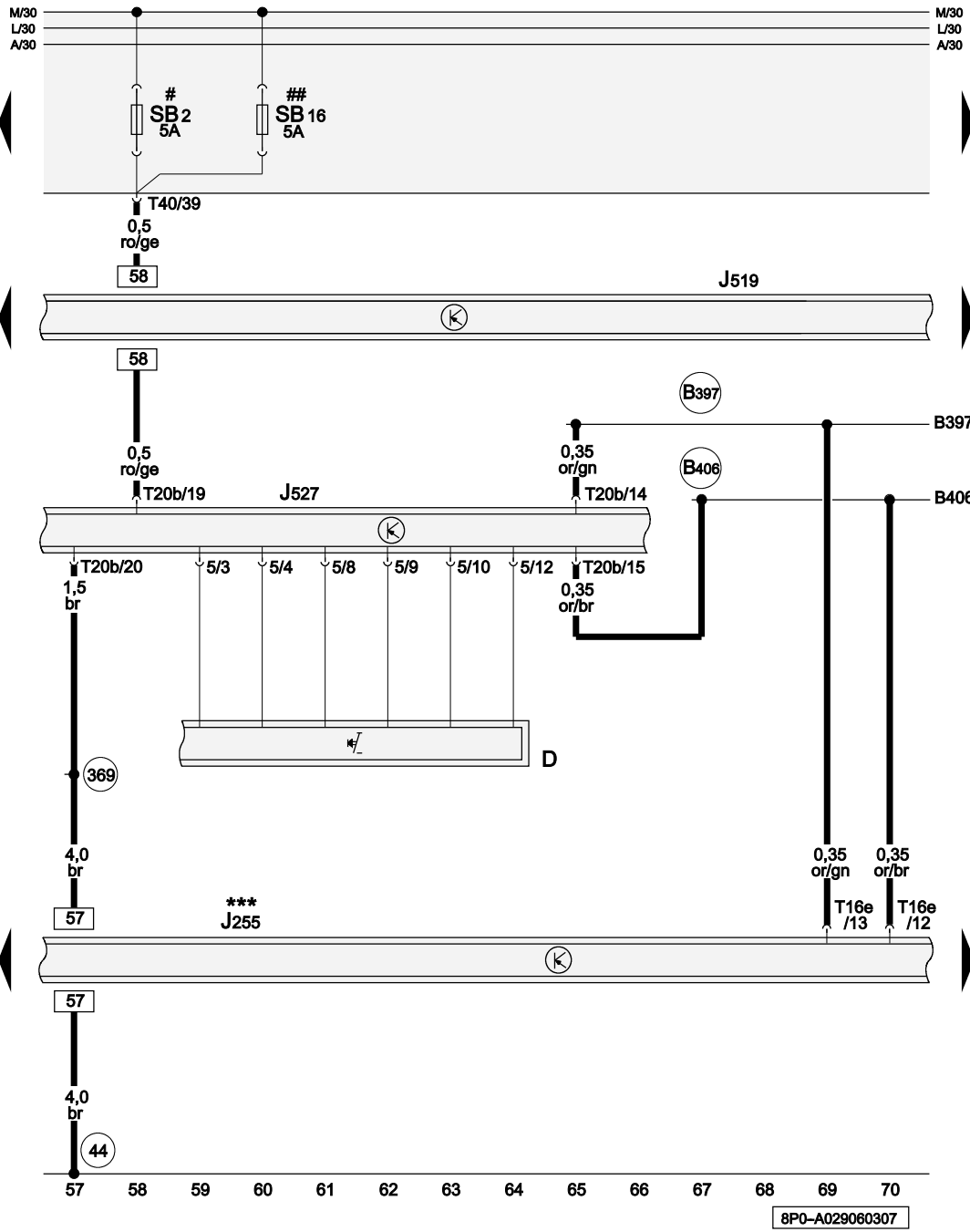
- J59 Load Reduction Relay
- J255 Climatronic Control Module
- J519 Vehicle Electrical System Control Module
- SB29 Fuse 29 (on fuse panel B)
- SB30 Fuse 30 (on fuse panel B)
- SB52 Fuse 52 (on fuse panel B)
- SB53 Fuse 53 (on fuse panel B)
- SC25 Fuse 25 (on fuse panel C)
- SC37 Fuse 37 (on fuse panel C)
- SC40 Fuse 40 (on fuse panel C)
- T2b Double Connector, brown (Connector I)
- T10d 10-Pin Connector, black (Connector K)
- T16d 16-Pin Connector, black (Connector D)
- T40 40-Pin Connector, black, on electronics box engine compartment (Connector J)

B300 Plus Connection 4 (30) (in main wiring harness)

- ** Only models with heated seats
- *** A/C Control Head (A/C, Climatronic)
- # Only models with electronics box Low ⇒ Component Locations
- ## Only models with electronics box High ⇒ Component Locations

Protected by copyright. Copying for private or commercial purposes, in part or in whole, is not permitted unless authorised by AUDI AG. AUDI AG does not guarantee or accept any liability with respect to the correctness of information in this document. Copyright by AUDI AG.

- ws = white
- sw = black
- ro = red
- br = brown
- gn = green
- bl = blue
- gr = grey
- li = lilac
- ge = yellow
- or = orange
- rs = pink



Ignition/Starter Switch, Comfort System CAN-Bus

- D Ignition/Starter Switch
- J255 Climatronic Control Module
- J519 Vehicle Electrical System Control Module
- J527 Steering Column Electronic Systems Control Module
- SB2 Fuse 2 (on fuse panel B)
- SB16 Fuse 16 (on fuse panel B)
- T16e 16-Pin Connector, brown (Connector C)
- T20b 20-Pin Connector, black (Connector A)
- T40 40-Pin Connector, black, on electronics box engine compartment (Connector J)

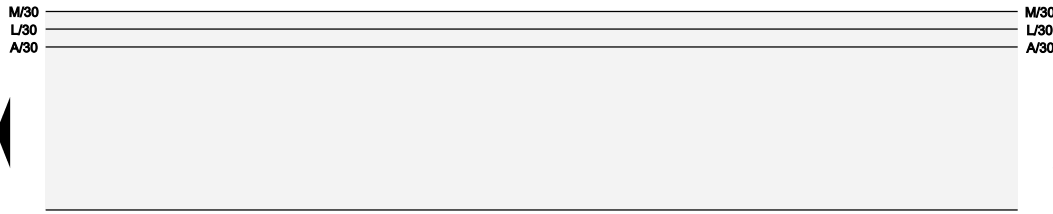
- 44 Ground Connection (on left lower A-pillar)
- 369 Ground Connection 4 (in main wiring harness)
- B397 Comfort System CAN-Bus High Connection 1 (in main wiring harness)
- B406 Comfort System CAN-Bus Low Connection 1 (in main wiring harness)

- *** A/C Control Head (A/C, Climatronic)
- # Only models with electronics box Low → Component Locations
- ## Only models with electronics box High → Component Locations

Protected by copyright. Copying for private or commercial purposes, in part or in whole, is not permitted unless authorised by AUDI AG. AUDI AG does not guarantee or accept any liability with respect to the correctness of information in this document. Copyright by AUDI AG.

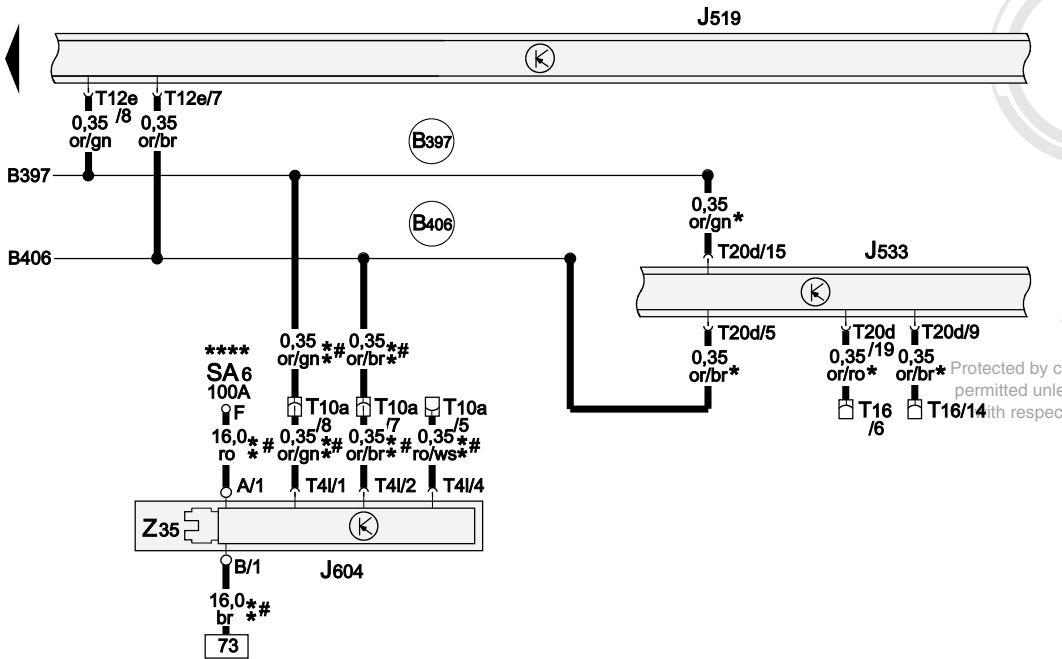
- ws = white
- sw = black
- ro = red
- br = brown
- gn = green
- bl = blue
- gr = grey
- li = lilac
- ge = yellow
- or = orange
- rs = pink

8P0-A029060307

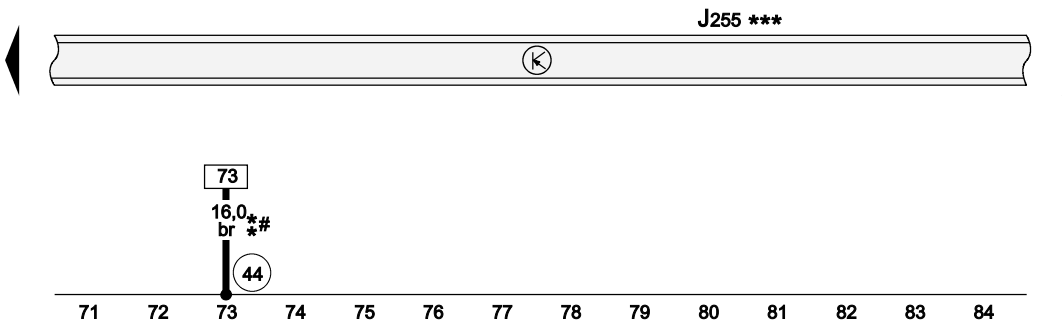


Auxiliary Air Heater, not applicable from November 2006

- J255 Climatronic Control Module
- J519 Vehicle Electrical System Control Module
- J533 Data Bus On Board Diagnostic Interface
- J604 Auxiliary Air Heater Control Module
- SA6 Fuse 6 (on fuse panel A)
- T4l 4-Pin Connector, black (Connector C)
- T10a 10-Pin Connector, black, behind glove compartment
- T12e 12-Pin Connector, black (Connector G)
- T16 16-Pin Connector, black, instrument panel driver's side, bottom left (diagnostic connector)
- T20d 20-Pin Connector, yellow (Connector A)
- Z35 Auxiliary Air Heater Heating Element

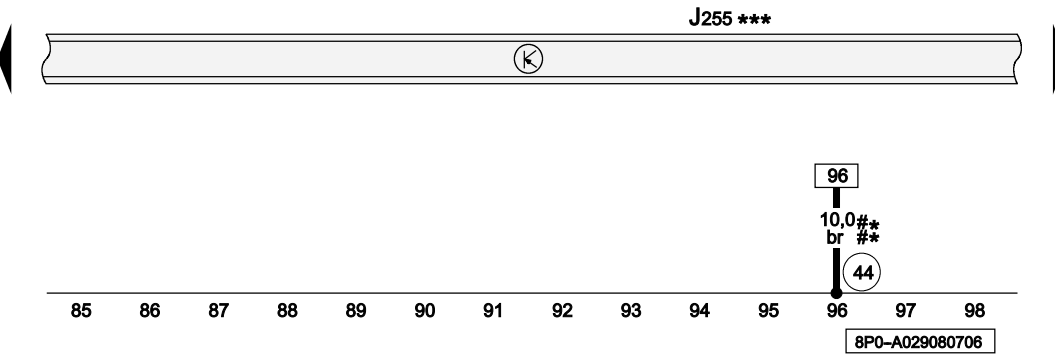
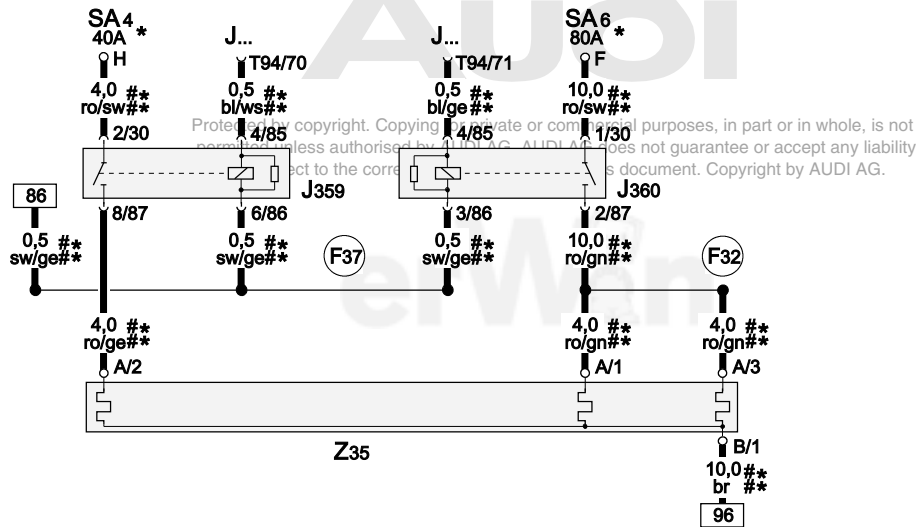
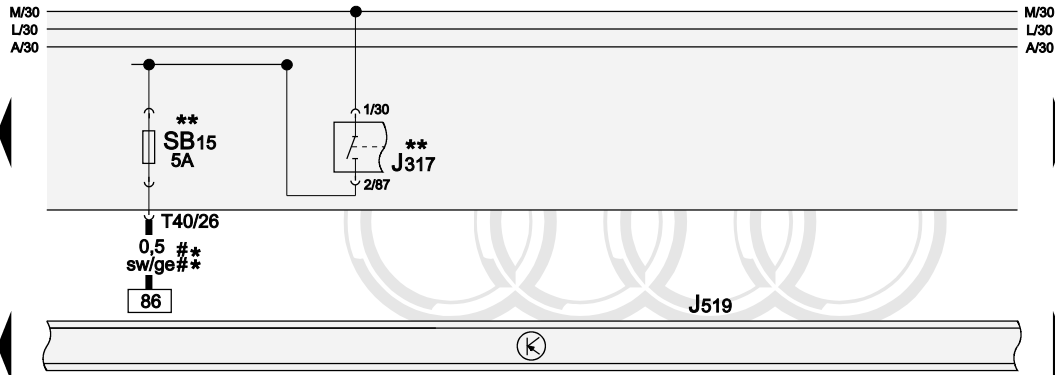


- 44 Ground Connection (on left lower A-pillar)
- B397 Comfort System CAN-Bus High Connection 1 (in main wiring harness)
- B406 Comfort System CAN-Bus Low Connection 1 (in main wiring harness)
- * ⇒ Applicable Wiring Diagram Diagnostic Connector
- ** Only models with auxiliary air heater
- *** A/C Control Head (A/C, Climatronic)
- ⇒ Applicable Wiring Diagram for models with battery in engine compartment
- # Not applicable from November 2006



- ws = white
- sw = black
- ro = red
- br = brown
- gn = green
- bl = blue
- gr = grey
- li = lilac
- ge = yellow
- or = orange
- rs = pink

8P0-A029070706



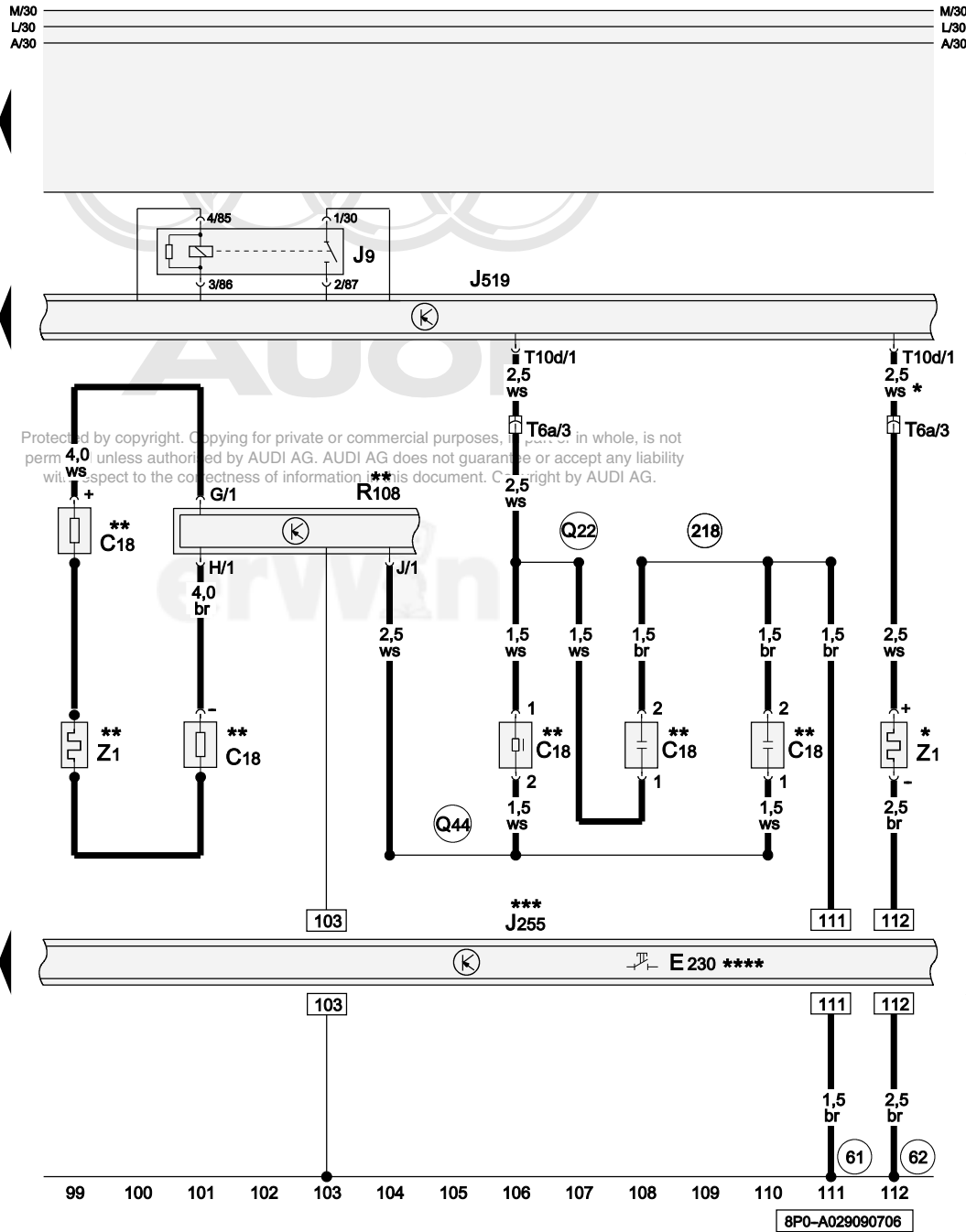
Auxiliary Air Heater, applicable from November 2006

- J... Engine Control Modules (ECM)
- J255 Climatronic Control Module
- J317 Power Supply Relay (terminal 30)
- J519 Vehicle Electrical System Control Module
- J359 Preheating Coolant, Low Heat Output Relay
- J360 Preheating Coolant, High Heat Output Relay
- SA4 Fuse 4 (on fuse panel A)
- SA6 Fuse 6 (on fuse panel A)
- SB15 Fuse 15 (on fuse panel B)
- T40 40-Pin Connector, black, on electronics box engine compartment (Connector J)
- T94 94-Pin Connector, black (Connector B)
- Z35 Auxiliary Air Heater Heating Element

- (44) Ground Connection (on left lower A-pillar)
- (F32) Coolant Glow Plugs Connection (in Diesel Direct Fuel Injection (DFI) system wiring harness)
- (F37) Auxiliary Heater Connection (in Diesel Direct Fuel Injection (DFI) system wiring harness)

- * => Applicable Wiring Diagram for models with battery in engine compartment
- ** Only models with diesel engines
- *** A/C Control Head (A/C, Climatronic)
- ## Only models with auxiliary air heater, applicable from November 2006

- ws = white
- sw = black
- ro = red
- br = brown
- gn = green
- bl = blue
- gr = grey
- li = lilac
- ge = yellow
- or = orange
- rs = pink



Rear Window Defogger Relay

- C18 Windshield Antenna Suppression Filter
- E230 Heated Rear Window Button
- J9 Rear Window Defogger Relay
- J255 Climatronic Control Module
- J519 Vehicle Electrical System Control Module
- R108 Left Antenna Module
- T6a 6-Pin Connector, black, on C-pillar, left
- T10d 10-Pin Connector, black (Connector K)
- Z1 Heated Rear Window

- 61 Ground Connection (on left C-pillar)
- 62 Ground Connection (on right C-pillar)
- 218 Ground Connection 1 (in rear lid wiring harness)
- Q22 Connection 1 (in tailgate wiring harness)
- Q44 Connection 2 (in tailgate wiring harness)

- * Only models without radio
- ** Only models with radio or radio/navigation system
- *** A/C Control Head (A/C, Climatronic)
- **** Z1 Operation over Comfort System CAN-Bus

- ws = white
- sw = black
- ro = red
- br = brown
- gn = green
- bl = blue
- gr = grey
- li = lilac
- ge = yellow
- or = orange
- rs = pink



Central Air Flap Motor, Back Pressure Flap Motor, Recirculation Flap Motor

- G112 Central Flap Motor Position Sensor
- G113 Back Pressure Flap Motor Position Sensor
- G143 Recirculation Flap Motor Position Sensor
- J255 Climatronic Control Module
- T12f 12-Pin Connector, black (Connector A)
- T20j 20-Pin Connector, red (Connector B)
- V70 Central Air Flap Motor
- V71 Air Flow Flap Motor
- V113 Recirculation Flap Motor

97 Ground Connection 1 (in A/C wiring harness)

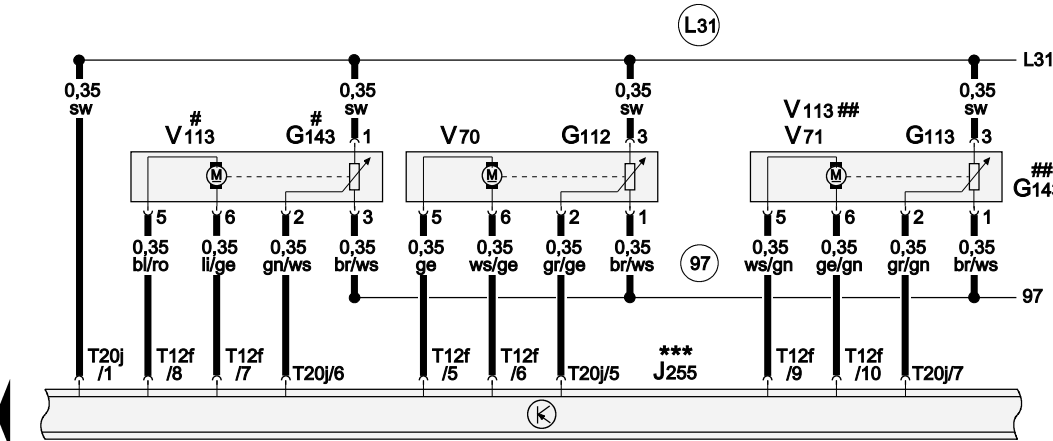
L31 Connection (5 Volts) (in A/C wiring harness)

Protected by copyright. Copying or reproduction in any form is prohibited without the written permission of Audi AG. Audi AG does not guarantee or accept any liability with respect to the correctness of information.

*** A/C Control Head (A/C, Climatronic)

Not applicable from May 2007

Applicable from May 2007



- ws = white
- sw = black
- ro = red
- br = brown
- gn = green
- bl = blue
- gr = grey
- li = lilac
- ge = yellow
- or = orange
- rs = pink

113 114 115 116 117 118 119 120 121 122 123 124 125 126

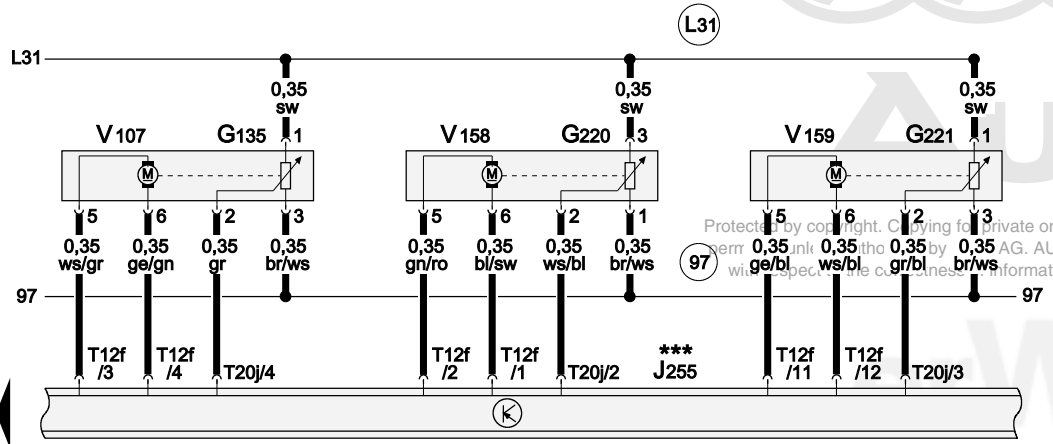
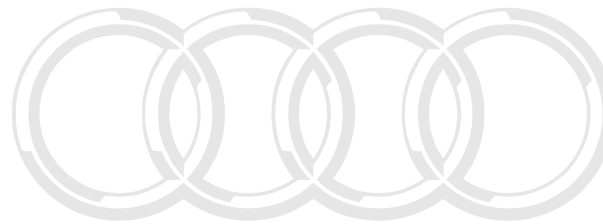
8P0-A029100307



Motors Position Sensor

- G135 Defroster Flap Motor Position Sensor
- G220 Left Temperature Flap Potentiometer/Actuator
- G221 Right Temperature Flap Potentiometer/Actuator
- J255 Climatronic Control Module
- T12f 12-Pin Connector, black (Connector A)
- T20j 20-Pin Connector, red (Connector B)
- V107 Defroster Flap Motor
- V158 Left Temperature Flap Motor
- V159 Right Temperature Flap Motor

- 97 Ground Connection 1 (in A/C wiring harness)
- L31 Connection (5 Volts) (in A/C wiring harness)
- *** A/C Control Head (A/C, Climatronic)



Protected by copyright. Copying for private or commercial purposes, in part or in whole, is not permitted without the express written consent of AUDI AG. AUDI AG does not guarantee or accept any liability with respect to the correctness of information in this document. Copyright by AUDI AG.

- ws = white
- sw = black
- ro = red
- br = brown
- gn = green
- bl = blue
- gr = grey
- li = lilac
- ge = yellow
- or = orange
- rs = pink

127 128 129 130 131 132 133 134 135 136 137 138 139 140

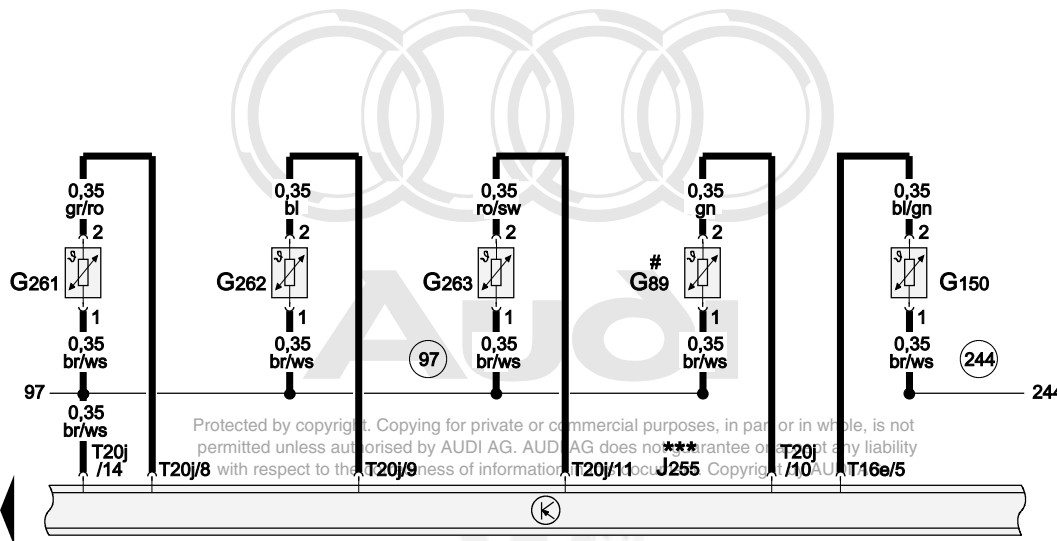
8P0-A029110706



Fresh Air Intake Duct Temperature Sensor, Outlet Temperature Sensor

- G89 Fresh Air Intake Duct Temperature Sensor
- G150 Left Vent Temperature Sensor
- G261 Left Footwell Vent Temperature Sensor
- G262 Right Footwell Vent Temperature Sensor
- G263 Evaporator Vent Temperature Sensor
- J255 Climatronic Control Module
- T16e 16-Pin Connector, brown (Connector C)
- T20j 20-Pin Connector, red (Connector B)

- 97 Ground Connection 1 (in A/C wiring harness)
- 244 Sensor Ground Connection (in Climatronic wiring harness)
- *** A/C Control Head (A/C, Climatronic)
- # Not applicable, phased-in modification



- ws = white
- sw = black
- ro = red
- br = brown
- gn = green
- bl = blue
- gr = grey
- li = lilac
- ge = yellow
- or = orange
- rs = pink

141 142 143 144 145 146 147 148 149 150 151 152 153 154

8P0-A029120706

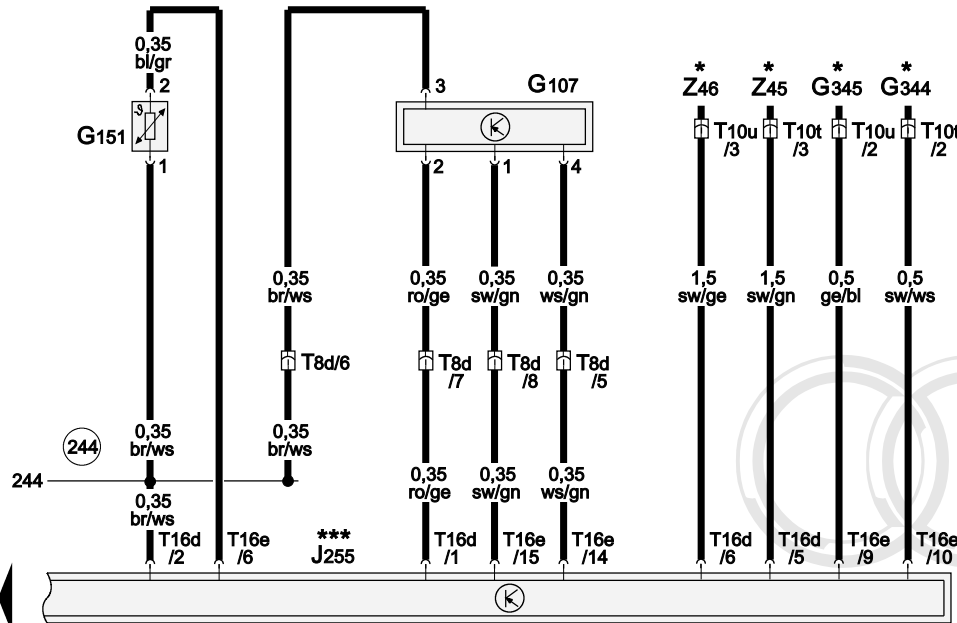


Sunlight Photo Sensor, Right Vent Temperature Sensor, Front Seat Temperature Sensor

- G107 Sunlight Photo Sensor
- G151 Right Vent Temperature Sensor
- G344 Left Front Seat Temperature Sensor
- G345 Right Front Seat Temperature Sensor
- J255 Climatronic Control Module
- T8d 8-Pin Connector, black, behind center console
- T10t 10-Pin Connector, black, below driver's seat
- T10u 10-Pin Connector, black, below front passenger's seat
- T16d 16-Pin Connector, black (Connector D)
- T16e 16-Pin Connector, brown (Connector C)
- Z45 Front Left Heated Seat
- Z46 Front Right Heated Seat

244 Sensor Ground Connection (in Climatronic wiring harness)

* See Applicable Wiring Diagram Heated Seats
 *** A/C Control Head (A/C, Climatronic)



- ws = white
- sw = black
- ro = red
- br = brown
- gn = green
- bl = blue
- gr = grey
- il = lilac
- ge = yellow
- or = orange
- rs = pink

Protected by copyright. Copying for private or commercial purposes, in part or in whole, is not permitted unless authorised by AUDI AG. AUDI AG does not guarantee or accept any liability with respect to the correctness of information in this document. Copyright by AUDI AG.

155 156 157 158 159 160 161 162 163 164 165 166 167 168

8P0-A029130706

Automatic Day/Night Interior Mirror

⇒ With Coming-Home

⇒ Without Coming-Home

from model year 2007

Note:

Information for

◆ Relay and fuse arrangements

◆ Connector arrangements

◆ Control Modules and Relays

◆ Ground Connections

⇒ Component Locations

Information for

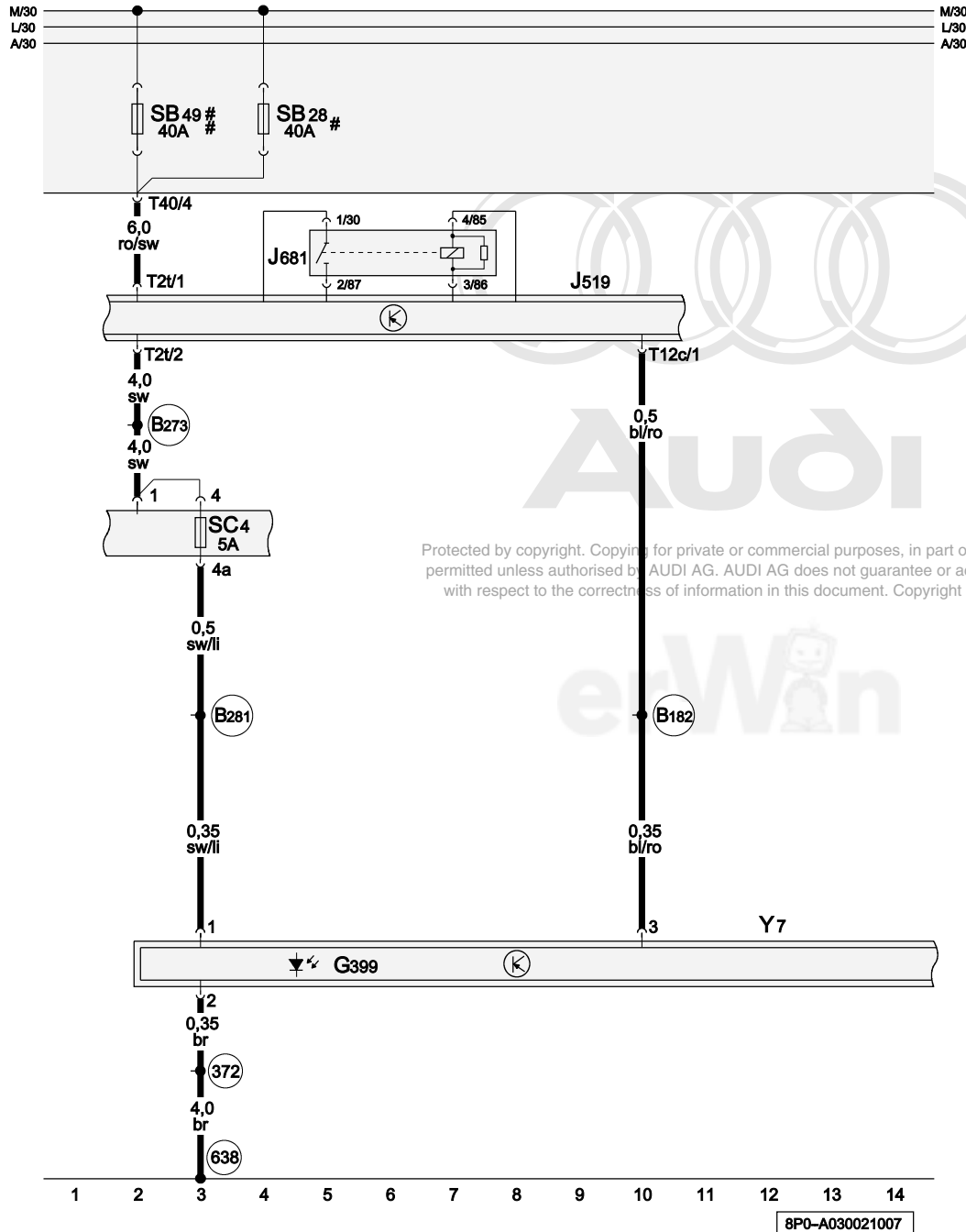
◆ Troubleshooting Procedures

⇒ Guided Fault Finding using VAS 5051 / 5052



Protected by copyright. Copying for private or commercial purposes, in part or in whole, is not permitted unless authorised by AUDI AG. AUDI AG does not guarantee or accept any liability with respect to the correctness of information in this document. Copyright by AUDI AG.





Protected by copyright. Copying for private or commercial purposes, in part or in whole, is not permitted unless authorised by AUDI AG. AUDI AG does not guarantee or accept any liability with respect to the correctness of information in this document. Copyright by AUDI AG.

Fuses (on fuse panel), Power Supply Relay 2 (terminal 15)

- G399 Light Recognition Sensor
- J519 Vehicle Electrical System Control Module
- J681 Power Supply Relay 2 (terminal 15)
- SB28 Fuse 28 (on fuse panel B)
- SB49 Fuse 49 (on fuse panel B)
- SC4 Fuse 4 (on fuse panel C)
- T2t Double Connector, black (Connector L)
- T12c 12-Pin Connector, black (Connector B)
- T40 40-Pin Connector, black, on electronics box engine compartment (Connector J)
- Y7 Automatic Day/Night Interior Mirror

- (372) Ground Connection 7 (in main wiring harness)
- (638) Ground Connection (on right A-pillar)
- (B182) Connection (RF) (in passenger compartment wiring harness)
- (B273) Plus Connection (15) (in main wiring harness)
- (B281) Plus Connection 5 (15a) (in main wiring harness)
- # Only models with electronics box Low ⇒ Component Locations
- ## Only models with electronics box High ⇒ Component Locations

- ws = white
- sw = black
- ro = red
- br = brown
- gn = green
- bl = blue
- gr = grey
- li = lilac
- ge = yellow
- or = orange
- rs = pink

8P0-A030021007



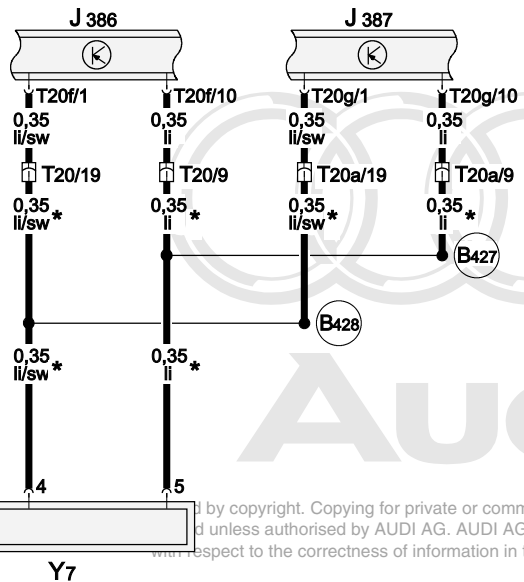
Door Control Modules, Automatic Day/Night Interior Mirror

- J386 Driver's Door Control Module
- J387 Front Passenger's Door Control Module
- T20 20-Pin Connector, black, door A-pillar, left
- T20a 20-Pin Connector, black, door A-pillar, right
- T20f 20-Pin Connector, black (Connector A)
- T20g 20-Pin Connector, black (Connector A)
- Y7 Automatic Day/Night Interior Mirror

(B427) Mirror Auto-dimming Signal Connection 1 (in main wiring harness)

(B428) Mirror Auto-dimming Signal Connection 2 (in main wiring harness)

* => Applicable Wiring Diagram Comfort System



Copyright by Audi AG. Copying for private or commercial purposes, in part or in whole, is not allowed unless authorised by AUDI AG. AUDI AG does not guarantee or accept any liability with respect to the correctness of information in this document. Copyright by AUDI AG.

- ws = white
- sw = black
- ro = red
- br = brown
- gn = green
- bl = blue
- gr = grey
- li = lilac
- ge = yellow
- or = orange
- rs = pink

15 16 17 18 19 20 21 22 23 24 25 26 27 28

8P0-A030031007

Front Heated Seat, with Manual Power Seat

⇒ Only heater with manual regulation

⇒ Only A/C with manual regulation

from model year 2007

Note:

Information for

◆ Relay and fuse arrangements

◆ Connector arrangements

◆ Control Modules and Relays

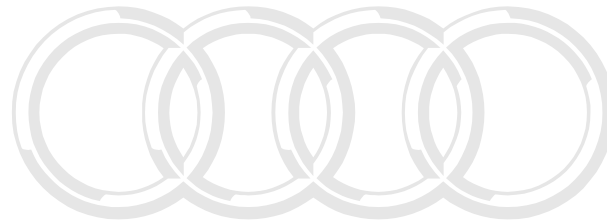
◆ Ground Connections

⇒ Component Locations

Information for

◆ Troubleshooting Procedures

⇒ Guided Fault Finding using VAS 5051 / 5052



Audi

Protected by copyright. Copying for private or commercial purposes, in part or in whole, is not permitted unless authorised by AUDI AG. AUDI AG does not guarantee or accept any liability with respect to the correctness of information in this document. Copyright by AUDI AG.

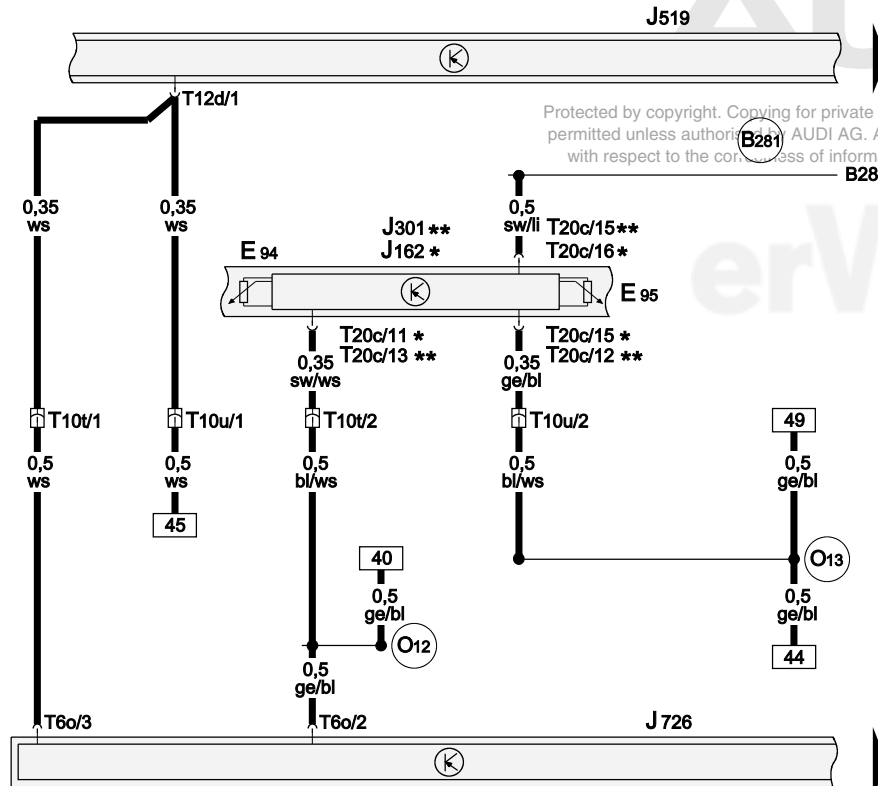


M/30
L/30
A/30

M/30
L/30
A/30

Driver's Heated Seat Adjuster, Front Passenger's Heated Seat Adjuster

- E94 Driver's Heated Seat Adjuster
- E95 Front Passenger's Heated Seat Adjuster
- J162 Heater Control Module
- J301 A/C Control Module
- J519 Vehicle Electrical System Control Module
- J726 Driver's Heated Seat Control Module
- T6o 6-Pin Connector, black, on driver seat heater control module
- T10t 10-Pin Connector, black, below driver's seat
- T10u 10-Pin Connector, black, below front passenger's seat
- T12d 12-Pin Connector, brown (Connector C)
- T20c 20-Pin Connector, black (Connector A)



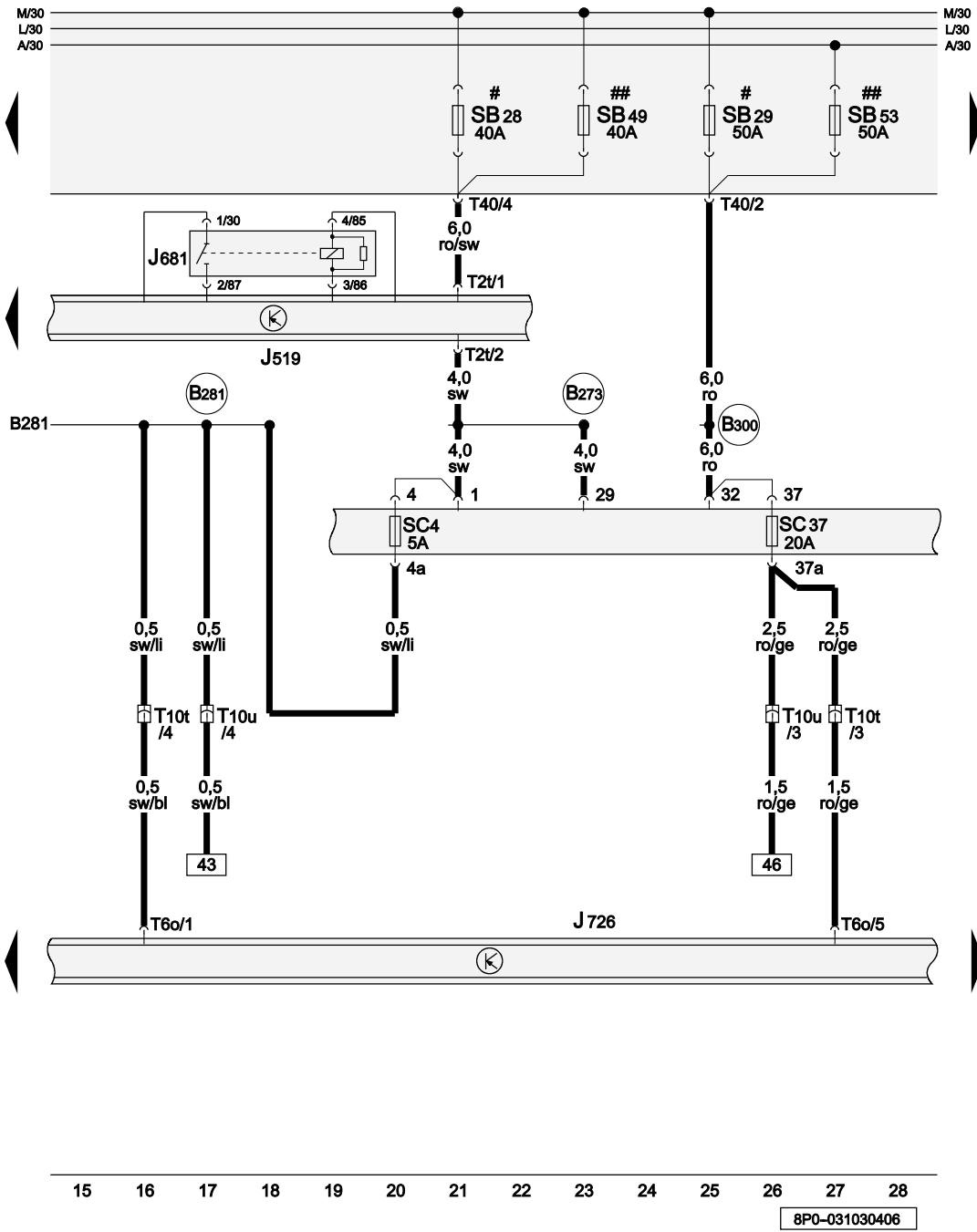
Protected by copyright. Copying for private or commercial purposes, in part or in full, is not permitted unless authorized by AUDI AG. AUDI AG does not guarantee or accept any liability with respect to the correctness of information in this document. Copyright by AUDI AG.

- B281 Plus Connection 5 (15a) (in main wiring harness)
- O12 Connection 1 (in seat heater wiring harness)
- O13 Connection 2 (in seat heater wiring harness)
- * Only heater with manual regulation
- ** Only A/C with manual regulation

- ws = white
- sw = black
- ro = red
- br = brown
- gn = green
- bl = blue
- gr = grey
- li = lilac
- ge = yellow
- or = orange
- rs = pink

1 2 3 4 5 6 7 8 9 10 11 12 13 14

8P0-031020406



Driver's Heated Seat Control Module, Power Supply Relay 2 (terminal 15)

- J519 Vehicle Electrical System Control Module
- J681 Power Supply Relay 2 (terminal 15)
- J726 Driver's Heated Seat Control Module
- SB28 Fuse 28 (on fuse panel B)
- SB29 Fuse 29 (on fuse panel B)
- SB49 Fuse 49 (on fuse panel B)
- SB53 Fuse 53 (on fuse panel B)
- SC4 Fuse 4 (on fuse panel C)
- SC37 Fuse 37 (on fuse panel C)
- T2t Double Connector, black (Connector L)
- T6o 6-Pin Connector, black, on driver seat heater control module
- T10t 10-Pin Connector, black, below driver's seat
- T10u 10-Pin Connector, black, below front passenger's seat
- T40 40-Pin Connector, black, on electronics box engine compartment (Connector J)

(B273) Plus Connection (15) (in main wiring harness)

(B281) Plus Connection 5 (15a) (in main wiring harness)

(B300) Plus Connection 4 (30) (in main wiring harness)

- # Only models with electronics box Low ⇒ Component Locations
- ## Only models with electronics box High ⇒ Component Locations



Protected by copyright. Copying for private or commercial purposes, in part or in whole, is not permitted unless authorised by AUDI AG. AUDI AG does not guarantee or accept any liability with respect to the correctness of information in this document. Copyright by AUDI AG.



- ws = white
- sw = black
- ro = red
- br = brown
- gn = green
- bl = blue
- gr = grey
- li = lilac
- ge = yellow
- or = orange
- rs = pink

15 16 17 18 19 20 21 22 23 24 25 26 27 28

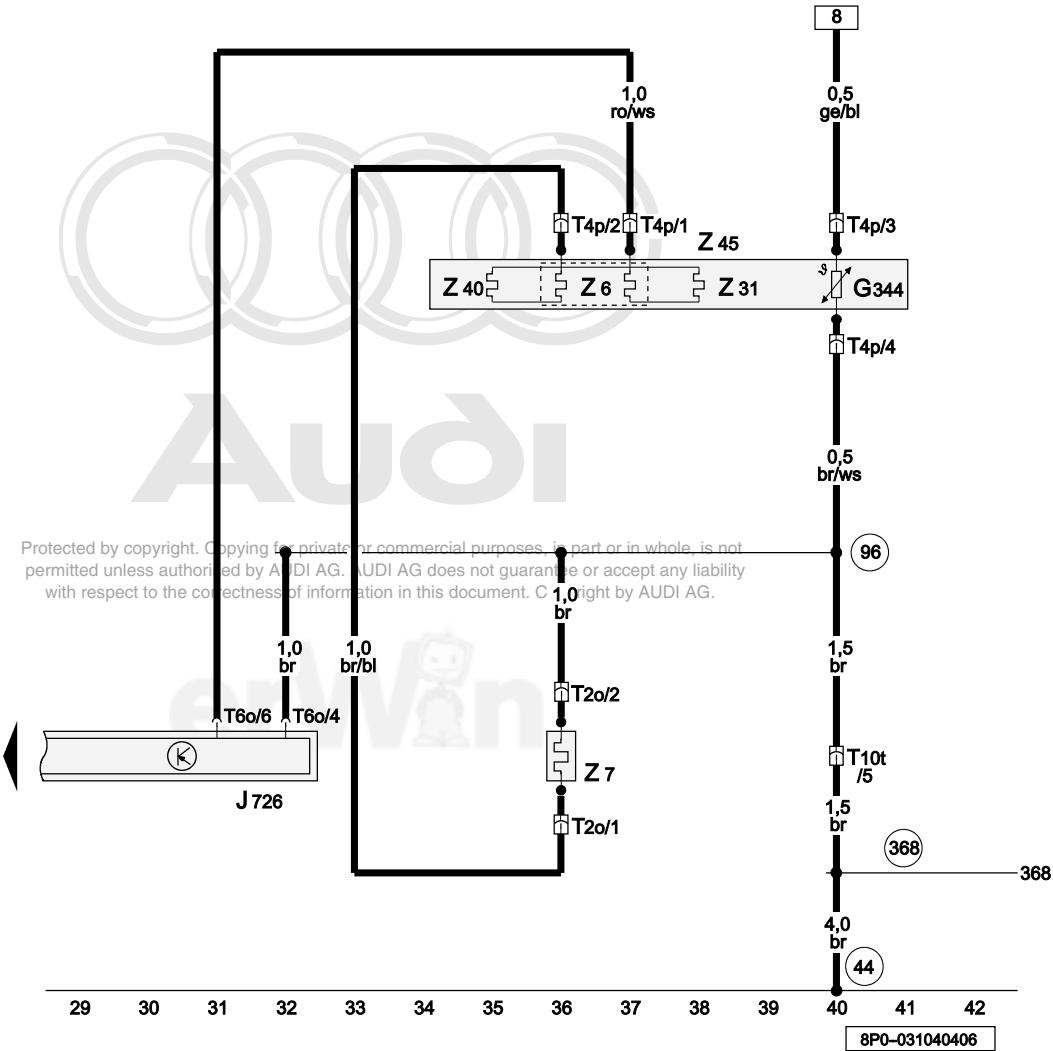
8P0-031030406



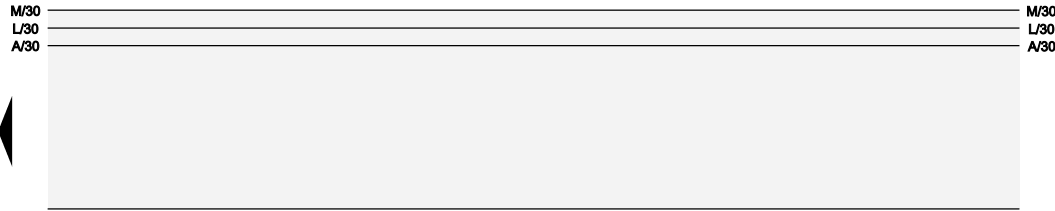
Driver's Heated Seat Control Module, Front Left Heated Seat

- G344 Left Front Seat Temperature Sensor
- J726 Driver's Heated Seat Control Module
- T2o Double Connector, black, on driver's backrest heating element
- T4p 4-Pin Connector, black, on driver's heated seat
- T6o 6-Pin Connector, black, on driver seat heater control module
- T10t 10-Pin Connector, black, below driver's seat
- Z6 Driver's Seat Heating Element
- Z7 Driver's Backrest Heating Element
- Z31 Driver's Seat Side Bolster Heater
- Z40 Driver's Seat Side Bolster Heater 2
- Z45 Front Left Heated Seat

- 44 Ground Connection (on left lower A-pillar)
- 96 Ground Connection 1 (in heated seats wiring harness)
- 368 Ground Connection 3 (in main wiring harness)



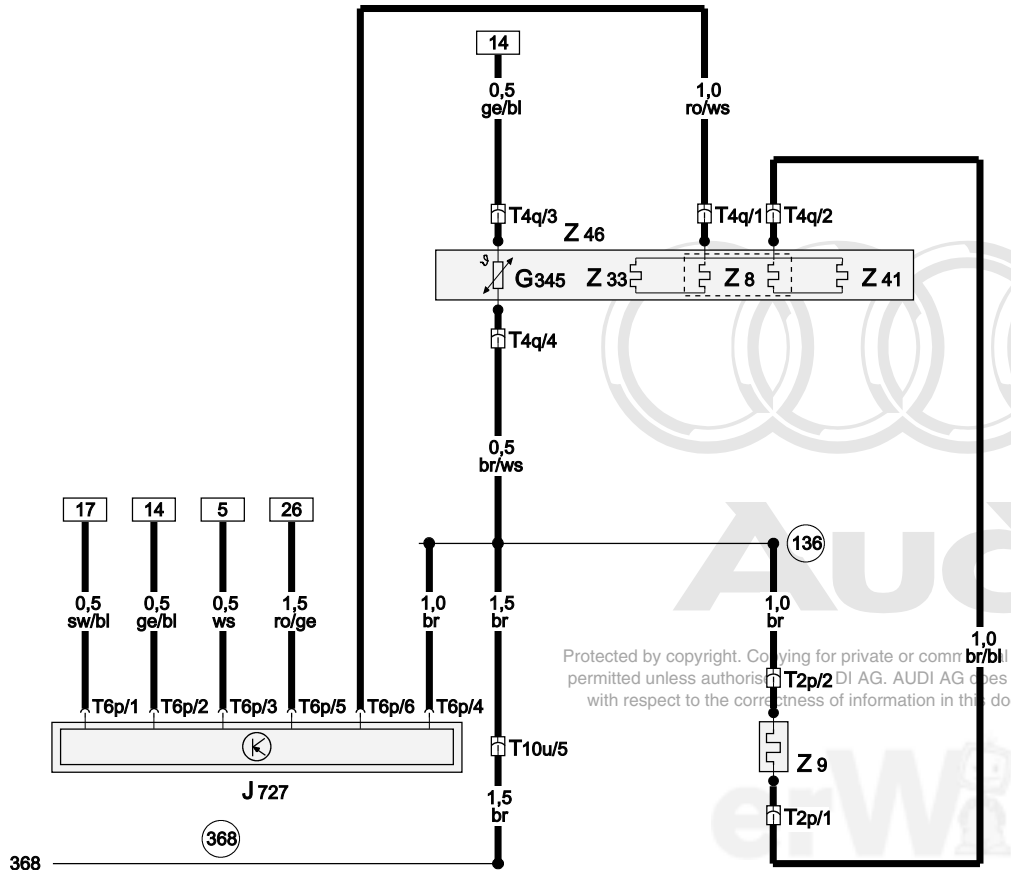
- ws = white
- sw = black
- ro = red
- br = brown
- gn = green
- bl = blue
- gr = grey
- li = lilac
- ge = yellow
- or = orange
- rs = pink



Front Passenger's Heated Seat Control Module, Front Right Heated Seat

- G345 Right Front Seat Temperature Sensor
- J727 Front Passenger's Heated Seat Control Module
- T2p Double Connector, black, on front passenger's backrest heating element
- T4q 4-Pin Connector, black, on front passenger's heated seat
- T6p 6-Pin Connector, black, on front passenger seat heater control module
- T10u 10-Pin Connector, black, below front passenger's seat
- Z8 Front Passenger's Seat Heating Element
- Z9 Front Passenger's Backrest Heating Element
- Z33 Front Passenger's Seat Side Bolster Heater
- Z41 Front Passenger's Seat Side Bolster Heater 2
- Z46 Front Right Heated Seat

- 136 Ground Connection 2 (in heated seats wiring harness)
- 368 Ground Connection 3 (in main wiring harness)



Protected by copyright. Copying for private or commercial purposes, in part or in whole, is not permitted unless authorized by AUDI AG. AUDI AG does not guarantee or accept any liability with respect to the correctness of information in this document. Copyright by AUDI AG.

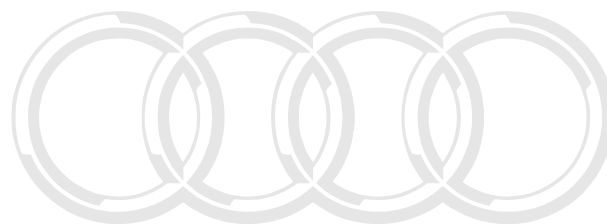
- ws = white
- sw = black
- ro = red
- br = brown
- gn = green
- bl = blue
- gr = grey
- li = lilac
- ge = yellow
- or = orange
- rs = pink

43 44 45 46 47 48 49 50 51 52 53 54 55 56

8P0-031050406

Headlamps, Bixenon HID with automatic headlamp range control and cornering lamp

From May 2006



Audi

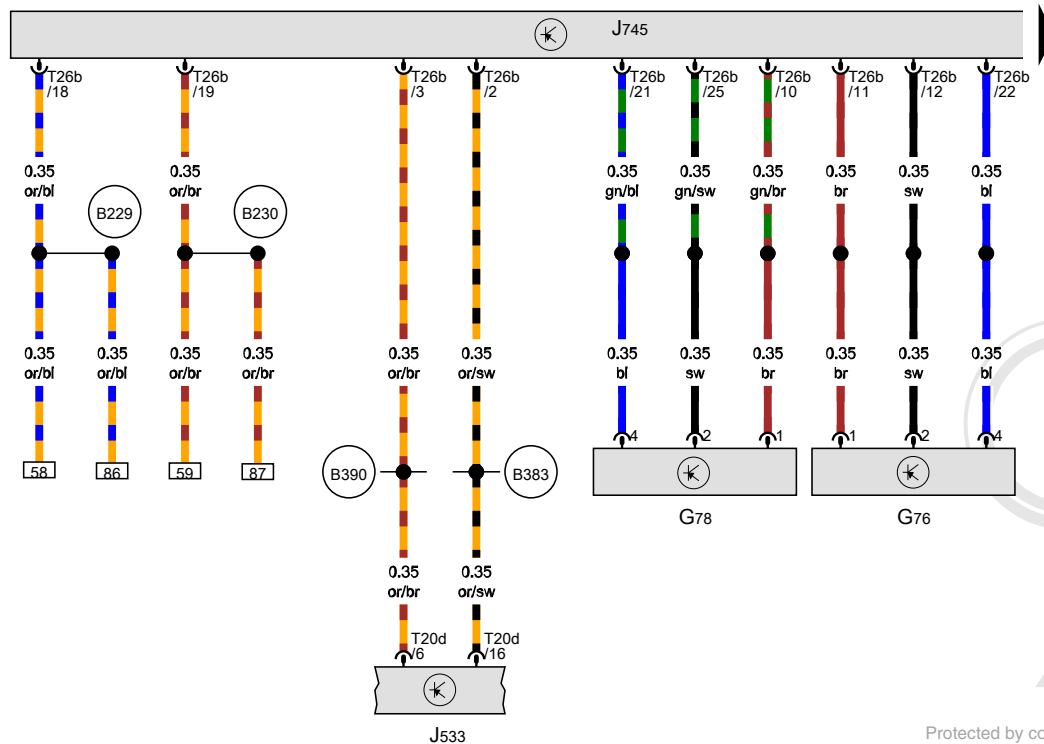
Protected by copyright. Copying for private or commercial purposes, in part or in whole, is not permitted unless authorised by AUDI AG. AUDI AG does not guarantee or accept any liability with respect to the correctness of information in this document. Copyright by AUDI AG.



Left rear level control system sensor, Left front level control system sensor, Cornering lamp and headlamp range control module

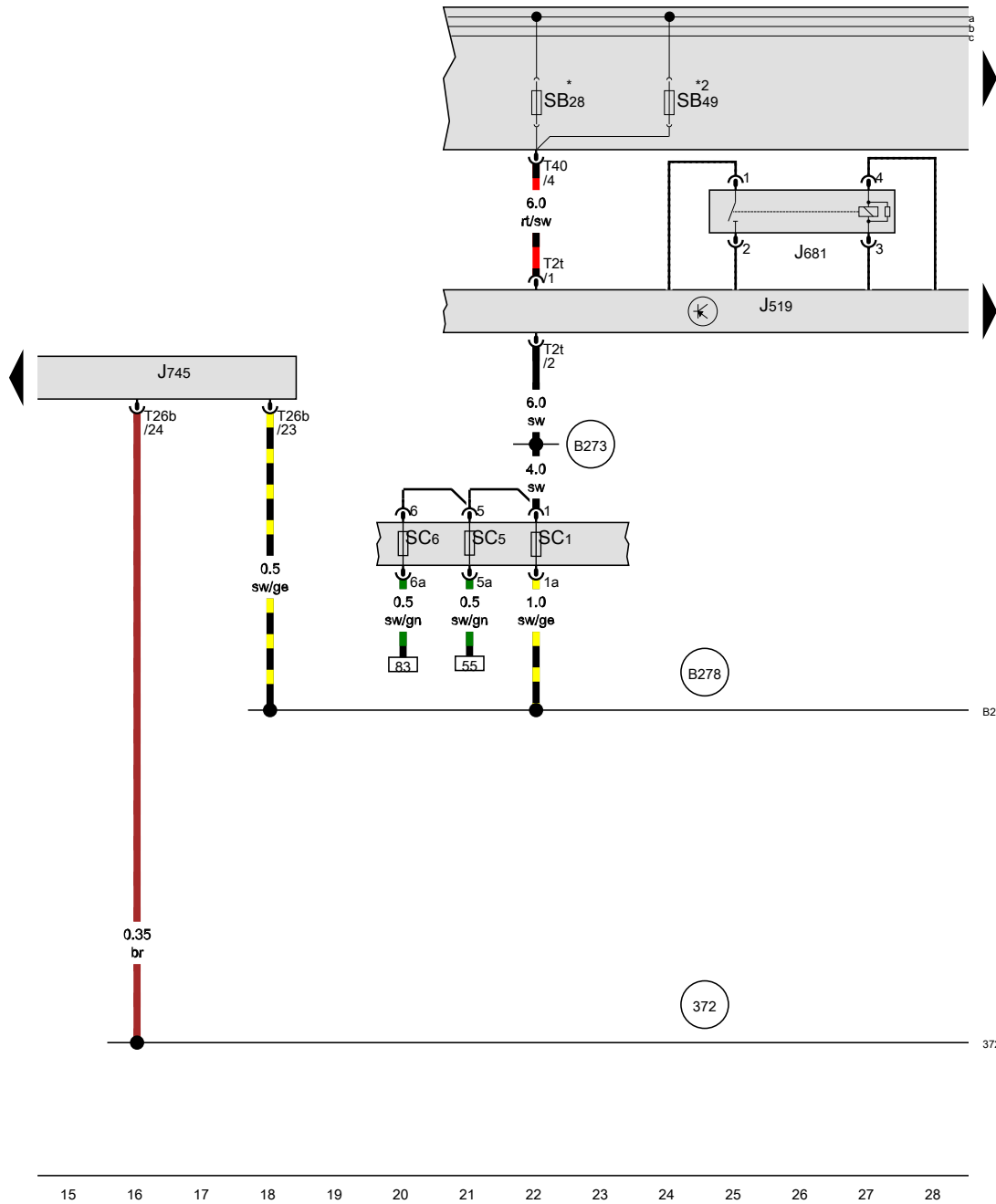
- G76 Left rear level control system sensor
- G78 Left front level control system sensor
- J533 Data bus on board diagnostic interface
- J745 Cornering lamp and headlamp range control module
- T20d 20-pin connector
- T26b 26-pin connector

- (B229) High bus connection (in interior wiring harness)
- (B230) Low bus connection (in interior wiring harness)
- (B383) Powertrain CAN bus high connection 1 (in main wiring harness)
- (B390) Powertrain CAN bus low connection 1 (in main wiring harness)



- ws = white
- sw = black
- ro = red
- br = brown
- gn = green
- bl = blue
- gr = grey
- li = lilac
- ge = yellow
- or = orange
- rs = pink

Protected by copyright. Copying for private or commercial purposes, in part or in whole, is not permitted unless authorized by AUDI AG. AUDI AG does not guarantee or accept any liability with respect to the correctness of the information in this document. Copyright by AUDI AG.



Vehicle electrical system control module, Terminal 15 power supply relay 2, Cornering lamp and headlamp range control module

- J519 Vehicle electrical system control module
- J681 Terminal 15 power supply relay 2
- J745 Cornering lamp and headlamp range control module
- SC1 Fuse 1 (on fuse panel C)
- SC5 Fuse 5 (on fuse panel C)
- SC6 Fuse 6 (on fuse panel C)
- SB28 Fuse 28 (on fuse panel B)
- SB49 Fuse 49 (on fuse panel B)
- T2t Double connector
- T26b 26-pin connector
- T40 40-pin connector

372 Ground connection 7 (in main wiring harness)

B273 Positive connection (15) (in main wiring harness)

Protected by copyright. Copying for private or commercial purposes, in part or in whole, is not permitted unless authorised by AUDI AG. AUDI AG does not guarantee or accept any liability with respect to the correctness or completeness of the information contained in this document. Copyright by AUDI AG.

B278 Positive connection 2 (15a) (in main wiring harness)

- * E-Box low
- *2 E-Box high

- ws = white
- sw = black
- ro = red
- br = brown
- gn = green
- bl = blue
- gr = grey
- li = lilac
- ge = yellow
- or = orange
- rs = pink

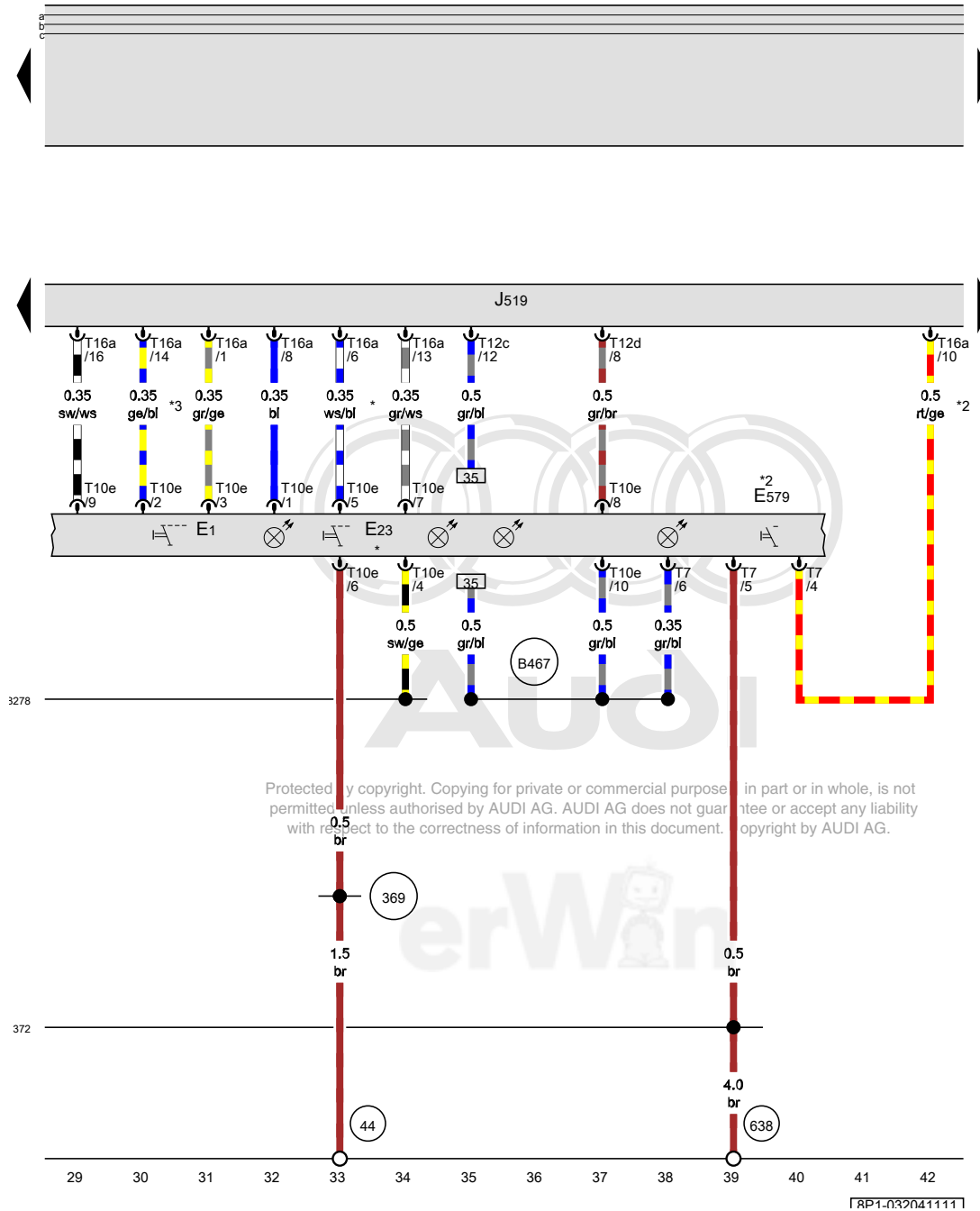
15 16 17 18 19 20 21 22 23 24 25 26 27 28

FRP1-0320311111

Light switch, Fog lamp and rear fog lamp switch, Vehicle electrical system control module

- E1 Light switch
- E23 Fog lamp and rear fog lamp switch
- E579 Daytime running lamps disabling switch
- J519 Vehicle electrical system control module
- T7 7-pin connector
- T10e 10-pin connector
- T12c 12-pin connector
- T12d 12-pin connector
- T16a 16-pin connector

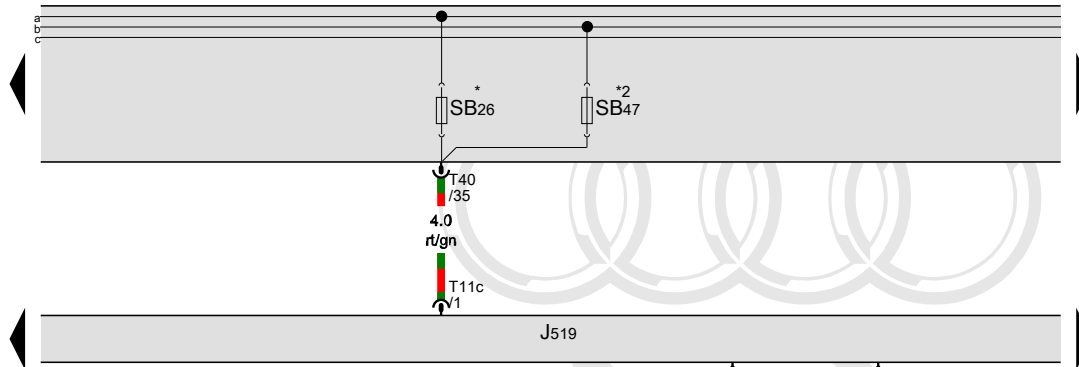
- 44 Ground connection on A-pillar, lower left
- 369 Ground connection 4 (in main wiring harness)
- 372 Ground connection 7 (in main wiring harness)
- 638 Ground connection on right A-pillar
- B278 Positive connection 2 (15a) (in main wiring harness)
- B467 Connection 3 (in main wiring harness)
- * Only for vehicles with fog lamps
- *2 Only for vehicles with daytime running lamps
- *3 Only for vehicles with automatic headlamp assist



Protected by copyright. Copying for private or commercial purposes in part or in whole, is not permitted unless authorised by AUDI AG. AUDI AG does not guarantee or accept any liability with respect to the correctness of information in this document. Copyright by AUDI AG.

- ws = white
- sw = black
- ro = red
- br = brown
- gn = green
- bl = blue
- gr = grey
- li = lilac
- ge = yellow
- or = orange
- rs = pink

[RP1-037041111]



Left HID headlamp control module, Vehicle electrical system control module, Left headlamp power output stage, Left HID headlamp bulb, Left headlamp beam adjustment motor, Left low beam headlamp reflector motor, Left adaptive cornering lamp motor

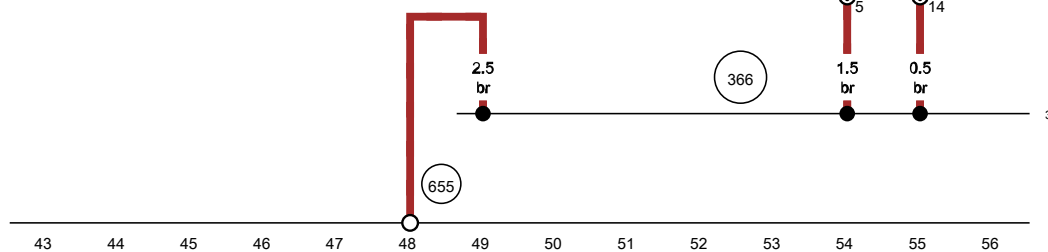
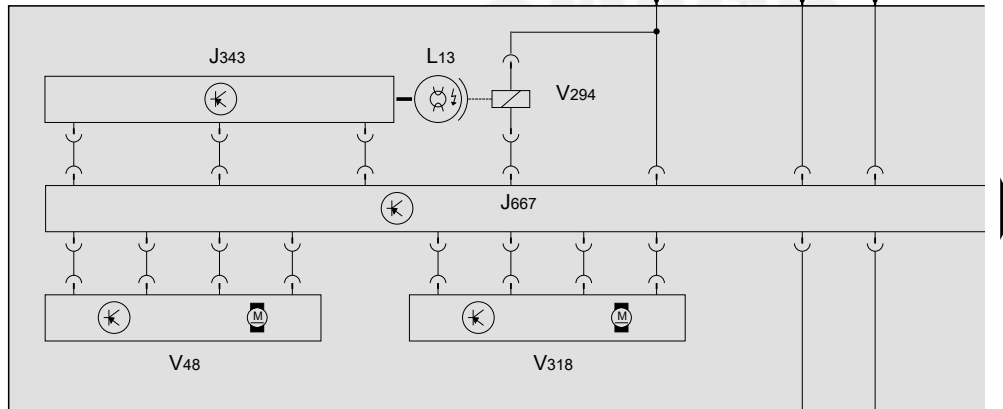
- J343 Left HID headlamp control module
- J519 Vehicle electrical system control module
- J667 Left headlamp power output stage
- L13 Left HID headlamp bulb
- SB26 Fuse 26 (on fuse panel B)
- SB47 Fuse 47 (on fuse panel B)
- T11c 11-pin connector
- T40 40-pin connector
- V48 Left headlamp beam adjustment motor
- V294 Left low beam headlamp reflector motor
- V318 Left adaptive cornering lamp motor

Protected by copyright. Copying for private or commercial purposes, in part or in whole, is not permitted unless authorised by AUDI AG. AUDI AG does not guarantee or accept any liability with respect to the correctness of information in this document. Copyright by AUDI AG.

366 Ground connection 1 (in main wiring harness)

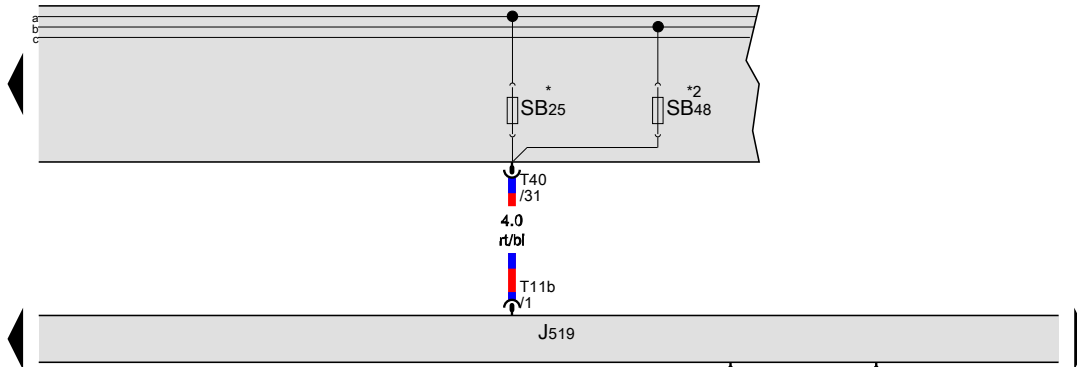
655 Ground connection on left headlamp

* E-Box low
*2 E-Box high



- ws = white
- sw = black
- ro = red
- br = brown
- gn = green
- bl = blue
- gr = grey
- li = lilac
- ge = yellow
- or = orange
- rs = pink

18P1-032051111



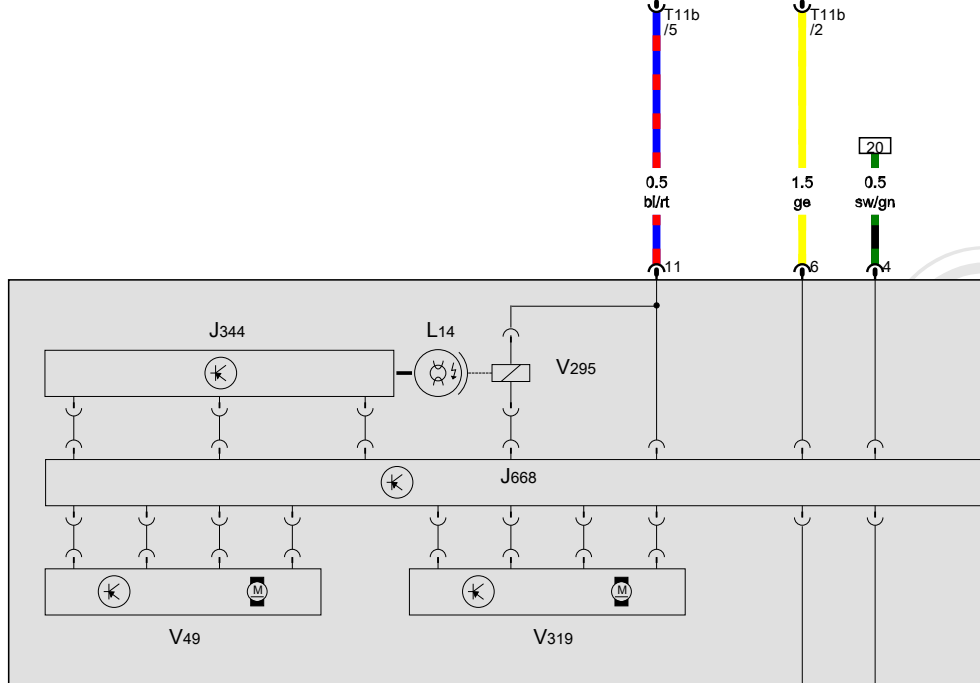
Right HID headlamp control module, Vehicle electrical system control module, Right headlamp power output stage, Right HID headlamp bulb, Right headlamp beam adjustment motor, Right low beam headlamp reflector motor, Right adaptive cornering lamp motor

- J344 Right HID headlamp control module
- J519 Vehicle electrical system control module
- J668 Right headlamp power output stage
- L14 Right HID headlamp bulb
- SB25 Fuse 25 (on fuse panel B)
- SB48 Fuse 48 (on fuse panel B)
- T11b 11-pin connector
- T40 40-pin connector
- V49 Right headlamp beam adjustment motor
- V295 Right low beam headlamp reflector motor
- V319 Right adaptive cornering lamp motor

367 Ground connection 2 (in main wiring harness)

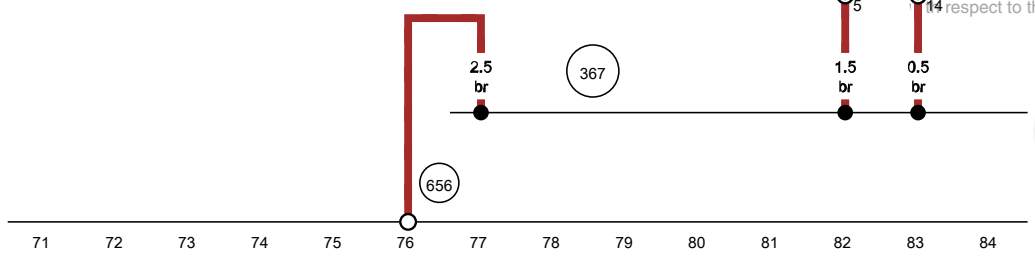
656 Ground connection on right headlamp

* E-Box low
*2 E-Box high



Right. Copying for private or commercial purposes, in part or in whole, is not permitted without the prior written authorization by AUDI AG. AUDI AG does not guarantee or accept any liability for the correctness of information in this document. Copyright by AUDI AG.

- ws = white
- sw = black
- ro = red
- br = brown
- gn = green
- bl = blue
- gr = grey
- li = lilac
- ge = yellow
- or = orange
- rs = pink



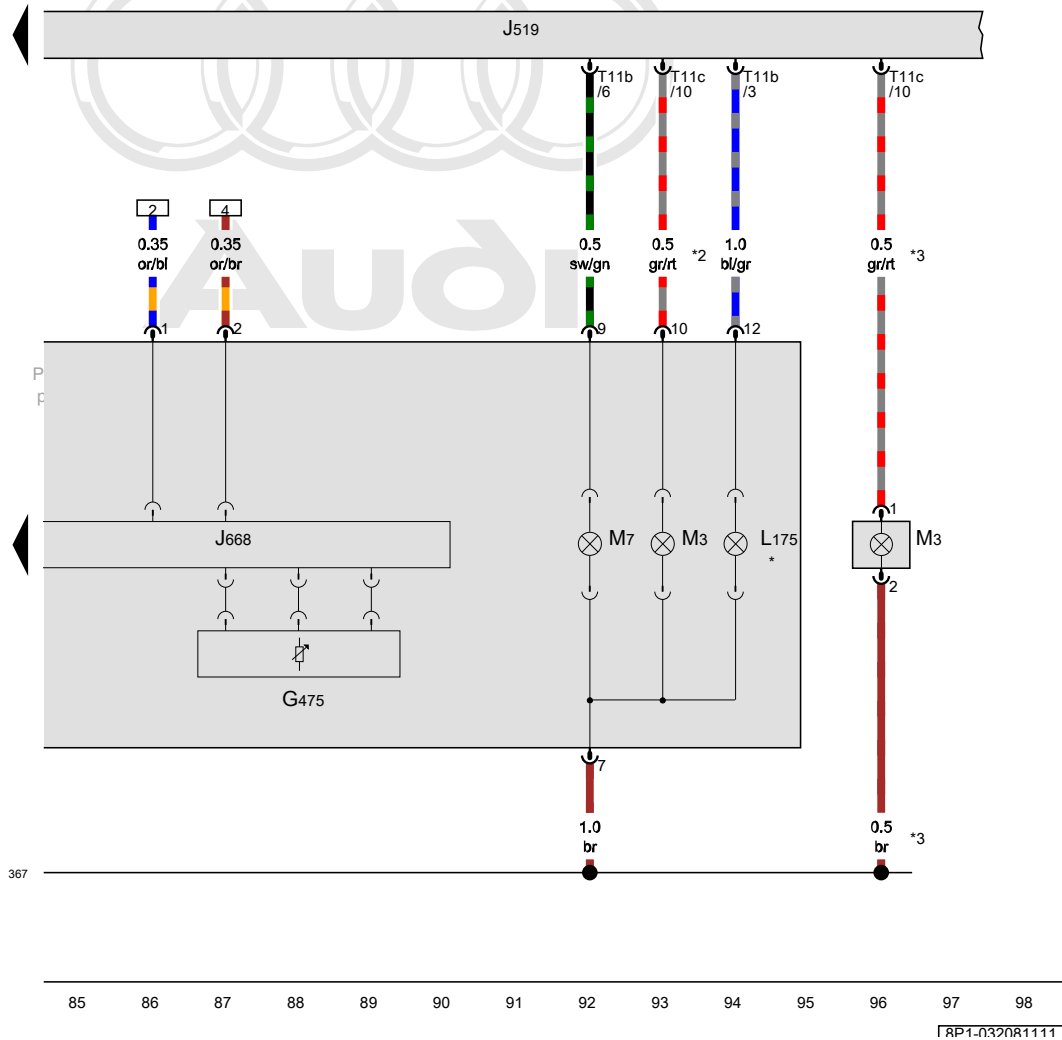
RP1-032071111

Vehicle electrical system control module, Right headlamp power output stage, Right daytime running lamp bulb, Right side marker lamp bulb, Right front turn signal bulb

- G475 Right swivel module position sensor
- J519 Vehicle electrical system control module
- J668 Right headlamp power output stage
- L175 Right daytime running lamp bulb
- M3 Right side marker lamp bulb
- M7 Right front turn signal bulb
- T11b 11-pin connector
- T11c 11-pin connector

367 Ground connection 2 (in main wiring harness)

- * Only for vehicles with daytime running lamps
- *2 Only for vehicles with parking lamps in the headlamps
- *3 Only for vehicles without parking lamps in the headlamps



Cellular Telephone Preparation without Hands Free System (VDA-Interface)

from model year 2007

Note:

Information for

- ◆ Relay and fuse arrangements
- ◆ Connector arrangements
- ◆ Control Modules and Relays
- ◆ Ground Connections

⇒ Component Locations

Information for

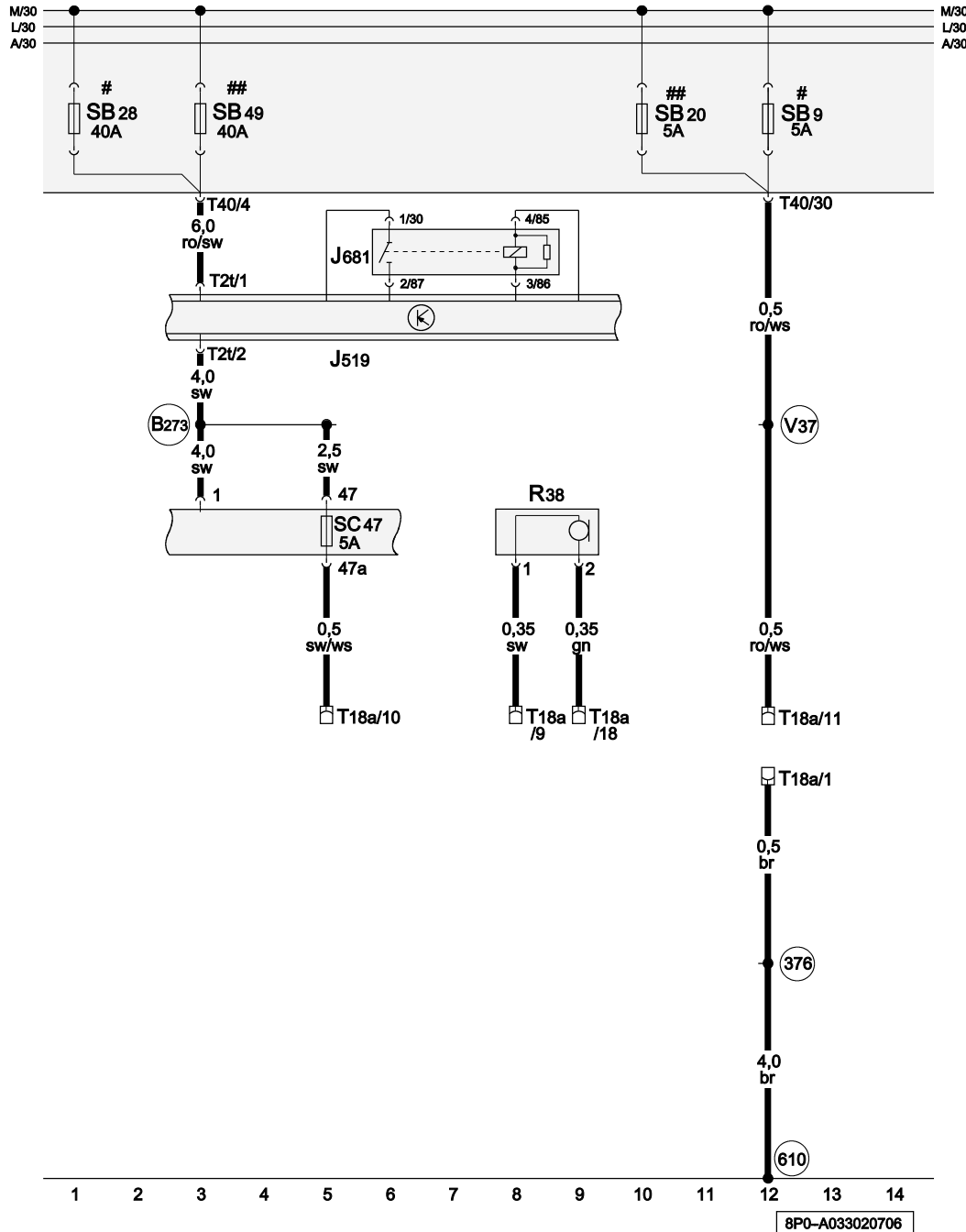
- ◆ Troubleshooting Procedures
- ⇒ Guided Fault Finding using VAS 5051 / 5052



Audi

Protected by copyright. Copying for private or commercial purposes, in part or in whole, is not permitted unless authorised by AUDI AG. AUDI AG does not guarantee or accept any liability with respect to the correctness of information in this document. Copyright by AUDI AG.





Telephone Microphone, Power Supply Relay 2 (terminal 15)

- J519 Vehicle Electrical System Control Module
- J681 Power Supply Relay 2 (terminal 15)
- R38 Telephone Microphone
- SB9 Fuse 9 (on fuse panel B)
- SB20 Fuse 20 (on fuse panel B)
- SB28 Fuse 28 (on fuse panel B)
- SB49 Fuse 49 (on fuse panel B)
- SC47 Fuse 47 (on fuse panel C)
- T2t Double Connector, black (Connector L)
- T18a 18-Pin Connector, near glove compartment (Connector A)
- T40 40-Pin Connector, black, on electronics box engine compartment (Connector J)

- 376 Ground Connection 11 (in main wiring harness)
- 610 Ground Connection (Audio) (under center console, front)
- B273 Plus Connection (15) (in main wiring harness)
- V37 Plus Connection (30) (in communications wiring harness)

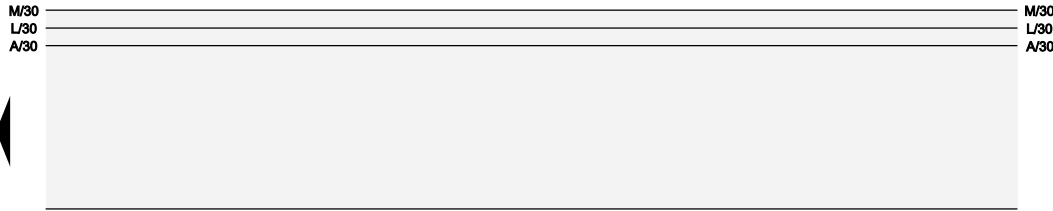
- # Only models with electronics box Low ⇒ Component Locations
- ## Only models with electronics box High ⇒ Component Locations



Protected by copyright. Copying for private or commercial purposes, in part or in whole, is not permitted unless authorised by AUDI AG. AUDI AG does not guarantee or accept any liability with respect to the correctness of information in this document. Copyright by AUDI AG.

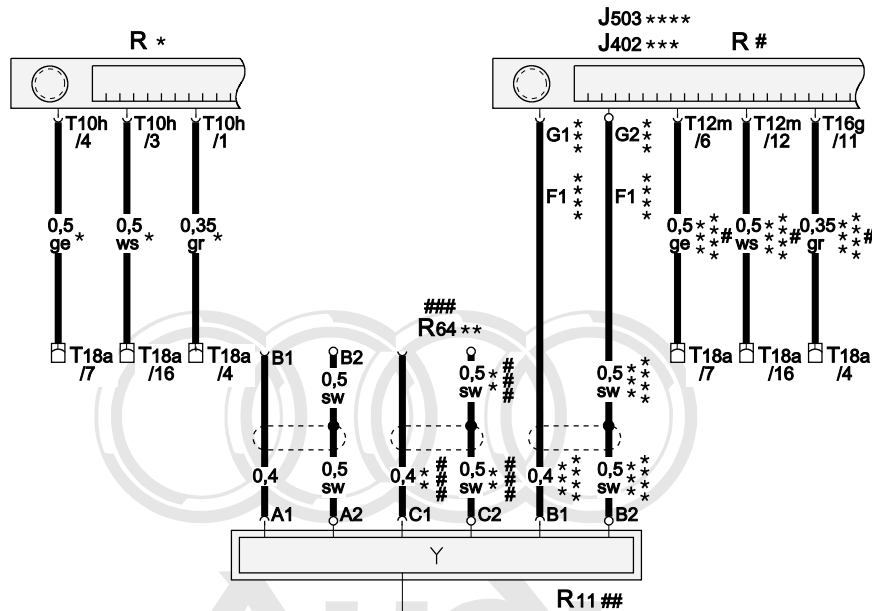


- ws = white
- ro = black
- ro = red
- br = brown
- gn = green
- bl = blue
- gr = grey
- li = lilac
- ge = yellow
- or = orange
- rs = pink



Roof Antenna, Mute

- J402 Navigation System Operating Electronics Control Module
- J503 Radio/Navigation Display Control Module
- R Radio
- R11 Antenna
- R64 Auxiliary Heater RF Receiver
- T10h 10-Pin Connector, red (Connector D)
- T12m 12-Pin Connector, black (Connector C) (connector locking green)
- T16g 16-Pin Connector, black (Connector D)
- T18a 18-Pin Connector, near glove compartment (Connector A)
- * Only models with radio generation II
- ** Only models with auxiliary heater
- *** Only models with radio/navigation system (RNS-E)
- **** Only models with radio/navigation system (RNS-Low)
- # Only models with radio generation II plus
- ## R11 replace R66
- ### Not for models with US equipment



- ws = white
- sw = black
- ro = red
- br = brown
- gn = green
- bl = blue
- gr = grey
- li = lilac
- ge = yellow
- or = orange
- rs = pink

Protected by copyright. Copying for private or commercial purposes, in part or in whole, is not permitted unless authorised by AUDI AG. AUDI AG does not guarantee or accept any liability with respect to the correctness of information in this document. Copyright by AUDI AG.

15 16 17 18 19 20 21 22 23 24 25 26 27 28

8P0-A033030706

Heater with manual regulation

from May 2006

Note:

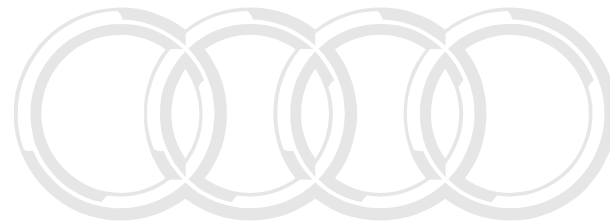
Information for

- ◆ Relay and fuse arrangements
- ◆ Connector arrangements
- ◆ Control Modules and Relays
- ◆ Ground Connections

⇒ Component Locations

Information for

- ◆ Troubleshooting Procedures
- ⇒ Guided Fault Finding using VAS 5051 / 5052



Audi

Protected by copyright. Copying for private or commercial purposes, in part or in whole, is not permitted unless authorised by AUDI AG. AUDI AG does not guarantee or accept any liability with respect to the correctness of information in this document. Copyright by AUDI AG.



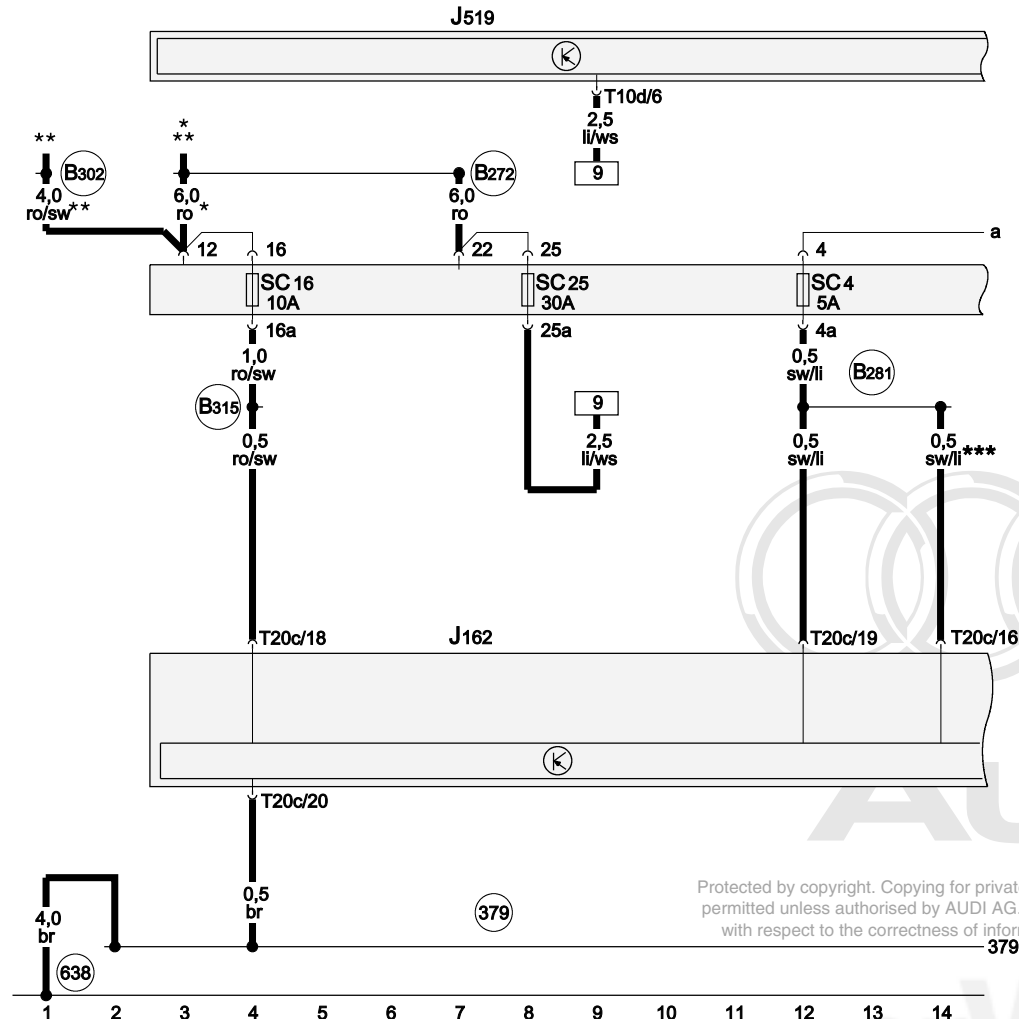


Fuses (on fuse panel)

- J162 Heater Control Module
- J519 Vehicle Electrical System Control Module
- SC4 Fuse 4 (on fuse panel C)
- SC16 Fuse 16 (on fuse panel C)
- SC25 Fuse 25 (on fuse panel C)
- T10d 10-Pin Connector, black (Connector K)
- T20c 20-Pin Connector, black (Connector A)

- (379) Ground Connection 14 (in main wiring harness)
- (638) Ground Connection (on right A-pillar)
- (B272) Plus Connection (30) (in main wiring harness)
- (B281) Plus Connection 5 (15a) (in main wiring harness)
- (B302) Plus Connection 6 (30) (in main wiring harness)
- (B315) Plus Connection 1 (30a) (in main wiring harness)

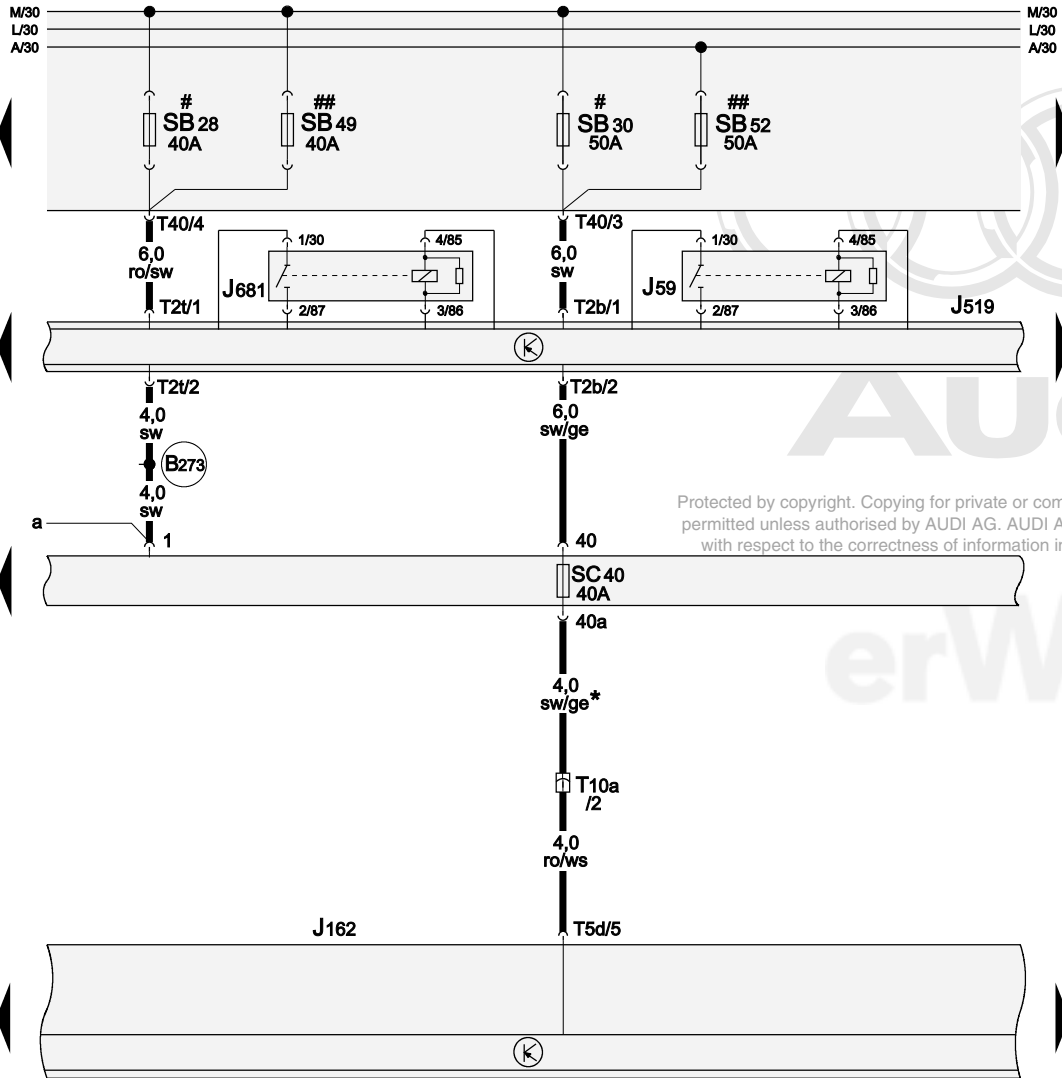
- * => Applicable Wiring Diagram for models with battery in engine compartment
- ** => Applicable Wiring Diagram for models with battery in luggage compartment
- *** => Applicable Wiring Diagram Heated Seats



- ws = white
- sw = black
- ro = red
- br = brown
- gn = green
- bl = blue
- gr = grey
- li = lilac
- ge = yellow
- or = orange
- rs = pink

Protected by copyright. Copying for private or commercial purposes, in part or in whole, is not permitted unless authorised by AUDI AG. AUDI AG does not guarantee or accept any liability with respect to the correctness of information in this document. Copyright by AUDI AG.

8P0-A035020307



Load Reduction Relay, Power Supply Relay 2 (terminal 15)

- J59 Load Reduction Relay
- J162 Heater Control Module
- J519 Vehicle Electrical System Control Module
- J681 Power Supply Relay 2 (terminal 15)
- SB28 Fuse 28 (on fuse panel B)
- SB30 Fuse 30 (on fuse panel B)
- SB49 Fuse 49 (on fuse panel B)
- SB52 Fuse 52 (on fuse panel B)
- SC40 Fuse 40 (on fuse panel C)
- T2b Double Connector, brown (Connector I)
- T2t Double Connector, black (Connector L)
- T5d 5-Pin Connector, black (Connector C)
- T10a 10-Pin Connector, black, behind glove compartment
- T40 40-Pin Connector, black, on electronics box engine compartment (Connector J)

(B273) Plus Connection (15) (in main wiring harness)

Fresh Air Blower Switch Supply

- * Only models with electronics box Low => Component Locations
- ## Only models with electronics box High => Component Locations

Protected by copyright. Copying for private or commercial purposes, in part or in whole, is not permitted unless authorised by AUDI AG. AUDI AG does not guarantee or accept any liability with respect to the correctness of information in this document. Copyright by AUDI AG.

379 _____ 379

15 16 17 18 19 20 21 22 23 24 25 26 27 28

8PO-A035030307

- ws = white
- sw = black
- ro = red
- br = brown
- gn = green
- bl = blue
- gr = grey
- li = lilac
- ge = yellow
- or = orange
- rs = pink



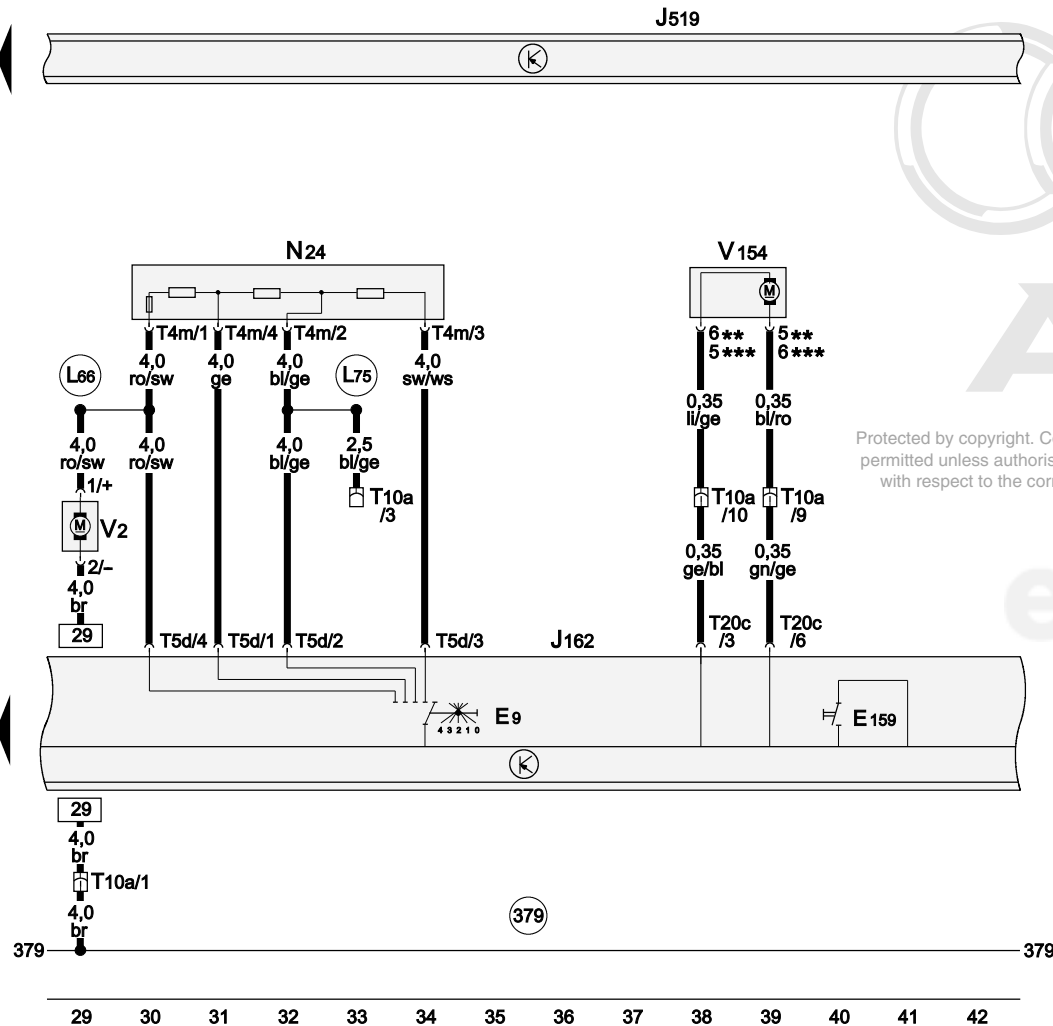
Fresh Air Blower, Fresh/Recirculating Air Door Motor

- E9 Fresh Air Blower Switch
- E159 Fresh Air/Recirculating Flap Switch
- J162 Heater Control Module
- J519 Vehicle Electrical System Control Module
- N24 Fresh Air Blower Series Resistor With Fuse
- T4m 4-Pin Connector, black (Connector A)
- T5d 5-Pin Connector, black (Connector C)
- T10a 10-Pin Connector, black, behind glove compartment
- T20c 20-Pin Connector, black (Connector A)
- V2 Fresh Air Blower
- V154 Fresh/Recirculating Air Door Motor

- 379 Ground Connection 14 (in main wiring harness)
- L66 Connection (in wiring harness) heater blower
- L75 Connection 2 (in heater blower wiring harness)

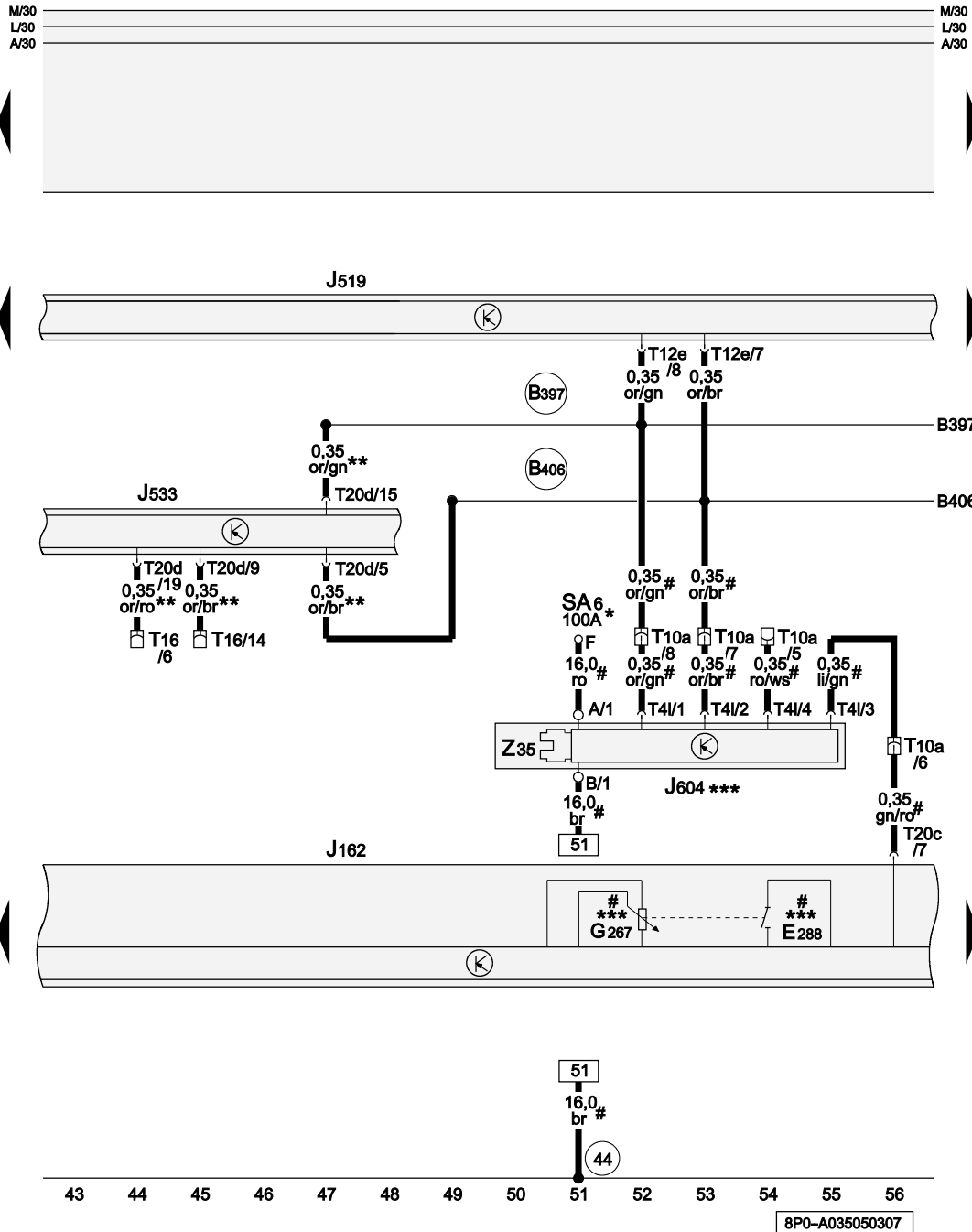
** Only right-hand drive
 *** Only left-hand drive

Protected by copyright. Copying for private or commercial purposes, in part or in whole, is not permitted unless authorised by AUDI AG. AUDI AG does not guarantee or accept any liability with respect to the correctness of information in this document. Copyright by AUDI AG.



- ws = white
- sw = black
- ro = red
- br = brown
- gn = green
- bl = blue
- gr = grey
- li = lilac
- ge = yellow
- or = orange
- rs = pink

8P0-A035040307



Auxiliary Air Heater, not applicable from November 2006

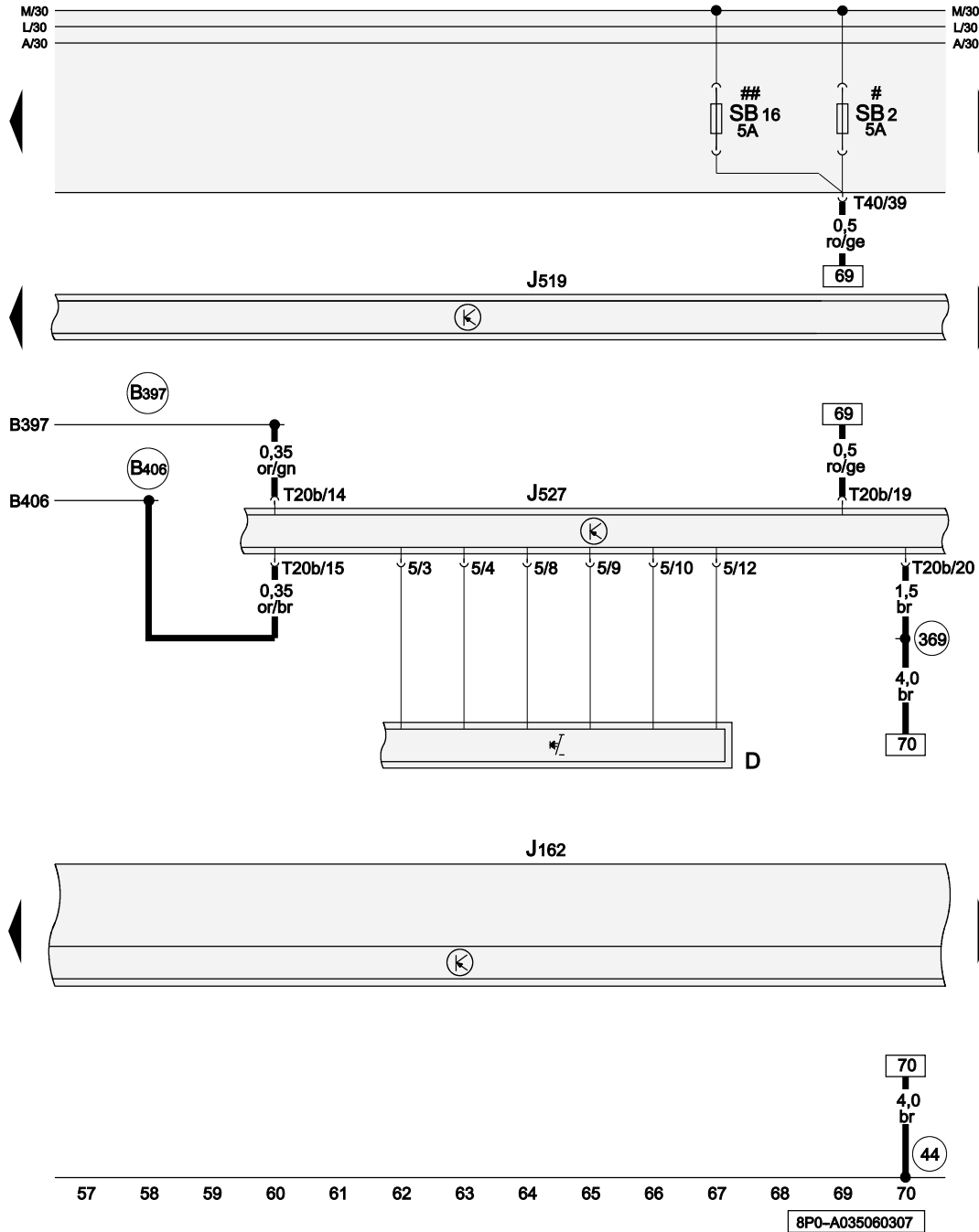
- E288 Additional Heater Button (ECON)
- G267 Temperature Selector Knob Potentiometer
- J162 Heater Control Module
- J519 Vehicle Electrical System Control Module
- J533 Data Bus On Board Diagnostic Interface
- J604 Auxiliary Air Heater Control Module
- T4I 4-Pin Connector, black (Connector C)
- T10a 10-Pin Connector, black, behind glove compartment
- T12e 12-Pin Connector, black (Connector G)
- T16 16-Pin Connector, black, instrument panel driver's side, bottom left (diagnostic connector)
- T20c 20-Pin Connector, black (Connector A)
- T20d 20-Pin Connector, yellow (Connector A)
- Z35 Auxiliary Air Heater Heating Element

- 44 Ground Connection (on left lower A-pillar)
- B397 Comfort System CAN-Bus High Connection 1 (in main wiring harness)
- B406 Comfort System CAN-Bus Low Connection 1 (in main wiring harness)

- * ⇒ Applicable Wiring Diagram for models with battery in engine compartment
- ** ⇒ Applicable Wiring Diagram Diagnostic Connector
- *** Only models with auxiliary air heater
- # Not applicable from November 2006

- ws = white
- sw = black
- ro = red
- br = brown
- gn = green
- bl = blue
- gr = grey
- li = lilac
- ge = yellow
- or = orange
- rs = pink

Protected by copyright. Copying for private or commercial purposes, in part or in whole, is not permitted unless authorised by AUDI AG. AUDI AG does not guarantee or accept any liability with respect to the correctness of information in this document. Copyright by AUDI AG.



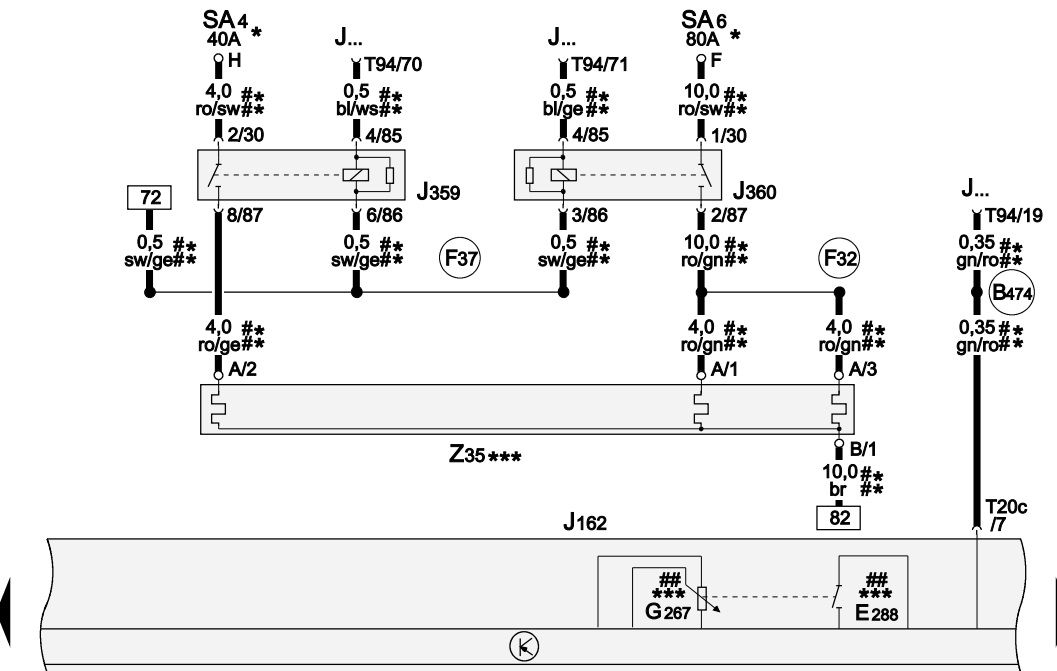
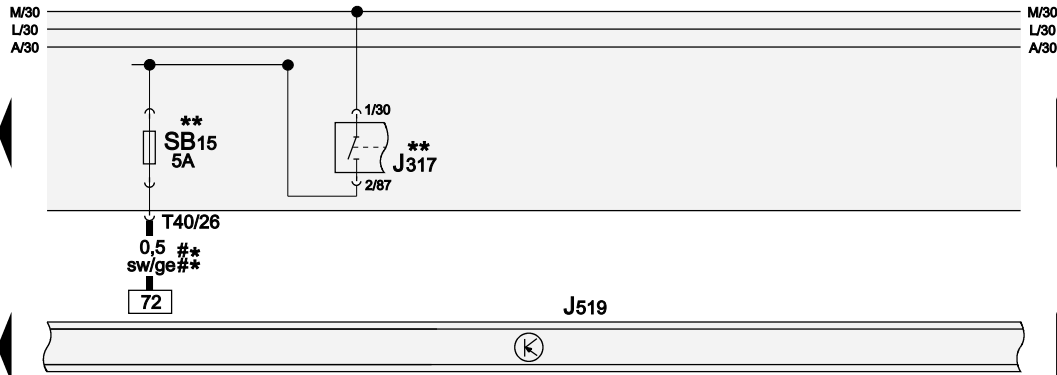
Comfort System CAN-Bus, Ignition/Starter Switch

- D Ignition/Starter Switch
- J162 Heater Control Module
- J519 Vehicle Electrical System Control Module
- J527 Steering Column Electronic Systems Control Module
- SB2 Fuse 2 (on fuse panel B)
- SB16 Fuse 16 (on fuse panel B)
- T20b 20-Pin Connector, black (Connector A)
- T40 40-Pin Connector, black, on electronics box engine compartment (Connector J)

- 44 Ground Connection (on left lower A-pillar)
- 369 Ground Connection 4 (in main wiring harness)
- B397 Comfort System CAN-Bus High Connection 1 (in main wiring harness)
- B406 Comfort System CAN-Bus Low Connection 1 (in main wiring harness)
- # Only models with electronics box Low ⇒ Component Locations
- ## Only models with electronics box High ⇒ Component Locations

Protected by copyright. Copying for private or commercial purposes, in part or in whole, is not permitted unless authorised by Audi AG. Audi AG does not guarantee the accuracy of the information with respect to the correctness of the information in this document. Copyright by AUDI AG.

- ws = white
- sw = black
- ro = red
- br = brown
- gn = green
- bl = blue
- gr = grey
- li = lilac
- ge = yellow
- or = orange
- rs = pink



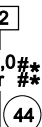
Auxiliary Air Heater, applicable from November 2006

- E288 Additional Heater Button (ECON)
- G267 Temperature Selector Knob Potentiometer
- J... Engine Control Modules (ECM)
- J162 Heater Control Module
- J317 Power Supply Relay (terminal 30)
- J359 Preheating Coolant, Low Heat Output Relay
- J360 Preheating Coolant, High Heat Output Relay
- J519 Vehicle Electrical System Control Module
- SA4 Fuse 4 (on fuse panel A)
- SA6 Fuse 6 (on fuse panel A)
- SB15 Fuse 15 (on fuse panel B)
- T20c 20-Pin Connector, black (Connector A)
- T40 40-Pin Connector, black, on electronics box engine compartment (Connector J)
- T94 94-Pin Connector, black (Connector B)
- Z35 Auxiliary Air Heater Heating Element

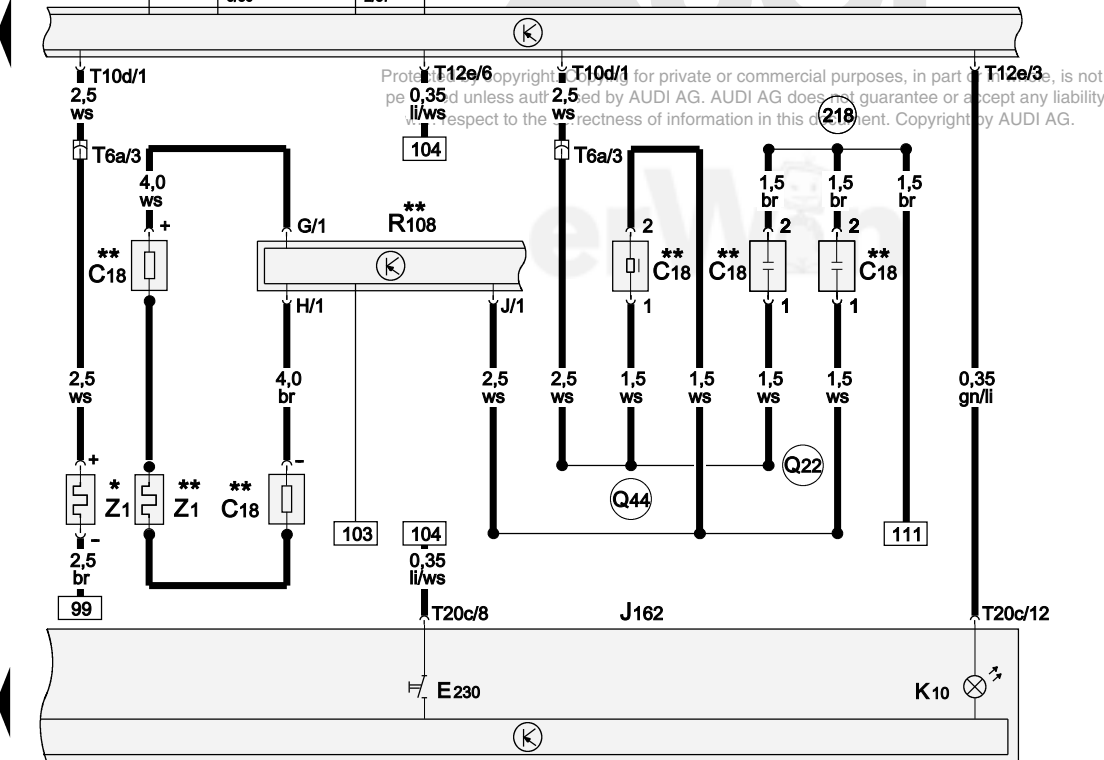
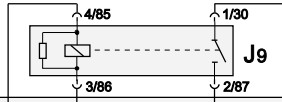
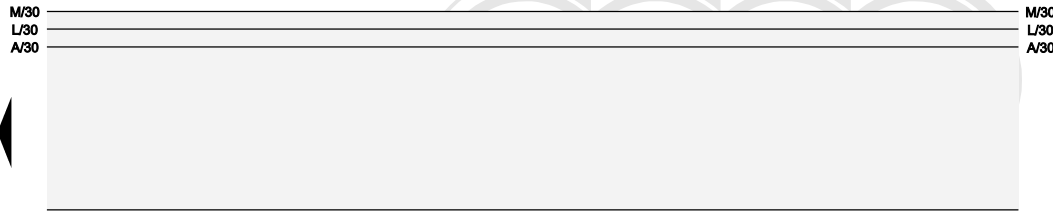
Protected by copyright. Copying for private or commercial purposes, in part or in whole, is not permitted unless authorised by AUDI AG. AUDI AG does not guarantee or accept any liability with respect to the correctness of information in this document. Copyright by AUDI AG.

- 44 Ground Connection (on left lower A-pillar)
- B474 Connection 10 (in main wiring harness)
- F32 Coolant Glow Plugs Connection (in Diesel Direct Fuel Injection (DFI) system wiring harness)
- F37 Auxiliary Heater Connection (in Diesel Direct Fuel Injection (DFI) system wiring harness)
- * => Applicable Wiring Diagram for models with battery in engine compartment
- ** Only models with diesel engines
- *** Only models with auxiliary air heater
- ## Applicable from November 2006

71 72 73 74 75 76 77 78 79 80 81 82 83 84



8PO-A035070307

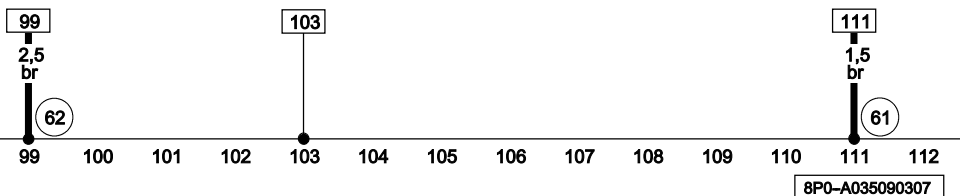


Rear Window Defogger Relay

- C18 Windshield Antenna Suppression Filter
- E230 Heated Rear Window Button
- J9 Rear Window Defogger Relay
- J162 Heater Control Module
- J519 Vehicle Electrical System Control Module
- K10 Rear Window Defogger Indicator Lamp
- R108 Left Antenna Module
- T6a 6-Pin Connector, black, on C-pillar, left
- T10d 10-Pin Connector, black (Connector K)
- T12e 12-Pin Connector, black (Connector G)
- T20c 20-Pin Connector, black (Connector A)
- Z1 Heated Rear Window

- 61 Ground Connection (on left C-pillar)
- 62 Ground Connection (on right C-pillar)
- 218 Ground Connection 1 (in rear lid wiring harness)
- Q22 Connection 1 (in tailgate wiring harness)
- Q44 Connection 2 (in tailgate wiring harness)
- * Only models without radio
- ** Only models with radio or radio/navigation system

- ws = white
- sw = black
- ro = red
- br = brown
- gn = green
- bl = blue
- gr = grey
- li = lilac
- ge = yellow
- or = orange
- rs = pink



A/C with manual regulation

from model year 2007

Note:

Information for

- ◆ Relay and fuse arrangements
- ◆ Connector arrangements
- ◆ Control Modules and Relays
- ◆ Ground Connections

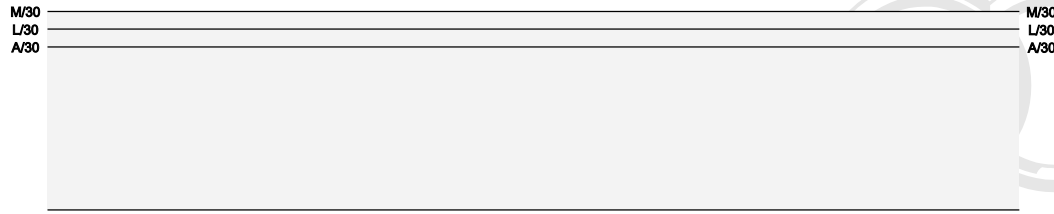
⇒ Component Locations

Information for

- ◆ Troubleshooting Procedures
- ⇒ Guided Fault Finding using VAS 5051 / 5052

Protected by copyright. Copying for private or commercial purposes, in part or in whole, is not permitted unless authorised by AUDI AG. AUDI AG does not guarantee or accept any liability with respect to the correctness of information in this document. Copyright by AUDI AG.



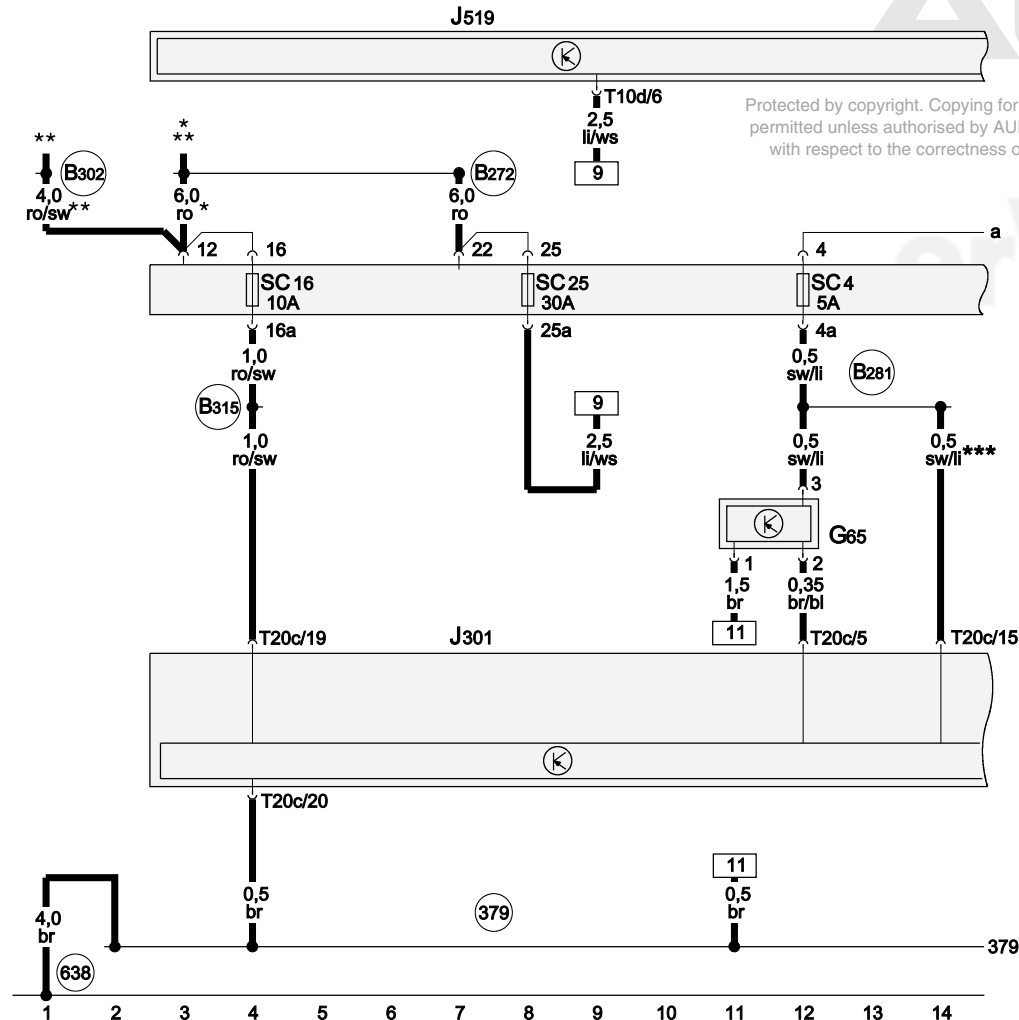


High Pressure Sensor, Fuses (on fuse panel)

- G65 High Pressure Sensor
- J301 A/C Control Module
- J519 Vehicle Electrical System Control Module
- SC4 Fuse 4 (on fuse panel C)
- SC16 Fuse 16 (on fuse panel C)
- SC25 Fuse 25 (on fuse panel C)
- T10d 10-Pin Connector, black (Connector K)
- T20c 20-Pin Connector, black (Connector A)

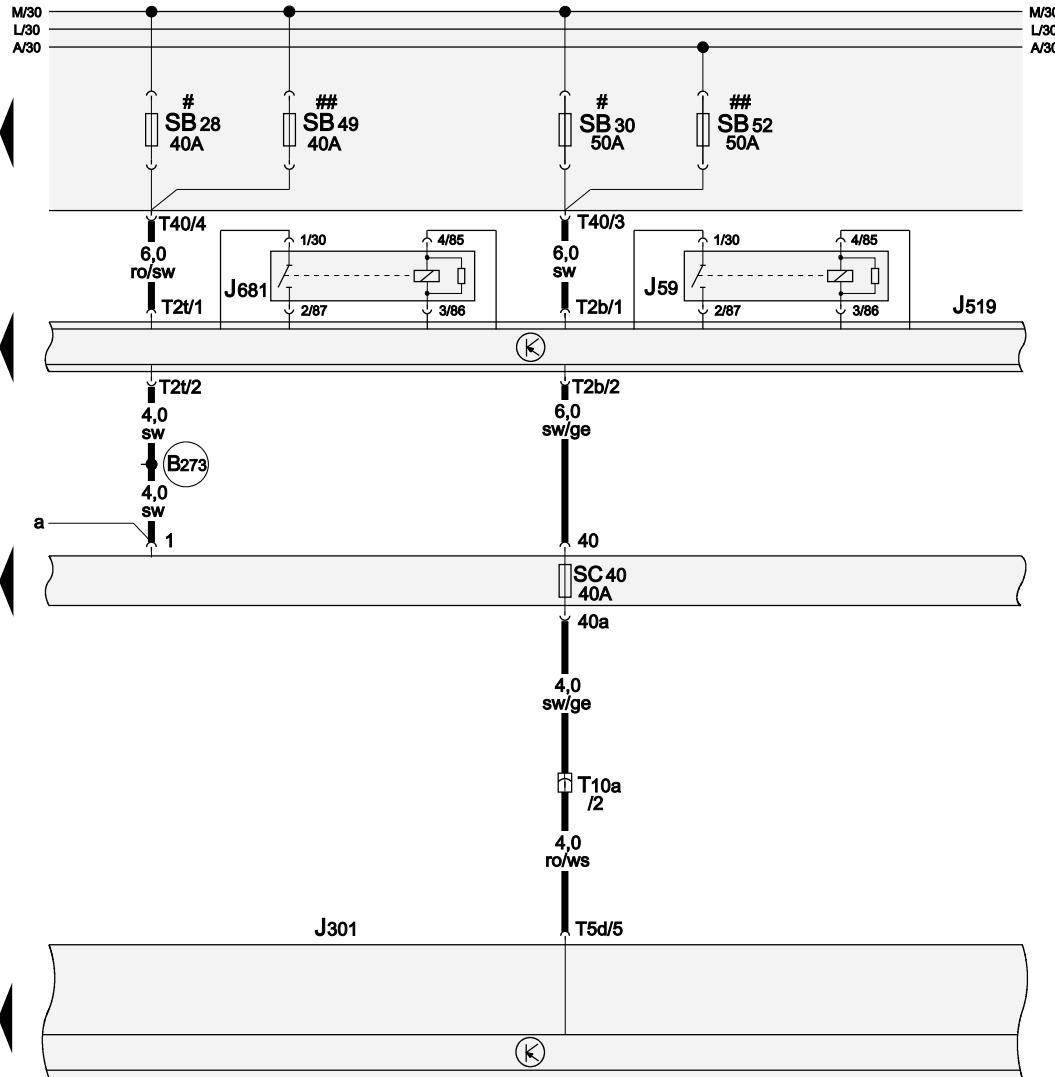
- 379 Ground Connection 14 (in main wiring harness)
- 638 Ground Connection (on right A-pillar)
- B272 Plus Connection (30) (in main wiring harness)
- B281 Plus Connection 5 (15a) (in main wiring harness)
- B302 Plus Connection 6 (30) (in main wiring harness)
- B315 Plus Connection 1 (30a) (in main wiring harness)

- * => Applicable Wiring Diagram for models with battery in engine compartment
- ** => Applicable Wiring Diagram for models with battery in luggage compartment
- *** => Applicable Wiring Diagram Heated Seats



- ws = white
- sw = black
- ro = red
- br = brown
- gn = green
- bl = blue
- gr = grey
- li = lilac
- ge = yellow
- or = orange
- rs = pink

8P0-A036020706



Load Reduction Relay, Power Supply Relay 2 (terminal 15)

- J59 Load Reduction Relay
- J301 A/C Control Module
- J519 Vehicle Electrical System Control Module
- J681 Power Supply Relay 2 (terminal 15)
- SB28 Fuse 28 (on fuse panel B)
- SB30 Fuse 30 (on fuse panel B)
- SB49 Fuse 49 (on fuse panel B)
- SB52 Fuse 52 (on fuse panel B)
- SC40 Fuse 40 (on fuse panel C)
- T2b Double Connector, brown (Connector I)
- T2t Double Connector, black (Connector L)
- T5d 5-Pin Connector, black (Connector C)
- T10a 10-Pin Connector, black, behind glove compartment
- T40 40-Pin Connector, black, on electronics box engine compartment (Connector J)

B273 Plus Connection (15) (in main wiring harness)

- # Only models with electronics box Low → Component Locations
- ## Only models with electronics box High → Component Locations



Protected by copyright. Copying for private or commercial purposes, in part or in whole, is not permitted unless authorised by AUDI AG. AUDI AG does not guarantee or accept any liability with respect to the correctness of information in this document. Copyright by AUDI AG.

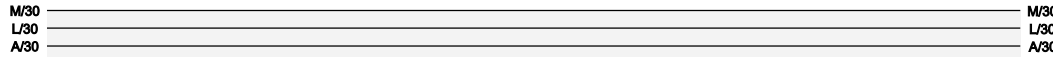


- ws = white
- sw = black
- ro = red
- br = brown
- gn = green
- bl = blue
- gr = grey
- li = lilac
- ge = yellow
- or = orange
- rs = pink

379 _____ 379

15 16 17 18 19 20 21 22 23 24 25 26 27 28

8PO-A036030706



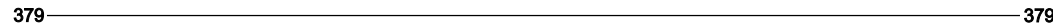
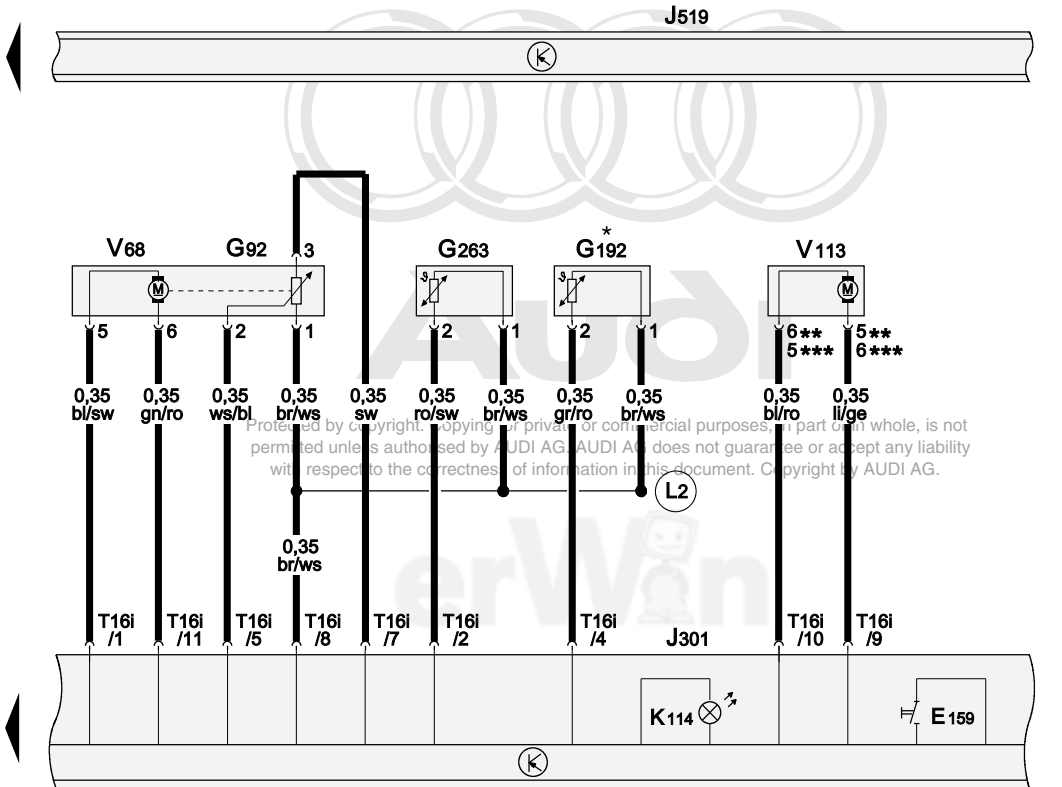
Vent Temperature Sensor, Temperature Flap Motor, Recirculation Flap Motor

- E159 Fresh Air/Recirculating Flap Switch
- G92 Temperature Flap Potentiometer/Actuator
- G192 Footwell Outlet Temperature Sensor
- G263 Evaporator Vent Temperature Sensor
- J301 A/C Control Module
- J519 Vehicle Electrical System Control Module
- K114 Fresh Air and Recirculating Air Mode Indicator Lamp
- T16i 16-Pin Connector, black (Connector B)
- V68 Temperature Regulator Flap Motor
- V113 Recirculation Flap Motor

379 Ground Connection 14 (in main wiring harness)

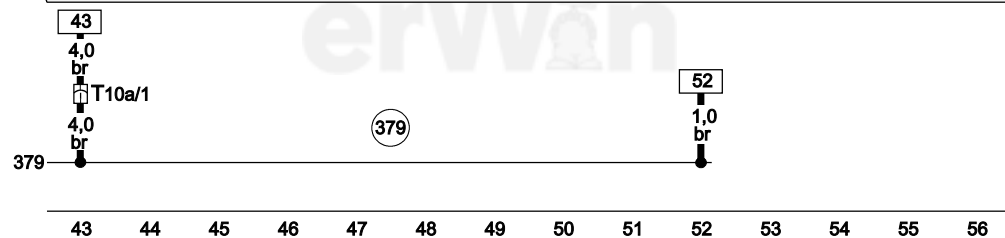
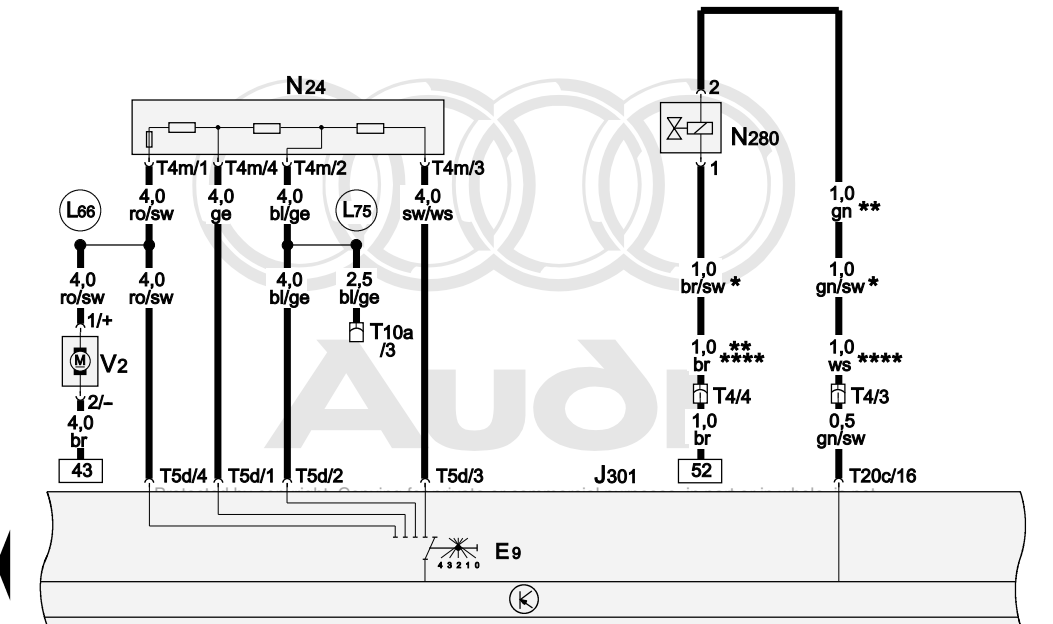
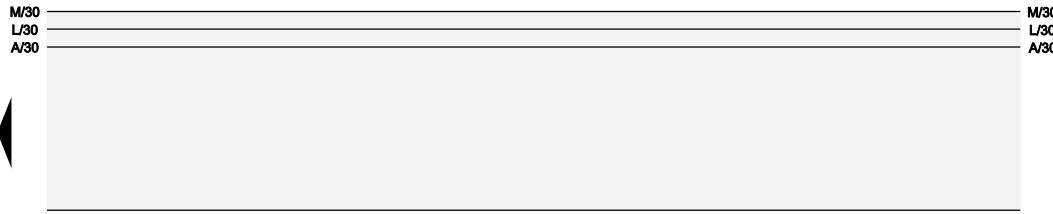
L2 Connection (in A/C wiring harness)

- * Where applicable
- ** Only left-hand drive
- *** Only right-hand drive



- ws = white
- sw = black
- ro = red
- br = brown
- gn = green
- bl = blue
- gr = grey
- li = lilac
- ge = yellow
- or = orange
- rs = pink

8PO-A036040706



43 44 45 46 47 48 49 50 51 52 53 54 55 56

8PO-A036050706

A/C Compressor Regulator Valve, Fresh Air Blower Series Resistor With Fuse

- E9 Fresh Air Blower Switch
- J301 A/C Control Module
- J519 Vehicle Electrical System Control Module
- N24 Fresh Air Blower Series Resistor With Fuse
- N280 A/C Compressor Regulator Valve
- T4 4-Pin Connector, black, in engine compartment, front left
- T4m 4-Pin Connector, black (Connector A)
- T5d 5-Pin Connector, black (Connector C)
- T10a 10-Pin Connector, black, behind glove compartment
- T20c 20-Pin Connector, black (Connector A)
- V2 Fresh Air Blower

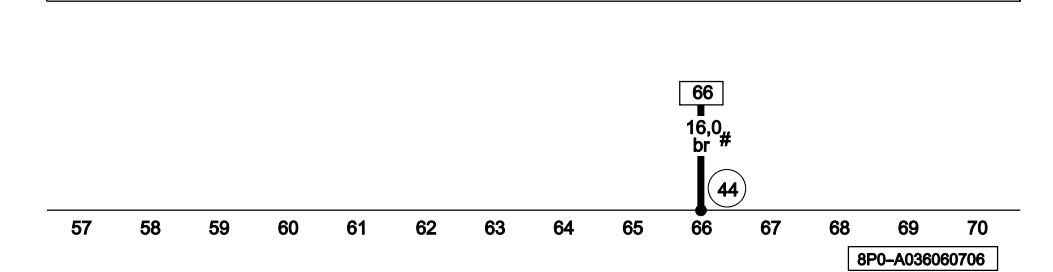
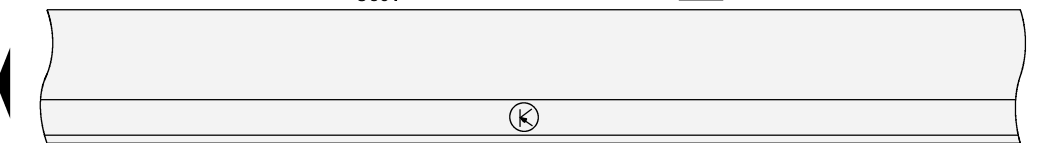
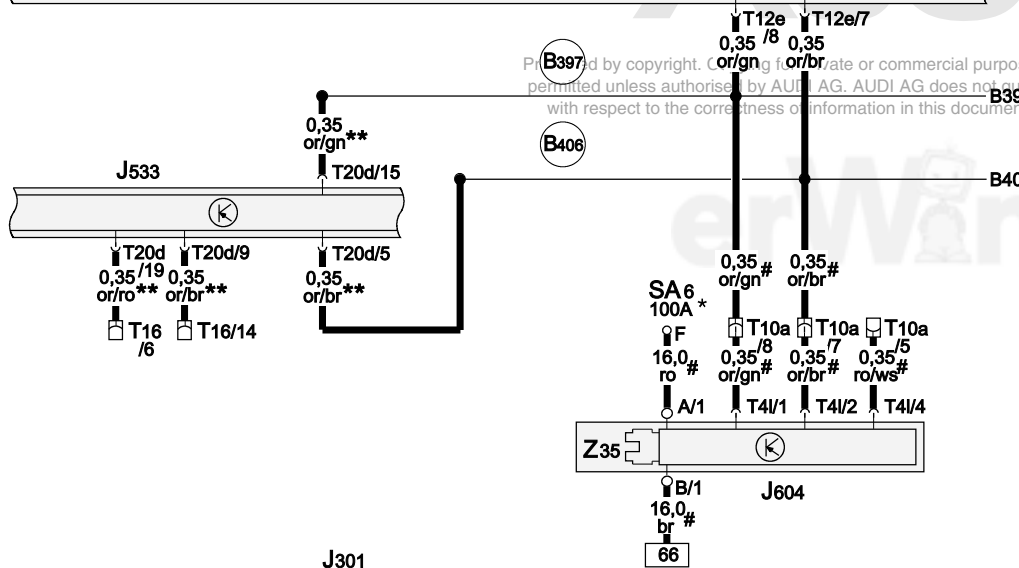
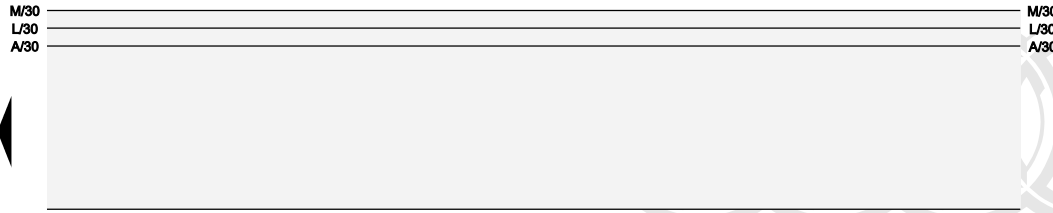
379 Ground Connection 14 (in main wiring harness)

L66 Connection (in wiring harness) heater blower

L75 Connection 2 (in heater blower wiring harness)

- * Only models with engine codes BKC, BXE, AZV, BKD, BLS, BMM, BMN, BUY, BSE, BSF, BUB, BVZ, BVY
- ** Only models with engine codes BPY, BWA, BHZ, BPT, BPU, BYT, CAXC, BZB, CAWB, CBFA, CCTA, BZC
- **** Only models with engine code BLF

- ws = white
- sw = black
- ro = red
- br = brown
- gn = green
- bl = blue
- gr = grey
- li = lilac
- ge = yellow
- or = orange
- rs = pink



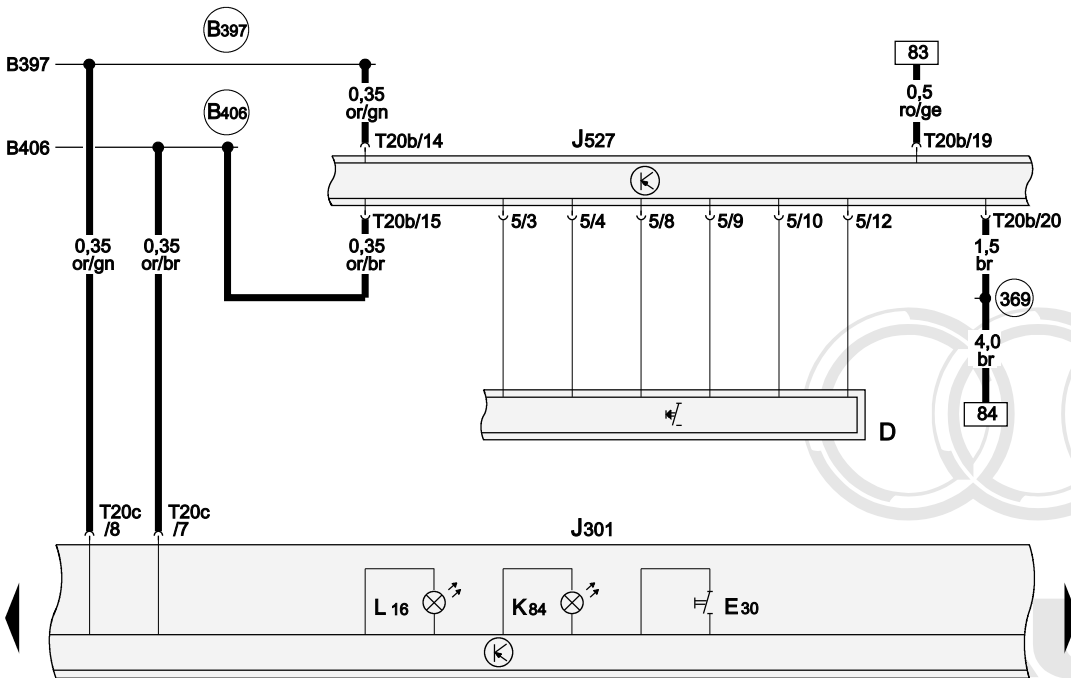
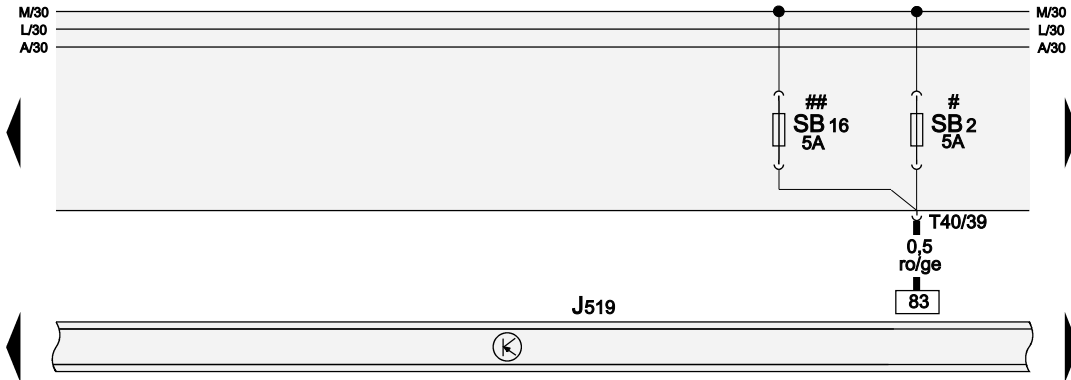
Auxiliary Air Heater, not applicable from November 2006

- J301 A/C Control Module
- J519 Vehicle Electrical System Control Module
- J533 Data Bus On Board Diagnostic Interface
- J604 Auxiliary Air Heater Control Module
- SA6 Fuse 6 (on fuse panel A)
- T41 4-Pin Connector, black (Connector C)
- T10a 10-Pin Connector, black, behind glove compartment
- T12e 12-Pin Connector, black (Connector G)
- T16 16-Pin Connector, black, instrument panel driver's side, bottom left (diagnostic connector)
- T20d 20-Pin Connector, yellow (Connector A)
- Z35 Auxiliary Air Heater Heating Element

- 44 Ground Connection (on left lower A-pillar)
- B397 Comfort System CAN-Bus High Connection 1 (in main wiring harness)
- B406 Comfort System CAN-Bus Low Connection 1 (in main wiring harness)
- * => Applicable Wiring Diagram for models with battery in engine compartment
- ** => Applicable Wiring Diagram Diagnostic Connector
- # Only models with auxiliary air heater, not applicable from November 2006

- ws = white
- sw = black
- ro = red
- br = brown
- gn = green
- bl = blue
- gr = grey
- li = lilac
- ge = yellow
- or = orange
- rs = pink

8P0-A036080706



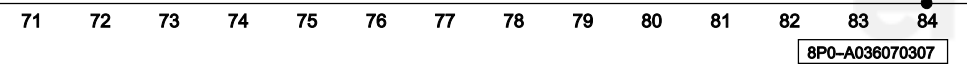
Comfort System CAN-Bus, Ignition/Starter Switch

- D Ignition/Starter Switch
- E30 A/C Switch
- J301 A/C Control Module
- J519 Vehicle Electrical System Control Module
- J527 Steering Column Electronic Systems Control Module
- K84 A/C Warning Lamp
- L16 Fresh Air Regulator Illumination
- SB2 Fuse 2 (on fuse panel B)
- SB16 Fuse 16 (on fuse panel B)
- T20b 20-Pin Connector, black (Connector A)
- T20c 20-Pin Connector, black (Connector A)
- T40 40-Pin Connector, black, on electronics box engine compartment (Connector J)

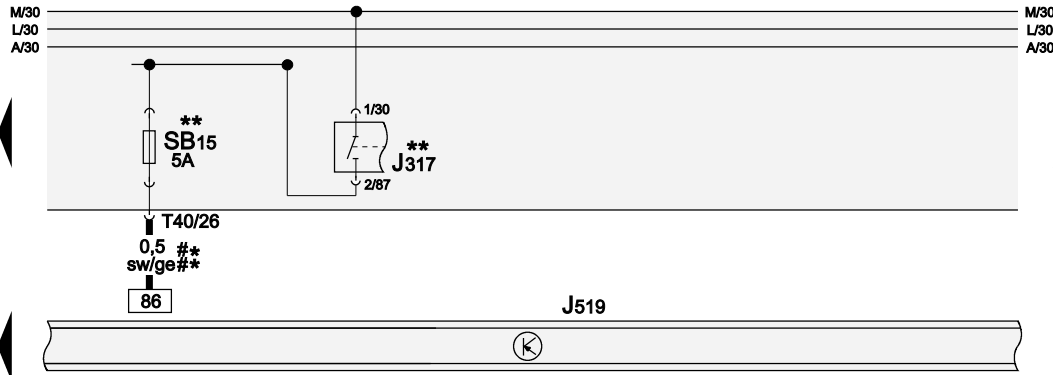
- 44 Ground Connection (on left lower A-pillar)
- 369 Ground Connection 4 (in main wiring harness)
- B397 Comfort System CAN-Bus High Connection 1 (in main wiring harness)
- B406 Comfort System CAN-Bus Low Connection 1 (in main wiring harness)
- # Only models with electronics box Low ⇒ Component Locations
- ## Only models with electronics box High ⇒ Component Locations

- ws = white
- sw = black
- ro = red
- br = brown
- gn = green
- bl = blue
- gr = grey
- li = lilac
- ge = yellow
- or = orange
- rs = pink

Protected by copyright. Copying for private or commercial purposes, in part or in whole, is not permitted unless authorised by AUDI AG. AUDI AG does not guarantee or accept any liability with respect to the correctness of information in this document. Copyright by AUDI AG.



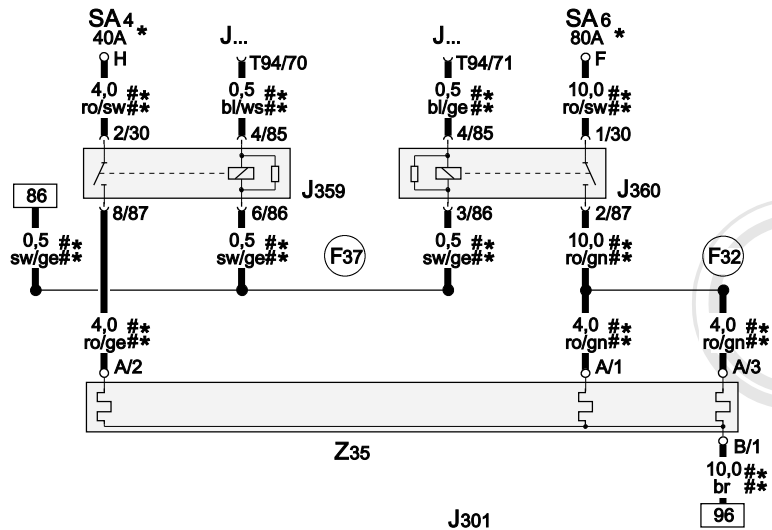
8P0-A036070307



Auxiliary Air Heater, applicable from November 2006

- J... Engine Control Modules (ECM)
- J301 A/C Control Module
- J317 Power Supply Relay (terminal 30)
- J359 Preheating Coolant, Low Heat Output Relay
- J360 Preheating Coolant, High Heat Output Relay
- J519 Vehicle Electrical System Control Module
- SA4 Fuse 4 (on fuse panel A)
- SA6 Fuse 6 (on fuse panel A)
- SB15 Fuse 15 (on fuse panel B)
- T40 40-Pin Connector, black, on electronics box engine compartment (Connector J)
- T94 94-Pin Connector, black (Connector B)
- Z35 Auxiliary Air Heater Heating Element

- 44 Ground Connection (on left lower A-pillar)
- F32 Coolant Glow Plugs Connection (in Diesel Direct Fuel Injection (DFI) system wiring harness)
- F37 Auxiliary Heater Connection (in Diesel Direct Fuel Injection (DFI) system wiring harness)
- * => Applicable Wiring Diagram for models with battery in engine compartment
- ** Only models with diesel engines
- ## Only models with auxiliary air heater, applicable from November 2006



for private or commercial purposes, in part or in whole, is not permitted. AUDI AG does not guarantee or accept any liability for the accuracy of the information in this document. Copyright by AUDI AG.

- ws = white
- sw = black
- ro = red
- br = brown
- gn = green
- bl = blue
- gr = grey
- li = lilac
- ge = yellow
- or = orange
- rs = pink

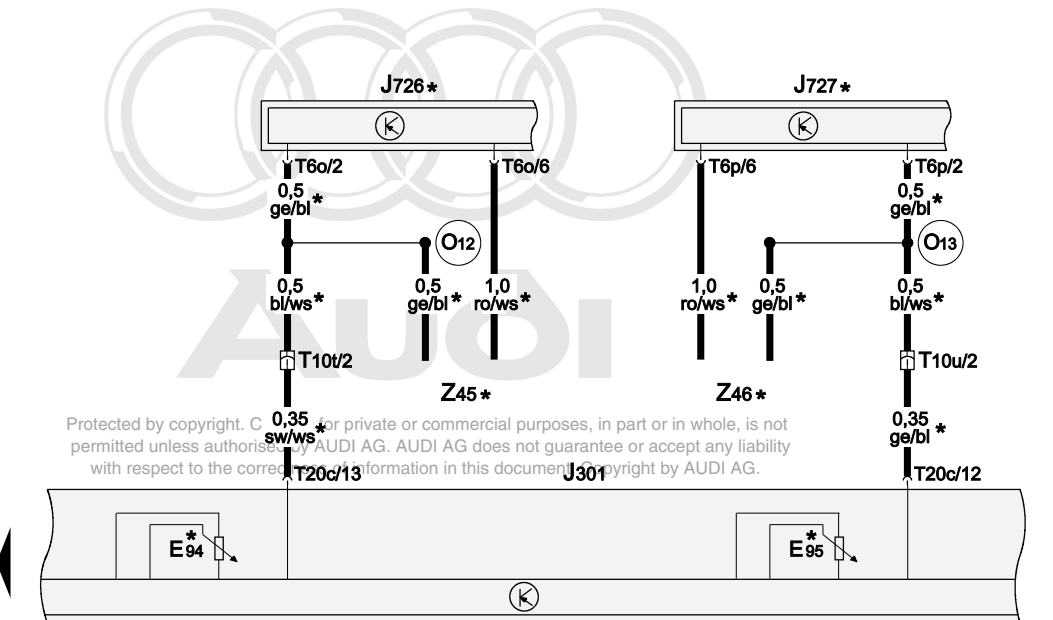
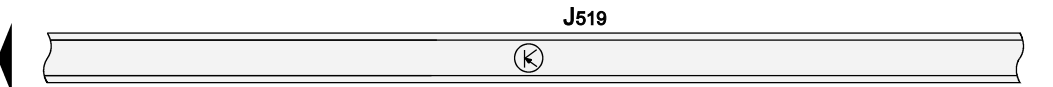
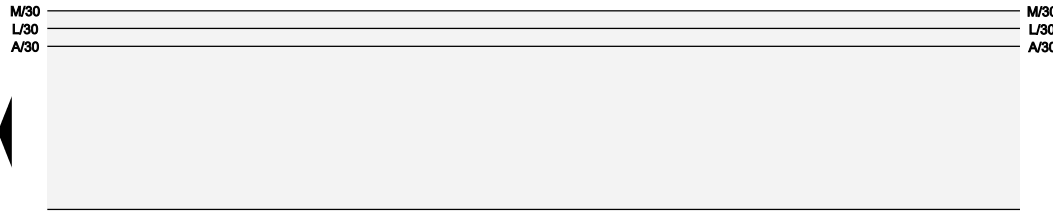
85 86 87 88 89 90 91 92 93 94 95 96 97 98

96

10,0##
br##

44

8P0-A036080706



Heated Seats Adjuster

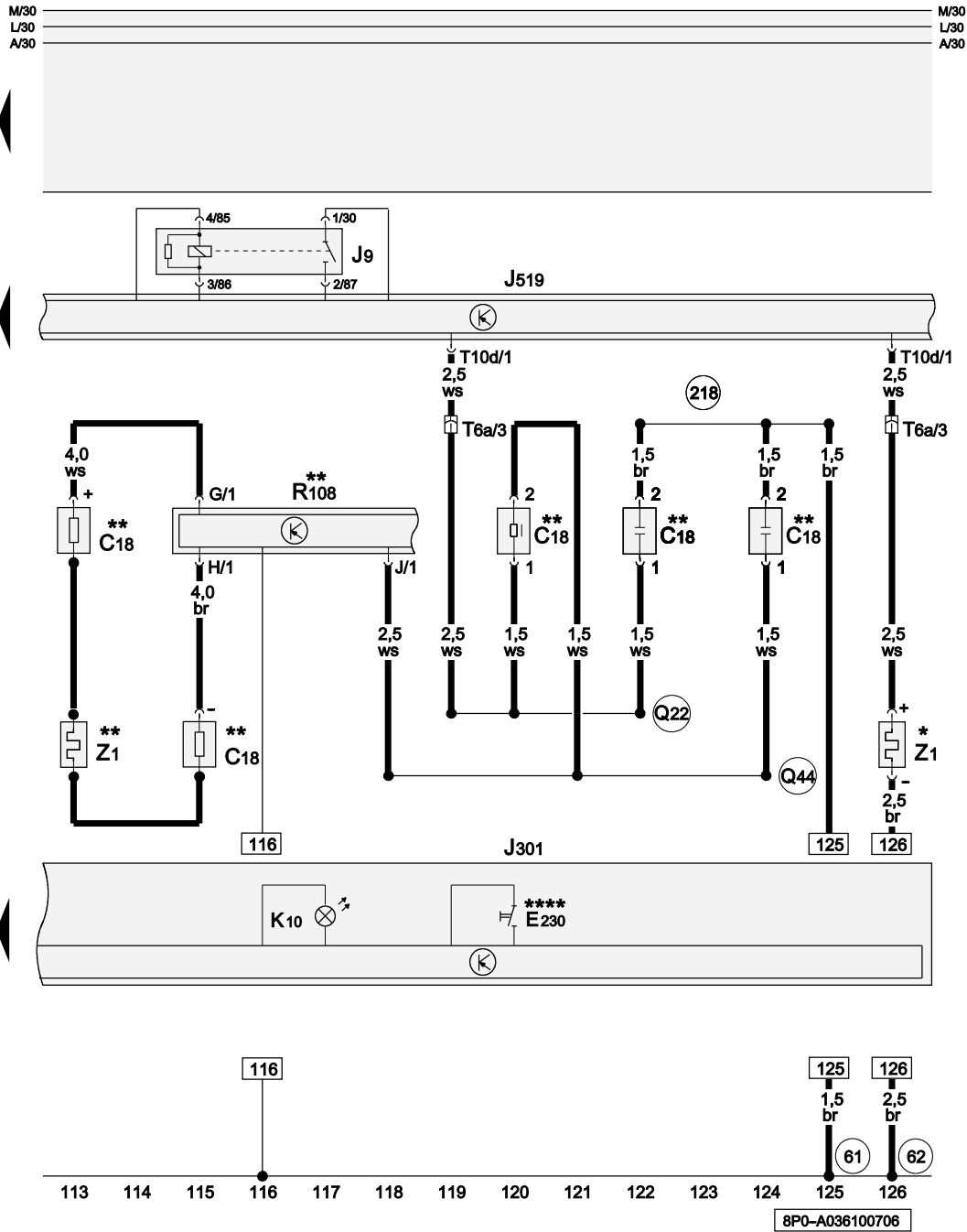
- E94 Driver's Heated Seat Adjuster
- E95 Front Passenger's Heated Seat Adjuster
- J301 A/C Control Module
- J519 Vehicle Electrical System Control Module
- J726 Driver's Heated Seat Control Module
- J727 Front Passenger's Heated Seat Control Module
- T6o 6-Pin Connector, black, on driver seat heater control module
- T6p 6-Pin Connector, black, on front passenger seat heater control module
- T10t 10-Pin Connector, black, below driver's seat
- T10u 10-Pin Connector, black, below front passenger's seat
- T20c 20-Pin Connector, black (Connector A)
- Z45 Front Left Heated Seat
- Z46 Front Right Heated Seat

- O12 Connection 1 (in seat heater wiring harness)
- O13 Connection 2 (in seat heater wiring harness)

* => Applicable Wiring Diagram Heated Seats

Protected by copyright. Copying or private or commercial purposes, in part or in whole, is not permitted unless authorised by AUDI AG. AUDI AG does not guarantee or accept any liability with respect to the correctness of the information in this document. Copyright by AUDI AG.

- ws = white
- sw = black
- ro = red
- br = brown
- gn = green
- bl = blue
- gr = grey
- li = lilac
- ge = yellow
- or = orange
- rs = pink



Rear Window Defogger Relay

- C18 Windshield Antenna Suppression Filter
- E230 Heated Rear Window Button
- J9 Rear Window Defogger Relay
- J301 A/C Control Module
- J519 Vehicle Electrical System Control Module
- K10 Rear Window Defogger Indicator Lamp
- R108 Left Antenna Module
- T6a 6-Pin Connector, black, on C-pillar, left
- T10d 10-Pin Connector, black (Connector K)
- Z1 Heated Rear Window

61 Ground Connection (on left C-pillar)

62 Ground Connection (on right C-pillar)

Protected by copyright. Copying for private or commercial purposes, in part or in whole, is not permitted unless authorized by Audi AG. Audi AG does not accept any liability with respect to the correctness of information in this document. Copyright by AUDI AG.

218 Ground Connection 1 (in rear lid wiring harness)

Q22 Connection 1 (in tailgate wiring harness)

Q44 Connection 2 (in tailgate wiring harness)

* Only models without radio

** Only models with radio or radio/navigation system

**** Z1 Operation over Comfort System CAN-Bus

- ws = white
- sw = black
- ro = red
- br = brown
- gn = green
- bl = blue
- gr = grey
- li = lilac
- ge = yellow
- or = orange
- rs = pink

Radio

- ⇒ Only models with US equipment
- ⇒ Only models with radio generation II plus
from model year 2007

Note:

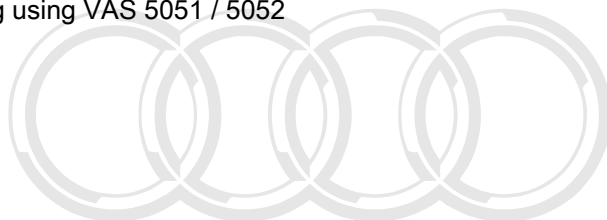
Information for

- ◆ Relay and fuse arrangements
- ◆ Connector arrangements
- ◆ Control Modules and Relays
- ◆ Ground Connections

⇒ Component Locations

Information for

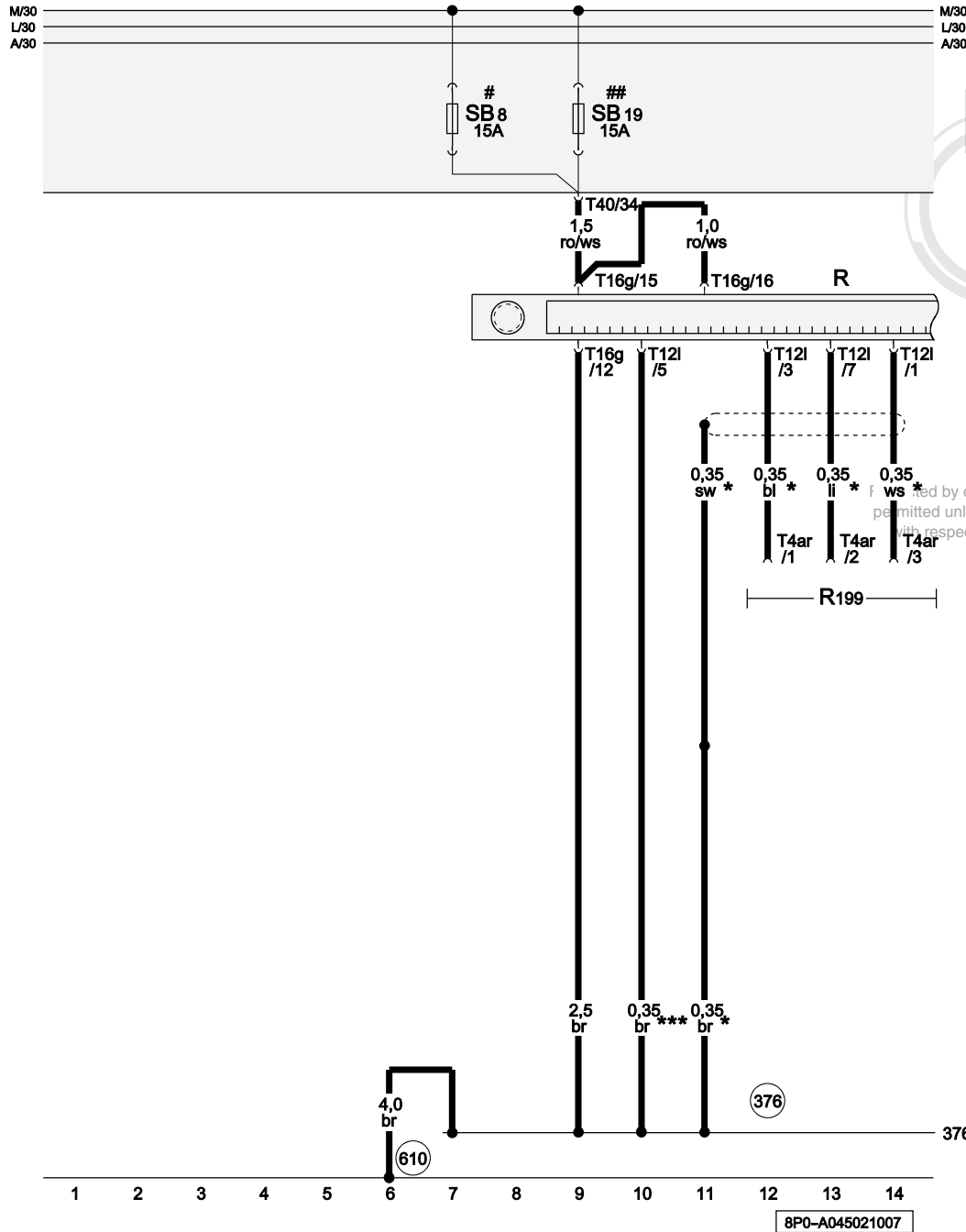
- ◆ Troubleshooting Procedures
- ⇒ Guided Fault Finding using VAS 5051 / 5052



Audi

Protected by copyright. Copying for private or commercial purposes, in part or in whole, is not permitted unless authorised by AUDI AG. AUDI AG does not guarantee or accept any liability with respect to the correctness of information in this document. Copyright by AUDI AG.





Fuses (on fuse panel)

- R Radio
- R199 External Audio Source Connector
- SB8 Fuse 8 (on fuse panel B)
- SB19 Fuse 19 (on fuse panel B)
- T4ar 4-Pin Connector
- T12i 12-Pin Connector, blue (Connector B)
- T16g 16-Pin Connector, black (Connector D)
- T40 40-Pin Connector, black, on electronics box engine compartment (Connector J)

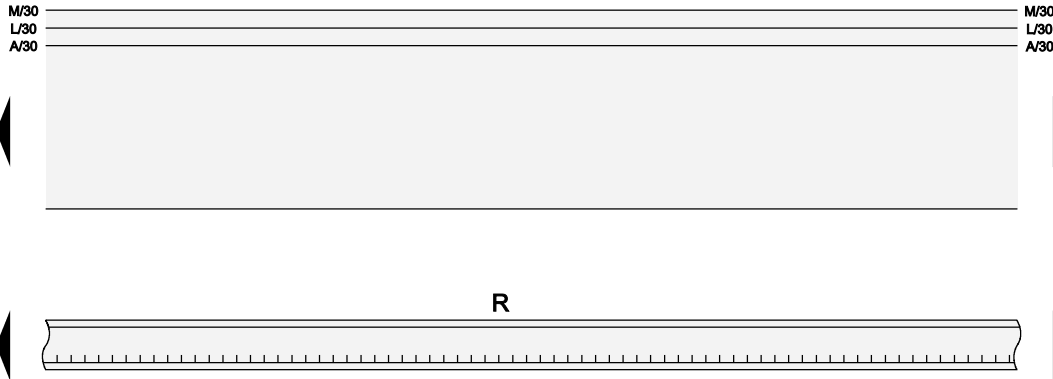
- (376) Ground Connection 11 (in main wiring harness)
- (610) Ground Connection (Audio) (under center console, front)

- * Only models with external audio source connector
- *** Only models with BOSE system
- # Only models with electronics box Low ⇒ Component Locations
- ## Only models with electronics box High ⇒ Component Locations

Copyright © Audi AG. All rights reserved. Copying for private or commercial purposes, in part or in whole, is not permitted unless authorised by AUDI AG. AUDI AG does not guarantee or accept any liability with respect to the correctness of information in this document. Copyright by AUDI AG.

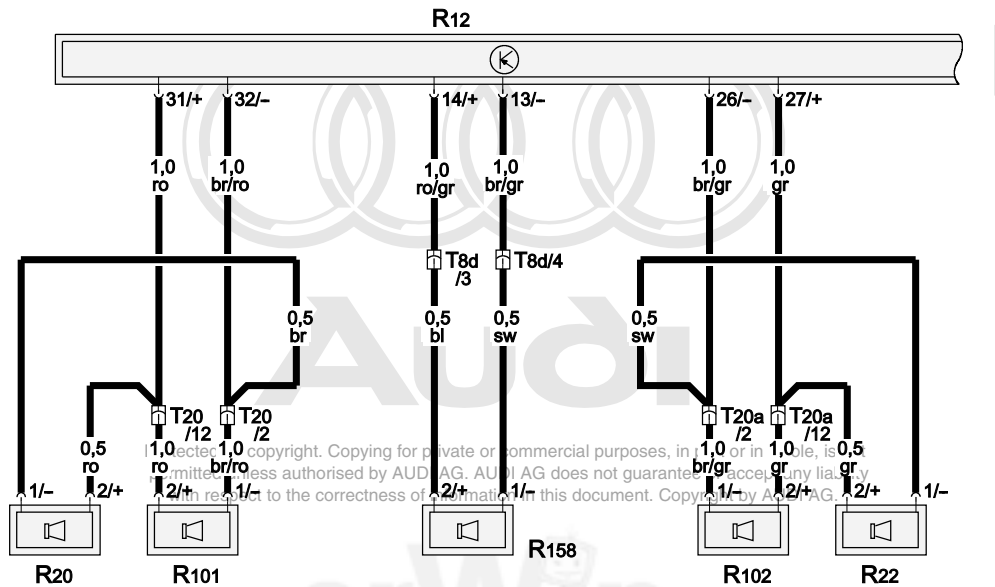
- ws = white
- sw = black
- ro = red
- br = brown
- gn = green
- bl = blue
- gr = grey
- li = lilac
- ge = yellow
- or = orange
- rs = pink

8P0-A045021007



Front Speaker with BOSE system

- R Radio
- R12 Amplifier
- R20 Left Front Treble Speaker
- R22 Right Front Treble Speaker
- R101 Left Front Mid-Bass Speaker
- R102 Right Front Mid-Bass Speaker
- R158 Center Midrange Speaker
- T8d 8-Pin Connector, black, behind center console
- T20 20-Pin Connector, black, door A-pillar, left
- T20a 20-Pin Connector, black, door A-pillar, right



- ws = white
- sw = black
- ro = red
- br = brown
- gn = green
- bl = blue
- gr = grey
- li = lilac
- ge = yellow
- or = orange
- rs = pink

376

376

15 16 17 18 19 20 21 22 23 24 25 26 27 28

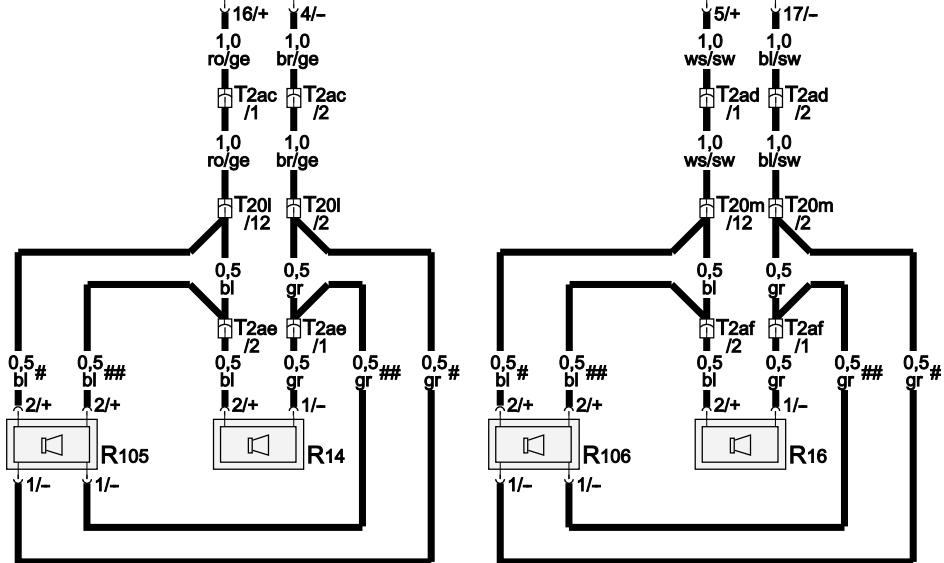
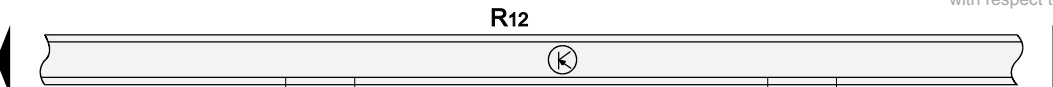
8P0-A045030706



Rear Speaker with BOSE system

- R Radio
- R12 Amplifier
- R14 Left Rear Treble Speaker
- R16 Right Rear Treble Speaker
- R105 Left Rear Midrange Speaker
- R106 Right Rear Midrange Speaker
- T2ac Double Connector, black, behind rear left side panel trim
- T2ad Double Connector, black, behind rear right side panel trim
- T2ae Double Connector, black, in rear left door
- T2af Double Connector, black, in rear right door
- T20l 20-Pin Connector, black, door B-pillar, left
- T20m 20-Pin Connector, black, door B-pillar, right
- # Phased-in modification
- ## Not applicable, phased-in modification

Protected by copyright. Copying for private or commercial purposes, in part or in whole, is not permitted unless authorised by AUDI AG. AUDI AG does not guarantee or accept any liability with respect to the correctness of information in this document. Copyright by AUDI AG.

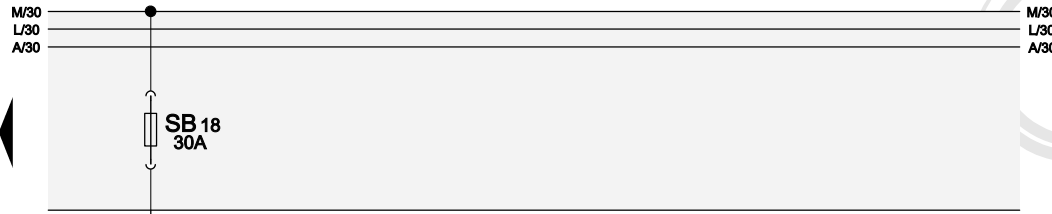


- ws = white
- sw = black
- ro = red
- br = brown
- gn = green
- bl = blue
- gr = grey
- li = lilac
- ge = yellow
- or = orange
- rs = pink

376 376

29 30 31 32 33 34 35 36 37 38 39 40 41 42

8P0-A045040307



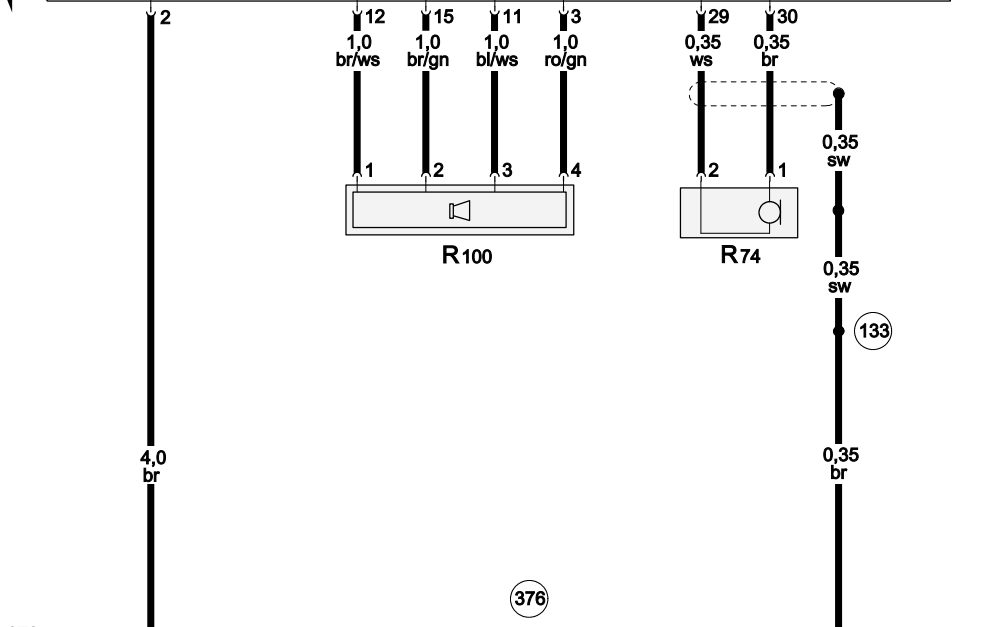
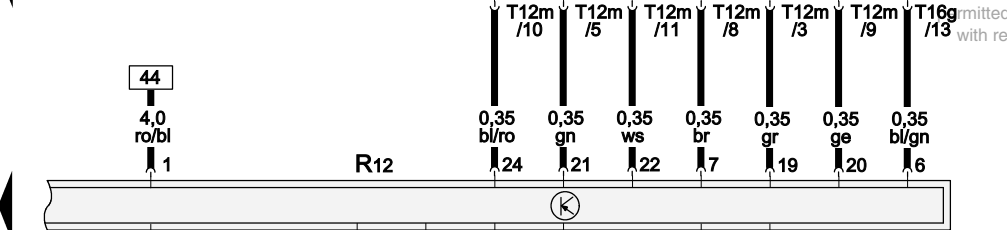
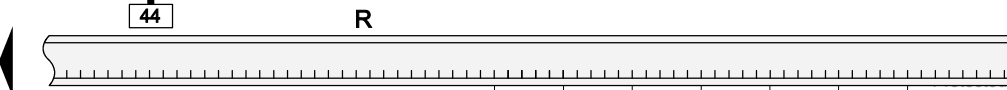
Inside Microphone, Bass Speaker with BOSE system

- R Radio
- R12 Amplifier
- R74 Inside Microphone
- R100 Bass Speaker
- SB18 Fuse 18 (on fuse panel B)
- T12m 12-Pin Connector, black (Connector C) (connector locking green)
- T16g 16-Pin Connector, black (Connector D)
- T40 40-Pin Connector, black, on electronics box engine compartment (Connector J)

133 Ground Connection (in speaker wiring harness)

376 Ground Connection 11 (in main wiring harness)

Copyright. Copying for private or commercial purposes, in part or in whole, is not permitted unless authorised by AUDI AG. AUDI AG assumes no liability for the content of this document with respect to the correctness of information in this document. Copyright by AUDI AG.



376 43 44 45 46 47 48 49 50 51 52 53 54 55 56

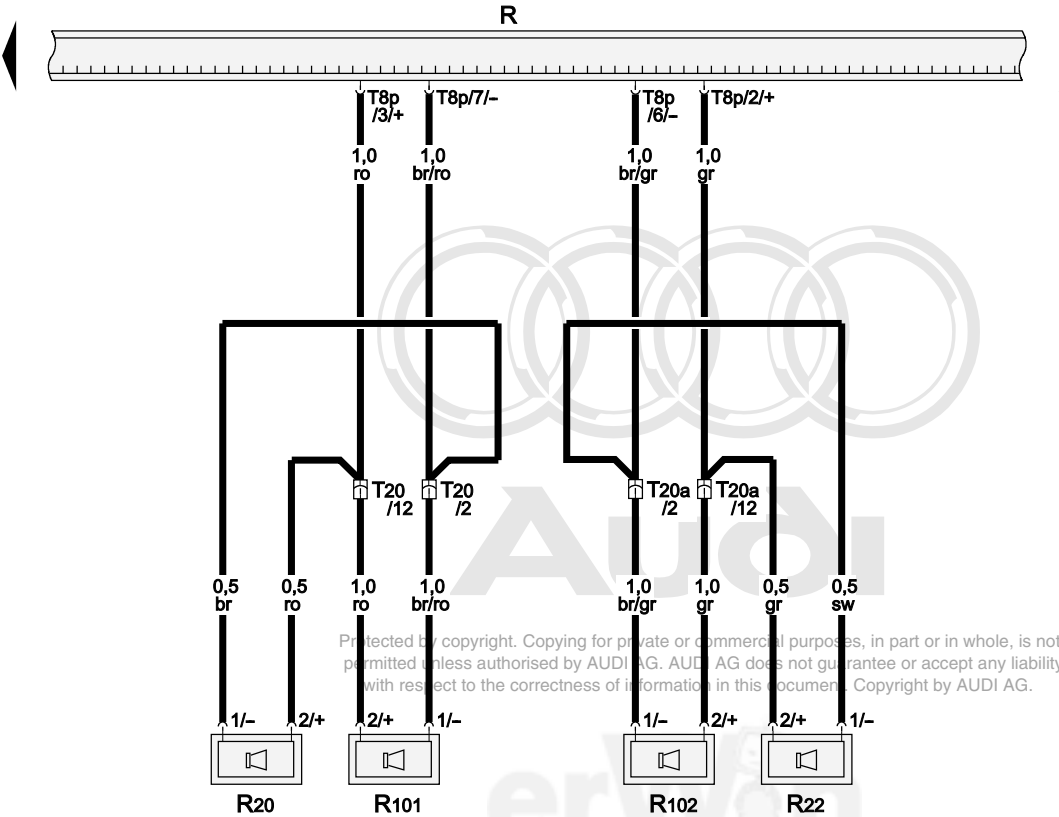
8P0-A045050408

- ws = white
- sw = black
- ro = red
- br = brown
- gn = green
- bl = blue
- gr = grey
- li = lilac
- ge = yellow
- or = orange
- rs = pink



Front Speaker without Amplifier

- R Radio
- R20 Left Front Treble Speaker
- R22 Right Front Treble Speaker
- R101 Left Front Mid-Bass Speaker
- R102 Right Front Mid-Bass Speaker
- T8p 8-Pin Connector, brown (Connector A)
- T20 20-Pin Connector, black, door A-pillar, left
- T20a 20-Pin Connector, black, door A-pillar, right



Protected by copyright. Copying for private or commercial purposes, in part or in whole, is not permitted unless authorised by AUDI AG. AUDI AG does not guarantee or accept any liability with respect to the correctness of information in this document. Copyright by AUDI AG.

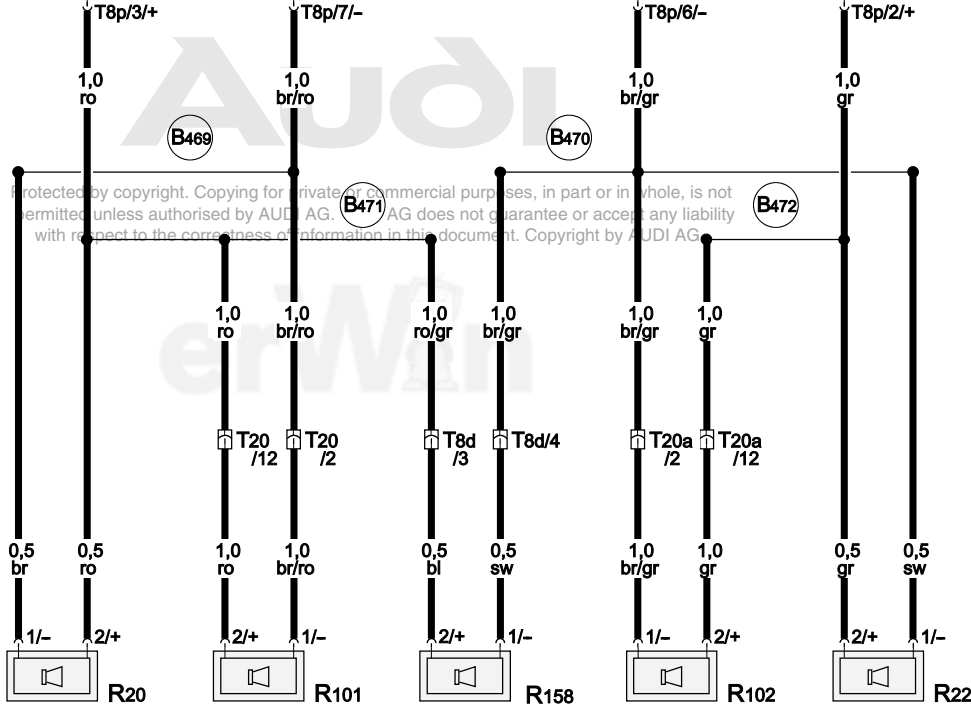
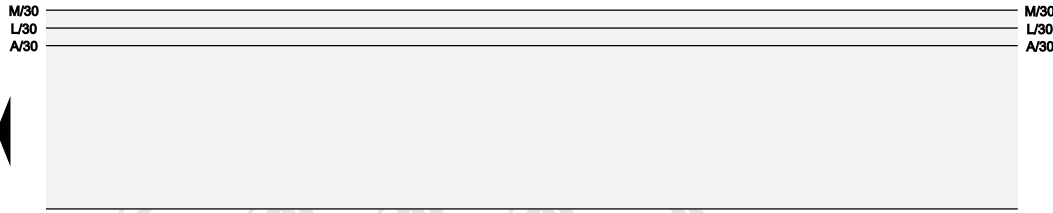
- ws = white
- sw = black
- ro = red
- br = brown
- gn = green
- bl = blue
- gr = grey
- li = lilac
- ge = yellow
- or = orange
- rs = pink

376

376

57 58 59 60 61 62 63 64 65 66 67 68 69 70

8P0-A045060706



Front Speaker with Amplifier

- R Radio
- R20 Left Front Treble Speaker
- R22 Right Front Treble Speaker
- R101 Left Front Mid-Bass Speaker
- R102 Right Front Mid-Bass Speaker
- R158 Center Midrange Speaker
- T8p 8-Pin Connector, brown (Connector A)
- T8d 8-Pin Connector, black, behind center console
- T20 20-Pin Connector, black, door A-pillar, left
- T20a 20-Pin Connector, black, door A-pillar, right

- (B469) Connection 5 (in main wiring harness)
- (B470) Connection 6 (in main wiring harness)
- (B471) Connection 7 (in main wiring harness)
- (B472) Connection 8 (in main wiring harness)

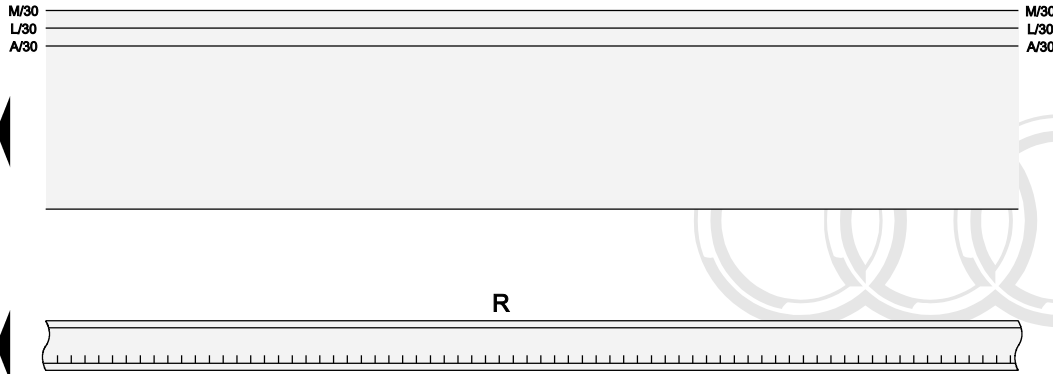
- ws = white
- sw = black
- ro = red
- br = brown
- gn = green
- bl = blue
- gr = grey
- li = lilac
- ge = yellow
- or = orange
- rs = pink

376

376

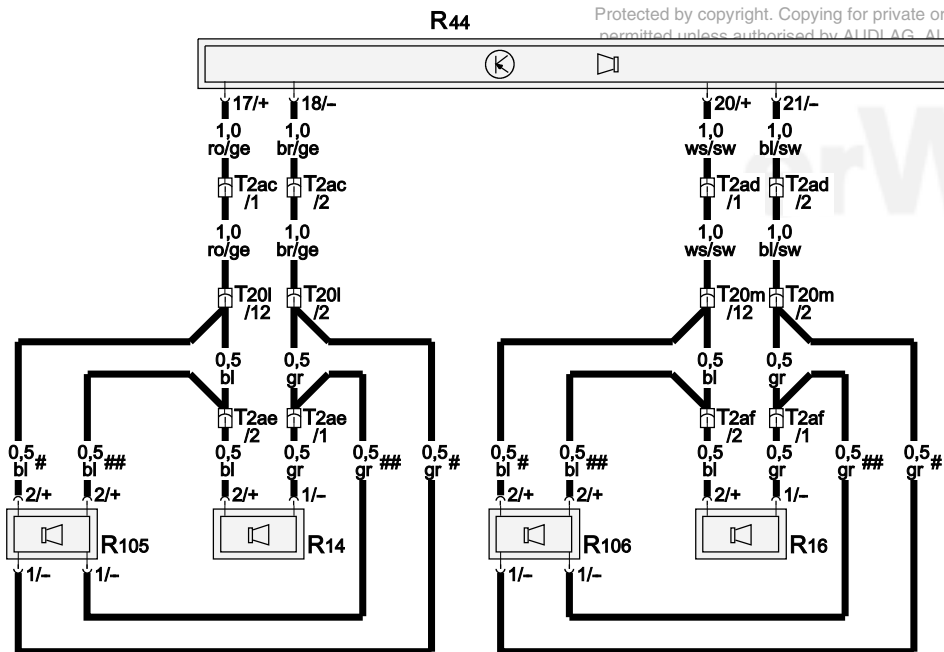
71 72 73 74 75 76 77 78 79 80 81 82 83 84

8P0-A045070706



Bass Speakers Amplifier, in luggage compartment, left, Rear Speaker

- R Radio
- R14 Left Rear Treble Speaker
- R16 Right Rear Treble Speaker
- R44 Bass Speakers Amplifier, in luggage compartment, left
- R105 Left Rear Midrange Speaker
- R106 Right Rear Midrange Speaker
- T2ac Double Connector, black, behind rear left side panel trim
- T2ad Double Connector, black, behind rear right side panel trim
- T2ae Double Connector, black, in rear left door
- T2af Double Connector, black, in rear right door
- T20l 20-Pin Connector, black, door B-pillar, left
- T20m 20-Pin Connector, black, door B-pillar, right
- # Phased-in modification
- ## Not applicable, phased-in modification



Protected by copyright. Copying for private or commercial purposes, in part or in whole, is not permitted unless authorised by AUDI AG. AUDI AG does not guarantee or accept any liability in this document. Copyright by AUDI AG.

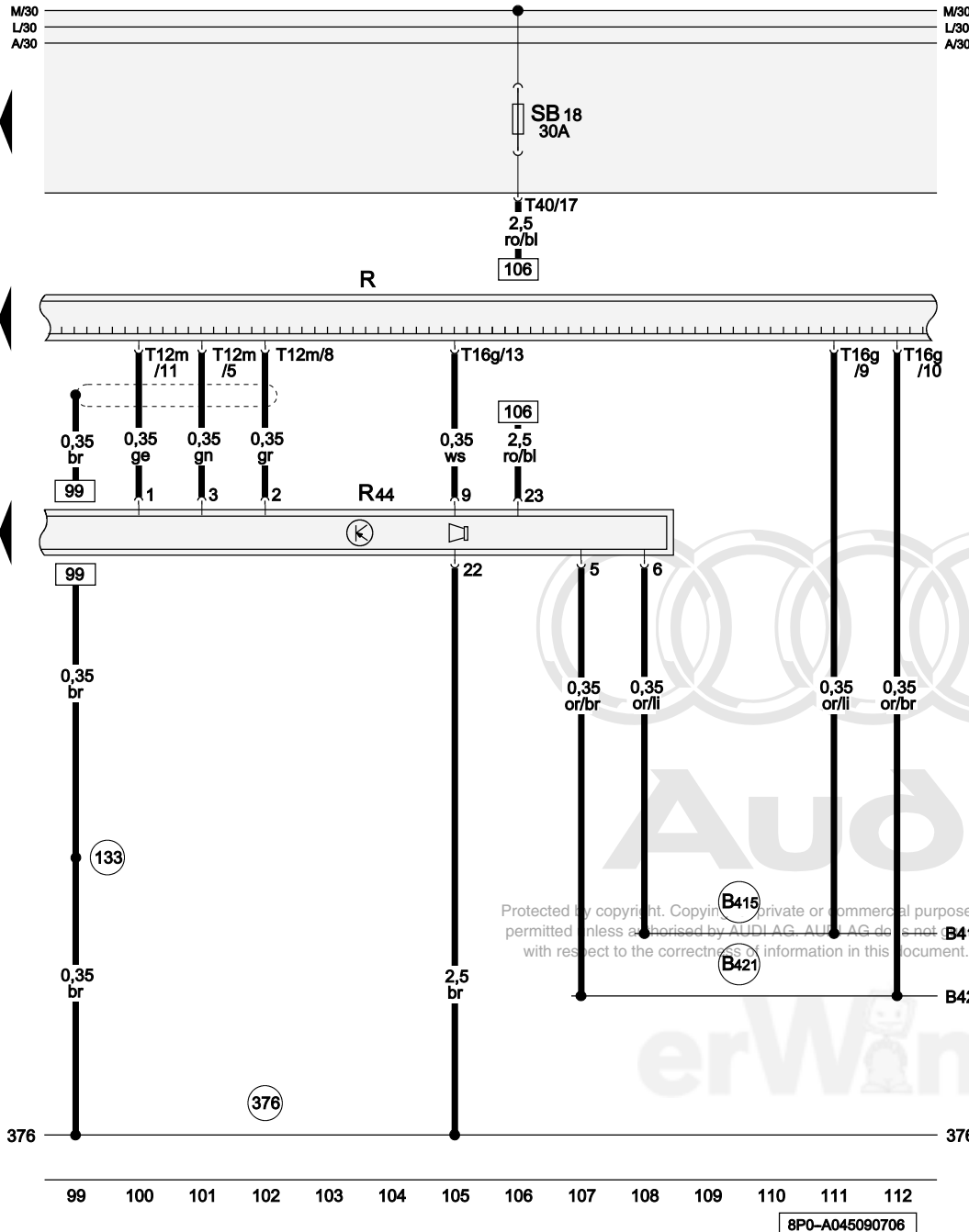
376

376

85 86 87 88 89 90 91 92 93 94 95 96 97 98

8P0-A045080307

- ws = white
- sw = black
- ro = red
- br = brown
- gn = green
- bl = blue
- gr = grey
- li = lilac
- ge = yellow
- or = orange
- rs = pink



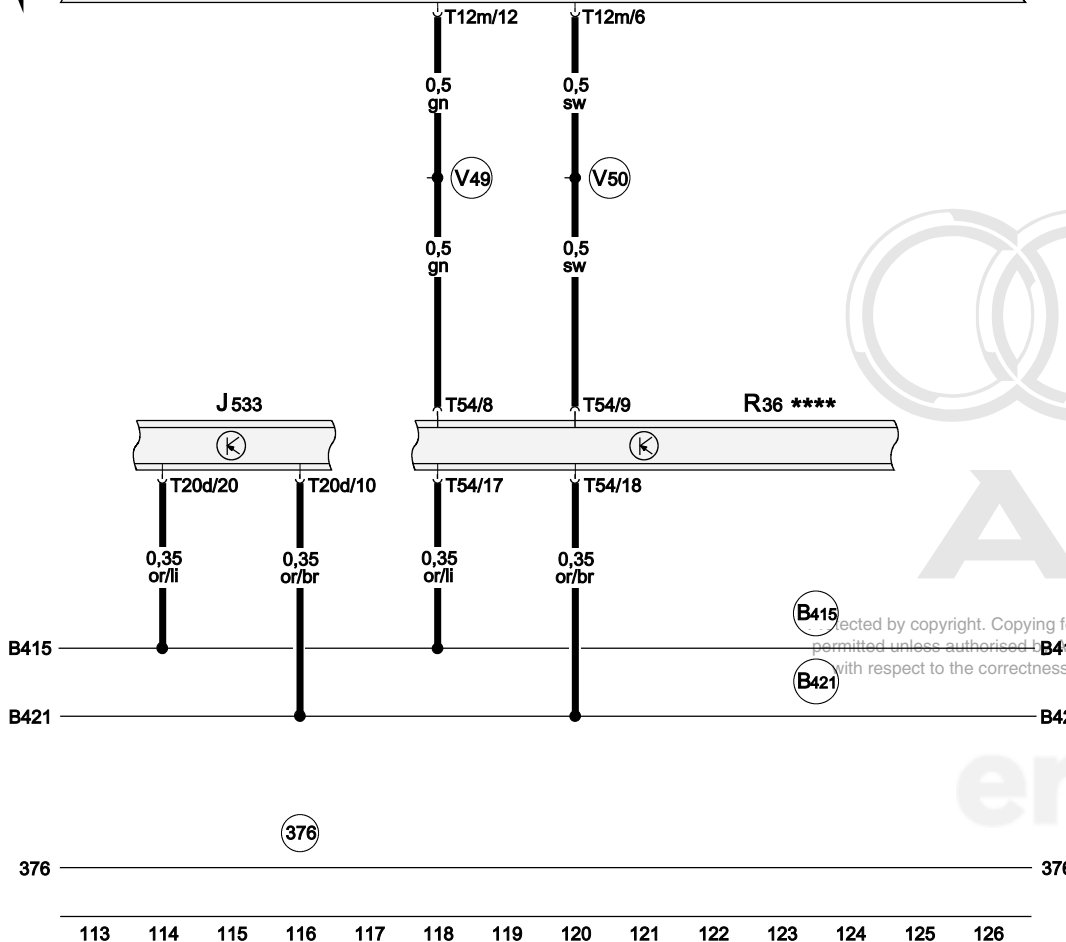
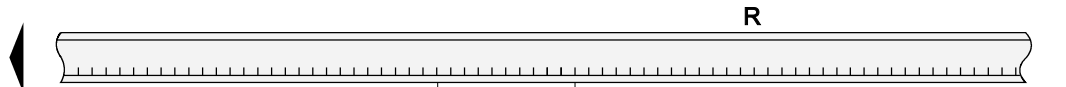
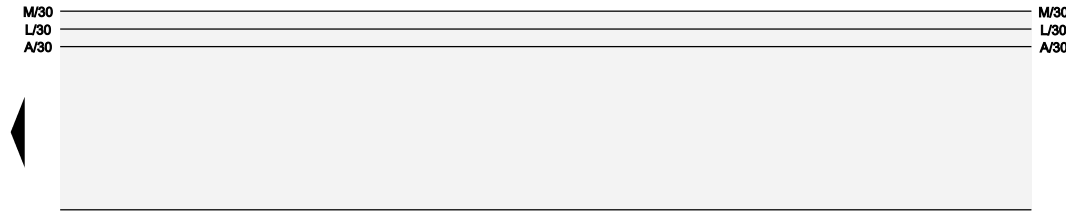
Bass Speakers Amplifier, in luggage compartment, left

- R Radio
- R44 Bass Speakers Amplifier, in luggage compartment, left
- SB18 Fuse 18 (on fuse panel B)
- T12m 12-Pin Connector, black (Connector C) (connector locking green)
- T16g 16-Pin Connector, black (Connector D)
- T40 40-Pin Connector, black, on electronics box engine compartment (Connector J)

- (133) Ground Connection (in speaker wiring harness)
- (376) Ground Connection 11 (in main wiring harness)
- (B415) Infotainment CAN-Bus High Connection 1 (in main wiring harness)
- (B421) Infotainment CAN-Bus Low Connection 1 (in main wiring harness)

Protected by copyright. Copying for private or commercial purposes, in part or in whole, is not permitted unless authorized by AUDI AG. AUDI AG does not accept any liability with respect to the correctness of information in this document. Copyright by AUDI AG.

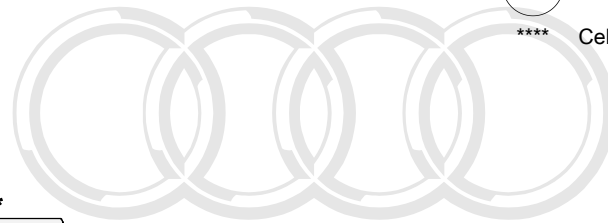
- ws = white
- sw = black
- ro = red
- br = brown
- gn = green
- bl = blue
- gr = grey
- li = lilac
- ge = yellow
- or = orange
- rs = pink



Data Bus On Board Diagnostic Interface, Telephone Transceiver

- J533 Data Bus On Board Diagnostic Interface
- R Radio
- R36 Telephone Transceiver
- T12m 12-Pin Connector, black (Connector C) (connector locking green)
- T20d 20-Pin Connector, yellow (Connector A)
- T54 54-Pin Connector, black (Connector A)

- 376 Ground Connection 11 (in main wiring harness)
- B415 Infotainment CAN-Bus High Connection 1 (in main wiring harness)
- B421 Infotainment CAN-Bus Low Connection 1 (in main wiring harness)
- V49 Low Frequency + Connection (in communication wiring harness)
- V50 Low Frequency - Connection (in communication wiring harness)
- **** Cellular telephone preparation with hands free system only

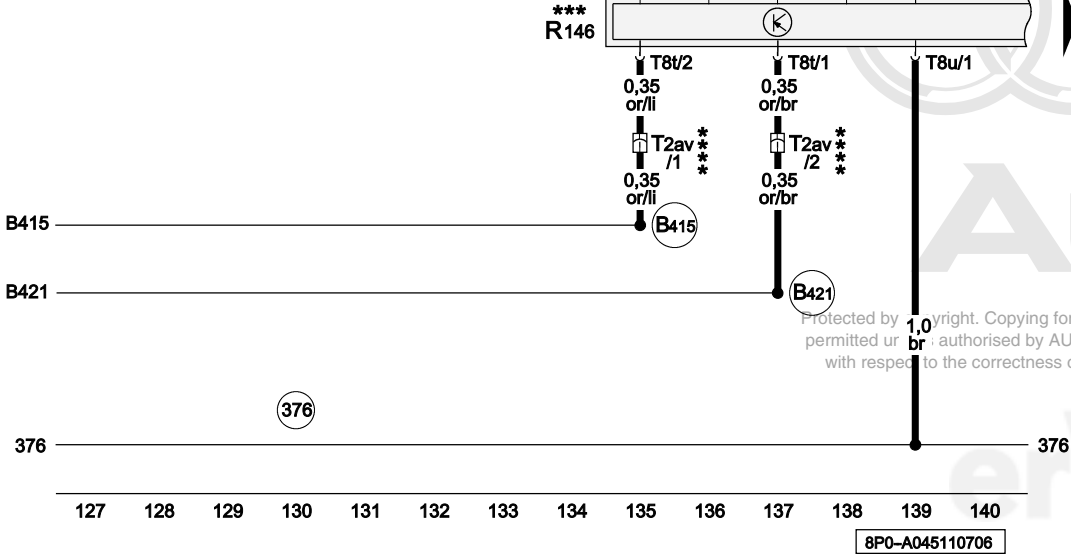
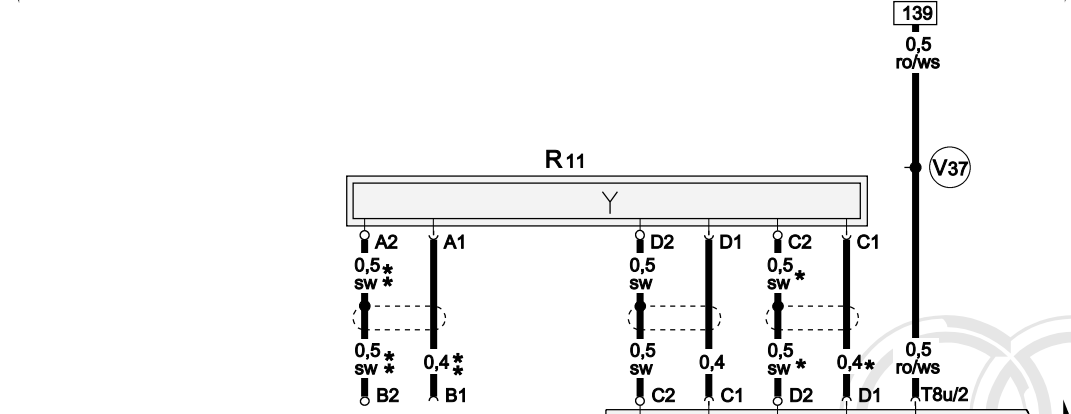
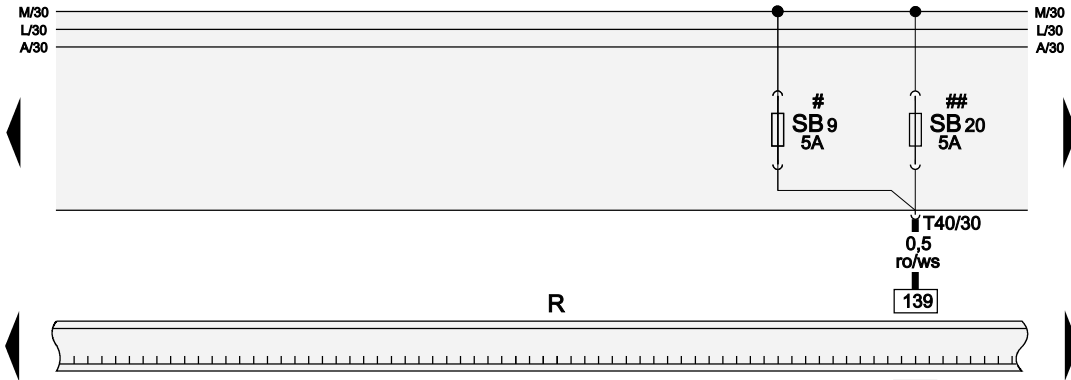


Audi

Protected by copyright. Copying for private or commercial purposes, in part or in whole, is not permitted unless authorized by AUDI AG. AUDI AG does not guarantee or accept any liability with respect to the correctness of information in this document. Copyright by AUDI AG.

- ws = white
- sw = black
- ro = red
- br = brown
- gn = green
- bl = blue
- gr = grey
- li = lilac
- ge = yellow
- or = orange
- rs = pink

8P0-A045100706



Roof Antenna

- R Radio
- R11 Antenna
- R146 Satellite Radio
- SB9 Fuse 9 (on fuse panel B)
- SB20 Fuse 20 (on fuse panel B)
- T2av Double Connector, black, on right A-pillar
- T8t 8-Pin Connector, black, in luggage compartment, left rear (Connector B)
- T8u 8-Pin Connector, black (Connector A)
- T40 40-Pin Connector, black, on electronics box engine compartment (Connector J)

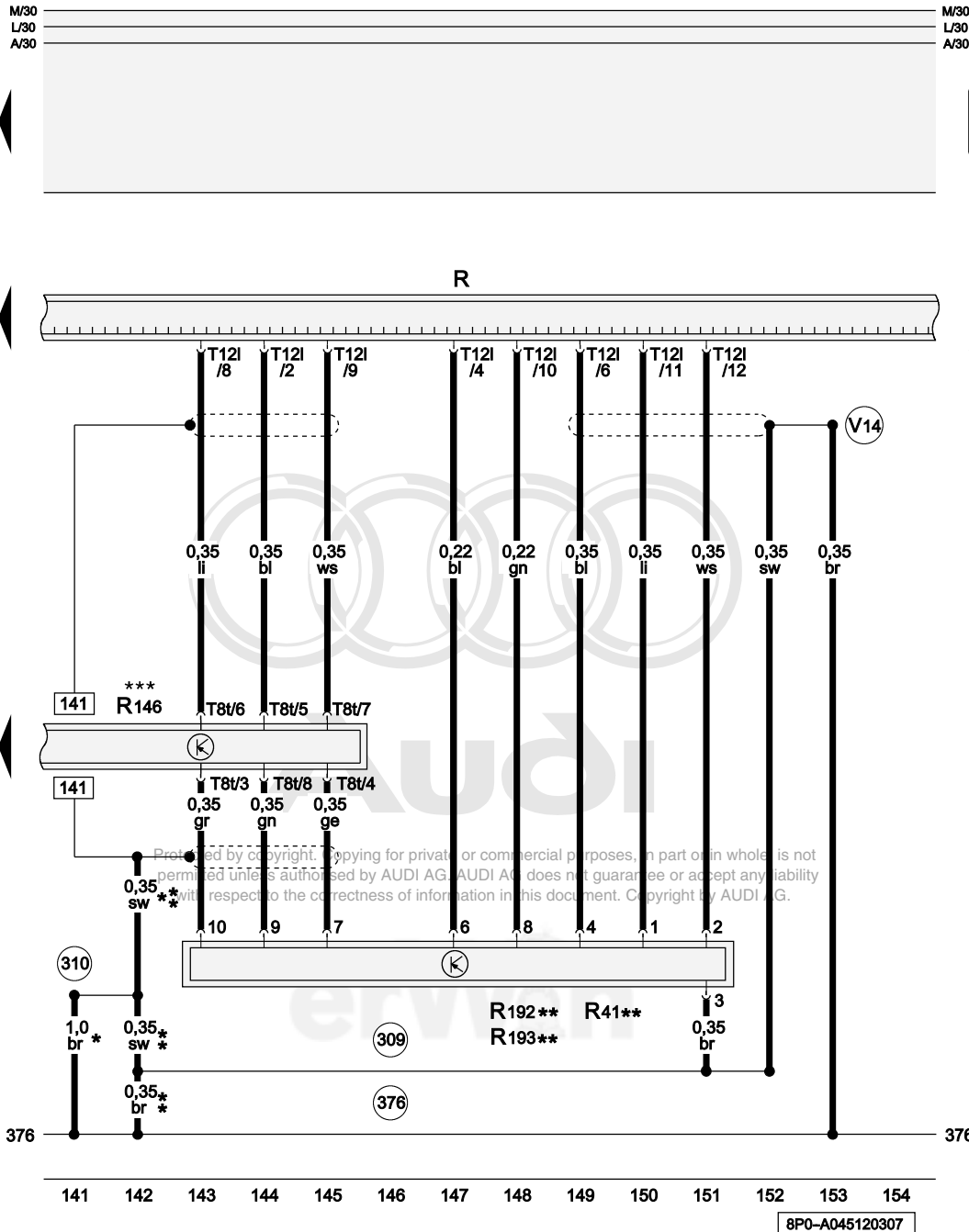
- 376 Ground Connection 11 (in main wiring harness)
- B415 Infotainment CAN-Bus High Connection 1 (in main wiring harness)
- B421 Infotainment CAN-Bus Low Connection 1 (in main wiring harness)
- V37 Plus Connection (30) (in communications wiring harness)

- * Not applicable from November 2006
- ** Only models with telephone
- *** Only models with satellite radio
- **** Only preparation for satellite radio
- # Only models with electronics box Low => Component Locations
- ## Only models with electronics box High => Component Locations

Protected by copyright. Copying for private or commercial purposes, in part or in whole, is not permitted unless authorised by AUDI AG. AUDI AG does not guarantee or accept any liability with respect to the correctness of information in this document. Copyright by AUDI AG.

- ws = white
- sw = black
- ro = red
- br = brown
- gn = green
- bl = blue
- gr = grey
- li = lilac
- ge = yellow
- or = orange
- rs = pink

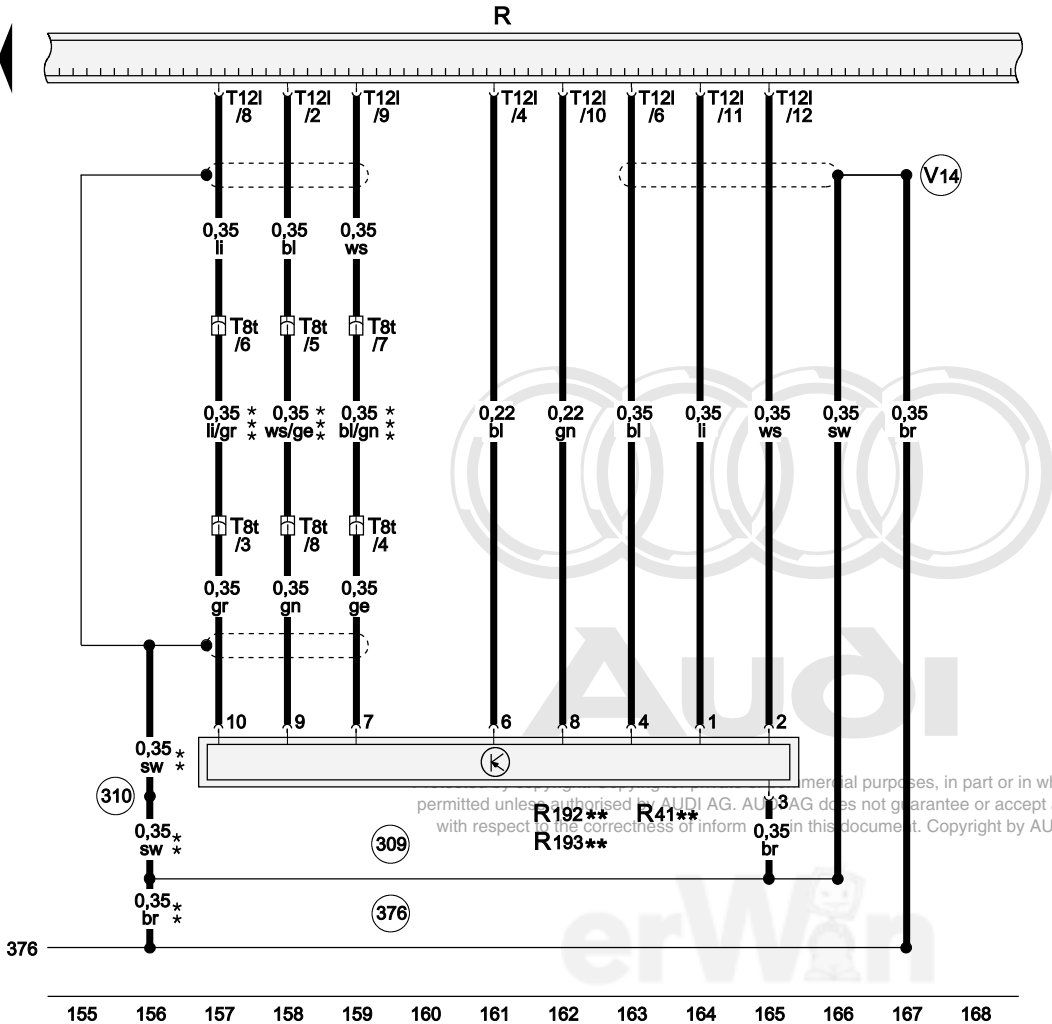
8P0-A045110706



CD Changer, iPod Baseplate, USB Connection Baseplate, with Satellite Radio

- R Radio
- R41 CD Changer
- R146 Satellite Radio
- R192 iPod Baseplate
- R193 USB Connection Baseplate
- T8t 8-Pin Connector, black, in luggage compartment, left rear (Connector B)
- T12i 12-Pin Connector, blue (Connector B)
- 309 Shielding Ground Connection 1 (in CD changer wiring harness)
- 310 Shielding Ground Connection 2 (in CD changer wiring harness)
- 376 Ground Connection 11 (in main wiring harness)
- V14 Connection (shielding) (in CD-changer wiring harness)
- * Only models without CD Changer or iPod Baseplate or USB Connection Baseplate
- ** Only models with CD Changer or iPod Baseplate or USB Connection Baseplate
- *** Only models with satellite radio

- ws = white
- sw = black
- ro = red
- br = brown
- gn = green
- bl = blue
- gr = grey
- li = lilac
- ge = yellow
- or = orange
- rs = pink



CD Changer, iPod Baseplate, USB Connection Baseplate, without Satellite Radio

- R Radio
- R41 CD Changer
- R192 iPod Baseplate
- R193 USB Connection Baseplate
- T8t 8-Pin Connector, black, in luggage compartment, left rear (Connector B)
- T12l 12-Pin Connector, blue (Connector B)
- 309 Shielding Ground Connection 1 (in CD changer wiring harness)
- 310 Shielding Ground Connection 2 (in CD changer wiring harness)
- 376 Ground Connection 11 (in main wiring harness)
- V14 Connection (shielding) (in CD-changer wiring harness)
- ** Only models with CD Changer or iPod Baseplate or USB Connection Baseplate
- *** Only models without satellite radio

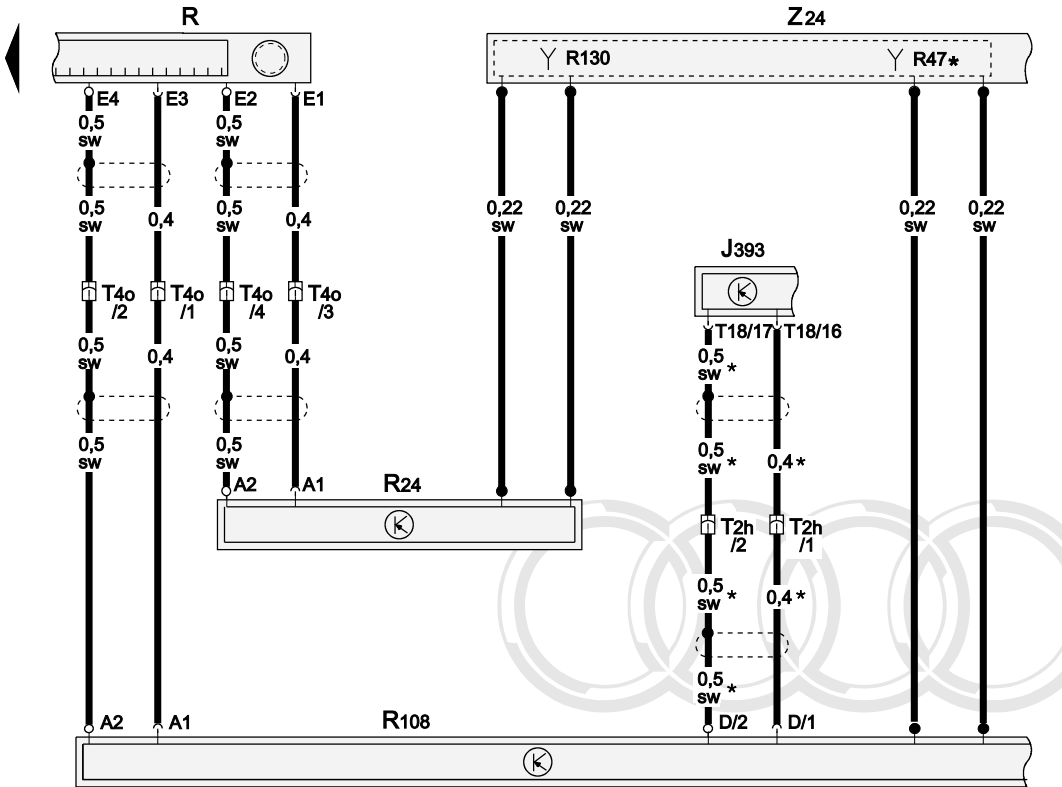
- ws = white
- sw = black
- ro = red
- br = brown
- gn = green
- bl = blue
- gr = grey
- li = lilac
- ge = yellow
- or = orange
- rs = pink

8P0-A045130307



Left Antenna Module, Rear Window Antenna 1

- J393 Comfort System Central Control Module
- R Radio
- R24 Antenna Amplifier
- R47 Central Locking and Anti-Theft Alarm System Antenna
- R108 Left Antenna Module
- R130 Rear Window Antenna 1
- T2h Double Connector, on C-pillar, right
- T4o 4-Pin Connector, near right C-pillar
- T18 18-Pin Connector, brown (Connector A)
- Z24 Rear Window Defogger with Window Antenna
- * Only models with central locking system or anti-theft alarm system



- ws = white
- sw = black
- ro = red
- br = brown
- gn = green
- bl = blue
- gr = grey
- li = lilac
- ge = yellow
- or = orange
- rs = pink

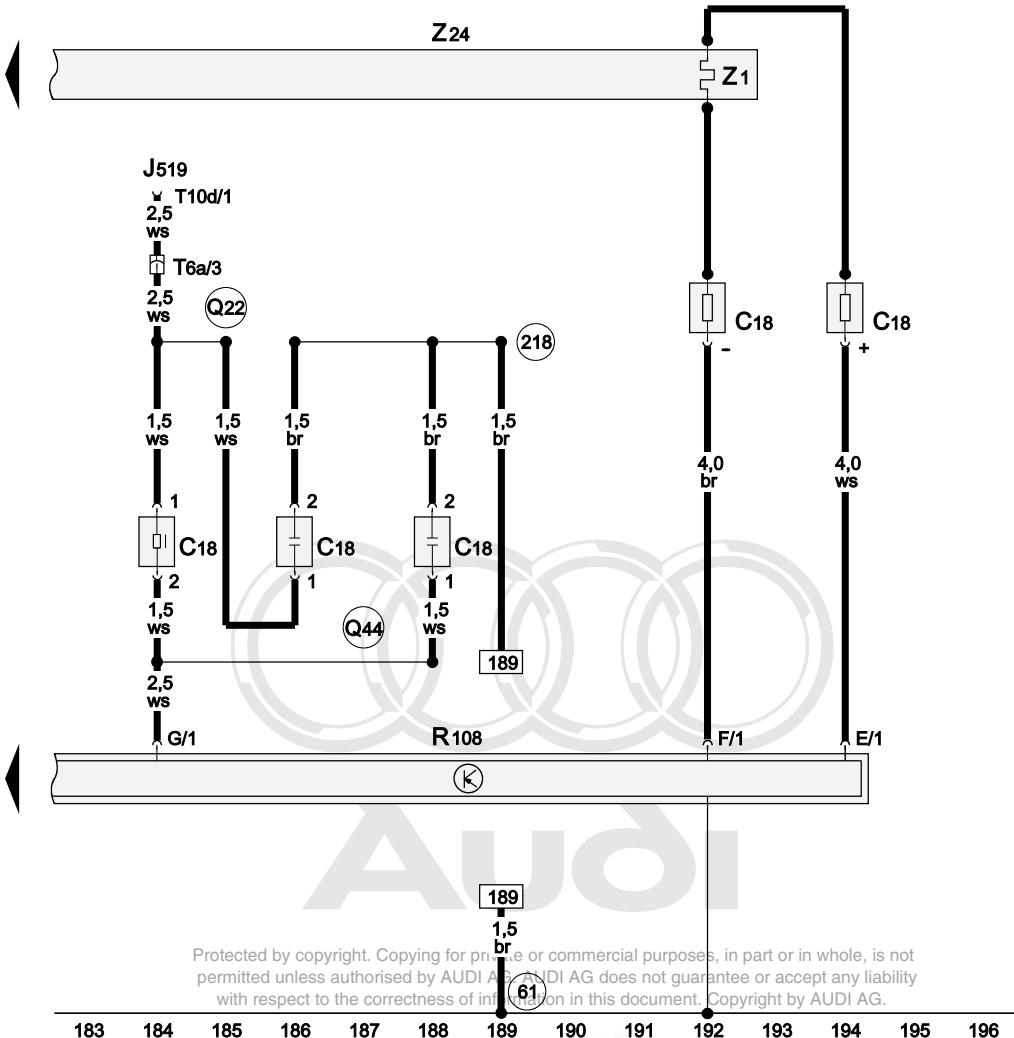
Protected by copyright. Copying for private or commercial purposes, in part or in whole, is not permitted unless authorised by AUDI AG. AUDI AG does not guarantee or accept any liability with respect to the correctness of information in this document. Copyright by AUDI AG.



Left Antenna Module, Heated Rear Window

- C18 Windshield Antenna Suppression Filter
- J519 Vehicle Electrical System Control Module
- R108 Left Antenna Module
- T6a 6-Pin Connector, black, on C-pillar, left
- T10d 10-Pin Connector, black (Connector K)
- Z1 Heated Rear Window
- Z24 Rear Window Defogger with Window Antenna

- 61 Ground Connection (on left C-pillar)
- 218 Ground Connection 1 (in rear lid wiring harness)
- Q22 Connection 1 (in tailgate wiring harness)
- Q44 Connection 2 (in tailgate wiring harness)



Protected by copyright. Copying for private or commercial purposes, in part or in whole, is not permitted unless authorised by AUDI AG. AUDI AG does not guarantee or accept any liability with respect to the correctness of information in this document. Copyright by AUDI AG.

183 184 185 186 187 188 189 190 191 192 193 194 195 196

8P0-A045150706

Front Heated Seat, Recaro Sport Seats

from model year 2007

Note:

Information for

◆ Relay and fuse arrangements

◆ Connector arrangements

◆ Control Modules and Relays

◆ Ground Connections

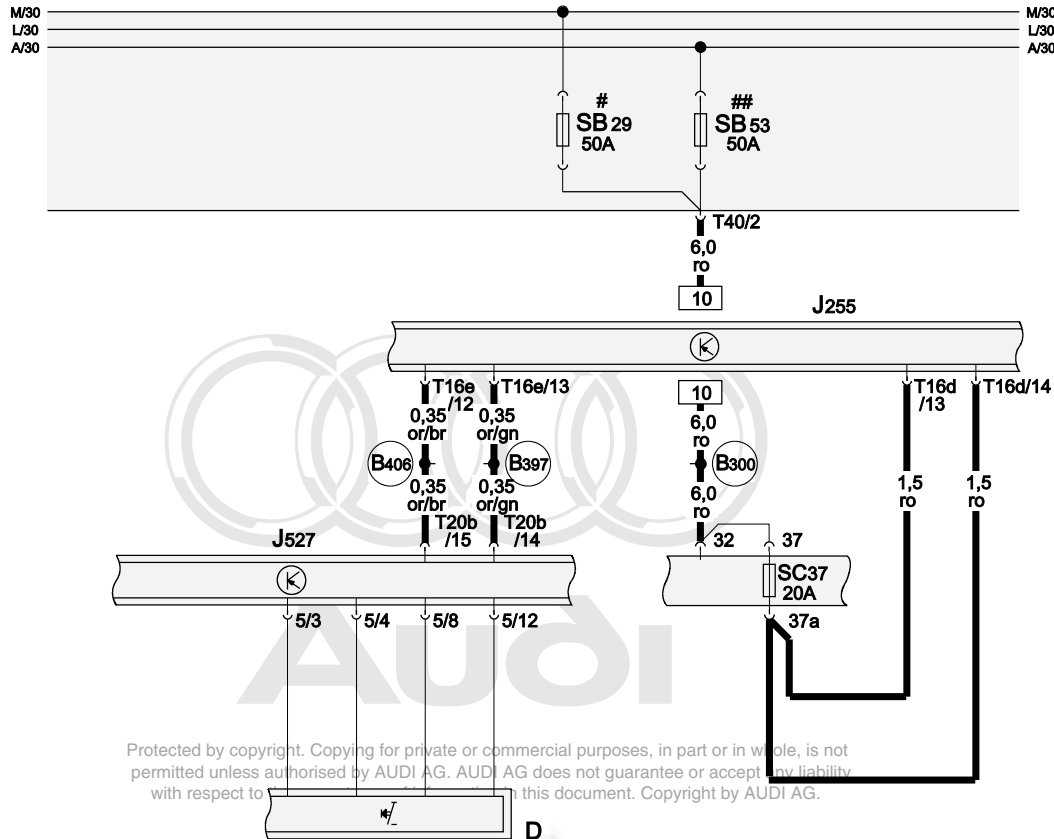
⇒ Component Locations

Information for

◆ Troubleshooting Procedures

⇒ Guided Fault Finding using VAS 5051 / 5052

Protected by copyright. Copying for private or commercial purposes, in part or in whole, is not permitted unless authorised by AUDI AG. AUDI AG does not guarantee or accept any liability with respect to the correctness of information in this document. Copyright by AUDI AG.



Fuses (on fuse panel)

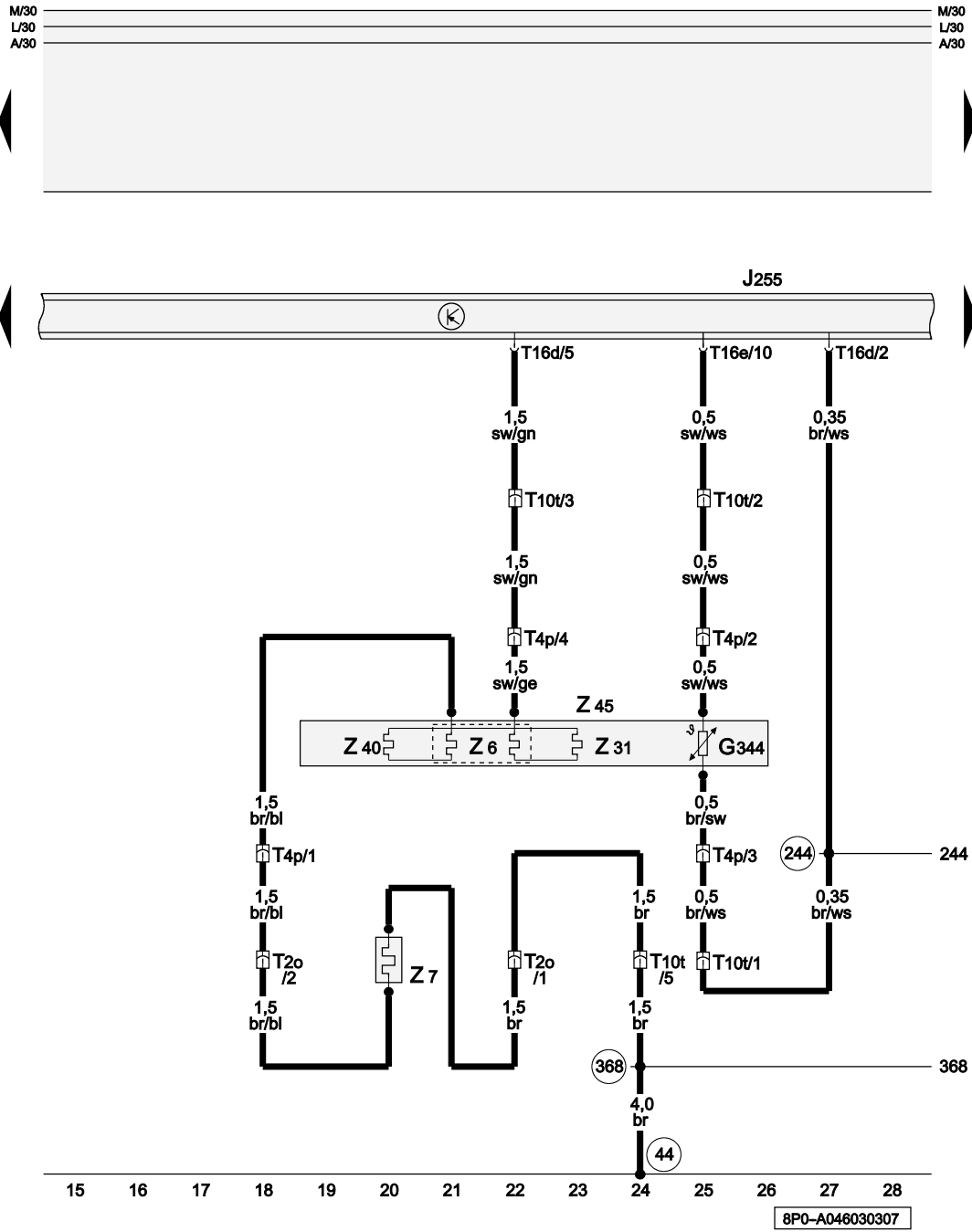
- D Ignition/Starter Switch
- J255 Climatronic Control Module
- J527 Steering Column Electronic Systems Control Module
- SB29 Fuse 29 (on fuse panel B)
- SB53 Fuse 53 (on fuse panel B)
- SC37 Fuse 37 (on fuse panel C)
- T16d 16-Pin Connector, black (Connector D)
- T16e 16-Pin Connector, brown (Connector C)
- T20b 20-Pin Connector, black (Connector A)
- T40 40-Pin Connector, black, on electronics box engine compartment (Connector J)
- B300 Plus Connection 4 (30) (in main wiring harness)
- B397 Comfort System CAN-Bus High Connection 1 (in main wiring harness)
- B406 Comfort System CAN-Bus Low Connection 1 (in main wiring harness)
- # Only models with electronics box Low ⇒ Component Locations
- ## Only models with electronics box High ⇒ Component Locations

Protected by copyright. Copying for private or commercial purposes, in part or in whole, is not permitted unless authorised by AUDI AG. AUDI AG does not guarantee or accept any liability with respect to the content of this document. Copyright by AUDI AG.

1 2 3 4 5 6 7 8 9 10 11 12 13 14

8P0-A046020307

- ws = white
- sw = black
- ro = red
- br = brown
- gn = green
- bl = blue
- gr = grey
- li = lilac
- ge = yellow
- or = orange
- rs = pink



Driver's Seat Heating Element

- G344 Left Front Seat Temperature Sensor
- J255 Climatronic Control Module
- T2o Double Connector, black, on driver's backrest heating element
- T4p 4-Pin Connector, black, on driver's heated seat
- T10t 10-Pin Connector, black, below driver's seat
- T16d 16-Pin Connector, black (Connector D)
- T16e 16-Pin Connector, brown (Connector C)
- Z6 Driver's Seat Heating Element
- Z7 Driver's Backrest Heating Element
- Z31 Driver's Seat Side Bolster Heater
- Z40 Driver's Seat Side Bolster Heater 2
- Z45 Front Left Heated Seat

- 44 Ground Connection (on left lower A-pillar)
- 244 Sensor Ground Connection (in Climatronic wiring harness)
- 368 Ground Connection 3 (in main wiring harness)



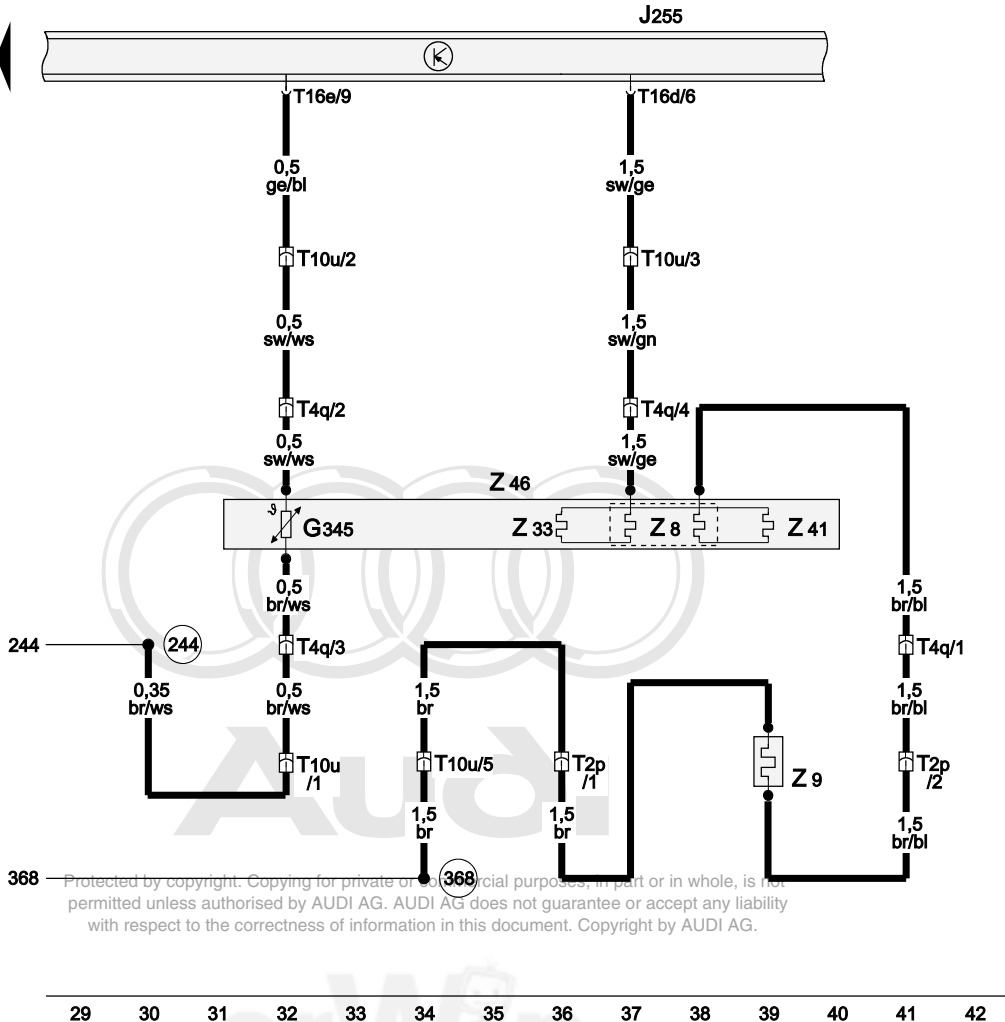
Audi

Protected by copyright. Copying for private or commercial purposes, in part or in whole, is not permitted unless authorised by AUDI AG. AUDI AG does not guarantee or accept any liability with respect to the correctness of information in this document. Copyright by AUDI AG.



- ws = white
- sw = black
- ro = red
- br = brown
- gn = green
- bl = blue
- gr = grey
- li = lilac
- ge = yellow
- or = orange
- rs = pink

8P0-A046030307



Front Passenger's Seat Heating Element

- G345 Right Front Seat Temperature Sensor
- J255 Climatronic Control Module
- T2p Double Connector, black, on front passenger's backrest heating element
- T4q 4-Pin Connector, black, on front passenger's heated seat
- T10u 10-Pin Connector, black, below front passenger's seat
- T16d 16-Pin Connector, black (Connector D)
- T16e 16-Pin Connector, brown (Connector C)
- Z8 Front Passenger's Seat Heating Element
- Z9 Front Passenger's Backrest Heating Element
- Z33 Front Passenger's Seat Side Bolster Heater
- Z41 Front Passenger's Seat Side Bolster Heater 2
- Z46 Front Right Heated Seat

- 244 Sensor Ground Connection (in Climatronic wiring harness)
- 368 Ground Connection 3 (in main wiring harness)

- ws = white
- sw = black
- ro = red
- br = brown
- gn = green
- bl = blue
- gr = grey
- li = lilac
- ge = yellow
- or = orange
- rs = pink

29 30 31 32 33 34 35 36 37 38 39 40 41 42

8P0-A046040307

Protected by copyright. Copying for private or commercial purposes, in part or in whole, is not permitted unless authorised by AUDI AG. AUDI AG does not guarantee or accept any liability with respect to the correctness of information in this document. Copyright by AUDI AG.

Tire Pressure Monitoring

⇒ Only models with US equipment
from May 2007

Note:

Information for

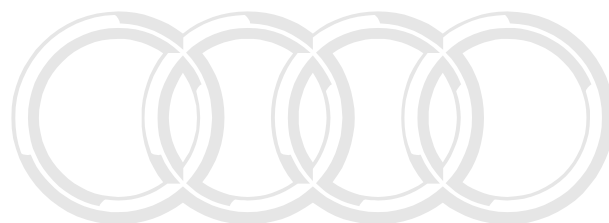
- ◆ Relay and fuse arrangements
- ◆ Connector arrangements
- ◆ Control Modules and Relays
- ◆ Ground Connections

⇒ Component Locations

Information for

- ◆ Troubleshooting Procedures

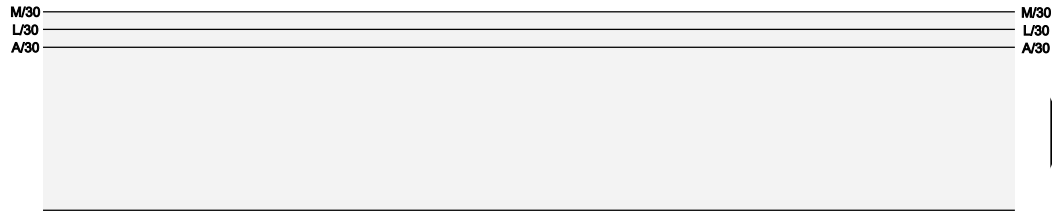
⇒ Guided Fault Finding using VAS 5051 / 5052



Audi

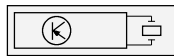
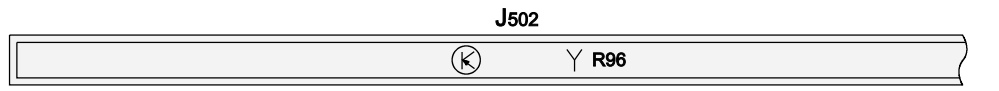
Protected by copyright. Copying for private or commercial purposes, in part or in whole, is not permitted unless authorised by AUDI AG. AUDI AG does not guarantee or accept any liability with respect to the correctness of information in this document. Copyright by AUDI AG.



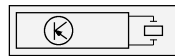


Tire Pressure Monitoring Sensors, Tire Pressure Monitoring Control Module

- G222 Left Front Tire Pressure Monitoring Sensor
- G223 Right Front Tire Pressure Monitoring Sensor
- G224 Left Rear Tire Pressure Monitoring Sensor
- G225 Right Rear Tire Pressure Monitoring Sensor
- J502 Tire Pressure Monitoring Control Module
- R96 Rear Tire Pressure Monitoring Antenna



G222



G223



G224



G225



Audi

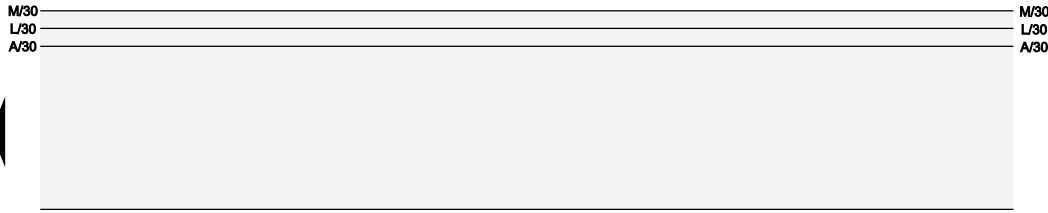
Protected by copyright. Copying for private or commercial purposes, in part or in whole, is not permitted unless authorised by AUDI AG. AUDI AG does not guarantee or accept any liability with respect to the correctness of information in this document. Copyright by AUDI AG.



1 2 3 4 5 6 7 8 9 10 11 12 13 14

8P0-A047020307

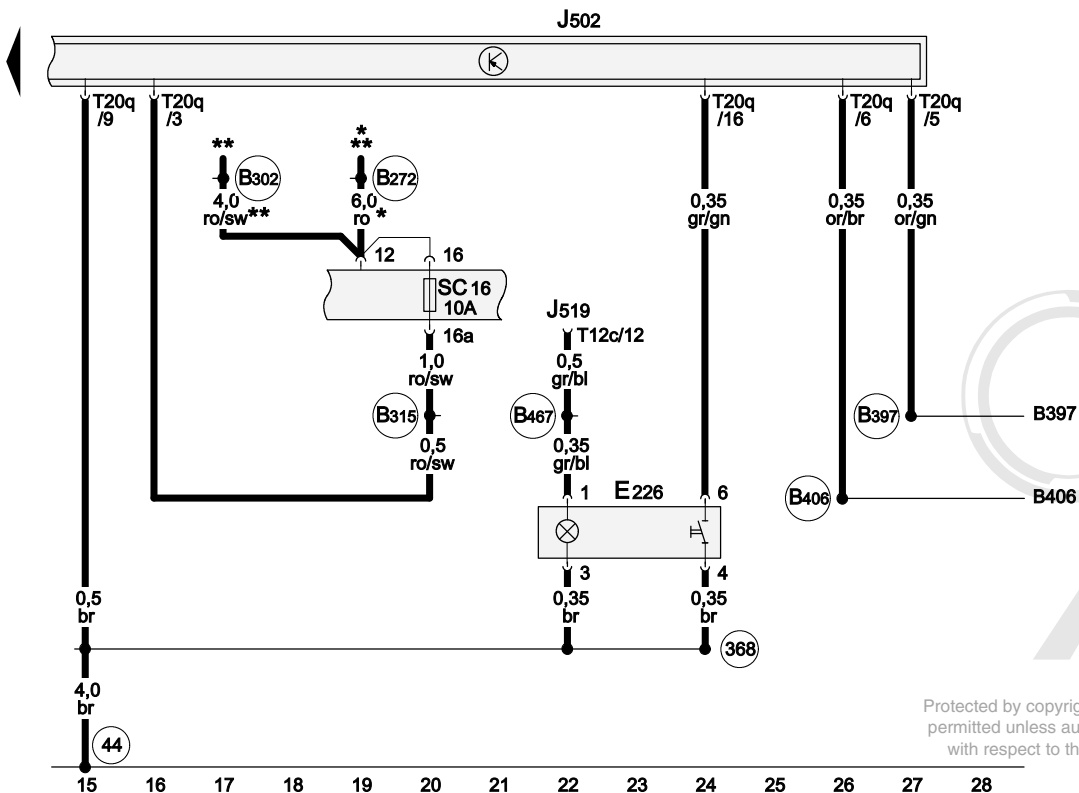
- ws = white
- sw = black
- ro = red
- br = brown
- gn = green
- bl = blue
- gr = grey
- li = lilac
- ge = yellow
- or = orange
- rs = pink



Tire Pressure Monitoring Button, Tire Pressure Monitoring Control Module

- E226 Tire Pressure Monitoring Button
- J502 Tire Pressure Monitoring Control Module
- J519 Vehicle Electrical System Control Module
- SC16 Fuse 16 (on fuse panel C)
- T12c 12-Pin Connector, black (Connector B)
- T20q 20-Pin Connector (Connector A)

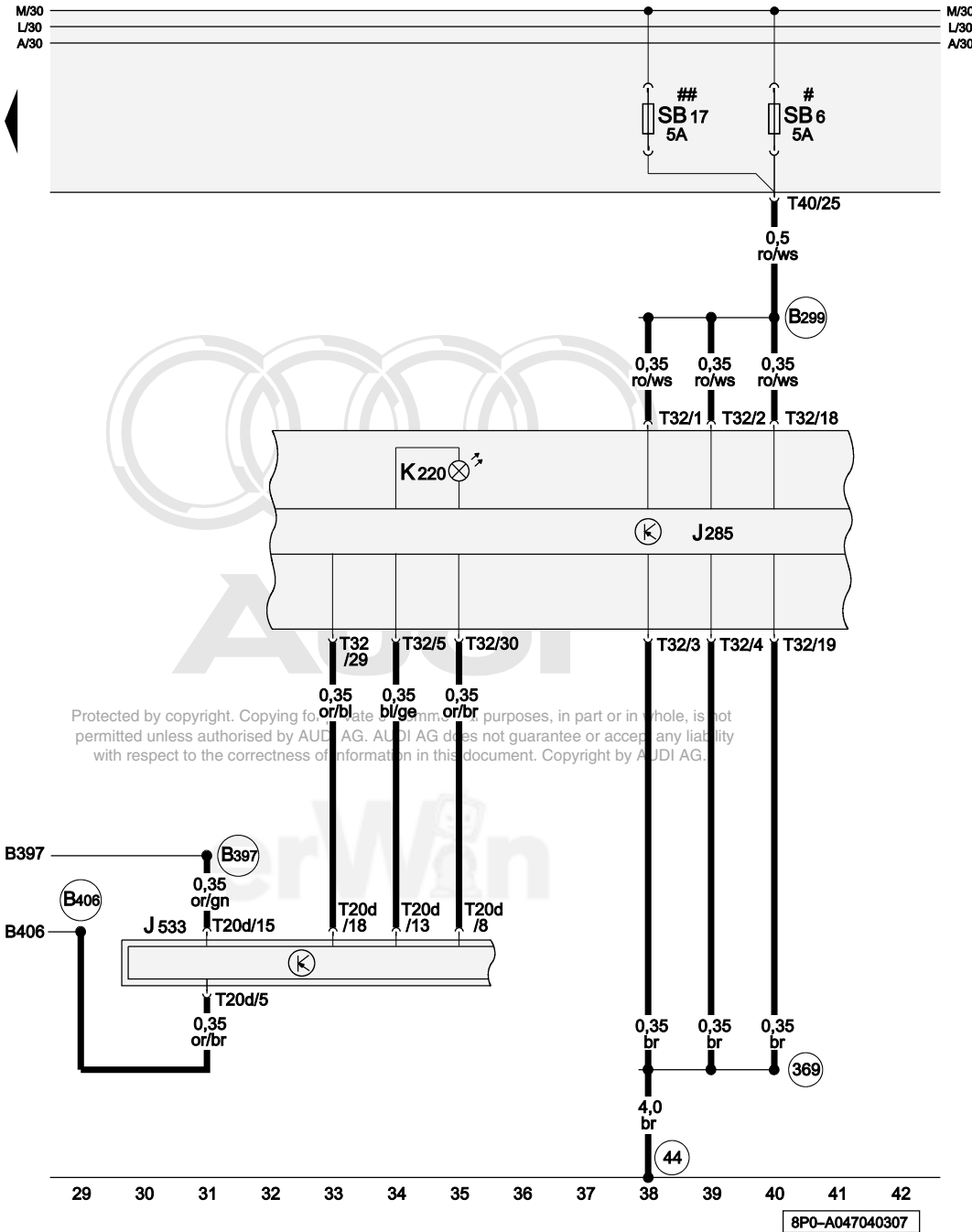
- 44 Ground Connection (on left lower A-pillar)
 - 368 Ground Connection 3 (in main wiring harness)
 - B272 Plus Connection (30) (in main wiring harness)
 - B302 Plus Connection 6 (30) (in main wiring harness)
 - B315 Plus Connection 1 (30a) (in main wiring harness)
 - B397 Comfort System CAN-Bus High Connection 1 (in main wiring harness)
 - B406 Comfort System CAN-Bus Low Connection 1 (in main wiring harness)
 - B467 Connection 3 (in main wiring harness)
- * => Applicable Wiring Diagram for models with battery in engine compartment
 ** => Applicable Wiring Diagram for models with battery in luggage compartment



- ws = white
- sw = black
- ro = red
- br = brown
- gn = green
- bl = blue
- gr = grey
- li = lilac
- ge = yellow
- or = orange
- rs = pink

Protected by copyright. Copying for private or commercial purposes, in part or in whole, is not permitted unless authorized by Audi AG. Audi AG does not guarantee or accept any liability with respect to the correctness of the information in this document. Copyright by Audi AG.

8P0-A047030408



Instrument Cluster Control Module, Tire Pressure Monitoring Display Indicator Lamp

- J285 Instrument Cluster Control Module
- J533 Data Bus On Board Diagnostic Interface
- K220 Tire Pressure Monitoring Display Indicator Lamp
- SB6 Fuse 6 (on fuse panel B)
- SB17 Fuse 17 (on fuse panel B)
- T20d 20-Pin Connector, yellow (Connector A)
- T32 32-Pin Connector, blue (Connector A)
- T40 40-Pin Connector, black, on electronics box engine compartment (Connector J)

- 44 Ground Connection (on left lower A-pillar)
- 369 Ground Connection 4 (in main wiring harness)
- B299 Plus Connection 3 (30) (in main wiring harness)
- B397 Comfort System CAN-Bus High Connection 1 (in main wiring harness)
- B406 Comfort System CAN-Bus Low Connection 1 (in main wiring harness)
- # Only models with electronics box Low ⇒ Component Locations
- ## Only models with electronics box High ⇒ Component Locations

- ws = white
- sw = black
- ro = red
- br = brown
- gn = green
- bl = blue
- gr = grey
- li = lilac
- ge = yellow
- or = orange
- rs = pink

1.8L fuel injection engine (TFSI - cylinder 4), BZB

from May 2007

2.0L fuel injection engine (TFSI - cylinder 4), CAWB

from May 2007

2.0L fuel injection engine (TFSI - cylinder 4), CCTA

from September 2007

Note:

Information for

- ◆ Relay and fuse arrangements
- ◆ Connector arrangements
- ◆ Control Modules and Relays
- ◆ Ground Connections

⇒ Component Locations

Information for

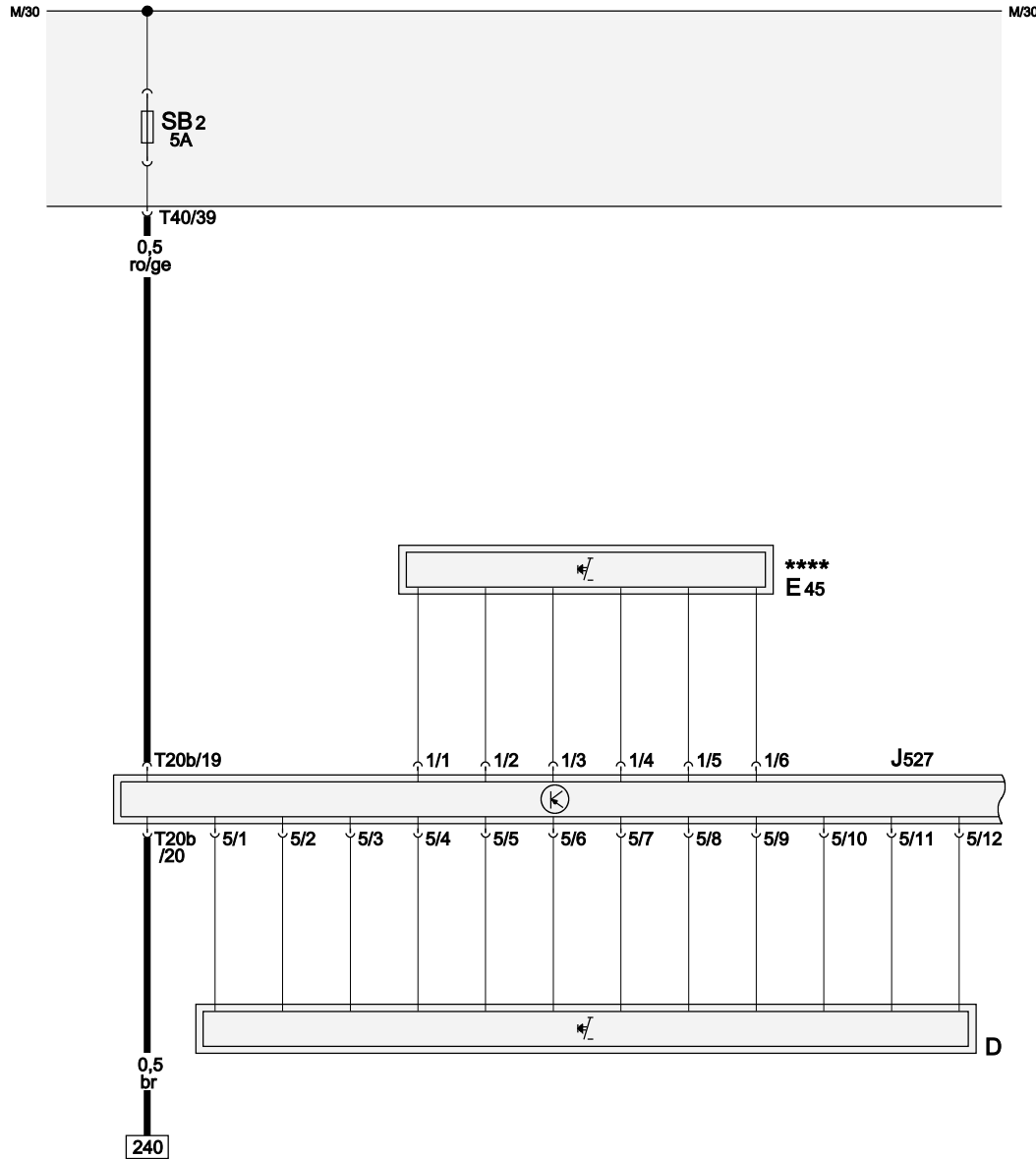
- ◆ Troubleshooting Procedures

⇒ Guided Fault Finding using VAS 5051 / 5052

**Audi**

Protected by copyright. Copying for private or commercial purposes, in part or in whole, is not permitted unless authorised by AUDI AG. AUDI AG does not guarantee or accept any liability with respect to the correctness of information in this document. Copyright by AUDI AG.





Cruise Control Switch, Ignition/Starter Switch

- D Ignition/Starter Switch
- E45 Cruise Control Switch
- J527 Steering Column Electronic Systems Control Module
- SB2 Fuse 2 (on fuse panel B)
- T20b 20-Pin Connector, black (Connector A)
- T40 40-Pin Connector, black, on electronics box engine compartment (Connector J)
- **** Only for models with cruise control system



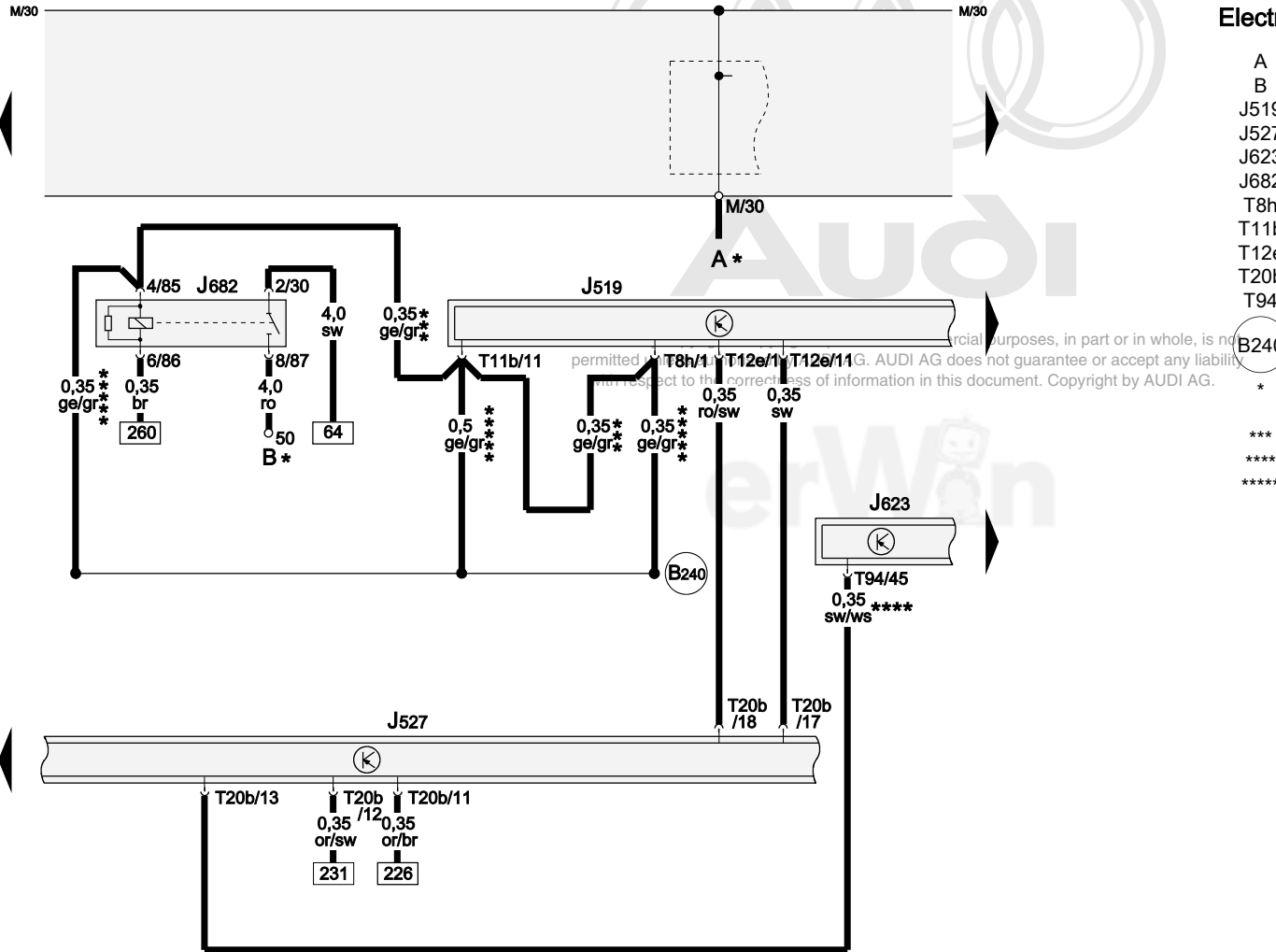
Protected by copyright. Copying for private or commercial purposes, in part or in whole, is not permitted unless authorised by AUDI AG. AUDI AG does not guarantee or accept any liability with respect to the correctness of information in this document. Copyright by AUDI AG.



- ws = white
- sw = black
- ro = red
- br = brown
- gn = green
- bl = blue
- gr = grey
- li = lilac
- ge = yellow
- or = orange
- rs = pink

1 2 3 4 5 6 7 8 9 10 11 12 13 14

8P0-A049020307



Electronics Box Supply, Power Supply Relay (terminal 50)

- A Battery
- B Starter
- J519 Vehicle Electrical System Control Module
- J527 Steering Column Electronic Systems Control Module
- J623 Engine Control Module (ECM)
- J682 Power Supply Relay (terminal 50)
- T8h 8-Pin Connector, black (Connector F)
- T11b 11-Pin Connector, black (Connector A)
- T12e 12-Pin Connector, black (Connector G)
- T20b 20-Pin Connector, black (Connector A)
- T94 94-Pin Connector, black (Connector B)

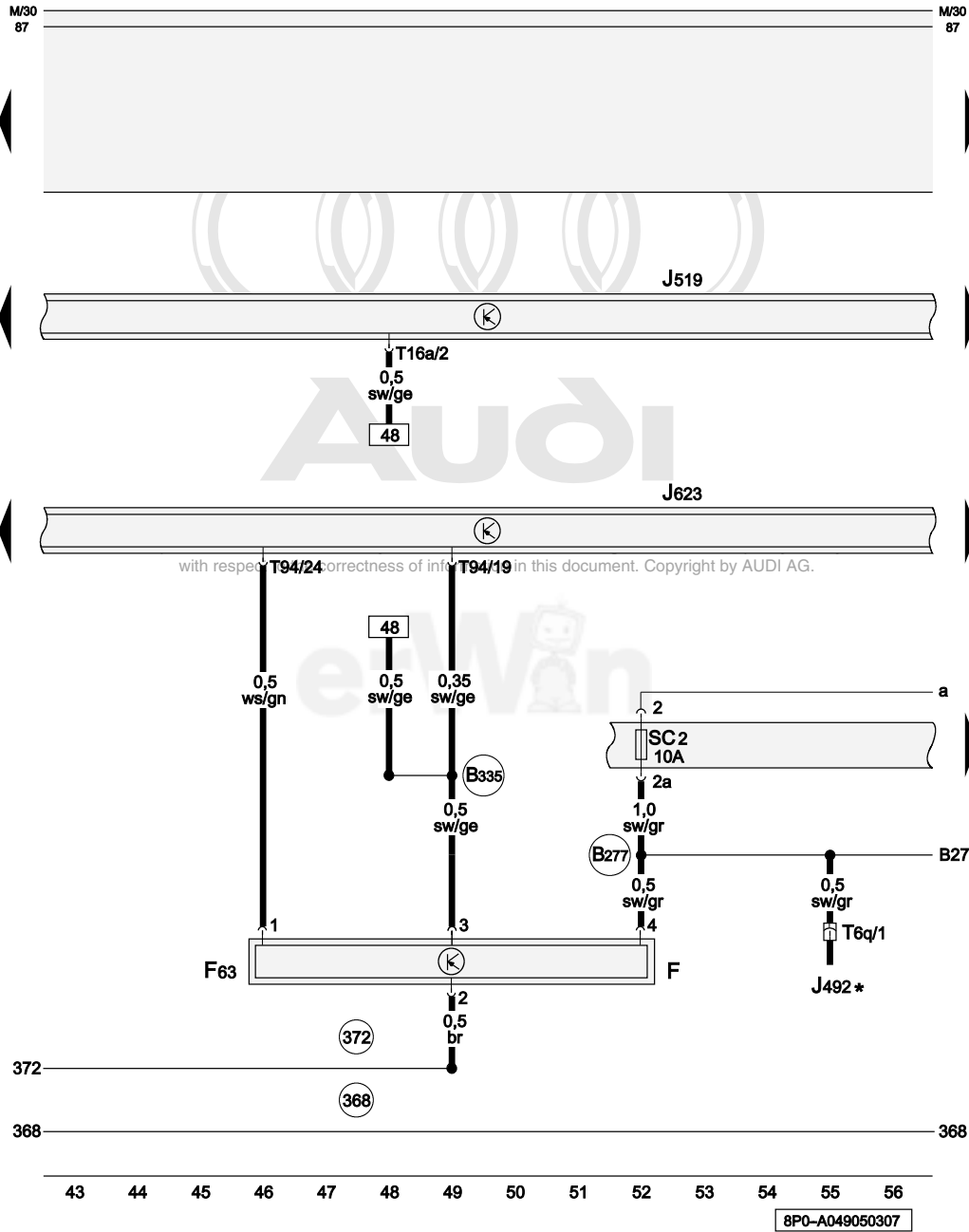
B240 Plus Connection 2 (50) (in interior wiring harness)

- * ⇒ Applicable Wiring Diagram for models with battery in engine compartment
- *** Only models with US equipment
- **** Only for models with cruise control system
- ***** Not for models with US equipment

- ws = white
- sw = black
- ro = red
- br = brown
- gn = green
- bl = blue
- gr = grey
- li = lilac
- ge = yellow
- or = orange
- rs = pink

15 16 17 18 19 20 21 22 23 24 25 26 27 28

8P0-A049030307



Brake Light Switch, Brake Pedal Switch

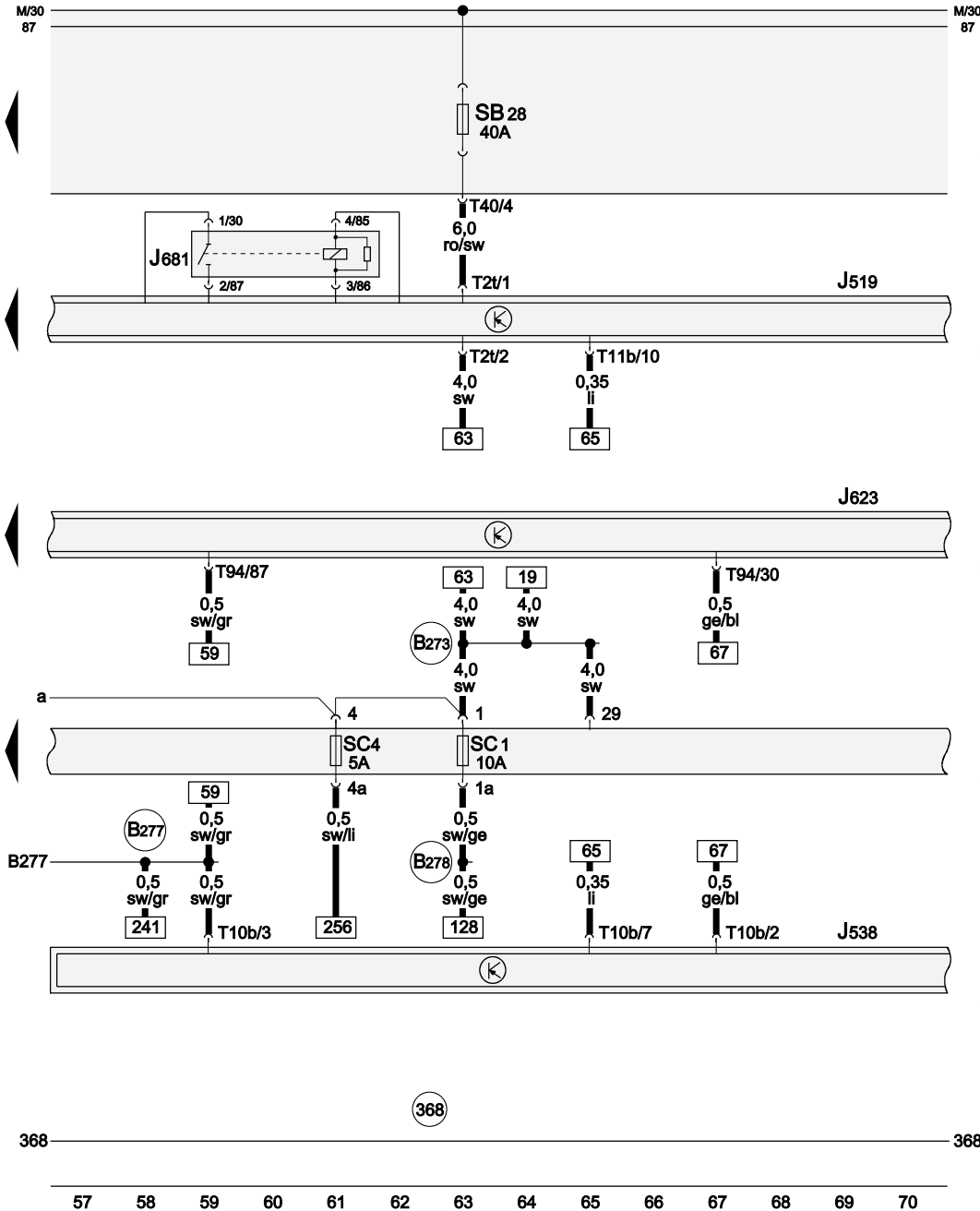
- F Brake Light Switch
- F63 Brake Pedal Switch
- J492 All-Wheel Drive Control Module
- J519 Vehicle Electrical System Control Module
- J623 Engine Control Module (ECM)
- SC2 Fuse 2 (on fuse panel C)
- T6q 6-Pin Connector, black, near fuel level sensor 2
- T16a 16-Pin Connector, black (Connector E)
- T94 94-Pin Connector, black (Connector B)

- 368 Ground Connection 3 (in main wiring harness)
- 372 Ground Connection 7 (in main wiring harness)
- B277 Plus Connection 1 (15a) (in main wiring harness)
- B335 Connection 1 (54) (in main wiring harness)

* Only models with all-wheel drive

- ws = white
- sw = black
- ro = red
- br = brown
- gn = green
- bl = blue
- gr = grey
- li = lilac
- ge = yellow
- or = orange
- rs = pink

8P0-A049050307



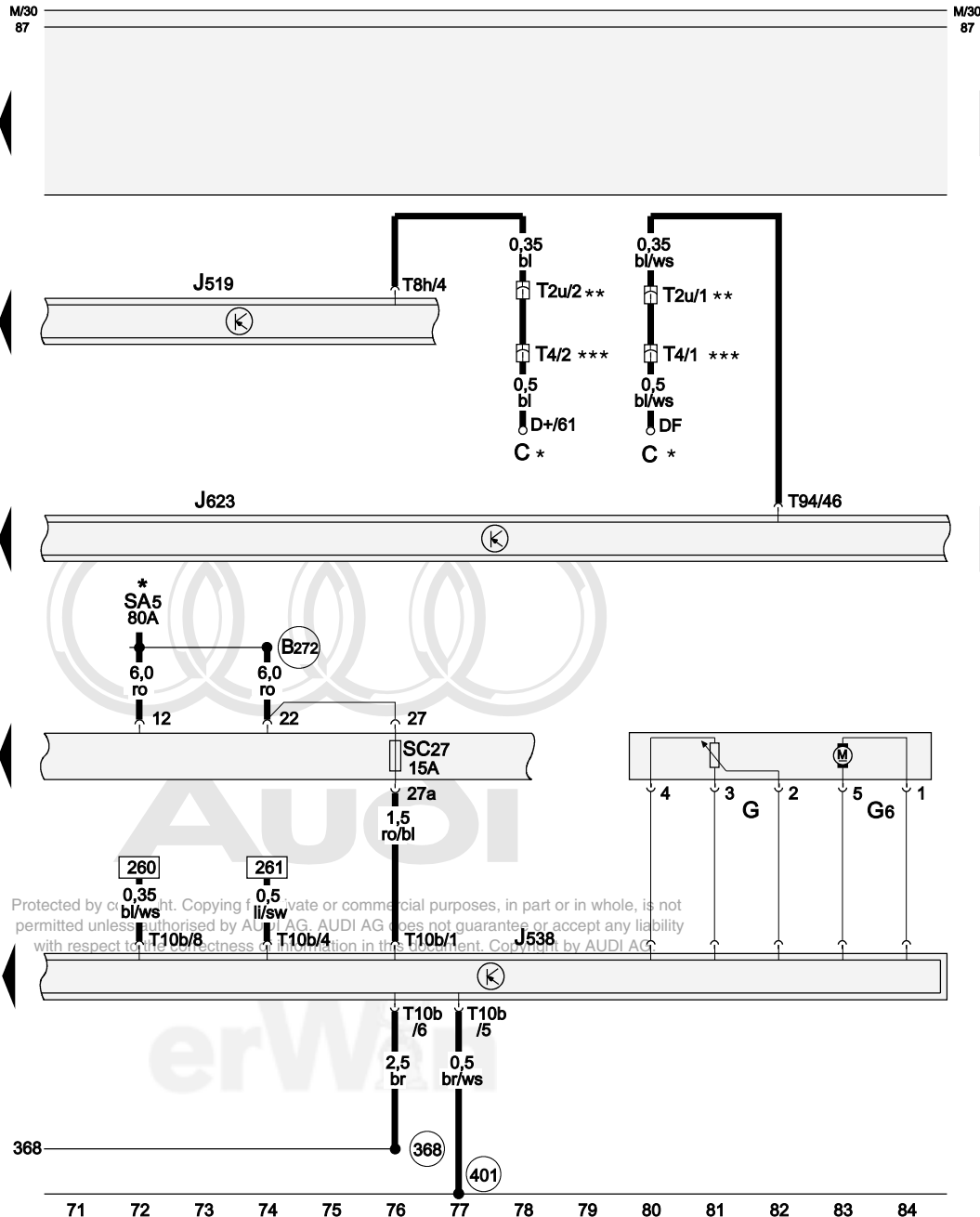
Power Supply Relay 2 (terminal 15)

- J519 Vehicle Electrical System Control Module
- J538 Fuel Pump (FP) Control Module
- J623 Engine Control Module (ECM)
- J681 Power Supply Relay 2 (terminal 15)
- SB28 Fuse 28 (on fuse panel B)
- SC1 Fuse 1 (on fuse panel C)
- SC4 Fuse 4 (on fuse panel C)
- T2t Double Connector, black (Connector L)
- T10b 10-Pin Connector, black (Connector A)
- T11b 11-Pin Connector, black (Connector A)
- T40 40-Pin Connector, black, on electronics box engine compartment (Connector J)
- T94 94-Pin Connector, black (Connector B)
- 368 Ground Connection 3 (in main wiring harness)
- B273 Plus Connection (15) (in main wiring harness)
- B277 Plus Connection 1 (15a) (in main wiring harness)
- B278 Plus Connection 2 (15a) (in main wiring harness)

- ws = white
- sw = black
- ro = red
- br = brown
- gn = green
- bl = blue
- gr = grey
- li = lilac
- ge = yellow
- or = orange
- rs = pink

Protected by copyright. Copying for private or commercial purposes, in part or in whole, is not permitted unless authorised by AUDI AG. AUDI AG does not guarantee or accept any liability in respect to the correctness of information in this document. Copyright by AUDI AG.

8P0-A049060307



Generator (GEN), Fuel Level Sensor, Transfer Fuel Pump (FP)

- C Generator (GEN)
- G Fuel Level Sensor
- G6 Transfer Fuel Pump (FP)
- J519 Vehicle Electrical System Control Module
- J538 Fuel Pump (FP) Control Module
- J623 Engine Control Module (ECM)
- SA5 Fuse 5 (on fuse panel A)
- SC27 Fuse 27 (on fuse panel C)
- T2u Double Connector, brown, in engine compartment, front left
- T4 4-Pin Connector, black, in engine compartment, front left
- T8h 8-Pin Connector, black (Connector F)
- T10b 10-Pin Connector, black (Connector A)
- T94 94-Pin Connector, black (Connector B)

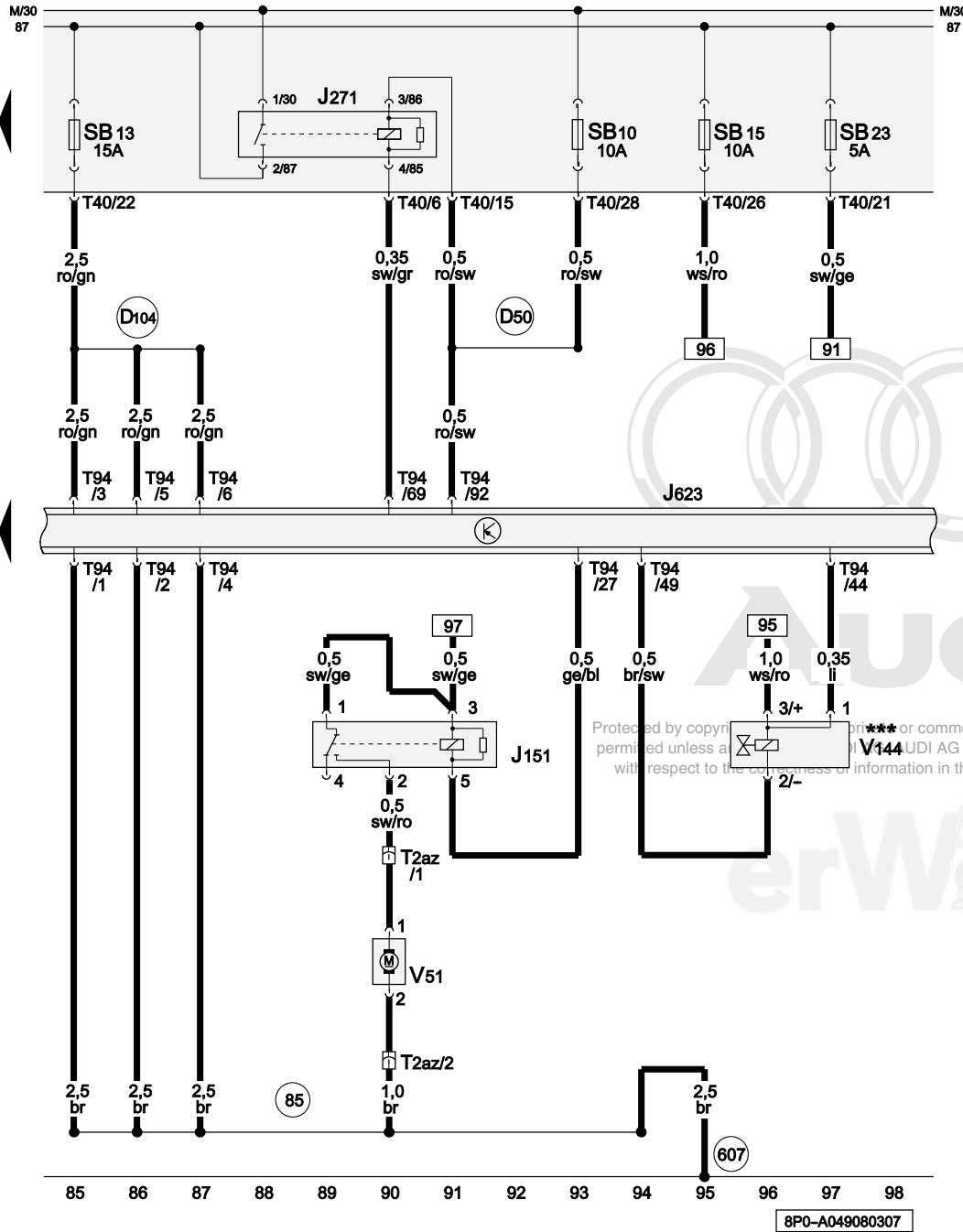
- 368 Ground Connection 3 (in main wiring harness)
- 401 Sensor Ground Connection (in interior wiring harness)
- B272 Plus Connection (30) (in main wiring harness)

- * ⇒ Applicable Wiring Diagram for models with battery in engine compartment
- ** Only models without A/C
- *** Only models with A/C

Protected by copyright. Copying for private or commercial purposes, in part or in whole, is not permitted unless authorised by AUDI AG. AUDI AG does not guarantee or accept any liability with respect to the correctness of the information in this document. Copyright by AUDI AG

- ws = white
- sw = black
- ro = red
- br = brown
- gn = green
- bl = blue
- gr = grey
- li = lilac
- ge = yellow
- or = orange
- rs = pink

8P0-A049070307



Motronic Engine Control Module (ECM) Power Supply Relay, Coolant Circulation Pump Relay, After-Run Coolant Pump, Leak Detection Pump (LDP)

- J151 Coolant Circulation Pump Relay
- J271 Motronic Engine Control Module (ECM) Power Supply Relay
- J623 Engine Control Module (ECM)
- SB10 Fuse 10 (on fuse panel B)
- SB13 Fuse 13 (on fuse panel B)
- SB15 Fuse 15 (on fuse panel B)
- SB23 Fuse 23 (on fuse panel B)
- T2az Double Connector
- T40 40-Pin Connector, black, on electronics box engine compartment (Connector J)
- T94 94-Pin Connector, black (Connector B)
- V51 After-Run Coolant Pump
- V144 Leak Detection Pump (LDP)
- 85 Ground Connection 1 (in engine compartment wiring harness)
- 607 Ground Connection (in plenum chamber, left)
- D50 Plus Connection (30) (in engine compartment wiring harness)
- D104 Plus Connection 2 (30a) (in engine compartment wiring harness)
- *** Only models with US equipment

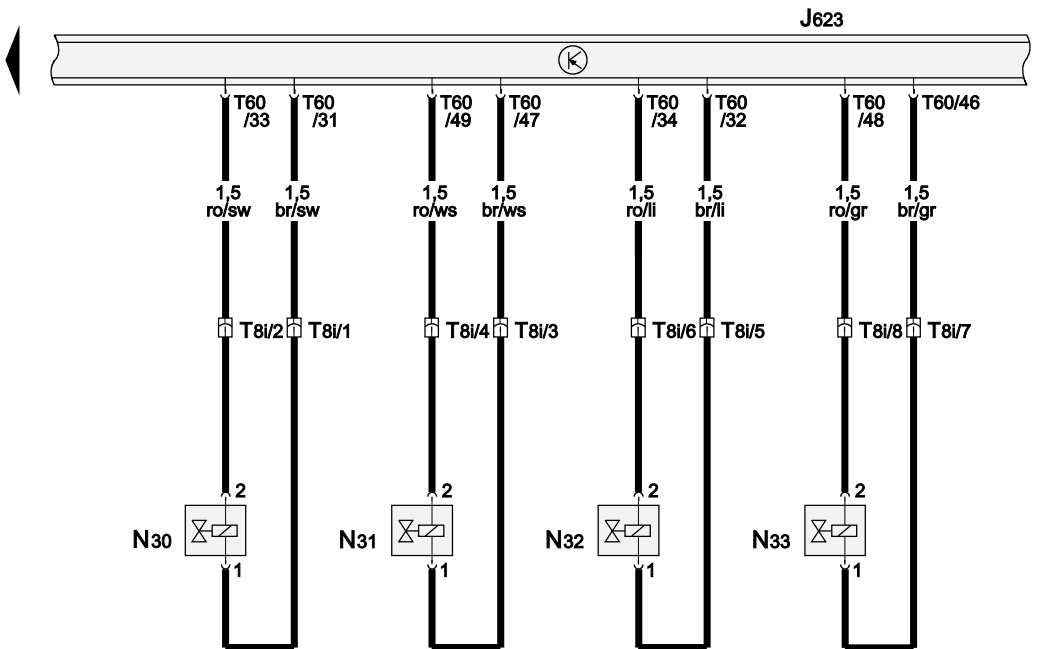
- ws = white
- sw = black
- ro = red
- br = brown
- gn = green
- bl = blue
- gr = grey
- li = lilac
- ge = yellow
- or = orange
- rs = pink

8P0-A049080307



Injectors

- J623 Engine Control Module (ECM)
- N30 Cylinder 1 Fuel Injector
- N31 Cylinder 2 Fuel Injector
- N32 Cylinder 3 Fuel Injector
- N33 Cylinder 4 Fuel Injector
- T8i 8-Pin Connector, black, near fuel injectors
- T60 60-Pin Connector, black (Connector A)



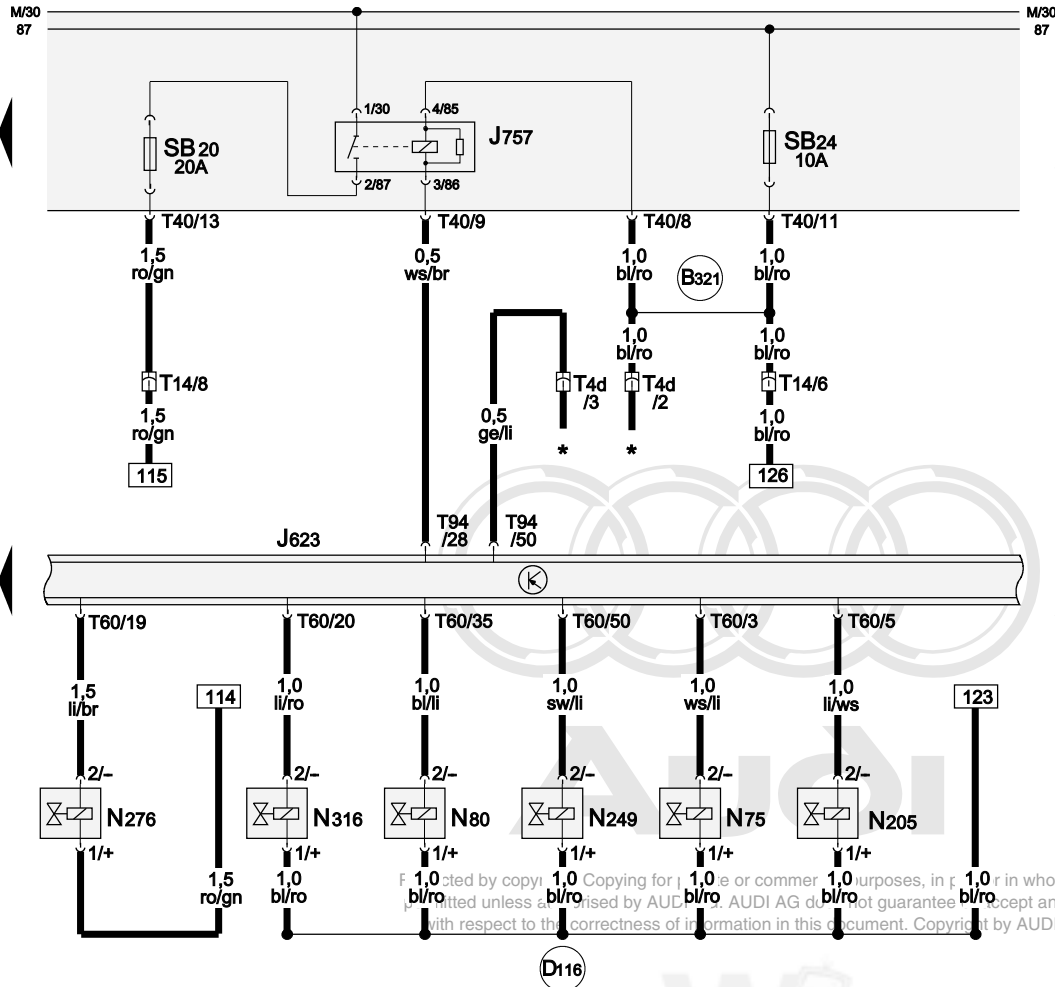
Audi

- ws = white
- sw = black
- ro = red
- br = brown
- gn = green
- bl = blue
- gr = grey
- li = lilac
- ge = yellow
- or = orange
- rs = pink

Copyright by Audi AG. Copying for private or commercial purposes, in part or in whole, is not permitted unless authorised by AUDI AG. AUDI AG does not guarantee or accept any liability with respect to the correctness of information in this document. Copyright by AUDI AG.

99 100 101 102 103 104 105 106 107 108 109 110 111 112

8P0-A049090307



Power Supply Relay, Solenoid Valves

- J623 Engine Control Module (ECM)
- J757 Engine Component Power Supply Relay
- N75 Wastegate Bypass Regulator Valve
- N80 Evaporative Emission (EVAP) Canister Purge Regulator Valve 1
- N205 Camshaft Adjustment Valve 1
- N249 Turbocharger Recirculating Valve
- N276 Fuel Pressure Regulator Valve
- N316 Intake Manifold Runner Control (IMRC) Valve
- SB15 Fuse 15 (on fuse panel B)
- SB20 Fuse 20 (on fuse panel B)
- SB24 Fuse 24 (on fuse panel B)
- T4d 4-Pin Connector, black, on coolant fan control (FC) (front end)
- T14 14-Pin Connector, black, near left front long member
- T40 40-Pin Connector, black, on electronics box engine compartment (Connector J)
- T60 60-Pin Connector, black (Connector A)
- T94 94-Pin Connector, black (Connector B)

B321 Plus Connection 7 (30a) (in main wiring harness)

D116 Connection 14 (in engine compartment wiring harness)

* ⇒ Applicable Wiring Diagram Coolant Fan Control

Copyright by Audi AG. All rights reserved. Copying for private use or commercial purposes, in part or in whole, is not permitted unless authorized by Audi AG. Audi AG does not guarantee or accept any liability with respect to the correctness of information in this document. Copyright by Audi AG.

113 114 115 116 117 118 119 120 121 122 123 124 125 126

8P0-A049100307

- ws = white
- sw = black
- ro = red
- br = brown
- gn = green
- bl = blue
- gr = grey
- li = lilac
- ge = yellow
- or = orange
- rs = pink

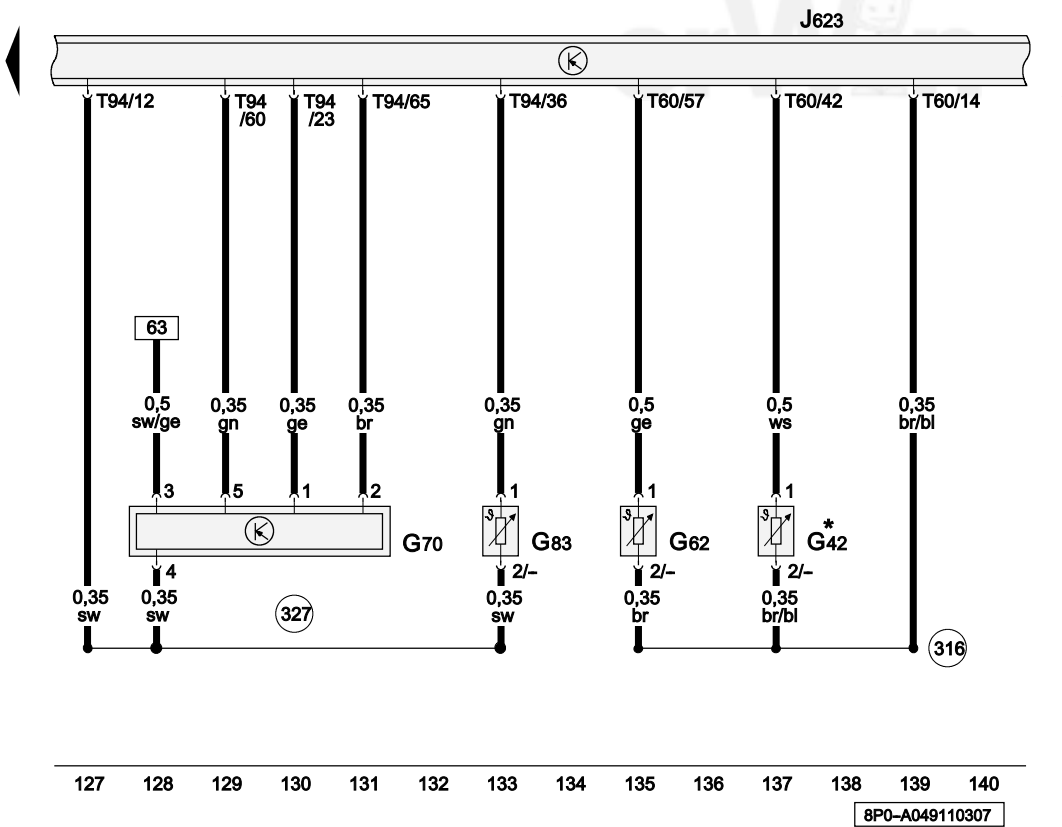


Protected by copyright. Copying for private or commercial purposes, in part or in whole, is not permitted unless authorised by AUDI AG. AUDI AG does not guarantee or accept any liability with respect to the correctness of information in this document. Copyright by AUDI AG.

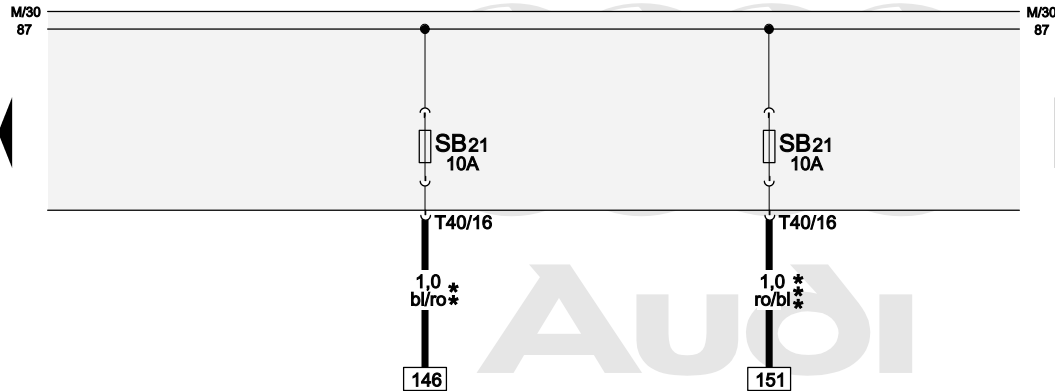
Mass Air Flow (MAF) Sensor, Temperature Sensor

- G42 Intake Air Temperature (IAT) Sensor
- G62 Engine Coolant Temperature (ECT) Sensor
- G70 Mass Air Flow (MAF) Sensor
- G83 Engine Coolant Temperature (ECT) Sensor (on Radiator)
- J623 Engine Control Module (ECM)
- T60 60-Pin Connector, black (Connector A)
- T94 94-Pin Connector, black (Connector B)

- 316 Sensor Ground Connection 2 (in engine wiring harness)
- 327 Sensor Ground Connection (in engine compartment wiring harness)
- * G42 replace G299



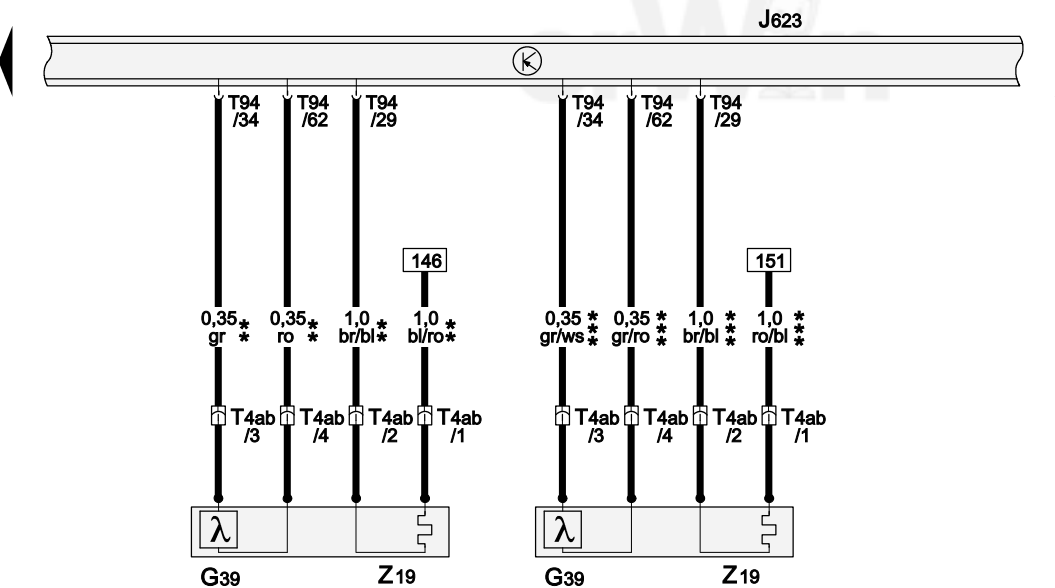
- ws = white
- sw = black
- ro = red
- br = brown
- gn = green
- bl = blue
- gr = grey
- li = lilac
- ge = yellow
- or = orange
- rs = pink



Protected by copyright. Copying for private or commercial purposes, in part or in whole, is not permitted unless authorised by AUDI AG. AUDI AG does not guarantee or accept any liability with respect to the correctness of information in this document. Copyright by AUDI AG.

Heated Oxygen Sensor (HO2S) without US equipment

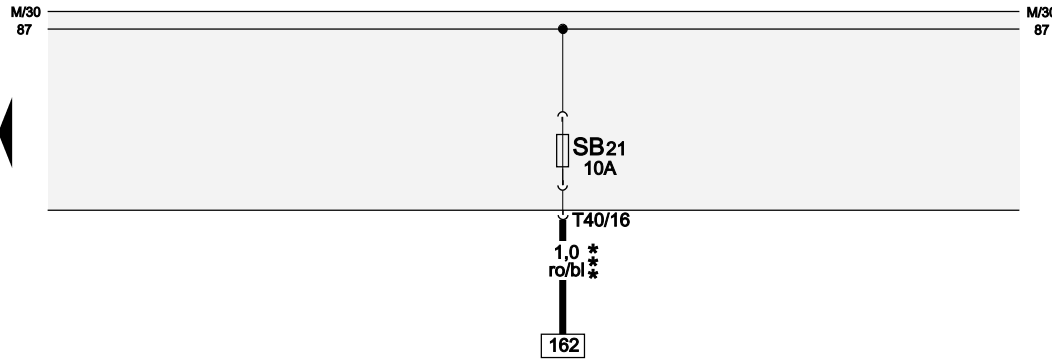
- G39 Heated Oxygen Sensor (HO2S)
- J623 Engine Control Module (ECM)
- SB21 Fuse 21 (on fuse panel B)
- T4ab 4-Pin Connector, brown, on oxygen sensor (O2S) behind three way catalytic converter (TWC)
- T40 40-Pin Connector, black, on electronics box engine compartment (Connector J)
- T94 94-Pin Connector, black (Connector B)
- Z19 Oxygen Sensor (O2S) Heater
- ** Only models with engine code BZB
- *** Only models with engine code CAWB



- ws = white
- sw = black
- ro = red
- br = brown
- gn = green
- bl = blue
- gr = grey
- li = lilac
- ge = yellow
- or = orange
- rs = pink

141 142 143 144 145 146 147 148 149 150 151 152 153 154

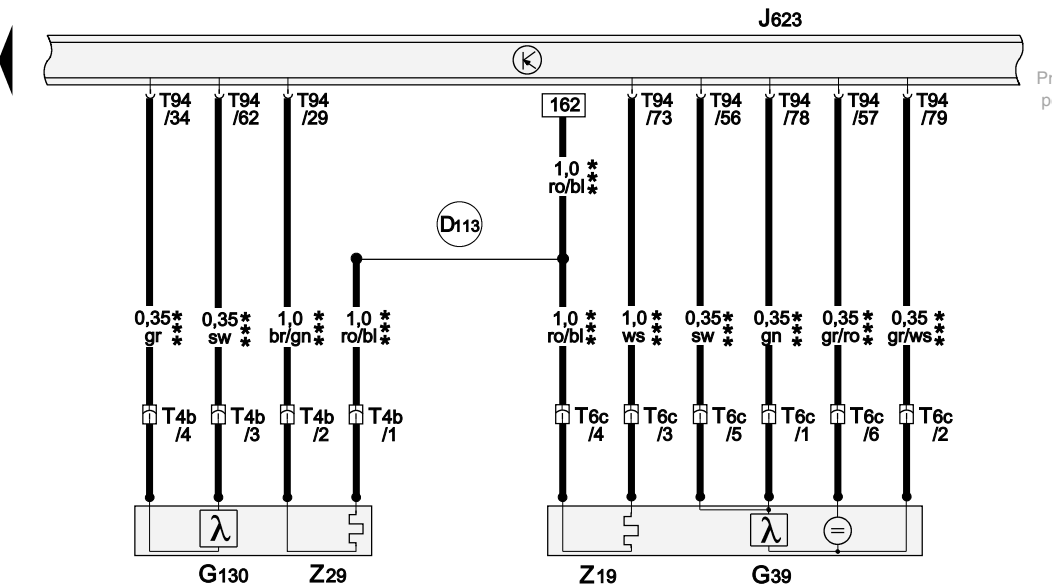
8P0-A049120408



Heated Oxygen Sensor (HO2S) with US equipment

- G39 Heated Oxygen Sensor (HO2S)
- G130 Oxygen Sensor (O2S) Behind Three Way Catalytic Converter (TWC)
- J623 Engine Control Module (ECM)
- SB21 Fuse 21 (on fuse panel B)
- T4b 4-Pin Connector, black, on oxygen sensor (O2S) behind three way catalytic converter (TWC)
- T6c 6-Pin Connector, black, on oxygen sensor (O2S) before three way catalytic converter (TWC)
- T40 40-Pin Connector, black, on electronics box engine compartment (Connector J)
- T94 94-Pin Connector, black (Connector B)
- Z19 Oxygen Sensor (O2S) Heater
- Z29 Oxygen Sensor (O2S) Heater 1 (behind Three Way Catalytic Converter (TWC))
- D113 Connection 11 (in engine compartment wiring harness)
- *** Only models with US equipment

Protected by copyright. Copying for private or commercial purposes, in part or in whole, is not permitted unless authorised by AUDI AG. AUDI AG does not guarantee or accept any liability with respect to the correctness of information in this document. Copyright by AUDI AG.



- ws = white
- sw = black
- ro = red
- br = brown
- gn = green
- bl = blue
- gr = grey
- li = lilac
- ge = yellow
- or = orange
- rs = pink

155 156 157 158 159 160 161 162 163 164 165 166 167 168

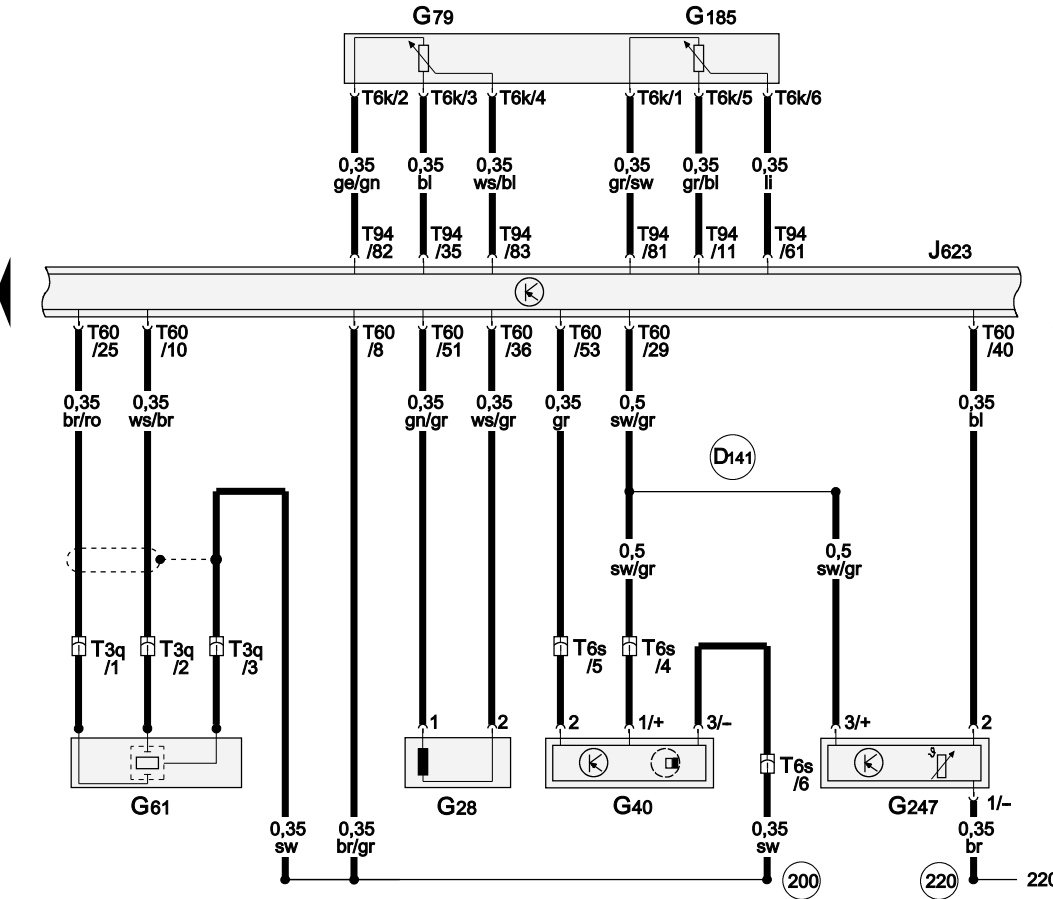
8P0-A049130307



Knock Sensor (KS), Engine Speed (RPM) Sensor, Camshaft Position (CMP) Sensor, Accelerator Pedal Position Sensor, Fuel Pressure Sensor

- G28 Engine Speed (RPM) Sensor
- G40 Camshaft Position (CMP) Sensor
- G61 Knock Sensor (KS) 1
- G79 Throttle Position (TP) Sensor
- G185 Accelerator Pedal Position Sensor 2
- G247 Fuel Pressure Sensor
- J623 Engine Control Module (ECM)
- T3q 3-Pin Connector, green, in left engine compartment (knock sensor)
- T6k 6-Pin Connector, black, near throttle position (TP) sensor
- T6s 6-Pin Connector, black, behind intake manifold
- T60 60-Pin Connector, black (Connector A)
- T94 94-Pin Connector, black (Connector B)

- (200) Ground Connection (shielding) (in engine compartment wiring harness)
- (220) Sensor Ground Connection (in engine wiring harness)
- (D141) Connection (5V) (in engine pre-wiring wiring harness)



- ws = white
- sw = black
- ro = red
- br = brown
- gn = green
- bl = blue
- gr = grey
- li = lilac
- ge = yellow
- or = orange
- rs = pink

169 170 171 172 173 174 175 176 177 178 179 180 181 182

8P0-A049140307

Protected by copyright. Copying for private or commercial purposes, in part or in whole, is not permitted unless authorised by AUDI AG. AUDI AG does not guarantee or accept any liability with respect to the correctness of information in this document. Copyright by AUDI AG.

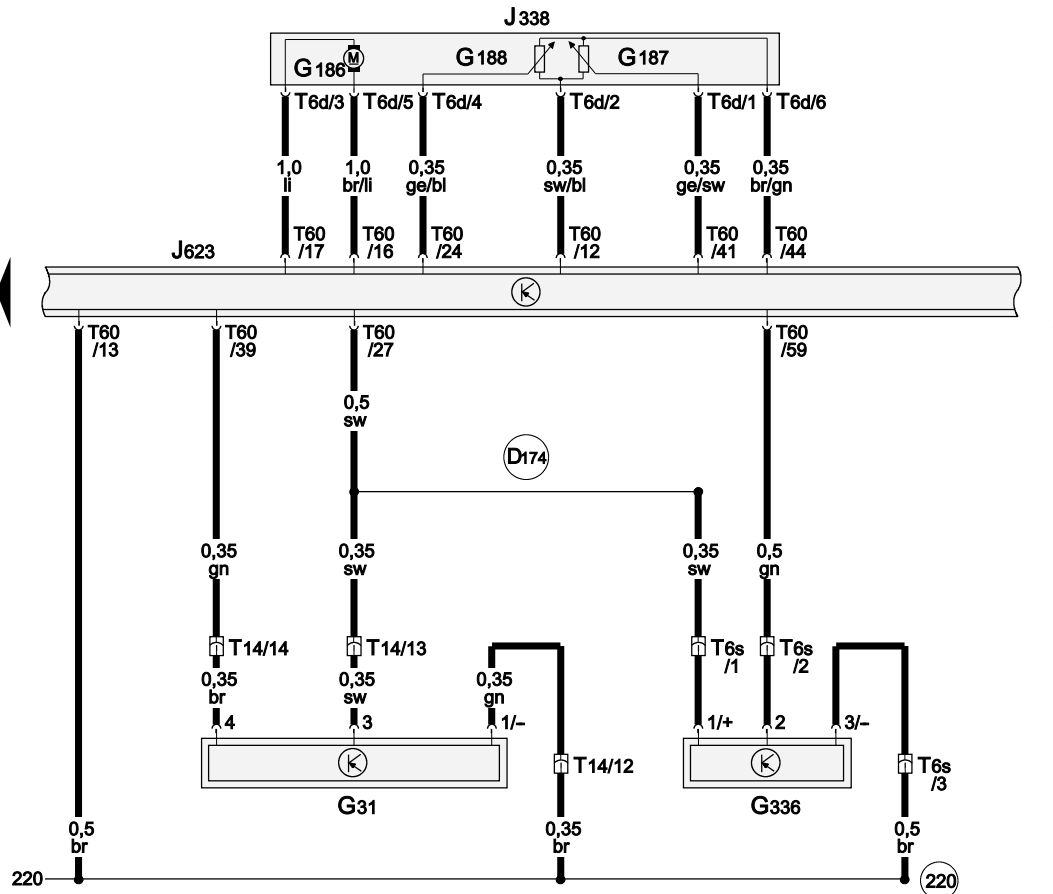


Throttle Valve Control Module, Charge Air Pressure Sensor, Intake Manifold Runner Position Sensor

- G31 Charge Air Pressure Sensor
- G186 Throttle Drive (for Electronic Power Control (EPC))
- G187 Throttle Drive Angle Sensor 1 (for Electronic Power Control (EPC))
- G188 Throttle Drive Angle Sensor 2 (for Electronic Power Control (EPC))
- G336 Intake Manifold Runner Position Sensor
- J338 Throttle Valve Control Module
- J623 Engine Control Module (ECM)
- T6d 6-Pin Connector, black, near throttle valve control module
- T6s 6-Pin Connector, black, behind intake manifold
- T14 14-Pin Connector, black, near left front long member
- T60 60-Pin Connector, black (Connector A)

220 Sensor Ground Connection (in engine wiring harness)

D174 Connection 2 (5V) (in engine pre-wiring wiring harness)



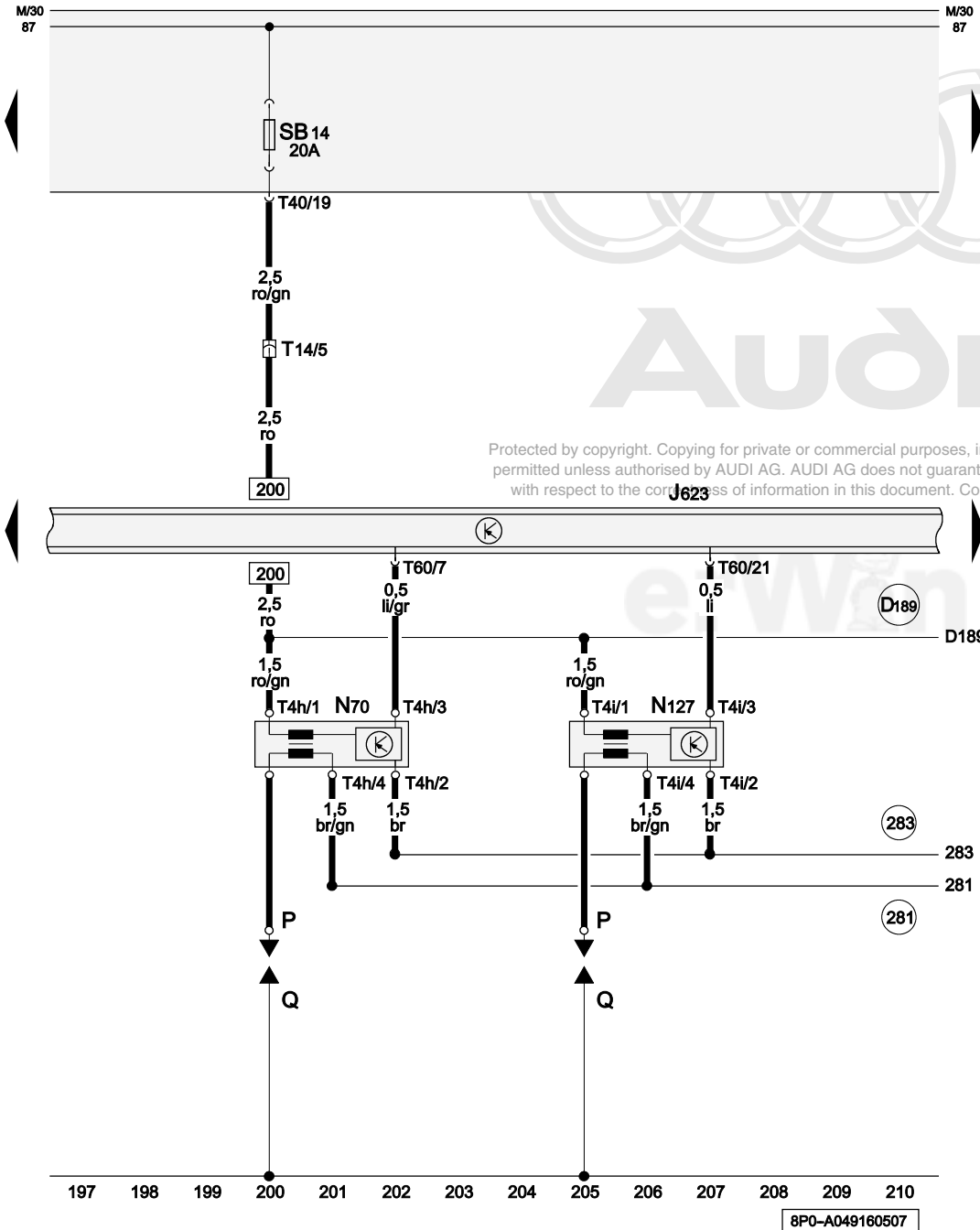
183 184 185 186 187 188 189 190 191 192 193 194 195 196

8P0-A049150307



- ws = white
- sw = black
- ro = red
- br = brown
- gn = green
- bl = blue
- gr = grey
- li = lilac
- ge = yellow
- or = orange
- rs = pink

Protected by copyright. Copying for private or commercial purposes, in part or in whole, is not permitted unless authorised by AUDI AG. AUDI AG does not guarantee or accept any liability with respect to the correctness of information in this document. Copyright by AUDI AG.



Ignition Coils 1 and 2 with Power Output Stage, Spark Plug Connectors, Spark Plugs

- J623 Engine Control Module (ECM)
- N70 Ignition Coil 1 with Power Output Stage
- N127 Ignition Coil 2 with Power Output Stage
- P Spark Plug Connectors
- Q Spark Plugs
- SB14 Fuse 14 (on fuse panel B)
- T4h 4-Pin Connector, black, on ignition coil 1 with power output stage
- T4i 4-Pin Connector, black, on ignition coil 2 with power output stage
- T14 14-Pin Connector, black, near left front long member
- T40 40-Pin Connector, black, on electronics box engine compartment (Connector J)
- T60 60-Pin Connector, black (Connector A)

- (281) Ground Connection 1 (in engine pre-wiring wiring harness)
- (283) Ground Connection 2 (in engine pre-wiring wiring harness)
- (D189) Connection (87a) (in engine pre-wiring wiring harness)

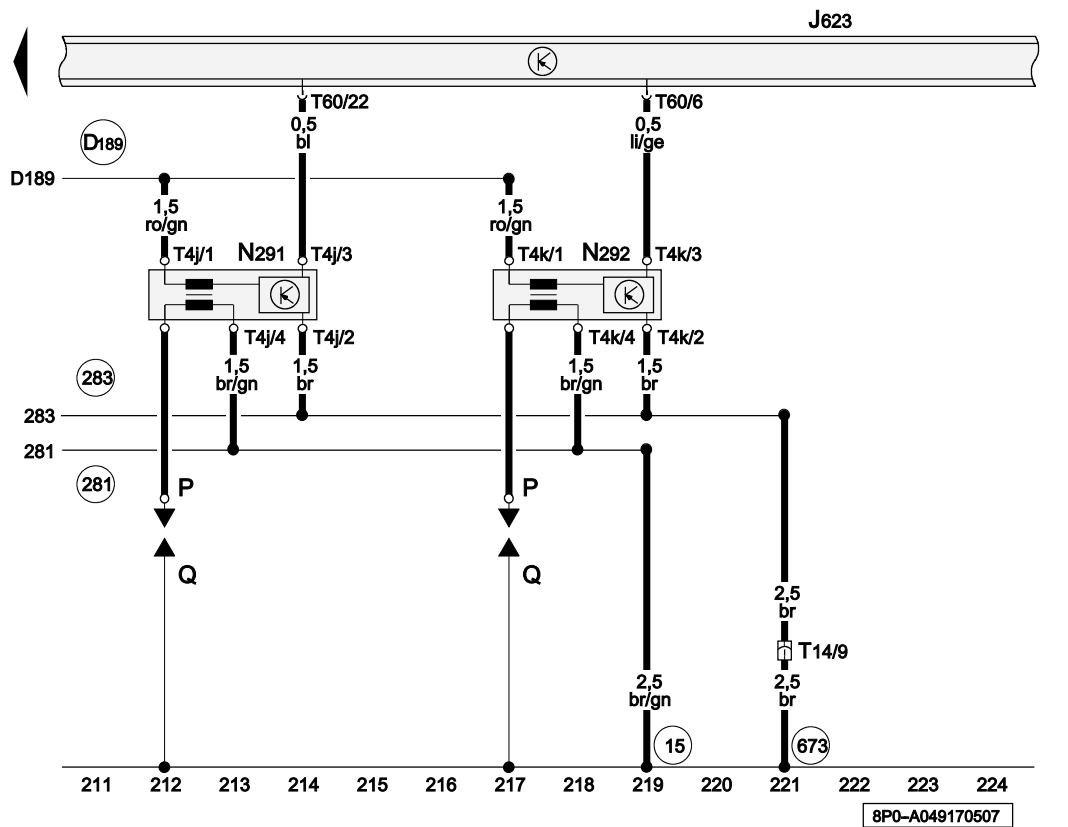
- ws = white
- sw = black
- ro = red
- br = brown
- gn = green
- bl = blue
- gr = grey
- li = lilac
- ge = yellow
- or = orange
- rs = pink



Ignition Coils 3 and 4 with Power Output Stage, Spark Plug Connectors, Spark Plugs

- J623 Engine Control Module (ECM)
- N291 Ignition Coil 3 with Power Output Stage
- N292 Ignition Coil 4 with Power Output Stage
- P Spark Plug Connectors
- Q Spark Plugs
- T4j 4-Pin Connector, black, on ignition coil 3 with power output stage
- T4k 4-Pin Connector, black, on ignition coil 4 with power output stage
- T14 14-Pin Connector, black, near left front long member
- T60 60-Pin Connector, black (Connector A)

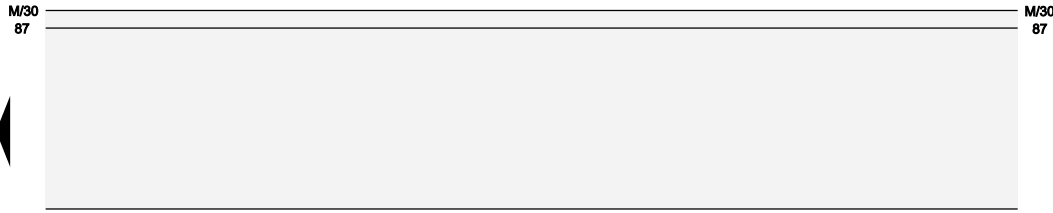
- 15 Ground Connection (on cylinder head)
- 281 Ground Connection 1 (in engine pre-wiring wiring harness)
- 283 Ground Connection 2 (in engine pre-wiring wiring harness)
- 673 Ground Connection 3 (on left front long member)
- D189 Connection (87a) (in engine pre-wiring wiring harness)



- ws = white
- sw = black
- ro = red
- br = brown
- gn = green
- bl = blue
- gr = grey
- li = lilac
- ge = yellow
- or = orange
- rs = pink

8P0-A049170507

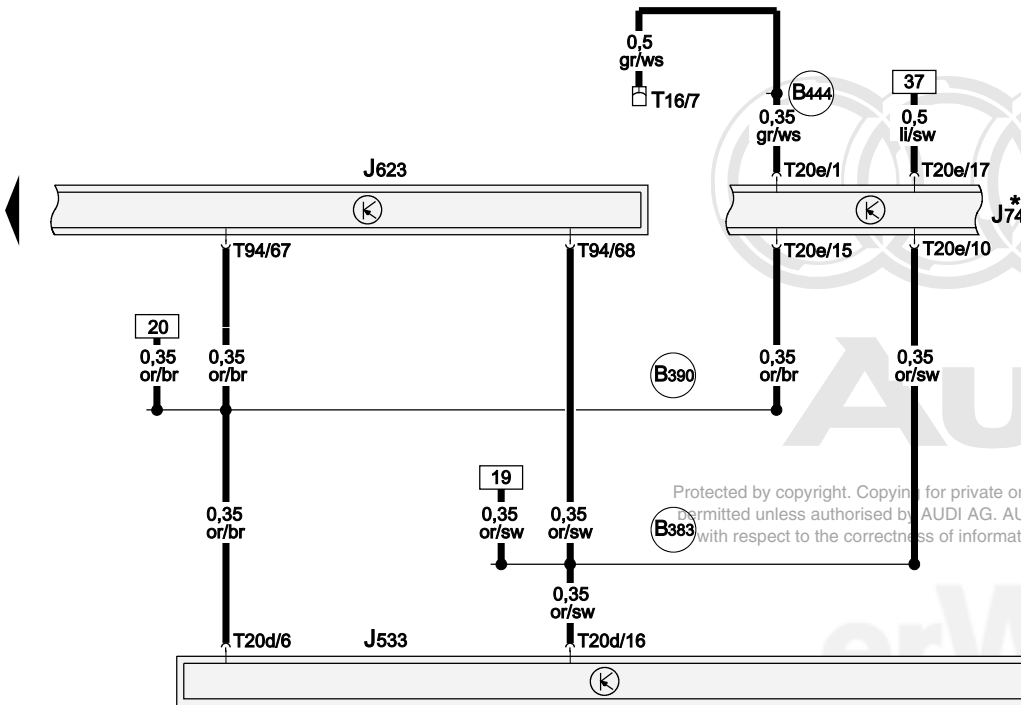
Protected by copyright. Copying for private or commercial purposes, in part or in whole, is not permitted unless authorised by AUDI AG. AUDI AG does not guarantee or accept any liability with respect to the correctness of information in this document. Copyright by AUDI AG.



Powertrain CAN-Bus, Diagnostic

- J533 Data Bus On Board Diagnostic Interface
- J623 Engine Control Module (ECM)
- J743 Direct Shift Gearbox (DSG) Mechatronic
- T16 16-Pin Connector, black, instrument panel driver's side, bottom left (diagnostic connector)
- T20d 20-Pin Connector, yellow (Connector A)
- T20e 20-Pin Connector, black (Connector A)
- T94 94-Pin Connector, black (Connector B)

- B383 Powertrain CAN-Bus High Connection 1 (in main wiring harness)
- B390 Powertrain CAN-Bus Low Connection 1 (in main wiring harness)
- B444 OBD Connection 1 (in main wiring harness)
- * Only models with automatic transmission

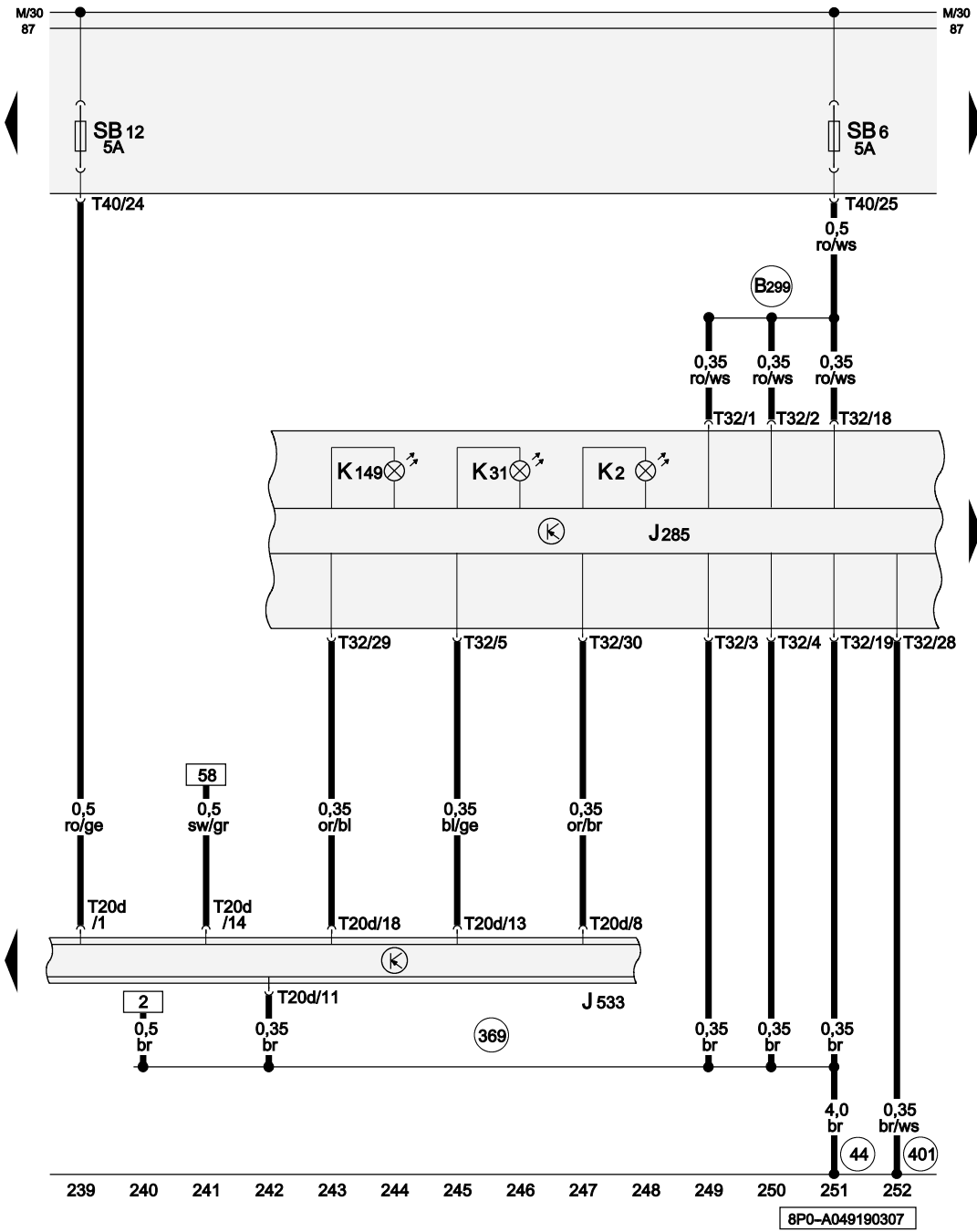


Protected by copyright. Copying for private or commercial purposes, in part or in whole, is not permitted unless authorised by AUDI AG. AUDI AG does not guarantee or accept any liability with respect to the correctness of information in this document. Copyright by AUDI AG.

- ws = white
- sw = black
- ro = red
- br = brown
- gn = green
- bl = blue
- gr = grey
- li = lilac
- ge = yellow
- or = orange
- rs = pink

225 226 227 228 229 230 231 232 233 234 235 236 237 238

8P0-A049180307



Data Bus On Board Diagnostic Interface

- J285 Instrument Cluster Control Module
- J533 Data Bus On Board Diagnostic Interface
- K2 Generator (GEN) Warning Lamp
- K31 Cruise Control Indicator Lamp
- K149 Engine Electronics Warning Lamp
- SB6 Fuse 6 (on fuse panel B)
- SB12 Fuse 12 (on fuse panel B)
- T20d 20-Pin Connector, yellow (Connector A)
- T32 32-Pin Connector, blue (Connector A)
- T40 40-Pin Connector, black, on electronics box engine compartment (Connector J)

- 44 Ground Connection (on left lower A-pillar)
- 369 Ground Connection 4 (in main wiring harness)
- 401 Sensor Ground Connection (in interior wiring harness)

Protected by copyright. B299 Plus Connection 3-(30) (in main wiring harness) not permitted unless authorised by AUDI AG. AUDI AG does not guarantee or accept any liability with respect to the correctness of information in this document. Copyright by AUDI AG.

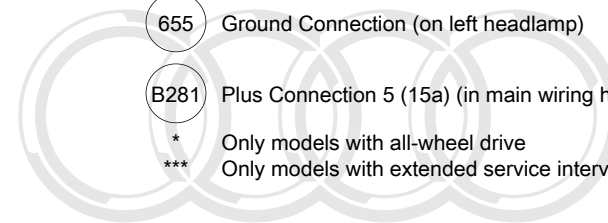
- ws = white
- sw = black
- ro = red
- br = brown
- gn = green
- bl = blue
- gr = grey
- li = lilac
- ge = yellow
- or = orange
- rs = pink



Oil Pressure Switch, Oil Level Thermal Sensor

- F1 Oil Pressure Switch
- G1 Fuel Gauge
- G3 Engine Coolant Temperature (ECT) Gauge
- G169 Fuel Level Sensor 2
- G266 Oil Level Thermal Sensor
- J285 Instrument Cluster Control Module
- K3 Oil Pressure Warning Lamp
- K16 Fuel Reserve Warning Lamp
- K28 Engine Coolant Level/Temperature (ECL/ECT) Warning Lamp
- T6 6-Pin Connector, black, near left front long member
- T14 14-Pin Connector, black, near left front long member
- T32 32-Pin Connector, blue (Connector A)

- 401 Sensor Ground Connection (in interior wiring harness)
- 366 Ground Connection 1 (in main wiring harness)
- 655 Ground Connection (on left headlamp)
- B281 Plus Connection 5 (15a) (in main wiring harness)
- * Only models with all-wheel drive
- *** Only models with extended service intervals

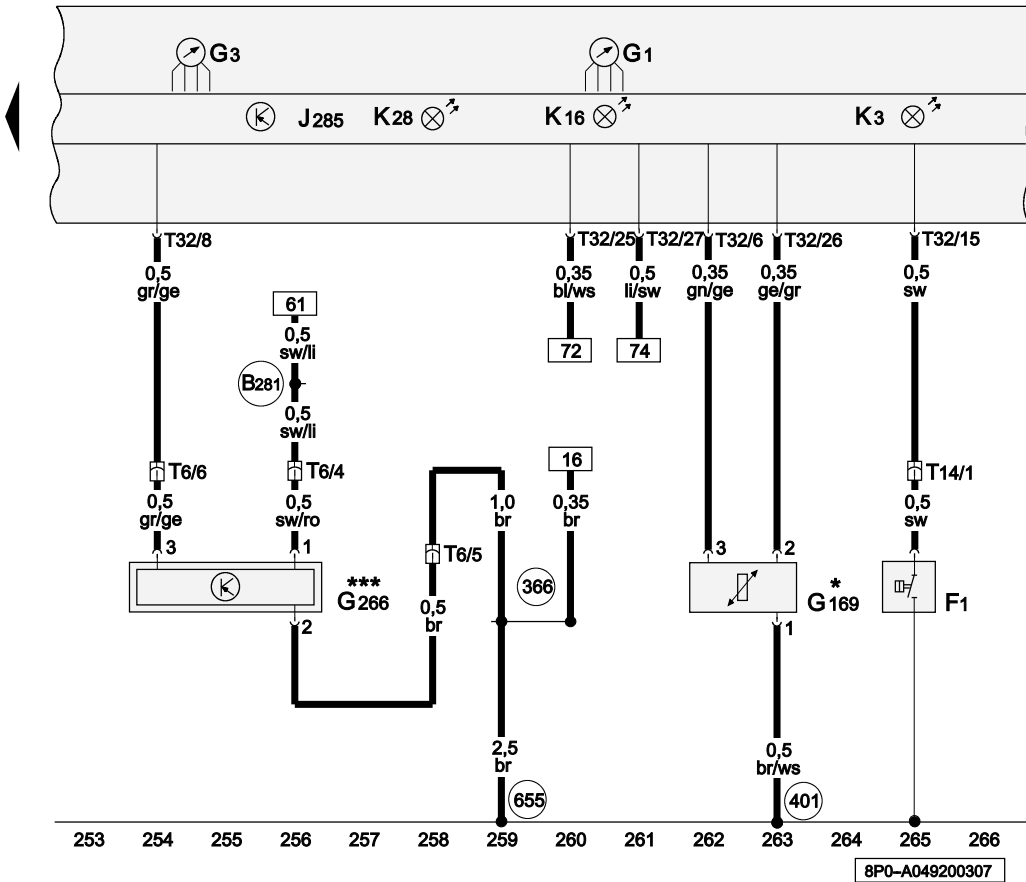


Audi

Protected by copyright. Copying for private or commercial purposes, in part or in whole, is not permitted unless authorised by AUDI AG. AUDI AG does not guarantee or accept any liability with respect to the correctness of information in this document. Copyright by AUDI AG.



- ws = white
- sw = black
- ro = red
- br = brown
- gn = green
- bl = blue
- gr = grey
- li = lilac
- ge = yellow
- or = orange
- rs = pink



2.0L fuel injection engine (TFSI - cylinder 4), CBFA

from September 2007

Note:

Information for

◆ Relay and fuse arrangements

◆ Connector arrangements

◆ Control Modules and Relays

◆ Ground Connections

⇒ Component Locations

Information for

◆ Troubleshooting Procedures

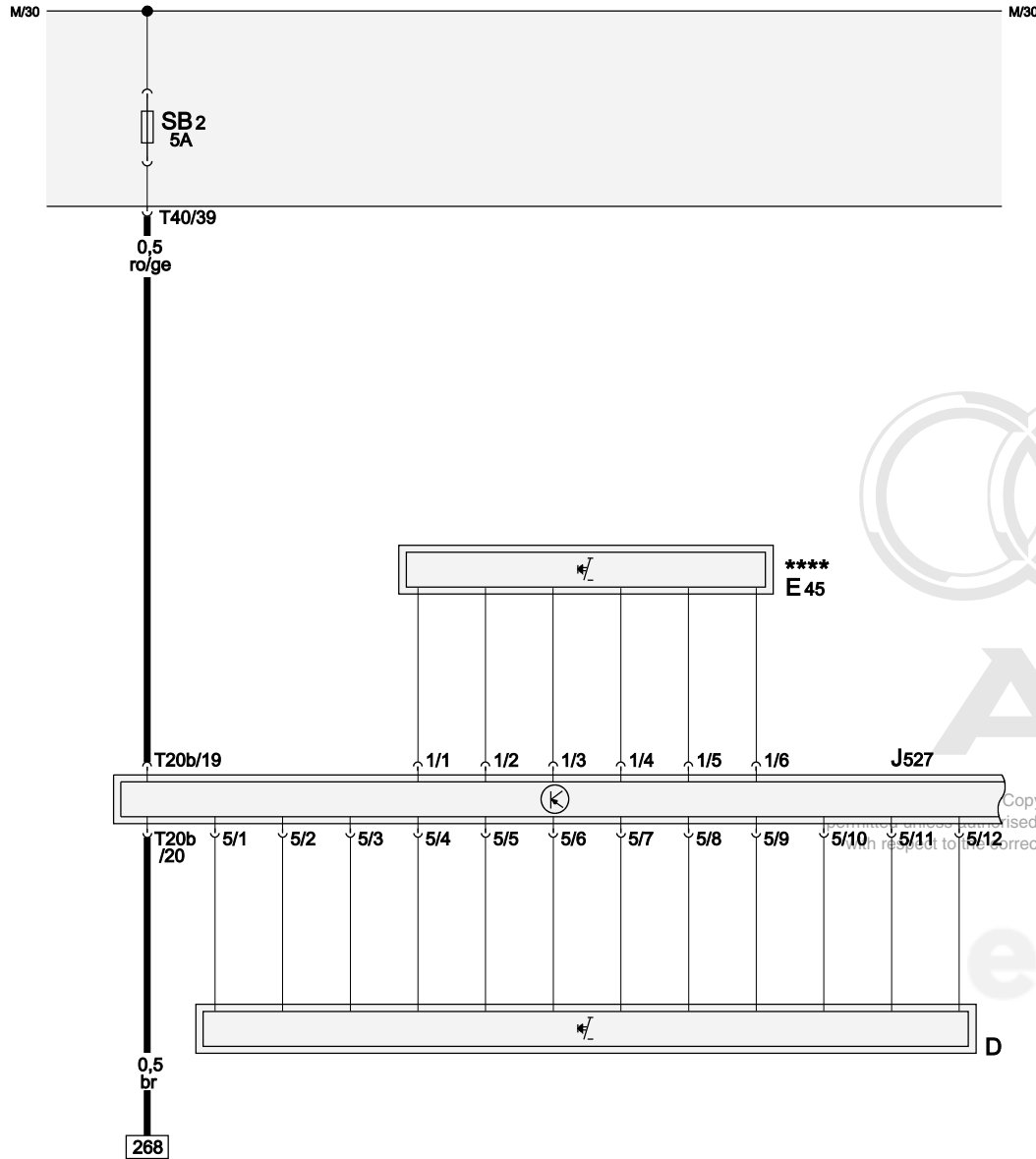
⇒ Guided Fault Finding using VAS 5051 / 5052



Audi

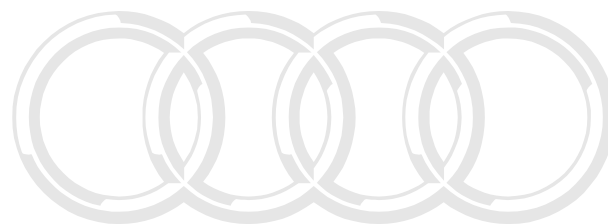
Protected by copyright. Copying for private or commercial purposes, in part or in whole, is not permitted unless authorised by AUDI AG. AUDI AG does not guarantee or accept any liability with respect to the correctness of information in this document. Copyright by AUDI AG.





Cruise Control Switch, Ignition/Starter Switch

- D Ignition/Starter Switch
- E45 Cruise Control Switch
- J527 Steering Column Electronic Systems Control Module
- SB2 Fuse 2 (on fuse panel B)
- T20b 20-Pin Connector, black (Connector A)
- T40 40-Pin Connector, black, on electronics box engine compartment (Connector J)
- **** Only for models with cruise control system



Audi

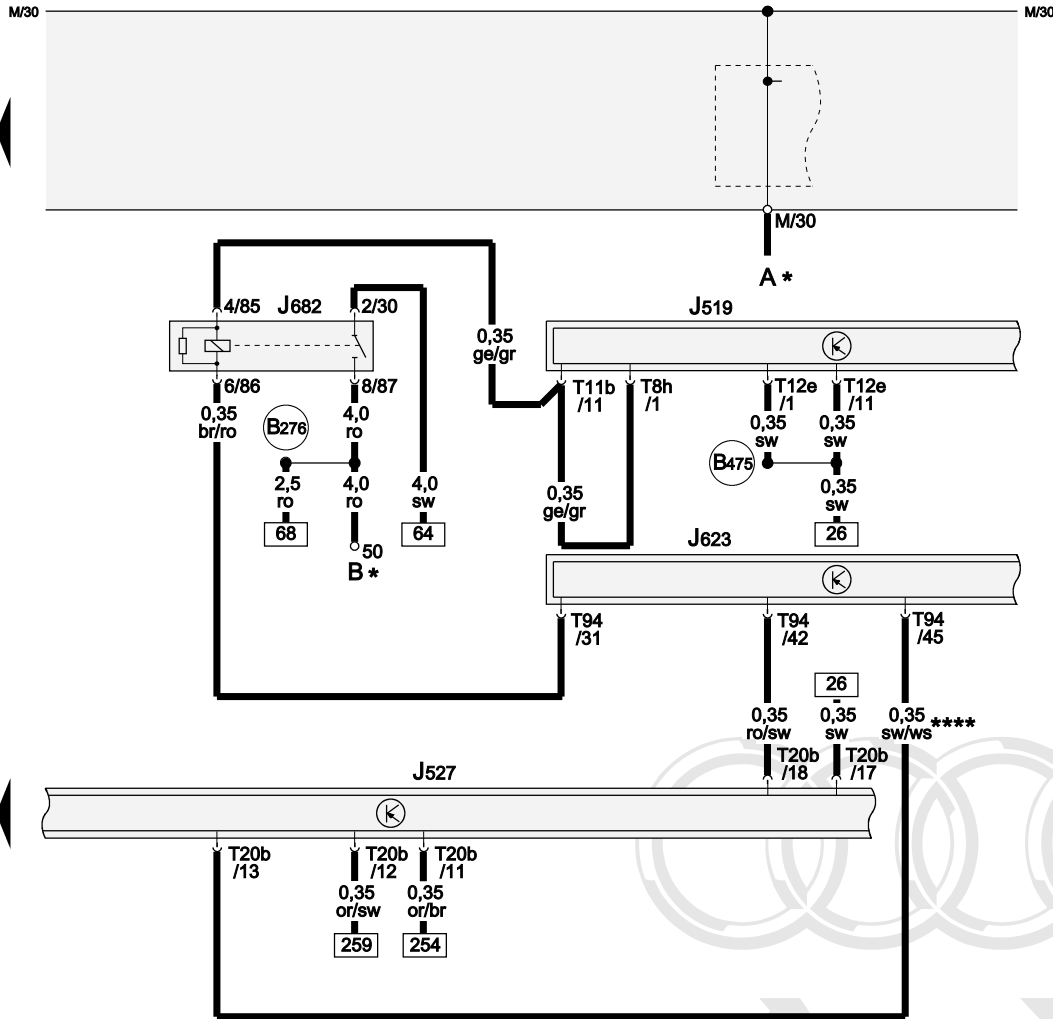
Copyright for private or commercial purposes, in part or in whole, is not permitted without the prior written consent of AUDI AG. AUDI AG does not guarantee or accept any liability in respect to the correctness of information in this document. Copyright by AUDI AG.



- ws = white
- sw = black
- ro = red
- br = brown
- gn = green
- bl = blue
- gr = grey
- li = lilac
- ge = yellow
- or = orange
- rs = pink

1 2 3 4 5 6 7 8 9 10 11 12 13 14

8P0-A050020307



Electronics Box Supply, Power Supply Relay (terminal 50)

- A Battery
- B Starter
- J519 Vehicle Electrical System Control Module
- J527 Steering Column Electronic Systems Control Module
- J623 Engine Control Module (ECM)
- J682 Power Supply Relay (terminal 50)
- T8h 8-Pin Connector, black (Connector F)
- T11b 11-Pin Connector, black (Connector A)
- T12e 12-Pin Connector, black (Connector G)
- T20b 20-Pin Connector, black (Connector A)
- T94 94-Pin Connector, black (Connector B)

(B276) Plus Connection (50) (in main wiring harness)

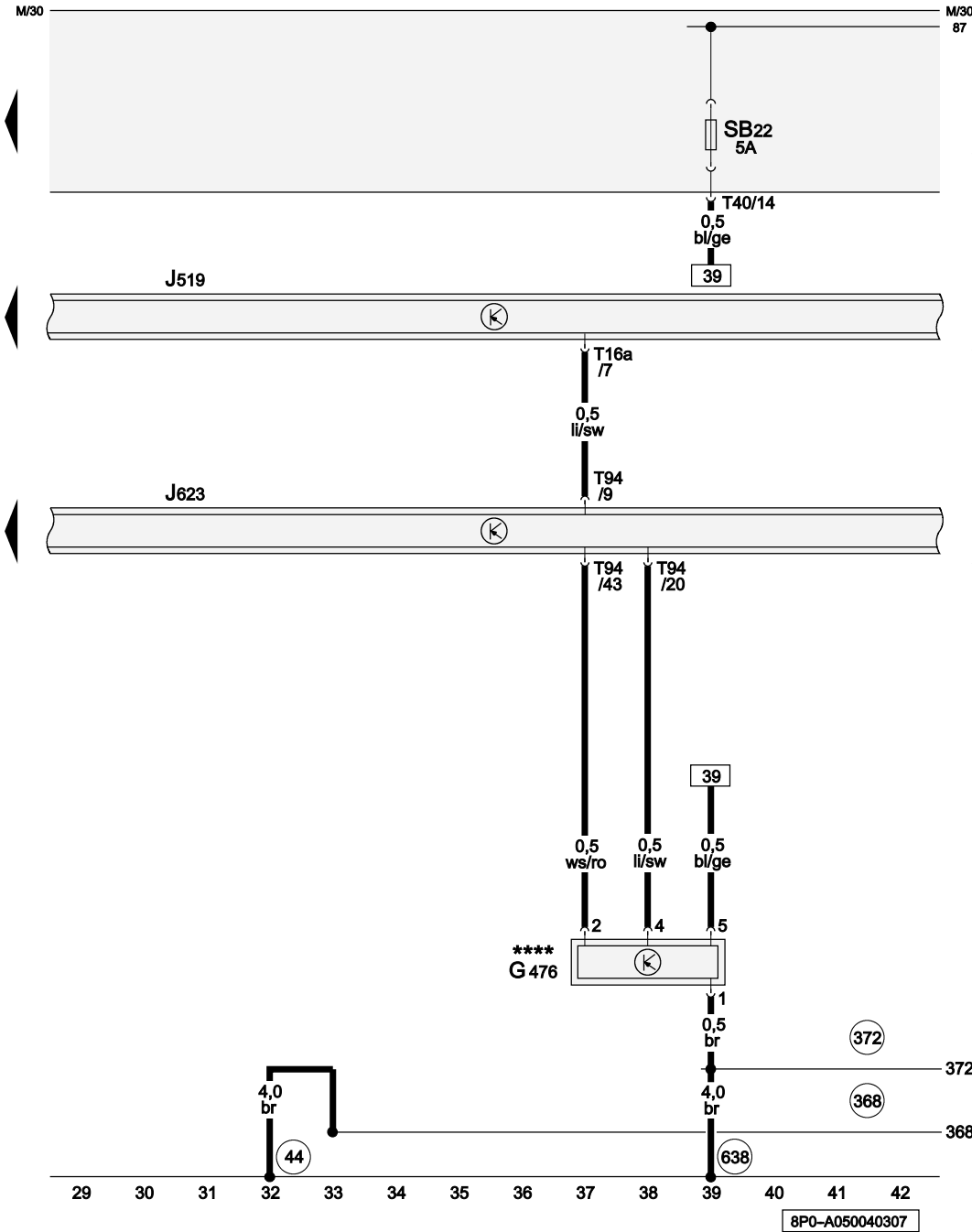
(B475) Connection 11 (in main wiring harness)

* ⇒ Applicable Wiring Diagram for models with battery in engine compartment

**** Only for models with cruise control system

- ws = white
- sw = black
- ro = red
- br = brown
- gn = green
- bl = blue
- gr = grey
- li = lilac
- ge = yellow
- or = orange
- rs = pink

Protected by copyright. Copying for private or commercial purposes, in part or in whole, is not permitted unless authorised by AUDI AG. AUDI AG does not guarantee or accept any liability with respect to the correctness of information in this document. Copyright © AUDI AG.



Clutch Position Sensor

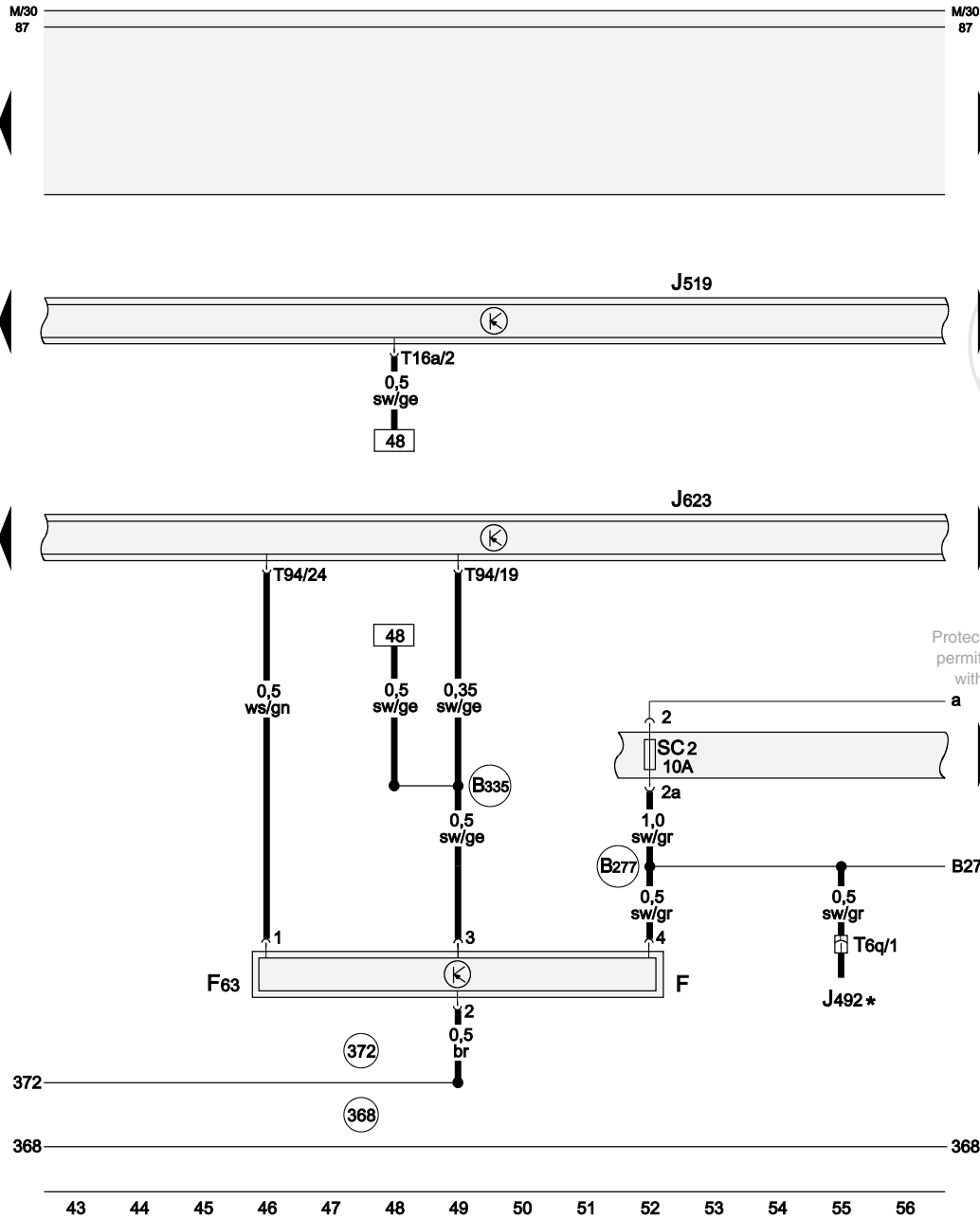
- G476 Clutch Position Sensor
- J519 Vehicle Electrical System Control Module
- J623 Engine Control Module (ECM)
- SB22 Fuse 22 (on fuse panel B)
- T16a 16-Pin Connector, black (Connector E)
- T40 40-Pin Connector, black, on electronics box engine compartment (Connector J)
- T94 94-Pin Connector, black (Connector B)

- 44 Ground Connection (on left lower A-pillar)
- 368 Ground Connection 3 (in main wiring harness)
- 372 Ground Connection 7 (in main wiring harness)
- 638 Ground Connection (on right A-pillar)

**** Only models with manual transmission

Protected by copyright. Copying for private or commercial purposes, in part or in whole, is not permitted unless authorised by AUDI AG. AUDI AG does not guarantee or accept any liability with respect to the correctness of information in this document. Copyright by AUDI AG.

- ws = white
- sw = black
- ro = red
- br = brown
- gn = green
- bl = blue
- gr = grey
- li = lilac
- ge = yellow
- or = orange
- rs = pink



Brake Light Switch, Brake Pedal Switch

- F Brake Light Switch
- F63 Brake Pedal Switch
- J492 All-Wheel Drive Control Module
- J519 Vehicle Electrical System Control Module
- J623 Engine Control Module (ECM)
- SC2 Fuse 2 (on fuse panel C)
- T6q 6-Pin Connector, black, near fuel level sensor 2
- T16a 16-Pin Connector, black (Connector E)
- T94 94-Pin Connector, black (Connector B)

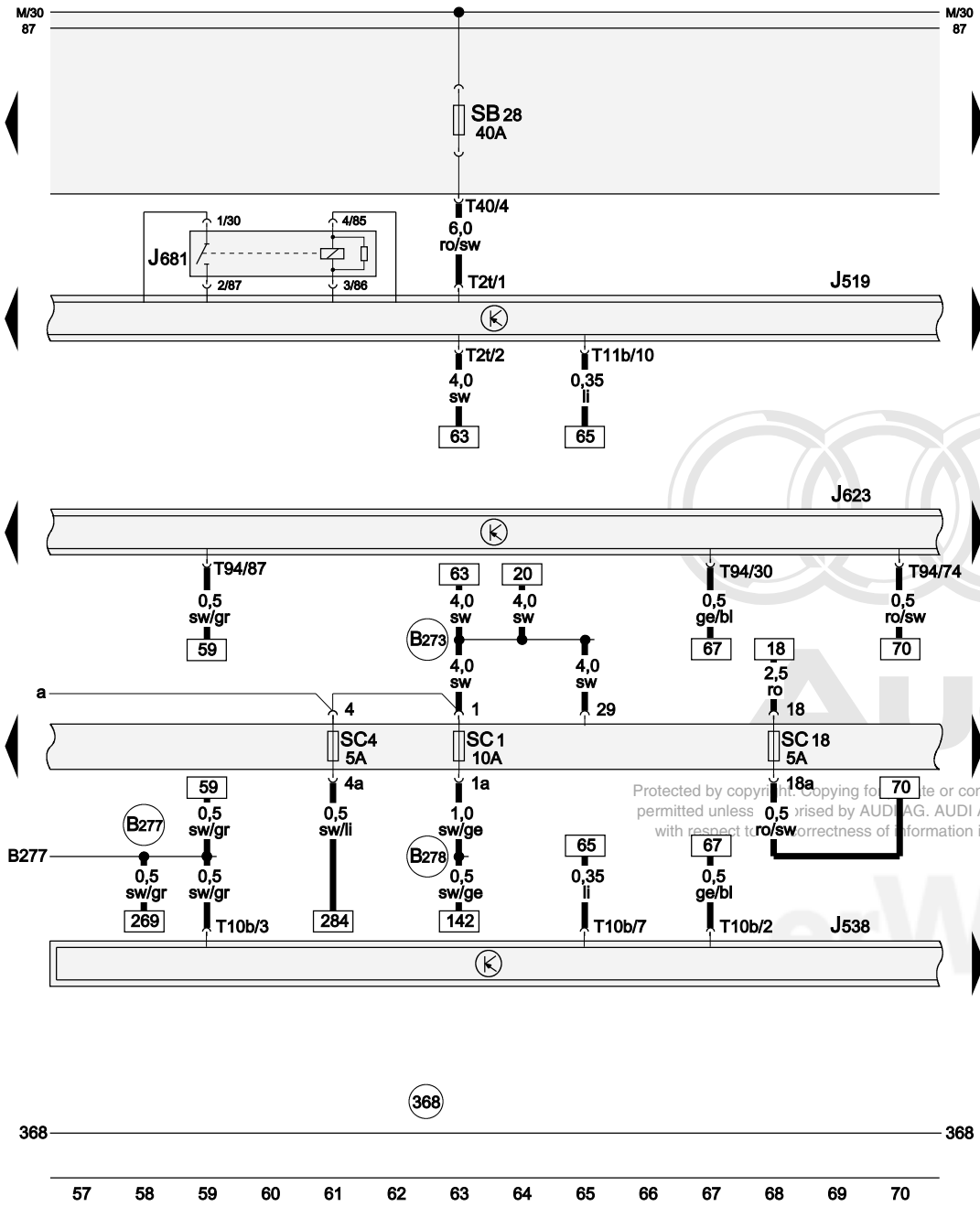
- 368 Ground Connection 3 (in main wiring harness)
- 372 Ground Connection 7 (in main wiring harness)
- B277 Plus Connection 1 (15a) (in main wiring harness)
- B335 Connection 1 (54) (in main wiring harness)

* Only models with all-wheel drive

Protected by copyright. Copying for private or commercial purposes, in part or in whole, is not permitted unless authorised by AUDI AG. AUDI AG does not guarantee or accept any liability with respect to the correctness of information in this document. Copyright by AUDI AG.

- ws = white
- sw = black
- ro = red
- br = brown
- gn = green
- bl = blue
- gr = grey
- li = lilac
- ge = yellow
- or = orange
- rs = pink

8P0-A050050307



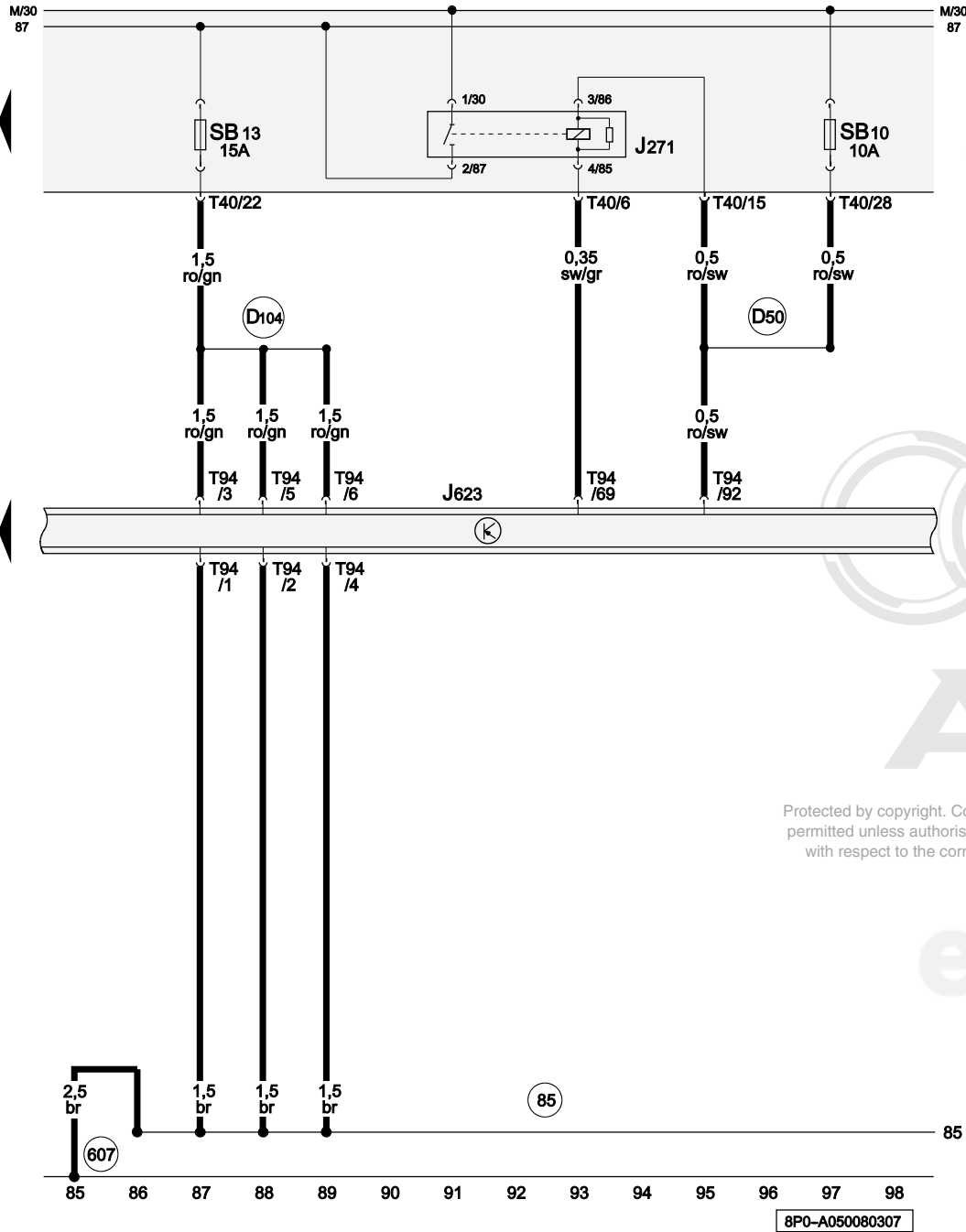
Power Supply Relay 2 (terminal 15)

- J519 Vehicle Electrical System Control Module
- J538 Fuel Pump (FP) Control Module
- J623 Engine Control Module (ECM)
- J681 Power Supply Relay 2 (terminal 15)
- SB28 Fuse 28 (on fuse panel B)
- SC1 Fuse 1 (on fuse panel C)
- SC4 Fuse 4 (on fuse panel C)
- SC18 Fuse 18 (on fuse panel C)
- T2t Double Connector, black (Connector L)
- T10b 10-Pin Connector, black (Connector A)
- T11b 11-Pin Connector, black (Connector A)
- T40 40-Pin Connector, black, on electronics box engine compartment (Connector J)
- T94 94-Pin Connector, black (Connector B)
- 368 Ground Connection 3 (in main wiring harness)
- B273 Plus Connection (15) (in main wiring harness)
- B277 Plus Connection 1 (15a) (in main wiring harness)
- B278 Plus Connection 2 (15a) (in main wiring harness)

Protected by copyright. Copying for private or commercial purposes, in part or in whole, is not permitted unless authorised by AUDI AG. AUDI AG does not guarantee or accept any liability with respect to the correctness of information in this document. Copyright by AUDI AG.

- ws = white
- sw = black
- ro = red
- br = brown
- gn = green
- bl = blue
- gr = grey
- li = lilac
- ge = yellow
- or = orange
- rs = pink

8P0-A050060307



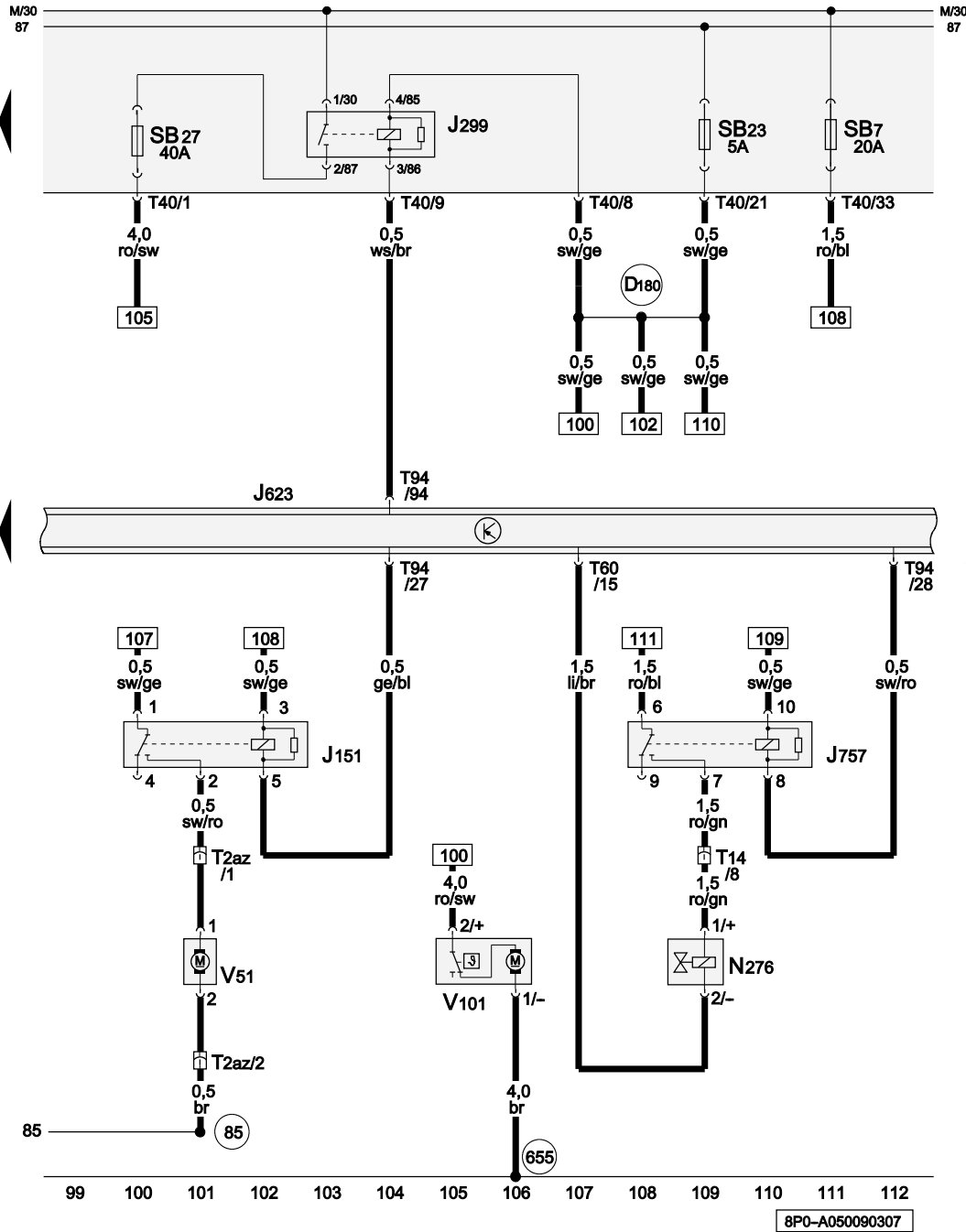
Motronic Engine Control Module (ECM) Power Supply Relay

- J271 Motronic Engine Control Module (ECM) Power Supply Relay
- J623 Engine Control Module (ECM)
- SB10 Fuse 10 (on fuse panel B)
- SB13 Fuse 13 (on fuse panel B)
- T40 40-Pin Connector, black, on electronics box engine compartment (Connector J)
- T94 94-Pin Connector, black (Connector B)
- 85 Ground Connection 1 (in engine compartment wiring harness)
- 607 Ground Connection (in plenum chamber, left)
- D50 Plus Connection (30) (in engine compartment wiring harness)
- D104 Plus Connection 2 (30a) (in engine compartment wiring harness)

Protected by copyright. Copying for private or commercial purposes, in part or in whole, is not permitted unless authorised by AUDI AG. AUDI AG does not guarantee or accept any liability with respect to the correctness of information in this document. Copyright by AUDI AG.

- ws = white
- sw = black
- ro = red
- br = brown
- gn = green
- bl = blue
- gr = grey
- li = lilac
- ge = yellow
- or = orange
- rs = pink

8P0-A050080307



Coolant Circulation Pump Relay, Secondary Air Injection (AIR) Pump Relay, Engine Component Power Supply Relay, Fuel Pressure Regulator Valve

- J151 Coolant Circulation Pump Relay
- J299 Secondary Air Injection (AIR) Pump Relay
- J623 Engine Control Module (ECM)
- J757 Engine Component Power Supply Relay
- N276 Fuel Pressure Regulator Valve
- SB7 Fuse 7 (on fuse panel B)
- SB23 Fuse 23 (on fuse panel B)
- SB27 Fuse 27 (on fuse panel B)
- T2az Double Connector
- T14 14-Pin Connector, black, near left front long member
- T40 40-Pin Connector, black, on electronics box engine compartment (Connector J)
- T60 60-Pin Connector, black (Connector A)
- T94 94-Pin Connector, black (Connector B)
- V51 After-Run Coolant Pump
- V101 Secondary Air Injection (AIR) Pump Motor

- 85 Ground Connection 1 (in engine compartment wiring harness)
- 655 Ground Connection (on left headlamp)
- D180 Connection (87a) (in engine compartment wiring harness)

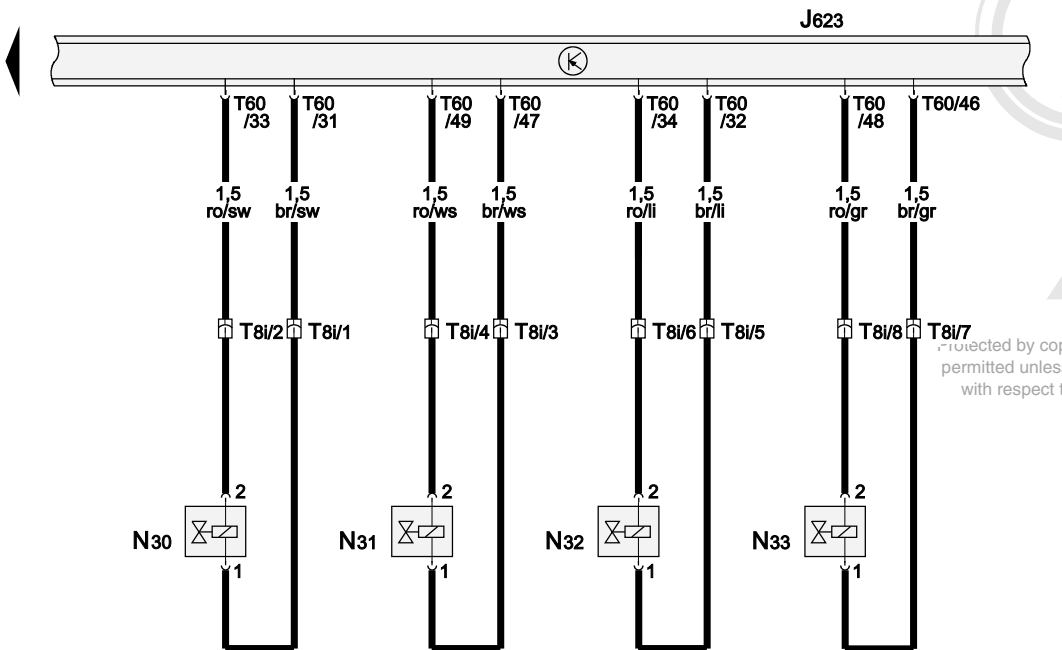
Protected by copyright. Copying for private or commercial purposes, in part or in whole, is not permitted unless authorised by AUDI AG. AUDI AG does not guarantee or accept any liability with respect to the correctness of information in this document. Copyright by AUDI AG.

- ws = white
- sw = black
- ro = red
- br = brown
- gn = green
- bl = blue
- gr = grey
- li = lilac
- ge = yellow
- or = orange
- rs = pink



Injectors

- J623 Engine Control Module (ECM)
- N30 Cylinder 1 Fuel Injector
- N31 Cylinder 2 Fuel Injector
- N32 Cylinder 3 Fuel Injector
- N33 Cylinder 4 Fuel Injector
- T8i 8-Pin Connector, black, near fuel injectors
- T60 60-Pin Connector, black (Connector A)

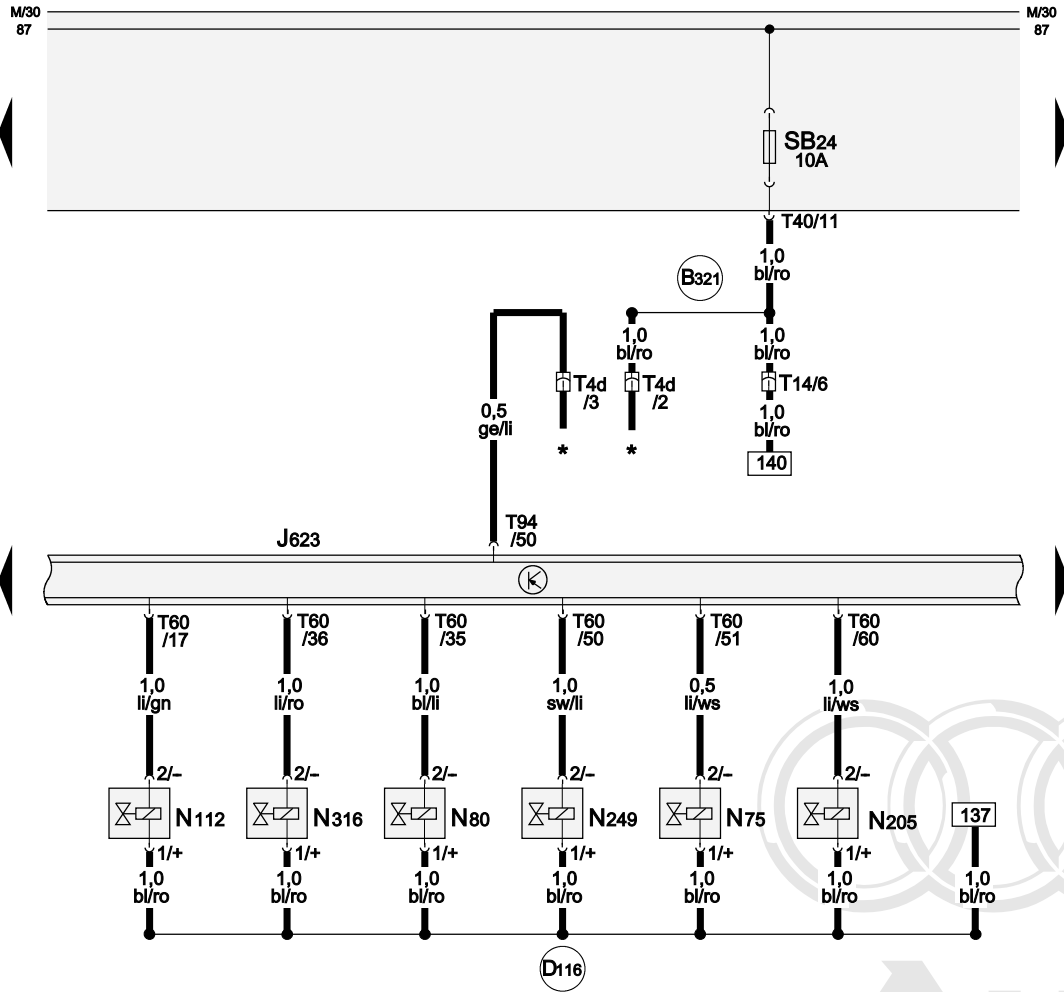


Protected by copyright. Copying for private or commercial purposes, in part or in whole, is not permitted unless authorised by AUDI AG. AUDI AG does not guarantee or accept any liability with respect to the correctness of information in this document. Copyright by AUDI AG.

- ws = white
- sw = black
- ro = red
- br = brown
- gn = green
- bl = blue
- gr = grey
- li = lilac
- ge = yellow
- or = orange
- rs = pink

113 114 115 116 117 118 119 120 121 122 123 124 125 126

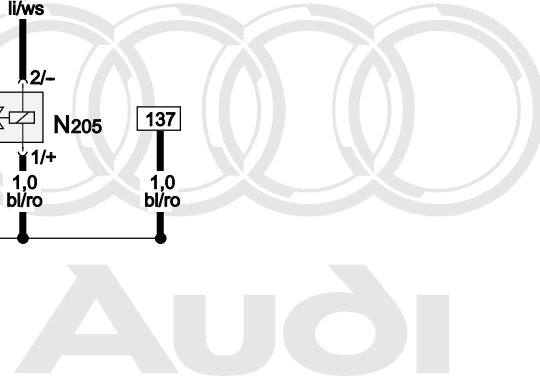
8P0-A050100307



Solenoid Valves

- J623 Engine Control Module (ECM)
- N75 Wastegate Bypass Regulator Valve
- N80 Evaporative Emission (EVAP) Canister Purge Regulator Valve 1
- N112 Secondary Air Injection (AIR) Solenoid Valve
- N205 Camshaft Adjustment Valve 1
- N249 Turbocharger Recirculating Valve
- N316 Intake Manifold Runner Control (IMRC) Valve
- SB24 Fuse 24 (on fuse panel B)
- T4d 4-Pin Connector, black, on coolant fan control (FC) (front end)
- T14 14-Pin Connector, black, near left front long member
- T40 40-Pin Connector, black, on electronics box engine compartment (Connector J)
- T60 60-Pin Connector, black (Connector A)
- T94 94-Pin Connector, black (Connector B)

- B321 Plus Connection 7 (30a) (in main wiring harness)
- D116 Connection 14 (in engine compartment wiring harness)
- * ⇒ Applicable Wiring Diagram Coolant Fan Control



Protected by copyright. Copying for private or commercial purposes, in part or in whole, is not permitted unless authorised by AUDI AG. AUDI AG does not guarantee or accept any liability with respect to the correctness of information in this document. Copyright by AUDI AG.

- ws = white
- sw = black
- ro = red
- br = brown
- gn = green
- bl = blue
- gr = grey
- li = lilac
- ge = yellow
- or = orange
- rs = pink



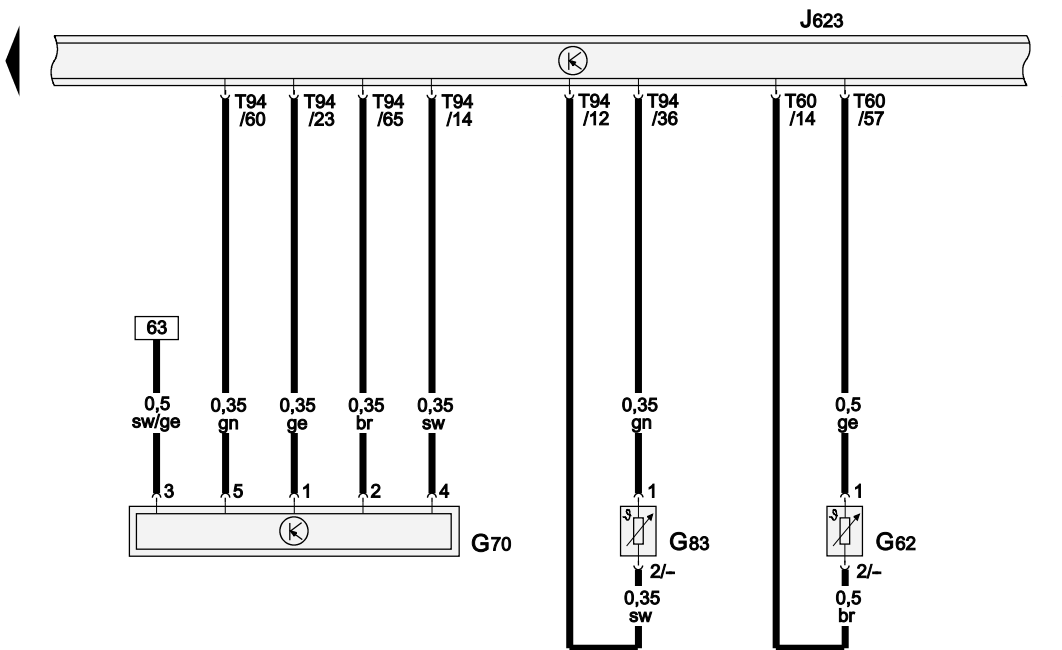
Mass Air Flow (MAF) Sensor, Engine Coolant Temperature (ECT) Sensor, Engine Coolant Temperature (ECT) Sensor (on Radiator)

- G62 Engine Coolant Temperature (ECT) Sensor
- G70 Mass Air Flow (MAF) Sensor
- G83 Engine Coolant Temperature (ECT) Sensor (on Radiator)
- J623 Engine Control Module (ECM)
- T60 60-Pin Connector, black (Connector A)
- T94 94-Pin Connector, black (Connector B)



Audi

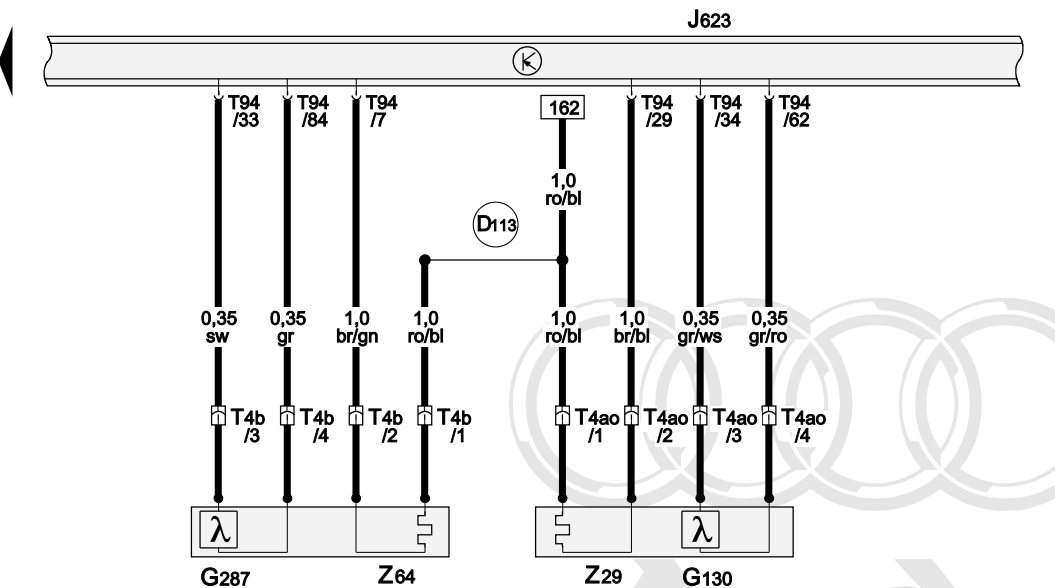
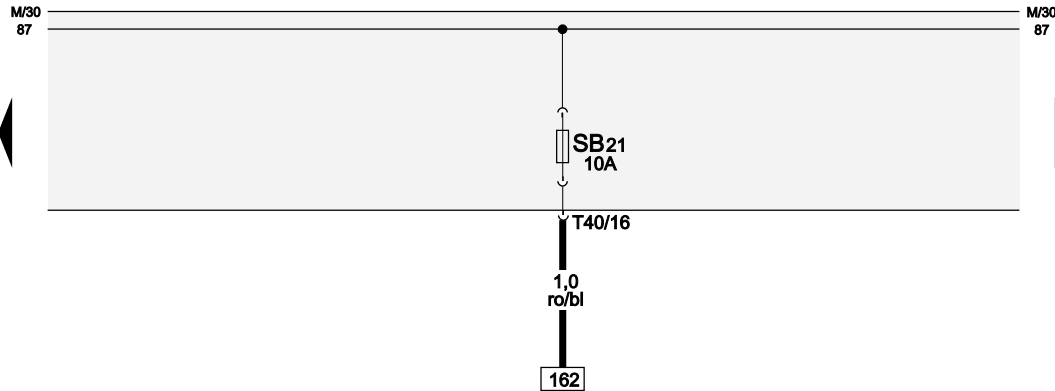
Protected by copyright. Copying for private or commercial purposes, in part or in whole, is not permitted unless authorised by AUDI AG. AUDI AG does not guarantee or accept any liability with respect to the correctness of information in this document. Copyright by AUDI AG.



- ws = white
- sw = black
- ro = red
- br = brown
- gn = green
- bl = blue
- gr = grey
- li = lilac
- ge = yellow
- or = orange
- rs = pink

141 142 143 144 145 146 147 148 149 150 151 152 153 154

8P0-A050120307



Oxygen Sensors (O2S) Behind Three Way Catalytic Converter (TWC)

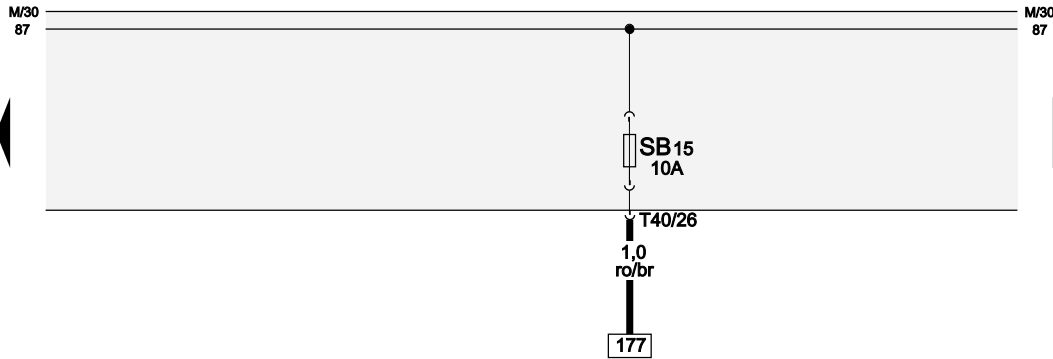
- J623 Engine Control Module (ECM)
- SB21 Fuse 21 (on fuse panel B)
- T4b 4-Pin Connector, black, on oxygen sensor (O2S) behind three way catalytic converter (TWC)
- T4ao 4-Pin Connector, brown, on center heated oxygen sensor (HO2S)
- T40 40-Pin Connector, black, on electronics box engine compartment (Connector J)
- T94 94-Pin Connector, black (Connector B)
- G130 Oxygen Sensor (O2S) Behind Three Way Catalytic Converter (TWC)
- G287 Oxygen Sensor (O2S) 3 Behind Three Way Catalytic Converter (TWC)
- Z29 Oxygen Sensor (O2S) Heater 1 (behind Three Way Catalytic Converter (TWC)
- Z64 Oxygen Sensor (O2S) Heater 3 (behind Three Way Catalytic Converter (TWC)
- D113 Connection 11 (in engine compartment wiring harness)

- ws = white
- sw = black
- ro = red
- br = brown
- gn = green
- bl = blue
- gr = grey
- li = lilac
- ge = yellow
- or = orange
- rs = pink

Protected by copyright. Copying for private or commercial purposes, in part or in whole, is not permitted unless authorised by AUDI AG. AUDI AG does not guarantee or accept any liability with respect to the correctness of information in this document. Copyright by AUDI AG.

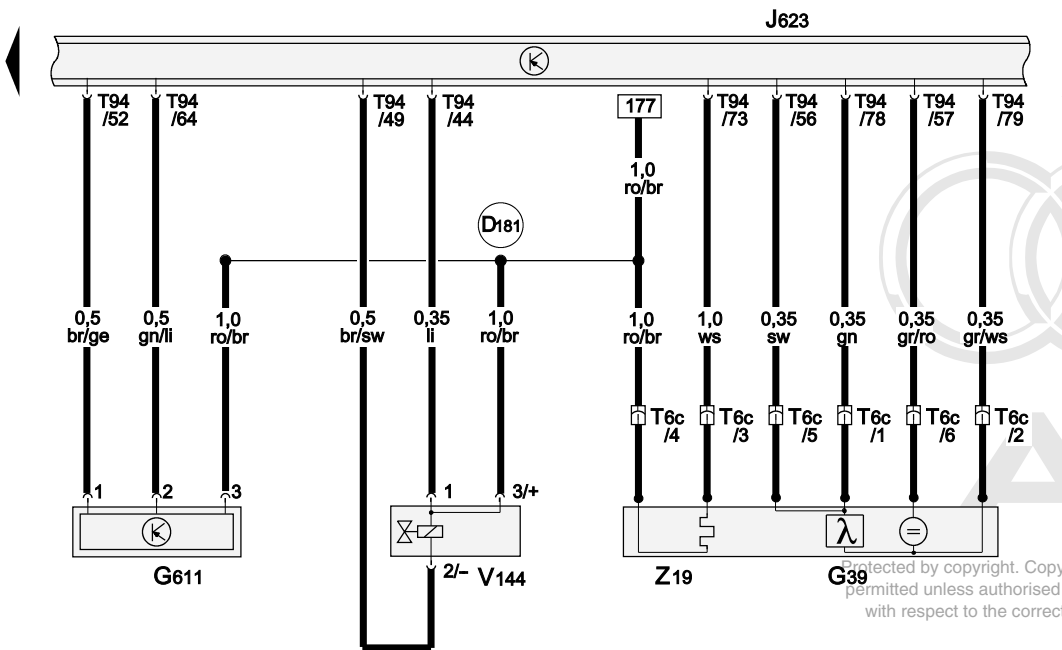
155 156 157 158 159 160 161 162 163 164 165 166 167 168

8P0-A050131007



Heated Oxygen Sensor (HO2S), Pressure Sensor, Leak Detection Pump (LDP)

- G39 Heated Oxygen Sensor (HO2S)
 - G611 Radiator Identification Sensor
 - J623 Engine Control Module (ECM)
 - SB15 Fuse 15 (on fuse panel B)
 - T6c 6-Pin Connector, black, on oxygen sensor (O2S) before three way catalytic converter (TWC)
 - T40 40-Pin Connector, black, on electronics box engine compartment (Connector J)
 - T94 94-Pin Connector, black (Connector B)
 - V144 Leak Detection Pump (LDP)
 - Z19 Oxygen Sensor (O2S) Heater
- (D181) Connection 2 (87a) (in engine compartment wiring harness)



Protected by copyright. Copying for private or commercial purposes, in part or in whole, is not permitted unless authorised by AUDI AG. AUDI AG does not guarantee or accept any liability with respect to the correctness of information in this document. Copyright by AUDI AG.

- ws = white
- sw = black
- ro = red
- br = brown
- gn = green
- bl = blue
- gr = grey
- li = lilac
- ge = yellow
- or = orange
- rs = pink

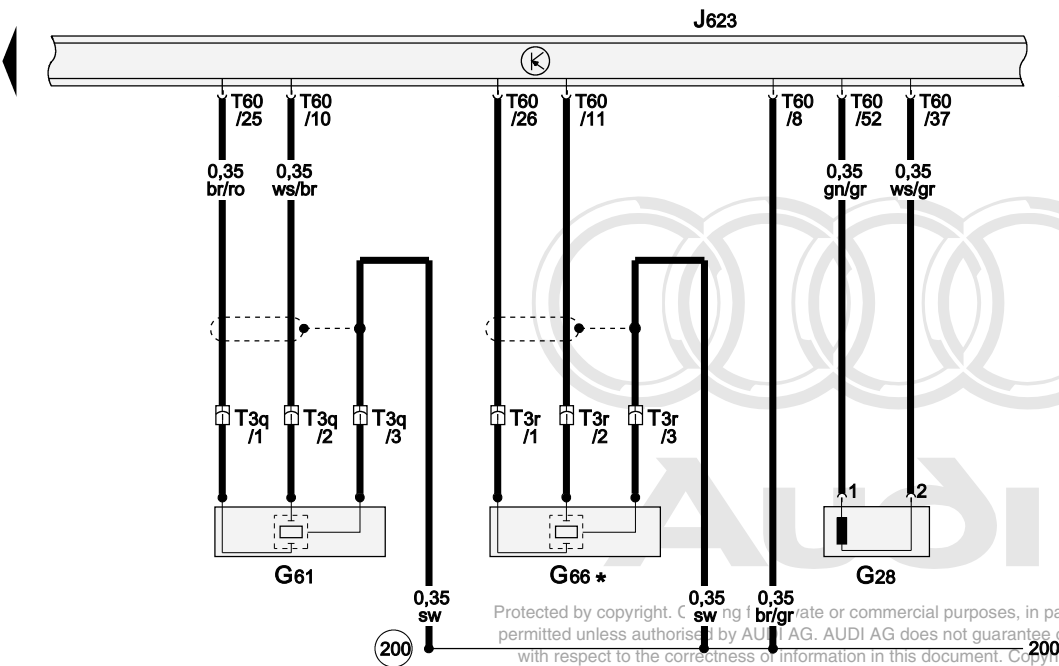
169 170 171 172 173 174 175 176 177 178 179 180 181 182

8P0-A050140307



Knock Sensors (KS), Engine Speed (RPM) Sensor

- G28 Engine Speed (RPM) Sensor
- G61 Knock Sensor (KS) 1
- G66 Knock Sensor (KS) 2
- J623 Engine Control Module (ECM)
- T3q 3-Pin Connector, green, in left engine compartment (knock sensor)
- T3r 3-Pin Connector, grey, in left engine compartment (knock sensor)
- T60 60-Pin Connector, black (Connector A)
- 200 Ground Connection (shielding) (in engine compartment wiring harness)
- * Option



- ws = white
- sw = black
- ro = red
- br = brown
- gn = green
- bl = blue
- gr = grey
- li = lilac
- ge = yellow
- or = orange
- rs = pink

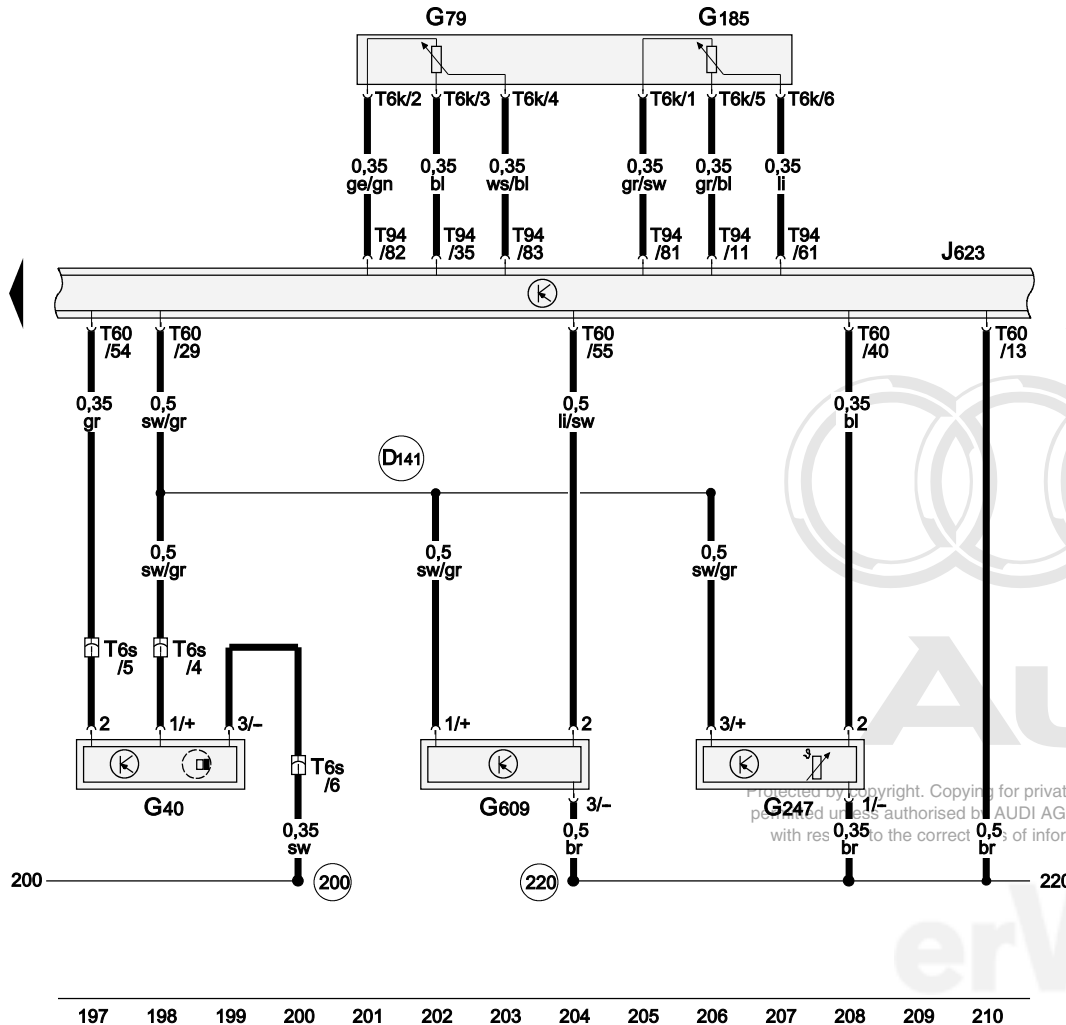
183 184 185 186 187 188 189 190 191 192 193 194 195 196

8P0-A050150307



Throttle Position (TP) Sensor, Camshaft Position (CMP) Sensor, Fuel Pressure Sensor, Secondary Air Injection (AIR) Sensor 1

- G40 Camshaft Position (CMP) Sensor
- G79 Throttle Position (TP) Sensor
- G185 Accelerator Pedal Position Sensor 2
- G247 Fuel Pressure Sensor
- G609 Secondary Air Injection (AIR) Sensor 1
- J623 Engine Control Module (ECM)
- T6k 6-Pin Connector, black, near throttle position (TP) sensor
- T6s 6-Pin Connector, black, behind intake manifold
- T60 60-Pin Connector, black (Connector A)
- T94 94-Pin Connector, black (Connector B)
- (200) Ground Connection (shielding) (in engine compartment wiring harness)
- (220) Sensor Ground Connection (in engine wiring harness)
- (D141) Connection (5V) (in engine pre-wiring wiring harness)



Protected by copyright. Copying for private or commercial purposes, in part or in whole, is not permitted unless authorised by AUDI AG. AUDI AG does not guarantee or accept any liability with respect to the correctness of information in this document. Copyright by AUDI AG.

- ws = white
- sw = black
- ro = red
- br = brown
- gn = green
- bl = blue
- gr = grey
- li = lilac
- ge = yellow
- or = orange
- rs = pink

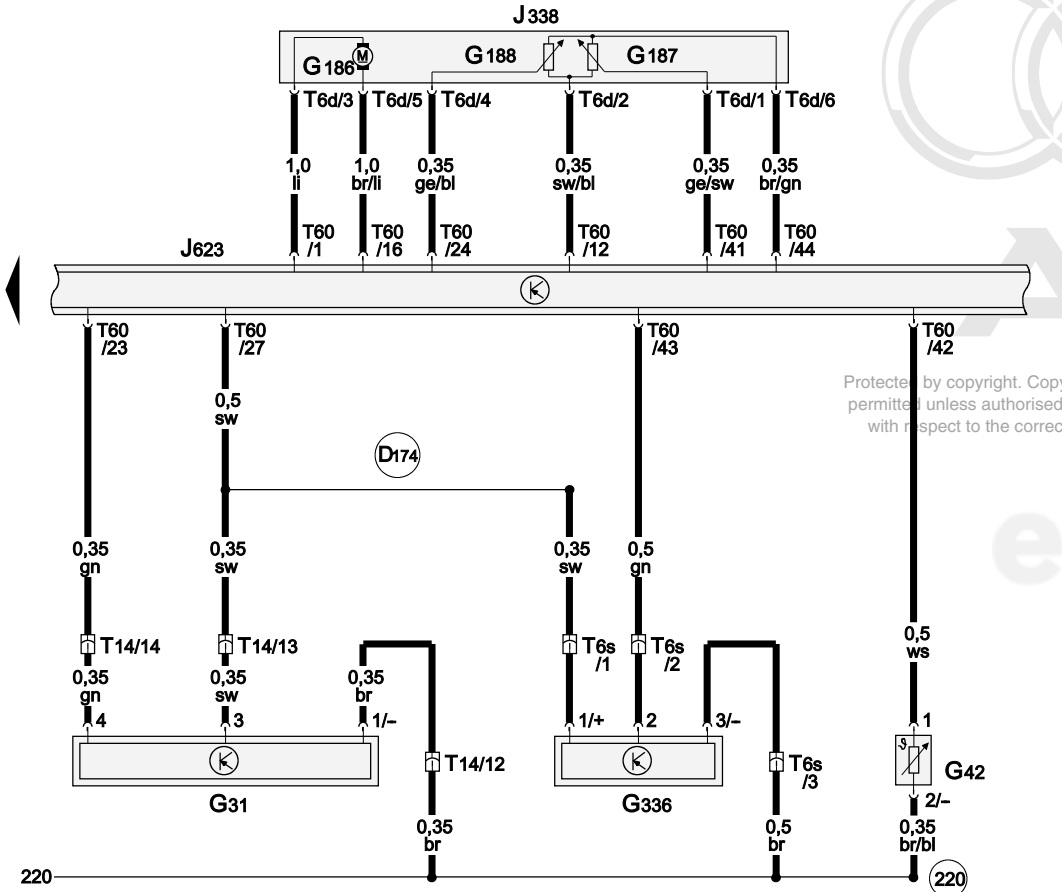
8P0-A050160307



Intake Air Temperature (IAT) Sensor, Throttle Valve Control Module, Charge Air Pressure Sensor, Intake Manifold Runner Position Sensor

- G31 Charge Air Pressure Sensor
- G42 Intake Air Temperature (IAT) Sensor
- G186 Throttle Drive (for Electronic Power Control (EPC))
- G187 Throttle Drive Angle Sensor 1 (for Electronic Power Control (EPC))
- G188 Throttle Drive Angle Sensor 2 (for Electronic Power Control (EPC))
- G336 Intake Manifold Runner Position Sensor
- J338 Throttle Valve Control Module
- J623 Engine Control Module (ECM)
- T6d 6-Pin Connector, black, near throttle valve control module
- T6s 6-Pin Connector, black, behind intake manifold
- T14 14-Pin Connector, black, near left front long member
- T60 60-Pin Connector, black (Connector A)

- (220) Sensor Ground Connection (in engine wiring harness)
- (D174) Connection 2 (5V) (in engine pre-wiring wiring harness)

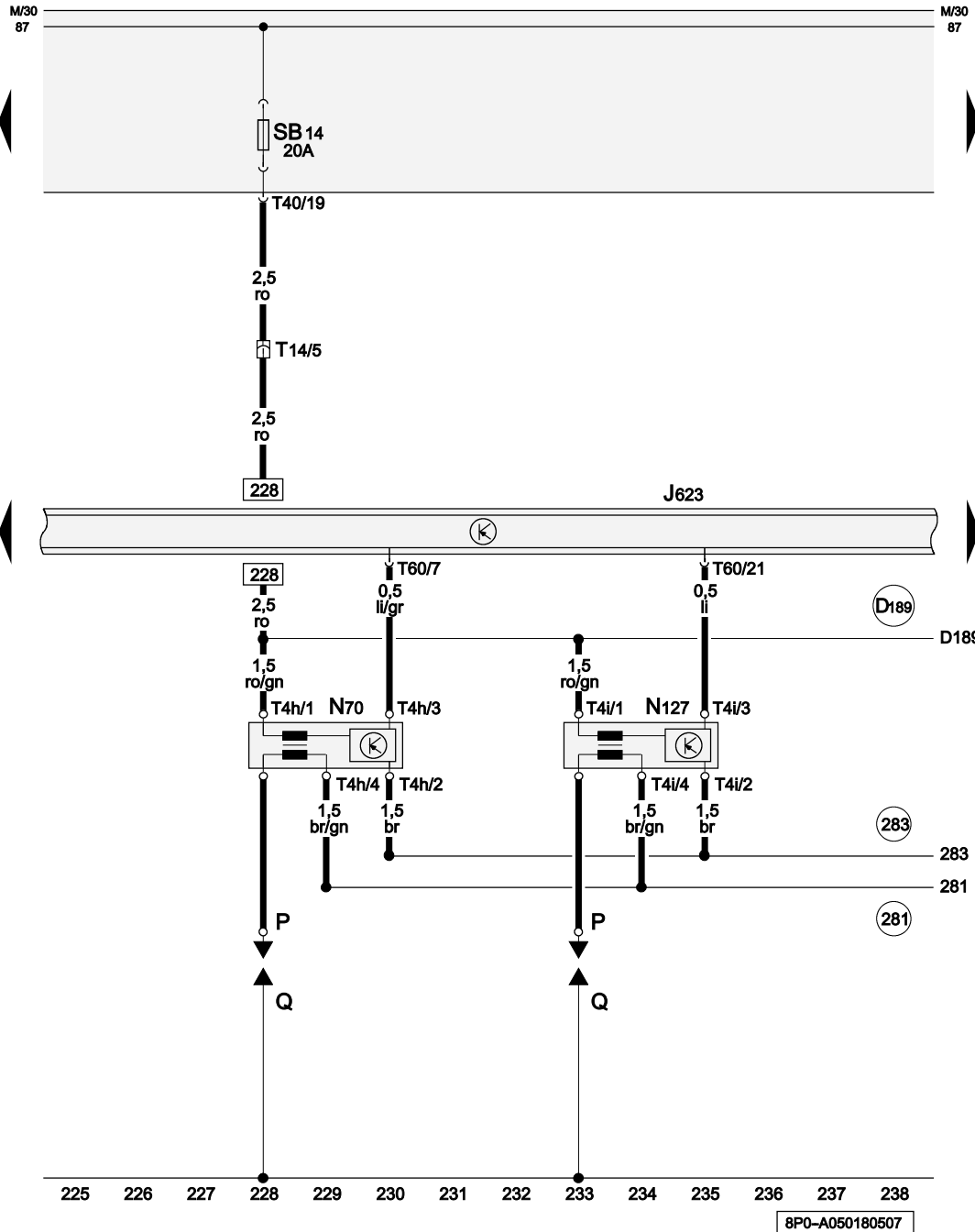


Protected by copyright. Copying for private or commercial purposes, in part or in whole, is not permitted unless authorised by AUDI AG. AUDI AG does not guarantee or accept any liability with respect to the correctness of information in this document. Copyright by AUDI AG.

- ws = white
- sw = black
- ro = red
- br = brown
- gn = green
- bl = blue
- gr = grey
- li = lilac
- ge = yellow
- or = orange
- rs = pink

211 212 213 214 215 216 217 218 219 220 221 222 223 224

8P0-A050170307



Ignition Coils 1 and 2 with Power Output Stage, Spark Plug Connectors, Spark Plugs

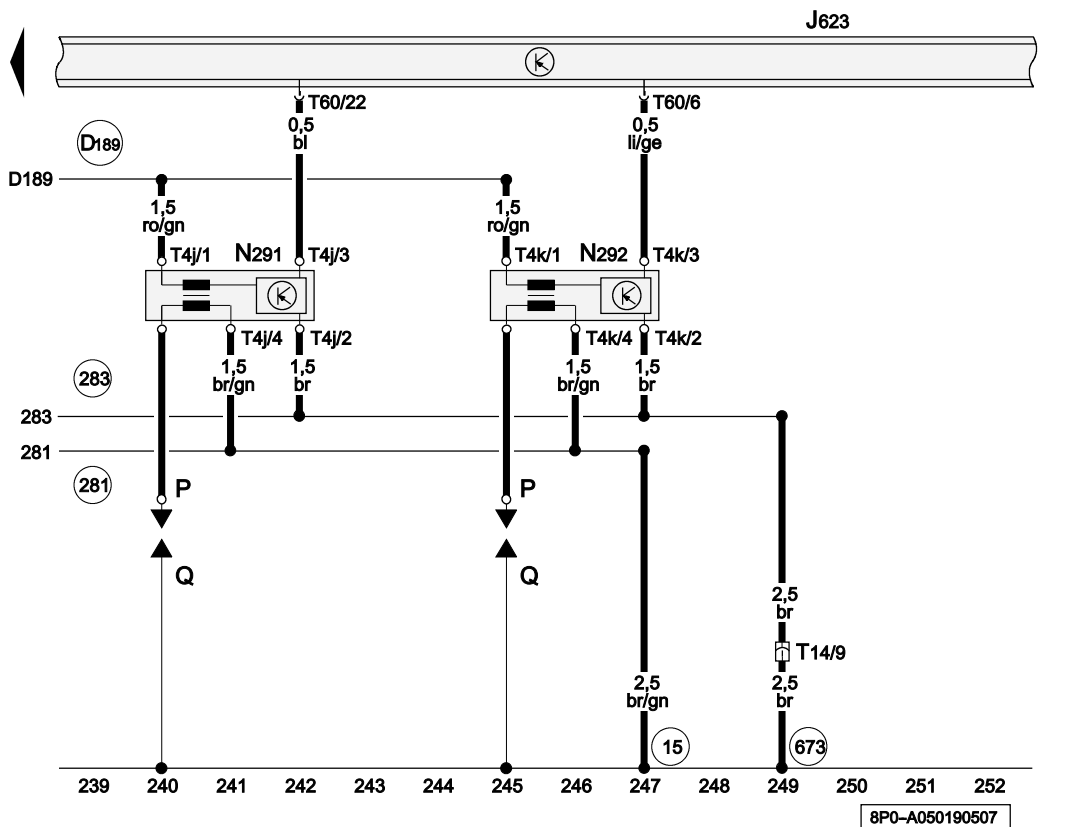
- J623 Engine Control Module (ECM)
- N70 Ignition Coil 1 with Power Output Stage
- N127 Ignition Coil 2 with Power Output Stage
- P Spark Plug Connectors
- Q Spark Plugs
- SB14 Fuse 14 (on fuse panel B)
- T4h 4-Pin Connector, black, on ignition coil 1 with power output stage
- T4i 4-Pin Connector, black, on ignition coil 2 with power output stage
- T14 14-Pin Connector, black, near left front long member
- T40 40-Pin Connector, black, on electronics box engine compartment (Connector J)
- T60 60-Pin Connector, black (Connector A)

Protected by copyright. Copying for private or commercial purposes in part or in whole is not permitted unless authorised by AUDI AG. AUDI AG does not guarantee or accept any liability with respect to the correctness of information in this document. Copyright by AUDI AG.

- 281 Ground Connection 1 (in engine pre-wiring wiring harness)
- 283 Ground Connection 2 (in engine pre-wiring wiring harness)
- D189 Connection (87a) (in engine pre-wiring wiring harness)

- ws = white
- sw = black
- ro = red
- br = brown
- gn = green
- bl = blue
- gr = grey
- li = lilac
- ge = yellow
- or = orange
- rs = pink

8P0-A050180507



Ignition Coils 3 and 4 with Power Output Stage, Spark Plug Connectors, Spark Plugs

- J623 Engine Control Module (ECM)
- N291 Ignition Coil 3 with Power Output Stage
- N292 Ignition Coil 4 with Power Output Stage
- P Spark Plug Connectors
- Q Spark Plugs
- T4j 4-Pin Connector, black, on ignition coil 3 with power output stage
- T4k 4-Pin Connector, black, on ignition coil 4 with power output stage
- T14 14-Pin Connector, black, near left front long member
- T60 60-Pin Connector, black (Connector A)

- (15) Ground Connection (on cylinder head)
- (281) Ground Connection 1 (in engine pre-wiring wiring harness)
- (283) Ground Connection 2 (in engine pre-wiring wiring harness)
- (673) Ground Connection 3 (on left front long member)
- (D189) Connection (87a) (in engine pre-wiring wiring harness)



Protected by copyright. Copying for private or commercial purposes, in part or in whole, is not permitted unless authorised by AUDI AG. AUDI AG does not guarantee or accept any liability with respect to the correctness of information in this document. Copyright by AUDI AG.



- ws = white
- sw = black
- ro = red
- br = brown
- gn = green
- bl = blue
- gr = grey
- li = lilac
- ge = yellow
- or = orange
- rs = pink

8PO-A050190507



Powertrain CAN-Bus, Diagnostic

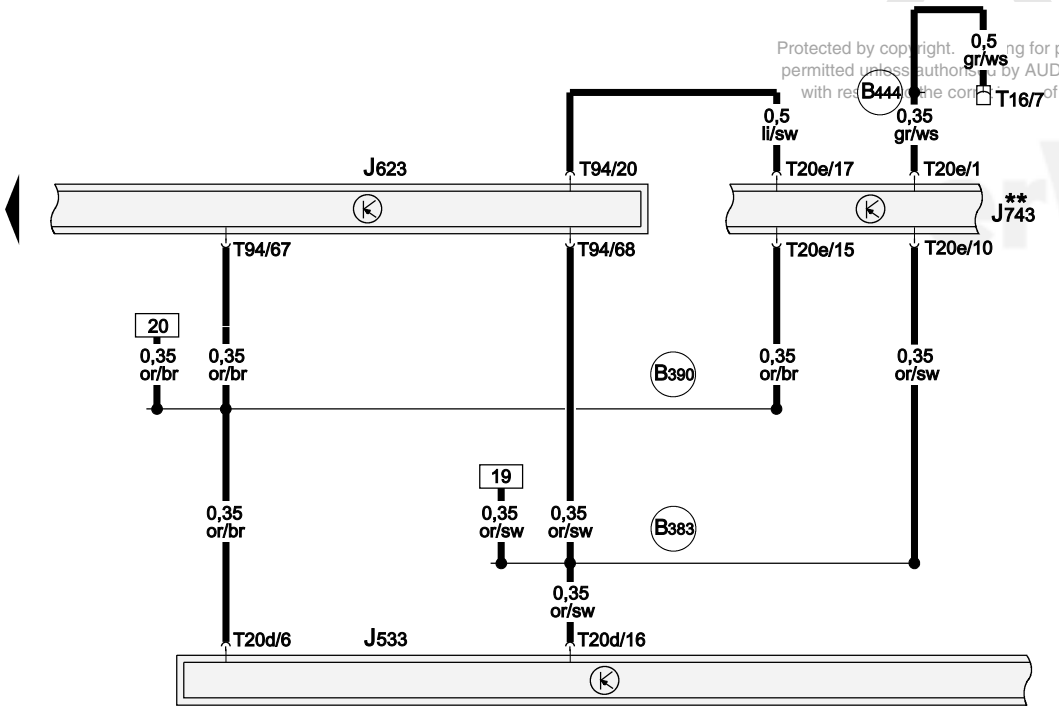
- J533 Data Bus On Board Diagnostic Interface
- J623 Engine Control Module (ECM)
- J743 Direct Shift Gearbox (DSG) Mechatronic
- T16 16-Pin Connector, black, instrument panel driver's side, bottom left (diagnostic connector)
- T20d 20-Pin Connector, yellow (Connector A)
- T20e 20-Pin Connector, black (Connector A)
- T94 94-Pin Connector, black (Connector B)

- B383** Powertrain CAN-Bus High Connection 1 (in main wiring harness)
- B390** Powertrain CAN-Bus Low Connection 1 (in main wiring harness)

- B444** OBD Connection 1 (in main wiring harness)

** Only models with automatic transmission

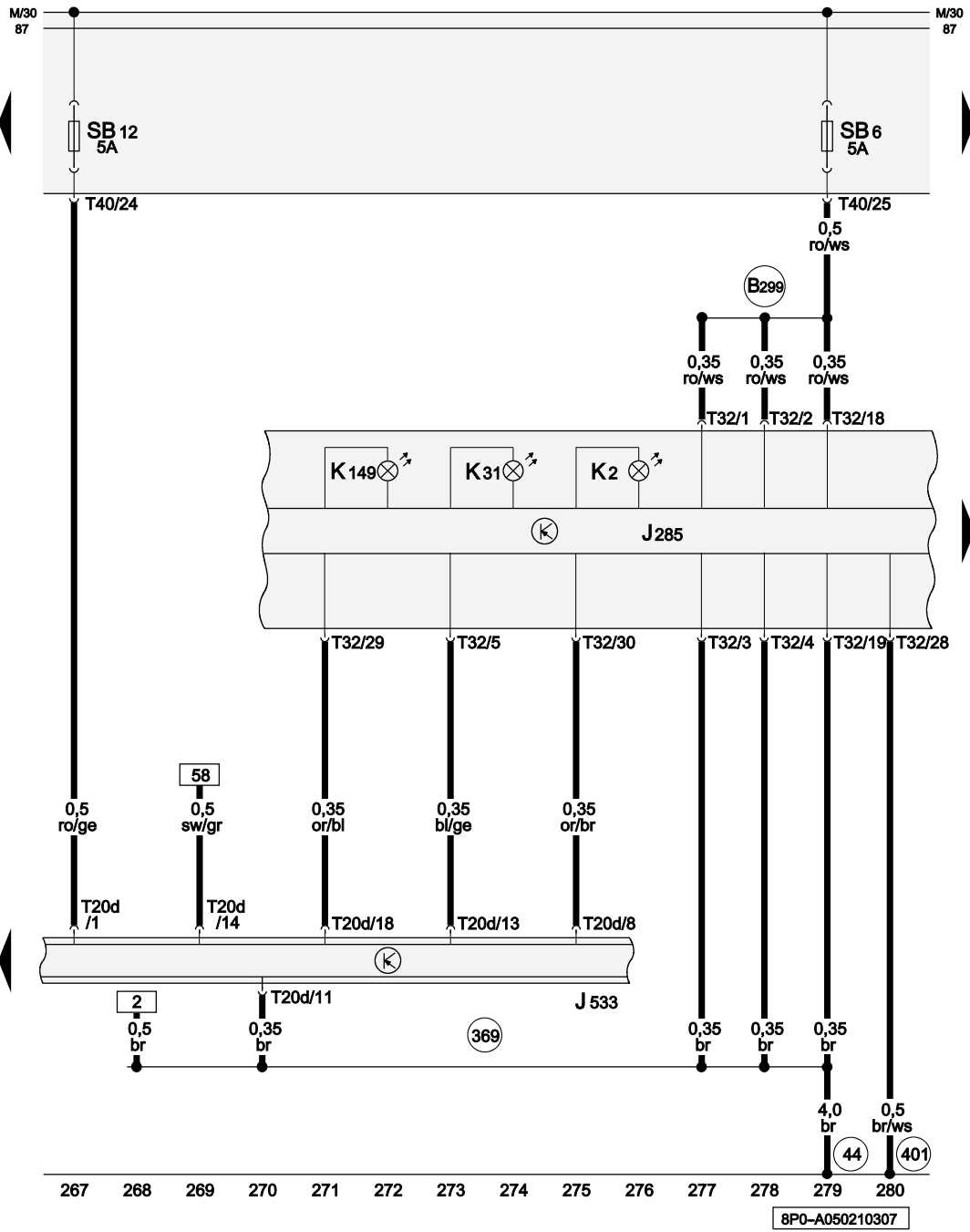
Protected by copyright. No part of this document may be reproduced, stored in a retrieval system, or transmitted in any form or by any means, electronic, mechanical, photocopying, recording, or by any information storage and retrieval system, without the prior written permission of Audi AG.



- ws = white
- sw = black
- ro = red
- br = brown
- gn = green
- bl = blue
- gr = grey
- li = lilac
- ge = yellow
- or = orange
- rs = pink

253 254 255 256 257 258 259 260 261 262 263 264 265 266

8P0-A050200307



Data Bus On Board Diagnostic Interface

- J285 Instrument Cluster Control Module
- J533 Data Bus On Board Diagnostic Interface
- K2 Generator (GEN) Warning Lamp
- K31 Cruise Control Indicator Lamp
- K149 Engine Electronics Warning Lamp
- SB6 Fuse 6 (on fuse panel B)
- SB12 Fuse 12 (on fuse panel B)
- T20d 20-Pin Connector, yellow (Connector A)
- T32 32-Pin Connector, blue (Connector A)
- T40 40-Pin Connector, black, on electronics box engine compartment (Connector J)

Protected by copyright. Copying for private or commercial purposes, in part or in whole, is not permitted unless authorised by AUDI AG. AUDI AG does not guarantee or accept any liability with respect to the correctness of information in this document. Copyright by AUDI AG.

- 44 Ground Connection (on left lower A-pillar)
- 369 Ground Connection 4 (in main wiring harness)
- 401 Sensor Ground Connection (in interior wiring harness)
- B299 Plus Connection 3 (30) (in main wiring harness)

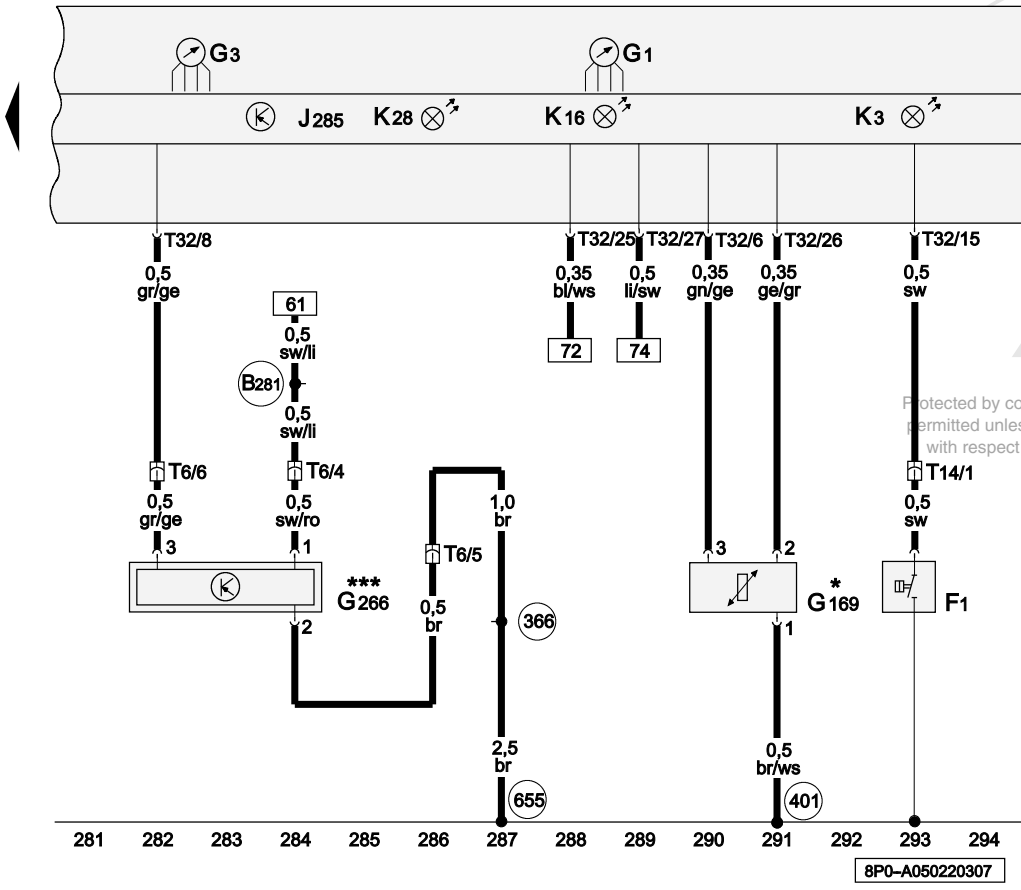
- ws = white
- sw = black
- ro = red
- br = brown
- gn = green
- bl = blue
- gr = grey
- li = lilac
- ge = yellow
- or = orange
- rs = pink



Oil Pressure Switch, Oil Level Thermal Sensor

- F1 Oil Pressure Switch
- G1 Fuel Gauge
- G3 Engine Coolant Temperature (ECT) Gauge
- G169 Fuel Level Sensor 2
- G266 Oil Level Thermal Sensor
- J285 Instrument Cluster Control Module
- K3 Oil Pressure Warning Lamp
- K16 Fuel Reserve Warning Lamp
- K28 Engine Coolant Level/Temperature (ECL/ECT) Warning Lamp
- T6 6-Pin Connector, black, near left front long member
- T14 14-Pin Connector, black, near left front long member
- T32 32-Pin Connector, blue (Connector A)

- 401 Sensor Ground Connection (in interior wiring harness)
- 366 Ground Connection 1 (in main wiring harness)
- 655 Ground Connection (on left headlamp)
- B281 Plus Connection 5 (15a) (in main wiring harness)
- * Only models with all-wheel drive
- *** Only models with extended service intervals



Protected by copyright. Copying for private or commercial purposes, in part or in whole, is not permitted unless authorised by AUDI AG. AUDI AG does not guarantee or accept any liability with respect to the correctness of information in this document. Copyright by AUDI AG.

- ws = white
- sw = black
- ro = red
- br = brown
- gn = green
- bl = blue
- gr = grey
- li = lilac
- ge = yellow
- or = orange
- rs = pink

8P0-A050220307

Comfort System

from May 2007

Note:

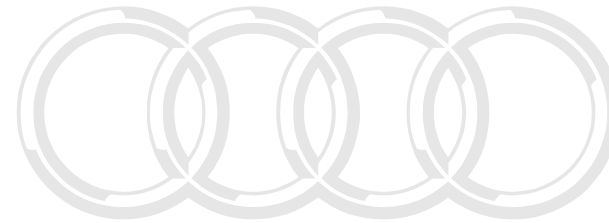
Information for

- ◆ Relay and fuse arrangements
- ◆ Connector arrangements
- ◆ Control Modules and Relays
- ◆ Ground Connections

⇒ Component Locations

Information for

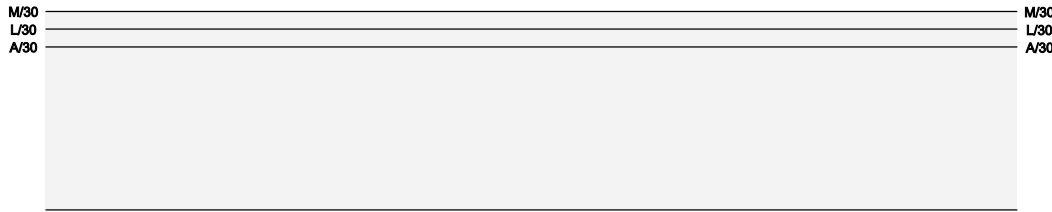
- ◆ Troubleshooting Procedures
- ⇒ Guided Fault Finding using VAS 5051 / 5052



Audi

Protected by copyright. Copying for private or commercial purposes, in part or in whole, is not permitted unless authorised by AUDI AG. AUDI AG does not guarantee or accept any liability with respect to the correctness of information in this document. Copyright by AUDI AG.





Ground Connections

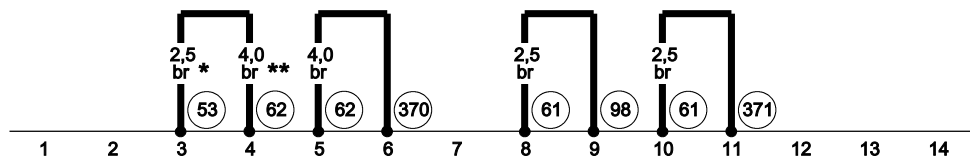
- 53 Ground Connection (in rear lid, right)
- 61 Ground Connection (on left C-pillar)
- 62 Ground Connection (on right C-pillar)
- 98 Ground Connection (in rear lid wiring harness)
- 370 Ground Connection 5 (in main wiring harness)
- 371 Ground Connection 6 (in main wiring harness)

* Only models without radio
 ** Only models with radio



Audi

Protected by copyright. Copying for private or commercial purposes, in part or in whole, is not permitted unless authorised by AUDI AG. AUDI AG does not guarantee or accept any liability with respect to the correctness of information in this document. Copyright by AUDI AG.



8P0-A051020307

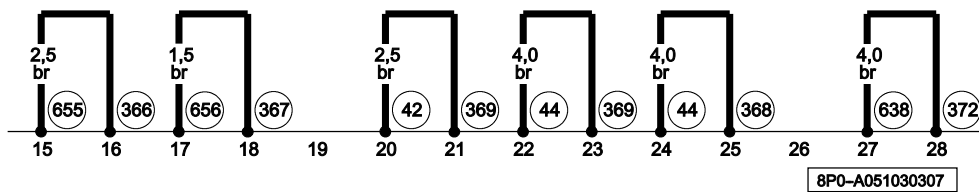
- ws = white
- sw = black
- ro = red
- br = brown
- gn = green
- bl = blue
- gr = grey
- li = lilac
- ge = yellow
- or = orange
- rs = pink



Ground Connections

- 42 Ground Connection (beside steering column)
- 44 Ground Connection (on left lower A-pillar)
- 366 Ground Connection 1 (in main wiring harness)
- 367 Ground Connection 2 (in main wiring harness)
- 368 Ground Connection 3 (in main wiring harness)
- 369 Ground Connection 4 (in main wiring harness)
- 372 Ground Connection 7 (in main wiring harness)
- 638 Ground Connection (on right A-pillar)
- 655 Ground Connection (on left headlamp)
- 656 Ground Connection (on right headlamp)

Protected by copyright. Copying for private or commercial purposes is permitted unless authorised by AUDI AG. AUDI AG does not guarantee or accept any liability with respect to the correctness of information in this document. Copyright by AUDI AG.



- ws = white
- sw = black
- ro = red
- br = brown
- gn = green
- bl = blue
- gr = grey
- li = lilac
- ge = yellow
- or = orange
- rs = pink



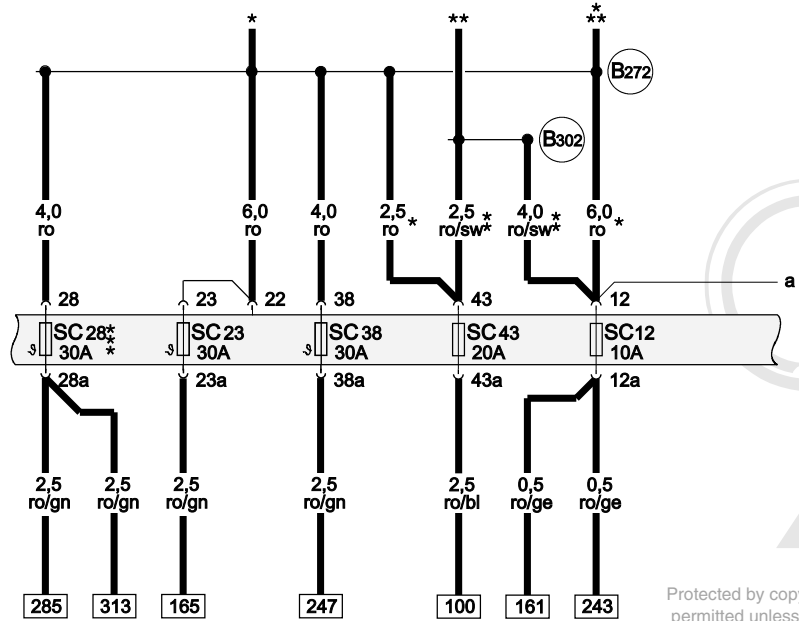
Fuses (on fuse panel)

- SC12 Fuse 12 (on fuse panel C)
- SC23 Fuse 23 (on fuse panel C)
- SC28 Fuse 28 (on fuse panel C)
- SC38 Fuse 38 (on fuse panel C)
- SC43 Fuse 43 (on fuse panel C)

(B272) Plus Connection (30) (in main wiring harness)

(B302) Plus Connection 6 (30) (in main wiring harness)

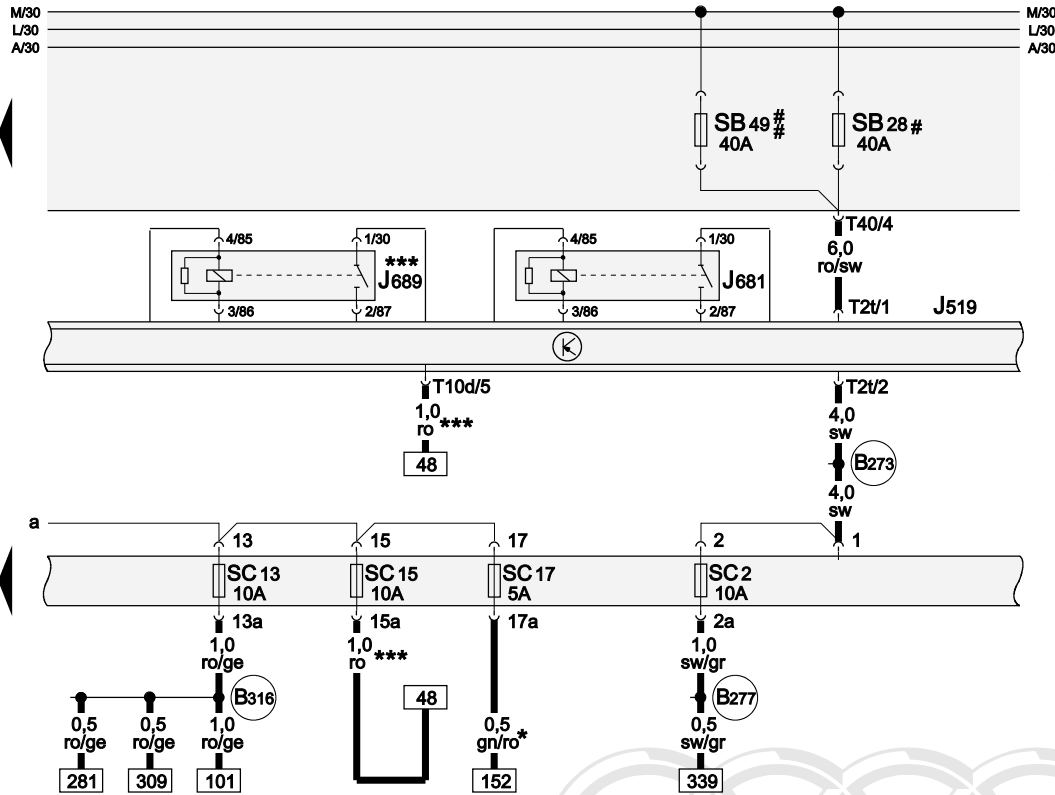
- * ⇒ Applicable Wiring Diagram with battery in engine compartment
- ** ⇒ Applicable Wiring Diagram with battery in luggage compartment
- *** Only 5-door models



Protected by copyright. Copying for private or commercial purposes, in part or in whole, is not permitted unless authorised by AUDI AG. AUDI AG does not guarantee or accept any liability with respect to the correctness of information in this document. Copyright by AUDI AG.



- ws = white
- sw = black
- ro = red
- br = brown
- gn = green
- bl = blue
- gr = grey
- li = lilac
- ge = yellow
- or = orange
- rs = pink



Fuses (on fuse panel), Power Supply Relay 2 (terminal 15)

- J519 Vehicle Electrical System Control Module
- J681 Power Supply Relay 2 (terminal 15)
- J689 Power Supply Relay 2 (terminal 30)
- SB28 Fuse 28 (on fuse panel B)
- SB49 Fuse 49 (on fuse panel B)
- SC2 Fuse 2 (on fuse panel C)
- SC13 Fuse 13 (on fuse panel C)
- SC15 Fuse 15 (on fuse panel C)
- SC17 Fuse 17 (on fuse panel C)
- T2t Double Connector, black (Connector L)
- T10d 10-Pin Connector, black (Connector K)
- T40 40-Pin Connector, black, on electronics box engine compartment (Connector J)

- B273 Plus Connection (15) (in main wiring harness)
- B277 Plus Connection 1 (15a) (in main wiring harness)
- B316 Plus Connection 2 (30a) (in main wiring harness)

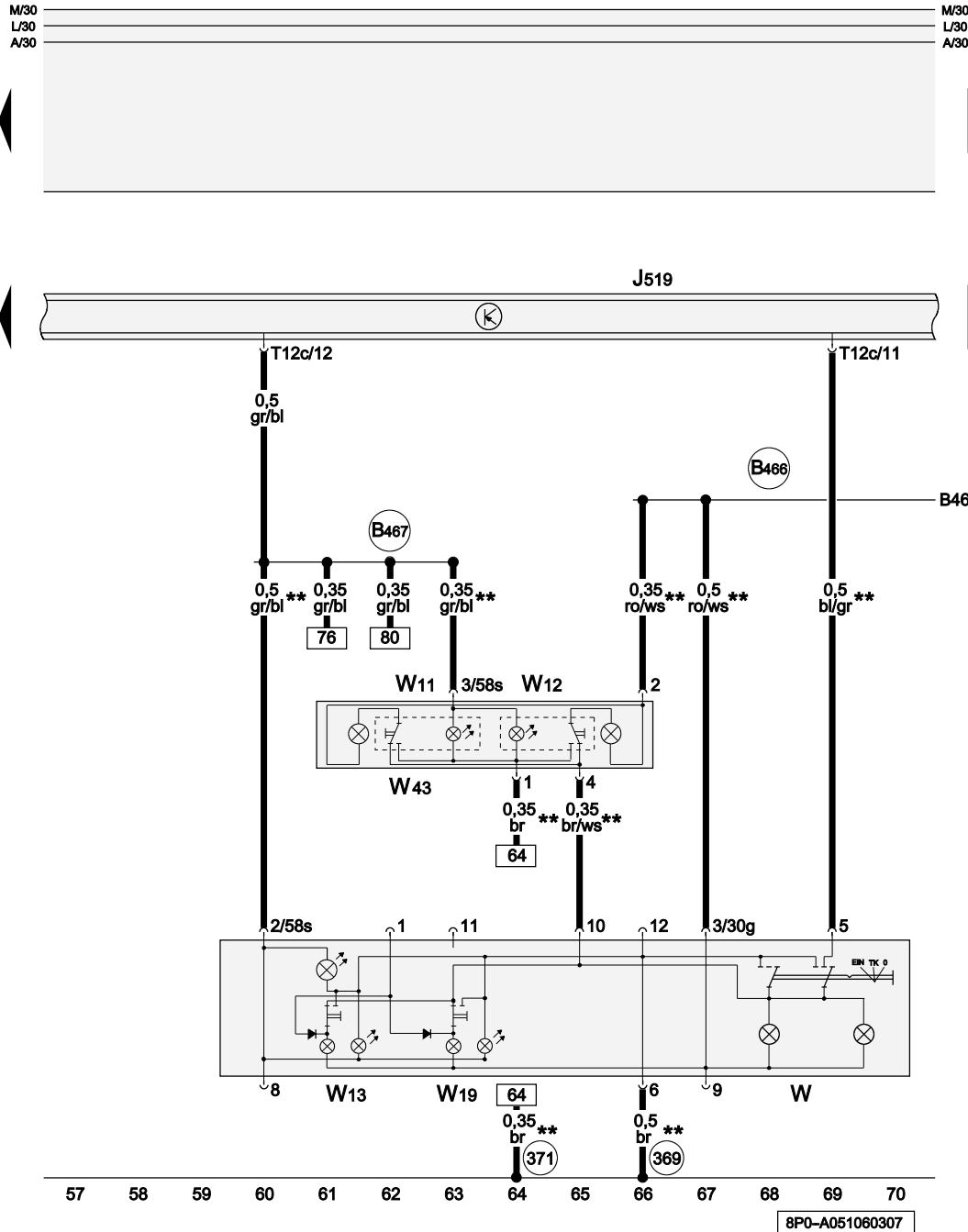
- * Only models with anti-theft alarm system
- *** Only models with interior illumination
- # Only models with electronics box Low → Component Locations
- ## Only models with electronics box High → Component Locations



Audi

Protected by copyright. Copying for private or commercial purposes, in part or in whole, is not permitted unless authorised by AUDI AG. AUDI AG does not guarantee or accept any liability with respect to the correctness of information in this document. Copyright by AUDI AG

- ws = white
- sw = black
- ro = red
- br = brown
- gn = green
- bl = blue
- gr = grey
- li = lilac
- ge = yellow
- or = orange
- rs = pink



Front and Rear Interior Light with Reading Lights

- J519 Vehicle Electrical System Control Module
- T12c 12-Pin Connector, black (Connector B)
- W Front Interior Light
- W11 Left Rear Reading Light
- W12 Right Rear Reading Light
- W13 Front Passenger's Map/Reading Light
- W19 Driver's Map/Reading Light
- W43 Rear Interior Light

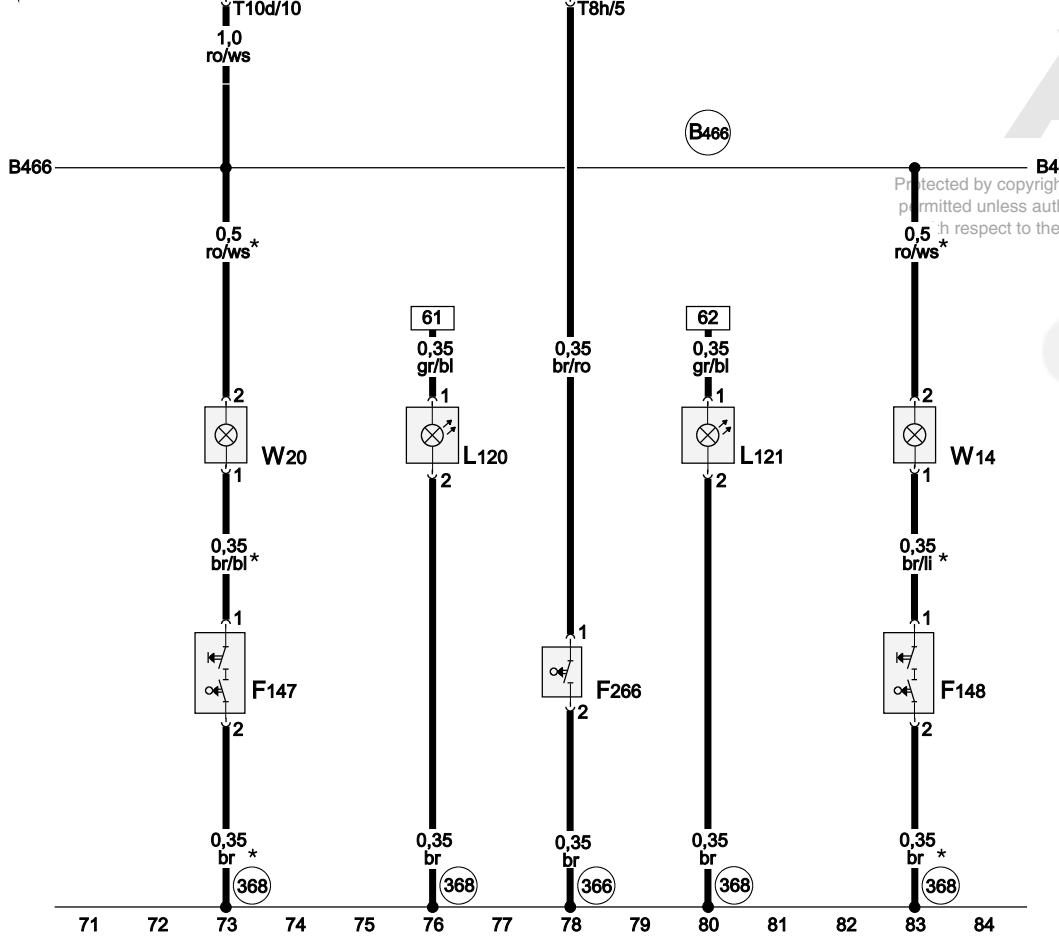
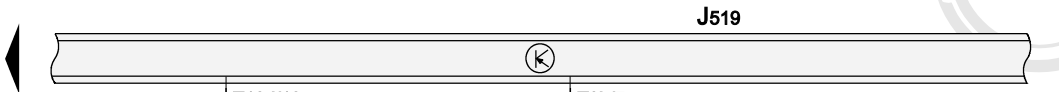
- 369 Ground Connection 4 (in main wiring harness)
- 371 Ground Connection 6 (in main wiring harness)
- B466 Connection 2 (in main wiring harness)
- B467 Connection 3 (in main wiring harness)

** Only models with reading lights



Protected by copyright. Copying for private or commercial purposes, in part or in whole, is not permitted unless authorised by AUDI AG. AUDI AG does not guarantee or accept any liability with respect to the correctness of information in this document. Copyright by AUDI AG.

- ws = white
- sw = black
- ro = red
- br = brown
- gn = green
- bl = blue
- gr = grey
- li = lilac
- ge = yellow
- or = orange
- rs = pink



Front Hood Switch, Driver and Front Passenger Vanity Mirror Lamp Contact Switch

- F147 Driver Vanity Mirror Lamp Contact Switch
- F148 Front Passenger Vanity Mirror Lamp Contact Switch
- F266 Front Hood Switch
- J519 Vehicle Electrical System Control Module
- L120 Storage Compartment Illumination
- L121 Cup Holder Illumination
- T8h 8-Pin Connector, black (Connector F)
- T10d 10-Pin Connector, black (Connector K)
- W14 Front Passenger's Illuminated Make-up Mirror
- W20 Driver's Illuminated Make-up Mirror Light

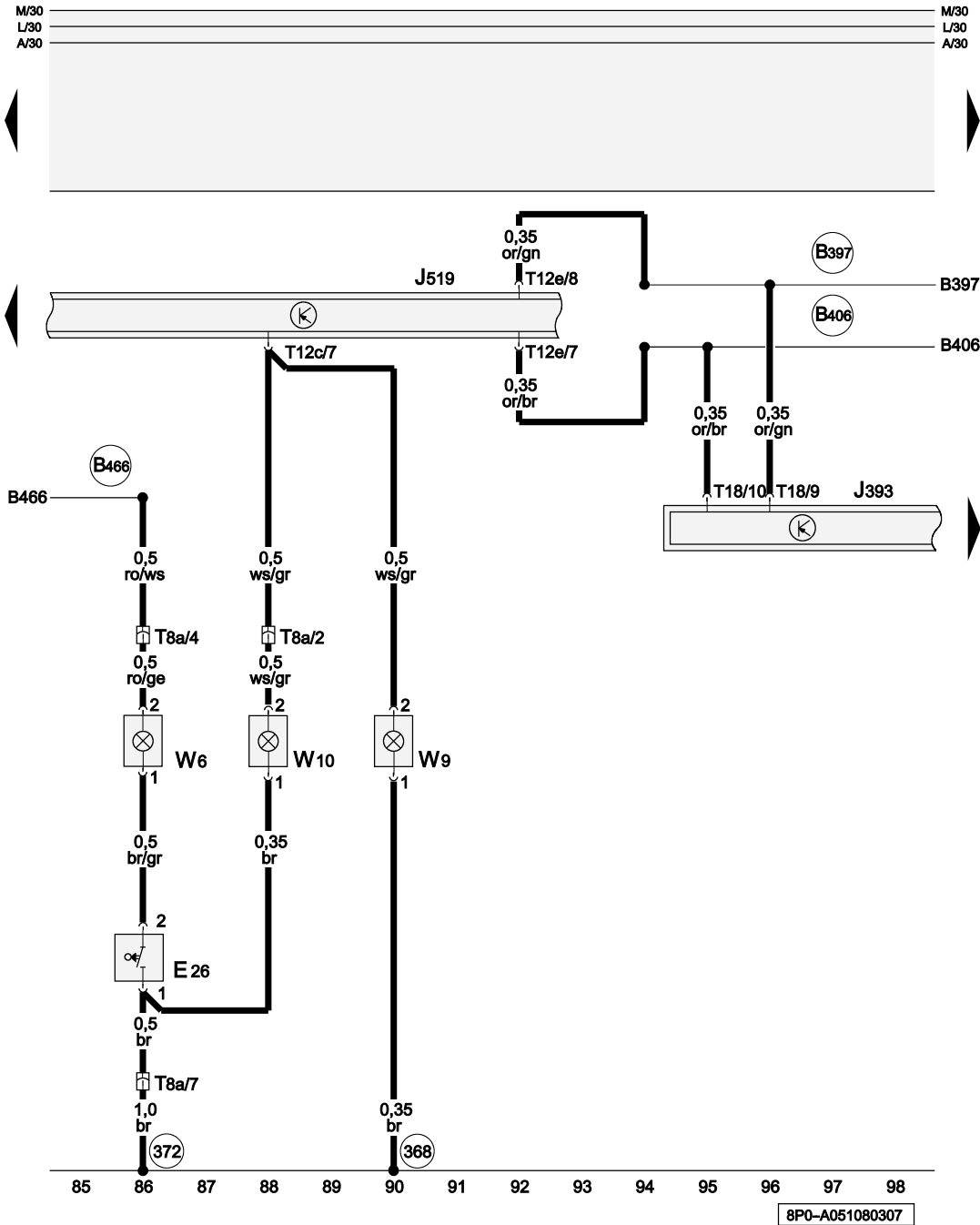
- 366 Ground Connection 1 (in main wiring harness)
- 368 Ground Connection 3 (in main wiring harness)
- B466 Connection 2 (in main wiring harness)

Protected by copyright. Copying for private or commercial purposes without the written permission of Audi AG is prohibited. Audi AG does not guarantee or accept any liability in respect to the correctness of information in this document. Copyright by Audi AG.

Only models with illuminated Make-up mirrors without garage door opener

- ws = white
- sw = black
- ro = red
- br = brown
- gn = green
- bl = blue
- gr = grey
- li = lilac
- ge = yellow
- or = orange
- rs = pink

8P0-A051070307



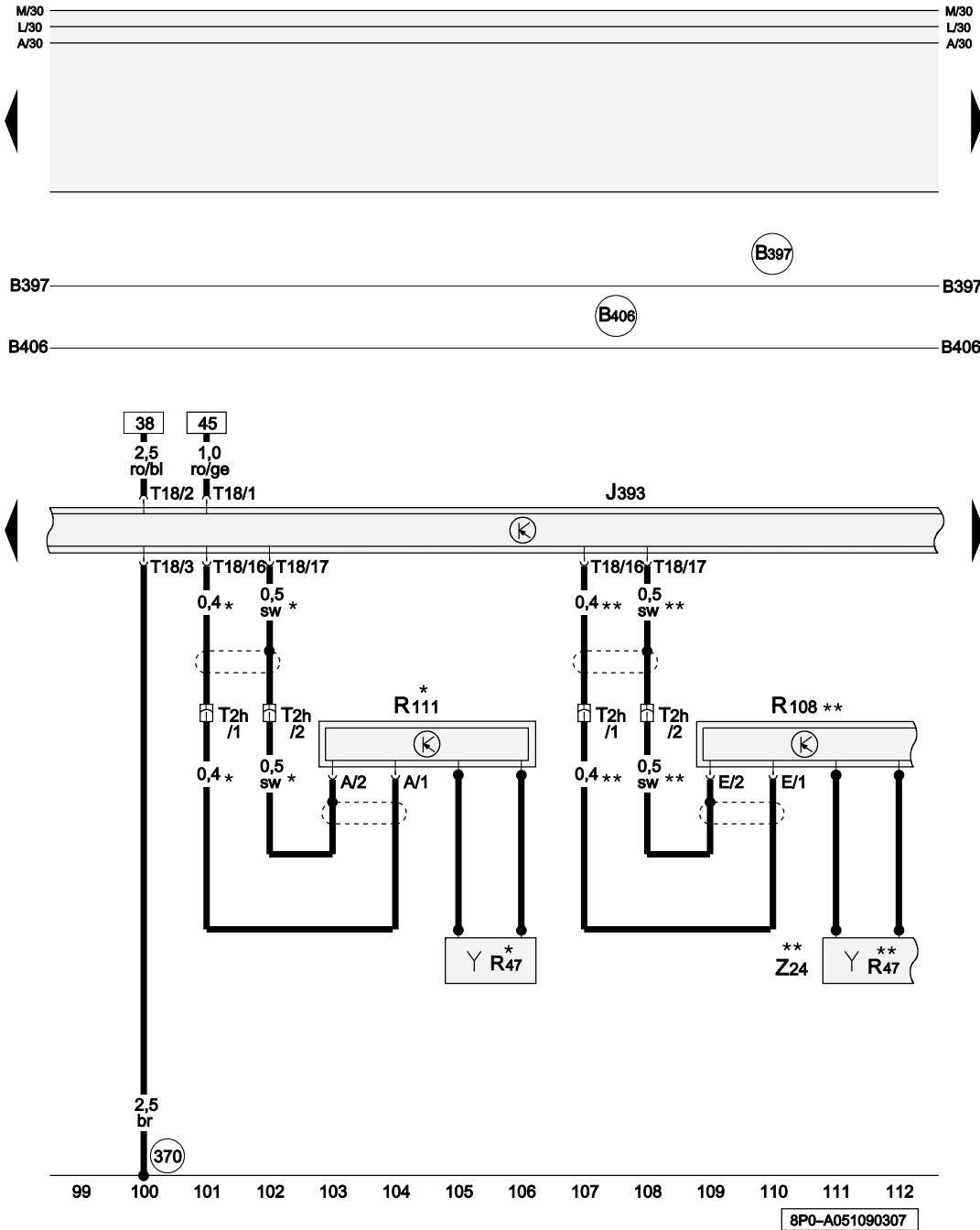
Left and Right Footwell Light, Glove Compartment Light

- E26 Glove Compartment Lamp Switch
- J393 Comfort System Central Control Module
- J519 Vehicle Electrical System Control Module
- T8a 8-Pin Connector, black, near glove compartment
- T12c 12-Pin Connector, black (Connector B)
- T12e 12-Pin Connector, black (Connector G)
- T18 18-Pin Connector, brown (Connector A)
- W6 Glove Compartment Light
- W9 Left Footwell Light
- W10 Right Footwell Light

- 368 Ground Connection 3 (in main wiring harness)
- 372 Ground Connection 7 (in main wiring harness)
- B397 Comfort System CAN-Bus High Connection 1 (in main wiring harness)
- B406 Comfort System CAN-Bus Low Connection 1 (in main wiring harness)
- B466 Connection 2 (in main wiring harness)

- ws = white
- sw = black
- ro = red
- br = brown
- gn = green
- bl = blue
- gr = grey
- li = lilac
- ge = yellow
- or = orange
- rs = pink

Protected by copyright. Copying for private or commercial purposes, in part or in whole, is not permitted unless authorised by AUDI AG. AUDI AG does not guarantee or accept any liability with respect to the correctness of information in this document. Copyright by AUDI AG.



Central Locking and Anti-Theft Alarm System Antenna

- J393 Comfort System Central Control Module
- R47 Central Locking and Anti-Theft Alarm System Antenna
- R108 Left Antenna Module
- R111 Antenna Amplifier 2
- T2h Double Connector, on C-pillar, right
- T18 18-Pin Connector, brown (Connector A)
- Z24 Rear Window Defogger with Window Antenna

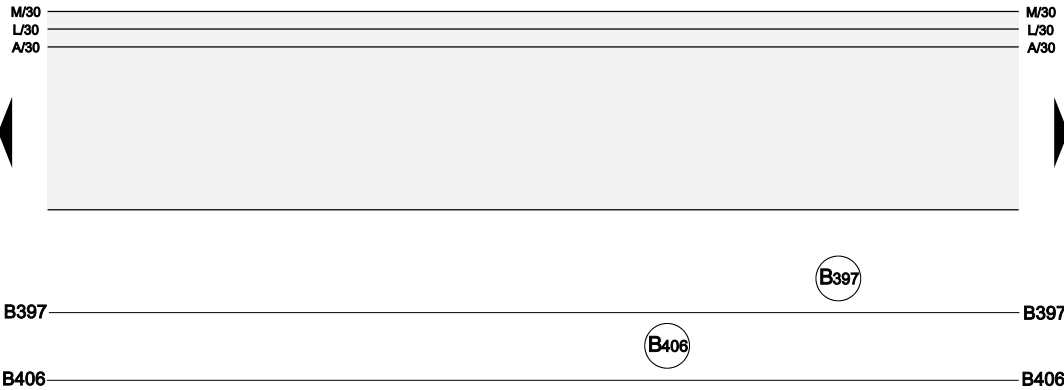
- 370 Ground Connection 5 (in main wiring harness)
- B397 Comfort System CAN-Bus High Connection 1 (in main wiring harness)
- B406 Comfort System CAN-Bus Low Connection 1 (in main wiring harness)

* Not for models with radio or radio/navigation system
 ** Only models with radio or radio/navigation system

Protected by copyright. Copying for private or commercial purposes, in part or in whole, is not permitted unless authorised by AUDI AG. AUDI AG does not guarantee or accept any liability with respect to the correctness of information in this document. Copyright by AUDI AG.

- ws = white
- sw = black
- ro = red
- br = brown
- gn = green
- bl = blue
- gr = grey
- li = lilac
- ge = yellow
- or = orange
- rs = pink

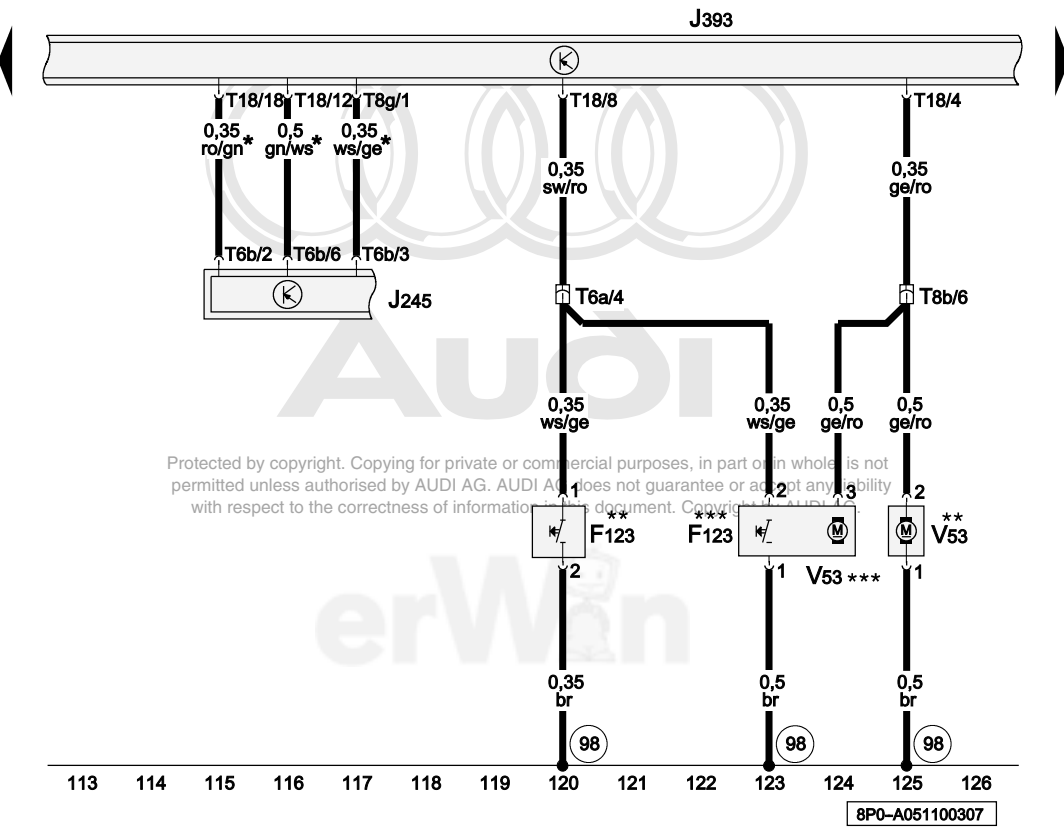
8P0-A051090307



Rear Lid Central Locking System Motor

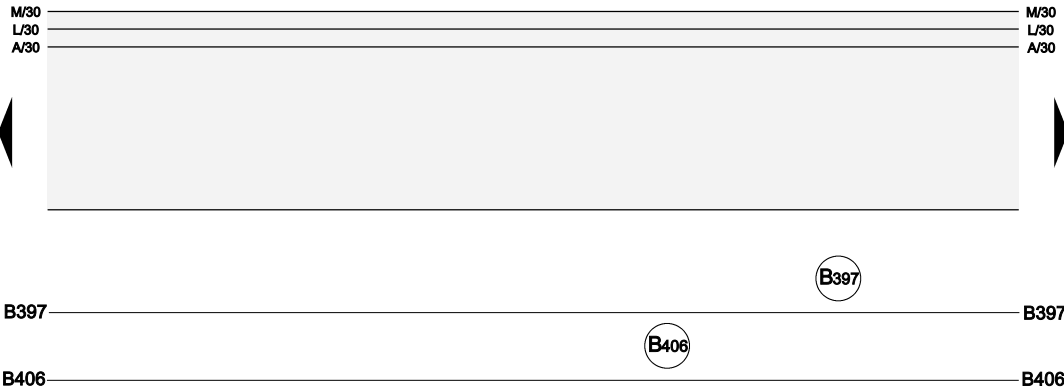
- F123 Trunk Lid Alarm Switch
- J245 Power Sunroof Control Module
- J393 Comfort System Central Control Module
- T6a 6-Pin Connector, black, on C-pillar, left
- T6b 6-Pin Connector, blue, sunroof, near interior light
- T8b 8-Pin Connector, brown, on C-pillar, left
- T8g 8-Pin Connector, black (Connector B)
- T18 18-Pin Connector, brown (Connector A)
- V53 Rear Lid Central Locking System Motor

- 98 Ground Connection (in rear lid wiring harness)
- B397 Comfort System CAN-Bus High Connection 1 (in main wiring harness)
- B406 Comfort System CAN-Bus Low Connection 1 (in main wiring harness)
- * ⇒ Applicable Wiring Diagram Sliding-/Tilting Sunroof
- ** Only 3-door models
- *** Only 5-door models



- ws = white
- sw = black
- ro = red
- br = brown
- gn = green
- bl = blue
- gr = grey
- li = lilac
- ge = yellow
- or = orange
- rs = pink

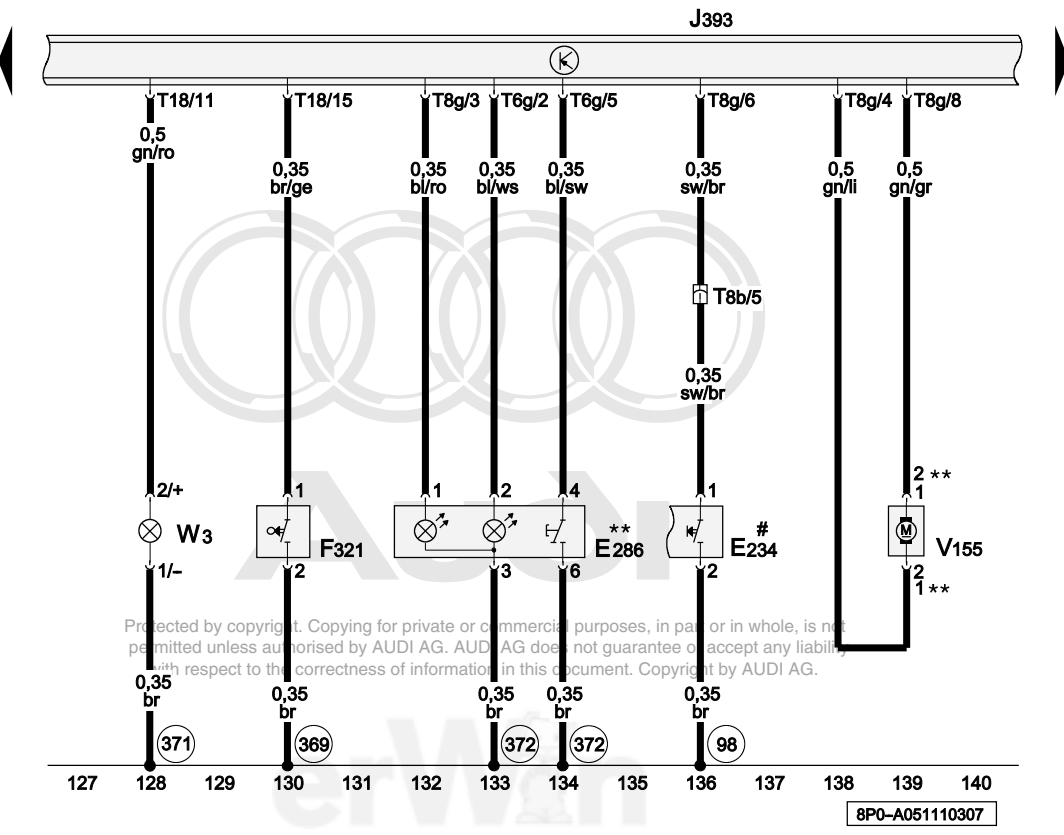
Protected by copyright. Copying for private or commercial purposes, in part or in whole, is not permitted unless authorised by AUDI AG. AUDI AG does not guarantee or accept any liability with respect to the correctness of information in this document. Copyright © 2007 Audi AG



Parking Brake Contact Switch, Fuel Tank Lid Unlock Motor, Luggage Compartment Light

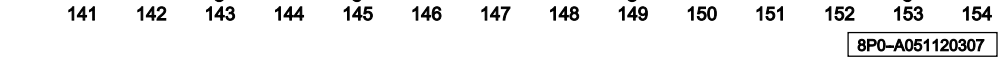
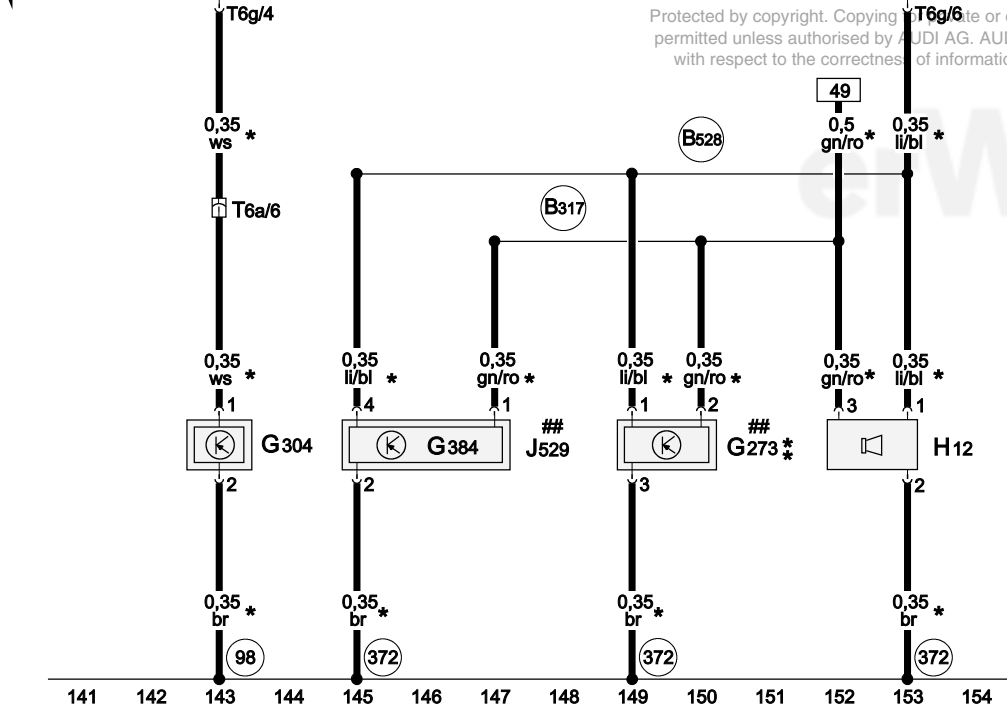
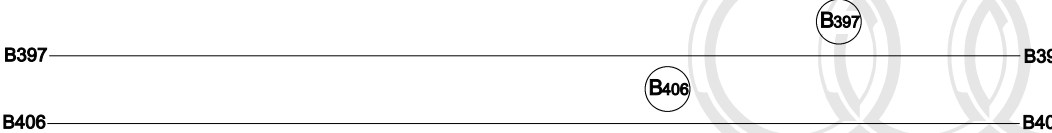
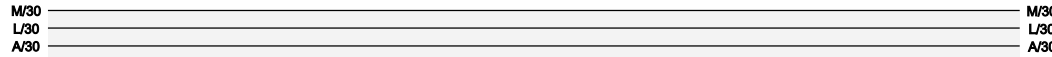
- E234 Rear Lid Handle Unlock Switch
- E286 Rear/Center Interior Lock Switch
- F321 Parking Brake Contact Switch
- J393 Comfort System Central Control Module
- T6g 6-Pin Connector, black (Connector E)
- T8b 8-Pin Connector, brown, on C-pillar, left
- T8g 8-Pin Connector, black (Connector B)
- T18 18-Pin Connector, brown (Connector A)
- V155 Fuel Tank Lid Unlock Motor
- W3 Luggage Compartment Light

- 98 Ground Connection (in rear lid wiring harness)
- 369 Ground Connection 4 (in main wiring harness)
- 371 Ground Connection 6 (in main wiring harness)
- 372 Ground Connection 7 (in main wiring harness)
- B397 Comfort System CAN-Bus High Connection 1 (in main wiring harness)
- B406 Comfort System CAN-Bus Low Connection 1 (in main wiring harness)
- # E234 replace F248
- ** Only models with US equipment



- ws = white
- sw = black
- ro = red
- br = brown
- gn = green
- bl = blue
- gr = grey
- li = lilac
- ge = yellow
- or = orange
- rs = pink

Protected by copyright. Copying for private or commercial purposes, in part or in whole, is not permitted unless authorised by AUDI AG. AUDI AG does not guarantee or accept any liability with respect to the correctness of information in this document. Copyright by AUDI AG.



Alarm Horn, Vehicle Inclination Sensor, Glass Breakage Sensors, Rear Window, Interior Monitoring Sensor

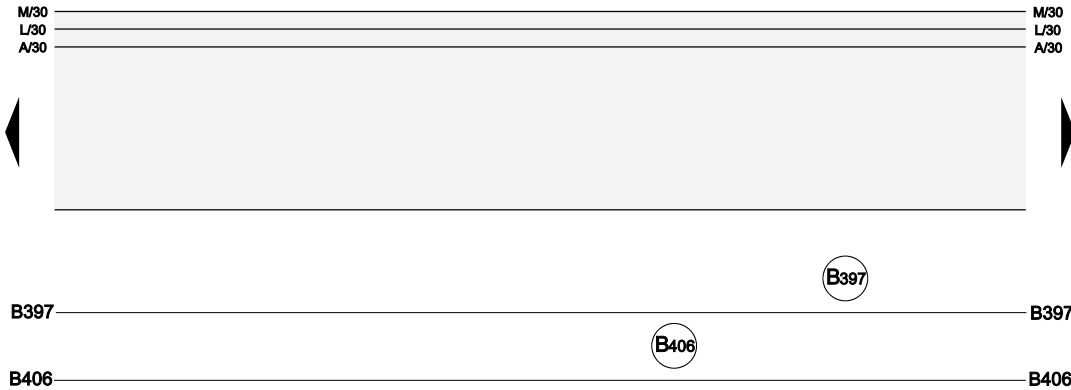
- G273 Interior Monitoring Sensor
- G304 Rear Window Glass Breakage Sensor
- G384 Vehicle Inclination Sensor
- H12 Alarm Horn
- J393 Comfort System Central Control Module
- J529 Inclination-/Anti-Theft Control Module
- T6a 6-Pin Connector, black, on C-pillar, left
- T6g 6-Pin Connector, black (Connector E)

- 98 Ground Connection (in rear lid wiring harness)
- 372 Ground Connection 7 (in main wiring harness)
- B317 Plus Connection 3 (30a) (in main wiring harness)
- B397 Comfort System CAN-Bus High Connection 1 (in main wiring harness)
- B406 Comfort System CAN-Bus Low Connection 1 (in main wiring harness)
- B528 LIN-Bus Connection 1 (in main wiring harness)

- * Only models with anti-theft alarm system
- ** Only models with interior monitoring sensor
- ## Not for models with US equipment

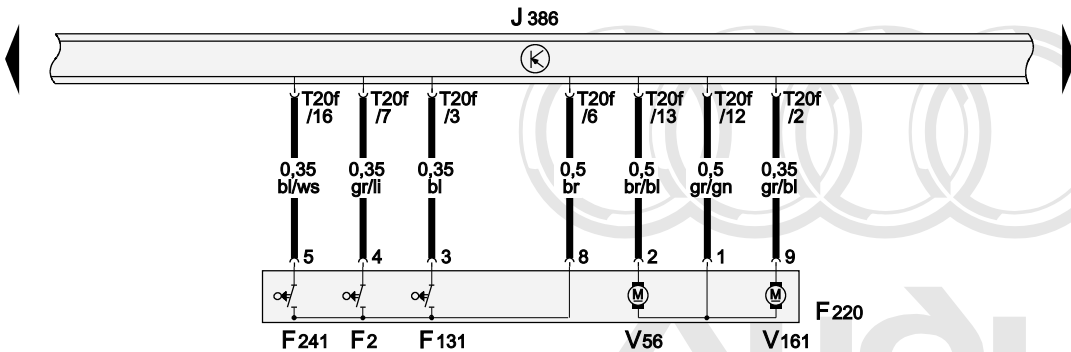
- ws = white
- sw = black
- ro = red
- br = brown
- gn = green
- bl = blue
- gr = grey
- li = lilac
- ge = yellow
- or = orange
- rs = pink

8P0-A051120307



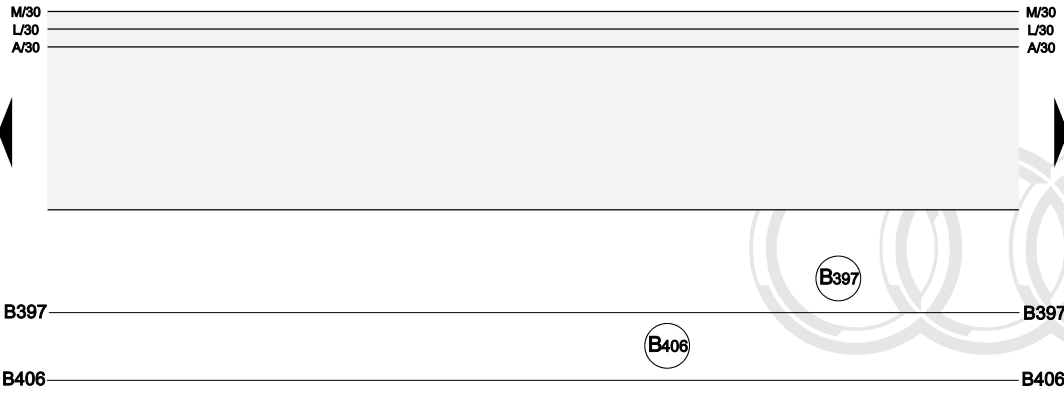
Driver's Door Central Locking Lock Unit, Central Locking - SAFE- Indicator Lamp

- F2 Driver's Door Contact Switch
- F131 Left Front Central Locking System Actuator
- F220 Driver's Door Central Locking Lock Unit
- F241 Driver Lock Cylinder Contact Switch
- J386 Driver's Door Control Module
- T20f 20-Pin Connector, black (Connector A)
- V56 Driver's Door Central Locking System Motor
- V161 Driver's Door Central Locking (Safe) Motor
- B397 Comfort System CAN-Bus High Connection 1 (in main wiring harness)
- B406 Comfort System CAN-Bus Low Connection 1 (in main wiring harness)



- ws = white
- sw = black
- ro = red
- br = brown
- gn = green
- bl = blue
- gr = grey
- li = lilac
- ge = yellow
- or = orange
- rs = pink

Protected by copyright. Copying for private or commercial purposes, in part or in whole, is not permitted unless authorised by AUDI AG. AUDI AG does not guarantee or accept any liability with respect to the correctness of information in this document. Copyright by AUDI AG.

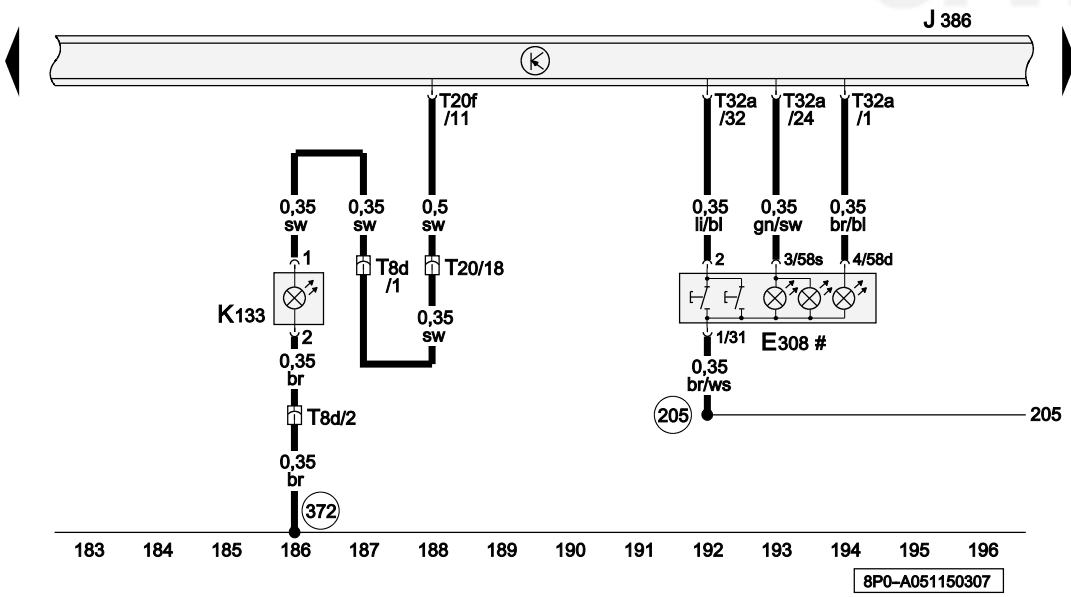


Driver's Interior Locking Button, Central Locking -SAFE- Indicator Lamp

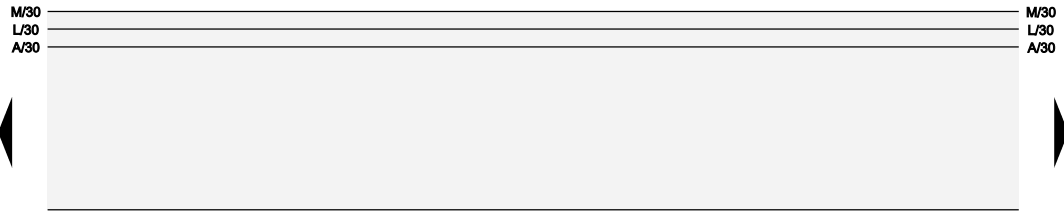
- E308 Driver's Interior Locking Button
- J386 Driver's Door Control Module
- K133 Central Locking -SAFE- Indicator Lamp
- T8d 8-Pin Connector, black, behind center console
- T20 20-Pin Connector, black, door A-pillar, left
- T20f 20-Pin Connector, black (Connector A)
- T32a 32-Pin Connector, grey (Connector C)

- 205 Ground Connection (in Driver's door wiring harness)
- 372 Ground Connection 7 (in main wiring harness)
- B397 Comfort System CAN-Bus High Connection 1 (in main wiring harness)
- B406 Comfort System CAN-Bus Low Connection 1 (in main wiring harness)

Protected by copyright. Copying for private or commercial purposes, in part or in whole, is not permitted unless authorised by AUDI AG. AUDI AG does not guarantee or accept any liability with respect to the correctness of information in this document. Copyright by AUDI AG.



- ws = white
- sw = black
- ro = red
- br = brown
- gn = green
- bl = blue
- gr = grey
- li = lilac
- ge = yellow
- or = orange
- rs = pink



(B397)

B397 ————— B397

(B406)

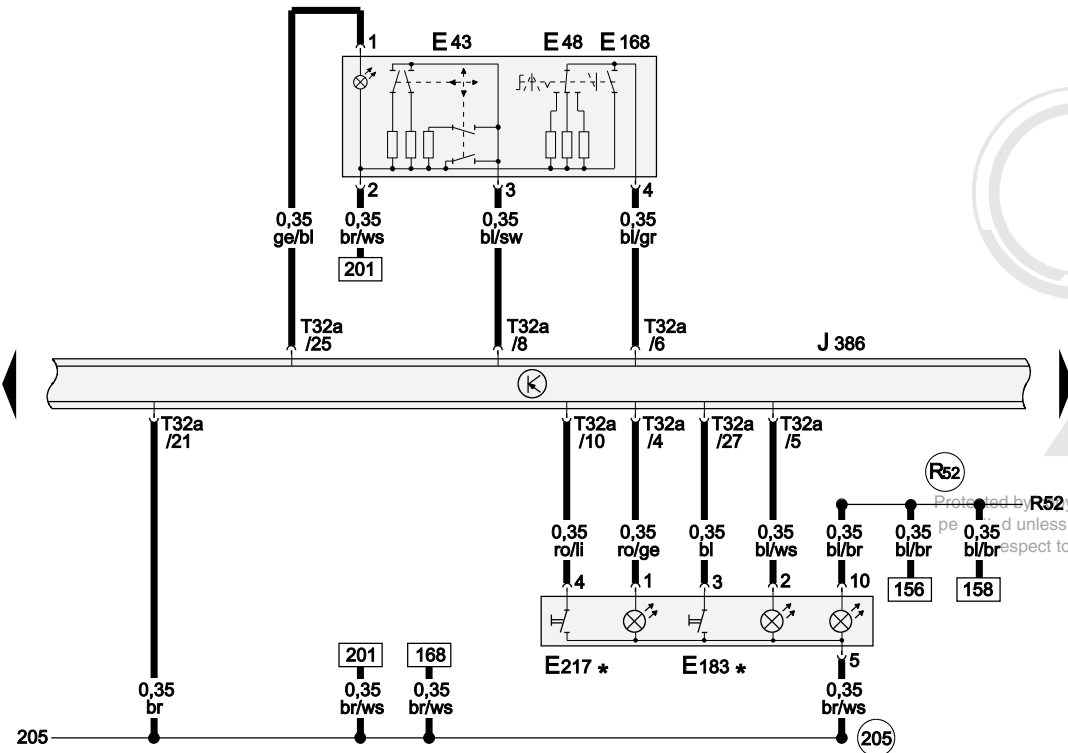
B406 ————— B406

Mirror Adjustment Switch, Alarm System -Off- Switch

- E43 Mirror Adjustment Switch
- E48 Mirror Selector Switch
- E168 Mirror Adjustment (with fold-in function) Switch
- E183 Passenger Compartment Monitoring Switch
- E217 Alarm System -Off- Switch
- J386 Driver's Door Control Module
- T32a 32-Pin Connector, grey (Connector C)

- (205) Ground Connection (in Driver's door wiring harness)
- (B397) Comfort System CAN-Bus High Connection 1 (in main wiring harness)
- (B406) Comfort System CAN-Bus Low Connection 1 (in main wiring harness)
- (R52) Connection (58s) (in driver's door wiring harness)

* Only models with interior monitoring

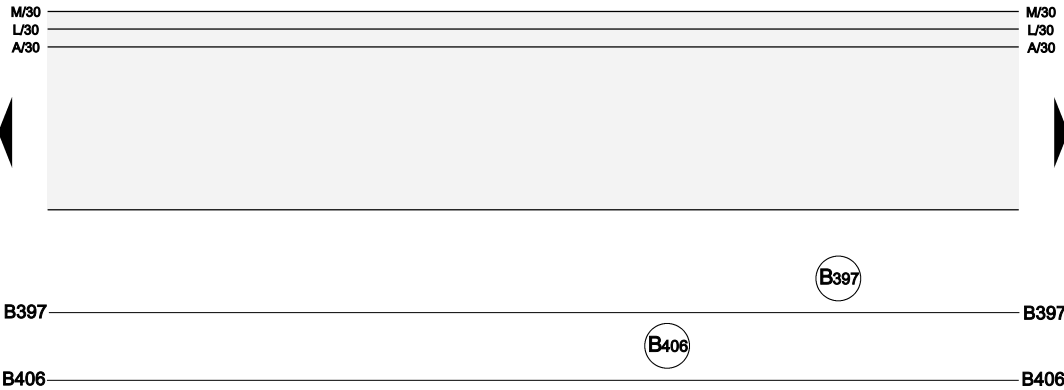


Protected by copyright. Copying for private or commercial purposes, in part or in whole, is not permitted unless authorised by AUDI AG. AUDI AG does not guarantee or accept any liability with respect to the correctness of information in this document. Copyright by AUDI AG.

- ws = white
- sw = black
- ro = red
- br = brown
- gn = green
- bl = blue
- gr = grey
- li = lilac
- ge = yellow
- or = orange
- rs = pink

197 198 199 200 201 202 203 204 205 206 207 208 209 210

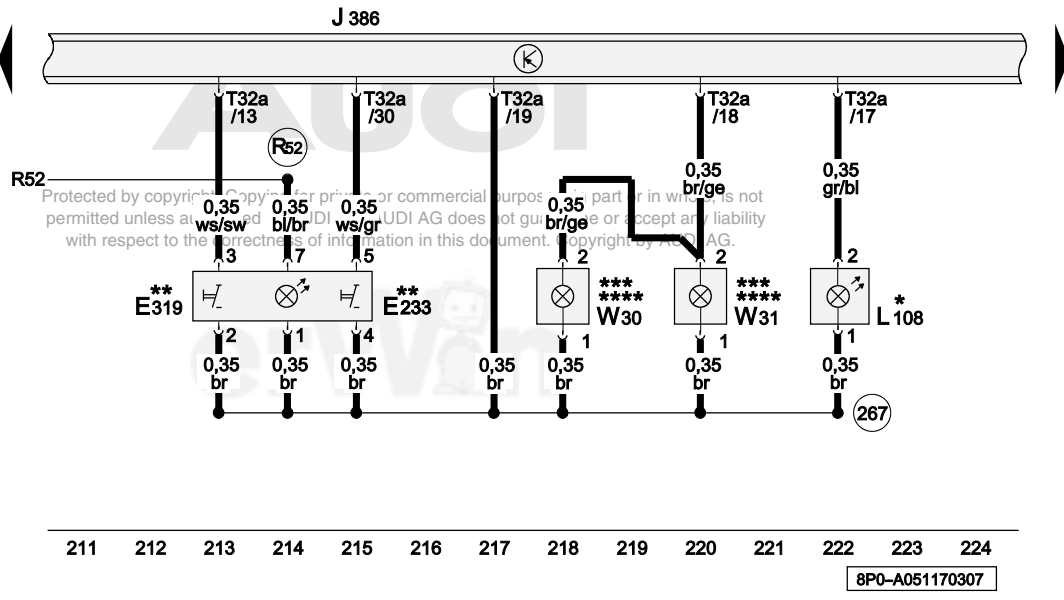
8P0-A051160307



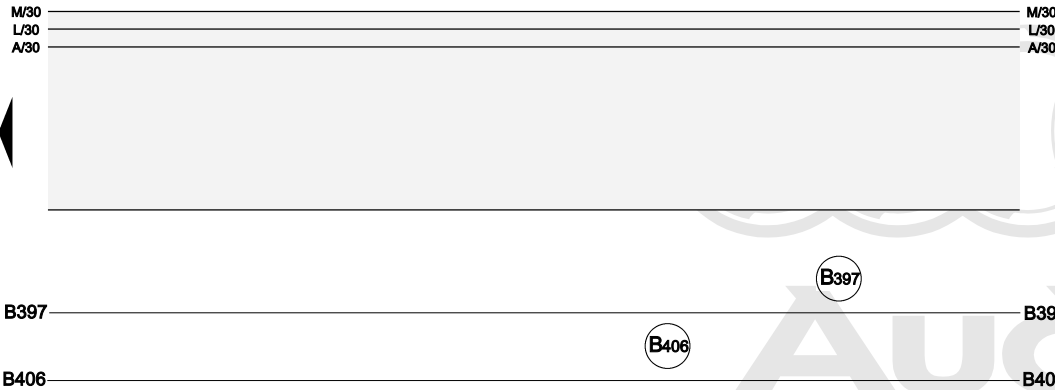
Rear Lid Remote Control Lock Switch, Fuel Tank Lid Unlock Button, Driver's Door Opener Illumination, Driver's Door Warning Light, Left Front Entry Light

- E233 Rear Lid Remote Control Lock Switch
- E319 Fuel Tank Lid Unlock Button
- L108 Driver's Door Opener Illumination
- J386 Driver's Door Control Module
- T32a 32-Pin Connector, grey (Connector C)
- W30 Driver's Door Warning Light
- W31 Left Front Entry Light

- 267 Ground Connection 2 (in driver's door wiring harness)
- B397 Comfort System CAN-Bus High Connection 1 (in main wiring harness)
- B406 Comfort System CAN-Bus Low Connection 1 (in main wiring harness)
- R52 Connection (58s) (in driver's door wiring harness)
- * Only models with driver's door opener illumination
- ** Only models with US equipment
- *** Only models with driver's door warning light and left front entry light
- **** Not for models with US equipment



- ws = white
- sw = black
- ro = red
- br = brown
- gn = green
- bl = blue
- gr = grey
- li = lilac
- ge = yellow
- or = orange
- rs = pink

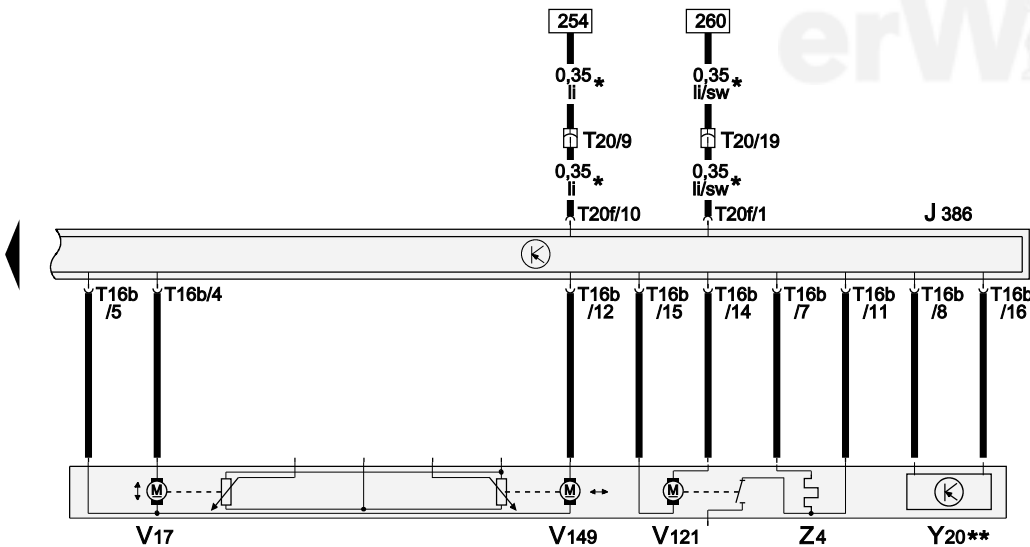


Driver's Mirror Adjustment Motor, Driver's Mirror Fold-in Motor

- J386 Driver's Door Control Module
- T16b 16-Pin Connector (Connector B)
- T20 20-Pin Connector, black, door A-pillar, left
- T20f 20-Pin Connector, black (Connector A)
- V17 Driver's Mirror Adjustment Motor
- V121 Driver's Mirror Fold-in Motor
- V149 Driver's Mirror Adjustment Motor
- Y20 Driver's Automatic Day/Night Outside Mirror
- Z4 Driver's Heated Outside Mirror
- B397 Comfort System CAN-Bus High Connection 1 (in main wiring harness)
- B406 Comfort System CAN-Bus Low Connection 1 (in main wiring harness)

Protected by copyright. Copying for private or commercial purposes, in part or in whole, is not permitted unless authorised by AUDI AG. AUDI AG does not guarantee or accept any liability with respect to the correctness of information in this document. Copyright by AUDI AG.

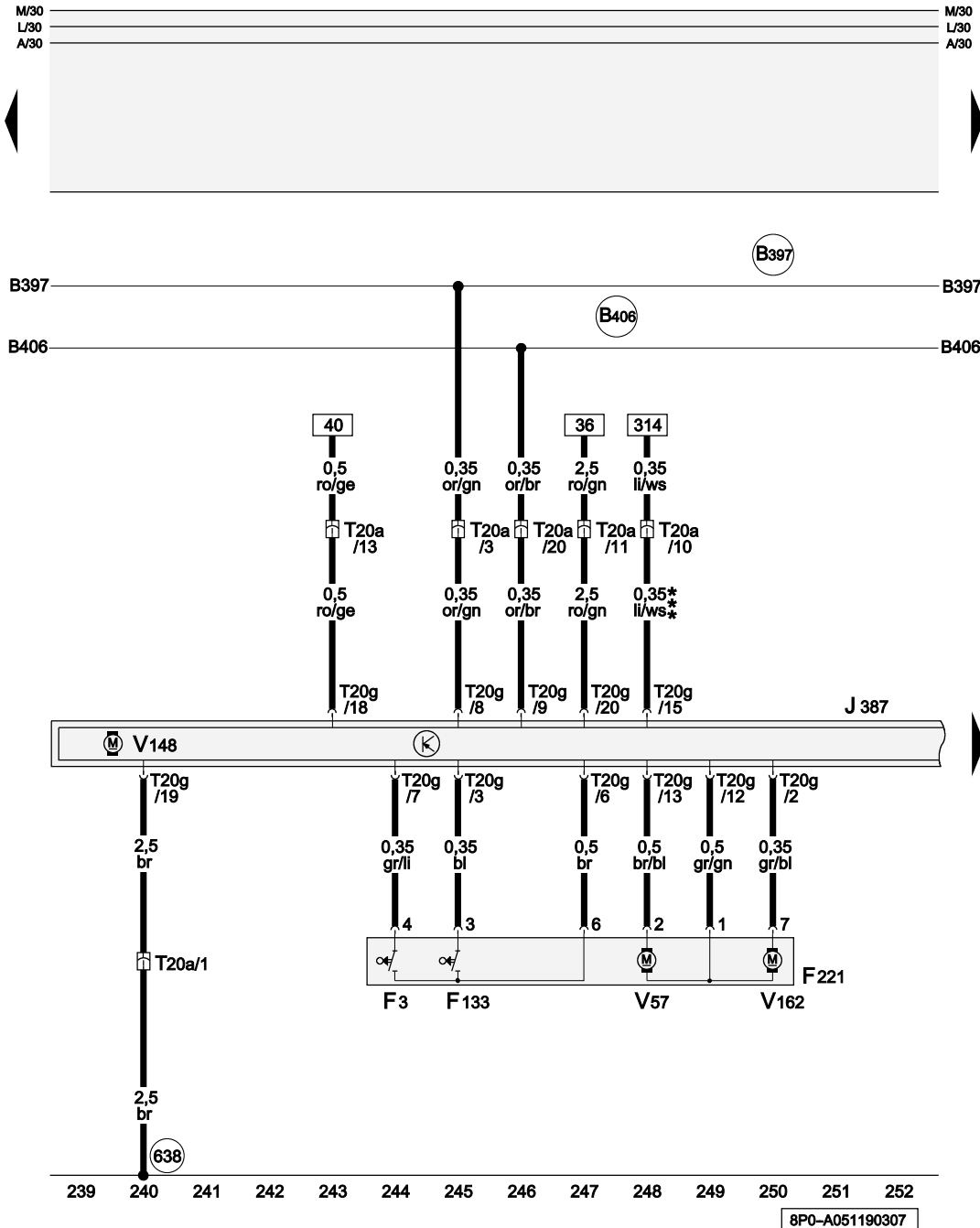
Only models with automatic day/night interior mirror
Only models with automatic day/night outside mirror



- ws = white
- sw = black
- ro = red
- br = brown
- gn = green
- bl = blue
- gr = grey
- li = lilac
- ge = yellow
- or = orange
- rs = pink

225 226 227 228 229 230 231 232 233 234 235 236 237 238

8P0-A051180307



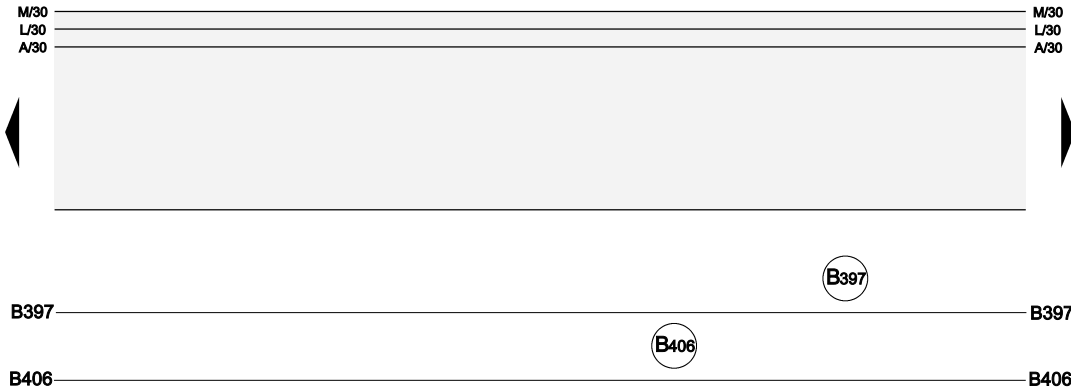
Front Passenger's Door Central Locking Lock Unit

- F3 Front Passenger's Door Contact Switch
- F133 Right Front Central Locking System Actuator
- F221 Front Passenger's Door Central Locking Lock Unit
- J387 Front Passenger's Door Control Module
- T20a 20-Pin Connector, black, door A-pillar, right
- T20g 20-Pin Connector, black (Connector A)
- V57 Front Passenger's Door Central Locking System Motor
- V148 Front Passenger's Window Regulator Motor
- V162 Front Passenger's Central Locking (Safe) Motor

- 638 Ground Connection (on right A-pillar)
- B397 Comfort System CAN-Bus High Connection 1 (in main wiring harness)
- B406 Comfort System CAN-Bus Low Connection 1 (in main wiring harness)
- *** Only 5-door models

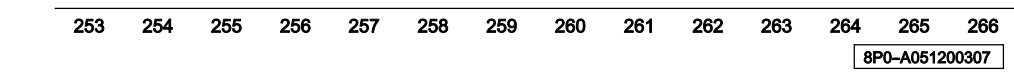
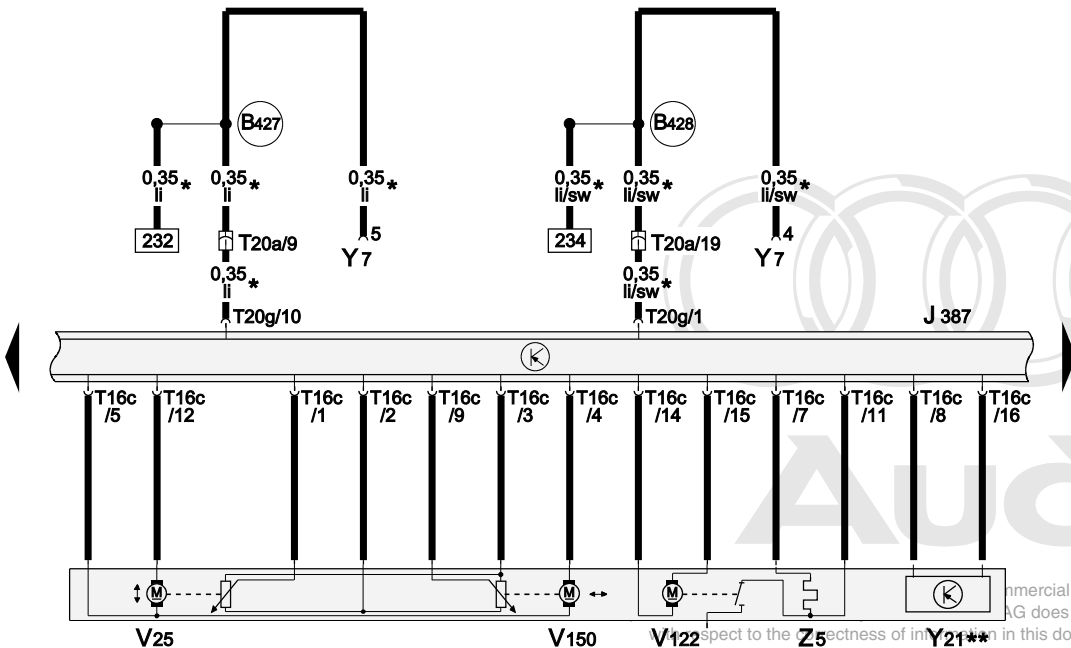
Protected by copyright. Copying for private or commercial purposes, in part or in whole, is not permitted unless authorised by AUDI AG. AUDI AG does not guarantee or accept any liability with respect to the correctness of information in this document. Copyright by AUDI AG.

- ws = white
- sw = black
- ro = red
- br = brown
- gn = green
- bl = blue
- gr = grey
- li = lilac
- ge = yellow
- or = orange
- rs = pink



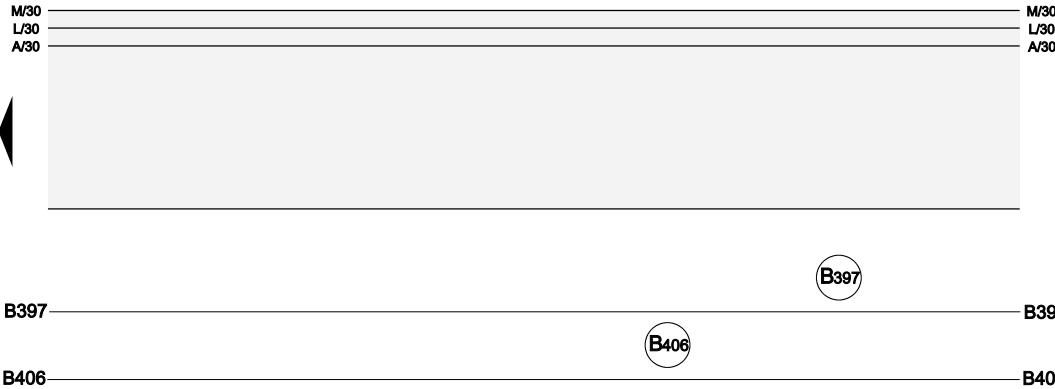
Front Passenger's Mirror Adjustment Motor, Front Passenger's Mirror Fold-in Motor

- J387 Front Passenger's Door Control Module
 - T16c 16-Pin Connector (Connector B)
 - T20a 20-Pin Connector, black, door A-pillar, right
 - T20g 20-Pin Connector, black (Connector A)
 - V25 Front Passenger's Mirror Adjustment Motor
 - V122 Front Passenger's Mirror Fold-in Motor
 - V150 Front Passenger's Mirror Adjustment Motor
 - Y7 Automatic Day/Night Interior Mirror
 - Y21 Front Passenger's Automatic Day/Night Outside Mirror
 - Z5 Front Passenger's Heated Outside Mirror
- (B397) Comfort System CAN-Bus High Connection 1 (in main wiring harness)
 - (B406) Comfort System CAN-Bus Low Connection 1 (in main wiring harness)
 - (B427) Mirror Auto-dimming Signal Connection 1 (in main wiring harness)
 - (B428) Mirror Auto-dimming Signal Connection 2 (in main wiring harness)
- * Only models with automatic day/night interior mirror
 ** Only models with automatic day/night outside mirror



Commercial purposes, in part or in whole, is not
 AG does not guarantee or accept any liability
 respect to the correctness of information in this document. Copy right © AUDI AG.

ws = white
 sw = black
 ro = red
 br = brown
 gn = green
 bl = blue
 gr = grey
 li = lilac
 ge = yellow
 or = orange
 rs = pink

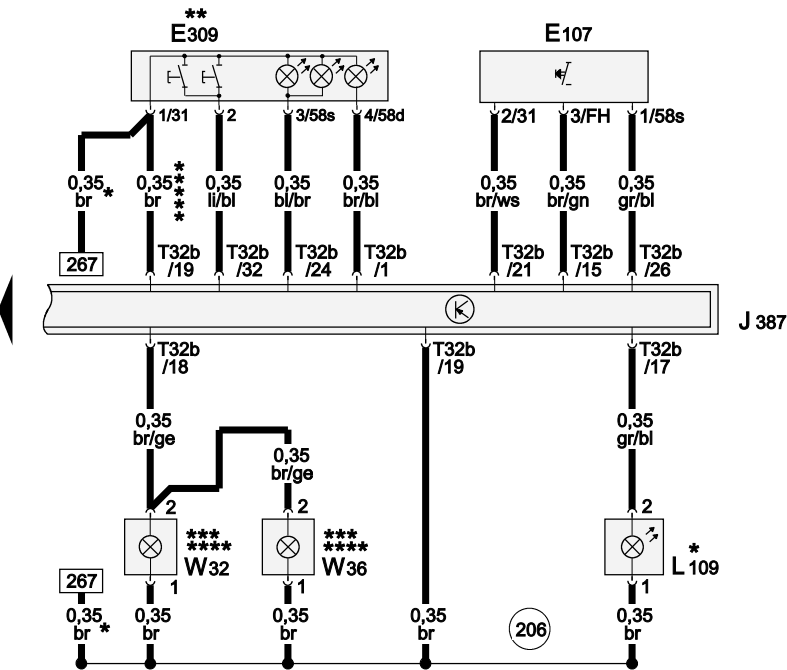


Right Front Entry Light, Front Passenger's Door Warning Light, Front Passenger's Door Window Regulator Switch

- E107 Window Regulator Switch (in RF door)
- E309 Front Passenger's Interior Locking Button
- J387 Front Passenger's Door Control Module
- L109 Front Passenger's Door Opener Illumination
- T32b 32-Pin Connector, grey (Connector C)
- W32 Right Front Entry Light
- W36 Front Passenger's Door Warning Light

- 206 Ground Connection (in front passenger's door wiring harness)
- B397 Comfort System CAN-Bus High Connection 1 (in main wiring harness)
- B406 Comfort System CAN-Bus Low Connection 1 (in main wiring harness)

- * Only models with front passenger's door opener illumination
- ** Only models with US equipment
- *** Only models with front passenger's door warning light and right front entry light
- **** Not for models with US equipment
- ***** Not for models with front passenger's door opener illumination

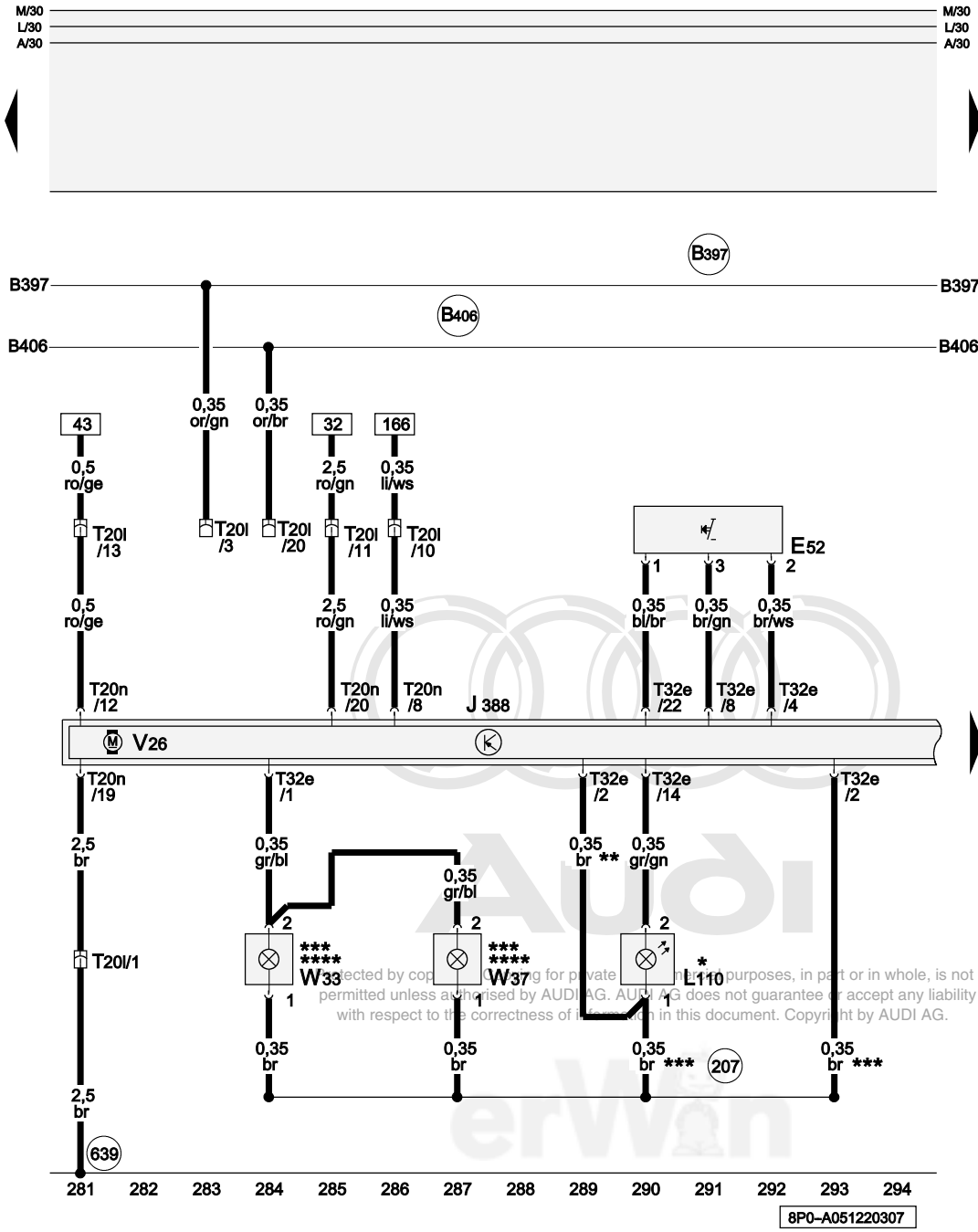


Protected by copyright. Copying for private or commercial purposes, in part or in whole, is not permitted without the express written authorization of AUDI AG. AUDI AG does not guarantee or accept any liability with respect to the correctness of information in this document. Copyright by AUDI AG.

- ws = white
- sw = black
- ro = red
- br = brown
- gn = green
- bl = blue
- gr = grey
- li = lilac
- ge = yellow
- or = orange
- rs = pink

267 268 269 270 271 272 273 274 275 276 277 278 279 280

8P0-A051210307



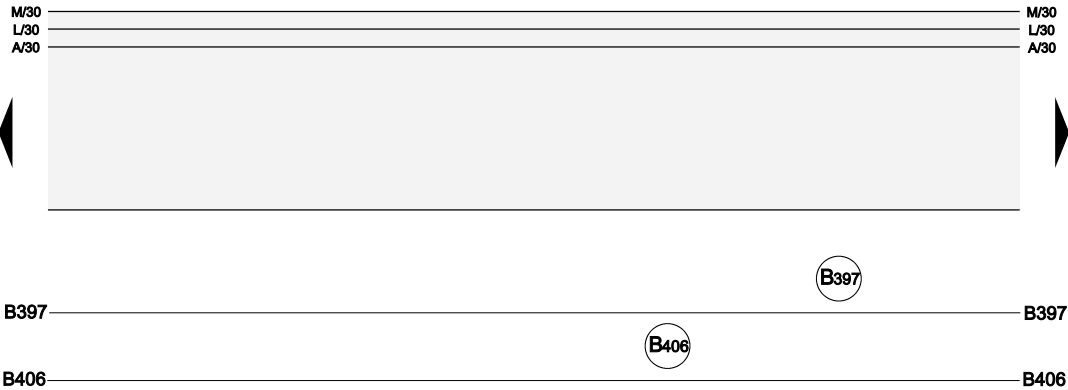
Left Rear Door Control Module

- E52 Left Rear Window Switch in Left Rear Door
- J388 Left Rear Door Control Module
- L110 Left Rear Door Opener Illumination
- T20l 20-Pin Connector, black, door B-pillar, left
- T20n 20-Pin Connector, black (Connector A)
- T32e 32-Pin Connector, grey (Connector C)
- V26 Left Rear Window Regulator Motor
- W33 Left Rear Entry Light
- W37 Left Rear Door Warning Light

- (207) Ground Connection (in left rear door wiring harness)
- (639) Ground Connection (on left A-pillar)
- (B397) Comfort System CAN-Bus High Connection 1 (in main wiring harness)
- (B406) Comfort System CAN-Bus Low Connection 1 (in main wiring harness)
- * Only models with left rear door opener illumination
- ** Only models without left rear door warning light and left rear entry light
- *** Only models with left rear door warning light and left rear entry light
- **** Not for models with US equipment

- ws = white
- sw = black
- ro = red
- br = brown
- gn = green
- bl = blue
- gr = grey
- li = lilac
- ge = yellow
- or = orange
- rs = pink

8P0-A051220307



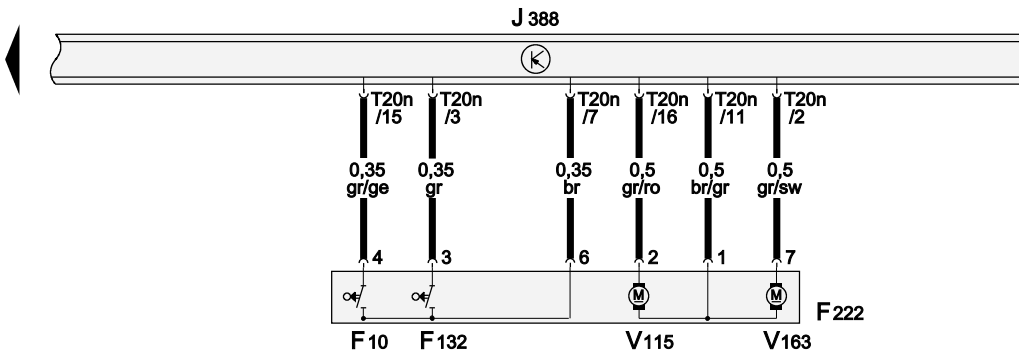
Left Rear Door Central Locking System Motor

- F10 Left Rear Door Contact Switch
- F132 Left Rear Central Locking System Actuator
- F222 Left Rear Central Locking Lock Unit
- J388 Left Rear Door Control Module
- T20n 20-Pin Connector, black (Connector A)
- V115 Left Rear Door Central Locking System Motor
- V163 Left Rear Central Locking (Safe) Motor

- (B397) Comfort System CAN-Bus High Connection 1 (in main wiring harness)
- (B406) Comfort System CAN-Bus Low Connection 1 (in main wiring harness)



Protected by copyright. Copying for private or commercial purposes, in part or in whole, is not permitted unless authorised by AUDI AG. AUDI AG does not guarantee or accept any liability with respect to the correctness of information in this document. Copyright by AUDI AG.



- ws = white
- sw = black
- ro = red
- br = brown
- gn = green
- bl = blue
- gr = grey
- li = lilac
- ge = yellow
- or = orange
- rs = pink

295 296 297 298 299 300 301 302 303 304 305 306 307 308

8P0-A051230307



Right Rear Door Control Module

- E54 Right Rear Window Regulator Switch (In RR Door)
- J389 Right Rear Door Control Module
- L111 Right Rear Door Opener Illumination
- T20m 20-Pin Connector, black, door B-pillar, right
- T20o 20-Pin Connector, black (Connector A)
- T32f 32-Pin Connector, grey (Connector C)
- V27 Right Rear Window Regulator Motor
- W34 Right Rear Entry Light
- W38 Right Rear Door Warning Light

208 Ground Connection (in right rear door wiring harness)

638 Ground Connection (on right A-pillar)

B397 Comfort System CAN-Bus High Connection 1 (in main wiring harness)

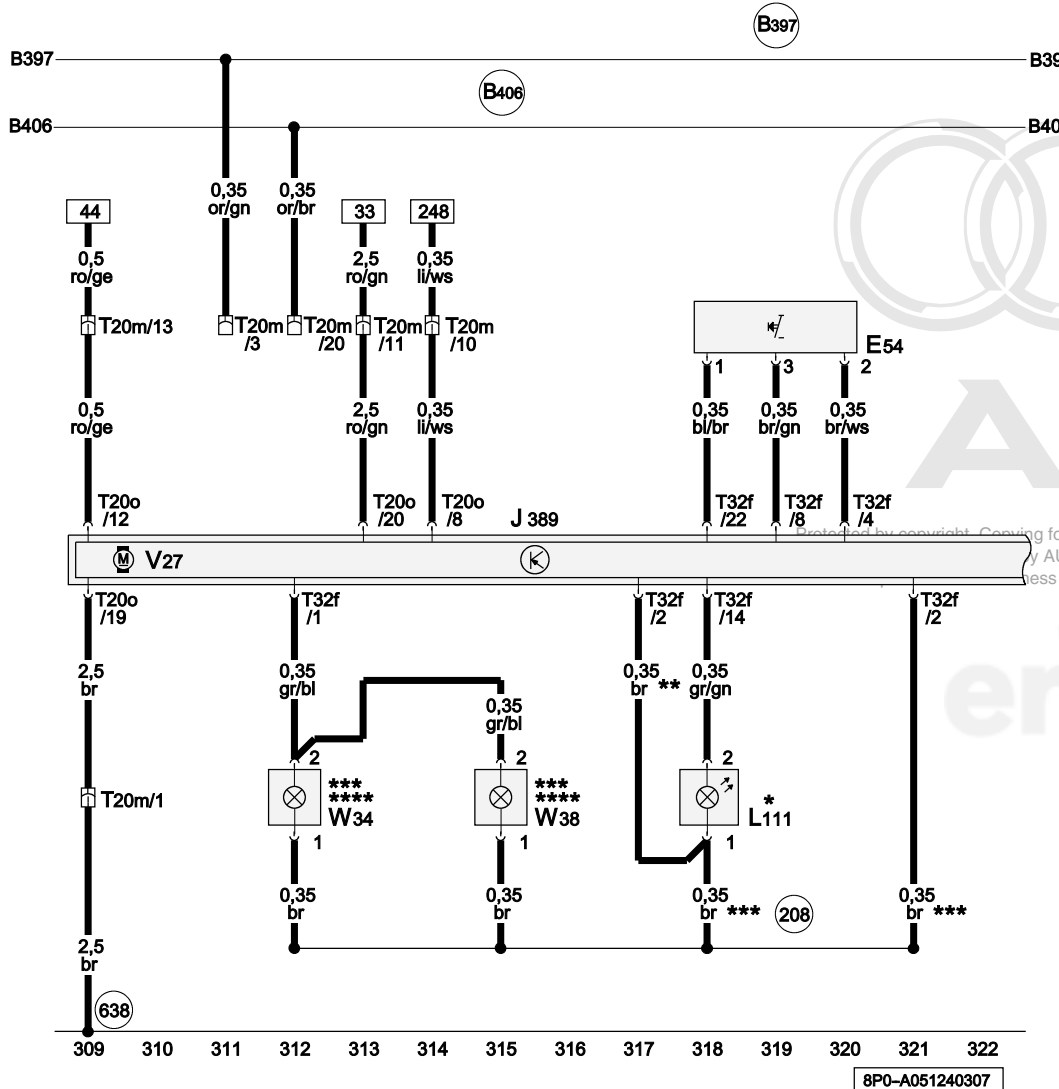
B406 Comfort System CAN-Bus Low Connection 1 (in main wiring harness)

* Only models with right rear door opener illumination

** Only models without right rear door warning light and right rear entry light

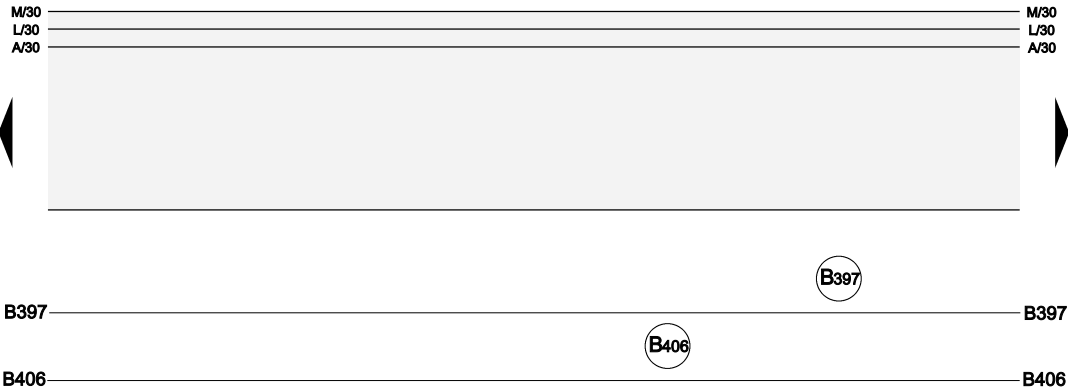
*** Only models with right rear door warning light and right rear entry light

**** Not for models with US equipment



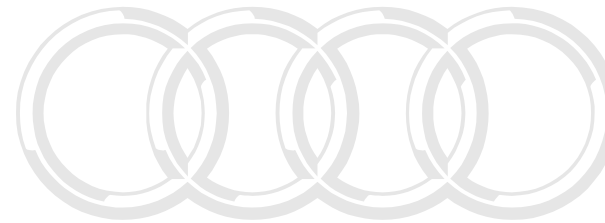
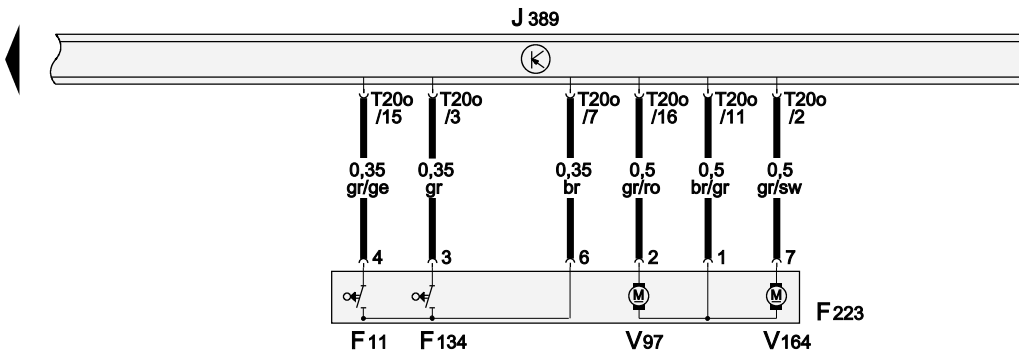
- ws = white
- sw = black
- ro = red
- br = brown
- gn = green
- bl = blue
- gr = grey
- li = lilac
- ge = yellow
- or = orange
- rs = pink

8P0-A051240307



Right Rear Door Control Module, Right Rear Central Locking Lock Unit

- F11 Right Rear Door Contact Switch
- F134 Right Rear Central Locking System Actuator
- F223 Right Rear Central Locking Lock Unit
- J389 Right Rear Door Control Module
- T20o 20-Pin Connector, black (Connector A)
- V97 Right Rear Door Central Locking System Motor
- V164 Right Rear Central Locking (Safe) Motor
- B397** Comfort System CAN-Bus High Connection 1 (in main wiring harness)
- B406** Comfort System CAN-Bus Low Connection 1 (in main wiring harness)



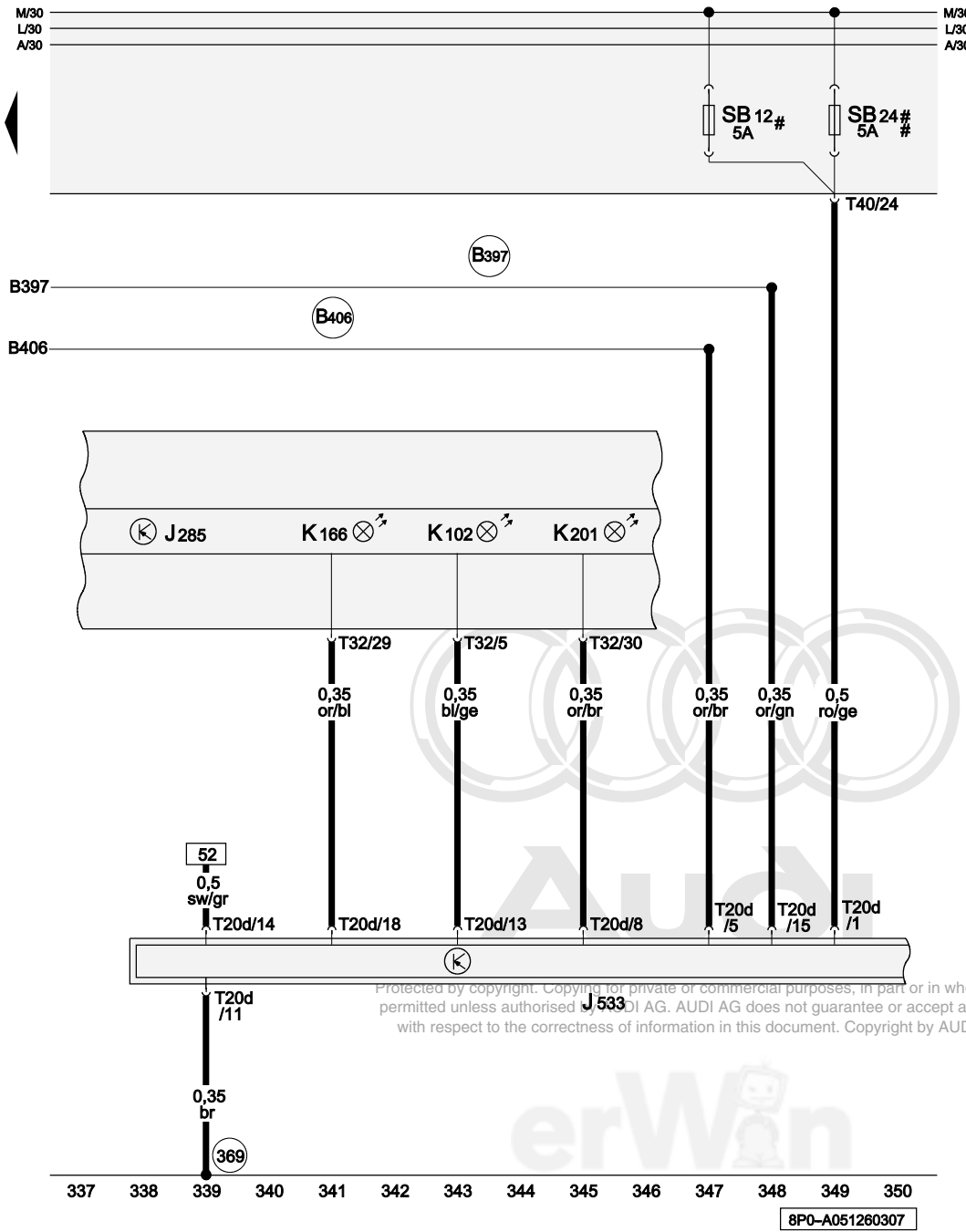
Audi

- ws = white
- sw = black
- ro = red
- br = brown
- gn = green
- bl = blue
- gr = grey
- li = lilac
- ge = yellow
- or = orange
- rs = pink

Protected by copyright. Copying for private or commercial purposes, in part or in whole, is not permitted unless authorized by AUDI AG. AUDI AG does not guarantee or accept any liability with respect to the correctness of information in this document. Copyright by AUDI AG.

323 324 325 326 327 328 329 330 331 332 333 334 335 336

8P0-A051250307



Instrument Cluster Control Module, Data Bus On Board Diagnostic Interface

- J285 Instrument Cluster Control Module
- J533 Data Bus On Board Diagnostic Interface
- K102 Rear Hatch/Trunk Lid Ajar Warning Lamp
- K166 Door Ajar Indicator Lamp
- K201 Fuel Filler Lid Lock Warning Lamp
- SB12 Fuse 12 (on fuse panel B)
- SB24 Fuse 24 (on fuse panel B)
- T20d 20-Pin Connector, yellow (Connector A)
- T32 32-Pin Connector, blue (Connector A)
- T40 40-Pin Connector, black, on electronics box engine compartment (Connector J)

- 369 Ground Connection 4 (in main wiring harness)
- B397 Comfort System CAN-Bus High Connection 1 (in main wiring harness)
- B406 Comfort System CAN-Bus Low Connection 1 (in main wiring harness)
- # Only models with electronics box Low ⇒ Component Locations
- ## Only models with electronics box High ⇒ Component Locations

Protected by copyright. Copying for private or commercial purposes, in part or in whole, is not permitted unless authorised by AUDI AG. AUDI AG does not guarantee or accept any liability with respect to the correctness of information in this document. Copyright by AUDI AG

- ws = white
- sw = black
- ro = red
- br = brown
- gn = green
- bl = blue
- gr = grey
- li = lilac
- ge = yellow
- or = orange
- rs = pink

8P0-A051260307

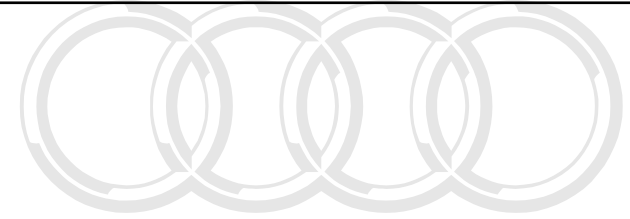
Coolant Fan Control 520 W

- ⇒ Only gasoline engines with and without A/C
 - ⇒ BZB, CAWB, CBFA, CCTA
- from May 2007

Note:

Information for

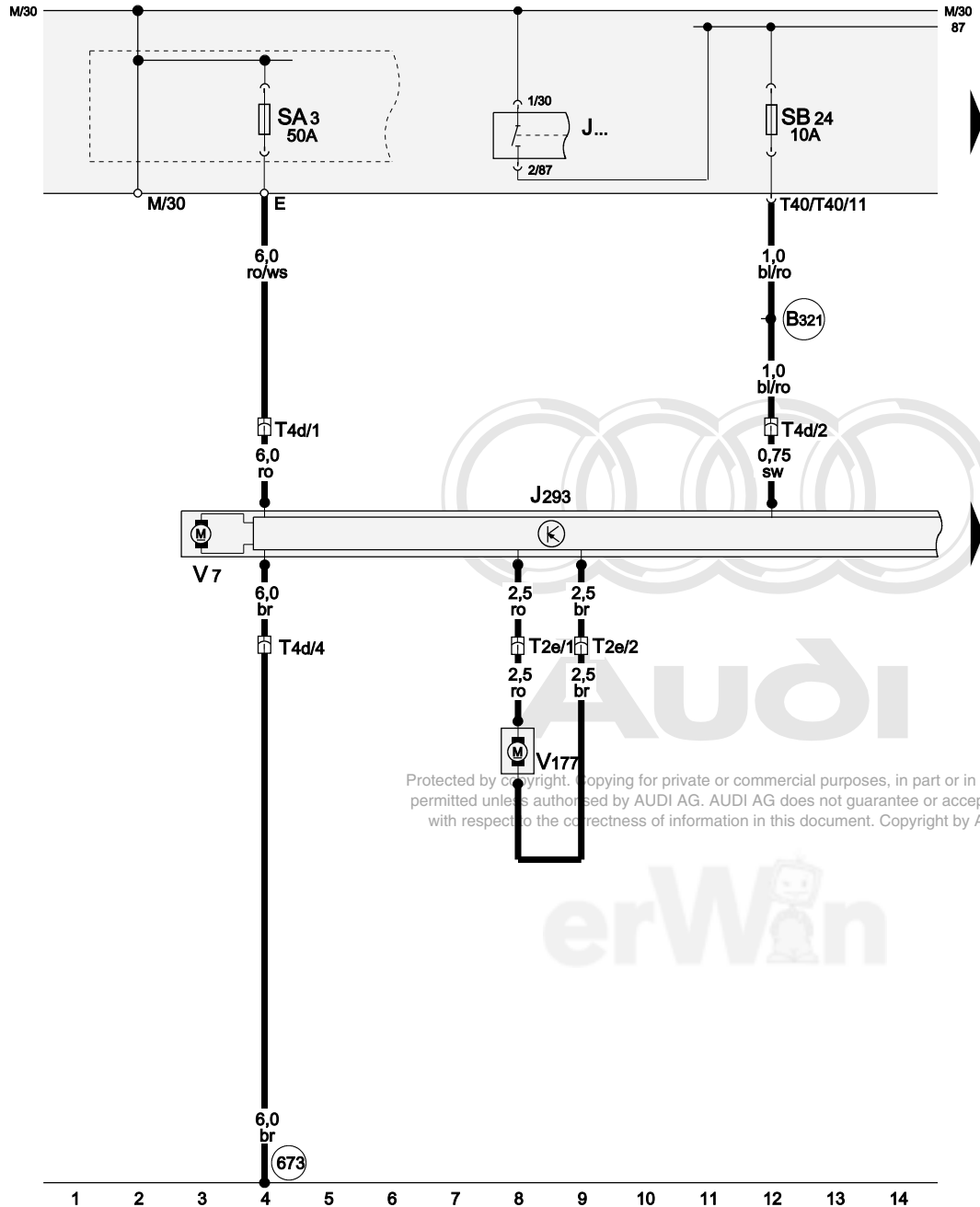
- ◆ Relay and fuse arrangements
 - ◆ Connector arrangements
 - ◆ Control Modules and Relays
 - ◆ Ground Connections
- ⇒ Component Locations
- Information for
- ◆ Troubleshooting Procedures
- ⇒ Guided Fault Finding using VAS 5051 / 5052



Audi

Protected by copyright. Copying for private or commercial purposes, in part or in whole, is not permitted unless authorised by AUDI AG. AUDI AG does not guarantee or accept any liability with respect to the correctness of information in this document. Copyright by AUDI AG.





Coolant Fan, Coolant Fan 2

- J... Engine Control Relay
- J293 Coolant Fan Control (FC) Control Module
- SA3 Fuse 3 (on fuse panel A)
- SB24 Fuse 24 (on fuse panel B)
- T2e Double Connector, black, on coolant fan control (FC) (front end)
- T4d 4-Pin Connector, black, on coolant fan control (FC) (front end)
- T40 40-Pin Connector, black, on electronics box engine compartment (Connector J)
- V7 Coolant Fan
- V177 Coolant Fan 2

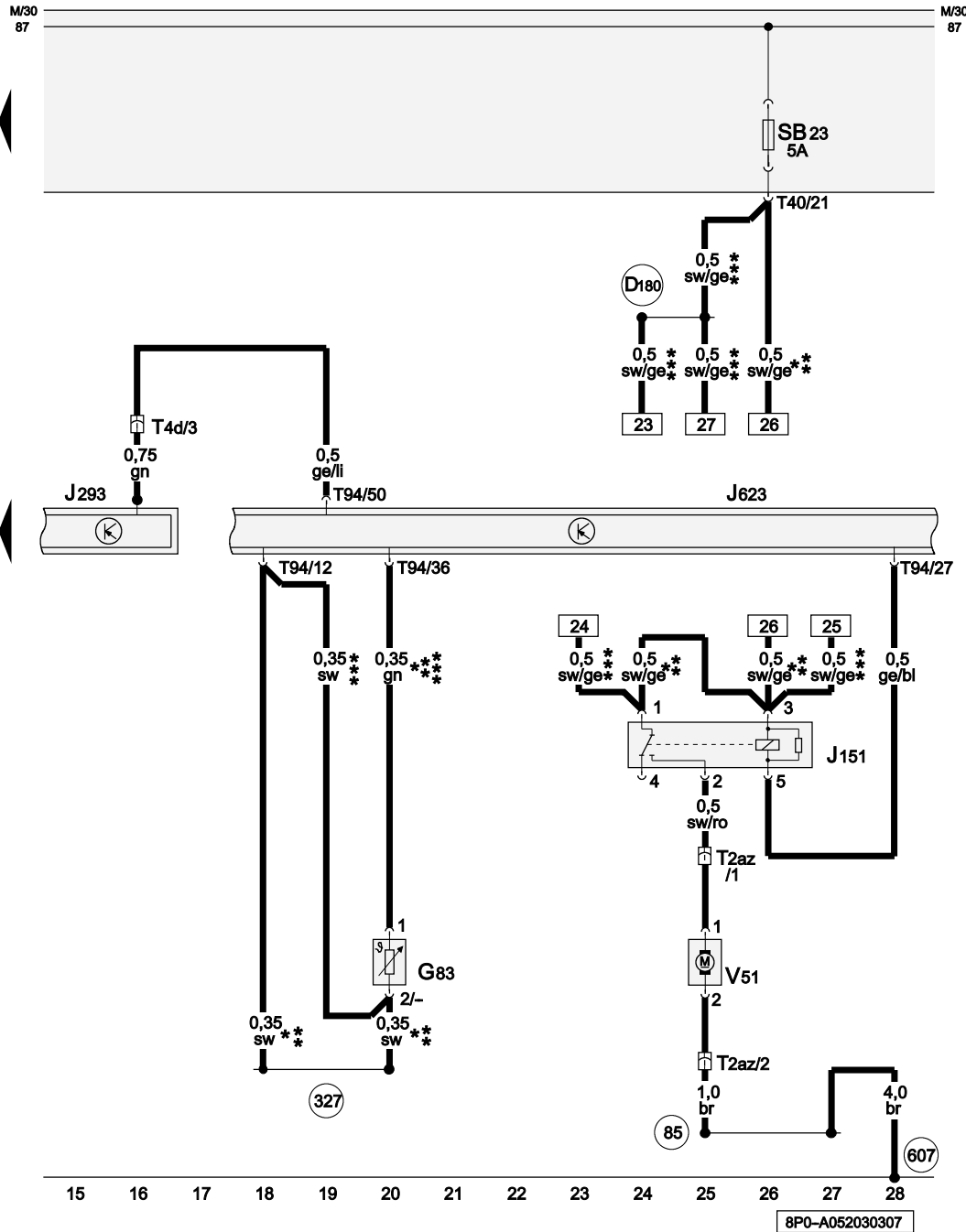
673 Ground Connection 3 (on left front long member)

B321 Plus Connection 7 (30a) (in main wiring harness)

Protected by copyright. Copying for private or commercial purposes, in part or in whole, is not permitted unless authorised by AUDI AG. AUDI AG does not guarantee or accept any liability with respect to the correctness of information in this document. Copyright by AUDI AG.

- ws = white
- sw = black
- ro = red
- br = brown
- gn = green
- bl = blue
- gr = grey
- li = lilac
- ge = yellow
- or = orange
- rs = pink

8P0-A052020307



Engine Coolant Temperature (ECT) Sensor (on Radiator), After-Run Coolant Pump

- G83 Engine Coolant Temperature (ECT) Sensor (on Radiator)
- J151 Coolant Circulation Pump Relay
- J293 Coolant Fan Control (FC) Control Module
- J623 Engine Control Module (ECM)
- SB23 Fuse 23 (on fuse panel B)
- T2az Double Connector
- T4d 4-Pin Connector, black, on coolant fan control (FC) (front end)
- T40 40-Pin Connector, black, on electronics box engine compartment (Connector J)
- T94 94-Pin Connector, black (Connector B)
- V51 After-Run Coolant Pump
- 85 Ground Connection 1 (in engine compartment wiring harness)
- 327 Sensor Ground Connection (in engine compartment wiring harness)
- 607 Ground Connection (in plenum chamber, left)
- D180 Connection (87a) (in engine compartment wiring harness)
- * Only models with engine codes BZB, CAWB
- ** Only models with engine code CCTA
- *** Only models with engine code CBFA



Protected by copyright. Copying for private or commercial purposes, in part or in whole, is not permitted unless authorised by AUDI AG. AUDI AG does not guarantee or accept any liability with respect to the correctness of information in this document. Copyright by AUDI AG.



- ws = white
- sw = black
- ro = red
- br = brown
- gn = green
- bl = blue
- gr = grey
- li = lilac
- ge = yellow
- or = orange
- rs = pink

Driver's Airbag, Front Passenger's Safety Belt Tensioner and Side Airbag

⇒ Only US equipment
from May 2008

Note:

Information for

- ◆ Relay and fuse arrangements
- ◆ Connector arrangements
- ◆ Control Modules and Relays
- ◆ Ground Connections

⇒ Component Locations

Information for

- ◆ Troubleshooting Procedures

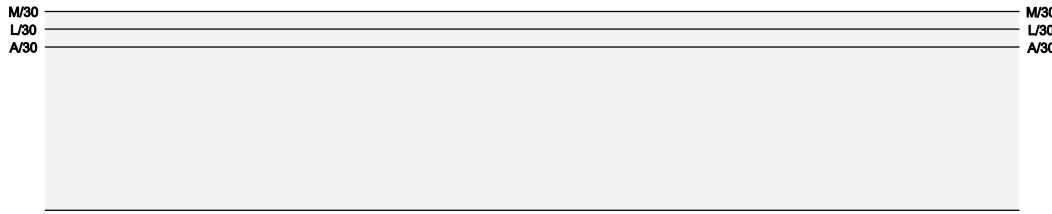
⇒ Guided Fault Finding using VAS 5051 / 5052



Audi

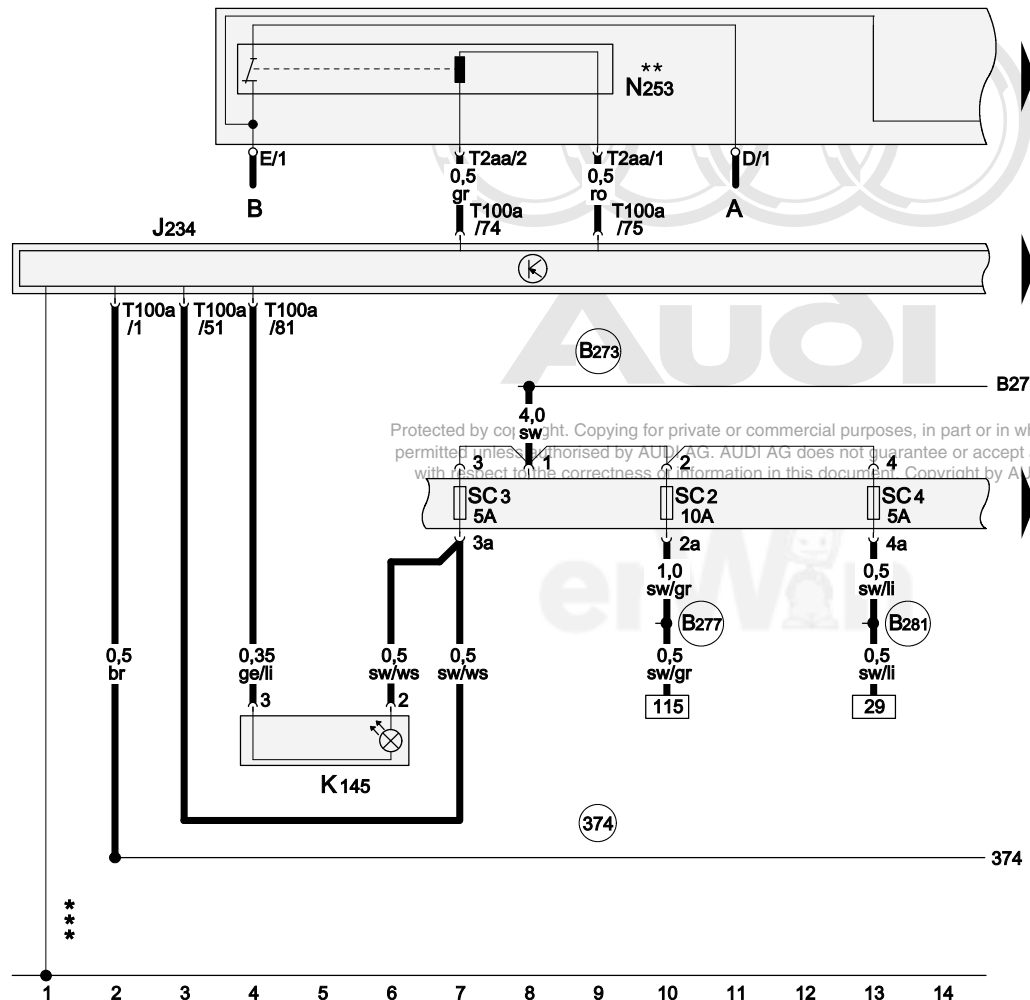
Protected by copyright. Copying for private or commercial purposes, in part or in whole, is not permitted unless authorised by AUDI AG. AUDI AG does not guarantee or accept any liability with respect to the correctness of information in this document. Copyright by AUDI AG.

erWin



Fuses (on fuse panel), Battery Interrupt Igniter

- A Battery
- B Starter
- J234 Airbag Control Module
- K145 Front Passenger's Airbag Disabled Indicator Lamp
- N253 Battery Interrupt Igniter
- SC2 Fuse 2 (on fuse panel C)
- SC3 Fuse 3 (on fuse panel C)
- SC4 Fuse 4 (on fuse panel C)
- T2aa Double Connector, purple (connector locking yellow)
- T100a 100-Pin Connector, purple (Connector A)

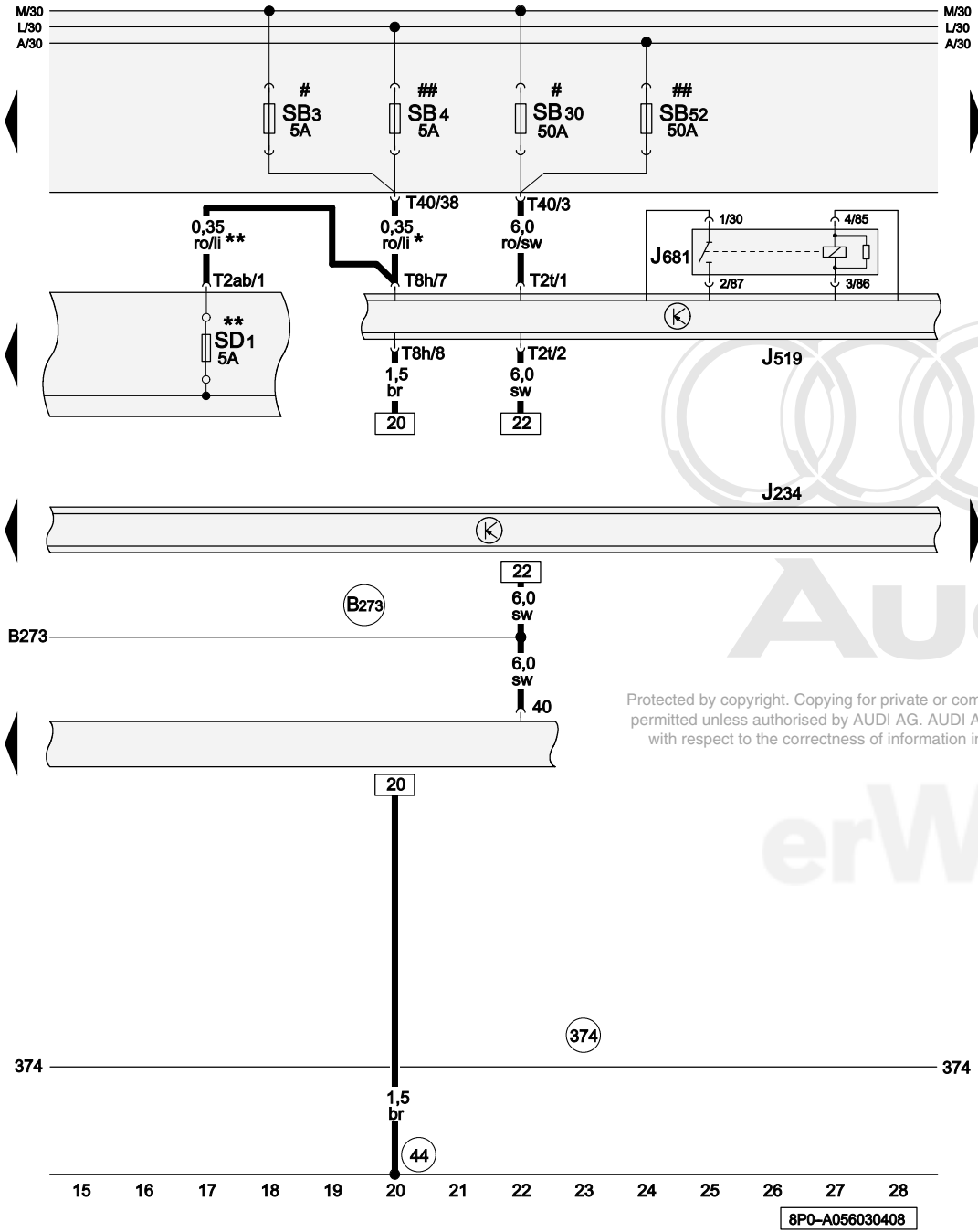


- (374) Ground Connection 9 (in main wiring harness)
- (B273) Plus Connection (15) (in main wiring harness)
- (B277) Plus Connection 1 (15a) (in main wiring harness)
- (B281) Plus Connection 5 (15a) (in main wiring harness)

** => Applicable Wiring Diagram for models with battery in luggage compartment
 *** Ground supply via the housing from airbag control module

- ws = white
- sw = black
- ro = red
- rt = red
- br = brown
- gn = green
- bl = blue
- gr = grey
- li = lilac
- vi = lilac
- ge = yellow
- or = orange
- rs = pink

8P0-A056020408



Power Supply Relay 2 (terminal 15)

- J234 Airbag Control Module
- J519 Vehicle Electrical System Control Module
- J681 Power Supply Relay 2 (terminal 15)
- SB3 Fuse 3 (on fuse panel B)
- SB4 Fuse 4 (on fuse panel B)
- SB30 Fuse 30 (on fuse panel B)
- SB52 Fuse 52 (on fuse panel B)
- SD1 Fuse 1 (on fuse panel D)
- T2t Double Connector, black (Connector L)
- T2ab Double Connector, black
- T8h 8-Pin Connector, black (Connector F)
- T40 40-Pin Connector, black, on electronics box engine compartment (Connector J)

- 44 Ground Connection (on left lower A-pillar)
- 374 Ground Connection 9 (in main wiring harness)
- B273 Plus Connection (15) (in main wiring harness)

- * ⇒ Applicable Wiring Diagram for models with battery in engine compartment
- ** ⇒ Applicable Wiring Diagram for models with battery in luggage compartment
- # Only models with electronics box Low
- ## Only models with electronics box High

Protected by copyright. Copying for private or commercial purposes, in part or in whole, is not permitted unless authorised by AUDI AG. AUDI AG does not guarantee or accept any liability with respect to the correctness of information in this document. Copyright by AUDI AG.

- ws = white
- sw = black
- ro = red
- rt = red
- br = brown
- gn = green
- bl = blue
- gr = grey
- li = lilac
- vi = lilac
- ge = yellow
- or = orange
- rs = pink

8P0-A056030408



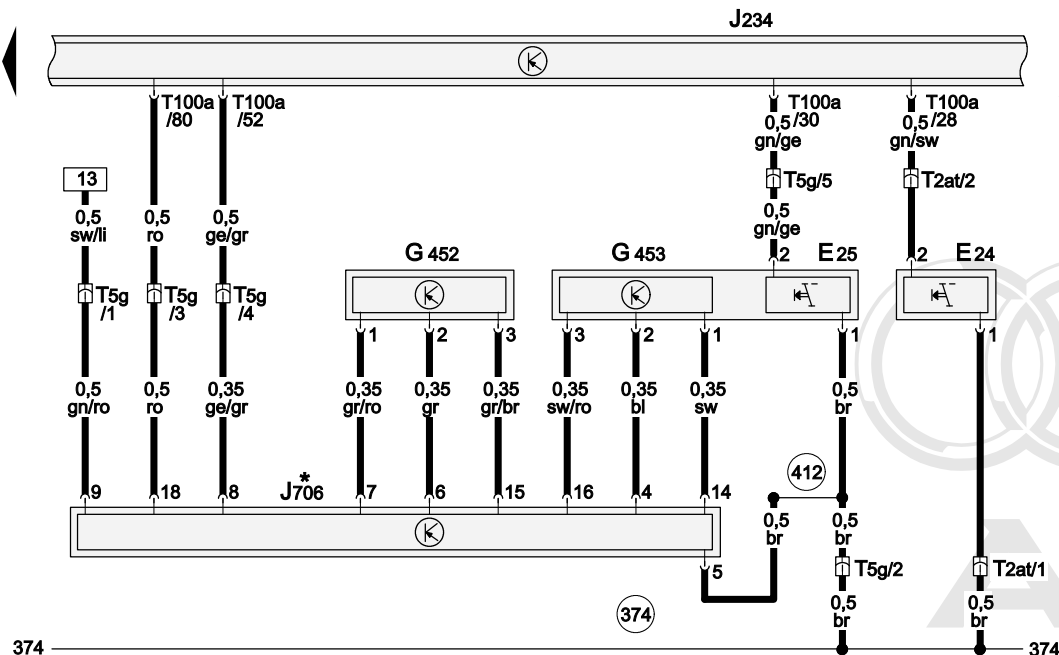
Safety Belt Switch, Seat Occupied Recognition Control Module

- E24 Driver's Safety Belt Switch
- E25 Front Passenger's Safety Belt Switch
- G452 Seat Occupied Recognition Pressure Sensor
- G453 Seat Occupied Recognition Safety Belt Force Sensor
- J234 Airbag Control Module
- J706 Seat Occupied Recognition Control Module
- T2at Double Connector, black, below driver's seat
- T5g 5-Pin Connector, black, below front passenger's seat
- T100a 100-Pin Connector, purple (Connector A)

374 Ground Connection 9 (in main wiring harness)

412 Ground Connection 3 (in power seat wiring harness)

* Only models with seat occupied recognition



- ws = white
- sw = black
- ro = red
- rt = red
- br = brown
- gn = green
- bl = blue
- gr = grey
- li = lilac
- vi = lilac
- ge = yellow
- or = orange
- rs = pink

Protected by copyright. Copying for private or commercial purposes, in part or in whole, is not permitted unless authorised by AUDI AG. AUDI AG does not guarantee or accept any liability with respect to the correctness of information in this document. Copyright by AUDI AG.

374

374

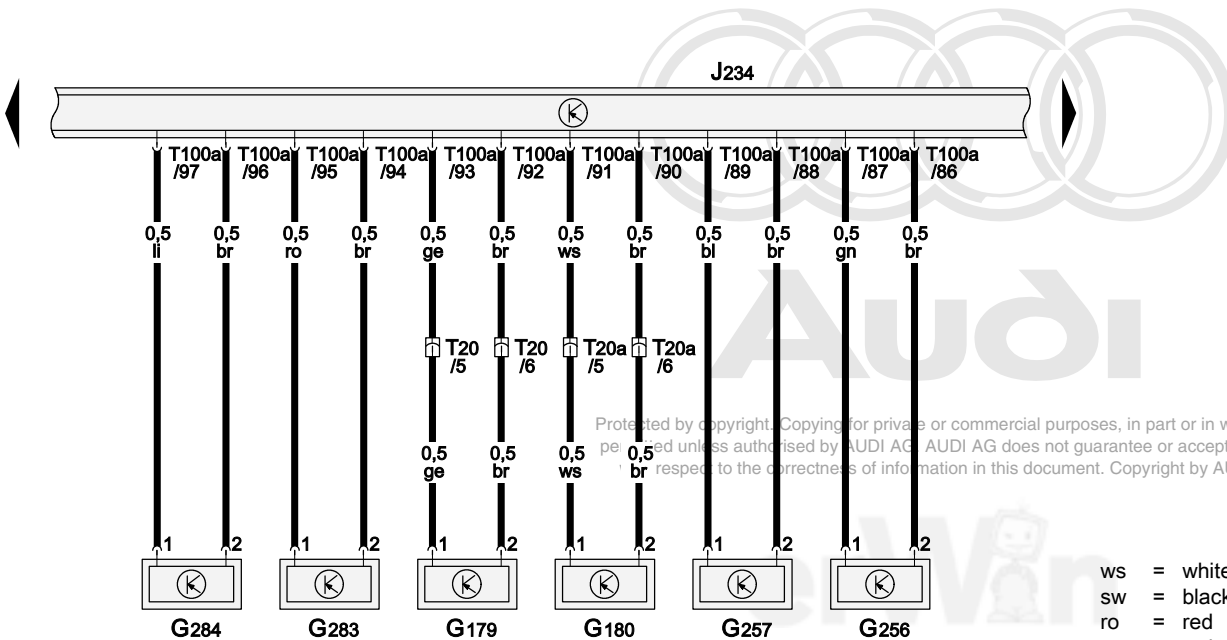
29 30 31 32 33 34 35 36 37 38 39 40 41 42

8P0-A056040408



Crash Sensors

- G179 Driver's Side Airbag Crash Sensor
- G180 Front Passenger's Side Airbag Crash Sensor
- G256 Rear Side Airbag Crash Sensor (on driver's side)
- G257 Rear Side Airbag Crash Sensor (on front passenger's side)
- G283 Driver's Front Airbag Crash Sensor
- G284 Front Passenger's Front Airbag Crash Sensor
- J234 Airbag Control Module
- T20 20-Pin Connector, black, door A-pillar, left
- T20a 20-Pin Connector, black, door A-pillar, right
- T100a 100-Pin Connector, purple (Connector A)



Protected by copyright. Copying for private or commercial purposes, in part or in whole, is not permitted unless authorised by AUDI AG. AUDI AG does not guarantee or accept any liability in respect to the correctness of information in this document. Copyright by AUDI AG.

374

374

43 44 45 46 47 48 49 50 51 52 53 54 55 56

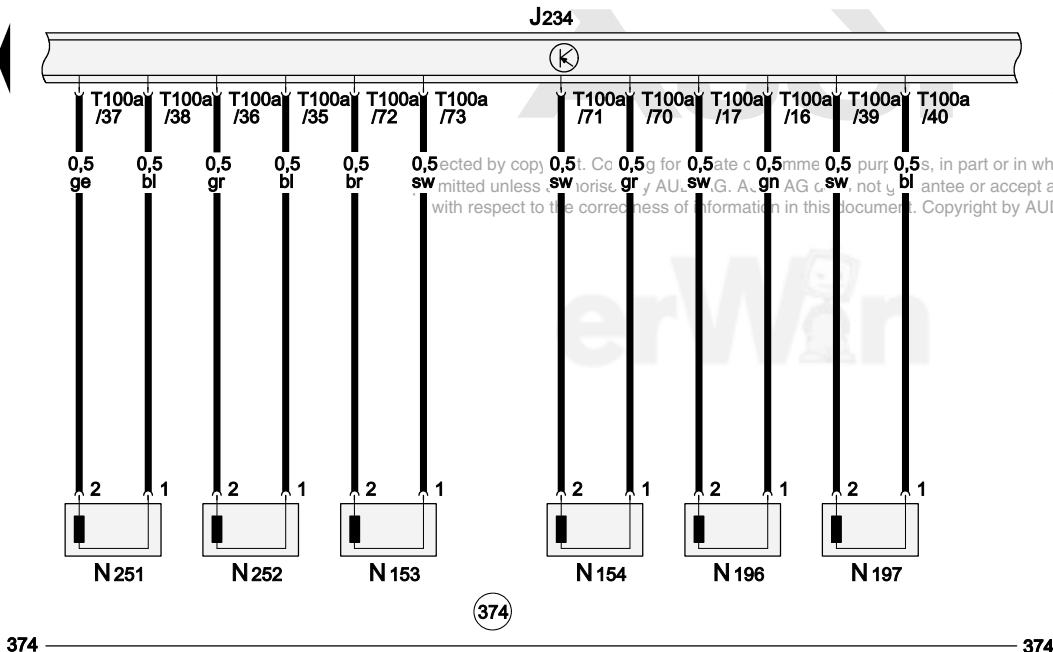
8P0-A056050408



Safety Belt Tensioner Igniter, Head Curtain Airbag Igniter

- J234 Airbag Control Module
- N153 Driver's Safety Belt Tensioner Igniter 1
- N154 Front Passenger's Safety Belt Tensioner Igniter 1
- N196 Rear Safety Belt (driver's side) Tensioner Igniter
- N197 Rear Safety Belt (front passenger's side) Tensioner Igniter
- N251 Driver's Head Curtain Airbag Igniter
- N252 Front Passenger's Head Curtain Airbag Igniter
- T100a 100-Pin Connector, purple (Connector A)

374 Ground Connection 9 (in main wiring harness)



374 374

57 58 59 60 61 62 63 64 65 66 67 68 69 70

8P0-A056060408

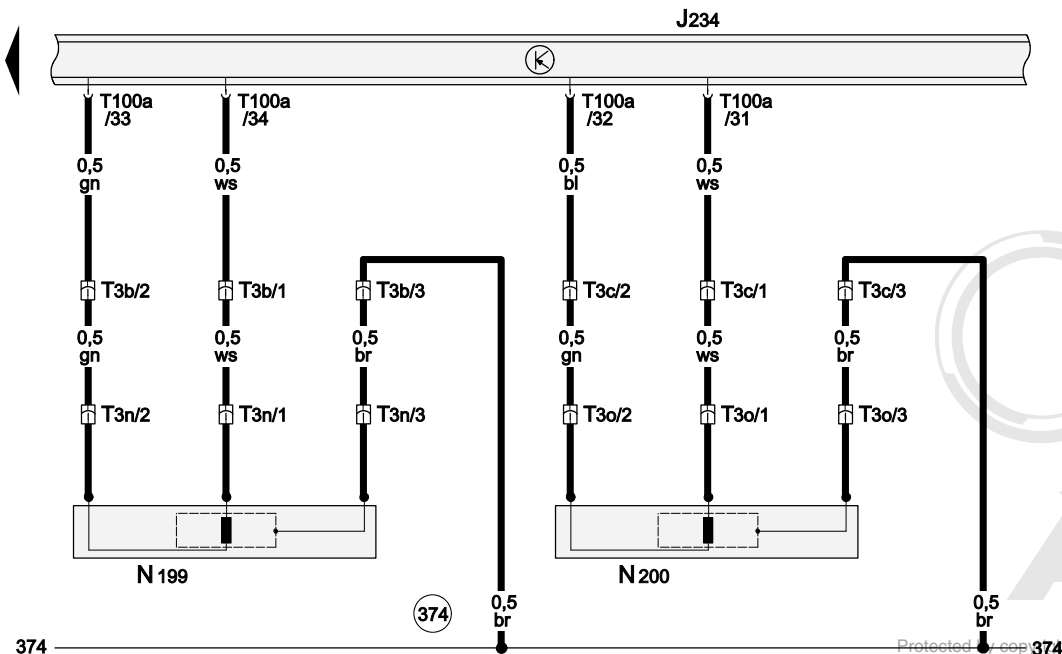
- ws = white
- sw = black
- ro = red
- rt = red
- br = brown
- gn = green
- bl = blue
- gr = grey
- li = lilac
- vi = lilac
- ge = yellow
- or = orange
- rs = pink



Driver's Side Airbag Igniter, Front Passenger's Side Airbag Igniter

- J234 Airbag Control Module
- N199 Driver's Side Airbag Igniter
- N200 Front Passenger's Side Airbag Igniter
- T3b 3-Pin Connector, yellow, near driver's seat
- T3c 3-Pin Connector, yellow, near front passenger's seat
- T3n 3-Pin Connector, in driver's seat
- T3o 3-Pin Connector, in front passenger's seat
- T100a 100-Pin Connector, purple (Connector A)

374 Ground Connection 9 (in main wiring harness)



- ws = white
- sw = black
- ro = red
- rt = red
- br = brown
- gn = green
- bl = blue
- gr = grey
- li = lilac
- vi = lilac
- ge = yellow
- or = orange
- rs = pink

Protected by copyright. Copying for non-commercial purposes, in part or in whole, is not permitted unless authorized by AUDI. AUDI AG does not guarantee or accept any liability with respect to the correctness of information in this document. Copyright by AUDI AG.

71 72 73 74 75 76 77 78 79 80 81 82 83 84

8P0-A056070408

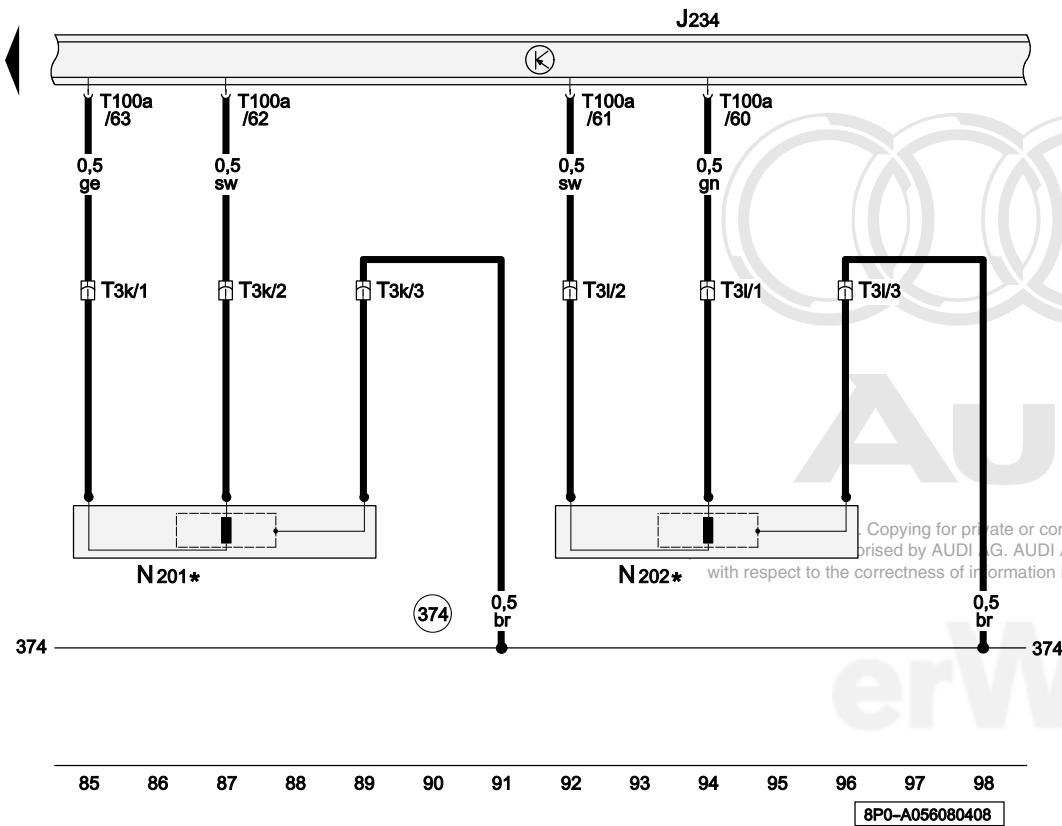


Rear Driver's Side Airbag Igniter, Rear Front Passenger's Side Airbag Igniter

- J234 Airbag Control Module
- N201 Rear Side Airbag (front driver's side) Igniter
- N202 Rear Passenger's Side Airbag (front passenger's side) Igniter
- T3k 3-Pin Connector, yellow, near C-pillar, left (connector locking purple)
- T3l 3-Pin Connector, yellow, near C-pillar, right (connector locking purple)
- T100a 100-Pin Connector, purple (Connector A)

374 Ground Connection 9 (in main wiring harness)

* Only models with side airbags

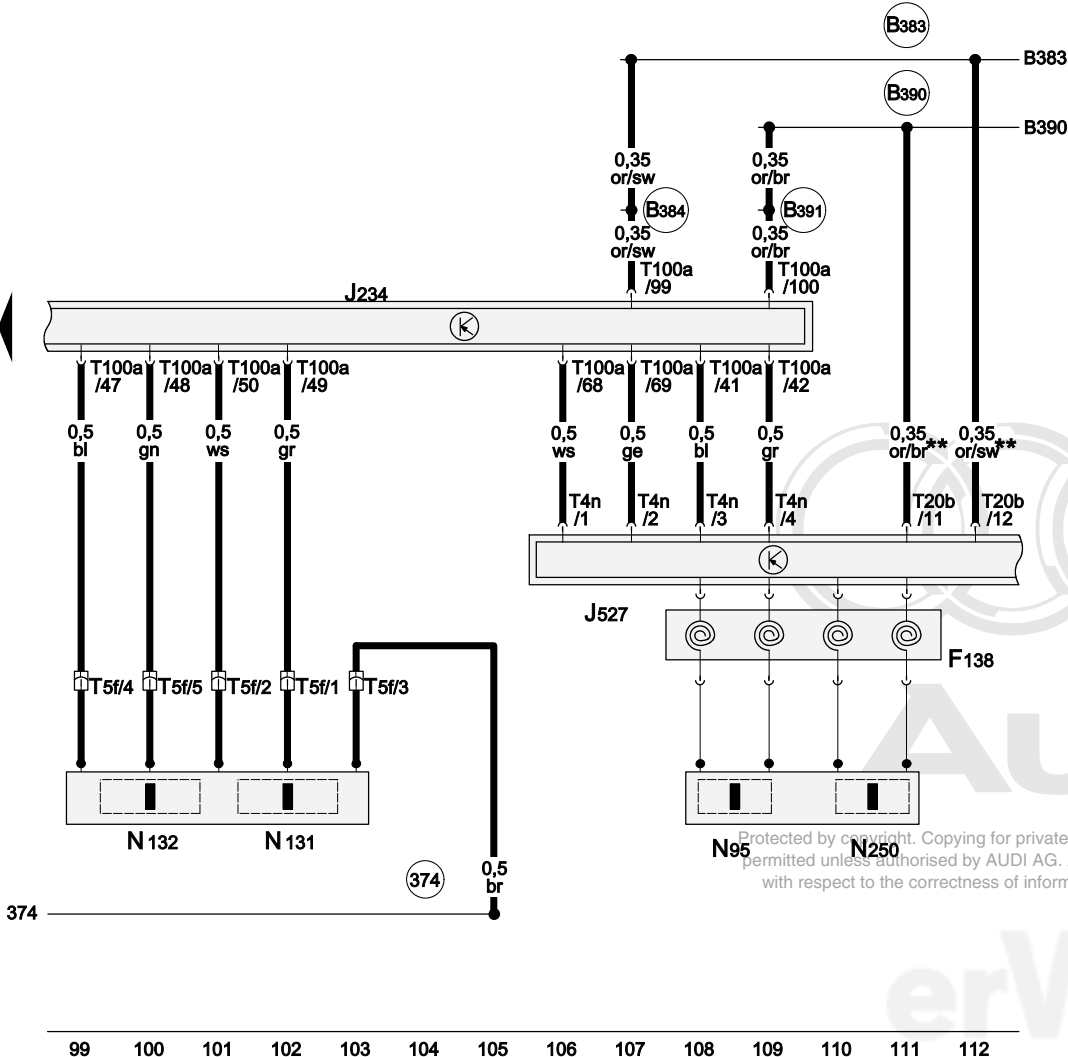




Driver's Airbag Igniter, Front Passenger's Airbag Igniter

- F138 Airbag Spiral Spring/Return Spring With Slip Ring
- J234 Airbag Control Module
- J527 Steering Column Electronic Systems Control Module
- N95 Driver's Airbag Igniter
- N131 Front Passenger's Airbag Igniter 1
- N132 Front Passenger's Airbag Igniter 2
- N250 Driver's Airbag Igniter 2
- T4n 4-Pin Connector, yellow (Connector B)
- T5f 5-Pin Connector, black
- T20b 20-Pin Connector, black (Connector A)
- T100a 100-Pin Connector, purple (Connector A)

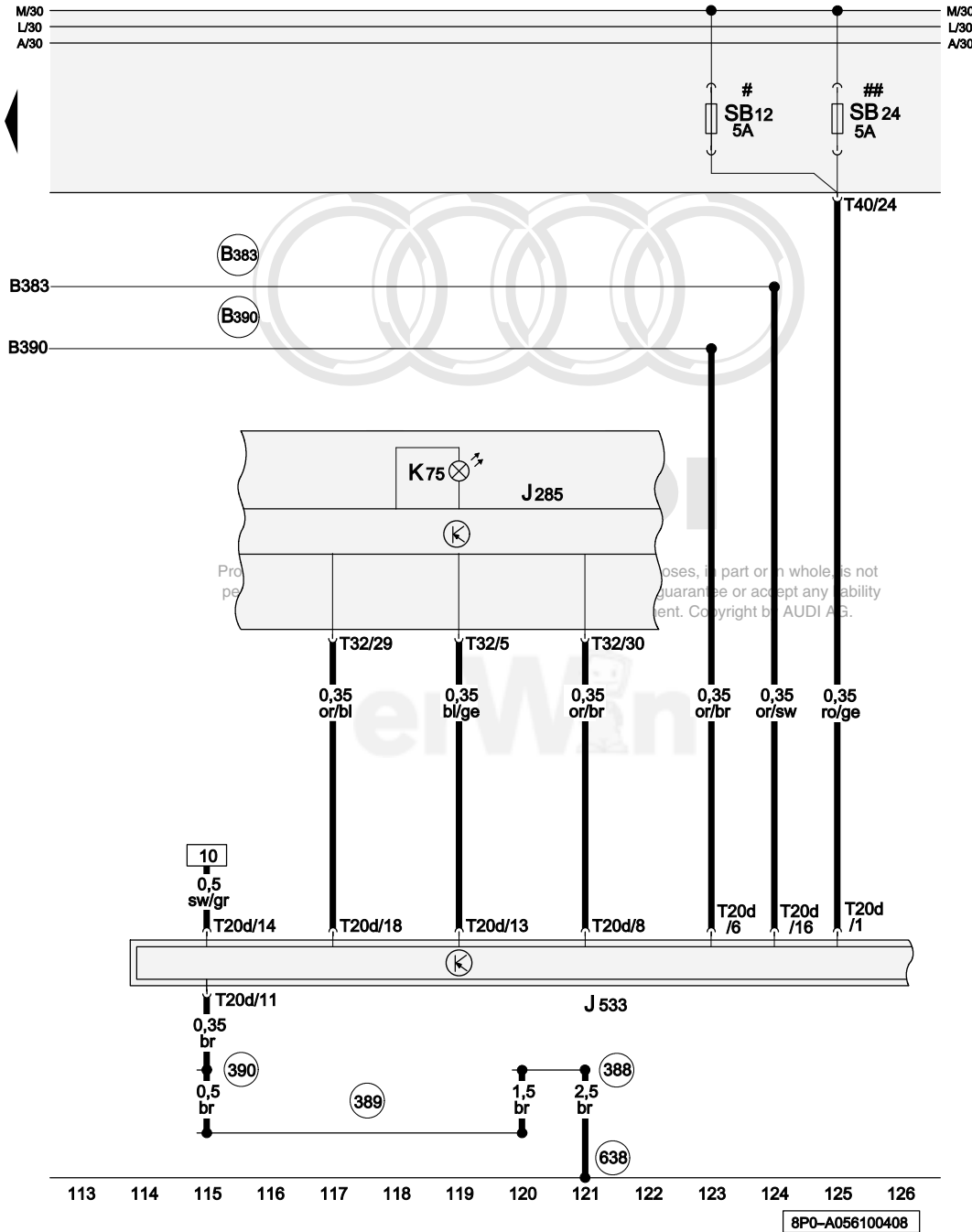
- 374 Ground Connection 9 (in main wiring harness)
- B383 Powertrain CAN-Bus High Connection 1 (in main wiring harness)
- B384 Powertrain CAN-Bus High Connection 2 (in main wiring harness)
- B390 Powertrain CAN-Bus Low Connection 1 (in main wiring harness)
- B391 Powertrain CAN-Bus Low Connection 2 (in main wiring harness)
- ** Only models with powertrain CAN-Bus



- ws = white
- sw = black
- ro = red
- ri = red
- br = brown
- gn = green
- bl = blue
- gr = grey
- li = lilac
- vi = lilac
- ge = yellow
- or = orange
- rs = pink

Protected by copyright. Copying for private or commercial purposes, in part or in whole, is not permitted unless authorised by AUDI AG. AUDI AG does not guarantee or accept any liability with respect to the correctness of information in this document. Copyright by AUDI AG.

8PO-A056090909



Instrument Cluster Control Module, Airbag Malfunction Indicator Lamp (MIL)

- J285 Instrument Cluster Control Module
- J533 Data Bus On Board Diagnostic Interface
- K75 Airbag Malfunction Indicator Lamp (MIL)
- SB12 Fuse 12 (on fuse panel B)
- SB24 Fuse 24 (on fuse panel B)
- T20d 20-Pin Connector, black (Connector A)
- T32 32-Pin Connector, blue (Connector A)
- T40 40-Pin Connector, black, on electronics box engine compartment (Connector J)

- 388 Ground Connection 23 (in main wiring harness)
- 389 Ground Connection 24 (in main wiring harness)
- 390 Ground Connection 25 (in main wiring harness)
- 638 Ground Connection (on right A-pillar)
- B383 Powertrain CAN-Bus High Connection 1 (in main wiring harness)
- B390 Powertrain CAN-Bus Low Connection 1 (in main wiring harness)
- # Only models with electronics box Low
- ## Only models with electronics box High

- ws = white
- sw = black
- ro = red
- rt = red
- br = brown
- gn = green
- bl = blue
- gr = grey
- li = lilac
- vi = lilac
- ge = yellow
- or = orange
- rs = pink

Standard equipment (Canada, Mexico, USA)

From May 2008



Audi

Protected by copyright. Copying for private or commercial purposes, in part or in whole, is not permitted unless authorised by AUDI AG. AUDI AG does not guarantee or accept any liability with respect to the correctness of information in this document. Copyright by AUDI AG.

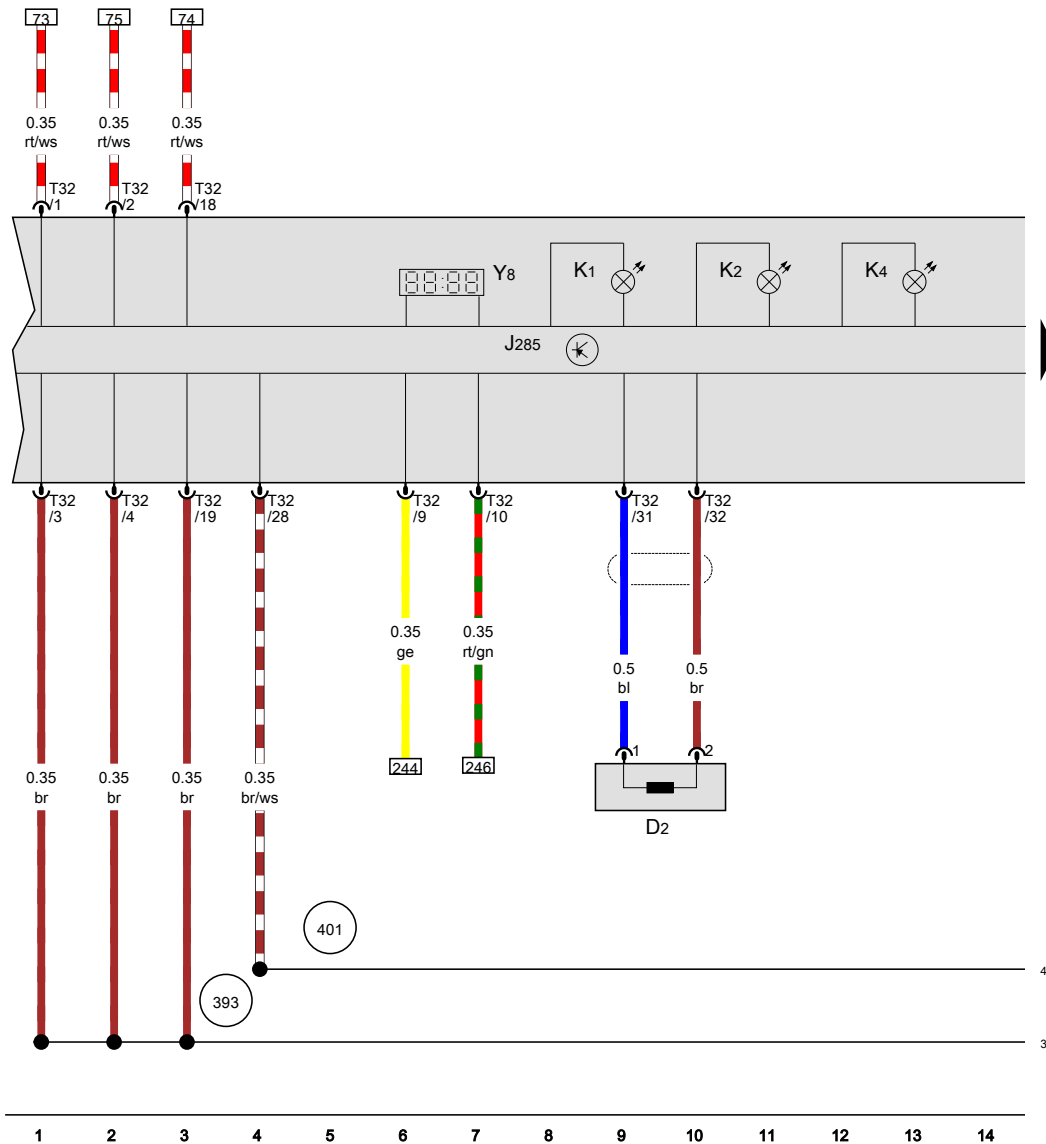


Anti-theft immobilizer reader coil, Instrument cluster control module

- D2 Anti-theft immobilizer reader coil
- J285 Instrument cluster control module
- K1 High beam indicator lamp
- K2 Generator indicator lamp
- K4 Parking lamp indicator lamp
- T32 32-pin connector
- Y8 Radio frequency controlled clock

393 Ground connection 28 (in main wiring harness)

401 Sensor ground connection (in interior wiring harness)



- ws = white
 sw = black
 ro = red
 rt = red
 br = brown
 gn = green
 bl = blue
 gr = grey
 li = lilac
 vi = lilac
 ge = yellow
 or = orange
 rs = pink
- Protected by copyright. Copying for private or commercial purposes, in part or in whole, is not permitted unless authorised by AUDI AG. AUDI AG does not guarantee or accept any liability with respect to the correctness of information in this document. Copyright by AUDI AG.



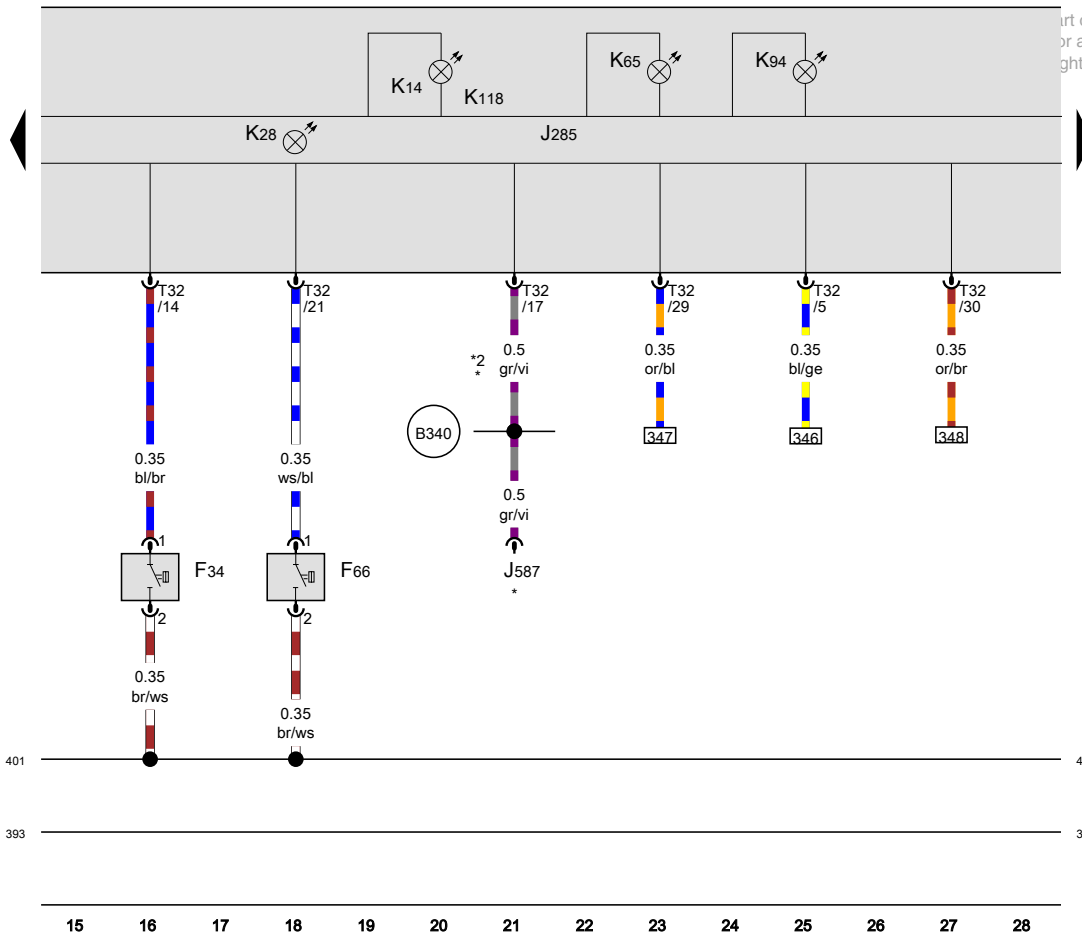


Brake fluid level warning switch, Engine coolant level warning switch, Instrument cluster control module

- F34 Brake fluid level warning switch
- F66 Engine coolant level warning switch
- J285 Instrument cluster control module
- J587 Selector lever sensor system control module
- K14 Hand brake indicator lamp
- K28 Engine coolant level/temperature indicator lamp
- K65 Indicator lamp for left turn signal
- K94 Right turn signal indicator lamp
- K118 Brake system indicator lamp
- T32 32-pin connector

- 393 Ground connection 28 (in main wiring harness)
- 401 Sensor ground connection (in interior wiring harness)
- B340 Connection 1 (58d) (in main wiring harness)

- * Refer to applicable wiring diagram for automatic transmission
- *2 Refer to the applicable wiring diagram for heating with manual control



- ws = white
- sw = black
- ro = red
- rt = red
- br = brown
- gn = green
- bl = blue
- gr = grey
- li = lilac
- vi = lilac
- ge = yellow
- or = orange
- rs = pink

[RPA-058030810]

Outside air temperature sensor, Windshield washer fluid level sensor, Fuel level sensor 2, Instrument cluster control module

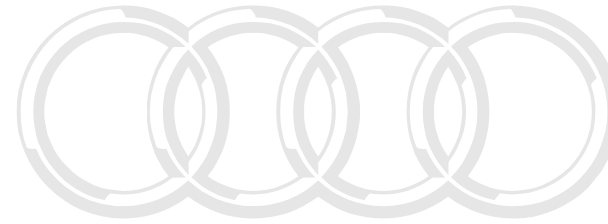
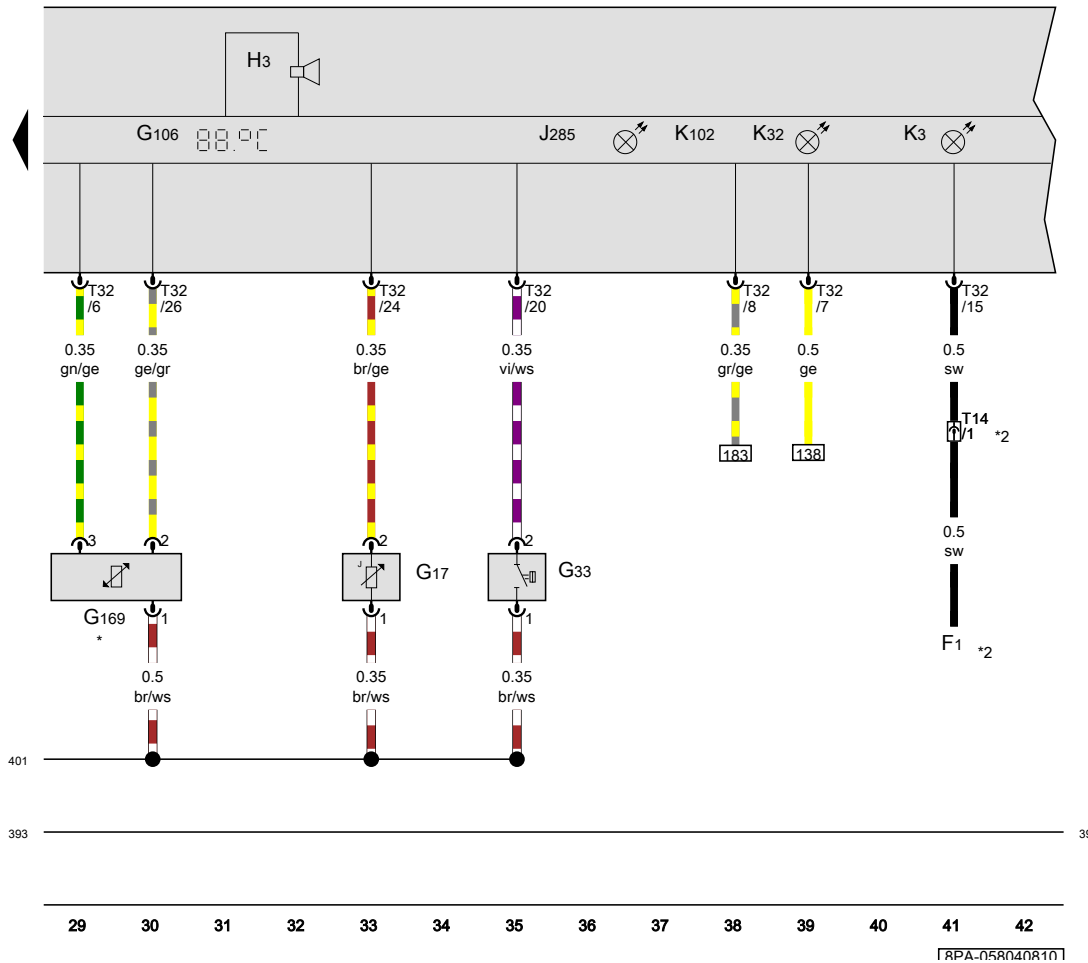
- F1 Oil pressure switch
- G17 Outside air temperature sensor
- G33 Windshield washer fluid level sensor
- G106 Outside air temperature display
- G169 Fuel level sensor 2
- H3 Warning buzzer and tone
- J285 Instrument cluster control module
- K3 Oil pressure indicator lamp
- K32 Brake pad wear indicator lamp
- K102 Rear lid -closed- indicator lamp
- T14 14-pin connector, near the left front longitudinal member
- T32 32-pin connector

393 Ground connection 28 (in main wiring harness)

401 Sensor ground connection (in interior wiring harness)

* Only for vehicles with all wheel drive

*2 Refer to applicable engine wiring diagram



Audi

Protected by copyright. Copying for private or commercial purposes, in part or in whole, is not permitted unless authorised by AUDI AG. AUDI AG does not guarantee or accept any liability with respect to the correctness of information in this document. Copyright by AUDI AG.

- ws = white
- sw = black
- ro = red
- rt = red
- br = brown
- gn = green
- bl = blue
- gr = grey
- li = lilac
- vi = lilac
- ge = yellow
- or = orange
- rs = pink

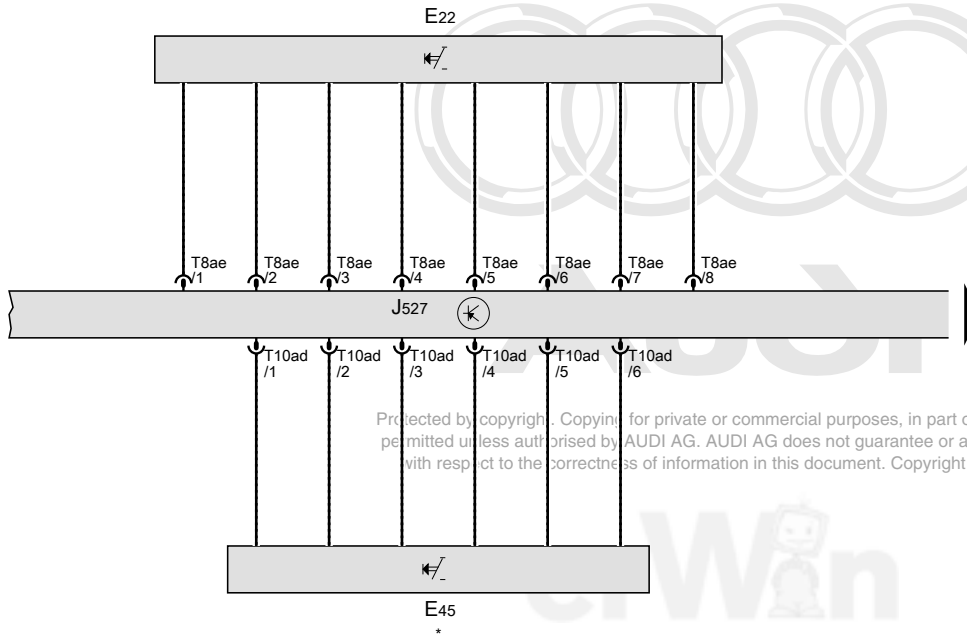


Windshield wiper intermittent mode switch, Cruise control switch, Steering column electronics control module

- E22 Windshield wiper intermittent mode switch
- E45 Cruise control switch
- J527 Steering column electronics control module
- T8ae 8-pin connector
- T10ad 10-pin connector

393 Ground connection 28 (in main wiring harness)

* Only for vehicles with cruise control



Protected by copyright. Copying for private or commercial purposes, in part or in whole, is not permitted unless authorised by AUDI AG. AUDI AG does not guarantee or accept any liability with respect to the correctness of information in this document. Copyright by AUDI AG.

- ws = white
- sw = black
- ro = red
- rt = red
- br = brown
- gn = green
- bl = blue
- gr = grey
- li = lilac
- vi = lilac
- ge = yellow
- or = orange
- rs = pink

393 _____ 393

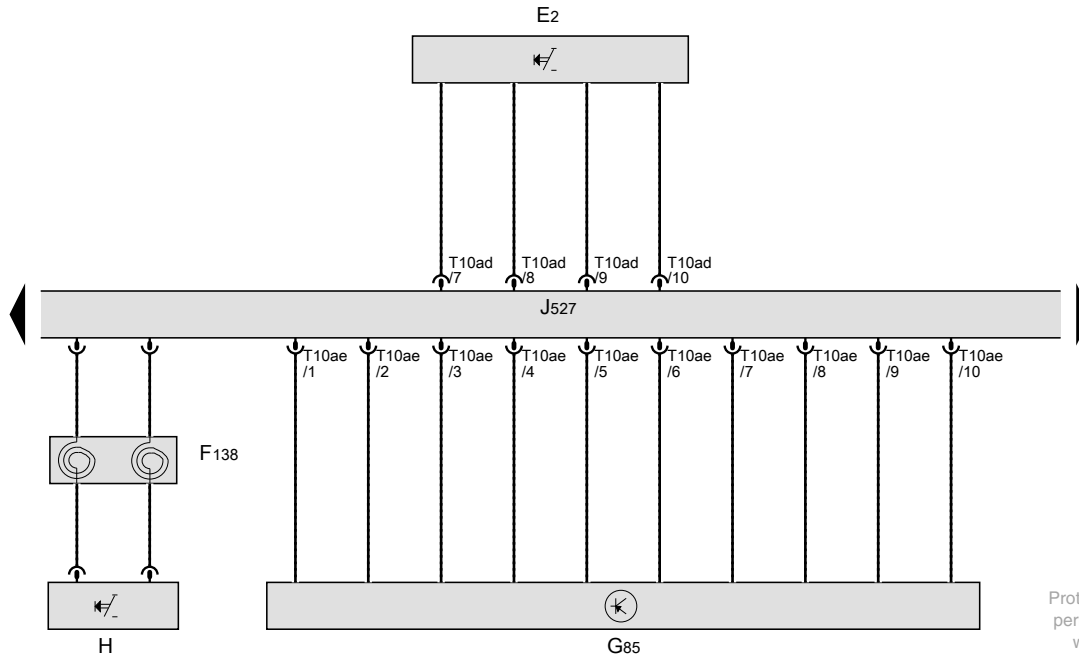
43 44 45 46 47 48 49 50 51 52 53 54 55 56

18PA-0580508101

Turn signal switch, Steering angle sensor, Signal horn activation, Steering column electronics control module

- E2 Turn signal switch
- F138 Airbag spiral spring/return spring with slip ring
- G85 Steering angle sensor
- H Signal horn activation
- J527 Steering column electronics control module
- T10ad 10-pin connector
- T10ae 10-pin connector

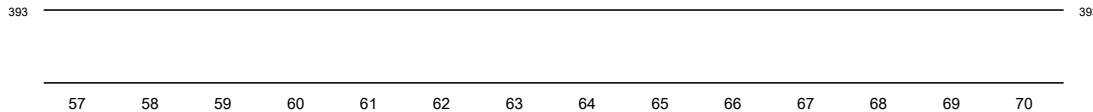
393 Ground connection 28 (in main wiring harness)



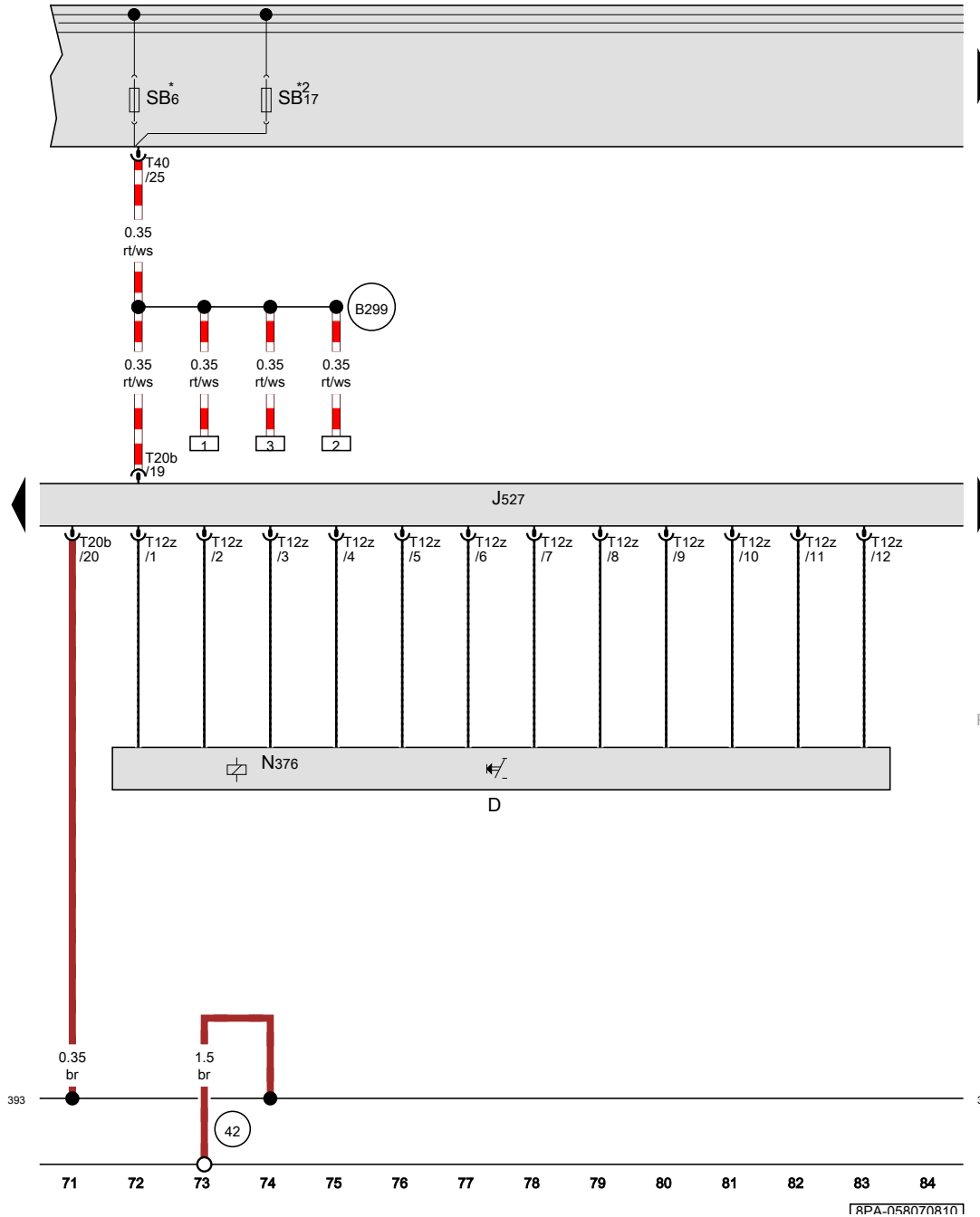
Protected by copyright. Copying for private or commercial purposes, in part or in whole, is not permitted unless authorised by AUDI AG. AUDI AG does not guarantee or accept any liability with respect to the correctness of information in this document. Copyright by AUDI AG.



- ws = white
- sw = black
- ro = red
- rt = red
- br = brown
- gn = green
- bl = blue
- gr = grey
- li = lilac
- vi = lilac
- ge = yellow
- or = orange
- rs = pink



18PA-058060810



Ignition/starter switch, Steering column electronics control module

- D Ignition/starter switch
- J527 Steering column electronics control module
- N376 Ignition switch key lock solenoid
- SB6 Fuse 6 (on fuse panel B)
- SB17 Fuse 17 (on fuse panel B)
- T12z 12-pin connector
- T20b 20-pin connector
- T40 40-pin connector
- 42 Ground connection near steering column
- 393 Ground connection 28 (in main wiring harness)
- B299 Positive connection 3 (30) (in main wiring harness)
- * E-Box low
- *2 E-Box high

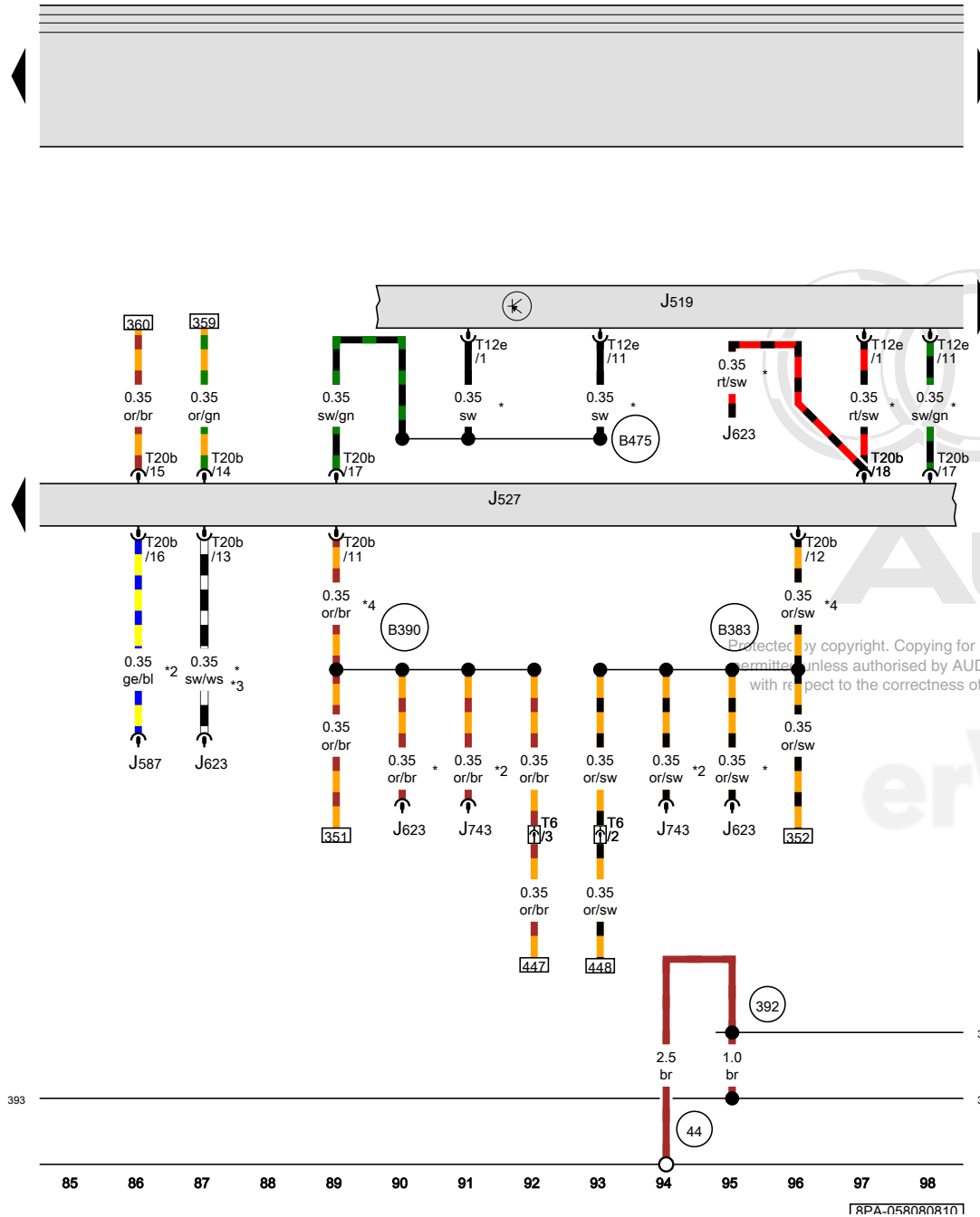
Protected by copyright. Copying for private or commercial purposes, in part or in whole, is not permitted unless authorised by AUDI AG. AUDI AG does not guarantee or accept any liability with respect to the correctness of information in this document. Copyright by AUDI AG.

- ws = white
- sw = black
- ro = red
- rt = red
- br = brown
- gn = green
- bl = blue
- gr = grey
- li = lilac
- vi = lilac
- ge = yellow
- or = orange
- rs = pink

Vehicle electrical system control module, Steering column electronics control module

- J519 Vehicle electrical system control module
- J527 Steering column electronics control module
- J587 Selector lever sensor system control module
- J623 Engine control module
- J743 DSG transmission Mechatronic
- T1 Single connector
- T6 6-pin connector, near the left front longitudinal member
- T12e 12-pin connector
- T20b 20-pin connector

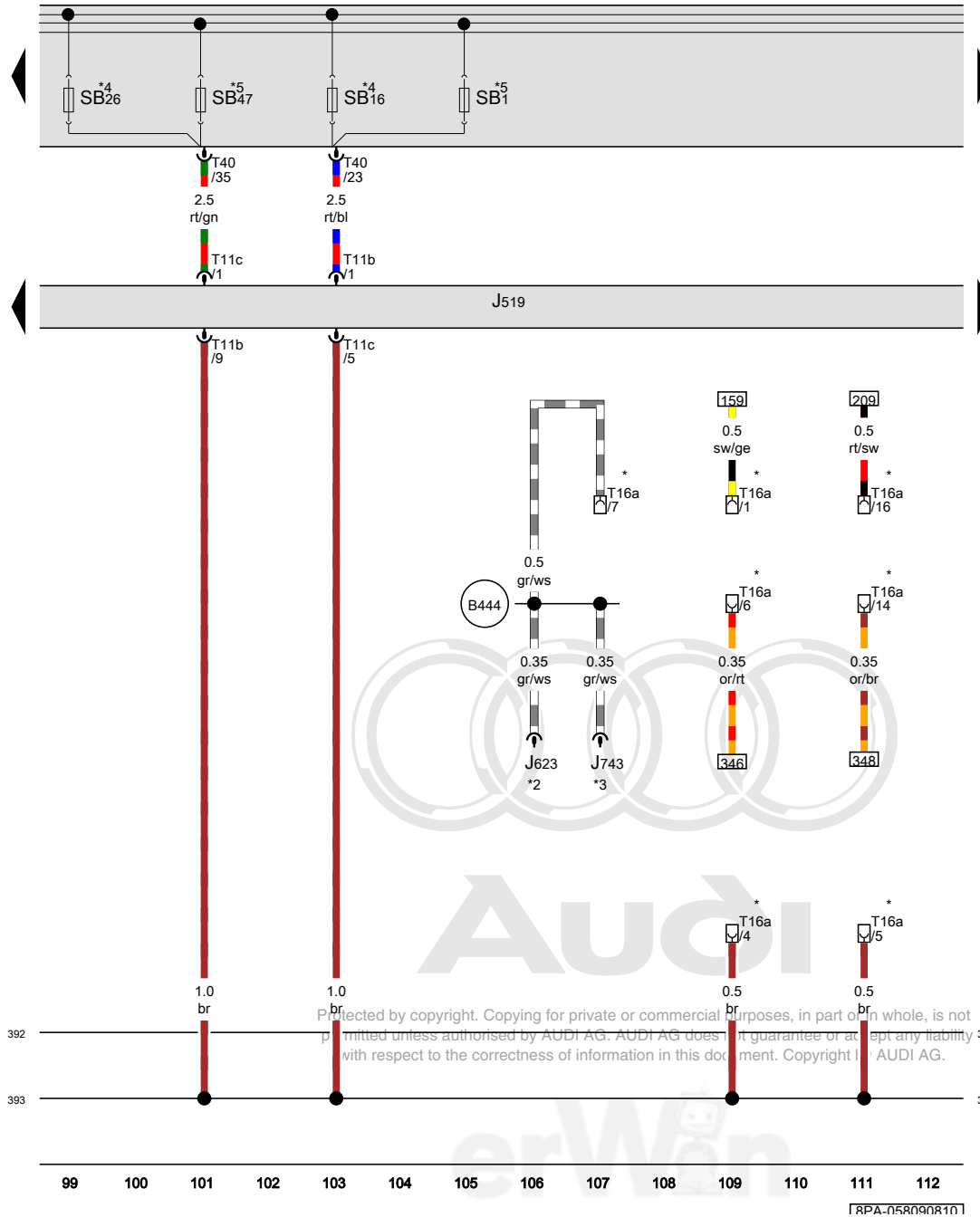
- 44 Ground connection on A-pillar, lower left
- 392 Ground connection 27 (in main wiring harness)
- 393 Ground connection 28 (in main wiring harness)
- B383 Powertrain CAN bus high connection 1 (in main wiring harness)
- B390 Powertrain CAN bus low connection 1 (in main wiring harness)
- B475 Connection 11 (in main wiring harness)



393

- ws = white
- sw = black
- ro = red
- rt = red
- br = brown
- gn = green
- bl = blue
- gr = grey
- li = lilac
- vi = lilac
- ge = yellow
- or = orange
- rs = pink

18PA-058080810



Vehicle electrical system control module

- J519 Vehicle electrical system control module
- J623 Engine control module
- J743 DSG transmission Mechatronic
- SB1 Fuse 1 (on fuse panel B)
- SB16 Fuse 16 (on fuse panel B)
- SB26 Fuse 26 (on fuse panel B)
- SB47 Fuse 47 (on fuse panel B)
- T11b 11-pin connector
- T11c 11-pin connector
- T16a 16-pin connector
- T40 40-pin connector

392 Ground connection 27 (in main wiring harness)

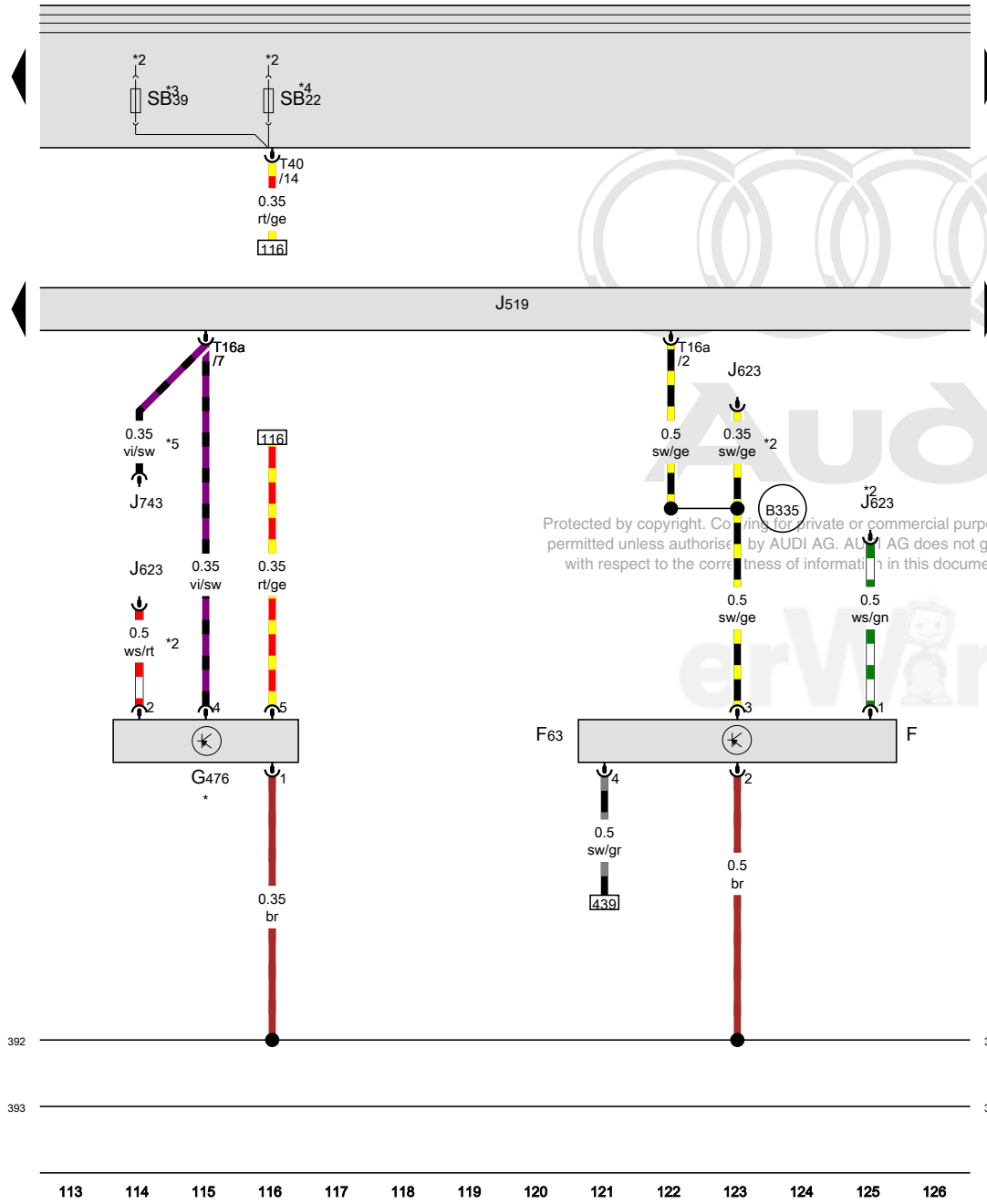
393 Ground connection 28 (in main wiring harness)

B444 OBD connection 1 (in main wiring harness)

- * Diagnostic connector
- *2 Refer to applicable engine wiring diagram
- *3 Refer to applicable wiring diagram for automatic transmission
- *4 E-Box low
- *5 E-Box high

- ws = white
- sw = black
- ro = red
- rt = red
- br = brown
- gn = green
- bl = blue
- gr = grey
- li = lilac
- vi = lilac
- ge = yellow
- or = orange
- rs = pink

Protected by copyright. Copying for private or commercial purposes, in part or in whole, is not permitted unless authorised by AUDI AG. AUDI AG does not guarantee or accept any liability with respect to the correctness of information in this document. Copyright © AUDI AG.



Brake lamp switch, Brake pedal switch, Clutch position sensor, Vehicle electrical system control module

- F Brake lamp switch
- F63 Brake pedal switch
- G476 Clutch position sensor
- J519 Vehicle electrical system control module
- J623 Engine control module
- J743 DSG transmission Mechatronic
- SB22 Fuse 22 (on fuse panel B)
- SB39 Fuse 39 (on fuse panel B)
- T16a 16-pin connector
- T40 40-pin connector

392 Ground connection 27 (in main wiring harness)

393 Ground connection 28 (in main wiring harness)

B335 Connection 1 (54) (in main wiring harness)

* Only for vehicles with a manual transmission

*2 Refer to applicable engine wiring diagram

*3 E-Box high

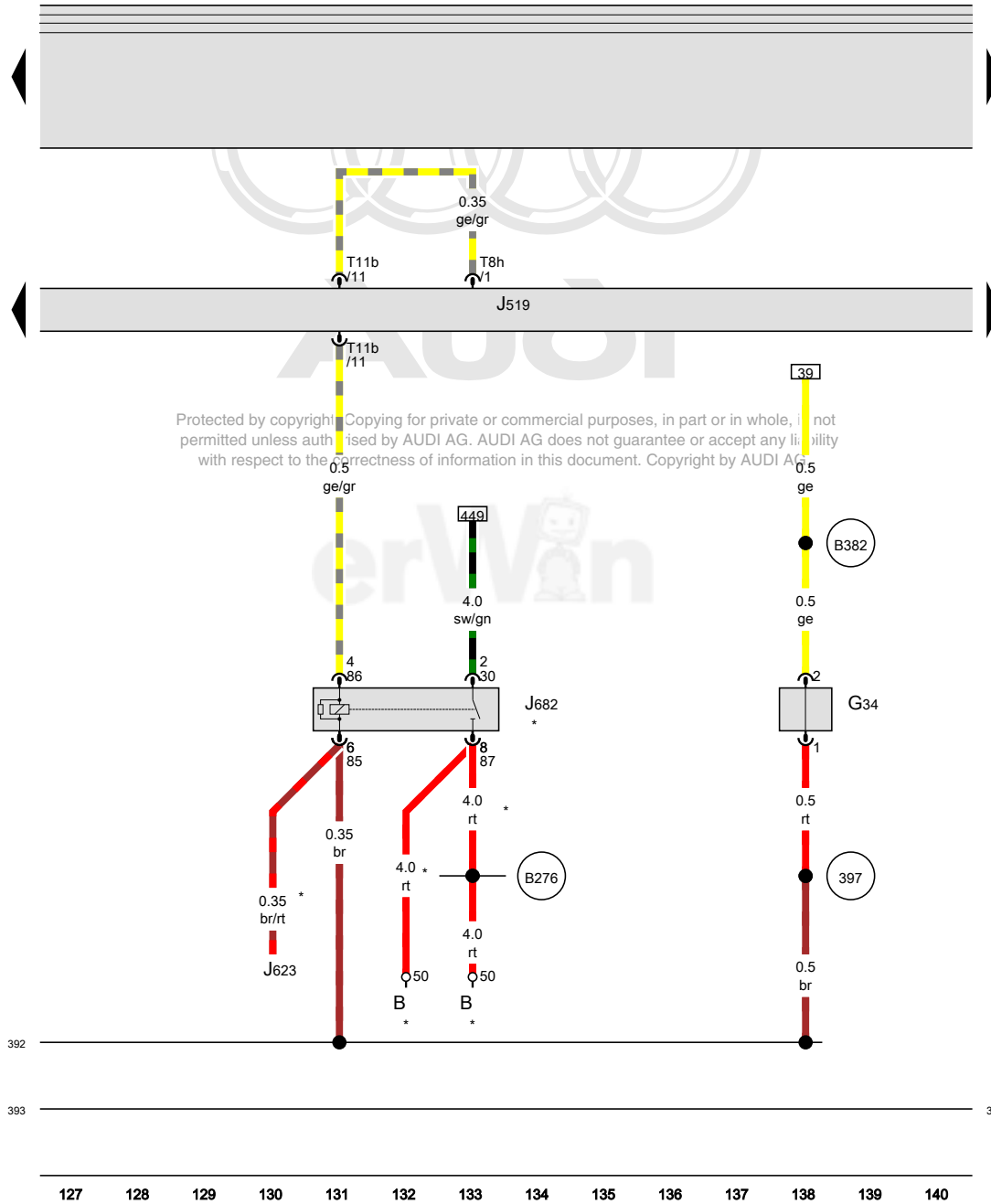
*4 E-Box low

*5 Refer to applicable wiring diagram for automatic transmission

Protected by copyright. Copying for private or commercial purposes, in part or in whole, is not permitted unless authorised by AUDI AG. AUDI AG does not guarantee or accept any liability with respect to the correctness of information in this document. Copyright by AUDI AG.

- ws = white
- sw = black
- ro = red
- rt = red
- br = brown
- gn = green
- bl = blue
- gr = grey
- li = lilac
- vi = lilac
- ge = yellow
- or = orange
- rs = pink

Left front brake pad wear sensor, Vehicle electrical system control module, Terminal 50 power supply relay



Protected by copyright. Copying for private or commercial purposes, in part or in whole, is not permitted unless authorized by AUDI AG. AUDI AG does not guarantee or accept any liability with respect to the correctness of information in this document. Copyright by AUDI AG.

- B Starter
- G34 Left front brake pad wear sensor
- J519 Vehicle electrical system control module
- J623 Engine control module
- J682 Terminal 50 power supply relay
- T1 Single connector
- T8h 8-pin connector
- T11b 11-pin connector

- 392 Ground connection 27 (in main wiring harness)
- 393 Ground connection 28 (in main wiring harness)
- 397 Ground connection 32 (in main wiring harness)
- B276 Positive connection (50) (in main wiring harness)
- B382 Brake wear indicator connection 4 (in main wiring harness)
- * Refer to applicable engine wiring diagram

- ws = white
- sw = black
- ro = red
- rt = red
- br = brown
- gn = green
- bl = blue
- gr = grey
- li = lilac
- vi = lilac
- ge = yellow
- or = orange
- rs = pink

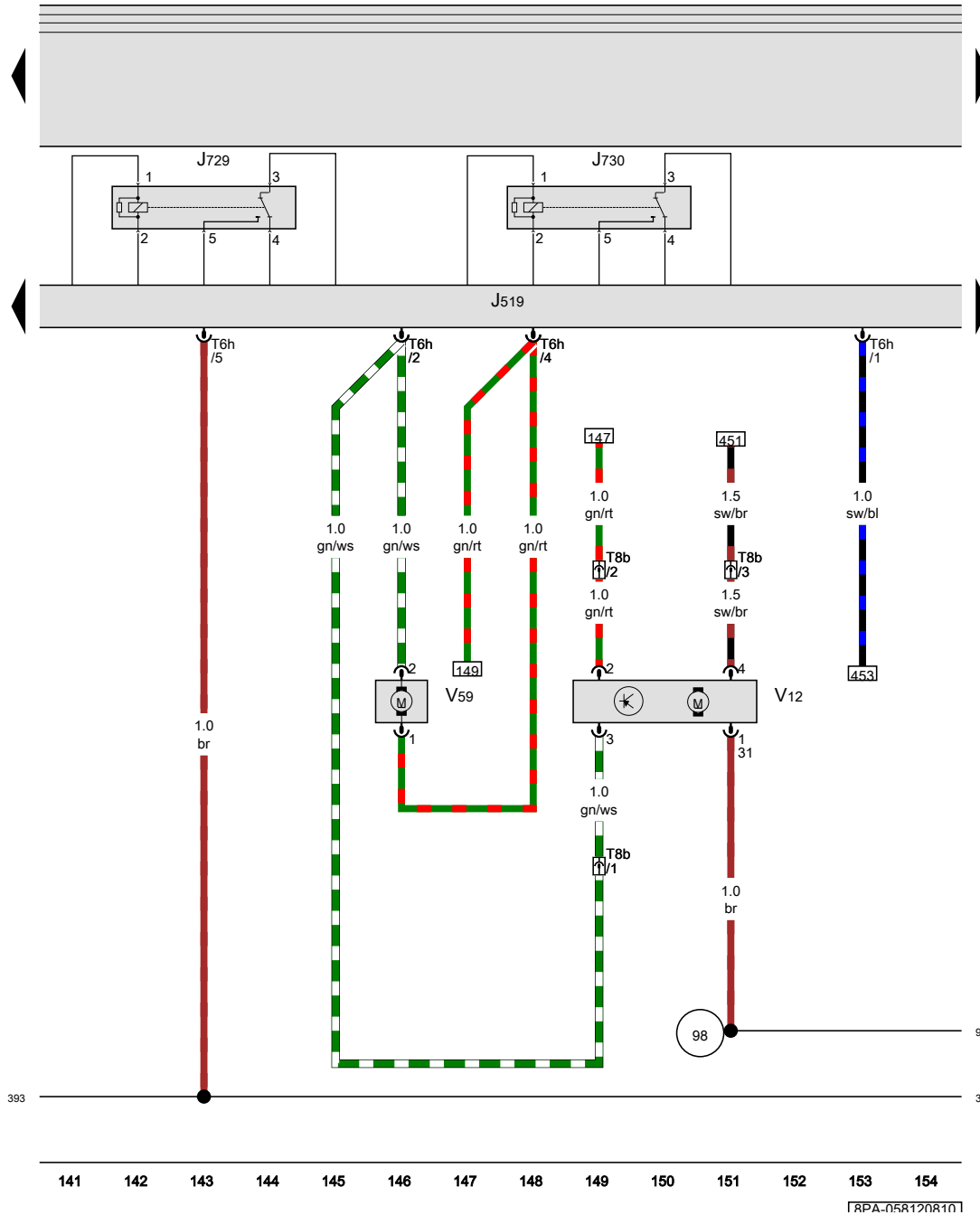
[RPA-05R110R10]

Vehicle electrical system control module, Dual washer pump relay 1, Dual washer pump relay 2, Rear window wiper motor, Windshield and rear window washer pump

- J519 Vehicle electrical system control module
- J729 Dual washer pump relay 1
- J730 Dual washer pump relay 2
- T6h 6-pin connector
- T8b 8-pin connector, on the left C-pillar
- V12 Rear window wiper motor
- V59 Windshield and rear window washer pump

- 98 Ground connection (in rear lid wiring harness)
- 393 Ground connection 28 (in main wiring harness)

Protected by copyright. Copying for private or commercial purposes, in part or in whole, is not permitted unless authorised by AUDI AG. AUDI AG does not guarantee or accept any liability with respect to the correctness of information in this document. Copyright by AUDI AG.



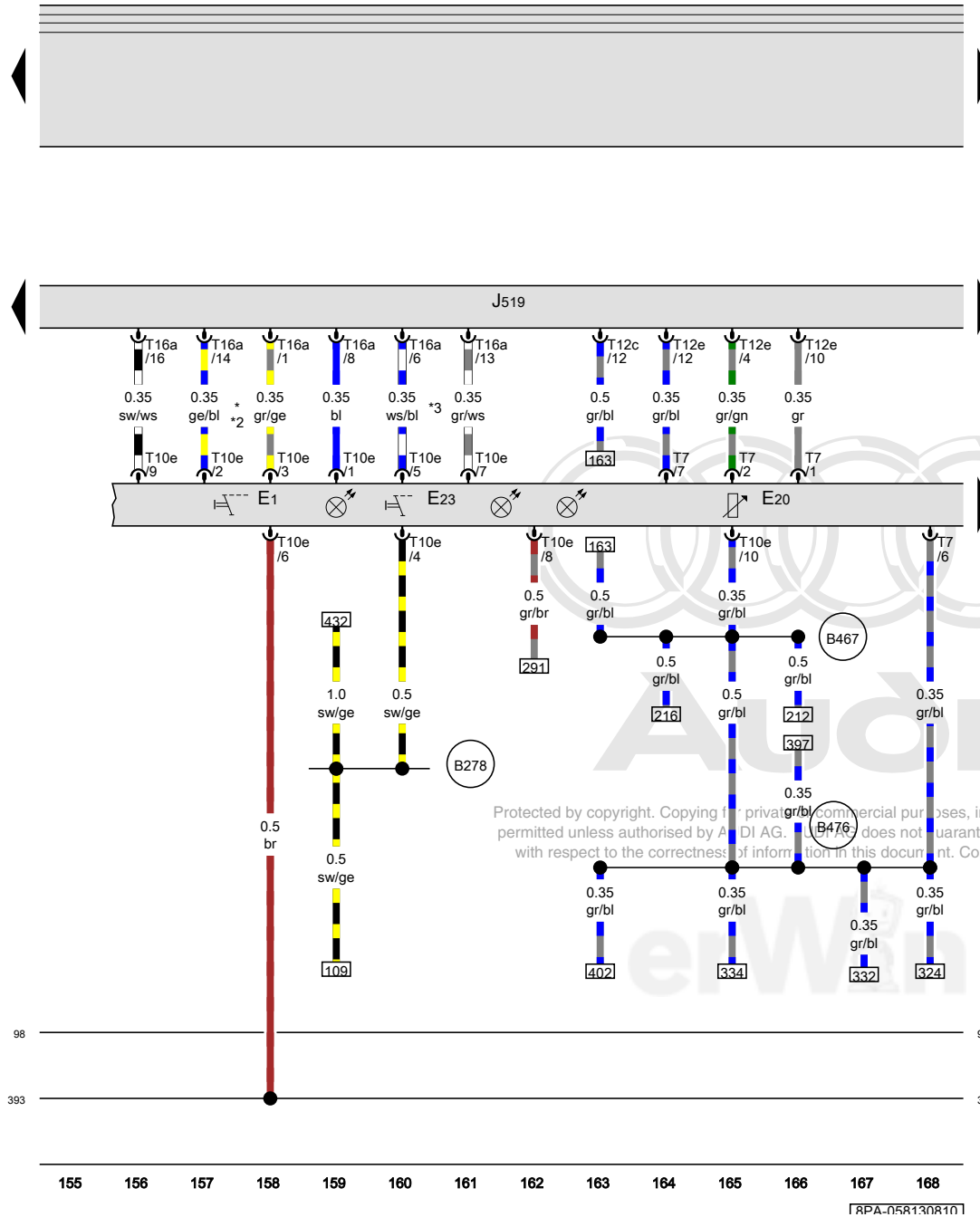
- ws = white
- sw = black
- ro = red
- rt = red
- br = brown
- gn = green
- bl = blue
- gr = grey
- li = lilac
- vi = lilac
- ge = yellow
- or = orange
- rs = pink

[8PA-05R120R10]

Light switch, Instrument panel and switch illumination dimmer switch, Fog lamp and rear fog lamp switch, Vehicle electrical system control module

- E1 Light switch
- E20 Instrument panel and switch illumination dimmer switch
- E23 Fog lamp and rear fog lamp switch
- J519 Vehicle electrical system control module
- T7 7-pin connector
- T10e 10-pin connector
- T12c 12-pin connector
- T12e 12-pin connector
- T16a 16-pin connector

- 98 Ground connection (in rear lid wiring harness)
- 393 Ground connection 28 (in main wiring harness)
- B278 Positive connection 2 (15a) (in main wiring harness)
- B467 Connection 3 (in main wiring harness)
- B476 Connection 12 (in main wiring harness)
- * Only for vehicles with automatic headlamp assist
- *2 Only for vehicles with daytime running lamps
- *3 Only for vehicles with fog lamps



Protected by copyright. Copying for private or commercial purposes, in part or in whole, is not permitted unless authorised by Audi AG. Audi AG does not guarantee or accept any liability with respect to the correctness of information in this document. Copyright by Audi AG.

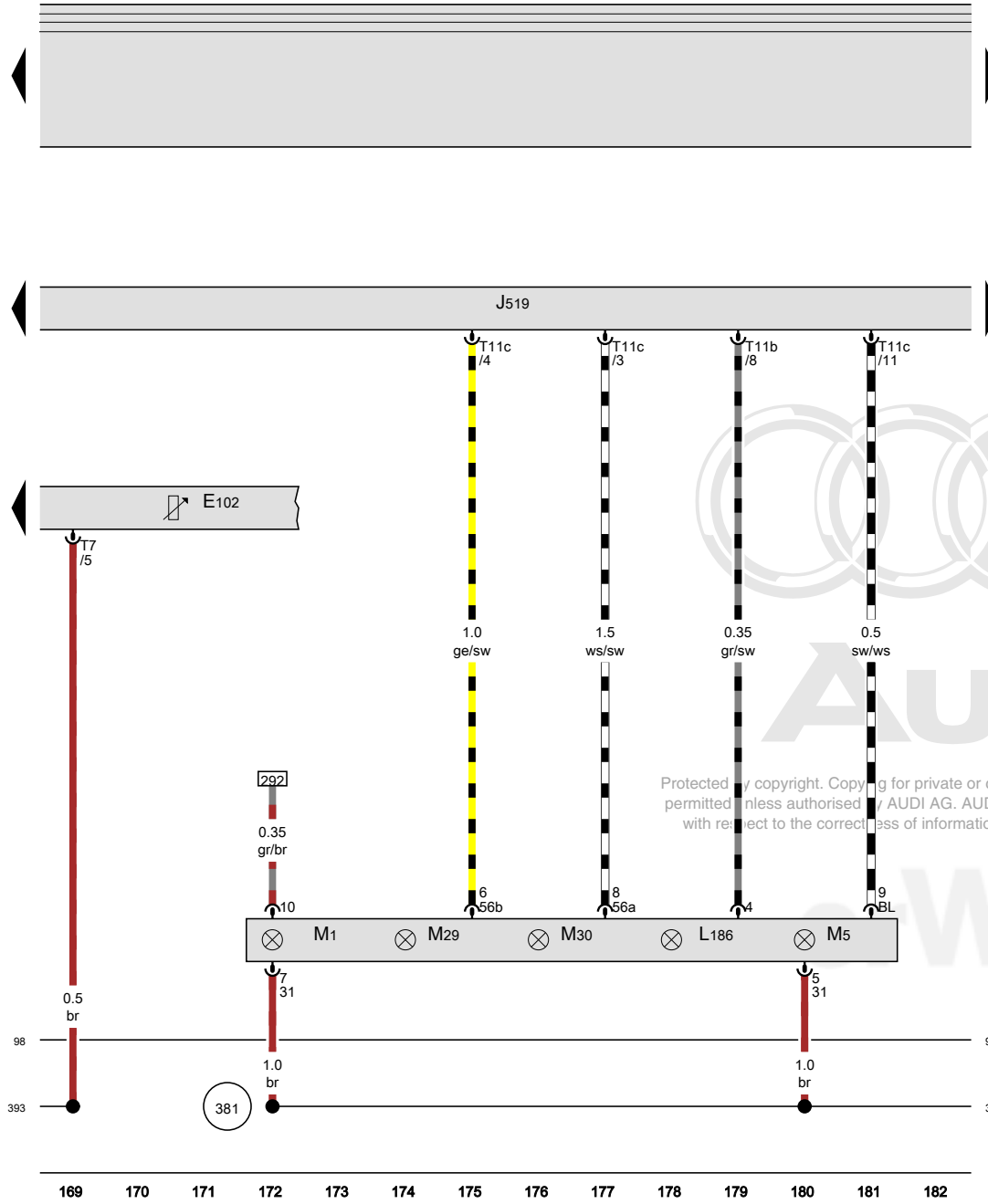
- ws = white
- sw = black
- ro = red
- rt = red
- br = brown
- gn = green
- bl = blue
- gr = grey
- li = lilac
- vi = lilac
- ge = yellow
- or = orange
- rs = pink

18PA-05R130R10

Headlamp range control adjuster, Vehicle electrical system control module, Left daytime running lamp and parking lamp bulb, Left side marker lamp bulb, Left front turn signal bulb, Left low beam headlamp bulb, Left high beam headlamp bulb

- E102 Headlamp range control adjuster
- J519 Vehicle electrical system control module
- L186 Left daytime running lamp and parking lamp bulb
- M1 Left side marker lamp bulb
- M5 Left front turn signal bulb
- M29 Left low beam headlamp bulb
- M30 Left high beam headlamp bulb
- T7 7-pin connector
- T11b 11-pin connector
- T11c 11-pin connector

- 98 Ground connection (in rear lid wiring harness)
- 381 Ground connection 16 (in main wiring harness)
- 393 Ground connection 28 (in main wiring harness)



- ws = white
- sw = black
- ro = red
- rt = red
- br = brown
- gn = green
- bl = blue
- gr = grey
- li = lilac
- vi = lilac
- ge = yellow
- or = orange
- rs = pink

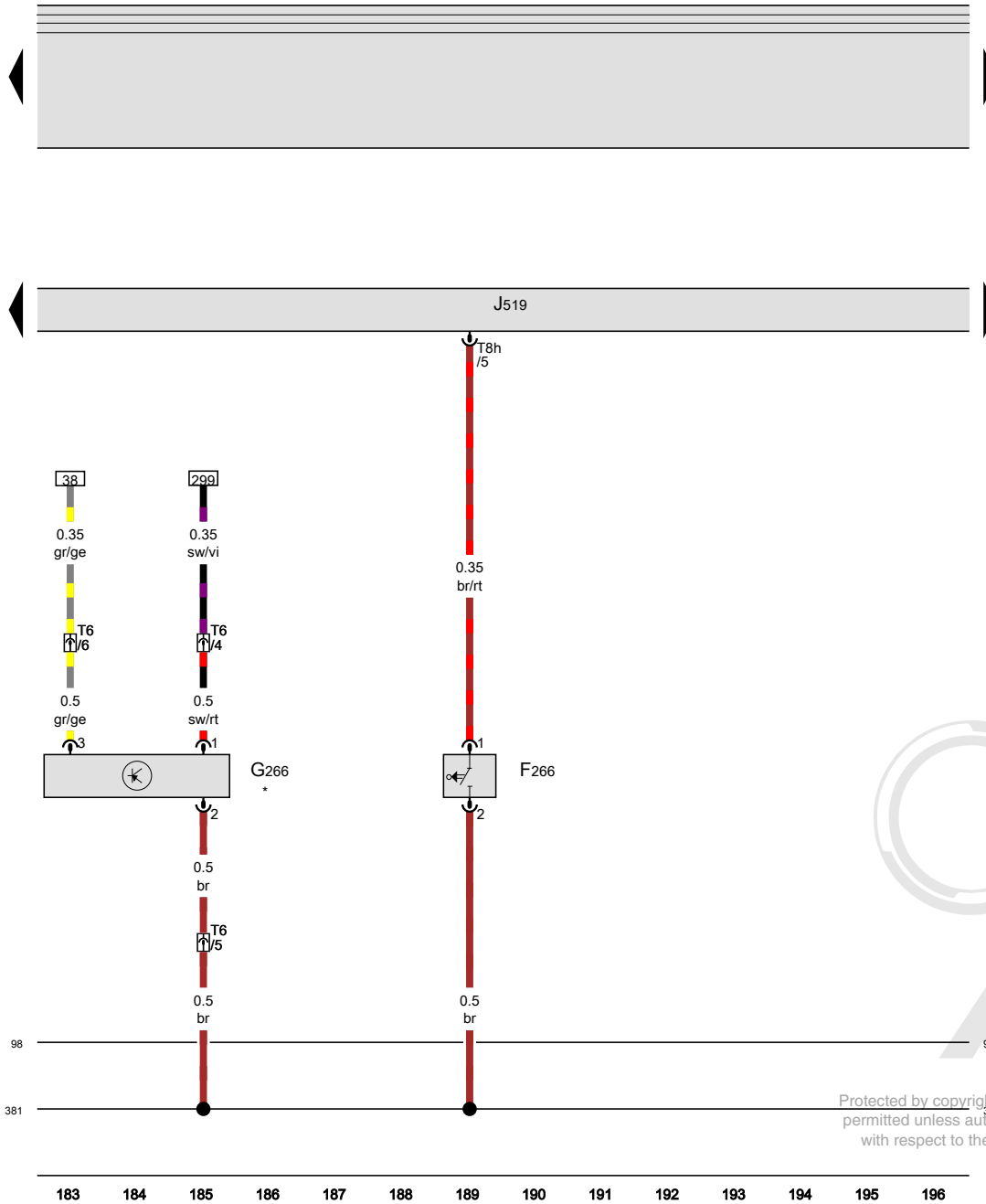
Engine hood contact switch, Oil level thermal sensor, Vehicle electrical system control module

- F266 Engine hood contact switch
- G266 Oil level thermal sensor
- J519 Vehicle electrical system control module
- T6 6-pin connector, near the left front longitudinal member
- T8h 8-pin connector

98 Ground connection (in rear lid wiring harness)

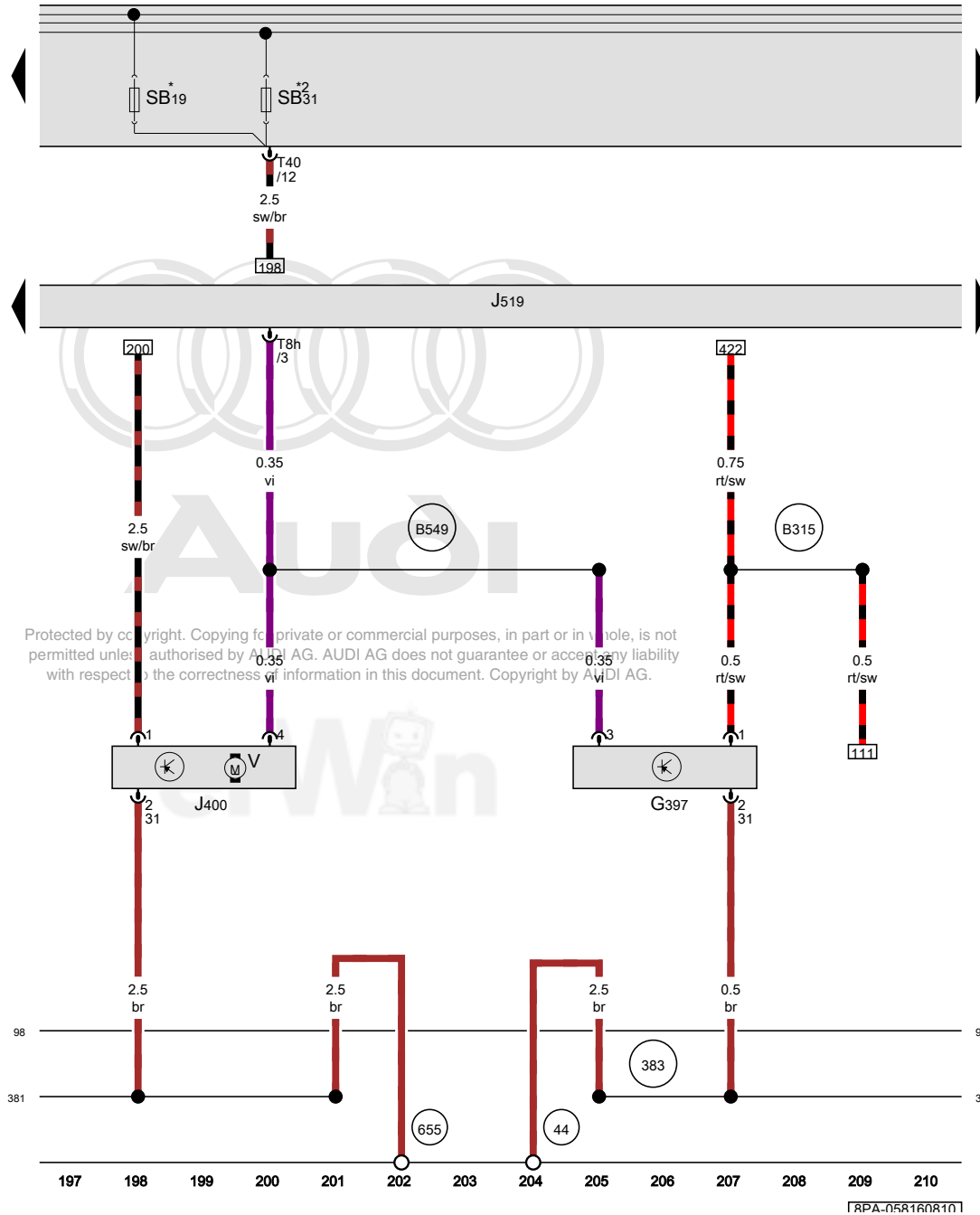
381 Ground connection 16 (in main wiring harness)

* Only for vehicles with maintenance interval extension



- ws = white
- sw = black
- ro = red
- rt = red
- br = brown
- gn = green
- bl = blue
- gr = grey
- li = lilac
- vi = lilac
- ge = yellow
- or = orange
- rs = pink

Protected by copyright. Copying for private or commercial purposes, in part or in whole, is not permitted unless authorized by AUDI AG. AUDI AG does not guarantee or accept any liability with respect to the correctness of information in this document. Copyright by AUDI AG.



Rain/light recognition sensor, Wiper motor control module, Vehicle electrical system control module, Windshield wiper motor

- G397 Rain/light recognition sensor
- J400 Wiper motor control module
- J519 Vehicle electrical system control module
- SB19 Fuse 19 (on fuse panel B)
- SB31 Fuse 31 (on fuse panel B)
- T8h 8-pin connector
- T40 40-pin connector
- V Windshield wiper motor

- 44 Ground connection on A-pillar, lower left
- 98 Ground connection (in rear lid wiring harness)
- 381 Ground connection 16 (in main wiring harness)
- 383 Ground connection 18 (in main wiring harness)
- 655 Ground connection on left headlamp
- B315 Positive connection 1 (30a) (in main wiring harness)
- B549 LIN bus connection 2 (in main wiring harness)
- * E-Box low
- *2 E-Box high

- ws = white
- sw = black
- ro = red
- rt = red
- br = brown
- gn = green
- bl = blue
- gr = grey
- li = lilac
- vi = lilac
- ge = yellow
- or = orange
- rs = pink

Protected by copyright. Copying for private or commercial purposes, in part or in whole, is not permitted unless authorised by AUDI AG. AUDI AG does not guarantee or accept any liability with respect to the correctness of information in this document. Copyright by AUDI AG.

Vehicle electrical system control module, Front roof module, Rear interior lamp

- J519 Vehicle electrical system control module
- T10d 10-pin connector
- T12c 12-pin connector
- W1 Front interior lamp
- WX3 Front roof module
- W11 Left rear reading lamp
- W12 Right rear reading lamp
- W13 Front passenger reading lamp
- W19 Driver reading lamp
- W43 Rear interior lamp

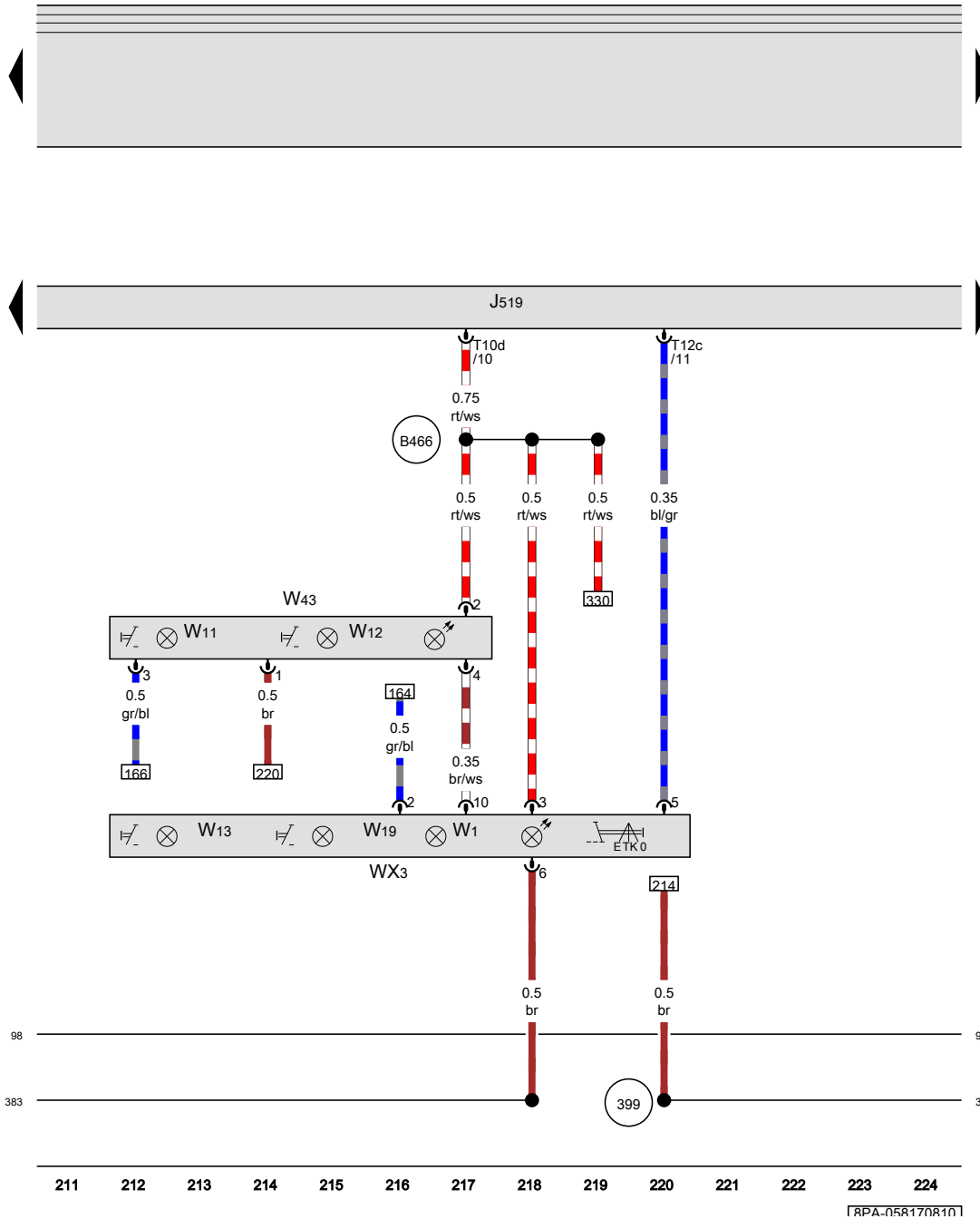
98 Ground connection (in rear lid wiring harness)

383 Ground connection 18 (in main wiring harness)

Protected by copyright. Copying for private or commercial purposes, in part or in whole, is not permitted without the express written consent of Audi AG. Copyright by Audi AG.

399 Ground connection 34 (in main wiring harness)

B466 Connection 2 (in main wiring harness)



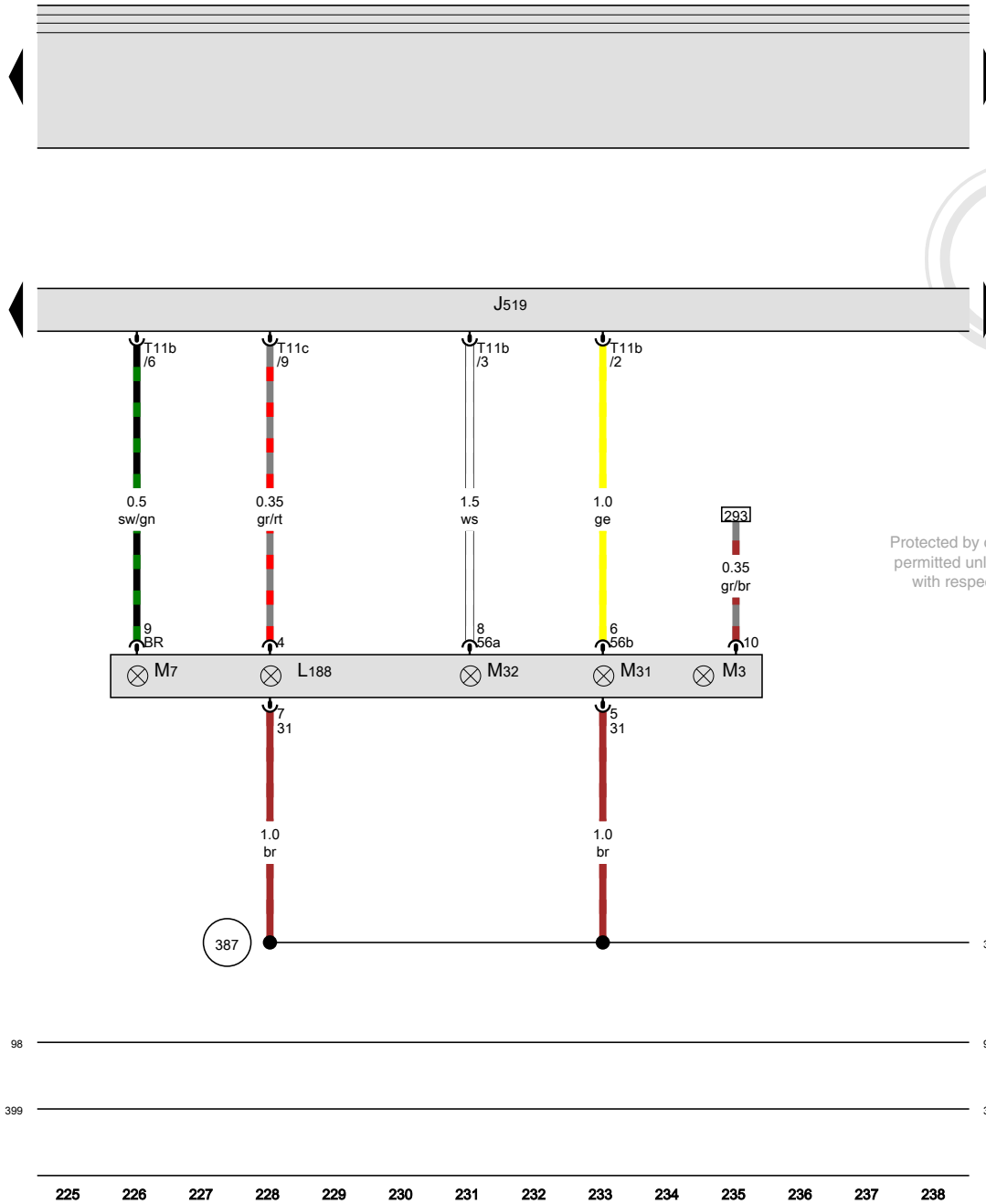
- ws = white
- sw = black
- ro = red
- rt = red
- br = brown
- gn = green
- bl = blue
- gr = grey
- li = lilac
- vi = lilac
- ge = yellow
- or = orange
- rs = pink

Vehicle electrical system control module, Right daytime running lamp and parking lamp bulb, Right side marker lamp bulb, Right front turn signal bulb, Right low beam headlamp bulb, Right high beam headlamp bulb

- J519 Vehicle electrical system control module
- L188 Right daytime running lamp and parking lamp bulb
- M3 Right side marker lamp bulb
- M7 Right front turn signal bulb
- M31 Right low beam headlamp bulb
- M32 Right high beam headlamp bulb
- T11b 11-pin connector
- T11c 11-pin connector

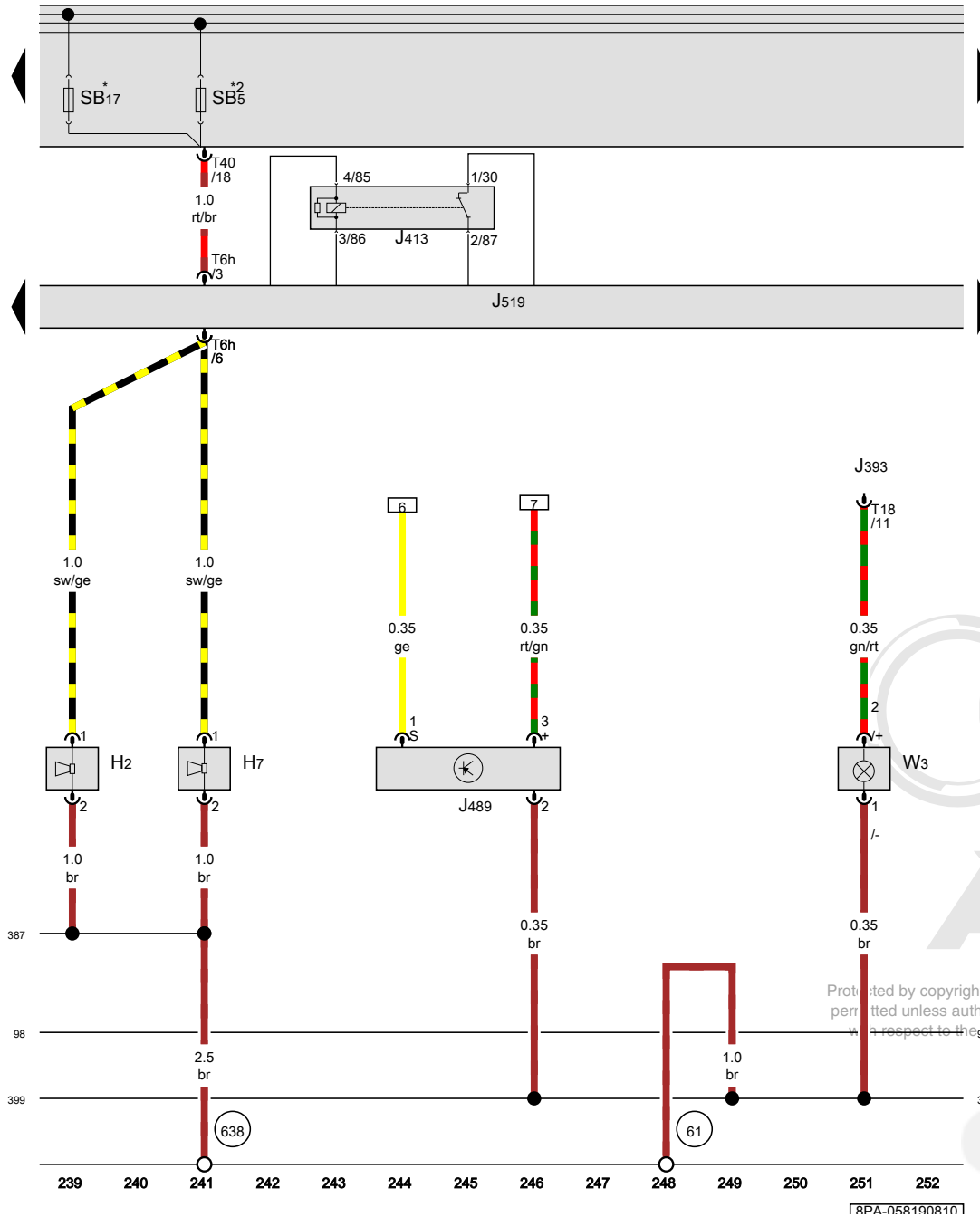
- 98 Ground connection (in rear lid wiring harness)
- 387 Ground connection 22 (in main wiring harness)
- 399 Ground connection 34 (in main wiring harness)

Protected by copyright. Copying for private or commercial purposes, in part or in whole, is not permitted unless authorised by AUDI AG. AUDI AG does not guarantee or accept any liability with respect to the correctness of information in this document. Copyright by AUDI AG.



- ws = white
- sw = black
- ro = red
- rt = red
- br = brown
- gn = green
- bl = blue
- gr = grey
- li = lilac
- vi = lilac
- ge = yellow
- or = orange
- rs = pink

[RPA-05R1R0R10]



High tone horn, Low tone horn, Horn relay, Radio frequency controlled clock receiver, Vehicle electrical system control module, Luggage compartment lamp

- H2 High tone horn
- H7 Low tone horn
- J393 Comfort system central control module
- J413 Horn relay
- J489 Radio frequency controlled clock receiver
- J519 Vehicle electrical system control module
- SB5 Fuse 5 (on fuse panel B)
- SB17 Fuse 17 (on fuse panel B)
- T6h 6-pin connector
- T18 18-pin connector
- T40 40-pin connector
- W3 Luggage compartment lamp

- 61 Ground connection on left C-pillar
- 98 Ground connection (in rear lid wiring harness)
- 387 Ground connection 22 (in main wiring harness)
- 399 Ground connection 34 (in main wiring harness)
- 638 Ground connection on right A-pillar

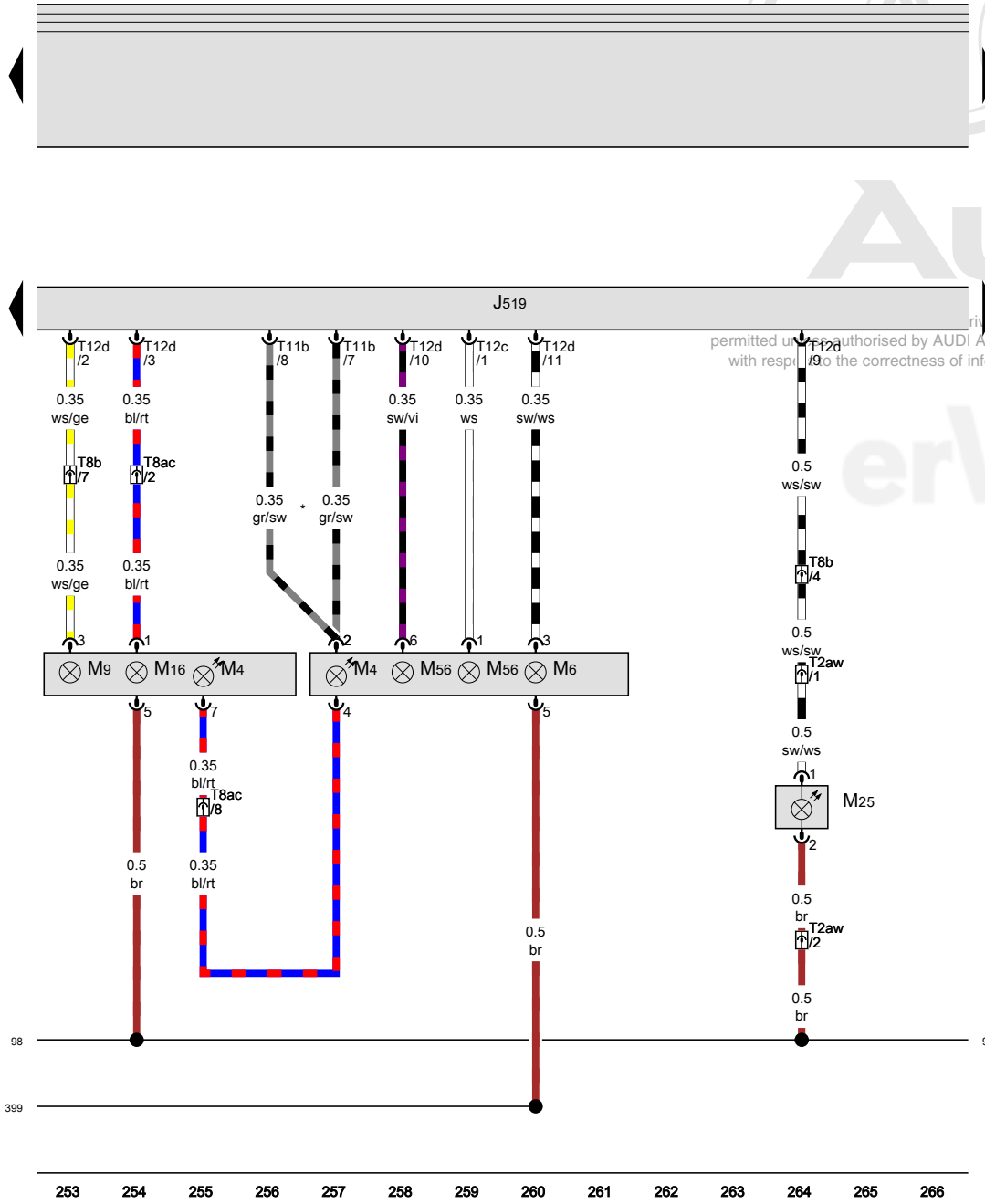
- * E-Box low
- *2 E-Box high

- ws = white
- sw = black
- ro = red
- br = brown
- gn = green
- bl = blue
- gr = grey
- li = lilac
- vi = lilac
- ge = yellow
- or = orange
- rs = pink

Protected by copyright. Copying for private or commercial purposes, in part or in whole, is not permitted unless authorised by AUDI AG. AUDI AG does not guarantee or accept any liability with respect to the correctness of information in this document. Copyright by AUDI AG.

Vehicle electrical system control module, Left tail lamp bulb, Left rear turn signal bulb, Left brake lamp bulb, Left back-up lamp bulb, High-mounted brake lamp bulb, Left brake lamp/turn signal bulb

- J519 Vehicle electrical system control module
- M4 Left tail lamp bulb
- M6 Left rear turn signal bulb
- M9 Left brake lamp bulb
- M16 Left back-up lamp bulb
- M25 High-mounted brake lamp bulb
- M56 Left brake lamp/turn signal bulb
- T2aw Double connector
- T8ac 8-pin connector
- T8b 8-pin connector, on the left C-pillar
- T11b 11-pin connector
- T12c 12-pin connector
- T12d 12-pin connector

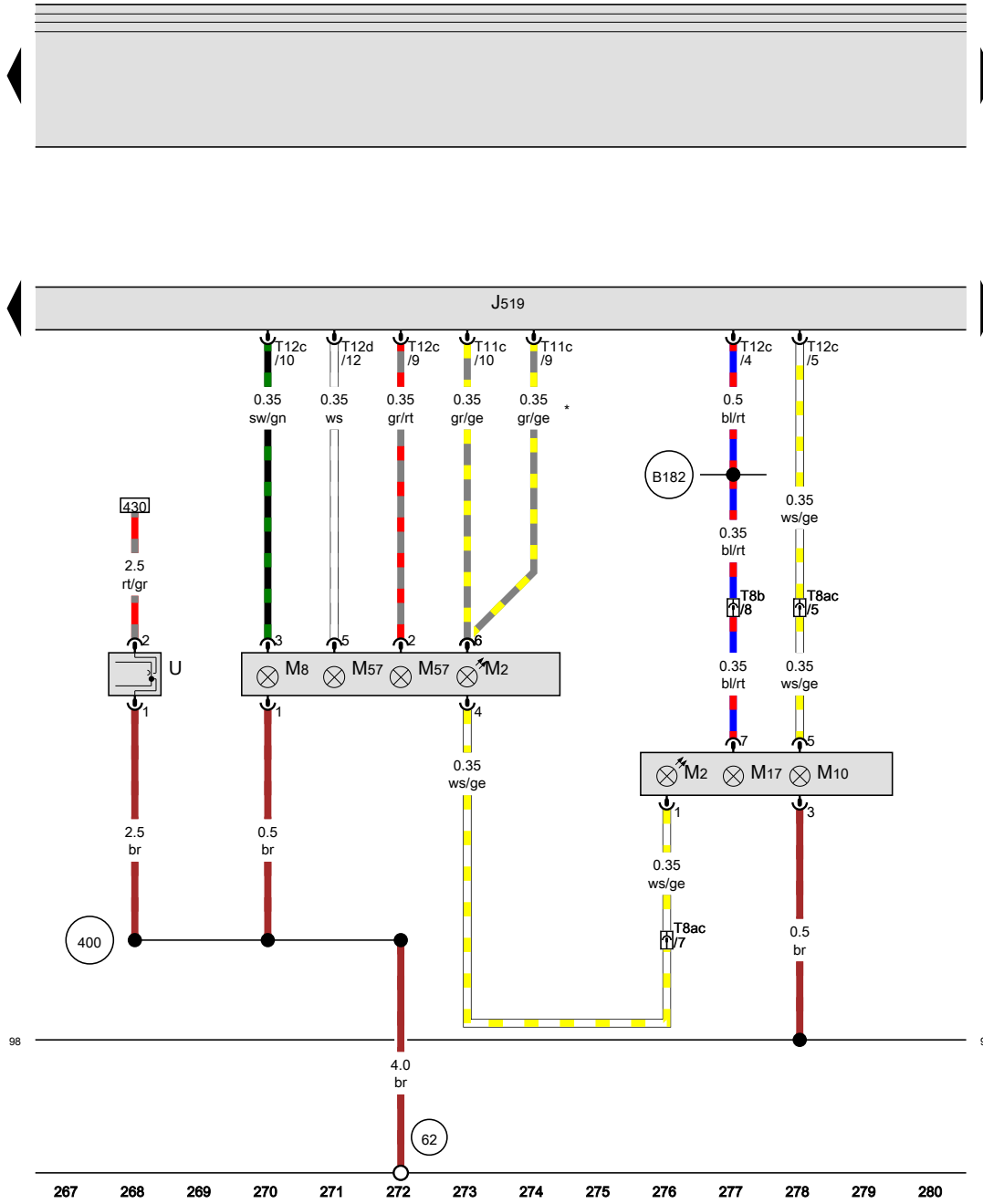


private or commercial purposes, in part or in whole, is not permitted unless authorised by AUDI AG. AUDI AG does not guarantee or accept any liability with respect to the correctness of information in this document. Copyright © AUDI AG

- 98 Ground connection (in rear lid wiring harness)
- 399 Ground connection 34 (in main wiring harness)
- * HID headlamps

- ws = white
- sw = black
- ro = red
- rt = red
- br = brown
- gn = green
- bl = blue
- gr = grey
- li = lilac
- vi = lilac
- ge = yellow
- or = orange
- rs = pink

18PA-058200810



Vehicle electrical system control module, Right tail lamp bulb, Right rear turn signal bulb, Right brake lamp bulb, Right back-up lamp bulb, Right brake lamp/turn signal bulb, Socket

- J519 Vehicle electrical system control module
- M2 Right tail lamp bulb
- M8 Right rear turn signal bulb
- M10 Right brake lamp bulb
- M17 Right back-up lamp bulb
- M57 Right brake lamp/turn signal bulb
- T8ac 8-pin connector, on the left C-pillar
- T8b 8-pin connector, on the left C-pillar
- T11c 11-pin connector
- T12c 12-pin connector
- T12d 12-pin connector
- U Socket

- 62 Ground connection on right C-pillar
- 98 Ground connection (in rear lid wiring harness)
- 400 Ground connection 35 (in main wiring harness)
- B182 Connection (RF) (in interior wiring harness)
- * HID headlamps

Protected by copyright. Copying for private or commercial purposes, in part or in whole, is not permitted unless authorised by AUDI AG. AUDI AG does not guarantee or accept any liability with respect to the correctness of information in this document. Copyright by AUDI AG.

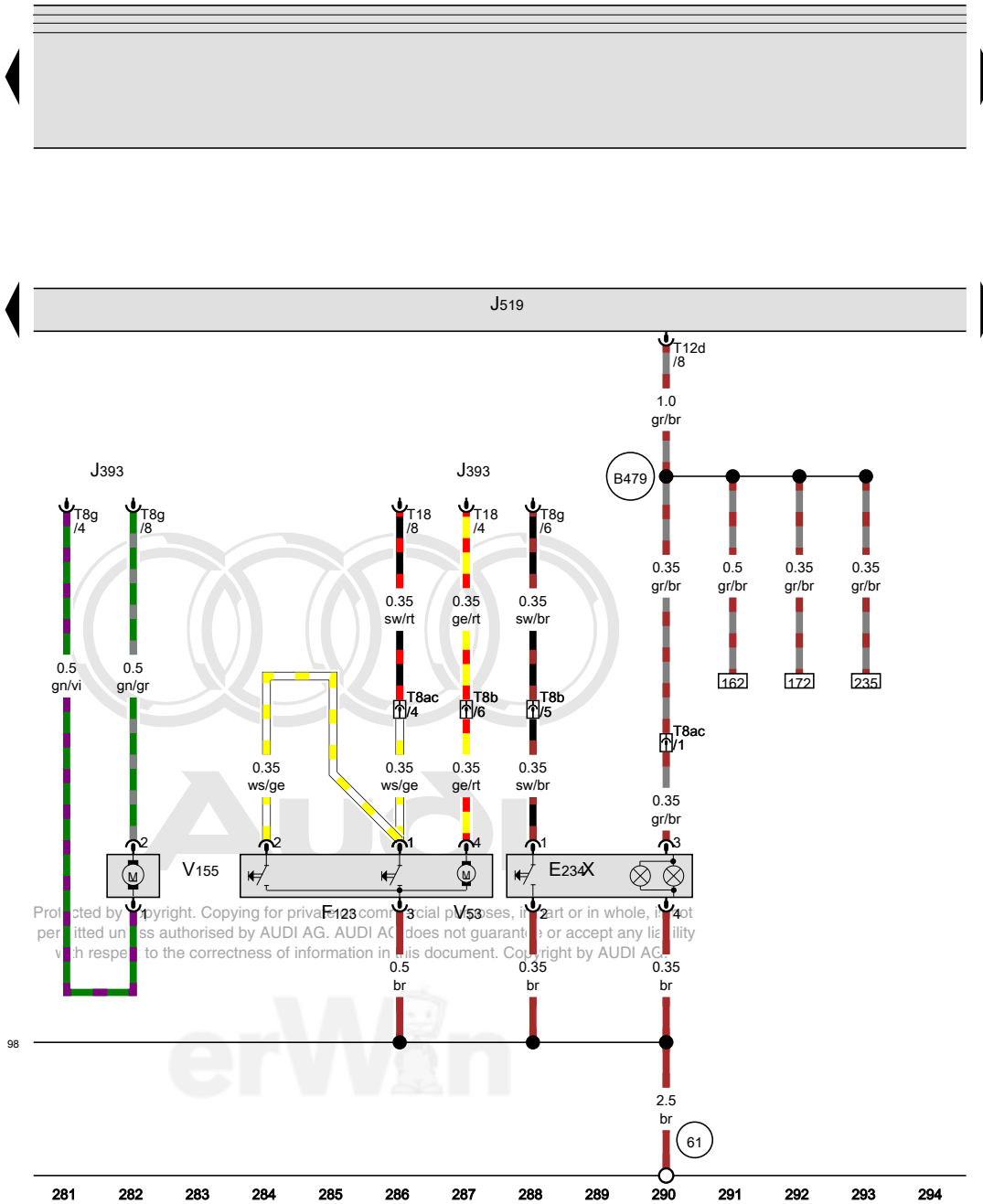
- ws = white
- sw = black
- ro = red
- rt = red
- br = brown
- gn = green
- bl = blue
- gr = grey
- li = lilac
- vi = lilac
- ge = yellow
- or = orange
- rs = pink

18PA-058210R10

Release button in rear lid handle, Rear lid alarm switch, Vehicle electrical system control module, Rear lid central locking system motor, Fuel filler door unlock motor, License plate lamp

- E234 Release button in rear lid handle
- F123 Rear lid alarm switch
- J393 Comfort system central control module
- J519 Vehicle electrical system control module
- T8ac 8-pin connector, on the left C-pillar
- T8b 8-pin connector, on the left C-pillar
- T8g 8-pin connector
- T12d 12-pin connector
- T18 18-pin connector
- V53 Rear lid central locking system motor
- V155 Fuel filler door unlock motor
- X License plate lamp

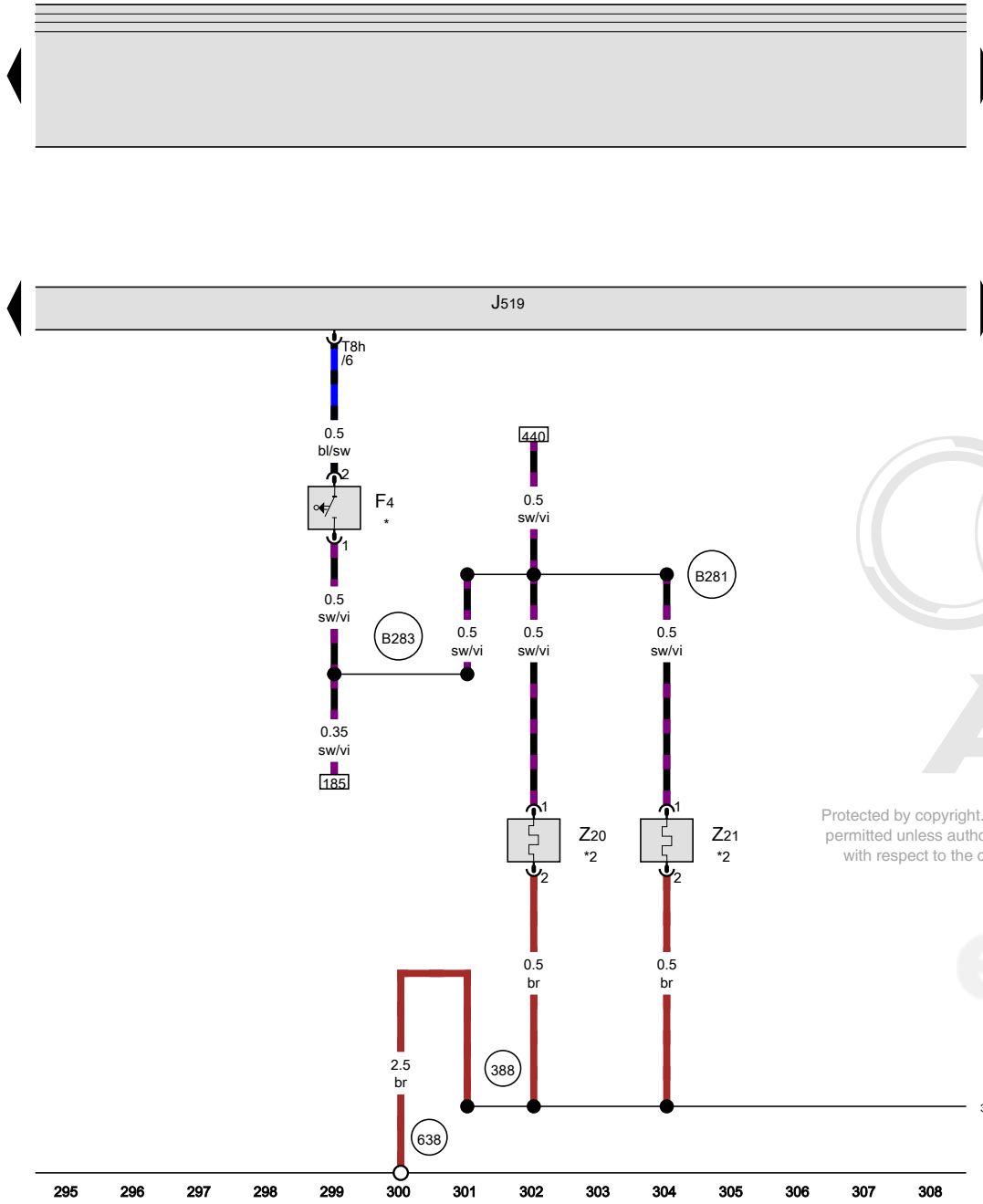
- 61 Ground connection on left C-pillar
- 98 Ground connection (in rear lid wiring harness)
- B479 Connection 15 (in main wiring harness)



Protected by copyright. Copying for private or commercial purposes, in part or in whole, is not permitted unless authorised by AUDI AG. AUDI AG does not guarantee or accept any liability with respect to the correctness of information in this document. Copyright by AUDI AG.

- ws = white
- sw = black
- ro = red
- rt = red
- br = brown
- gn = green
- bl = blue
- gr = grey
- li = lilac
- vi = lilac
- ge = yellow
- or = orange
- rs = pink

18PA-058220R10



Back-up lamp switch, Vehicle electrical system control module, Left washer nozzle heater, Right washer nozzle heater

- F4 Back-up lamp switch
- J519 Vehicle electrical system control module
- T8h 8-pin connector
- Z20 Left washer nozzle heater
- Z21 Right washer nozzle heater

- 388 Ground connection 23 (in main wiring harness)
- 638 Ground connection on right A-pillar
- B281 Positive connection 5 (15a) (in main wiring harness)
- B283 Positive connection 7 (15a) (in main wiring harness)

* Only for vehicles with a manual transmission
 *2 Only for vehicles with spray nozzle heater

Protected by copyright. Copying for private or commercial purposes, in part or in whole, is not permitted unless authorised by AUDI AG. AUDI AG does not guarantee or accept any liability with respect to the correctness of information in this document. Copyright by AUDI AG.

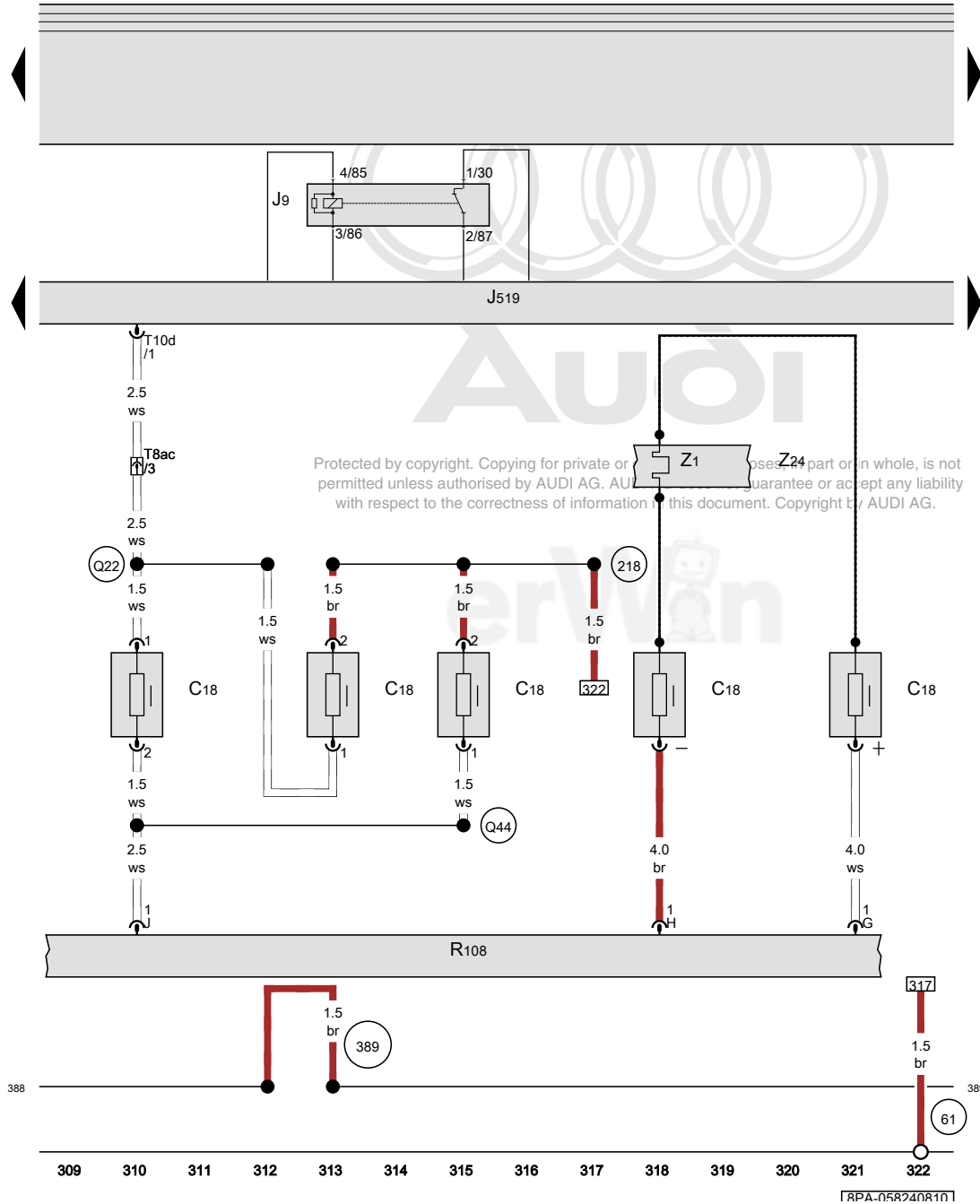
- ws = white
- sw = black
- ro = red
- rt = red
- br = brown
- gn = green
- bl = blue
- gr = grey
- li = lilac
- vi = lilac
- ge = yellow
- or = orange
- rs = pink

18PA-058230810

Rear window defogger relay, Vehicle electrical system control module, Left antenna module, Rear window defogger with window antenna

- C18 Windshield antenna suppression filter
- J9 Rear window defogger relay
- J519 Vehicle electrical system control module
- R108 Left antenna module
- T8ac 8-pin connector, on the left C-pillar
- T10d 10-pin connector
- Z1 Rear window defogger
- Z24 Rear window defogger with window antenna

- 61 Ground connection on left C-pillar
- 218 Ground connection 1 (in rear lid wiring harness)
- 388 Ground connection 23 (in main wiring harness)
- 389 Ground connection 24 (in main wiring harness)
- Q22 Connection 1 (in rear lid wiring harness)
- Q44 Connection 2 (in rear lid wiring harness)



- ws = white
- sw = black
- ro = red
- rt = red
- br = brown
- gn = green
- bl = blue
- gr = grey
- li = lilac
- vi = lilac
- ge = yellow
- or = orange
- rs = pink

18PA-058240R10



Glove compartment lamp switch, Parking brake contact switch, Vehicle electrical system control module, Ashtray illumination bulb, Storage compartment illumination bulb, Rear center console storage compartment illumination bulb, Glove compartment lamp, Right footwell lamp

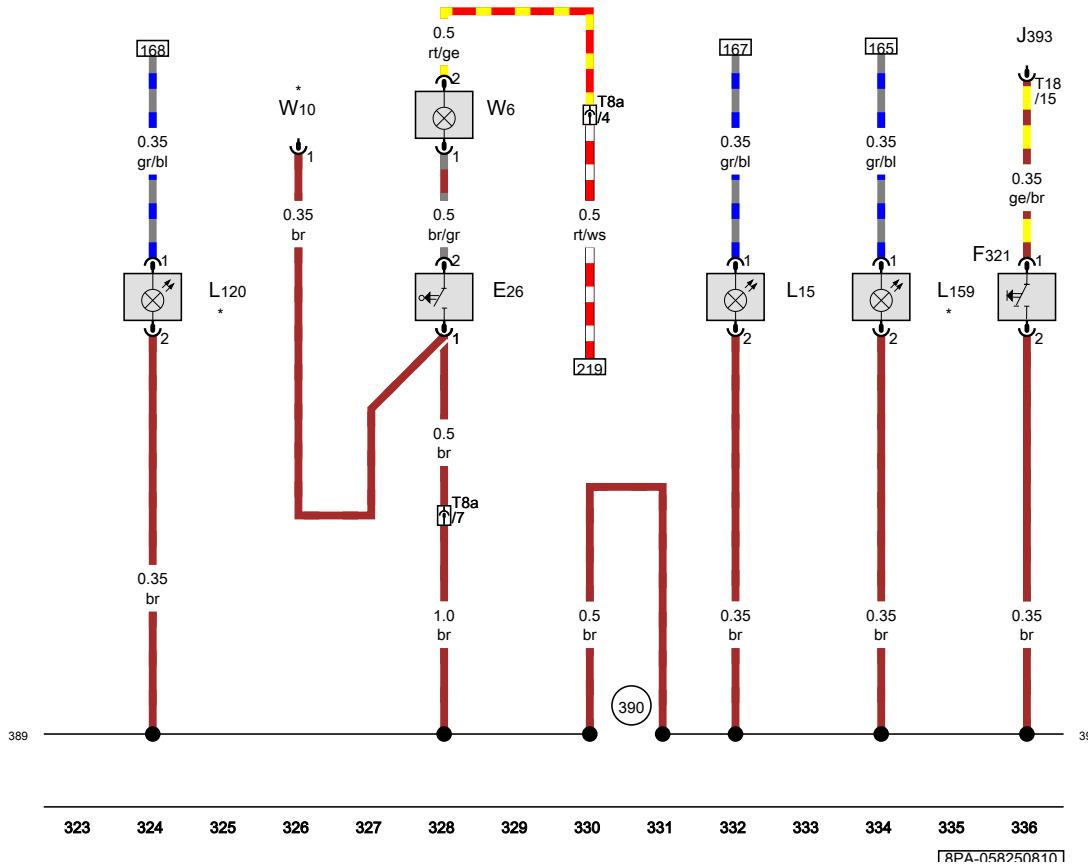
- E26 Glove compartment lamp switch
- F321 Parking brake contact switch
- J393 Comfort system central control module
- J519 Vehicle electrical system control module
- L15 Ashtray illumination bulb
- L120 Storage compartment illumination bulb
- L159 Rear center console storage compartment illumination bulb
- T8a 8-pin connector, near the glove compartment
- T18 18-pin connector
- W6 Glove compartment lamp
- W10 Right footwell lamp

389 Ground connection 24 (in main wiring harness)

390 Ground connection 25 (in main wiring harness)

* Depending on equipment

Protected by copyright. Copying for private or commercial purposes, in part or in whole, is not permitted unless authorised by AUDI AG. AUDI AG does not guarantee or accept any liability with respect to the correctness of information in this document. Copyright by AUDI AG.



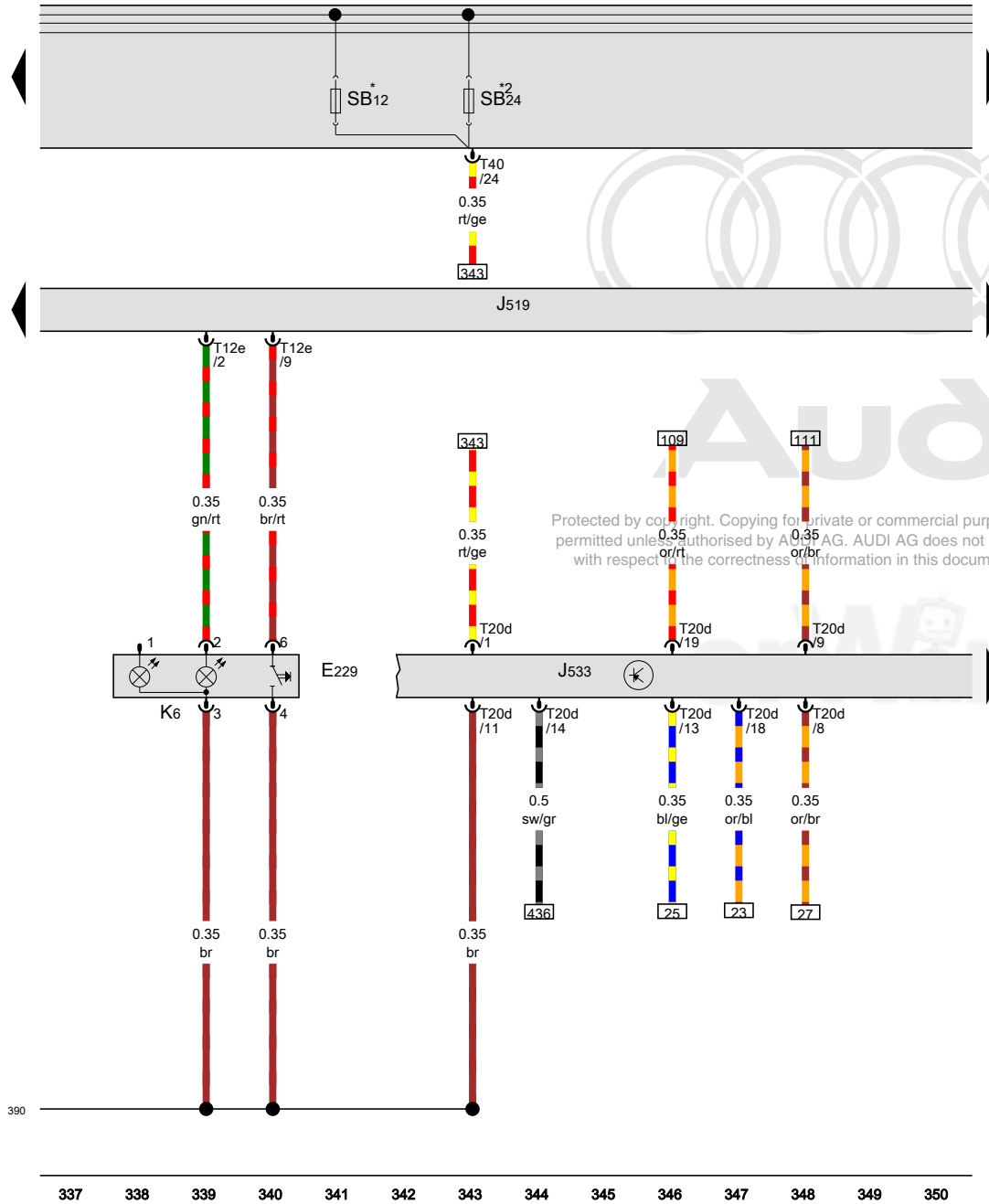
- ws = white
- sw = black
- ro = red
- rt = red
- br = brown
- gn = green
- bl = blue
- gr = grey
- li = lilac
- vi = lilac
- ge = yellow
- or = orange
- rs = pink

18PA-058250810

Emergency flasher button, Vehicle electrical system control module, Data bus on board diagnostic interface

- E229 Emergency flasher button
- J519 Vehicle electrical system control module
- J533 Data bus on board diagnostic interface
- K6 Emergency flasher indicator lamp
- SB12 Fuse 12 (on fuse panel B)
- SB24 Fuse 24 (on fuse panel B)
- T12e 12-pin connector
- T20d 20-pin connector
- T40 40-pin connector

- 390 Ground connection 25 (in main wiring harness)
- * E-Box low
- *2 E-Box high



Protected by copyright. Copying for private or commercial purposes, in part or in whole, is not permitted unless authorised by AUDI AG. AUDI AG does not guarantee or accept any liability with respect to the correctness of information in this document. Copyright by AUDI AG.

- ws = white
- sw = black
- ro = red
- rt = red
- br = brown
- gn = green
- bl = blue
- gr = grey
- li = lilac
- vi = lilac
- ge = yellow
- or = orange
- rs = pink

Vehicle electrical system control module, Data bus on board diagnostic interface

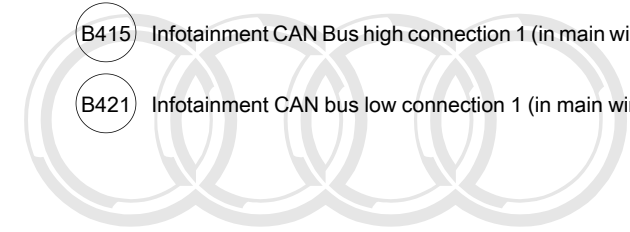
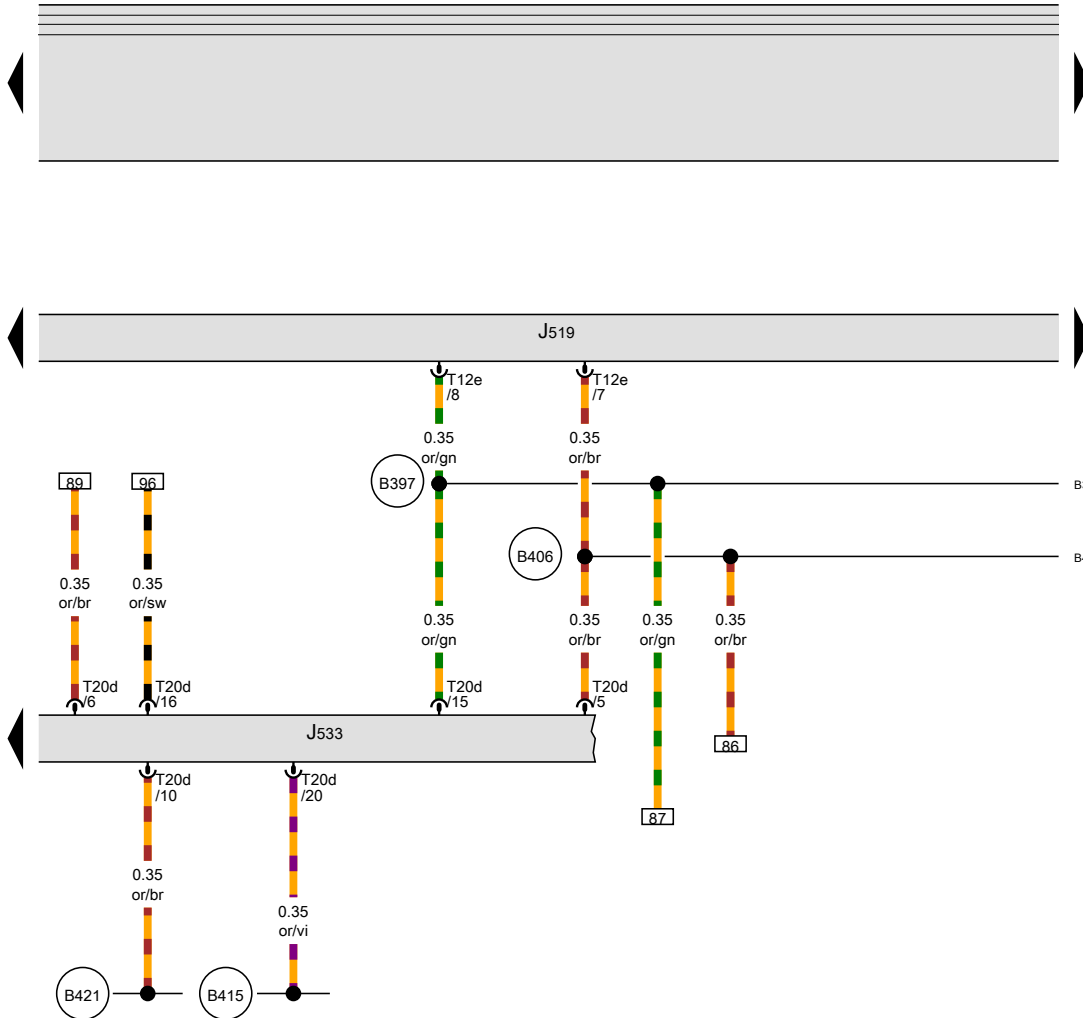
- J519 Vehicle electrical system control module
- J533 Data bus on board diagnostic interface
- T12e 12-pin connector
- T20d 20-pin connector

(B397) Comfort system CAN bus high connection 1 (in main wiring harness)

(B406) Comfort system CAN bus low connection 1 (in main wiring harness)

(B415) Infotainment CAN Bus high connection 1 (in main wiring harness)

(B421) Infotainment CAN bus low connection 1 (in main wiring harness)



Audi

Protected by copyright. Copying for private or commercial purposes, in part or in whole, is not permitted unless authorised by AUDI AG. AUDI AG does not guarantee or accept any liability with respect to the correctness of information in this document. Copyright by AUDI AG.

erWin

- ws = white
- sw = black
- ro = red
- rt = red
- br = brown
- gn = green
- bl = blue
- gr = grey
- li = lilac
- vi = lilac
- ge = yellow
- or = orange
- rs = pink

351 352 353 354 355 356 357 358 359 360 361 362 363 364

[RPA-058270810]

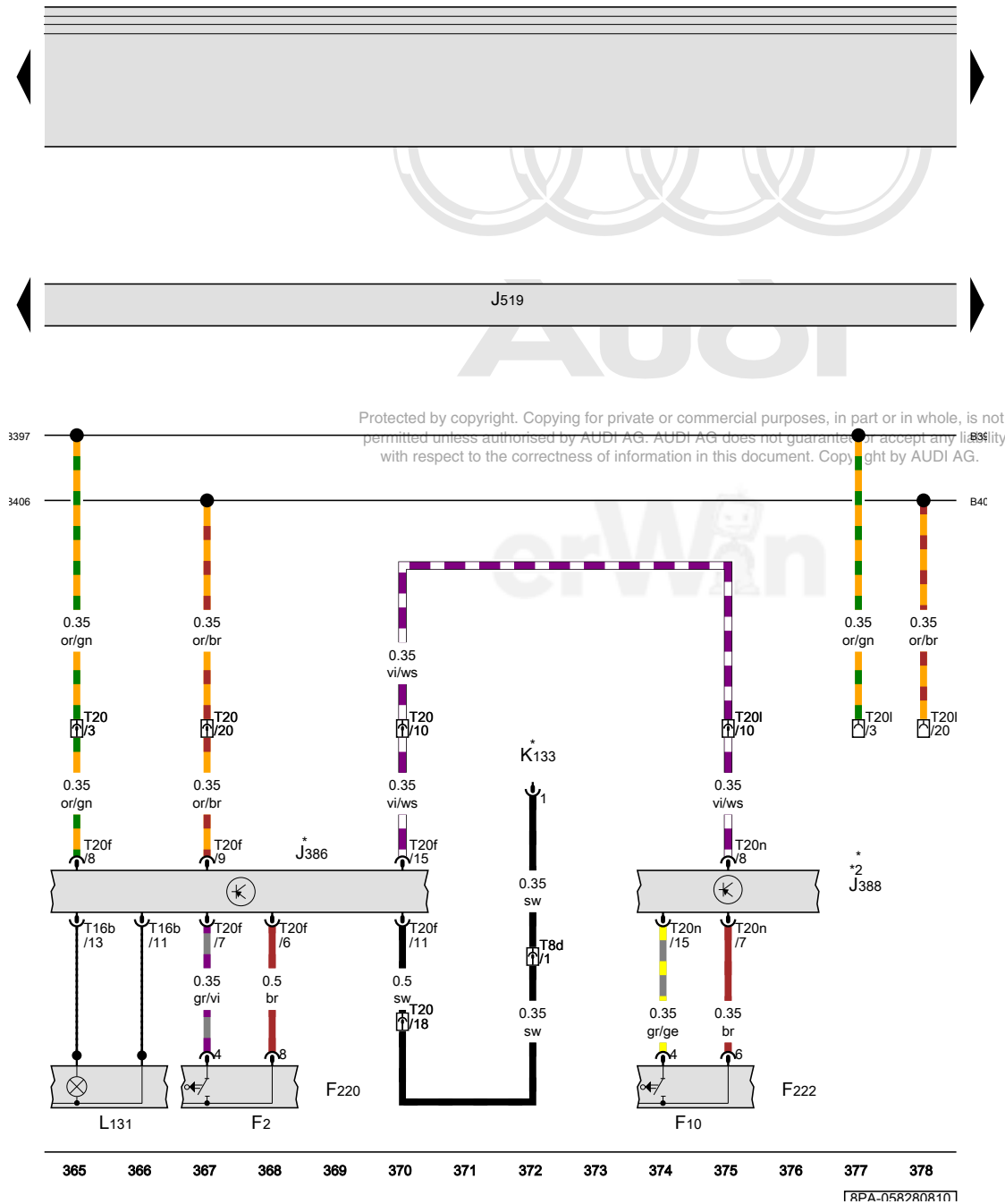
Driver central locking lock unit, Left rear central locking lock unit, Driver door control module, Left rear door control module, Vehicle electrical system control module, Driver exterior rearview mirror turn signal bulb

- F2 Driver door contact switch
- F10 Left rear door contact switch
- F220 Driver central locking lock unit
- F222 Left rear central locking lock unit
- J386 Driver door control module
- J388 Left rear door control module
- J519 Vehicle electrical system control module
- K133 Central locking -SAFE- indicator lamp
- L131 Driver exterior rearview mirror turn signal bulb
- T8d 8-pin connector, behind the center console
- T16b 16-pin connector
- T20 20-pin connector, on the left A-pillar
- T20f 20-pin connector
- T20l 20-pin connector, on the left B-pillar
- T20n 20-pin connector

(B397) Comfort system CAN bus high connection 1 (in main wiring harness)

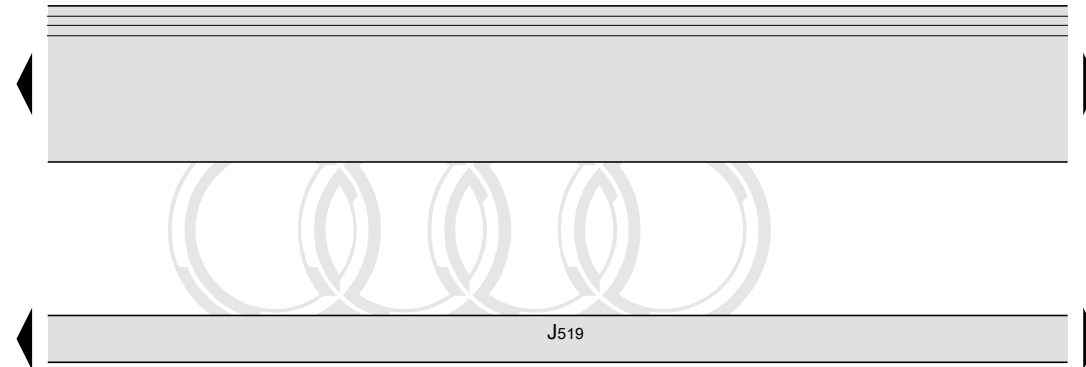
(B406) Comfort system CAN bus low connection 1 (in main wiring harness)

- * Refer to applicable convenience system wiring diagram
- *2 Only for vehicles with 5-door equipment



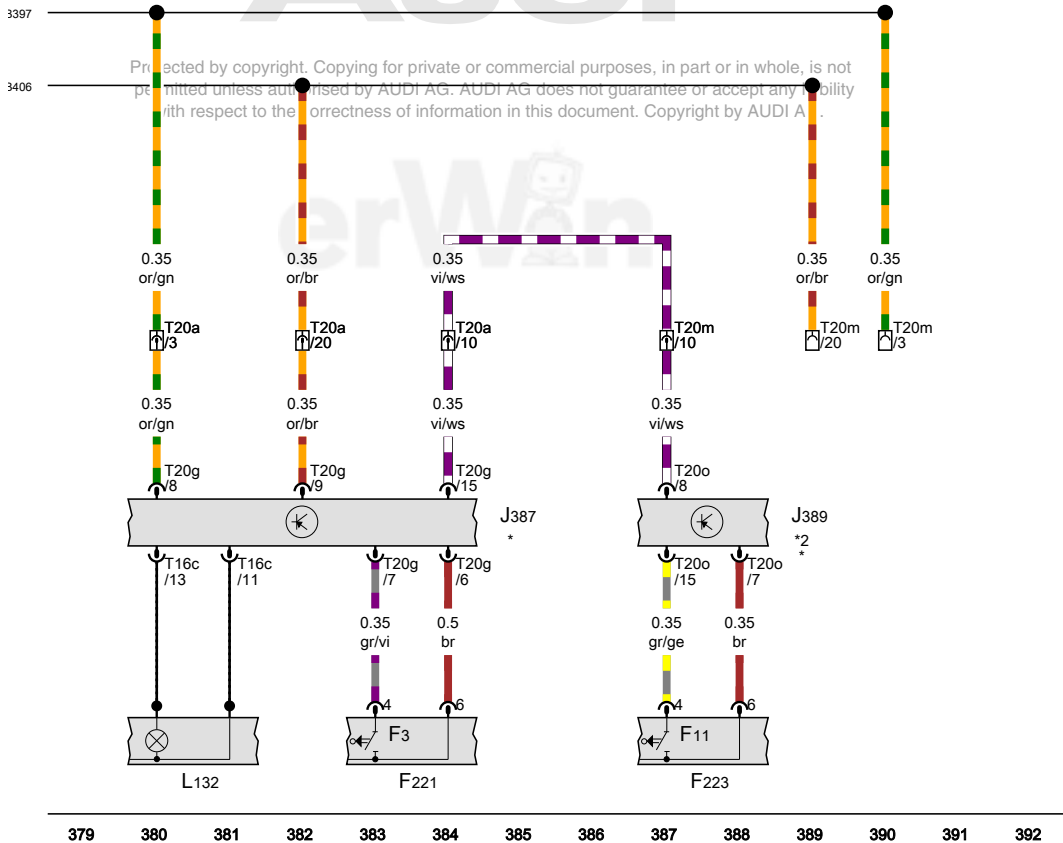
- ws = white
- sw = black
- ro = red
- rt = red
- br = brown
- gn = green
- bl = blue
- gr = grey
- li = lilac
- vi = lilac
- ge = yellow
- or = orange
- rs = pink

18PA-058280810



Front passenger central locking lock unit, Right rear central locking lock unit, Front passenger door control module, Right rear door control module, Vehicle electrical system control module, Front passenger exterior rearview mirror turn signal bulb

- F3 Front passenger door contact switch
- F11 Right rear door contact switch
- F221 Front passenger central locking lock unit
- F223 Right rear central locking lock unit
- J387 Front passenger door control module
- J389 Right rear door control module
- J519 Vehicle electrical system control module
- L132 Front passenger exterior rearview mirror turn signal bulb
- T16c 16-pin connector
- T20a 20-pin connector, on the right A-pillar
- T20g 20-pin connector
- T20m 20-pin connector, on the right B-pillar
- T20o 20-pin connector



Protected by copyright. Copying for private or commercial purposes, in part or in whole, is not permitted unless authorised by AUDI AG. AUDI AG does not guarantee or accept any liability with respect to the correctness of information in this document. Copyright by AUDI AG.

- (B397) Comfort system CAN bus high connection 1 (in main wiring harness)
- (B406) Comfort system CAN bus low connection 1 (in main wiring harness)
- * Refer to applicable convenience system wiring diagram
- *2 Only for vehicles with 5-door equipment

- ws = white
- sw = black
- ro = red
- rt = red
- br = brown
- gn = green
- bl = blue
- gr = grey
- li = lilac
- vi = lilac
- ge = yellow
- or = orange
- rs = pink

FRPA-058290R10

Headlamp washer relay, Vehicle electrical system control module, Left front fog lamp bulb, Right front fog lamp bulb, Cigarette lighter, Headlamp washer pump

- J39 Headlamp washer relay
- J519 Vehicle electrical system control module
- L22 Left front fog lamp bulb
- L23 Right front fog lamp bulb
- L28 Cigarette lighter illumination bulb
- L42 Socket illumination bulb
- T11b 11-pin connector
- T11c 11-pin connector
- U1 Cigarette lighter
- U5 12 V socket
- V11 Headlamp washer pump

44 Ground connection on A-pillar, lower left

382 Ground connection 17 (in main wiring harness)

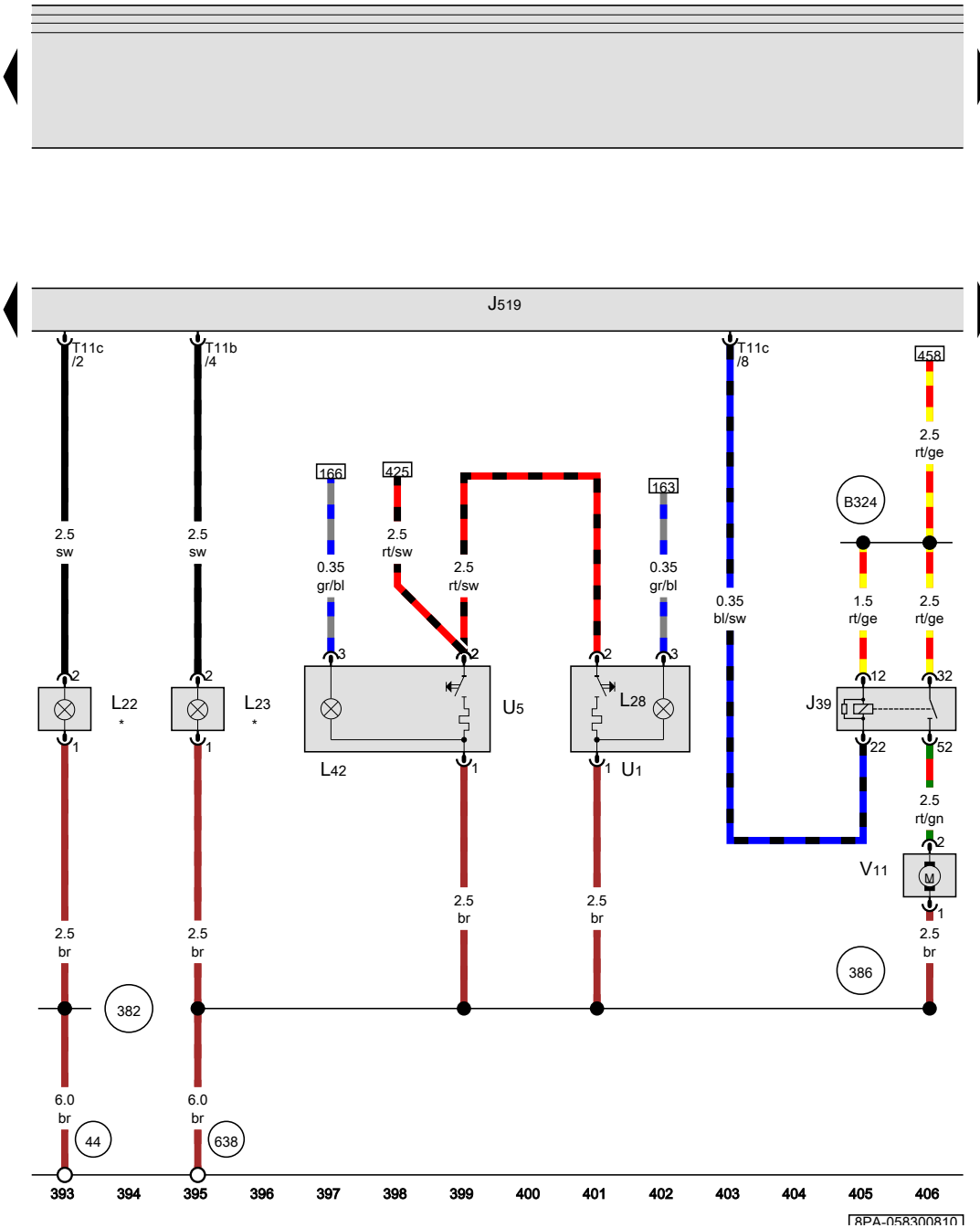
Protected by copyright. Copying or reproduction in any form is not permitted unless authorised by AUDI AG. AUDI AG does not guarantee or accept any liability with respect to the correctness of information in this document. Copyright by AUDI AG.

386 Ground connection 21 (in main wiring harness)

638 Ground connection on right A-pillar

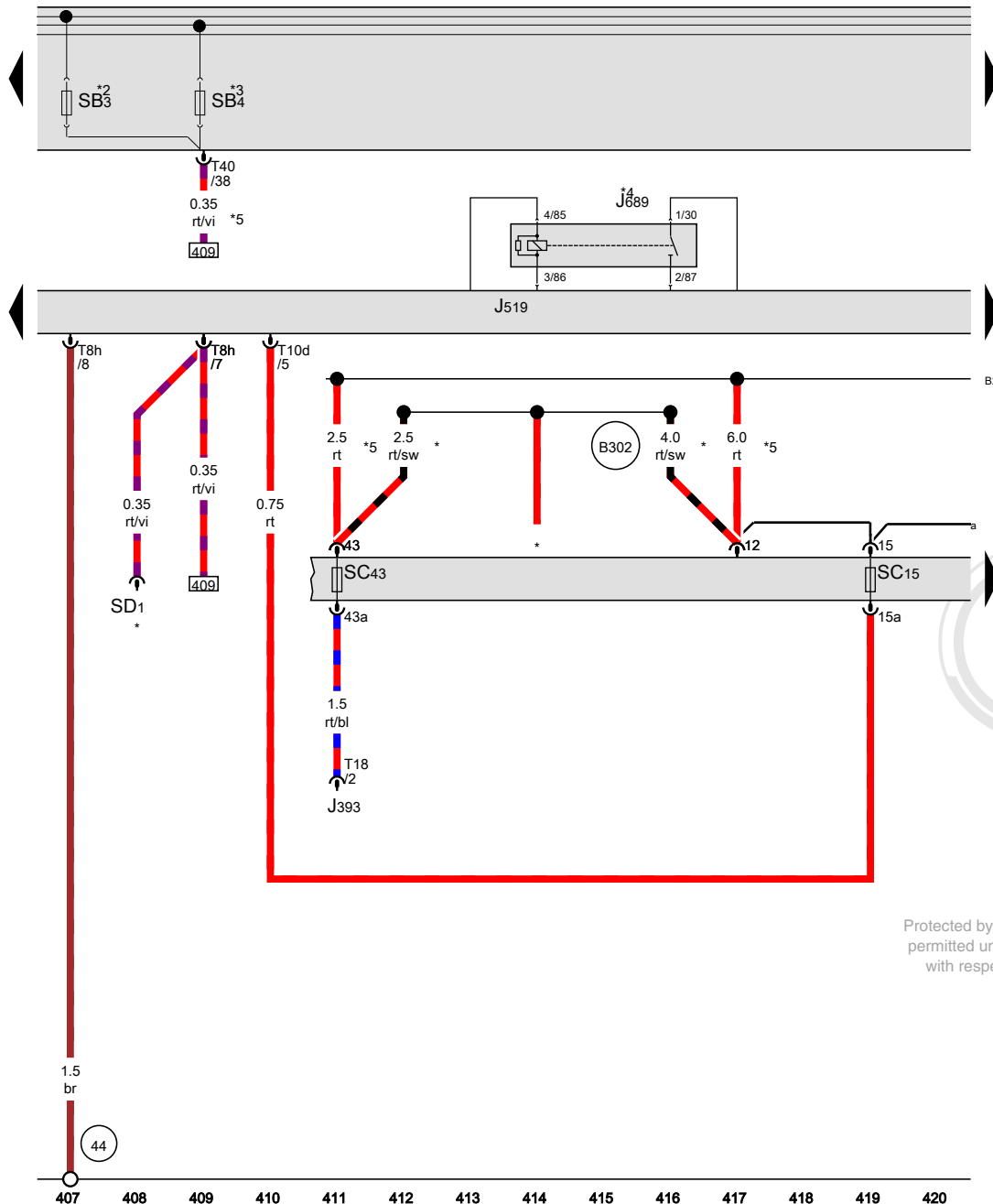
B324 Positive connection 10 (30a) (in main wiring harness)

* Only for vehicles with fog lamps



- ws = white
- sw = black
- ro = red
- rt = red
- br = brown
- gn = green
- bl = blue
- gr = grey
- li = lilac
- vi = lilac
- ge = yellow
- or = orange
- rs = pink

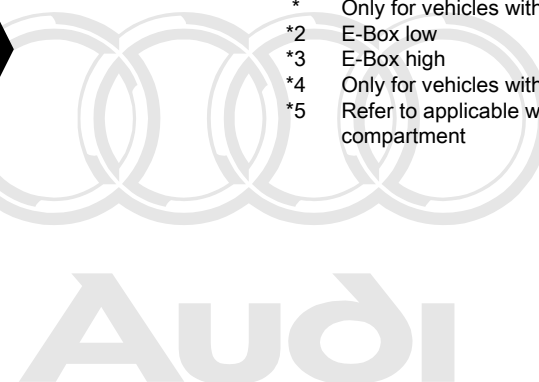
18PA-058300R10



Vehicle electrical system control module, Terminal 30 power supply relay 2

- J393 Comfort system central control module
- J519 Vehicle electrical system control module
- J689 Terminal 30 power supply relay 2
- SD1 Fuse 1 (on fuse panel D)
- SB3 Fuse 3 (on fuse panel B)
- SB4 Fuse 4 (on fuse panel B)
- SC15 Fuse 15 (on fuse panel C)
- SC43 Fuse 43 (on fuse panel C)
- T8h 8-pin connector
- T10d 10-pin connector
- T18 18-pin connector
- T40 40-pin connector

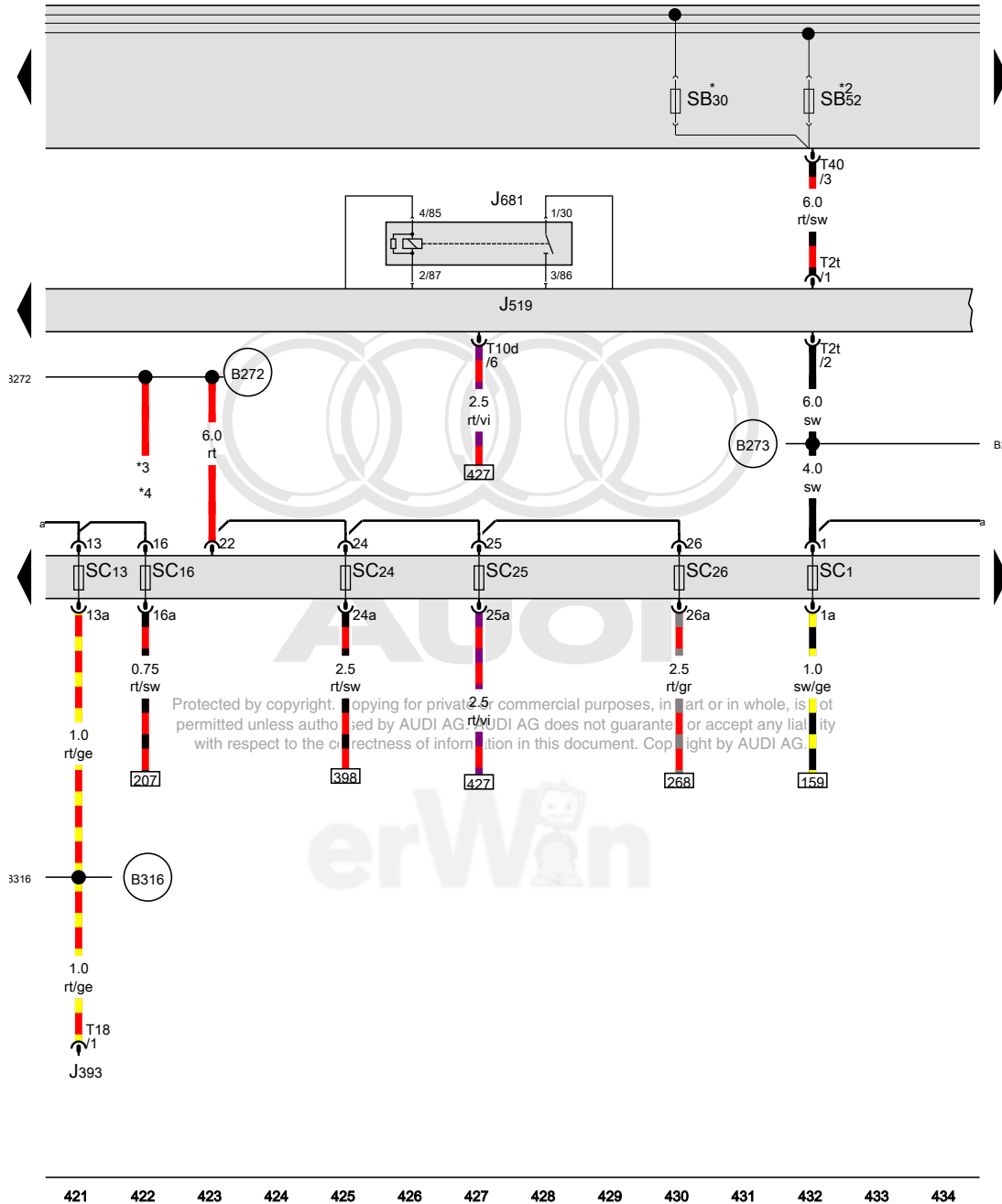
- (44) Ground connection on A-pillar, lower left
- (B272) Positive connection (30) (in main wiring harness)
- (B302) Positive connection 6 (30) (in main wiring harness)
- * Only for vehicles with a battery in the luggage compartment
- *2 E-Box low
- *3 E-Box high
- *4 Only for vehicles with interior lighting
- *5 Refer to applicable wiring diagram for battery in engine compartment



Protected by copyright. Copying for private or commercial purposes, in part or in whole, is not permitted unless with the written permission of AUDI AG. AUDI AG does not guarantee or accept any liability with respect to the care and use of information in this document. Copyright by AUDI AG.

- ws = white
- sw = black
- ro = red
- rt = red
- br = brown
- gn = green
- bl = blue
- gr = grey
- li = lilac
- vi = lilac
- ge = yellow
- or = orange
- rs = pink

18PA-0583108101



Vehicle electrical system control module, Terminal 15 power supply relay 2

- J393 Comfort system central control module
- J519 Vehicle electrical system control module
- J681 Terminal 15 power supply relay 2
- SC1 Fuse 1 (on fuse panel C)
- SC13 Fuse 13 (on fuse panel C)
- SC16 Fuse 16 (on fuse panel C)
- SC24 Fuse 24 (on fuse panel C)
- SC25 Fuse 25 (on fuse panel C)
- SC26 Fuse 26 (on fuse panel C)
- SB30 Fuse 30 (on fuse panel B)
- SB52 Fuse 52 (on fuse panel B)
- T2t Double connector
- T10d 10-pin connector
- T18 18-pin connector
- T40 40-pin connector

B272 Positive connection (30) (in main wiring harness)

B273 Positive connection (15) (in main wiring harness)

B316 Positive connection 2 (30a) (in main wiring harness)

- * E-Box low
- *2 E-Box high
- *3 Only for vehicles with a battery in the luggage compartment
- *4 Only for vehicles with a battery in the engine compartment

- ws = white
- sw = black
- ro = red
- rt = red
- br = brown
- gn = green
- bl = blue
- gr = grey
- li = lilac
- vi = lilac
- ge = yellow
- or = orange
- rs = pink

421 422 423 424 425 426 427 428 429 430 431 432 433 434

18PA-058320R10

Steering torque sensor, Power steering control module

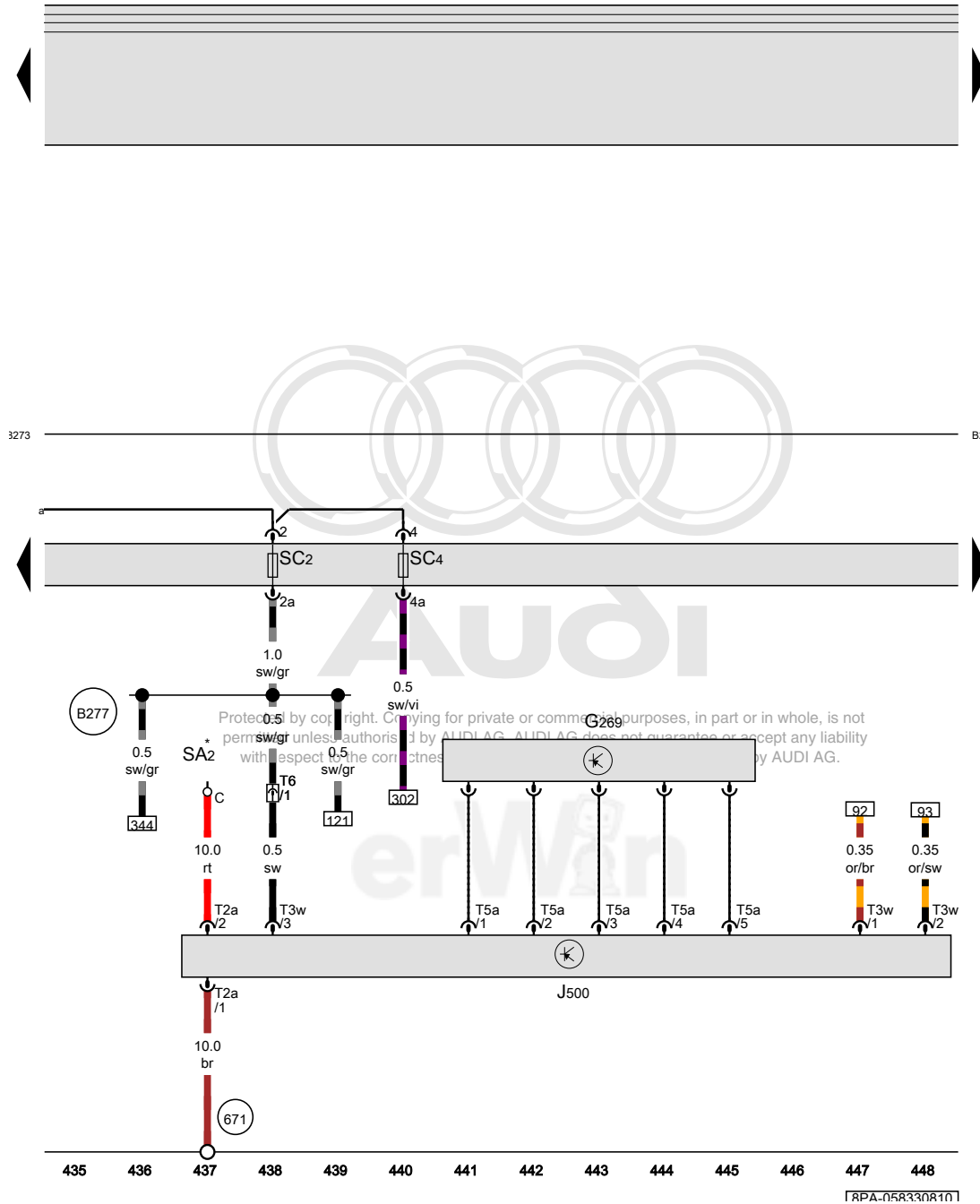
- G269 Steering torque sensor
- J500 Power steering control module
- SA2 Fuse 2 (on fuse panel A)
- SC2 Fuse 2 (on fuse panel C)
- SC4 Fuse 4 (on fuse panel C)
- T1 Single connector
- T2a Double connector
- T3w 3-pin connector
- T5a 5-pin connector
- T6 6-pin connector, near the left front longitudinal member

671 Ground connection 1 on left front longitudinal member

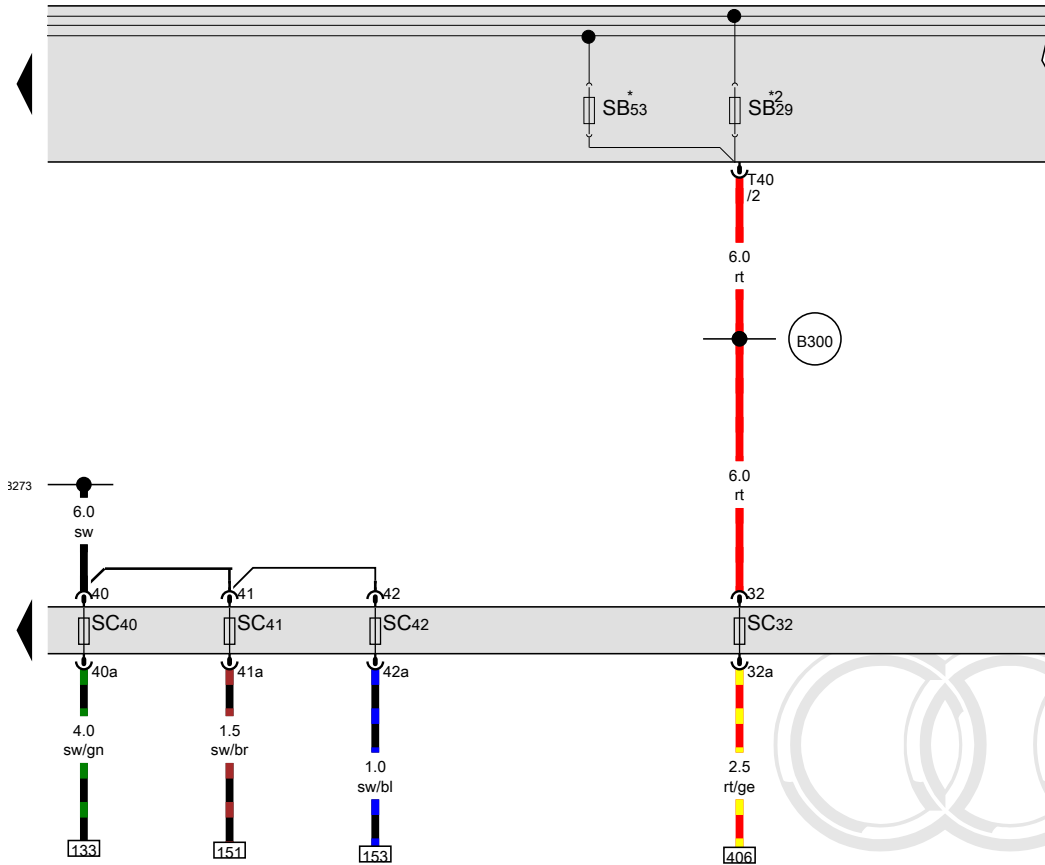
B273 Positive connection (15) (in main wiring harness)

B277 Positive connection 1 (15a) (in main wiring harness)

- * Only for vehicles with a battery in the engine compartment
- *2 Only for vehicles with interior lighting



- ws = white
- sw = black
- ro = red
- rt = red
- br = brown
- gn = green
- bl = blue
- gr = grey
- li = lilac
- vi = lilac
- ge = yellow
- or = orange
- rs = pink



Fuse 53 (on fuse panel B)

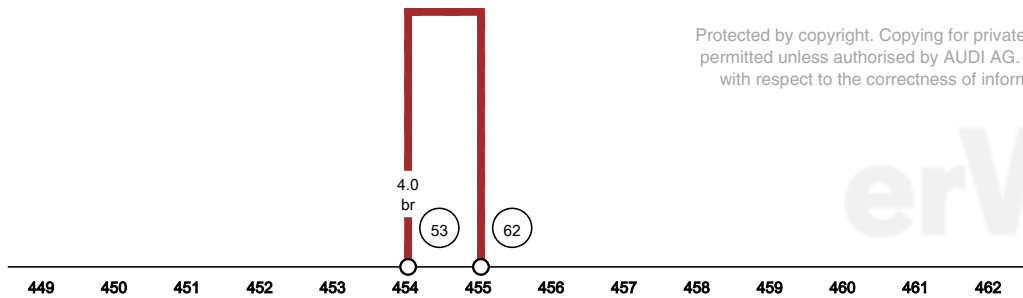
- SB29 Fuse 29 (on fuse panel B)
- SC32 Fuse 32 (on fuse panel C)
- SC40 Fuse 40 (on fuse panel C)
- SC41 Fuse 41 (on fuse panel C)
- SC42 Fuse 42 (on fuse panel C)
- SB53 Fuse 53 (on fuse panel B)
- T40 40-pin connector

- 53 Ground connection in rear lid, right
- 62 Ground connection on right C-pillar
- B273 Positive connection (15) (in main wiring harness)
- B300 Positive connection 4 (30) (in main wiring harness)

- * E-Box high
- *2 E-Box low

Protected by copyright. Copying for private or commercial purposes, in part or in whole, is not permitted unless authorised by AUDI AG. AUDI AG does not guarantee or accept any liability with respect to the correctness of information in this document. Copyright by AUDI AG.

- ws = white
- sw = black
- ro = red
- rt = red
- br = brown
- gn = green
- bl = blue
- gr = grey
- li = lilac
- vi = lilac
- ge = yellow
- or = orange
- rs = pink



18PA-058340810

1.8L fuel injection engine (TFSI - cylinder 4), CDAA

from May 2008

2.0L fuel injection engine (TFSI - cylinder 4), CAWB

2.0L fuel injection engine (TFSI - cylinder 4), CCTA

2.0L fuel injection engine (TFSI - cylinder 4), CCZA

2.0L fuel injection engine (TFSI - cylinder 4), CCZA

2.0L fuel injection engine (TFSI - cylinder 4), CCTA

from May 2008

Note:

Information for

- ◆ Relay and fuse arrangements
- ◆ Connector arrangements
- ◆ Control Modules and Relays
- ◆ Ground Connections

⇒ Component Locations

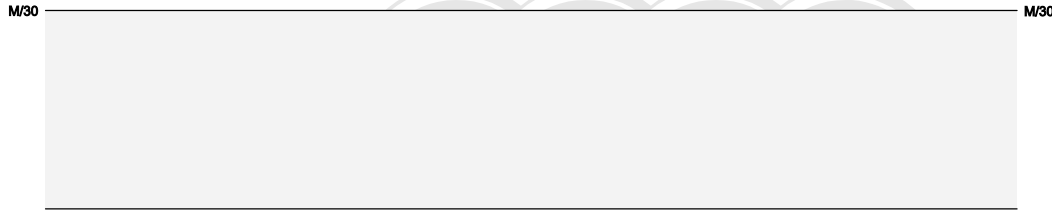
Information for

- ◆ Troubleshooting Procedures
- ⇒ Guided Fault Finding using VAS 5051 / 5052

**Audi**

Protected by copyright. Copying for private or commercial purposes, in part or in whole, is not permitted unless authorised by AUDI AG. AUDI AG does not guarantee or accept any liability with respect to the correctness of information in this document. Copyright by AUDI AG.





Protected by copyright. Copying for private or commercial purposes, in part or in whole, is not permitted unless authorised by AUDI AG. AUDI AG does not guarantee or accept any liability with respect to the correctness of information in this document. Copyright by AUDI AG.

Cruise Control Switch, Ignition/Starter Switch

- D Ignition/Starter Switch
- E45 Cruise Control Switch
- J527 Steering Column Electronic Systems Control Module
- T20b 20-Pin Connector, black (Connector A)

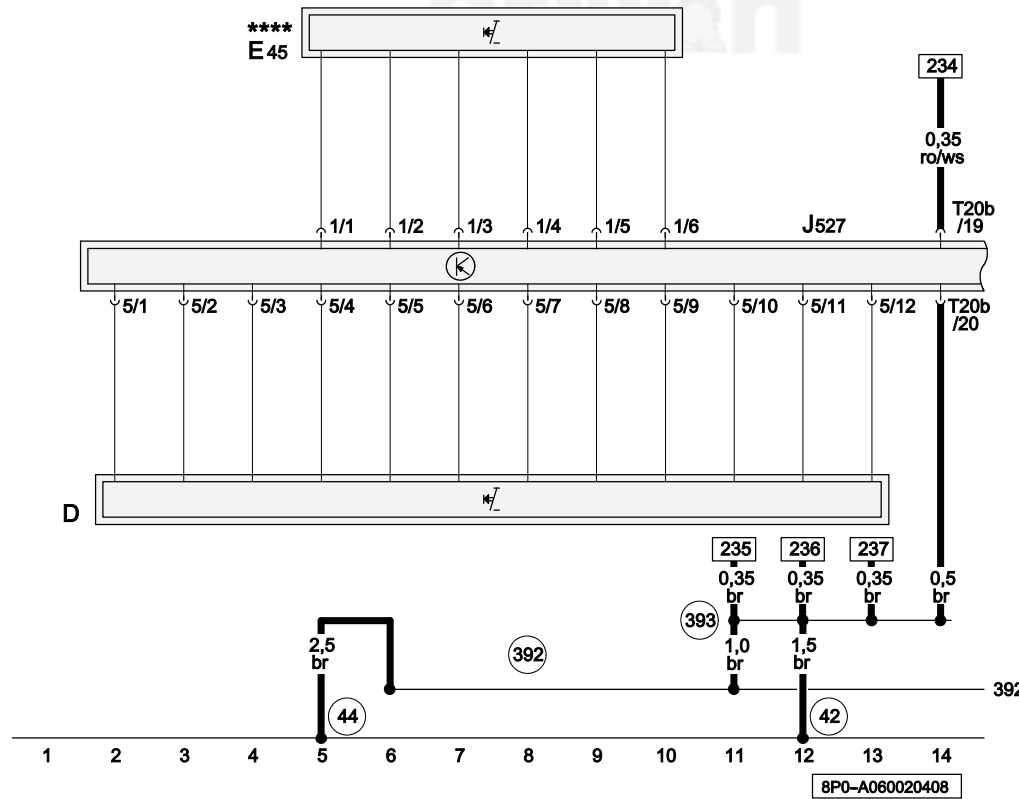
42 Ground Connection (beside steering column)

44 Ground Connection (on left lower A-pillar)

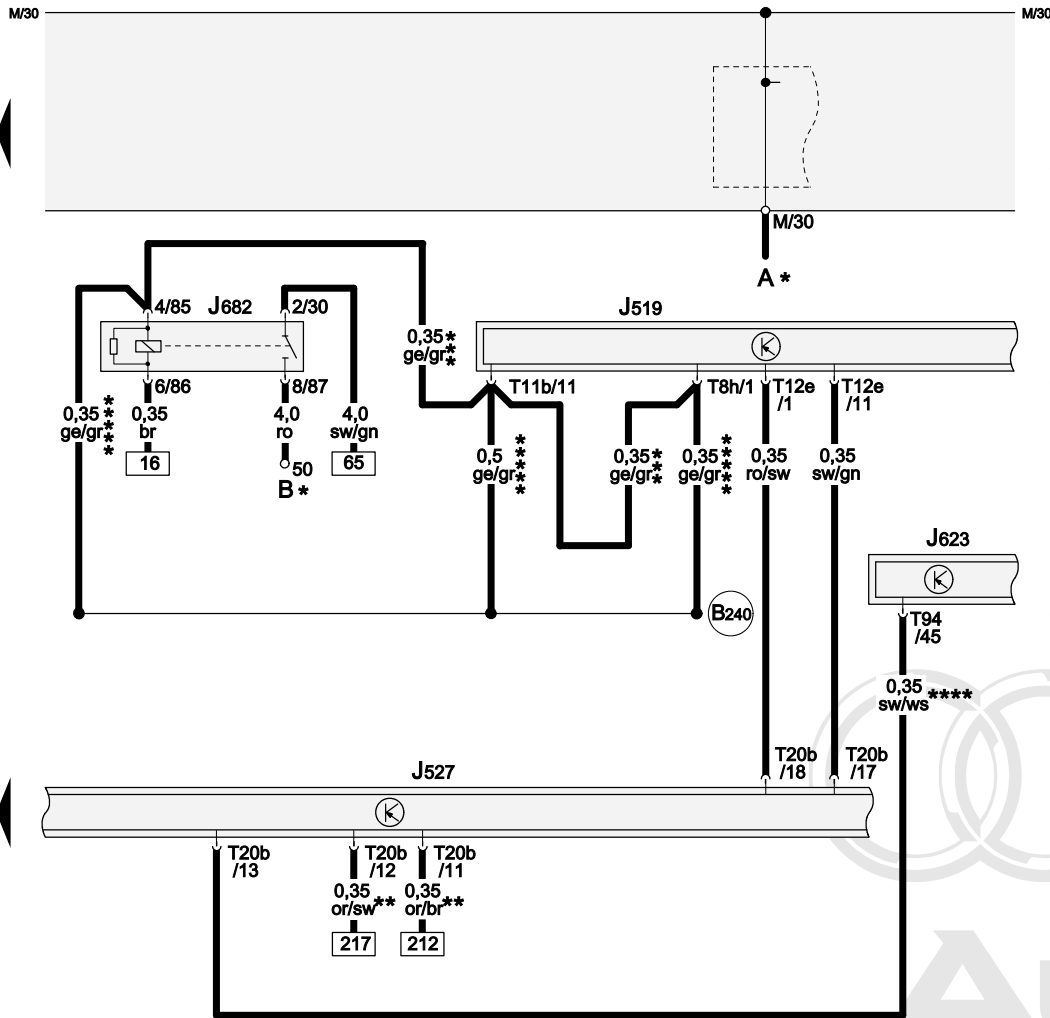
392 Ground Connection 27 (in main wiring harness)

393 Ground Connection 28 (in main wiring harness)

**** Only for models with cruise control system



- ws = white
- sw = black
- ro = red
- br = brown
- gn = green
- bl = blue
- gr = grey
- li = lilac
- ge = yellow
- or = orange
- rs = pink



Electronics Box Supply, Power Supply Relay (terminal 50)

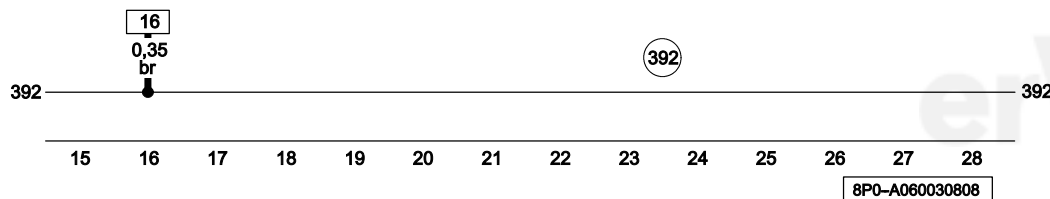
- A Battery
- B Starter
- J519 Vehicle Electrical System Control Module
- J527 Steering Column Electronic Systems Control Module
- J623 Engine Control Module (ECM)
- J682 Power Supply Relay (terminal 50)
- T8h 8-Pin Connector, black (Connector F)
- T11b 11-Pin Connector, black (Connector A)
- T12e 12-Pin Connector, black (Connector G)
- T20b 20-Pin Connector, black (Connector A)
- T94 94-Pin Connector, black (Connector B)

392 Ground Connection 27 (in main wiring harness)

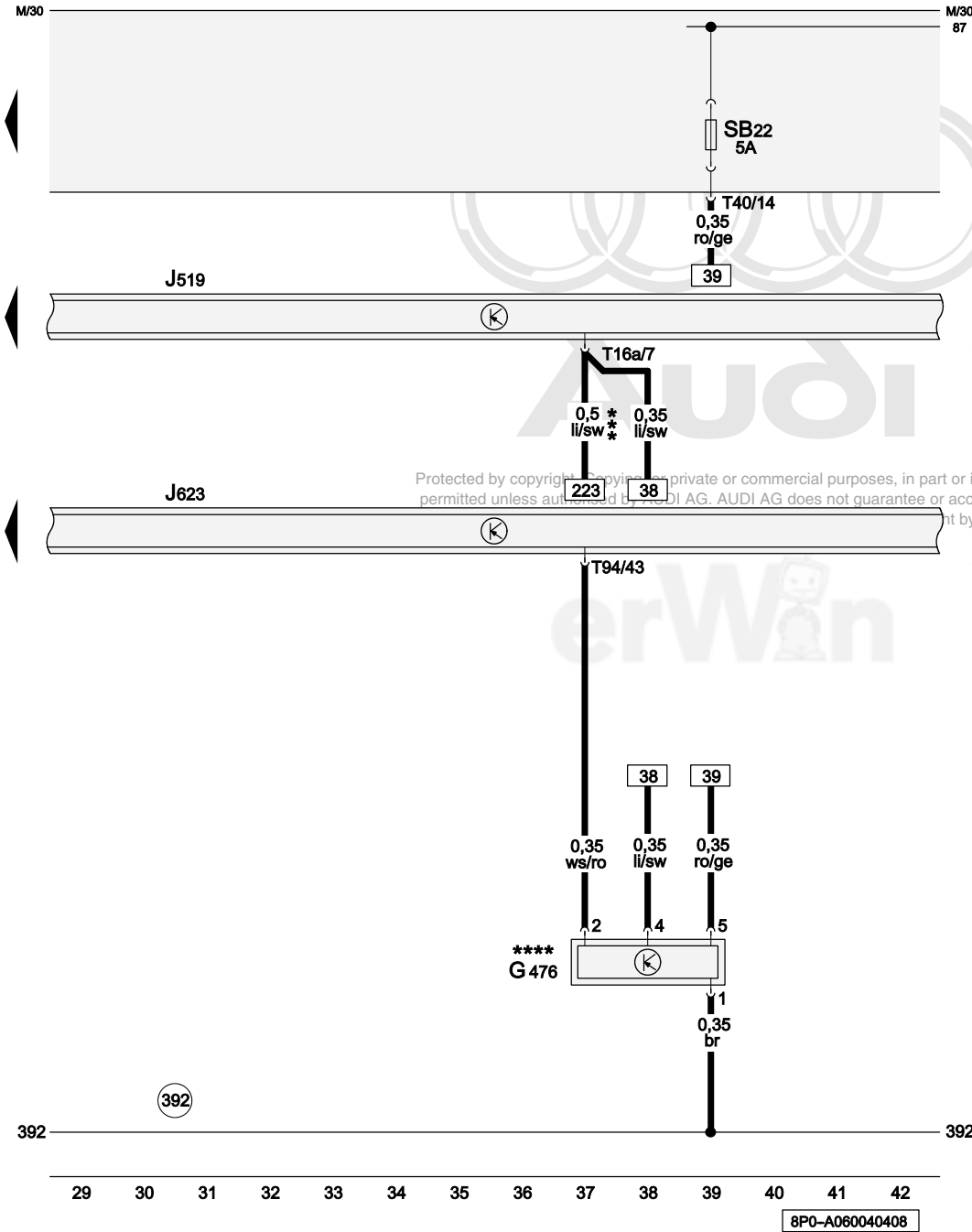
B240 Plus Connection 2 (50) (in interior wiring harness)

- * ⇒ Applicable Wiring Diagram for models with battery in engine compartment
- ** Only models with powertrain CAN-Bus
- *** Only models with US equipment
- **** Only for models with cruise control system
- ***** Not for models with US equipment

Protected by copyright. Copying for private or commercial purposes, in part or in whole, is not permitted unless authorised by AUDI AG. AUDI AG does not guarantee or accept any liability with respect to the correctness of information in this document. Copyright by AUDI AG.



- ws = white
- sw = black
- ro = red
- br = brown
- gn = green
- bl = blue
- gr = grey
- li = lilac
- ge = yellow
- or = orange
- rs = pink



Clutch Position Sensor

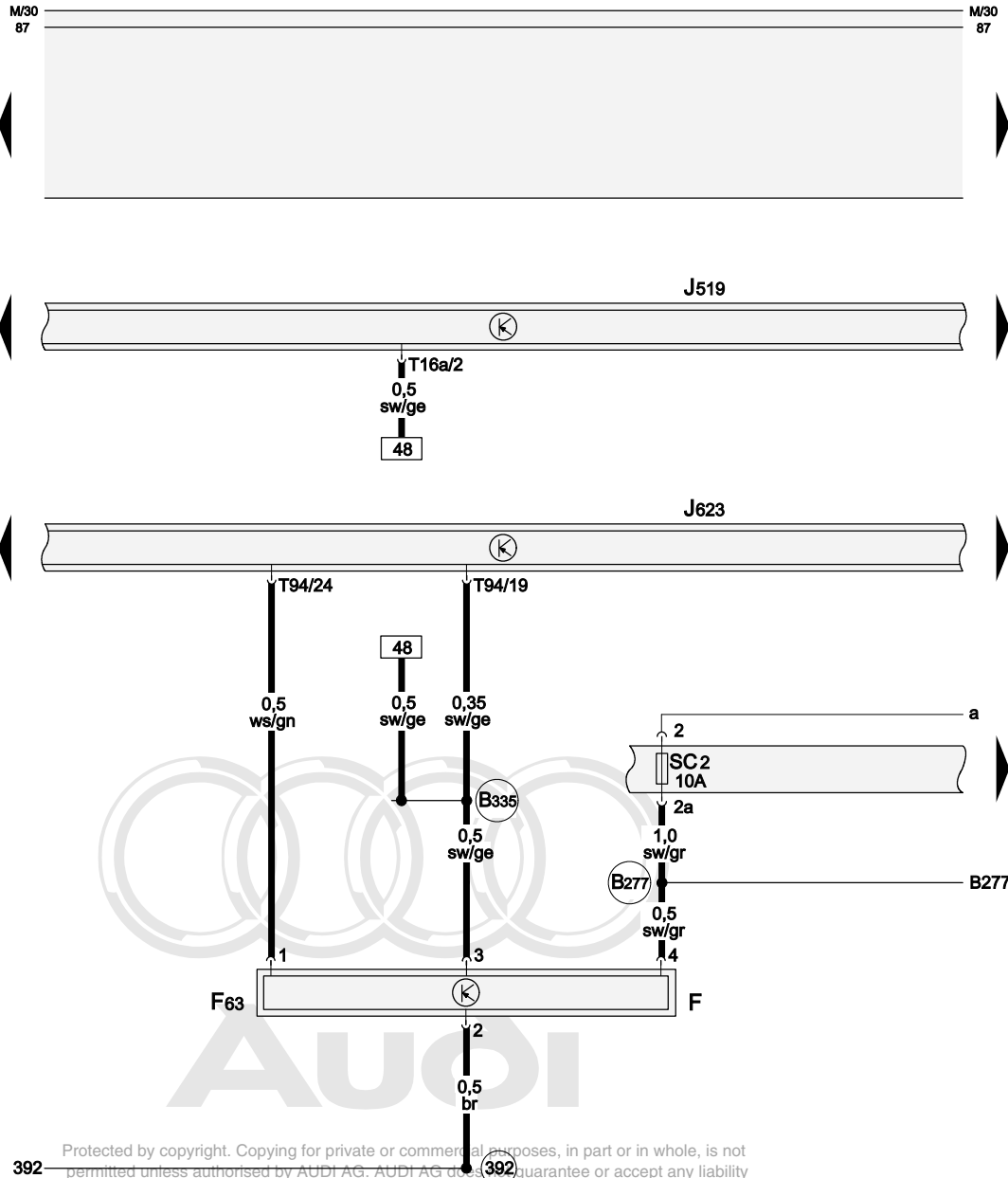
- G476 Clutch Position Sensor
- J519 Vehicle Electrical System Control Module
- J623 Engine Control Module (ECM)
- SB22 Fuse 22 (on fuse panel B)
- T16a 16-Pin Connector, black (Connector E)
- T40 40-Pin Connector, black, on electronics box engine compartment (Connector J)
- T94 94-Pin Connector, black (Connector B)

392 Ground Connection 27 (in main wiring harness)

- *** Only models with automatic transmission
- **** Only models with manual transmission

Protected by copyright. Copying for private or commercial purposes, in part or in whole, is not permitted unless authorized by AUDI AG. AUDI AG does not guarantee or accept any liability for errors or omissions in this document. Copyright © 2004 AUDI AG.

- ws = white
- sw = black
- ro = red
- br = brown
- gn = green
- bl = blue
- gr = grey
- li = lilac
- ge = yellow
- or = orange
- rs = pink



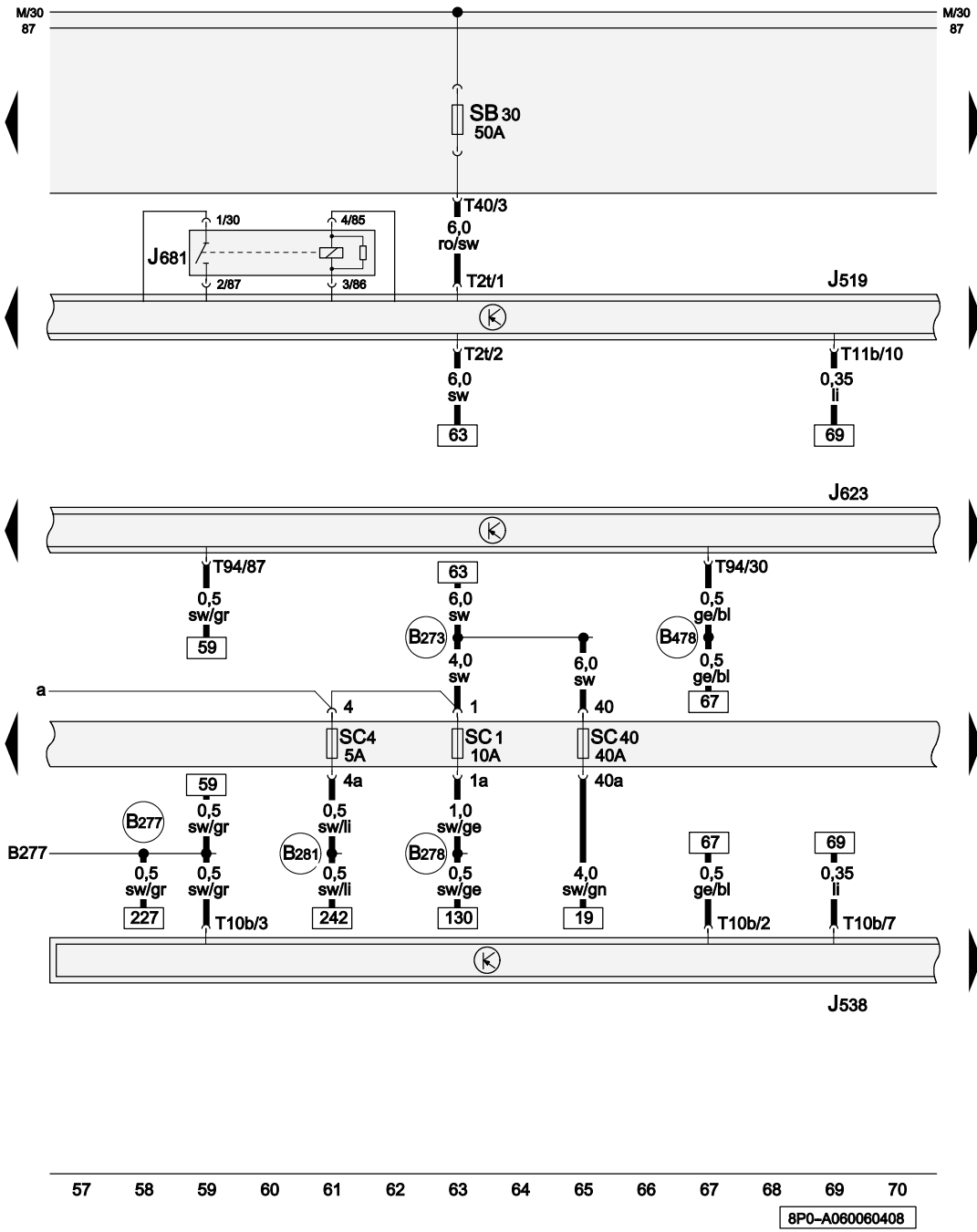
Brake Light Switch, Brake Pedal Switch

- F Brake Light Switch
- F63 Brake Pedal Switch
- J519 Vehicle Electrical System Control Module
- J623 Engine Control Module (ECM)
- SC2 Fuse 2 (on fuse panel C)
- T16a 16-Pin Connector, black (Connector E)
- T94 94-Pin Connector, black (Connector B)

- 392 Ground Connection 27 (in main wiring harness)
- B277 Plus Connection 1 (15a) (in main wiring harness)
- B335 Connection 1 (54) (in main wiring harness)

- ws = white
- sw = black
- ro = red
- br = brown
- gn = green
- bl = blue
- gr = grey
- li = lilac
- ge = yellow
- or = orange
- rs = pink

Protected by copyright. Copying for private or commercial purposes, in part or in whole, is not permitted unless authorised by AUDI AG. AUDI AG does not guarantee or accept any liability with respect to the correctness of information in this document. Copyright by AUDI AG.



Power Supply Relay 2 (terminal 15)

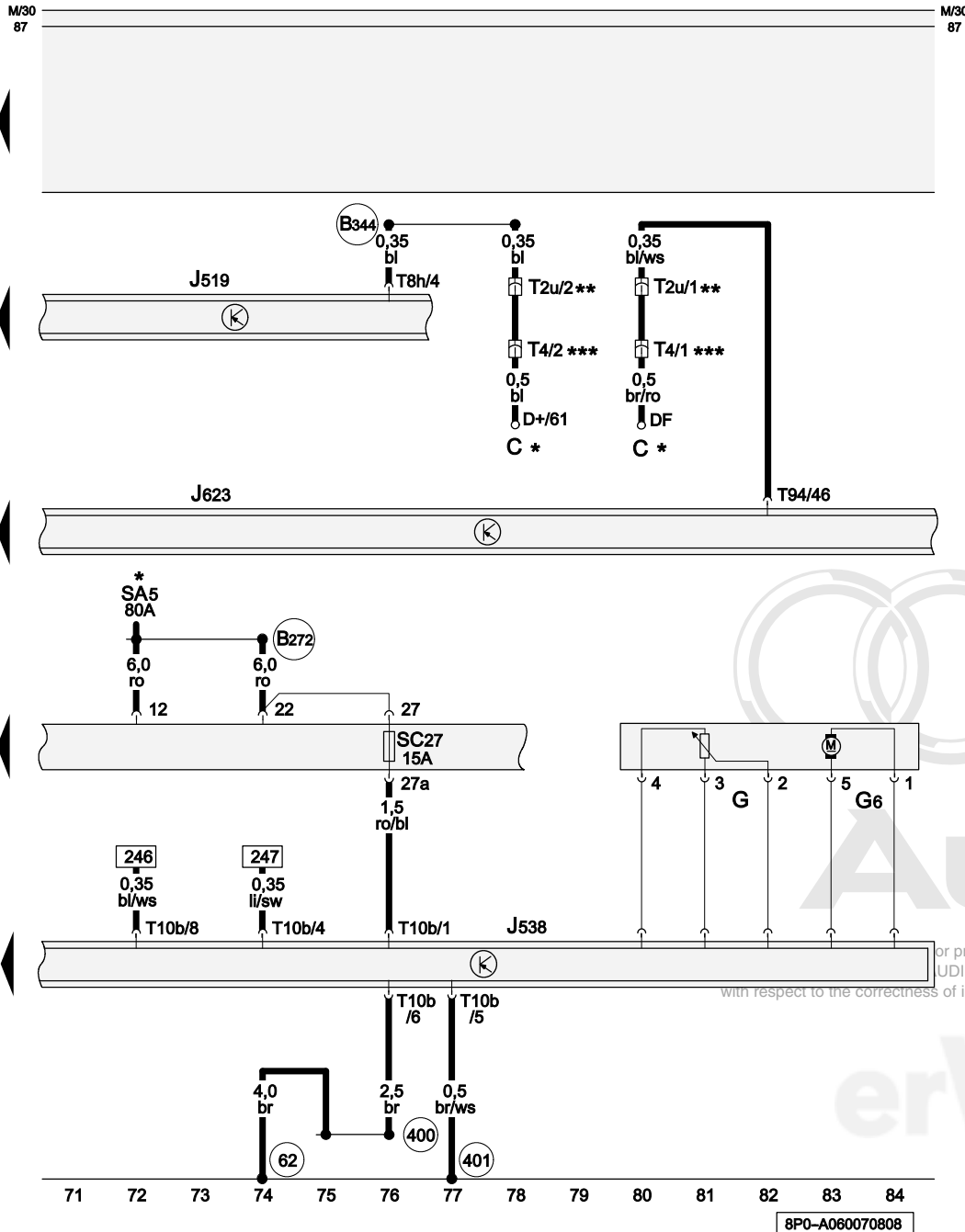
- J519 Vehicle Electrical System Control Module
- J538 Fuel Pump (FP) Control Module
- J623 Engine Control Module (ECM)
- J681 Power Supply Relay 2 (terminal 15)
- SB30 Fuse 30 (on fuse panel B)
- SC1 Fuse 1 (on fuse panel C)
- SC4 Fuse 4 (on fuse panel C)
- SC40 Fuse 40 (on fuse panel C)
- T2t Double Connector, black (Connector L)
- T10b 10-Pin Connector, black (Connector A)
- T11b 11-Pin Connector, black (Connector A)
- T40 40-Pin Connector, black, on electronics box engine compartment (Connector J)
- T94 94-Pin Connector, black (Connector B)

- (B273) Plus Connection (15) (in main wiring harness)
- (B277) Plus Connection 1 (15a) (in main wiring harness)
- (B278) Plus Connection 2 (15a) (in main wiring harness)
- (B281) Plus Connection 5 (15a) (in main wiring harness)
- (B478) Connection 14 (in main wiring harness)

Protected by copyright. Copying for private or commercial purposes, in part or in whole, is not permitted unless authorised by AUDI AG. AUDI AG does not guarantee or accept any liability with respect to the correctness of information in this document. Copyright by AUDI AG.

- ws = white
- sw = black
- ro = red
- br = brown
- gn = green
- bl = blue
- gr = grey
- li = lilac
- ge = yellow
- or = orange
- rs = pink



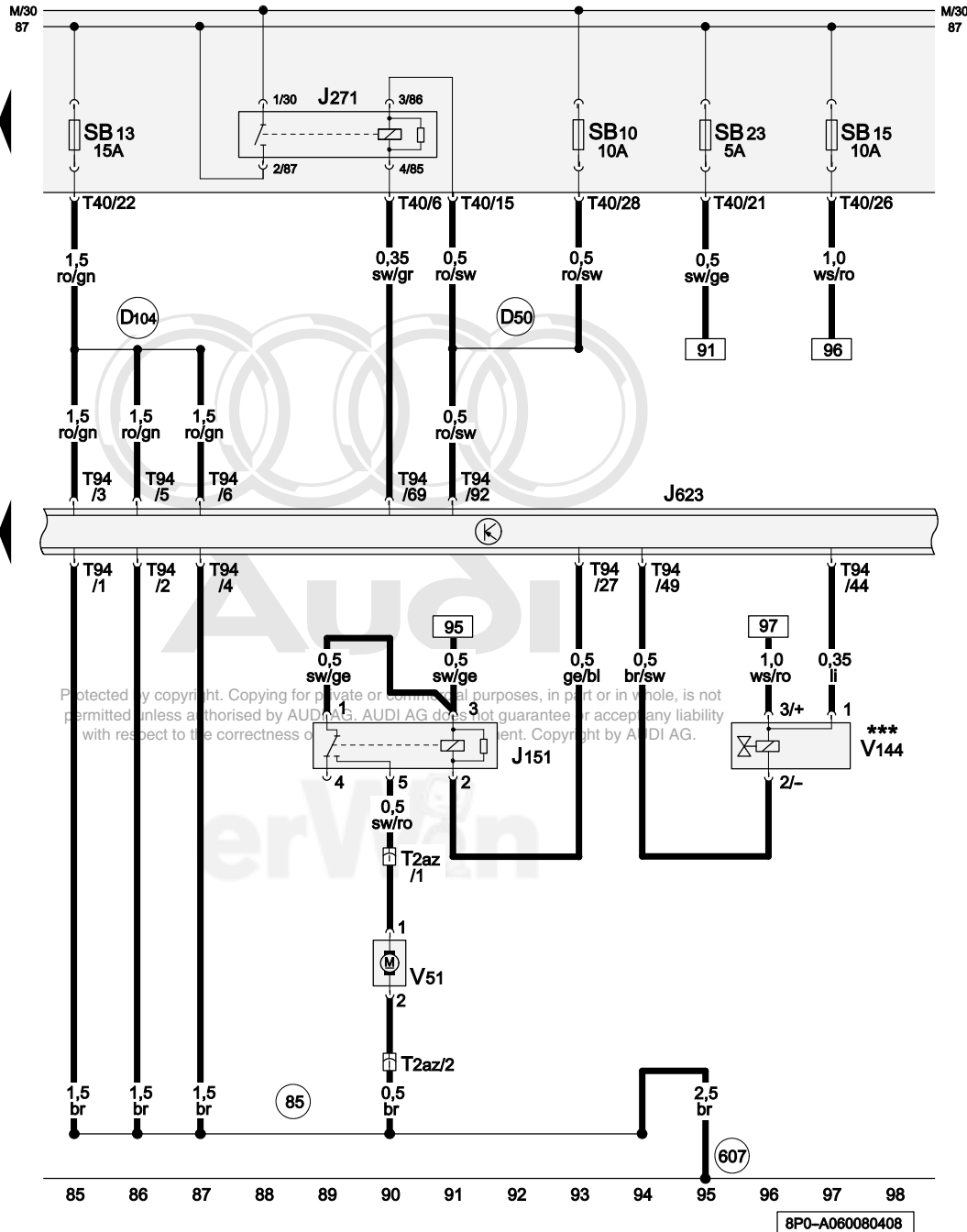


Generator (GEN), Fuel Level Sensor, Transfer Fuel Pump (FP)

- C Generator (GEN)
- G Fuel Level Sensor
- G6 Transfer Fuel Pump (FP)
- J519 Vehicle Electrical System Control Module
- J538 Fuel Pump (FP) Control Module
- J623 Engine Control Module (ECM)
- SA5 Fuse 5 (on fuse panel A)
- SC27 Fuse 27 (on fuse panel C)
- T2u Double Connector, brown, in engine compartment, front left
- T4 4-Pin Connector, black, in engine compartment, front left
- T8h 8-Pin Connector, black (Connector F)
- T10b 10-Pin Connector, black (Connector A)
- T94 94-Pin Connector, black (Connector B)
- 62 Ground Connection (on right C-pillar)
- 400 Ground Connection 35 (in main wiring harness)
- 401 Sensor Ground Connection (in interior wiring harness)
- B272 Plus Connection (30) (in main wiring harness)
- B344 Connection 1 (61) (in main wiring harness)
- * ⇒ Applicable Wiring Diagram for models with battery in engine compartment
- ** Only models without A/C
- *** Only models with A/C

- ws = white
- sw = black
- ro = red
- br = brown
- gn = green
- bl = blue
- gr = grey
- li = lilac
- ge = yellow
- or = orange
- rs = pink

8P0-A080070808



Motronic Engine Control Module (ECM) Power Supply Relay, Coolant Circulation Pump Relay, After-Run Coolant Pump, Leak Detection Pump (LDP)

- J151 Coolant Circulation Pump Relay
- J271 Motronic Engine Control Module (ECM) Power Supply Relay
- J623 Engine Control Module (ECM)
- SB10 Fuse 10 (on fuse panel B)
- SB13 Fuse 13 (on fuse panel B)
- SB15 Fuse 15 (on fuse panel B)
- SB23 Fuse 23 (on fuse panel B)
- T2az Double Connector
- T40 40-Pin Connector, black, on electronics box engine compartment (Connector J)
- T94 94-Pin Connector, black (Connector B)
- V51 After-Run Coolant Pump
- V144 Leak Detection Pump (LDP)
- 85 Ground Connection 1 (in engine compartment wiring harness)
- 607 Ground Connection (in plenum chamber, left)
- D50 Plus Connection (30) (in engine compartment wiring harness)
- D104 Plus Connection 2 (30a) (in engine compartment wiring harness)
- *** Only models with US equipment

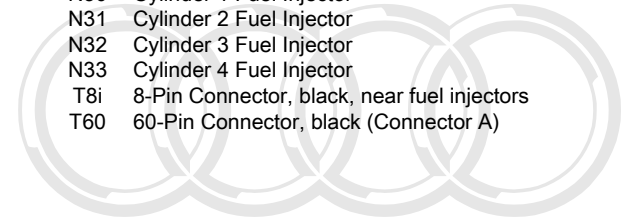
- ws = white
- sw = black
- ro = red
- br = brown
- gn = green
- bl = blue
- gr = grey
- li = lilac
- ge = yellow
- or = orange
- rs = pink

8P0-A060080408



Injectors

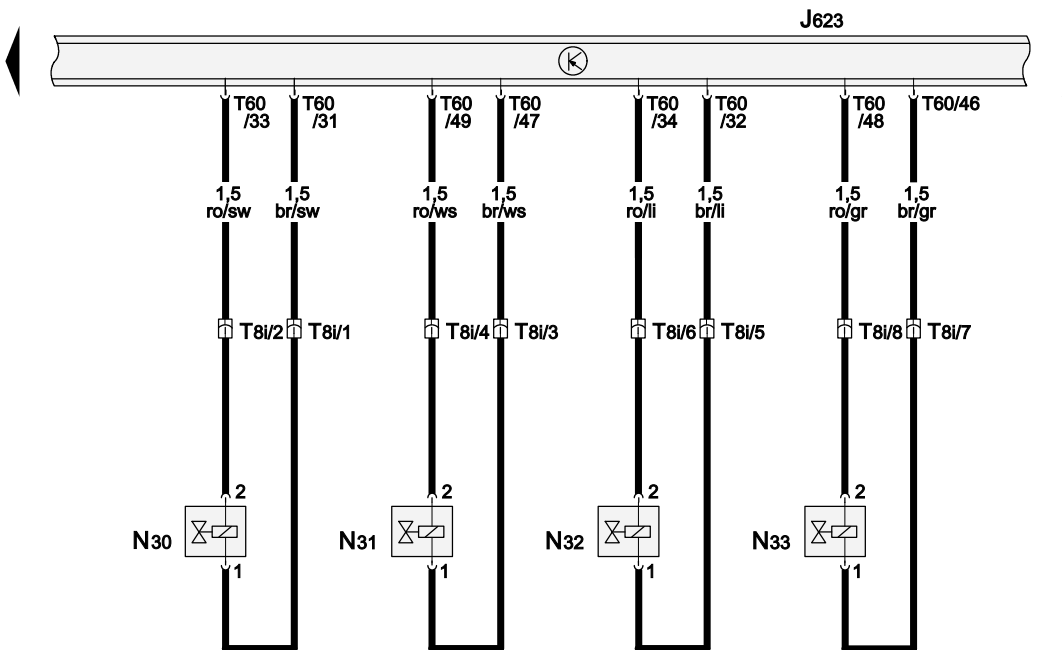
- J623 Engine Control Module (ECM)
- N30 Cylinder 1 Fuel Injector
- N31 Cylinder 2 Fuel Injector
- N32 Cylinder 3 Fuel Injector
- N33 Cylinder 4 Fuel Injector
- T8i 8-Pin Connector, black, near fuel injectors
- T60 60-Pin Connector, black (Connector A)



Audi

Protected by copyright. Copying for private or commercial purposes, in part or in whole, is not permitted unless authorised by AUDI AG. AUDI AG does not guarantee or accept any liability with respect to the correctness of information in this document. Copyright by AUDI AG.

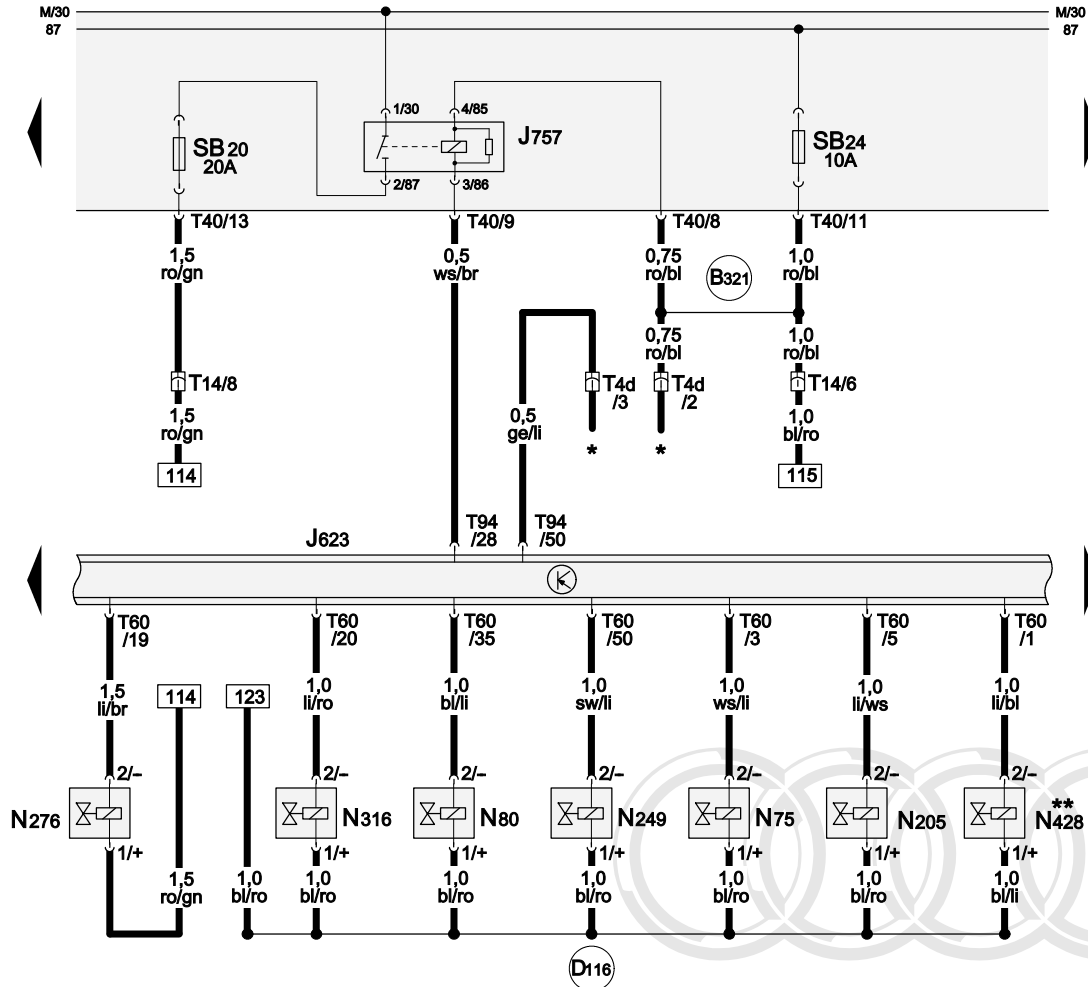
erWin



99 100 101 102 103 104 105 106 107 108 109 110 111 112

8P0-A080090408

- ws = white
- sw = black
- ro = red
- br = brown
- gn = green
- bl = blue
- gr = grey
- li = lilac
- ge = yellow
- or = orange
- rs = pink



Power Supply Relay, Solenoid Valves

- J623 Engine Control Module (ECM)
- J757 Engine Component Power Supply Relay
- N75 Wastegate Bypass Regulator Valve
- N80 Evaporative Emission (EVAP) Canister Purge Regulator Valve 1
- N205 Camshaft Adjustment Valve 1
- N249 Turbocharger Recirculating Valve
- N276 Fuel Pressure Regulator Valve
- N316 Intake Manifold Runner Control (IMRC) Valve
- N428 Oil Pressure Regulation Valve
- SB20 Fuse 20 (on fuse panel B)
- SB24 Fuse 24 (on fuse panel B)
- T4d 4-Pin Connector, black, on coolant fan control (FC) (front end)
- T14 14-Pin Connector, black, near left front long member
- T40 40-Pin Connector, black, on electronics box engine compartment (Connector J)
- T60 60-Pin Connector, black (Connector A)
- T94 94-Pin Connector, black (Connector B)

B321 Plus Connection 7 (30a) (in main wiring harness)

D116 Connection 14 (in engine compartment wiring harness)

* => Applicable Wiring Diagram Coolant Fan Control
 ** Only models with engine codes CDAA, CCZA



- ws = white
- sw = black
- ro = red
- br = brown
- gn = green
- bl = blue
- gr = grey
- li = lilac
- ge = yellow
- or = orange
- rs = pink

Protected by copyright. Copying for private or commercial purposes, in part or in full, is not permitted unless authorised by AUDI AG. AUDI AG does not guarantee or accept responsibility with respect to the correctness of information in this document. Copyright by AUDI AG.

113 114 115 116 117 118 119 120 121 122 123 124 125 126

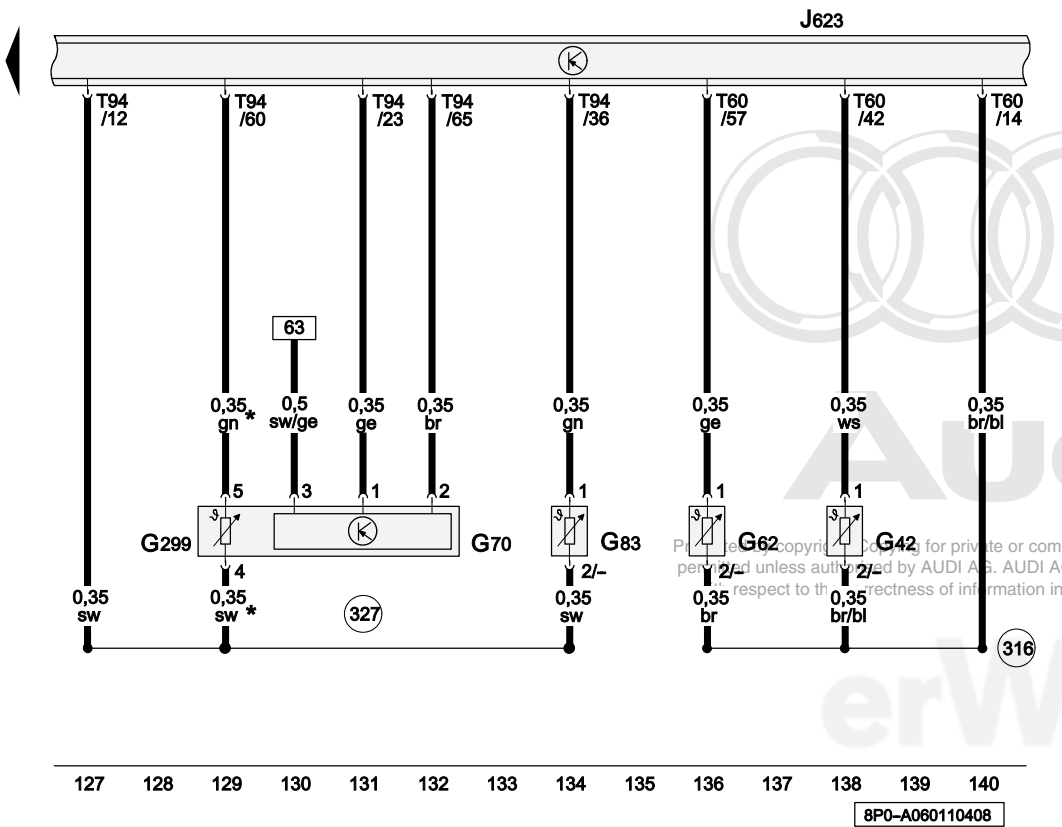
8P0-A080100408



Mass Air Flow (MAF) Sensor, Temperature Sensor

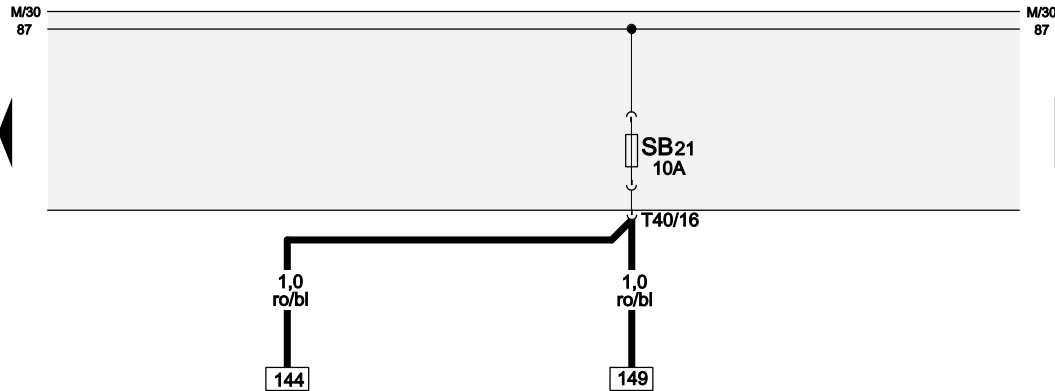
- G42 Intake Air Temperature (IAT) Sensor
- G62 Engine Coolant Temperature (ECT) Sensor
- G70 Mass Air Flow (MAF) Sensor
- G83 Engine Coolant Temperature (ECT) Sensor (on Radiator)
- G299 Intake Air Temperature (IAT) Sensor 2
- J623 Engine Control Module (ECM)
- T60 60-Pin Connector, black (Connector A)
- T94 94-Pin Connector, black (Connector B)

- 316 Sensor Ground Connection 2 (in engine wiring harness)
- 327 Sensor Ground Connection (in engine compartment wiring harness)
- * Only models with engine code CDAA



Copyright © 2009 Audi AG. All rights reserved. This document is a copyrighted work of Audi AG. The reproduction, distribution, or use of this document for private or commercial purposes, in part or in whole, is not permitted unless authorized by Audi AG. Audi AG does not warrant or accept any liability for the accuracy or correctness of information in this document. Copyright © 2009 Audi AG.

- ws = white
- sw = black
- ro = red
- br = brown
- gn = green
- bl = blue
- gr = grey
- li = lilac
- ge = yellow
- or = orange
- rs = pink



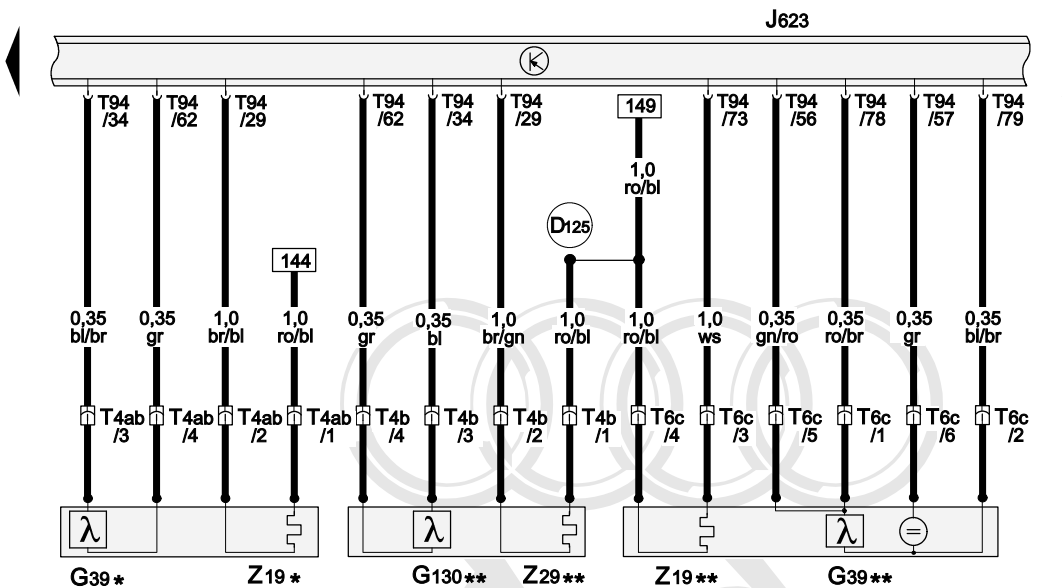
Heated Oxygen Sensors (HO2S)

- G39 Heated Oxygen Sensor (HO2S)
- G130 Oxygen Sensor (O2S) Behind Three Way Catalytic Converter (TWC)
- J623 Engine Control Module (ECM)
- SB21 Fuse 21 (on fuse panel B)
- T4b 4-Pin Connector, black, on oxygen sensor (O2S) behind three way catalytic converter (TWC)
- T4ab 4-Pin Connector, brown, on oxygen sensor (O2S) behind three way catalytic converter (TWC)
- T6c 6-Pin Connector, black, on oxygen sensor (O2S) before three way catalytic converter (TWC)
- T40 40-Pin Connector, black, on electronics box engine compartment (Connector J)
- T94 94-Pin Connector, black (Connector B)
- Z19 Oxygen Sensor (O2S) Heater
- Z29 Oxygen Sensor (O2S) Heater 1 (behind Three Way Catalytic Converter (TWC))

D125 Connection 23 (in engine compartment wiring harness)

* Only models with engine code CAWB

** Only models with engine codes CCTA, CDAA, CCZA



- ws = white
- sw = black
- ro = red
- br = brown
- gn = green
- bl = blue
- gr = grey
- li = lilac
- ge = yellow
- or = orange
- rs = pink

Protected by copyright. Copying for private or commercial purposes, in part or in whole, is not permitted unless authorised by AUDI AG. AUDI AG does not guarantee or accept any liability with respect to the correctness of information in this document. Copyright by AUDI AG.

141 142 143 144 145 146 147 148 149 150 151 152 153 154

8P0-A080120408



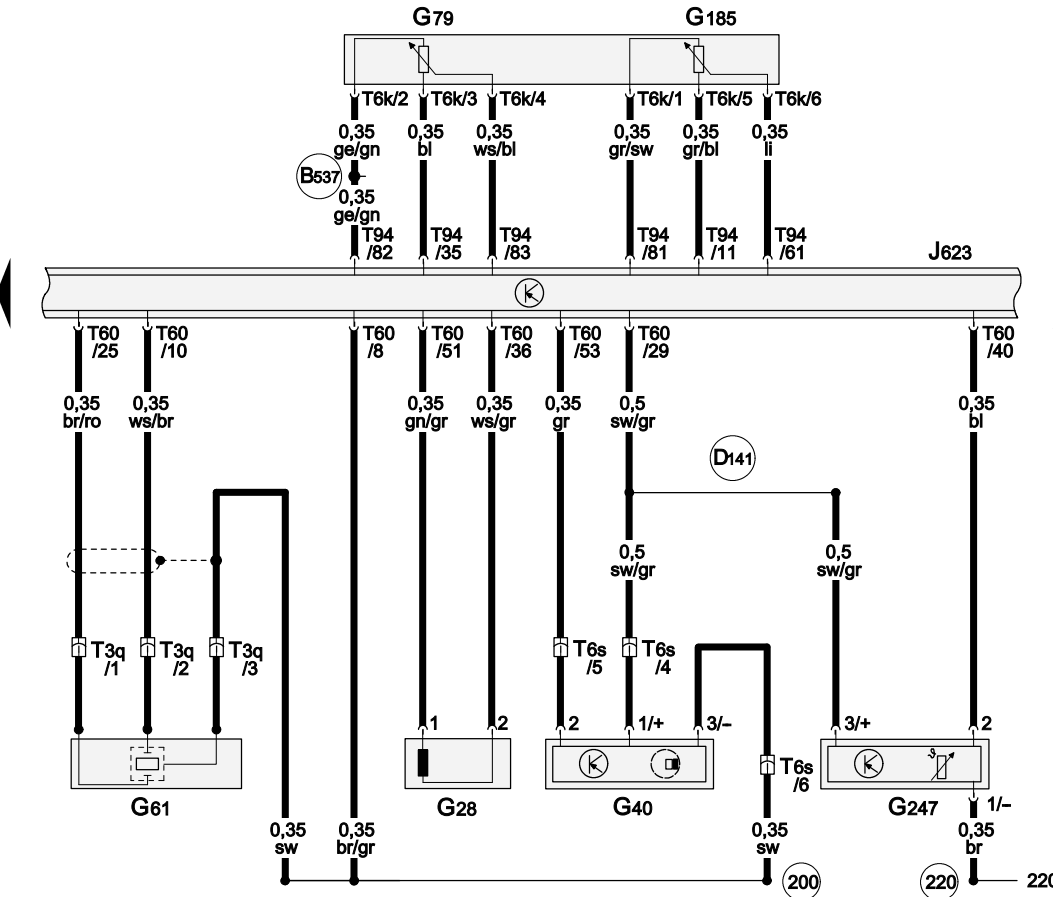
Knock Sensor (KS), Engine Speed (RPM) Sensor, Camshaft Position (CMP) Sensor, Accelerator Pedal Position Sensor, Fuel Pressure Sensor

- G28 Engine Speed (RPM) Sensor
- G40 Camshaft Position (CMP) Sensor
- G61 Knock Sensor (KS) 1
- G79 Throttle Position (TP) Sensor
- G185 Accelerator Pedal Position Sensor 2
- G247 Fuel Pressure Sensor
- J623 Engine Control Module (ECM)
- T3q 3-Pin Connector, green, in left engine compartment (knock sensor)
- T6k 6-Pin Connector, black, near throttle position (TP) sensor
- T6s 6-Pin Connector, black, behind intake manifold
- T60 60-Pin Connector, black (Connector A)
- T94 94-Pin Connector, black (Connector B)

- 200 Ground Connection (shielding) (in engine compartment wiring harness)
- 220 Sensor Ground Connection (in engine wiring harness)
- B537 Connection 28 (in main wiring harness)

Protected by copyright. Copying for private or commercial purposes, in part or in whole, is not permitted unless authorised. (D141) Connection (5V) (in engine pre-wiring harness) with respect to the correctness of information in this document. Copyright by AUDI AG.

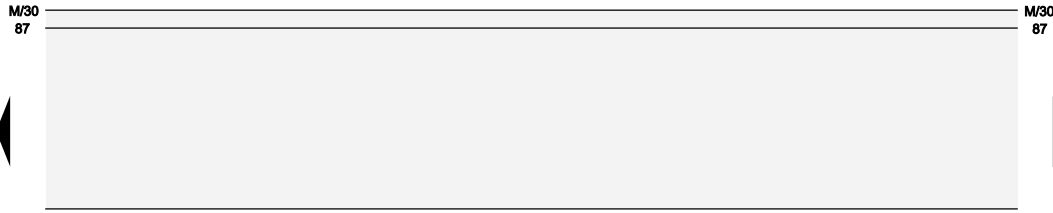
(D141) Connection (5V) (in engine pre-wiring harness)



- ws = white
- sw = black
- ro = red
- br = brown
- gn = green
- bl = blue
- gr = grey
- li = lilac
- ge = yellow
- or = orange
- rs = pink

155 156 157 158 159 160 161 162 163 164 165 166 167 168

8P0-A080130408



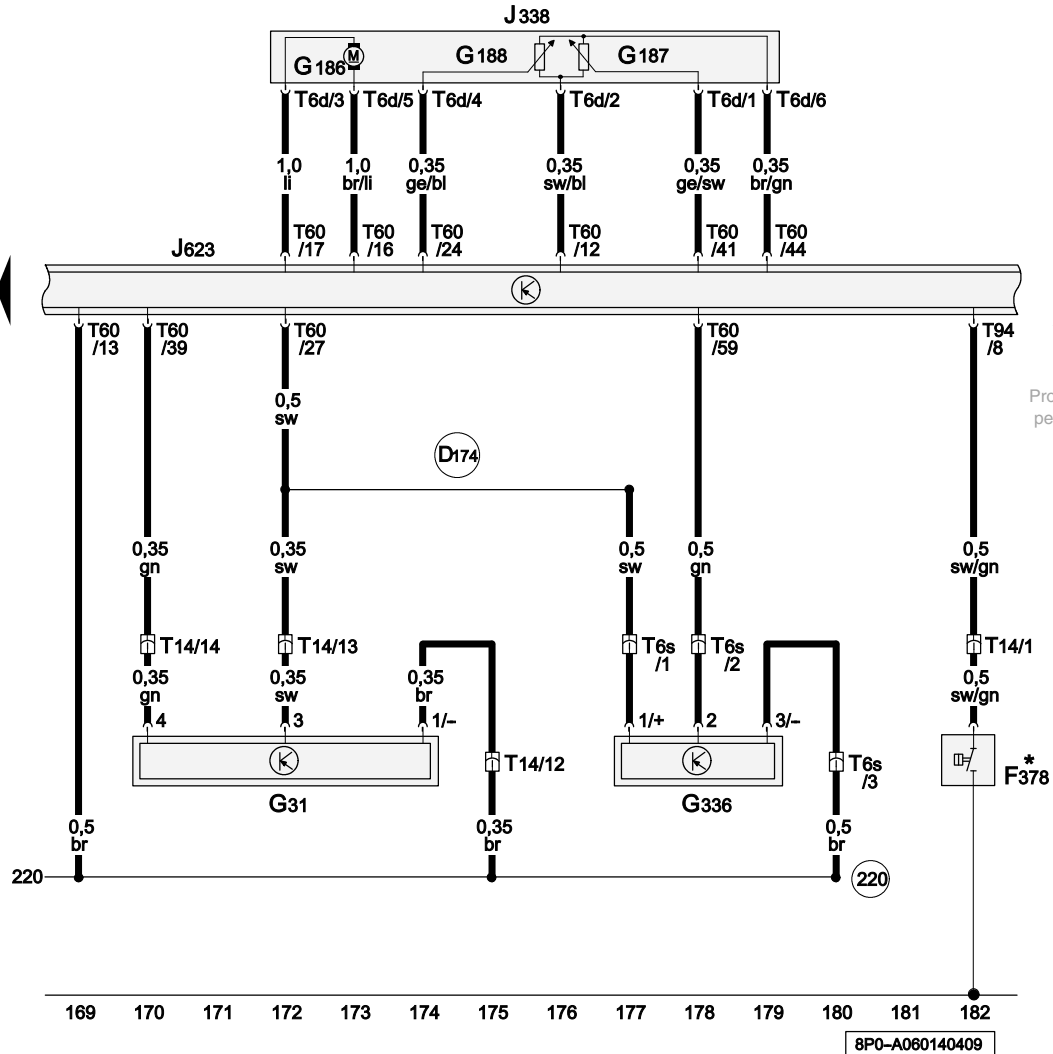
Throttle Valve Control Module, Charge Air Pressure Sensor, Intake Manifold Runner Position Sensor

- F378 Reduced Oil Pressure Switch
- G31 Charge Air Pressure Sensor
- G186 Throttle Drive (for Electronic Power Control (EPC))
- G187 Throttle Drive Angle Sensor 1 (for Electronic Power Control (EPC))
- G188 Throttle Drive Angle Sensor 2 (for Electronic Power Control (EPC))
- G336 Intake Manifold Runner Position Sensor
- J338 Throttle Valve Control Module
- J623 Engine Control Module (ECM)
- T6d 6-Pin Connector, black, near throttle valve control module
- T6s 6-Pin Connector, black, behind intake manifold
- T14 14-Pin Connector, black, near left front long member
- T60 60-Pin Connector, black (Connector A)
- T94 94-Pin Connector, black (Connector B)

- (220) Sensor Ground Connection (in engine wiring harness)
- (D174) Connection 2 (5V) (in engine pre-wiring wiring harness)

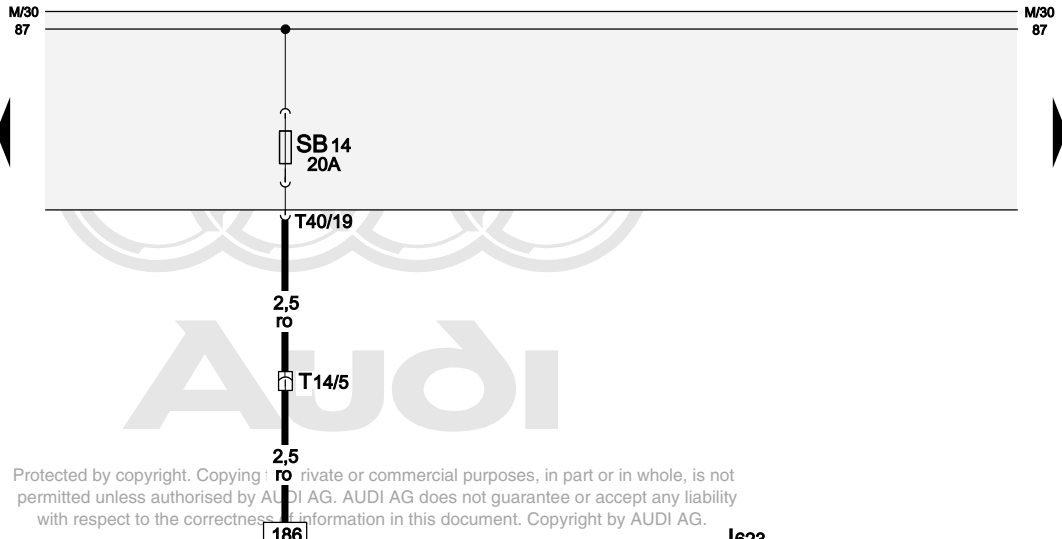
* Only models with engine codes CDAA, CCZA

Protected by copyright. Copying for private or commercial purposes, in part or in whole, is not permitted unless authorised by AUDI AG. AUDI AG does not guarantee or accept any liability with respect to the correctness of information in this document. Copyright by AUDI AG.

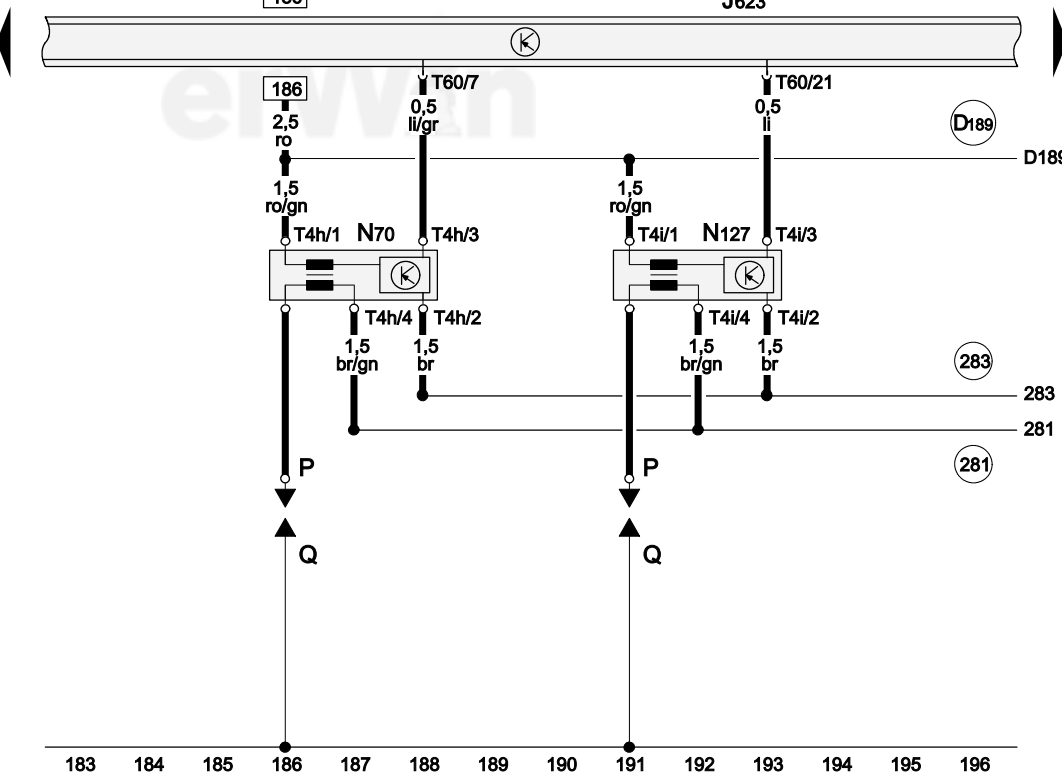


- ws = white
- sw = black
- ro = red
- br = brown
- gn = green
- bl = blue
- gr = grey
- li = lilac
- ge = yellow
- or = orange
- rs = pink

8P0-A080140409



Protected by copyright. Copying for private or commercial purposes, in part or in whole, is not permitted unless authorised by AUDI AG. AUDI AG does not guarantee or accept any liability with respect to the correctness of the information in this document. Copyright by AUDI AG.



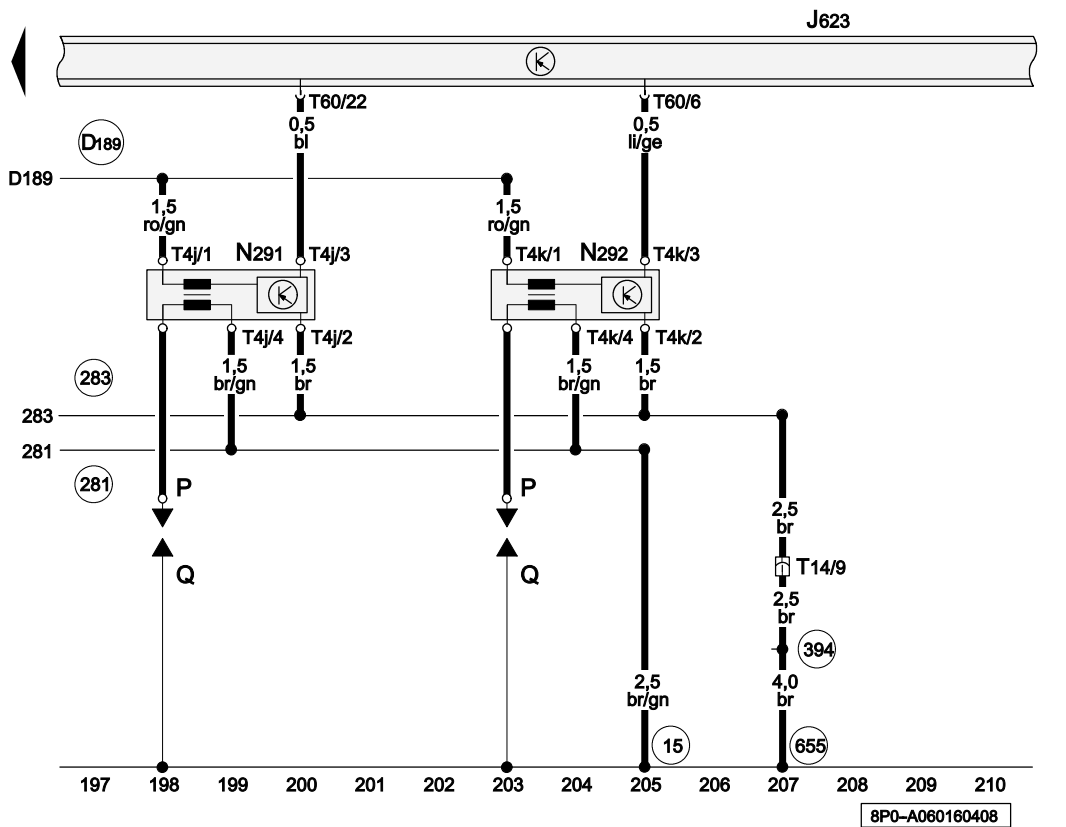
Ignition Coils 1 and 2 with Power Output Stage, Spark Plug Connectors, Spark Plugs

- J623 Engine Control Module (ECM)
- N70 Ignition Coil 1 with Power Output Stage
- N127 Ignition Coil 2 with Power Output Stage
- P Spark Plug Connectors
- Q Spark Plugs
- SB14 Fuse 14 (on fuse panel B)
- T4h 4-Pin Connector, black, on ignition coil 1 with power output stage
- T4i 4-Pin Connector, black, on ignition coil 2 with power output stage
- T14 14-Pin Connector, black, near left front long member
- T40 40-Pin Connector, black, on electronics box engine compartment (Connector J)
- T60 60-Pin Connector, black (Connector A)

- (281) Ground Connection 1 (in engine pre-wiring wiring harness)
- (283) Ground Connection 2 (in engine pre-wiring wiring harness)
- (D189) Connection (87a) (in engine pre-wiring wiring harness)

- ws = white
- sw = black
- ro = red
- br = brown
- gn = green
- bl = blue
- gr = grey
- li = lilac
- ge = yellow
- or = orange
- rs = pink

8P0-A080150408



Ignition Coils 3 and 4 with Power Output Stage, Spark Plug Connectors, Spark Plugs

- J623 Engine Control Module (ECM)
- N291 Ignition Coil 3 with Power Output Stage
- N292 Ignition Coil 4 with Power Output Stage
- P Spark Plug Connectors
- Q Spark Plugs
- T4j 4-Pin Connector, black, on ignition coil 3 with power output stage
- T4k 4-Pin Connector, black, on ignition coil 4 with power output stage
- T14 14-Pin Connector, black, near left front long member
- T60 60-Pin Connector, black (Connector A)

- 15 Ground Connection (on cylinder head)
- 281 Ground Connection 1 (in engine pre-wiring wiring harness)
- 283 Ground Connection 2 (in engine pre-wiring wiring harness)
- 394 Ground Connection 29 (in main wiring harness)
- 655 Ground Connection (on left headlamp)
- D189 Connection (87a) (in engine pre-wiring wiring harness)

- ws = white
- sw = black
- ro = red
- br = brown
- gn = green
- bl = blue
- gr = grey
- li = lilac
- ge = yellow
- or = orange
- rs = pink

Protected by copyright. Copying for private or commercial purposes, in part or in whole, is not permitted unless authorised by AUDI AG. AUDI AG does not guarantee or accept any liability with respect to the correctness of information in this document. Copyright by AUDI AG.



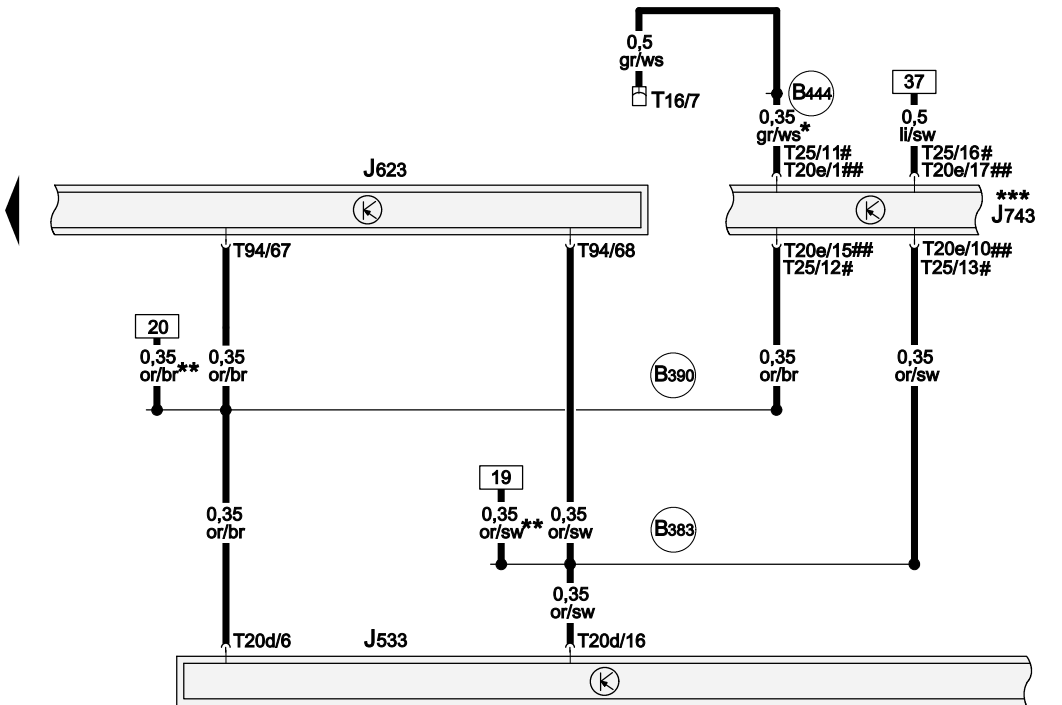
Powertrain CAN-Bus, Diagnostic

- J533 Data Bus On Board Diagnostic Interface
- J623 Engine Control Module (ECM)
- J743 Direct Shift Gearbox (DSG) Mechatronic
- T16 16-Pin Connector, black, instrument panel driver's side, bottom left (diagnostic connector)
- T20d 20-Pin Connector, black (Connector A)
- T20e 20-Pin Connector, black (Connector A)
- T25 25-Pin Connector, black (Connector A)
- T94 94-Pin Connector, black (Connector B)

- (B383) Powertrain CAN-Bus High Connection 1 (in main wiring harness)
- (B390) Powertrain CAN-Bus Low Connection 1 (in main wiring harness)
- (B444) OBD Connection 1 (in main wiring harness)

- * Only models with data link connector
- ** Only models with powertrain CAN-Bus
- *** Only models with automatic transmission
- # Only models with direct shift gearbox (0AM)
- ## Only models with Direct Shift Gearbox (02E)

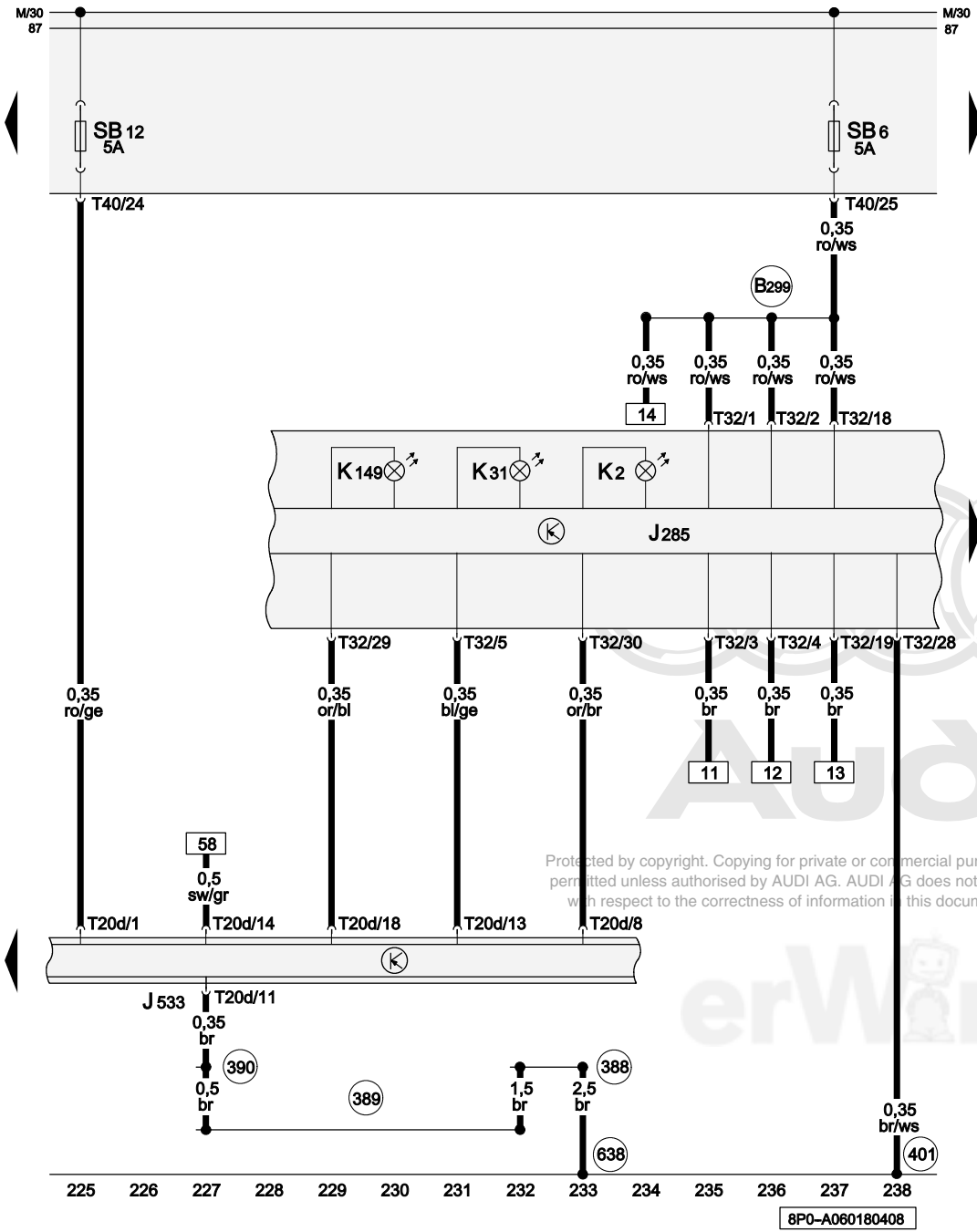
Protected by copyright. Copying for private or commercial purposes, in part or in whole, is not permitted unless authorised by AUDI AG. AUDI AG does not guarantee or accept any liability with respect to the correctness of information in this document. Copyright by AUDI AG.



- ws = white
- sw = black
- ro = red
- br = brown
- gn = green
- bl = blue
- gr = grey
- li = lilac
- ge = yellow
- or = orange
- rs = pink

211 212 213 214 215 216 217 218 219 220 221 222 223 224

8P0-A060170808



Data Bus On Board Diagnostic Interface

- J285 Instrument Cluster Control Module
- J533 Data Bus On Board Diagnostic Interface
- K2 Generator (GEN) Warning Lamp
- K31 Cruise Control Indicator Lamp
- K149 Engine Electronics Warning Lamp
- SB6 Fuse 6 (on fuse panel B)
- SB12 Fuse 12 (on fuse panel B)
- T20d 20-Pin Connector, black (Connector A)
- T32 32-Pin Connector, blue (Connector A)
- T40 40-Pin Connector, black, on electronics box engine compartment (Connector J)

- 388 Ground Connection 23 (in main wiring harness)
- 389 Ground Connection 24 (in main wiring harness)
- 390 Ground Connection 25 (in main wiring harness)
- 401 Sensor Ground Connection (in interior wiring harness)
- 638 Ground Connection (on right A-pillar)
- B299 Plus Connection 3 (30) (in main wiring harness)

- ws = white
- sw = black
- ro = red
- br = brown
- gn = green
- bl = blue
- gr = grey
- li = lilac
- ge = yellow
- or = orange
- rs = pink

8P0-A060180408



Oil Pressure Switch, Oil Level Thermal Sensor

- F1 Oil Pressure Switch
- F22 Oil Pressure Switch
- G1 Fuel Gauge
- G3 Engine Coolant Temperature (ECT) Gauge
- G169 Fuel Level Sensor 2
- G266 Oil Level Thermal Sensor
- J285 Instrument Cluster Control Module
- K3 Oil Pressure Warning Lamp
- K16 Fuel Reserve Warning Lamp
- K28 Engine Coolant Level/Temperature (ECL/ECT) Warning Lamp
- K83 Malfunction Indicator Lamp (MIL)
- T6 6-Pin Connector, black, near left front long member
- T14 14-Pin Connector, black, near left front long member
- T32 32-Pin Connector, blue (Connector A)

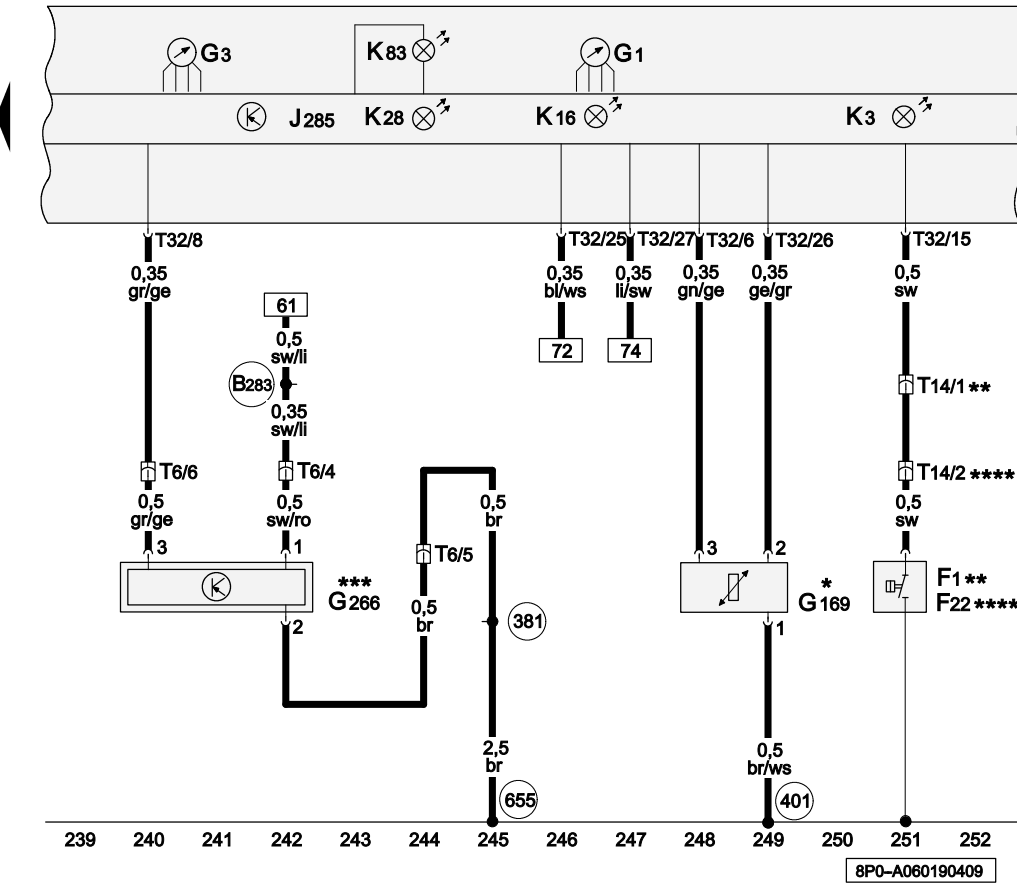
381 Ground Connection 16 (in main wiring harness)

401 Sensor Ground Connection (in interior wiring harness)

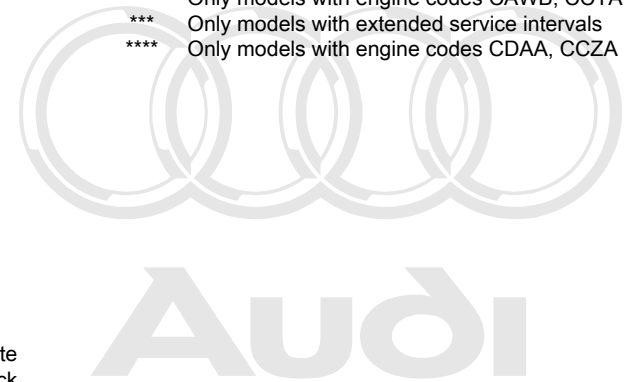
655 Ground Connection (on left headlamp)

B283 Plus Connection 7 (15a) (in main wiring harness)

- * Only models with all-wheel drive
- ** Only models with engine codes CAWB, CCTA
- *** Only models with extended service intervals
- **** Only models with engine codes CDAA, CCZA



- ws = white
- sw = black
- ro = red
- br = brown
- gn = green
- bl = blue
- gr = grey
- li = lilac
- ge = yellow
- or = orange
- rs = pink



Protected by copyright. Copying for private or commercial purposes, in part or in whole, is not permitted unless authorised by AUDI AG. AUDI AG does not guarantee or accept any liability with respect to the correctness of information in this document. Copyright by AUDI AG.



2.0L fuel injection engine (TFSI - cylinder 4), CBFA

from May 2008

Note:

Information for

◆ Relay and fuse arrangements

◆ Connector arrangements

◆ Control Modules and Relays

◆ Ground Connections

⇒ Component Locations

Information for

◆ Troubleshooting Procedures

⇒ Guided Fault Finding using VAS 5051 / 5052



Audi

Protected by copyright. Copying for private or commercial purposes, in part or in whole, is not permitted unless authorised by AUDI AG. AUDI AG does not guarantee or accept any liability with respect to the correctness of information in this document. Copyright by AUDI AG.





Cruise Control Switch, Ignition/Starter Switch

- D Ignition/Starter Switch
- E45 Cruise Control Switch
- J527 Steering Column Electronic Systems Control Module
- T20b 20-Pin Connector, black (Connector A)

42 Ground Connection (beside steering column)

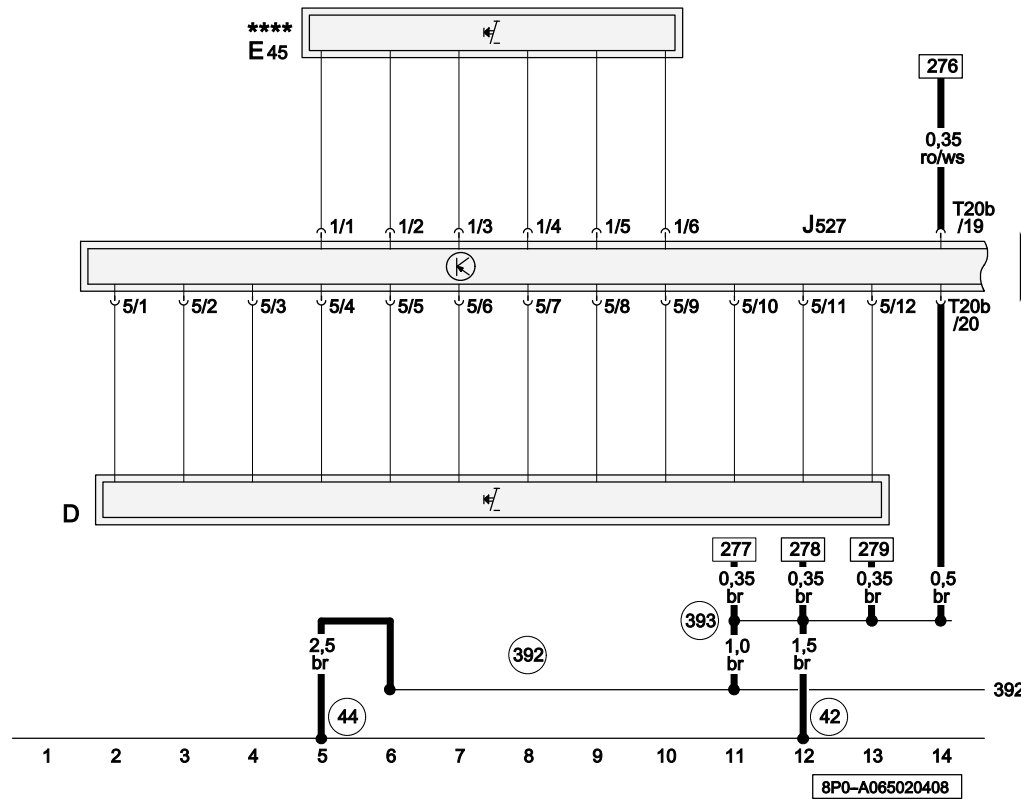
44 Ground Connection (on left lower A-pillar)

392 Ground Connection 27 (in main wiring harness)

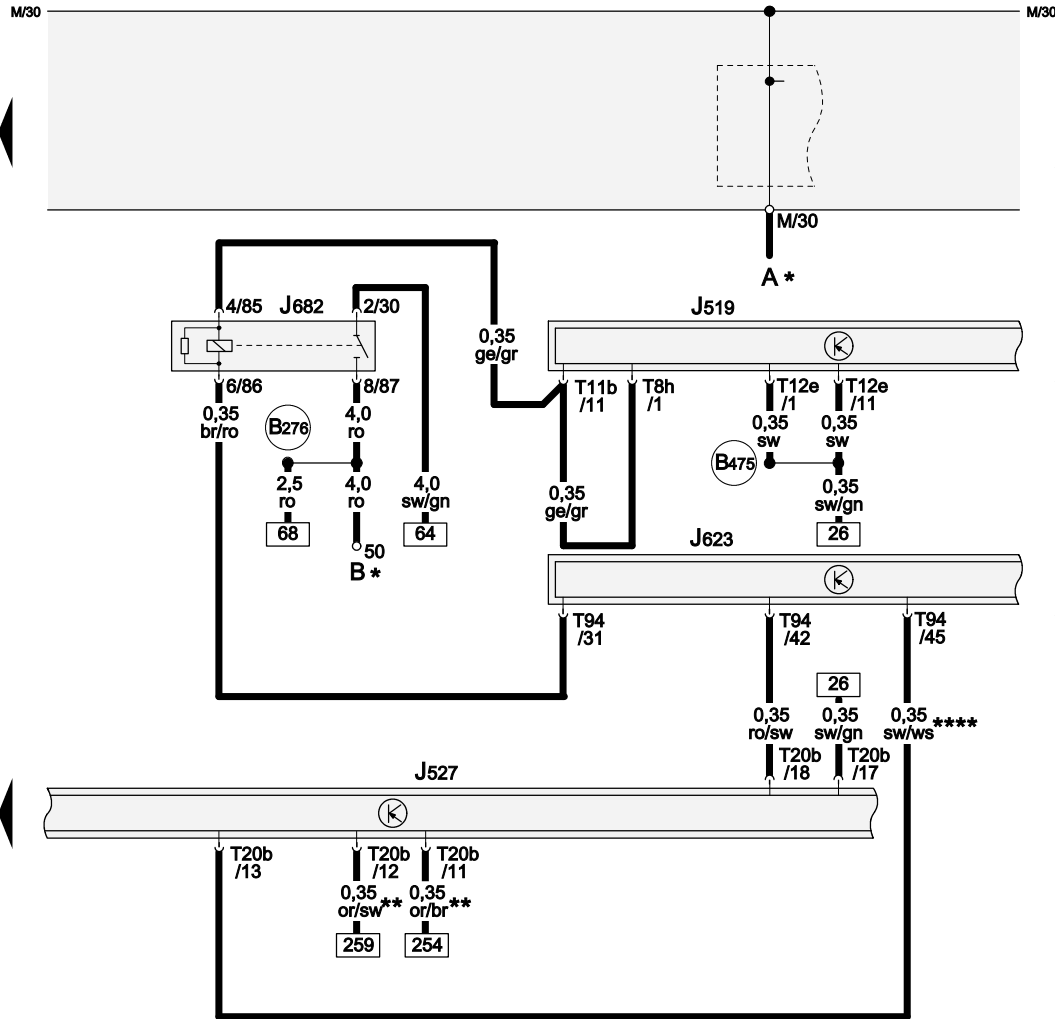
393 Ground Connection 28 (in main wiring harness)

**** Only for models with cruise control system

Protected by copyright. Copying for private or commercial purposes, in part or in whole, is not permitted unless authorized by Audi AG. Audi AG is not responsible for the correctness of information in this document. Copyright by AUDI AG.



- ws = white
- sw = black
- ro = red
- br = brown
- gn = green
- bl = blue
- gr = grey
- li = lilac
- ge = yellow
- or = orange
- rs = pink



Electronics Box Supply, Power Supply Relay (terminal 50)

- A Battery
- B Starter
- J519 Vehicle Electrical System Control Module
- J527 Steering Column Electronic Systems Control Module
- J623 Engine Control Module (ECM)
- J682 Power Supply Relay (terminal 50)
- T8h 8-Pin Connector, black (Connector F)
- T11b 11-Pin Connector, black (Connector A)
- T12e 12-Pin Connector, black (Connector G)
- T20b 20-Pin Connector, black (Connector A)
- T94 94-Pin Connector, black (Connector B)

392 Ground Connection 27 (in main wiring harness)

B276 Plus Connection (50) (in main wiring harness)

B475 Connection 11 (in main wiring harness)

* ⇒ Applicable Wiring Diagram for models with battery in engine compartment

** Only models with powertrain CAN-Bus

**** Only for models with cruise control system



Protected by copyright. Copying for private or commercial purposes, in part or in whole, is not permitted unless authorised by AUDI AG. AUDI AG does not guarantee or accept any liability with respect to the correctness of information in this document. Copyright by AUDI AG.

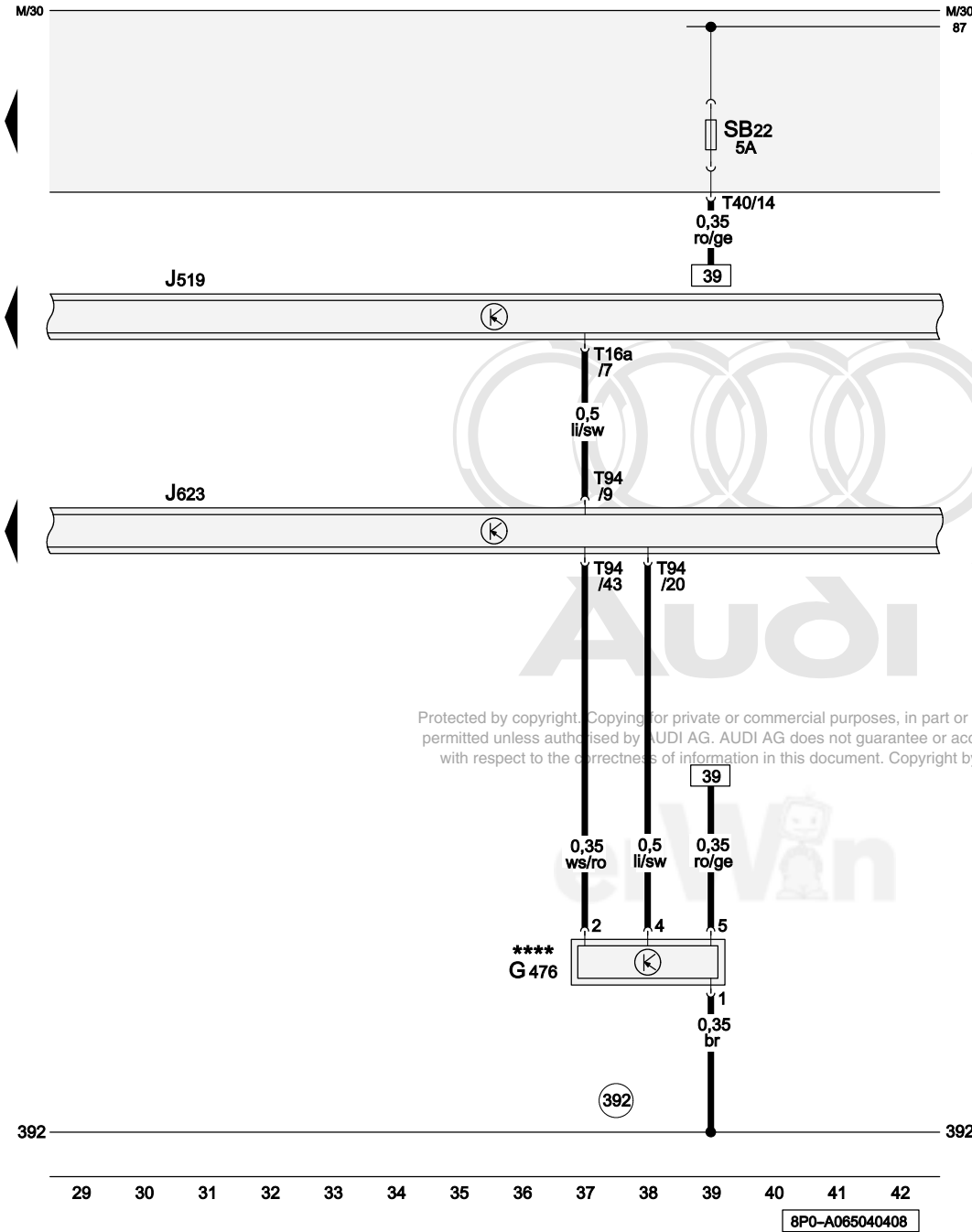


- ws = white
- sw = black
- ro = red
- br = brown
- gn = green
- bl = blue
- gr = grey
- li = lilac
- ge = yellow
- or = orange
- rs = pink

392 _____ 392

15 16 17 18 19 20 21 22 23 24 25 26 27 28

8P0-A065030808



Clutch Position Sensor

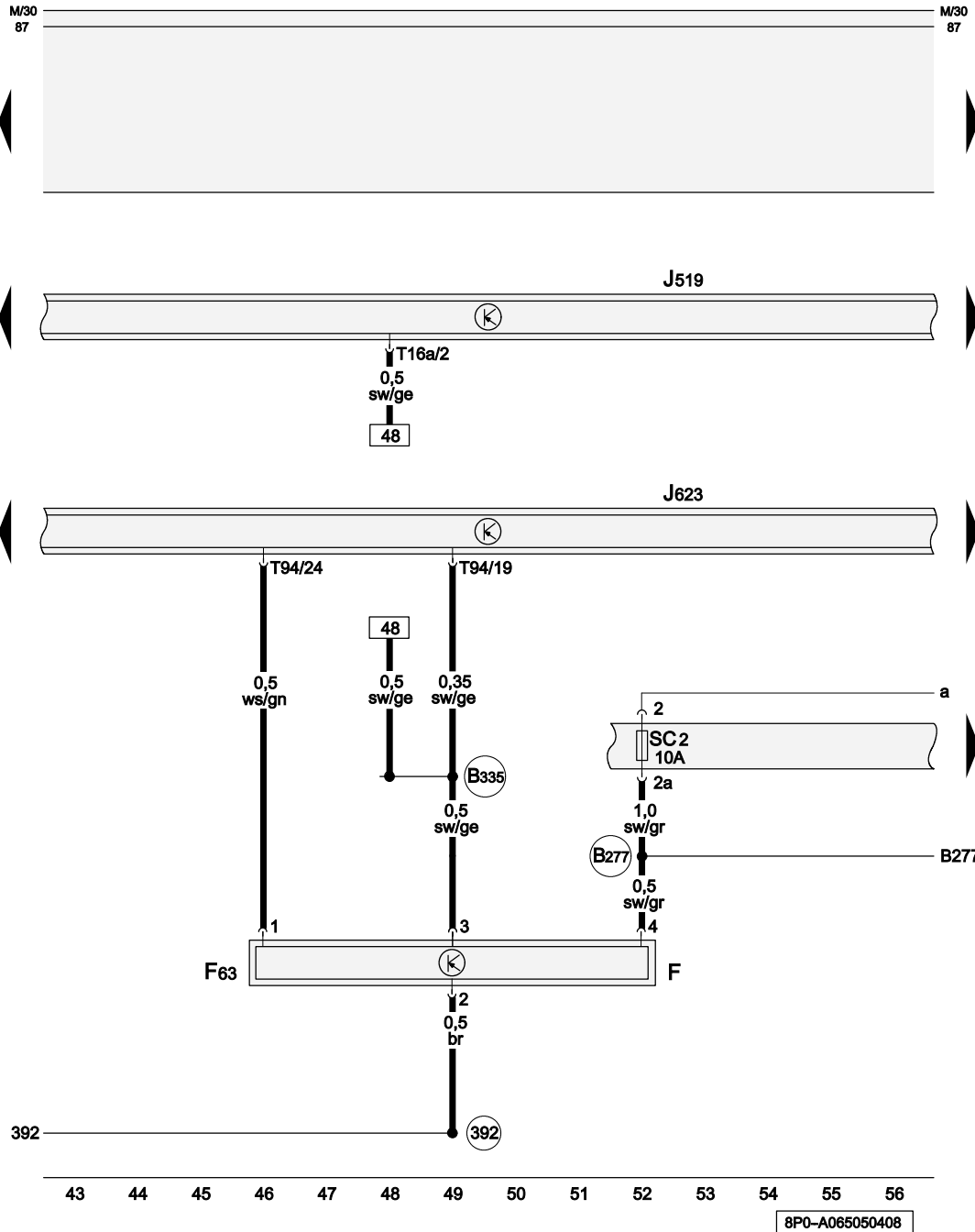
- G476 Clutch Position Sensor
- J519 Vehicle Electrical System Control Module
- J623 Engine Control Module (ECM)
- SB22 Fuse 22 (on fuse panel B)
- T16a 16-Pin Connector, black (Connector E)
- T40 40-Pin Connector, black, on electronics box engine compartment (Connector J)
- T94 94-Pin Connector, black (Connector B)

392 Ground Connection 27 (in main wiring harness)

**** Only models with manual transmission

Protected by copyright. Copying for private or commercial purposes, in part or in whole, is not permitted unless authorised by AUDI AG. AUDI AG does not guarantee or accept any liability with respect to the correctness of information in this document. Copyright by AUDI AG.

- ws = white
- sw = black
- ro = red
- br = brown
- gn = green
- bl = blue
- gr = grey
- li = lilac
- ge = yellow
- or = orange
- rs = pink



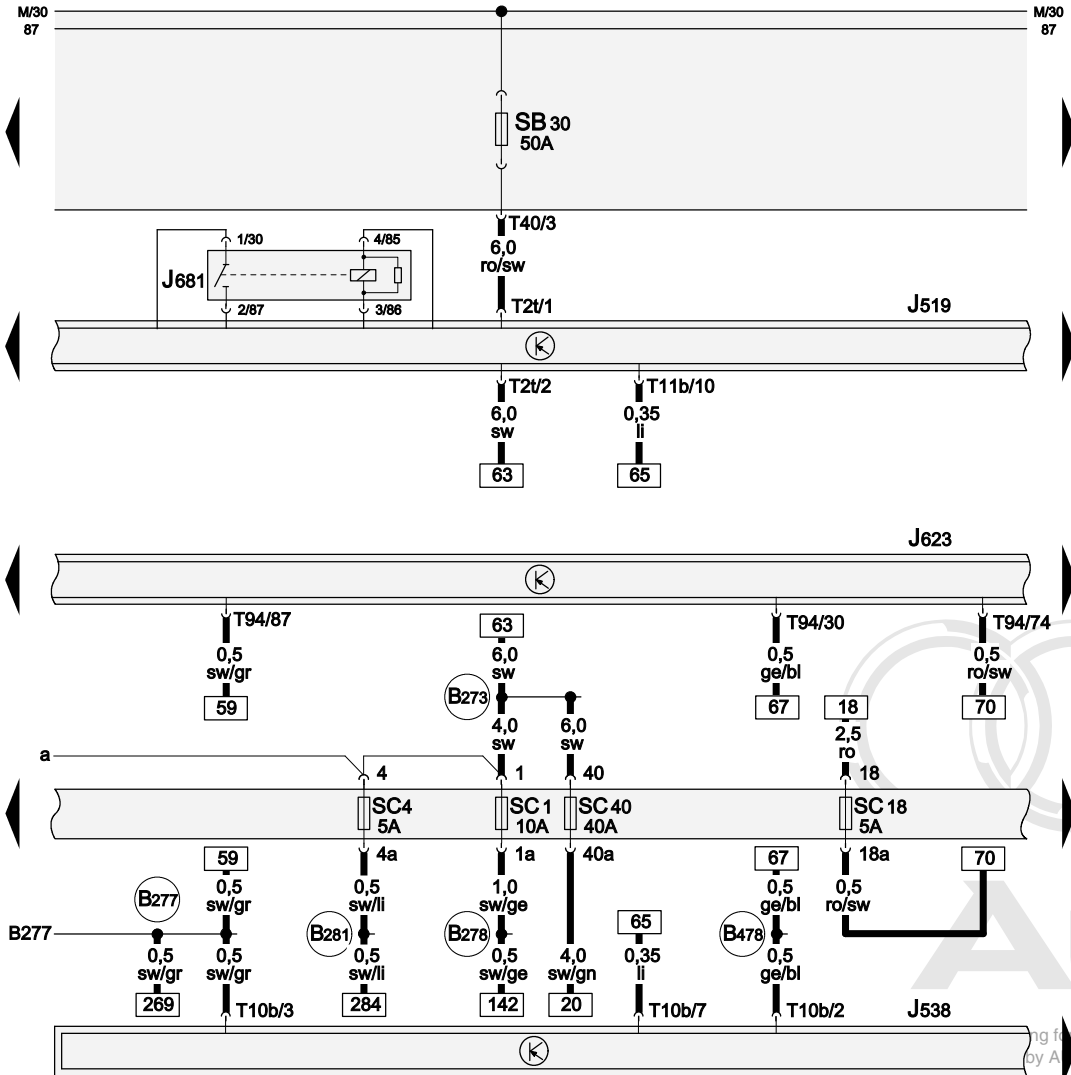
Brake Light Switch, Brake Pedal Switch

- F Brake Light Switch
- F63 Brake Pedal Switch
- J519 Vehicle Electrical System Control Module
- J623 Engine Control Module (ECM)
- SC2 Fuse 2 (on fuse panel C)
- T16a 16-Pin Connector, black (Connector E)
- T94 94-Pin Connector, black (Connector B)

- 392 Ground Connection 27 (in main wiring harness)
- B277 Plus Connection 1 (15a) (in main wiring harness)
- B335 Connection 1 (54) (in main wiring harness)

Protected by copyright. Copying for private or commercial purposes, in part or in whole, is not permitted unless authorised by AUDI AG. AUDI AG does not guarantee or accept any liability with respect to the correctness of information in this document. Copyright by AUDI AG.

- ws = white
- sw = black
- ro = red
- br = brown
- gn = green
- bl = blue
- gr = grey
- li = lilac
- ge = yellow
- or = orange
- rs = pink



Power Supply Relay 2 (terminal 15)

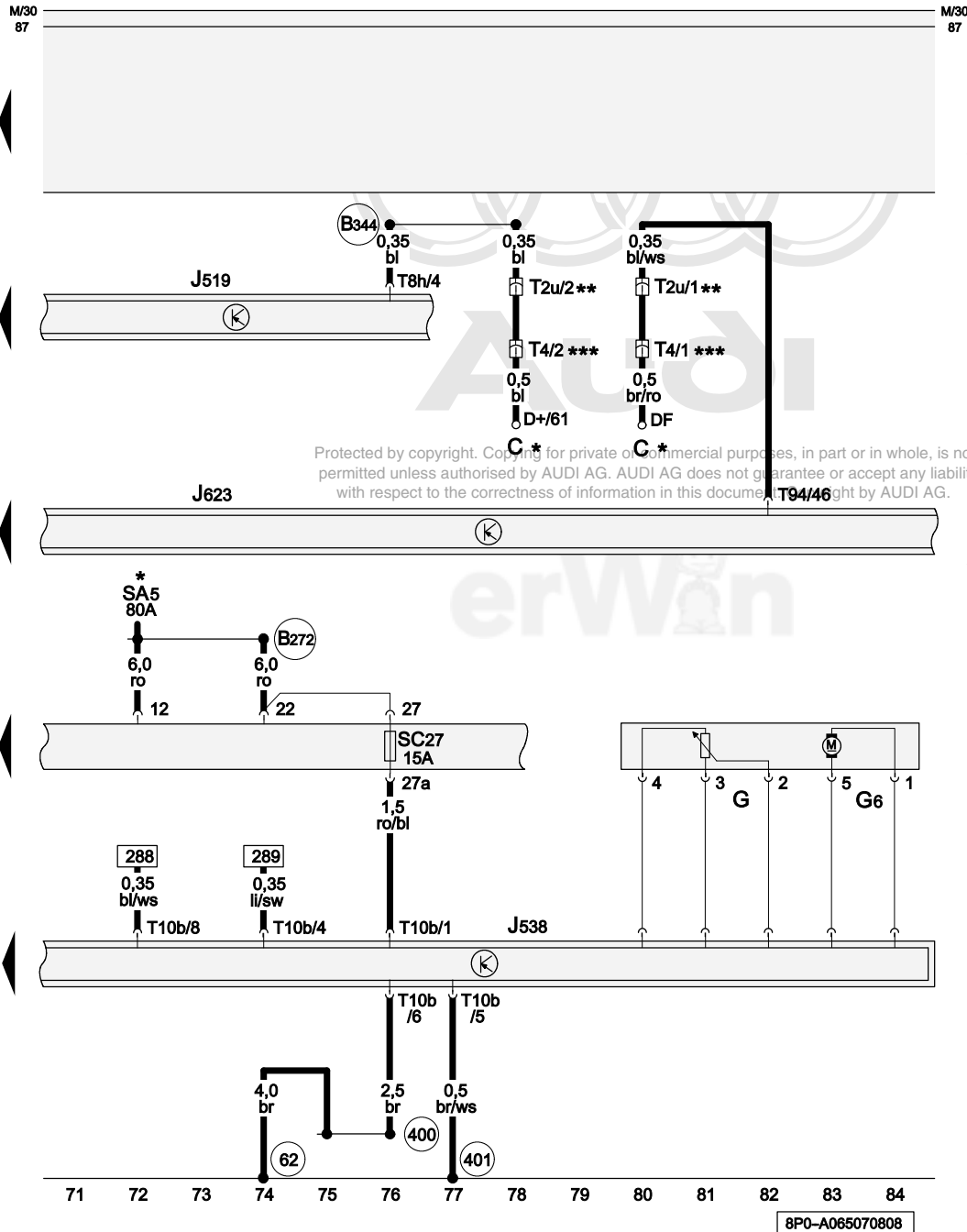
- J519 Vehicle Electrical System Control Module
- J538 Fuel Pump (FP) Control Module
- J623 Engine Control Module (ECM)
- J681 Power Supply Relay 2 (terminal 15)
- SB30 Fuse 30 (on fuse panel B)
- SC1 Fuse 1 (on fuse panel C)
- SC4 Fuse 4 (on fuse panel C)
- SC18 Fuse 18 (on fuse panel C)
- SC40 Fuse 40 (on fuse panel C)
- T2t Double Connector, black (Connector L)
- T10b 10-Pin Connector, black (Connector A)
- T11b 11-Pin Connector, black (Connector A)
- T40 40-Pin Connector, black, on electronics box engine compartment (Connector J)
- T94 94-Pin Connector, black (Connector B)
- B273 Plus Connection (15) (in main wiring harness)
- B277 Plus Connection 1 (15a) (in main wiring harness)
- B278 Plus Connection 2 (15a) (in main wiring harness)
- B281 Plus Connection 5 (15a) (in main wiring harness)
- B478 Connection 14 (in main wiring harness)

Wiring for private or commercial purposes, in part or in whole, is not permitted without the written consent of AUDI AG. AUDI AG does not guarantee or accept any liability with respect to the correctness of information in this document. Copyright by AUDI AG.

- ws = white
- sw = black
- ro = red
- br = brown
- gn = green
- bl = blue
- gr = grey
- li = lilac
- ge = yellow
- or = orange
- rs = pink

57 58 59 60 61 62 63 64 65 66 67 68 69 70

8P0-A065060408



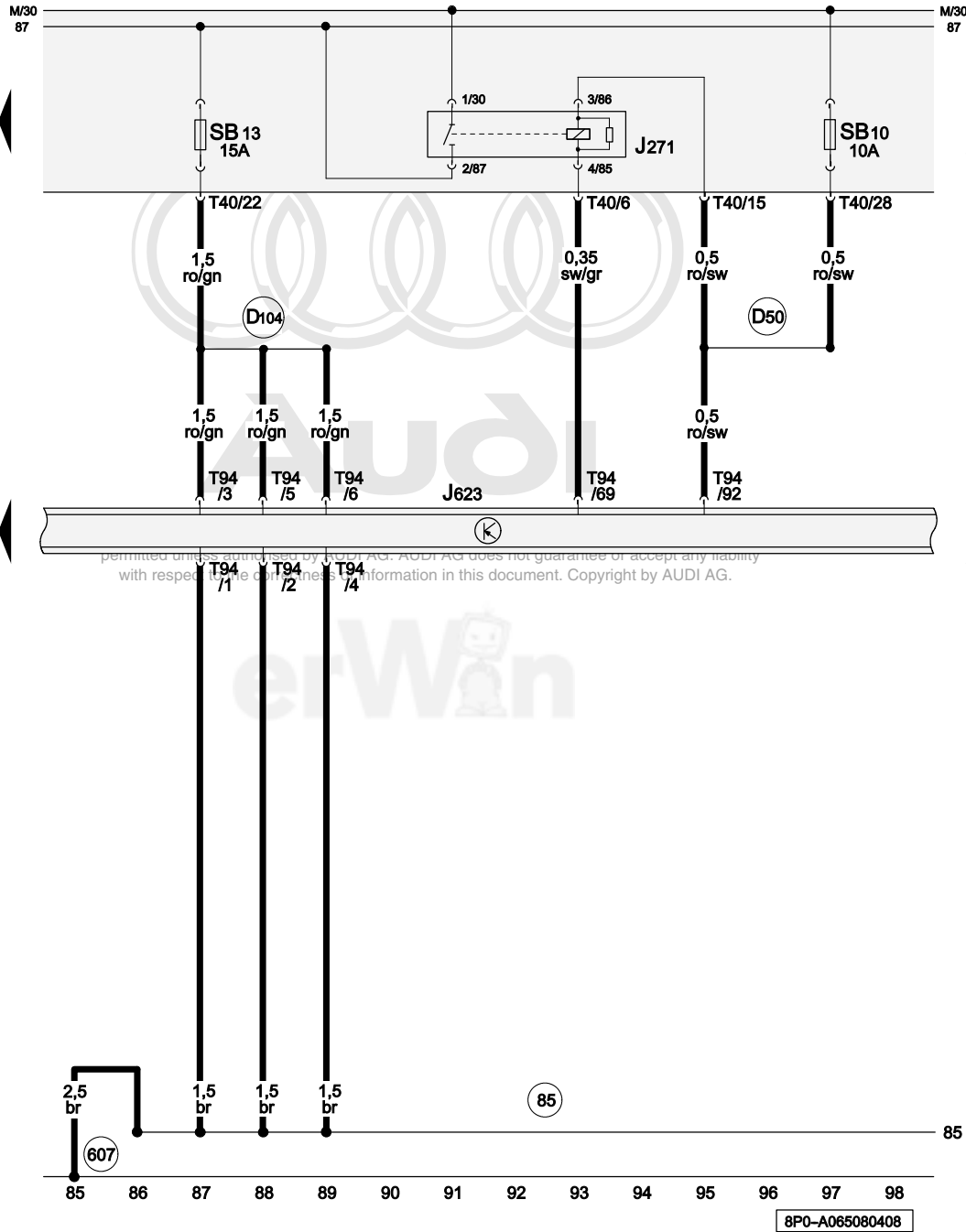
Generator (GEN), Fuel Level Sensor, Transfer Fuel Pump (FP)

- C Generator (GEN)
- G Fuel Level Sensor
- G6 Transfer Fuel Pump (FP)
- J519 Vehicle Electrical System Control Module
- J538 Fuel Pump (FP) Control Module
- J623 Engine Control Module (ECM)
- SA5 Fuse 5 (on fuse panel A)
- SC27 Fuse 27 (on fuse panel C)
- T2u Double Connector, brown, in engine compartment, front left
- T4 4-Pin Connector, black, in engine compartment, front left
- T8h 8-Pin Connector, black (Connector F)
- T10b 10-Pin Connector, black (Connector A)
- T94 94-Pin Connector, black (Connector B)

- 62 Ground Connection (on right C-pillar)
- 400 Ground Connection 35 (in main wiring harness)
- 401 Sensor Ground Connection (in interior wiring harness)
- B272 Plus Connection (30) (in main wiring harness)
- B344 Connection 1 (61) (in main wiring harness)

- * ⇒ Applicable Wiring Diagram for models with battery in engine compartment
- ** Only models without A/C
- *** Only models with A/C

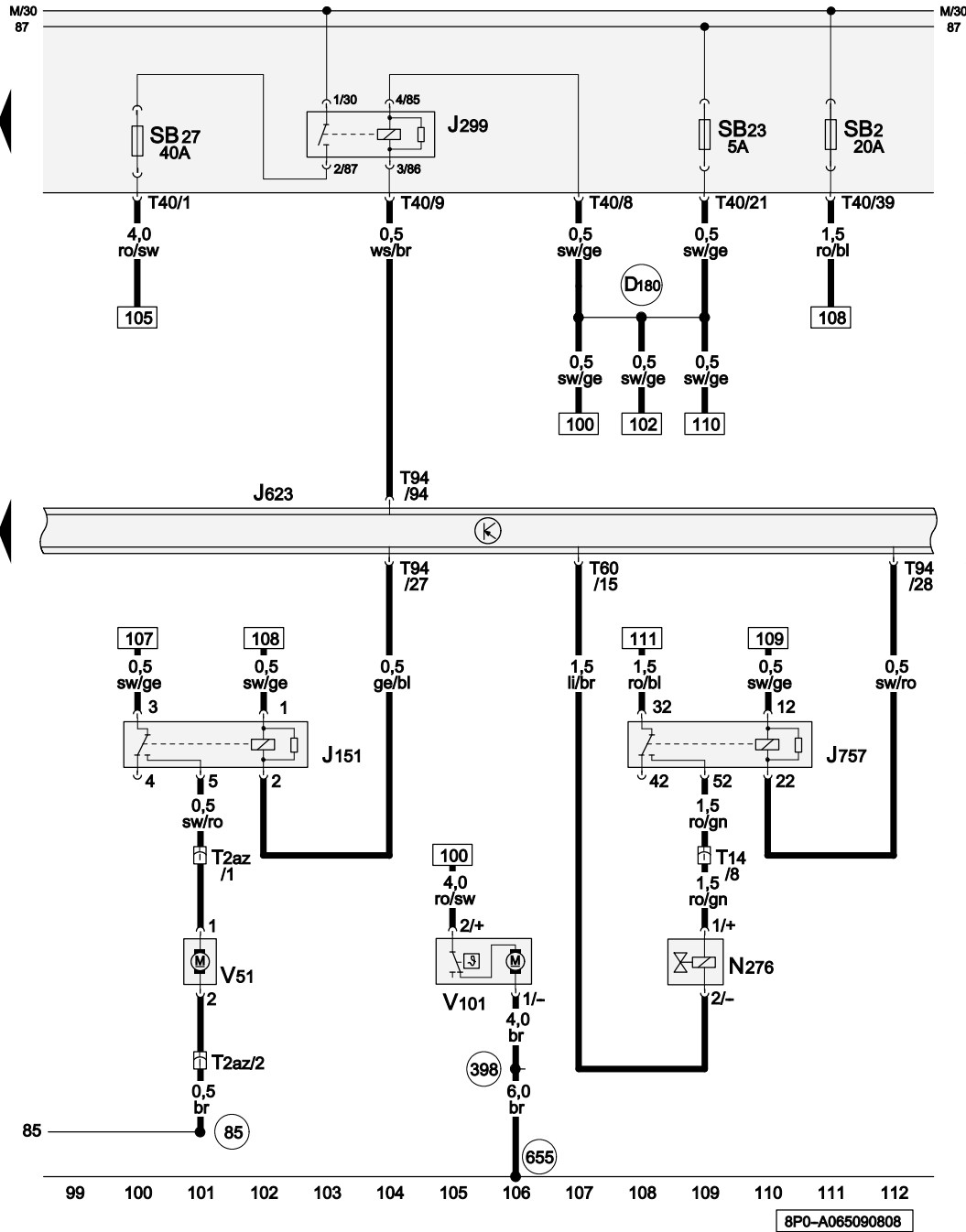
- ws = white
- sw = black
- ro = red
- br = brown
- gn = green
- bl = blue
- gr = grey
- li = lilac
- ge = yellow
- or = orange
- rs = pink



Motronic Engine Control Module (ECM) Power Supply Relay

- J271 Motronic Engine Control Module (ECM) Power Supply Relay
- J623 Engine Control Module (ECM)
- SB10 Fuse 10 (on fuse panel B)
- SB13 Fuse 13 (on fuse panel B)
- T40 40-Pin Connector, black, on electronics box engine compartment (Connector J)
- T94 94-Pin Connector, black (Connector B)
- 85 Ground Connection 1 (in engine compartment wiring harness)
- 607 Ground Connection (in plenum chamber, left)
- D50 Plus Connection (30) (in engine compartment wiring harness)
- D104 Plus Connection 2 (30a) (in engine compartment wiring harness)

- ws = white
- sw = black
- ro = red
- br = brown
- gn = green
- bl = blue
- gr = grey
- li = lilac
- ge = yellow
- or = orange
- rs = pink



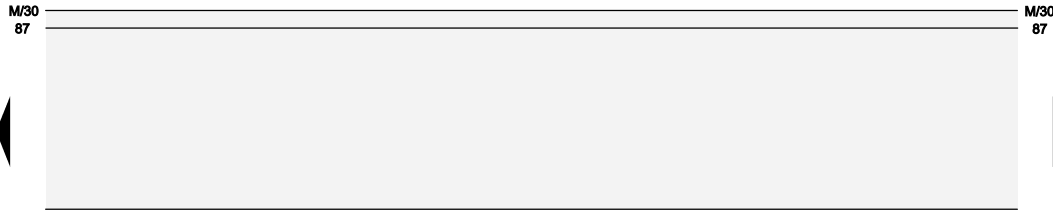
Coolant Circulation Pump Relay, Secondary Air Injection (AIR) Pump Relay, Engine Component Power Supply Relay, Fuel Pressure Regulator Valve

- J151 Coolant Circulation Pump Relay
- J299 Secondary Air Injection (AIR) Pump Relay
- J623 Engine Control Module (ECM)
- J757 Engine Component Power Supply Relay
- N276 Fuel Pressure Regulator Valve
- SB2 Fuse 2 (on fuse panel B)
- SB23 Fuse 23 (on fuse panel B)
- SB27 Fuse 27 (on fuse panel B)
- T2az Double Connector
- T14 14-Pin Connector, black, near left front long member
- T40 40-Pin Connector, black, on electronics box engine compartment (Connector J)
- T60 60-Pin Connector, black (Connector A)
- T94 94-Pin Connector, black (Connector B)
- V51 After-Run Coolant Pump
- V101 Secondary Air Injection (AIR) Pump Motor

- 85 Ground Connection 1 (in engine compartment wiring harness)
- 398 Ground Connection 33 (in main wiring harness)
- 655 Ground Connection (on left headlamp)
- D180 Connection (87a) (in engine compartment wiring harness)

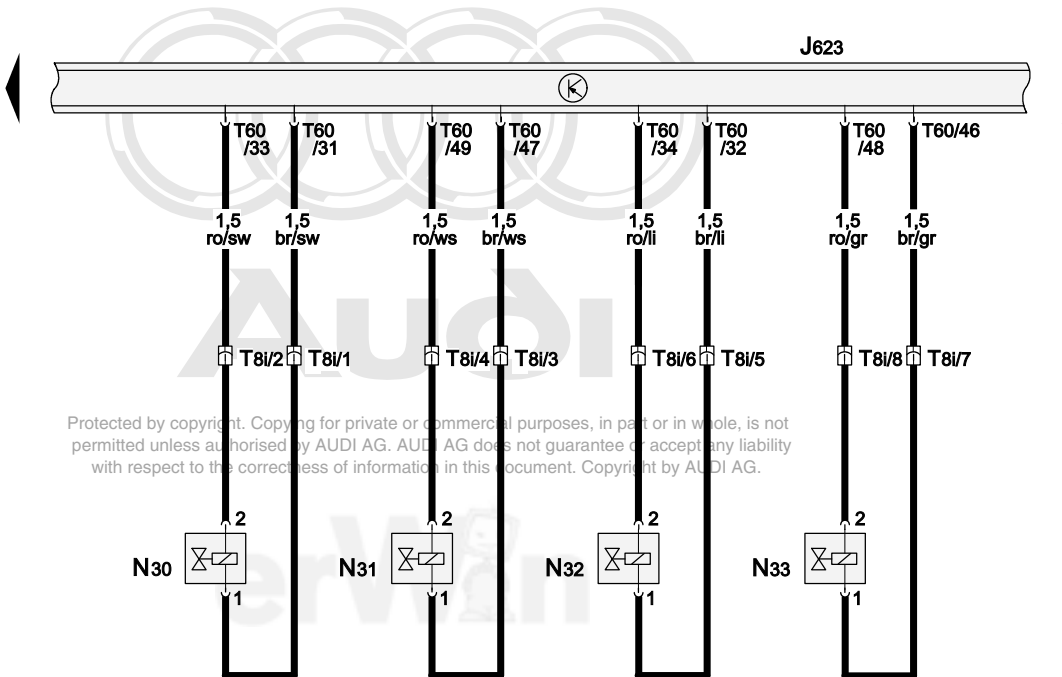
Protected by copyright. Copying or reproduction in any form or by any means, electronic, mechanical, photocopying, recording, or otherwise, is not permitted unless authorised by AUDI AG. AUDI AG does not guarantee or accept any liability with respect to the correctness of information in this document. Copyright by AUDI AG.

- ws = white
- sw = black
- ro = red
- br = brown
- gn = green
- bl = blue
- gr = grey
- li = lilac
- ge = yellow
- or = orange
- rs = pink



Injectors

- J623 Engine Control Module (ECM)
- N30 Cylinder 1 Fuel Injector
- N31 Cylinder 2 Fuel Injector
- N32 Cylinder 3 Fuel Injector
- N33 Cylinder 4 Fuel Injector
- T8i 8-Pin Connector, black, near fuel injectors
- T60 60-Pin Connector, black (Connector A)

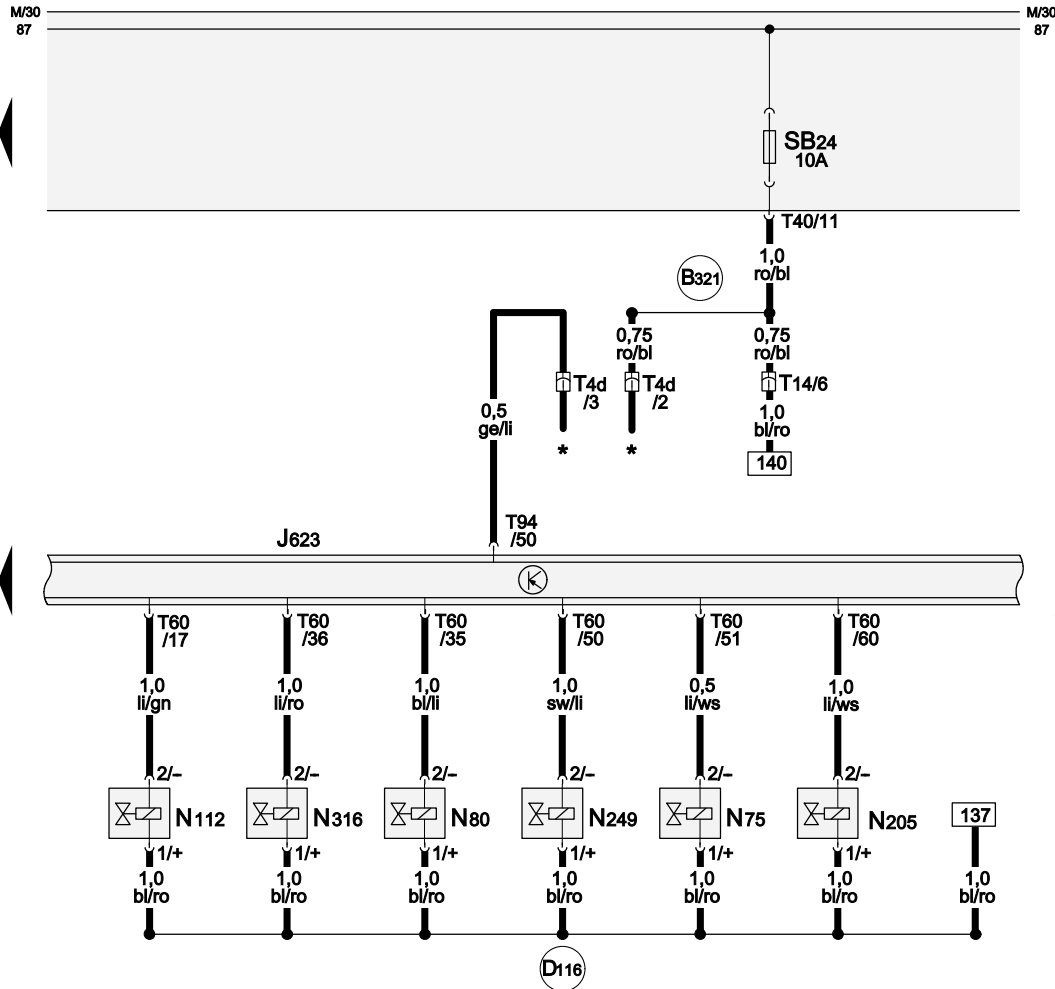


Protected by copyright. Copying for private or commercial purposes, in part or in whole, is not permitted unless authorised by AUDI AG. AUDI AG does not guarantee or accept any liability with respect to the correctness of information in this document. Copyright by AUDI AG.

- ws = white
- sw = black
- ro = red
- br = brown
- gn = green
- bl = blue
- gr = grey
- li = lilac
- ge = yellow
- or = orange
- rs = pink

113 114 115 116 117 118 119 120 121 122 123 124 125 126

8P0-A065100408



Solenoid Valves

- J623 Engine Control Module (ECM)
- N75 Wastegate Bypass Regulator Valve
- N80 Evaporative Emission (EVAP) Canister Purge Regulator Valve 1
- N112 Secondary Air Injection (AIR) Solenoid Valve
- N205 Camshaft Adjustment Valve 1
- N249 Turbocharger Recirculating Valve
- N316 Intake Manifold Runner Control (IMRC) Valve
- SB24 Fuse 24 (on fuse panel B)
- T4d 4-Pin Connector, black, on coolant fan control (FC) (front end)
- T14 14-Pin Connector, black, near left front long member
- T40 40-Pin Connector, black, on electronics box engine compartment (Connector J)
- T60 60-Pin Connector, black (Connector A)
- T94 94-Pin Connector, black (Connector B)

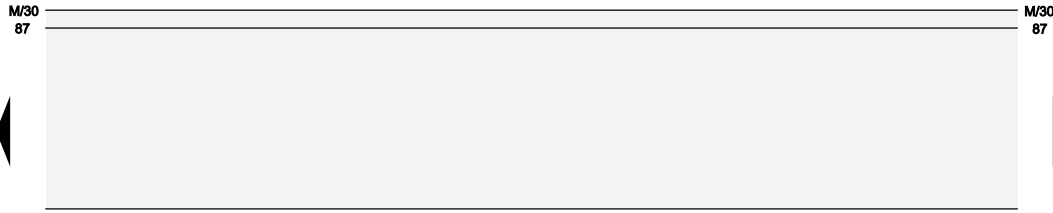
B321 Plus Connection 7 (30a) (in main wiring harness)

D116 Connection 14 (in engine compartment wiring harness)

* ⇒ Applicable Wiring Diagram Coolant Fan Control

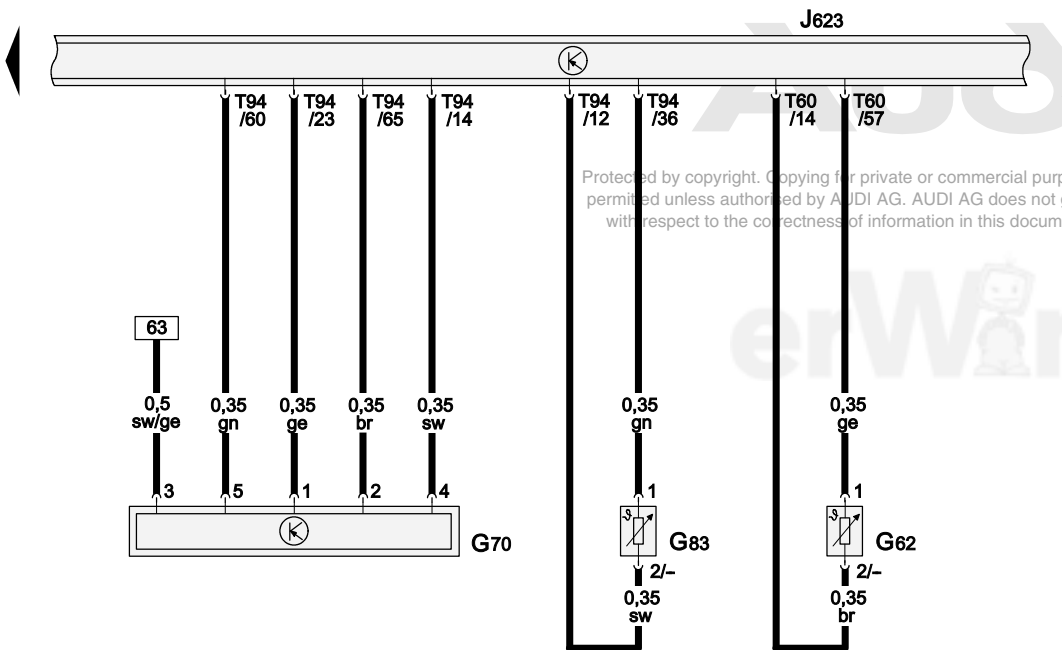
Protected by copyright. Copying for private or commercial purposes, in part or in whole, is not permitted unless authorised by AUDI AG. AUDI AG does not guarantee or accept any liability with respect to the correctness of information in this document. Copyright by AUDI AG.

- ws = white
- sw = black
- ro = red
- br = brown
- gn = green
- bl = blue
- gr = grey
- li = lilac
- ge = yellow
- or = orange
- rs = pink



Mass Air Flow (MAF) Sensor, Engine Coolant Temperature (ECT) Sensor, Engine Coolant Temperature (ECT) Sensor (on Radiator)

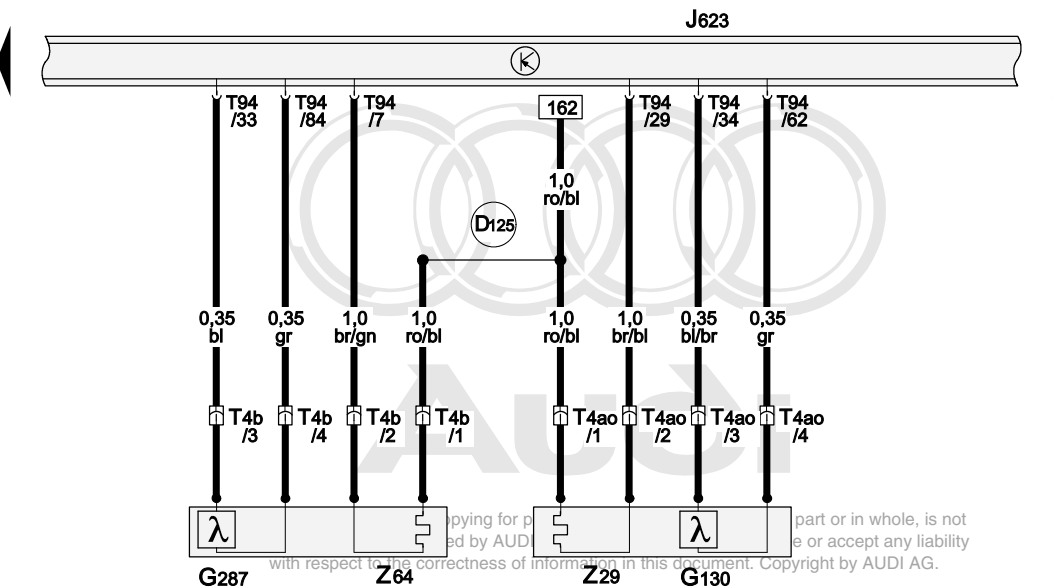
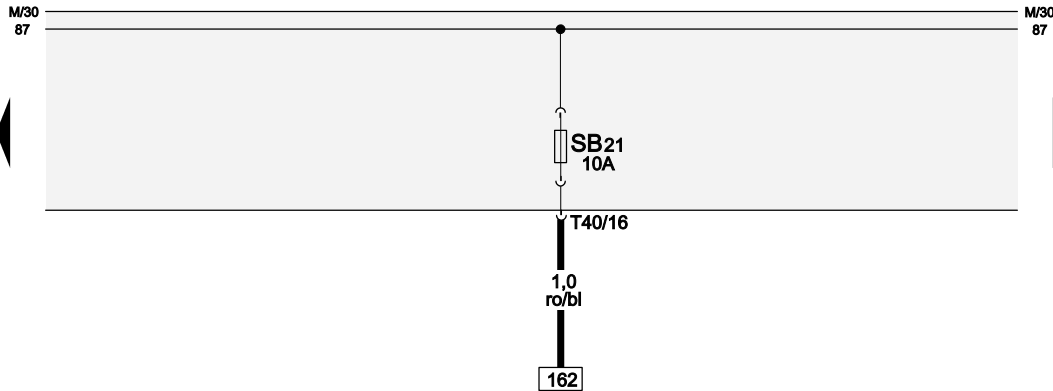
- G62 Engine Coolant Temperature (ECT) Sensor
- G70 Mass Air Flow (MAF) Sensor
- G83 Engine Coolant Temperature (ECT) Sensor (on Radiator)
- J623 Engine Control Module (ECM)
- T60 60-Pin Connector, black (Connector A)
- T94 94-Pin Connector, black (Connector B)



- ws = white
- sw = black
- ro = red
- br = brown
- gn = green
- bl = blue
- gr = grey
- li = lilac
- ge = yellow
- or = orange
- rs = pink

141 142 143 144 145 146 147 148 149 150 151 152 153 154

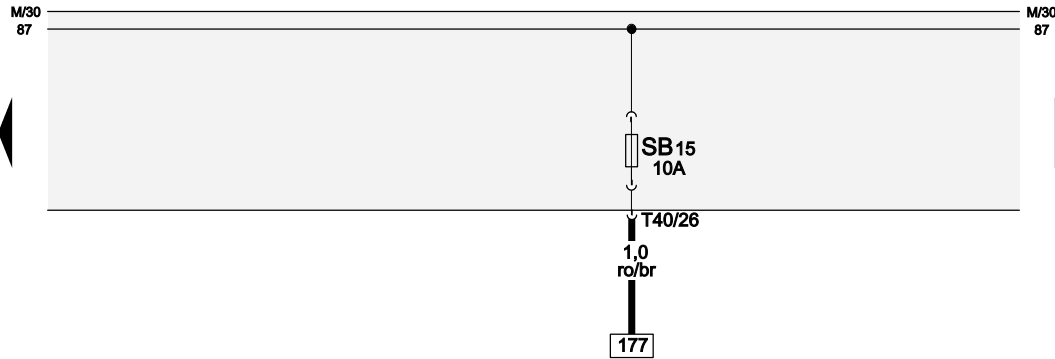
8P0-A065120408



Oxygen Sensors (O2S) Behind Three Way Catalytic Converter (TWC)

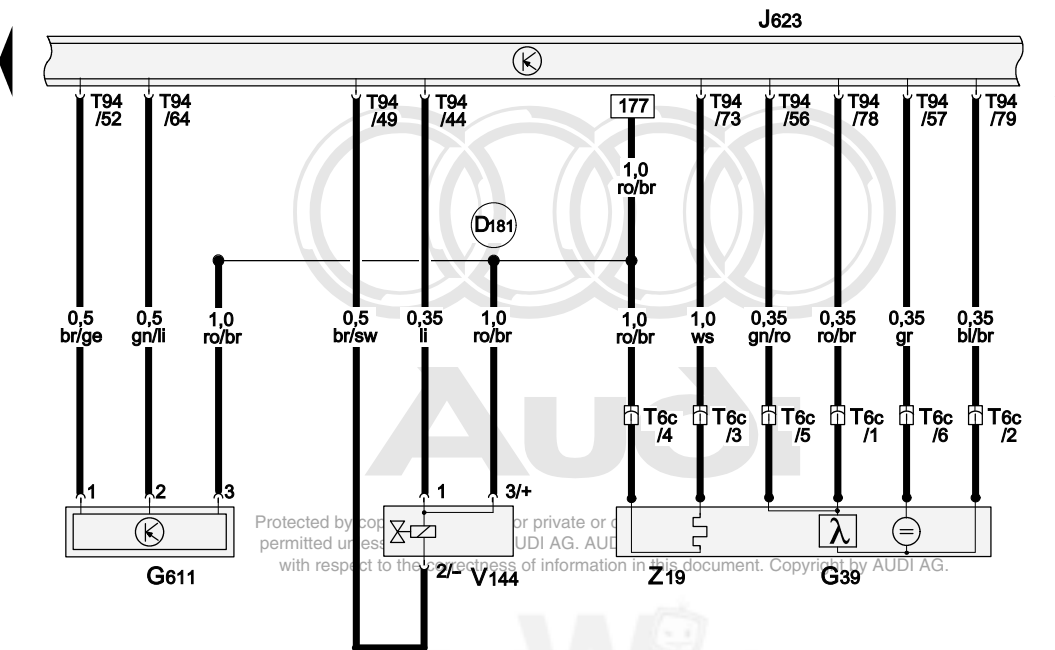
- G130 Oxygen Sensor (O2S) Behind Three Way Catalytic Converter (TWC)
- G287 Oxygen Sensor (O2S) 3 Behind Three Way Catalytic Converter (TWC)
- J623 Engine Control Module (ECM)
- SB21 Fuse 21 (on fuse panel B)
- T4b 4-Pin Connector, black, on oxygen sensor (O2S) behind three way catalytic converter (TWC)
- T4ao 4-Pin Connector, brown, on center heated oxygen sensor (HO2S)
- T40 40-Pin Connector, black, on electronics box engine compartment (Connector J)
- T94 94-Pin Connector, black (Connector B)
- Z29 Oxygen Sensor (O2S) Heater 1 (behind Three Way Catalytic Converter (TWC)
- Z64 Oxygen Sensor (O2S) Heater 3 (behind Three Way Catalytic Converter (TWC)
- D125 Connection 23 (in engine compartment wiring harness)

- ws = white
- sw = black
- ro = red
- br = brown
- gn = green
- bl = blue
- gr = grey
- li = lilac
- ge = yellow
- or = orange
- rs = pink



Heated Oxygen Sensor (HO2S), Pressure Sensor, Leak Detection Pump (LDP)

- G39 Heated Oxygen Sensor (HO2S)
 - G611 Radiator Identification Sensor
 - J623 Engine Control Module (ECM)
 - SB15 Fuse 15 (on fuse panel B)
 - T6c 6-Pin Connector, black, on oxygen sensor (O2S) before three way catalytic converter (TWC)
 - T40 40-Pin Connector, black, on electronics box engine compartment (Connector J)
 - T94 94-Pin Connector, black (Connector B)
 - V144 Leak Detection Pump (LDP)
 - Z19 Oxygen Sensor (O2S) Heater
- D181 Connection 2 (87a) (in engine compartment wiring harness)



- ws = white
- sw = black
- ro = red
- br = brown
- gn = green
- bl = blue
- gr = grey
- li = lilac
- ge = yellow
- or = orange
- rs = pink

169 170 171 172 173 174 175 176 177 178 179 180 181 182

8P0-A085140408



Knock Sensors (KS), Engine Speed (RPM) Sensor

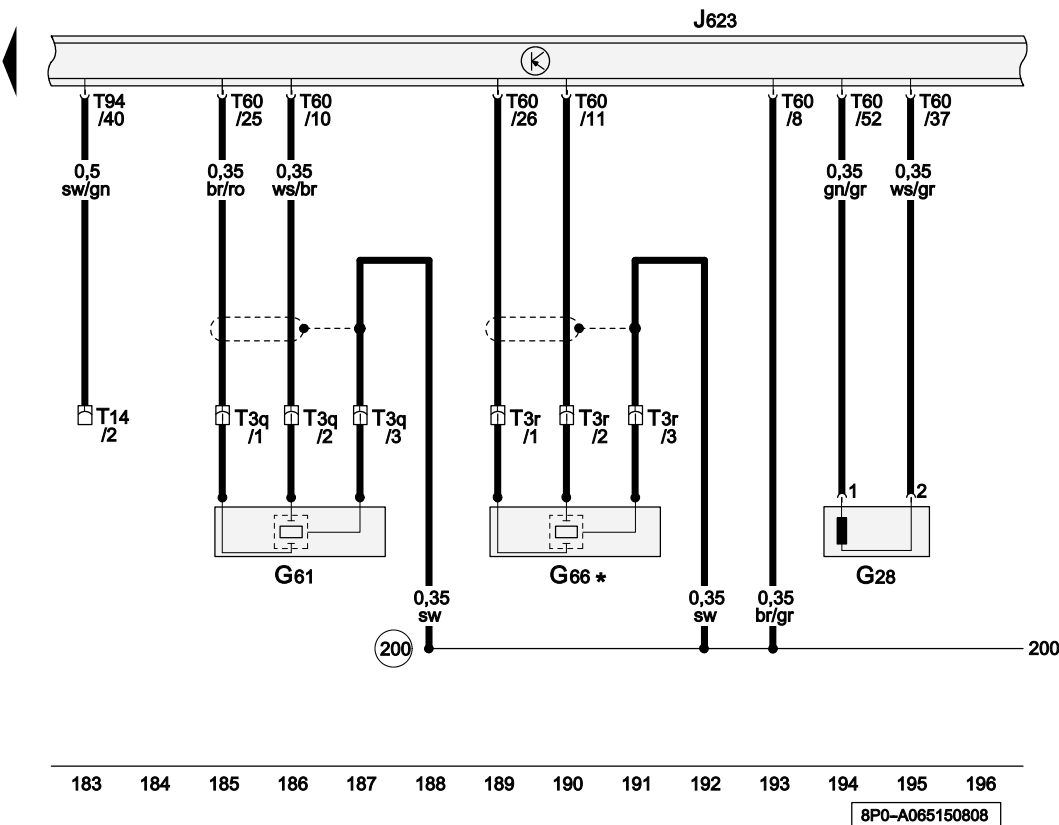
- G28 Engine Speed (RPM) Sensor
- G61 Knock Sensor (KS) 1
- G66 Knock Sensor (KS) 2
- J623 Engine Control Module (ECM)
- T3q 3-Pin Connector, green, in left engine compartment (knock sensor)
- T3r 3-Pin Connector, grey, in left engine compartment (knock sensor)
- T14 14-Pin Connector, black, near left front long member
- T60 60-Pin Connector, black (Connector A)
- T94 94-Pin Connector, black (Connector B)

200 Ground Connection (shielding) (in engine compartment wiring harness)

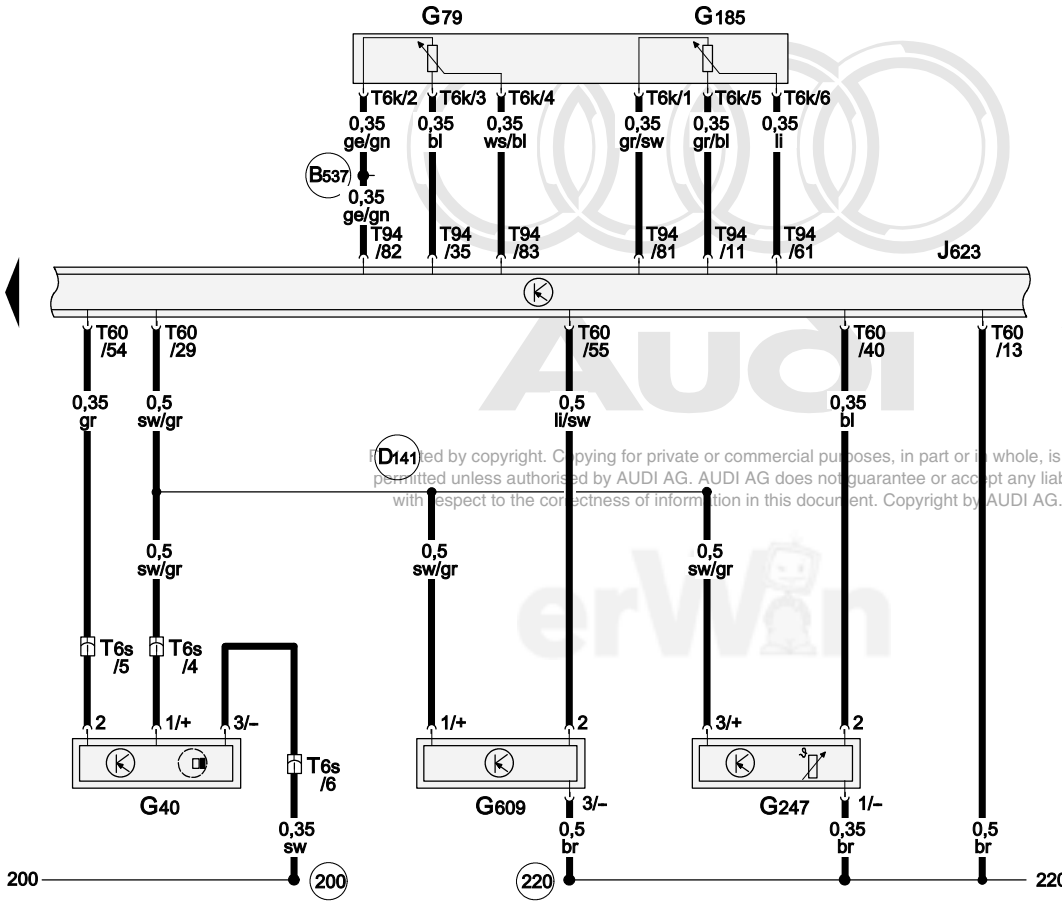
* Option



Protected by copyright. Copying for private or commercial purposes, in part or in whole, is not permitted unless authorised by AUDI AG. AUDI AG does not guarantee or accept any liability with respect to the correctness of information in this document. Copyright by AUDI AG.



- ws = white
- sw = black
- ro = red
- br = brown
- gn = green
- bl = blue
- gr = grey
- li = lilac
- ge = yellow
- or = orange
- rs = pink



Throttle Position (TP) Sensor, Camshaft Position (CMP) Sensor, Fuel Pressure Sensor, Secondary Air Injection (AIR) Sensor 1

- G40 Camshaft Position (CMP) Sensor
- G79 Throttle Position (TP) Sensor
- G185 Accelerator Pedal Position Sensor 2
- G247 Fuel Pressure Sensor
- G609 Secondary Air Injection (AIR) Sensor 1
- J623 Engine Control Module (ECM)
- T6k 6-Pin Connector, black, near throttle position (TP) sensor
- T6s 6-Pin Connector, black, behind intake manifold
- T60 60-Pin Connector, black (Connector A)
- T94 94-Pin Connector, black (Connector B)
- (200) Ground Connection (shielding) (in engine compartment wiring harness)
- (220) Sensor Ground Connection (in engine wiring harness)
- (B537) Connection 28 (in main wiring harness)
- (D141) Connection (5V) (in engine pre-wiring wiring harness)

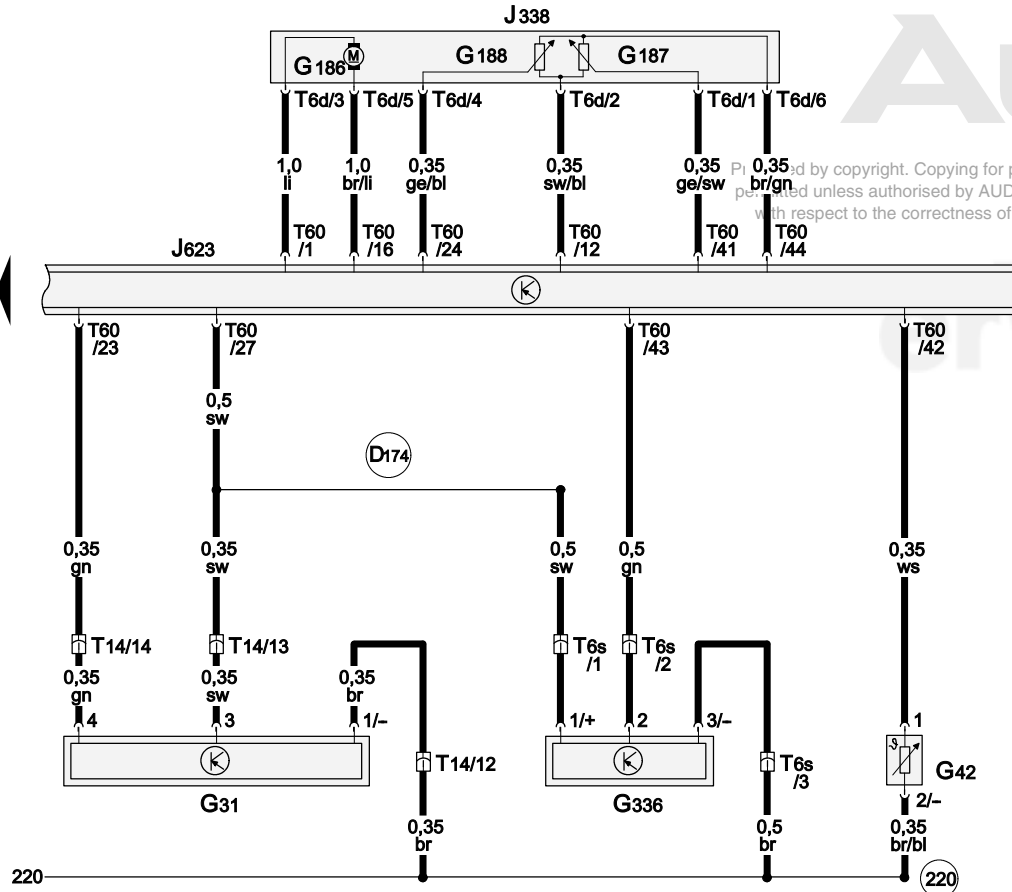
Copyrighted by Audi AG. Copying for private or commercial purposes, in part or in whole, is not permitted unless authorised by AUDI AG. AUDI AG does not guarantee or accept any liability with respect to the correctness of information in this document. Copyright by AUDI AG.

- ws = white
- sw = black
- ro = red
- br = brown
- gn = green
- bl = blue
- gr = grey
- li = lilac
- ge = yellow
- or = orange
- rs = pink



Intake Air Temperature (IAT) Sensor, Throttle Valve Control Module, Charge Air Pressure Sensor, Intake Manifold Runner Position Sensor

- G31 Charge Air Pressure Sensor
- G42 Intake Air Temperature (IAT) Sensor
- G186 Throttle Drive (for Electronic Power Control (EPC))
- G187 Throttle Drive Angle Sensor 1 (for Electronic Power Control (EPC))
- G188 Throttle Drive Angle Sensor 2 (for Electronic Power Control (EPC))
- G336 Intake Manifold Runner Position Sensor
- J338 Throttle Valve Control Module
- J623 Engine Control Module (ECM)
- T6d 6-Pin Connector, black, near throttle valve control module
- T6s 6-Pin Connector, black, behind intake manifold
- T14 14-Pin Connector, black, near left front long member
- T60 60-Pin Connector, black (Connector A)

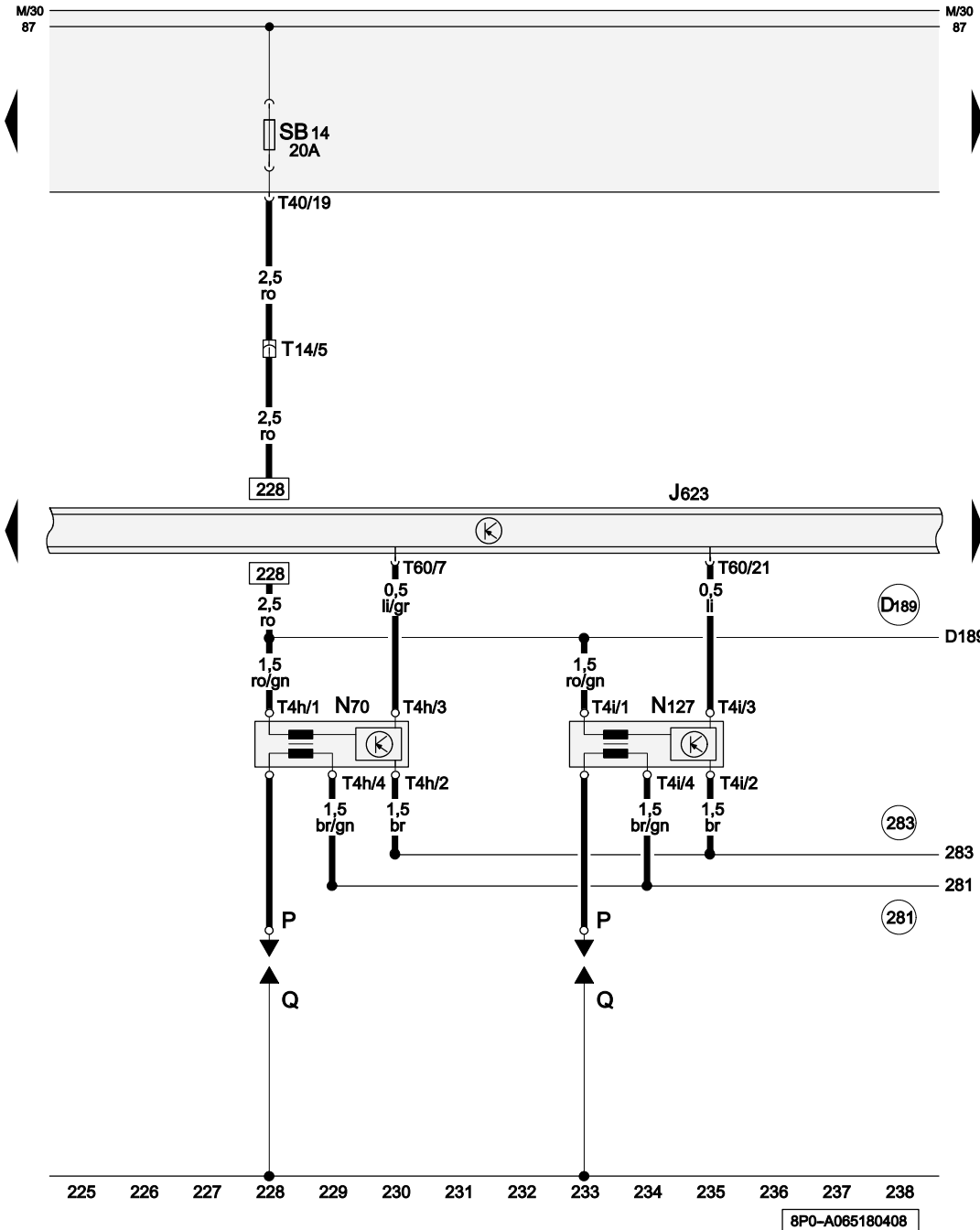


- 220 Sensor Ground Connection (in engine wiring harness)
- D174 Connection 2 (5V) (in engine pre-wiring harness)

- ws = white
- sw = black
- ro = red
- br = brown
- gn = green
- bl = blue
- gr = grey
- li = lilac
- ge = yellow
- or = orange
- rs = pink

211 212 213 214 215 216 217 218 219 220 221 222 223 224

8P0-A065170408



Ignition Coils 1 and 2 with Power Output Stage, Spark Plug Connectors, Spark Plugs

- J623 Engine Control Module (ECM)
- N70 Ignition Coil 1 with Power Output Stage
- N127 Ignition Coil 2 with Power Output Stage
- P Spark Plug Connectors
- Q Spark Plugs
- SB14 Fuse 14 (on fuse panel B)
- T4h 4-Pin Connector, black, on ignition coil 1 with power output stage
- T4i 4-Pin Connector, black, on ignition coil 2 with power output stage
- T14 14-Pin Connector, black, near left front long member
- T40 40-Pin Connector, black, on electronics box engine compartment (Connector J)
- T60 60-Pin Connector, black (Connector A)
- 281 Ground Connection 1 (in engine pre-wiring wiring harness)
- 283 Ground Connection 2 (in engine pre-wiring wiring harness)
- D189 Connection (87a) (in engine pre-wiring wiring harness)

- ws = white
- sw = black
- ro = red
- br = brown
- gn = green
- bl = blue
- gr = grey
- li = lilac
- ge = yellow
- or = orange
- rs = pink



Audi

erWin

Protected by copyright. Copying for private or commercial purposes, in part or in whole, is not permitted unless authorised by AUDI AG. AUDI AG does not guarantee or accept any liability in respect to the correctness of information in this document. Copyright by AUDI AG.

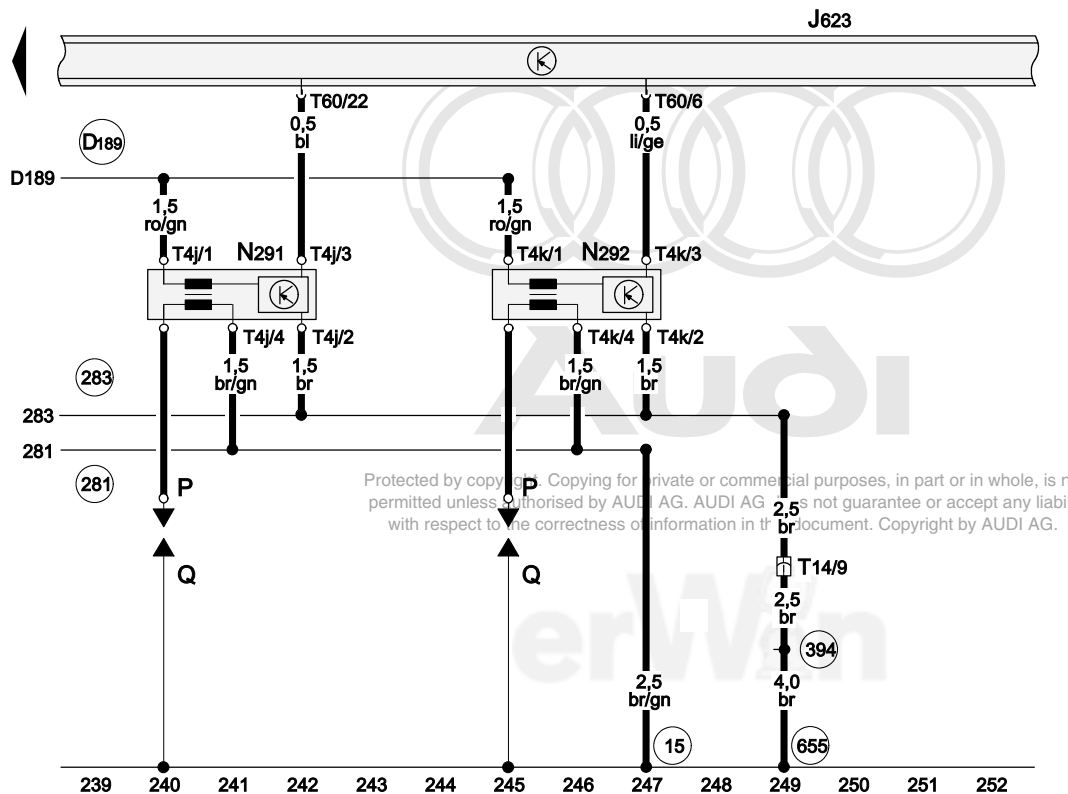
8P0-A065180408



Ignition Coils 3 and 4 with Power Output Stage, Spark Plug Connectors, Spark Plugs

- J623 Engine Control Module (ECM)
- N291 Ignition Coil 3 with Power Output Stage
- N292 Ignition Coil 4 with Power Output Stage
- P Spark Plug Connectors
- Q Spark Plugs
- T4j 4-Pin Connector, black, on ignition coil 3 with power output stage
- T4k 4-Pin Connector, black, on ignition coil 4 with power output stage
- T14 14-Pin Connector, black, near left front long member
- T60 60-Pin Connector, black (Connector A)

- 15 Ground Connection (on cylinder head)
- 281 Ground Connection 1 (in engine pre-wiring wiring harness)
- 283 Ground Connection 2 (in engine pre-wiring wiring harness)
- 394 Ground Connection 29 (in main wiring harness)
- 655 Ground Connection (on left headlamp)
- D189 Connection (87a) (in engine pre-wiring wiring harness)



- ws = white
- sw = black
- ro = red
- br = brown
- gn = green
- bl = blue
- gr = grey
- li = lilac
- ge = yellow
- or = orange
- rs = pink

8PO-A065190408



Powertrain CAN-Bus, Diagnostic

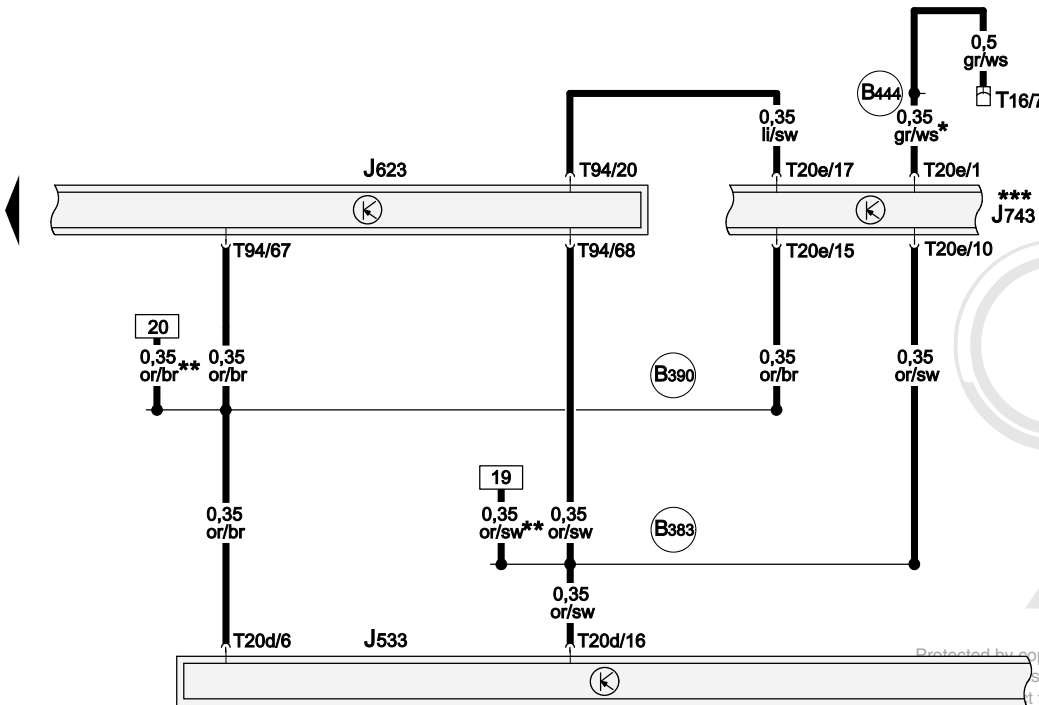
- J533 Data Bus On Board Diagnostic Interface
- J623 Engine Control Module (ECM)
- J743 Direct Shift Gearbox (DSG) Mechatronic
- T16 16-Pin Connector, black, instrument panel driver's side, bottom left (diagnostic connector)
- T20d 20-Pin Connector, black (Connector A)
- T20e 20-Pin Connector, black (Connector A)
- T94 94-Pin Connector, black (Connector B)

B383 Powertrain CAN-Bus High Connection 1 (in main wiring harness)

B390 Powertrain CAN-Bus Low Connection 1 (in main wiring harness)

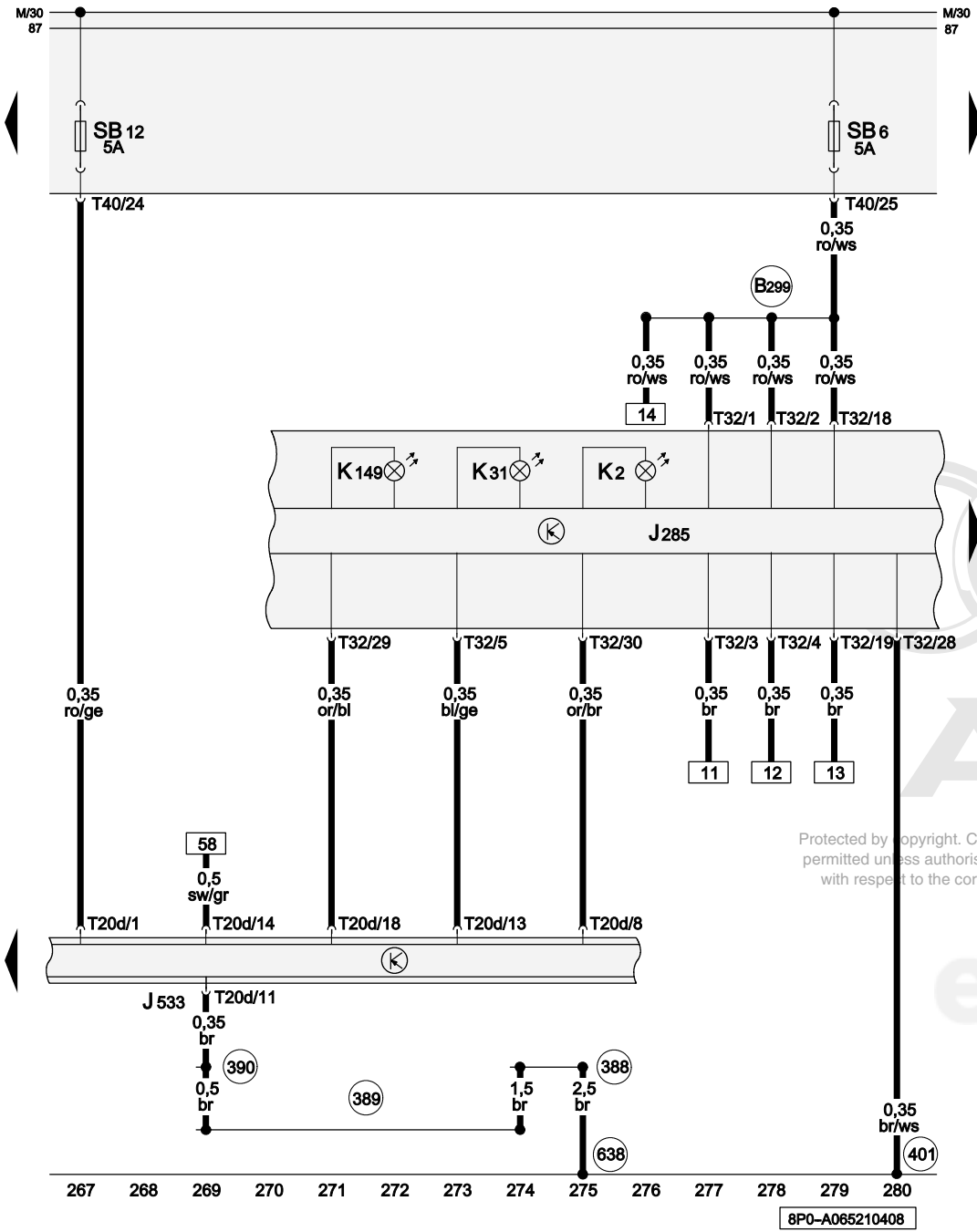
B444 OBD Connection 1 (in main wiring harness)

- * Only models with data link connector
- ** Only models with powertrain CAN-Bus
- *** Only models with automatic transmission



Protected by copyright. Copying for private or commercial purposes, in part or in whole, is not authorized by AUDI AG. AUDI AG does not guarantee or accept any liability for the correctness of information in this document. Copyright by AUDI AG.

- ws = white
- sw = black
- ro = red
- br = brown
- gn = green
- bl = blue
- gr = grey
- li = lilac
- ge = yellow
- or = orange
- rs = pink



Data Bus On Board Diagnostic Interface

- J285 Instrument Cluster Control Module
- J533 Data Bus On Board Diagnostic Interface
- K2 Generator (GEN) Warning Lamp
- K31 Cruise Control Indicator Lamp
- K149 Engine Electronics Warning Lamp
- SB6 Fuse 6 (on fuse panel B)
- SB12 Fuse 12 (on fuse panel B)
- T20d 20-Pin Connector, black (Connector A)
- T32 32-Pin Connector, blue (Connector A)
- T40 40-Pin Connector, black, on electronics box engine compartment (Connector J)

- 388 Ground Connection 23 (in main wiring harness)
- 389 Ground Connection 24 (in main wiring harness)
- 390 Ground Connection 25 (in main wiring harness)
- 401 Sensor Ground Connection (in interior wiring harness)
- 638 Ground Connection (on right A-pillar)
- B299 Plus Connection 3 (30) (in main wiring harness)

Protected by copyright. Copying for private or commercial purposes, in part or in whole, is not permitted unless authorised by AUDI AG. AUDI AG does not guarantee or accept any liability with respect to the correctness of information in this document. Copyright by AUDI AG.

- ws = white
- sw = black
- ro = red
- br = brown
- gn = green
- bl = blue
- gr = grey
- li = lilac
- ge = yellow
- or = orange
- rs = pink

8P0-A065210408



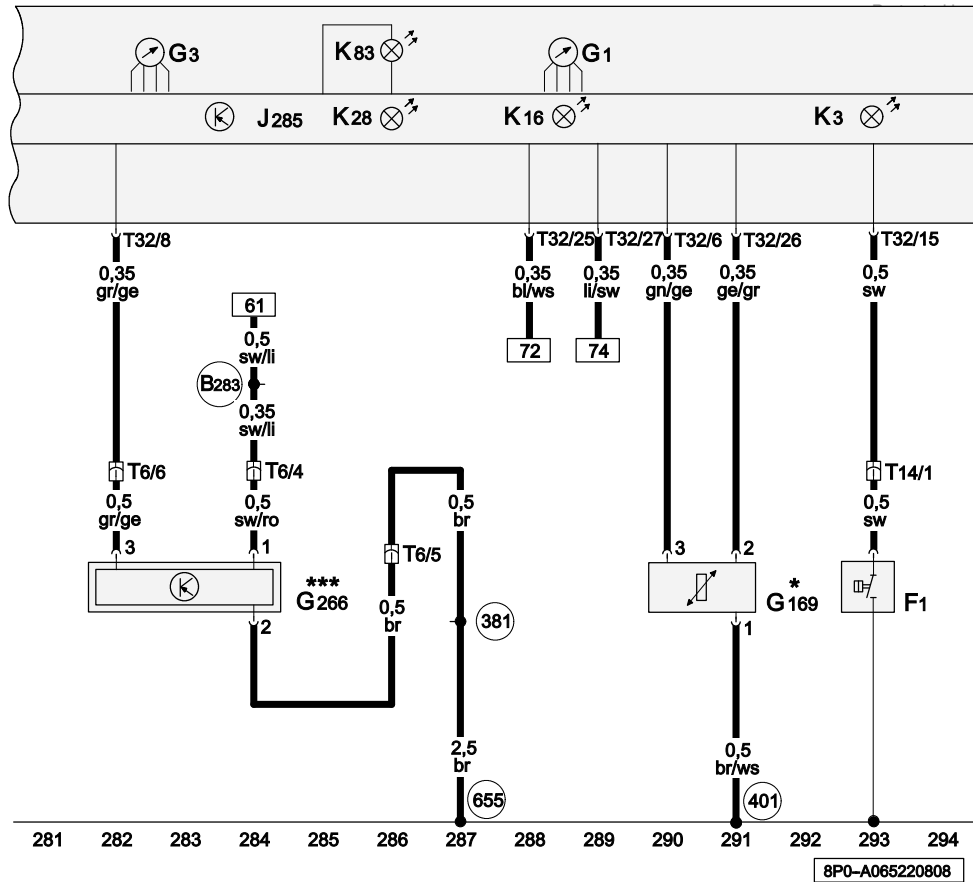
Oil Pressure Switch, Oil Level Thermal Sensor

- F1 Oil Pressure Switch
- G1 Fuel Gauge
- G3 Engine Coolant Temperature (ECT) Gauge
- G169 Fuel Level Sensor 2
- G266 Oil Level Thermal Sensor
- J285 Instrument Cluster Control Module
- K3 Oil Pressure Warning Lamp
- K16 Fuel Reserve Warning Lamp
- K28 Engine Coolant Level/Temperature (ECL/ECT) Warning Lamp
- K83 Malfunction Indicator Lamp (MIL)
- T6 6-Pin Connector, black, near left front long member
- T14 14-Pin Connector, black, near left front long member
- T32 32-Pin Connector, blue (Connector A)
- 381 Ground Connection 16 (in main wiring harness)

Copyright. Copying for private or commercial purposes, in part or in whole, is not authorized by AUDI AG. AUDI AG does not guarantee the accuracy or reliability of the correctness of information in this document. Copyright by AUDI AG.

- 401 Sensor Ground Connection (in interior wiring harness)
- 655 Ground Connection (on left headlamp)
- B283 Plus Connection 7 (15a) (in main wiring harness)

* Only models with all-wheel drive
 *** Only models with extended service intervals



- ws = white
- sw = black
- ro = red
- br = brown
- gn = green
- bl = blue
- gr = grey
- li = lilac
- ge = yellow
- or = orange
- rs = pink

8P0-A065220808

2.0L gasoline engine , BPY,BZC,CDLA,CDLC

From May 2008



Audi

Protected by copyright. Copying for private or commercial purposes, in part or in whole, is not permitted unless authorised by AUDI AG. AUDI AG does not guarantee or accept any liability with respect to the correctness of information in this document. Copyright by AUDI AG.

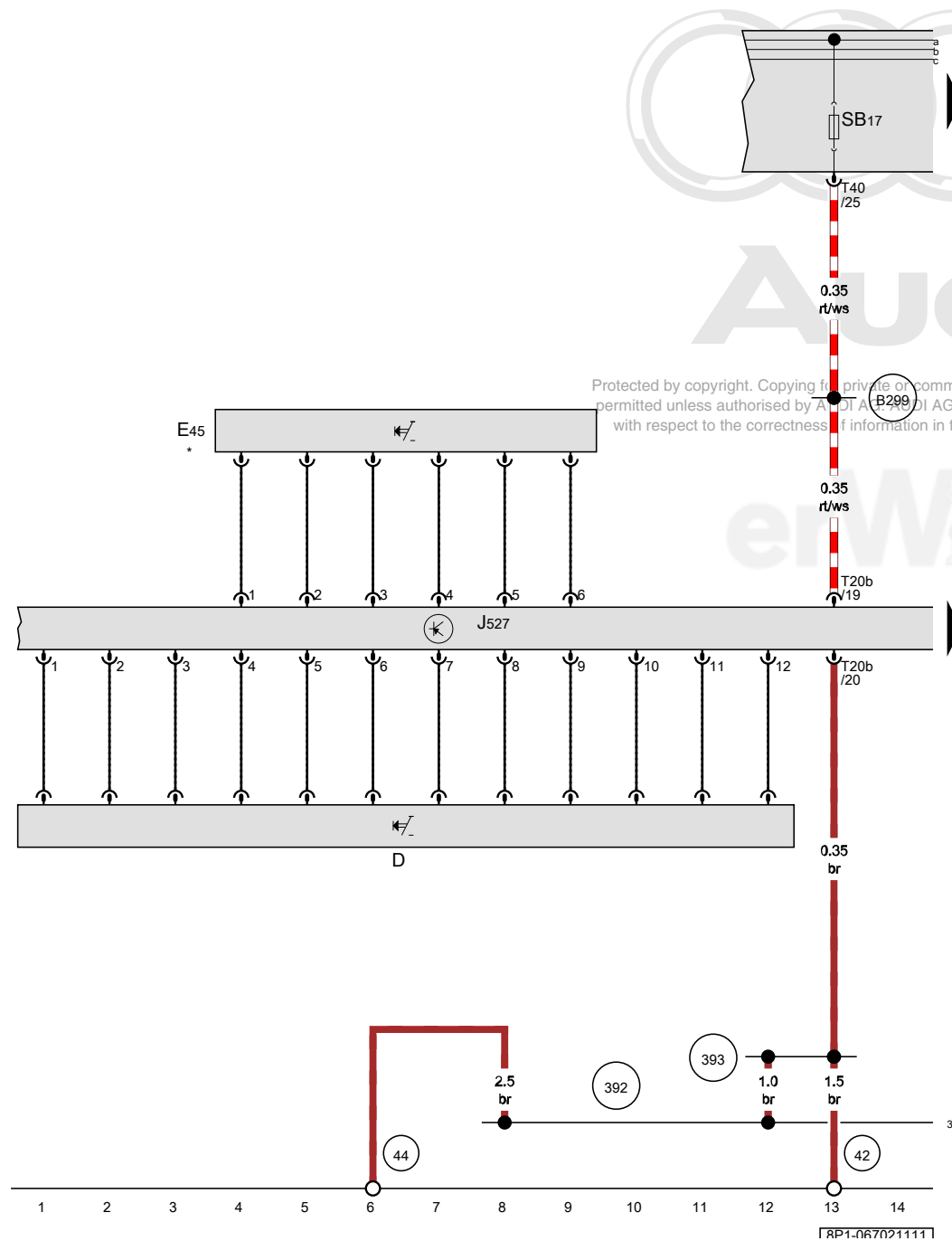


Ignition/starter switch, Cruise control switch, Steering column electronics control module

- D Ignition/starter switch
- E45 Cruise control switch
- J527 Steering column electronics control module
- SB17 Fuse 17 (on fuse panel B)
- T20b 20-pin connector
- T40 40-pin connector

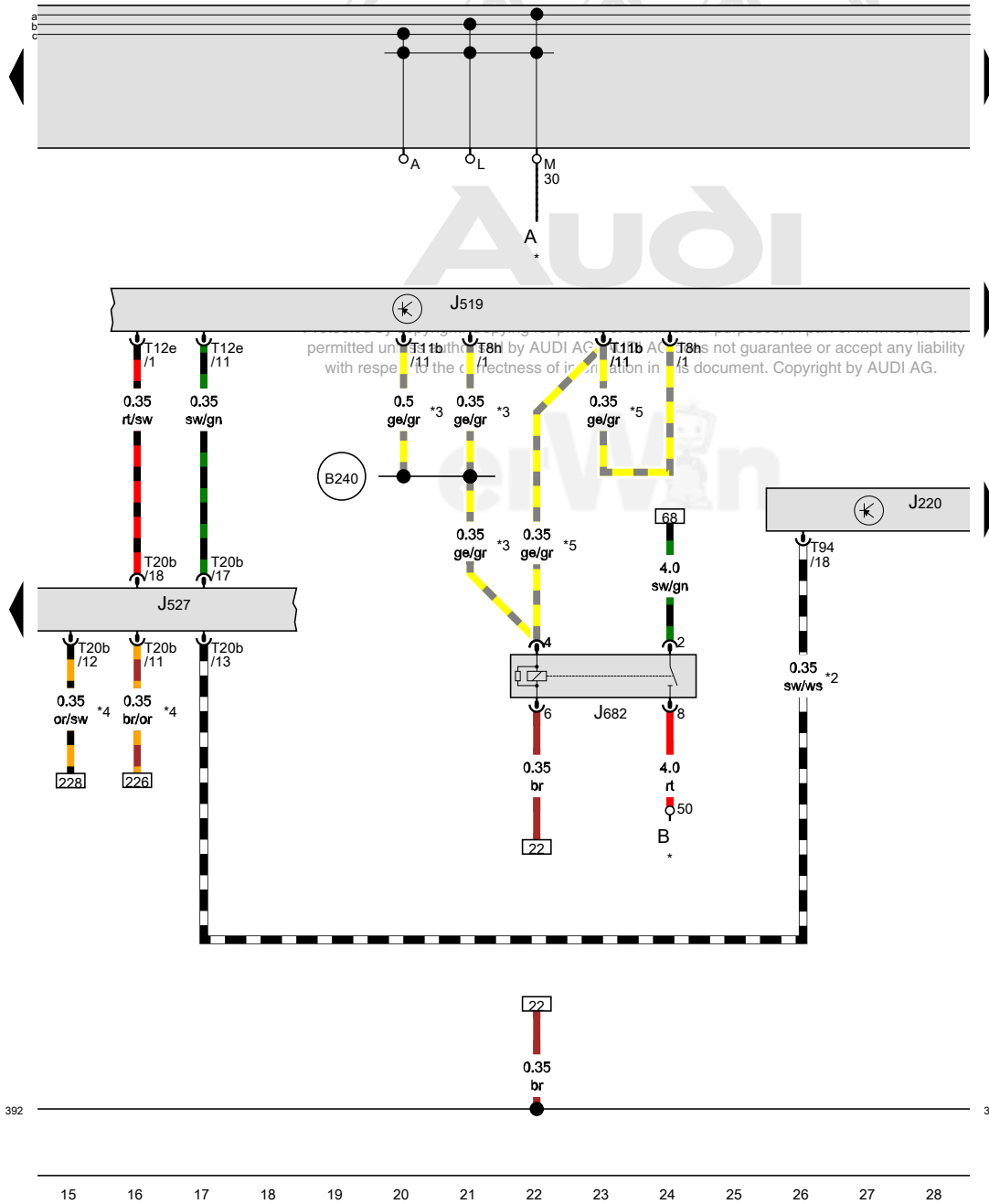
- 42 Ground connection near steering column
- 44 Ground connection on A-pillar, lower left
- 392 Ground connection 27 (in main wiring harness)
- 393 Ground connection 28 (in main wiring harness)
- B299 Positive connection 3 (30) (in main wiring harness)

* Only for vehicles with cruise control



- ws = white
- sw = black
- ro = red
- br = brown
- gn = green
- bl = blue
- gr = grey
- li = lilac
- ge = yellow
- or = orange
- rs = pink

FRP1-0670211111



Motronic engine control module, Vehicle electrical system control module, Steering column electronics control module, Terminal 50 power supply relay

- A Battery
- B Starter
- J220 Motronic engine control module
- J519 Vehicle electrical system control module
- J527 Steering column electronics control module
- J682 Terminal 50 power supply relay
- T8h 8-pin connector
- T11b 11-pin connector
- T12e 12-pin connector
- T20b 20-pin connector
- T94 94-pin connector

392 Ground connection 27 (in main wiring harness)

B240 Positive connection 2 (50) (in interior wiring harness)

* Refer to applicable wiring diagram for battery in engine compartment

*2 Only for vehicles with cruise control

*3 Only for vehicles without US equipment

*4 If available

*5 Only for vehicles with US equipment

- ws = white
- sw = black
- ro = red
- br = brown
- gn = green
- bl = blue
- gr = grey
- li = lilac
- ge = yellow
- or = orange
- rs = pink

392 _____ 392

15 16 17 18 19 20 21 22 23 24 25 26 27 28

18P1-0670311111

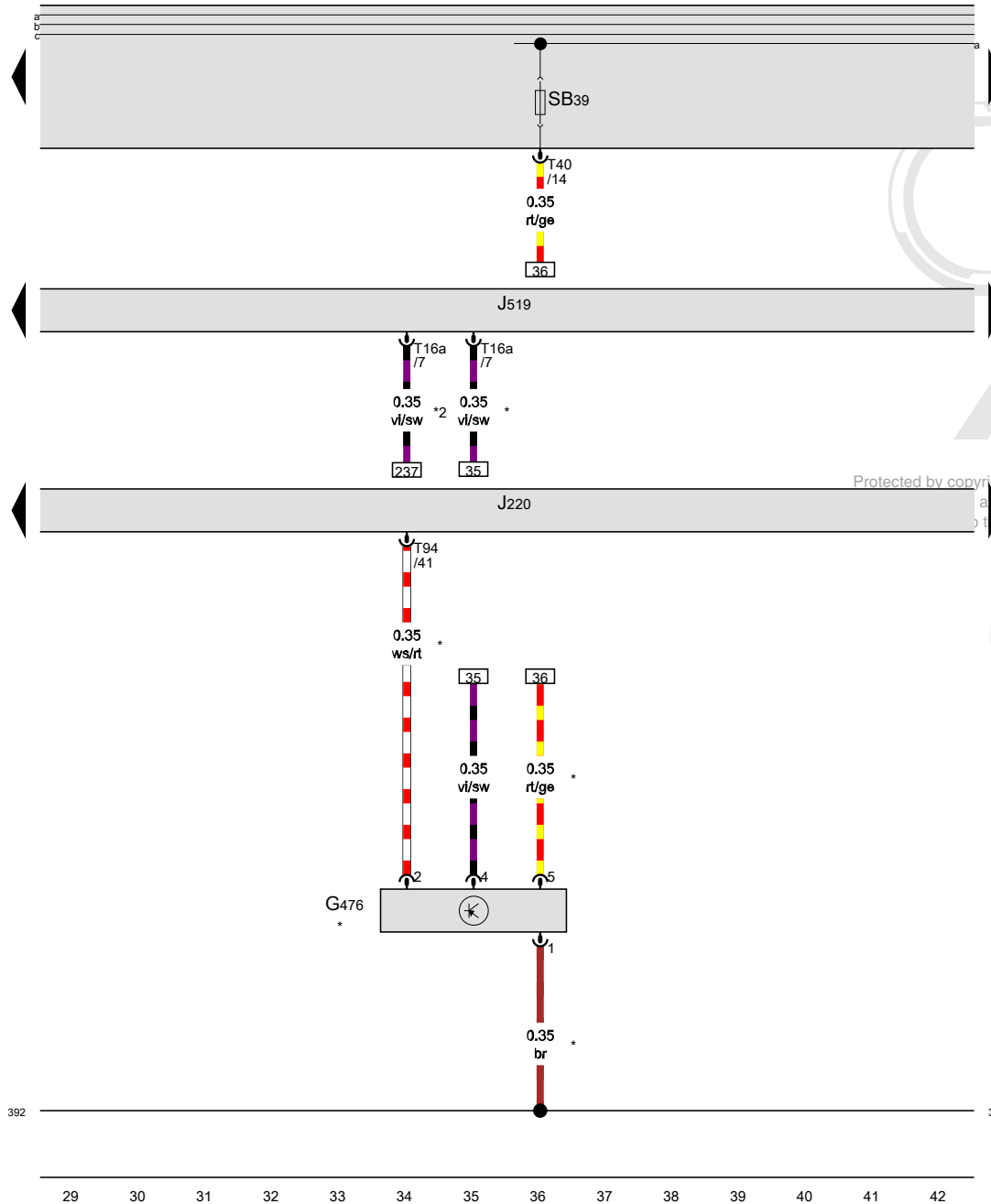
Clutch position sensor, Motronic engine control module, Vehicle electrical system control module

- G476 Clutch position sensor
- J220 Motronic engine control module
- J519 Vehicle electrical system control module
- SB39 Fuse 39 (on fuse panel B)
- T16a 16-pin connector
- T40 40-pin connector
- T94 94-pin connector

392 Ground connection 27 (in main wiring harness)

* Only for vehicles with a manual transmission

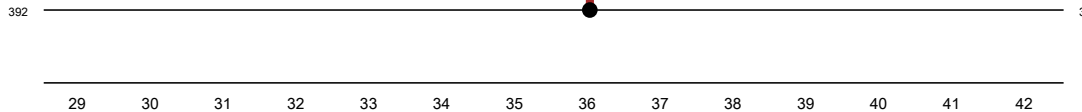
*2 Only for vehicles with DSG transmission



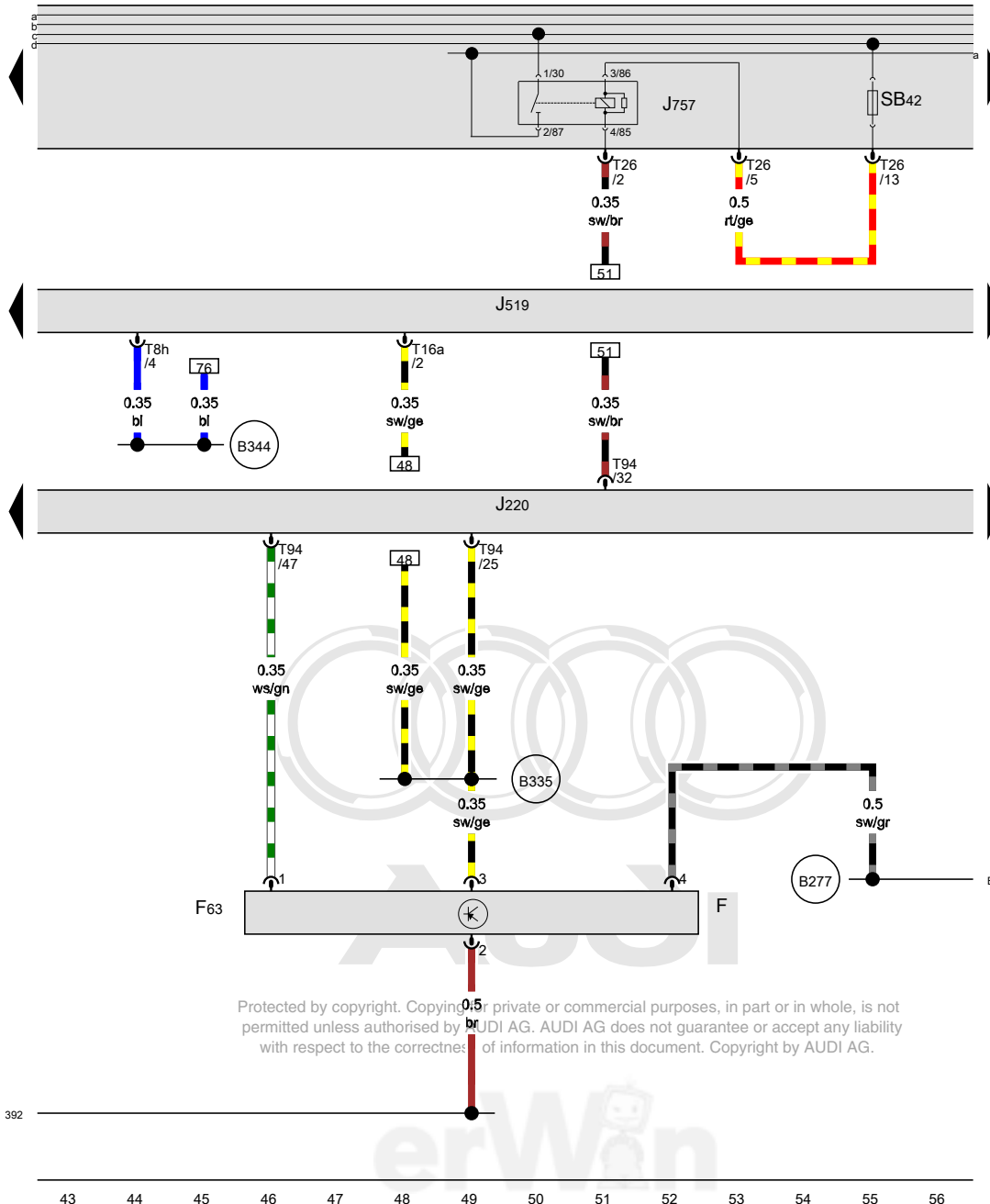
Protected by copyright. Copying for private or commercial purposes, in part or in whole, is not authorized by AUDI AG. AUDI AG does not guarantee or accept any liability for the correctness of information in this document. Copyright by AUDI AG.



- ws = white
- sw = black
- ro = red
- br = brown
- gn = green
- bl = blue
- gr = grey
- li = lilac
- ge = yellow
- or = orange
- rs = pink



[RP1-067041111]



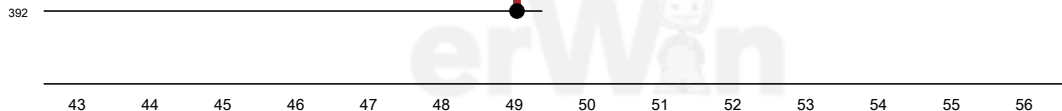
Brake pedal switch, Motronic engine control module, Vehicle electrical system control module

- F Brake lamp switch
- F63 Brake pedal switch
- J220 Motronic engine control module
- J519 Vehicle electrical system control module
- J757 Engine component power supply relay
- SB42 Fuse 42 (on fuse panel B)
- T8h 8-pin connector
- T16a 16-pin connector
- T26 26-pin connector
- T94 94-pin connector

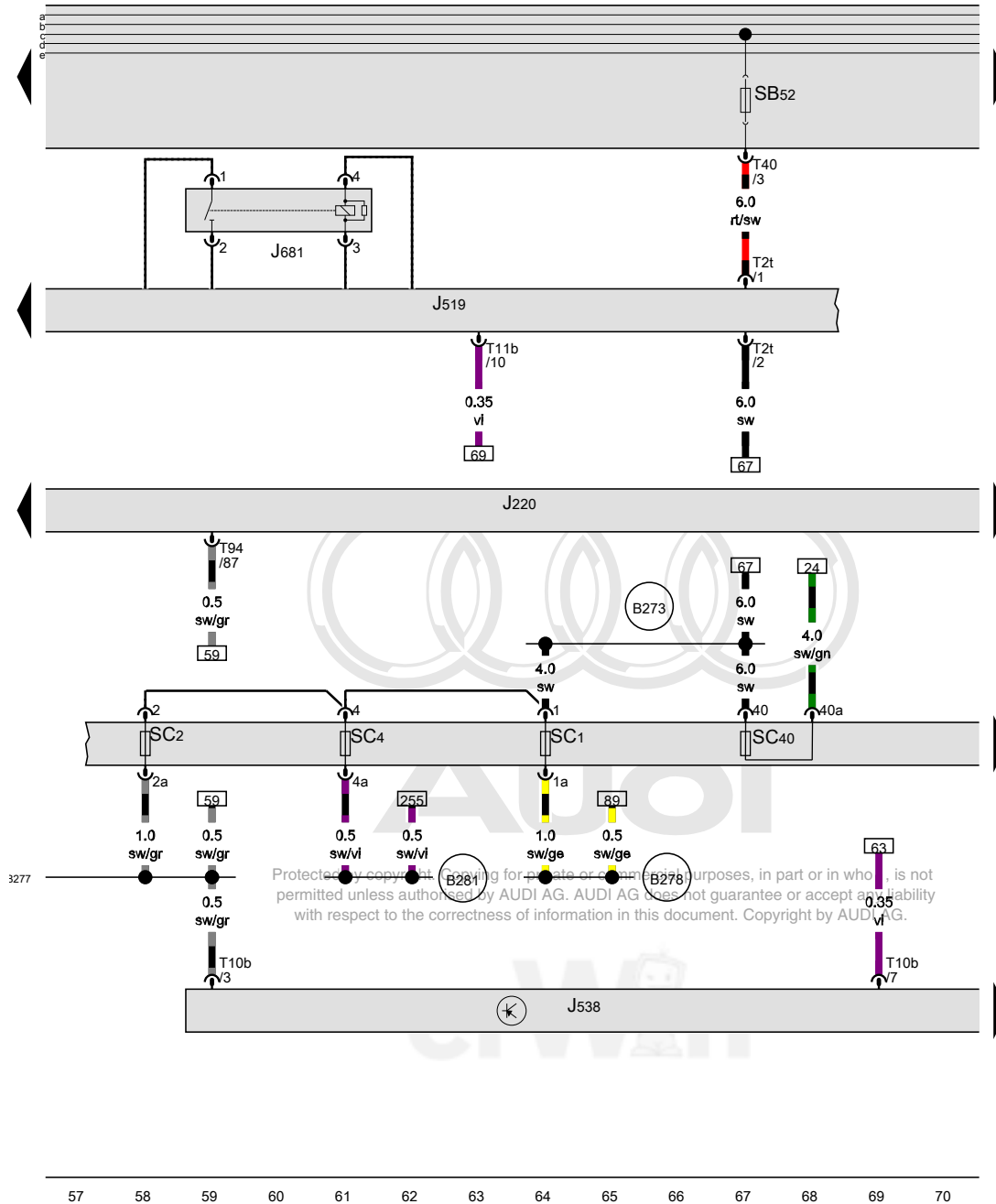
- (392) Ground connection 27 (in main wiring harness)
- (B277) Positive connection 1 (15a) (in main wiring harness)
- (B335) Connection 1 (54) (in main wiring harness)
- (B344) Connection 1 (61) (in main wiring harness)

- ws = white
- sw = black
- ro = red
- br = brown
- gn = green
- bl = blue
- gr = grey
- li = lilac
- ge = yellow
- or = orange
- rs = pink

Protected by copyright. Copying for private or commercial purposes, in part or in whole, is not permitted unless authorised by AUDI AG. AUDI AG does not guarantee or accept any liability with respect to the correctness of information in this document. Copyright by AUDI AG.



[8P1-067051111]



Motronic engine control module, Vehicle electrical system control module, Fuel pump control module, Terminal 15 power supply relay 2

- J220 Motronic engine control module
- J519 Vehicle electrical system control module
- J538 Fuel pump control module
- J681 Terminal 15 power supply relay 2
- SC1 Fuse 1 (on fuse panel C)
- SC2 Fuse 2 (on fuse panel C)
- SC4 Fuse 4 (on fuse panel C)
- SC40 Fuse 40 (on fuse panel C)
- SB52 Fuse 52 (on fuse panel B)
- T2t Double connector
- T10b 10-pin connector
- T11b 11-pin connector
- T40 40-pin connector
- T94 94-pin connector

- (B273) Positive connection (15) (in main wiring harness)
- (B277) Positive connection 1 (15a) (in main wiring harness)
- (B278) Positive connection 2 (15a) (in main wiring harness)
- (B281) Positive connection 5 (15a) (in main wiring harness)

Protected by copyright. Copying for private or commercial purposes, in part or in whole, is not permitted unless authorized by AUDI AG. AUDI AG does not guarantee or accept any liability with respect to the correctness of information in this document. Copyright by AUDI AG.

- ws = white
- sw = black
- ro = red
- br = brown
- gn = green
- bl = blue
- gr = grey
- li = lilac
- ge = yellow
- or = orange
- rs = pink

57 58 59 60 61 62 63 64 65 66 67 68 69 70

[RP1-067061111]

Fuel level sensor, Motronic engine control module, Fuel pump control module

- C Generator
- G Fuel level sensor
- G6 Transfer fuel pump
- J220 Motronic engine control module
- J538 Fuel pump control module
- SA5 Fuse 5 (on fuse panel A)
- SC27 Fuse 27 (on fuse panel C)
- T1 Single connector
- T2u Double connector
- T4 4-pin connector
- T10b 10-pin connector
- T94 94-pin connector

62 Ground connection on right C-pillar

400 Ground connection 35 (in main wiring harness)

B272 Positive connection (30) (in main wiring harness)

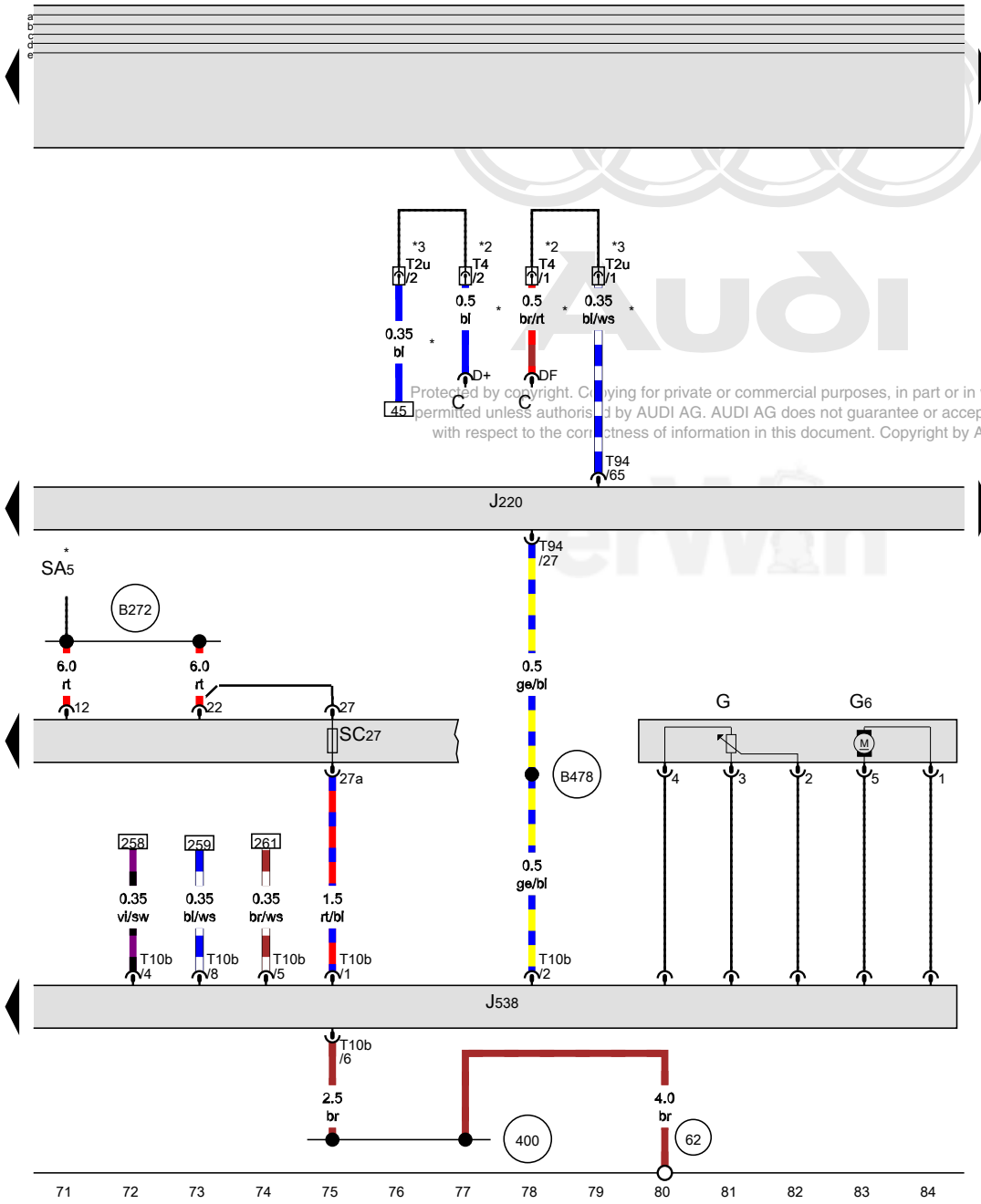
B478 Connection 14 (in main wiring harness)

* Refer to applicable wiring diagram for battery in engine compartment

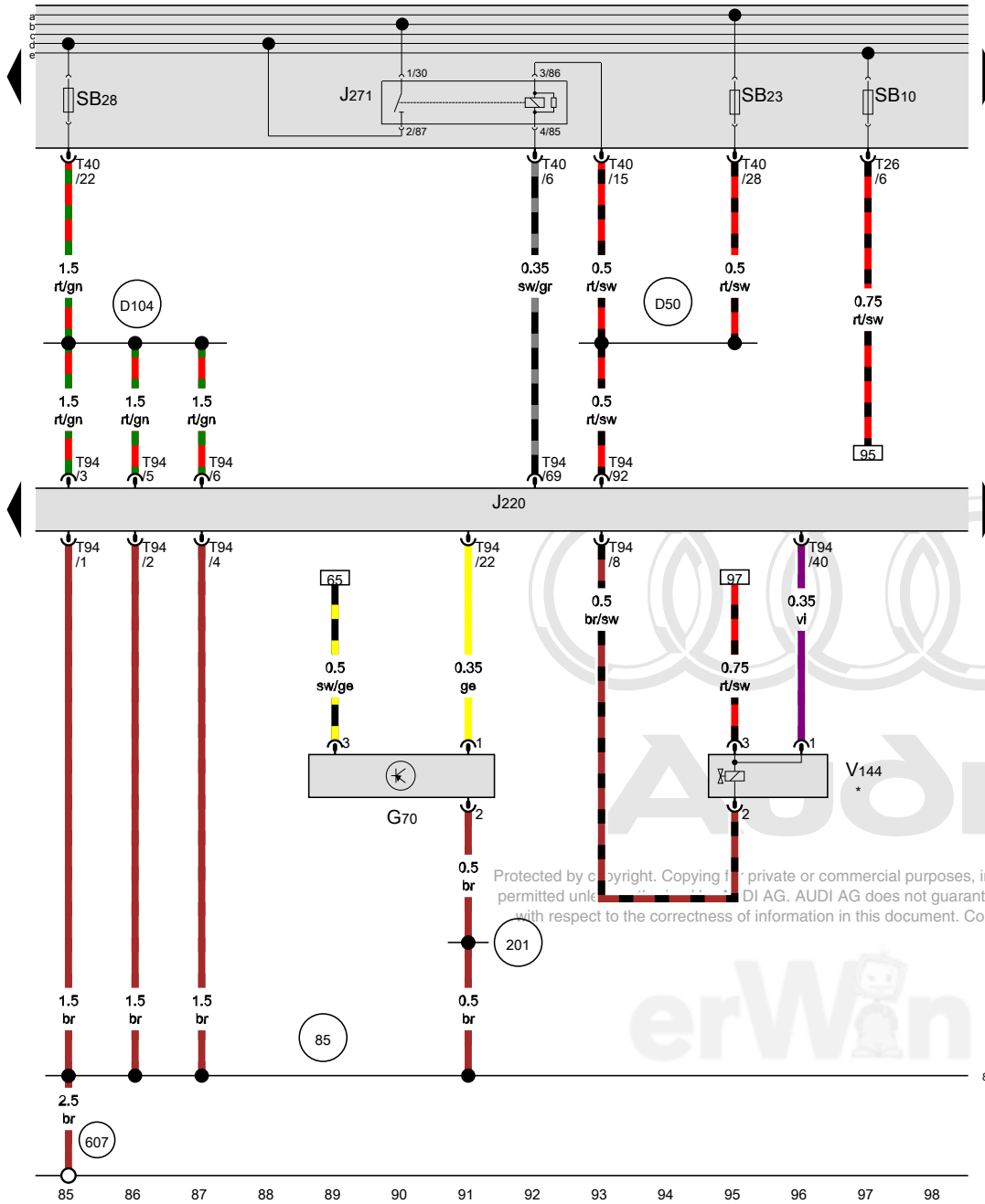
*2 Only for vehicles with A/C system

*3 Only for vehicles without an A/C system

- ws = white
- sw = black
- ro = red
- br = brown
- gn = green
- bl = blue
- gr = grey
- li = lilac
- ge = yellow
- or = orange
- rs = pink



18P1-067071111



Motronic engine control module, Motronic engine control module power supply relay

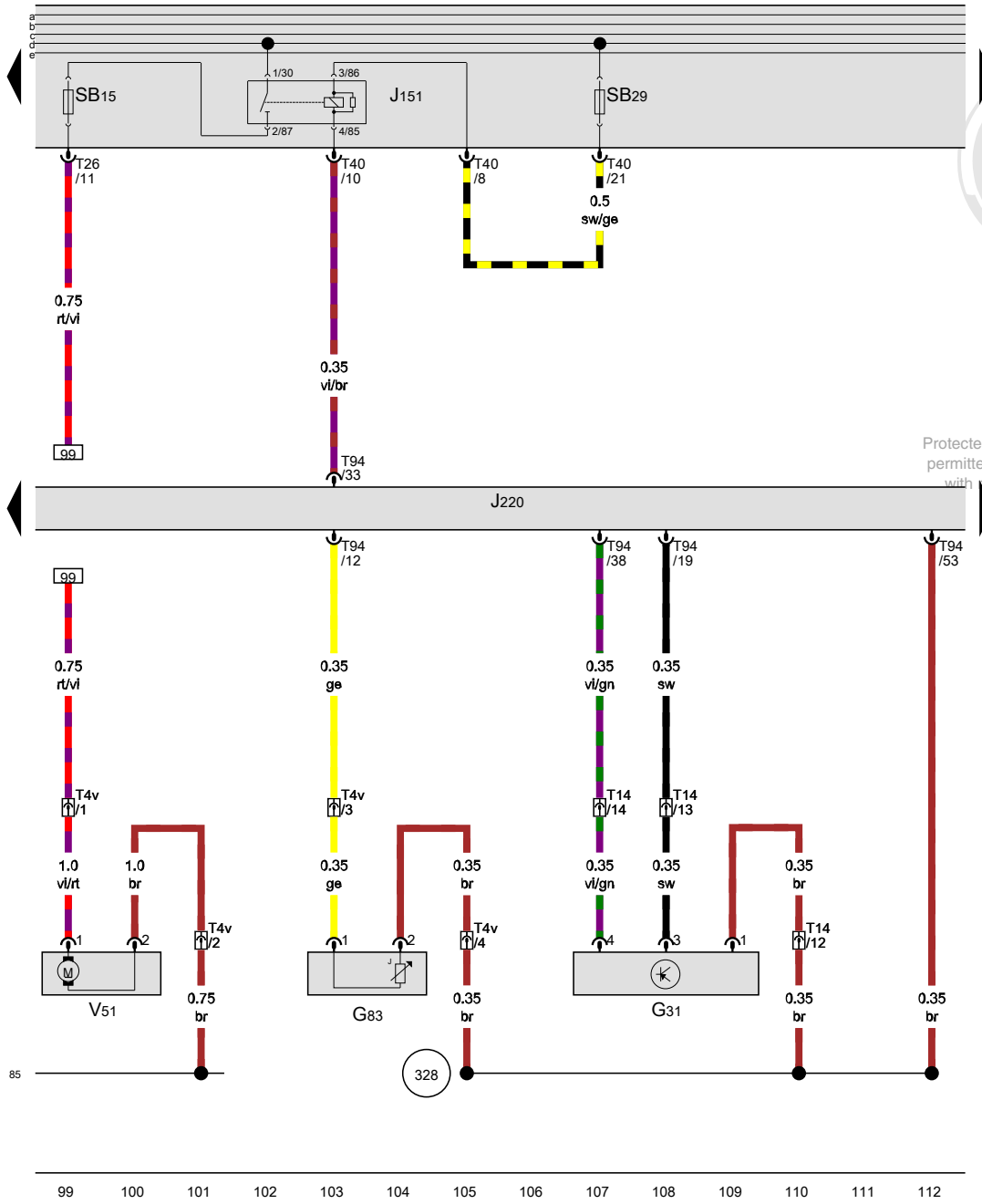
- G70 Mass airflow sensor
- J220 Motronic engine control module
- J271 Motronic engine control module power supply relay
- SB10 Fuse 10 (on fuse panel B)
- SB23 Fuse 23 (on fuse panel B)
- SB28 Fuse 28 (on fuse panel B)
- T26 26-pin connector
- T40 40-pin connector
- T94 94-pin connector
- V144 Leak detection pump

- 85 Ground connection 1 (in engine compartment wiring harness)
- 201 Ground connection 5 (in engine compartment wiring harness)
- 607 Ground connection in plenum chamber, left
- D50 Positive connection (30) (in engine compartment wiring harness)
- D104 Positive connection 2 (30a) (in engine compartment wiring harness)
- * Only for vehicles with US equipment

Protected by copyright. Copying for private or commercial purposes, in part or in whole, is not permitted unless explicitly permitted in writing by AUDI AG. AUDI AG does not guarantee or accept any liability with respect to the correctness of information in this document. Copyright by AUDI AG.

- ws = white
- sw = black
- ro = red
- br = brown
- gn = green
- bl = blue
- gr = grey
- li = lilac
- ge = yellow
- or = orange
- rs = pink

[RP1-0670R1111]



Engine coolant temperature sensor on radiator outlet, Motronic engine control module, After-run coolant pump

- G31 Charge air pressure sensor
- G83 Engine coolant temperature sensor on radiator outlet
- J151 Coolant circulation pump relay
- J220 Motronic engine control module
- SB15 Fuse 15 (on fuse panel B)
- SB29 Fuse 29 (on fuse panel B)
- T4v 4-pin connector
- T14 14-pin connector
- T26 26-pin connector
- T40 40-pin connector
- T94 94-pin connector
- V51 After-run coolant pump

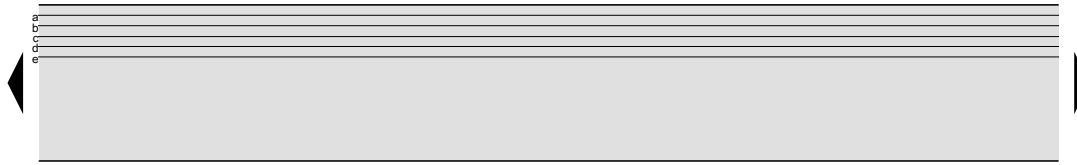
- 85 Ground connection 1 (in engine compartment wiring harness)
- 328 Sensor ground connection 2 (in engine compartment wiring harness)

Protected by copyright. Copying for private or commercial purposes, in part or in whole, is not permitted unless authorised by AUDI AG. AUDI AG does not guarantee or accept any liability with respect to the correctness of information in this document. Copyright by AUDI AG.

- ws = white
- sw = black
- ro = red
- br = brown
- gn = green
- bl = blue
- gr = grey
- li = lilac
- ge = yellow
- or = orange
- rs = pink

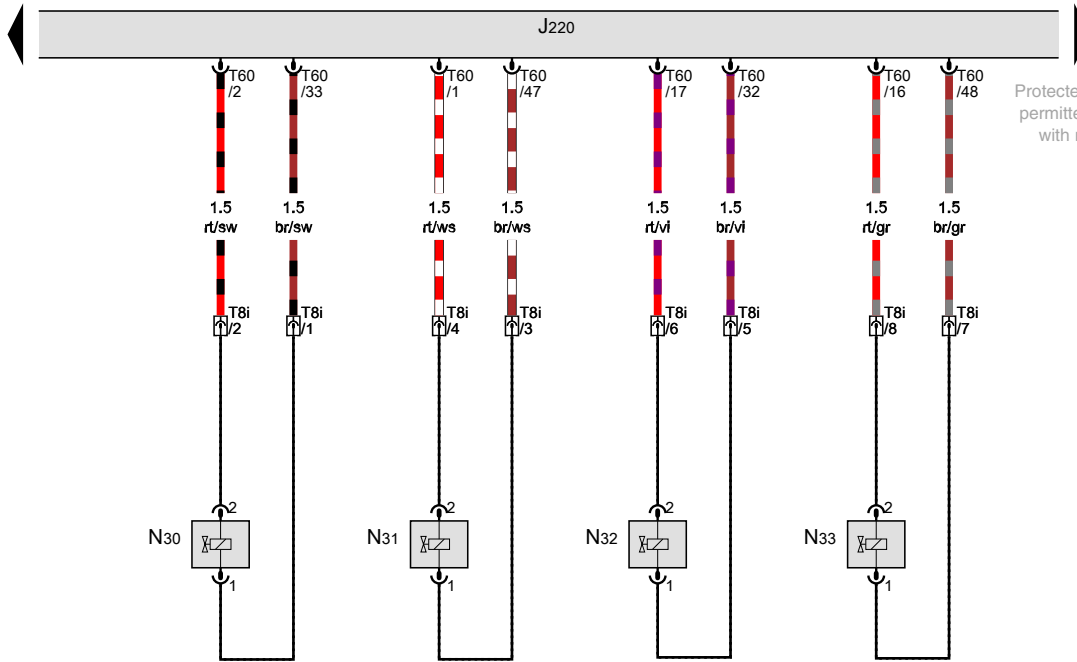
99 100 101 102 103 104 105 106 107 108 109 110 111 112

[8P1-067091111]



Motronic engine control module, Cylinder 1 fuel injector, Cylinder 2 fuel injector, Cylinder 3 fuel injector, Cylinder 4 fuel injector

- J220 Motronic engine control module
- N30 Cylinder 1 fuel injector
- N31 Cylinder 2 fuel injector
- N32 Cylinder 3 fuel injector
- N33 Cylinder 4 fuel injector
- T8i 8-pin connector
- T60 60-pin connector

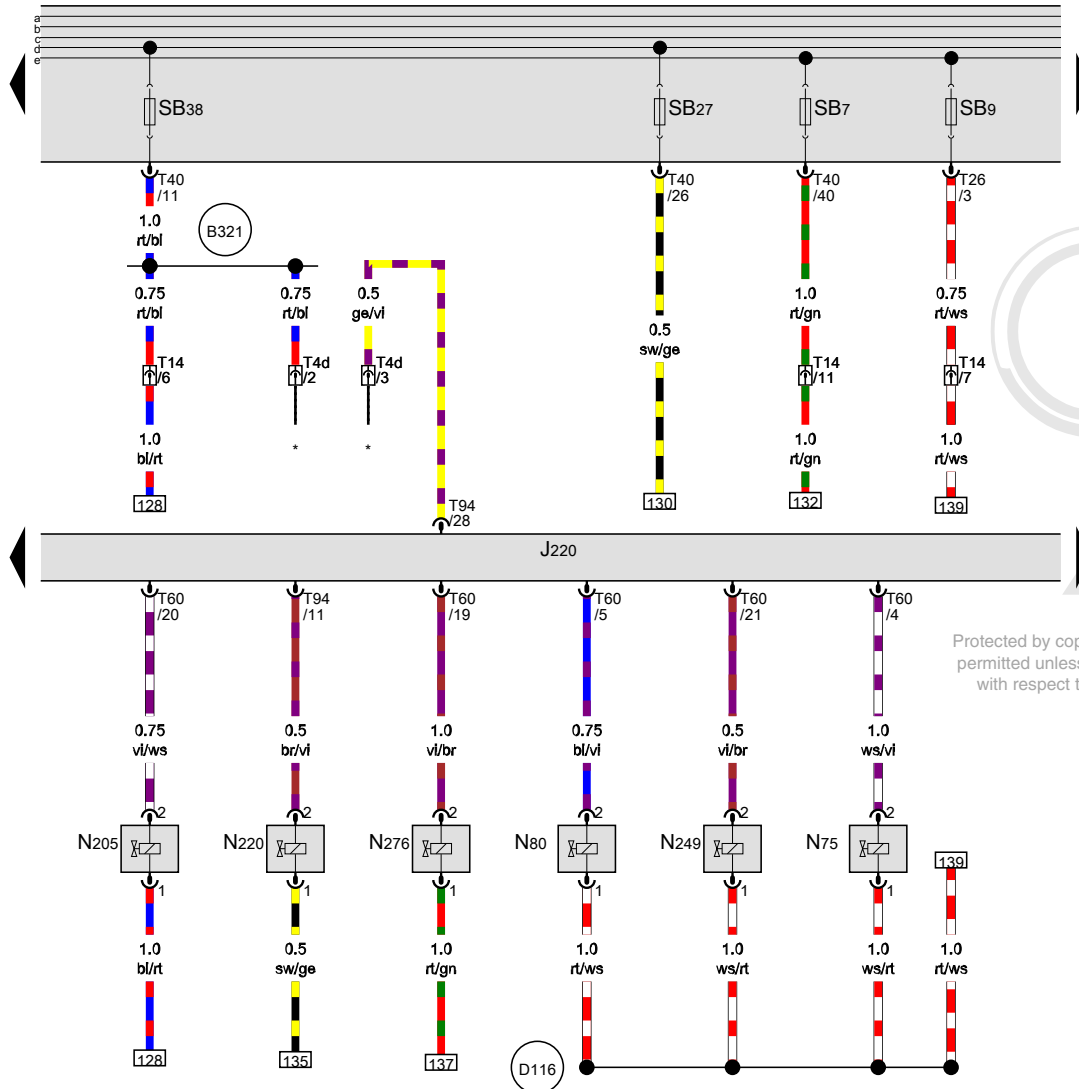


Protected by copyright. Copying for private or commercial purposes, in part or in whole, is not permitted unless authorised by AUDI AG. AUDI AG does not guarantee or accept any liability with respect to the correctness of information in this document. Copyright by AUDI AG.

- ws = white
- sw = black
- ro = red
- br = brown
- gn = green
- bl = blue
- gr = grey
- li = lilac
- ge = yellow
- or = orange
- rs = pink

113 114 115 116 117 118 119 120 121 122 123 124 125 126

[8P1-067101111]



Motronic engine control module, Wastegate bypass regulator valve, EVAP canister purge regulator valve 1, Camshaft adjustment valve 1, Exhaust door valve, Turbocharger recirculation valve, Fuel pressure regulator valve

- J220 Motronic engine control module
- N75 Wastegate bypass regulator valve
- N80 EVAP canister purge regulator valve 1
- N205 Camshaft adjustment valve 1
- N220 Exhaust door valve
- N249 Turbocharger recirculation valve
- N276 Fuel pressure regulator valve
- SB7 Fuse 7 (on fuse panel B)
- SB9 Fuse 9 (on fuse panel B)
- SB27 Fuse 27 (on fuse panel B)
- SB38 Fuse 38 (on fuse panel B)
- T4d 4-pin connector
- T14 14-pin connector
- T26 26-pin connector
- T40 40-pin connector
- T60 60-pin connector
- T94 94-pin connector

Protected by copyright. Copying for private or commercial purposes, in part or in whole, is not permitted unless authorised by AUDI AG. AUDI AG does not guarantee or accept any liability with respect to the correctness of information in this document. Copyright by AUDI AG.

B321 Positive connection 7 (30a) (in main wiring harness)

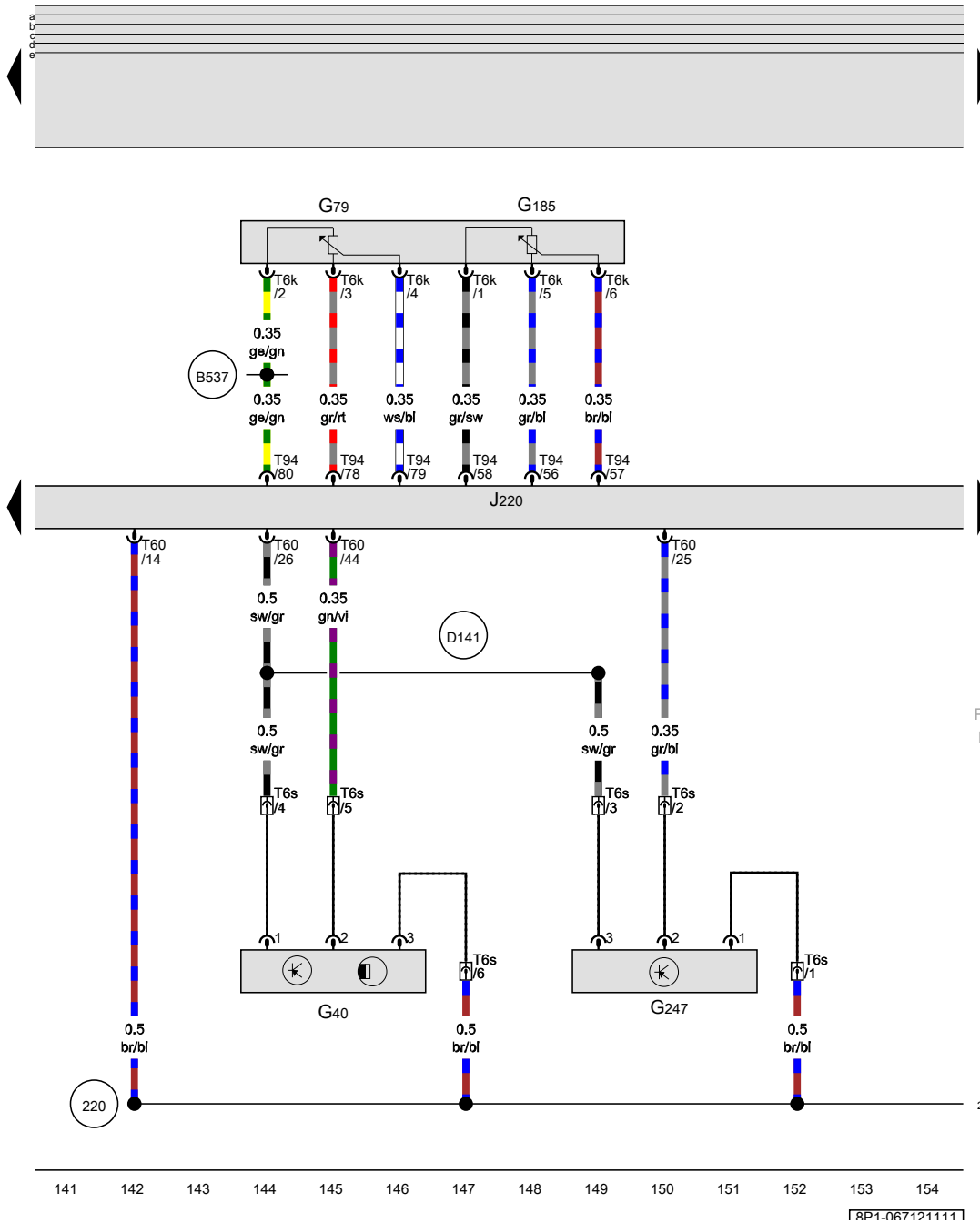
D116 Connection (14) (in engine compartment wiring harness)

* Refer to applicable coolant fan wiring diagram

- ws = white
- sw = black
- ro = red
- br = brown
- gn = green
- bl = blue
- gr = grey
- li = lilac
- ge = yellow
- or = orange
- rs = pink

127 128 129 130 131 132 133 134 135 136 137 138 139 140

[RP1-067111111]



Camshaft position sensor, Accelerator pedal position sensor, Motronic engine control module

- G40 Camshaft position sensor
- G79 Accelerator pedal position sensor
- G185 Accelerator pedal position sensor 2
- G247 Fuel pressure sensor
- J220 Motronic engine control module
- T6k 6-pin connector
- T6s 6-pin connector
- T60 60-pin connector
- T94 94-pin connector
- 220 Sensor ground connection (in engine compartment wiring harness)
- B537 Connection 28 (in main wiring harness)
- D141 Connection (5V) (in engine wiring harness)

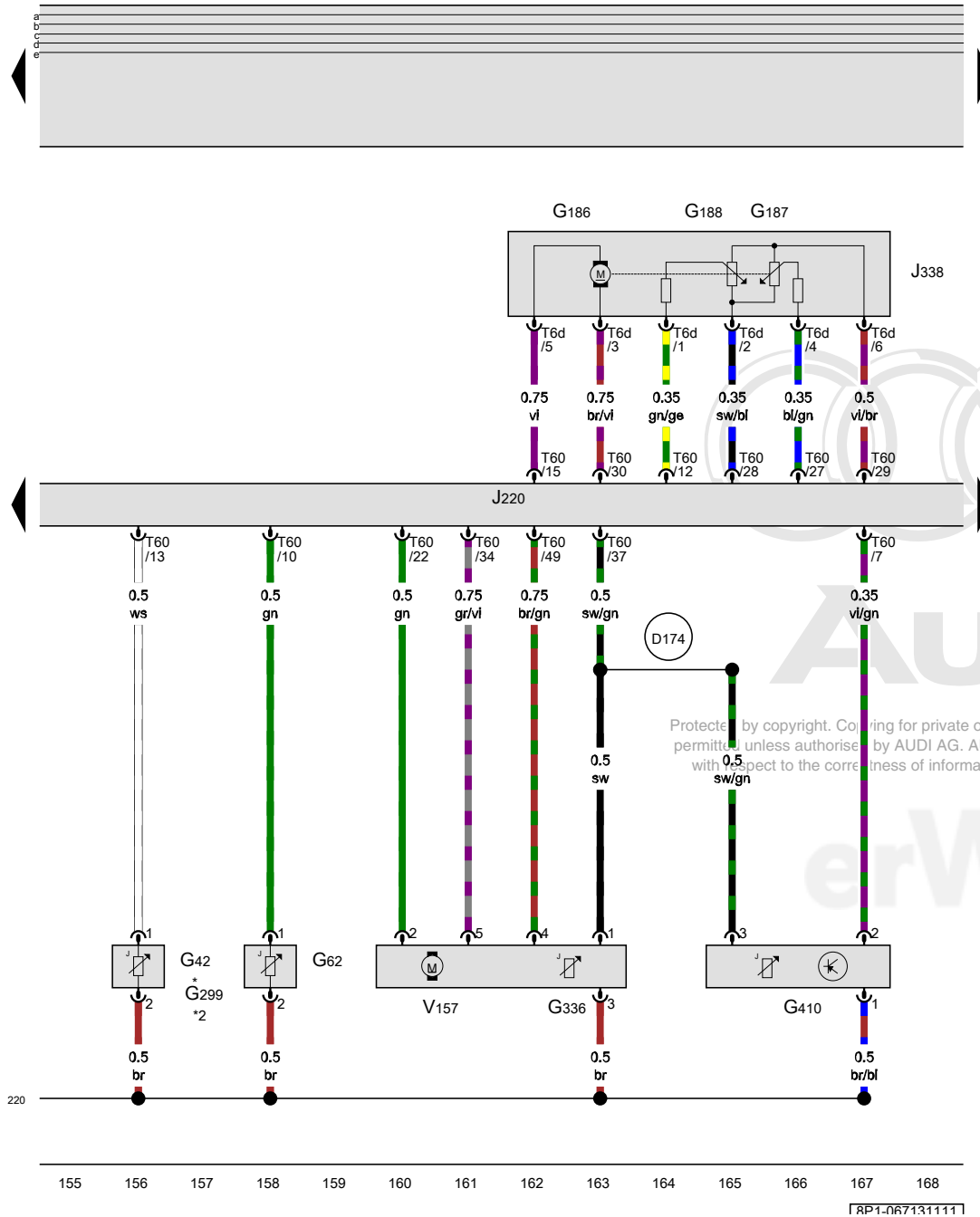
Protected by copyright. Copying for private or commercial purposes, in part or in whole, is not permitted unless authorised by AUDI AG. AUDI AG does not guarantee or accept any liability with respect to the correctness of information in this document. Copyright by AUDI AG.



Intake air temperature sensor, Engine coolant temperature sensor, Motronic engine control module, Throttle valve control module

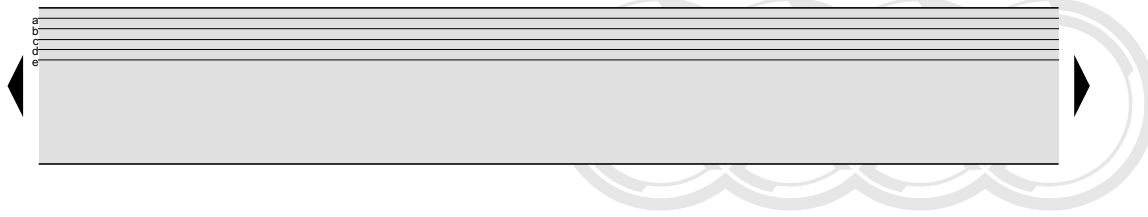
- G42 Intake air temperature sensor
- G62 Engine coolant temperature sensor
- G186 EPC throttle drive
- G187 EPC throttle drive angle sensor 1
- G188 EPC throttle drive angle sensor 2
- G299 Intake air temperature sensor 2
- G336 Intake manifold runner position sensor
- G410 Low fuel pressure sensor
- J220 Motronic engine control module
- J338 Throttle valve control module
- T6d 6-pin connector
- T60 60-pin connector
- V157 Intake flap motor

- (220) Sensor ground connection (in engine compartment wiring harness)
- (D174) Connection 2 (5V) (in engine wiring harness)
- * Running change
- *2 Omitted as a running change



Protected by copyright. Copying for private or commercial purposes, in part or in whole, is not permitted unless authorised by AUDI AG. AUDI AG does not guarantee or accept any liability with respect to the correctness of information in this document. Copyright by AUDI AG.

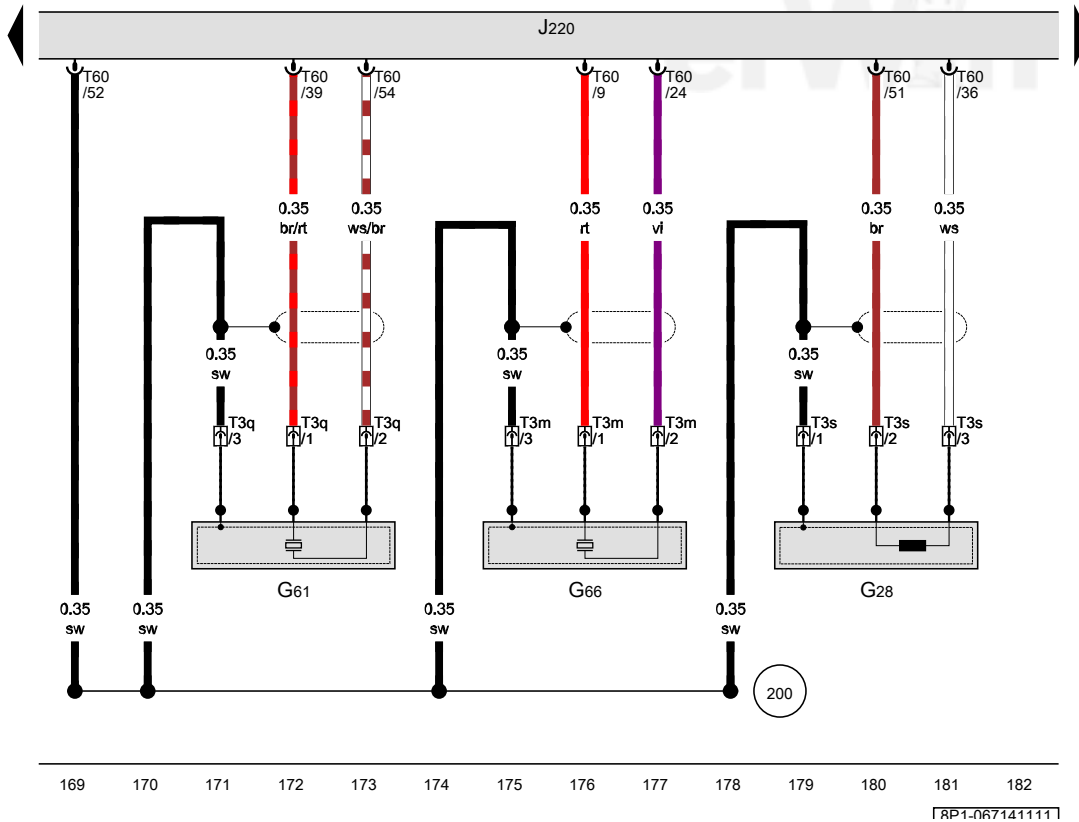
- ws = white
- sw = black
- ro = red
- br = brown
- gn = green
- bl = blue
- gr = grey
- li = lilac
- ge = yellow
- or = orange
- rs = pink



Motronic engine control module

- G28 Engine speed sensor
- G61 Knock sensor 1
- G66 Knock sensor 2
- J220 Motronic engine control module
- T3m 3-pin connector
- T3q 3-pin connector
- T3s 3-pin connector
- T60 60-pin connector
- (200) Ground connection shielding (in engine compartment wiring harness)

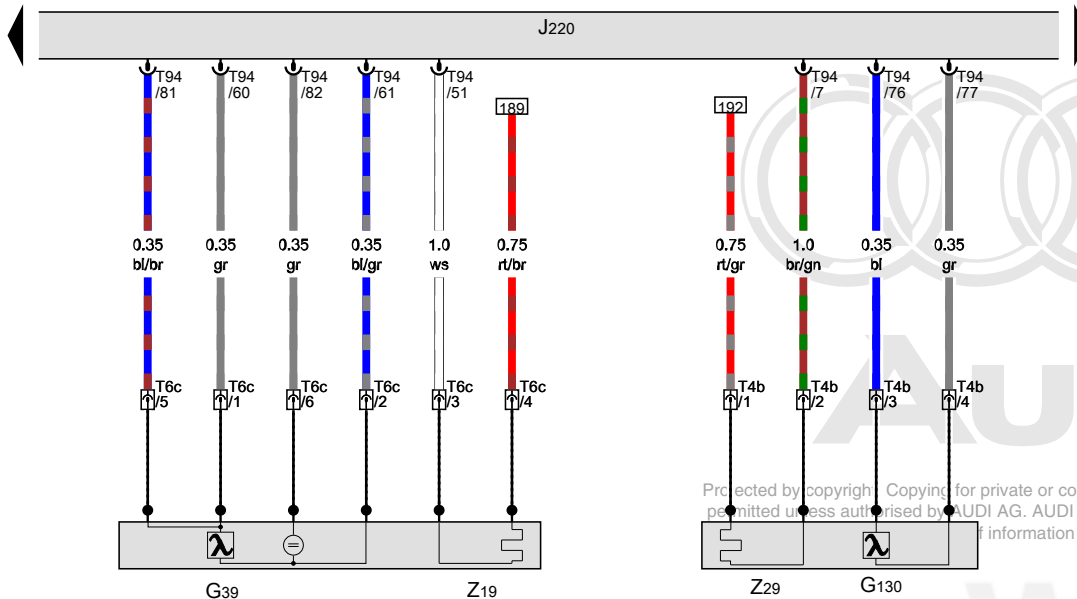
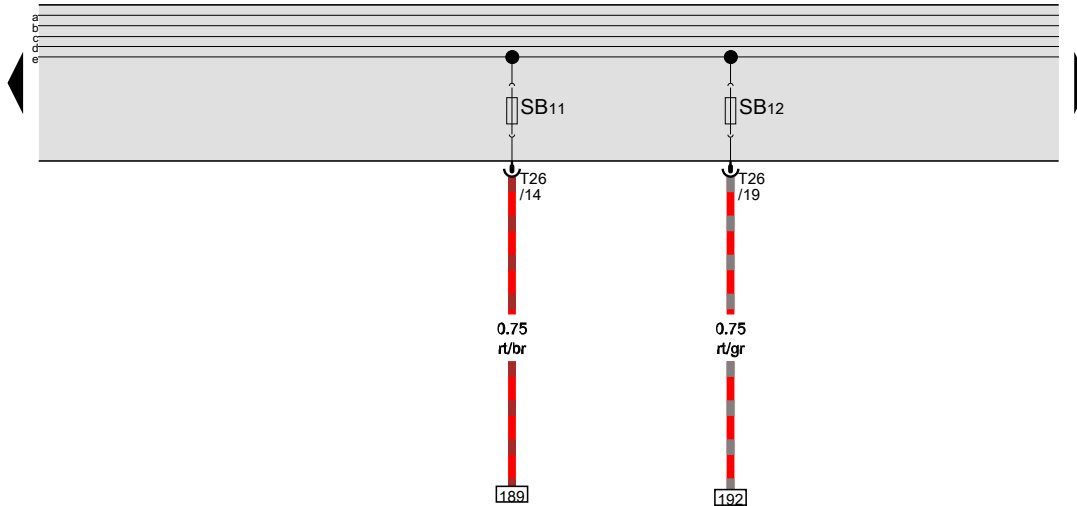
Protected by copyright. Copying for private or commercial purposes, in part or in whole, is not permitted unless authorised by AUDI AG. AUDI AG does not guarantee or accept any liability with respect to the correctness of information in this document. Copyright by AUDI AG.



- ws = white
- sw = black
- ro = red
- br = brown
- gn = green
- bl = blue
- gr = grey
- li = lilac
- ge = yellow
- or = orange
- rs = pink

Heated oxygen sensor, Motronic engine control module, Oxygen sensor heater

- G39 Heated oxygen sensor
- G130 Oxygen sensor after three way catalytic converter
- J220 Motronic engine control module
- SB11 Fuse 11 (on fuse panel B)
- SB12 Fuse 12 (on fuse panel B)
- T4b 4-pin connector, on the oxygen sensor after the catalytic converter
- T6c 6-pin connector, on the oxygen sensor before the catalytic converter
- T26 26-pin connector
- T94 94-pin connector
- Z19 Oxygen sensor heater
- Z29 Heater for oxygen sensor 1 after catalytic converter

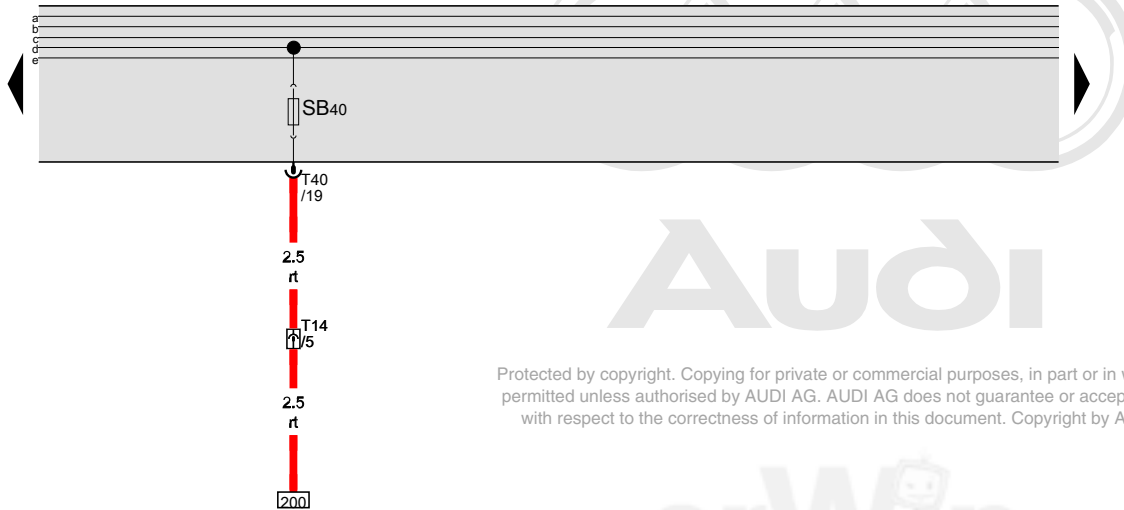


Protected by copyright. Copying for private or commercial purposes, in part or in whole, is not permitted unless authorised by AUDI AG. AUDI AG does not guarantee or accept any liability for information in this document. Copyright by AUDI AG.

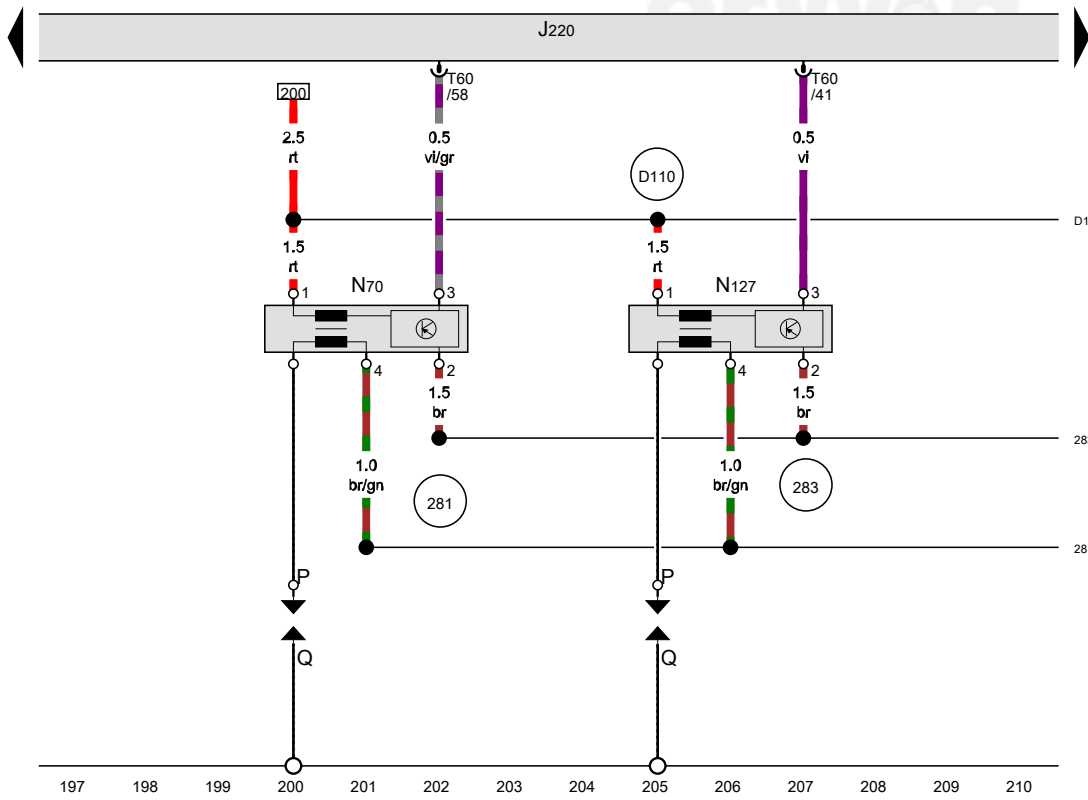
- ws = white
- sw = black
- ro = red
- br = brown
- gn = green
- bl = blue
- gr = grey
- li = lilac
- ge = yellow
- or = orange
- rs = pink

183 184 185 186 187 188 189 190 191 192 193 194 195 196

[RP1-067151111]



Protected by copyright. Copying for private or commercial purposes, in part or in whole, is not permitted unless authorised by AUDI AG. AUDI AG does not guarantee or accept any liability with respect to the correctness of information in this document. Copyright by AUDI AG.

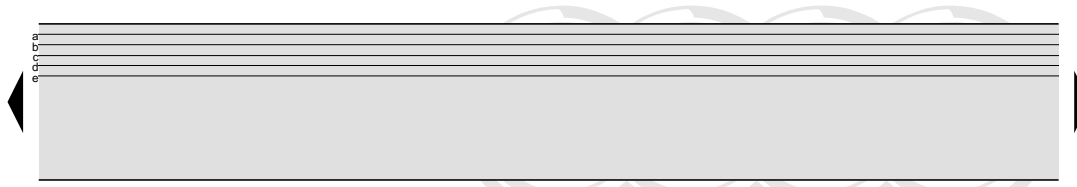


- ws = white
- sw = black
- ro = red
- br = brown
- gn = green
- bl = blue
- gr = grey
- li = lilac
- ge = yellow
- or = orange
- rs = pink

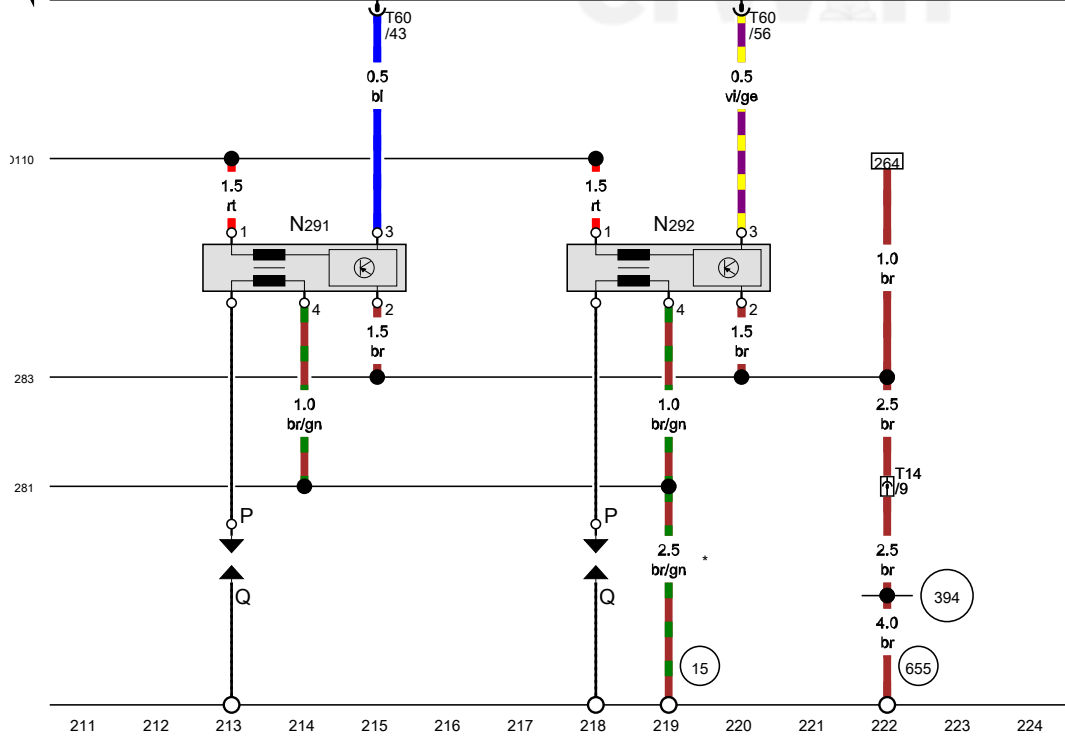
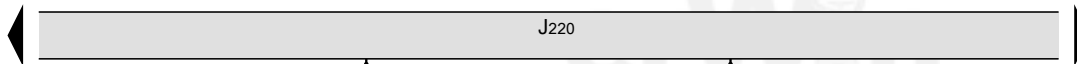
Motronic engine control module, Ignition coil 1 with power output stage, Ignition coil 2 with power output stage

- J220 Motronic engine control module
- N70 Ignition coil 1 with power output stage
- N127 Ignition coil 2 with power output stage
- P Spark plug connectors
- Q Spark plugs
- SB40 Fuse 40 (on fuse panel B)
- T14 14-pin connector
- T40 40-pin connector
- T60 60-pin connector

- (281) Ground connection 1 (in engine wiring harness)
- (283) Ground connection 2 (in engine wiring harness)
- (D110) Connection (8) (in engine compartment wiring harness)



Protected by copyright. Copying for private or commercial purposes, in part or in whole, is not permitted unless authorised by AUDI AG. AUDI AG does not guarantee or accept any liability with respect to the correctness of information in this document. Copyright by AUDI AG.



- ws = white
- sw = black
- ro = red
- br = brown
- gn = green
- bl = blue
- gr = grey
- li = lilac
- ge = yellow
- or = orange
- rs = pink

Motronic engine control module, Ignition coil 3 with power output stage, Ignition coil 4 with power output stage

- J220 Motronic engine control module
- N291 Ignition coil 3 with power output stage
- N292 Ignition coil 4 with power output stage
- P Spark plug connectors
- Q Spark plugs
- T14 14-pin connector, near the left front longitudinal member
- T60 60-pin connector

- 15 Ground connection on cylinder head
- 281 Ground connection 1 (in engine wiring harness)
- 283 Ground connection 2 (in engine wiring harness)
- 394 Ground connection 29 (in main wiring harness)
- 655 Ground connection on left headlamp
- D110 Connection (8) (in engine compartment wiring harness)
- * The color of the wires depends on vehicle equipment

[RP1-067171111]

Motronic engine control module, Data bus on board diagnostic interface, DSG transmission Mechatronic

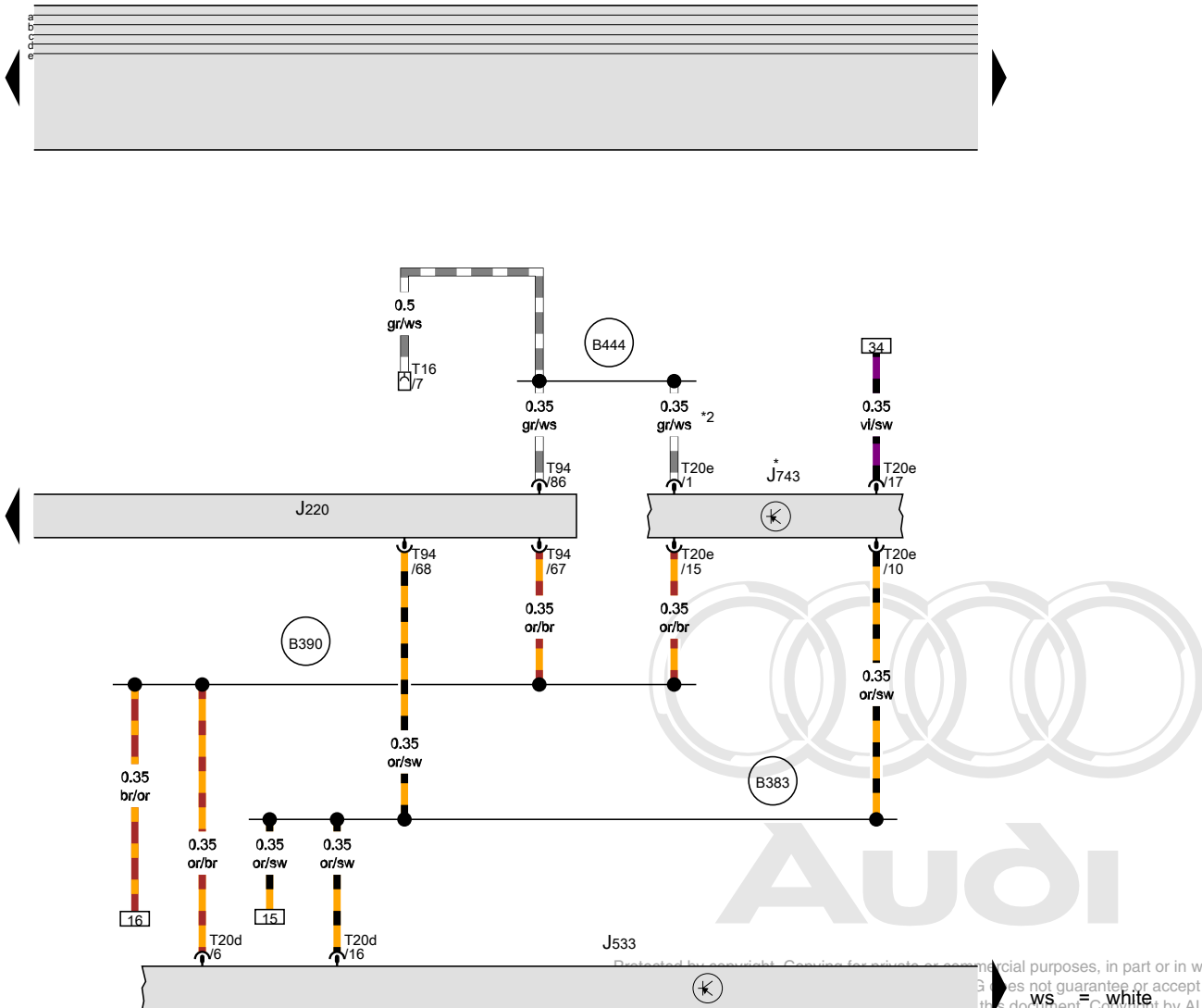
- J220 Motronic engine control module
- J533 Data bus on board diagnostic interface
- J743 DSG transmission Mechatronic
- T16 16-pin connector
- T20d 20-pin connector
- T20e 20-pin connector
- T94 94-pin connector

B383 Powertrain CAN bus high connection 1 (in main wiring harness)

B390 Powertrain CAN bus low connection 1 (in main wiring harness)

B444 OBD connection 1 (in main wiring harness)

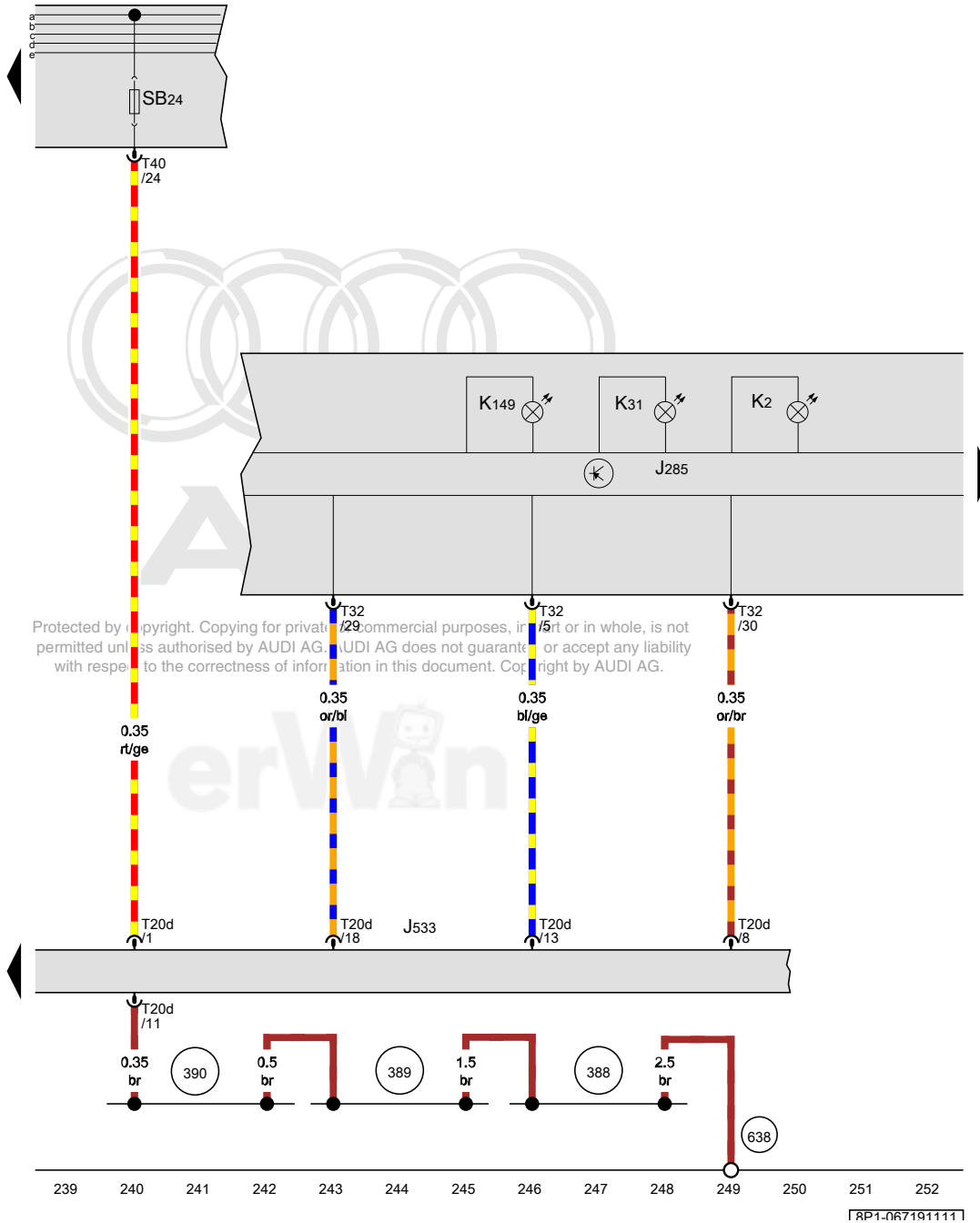
- * Refer to applicable wiring diagram for automatic transmission
- *2 Omitted as a running change



- ws = white
- sw = black
- ro = red
- br = brown
- gn = green
- bl = blue
- gr = grey
- li = lilac
- ge = yellow
- or = orange
- rs = pink

225 226 227 228 229 230 231 232 233 234 235 236 237 238

[RP1-067181111]



Instrument cluster control module, Data bus on board diagnostic interface

- J285 Instrument cluster control module
- J533 Data bus on board diagnostic interface
- K2 Generator indicator lamp
- K31 Cruise control indicator lamp
- K149 Engine electronics indicator lamp
- SB24 Fuse 24 (on fuse panel B)
- T20d 20-pin connector
- T32 32-pin connector
- T40 40-pin connector

- 388 Ground connection 23 (in main wiring harness)
- 389 Ground connection 24 (in main wiring harness)
- 390 Ground connection 25 (in main wiring harness)
- 638 Ground connection on right A-pillar

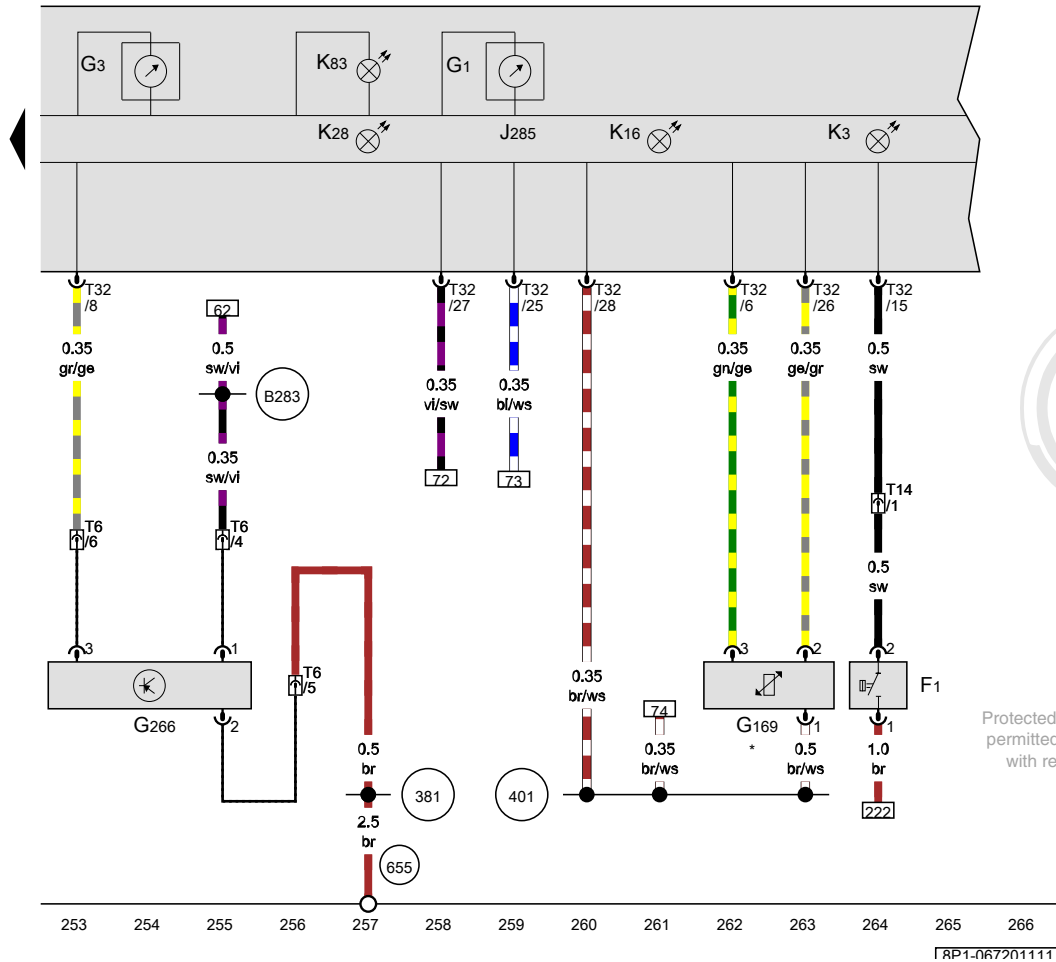
- ws = white
- sw = black
- ro = red
- br = brown
- gn = green
- bl = blue
- gr = grey
- li = lilac
- ge = yellow
- or = orange
- rs = pink

[RP1-067191111]

Oil pressure switch, Fuel level sensor 2, Oil level thermal sensor, Instrument cluster control module

- F1 Oil pressure switch
- G1 Fuel gauge
- G3 Engine coolant temperature gauge
- G169 Fuel level sensor 2
- G266 Oil level thermal sensor
- J285 Instrument cluster control module
- K3 Oil pressure indicator lamp
- K16 Low fuel level indicator lamp
- K28 Engine coolant level/temperature indicator lamp
- K83 Malfunction indicator lamp
- T6 6-pin connector
- T14 14-pin connector, near the left front longitudinal member
- T32 32-pin connector

- 381 Ground connection 16 (in main wiring harness)
- 401 Sensor ground connection (in interior wiring harness)
- 655 Ground connection on left headlamp
- B283 Positive connection 7 (15a) (in main wiring harness)
- * Only for vehicles with all wheel drive



Protected by copyright. Copying for private or commercial purposes, in part or in whole, is not permitted unless authorised by AUDI AG. AUDI AG does not guarantee or accept any liability with respect to the correctness of information in this document. Copyright by AUDI AG.

ws = white
 sw = black
 ro = red
 br = brown
 gn = green
 bl = blue
 gr = grey
 li = lilac
 ge = yellow
 or = orange
 rs = pink

3.2L fuel injection engine (Motronic - cylinder 6), BUB, CBRA

from May 2008

Note:

Information for

◆ Relay and fuse arrangements

◆ Connector arrangements

◆ Control Modules and Relays

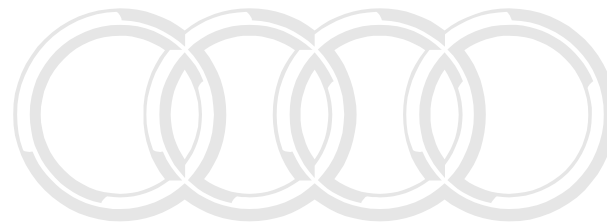
◆ Ground Connections

⇒ Component Locations

Information for

◆ Troubleshooting Procedures

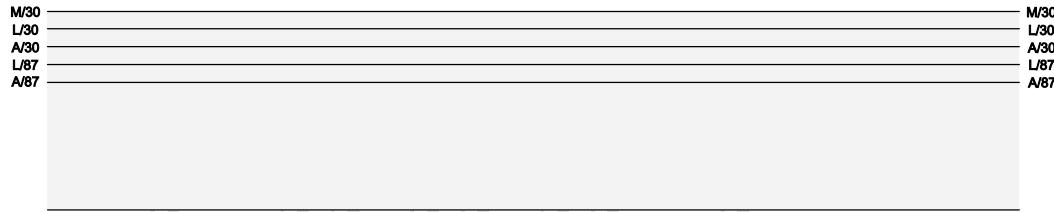
⇒ Guided Fault Finding using VAS 5051 / 5052



Audi

Protected by copyright. Copying for private or commercial purposes, in part or in whole, is not permitted unless authorised by AUDI AG. AUDI AG does not guarantee or accept any liability with respect to the correctness of information in this document. Copyright by AUDI AG.





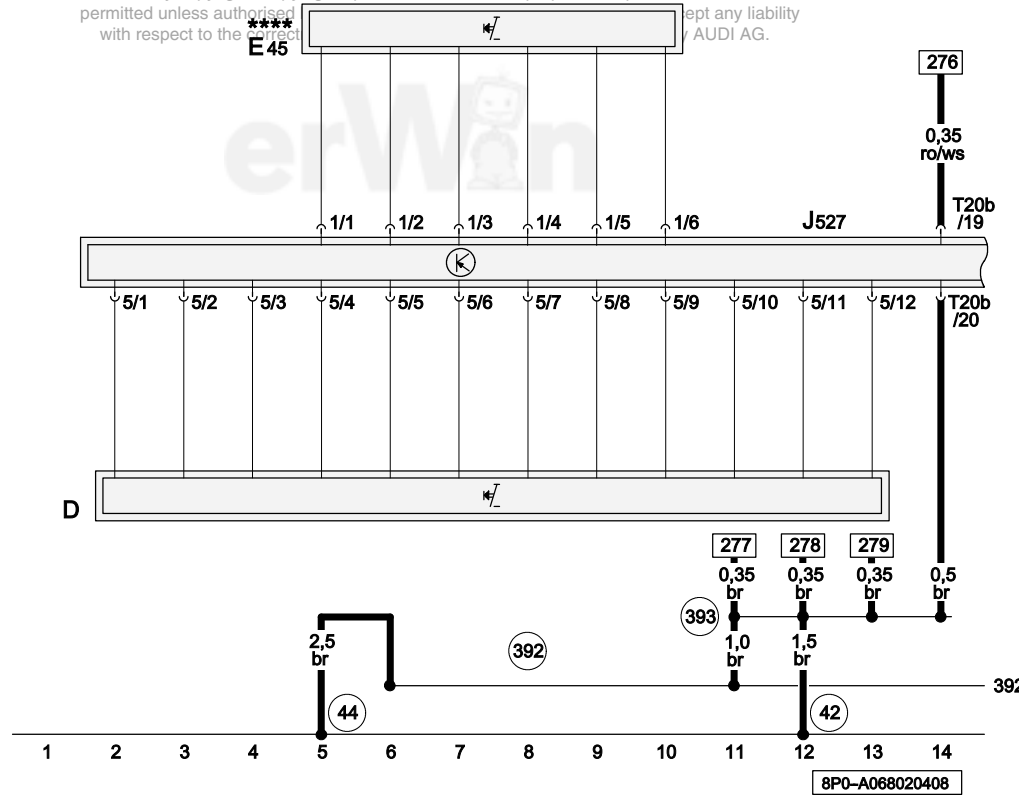
Cruise Control Switch, Ignition/Starter Switch

- D Ignition/Starter Switch
- E45 Cruise Control Switch
- J527 Steering Column Electronic Systems Control Module
- T20b 20-Pin Connector, black (Connector A)

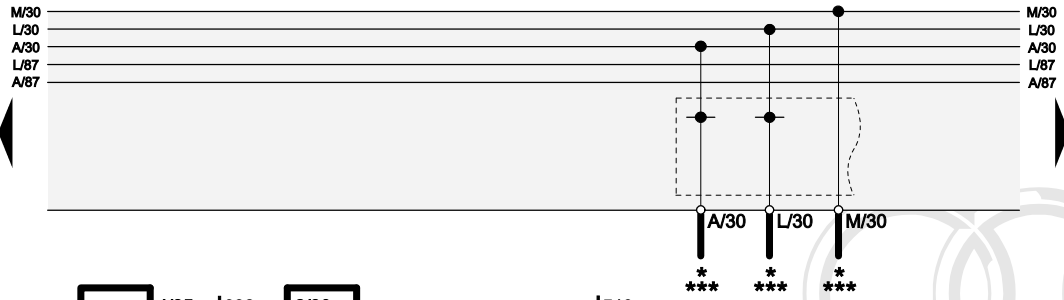
- 42 Ground Connection (beside steering column)
- 44 Ground Connection (on left lower A-pillar)
- 392 Ground Connection 27 (in main wiring harness)
- 393 Ground Connection 28 (in main wiring harness)

**** Only for models with cruise control system

Protected by copyright. Copying for private or commercial purposes, in part or in whole, is not permitted unless authorised in writing by Audi AG. All rights reserved. Audi AG.



- ws = white
- sw = black
- ro = red
- br = brown
- gn = green
- bl = blue
- gr = grey
- li = lilac
- ge = yellow
- or = orange
- rs = pink

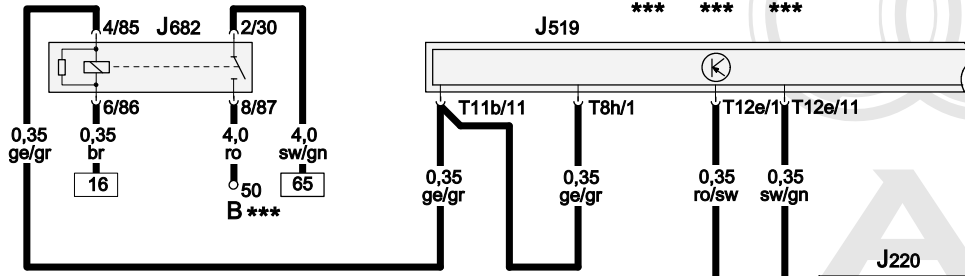


Electronics Box Supply, Power Supply Relay (terminal 50)

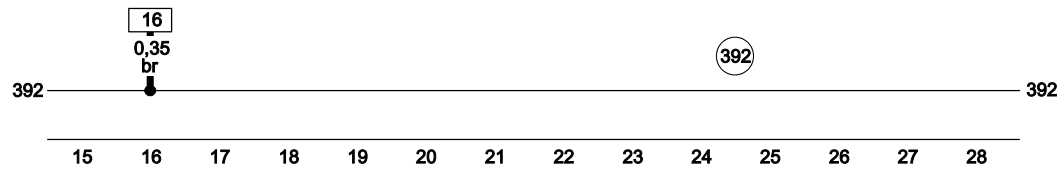
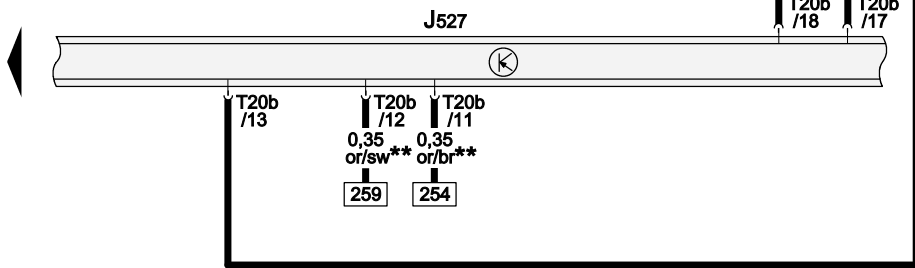
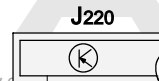
- B Starter
- J220 Motronic Engine Control Module (ECM)
- J519 Vehicle Electrical System Control Module
- J527 Steering Column Electronic Systems Control Module
- J682 Power Supply Relay (terminal 50)
- T8h 8-Pin Connector, black (Connector F)
- T11b 11-Pin Connector, black (Connector A)
- T12e 12-Pin Connector, black (Connector G)
- T20b 20-Pin Connector, black (Connector A)
- T121 121-Pin Connector, black, on engine control module (ECM)

392 Ground Connection 27 (in main wiring harness)

- * Luggage compartment main fuse panel supply
- ** Only models with powertrain CAN-Bus
- *** ⇒ Applicable Wiring Diagram for models with battery in luggage compartment
- **** Only for models with cruise control system

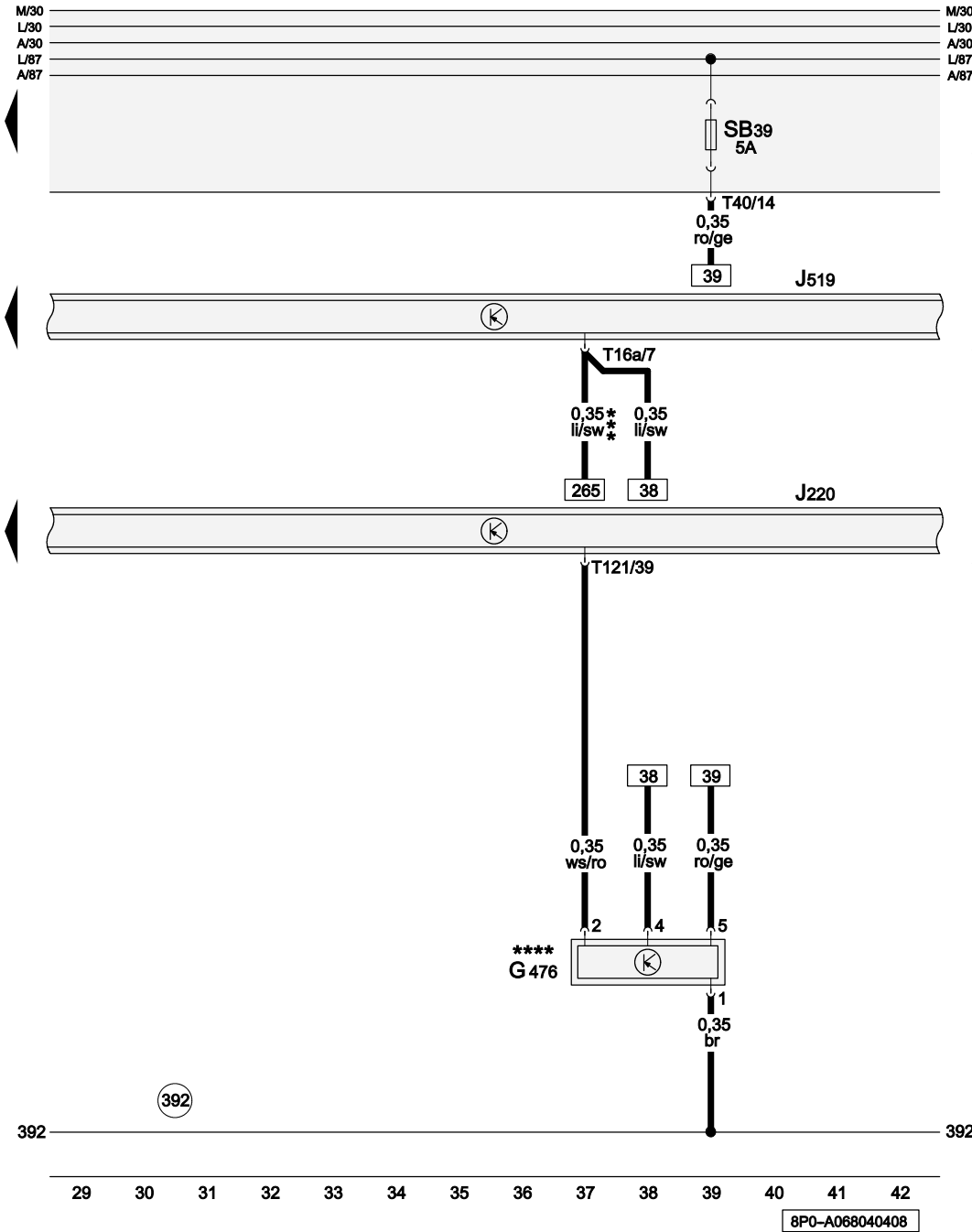


protected by copyright for private or commercial purposes, in part or in whole, is not permitted, unless otherwise stated by AUDI AG. AUDI AG does not guarantee or accept any liability with respect to the correctness of information in this document. Copyright by AUDI AG.



8P0-A068030808

- ws = white
- sw = black
- ro = red
- br = brown
- gn = green
- bl = blue
- gr = grey
- li = lilac
- ge = yellow
- or = orange
- rs = pink

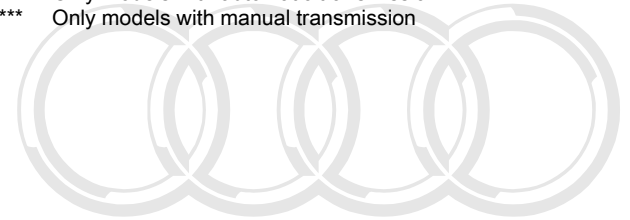


Clutch Position Sensor

- G476 Clutch Position Sensor
- J220 Motronic Engine Control Module (ECM)
- J519 Vehicle Electrical System Control Module
- SB39 Fuse 39 (on fuse panel B)
- T16a 16-Pin Connector, black (Connector E)
- T40 40-Pin Connector, black, on electronics box engine compartment (Connector J)
- T121 121-Pin Connector, black, on engine control module (ECM)

392 Ground Connection 27 (in main wiring harness)

- *** Only models with automatic transmission
- **** Only models with manual transmission

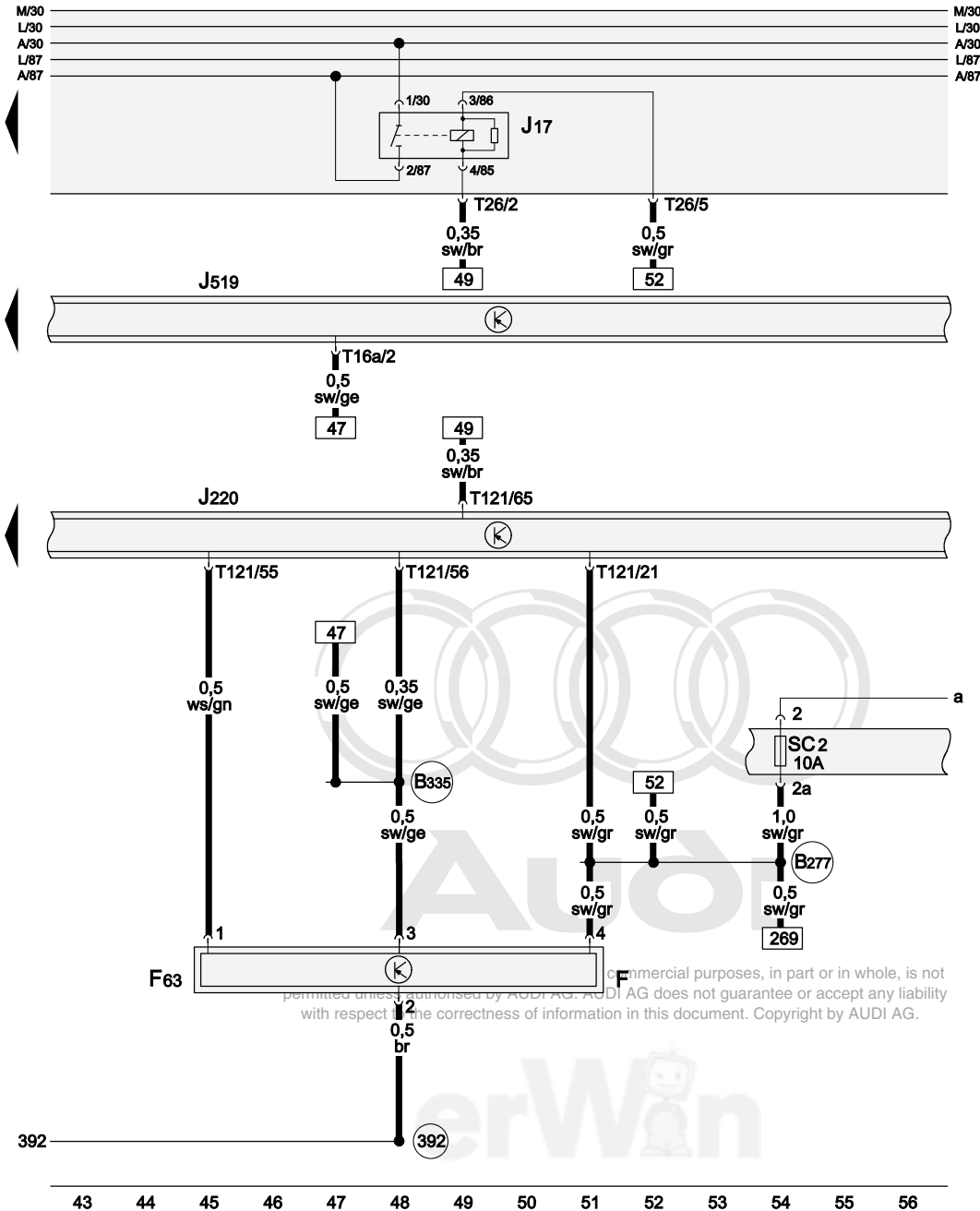


Audi

Protected by copyright. Copying for private or commercial purposes, in part or in whole, is not permitted unless authorised by AUDI AG. AUDI AG does not guarantee or accept any liability with respect to the correctness of information in this document. Copyright by AUDI AG.



- ws = white
- sw = black
- ro = red
- br = brown
- gn = green
- bl = blue
- gr = grey
- li = lilac
- ge = yellow
- or = orange
- rs = pink

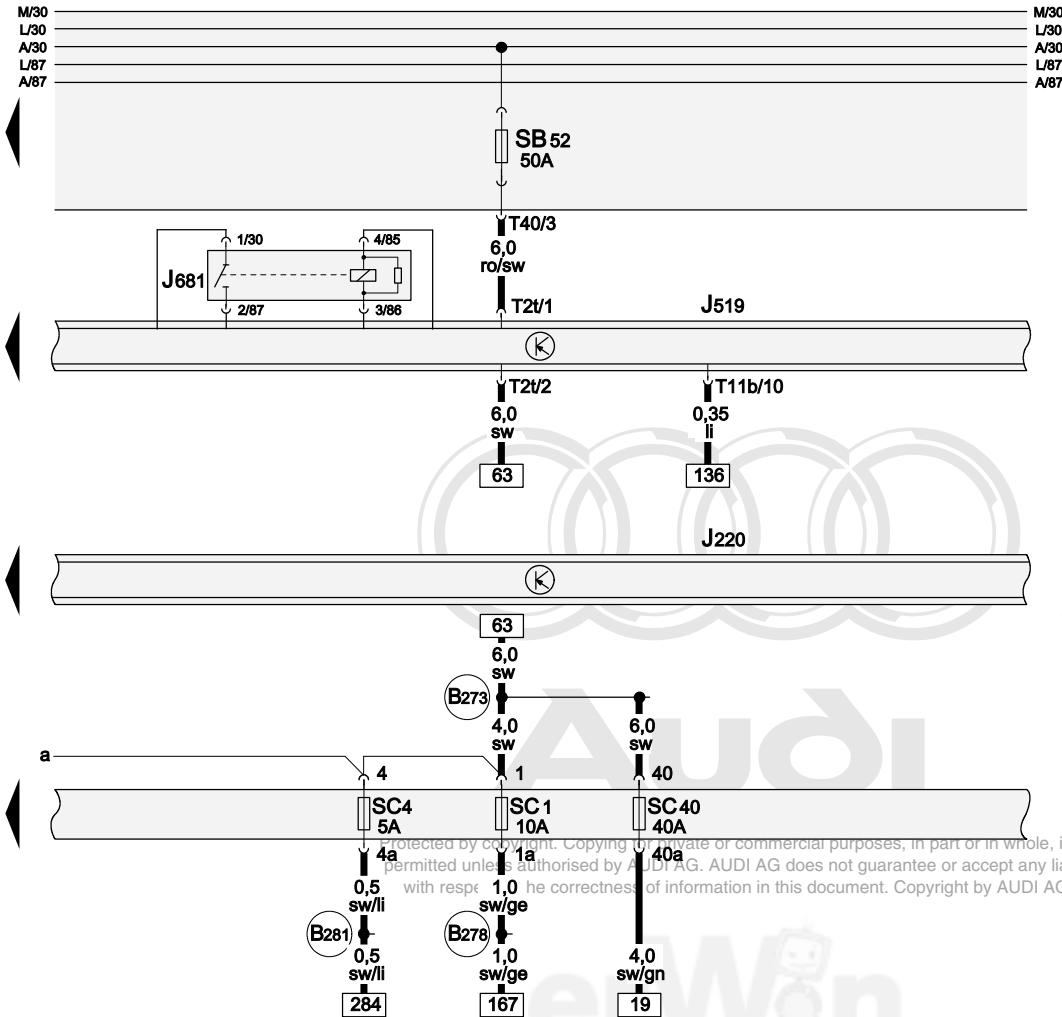


Brake Light Switch, Brake Pedal Switch

- F Brake Light Switch
- F63 Brake Pedal Switch
- J17 Fuel Pump (FP) Relay
- J220 Motronic Engine Control Module (ECM)
- J519 Vehicle Electrical System Control Module
- SC2 Fuse 2 (on fuse panel C)
- T16a 16-Pin Connector, black (Connector E)
- T26 26-Pin Connector, black, on electronics box engine compartment (Connector K)
- T121 121-Pin Connector, black, on engine control module (ECM)
- 392 Ground Connection 27 (in main wiring harness)
- B277 Plus Connection 1 (15a) (in main wiring harness)
- B335 Connection 1 (54) (in main wiring harness)

- ws = white
- sw = black
- ro = red
- br = brown
- gn = green
- bl = blue
- gr = grey
- li = lilac
- ge = yellow
- or = orange
- rs = pink

8P0-A068050408



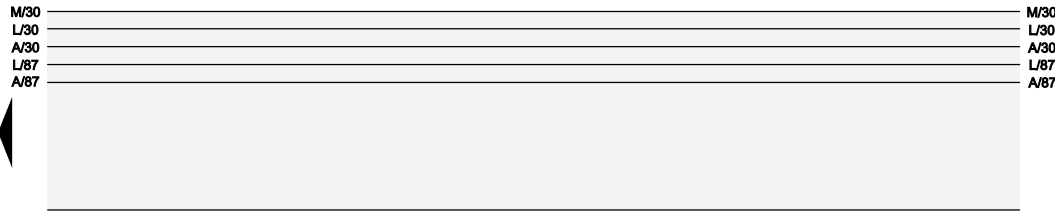
Power Supply Relay 2 (terminal 15)

- J220 Motronic Engine Control Module (ECM)
- J519 Vehicle Electrical System Control Module
- J681 Power Supply Relay 2 (terminal 15)
- SB52 Fuse 52 (on fuse panel B)
- SC1 Fuse 1 (on fuse panel C)
- SC4 Fuse 4 (on fuse panel C)
- SC40 Fuse 40 (on fuse panel C)
- T2t Double Connector, black (Connector L)
- T11b 11-Pin Connector, black (Connector A)
- T40 40-Pin Connector, black, on electronics box engine compartment (Connector J)

- (B273) Plus Connection (15) (in main wiring harness)
- (B278) Plus Connection 2 (15a) (in main wiring harness)
- (B281) Plus Connection 5 (15a) (in main wiring harness)

Protected by copyright. Copying for private or commercial purposes, in part or in whole, is not permitted unless authorised by AUDI AG. AUDI AG does not guarantee or accept any liability with respect to the correctness of information in this document. Copyright by AUDI AG.

- ws = white
- sw = black
- ro = red
- br = brown
- gn = green
- bl = blue
- gr = grey
- li = lilac
- ge = yellow
- or = orange
- rs = pink



Generator (GEN)

- C Generator (GEN)
- J519 Vehicle Electrical System Control Module
- J220 Motronic Engine Control Module (ECM)
- SA5 Fuse 5 (on fuse panel A)
- SC27 Fuse 27 (on fuse panel C)
- T2u Double Connector, brown, in engine compartment, front left
- T4 4-Pin Connector, black, in engine compartment, front left
- T8h 8-Pin Connector, black (Connector F)
- T121 121-Pin Connector, black, on engine control module (ECM)

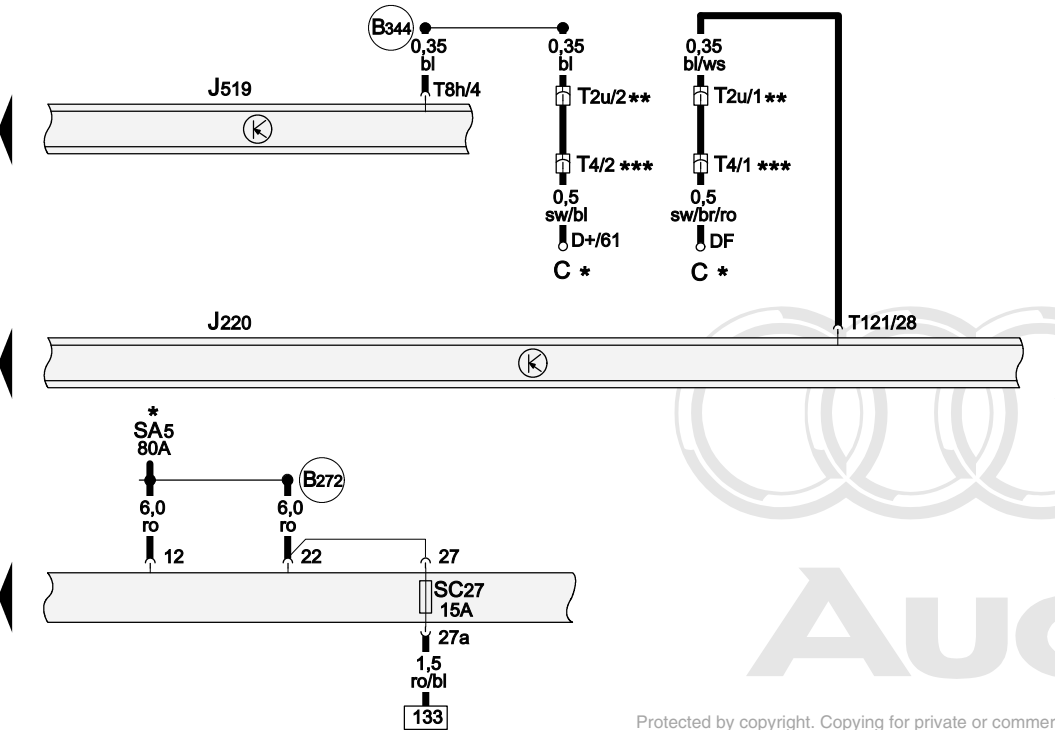
B272 Plus Connection (30) (in main wiring harness)

B344 Connection 1 (61) (in main wiring harness)

* ⇒ Applicable Wiring Diagram for models with battery in luggage compartment

** Only models without A/C

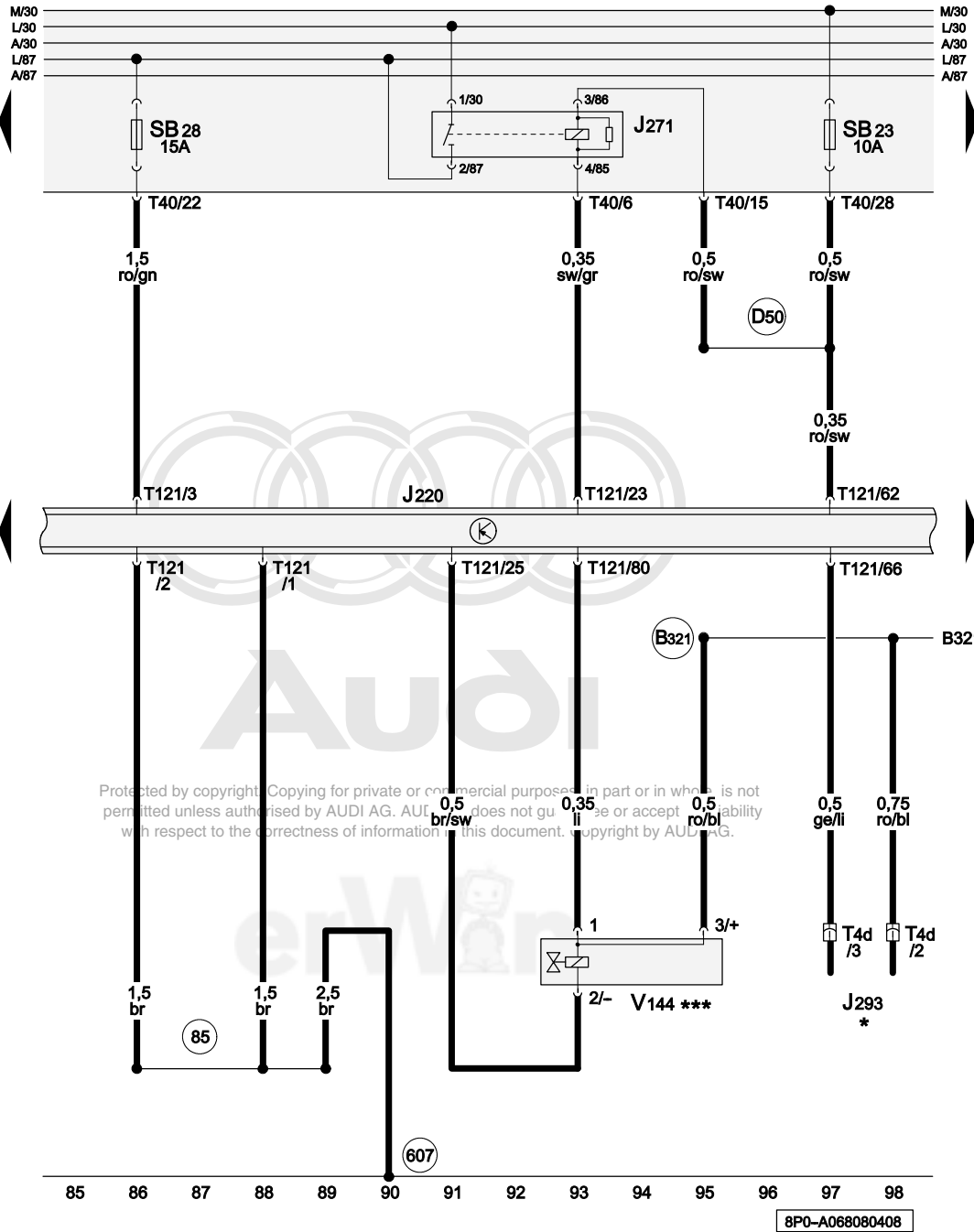
*** Only models with A/C



Protected by copyright. Copying for private or commercial purposes, in part or in whole, is not permitted unless authorised by AUDI AG. AUDI AG does not guarantee or accept any liability with respect to the correctness of information in this document. Copyright by AUDI AG.



- ws = white
- sw = black
- ro = red
- br = brown
- gn = green
- bl = blue
- gr = grey
- li = lilac
- ge = yellow
- or = orange
- rs = pink

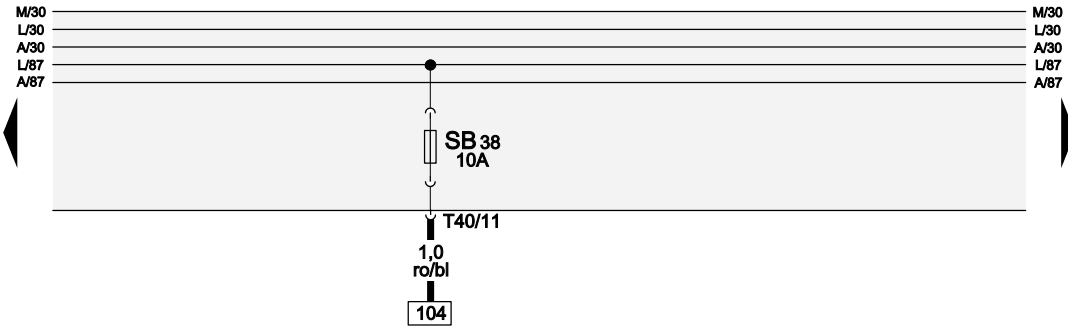


Motronic Engine Control Module (ECM) Power Supply Relay, Leak Detection Pump (LDP)

- J220 Motronic Engine Control Module (ECM)
 - J271 Motronic Engine Control Module (ECM) Power Supply Relay
 - J293 Coolant Fan Control (FC) Control Module
 - SB23 Fuse 23 (on fuse panel B)
 - SB28 Fuse 28 (on fuse panel B)
 - T4d 4-Pin Connector, black, on coolant fan control (FC) (front end)
 - T40 40-Pin Connector, black, on electronics box engine compartment (Connector J)
 - T121 121-Pin Connector, black, on engine control module (ECM)
 - V144 Leak Detection Pump (LDP)
- (85) Ground Connection 1 (in engine compartment wiring harness)
 - (607) Ground Connection (in plenum chamber, left)
 - (B321) Plus Connection 7 (30a) (in main wiring harness)
 - (D50) Plus Connection (30) (in engine compartment wiring harness)
- * => Applicable Wiring Diagram Coolant Fan Control
 *** Only models with US equipment

- ws = white
- sw = black
- ro = red
- br = brown
- gn = green
- bl = blue
- gr = grey
- li = lilac
- ge = yellow
- or = orange
- rs = pink

Protected by copyright. Copying for private or commercial purposes, in part or in whole, is not permitted unless authorised by AUDI AG. AUDI AG does not guarantee the use or accept liability with respect to the correctness of information in this document. Copyright by AUDI AG.



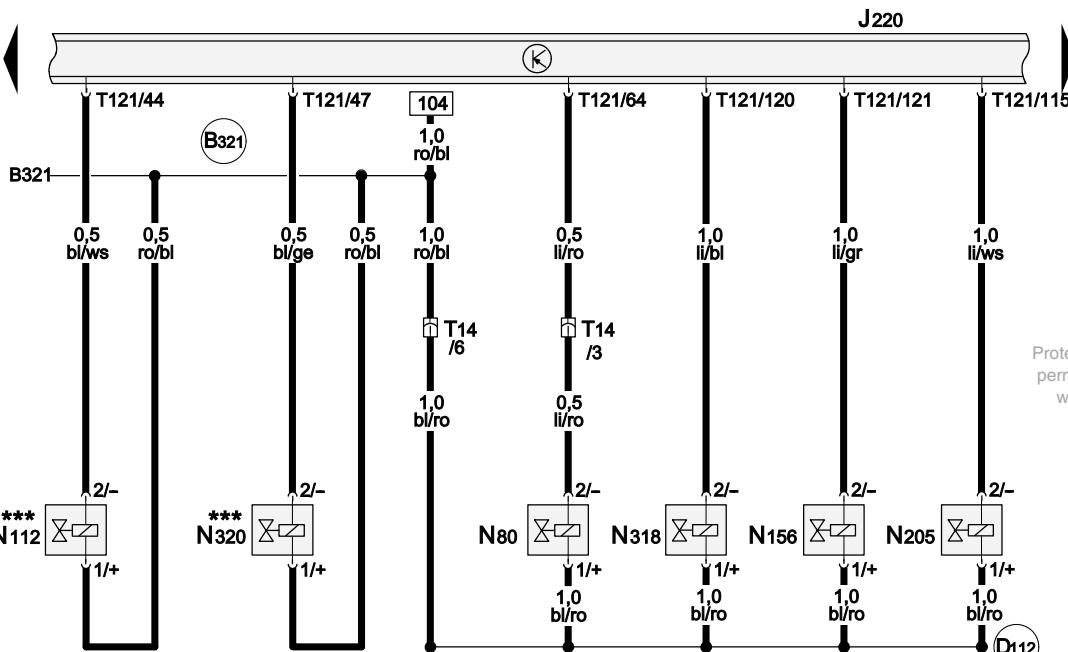
Solenoid Valves

- J220 Motronic Engine Control Module (ECM)
- N80 Evaporative Emission (EVAP) Canister Purge Regulator Valve 1
- N112 Secondary Air Injection (AIR) Solenoid Valve
- N156 Intake Manifold Tuning (IMT) Valve
- N205 Camshaft Adjustment Valve 1
- N318 Camshaft Adjustment Valve 1 (exhaust)
- N320 Secondary Air Injection (AIR) Solenoid Valve 2
- SB38 Fuse 38 (on fuse panel B)
- T14 14-Pin Connector, black, near left front long member
- T40 40-Pin Connector, black, on electronics box engine compartment (Connector J)
- T121 121-Pin Connector, black, on engine control module (ECM)

(B321) Plus Connection 7 (30a) (in main wiring harness)

(D112) Connection 10 (in engine compartment wiring harness)

*** Only models with US equipment

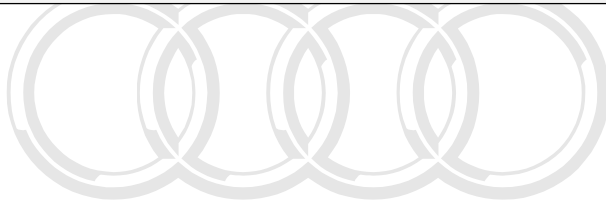
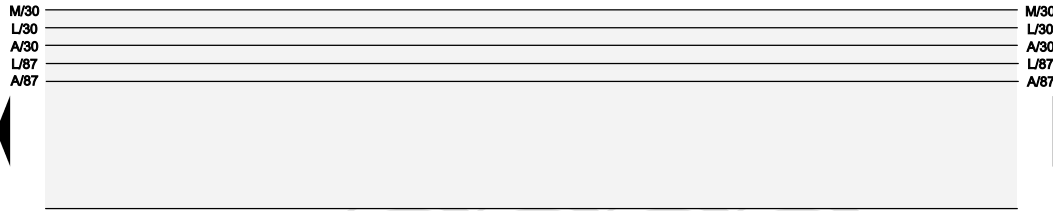


Protected by copyright. Copying for private or commercial purposes, in part or in whole, is not permitted unless authorised by AUDI AG. AUDI AG does not guarantee or accept any liability with respect to the correctness of information in this document. Copyright by AUDI AG.

- ws = white
- sw = black
- ro = red
- br = brown
- gn = green
- bl = blue
- gr = grey
- li = lilac
- ge = yellow
- or = orange
- rs = pink

99 100 101 102 103 104 105 106 107 108 109 110 111 112

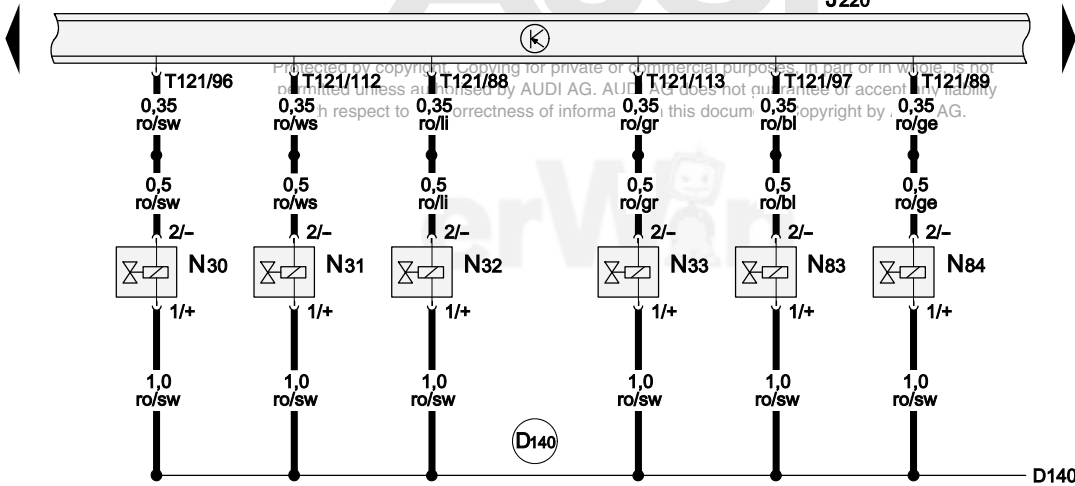
8P0-A068090408



J220

Injectors

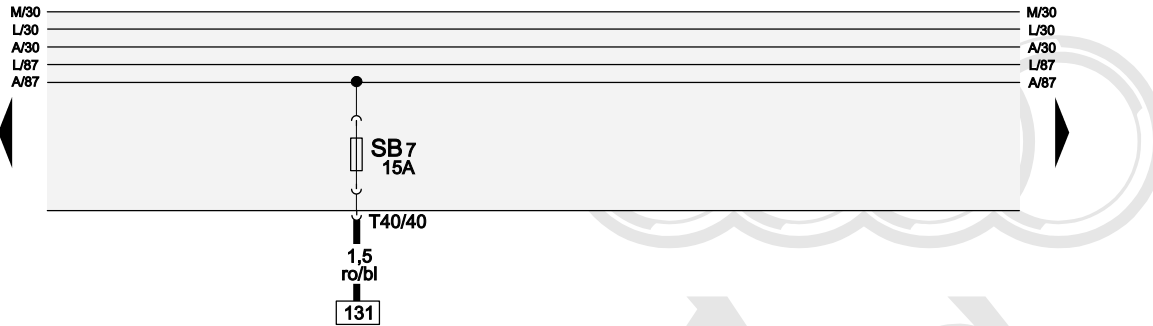
- J220 Motronic Engine Control Module (ECM)
- N30 Cylinder 1 Fuel Injector
- N31 Cylinder 2 Fuel Injector
- N32 Cylinder 3 Fuel Injector
- N33 Cylinder 4 Fuel Injector
- N83 Cylinder 5 Fuel Injector
- N84 Cylinder 6 Fuel Injector
- T121 121-Pin Connector, black, on engine control module (ECM)
- (D140) Connection (injectors) (in engine pre-wiring wiring harness)



- ws = white
- sw = black
- ro = red
- br = brown
- gn = green
- bl = blue
- gr = grey
- li = lilac
- ge = yellow
- or = orange
- rs = pink

113 114 115 116 117 118 119 120 121 122 123 124 125 126

8P0-A068100408

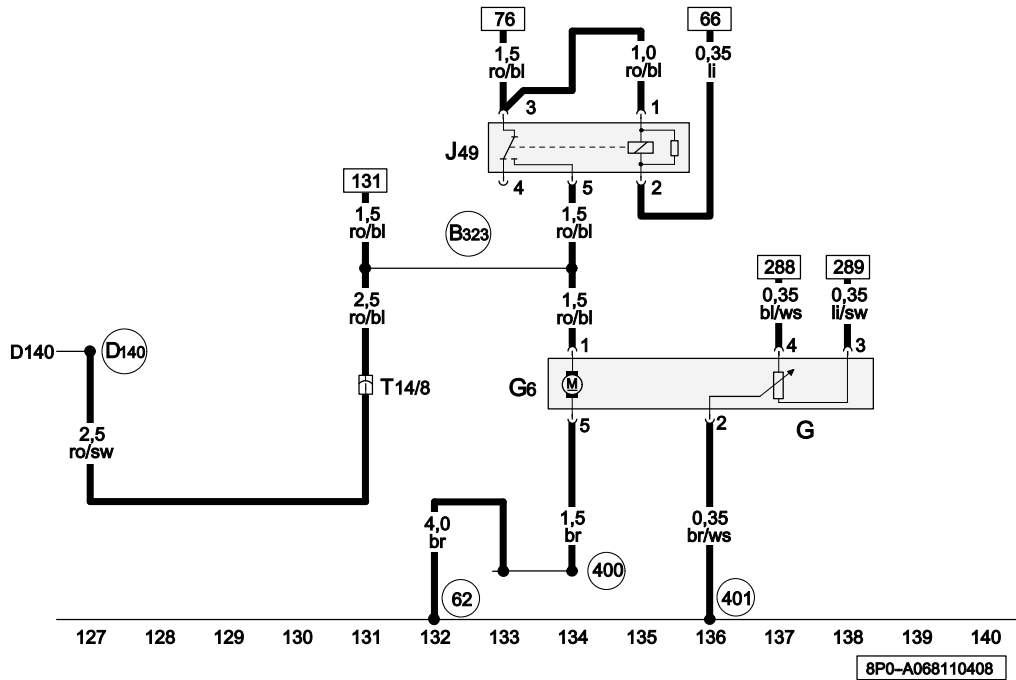
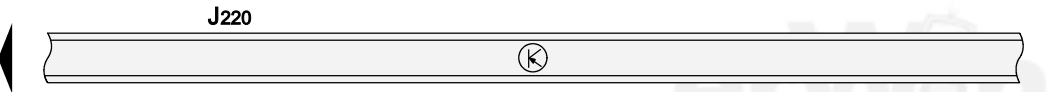


Protected by copyright. Copying for private or commercial purposes, in part or in whole, is not permitted unless authorised by AUDI AG. AUDI AG does not guarantee or accept any liability with respect to the correctness of information in this document. Copyright by AUDI AG.

Fuel Pump (FP), Fuel Level Sensor

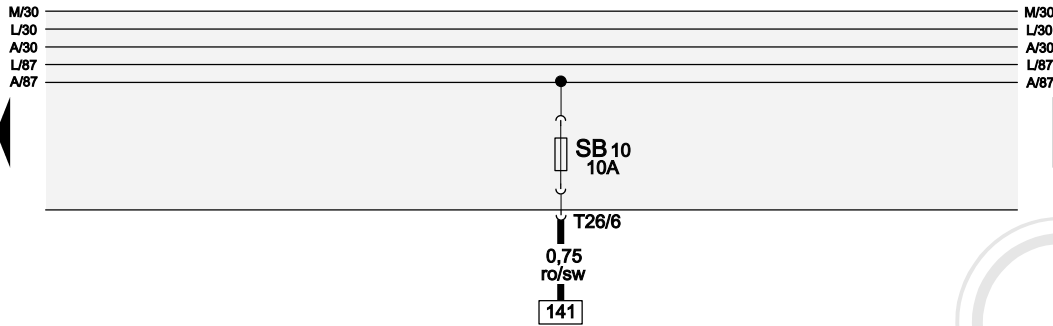
- G Fuel Level Sensor
- G6 Transfer Fuel Pump (FP)
- J49 Fuel Pump (FP) 2 Relay
- J220 Motronic Engine Control Module (ECM)
- SB7 Fuse 7 (on fuse panel B)
- T14 14-Pin Connector, black, near left front long member
- T40 40-Pin Connector, black, on electronics box engine compartment (Connector J)

- 62 Ground Connection (on right C-pillar)
- 400 Ground Connection 35 (in main wiring harness)
- 401 Sensor Ground Connection (in interior wiring harness)
- B323 Plus Connection 9 (30a) (in main wiring harness)
- D140 Connection (injectors) (in engine pre-wiring wiring harness)



- ws = white
- sw = black
- ro = red
- br = brown
- gn = green
- bl = blue
- gr = grey
- li = lilac
- ge = yellow
- or = orange
- rs = pink

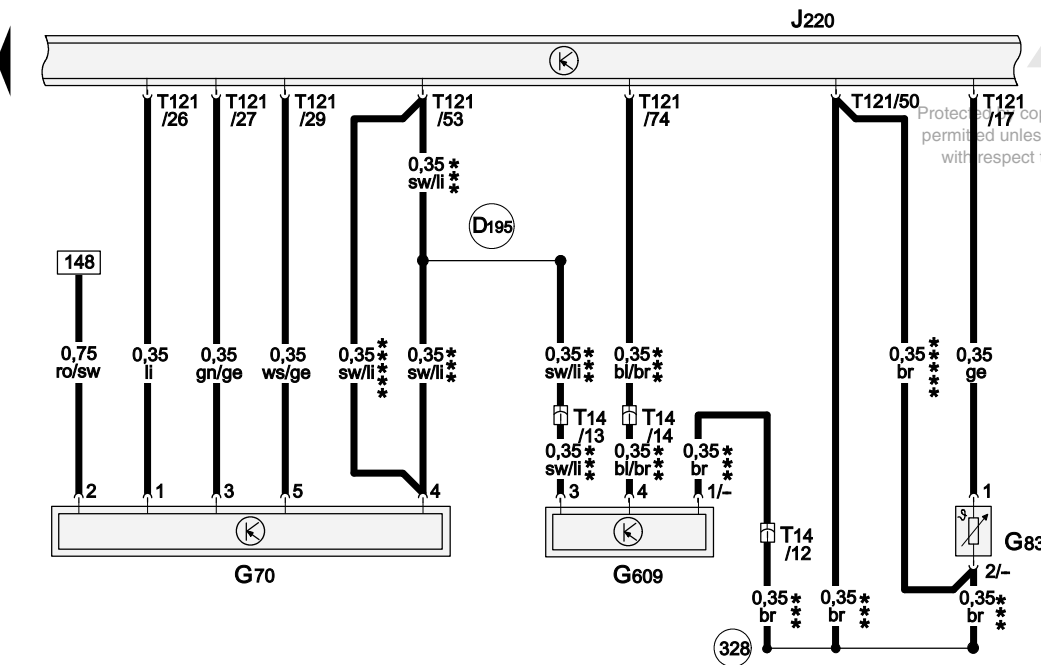
8P0-A068110408



Mass Air Flow (MAF) Sensor, Engine Coolant Temperature (ECT) Sensor (on Radiator), Secondary Air Injection (AIR) Sensor 1

- G70 Mass Air Flow (MAF) Sensor
- G83 Engine Coolant Temperature (ECT) Sensor (on Radiator)
- G609 Secondary Air Injection (AIR) Sensor 1
- J220 Motronic Engine Control Module (ECM)
- SB10 Fuse 10 (on fuse panel B)
- T14 14-Pin Connector, black, near left front long member
- T26 26-Pin Connector, black, on electronics box engine compartment (Connector K)
- T121 121-Pin Connector, black, on engine control module (ECM)
- 328 Sensor Ground Connection 2 (in engine compartment wiring harness)
- D195 Connection 1 (5V) (in engine compartment wiring harness)
- *** Only models with US equipment
- **** Not for models with US equipment

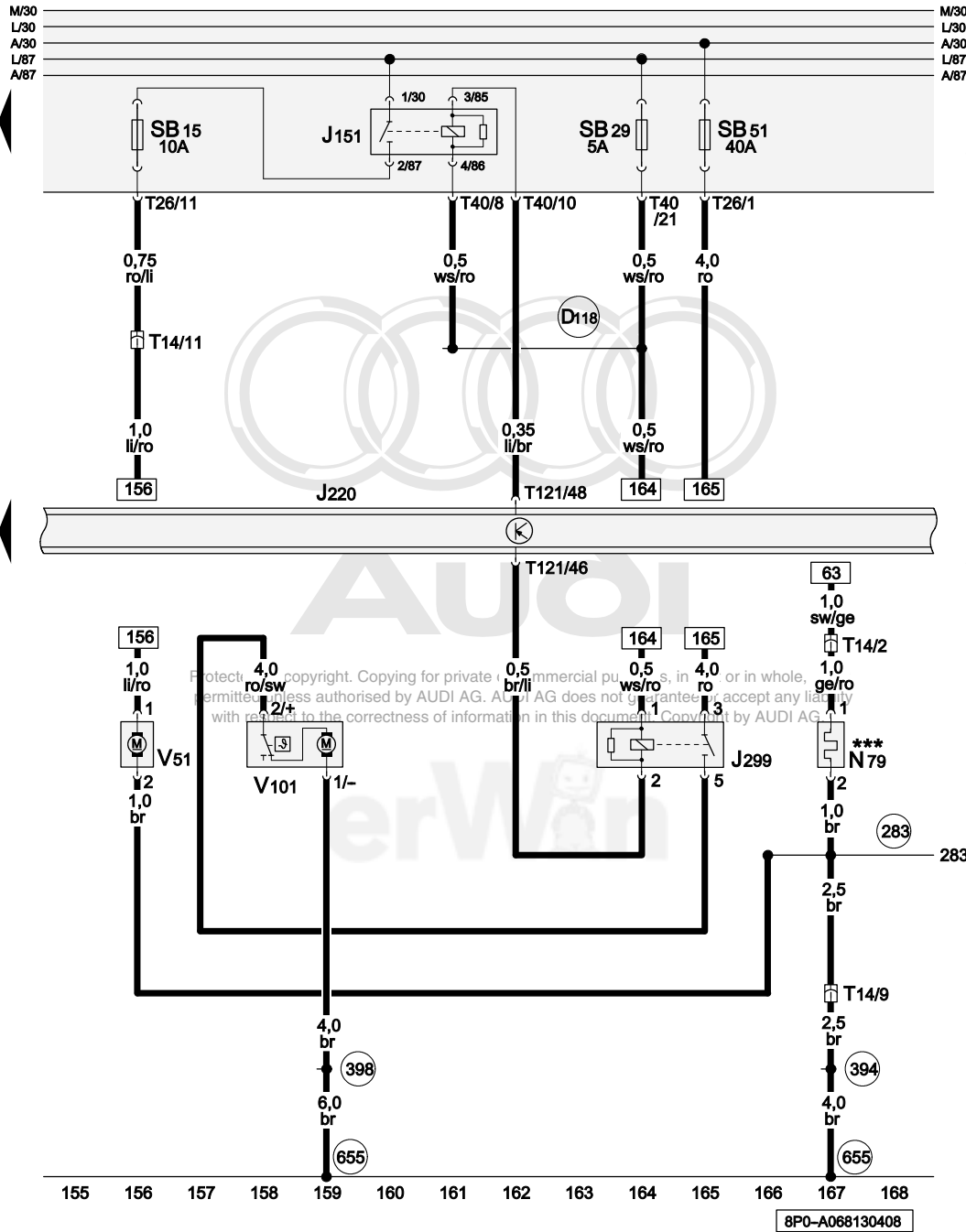
Protected by copyright. Copying for private or commercial purposes, in part or in whole, is not permitted unless authorised by AUDI AG. AUDI AG does not guarantee or accept any liability with respect to the correctness of information in this document. Copyright by AUDI AG.



- ws = white
- sw = black
- ro = red
- br = brown
- gn = green
- bl = blue
- gr = grey
- li = lilac
- ge = yellow
- or = orange
- rs = pink

141 142 143 144 145 146 147 148 149 150 151 152 153 154

8PO-A068120808

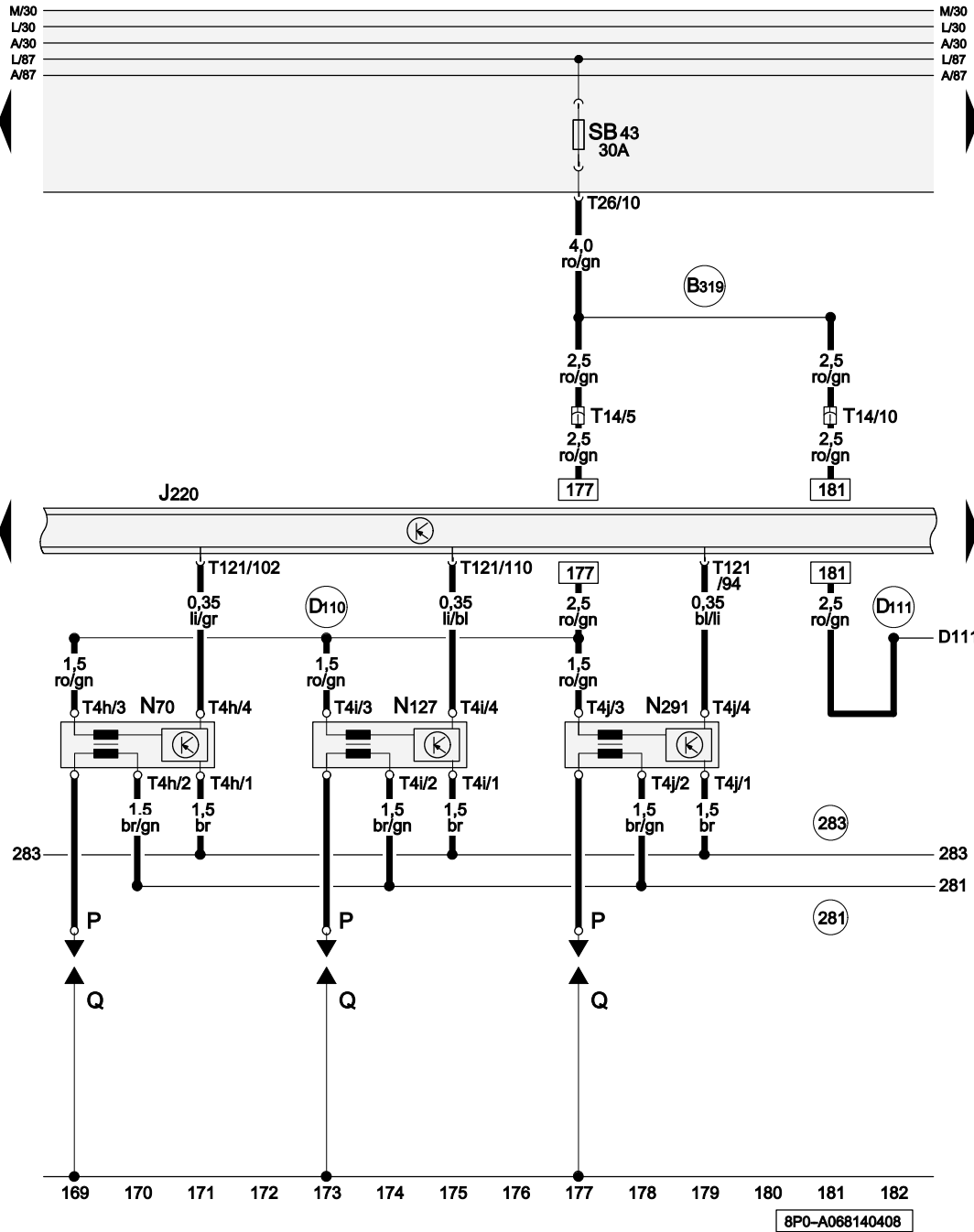


Coolant Circulation and Secondary Air Injection (AIR) Pump Relay, Positive Crankcase Ventilation (PCV) Heating Element

- J151 Coolant Circulation Pump Relay
- J220 Motronic Engine Control Module (ECM)
- J299 Secondary Air Injection (AIR) Pump Relay
- N79 Positive Crankcase Ventilation (PCV) Heating Element
- SB15 Fuse 15 (on fuse panel B)
- SB29 Fuse 29 (on fuse panel B)
- SB51 Fuse 51 (on fuse panel B)
- T14 14-Pin Connector, black, near left front long member
- T26 26-Pin Connector, black, on electronics box engine compartment (Connector K)
- T40 40-Pin Connector, black, on electronics box engine compartment (Connector J)
- T121 121-Pin Connector, black, on engine control module (ECM)
- V51 After-Run Coolant Pump
- V101 Secondary Air Injection (AIR) Pump Motor

- 283 Ground Connection 2 (in engine pre-wiring wiring harness)
- 394 Ground Connection 29 (in main wiring harness)
- 398 Ground Connection 33 (in main wiring harness)
- 655 Ground Connection (on left headlamp)
- D118 Connection 16 (in engine compartment wiring harness)
- *** Only models with heating element

- ws = white
- sw = black
- ro = red
- br = brown
- gn = green
- bl = blue
- gr = grey
- li = lilac
- ge = yellow
- or = orange
- rs = pink



Ignition Coils 1 through 3 with Power Output Stage, Spark Plug Connectors, Spark Plugs

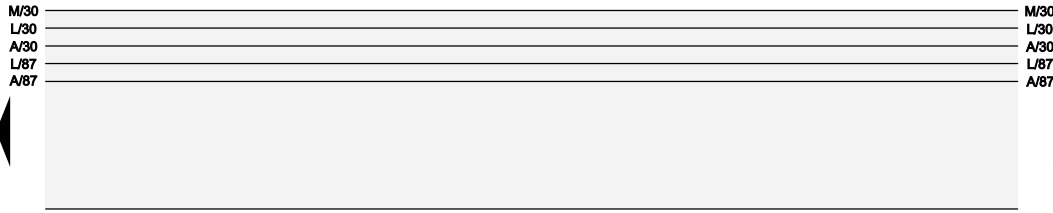
- J220 Motronic Engine Control Module (ECM)
- N70 Ignition Coil 1 with Power Output Stage
- N127 Ignition Coil 2 with Power Output Stage
- N291 Ignition Coil 3 with Power Output Stage
- P Spark Plug Connectors
- Q Spark Plugs
- SB43 Fuse 43 (on fuse panel B)
- T4h 4-Pin Connector, black, on ignition coil 1 with power output stage
- T4i 4-Pin Connector, black, on ignition coil 2 with power output stage
- T4j 4-Pin Connector, black, on ignition coil 3 with power output stage
- T14 14-Pin Connector, black, near left front long member
- T26 26-Pin Connector, black, on electronics box engine compartment (Connector K)
- T121 121-Pin Connector, black, on engine control module (ECM)

- (281) Ground Connection 1 (in engine pre-wiring wiring harness)
- (283) Ground Connection 2 (in engine pre-wiring wiring harness)
- (B319) Plus Connection 5 (30a) (in main wiring harness)
- (D110) Connection 8 (in engine compartment wiring harness)
- (D111) Connection 9 (in engine compartment wiring harness)

Protected by copyright. All rights reserved. Not permitted unless authorized by AUDI AG. AUDI AG does not guarantee or accept any liability with respect to the correctness of information in this document. Copyright by AUDI AG.

- ws = white
- sw = black
- ro = red
- br = brown
- gn = green
- bl = blue
- gr = grey
- li = lilac
- ge = yellow
- or = orange
- rs = pink

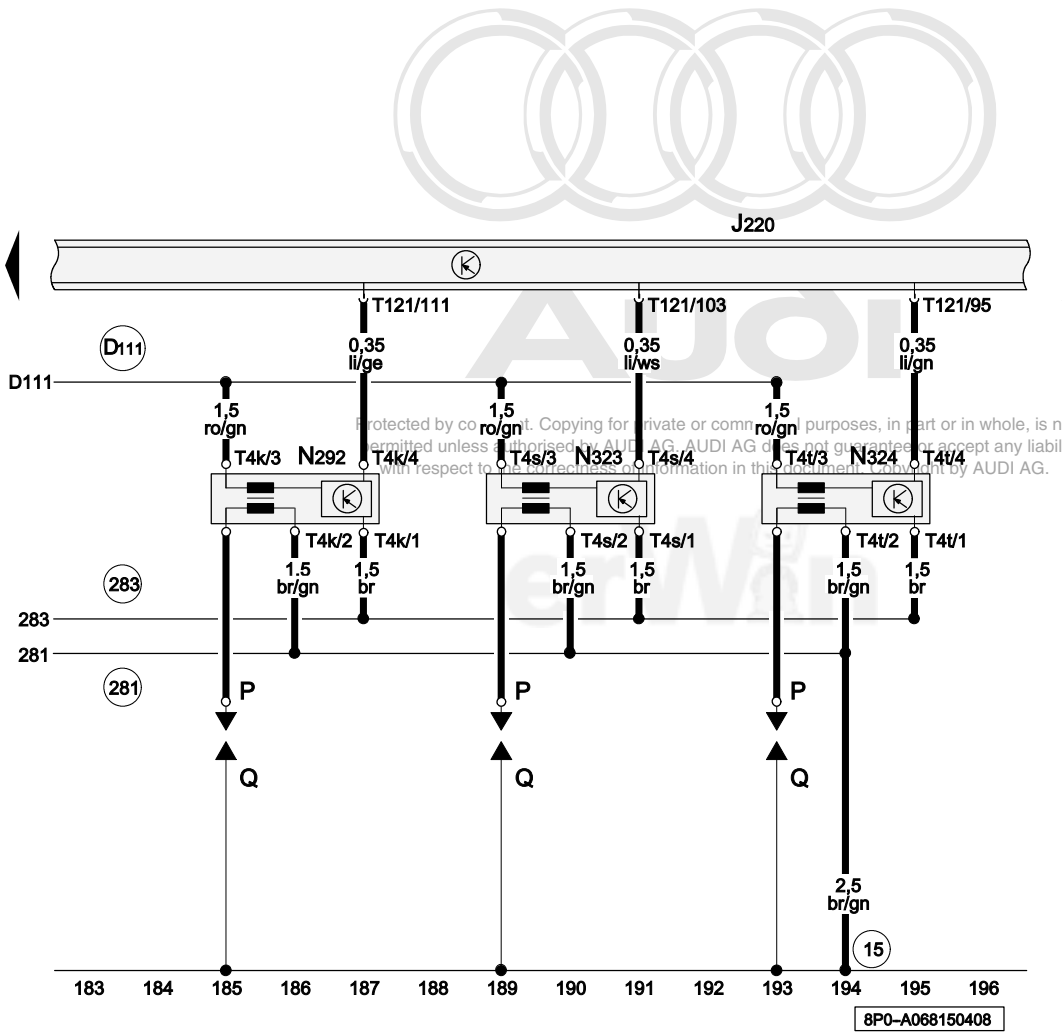
8P0-A068140408



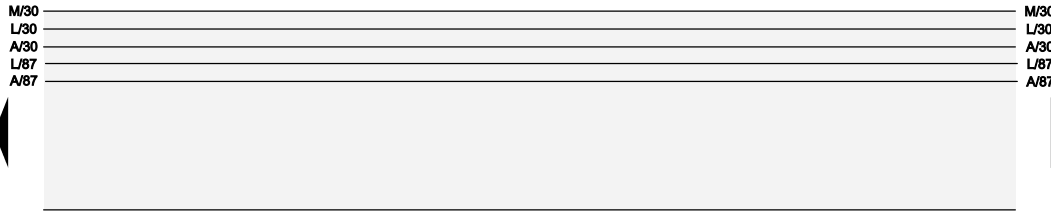
Ignition Coils 4 through 6 with Power Output Stage, Spark Plug Connectors, Spark Plugs

- J220 Motronic Engine Control Module (ECM)
- N292 Ignition Coil 4 with Power Output Stage
- N323 Ignition Coil 5 with Power Output Stage
- N324 Ignition Coil 6 with Power Output Stage
- P Spark Plug Connectors
- Q Spark Plugs
- T4k 4-Pin Connector, black, on ignition coil 4 with power output stage
- T4s 4-Pin Connector, black, on ignition coil 5 with power output stage
- T4t 4-Pin Connector, black, on ignition coil 6 with power output stage
- T121 121-Pin Connector, black, on engine control module (ECM)

- 15 Ground Connection (on cylinder head)
- 281 Ground Connection 1 (in engine pre-wiring wiring harness)
- 283 Ground Connection 2 (in engine pre-wiring wiring harness)
- D111 Connection 9 (in engine compartment wiring harness)



- ws = white
- sw = black
- ro = red
- br = brown
- gn = green
- bl = blue
- gr = grey
- li = lilac
- ge = yellow
- or = orange
- rs = pink



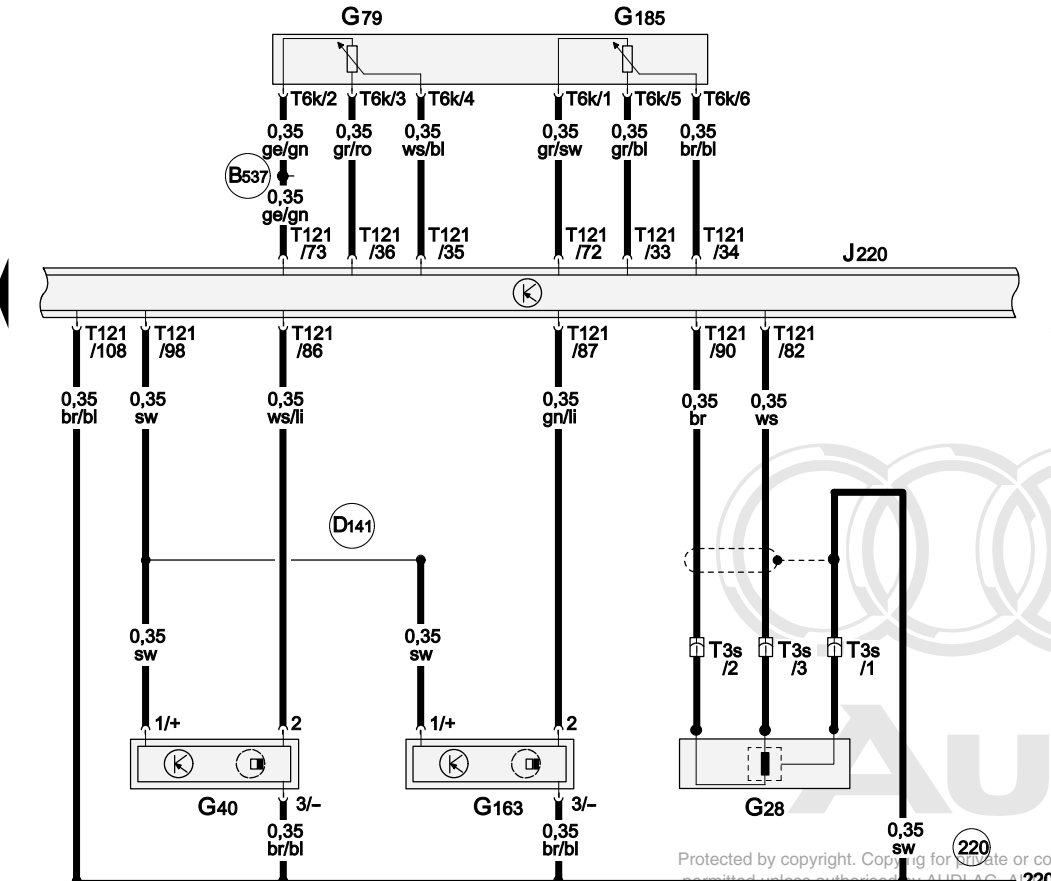
Camshaft Position (CMP) Sensor, Throttle Position (TP) Sensor, Engine Speed (RPM) Sensor

- G28 Engine Speed (RPM) Sensor
- G40 Camshaft Position (CMP) Sensor
- G79 Throttle Position (TP) Sensor
- G163 Camshaft Position (CMP) Sensor 2
- G185 Accelerator Pedal Position Sensor 2
- J220 Motronic Engine Control Module (ECM)
- T3s 3-Pin Connector
- T6k 6-Pin Connector, black, near throttle position (TP) sensor
- T121 121-Pin Connector, black, on engine control module (ECM)

(220) Sensor Ground Connection (in engine wiring harness)

(B537) Connection 28 (in main wiring harness)

(D141) Connection (5V) (in engine pre-wiring wiring harness)



- ws = white
- sw = black
- ro = red
- br = brown
- gn = green
- bl = blue
- gr = grey
- li = lilac
- ge = yellow
- or = orange
- rs = pink

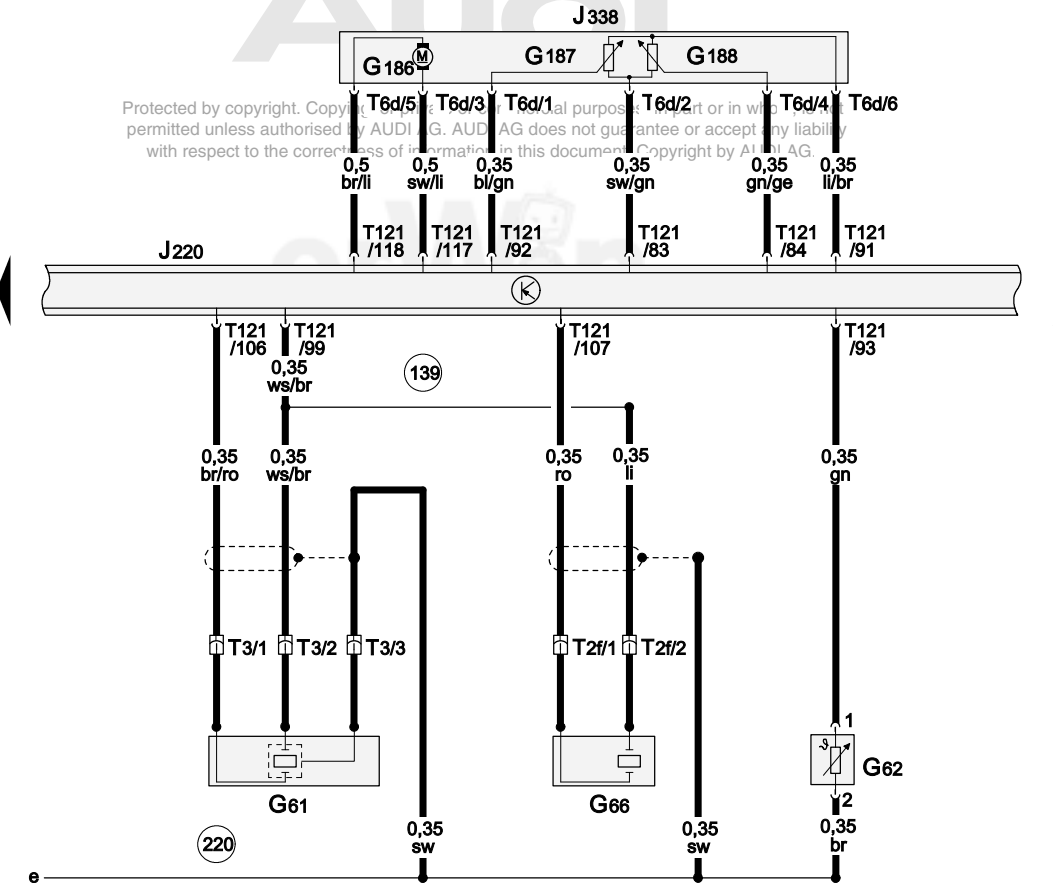
Protected by copyright. Copying for private or commercial purposes, in part or in whole, is not permitted unless authorised by AUDI AG. AUDI AG does not guarantee or accept any liability with respect to the correctness of information in this document. Copyright by AUDI AG.

197 198 199 200 201 202 203 204 205 206 207 208 209 210

8P0-A068160408



Protected by copyright. Copying for private use is permitted unless authorised by AUDI AG. AUDI AG does not guarantee or accept any liability with respect to the correctness of information in this document. Copyright by AUDI AG.



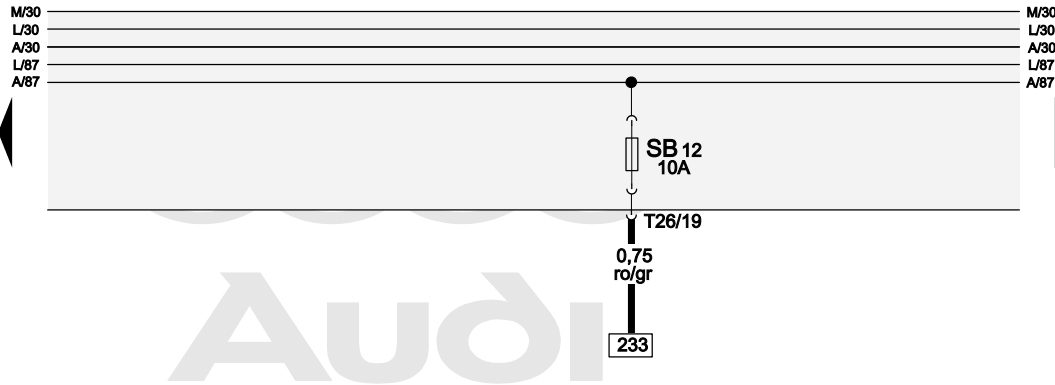
Throttle Valve Control Module, Knock Sensors (KS), Temperature Sensor

- G61 Knock Sensor (KS) 1
- G62 Engine Coolant Temperature (ECT) Sensor
- G66 Knock Sensor (KS) 2
- G186 Throttle Drive (for Electronic Power Control (EPC))
- G187 Throttle Drive Angle Sensor 1 (for Electronic Power Control (EPC))
- G188 Throttle Drive Angle Sensor 2 (for Electronic Power Control (EPC))
- J220 Motronic Engine Control Module (ECM)
- J338 Throttle Valve Control Module
- T2f Double Connector, black, in left engine compartment (knock sensor 2)
- T3 3-Pin Connector, red, in left engine compartment (knock sensor)
- T6d 6-Pin Connector, black, near throttle valve control module
- T121 121-Pin Connector, black, on engine control module (ECM)
- 139 Sensor Ground Connection (in Motronic Multipoint Fuel Injection (MFI) wiring harness)
- 220 Sensor Ground Connection (in engine wiring harness)

- ws = white
- sw = black
- ro = red
- br = brown
- gn = green
- bl = blue
- gr = grey
- li = lilac
- ge = yellow
- or = orange
- rs = pink

211 212 213 214 215 216 217 218 219 220 221 222 223 224

8P0-A068170408

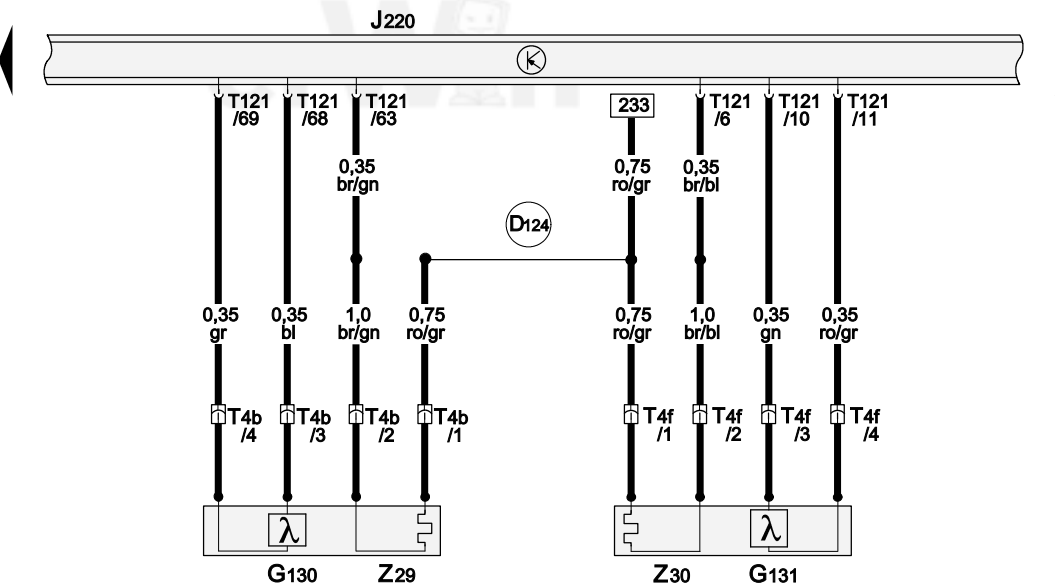


Protected by copyright. Copying for private or commercial purposes, in part or in whole, is not permitted unless authorised by AUDI AG. AUDI AG does not guarantee or accept any liability with respect to the correctness of information in this document. Copyright by AUDI AG.

Oxygen Sensor (O2S) Behind Three Way Catalytic Converter (TWC), Oxygen Sensor (O2S) 2 Behind Three Way Catalytic Converter (TWC)

- G130 Oxygen Sensor (O2S) Behind Three Way Catalytic Converter (TWC)
- G131 Oxygen Sensor (O2S) 2 Behind Three Way Catalytic Converter (TWC)
- J220 Motronic Engine Control Module (ECM)
- SB12 Fuse 12 (on fuse panel B)
- T4b 4-Pin Connector, black, on oxygen sensor (O2S) behind three way catalytic converter (TWC)
- T4f 4-Pin Connector, brown, on oxygen sensor (O2S) 2 behind three way catalytic converter (TWC)
- T26 26-Pin Connector, black, on electronics box engine compartment (Connector K)
- T121 121-Pin Connector, black, on engine control module (ECM)
- Z29 Oxygen Sensor (O2S) Heater 1 (behind Three Way Catalytic Converter (TWC)
- Z30 Oxygen Sensor (O2S) Heater 2 (behind Three Way Catalytic Converter (TWC)

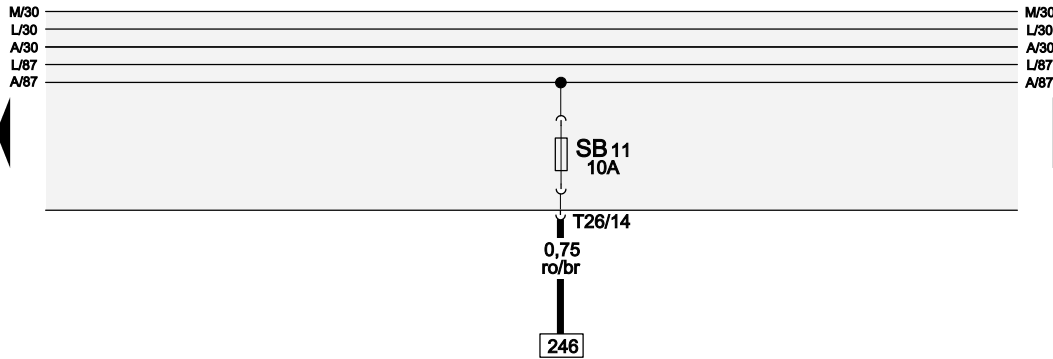
D124 Connection 22 (in engine compartment wiring harness)



- ws = white
- sw = black
- ro = red
- br = brown
- gn = green
- bl = blue
- gr = grey
- li = lilac
- ge = yellow
- or = orange
- rs = pink

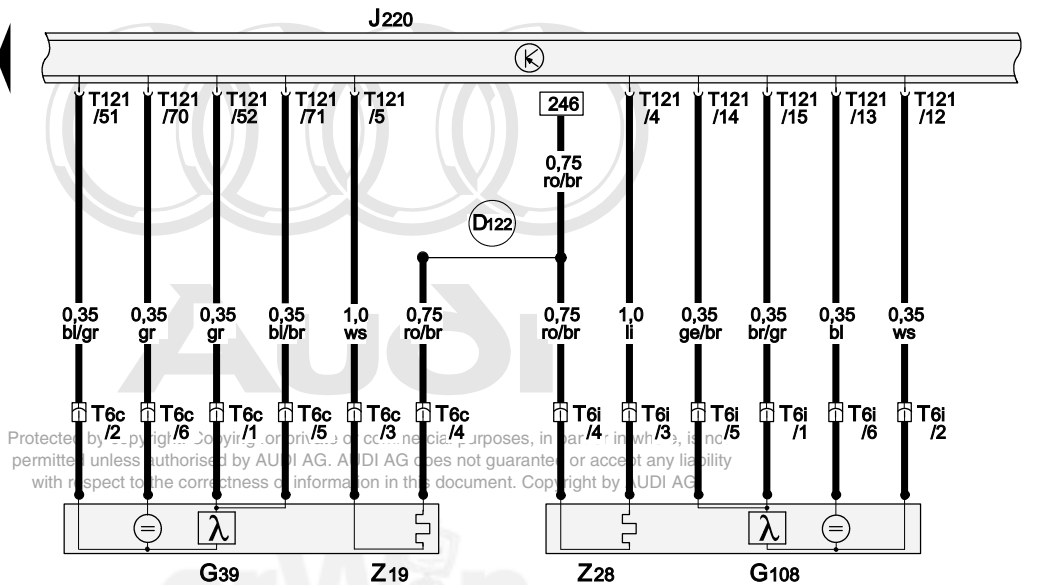
225 226 227 228 229 230 231 232 233 234 235 236 237 238

8P0-A068180408



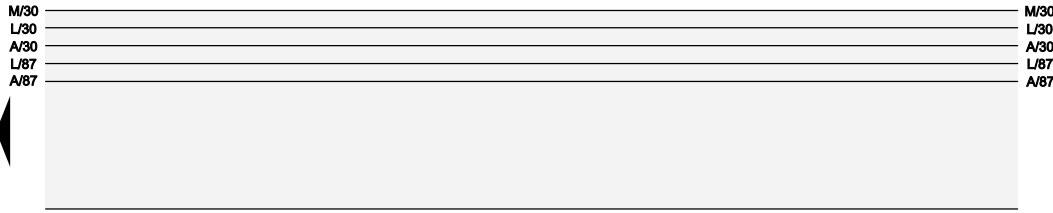
Heated Oxygen Sensor (HO2S), Heated Oxygen Sensor (HO2S) 2

- G39 Heated Oxygen Sensor (HO2S)
 - G108 Heated Oxygen Sensor (HO2S) 2
 - J220 Motronic Engine Control Module (ECM)
 - SB11 Fuse 11 (on fuse panel B)
 - T6c 6-Pin Connector, black, on oxygen sensor (O2S) before three way catalytic converter (TWC)
 - T6i 6-Pin Connector, brown, on oxygen sensor (O2S) 2 before three way catalytic converter (TWC)
 - T26 26-Pin Connector, black, on electronics box engine compartment (Connector K)
 - T121 121-Pin Connector, black, on engine control module (ECM)
 - Z19 Oxygen Sensor (O2S) Heater
 - Z28 Oxygen Sensor (O2S) Heater 2
- (D122) Connection 20 (in engine compartment wiring harness)



Protected by copyright. Copying, or private or public use, for purposes, in particular in which, is not permitted, unless authorised by AUDI AG. AUDI AG does not guarantee or accept any liability with respect to the correctness of information in this document. Copyright by AUDI AG.

- ws = white
- sw = black
- ro = red
- br = brown
- gn = green
- bl = blue
- gr = grey
- li = lilac
- ge = yellow
- or = orange
- rs = pink



Powertrain CAN-Bus, Diagnostic

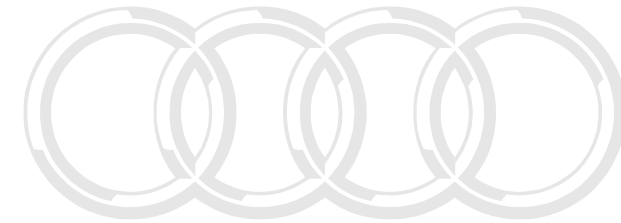
- J220 Motronic Engine Control Module (ECM)
- J533 Data Bus On Board Diagnostic Interface
- J743 Direct Shift Gearbox (DSG) Mechatronic
- T16 16-Pin Connector, black, instrument panel driver's side, bottom left (diagnostic connector)
- T20d 20-Pin Connector, black (Connector A)
- T20e 20-Pin Connector, black (Connector A)
- T121 121-Pin Connector, black, on engine control module (ECM)

(B383) Powertrain CAN-Bus High Connection 1 (in main wiring harness)

(B390) Powertrain CAN-Bus Low Connection 1 (in main wiring harness)

(B444) OBD Connection 1 (in main wiring harness)

- * Only models with data link connector
- ** Only models with powertrain CAN-Bus
- *** Only models with automatic transmission

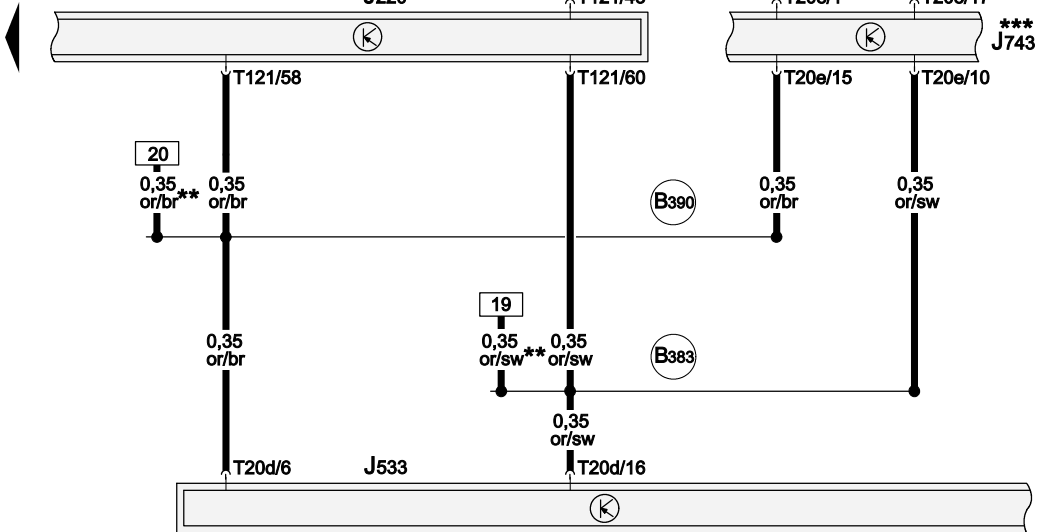


Audi

Protected by copyright. Copying for private or commercial purposes, in part or in whole, is not permitted unless authorised by AUDI AG. AUDI AG does not guarantee or accept any liability with respect to the correctness of information in this document. Copyright by AUDI AG.

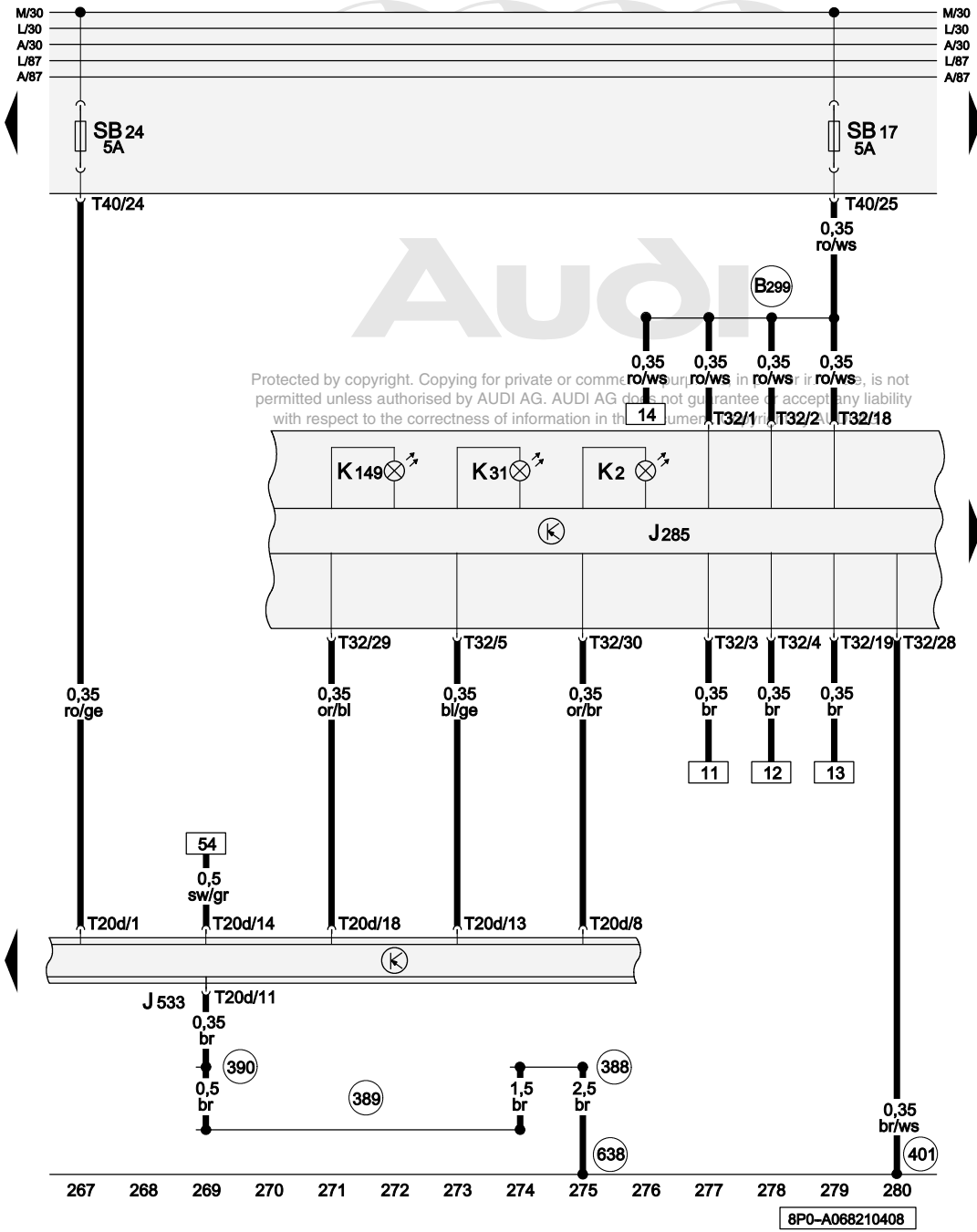


- ws = white
- sw = black
- ro = red
- br = brown
- gn = green
- bl = blue
- gr = grey
- li = lilac
- ge = yellow
- or = orange
- rs = pink



253 254 255 256 257 258 259 260 261 262 263 264 265 266

8P0-A068200808

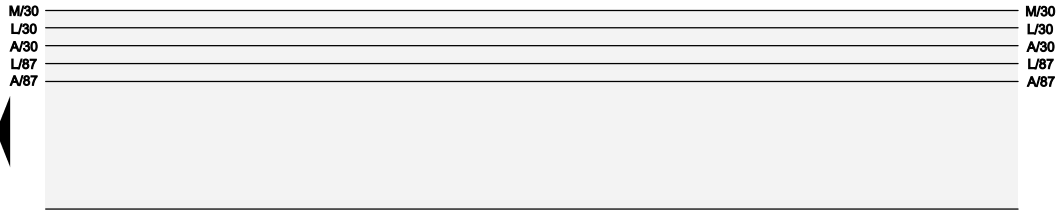


Data Bus On Board Diagnostic Interface

- J285 Instrument Cluster Control Module
- J533 Data Bus On Board Diagnostic Interface
- K2 Generator (GEN) Warning Lamp
- K31 Cruise Control Indicator Lamp
- K149 Engine Electronics Warning Lamp
- SB17 Fuse 17 (on fuse panel B)
- SB24 Fuse 24 (on fuse panel B)
- T20d 20-Pin Connector, black (Connector A)
- T32 32-Pin Connector, blue (Connector A)
- T40 40-Pin Connector, black, on electronics box engine compartment (Connector J)

- 388 Ground Connection 23 (in main wiring harness)
- 389 Ground Connection 24 (in main wiring harness)
- 390 Ground Connection 25 (in main wiring harness)
- 638 Ground Connection (on right A-pillar)
- 401 Sensor Ground Connection (in interior wiring harness)
- B299 Plus Connection 3 (30) (in main wiring harness)

- ws = white
- sw = black
- ro = red
- br = brown
- gn = green
- bl = blue
- gr = grey
- li = lilac
- ge = yellow
- or = orange
- rs = pink

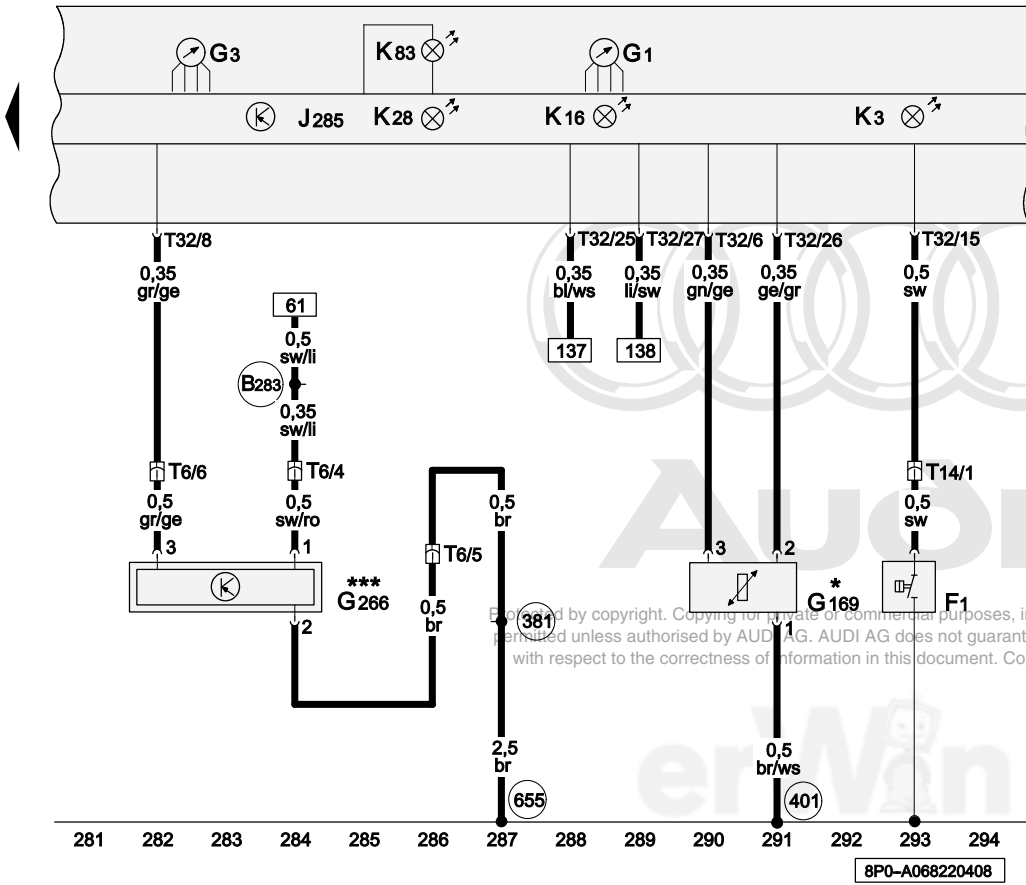


Oil Pressure Switch, Oil Level Thermal Sensor

- F1 Oil Pressure Switch
- G1 Fuel Gauge
- G3 Engine Coolant Temperature (ECT) Gauge
- G169 Fuel Level Sensor 2
- G266 Oil Level Thermal Sensor
- J285 Instrument Cluster Control Module
- K3 Oil Pressure Warning Lamp
- K16 Fuel Reserve Warning Lamp
- K28 Engine Coolant Level/Temperature (ECL/ECT) Warning Lamp
- K83 Malfunction Indicator Lamp (MIL)
- T6 6-Pin Connector, black, near left front long member
- T14 14-Pin Connector, black, near left front long member
- T32 32-Pin Connector, blue (Connector A)

- 381 Ground Connection 16 (in main wiring harness)
- 401 Sensor Ground Connection (in interior wiring harness)
- 655 Ground Connection (on left headlamp)
- B283 Plus Connection 7 (15a) (in main wiring harness)

* Only models with all-wheel drive
 *** Only models with extended service intervals



Copyrighted by copyright. Copying for private or commercial purposes, in part or in whole, is not permitted unless authorised by AUDI AG. AUDI AG does not guarantee or accept any liability with respect to the correctness of information in this document. Copyright © AUDI AG

- ws = white
- sw = black
- ro = red
- br = brown
- gn = green
- bl = blue
- gr = grey
- li = lilac
- ge = yellow
- or = orange
- rs = pink

Battery in Luggage Compartment

- ⇒ Main Fuse Panel Electronics Box High
 - ⇒ Models with engine codes BUB, CBRA
- from May 2008

Note:

Information for

- ◆ Relay and fuse arrangements
- ◆ Connector arrangements
- ◆ Control Modules and Relays
- ◆ Ground Connections

⇒ Component Locations

Information for

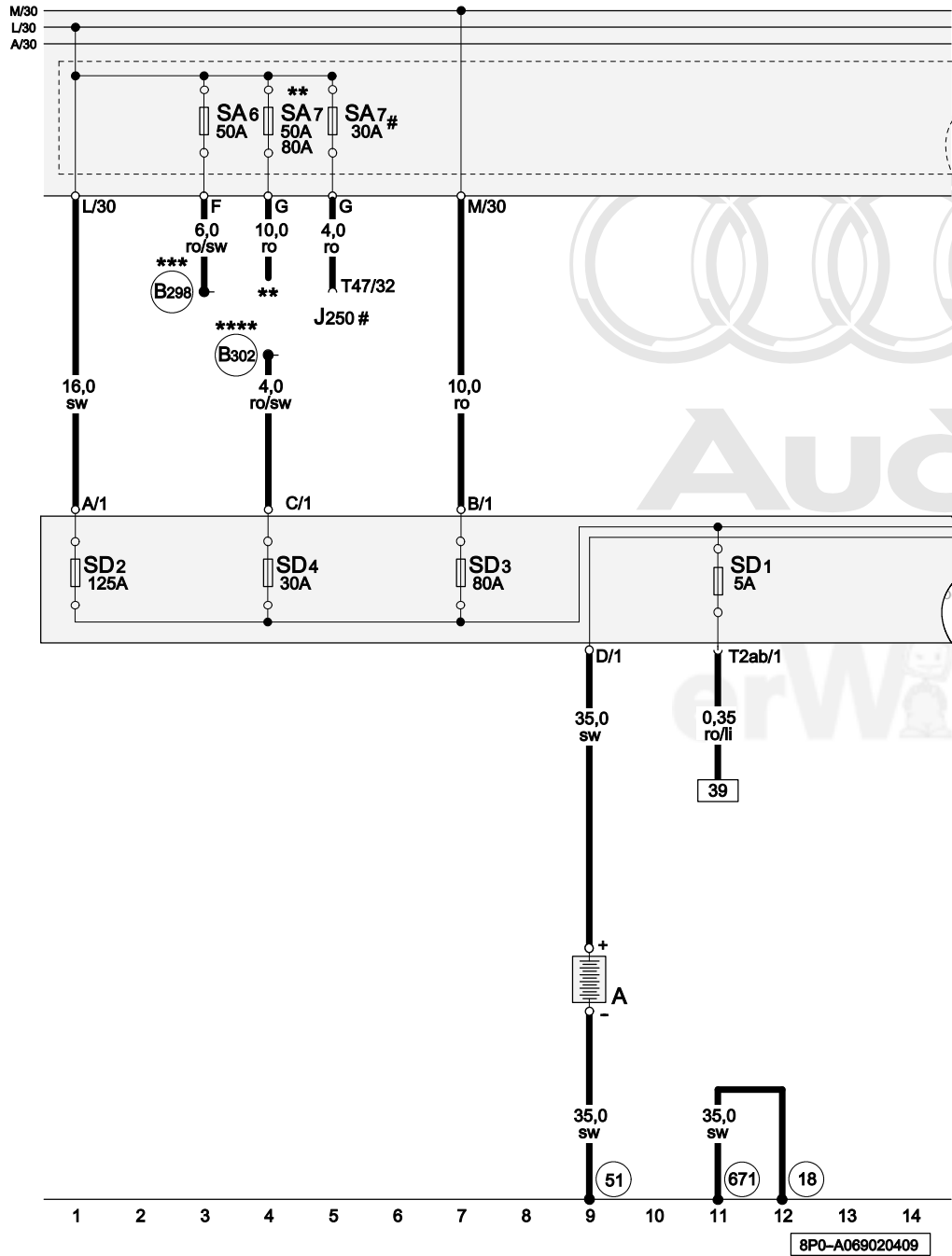
- ◆ Troubleshooting Procedures
- ⇒ Guided Fault Finding using VAS 5051 / 5052



Audi

Protected by copyright. Copying for private or commercial purposes, in part or in whole, is not permitted unless authorised by AUDI AG. AUDI AG does not guarantee or accept any liability with respect to the correctness of information in this document. Copyright by AUDI AG.





Battery

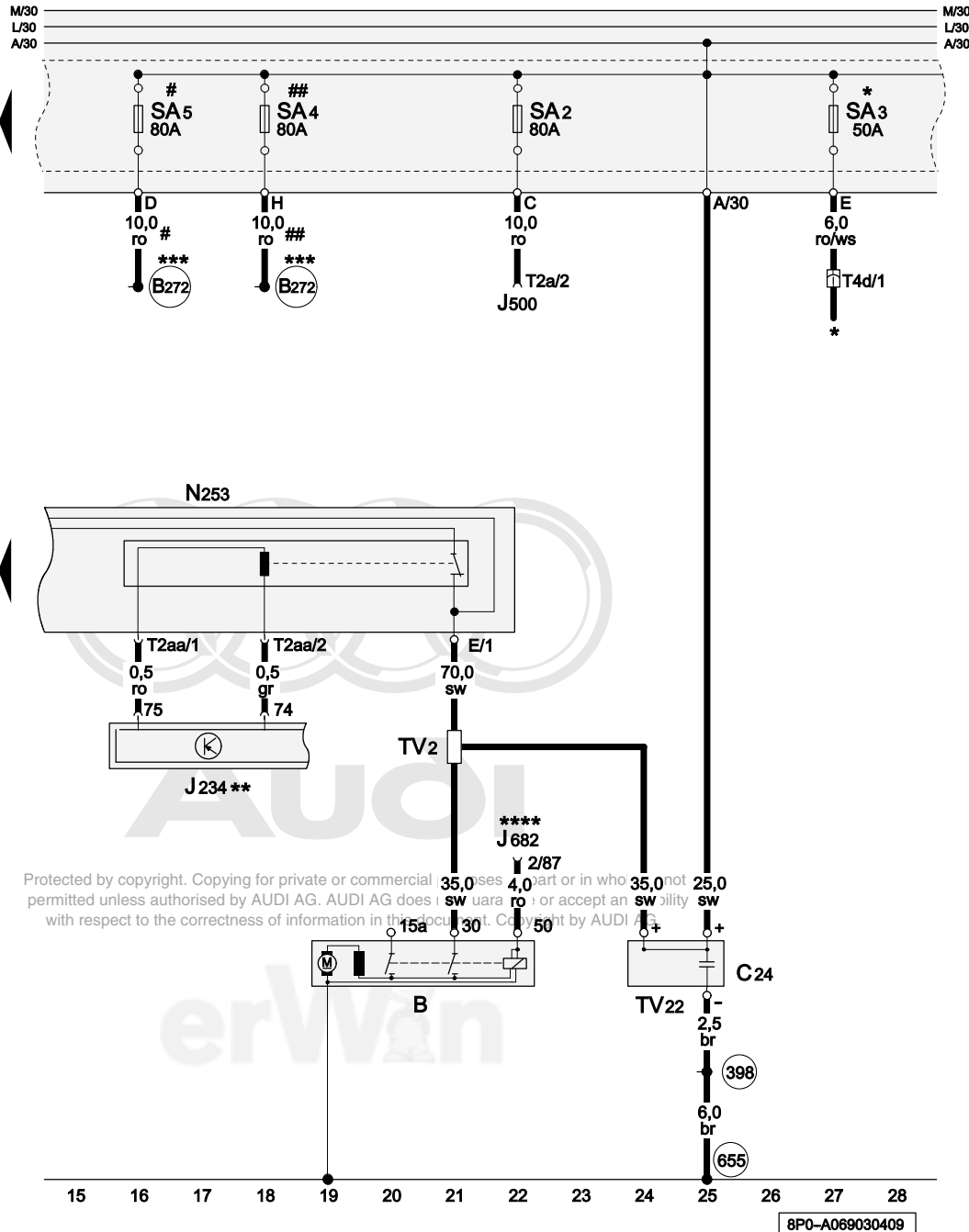
- A Battery
- J250 Electronic Damping Control Module
- SA6 Fuse 6 (on fuse panel A)
- SA7 Fuse 7 (on fuse panel A)
- SD1 Fuse 1 (on fuse panel D)
- SD2 Fuse 2 (on fuse panel D)
- SD3 Fuse 3 (on fuse panel D)
- SD4 Fuse 4 (on fuse panel D)
- T2ab Double Connector, black
- T47 47-Pin Connector (Connector A)

- (18) Ground Connection (on engine block)
- (51) Ground Connection (in luggage compartment, right)
- (671) Ground Connection 1 (on left front long member)
- (B298) Plus Connection 2 (30) (in main wiring harness)
- (B302) Plus Connection 6 (30) (in main wiring harness)

- ** => Applicable Wiring Diagram criminal investigation, special models
- *** Fuses Supply SC44, SC45
- **** Fuses Supply SC12 through SC17, SC43
- # Only models with electronic damping

- ws = white
- sw = black
- ro = red
- rt = red
- br = brown
- gn = green
- bl = blue
- gr = grey
- vi = lilac
- ge = yellow
- or = orange
- rs = pink

8P0-A069020409



Starter, Suppressor, Battery Interrupt Igniter

- B Starter
- C24 Suppressor
- J234 Airbag Control Module
- J500 Power Steering Control Module
- J682 Power Supply Relay (terminal 50)
- N253 Battery Interrupt Igniter
- SA2 Fuse 2 (on fuse panel A)
- SA3 Fuse 3 (on fuse panel A)
- SA4 Fuse 4 (on fuse panel A)
- SA5 Fuse 5 (on fuse panel A)
- T2a Double Connector, black (Connector A)
- T2aa Double Connector, purple (connector locking yellow)
- T4d 4-Pin Connector, black, on coolant fan control (FC) (front end)
- TV2 Terminal 30 Wire Junction
- TV22 Terminal 30 Wire Junction 2

398 Ground Connection 33 (in main wiring harness)

655 Ground Connection (on left headlamp)

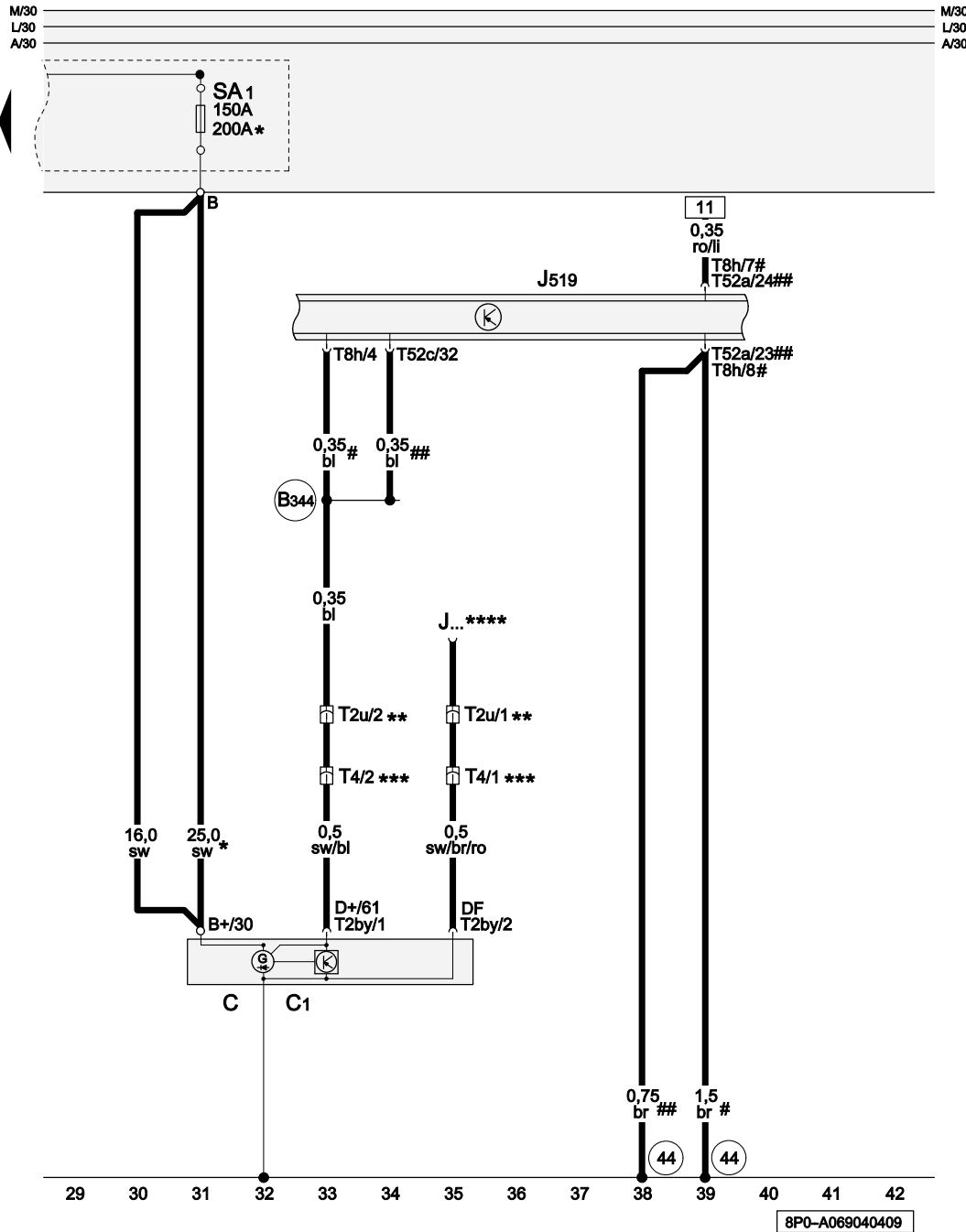
B272 Plus Connection (30) (in main wiring harness)

- * ⇒ Applicable Wiring Diagram Coolant Fan Control
- ** ⇒ Applicable Wiring Diagram Airbag
- *** Fuses Supply SC22 through SC27, SC28, SC38
- **** ⇒ Applicable Wiring Diagram Engine
- # Not applicable from May 2009
- ## Applicable from May 2009

- ws = white
- sw = black
- ro = red
- rt = red
- br = brown
- gn = green
- bl = blue
- gr = grey
- li = lilac
- vi = lilac
- ge = yellow
- or = orange
- rs = pink

Protected by copyright. Copying for private or commercial use is permitted unless authorised by AUDI AG. AUDI AG does not accept any liability with respect to the correctness of information in this document. Copyright by AUDI AG.

8P0-A069030409



Generator (GEN)

- C Generator (GEN)
- C1 Voltage Regulator (VR)
- J... Engine Control Modules (ECM)
- J519 Vehicle Electrical System Control Module
- SA1 Fuse 1 (on fuse panel A)
- T2by Double Connector (Connector A)
- T2u Double Connector, brown, in engine compartment, front left
- T4 4-Pin Connector, black, in engine compartment, front left
- T8h 8-Pin Connector, black (Connector F)
- T52a 52-Pin Connector, black (Connector A)
- T52c 52-Pin Connector, brown (Connector C)

44 Ground Connection (on left lower A-pillar)

B344 Connection 1 (61) (in main wiring harness)

- * Only models with generator (140A)
- ** Only models without A/C
- *** Only models with A/C

Protected by copyright. Copying for private use without permission in whole, is not permitted unless authorised by AUDI AG. This document is not to be used for any other purpose or accept any liability with respect to the correctness of information in this document. Copyright by AUDI AG.

- **** = Applicable Wiring Diagram Engine
- # Not applicable from May 2009
- ## Applicable from May 2009

- ws = white
- sw = black
- ro = red
- rt = red
- br = brown
- gn = green
- bl = blue
- gr = grey
- li = lilac
- vi = lilac
- ge = yellow
- or = orange
- rs = pink

Battery in Engine Compartment

⇒ Main Fuse Panel Electronics Box Low

⇒ CAXC, BSE, CCSA, BLS, BXE, CDAA, CBBB, CBAB, CBAA, CAWB, CCZA, CCTA, CBFA, CAYC, CAYB

from May 2008



Audi

Protected by copyright. Copying for private or commercial purposes, in part or in whole, is not permitted unless authorised by AUDI AG. AUDI AG does not guarantee or accept any liability with respect to the correctness of information in this document. Copyright by AUDI AG.



Note:

Information for

◆ Relay and fuse arrangements

◆ Connector arrangements

◆ Control Modules and Relays

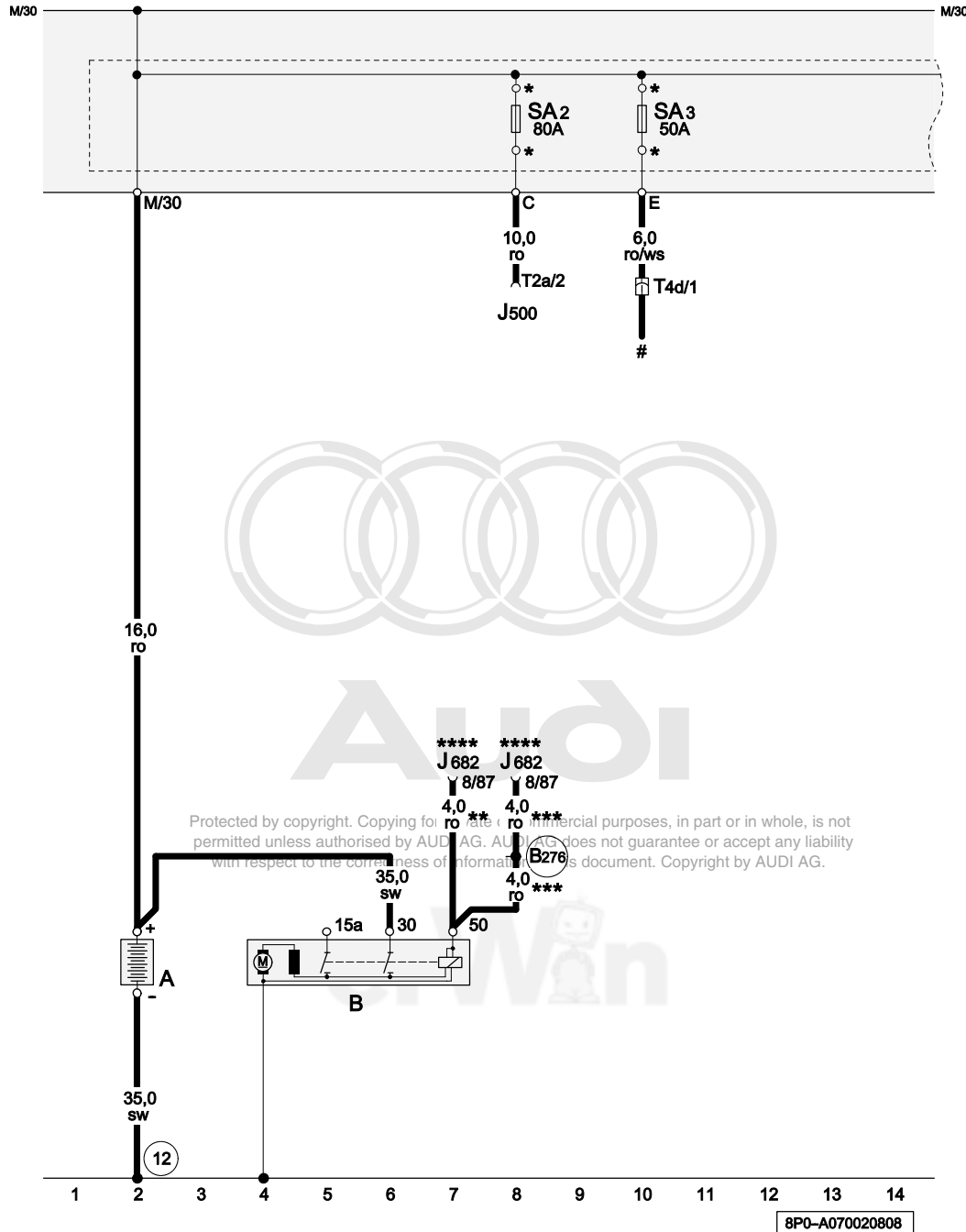
◆ Ground Connections

⇒ Component Locations

Information for

◆ Troubleshooting Procedures

⇒ Guided Fault Finding using VAS 5051 / 5052



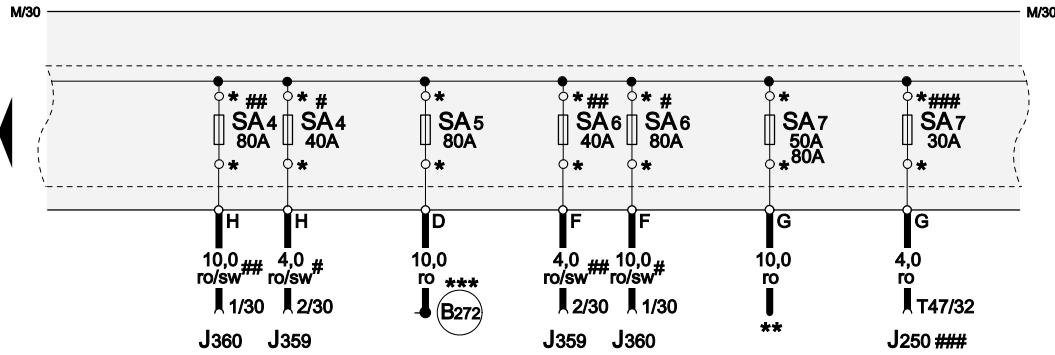
Starter, Battery, Fuses SA2, SA3

- A Battery
- B Starter
- J500 Power Steering Control Module
- J682 Power Supply Relay (terminal 50)
- SA2 Fuse 2 (on fuse panel A)
- SA3 Fuse 3 (on fuse panel A)
- T2a Double Connector, black (Connector A)
- T4d 4-Pin Connector, black, on coolant fan control (FC) (front end)
- 12 Ground Connection (in engine compartment, left)
- B276 Plus Connection (50) (in main wiring harness)
- * Threaded Connection, not applicable from November 2008
- ** Not for models with engine code CBFA
- *** Only models with engine code CBFA
- **** => Applicable Wiring Diagram Engine
- # => Applicable Wiring Diagram Coolant Fan Control

- ws = white
- sw = black
- ro = red
- rt = red
- br = brown
- gn = green
- bl = blue
- gr = grey
- li = lilac
- vi = lilac
- ge = yellow
- or = orange
- rs = pink

Protected by copyright. Copying for private use or for commercial purposes, in part or in whole, is not permitted unless authorised by AUDI AG. AUDI AG does not guarantee or accept any liability with respect to the correctness of information in this document. Copyright by AUDI AG.

8P0-A070020808

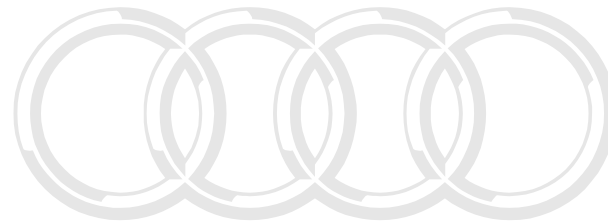


Fuses SA4, SA5, SA6, SA7

- J250 Electronic Damping Control Module
- J359 Preheating Coolant, Low Heat Output Relay
- J360 Preheating Coolant, High Heat Output Relay
- SA4 Fuse 4 (on fuse panel A)
- SA5 Fuse 5 (on fuse panel A)
- SA6 Fuse 6 (on fuse panel A)
- SA7 Fuse 7 (on fuse panel A)
- T47 47-Pin Connector (Connector A)

B272 Plus Connection (30) (in main wiring harness)

- * Threaded Connection, not applicable from November 2008
- ** ⇒ Applicable Wiring Diagram criminal investigation, special models
- *** Fuses Supply SC12 through SC17, SC22 through SC27, SC28, SC38, SC43
- # Not applicable from November 2008
- ## Applicable from November 2008
- ### Only models with electronic damping



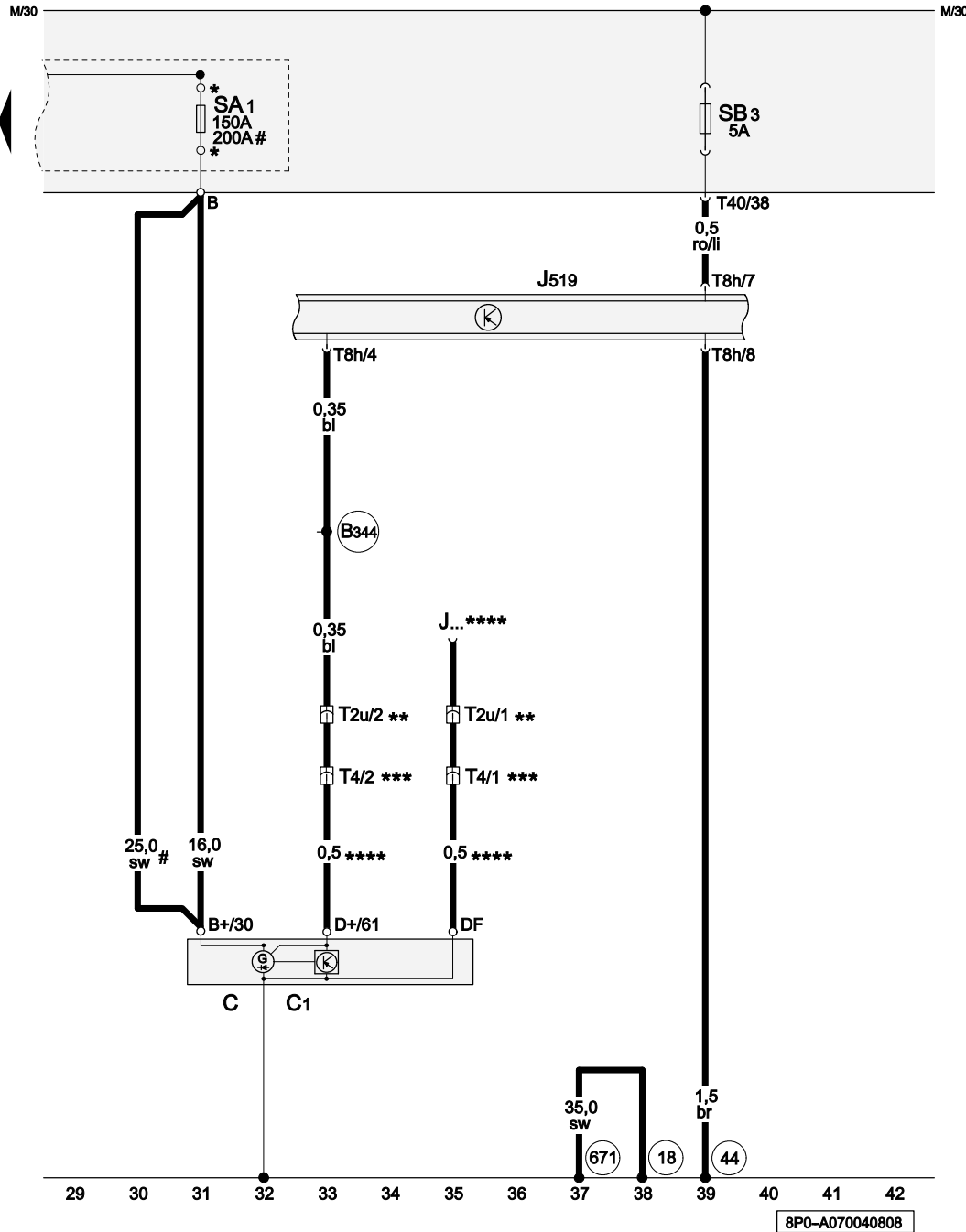
Audi

- ws = white
- sw = black
- ro = red
- rt = red
- br = brown
- gn = green
- bl = blue
- gr = grey
- li = lilac
- vi = violet
- ge = yellow
- or = orange
- rs = pink

Protected by copyright. Copying for private or commercial purposes, in part or in whole, is not permitted unless authorised by AUDI AG. AUDI AG does not guarantee or accept any liability with respect to the correctness of information in this document. Copyright by Audi AG.

15 16 17 18 19 20 21 22 23 24 25 26 27 28

8P0-A070030808



Generator (GEN), Voltage Regulator (VR), Fuse SA1

- J... Engine Control Modules (ECM)
- C Generator (GEN)
- C1 Voltage Regulator (VR)
- J519 Vehicle Electrical System Control Module
- SA1 Fuse 1 (on fuse panel A)
- SB3 Fuse 3 (on fuse panel B)
- T2u Double Connector, brown, in engine compartment, front left
- T4 4-Pin Connector, black, in engine compartment, front left
- T8h 8-Pin Connector, black (Connector F)
- T40 40-Pin Connector, black, on electronics box engine compartment (Connector J)

- 18 Ground Connection (on engine block)
- 44 Ground Connection (on left lower A-pillar)
- 671 Ground Connection 1 (on left front long member)
- B344 Connection 1 (61) (in main wiring harness)

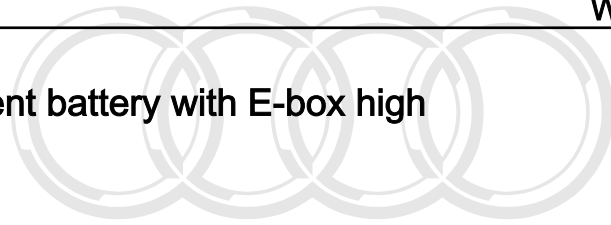
- * Threaded Connection, not applicable from November 2008
- ** Only models without A/C
- *** Only models with A/C
- **** => Applicable Wiring Diagram Engine
- # Only models with generator (140A)

Protected by copyright. Copying for private or commercial purposes, in part or in whole, is not permitted unless authorised by AUDI AG. AUDI AG does not guarantee or accept any liability with respect to the correctness of information in this document. Copyright by AUDI AG.

- ws = white
- sw = black
- ro = red
- rt = red
- br = brown
- gn = green
- bl = blue
- gr = grey
- li = lilac
- vi = lilac
- ge = yellow
- or = orange
- rs = pink

Engine compartment battery with E-box high

From May 2008



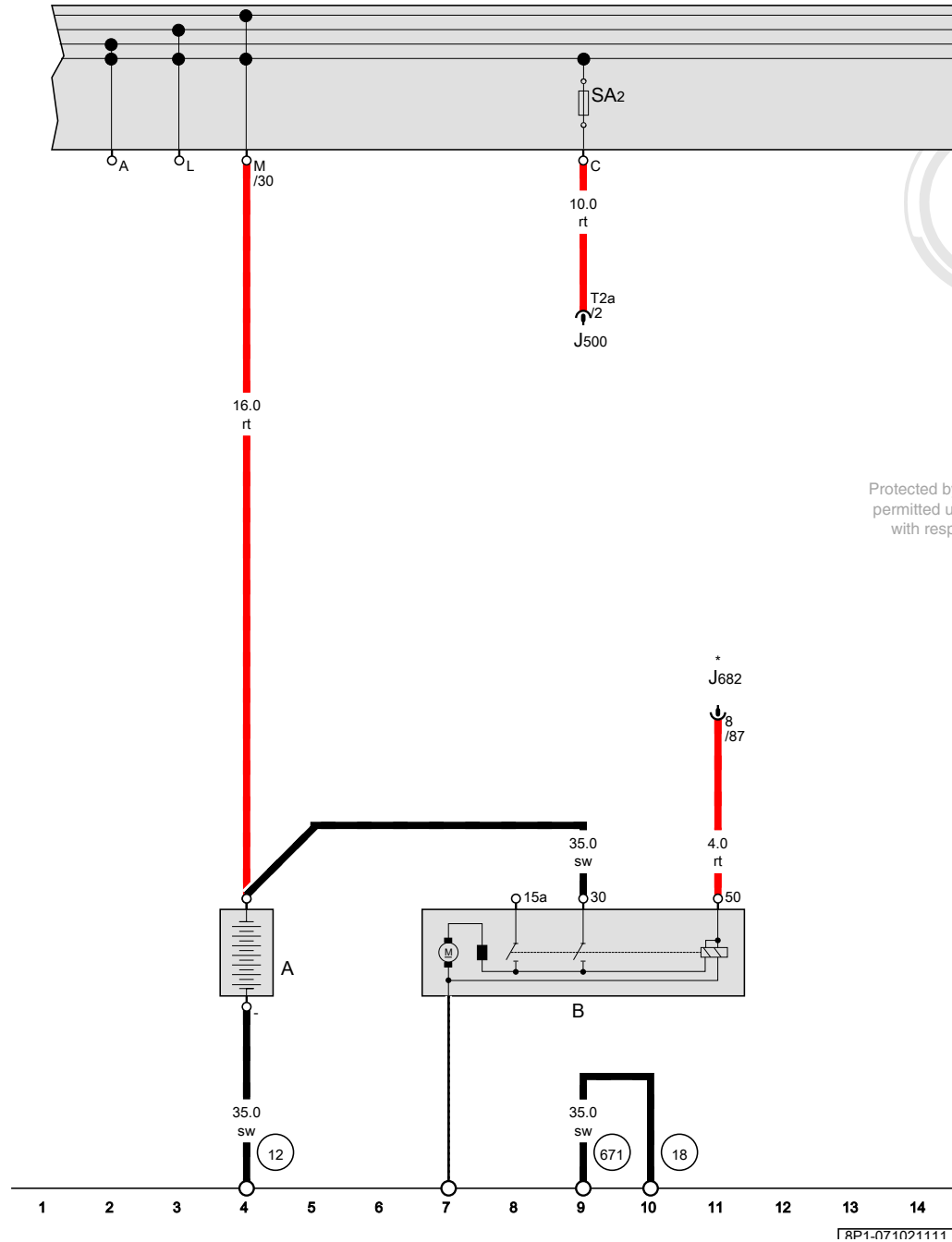
Audi

Protected by copyright. Copying for private or commercial purposes, in part or in whole, is not permitted unless authorised by AUDI AG. AUDI AG does not guarantee or accept any liability with respect to the correctness of information in this document. Copyright by AUDI AG.



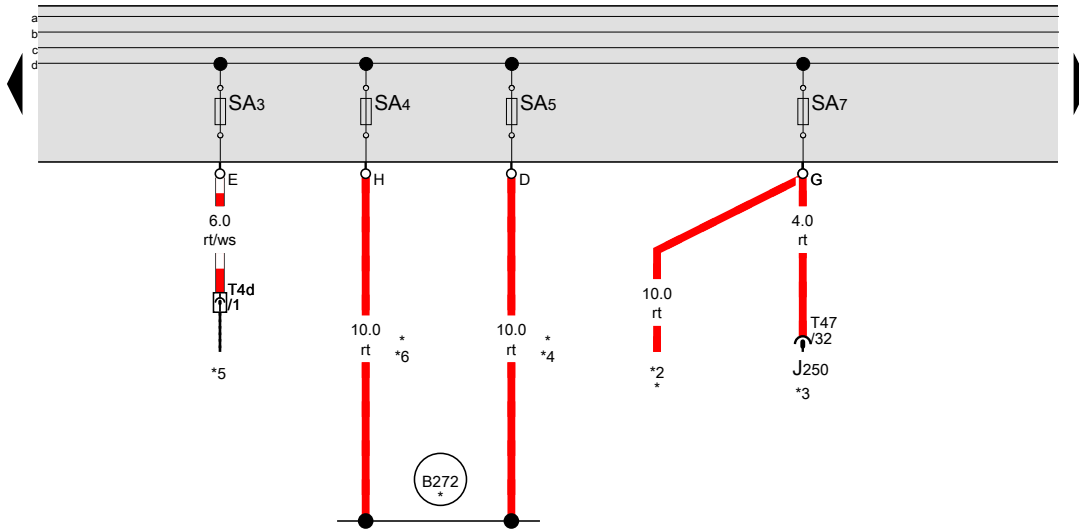
Battery, Starter, Fuse 2 (on fuse panel A)

- A Battery
- B Starter
- J500 Power steering control module
- J682 Terminal 50 power supply relay
- SA2 Fuse 2 (on fuse panel A)
- T1 Single connector
- T2a Double connector
- 12 Ground connection in engine compartment, left
- 18 Ground connection on engine block
- 671 Ground connection 1 on left front longitudinal member
- * Refer to applicable engine wiring diagram



Protected by copyright. Copying for private or commercial purposes, in part or in whole, is not permitted unless authorised by AUDI AG. AUDI AG does not guarantee or accept any liability with respect to the correctness of information in this document. Copyright by AUDI AG.

18P1-071021111



Fuse 3 (on fuse panel A), Fuse 4 (on fuse panel A), Fuse 5 (on fuse panel A), Fuse 7 (on fuse panel A)

- J250 Electronic damping control module
- SA3 Fuse 3 (on fuse panel A)
- SA4 Fuse 4 (on fuse panel A)
- SA5 Fuse 5 (on fuse panel A)
- SA7 Fuse 7 (on fuse panel A)
- T4d 4-pin connector
- T47 47-pin connector

(B272) Positive connection (30) (in main wiring harness)

- * Refer to applicable wiring diagram
- *2 Only for vehicles with police special equipment
- *3 Only for vehicles with electronic damping
- *4 Through April 2009
- *5 Refer to applicable coolant fan wiring diagram
- *6 From May 2009

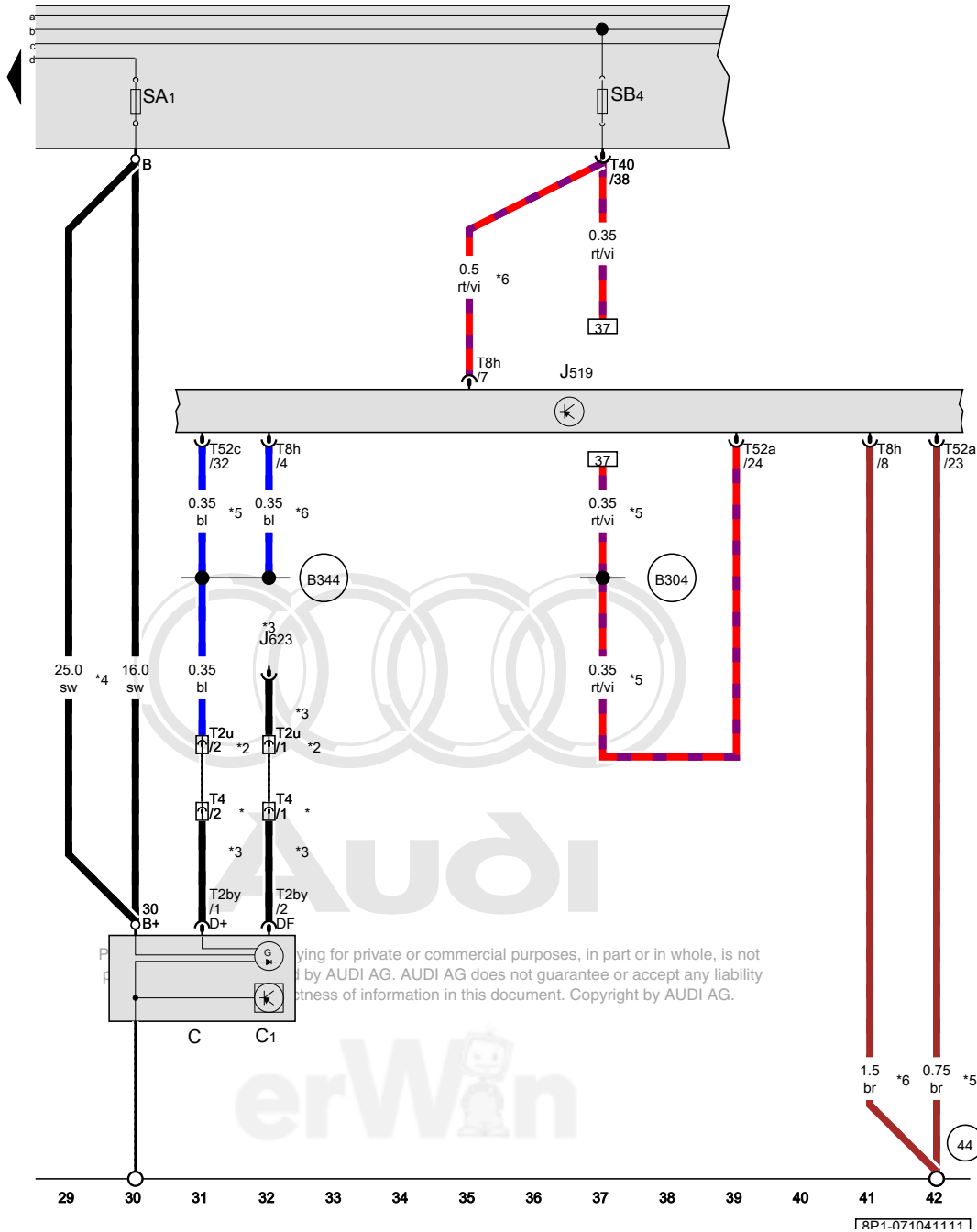


Audi

Protected by copyright. Copying for private or commercial purposes, in part or in whole, is not permitted unless authorised by AUDI AG. AUDI AG does not guarantee or accept any liability with respect to the correctness of information in this document. Copyright by AUDI AG.



- ws = white
- sw = black
- ro = red
- rt = red
- br = brown
- gn = green
- bl = blue
- gr = grey
- li = lilac
- vi = lilac
- ge = yellow
- or = orange
- rs = pink



Generator, Fuse 1 (on fuse panel A)

- C Generator
- C1 Voltage regulator
- J519 Vehicle electrical system control module
- J623 Engine control module
- SA1 Fuse 1 (on fuse panel A)
- SB4 Fuse 4 (on fuse panel B)
- T2by Double connector
- T2u Double connector
- T4 4-pin connector
- T8h 8-pin connector
- T40 40-pin connector
- T52a 52-pin connector
- T52c 52-pin connector

- 44 Ground connection on A-pillar, lower left
- B304 Positive connection 8 (30) (in main wiring harness)
- B344 Connection 1 (61) (in main wiring harness)
- * Only for vehicles with A/C system
- *2 Only for vehicles without an A/C system
- *3 Refer to applicable engine wiring diagram
- *4 Only for vehicles with a generator (140 A)
- *5 From May 2009
- *6 Through April 2009

Direct Shift Gearbox (02E)

from May 2008

Note:

Information for

- ◆ Relay and fuse arrangements
- ◆ Connector arrangements
- ◆ Control Modules and Relays
- ◆ Ground Connections

⇒ Component Locations

Information for

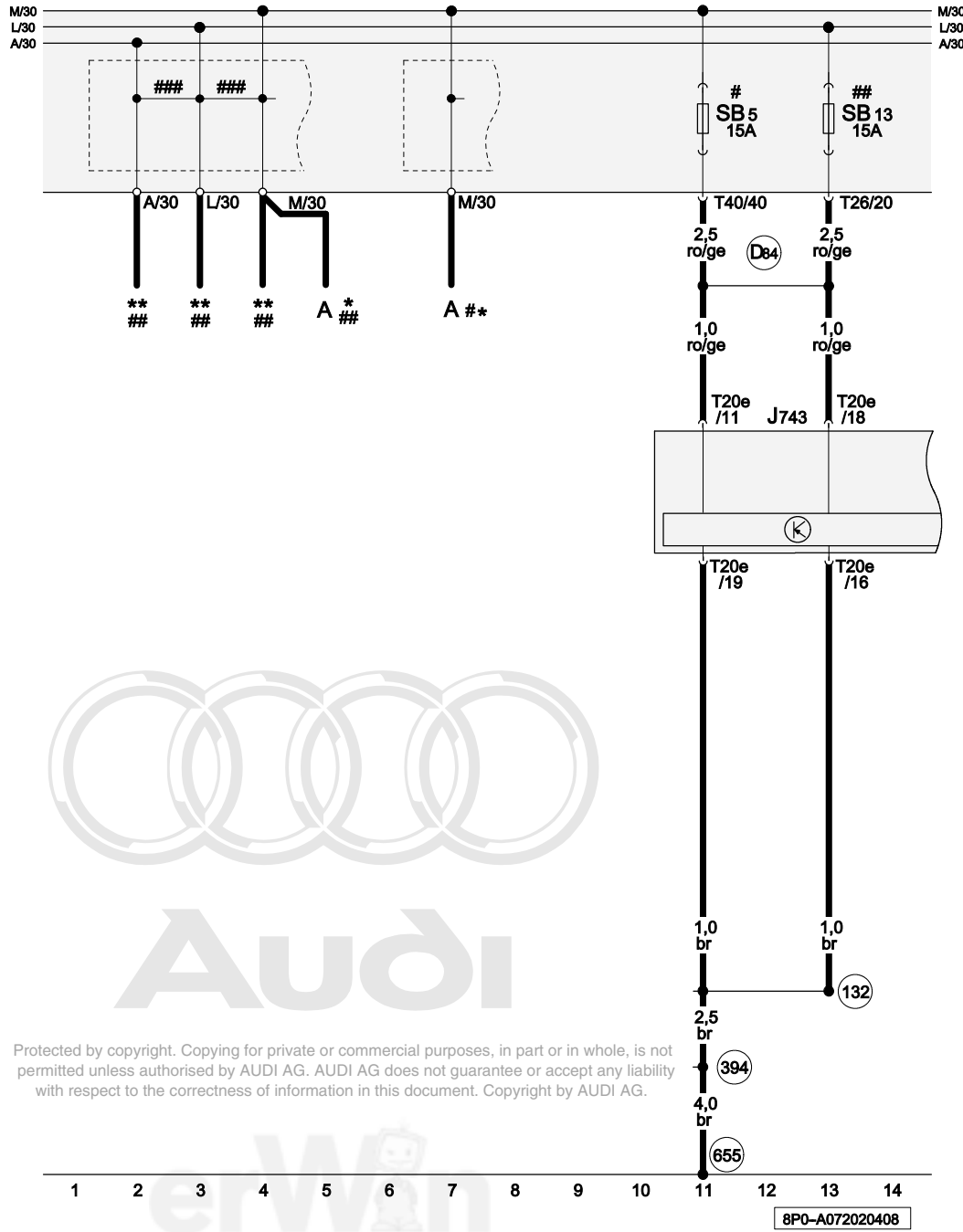
- ◆ Troubleshooting Procedures
- ⇒ Guided Fault Finding using VAS 5051 / 5052



Audi

Protected by copyright. Copying for private or commercial purposes, in part or in whole, is not permitted unless authorised by AUDI AG. AUDI AG does not guarantee or accept any liability with respect to the correctness of information in this document. Copyright by AUDI AG.





Electronics Box Supply, Fuses (on fuse panel)

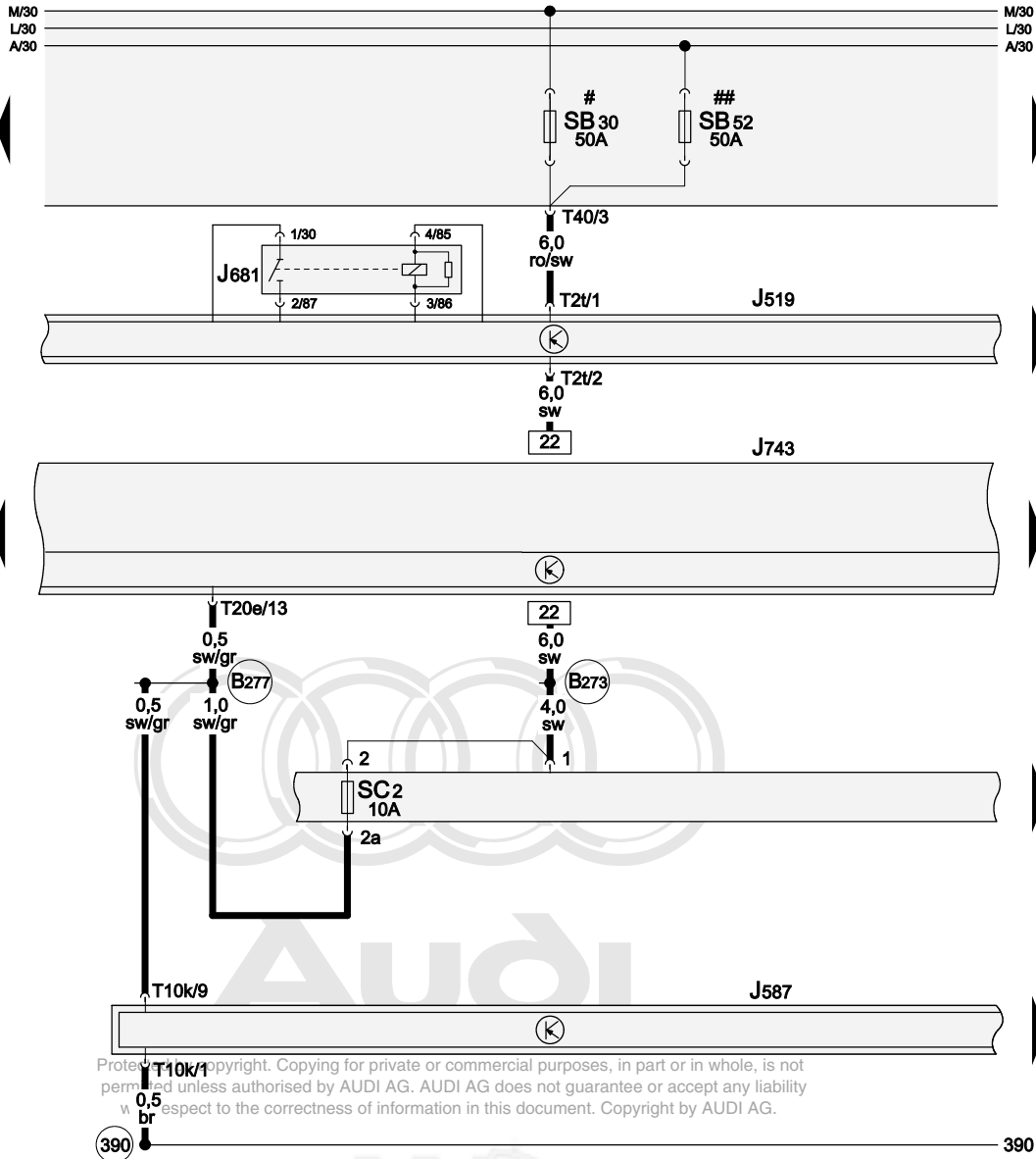
- A Battery
- J743 Direct Shift Gearbox (DSG) Mechatronic
- SB5 Fuse 5 (on fuse panel B)
- SB13 Fuse 13 (on fuse panel B)
- T20e 20-Pin Connector, black (Connector A)
- T26 26-Pin Connector, black, on electronics box engine compartment (Connector K)
- T40 40-Pin Connector, black, on electronics box engine compartment (Connector J)
- 132 Ground Connection 3 (in engine compartment wiring harness)
- 394 Ground Connection 29 (in main wiring harness)
- 655 Ground Connection (on left headlamp)
- D84 Automatic Transmission Connection (in engine compartment wiring harness)
- * => Applicable Wiring Diagram for models with battery in engine compartment
- ** Main fuse panel supply => Applicable Wiring Diagram for models with battery in luggage compartment
- # Only models with electronics box Low
- ## Only models with electronics box High
- ### Connection bridge, only models with engine codes BPY, CDLA, CDLC



Protected by copyright. Copying for private or commercial purposes, in part or in whole, is not permitted unless authorised by AUDI AG. AUDI AG does not guarantee or accept any liability with respect to the correctness of information in this document. Copyright by AUDI AG.

- ws = white
- sw = black
- ro = red
- br = brown
- gn = green
- bl = blue
- gr = grey
- li = lilac
- ge = yellow
- or = orange
- rs = pink

8P0-A072020408



Power Supply (terminal 15), Selector Lever Sensor Control Module, Direct Shift Gearbox (DSG) Mechatronic

- J519 Vehicle Electrical System Control Module
- J587 Selector Lever Sensor Control Module
- J681 Power Supply Relay 2 (terminal 15)
- J743 Direct Shift Gearbox (DSG) Mechatronic
- SB30 Fuse 30 (on fuse panel B)
- SB52 Fuse 52 (on fuse panel B)
- SC2 Fuse 2 (on fuse panel C)
- T2t Double Connector, black (Connector L)
- T10k 10-Pin Connector, black (Connector A)
- T20e 20-Pin Connector, black (Connector A)
- T40 40-Pin Connector, black, on electronics box engine compartment (Connector J)

390 Ground Connection 25 (in main wiring harness)

B273 Plus Connection (15) (in main wiring harness)

B277 Plus Connection 1 (15a) (in main wiring harness)

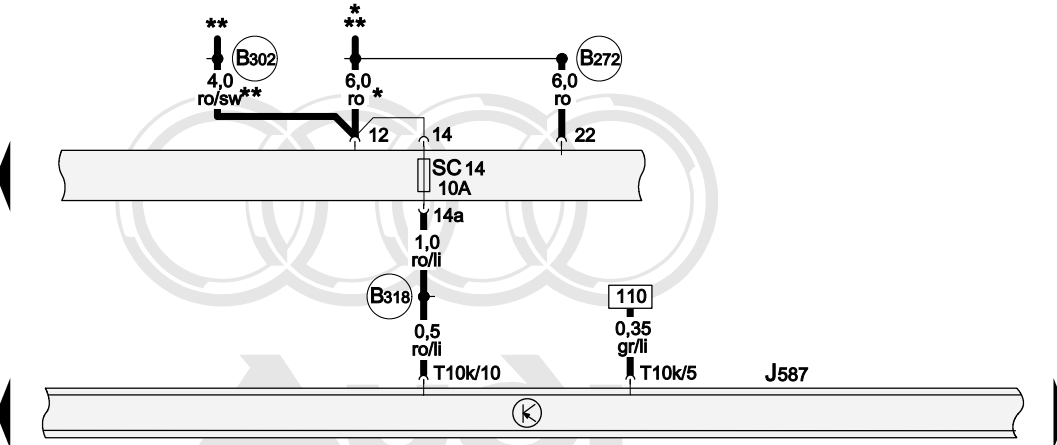
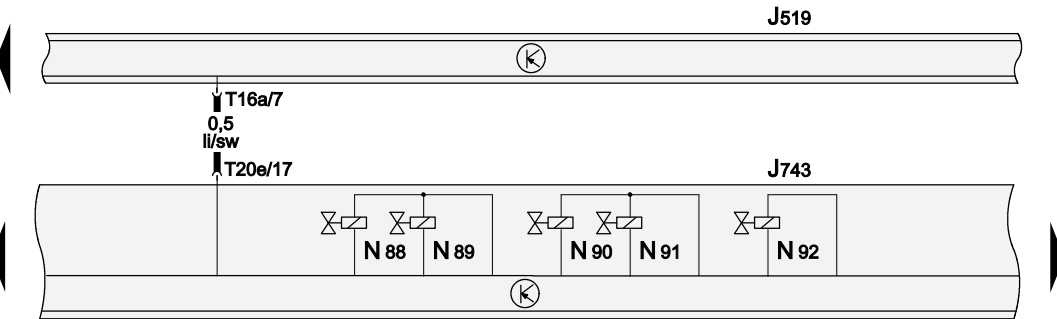
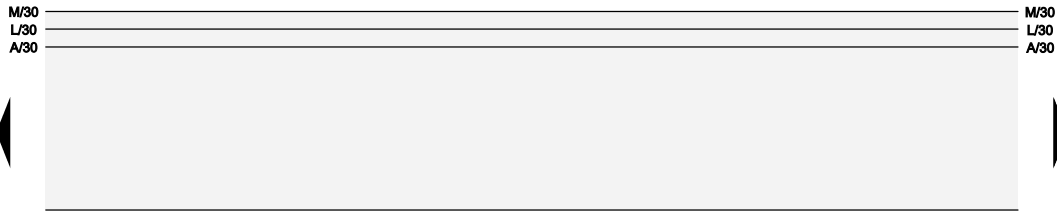
Only models with electronics box Low
 ## Only models with electronics box High

Copyright. Copying for private or commercial purposes, in part or in whole, is not permitted unless authorised by AUDI AG. AUDI AG does not guarantee or accept any liability with respect to the correctness of information in this document. Copyright by AUDI AG.

- ws = white
- sw = black
- ro = red
- br = brown
- gn = green
- bl = blue
- gr = grey
- li = lilac
- ge = yellow
- or = orange
- rs = pink

15 16 17 18 19 20 21 22 23 24 25 26 27 28

8P0-A072030409



Solenoid Valves, Power Supply (terminal 30), Selector Lever Sensor Control Module

- J519 Vehicle Electrical System Control Module
- J587 Selector Lever Sensor Control Module
- J743 Direct Shift Gearbox (DSG) Mechatronic
- N88 Solenoid Valve 1
- N89 Solenoid Valve 2
- N90 Solenoid Valve 3
- N91 Solenoid Valve 4
- N92 Solenoid Valve 5
- SC14 Fuse 14 (on fuse panel C)
- T10k 10-Pin Connector, black (Connector A)
- T16a 16-Pin Connector, black (Connector E)
- T20e 20-Pin Connector, black (Connector A)

- 390** Ground Connection 25 (in main wiring harness)
- B272** Plus Connection (30) (in main wiring harness)
- B302** Plus Connection 6 (30) (in main wiring harness)
- B318** Plus Connection 4 (30a) (in main wiring harness)
- * => Applicable Wiring Diagram with battery in engine compartment
- ** => Applicable Wiring Diagram with battery in luggage compartment

- ws = white
- sw = black
- ro = red
- br = brown
- gn = green
- bl = blue
- gr = grey
- li = lilac
- ge = yellow
- or = orange
- rs = pink

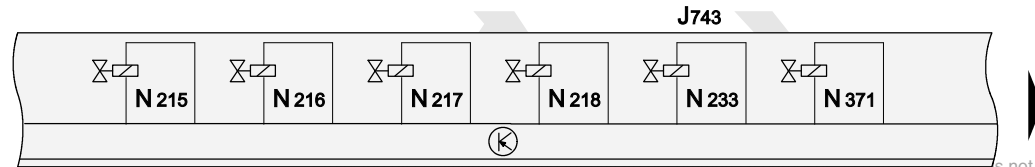
Protected by copyright. Copying for private or commercial purposes, in part or in whole, is not permitted unless authorised by AUDI AG. AUDI AG does not guarantee or accept any liability with respect to the correctness of information in this document. Copyright by AUDI AG.



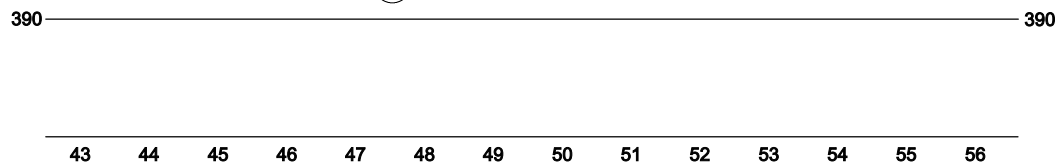
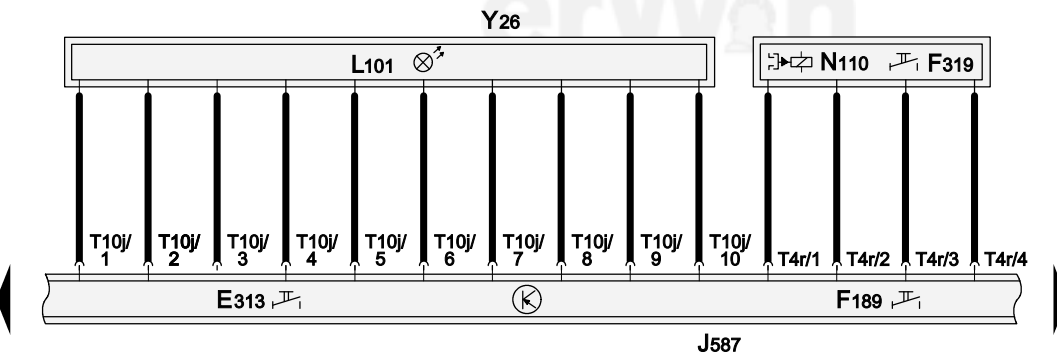
Selector Lever Transmission Range (TR) Position Display Unit, Pressure Regulating Valves, Selector Lever Park Position Lock Switch

- E313 Selector Lever
- F189 Tiptronic Switch
- F319 Selector Lever Park Position Lock Switch
- J587 Selector Lever Sensor Control Module
- J743 Direct Shift Gearbox (DSG) Mechatronic
- L101 Selector Lever Scale Illumination
- N110 Shift Lock Solenoid
- N215 Automatic Transmission Pressure Regulating Valve 1
- N216 Automatic Transmission Pressure Regulating Valve 2
- N217 Automatic Transmission Pressure Regulating Valve 3
- N218 Automatic Transmission Pressure Regulating Valve 4
- N233 Automatic Transmission Pressure Regulating Valve 5
- N371 Automatic Transmission Pressure Regulating Valve 6
- T4r 4-Pin Connector, on selector lever
- T10j 10-Pin Connector, black, on selector lever
- Y26 Selector Lever Transmission Range (TR) Position Display Unit

390 Ground Connection 25 (in main wiring harness)

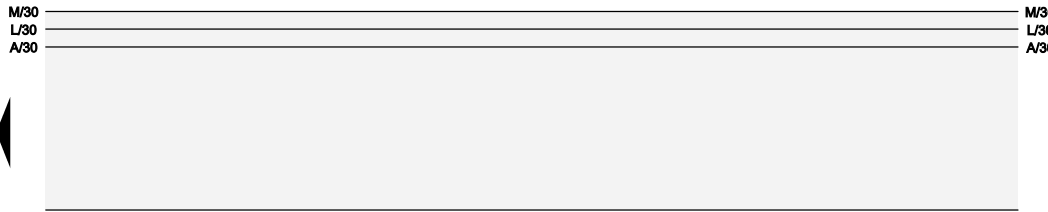


Protected by copyright. Copying for private or commercial purposes, in part or in whole, is not permitted unless authorised by AUDI AG. AUDI AG does not guarantee or accept any liability with respect to the correctness of information in this document. Copyright by AUDI AG.



- ws = white
- sw = black
- ro = red
- br = brown
- gn = green
- bl = blue
- gr = grey
- li = lilac
- ge = yellow
- or = orange
- rs = pink

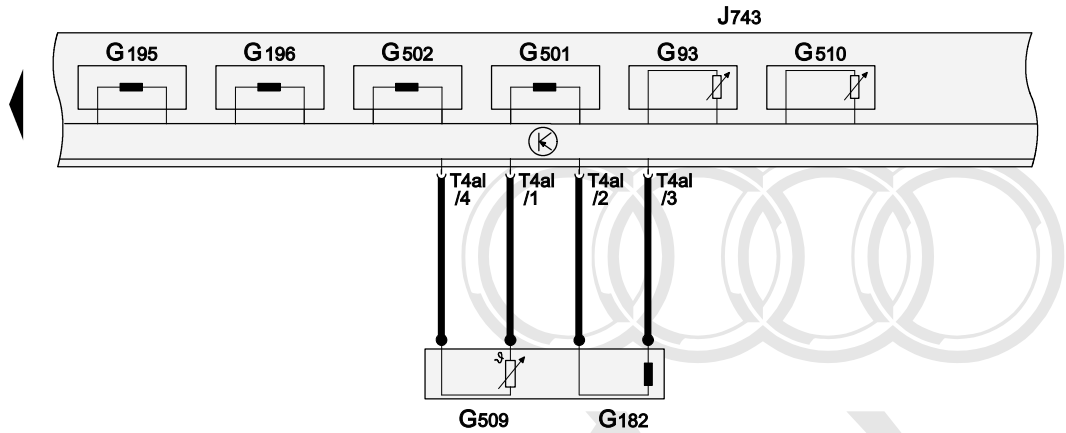
8P0-A072050408



Transmission Speed Sensor, Temperature Sensor

- G93 Transmission Fluid Temperature Sensor
- G182 Transmission Input Speed (RPM) Sensor
- G195 Transmission Output Speed (RPM) Sensor
- G196 Transmission Output Speed (RPM) Sensor 2
- G501 Transmission Input Speed (RPM) Sensor 1
- G502 Transmission Input Speed (RPM) Sensor 2
- G509 Clutch Temperature Sensor
- G510 Temperature Sensor (in Control Module)
- J587 Selector Lever Sensor Control Module
- J743 Direct Shift Gearbox (DSG) Mechatronic
- T4al 4-Pin Connector

390 Ground Connection 25 (in main wiring harness)



Protected by copyright. Copying for private or commercial purposes, in part or in whole, is not permitted without the prior written consent of AUDI AG.



- ws = white
- sw = black
- ro = red
- br = brown
- gn = green
- bl = blue
- gr = grey
- li = lilac
- ge = yellow
- or = orange
- rs = pink

57 58 59 60 61 62 63 64 65 66 67 68 69 70

8P0-A072060408



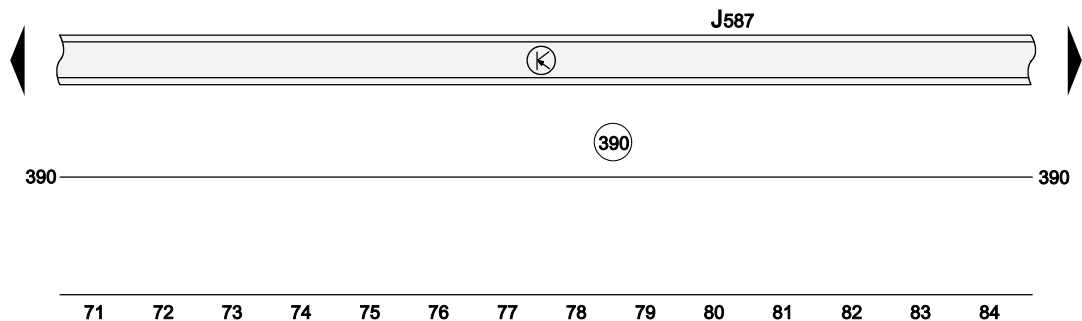
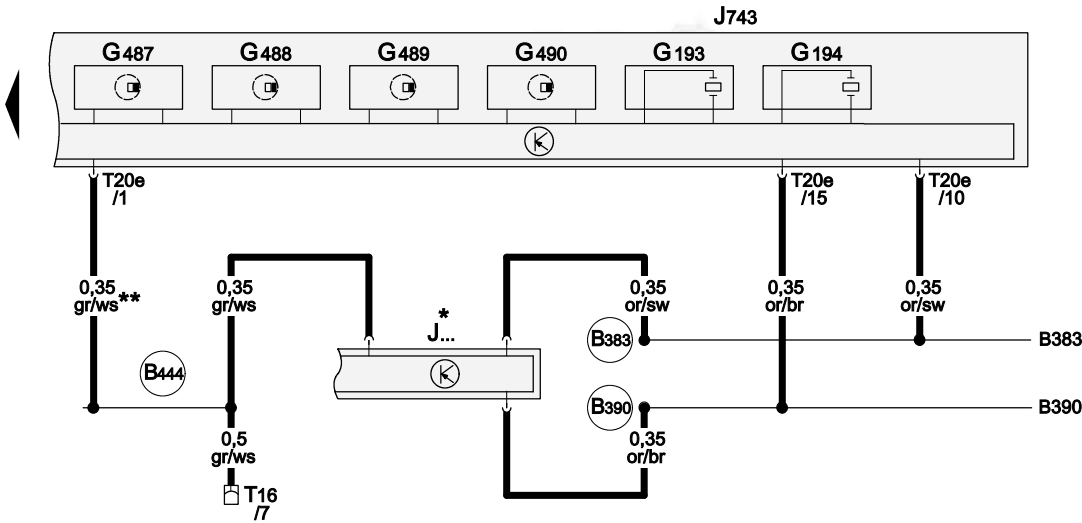
Protected by copyright. Copying for private or commercial purposes, in part or in whole, is not permitted unless authorised by AUDI AG. AUDI AG does not guarantee or accept any liability with respect to the correctness of information in this document. Copyright by AUDI AG.

Powertrain CAN-Bus, Hydraulic Pressure Sensor, Gear Position Distance Sensor

- G193 Automatic Transmission Hydraulic Pressure Sensor 1
- G194 Automatic Transmission Hydraulic Pressure Sensor 2
- G487 Gear Position Distance Sensor 1
- G488 Gear Position Distance Sensor 2
- G489 Gear Position Distance Sensor 3
- G490 Gear Position Distance Sensor 4
- J... Engine Control Modules (ECM)
- J587 Selector Lever Sensor Control Module
- J743 Direct Shift Gearbox (DSG) Mechatronic
- T16 16-Pin Connector, black, instrument panel driver's side, bottom left (diagnostic connector)
- T20e 20-Pin Connector, black (Connector A)

- (390) Ground Connection 25 (in main wiring harness)
- (B383) Powertrain CAN-Bus High Connection 1 (in main wiring harness)
- (B390) Powertrain CAN-Bus Low Connection 1 (in main wiring harness)
- (B444) OBD Connection 1 (in main wiring harness)

* => Applicable Wiring Diagram Engine
 ** Only models with data link connector



- ws = white
- sw = black
- ro = red
- br = brown
- gn = green
- bl = blue
- gr = grey
- li = lilac
- ge = yellow
- or = orange
- rs = pink

8P0-A072070808

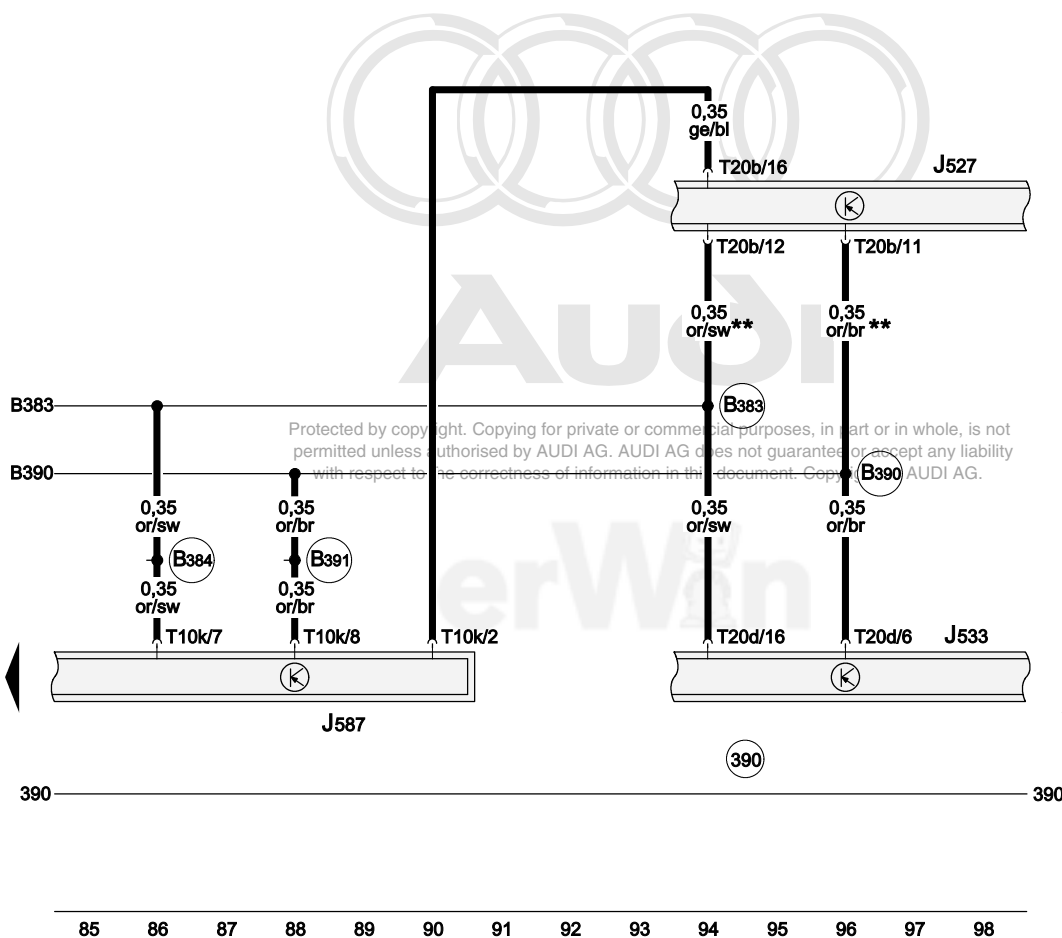


Powertrain CAN-Bus

- J527 Steering Column Electronic Systems Control Module
- J533 Data Bus On Board Diagnostic Interface
- J587 Selector Lever Sensor Control Module
- T10k 10-Pin Connector, black (Connector A)
- T20b 20-Pin Connector, black (Connector A)
- T20d 20-Pin Connector, black (Connector A)

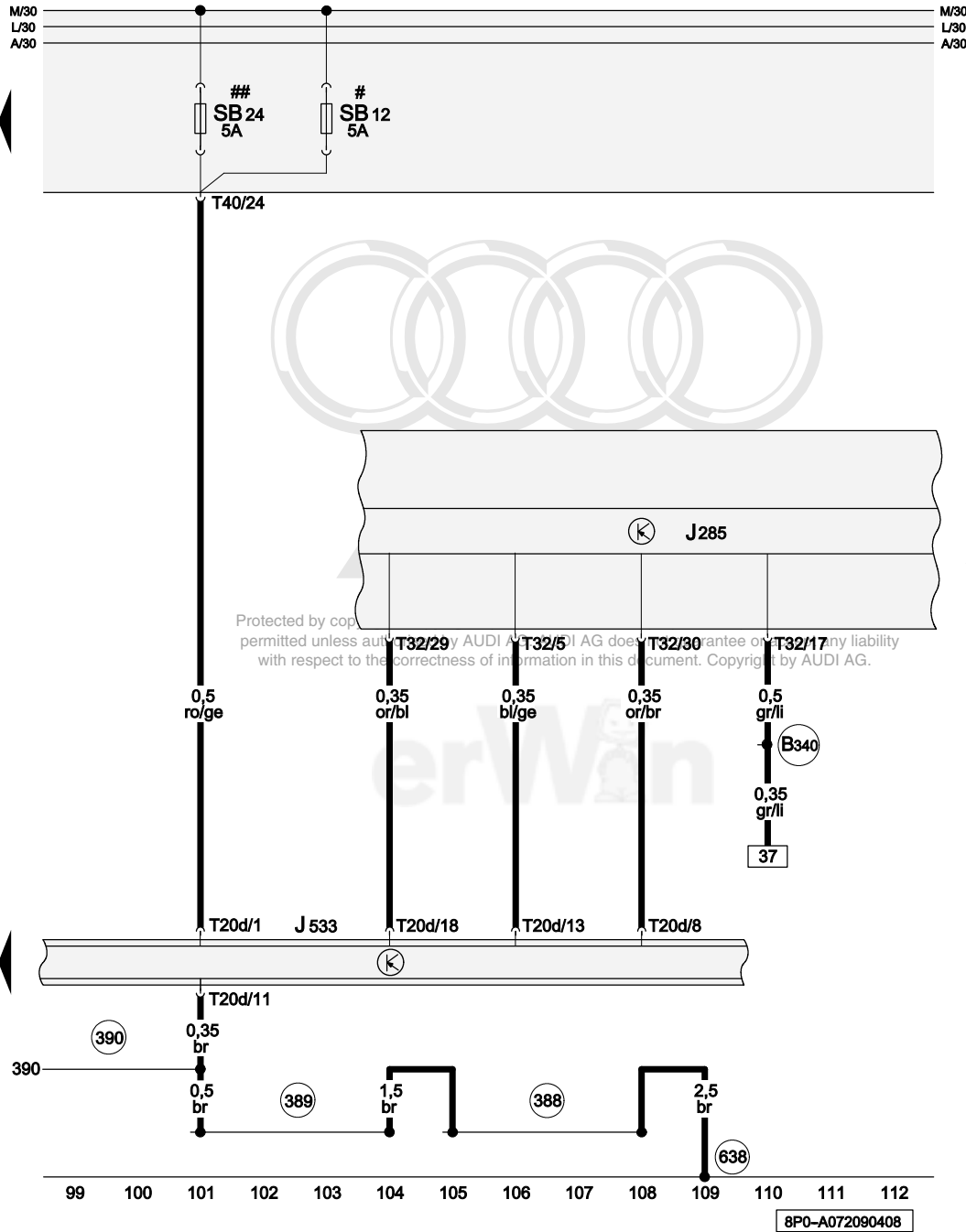
- 390 Ground Connection 25 (in main wiring harness)
- B383 Powertrain CAN-Bus High Connection 1 (in main wiring harness)
- B384 Powertrain CAN-Bus High Connection 2 (in main wiring harness)
- B390 Powertrain CAN-Bus Low Connection 1 (in main wiring harness)
- B391 Powertrain CAN-Bus Low Connection 2 (in main wiring harness)

** Only models with powertrain CAN-Bus



- ws = white
- sw = black
- ro = red
- br = brown
- gn = green
- bl = blue
- gr = grey
- li = lilac
- ge = yellow
- or = orange
- rs = pink

8P0-A072080408



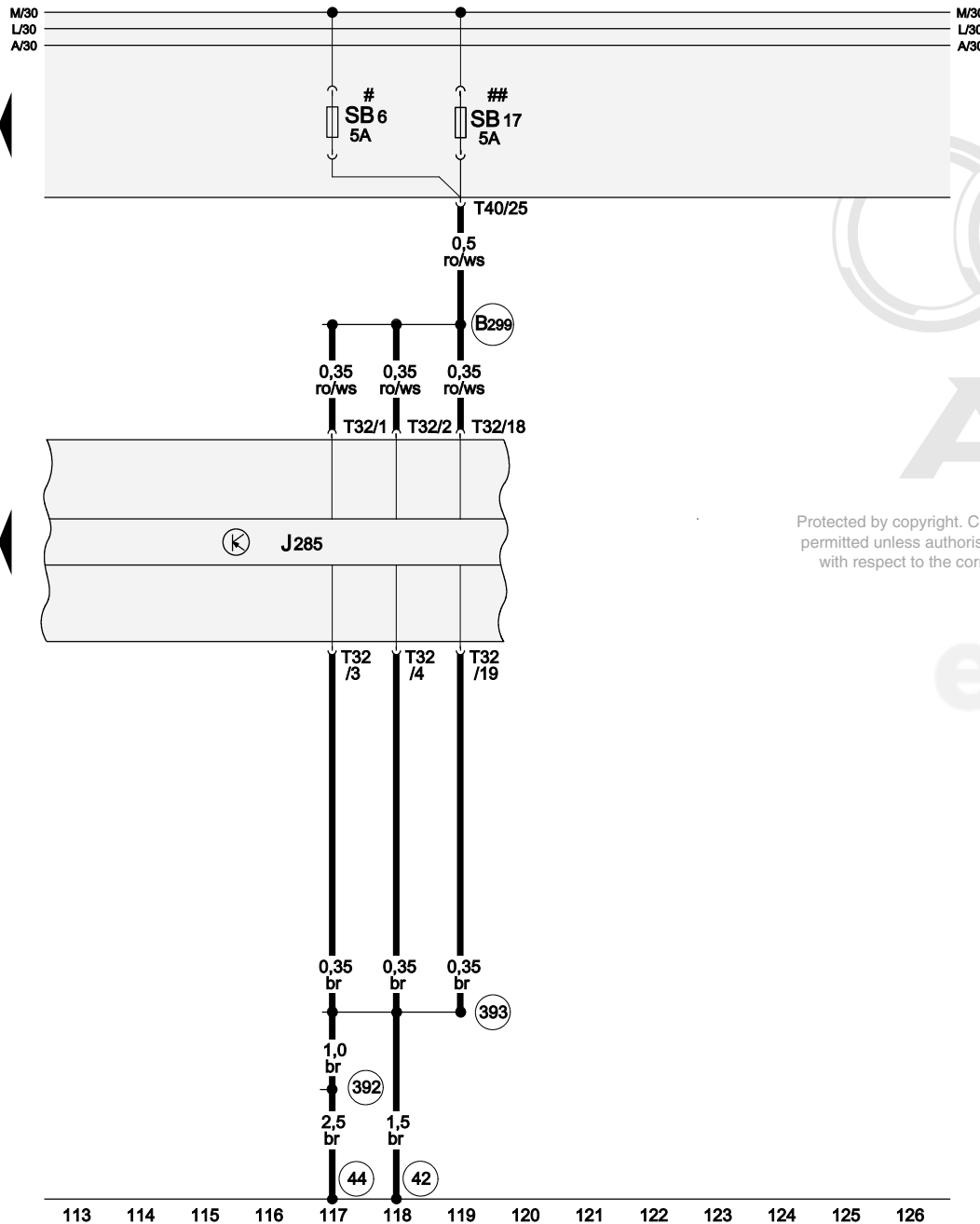
Data Bus On Board Diagnostic Interface, Instrument Cluster Control Module

- J285 Instrument Cluster Control Module
- J533 Data Bus On Board Diagnostic Interface
- SB12 Fuse 12 (on fuse panel B)
- SB24 Fuse 24 (on fuse panel B)
- T20d 20-Pin Connector, black (Connector A)
- T32 32-Pin Connector, blue (Connector A)
- T40 40-Pin Connector, black, on electronics box engine compartment (Connector J)

- 388 Ground Connection 23 (in main wiring harness)
- 389 Ground Connection 24 (in main wiring harness)
- 390 Ground Connection 25 (in main wiring harness)
- 638 Ground Connection (on right A-pillar)
- B340 Connection 1 (58d) (in main wiring harness)
- # Only models with electronics box Low
- ## Only models with electronics box High

- ws = white
- sw = black
- ro = red
- br = brown
- gn = green
- bl = blue
- gr = grey
- li = lilac
- ge = yellow
- or = orange
- rs = pink

8P0-A072090408



Instrument Cluster Control Module

- J285 Instrument Cluster Control Module
- SB6 Fuse 6 (on fuse panel B)
- SB17 Fuse 17 (on fuse panel B)
- T32 32-Pin Connector, blue (Connector A)
- T40 40-Pin Connector, black, on electronics box engine compartment (Connector J)

- 42 Ground Connection (beside steering column)
- 44 Ground Connection (on left lower A-pillar)
- 392 Ground Connection 27 (in main wiring harness)
- 393 Ground Connection 28 (in main wiring harness)
- B299 Plus Connection 3 (30) (in main wiring harness)

Protected by copyright. Copying for private or commercial purposes, in part or in whole, is not permitted unless authorised by AUDI AG. AUDI AG does not guarantee its accuracy or liability with respect to the correctness of information in this document.
 # Only models with electronics box Low
 ## Only models with electronics box High

- ws = white
- sw = black
- ro = red
- br = brown
- gn = green
- bl = blue
- gr = grey
- li = lilac
- ge = yellow
- or = orange
- rs = pink

8P0-A072100408

Anti-lock braking system (ABS) with electronic stabilization program (ESP), traction control (ASR) and hydraulic brake booster (HBB)

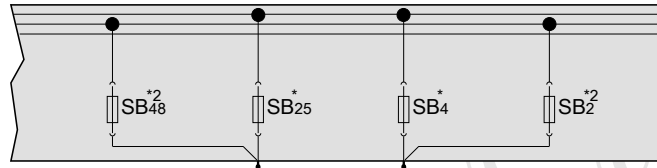
From May 2008



Audi

Protected by copyright. Copying for private or commercial purposes, in part or in whole, is not permitted unless authorised by AUDI AG. AUDI AG does not guarantee or accept any liability with respect to the correctness of information in this document. Copyright by AUDI AG.





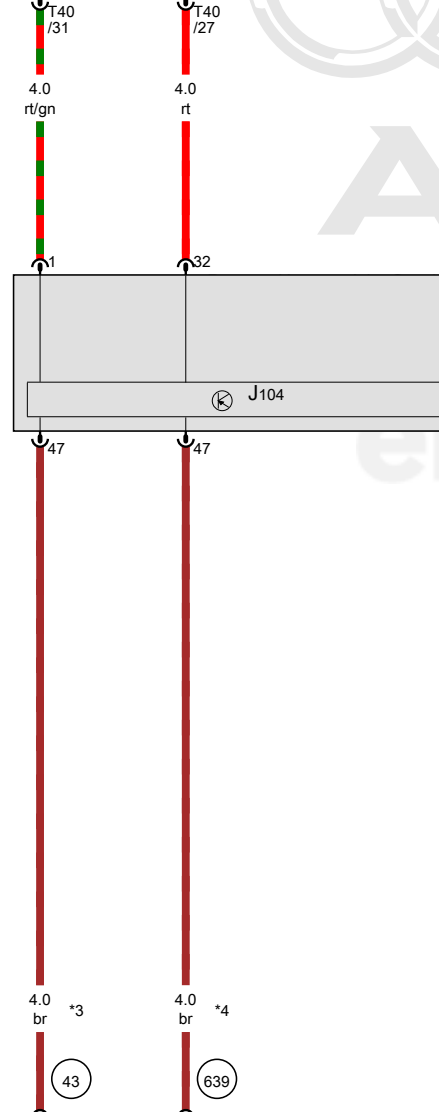
ABS control module

- J104 ABS control module
- SB2 Fuse 2 (on fuse panel B)
- SB4 Fuse 4 (on fuse panel B)
- SB25 Fuse 25 (on fuse panel B)
- SB48 Fuse 48 (on fuse panel B)
- T40 40-pin connector

43 Ground connection on A-pillar, lower right

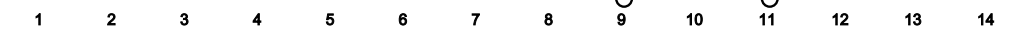
639 Ground connection on left A-pillar

- * E-Box low
- *2 E-Box high
- *3 Only for left-hand drive vehicles
- *4 Only for right-hand drive vehicles



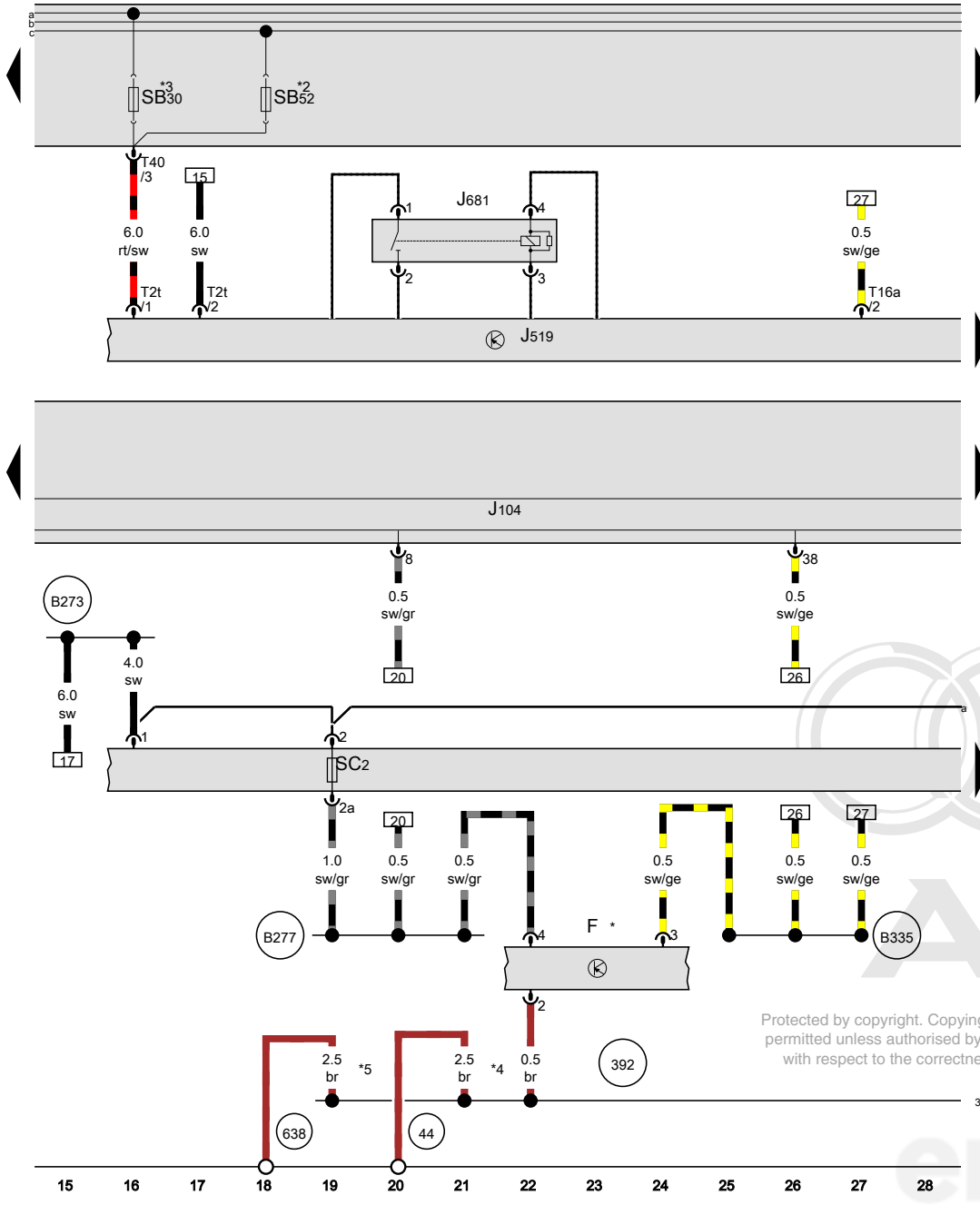
...ing for private or commercial purposes, in part or in whole, is not ... by AUDI AG. AUDI AG does not guarantee or accept any liability ... of information in this document. Copyright by AUDI AG.

- ws = white
- sw = black
- ro = red
- rt = red
- br = brown
- gn = green
- bl = blue
- gr = grey
- li = lilac
- vi = lilac
- ge = yellow
- or = orange
- rs = pink



18P1-0730212101

Brake lamp switch, ABS control module, Vehicle electrical system control module, Terminal 15 power supply relay 2



- F Brake lamp switch
- J104 ABS control module
- J519 Vehicle electrical system control module
- J681 Terminal 15 power supply relay 2
- SC2 Fuse 2 (on fuse panel C)
- SB30 Fuse 30 (on fuse panel B)
- SB52 Fuse 52 (on fuse panel B)
- T2t Double connector
- T16a 16-pin connector
- T40 40-pin connector
- T52b 52-pin connector
- 44 Ground connection on A-pillar, lower left
- 392 Ground connection 27 (in main wiring harness)
- 638 Ground connection on right A-pillar
- B273 Positive connection (15) (in main wiring harness)
- B277 Positive connection 1 (15a) (in main wiring harness)
- B335 Connection 1 (54) (in main wiring harness)
- * Refer to applicable engine wiring diagram
- *2 E-Box high
- *3 E-Box low
- *4 Only for left-hand drive vehicles
- *5 Only for right-hand drive vehicles

- ws = white
- sw = black
- ro = red
- rt = red
- br = brown
- gn = green
- bl = blue
- gr = grey
- li = lilac
- vi = lilac
- ge = yellow
- or = orange
- rs = pink

Protected by copyright. Copying for private or professional purposes, in part or in whole, is not permitted unless authorised by AUDI AG. AUDI AG does not guarantee or accept any liability with respect to the correctness of information in this document. Copyright by AUDI AG.

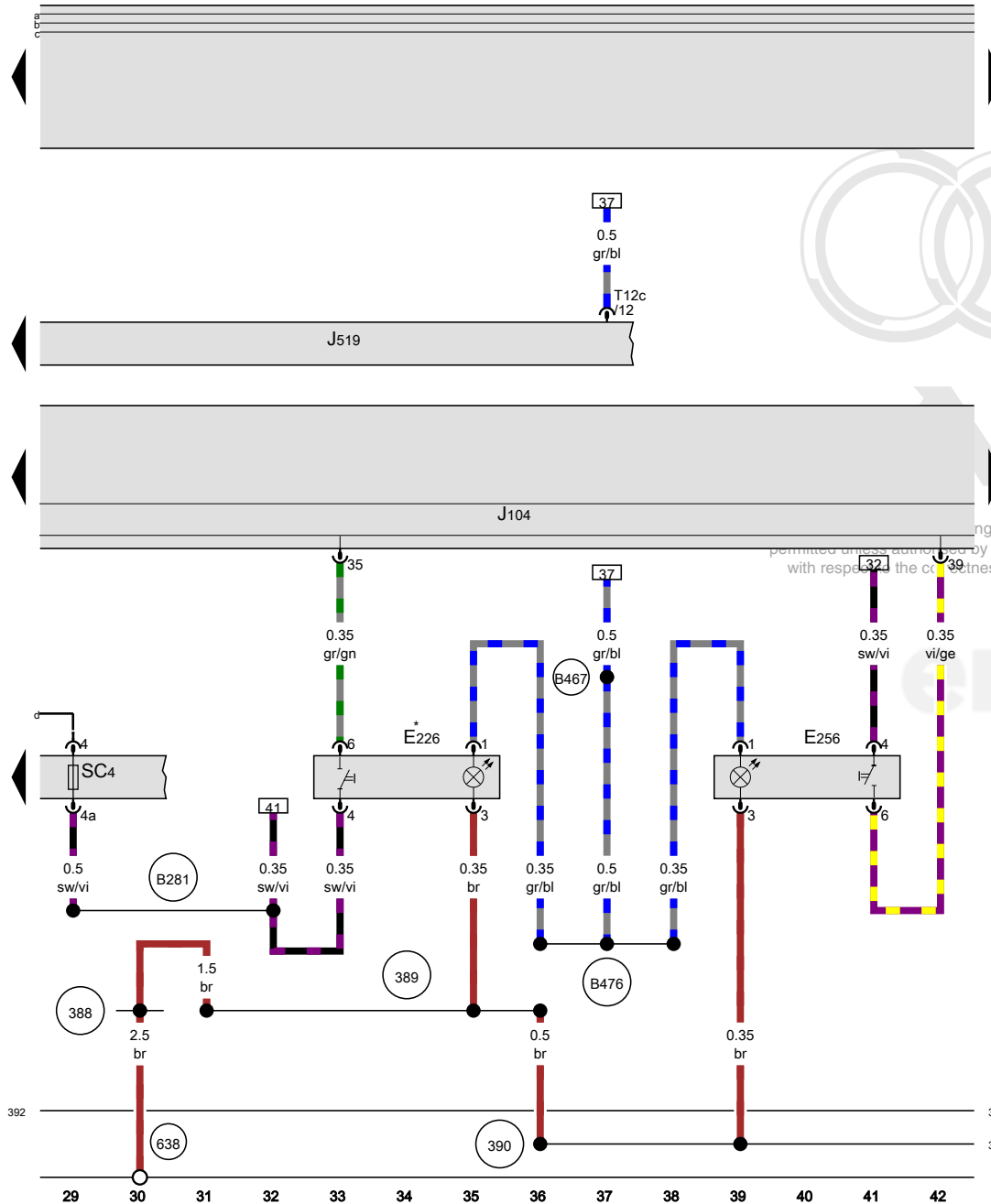
18P1-0730312101

Tire pressure monitoring button, ASR/ESP button, ABS control module, Vehicle electrical system control module

- E226 Tire pressure monitoring button
- E256 ASR/ESP button
- J104 ABS control module
- J519 Vehicle electrical system control module
- SC4 Fuse 4 (on fuse panel C)
- T12c 12-pin connector

- 388 Ground connection 23 (in main wiring harness)
- 389 Ground connection 24 (in main wiring harness)
- 390 Ground connection 25 (in main wiring harness)
- 392 Ground connection 27 (in main wiring harness)
- 638 Ground connection on right A-pillar
- B281 Positive connection 5 (15a) (in main wiring harness)
- B467 Connection 3 (in main wiring harness)
- B476 Connection 12 (in main wiring harness)

* If available



- ws = white
- sw = black
- ro = red
- rt = red
- br = brown
- gn = green
- bl = blue
- gr = grey
- li = lilac
- vi = lilac
- ge = yellow
- or = orange
- rs = pink

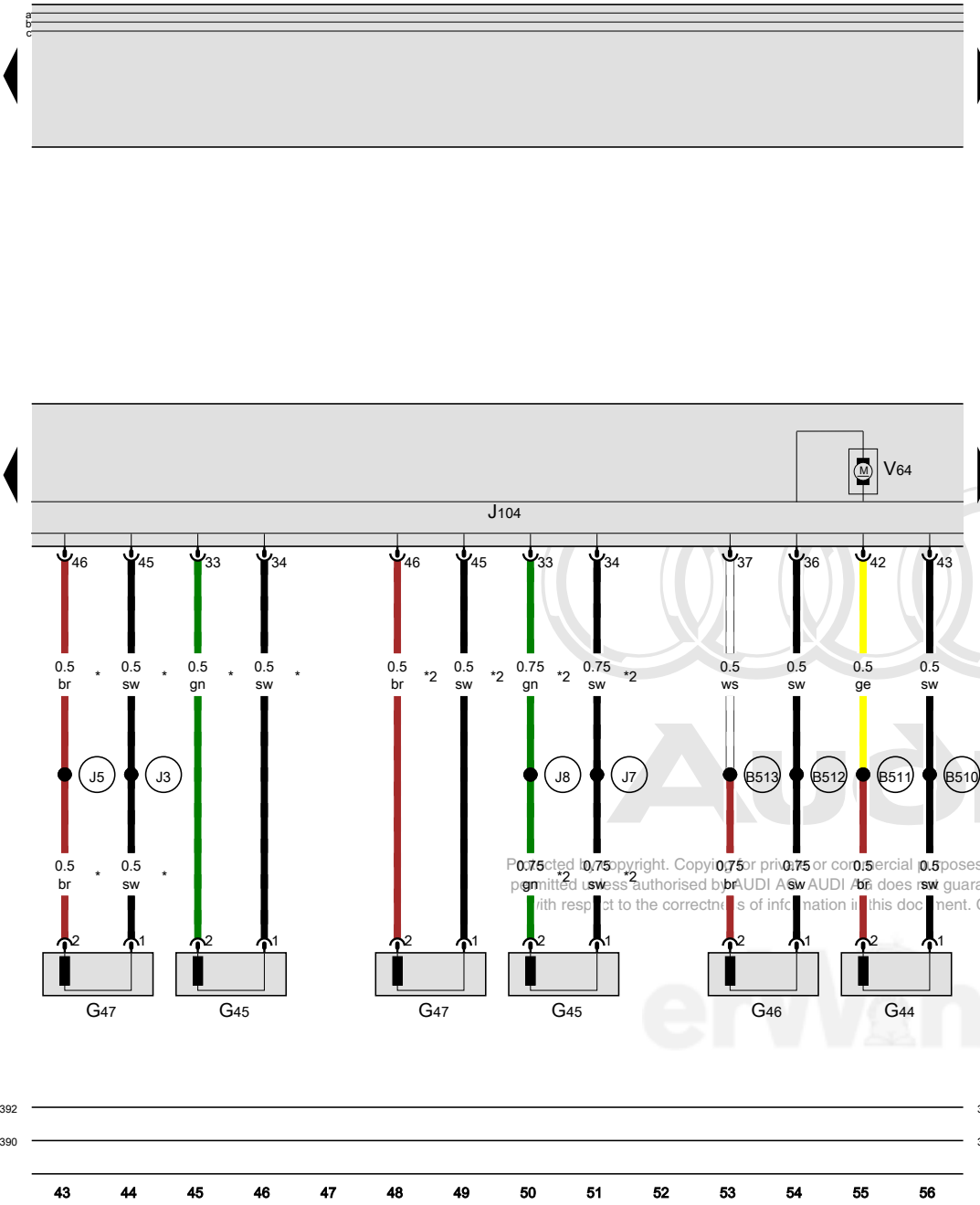
18P1-073041210

Right rear ABS wheel speed sensor, Right front ABS wheel speed sensor, Left rear ABS wheel speed sensor, Left front ABS wheel speed sensor, ABS control module

- G44 Right rear ABS wheel speed sensor
- G45 Right front ABS wheel speed sensor
- G46 Left rear ABS wheel speed sensor
- G47 Left front ABS wheel speed sensor
- J104 ABS control module
- V64 ABS hydraulic pump

- 390 Ground connection 25 (in main wiring harness)
- 392 Ground connection 27 (in main wiring harness)
- B510 Right rear speed sensor connection 1 (in interior wiring harness)
- B511 Right rear speed sensor connection 2 (in interior wiring harness)
- B512 Left rear speed sensor connection 1 (in interior wiring harness)
- B513 Left rear speed sensor connection 2 (in interior wiring harness)
- J3 Connection 1 (in ABS wiring harness)
- J5 Connection 2 (in ABS wiring harness)
- J7 Connection 3 (in ABS wiring harness)
- J8 Connection 4 (in ABS wiring harness)

- * Only for left-hand drive vehicles
- *2 Only for right-hand drive vehicles



Copyright Audi AG. All rights reserved. This document is the property of Audi AG. It is not to be reproduced, stored in a retrieval system, or transmitted in any form or by any means, electronic, mechanical, photocopying, recording, or otherwise, without the prior written permission of Audi AG.

- ws = white
- sw = black
- ro = red
- rt = red
- br = brown
- gn = green
- bl = blue
- gr = grey
- li = lilac
- vi = lilac
- ge = yellow
- or = orange
- rs = pink

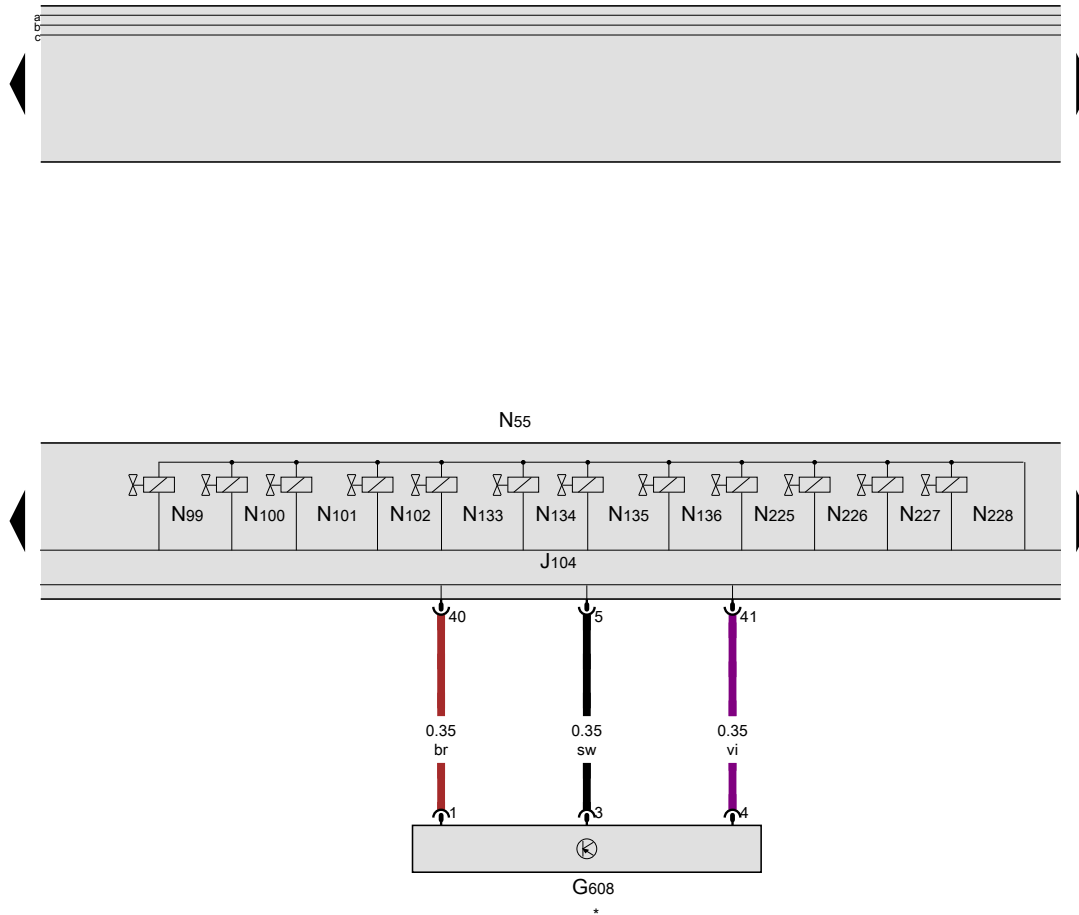
Vacuum sensor, ABS control module, ABS hydraulic unit

- G608 Vacuum sensor
- J104 ABS control module
- N55 ABS hydraulic unit
- N99 Right front ABS inlet valve
- N100 Right front ABS outlet valve
- N101 Left front ABS inlet valve
- N102 Left front ABS outlet valve
- N133 Right rear ABS inlet valve
- N134 Left rear ABS inlet valve
- N135 Right rear ABS outlet valve
- N136 Left rear ABS outlet valve
- N225 Driving dynamics regulation switch valve 1
- N226 Driving dynamics regulation switch valve 2
- N227 Driving dynamics regulation high pressure switch valve 1
- N228 Driving dynamics regulation high pressure switch valve 2

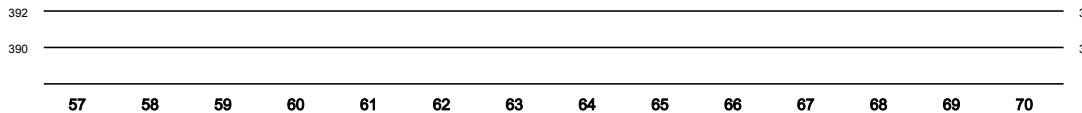
Protected by copyright. Copying for private or commercial purposes, in part or in whole, is not permitted unless authorized by AUDI AG. AUDI AG does not guarantee or accept any liability with respect to the correctness of information in this document. Copyright by AUDI AG.

- 390 Ground connection 25 (in main wiring harness)
- 392 Ground connection 27 (in main wiring harness)

* Depending on equipment



- ws = white
- sw = black
- ro = red
- rt = red
- br = brown
- gn = green
- bl = blue
- gr = grey
- li = lilac
- vi = lilac
- ge = yellow
- or = orange
- rs = pink



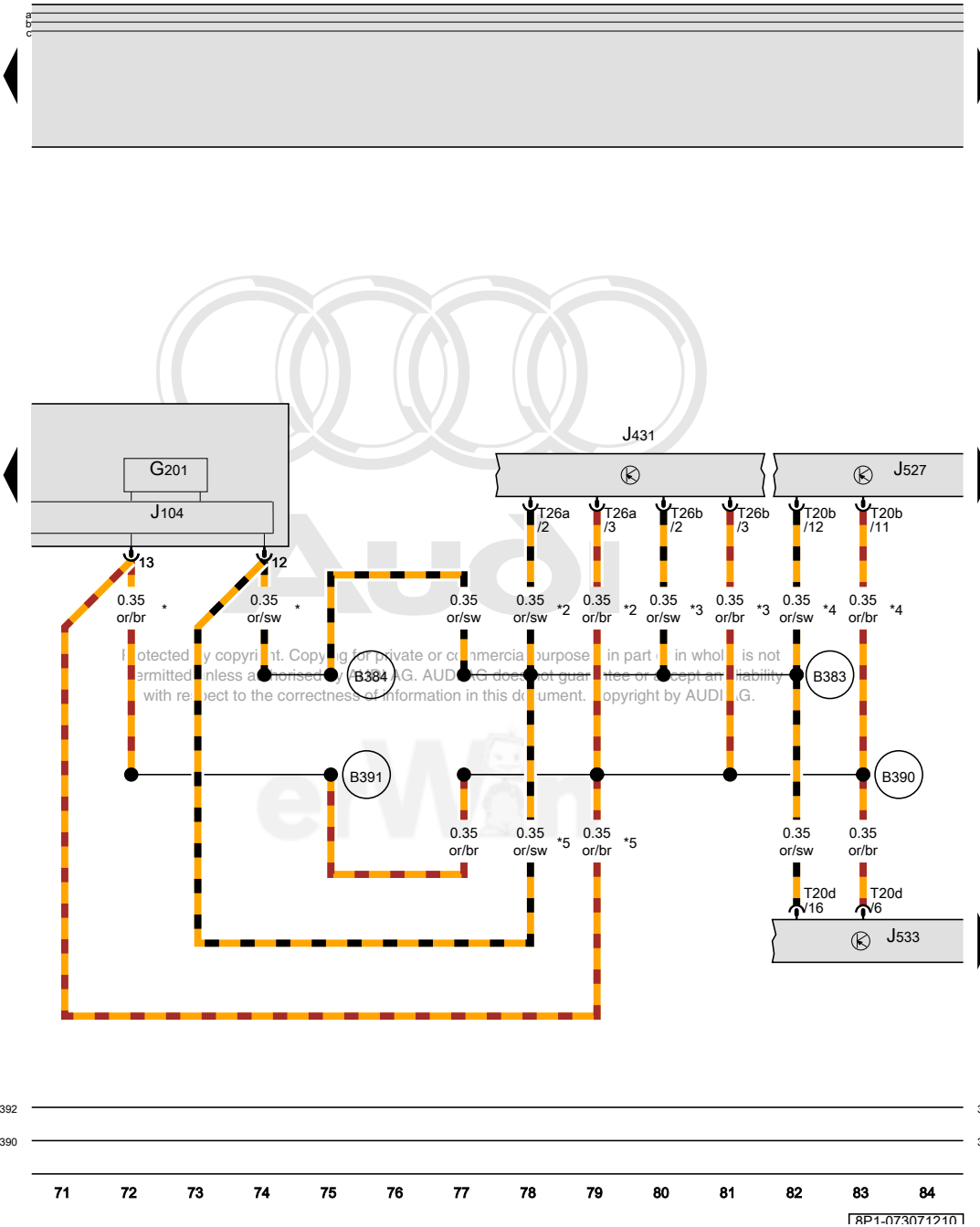
18P1-073061210

Brake pressure sensor 1, ABS control module, Headlamp range control module, Steering column electronics control module, Data bus on board diagnostic interface

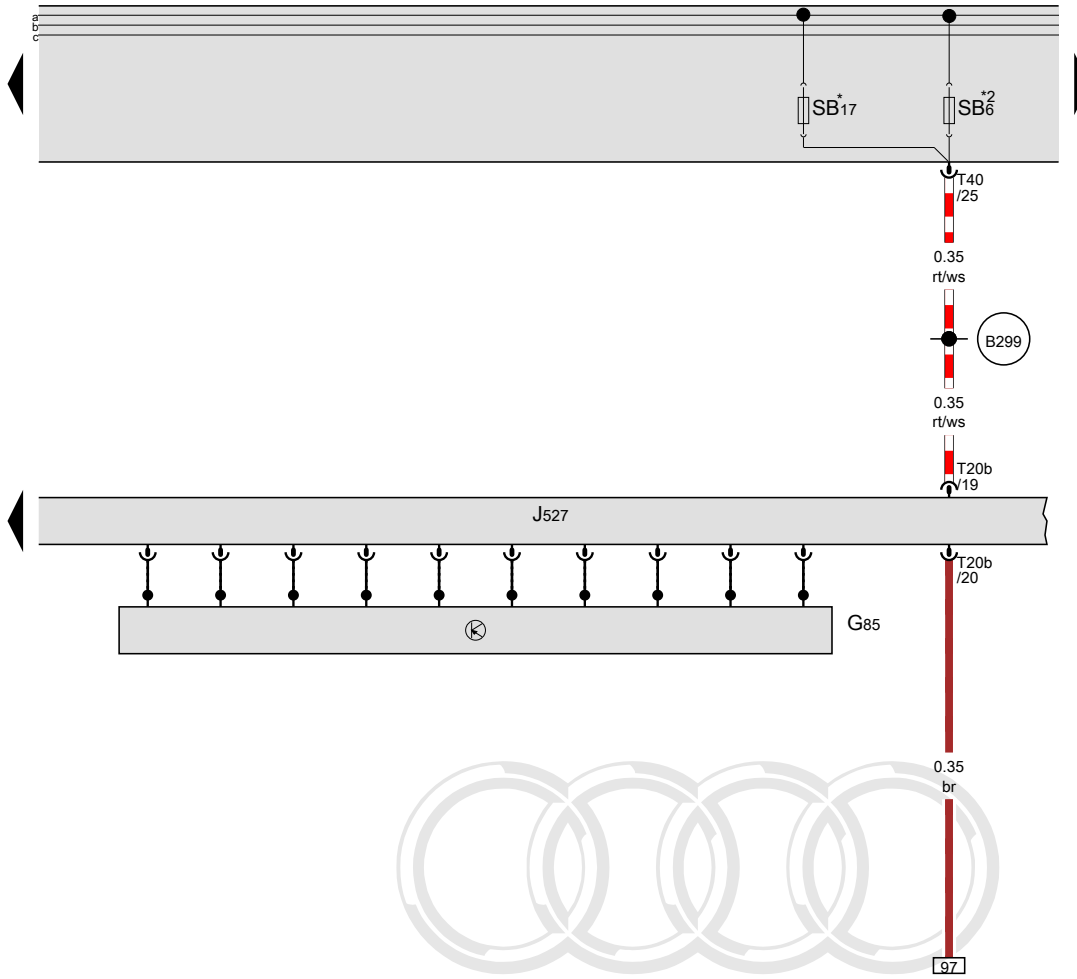
- G201 Brake pressure sensor 1
- J104 ABS control module
- J431 Headlamp range control module
- J527 Steering column electronics control module
- J533 Data bus on board diagnostic interface
- T20b 20-pin connector
- T20d 20-pin connector
- T26a 26-pin connector
- T26b 26-pin connector

- 390 Ground connection 25 (in main wiring harness)
- 392 Ground connection 27 (in main wiring harness)
- B383 Powertrain CAN bus high connection 1 (in main wiring harness)
- B384 Powertrain CAN bus high connection 2 (in main wiring harness)
- B390 Powertrain CAN bus low connection 1 (in main wiring harness)
- B391 Powertrain CAN bus low connection 2 (in main wiring harness)

- * Only for left-hand drive vehicles
- *2 Depending on equipment
- *3 Only for vehicles with dynamic cornering lamp
- *4 If available
- *5 Only for right-hand drive vehicles



- ws = white
- sw = black
- ro = red
- rt = red
- br = brown
- gn = green
- bl = blue
- gr = grey
- li = lilac
- vi = lilac
- ge = yellow
- or = orange
- rs = pink



Steering angle sensor, Steering column electronics control module, Data bus on board diagnostic interface

- G85 Steering angle sensor
- J527 Steering column electronics control module
- J533 Data bus on board diagnostic interface
- SB6 Fuse 6 (on fuse panel B)
- SB17 Fuse 17 (on fuse panel B)
- T20b 20-pin connector
- T40 40-pin connector

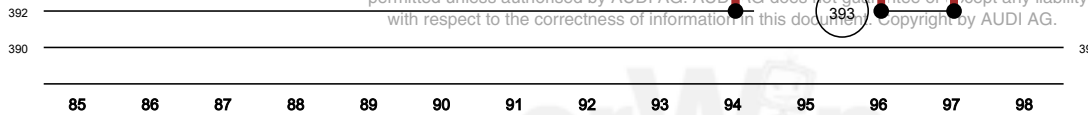
- 390 Ground connection 25 (in main wiring harness)
- 392 Ground connection 27 (in main wiring harness)
- 393 Ground connection 28 (in main wiring harness)
- B299 Positive connection 3 (30) (in main wiring harness)

- * E-Box high
- *2 E-Box low

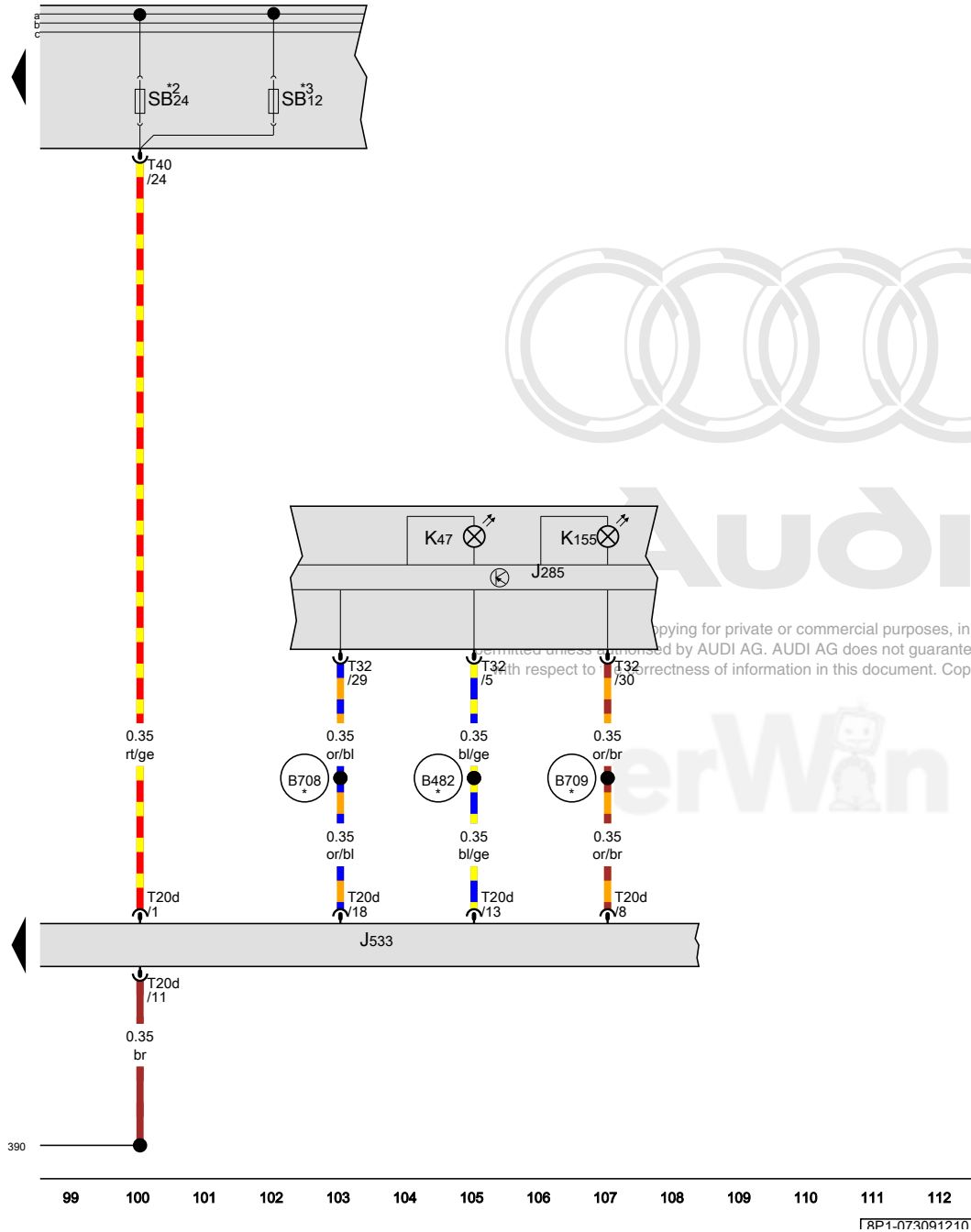


- ws = white
- sw = black
- ro = red
- rt = red
- br = brown
- gn = green
- bl = blue
- gr = grey
- li = lilac
- vi = lilac
- ge = yellow
- or = orange
- rs = pink

Protected by copyright. Copying for private or commercial purposes, in part or in whole, is not permitted unless authorised by AUDI AG. AUDI AG does not grant, in whole or in part, any liability with respect to the correctness of information in this document. Copyright by AUDI AG.



18P1-0730R1210



Instrument cluster control module, Data bus on board diagnostic interface, ABS indicator lamp, ASR/ESP indicator lamp

- J285 Instrument cluster control module
- J533 Data bus on board diagnostic interface
- K47 ABS indicator lamp
- K155 ASR/ESP indicator lamp
- SB12 Fuse 12 (on fuse panel B)
- SB24 Fuse 24 (on fuse panel B)
- T20d 20-pin connector
- T32 32-pin connector
- T40 40-pin connector

- 390 Ground connection 25 (in main wiring harness)
- B482 Connection 18 (in main wiring harness)
- B708 Instrument cluster CAN bus high connection 1 (in main wiring harness)
- B709 Instrument cluster CAN bus low connection 1 (in main wiring harness)

- * Omitted as a running change
- *2 E-Box high
- *3 E-Box low

- ws = white
- sw = black
- ro = red
- rt = red
- br = brown
- gn = green
- bl = blue
- gr = grey
- li = lilac
- vi = lilac
- ge = yellow
- or = orange
- rs = pink

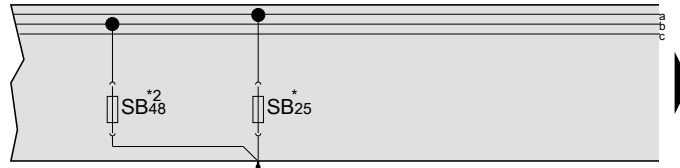
ABS with ASR
From May 2008



Audi

Protected by copyright. Copying for private or commercial purposes, in part or in whole, is not permitted unless authorised by AUDI AG. AUDI AG does not guarantee or accept any liability with respect to the correctness of information in this document. Copyright by AUDI AG.





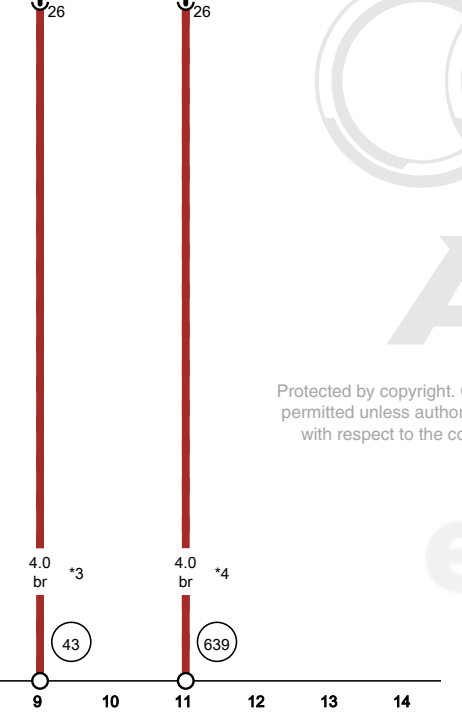
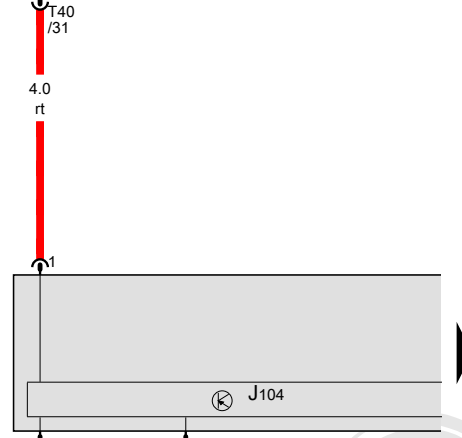
ABS control module

- J104 ABS control module
- SB25 Fuse 25 (on fuse panel B)
- SB48 Fuse 48 (on fuse panel B)
- T40 40-pin connector

43 Ground connection on A-pillar, lower right

639 Ground connection on left A-pillar

- * E-Box low
- *2 E-Box high
- *3 Only for left-hand drive vehicles
- *4 Only for right-hand drive vehicles

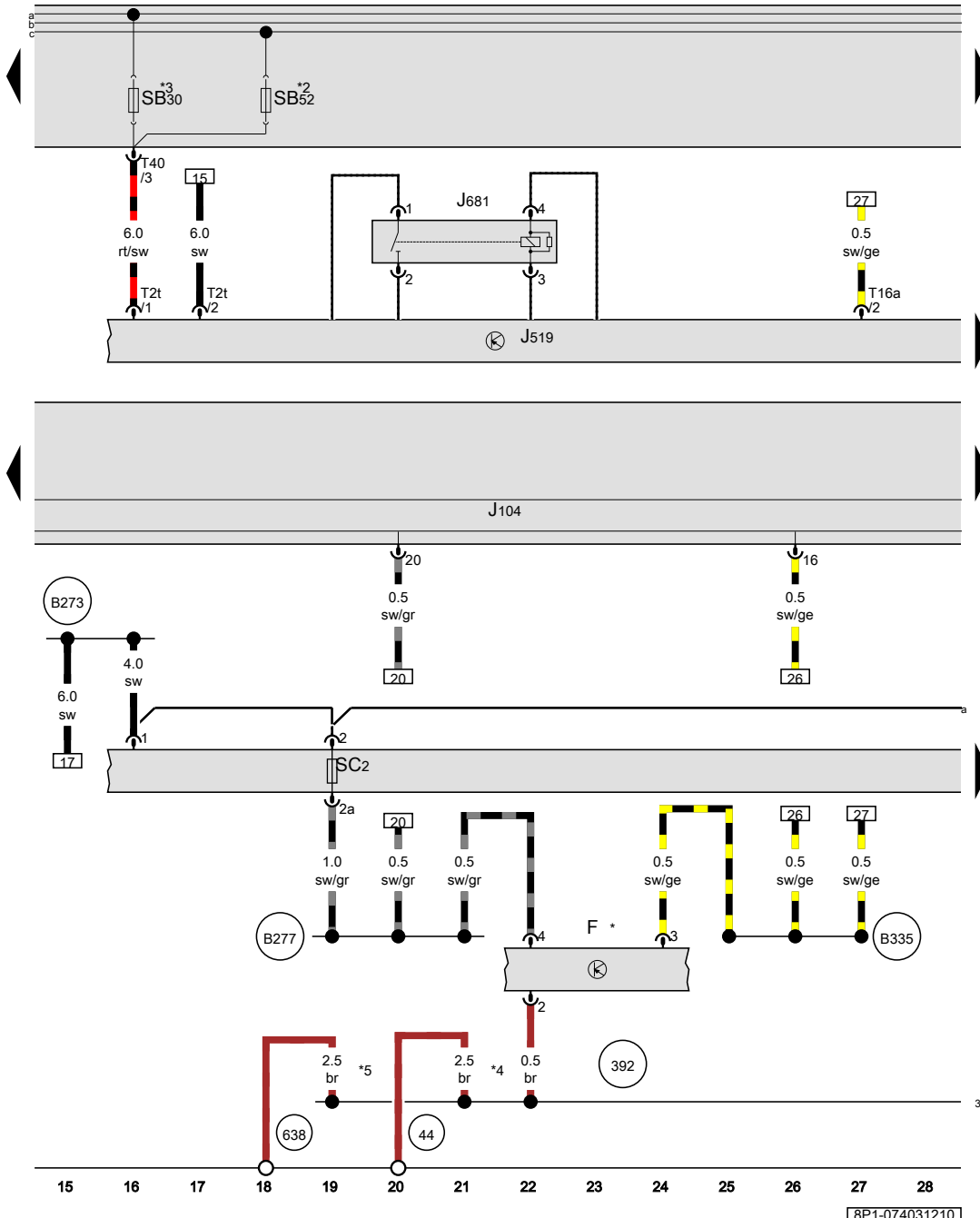


Protected by copyright. Copying for private or commercial purposes, in part or in whole, is not permitted unless authorised by AUDI AG. AUDI AG does not guarantee or accept any liability with respect to the correctness of information in this document. Copyright by AUDI AG.

- ws = white
- sw = black
- ro = red
- rt = red
- br = brown
- gn = green
- bl = blue
- gr = grey
- li = lilac
- vi = lilac
- ge = yellow
- or = orange
- rs = pink

1 2 3 4 5 6 7 8 9 10 11 12 13 14

18P1-0740212101



Brake lamp switch, ABS control module, Vehicle electrical system control module, Terminal 15 power supply relay 2

- F Brake lamp switch
- J104 ABS control module
- J519 Vehicle electrical system control module
- J681 Terminal 15 power supply relay 2
- SC2 Fuse 2 (on fuse panel C)
- SB30 Fuse 30 (on fuse panel B)
- SB52 Fuse 52 (on fuse panel B)
- T2t Double connector
- T16a 16-pin connector
- T40 40-pin connector
- T52b 52-pin connector

44 Ground connection on A-pillar, lower left

392 Ground connection 27 (in main wiring harness)

638 Ground connection on right A-pillar

B273 Positive connection (15) (in main wiring harness)

Protected by copyright. Copying for private or commercial purposes, in part or in whole, is not permitted unless authorised by AUDI AG. AUDI AG does not guarantee or accept any liability with respect to the correctness of information in this document. Copyright by AUDI AG.

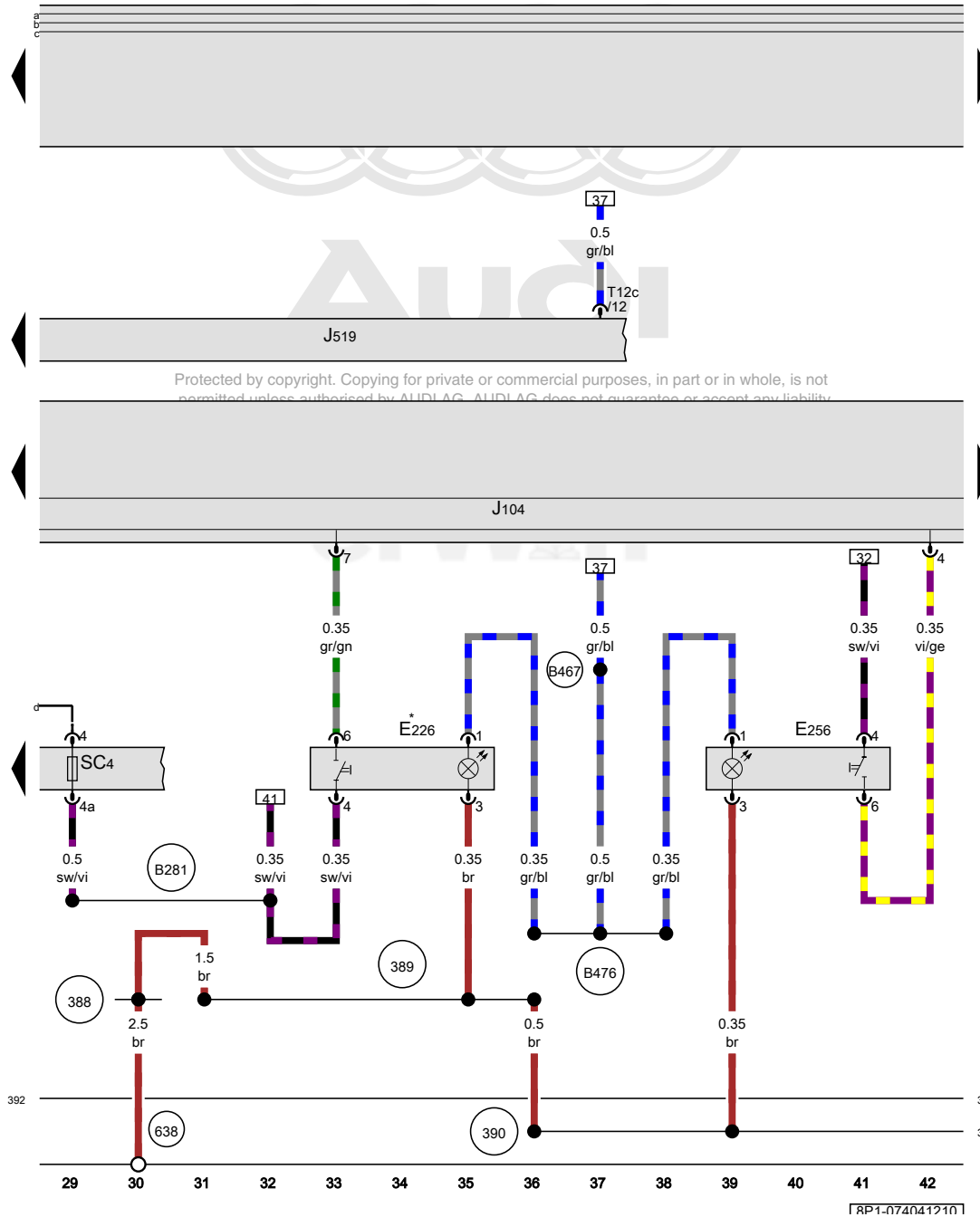
B277 Positive connection 1 (15a) (in main wiring harness)

B335 Connection 1 (54) (in main wiring harness)

- * Refer to applicable engine wiring diagram
- *2 E-Box high
- *3 E-Box low
- *4 Only for left-hand drive vehicles
- *5 Only for right-hand drive vehicles

- ws = white
- sw = black
- ro = red
- rt = red
- br = brown
- gn = green
- bl = blue
- gr = grey
- li = lilac
- vi = lilac
- ge = yellow
- or = orange
- rs = pink

18P1-0740312101



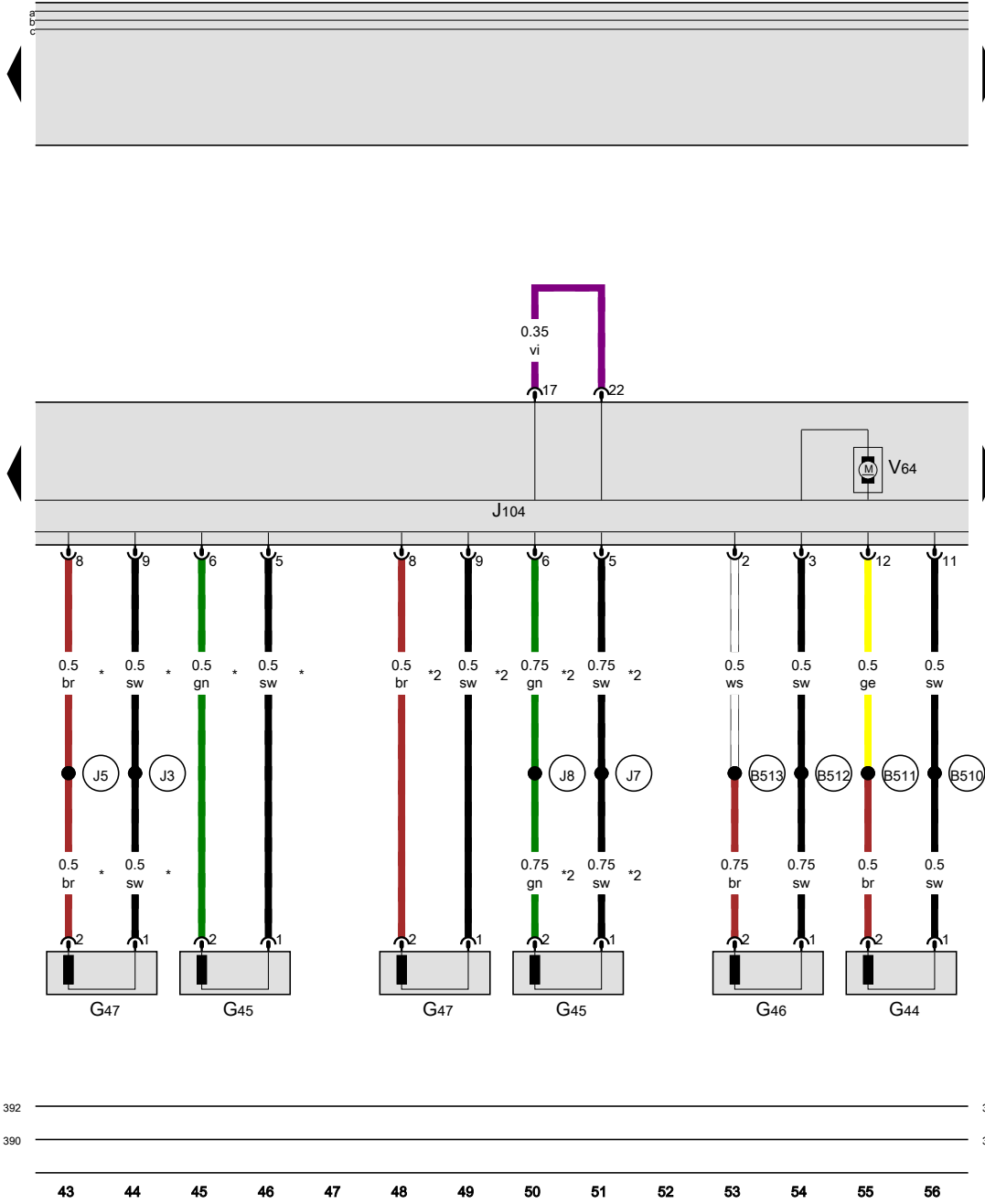
Tire pressure monitoring button, ASR/ESP button, ABS control module, Vehicle electrical system control module

- E226 Tire pressure monitoring button
- E256 ASR/ESP button
- J104 ABS control module
- J519 Vehicle electrical system control module
- SC4 Fuse 4 (on fuse panel C)
- T12c 12-pin connector

- 388 Ground connection 23 (in main wiring harness)
- 389 Ground connection 24 (in main wiring harness)
- 390 Ground connection 25 (in main wiring harness)
- 392 Ground connection 27 (in main wiring harness)
- 638 Ground connection on right A-pillar
- B281 Positive connection 5 (15a) (in main wiring harness)
- B467 Connection 3 (in main wiring harness)
- B476 Connection 12 (in main wiring harness)

* If available

- ws = white
- sw = black
- ro = red
- rt = red
- br = brown
- gn = green
- bl = blue
- gr = grey
- li = lilac
- vi = lilac
- ge = yellow
- or = orange
- rs = pink



Right rear ABS wheel speed sensor, Right front ABS wheel speed sensor, Left rear ABS wheel speed sensor, Left front ABS wheel speed sensor, ABS control module

- G44 Right rear ABS wheel speed sensor
- G45 Right front ABS wheel speed sensor
- G46 Left rear ABS wheel speed sensor
- G47 Left front ABS wheel speed sensor
- J104 ABS control module
- V64 ABS hydraulic pump

- 390 Ground connection 25 (in main wiring harness)
- 392 Ground connection 27 (in main wiring harness)
- B510 Right rear speed sensor connection 1 (in interior wiring harness)
- B511 Right rear speed sensor connection 2 (in interior wiring harness)
- B512 Left rear speed sensor connection 1 (in interior wiring harness)
- B513 Left rear speed sensor connection 2 (in interior wiring harness)
- J3 Connection 1 (in ABS wiring harness)
- J5 Connection 2 (in ABS wiring harness)
- J7 Connection 3 (in ABS wiring harness)
- J8 Connection 4 (in ABS wiring harness)

Protected by copyright. Copying for private or commercial purposes, in part or in whole, is not permitted unless authorized by Audi AG. Audi AG does not guarantee or accept any liability with respect to the correctness of information in this document. Copyright by AUDI AG.

- * Only for left-hand drive vehicles
- *2 Only for right-hand drive vehicles

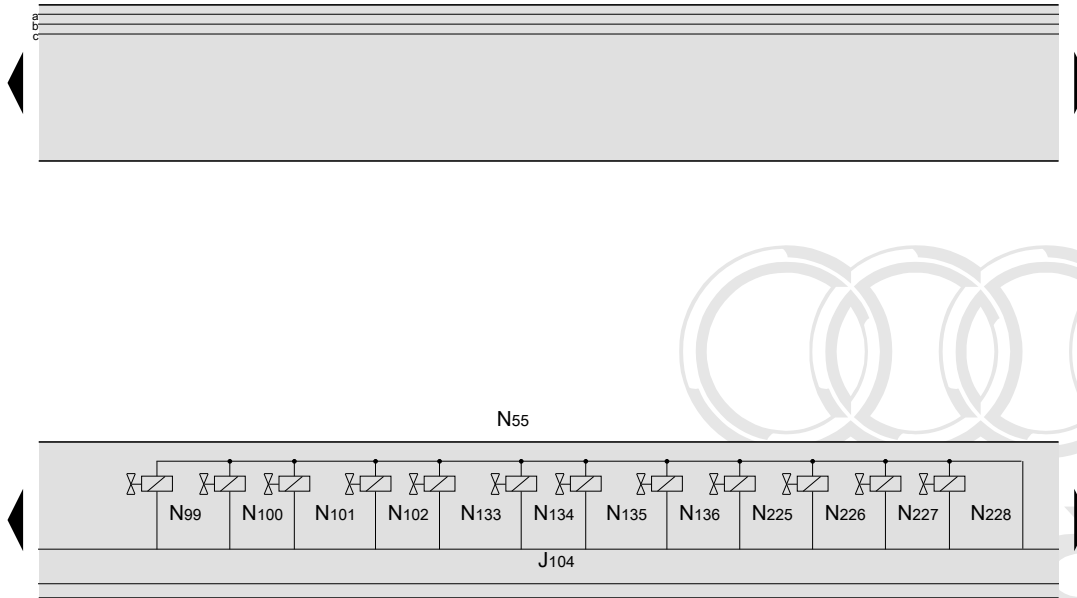
- ws = white
- sw = black
- ro = red
- rt = red
- br = brown
- gn = green
- bl = blue
- gr = grey
- li = lilac
- vi = lilac
- ge = yellow
- or = orange
- rs = pink

ABS control module, ABS hydraulic unit

- J104 ABS control module
- N55 ABS hydraulic unit
- N99 Right front ABS inlet valve
- N100 Right front ABS outlet valve
- N101 Left front ABS inlet valve
- N102 Left front ABS outlet valve
- N133 Right rear ABS inlet valve
- N134 Left rear ABS inlet valve
- N135 Right rear ABS outlet valve
- N136 Left rear ABS outlet valve
- N225 Driving dynamics regulation switch valve 1
- N226 Driving dynamics regulation switch valve 2
- N227 Driving dynamics regulation high pressure switch valve 1
- N228 Driving dynamics regulation high pressure switch valve 2

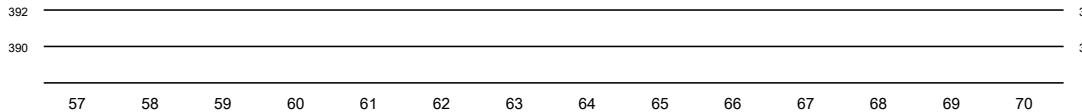
390 Ground connection 25 (in main wiring harness)

392 Ground connection 27 (in main wiring harness)



Protected by copyright. Copying for private or commercial purposes, in part or in whole, is not permitted unless authorised by AUDI AG. AUDI AG does not guarantee or accept any liability with respect to the correctness of information in this document. Copyright by AUDI AG.

- ws = white
- sw = black
- ro = red
- rt = red
- br = brown
- gn = green
- bl = blue
- gr = grey
- li = lilac
- vi = lilac
- ge = yellow
- or = orange
- rs = pink



18P1-074061210

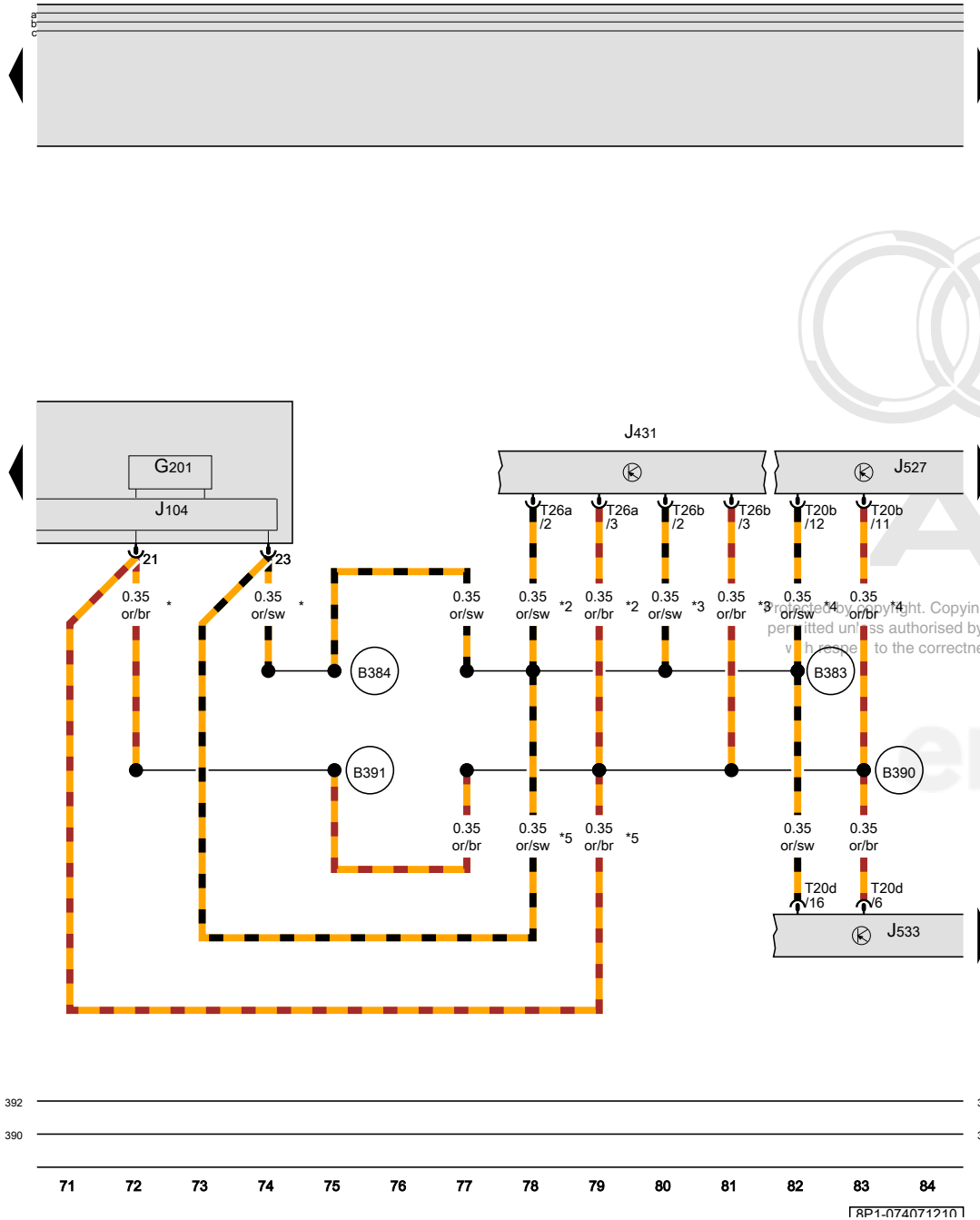
Brake pressure sensor 1, ABS control module, Headlamp range control module, Steering column electronics control module, Data bus on board diagnostic interface

- G201 Brake pressure sensor 1
- J104 ABS control module
- J431 Headlamp range control module
- J527 Steering column electronics control module
- J533 Data bus on board diagnostic interface
- T20b 20-pin connector
- T20d 20-pin connector
- T26a 26-pin connector
- T26b 26-pin connector

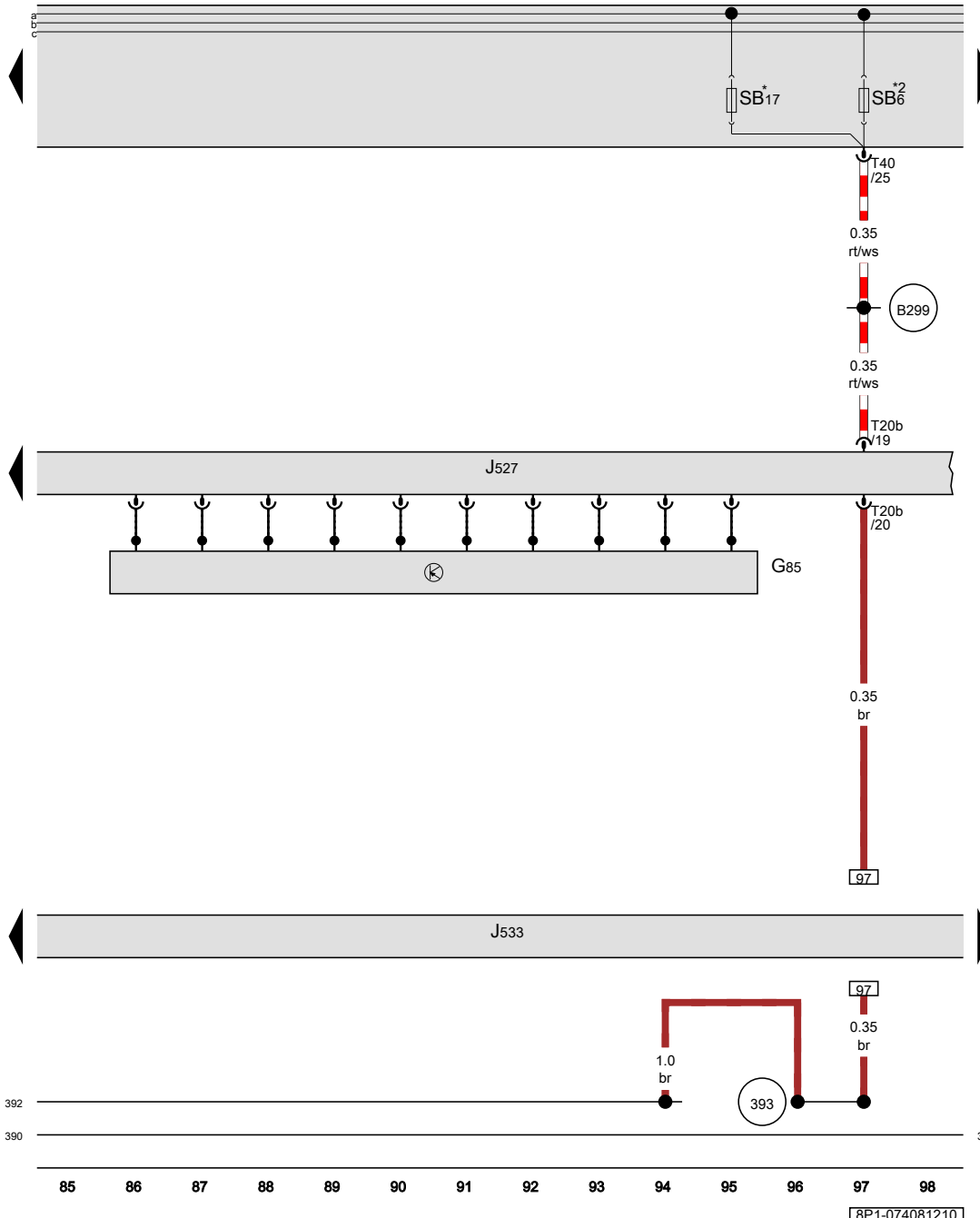
- 390 Ground connection 25 (in main wiring harness)
- 392 Ground connection 27 (in main wiring harness)
- B383 Powertrain CAN bus high connection 1 (in main wiring harness)
- B384 Powertrain CAN bus high connection 2 (in main wiring harness)
- B390 Powertrain CAN bus low connection 1 (in main wiring harness)
- B391 Powertrain CAN bus low connection 2 (in main wiring harness)

- * Only for left-hand drive vehicles
- *2 Depending on equipment
- *3 Only for vehicles with dynamic cornering lamp
- *4 If available
- *5 Only for right-hand drive vehicles

- ws = white
- sw = black
- ro = red
- rt = red
- br = brown
- gn = green
- bl = blue
- gr = grey
- li = lilac
- vi = lilac
- ge = yellow
- or = orange
- rs = pink



18P1-074071210



Steering angle sensor, Steering column electronics control module, Data bus on board diagnostic interface

- G85 Steering angle sensor
- J527 Steering column electronics control module
- J533 Data bus on board diagnostic interface
- SB6 Fuse 6 (on fuse panel B)
- SB17 Fuse 17 (on fuse panel B)
- T20b 20-pin connector
- T40 40-pin connector

390 Ground connection 25 (in main wiring harness)

392 Ground connection 27 (in main wiring harness)

393 Ground connection 28 (in main wiring harness)

B299 Positive connection 3 (30) (in main wiring harness)

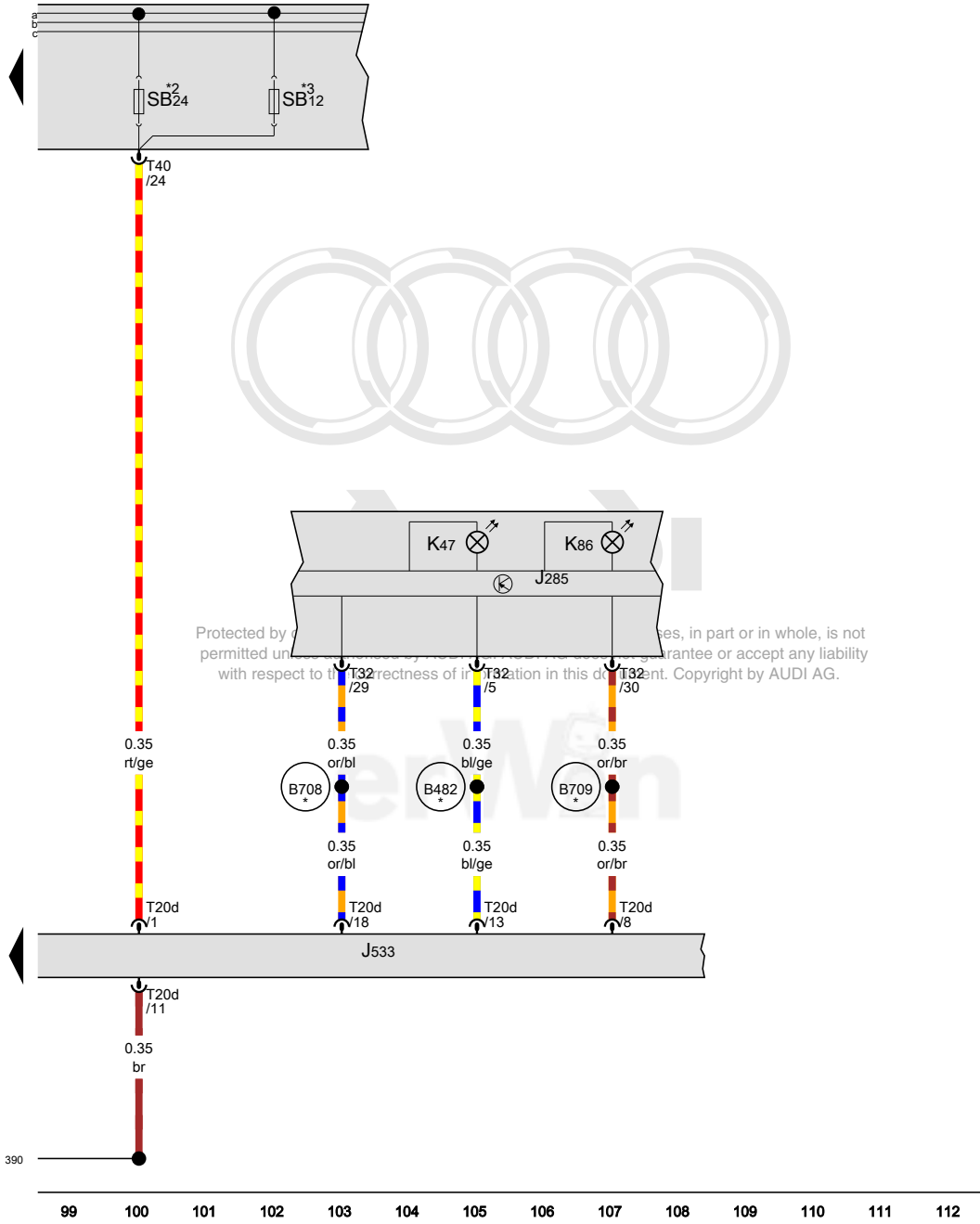
* E-Box high

*2 E-Box low

Protected by copyright. Copying for private or commercial purposes, in part or in whole, is not permitted unless authorised by AUDI AG. AUDI AG does not guarantee or accept any liability with respect to the correctness of information in this document. Copyright by AUDI AG.

- ws = white
- sw = black
- ro = red
- rt = red
- br = brown
- gn = green
- bl = blue
- gr = grey
- li = lilac
- vi = lilac
- ge = yellow
- or = orange
- rs = pink

18P1-0740R1210



Instrument cluster control module, Data bus on board diagnostic interface, ABS indicator lamp, Traction control indicator lamp

- J285 Instrument cluster control module
- J533 Data bus on board diagnostic interface
- K47 ABS indicator lamp
- K86 Traction control indicator lamp
- SB12 Fuse 12 (on fuse panel B)
- SB24 Fuse 24 (on fuse panel B)
- T20d 20-pin connector
- T32 32-pin connector
- T40 40-pin connector

- 390 Ground connection 25 (in main wiring harness)
- B482 Connection 18 (in main wiring harness)
- B708 Instrument cluster CAN bus high connection 1 (in main wiring harness)
- B709 Instrument cluster CAN bus low connection 1 (in main wiring harness)

- * Omitted as a running change
- *2 E-Box high
- *3 E-Box low

- ws = white
- sw = black
- ro = red
- rt = red
- br = brown
- gn = green
- bl = blue
- gr = grey
- li = lilac
- vi = lilac
- ge = yellow
- or = orange
- rs = pink

Garage Door Opener (Homelink)

from May 2008

Note:

Information for

- ◆ Relay and fuse arrangements
- ◆ Connector arrangements
- ◆ Control Modules and Relays
- ◆ Ground Connections

⇒ Component Locations

Information for

- ◆ Troubleshooting Procedures

⇒ Guided Fault Finding using VAS 5051 / 5052



Audi

Protected by copyright. Copying for private or commercial purposes, in part or in whole, is not permitted unless authorised by AUDI AG. AUDI AG does not guarantee or accept any liability with respect to the correctness of information in this document. Copyright by AUDI AG.



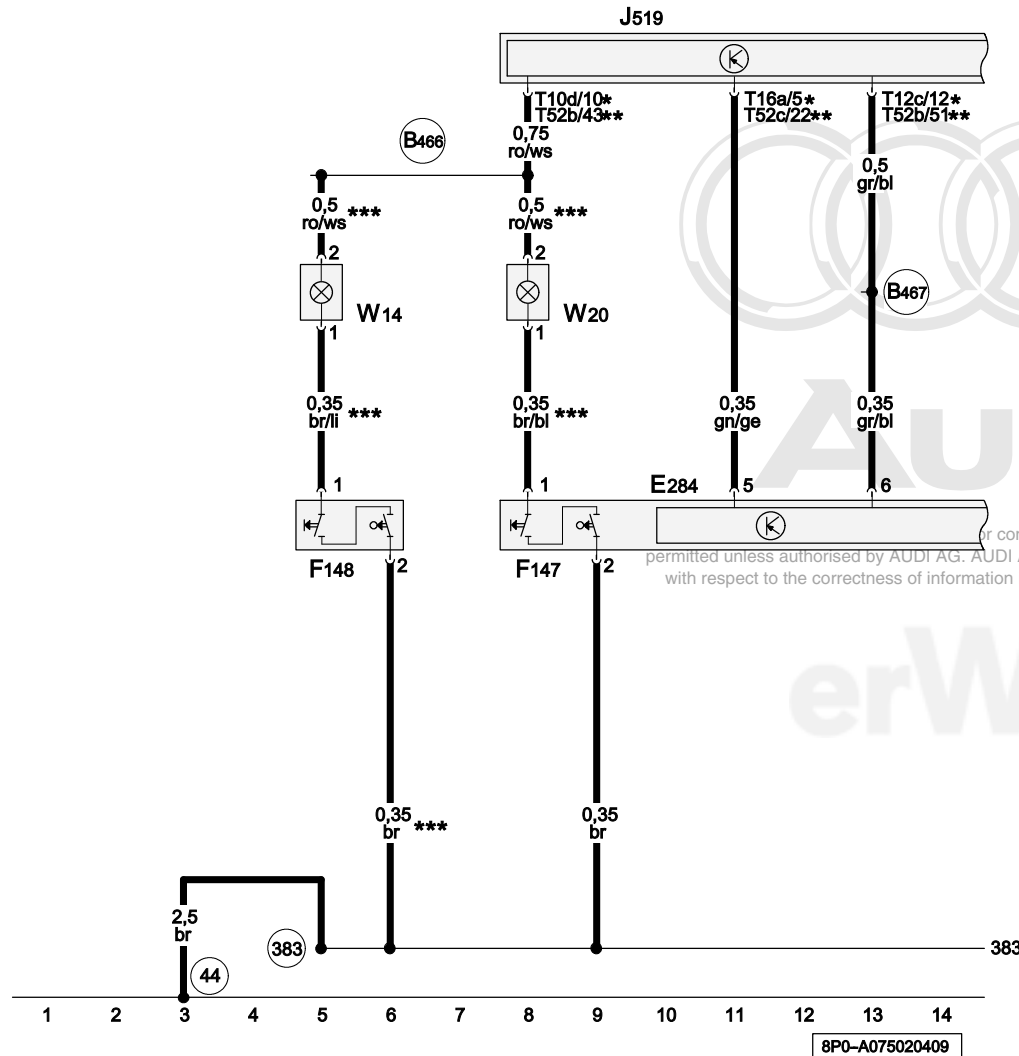


Make-Up Mirror, Garage Door Opener Control Head

- E284 Garage Door Opener Control Head
- F147 Driver Vanity Mirror Lamp Contact Switch
- F148 Front Passenger Vanity Mirror Lamp Contact Switch
- J519 Vehicle Electrical System Control Module
- T10d 10-Pin Connector, black (Connector K)
- T12c 12-Pin Connector, black (Connector B)
- T16a 16-Pin Connector, black (Connector E)
- T52b 52-Pin Connector, white (Connector B)
- T52c 52-Pin Connector, brown (Connector C)
- W14 Front Passenger's Illuminated Make-up Mirror
- W20 Driver's Illuminated Make-up Mirror Light

- (44) Ground Connection (on left lower A-pillar)
- (383) Ground Connection 18 (in main wiring harness)
- (B466) Connection 2 (in main wiring harness)
- (B467) Connection 3 (in main wiring harness)

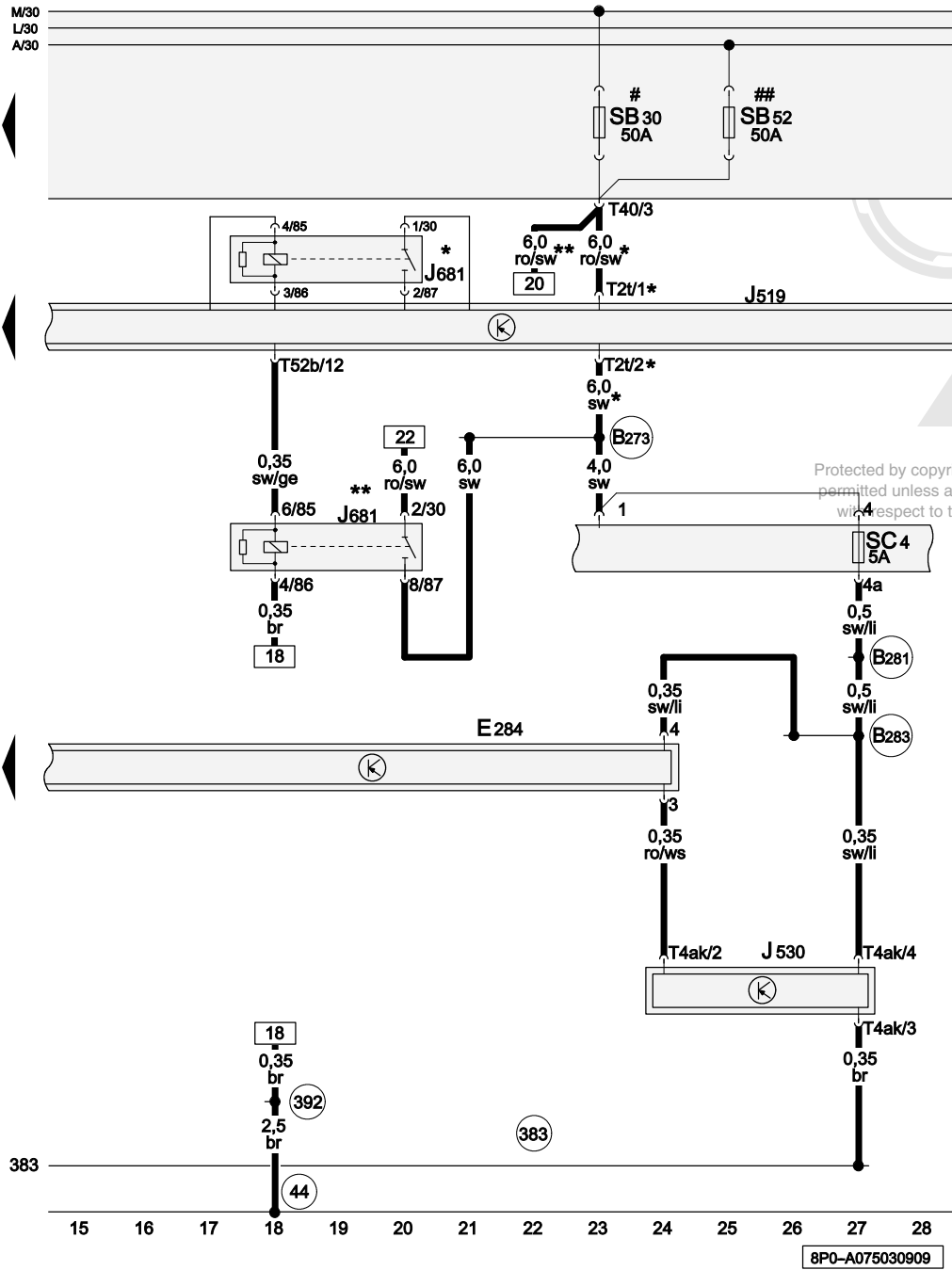
- * Not applicable from May 2009
- ** Applicable from May 2009
- *** Only models with illuminated Make-up mirrors



For commercial purposes, in part or in whole, is not permitted unless authorised by AUDI AG. AUDI AG does not guarantee or accept any liability with respect to the correctness of information in this document. Copyright by AUDI AG.

- ws = white
- sw = black
- ro = red
- br = brown
- gn = green
- bl = blue
- gr = grey
- li = lilac
- ge = yellow
- or = orange
- rs = pink

8P0-A075020409



Garage Door Opener Control Head, Garage Door Opener Control Module

- E284 Garage Door Opener Control Head
- J519 Vehicle Electrical System Control Module
- J530 Garage Door Opener Control Module
- J681 Power Supply Relay 2 (terminal 15)
- SB30 Fuse 30 (on fuse panel B)
- SB52 Fuse 52 (on fuse panel B)
- SC4 Fuse 4 (on fuse panel C)
- T2t Double Connector, black (Connector L)
- T4ak 4-Pin Connector, black (Connector A)
- T40 40-Pin Connector, black, on electronics box engine compartment (Connector J)
- T52b 52-Pin Connector, white (Connector B)

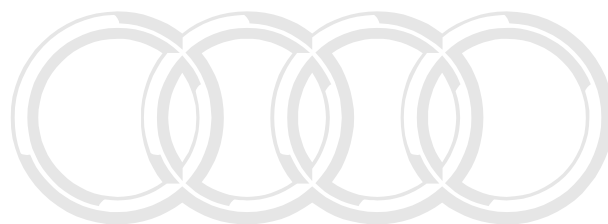
- 44 Ground Connection (on left lower A-pillar)
- 383 Ground Connection 18 (in main wiring harness)
- 392 Ground Connection 27 (in main wiring harness)
- B273 Plus Connection (15) (in main wiring harness)
- B281 Plus Connection 5 (15a) (in main wiring harness)
- B283 Plus Connection 7 (15a) (in main wiring harness)

- * Not applicable from May 2009
- ** Applicable from May 2009
- # Only models with electronics box Low
- ## Only models with electronics box High

- ws = white
- sw = black
- ro = red
- br = brown
- gn = green
- bl = blue
- gr = grey
- li = lilac
- ge = yellow
- or = orange
- rs = pink

8P0-A075030909

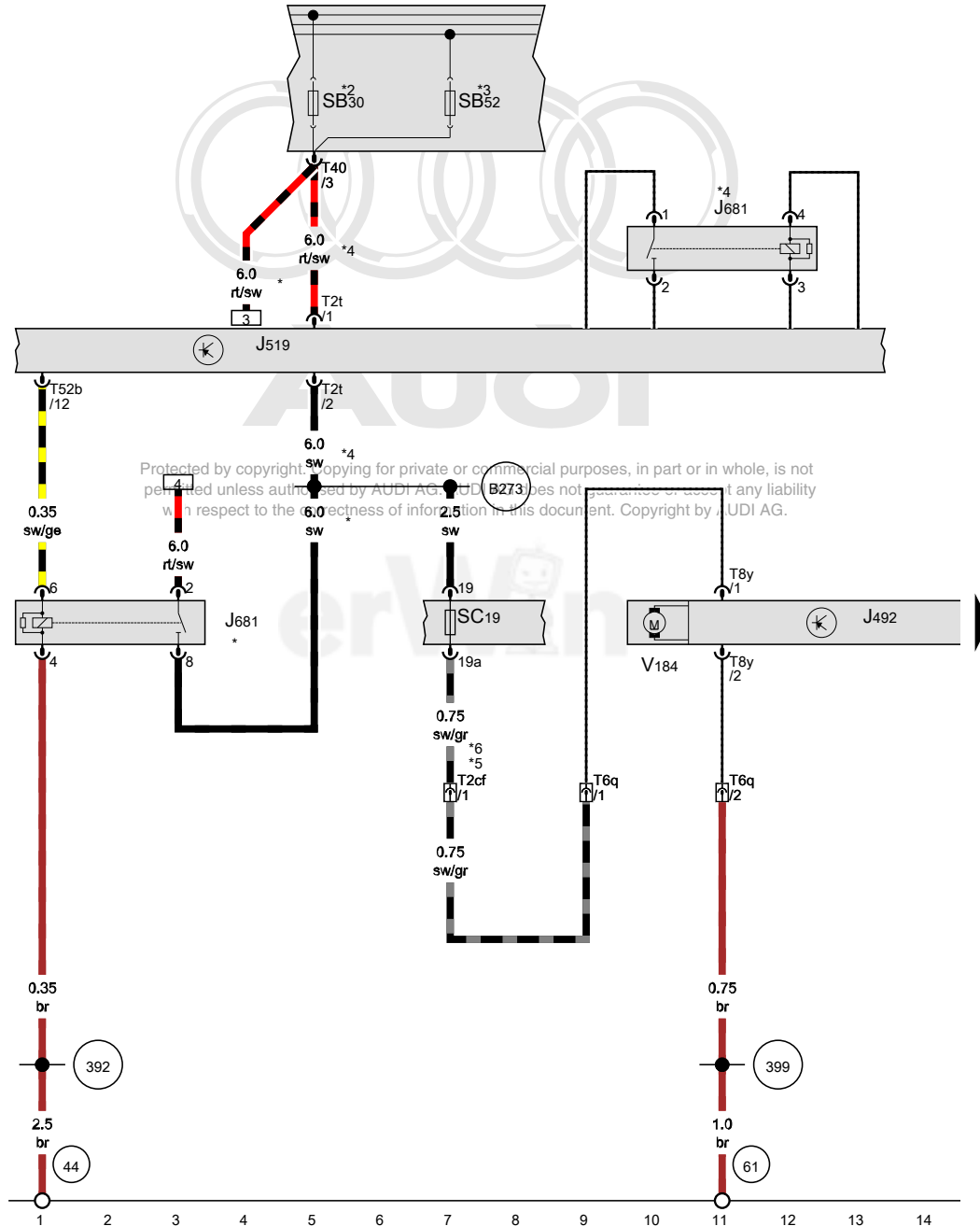
All wheel drive
From May 2008



Audi

Protected by copyright. Copying for private or commercial purposes, in part or in whole, is not permitted unless authorised by AUDI AG. AUDI AG does not guarantee or accept any liability with respect to the correctness of information in this document. Copyright by AUDI AG.





All wheel drive control module, Vehicle electrical system control module, Terminal 15 power supply relay 2, Oil pressure actuator

- J492 All wheel drive control module
- J519 Vehicle electrical system control module
- J681 Terminal 15 power supply relay 2
- SC19 Fuse 19 (on fuse panel C)
- SB30 Fuse 30 (on fuse panel B)
- SB52 Fuse 52 (on fuse panel B)
- T2cf Double connector
- T2t Double connector
- T6q 6-pin connector
- T8y 8-pin connector
- T40 40-pin connector
- T52b 52-pin connector
- V184 Oil pressure actuator

- 44 Ground connection on A-pillar, lower left
- 61 Ground connection on left C-pillar
- 392 Ground connection 27 (in main wiring harness)
- 399 Ground connection 34 (in main wiring harness)
- B273 Positive connection (15) (in main wiring harness)

- * From May 2009
- *2 E-Box low
- *3 E-Box high
- *4 Through April 2009
- *5 Only for right-hand drive vehicles
- *6 Only for RS3

- ws = white
- sw = black
- ro = red
- br = brown
- gn = green
- bl = blue
- gr = grey
- li = lilac
- ge = yellow
- or = orange
- rs = pink

18P1-0760211111

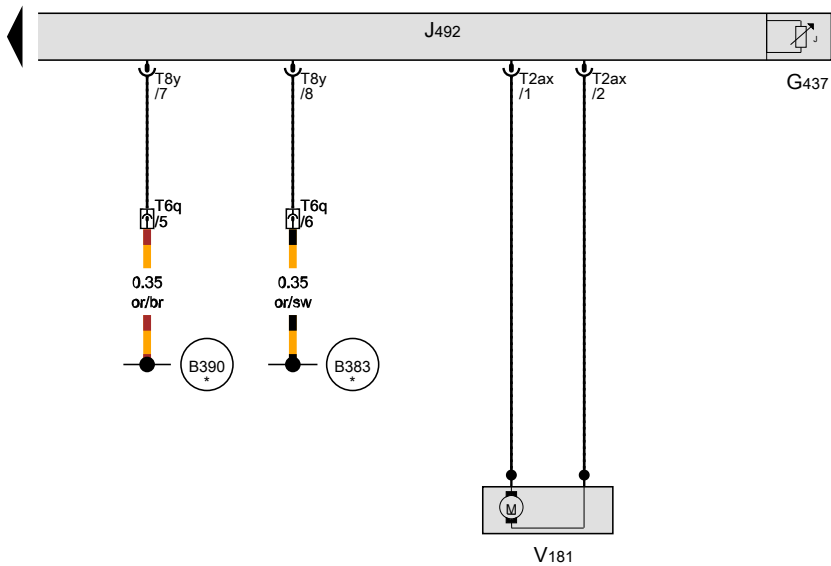
Oil pressure/temperature sensor, All wheel drive control module, Haldex clutch pump

- G437 Oil pressure/temperature sensor
- J492 All wheel drive control module
- T2ax Double connector
- T6q 6-pin connector
- T8y 8-pin connector
- V181 Haldex clutch pump

B383 Powertrain CAN bus high connection 1 (in main wiring harness)

B390 Powertrain CAN bus low connection 1 (in main wiring harness)

* Refer to applicable wiring diagram for data bus networking



15 16 17 18 19 20 21 22 23 24 25 26 27 28

18P1-076031111

- ws = white
- sw = black
- ro = red
- br = brown
- gn = green
- bl = blue
- gr = grey
- li = lilac
- ge = yellow
- or = orange
- rs = pink

Protected by copyright. Copying for private or commercial purposes, in part or in whole, is not permitted unless authorised by AUDI AG. AUDI AG does not guarantee or accept any liability with respect to the correctness of information in this document. Copyright by AUDI AG.



Diagnostic Connector

from May 2008

Note:

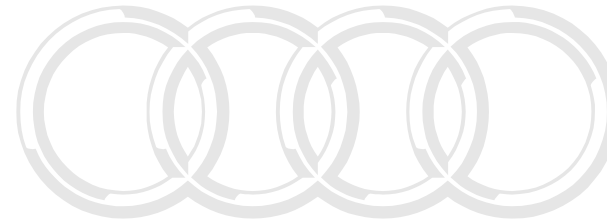
Information for

- ◆ Relay and fuse arrangements
- ◆ Connector arrangements
- ◆ Control Modules and Relays
- ◆ Ground Connections

⇒ Component Locations

Information for

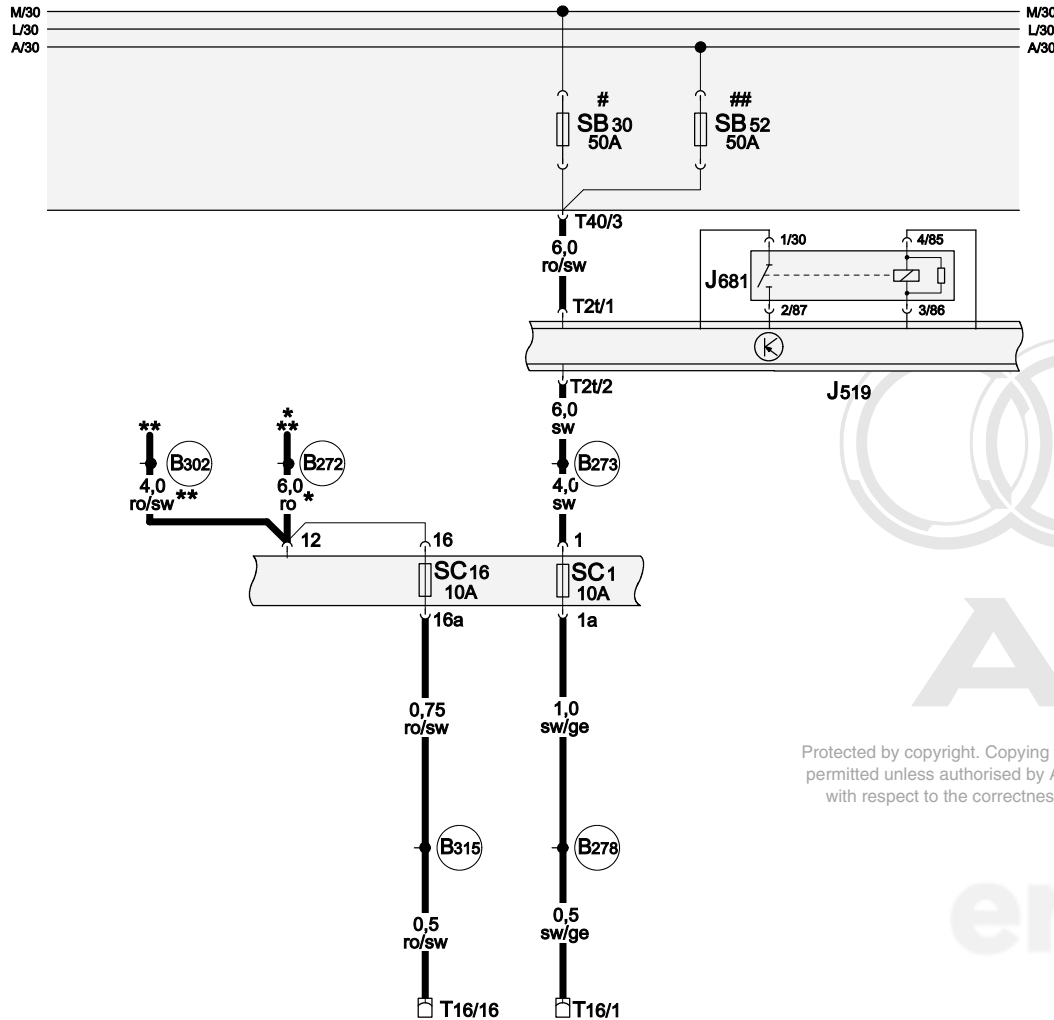
- ◆ Troubleshooting Procedures
- ⇒ Guided Fault Finding using VAS 5051 / 5052



Audi

Protected by copyright. Copying for private or commercial purposes, in part or in whole, is not permitted unless authorised by AUDI AG. AUDI AG does not guarantee or accept any liability with respect to the correctness of information in this document. Copyright by AUDI AG.





Diagnostic Connector, Power Supply Relay 2 (terminal 15), Fuses

- J519 Vehicle Electrical System Control Module
- J681 Power Supply Relay 2 (terminal 15)
- SB30 Fuse 30 (on fuse panel B)
- SB52 Fuse 52 (on fuse panel B)
- SC1 Fuse 1 (on fuse panel C)
- SC16 Fuse 16 (on fuse panel C)
- T2t Double Connector, black (Connector L)
- T16 16-Pin Connector, black, instrument panel driver's side, bottom left (diagnostic connector)
- T40 40-Pin Connector, black, on electronics box engine compartment (Connector J)

- (B272) Plus Connection (30) (in main wiring harness)
- (B273) Plus Connection (15) (in main wiring harness)
- (B278) Plus Connection 2 (15a) (in main wiring harness)
- (B302) Plus Connection 6 (30) (in main wiring harness)
- (B315) Plus Connection 1 (30a) (in main wiring harness)

Protected by copyright. Copying for private or commercial purposes, in part or in whole, is not permitted unless authorised by AUDI AG. AUDI AG does not guarantee or accept any liability with respect to the correctness of information in this document. Copyright © Audi AG

* ⇒ Applicable Wiring Diagram with battery in engine compartment
 ** ⇒ Applicable Wiring Diagram with battery in luggage compartment
 # Only models with electronics box Low
 ## Only models with electronics box High

- ws = white
- sw = black
- ro = red
- br = brown
- gn = green
- bl = blue
- gr = grey
- li = lilac
- ge = yellow
- or = orange
- rs = pink

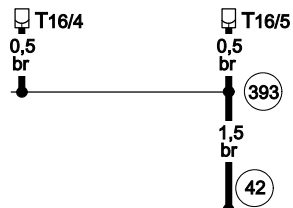
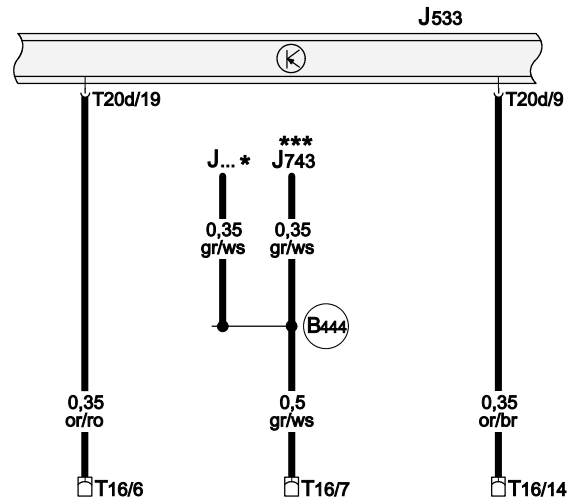
1 2 3 4 5 6 7 8 9 10 11 12 13 14

8P0-A077020408



Data Bus On Board Diagnostic Interface, Diagnostic Connector

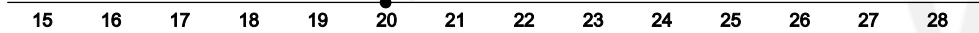
- J... Engine Control Modules (ECM)
- J533 Data Bus On Board Diagnostic Interface
- J743 Direct Shift Gearbox (DSG) Mechatronic
- T16 16-Pin Connector, black, instrument panel driver's side, bottom left (diagnostic connector)
- T20d 20-Pin Connector, black (Connector A)
- 42 Ground Connection (beside steering column)
- 393 Ground Connection 28 (in main wiring harness)
- B444 OBD Connection 1 (in main wiring harness)
- * => Applicable Wiring Diagram Engine
- *** => Applicable Wiring Diagram Automatic Transmission



Audi

- ws = white
- sw = black
- ro = red
- br = brown
- gn = green
- bl = blue
- gr = grey
- li = lilac
- ge = yellow
- or = orange
- rs = pink

Protected by copyright. Copying for private or commercial purposes in part or in whole, is not permitted unless authorised by AUDI AG. AUDI AG does not guarantee or accept any liability with respect to the correctness of information in this document. Copyright by AUDI AG.



8P0-A077030408

Rear Ultrasonic Parking Aid

from May 2008

Note:

Information for

- ◆ Relay and fuse arrangements
- ◆ Connector arrangements
- ◆ Control Modules and Relays
- ◆ Ground Connections

⇒ Component Locations

Information for

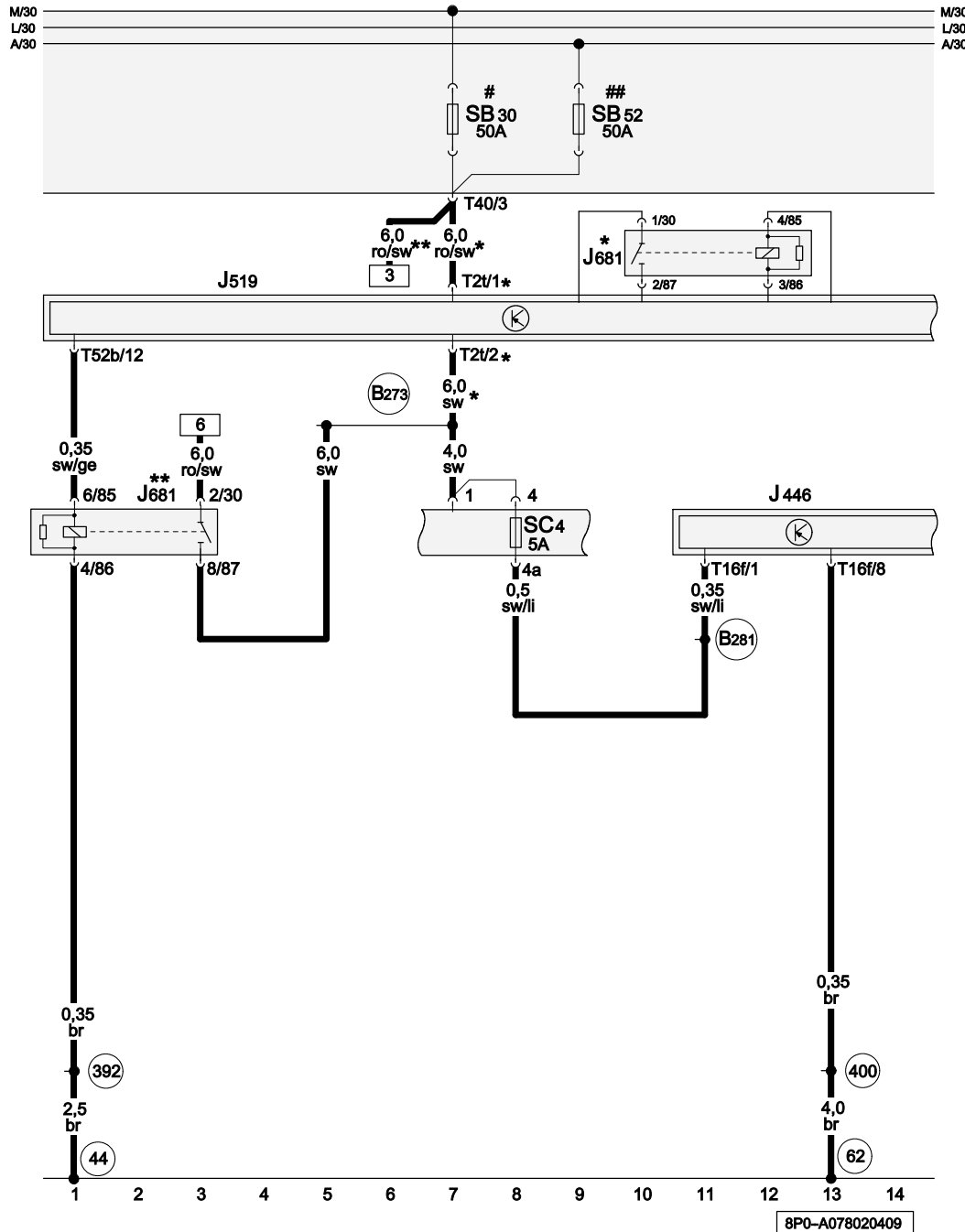
- ◆ Troubleshooting Procedures
- ⇒ Guided Fault Finding using VAS 5051 / 5052



Audi

Protected by copyright. Copying for private or commercial purposes, in part or in whole, is not permitted unless authorised by AUDI AG. AUDI AG does not guarantee or accept any liability with respect to the correctness of information in this document. Copyright by AUDI AG.


erWin



8P0-A078020409

- ws = white
- sw = black
- ro = red
- br = brown
- gn = green
- bl = blue
- gr = grey
- li = lilac
- ge = yellow
- or = orange
- rs = pink

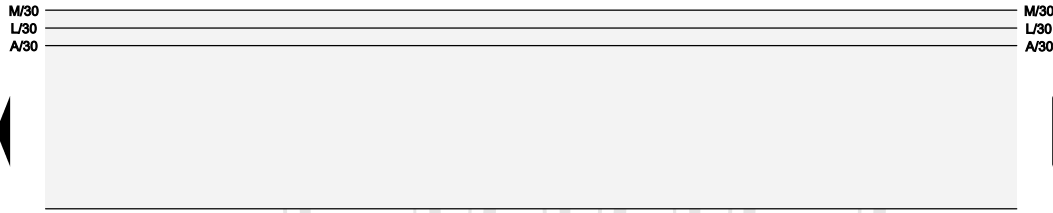
Power Supply Relay 2 (terminal 15), Parking Aid Control Module, Fuses (on fuse panel)

- J446 Parking Aid Control Module
- J519 Vehicle Electrical System Control Module
- J681 Power Supply Relay 2 (terminal 15)
- SB30 Fuse 30 (on fuse panel B)
- SB52 Fuse 52 (on fuse panel B)
- SC4 Fuse 4 (on fuse panel C)
- T2t Double Connector, black (Connector L)
- T16f 16-Pin Connector, brown (Connector A)
- T40 40-Pin Connector, black, on electronics box engine compartment (Connector J)
- T52b 52-Pin Connector, white (Connector B)

- 44 Ground Connection (on left lower A-pillar)
- 62 Ground Connection (on right C-pillar)
- 392 Ground Connection 27 (in main wiring harness)
- 400 Ground Connection 35 (in main wiring harness)
- B273 Plus Connection (15) (in main wiring harness)
- B281 Plus Connection 5 (15a) (in main wiring harness)

Protected by copyright. Copying for private or commercial purposes, in part or in whole, is not permitted unless authorised by AUDI AG. AUDI AG does not guarantee or accept any liability with respect to the correctness of the information contained in this document.

- * Not applicable from May 2009
- ** Applicable from May 2009
- # Only models with electronics box Low
- ## Only models with electronics box High

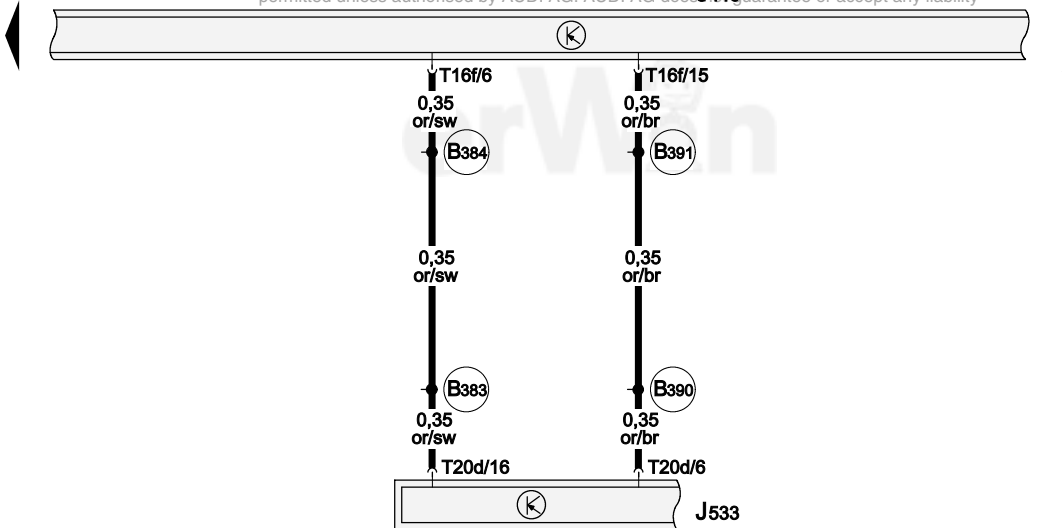


Parking Aid Control Module, Data Bus On Board Diagnostic Interface

- J446 Parking Aid Control Module
- J533 Data Bus On Board Diagnostic Interface
- T16f 16-Pin Connector, brown (Connector A)
- T20d 20-Pin Connector, black (Connector A)

- B383** Powertrain CAN-Bus High Connection 1 (in main wiring harness)
- B384** Powertrain CAN-Bus High Connection 2 (in main wiring harness)
- B390** Powertrain CAN-Bus Low Connection 1 (in main wiring harness)
- B391** Powertrain CAN-Bus Low Connection 2 (in main wiring harness)

Protected by copyright. Copying for private or commercial purposes, in part or in whole, is not permitted unless authorised by AUDI AG. AUDI AG does not guarantee or accept any liability



- ws = white
- sw = black
- ro = red
- br = brown
- gn = green
- bl = blue
- gr = grey
- li = lilac
- ge = yellow
- or = orange
- rs = pink

15 16 17 18 19 20 21 22 23 24 25 26 27 28

8P0-A078030408

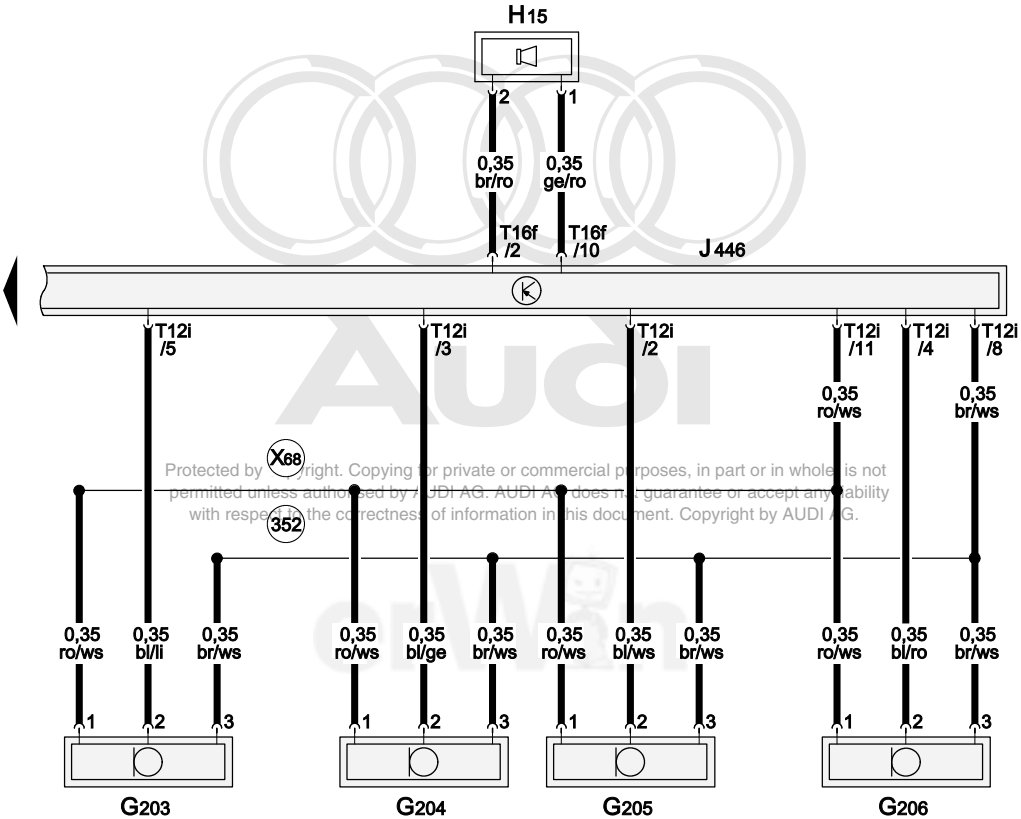


Parking Aid Sensor, Parking Aid Warning Buzzer, Parking Aid Control Module

- G203 Left Rear Parking Aid Sensor
- G204 Left Rear Center Parking Aid Sensor
- G205 Right Rear Center Parking Aid Sensor
- G206 Right Rear Parking Aid Sensor
- H15 Rear Parking Aid Warning Buzzer
- J446 Parking Aid Control Module
- T12i 12-Pin Connector, black (Connector C)
- T16f 16-Pin Connector, brown (Connector A)

(352) Parking Aid Ground Connection (in rear bumper wiring harness)

(X68) Parking Aid Connection (in rear bumper wiring harness)



Protected by copyright. Copying for private or commercial purposes, in part or in whole, is not permitted unless authorized by AUDI AG. AUDI AG does not guarantee or accept any liability with respect to the correctness of information in this document. Copyright by AUDI AG.

- ws = white
- sw = black
- ro = red
- br = brown
- gn = green
- bl = blue
- gr = grey
- li = lilac
- ge = yellow
- or = orange
- rs = pink

29 30 31 32 33 34 35 36 37 38 39 40 41 42

8P0-A078040408

Front and Rear Ultrasonic Parking Aid

from May 2008

Note:

Information for

- ◆ Relay and fuse arrangements
- ◆ Connector arrangements
- ◆ Control Modules and Relays
- ◆ Ground Connections

⇒ Component Locations

Information for

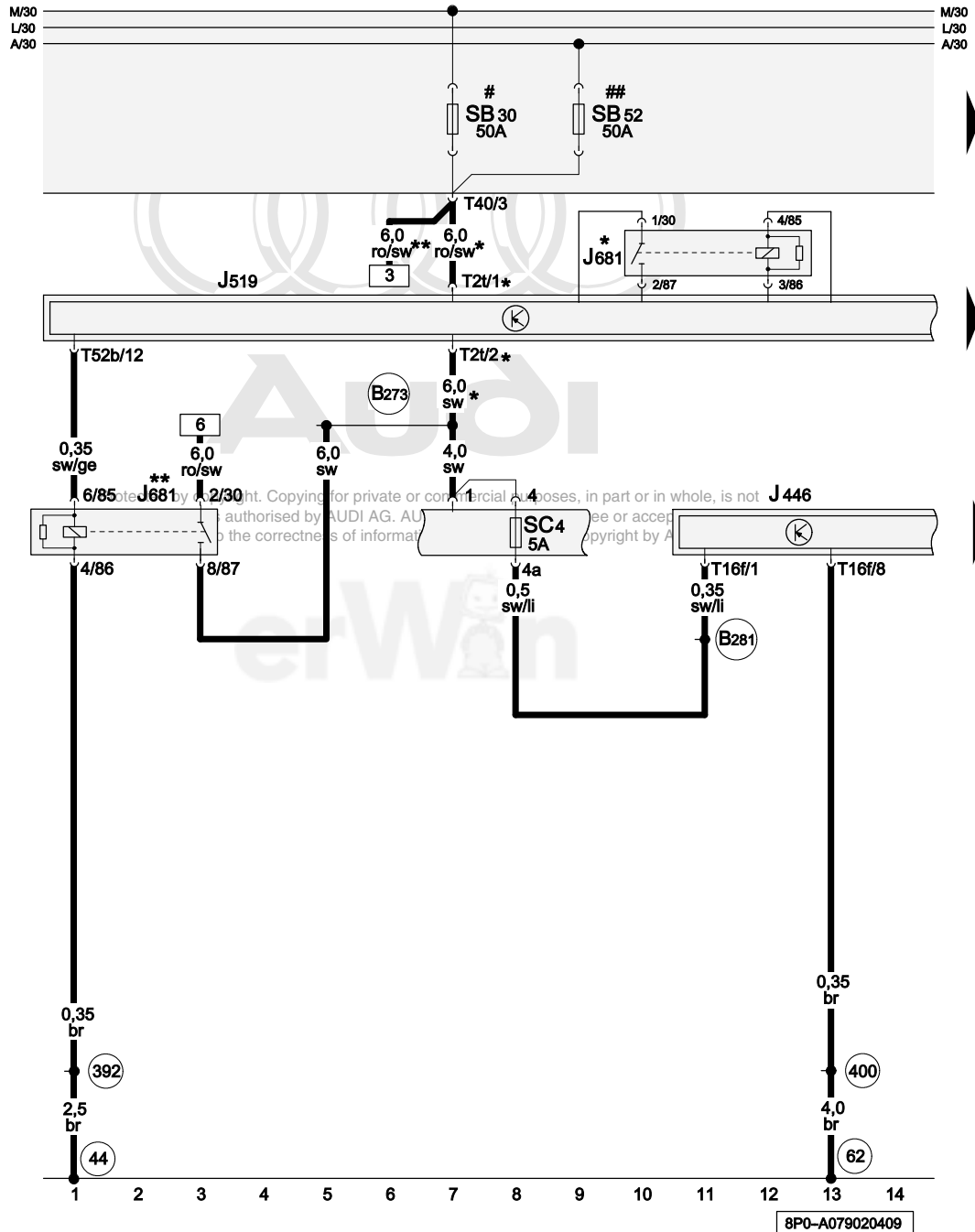
- ◆ Troubleshooting Procedures
- ⇒ Guided Fault Finding using VAS 5051 / 5052



Audi

Protected by copyright. Copying for private or commercial purposes, in part or in whole, is not permitted unless authorised by AUDI AG. AUDI AG does not guarantee or accept any liability with respect to the correctness of information in this document. Copyright by AUDI AG.





Power Supply Relay 2 (terminal 15), Parking Aid Control Module, Fuses (on fuse panel)

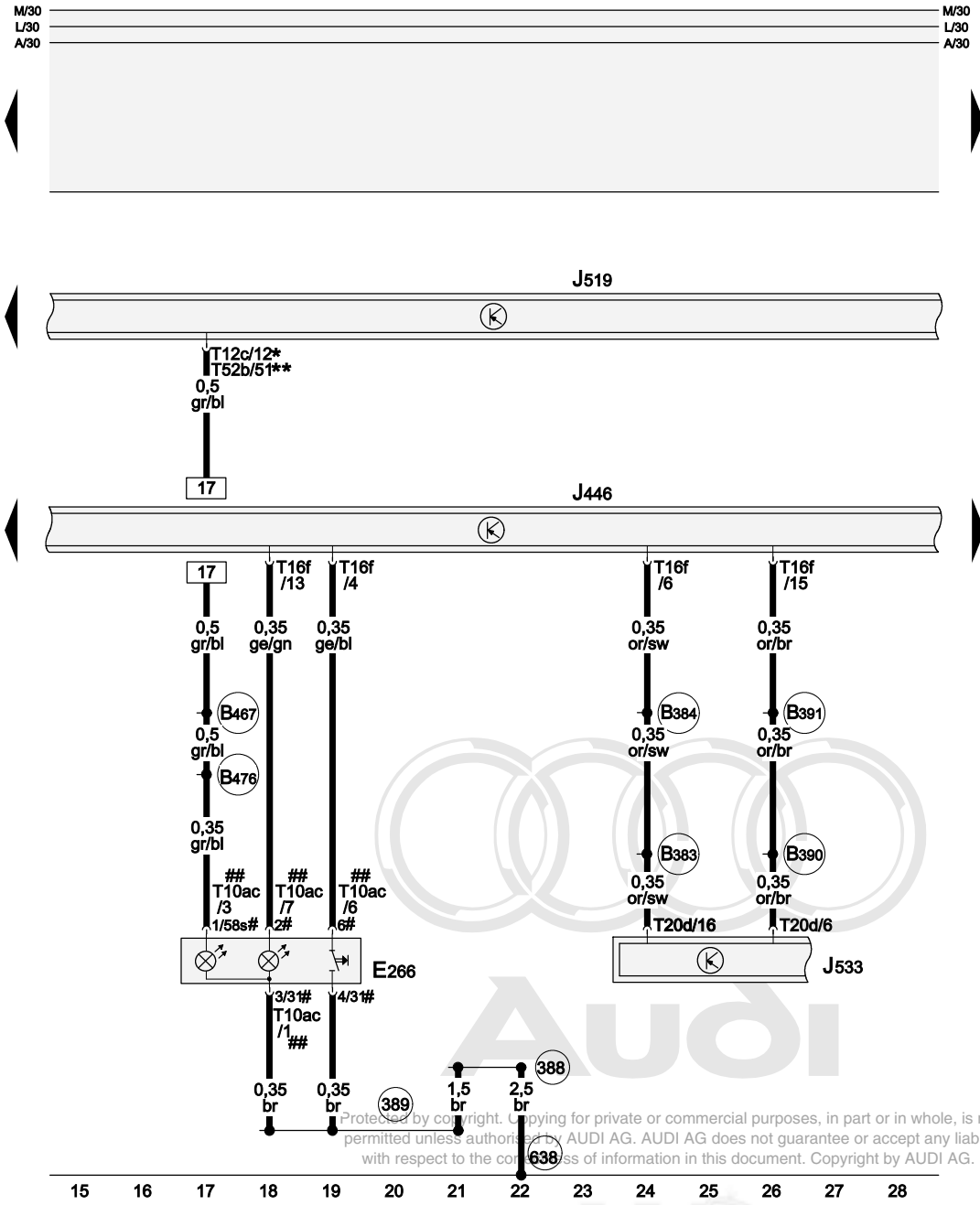
- J446 Parking Aid Control Module
- J519 Vehicle Electrical System Control Module
- J681 Power Supply Relay 2 (terminal 15)
- SB30 Fuse 30 (on fuse panel B)
- SB52 Fuse 52 (on fuse panel B)
- SC4 Fuse 4 (on fuse panel C)
- T2t Double Connector, black (Connector L)
- T16f 16-Pin Connector, brown (Connector A)
- T40 40-Pin Connector, black, on electronics box engine compartment (Connector J)
- T52b 52-Pin Connector, white (Connector B)

- 44 Ground Connection (on left lower A-pillar)
- 62 Ground Connection (on right C-pillar)
- 392 Ground Connection 27 (in main wiring harness)
- 400 Ground Connection 35 (in main wiring harness)
- B273 Plus Connection (15) (in main wiring harness)
- B281 Plus Connection 5 (15a) (in main wiring harness)

- * Not applicable from May 2009
- ** Applicable from May 2009
- # Only models with electronics box Low
- ## Only models with electronics box High

- ws = white
- sw = black
- ro = red
- br = brown
- gn = green
- bl = blue
- gr = grey
- li = lilac
- ge = yellow
- or = orange
- rs = pink

8P0-A079020409



Parking Aid Control Module, Data Bus On Board Diagnostic Interface, Parking Aid Button

- E266 Parking Aid Button
- J446 Parking Aid Control Module
- J519 Vehicle Electrical System Control Module
- J533 Data Bus On Board Diagnostic Interface
- T10ac 10-Pin Connector
- T12c 12-Pin Connector, black (Connector B)
- T16f 16-Pin Connector, brown (Connector A)
- T20d 20-Pin Connector, black (Connector A)
- T52b 52-Pin Connector, white (Connector B)

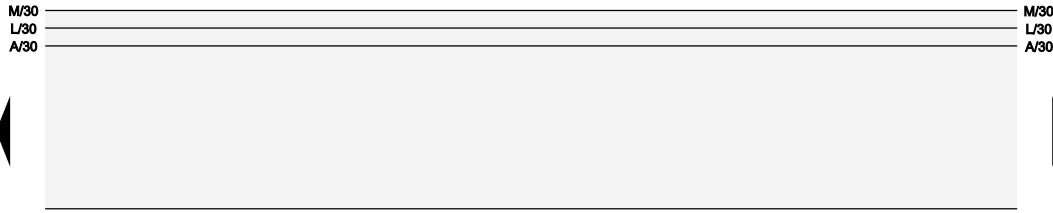
- 388 Ground Connection 23 (in main wiring harness)
- 389 Ground Connection 24 (in main wiring harness)
- 638 Ground Connection (on right A-pillar)
- B383 Powertrain CAN-Bus High Connection 1 (in main wiring harness)
- B384 Powertrain CAN-Bus High Connection 2 (in main wiring harness)
- B390 Powertrain CAN-Bus Low Connection 1 (in main wiring harness)
- B391 Powertrain CAN-Bus Low Connection 2 (in main wiring harness)
- B467 Connection 3 (in main wiring harness)
- B476 Connection 12 (in main wiring harness)

- * Not applicable from May 2009
- ** Applicable from May 2009
- # Not applicable, phased-in modification
- ## Phased-in modification

- ws = white
- sw = black
- ro = red
- br = brown
- gn = green
- bl = blue
- gr = grey
- li = lilac
- ge = yellow
- or = orange
- rs = pink

Protected by copyright. Copying for private or commercial purposes, in part or in whole, is not permitted unless authorized by AUDI AG. AUDI AG does not guarantee or accept any liability with respect to the correctness of information in this document. Copyright by AUDI AG.

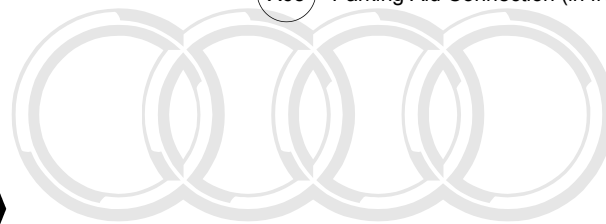
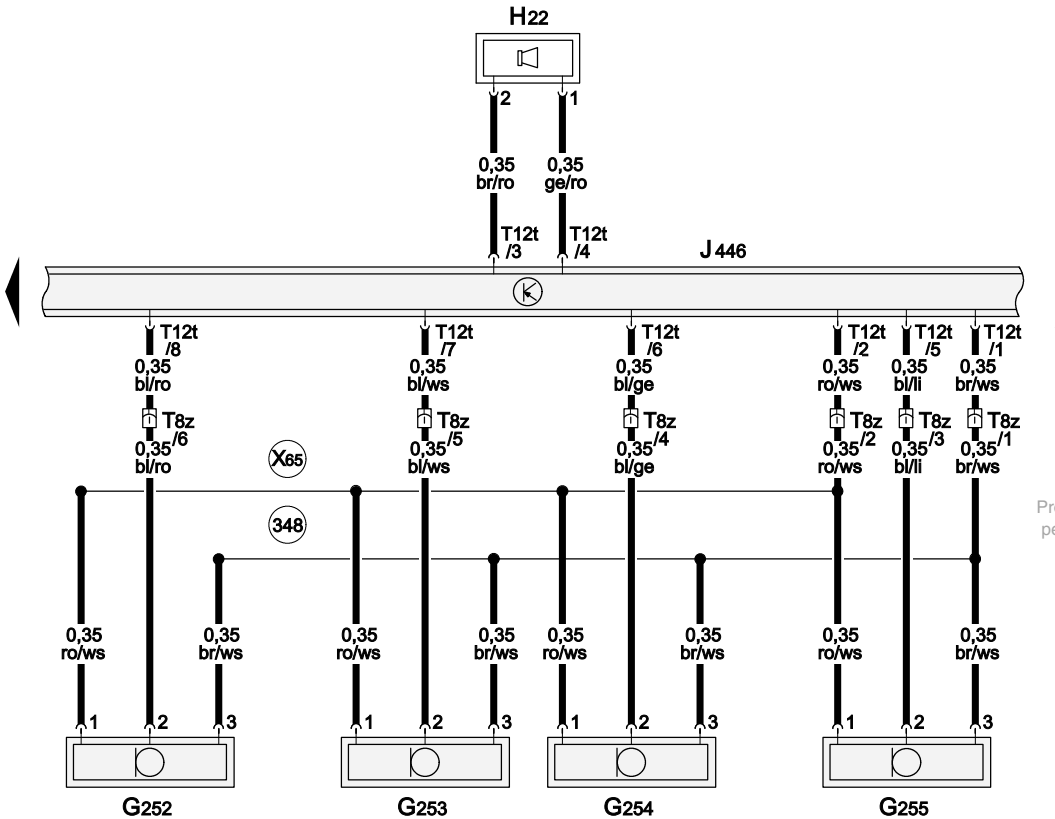
8P0-A079030909



Parking Aid Control Module, Front Parking Aid Sensor

- G252 Right Front Parking Aid Sensor
- G253 Right Front Center Parking Aid Sensor
- G254 Left Front Center Parking Aid Sensor
- G255 Left Front Parking Aid Sensor
- H22 Front Parking Aid Warning Buzzer
- J446 Parking Aid Control Module
- T8z 8-Pin Connector, black
- T12t 12-Pin Connector, brown (Connector B)

- 348 Parking Aid Ground Connection (in front bumper wiring harness)
- X65 Parking Aid Connection (in front bumper wiring harness)



Audi

Protected by copyright. Copying for private or commercial purposes, in part or in whole, is not permitted unless authorised by AUDI AG. AUDI AG does not guarantee or accept any liability with respect to the correctness of information in this document. Copyright by AUDI AG.



- ws = white
- sw = black
- ro = red
- br = brown
- gn = green
- bl = blue
- gr = grey
- li = lilac
- ge = yellow
- or = orange
- rs = pink

29 30 31 32 33 34 35 36 37 38 39 40 41 42

8P0-A079040408

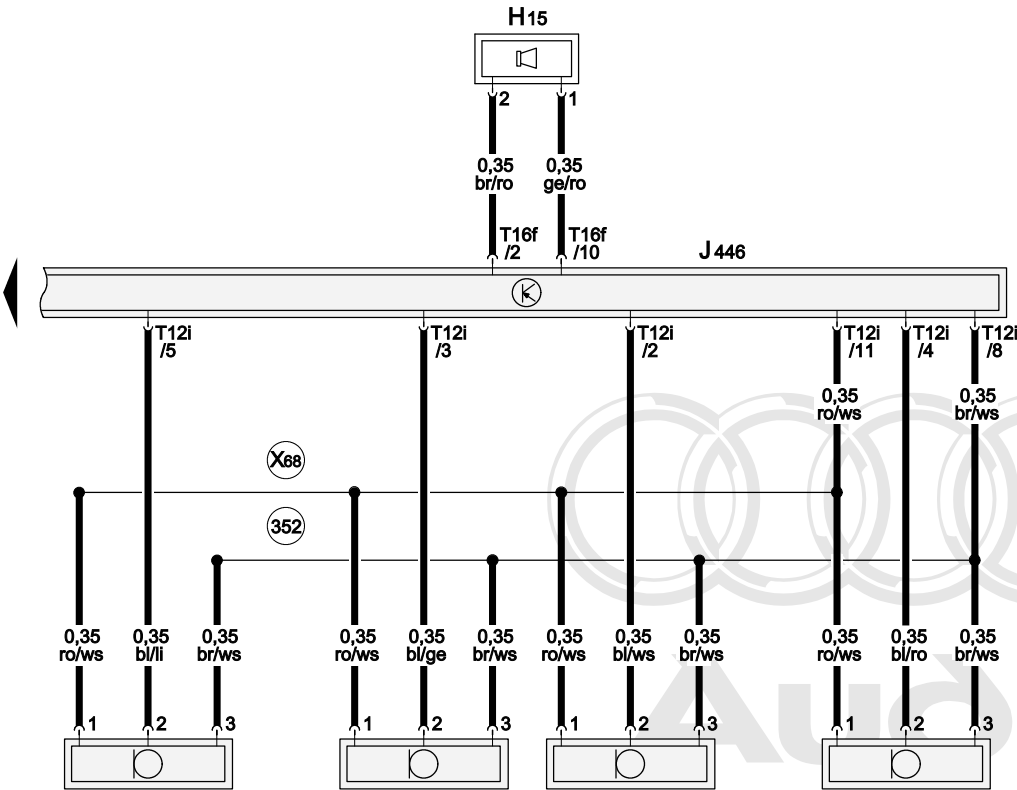


Rear Parking Aid Sensor, Parking Aid Warning Buzzer, Parking Aid Control Module

- G203 Left Rear Parking Aid Sensor
- G204 Left Rear Center Parking Aid Sensor
- G205 Right Rear Center Parking Aid Sensor
- G206 Right Rear Parking Aid Sensor
- H15 Rear Parking Aid Warning Buzzer
- J446 Parking Aid Control Module
- T12i 12-Pin Connector, black (Connector C)
- T16f 16-Pin Connector, brown (Connector A)

(352) Parking Aid Ground Connection (in rear bumper wiring harness)

(X68) Parking Aid Connection (in rear bumper wiring harness)



Protected by copyright. Copying for private or commercial purposes, in particular in whole or in part, is not permitted unless authorised by AUDI AG. AUDI AG does not guarantee the accuracy and reliability with respect to the correctness of information in this document. Copyright by Audi AG.

- ws = white
- sw = black
- ro = red
- br = brown
- gn = green
- bl = blue
- gr = grey
- li = lilac
- ge = yellow
- or = orange
- rs = pink

Parking distance control (PDC) with park assist

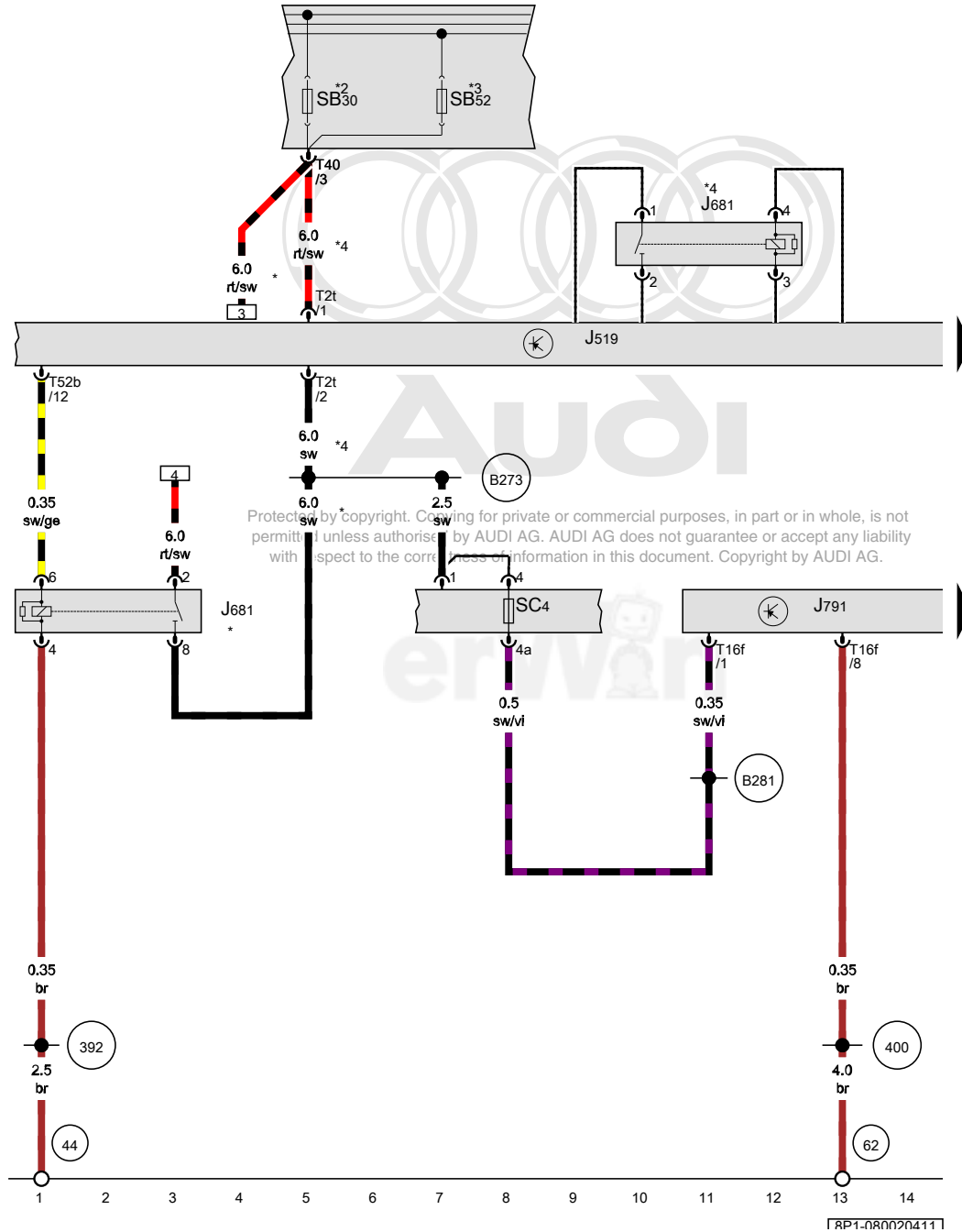
From May 2008



Audi

Protected by copyright. Copying for private or commercial purposes, in part or in whole, is not permitted unless authorised by AUDI AG. AUDI AG does not guarantee or accept any liability with respect to the correctness of information in this document. Copyright by AUDI AG.





Vehicle electrical system control module, Terminal 15 power supply relay 2, Parallel parking assistance control module

- J519 Vehicle electrical system control module
- J681 Terminal 15 power supply relay 2
- J791 Parallel parking assistance control module
- SC4 Fuse 4 (on fuse panel C)
- SB30 Fuse 30 (on fuse panel B)
- SB52 Fuse 52 (on fuse panel B)
- T2t Double connector
- T16f 16-pin connector
- T40 40-pin connector
- T52b 52-pin connector

- 44 Ground connection on A-pillar, lower left
- 62 Ground connection on right C-pillar
- 392 Ground connection 27 (in main wiring harness)
- 400 Ground connection 35 (in main wiring harness)
- B273 Positive connection (15) (in main wiring harness)
- B281 Positive connection 5 (15a) (in main wiring harness)

- * From May 2009
- *2 E-Box low
- *3 E-Box high
- *4 Through April 2009

- ws = white
- sw = black
- ro = red
- br = brown
- gn = green
- bl = blue
- gr = grey
- li = lilac
- ge = yellow
- or = orange
- rs = pink

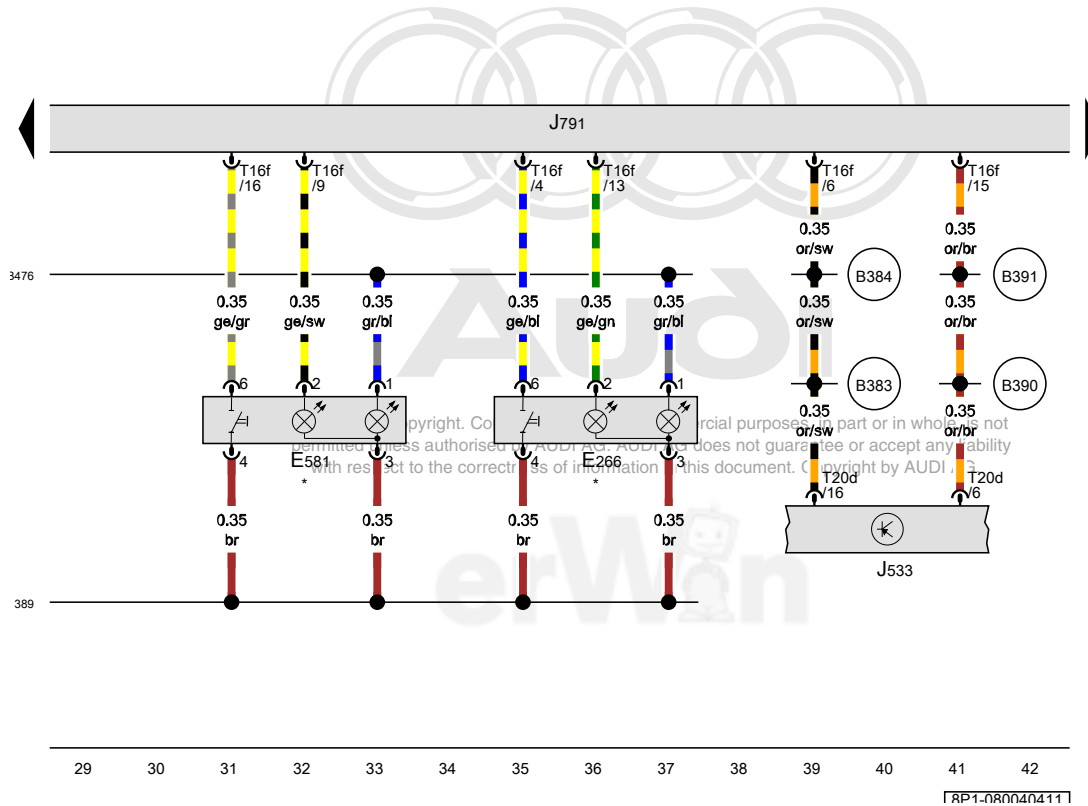
18P1-080020411

Parking aid button, Parallel parking assistance button, Data bus on board diagnostic interface, Parallel parking assistance control module

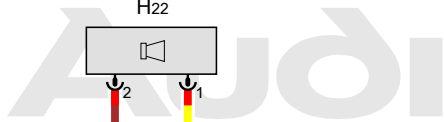
- E266 Parking aid button
- E581 Parallel parking assistance button
- J533 Data bus on board diagnostic interface
- J791 Parallel parking assistance control module
- T16f 16-pin connector
- T20d 20-pin connector

- 389 Ground connection 24 (in main wiring harness)
- B383 Powertrain CAN bus high connection 1 (in main wiring harness)
- B384 Powertrain CAN bus high connection 2 (in main wiring harness)
- B390 Powertrain CAN bus low connection 1 (in main wiring harness)
- B391 Powertrain CAN bus low connection 2 (in main wiring harness)
- B476 Connection 12 (in main wiring harness)

* Omitted as a running change



18P1-080040411



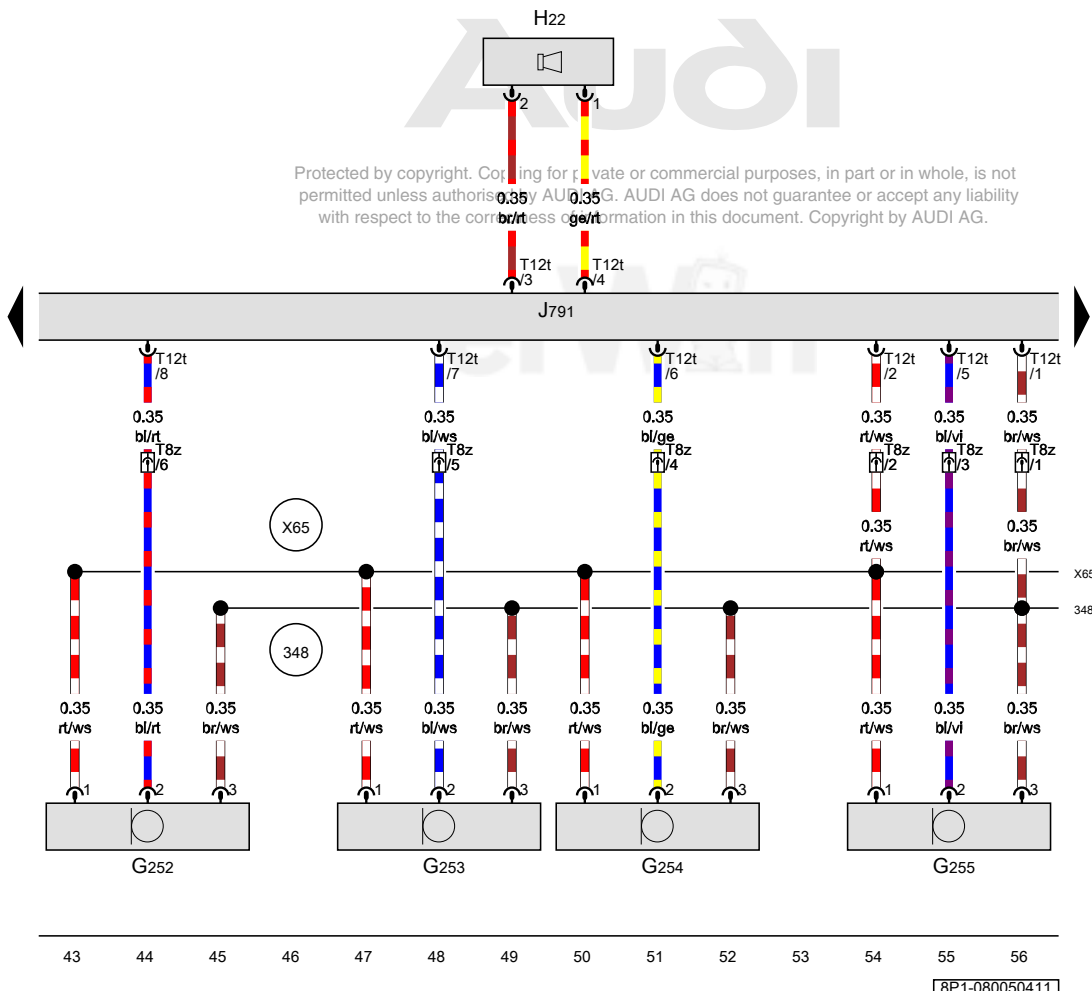
Right front parking aid sensor, Right front center parking aid sensor, Left front center parking aid sensor, Left front parking aid sensor, Parallel parking assistance control module

- G252 Right front parking aid sensor
- G253 Right front center parking aid sensor
- G254 Left front center parking aid sensor
- G255 Left front parking aid sensor
- H22 Front parking aid warning buzzer
- J791 Parallel parking assistance control module
- T8z 8-pin connector
- T12t 12-pin connector

(348) Parking aid ground connection (in front bumper wiring harness)

(X65) Parking aid connection (in front bumper wiring harness)

Protected by copyright. Copying for private or commercial purposes, in part or in whole, is not permitted unless authorized by AUDI AG. AUDI AG does not guarantee or accept any liability with respect to the correctness of information in this document. Copyright by AUDI AG.



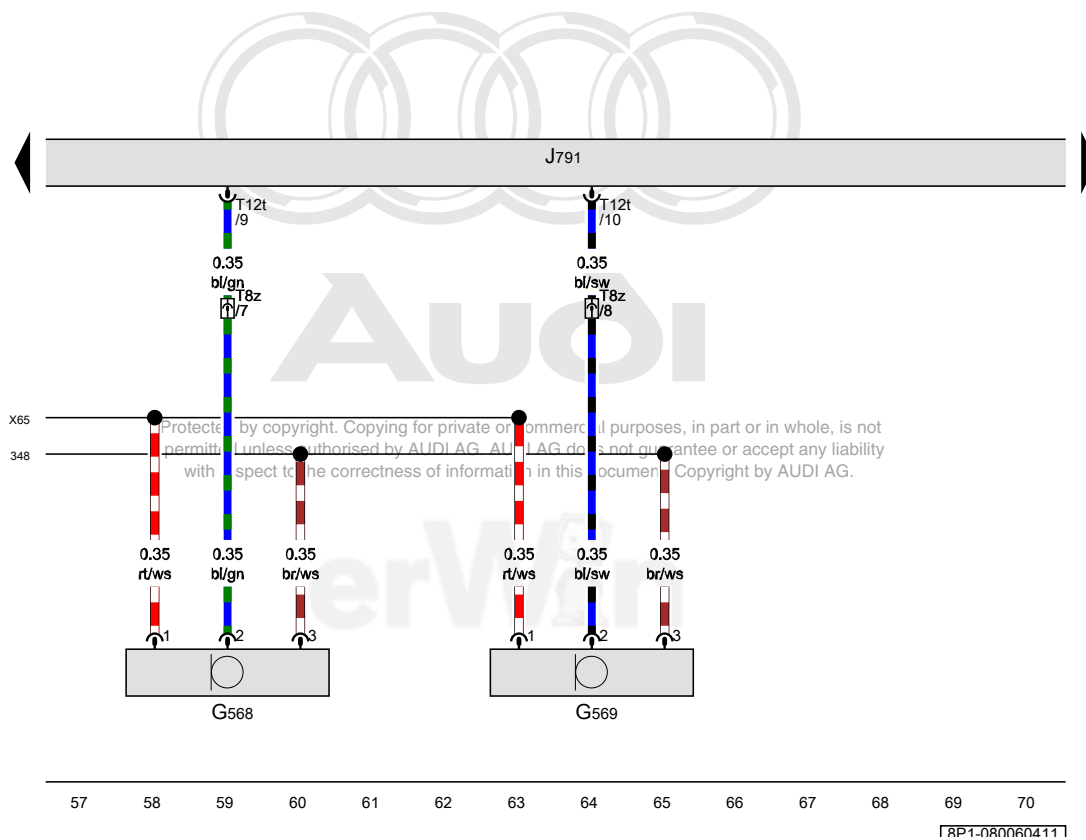
- ws = white
- sw = black
- ro = red
- br = brown
- gn = green
- bl = blue
- gr = grey
- li = lilac
- ge = yellow
- or = orange
- rs = pink

Left front parallel parking assistance sensor, Right front parallel parking assistance sensor, Parallel parking assistance control module

- G568 Left front parallel parking assistance sensor
- G569 Right front parallel parking assistance sensor
- J791 Parallel parking assistance control module
- T8z 8-pin connector
- T12t 12-pin connector

348 Parking aid ground connection (in front bumper wiring harness)

X65 Parking aid connection (in front bumper wiring harness)



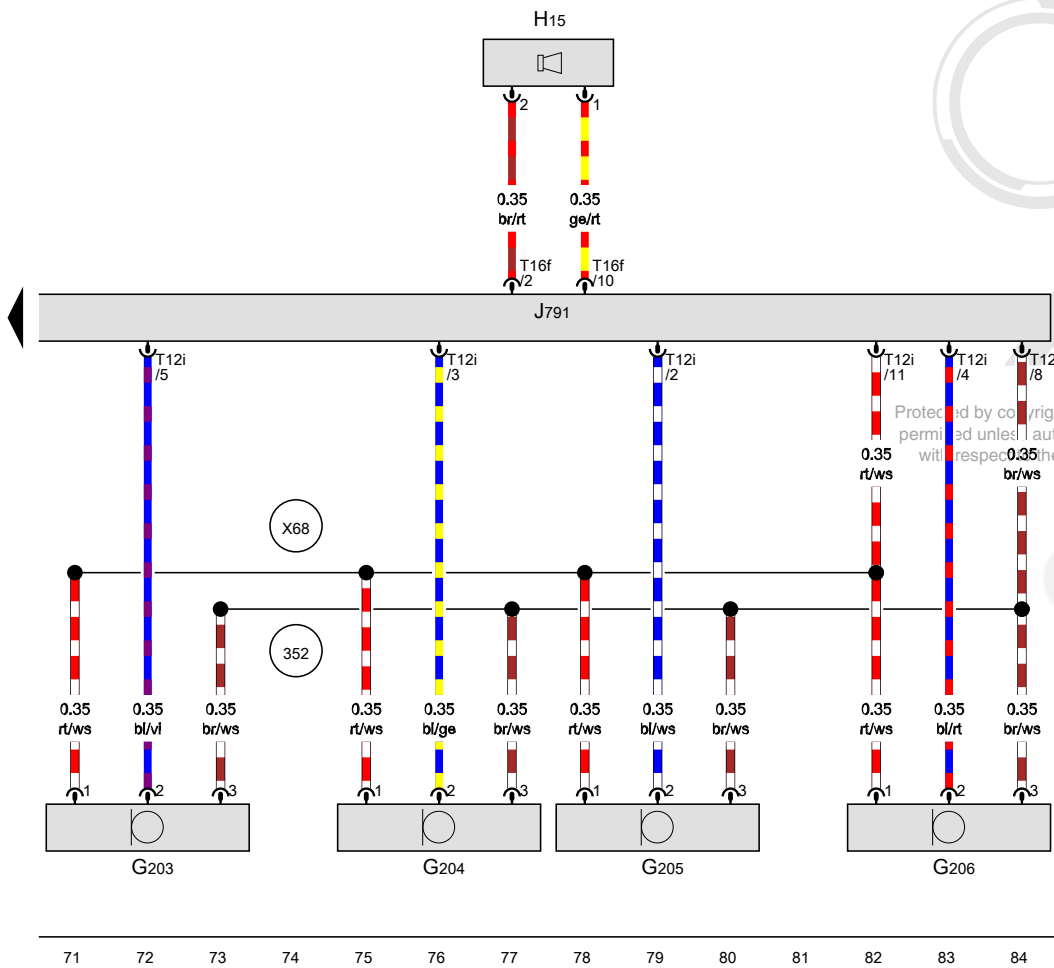
[RP1-080060411]

Left rear parking aid sensor, Left rear center parking aid sensor, Right rear center parking aid sensor, Right rear parking aid sensor, Parallel parking assistance control module

- G203 Left rear parking aid sensor
- G204 Left rear center parking aid sensor
- G205 Right rear center parking aid sensor
- G206 Right rear parking aid sensor
- H15 Rear parking aid warning buzzer
- J791 Parallel parking assistance control module
- T12i 12-pin connector
- T16f 16-pin connector

352 Parking aid ground connection (in rear bumper wiring harness)

X68 Parking aid connection (in rear bumper wiring harness)



Protected by copyright. Copying for private or commercial purposes, in part or in whole, is not permitted unless authorised by AUDI AG. AUDI AG does not guarantee or accept any liability with respect to the correctness of information in this document. Copyright by AUDI AG.

- ws = white
- sw = black
- ro = red
- br = brown
- gn = green
- bl = blue
- gr = grey
- li = lilac
- ge = yellow
- or = orange
- rs = pink

A/C with automatic regulation

from May 2008

Note:

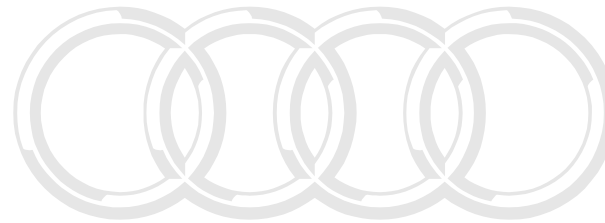
Information for

- ◆ Relay and fuse arrangements
- ◆ Connector arrangements
- ◆ Control Modules and Relays
- ◆ Ground Connections

⇒ Component Locations

Information for

- ◆ Troubleshooting Procedures
- ⇒ Guided Fault Finding using VAS 5051 / 5052



Audi

Protected by copyright. Copying for private or commercial purposes, in part or in whole, is not permitted unless authorised by AUDI AG. AUDI AG does not guarantee or accept any liability with respect to the correctness of information in this document. Copyright by AUDI AG.



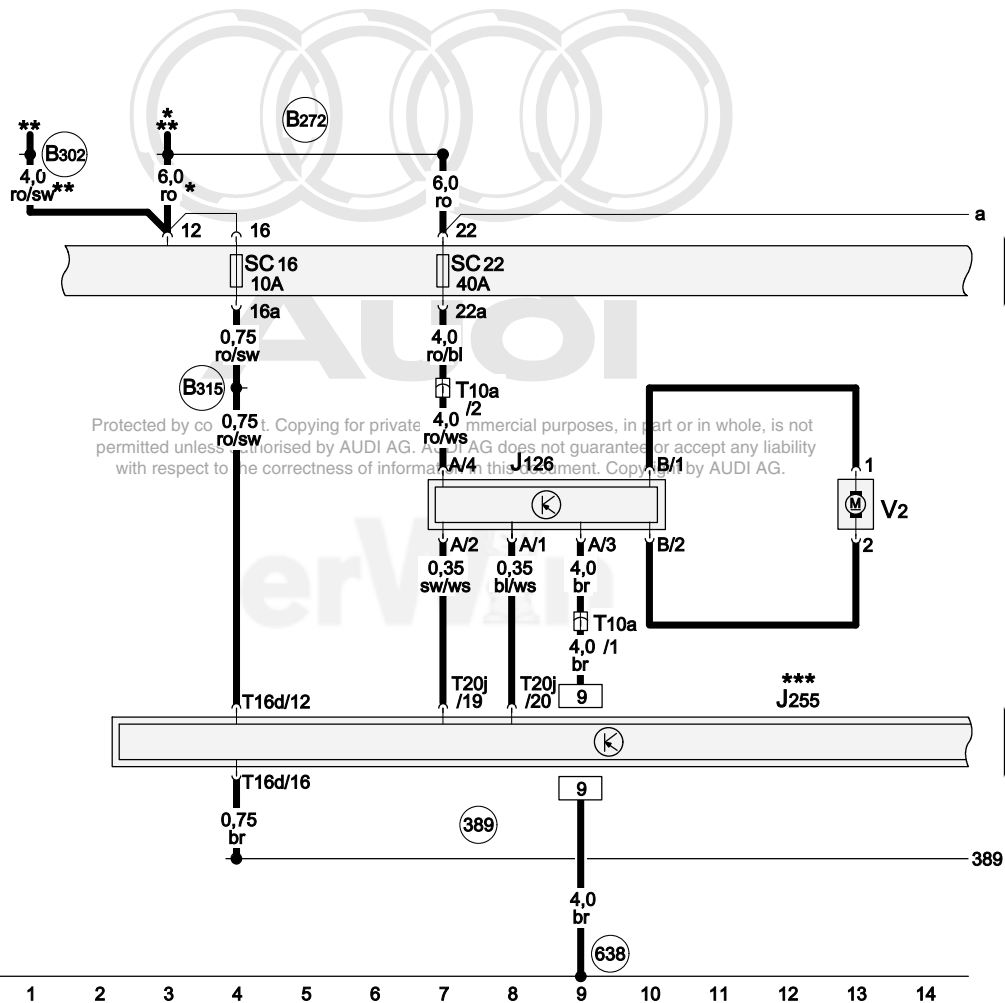


Fresh Air Blower Control Module, Fuses (on fuse panel)

- J126 Fresh Air Blower Control Module
- J255 Climatronic Control Module
- SC16 Fuse 16 (on fuse panel C)
- SC22 Fuse 22 (on fuse panel C)
- T10a 10-Pin Connector, black, behind glove compartment
- T16d 16-Pin Connector, black (Connector D)
- T20j 20-Pin Connector, red (Connector B)
- V2 Fresh Air Blower

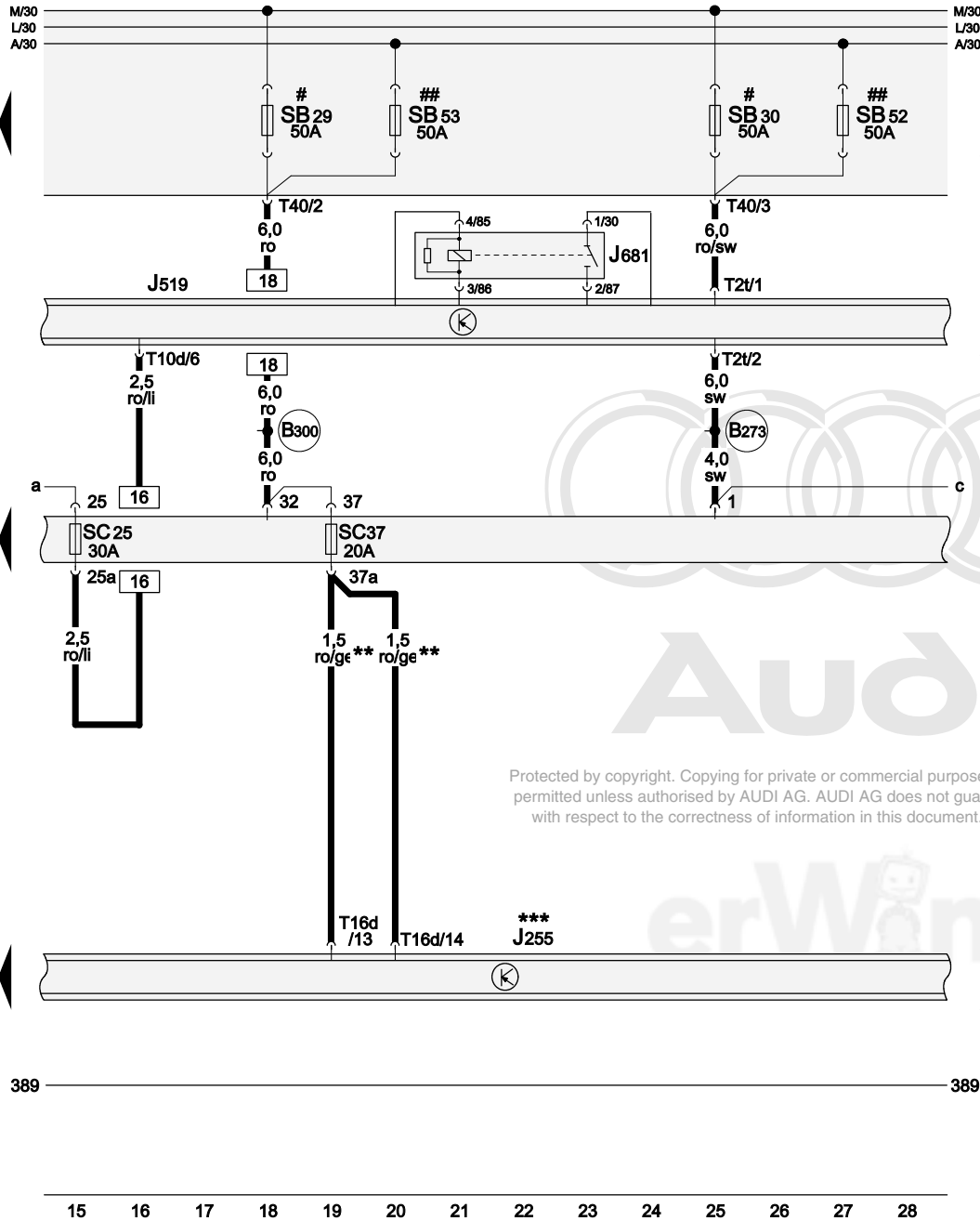
- 389 Ground Connection 24 (in main wiring harness)
- 638 Ground Connection (on right A-pillar)
- B272 Plus Connection (30) (in main wiring harness)
- B302 Plus Connection 6 (30) (in main wiring harness)
- B315 Plus Connection 1 (30a) (in main wiring harness)

- * => Applicable Wiring Diagram for models with battery in engine compartment
- ** => Applicable Wiring Diagram with battery in luggage compartment
- *** A/C Control Head (A/C, Climatronic)



- ws = white
- sw = black
- ro = red
- br = brown
- gn = green
- bl = blue
- gr = grey
- li = lilac
- ge = yellow
- or = orange
- rs = pink

8P0-A081020408



Fuses (on fuse panel), Power Supply Relay 2 (terminal 15)

- J255 Climatronic Control Module
- J519 Vehicle Electrical System Control Module
- J681 Power Supply Relay 2 (terminal 15)
- SB29 Fuse 29 (on fuse panel B)
- SB30 Fuse 30 (on fuse panel B)
- SB52 Fuse 52 (on fuse panel B)
- SB53 Fuse 53 (on fuse panel B)
- SC25 Fuse 25 (on fuse panel C)
- SC37 Fuse 37 (on fuse panel C)
- T2t Double Connector, black (Connector L)
- T10d 10-Pin Connector, black (Connector K)
- T16d 16-Pin Connector, black (Connector D)
- T40 40-Pin Connector, black, on electronics box engine compartment (Connector J)

- (B273) Plus Connection (15) (in main wiring harness)
- (B300) Plus Connection 4 (30) (in main wiring harness)

- ** Only models with heated seats
- *** A/C Control Head (A/C, Climatronic)
- # Only models with electronics box Low
- ## Only models with electronics box High

Protected by copyright. Copying for private or commercial purposes, in part or in whole, is not permitted unless authorised by AUDI AG. AUDI AG does not guarantee or accept any liability with respect to the correctness of information in this document. Copyright by AUDI AG.

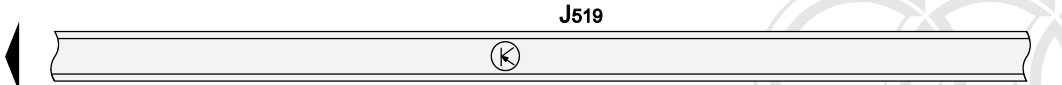
- ws = white
- sw = black
- ro = red
- br = brown
- gn = green
- bl = blue
- gr = grey
- li = lilac
- ge = yellow
- or = orange
- rs = pink

8P0-A081030408



High Pressure Sensor, Air Quality Sensor, A/C Compressor Regulator Valve

- G65 High Pressure Sensor
- G238 Air Quality Sensor
- J255 Climatronic Control Module
- J519 Vehicle Electrical System Control Module
- N280 A/C Compressor Regulator Valve
- SC4 Fuse 4 (on fuse panel C)
- T4 4-Pin Connector, black, in engine compartment, front left
- T16d 16-Pin Connector, black (Connector D)
- T16e 16-Pin Connector, brown (Connector C)



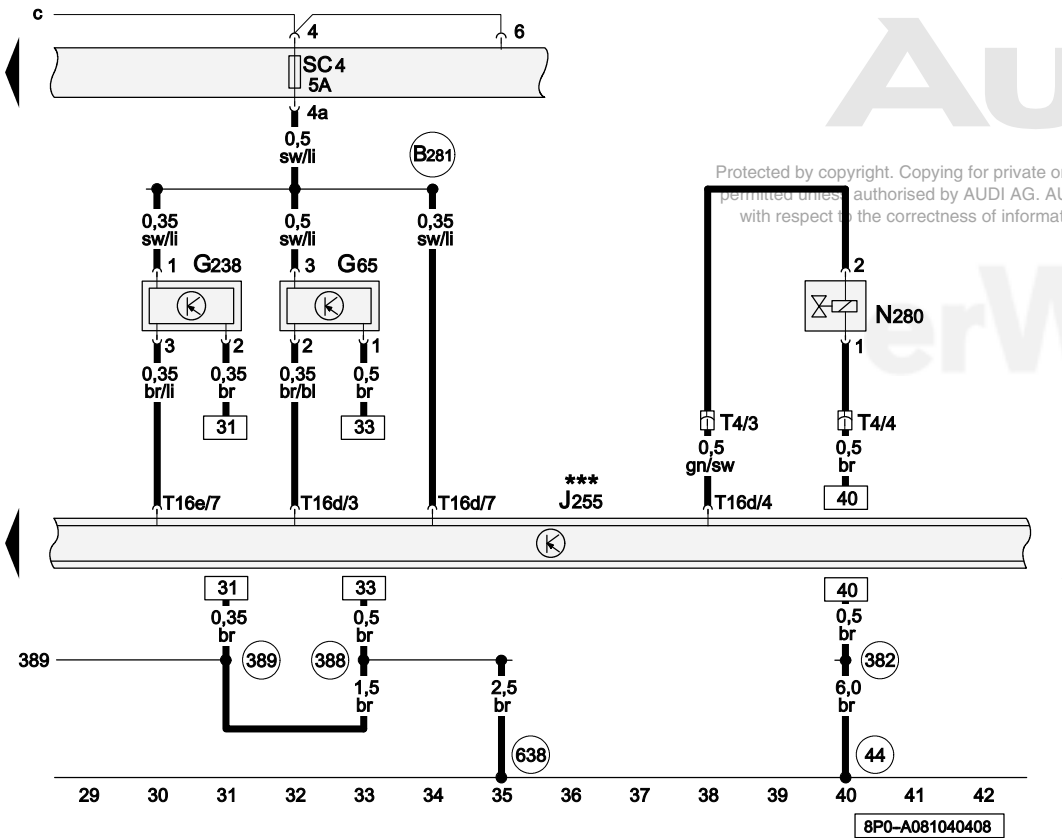
44 Ground Connection (on left lower A-pillar)

382 Ground Connection 17 (in main wiring harness)

388 Ground Connection 23 (in main wiring harness)

389 Ground Connection 24 (in main wiring harness)

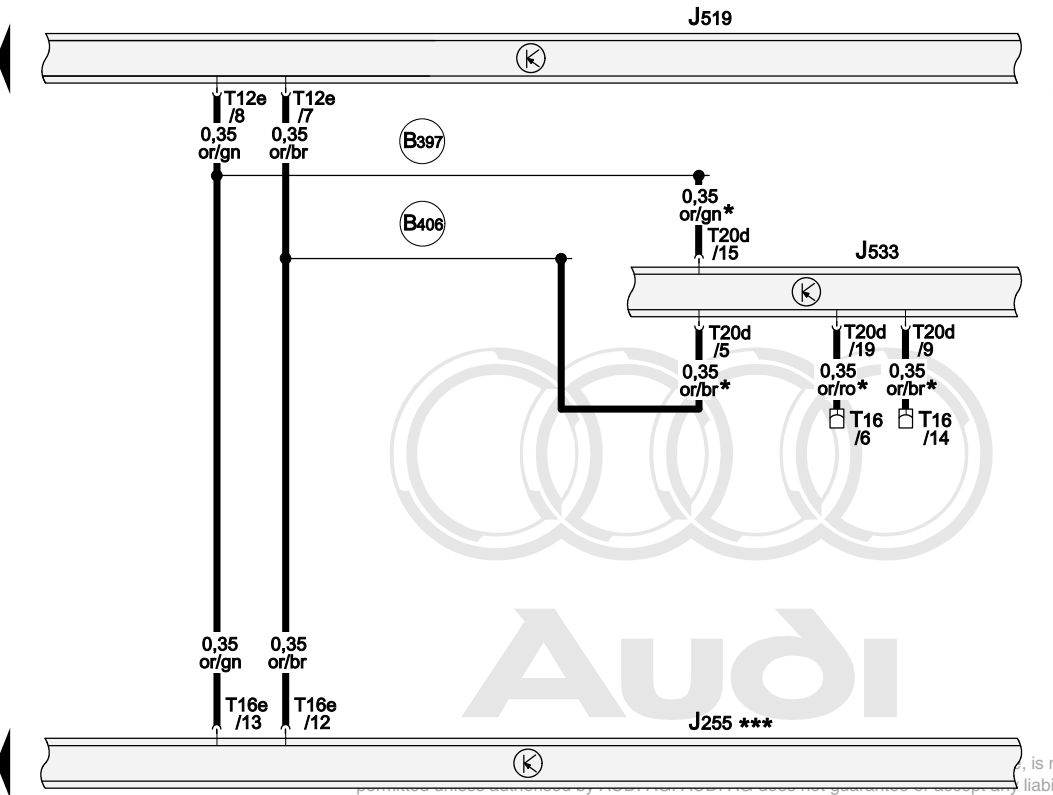
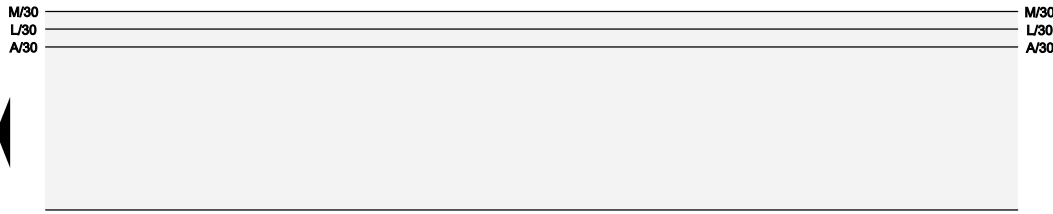
638 Ground Connection (on right A-pillar)



B281 Plus Connection 5 (15a) (in main wiring harness)

*** A/C Control Head (A/C, Climatronic)

- ws = white
- sw = black
- ro = red
- br = brown
- gn = green
- bl = blue
- gr = grey
- li = lilac
- ge = yellow
- or = orange
- rs = pink



Comfort System CAN-Bus

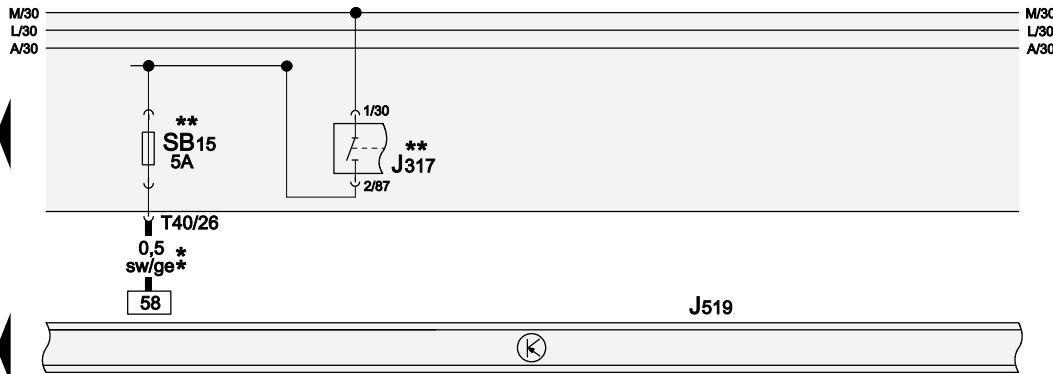
- J255 Climatronic Control Module
- J519 Vehicle Electrical System Control Module
- J533 Data Bus On Board Diagnostic Interface
- T12e 12-Pin Connector, black (Connector G)
- T16 16-Pin Connector, black, instrument panel driver's side, bottom left (diagnostic connector)
- T16e 16-Pin Connector, brown (Connector C)
- T20d 20-Pin Connector, black (Connector A)

- (B397) Comfort System CAN-Bus High Connection 1 (in main wiring harness)
- (B406) Comfort System CAN-Bus Low Connection 1 (in main wiring harness)

* ⇒ Applicable Wiring Diagram Diagnostic Connector
 *** A/C Control Head (A/C, Climatronic)

is not permitted unless authorized by Audi AG. Audi AG does not guarantee or accept any liability with respect to the correctness of information in this document. Copyright by AUDI AG.

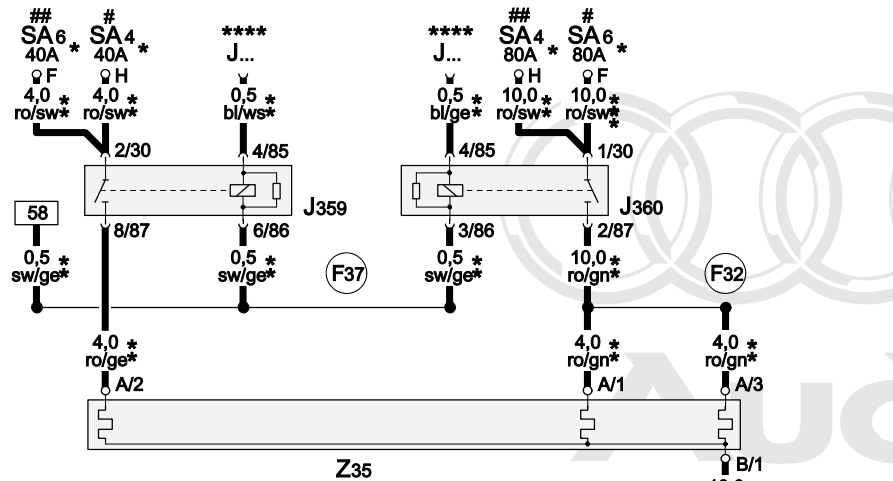
- ws = white
- sw = black
- ro = red
- br = brown
- gn = green
- bl = blue
- gr = grey
- li = lilac
- ge = yellow
- or = orange
- rs = pink



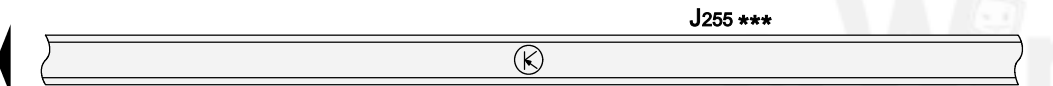
Auxiliary Air Heater

- J... Engine Control Modules (ECM)
- J255 Climatronic Control Module
- J317 Power Supply Relay (terminal 30)
- J359 Preheating Coolant, Low Heat Output Relay
- J360 Preheating Coolant, High Heat Output Relay
- J519 Vehicle Electrical System Control Module
- SA4 Fuse 4 (on fuse panel A)
- SA6 Fuse 6 (on fuse panel A)
- SB15 Fuse 15 (on fuse panel B)
- T40 40-Pin Connector, black, on electronics box engine compartment (Connector J)
- Z35 Auxiliary Air Heater Heating Element

- 639 Ground Connection (on left A-pillar)
- F32 Coolant Glow Plugs Connection (in Diesel Direct Fuel Injection (DFI) system wiring harness)
- F37 Auxiliary Heater Connection (in Diesel Direct Fuel Injection (DFI) system wiring harness)
- * ⇒ Applicable Wiring Diagram for models with battery in engine compartment
- ** Only models with diesel engines
- *** A/C Control Head (A/C, Climatronic)
- **** ⇒ Applicable Wiring Diagram Engine
- # Not applicable from November 2008
- ## Applicable from November 2008



Protected by copyright. Copying for private or commercial purposes, in part or in whole, is not permitted unless authorised by Audi AG. Audi AG does not guarantee or accept any liability with respect to the correctness of information in this document. Copyright by Audi AG.



- ws = white
- sw = black
- ro = red
- br = brown
- gn = green
- bl = blue
- gr = grey
- li = lilac
- ge = yellow
- or = orange
- rs = pink

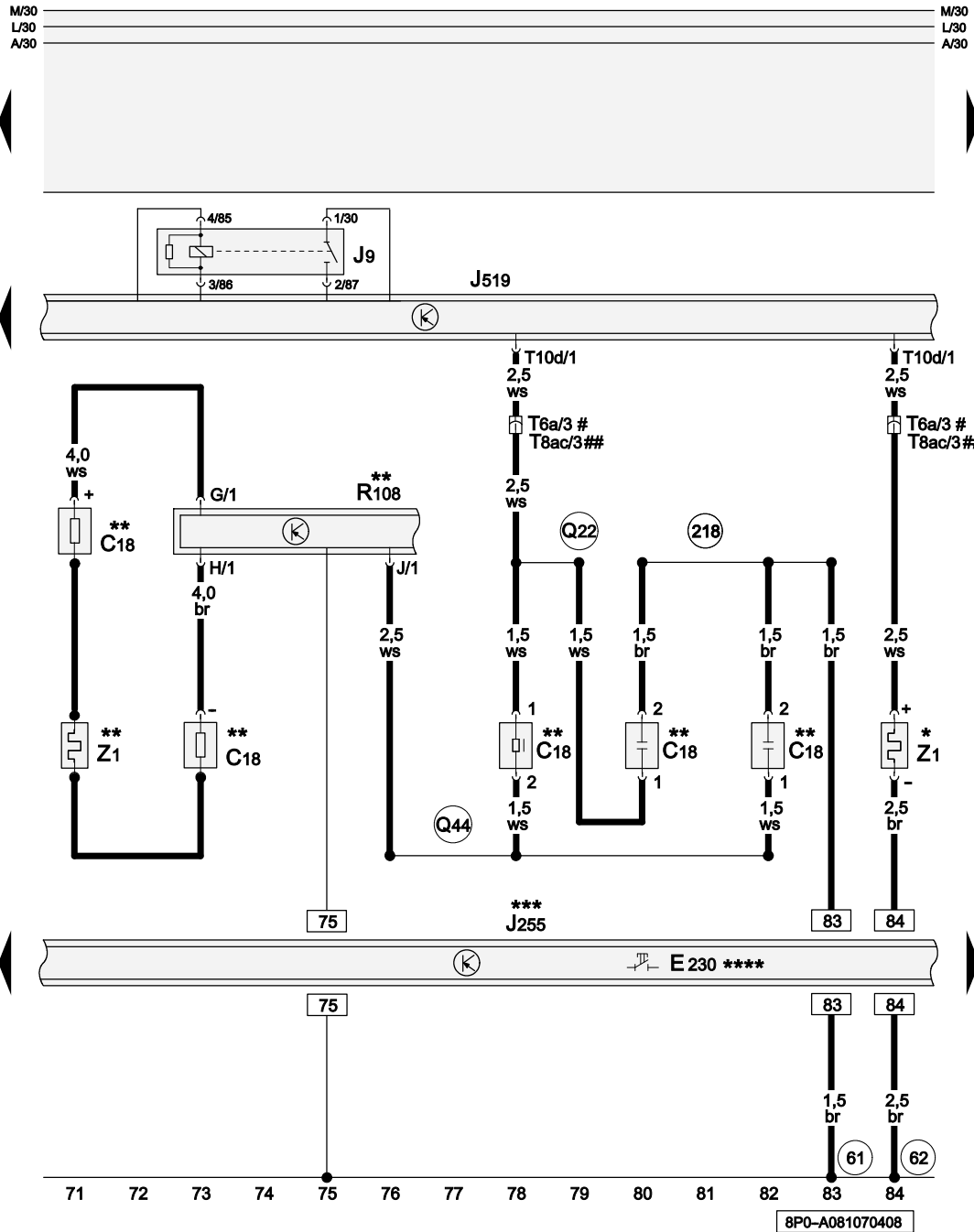
57 58 59 60 61 62 63 64 65 66 67 68 69 70

68

10,0*
br *

639

8PO-A081060808



Rear Window Defogger Relay, Heated Rear Window

- C18 Windshield Antenna Suppression Filter
- E230 Heated Rear Window Button
- J9 Rear Window Defogger Relay
- J255 Climatronic Control Module
- J519 Vehicle Electrical System Control Module
- R108 Left Antenna Module
- T6a 6-Pin Connector, black, on C-pillar, left
- T8ac 8-Pin Connector, black
- T10d 10-Pin Connector, black (Connector K)
- Z1 Heated Rear Window

- 61 Ground Connection (on left C-pillar)
- 62 Ground Connection (on right C-pillar)
- 218 Ground Connection 1 (in rear lid wiring harness)
- Q22 Connection 1 (in tailgate wiring harness)
- Q44 Connection 2 (in tailgate wiring harness)

Protected by copyright. Copying for private or commercial purposes, in part or in whole, is not permitted unless authorised by AUDI AG. AUDI AG does not guarantee or accept any liability with respect to the correctness of information in this document. Copyright by AUDI AG.

- * Only models without radio
- ** Only models with radio or radio/navigation system
- *** A/C Control Head (A/C, Climatronic)
- **** Z1 Operation over Comfort System CAN-Bus
- # Only 3-door models
- ## Only 5-door models

- ws = white
- sw = black
- ro = red
- br = brown
- gn = green
- bl = blue
- gr = grey
- li = lilac
- ge = yellow
- or = orange
- rs = pink



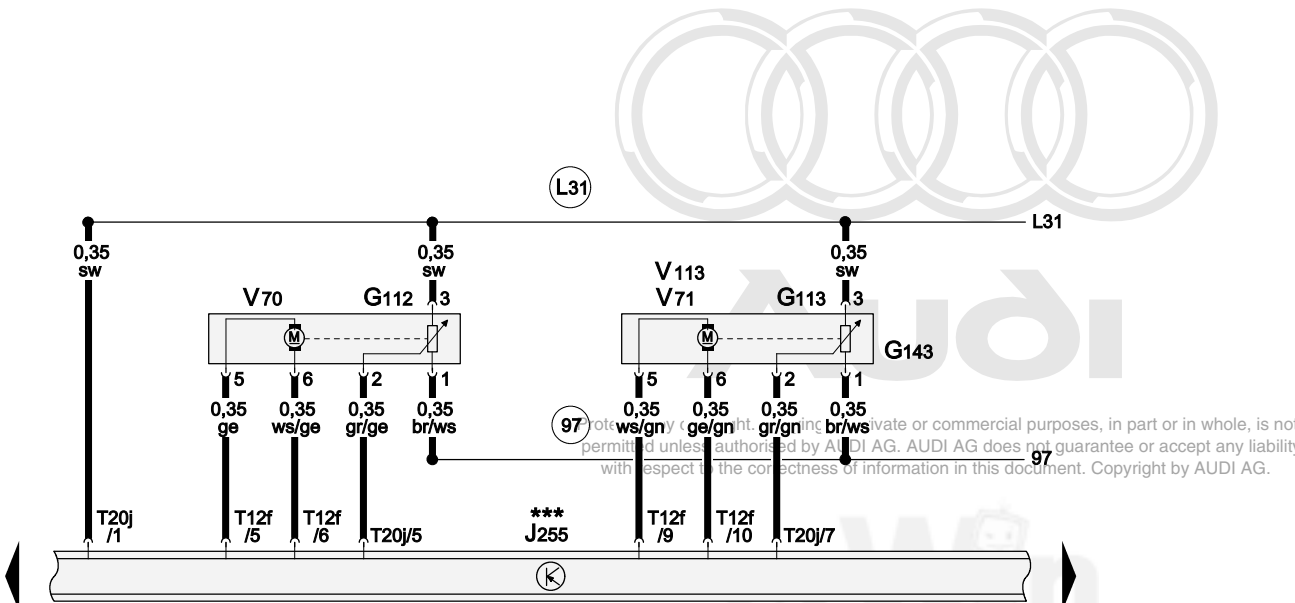
Central Air Flap Motor, Back Pressure Flap Motor, Recirculation Flap Motor

- G112 Central Flap Motor Position Sensor
- G113 Back Pressure Flap Motor Position Sensor
- G143 Recirculation Flap Motor Position Sensor
- J255 Climatronic Control Module
- T12f 12-Pin Connector, black (Connector A)
- T20j 20-Pin Connector, red (Connector B)
- V70 Central Air Flap Motor
- V71 Air Flow Flap Motor
- V113 Recirculation Flap Motor

97 Ground Connection 1 (in A/C wiring harness)

L31 Connection (5 Volts) (in A/C wiring harness)

*** A/C Control Head (A/C, Climatronic)



- ws = white
- sw = black
- ro = red
- br = brown
- gn = green
- bl = blue
- gr = grey
- li = lilac
- ge = yellow
- or = orange
- rs = pink



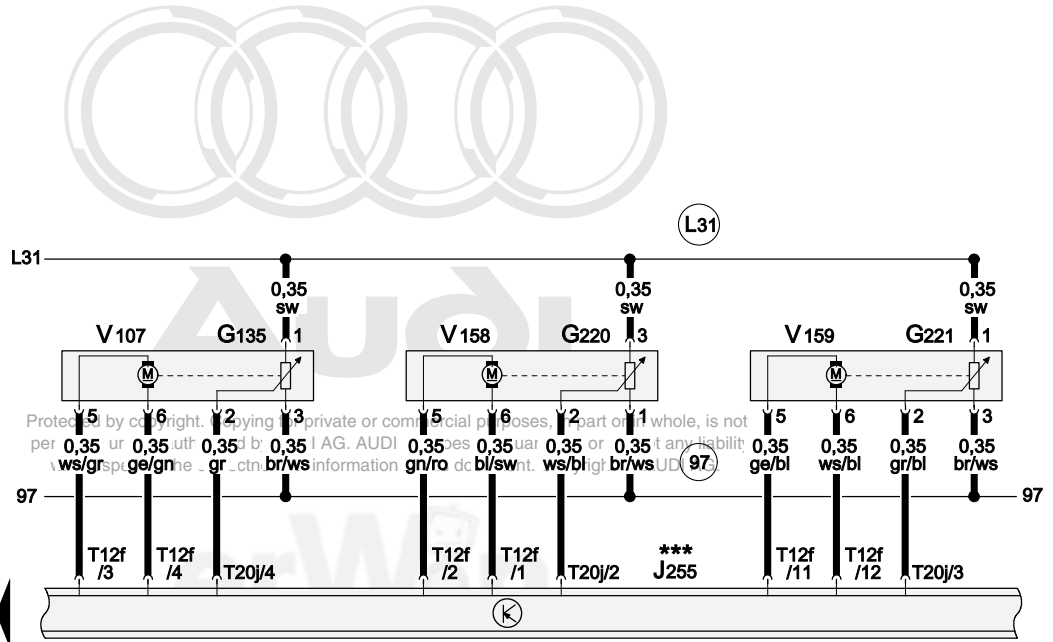
Defroster Flap Motor, Left Temperature Flap Motor, Right Temperature Flap Motor

- G135 Defroster Flap Motor Position Sensor
- G220 Left Temperature Flap Potentiometer/Actuator
- G221 Right Temperature Flap Potentiometer/Actuator
- J255 Climatronic Control Module
- T12f 12-Pin Connector, black (Connector A)
- T20j 20-Pin Connector, red (Connector B)
- V107 Defroster Flap Motor
- V158 Left Temperature Flap Motor
- V159 Right Temperature Flap Motor

97 Ground Connection 1 (in A/C wiring harness)

L31 Connection (5 Volts) (in A/C wiring harness)

*** A/C Control Head (A/C, Climatronic)



99 100 101 102 103 104 105 106 107 108 109 110 111 112

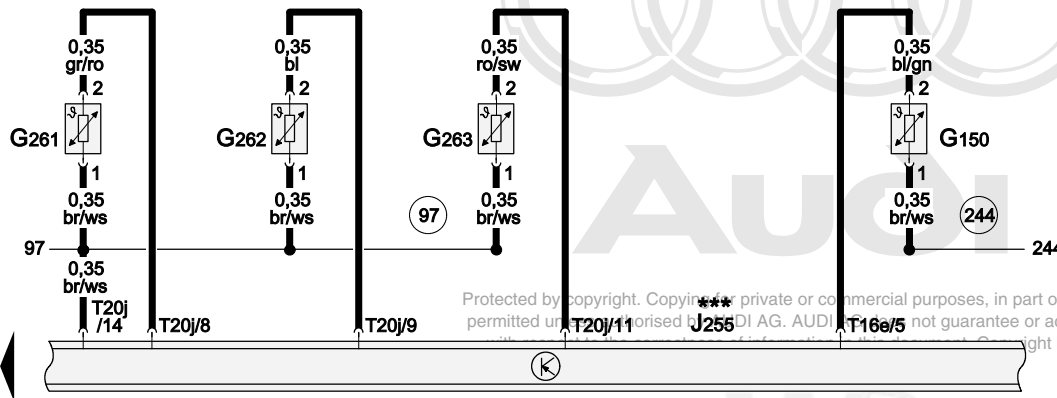
8P0-A081090408



Vent Temperature Sensor

- G150 Left Vent Temperature Sensor
- G261 Left Footwell Vent Temperature Sensor
- G262 Right Footwell Vent Temperature Sensor
- G263 Evaporator Vent Temperature Sensor
- J255 Climatronic Control Module
- T16e 16-Pin Connector, brown (Connector C)
- T20j 20-Pin Connector, red (Connector B)

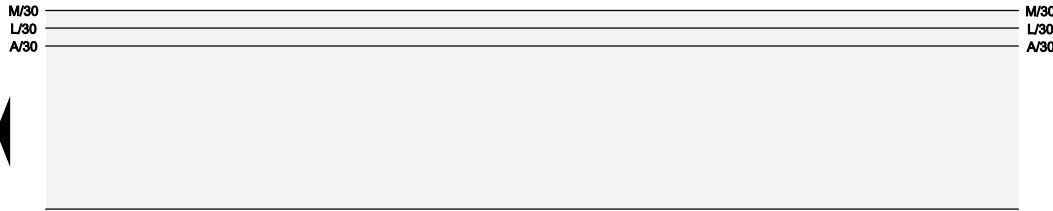
- 97 Ground Connection 1 (in A/C wiring harness)
- 244 Sensor Ground Connection (in Climatronic wiring harness)
- *** A/C Control Head (A/C, Climatronic)



- ws = white
- sw = black
- ro = red
- br = brown
- gn = green
- bl = blue
- gr = grey
- li = lilac
- ge = yellow
- or = orange
- rs = pink

113 114 115 116 117 118 119 120 121 122 123 124 125 126

8P0-A081100408

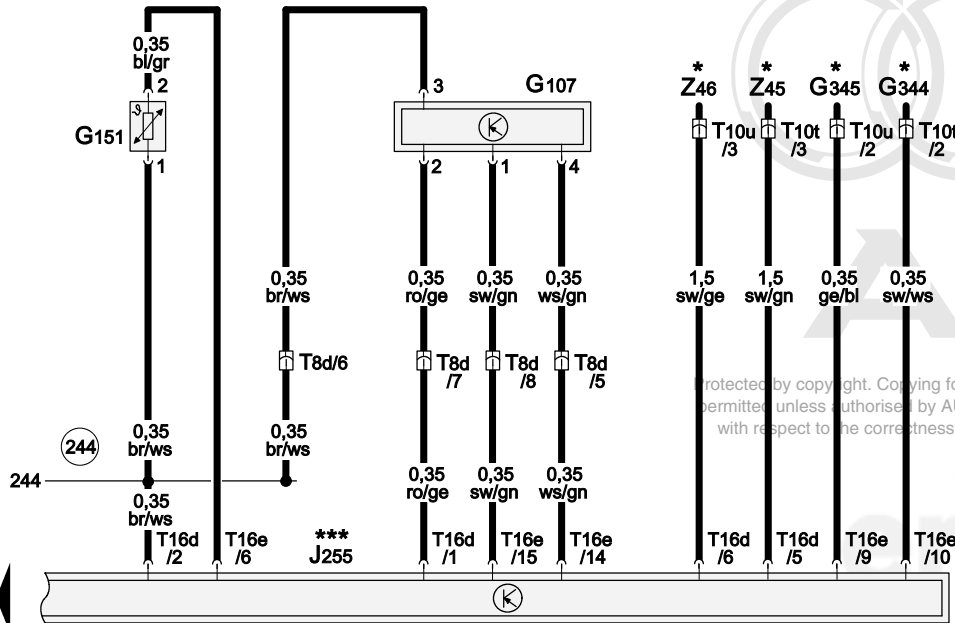


Sunlight Photo Sensor, Right Vent Temperature Sensor, Front Seat Temperature Sensor

- G107 Sunlight Photo Sensor
- G151 Right Vent Temperature Sensor
- G344 Left Front Seat Temperature Sensor
- G345 Right Front Seat Temperature Sensor
- J255 Climatronic Control Module
- T8d 8-Pin Connector, black, behind center console
- T10t 10-Pin Connector, black, below driver's seat
- T10u 10-Pin Connector, black, below front passenger's seat
- T16d 16-Pin Connector, black (Connector D)
- T16e 16-Pin Connector, brown (Connector C)
- Z45 Front Left Heated Seat
- Z46 Front Right Heated Seat

244 Sensor Ground Connection (in Climatronic wiring harness)

* See Applicable Wiring Diagram Heated Seats
 *** A/C Control Head (A/C, Climatronic)



protected by copyright. Copying for private or commercial purposes, in part or in whole, is not permitted unless authorised by AUDI AG. AUDI AG does not guarantee or accept any liability with respect to the correctness of information in this document. Copyright by AUDI AG.

- ws = white
- sw = black
- ro = red
- br = brown
- gn = green
- bl = blue
- gr = grey
- li = lilac
- ge = yellow
- or = orange
- rs = pink

127 128 129 130 131 132 133 134 135 136 137 138 139 140

8P0-A081110408

Automatic Day/Night Interior Mirror

⇒ With Coming-Home

⇒ Without Coming-Home

from May 2008

Note:

Information for

◆ Relay and fuse arrangements

◆ Connector arrangements

◆ Control Modules and Relays

◆ Ground Connections

⇒ Component Locations

Information for

◆ Troubleshooting Procedures

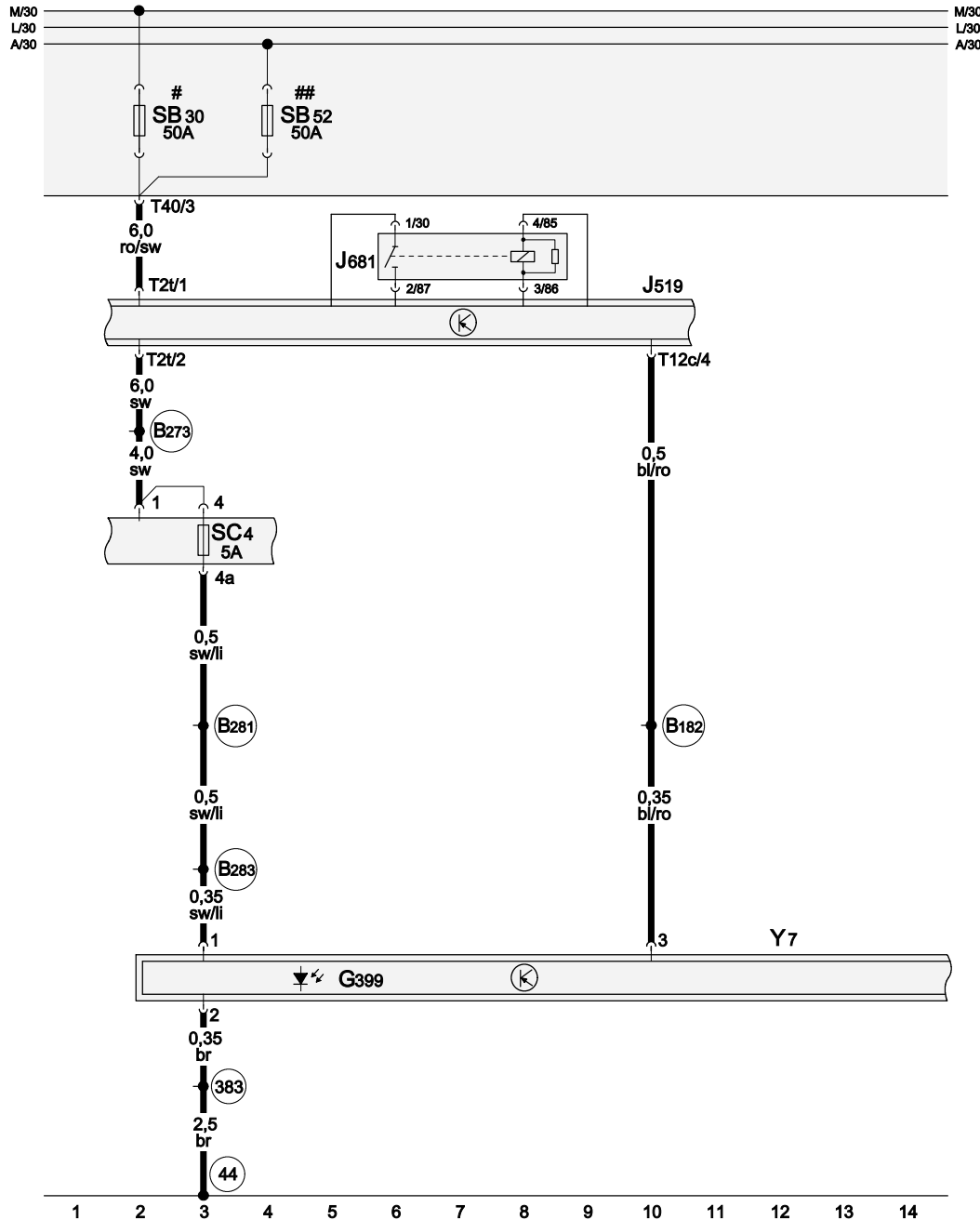
⇒ Guided Fault Finding using VAS 5051 / 5052



Audi

Protected by copyright. Copying for private or commercial purposes, in part or in whole, is not permitted unless authorised by AUDI AG. AUDI AG does not guarantee or accept any liability with respect to the correctness of information in this document. Copyright by AUDI AG.





Fuses (on fuse panel), Power Supply Relay 2 (terminal 15)

- G399 Light Recognition Sensor
- J519 Vehicle Electrical System Control Module
- J681 Power Supply Relay 2 (terminal 15)
- SB30 Fuse 30 (on fuse panel B)
- SB52 Fuse 52 (on fuse panel B)
- SC4 Fuse 4 (on fuse panel C)
- T2t Double Connector, black (Connector L)
- T12c 12-Pin Connector, black (Connector B)
- T40 40-Pin Connector, black, on electronics box engine compartment (Connector J)
- Y7 Automatic Day/Night Interior Mirror

- 44 Ground Connection (on left lower A-pillar)
- 383 Ground Connection 18 (in main wiring harness)
- B182 Connection (RF) (in passenger compartment wiring harness)
- B273 Plus Connection (15) (in main wiring harness)
- B281 Plus Connection 5 (15a) (in main wiring harness)
- B283 Plus Connection 7 (15a) (in main wiring harness)
- # Only models with electronics box Low
- ## Only models with electronics box High

Protected by copyright. Copying for private or commercial purposes, in part or in whole, is not permitted unless authorised by AUDI AG. AUDI AG does not guarantee or accept any liability with respect to the correctness of information in this document. Copyright by AUDI AG.

- ws = white
- sw = black
- ro = red
- br = brown
- gn = green
- bl = blue
- gr = grey
- li = lilac
- ge = yellow
- or = orange
- rs = pink

8P0-A082020408



Door Control Modules, Automatic Day/Night Interior Mirror

- J386 Driver's Door Control Module
- J387 Front Passenger's Door Control Module
- T20 20-Pin Connector, black, door A-pillar, left
- T20a 20-Pin Connector, black, door A-pillar, right
- T20f 20-Pin Connector, black (Connector A)
- T20g 20-Pin Connector, black (Connector A)
- Y7 Automatic Day/Night Interior Mirror

B427 Mirror Auto-dimming Signal Connection 1 (in main wiring harness)

B428 Mirror Auto-dimming Signal Connection 2 (in main wiring harness)

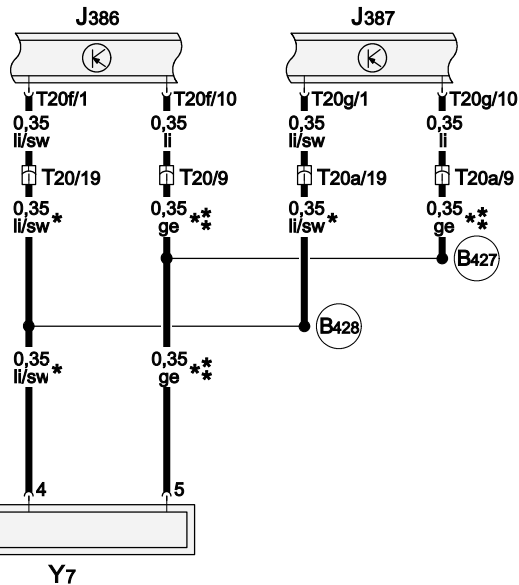
- * => Applicable Wiring Diagram Comfort System
- ** Wire colour was modified from purple to yellow, phased-in modification



Audi

Protected by copyright. Copying for private or commercial purposes, in part or in whole, is not permitted unless authorised by AUDI AG. AUDI AG does not guarantee or accept any liability with respect to the correctness of information in this document. Copyright by AUDI AG.

erWin



- ws = white
- sw = black
- ro = red
- br = brown
- gn = green
- bl = blue
- gr = grey
- li = lilac
- ge = yellow
- or = orange
- rs = pink

15 16 17 18 19 20 21 22 23 24 25 26 27 28

8P0-A082030408

Front Heated Seat, with Manual Power Seat

⇒ Only heater with manual regulation

⇒ Only A/C with manual regulation

from May 2008

Note:

Information for

◆ Relay and fuse arrangements

◆ Connector arrangements

◆ Control Modules and Relays

◆ Ground Connections

⇒ Component Locations

Information for

◆ Troubleshooting Procedures

⇒ Guided Fault Finding using VAS 5051 / 5052

Protected by copyright. Copying for private or commercial purposes, in part or in whole, is not permitted unless authorised by AUDI AG. AUDI AG does not guarantee or accept any liability with respect to the correctness of information in this document. Copyright by AUDI AG.



Audi

erWin



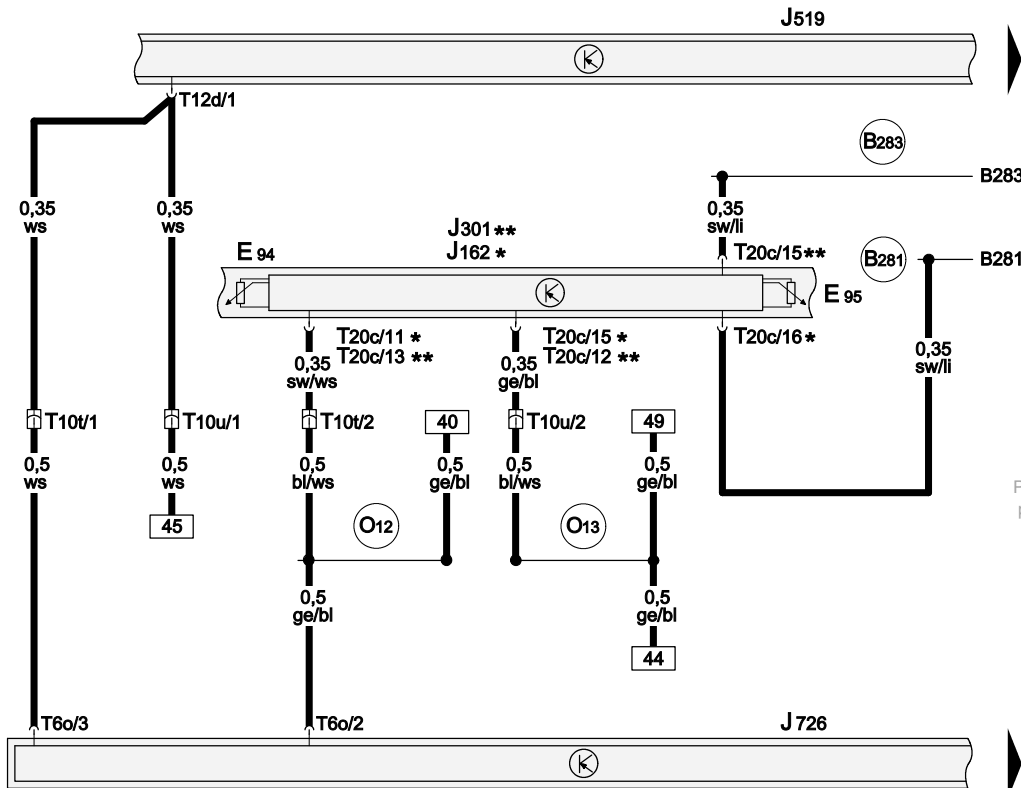
Driver's Heated Seat Adjuster, Front Passenger's Heated Seat Adjuster

- E94 Driver's Heated Seat Adjuster
- E95 Front Passenger's Heated Seat Adjuster
- J162 Heater Control Module
- J301 A/C Control Module
- J519 Vehicle Electrical System Control Module
- J726 Driver's Heated Seat Control Module
- T6o 6-Pin Connector, black, on driver seat heater control module
- T10t 10-Pin Connector, black, below driver's seat
- T10u 10-Pin Connector, black, below front passenger's seat
- T12d 12-Pin Connector, brown (Connector C)
- T20c 20-Pin Connector, black (Connector A)

- (B281) Plus Connection 5 (15a) (in main wiring harness)
- (B283) Plus Connection 7 (15a) (in main wiring harness)
- (O12) Connection 1 (in seat heater wiring harness)
- (O13) Connection 2 (in seat heater wiring harness)

* Only heater with manual regulation
 ** Only A/C with manual regulation

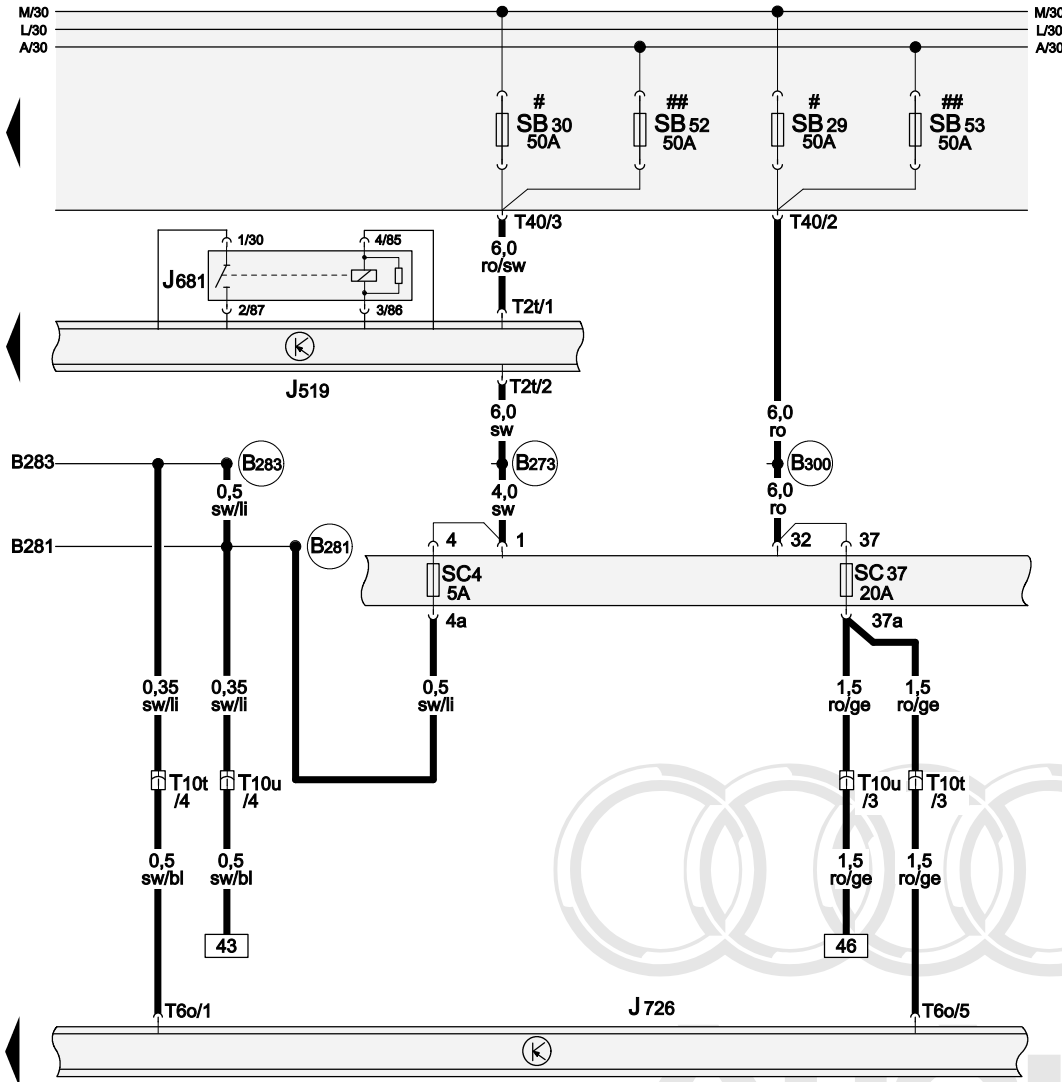
Protected by copyright. Copying for private or commercial purposes, in part or in whole, is not permitted unless authorised by AUDI AG. AUDI AG does not guarantee or accept any liability with respect to the correctness of information in this document. Copyright by AUDI AG.



- ws = white
- sw = black
- ro = red
- br = brown
- gn = green
- bl = blue
- gr = grey
- li = lilac
- ge = yellow
- or = orange
- rs = pink

1 2 3 4 5 6 7 8 9 10 11 12 13 14

8P0-A083020408



Driver's Heated Seat Control Module, Power Supply Relay 2 (terminal 15)

- J519 Vehicle Electrical System Control Module
- J681 Power Supply Relay 2 (terminal 15)
- J726 Driver's Heated Seat Control Module
- SB29 Fuse 29 (on fuse panel B)
- SB30 Fuse 30 (on fuse panel B)
- SB52 Fuse 52 (on fuse panel B)
- SB53 Fuse 53 (on fuse panel B)
- SC4 Fuse 4 (on fuse panel C)
- SC37 Fuse 37 (on fuse panel C)
- T2t Double Connector, black (Connector L)
- T6o 6-Pin Connector, black, on driver seat heater control module
- T10t 10-Pin Connector, black, below driver's seat
- T10u 10-Pin Connector, black, below front passenger's seat
- T40 40-Pin Connector, black, on electronics box engine compartment (Connector J)

- B273 Plus Connection (15) (in main wiring harness)
- B281 Plus Connection 5 (15a) (in main wiring harness)
- B283 Plus Connection 7 (15a) (in main wiring harness)
- B300 Plus Connection 4 (30) (in main wiring harness)

- # Only models with electronics box Low
- ## Only models with electronics box High

- ws = white
- sw = black
- ro = red
- br = brown
- gn = green
- bl = blue
- gr = grey
- li = lilac
- ge = yellow
- or = orange
- rs = pink

Protected by copyright. Copying for private or commercial purposes, in part or in whole, is not permitted unless authorised by AUDI AG. AUDI AG does not guarantee or accept any liability with respect to the correctness of information in this document. Copyright by AUDI AG.

15 16 17 18 19 20 21 22 23 24 25 26 27 28

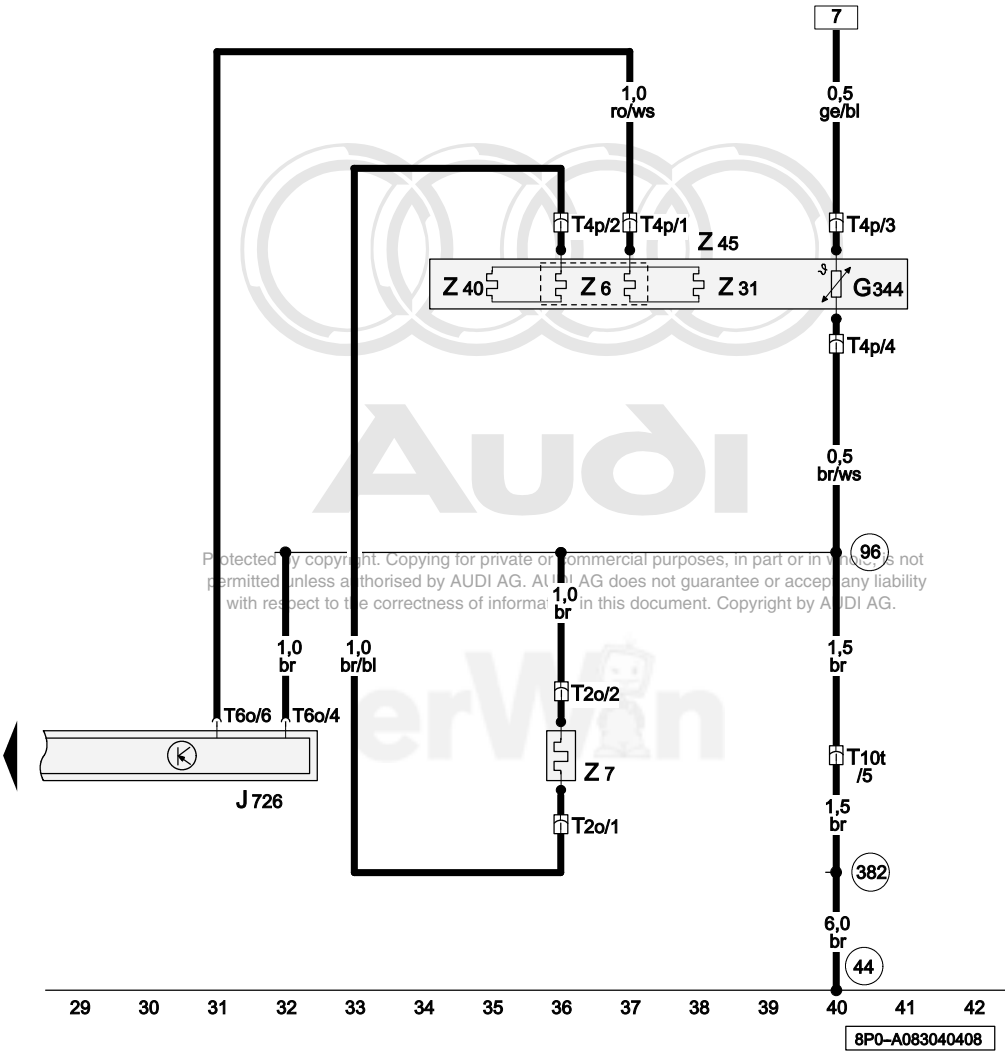
8P0-A083030408



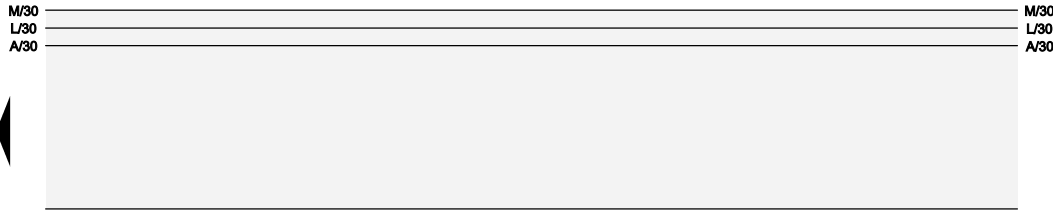
Driver's Heated Seat Control Module, Front Left Heated Seat

- G344 Left Front Seat Temperature Sensor
- J726 Driver's Heated Seat Control Module
- T2o Double Connector, black, on driver's backrest heating element
- T4p 4-Pin Connector, black, on driver's heated seat
- T6o 6-Pin Connector, black, on driver seat heater control module
- T10t 10-Pin Connector, black, below driver's seat
- Z6 Driver's Seat Heating Element
- Z7 Driver's Backrest Heating Element
- Z31 Driver's Seat Side Bolster Heater
- Z40 Driver's Seat Side Bolster Heater 2
- Z45 Front Left Heated Seat

- 44 Ground Connection (on left lower A-pillar)
- 96 Ground Connection 1 (in heated seats wiring harness)
- 382 Ground Connection 17 (in main wiring harness)



- ws = white
- sw = black
- ro = red
- br = brown
- gn = green
- bl = blue
- gr = grey
- li = lilac
- ge = yellow
- or = orange
- rs = pink

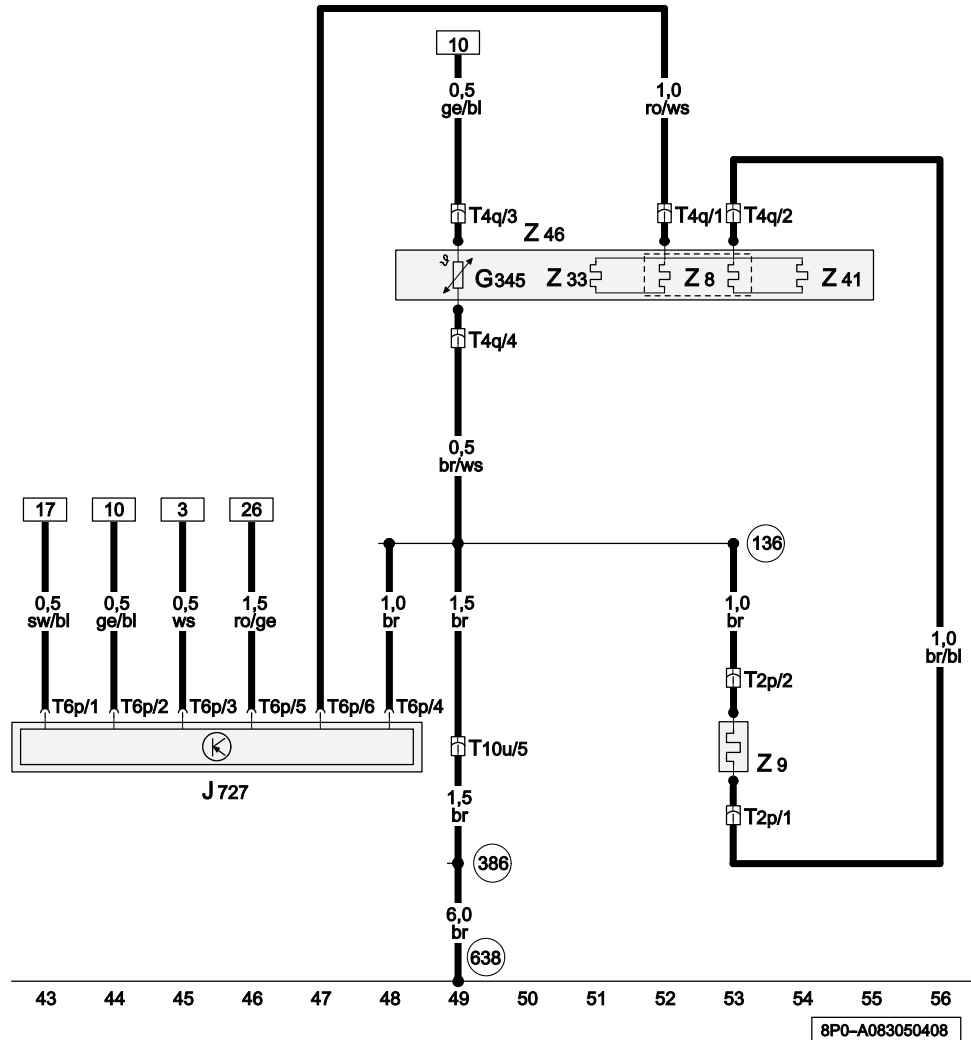


Front Passenger's Heated Seat Control Module, Front Right Heated Seat

- G345 Right Front Seat Temperature Sensor
- J727 Front Passenger's Heated Seat Control Module
- T2p Double Connector, black, on front passenger's backrest heating element
- T4q 4-Pin Connector, black, on front passenger's heated seat
- T6p 6-Pin Connector, black, on front passenger seat heater control module
- T10u 10-Pin Connector, black, below front passenger's seat
- Z8 Front Passenger's Seat Heating Element
- Z9 Front Passenger's Backrest Heating Element
- Z33 Front Passenger's Seat Side Bolster Heater
- Z41 Front Passenger's Seat Side Bolster Heater 2
- Z46 Front Right Heated Seat
- 136 Ground Connection 2 (in heated seats wiring harness)
- 386 Ground Connection 21 (in main wiring harness)
- 638 Ground Connection (on right A-pillar)



Protected by copyright. Copying for private or commercial purposes, in part or in whole, is not permitted unless authorised by AUDI AG. AUDI AG does not guarantee or accept any liability with respect to the correctness of information in this document. Copyright by AUDI AG.



- ws = white
- sw = black
- ro = red
- br = brown
- gn = green
- bl = blue
- gr = grey
- li = lilac
- ge = yellow
- or = orange
- rs = pink

8P0-A083050408

Headlamps, Bixenon HID with automatic range control, cornering lamp, LED daytime running lamps

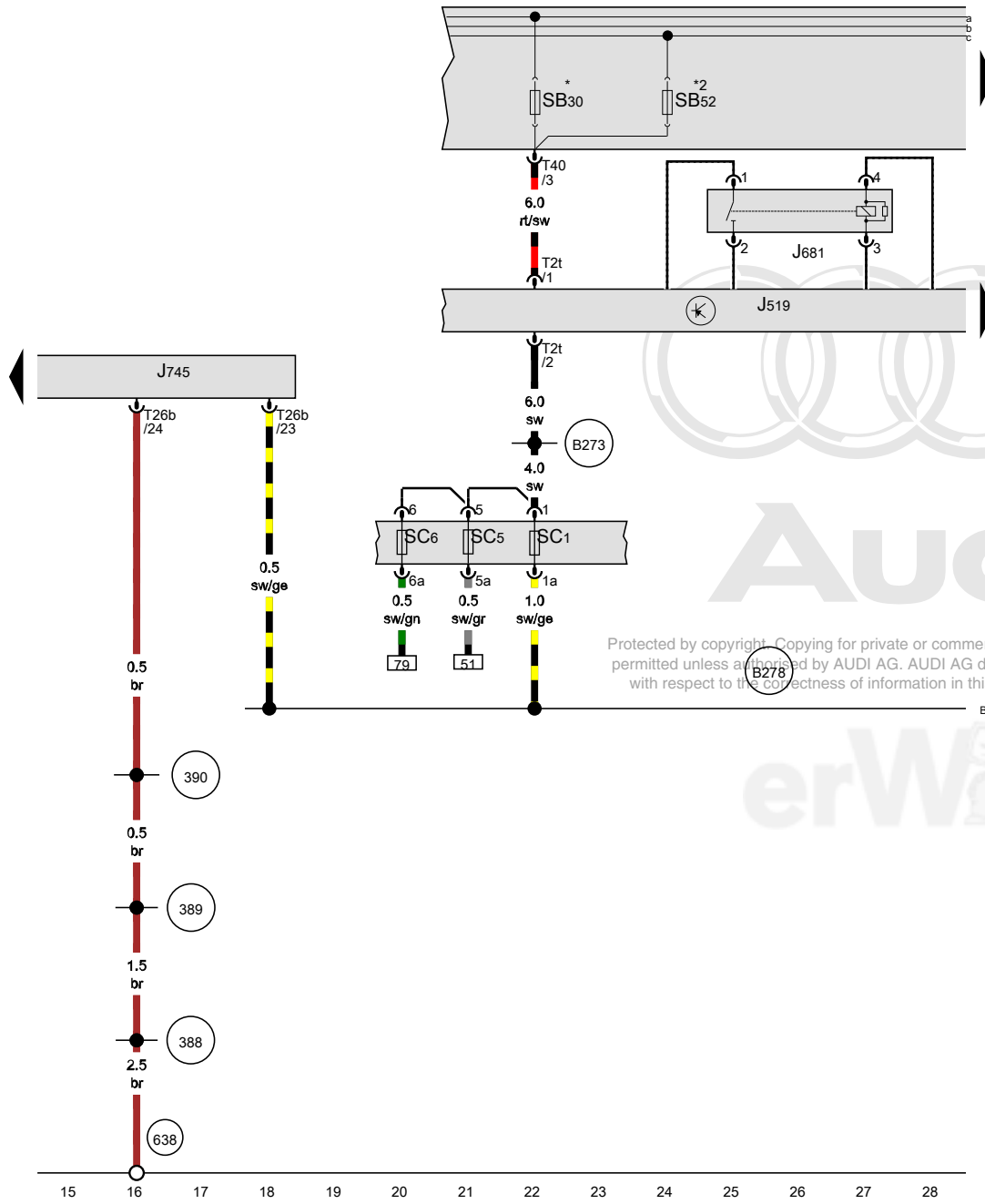
From May 2008



Audi

Protected by copyright. Copying for private or commercial purposes, in part or in whole, is not permitted unless authorised by AUDI AG. AUDI AG does not guarantee or accept any liability with respect to the correctness of information in this document. Copyright by AUDI AG.





Vehicle electrical system control module, Terminal 15 power supply relay 2, Cornering lamp and headlamp range control module

- J519 Vehicle electrical system control module
- J681 Terminal 15 power supply relay 2
- J745 Cornering lamp and headlamp range control module
- SC1 Fuse 1 (on fuse panel C)
- SC5 Fuse 5 (on fuse panel C)
- SC6 Fuse 6 (on fuse panel C)
- SB30 Fuse 30 (on fuse panel B)
- SB52 Fuse 52 (on fuse panel B)
- T2t Double connector
- T26b 26-pin connector
- T40 40-pin connector

- 388 Ground connection 23 (in main wiring harness)
- 389 Ground connection 24 (in main wiring harness)
- 390 Ground connection 25 (in main wiring harness)
- 638 Ground connection on right A-pillar
- B273 Positive connection (15) (in main wiring harness)
- B278 Positive connection 2 (15a) (in main wiring harness)

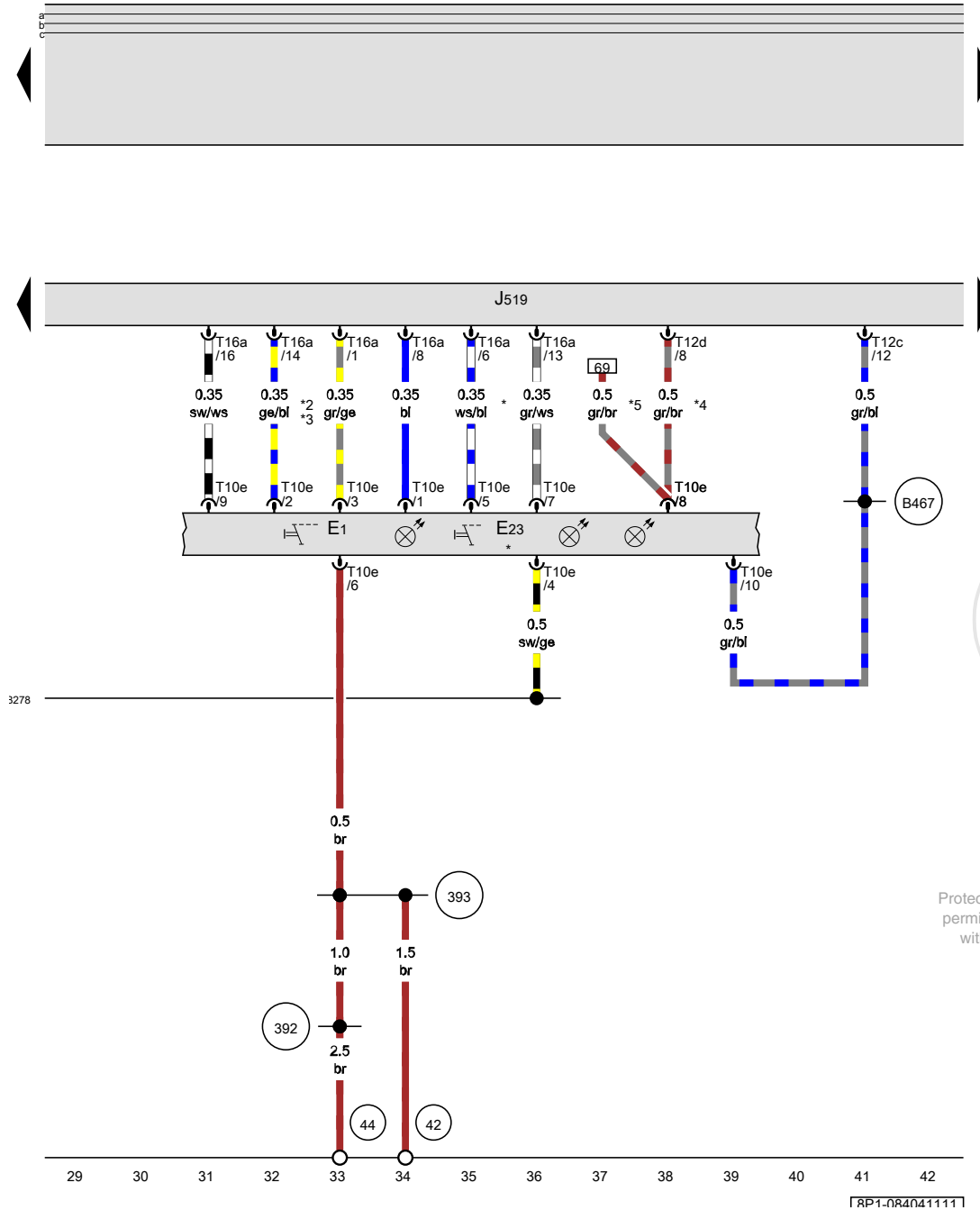
- * E-Box low
- *2 E-Box high

- ws = white
- sw = black
- ro = red
- br = brown
- gn = green
- bl = blue
- gr = grey
- li = lilac
- ge = yellow
- or = orange
- rs = pink

Light switch, Fog lamp and rear fog lamp switch, Vehicle electrical system control module

- E1 Light switch
- E23 Fog lamp and rear fog lamp switch
- J519 Vehicle electrical system control module
- T10e 10-pin connector
- T12c 12-pin connector
- T12d 12-pin connector
- T16a 16-pin connector

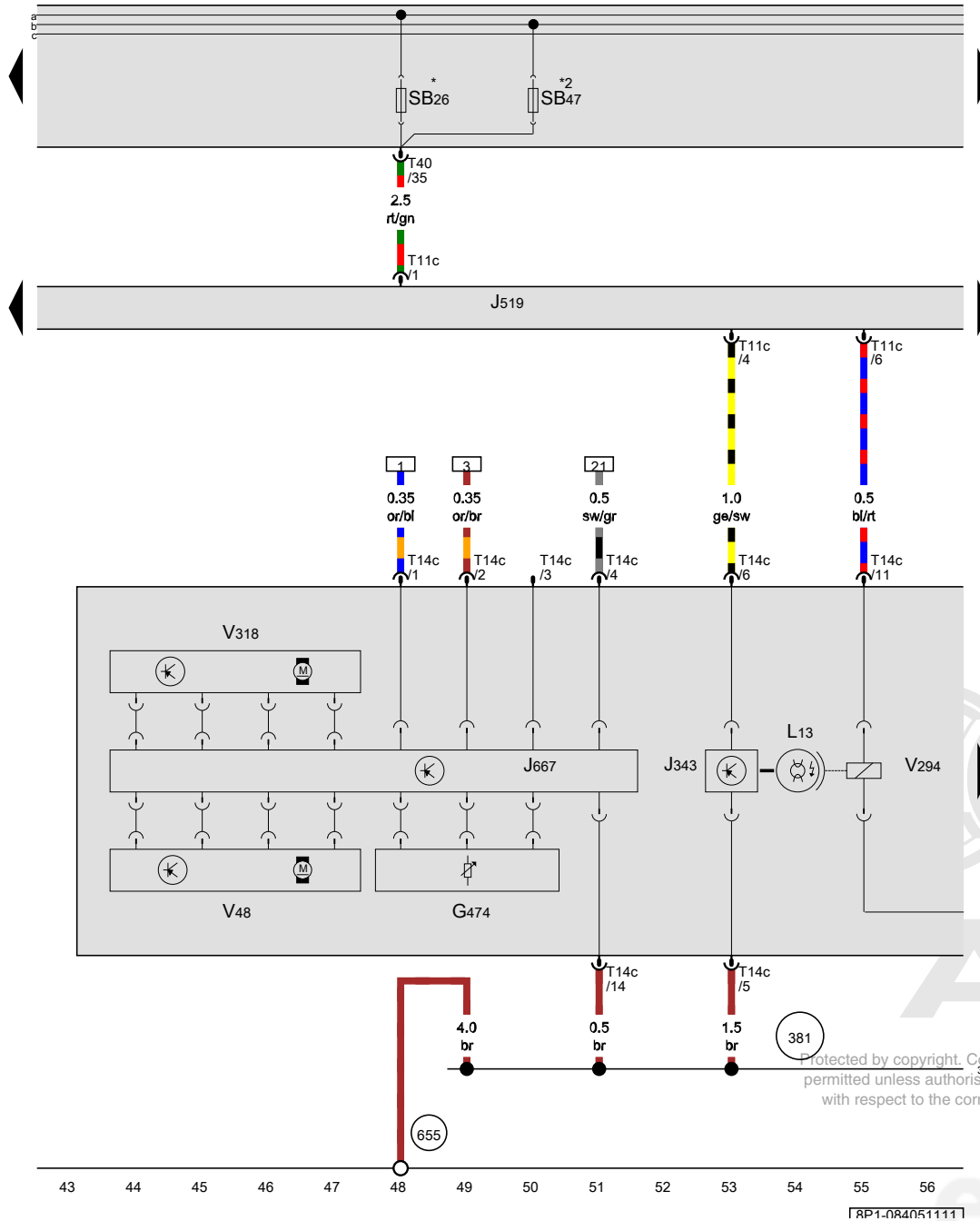
- 42 Ground connection near steering column
- 44 Ground connection on A-pillar, lower left
- 392 Ground connection 27 (in main wiring harness)
- 393 Ground connection 28 (in main wiring harness)
- B278 Positive connection 2 (15a) (in main wiring harness)
- B467 Connection 3 (in main wiring harness)
- * Only for vehicles with fog lamps
- *2 Only for vehicles with daytime running lamps
- *3 Only for vehicles with automatic headlamp assist
- *4 Only for vehicles without US equipment
- *5 Only for vehicles with US equipment



Protected by copyright. Copying for private or commercial purposes, in part or in whole, is not permitted unless authorised by AUDI AG. AUDI AG does not guarantee or accept any liability with respect to the correctness of information in this document. Copyright by AUDI AG.

- ws = white
- sw = black
- ro = red
- br = brown
- gn = green
- bl = blue
- gr = grey
- li = lilac
- ge = yellow
- or = orange
- rs = pink

18P1-084041111



Vehicle electrical system control module, Left headlamp power output stage, Left HID headlamp bulb, Left headlamp beam adjustment motor, Left low beam headlamp reflector motor, Left adaptive cornering lamp motor

- G474 Left swivel module position sensor
- J343 Left HID headlamp control module
- J519 Vehicle electrical system control module
- J667 Left headlamp power output stage
- L13 Left HID headlamp bulb
- SB26 Fuse 26 (on fuse panel B)
- SB47 Fuse 47 (on fuse panel B)
- T11c 11-pin connector
- T14c 14-pin connector
- T40 40-pin connector
- V48 Left headlamp beam adjustment motor
- V294 Left low beam headlamp reflector motor
- V318 Left adaptive cornering lamp motor

381 Ground connection 16 (in main wiring harness)

655 Ground connection on left headlamp

* E-Box low
*2 E-Box high

Protected by copyright. Copying for private or commercial purposes, in part or in whole, is not permitted unless authorised by AUDI AG. AUDI AG does not guarantee or accept any liability with respect to the correctness of information in this document. Copyright by AUDI AG.

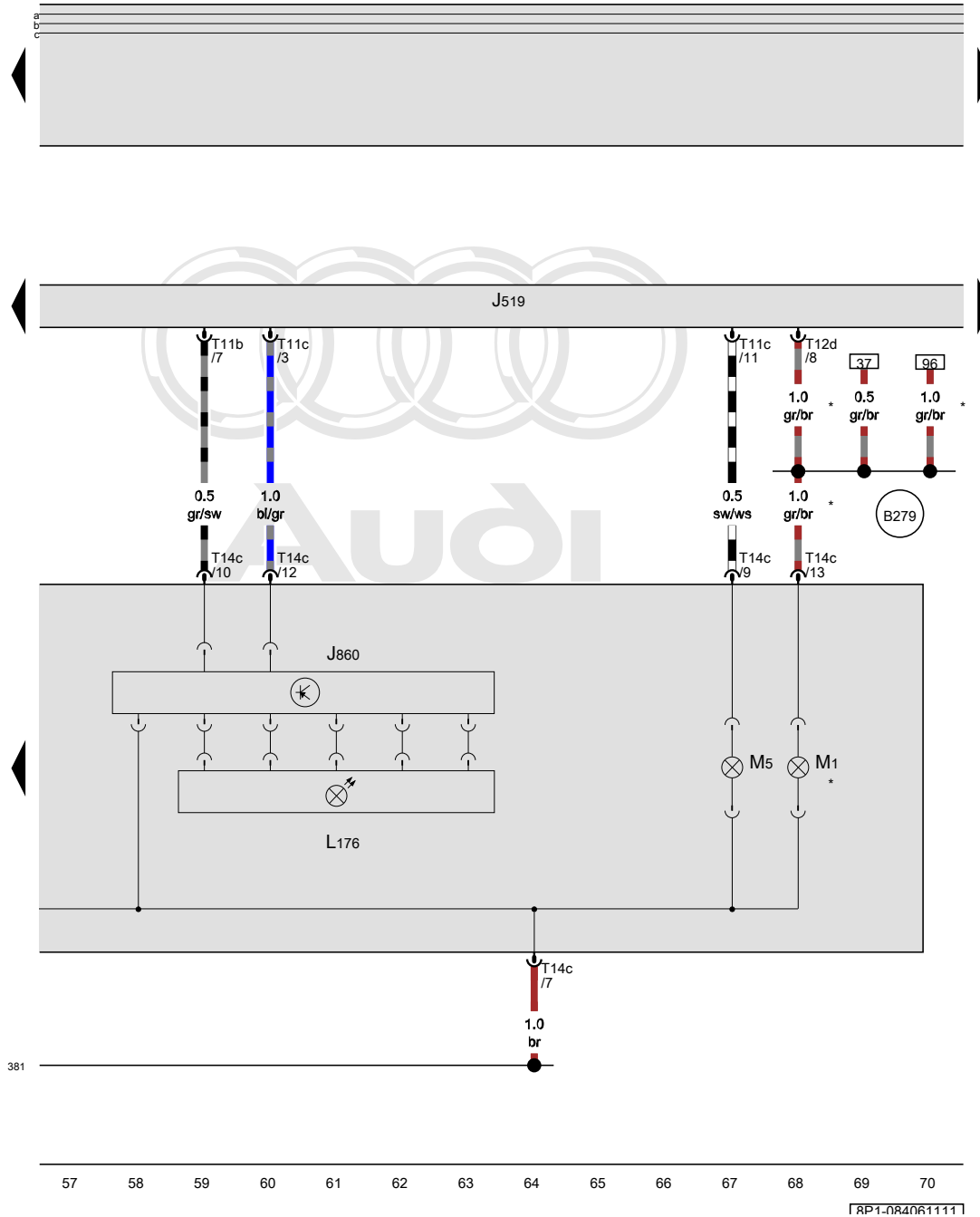
Vehicle electrical system control module, Left daytime running lamp and parking lamp LED module, Left side marker lamp bulb, Left front turn signal bulb

- J519 Vehicle electrical system control module
- J860 Left daytime running lamp and parking lamp control module
- L176 Left daytime running lamp and parking lamp LED module
- M1 Left side marker lamp bulb
- M5 Left front turn signal bulb
- T11b 11-pin connector
- T11c 11-pin connector
- T12d 12-pin connector
- T14c 14-pin connector

381 Ground connection 16 (in main wiring harness)

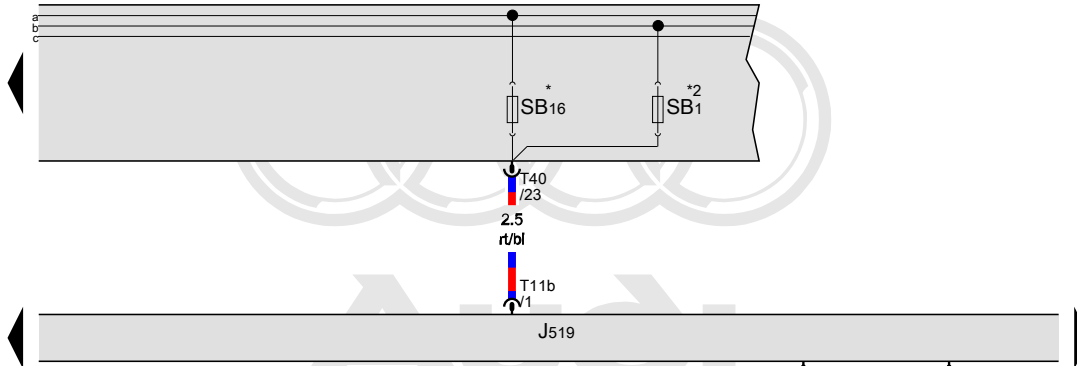
B279 Positive connection 3 (15a) (in main wiring harness)

* Only for vehicles with US equipment

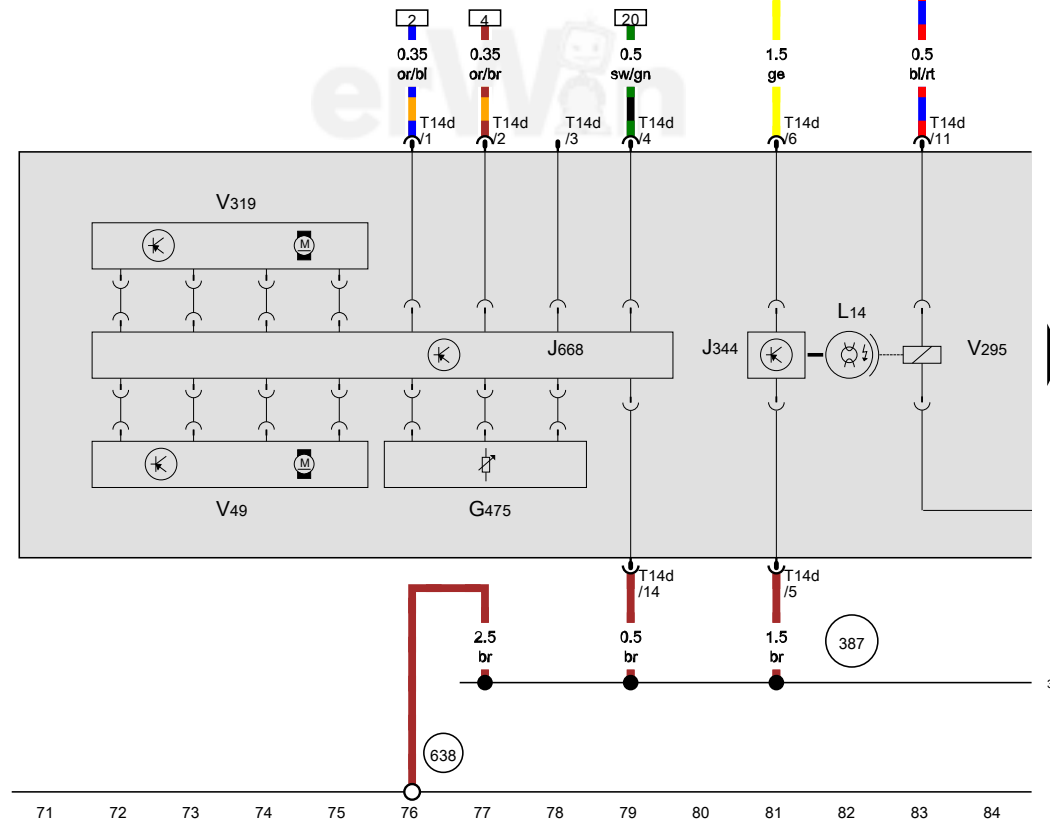


- ws = white
- sw = black
- ro = red
- br = brown
- gn = green
- bl = blue
- gr = grey
- li = lilac
- ge = yellow
- or = orange
- rs = pink

[RP1-0840R1111]



Protected by copyright. Copying for private or commercial purposes, in part or whole, is not permitted unless authorised by AUDI AG. AUDI AG does not guarantee or accept any liability with respect to the correctness of information in this document. Copyright by AUDI AG.



- ws = white
- sw = black
- ro = red
- br = brown
- gn = green
- bl = blue
- gr = grey
- li = lilac
- ge = yellow
- or = orange
- rs = pink

Vehicle electrical system control module, Right headlamp power output stage, Right HID headlamp bulb, Right headlamp beam adjustment motor, Right low beam headlamp reflector motor, Right adaptive cornering lamp motor

- G475 Right swivel module position sensor
- J344 Right HID headlamp control module
- J519 Vehicle electrical system control module
- J668 Right headlamp power output stage
- L14 Right HID headlamp bulb
- SB1 Fuse 1 (on fuse panel B)
- SB16 Fuse 16 (on fuse panel B)
- T11b 11-pin connector
- T14d 14-pin connector
- T40 40-pin connector
- V49 Right headlamp beam adjustment motor
- V295 Right low beam headlamp reflector motor
- V319 Right adaptive cornering lamp motor

387 Ground connection 22 (in main wiring harness)

638 Ground connection on right A-pillar

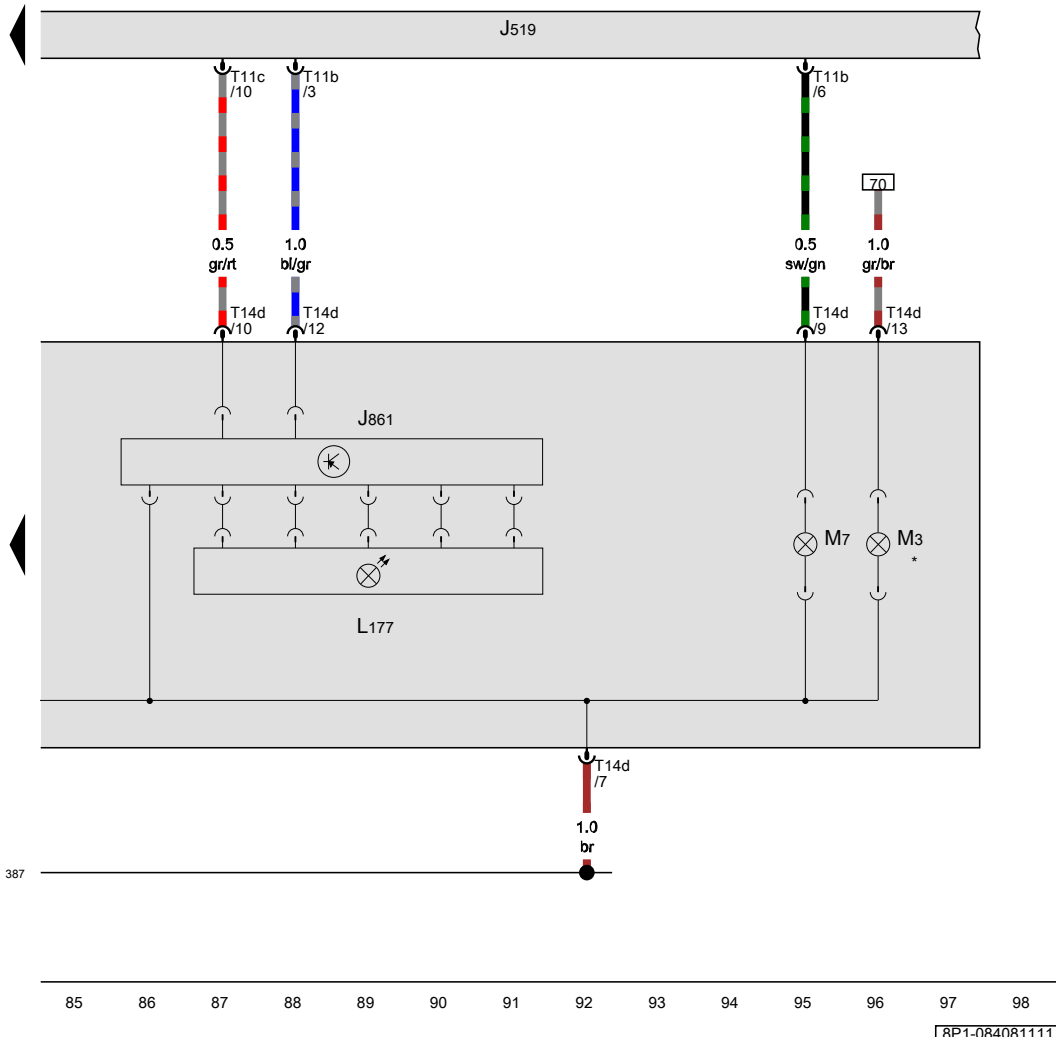
- * E-Box low
- *2 E-Box high

Vehicle electrical system control module, Right LED daytime running lamp and parking lamp LED module, Right side marker lamp bulb, Right front turn signal bulb

- J519 Vehicle electrical system control module
- J861 Right daytime running lamp and parking lamp control module
- L177 Right LED daytime running lamp and parking lamp LED module
- M3 Right side marker lamp bulb
- M7 Right front turn signal bulb
- T11b 11-pin connector
- T11c 11-pin connector
- T14d 14-pin connector

387 Ground connection 22 (in main wiring harness)

* Only for vehicles with US equipment



- ws = white
- sw = black
- ro = red
- br = brown
- gn = green
- bl = blue
- gr = grey
- li = lilac
- ge = yellow
- or = orange
- rs = pink

Protected by copyright. Copying for private or commercial purposes, in part or in whole, is not permitted unless authorised by AUDI AG. AUDI AG does not guarantee or accept any liability with respect to the correctness of information in this document. Copyright by AUDI AG.



[RP1-0840R1111]

Heater with manual regulation

from May 2008

Note:

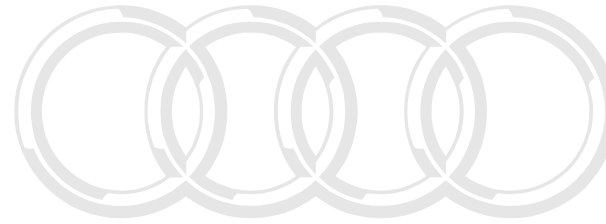
Information for

- ◆ Relay and fuse arrangements
- ◆ Connector arrangements
- ◆ Control Modules and Relays
- ◆ Ground Connections

⇒ Component Locations

Information for

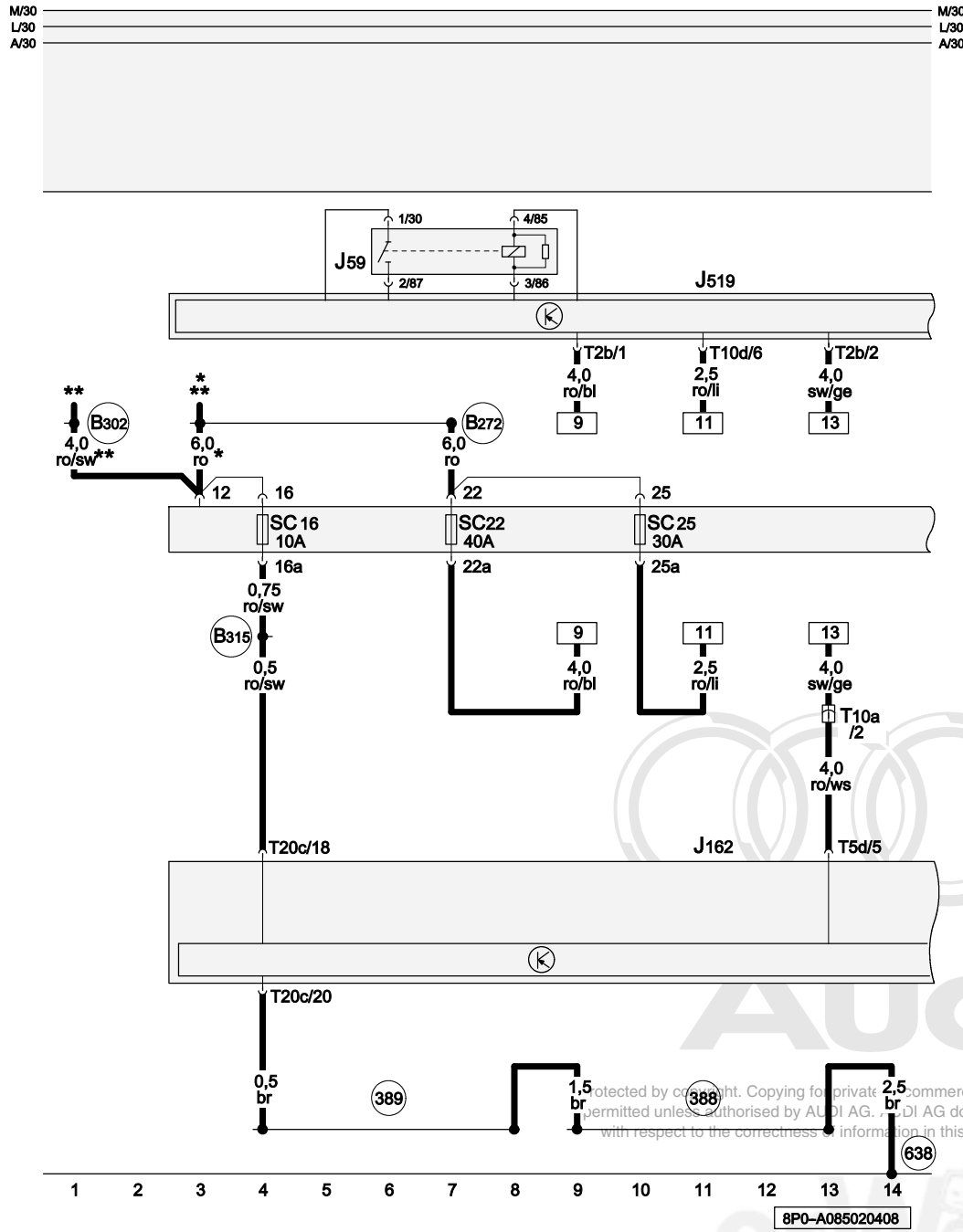
- ◆ Troubleshooting Procedures
- ⇒ Guided Fault Finding using VAS 5051 / 5052



Audi

Protected by copyright. Copying for private or commercial purposes, in part or in whole, is not permitted unless authorised by AUDI AG. AUDI AG does not guarantee or accept any liability with respect to the correctness of information in this document. Copyright by AUDI AG.





Fuses (on fuse panel), Load Reduction Relay

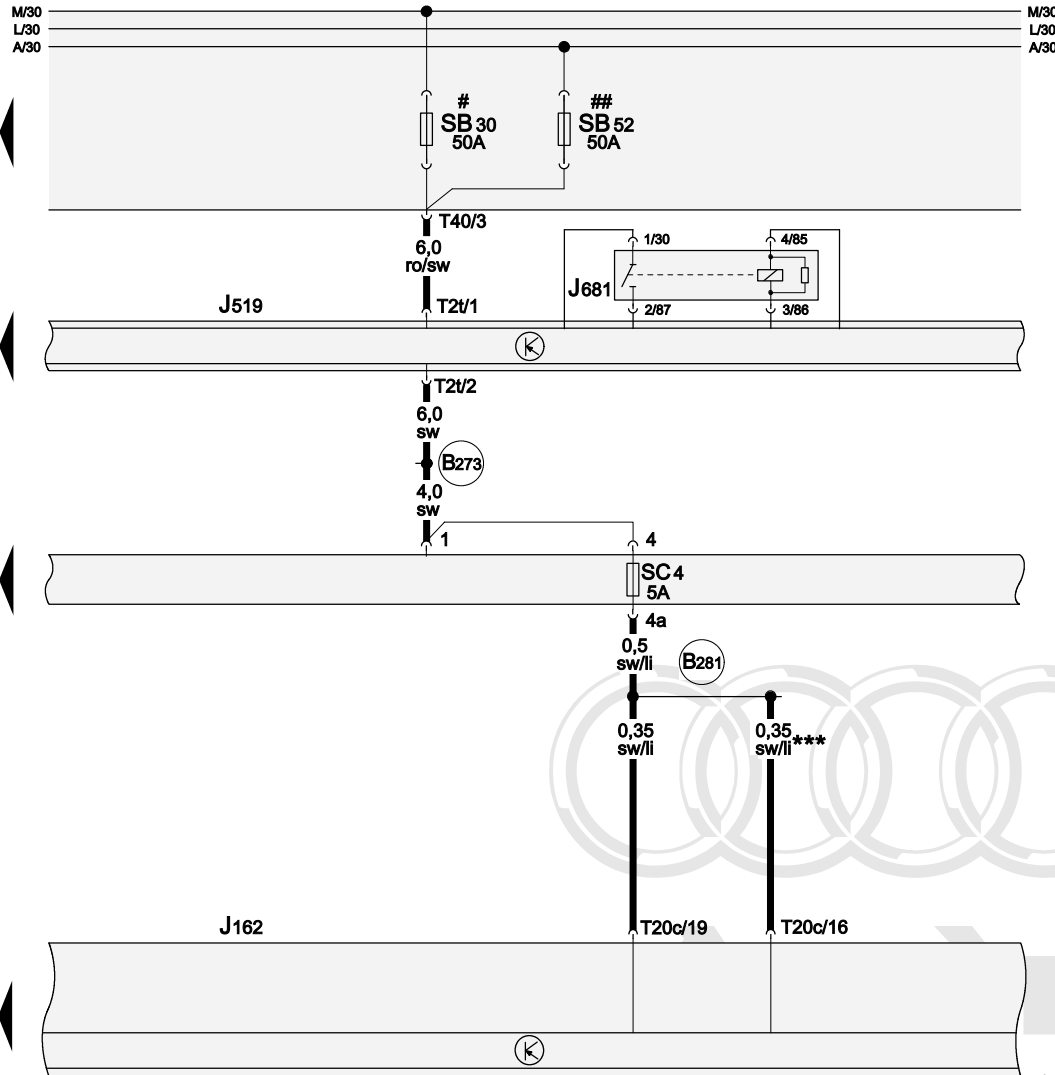
- J59 Load Reduction Relay
- J162 Heater Control Module
- J519 Vehicle Electrical System Control Module
- SC16 Fuse 16 (on fuse panel C)
- SC22 Fuse 22 (on fuse panel C)
- SC25 Fuse 25 (on fuse panel C)
- T2b Double Connector, brown (Connector I)
- T5d 5-Pin Connector, black (Connector C)
- T10a 10-Pin Connector, black, behind glove compartment
- T10d 10-Pin Connector, black (Connector K)
- T20c 20-Pin Connector, black (Connector A)

- 388 Ground Connection 23 (in main wiring harness)
- 389 Ground Connection 24 (in main wiring harness)
- 638 Ground Connection (on right A-pillar)
- B272 Plus Connection (30) (in main wiring harness)
- B302 Plus Connection 6 (30) (in main wiring harness)
- B315 Plus Connection 1 (30a) (in main wiring harness)

* => Applicable Wiring Diagram with battery in engine compartment
 ** => Applicable Wiring Diagram with battery in luggage compartment

- ws = white
- sw = black
- ro = red
- br = brown
- gn = green
- bl = blue
- gr = grey
- li = lilac
- ge = yellow
- or = orange
- rs = pink

8P0-A085020408



Fuses (on fuse panel), Power Supply Relay 2 (terminal 15)

- J162 Heater Control Module
- J519 Vehicle Electrical System Control Module
- J681 Power Supply Relay 2 (terminal 15)
- SB30 Fuse 30 (on fuse panel B)
- SB52 Fuse 52 (on fuse panel B)
- SC4 Fuse 4 (on fuse panel C)
- T2t Double Connector, black (Connector L)
- T20c 20-Pin Connector, black (Connector A)
- T40 40-Pin Connector, black, on electronics box engine compartment (Connector J)

B273 Plus Connection (15) (in main wiring harness)

B281 Plus Connection 5 (15a) (in main wiring harness)

*** ⇒ Applicable Wiring Diagram Heated Seats

Only models with electronics box Low

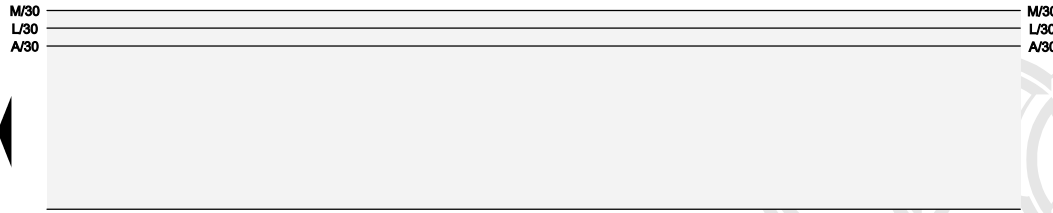
Only models with electronics box High

Protected by copyright. Copying for private or commercial purposes, in part or in whole, is not permitted unless authorised by AUDI AG. AUDI AG does not guarantee or accept any liability with respect to the correctness of information in this document. Copyright by AUDI AG.

- ws = white
- sw = black
- ro = red
- br = brown
- gn = green
- bl = blue
- gr = grey
- li = lilac
- ge = yellow
- or = orange
- rs = pink

15 16 17 18 19 20 21 22 23 24 25 26 27 28

8P0-A085030408



Fresh Air Blower, Fresh/Recirculating Air Door Motor

- E9 Fresh Air Blower Switch
- E159 Fresh Air/Recirculating Flap Switch
- J162 Heater Control Module
- J519 Vehicle Electrical System Control Module
- N24 Fresh Air Blower Series Resistor With Fuse
- T4m 4-Pin Connector, black (Connector A)
- T5d 5-Pin Connector, black (Connector C)
- T10a 10-Pin Connector, black, behind glove compartment
- T20c 20-Pin Connector, black (Connector A)
- V2 Fresh Air Blower
- V154 Fresh/Recirculating Air Door Motor

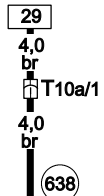
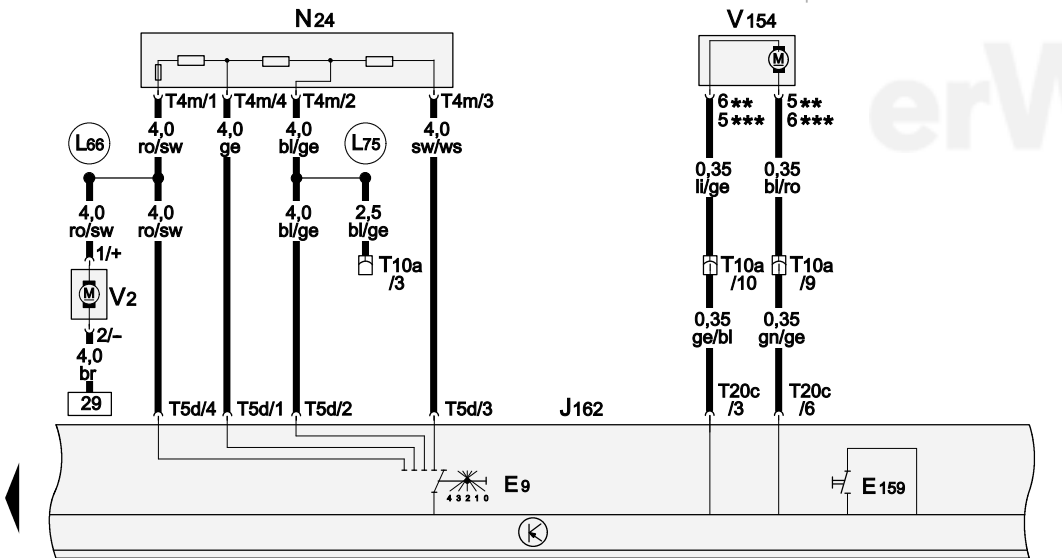
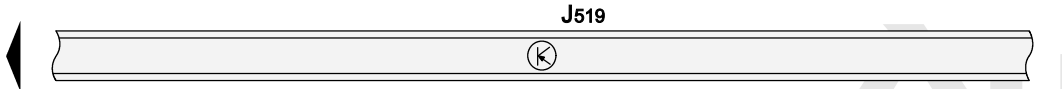
638 Ground Connection (on right A-pillar)

L66 Connection (in wiring harness) heater blower

L75 Connection 2 (in heater blower wiring harness)

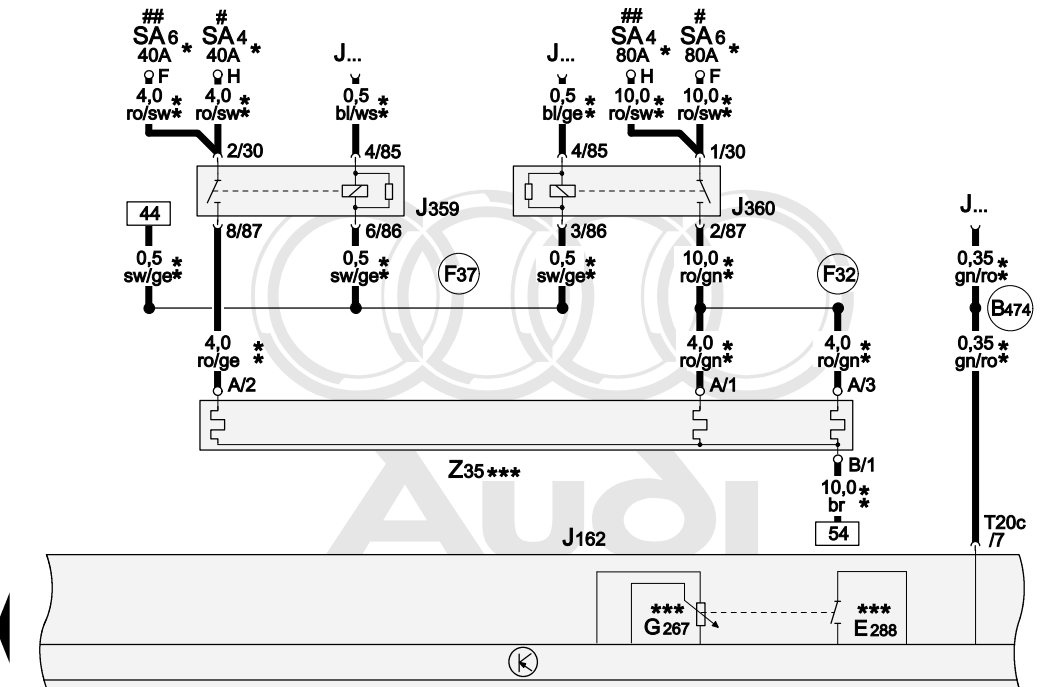
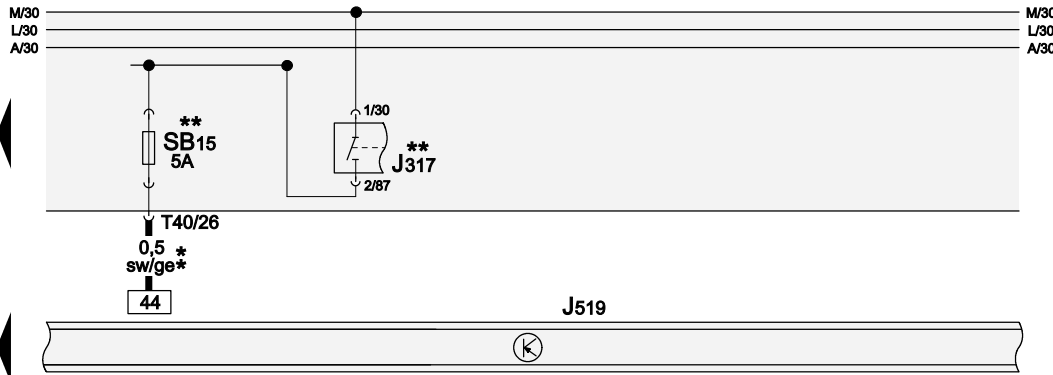
** Only right-hand drive
 *** Only left-hand drive

Protected by copyright. Copying for private or commercial purposes, in part or in whole, is not permitted unless authorised by AUDI AG. AUDI AG does not guarantee or accept any liability with respect to the correctness of information in this document. Copyright by Audi AG



- ws = white
- ro = black
- ro = red
- br = brown
- gn = green
- bl = blue
- gr = grey
- li = lilac
- ge = yellow
- or = orange
- rs = pink

8PO-A085040408



Auxiliary Air Heater

- E288 Additional Heater Button (ECON)
- G267 Temperature Selector Knob Potentiometer
- J... Engine Control Modules (ECM)
- J162 Heater Control Module
- J317 Power Supply Relay (terminal 30)
- J359 Preheating Coolant, Low Heat Output Relay
- J360 Preheating Coolant, High Heat Output Relay
- J519 Vehicle Electrical System Control Module
- SA4 Fuse 4 (on fuse panel A)
- SA6 Fuse 6 (on fuse panel A)
- SB15 Fuse 15 (on fuse panel B)
- T20c 20-Pin Connector, black (Connector A)
- T40 40-Pin Connector, black, on electronics box engine compartment (Connector J)
- Z35 Auxiliary Air Heater Heating Element

- 639 Ground Connection (on left A-pillar)
- B474 Connection 10 (in main wiring harness)
- F32 Coolant Glow Plugs Connection (in Diesel Direct Fuel Injection (DFI) system wiring harness)
- F37 Auxiliary Heater Connection (in Diesel Direct Fuel Injection (DFI) system wiring harness)

- * ⇒ Applicable Wiring Diagram for models with battery in engine compartment
- ** Only models with diesel engines
- *** Only models with auxiliary air heater
- # Not applicable from November 2008
- ## Applicable from November 2008

- ws = white
- sw = black
- ro = red
- br = brown
- gn = green
- bl = blue
- gr = grey
- li = lilac
- ge = yellow
- or = orange
- rs = pink

43 44 45 46 47 48 49 50 51 52 53 54 55 56

54

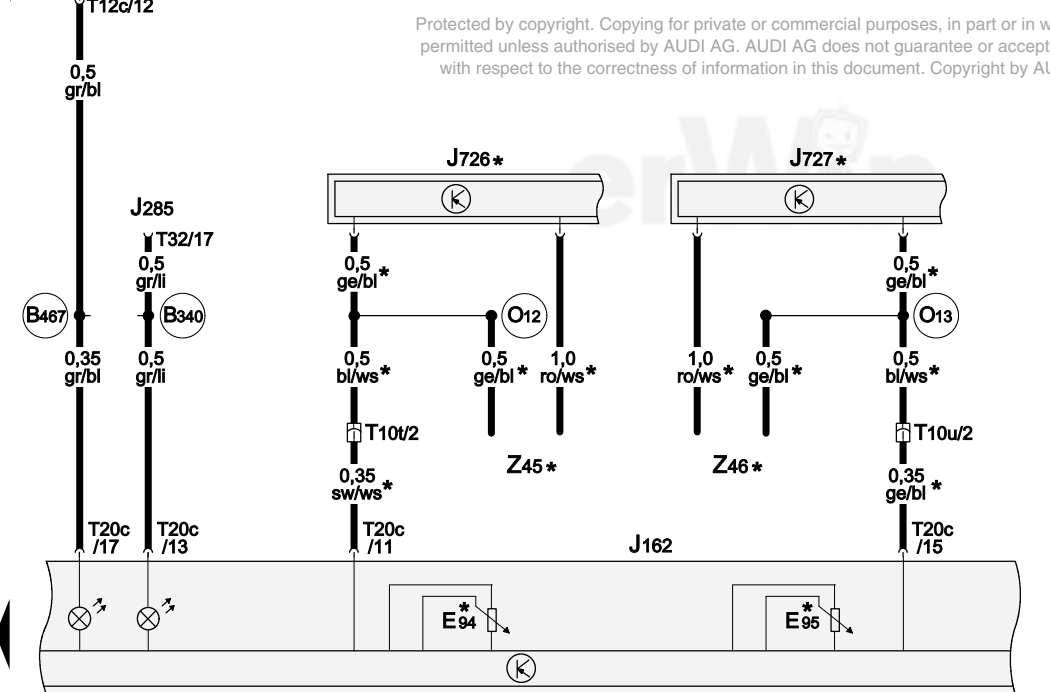
10,0*
br *

639

8P0-A085050808



Protected by copyright. Copying for private or commercial purposes, in part or in whole, is not permitted unless authorised by AUDI AG. AUDI AG does not guarantee or accept any liability with respect to the correctness of information in this document. Copyright by AUDI AG.



Heated Seats Adjuster

- E94 Driver's Heated Seat Adjuster
- E95 Front Passenger's Heated Seat Adjuster
- J162 Heater Control Module
- J285 Instrument Cluster Control Module
- J519 Vehicle Electrical System Control Module
- J726 Driver's Heated Seat Control Module
- J727 Front Passenger's Heated Seat Control Module
- T10t 10-Pin Connector, black, below driver's seat
- T10u 10-Pin Connector, black, below front passenger's seat
- T12c 12-Pin Connector, black (Connector B)
- T20c 20-Pin Connector, black (Connector A)
- T32 32-Pin Connector, blue (Connector A)
- Z45 Front Left Heated Seat
- Z46 Front Right Heated Seat

(B340) Connection 1 (58d) (in main wiring harness)

(B467) Connection 3 (in main wiring harness)

(O12) Connection 1 (in seat heater wiring harness)

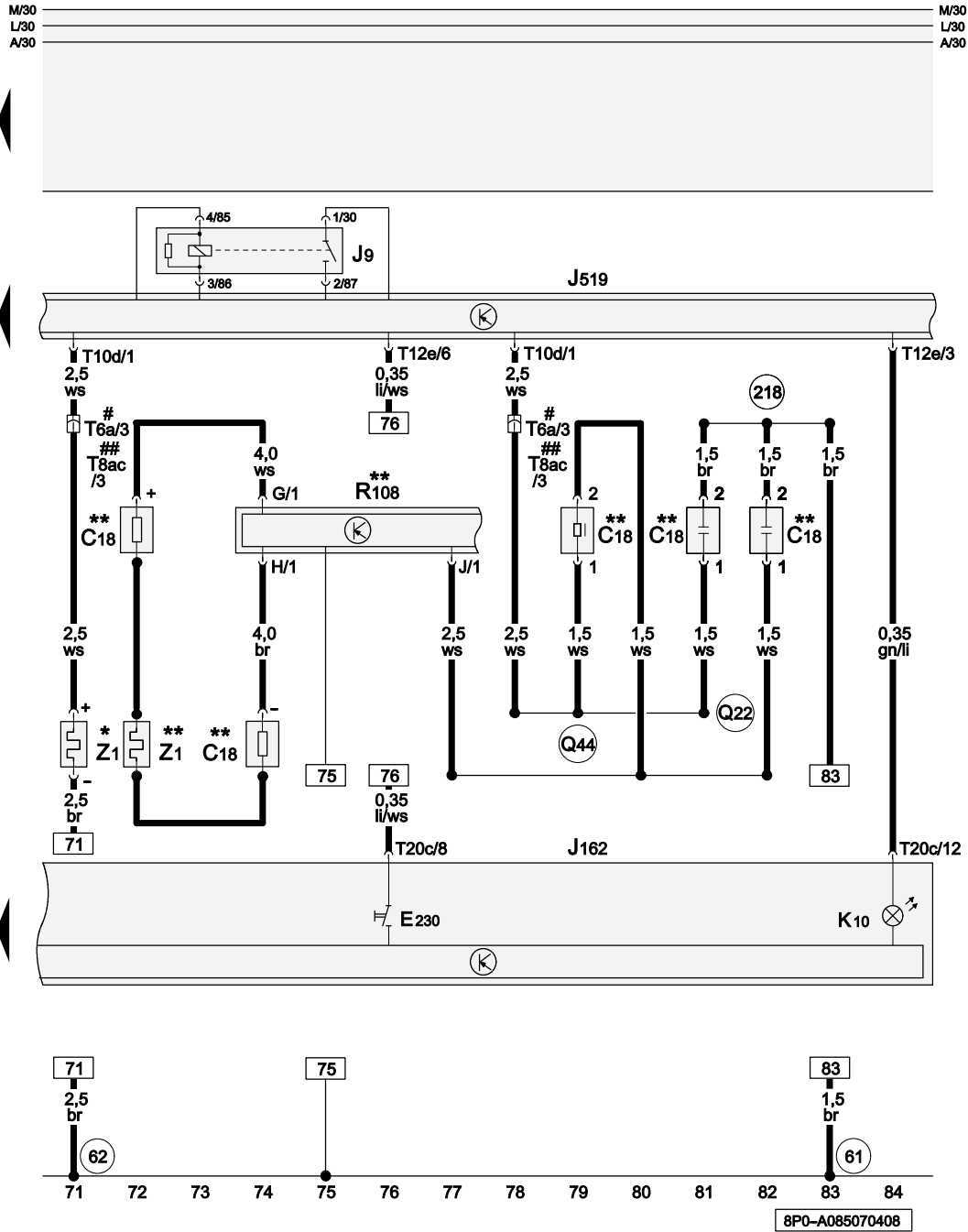
(O13) Connection 2 (in seat heater wiring harness)

* => Applicable Wiring Diagram Heated Seats

- ws = white
- sw = black
- ro = red
- br = brown
- gn = green
- bl = blue
- gr = grey
- li = lilac
- ge = yellow
- or = orange
- rs = pink

57 58 59 60 61 62 63 64 65 66 67 68 69 70

8P0-A085060408



Rear Window Defogger Relay, Heated Rear Window

- C18 Windshield Antenna Suppression Filter
- E230 Heated Rear Window Button
- J9 Rear Window Defogger Relay
- J162 Heater Control Module
- J519 Vehicle Electrical System Control Module
- K10 Rear Window Defogger Indicator Lamp
- R108 Left Antenna Module
- T6a 6-Pin Connector, black, on C-pillar, left
- T8ac 8-Pin Connector, black
- T10d 10-Pin Connector, black (Connector K)
- T12e 12-Pin Connector, black (Connector G)
- T20c 20-Pin Connector, black (Connector A)
- Z1 Heated Rear Window

61 Ground Connection (on left C-pillar)

62 Ground Connection (on right C-pillar)

Protected by copyright. Copying, distributing, or otherwise using this document is not permitted unless authorised by AUDI AG. AUDI AG does not guarantee or accept any liability with respect to the correctness of information in this document. Copyright by AUDI AG.

218 Ground Connection 1 (in rear lid wiring harness)

Q22 Connection 1 (in tailgate wiring harness)

Q44 Connection 2 (in tailgate wiring harness)

* Only models without radio

** Only models with radio or radio/navigation system

Only 3-door models

Only 5-door models

- ws = white
- sw = black
- ro = red
- br = brown
- gn = green
- bl = blue
- gr = grey
- li = lilac
- ge = yellow
- or = orange
- rs = pink

A/C with manual regulation

from May 2008

Note:

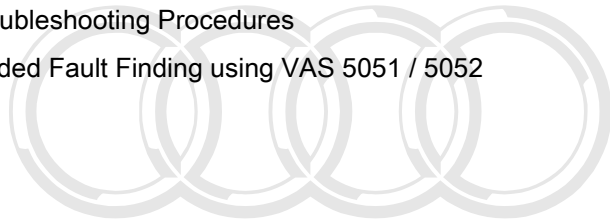
Information for

- ◆ Relay and fuse arrangements
- ◆ Connector arrangements
- ◆ Control Modules and Relays
- ◆ Ground Connections

⇒ Component Locations

Information for

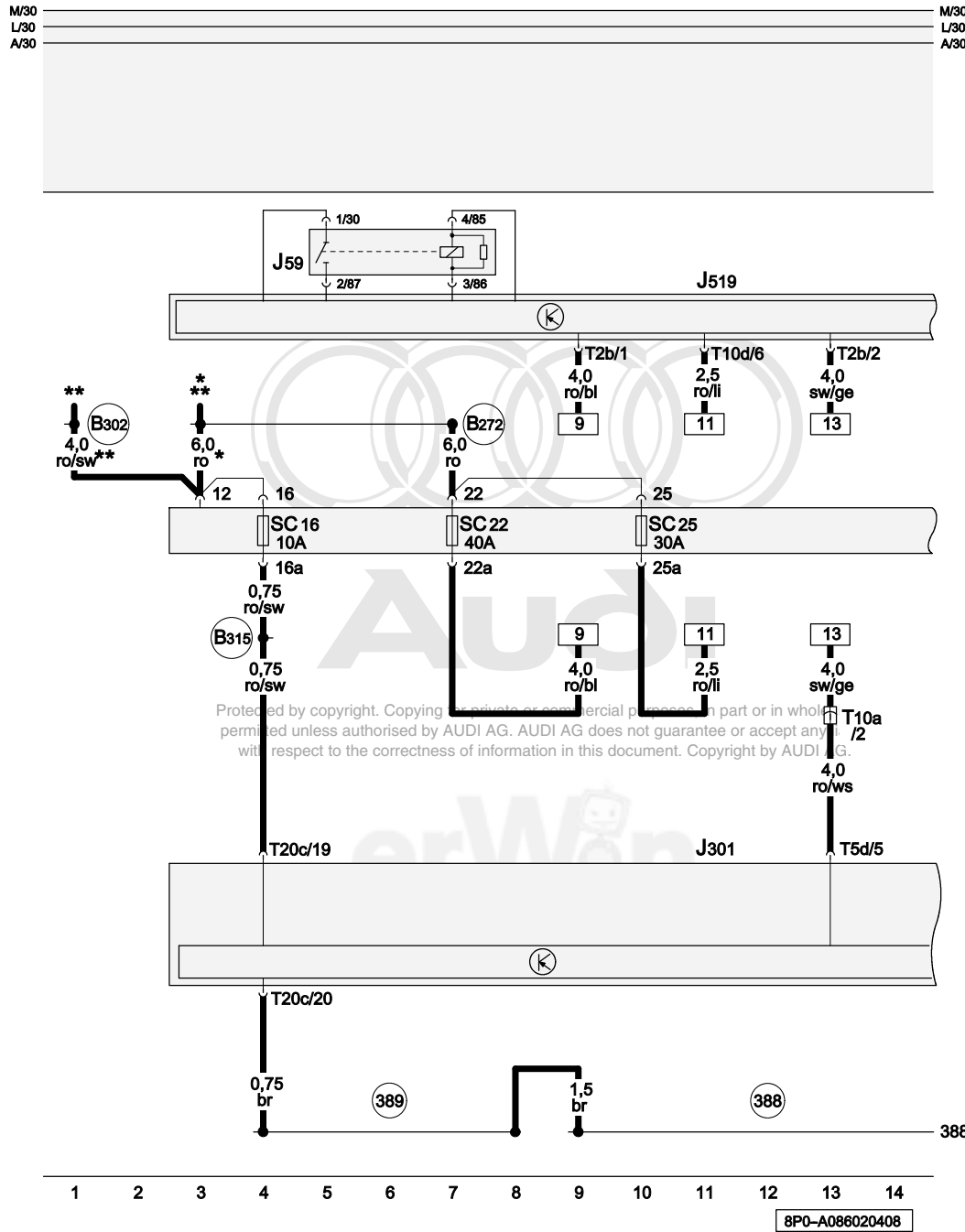
- ◆ Troubleshooting Procedures
- ⇒ Guided Fault Finding using VAS 5051 / 5052



Audi

Protected by copyright. Copying for private or commercial purposes, in part or in whole, is not permitted unless authorised by AUDI AG. AUDI AG does not guarantee or accept any liability with respect to the correctness of information in this document. Copyright by AUDI AG.





Fuses (on fuse panel), Load Reduction Relay

- J59 Load Reduction Relay
- J301 A/C Control Module
- J519 Vehicle Electrical System Control Module
- SC16 Fuse 16 (on fuse panel C)
- SC22 Fuse 22 (on fuse panel C)
- SC25 Fuse 25 (on fuse panel C)
- T2b Double Connector, brown (Connector I)
- T5d 5-Pin Connector, black (Connector C)
- T10a 10-Pin Connector, black, behind glove compartment
- T10d 10-Pin Connector, black (Connector K)
- T20c 20-Pin Connector, black (Connector A)

388 Ground Connection 23 (in main wiring harness)

389 Ground Connection 24 (in main wiring harness)

B272 Plus Connection (30) (in main wiring harness)

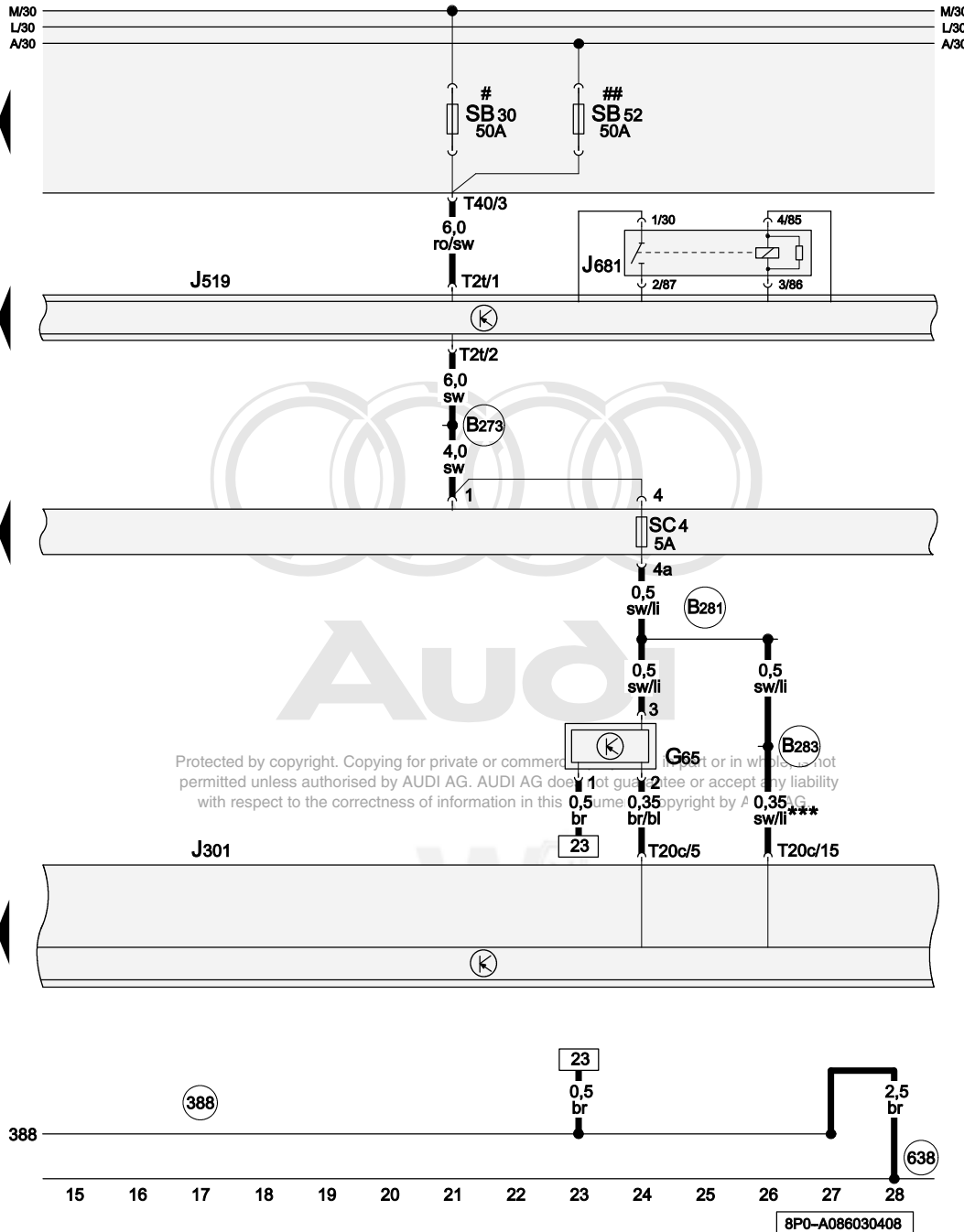
B302 Plus Connection 6 (30) (in main wiring harness)

B315 Plus Connection 1 (30a) (in main wiring harness)

- * => Applicable Wiring Diagram with battery in engine compartment
- ** => Applicable Wiring Diagram with battery in luggage compartment

Protected by copyright. Copying or reproduction in any form or by any means without the written permission of Audi AG is prohibited. Audi AG does not guarantee or accept any liability with respect to the correctness of information in this document. Copyright by Audi AG.

8P0-A086020408



Fuses (on fuse panel), Power Supply Relay 2 (terminal 15), High Pressure Sensor

- G65 High Pressure Sensor
- J301 A/C Control Module
- J519 Vehicle Electrical System Control Module
- J681 Power Supply Relay 2 (terminal 15)
- SB30 Fuse 30 (on fuse panel B)
- SB52 Fuse 52 (on fuse panel B)
- SC4 Fuse 4 (on fuse panel C)
- T2t Double Connector, black (Connector L)
- T20c 20-Pin Connector, black (Connector A)
- T40 40-Pin Connector, black, on electronics box engine compartment (Connector J)

- 388 Ground Connection 23 (in main wiring harness)
- 638 Ground Connection (on right A-pillar)
- B273 Plus Connection (15) (in main wiring harness)
- B281 Plus Connection 5 (15a) (in main wiring harness)
- B283 Plus Connection 7 (15a) (in main wiring harness)

*** => Applicable Wiring Diagram Heated Seats
 # Only models with electronics box Low
 ## Only models with electronics box High

ws = white
 sw = black
 ro = red
 br = brown
 gn = green
 bl = blue
 gr = grey
 li = lilac
 ge = yellow
 or = orange
 rs = pink

Protected by copyright. Copying for private or commercial use in whole or in parts is not permitted unless authorised by AUDI AG. AUDI AG does not guarantee or accept any liability with respect to the correctness of information in this document. Copyright by Audi AG.

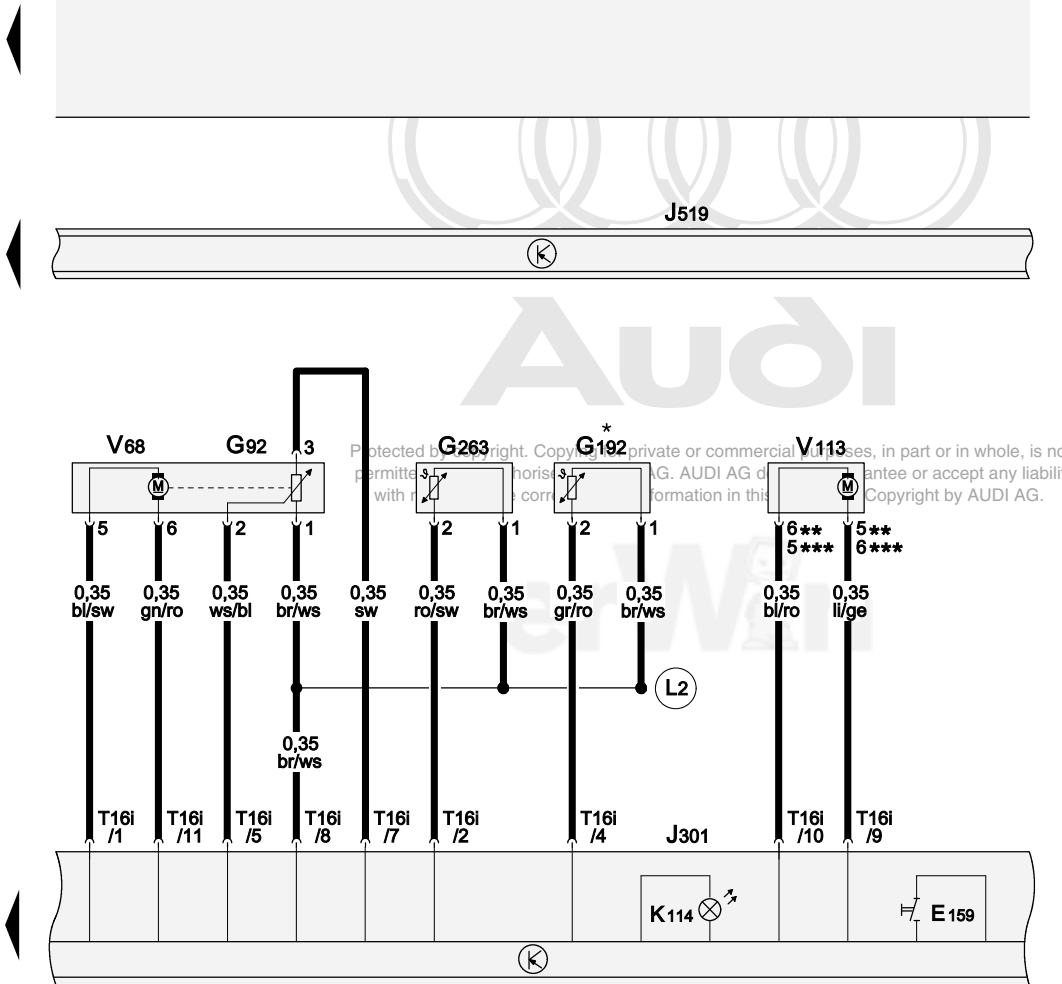
M/30 L/30 A/30 M/30 L/30 A/30

Vent Temperature Sensor, Temperature Flap Motor, Recirculation Flap Motor

- E159 Fresh Air/Recirculating Flap Switch
- G92 Temperature Flap Potentiometer/Actuator
- G192 Footwell Outlet Temperature Sensor
- G263 Evaporator Vent Temperature Sensor
- J301 A/C Control Module
- J519 Vehicle Electrical System Control Module
- K114 Fresh Air and Recirculating Air Mode Indicator Lamp
- T16i 16-Pin Connector, black (Connector B)
- V68 Temperature Regulator Flap Motor
- V113 Recirculation Flap Motor

L2 Connection (in A/C wiring harness)

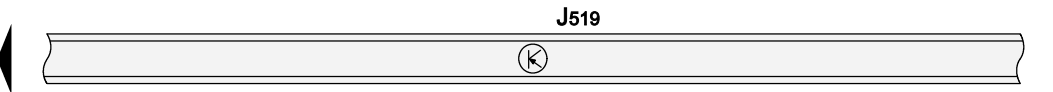
- * Where applicable
- ** Only left-hand drive
- *** Only right-hand drive



- ws = white
- sw = black
- ro = red
- br = brown
- gn = green
- bl = blue
- gr = grey
- li = lilac
- ge = yellow
- or = orange
- rs = pink

29 30 31 32 33 34 35 36 37 38 39 40 41 42

8PO-A086040408



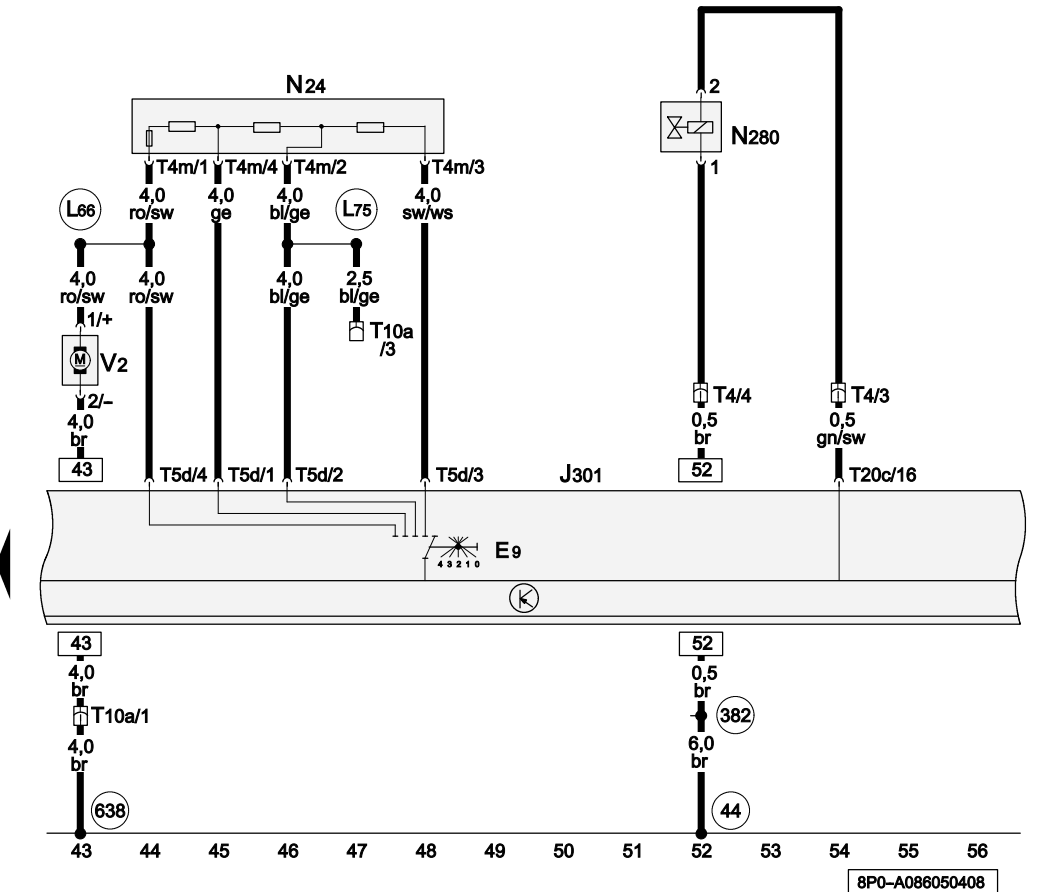
Fresh Air Blower Series Resistor With Fuse, Fresh Air Blower, A/C Compressor Regulator Valve

- E9 Fresh Air Blower Switch
- J301 A/C Control Module
- J519 Vehicle Electrical System Control Module
- N24 Fresh Air Blower Series Resistor With Fuse
- N280 A/C Compressor Regulator Valve
- T4 4-Pin Connector, black, in engine compartment, front left
- T4m 4-Pin Connector, black (Connector A)
- T5d 5-Pin Connector, black (Connector C)
- T10a 10-Pin Connector, black, behind glove compartment
- V2 Fresh Air Blower

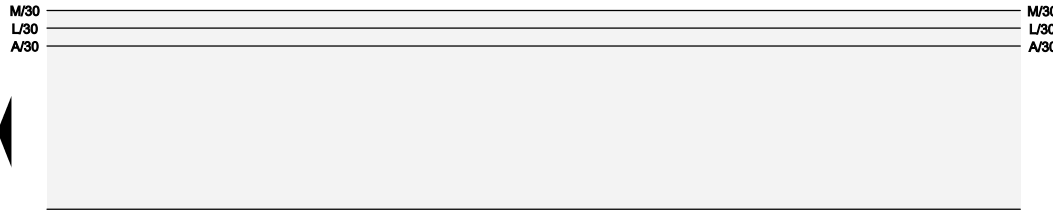
- 44 Ground Connection (on left lower A-pillar)
- 382 Ground Connection 17 (in main wiring harness)
- 638 Ground Connection (on right A-pillar)
- L66 Connection (in wiring harness) heater blower
- L75 Connection 2 (in heater blower wiring harness)



Protected by copyright. Copying for private or commercial purposes, in part or in whole, is not permitted unless authorised by AUDI AG. AUDI AG does not guarantee or accept any liability with respect to the correctness of information in this document. Copyright by AUDI AG.



8PO-A086050408



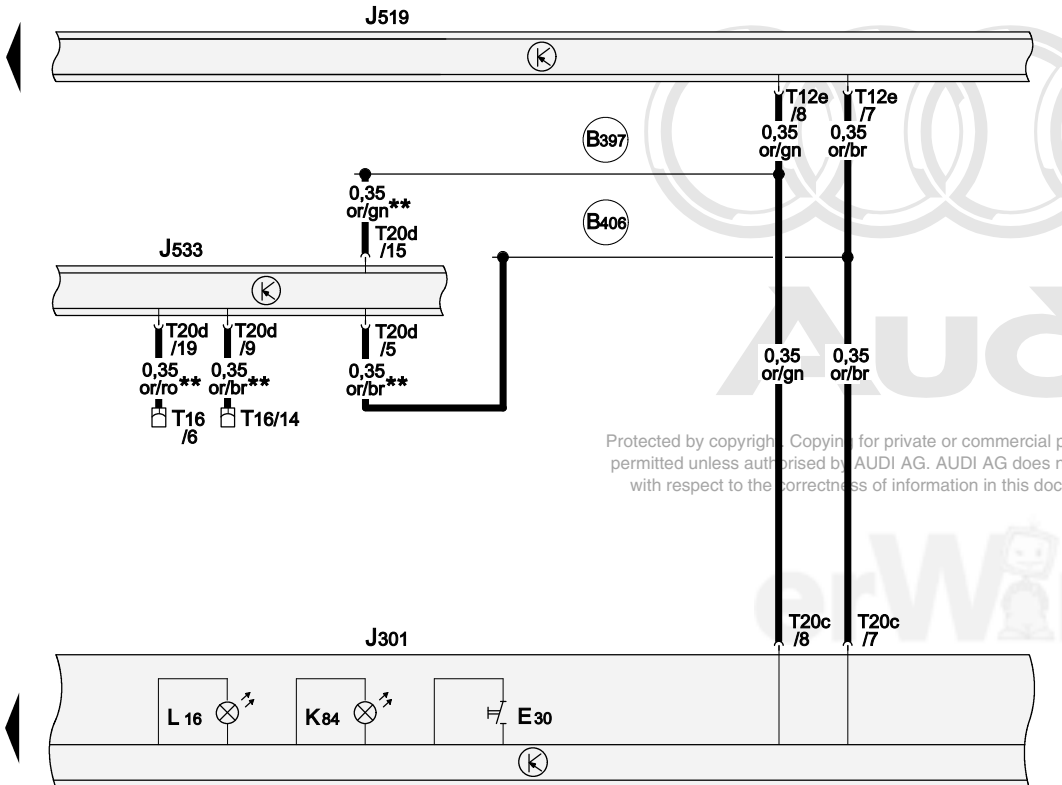
Comfort System CAN-Bus, Data Bus On Board Diagnostic Interface

- E30 A/C Switch
- J301 A/C Control Module
- J519 Vehicle Electrical System Control Module
- J533 Data Bus On Board Diagnostic Interface
- K84 A/C Warning Lamp
- L16 Fresh Air Regulator Illumination
- T12e 12-Pin Connector, black (Connector G)
- T16 16-Pin Connector, black, instrument panel driver's side, bottom left (diagnostic connector)
- T20c 20-Pin Connector, black (Connector A)
- T20d 20-Pin Connector, black (Connector A)

(B397) Comfort System CAN-Bus High Connection 1 (in main wiring harness)

(B406) Comfort System CAN-Bus Low Connection 1 (in main wiring harness)

** => Applicable Wiring Diagram Diagnostic Connector

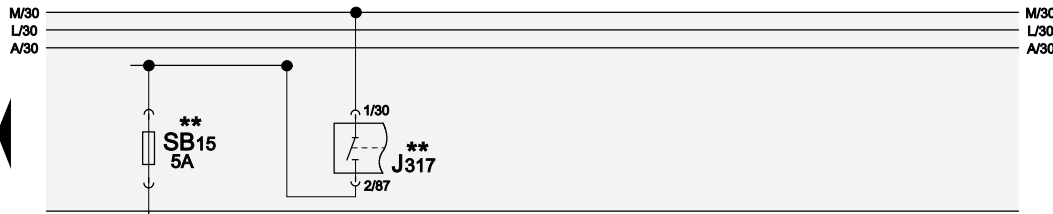


Protected by copyright. Copying for private or commercial purposes, in part or in whole, is not permitted unless authorised by AUDI AG. AUDI AG does not guarantee or accept any liability with respect to the correctness of information in this document. Copyright by AUDI AG.

- ws = white
- sw = black
- ro = red
- br = brown
- gn = green
- bl = blue
- gr = grey
- li = lilac
- ge = yellow
- or = orange
- rs = pink

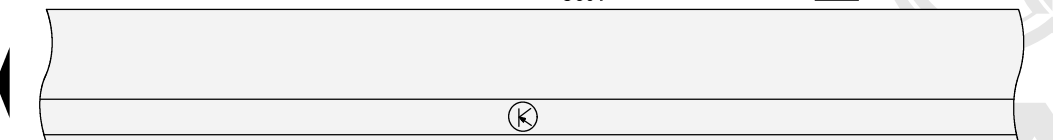
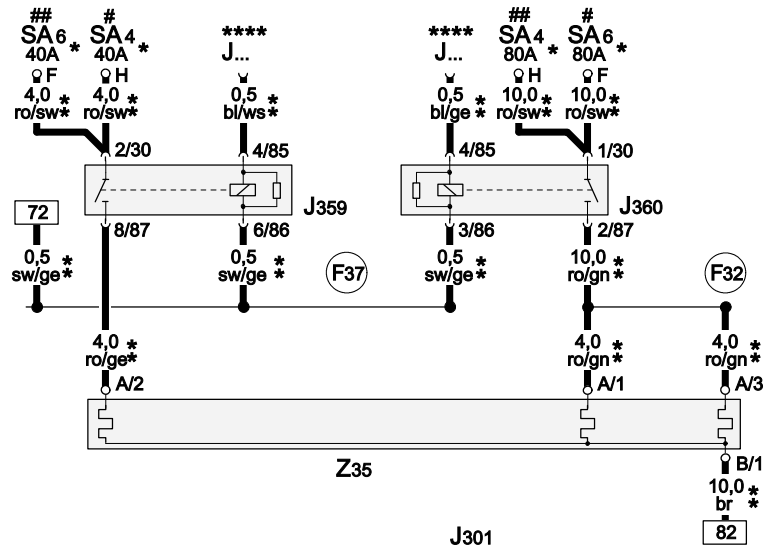
57 58 59 60 61 62 63 64 65 66 67 68 69 70

8PO-A086060408



Auxiliary Air Heater

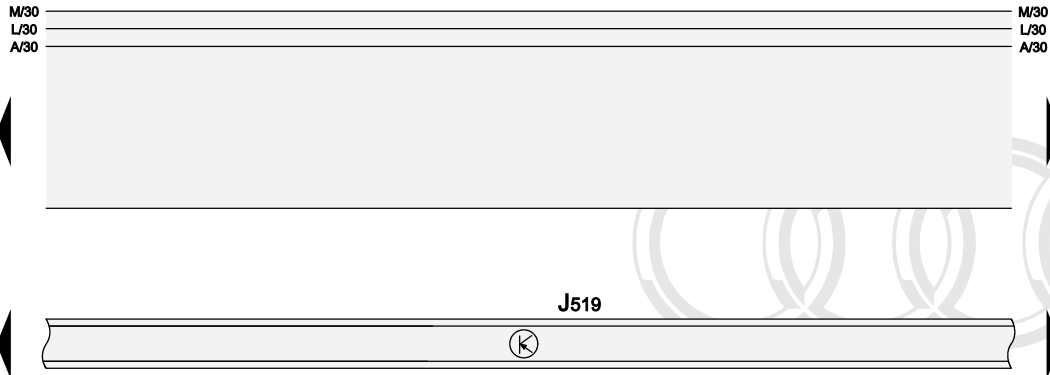
- J... Engine Control Modules (ECM)
- J301 A/C Control Module
- J317 Power Supply Relay (terminal 30)
- J359 Preheating Coolant, Low Heat Output Relay
- J360 Preheating Coolant, High Heat Output Relay
- J519 Vehicle Electrical System Control Module
- SA4 Fuse 4 (on fuse panel A)
- SA6 Fuse 6 (on fuse panel A)
- SB15 Fuse 15 (on fuse panel B)
- T40 40-Pin Connector, black, on electronics box engine compartment (Connector J)
- Z35 Auxiliary Air Heater Heating Element
- 639 Ground Connection (on left A-pillar)
- F32 Coolant Glow Plugs Connection (in Diesel Direct Fuel Injection (DFI) system wiring harness)
- F37 Auxiliary Heater Connection (in Diesel Direct Fuel Injection (DFI) system wiring harness)
- * ⇒ Applicable Wiring Diagram for models with battery in engine compartment
- ** Only models with diesel engines
- **** ⇒ Applicable Wiring Diagram Engine
- # Not applicable from November 2008
- ## Applicable from November 2008



- ws = white
- sw = black
- ro = red
- br = brown
- gn = green
- bl = blue
- gr = grey
- li = lilac
- ge = yellow
- or = orange
- rs = pink



Protected by copyright. Copying for private or commercial purposes, in part or in whole, is not permitted unless authorised by AUDI AG. AUDI AG does not guarantee or accept any liability with respect to the correctness of information in this document. Copyright by AUDI AG.



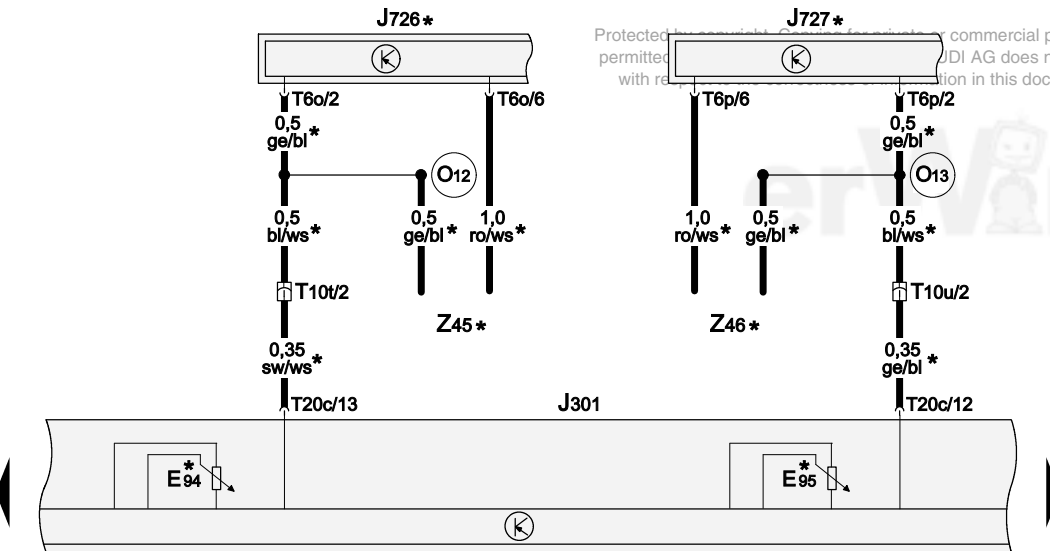
Heated Seats Adjuster

- E94 Driver's Heated Seat Adjuster
- E95 Front Passenger's Heated Seat Adjuster
- J301 A/C Control Module
- J519 Vehicle Electrical System Control Module
- J726 Driver's Heated Seat Control Module
- J727 Front Passenger's Heated Seat Control Module
- T6o 6-Pin Connector, black, on driver seat heater control module
- T6p 6-Pin Connector, black, on front passenger seat heater control module
- T10t 10-Pin Connector, black, below driver's seat
- T10u 10-Pin Connector, black, below front passenger's seat
- T20c 20-Pin Connector, black (Connector A)
- Z45 Front Left Heated Seat
- Z46 Front Right Heated Seat

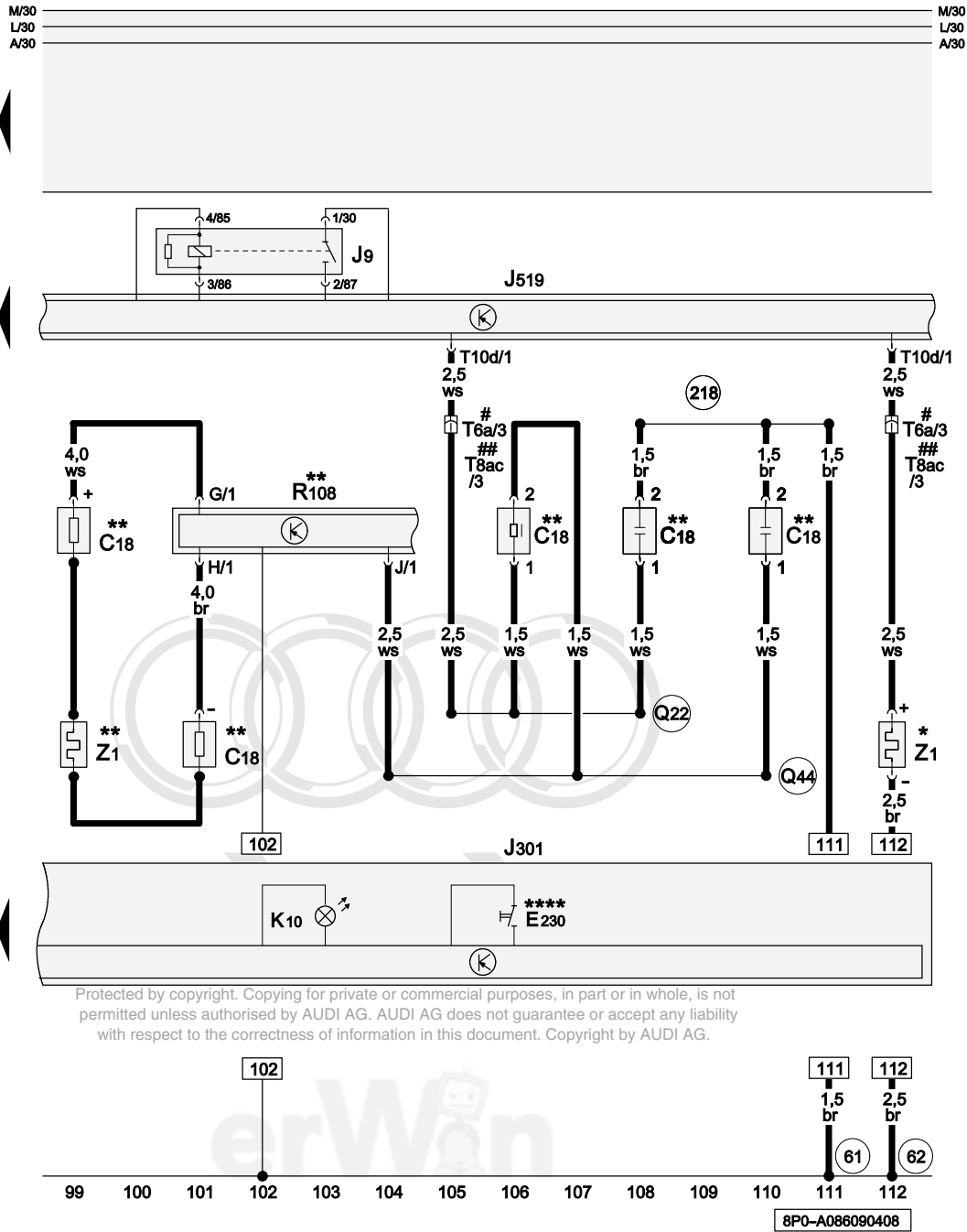
- O12 Connection 1 (in seat heater wiring harness)
- O13 Connection 2 (in seat heater wiring harness)

* ⇒ Applicable Wiring Diagram Heated Seats

Protected by copyright. All rights reserved. For commercial purposes, in part or in whole, is not permitted. Audi AG does not guarantee or accept any liability with regard to the content of this document. Copyright by AUDI AG.



- ws = white
- sw = black
- ro = red
- br = brown
- gn = green
- bl = blue
- gr = grey
- li = lilac
- ge = yellow
- or = orange
- rs = pink



Rear Window Defogger Relay, Heated Rear Window

- C18 Windshield Antenna Suppression Filter
- E230 Heated Rear Window Button
- J9 Rear Window Defogger Relay
- J301 A/C Control Module
- J519 Vehicle Electrical System Control Module
- K10 Rear Window Defogger Indicator Lamp
- R108 Left Antenna Module
- T6a 6-Pin Connector, black, on C-pillar, left
- T8ac 8-Pin Connector, black
- T10d 10-Pin Connector, black (Connector K)
- Z1 Heated Rear Window

- 61 Ground Connection (on left C-pillar)
- 62 Ground Connection (on right C-pillar)
- 218 Ground Connection 1 (in rear lid wiring harness)
- Q22 Connection 1 (in tailgate wiring harness)
- Q44 Connection 2 (in tailgate wiring harness)
- * Only models without radio
- ** Only models with radio or radio/navigation system
- **** Z1 Operation over Comfort System CAN-Bus
- # Only 3-door models
- ## Only 5-door models

- ws = white
- sw = black
- ro = red
- br = brown
- gn = green
- bl = blue
- gr = grey
- li = lilac
- ge = yellow
- or = orange
- rs = pink

Cellular Telephone Preparation without Hands Free System (VDA-Interface)

from May 2008

Note:

Information for

◆ Relay and fuse arrangements

◆ Connector arrangements

◆ Control Modules and Relays

◆ Ground Connections

⇒ Component Locations

Information for

◆ Troubleshooting Procedures

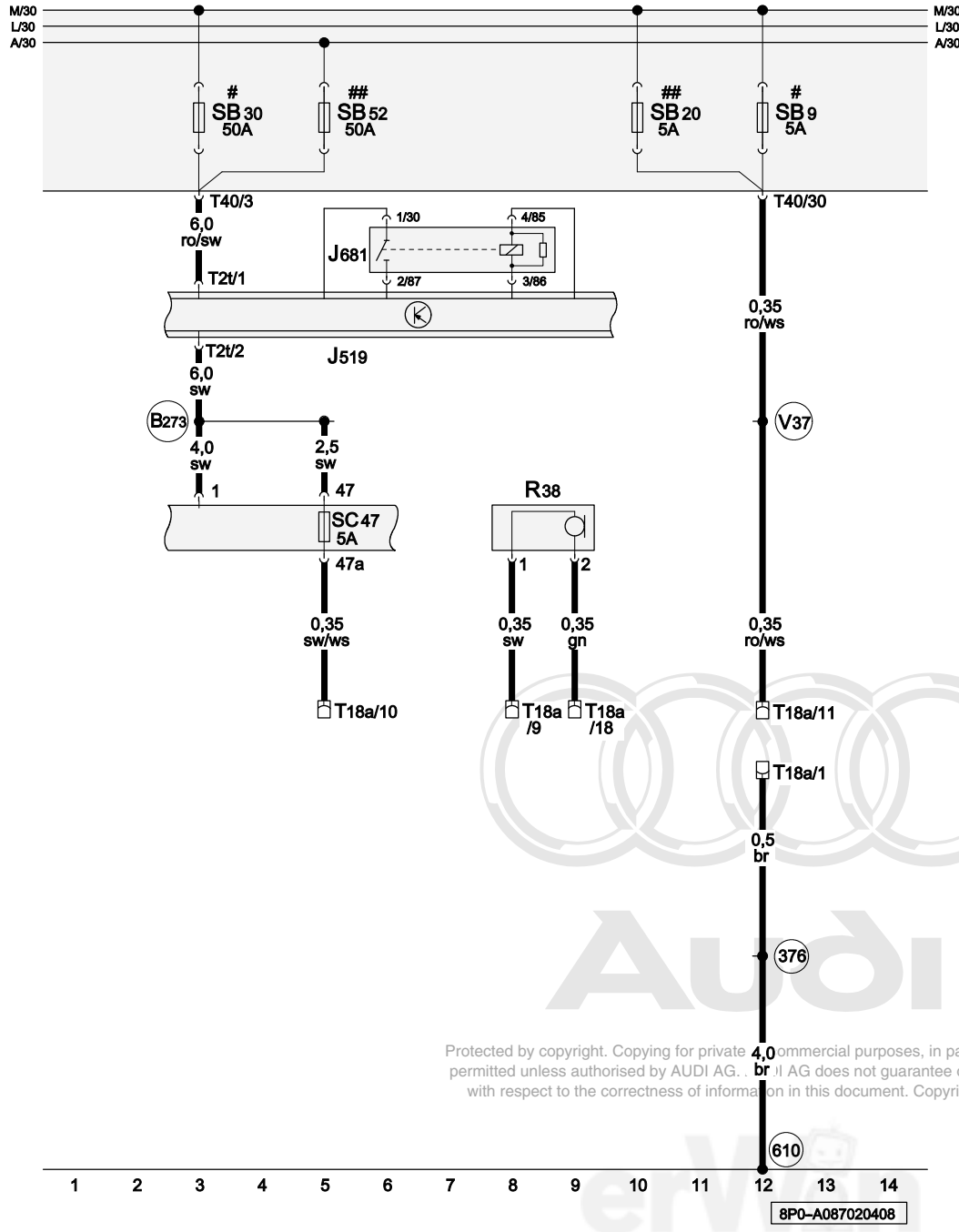
⇒ Guided Fault Finding using VAS 5051 / 5052



Audi

Protected by copyright. Copying for private or commercial purposes, in part or in whole, is not permitted unless authorised by AUDI AG. AUDI AG does not guarantee or accept any liability with respect to the correctness of information in this document. Copyright by AUDI AG.

erWin



Telephone Microphone, Power Supply Relay 2 (terminal 15)

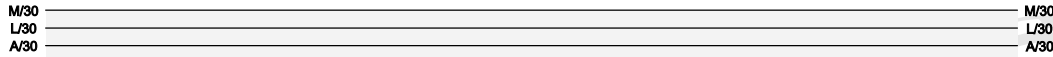
- J519 Vehicle Electrical System Control Module
- J681 Power Supply Relay 2 (terminal 15)
- R38 Telephone Microphone
- SB9 Fuse 9 (on fuse panel B)
- SB20 Fuse 20 (on fuse panel B)
- SB30 Fuse 30 (on fuse panel B)
- SB52 Fuse 52 (on fuse panel B)
- SC47 Fuse 47 (on fuse panel C)
- T2t Double Connector, black (Connector L)
- T18a 18-Pin Connector, near glove compartment (Connector A)
- T40 40-Pin Connector, black, on electronics box engine compartment (Connector J)

- (376) Ground Connection 11 (in main wiring harness)
- (610) Ground Connection (Audio) (under center console, front)
- (B273) Plus Connection (15) (in main wiring harness)
- (V37) Plus Connection (30) (in communications wiring harness)
- # Only models with electronics box Low
- ## Only models with electronics box High

- ws = white
- sw = black
- ro = red
- br = brown
- gn = green
- bl = blue
- gr = grey
- li = lilac
- ge = yellow
- or = orange
- rs = pink

Protected by copyright. Copying for private commercial purposes, in part or in whole, is not permitted unless authorised by AUDI AG. AUDI AG does not guarantee or accept any liability with respect to the correctness of information in this document. Copyright © AUDI AG

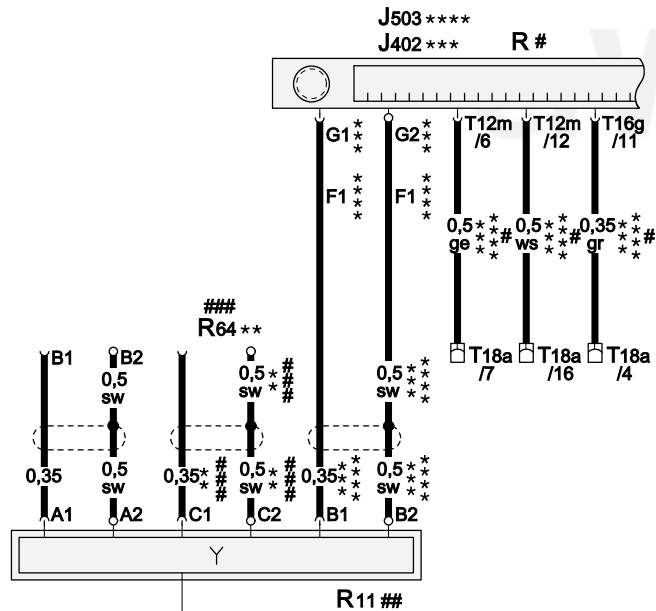
8P0-A087020408



Roof Antenna, Mute

- J402 Navigation System Operating Electronics Control Module
- J503 Radio/Navigation Display Control Module
- R Radio
- R11 Antenna
- R64 Auxiliary Heater RF Receiver
- T12m 12-Pin Connector, black (Connector C) (connector locking green)
- T16g 16-Pin Connector, black (Connector D)
- T18a 18-Pin Connector, near glove compartment (Connector A)
- ** Only models with auxiliary heater
- *** Only models with radio/navigation system (RNS-E)
- **** Only models with radio/navigation system (RNS-Low)
- # Only models with radio generation II plus
- ## R11 replace R66
- ### Not for models with US equipment

Protected by copyright. Copying for private or commercial purposes, in part or in whole, is not permitted unless authorised by AUDI AG. AUDI AG does not guarantee or accept any liability with respect to the correctness of information in this document. Copyright by AUDI AG.



- ws = white
- sw = black
- ro = red
- br = brown
- gn = green
- bl = blue
- gr = grey
- li = lilac
- ge = yellow
- or = orange
- rs = pink



8P0-A087030408

Radio

- ⇒ Only models with US equipment
- ⇒ Only models with radio generation II plus
from May 2008

Note:

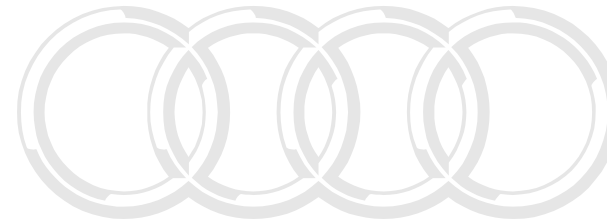
Information for

- ◆ Relay and fuse arrangements
- ◆ Connector arrangements
- ◆ Control Modules and Relays
- ◆ Ground Connections

⇒ Component Locations

Information for

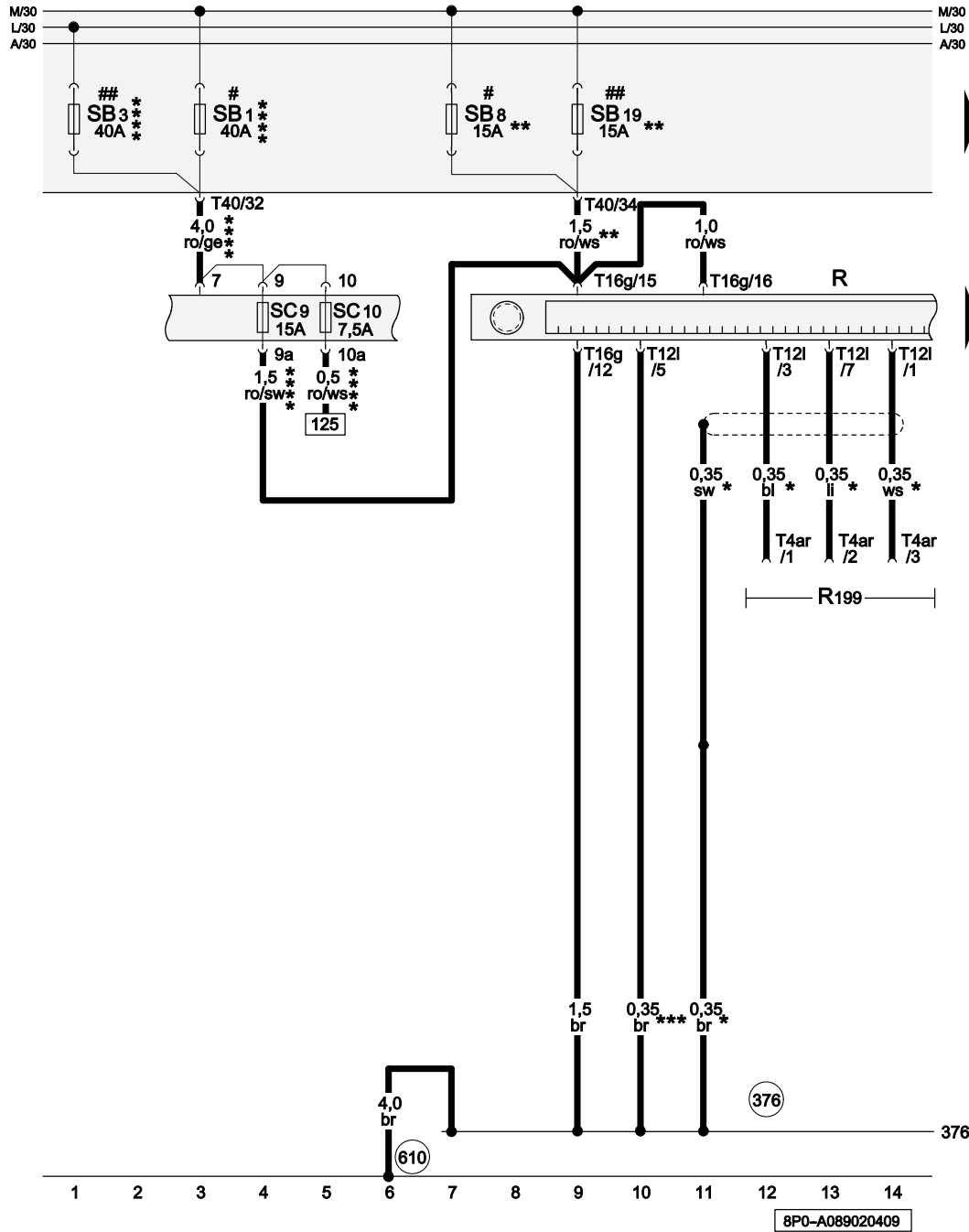
- ◆ Troubleshooting Procedures
- ⇒ Guided Fault Finding using VAS 5051 / 5052



Audi

Protected by copyright. Copying for private or commercial purposes, in part or in whole, is not permitted unless authorised by AUDI AG. AUDI AG does not guarantee or accept any liability with respect to the correctness of information in this document. Copyright by AUDI AG.





Fuses (on fuse panel)

- R Radio
- R199 External Audio Source Connector
- SB1 Fuse 1 (on fuse panel B)
- SB3 Fuse 3 (on fuse panel B)
- SB8 Fuse 8 (on fuse panel B)
- SB19 Fuse 19 (on fuse panel B)
- SC9 Fuse 9 (on fuse panel C)
- SC10 Fuse 10 (on fuse panel C)
- T4ar 4-Pin Connector
- T12l 12-Pin Connector, blue (Connector B)
- T16g 16-Pin Connector, black (Connector D)
- T40 40-Pin Connector, black, on electronics box engine compartment (Connector J)

- 376 Ground Connection 11 (in main wiring harness)
- 610 Ground Connection (Audio) (under center console, front)

- * Only models with external audio source connector
- ** Not applicable from May 2009
- *** Only models with BOSE system
- **** Applicable from May 2009
- # Only models with electronics box Low
- ## Only models with electronics box High

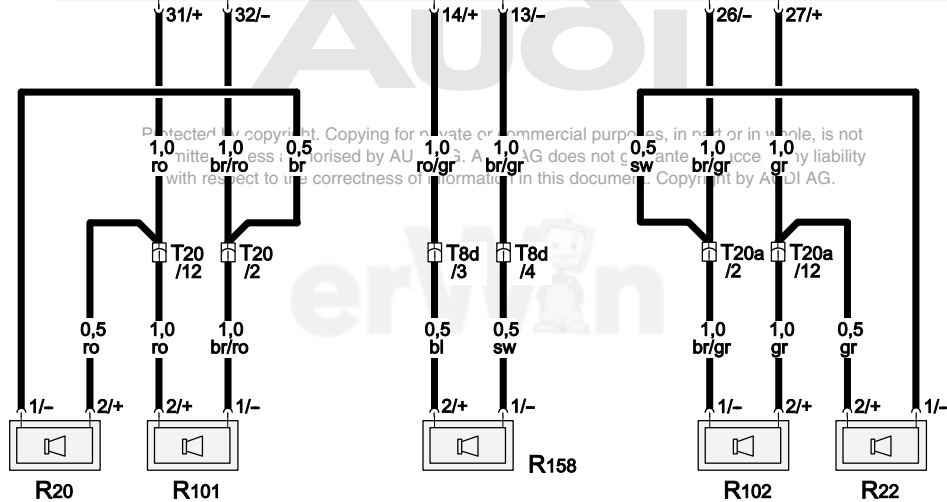
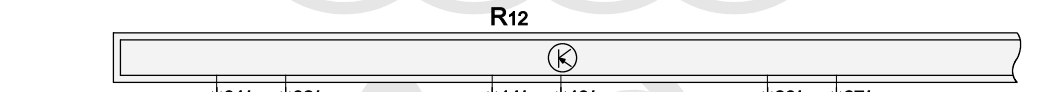
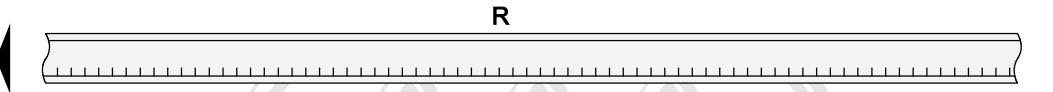


Audi

- ws = white
- sw = black
- ro = red
- br = brown
- gn = green
- bl = blue
- gr = grey
- li = lilac
- ge = yellow
- or = orange
- rs = pink

Protected by copyright. Copying for private or commercial purposes, in part or in whole, is not permitted unless authorised by AUDI AG. AUDI AG does not guarantee or accept any liability with respect to the correctness of information in this document. Copyright by AUDI AG.



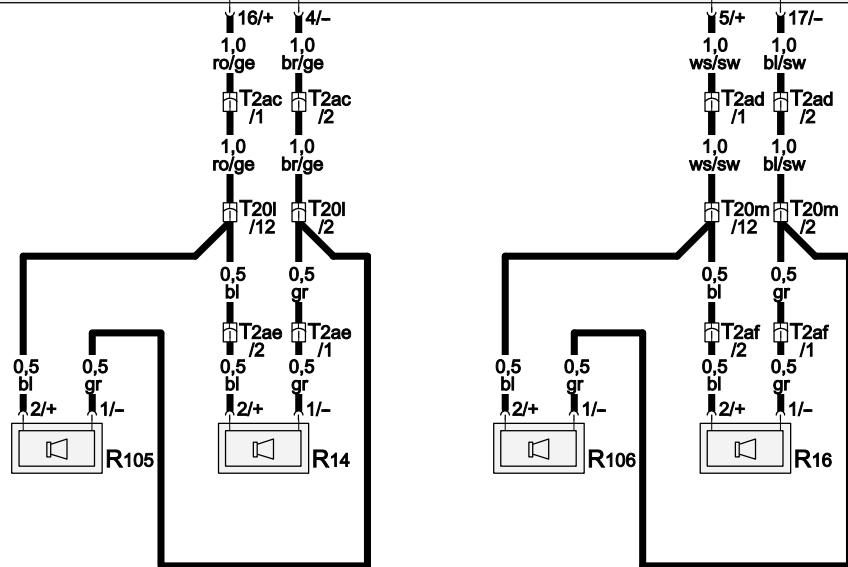
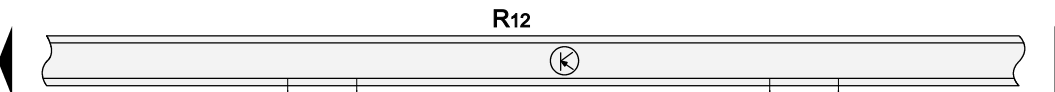
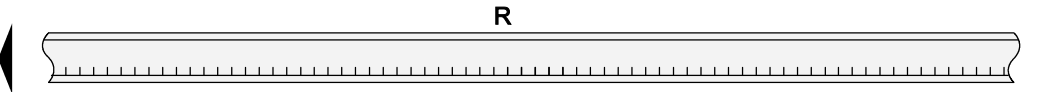


Front Speaker with BOSE system

- R Radio
- R12 Amplifier
- R20 Left Front Treble Speaker
- R22 Right Front Treble Speaker
- R101 Left Front Mid-Bass Speaker
- R102 Right Front Mid-Bass Speaker
- R158 Center Midrange Speaker
- T8d 8-Pin Connector, black, behind center console
- T20 20-Pin Connector, black, door A-pillar, left
- T20a 20-Pin Connector, black, door A-pillar, right

- ws = white
- sw = black
- ro = red
- br = brown
- gn = green
- bl = blue
- gr = grey
- li = lilac
- ge = yellow
- or = orange
- rs = pink

8P0-A089030408



Rear Speaker with BOSE system

- R Radio
- R12 Amplifier
- R14 Left Rear Treble Speaker
- R16 Right Rear Treble Speaker
- R105 Left Rear Midrange Speaker
- R106 Right Rear Midrange Speaker
- T2ac Double Connector, black, behind rear left side panel trim
- T2ad Double Connector, black, behind rear right side panel trim
- T2ae Double Connector, black, in rear left door
- T2af Double Connector, black, in rear right door
- T20i 20-Pin Connector, black, door B-pillar, left
- T20m 20-Pin Connector, black, door B-pillar, right

376 _____ 376

29 30 31 32 33 34 35 36 37 38 39 40 41 42

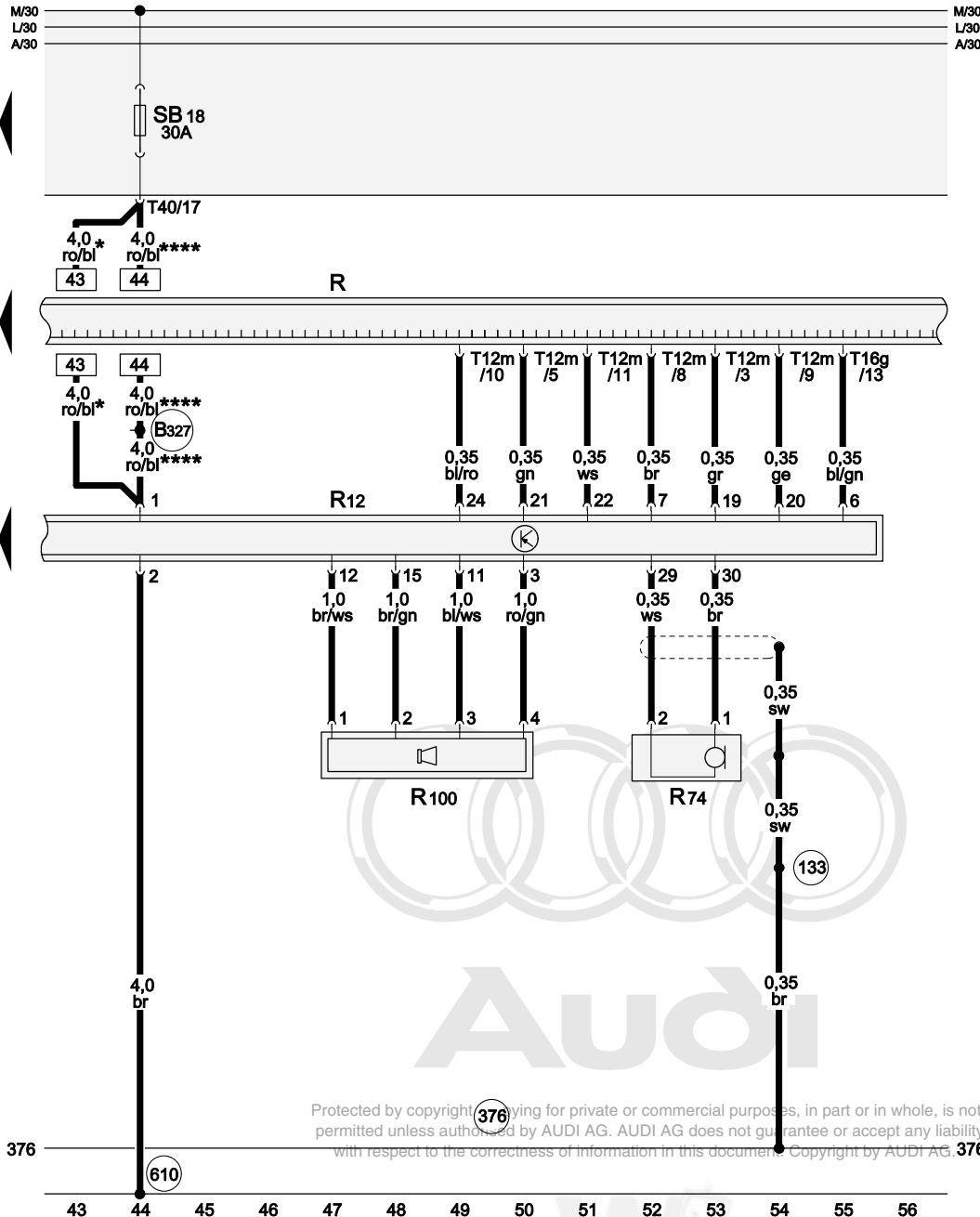
8P0-A089040408

- ws = white
- sw = black
- ro = red
- br = brown
- gn = green
- bl = blue
- gr = grey
- li = lilac
- ge = yellow
- or = orange
- rs = pink



Protected by copyright. Copying for private or commercial purposes, in part or in whole, is not permitted unless authorised by AUDI AG. AUDI AG does not guarantee or accept any liability with respect to the correctness of information in this document. Copyright by AUDI AG.





Inside Microphone, Bass Speaker with BOSE system

- R Radio
- R12 Amplifier
- R74 Inside Microphone
- R100 Bass Speaker
- SB18 Fuse 18 (on fuse panel B)
- T12m 12-Pin Connector, black (Connector C) (connector locking green)
- T16g 16-Pin Connector, black (Connector D)
- T40 40-Pin Connector, black, on electronics box engine compartment (Connector J)

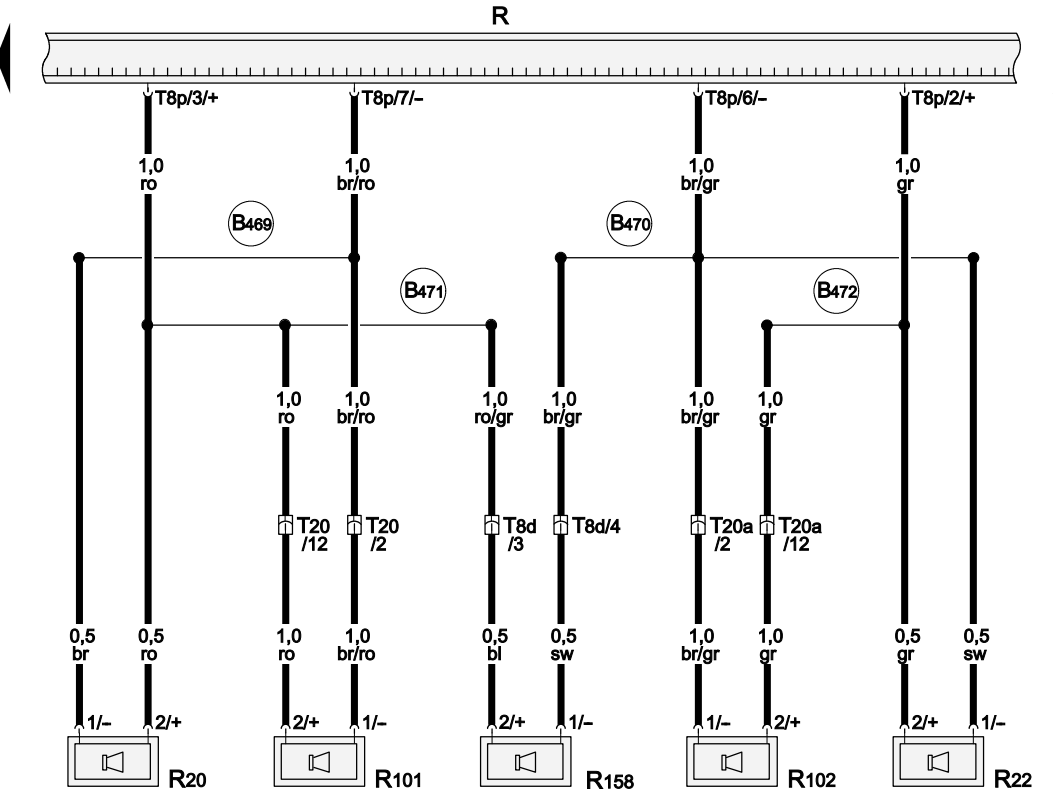
- 133 Ground Connection (in speaker wiring harness)
- 376 Ground Connection 11 (in main wiring harness)
- 610 Ground Connection (Audio) (under center console, front)
- B327 Plus Connection 13 (30a) (in main wiring harness)

* Not applicable from May 2009
 **** Applicable from May 2009

- ws = white
- sw = black
- ro = red
- br = brown
- gn = green
- bl = blue
- gr = grey
- li = lilac
- ge = yellow
- or = orange
- rs = pink

Protected by copyright. Copying for private or commercial purposes, in part or in whole, is not permitted unless authorized by AUDI AG. AUDI AG does not guarantee or accept any liability with respect to the correctness of information in this document. Copyright by AUDI AG.

8P0-A089050409



376 _____ 376

57 58 59 60 61 62 63 64 65 66 67 68 69 70

8P0-A089060408

- ws = white
- sw = black
- ro = red
- br = brown
- gn = green
- bl = blue
- gr = grey
- li = lilac
- ge = yellow
- or = orange
- rs = pink

Front Speaker with Amplifier

- R Radio
- R20 Left Front Treble Speaker
- R22 Right Front Treble Speaker
- R101 Left Front Mid-Bass Speaker
- R102 Right Front Mid-Bass Speaker
- R158 Center Midrange Speaker
- T8d 8-Pin Connector, black, behind center console
- T8p 8-Pin Connector, brown (Connector A)
- T20 20-Pin Connector, black, door A-pillar, left
- T20a 20-Pin Connector, black, door A-pillar, right

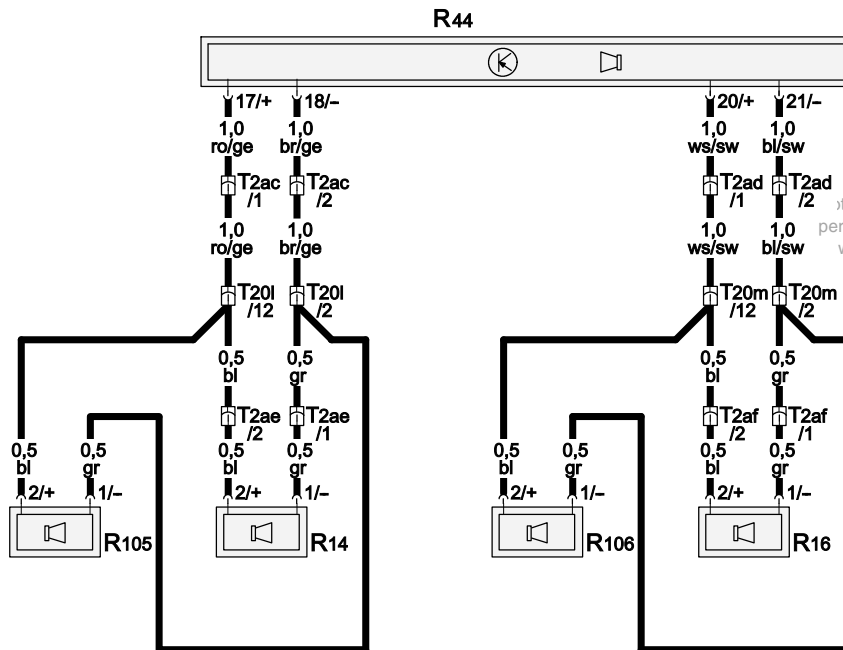
- B469 Connection 5 (in main wiring harness)
- B470 Connection 6 (in main wiring harness)
- B471 Connection 7 (in main wiring harness)
- B472 Connection 8 (in main wiring harness)

Copyrighted by copyright. Copying for private or commercial purposes, in part or in whole, is not permitted unless authorised by AUDI AG. AUDI AG does not guarantee or accept any liability with respect to the correctness of information in this document. Copyright by AUDI AG.



Bass Speakers Amplifier, in luggage compartment, left, Rear Speaker

- R Radio
- R14 Left Rear Treble Speaker
- R16 Right Rear Treble Speaker
- R44 Bass Speakers Amplifier, in luggage compartment, left
- R105 Left Rear Midrange Speaker
- R106 Right Rear Midrange Speaker
- T2ac Double Connector, black, behind rear left side panel trim
- T2ad Double Connector, black, behind rear right side panel trim
- T2ae Double Connector, black, in rear left door
- T2af Double Connector, black, in rear right door
- T20l 20-Pin Connector, black, door B-pillar, left
- T20m 20-Pin Connector, black, door B-pillar, right



Protected by copyright. Copying for private or commercial purposes, in part or in whole, is not permitted unless authorised by AUDI AG. AUDI AG does not guarantee or accept any liability with respect to the correctness of information in this document. Copyright by AUDI AG.

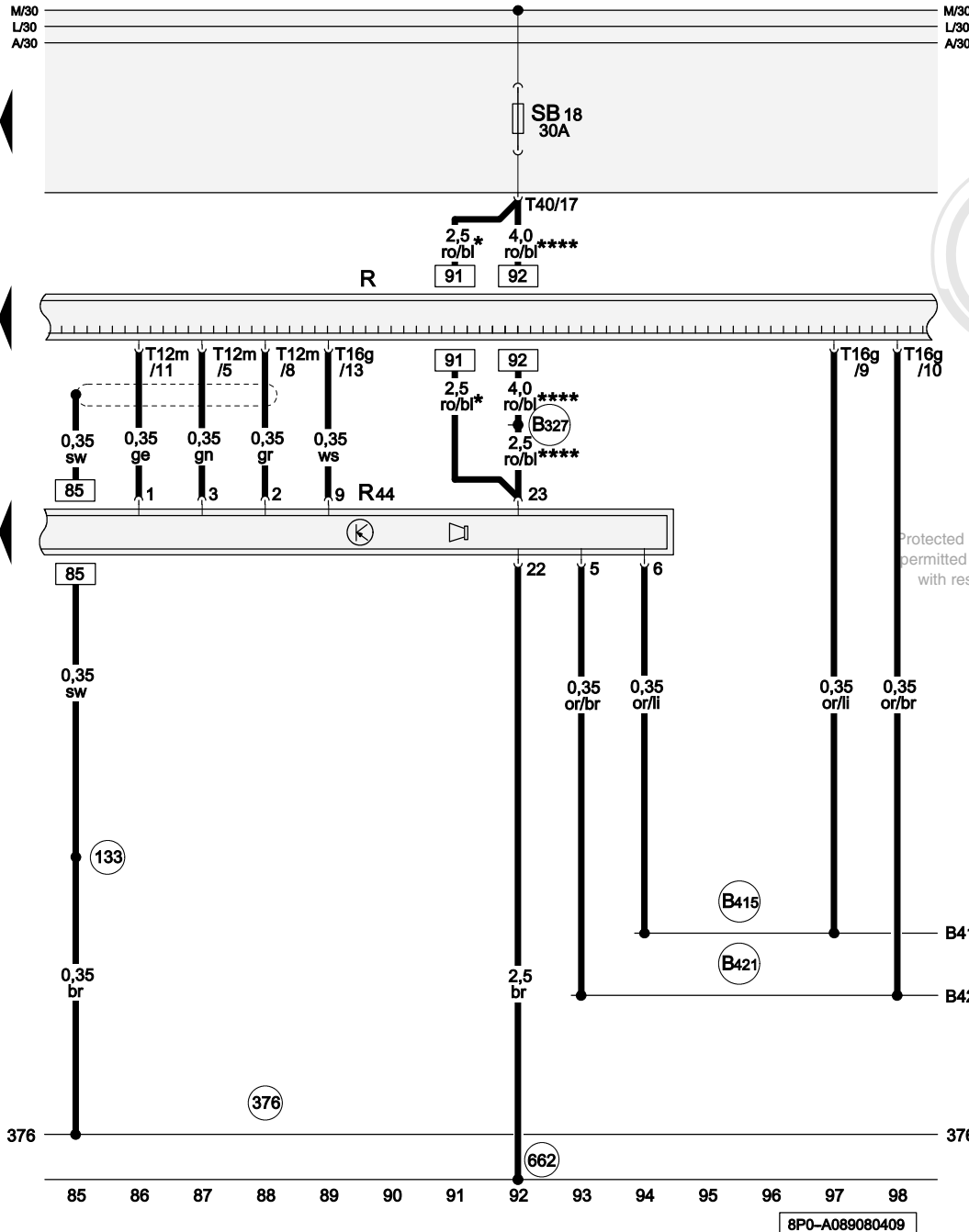
- ws = white
- sw = black
- ro = red
- br = brown
- gn = green
- bl = blue
- gr = grey
- li = lilac
- ge = yellow
- or = orange
- rs = pink

376

376

71 72 73 74 75 76 77 78 79 80 81 82 83 84

8P0-A089070408



Bass Speakers Amplifier, in luggage compartment, left

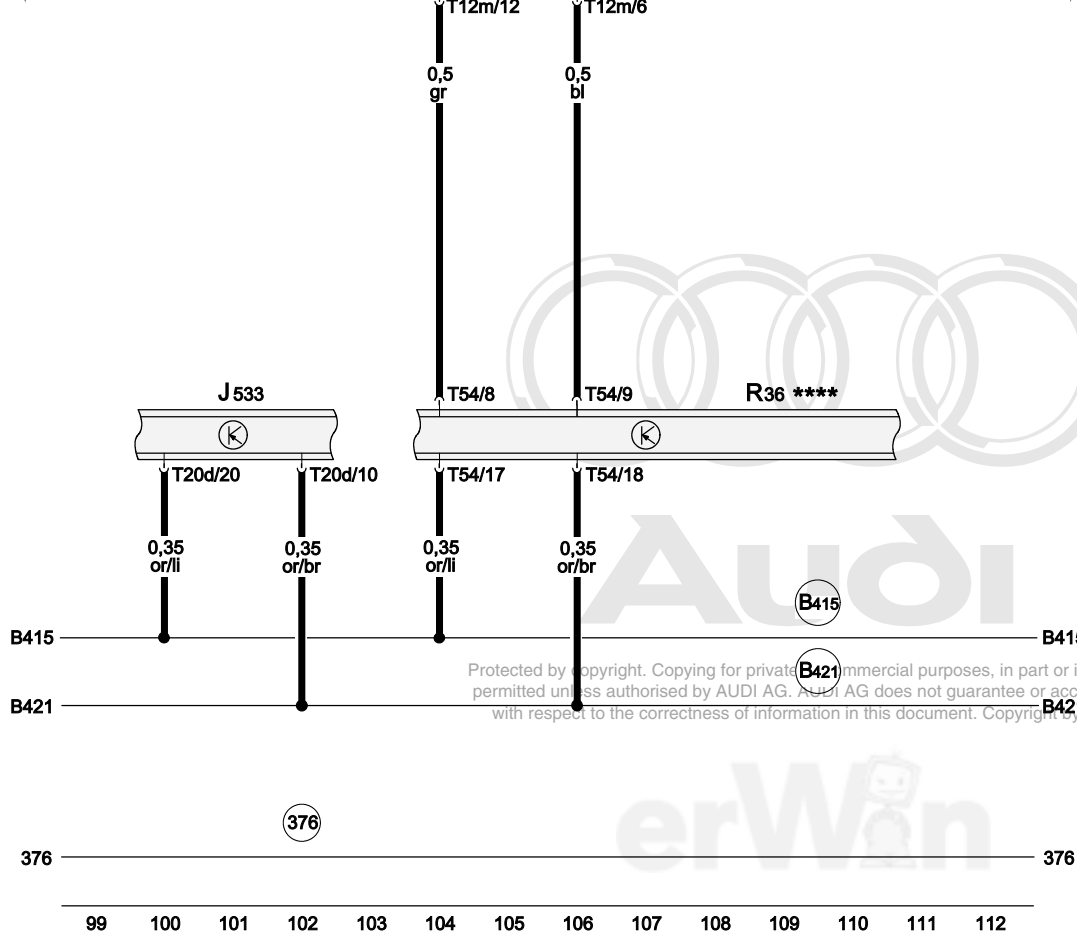
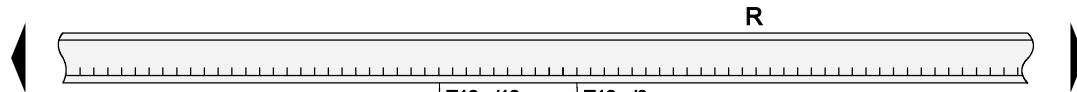
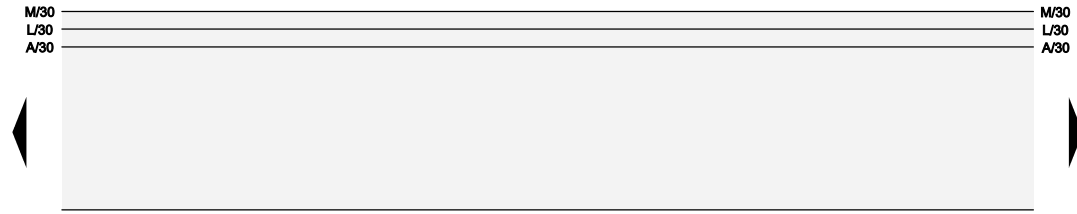
- R Radio
- R44 Bass Speakers Amplifier, in luggage compartment, left
- SB18 Fuse 18 (on fuse panel B)
- T12m 12-Pin Connector, black (Connector C) (connector locking green)
- T16g 16-Pin Connector, black (Connector D)
- T40 40-Pin Connector, black, on electronics box engine compartment (Connector J)

- (133) Ground Connection (in speaker wiring harness)
- (376) Ground Connection 11 (in main wiring harness)
- (662) Ground Connection (on left rear side panel)
- (B327) Plus Connection 13 (30a) (in main wiring harness)
- (B415) Infotainment CAN-Bus High Connection 1 (in main wiring harness)
- (B421) Infotainment CAN-Bus Low Connection 1 (in main wiring harness)

* Not applicable from May 2009
 **** Applicable from May 2009

- ws = white
- sw = black
- ro = red
- br = brown
- gn = green
- bl = blue
- gr = grey
- li = lilac
- ge = yellow
- or = orange
- rs = pink

8P0-A089080409



Data Bus On Board Diagnostic Interface, Telephone Transceiver

- J533 Data Bus On Board Diagnostic Interface
- R Radio
- R36 Telephone Transceiver
- T12m 12-Pin Connector, black (Connector C) (connector locking green)
- T20d 20-Pin Connector, black (Connector A)
- T54 54-Pin Connector, black (Connector A)

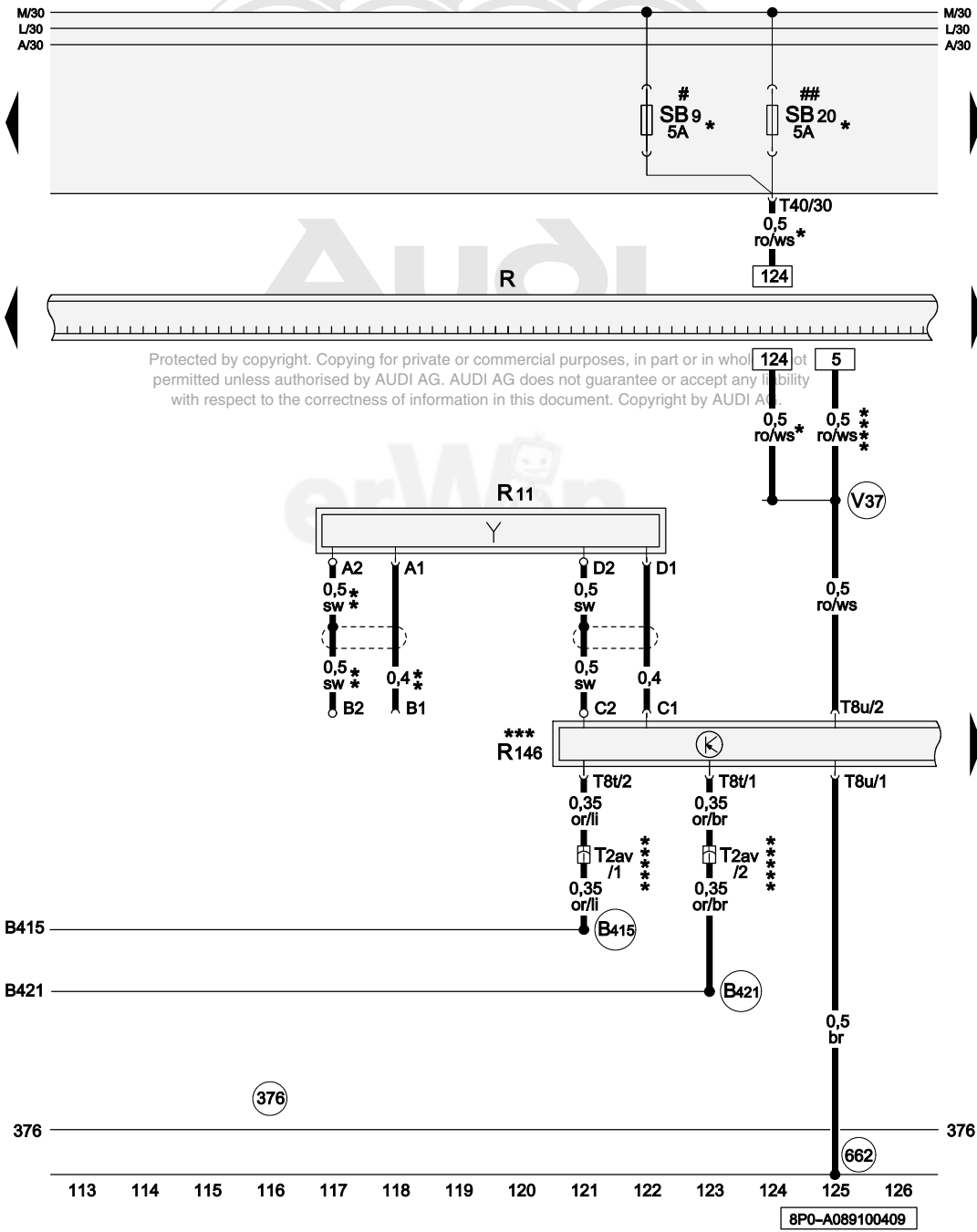
- 376 Ground Connection 11 (in main wiring harness)
- B415 Infotainment CAN-Bus High Connection 1 (in main wiring harness)
- B421 Infotainment CAN-Bus Low Connection 1 (in main wiring harness)

**** Cellular telephone preparation with hands free system only

Protected by copyright. Copying for private commercial purposes, in part or in whole, is not permitted unless authorised by AUDI AG. AUDI AG does not guarantee or accept any liability with respect to the correctness of information in this document. Copyright © AUDI AG.

- ws = white
- sw = black
- ro = red
- br = brown
- gn = green
- bl = blue
- gr = grey
- li = lilac
- ge = yellow
- or = orange
- rs = pink

8P0-A089090808



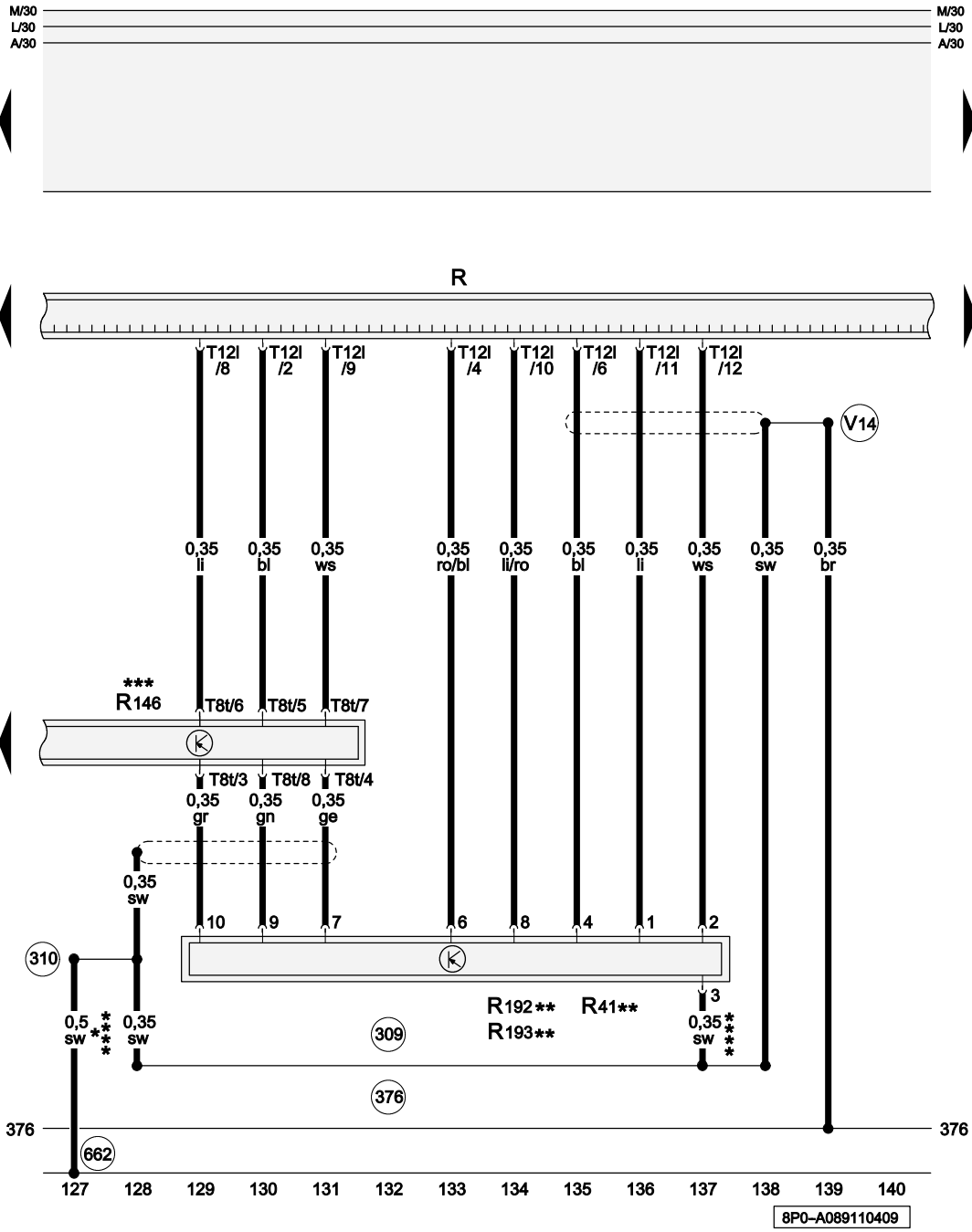
Roof Antenna

- R Radio
- R11 Antenna
- R146 Satellite Radio
- SB9 Fuse 9 (on fuse panel B)
- SB20 Fuse 20 (on fuse panel B)
- T2av Double Connector, black, on right A-pillar
- T8t 8-Pin Connector, black, in luggage compartment, left rear (Connector B)
- T8u 8-Pin Connector, black (Connector A)
- T40 40-Pin Connector, black, on electronics box engine compartment (Connector J)

- 376 Ground Connection 11 (in main wiring harness)
- 662 Ground Connection (on left rear side panel)
- B415 Infotainment CAN-Bus High Connection 1 (in main wiring harness)
- B421 Infotainment CAN-Bus Low Connection 1 (in main wiring harness)
- V37 Plus Connection (30) (in communications wiring harness)

- * Not applicable from May 2009
- ** Only models with telephone
- *** Only models with satellite radio
- **** Applicable from May 2009
- ***** Only preparation for satellite radio
- # Only models with electronics box Low
- ## Only models with electronics box High

- ws = white
- sw = black
- ro = red
- br = brown
- gn = green
- bl = blue
- gr = grey
- li = lilac
- ge = yellow
- or = orange
- rs = pink



CD Changer, iPod Baseplate, USB Connection Baseplate, with Satellite Radio

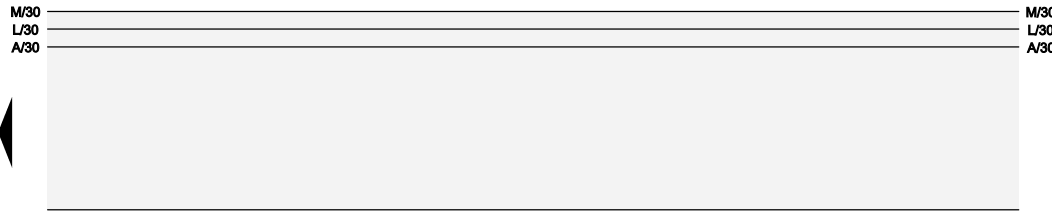
- R Radio
- R41 CD Changer
- R146 Satellite Radio
- R192 iPod Baseplate
- R193 USB Connection Baseplate
- T8t 8-Pin Connector, black, in luggage compartment, left rear (Connector B)
- T12l 12-Pin Connector, blue (Connector B)

- 309 Shielding Ground Connection 1 (in CD changer wiring harness)
- 310 Shielding Ground Connection 2 (in CD changer wiring harness)
- 376 Ground Connection 11 (in main wiring harness)
- 662 Ground Connection (on left rear side panel)
- V14 Connection (shielding) (in CD-changer wiring harness)

Protected by copyright. Copying for private use or commercial purposes, in part or in whole, is not permitted unless authorised by AUDI AG. AUDI AG does not guarantee or accept any liability with respect to the correctness of information in this document. Copyright by AUDI AG.

- * Only models without CD Changer or iPod Baseplate or USB Connection Baseplate
- ** Only models with CD Changer or iPod Baseplate or USB Connection Baseplate
- *** Only models with satellite radio
- **** Wire colour was modified from brown to black, applicable from May 2009

- ws = white
- sw = black
- ro = red
- br = brown
- gn = green
- bl = blue
- gr = grey
- li = lilac
- ge = yellow
- or = orange
- rs = pink

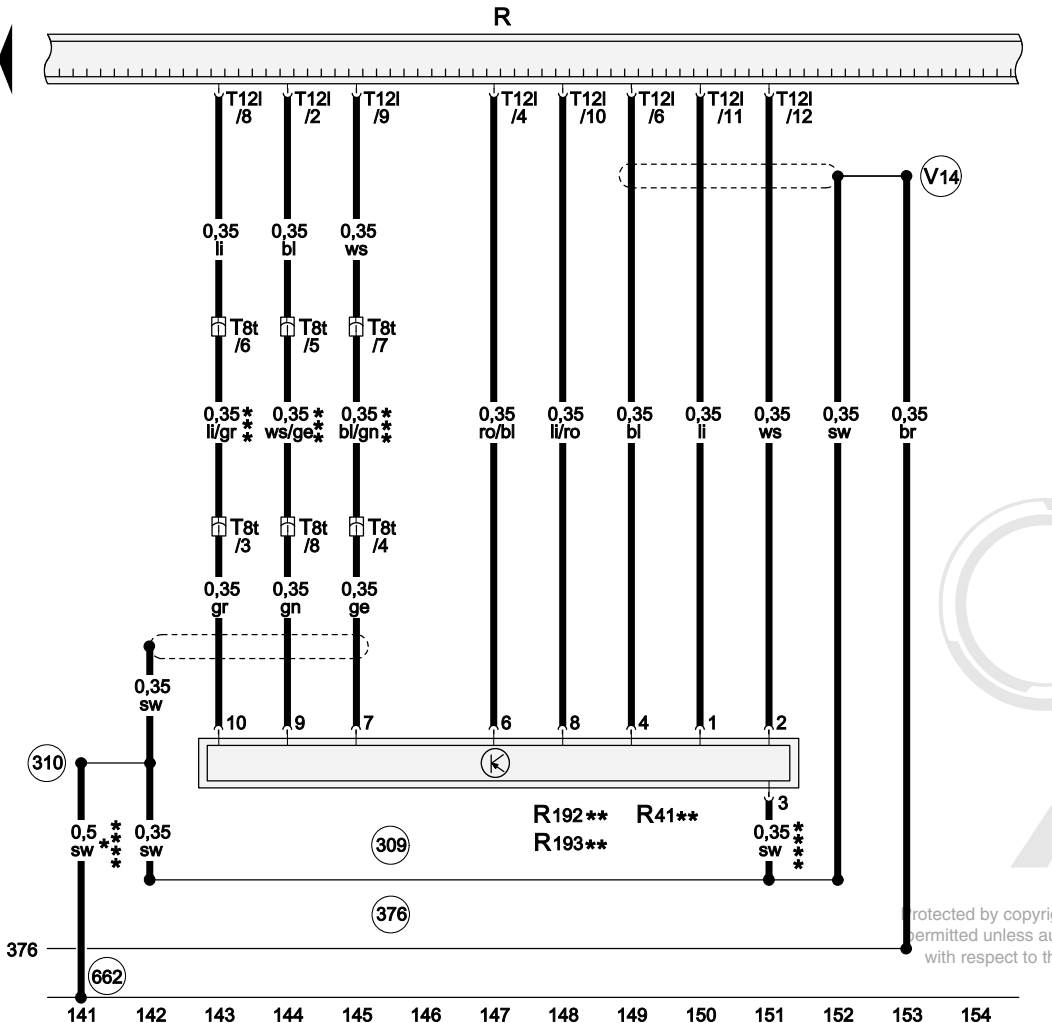


CD Changer, iPod Baseplate, USB Connection Baseplate, without Satellite Radio

- R Radio
- R41 CD Changer
- R192 iPod Baseplate
- R193 USB Connection Baseplate
- T8t 8-Pin Connector, black, in luggage compartment, left rear (Connector B)
- T12l 12-Pin Connector, blue (Connector B)

- 309 Shielding Ground Connection 1 (in CD changer wiring harness)
- 310 Shielding Ground Connection 2 (in CD changer wiring harness)
- 376 Ground Connection 11 (in main wiring harness)
- 662 Ground Connection (on left rear side panel)
- V14 Connection (shielding) (in CD-changer wiring harness)

- * Only models without CD Changer or iPod Baseplate or USB Connection Baseplate
- ** Only models with CD Changer or iPod Baseplate or USB Connection Baseplate
- *** Only models without satellite radio
- **** Wire colour was modified from brown to black, applicable from May 2009



- ws = white
- sw = black
- ro = red
- br = brown
- gn = green
- bl = blue
- gr = grey
- li = lilac
- ge = yellow
- or = orange
- rs = pink

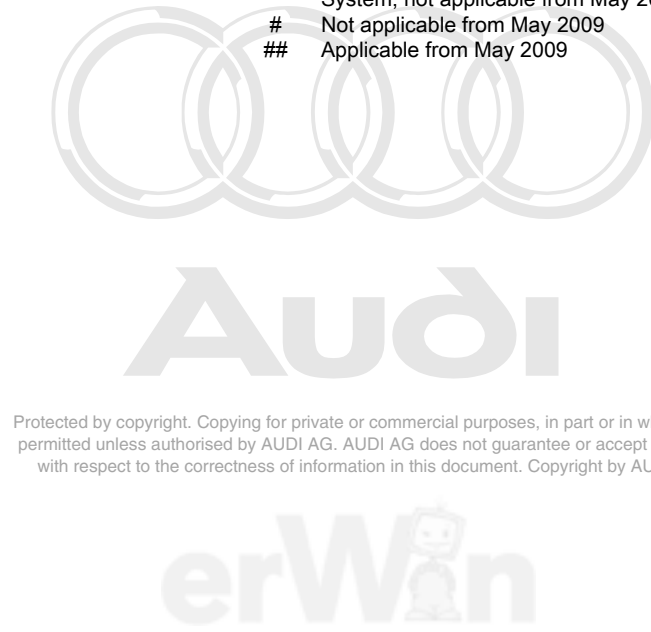
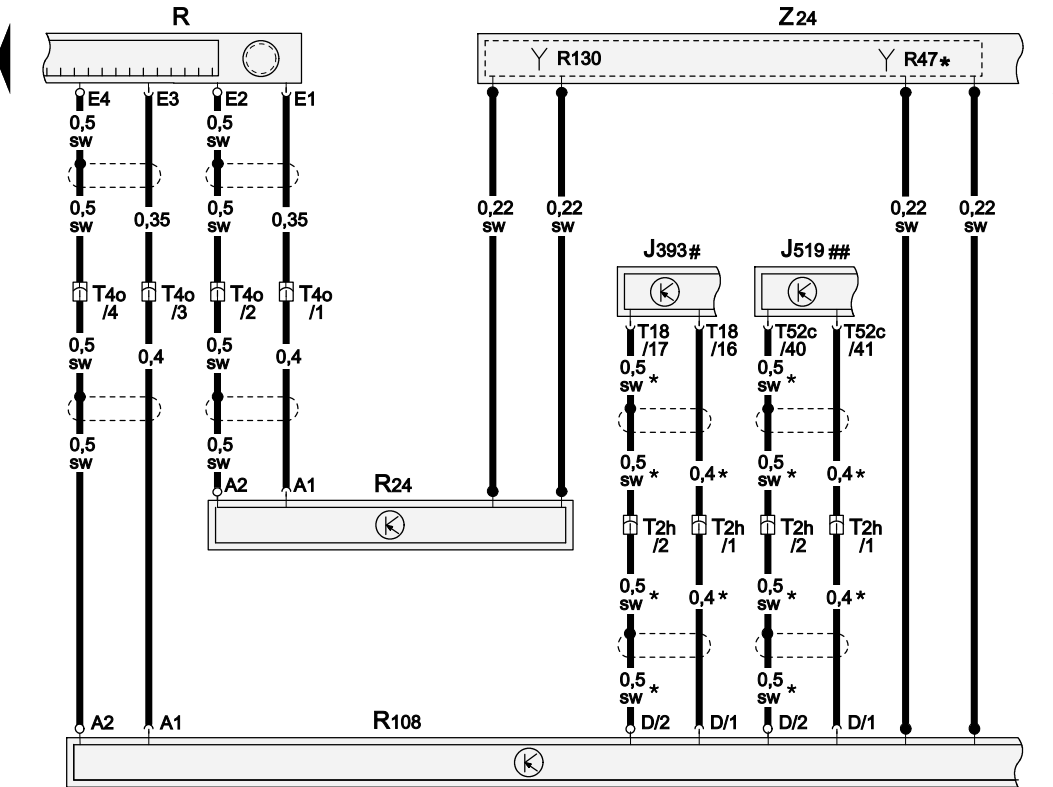
protected by copyright. Copying for private or commercial purposes, in part or in whole, is not permitted unless authorized by AUDI AG. AUDI AG does not guarantee or accept any liability with respect to the correctness of information in this document. Copyright by AUDI AG.

8P0-A089120409



Left Antenna Module, Rear Window Antenna 1

- J393 Comfort System Central Control Module
- J519 Vehicle Electrical System Control Module
- R Radio
- R24 Antenna Amplifier
- R47 Central Locking and Anti-Theft Alarm System Antenna
- R108 Left Antenna Module
- R130 Rear Window Antenna 1
- T2h Double Connector, on C-pillar, right
- T4o 4-Pin Connector, near right C-pillar
- T18 18-Pin Connector, brown (Connector A)
- T52c 52-Pin Connector, brown (Connector C)
- Z24 Rear Window Defogger with Window Antenna
- * Only models with Central Locking System or Anti-Theft Alarm System, not applicable from May 2010
- # Not applicable from May 2009
- ## Applicable from May 2009



Protected by copyright. Copying for private or commercial purposes, in part or in whole, is not permitted unless authorised by AUDI AG. AUDI AG does not guarantee or accept any liability with respect to the correctness of information in this document. Copyright by AUDI AG.

- ws = white
- sw = black
- ro = red
- br = brown
- gn = green
- bl = blue
- gr = grey
- li = lilac
- ge = yellow
- or = orange
- rs = pink

155 156 157 158 159 160 161 162 163 164 165 166 167 168

8P0-A089130410



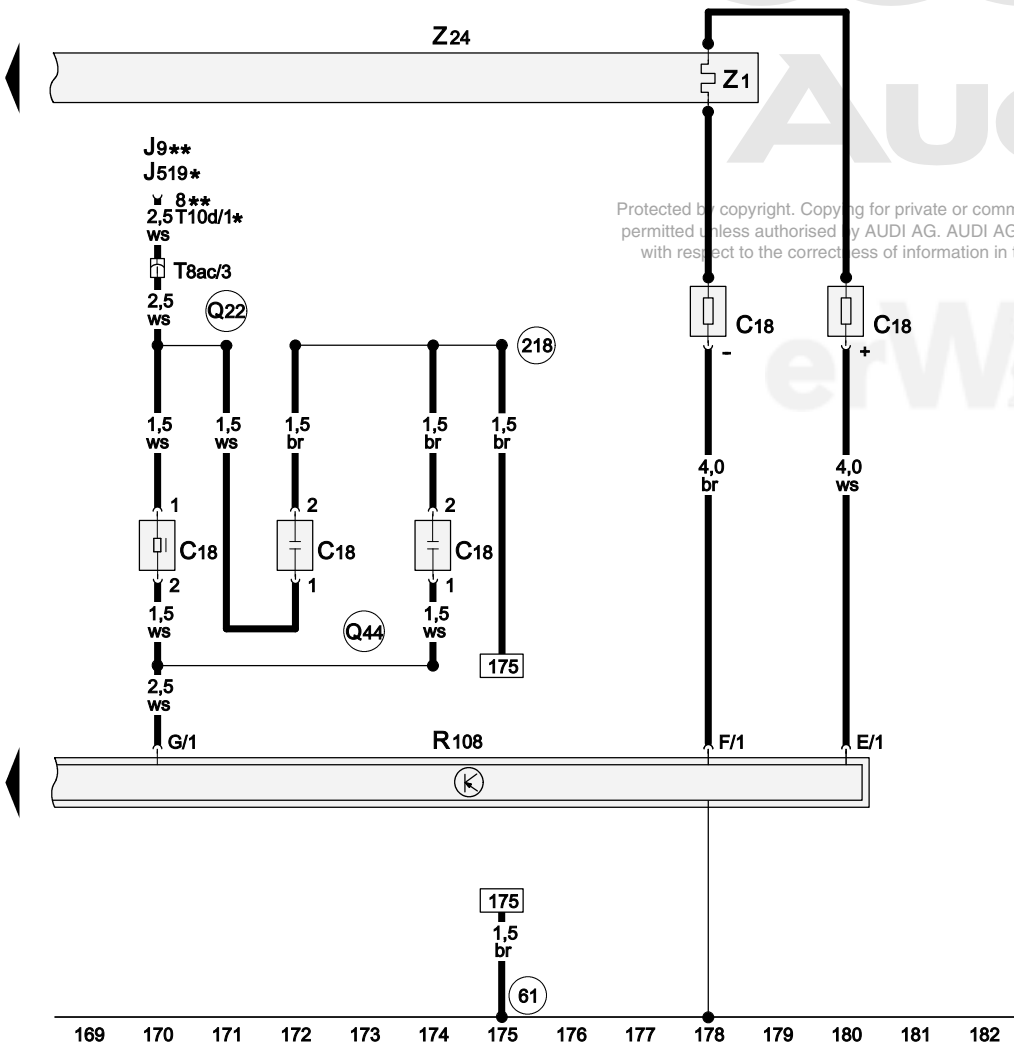
Left Antenna Module, Heated Rear Window

- C18 Windshield Antenna Suppression Filter
- J9 Rear Window Defogger Relay
- J519 Vehicle Electrical System Control Module
- R108 Left Antenna Module
- T8ac 8-Pin Connector, black
- T10d 10-Pin Connector, black (Connector K)
- Z1 Heated Rear Window
- Z24 Rear Window Defogger with Window Antenna

- 61 Ground Connection (on left C-pillar)
- 218 Ground Connection 1 (in rear lid wiring harness)
- Q22 Connection 1 (in tailgate wiring harness)
- Q44 Connection 2 (in tailgate wiring harness)

* Not applicable from May 2009
 ** Applicable from May 2009

Protected by copyright. Copying for private or commercial purposes, in part or in whole, is not permitted unless authorised by AUDI AG. AUDI AG does not guarantee or accept any liability with respect to the correctness of information in this document. Copyright by AUDI AG.



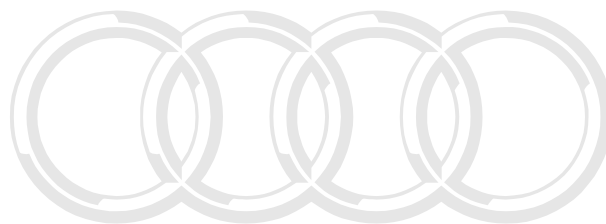
- ws = white
- sw = black
- ro = red
- br = brown
- gn = green
- bl = blue
- gr = grey
- li = lilac
- ge = yellow
- or = orange
- rs = pink

169 170 171 172 173 174 175 176 177 178 179 180 181 182

8P0-A089140409

Radio navigation system RNS Low

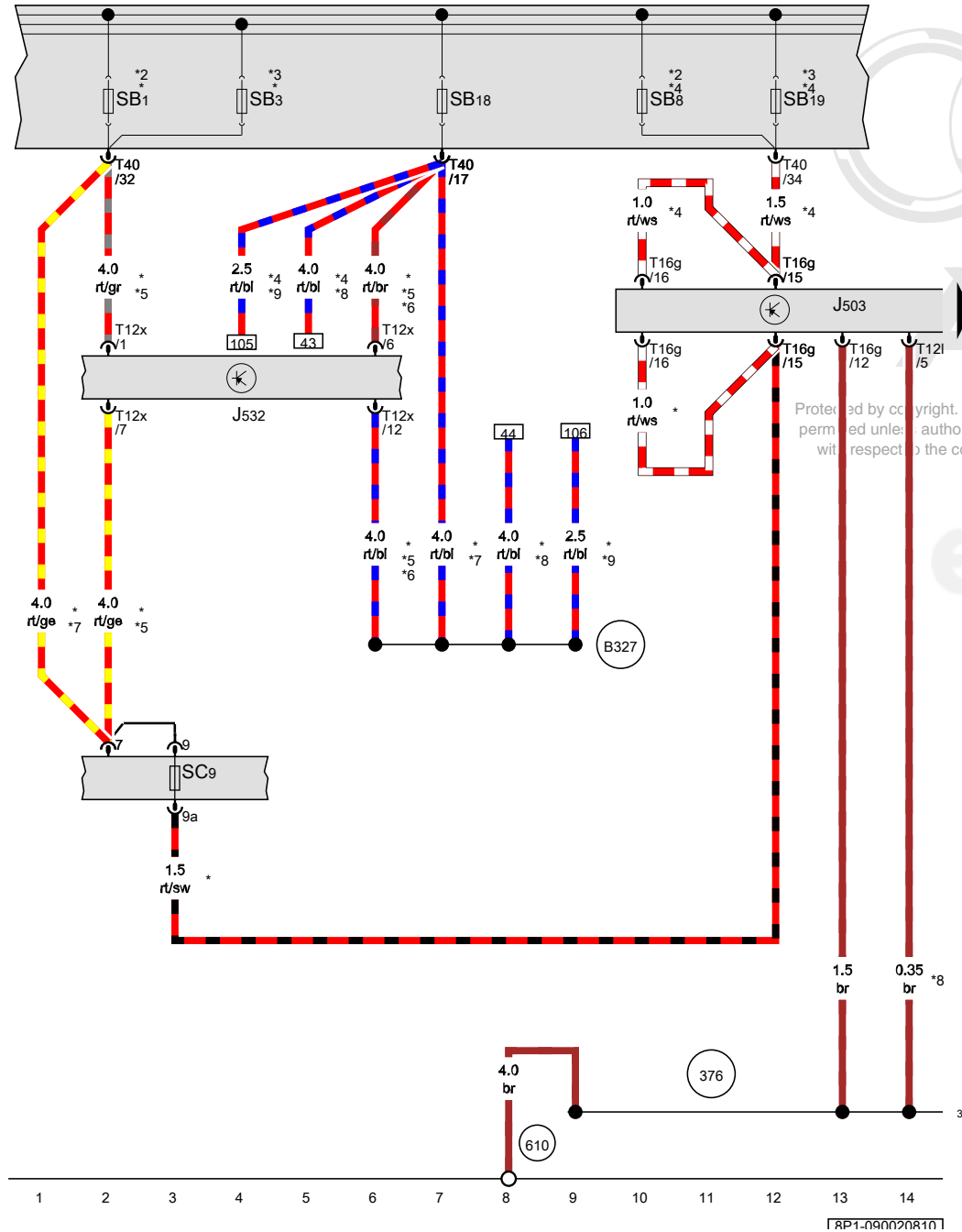
From May 2008



Audi

Protected by copyright. Copying for private or commercial purposes, in part or in whole, is not permitted unless authorised by AUDI AG. AUDI AG does not guarantee or accept any liability with respect to the correctness of information in this document. Copyright by AUDI AG.





Radio/navigation display unit control module, Voltage stabilizer

- J503 Radio/navigation display unit control module
- J532 Voltage stabilizer
- SB1 Fuse 1 (on fuse panel B)
- SB3 Fuse 3 (on fuse panel B)
- SB8 Fuse 8 (on fuse panel B)
- SB18 Fuse 18 (on fuse panel B)
- SB19 Fuse 19 (on fuse panel B)
- SC9 Fuse 9 (on fuse panel C)
- T12l 12-pin connector
- T12x 12-pin connector
- T16g 16-pin connector
- T40 40-pin connector

376 Ground connection 11 (in main wiring harness)

Protected by copyright. Copying for private or commercial purposes, in part or in whole, is not permitted unless authorised by AUDI AG. AUDI AG does not accept any liability for errors or omissions with respect to the correctness of information in this document. Copyright by AUDI AG.

610 Audio ground connection under front center console

B327 Positive connection 13 (30a) (in main wiring harness)

- * From May 2009
- *2 E-Box low
- *3 E-Box high
- *4 Through April 2009
- *5 Only for vehicles with Start/Stop system
- *6 only for vehicles with 400 W voltage stabilizer
- *7 Only for vehicles without Start/Stop system
- *8 Only for vehicles with BOSE sound system
- *9 Only for vehicles with an amplifier

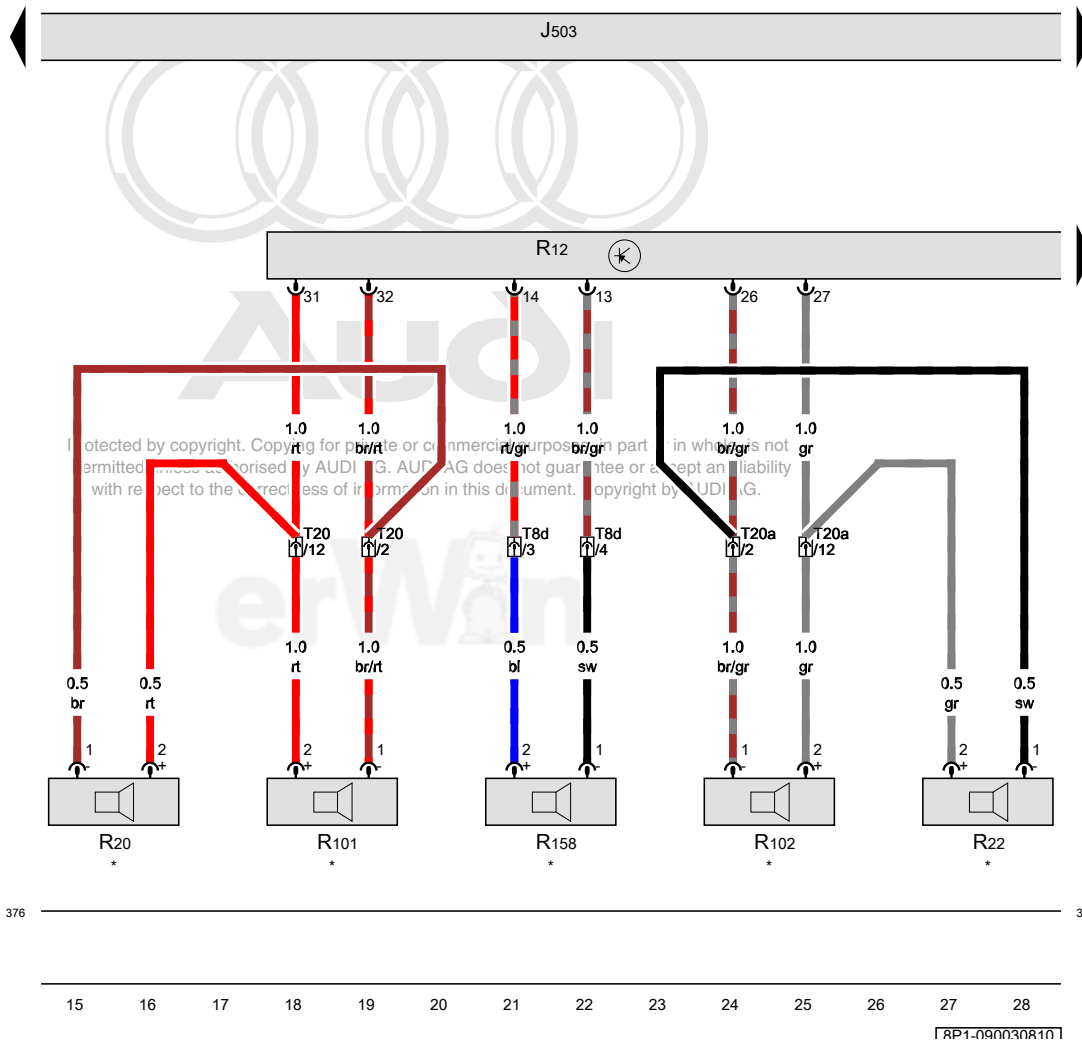
- ws = white
- sw = black
- ro = red
- br = brown
- gn = green
- bl = blue
- gr = grey
- li = lilac
- ge = yellow
- or = orange
- rs = pink

Radio/navigation display unit control module, Amplifier, Left front treble speaker, Right front treble speaker, Left front mid-bass speaker, Right front mid-bass speaker, Center mid-treble speaker

- J503 Radio/navigation display unit control module
- R12 Amplifier
- R20 Left front treble speaker
- R22 Right front treble speaker
- R101 Left front mid-bass speaker
- R102 Right front mid-bass speaker
- R158 Center mid-treble speaker
- T8d 8-pin connector, behind the center console
- T20 20-pin connector, on the lower left A-pillar
- T20a 20-pin connector, on the lower right A-pillar

376 Ground connection 11 (in main wiring harness)

* Only for vehicles with BOSE sound system



- ws = white
- sw = black
- ro = red
- br = brown
- gn = green
- bl = blue
- gr = grey
- li = lilac
- ge = yellow
- or = orange
- rs = pink



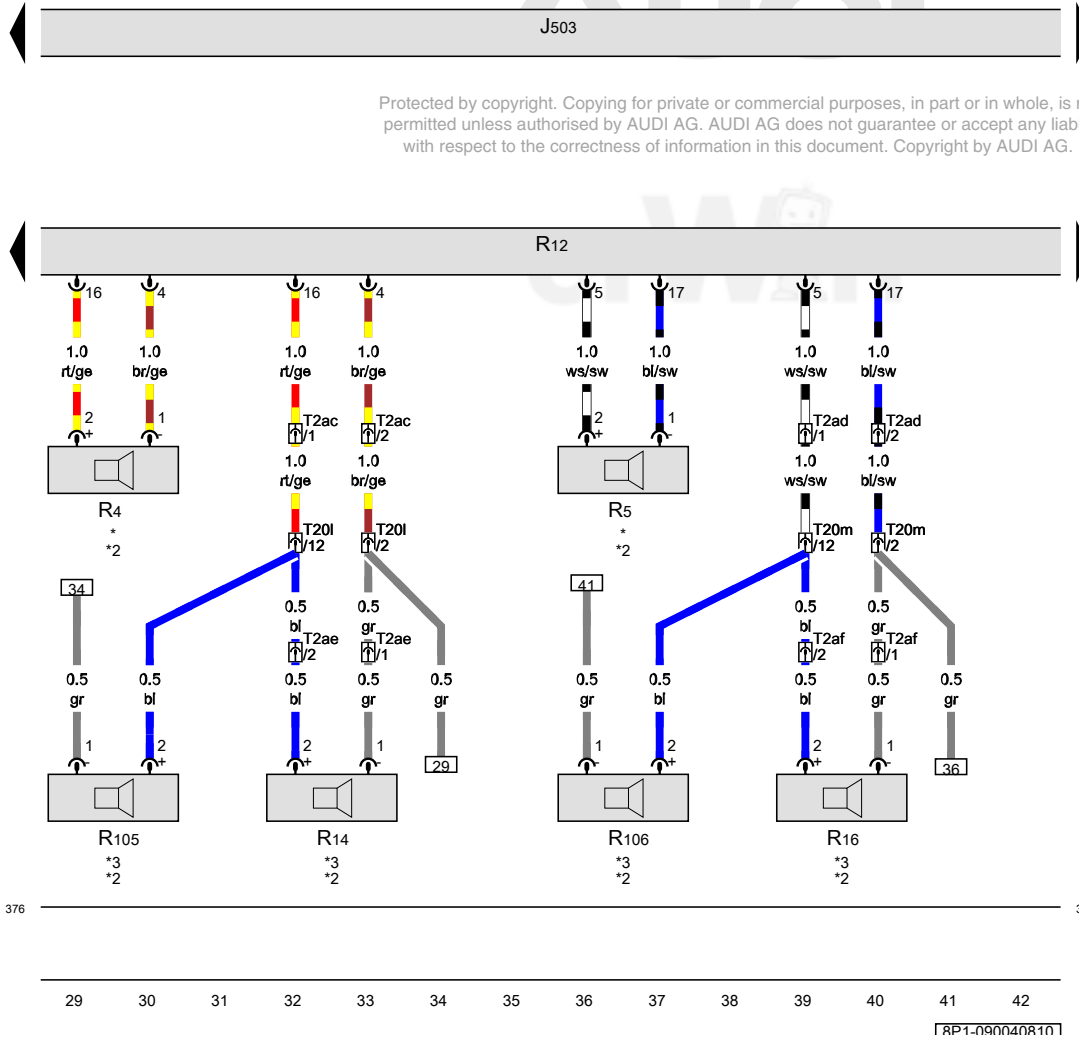
Radio/navigation display unit control module, Left rear speaker, Right rear speaker, Amplifier, Left rear treble speaker, Right rear treble speaker, Left rear midrange speaker, Right rear midrange speaker

- J503 Radio/navigation display unit control module
- R4 Left rear speaker
- R5 Right rear speaker
- R12 Amplifier
- R14 Left rear treble speaker
- R16 Right rear treble speaker
- R105 Left rear midrange speaker
- R106 Right rear midrange speaker
- T2ac Double connector, behind the left rear side trim
- T2ad Double connector, behind the right rear side trim
- T2ae Double connector, in the left rear door
- T2af Double connector, in the right rear door
- T20l 20-pin connector, on the left B-pillar
- T20m 20-pin connector, on the right B-pillar

Protected by copyright. Copying for private or commercial purposes, in part or in whole, is not permitted unless authorised by AUDI AG. AUDI AG does not guarantee or accept any liability with respect to the correctness of information in this document. Copyright by AUDI AG.

376 Ground connection 11 (in main wiring harness)

- * Only for vehicles with 3-door equipment
- *2 Only for vehicles with BOSE sound system
- *3 Only for vehicles with 5-door equipment



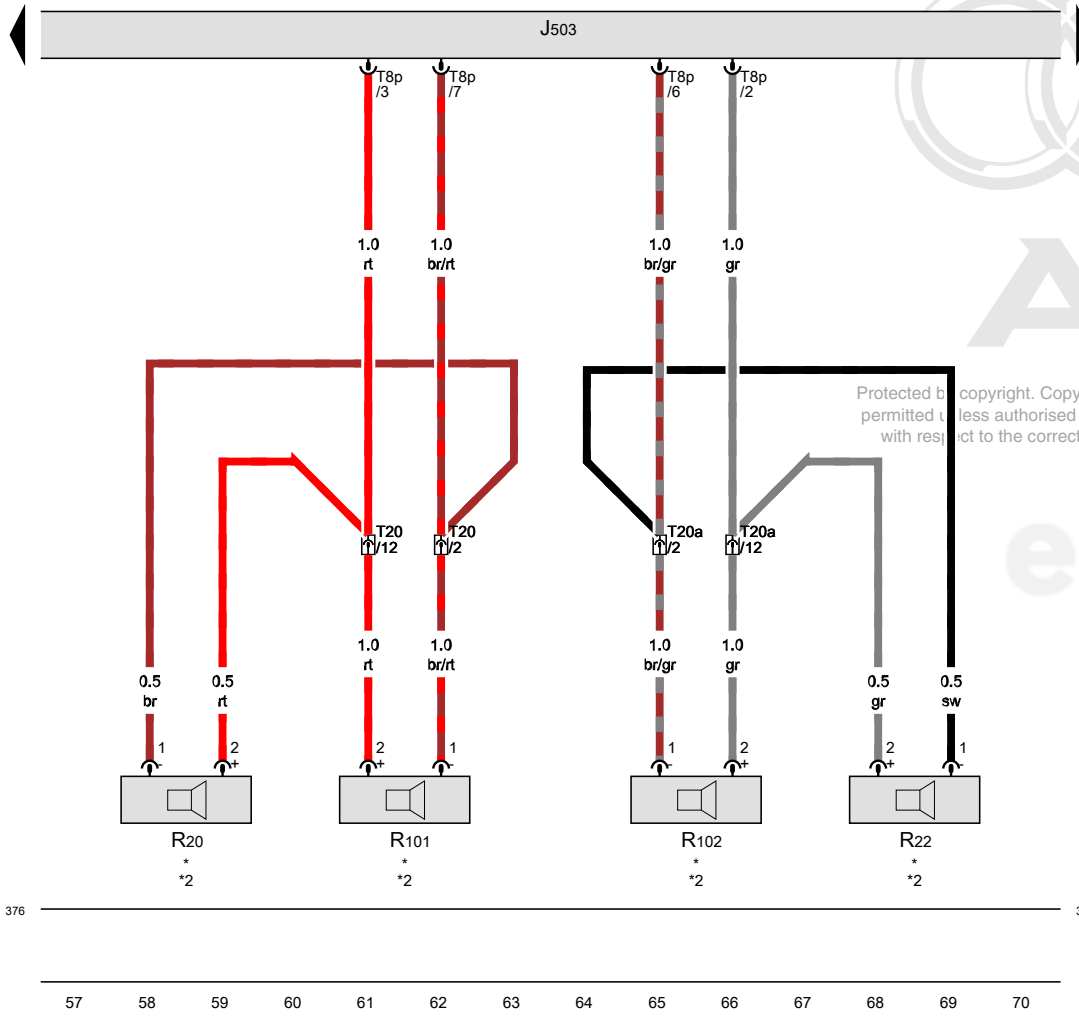
- ws = white
- sw = black
- ro = red
- br = brown
- gn = green
- bl = blue
- gr = grey
- li = lilac
- ge = yellow
- or = orange
- rs = pink

Radio/navigation display unit control module, Left front treble speaker, Right front treble speaker, Left front mid-bass speaker, Right front mid-bass speaker

- J503 Radio/navigation display unit control module
- R20 Left front treble speaker
- R22 Right front treble speaker
- R101 Left front mid-bass speaker
- R102 Right front mid-bass speaker
- T8p 8-pin connector
- T20 20-pin connector, on the lower left A-pillar
- T20a 20-pin connector, on the lower right A-pillar

376 Ground connection 11 (in main wiring harness)

- * Only for vehicles without an amplifier
- *2 Only for vehicles with passive speakers



Protected by copyright. Copying for private or commercial purposes, in part or in whole, is not permitted unless authorised by AUDI AG. AUDI AG does not guarantee or accept any liability with respect to the correctness of information in this document. Copyright by AUDI AG.

- ws = white
- sw = black
- ro = red
- br = brown
- gn = green
- bl = blue
- gr = grey
- li = lilac
- ge = yellow
- or = orange
- rs = pink

376

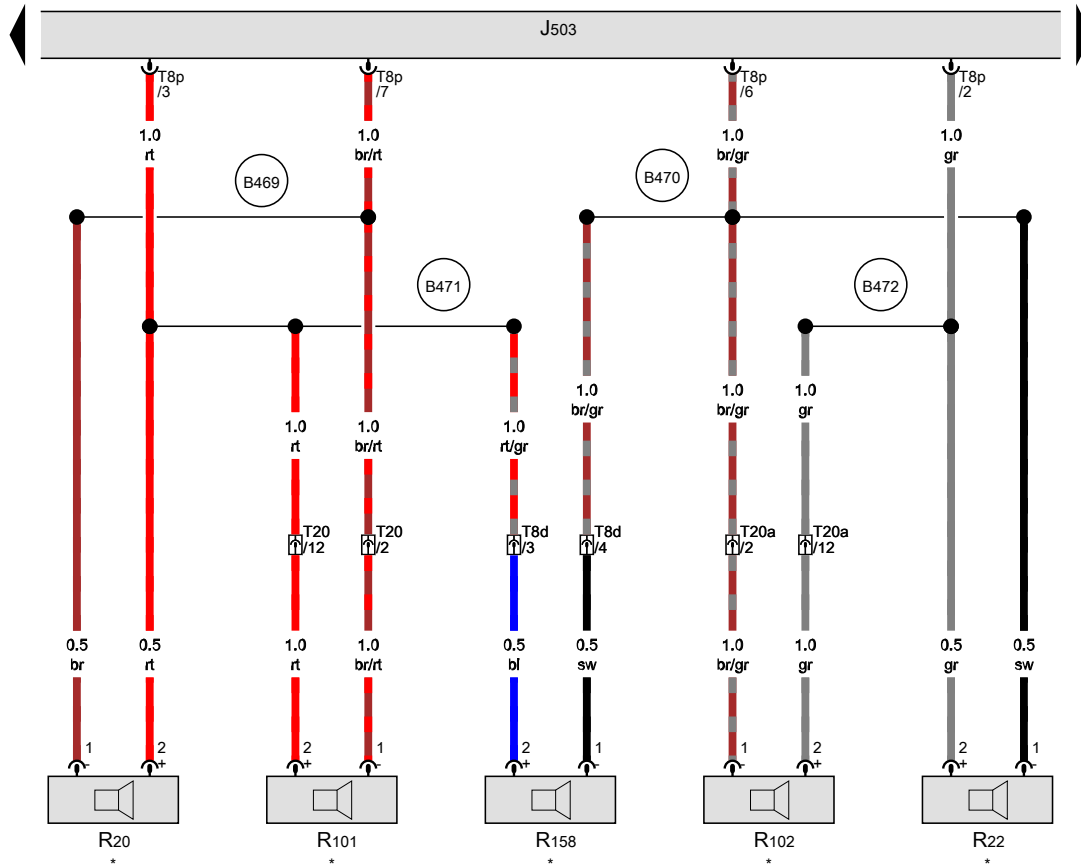
376

57 58 59 60 61 62 63 64 65 66 67 68 69 70

1P1-090060R101

Radio/navigation display unit control module, Left front treble speaker, Right front treble speaker, Left front mid-bass speaker, Right front mid-bass speaker, Center mid-treble speaker

- J503 Radio/navigation display unit control module
- R20 Left front treble speaker
- R22 Right front treble speaker
- R101 Left front mid-bass speaker
- R102 Right front mid-bass speaker
- R158 Center mid-treble speaker
- T8d 8-pin connector, behind the center console
- T8p 8-pin connector
- T20 20-pin connector, on the lower left A-pillar
- T20a 20-pin connector, on the lower right A-pillar



- (376) Ground connection 11 (in main wiring harness)
- (B469) Connection 5 (in main wiring harness)
- (B470) Connection 6 (in main wiring harness)
- (B471) Connection 7 (in main wiring harness)
- (B472) Connection 8 (in main wiring harness)

* Only for vehicles with an amplifier

Protected by copyright. Copying for private or commercial purposes, in part or in whole, is not permitted unless authorised by AUDI AG. AUDI AG does not guarantee or accept any liability with respect to the correctness of information in this document. Copyright by AUDI AG.

- ws = white
- sw = black
- ro = red
- br = brown
- gn = green
- bl = blue
- gr = grey
- li = lilac
- ge = yellow
- or = orange
- rs = pink

376

376

71 72 73 74 75 76 77 78 79 80 81 82 83 84

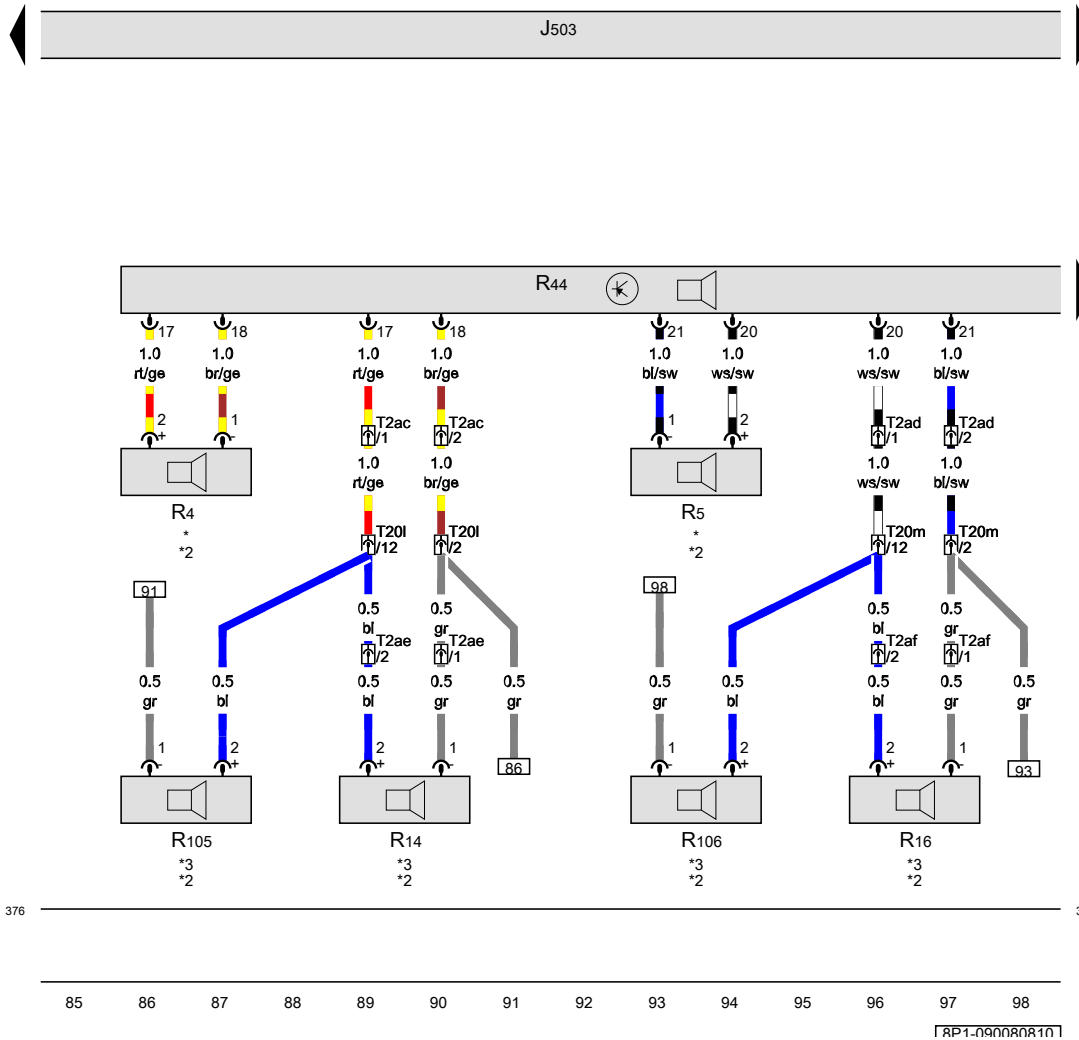
18P1-0900708101

Radio/navigation display unit control module, Left rear speaker, Right rear speaker, Left rear treble speaker, Right rear treble speaker, Amplifier with bass speaker in left luggage compartment, Left rear midrange speaker, Right rear midrange speaker

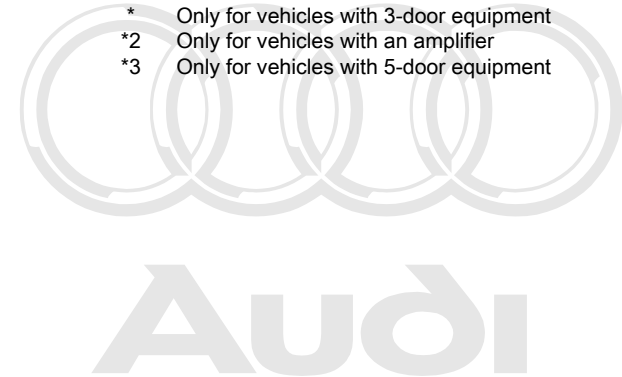
- J503 Radio/navigation display unit control module
- R4 Left rear speaker
- R5 Right rear speaker
- R14 Left rear treble speaker
- R16 Right rear treble speaker
- R44 Amplifier with bass speaker in left luggage compartment
- R105 Left rear midrange speaker
- R106 Right rear midrange speaker
- T2ac Double connector, behind the left rear side trim
- T2ad Double connector, behind the right rear side trim
- T2ae Double connector, in the left rear door
- T2af Double connector, in the right rear door
- T20l 20-pin connector, on the left B-pillar
- T20m 20-pin connector, on the right B-pillar

376 Ground connection 11 (in main wiring harness)

- * Only for vehicles with 3-door equipment
- *2 Only for vehicles with an amplifier
- *3 Only for vehicles with 5-door equipment



- ws = white
- sw = black
- ro = red
- br = brown
- gn = green
- bl = blue
- gr = grey
- li = lilac
- ge = yellow
- or = orange
- rs = pink



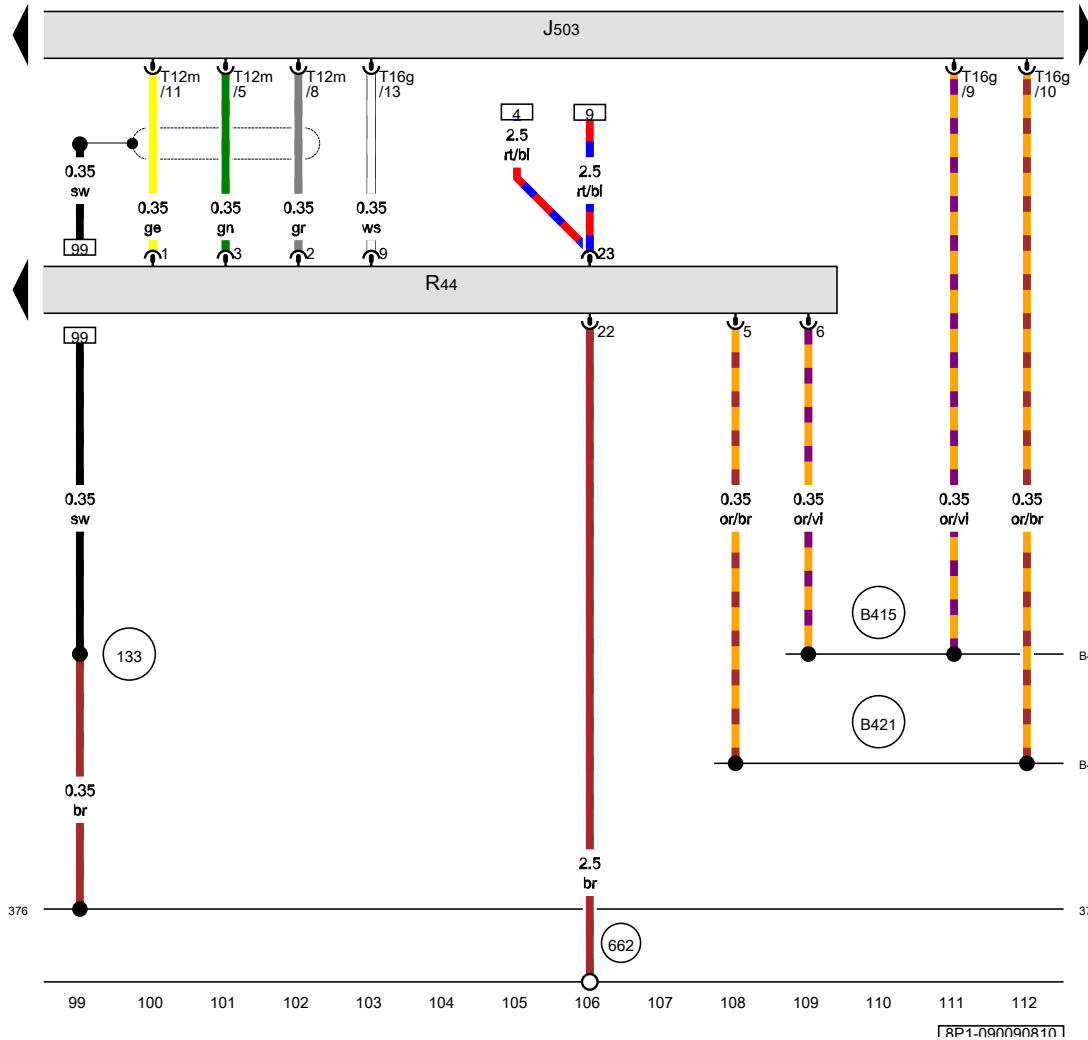
Protected by copyright. Copying for private or commercial purposes, in part or in whole, is not permitted unless authorised by AUDI AG. AUDI AG does not guarantee or accept any liability with respect to the correctness of information in this document. Copyright by AUDI AG.



Radio/navigation display unit control module, Amplifier with bass speaker in left luggage compartment

- J503 Radio/navigation display unit control module
- R44 Amplifier with bass speaker in left luggage compartment
- T12m 12-pin connector
- T16g 16-pin connector

- 133 Ground connection (in speaker wiring harness)
- 376 Ground connection 11 (in main wiring harness)
- 662 Ground connection in left rear side panel
- B415 Infotainment CAN Bus high connection 1 (in main wiring harness)
- B421 Infotainment CAN bus low connection 1 (in main wiring harness)



- ws = white
- sw = black
- ro = red
- br = brown
- gn = green
- bl = blue
- gr = grey
- li = lilac
- ge = yellow
- or = orange
- rs = pink

Protected by copyright. Copying for private or commercial purposes, in part or in whole, is not permitted unless authorised by AUDI AG. AUDI AG does not guarantee or accept any liability with respect to the correctness of information in this document. Copyright by AUDI AG.



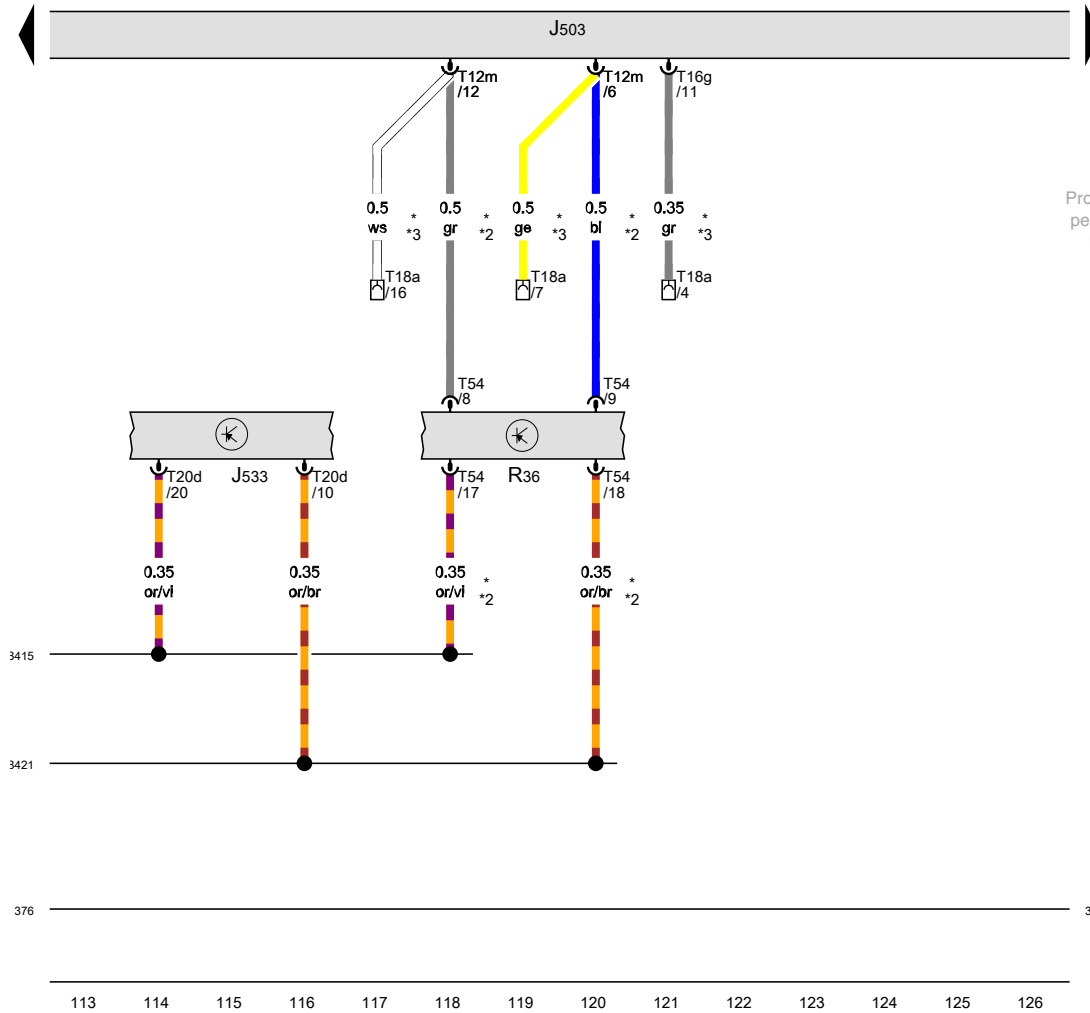
Radio/navigation display unit control module, Data bus on board diagnostic interface, Telephone transceiver

- J503 Radio/navigation display unit control module
- J533 Data bus on board diagnostic interface
- R36 Telephone transceiver
- T12m 12-pin connector
- T16g 16-pin connector
- T18a 18-pin connector, VDA connector
- T20d 20-pin connector
- T54 54-pin connector

- 376 Ground connection 11 (in main wiring harness)
- B415 Infotainment CAN Bus high connection 1 (in main wiring harness)
- B421 Infotainment CAN bus low connection 1 (in main wiring harness)

* Refer to applicable wiring diagram for cell phone preparation
 2 Optional equipment
 3 If available

Protected by copyright. Copying for private or commercial purposes, in part or in whole, is not permitted unless authorised by AUDI AG. AUDI AG does not guarantee or accept any liability with respect to the correctness of information in this document. Copyright by AUDI AG.



- ws = white
- sw = black
- ro = red
- br = brown
- gn = green
- bl = blue
- gr = grey
- li = lilac
- ge = yellow
- or = orange
- rs = pink

18P1-0901008101

Radio/navigation display unit control module, External audio source connection

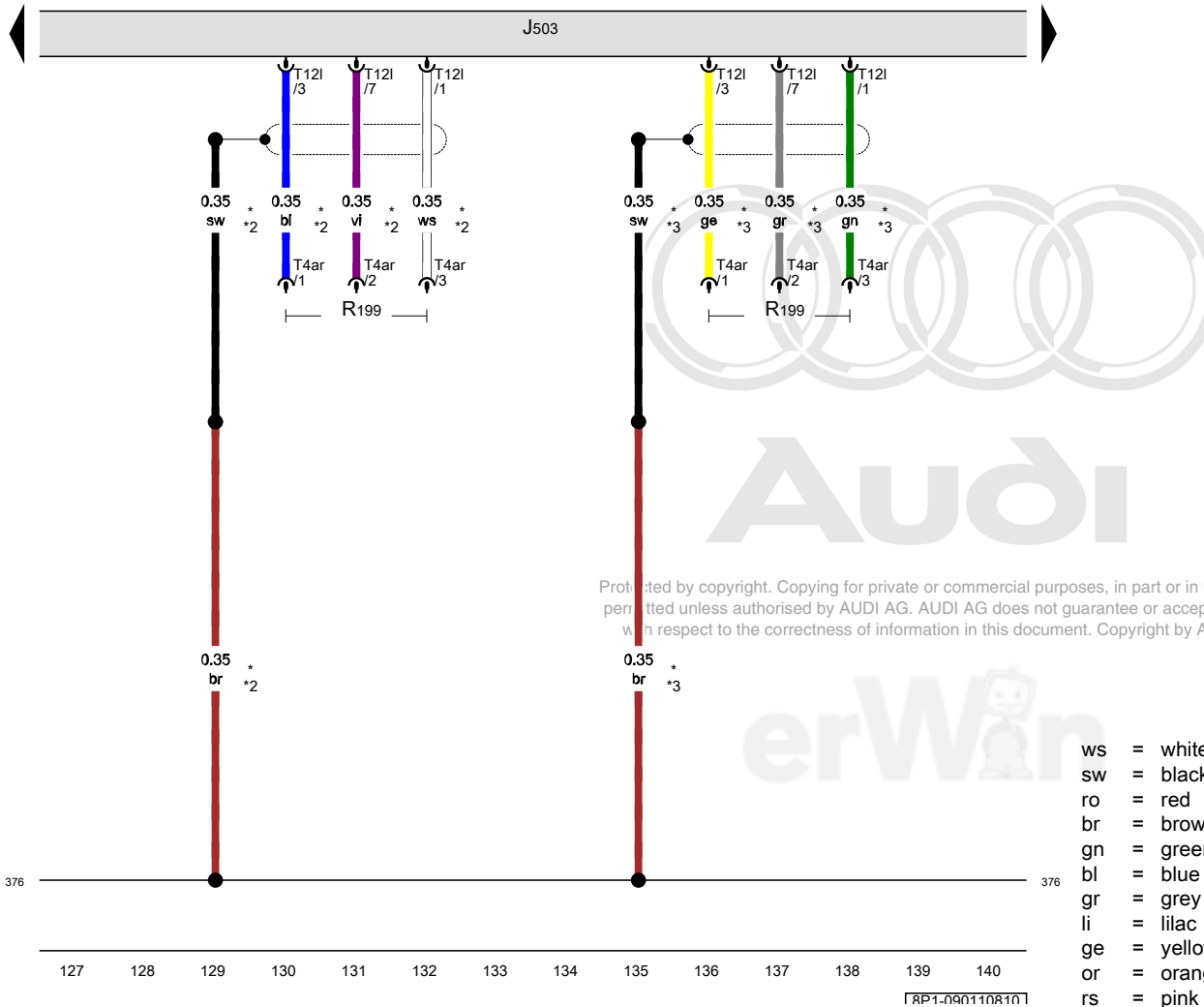
- J503 Radio/navigation display unit control module
- R199 External audio source connection
- T4ar 4-pin connector
- T12l 12-pin connector

376 Ground connection 11 (in main wiring harness)

* Only for vehicles with external audio source connection - AUX-In connection

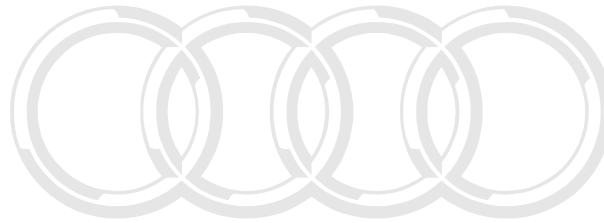
*2 Only for vehicles with US equipment

*3 Only for vehicles without US equipment



Protected by copyright. Copying for private or commercial purposes, in part or in whole, is not permitted unless authorised by AUDI AG. AUDI AG does not guarantee or accept any liability with respect to the correctness of information in this document. Copyright by AUDI AG.

- ws = white
- sw = black
- ro = red
- br = brown
- gn = green
- bl = blue
- gr = grey
- li = lilac
- ge = yellow
- or = orange
- rs = pink



Audi

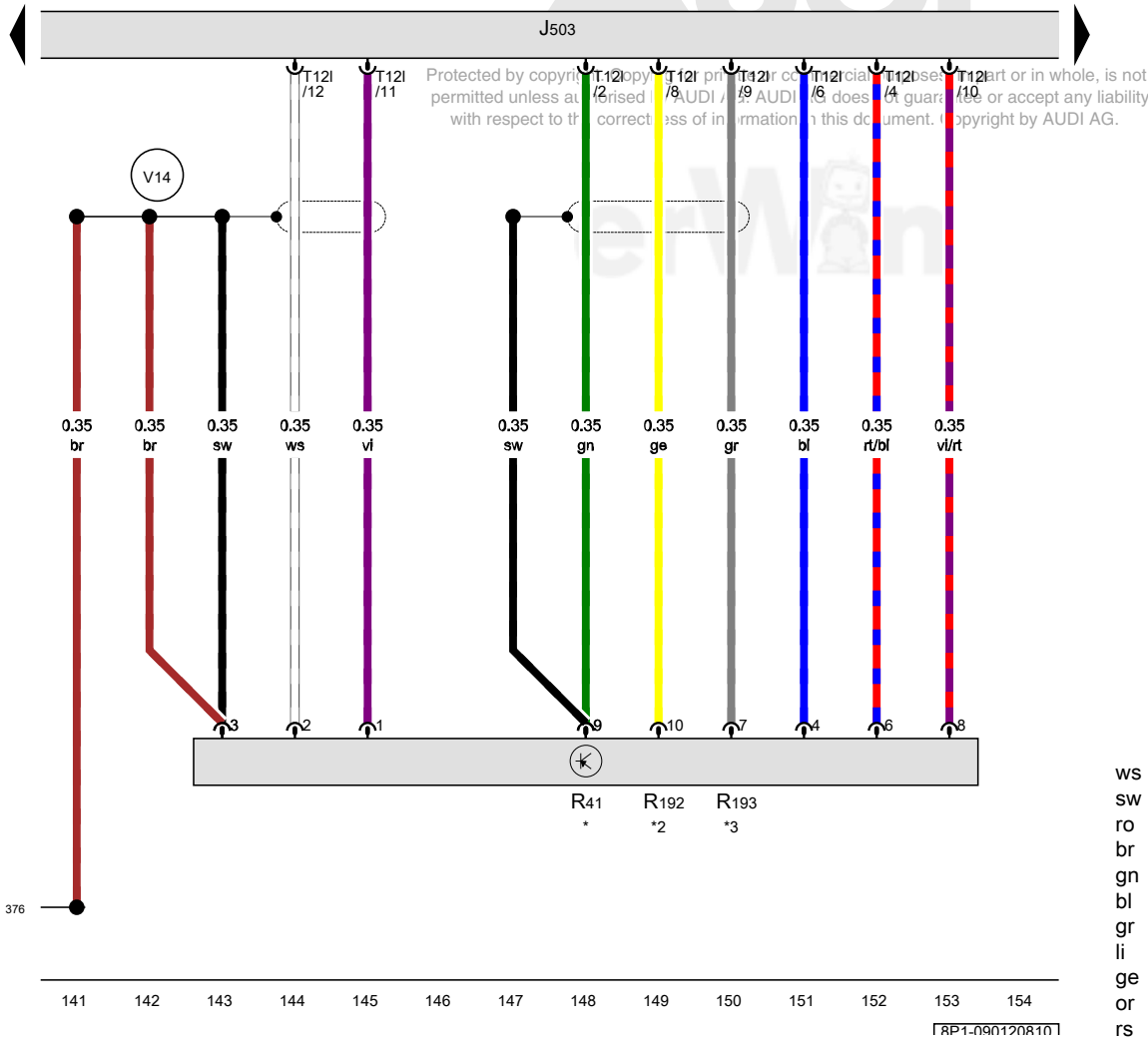
Radio/navigation display unit control module, CD changer, iPod baseplate, USB connection baseplate

- J503 Radio/navigation display unit control module
- R41 CD changer
- R192 iPod baseplate
- R193 USB connection baseplate
- T121 12-pin connector

376 Ground connection 11 (in main wiring harness)

V14 Shielding connection (in CD changer wiring harness)

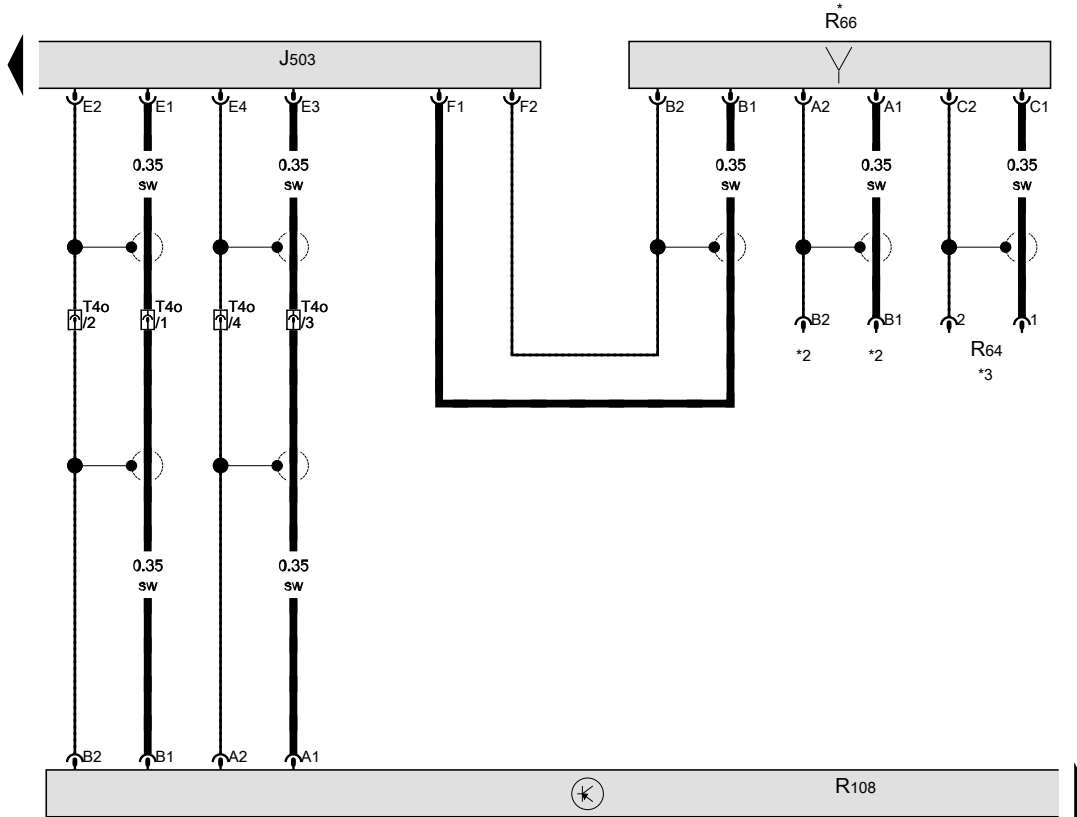
- * Only for vehicles with CD changer
- *2 Only for vehicles with iPod bracket
- *3 If available



- ws = white
- sw = black
- ro = red
- br = brown
- gn = green
- bl = blue
- gr = grey
- li = lilac
- ge = yellow
- or = orange
- rs = pink

Radio/navigation display unit control module, Telephone/navigation system/auxiliary heater antenna, Left antenna module

- J503 Radio/navigation display unit control module
- R64 Auxiliary heater radio receiver
- R66 Telephone/navigation system/auxiliary heater antenna
- R108 Left antenna module
- T4o 4-pin connector, near the right C-pillar
- * Roof antenna
- *2 Only for vehicles with cell phone preparation
- *3 Only for vehicles with an auxiliary heater



- ws = white
- sw = black
- ro = red
- br = brown
- gn = green
- bl = blue
- gr = grey
- li = lilac
- ge = yellow
- or = orange
- rs = pink



Protected by copyright. Copying for private or commercial purposes, in part or in whole, is not permitted unless authorised by AUDI AG. AUDI AG does not guarantee or accept any liability with respect to the correctness of information in this document. Copyright by AUDI AG.

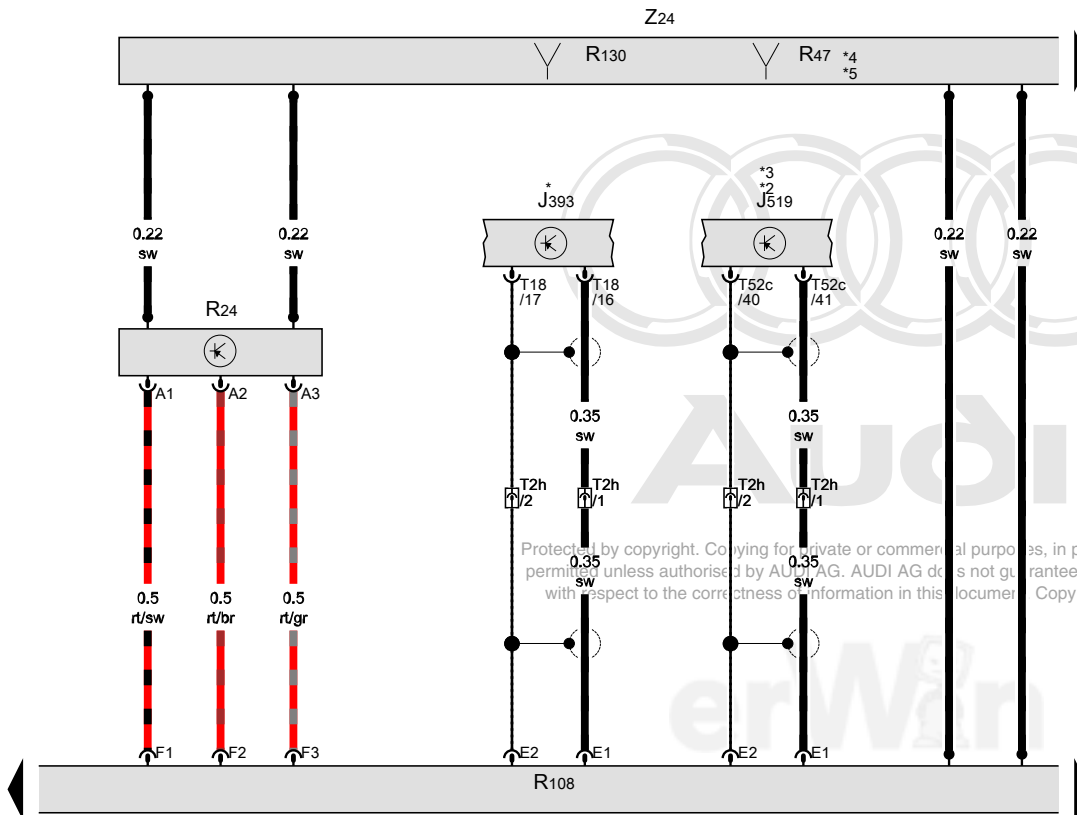


155 156 157 158 159 160 161 162 163 164 165 166 167 168

RP1-0901308101

Comfort system central control module, Vehicle electrical system control module, Antenna amplifier, Central locking and anti-theft alarm system antenna, Left antenna module, Rear window antenna 1

- J393 Comfort system central control module
- J519 Vehicle electrical system control module
- R24 Antenna amplifier
- R47 Central locking and anti-theft alarm system antenna
- R108 Left antenna module
- R130 Rear window antenna 1
- T2h Double connector, on the right C-pillar
- T18 18-pin connector
- T52c 52-pin connector
- Z24 Rear window defogger with window antenna
- * Through April 2009
- *2 From May 2009
- *3 Refer to applicable convenience system wiring diagram
- *4 Omitted as a running change
- *5 Only for RS3



Protected by copyright. Copying for private or commercial purposes, in part or in whole, is not permitted unless authorised by AUDI AG. AUDI AG does not guarantee or accept any liability with respect to the correctness of information in this document. Copyright by AUDI AG.

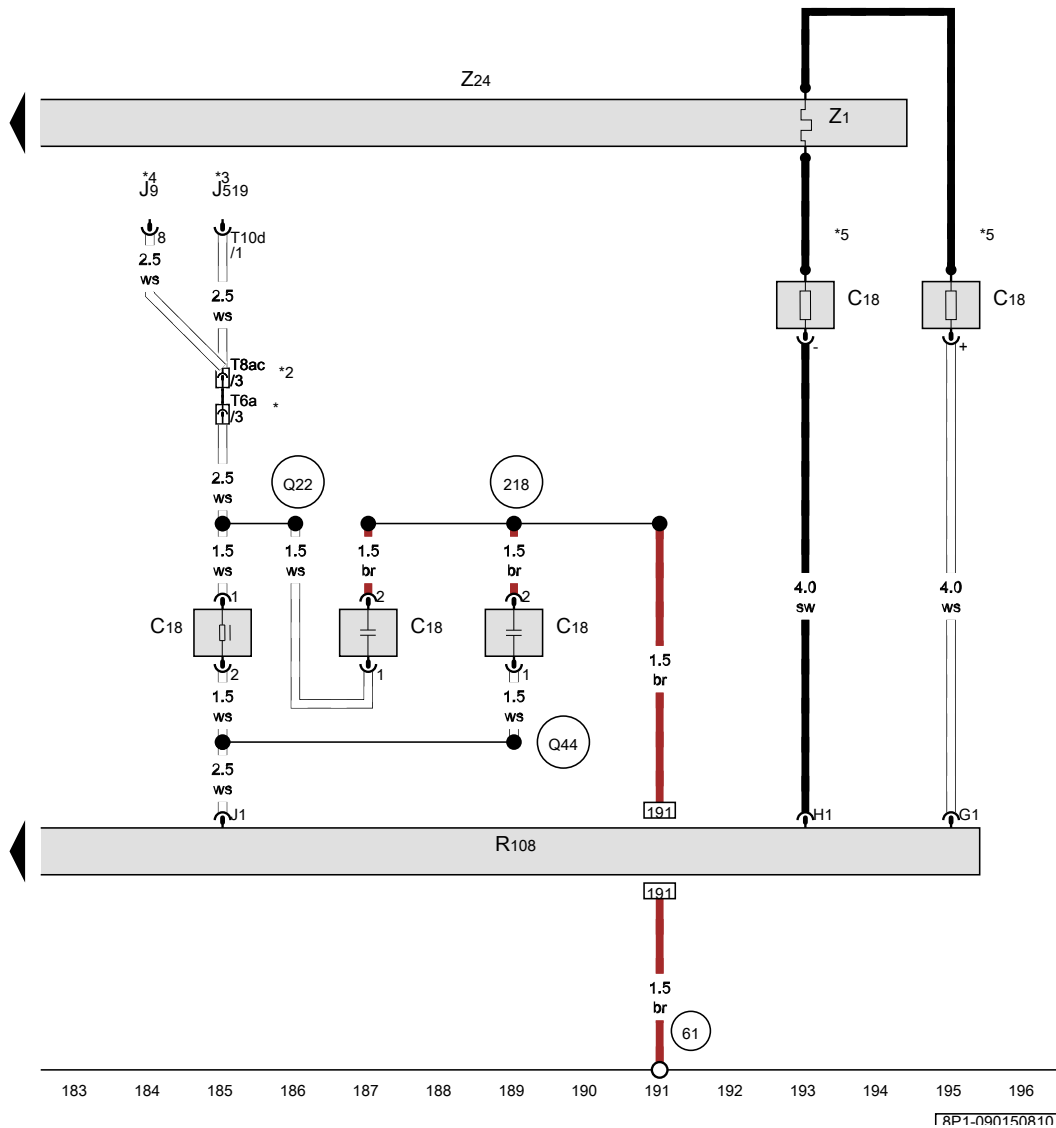
- ws = white
- sw = black
- ro = red
- br = brown
- gn = green
- bl = blue
- gr = grey
- li = lilac
- ge = yellow
- or = orange
- rs = pink

Windshield antenna suppression filter, Left antenna module, Rear window defogger

- C18 Windshield antenna suppression filter
- J9 Rear window defogger relay
- J519 Vehicle electrical system control module
- R108 Left antenna module
- T6a 6-pin connector, on the left C-pillar
- T8ac 8-pin connector, on the left C-pillar
- T10d 10-pin connector
- Z1 Rear window defogger
- Z24 Rear window defogger with window antenna

- 61 Ground connection on left C-pillar
- 218 Ground connection 1 (in rear lid wiring harness)
- Q22 Connection 1 (in rear lid wiring harness)
- Q44 Connection 2 (in rear lid wiring harness)

- * Only for vehicles with 3-door equipment
- *2 Only for vehicles with 5-door equipment
- *3 Through April 2009
- *4 From May 2009
- *5 Adapter cable



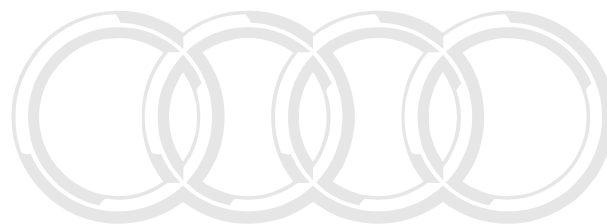
- ws = white
- sw = black
- ro = red
- br = brown
- gn = green
- bl = blue
- gr = grey
- li = lilac
- ge = yellow
- or = orange
- rs = pink

Protected by copyright. Copying for private or commercial purposes, in part or in whole, is not permitted unless authorised by AUDI AG. AUDI AG does not guarantee or accept any liability with respect to the correctness of information in this document. Copyright by AUDI AG.



Radio navigation system RNS-E

From May 2008



Audi

Protected by copyright. Copying for private or commercial purposes, in part or in whole, is not permitted unless authorised by AUDI AG. AUDI AG does not guarantee or accept any liability with respect to the correctness of information in this document. Copyright by AUDI AG.

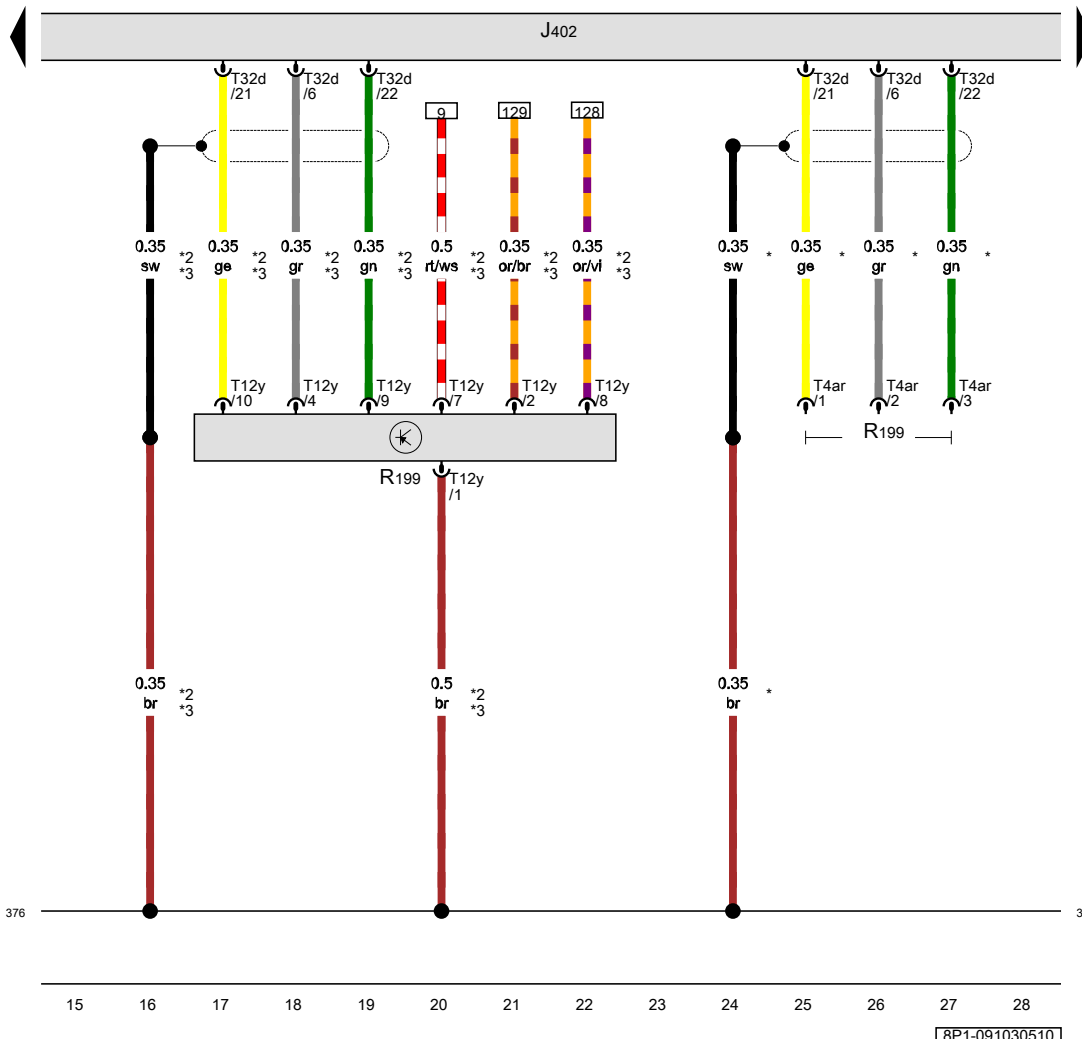


Operating electronics/navigation system control module,
External audio source connection

- J402 Operating electronics/navigation system control module
- R199 External audio source connection
- T4ar 4-pin connector
- T12y 12-pin connector
- T32d 32-pin connector

376 Ground connection 11 (in main wiring harness)

- * Only for vehicles with external audio source connection - AUX-In connection
- *2 From May 2009
- *3 Only for vehicles with external audio source connection - Audi music interface



- ws = white
- sw = black
- ro = red
- br = brown
- gn = green
- bl = blue
- gr = grey
- li = lilac
- ge = yellow
- or = orange
- rs = pink

Protected by copyright. Copying for private or commercial purposes, in part or in whole, is not permitted unless authorised by AUDI AG. AUDI AG does not guarantee or accept any liability with respect to the correctness of information in this document. Copyright by AUDI AG.

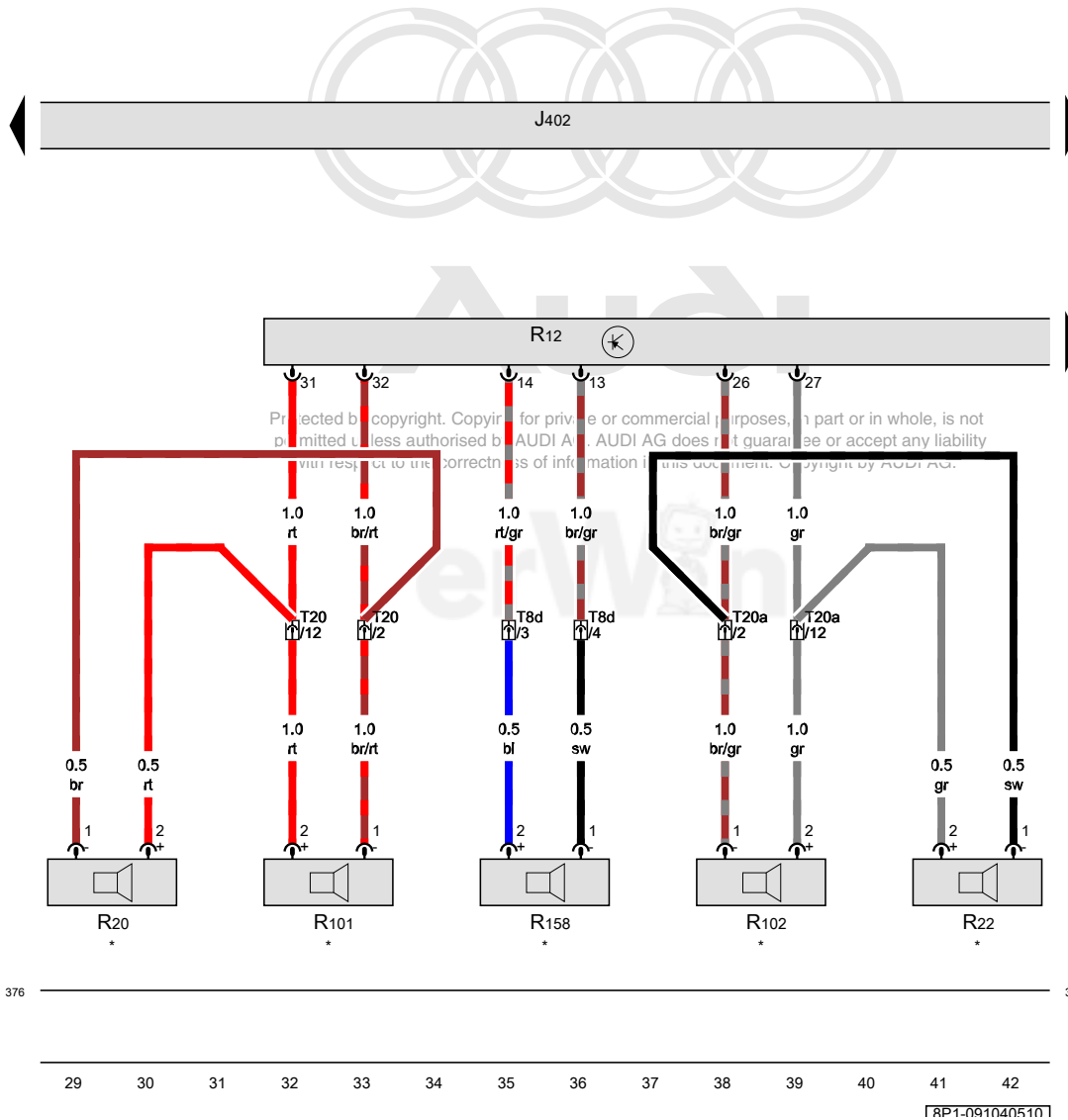


Operating electronics/navigation system control module, Amplifier, Left front treble speaker, Right front treble speaker, Left front mid-bass speaker, Right front mid-bass speaker, Center mid-treble speaker

- J402 Operating electronics/navigation system control module
- R12 Amplifier
- R20 Left front treble speaker
- R22 Right front treble speaker
- R101 Left front mid-bass speaker
- R102 Right front mid-bass speaker
- R158 Center mid-treble speaker
- T8d 8-pin connector, behind the center console
- T20 20-pin connector, on the lower left A-pillar
- T20a 20-pin connector, on the lower right A-pillar

376 Ground connection 11 (in main wiring harness)

* Only for vehicles with BOSE sound system



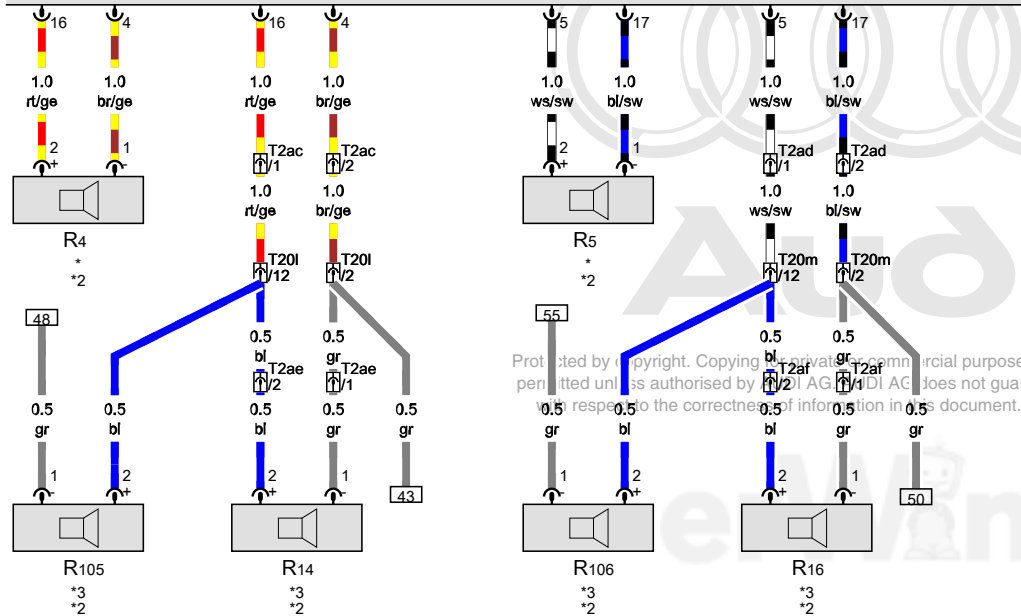
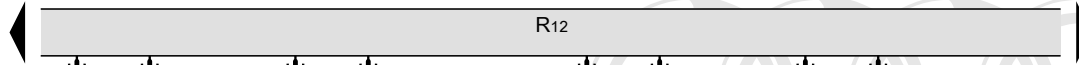
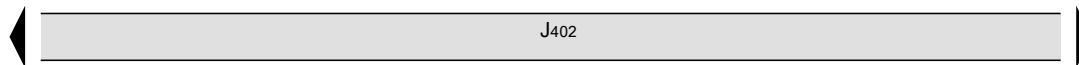
- ws = white
- sw = black
- ro = red
- br = brown
- gn = green
- bl = blue
- gr = grey
- li = lilac
- ge = yellow
- or = orange
- rs = pink

Operating electronics/navigation system control module,
 Left rear speaker, Right rear speaker, Amplifier, Left rear
 treble speaker, Right rear treble speaker, Left rear midrange
 speaker, Right rear midrange speaker

- J402 Operating electronics/navigation system control module
- R4 Left rear speaker
- R5 Right rear speaker
- R12 Amplifier
- R14 Left rear treble speaker
- R16 Right rear treble speaker
- R105 Left rear midrange speaker
- R106 Right rear midrange speaker
- T2ac Double connector, behind the left rear side trim
- T2ad Double connector, behind the right rear side trim
- T2ae Double connector, in the left rear door
- T2af Double connector, in the right rear door
- T20l 20-pin connector, on the left B-pillar
- T20m 20-pin connector, on the right B-pillar

376 Ground connection 11 (in main wiring harness)

- * Only for vehicles with 3-door equipment
- *2 Only for vehicles with BOSE sound system
- *3 Only for vehicles with 5-door equipment



Protected by copyright. Copying for private, non-commercial purposes, in part or in whole, is not permitted unless authorised by Audi AG. Audi AG does not guarantee or accept any liability in respect to the correctness of information in this document. Copyright by Audi AG.

- ws = white
- sw = black
- ro = red
- br = brown
- gn = green
- bl = blue
- gr = grey
- li = lilac
- ge = yellow
- or = orange
- rs = pink

376

376

43 44 45 46 47 48 49 50 51 52 53 54 55 56

1 RP1-0910505101

Operating electronics/navigation system control module, Amplifier, Interior microphone, Bass speaker

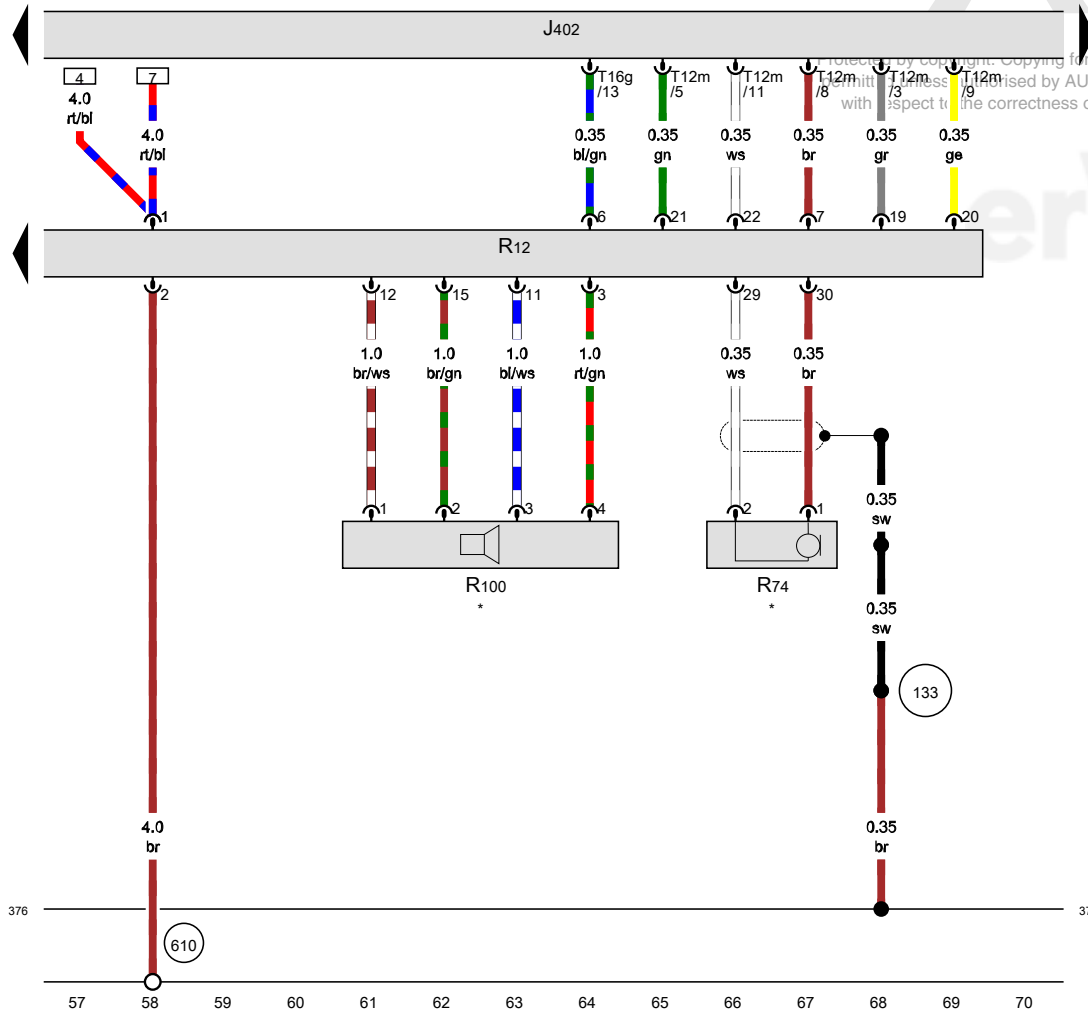
- J402 Operating electronics/navigation system control module
- R12 Amplifier
- R74 Interior microphone
- R100 Bass speaker
- T12m 12-pin connector
- T16g 16-pin connector

133 Ground connection (in speaker wiring harness)

376 Ground connection 11 (in main wiring harness)

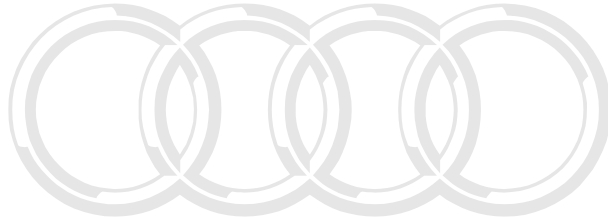
610 Audio ground connection under front center console

* Only for vehicles with BOSE sound system



- ws = white
- sw = black
- ro = red
- br = brown
- gn = green
- bl = blue
- gr = grey
- li = lilac
- ge = yellow
- or = orange
- rs = pink

18P1-0910605101



Audi

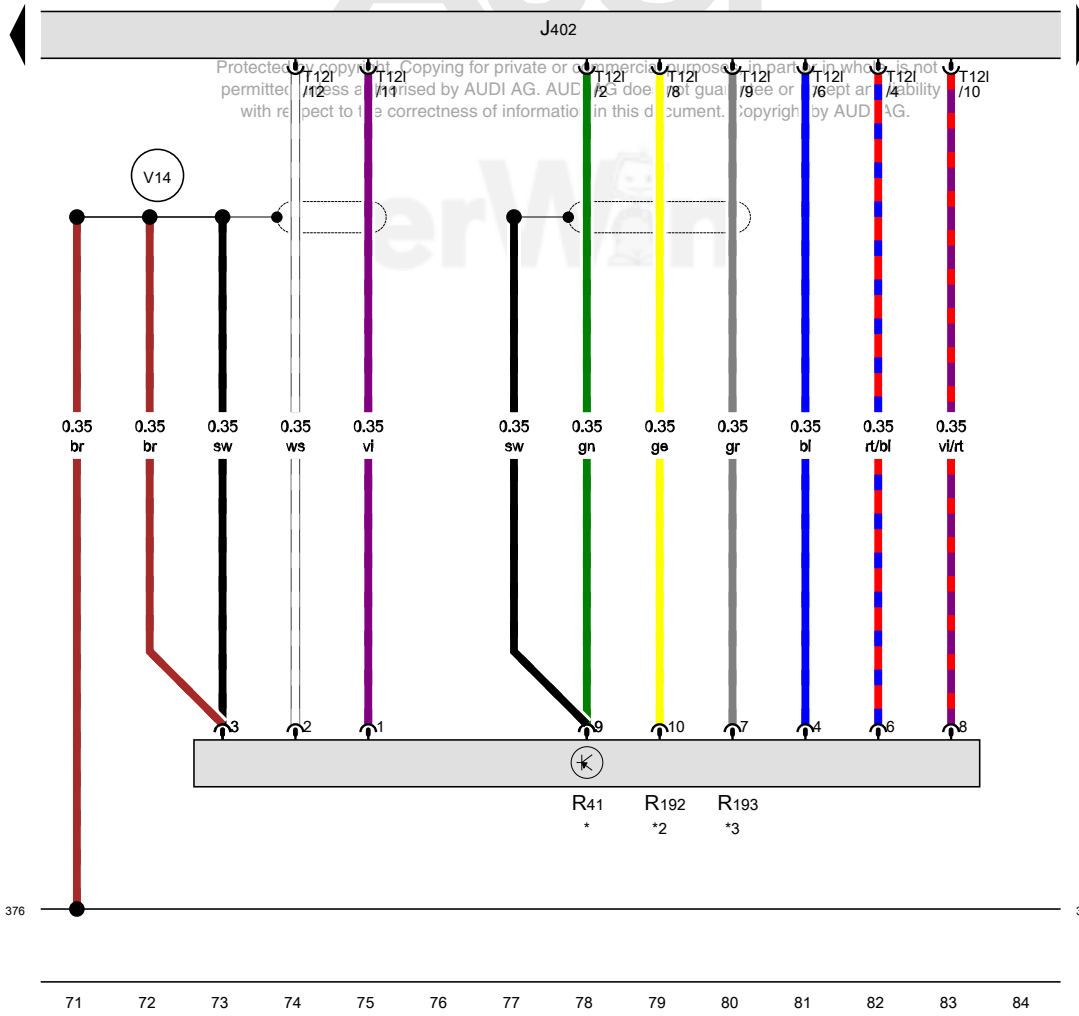
Operating electronics/navigation system control module, CD changer, iPod baseplate, USB connection baseplate

- J402 Operating electronics/navigation system control module
- R41 CD changer
- R192 iPod baseplate
- R193 USB connection baseplate
- T121 12-pin connector

376 Ground connection 11 (in main wiring harness)

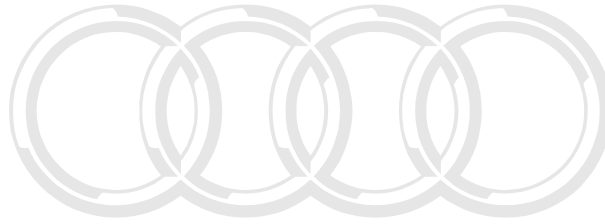
V14 Shielding connection (in CD changer wiring harness)

- * Only for vehicles with CD changer
- *2 Only for vehicles with iPod bracket
- *3 If available



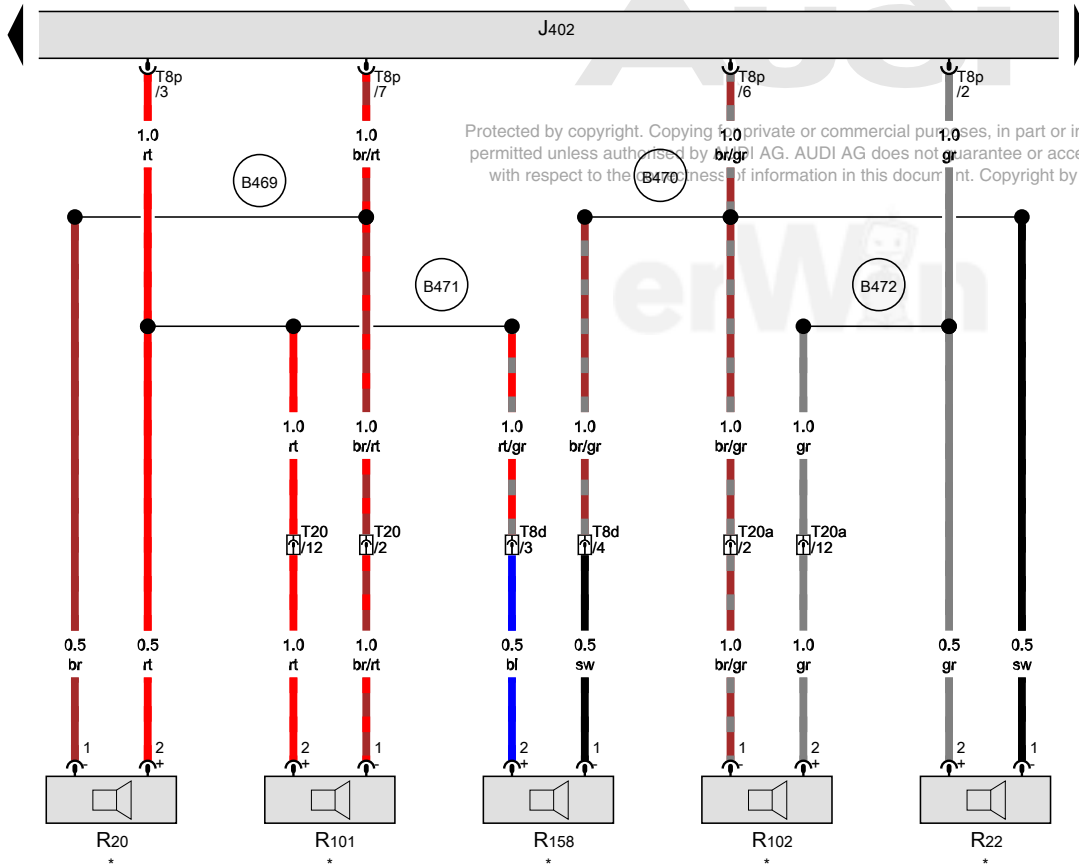
- ws = white
- sw = black
- ro = red
- br = brown
- gn = green
- bl = blue
- gr = grey
- li = lilac
- ge = yellow
- or = orange
- rs = pink

18P1-0910705101



Operating electronics/navigation system control module,
Left front treble speaker, Right front treble speaker, Left
front mid-bass speaker, Right front mid-bass speaker,
Center mid-treble speaker

- J402 Operating electronics/navigation system control module
- R20 Left front treble speaker
- R22 Right front treble speaker
- R101 Left front mid-bass speaker
- R102 Right front mid-bass speaker
- R158 Center mid-treble speaker
- T8d 8-pin connector, behind the center console
- T8p 8-pin connector
- T20 20-pin connector, on the lower left A-pillar
- T20a 20-pin connector, on the lower right A-pillar



Protected by copyright. Copying for private or commercial purposes, in part or in whole, is not permitted unless authorized by Audi AG. Audi AG does not guarantee or accept any liability with respect to the correctness of information in this document. Copyright by Audi AG.

- 376 Ground connection 11 (in main wiring harness)
- B469 Connection 5 (in main wiring harness)
- B470 Connection 6 (in main wiring harness)
- B471 Connection 7 (in main wiring harness)
- B472 Connection 8 (in main wiring harness)
- * Only for vehicles with an amplifier

- ws = white
- sw = black
- ro = red
- br = brown
- gn = green
- bl = blue
- gr = grey
- li = lilac
- ge = yellow
- or = orange
- rs = pink

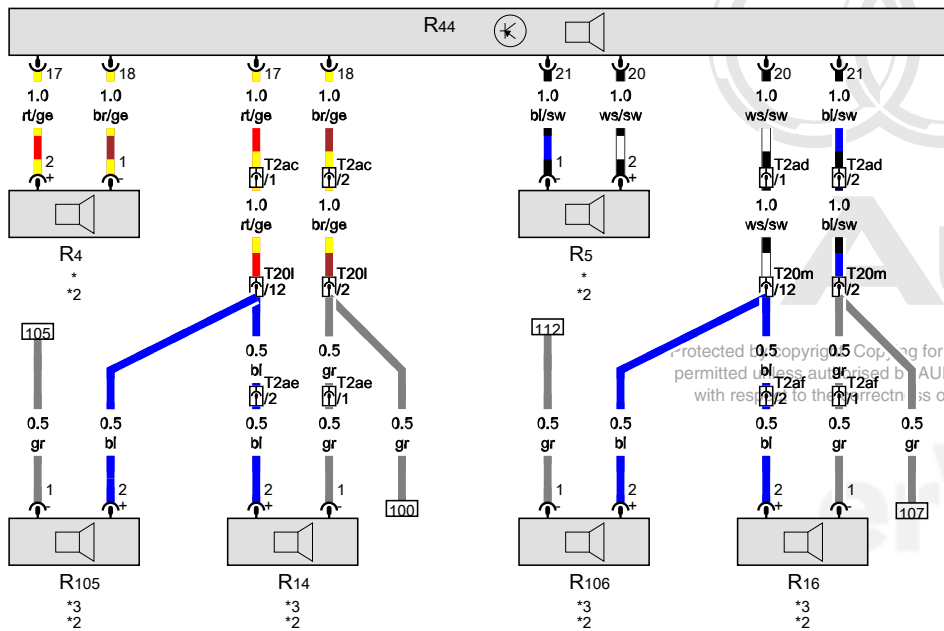
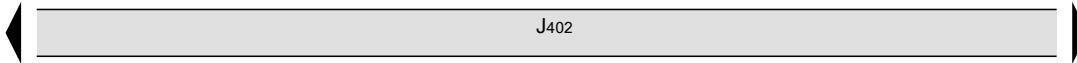
376 _____ 376

85 86 87 88 89 90 91 92 93 94 95 96 97 98

18P1-0910805101

Operating electronics/navigation system control module, Left rear speaker, Right rear speaker, Left rear treble speaker, Right rear treble speaker, Amplifier with bass speaker in left luggage compartment, Left rear midrange speaker, Right rear midrange speaker

- J402 Operating electronics/navigation system control module
- R4 Left rear speaker
- R5 Right rear speaker
- R14 Left rear treble speaker
- R16 Right rear treble speaker
- R44 Amplifier with bass speaker in left luggage compartment
- R105 Left rear midrange speaker
- R106 Right rear midrange speaker
- T2ac Double connector, behind the left rear side trim
- T2ad Double connector, behind the right rear side trim
- T2ae Double connector, in the left rear door
- T2af Double connector, in the right rear door
- T20l 20-pin connector, on the left B-pillar
- T20m 20-pin connector, on the right B-pillar



- 376 Ground connection 11 (in main wiring harness)
- * Only for vehicles with 3-door equipment
- *2 Only for vehicles with an amplifier
- *3 Only for vehicles with 5-door equipment

- ws = white
- sw = black
- ro = red
- br = brown
- gn = green
- bl = blue
- gr = grey
- li = lilac
- ge = yellow
- or = orange
- rs = pink

376

376

99 100 101 102 103 104 105 106 107 108 109 110 111 112

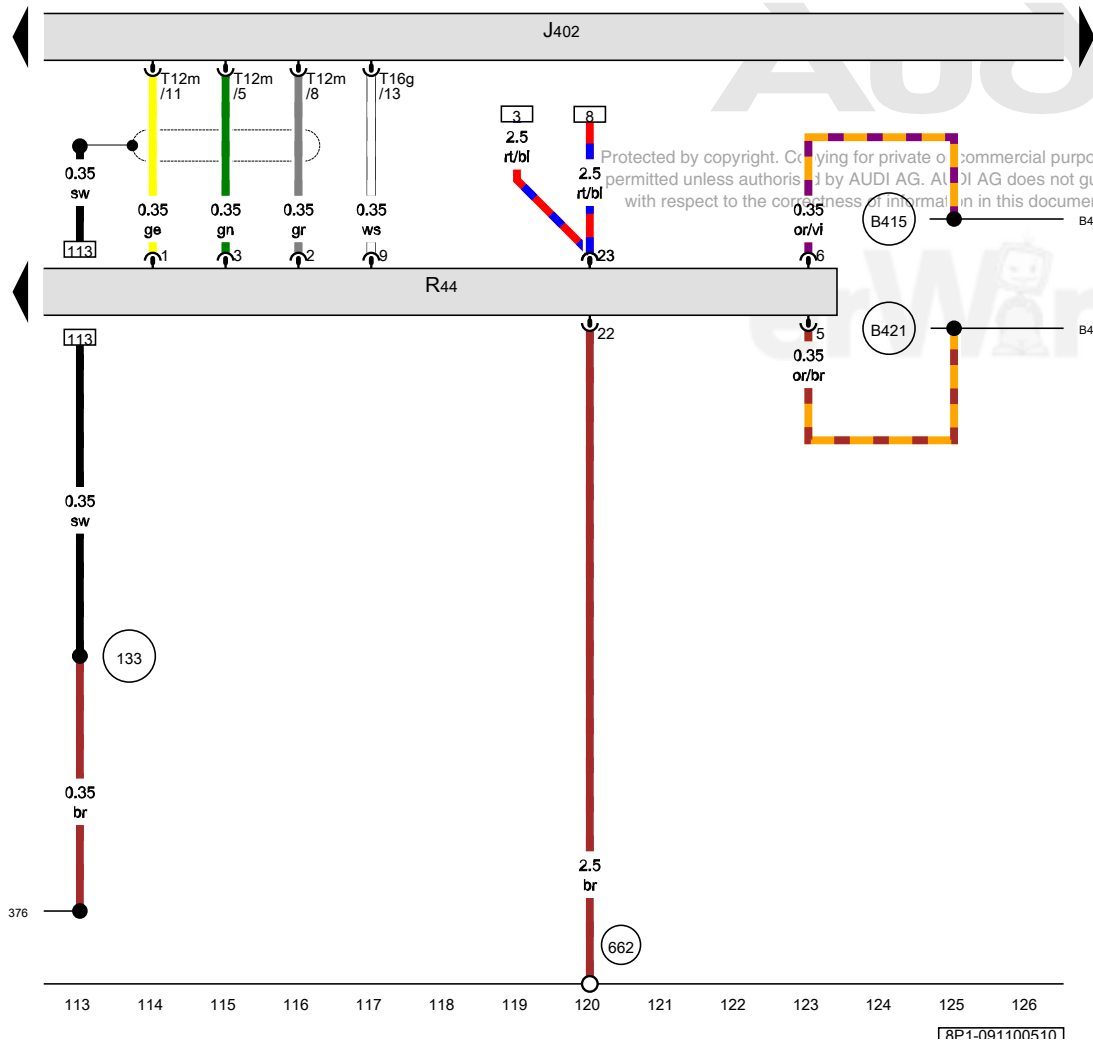
18P1-0910905101



Operating electronics/navigation system control module, Amplifier with bass speaker in left luggage compartment

- J402 Operating electronics/navigation system control module
- R44 Amplifier with bass speaker in left luggage compartment
- T12m 12-pin connector
- T16g 16-pin connector

- 133 Ground connection (in speaker wiring harness)
- 376 Ground connection 11 (in main wiring harness)
- 662 Ground connection in left rear side panel
- B415 Infotainment CAN Bus high connection 1 (in main wiring harness)
- B421 Infotainment CAN bus low connection 1 (in main wiring harness)



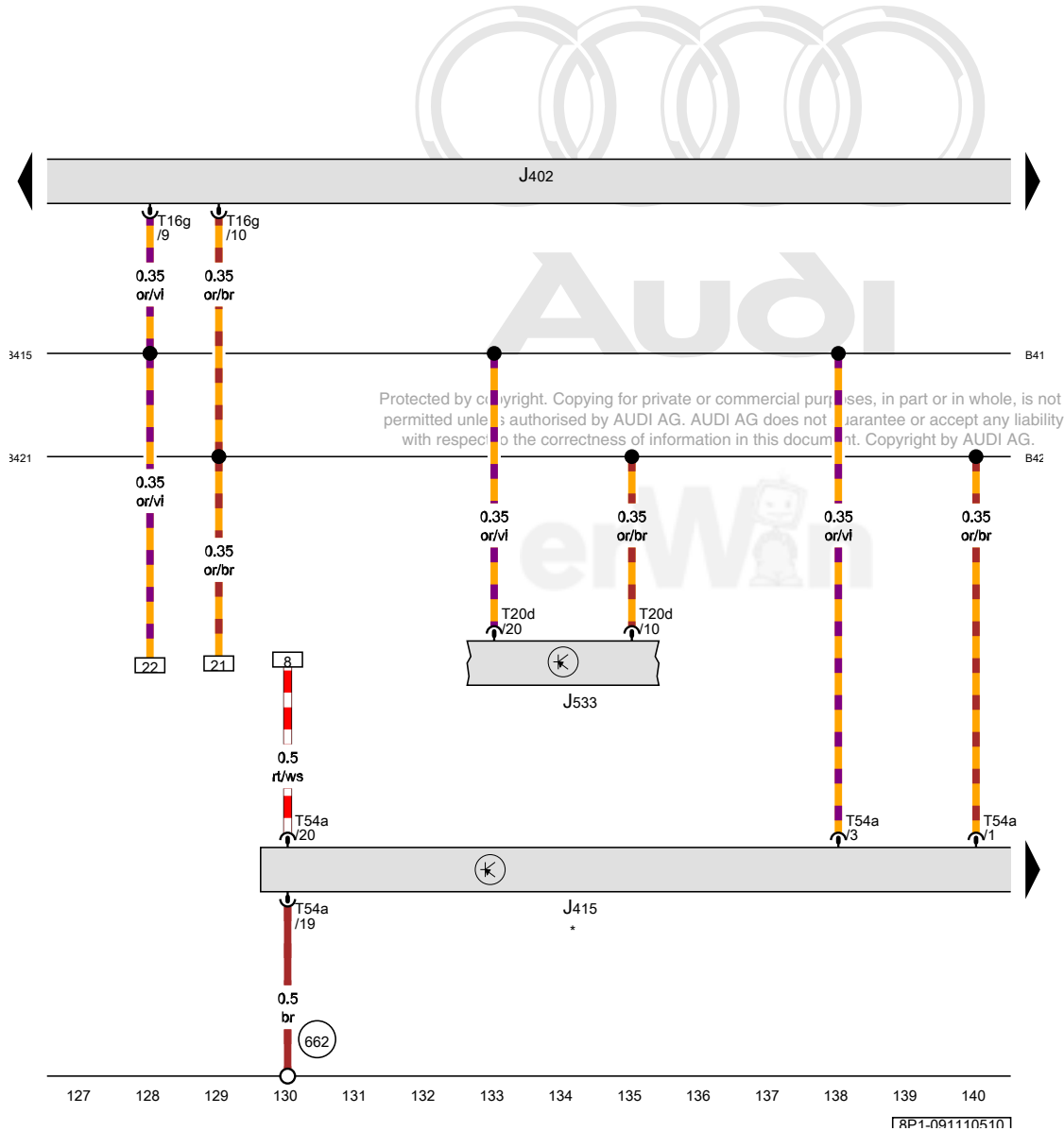
- ws = white
- sw = black
- ro = red
- br = brown
- gn = green
- bl = blue
- gr = grey
- li = lilac
- ge = yellow
- or = orange
- rs = pink

18P1-091100510

Operating electronics/navigation system control module,
Navigation/TV tuner, Data bus on board diagnostic interface

- J402 Operating electronics/navigation system control module
- J415 Navigation/TV tuner
- J533 Data bus on board diagnostic interface
- T16g 16-pin connector
- T20d 20-pin connector
- T54a 54-pin connector

- 662 Ground connection in left rear side panel
- B415 Infotainment CAN Bus high connection 1 (in main wiring harness)
- B421 Infotainment CAN bus low connection 1 (in main wiring harness)
- * Only for vehicles with TV tuner



18P1-091110510

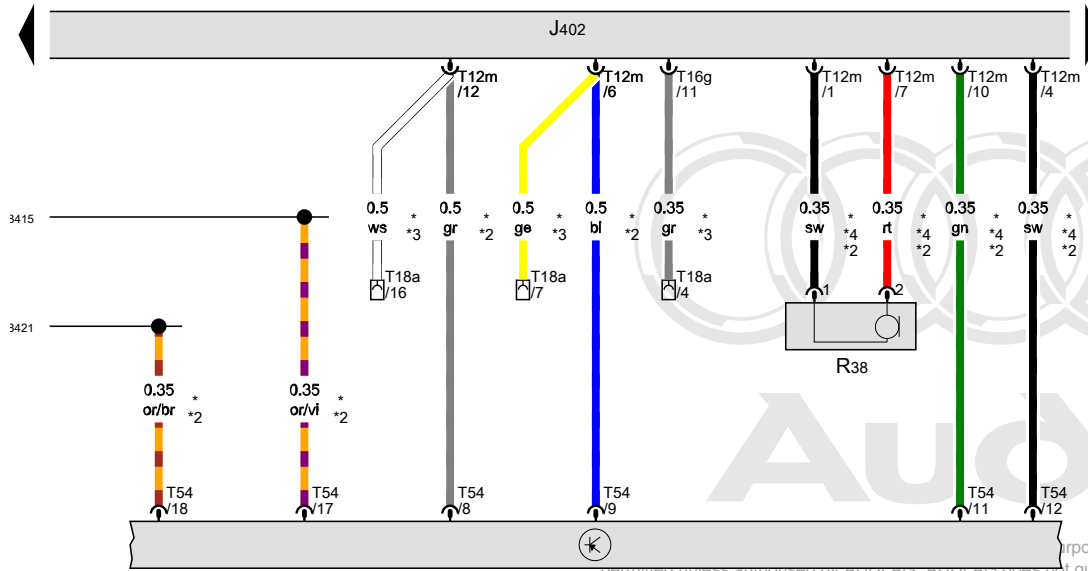
Operating electronics/navigation system control module, Navigation/TV tuner, Telephone transceiver, Telephone microphone

- J402 Operating electronics/navigation system control module
- J415 Navigation/TV tuner
- R36 Telephone transceiver
- R38 Telephone microphone
- T12m 12-pin connector
- T16g 16-pin connector
- T18a 18-pin connector, VDA connector
- T54 54-pin connector

(B415) Infotainment CAN Bus high connection 1 (in main wiring harness)

(B421) Infotainment CAN bus low connection 1 (in main wiring harness)

- * Refer to applicable wiring diagram for cell phone preparation
- *2 Optional equipment
- *3 If available
- *4 Only for vehicles with a speech recognition system



... purposes, in part or in whole, is not permitted unless authorised by AUDI AG. AUDI AG does not guarantee or accept any liability with respect to the correctness of information in this document. Copyright by AUDI AG.

- ws = white
- sw = black
- ro = red
- br = brown
- gn = green
- bl = blue
- gr = grey
- li = lilac
- ge = yellow
- or = orange
- rs = pink

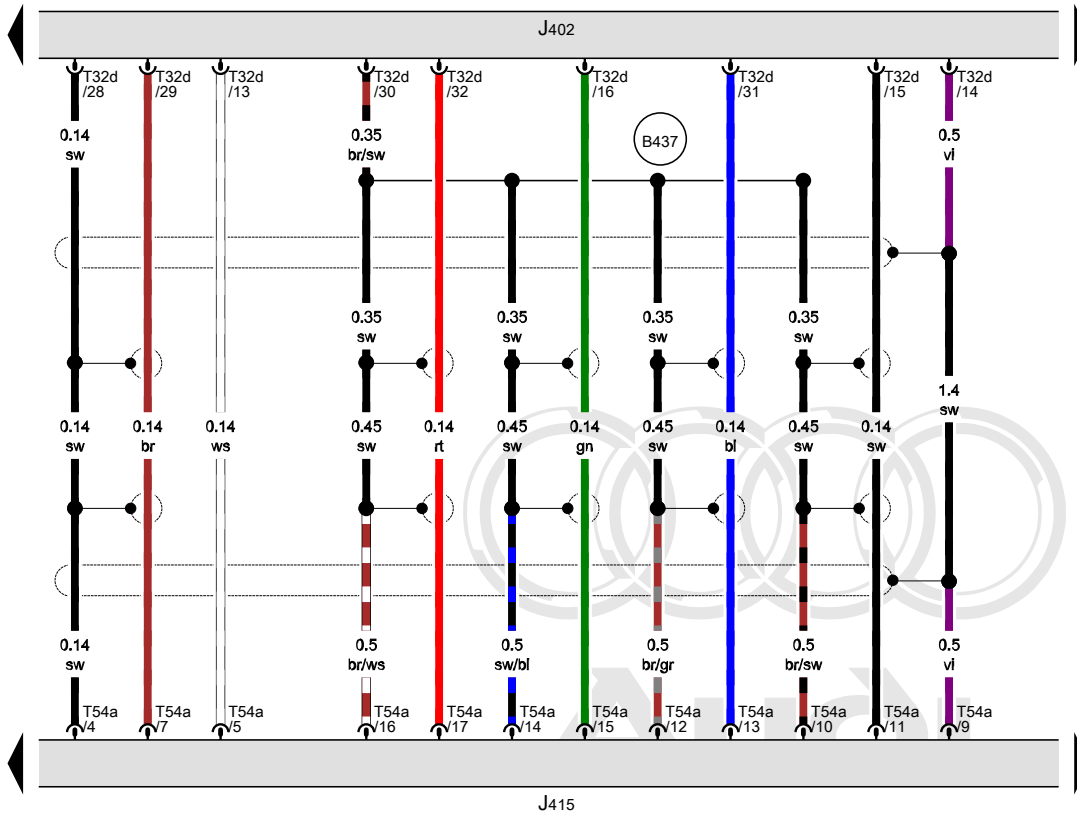
141 142 143 144 145 146 147 148 149 150 151 152 153 154

18P1-0911205101

Operating electronics/navigation system control module,
Navigation/TV tuner

- J402 Operating electronics/navigation system control module
- J415 Navigation/TV tuner
- T32d 32-pin connector
- T54a 54-pin connector

B437 Ground connection 1 (in main wiring harness)



- ws = white
- sw = black
- ro = red
- br = brown
- gn = green
- bl = blue
- gr = grey
- li = lilac
- ge = yellow
- or = orange
- rs = pink

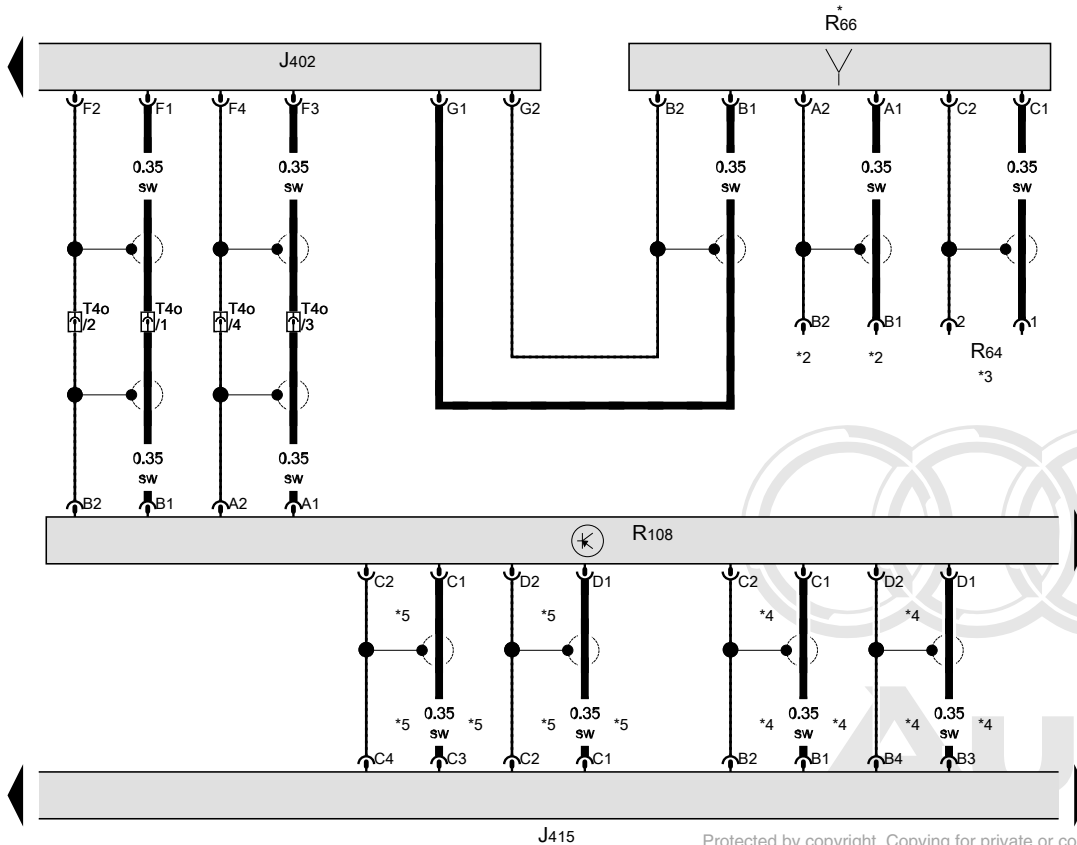
Protected by copyright. Copying for private or commercial purposes, in part or in whole, is not permitted unless authorised by AUDI AG. AUDI AG does not guarantee or accept any liability with respect to the correctness of information in this document. Copyright by AUDI AG

155 156 157 158 159 160 161 162 163 164 165 166 167 168

18P1-0911305101

Operating electronics/navigation system control module, Navigation/TV tuner, Telephone/navigation system/ auxiliary heater antenna, Left antenna module

- J402 Operating electronics/navigation system control module
- J415 Navigation/TV tuner
- R64 Auxiliary heater radio receiver
- R66 Telephone/navigation system/auxiliary heater antenna
- R108 Left antenna module
- T40 4-pin connector, near the right C-pillar
- * Roof antenna
- *2 Only for vehicles with cell phone preparation
- *3 Only for vehicles with an auxiliary heater
- *4 Analog TV tuner
- *5 Hybrid tuner



- ws = white
- sw = black
- ro = red
- br = brown
- gn = green
- bl = blue
- gr = grey
- li = lilac
- ge = yellow
- or = orange
- rs = pink

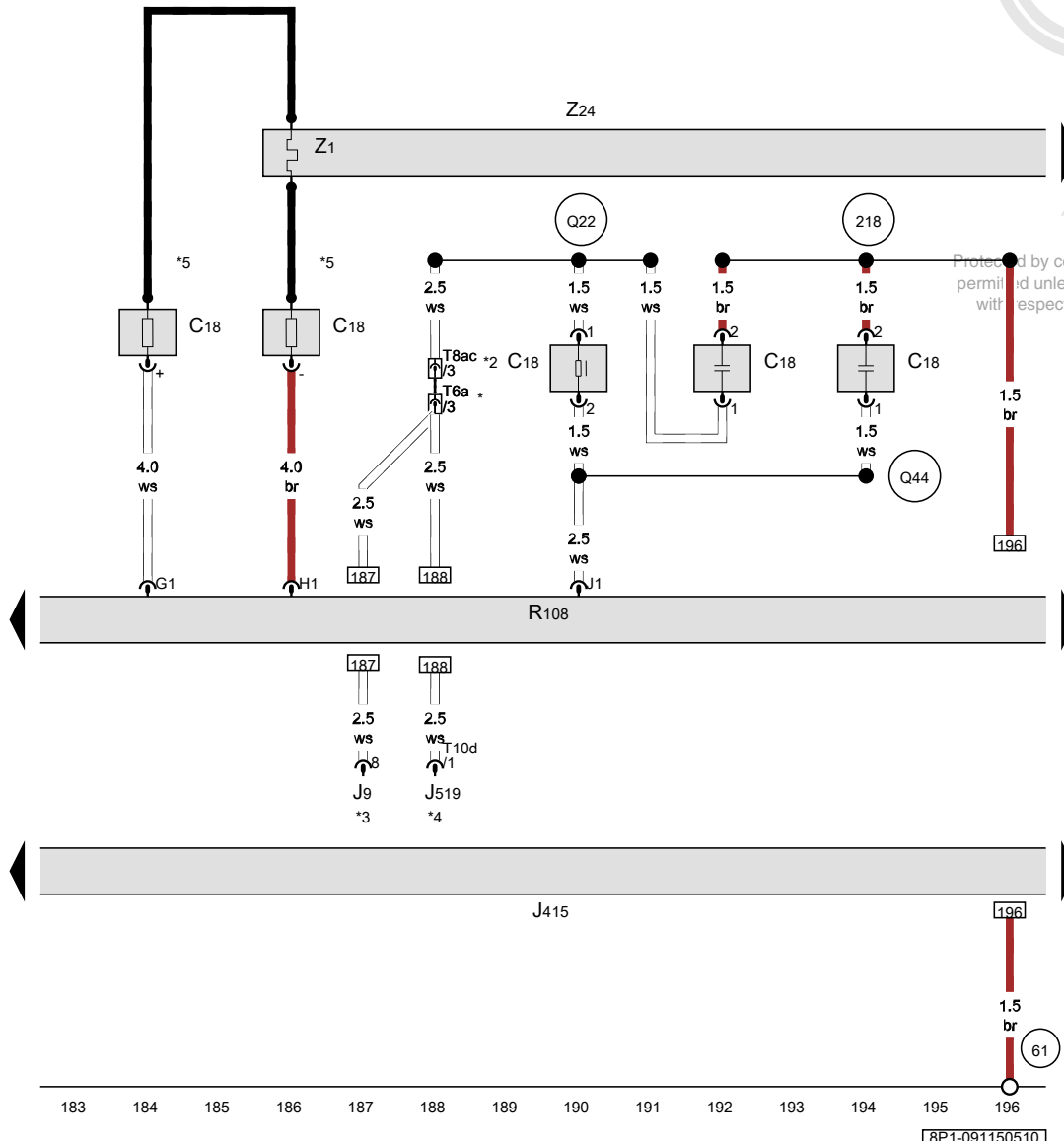
Protected by copyright. Copying for private or commercial purposes, in part or in whole, is not permitted unless authorised by AUDI AG. AUDI AG does not guarantee or accept any liability with respect to the correctness of information in this document. Copyright by AUDI AG.

Windshield antenna suppression filter, Navigation/TV tuner, Left antenna module, Rear window defogger, Rear window defogger with window antenna

- C18 Windshield antenna suppression filter
- J9 Rear window defogger relay
- J415 Navigation/TV tuner
- J519 Vehicle electrical system control module
- R108 Left antenna module
- T6a 6-pin connector, on the left C-pillar
- T8ac 8-pin connector, on the left C-pillar
- T10d 10-pin connector
- Z1 Rear window defogger
- Z24 Rear window defogger with window antenna

- 61 Ground connection on left C-pillar
- 218 Ground connection 1 (in rear lid wiring harness)
- Q22 Connection 1 (in rear lid wiring harness)
- Q44 Connection 2 (in rear lid wiring harness)

- * Only for vehicles with 3-door equipment
- *2 Only for vehicles with 5-door equipment
- *3 From May 2009
- *4 Through April 2009
- *5 Adapter cable



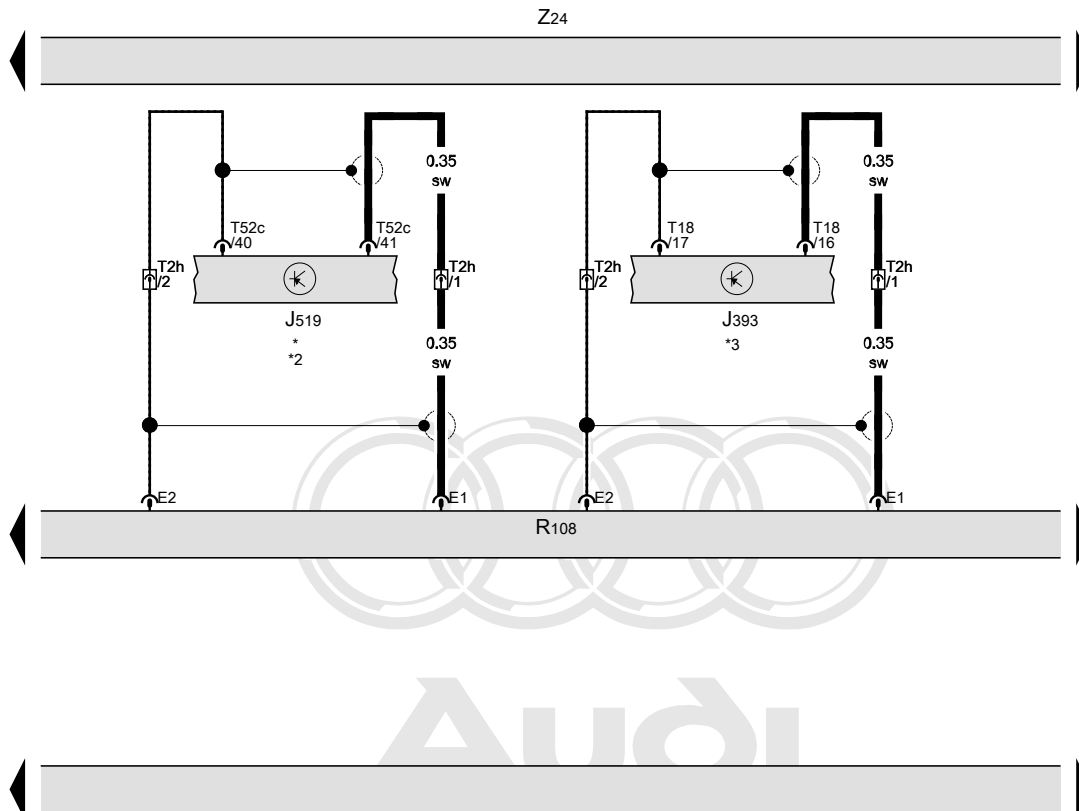
Protected by copyright. Copying for private or commercial use is prohibited unless authorised by AUDI AG. AUDI AG does not guarantee or accept any liability with respect to the correctness of information in this document. Copyright by AUDI AG.

- ws = white
- sw = black
- ro = red
- br = brown
- gn = green
- bl = blue
- gr = grey
- li = lilac
- ge = yellow
- or = orange
- rs = pink

18P1-0911505101

Comfort system central control module, Navigation/TV tuner, Vehicle electrical system control module, Left antenna module, Rear window defogger with window antenna

- J393 Comfort system central control module
- J415 Navigation/TV tuner
- J519 Vehicle electrical system control module
- R108 Left antenna module
- T2h Double connector
- T18 18-pin connector
- T52c 52-pin connector
- Z24 Rear window defogger with window antenna
- * From May 2009
- *2 Omitted as a running change
- *3 Through April 2009

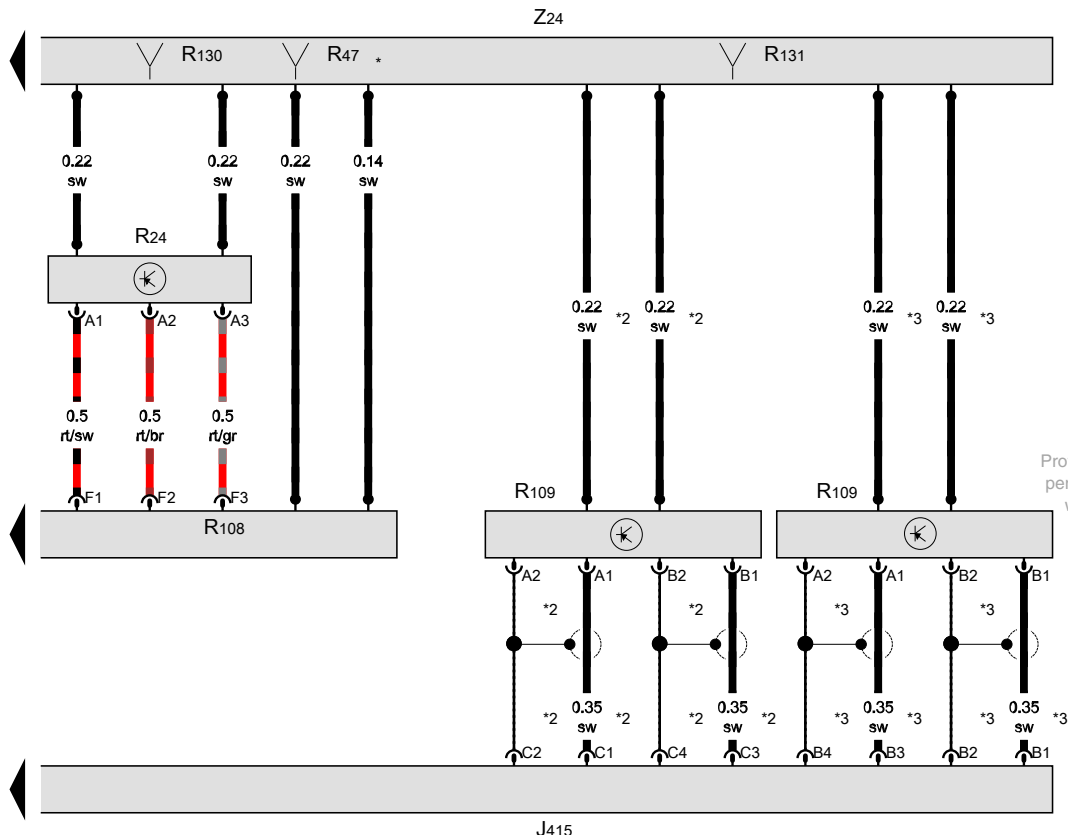


Protected by copyright. Copying for private or commercial purposes, in part or in whole, is not permitted unless authorised by AUDI AG. AUDI AG does not guarantee or accept any liability with respect to the correctness of information in this document. Copyright by AUDI AG.

- ws = white
- sw = black
- ro = red
- br = brown
- gn = green
- bl = blue
- gr = grey
- li = lilac
- ge = yellow
- or = orange
- rs = pink

Navigation/TV tuner, Antenna amplifier, Central locking and anti-theft alarm system antenna, Left antenna module, Right antenna module, Rear window antenna 1, Rear window antenna 2, Rear window defogger with window antenna

- J415 Navigation/TV tuner
- R24 Antenna amplifier
- R47 Central locking and anti-theft alarm system antenna
- R108 Left antenna module
- R109 Right antenna module
- R130 Rear window antenna 1
- R131 Rear window antenna 2
- Z24 Rear window defogger with window antenna
- * Omitted as a running change
- *2 Analog TV tuner
- *3 Hybrid tuner



Protected by copyright. Copying for private or commercial purposes, in part or in whole, is not permitted unless authorised by AUDI AG. AUDI AG does not guarantee or accept any liability with respect to the correctness of information in this document. Copyright by AUDI AG.

- ws = white
- sw = black
- ro = red
- br = brown
- gn = green
- bl = blue
- gr = grey
- li = lilac
- ge = yellow
- or = orange
- rs = pink

211 212 213 214 215 216 217 218 219 220 221 222 223 224

18P1-0911705101

Radio/Navigation System (RNS-E)

⇒ Only US equipment
from May 2008

Note:

Information for

- ◆ Relay and fuse arrangements
- ◆ Connector arrangements
- ◆ Control Modules and Relays
- ◆ Ground Connections

⇒ Component Locations

Information for

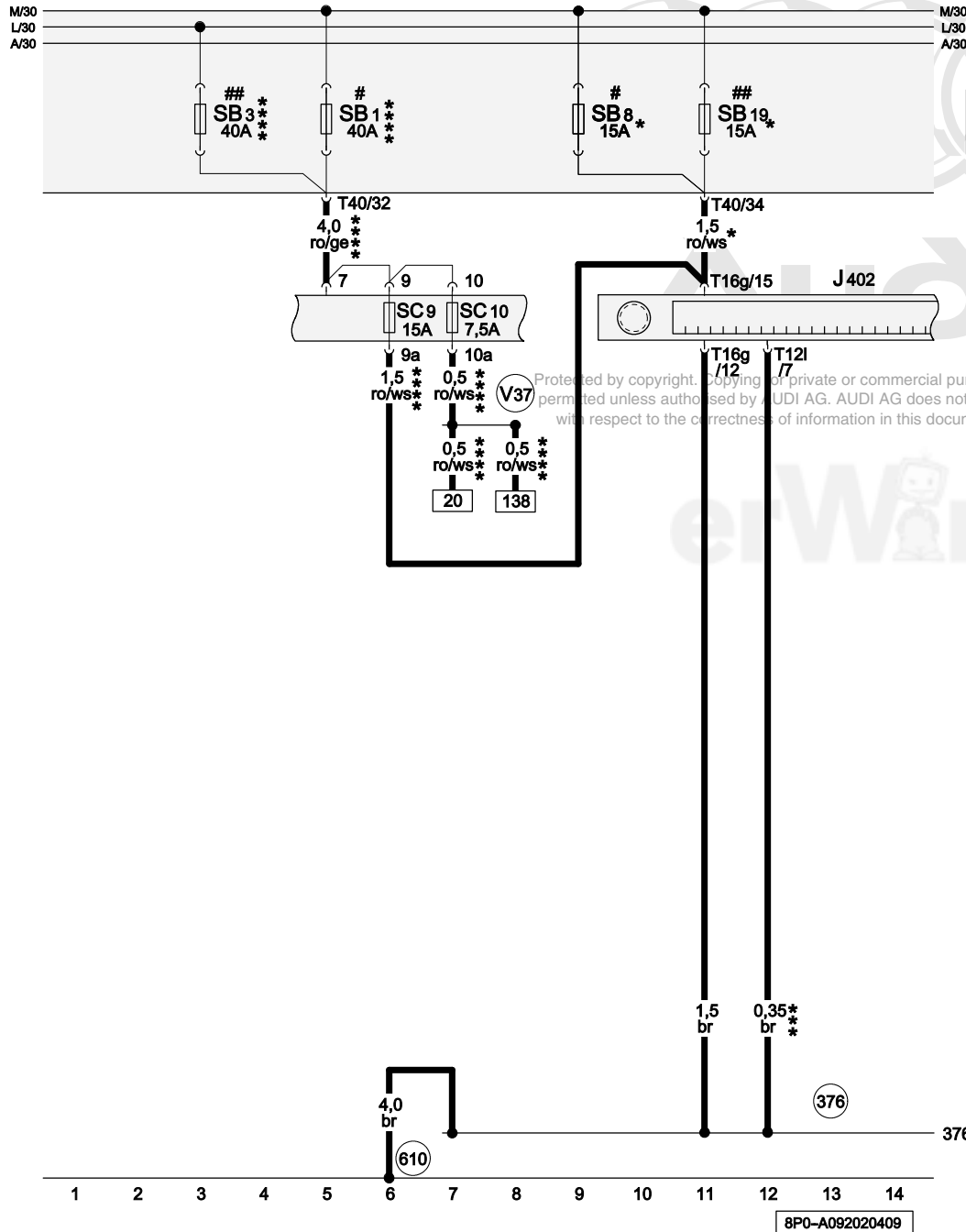
- ◆ Troubleshooting Procedures
- ⇒ Guided Fault Finding using VAS 5051 / 5052



Audi

Protected by copyright. Copying for private or commercial purposes, in part or in whole, is not permitted unless authorised by AUDI AG. AUDI AG does not guarantee or accept any liability with respect to the correctness of information in this document. Copyright by AUDI AG.





Fuses (on fuse panel)

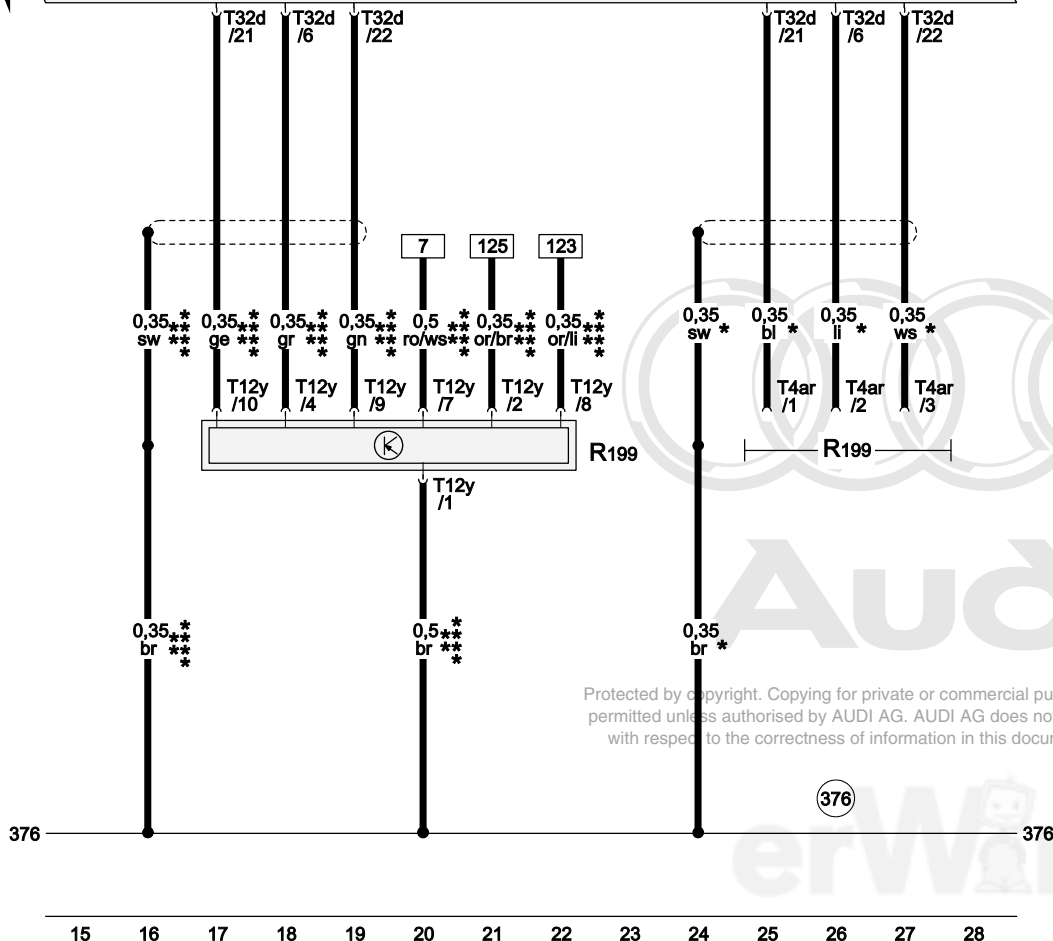
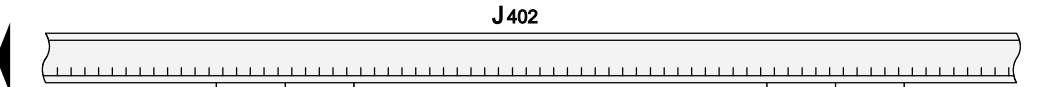
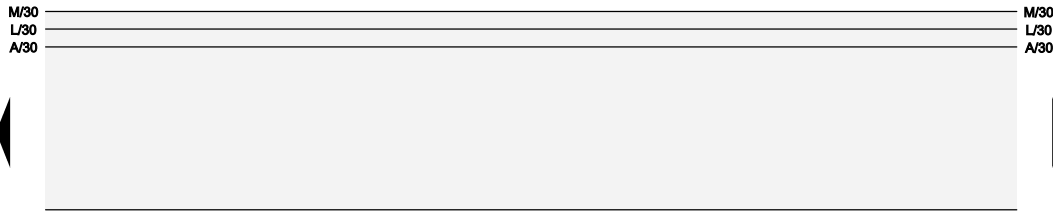
- J402 Navigation System Operating Electronics Control Module
- SB1 Fuse 1 (on fuse panel B)
- SB3 Fuse 3 (on fuse panel B)
- SB8 Fuse 8 (on fuse panel B)
- SB19 Fuse 19 (on fuse panel B)
- SC9 Fuse 9 (on fuse panel C)
- SC10 Fuse 10 (on fuse panel C)
- T12l 12-Pin Connector, blue (Connector B)
- T16g 16-Pin Connector, black (Connector D)
- T40 40-Pin Connector, black, on electronics box engine compartment (Connector J)

- 376 Ground Connection 11 (in main wiring harness)
- 610 Ground Connection (Audio) (under center console, front)
- V37 Plus Connection (30) (in communications wiring harness)

- * Not applicable from May 2009
- *** Only models with BOSE system
- **** Applicable from May 2009
- # Only models with electronics box Low
- ## Only models with electronics box High

ws = white
 sw = black
 ro = red
 br = brown
 gn = green
 bl = blue
 gr = grey
 li = lilac
 ge = yellow
 or = orange
 rs = pink

8P0-A092020409



External Audio Source Connector

- J402 Navigation System Operating Electronics Control Module
- R199 External Audio Source Connector
- T4ar 4-Pin Connector
- T12y 12-Pin Connector, black (Connector A)
- T32d 32-Pin Connector, grey (Connector E)

376 Ground Connection 11 (in main wiring harness)

- * Only models with AUX-IN Socket
- ** Only models with Audi Music Interface (AMI)
- *** Applicable from May 2009

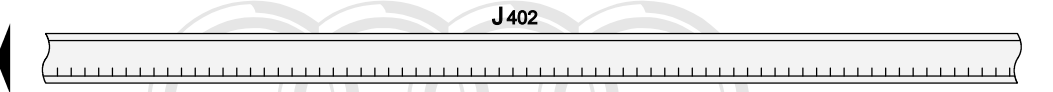
Protected by copyright. Copying for private or commercial purposes, in part or in whole, is not permitted unless authorised by AUDI AG. AUDI AG does not guarantee any liability with respect to the correctness of information in this document. Copyright © AUDI AG.

- ws = white
- sw = black
- ro = red
- br = brown
- gn = green
- bl = blue
- gr = grey
- li = lilac
- ge = yellow
- or = orange
- rs = pink

376

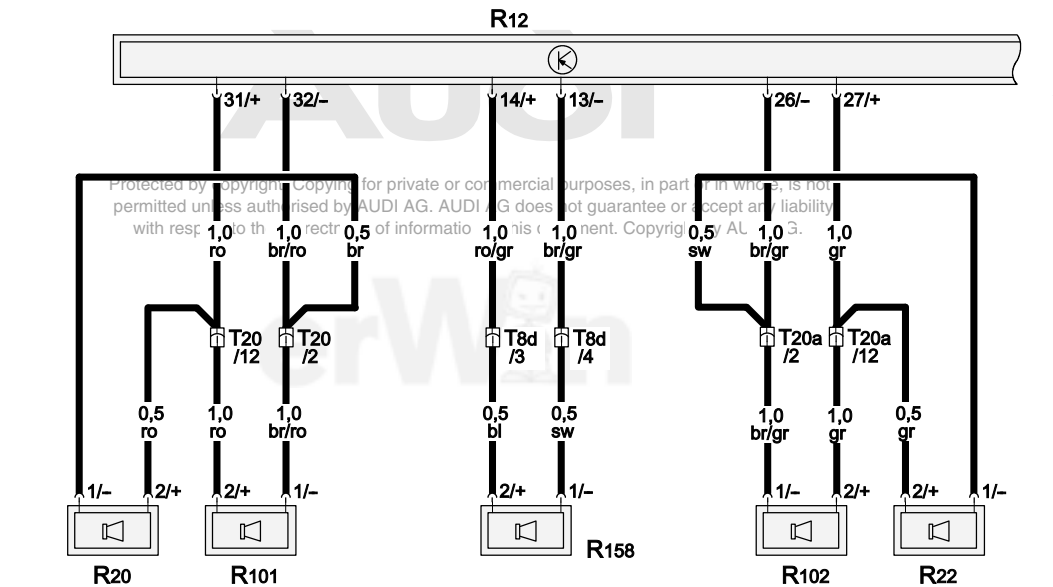
376

8P0-A092030409



Front Speaker with BOSE system

- J402 Navigation System Operating Electronics Control Module
- R12 Amplifier
- R20 Left Front Treble Speaker
- R22 Right Front Treble Speaker
- R101 Left Front Mid-Bass Speaker
- R102 Right Front Mid-Bass Speaker
- R158 Center Midrange Speaker
- T8d 8-Pin Connector, black, behind center console
- T20 20-Pin Connector, black, door A-pillar, left
- T20a 20-Pin Connector, black, door A-pillar, right

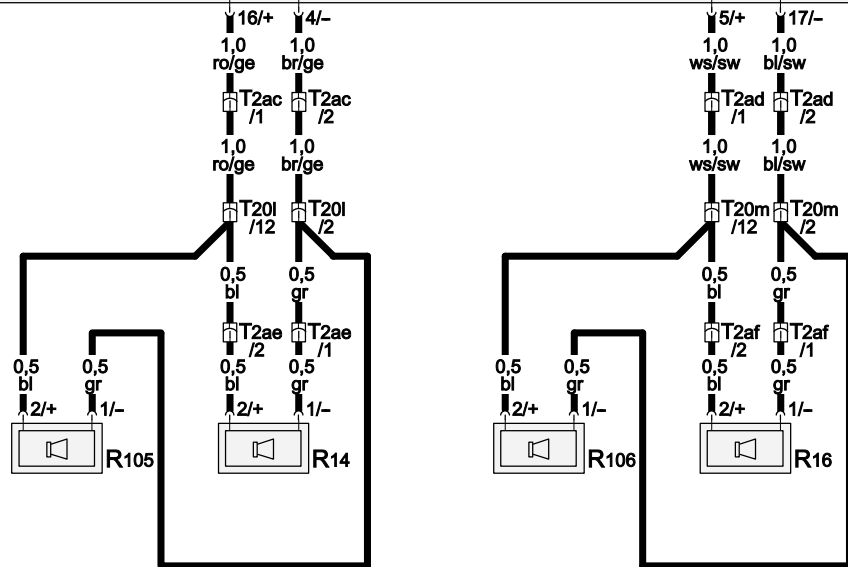
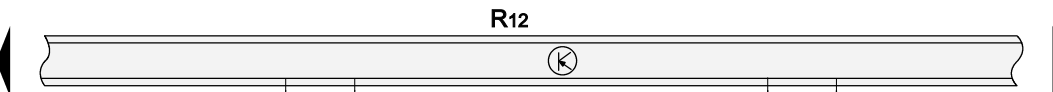
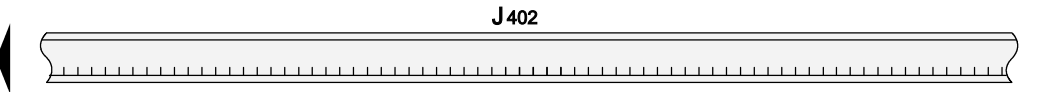


376 _____ 376

29 30 31 32 33 34 35 36 37 38 39 40 41 42

8P0-A092040409

- ws = white
- sw = black
- ro = red
- br = brown
- gn = green
- bl = blue
- gr = grey
- li = lilac
- ge = yellow
- or = orange
- rs = pink



Rear Speaker with BOSE system

- J402 Navigation System Operating Electronics Control Module
- R12 Amplifier
- R14 Left Rear Treble Speaker
- R16 Right Rear Treble Speaker
- R105 Left Rear Midrange Speaker
- R106 Right Rear Midrange Speaker
- T2ac Double Connector, black, behind rear left side panel trim
- T2ad Double Connector, black, behind rear right side panel trim
- T2ae Double Connector, black, in rear left door
- T2af Double Connector, black, in rear right door
- T20l 20-Pin Connector, black, door B-pillar, left
- T20m 20-Pin Connector, black, door B-pillar, right

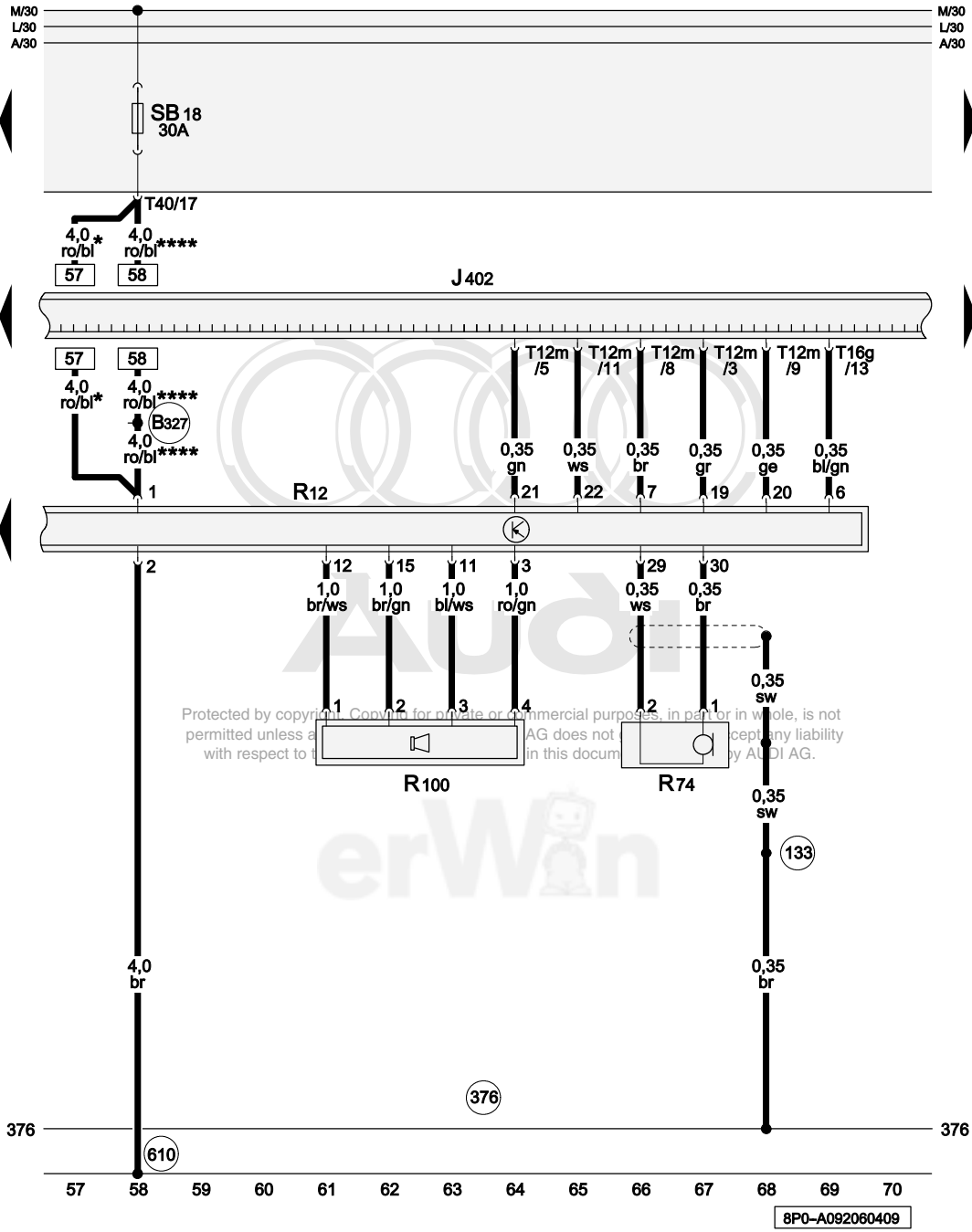
Protected by copyright. Copying for private or commercial purposes, in part or in whole, is not permitted unless authorised by AUDI AG. AUDI AG does not guarantee or accept any liability with respect to the correctness of information in this document. Copyright by AUDI AG.

- ws = white
- sw = black
- ro = red
- br = brown
- gn = green
- bl = blue
- gr = grey
- li = lilac
- ge = yellow
- or = orange
- rs = pink

376 376

43 44 45 46 47 48 49 50 51 52 53 54 55 56

8P0-A092050409



Inside Microphone, Bass Speaker with BOSE system

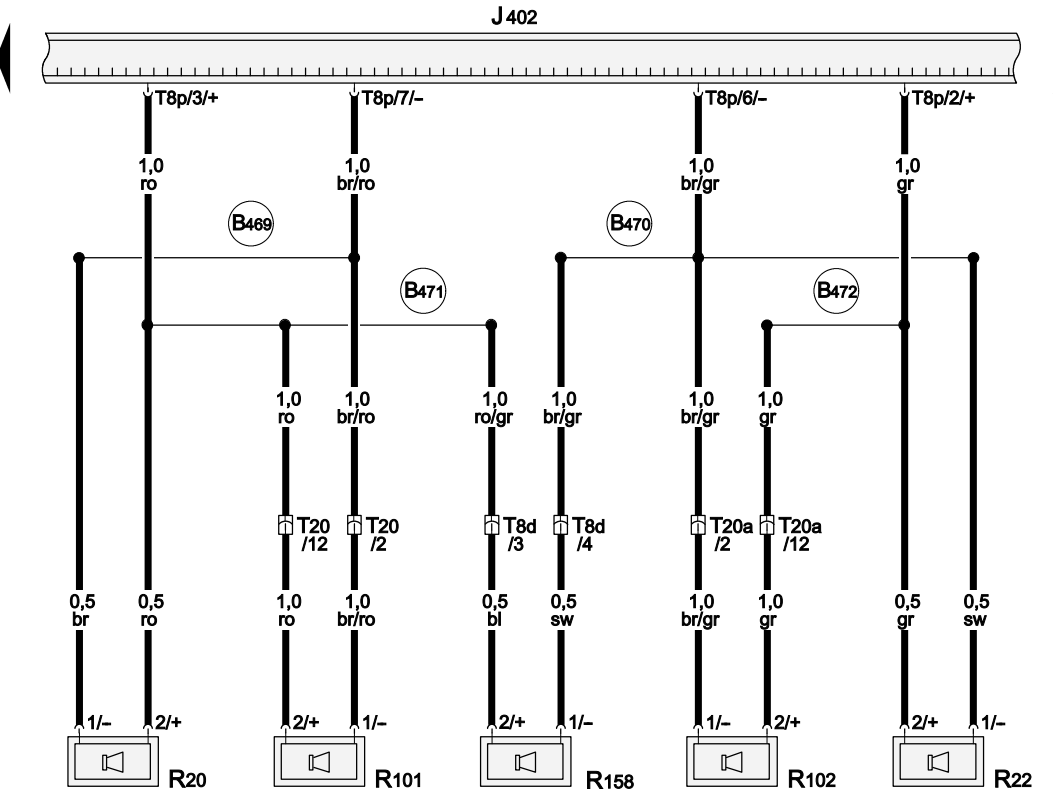
- J402 Navigation System Operating Electronics Control Module
- R12 Amplifier
- R74 Inside Microphone
- R100 Bass Speaker
- SB18 Fuse 18 (on fuse panel B)
- T12m 12-Pin Connector, black (Connector C) (connector locking green)
- T16g 16-Pin Connector, black (Connector D)
- T40 40-Pin Connector, black, on electronics box engine compartment (Connector J)

- 133 Ground Connection (in speaker wiring harness)
- 376 Ground Connection 11 (in main wiring harness)
- 610 Ground Connection (Audio) (under center console, front)
- B327 Plus Connection 13 (30a) (in main wiring harness)

* Not applicable from May 2009
 **** Applicable from May 2009

- ws = white
- sw = black
- ro = red
- br = brown
- gn = green
- bl = blue
- gr = grey
- li = lilac
- ge = yellow
- or = orange
- rs = pink

8P0-A092060409



Front Speaker with Amplifier

- J402 Navigation System Operating Electronics Control Module
- R20 Left Front Treble Speaker
- R22 Right Front Treble Speaker
- R101 Left Front Mid-Bass Speaker
- R102 Right Front Mid-Bass Speaker
- R158 Center Midrange Speaker
- T8d 8-Pin Connector, black, behind center console
- T8p 8-Pin Connector, brown (Connector A)
- T20 20-Pin Connector, black, door A-pillar, left
- T20a 20-Pin Connector, black, door A-pillar, right

B469 Connection 5 (in main wiring harness)

B470 Connection 6 (in main wiring harness)

B471 Connection 7 (in main wiring harness)

B472 Connection 8 (in main wiring harness)

Protected by copyright. Copying for private or commercial purposes, in part or in whole, is not permitted without the prior written consent or accept any liability with respect to the correctness of information in this document. Copyright by AUDI AG.

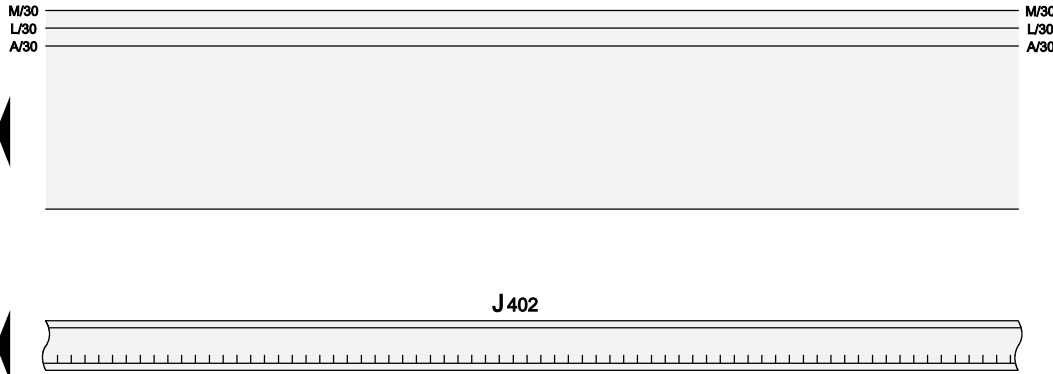
- ws = white
- sw = black
- ro = red
- br = brown
- gn = green
- bl = blue
- gr = grey
- li = lilac
- ge = yellow
- or = orange
- rs = pink

376

376

71 72 73 74 75 76 77 78 79 80 81 82 83 84

8P0-A092070409



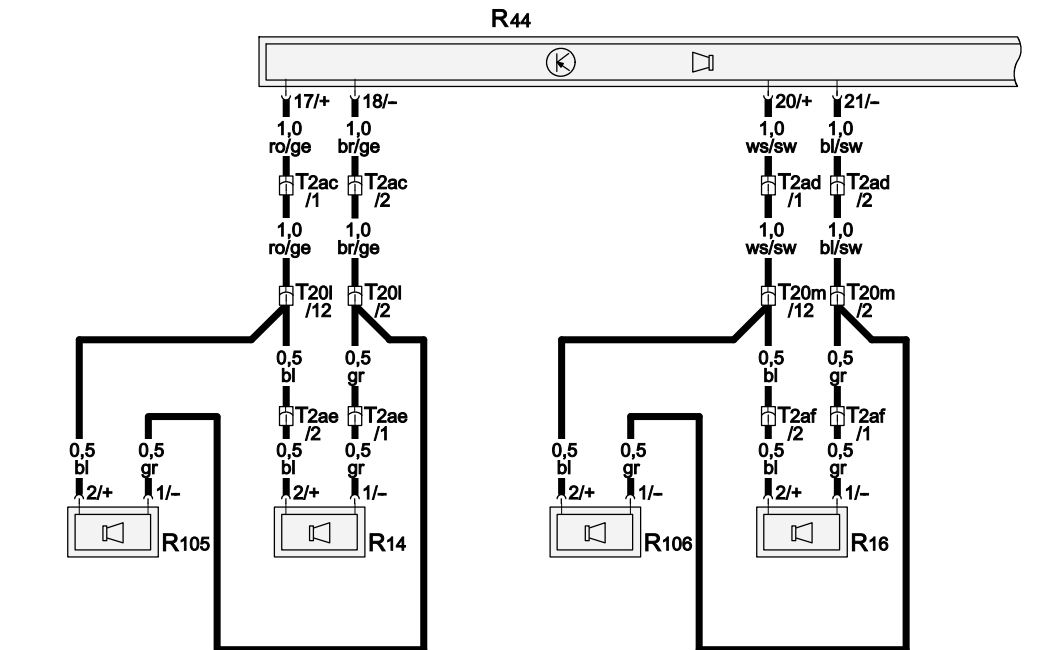
Bass Speakers Amplifier, in luggage compartment, left, Rear Speaker

- J402 Navigation System Operating Electronics Control Module
- R14 Left Rear Treble Speaker
- R16 Right Rear Treble Speaker
- R44 Bass Speakers Amplifier, in luggage compartment, left
- R105 Left Rear Midrange Speaker
- R106 Right Rear Midrange Speaker
- T2ac Double Connector, black, behind rear left side panel trim
- T2ad Double Connector, black, behind rear right side panel trim
- T2ae Double Connector, black, in rear left door
- T2af Double Connector, black, in rear right door
- T20l 20-Pin Connector, black, door B-pillar, left
- T20m 20-Pin Connector, black, door B-pillar, right



Audi

Protected by copyright. Copying for private or commercial purposes, in part or in whole, is not permitted unless authorised by AUDI AG. AUDI AG does not guarantee or accept any liability with respect to the correctness of information in this document. Copyright by AUDI AG.

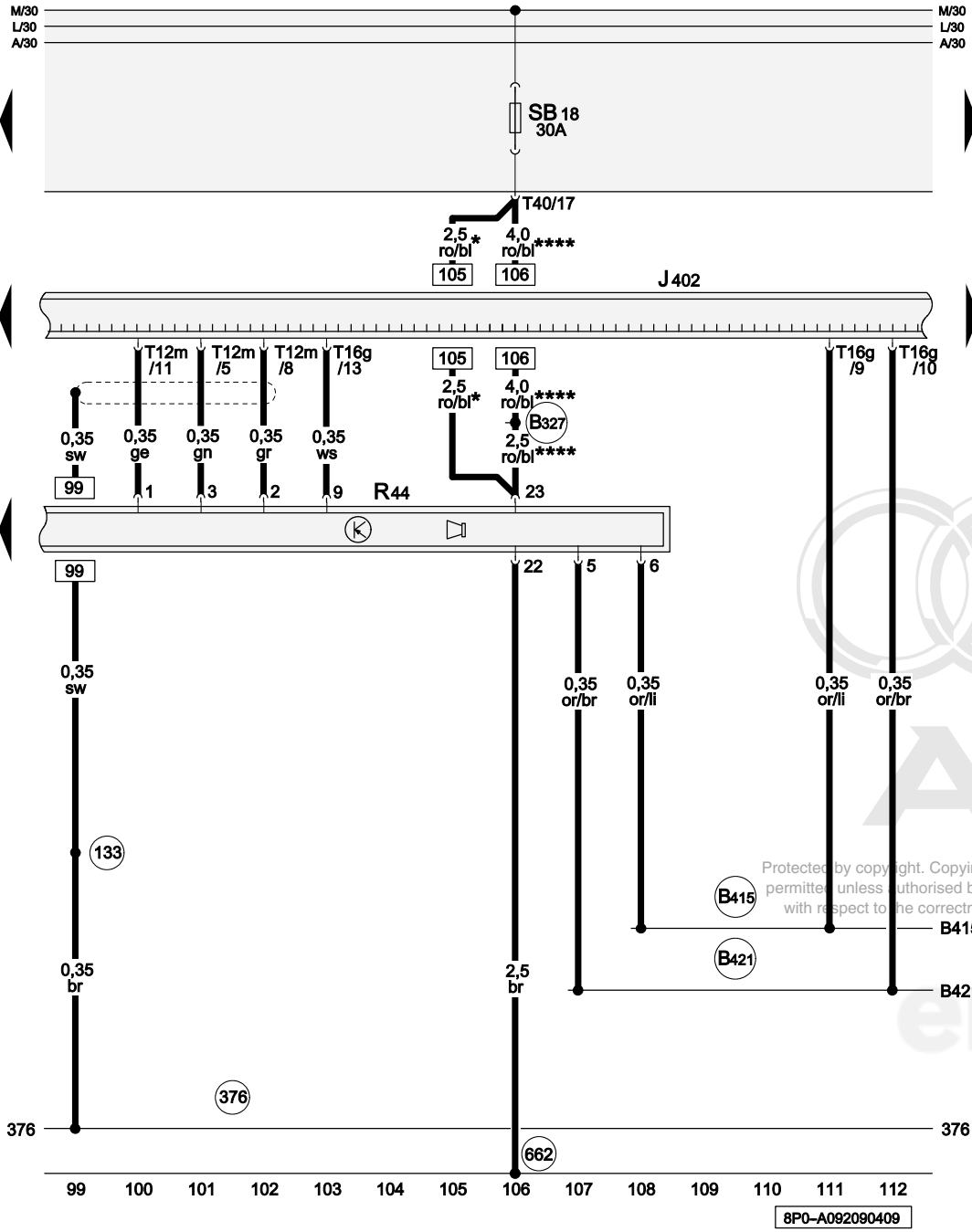


376 376

85 86 87 88 89 90 91 92 93 94 95 96 97 98

8P0-A092080409

- ws = white
- sw = black
- ro = red
- br = brown
- gn = green
- bl = blue
- gr = grey
- li = lilac
- ge = yellow
- or = orange
- rs = pink



Bass Speakers Amplifier, in luggage compartment, left

- J402 Navigation System Operating Electronics Control Module
- R44 Bass Speakers Amplifier, in luggage compartment, left
- SB18 Fuse 18 (on fuse panel B)
- T12m 12-Pin Connector, black (Connector C) (connector locking green)
- T16g 16-Pin Connector, black (Connector D)
- T40 40-Pin Connector, black, on electronics box engine compartment (Connector J)

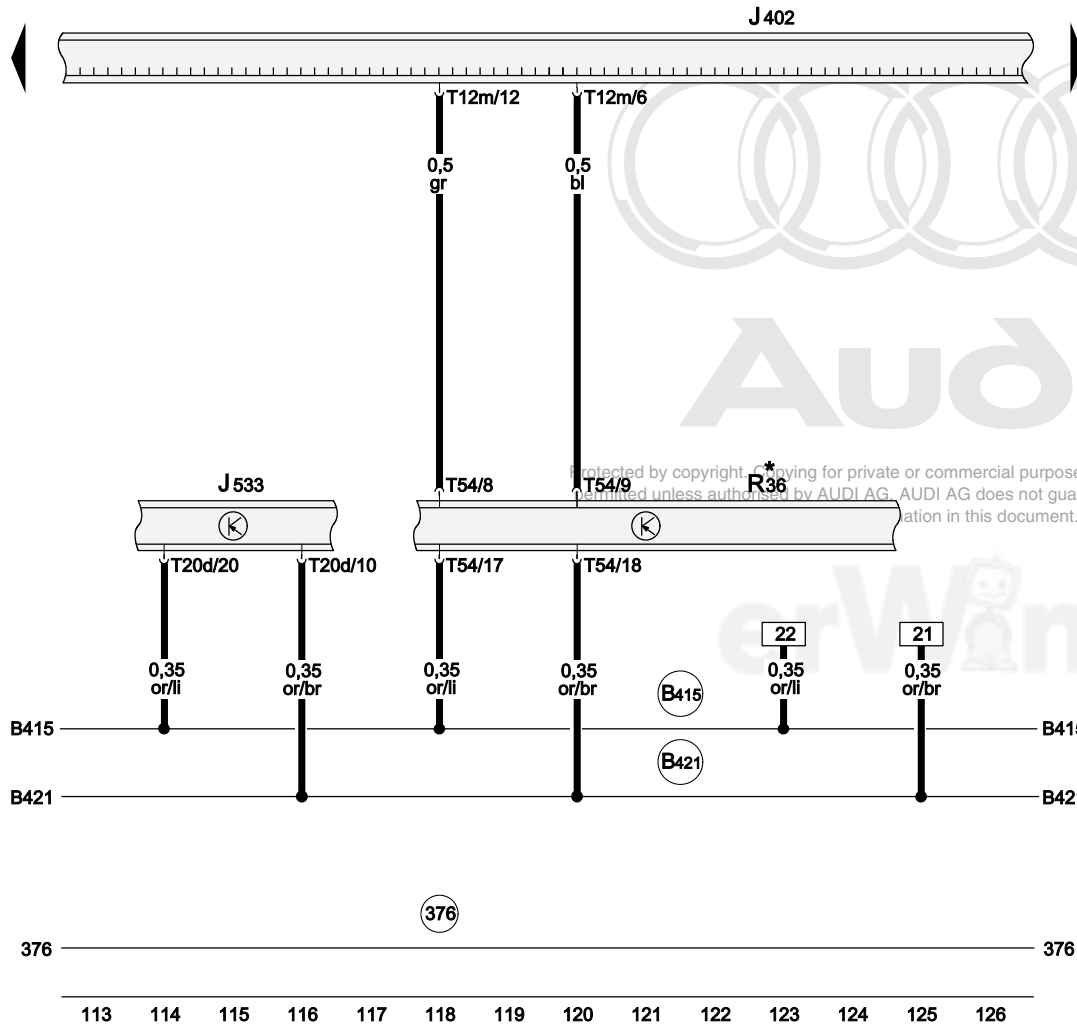
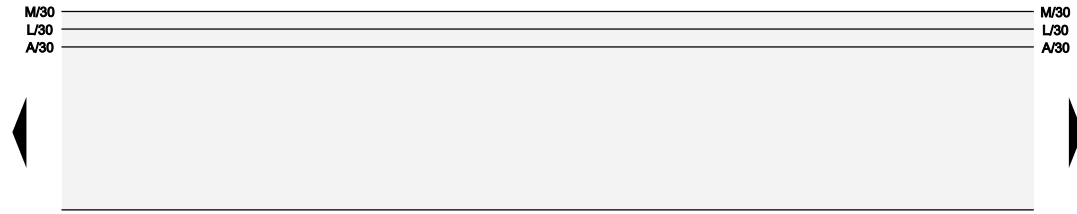
- 133 Ground Connection (in speaker wiring harness)
- 376 Ground Connection 11 (in main wiring harness)
- 662 Ground Connection (on left rear side panel)
- B327 Plus Connection 13 (30a) (in main wiring harness)
- B415 Infotainment CAN-Bus High Connection 1 (in main wiring harness)
- B421 Infotainment CAN-Bus Low Connection 1 (in main wiring harness)

* Not applicable from May 2009
 **** Applicable from May 2009

Protected by copyright. Copying for private or commercial purposes, in part or in whole, is not permitted unless authorised by AUDI AG. AUDI AG does not guarantee or accept any liability with respect to the correctness of information in this document. Copyright by AUDI AG.

- ws = white
- sw = black
- ro = red
- br = brown
- gn = green
- bl = blue
- gr = grey
- li = lilac
- ge = yellow
- or = orange
- rs = pink

8P0-A092090409



Data Bus On Board Diagnostic Interface, Telephone Transceiver

- J402 Navigation System Operating Electronics Control Module
- J533 Data Bus On Board Diagnostic Interface
- R36 Telephone Transceiver
- T12m 12-Pin Connector, black (Connector C) (connector locking green)
- T20d 20-Pin Connector, black (Connector A)
- T54 54-Pin Connector, black (Connector A)

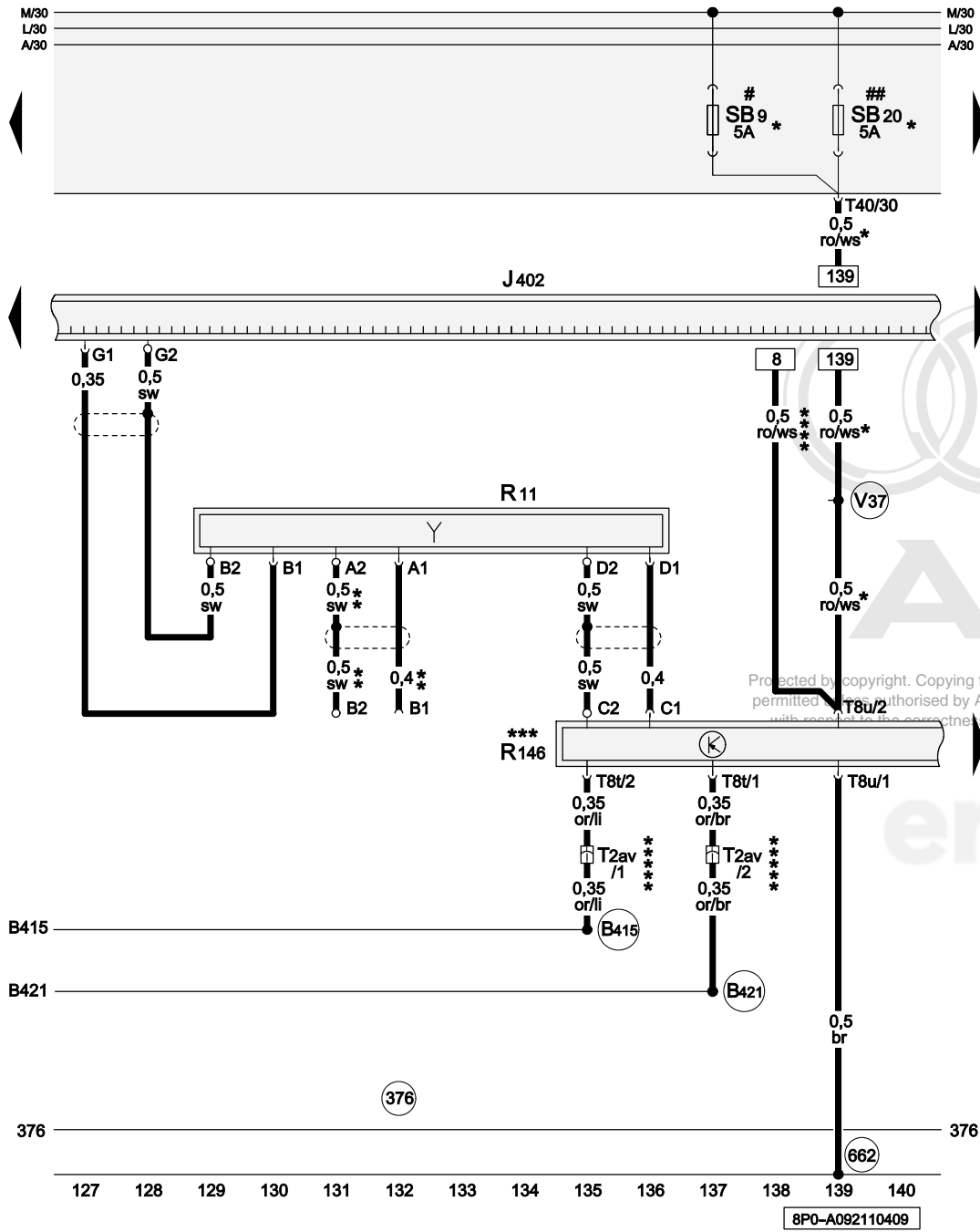
- 376 Ground Connection 11 (in main wiring harness)
- B415 Infotainment CAN-Bus High Connection 1 (in main wiring harness)
- B421 Infotainment CAN-Bus Low Connection 1 (in main wiring harness)

* Only models with telephone

Protected by copyright. Copying for private or commercial purposes, in part or in whole, is not permitted unless authorized by AUDI AG. AUDI AG does not guarantee or accept any liability for errors or omissions in this document. Copyright by AUDI AG.

- ws = white
- sw = black
- ro = red
- br = brown
- gn = green
- bl = blue
- gr = grey
- li = lilac
- ge = yellow
- or = orange
- rs = pink

8P0-A092100409



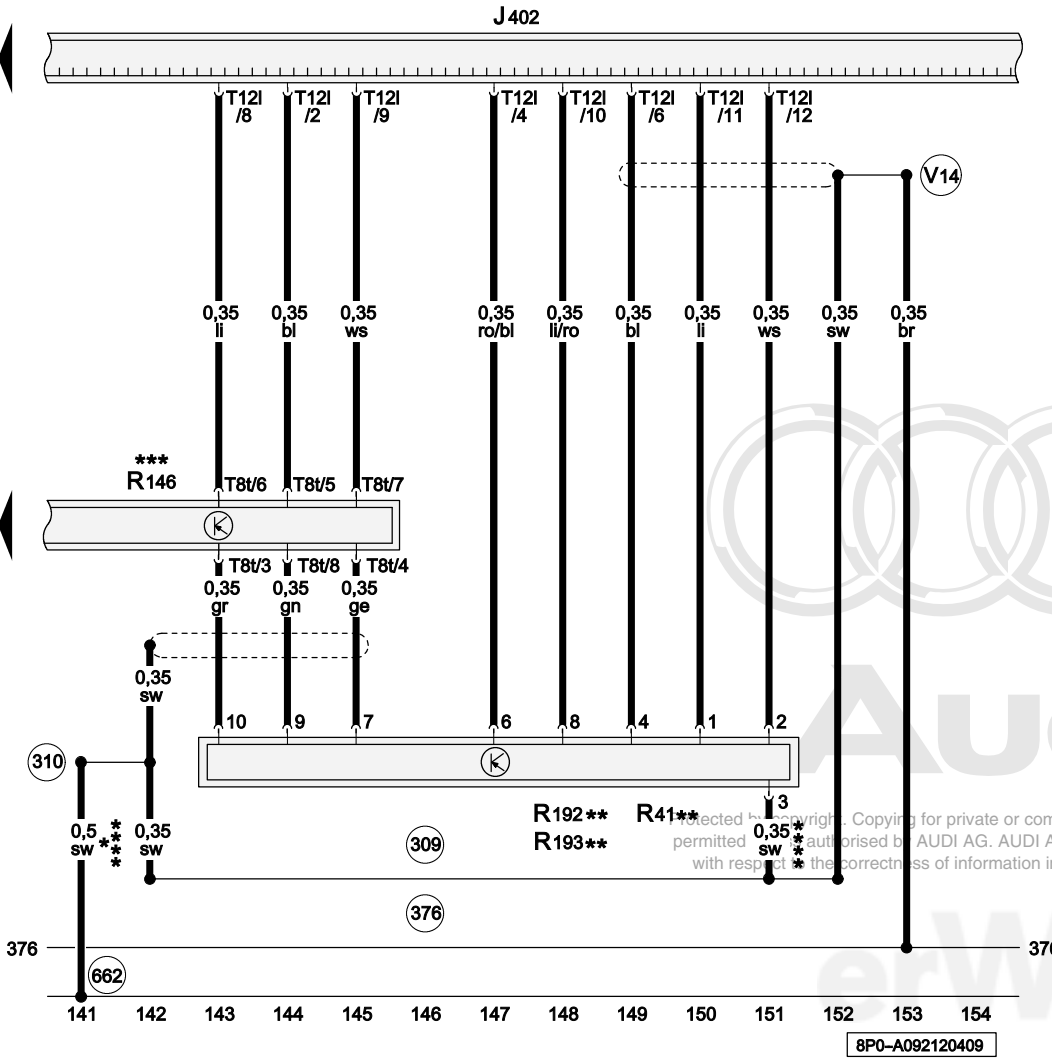
Roof Antenna

- J402 Navigation System Operating Electronics Control Module
- R11 Antenna
- R146 Satellite Radio
- SB9 Fuse 9 (on fuse panel B)
- SB20 Fuse 20 (on fuse panel B)
- T2av Double Connector, black, on right A-pillar
- T8t 8-Pin Connector, black, in luggage compartment, left rear (Connector B)
- T8u 8-Pin Connector, black (Connector A)
- T40 40-Pin Connector, black, on electronics box engine compartment (Connector J)

- 376 Ground Connection 11 (in main wiring harness)
- 662 Ground Connection (on left rear side panel)
- B415 Infotainment CAN-Bus High Connection 1 (in main wiring harness)
- B421 Infotainment CAN-Bus Low Connection 1 (in main wiring harness)
- V37 Plus Connection (30) (in communications wiring harness)
- * Not applicable from May 2009
- ** Only models with telephone
- *** Only models with satellite radio
- **** Applicable from May 2009
- ***** Only preparation for satellite radio
- # Only models with electronics box Low => Component Locations
- ## Only models with electronics box High => Component Locations

- ws = white
- sw = black
- ro = red
- br = brown
- gn = green
- bl = blue
- gr = grey
- li = lilac
- ge = yellow
- or = orange
- rs = pink

8P0-A092110409



CD Changer, iPod Baseplate, USB Connection Baseplate, with Satellite Radio

- J402 Navigation System Operating Electronics Control Module
- R41 CD Changer
- R146 Satellite Radio
- R192 iPod Baseplate
- R193 USB Connection Baseplate
- T8t 8-Pin Connector, black, in luggage compartment, left rear (Connector B)
- T12l 12-Pin Connector, blue (Connector B)

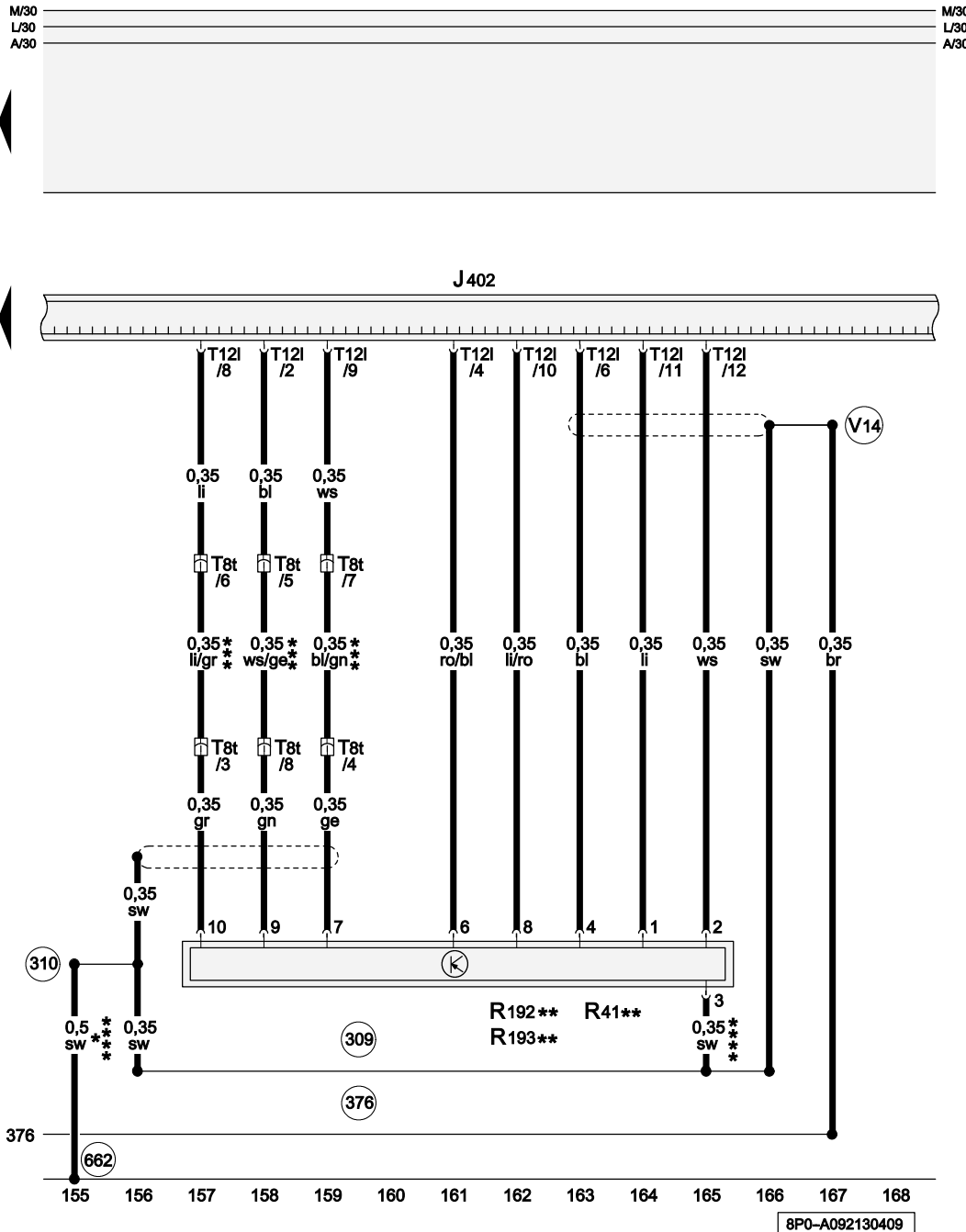
- 309 Shielding Ground Connection 1 (in CD changer wiring harness)
- 310 Shielding Ground Connection 2 (in CD changer wiring harness)
- 376 Ground Connection 11 (in main wiring harness)
- 662 Ground Connection (on left rear side panel)
- V14 Connection (shielding) (in CD-changer wiring harness)

- * Only models without CD Changer or iPod Baseplate or USB Connection Baseplate
- ** Only models with CD Changer or iPod Baseplate or USB Connection Baseplate
- *** Only models with satellite radio
- **** Wire colour was modified from brown to black, applicable from May 2009

- ws = white
- sw = black
- ro = red
- br = brown
- gn = green
- bl = blue
- gr = grey
- li = lilac
- ge = yellow
- or = orange
- rs = pink

Copyright © Audi AG. All rights reserved. Copying for private or commercial purposes, in part or in whole, is not permitted without the express written permission of Audi AG. Audi AG does not guarantee or accept any liability with respect to the correctness of information in this document. Copyright by Audi AG.

8P0-A092120409

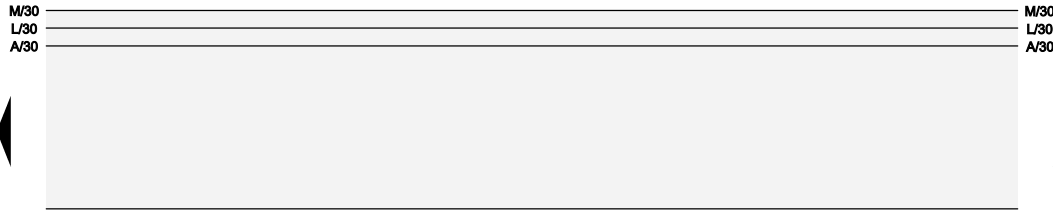


CD Changer, iPod Baseplate, USB Connection Baseplate, without Satellite Radio

- J402 Navigation System Operating Electronics Control Module
- R41 CD Changer
- R192 iPod Baseplate
- R193 USB Connection Baseplate
- T8t 8-Pin Connector, black, in luggage compartment, left rear (Connector B)
- T121 12-Pin Connector, blue (Connector B)
- 309 Shielding Ground Connection 1 (in CD changer wiring harness)
- 310 Shielding Ground Connection 2 (in CD changer wiring harness)
- 376 Ground Connection 11 (in main wiring harness)
- 662 Ground Connection (on left rear side panel)
- V14 Connection (shielding) (in CD-changer wiring harness)
- * Only models without CD Changer or iPod Baseplate or USB Connection Baseplate
- ** Only models with CD Changer or iPod Baseplate or USB Connection Baseplate
- *** Only models without satellite radio
- **** Wire colour was modified from brown to black, applicable from May 2009

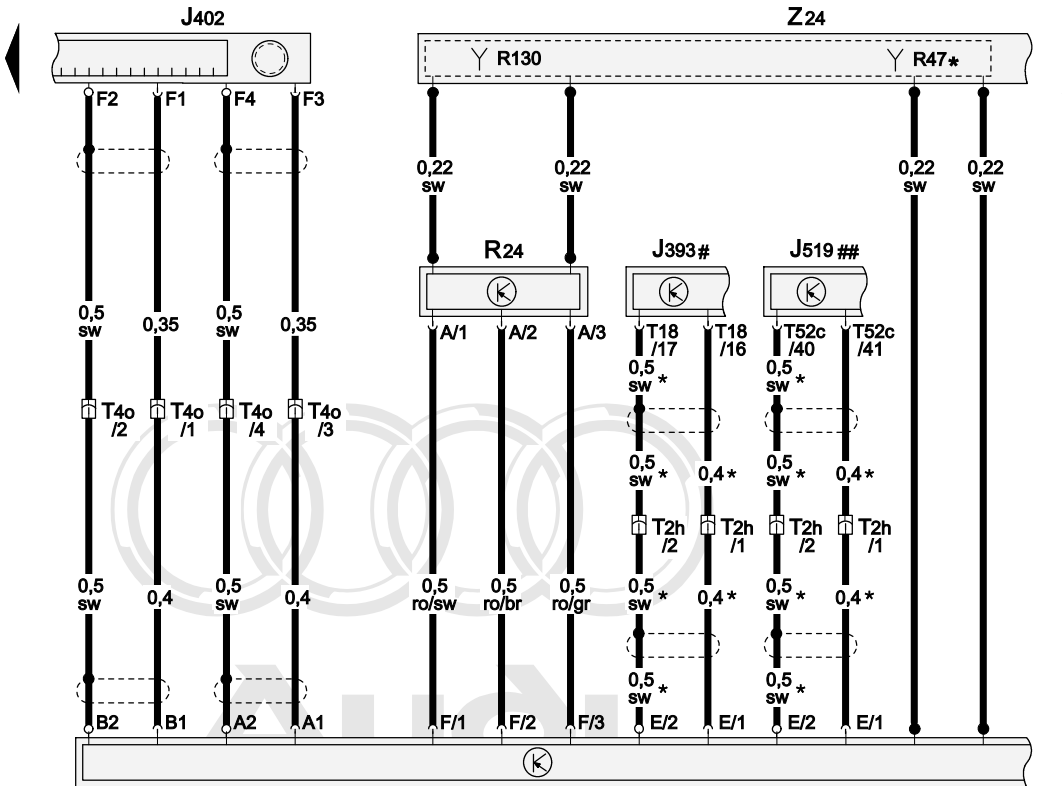
- ws = white
- sw = black
- ro = red
- br = brown
- gn = green
- bl = blue
- gr = grey
- li = lilac
- ge = yellow
- or = orange
- rs = pink

8P0-A092130409



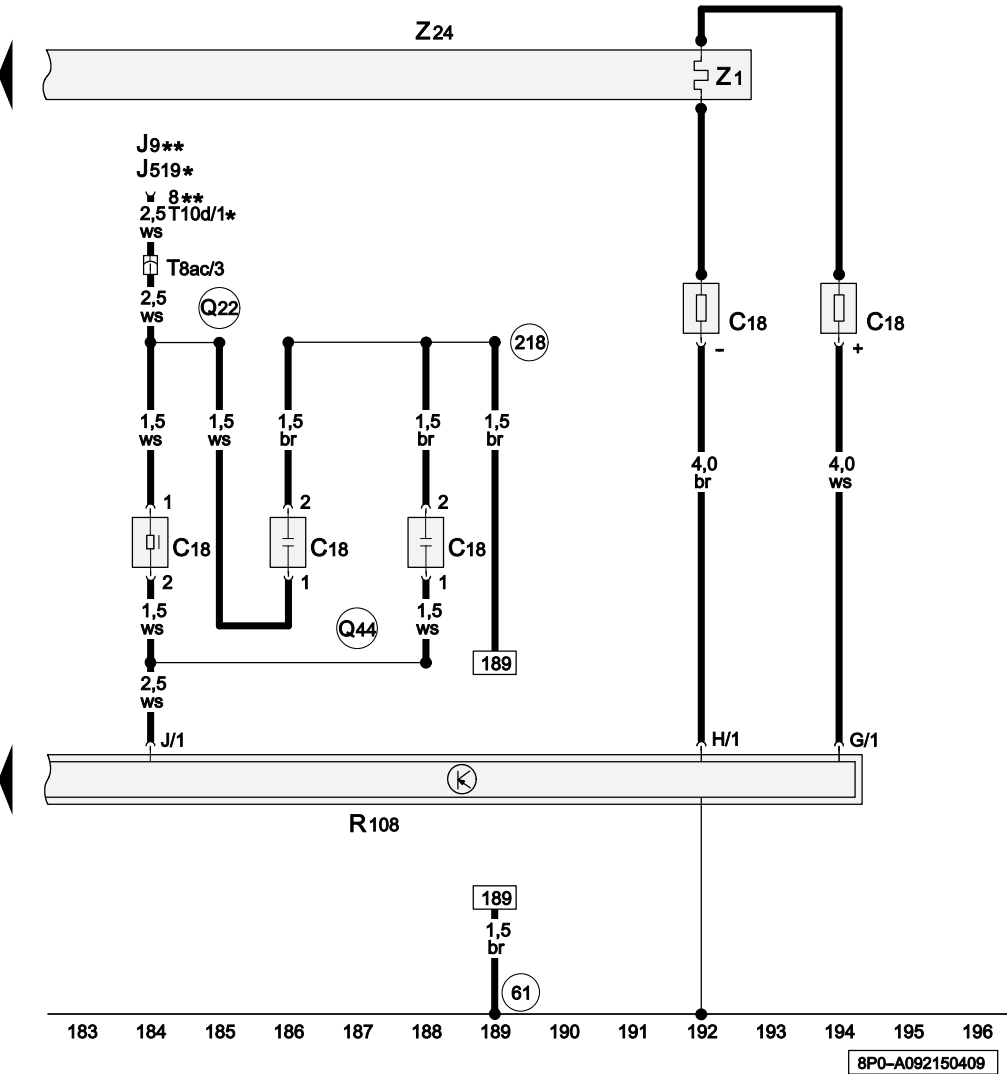
Left Antenna Module, Rear Window Antenna 1

- J393 Comfort System Central Control Module
- J402 Navigation System Operating Electronics Control Module
- J519 Vehicle Electrical System Control Module
- R24 Antenna Amplifier
- R47 Central Locking and Anti-Theft Alarm System Antenna
- R108 Left Antenna Module
- R130 Rear Window Antenna 1
- T2h Double Connector, on C-pillar, right
- T4o 4-Pin Connector, near right C-pillar
- T18 18-Pin Connector, brown (Connector A)
- T52c 52-Pin Connector, brown (Connector C)
- Z24 Rear Window Defogger with Window Antenna
- * Only models with Central Locking System or Anti-Theft Alarm System, not applicable from May 2010
- # Not applicable from May 2009
- ## Applicable from May 2009



Protected by copyright. Copying for private or commercial purposes, in part or in whole, is not permitted unless authorised by AUDI AG. AUDI AG does not guarantee or accept any liability with respect to the correctness of information in this document. Copyright by AUDI AG.

- ws = white
- sw = black
- ro = red
- br = brown
- gn = green
- bl = blue
- gr = grey
- li = lilac
- ge = yellow
- or = orange
- rs = pink



Left Antenna Module, Windshield Antenna Suppression Filter

- C18 Windshield Antenna Suppression Filter
- J9 Rear Window Defogger Relay
- J519 Vehicle Electrical System Control Module
- R108 Left Antenna Module
- T8ac 8-Pin Connector, black
- T10d 10-Pin Connector, black (Connector K)
- Z1 Heated Rear Window
- Z24 Rear Window Defogger with Window Antenna

- 61 Ground Connection (on left C-pillar)
- 218 Ground Connection 1 (in rear lid wiring harness)
- Q22 Connection 1 (in tailgate wiring harness)
- Q44 Connection 2 (in tailgate wiring harness)

Protected by copyright. Copying for private or commercial purposes, in part or in whole, is not permitted unless authorized by AUDI AG. AUDI AG does not guarantee or accept any liability with respect to any reproduction or translation of this document by AUDI AG.

* Not applicable from May 2009
 ** Applicable from May 2009

- ws = white
- sw = black
- ro = red
- br = brown
- gn = green
- bl = blue
- gr = grey
- li = lilac
- ge = yellow
- or = orange
- rs = pink

Sliding-/Tilting Sunroof

from May 2008

Note:

Information for

- ◆ Relay and fuse arrangements
- ◆ Connector arrangements
- ◆ Control Modules and Relays
- ◆ Ground Connections

⇒ Component Locations

Information for

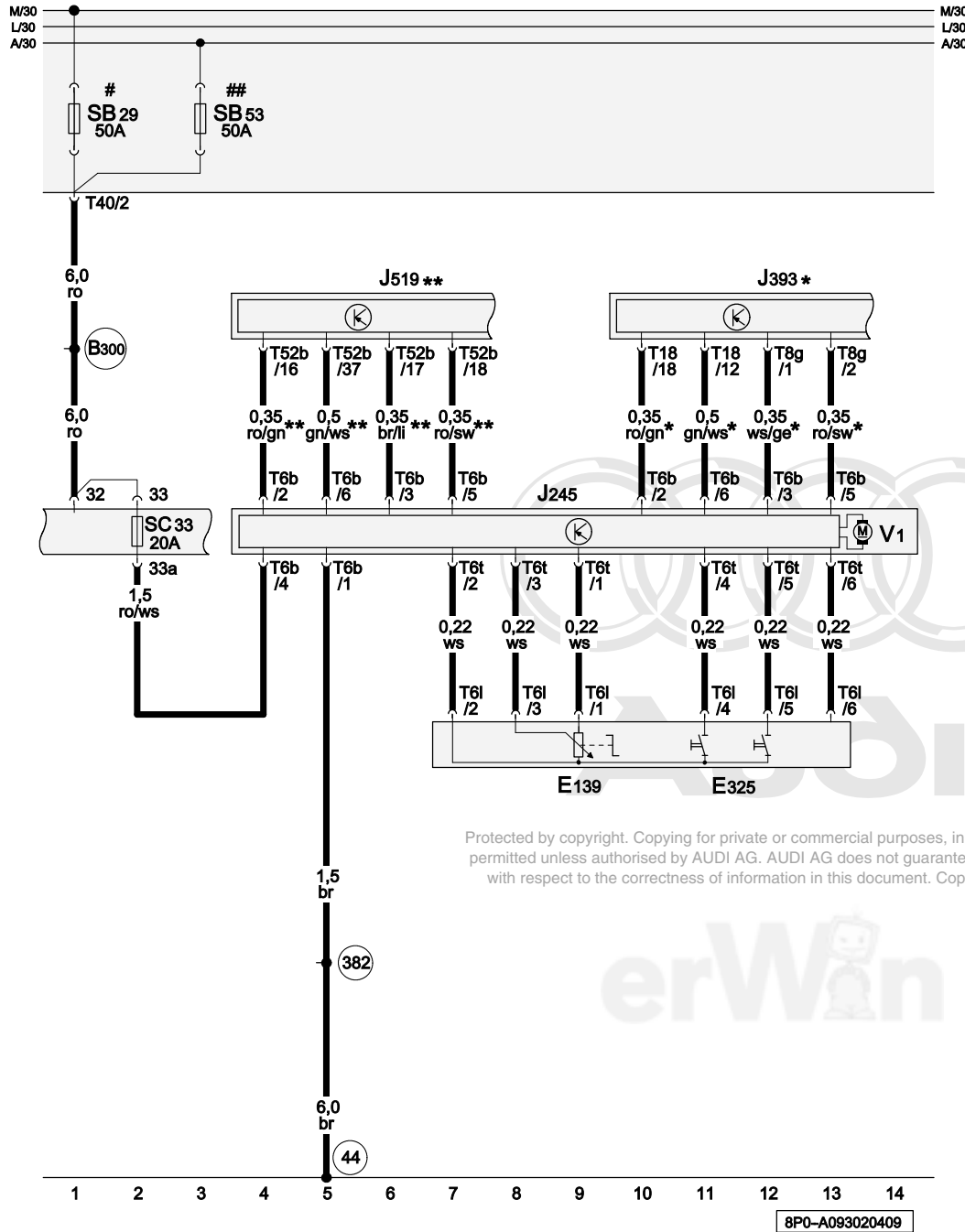
- ◆ Troubleshooting Procedures
- ⇒ Guided Fault Finding using VAS 5051 / 5052



Audi

Protected by copyright. Copying for private or commercial purposes, in part or in whole, is not permitted unless authorised by AUDI AG. AUDI AG does not guarantee or accept any liability with respect to the correctness of information in this document. Copyright by AUDI AG.





Protected by copyright. Copying for private or commercial purposes, in part or in whole, is not permitted unless authorised by AUDI AG. AUDI AG does not guarantee or accept any liability with respect to the correctness of information in this document. Copyright by AUDI AG.

Sunroof Motor, Power Sunroof Control Module

- E139 Sunroof Regulator
- E325 Sunroof Button
- J245 Power Sunroof Control Module
- J393 Comfort System Central Control Module
- J519 Vehicle Electrical System Control Module
- SB29 Fuse 29 (on fuse panel B)
- SB53 Fuse 53 (on fuse panel B)
- SC33 Fuse 33 (on fuse panel C)
- T6b 6-Pin Connector, blue (Connector A)
- T6l 6-Pin Connector, black, sunroof, near interior light
- T6t 6-Pin Connector, black (Connector B)
- T8g 8-Pin Connector, black (Connector B)
- T18 18-Pin Connector, brown (Connector A)
- T40 40-Pin Connector, black, on electronics box engine compartment (Connector J)
- T52b 52-Pin Connector, white (Connector B)
- V1 Sunroof Motor

- 44 Ground Connection (on left lower A-pillar)
- 382 Ground Connection 17 (in main wiring harness)
- B300 Plus Connection 4 (30) (in main wiring harness)

- * Not applicable from May 2009
- ** Applicable from May 2009
- # Only models with electronics box Low
- ## Only models with electronics box High

- ws = white
- sw = black
- ro = red
- br = brown
- gn = green
- bl = blue
- gr = grey
- li = lilac
- ge = yellow
- or = orange
- rs = pink

8P0-A093020409

Auxiliary heater

From May 2008



Audi

Protected by copyright. Copying for private or commercial purposes, in part or in whole, is not permitted unless authorised by AUDI AG. AUDI AG does not guarantee or accept any liability with respect to the correctness of information in this document. Copyright by AUDI AG.

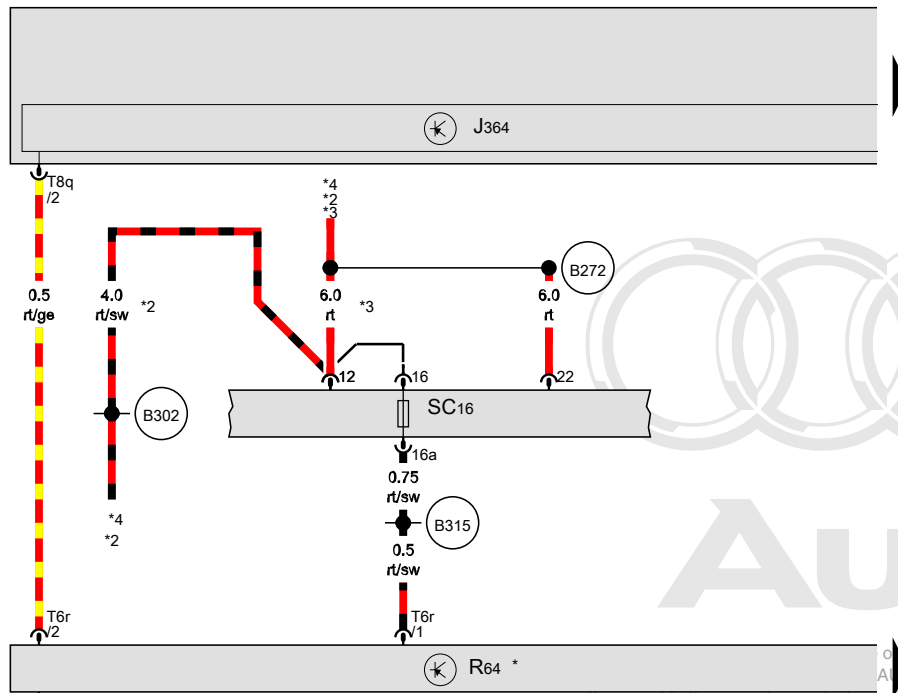


Auxiliary heater control module, Auxiliary heater radio receiver

- J364 Auxiliary heater control module
- R64 Auxiliary heater radio receiver
- SC16 Fuse 16 (on fuse panel C)
- T6r 6-pin connector
- T8q 8-pin connector

- 62 Ground connection on right C-pillar
- 400 Ground connection 35 (in main wiring harness)
- B272 Positive connection (30) (in main wiring harness)
- B302 Positive connection 6 (30) (in main wiring harness)
- B315 Positive connection 1 (30a) (in main wiring harness)

- * Only for vehicles with auxiliary heater radio receiver
- *2 Only for vehicles with a battery in the luggage compartment
- *3 Only for vehicles with a battery in the engine compartment
- *4 Refer to applicable wiring diagram



of commercial purposes, in part or in whole, is not
 Audi AG does not guarantee or accept any liability
 with respect to the correctness or information in this document. Copyright by AUDI AG.

- ws = white
- sw = black
- ro = red
- br = brown
- gn = green
- bl = blue
- gr = grey
- li = lilac
- ge = yellow
- or = orange
- rs = pink

1 2 3 4 5 6 7 8 9 10 11 12 13 14

18P1-094021111

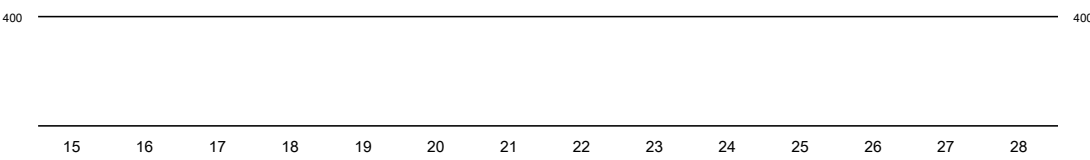
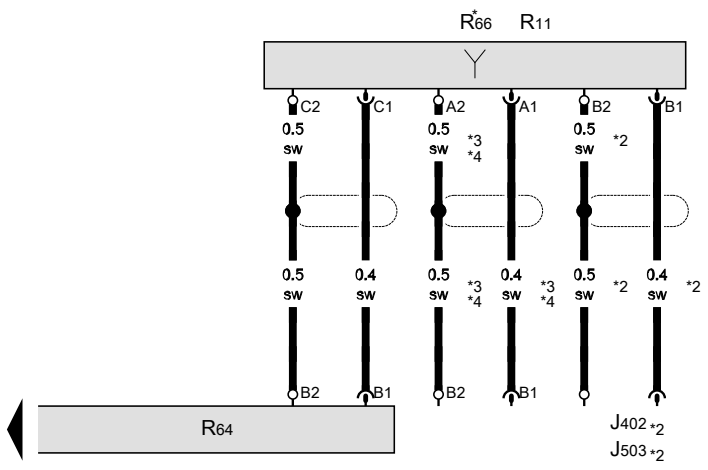
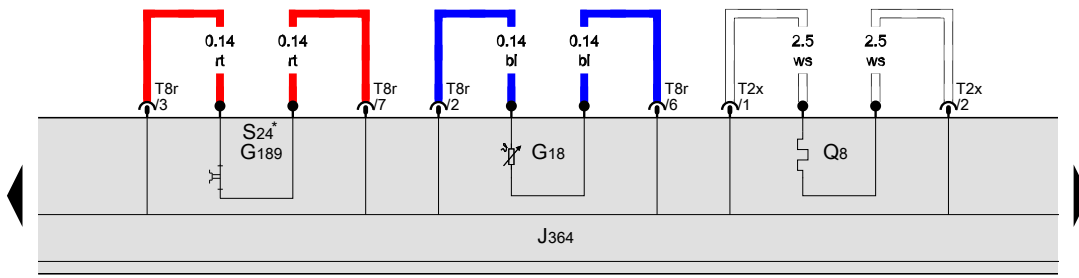
Auxiliary heater control module, Antenna, Auxiliary heater radio receiver

- G18 Temperature sensor
- G189 Overheat sensor
- J364 Auxiliary heater control module
- J402 Operating electronics/navigation system control module
- J503 Radio/navigation display unit control module
- Q8 Glow plug with flame monitoring
- R11 Antenna
- R64 Auxiliary heater radio receiver
- R66 Telephone/navigation system/auxiliary heater antenna
- S24 Heater overhear fuse
- T2x Double connector
- T8r 8-pin connector

400 Ground connection 35 (in main wiring harness)

- * Omitted as a running change
- *2 Only for vehicles with navigation system
- *3 Only for vehicles with cell phone preparation
- *4 Only for vehicles with a cell phone

Protected by copyright. Copying for private or commercial purposes, in part or in whole, is not permitted unless authorised by AUDI AG. AUDI AG does not guarantee or accept any liability with respect to the correctness of information in this document. Copyright by AUDI AG.



- ws = white
- sw = black
- ro = red
- br = brown
- gn = green
- bl = blue
- gr = grey
- li = lilac
- ge = yellow
- or = orange
- rs = pink

18P1-0940311111

Auxiliary heater control module, Combustion air blower, Metering pump, Recirculation pump

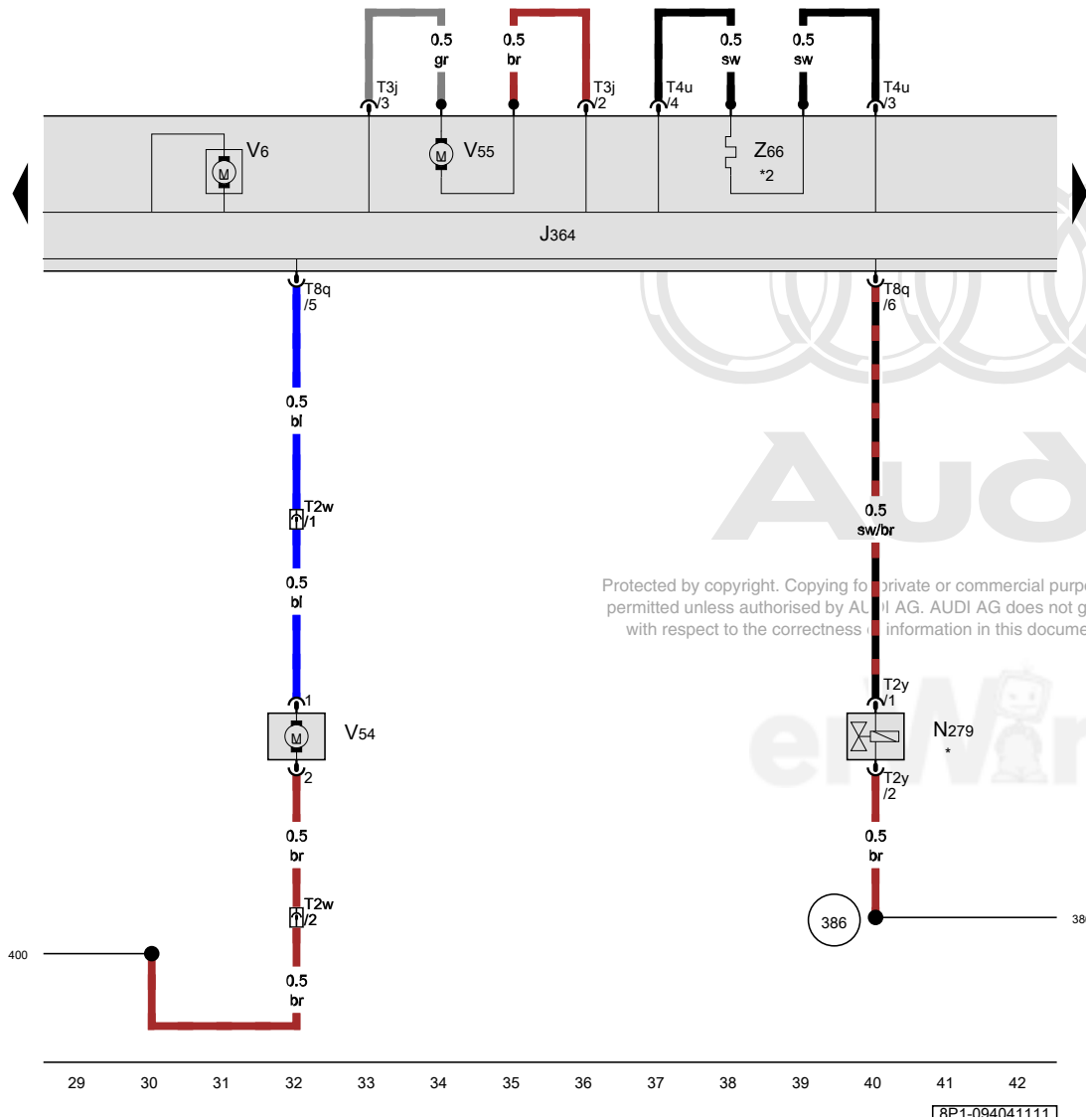
- J364 Auxiliary heater control module
- N279 Heater coolant shut-off valve
- T2w Double connector, near the fuel pump
- T2y Double connector
- T3j 3-pin connector
- T4u 4-pin connector
- T8q 8-pin connector
- V6 Combustion air blower
- V54 Metering pump
- V55 Recirculation pump
- Z66 Fuel preheating element

386 Ground connection 21 (in main wiring harness)

400 Ground connection 35 (in main wiring harness)

* Depending on equipment

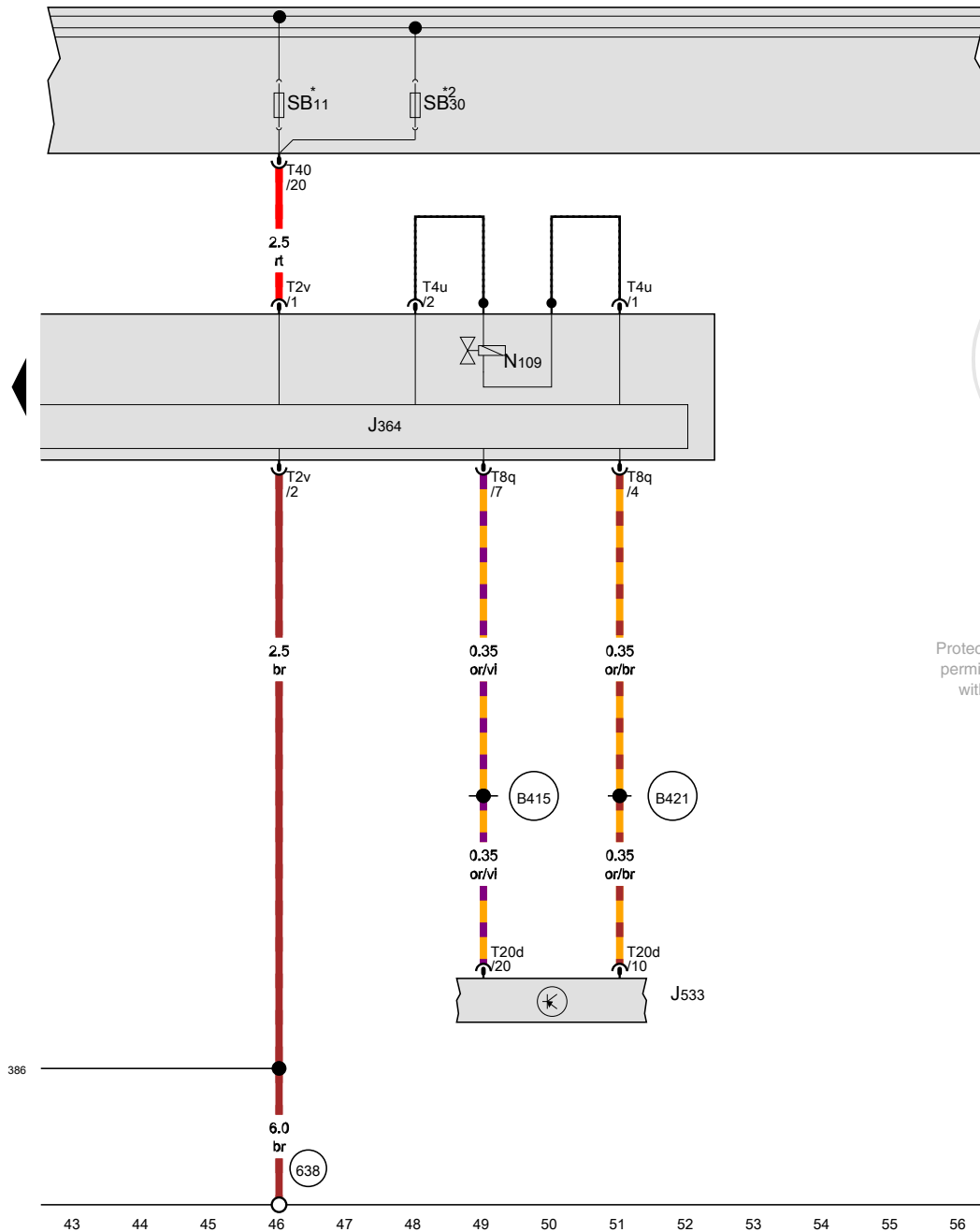
*2 Only for vehicles with diesel engines



Protected by copyright. Copying for private or commercial purposes, in part or in whole, is not permitted unless authorised by AUDI AG. AUDI AG does not guarantee or accept any liability with respect to the correctness of the information in this document. Copyright by AUDI AG.

- ws = white
- sw = black
- ro = red
- br = brown
- gn = green
- bl = blue
- gr = grey
- li = lilac
- ge = yellow
- or = orange
- rs = pink

[RP1-094041111]



Auxiliary heater control module, Data bus on board diagnostic interface, Fuse 11 (on fuse panel B), Fuse 30 (on fuse panel B)

- J364 Auxiliary heater control module
- J533 Data bus on board diagnostic interface
- N109 Fuel cut-off valve
- SB11 Fuse 11 (on fuse panel B)
- SB30 Fuse 30 (on fuse panel B)
- T2v Double connector
- T4u 4-pin connector
- T8q 8-pin connector
- T20d 20-pin connector
- T40 40-pin connector

- (386) Ground connection 21 (in main wiring harness)
- (638) Ground connection on right A-pillar
- (B415) Infotainment CAN Bus high connection 1 (in main wiring harness)
- (B421) Infotainment CAN bus low connection 1 (in main wiring harness)

- * E-Box low
- *2 E-Box high

Protected by copyright. Copying for private or commercial purposes, in part or in whole, is not permitted unless authorised by AUDI AG. AUDI AG does not guarantee or accept any liability with respect to the correctness of information in this document. Copyright by AUDI AG.

- ws = white
- sw = black
- ro = red
- br = brown
- gn = green
- bl = blue
- gr = grey
- li = lilac
- ge = yellow
- or = orange
- rs = pink

18P1-0940511111

Comfort System

from May 2008

Note:

Information for

◆ Relay and fuse arrangements

◆ Connector arrangements

◆ Control Modules and Relays

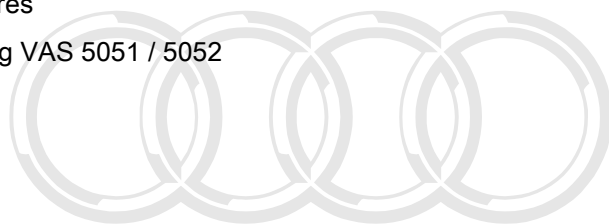
◆ Ground Connections

⇒ Component Locations

Information for

◆ Troubleshooting Procedures

⇒ Guided Fault Finding using VAS 5051 / 5052



Audi

Protected by copyright. Copying for private or commercial purposes, in part or in whole, is not permitted unless authorised by AUDI AG. AUDI AG does not guarantee or accept any liability with respect to the correctness of information in this document. Copyright by AUDI AG.





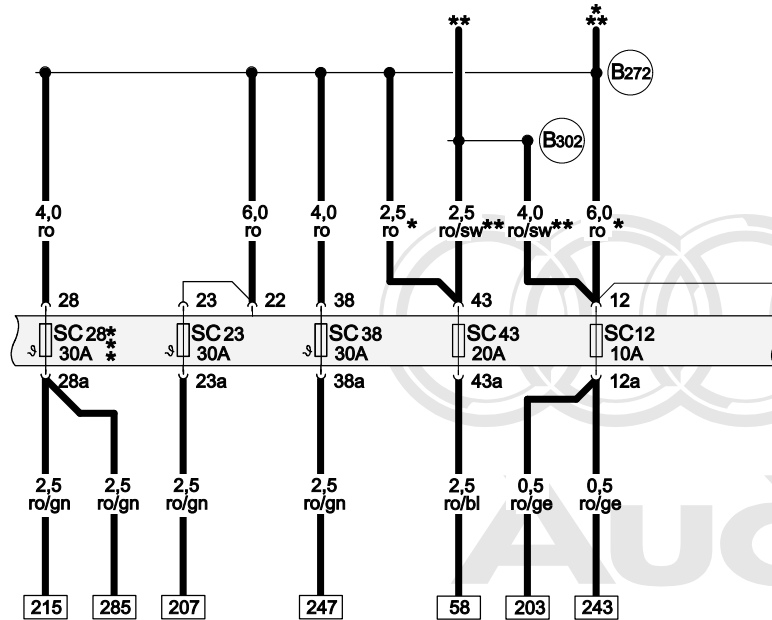
Fuses (on fuse panel)

- SC12 Fuse 12 (on fuse panel C)
- SC23 Fuse 23 (on fuse panel C)
- SC28 Fuse 28 (on fuse panel C)
- SC38 Fuse 38 (on fuse panel C)
- SC43 Fuse 43 (on fuse panel C)

(B272) Plus Connection (30) (in main wiring harness)

(B302) Plus Connection 6 (30) (in main wiring harness)

- * ⇒ Applicable Wiring Diagram with battery in engine compartment
- ** ⇒ Applicable Wiring Diagram with battery in luggage compartment
- *** Only 5-door models



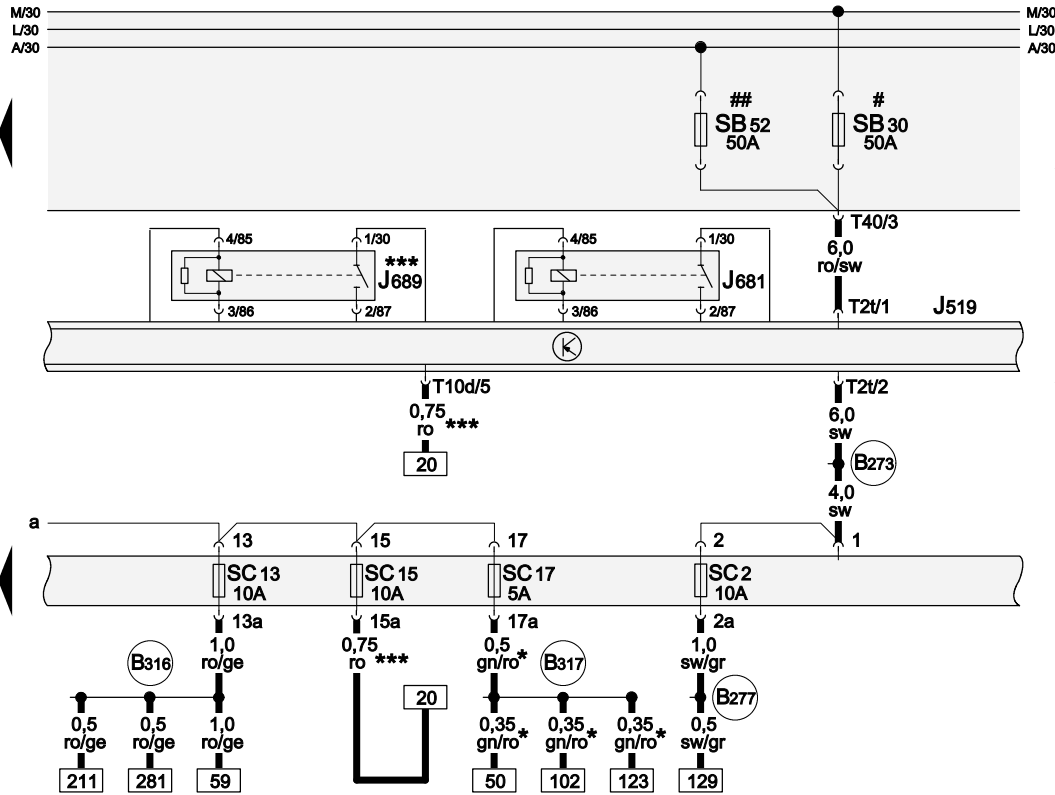
Protected by copyright. Copying for private or commercial purposes, in part or in whole, is not permitted unless authorised by AUDI AG. AUDI AG does not guarantee or accept any liability with respect to the correctness of information in this document. Copyright by AUDI AG.



- ws = white
- sw = black
- ro = red
- br = brown
- gn = green
- bl = blue
- gr = grey
- li = lilac
- ge = yellow
- or = orange
- rs = pink

1 2 3 4 5 6 7 8 9 10 11 12 13 14

8P0-A096020408

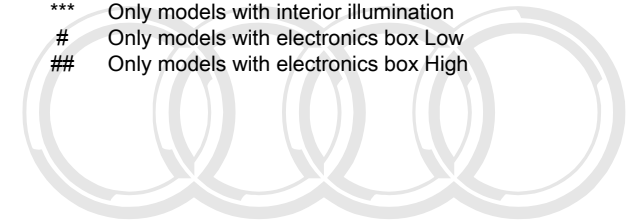


Fuses (on fuse panel), Power Supply Relay 2 (terminal 15)

- J519 Vehicle Electrical System Control Module
- J681 Power Supply Relay 2 (terminal 15)
- J689 Power Supply Relay 2 (terminal 30)
- SB30 Fuse 30 (on fuse panel B)
- SB52 Fuse 52 (on fuse panel B)
- SC2 Fuse 2 (on fuse panel C)
- SC13 Fuse 13 (on fuse panel C)
- SC15 Fuse 15 (on fuse panel C)
- SC17 Fuse 17 (on fuse panel C)
- T2t Double Connector, black (Connector L)
- T10d 10-Pin Connector, black (Connector K)
- T40 40-Pin Connector, black, on electronics box engine compartment (Connector J)

- (B273) Plus Connection (15) (in main wiring harness)
- (B277) Plus Connection 1 (15a) (in main wiring harness)
- (B316) Plus Connection 2 (30a) (in main wiring harness)
- (B317) Plus Connection 3 (30a) (in main wiring harness)

- * Only models with anti-theft alarm system
- *** Only models with interior illumination
- # Only models with electronics box Low
- ## Only models with electronics box High



Audi

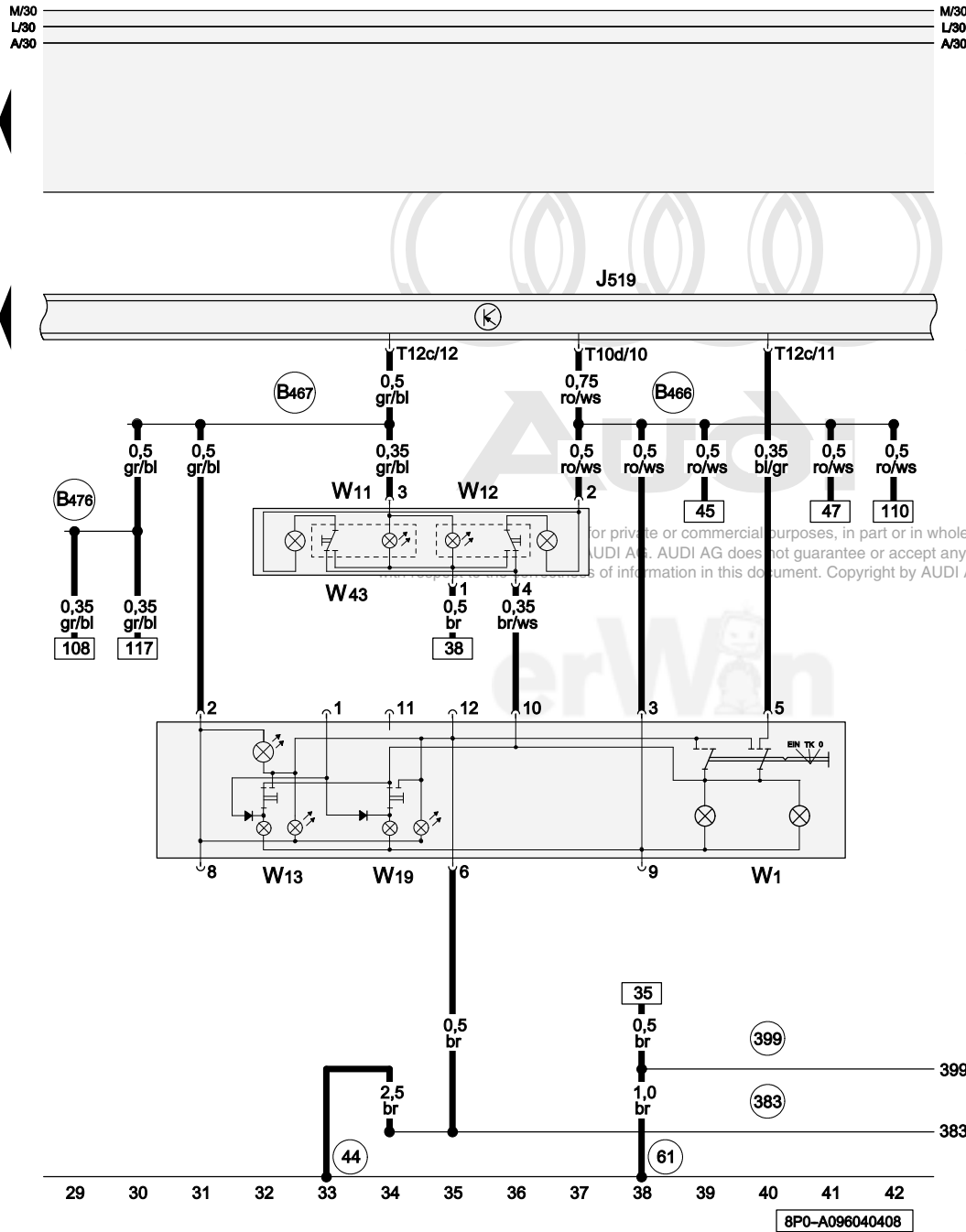
- ws = white
- sw = black
- ro = red
- br = brown
- gn = green
- bl = blue
- gr = grey
- li = lilac
- ge = yellow
- or = orange
- rs = pink

Protected by copyright. Copying for private or commercial purposes, in part or in whole, is not permitted unless authorised by AUDI AG. AUDI AG does not guarantee or accept any liability with respect to the correctness of information in this document. Copyright by AUDI AG.



15 16 17 18 19 20 21 22 23 24 25 26 27 28

8P0-A096030408

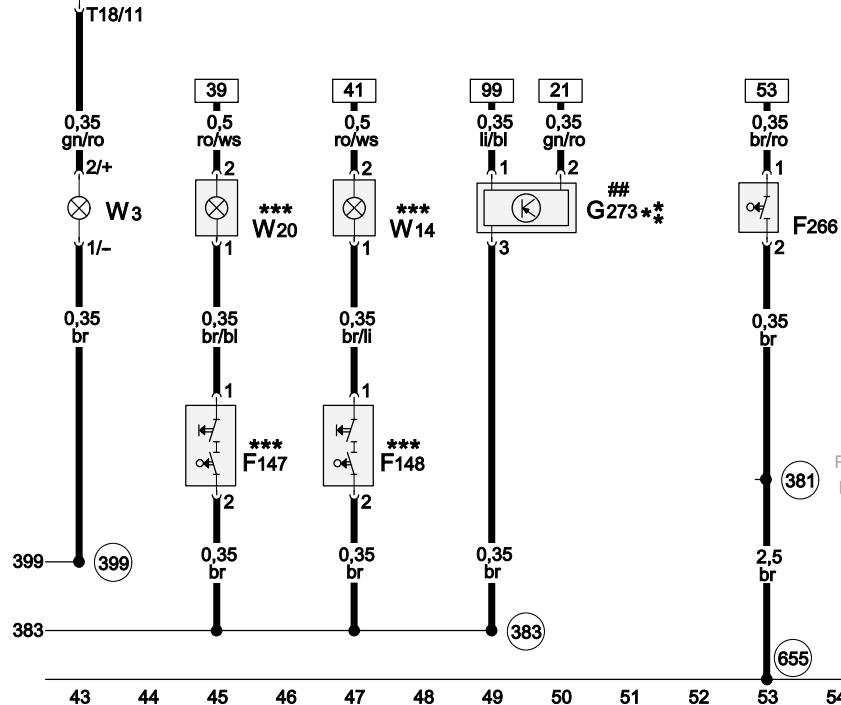
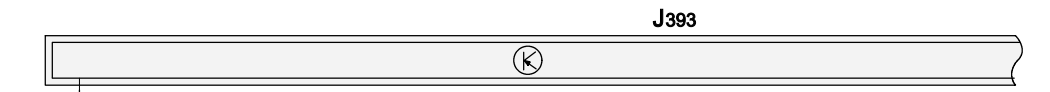
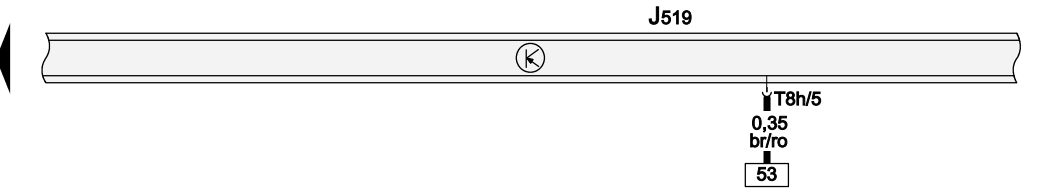
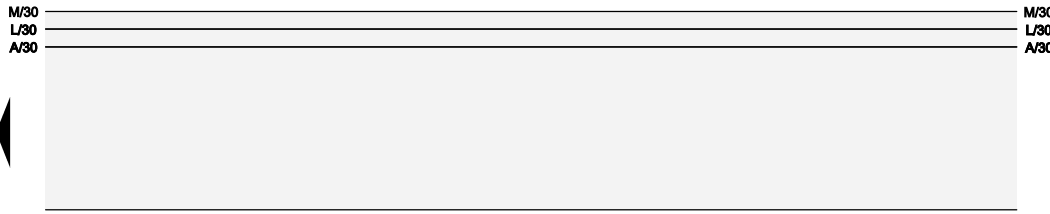


Front and Rear Interior Light with Reading Lights

- J519 Vehicle Electrical System Control Module
- T10d 10-Pin Connector, black (Connector K)
- T12c 12-Pin Connector, black (Connector B)
- W1 Front Interior Light
- W11 Left Rear Reading Light
- W12 Right Rear Reading Light
- W13 Front Passenger's Map/Reading Light
- W19 Driver's Map/Reading Light
- W43 Rear Interior Light

- 44 Ground Connection (on left lower A-pillar)
- 61 Ground Connection (on left C-pillar)
- 383 Ground Connection 18 (in main wiring harness)
- 399 Ground Connection 34 (in main wiring harness)
- B466 Connection 2 (in main wiring harness)
- B467 Connection 3 (in main wiring harness)
- B476 Connection 12 (in main wiring harness)

- ws = white
- sw = black
- ro = red
- br = brown
- gn = green
- bl = blue
- gr = grey
- li = lilac
- ge = yellow
- or = orange
- rs = pink



Front Hood Switch, Driver and Front Passenger Vanity Mirror Lamp Contact Switch, Interior Monitoring Sensor, Luggage Compartment Light

- F147 Driver Vanity Mirror Lamp Contact Switch
- F148 Front Passenger Vanity Mirror Lamp Contact Switch
- F266 Front Hood Switch
- G273 Interior Monitoring Sensor
- J519 Vehicle Electrical System Control Module
- T8h 8-Pin Connector, black (Connector F)
- T18 18-Pin Connector, brown (Connector A)
- W3 Luggage Compartment Light
- W14 Front Passenger's Illuminated Make-up Mirror
- W20 Driver's Illuminated Make-up Mirror Light

- 381 Ground Connection 16 (in main wiring harness)
- 383 Ground Connection 18 (in main wiring harness)
- 399 Ground Connection 34 (in main wiring harness)
- 655 Ground Connection (on left headlamp)

- * Only models with anti-theft alarm system
- ** Only models with interior monitoring sensor
- *** Only models with illuminated Make-up mirrors without garage door opener
- ## Not for models with US equipment

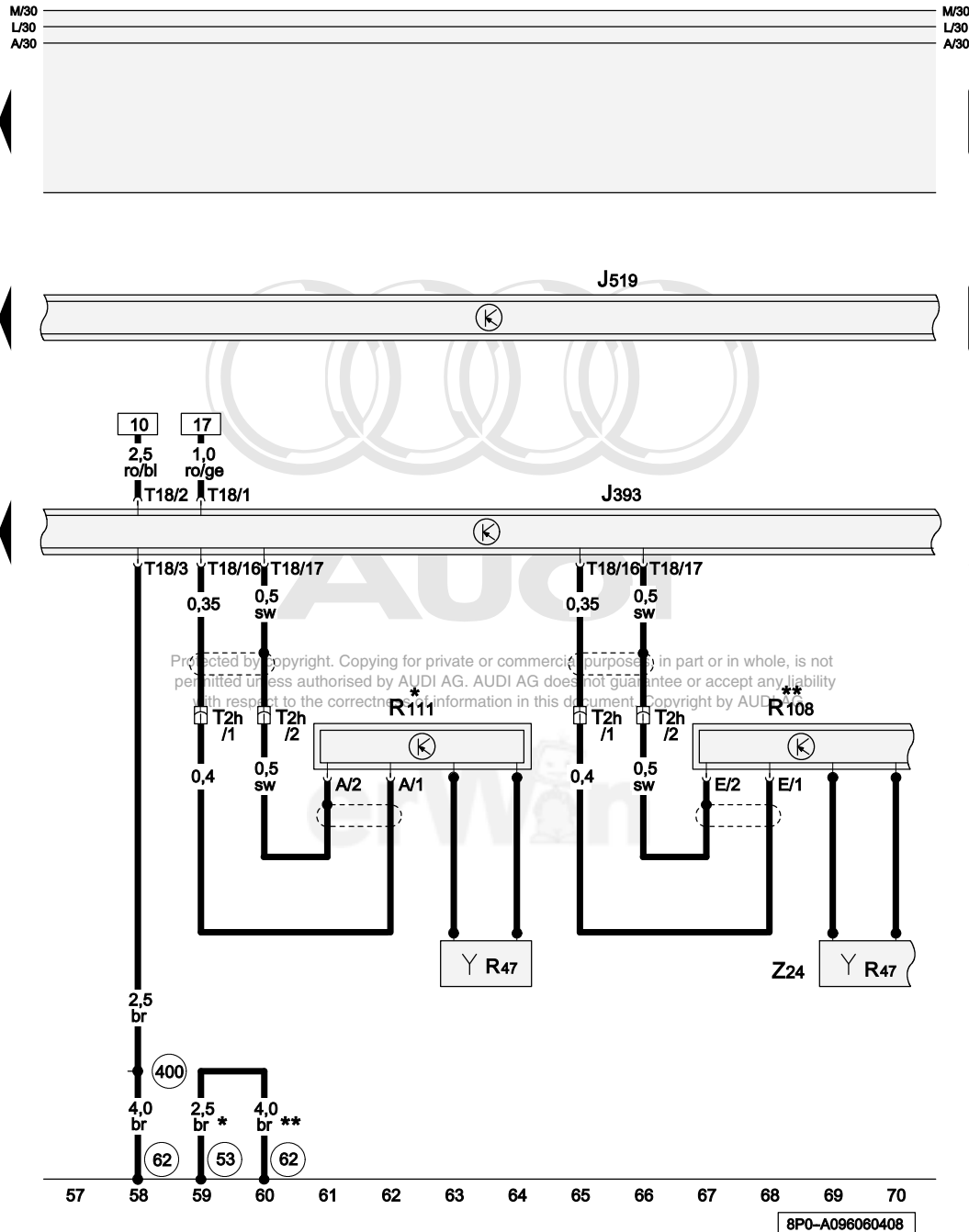


Audi

Protected by copyright. Copying for private or commercial purposes, in part or in whole, is not permitted unless authorised by AUDI AG. AUDI AG does not guarantee or accept any liability with respect to the correctness of information in this document. Copyright by AUDI AG.

- ws = white
- sw = black
- ro = red
- br = brown
- gn = green
- bl = blue
- gr = grey
- li = lilac
- ge = yellow
- or = orange
- rs = pink

8P0-A096050408



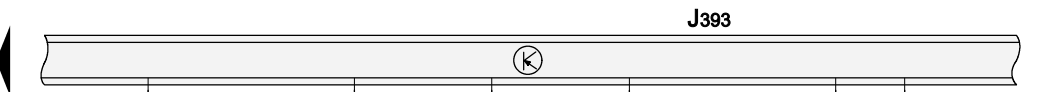
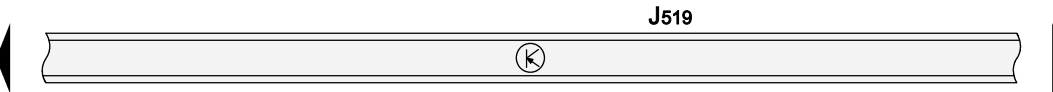
Central Locking and Anti-Theft Alarm System Antenna

- J393 Comfort System Central Control Module
- J519 Vehicle Electrical System Control Module
- R47 Central Locking and Anti-Theft Alarm System Antenna
- R108 Left Antenna Module
- R111 Antenna Amplifier 2
- T2h Double Connector, on C-pillar, right
- T18 18-Pin Connector, brown (Connector A)
- Z24 Rear Window Defogger with Window Antenna

- 53 Ground Connection (in rear lid, right)
- 62 Ground Connection (on right C-pillar)
- 400 Ground Connection 35 (in main wiring harness)

* Not for models with radio or radio/navigation system
 ** Only models with radio or radio/navigation system

- ws = white
- sw = black
- ro = red
- br = brown
- gn = green
- bl = blue
- gr = grey
- li = lilac
- ge = yellow
- or = orange
- rs = pink

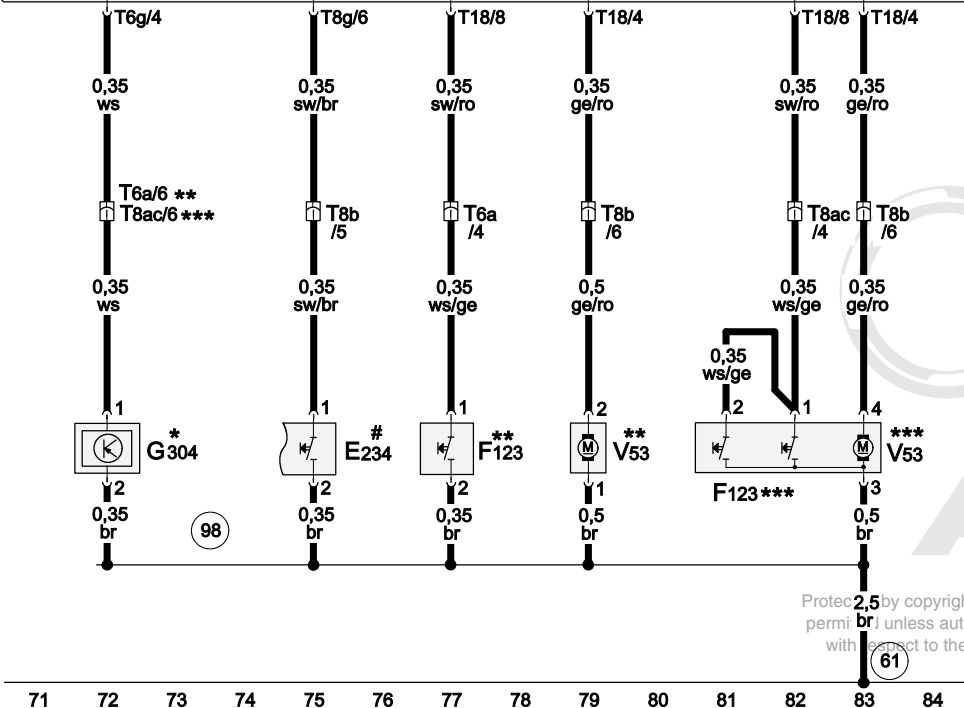


Rear Lid Central Locking System Motor, Rear Window Glass Breakage Sensor, Rear Lid Handle Unlock Switch

- E234 Rear Lid Handle Unlock Switch
- F123 Trunk Lid Alarm Switch
- G304 Rear Window Glass Breakage Sensor
- J393 Comfort System Central Control Module
- J519 Vehicle Electrical System Control Module
- T6a 6-Pin Connector, black, on C-pillar, left
- T6g 6-Pin Connector, black (Connector E)
- T8b 8-Pin Connector, brown, on C-pillar, left
- T8g 8-Pin Connector, black (Connector B)
- T8ac 8-Pin Connector, black
- T18 18-Pin Connector, brown (Connector A)
- V53 Rear Lid Central Locking System Motor

- 61 Ground Connection (on left C-pillar)
- 98 Ground Connection (in rear lid wiring harness)

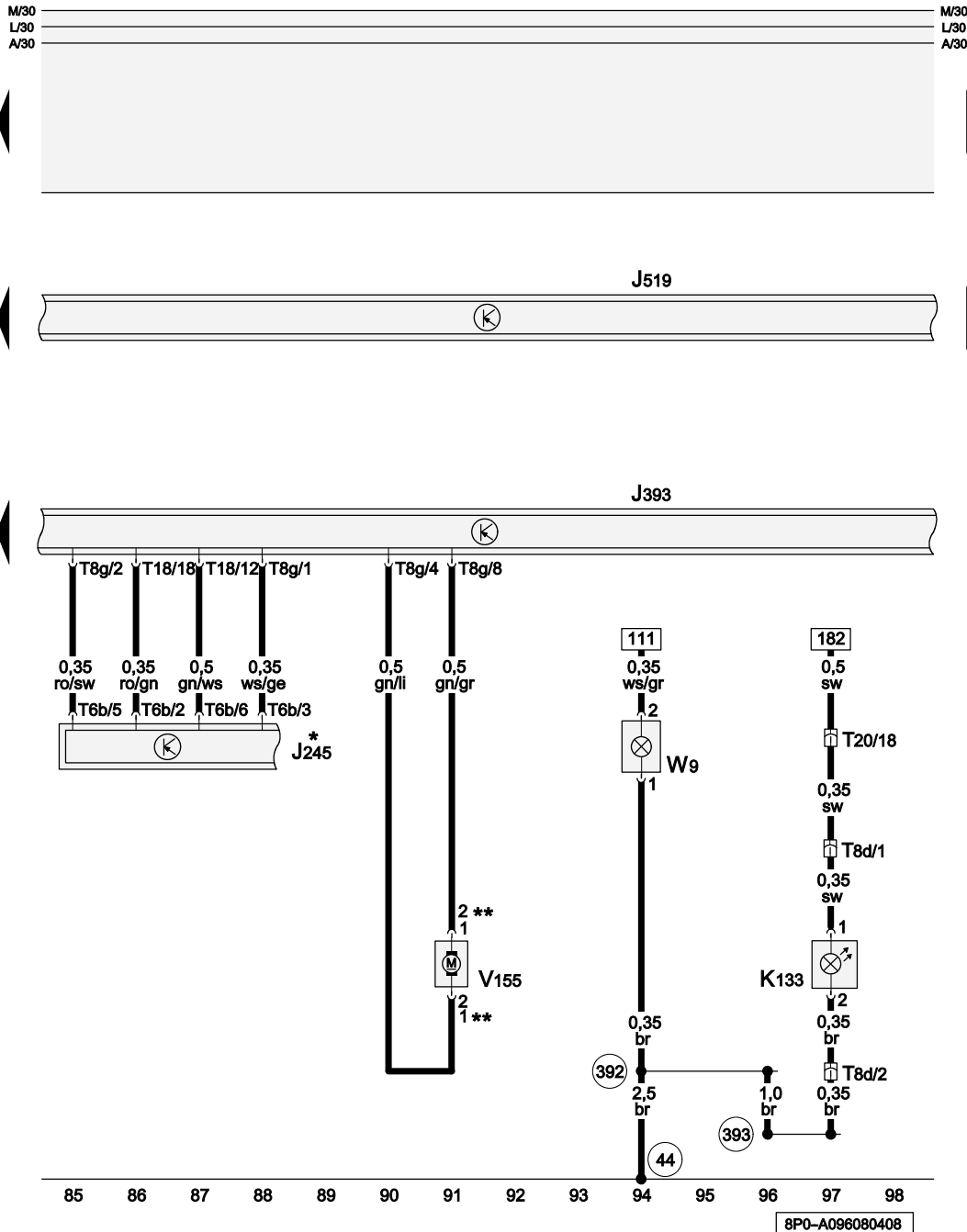
- * Only models with anti-theft alarm system
- ** Only 3-door models
- *** Only 5-door models
- # E234 replace F248



- ws = white
- sw = black
- ro = red
- br = brown
- gn = green
- bl = blue
- gr = grey
- li = lilac
- ge = yellow
- or = orange
- rs = pink

Protected by copyright. Copying for private or commercial purposes, in part or in whole, is not permitted unless authorised by AUDI AG. AUDI AG does not guarantee or accept any liability with respect to the correctness of information in this document. Copyright by AUDI AG.

8P0-A096070408



Central Locking -SAFE- Indicator Lamp, Fuel Tank Lid Lock Motor, Left Footwell Light

- J245 Power Sunroof Control Module
- J393 Comfort System Central Control Module
- J519 Vehicle Electrical System Control Module
- K133 Central Locking -SAFE- Indicator Lamp
- T6b 6-Pin Connector, blue (Connector A)
- T8d 8-Pin Connector, black, behind center console
- T8g 8-Pin Connector, black (Connector B)
- T18 18-Pin Connector, brown (Connector A)
- T20 20-Pin Connector, black, door A-pillar, left
- V155 Fuel Tank Lid Unlock Motor
- W9 Left Footwell Light

- 44 Ground Connection (on left lower A-pillar)
- 392 Ground Connection 27 (in main wiring harness)
- 393 Ground Connection 28 (in main wiring harness)

* ⇒ Applicable Wiring Diagram Sliding-/Tilting Sunroof
 ** Only models with US equipment

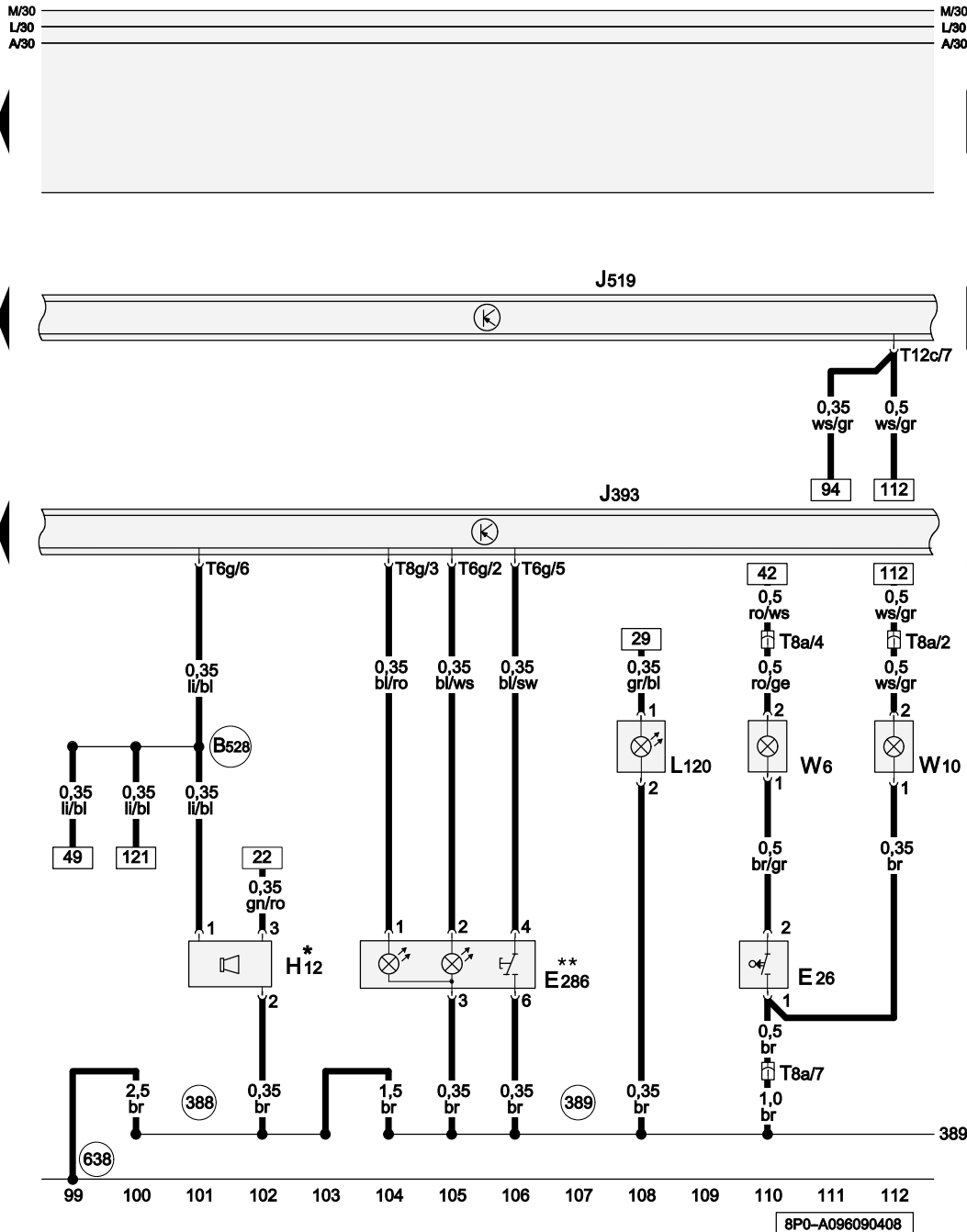
- ws = white
- sw = black
- ro = red
- br = brown
- gn = green
- bl = blue
- gr = grey
- li = lilac
- ge = yellow
- or = orange
- rs = pink



Audi

protected by copyright. Copying for private or commercial purposes, in part or in whole, is not permitted unless authorised by AUDI AG. AUDI AG does not guarantee or accept any liability with respect to the correctness of information in this document. Copyright by AUDI AG.





Alarm Horn, Rear/Center Interior Lock Switch, Storage Compartment Illumination, Glove Compartment Light, Right Footwell Light

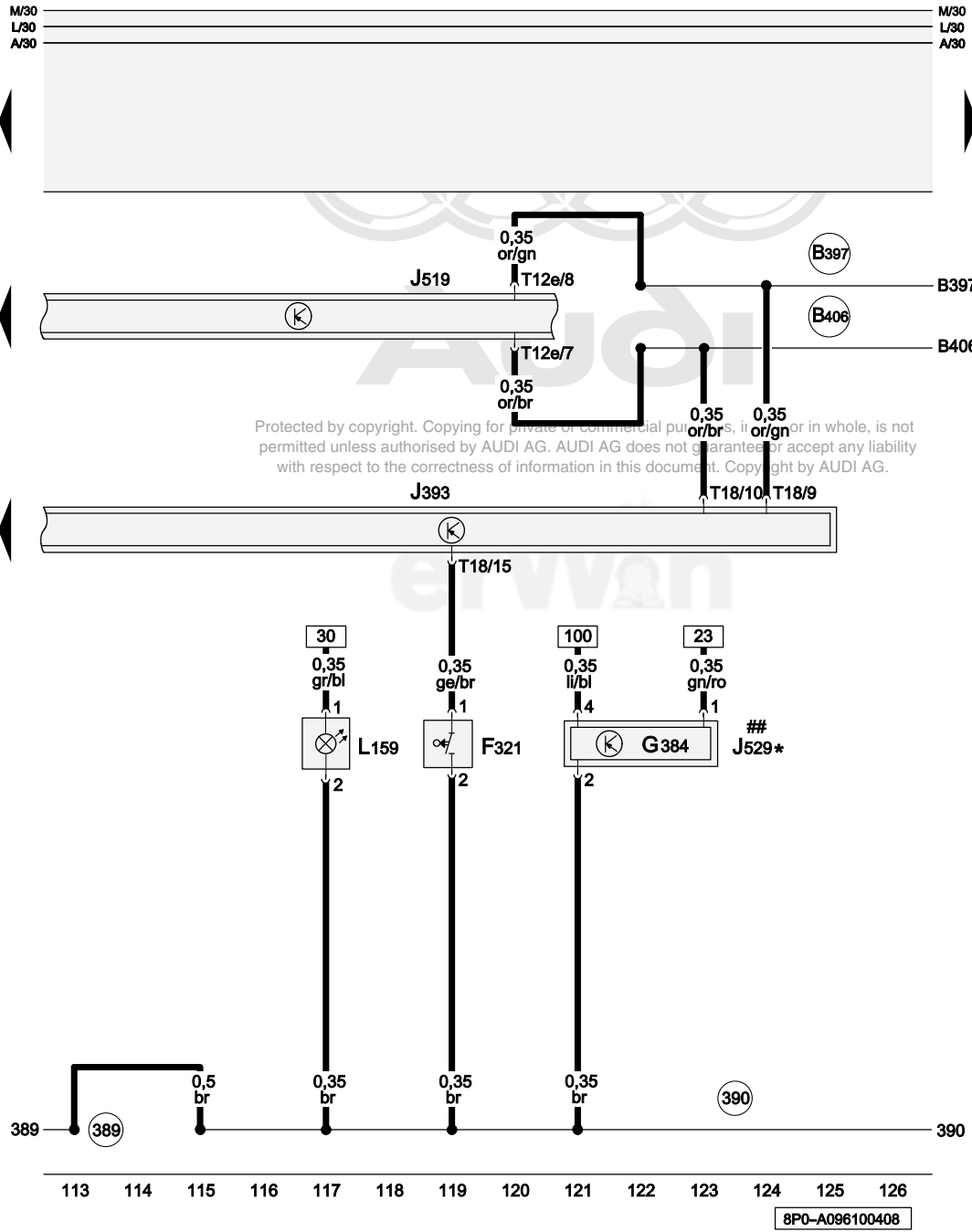
- E26 Glove Compartment Lamp Switch
- E286 Rear/Center Interior Lock Switch
- H12 Alarm Horn
- J393 Comfort System Central Control Module
- J519 Vehicle Electrical System Control Module
- L120 Storage Compartment Illumination
- T6g 6-Pin Connector, black (Connector E)
- T8a 8-Pin Connector, black, near glove compartment
- T8g 8-Pin Connector, black (Connector B)
- T12c 12-Pin Connector, black (Connector B)
- W6 Glove Compartment Light
- W10 Right Footwell Light

- 388 Ground Connection 23 (in main wiring harness)
- 389 Ground Connection 24 (in main wiring harness)
- 638 Ground Connection (on right A-pillar)
- B528 LIN-Bus Connection 1 (in main wiring harness)

* Only models with anti-theft alarm system
 ** Only models with US equipment

Protected by copyright. Copying for private or commercial purposes, in part or in whole, is not permitted unless authorised by AUDI AG. AUDI AG does not guarantee or accept any liability with respect to the correctness of information in this document. Copyright by AUDI AG.

- ws = white
- sw = black
- ro = red
- br = brown
- gn = green
- bl = blue
- gr = grey
- li = lilac
- ge = yellow
- or = orange
- rs = pink

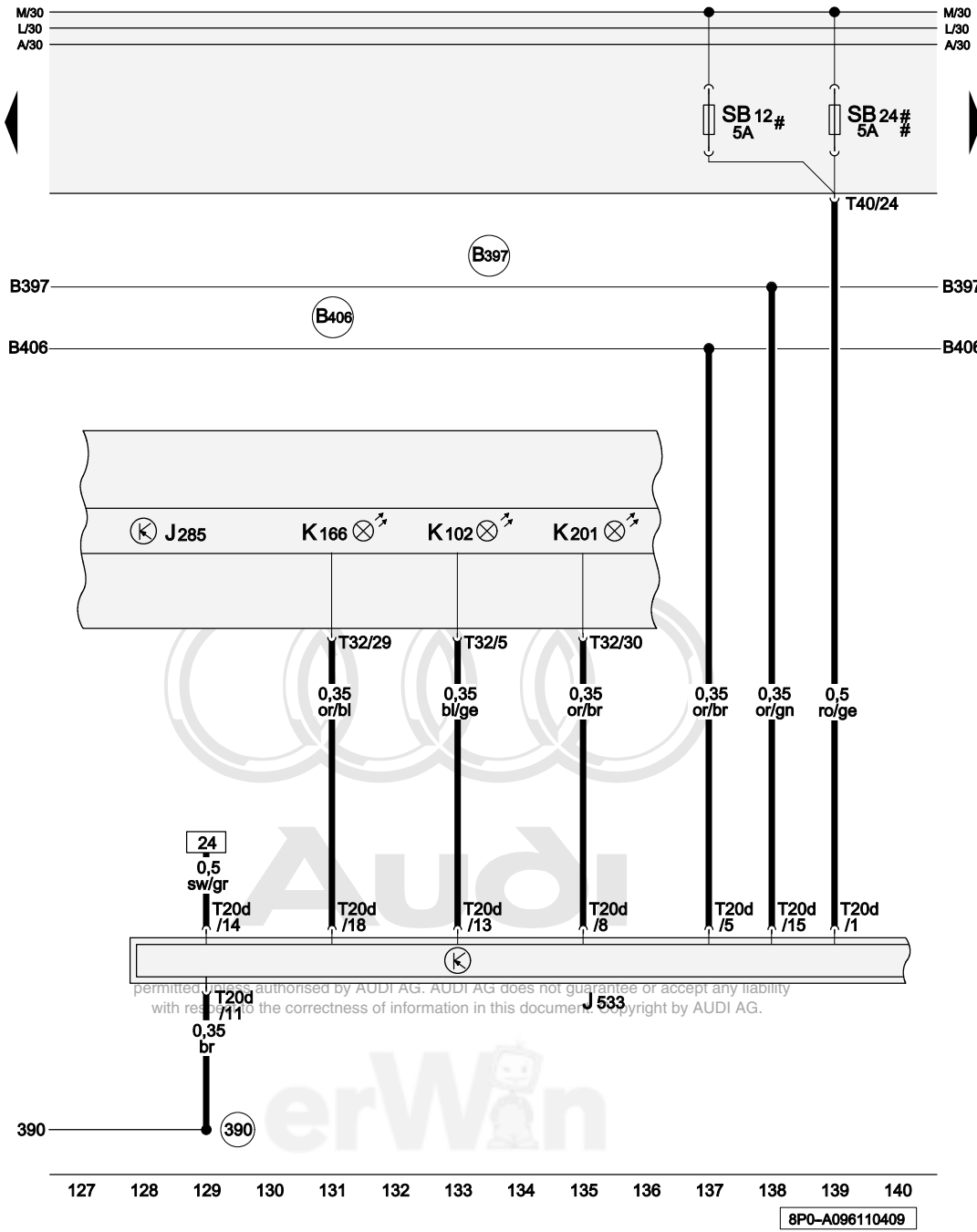


Rear Center Console Storage Illumination, Parking Brake Contact Switch, Inclusion-/Anti-Theft Control Module

- F321 Parking Brake Contact Switch
- G384 Vehicle Inclination Sensor
- J393 Comfort System Central Control Module
- J519 Vehicle Electrical System Control Module
- J529 Inclusion-/Anti-Theft Control Module
- L159 Rear Center Console Storage Illumination
- T12e 12-Pin Connector, black (Connector G)
- T18 18-Pin Connector, brown (Connector A)

- 389 Ground Connection 24 (in main wiring harness)
- 390 Ground Connection 25 (in main wiring harness)
- B397 Comfort System CAN-Bus High Connection 1 (in main wiring harness)
- B406 Comfort System CAN-Bus Low Connection 1 (in main wiring harness)
- * Only models with anti-theft alarm system
- ## Not for models with US equipment

- ws = white
- sw = black
- ro = red
- br = brown
- gn = green
- bl = blue
- gr = grey
- li = lilac
- ge = yellow
- or = orange
- rs = pink



Instrument Cluster Control Module, Data Bus On Board Diagnostic Interface

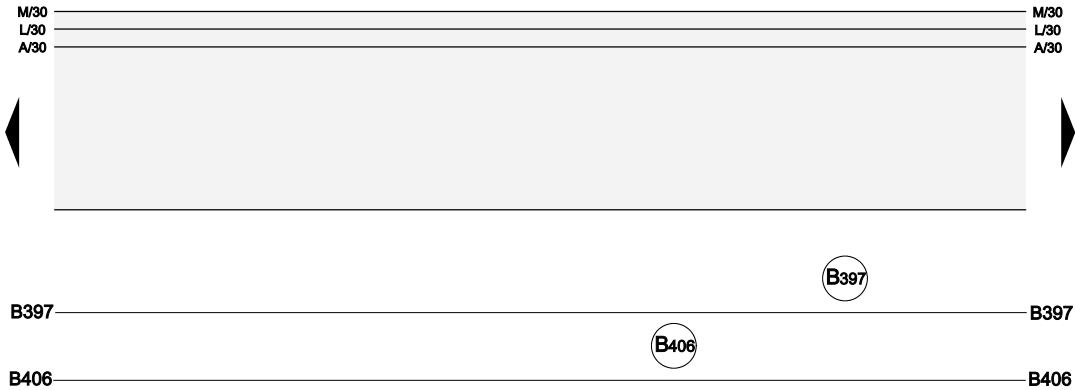
- J285 Instrument Cluster Control Module
- J533 Data Bus On Board Diagnostic Interface
- K102 Rear Hatch/Trunk Lid Ajar Warning Lamp
- K166 Door Ajar Indicator Lamp
- K201 Fuel Filler Lid Lock Warning Lamp
- SB12 Fuse 12 (on fuse panel B)
- SB24 Fuse 24 (on fuse panel B)
- T20d 20-Pin Connector, black (Connector A)
- T32 32-Pin Connector, blue (Connector A)
- T40 40-Pin Connector, black, on electronics box engine compartment (Connector J)

- 390 Ground Connection 25 (in main wiring harness)
- B397 Comfort System CAN-Bus High Connection 1 (in main wiring harness)
- B406 Comfort System CAN-Bus Low Connection 1 (in main wiring harness)
- # Only models with electronics box Low
- ## Only models with electronics box High

- ws = white
- sw = black
- ro = red
- br = brown
- gn = green
- bl = blue
- gr = grey
- li = lilac
- ge = yellow
- or = orange
- rs = pink

permitted. Unauthorised use is prohibited. Audi AG does not guarantee or accept any liability with respect to the correctness of information in this document. Copyright by AUDI AG.

8P0-A096110409

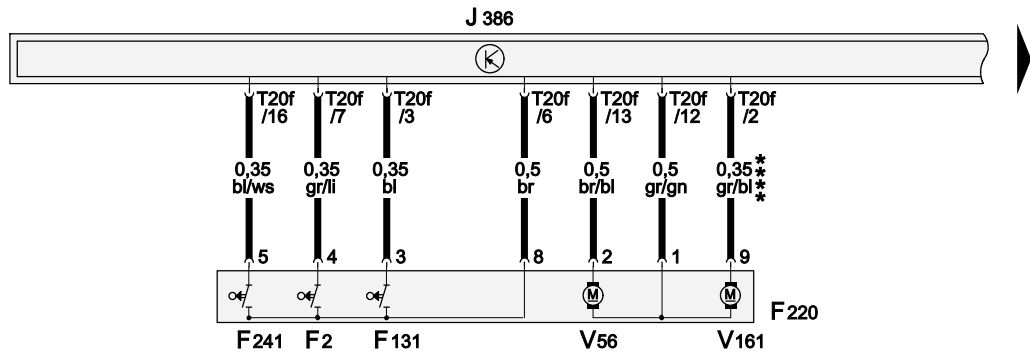


Driver's Door Central Locking Lock Unit

- F2 Driver's Door Contact Switch
- F131 Left Front Central Locking System Actuator
- F220 Driver's Door Central Locking Lock Unit
- F241 Driver Lock Cylinder Contact Switch
- J386 Driver's Door Control Module
- T20f 20-Pin Connector, black (Connector A)
- V56 Driver's Door Central Locking System Motor
- V161 Driver's Door Central Locking (Safe) Motor

- B397** Comfort System CAN-Bus High Connection 1 (in main wiring harness)
- B406** Comfort System CAN-Bus Low Connection 1 (in main wiring harness)

**** Not for models with US equipment



Audi

Protected by copyright. Copying for private or commercial purposes, in part or in whole, is not permitted unless authorised by AUDI AG. AUDI AG does not guarantee or accept any liability with respect to the correctness of information in this document. Copyright by AUDI AG.

- ws = white
- sw = black
- ro = red
- br = brown
- gn = green
- bl = blue
- gr = grey
- li = lilac
- ge = yellow
- or = orange
- rs = pink



141 142 143 144 145 146 147 148 149 150 151 152 153 154

8P0-A096120408



B397

B397

B406

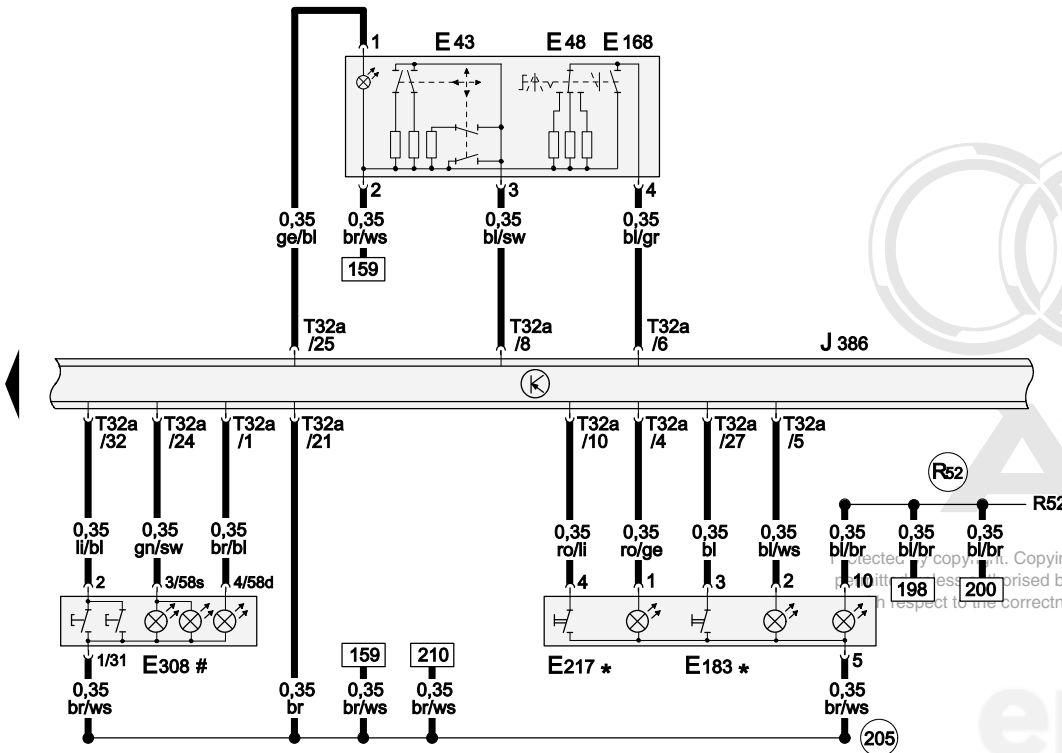
B406

Mirror Adjustment Switch, Alarm System -Off- Switch, Driver's Interior Locking Button

- E43 Mirror Adjustment Switch
- E48 Mirror Selector Switch
- E168 Mirror Adjustment (with fold-in function) Switch
- E183 Passenger Compartment Monitoring Switch
- E217 Alarm System -Off- Switch
- E308 Driver's Interior Locking Button
- J386 Driver's Door Control Module
- T32a 32-Pin Connector, grey (Connector C)

- 205 Ground Connection (in Driver's door wiring harness)
- B397 Comfort System CAN-Bus High Connection 1 (in main wiring harness)
- B406 Comfort System CAN-Bus Low Connection 1 (in main wiring harness)
- R52 Connection (58s) (in driver's door wiring harness)

* Only models with interior monitoring
E308 replace E150



J 386

(K)

R52

R52

198

200

198

200

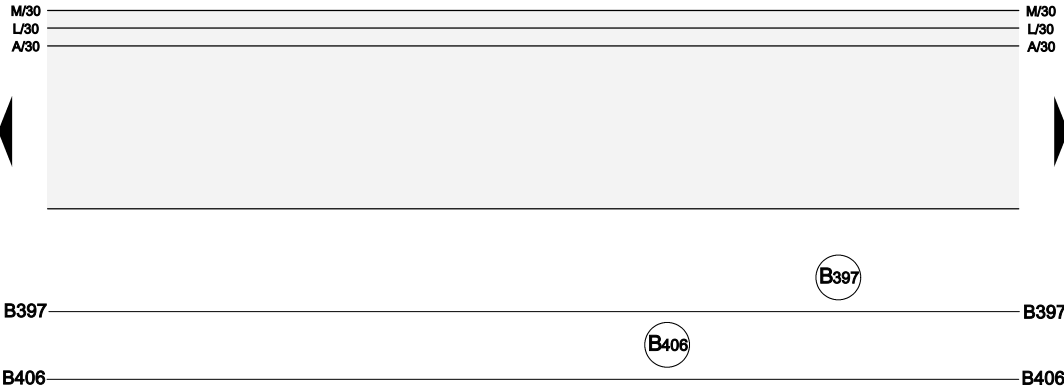
205

205

155 156 157 158 159 160 161 162 163 164 165 166 167 168

8P0-A096130408

- ws = white
- sw = black
- ro = red
- br = brown
- gn = green
- bl = blue
- gr = grey
- li = lilac
- ge = yellow
- or = orange
- rs = pink



Rear Lid Remote Control Lock Switch, Fuel Tank Lid Unlock Button, Driver's Door Opener Illumination, Driver's Door Warning Light, Left Front Entry Light

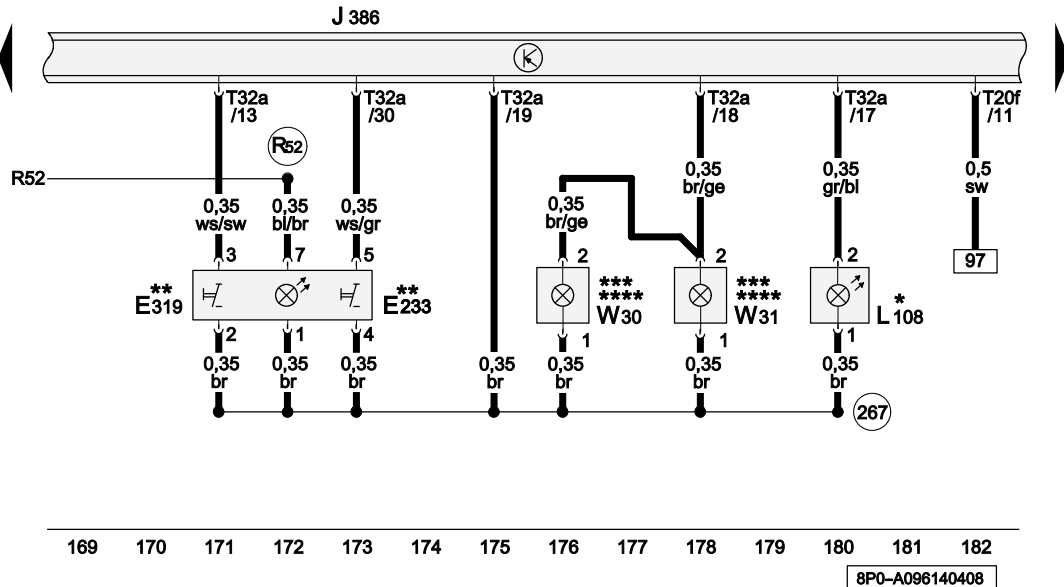
- E233 Rear Lid Remote Control Lock Switch
- E319 Fuel Tank Lid Unlock Button
- L108 Driver's Door Opener Illumination
- J386 Driver's Door Control Module
- T20f 20-Pin Connector, black (Connector A)
- T32a 32-Pin Connector, grey (Connector C)
- W30 Driver's Door Warning Light
- W31 Left Front Entry Light

267 Ground Connection 2 (in driver's door wiring harness)
 Protected by copyright. Copying for private or commercial purposes, in part or in whole, is not permitted unless authorised by AUDI AG. AUDI AG does not guarantee or accept any liability with respect to the content of this document.
 B397 Comfort System CAN-Bus High Connection 1 (in main wiring harness)

B406 Comfort System CAN-Bus Low Connection 1 (in main wiring harness)

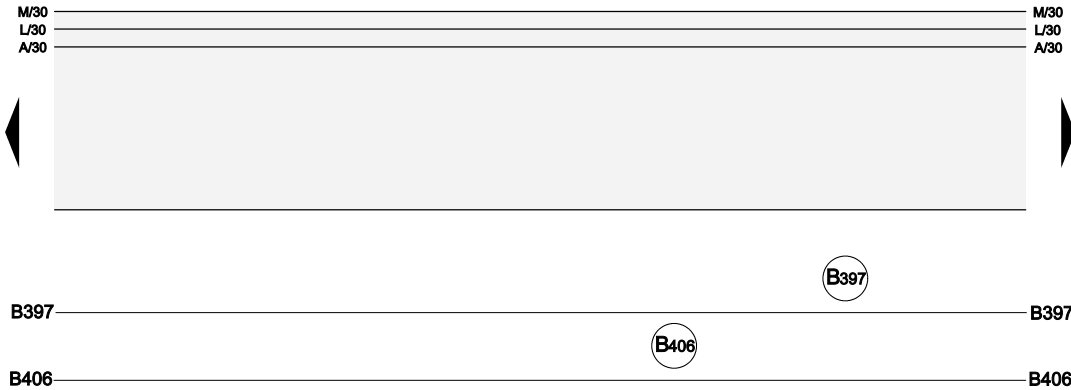
R52 Connection (58s) (in driver's door wiring harness)

- * Only models with driver's door opener illumination
- ** Only models with US equipment
- *** Only models with driver's door warning light and left front entry light
- **** Not for models with US equipment



- ws = white
- sw = black
- ro = red
- br = brown
- gn = green
- bl = blue
- gr = grey
- li = lilac
- ge = yellow
- or = orange
- rs = pink

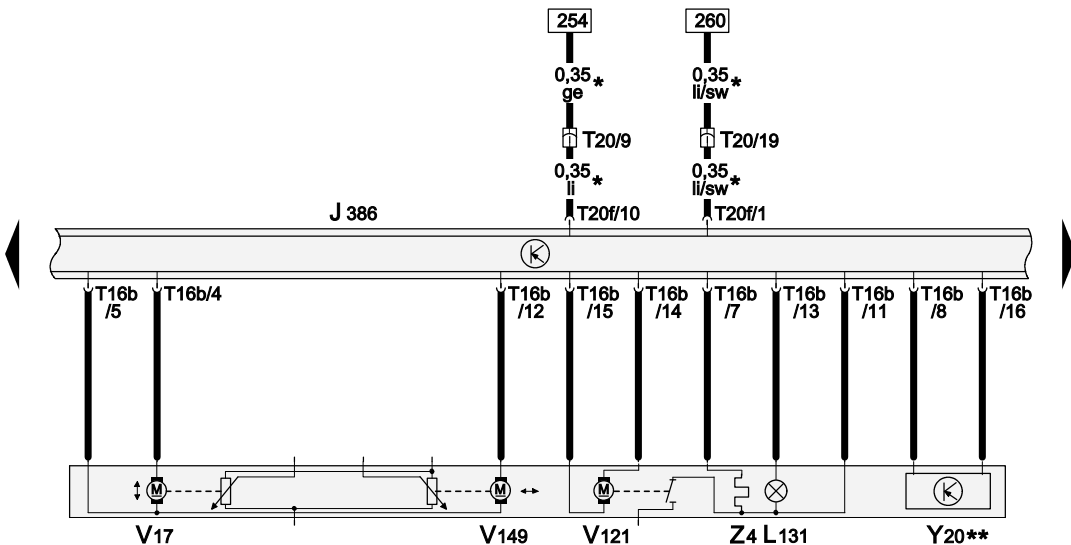
8P0-A096140408



Driver's Outside Mirror

- J386 Driver's Door Control Module
- L131 Driver's Exterior Mirror Turn Signal Lamp
- T16b 16-Pin Connector (Connector B)
- T20 20-Pin Connector, black, door A-pillar, left
- T20f 20-Pin Connector, black (Connector A)
- V17 Driver's Mirror Adjustment Motor
- V121 Driver's Mirror Fold-in Motor
- V149 Driver's Mirror Adjustment Motor
- Y20 Driver's Automatic Day/Night Outside Mirror
- Z4 Driver's Heated Outside Mirror

- B397** Comfort System CAN-Bus High Connection 1 (in main wiring harness)
- B406** Comfort System CAN-Bus Low Connection 1 (in main wiring harness)
- * Only models with automatic day/night interior mirror
- ** Only models with automatic day/night outside mirror

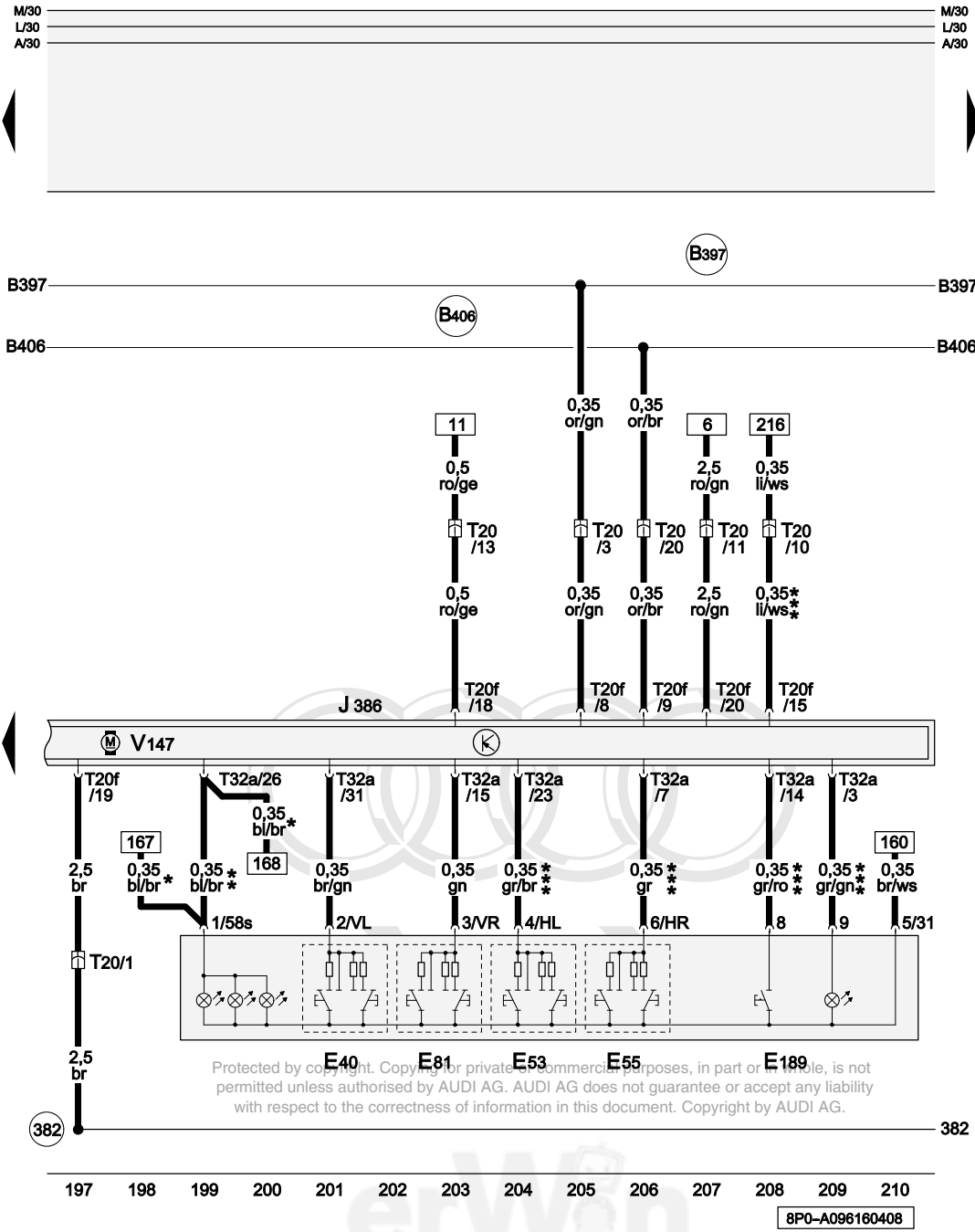


- ws = white
- sw = black
- ro = red
- br = brown
- gn = green
- bl = blue
- gr = grey
- li = lilac
- ge = yellow
- or = orange
- rs = pink



Audi

Protected by copyright. Copying for private or commercial purposes, in part or in whole, is not permitted unless authorised by AUDI AG. AUDI AG does not guarantee or accept any liability with respect to the correctness of information in this document. Copyright by AUDI AG.

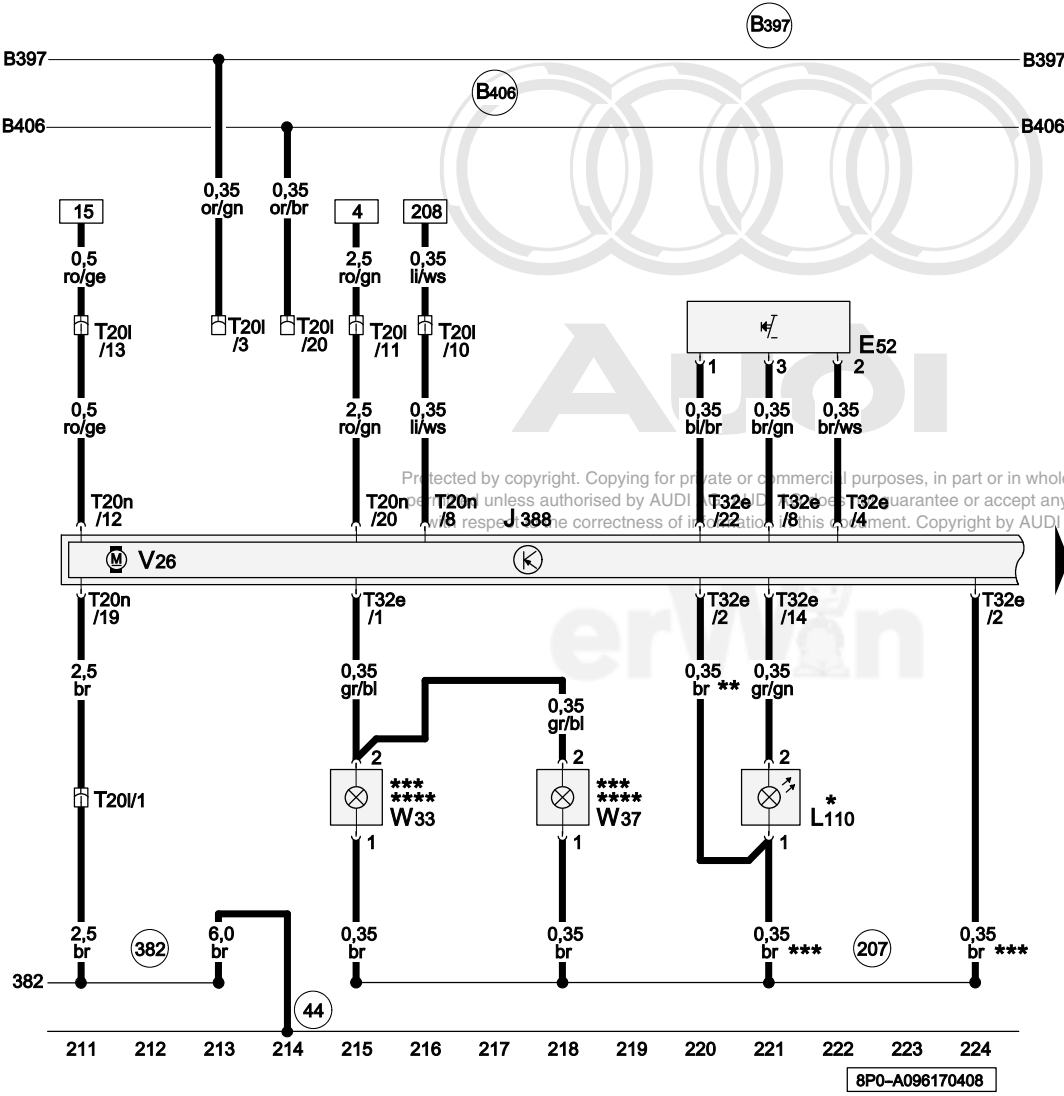
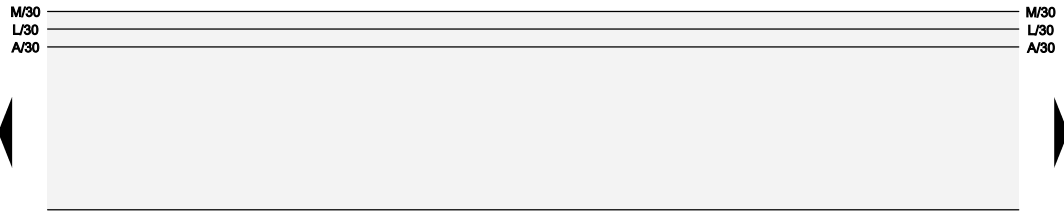


Driver's Window Regulator Switch

- E40 Left Front Window Regulator Switch
- E53 Driver's Left Rear Window Regulator Switch
- E55 Driver's Right Rear Window Regulator Switch
- E81 Driver's Right Front Window Regulator Switch
- E189 Central Window Regulator Switch (in driver's door)
- J386 Driver's Door Control Module
- T20 20-Pin Connector, black, door A-pillar, left
- T20f 20-Pin Connector, black (Connector A)
- T32a 32-Pin Connector, grey (Connector C)
- V147 Driver's Window Regulator Motor

- 382 Ground Connection 17 (in main wiring harness)
- B397 Comfort System CAN-Bus High Connection 1 (in main wiring harness)
- B406 Comfort System CAN-Bus Low Connection 1 (in main wiring harness)
- * Only models with interior monitoring
- ** Only models without interior monitoring
- *** Only 5-door models

- ws = white
- sw = black
- ro = red
- br = brown
- gn = green
- bl = blue
- gr = grey
- li = lilac
- ge = yellow
- or = orange
- rs = pink



Left Rear Window Switch in Left Rear Door, Left Rear Entry Light, Left Rear Door Warning Light, Left Rear Door Opener Illumination

- E52 Left Rear Window Switch in Left Rear Door
- J388 Left Rear Door Control Module
- L110 Left Rear Door Opener Illumination
- T20l 20-Pin Connector, black, door B-pillar, left
- T20n 20-Pin Connector, black (Connector A)
- T32e 32-Pin Connector, grey (Connector C)
- V26 Left Rear Window Regulator Motor
- W33 Left Rear Entry Light
- W37 Left Rear Door Warning Light

- 44 Ground Connection (on left lower A-pillar)
- 207 Ground Connection (in left rear door wiring harness)
- 382 Ground Connection 17 (in main wiring harness)
- B397 Comfort System CAN-Bus High Connection 1 (in main wiring harness)
- B406 Comfort System CAN-Bus Low Connection 1 (in main wiring harness)
- * Only models with left rear door opener illumination
- ** Only models without left rear door warning light and left rear entry light
- *** Only models with left rear door warning light and left rear entry light
- **** Not for models with US equipment

- ws = white
- sw = black
- ro = red
- br = brown
- gn = green
- bl = blue
- gr = grey
- li = lilac
- ge = yellow
- or = orange
- rs = pink

8P0-A096170408



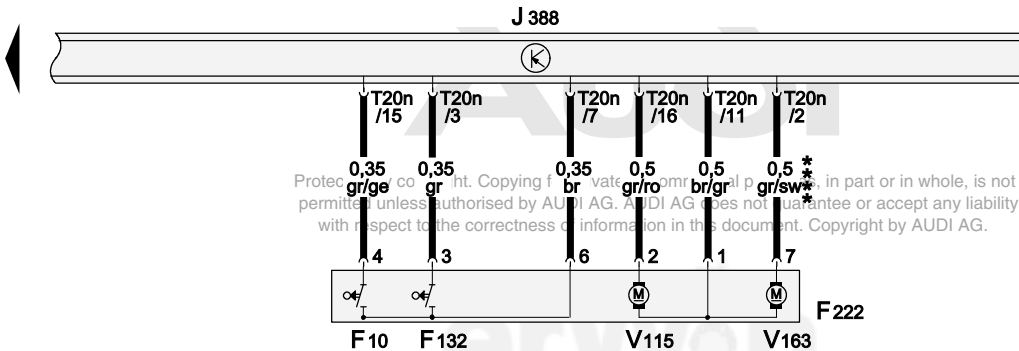
Left Rear Central Locking Lock Unit

- F10 Left Rear Door Contact Switch
- F132 Left Rear Central Locking System Actuator
- F222 Left Rear Central Locking Lock Unit
- J388 Left Rear Door Control Module
- T20n 20-Pin Connector, black (Connector A)
- V115 Left Rear Door Central Locking System Motor
- V163 Left Rear Central Locking (Safe) Motor

(B397) Comfort System CAN-Bus High Connection 1 (in main wiring harness)

(B406) Comfort System CAN-Bus Low Connection 1 (in main wiring harness)

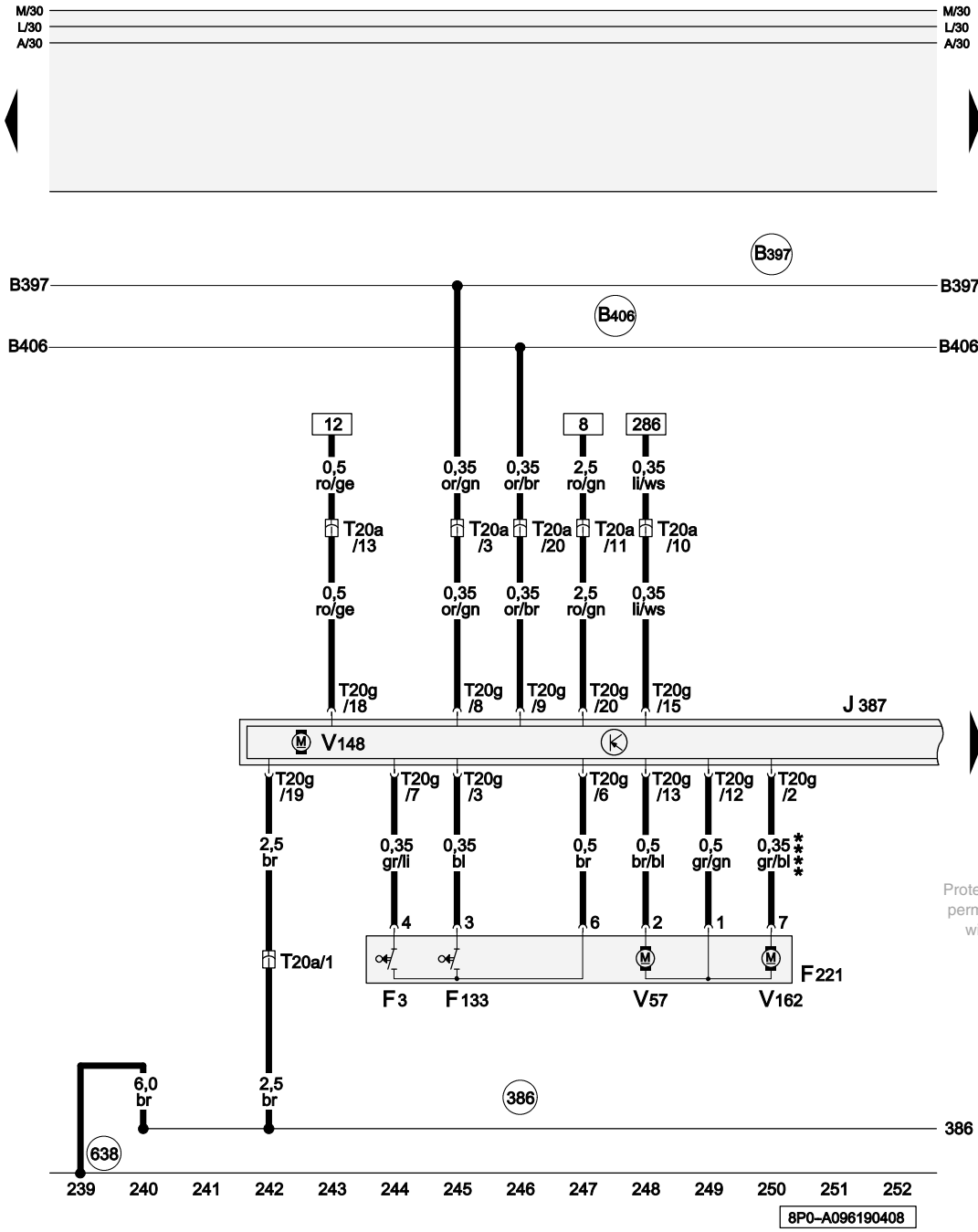
**** Not for models with US equipment



- ws = white
- sw = black
- ro = red
- br = brown
- gn = green
- bl = blue
- gr = grey
- li = lilac
- ge = yellow
- or = orange
- rs = pink

225 226 227 228 229 230 231 232 233 234 235 236 237 238

8P0-A096180408



Front Passenger's Door Central Locking Lock Unit

- F3 Front Passenger's Door Contact Switch
- F133 Right Front Central Locking System Actuator
- F221 Front Passenger's Door Central Locking Lock Unit
- J387 Front Passenger's Door Control Module
- T20a 20-Pin Connector, black, door A-pillar, right
- T20g 20-Pin Connector, black (Connector A)
- V57 Front Passenger's Door Central Locking System Motor
- V148 Front Passenger's Window Regulator Motor
- V162 Front Passenger's Central Locking (Safe) Motor

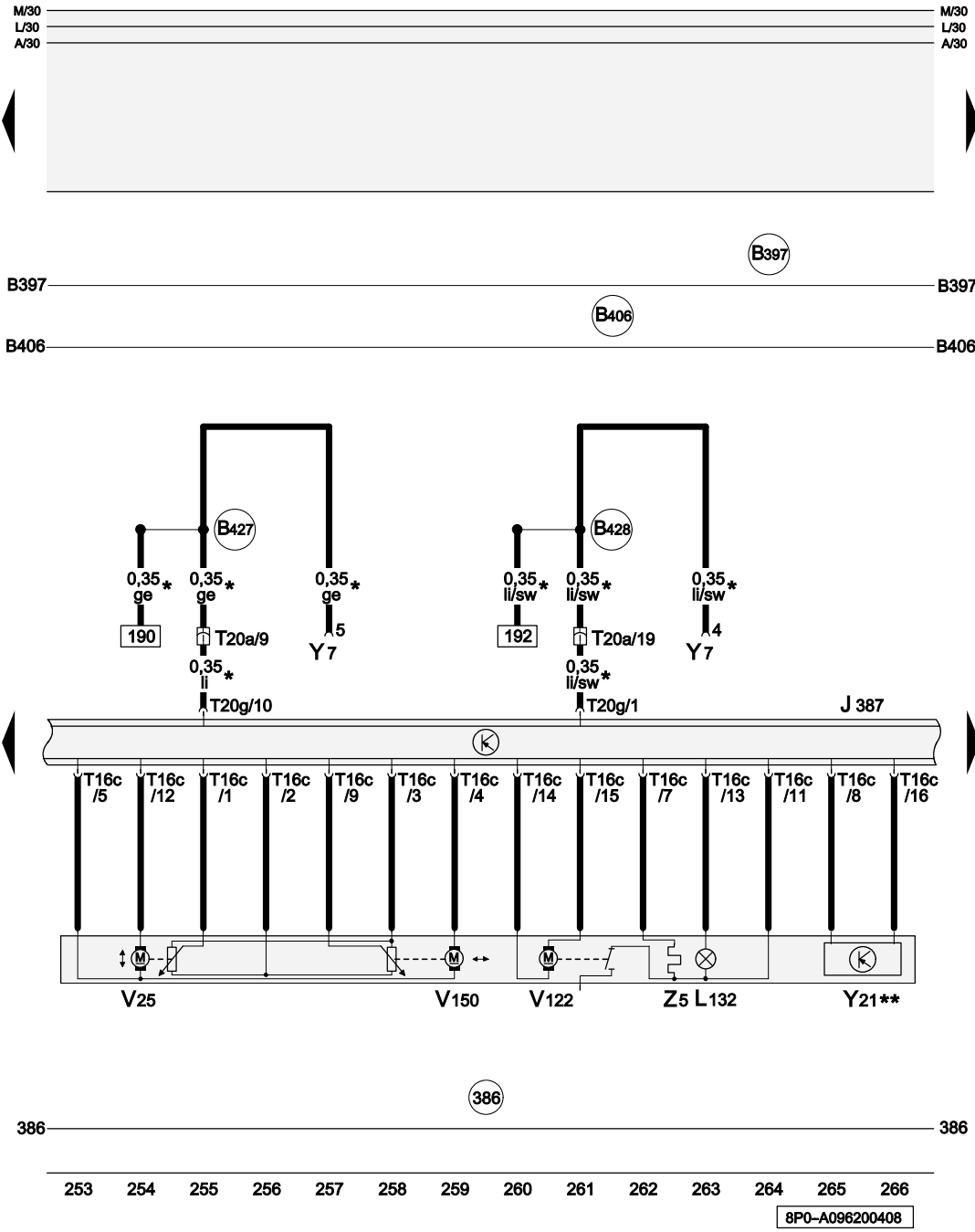
- (386) Ground Connection 21 (in main wiring harness)
- (638) Ground Connection (on right A-pillar)
- (B397) Comfort System CAN-Bus High Connection 1 (in main wiring harness)
- (B406) Comfort System CAN-Bus Low Connection 1 (in main wiring harness)

**** Not for models with US equipment

Protected by copyright. Copying for private or commercial purposes, in part or in whole, is not permitted unless authorised by AUDI AG. AUDI AG does not guarantee or accept any liability with respect to the correctness of information in this document. Copyright by AUDI AG.

- ws = white
- sw = black
- ro = red
- br = brown
- gn = green
- bl = blue
- gr = grey
- li = lilac
- ge = yellow
- or = orange
- rs = pink

8P0-A096190408



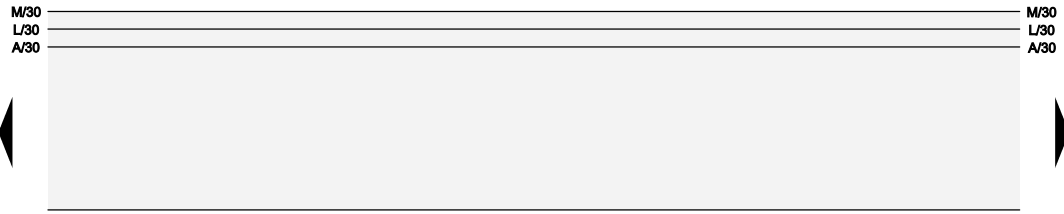
Front Passenger's Outside Mirror

- J387 Front Passenger's Door Control Module
- L132 Front Passenger's Exterior Mirror Turn Signal Lamp
- T16c 16-Pin Connector (Connector B)
- T20a 20-Pin Connector, black, door A-pillar, right
- T20g 20-Pin Connector, black (Connector A)
- V25 Front Passenger's Mirror Adjustment Motor
- V122 Front Passenger's Mirror Fold-in Motor
- V150 Front Passenger's Mirror Adjustment Motor
- Y7 Automatic Day/Night Interior Mirror
- Y21 Front Passenger's Automatic Day/Night Outside Mirror
- Z5 Front Passenger's Heated Outside Mirror

- 386 Ground Connection 21 (in main wiring harness)
- B397 Comfort System CAN-Bus High Connection 1 (in main wiring harness)
- B406 Comfort System CAN-Bus Low Connection 1 (in main wiring harness)
- B427 Mirror Auto-dimming Signal Connection 1 (in main wiring harness)
- B428 Mirror Auto-dimming Signal Connection 2 (in main wiring harness)
- * Only models with automatic day/night interior mirror
- ** Only models with automatic day/night outside mirror

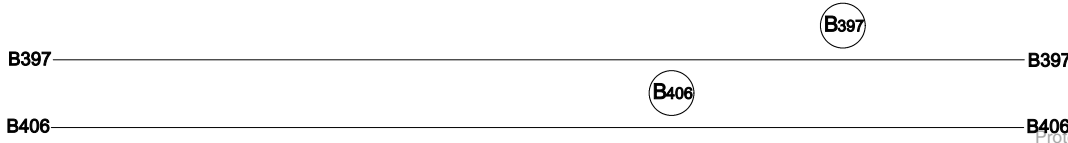
Protected by copyright. Copying for private or commercial purposes, in part or in whole, is not permitted unless authorised by AUDI AG. AUDI AG does not guarantee or accept any liability with respect to the correctness of technical data.

- ws = white
- sw = black
- ro = red
- br = brown
- gn = green
- bl = blue
- gr = grey
- li = lilac
- ge = yellow
- or = orange
- rs = pink

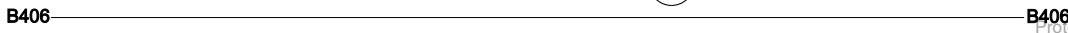


Right Front Entry Light, Front Passenger's Door Warning Light, Front Passenger's Door Window Regulator Switch, Front Passenger's Door Opener Illumination

- E107 Window Regulator Switch (in RF door)
- E309 Front Passenger's Interior Locking Button
- J387 Front Passenger's Door Control Module
- L109 Front Passenger's Door Opener Illumination
- T32b 32-Pin Connector, grey (Connector C)
- W32 Right Front Entry Light
- W36 Front Passenger's Door Warning Light



206 Ground Connection (in front passenger's door wiring harness)



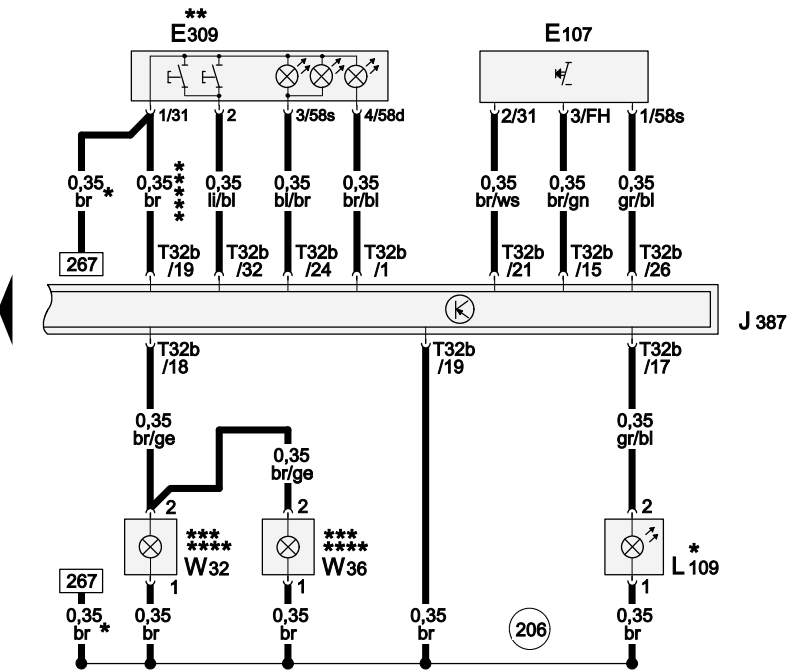
386 Ground Connection 21 (in main wiring harness)

Protected by copyright. Copying for private or commercial purposes, in part or in whole, is not permitted unless authorised by AUDI AG. AUDI AG does not guarantee or accept any liability with respect to the correctness of information in this document. Copyright by AUDI AG.

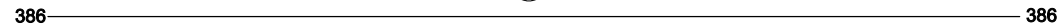
B397 Comfort System CAN-Bus High Connection 1 (in main wiring harness)

B406 Comfort System CAN-Bus Low Connection 1 (in main wiring harness)

- * Only models with front passenger's door opener illumination
- ** Only models with US equipment
- *** Only models with front passenger's door warning light and right front entry light
- **** Not for models with US equipment
- ***** Not for models with front passenger's door opener illumination

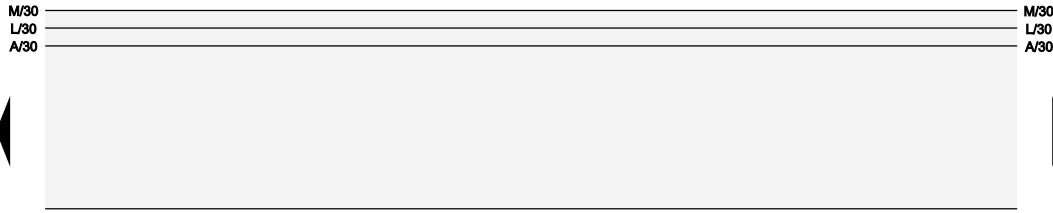


- ws = white
- sw = black
- ro = red
- br = brown
- gn = green
- bl = blue
- gr = grey
- li = lilac
- ge = yellow
- or = orange
- rs = pink



267 268 269 270 271 272 273 274 275 276 277 278 279 280

8P0-A096210408



Right Rear Window Switch in Right Rear Door, Right Rear Entry Light, Right Rear Door Warning Light, Right Rear Door Opener Illumination

- E54 Right Rear Window Regulator Switch (In RR Door)
- J389 Right Rear Door Control Module
- L111 Right Rear Door Opener Illumination
- T20m 20-Pin Connector, black, door B-pillar, right
- T20o 20-Pin Connector, black (Connector A)
- T32f 32-Pin Connector, grey (Connector C)
- V27 Right Rear Window Regulator Motor
- W34 Right Rear Entry Light
- W38 Right Rear Door Warning Light

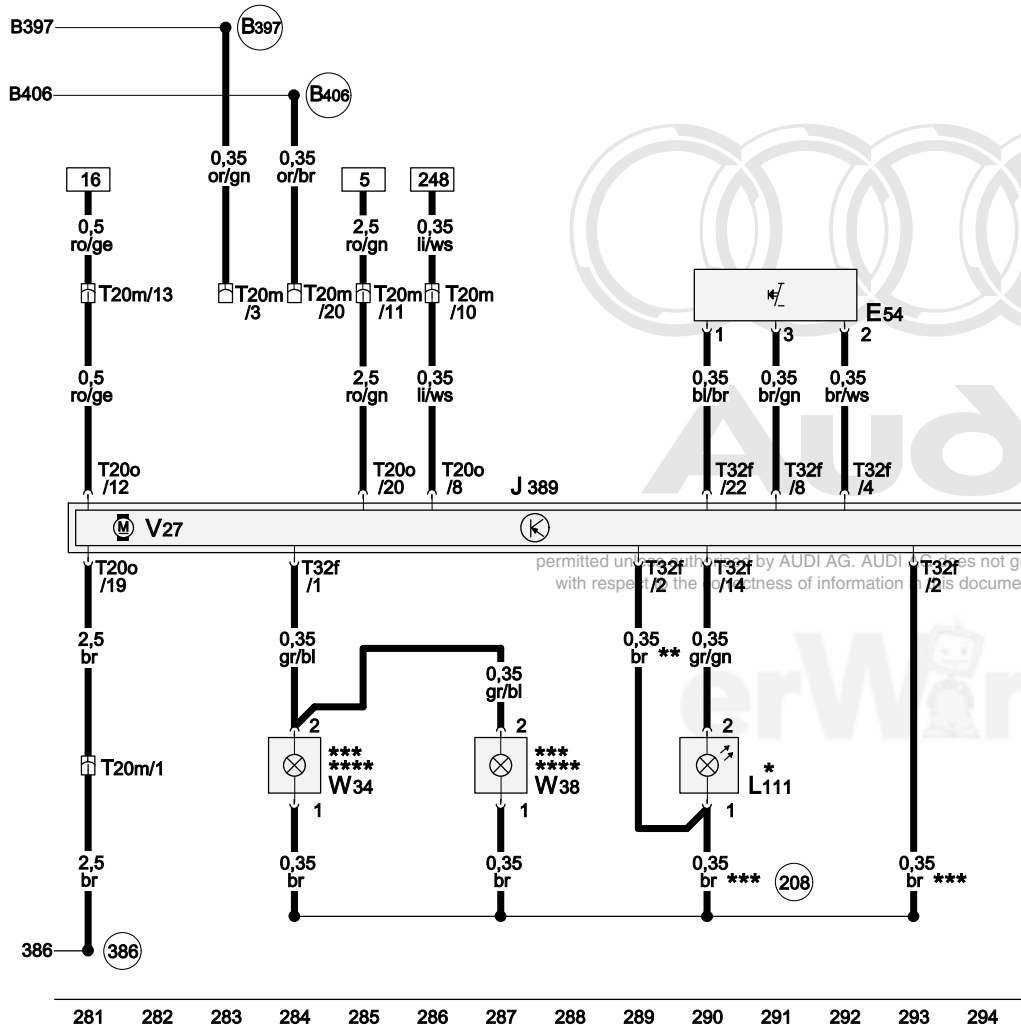
(208) Ground Connection (in right rear door wiring harness)

(386) Ground Connection 21 (in main wiring harness)

(B397) Comfort System CAN-Bus High Connection 1 (in main wiring harness)

(B406) Comfort System CAN-Bus Low Connection 1 (in main wiring harness)

- * Only models with right rear door opener illumination
- ** Only models without right rear door warning light and right rear entry light
- *** Only models with right rear door warning light and right rear entry light
- **** Not for models with US equipment



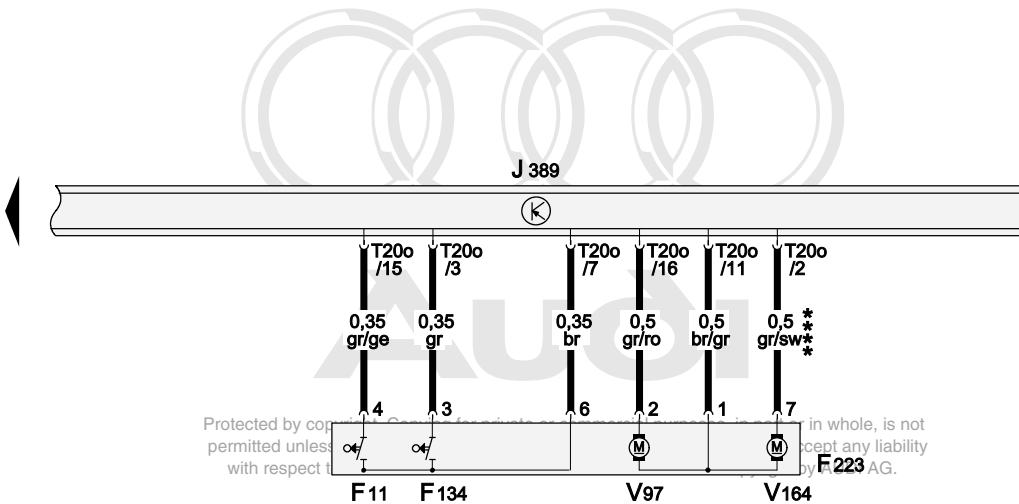
- ws = white
- sw = black
- ro = red
- br = brown
- gn = green
- bl = blue
- gr = grey
- li = lilac
- ge = yellow
- or = orange
- rs = pink

8P0-A096220409



Right Rear Central Locking Lock Unit

- F11 Right Rear Door Contact Switch
- F134 Right Rear Central Locking System Actuator
- F223 Right Rear Central Locking Lock Unit
- J389 Right Rear Door Control Module
- T20o 20-Pin Connector, black (Connector A)
- V97 Right Rear Door Central Locking System Motor
- V164 Right Rear Central Locking (Safe) Motor
- **** Not for models with US equipment



- ws = white
- sw = black
- ro = red
- br = brown
- gn = green
- bl = blue
- gr = grey
- li = lilac
- ge = yellow
- or = orange
- rs = pink

295 296 297 298 299 300 301 302 303 304 305 306 307 308

8P0-A096230409

Rear Heated Seat, with and without A/C

from May 2008

Note:

Information for

◆ Relay and fuse arrangements

◆ Connector arrangements

◆ Control Modules and Relays

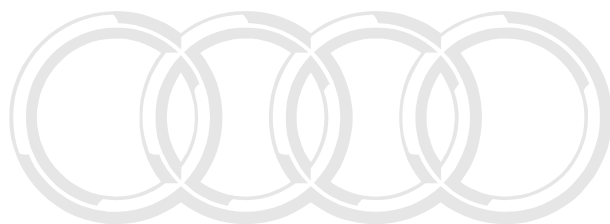
◆ Ground Connections

⇒ Component Locations

Information for

◆ Troubleshooting Procedures

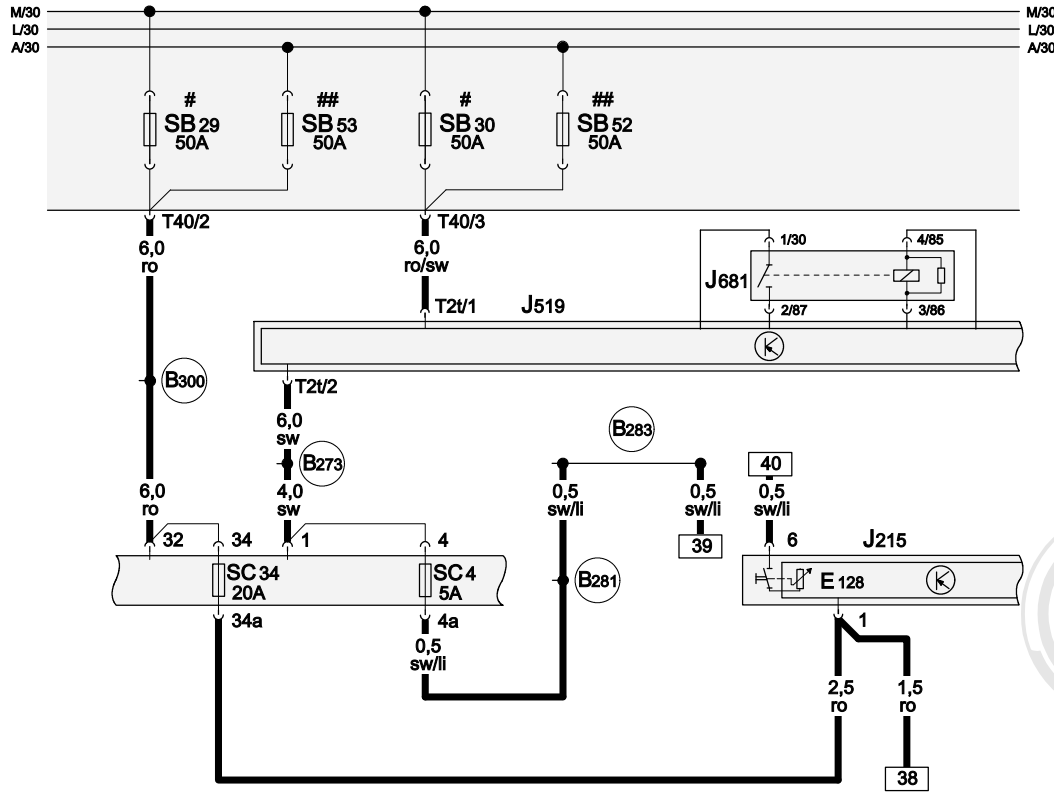
⇒ Guided Fault Finding using VAS 5051 / 5052



Audi

Protected by copyright. Copying for private or commercial purposes, in part or in whole, is not permitted unless authorised by AUDI AG. AUDI AG does not guarantee or accept any liability with respect to the correctness of information in this document. Copyright by AUDI AG.





Left Rear Heated Seat Control Module, Fuses (on fuse panel)

- E128 Left Rear Heated Seat Regulating Switch
- J215 Left Rear Heated Seat Control Module
- J519 Vehicle Electrical System Control Module
- J681 Power Supply Relay 2 (terminal 15)
- SB29 Fuse 29 (on fuse panel B)
- SB30 Fuse 30 (on fuse panel B)
- SB52 Fuse 52 (on fuse panel B)
- SB53 Fuse 53 (on fuse panel B)
- SC4 Fuse 4 (on fuse panel C)
- SC34 Fuse 34 (on fuse panel C)
- T2t Double Connector, black (Connector L)
- T40 40-Pin Connector, black, on electronics box engine compartment (Connector J)

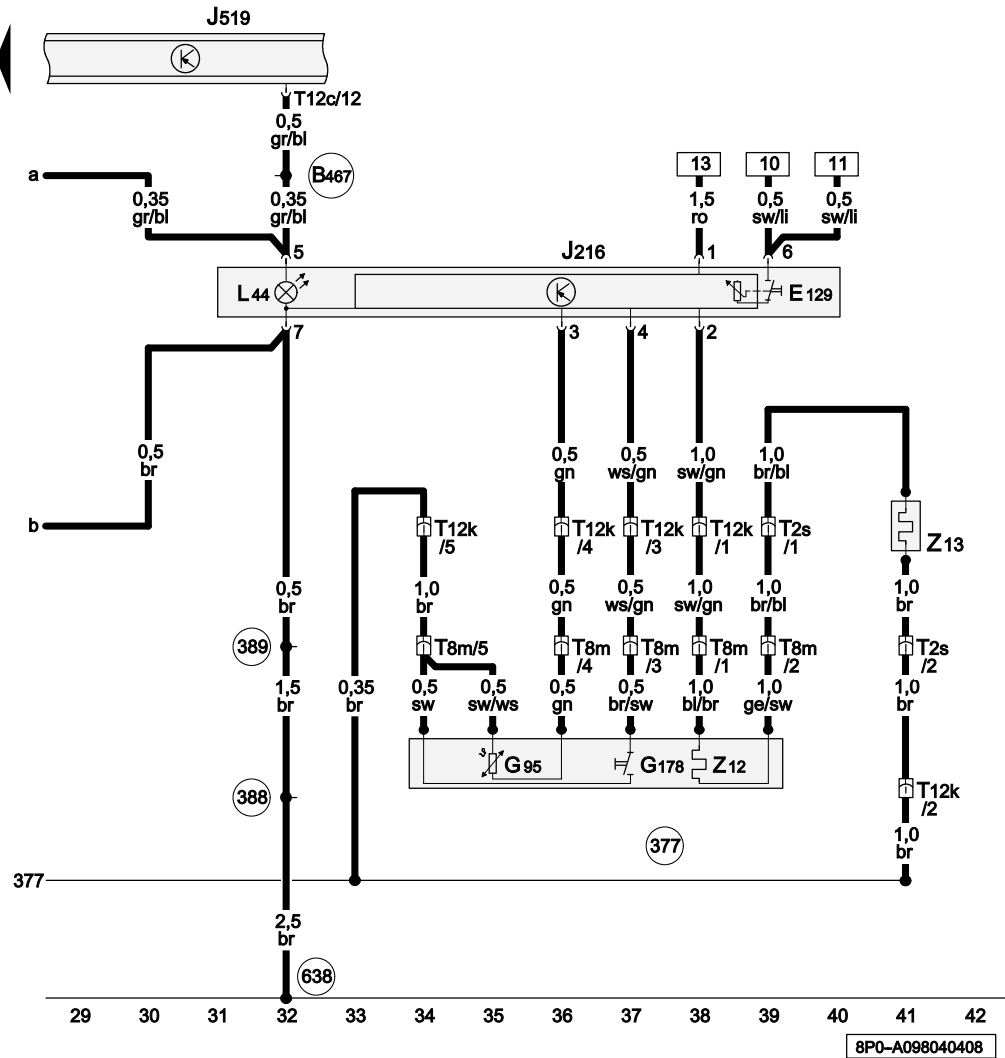
- (B273) Plus Connection (15) (in main wiring harness)
- (B281) Plus Connection 5 (15a) (in main wiring harness)
- (B283) Plus Connection 7 (15a) (in main wiring harness)
- (B300) Plus Connection 4 (30) (in main wiring harness)
- # Only models with electronics box Low
- ## Only models with electronics box High

Protected by copyright. Copying for private or commercial purposes, in part or in whole, is not permitted unless authorised by AUDI AG. AUDI AG does not guarantee or accept any liability with respect to the correctness of information in this document. Copyright by AUDI AG.

- ws = white
- sw = black
- ro = red
- br = brown
- gn = green
- bl = blue
- gr = grey
- li = lilac
- ge = yellow
- or = orange
- rs = pink

1 2 3 4 5 6 7 8 9 10 11 12 13 14

8P0-A098020408



Right Rear Heated Seat Control Module, Right Rear Heated Seat Temperature Sensor, Right Rear Seat Heating Element, Right Rear Backrest Heating Element

- E129 Right Rear Heated Seat Regulating Switch
- G95 Right Rear Heated Seat Temperature Sensor
- G178 Front Passenger Side Rear Seat Occupied Sensor
- J216 Right Rear Heated Seat Control Module
- J519 Vehicle Electrical System Control Module
- L44 Heated Seat Switch Illumination
- T2s Double Connector, black, below rear seat
- T8m 8-Pin Connector, black, on right rear seat
- T12c 12-Pin Connector, black (Connector B)
- T12k 12-Pin Connector, black, below rear seat
- Z12 Right Rear Seat Heating Element
- Z13 Right Rear Backrest Heating Element

- 377 Ground Connection 12 (in main wiring harness)
- 388 Ground Connection 23 (in main wiring harness)
- 389 Ground Connection 24 (in main wiring harness)
- 638 Ground Connection (on right A-pillar)
- B467 Connection 3 (in main wiring harness)

- ws = white
- sw = black
- ro = red
- br = brown
- gn = green
- bl = blue
- gr = grey
- li = lilac
- ge = yellow
- or = orange
- rs = pink

Protected by copyright. Copying for private or commercial purposes, in part or in whole, is not permitted unless authorised by AUDI AG. AUDI AG does not guarantee or accept any liability with respect to the correctness of information in this document. Copyright by AUDI AG.

8P0-A098040408

Front Heated Seat, with Manual Power Seat

⇒ Only A/C with automatic regulation

from May 2008

Note:

Information for

◆ Relay and fuse arrangements

◆ Connector arrangements

◆ Control Modules and Relays

◆ Ground Connections

⇒ Component Locations

Information for

◆ Troubleshooting Procedures

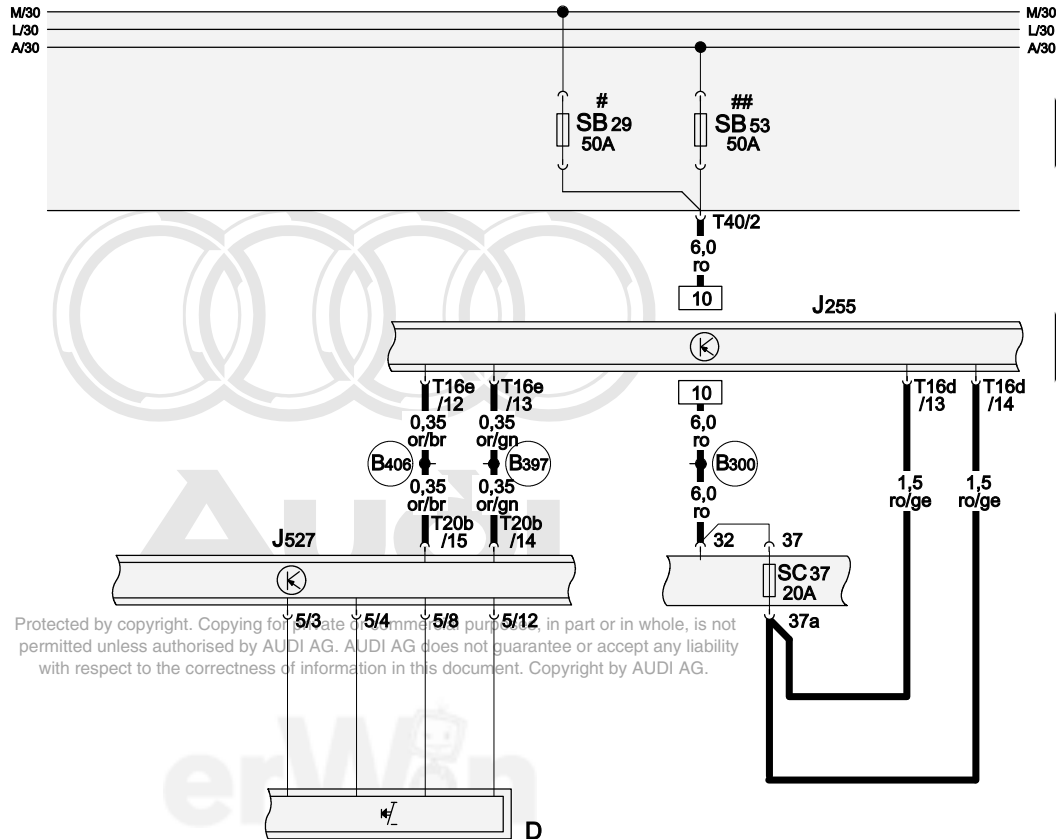
⇒ Guided Fault Finding using VAS 5051 / 5052



Audi

Protected by copyright. Copying for private or commercial purposes, in part or in whole, is not permitted unless authorised by AUDI AG. AUDI AG does not guarantee or accept any liability with respect to the correctness of information in this document. Copyright by AUDI AG.





Fuses (on fuse panel)

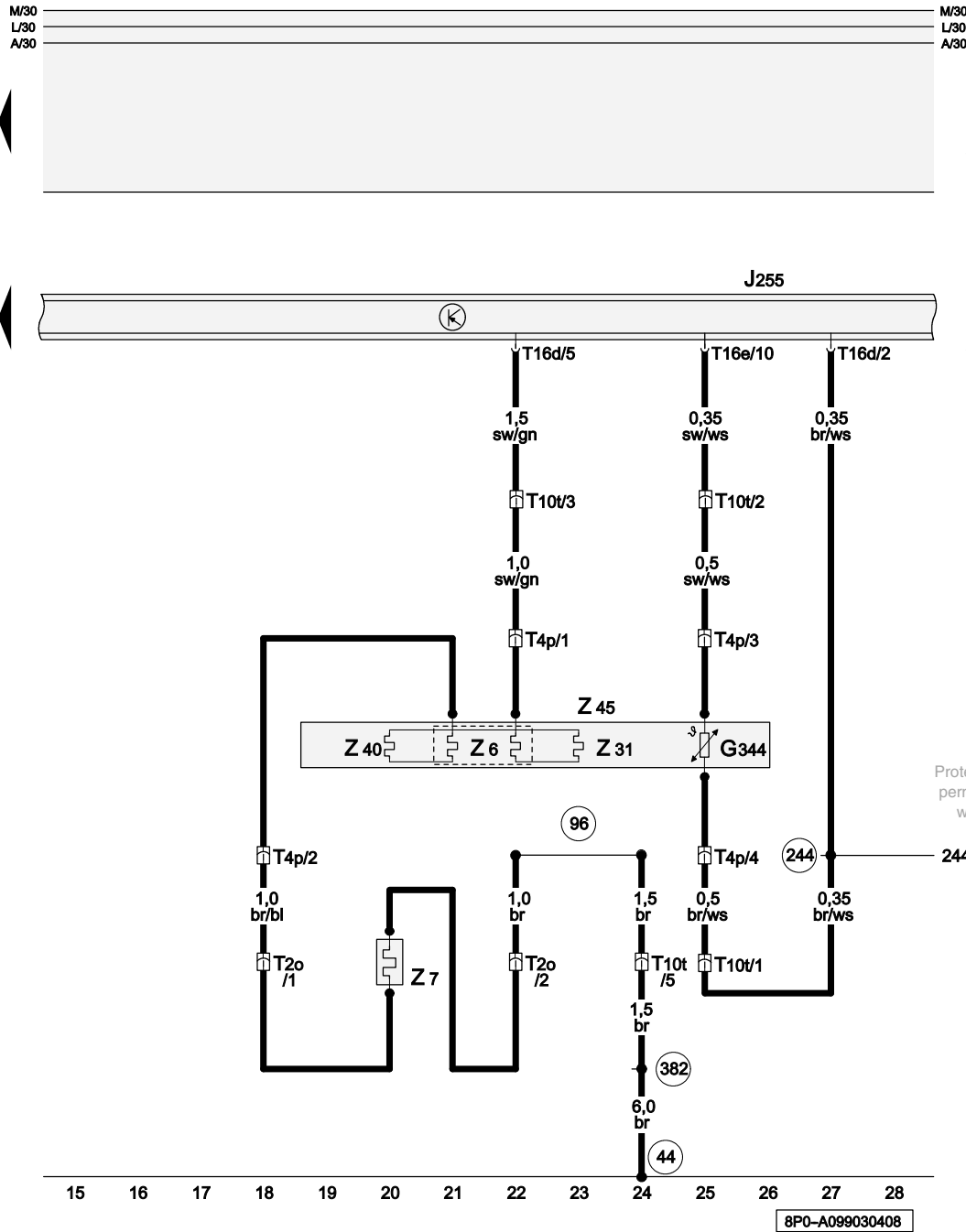
- D Ignition/Starter Switch
- J255 Climatronic Control Module
- J527 Steering Column Electronic Systems Control Module
- SB29 Fuse 29 (on fuse panel B)
- SB53 Fuse 53 (on fuse panel B)
- SC37 Fuse 37 (on fuse panel C)
- T16d 16-Pin Connector, black (Connector D)
- T16e 16-Pin Connector, brown (Connector C)
- T20b 20-Pin Connector, black (Connector A)
- T40 40-Pin Connector, black, on electronics box engine compartment (Connector J)
- (B300) Plus Connection 4 (30) (in main wiring harness)
- (B397) Comfort System CAN-Bus High Connection 1 (in main wiring harness)
- (B406) Comfort System CAN-Bus Low Connection 1 (in main wiring harness)
- # Only models with electronics box Low ⇒ Component Locations
- ## Only models with electronics box High ⇒ Component Locations

Protected by copyright. Copying for private and limited purposes, in part or in whole, is not permitted unless authorised by AUDI AG. AUDI AG does not guarantee or accept any liability with respect to the correctness of information in this document. Copyright by AUDI AG.

- ws = white
- sw = black
- ro = red
- br = brown
- gn = green
- bl = blue
- gr = grey
- li = lilac
- ge = yellow
- or = orange
- rs = pink

1 2 3 4 5 6 7 8 9 10 11 12 13 14

8P0-A099020408



Driver's Seat Heating Element

- G344 Left Front Seat Temperature Sensor
- J255 Climatronic Control Module
- T2o Double Connector, black, on driver's backrest heating element
- T4p 4-Pin Connector, black, on driver's heated seat
- T10t 10-Pin Connector, black, below driver's seat
- T16d 16-Pin Connector, black (Connector D)
- T16e 16-Pin Connector, brown (Connector C)
- Z6 Driver's Seat Heating Element
- Z7 Driver's Backrest Heating Element
- Z31 Driver's Seat Side Bolster Heater
- Z40 Driver's Seat Side Bolster Heater 2
- Z45 Front Left Heated Seat

- 44 Ground Connection (on left lower A-pillar)
- 96 Ground Connection 1 (in heated seats wiring harness)
- 244 Sensor Ground Connection (in Climatronic wiring harness)
- 382 Ground Connection 17 (in main wiring harness)

Protected by copyright. Copying for private or commercial purposes, in part or in whole, is not permitted unless authorised by AUDI AG. AUDI AG does not guarantee or accept any liability with respect to the correctness of information in this document. Copyright by AUDI AG.

- ws = white
- sw = black
- ro = red
- br = brown
- gn = green
- bl = blue
- gr = grey
- li = lilac
- ge = yellow
- or = orange
- rs = pink

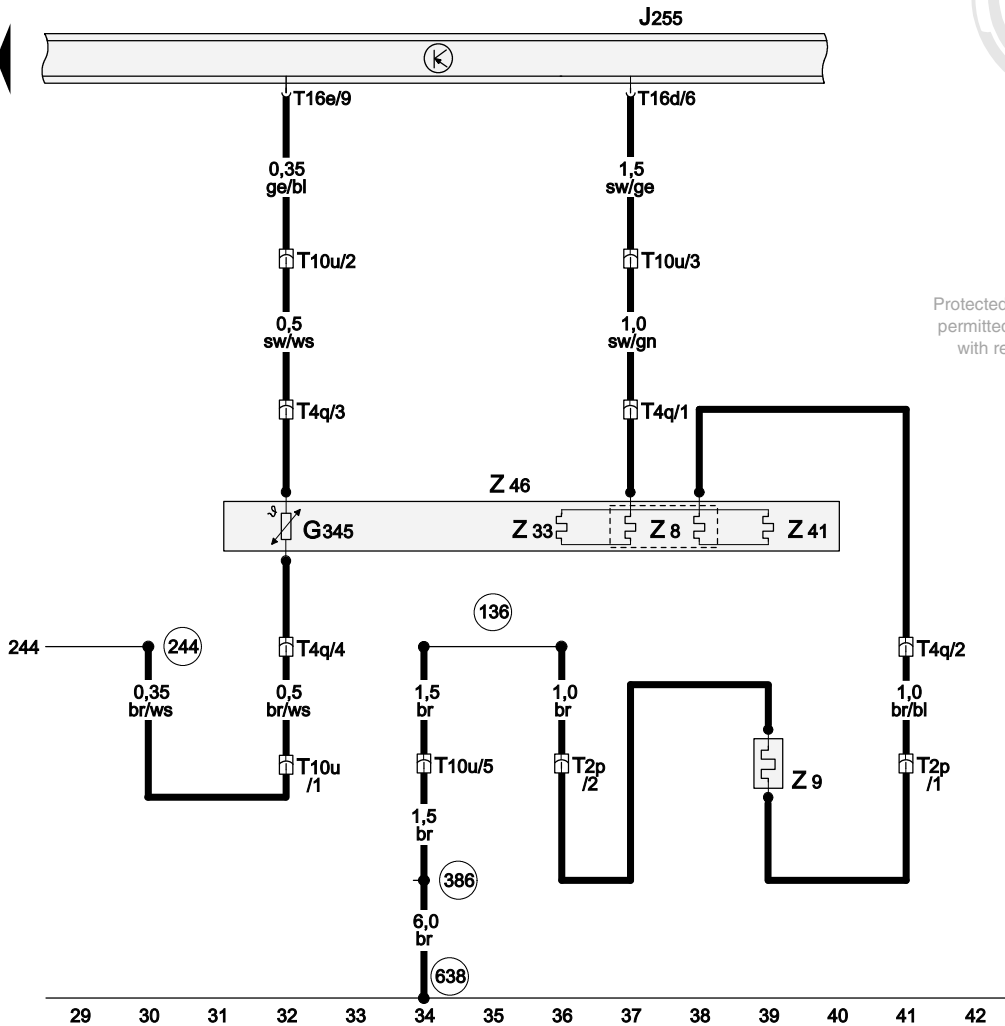


Front Passenger's Seat Heating Element

- G345 Right Front Seat Temperature Sensor
- J255 Climatronic Control Module
- T2p Double Connector, black, on front passenger's backrest heating element
- T4q 4-Pin Connector, black, on front passenger's heated seat
- T10u 10-Pin Connector, black, below front passenger's seat
- T16d 16-Pin Connector, black (Connector D)
- T16e 16-Pin Connector, brown (Connector C)
- Z8 Front Passenger's Seat Heating Element
- Z9 Front Passenger's Backrest Heating Element
- Z33 Front Passenger's Seat Side Bolster Heater
- Z41 Front Passenger's Seat Side Bolster Heater 2
- Z46 Front Right Heated Seat

- 136 Ground Connection 2 (in heated seats wiring harness)
- 244 Sensor Ground Connection (in Climatronic wiring harness)
- 386 Ground Connection 21 (in main wiring harness)
- 638 Ground Connection (on right A-pillar)

Protected by copyright. Copying for private or commercial purposes, in part or in whole, is not permitted unless authorised by AUDI AG. AUDI AG does not guarantee or accept any liability with respect to the correctness of information.



- ws = white
- sw = black
- ro = red
- br = brown
- gn = green
- bl = blue
- gr = grey
- li = lilac
- ge = yellow
- or = orange
- rs = pink

8P0-A099040408

Front Heated Seat, Recaro Sport Seats

from May 2008

Note:

Information for

- ◆ Relay and fuse arrangements
- ◆ Connector arrangements
- ◆ Control Modules and Relays
- ◆ Ground Connections

⇒ Component Locations

Information for

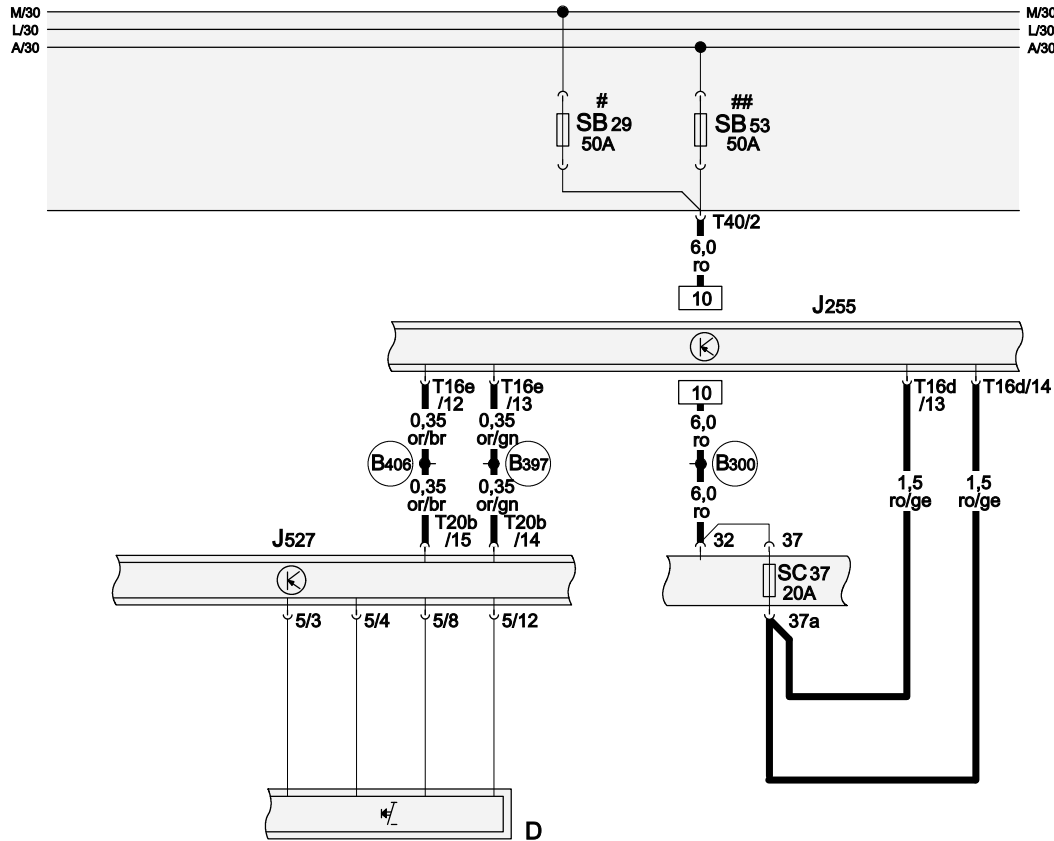
- ◆ Troubleshooting Procedures
- ⇒ Guided Fault Finding using VAS 5051 / 5052



Audi

Protected by copyright. Copying for private or commercial purposes, in part or in whole, is not permitted unless authorised by AUDI AG. AUDI AG does not guarantee or accept any liability with respect to the correctness of information in this document. Copyright by AUDI AG.

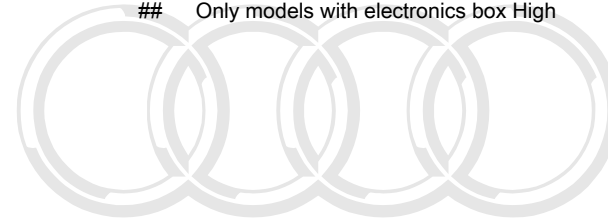




Fuses (on fuse panel)

- D Ignition/Starter Switch
- J255 Climatronic Control Module
- J527 Steering Column Electronic Systems Control Module
- SB29 Fuse 29 (on fuse panel B)
- SB53 Fuse 53 (on fuse panel B)
- SC37 Fuse 37 (on fuse panel C)
- T16d 16-Pin Connector, black (Connector D)
- T16e 16-Pin Connector, brown (Connector C)
- T20b 20-Pin Connector, black (Connector A)
- T40 40-Pin Connector, black, on electronics box engine compartment (Connector J)

- (B300) Plus Connection 4 (30) (in main wiring harness)
- (B397) Comfort System CAN-Bus High Connection 1 (in main wiring harness)
- (B406) Comfort System CAN-Bus Low Connection 1 (in main wiring harness)
- # Only models with electronics box Low
- ## Only models with electronics box High



Audi

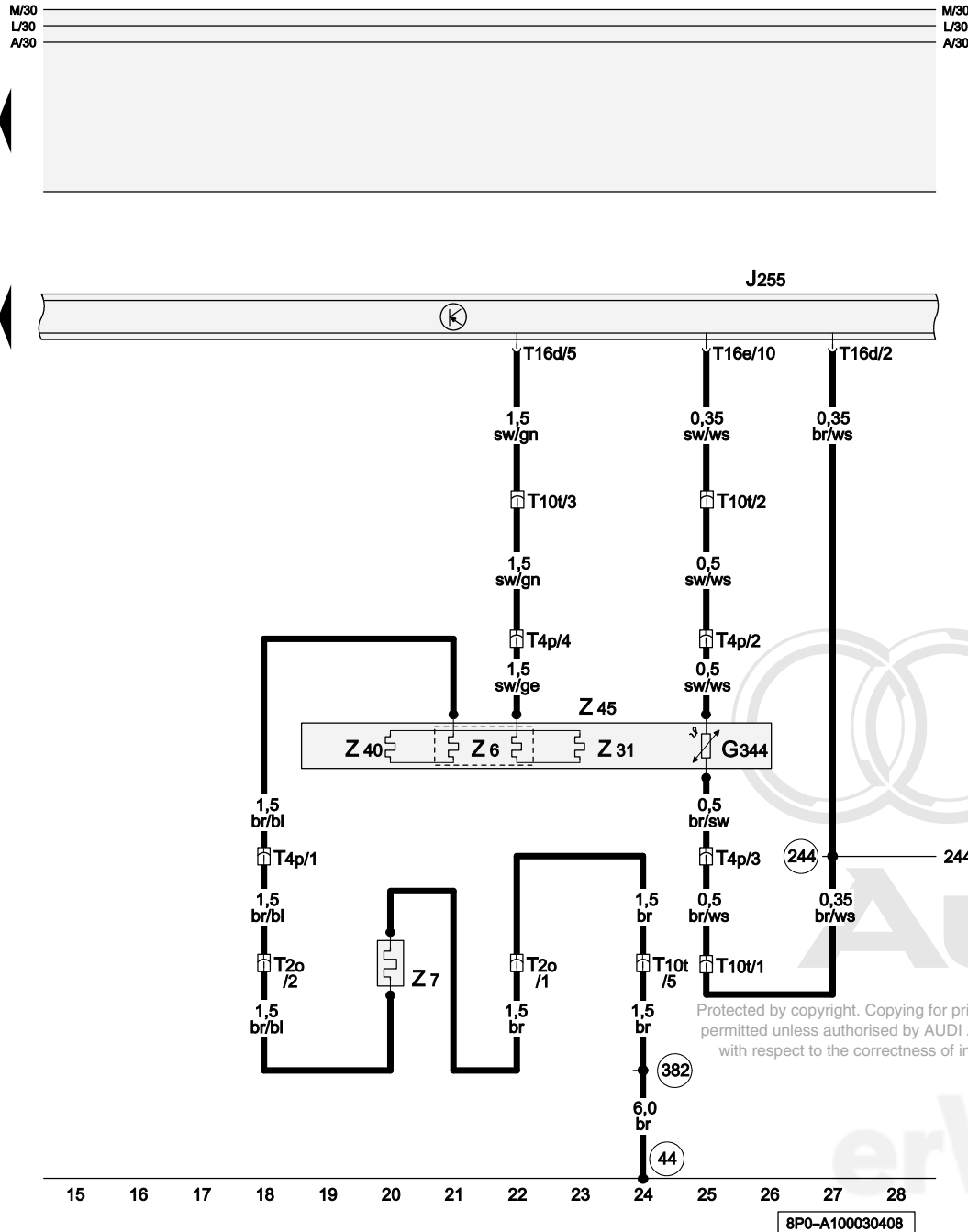
Protected by copyright. Copying for private or commercial purposes, in part or in whole, is not permitted unless authorised by AUDI AG. AUDI AG does not guarantee or accept any liability with respect to the correctness of information in this document. Copyright by AUDI AG.

- ws = white
- sw = black
- ro = red
- br = brown
- gn = green
- bl = blue
- gr = grey
- li = lilac
- ge = yellow
- or = orange
- rs = pink



1 2 3 4 5 6 7 8 9 10 11 12 13 14

8P0-A100020408



Driver's Seat Heating Element

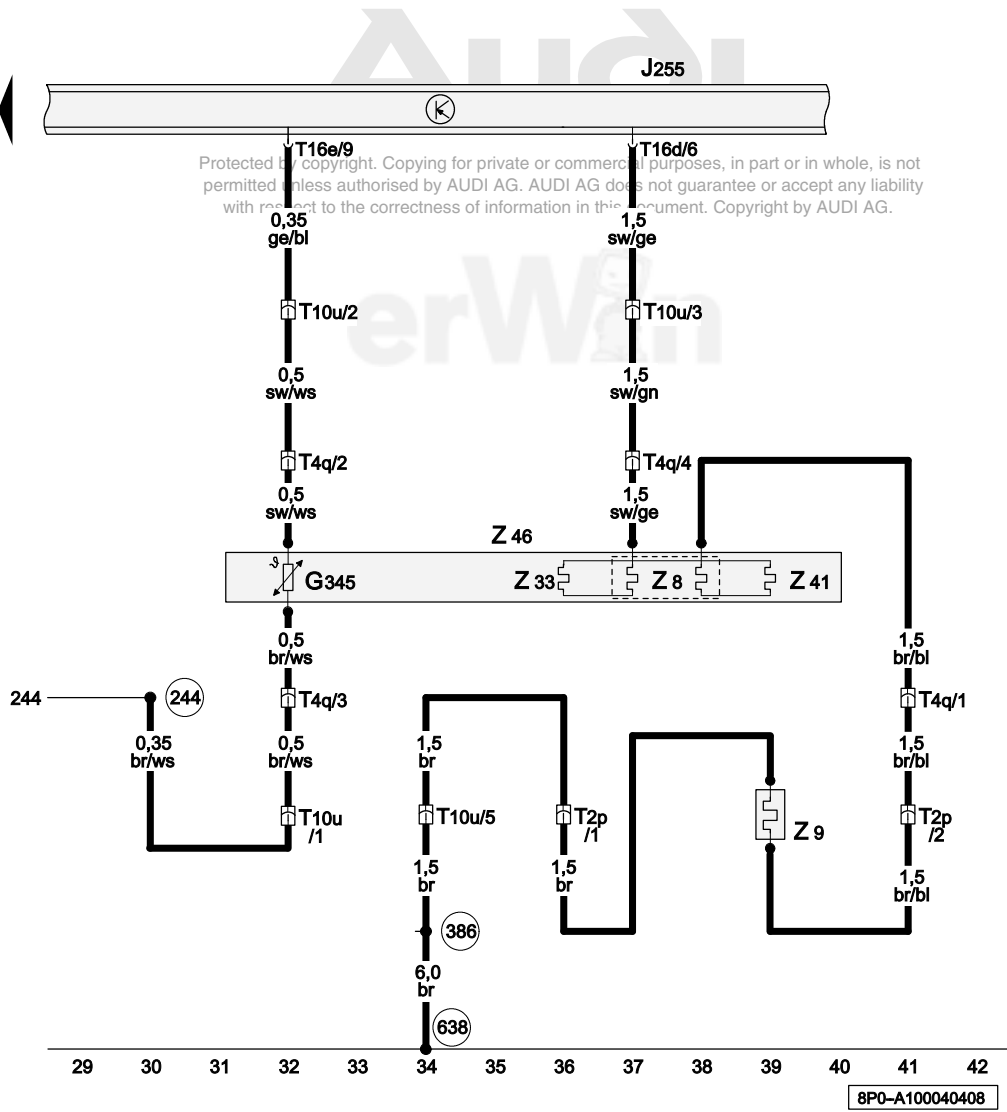
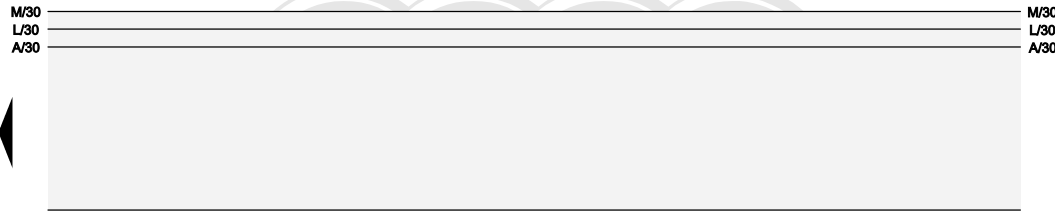
- G344 Left Front Seat Temperature Sensor
- J255 Climatronic Control Module
- T2o Double Connector, black, on driver's backrest heating element
- T4p 4-Pin Connector, black, on driver's heated seat
- T10t 10-Pin Connector, black, below driver's seat
- T16d 16-Pin Connector, black (Connector D)
- T16e 16-Pin Connector, brown (Connector C)
- Z6 Driver's Seat Heating Element
- Z7 Driver's Backrest Heating Element
- Z31 Driver's Seat Side Bolster Heater
- Z40 Driver's Seat Side Bolster Heater 2
- Z45 Front Left Heated Seat

- 44 Ground Connection (on left lower A-pillar)
- 244 Sensor Ground Connection (in Climatronic wiring harness)
- 382 Ground Connection 17 (in main wiring harness)

Protected by copyright. Copying for private or commercial purposes, in part or in whole, is not permitted unless authorised by AUDI AG. AUDI AG does not guarantee or accept any liability with respect to the correctness of information in this document. Copyright by AUDI AG.

ws = white
 sw = black
 ro = red
 br = brown
 gn = green
 bl = blue
 gr = grey
 li = lilac
 ge = yellow
 or = orange
 rs = pink

8P0-A100030408



Front Passenger's Seat Heating Element

- G345 Right Front Seat Temperature Sensor
- J255 Climatronic Control Module
- T2p Double Connector, black, on front passenger's backrest heating element
- T4q 4-Pin Connector, black, on front passenger's heated seat
- T10u 10-Pin Connector, black, below front passenger's seat
- T16d 16-Pin Connector, black (Connector D)
- T16e 16-Pin Connector, brown (Connector C)
- Z8 Front Passenger's Seat Heating Element
- Z9 Front Passenger's Backrest Heating Element
- Z33 Front Passenger's Seat Side Bolster Heater
- Z41 Front Passenger's Seat Side Bolster Heater 2
- Z46 Front Right Heated Seat

- 244 Sensor Ground Connection (in Climatronic wiring harness)
- 386 Ground Connection 21 (in main wiring harness)
- 638 Ground Connection (on right A-pillar)

ws = white
 sw = black
 ro = red
 br = brown
 gn = green
 bl = blue
 gr = grey
 li = lilac
 ge = yellow
 or = orange
 rs = pink

8P0-A100040408

Sunroof (Open-Sky-System)

from May 2008

Note:

Information for

- ◆ Relay and fuse arrangements
- ◆ Connector arrangements
- ◆ Control Modules and Relays
- ◆ Ground Connections

⇒ Component Locations

Information for

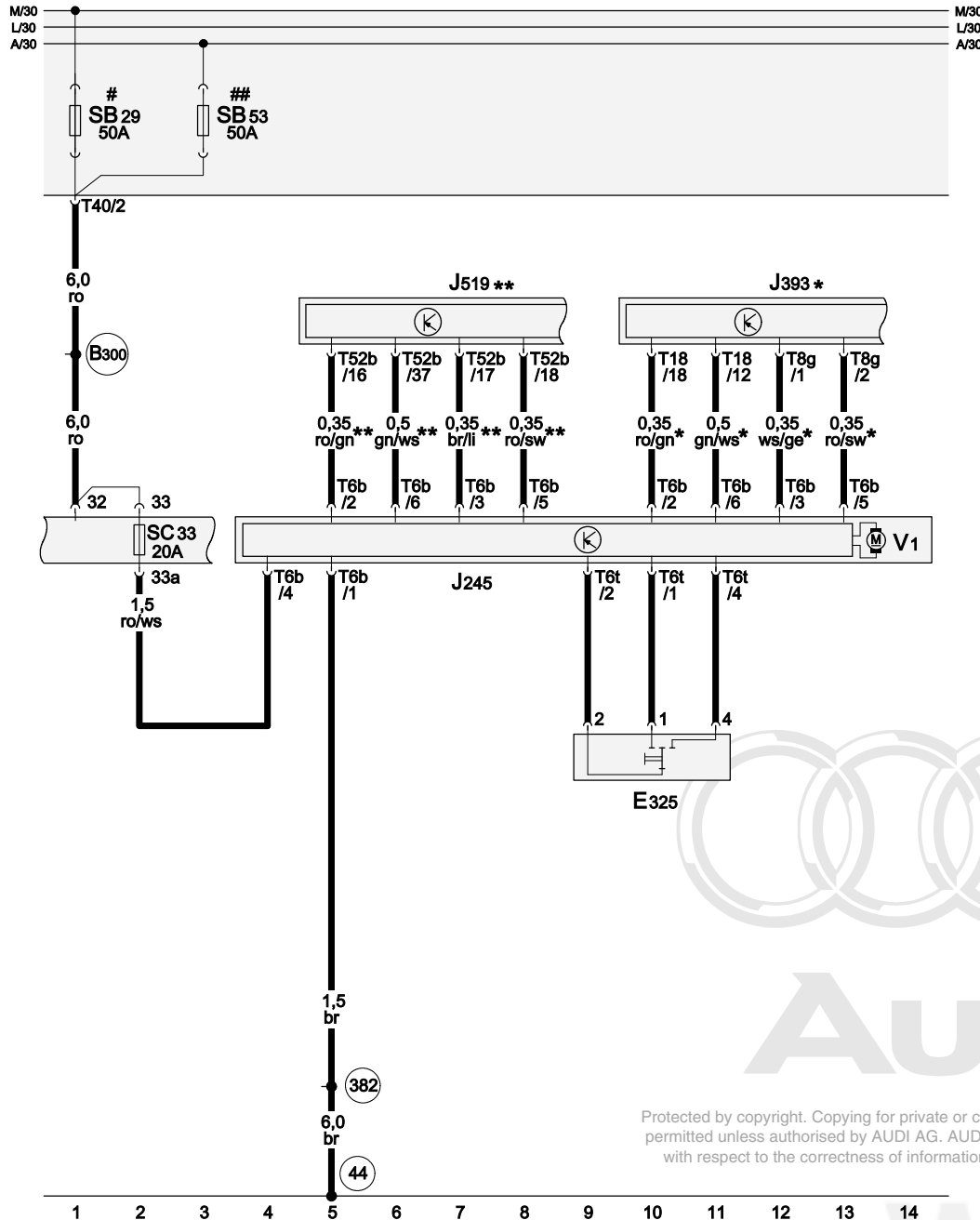
- ◆ Troubleshooting Procedures
- ⇒ Guided Fault Finding using VAS 5051 / 5052



Audi

Protected by copyright. Copying for private or commercial purposes, in part or in whole, is not permitted unless authorised by AUDI AG. AUDI AG does not guarantee or accept any liability with respect to the correctness of information in this document. Copyright by AUDI AG.





Sunroof Button, Power Sunroof Control Module

- E325 Sunroof Button
 - J245 Power Sunroof Control Module
 - J393 Comfort System Central Control Module
 - J519 Vehicle Electrical System Control Module
 - SB29 Fuse 29 (on fuse panel B)
 - SB53 Fuse 53 (on fuse panel B)
 - SC33 Fuse 33 (on fuse panel C)
 - T6b 6-Pin Connector, blue (Connector A)
 - T6t 6-Pin Connector, black (Connector B)
 - T8g 8-Pin Connector, black (Connector B)
 - T18 18-Pin Connector, brown (Connector A)
 - T40 40-Pin Connector, black, on electronics box engine compartment (Connector J)
 - T52b 52-Pin Connector, white (Connector B)
 - V1 Sunroof Motor
- 44 Ground Connection (on left lower A-pillar)
 - 382 Ground Connection 17 (in main wiring harness)
 - B300 Plus Connection 4 (30) (in main wiring harness)
- * Not applicable from May 2009
 - ** Applicable from May 2009
 - # Only models with electronics box Low
 - ## Only models with electronics box High

- ws = white
- sw = black
- ro = red
- br = brown
- gn = green
- bl = blue
- gr = grey
- li = lilac
- ge = yellow
- or = orange
- rs = pink

Protected by copyright. Copying for private or commercial purposes, in part or in whole, is not permitted unless authorised by AUDI AG. AUDI AG does not warrant or accept any liability with respect to the correctness of information in this document. Copyright by AUDI AG.

8P0-A101020409

Headlamp with Coming-Home

from May 2008

Note:

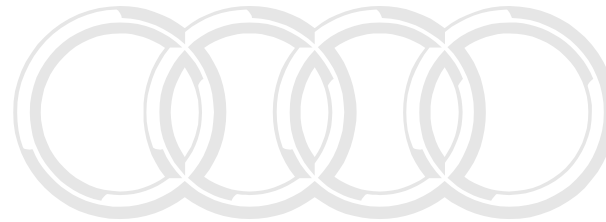
Information for

- ◆ Relay and fuse arrangements
- ◆ Connector arrangements
- ◆ Control Modules and Relays
- ◆ Ground Connections

⇒ Component Locations

Information for

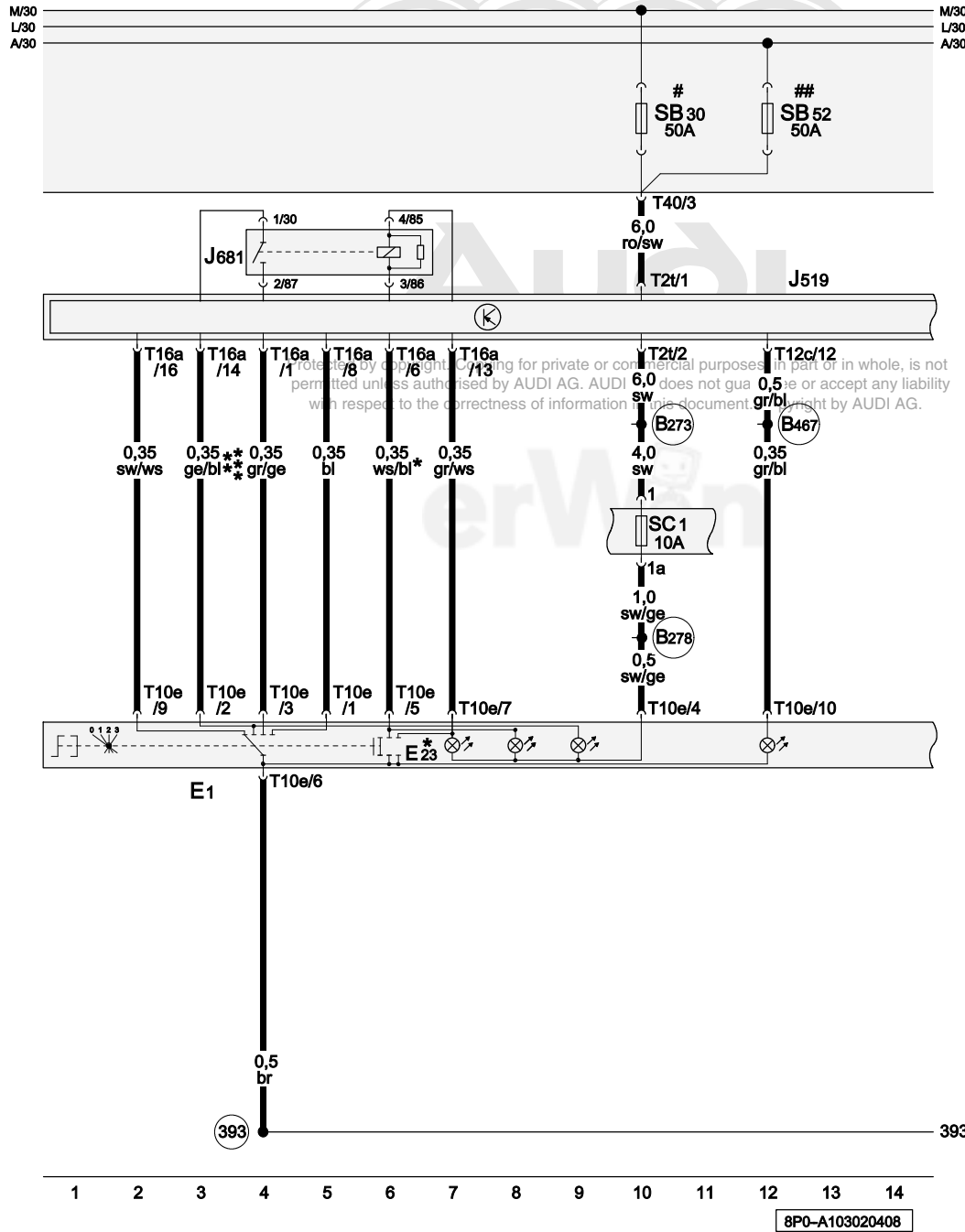
- ◆ Troubleshooting Procedures
- ⇒ Guided Fault Finding using VAS 5051 / 5052



Audi

Protected by copyright. Copying for private or commercial purposes, in part or in whole, is not permitted unless authorised by AUDI AG. AUDI AG does not guarantee or accept any liability with respect to the correctness of information in this document. Copyright by AUDI AG.





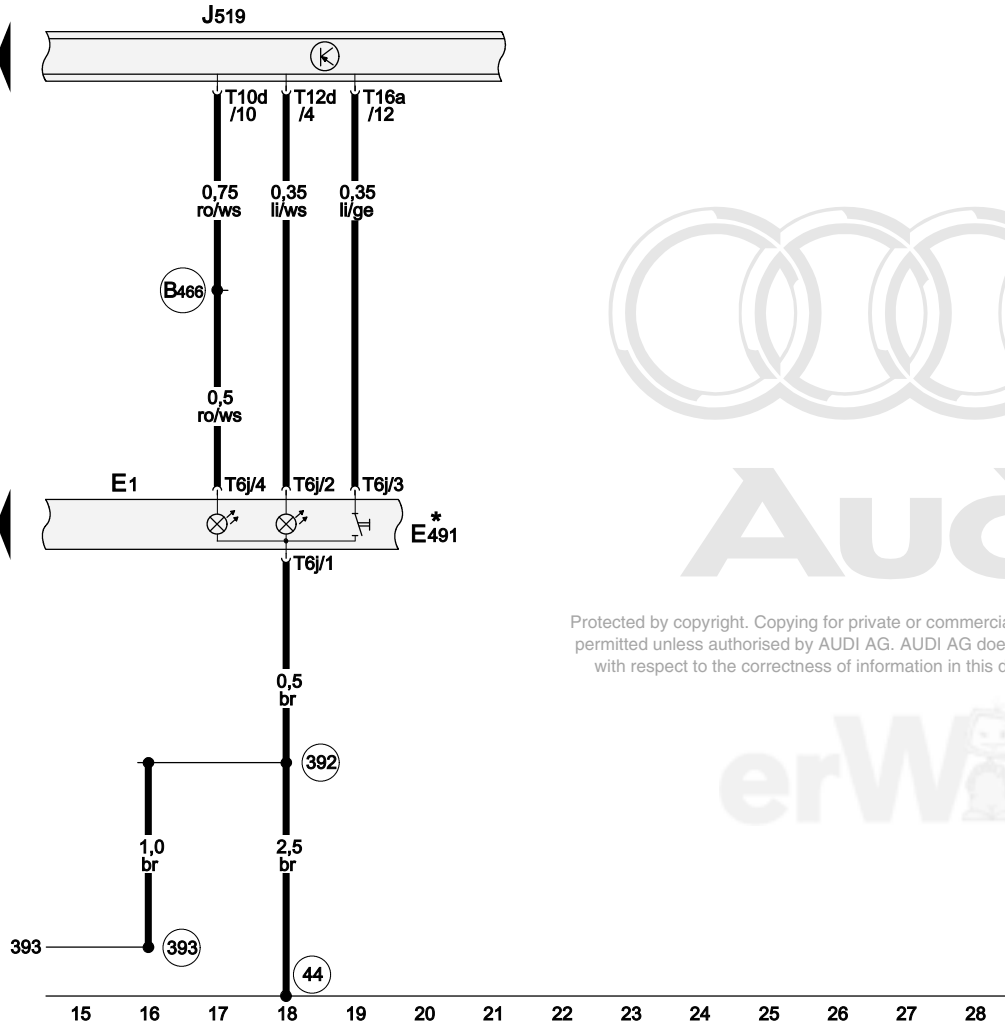
Light Switch, Fuses (on fuse panel)

- E1 Light Switch
- E23 Fog Lamp and Rear Fog Lamp Switch
- J519 Vehicle Electrical System Control Module
- J681 Power Supply Relay 2 (terminal 15)
- SB30 Fuse 30 (on fuse panel B)
- SB52 Fuse 52 (on fuse panel B)
- SC1 Fuse 1 (on fuse panel C)
- T2t Double Connector, black (Connector L)
- T10e 10-Pin Connector, black (Connector A)
- T12c 12-Pin Connector, black (Connector B)
- T16a 16-Pin Connector, black (Connector E)
- T40 40-Pin Connector, black, on electronics box engine compartment (Connector J)

- 393 Ground Connection 28 (in main wiring harness)
- B273 Plus Connection (15) (in main wiring harness)
- B278 Plus Connection 2 (15a) (in main wiring harness)
- B467 Connection 3 (in main wiring harness)

- * Only models with front fog lamps
- ** Only models with automatic headlamp switching
- *** Only models with daytime running lights
- # Only models with electronics box Low
- ## Only models with electronics box High

- ws = white
- sw = black
- ro = red
- br = brown
- gn = green
- bl = blue
- gr = grey
- li = lilac
- ge = yellow
- or = orange
- rs = pink



Light Switch

- E1 Light Switch
- E491 Ambient Lighting Deactivation Switch
- J519 Vehicle Electrical System Control Module
- T6j 6-Pin Connector, black (Connector C)
- T10d 10-Pin Connector, black (Connector K)
- T12d 12-Pin Connector, brown (Connector C)
- T16a 16-Pin Connector, black (Connector E)

- (44) Ground Connection (on left lower A-pillar)
- (392) Ground Connection 27 (in main wiring harness)
- (393) Ground Connection 28 (in main wiring harness)
- (B466) Connection 2 (in main wiring harness)
- * Coming Home Switch



Audi

Protected by copyright. Copying for private or commercial purposes, in part or in whole, is not permitted unless authorised by AUDI AG. AUDI AG does not guarantee or accept any liability with respect to the correctness of information in this document. Copyright by AUDI AG.

erWin

- ws = white
- sw = black
- ro = red
- br = brown
- gn = green
- bl = blue
- gr = grey
- li = lilac
- ge = yellow
- or = orange
- rs = pink

8P0-A103030408

Multi-function Steering Wheel

from May 2008

Note:

Information for

- ◆ Relay and fuse arrangements
- ◆ Connector arrangements
- ◆ Control Modules and Relays
- ◆ Ground Connections

⇒ Component Locations

Information for

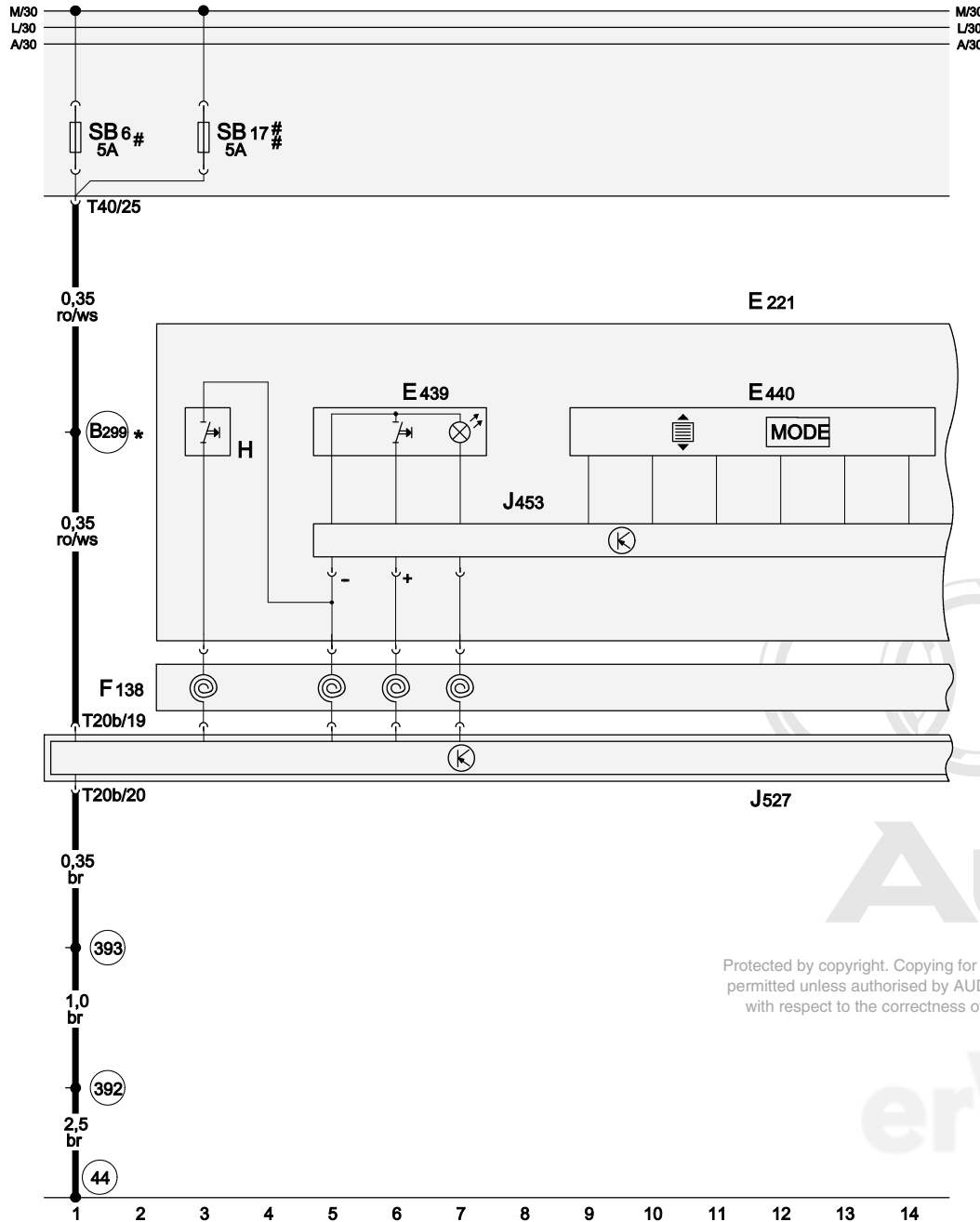
- ◆ Troubleshooting Procedures
- ⇒ Guided Fault Finding using VAS 5051 / 5052



Audi

Protected by copyright. Copying for private or commercial purposes, in part or in whole, is not permitted unless authorised by AUDI AG. AUDI AG does not guarantee or accept any liability with respect to the correctness of information in this document. Copyright by AUDI AG.





Control Head in Steering Wheel

- E221 Control Head in Steering Wheel
- E439 Tiptronic Downshift Button (on steering wheel)
- E440 Left Multi-function Buttons (on steering wheel)
- F138 Airbag Spiral Spring/Return Spring With Slip Ring
- H Signal Horn Activation
- J453 Multi-function Steering Wheel Control Module
- J527 Steering Column Electronic Systems Control Module
- SB6 Fuse 6 (on fuse panel B)
- SB17 Fuse 17 (on fuse panel B)
- T20b 20-Pin Connector, black (Connector A)
- T40 40-Pin Connector, black, on electronics box engine compartment (Connector J)

- (44) Ground Connection (on left lower A-pillar)
- (392) Ground Connection 27 (in main wiring harness)
- (393) Ground Connection 28 (in main wiring harness)
- (B299) Plus Connection 3 (30) (in main wiring harness)

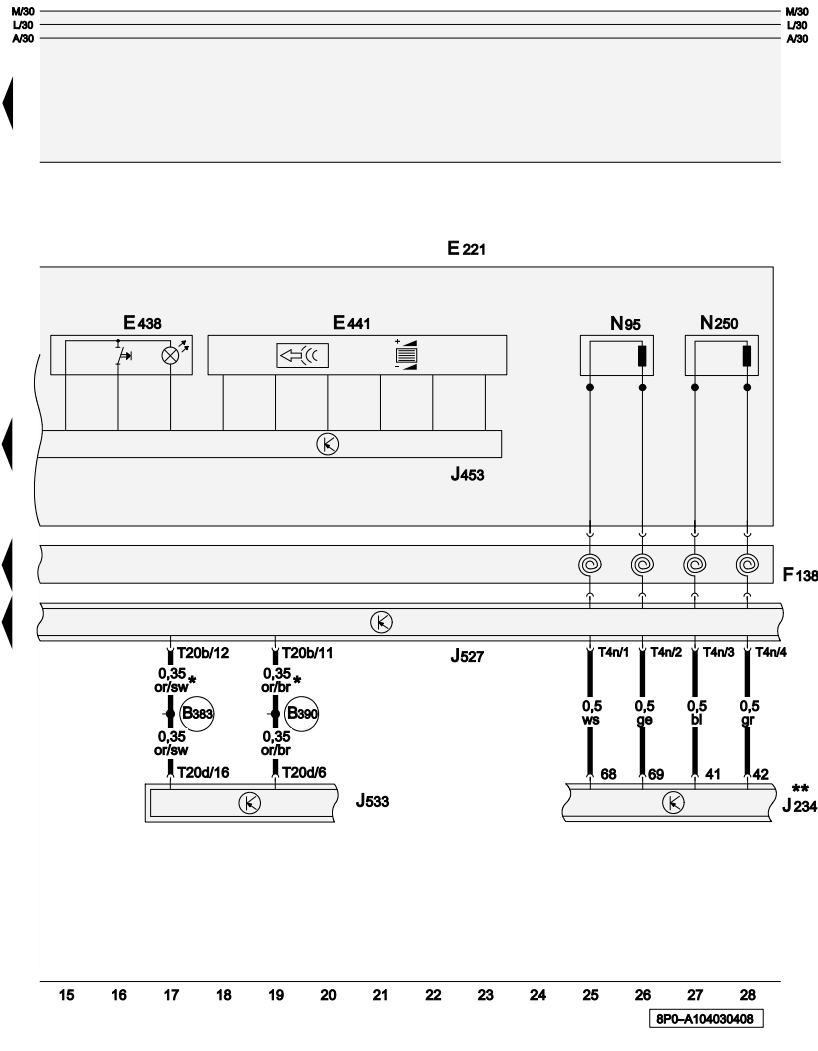
* Not applicable from May 2009
 # Only models with electronics box Low
 ## Only models with electronics box High



Protected by copyright. Copying for private or commercial purposes, in part or in whole, is not permitted unless authorised by AUDI AG. AUDI AG does not guarantee or accept any liability with respect to the correctness of information in this document. Copyright by AUDI AG.

- ws = white
- sw = black
- ro = red
- br = brown
- gn = green
- bl = blue
- gr = grey
- li = lilac
- ge = yellow
- or = orange
- rs = pink

8P0-A104020409



Steering Wheel Tiptronic Switch

- E221 Control Head in Steering Wheel
- E438 Tiptronic Upshift Button (on steering wheel)
- E441 Right Multi-function Buttons (on steering wheel)
- F138 Airbag Spiral Spring/Return Spring With Slip Ring
- J234 Airbag Control Module
- J453 Multi-function Steering Wheel Control Module
- J527 Steering Column Electronic Systems Control Module
- J533 Data Bus On Board Diagnostic Interface
- N95 Driver's Airbag Igniter
- N250 Driver's Airbag Igniter 2
- T4n 4-Pin Connector, yellow (Connector B)
- T20b 20-Pin Connector, black (Connector A)
- T20d 20-Pin Connector, black (Connector A)

B383 Powertrain CAN-Bus High Connection 1 (in main wiring harness)
Product description, technical data and other information, is not permitted unless authorised by AUDI AG. AUDI AG does not guarantee or accept any liability with respect to the correctness of information in this document. Copyright by AUDI AG.

B390 Powertrain CAN-Bus Low Connection 1 (in main wiring harness)

- * Only models with powertrain CAN-Bus
- ** ⇒ Applicable Wiring Diagram Airbag

Seat Lumbar Support Adjustment with Manual Power Seat

from May 2008

Note:

Information for

◆ Relay and fuse arrangements

◆ Connector arrangements

◆ Control Modules and Relays

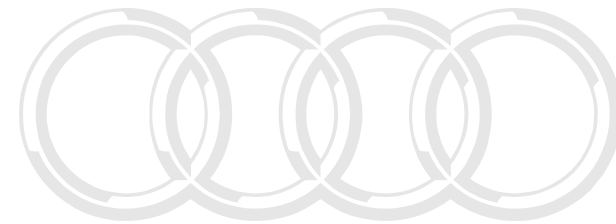
◆ Ground Connections

⇒ Component Locations

Information for

◆ Troubleshooting Procedures

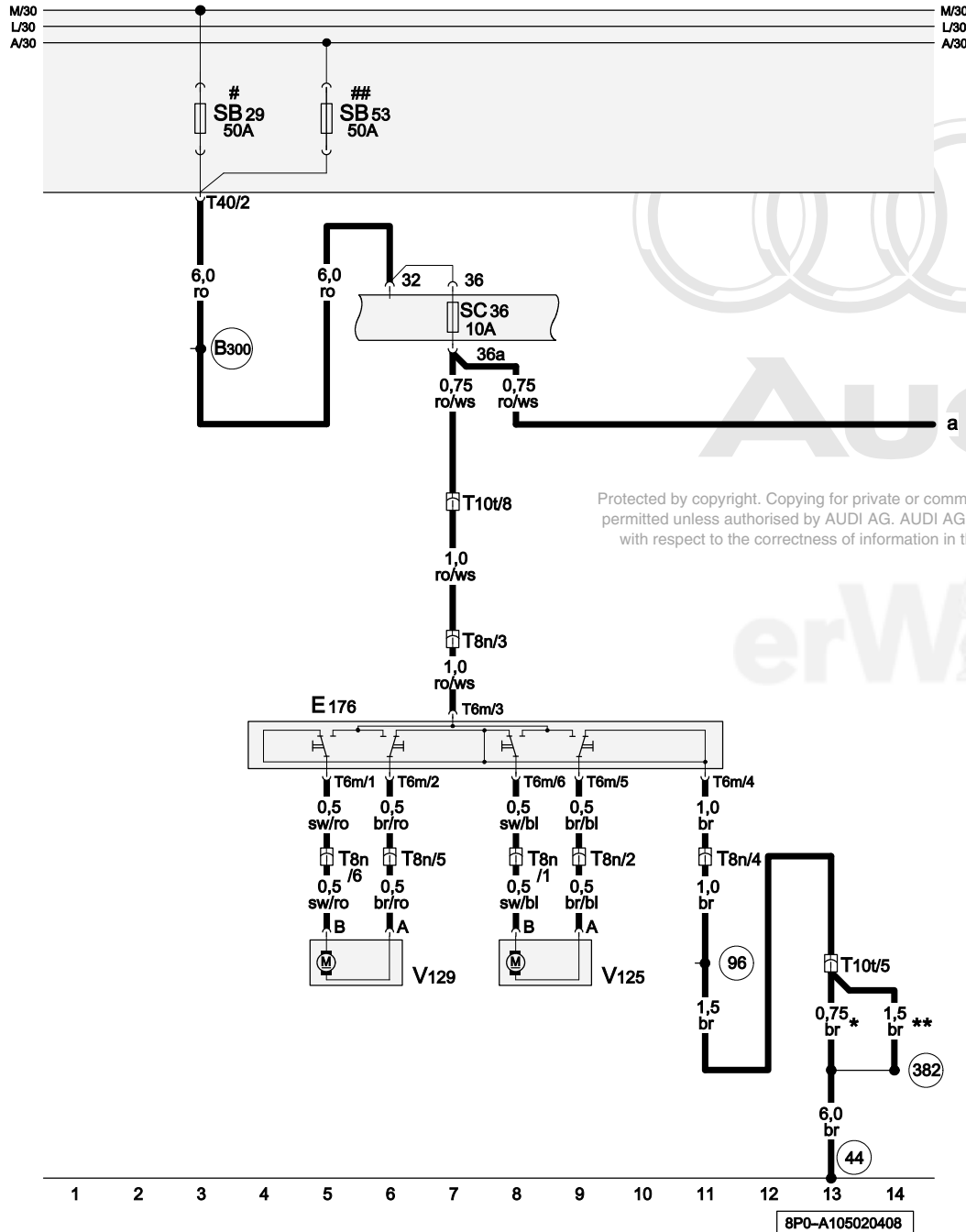
⇒ Guided Fault Finding using VAS 5051 / 5052



Audi

Protected by copyright. Copying for private or commercial purposes, in part or in whole, is not permitted unless authorised by AUDI AG. AUDI AG does not guarantee or accept any liability with respect to the correctness of information in this document. Copyright by AUDI AG.

erWin



Driver's Seat Lumbar Support Adjustment

- E176 Driver's Seat Lumbar Support Adjustment Switch
- SB29 Fuse 29 (on fuse panel B)
- SB53 Fuse 53 (on fuse panel B)
- SC36 Fuse 36 (on fuse panel C)
- T6m 6-Pin Connector, black, on driver's seat lumbar support adjustment switch
- T8n 8-Pin Connector, black, below driver's seat
- T10t 10-Pin Connector, black, below driver's seat
- T40 40-Pin Connector, black, on electronics box engine compartment (Connector J)
- V125 Driver's Seat Lumbar Support Curvature Adjustment Motor
- V129 Driver's Seat Lumbar Support Height Adjustment Motor
- 44 Ground Connection (on left lower A-pillar)
- 96 Ground Connection 1 (in heated seats wiring harness)
- 382 Ground Connection 17 (in main wiring harness)
- B300 Plus Connection 4 (30) (in main wiring harness)
- * Only models without Heated Seats
- ** Only models with heated seats
- # Only models with electronics box Low
- ## Only models with electronics box High

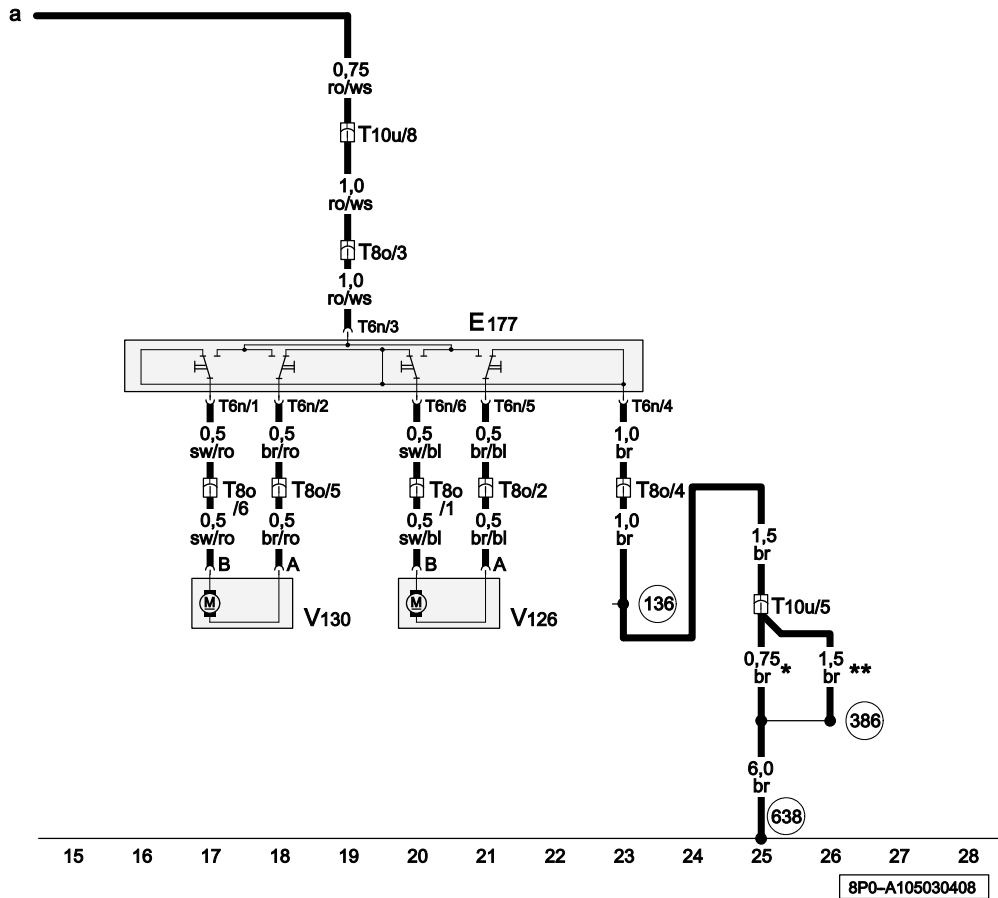
Protected by copyright. Copying for private or commercial purposes, in part or in whole, is not permitted unless authorised by AUDI AG. AUDI AG does not guarantee or accept any liability with respect to the correctness of information in this document. Copyright by AUDI AG.



Front Passenger's Seat Lumbar Support Adjustment

- E177 Front Passenger's Seat Lumbar Support Adjustment Switch
- T6n 6-Pin Connector, black, on front passenger's seat lumbar support adjustment switch
- T8o 8-Pin Connector, black, below front passenger's seat
- T10u 10-Pin Connector, black, below front passenger's seat
- V126 Front Passenger's Seat Lumbar Support Curvature Adjustment Motor
- V130 Front Passenger Seat Lumbar Support Height Adjustment Motor

- 136 Ground Connection 2 (in heated seats wiring harness)
- 386 Ground Connection 21 (in main wiring harness)
- 638 Ground Connection (on right A-pillar)
- * Only models without Heated Seats
- ** Only models with heated seats



- ws = white
- sw = black
- ro = red
- br = brown
- gn = green
- bl = blue
- gr = grey
- li = lilac
- ge = yellow
- or = orange
- rs = pink

Protected by copyright. Copying for private or commercial purposes, in part or in whole, is not permitted unless authorised by AUDI AG. AUDI AG does not guarantee or accept any liability with respect to the correctness of information in this document. Copyright by AUDI AG.



Power Seats with Lumbar Support Adjustment and Heated Seats

from May 2008

Note:

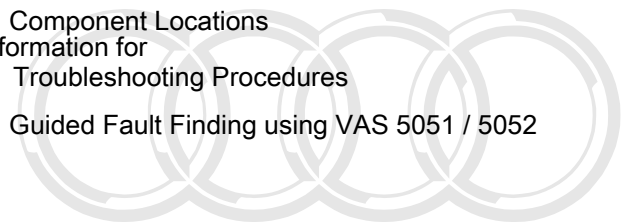
Information for

- ◆ Relay and fuse arrangements
- ◆ Connector arrangements
- ◆ Control Modules and Relays
- ◆ Ground Connections

⇒ Component Locations

Information for

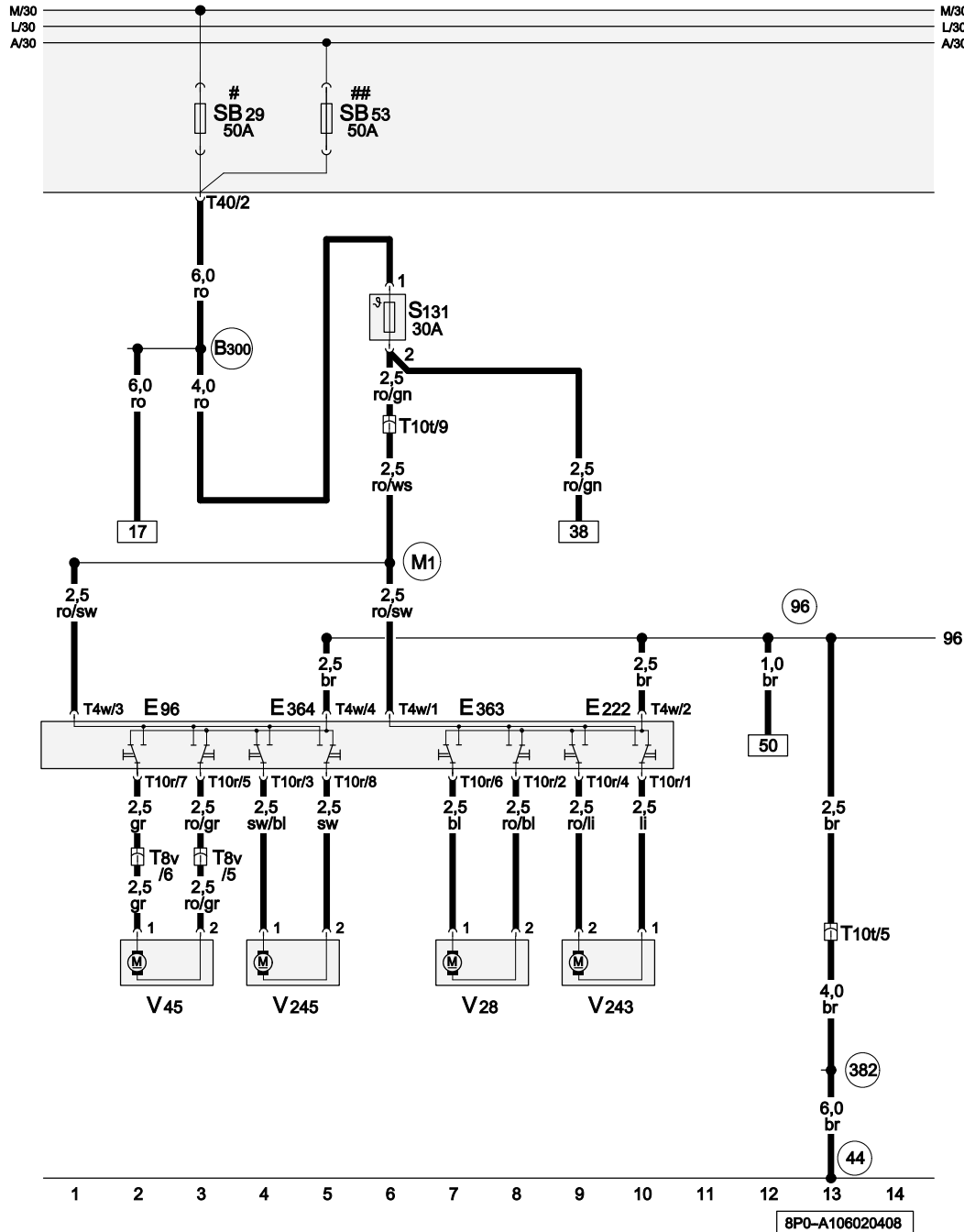
- ◆ Troubleshooting Procedures
- ⇒ Guided Fault Finding using VAS 5051 / 5052



Audi

Protected by copyright. Copying for private or commercial purposes, in part or in whole, is not permitted unless authorised by AUDI AG. AUDI AG does not guarantee or accept any liability with respect to the correctness of information in this document. Copyright by AUDI AG.





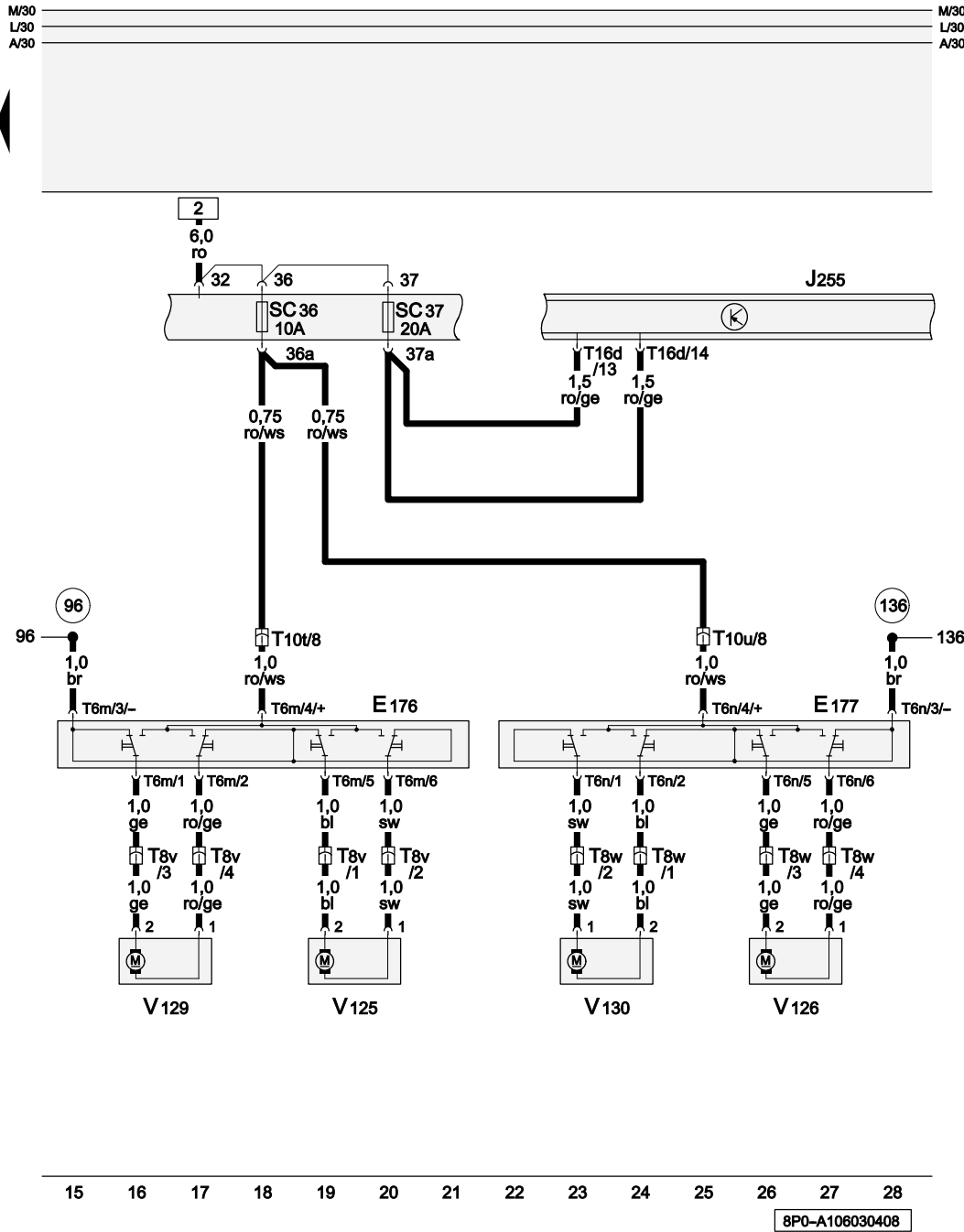
Driver's Seat Power Seats

- E96 Driver's Backrest Adjustment Switch
- E222 Driver's Seat Tilt Adjustment Switch
- E363 Driver's Seat Fore/Aft Switch
- E364 Driver's Seat Height Adjustment Switch
- S131 Safety Fuse 1
- SB29 Fuse 29 (on fuse panel B)
- SB53 Fuse 53 (on fuse panel B)
- T4w 4-Pin Connector, black
- T8v 8-Pin Connector, black, on driver's seat backrest
- T10r 10-Pin Connector, black
- T10t 10-Pin Connector, black, below driver's seat
- T40 40-Pin Connector, black, on electronics box engine compartment (Connector J)
- V28 Driver's Seat fore/aft Adjustment Motor
- V45 Driver's Backrest Adjustment Motor
- V243 Driver's Seat Inclination Adjustment Motor
- V245 Driver's Seat Height Adjustment Motor

- 44 Ground Connection (on left lower A-pillar)
- 96 Ground Connection 1 (in heated seats wiring harness)
- 382 Ground Connection 17 (in main wiring harness)
- B300 Plus Connection 4 (30) (in main wiring harness)
- M1 Plus Connection 1 (30) (in power seats wiring harness)

Protected by copyright. Copying, reproduction, distribution, or use in whole, is not permitted unless authorized by AUDI AG. AUDI AG does not accept any liability with respect to the correctness of information in this document. Copyright by AUDI AG.

- ws = white
- sw = black
- ro = red
- br = brown
- gn = green
- bl = blue
- gr = grey
- li = lilac
- ge = yellow
- or = orange
- rs = pink



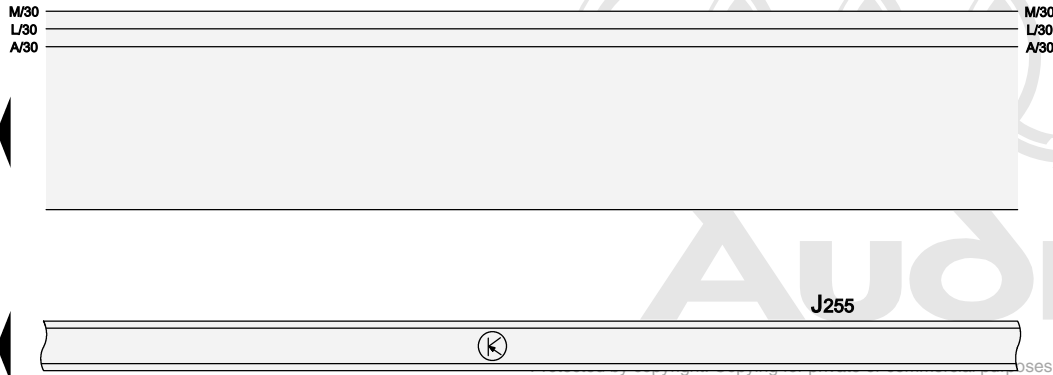
Lumbar Support Adjustment

- E176 Driver's Seat Lumbar Support Adjustment Switch
- E177 Front Passenger's Seat Lumbar Support Adjustment Switch
- J255 Climatronic Control Module
- SC36 Fuse 36 (on fuse panel C)
- SC37 Fuse 37 (on fuse panel C)
- T6m 6-Pin Connector, black, on driver's seat lumbar support adjustment switch
- T6n 6-Pin Connector, black, on front passenger's seat lumbar support adjustment switch
- T8v 8-Pin Connector, black, on driver's seat backrest
- T8w 8-Pin Connector, black, on front passenger's seat backrest
- T10t 10-Pin Connector, black, below driver's seat
- T10u 10-Pin Connector, black, below front passenger's seat
- T16d 16-Pin Connector, black (Connector D)
- V125 Driver's Seat Lumbar Support Curvature Adjustment Motor
- V126 Front Passenger's Seat Lumbar Support Curvature Adjustment Motor
- V129 Driver's Seat Lumbar Support Height Adjustment Motor
- V130 Front Passenger Seat Lumbar Support Height Adjustment Motor

- 96 Ground Connection 1 (in heated seats wiring harness)
- 136 Ground Connection 2 (in heated seats wiring harness)

Protected by copyright. Copying for private or commercial purposes, in part or in whole, is not permitted unless authorised by AUDI AG. AUDI AG does not guarantee or accept any liability with respect to the correctness of information in this document. Copyright by AUDI AG.

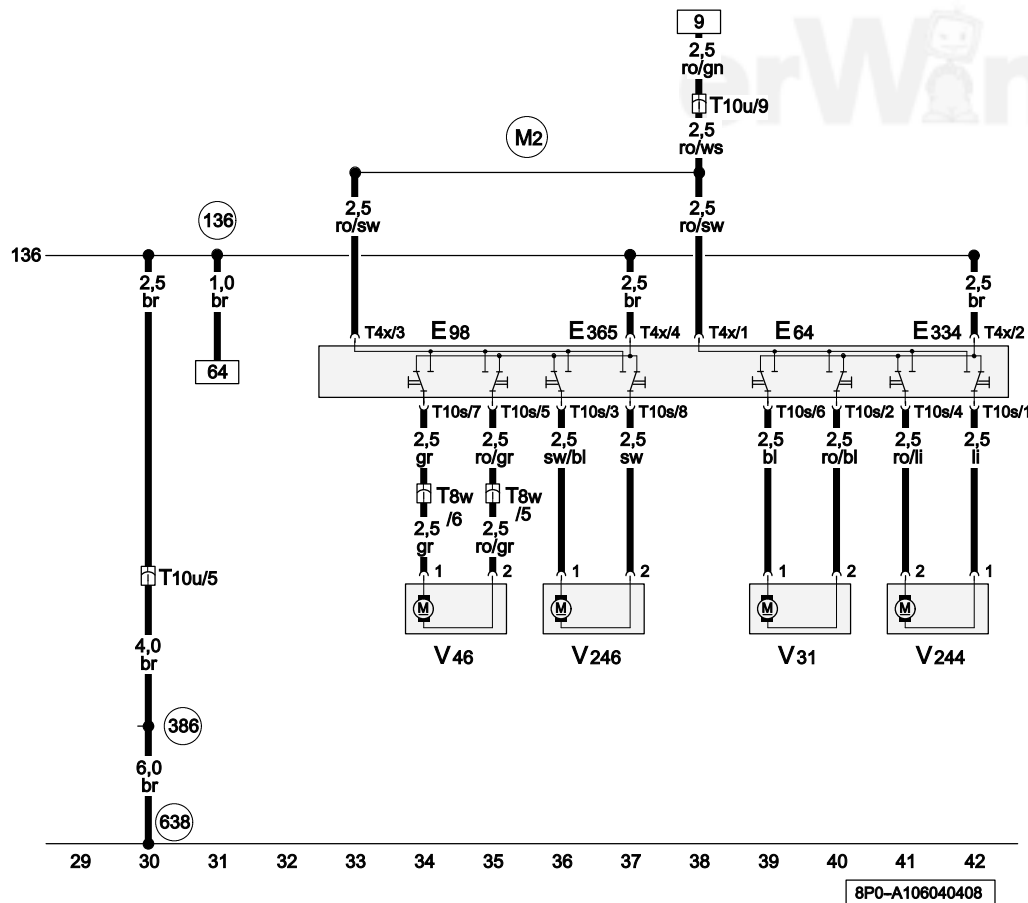
- ws = white
- sw = black
- ro = red
- br = brown
- gn = green
- bl = blue
- gr = grey
- li = lilac
- ge = yellow
- or = orange
- rs = pink



...ses) in part or in whole, is not permitted unless authorised by AUDI AG. AUDI AG does not guarantee or accept any liability with respect to the correctness of information in this document. Copyright by AUDI AG.

Front Passenger's Power Seats

- E64 Front Passenger's Seat Fore/Aft Adjustment Switch
- E98 Passenger Backrest Adjustment Switch
- E334 Front Passenger's Seat Tilt Adjustment Button
- E365 Front Passenger's Seat Height Adjustment Switch
- J255 Climatronic Control Module
- T4x 4-Pin Connector, black
- T8w 8-Pin Connector, black, on front passenger's seat backrest
- T10s 10-Pin Connector, black
- T10u 10-Pin Connector, black, below front passenger's seat
- V31 Front Passenger's Seat Fore/Aft Adjustment Motor
- V46 Front Passenger's Backrest Adjustment Motor
- V244 Front Passenger's Seat Inclination Adjustment Motor
- V246 Front Passenger's Seat Height Adjustment Motor



- 136 Ground Connection 2 (in heated seats wiring harness)
- 386 Ground Connection 21 (in main wiring harness)
- 638 Ground Connection (on right A-pillar)
- M2 Plus Connection 2 (30) (in power seats wiring harness)

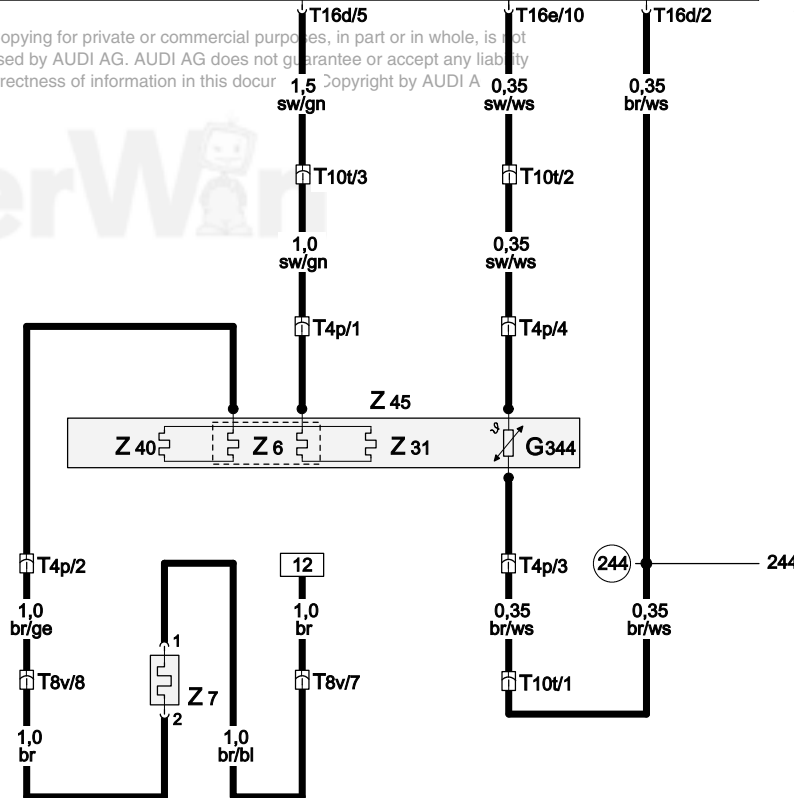
- ws = white
- sw = black
- ro = red
- br = brown
- gn = green
- bl = blue
- gr = grey
- li = lilac
- ge = yellow
- or = orange
- rs = pink

8P0-A10604008



Protected by copyright. Copying for private or commercial purposes, in part or in whole, is not permitted unless authorised by AUDI AG. AUDI AG does not guarantee or accept any liability with respect to the correctness of information in this document. Copyright by AUDI AG

erWin



Driver's Heated Seat

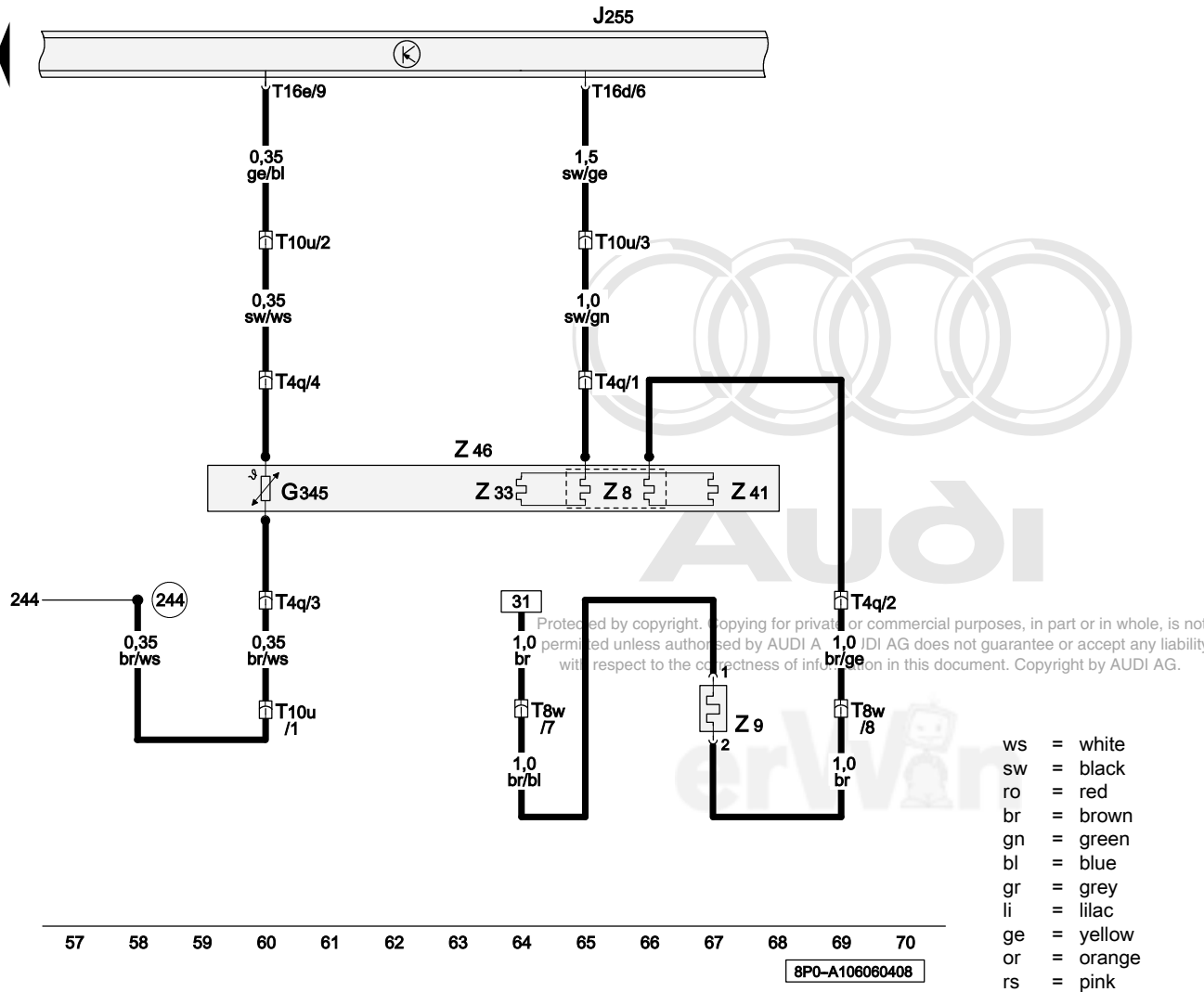
- G344 Left Front Seat Temperature Sensor
- J255 Climatronic Control Module
- T4p 4-Pin Connector, black, on driver's heated seat
- T8v 8-Pin Connector, black, on driver's seat backrest
- T10t 10-Pin Connector, black, below driver's seat
- T16d 16-Pin Connector, black (Connector D)
- T16e 16-Pin Connector, brown (Connector C)
- Z6 Driver's Seat Heating Element
- Z7 Driver's Backrest Heating Element
- Z31 Driver's Seat Side Bolster Heater
- Z40 Driver's Seat Side Bolster Heater 2
- Z45 Front Left Heated Seat

244 Sensor Ground Connection (in Climatronic wiring harness)

- ws = white
- sw = black
- ro = red
- br = brown
- gn = green
- bl = blue
- gr = grey
- li = lilac
- ge = yellow
- or = orange
- rs = pink

43 44 45 46 47 48 49 50 51 52 53 54 55 56

8P0-A106050408



Front Passenger's Heated Seat

- G345 Right Front Seat Temperature Sensor
- J255 Climatronic Control Module
- T4q 4-Pin Connector, black, on front passenger's heated seat
- T8w 8-Pin Connector, black, on front passenger's seat backrest
- T10u 10-Pin Connector, black, below front passenger's seat
- T16d 16-Pin Connector, black (Connector D)
- T16e 16-Pin Connector, brown (Connector C)
- Z8 Front Passenger's Seat Heating Element
- Z9 Front Passenger's Backrest Heating Element
- Z33 Front Passenger's Seat Side Bolster Heater
- Z41 Front Passenger's Seat Side Bolster Heater 2
- Z46 Front Right Heated Seat

244 Sensor Ground Connection (in Climatronic wiring harness)

Protected by copyright. Copying for private or commercial purposes, in part or in whole, is not permitted unless authorised by AUDI AG. AUDI AG does not guarantee or accept any liability with respect to the correctness of information in this document. Copyright by AUDI AG.

- ws = white
- sw = black
- ro = red
- br = brown
- gn = green
- bl = blue
- gr = grey
- li = lilac
- ge = yellow
- or = orange
- rs = pink

57 58 59 60 61 62 63 64 65 66 67 68 69 70

8P0-A106060408

Headlamp with High-Intensity Gas Discharge Lamp (Xenon plus) and Automatic Headlamp Range Control

from May 2008

Note:

Information for

- ◆ Relay and fuse arrangements
- ◆ Connector arrangements
- ◆ Control Modules and Relays
- ◆ Ground Connections

⇒ Component Locations

Information for

- ◆ Troubleshooting Procedures

⇒ Guided Fault Finding using VAS 5051 / 5052



Audi

Protected by copyright. Copying for private or commercial purposes, in part or in whole, is not permitted unless authorised by AUDI AG. AUDI AG does not guarantee or accept any liability with respect to the correctness of information in this document. Copyright by AUDI AG.





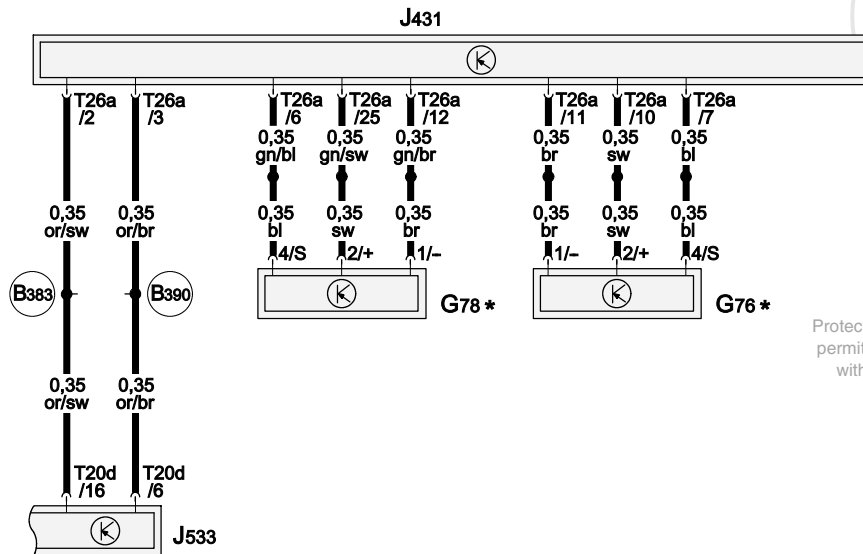
Level Control System Sensor, Data Bus On Board Diagnostic Interface

- G76 Left Rear Level Control System Sensor
- G78 Left Front Level Control System Sensor
- J431 Headlamp Range Control Module
- J533 Data Bus On Board Diagnostic Interface
- T20d 20-Pin Connector, black (Connector A)
- T26a 26-Pin Connector, black (Connector A)

B383 Powertrain CAN-Bus High Connection 1 (in main wiring harness)

B390 Powertrain CAN-Bus Low Connection 1 (in main wiring harness)

* Not applicable with electronic damping

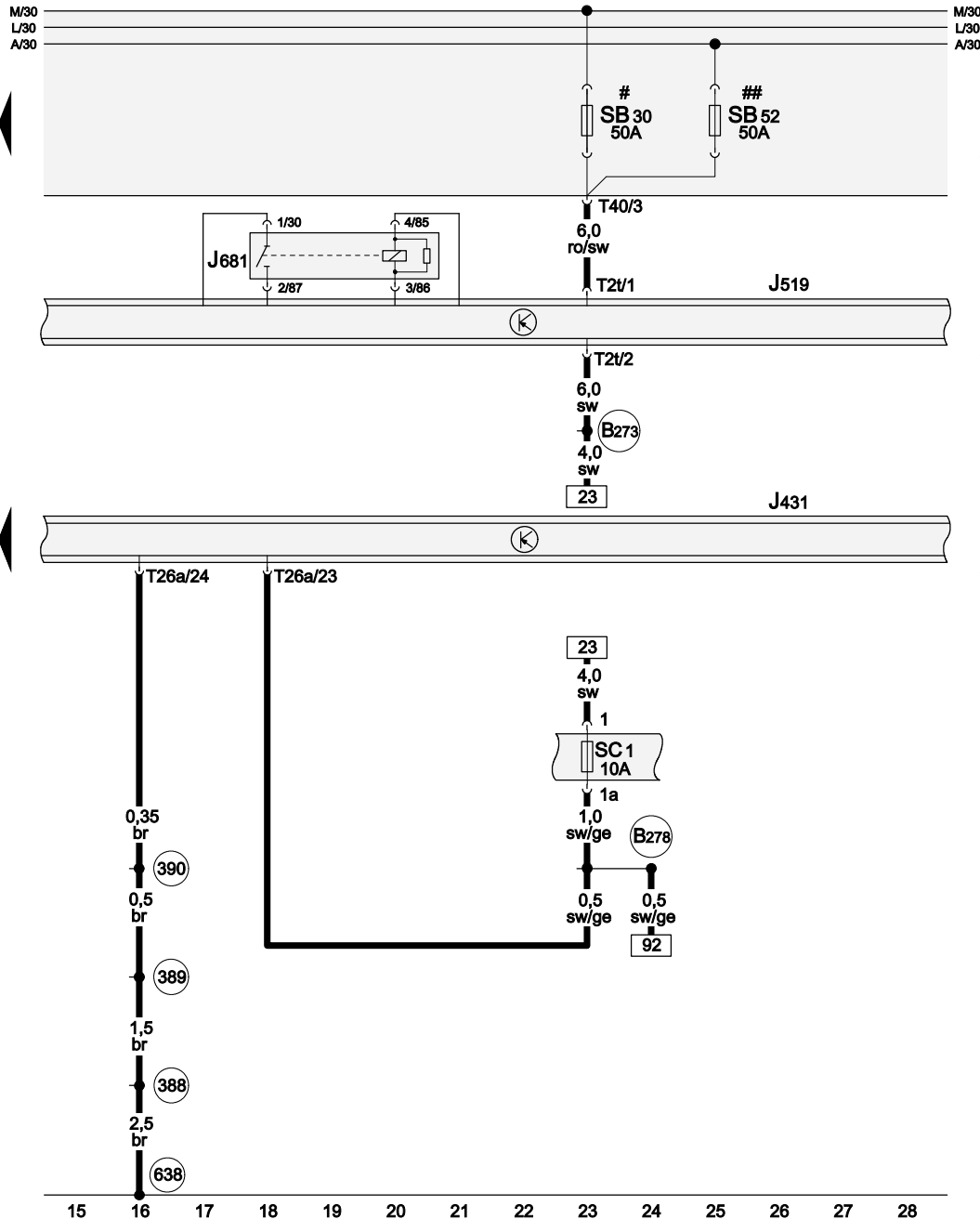


Protected by copyright. Copying for private or commercial purposes, in part or in whole, is not permitted unless authorised by AUDI AG. AUDI AG does not guarantee or accept any liability with respect to the correctness of information in this document. Copyright by AUDI AG.

- ws = white
- sw = black
- ro = red
- br = brown
- gn = green
- bl = blue
- gr = grey
- li = lilac
- ge = yellow
- or = orange
- rs = pink

1 2 3 4 5 6 7 8 9 10 11 12 13 14

8P0-A107020408



Power Supply Relay 2 (terminal 15), Fuses (on fuse panel)

- J431 Headlamp Range Control Module
- J519 Vehicle Electrical System Control Module
- J681 Power Supply Relay 2 (terminal 15)
- SB30 Fuse 30 (on fuse panel B)
- SB52 Fuse 52 (on fuse panel B)
- SC1 Fuse 1 (on fuse panel C)
- T2t Double Connector, black (Connector L)
- T26a 26-Pin Connector, black (Connector A)
- T40 40-Pin Connector, black, on electronics box engine compartment (Connector J)

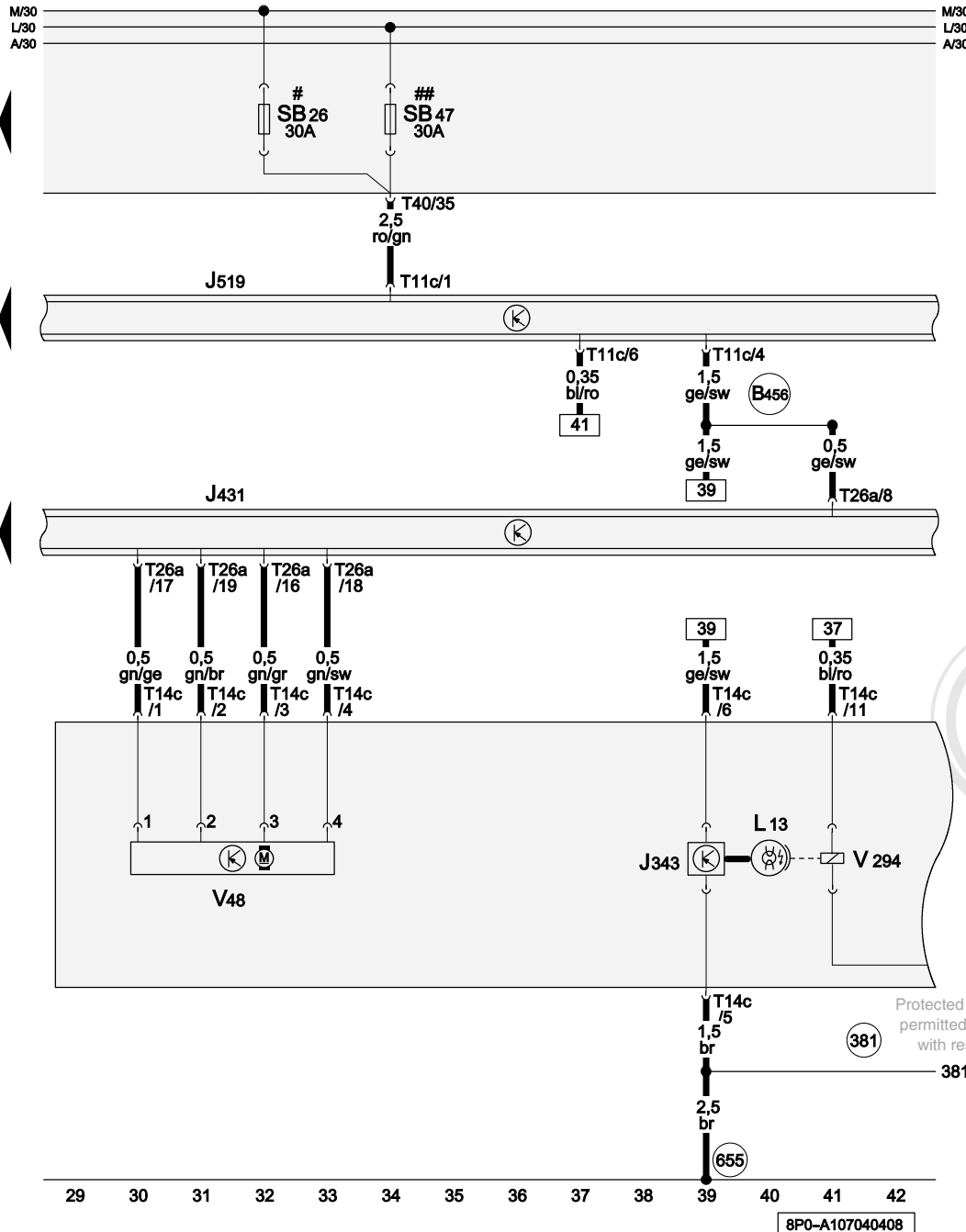
- 388 Ground Connection 23 (in main wiring harness)
- 389 Ground Connection 24 (in main wiring harness)
- 390 Ground Connection 25 (in main wiring harness)
- 638 Ground Connection (on right A-pillar)
- B273 Plus Connection (15) (in main wiring harness)
- B278 Plus Connection 2 (15a) (in main wiring harness)

- # Only models with electronics box Low
- ## Only models with electronics box High

- ws = white
- sw = black
- ro = red
- br = brown
- gn = green
- bl = blue
- gr = grey
- li = lilac
- ge = yellow
- or = orange
- rs = pink

Protected by copyright. Copying for private or commercial purposes, in part or in whole, is not permitted unless authorised by AUDI AG. AUDI AG does not guarantee or accept any liability with respect to the correctness of information in this document. Copyright by AUDI AG.

8P0-A107030408



Left High Intensity Gas Discharge (HID) Lamp, Left Headlamp Beam Adjustment Motor, Left Low Beam Reflector Motor

- J343 Left High-intensity Gas Discharge Lamp Control Module
- J431 Headlamp Range Control Module
- J519 Vehicle Electrical System Control Module
- L13 Left High Intensity Gas Discharge (HID) Lamp
- SB26 Fuse 26 (on fuse panel B)
- SB47 Fuse 47 (on fuse panel B)
- T11c 11-Pin Connector, brown (Connector D)
- T14c 14-Pin Connector
- T26a 26-Pin Connector, black (Connector A)
- T40 40-Pin Connector, black, on electronics box engine compartment (Connector J)
- V48 Left Headlamp Beam Adjustment Motor
- V294 Left Low Beam Reflector Motor

381 Ground Connection 16 (in main wiring harness)

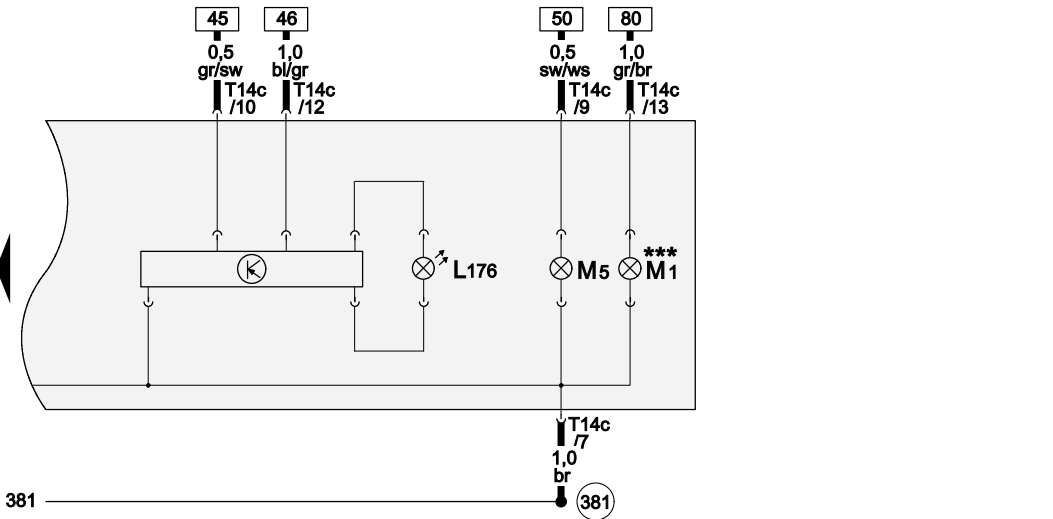
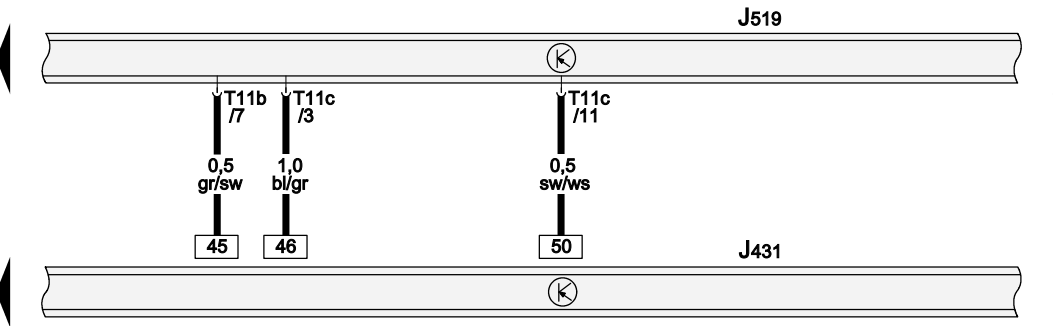
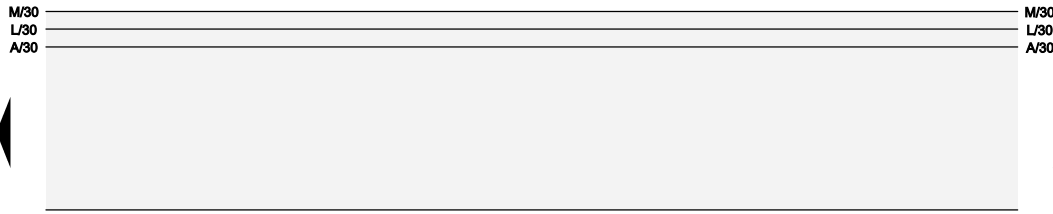
655 Ground Connection (on left headlamp)

B456 Connection (56b) (in main wiring harness)

Only models with electronics box Low
 ## Only models with electronics box High

Protected by copyright. Copying for private or commercial purposes, in part or in whole, is not permitted unless authorized by AUDI AG. AUDI AG does not guarantee or accept any liability with respect to the correctness of information in this document. Copyright by AUDI AG.

- ws = white
- sw = black
- ro = red
- br = brown
- gn = green
- bl = blue
- gr = grey
- li = lilac
- ge = yellow
- or = orange
- rs = pink



Left LED Parking Lamp/DRL Module, Left Front Turn Signal Lamp

- J431 Headlamp Range Control Module
- J519 Vehicle Electrical System Control Module
- L176 Left LED Parking Lamp/DRL Module
- M1 Left Parking Lamp
- M5 Left Front Turn Signal Lamp
- T11b 11-Pin Connector, black (Connector A)
- T11c 11-Pin Connector, brown (Connector D)
- T14c 14-Pin Connector

- 381 Ground Connection 16 (in main wiring harness)
- *** Only models with US equipment



Audi

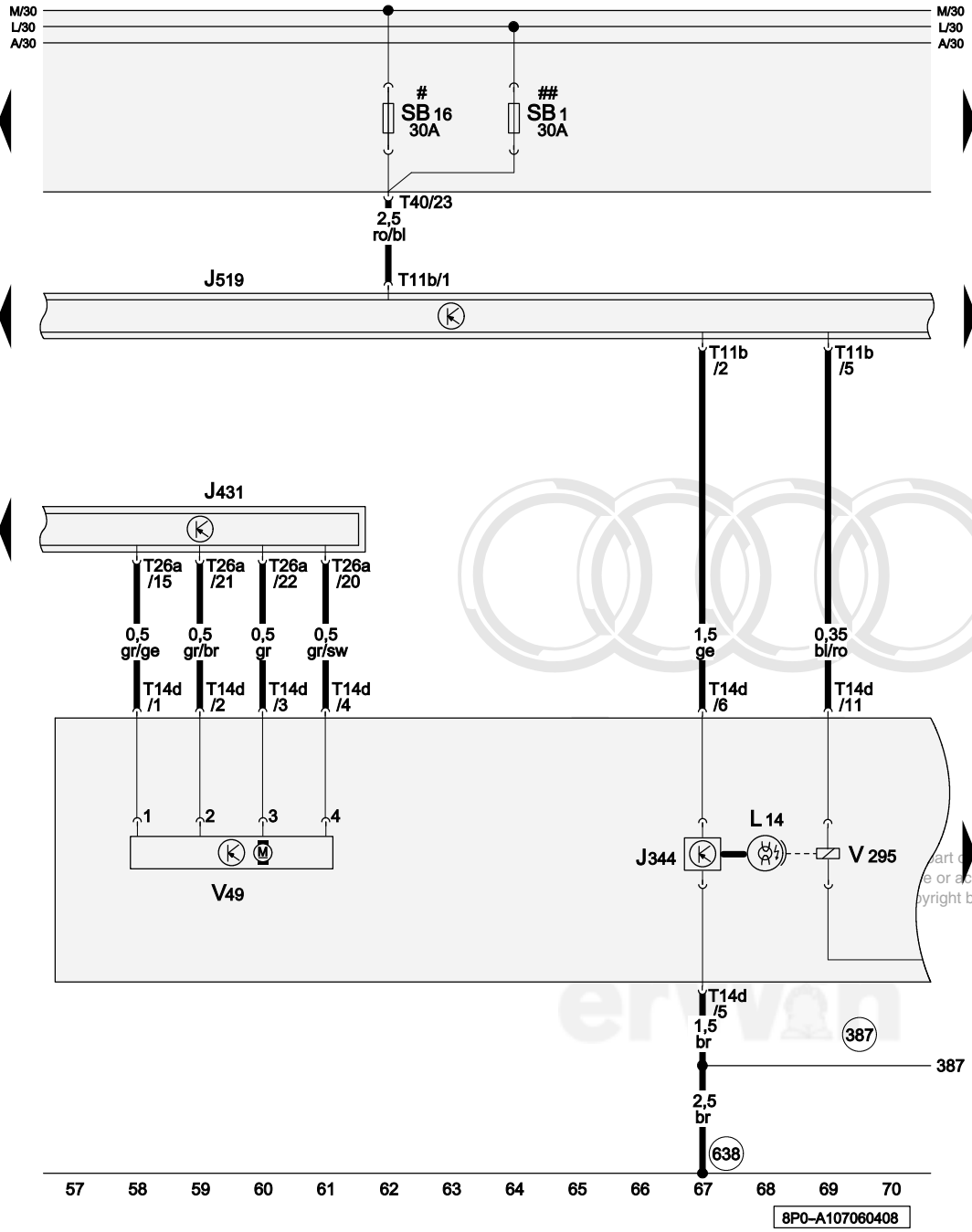
Protected by copyright. Copying for private or commercial purposes, in part or in whole, is not permitted unless authorised by AUDI AG. AUDI AG does not guarantee or accept any liability with respect to the correctness of information in this document. Copyright by AUDI AG.



- ws = white
- ro = black
- ro = red
- br = brown
- gn = green
- bl = blue
- gr = grey
- li = lilac
- ge = yellow
- or = orange
- rs = pink

43 44 45 46 47 48 49 50 51 52 53 54 55 56

8P0-A107050408



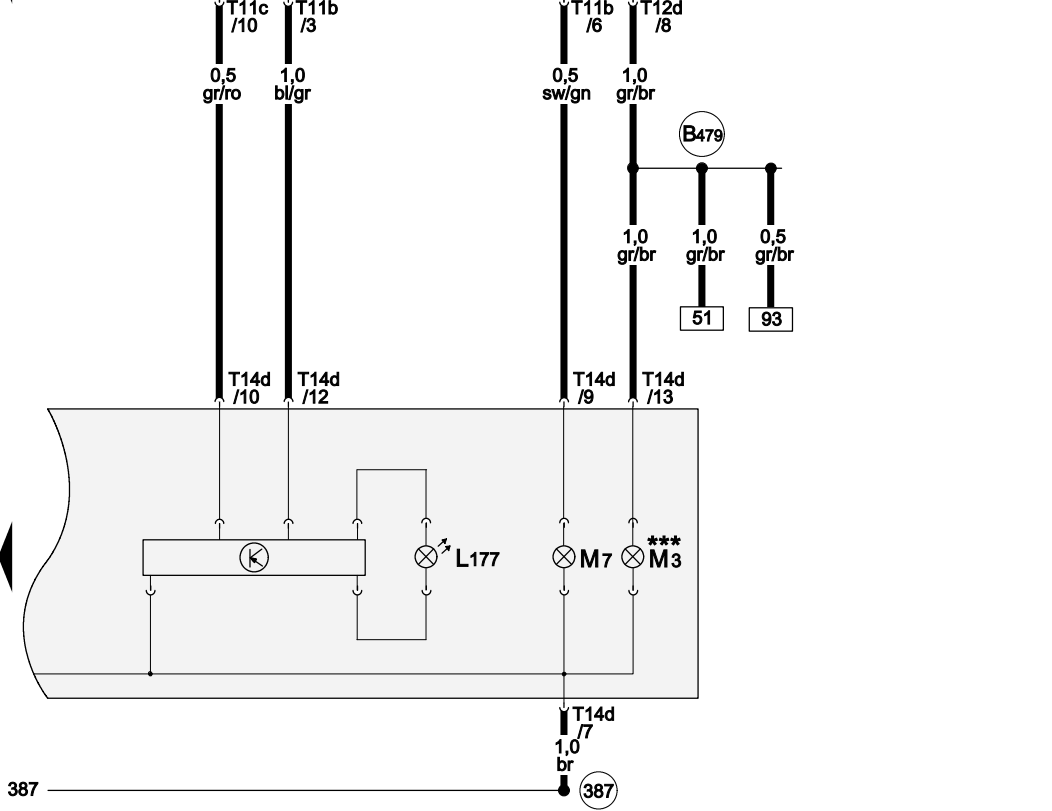
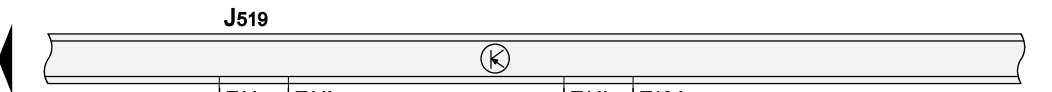
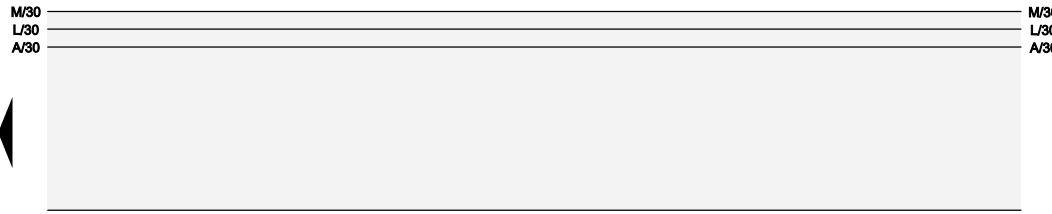
Right High Intensity Gas Discharge (HID) Lamp, Right Headlamp Beam Adjustment Motor, Right Low Beam Reflector Motor

- J344 Right High-intensity Gas Discharge Lamp Control Module
- J431 Headlamp Range Control Module
- J519 Vehicle Electrical System Control Module
- L14 Right High Intensity Gas Discharge (HID) Lamp
- SB1 Fuse 1 (on fuse panel B)
- SB16 Fuse 16 (on fuse panel B)
- T11b 11-Pin Connector, black (Connector A)
- T14d 14-Pin Connector
- T26a 26-Pin Connector, black (Connector A)
- T40 40-Pin Connector, black, on electronics box engine compartment (Connector J)
- V49 Right Headlamp Beam Adjustment Motor
- V295 Right Low Beam Reflector Motor
- 387 Ground Connection 22 (in main wiring harness)
- 638 Ground Connection (on right A-pillar)
- # Only models with electronics box Low
- ## Only models with electronics box High

- ws = white
- sw = black
- ro = red
- br = brown
- gn = green
- bl = blue
- gr = grey
- li = lilac
- ge = yellow
- or = orange
- rs = pink

Part shown in whole, is not to be used or accept any liability without the approval of Audi AG.

8P0-A107060408



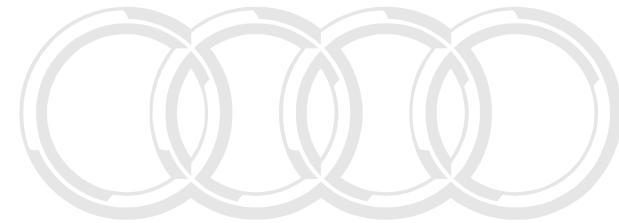
Right LED Parking Lamp/DRL Module, Right Front Turn Signal Lamp

- J519 Vehicle Electrical System Control Module
- L177 Right LED Parking Lamp/DRL Module
- M3 Right Parking Lamp
- M7 Right Front Turn Signal Lamp
- T11b 11-Pin Connector, black (Connector A)
- T11c 11-Pin Connector, brown (Connector D)
- T12d 12-Pin Connector, brown (Connector C)
- T14d 14-Pin Connector

387 Ground Connection 22 (in main wiring harness)

B479 Connection 15 (in main wiring harness)

*** Only models with US equipment

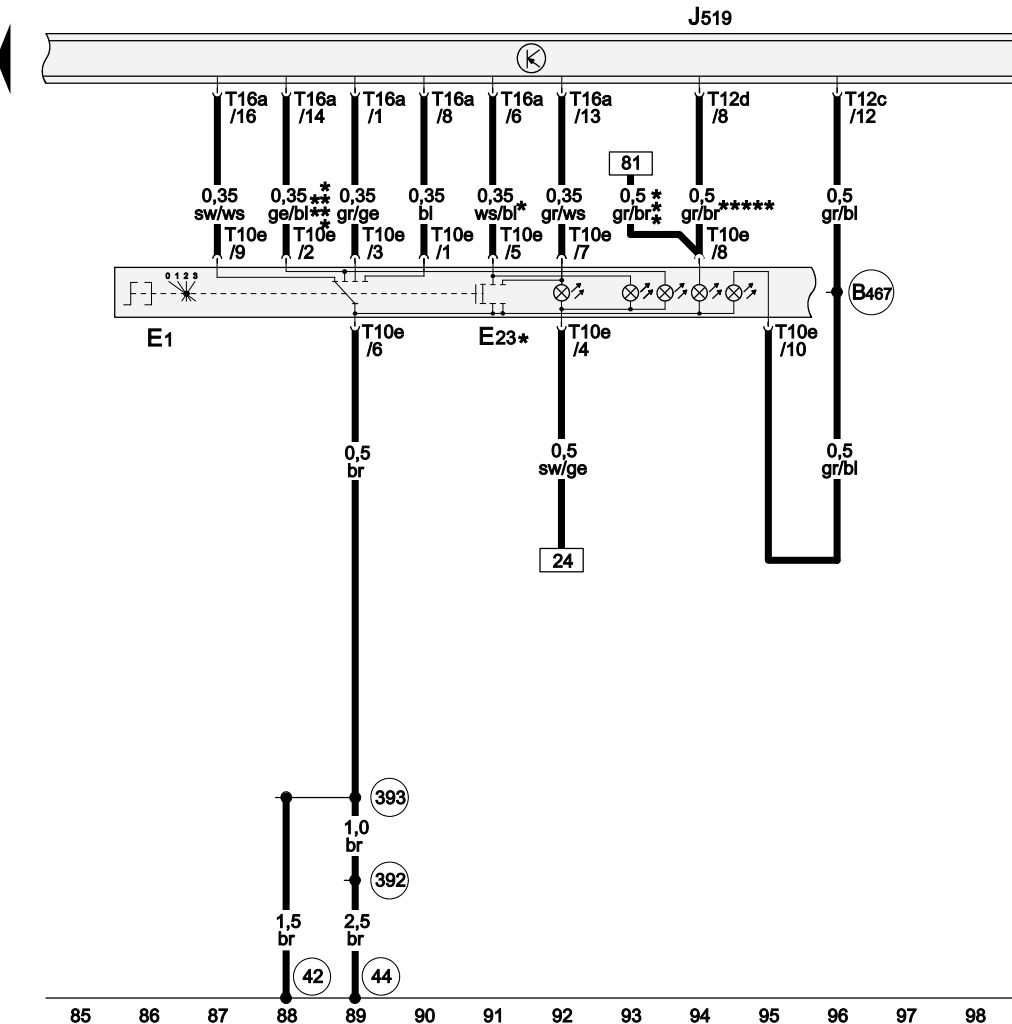


Audi

Protected by copyright. Copying for private or commercial purposes, in part or in whole, is not permitted unless authorised by AUDI AG. AUDI AG does not guarantee or accept any liability with respect to the correctness of information in this document. Copyright by AUDI AG.

- ws = white
- sw = black
- ro = red
- br = brown
- gn = green
- bl = blue
- gr = grey
- li = lilac
- ge = yellow
- or = orange
- rs = pink





8P0-A107080408

Light Switch

- E1 Light Switch
- E23 Fog Lamp and Rear Fog Lamp Switch
- J519 Vehicle Electrical System Control Module
- T10e 10-Pin Connector, black (Connector A)
- T12c 12-Pin Connector, black (Connector B)
- T12d 12-Pin Connector, brown (Connector C)
- T16a 16-Pin Connector, black (Connector E)

42 Ground Connection (beside steering column)

44 Ground Connection (on left lower A-pillar)

392 Ground Connection 27 (in main wiring harness)

393 Ground Connection 28 (in main wiring harness)

B467 Connection 3 (in main wiring harness)

- * Only models with front fog lamps
- ** Only models with automatic headlamp switching
- *** Only models with US equipment
- **** Only models with daytime running lights
- ***** Not for models with US equipment

- ws = white
- sw = black
- ro = red
- br = brown
- gn = green
- bl = blue
- gr = grey
- li = lilac
- ge = yellow
- or = orange
- rs = pink

Protected by copyright. Copying for private or commercial purposes, in part or in whole, is not permitted unless authorised by AUDI AG. AUDI AG does not guarantee or accept any liability with respect to the correctness of information in this document. Copyright by AUDI AG.

Tire Pressure Monitoring

⇒ Only models with US equipment
from May 2008

Note:

Information for

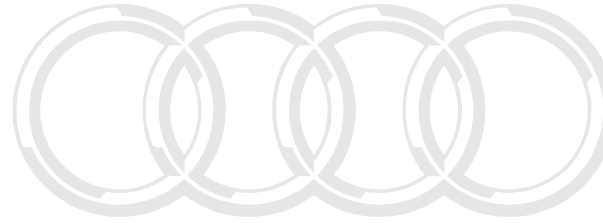
- ◆ Relay and fuse arrangements
- ◆ Connector arrangements
- ◆ Control Modules and Relays
- ◆ Ground Connections

⇒ Component Locations

Information for

- ◆ Troubleshooting Procedures

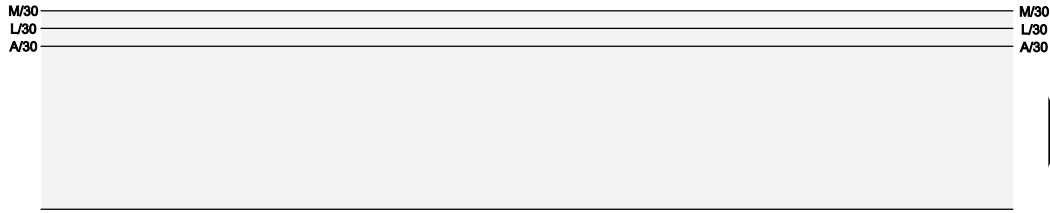
⇒ Guided Fault Finding using VAS 5051 / 5052



Audi

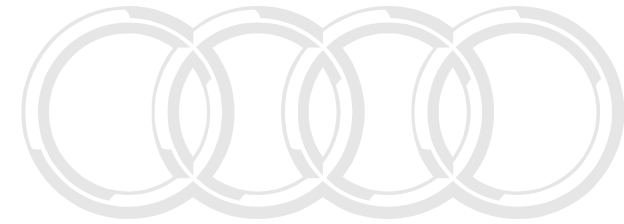
Protected by copyright. Copying for private or commercial purposes, in part or in whole, is not permitted unless authorised by AUDI AG. AUDI AG does not guarantee or accept any liability with respect to the correctness of information in this document. Copyright by AUDI AG.





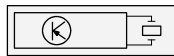
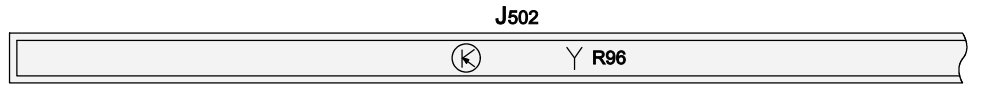
Tire Pressure Monitoring Sensors, Tire Pressure Monitoring Control Module

- G222 Left Front Tire Pressure Monitoring Sensor
- G223 Right Front Tire Pressure Monitoring Sensor
- G224 Left Rear Tire Pressure Monitoring Sensor
- G225 Right Rear Tire Pressure Monitoring Sensor
- J502 Tire Pressure Monitoring Control Module
- R96 Rear Tire Pressure Monitoring Antenna

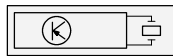


Audi

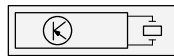
Protected by copyright. Copying for private or commercial purposes, in part or in whole, is not permitted unless authorised by AUDI AG. AUDI AG does not guarantee or accept any liability with respect to the correctness of information in this document. Copyright by AUDI AG.



G222



G223



G224

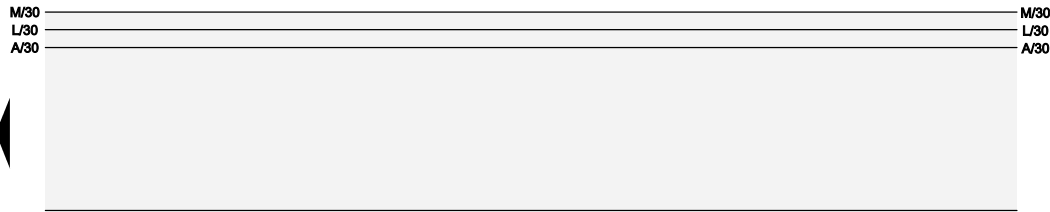


G225

1 2 3 4 5 6 7 8 9 10 11 12 13 14

8P0-A108020408

- ws = white
- sw = black
- ro = red
- br = brown
- gn = green
- bl = blue
- gr = grey
- li = lilac
- ge = yellow
- or = orange
- rs = pink



Tire Pressure Monitoring Button, Tire Pressure Monitoring Control Module

- E226 Tire Pressure Monitoring Button
- J502 Tire Pressure Monitoring Control Module
- J519 Vehicle Electrical System Control Module
- SC16 Fuse 16 (on fuse panel C)
- T10ac 10-Pin Connector
- T12c 12-Pin Connector, black (Connector B)
- T20q 20-Pin Connector (Connector A)
- T52b 52-Pin Connector, white (Connector B)

(389) Ground Connection 24 (in main wiring harness)

(390) Ground Connection 25 (in main wiring harness)

(B272) Plus Connection (30) (in main wiring harness)

(B302) Plus Connection 6 (30) (in main wiring harness)

(B315) Plus Connection 1 (30a) (in main wiring harness)

(B467) Connection 3 (in main wiring harness)

(B476) Connection 12 (in main wiring harness)

* => Applicable Wiring Diagram for models with battery in engine compartment

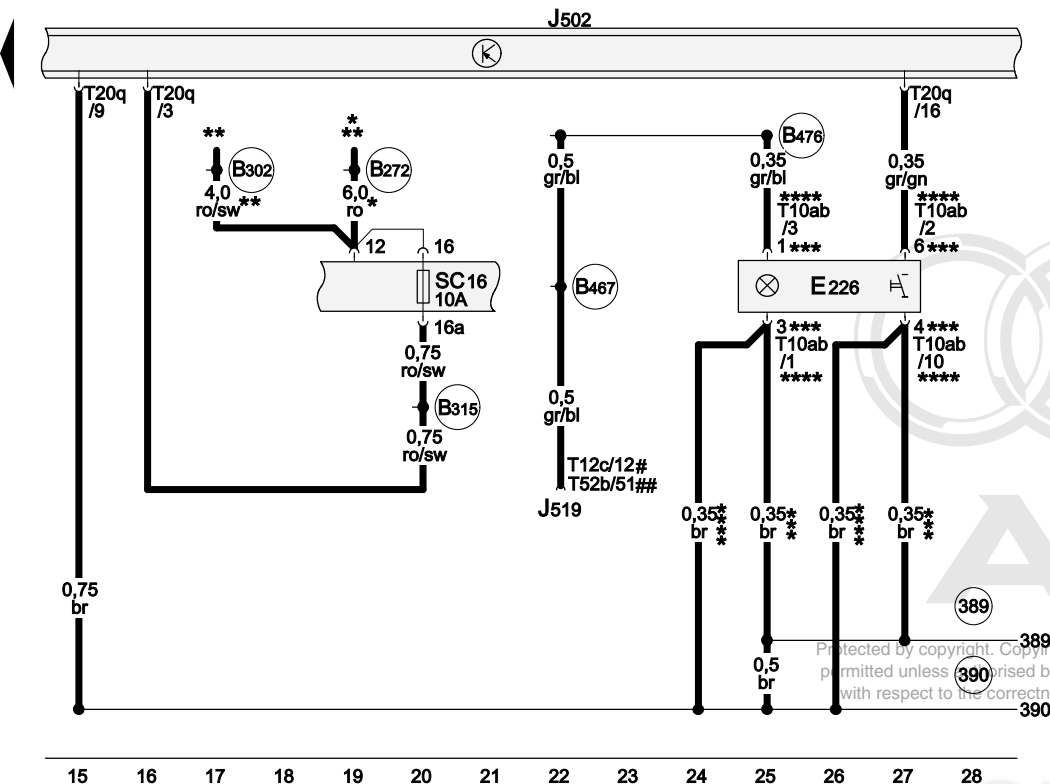
** => Applicable Wiring Diagram for models with battery in luggage compartment

*** Not applicable, phased-in modification

**** Phased-in modification

Not applicable from May 2009

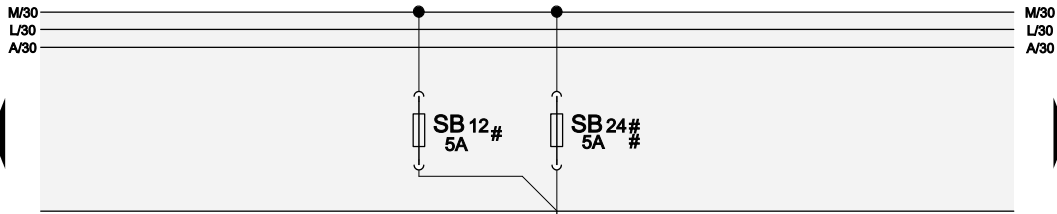
Applicable from May 2009



- ws = white
- sw = black
- ro = red
- br = brown
- gn = green
- bl = blue
- gr = grey
- li = lilac
- ge = yellow
- or = orange
- rs = pink

Protected by copyright. Copying for private or commercial purposes, in part or in whole, is not permitted unless authorised by AUDI AG. AUDI AG does not guarantee or accept any liability with respect to the correctness of information in this document. Copyright by AUDI AG.

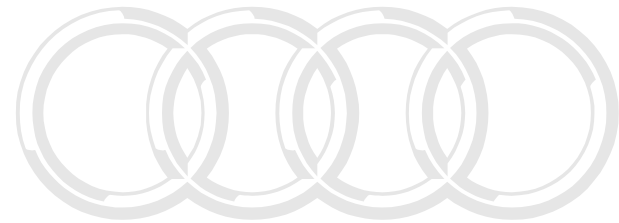
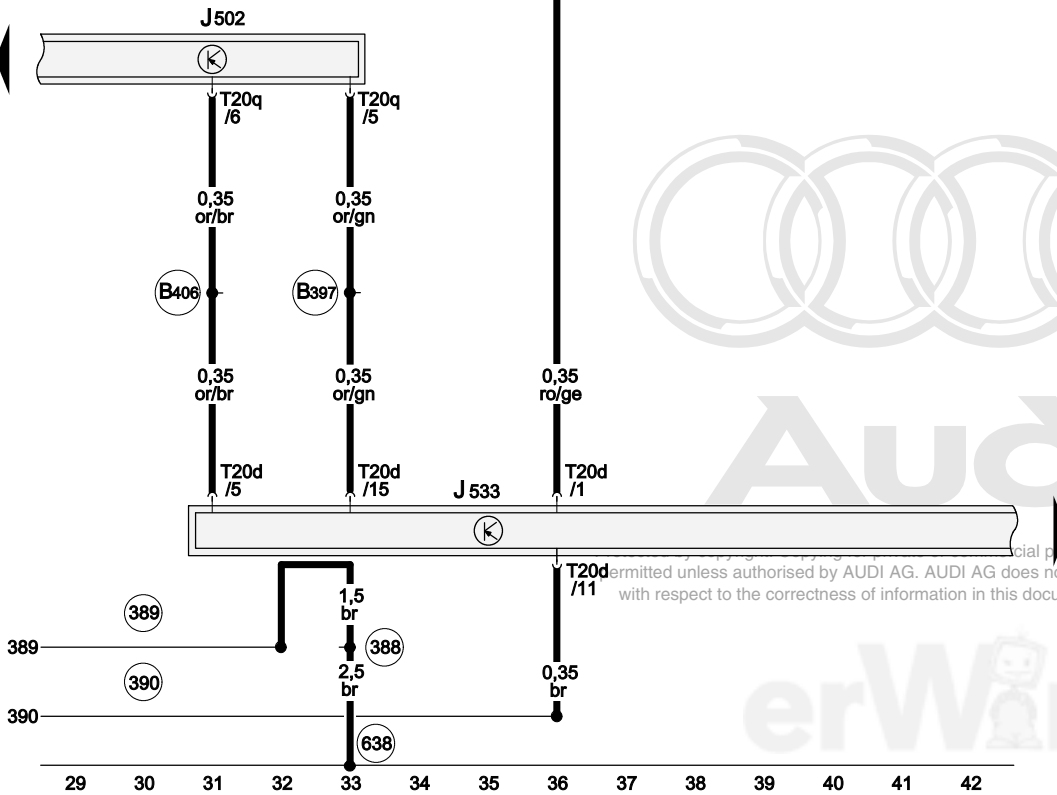
8P0-A108030909



Comfort System CAN-Bus, Data Bus On Board Diagnostic Interface

- J502 Tire Pressure Monitoring Control Module
- J533 Data Bus On Board Diagnostic Interface
- SB12 Fuse 12 (on fuse panel B)
- SB24 Fuse 24 (on fuse panel B)
- T20d 20-Pin Connector, black (Connector A)
- T20q 20-Pin Connector (Connector A)
- T40 40-Pin Connector, black, on electronics box engine compartment (Connector J)

- (388) Ground Connection 23 (in main wiring harness)
- (389) Ground Connection 24 (in main wiring harness)
- (390) Ground Connection 25 (in main wiring harness)
- (638) Ground Connection (on right A-pillar)
- (B397) Comfort System CAN-Bus High Connection 1 (in main wiring harness)
- (B406) Comfort System CAN-Bus Low Connection 1 (in main wiring harness)
- # Only models with electronics box Low
- ## Only models with electronics box High



...for official purposes, in part or in whole, is not permitted unless authorised by AUDI AG. AUDI AG does not guarantee or accept any liability with respect to the correctness of information in this document. Copyright © Audi AG.

- ws = white
- sw = black
- ro = red
- br = brown
- gn = green
- bl = blue
- gr = grey
- li = lilac
- ge = yellow
- or = orange
- rs = pink

8P0-A108040409

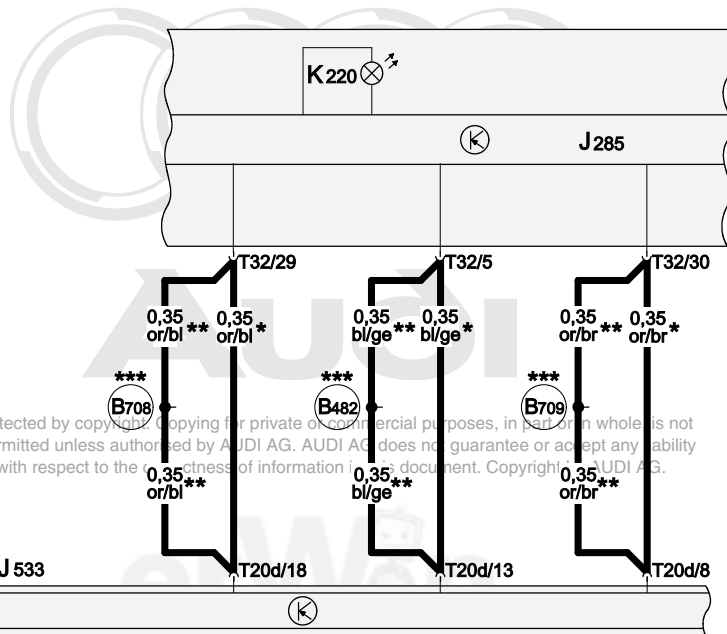


Data Bus On Board Diagnostic Interface, Instrument Cluster Control Module, Tire Pressure Monitoring Display Indicator Lamp

- J285 Instrument Cluster Control Module
- J533 Data Bus On Board Diagnostic Interface
- K220 Tire Pressure Monitoring Display Indicator Lamp
- T20d 20-Pin Connector, black (Connector A)
- T32 32-Pin Connector, blue (Connector A)

- B482** Connection 18 (in main wiring harness)
- B708** Instrument Cluster CAN Bus - High Connection 1 (in main wiring harness)
- B709** Instrument Cluster CAN Bus - Low Connection 1 (in main wiring harness)

- * Not applicable from May 2009
- ** Applicable from May 2009
- *** Not applicable, phased-in modification

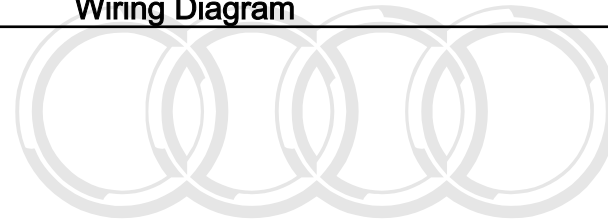


Protected by copyright. Copying for private or commercial purposes, in part or in whole, is not permitted unless authorized by AUDI AG. AUDI AG does not guarantee or accept any liability with respect to the correctness of information in this document. Copyright © AUDI AG.

- ws = white
- sw = black
- ro = red
- br = brown
- gn = green
- bl = blue
- gr = grey
- li = lilac
- ge = yellow
- or = orange
- rs = pink

Data bus networking

From May 2008



Audi

Protected by copyright. Copying for private or commercial purposes, in part or in whole, is not permitted unless authorised by AUDI AG. AUDI AG does not guarantee or accept any liability with respect to the correctness of information in this document. Copyright by AUDI AG.



Powertrain CAN bus high connection 1 (in main wiring harness), Powertrain CAN bus low connection 1 (in main wiring harness)

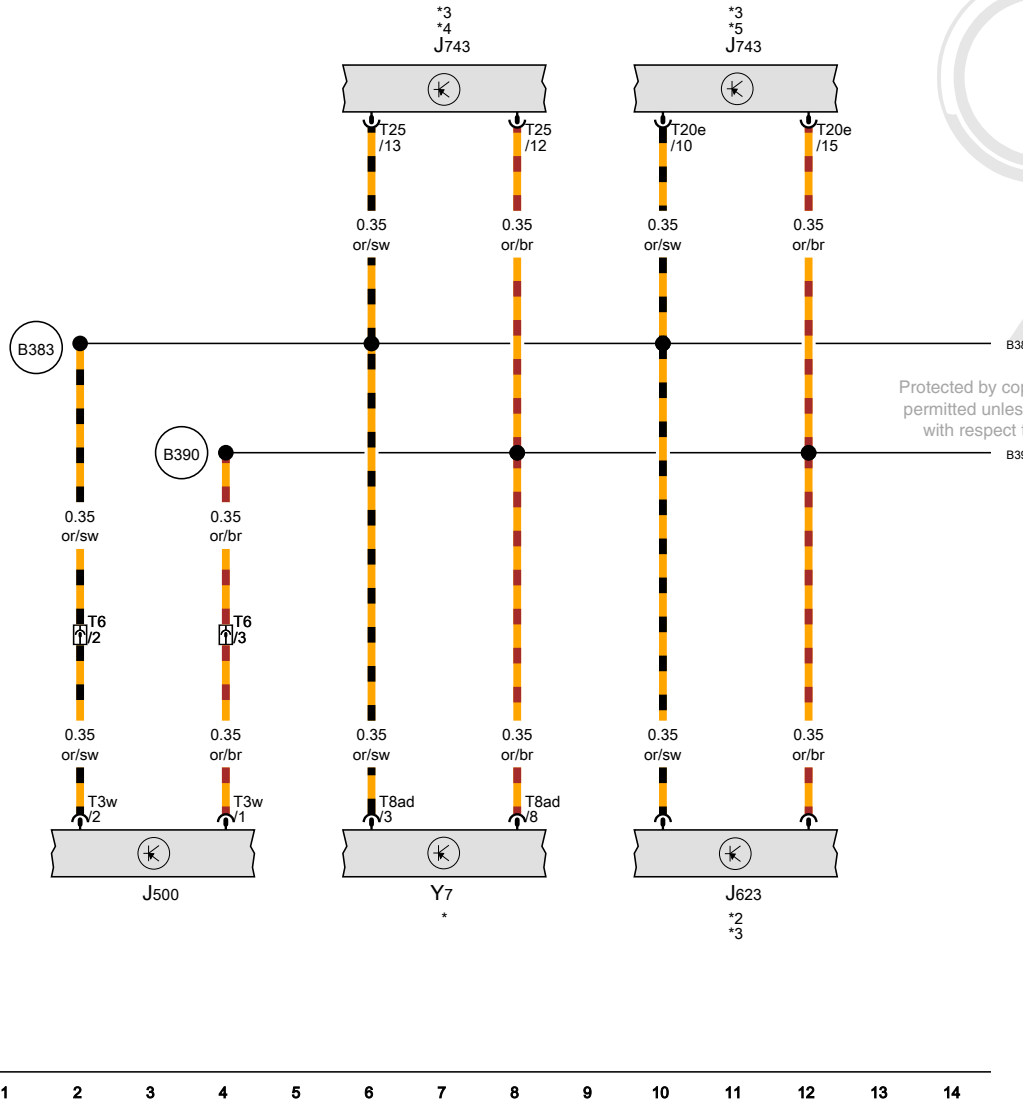
- J500 Power steering control module
- J623 Engine control module
- J743 DSG transmission Mechatronic
- T3w 3-pin connector
- T6 6-pin connector
- T8ad 8-pin connector
- T20e 20-pin connector
- T25 25-pin connector
- Y7 Automatic dimming interior rearview mirror

B383 Powertrain CAN bus high connection 1 (in main wiring harness)

B390 Powertrain CAN bus low connection 1 (in main wiring harness)

- * Only for vehicles with high beam assist
- *2 Refer to applicable engine wiring diagram
- *3 Not for RS3
- *4 Only for vehicles with DSG transmission 0AM
- *5 Only for vehicles with DSG transmission 02E

Protected by copyright. Copying for private or commercial purposes, in part or in whole, is not permitted unless authorised by AUDI AG. AUDI AG does not guarantee or accept any liability with respect to the correctness of information in this document. Copyright by AUDI AG.

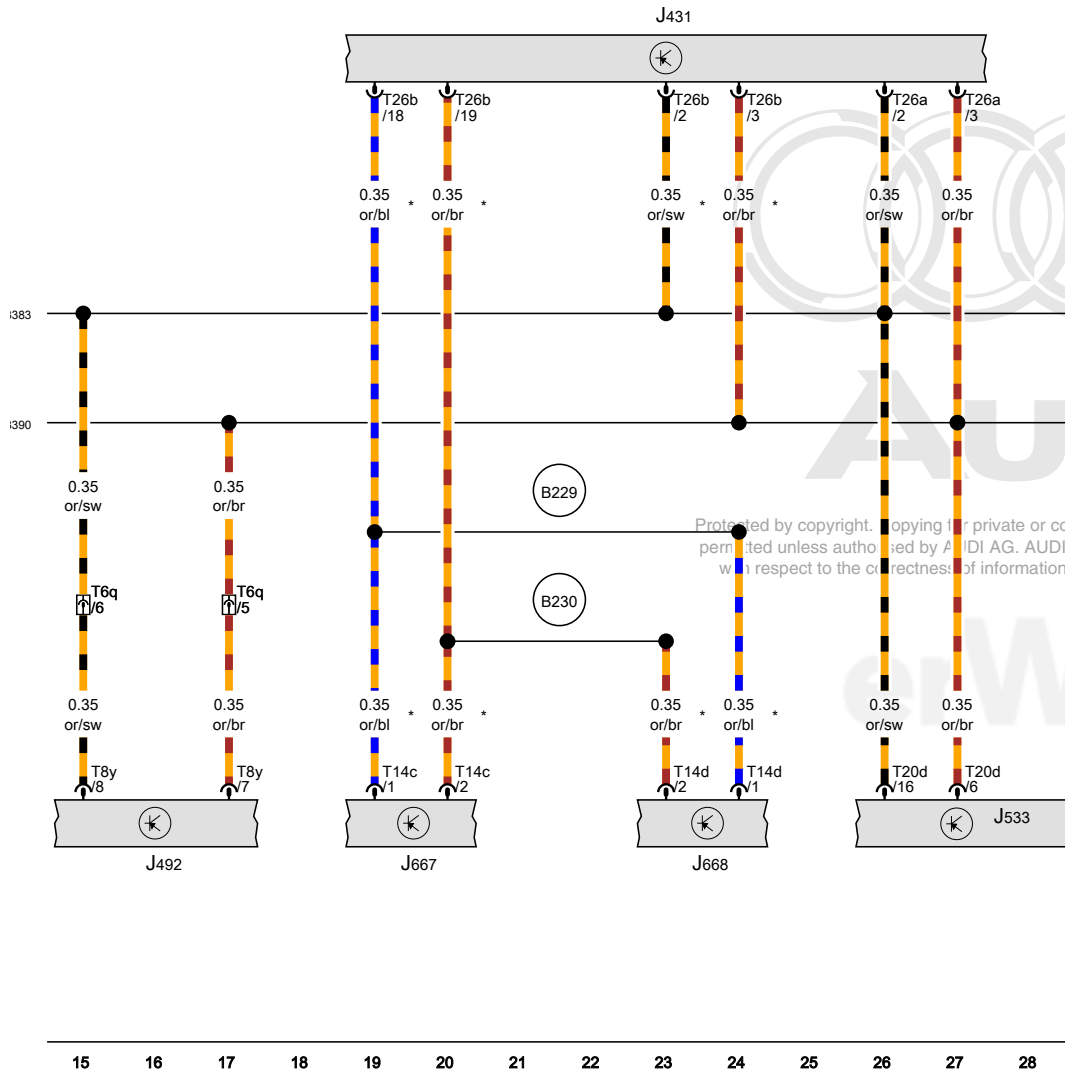


18P1-109020411

High bus connection (in interior wiring harness), Low bus connection (in interior wiring harness), Powertrain CAN bus high connection 1 (in main wiring harness), Powertrain CAN bus low connection 1 (in main wiring harness)

- J431 Headlamp range control module
- J492 All wheel drive control module
- J533 Data bus on board diagnostic interface
- J667 Left headlamp power output stage
- J668 Right headlamp power output stage
- T6q 6-pin connector
- T8y 8-pin connector
- T14c 14-pin connector
- T14d 14-pin connector
- T20d 20-pin connector
- T26a 26-pin connector
- T26b 26-pin connector

- (B229) High bus connection (in interior wiring harness)
- (B230) Low bus connection (in interior wiring harness)
- (B383) Powertrain CAN bus high connection 1 (in main wiring harness)
- (B390) Powertrain CAN bus low connection 1 (in main wiring harness)
- * Only for vehicles with dynamic cornering lamp



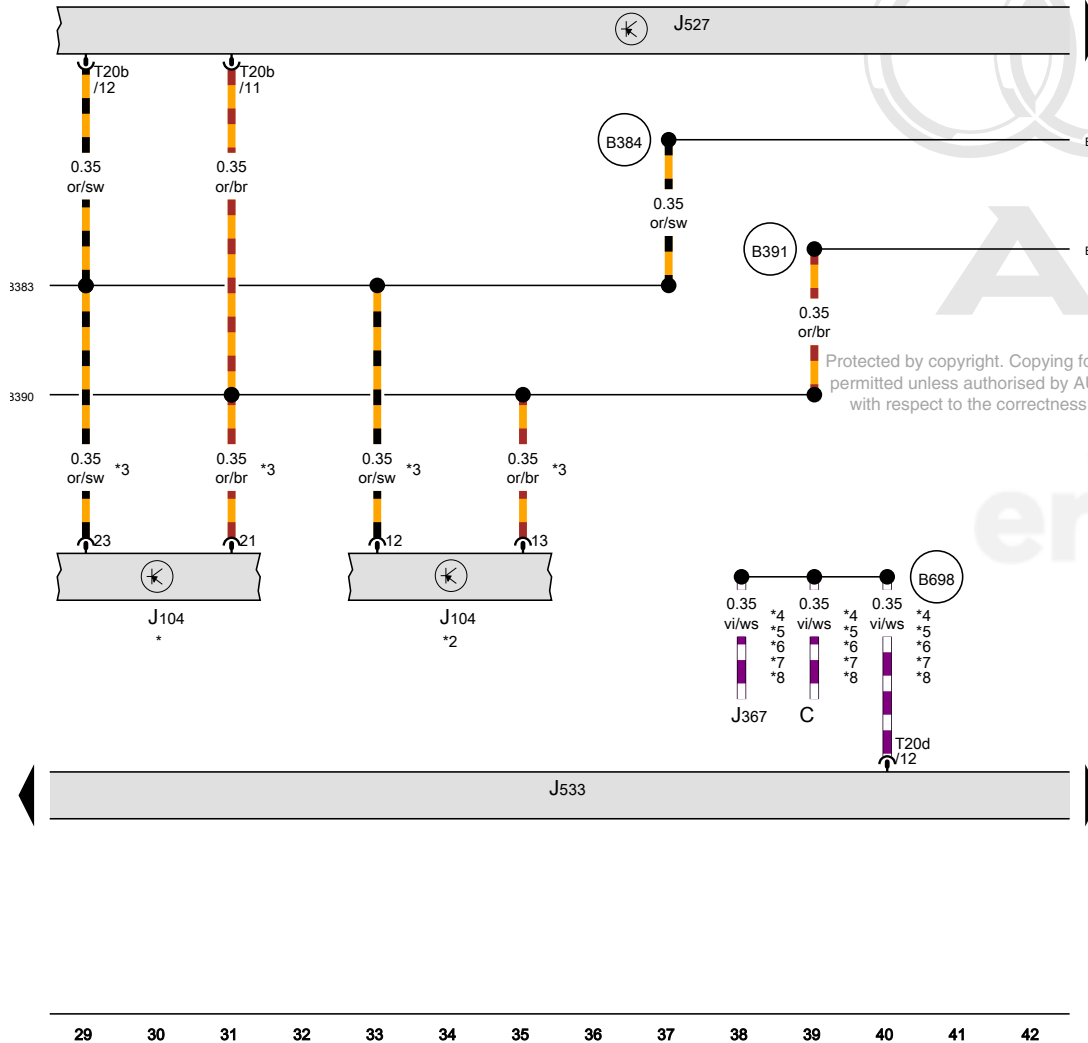
Protected by copyright. Copying for private or commercial purposes, in part or in whole, is not permitted unless authorised by AUDI AG. AUDI AG does not guarantee or accept any liability with respect to the correctness of information in this document. Copyright by AUDI AG.

- ws = white
- sw = black
- ro = red
- rt = red
- br = brown
- gn = green
- bl = blue
- gr = grey
- li = lilac
- vi = lilac
- ge = yellow
- or = orange
- rs = pink

15 16 17 18 19 20 21 22 23 24 25 26 27 28

FRP1-109030411

Powertrain CAN bus high connection 1 (in main wiring harness), Powertrain CAN bus high connection 2 (in main wiring harness), Powertrain CAN bus low connection 1 (in main wiring harness), Powertrain CAN bus low connection 2 (in main wiring harness), LIN bus connection 3 (in main wiring harness)



- C Generator
- J104 ABS control module
- J367 Battery monitoring control module
- J527 Steering column electronics control module
- J533 Data bus on board diagnostic interface
- T20b 20-pin connector
- T20d 20-pin connector

- B383 Powertrain CAN bus high connection 1 (in main wiring harness)
- B384 Powertrain CAN bus high connection 2 (in main wiring harness)
- B390 Powertrain CAN bus low connection 1 (in main wiring harness)
- B391 Powertrain CAN bus low connection 2 (in main wiring harness)
- B698 LIN bus connection 3 (in main wiring harness)

- * Only for vehicles with ABS and ASR
- *2 Only for vehicles with ABS and ESP
- *3 Only for right-hand drive vehicles
- *4 Only for vehicles with recuperation
- *5 Only for vehicles with Start/Stop system
- *6 Only for vehicles with a battery in the engine compartment
- *7 Only for vehicles with a battery in the luggage compartment
- *8 Refer to applicable wiring diagram

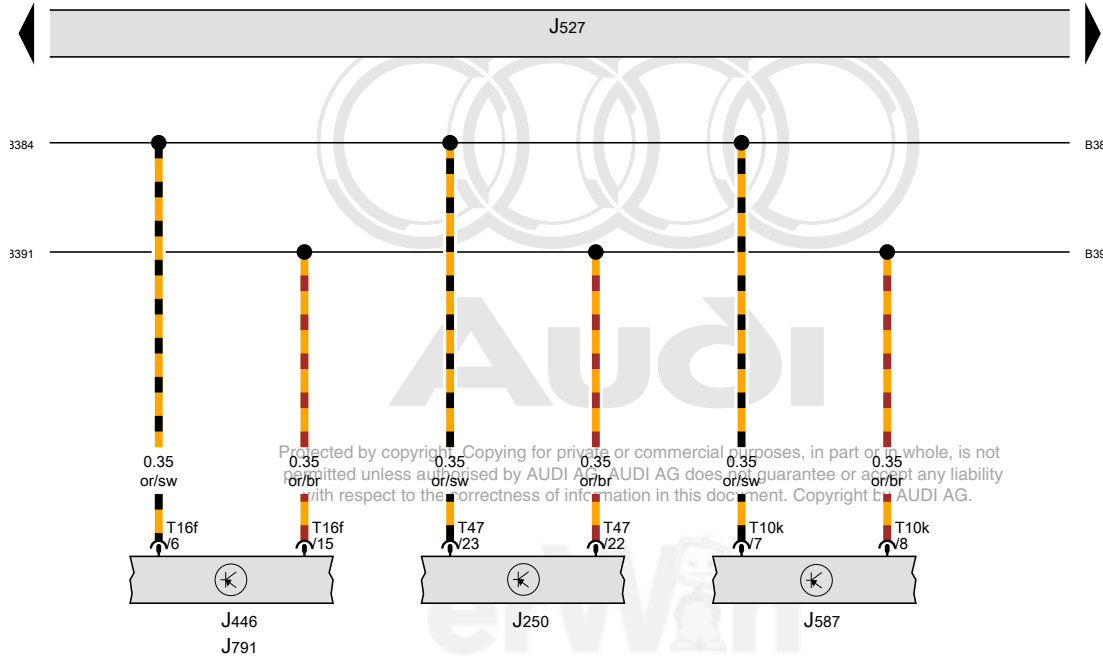
- ws = white
- sw = black
- ro = red
- rt = red
- br = brown
- gn = green
- bl = blue
- gr = grey
- li = lilac
- vi = lilac
- ge = yellow
- or = orange
- rs = pink

Powertrain CAN bus high connection 2 (in main wiring harness), Powertrain CAN bus low connection 2 (in main wiring harness)

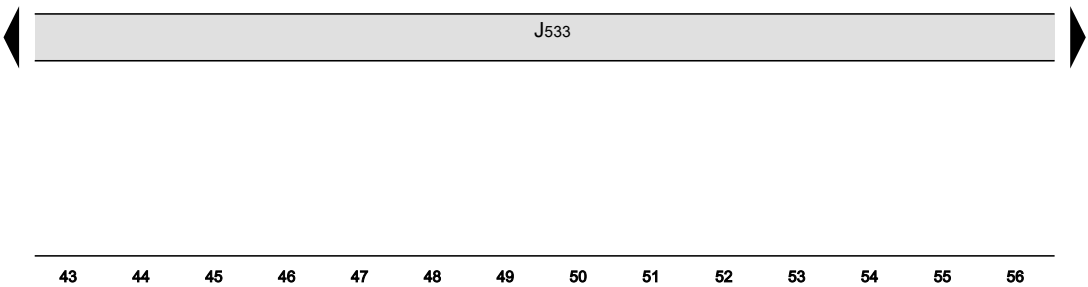
- J250 Electronic damping control module
- J446 Parking aid control module
- J527 Steering column electronics control module
- J533 Data bus on board diagnostic interface
- J587 Selector lever sensor system control module
- J791 Parallel parking assistance control module
- T10k 10-pin connector
- T16f 16-pin connector
- T47 47-pin connector

B384 Powertrain CAN bus high connection 2 (in main wiring harness)

B391 Powertrain CAN bus low connection 2 (in main wiring harness)



Protected by copyright. Copying for private or commercial purposes, in part or in whole, is not permitted unless authorized by AUDI AG. AUDI AG does not guarantee or accept any liability with respect to the correctness of information in this document. Copyright © AUDI AG.



- ws = white
- sw = black
- ro = red
- rt = red
- br = brown
- gn = green
- bl = blue
- gr = grey
- li = lilac
- vi = lilac
- ge = yellow
- or = orange
- rs = pink

43 44 45 46 47 48 49 50 51 52 53 54 55 56

[RP1-109050411]

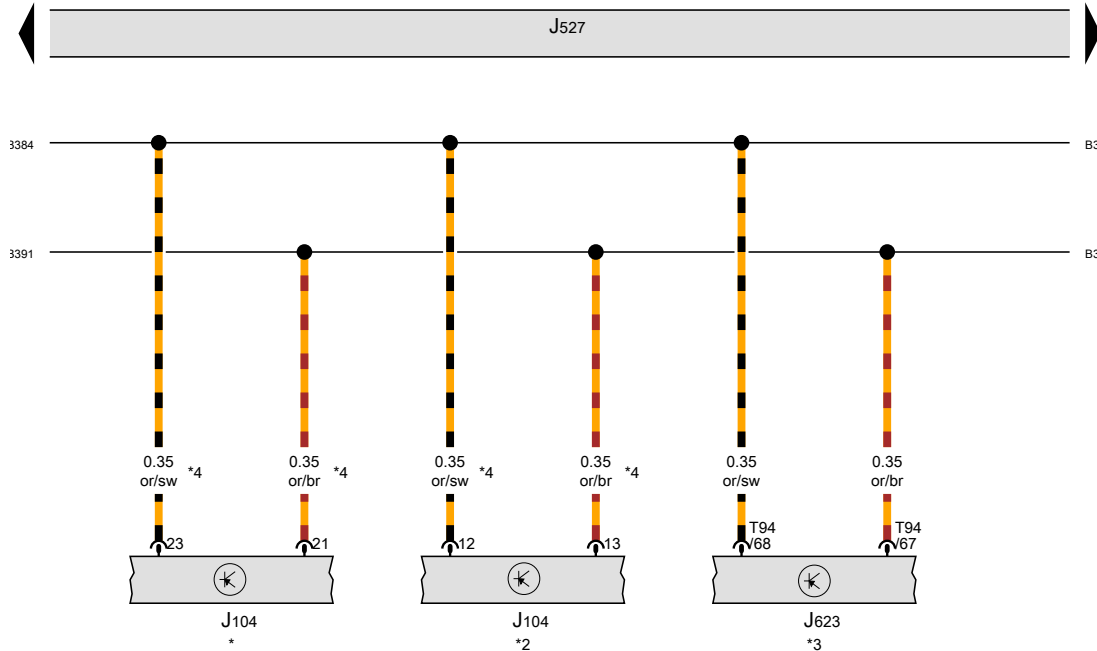
Powertrain CAN bus high connection 2 (in main wiring harness), Powertrain CAN bus low connection 2 (in main wiring harness)

- J104 ABS control module
- J527 Steering column electronics control module
- J533 Data bus on board diagnostic interface
- J623 Engine control module
- T94 94-pin connector

B384 Powertrain CAN bus high connection 2 (in main wiring harness)

B391 Powertrain CAN bus low connection 2 (in main wiring harness)

- * Only for vehicles with ABS and ASR
- *2 Only for vehicles with ABS and ESP
- *3 Only for RS3
- *4 Only for left-hand drive vehicles

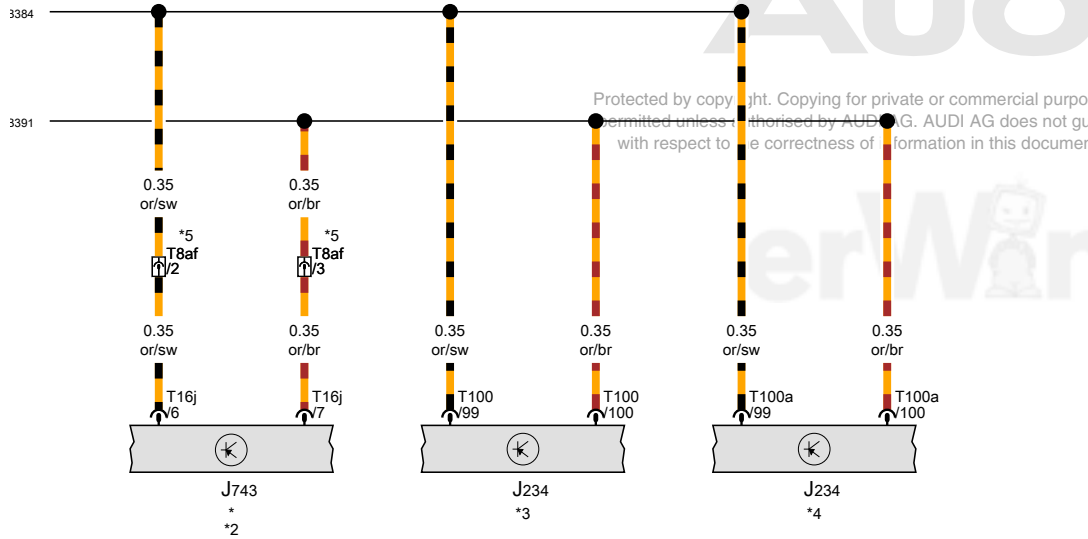
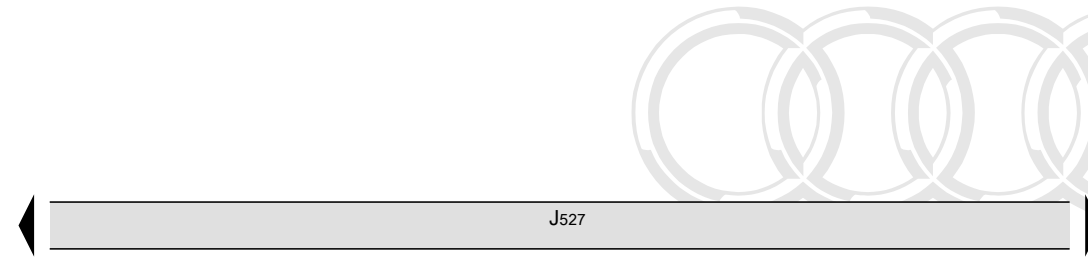


Protected by copyright. Copying for private or commercial purposes, in part or in whole, is not permitted unless authorised by AUDI AG. AUDI AG does not guarantee or accept any liability with respect to the correctness of information in this document. Copyright by AUDI AG.

- ws = white
- sw = black
- ro = red
- rt = red
- br = brown
- gn = green
- bl = blue
- gr = grey
- li = lilac
- vi = lilac
- ge = yellow
- or = orange
- rs = pink

57 58 59 60 61 62 63 64 65 66 67 68 69 70

[RP1-109060411]



Protected by copyright. Copying for private or commercial purposes, in part or in whole, is not permitted unless authorised by AUDI AG. AUDI AG does not guarantee or accept any liability with respect to the correctness of information in this document. Copyright by AUDI AG.

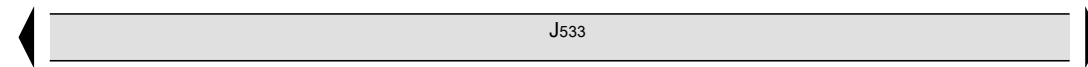
Powertrain CAN bus high connection 2 (in main wiring harness), Powertrain CAN bus low connection 2 (in main wiring harness)

- J234 Airbag control module
- J527 Steering column electronics control module
- J533 Data bus on board diagnostic interface
- J743 DSG transmission Mechatronic
- T8af 8-pin connector
- T16j 16-pin connector
- T100 100-pin connector
- T100a 100-pin connector

B384 Powertrain CAN bus high connection 2 (in main wiring harness)

B391 Powertrain CAN bus low connection 2 (in main wiring harness)

- * Only for RS3
- *2 Only for vehicles with DSG transmission
- *3 Only for vehicles without US equipment
- *4 Only for vehicles with US equipment
- *5 From May 2011



- ws = white
- sw = black
- ro = red
- rt = red
- br = brown
- gn = green
- bl = blue
- gr = grey
- li = lilac
- vi = lilac
- ge = yellow
- or = orange
- rs = pink

71 72 73 74 75 76 77 78 79 80 81 82 83 84

[RP1-109070411]

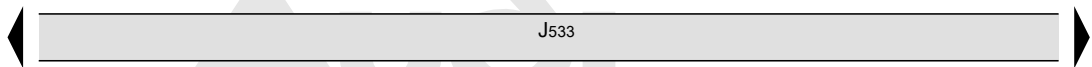
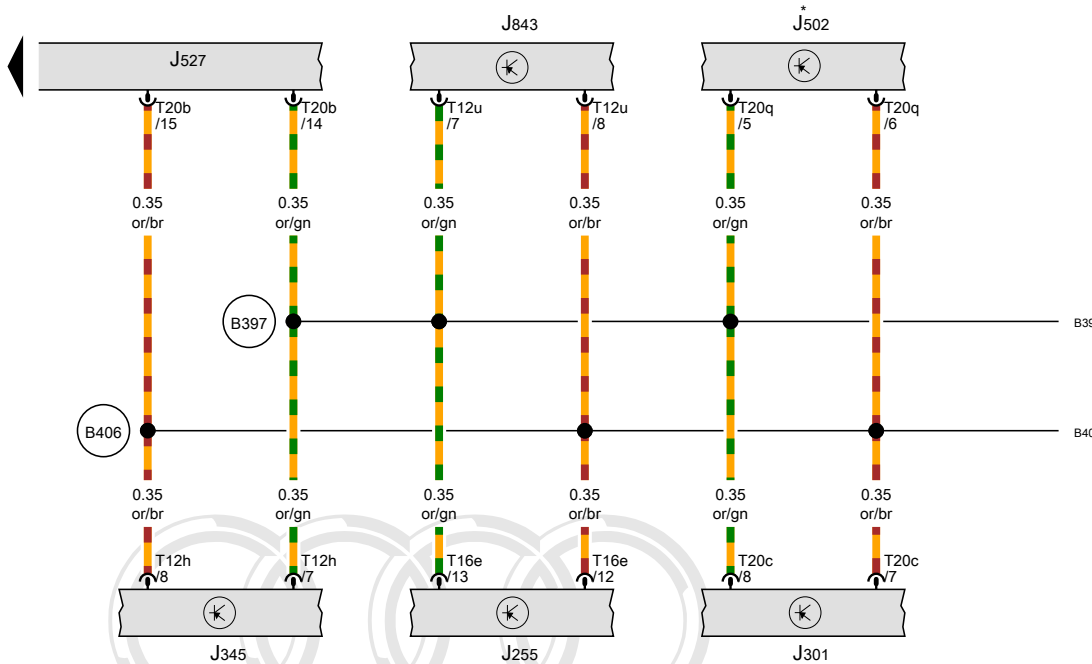
Comfort system CAN bus high connection 1 (in main wiring harness), Comfort system CAN bus low connection 1 (in main wiring harness)

- J255 Climatronic control module
- J301 A/C control module
- J345 Towing recognition control module
- J502 Tire pressure monitoring control module
- J527 Steering column electronics control module
- J533 Data bus on board diagnostic interface
- J843 Vehicle positioning system interface control module
- T12h 12-pin connector
- T12u 12-pin connector
- T16e 16-pin connector
- T20b 20-pin connector
- T20c 20-pin connector
- T20q 20-pin connector

B397 Comfort system CAN bus high connection 1 (in main wiring harness)

B406 Comfort system CAN bus low connection 1 (in main wiring harness)

* Only for vehicles with US equipment

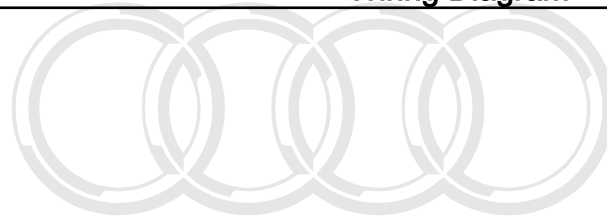


Protected by copyright. Copying for private or commercial purposes, in part or in whole, is not permitted unless authorised by AUDI AG. AUDI AG does not guarantee or accept any liability with respect to the correctness of information in this document. Copyright by AUDI AG.

- ws = white
- sw = black
- ro = red
- rt = red
- br = brown
- gn = green
- bl = blue
- gr = grey
- li = lilac
- vi = lilac
- ge = yellow
- or = orange
- rs = pink

85 86 87 88 89 90 91 92 93 94 95 96 97 98

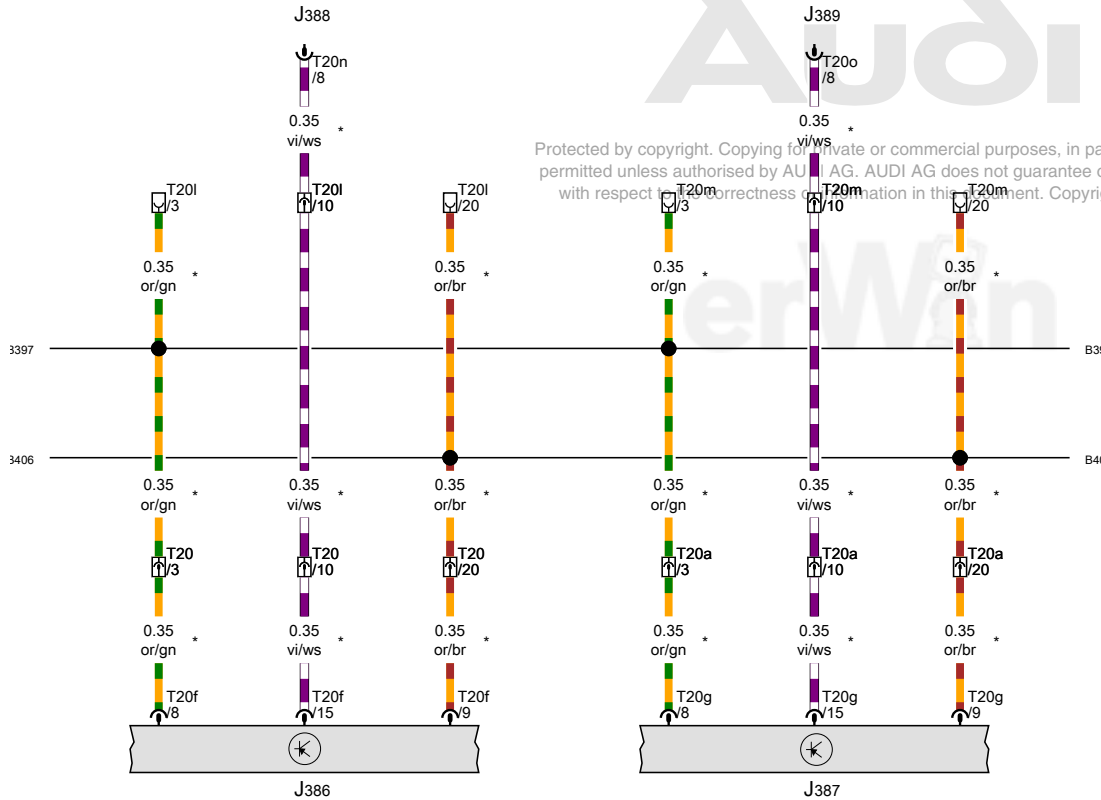
[RP1-109080411]



Comfort system CAN bus high connection 1 (in main wiring harness), Comfort system CAN bus low connection 1 (in main wiring harness)

- J386 Driver door control module
- J387 Front passenger door control module
- J388 Left rear door control module
- J389 Right rear door control module
- J533 Data bus on board diagnostic interface
- T20 20-pin connector, on the lower left A-pillar
- T20a 20-pin connector, on the lower right A-pillar
- T20f 20-pin connector
- T20g 20-pin connector
- T20l 20-pin connector, on the left B-pillar
- T20m 20-pin connector, on the right B-pillar
- T20n 20-pin connector
- T20o 20-pin connector

Protected by copyright. Copying for private or commercial purposes, in part or in whole, is not permitted unless authorised by AUDI AG. AUDI AG does not guarantee or accept any liability with respect to the correctness of the information in this document. Copyright by AUDI AG.



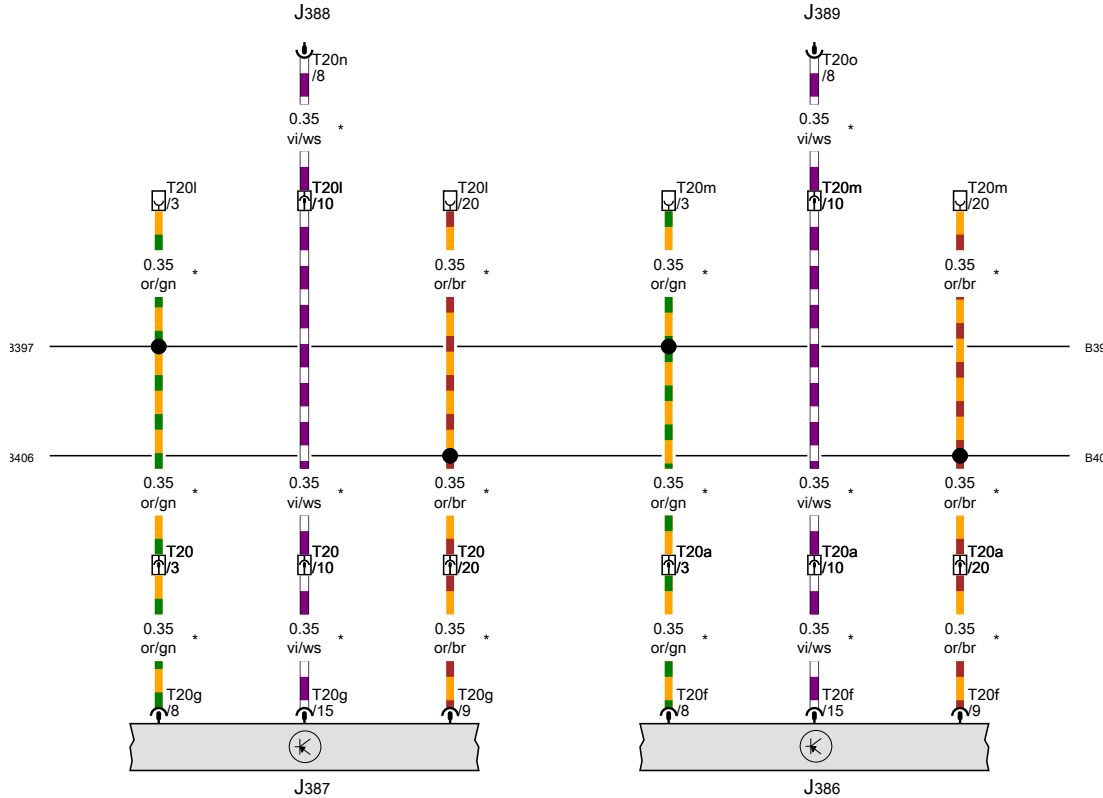
- B397** Comfort system CAN bus high connection 1 (in main wiring harness)
- B406** Comfort system CAN bus low connection 1 (in main wiring harness)
- * Only for left-hand drive vehicles

- ws = white
- sw = black
- ro = red
- rt = red
- br = brown
- gn = green
- bl = blue
- gr = grey
- li = lilac
- vi = lilac
- ge = yellow
- or = orange
- rs = pink

99 100 101 102 103 104 105 106 107 108 109 110 111 112

[RP1-109090411]

Comfort system CAN bus high connection 1 (in main wiring harness), Comfort system CAN bus low connection 1 (in main wiring harness)



- J386 Driver door control module
 - J387 Front passenger door control module
 - J388 Left rear door control module
 - J389 Right rear door control module
 - J533 Data bus on board diagnostic interface
 - T20 20-pin connector, on the lower left A-pillar
 - T20a 20-pin connector, on the lower right A-pillar
 - T20f 20-pin connector
 - T20g 20-pin connector
 - T20l 20-pin connector, on the left B-pillar
 - T20m 20-pin connector, on the right B-pillar
 - T20n 20-pin connector
 - T20o 20-pin connector
 - B397 Comfort system CAN bus high connection 1 (in main wiring harness)
 - B406 Comfort system CAN bus low connection 1 (in main wiring harness)
- * Only for right-hand drive vehicles

- ws = white
- sw = black
- ro = red
- rt = red
- br = brown
- gn = green
- bl = blue
- gr = grey
- li = lilac
- vi = lilac
- ge = yellow
- or = orange
- rs = pink

Infotainment CAN Bus high connection 1 (in main wiring harness), Infotainment CAN bus low connection 1 (in main wiring harness)

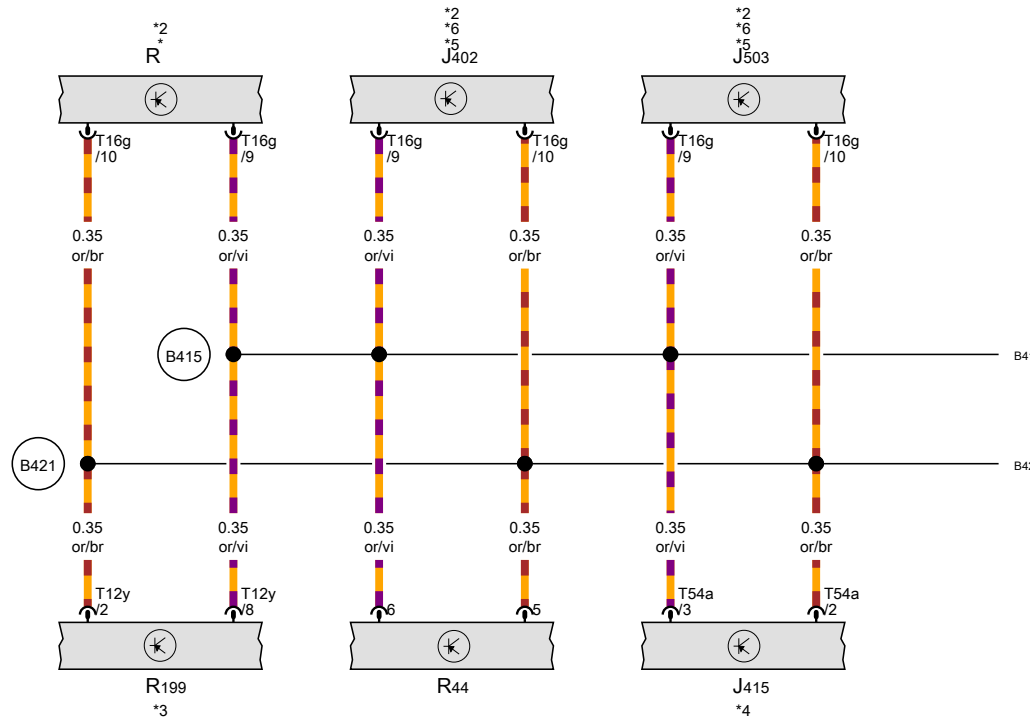
- J402 Operating electronics/navigation system control module
- J415 Navigation/TV tuner
- J503 Radio/navigation display unit control module
- J533 Data bus on board diagnostic interface
- R Radio
- R44 Amplifier with bass speaker in left luggage compartment
- R199 External audio source connection
- T12y 12-pin connector
- T16g 16-pin connector
- T54a 54-pin connector

B415 Infotainment CAN Bus high connection 1 (in main wiring harness)

B421 Infotainment CAN bus low connection 1 (in main wiring harness)

- * Only for vehicles with a radio
- *2 Refer to applicable wiring diagram
- *3 Only for vehicles with external audio source connection - Audi music interface
- *4 Only for vehicles with TV tuner
- *5 Only for vehicles with radio navigation system
- *6 Only for vehicles without Japan equipment

Protected by copyright. Copying for private or commercial purposes, in part or in whole, is not permitted unless authorised by AUDI AG. AUDI AG does not guarantee or accept any liability with respect to the correctness of information in this document. Copyright by AUDI AG.



- ws = white
- sw = black
- ro = red
- rt = red
- br = brown
- gn = green
- bl = blue
- gr = grey
- li = lilac
- vi = lilac
- ge = yellow
- or = orange
- rs = pink

141 142 143 144 145 146 147 148 149 150 151 152 153 154

[RP1-109120411]

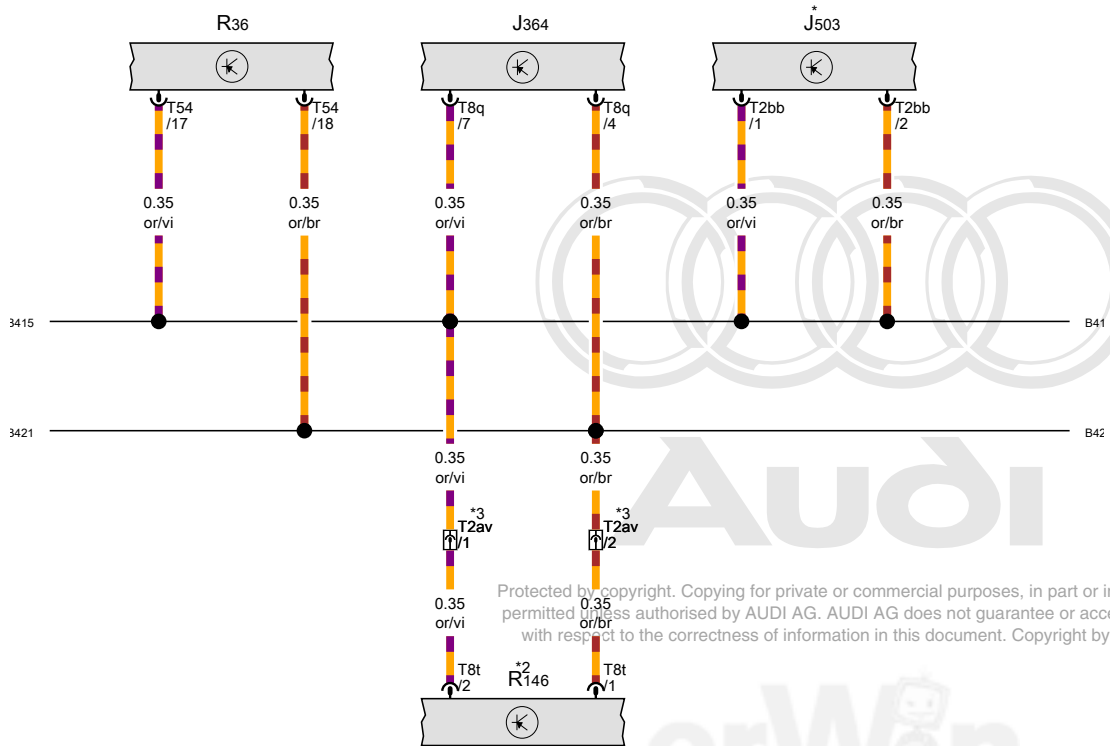
Infotainment CAN Bus high connection 1 (in main wiring harness), Infotainment CAN bus low connection 1 (in main wiring harness)

- J364 Auxiliary heater control module
- J503 Radio/navigation display unit control module
- J533 Data bus on board diagnostic interface
- R36 Telephone transceiver
- R146 Satellite radio
- T2av Double connector
- T2bb Double connector
- T8q 8-pin connector
- T8t 8-pin connector
- T54 54-pin connector

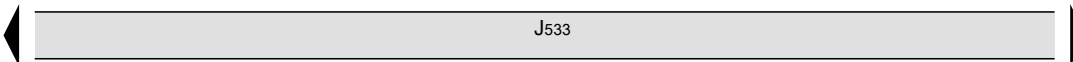
B415 Infotainment CAN Bus high connection 1 (in main wiring harness)

B421 Infotainment CAN bus low connection 1 (in main wiring harness)

- * Only for vehicles with Japan equipment
- *2 Only for vehicles with US equipment
- *3 Only for vehicles with satellite radio preparation



Protected by copyright. Copying for private or commercial purposes, in part or in whole, is not permitted unless authorised by AUDI AG. AUDI AG does not guarantee or accept any liability with respect to the correctness of information in this document. Copyright by AUDI AG.



- ws = white
- sw = black
- ro = red
- rt = red
- br = brown
- gn = green
- bl = blue
- gr = grey
- li = lilac
- vi = lilac
- ge = yellow
- or = orange
- rs = pink

155 156 157 158 159 160 161 162 163 164 165 166 167 168

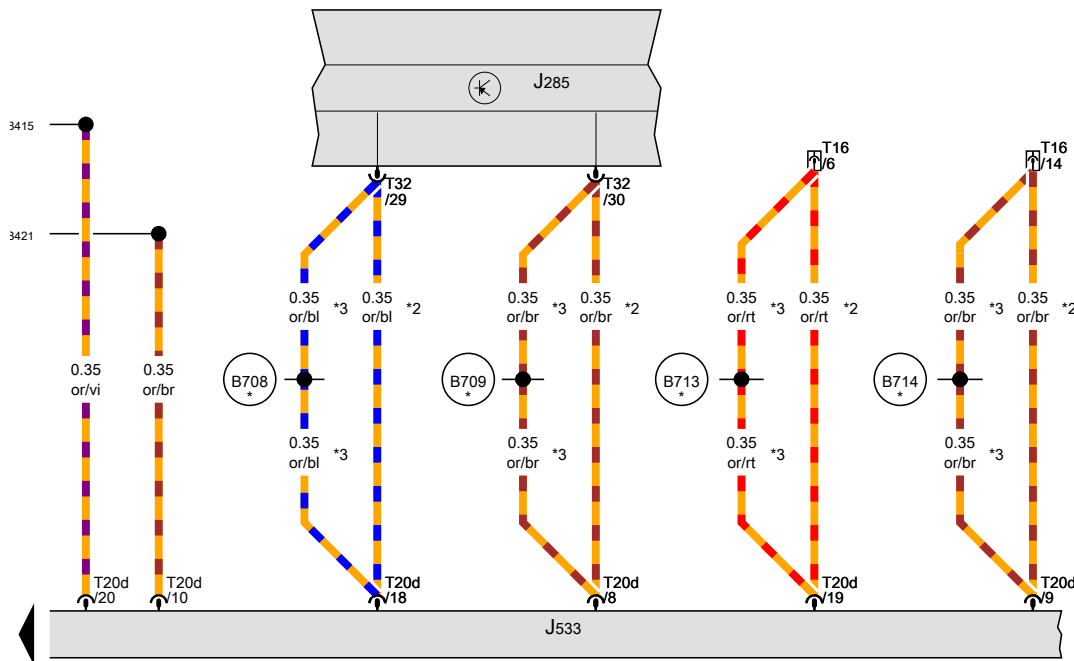
[RP1-109130411]

Infotainment CAN Bus high connection 1 (in main wiring harness), Infotainment CAN bus low connection 1 (in main wiring harness), Instrument cluster CAN bus high connection 1 (in main wiring harness), Instrument cluster CAN bus low connection 1 (in main wiring harness), Diagnostic CAN bus high connection 1 (in main wiring harness), Diagnostic CAN bus low connection 1 (in main wiring harness)

- J285 Instrument cluster control module
- J533 Data bus on board diagnostic interface
- T16 16-pin connector
- T20d 20-pin connector
- T32 32-pin connector

- (B415) Infotainment CAN Bus high connection 1 (in main wiring harness)
- (B421) Infotainment CAN bus low connection 1 (in main wiring harness)
- (B708) Instrument cluster CAN bus high connection 1 (in main wiring harness)
- (B709) Instrument cluster CAN bus low connection 1 (in main wiring harness)
- (B713) Diagnostic CAN bus high connection 1 (in main wiring harness)
- (B714) Diagnostic CAN bus low connection 1 (in main wiring harness)

- * Omitted as a running change
- *2 Through April 2009
- *3 From May 2009



- ws = white
- sw = black
- ro = red
- rt = red
- br = brown
- gn = green
- bl = blue
- gr = grey
- li = lilac
- vi = lilac
- ge = yellow
- or = orange
- rs = pink

Coolant Fan Control 100W, 220W

from May 2008

Note:

Information for

◆ Relay and fuse arrangements

◆ Connector arrangements

◆ Control Modules and Relays

◆ Ground Connections

⇒ Component Locations

Information for

◆ Troubleshooting Procedures

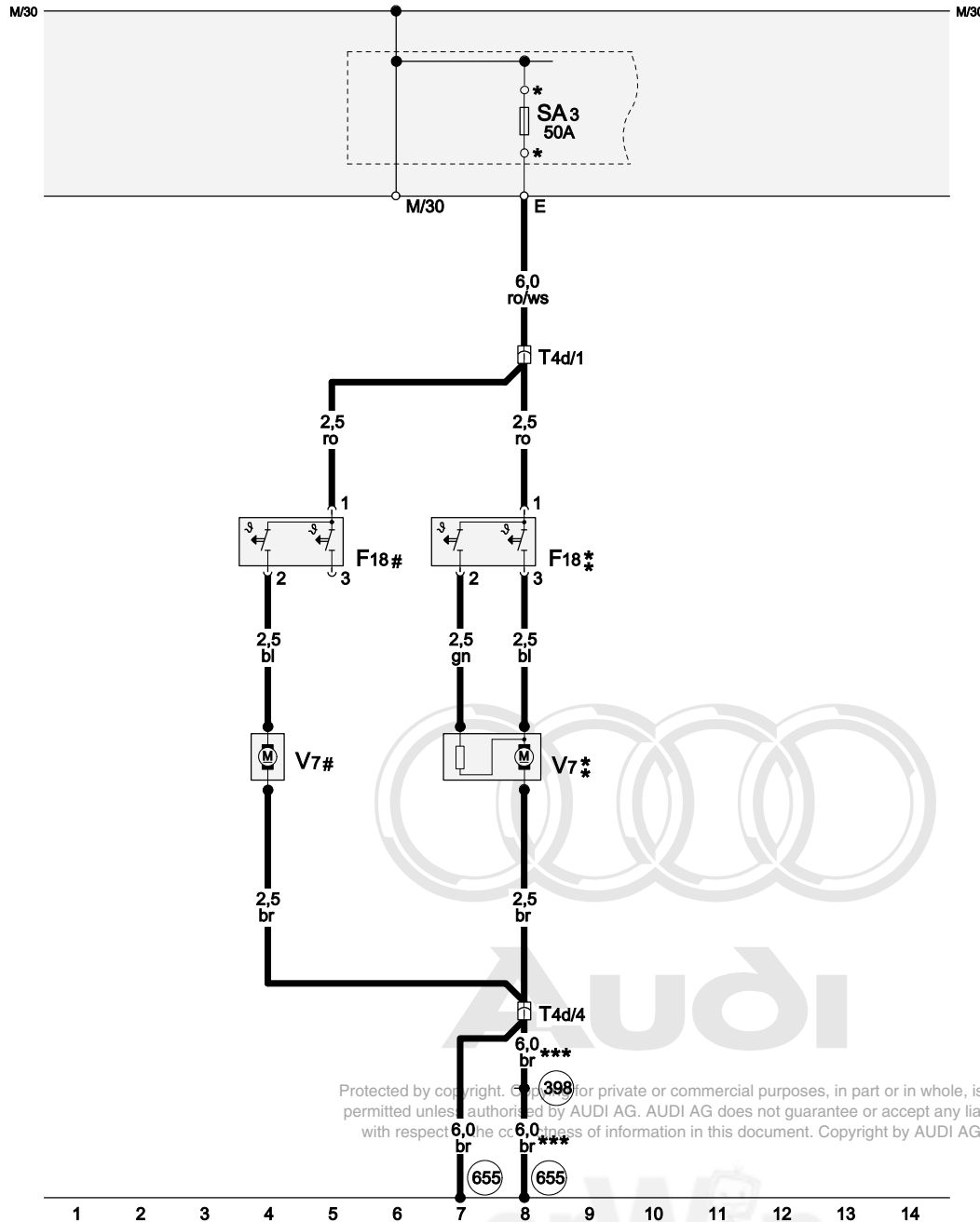
⇒ Guided Fault Finding using VAS 5051 / 5052



Audi

Protected by copyright. Copying for private or commercial purposes, in part or in whole, is not permitted unless authorised by AUDI AG. AUDI AG does not guarantee or accept any liability with respect to the correctness of information in this document. Copyright by AUDI AG.





Coolant Fan

- F18 Coolant Fan Control (FC) Thermal Switch
- SA3 Fuse 3 (on fuse panel A)
- T4d 4-Pin Connector, black, on coolant fan control (FC) (front end)
- V7 Coolant Fan

398 Ground Connection 33 (in main wiring harness)

655 Ground Connection (on left headlamp)

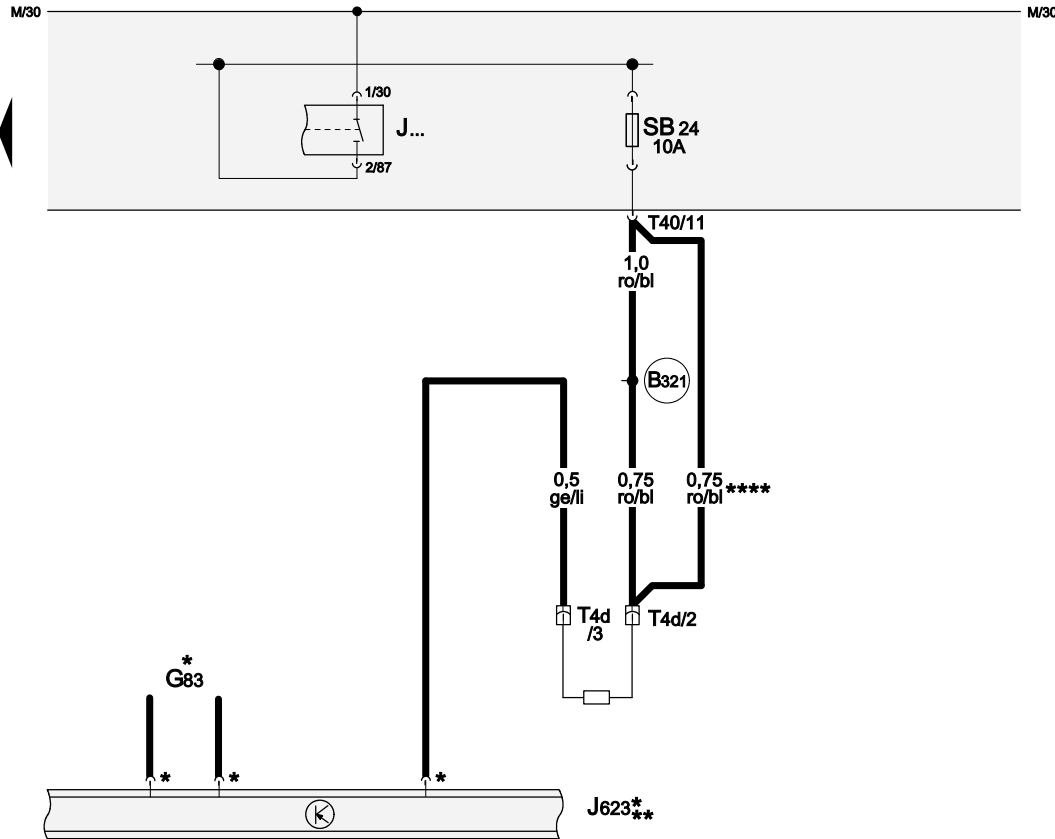
- * Threaded Connection, not applicable from November 2008
- ** Only models with coolant fan 220W
- *** Only models with exhaust concept EU4, engine codes BSE, CCSA
- # Only models with coolant fan 100W

Protected by copyright. Copying for private or commercial purposes, in part or in whole, is not permitted unless authorized by AUDI AG. AUDI AG does not guarantee or accept any liability with respect to the correctness of information in this document. Copyright by AUDI AG.

- ws = white
- sw = black
- ro = red
- br = brown
- gn = green
- bl = blue
- gr = grey
- li = lilac
- ge = yellow
- or = orange
- rs = pink

1 2 3 4 5 6 7 8 9 10 11 12 13 14

8P0-A110020808



Terminal Resistor

- G83 Engine Coolant Temperature (ECT) Sensor (on Radiator)
- J... Engine Control Relay
- J623 Engine Control Module (ECM)
- SB24 Fuse 24 (on fuse panel B)
- T4d 4-Pin Connector, black, on coolant fan control (FC) (front end)
- T40 40-Pin Connector, black, on electronics box engine compartment (Connector J)

(B321) Plus Connection 7 (30a) (in main wiring harness)

- * => Applicable Wiring Diagram Engine
- ** J623 replace J220 or J363 or J248, phased-in modification
- **** Only models with engine code BLS



Protected by copyright. Copying for private or commercial purposes, in part or in whole, is not permitted unless authorised by AUDI AG. AUDI AG does not guarantee or accept any liability with respect to the correctness of information in this document. Copyright by AUDI AG.

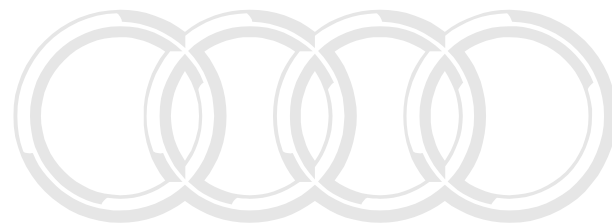
- ws = white
- sw = black
- ro = red
- br = brown
- gn = green
- bl = blue
- gr = grey
- li = lilac
- ge = yellow
- or = orange
- rs = pink

15 16 17 18 19 20 21 22 23 24 25 26 27 28

8P0-A110030408

Coolant fan, no levels (left or right)

From May 2008



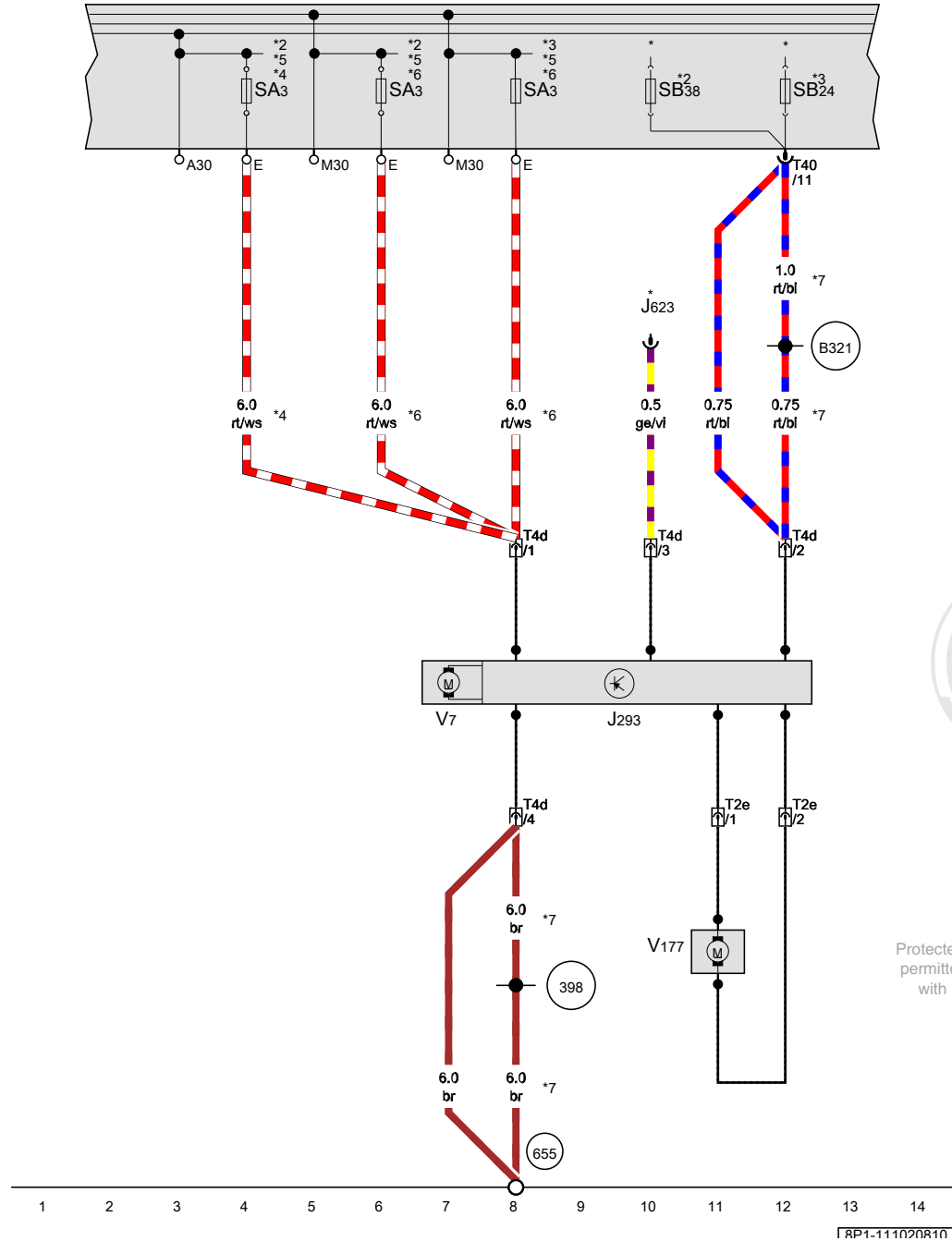
Audi

Protected by copyright. Copying for private or commercial purposes, in part or in whole, is not permitted unless authorised by AUDI AG. AUDI AG does not guarantee or accept any liability with respect to the correctness of information in this document. Copyright by AUDI AG.



Coolant fan control module, Coolant fan, Coolant fan 2

- J293 Coolant fan control module
 - J623 Engine control module
 - SA3 Fuse 3 (on fuse panel A)
 - SB24 Fuse 24 (on fuse panel B)
 - SB38 Fuse 38 (on fuse panel B)
 - T2e Double connector
 - T4d 4-pin connector
 - T40 40-pin connector
 - V7 Coolant fan
 - V177 Coolant fan 2
- 398 Ground connection 33 (in main wiring harness)
 - 655 Ground connection on left headlamp
 - B321 Positive connection 7 (30a) (in main wiring harness)
- * Refer to applicable engine wiring diagram
 - *2 E-Box high
 - *3 E-Box low
 - *4 Only for vehicles with a battery in the luggage compartment
 - *5 Refer to applicable wiring diagram
 - *6 Only for vehicles with a battery in the engine compartment
 - *7 Depending on equipment



Protected by copyright. Copying for private or commercial purposes, in part or in whole, is not permitted unless authorised by AUDI AG. AUDI AG does not guarantee or accept any liability with respect to the correctness of information in this document. Copyright by AUDI AG.

- ws = white
- sw = black
- ro = red
- br = brown
- gn = green
- bl = blue
- gr = grey
- li = lilac
- ge = yellow
- or = orange
- rs = pink

18P1-111020R10

Coolant Fan Control 400W

from May 2008

Note:

Information for

◆ Relay and fuse arrangements

◆ Connector arrangements

◆ Control Modules and Relays

◆ Ground Connections

⇒ Component Locations

Information for

◆ Troubleshooting Procedures

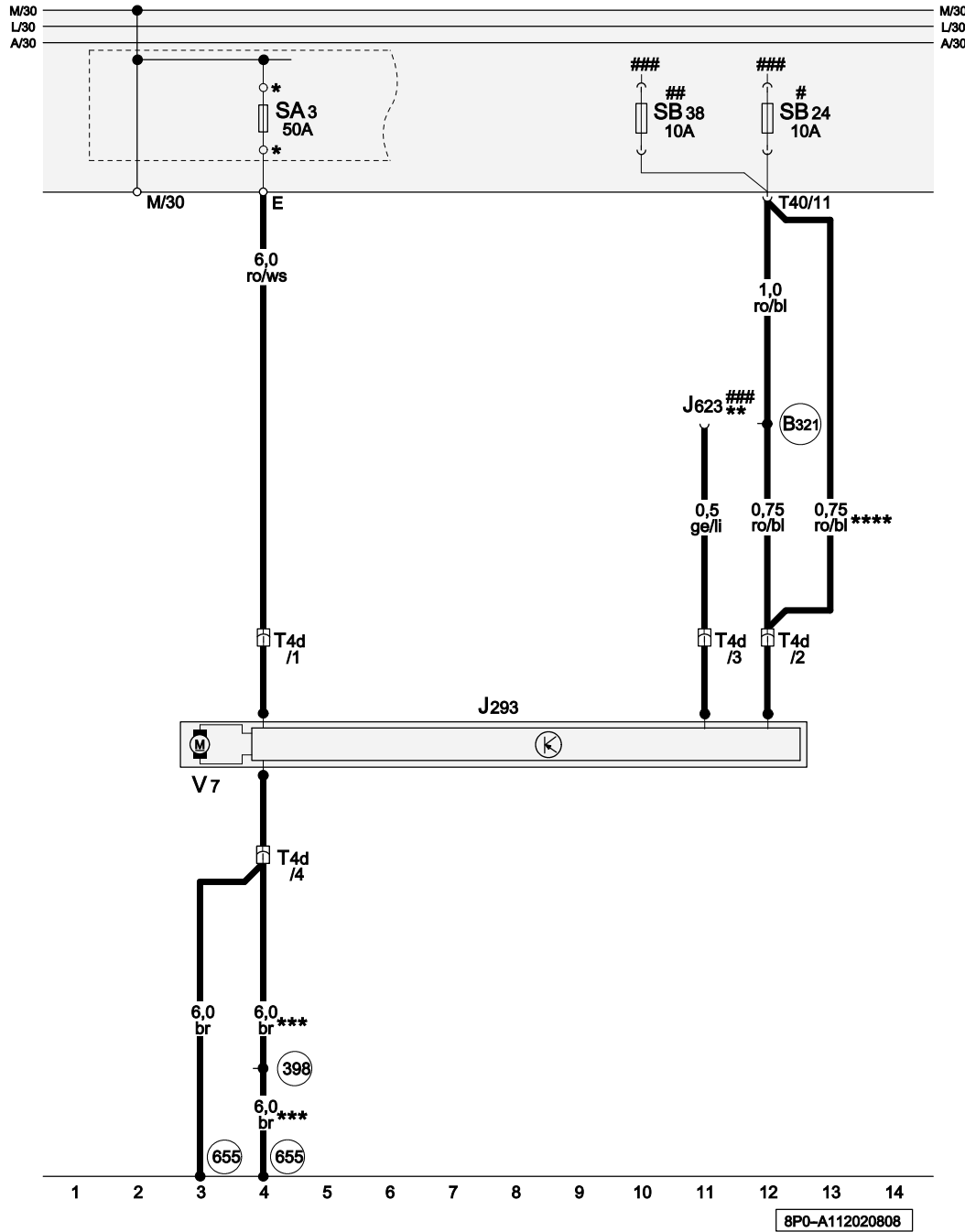
⇒ Guided Fault Finding using VAS 5051 / 5052



Audi

Protected by copyright. Copying for private or commercial purposes, in part or in whole, is not permitted unless authorised by AUDI AG. AUDI AG does not guarantee or accept any liability with respect to the correctness of information in this document. Copyright by AUDI AG.





Coolant Fan

- J293 Coolant Fan Control (FC) Control Module
- J623 Engine Control Module (ECM)
- SA3 Fuse 3 (on fuse panel A)
- SB24 Fuse 24 (on fuse panel B)
- SB38 Fuse 38 (on fuse panel B)
- T4d 4-Pin Connector, black, on coolant fan control (FC) (front end)
- T40 40-Pin Connector, black, on electronics box engine compartment (Connector J)
- V7 Coolant Fan

- 398 Ground Connection 33 (in main wiring harness)
- 655 Ground Connection (on left headlamp)
- B321 Plus Connection 7 (30a) (in main wiring harness)

- * Threaded Connection, not applicable from November 2008 for models with electronics box Low
- ** J623 replace J220 or J363 or J248, phased-in modification
- *** Only models with exhaust concept EU4 and engine codes BSE, CCSA
- **** Only models with engine code BLS
- # Only models with electronics box Low
- ## Only models with electronics box High
- ### => Applicable Wiring Diagram Engine

Protected by copyright. Copying for private or commercial purposes, in part or in whole, is not permitted unless authorised by AUDI AG. AUDI AG does not guarantee or accept any liability with respect to the correctness of information in this document. Copyright by AUDI AG.

- ws = white
- sw = black
- ro = red
- br = brown
- gn = green
- bl = blue
- gr = grey
- li = lilac
- ge = yellow
- or = orange
- rs = pink

8P0-A112020808

Engine Preheating (7VP)

from May 2008

Note:

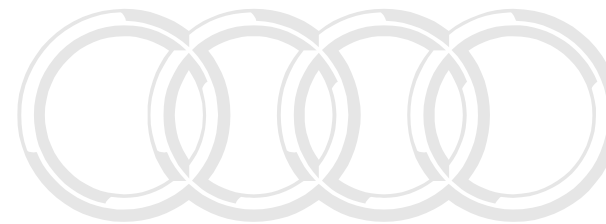
Information for

- ◆ Relay and fuse arrangements
- ◆ Connector arrangements
- ◆ Control Modules and Relays
- ◆ Ground Connections

⇒ Component Locations

Information for

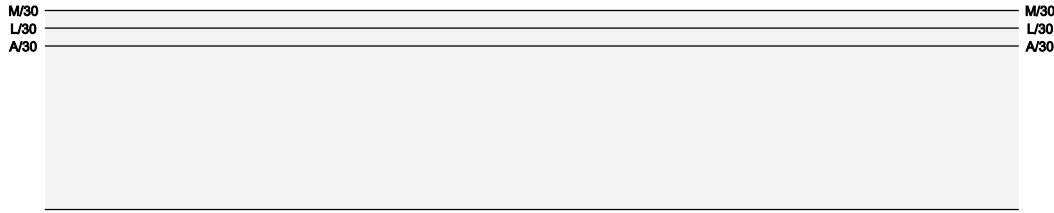
- ◆ Troubleshooting Procedures
- ⇒ Guided Fault Finding using VAS 5051 / 5052



Audi

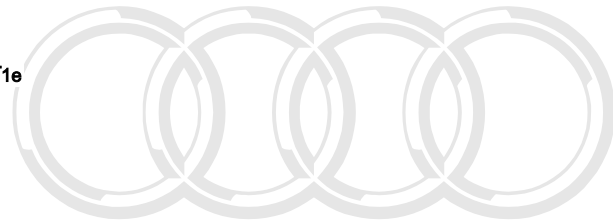
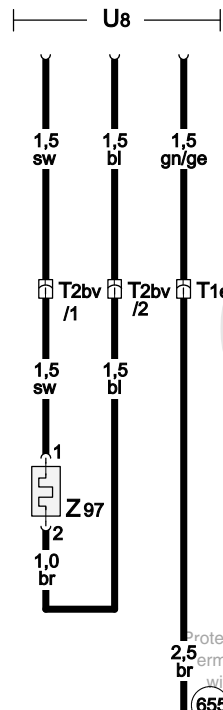
Protected by copyright. Copying for private or commercial purposes, in part or in whole, is not permitted unless authorised by AUDI AG. AUDI AG does not guarantee or accept any liability with respect to the correctness of information in this document. Copyright by AUDI AG.





Engine Preheating Heating Element

- T1e Single Connector
- T2bv Double Connector
- U8 Exterior Socket, 230V, 110V
- Z97 Engine Preheating Heating Element
- 655 Ground Connection (on left headlamp)



Audi

- ws = white
- sw = black
- ro = red
- br = brown
- gn = green
- bl = blue
- gr = grey
- li = lilac
- ge = yellow
- or = orange
- rs = pink

Protected by copyright. Copying for private or commercial purposes without the written permission of Audi AG is not permitted unless authorised by AUDI AG. AUDI AG does not guarantee or accept any liability with respect to the correctness of information in this document. Copyright by Audi AG.



8P0-A113020408

Electronic Damping - Audi Magnetic Ride

from May 2008

Note:

Information for

- ◆ Relay and fuse arrangements
- ◆ Connector arrangements
- ◆ Control Modules and Relays
- ◆ Ground Connections

⇒ Component Locations

Information for

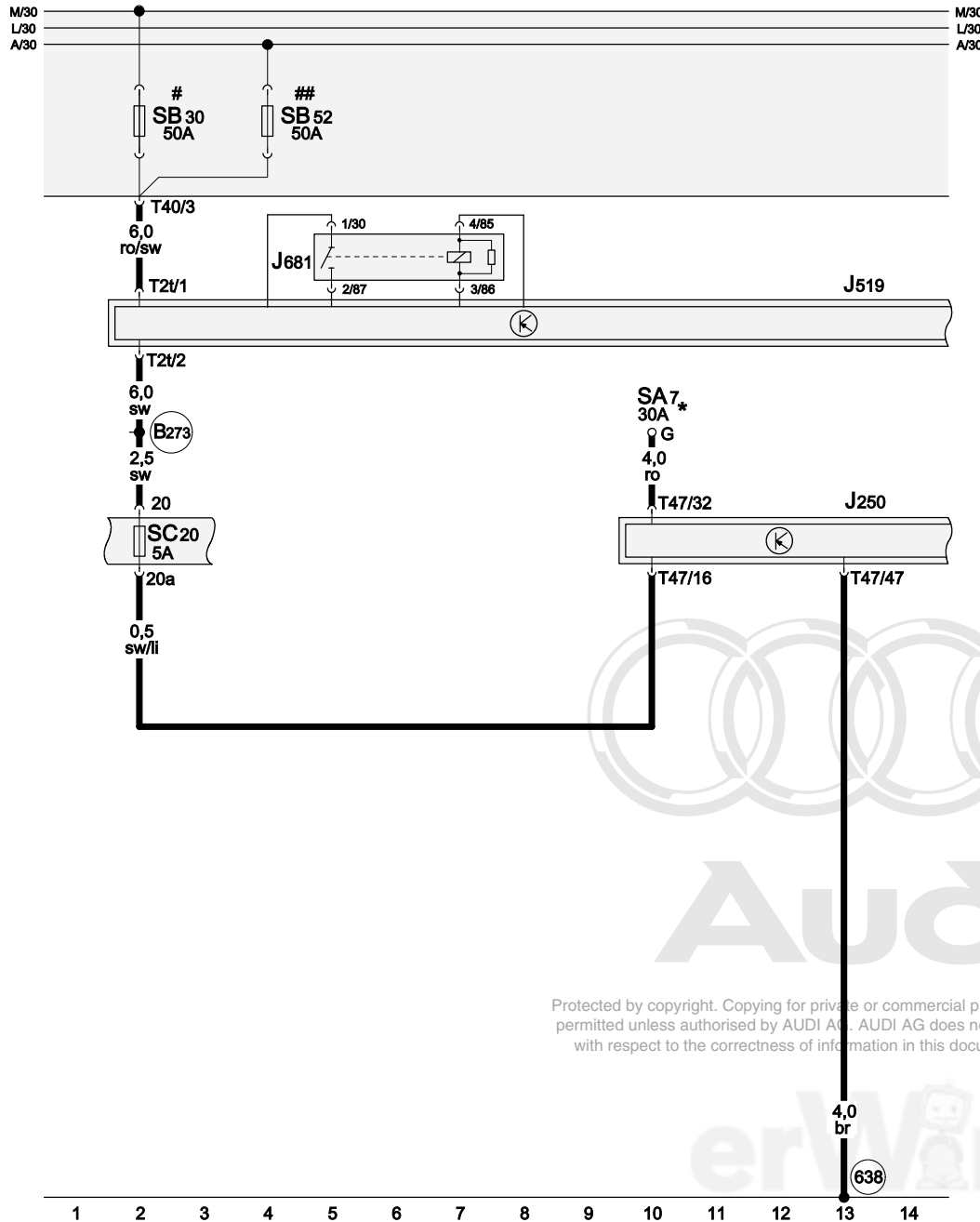
- ◆ Troubleshooting Procedures
- ⇒ Guided Fault Finding using VAS 5051 / 5052



Audi

Protected by copyright. Copying for private or commercial purposes, in part or in whole, is not permitted unless authorised by AUDI AG. AUDI AG does not guarantee or accept any liability with respect to the correctness of information in this document. Copyright by AUDI AG.





Fuses (on fuse panel), Power Supply Relay 2 (terminal 15)

- J250 Electronic Damping Control Module
- J519 Vehicle Electrical System Control Module
- J681 Power Supply Relay 2 (terminal 15)
- SA7 Fuse 7 (on fuse panel A)
- SB30 Fuse 30 (on fuse panel B)
- SB52 Fuse 52 (on fuse panel B)
- SC20 Fuse 20 (on fuse panel C)
- T2t Double Connector, black (Connector L)
- T40 40-Pin Connector, black, on electronics box engine compartment (Connector J)
- T47 47-Pin Connector (Connector A)
- 638 Ground Connection (on right A-pillar)
- B273 Plus Connection (15) (in main wiring harness)

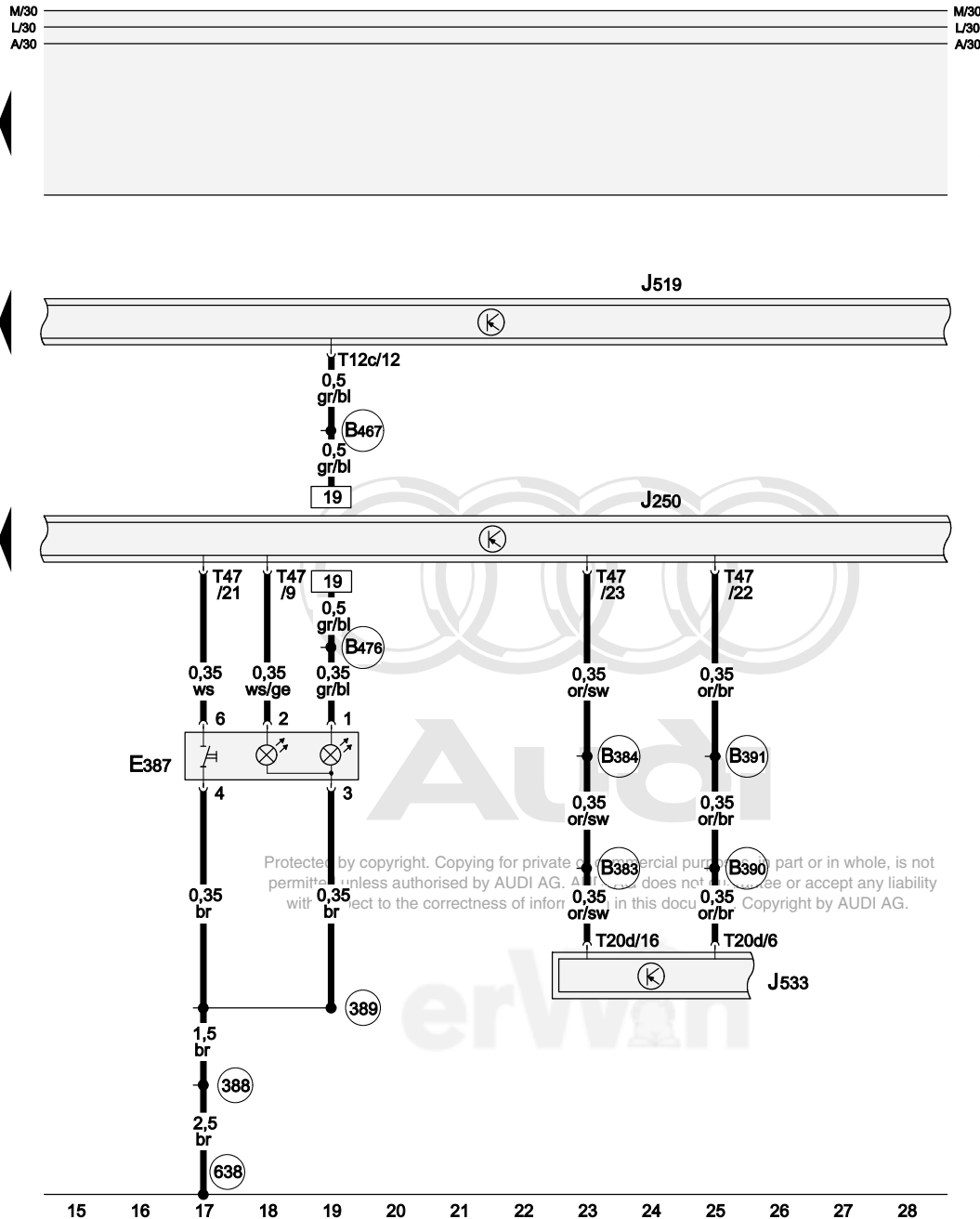
* ⇒ Applicable Wiring Diagram with battery in engine compartment or luggage compartment
 # Only models with electronics box Low
 ## Only models with electronics box High

Protected by copyright. Copying for private or commercial purposes, in part or in whole, is not permitted unless authorised by AUDI AG. AUDI AG does not guarantee or accept any liability with respect to the correctness of information in this document. Copyright © AUDI AG.

- ws = white
- sw = black
- ro = red
- br = brown
- gn = green
- bl = blue
- gr = grey
- li = lilac
- ge = yellow
- or = orange
- rs = pink

1 2 3 4 5 6 7 8 9 10 11 12 13 14

8P0-A114020408



Data Bus On Board Diagnostic Interface, Dampening Adjustment Button

- E387 Dampening Adjustment Button
- J250 Electronic Dampening Control Module
- J519 Vehicle Electrical System Control Module
- J533 Data Bus On Board Diagnostic Interface
- T12c 12-Pin Connector, black (Connector B)
- T20d 20-Pin Connector, black (Connector A)
- T47 47-Pin Connector (Connector A)
- 388 Ground Connection 23 (in main wiring harness)
- 389 Ground Connection 24 (in main wiring harness)
- 638 Ground Connection (on right A-pillar)
- B383 Powertrain CAN-Bus High Connection 1 (in main wiring harness)
- B384 Powertrain CAN-Bus High Connection 2 (in main wiring harness)
- B390 Powertrain CAN-Bus Low Connection 1 (in main wiring harness)
- B391 Powertrain CAN-Bus Low Connection 2 (in main wiring harness)
- B467 Connection 3 (in main wiring harness)
- B476 Connection 12 (in main wiring harness)

Protected by copyright. Copying for private or commercial purposes in part or in whole, is not permitted unless authorised by AUDI AG. AUDI AG does not accept any liability with respect to the correctness of information in this document. Copyright by AUDI AG.

- ws = white
- sw = black
- ro = red
- br = brown
- gn = green
- bl = blue
- gr = grey
- li = lilac
- ge = yellow
- or = orange
- rs = pink

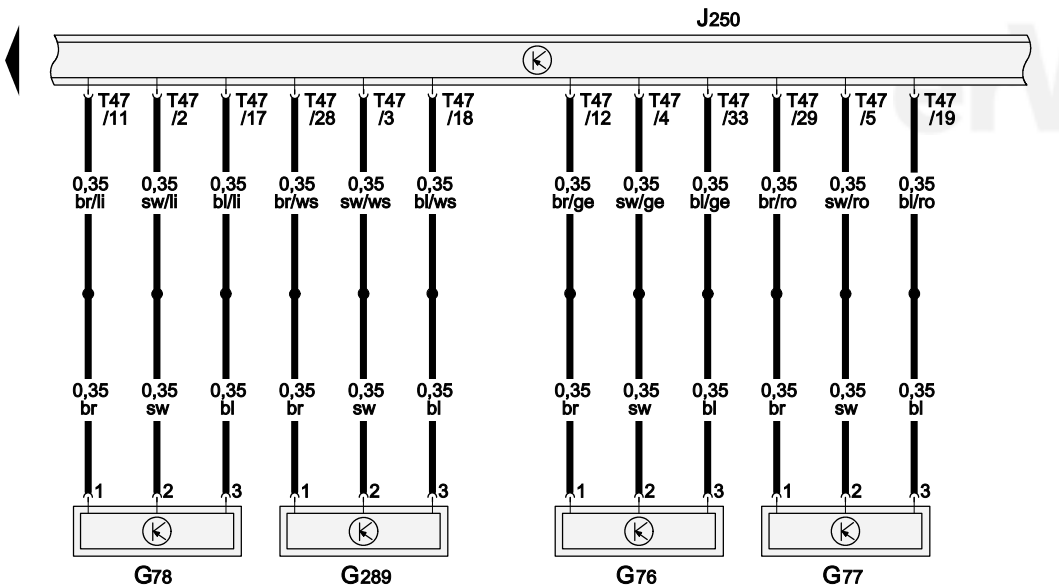
8P0-A114030408



Level Control System Sensor

- G76 Left Rear Level Control System Sensor
- G77 Right Rear Level Control System Sensor
- G78 Left Front Level Control System Sensor
- G289 Right Front Level Control Sensor
- J250 Electronic Damping Control Module
- T47 47-Pin Connector (Connector A)

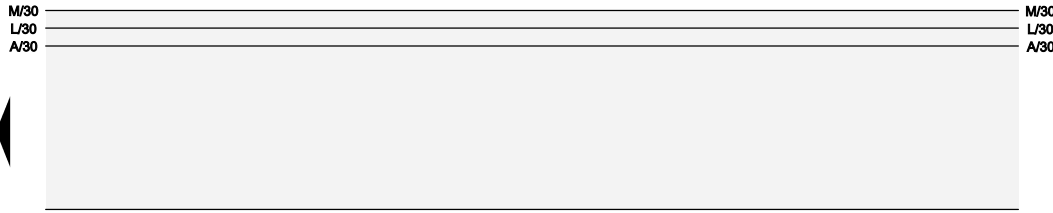
Protected by copyright. Copying for private or commercial purposes, in part or in whole, is not permitted unless authorised by AUDI AG. AUDI AG does not guarantee or accept any liability with respect to the correctness of information in this document. Copyright by AUDI AG.



- ws = white
- sw = black
- ro = red
- br = brown
- gn = green
- bl = blue
- gr = grey
- li = lilac
- ge = yellow
- or = orange
- rs = pink

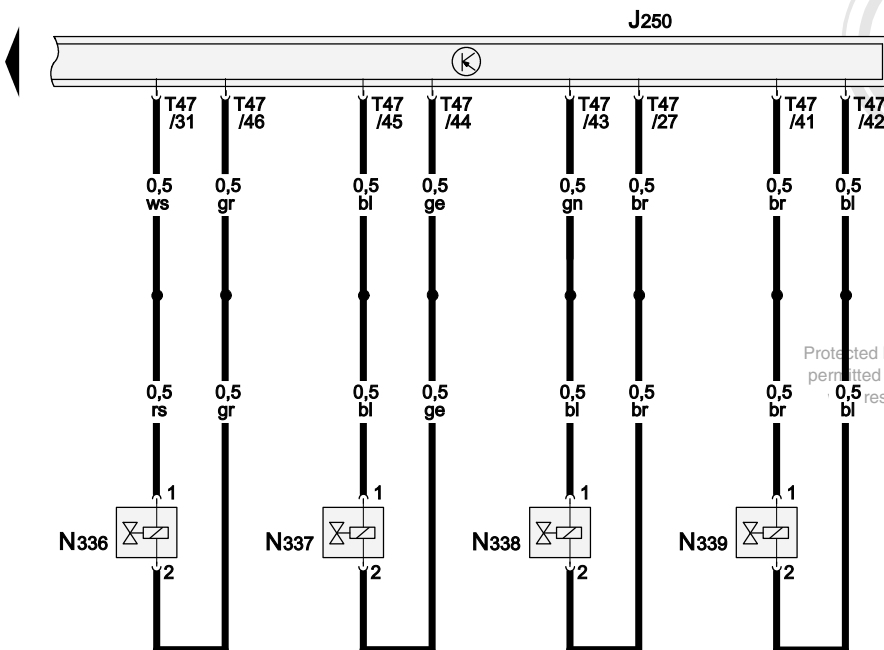
29 30 31 32 33 34 35 36 37 38 39 40 41 42

8P0-A1140408



Dampening Adjustment Valves

- J250 Electronic Dampening Control Module
- T47 47-Pin Connector (Connector A)
- N336 Left Front Dampening Adjustment Valve
- N337 Right Front Dampening Adjustment Valve
- N338 Left Rear Dampening Adjustment Valve
- N339 Right Rear Dampening Adjustment Valve



Protected by copyright. Copying for private or commercial purposes, in part or in whole, is not permitted unless authorised by AUDI AG. AUDI AG does not guarantee or accept any liability respect to the correctness of information in this document. Copyright by AUDI AG.

- ws = white
- sw = black
- ro = red
- br = brown
- gn = green
- bl = blue
- gr = grey
- li = lilac
- ge = yellow
- or = orange
- rs = pink

43 44 45 46 47 48 49 50 51 52 53 54 55 56

8P0-A114050808

Cellular Telephone Preparation with Hands Free System

⇒ Only US equipment (9ZG)

⇒ Only South America, Central America equipment (9W5)

from May 2008

Note:

Information for

◆ Relay and fuse arrangements

◆ Connector arrangements

◆ Control Modules and Relays

◆ Ground Connections

⇒ Component Locations

Information for

◆ Troubleshooting Procedures

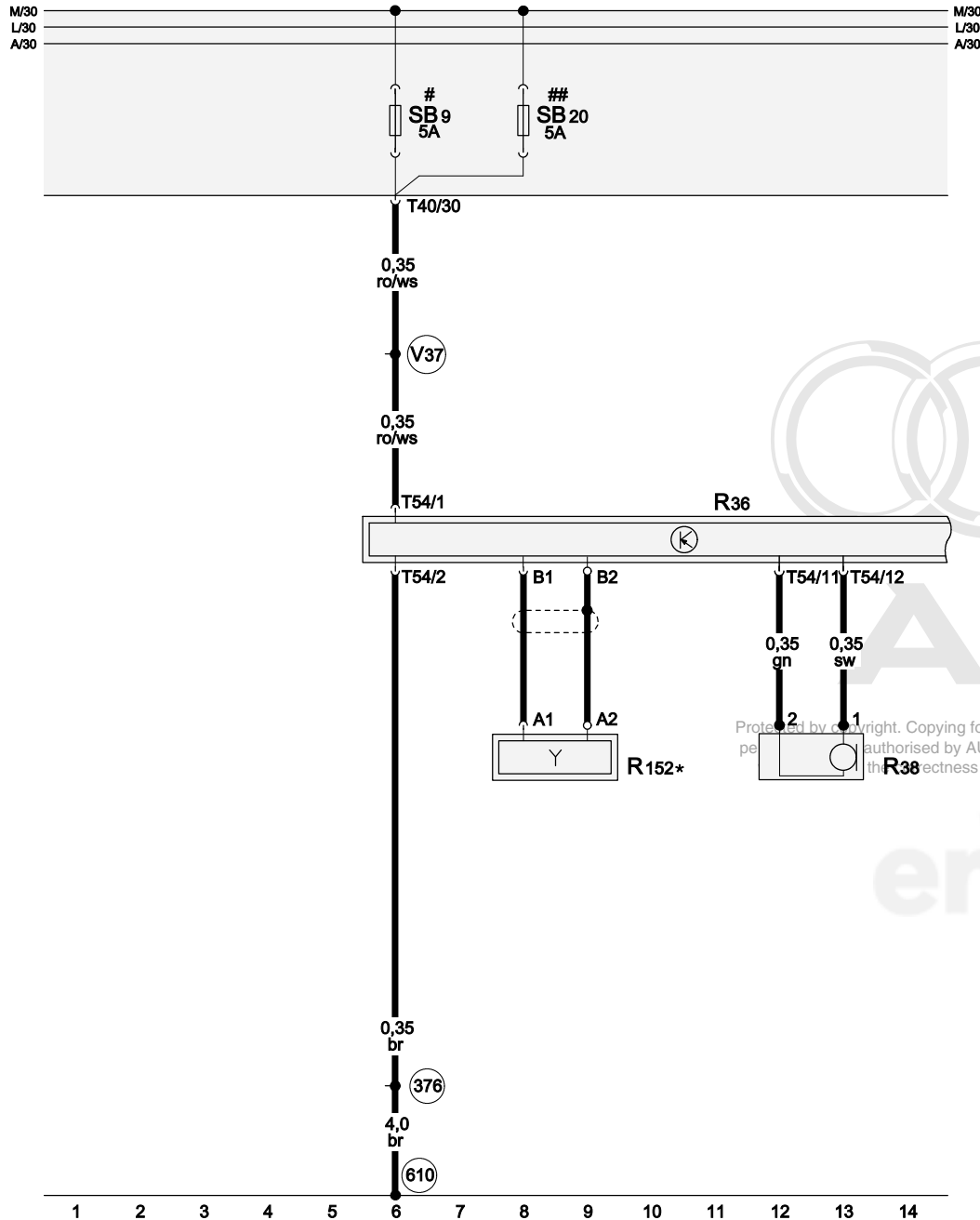
⇒ Guided Fault Finding using VAS 5051 / 5052



Audi

Protected by copyright. Copying for private or commercial purposes, in part or in whole, is not permitted unless authorised by AUDI AG. AUDI AG does not guarantee or accept any liability with respect to the correctness of information in this document. Copyright by AUDI AG.





Telephone Microphone, Bluetooth Antenna

- R36 Telephone Transceiver
- R38 Telephone Microphone
- R152 Bluetooth Antenna
- SB9 Fuse 9 (on fuse panel B)
- SB20 Fuse 20 (on fuse panel B)
- T40 40-Pin Connector, black, on electronics box engine compartment (Connector J)
- T54 54-Pin Connector, black (Connector A)

- 376 Ground Connection 11 (in main wiring harness)
- 610 Ground Connection (Audio) (under center console, front)
- V37 Plus Connection (30) (in communications wiring harness)

- * Only models with Bluetooth antenna
- # Only models with electronics box Low
- ## Only models with electronics box High

Protected by copyright. Copying for private or commercial purposes, in part or in whole, is not authorized by AUDI AG. AUDI AG does not guarantee or accept any liability for the correctness of information in this document. Copyright by AUDI AG.

- ws = white
- sw = black
- ro = red
- br = brown
- gn = green
- bl = blue
- gr = grey
- li = lilac
- ge = yellow
- or = orange
- rs = pink

8P0-A115020408



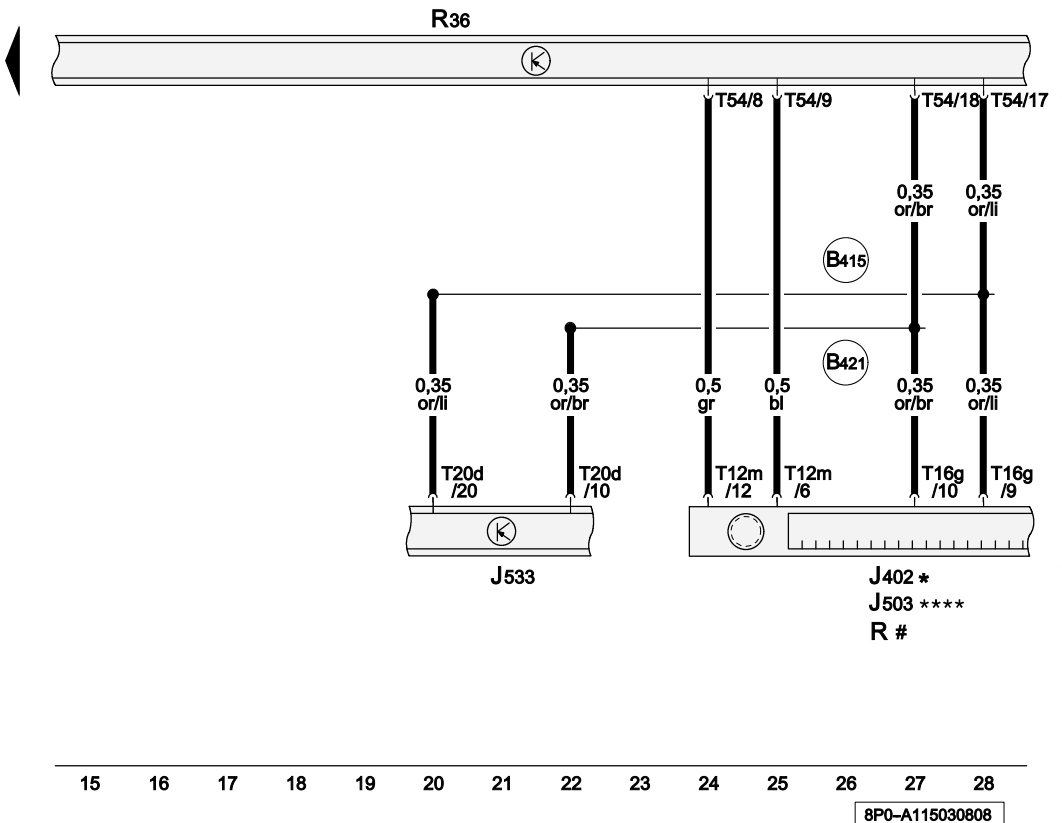
Mute, Infotainment CAN-Bus

- J402 Navigation System Operating Electronics Control Module
- J503 Radio/Navigation Display Control Module
- J533 Data Bus On Board Diagnostic Interface
- R Radio
- R36 Telephone Transceiver
- T12m 12-Pin Connector, black (Connector C) (connector locking green)
- T16g 16-Pin Connector, black (Connector D)
- T20d 20-Pin Connector, black (Connector A)
- T54 54-Pin Connector, black (Connector A)

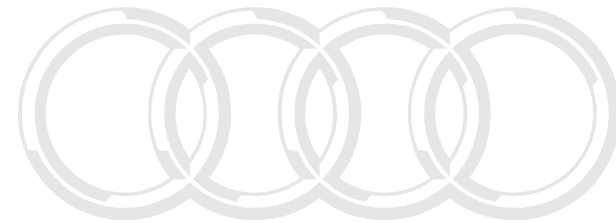
(B415) Infotainment CAN-Bus High Connection 1 (in main wiring harness)

(B421) Infotainment CAN-Bus Low Connection 1 (in main wiring harness)

- * Only models with radio/navigation system (RNS-E)
- **** Only models with radio/navigation system (RNS-Low)
- # Only models with radio generation II plus



- ws = white
- sw = black
- ro = red
- br = brown
- gn = green
- bl = blue
- gr = grey
- li = lilac
- ge = yellow
- or = orange
- rs = pink



Audi

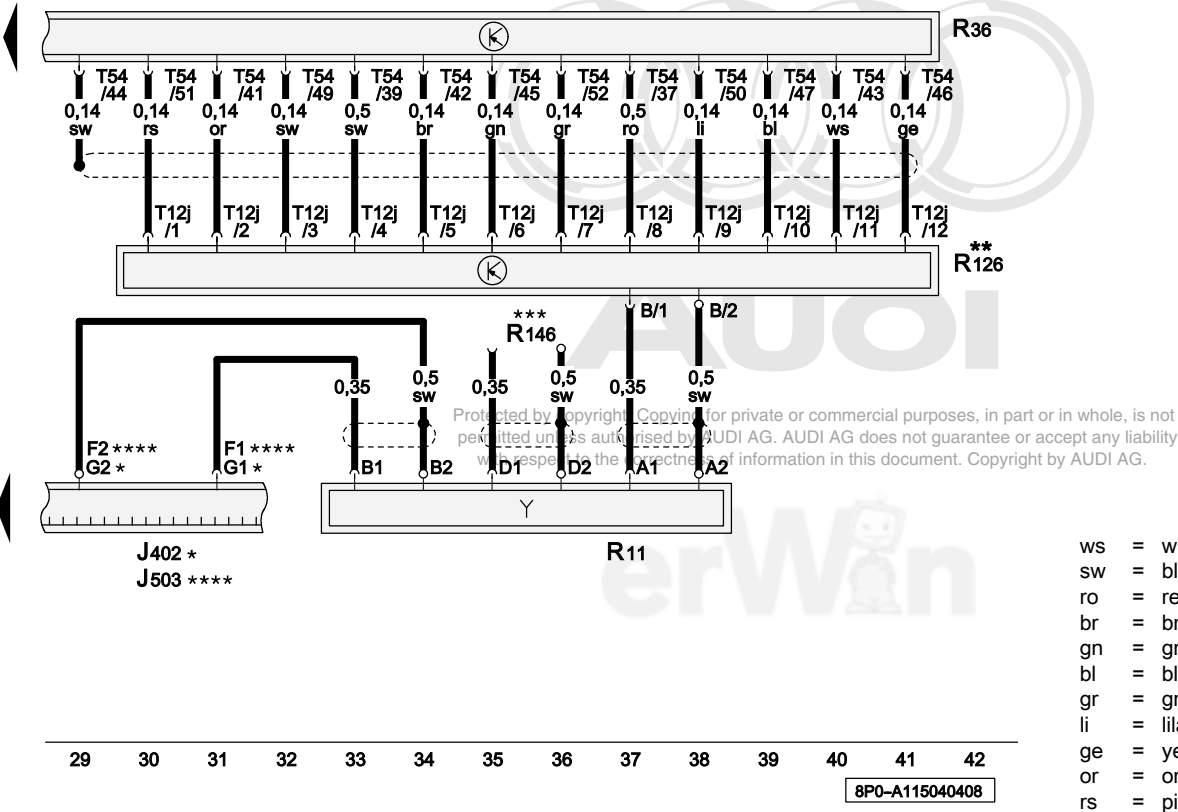
Copyright © Audi AG. All rights reserved. Copying for private or commercial purposes, in part or in whole, is not permitted unless authorised by AUDI AG. AUDI AG does not guarantee or accept any liability with respect to the correctness of information in this document. Copyright by AUDI AG.





Roof Antenna, Telephone Baseplate

- J402 Navigation System Operating Electronics Control Module
- J503 Radio/Navigation Display Control Module
- R11 Antenna
- R36 Telephone Transceiver
- R126 Telephone Baseplate
- R146 Satellite Radio
- T12j 12-Pin Connector, brown (Connector A)
- T54 54-Pin Connector, black (Connector A)
- * Only models with radio/navigation system (RNS-E)
- ** Not applicable for models with US equipment
- *** Only models with satellite radio
- **** Only models with radio/navigation system (RNS-Low)



- ws = white
- sw = black
- ro = red
- br = brown
- gn = green
- bl = blue
- gr = grey
- li = lilac
- ge = yellow
- or = orange
- rs = pink

29 30 31 32 33 34 35 36 37 38 39 40 41 42

8P0-A11504008

Special Functions Interface

from November 2008

Note:

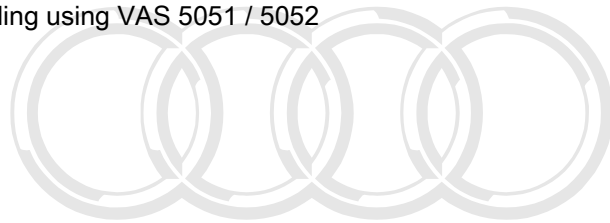
Information for

- ◆ Relay and fuse arrangements
- ◆ Connector arrangements
- ◆ Control Modules and Relays
- ◆ Ground Connections

⇒ Component Locations

Information for

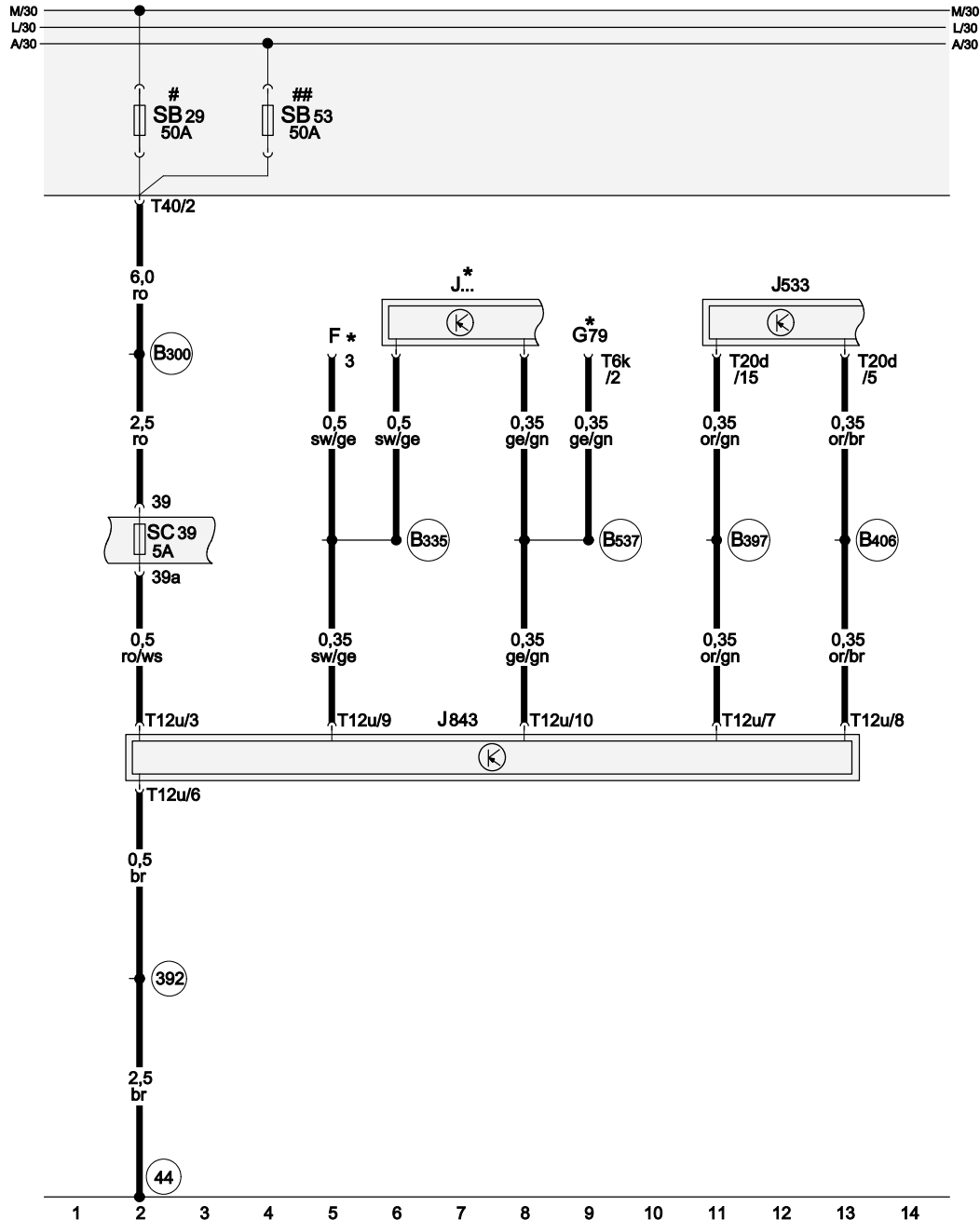
- ◆ Troubleshooting Procedures
- ⇒ Guided Fault Finding using VAS 5051 / 5052



Audi

Protected by copyright. Copying for private or commercial purposes, in part or in whole, is not permitted unless authorised by AUDI AG. AUDI AG does not guarantee or accept any liability with respect to the correctness of information in this document. Copyright by AUDI AG.





8P0-A119020808

- ws = white
- sw = black
- ro = red
- br = brown
- gn = green
- bl = blue
- gr = grey
- li = lilac
- ge = yellow
- or = orange
- rs = pink

Fuses (on fuse panel), Special Functions Interface

- F Brake Light Switch
- G79 Throttle Position (TP) Sensor
- J... Engine Control Modules (ECM)
- J533 Data Bus On Board Diagnostic Interface
- J843 Models Location System Control Module Interface
- SB29 Fuse 29 (on fuse panel B)
- SB53 Fuse 53 (on fuse panel B)
- SC39 Fuse 39 (on fuse panel C)
- T6k 6-Pin Connector, black, near throttle position (TP) sensor
- T12u 12-Pin Connector, brown (Connector B)
- T20d 20-Pin Connector, black (Connector A)
- T40 40-Pin Connector, black, on electronics box engine compartment (Connector J)

- 44 Ground Connection (on left lower A-pillar)
- 392 Ground Connection 27 (in main wiring harness)
- B300 Plus Connection 4 (30) (in main wiring harness)
- B335 Connection 1 (54) (in main wiring harness)
- B397 Comfort System CAN-Bus High Connection 1 (in main wiring harness)
- B406 Comfort System CAN-Bus Low Connection 1 (in main wiring harness)
- B537 Connection 28 (in main wiring harness)
- * => Applicable Wiring Diagram Engine
- # Only models with electronics box Low
- ## Only models with electronics box High

Battery in Engine Compartment

⇒ Only with Recuperation (7L7)

⇒ Main Fuse Panel Electronics Box Low

from May 2009

Note:

Information for

◆ Relay and fuse arrangements

◆ Connector arrangements

◆ Control Modules and Relays

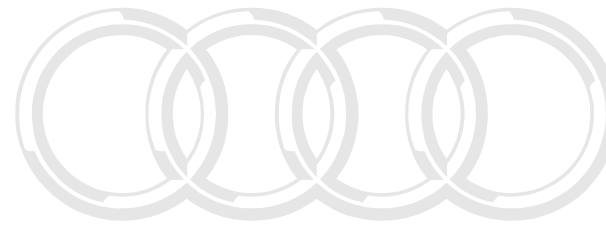
◆ Ground Connections

⇒ Component Locations

Information for

◆ Troubleshooting Procedures

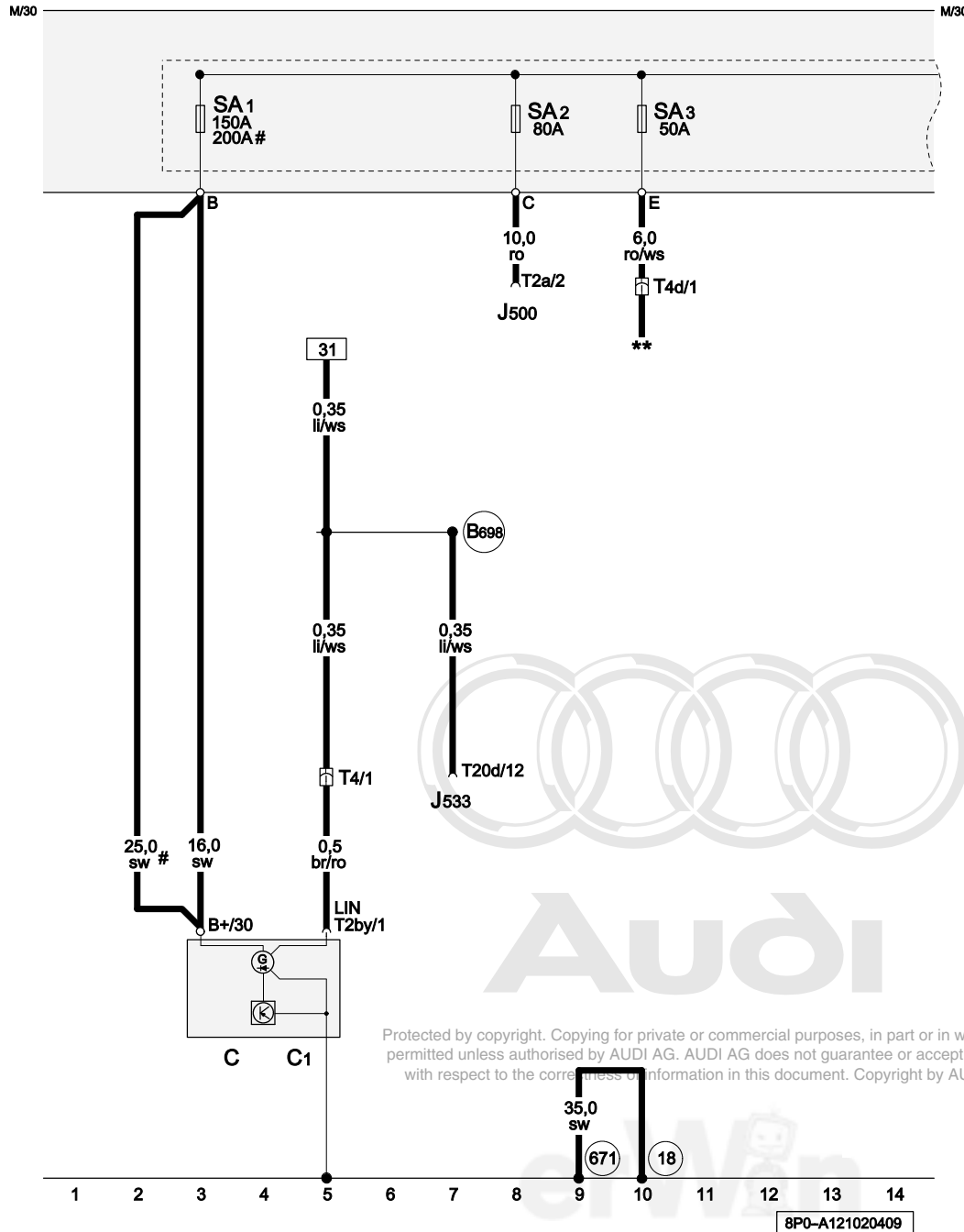
⇒ Guided Fault Finding using VAS 5051 / 5052



Audi

Protected by copyright. Copying for private or commercial purposes, in part or in whole, is not permitted unless authorised by AUDI AG. AUDI AG does not guarantee or accept any liability with respect to the correctness of information in this document. Copyright by AUDI AG.





Generator (GEN), Voltage Regulator (VR), Fuses SA1, SA2, SA3

- C Generator (GEN)
- C1 Voltage Regulator (VR)
- J500 Power Steering Control Module
- J533 Data Bus On Board Diagnostic Interface
- SA1 Fuse 1 (on fuse panel A)
- SA2 Fuse 2 (on fuse panel A)
- SA3 Fuse 3 (on fuse panel A)
- T2a Double Connector, black (Connector A)
- T2by Double Connector (Connector A)
- T4 4-Pin Connector, black, in engine compartment, front left
- T4d 4-Pin Connector, black, on coolant fan control (FC) (front end)
- T20d 20-Pin Connector, black (Connector A)

18 Ground Connection (on engine block)

671 Ground Connection 1 (on left front long member)

B698 LIN-Bus Connection 3 (in main wiring harness)

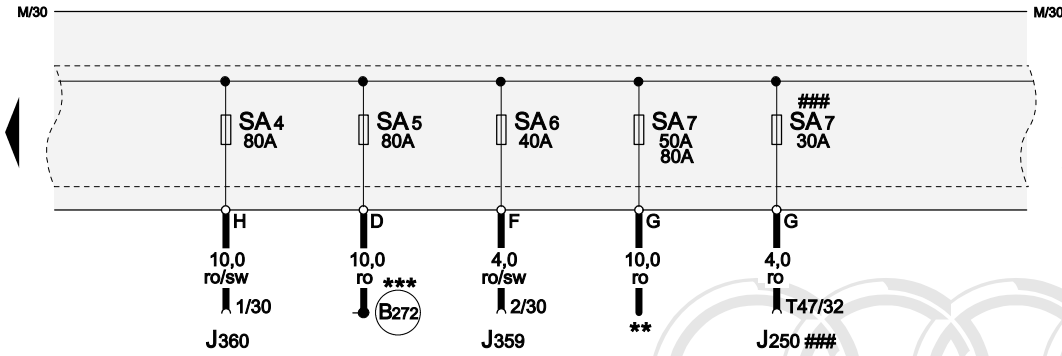
** => Applicable Wiring Diagram Coolant Fan Control

Only models with generator (140A)

- ws = white
- sw = black
- ro = red
- rt = red
- br = brown
- gn = green
- bl = blue
- gr = grey
- li = lilac
- vi = lilac
- ge = yellow
- or = orange
- rs = pink

Protected by copyright. Copying for private or commercial purposes, in part or in whole, is not permitted unless authorised by AUDI AG. AUDI AG does not guarantee or accept any liability with respect to the correctness of information in this document. Copyright by AUDI AG.

8P0-A121020409



Fuses SA4, SA5, SA6, SA7

- J250 Electronic Damping Control Module
- J359 Preheating Coolant, Low Heat Output Relay
- J360 Preheating Coolant, High Heat Output Relay
- SA4 Fuse 4 (on fuse panel A)
- SA5 Fuse 5 (on fuse panel A)
- SA6 Fuse 6 (on fuse panel A)
- SA7 Fuse 7 (on fuse panel A)
- T47 47-Pin Connector (Connector A)

(B272) Plus Connection (30) (in main wiring harness)

- ** ⇒ Applicable Wiring Diagram criminal investigation, special models
- *** Fuses Supply SC12 through SC17, SC22 through SC27, SC28, SC38, SC43
- ### Only models with electronic damping

Protected by copyright. Copying for private or commercial purposes, in part or in whole, is not permitted unless authorised by AUDI AG. AUDI AG does not guarantee or accept any liability with respect to the correctness of information in this document. Copyright by AUDI AG.

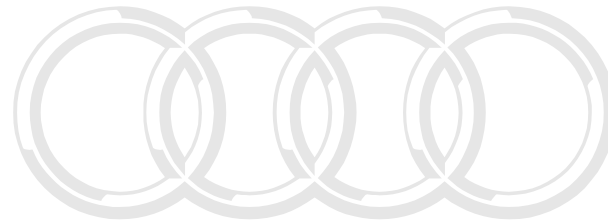
- ws = white
- sw = black
- ro = red
- rt = red
- br = brown
- gn = green
- bl = blue
- gr = grey
- li = lilac
- vi = lilac
- ge = yellow
- or = orange
- rs = pink

15 16 17 18 19 20 21 22 23 24 25 26 27 28

8P0-A121030409

Battery in engine compartment without Start/Stop system and recuperation

From May 2009



Audi

Protected by copyright. Copying for private or commercial purposes, in part or in whole, is not permitted unless authorised by AUDI AG. AUDI AG does not guarantee or accept any liability with respect to the correctness of information in this document. Copyright by AUDI AG.

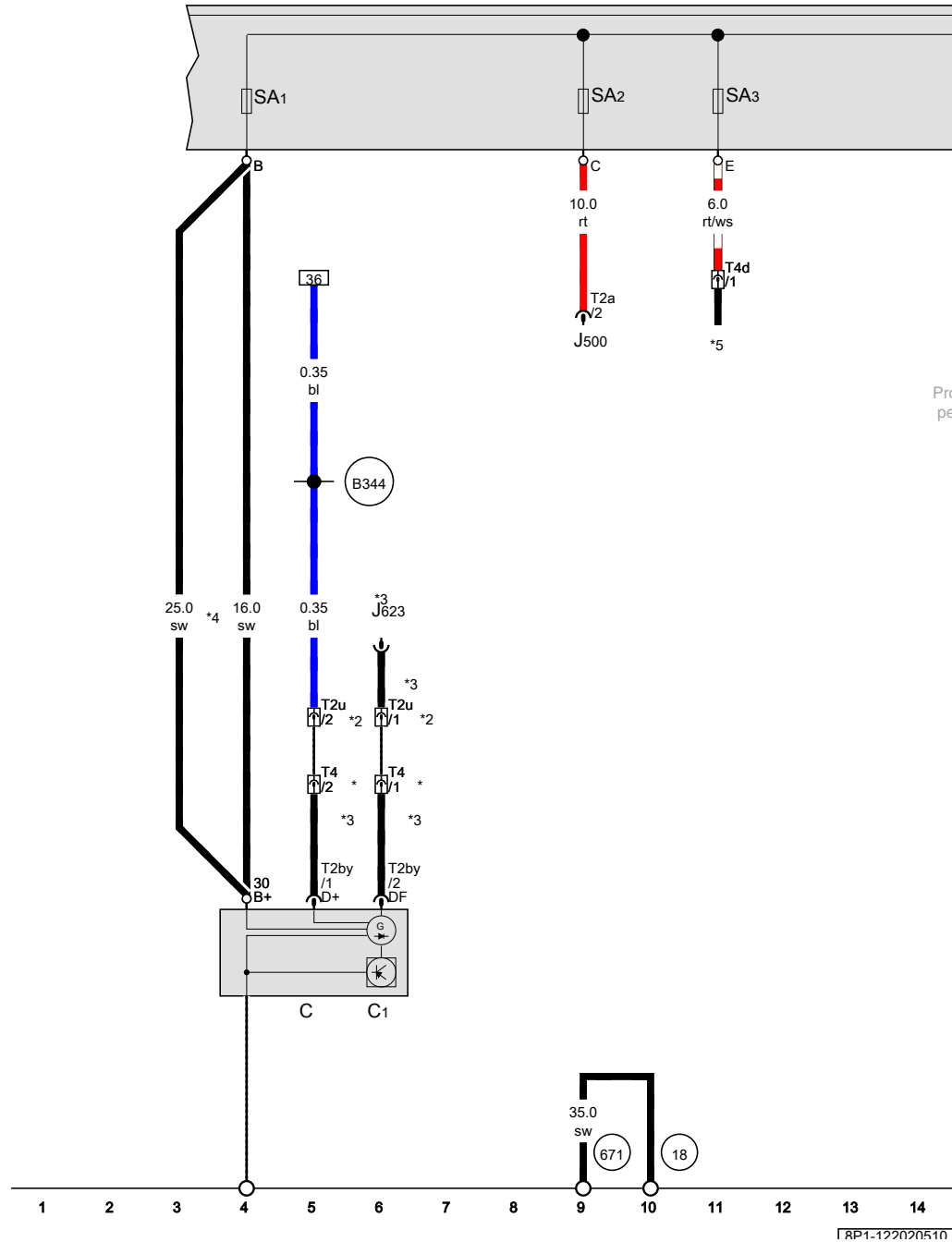


Generator, Fuse 1 (on fuse panel A), Fuse 2 (on fuse panel A), Fuse 3 (on fuse panel A)

- C Generator
- C1 Voltage regulator
- J500 Power steering control module
- J623 Engine control module
- SA1 Fuse 1 (on fuse panel A)
- SA2 Fuse 2 (on fuse panel A)
- SA3 Fuse 3 (on fuse panel A)
- T2a Double connector
- T2by Double connector
- T2u Double connector
- T4 4-pin connector
- T4d 4-pin connector

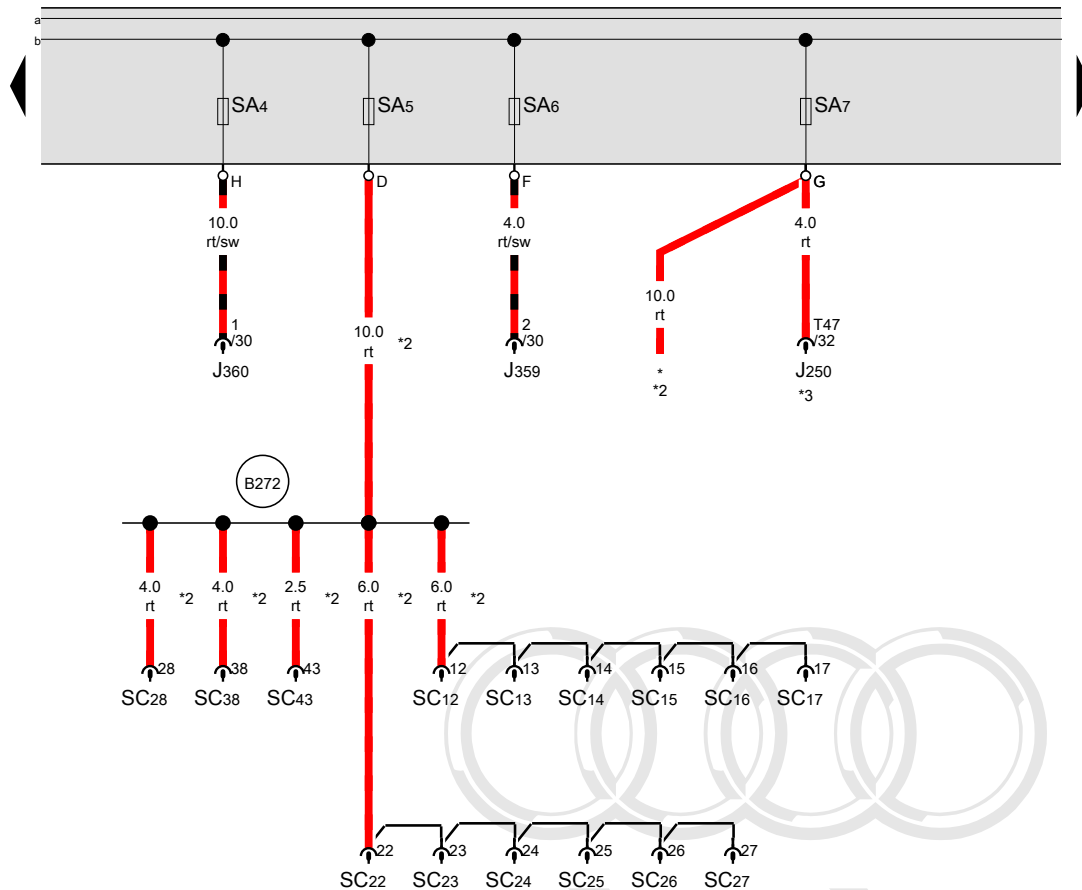
- 18 Ground connection on engine block
- 671 Ground connection 1 on left front longitudinal member
- B344 Connection 1 (61) (in main wiring harness)
- * Only for vehicles with A/C system
- *2 Only for vehicles without an A/C system
- *3 Refer to applicable engine wiring diagram
- *4 Only for vehicles with a generator (140 A)
- *5 Refer to applicable coolant fan wiring diagram

Protected by copyright. Copying for private or commercial purposes, in part or in whole, is not permitted unless authorised by AUDI AG. AUDI AG does not guarantee or accept any liability with respect to the correctness of information.



- ws = white
- sw = black
- ro = red
- rt = red
- br = brown
- gn = green
- bl = blue
- gr = grey
- li = lilac
- vi = lilac
- ge = yellow
- or = orange
- rs = pink

18P1-1220205101



Fuse 4 (on fuse panel A), Fuse 5 (on fuse panel A), Fuse 6 (on fuse panel A), Fuse 7 (on fuse panel A)

- J250 Electronic damping control module
- J359 Low heat output relay
- J360 High heat output relay
- SA4 Fuse 4 (on fuse panel A)
- SA5 Fuse 5 (on fuse panel A)
- SA6 Fuse 6 (on fuse panel A)
- SA7 Fuse 7 (on fuse panel A)
- SC12 Fuse 12 (on fuse panel C)
- SC13 Fuse 13 (on fuse panel C)
- SC14 Fuse 14 (on fuse panel C)
- SC15 Fuse 15 (on fuse panel C)
- SC16 Fuse 16 (on fuse panel C)
- SC17 Fuse 17 (on fuse panel C)
- SC22 Fuse 22 (on fuse panel C)
- SC23 Fuse 23 (on fuse panel C)
- SC24 Fuse 24 (on fuse panel C)
- SC25 Fuse 25 (on fuse panel C)
- SC26 Fuse 26 (on fuse panel C)
- SC27 Fuse 27 (on fuse panel C)
- SC28 Fuse 28 (on fuse panel C)
- SC38 Fuse 38 (on fuse panel C)
- SC43 Fuse 43 (on fuse panel C)
- T47 47-pin connector

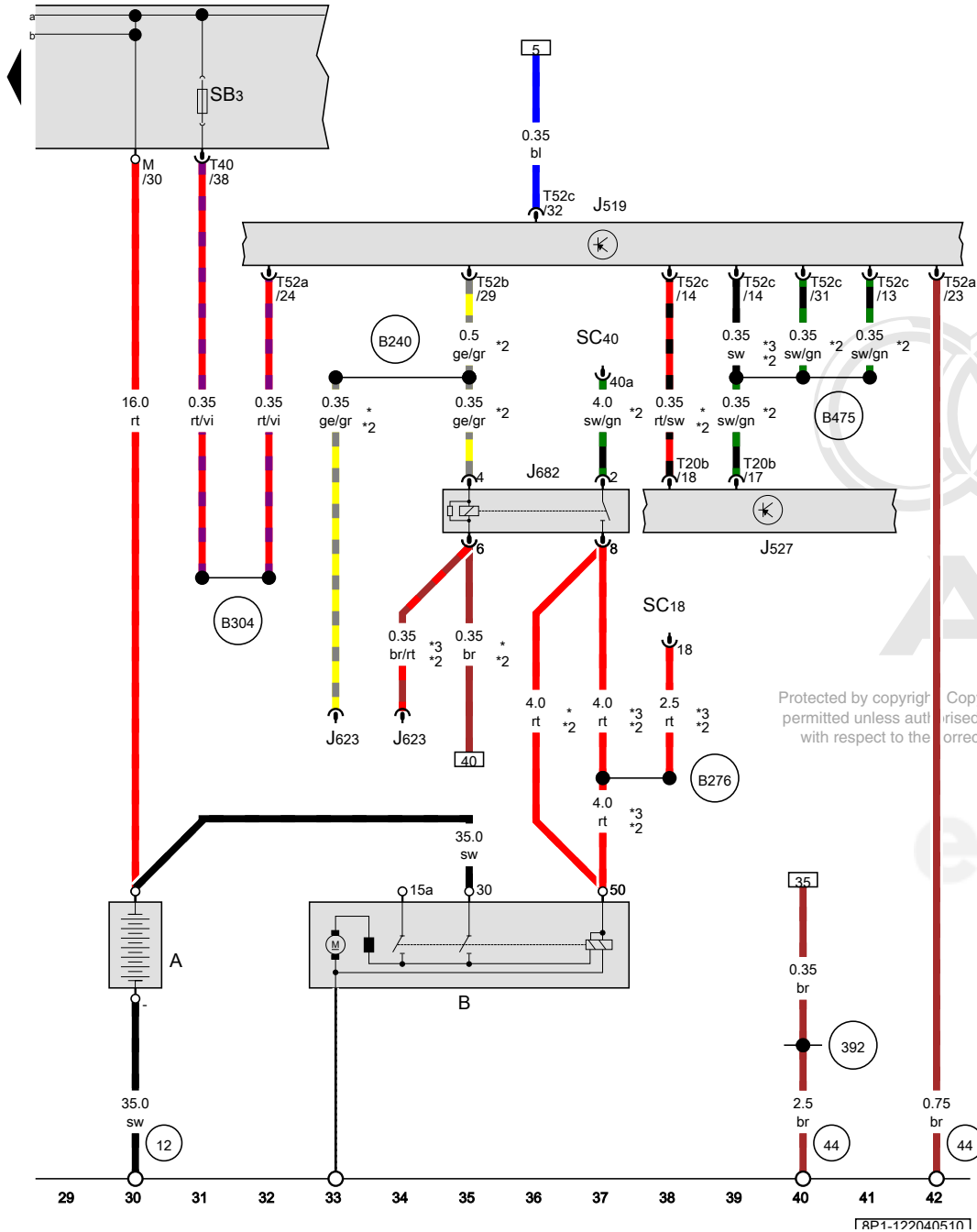
B272 Positive connection (30) (in main wiring harness)

- * Only for vehicles with police special equipment
- *2 Refer to applicable wiring diagram
- *3 Only for vehicles with electronic damping

Protected by copyright. Copying for private or commercial purposes, in part or in whole, is not permitted unless authorised by AUDI AG. AUDI AG does not guarantee or accept any liability with respect to the correctness of information in this document. Copyright by AUDI AG.

- ws = white
- sw = black
- ro = red
- rt = red
- br = brown
- gn = green
- bl = blue
- gr = grey
- li = lilac
- vi = lilac
- ge = yellow
- or = orange
- rs = pink

Battery, Starter, Terminal 50 power supply relay



- A Battery
- B Starter
- J519 Vehicle electrical system control module
- J527 Steering column electronics control module
- J623 Engine control module
- J682 Terminal 50 power supply relay
- SB3 Fuse 3 (on fuse panel B)
- SC18 Fuse 18 (on fuse panel C)
- SC40 Fuse 40 (on fuse panel C)
- T1 Single connector
- T20b 20-pin connector
- T40 40-pin connector
- T52a 52-pin connector
- T52b 52-pin connector
- T52c 52-pin connector

- 12 Ground connection in engine compartment, left
- 44 Ground connection on A-pillar, lower left
- 392 Ground connection 27 (in main wiring harness)
- B240 Positive connection 2 (50) (in interior wiring harness)
- B276 Positive connection (50) (in main wiring harness)
- B304 Positive connection 8 (30) (in main wiring harness)
- B475 Connection 11 (in main wiring harness)
- * not for vehicles with engine code CBFA
- *2 Refer to applicable engine wiring diagram
- *3 only for vehicles with engine code CBFA

- ws = white
- sw = black
- ro = red
- rt = red
- br = brown
- gn = green
- bl = blue
- gr = grey
- li = lilac
- vi = lilac
- ge = yellow
- or = orange
- rs = pink

Protected by copyright. Copying for private or commercial purposes, in part or in whole, is not permitted unless authorized by AUDI AG. AUDI AG does not guarantee or accept any liability for the correctness of information in this document.

Standard equipment

From May 2009



Audi

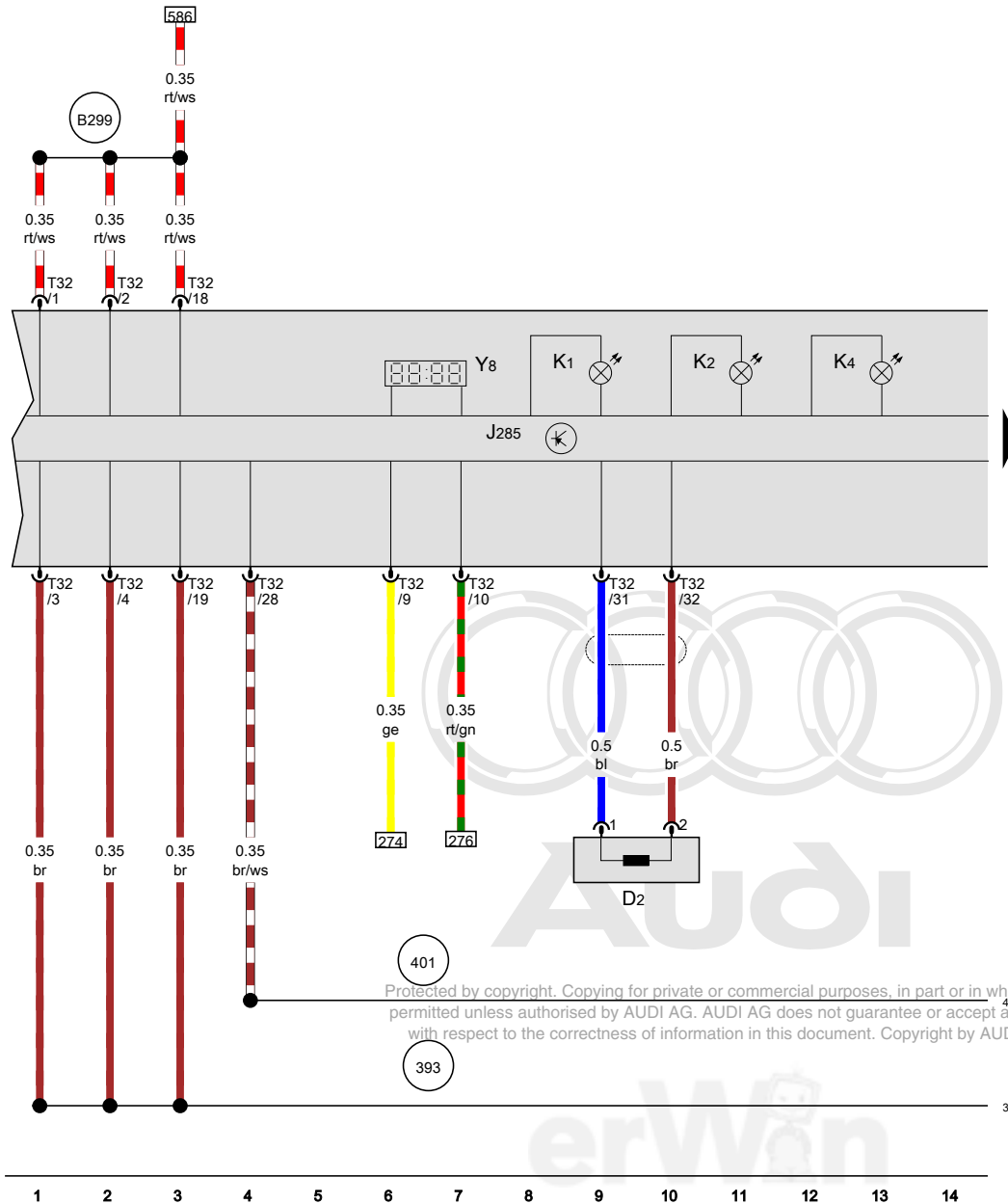
Protected by copyright. Copying for private or commercial purposes, in part or in whole, is not permitted unless authorised by AUDI AG. AUDI AG does not guarantee or accept any liability with respect to the correctness of information in this document. Copyright by AUDI AG.



Anti-theft immobilizer reader coil, Instrument cluster control module

- D2 Anti-theft immobilizer reader coil
- J285 Instrument cluster control module
- K1 High beam indicator lamp
- K2 Generator indicator lamp
- K4 Parking lamp indicator lamp
- T32 32-pin connector
- Y8 Radio frequency controlled clock

- 393 Ground connection 28 (in main wiring harness)
- 401 Sensor ground connection (in interior wiring harness)
- B299 Positive connection 3 (30) (in main wiring harness)



- ws = white
- sw = black
- ro = red
- rd = red
- br = brown
- gn = green
- bl = blue
- gr = grey
- li = lilac
- vi = lilac
- ge = yellow
- or = orange
- rs = pink

Protected by copyright. Copying for private or commercial purposes, in part or in whole, is not permitted unless authorised by AUDI AG. AUDI AG does not guarantee or accept any liability with respect to the correctness of information in this document. Copyright by AUDI AG.

Brake fluid level warning switch, Engine coolant level warning switch, Instrument cluster control module

- F34 Brake fluid level warning switch
- F66 Engine coolant level warning switch
- J162 Heater control module
- J285 Instrument cluster control module
- J587 Selector lever sensor system control module
- K14 Hand brake indicator lamp
- K28 Engine coolant level/temperature indicator lamp
- K65 Indicator lamp for left turn signal
- K94 Right turn signal indicator lamp
- K118 Brake system indicator lamp
- T32 32-pin connector

393 Ground connection 28 (in main wiring harness)

401 Sensor ground connection (in interior wiring harness)

Protected by copyright. Copying for private or commercial purposes, in part or in whole, is not permitted without the prior written consent of Audi AG. Liability with respect to the correctness of information in this document. Copyright by AUDI AG.

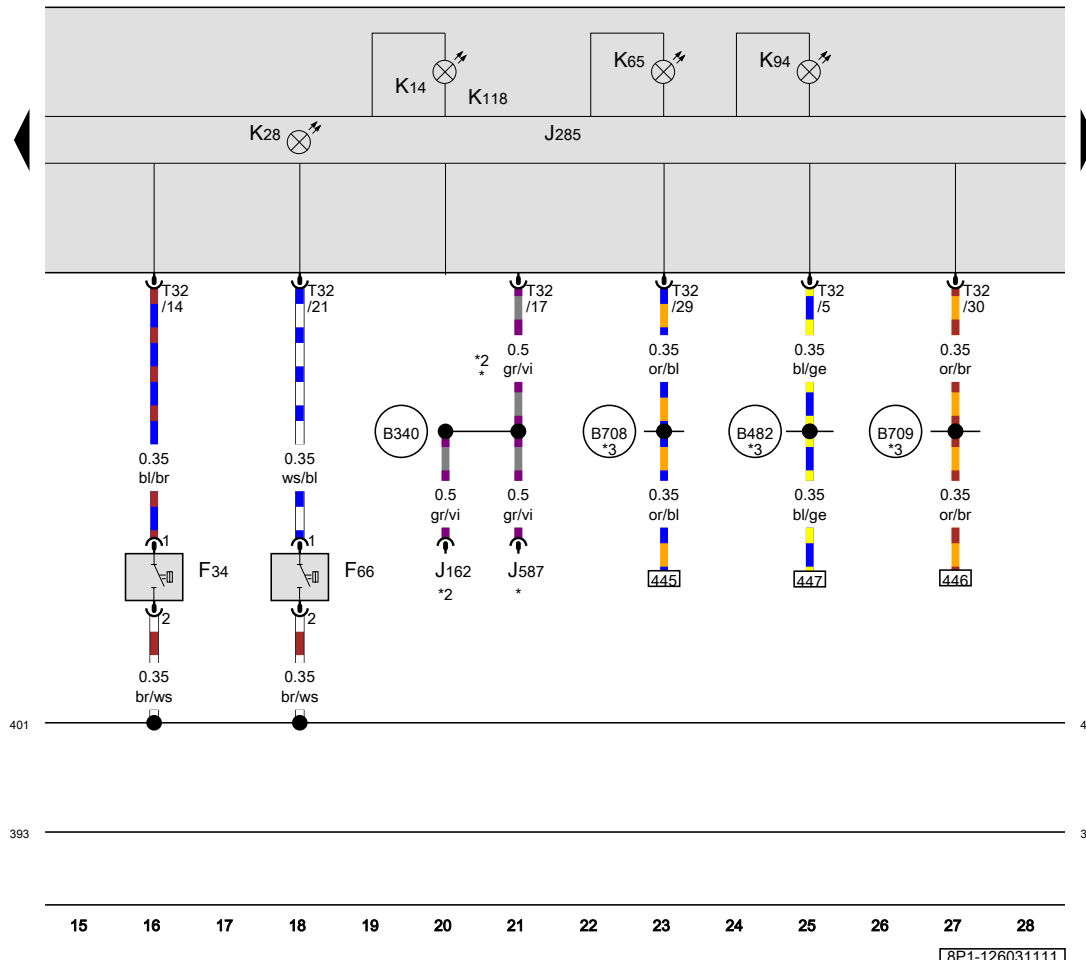
B340 Connection 1 (58d) (in main wiring harness)

B482 Connection 18 (in main wiring harness)

B708 Instrument cluster CAN bus high connection 1 (in main wiring harness)

B709 Instrument cluster CAN bus low connection 1 (in main wiring harness)

- * Refer to applicable wiring diagram for automatic transmission
- *2 Refer to the applicable wiring diagram for heating with manual control
- *3 Omitted as a running change



18P1-126031111

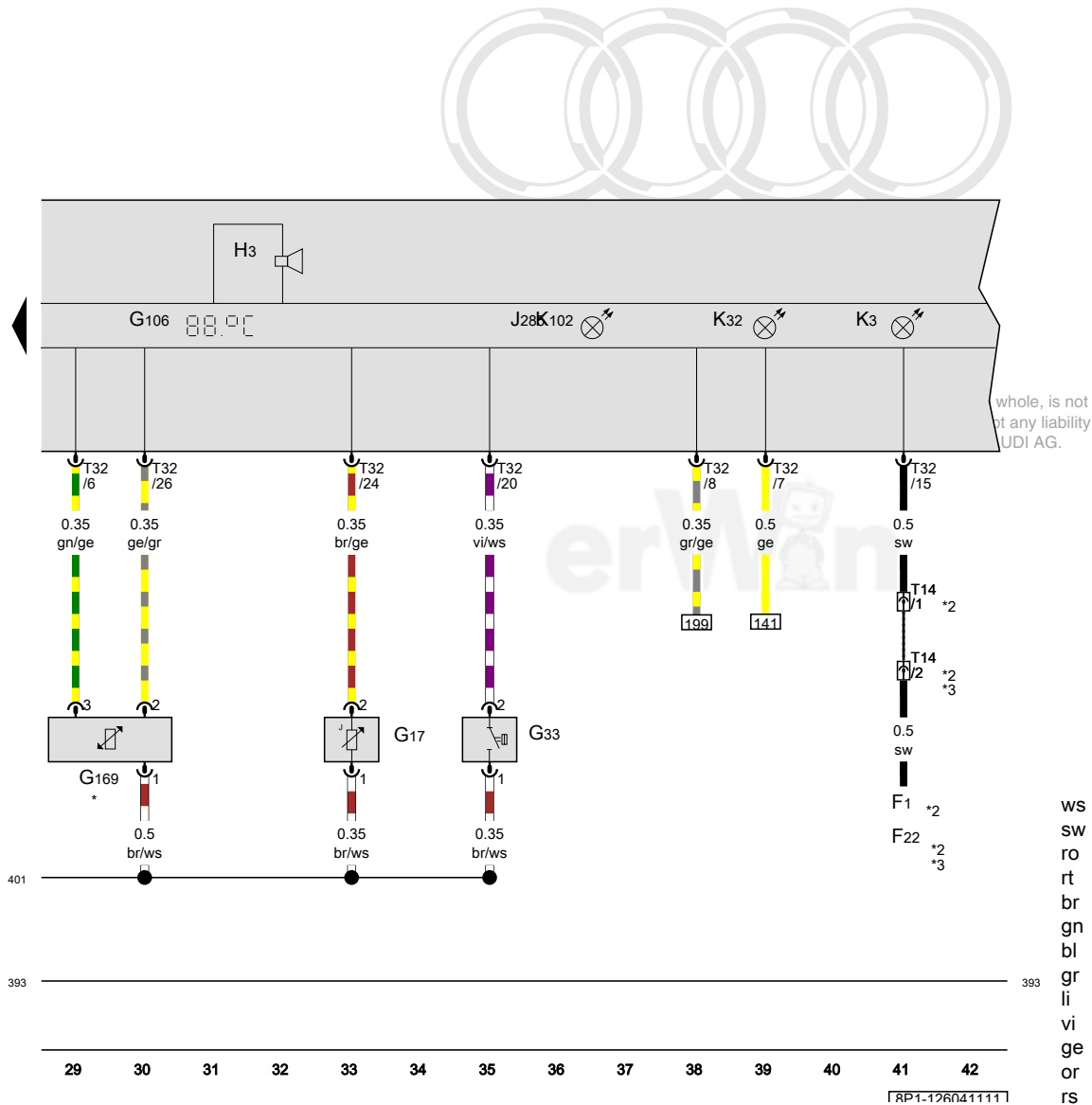
Outside air temperature sensor, Windshield washer fluid level sensor, Fuel level sensor 2, Instrument cluster control module

- F1 Oil pressure switch
- F22 Oil pressure switch
- G17 Outside air temperature sensor
- G33 Windshield washer fluid level sensor
- G106 Outside air temperature display
- G169 Fuel level sensor 2
- H3 Warning buzzer and tone
- J285 Instrument cluster control module
- K3 Oil pressure indicator lamp
- K32 Brake pad wear indicator lamp
- K102 Rear lid -closed- indicator lamp
- T14 14-pin connector, near the left front longitudinal member
- T32 32-pin connector

393 Ground connection 28 (in main wiring harness)

401 Sensor ground connection (in interior wiring harness)

- * Only for vehicles with all wheel drive
- *2 Refer to applicable engine wiring diagram
- *3 Depending on equipment

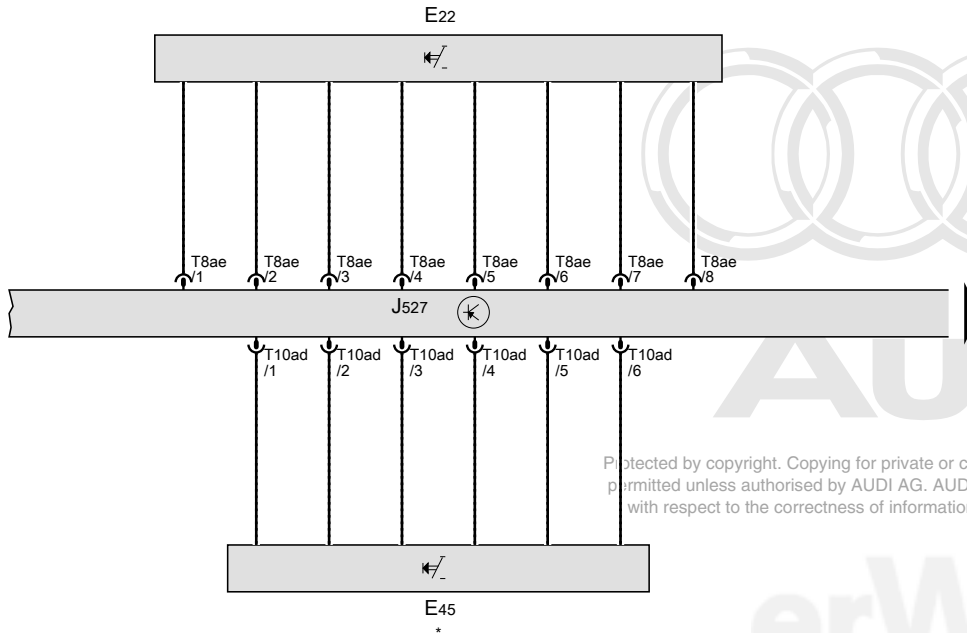


[RP1-126041111]

Windshield wiper intermittent mode switch, Cruise control switch, Steering column electronics control module

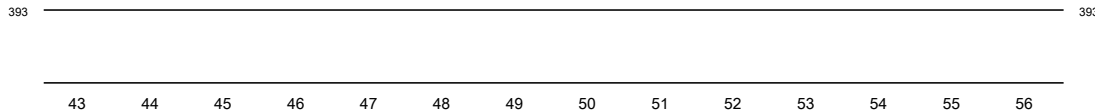
- E22 Windshield wiper intermittent mode switch
- E45 Cruise control switch
- J527 Steering column electronics control module
- T8ae 8-pin connector
- T10ad 10-pin connector

- 393 Ground connection 28 (in main wiring harness)
- * Only for vehicles with cruise control



Protected by copyright. Copying for private or commercial purposes, in part or in whole, is not permitted unless authorised by AUDI AG. AUDI AG does not guarantee or accept any liability with respect to the correctness of information in this document. Copyright by AUDI AG.

- ws = white
- sw = black
- ro = red
- rt = red
- br = brown
- gn = green
- bl = blue
- gr = grey
- li = lilac
- vi = lilac
- ge = yellow
- or = orange
- rs = pink

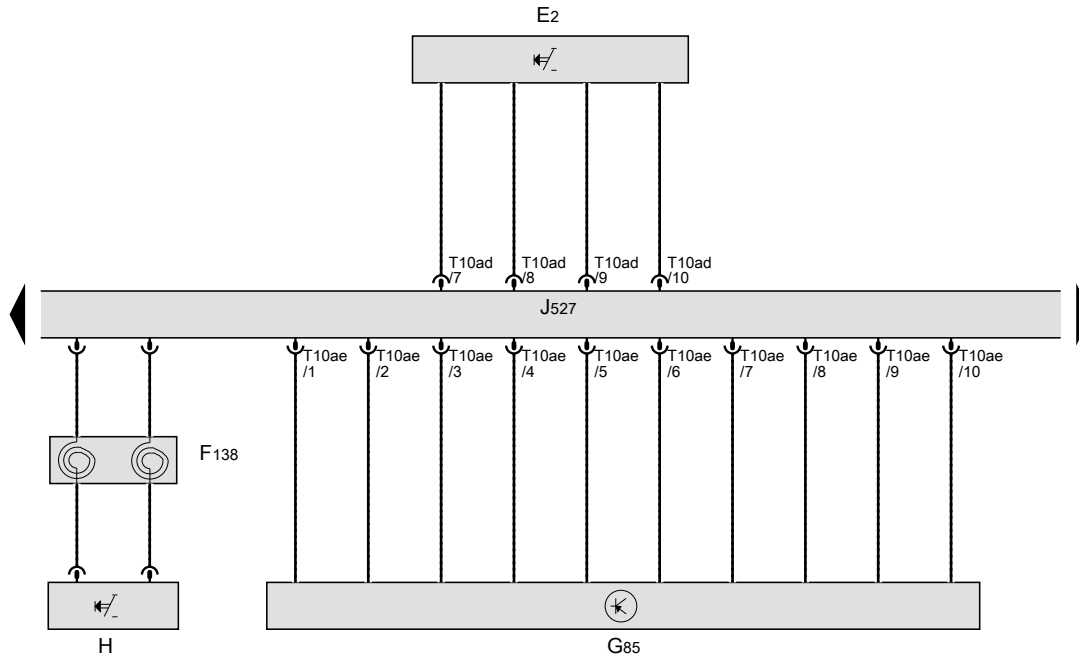


[RP1-126051111]

Turn signal switch, Steering angle sensor, Signal horn activation, Steering column electronics control module

- E2 Turn signal switch
- F138 Airbag spiral spring/return spring with slip ring
- G85 Steering angle sensor
- H Signal horn activation
- J527 Steering column electronics control module
- T10ad 10-pin connector
- T10ae 10-pin connector

393 Ground connection 28 (in main wiring harness)



Protected by copyright. Copying for private or commercial purposes, in part or in whole, is not permitted unless authorised by AUDI AG. AUDI AG does not guarantee or accept any liability with respect to the correctness of information in this document. Copyright by AUDI AG.

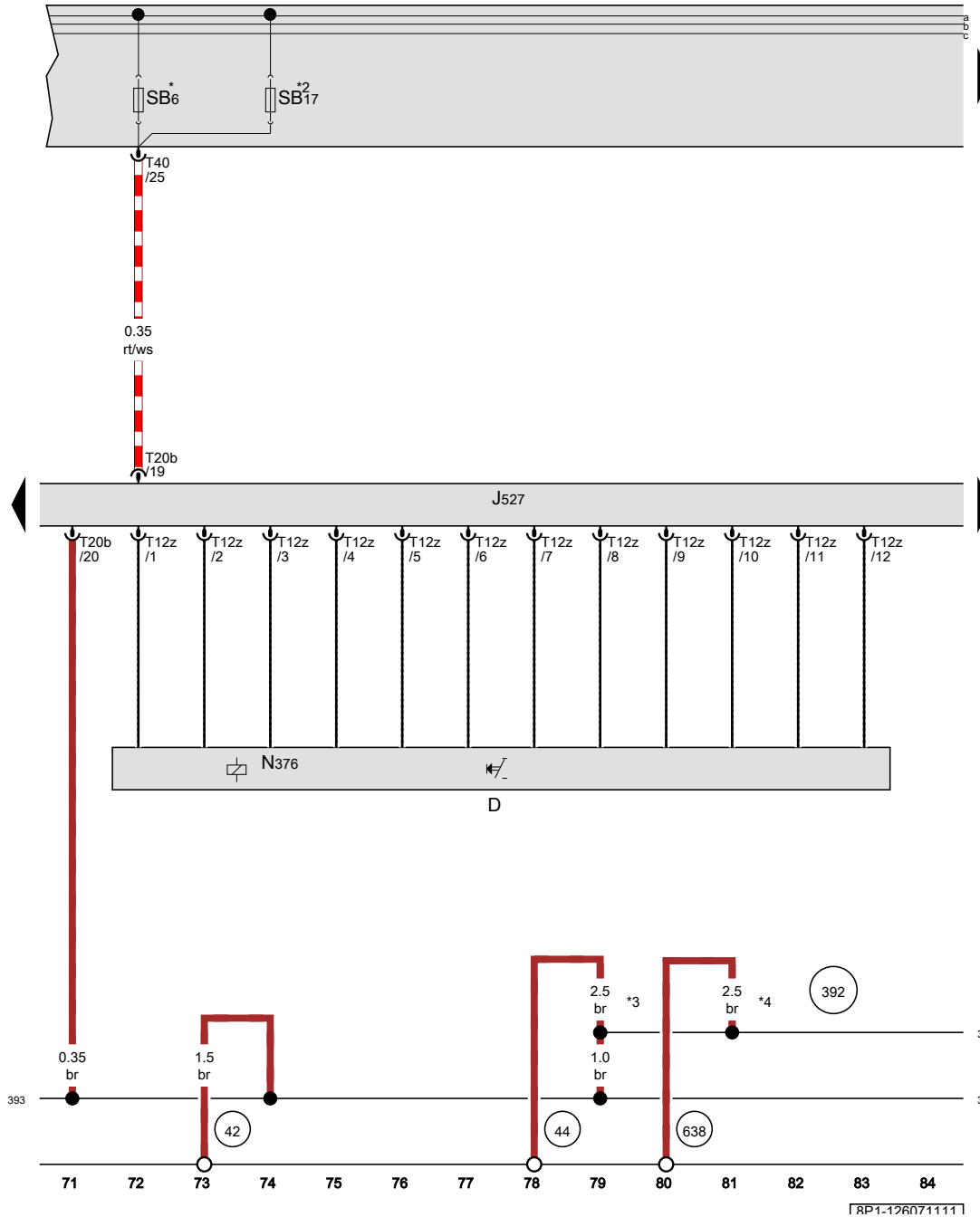
- ws = white
- sw = black
- ro = red
- rt = red
- br = brown
- gn = green
- bl = blue
- gr = grey
- li = lilac
- vi = lilac
- ge = yellow
- or = orange
- rs = pink



393 _____ 393

57 58 59 60 61 62 63 64 65 66 67 68 69 70

[RP1-126061111]



Ignition/starter switch, Steering column electronics control module

- D Ignition/starter switch
- J527 Steering column electronics control module
- N376 Ignition switch key lock solenoid
- SB6 Fuse 6 (on fuse panel B)
- SB17 Fuse 17 (on fuse panel B)
- T12z 12-pin connector
- T20b 20-pin connector
- T40 40-pin connector

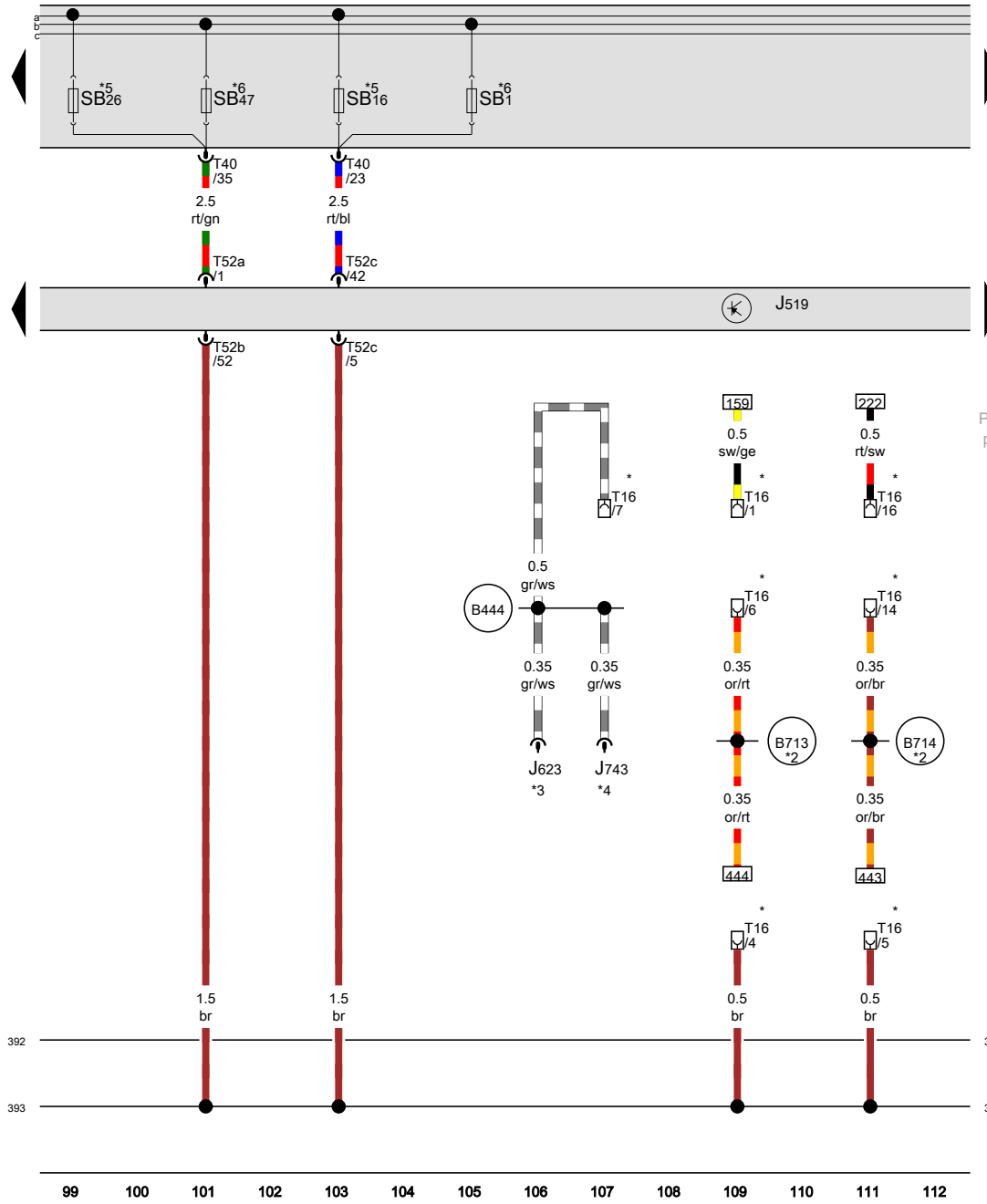
- 42 Ground connection near steering column
- 44 Ground connection on A-pillar, lower left
- 392 Ground connection 27 (in main wiring harness)
- 393 Ground connection 28 (in main wiring harness)
- 638 Ground connection on right A-pillar

- * E-Box low
- *2 E-Box high
- *3 Only for left-hand drive vehicles
- *4 Only for right-hand drive vehicles

Protected by copyright. Copying for private or commercial purposes, in part or in whole, is not permitted unless authorised by AUDI AG. AUDI AG does not guarantee or accept any liability with respect to the correctness of information in this document. Copyright by AUDI AG.

- ws = white
- sw = black
- ro = red
- rt = red
- br = brown
- gn = green
- bl = blue
- gr = grey
- li = lilac
- vi = lilac
- ge = yellow
- or = orange
- rs = pink

18P1-126071111



Vehicle electrical system control module

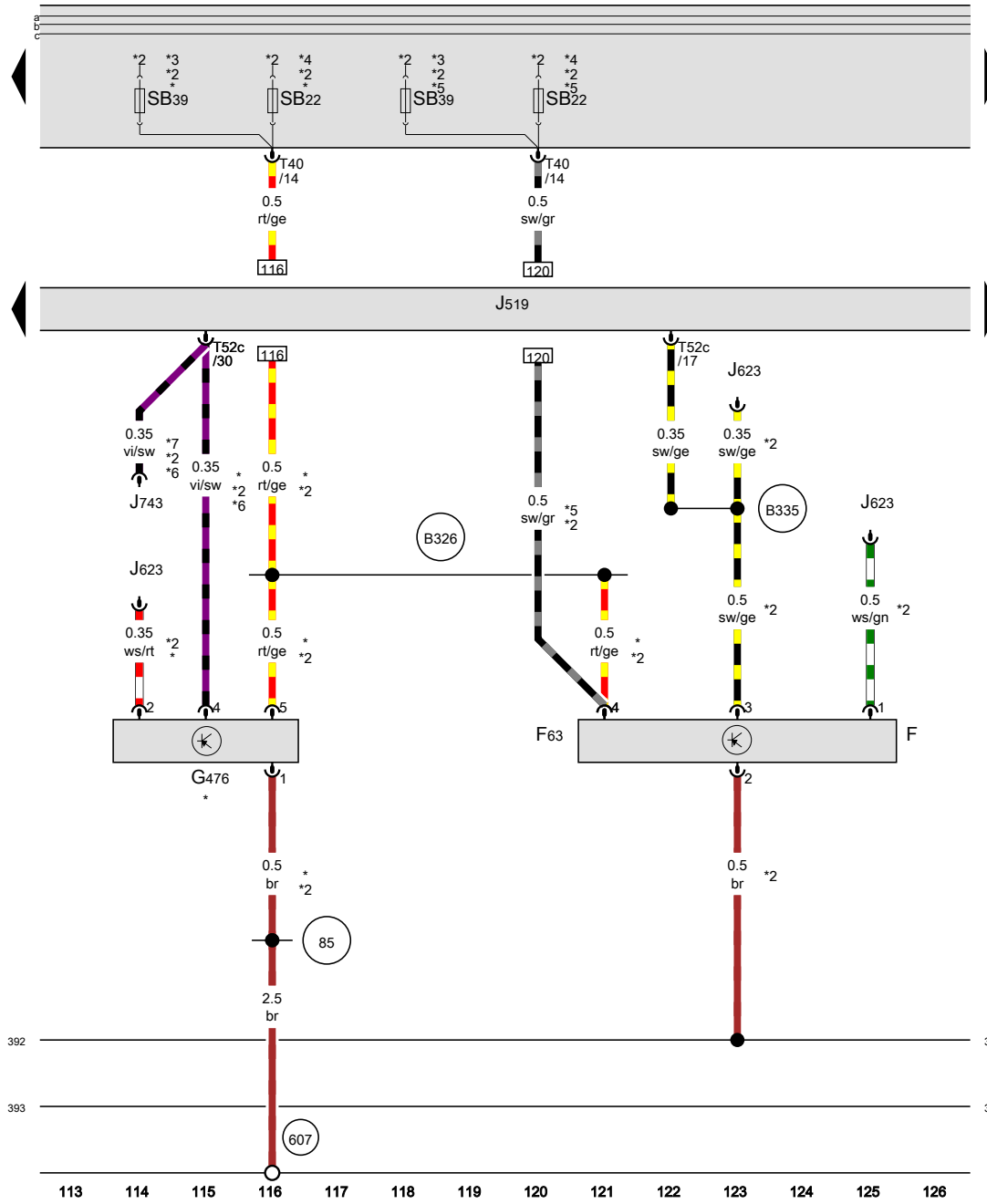
- J519 Vehicle electrical system control module
- J623 Engine control module
- J743 DSG transmission Mechatronic
- SB1 Fuse 1 (on fuse panel B)
- SB16 Fuse 16 (on fuse panel B)
- SB26 Fuse 26 (on fuse panel B)
- SB47 Fuse 47 (on fuse panel B)
- T16 16-pin connector
- T40 40-pin connector
- T52a 52-pin connector
- T52b 52-pin connector
- T52c 52-pin connector

- 392 Ground connection 27 (in main wiring harness)
- 393 Ground connection 28 (in main wiring harness)
- B444 OBD connection 1 (in main wiring harness)
- B713 Diagnostic CAN bus high connection 1 (in main wiring harness)
- B714 Diagnostic CAN bus low connection 1 (in main wiring harness)

- * Diagnostic connector
- *2 Omitted as a running change
- *3 Refer to applicable engine wiring diagram
- *4 Refer to applicable wiring diagram for automatic transmission
- *5 E-Box low
- *6 E-Box high

Protected by copyright. Copying for private or commercial purposes, in part or in whole, is not permitted unless authorised by AUDI AG. AUDI AG does not guarantee or accept any liability with respect to the correctness of the data in this document. Copyright by AUDI AG.

- ws = white
- sw = black
- ro = red
- rt = red
- br = brown
- gn = green
- bl = blue
- gr = grey
- li = lilac
- vi = lilac
- ge = yellow
- or = orange
- rs = pink



Brake lamp switch, Brake pedal switch, Clutch position sensor, Vehicle electrical system control module

- F Brake lamp switch
- F63 Brake pedal switch
- G476 Clutch position sensor
- J519 Vehicle electrical system control module
- J623 Engine control module
- J743 DSG transmission Mechatronic
- SB22 Fuse 22 (on fuse panel B)
- SB39 Fuse 39 (on fuse panel B)
- T40 40-pin connector
- T52c 52-pin connector

85 Ground connection 1 (in engine compartment wiring harness)

392 Ground connection 27 (in main wiring harness)

393 Ground connection 28 (in main wiring harness)

607 Ground connection in plenum chamber, left

B326 Positive connection 12 (30a) (in main wiring harness)
Positive connection 12 (30a) (in main wiring harness) as a whole, is not permitted unless authorised by AUDI AG. AUDI AG does not guarantee or accept any liability with respect to the correctness of information in this document. Copyright by AUDI AG.

B335 Connection 1 (54) (in main wiring harness)

- * Only for vehicles with a manual transmission
- *2 Refer to applicable engine wiring diagram
- *3 E-Box high
- *4 E-Box low
- *5 Only for vehicles with automatic transmission
- *6 Only for vehicles without Start/Stop system
- *7 Refer to applicable wiring diagram for automatic transmission

- ws = white
- sw = black
- ro = red
- rt = red
- br = brown
- gn = green
- bl = blue
- gr = grey
- li = lilac
- vi = lilac
- ge = yellow
- or = orange
- rs = pink

[RP1-126101111]

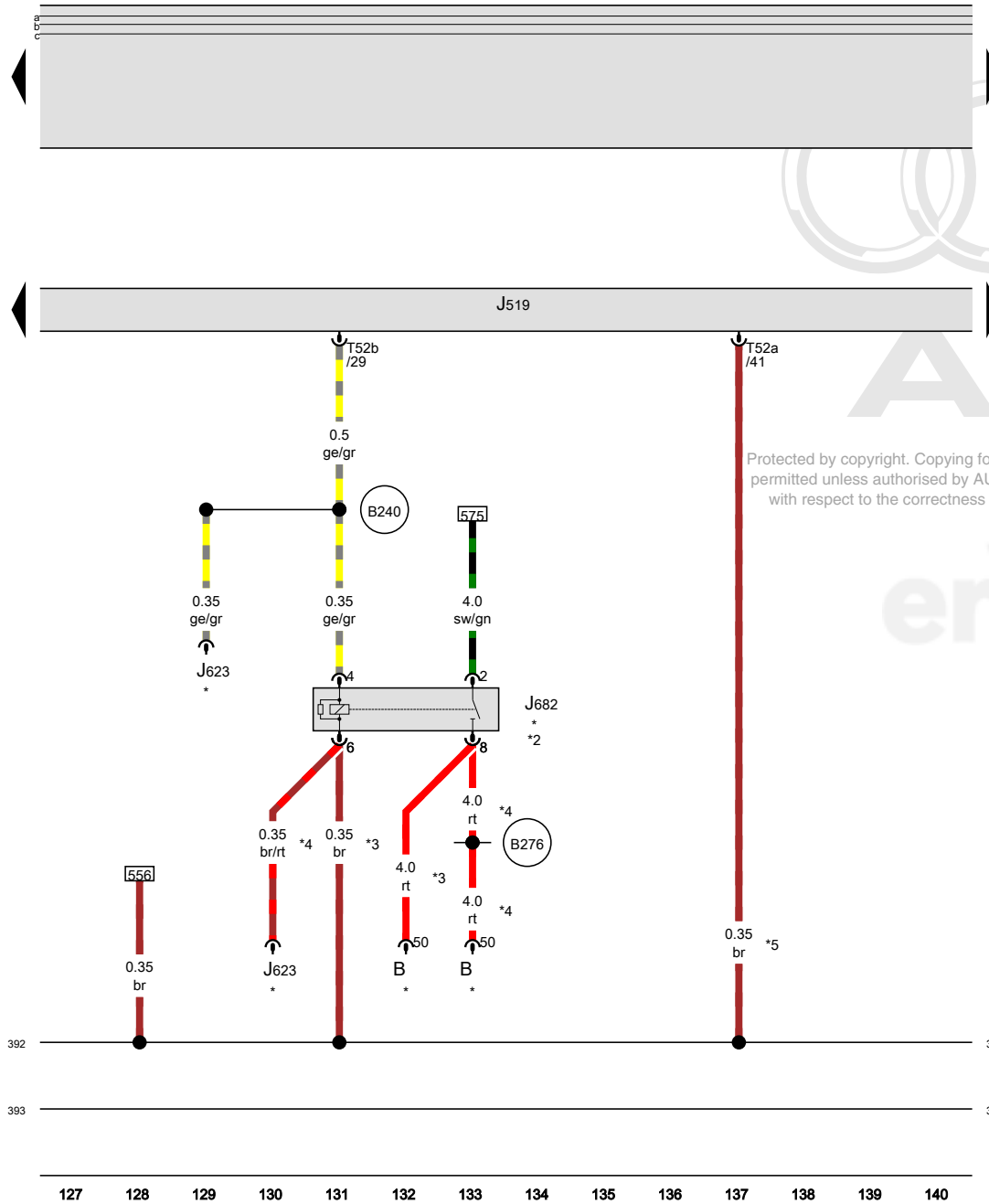
Vehicle electrical system control module, Terminal 50 power supply relay

- B Starter
- J519 Vehicle electrical system control module
- J623 Engine control module
- J682 Terminal 50 power supply relay
- T52a 52-pin connector
- T52b 52-pin connector

- 392 Ground connection 27 (in main wiring harness)
- 393 Ground connection 28 (in main wiring harness)
- B240 Positive connection 2 (50) (in interior wiring harness)
- B276 Positive connection (50) (in main wiring harness)

Protected by copyright. Copying for private or commercial purposes, in part or in full, is not permitted unless authorised by AUDI AG. AUDI AG does not guarantee for accuracy or liability with respect to the correctness of information in this document. Copyright by AUDI AG.

* Refer to applicable engine wiring diagram
 2 Only for vehicles without Start/Stop system
 3 not for vehicles with engine code CBFA
 *4 only for vehicles with engine code CBFA
 *5 Only for RS3



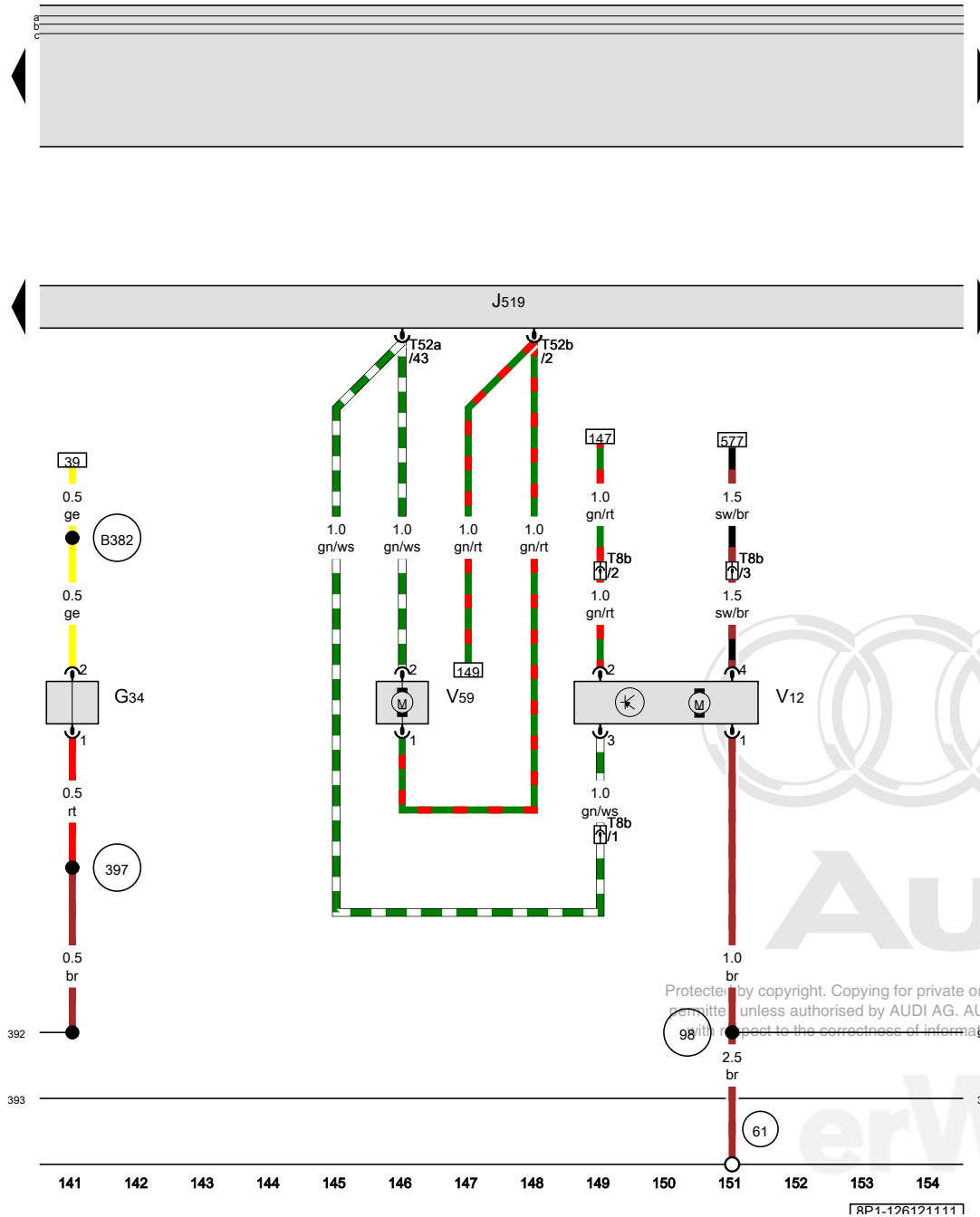
- ws = white
- sw = black
- ro = red
- rt = red
- br = brown
- gn = green
- bl = blue
- gr = grey
- li = lilac
- vi = lilac
- ge = yellow
- or = orange
- rs = pink

[RP1-126111111]

Left front brake pad wear sensor, Vehicle electrical system control module, Rear window wiper motor, Windshield and rear window washer pump

- G34 Left front brake pad wear sensor
- J519 Vehicle electrical system control module
- T8b 8-pin connector, on the left C-pillar
- T52a 52-pin connector
- T52b 52-pin connector
- V12 Rear window wiper motor
- V59 Windshield and rear window washer pump

- 61 Ground connection on left C-pillar
- 98 Ground connection (in rear lid wiring harness)
- 392 Ground connection 27 (in main wiring harness)
- 393 Ground connection 28 (in main wiring harness)
- 397 Ground connection 32 (in main wiring harness)
- B382 Brake wear indicator connection 4 (in main wiring harness)



- ws = white
- sw = black
- ro = red
- br = brown
- gn = green
- bl = blue
- gr = grey
- li = lilac
- vi = lilac
- ge = yellow
- or = orange
- rs = pink

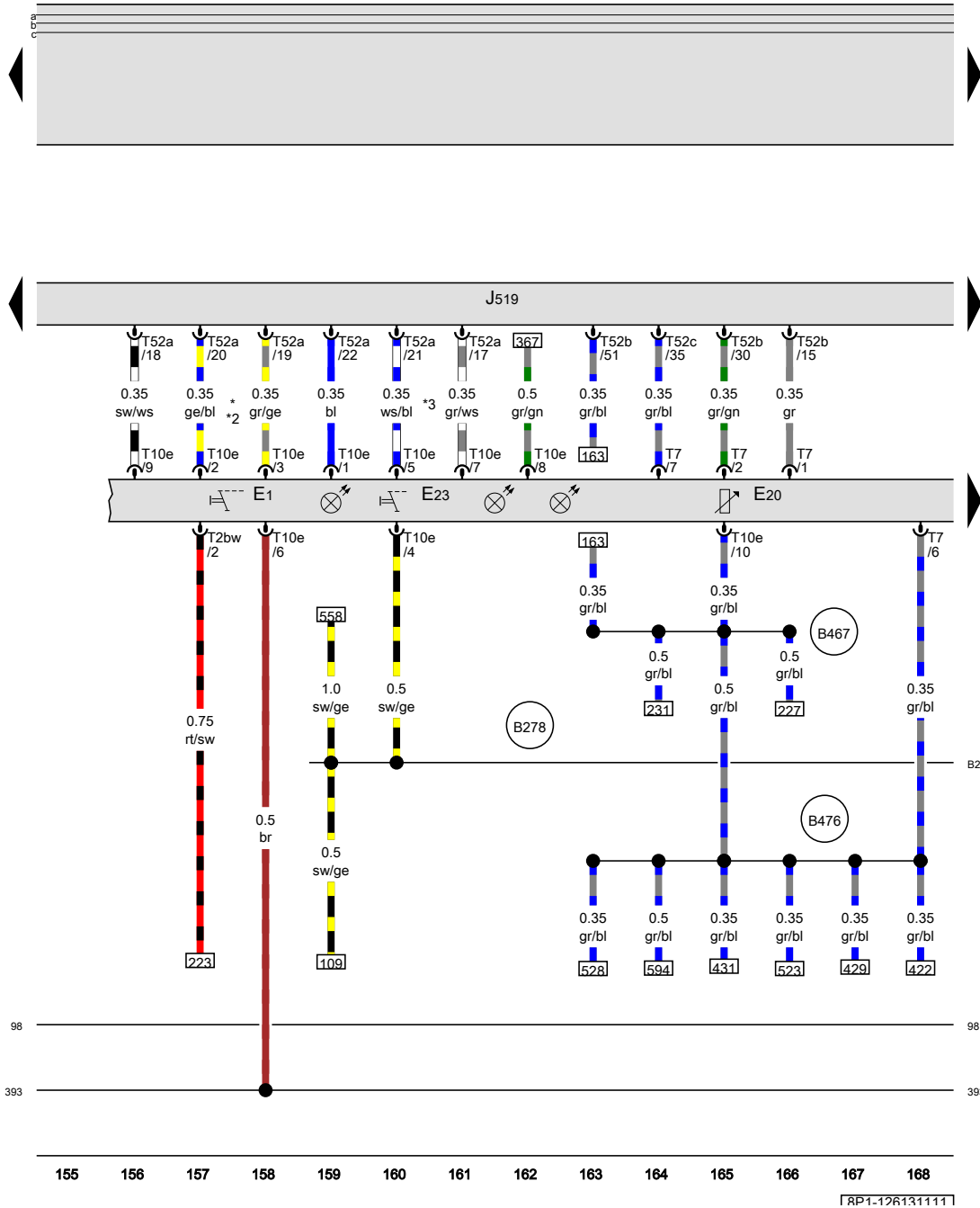
Protected by copyright. Copying for private or commercial purposes, in part or in whole, is not permitted unless authorised by AUDI AG. AUDI AG does not guarantee or accept any liability for the correctness of information in this document. Copyright by AUDI AG.

Light switch, Instrument panel and switch illumination dimmer switch, Fog lamp and rear fog lamp switch, Vehicle electrical system control module

- E1 Light switch
- E20 Instrument panel and switch illumination dimmer switch
- E23 Fog lamp and rear fog lamp switch
- J519 Vehicle electrical system control module
- T2bw Double connector
- T7 7-pin connector
- T10e 10-pin connector
- T52a 52-pin connector
- T52b 52-pin connector
- T52c 52-pin connector

- 98 Ground connection (in rear lid wiring harness)
- 393 Ground connection 28 (in main wiring harness)
- B278 Positive connection 2 (15a) (in main wiring harness)
- B467 Connection 3 (in main wiring harness)
- B476 Connection 12 (in main wiring harness)
- * Only for vehicles with automatic headlamp assist
- *2 Only for vehicles with daytime running lamps
- *3 Only for vehicles with fog lamps

Protected by copyright. Copying for private or commercial purposes, in part or in whole, is not permitted unless authorised by AUDI AG. AUDI AG does not guarantee or accept any liability with respect to the correctness of information in this document. Copyright by AUDI AG.



- ws = white
- sw = black
- ro = red
- rt = red
- br = brown
- gn = green
- bl = blue
- gr = grey
- li = lilac
- vi = lilac
- ge = yellow
- or = orange
- rs = pink

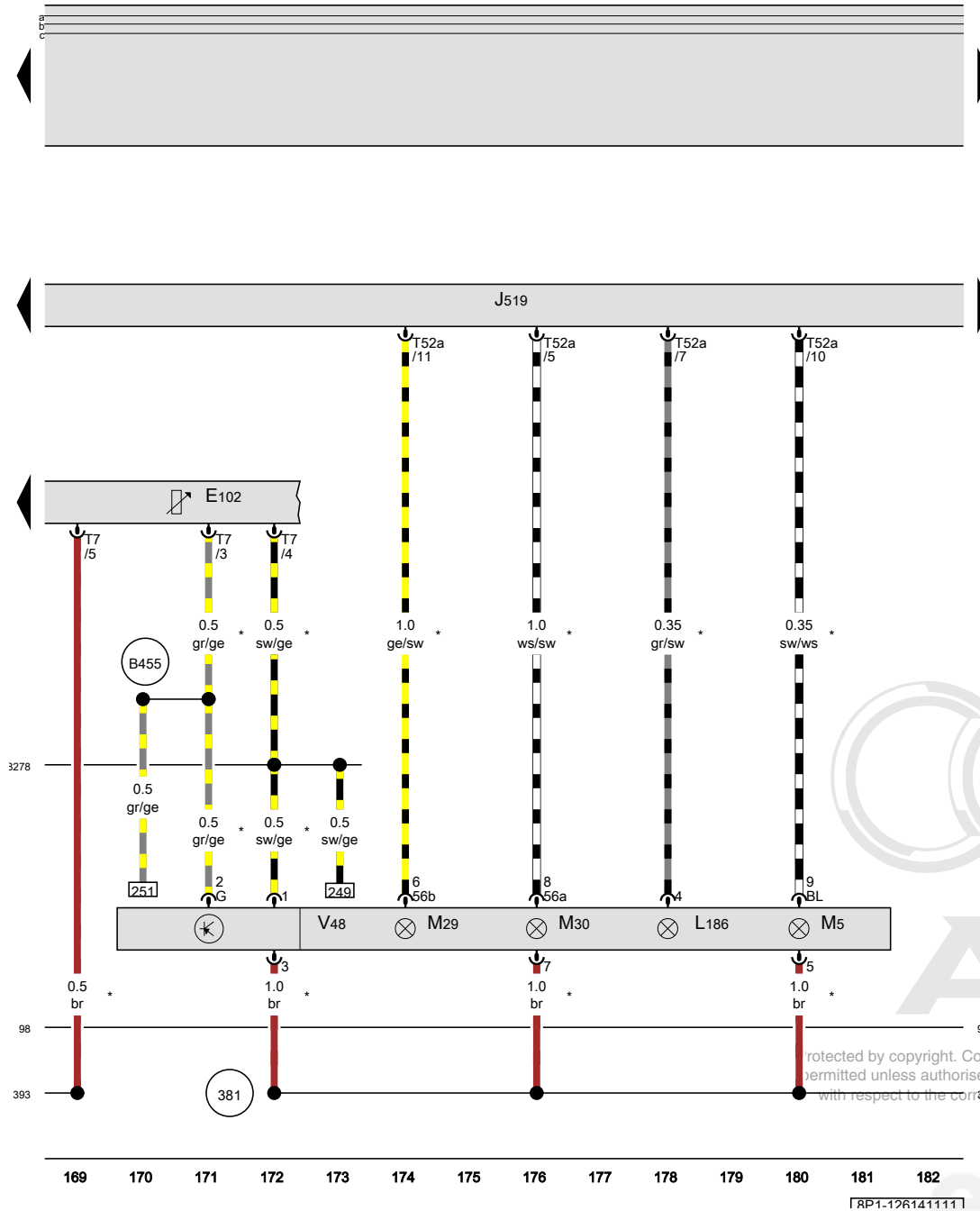
RP1-126131111

Headlamp range control adjuster, Vehicle electrical system control module, Left daytime running lamp and parking lamp bulb, Left front turn signal bulb, Left low beam headlamp bulb, Left high beam headlamp bulb, Left headlamp beam adjustment motor

- E102 Headlamp range control adjuster
- J519 Vehicle electrical system control module
- L186 Left daytime running lamp and parking lamp bulb
- M5 Left front turn signal bulb
- M29 Left low beam headlamp bulb
- M30 Left high beam headlamp bulb
- T7 7-pin connector
- T52a 52-pin connector
- V48 Left headlamp beam adjustment motor

- 98 Ground connection (in rear lid wiring harness)
- 381 Ground connection 16 (in main wiring harness)
- 393 Ground connection 28 (in main wiring harness)
- B278 Positive connection 2 (15a) (in main wiring harness)
- B455 Headlamp range control connection (in main wiring harness)

* Only for vehicles without US equipment



protected by copyright. Copying for private or commercial purposes, in part or in whole, is not permitted unless authorised by AUDI AG. AUDI AG does not guarantee or accept any liability with respect to the correctness of information in this document. Copyright by AUDI AG.

- ws = white
- sw = black
- ro = red
- rt = red
- br = brown
- gn = green
- bl = blue
- gr = grey
- li = lilac
- vi = lilac
- ge = yellow
- or = orange
- rs = pink

[RP1-126141111]

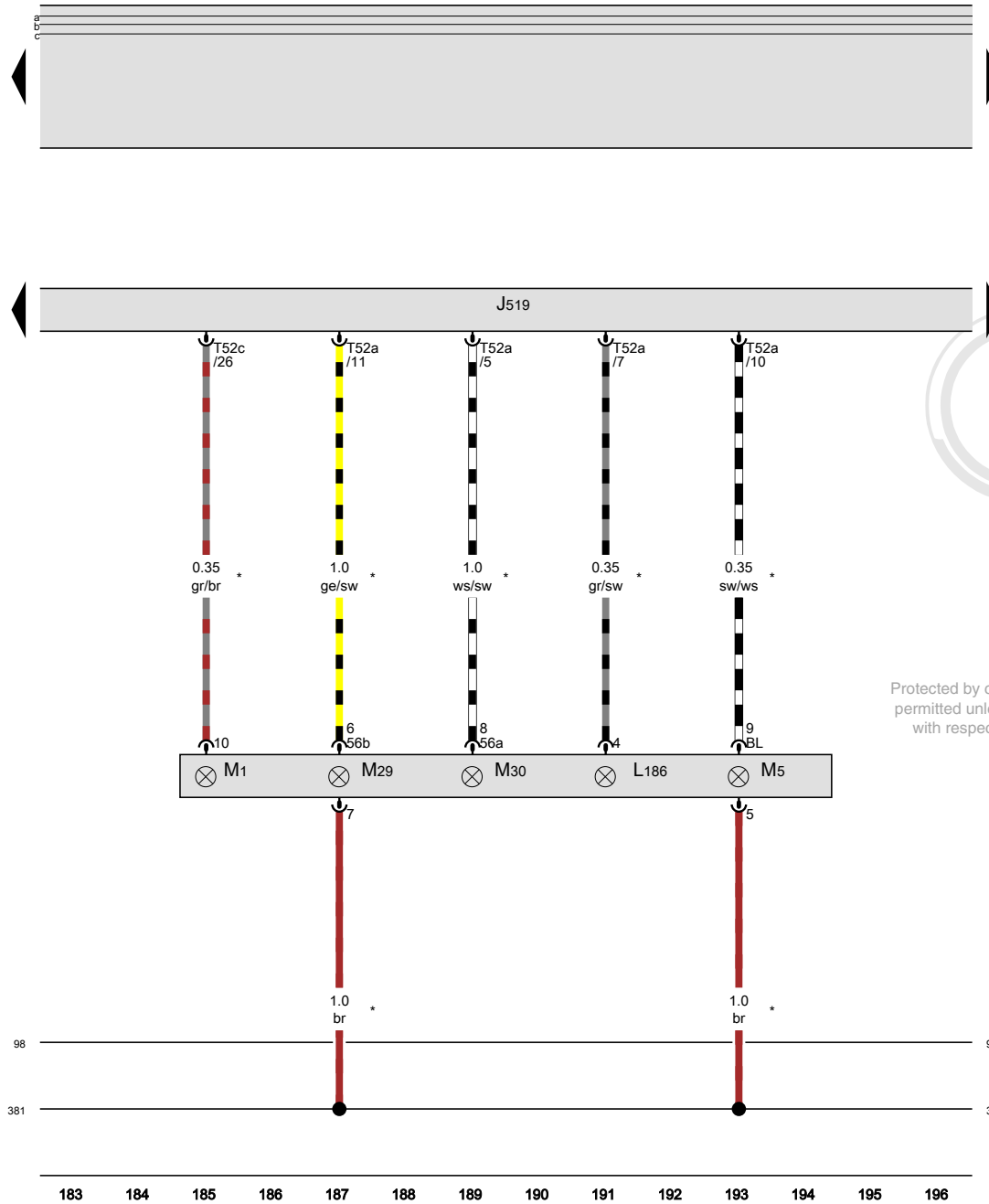
Vehicle electrical system control module, Left daytime running lamp and parking lamp bulb, Left side marker lamp bulb, Left front turn signal bulb, Left low beam headlamp bulb, Left high beam headlamp bulb

- J519 Vehicle electrical system control module
- L186 Left daytime running lamp and parking lamp bulb
- M1 Left side marker lamp bulb
- M5 Left front turn signal bulb
- M29 Left low beam headlamp bulb
- M30 Left high beam headlamp bulb
- T52a 52-pin connector
- T52c 52-pin connector

98 Ground connection (in rear lid wiring harness)

381 Ground connection 16 (in main wiring harness)

* Only for vehicles with US equipment



Protected by copyright. Copying for private or commercial purposes, in part or in whole, is not permitted unless authorised by AUDI AG. AUDI AG does not guarantee or accept any liability with respect to the correctness of information in this document. Copyright by AUDI AG.

- ws = white
- sw = black
- ro = red
- rt = red
- br = brown
- gn = green
- bl = blue
- gr = grey
- li = lilac
- vi = lilac
- ge = yellow
- or = orange
- rs = pink

[RP1-126151111]

Engine hood contact switch, Oil level thermal sensor, Vehicle electrical system control module

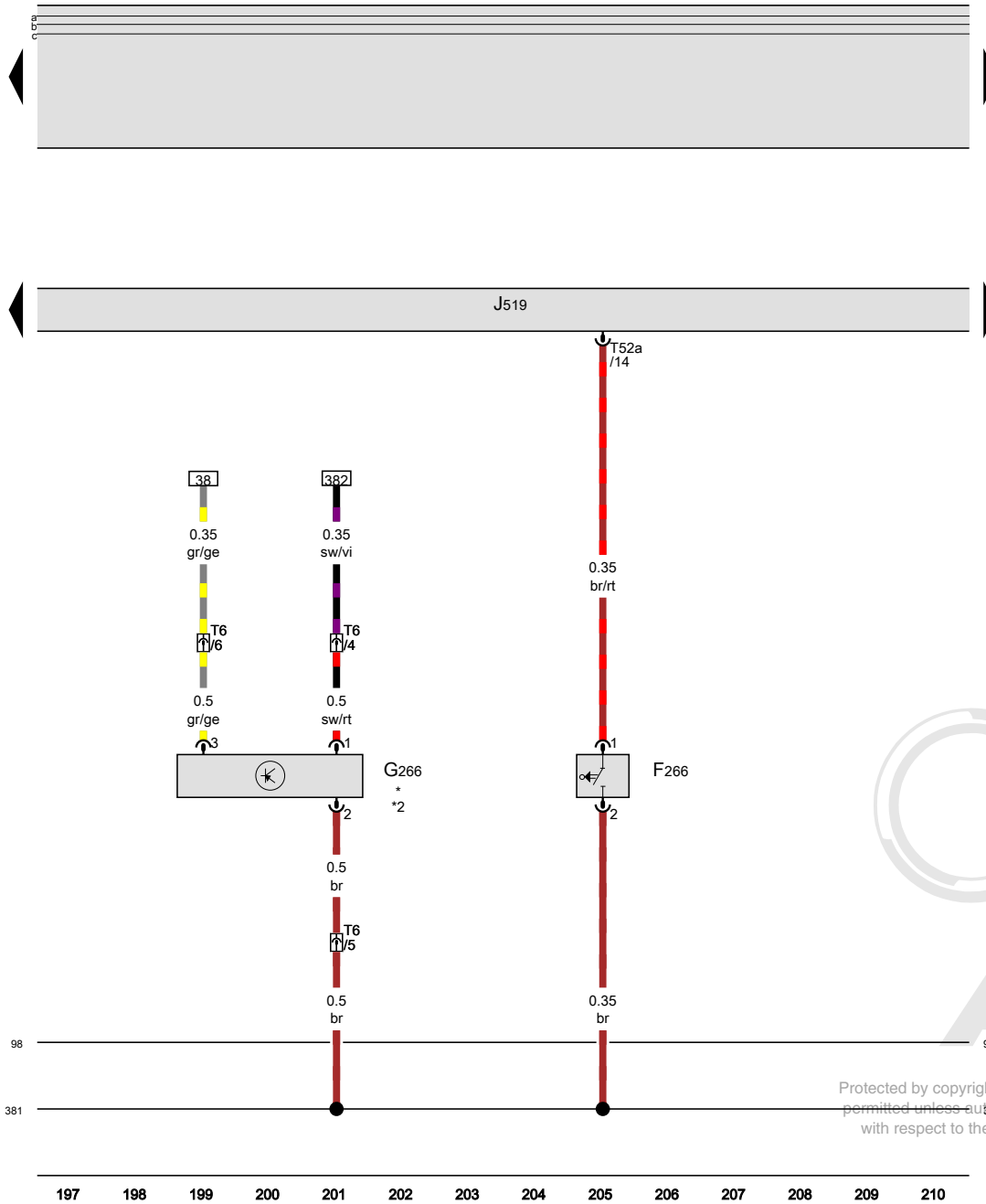
- F266 Engine hood contact switch
- G266 Oil level thermal sensor
- J519 Vehicle electrical system control module
- T6 6-pin connector, near the left front longitudinal member
- T52a 52-pin connector

98 Ground connection (in rear lid wiring harness)

381 Ground connection 16 (in main wiring harness)

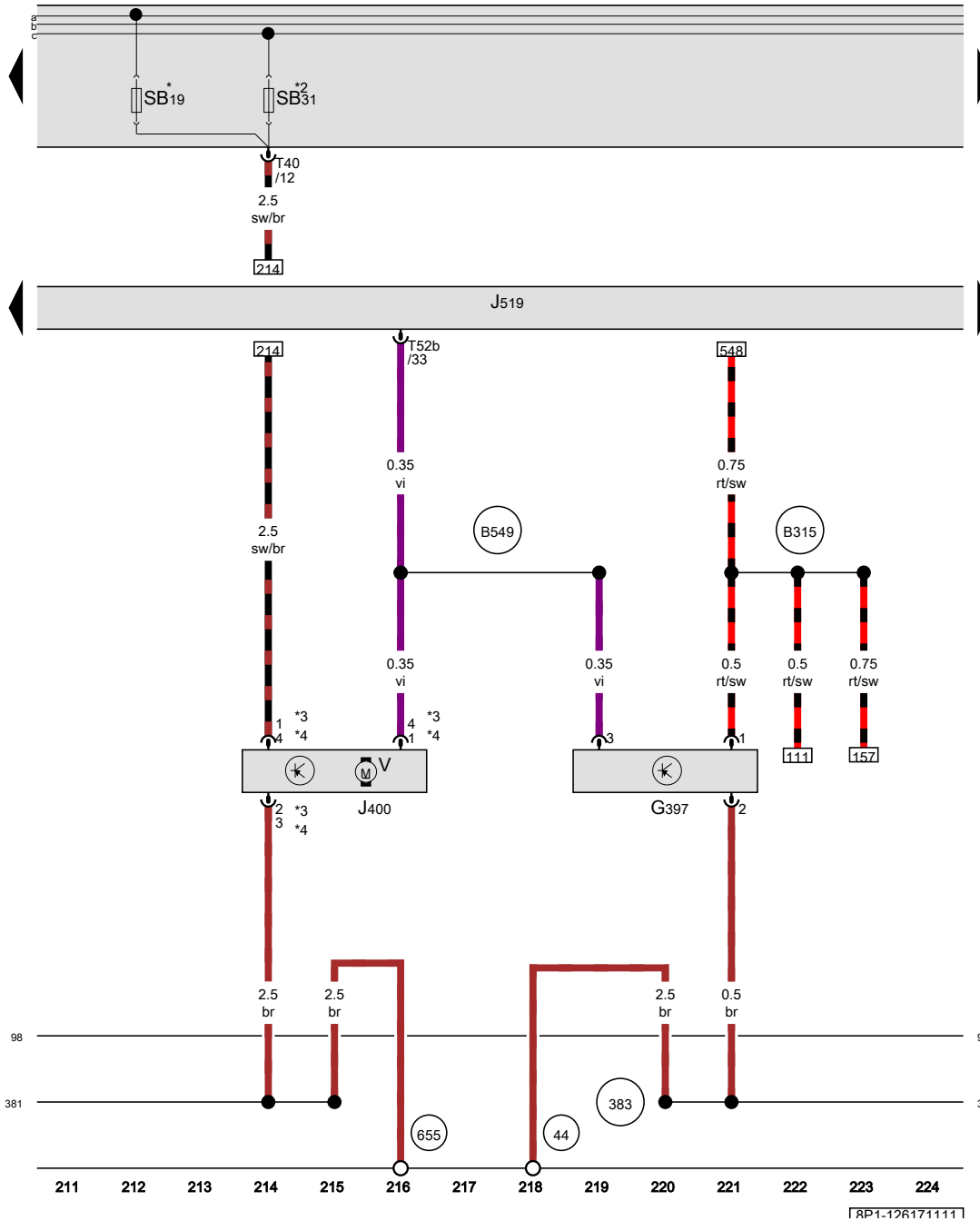
* Not for RS3

*2 Refer to applicable engine wiring diagram



- ws = white
- sw = black
- ro = red
- rt = red
- br = brown
- gn = green
- bl = blue
- gr = grey
- li = lilac
- vi = lilac
- ge = yellow
- or = orange
- rs = pink

Protected by copyright. Copying for private or commercial purposes, in part or in whole, is not permitted unless authorized by AUDI AG. AUDI AG does not guarantee or accept any liability with respect to the correctness of the information in this document. Copyright by AUDI AG.



Rain/light recognition sensor, Wiper motor control module, Vehicle electrical system control module, Windshield wiper motor

- G397 Rain/light recognition sensor
- J400 Wiper motor control module
- J519 Vehicle electrical system control module
- SB19 Fuse 19 (on fuse panel B)
- SB31 Fuse 31 (on fuse panel B)
- T40 40-pin connector
- T52b 52-pin connector
- V Windshield wiper motor

- 44 Ground connection on A-pillar, lower left
- 98 Ground connection (in rear lid wiring harness)
- 381 Ground connection 16 (in main wiring harness)
- 383 Ground connection 18 (in main wiring harness)
- 655 Ground connection on left headlamp
- B315 Positive connection 1 (30a) (in main wiring harness)
- B549 LIN bus connection 2 (in main wiring harness)
- * E-Box low
- *2 E-Box high
- *3 Only for left-hand drive vehicles
- *4 Only for right-hand drive vehicles

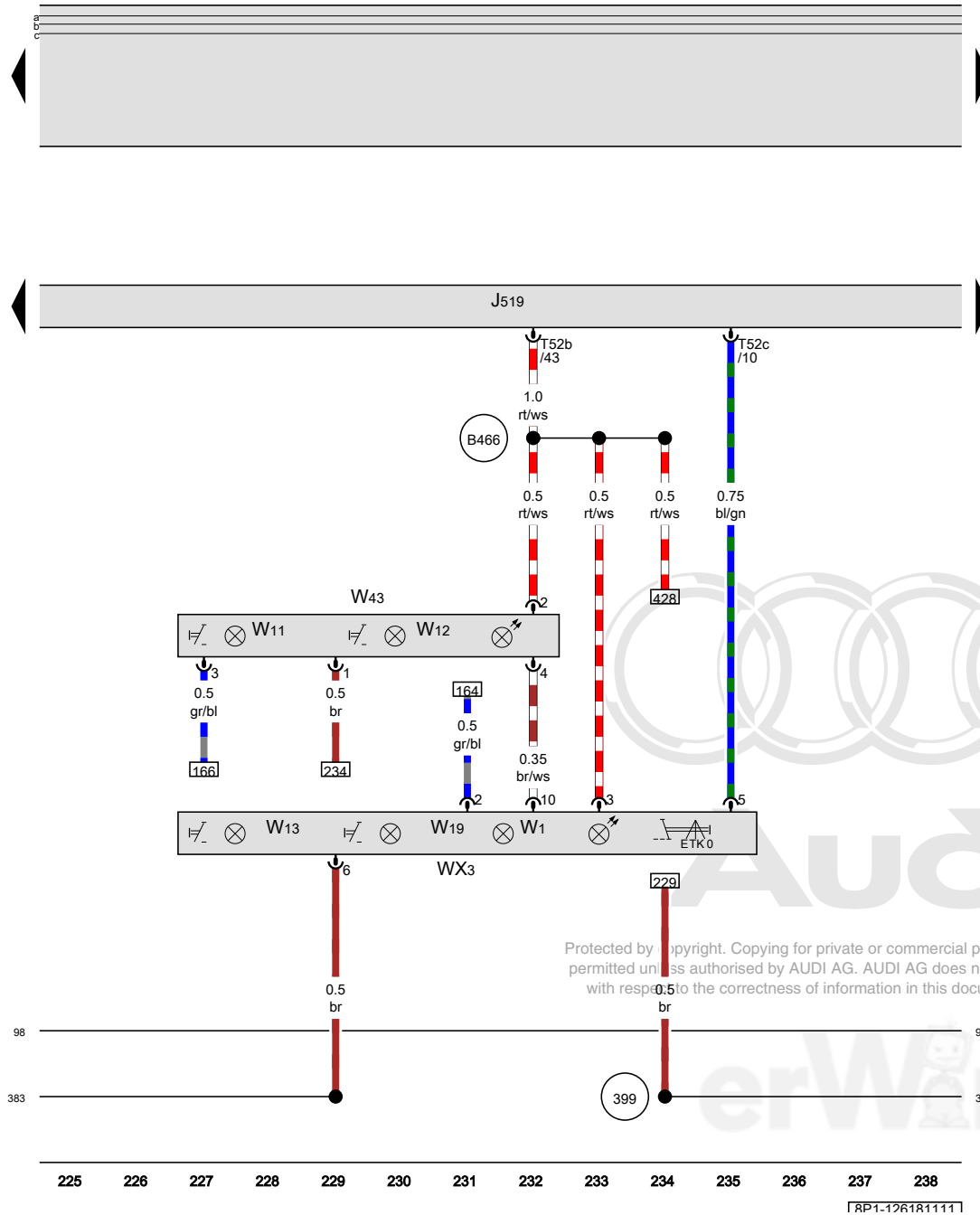
- ws = white
- sw = black
- ro = red
- rt = red
- br = brown
- gn = green
- bl = blue
- gr = grey
- li = lilac
- vi = lilac
- ge = yellow
- or = orange
- rs = pink

[RP1-126171111]

Vehicle electrical system control module, Front roof module, Rear interior lamp

- J519 Vehicle electrical system control module
- T52b 52-pin connector
- T52c 52-pin connector
- W1 Front interior lamp
- WX3 Front roof module
- W11 Left rear reading lamp
- W12 Right rear reading lamp
- W13 Front passenger reading lamp
- W19 Driver reading lamp
- W43 Rear interior lamp

- 98 Ground connection (in rear lid wiring harness)
- 383 Ground connection 18 (in main wiring harness)
- 399 Ground connection 34 (in main wiring harness)
- B466 Connection 2 (in main wiring harness)



Protected by copyright. Copying for private or commercial purposes, in any form or by any means, is not permitted unless authorised by AUDI AG. AUDI AG does not guarantee or accept any liability with respect to the correctness of information in this document. Copyright by AUDI AG.

- ws = white
- sw = black
- ro = red
- rt = red
- br = brown
- gn = green
- bl = blue
- gr = grey
- li = lilac
- vi = lilac
- ge = yellow
- or = orange
- rs = pink

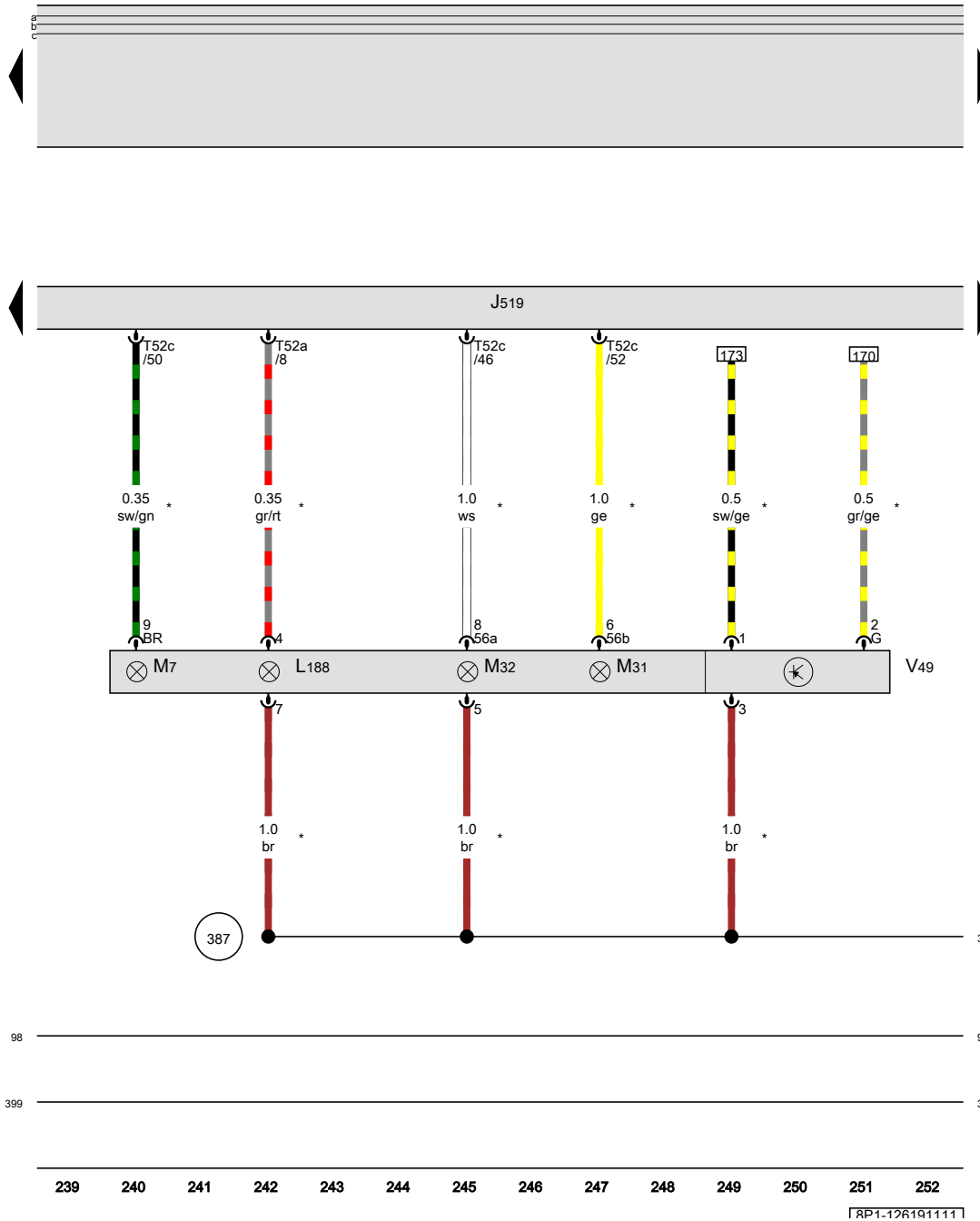
Vehicle electrical system control module, Right daytime running lamp and parking lamp bulb, Right front turn signal bulb, Right low beam headlamp bulb, Right high beam headlamp bulb, Right headlamp beam adjustment motor

- J519 Vehicle electrical system control module
- L188 Right daytime running lamp and parking lamp bulb
- M7 Right front turn signal bulb
- M31 Right low beam headlamp bulb
- M32 Right high beam headlamp bulb
- T52a 52-pin connector
- T52c 52-pin connector
- V49 Right headlamp beam adjustment motor

- 98 Ground connection (in rear lid wiring harness)
- 387 Ground connection 22 (in main wiring harness)
- 399 Ground connection 34 (in main wiring harness)

* Only for vehicles without US equipment

Protected by copyright. Copying for private or commercial purposes, in part or in whole, is not permitted unless authorised by AUDI AG. AUDI AG does not guarantee or accept any liability with respect to the correctness of information in this document. Copyright by AUDI AG.



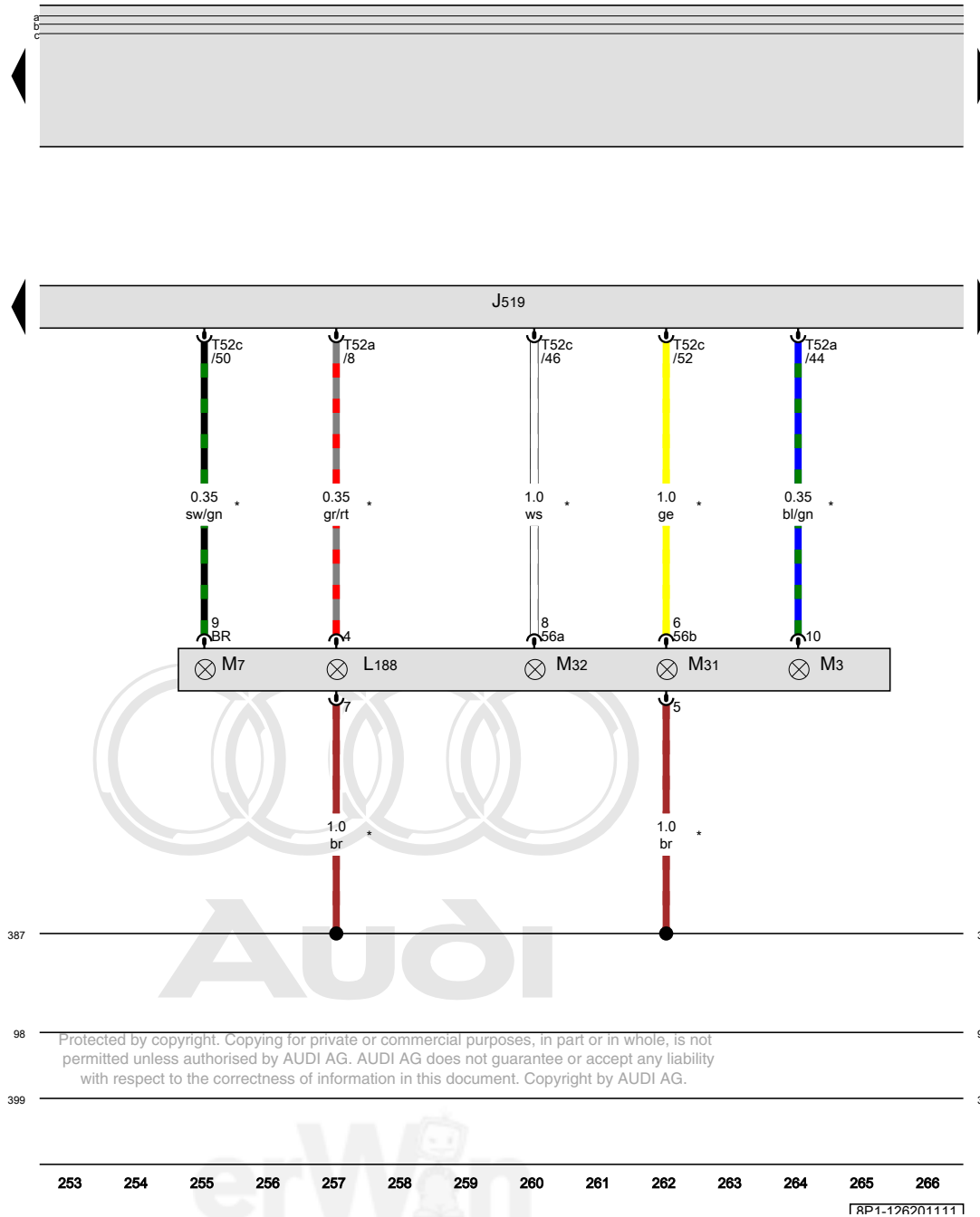
- ws = white
- sw = black
- ro = red
- rt = red
- br = brown
- gn = green
- bl = blue
- gr = grey
- li = lilac
- vi = lilac
- ge = yellow
- or = orange
- rs = pink

Vehicle electrical system control module, Right daytime running lamp and parking lamp bulb, Right side marker lamp bulb, Right front turn signal bulb, Right low beam headlamp bulb, Right high beam headlamp bulb

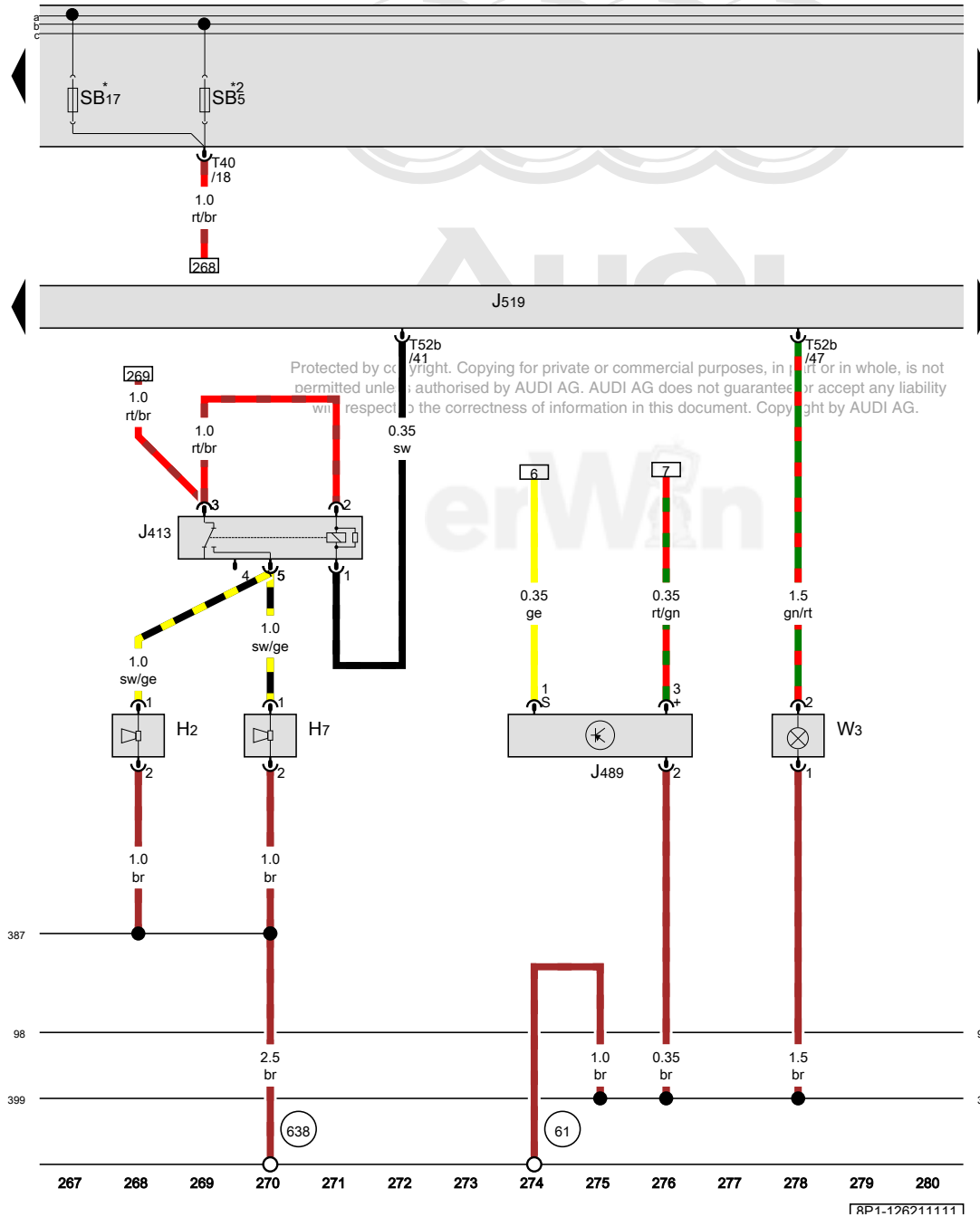
- J519 Vehicle electrical system control module
- L188 Right daytime running lamp and parking lamp bulb
- M3 Right side marker lamp bulb
- M7 Right front turn signal bulb
- M31 Right low beam headlamp bulb
- M32 Right high beam headlamp bulb
- T52a 52-pin connector
- T52c 52-pin connector

- 98 Ground connection (in rear lid wiring harness)
- 387 Ground connection 22 (in main wiring harness)
- 399 Ground connection 34 (in main wiring harness)

* Only for vehicles with US equipment



98 Protected by copyright. Copying for private or commercial purposes, in part or in whole, is not permitted unless authorised by AUDI AG. AUDI AG does not guarantee or accept any liability with respect to the correctness of information in this document. Copyright by AUDI AG.



High tone horn, Low tone horn, Horn relay, Radio frequency controlled clock receiver, Vehicle electrical system control module, Luggage compartment lamp

- H2 High tone horn
- H7 Low tone horn
- J413 Horn relay
- J489 Radio frequency controlled clock receiver
- J519 Vehicle electrical system control module
- SB5 Fuse 5 (on fuse panel B)
- SB17 Fuse 17 (on fuse panel B)
- T40 40-pin connector
- T52b 52-pin connector
- W3 Luggage compartment lamp

- 61 Ground connection on left C-pillar
- 98 Ground connection (in rear lid wiring harness)
- 387 Ground connection 22 (in main wiring harness)
- 399 Ground connection 34 (in main wiring harness)
- 638 Ground connection on right A-pillar

- * E-Box low
- *2 E-Box high

- ws = white
- sw = black
- ro = red
- rt = red
- br = brown
- gn = green
- bl = blue
- gr = grey
- li = lilac
- vi = lilac
- ge = yellow
- or = orange
- rs = pink

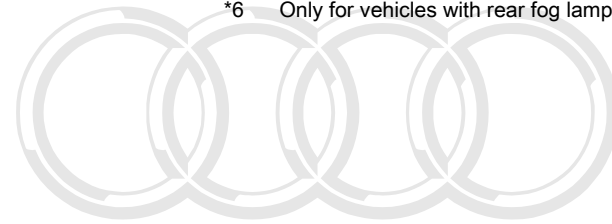
[RP1-126211111]

Vehicle electrical system control module, Left rear fog lamp bulb, Left tail lamp bulb, Left rear turn signal bulb, Left brake lamp bulb, Left back-up lamp bulb, High-mounted brake lamp bulb

- J519 Vehicle electrical system control module
- L46 Left rear fog lamp bulb
- M4 Left tail lamp bulb
- M6 Left rear turn signal bulb
- M9 Left brake lamp bulb
- M16 Left back-up lamp bulb
- M25 High-mounted brake lamp bulb
- T8b 8-pin connector, on the left C-pillar
- T52a 52-pin connector
- T52c 52-pin connector

- 98 Ground connection (in rear lid wiring harness)
- 399 Ground connection 34 (in main wiring harness)
- B182 Connection (RF) (in interior wiring harness)

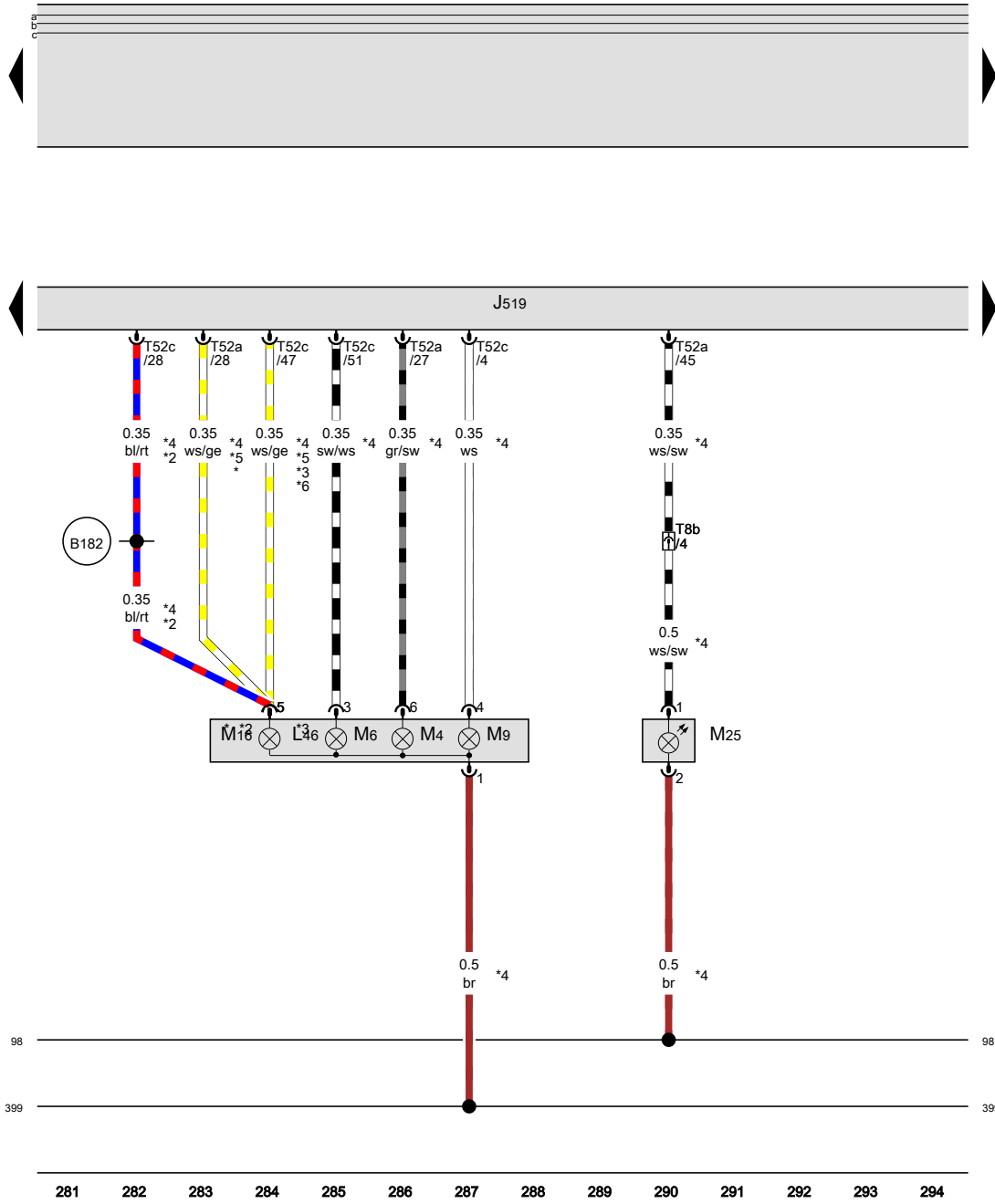
- * only for Mexico
- *2 Only for right-hand drive vehicles
- *3 not for Mexico
- *4 Only for vehicles without US equipment
- *5 Only for left-hand drive vehicles
- *6 Only for vehicles with rear fog lamps



Audi

- ws = white
- sw = black
- ro = red
- rt = red
- br = brown
- gn = green
- bl = blue
- gr = grey
- li = lilac
- vi = lilac
- ge = yellow
- or = orange
- rs = pink

Protected by copyright. Copying for private or commercial purposes, in part or in whole, is not permitted without the express authorization of AUDI AG. AUDI AG does not guarantee or accept any liability with respect to the correctness of information in this document. Copyright by AUDI AG.



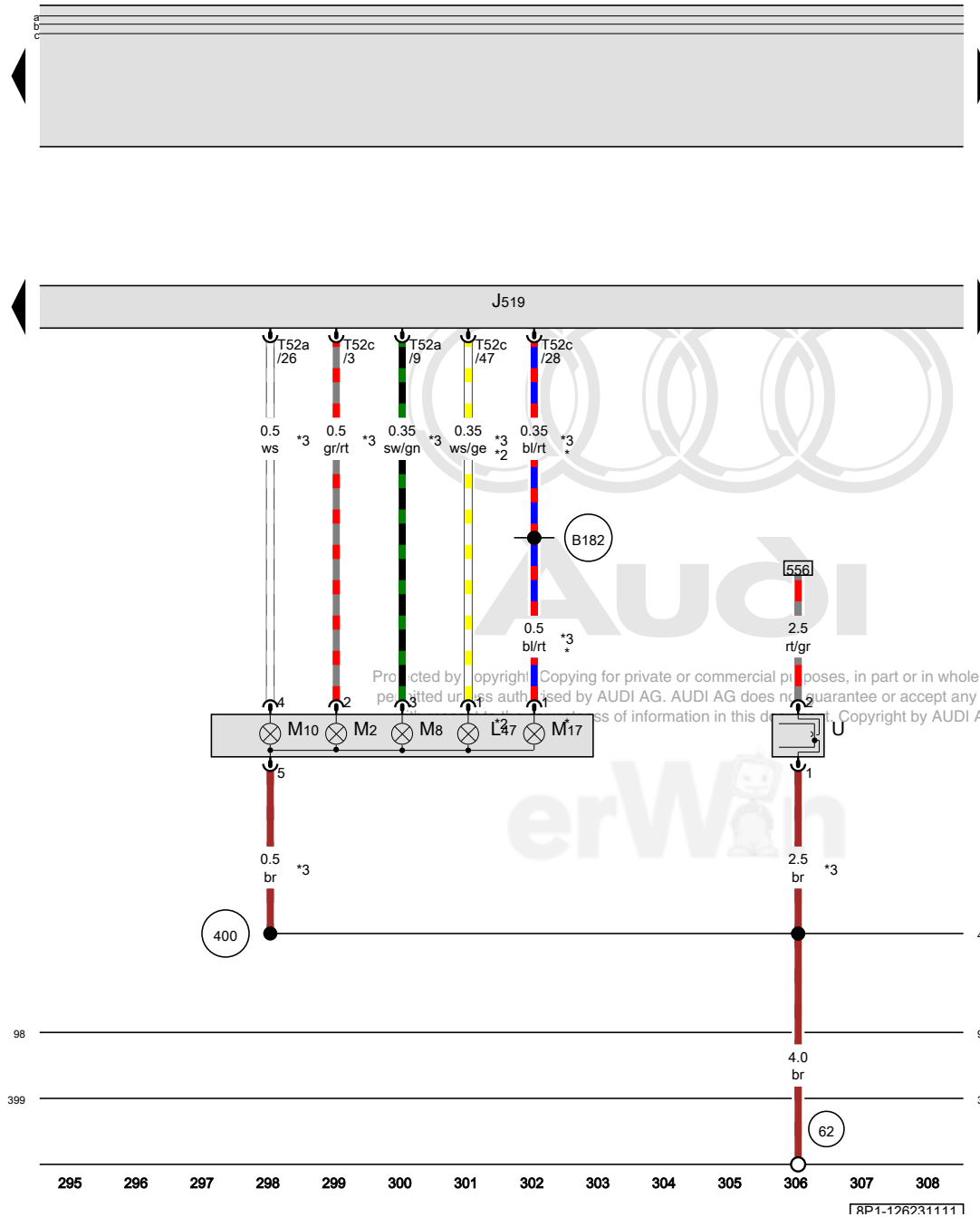
281 282 283 284 285 286 287 288 289 290 291 292 293 294

18P1-126221111

Vehicle electrical system control module, Right rear fog lamp bulb, Right tail lamp bulb, Right rear turn signal bulb, Right brake lamp bulb, Right back-up lamp bulb, Socket

- J519 Vehicle electrical system control module
- L47 Right rear fog lamp bulb
- M2 Right tail lamp bulb
- M8 Right rear turn signal bulb
- M10 Right brake lamp bulb
- M17 Right back-up lamp bulb
- T52a 52-pin connector
- T52c 52-pin connector
- U Socket

- 62 Ground connection on right C-pillar
- 98 Ground connection (in rear lid wiring harness)
- 399 Ground connection 34 (in main wiring harness)
- 400 Ground connection 35 (in main wiring harness)
- B182 Connection (RF) (in interior wiring harness)
- * Only for left-hand drive vehicles
- *2 Only for right-hand drive vehicles
- *3 Only for vehicles without US equipment



- ws = white
- sw = black
- ro = red
- rt = red
- br = brown
- gn = green
- bl = blue
- gr = grey
- li = lilac
- vi = lilac
- ge = yellow
- or = orange
- rs = pink

[RP1-126231111]

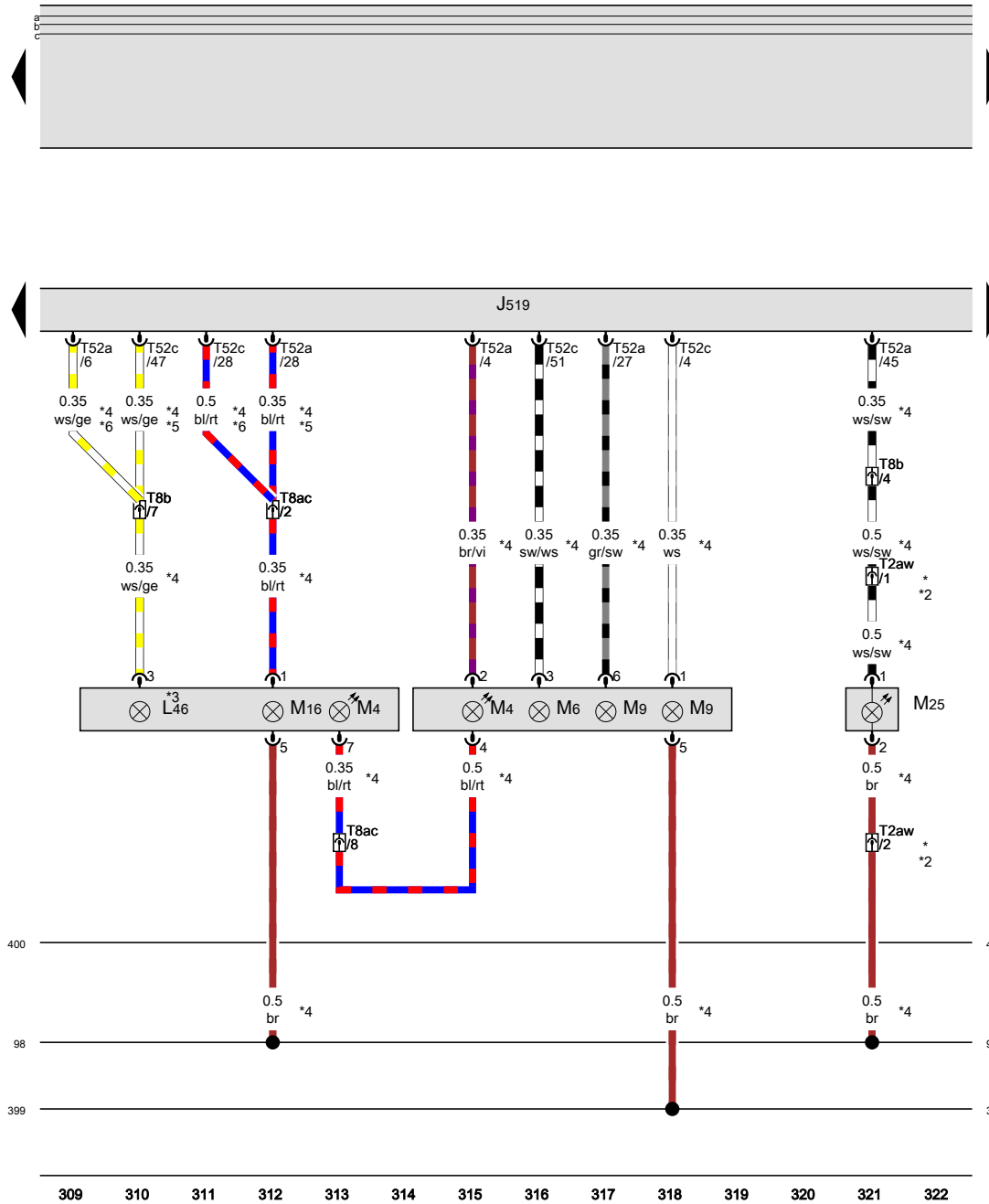
Vehicle electrical system control module, Left rear fog lamp bulb, Left tail lamp bulb, Left rear turn signal bulb, Left brake lamp bulb, Left back-up lamp bulb, High-mounted brake lamp bulb

- J519 Vehicle electrical system control module
- L46 Left rear fog lamp bulb
- M4 Left tail lamp bulb
- M6 Left rear turn signal bulb
- M9 Left brake lamp bulb
- M16 Left back-up lamp bulb
- M25 High-mounted brake lamp bulb
- T2aw Double connector, in the rear lid
- T8ac 8-pin connector, on the left C-pillar
- T8b 8-pin connector, on the left C-pillar
- T52a 52-pin connector
- T52c 52-pin connector

Protected by copyright. Copying for private use, in part or in whole, is not permitted unless authorised by AUDI AG. AUDI AG does not guarantee or accept any liability with respect to the correctness of the information.

- 98 Ground connection (in rear lid wiring harness)
- 399 Ground connection 34 (in main wiring harness)
- 400 Ground connection 35 (in main wiring harness)

- * Optional equipment
- *2 only for vehicles with S line equipment
- *3 Only for vehicles with rear fog lamps
- *4 Only for vehicles without US equipment
- *5 Only for left-hand drive vehicles
- *6 Only for right-hand drive vehicles



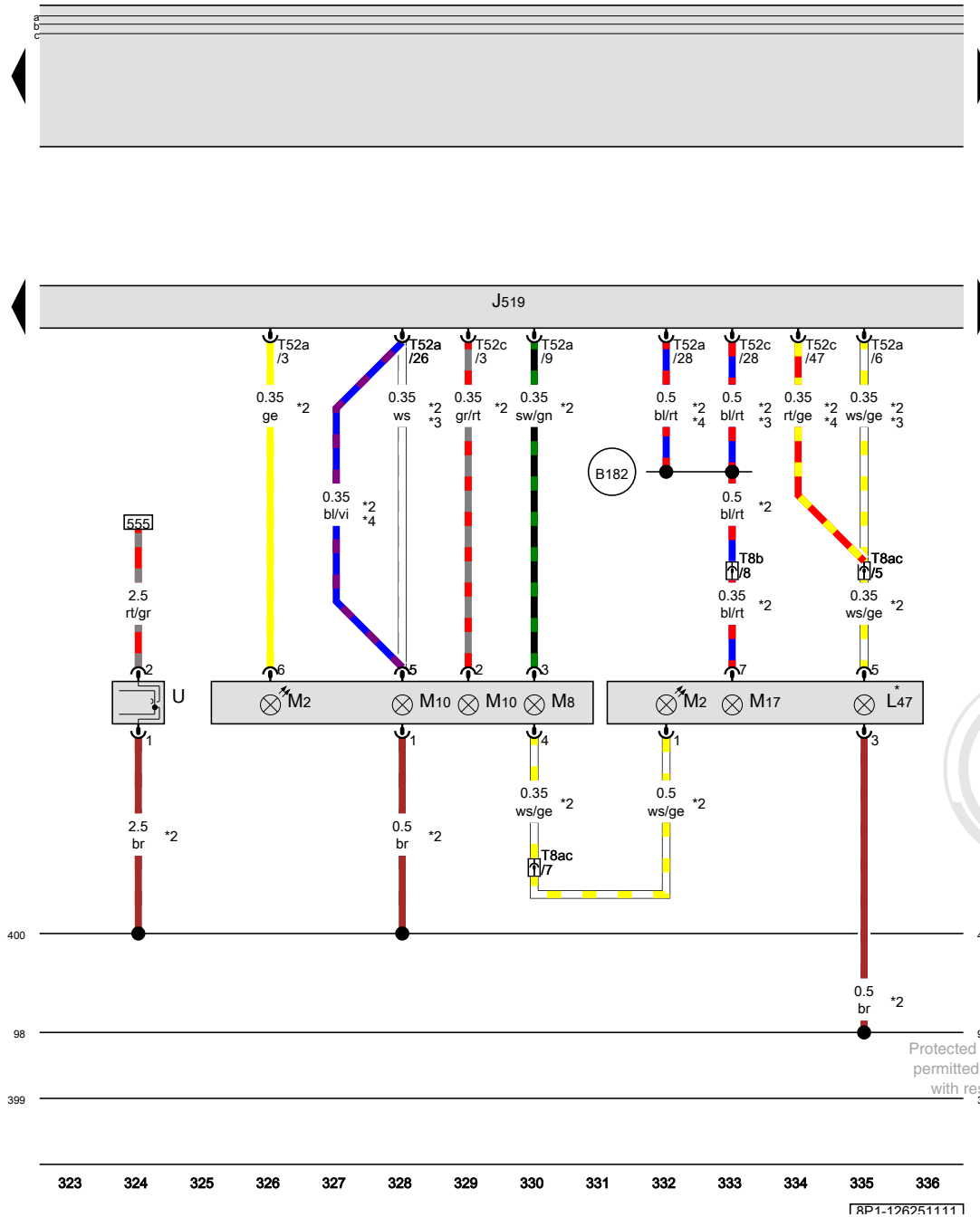
- ws = white
- sw = black
- ro = red
- rt = red
- br = brown
- gn = green
- bl = blue
- gr = grey
- li = lilac
- vi = lilac
- ge = yellow
- or = orange
- rs = pink

RP1-126241111

Vehicle electrical system control module, Right rear fog lamp bulb, Right tail lamp bulb, Right rear turn signal bulb, Right brake lamp bulb, Right back-up lamp bulb, Socket

- J519 Vehicle electrical system control module
- L47 Right rear fog lamp bulb
- M2 Right tail lamp bulb
- M8 Right rear turn signal bulb
- M10 Right brake lamp bulb
- M17 Right back-up lamp bulb
- T8ac 8-pin connector, on the left C-pillar
- T8b 8-pin connector, on the left C-pillar
- T52a 52-pin connector
- T52c 52-pin connector
- U Socket

- 98 Ground connection (in rear lid wiring harness)
- 399 Ground connection 34 (in main wiring harness)
- 400 Ground connection 35 (in main wiring harness)
- B182 Connection (RF) (in interior wiring harness)
- * Only for vehicles with rear fog lamps
- *2 Only for vehicles without US equipment
- *3 Only for left-hand drive vehicles
- *4 Only for right-hand drive vehicles



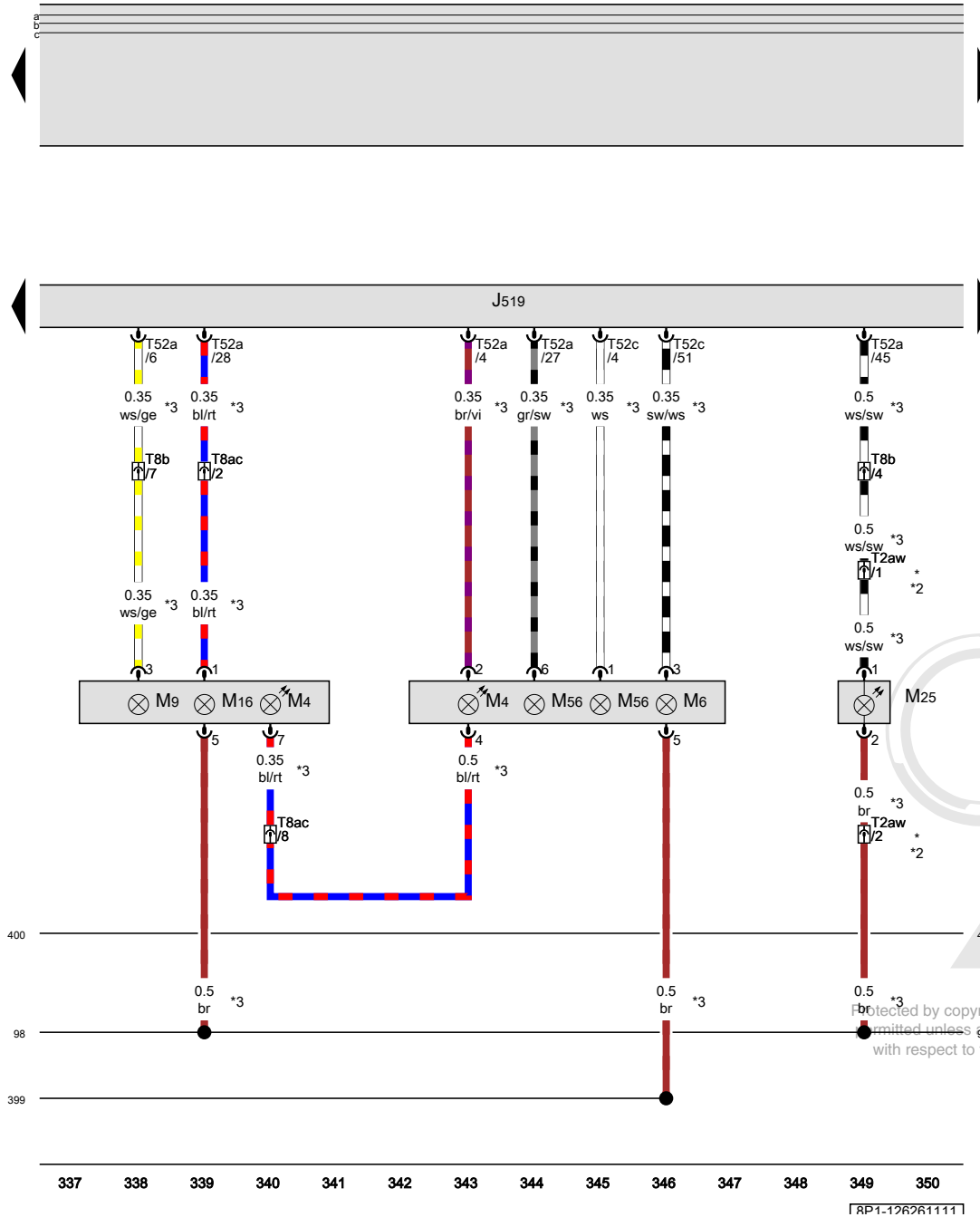
- ws = white
- sw = black
- ro = red
- rt = red
- br = brown
- gn = green
- bl = blue
- gr = grey
- li = lilac
- vi = lilac
- ge = yellow
- or = orange
- rs = pink

Protected by copyright. This document is for private or commercial purposes, in part or in whole, is not permitted unless authorized by AUDI AG. AUDI AG does not guarantee or accept any liability with respect to the correctness of information in this document. Copyright by AUDI AG.

Vehicle electrical system control module, Left tail lamp bulb, Left rear turn signal bulb, Left brake lamp bulb, Left back-up lamp bulb, High-mounted brake lamp bulb, Left brake lamp/turn signal bulb

- J519 Vehicle electrical system control module
- M4 Left tail lamp bulb
- M6 Left rear turn signal bulb
- M9 Left brake lamp bulb
- M16 Left back-up lamp bulb
- M25 High-mounted brake lamp bulb
- M56 Left brake lamp/turn signal bulb
- T2aw Double connector, in the rear lid
- T8ac 8-pin connector, on the left C-pillar
- T8b 8-pin connector, on the left C-pillar
- T52a 52-pin connector
- T52c 52-pin connector

- 98 Ground connection (in rear lid wiring harness)
- 399 Ground connection 34 (in main wiring harness)
- 400 Ground connection 35 (in main wiring harness)
- * Optional equipment
- *2 only for vehicles with S line equipment
- *3 Only for vehicles with US equipment



- ws = white
- sw = black
- ro = red
- rt = red
- br = brown
- gn = green
- bl = blue
- gr = grey
- li = lilac
- vi = lilac
- ge = yellow
- or = orange
- rs = pink

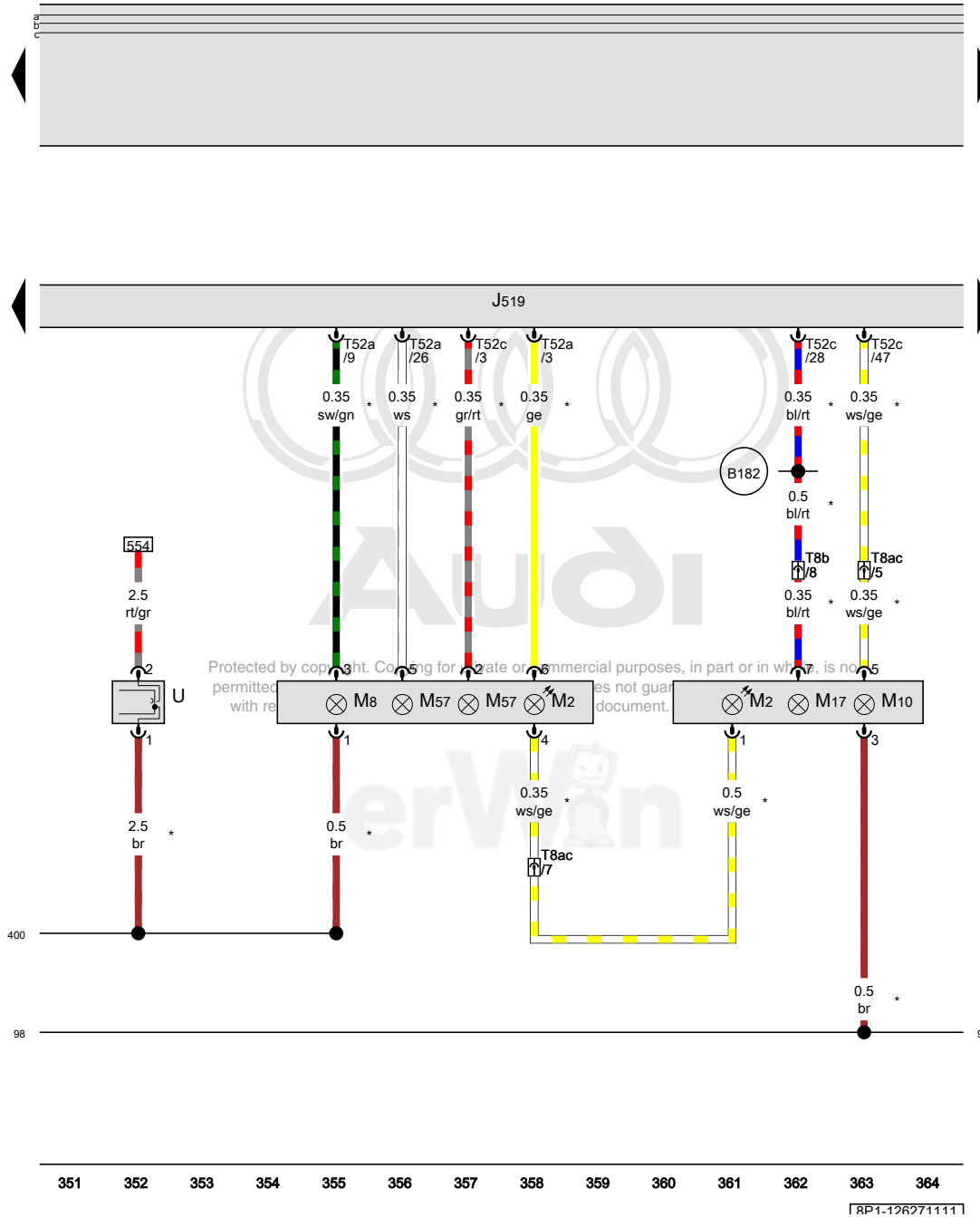
Protected by copyright. Copying for private or commercial purposes, in part or in whole, is not permitted unless authorised by AUDI AG. AUDI AG does not guarantee or accept any liability with respect to the correctness of the information in this document. Copyright by AUDI AG.

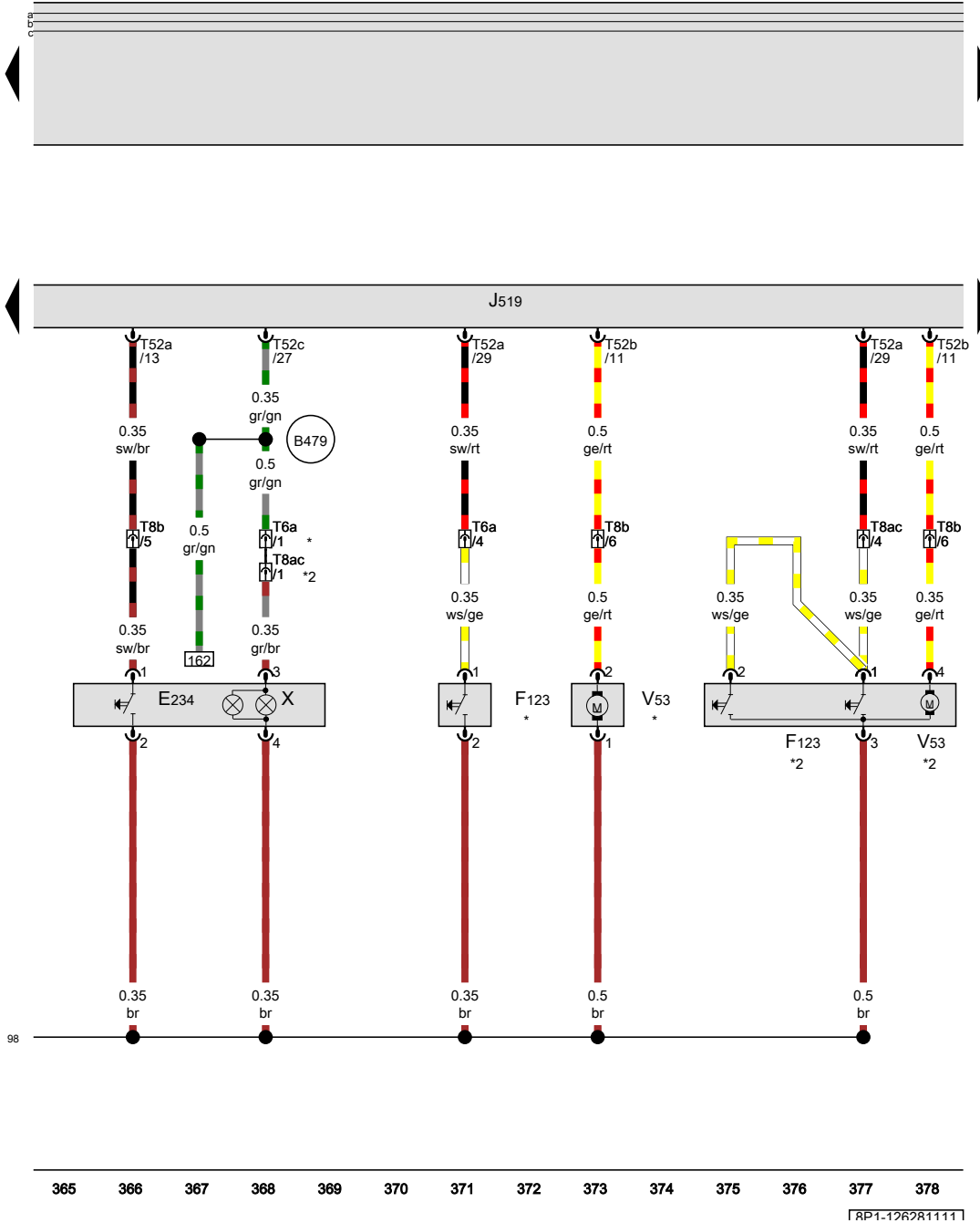
RP1-126261111

Vehicle electrical system control module, Right tail lamp bulb, Right rear turn signal bulb, Right brake lamp bulb, Right back-up lamp bulb, Right brake lamp/turn signal bulb, Socket

- J519 Vehicle electrical system control module
- M2 Right tail lamp bulb
- M8 Right rear turn signal bulb
- M10 Right brake lamp bulb
- M17 Right back-up lamp bulb
- M57 Right brake lamp/turn signal bulb
- T8ac 8-pin connector, on the left C-pillar
- T8b 8-pin connector, on the left C-pillar
- T52a 52-pin connector
- T52c 52-pin connector
- U Socket

- 98 Ground connection (in rear lid wiring harness)
- 400 Ground connection 35 (in main wiring harness)
- B182 Connection (RF) (in interior wiring harness)
- * Only for vehicles with US equipment





Release button in rear lid handle, Rear lid alarm switch, Vehicle electrical system control module, Rear lid central locking system motor, License plate lamp

- E234 Release button in rear lid handle
- F123 Rear lid alarm switch
- J519 Vehicle electrical system control module
- T6a 6-pin connector, on the left C-pillar
- T8ac 8-pin connector, on the left C-pillar
- T8b 8-pin connector, on the left C-pillar
- T52a 52-pin connector
- T52b 52-pin connector
- T52c 52-pin connector
- V53 Rear lid central locking system motor
- X License plate lamp

- 98 Ground connection (in rear lid wiring harness)
- B479 Connection 15 (in main wiring harness)

Protected by copyright. Copying for private use is permitted. Only for vehicles with 3-door equipment. *2 Only for vehicles with 5-door equipment. Copying for other purposes in part or in full is not permitted unless authorised by AUDI AG. No liability is assumed by AUDI AG for the accuracy, completeness or timeliness of the information with respect to the correctness of information in this document. Copyright by AUDI AG.

- ws = white
- sw = black
- ro = red
- rt = red
- br = brown
- gn = green
- bl = blue
- gr = grey
- li = lilac
- vi = lilac
- ge = yellow
- or = orange
- rs = pink

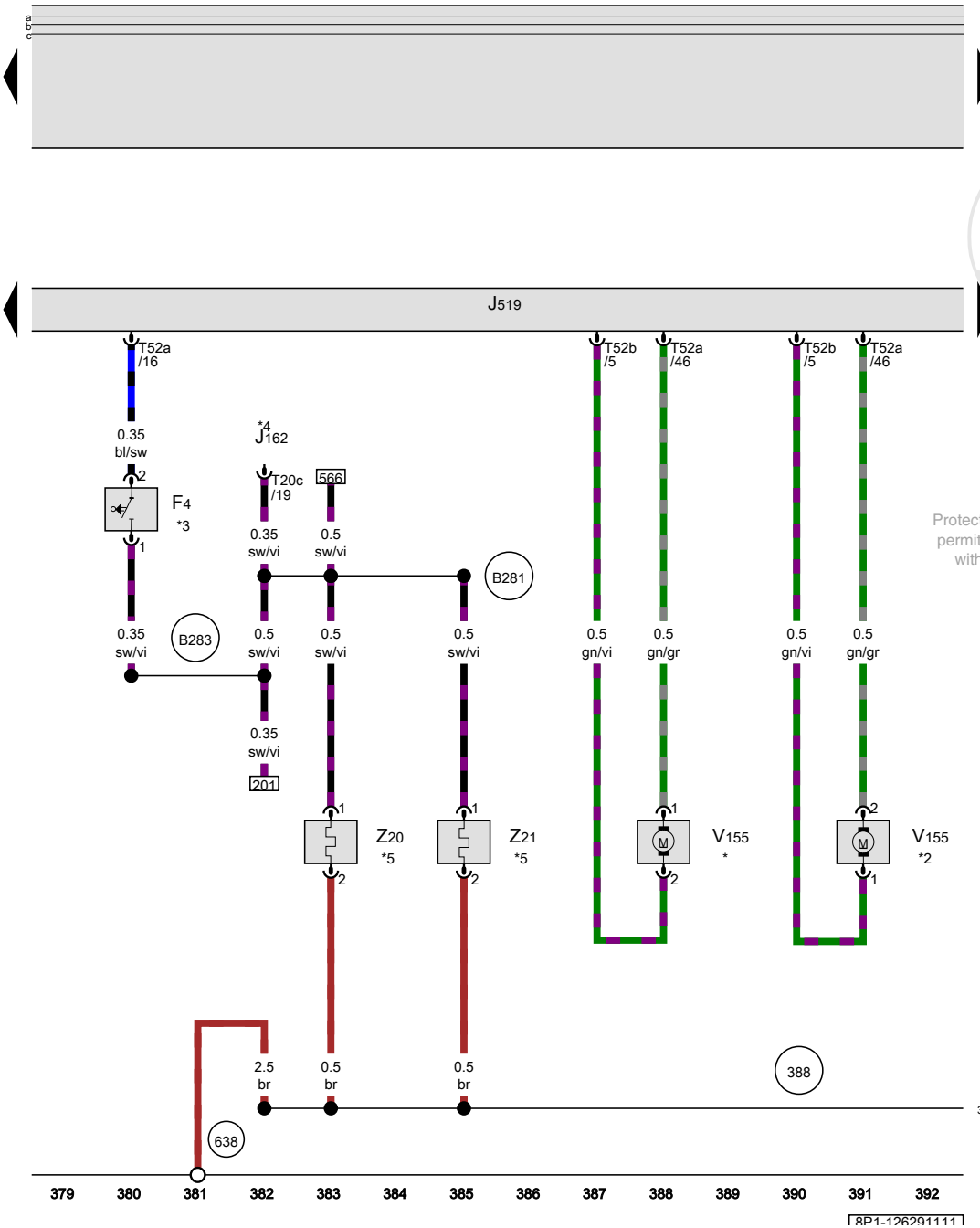
[RP1-126281111]

Back-up lamp switch, Vehicle electrical system control module, Fuel filler door unlock motor, Left washer nozzle heater, Right washer nozzle heater

- F4 Back-up lamp switch
- J162 Heater control module
- J519 Vehicle electrical system control module
- T20c 20-pin connector
- T52a 52-pin connector
- T52b 52-pin connector
- V155 Fuel filler door unlock motor
- Z20 Left washer nozzle heater
- Z21 Right washer nozzle heater

- 388 Ground connection 23 (in main wiring harness)
- 638 Ground connection on right A-pillar
- B281 Positive connection 5 (15a) (in main wiring harness)
- B283 Positive connection 7 (15a) (in main wiring harness)

Protected by copyright. Copying for private use is permitted unless authorised by AUDI AG. AUDI AG does not guarantee or accept any liability with respect to the correctness of information in this document. Only for vehicles without US equipment
 *2 Only for vehicles with US equipment
 *3 Only for vehicles with a manual transmission
 *4 Refer to the applicable wiring diagram for heating with manual control
 *5 Only for vehicles with spray nozzle heater



- ws = white
- sw = black
- ro = red
- rt = red
- br = brown
- gn = green
- bl = blue
- gr = grey
- li = lilac
- vi = lilac
- ge = yellow
- or = orange
- rs = pink

[RP1-126291111]

Rear window defogger relay, Heater control module, Vehicle electrical system control module, Rear window defogger

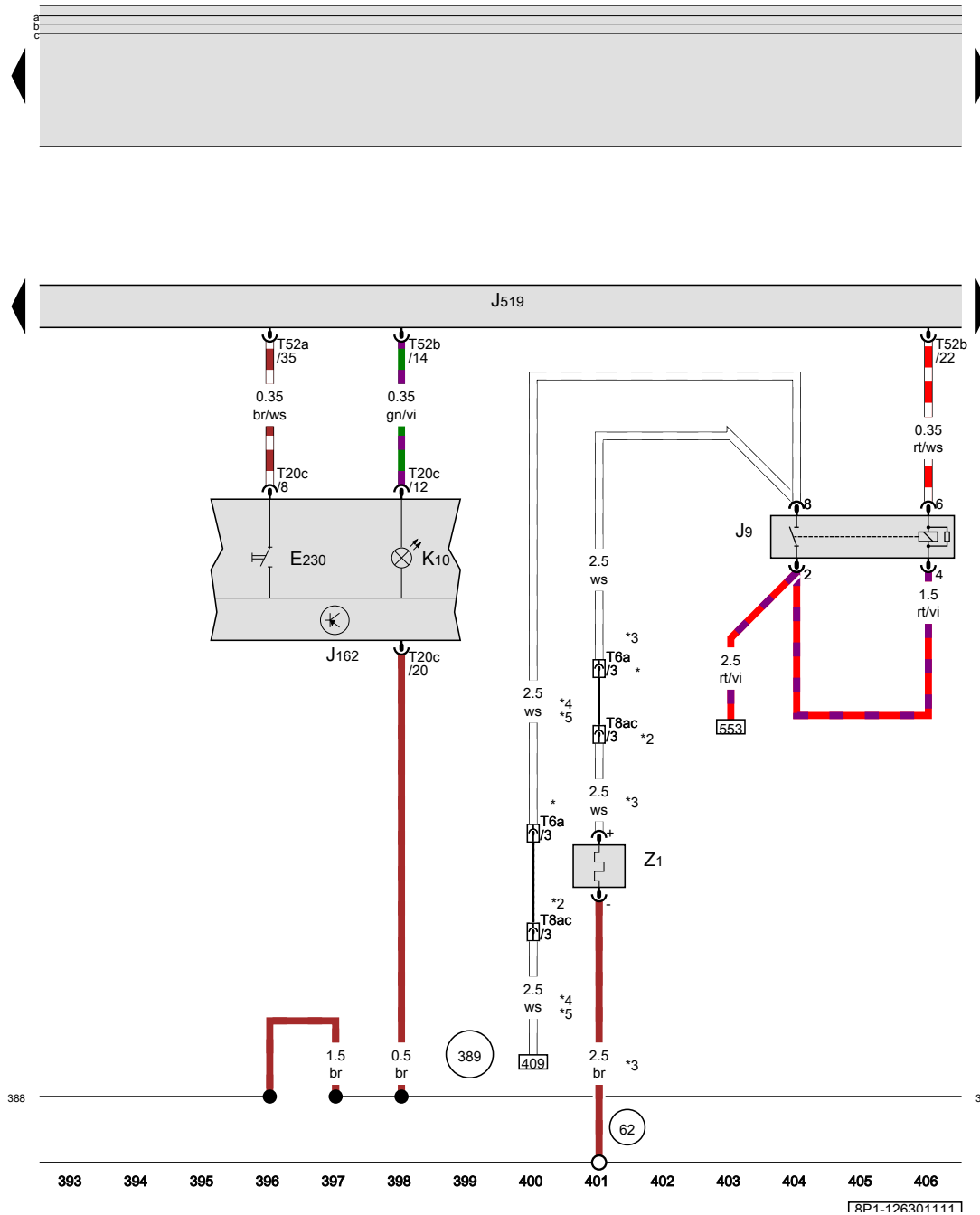
- E230 Rear window defogger button
- J9 Rear window defogger relay
- J162 Heater control module
- J519 Vehicle electrical system control module
- K10 Rear window defogger indicator lamp
- T6a 6-pin connector, on the left C-pillar
- T8ac 8-pin connector, on the left C-pillar
- T20c 20-pin connector
- T52a 52-pin connector
- T52b 52-pin connector
- Z1 Rear window defogger

62 Ground connection on right C-pillar

388 Ground connection 23 (in main wiring harness)

389 Ground connection 24 (in main wiring harness)

- * Only for vehicles with 3-door equipment
- *2 Only for vehicles with 5-door equipment
- *3 Only for vehicles without a radio or navigation system
- *4 Only for vehicles with a radio
- *5 Only for vehicles with radio navigation system



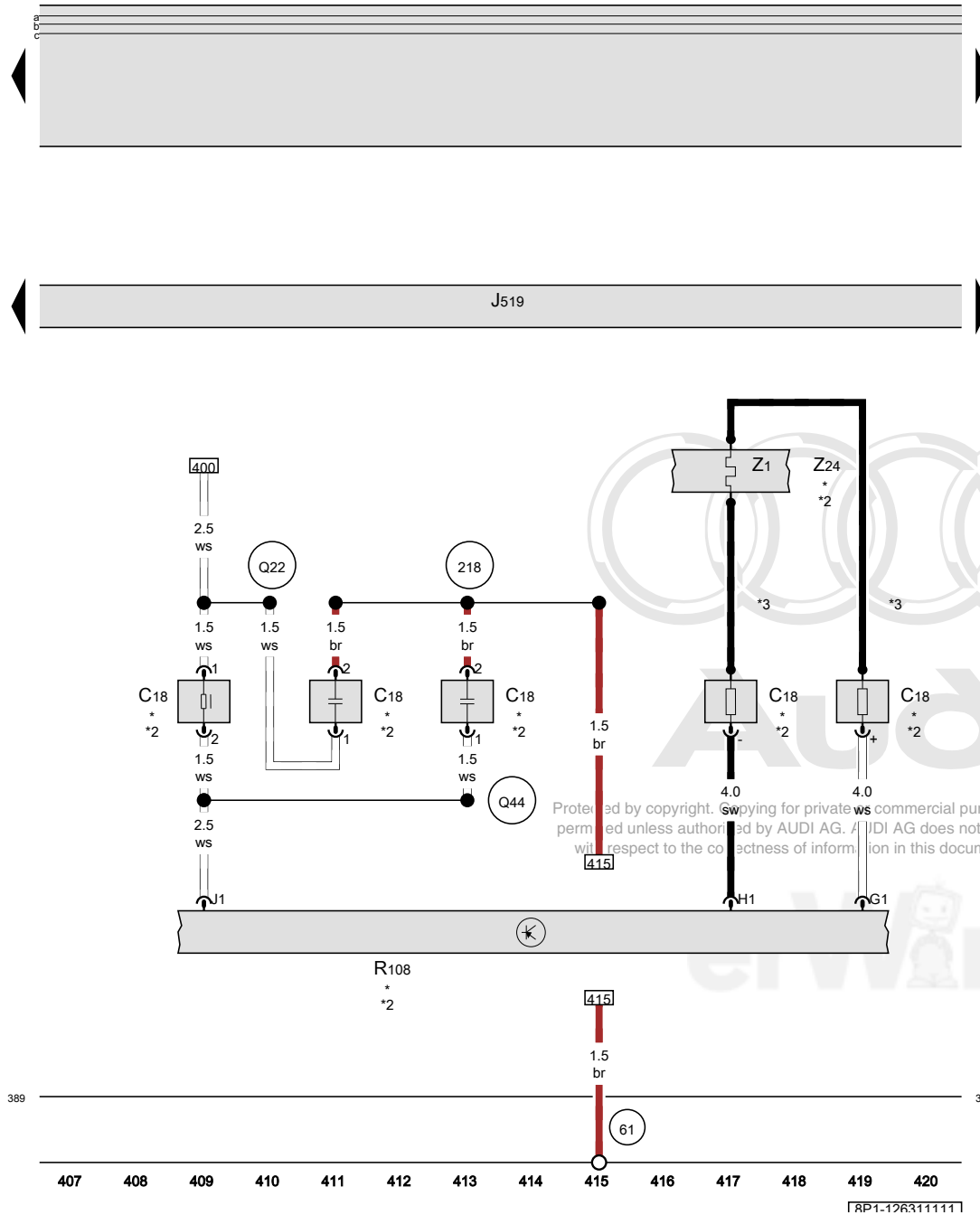
[RP1-126301111]

Windshield antenna suppression filter, Vehicle electrical system control module, Left antenna module, Rear window defogger, Rear window defogger with window antenna

- C18 Windshield antenna suppression filter
- J519 Vehicle electrical system control module
- R108 Left antenna module
- Z1 Rear window defogger
- Z24 Rear window defogger with window antenna

- 61 Ground connection on left C-pillar
- 218 Ground connection 1 (in rear lid wiring harness)
- 389 Ground connection 24 (in main wiring harness)
- Q22 Connection 1 (in rear lid wiring harness)
- Q44 Connection 2 (in rear lid wiring harness)

- * Only for vehicles with a radio
- *2 Only for vehicles with radio navigation system
- *3 Adapter cable



Protected by copyright. Copying for private commercial purposes, in part or in whole, is not permitted unless authorized by AUDI AG. AUDI AG does not guarantee or accept any liability with respect to the correctness of information in this document. Copyright by AUDI AG.

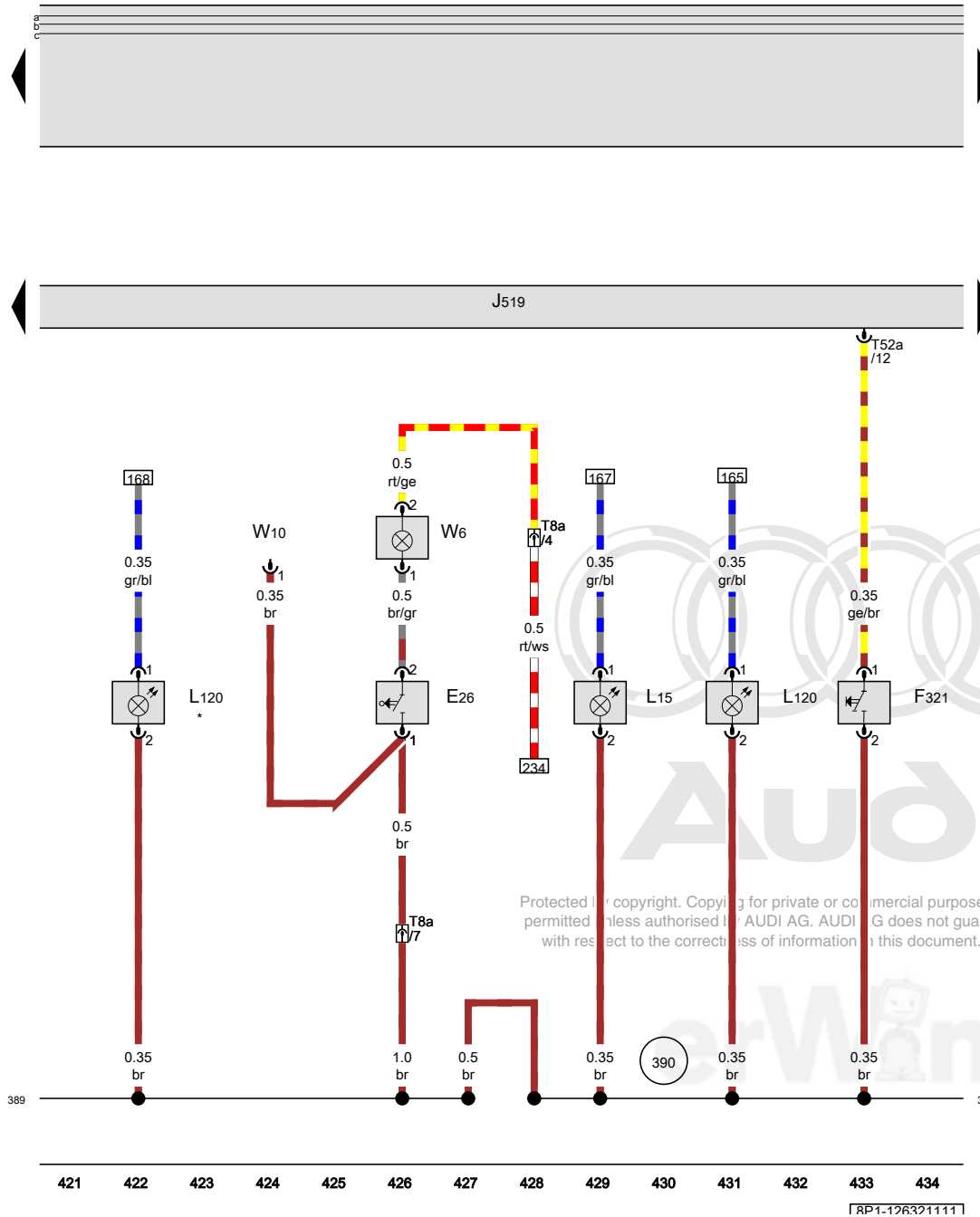
Glove compartment lamp switch, Parking brake contact switch, Vehicle electrical system control module, Ashtray illumination bulb, Storage compartment illumination bulb, Glove compartment lamp, Right footwell lamp

- E26 Glove compartment lamp switch
- F321 Parking brake contact switch
- J519 Vehicle electrical system control module
- L15 Ashtray illumination bulb
- L120 Storage compartment illumination bulb
- T8a 8-pin connector, near the glove compartment
- T52a 52-pin connector
- W6 Glove compartment lamp
- W10 Right footwell lamp

389 Ground connection 24 (in main wiring harness)

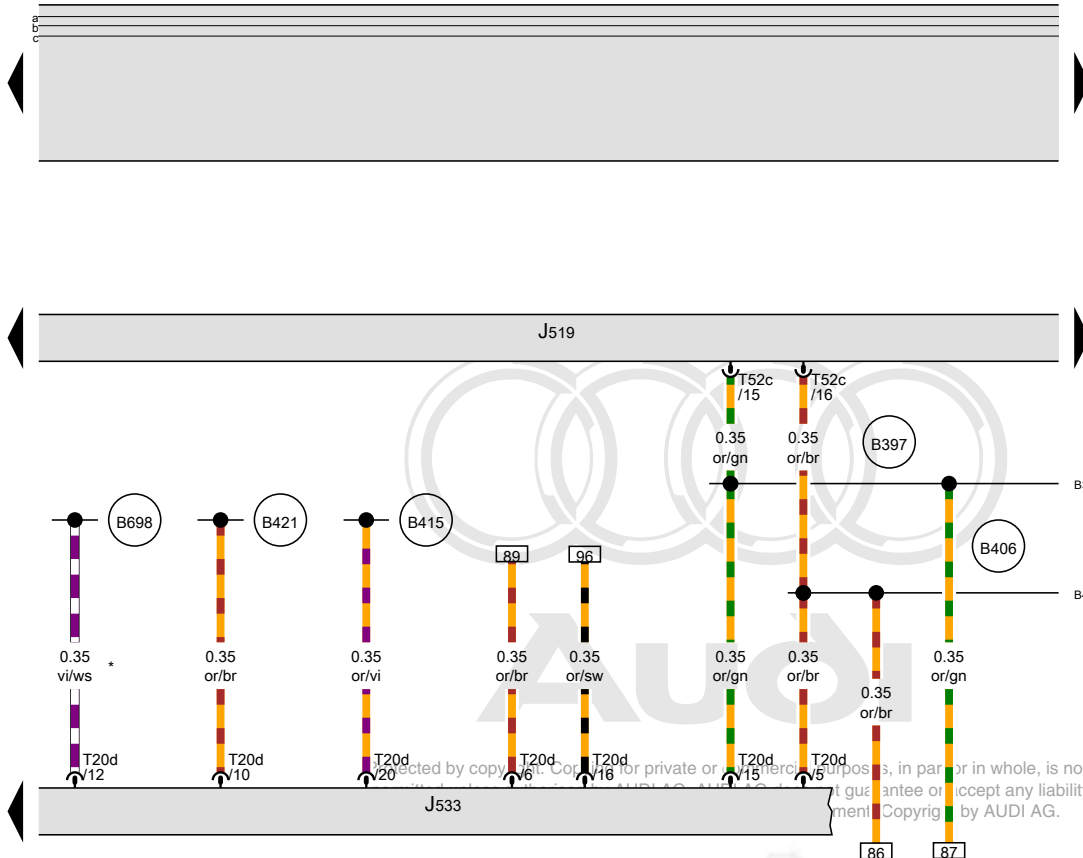
390 Ground connection 25 (in main wiring harness)

* Omitted as a running change



Protected by copyright. Copying for private or commercial purposes, in part or in whole, is not permitted unless authorised by AUDI AG. AUDI AG does not guarantee or accept any liability with respect to the correctness of information in this document. Copyright by AUDI AG.

- vs = white
- sw = black
- ro = red
- rt = red
- br = brown
- gn = green
- bl = blue
- gr = grey
- li = lilac
- vi = lilac
- ge = yellow
- or = orange
- rs = pink



Vehicle electrical system control module, Data bus on board diagnostic interface

- J519 Vehicle electrical system control module
- J533 Data bus on board diagnostic interface
- T20d 20-pin connector
- T52c 52-pin connector

- B397** Comfort system CAN bus high connection 1 (in main wiring harness)
- B406** Comfort system CAN bus low connection 1 (in main wiring harness)
- B415** Infotainment CAN Bus high connection 1 (in main wiring harness)
- B421** Infotainment CAN bus low connection 1 (in main wiring harness)
- B698** LIN bus connection 3 (in main wiring harness)

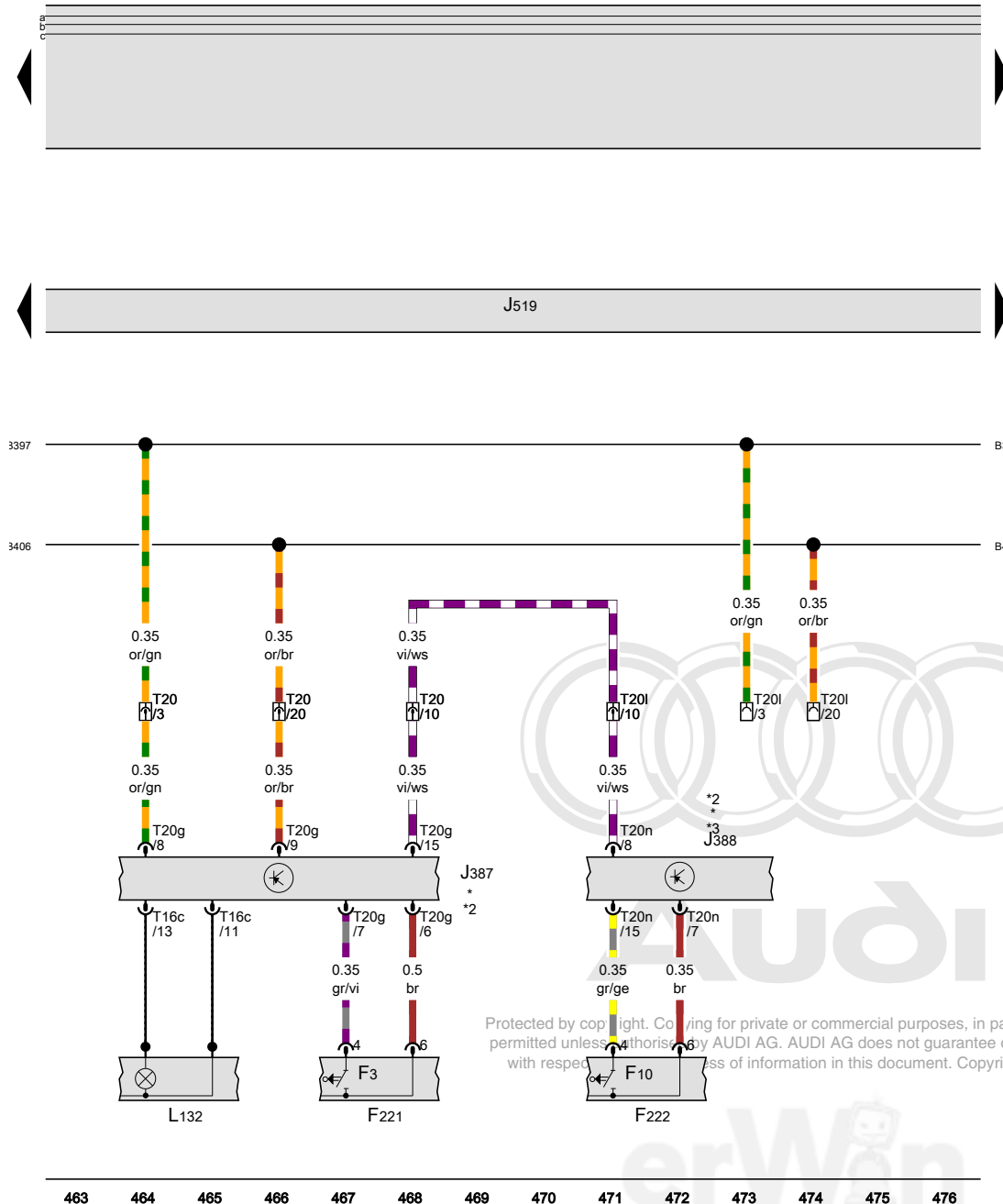
* Only for vehicles with Start/Stop system

Protected by copyright. Copying for private or commercial purposes, in part or in whole, is not permitted without the express written consent of AUDI AG. All rights reserved. Copyright © by AUDI AG.

- ws = white
- sw = black
- ro = red
- rt = red
- br = brown
- gn = green
- bl = blue
- gr = grey
- li = lilac
- vi = lilac
- ge = yellow
- or = orange
- rs = pink

449 450 451 452 453 454 455 456 457 458 459 460 461 462

[RP1-126341111]



Front passenger central locking lock unit, Left rear central locking lock unit, Front passenger door control module, Left rear door control module, Vehicle electrical system control module, Front passenger exterior rearview mirror turn signal bulb

- F3 Front passenger door contact switch
- F10 Left rear door contact switch
- F221 Front passenger central locking lock unit
- F222 Left rear central locking lock unit
- J387 Front passenger door control module
- J388 Left rear door control module
- J519 Vehicle electrical system control module
- L132 Front passenger exterior rearview mirror turn signal bulb
- T16c 16-pin connector
- T20 20-pin connector, on the lower left A-pillar
- T20g 20-pin connector
- T20l 20-pin connector, on the left B-pillar
- T20n 20-pin connector

(B397) Comfort system CAN bus high connection 1 (in main wiring harness)

(B406) Comfort system CAN bus low connection 1 (in main wiring harness)

* Refer to applicable convenience system wiring diagram

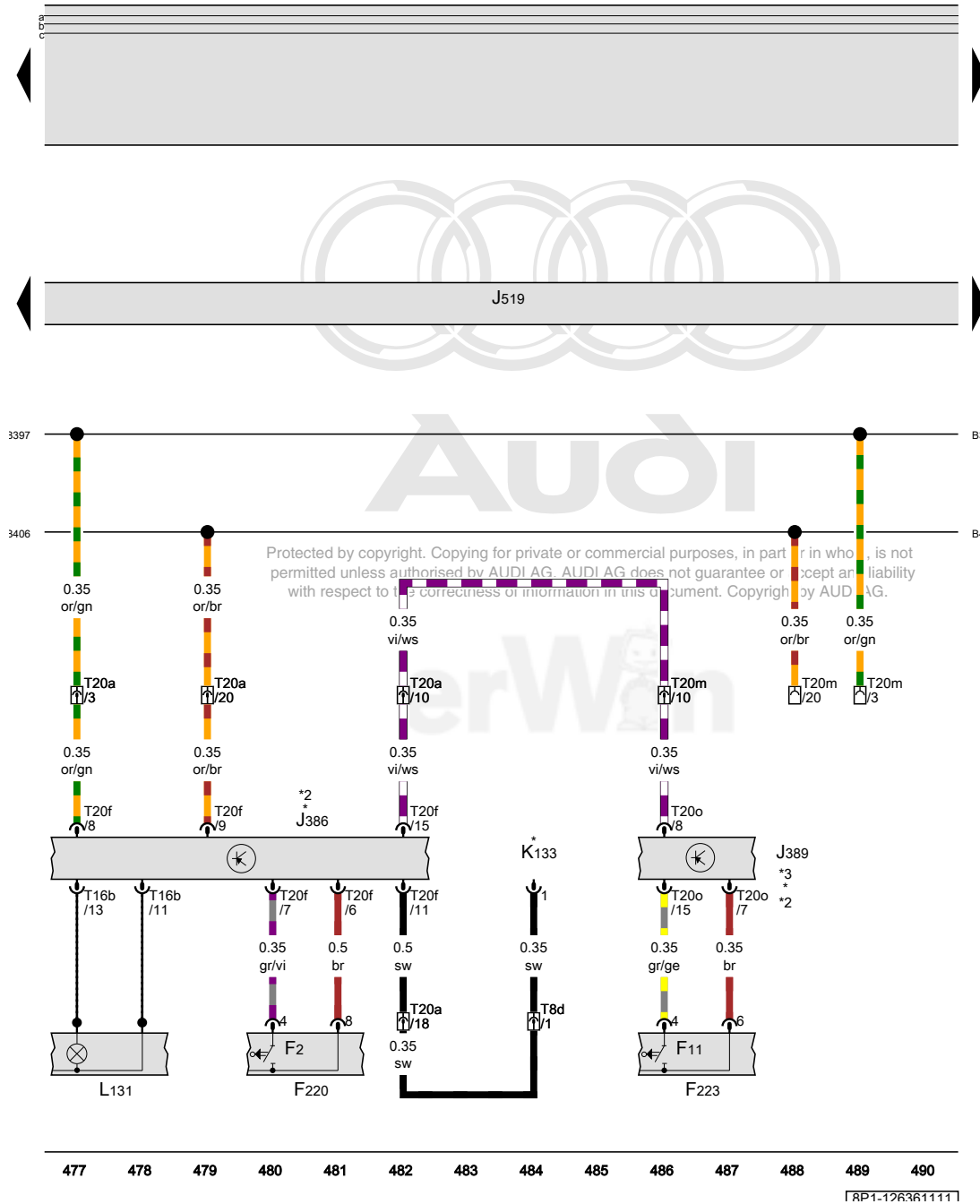
*2 Only for right-hand drive vehicles

*3 Only for vehicles with 5-door equipment

- ws = white
- sw = black
- ro = red
- rt = red
- br = brown
- gn = green
- bl = blue
- gr = grey
- li = lilac
- vi = lilac
- ge = yellow
- or = orange
- rs = pink

463 464 465 466 467 468 469 470 471 472 473 474 475 476

[RP1-126351111]



Driver central locking lock unit, Right rear central locking lock unit, Driver door control module, Right rear door control module, Vehicle electrical system control module, Driver exterior rearview mirror turn signal bulb

- F2 Driver door contact switch
- F11 Right rear door contact switch
- F220 Driver central locking lock unit
- F223 Right rear central locking lock unit
- J386 Driver door control module
- J389 Right rear door control module
- J519 Vehicle electrical system control module
- K133 Central locking -SAFE- indicator lamp
- L131 Driver exterior rearview mirror turn signal bulb
- T8d 8-pin connector, behind the center console
- T16b 16-pin connector
- T20a 20-pin connector, on the lower right A-pillar
- T20f 20-pin connector
- T20m 20-pin connector, on the right B-pillar
- T20o 20-pin connector

(B397) Comfort system CAN bus high connection 1 (in main wiring harness)

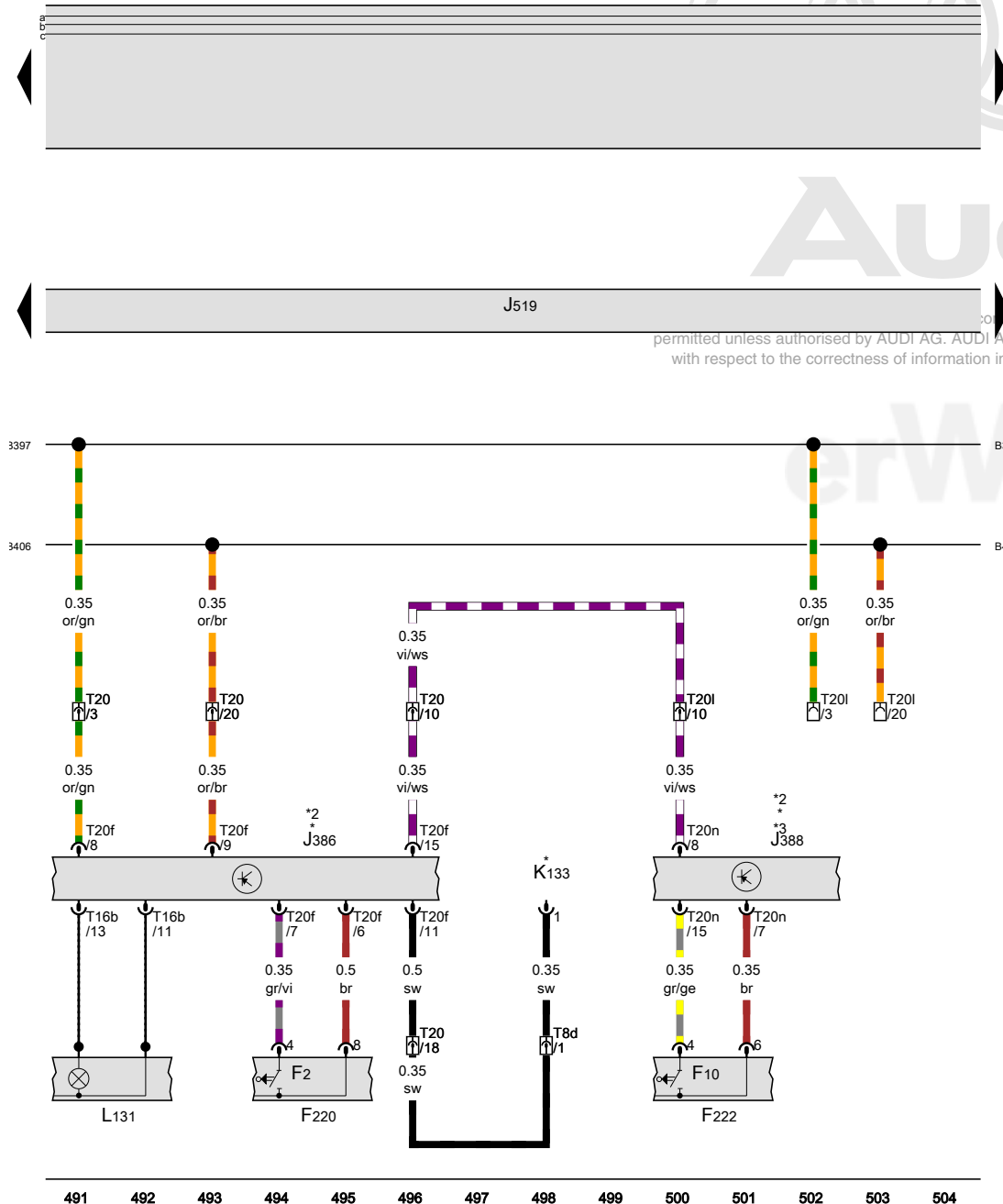
(B406) Comfort system CAN bus low connection 1 (in main wiring harness)

- * Refer to applicable convenience system wiring diagram
- *2 Only for right-hand drive vehicles
- *3 Only for vehicles with 5-door equipment

- ws = white
- sw = black
- ro = red
- rt = red
- br = brown
- gn = green
- bl = blue
- gr = grey
- li = lilac
- vi = lilac
- ge = yellow
- or = orange
- rs = pink

Driver central locking lock unit, Left rear central locking lock unit, Driver door control module, Left rear door control module, Vehicle electrical system control module, Driver exterior rearview mirror turn signal bulb

- F2 Driver door contact switch
- F10 Left rear door contact switch
- F220 Driver central locking lock unit
- F222 Left rear central locking lock unit
- J386 Driver door control module
- J388 Left rear door control module
- J519 Vehicle electrical system control module
- K133 Central locking -SAFE- indicator lamp
- L131 Driver exterior rearview mirror turn signal bulb
- T8d 8-pin connector, behind the center console
- T16b 16-pin connector
- T20 20-pin connector, on the lower left A-pillar
- T20f 20-pin connector
- T20l 20-pin connector, on the left B-pillar
- T20n 20-pin connector

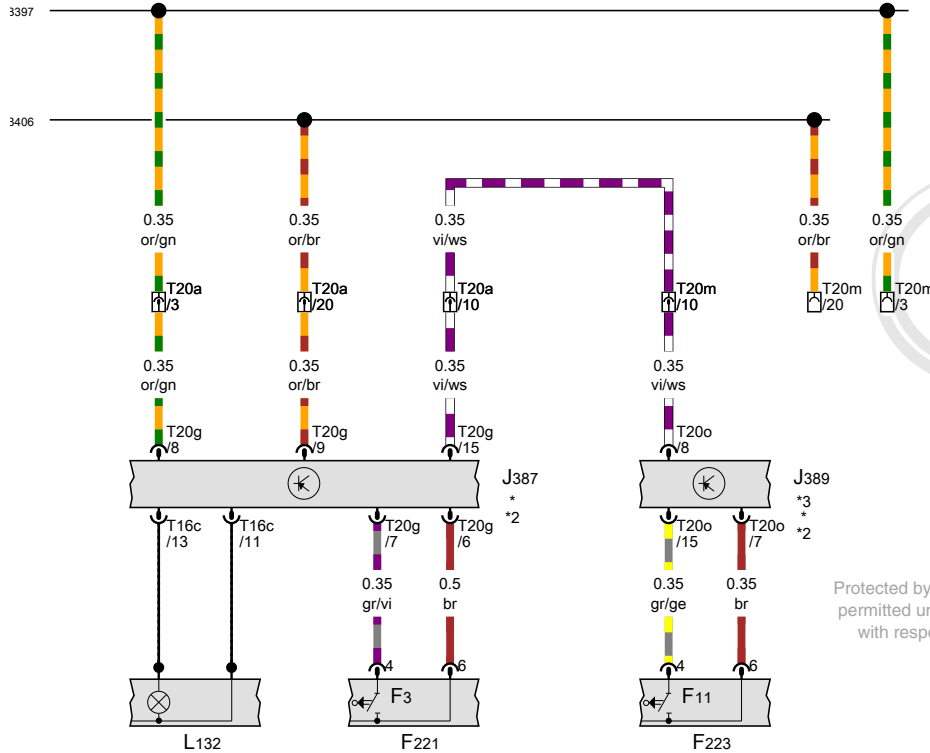
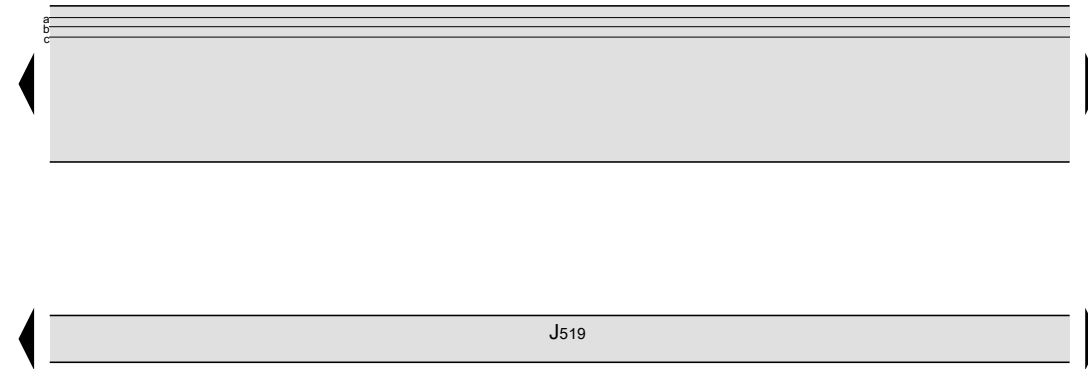


- (B397) Comfort system CAN bus high connection 1 (in main wiring harness)
- (B406) Comfort system CAN bus low connection 1 (in main wiring harness)
- * Refer to applicable convenience system wiring diagram
- *2 Only for left-hand drive vehicles
- *3 Only for vehicles with 5-door equipment

- ws = white
- sw = black
- ro = red
- rt = red
- br = brown
- gn = green
- bl = blue
- gr = grey
- li = lilac
- vi = lilac
- ge = yellow
- or = orange
- rs = pink

491 492 493 494 495 496 497 498 499 500 501 502 503 504

18P1-126371111



Front passenger central locking lock unit, Right rear central locking lock unit, Front passenger door control module, Right rear door control module, Vehicle electrical system control module, Front passenger exterior rearview mirror turn signal bulb

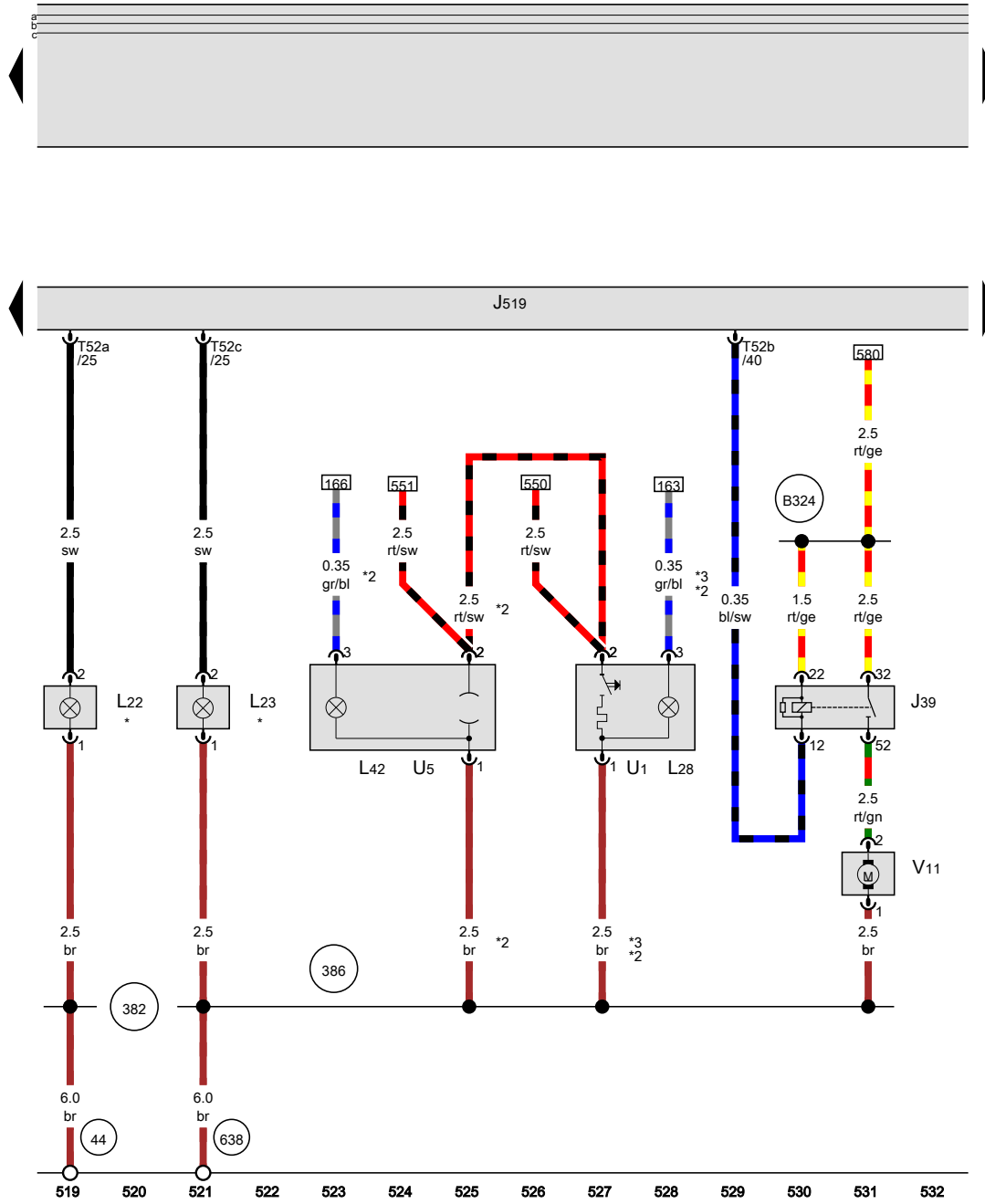
- F3 Front passenger door contact switch
- F11 Right rear door contact switch
- F221 Front passenger central locking lock unit
- F223 Right rear central locking lock unit
- J387 Front passenger door control module
- J389 Right rear door control module
- J519 Vehicle electrical system control module
- L132 Front passenger exterior rearview mirror turn signal bulb
- T16c 16-pin connector
- T20a 20-pin connector, on the lower right A-pillar
- T20g 20-pin connector
- T20m 20-pin connector, on the right B-pillar
- T20o 20-pin connector
- (B397) Comfort system CAN bus high connection 1 (in main wiring harness)
- (B406) Comfort system CAN bus low connection 1 (in main wiring harness)
- * Refer to applicable convenience system wiring diagram
- *2 Only for left-hand drive vehicles
- *3 Only for vehicles with 5-door equipment

- ws = white
- sw = black
- ro = red
- rt = red
- br = brown
- gn = green
- bl = blue
- gr = grey
- li = lilac
- vi = lilac
- ge = yellow
- or = orange
- rs = pink

Protected by copyright. Copying for private or commercial purposes, in part or in whole, is not permitted unless authorised by AUDI AG. AUDI AG does not guarantee or accept any liability with respect to the correctness of information in this document. Copyright by AUDI AG.

505 506 507 508 509 510 511 512 513 514 515 516 517 518

[RP1-126381111]



Headlamp washer relay, Vehicle electrical system control module, Left front fog lamp bulb, Right front fog lamp bulb, Cigarette lighter, 12 V socket, Headlamp washer pump

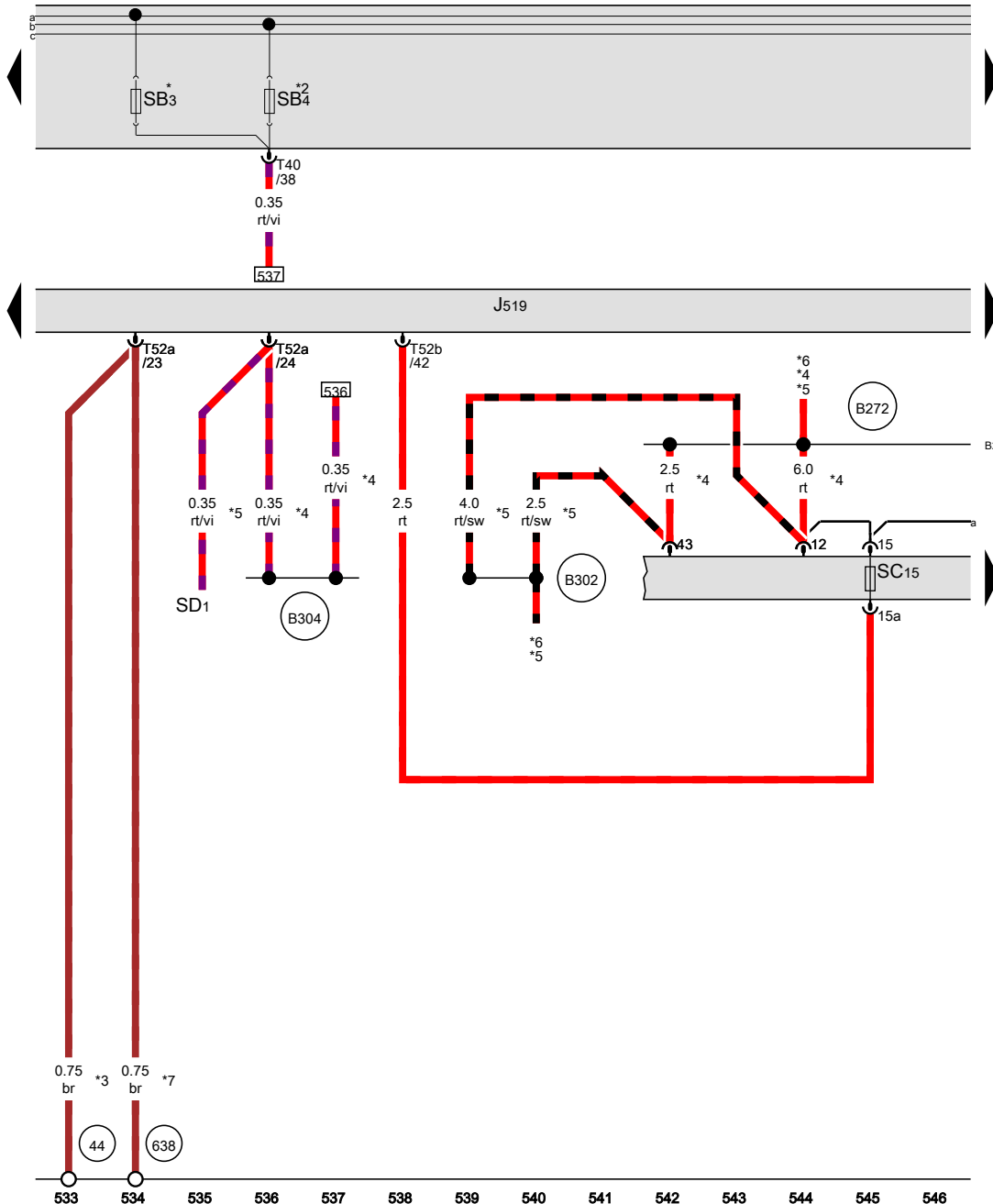
- J39 Headlamp washer relay
- J519 Vehicle electrical system control module
- L22 Left front fog lamp bulb
- L23 Right front fog lamp bulb
- L28 Cigarette lighter illumination bulb
- L42 Socket illumination bulb
- T52a 52-pin connector
- T52b 52-pin connector
- T52c 52-pin connector
- U1 Cigarette lighter
- U5 12 V socket
- V11 Headlamp washer pump

Protected by copyright. Copying for private or commercial purposes, in part or in whole, is not permitted unless authorized by AUDI AG. AUDI AG does not guarantee or accept any liability with respect to the correctness of information in this document. Copyright by AUDI AG.

- 44 Ground connection on A-pillar, lower left
- 382 Ground connection 17 (in main wiring harness)
- 386 Ground connection 21 (in main wiring harness)
- 638 Ground connection on right A-pillar
- B324 Positive connection 10 (30a) (in main wiring harness)
- * Only for vehicles with fog lamps
- *2 Only for vehicles with US equipment
- *3 Only for vehicles without US equipment

- ws = white
- sw = black
- ro = red
- rt = red
- br = brown
- gn = green
- bl = blue
- gr = grey
- li = lilac
- vi = lilac
- ge = yellow
- or = orange
- rs = pink

[RP1-126391111]



Vehicle electrical system control module

- J519 Vehicle electrical system control module
- SD1 Fuse 1 (on fuse panel D)
- SB3 Fuse 3 (on fuse panel B)
- SB4 Fuse 4 (on fuse panel B)
- SC15 Fuse 15 (on fuse panel C)
- T40 40-pin connector
- T52a 52-pin connector
- T52b 52-pin connector

44 Ground connection on A-pillar, lower left

638 Ground connection on right A-pillar

B272 Positive connection (30) (in main wiring harness)

B302 Positive connection 6 (30) (in main wiring harness)

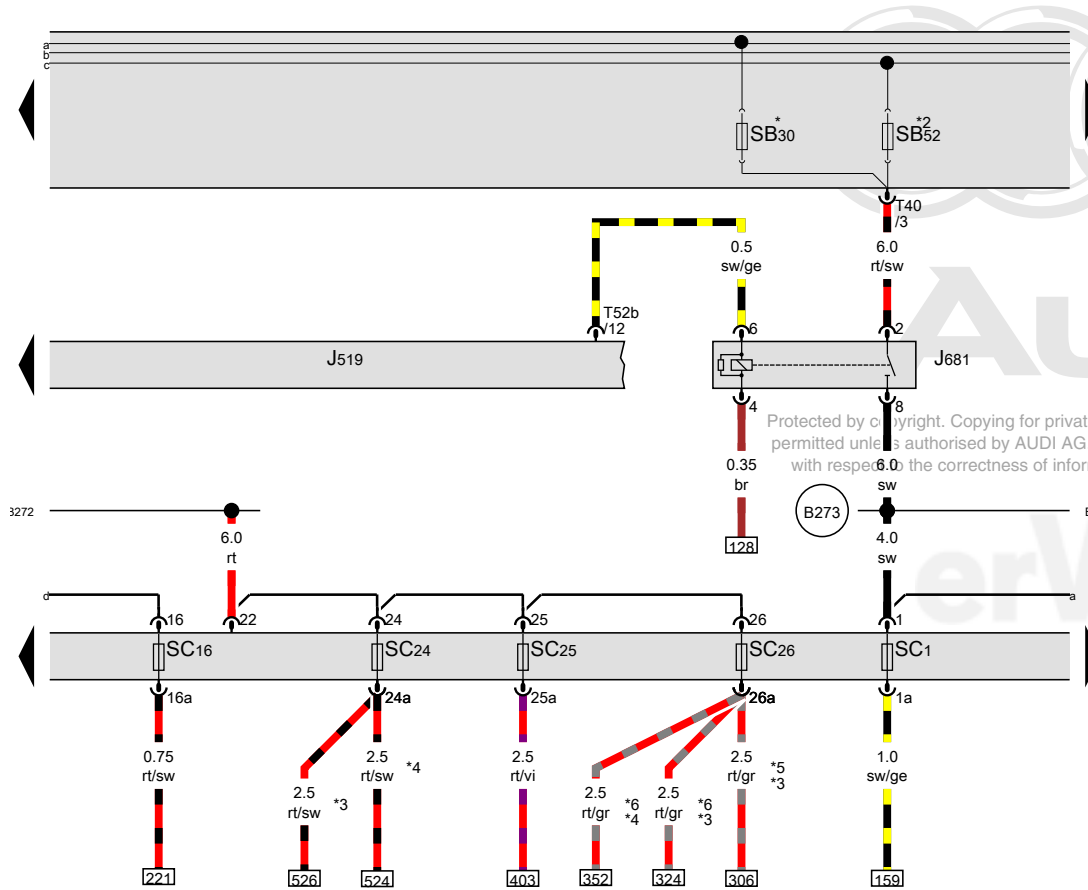
B304 Positive connection 8 (30) (in main wiring harness)

- * E-Box low
- *2 E-Box high
- *3 Only for left-hand drive vehicles
- *4 Only for vehicles with a battery in the engine compartment
- *5 Only for vehicles with a battery in the luggage compartment
- *6 Refer to applicable wiring diagram
- *7 Only for right-hand drive vehicles

Protected by copyright. Copying for private or commercial purposes, in part or in whole, is not permitted unless authorised by AUDI AG. AUDI AG does not guarantee or accept any liability with respect to the correctness of information in this document. Copyright by AUDI AG.

- ws = white
- sw = black
- ro = red
- rt = red
- br = brown
- gn = green
- bl = blue
- gr = grey
- li = lilac
- vi = lilac
- ge = yellow
- or = orange
- rs = pink

[RP1-126401111]



Vehicle electrical system control module, Terminal 15 power supply relay 2

- J519 Vehicle electrical system control module
- J681 Terminal 15 power supply relay 2
- SC1 Fuse 1 (on fuse panel C)
- SC16 Fuse 16 (on fuse panel C)
- SC24 Fuse 24 (on fuse panel C)
- SC25 Fuse 25 (on fuse panel C)
- SC26 Fuse 26 (on fuse panel C)
- SB30 Fuse 30 (on fuse panel B)
- SB52 Fuse 52 (on fuse panel B)
- T40 40-pin connector
- T52b 52-pin connector

- B272 Positive connection (30) (in main wiring harness)
- B273 Positive connection (15) (in main wiring harness)

- * E-Box low
- *2 E-Box high
- *3 Only for vehicles without US equipment
- *4 Only for vehicles with US equipment
- *5 Only for vehicles with 3-door equipment
- *6 Only for vehicles with 5-door equipment

- ws = white
- sw = black
- ro = red
- rt = red
- br = brown
- gn = green
- bl = blue
- gr = grey
- li = lilac
- vi = lilac
- ge = yellow
- or = orange
- rs = pink

547 548 549 550 551 552 553 554 555 556 557 558 559 560

[RP1-126411111]

Steering torque sensor, Power steering control module

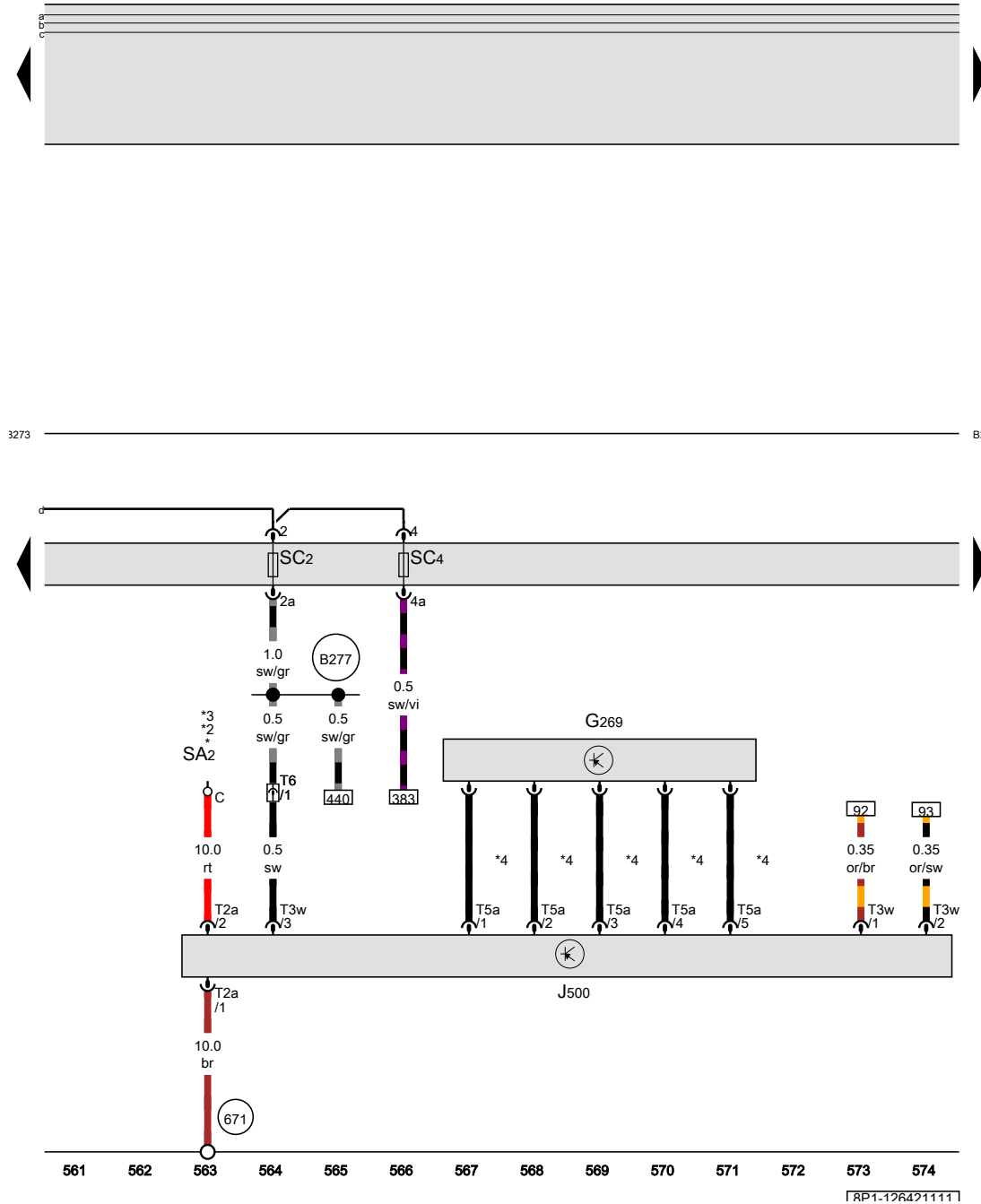
- G269 Steering torque sensor
- J500 Power steering control module
- SA2 Fuse 2 (on fuse panel A)
- SC2 Fuse 2 (on fuse panel C)
- SC4 Fuse 4 (on fuse panel C)
- T1 Single connector
- T2a Double connector
- T3w 3-pin connector
- T5a 5-pin connector
- T6 6-pin connector, near the left front longitudinal member

671 Ground connection 1 on left front longitudinal member

B273 Positive connection (15) (in main wiring harness)

B277 Positive connection 1 (15a) (in main wiring harness)

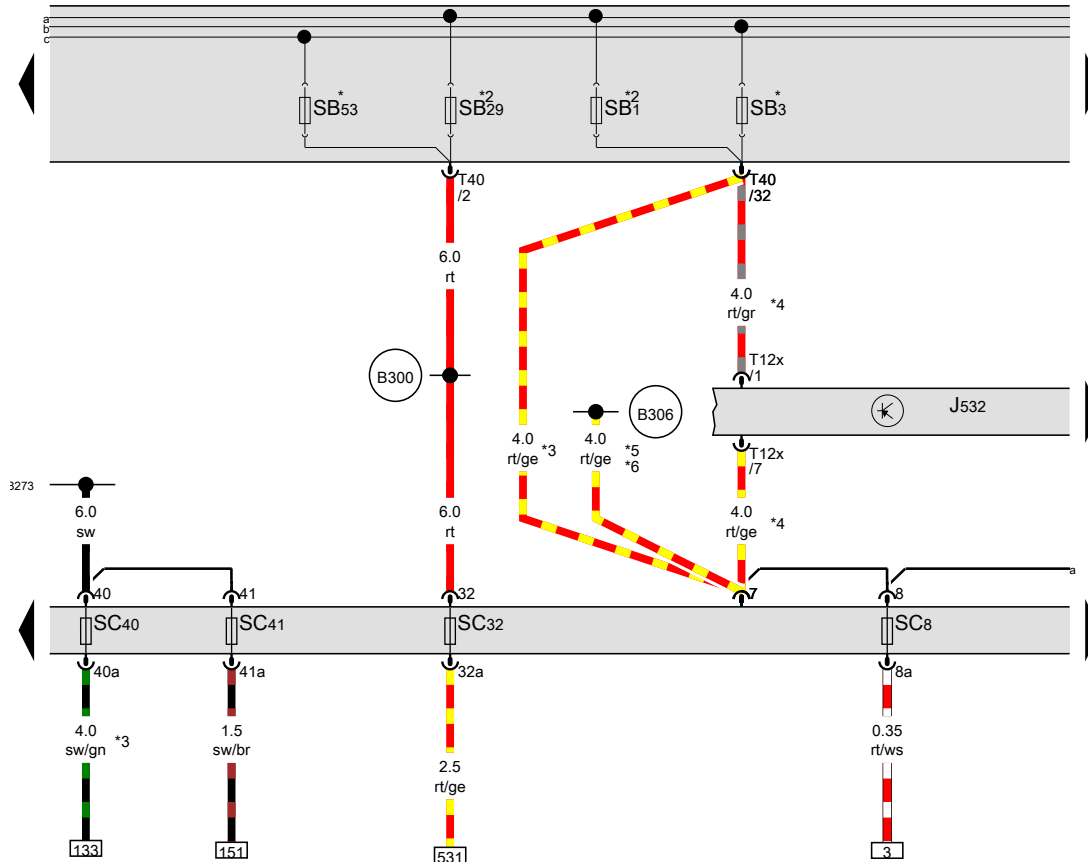
- * Only for vehicles with a battery in the engine compartment
- *2 Only for vehicles with a battery in the luggage compartment
- *3 Refer to applicable wiring diagram
- *4 Adapter cable



Protected by copyright. Copying for private or commercial purposes, in part or in whole, is not permitted unless authorised by AUDI AG. AUDI AG does not guarantee or accept any liability with respect to the correctness of information in this document. Copyright by AUDI AG.

- ws = white
- sw = black
- ro = red
- rt = red
- br = brown
- gn = green
- bl = blue
- gr = grey
- li = lilac
- vi = lilac
- ge = yellow
- or = orange
- rs = pink

[RP1-126421111]



Voltage stabilizer

- J532 Voltage stabilizer
- SB1 Fuse 1 (on fuse panel B)
- SB3 Fuse 3 (on fuse panel B)
- SC8 Fuse 8 (on fuse panel C)
- SB29 Fuse 29 (on fuse panel B)
- SC32 Fuse 32 (on fuse panel C)
- SC40 Fuse 40 (on fuse panel C)
- SC41 Fuse 41 (on fuse panel C)
- SB53 Fuse 53 (on fuse panel B)
- T12x 12-pin connector
- T40 40-pin connector

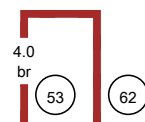
- 53 Ground connection in rear lid, right
- 62 Ground connection on right C-pillar
- B273 Positive connection (15) (in main wiring harness)
- B300 Positive connection 4 (30) (in main wiring harness)
- B306 Positive connection 10 (30) (in main wiring harness)

- * E-Box high
- *2 E-Box low
- *3 Only for vehicles without Start/Stop system
- *4 Only for vehicles with Start/Stop system

Protected by copyright. Copying for private or commercial purposes, in part or in whole, is not permitted unless authorized by Audi AG. Audi AG does not guarantee or accept any liability with respect to the correctness of the information in this document. Copyright © Audi AG

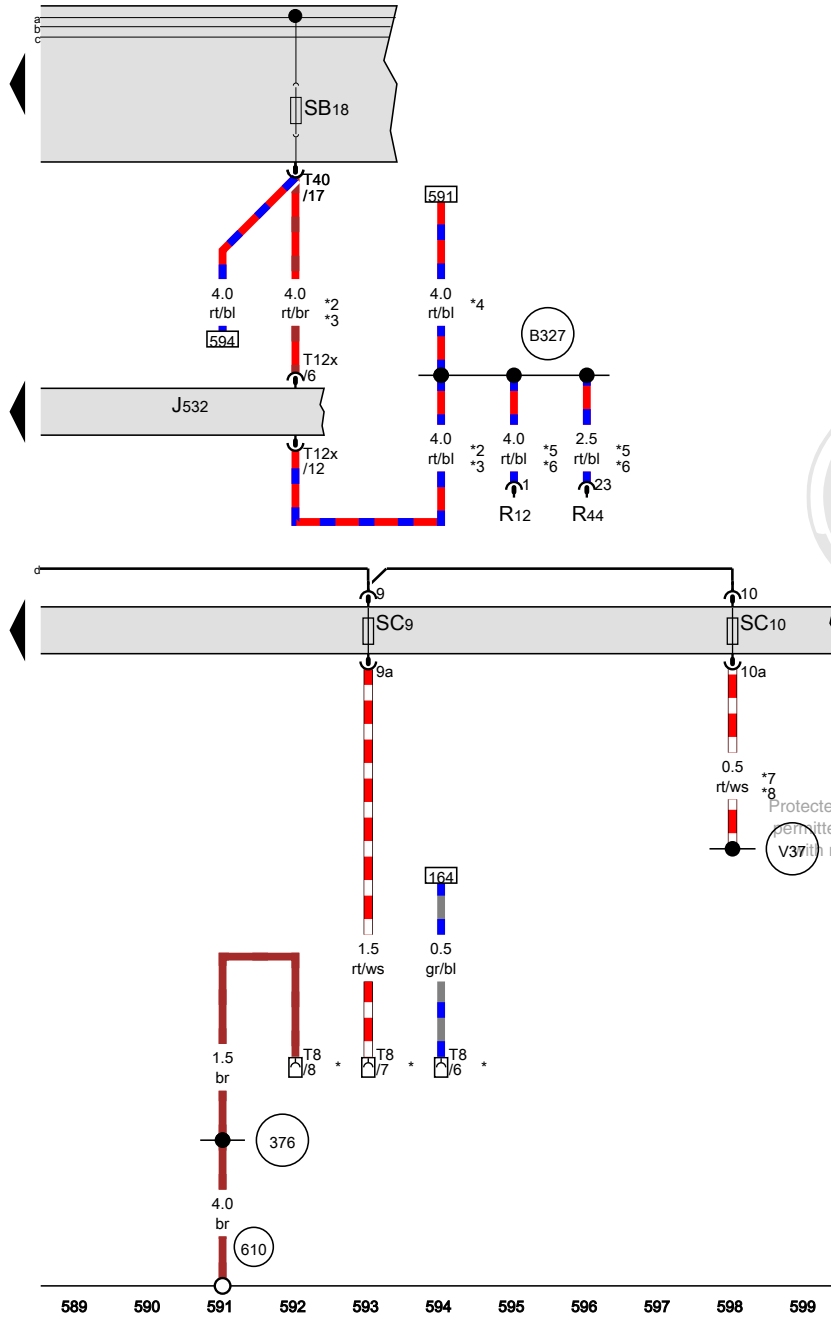


- ws = white
- sw = black
- ro = red
- rt = red
- br = brown
- gn = green
- bl = blue
- gr = grey
- li = lilac
- vi = lilac
- ge = yellow
- or = orange
- rs = pink



575 576 577 578 579 580 581 582 583 584 585 586 587 588

[RP1-126431111]



Voltage stabilizer

- J532 Voltage stabilizer
- R12 Amplifier
- R44 Amplifier with bass speaker in left luggage compartment
- SC9 Fuse 9 (on fuse panel C)
- SC10 Fuse 10 (on fuse panel C)
- SB18 Fuse 18 (on fuse panel B)
- T8 8-pin connector
- T12x 12-pin connector
- T40 40-pin connector

- 376 Ground connection 11 (in main wiring harness)
- 610 Audio ground connection under front center console
- B327 Positive connection 13 (30a) (in main wiring harness)
- V37 Positive connection (30) (in communication wiring harness)

- * Only for vehicles with radio preparation
- *2 Only for vehicles with Start/Stop system
- *3 only for vehicles with 400 W voltage stabilizer
- *4 Only for vehicles without Start/Stop system
- *5 Only for vehicles with a radio
- *6 Only for vehicles with radio navigation system
- *7 Refer to applicable radio navigation system wiring diagram
- *8 Refer to applicable wiring diagram for cell phone preparation

Protected by copyright. Copying for private or commercial purposes, in part or in whole, is not permitted unless authorised by AUDI AG. AUDI AG does not guarantee or accept any liability in respect to the correctness of information in this document. Copyright by AUDI AG.

- ws = white
- sw = black
- ro = red
- rt = red
- br = brown
- gn = green
- bl = blue
- gr = grey
- li = lilac
- vi = lilac
- ge = yellow
- or = orange
- rs = pink

[RP1-126441111]

Driver's Airbag, Front Passenger's Safety Belt Tensioner and Side Airbag

⇒ Only US equipment
from May 2008

Note:

Information for

- ◆ Relay and fuse arrangements
- ◆ Connector arrangements
- ◆ Control Modules and Relays
- ◆ Ground Connections

⇒ Component Locations

Information for

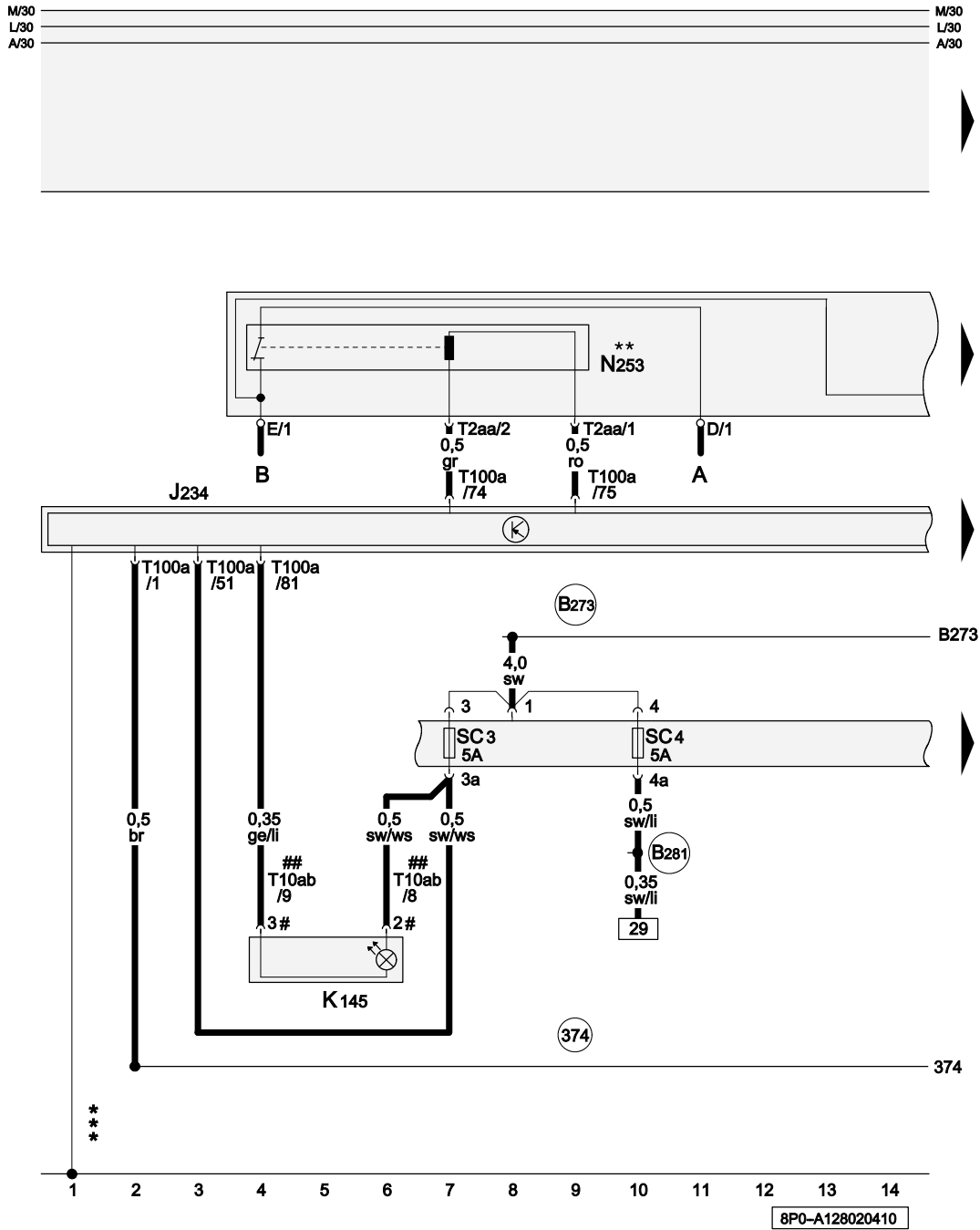
- ◆ Troubleshooting Procedures
- ⇒ Guided Fault Finding using VAS 5051 / 5052



Audi

Protected by copyright. Copying for private or commercial purposes, in part or in whole, is not permitted unless authorised by AUDI AG. AUDI AG does not guarantee or accept any liability with respect to the correctness of information in this document. Copyright by AUDI AG.

erWin



Fuses (on fuse panel), Battery Interrupt Igniter

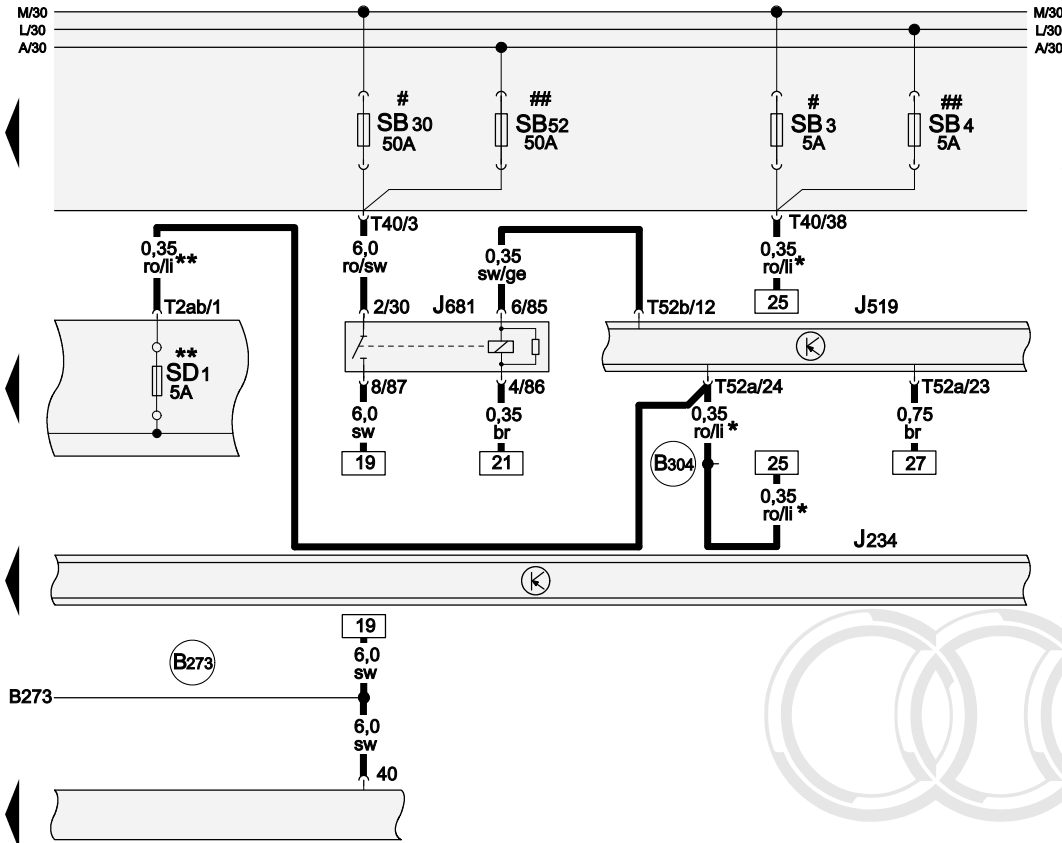
- A Battery
- B Starter
- J234 Airbag Control Module
- K145 Front Passenger Airbag Disabled Indicator Lamp
- N253 Battery Interrupt Igniter
- SC3 Fuse 3 (on fuse panel C)
- SC4 Fuse 4 (on fuse panel C)
- T2aa Double Connector, purple (connector locking yellow)
- T100a 100-Pin Connector, purple (Connector A)

- (374) Ground Connection 9 (in main wiring harness)
- (B273) Plus Connection (15) (in main wiring harness)
- (B281) Plus Connection 5 (15a) (in main wiring harness)

- ** => Applicable Wiring Diagram for models with battery in luggage compartment
- *** Ground supply via the housing from airbag control module
- # Not applicable, phased-in modification
- ## Phased-in modification

Protected by copyright. Copying for private or commercial purposes, in part or in whole, is not permitted unless authorised by AUDI AG. AUDI AG does not guarantee or accept any liability with respect to the correctness of information in this document. Copyright by AUDI AG.

- ws = white
- sw = black
- ro = red
- rt = red
- br = brown
- gn = green
- bl = blue
- gr = grey
- li = lilac
- vi = lilac
- ge = yellow
- or = orange
- rs = pink

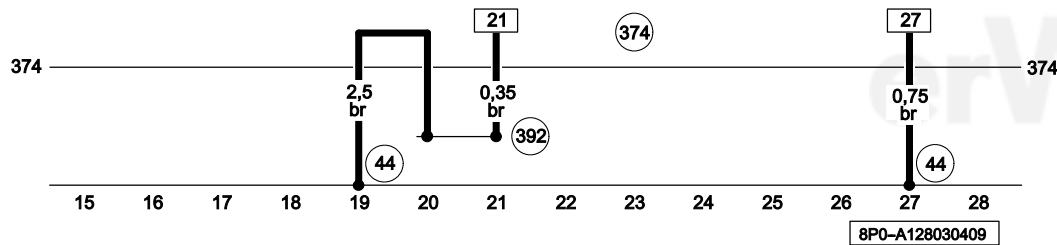


Power Supply Relay 2 (terminal 15)

- J234 Airbag Control Module
- J519 Vehicle Electrical System Control Module
- J681 Power Supply Relay 2 (terminal 15)
- SB3 Fuse 3 (on fuse panel B)
- SB4 Fuse 4 (on fuse panel B)
- SB30 Fuse 30 (on fuse panel B)
- SB52 Fuse 52 (on fuse panel B)
- SD1 Fuse 1 (on fuse panel D)
- T2ab Double Connector, black
- T40 40-Pin Connector, black, on electronics box engine compartment (Connector J)
- T52a 52-Pin Connector, black (Connector A)
- T52b 52-Pin Connector, white (Connector B)
- 44 Ground Connection (on left lower A-pillar)
- 374 Ground Connection 9 (in main wiring harness)
- 392 Ground Connection 27 (in main wiring harness)
- B273 Plus Connection (15) (in main wiring harness)
- B304 Plus Connection 8 (30) (in main wiring harness)
- * ⇒ Applicable Wiring Diagram for models with battery in engine compartment
- ** ⇒ Applicable Wiring Diagram for models with battery in luggage compartment
- # Only models with electronics box Low
- ## Only models with electronics box High

Protected by copyright. Copying for private or commercial purposes, in part or in whole, is not permitted unless authorised by AUDI AG. AUDI AG does not warrant or accept any liability with respect to the correctness of information in this document. Copyright by AUDI AG.

- ws = white
- sw = black
- ro = red
- rt = red
- br = brown
- gn = green
- bl = blue
- gr = grey
- li = lilac
- vi = lilac
- ge = yellow
- or = orange
- rs = pink



8P0-A128030409



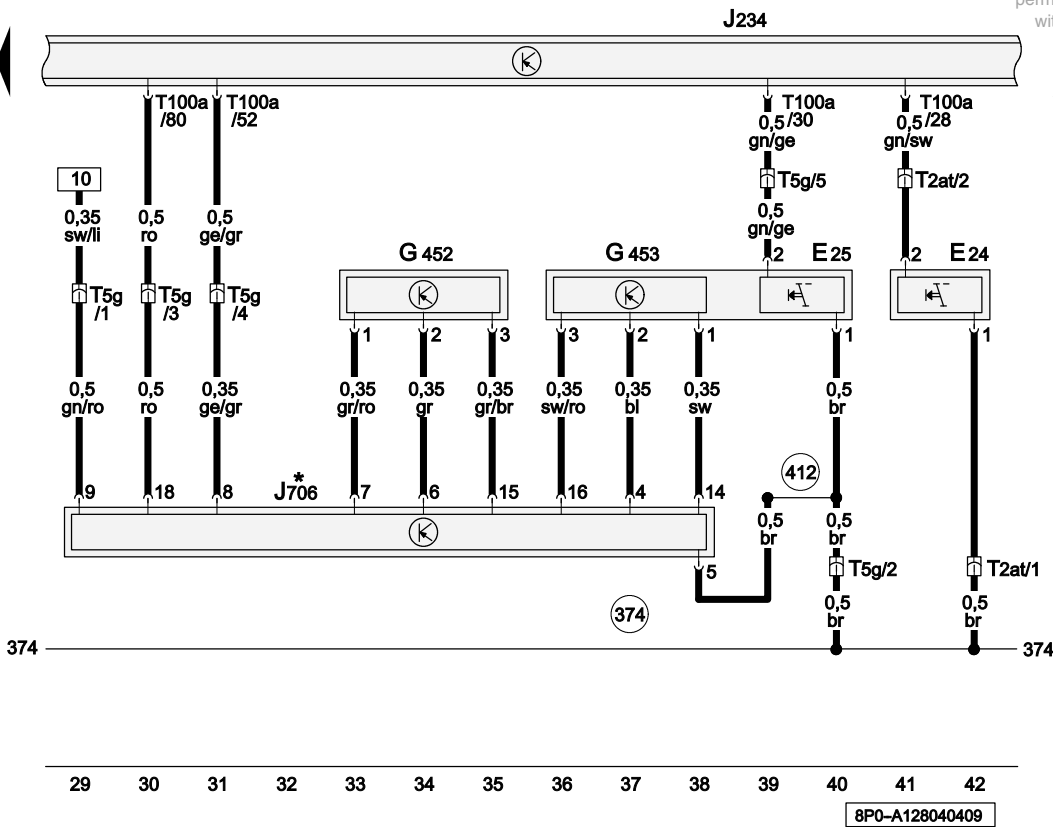
Safety Belt Switch, Seat Occupied Recognition Control Module

- E24 Driver's Safety Belt Switch
- E25 Front Passenger's Safety Belt Switch
- G452 Seat Occupied Recognition Pressure Sensor
- G453 Seat Occupied Recognition Safety Belt Force Sensor
- J234 Airbag Control Module
- J706 Seat Occupied Recognition Control Module
- T2at Double Connector, black, below driver's seat
- T5g 5-Pin Connector, black, below front passenger's seat
- T100a 100-Pin Connector, purple (Connector A)

- 374 Ground Connection 9 (in main wiring harness)
- 412 Ground Connection 3 (in power seat wiring harness)

* Only models with seat occupied recognition

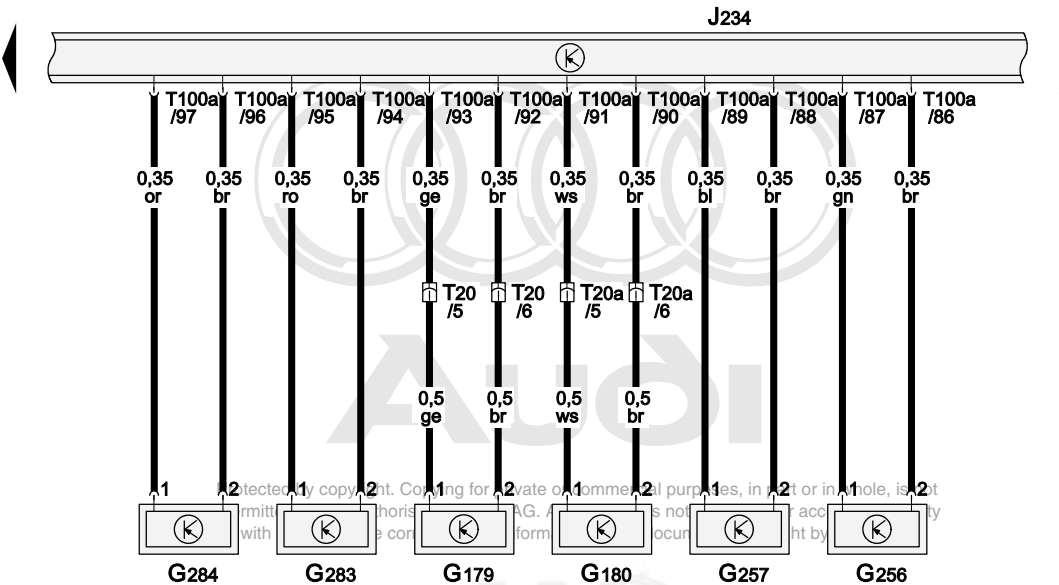
Protected by copyright. Copying for private or commercial purposes, in part or in whole, is not permitted unless authorised by AUDI AG. AUDI AG does not guarantee or accept any liability with respect to the correctness of information in this document. Copyright by AUDI AG.





Crash Sensors

- G179 Driver's Side Airbag Crash Sensor
- G180 Front Passenger's Side Airbag Crash Sensor
- G256 Rear Side Airbag Crash Sensor (on driver's side)
- G257 Rear Side Airbag Crash Sensor (on front passenger's side)
- G283 Driver's Front Airbag Crash Sensor
- G284 Front Passenger's Front Airbag Crash Sensor
- J234 Airbag Control Module
- T20 20-Pin Connector, black, door A-pillar, left
- T20a 20-Pin Connector, black, door A-pillar, right
- T100a 100-Pin Connector, purple (Connector A)

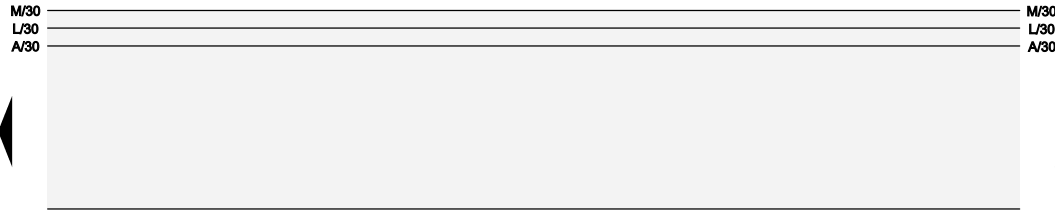


- ws = white
- sw = black
- ro = red
- rt = red
- br = brown
- gn = green
- bl = blue
- gr = grey
- li = lilac
- vi = lilac
- ge = yellow
- or = orange
- rs = pink

374 374

43 44 45 46 47 48 49 50 51 52 53 54 55 56

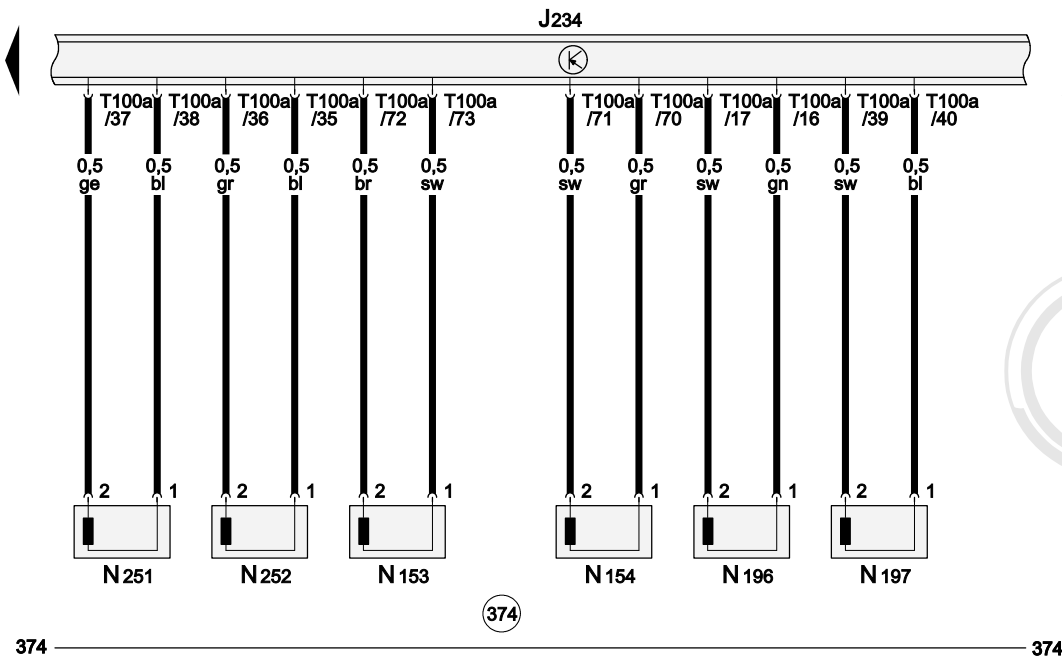
8P0-A128050409



Safety Belt Tensioner Igniter, Head Curtain Airbag Igniter

- J234 Airbag Control Module
- N153 Driver's Safety Belt Tensioner Igniter 1
- N154 Front Passenger's Safety Belt Tensioner Igniter 1
- N196 Rear Safety Belt (driver's side) Tensioner Igniter
- N197 Rear Safety Belt (front passenger's side) Tensioner Igniter
- N251 Driver's Head Curtain Airbag Igniter
- N252 Front Passenger's Head Curtain Airbag Igniter
- T100a 100-Pin Connector, purple (Connector A)

374 Ground Connection 9 (in main wiring harness)



- ws = white
- sw = black
- ro = red
- rt = red
- br = brown
- gn = green
- bl = blue
- gr = grey
- li = lilac
- vi = lilac
- ge = yellow
- or = orange
- rs = pink

Protected by copyright. Copying for private or commercial purposes, in part or in whole, is not permitted unless authorized by Audi AG. Audi AG does not guarantee or accept any liability with respect to the correctness of information in this document. Copyright by Audi AG.

57 58 59 60 61 62 63 64 65 66 67 68 69 70

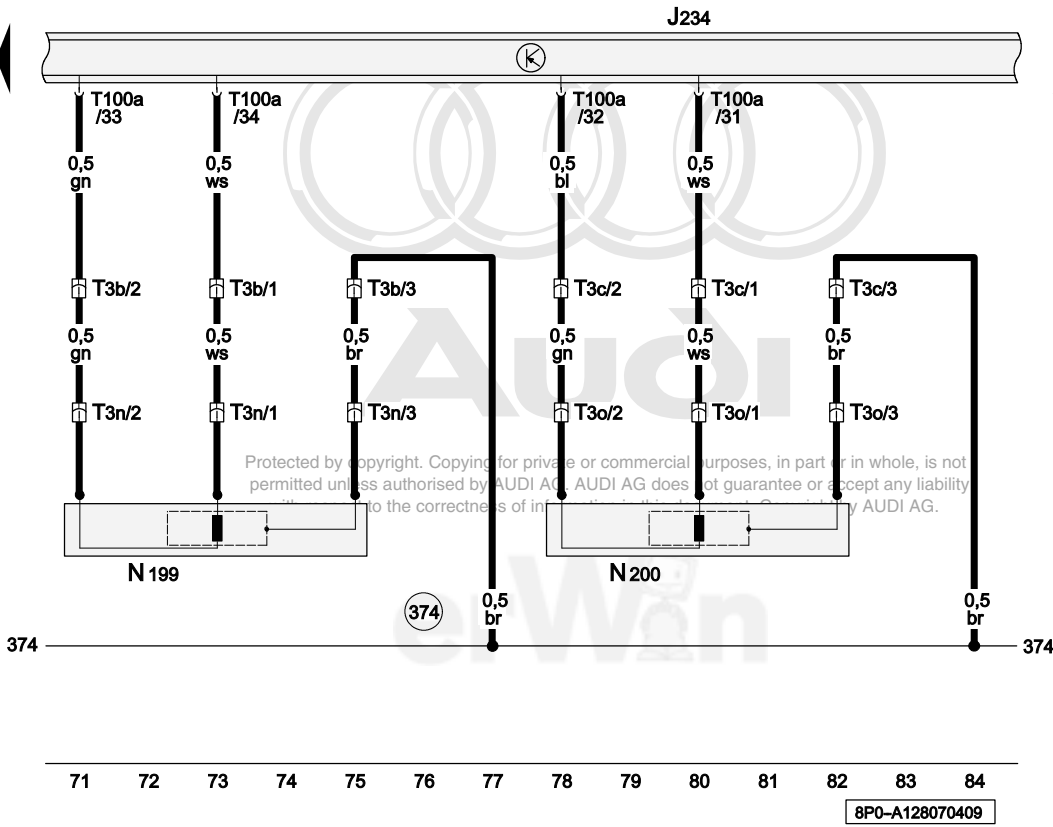
8P0-A128060409



Driver's Side Airbag Igniter, Front Passenger's Side Airbag Igniter

- J234 Airbag Control Module
- N199 Driver's Side Airbag Igniter
- N200 Front Passenger's Side Airbag Igniter
- T3b 3-Pin Connector, yellow, near driver's seat
- T3c 3-Pin Connector, yellow, near front passenger's seat
- T3n 3-Pin Connector, in driver's seat
- T3o 3-Pin Connector, in front passenger's seat
- T100a 100-Pin Connector, purple (Connector A)

374 Ground Connection 9 (in main wiring harness)





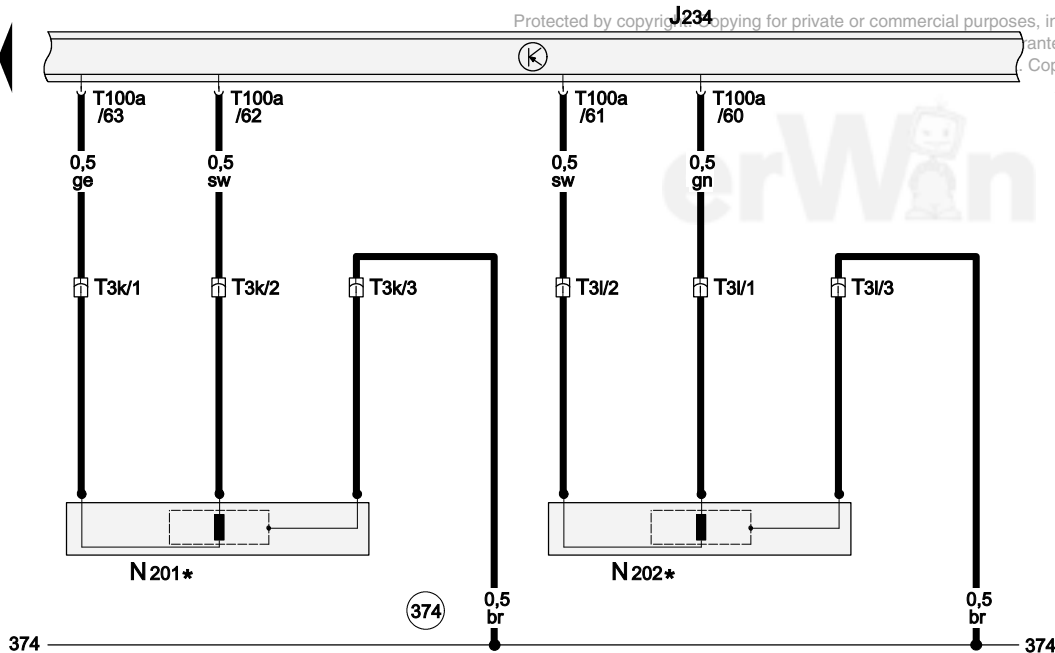
Rear Driver's Side Airbag Igniter, Rear Front Passenger's Side Airbag Igniter

- J234 Airbag Control Module
- N201 Rear Side Airbag (front driver's side) Igniter
- N202 Rear Passenger's Side Airbag (front passenger's side) Igniter
- T3k 3-Pin Connector, yellow, near C-pillar, left (connector locking purple)
- T3l 3-Pin Connector, yellow, near C-pillar, right (connector locking purple)
- T100a 100-Pin Connector, purple (Connector A)

374 Ground Connection 9 (in main wiring harness)

* Only models with side airbags

Protected by copyright. Copying for private or commercial purposes, in part or in whole, is not permitted. Audi AG assumes no liability for the content of this document. Copyright by AUDI AG.

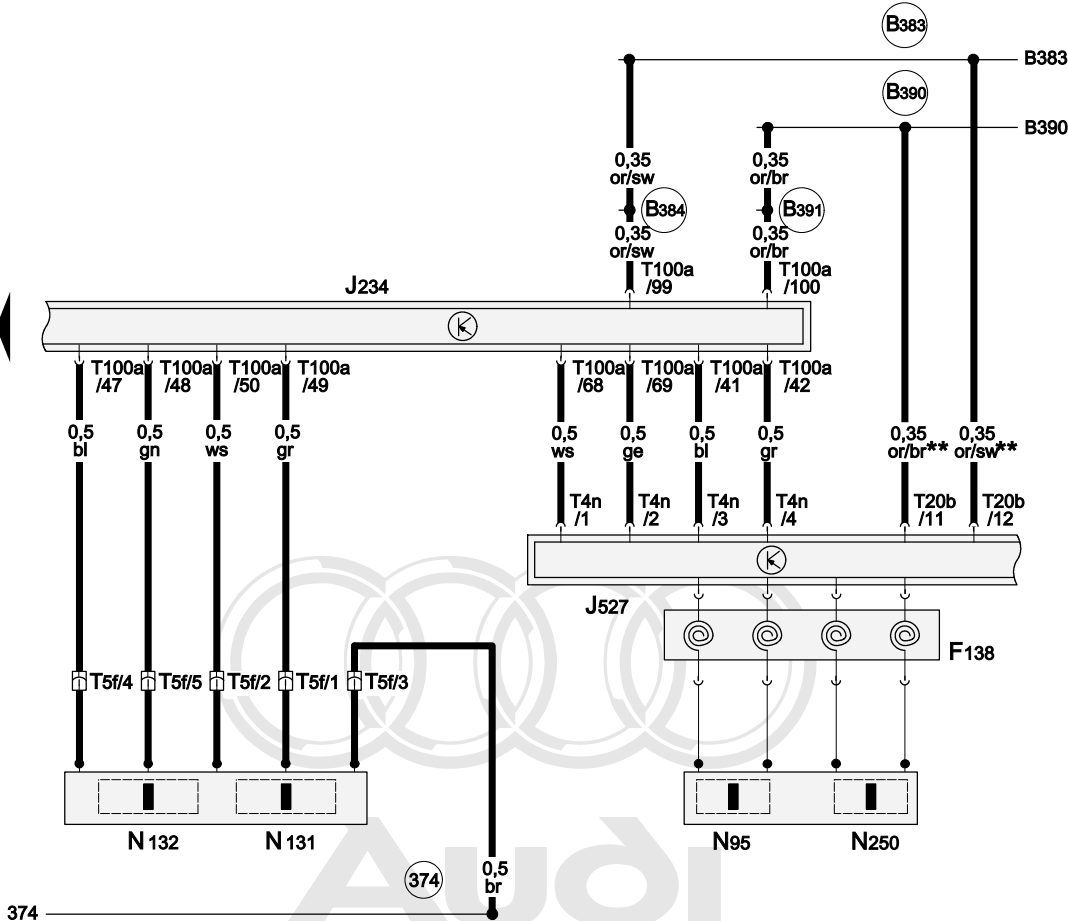


374 374

85 86 87 88 89 90 91 92 93 94 95 96 97 98

8P0-A128080409

- ws = white
- sw = black
- ro = red
- rt = red
- br = brown
- gn = green
- bl = blue
- gr = grey
- li = lilac
- vi = lilac
- ge = yellow
- or = orange
- rs = pink



Driver's Airbag Igniter, Front Passenger's Airbag Igniter

- F138 Airbag Spiral Spring/Return Spring With Slip Ring
- J234 Airbag Control Module
- J527 Steering Column Electronic Systems Control Module
- N95 Driver's Airbag Igniter
- N131 Front Passenger's Airbag Igniter 1
- N132 Front Passenger's Airbag Igniter 2
- N250 Driver's Airbag Igniter 2
- T4n 4-Pin Connector, yellow (Connector B)
- T5f 5-Pin Connector, black
- T20b 20-Pin Connector, black (Connector A)
- T100a 100-Pin Connector, purple (Connector A)

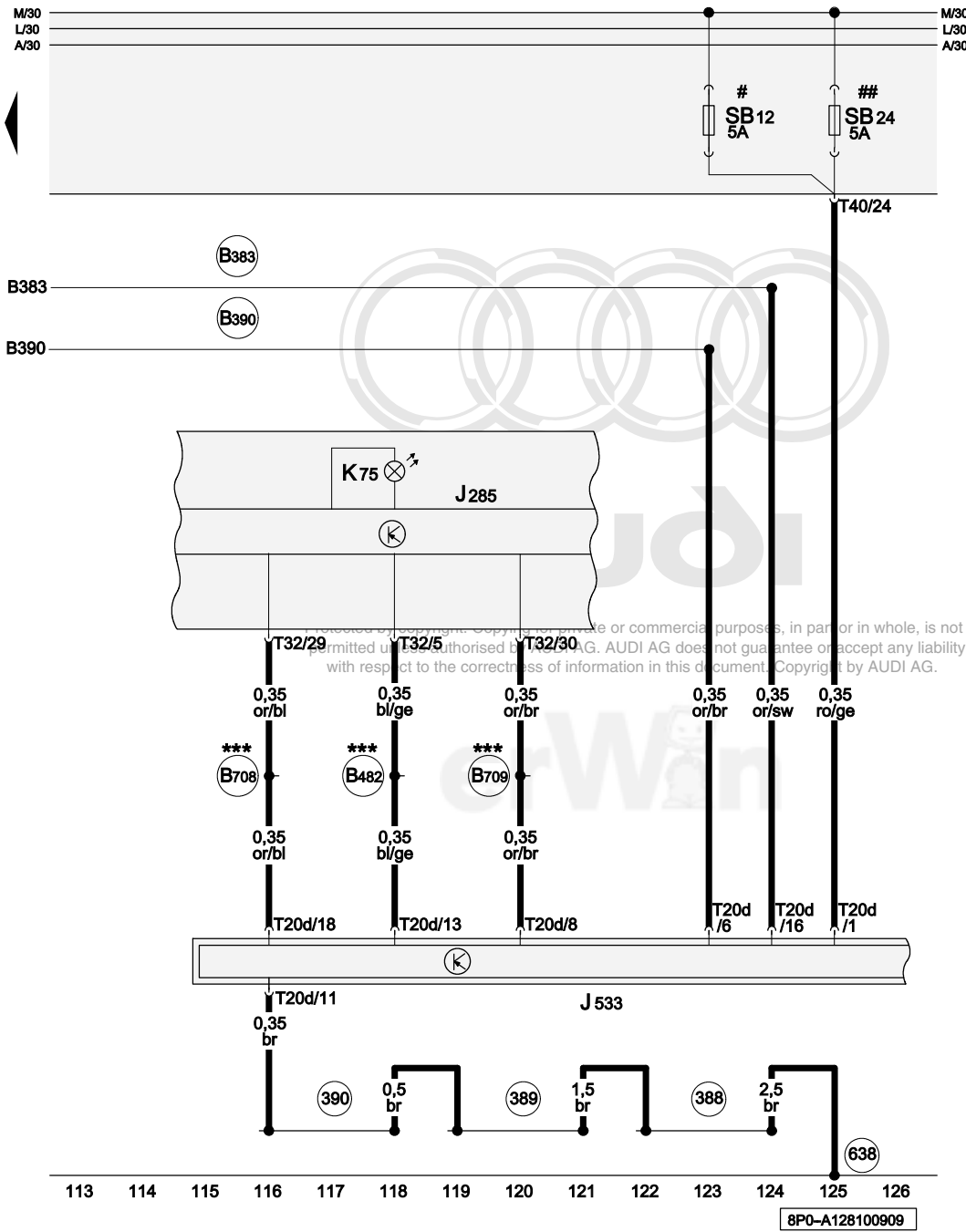
- 374 Ground Connection 9 (in main wiring harness)
- B383 Powertrain CAN-Bus High Connection 1 (in main wiring harness)
- B384 Powertrain CAN-Bus High Connection 2 (in main wiring harness)
- B390 Powertrain CAN-Bus Low Connection 1 (in main wiring harness)
- B391 Powertrain CAN-Bus Low Connection 2 (in main wiring harness)
- ** Only models with powertrain CAN-Bus

- ws = white
- sw = black
- ro = red
- rt = red
- br = brown
- gn = green
- bl = blue
- gr = grey
- li = lilac
- vi = lilac
- ge = yellow
- or = orange
- rs = pink

Protected by copyright. Copying for private or commercial purposes, in part or in whole, is not permitted unless authorised by AUDI AG. AUDI AG does not guarantee or accept any liability with respect to the correctness of information in this document. Copyright by AUDI AG.

99 100 101 102 103 104 105 106 107 108 109 110 111 112

8P0-A128090409



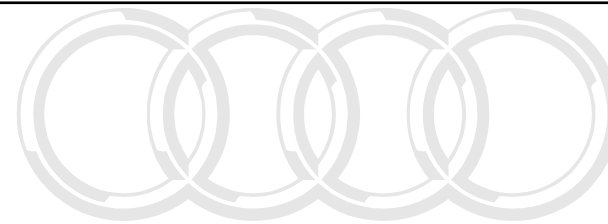
Instrument Cluster Control Module, Airbag Malfunction Indicator Lamp (MIL)

- J285 Instrument Cluster Control Module
- J533 Data Bus On Board Diagnostic Interface
- K75 Airbag Malfunction Indicator Lamp (MIL)
- SB12 Fuse 12 (on fuse panel B)
- SB24 Fuse 24 (on fuse panel B)
- T20d 20-Pin Connector, black (Connector A)
- T32 32-Pin Connector, blue (Connector A)
- T40 40-Pin Connector, black, on electronics box engine compartment (Connector J)

- (388) Ground Connection 23 (in main wiring harness)
- (389) Ground Connection 24 (in main wiring harness)
- (390) Ground Connection 25 (in main wiring harness)
- (638) Ground Connection (on right A-pillar)
- (B383) Powertrain CAN-Bus High Connection 1 (in main wiring harness)
- (B390) Powertrain CAN-Bus Low Connection 1 (in main wiring harness)
- (B482) Connection 18 (in main wiring harness)
- (B708) Instrument Cluster CAN Bus - High Connection 1 (in main wiring harness)
- (B709) Instrument Cluster CAN Bus - Low Connection 1 (in main wiring harness)
- # Only models with electronics box Low
- ## Only models with electronics box High
- *** Not applicable, phased-in modification

- ws = white
- sw = black
- ro = red
- rt = red
- br = brown
- gn = green
- bl = blue
- gr = grey
- li = lilac
- vi = lilac
- ge = yellow
- or = orange
- rs = pink

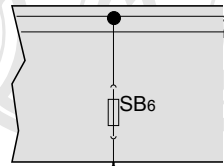
2.0L gasoline engine , CCTA,CCZA
From May 2009



Audi

Protected by copyright. Copying for private or commercial purposes, in part or in whole, is not permitted unless authorised by AUDI AG. AUDI AG does not guarantee or accept any liability with respect to the correctness of information in this document. Copyright by AUDI AG.

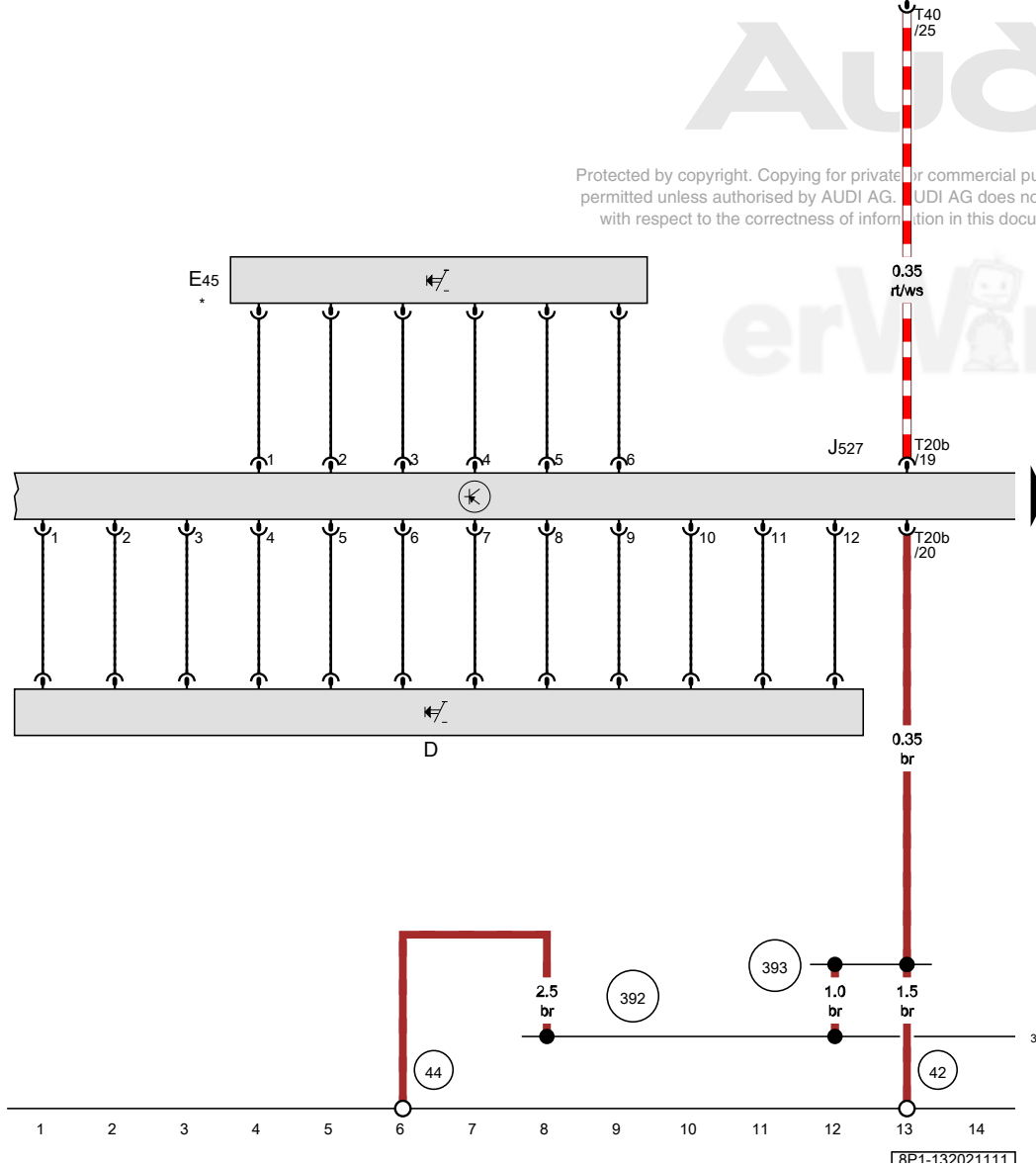




Ignition/starter switch, Cruise control switch, Steering column electronics control module

- D Ignition/starter switch
- E45 Cruise control switch
- J527 Steering column electronics control module
- SB6 Fuse 6 (on fuse panel B)
- T20b 20-pin connector
- T40 40-pin connector

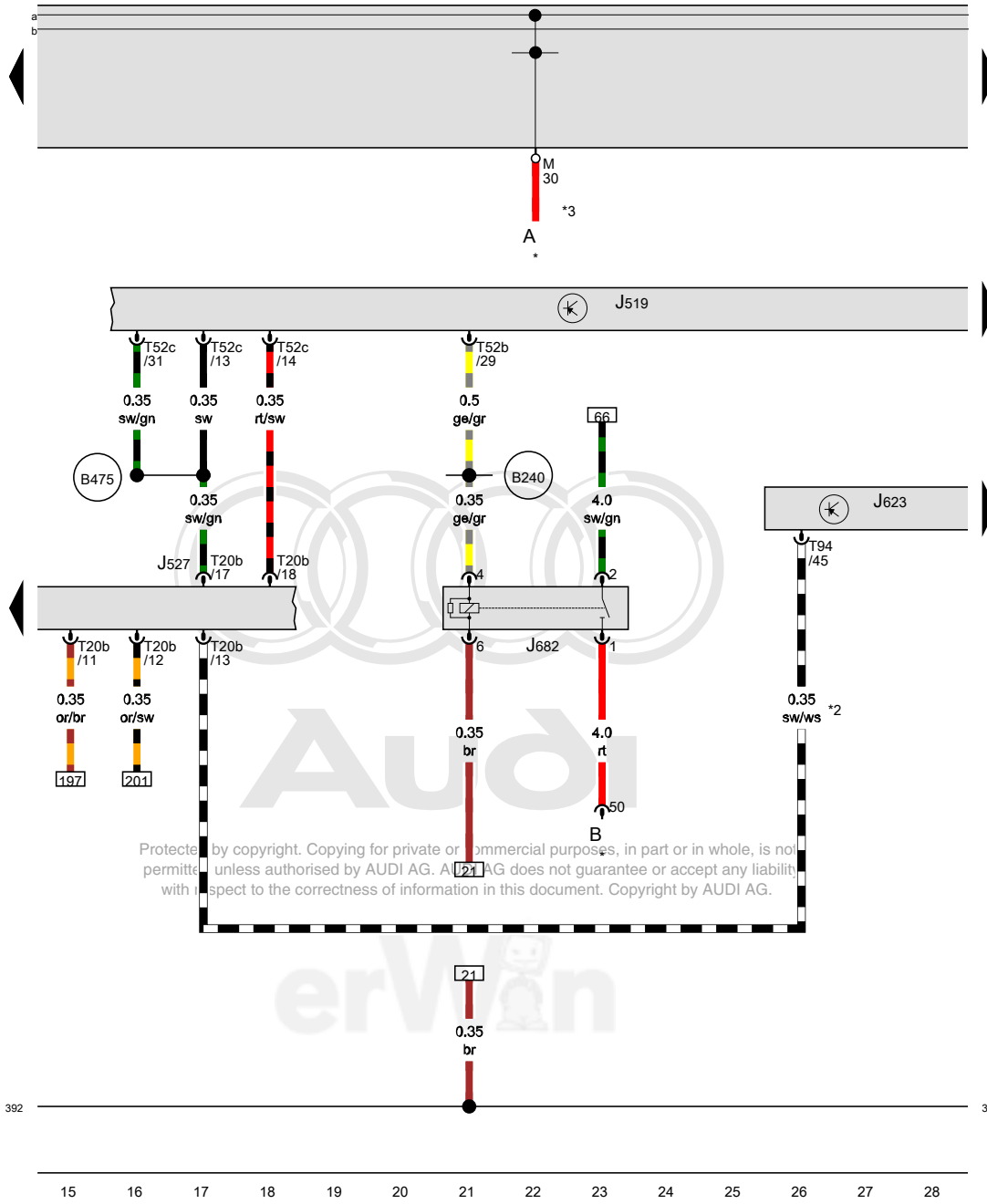
Protected by copyright. Copying for private or commercial purposes, in part or in whole, is not permitted unless authorised by AUDI AG. AUDI AG does not guarantee or accept any liability with respect to the correctness of information in this document. Copyright by AUDI AG.



- 42 Ground connection near steering column
- 44 Ground connection on A-pillar, lower left
- 392 Ground connection 27 (in main wiring harness)
- 393 Ground connection 28 (in main wiring harness)
- * Only for vehicles with cruise control

- ws = white
- sw = black
- ro = red
- br = brown
- gn = green
- bl = blue
- gr = grey
- li = lilac
- ge = yellow
- or = orange
- rs = pink

FRP1-132021111



Vehicle electrical system control module, Steering column electronics control module, Engine control module, Terminal 50 power supply relay

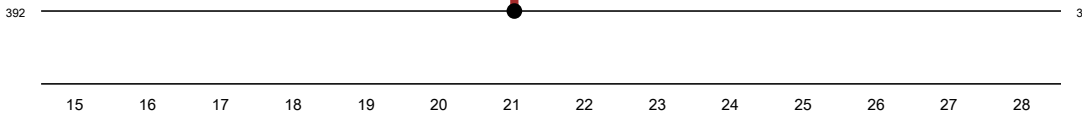
- A Battery
- B Starter
- J519 Vehicle electrical system control module
- J527 Steering column electronics control module
- J623 Engine control module
- J682 Terminal 50 power supply relay
- T20b 20-pin connector
- T52b 52-pin connector
- T52c 52-pin connector
- T94 94-pin connector

- 392 Ground connection 27 (in main wiring harness)
- B240 Positive connection 2 (50) (in interior wiring harness)
- B475 Connection 11 (in main wiring harness)

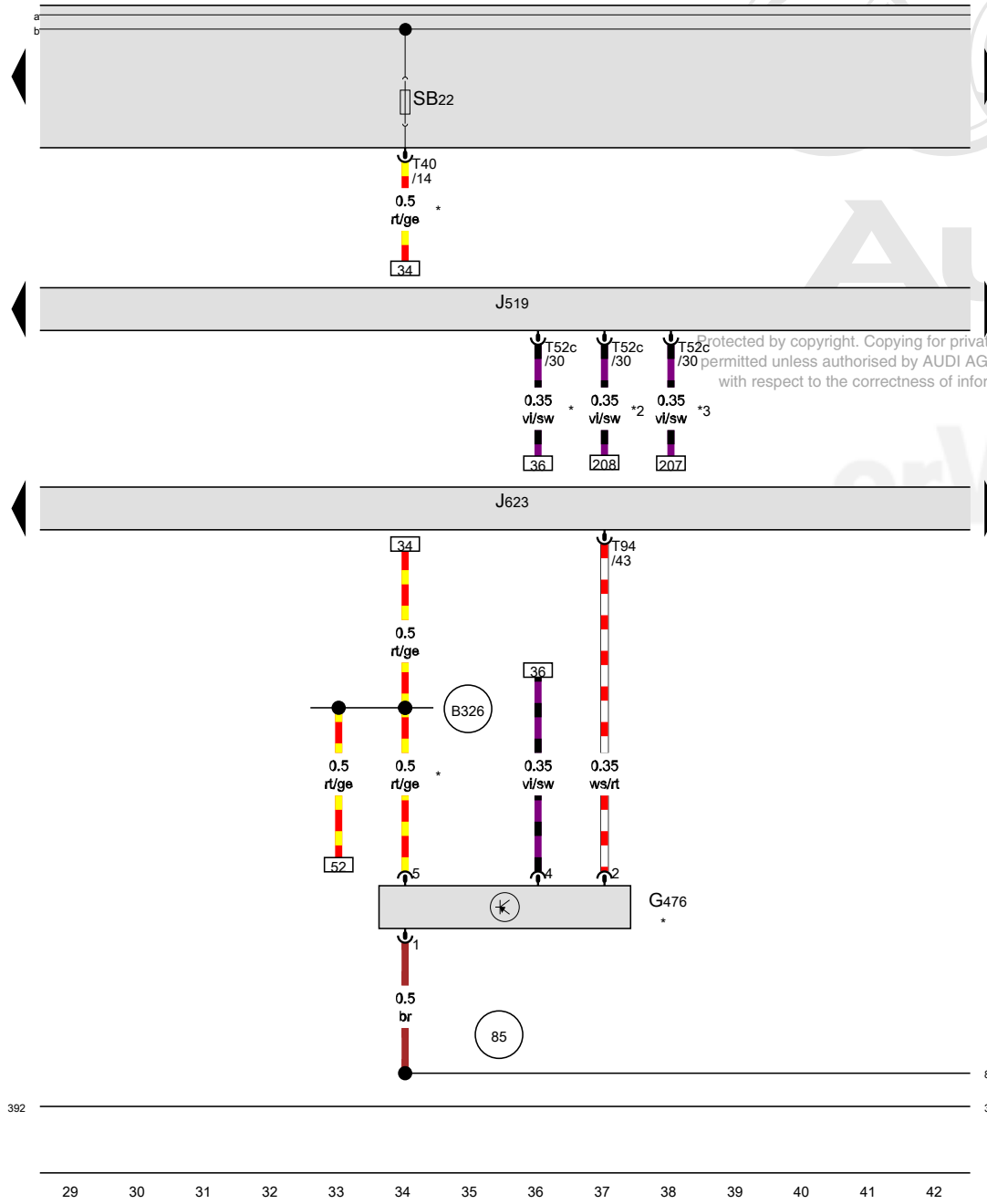
- * Refer to applicable wiring diagram for battery in engine compartment
- *2 Only for vehicles with cruise control
- *3 Diameter depends on equipment

Protected by copyright. Copying for private or commercial purposes, in part or in whole, is not permitted unless authorised by AUDI AG. AUDI AG does not guarantee or accept any liability with respect to the correctness of information in this document. Copyright by AUDI AG.

- ws = white
- sw = black
- ro = red
- br = brown
- gn = green
- bl = blue
- gr = grey
- li = lilac
- ge = yellow
- or = orange
- rs = pink



FRP1-132031111



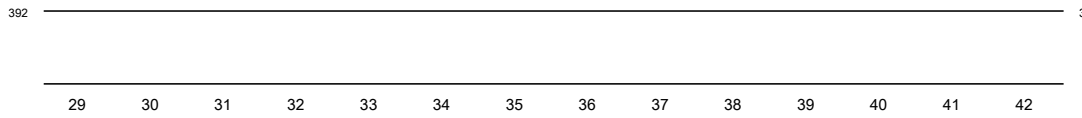
Clutch position sensor, Vehicle electrical system control module, Engine control module

- G476 Clutch position sensor
- J519 Vehicle electrical system control module
- J623 Engine control module
- SB22 Fuse 22 (on fuse panel B)
- T40 40-pin connector
- T52c 52-pin connector
- T94 94-pin connector

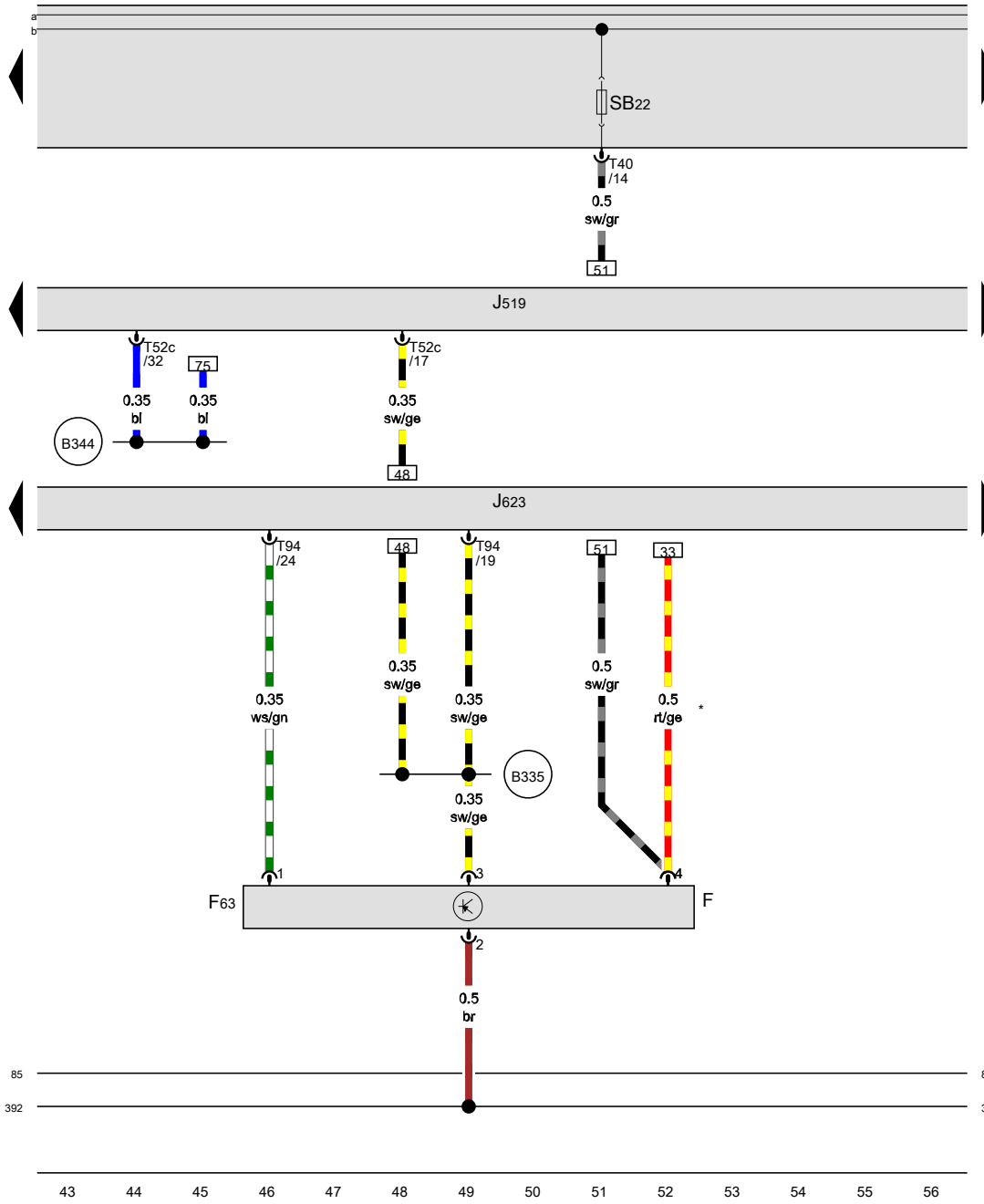
- 85 Ground connection 1 (in engine compartment wiring harness)
- 392 Ground connection 27 (in main wiring harness)
- B326 Positive connection 12 (30a) (in main wiring harness)

- * Only for vehicles with a manual transmission
- *2 Only for vehicles with DSG transmission 0AM
- *3 Only for vehicles with DSG transmission 02E

- ws = white
- sw = black
- ro = red
- br = brown
- gn = green
- bl = blue
- gr = grey
- li = lilac
- ge = yellow
- or = orange
- rs = pink



[RP1-132041111]



Brake pedal switch, Vehicle electrical system control module, Engine control module

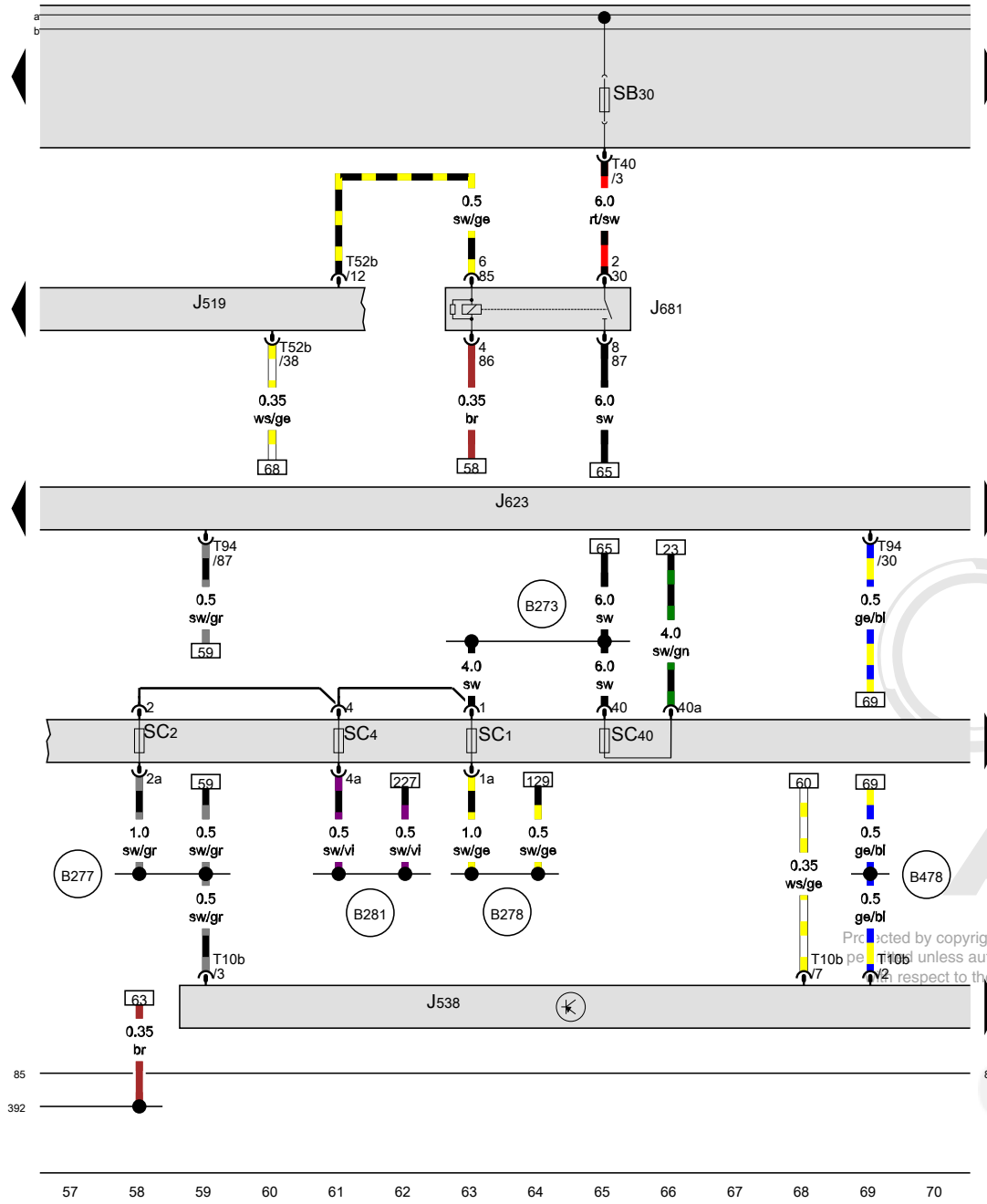
- F Brake lamp switch
- F63 Brake pedal switch
- J519 Vehicle electrical system control module
- J623 Engine control module
- SB22 Fuse 22 (on fuse panel B)
- T40 40-pin connector
- T52c 52-pin connector
- T94 94-pin connector

- 85 Ground connection 1 (in engine compartment wiring harness)
- 392 Ground connection 27 (in main wiring harness)
- B335 Connection 1 (54) (in main wiring harness)
- B344 Connection 1 (61) (in main wiring harness)

* Only for vehicles with a manual transmission

Protected by copyright. Copying for private or commercial purposes, in part or in whole, is not permitted unless authorised by AUDI AG. AUDI AG does not guarantee or accept any liability with respect to the correctness of information in this document. Copyright by AUDI AG.

- ws = white
- sw = black
- ro = red
- br = brown
- gn = green
- bl = blue
- gr = grey
- li = lilac
- ge = yellow
- or = orange
- rs = pink



Vehicle electrical system control module, Fuel pump control module, Engine control module, Terminal 15 power supply relay 2

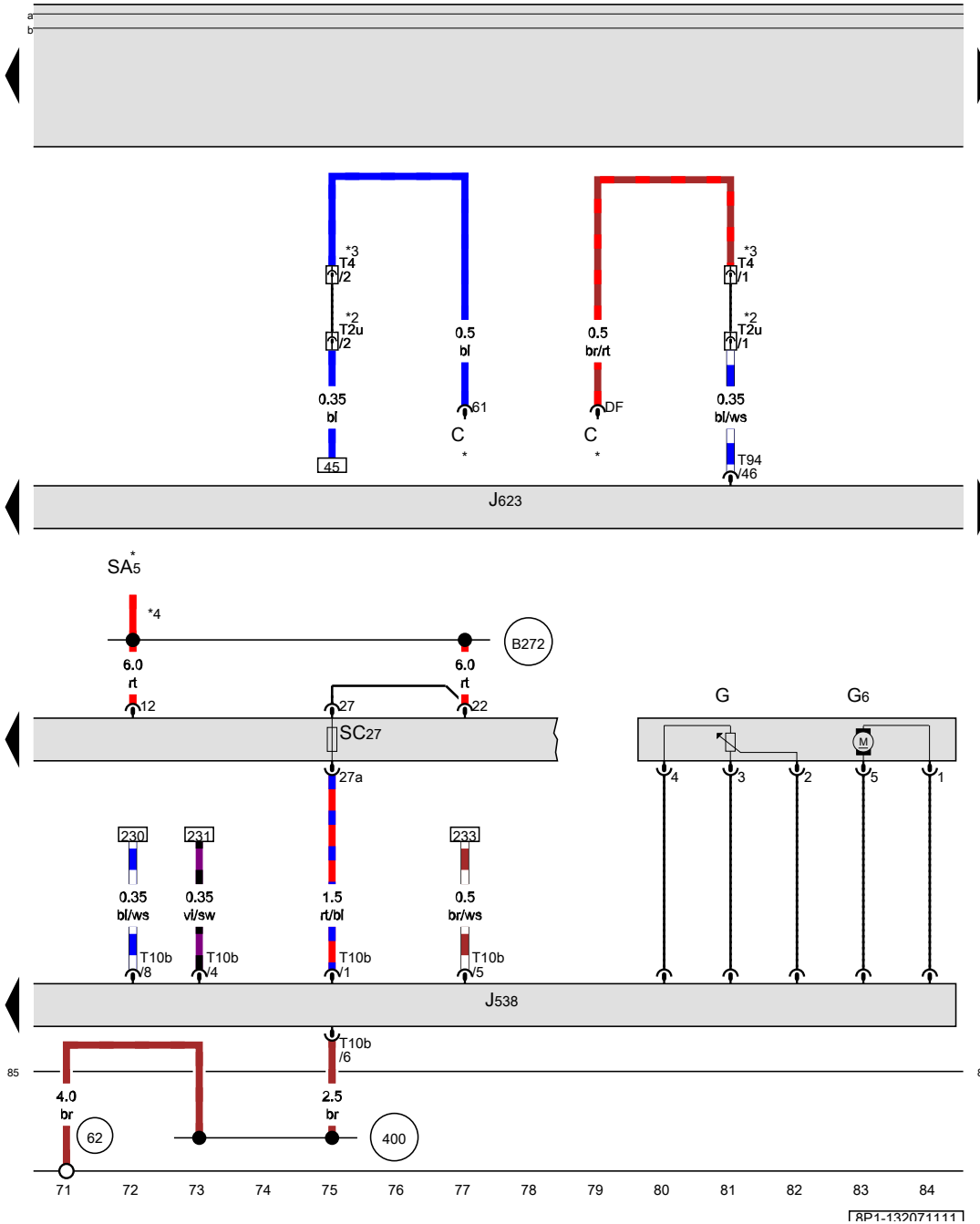
- J519 Vehicle electrical system control module
- J538 Fuel pump control module
- J623 Engine control module
- J681 Terminal 15 power supply relay 2
- SC1 Fuse 1 (on fuse panel C)
- SC2 Fuse 2 (on fuse panel C)
- SC4 Fuse 4 (on fuse panel C)
- SC40 Fuse 40 (on fuse panel C)
- SB30 Fuse 30 (on fuse panel B)
- T10b 10-pin connector
- T40 40-pin connector
- T52b 52-pin connector
- T94 94-pin connector

- 85 Ground connection 1 (in engine compartment wiring harness)
- 392 Ground connection 27 (in main wiring harness)
- B273 Positive connection (15) (in main wiring harness)
- B277 Positive connection 1 (15a) (in main wiring harness)
- B278 Positive connection 2 (15a) (in main wiring harness)
- B281 Positive connection 5 (15a) (in main wiring harness)
- B478 Connection 14 (in main wiring harness)

Protected by copyright. Copying for private or commercial purposes, in part or in whole, is not permitted unless authorised by AUDI AG. AUDI AG does not guarantee or accept any liability for errors or omissions with respect to the correctness of information in this document. Copyright by AUDI AG.

- ws = white
- sw = black
- ro = red
- br = brown
- gn = green
- bl = blue
- gr = grey
- li = lilac
- ge = yellow
- or = orange
- rs = pink

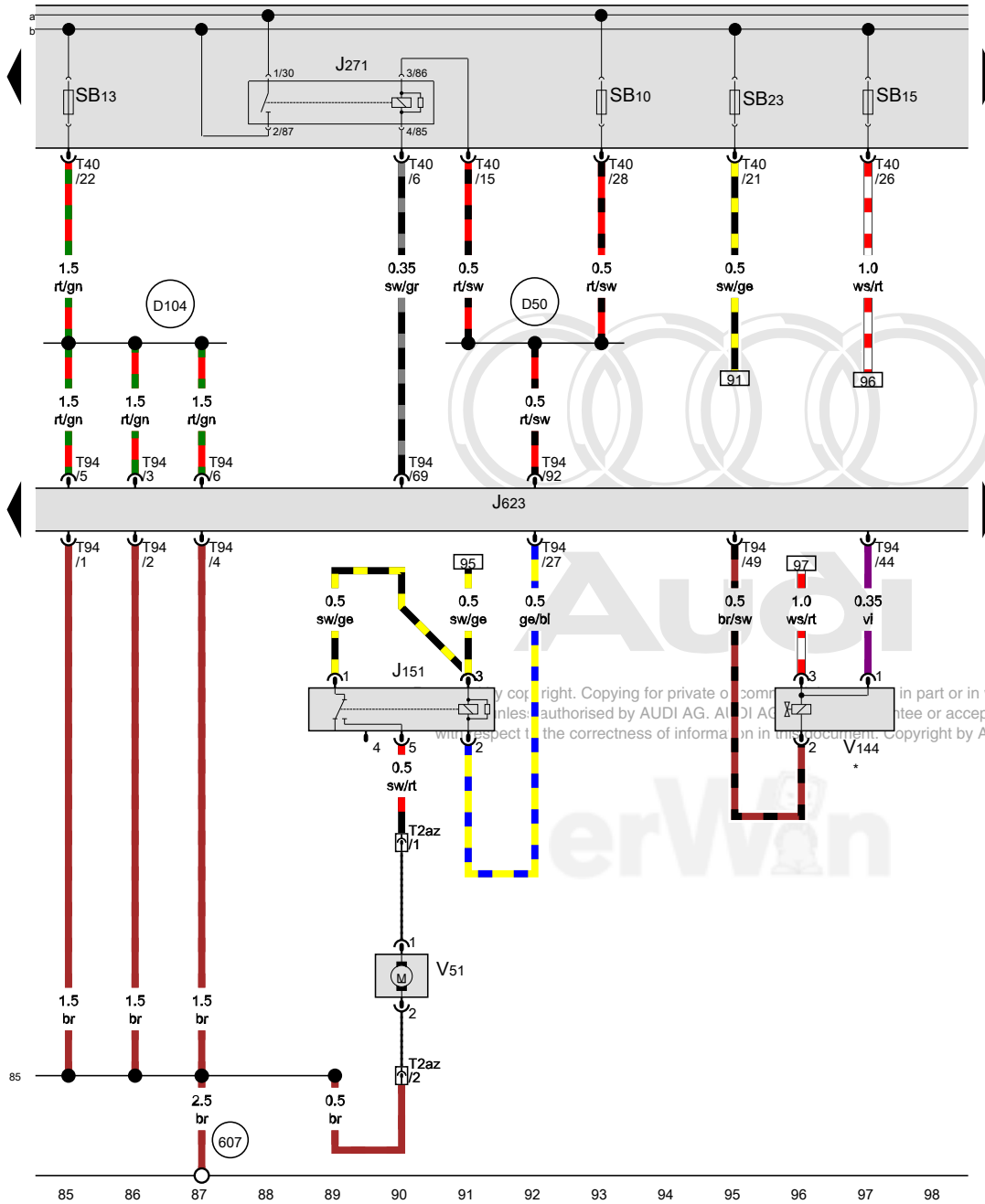
Fuel level sensor, Transfer fuel pump, Fuel pump control module, Engine control module



- C Generator
- G Fuel level sensor
- G6 Transfer fuel pump
- J538 Fuel pump control module
- J623 Engine control module
- SA5 Fuse 5 (on fuse panel A)
- SC27 Fuse 27 (on fuse panel C)
- T2u Double connector, in the engine compartment, left
- T4 4-pin connector, in the engine compartment, left
- T10b 10-pin connector
- T94 94-pin connector
- 62 Ground connection on right C-pillar
- 85 Ground connection 1 (in engine compartment wiring harness)
- 400 Ground connection 35 (in main wiring harness)
- B272 Positive connection (30) (in main wiring harness)
- * Refer to applicable wiring diagram for battery in engine compartment
- *2 Only for vehicles without an A/C system
- *3 Only for vehicles with A/C system
- *4 Diameter depends on equipment

Protected by copyright. Copying for private or commercial purposes, in part or in whole, is not permitted unless authorised by AUDI AG. AUDI AG does not guarantee or accept any liability with respect to the correctness of information in this document. Copyright by AUDI AG.

- ws = white
- sw = black
- ro = red
- br = brown
- gn = green
- bl = blue
- gr = grey
- li = lilac
- ge = yellow
- or = orange
- rs = pink

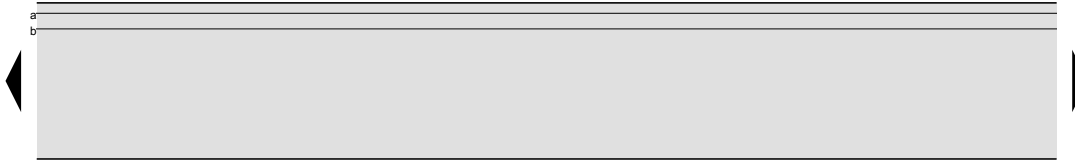


Coolant circulation pump relay, Motronic engine control module power supply relay, Engine control module, After-run coolant pump, Leak detection pump

- J151 Coolant circulation pump relay
- J271 Motronic engine control module power supply relay
- J623 Engine control module
- SB10 Fuse 10 (on fuse panel B)
- SB13 Fuse 13 (on fuse panel B)
- SB15 Fuse 15 (on fuse panel B)
- SB23 Fuse 23 (on fuse panel B)
- T2az Double connector
- T40 40-pin connector
- T94 94-pin connector
- V51 After-run coolant pump
- V144 Leak detection pump

- 85 Ground connection 1 (in engine compartment wiring harness)
- 607 Ground connection in plenum chamber, left
- D50 Positive connection (30) (in engine compartment wiring harness)
- D104 Positive connection 2 (30a) (in engine compartment wiring harness)
- * Only for vehicles with US equipment

- ws = white
- sw = black
- ro = red
- br = brown
- gn = green
- bl = blue
- gr = grey
- li = lilac
- ge = yellow
- or = orange
- rs = pink

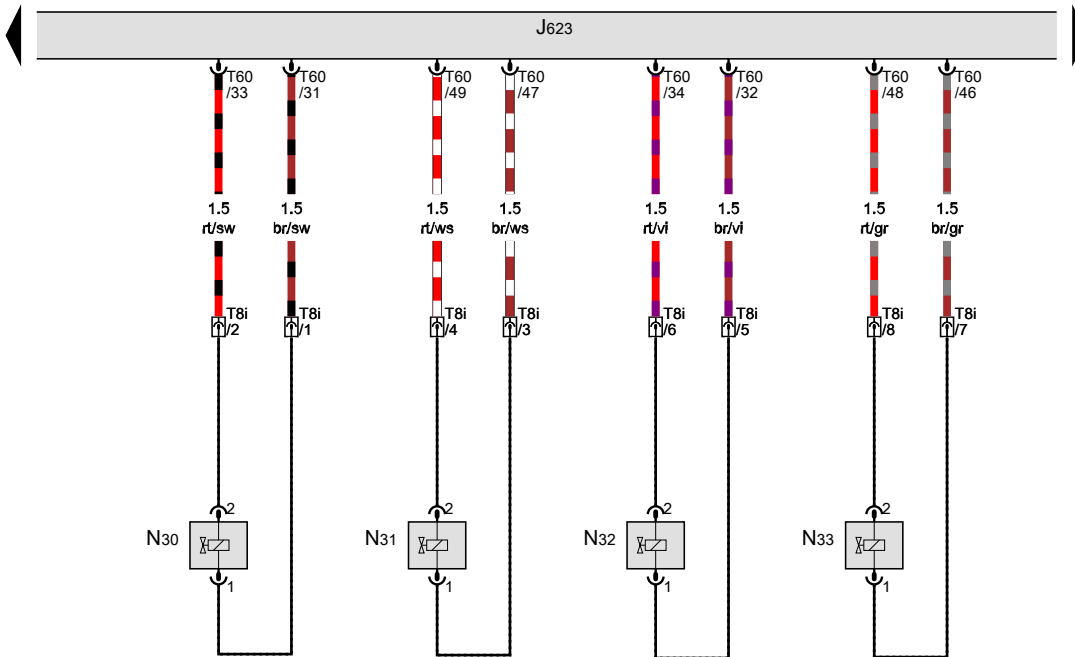


Engine control module, Cylinder 1 fuel injector, Cylinder 2 fuel injector, Cylinder 3 fuel injector, Cylinder 4 fuel injector

- J623 Engine control module
- N30 Cylinder 1 fuel injector
- N31 Cylinder 2 fuel injector
- N32 Cylinder 3 fuel injector
- N33 Cylinder 4 fuel injector
- T8i 8-pin connector, near the fuel injectors
- T60 60-pin connector



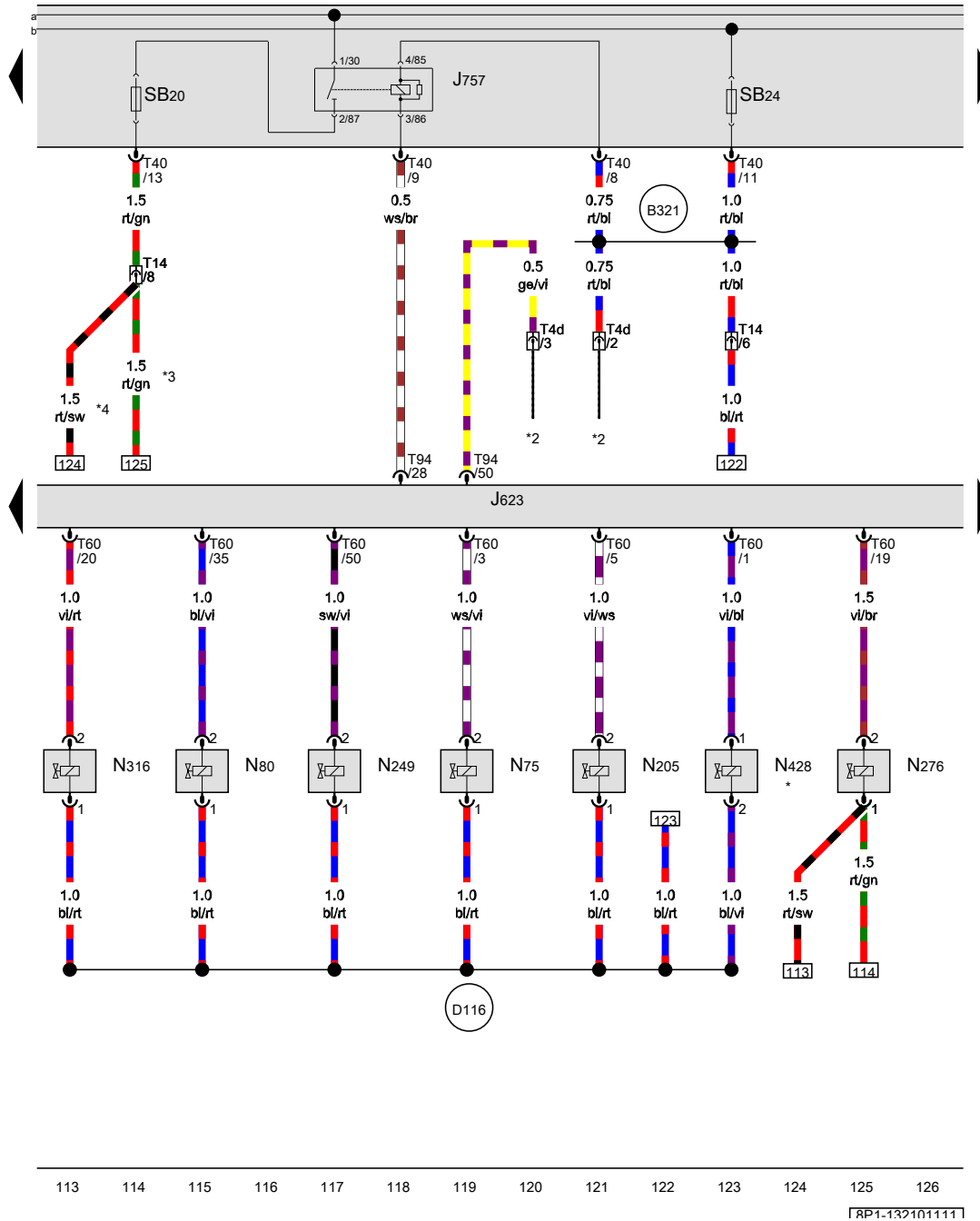
Protected by copyright. Copying for private or commercial purposes, in part or in whole, is not permitted unless authorised by AUDI AG. AUDI AG does not guarantee or accept any liability with respect to the correctness of information in this document. Copyright by AUDI AG.



- ws = white
- sw = black
- ro = red
- br = brown
- gn = green
- bl = blue
- gr = grey
- li = lilac
- ge = yellow
- or = orange
- rs = pink

99 100 101 102 103 104 105 106 107 108 109 110 111 112

[8P1-132091111]



Engine control module, Engine component power supply relay, Wastegate bypass regulator valve, EVAP canister purge regulator valve 1, Camshaft adjustment valve 1, Turbocharger recirculation valve, Fuel pressure regulator valve, Intake manifold runner control valve, Oil pressure regulation valve

- J623 Engine control module
- J757 Engine component power supply relay
- N75 Wastegate bypass regulator valve
- N80 EVAP canister purge regulator valve 1
- N205 Camshaft adjustment valve 1
- N249 Turbocharger recirculation valve
- N276 Fuel pressure regulator valve
- N316 Intake manifold runner control valve
- N428 Oil pressure regulation valve
- SB20 Fuse 20 (on fuse panel B)
- SB24 Fuse 24 (on fuse panel B)

T4d 4-pin connector, near the coolant fan
 T14 14-pin connector, near the left front longitudinal member
 T40 40-pin connector
 T60 60-pin connector
 T94 94-pin connector

B321 Positive connection 7 (30a) (in main wiring harness)

D116 Connection (14) (in engine compartment wiring harness)

- * Depending on equipment
- *2 Refer to applicable coolant fan wiring diagram
- *3 Omitted as a running change
- *4 Running change

- ws = white
- sw = black
- ro = red
- br = brown
- gn = green
- bl = blue
- gr = grey
- li = lilac
- ge = yellow
- or = orange
- rs = pink

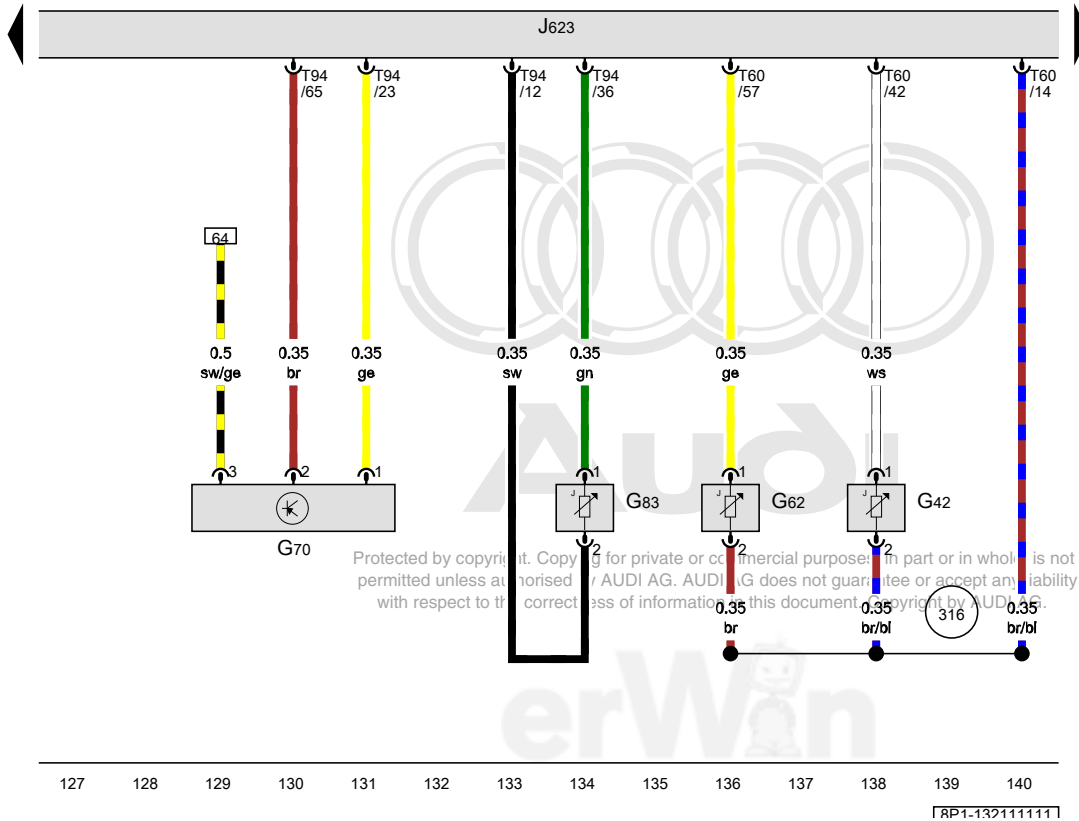
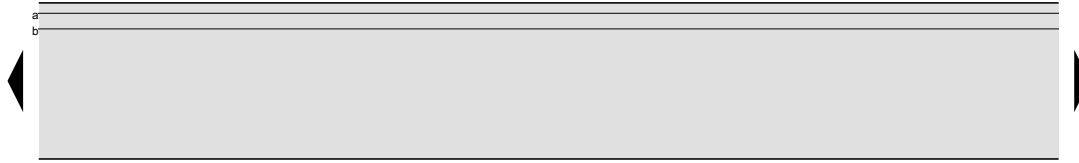
113 114 115 116 117 118 119 120 121 122 123 124 125 126

18P1-1321011111

Intake air temperature sensor, Engine coolant temperature sensor, Mass airflow sensor, Engine coolant temperature sensor on radiator outlet, Engine control module

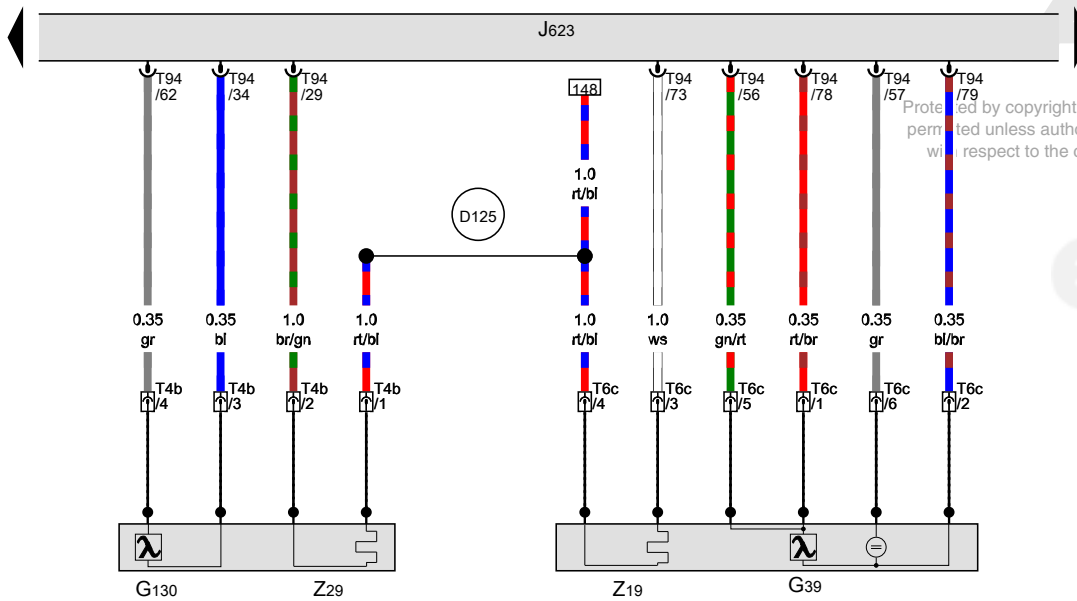
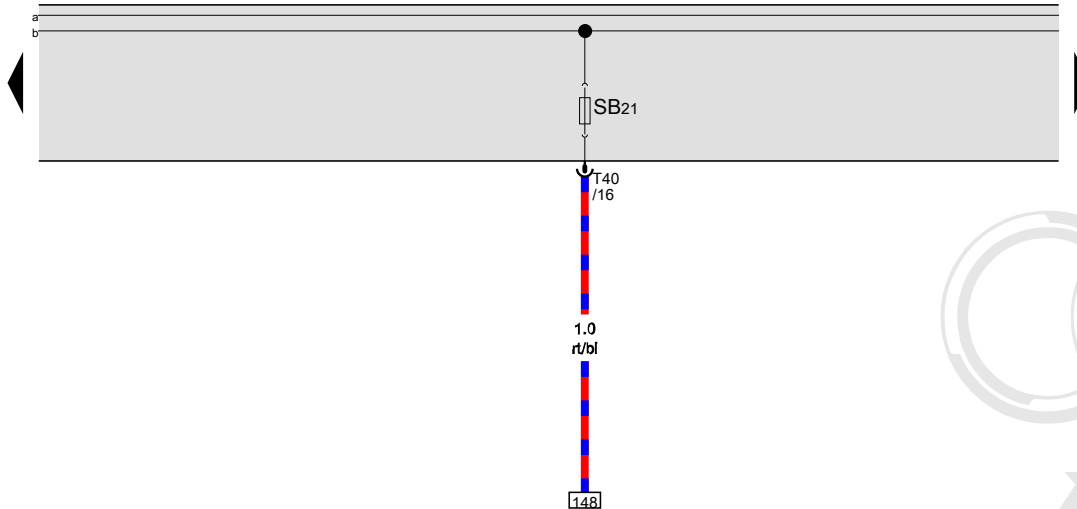
- G42 Intake air temperature sensor
- G62 Engine coolant temperature sensor
- G70 Mass airflow sensor
- G83 Engine coolant temperature sensor on radiator outlet
- J623 Engine control module
- T60 60-pin connector
- T94 94-pin connector

316 Sensor ground connection 2 (in engine wiring harness)



Heated oxygen sensor, Oxygen sensor after three way catalytic converter, Engine control module

- G39 Heated oxygen sensor
- G130 Oxygen sensor after three way catalytic converter
- J623 Engine control module
- SB21 Fuse 21 (on fuse panel B)
- T4b 4-pin connector, on the oxygen sensor after the catalytic converter
- T6c 6-pin connector, on the oxygen sensor before the catalytic converter
- T40 40-pin connector
- T94 94-pin connector
- Z19 Oxygen sensor heater
- Z29 Heater for oxygen sensor 1 after catalytic converter
- D125 Connection (23) (in engine compartment wiring harness)



Protected by copyright. Copying for private or commercial purposes, in part or in whole, is not permitted unless authorised by AUDI AG. AUDI AG does not guarantee or accept any liability with respect to the correctness of information in this document. Copyright by AUDI AG.

- ws = white
- sw = black
- ro = red
- br = brown
- gn = green
- bl = blue
- gr = grey
- li = lilac
- ge = yellow
- or = orange
- rs = pink

141 142 143 144 145 146 147 148 149 150 151 152 153 154

[RP1-132121111]

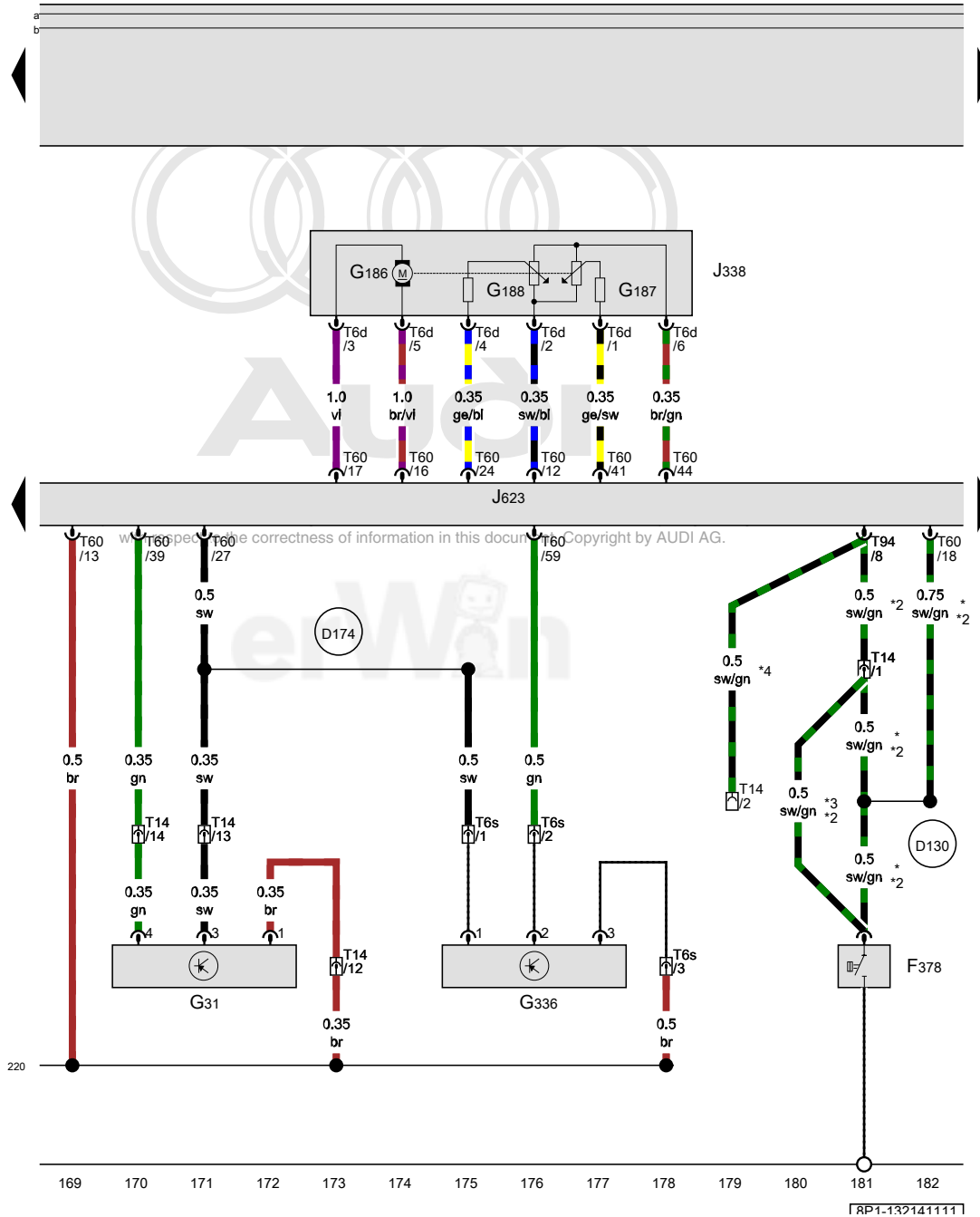
Reduced oil pressure switch, Charge air pressure sensor, Intake manifold runner position sensor, Throttle valve control module, Engine control module

- F378 Reduced oil pressure switch
- G31 Charge air pressure sensor
- G186 EPC throttle drive
- G187 EPC throttle drive angle sensor 1
- G188 EPC throttle drive angle sensor 2
- G336 Intake manifold runner position sensor
- J338 Throttle valve control module
- J623 Engine control module
- T6d 6-pin connector
- T6s 6-pin connector, in the engine compartment
- T14 14-pin connector, near the left front longitudinal member
- T60 60-pin connector
- T94 94-pin connector

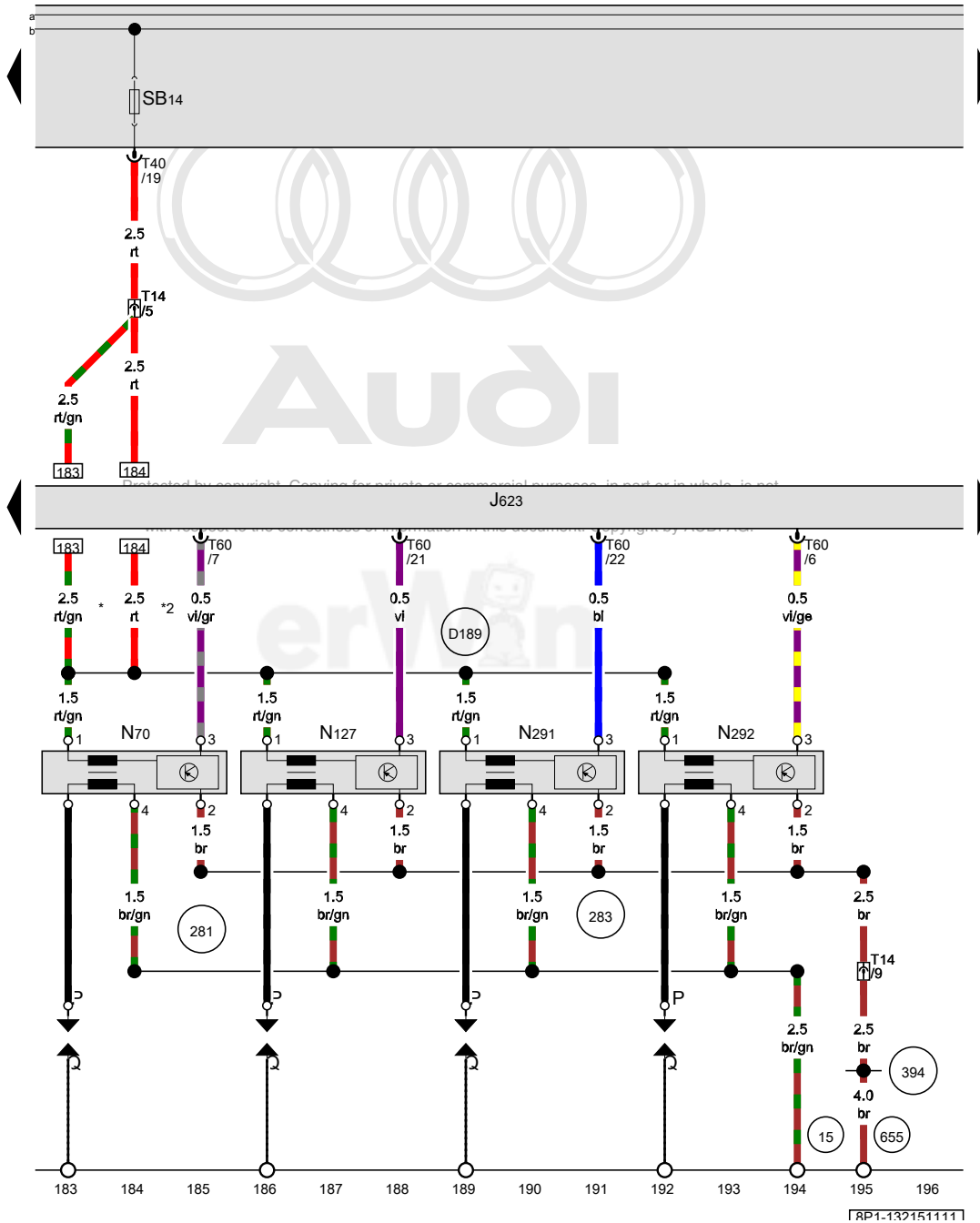
- (220) Sensor ground connection (in engine compartment wiring harness)
- (D130) Connection (28) (in engine compartment wiring harness)
- (D174) Connection 2 (5V) (in engine wiring harness)

- * Running change
- *2 Only for vehicles without US equipment
- *3 Omitted as a running change
- *4 Only for vehicles with US equipment

- ws = white
- sw = black
- ro = red
- br = brown
- gn = green
- bl = blue
- gr = grey
- li = lilac
- ge = yellow
- or = orange
- rs = pink



[RP1-132141111]



Engine control module, Ignition coil 1 with power output stage, Ignition coil 2 with power output stage, Ignition coil 3 with power output stage, Ignition coil 4 with power output stage

- J623 Engine control module
- N70 Ignition coil 1 with power output stage
- N127 Ignition coil 2 with power output stage
- N291 Ignition coil 3 with power output stage
- N292 Ignition coil 4 with power output stage
- P Spark plug connectors
- Q Spark plugs
- SB14 Fuse 14 (on fuse panel B)
- T14 14-pin connector, near the left front longitudinal member
- T40 40-pin connector
- T60 60-pin connector

- 15 Ground connection on cylinder head
- 281 Ground connection 1 (in engine wiring harness)
- 283 Ground connection 2 (in engine wiring harness)
- 394 Ground connection 29 (in main wiring harness)
- 655 Ground connection on left headlamp
- D189 Connection (87a) (in engine wiring harness)

* Running change
*2 Omitted as a running change

- ws = white
- sw = black
- ro = red
- br = brown
- gn = green
- bl = blue
- gr = grey
- li = lilac
- ge = yellow
- or = orange
- rs = pink

RP1-132151111

Data bus on board diagnostic interface, Engine control module, DSG transmission Mechatronic

- J533 Data bus on board diagnostic interface
- J623 Engine control module
- J743 DSG transmission Mechatronic
- T16 16-pin connector
- T20d 20-pin connector
- T20e 20-pin connector
- T25 25-pin connector
- T94 94-pin connector

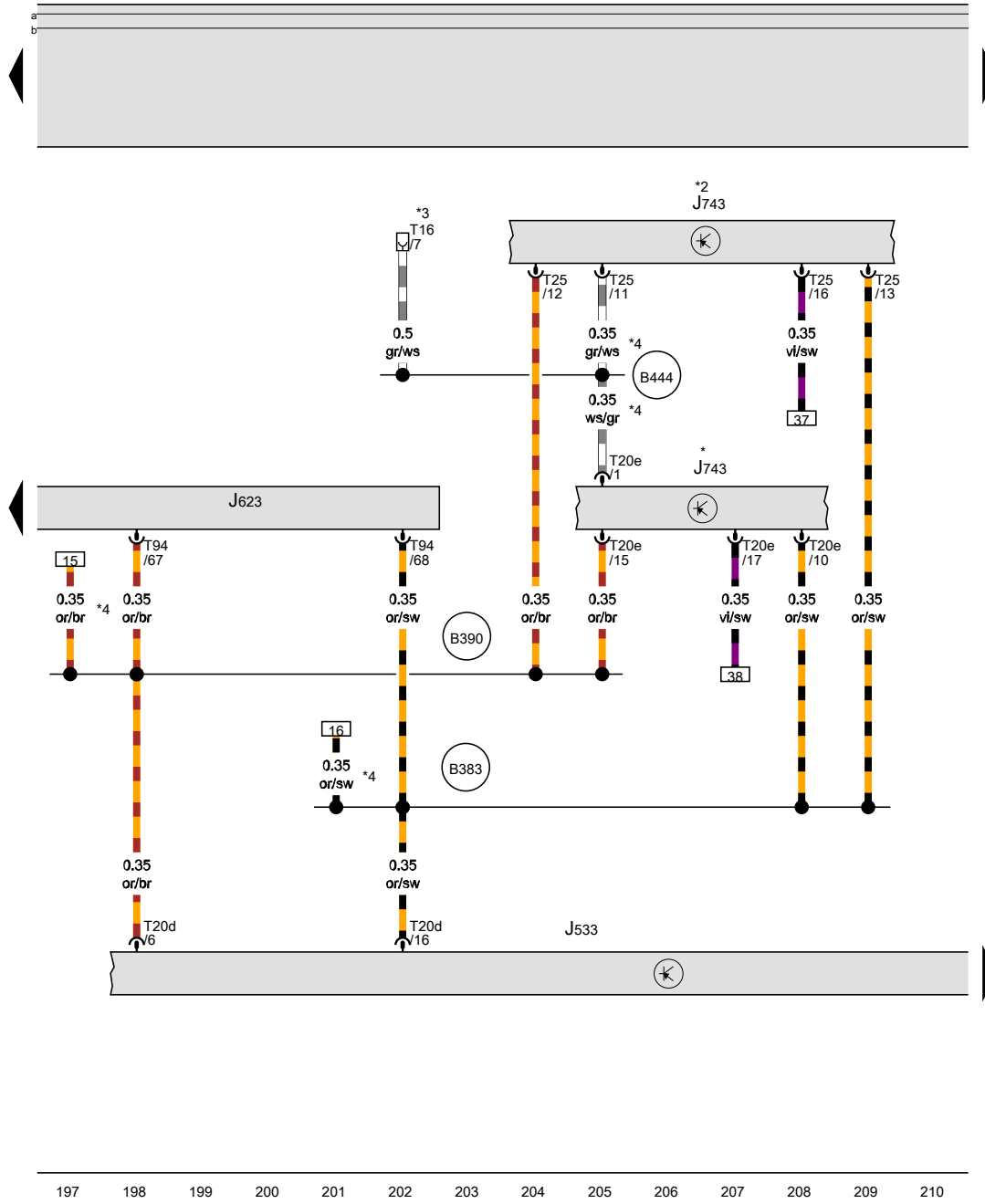
B383 Powertrain CAN bus high connection 1 (in main wiring harness)

B390 Powertrain CAN bus low connection 1 (in main wiring harness)

Protected by copyright. Copying for private or commercial purposes, in part or in whole, is not permitted unless authorised by AUDI AG. AUDI AG does not guarantee or accept any liability with respect to the correctness of information published herein. Provided by AUDI AG.

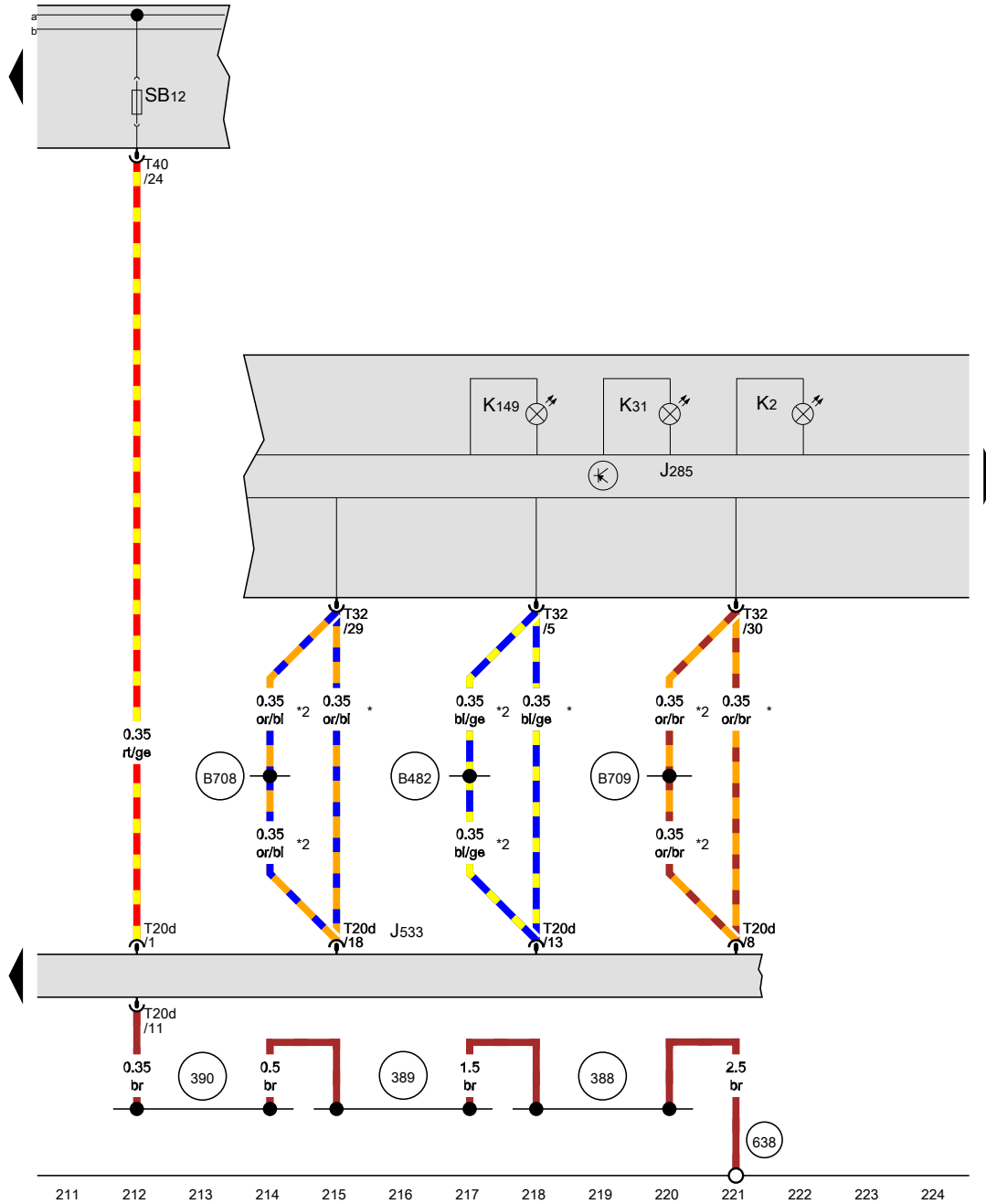
B444 OBD connection 1 (in main wiring harness)

- * Only for vehicles with DSG transmission 02E
- *2 Only for vehicles with DSG transmission 0AM
- *3 Diagnostic connector
- *4 If available



- ws = white
- sw = black
- ro = red
- br = brown
- gn = green
- bl = blue
- gr = grey
- li = lilac
- ge = yellow
- or = orange
- rs = pink

[RP1-13216111]



Instrument cluster control module, Data bus on board diagnostic interface

- J285 Instrument cluster control module
- J533 Data bus on board diagnostic interface
- K2 Generator indicator lamp
- K31 Cruise control indicator lamp
- K149 Engine electronics indicator lamp
- SB12 Fuse 12 (on fuse panel B)
- T20d 20-pin connector
- T32 32-pin connector
- T40 40-pin connector

- 388 Ground connection 23 (in main wiring harness)
- 389 Ground connection 24 (in main wiring harness)
- 390 Ground connection 25 (in main wiring harness)
- 638 Ground connection on right A-pillar
- B482 Connection 18 (in main wiring harness)
- B708 Instrument cluster CAN bus high connection 1 (in main wiring harness)
- B709 Instrument cluster CAN bus low connection 1 (in main wiring harness)

* Running change
 *2 Omitted as a running change

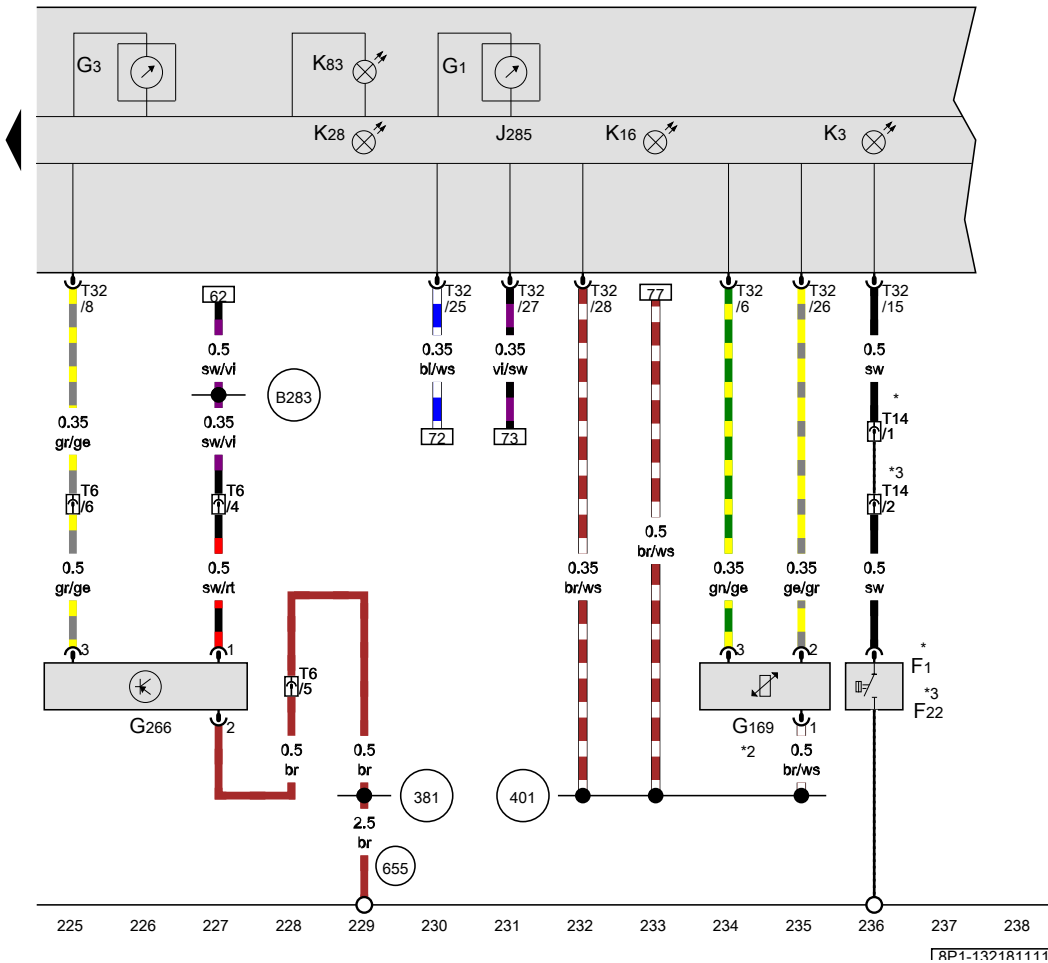
Protected by copyright. Copying for private or commercial purposes, in part or in whole, is not permitted unless authorised by AUDI AG. AUDI AG does not guarantee or accept any liability with respect to the correctness of information in this document. Copyright by AUDI AG.

- ws = white
- sw = black
- ro = red
- br = brown
- gn = green
- bl = blue
- gr = grey
- li = lilac
- ge = yellow
- or = orange
- rs = pink

Oil pressure switch, Fuel level sensor 2, Oil level thermal sensor, Instrument cluster control module

- F1 Oil pressure switch
- F22 Oil pressure switch
- G1 Fuel gauge
- G3 Engine coolant temperature gauge
- G169 Fuel level sensor 2
- G266 Oil level thermal sensor
- J285 Instrument cluster control module
- K3 Oil pressure indicator lamp
- K16 Low fuel level indicator lamp
- K28 Engine coolant level/temperature indicator lamp
- K83 Malfunction indicator lamp
- T6 6-pin connector, near the left front longitudinal member
- T14 14-pin connector, near the left front longitudinal member
- T32 32-pin connector

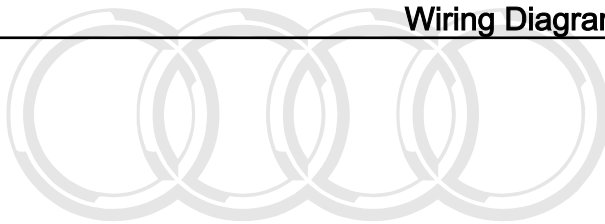
Protected by copyright. Copying for private or commercial purposes, in part or in whole, is not permitted without the prior written consent of Audi AG. Copyright by AUDI AG.



- 381 Ground connection 16 (in main wiring harness)
- 401 Sensor ground connection (in interior wiring harness)
- 655 Ground connection on left headlamp
- B283 Positive connection 7 (15a) (in main wiring harness)
- * Only for vehicles with US equipment
- *2 Only for vehicles with all wheel drive
- *3 Only for vehicles without US equipment

- ws = white
- sw = black
- ro = red
- br = brown
- gn = green
- bl = blue
- gr = grey
- li = lilac
- ge = yellow
- or = orange
- rs = pink

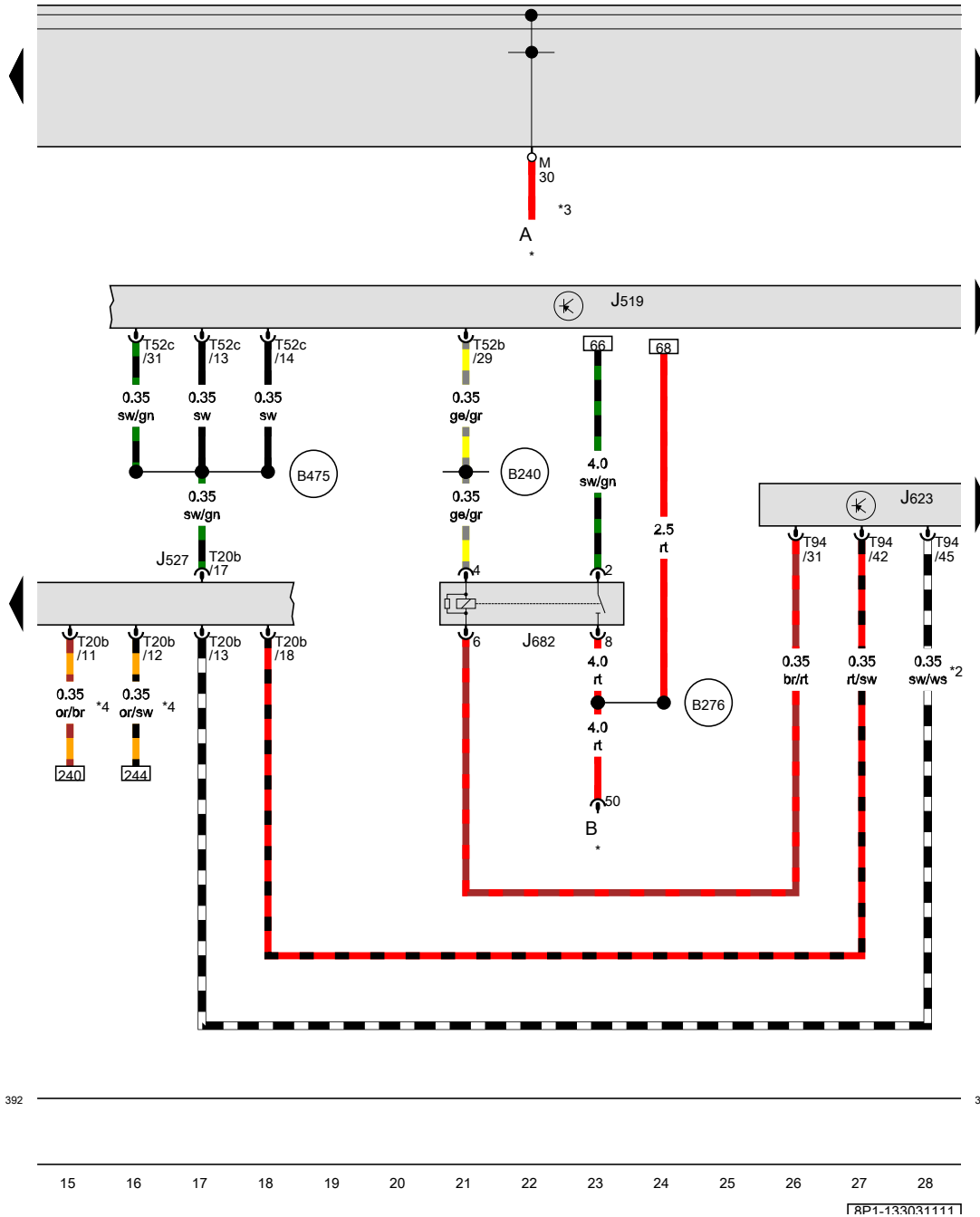
2.0L gasoline engine , CBFA
From May 2009



Audi

Protected by copyright. Copying for private or commercial purposes, in part or in whole, is not permitted unless authorised by AUDI AG. AUDI AG does not guarantee or accept any liability with respect to the correctness of information in this document. Copyright by AUDI AG.





Vehicle electrical system control module, Steering column electronics control module, Engine control module, Terminal 50 power supply relay

- A Battery
- B Starter
- J519 Vehicle electrical system control module
- J527 Steering column electronics control module
- J623 Engine control module
- J682 Terminal 50 power supply relay
- T20b 20-pin connector
- T52b 52-pin connector
- T52c 52-pin connector
- T94 94-pin connector

- 392 Ground connection 27 (in main wiring harness)
- B240 Positive connection 2 (50) (in interior wiring harness)
- B276 Positive connection (50) (in main wiring harness)
- B475 Connection 11 (in main wiring harness)

Protected by copyright. Copying for private or commercial purposes, in part or in whole, is not permitted. Published by AUDI AG. AUDI AG does not guarantee or accept any liability with respect to the correctness of information in this document. Copyright by AUDI AG.

- * Refer to applicable wiring diagram for battery in engine compartment
- *2 Only for vehicles with cruise control
- *3 Diameter depends on equipment
- *4 If available

- ws = white
- sw = black
- ro = red
- br = brown
- gn = green
- bl = blue
- gr = grey
- li = lilac
- ge = yellow
- or = orange
- rs = pink

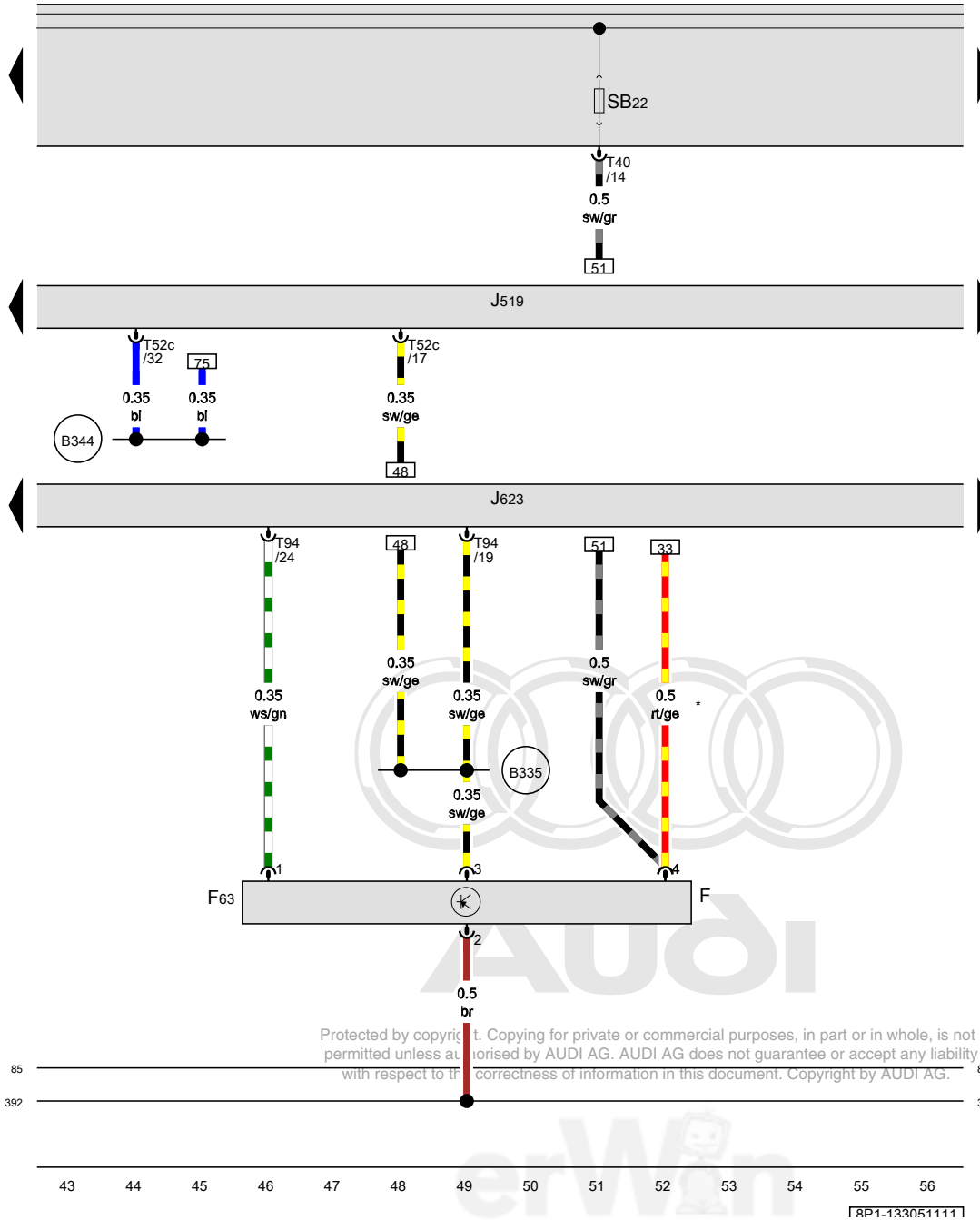


18P1-133031111

Brake pedal switch, Vehicle electrical system control module, Engine control module

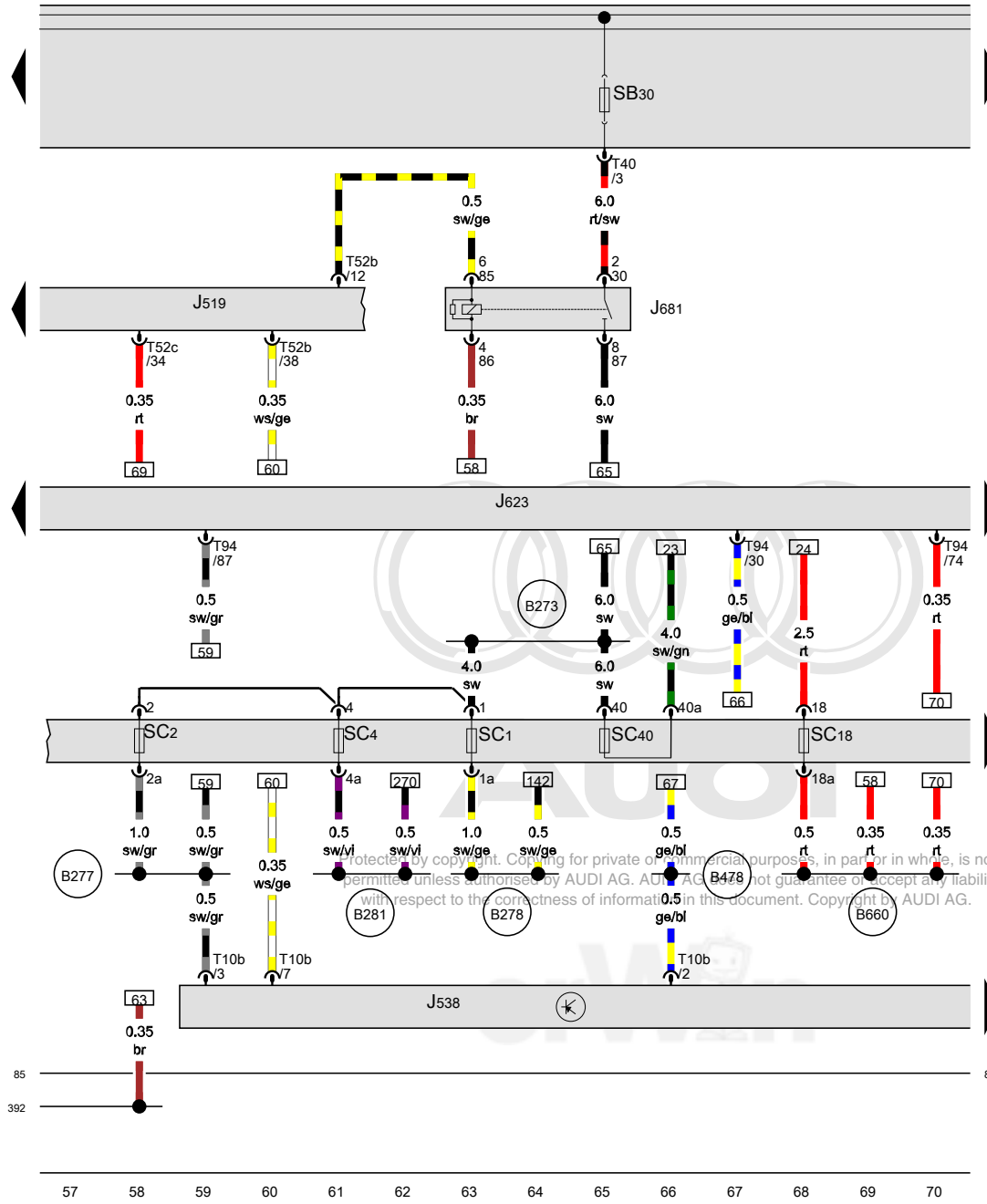
- F Brake lamp switch
- F63 Brake pedal switch
- J519 Vehicle electrical system control module
- J623 Engine control module
- SB22 Fuse 22 (on fuse panel B)
- T40 40-pin connector
- T52c 52-pin connector
- T94 94-pin connector

- 85 Ground connection 1 (in engine compartment wiring harness)
- 392 Ground connection 27 (in main wiring harness)
- B335 Connection 1 (54) (in main wiring harness)
- B344 Connection 1 (61) (in main wiring harness)
- * Only for vehicles with a manual transmission



Protected by copyright. Copying for private or commercial purposes, in part or in whole, is not permitted unless authorised by AUDI AG. AUDI AG does not guarantee or accept any liability with respect to the correctness of information in this document. Copyright by AUDI AG.

- ws = white
- sw = black
- ro = red
- br = brown
- gn = green
- bl = blue
- gr = grey
- li = lilac
- ge = yellow
- or = orange
- rs = pink



Vehicle electrical system control module, Fuel pump control module, Engine control module, Terminal 15 power supply relay 2

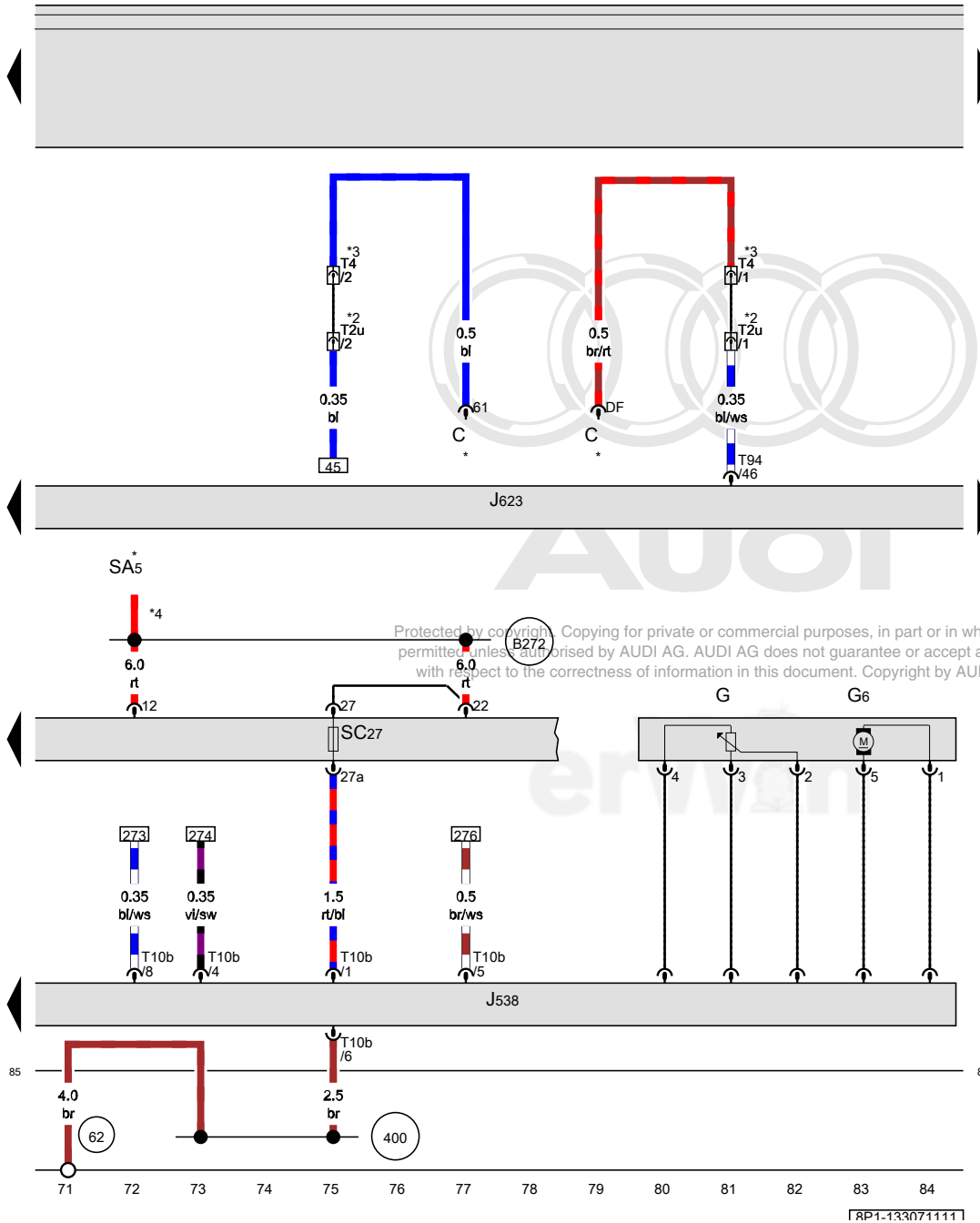
- J519 Vehicle electrical system control module
- J538 Fuel pump control module
- J623 Engine control module
- J681 Terminal 15 power supply relay 2
- SC1 Fuse 1 (on fuse panel C)
- SC2 Fuse 2 (on fuse panel C)
- SC4 Fuse 4 (on fuse panel C)
- SC18 Fuse 18 (on fuse panel C)
- SB30 Fuse 30 (on fuse panel B)
- SC40 Fuse 40 (on fuse panel C)
- T10b 10-pin connector
- T40 40-pin connector
- T52b 52-pin connector
- T52c 52-pin connector
- T94 94-pin connector

- 85 Ground connection 1 (in engine compartment wiring harness)
- 392 Ground connection 27 (in main wiring harness)
- B273 Positive connection (15) (in main wiring harness)
- B277 Positive connection 1 (15a) (in main wiring harness)
- B278 Positive connection 2 (15a) (in main wiring harness)
- B281 Positive connection 5 (15a) (in main wiring harness)
- B478 Connection 14 (in main wiring harness)
- B660 Diagnostic terminal 50 connection (in main wiring harness)

- ws = white
- sw = black
- ro = red
- br = brown
- gn = green
- bl = blue
- gr = grey
- li = lilac
- ge = yellow
- or = orange
- rs = pink

Fuel level sensor, Transfer fuel pump, Fuel pump control module, Engine control module

- C Generator
- G Fuel level sensor
- G6 Transfer fuel pump
- J538 Fuel pump control module
- J623 Engine control module
- SA5 Fuse 5 (on fuse panel A)
- SC27 Fuse 27 (on fuse panel C)
- T2u Double connector, in the engine compartment, left
- T4 4-pin connector, in the engine compartment, left
- T10b 10-pin connector
- T94 94-pin connector
- 62 Ground connection on right C-pillar
- 85 Ground connection 1 (in engine compartment wiring harness)
- 400 Ground connection 35 (in main wiring harness)
- B272 Positive connection (30) (in main wiring harness)
- * Refer to applicable wiring diagram for battery in engine compartment
- *2 Only for vehicles without an A/C system
- *3 Only for vehicles with A/C system
- *4 Diameter depends on equipment

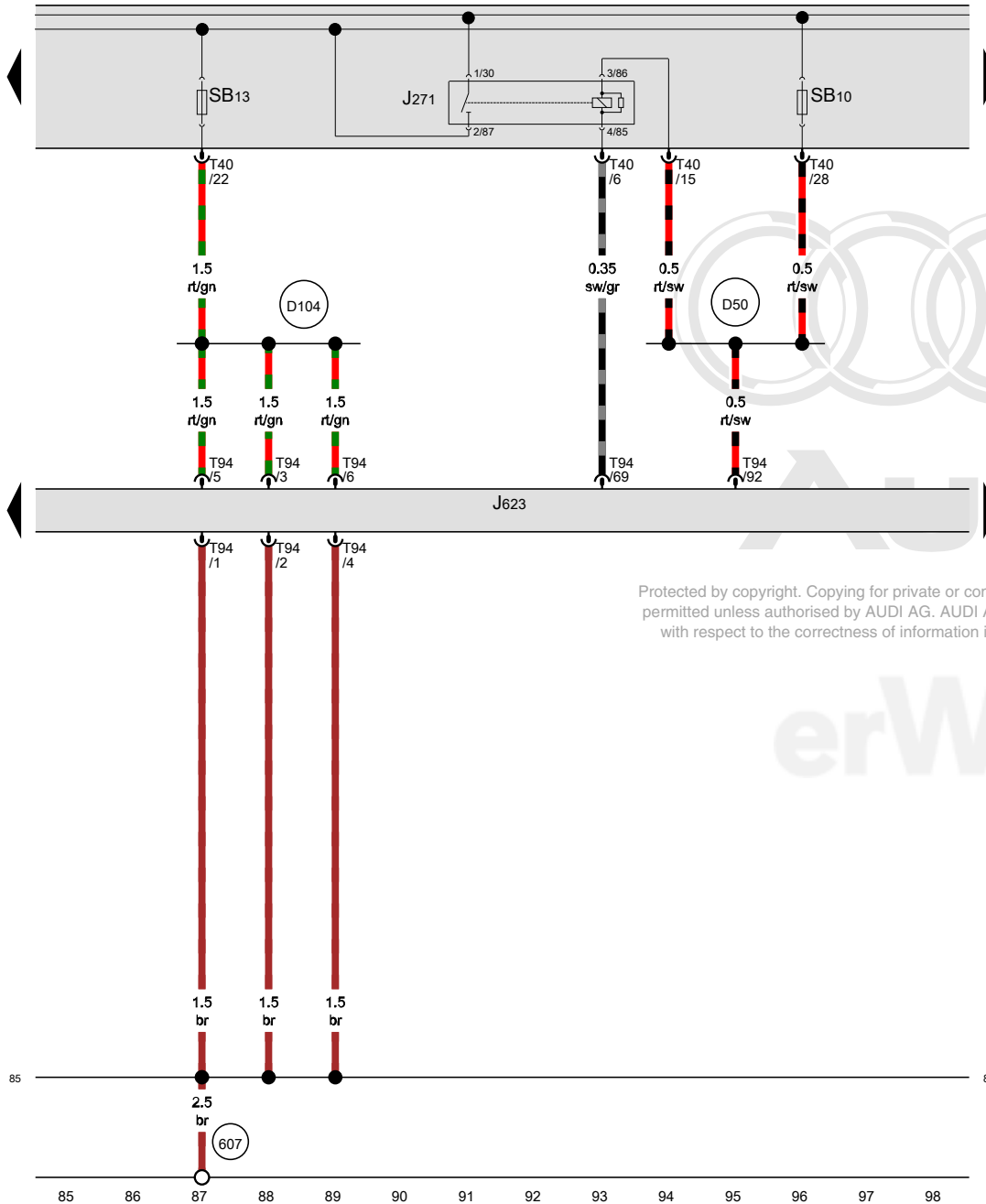


ws = white
 sw = black
 ro = red
 br = brown
 gn = green
 bl = blue
 gr = grey
 li = lilac
 ge = yellow
 or = orange
 rs = pink

Motronic engine control module power supply relay, Engine control module

- J271 Motronic engine control module power supply relay
- J623 Engine control module
- SB10 Fuse 10 (on fuse panel B)
- SB13 Fuse 13 (on fuse panel B)
- T40 40-pin connector
- T94 94-pin connector

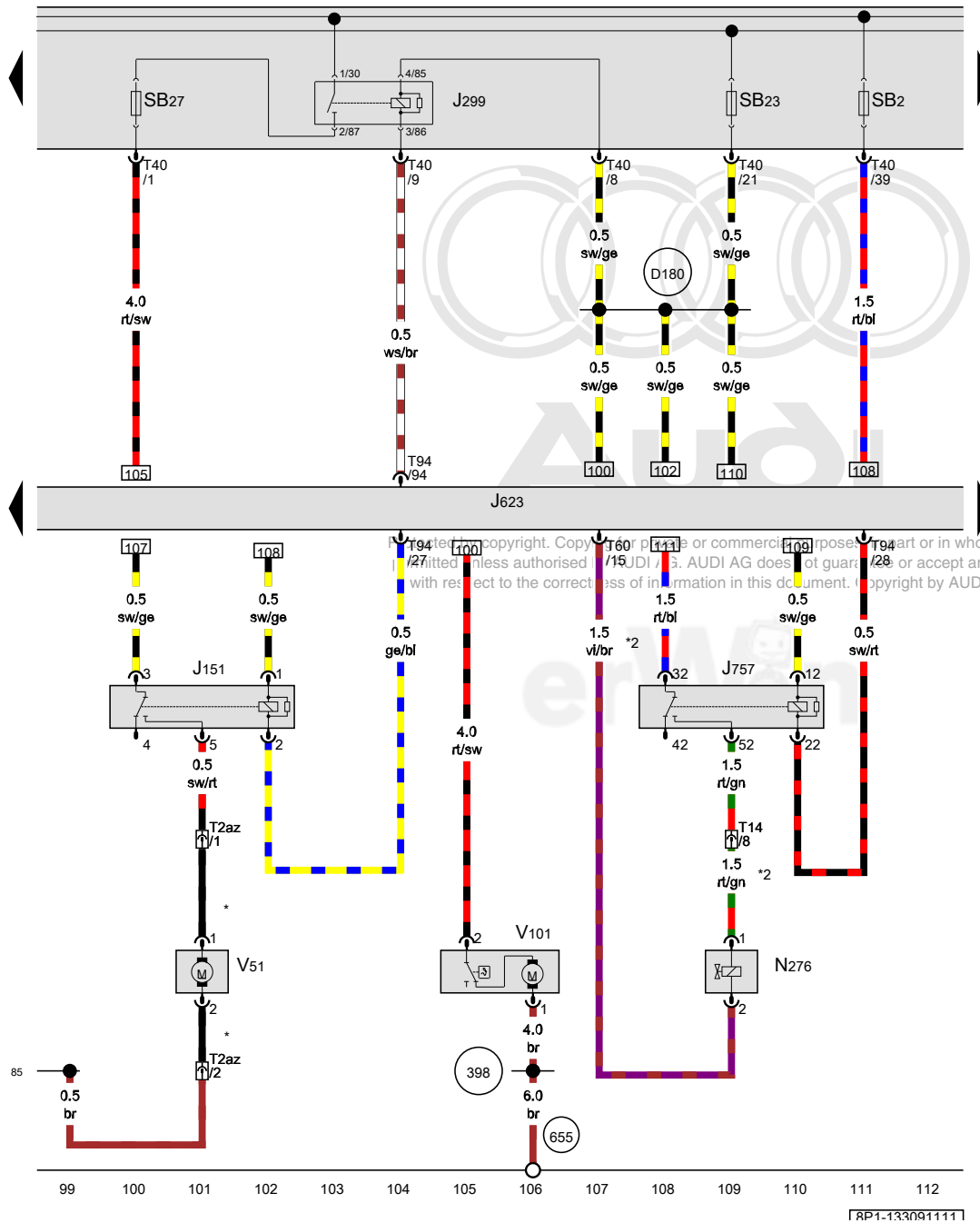
- (85) Ground connection 1 (in engine compartment wiring harness)
- (607) Ground connection in plenum chamber, left
- (D50) Positive connection (30) (in engine compartment wiring harness)
- (D104) Positive connection 2 (30a) (in engine compartment wiring harness)



Protected by copyright. Copying for private or commercial purposes, in part or in whole, is not permitted unless authorised by AUDI AG. AUDI AG does not guarantee or accept any liability with respect to the correctness of information in this document. Copyright by AUDI AG.

- ws = white
- sw = black
- ro = red
- br = brown
- gn = green
- bl = blue
- gr = grey
- li = lilac
- ge = yellow
- or = orange
- rs = pink

[RP1-1330R1111]

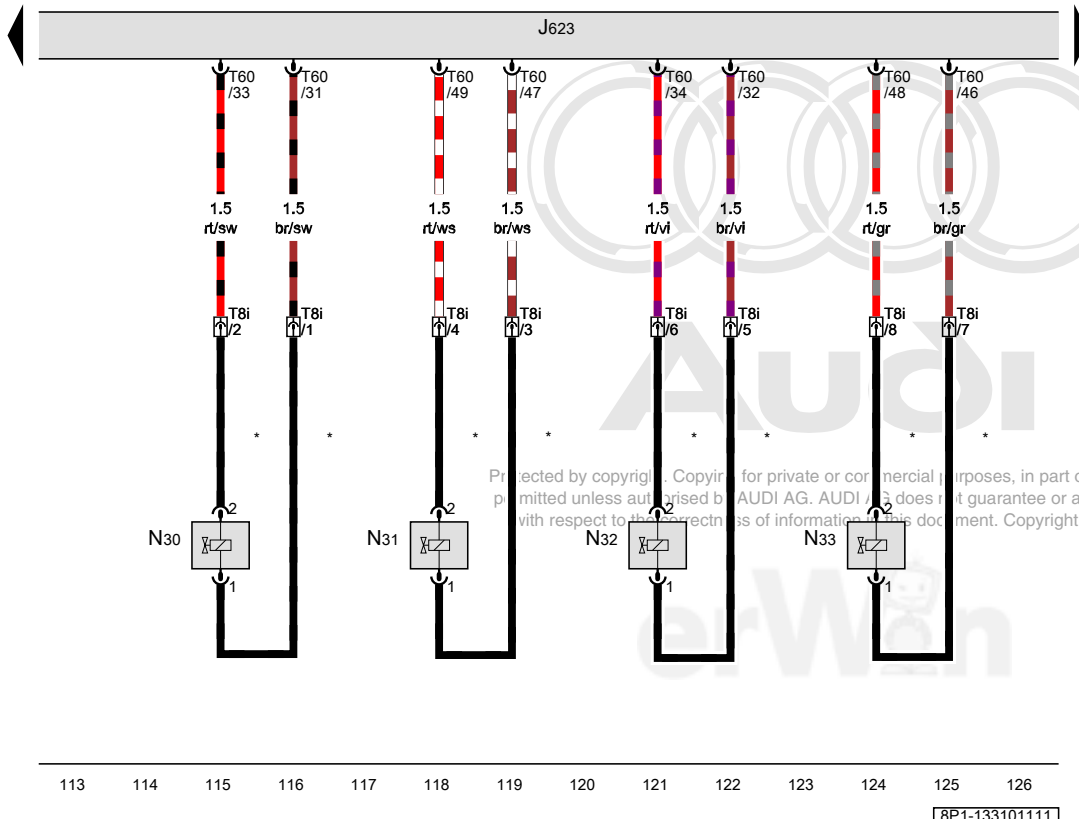
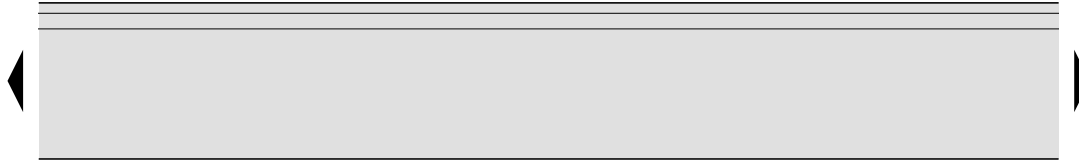


Coolant circulation pump relay, Engine control module, Engine component power supply relay, Fuel pressure regulator valve, After-run coolant pump, Secondary air injection pump motor

- J151 Coolant circulation pump relay
 - J299 Secondary air injection pump relay
 - J623 Engine control module
 - J757 Engine component power supply relay
 - N276 Fuel pressure regulator valve
 - SB2 Fuse 2 (on fuse panel B)
 - SB23 Fuse 23 (on fuse panel B)
 - SB27 Fuse 27 (on fuse panel B)
 - T2az Double connector
 - T14 14-pin connector, near the left front longitudinal member
 - T40 40-pin connector
 - T60 60-pin connector
 - T94 94-pin connector
 - V51 After-run coolant pump
 - V101 Secondary air injection pump motor
- 85 Ground connection 1 (in engine compartment wiring harness)
 - 398 Ground connection 33 (in main wiring harness)
 - 655 Ground connection on left headlamp
 - D180 Connection (87a) (in engine compartment wiring harness)
 - * Adapter cable
 - *2 The color of the wires depends on vehicle equipment

Engine control module, Cylinder 1 fuel injector, Cylinder 2 fuel injector, Cylinder 3 fuel injector, Cylinder 4 fuel injector

- J623 Engine control module
- N30 Cylinder 1 fuel injector
- N31 Cylinder 2 fuel injector
- N32 Cylinder 3 fuel injector
- N33 Cylinder 4 fuel injector
- T8i 8-pin connector, near the fuel injectors
- T60 60-pin connector
- * Adapter cable

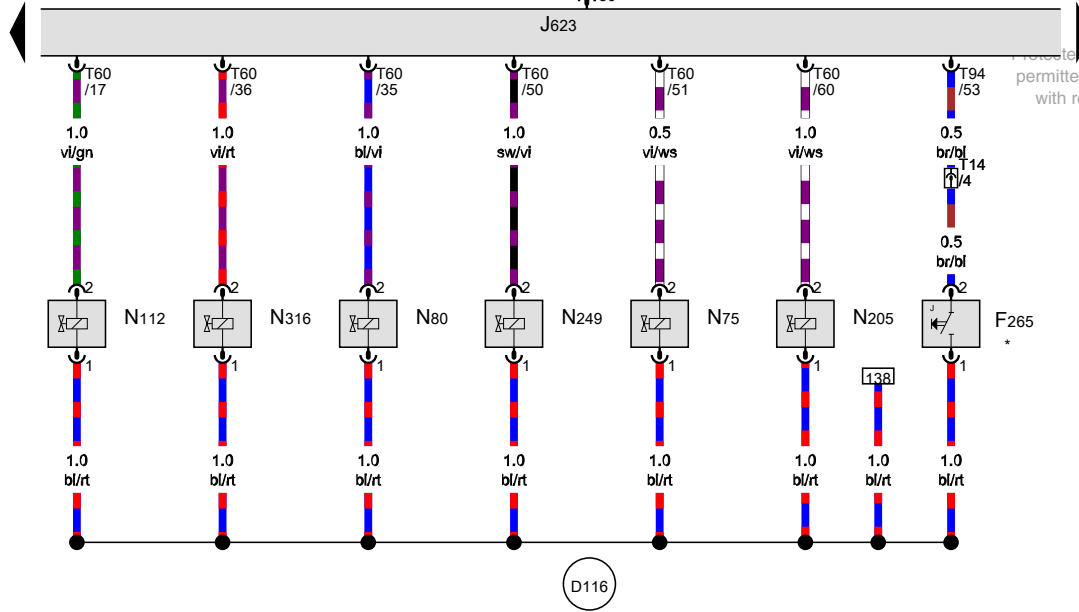
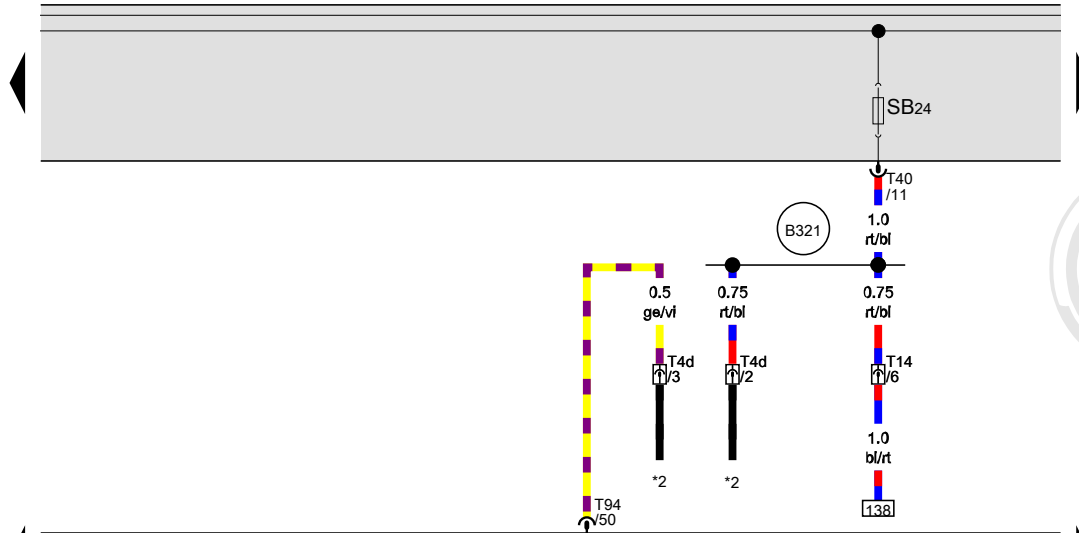


Protected by copyright. Copying for private or commercial purposes, in part or in whole, is not permitted unless authorised by AUDI AG. AUDI AG does not guarantee or accept any liability with respect to the correctness of information in this document. Copyright by AUDI AG.

- ws = white
- sw = black
- ro = red
- br = brown
- gn = green
- bl = blue
- gr = grey
- li = lilac
- ge = yellow
- or = orange
- rs = pink

Map controlled engine cooling thermostat, Engine control module, Wastegate bypass regulator valve, EVAP canister purge regulator valve 1, Secondary air injection solenoid valve, Camshaft adjustment valve 1, Turbocharger recirculation valve, Intake manifold runner control valve

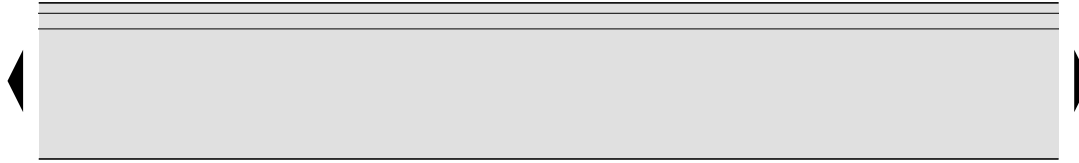
- F265 Map controlled engine cooling thermostat
- J623 Engine control module
- N75 Wastegate bypass regulator valve
- N80 EVAP canister purge regulator valve 1
- N112 Secondary air injection solenoid valve
- N205 Camshaft adjustment valve 1
- N249 Turbocharger recirculation valve
- N316 Intake manifold runner control valve
- SB24 Fuse 24 (on fuse panel B)
- T4d 4-pin connector, near the coolant fan
- T14 14-pin connector, near the left front longitudinal member
- T40 40-pin connector
- T60 60-pin connector
- T94 94-pin connector



- B321 Positive connection 7 (30a) (in main wiring harness)
- D116 Connection (14) (in engine compartment wiring harness)

* From May 2010
 *2 Refer to applicable coolant fan wiring diagram

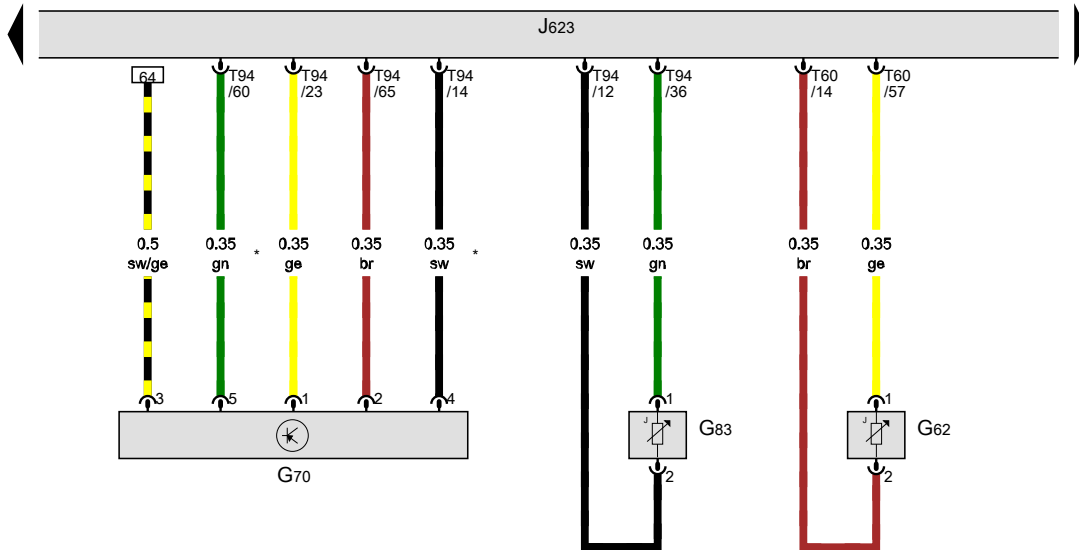
- ws = white
- sw = black
- ro = red
- br = brown
- gn = green
- bl = blue
- gr = grey
- li = lilac
- ge = yellow
- or = orange
- rs = pink



Engine coolant temperature sensor, Mass airflow sensor,
 Engine coolant temperature sensor on radiator outlet,
 Engine control module

- G62 Engine coolant temperature sensor
- G70 Mass airflow sensor
- G83 Engine coolant temperature sensor on radiator outlet
- J623 Engine control module
- T60 60-pin connector
- T94 94-pin connector
- * Omitted as a running change

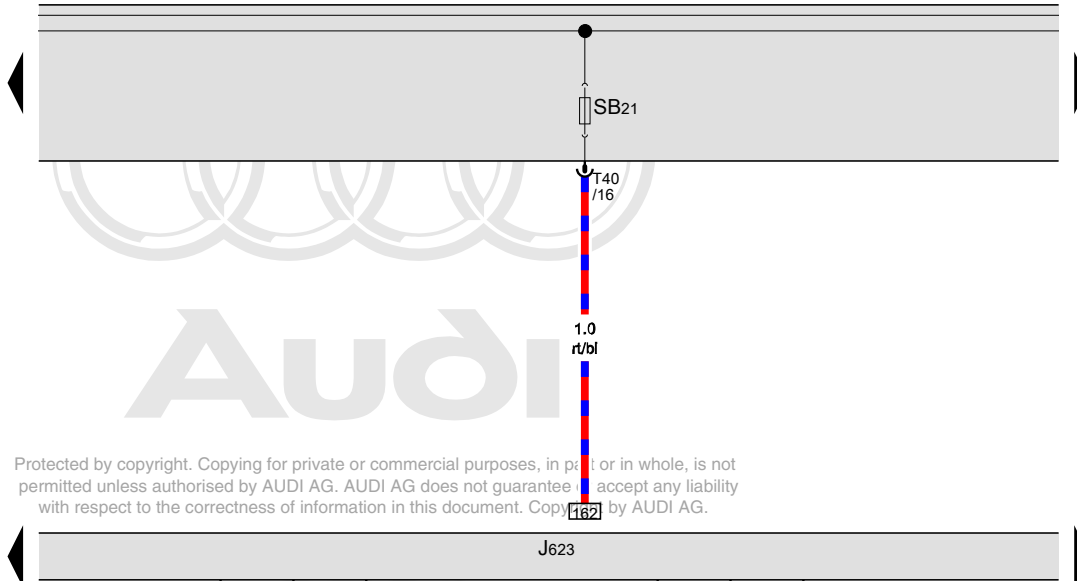
Protected by copyright. Copying for private or commercial purposes, in part or in whole, is not permitted unless authorised by AUDI AG. AUDI AG does not guarantee or accept any liability with respect to the correctness of information in this document. Copyright by AUDI AG.



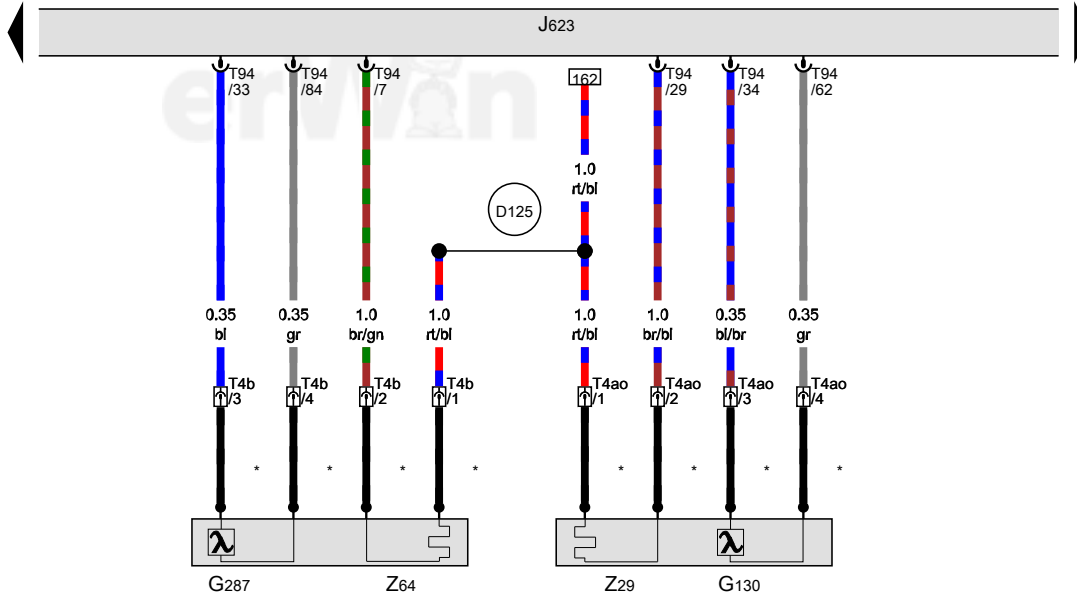
- ws = white
- sw = black
- ro = red
- br = brown
- gn = green
- bl = blue
- gr = grey
- li = lilac
- ge = yellow
- or = orange
- rs = pink

141 142 143 144 145 146 147 148 149 150 151 152 153 154

[RP1-133121111]



Protected by copyright. Copying for private or commercial purposes, in part or in whole, is not permitted unless authorised by AUDI AG. AUDI AG does not guarantee or accept any liability with respect to the correctness of information in this document. Copyright © 2007 by AUDI AG.



Oxygen sensor after three way catalytic converter, Oxygen sensor 3 after catalytic converter, Engine control module

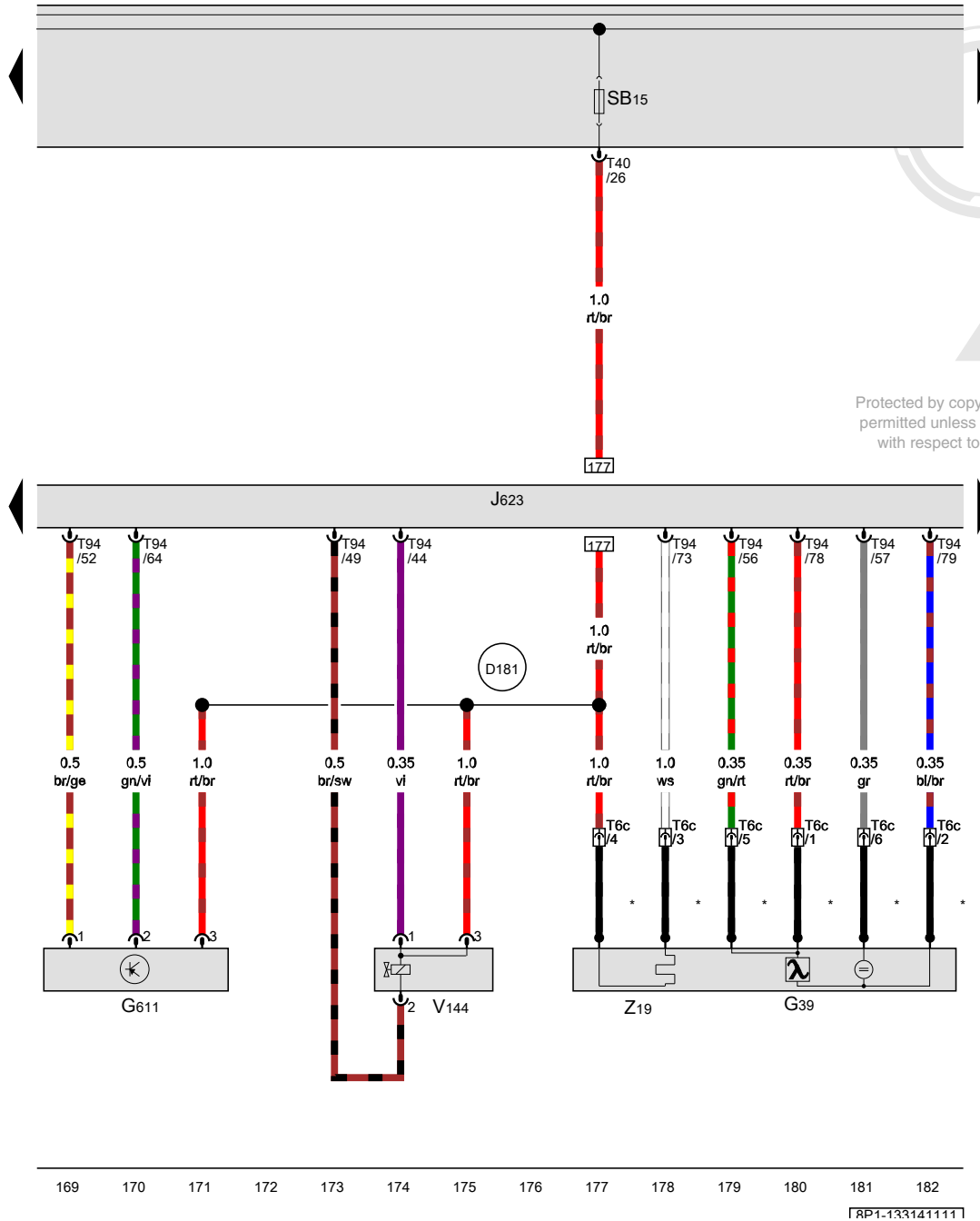
- G130 Oxygen sensor after three way catalytic converter
- G287 Oxygen sensor 3 after catalytic converter
- J623 Engine control module
- SB21 Fuse 21 (on fuse panel B)
- T4ao 4-pin connector, on the center oxygen sensor
- T4b 4-pin connector, on the oxygen sensor after the catalytic converter
- T40 40-pin connector
- T94 94-pin connector
- Z29 Heater for oxygen sensor 1 after catalytic converter
- Z64 Heater for oxygen sensor 3 after catalytic converter
- D125 Connection (23) (in engine compartment wiring harness)
- * Adapter cable

- ws = white
- sw = black
- ro = red
- br = brown
- gn = green
- bl = blue
- gr = grey
- li = lilac
- ge = yellow
- or = orange
- rs = pink

Heated oxygen sensor, Radiator identification sensor, Engine control module, Leak detection pump

- G39 Heated oxygen sensor
- G611 Radiator identification sensor
- J623 Engine control module
- SB15 Fuse 15 (on fuse panel B)
- T6c 6-pin connector, on the oxygen sensor before the catalytic converter
- T40 40-pin connector
- T94 94-pin connector
- V144 Leak detection pump
- Z19 Oxygen sensor heater
- D181 Connection 2 (87a) (in engine compartment wiring harness)
- * Adapter cable

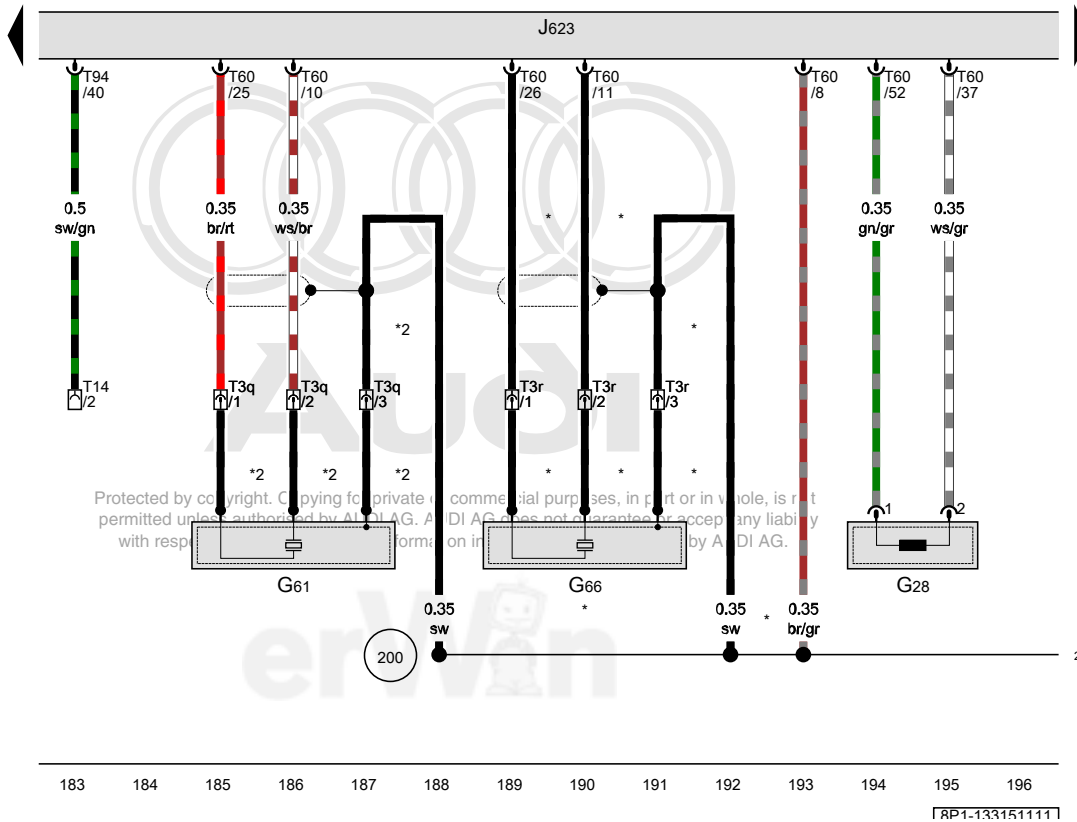
Protected by copyright. Copying for private or commercial purposes, in part or in whole, is not permitted unless authorised by AUDI AG. AUDI AG does not guarantee or accept any liability with respect to the correctness of information in this document. Copyright by AUDI AG.



- ws = white
- sw = black
- ro = red
- br = brown
- gn = green
- bl = blue
- gr = grey
- li = lilac
- ge = yellow
- or = orange
- rs = pink

Engine speed sensor, Knock sensor 1, Knock sensor 2, Engine control module

- G28 Engine speed sensor
- G61 Knock sensor 1
- G66 Knock sensor 2
- J623 Engine control module
- T3q 3-pin connector, near the knock sensor
- T3r 3-pin connector, near the knock sensor
- T14 14-pin connector, near the left front longitudinal member
- T60 60-pin connector
- T94 94-pin connector
- 200 Ground connection shielding (in engine compartment wiring harness)
- * If available
- *2 Adapter cable



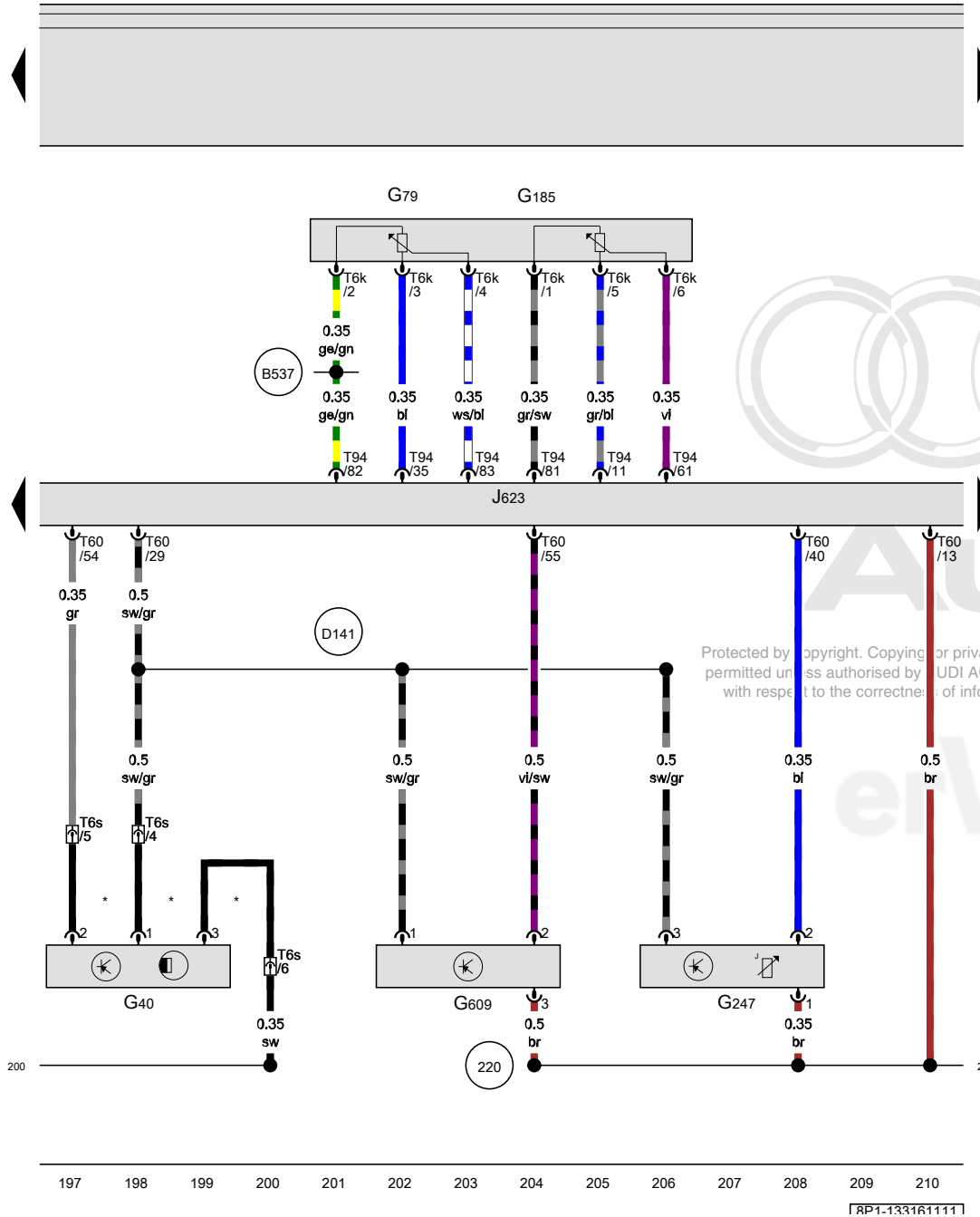
- ws = white
- sw = black
- ro = red
- br = brown
- gn = green
- bl = blue
- gr = grey
- li = lilac
- ge = yellow
- or = orange
- rs = pink

183 184 185 186 187 188 189 190 191 192 193 194 195 196

[RP1-133151111]

Camshaft position sensor, Accelerator pedal position sensor, Fuel pressure sensor, Secondary air injection sensor 1, Engine control module

- G40 Camshaft position sensor
- G79 Accelerator pedal position sensor
- G185 Accelerator pedal position sensor 2
- G247 Fuel pressure sensor
- G609 Secondary air injection sensor 1
- J623 Engine control module
- T6k 6-pin connector
- T6s 6-pin connector, in the engine compartment
- T60 60-pin connector
- T94 94-pin connector
- 200 Ground connection shielding (in engine compartment wiring harness)
- 220 Sensor ground connection (in engine compartment wiring harness)
- B537 Connection 28 (in main wiring harness)
- D141 Connection (5V) (in engine wiring harness)
- * Adapter cable



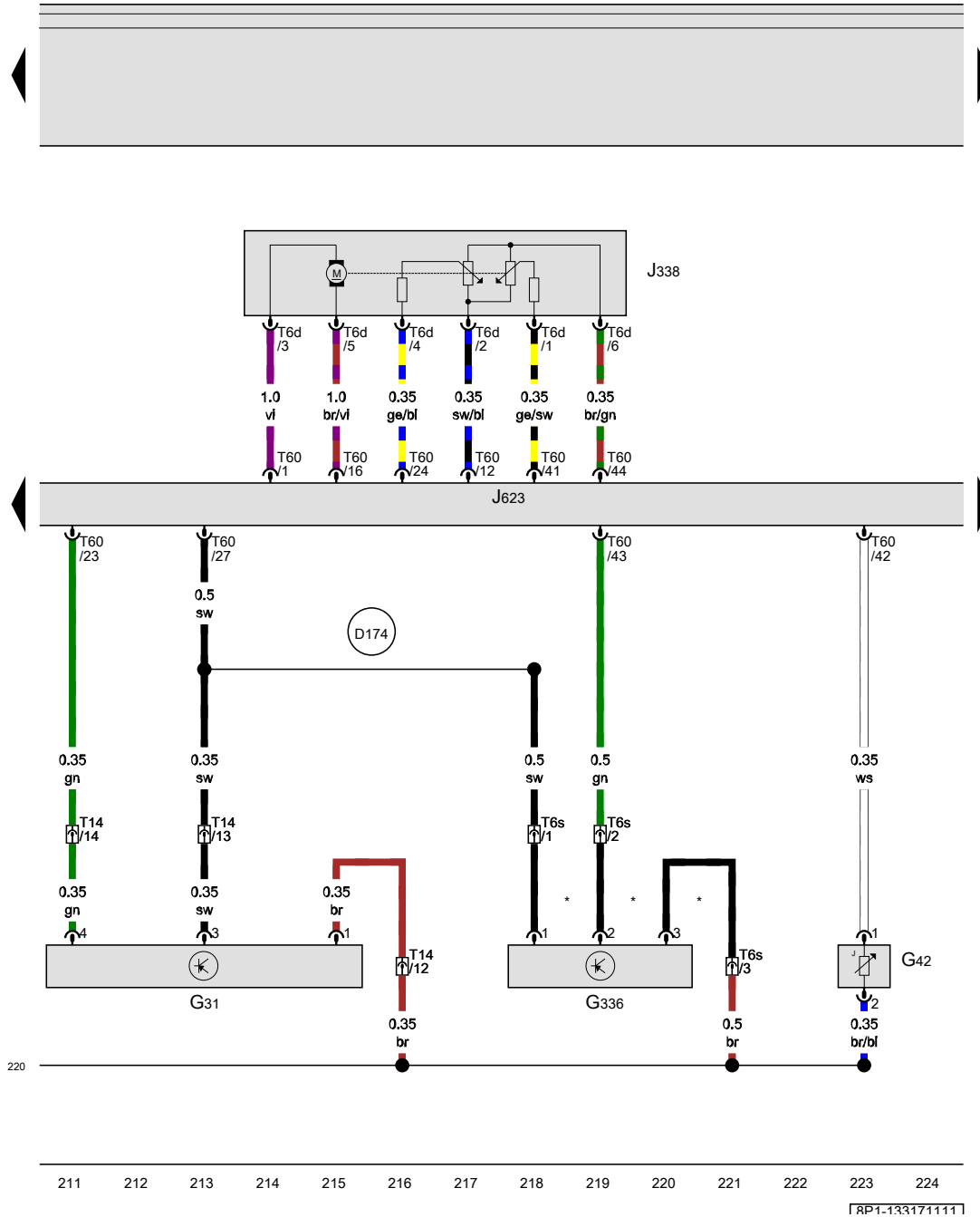
Protected by copyright. Copying for private or commercial purposes, in part or in whole, is not permitted unless authorised by AUDI AG. AUDI AG does not guarantee or accept any liability with respect to the correctness of information in this document. Copyright by AUDI AG.

- ws = white
- sw = black
- ro = red
- br = brown
- gn = green
- bl = blue
- gr = grey
- li = lilac
- ge = yellow
- or = orange
- rs = pink

Charge air pressure sensor, Intake air temperature sensor, Intake manifold runner position sensor, Throttle valve control module, Engine control module

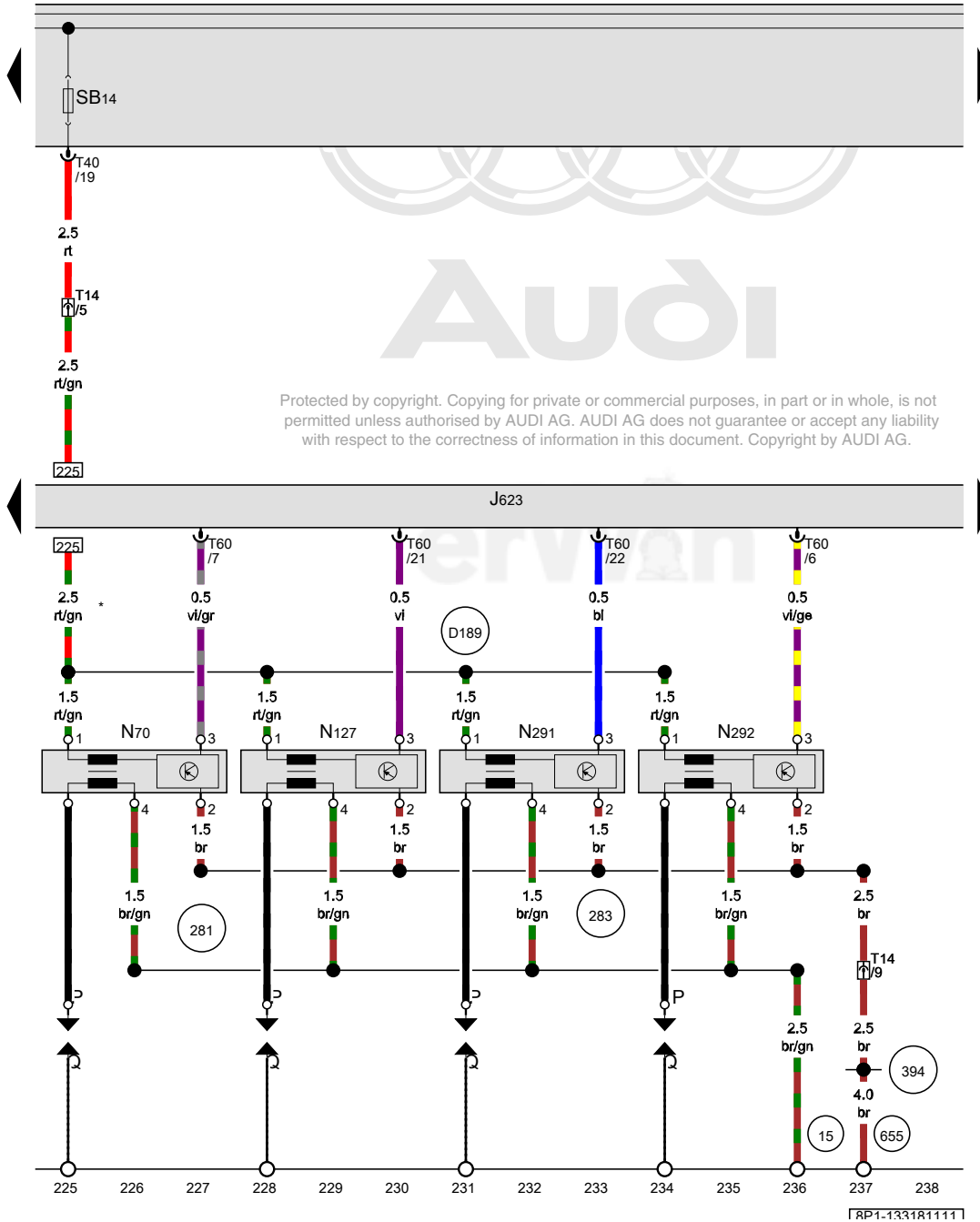
- G31 Charge air pressure sensor
- G42 Intake air temperature sensor
- G336 Intake manifold runner position sensor
- J338 Throttle valve control module
- J623 Engine control module
- T6d 6-pin connector
- T6s 6-pin connector, in the engine compartment
- T14 14-pin connector, near the left front longitudinal member
- T60 60-pin connector
- (220) Sensor ground connection (in engine compartment wiring harness)
- (D174) Connection 2 (5V) (in engine wiring harness)

* Adapter cable
 Protected by copyright. Copying for private or commercial purposes, in part or in whole, is not permitted unless authorised by AUDI AG. AUDI AG does not guarantee or accept any liability with respect to the correctness of information in this document. Copyright by AUDI AG.



- ws = white
- sw = black
- ro = red
- br = brown
- gn = green
- bl = blue
- gr = grey
- li = lilac
- ge = yellow
- or = orange
- rs = pink

[RP1-133171111]



Engine control module, Ignition coil 1 with power output stage, Ignition coil 2 with power output stage, Ignition coil 3 with power output stage, Ignition coil 4 with power output stage

- J623 Engine control module
- N70 Ignition coil 1 with power output stage
- N127 Ignition coil 2 with power output stage
- N291 Ignition coil 3 with power output stage
- N292 Ignition coil 4 with power output stage
- P Spark plug connectors
- Q Spark plugs
- SB14 Fuse 14 (on fuse panel B)
- T14 14-pin connector, near the left front longitudinal member
- T40 40-pin connector
- T60 60-pin connector

- 15 Ground connection on cylinder head
- 281 Ground connection 1 (in engine wiring harness)
- 283 Ground connection 2 (in engine wiring harness)
- 394 Ground connection 29 (in main wiring harness)
- 655 Ground connection on left headlamp
- D189 Connection (87a) (in engine wiring harness)

* The color of the wires depends on vehicle equipment

- ws = white
- sw = black
- ro = red
- br = brown
- gn = green
- bl = blue
- gr = grey
- li = lilac
- ge = yellow
- or = orange
- rs = pink

[RP1-133181111]

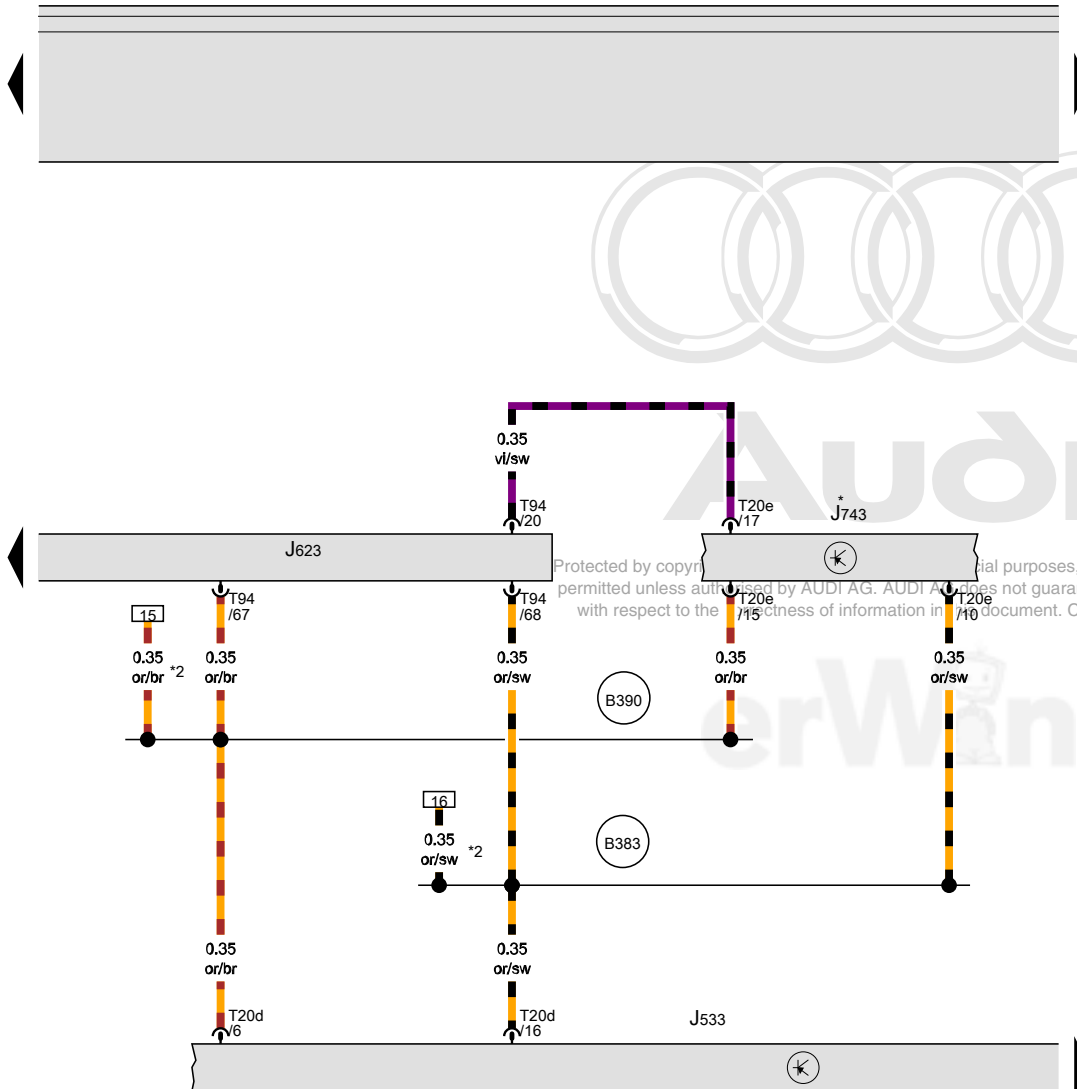
Data bus on board diagnostic interface, Engine control module, DSG transmission Mechatronic

- J533 Data bus on board diagnostic interface
- J623 Engine control module
- J743 DSG transmission Mechatronic
- T20d 20-pin connector
- T20e 20-pin connector
- T94 94-pin connector

B383 Powertrain CAN bus high connection 1 (in main wiring harness)

B390 Powertrain CAN bus low connection 1 (in main wiring harness)

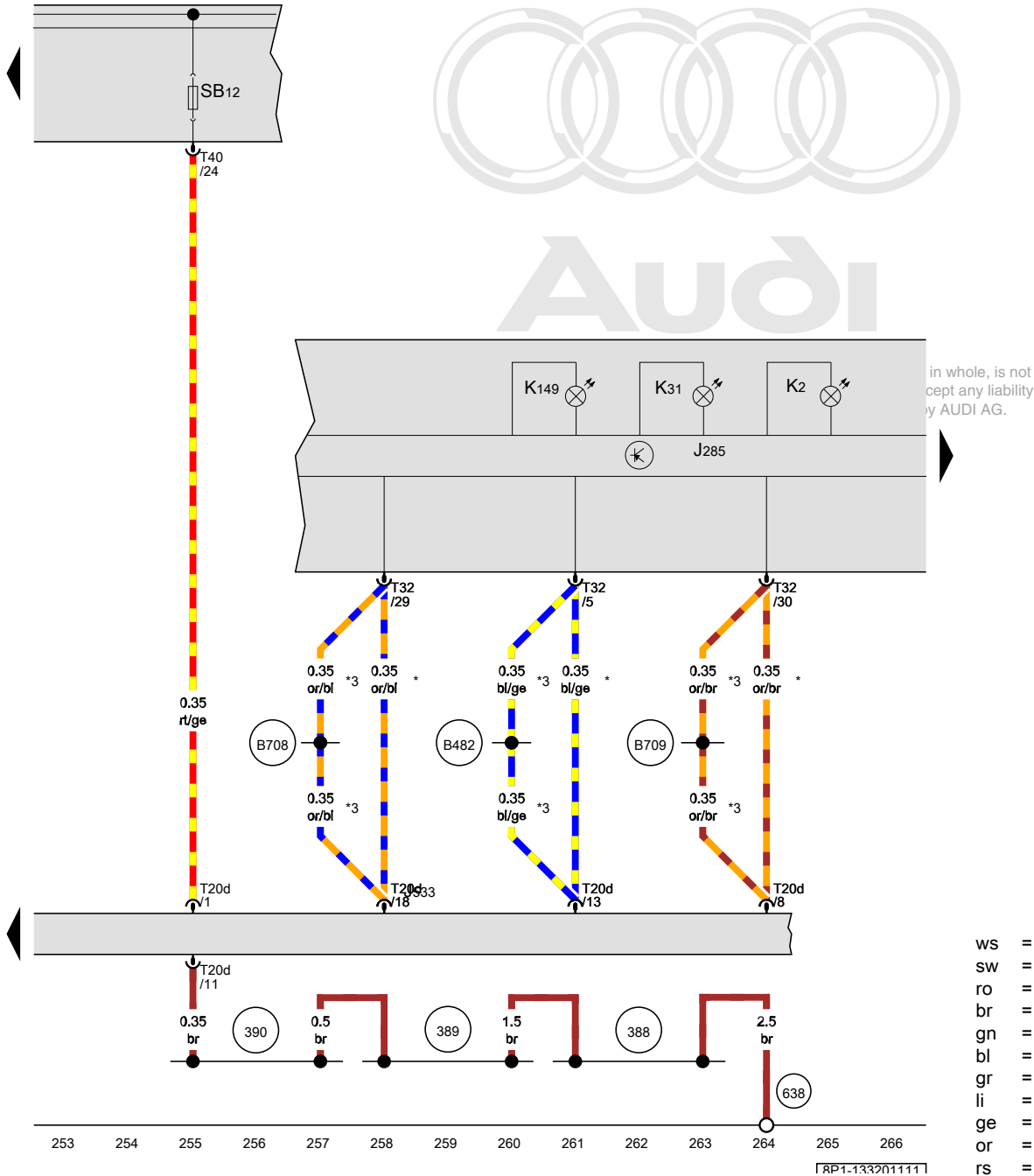
* Refer to applicable wiring diagram for automatic transmission
 *2 If available



- ws = white
- sw = black
- ro = red
- br = brown
- gn = green
- bl = blue
- gr = grey
- li = lilac
- ge = yellow
- or = orange
- rs = pink

239 240 241 242 243 244 245 246 247 248 249 250 251 252

[RP1-133191111]



Instrument cluster control module, Data bus on board diagnostic interface

- J285 Instrument cluster control module
- J533 Data bus on board diagnostic interface
- K2 Generator indicator lamp
- K31 Cruise control indicator lamp
- K149 Engine electronics indicator lamp
- SB12 Fuse 12 (on fuse panel B)
- T20d 20-pin connector
- T32 32-pin connector
- T40 40-pin connector

- 388 Ground connection 23 (in main wiring harness)
- 389 Ground connection 24 (in main wiring harness)
- 390 Ground connection 25 (in main wiring harness)
- 638 Ground connection on right A-pillar
- B482 Connection 18 (in main wiring harness)
- B708 Instrument cluster CAN bus high connection 1 (in main wiring harness)
- B709 Instrument cluster CAN bus low connection 1 (in main wiring harness)
- * Running change
- *2 Adapter cable
- *3 Omitted as a running change

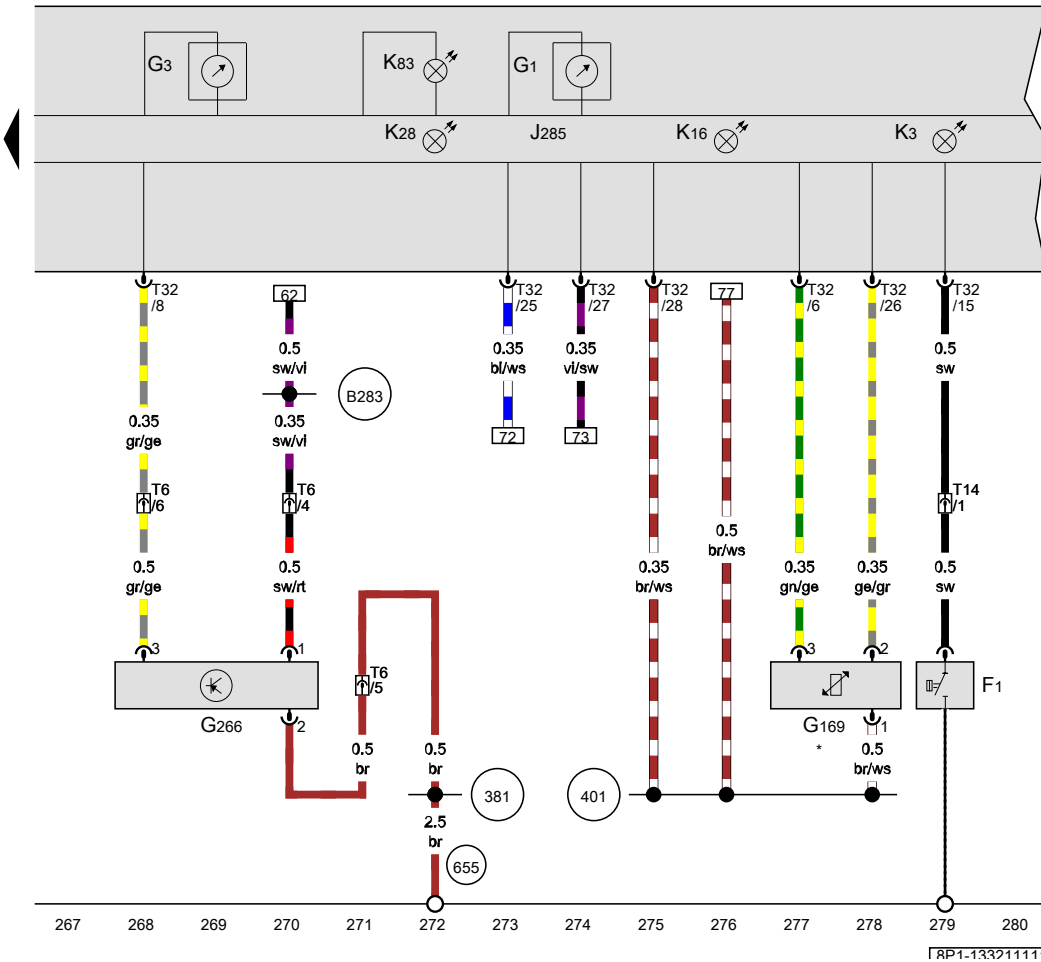
Oil pressure switch, Fuel level sensor 2, Oil level thermal sensor, Instrument cluster control module

- F1 Oil pressure switch
- G1 Fuel gauge
- G3 Engine coolant temperature gauge
- G169 Fuel level sensor 2
- G266 Oil level thermal sensor
- J285 Instrument cluster control module
- K3 Oil pressure indicator lamp
- K16 Low fuel level indicator lamp
- K28 Engine coolant level/temperature indicator lamp
- K83 Malfunction indicator lamp
- T6 6-pin connector, near the left front longitudinal member
- T14 14-pin connector, near the left front longitudinal member
- T32 32-pin connector

- 381 Ground connection 16 (in main wiring harness)
- 401 Sensor ground connection (in interior wiring harness)
- 655 Ground connection on left headlamp
- B283 Positive connection 7 (15a) (in main wiring harness)

Protected by copyright. Copying for private or commercial purposes, in part or in whole, is not permitted unless authorised by AUDI AG. AUDI AG does not guarantee or accept any liability with respect to the correctness of the information in this document. Copyright by AUDI AG.

* Only for vehicles with all wheel drive



- ws = white
- sw = black
- ro = red
- br = brown
- gn = green
- bl = blue
- gr = grey
- li = lilac
- ge = yellow
- or = orange
- rs = pink

18P1-133211111

2.0L diesel engine , CBEA

From May 2009



Audi

Protected by copyright. Copying for private or commercial purposes, in part or in whole, is not permitted unless authorised by AUDI AG. AUDI AG does not guarantee or accept any liability with respect to the correctness of information in this document. Copyright by AUDI AG.

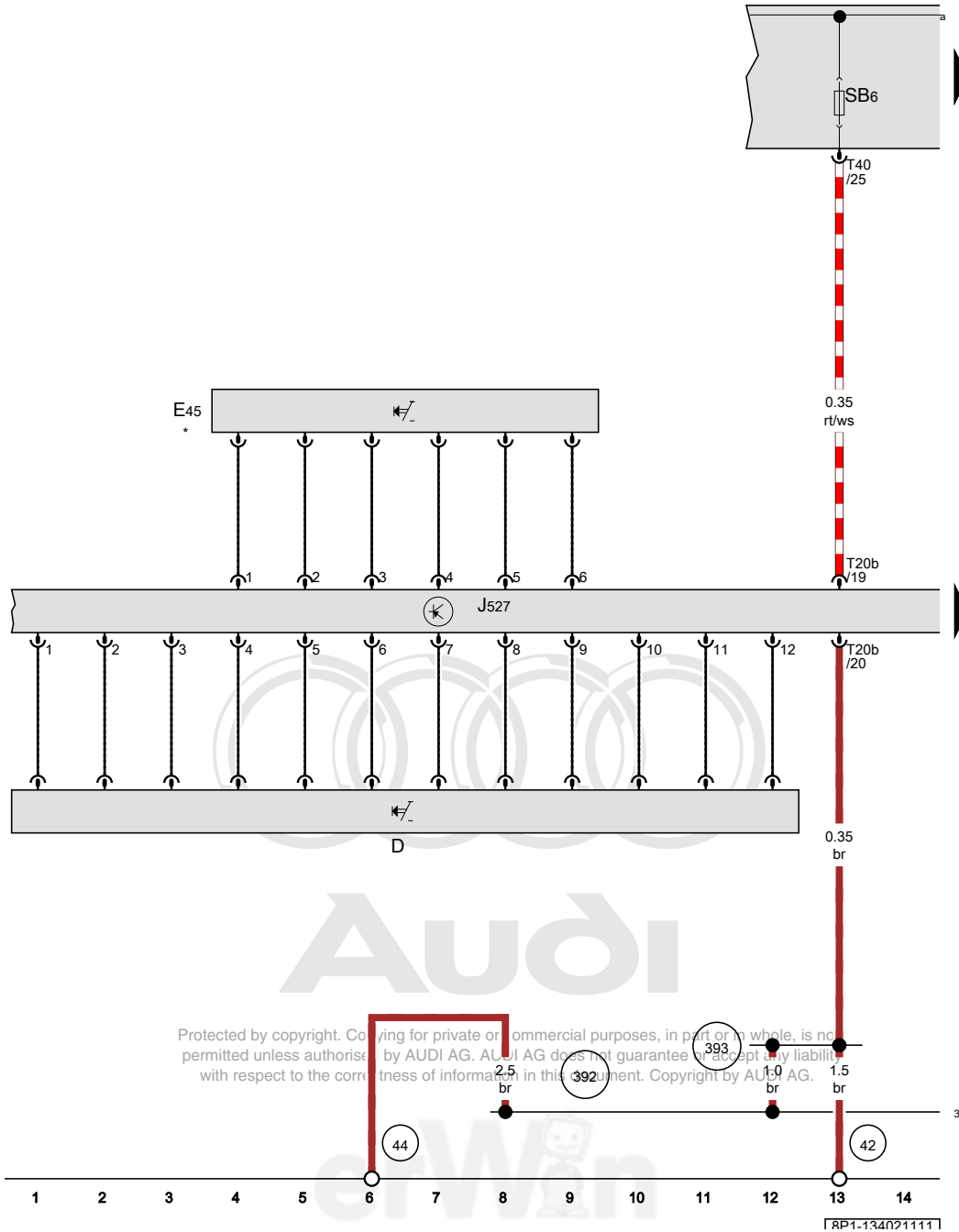


Ignition/starter switch, Cruise control switch, Steering column electronics control module

- D Ignition/starter switch
- E45 Cruise control switch
- J527 Steering column electronics control module
- SB6 Fuse 6 (on fuse panel B)
- T20b 20-pin connector
- T40 40-pin connector

- 42 Ground connection near steering column
- 44 Ground connection on A-pillar, lower left
- 392 Ground connection 27 (in main wiring harness)
- 393 Ground connection 28 (in main wiring harness)

* Only for vehicles with cruise control



- ws = white
- sw = black
- ro = red
- rt = red
- br = brown
- gn = green
- bl = blue
- gr = grey
- li = lilac
- vi = lilac
- ge = yellow
- or = orange
- rs = pink

Protected by copyright. Copying for private or commercial purposes, in part or in whole, is not permitted unless authorised by AUDI AG. AUDI AG does not guarantee or accept any liability with respect to the correctness of information in this document. Copyright by AUDI AG.

FRP1-134021111

Vehicle electrical system control module, Steering column electronics control module, Engine control module, Terminal 50 power supply relay

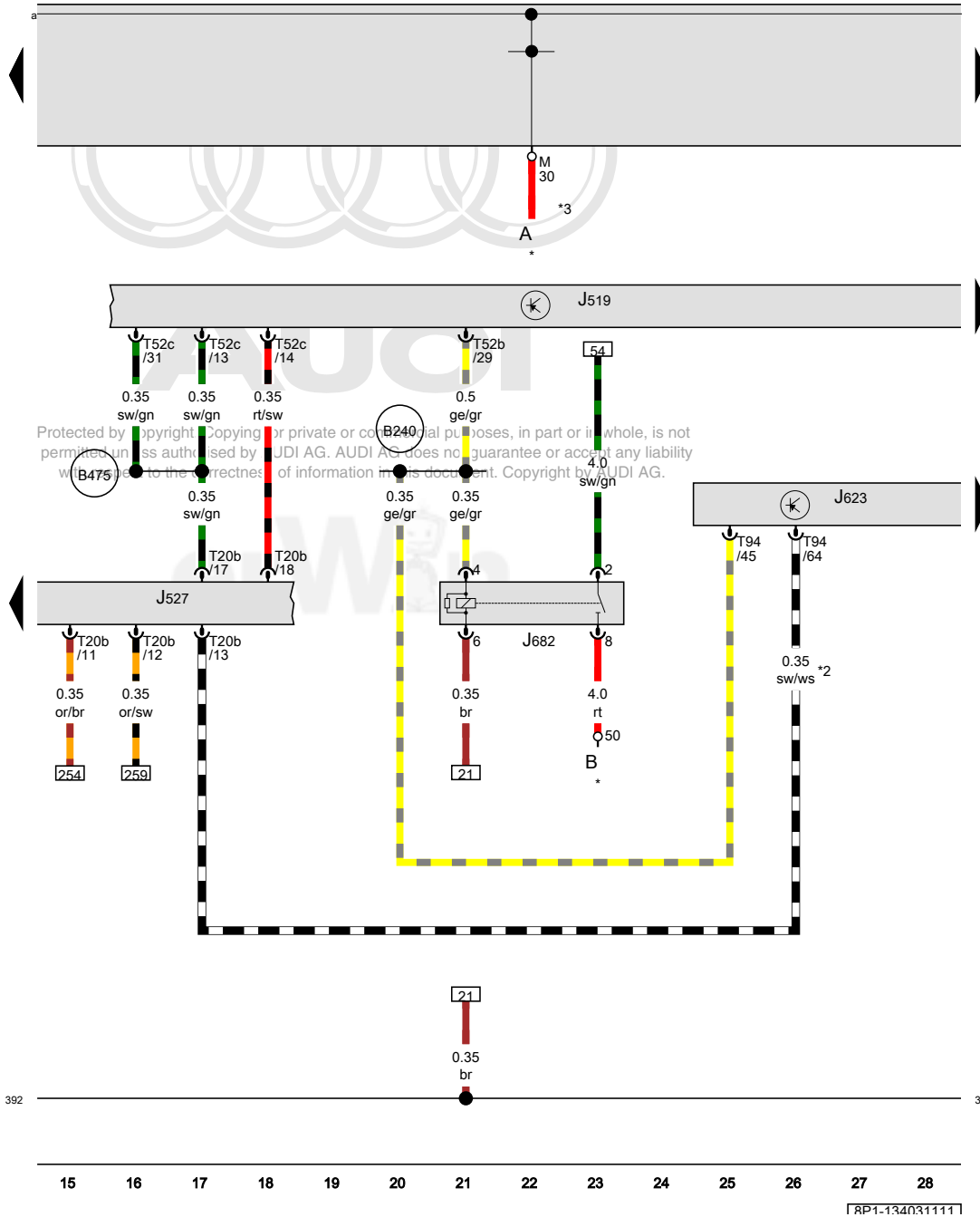
- A Battery
- B Starter
- J519 Vehicle electrical system control module
- J527 Steering column electronics control module
- J623 Engine control module
- J682 Terminal 50 power supply relay
- T20b 20-pin connector
- T52b 52-pin connector
- T52c 52-pin connector
- T94 94-pin connector

392 Ground connection 27 (in main wiring harness)

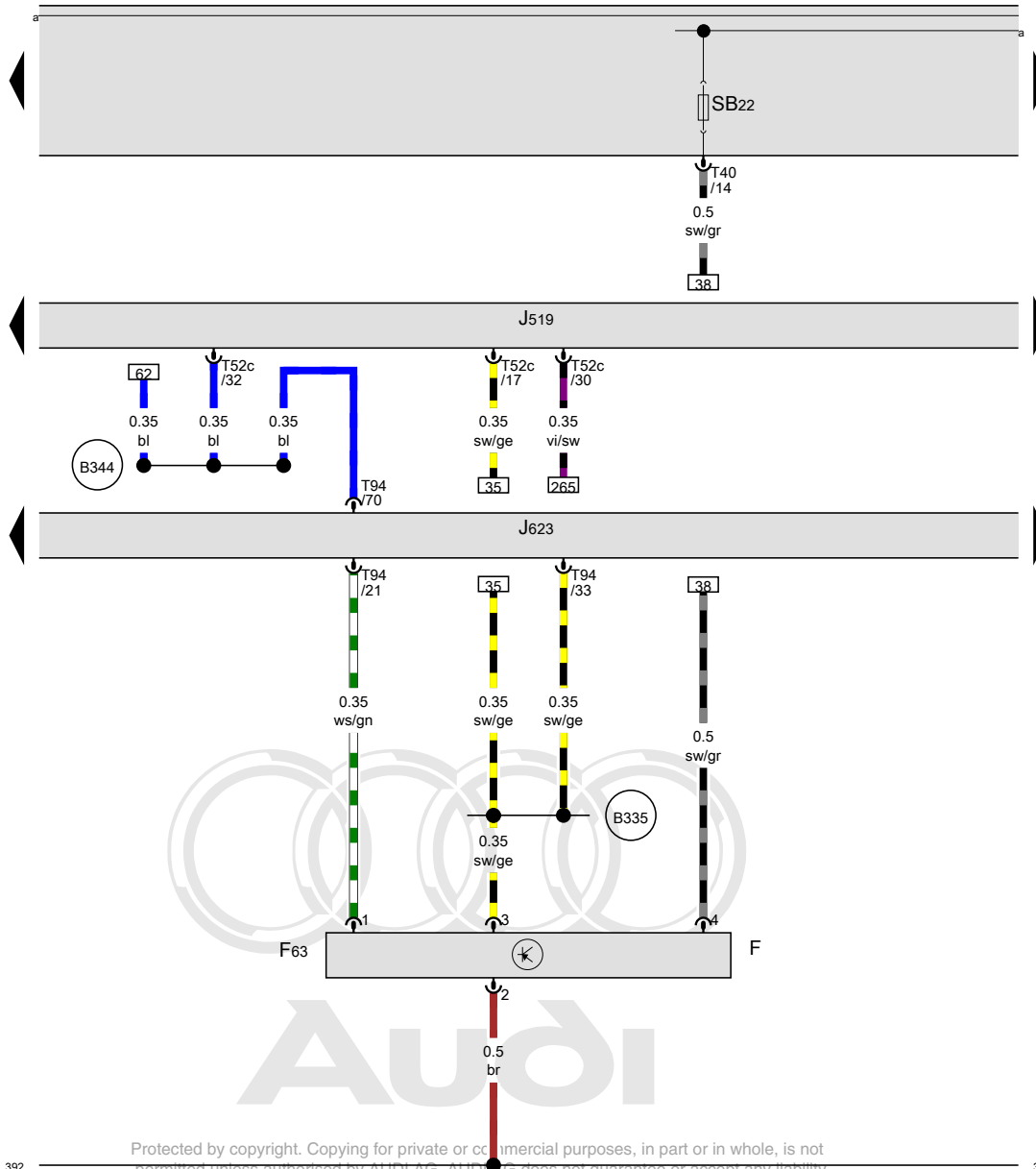
B240 Positive connection 2 (50) (in interior wiring harness)

B475 Connection 11 (in main wiring harness)

- * Refer to applicable wiring diagram for battery in engine compartment
- *2 Only for vehicles with cruise control
- *3 Diameter depends on equipment



Protected by copyright. Copying for private or commercial purposes, in part or in whole, is not permitted unless authorised by AUDI AG. AUDI AG does not guarantee or accept any liability with respect to the correctness of information in this document. Copyright by AUDI AG.



Brake pedal switch, Vehicle electrical system control module, Engine control module

- F Brake lamp switch
- F63 Brake pedal switch
- J519 Vehicle electrical system control module
- J623 Engine control module
- SB22 Fuse 22 (on fuse panel B)
- T40 40-pin connector
- T52c 52-pin connector
- T94 94-pin connector

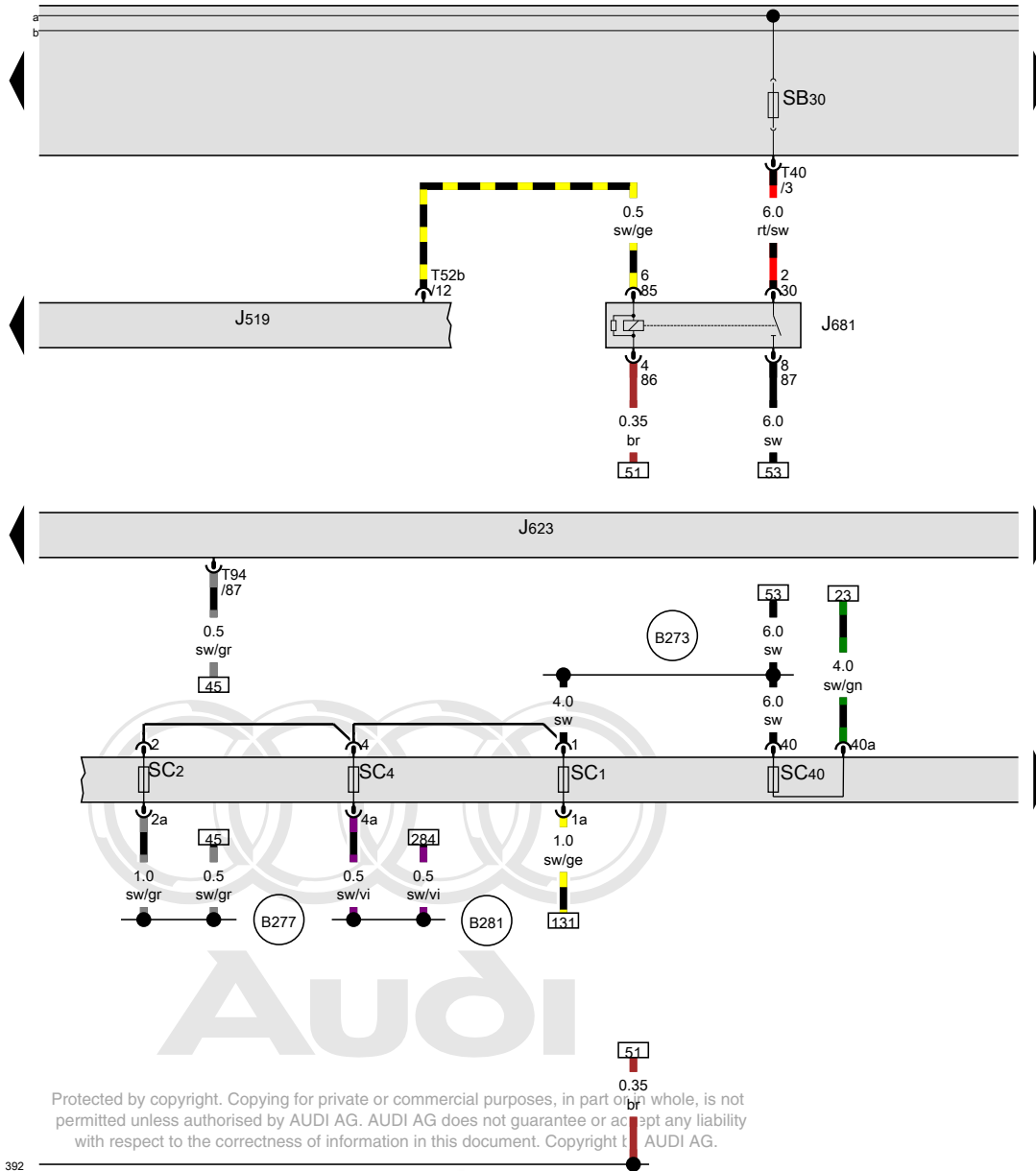
- 392 Ground connection 27 (in main wiring harness)
- B335 Connection 1 (54) (in main wiring harness)
- B344 Connection 1 (61) (in main wiring harness)

- ws = white
- sw = black
- ro = red
- rt = red
- br = brown
- gn = green
- bl = blue
- gr = grey
- li = lilac
- vi = lilac
- ge = yellow
- or = orange
- rs = pink

Protected by copyright. Copying for private or commercial purposes, in part or in whole, is not permitted unless authorised by AUDI AG. AUDI AG does not guarantee or accept any liability with respect to the correctness of information in this document. Copyright by AUDI AG.

29 30 31 32 33 34 35 36 37 38 39 40 41 42

[RP1-134041111]



Vehicle electrical system control module, Engine control module, Terminal 15 power supply relay 2

- J519 Vehicle electrical system control module
- J623 Engine control module
- J681 Terminal 15 power supply relay 2
- SC1 Fuse 1 (on fuse panel C)
- SC2 Fuse 2 (on fuse panel C)
- SC4 Fuse 4 (on fuse panel C)
- SB30 Fuse 30 (on fuse panel B)
- SC40 Fuse 40 (on fuse panel C)
- T40 40-pin connector
- T52b 52-pin connector
- T94 94-pin connector

- 392 Ground connection 27 (in main wiring harness)
- B273 Positive connection (15) (in main wiring harness)
- B277 Positive connection 1 (15a) (in main wiring harness)
- B281 Positive connection 5 (15a) (in main wiring harness)

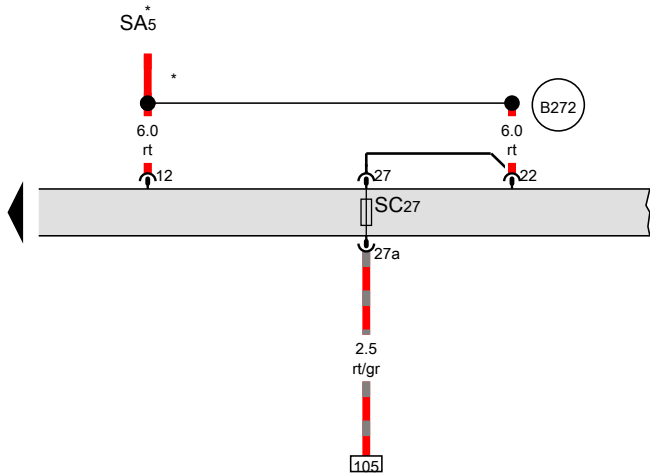
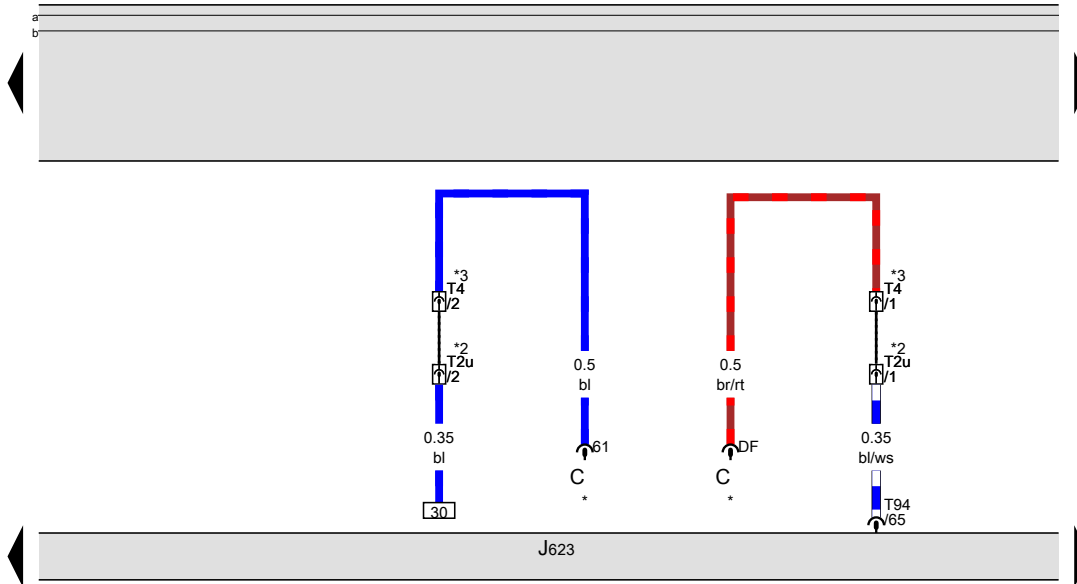
- ws = white
- sw = black
- ro = red
- rt = red
- br = brown
- gn = green
- bl = blue
- gr = grey
- li = lilac
- vi = lilac
- ge = yellow
- or = orange
- rs = pink

Protected by copyright. Copying for private or commercial purposes, in part or in whole, is not permitted unless authorised by AUDI AG. AUDI AG does not guarantee or accept any liability with respect to the correctness of information in this document. Copyright © AUDI AG.

392

43 44 45 46 47 48 49 50 51 52 53 54 55 56

[RP1-134051111]



Engine control module

- C Generator
- J623 Engine control module
- SA5 Fuse 5 (on fuse panel A)
- SC27 Fuse 27 (on fuse panel C)
- T2u Double connector, in the engine compartment, left
- T4 4-pin connector, in the engine compartment, left
- T94 94-pin connector

B272 Positive connection (30) (in main wiring harness)

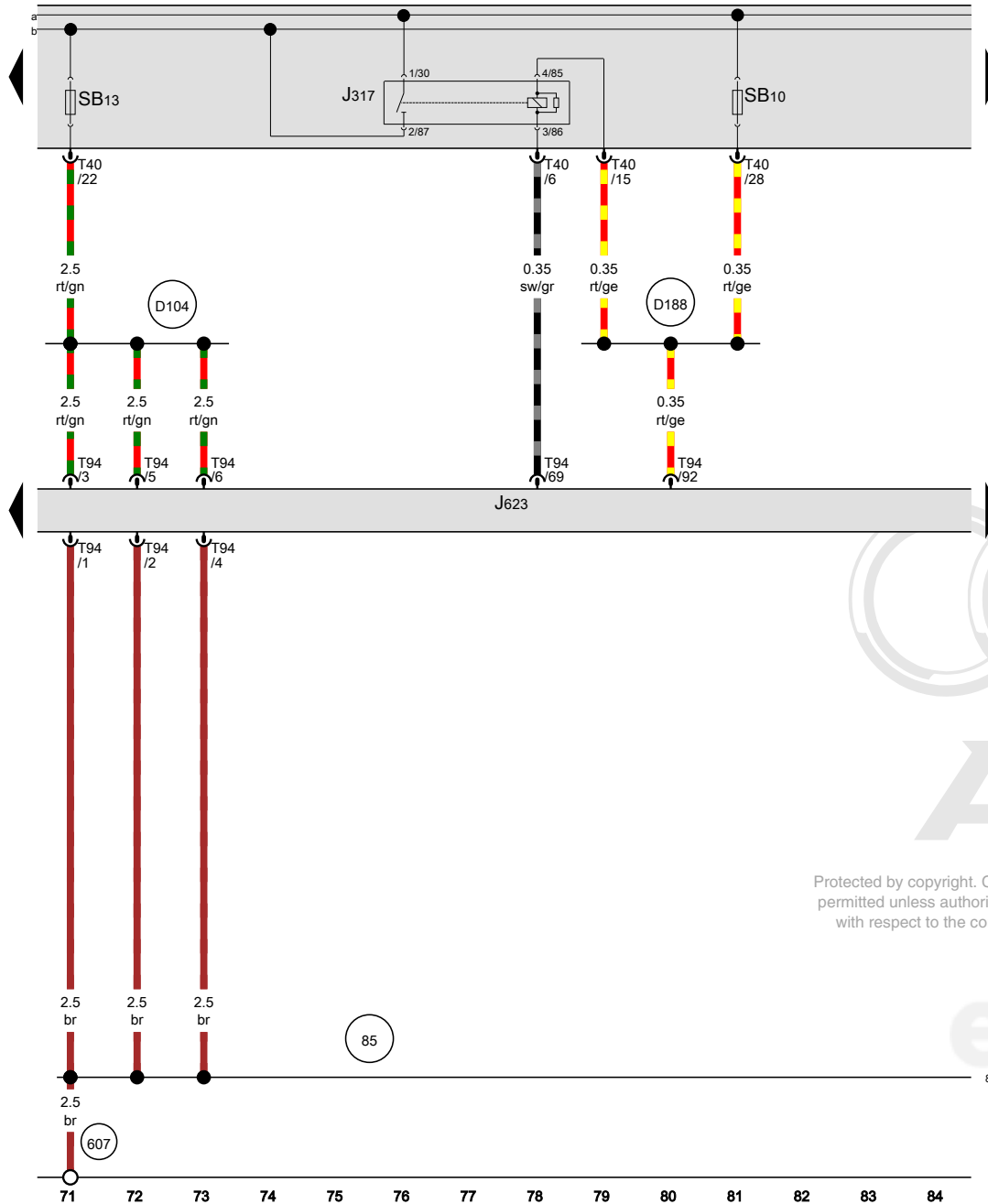
* Refer to applicable wiring diagram for battery in engine compartment

*2 Only for vehicles without an A/C system
 *3 Only for vehicles with A/C system

- ws = white
- sw = black
- ro = red
- rt = red
- br = brown
- gn = green
- bl = blue
- gr = grey
- li = lilac
- vi = lilac
- ge = yellow
- or = orange
- rs = pink

57 58 59 60 61 62 63 64 65 66 67 68 69 70

[RP1-134061111]



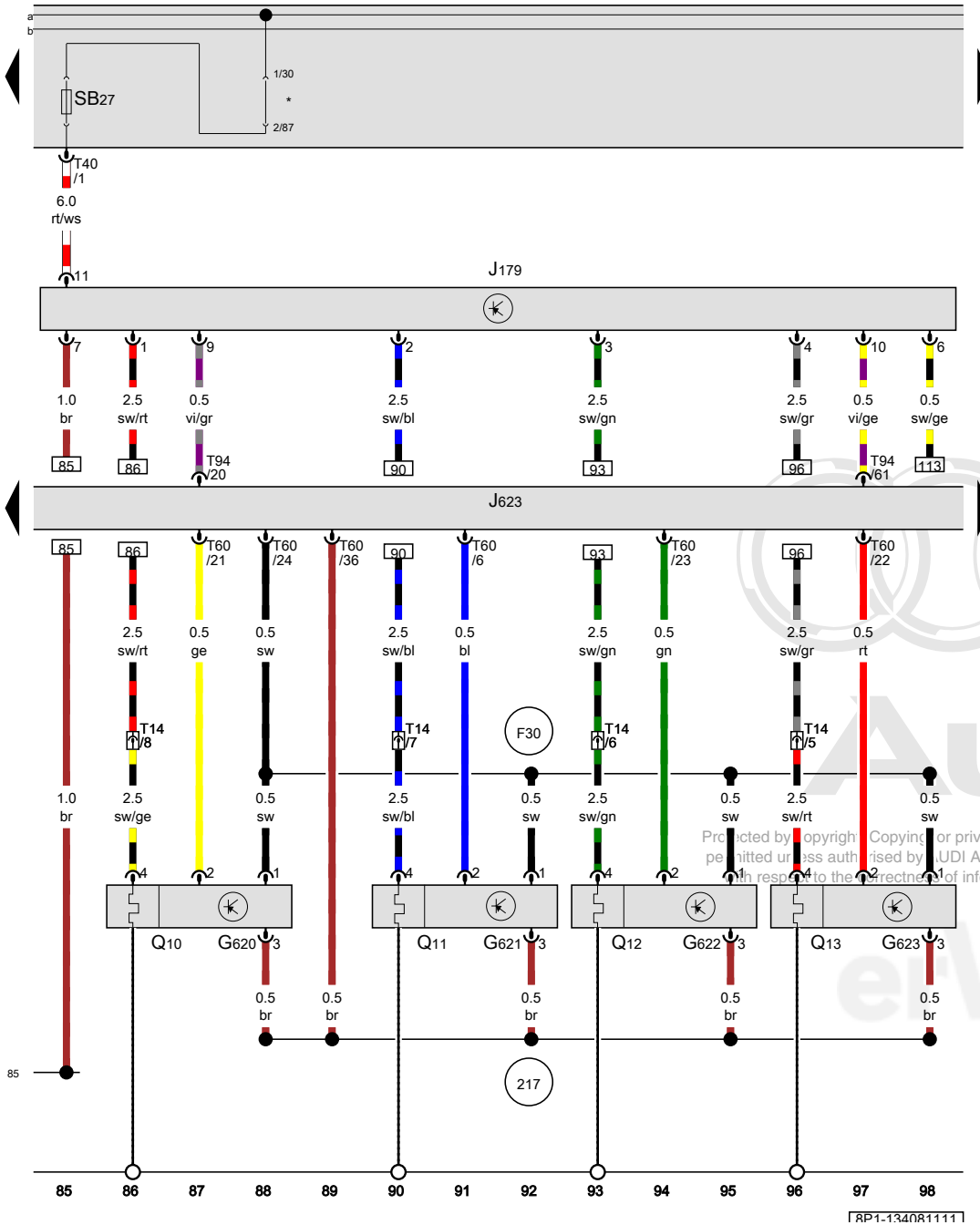
Terminal 30 power supply relay, Engine control module

- J317 Terminal 30 power supply relay
- J623 Engine control module
- SB10 Fuse 10 (on fuse panel B)
- SB13 Fuse 13 (on fuse panel B)
- T40 40-pin connector
- T94 94-pin connector
- 85 Ground connection 1 (in engine compartment wiring harness)
- 607 Ground connection in plenum chamber, left
- D104 Positive connection 2 (30a) (in engine compartment wiring harness)
- D188 Positive connection 3 (30a) (in engine compartment wiring harness)

Protected by copyright. Copying for private or commercial purposes, in part or in whole, is not permitted unless authorised by AUDI AG. AUDI AG does not guarantee or accept any liability with respect to the correctness of information in this document. Copyright by AUDI AG.

- ws = white
- sw = black
- ro = red
- rt = red
- br = brown
- gn = green
- bl = blue
- gr = grey
- li = lilac
- vi = lilac
- ge = yellow
- or = orange
- rs = pink

[RP1-134071111]



Automatic glow time control module, Engine control module, Glow plug 1, Glow plug 2, Glow plug 3, Glow plug 4

- G620 Cylinder 1 internal pressure sensor
- G621 Cylinder 2 internal pressure sensor
- G622 Cylinder 3 internal pressure sensor
- G623 Cylinder 4 internal pressure sensor
- J179 Automatic glow time control module
- J623 Engine control module
- Q10 Glow plug 1
- Q11 Glow plug 2
- Q12 Glow plug 3
- Q13 Glow plug 4
- SB27 Fuse 27 (on fuse panel B)
- T1g Single connector
- T14 14-pin connector, near the left front longitudinal member
- T40 40-pin connector
- T60 60-pin connector
- T94 94-pin connector
- 85 Ground connection 1 (in engine compartment wiring harness)
- 217 Ground connection 1 (in glow plug system wiring harness)
- F30 Connection 1 (in glow plug system wiring harness)
- * Contact bridge, only vehicles with diesel engine

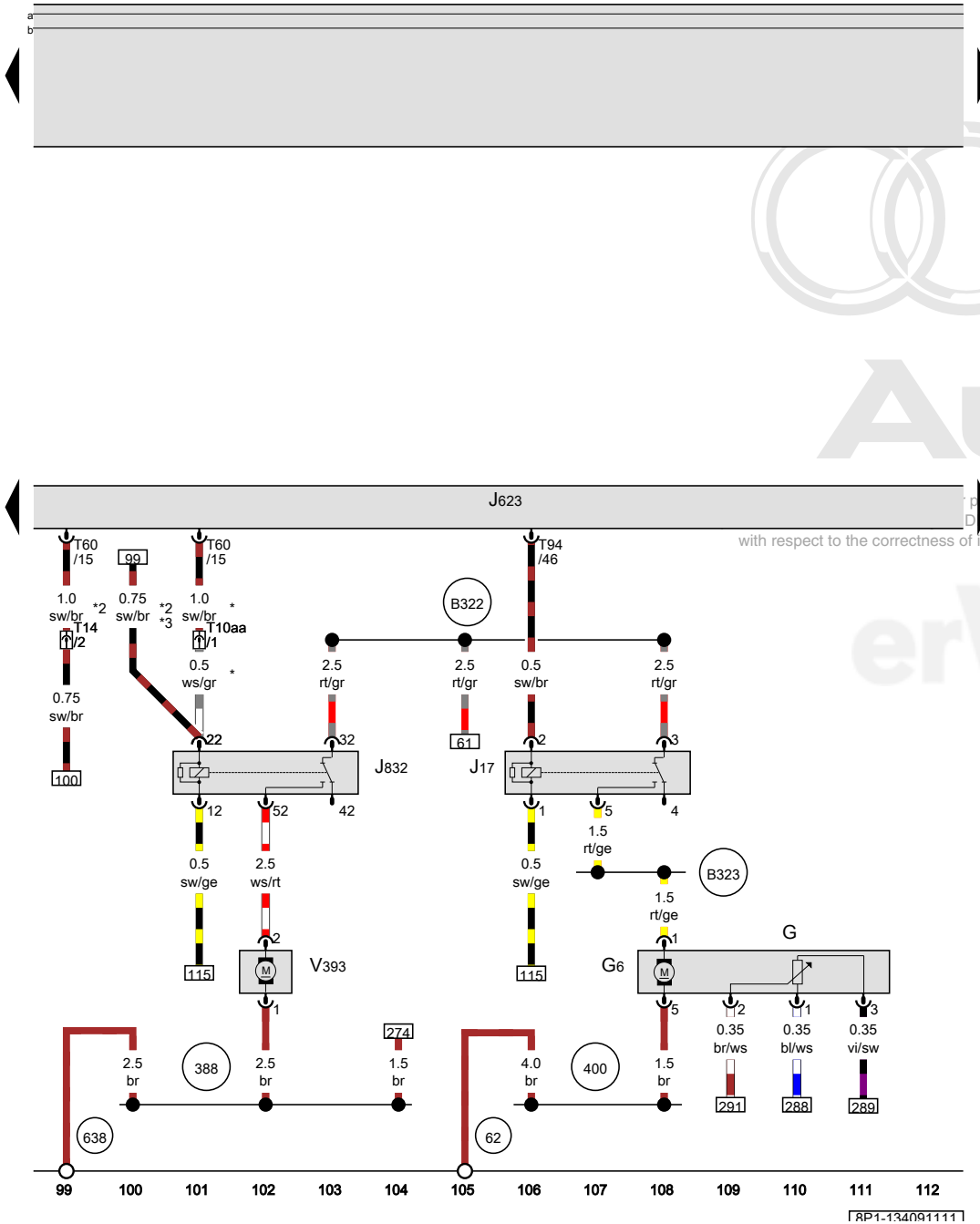
- ws = white
- sw = black
- ro = red
- rt = red
- br = brown
- gn = green
- bl = blue
- gr = grey
- li = lilac
- vi = lilac
- ge = yellow
- or = orange
- rs = pink

[RP1-1340R1111]

Fuel level sensor, Transfer fuel pump, Fuel pump relay, Engine control module, Auxiliary fuel pump relay, Auxiliary fuel pump

- G Fuel level sensor
- G6 Transfer fuel pump
- J17 Fuel pump relay
- J623 Engine control module
- J832 Auxiliary fuel pump relay
- T10aa 10-pin connector, in the engine compartment, left
- T14 14-pin connector
- T60 60-pin connector
- T94 94-pin connector
- V393 Auxiliary fuel pump

- 62 Ground connection on right C-pillar
- 388 Ground connection 23 (in main wiring harness)
- 400 Ground connection 35 (in main wiring harness)
- 638 Ground connection on right A-pillar
- B322 Positive connection 8 (30a) (in main wiring harness)
- B323 Positive connection 9 (30a) (in main wiring harness)
- * Through April 2011
- *2 From May 2011
- *3 The color of the wires depends on vehicle equipment



- ws = white
- sw = black
- ro = red
- rt = red
- br = brown
- gn = green
- bl = blue
- gr = grey
- li = lilac
- vi = lilac
- ge = yellow
- or = orange
- rs = pink

18P1-134091111

Low heat output relay, High heat output relay, Engine control module, Auxiliary heater heating element

- J162 Heater control module
- J359 Low heat output relay
- J360 High heat output relay
- J623 Engine control module
- SA4 Fuse 4 (on fuse panel A)
- SA6 Fuse 6 (on fuse panel A)
- SB15 Fuse 15 (on fuse panel B)
- T20c 20-pin connector
- T40 40-pin connector
- T94 94-pin connector
- Z35 Auxiliary heater heating element

639 Ground connection on left A-pillar

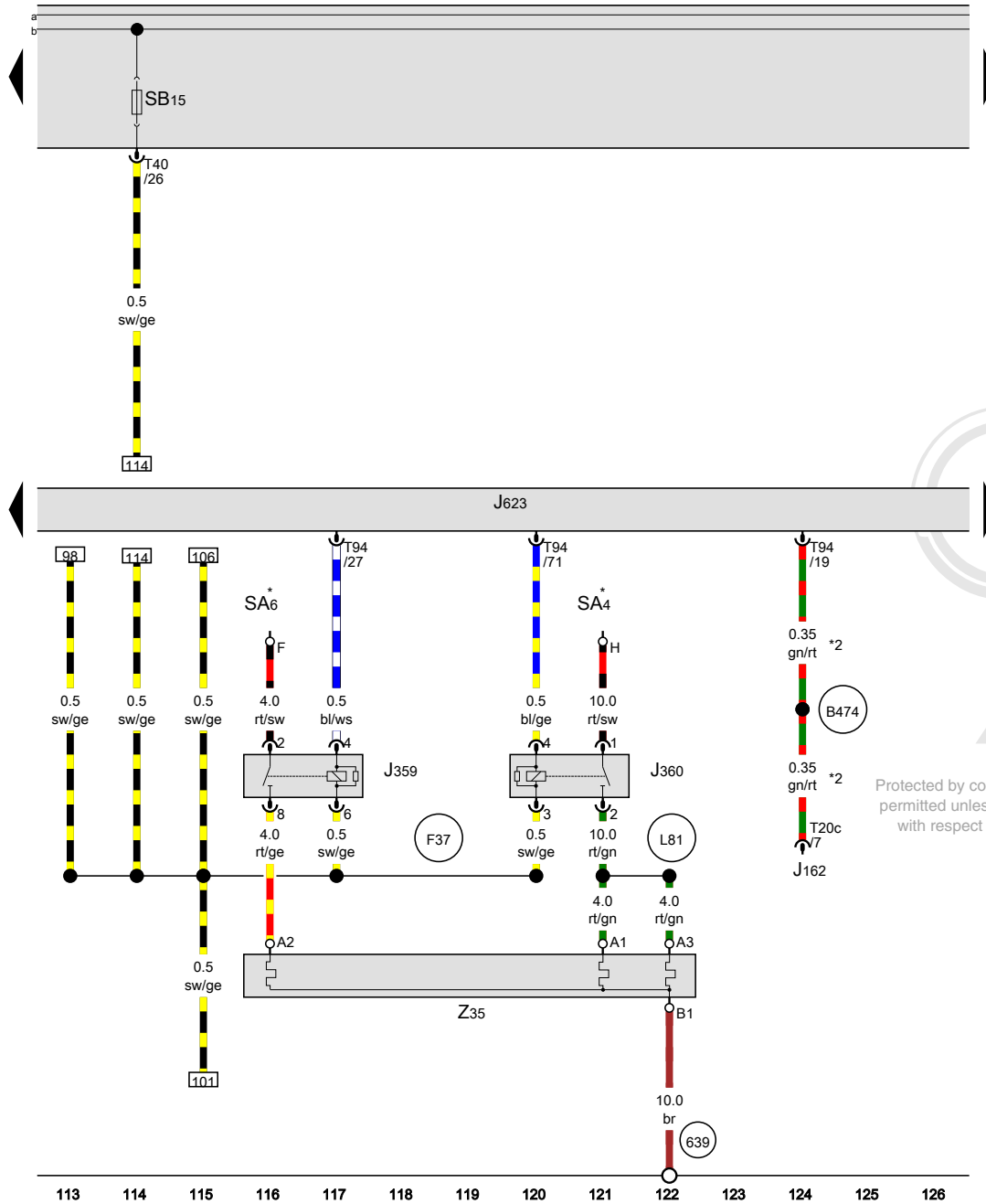
B474 Connection 10 (in main wiring harness)

F37 Auxiliary heater connection (in diesel direct injection system wiring harness)

L81 Connection (in auxiliary heater wiring harness)

* Refer to applicable wiring diagram for battery in engine compartment

*2 Refer to the applicable wiring diagram for heating with manual control

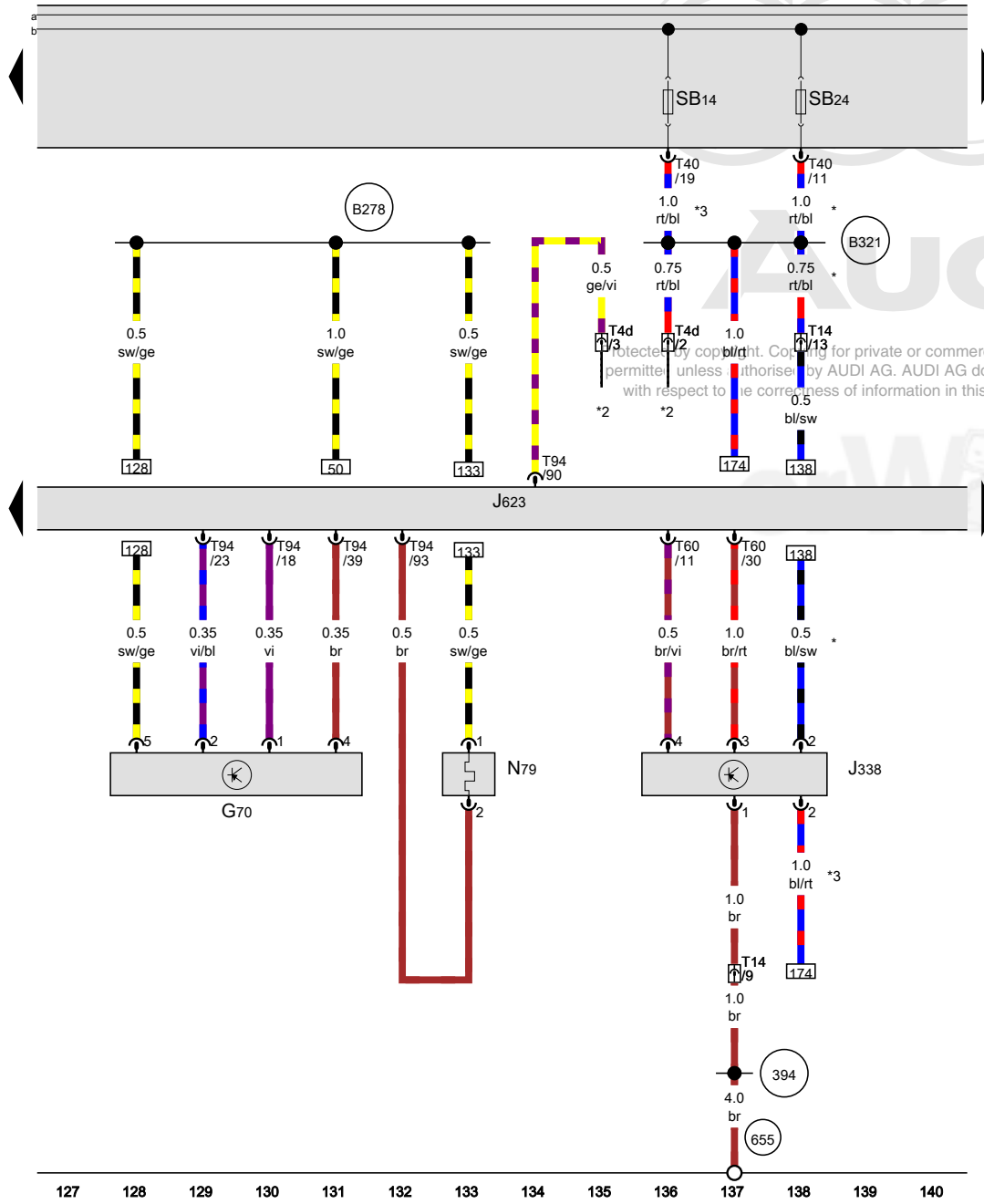


Protected by copyright. Copying for private or commercial purposes, in part or in whole, is not permitted unless authorised by AUDI AG. AUDI AG does not guarantee or accept any liability with respect to the correctness of information in this document. Copyright by AUDI AG.

- ws = white
- sw = black
- ro = red
- rt = red
- br = brown
- gn = green
- bl = blue
- gr = grey
- li = lilac
- vi = lilac
- ge = yellow
- or = orange
- rs = pink

113 114 115 116 117 118 119 120 121 122 123 124 125 126

[RP1-134101111]



Mass airflow sensor, Throttle valve control module, Engine control module, Positive crankcase ventilation heating element

- G70 Mass airflow sensor
- J338 Throttle valve control module
- J623 Engine control module
- N79 Positive crankcase ventilation heating element
- SB14 Fuse 14 (on fuse panel B)
- SB24 Fuse 24 (on fuse panel B)
- T4d 4-pin connector, near the coolant fan
- T14 14-pin connector, near the left front longitudinal member
- T40 40-pin connector
- T60 60-pin connector
- T94 94-pin connector

- 394 Ground connection 29 (in main wiring harness)
- 655 Ground connection on left headlamp
- B278 Positive connection 2 (15a) (in main wiring harness)
- B321 Positive connection 7 (30a) (in main wiring harness)

- * Through April 2011
- *2 Refer to applicable coolant fan wiring diagram
- *3 From May 2011

- ws = white
- sw = black
- ro = red
- rt = red
- br = brown
- gn = green
- bl = blue
- gr = grey
- li = lilac
- vi = lilac
- ge = yellow
- or = orange
- rs = pink

127 128 129 130 131 132 133 134 135 136 137 138 139 140

[RP1-134111111]

Engine coolant temperature sensor, Engine coolant temperature sensor on radiator outlet, EGR temperature sensor, Exhaust gas temperature sensor 1, Exhaust gas temperature sensor 2, Exhaust gas temperature sensor 3, Exhaust gas temperature sensor 4, Engine control module

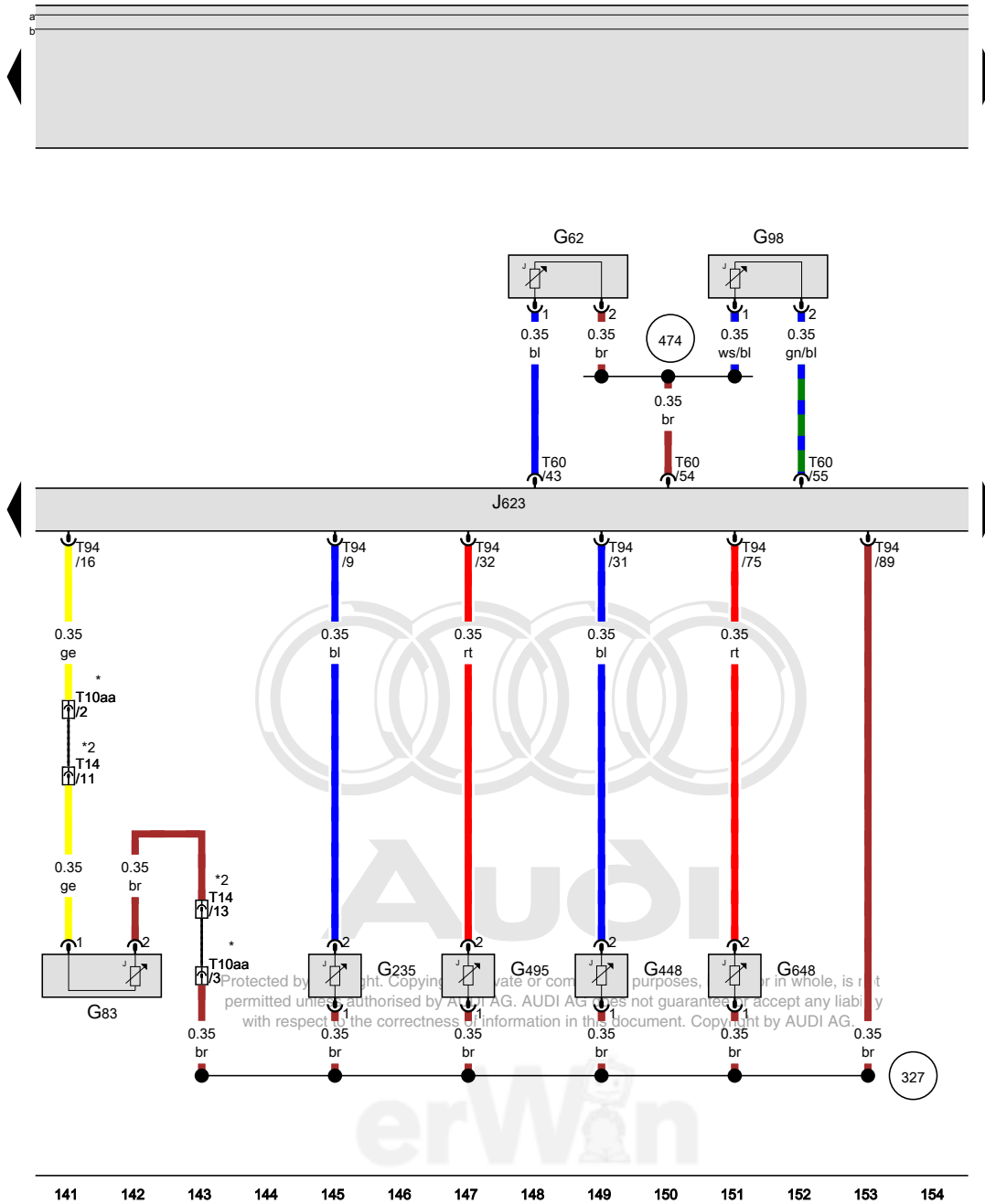
- G62 Engine coolant temperature sensor
- G83 Engine coolant temperature sensor on radiator outlet
- G98 EGR temperature sensor
- G235 Exhaust gas temperature sensor 1
- G448 Exhaust gas temperature sensor 2
- G495 Exhaust gas temperature sensor 3
- G648 Exhaust gas temperature sensor 4
- J623 Engine control module
- T10aa 10-pin connector, in the engine compartment, left
- T14 14-pin connector, near the left front longitudinal member
- T60 60-pin connector
- T94 94-pin connector

327 Sensor ground connection (in engine compartment wiring harness)

474 Sensor ground connection (in engine wiring harness)

* Through April 2011
 *2 From May 2011

- ws = white
- sw = black
- ro = red
- rt = red
- br = brown
- gn = green
- bl = blue
- gr = grey
- li = lilac
- vi = lilac
- ge = yellow
- or = orange
- rs = pink

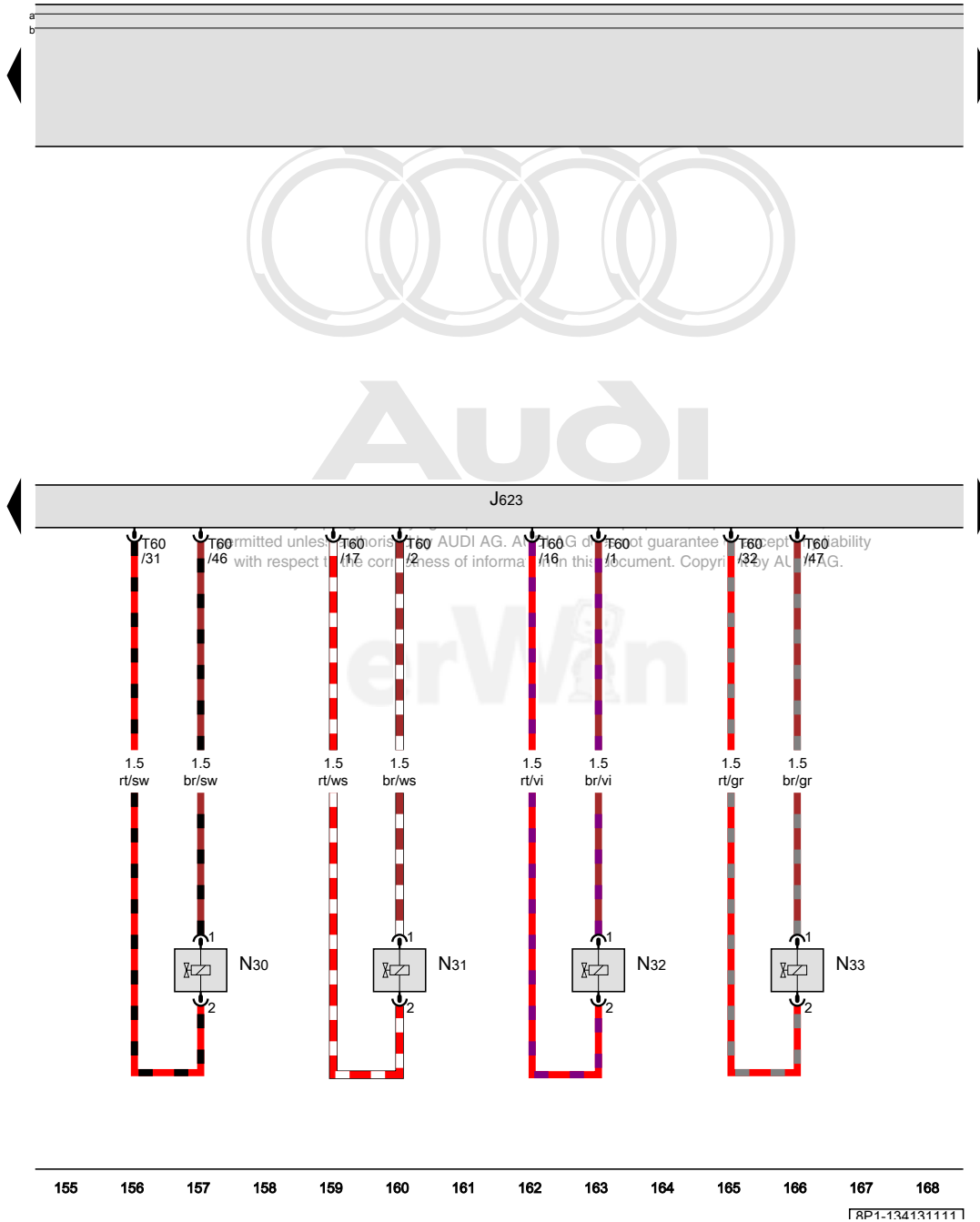


141 142 143 144 145 146 147 148 149 150 151 152 153 154

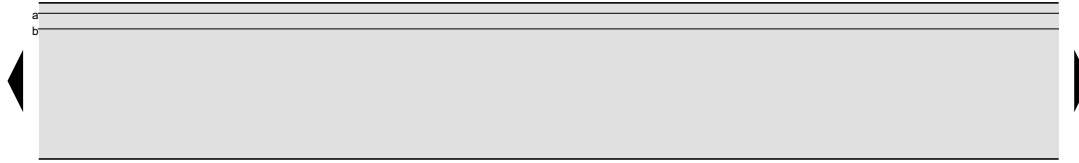
[RP1-134121111]

Engine control module, Cylinder 1 fuel injector, Cylinder 2 fuel injector, Cylinder 3 fuel injector, Cylinder 4 fuel injector

- J623 Engine control module
- N30 Cylinder 1 fuel injector
- N31 Cylinder 2 fuel injector
- N32 Cylinder 3 fuel injector
- N33 Cylinder 4 fuel injector
- T60 60-pin connector



[RP1-134131111]



Exhaust pressure sensor 1, Differential pressure sensor, Engine control module, Exhaust door control unit

- G450 Exhaust pressure sensor 1
- G505 Differential pressure sensor
- J623 Engine control module
- J883 Exhaust door control unit
- T14 14-pin connector, near the left front longitudinal member
- T94 94-pin connector

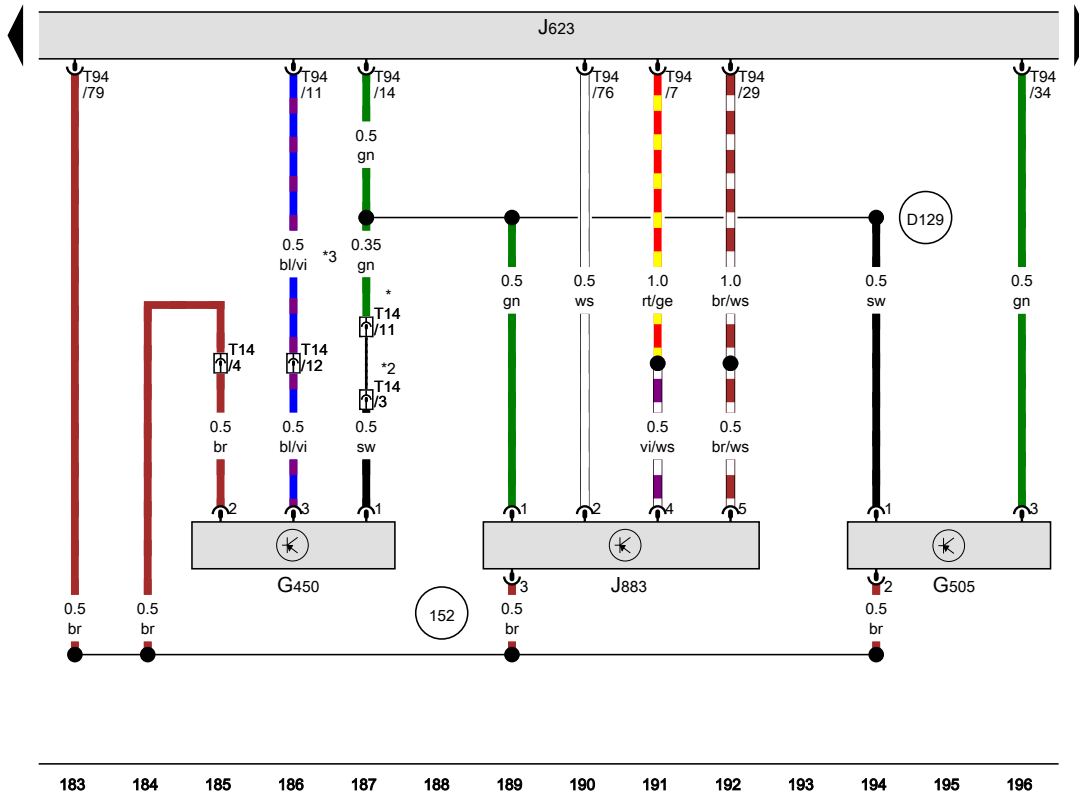
152 Ground connection 2 (in front wiring harness)

D129 Connection (27) (in engine compartment wiring harness)

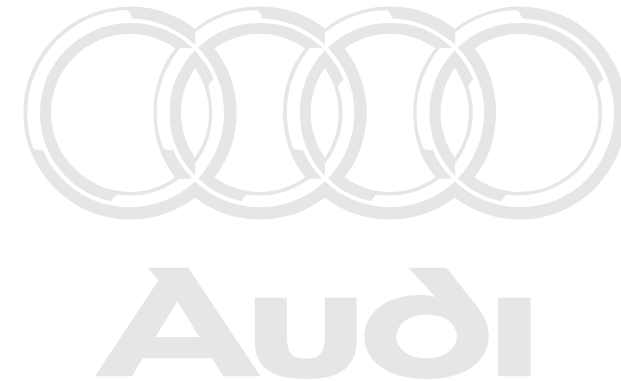
* Through April 2011

*2 From May 2011

*3 The color of the wires depends on vehicle equipment



- ws = white
- sw = black
- ro = red
- rt = red
- br = brown
- gn = green
- bl = blue
- gr = grey
- li = lilac
- vi = lilac
- ge = yellow
- or = orange
- rs = pink

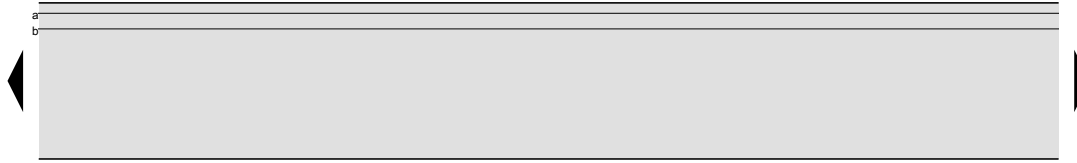


Protected by copyright. Copying for private or commercial purposes, in part or in whole, is not permitted unless authorised by AUDI AG. AUDI AG does not guarantee or accept any liability with respect to the correctness of information in this document. Copyright by AUDI AG.



183 184 185 186 187 188 189 190 191 192 193 194 195 196

[RP1-134151111]

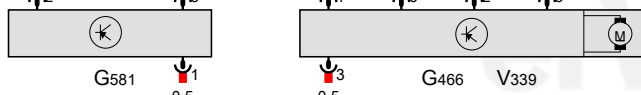
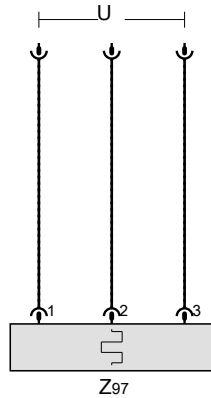
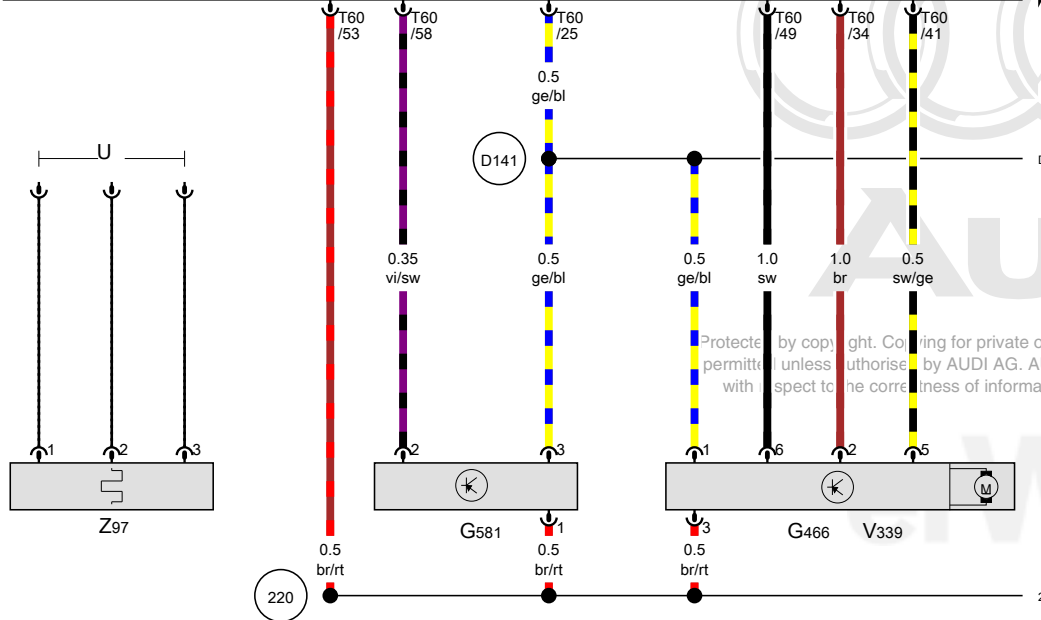
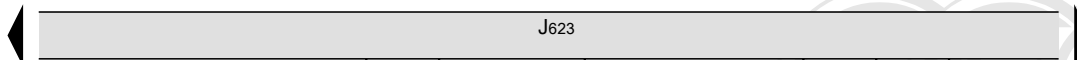


Exhaust gas recirculation position sensor 2, Charge pressure actuator position sensor, Engine control module, EGR motor 2, Engine preheating element

- G466 Exhaust gas recirculation position sensor 2
- G581 Charge pressure actuator position sensor
- J623 Engine control module
- T60 60-pin connector
- U Socket, in the front bumper, left
- V339 EGR motor 2
- Z97 Engine preheating element

(220) Sensor ground connection (in engine compartment wiring harness)

(D141) Connection (5V) (in engine wiring harness)



Protected by copyright. Copying for private or commercial purposes, in part or in whole, is not permitted unless authorised by AUDI AG. AUDI AG does not guarantee or accept any liability with respect to the correctness of information in this document. Copyright by AUDI AG.

- ws = white
- sw = black
- ro = red
- rt = red
- br = brown
- gn = green
- bl = blue
- gr = grey
- li = lilac
- vi = lilac
- ge = yellow
- or = orange
- rs = pink

197 198 199 200 201 202 203 204 205 206 207 208 209 210

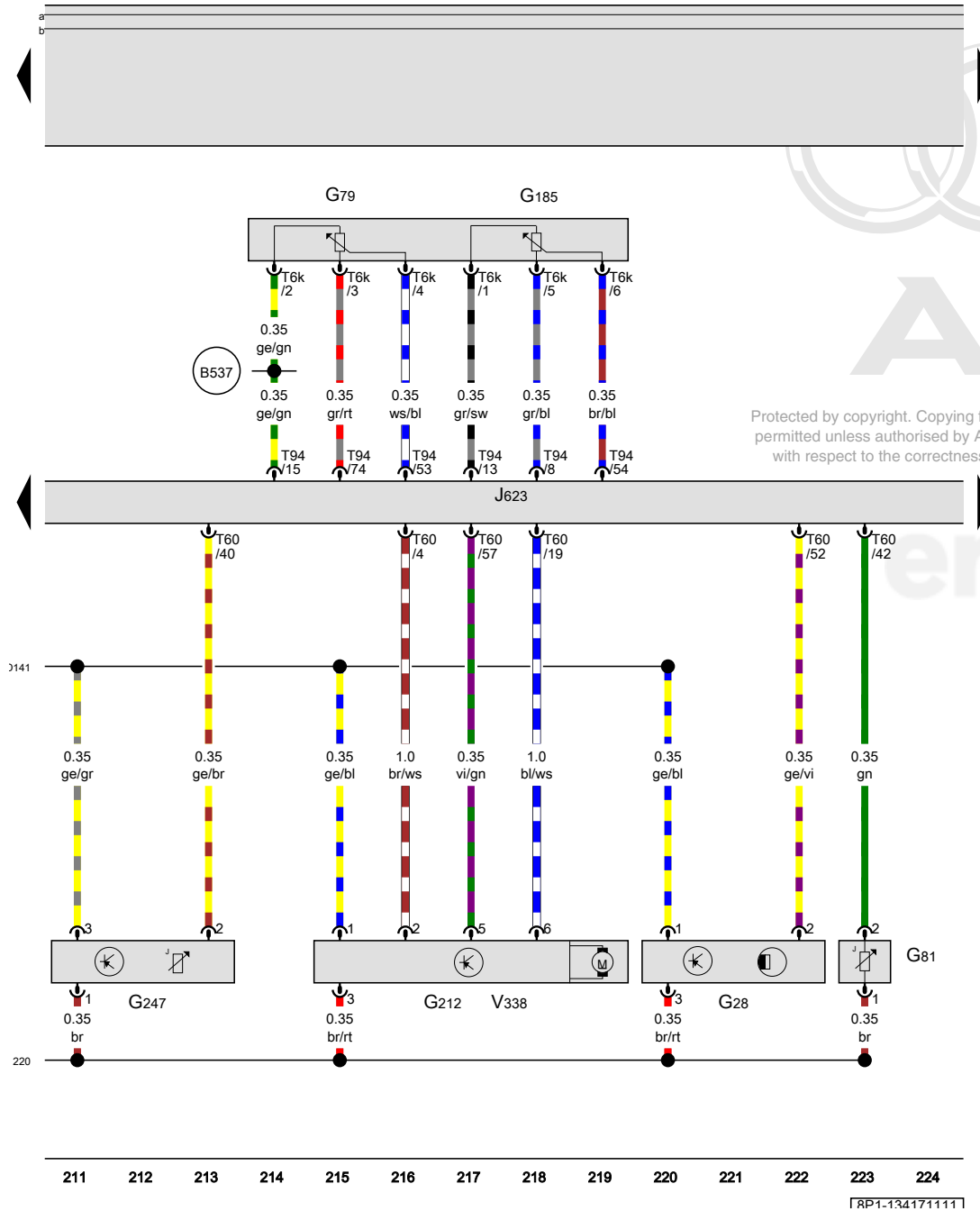
[RP1-134161111]

Engine speed sensor, Accelerator pedal position sensor, Fuel temperature sensor, Accelerator pedal position sensor 2, EGR potentiometer, Fuel pressure sensor, Engine control module, EGR motor

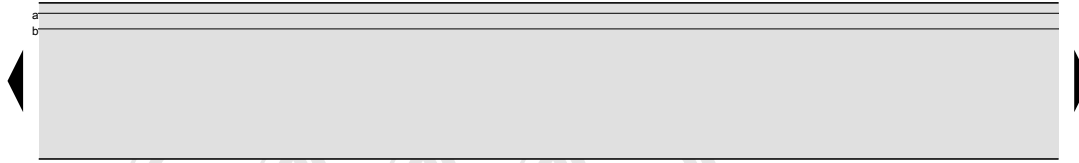
- G28 Engine speed sensor
- G79 Accelerator pedal position sensor
- G81 Fuel temperature sensor
- G185 Accelerator pedal position sensor 2
- G212 EGR potentiometer
- G247 Fuel pressure sensor
- J623 Engine control module
- T6k 6-pin connector
- T60 60-pin connector
- T94 94-pin connector
- V338 EGR motor

- 220 Sensor ground connection (in engine compartment wiring harness)
- B537 Connection 28 (in main wiring harness)
- D141 Connection (5V) (in engine wiring harness)

Protected by copyright. Copying for private or commercial purposes, in part or in whole, is not permitted unless authorised by AUDI AG. AUDI AG does not guarantee or accept any liability with respect to the correctness of information in this document.



- ws = white
- sw = black
- ro = red
- rt = red
- br = brown
- gn = green
- bl = blue
- gr = grey
- li = lilac
- vi = lilac
- ge = yellow
- or = orange
- rs = pink



Charge air pressure sensor, Camshaft position sensor, Intake air temperature sensor, Intake manifold runner position sensor, Engine control module, Intake flap motor

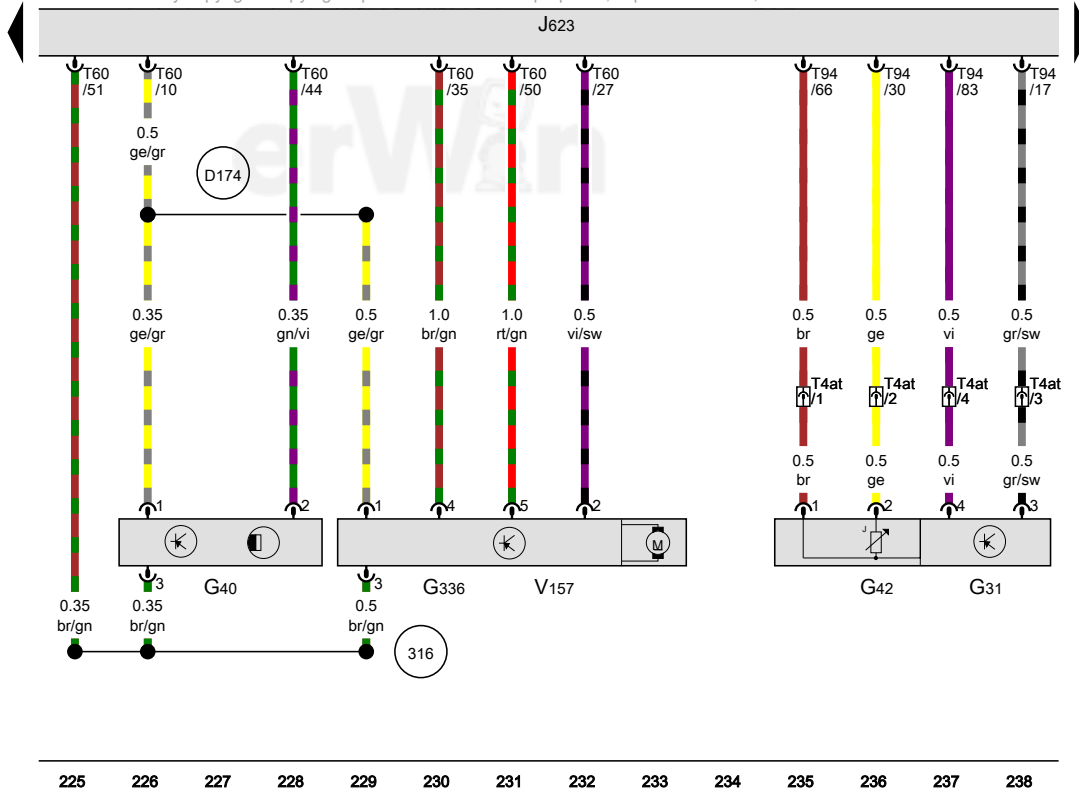
- G31 Charge air pressure sensor
- G40 Camshaft position sensor
- G42 Intake air temperature sensor
- G336 Intake manifold runner position sensor
- J623 Engine control module
- T4at 4-pin connector, near the starter
- T60 60-pin connector
- T94 94-pin connector
- V157 Intake flap motor

(316) Sensor ground connection 2 (in engine wiring harness)

(D174) Connection 2 (5V) (in engine wiring harness)



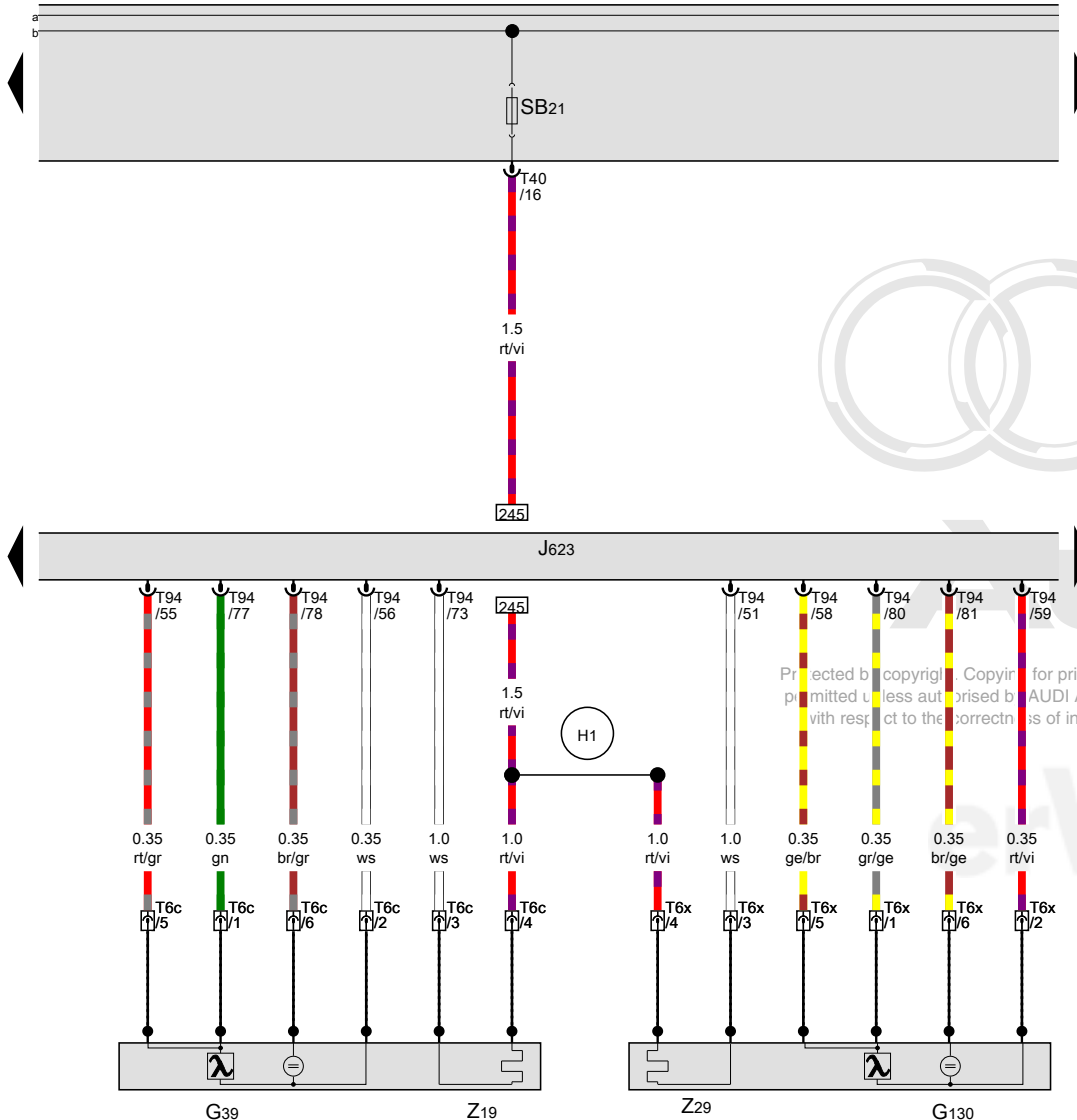
Protected by copyright. Copying for private or commercial purposes, in part or in whole, is not



[RP1-1341R1111]

Heated oxygen sensor, Oxygen sensor after three way catalytic converter, Engine control module, Oxygen sensor heater, Heater for oxygen sensor 1 after catalytic converter

- G39 Heated oxygen sensor
- G130 Oxygen sensor after three way catalytic converter
- J623 Engine control module
- SB21 Fuse 21 (on fuse panel B)
- T6c 6-pin connector, on the oxygen sensor before the catalytic converter
- T6x 6-pin connector
- T40 40-pin connector
- T94 94-pin connector
- Z19 Oxygen sensor heater
- Z29 Heater for oxygen sensor 1 after catalytic converter
- H1 Positive connection (in oxygen sensor wiring harness)



Protected by copyright. Copying for private or commercial purposes, in part or in whole, is not permitted unless authorized by AUDI AG. AUDI AG does not guarantee or accept any liability with respect to the correctness of information in this document. Copyright by AUDI AG.

- ws = white
- sw = black
- ro = red
- rt = red
- br = brown
- gn = green
- bl = blue
- gr = grey
- li = lilac
- vi = lilac
- ge = yellow
- or = orange
- rs = pink

239 240 241 242 243 244 245 246 247 248 249 250 251 252

[RP1-134191111]

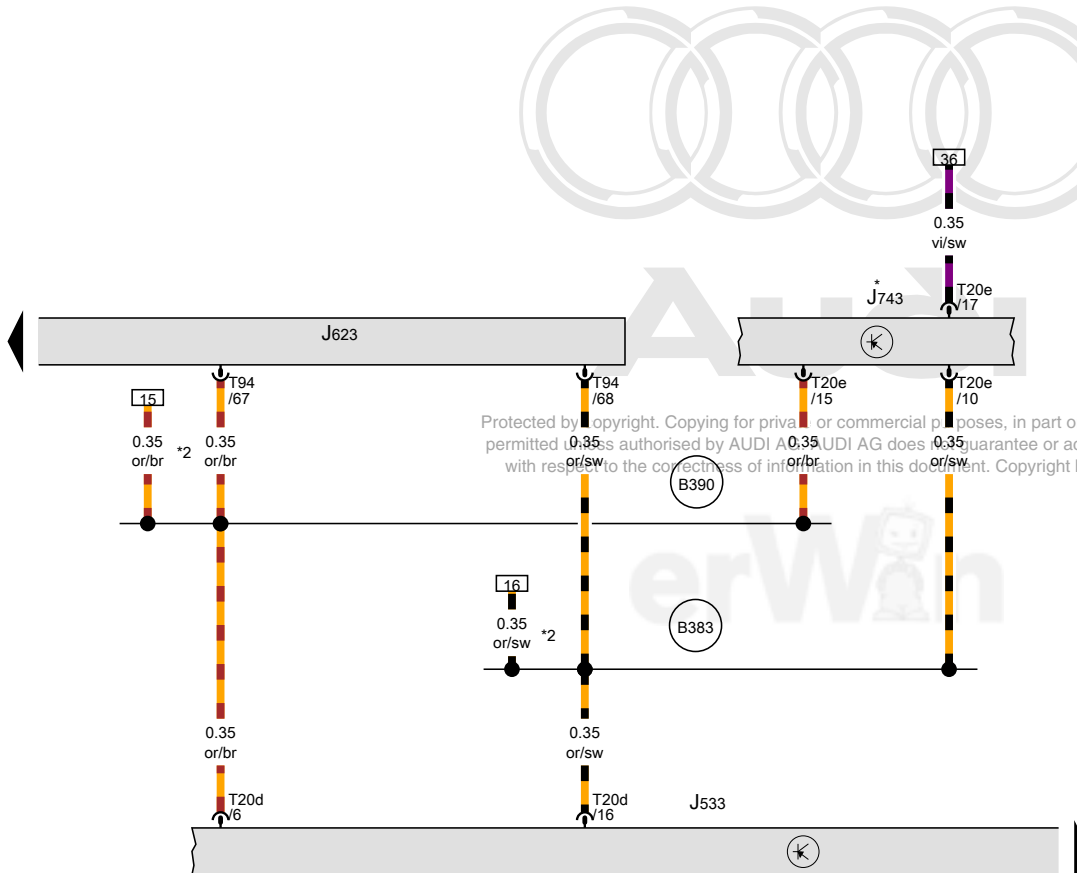
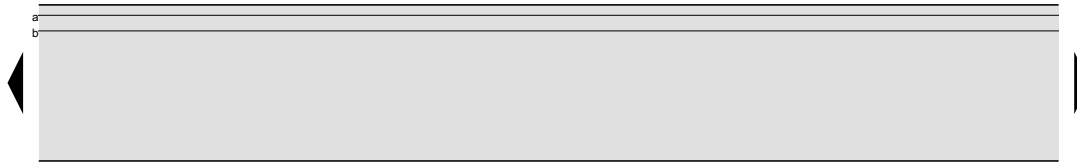
Data bus on board diagnostic interface, Engine control module, DSG transmission Mechatronic

- J533 Data bus on board diagnostic interface
- J623 Engine control module
- J743 DSG transmission Mechatronic
- T20d 20-pin connector
- T20e 20-pin connector
- T94 94-pin connector

B383 Powertrain CAN bus high connection 1 (in main wiring harness)

B390 Powertrain CAN bus low connection 1 (in main wiring harness)

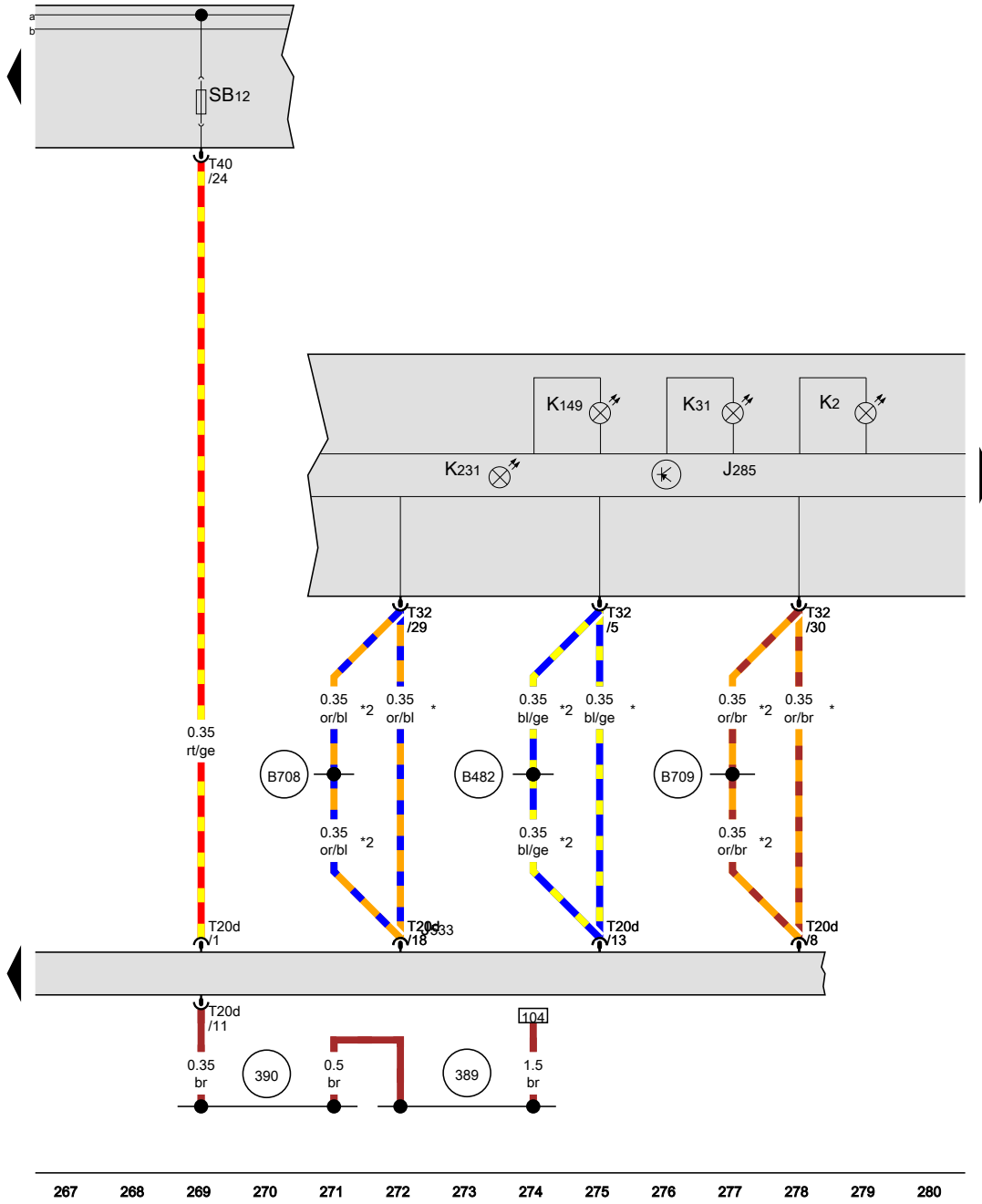
* Refer to applicable wiring diagram for automatic transmission
 *2 If available



- ws = white
- sw = black
- ro = red
- rt = red
- br = brown
- gn = green
- bl = blue
- gr = grey
- li = lilac
- vi = lilac
- ge = yellow
- or = orange
- rs = pink

253 254 255 256 257 258 259 260 261 262 263 264 265 266

[RP1-134201111]



Instrument cluster control module, Data bus on board diagnostic interface

- J285 Instrument cluster control module
- J533 Data bus on board diagnostic interface
- K2 Generator indicator lamp
- K31 Cruise control indicator lamp
- K149 Engine electronics indicator lamp
- K231 Diesel particulate filter indicator lamp
- SB12 Fuse 12 (on fuse panel B)
- T20d 20-pin connector
- T32 32-pin connector
- T40 40-pin connector

- 389 Ground connection 24 (in main wiring harness)
- 390 Ground connection 25 (in main wiring harness)
- B482 Connection 18 (in main wiring harness)
- B708 Instrument cluster CAN bus high connection 1 (in main wiring harness)
- B709 Instrument cluster CAN bus low connection 1 (in main wiring harness)
- * Running change
- *2 Omitted as a running change

Protected by copyright. Copying for private or commercial purposes, in part or in whole, is not permitted unless authorised by AUDI AG. AUDI AG does not guarantee or accept any liability with respect to the correctness of information in this document. Copyright by AUDI AG.

- ws = white
- sw = black
- ro = red
- rt = red
- br = brown
- gn = green
- bl = blue
- gr = grey
- li = lilac
- vi = lilac
- ge = yellow
- or = orange
- rs = pink

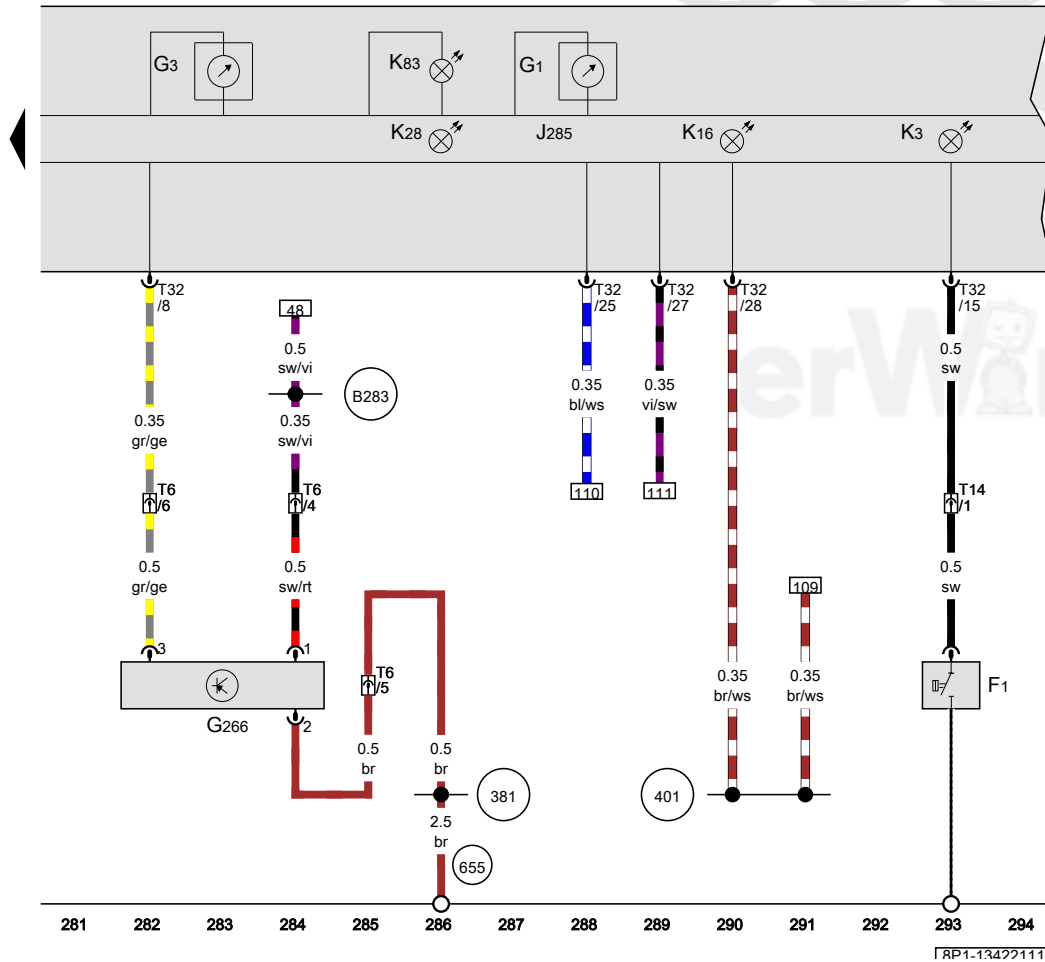
267 268 269 270 271 272 273 274 275 276 277 278 279 280

[RP1-134211111]

Oil pressure switch, Oil level thermal sensor, Instrument cluster control module

- F1 Oil pressure switch
- G1 Fuel gauge
- G3 Engine coolant temperature gauge
- G266 Oil level thermal sensor
- J285 Instrument cluster control module
- K3 Oil pressure indicator lamp
- K16 Low fuel level indicator lamp
- K28 Engine coolant level/temperature indicator lamp
- K83 Malfunction indicator lamp
- T6 6-pin connector, near the left front longitudinal member
- T14 14-pin connector, near the left front longitudinal member
- T32 32-pin connector

- 381 Ground connection 16 (in main wiring harness)
- 401 Sensor ground connection (in interior wiring harness)
- 655 Ground connection on left headlamp
- B283 Positive connection 7 (15a) (in main wiring harness)



- ws = white
- sw = black
- ro = red
- rt = red
- br = brown
- gn = green
- bl = blue
- gr = grey
- li = lilac
- vi = lilac
- ge = yellow
- or = orange
- rs = pink

[8P1-134221111]

2.0L gasoline engine , BPY,BZC,CDLA,CDLC

From May 2009



Audi

Protected by copyright. Copying for private or commercial purposes, in part or in whole, is not permitted unless authorised by AUDI AG. AUDI AG does not guarantee or accept any liability with respect to the correctness of information in this document. Copyright by AUDI AG.

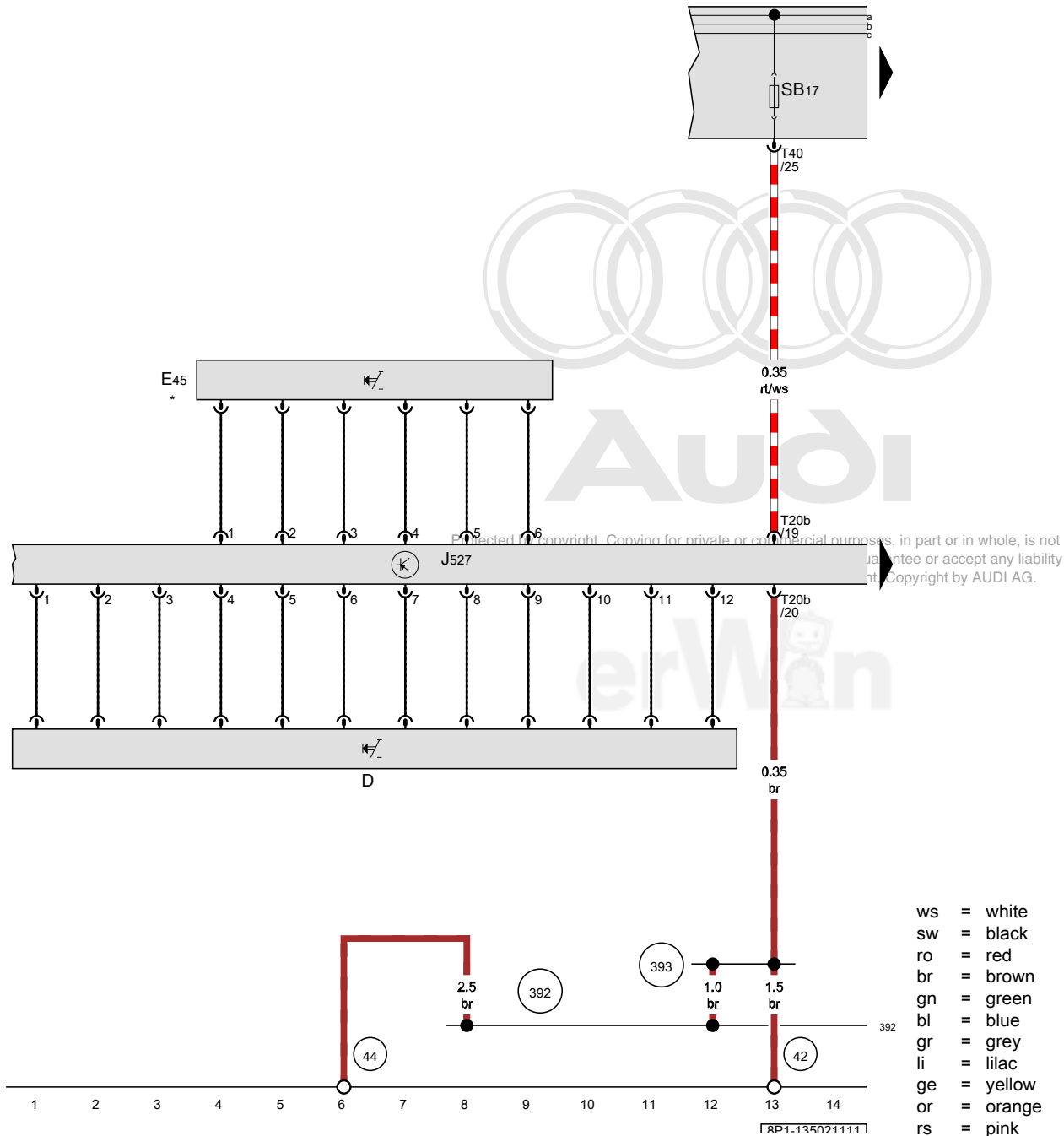


Ignition/starter switch, Cruise control switch, Steering column electronics control module

- D Ignition/starter switch
- E45 Cruise control switch
- J527 Steering column electronics control module
- SB17 Fuse 17 (on fuse panel B)
- T20b 20-pin connector
- T40 40-pin connector

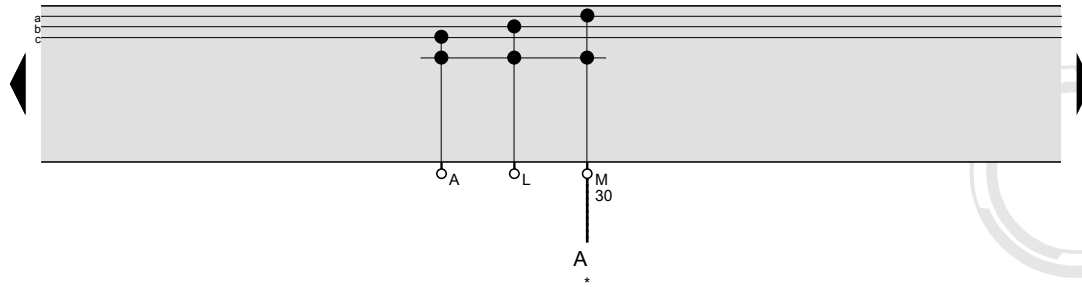
- 42 Ground connection near steering column
- 44 Ground connection on A-pillar, lower left
- 392 Ground connection 27 (in main wiring harness)
- 393 Ground connection 28 (in main wiring harness)

* Only for vehicles with cruise control



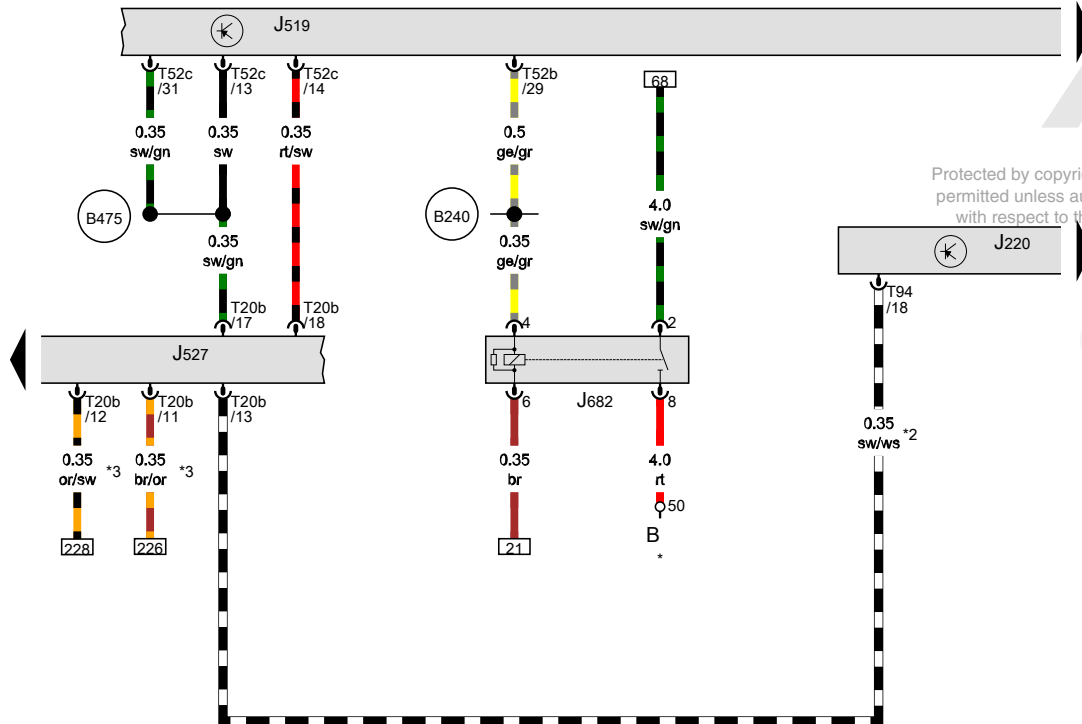
- ws = white
- sw = black
- ro = red
- br = brown
- gn = green
- bl = blue
- gr = grey
- li = lilac
- ge = yellow
- or = orange
- rs = pink

FRP1-135021111



Motronic engine control module, Vehicle electrical system control module, Steering column electronics control module, Terminal 50 power supply relay

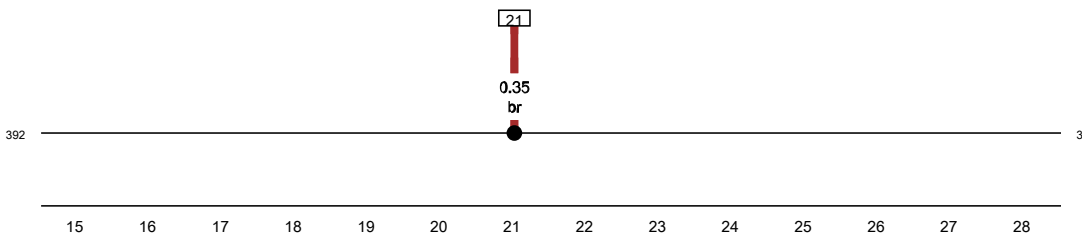
- A Battery
- B Starter
- J220 Motronic engine control module
- J519 Vehicle electrical system control module
- J527 Steering column electronics control module
- J682 Terminal 50 power supply relay
- T20b 20-pin connector
- T52b 52-pin connector
- T52c 52-pin connector
- T94 94-pin connector



Protected by copyright. Copying for private or commercial purposes, in part or in whole, is not permitted unless authorised by AUDI AG. AUDI AG does not guarantee or accept any liability with respect to the correctness of information in this document.

- 392 Ground connection 27 (in main wiring harness)
- B240 Positive connection 2 (50) (in interior wiring harness)
- B475 Connection 11 (in main wiring harness)

- * Refer to applicable wiring diagram for battery in engine compartment
- *2 Only for vehicles with cruise control
- *3 If available



- ws = white
- sw = black
- ro = red
- br = brown
- gn = green
- bl = blue
- gr = grey
- li = lilac
- ge = yellow
- or = orange
- rs = pink

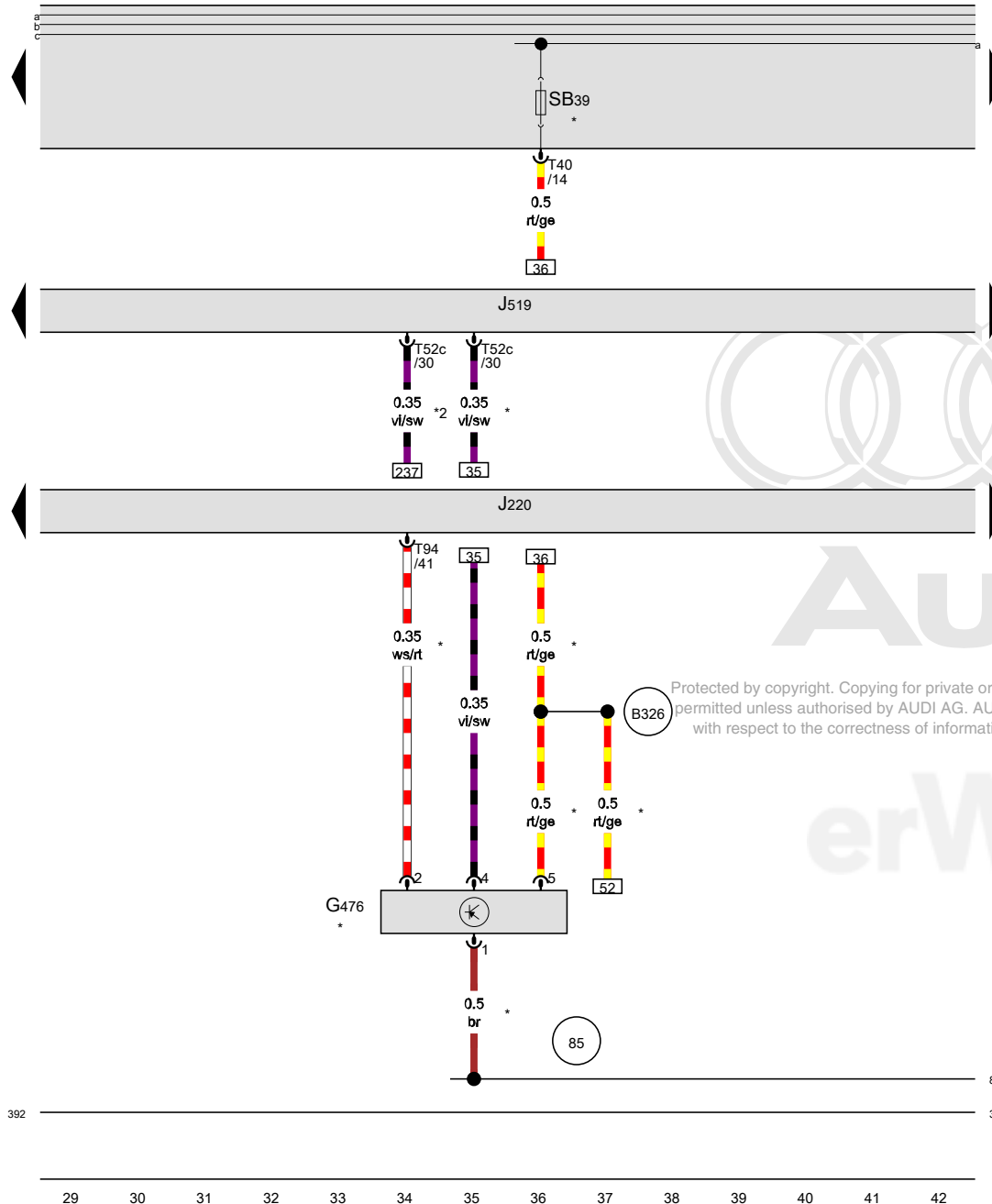
18P1-135031111

Clutch position sensor, Motronic engine control module, Vehicle electrical system control module

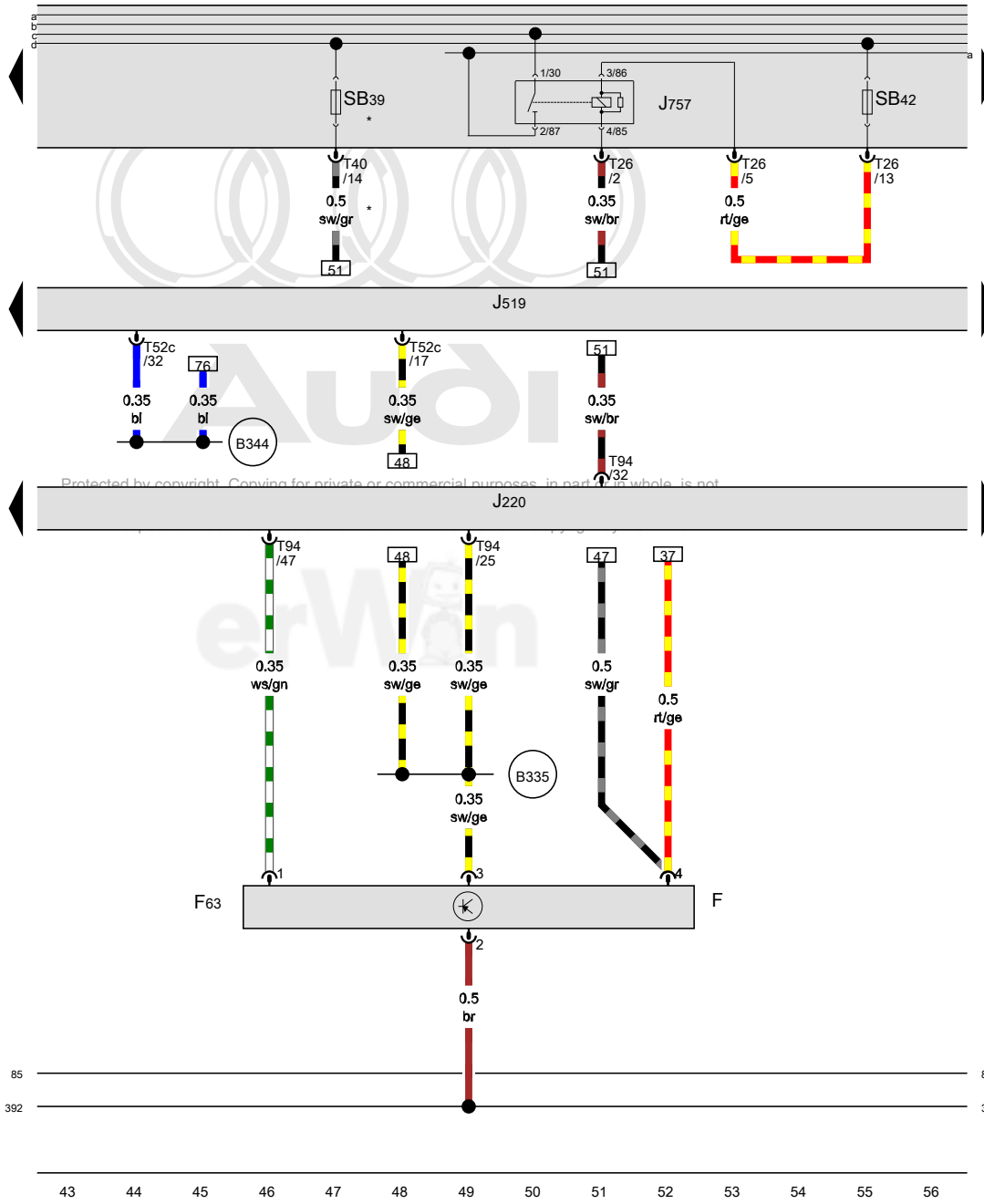
- G476 Clutch position sensor
- J220 Motronic engine control module
- J519 Vehicle electrical system control module
- SB39 Fuse 39 (on fuse panel B)
- T40 40-pin connector
- T52c 52-pin connector
- T94 94-pin connector

- 85 Ground connection 1 (in engine compartment wiring harness)
- 392 Ground connection 27 (in main wiring harness)
- B326 Positive connection 12 (30a) (in main wiring harness)

- * Only for vehicles with a manual transmission
- *2 Only for vehicles with DSG transmission



Protected by copyright. Copying for private or commercial purposes, in part or in whole, is not permitted unless authorised by AUDI AG. AUDI AG does not guarantee or accept any liability with respect to the correctness of information in this document. Copyright by AUDI AG.



Brake pedal switch, Motronic engine control module, Vehicle electrical system control module

- F Brake lamp switch
- F63 Brake pedal switch
- J220 Motronic engine control module
- J519 Vehicle electrical system control module
- J757 Engine component power supply relay
- SB39 Fuse 39 (on fuse panel B)
- SB42 Fuse 42 (on fuse panel B)
- T26 26-pin connector
- T40 40-pin connector
- T52c 52-pin connector
- T94 94-pin connector

85 Ground connection 1 (in engine compartment wiring harness)

392 Ground connection 27 (in main wiring harness)

B335 Connection 1 (54) (in main wiring harness)

B344 Connection 1 (61) (in main wiring harness)

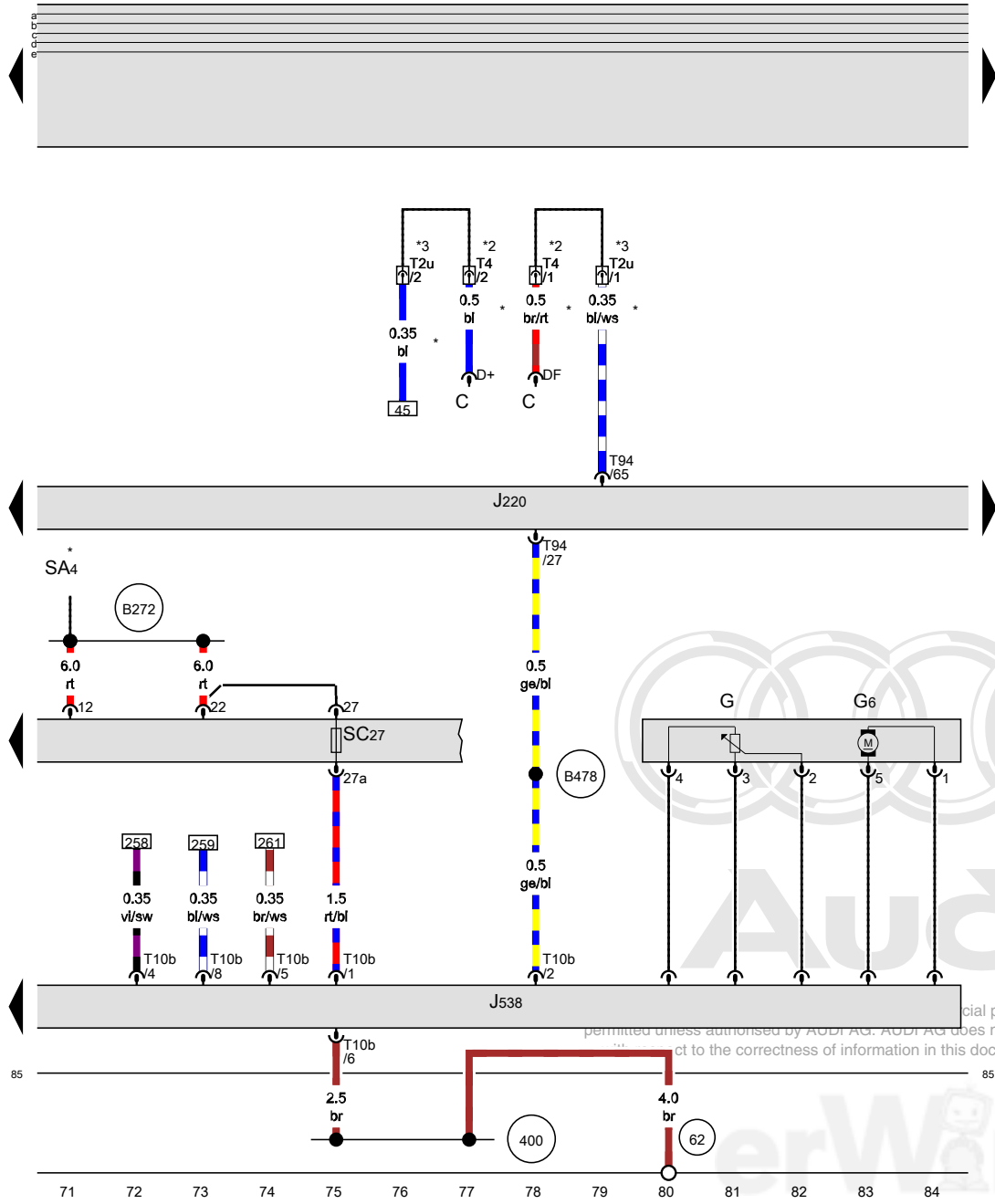
* Only for vehicles with DSG transmission

- ws = white
- sw = black
- ro = red
- br = brown
- gn = green
- bl = blue
- gr = grey
- li = lilac
- ge = yellow
- or = orange
- rs = pink

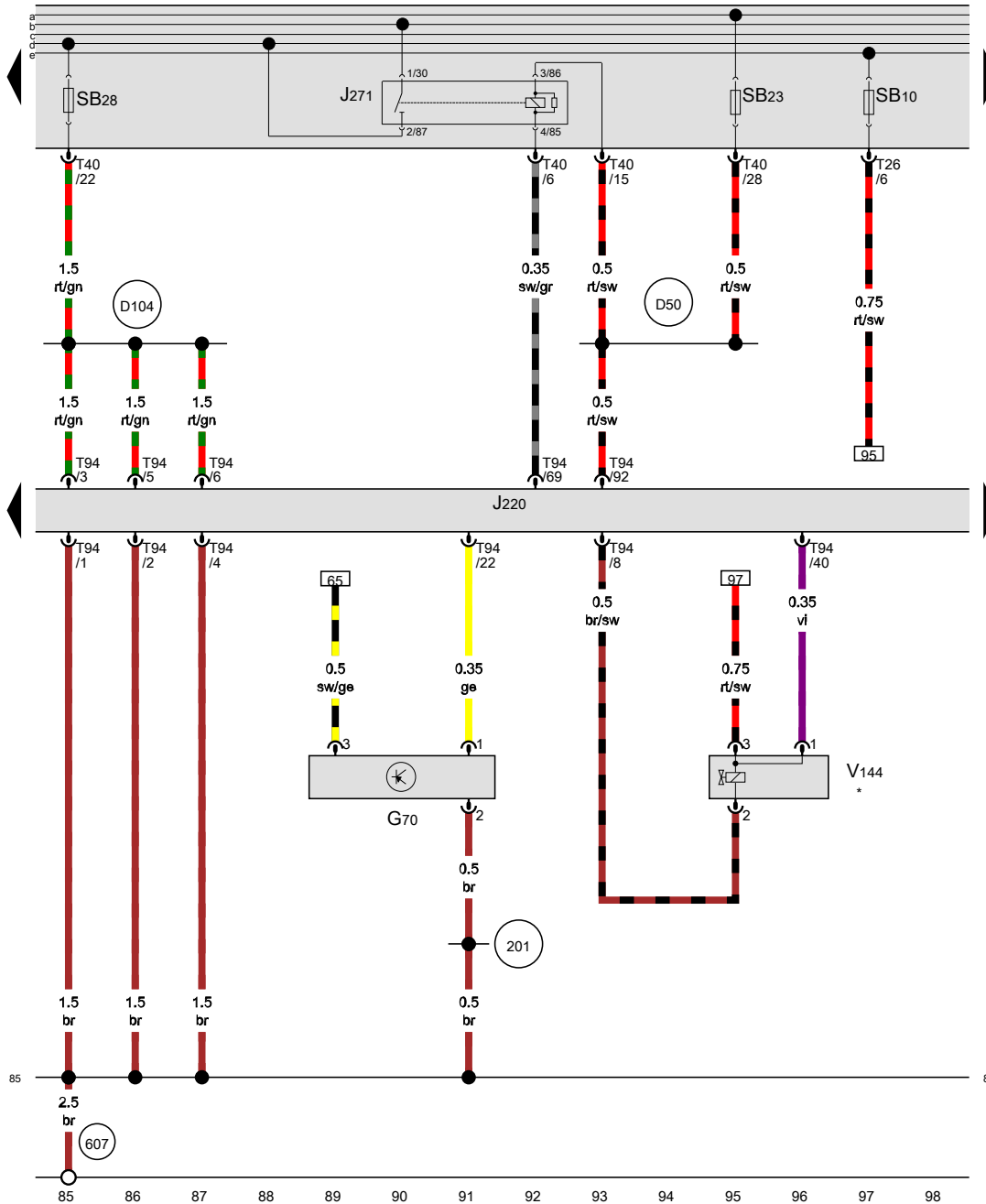
Fuel level sensor, Motronic engine control module, Fuel pump control module

- C Generator
- G Fuel level sensor
- G6 Transfer fuel pump
- J220 Motronic engine control module
- J538 Fuel pump control module
- SA4 Fuse 4 (on fuse panel A)
- SC27 Fuse 27 (on fuse panel C)
- T1 Single connector
- T2u Double connector
- T4 4-pin connector
- T10b 10-pin connector
- T94 94-pin connector

- (62) Ground connection on right C-pillar
- (85) Ground connection 1 (in engine compartment wiring harness)
- (400) Ground connection 35 (in main wiring harness)
- (B272) Positive connection (30) (in main wiring harness)
- (B478) Connection 14 (in main wiring harness)
- * Refer to applicable wiring diagram for battery in engine compartment
- *2 Only for vehicles with A/C system
- *3 Only for vehicles without an A/C system



- ws = white
- sw = black
- ro = red
- br = brown
- gn = green
- bl = blue
- gr = grey
- li = lilac
- ge = yellow
- or = orange
- rs = pink



Motronic engine control module, Motronic engine control module power supply relay

- G70 Mass airflow sensor
- J220 Motronic engine control module
- J271 Motronic engine control module power supply relay
- SB10 Fuse 10 (on fuse panel B)
- SB23 Fuse 23 (on fuse panel B)
- SB28 Fuse 28 (on fuse panel B)
- T26 26-pin connector
- T40 40-pin connector
- T94 94-pin connector
- V144 Leak detection pump

- (85) Ground connection 1 (in engine compartment wiring harness)
- (201) Ground connection 5 (in engine compartment wiring harness)
- (607) Ground connection in plenum chamber, left
- (D50) Positive connection (30) (in engine compartment wiring harness)
- (D104) Positive connection 2 (30a) (in engine compartment wiring harness)

* Only for vehicles with US equipment



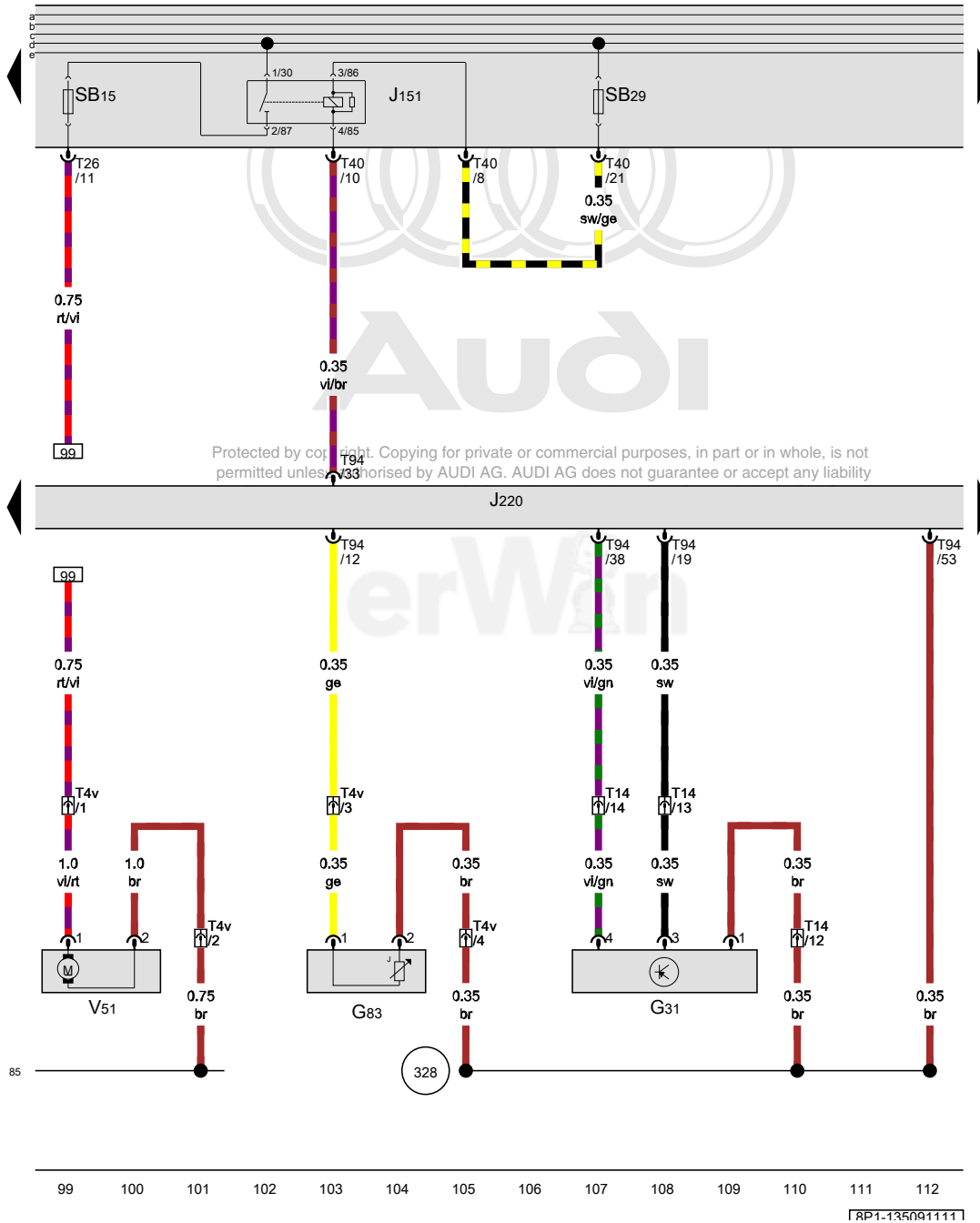
Audi

- ws = white
- sw = black
- ro = red
- br = brown
- gn = green
- bl = blue
- gr = grey
- li = lilac
- ge = yellow
- or = orange
- rs = pink

Protected by copyright. Copying for private or commercial purposes, in part or in whole, is not permitted unless authorised by AUDI AG. AUDI AG does not guarantee or accept any liability with respect to the correctness of information in this document. Copyright by AUDI AG.



RP1-135081111

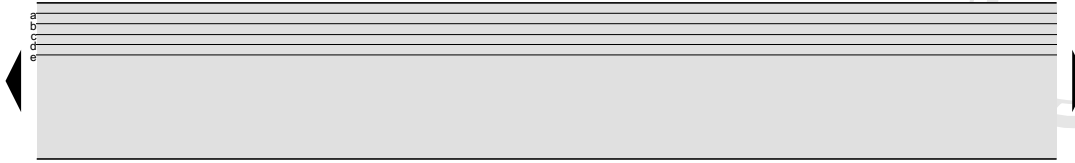


Engine coolant temperature sensor on radiator outlet, Motronic engine control module, After-run coolant pump

- G31 Charge air pressure sensor
- G83 Engine coolant temperature sensor on radiator outlet
- J151 Coolant circulation pump relay
- J220 Motronic engine control module
- SB15 Fuse 15 (on fuse panel B)
- SB29 Fuse 29 (on fuse panel B)
- T4v 4-pin connector
- T14 14-pin connector
- T26 26-pin connector
- T40 40-pin connector
- T94 94-pin connector
- V51 After-run coolant pump

- 85 Ground connection 1 (in engine compartment wiring harness)
- 328 Sensor ground connection 2 (in engine compartment wiring harness)

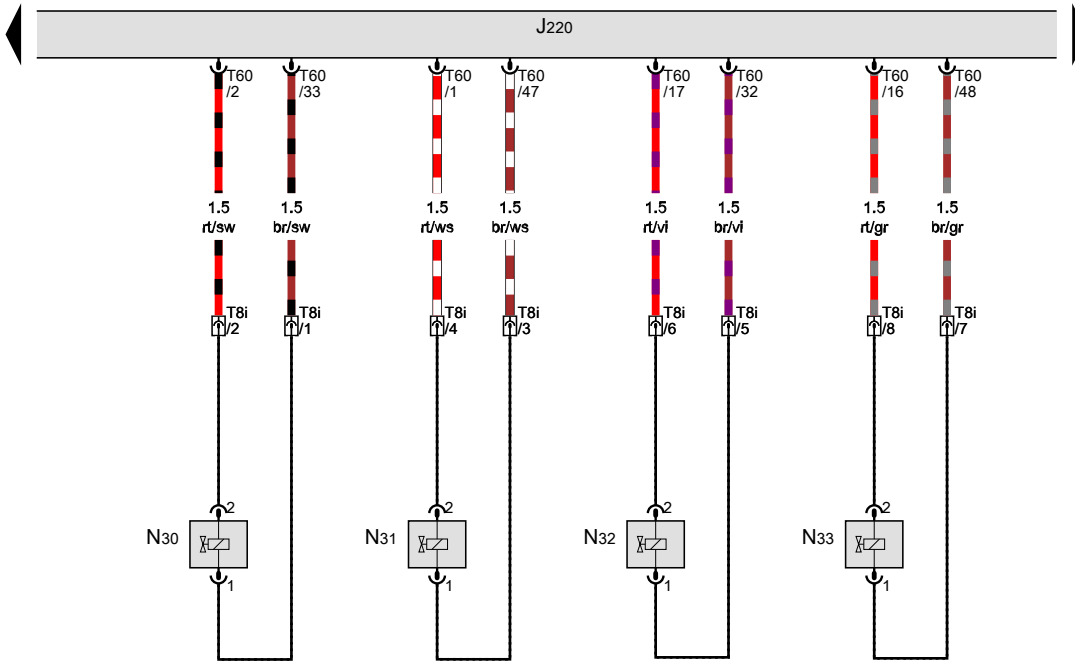
- ws = white
- sw = black
- ro = red
- br = brown
- gn = green
- bl = blue
- gr = grey
- li = lilac
- ge = yellow
- or = orange
- rs = pink



Motronic engine control module, Cylinder 1 fuel injector, Cylinder 2 fuel injector, Cylinder 3 fuel injector, Cylinder 4 fuel injector

- J220 Motronic engine control module
- N30 Cylinder 1 fuel injector
- N31 Cylinder 2 fuel injector
- N32 Cylinder 3 fuel injector
- N33 Cylinder 4 fuel injector
- T8i 8-pin connector
- T60 60-pin connector

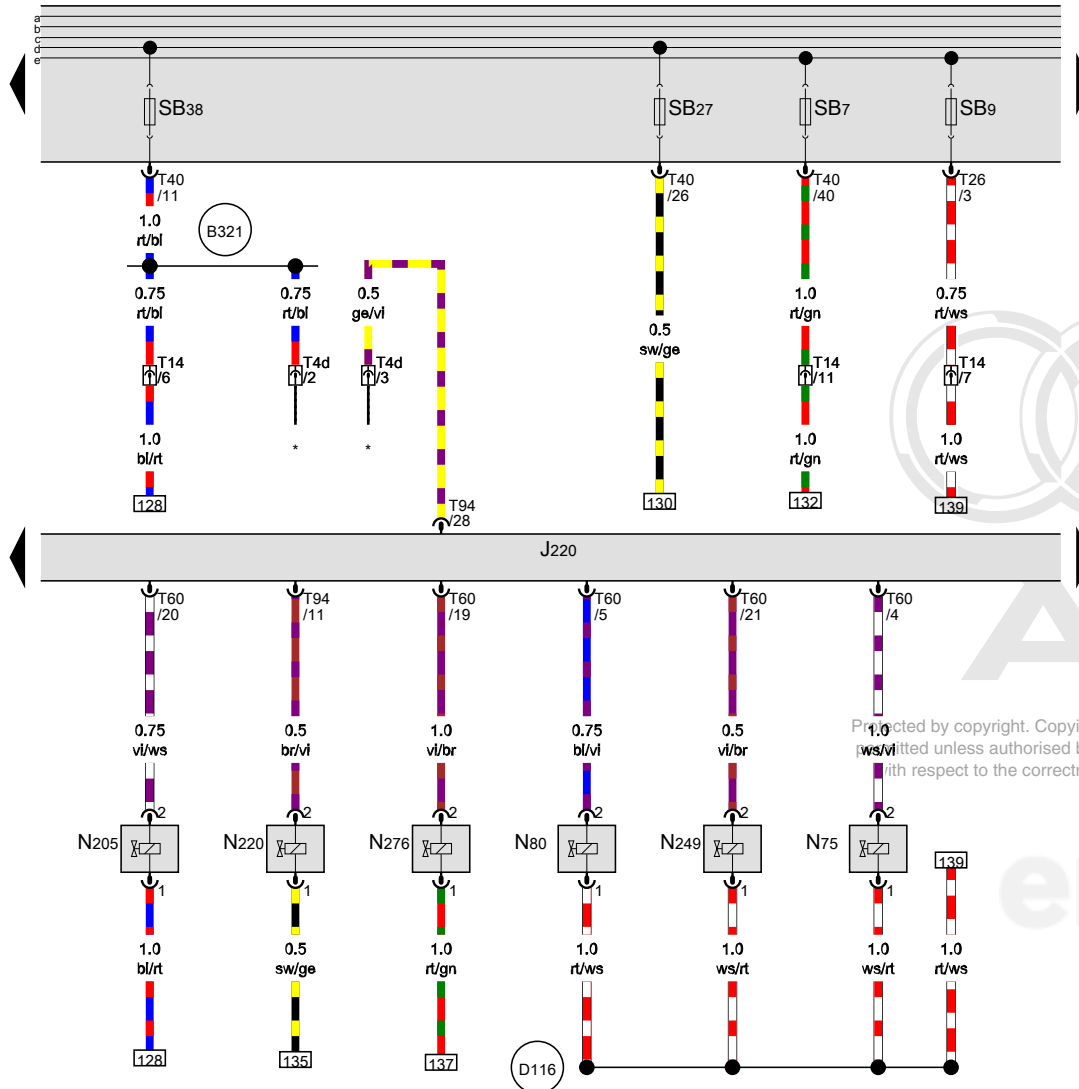
Protected by copyright. Copying for private or commercial purposes, in part or in whole, is not permitted unless authorised by AUDI AG. AUDI AG does not guarantee or accept any liability with respect to the correctness of information in this document. Copyright by AUDI AG.



- ws = white
- sw = black
- ro = red
- br = brown
- gn = green
- bl = blue
- gr = grey
- li = lilac
- ge = yellow
- or = orange
- rs = pink

113 114 115 116 117 118 119 120 121 122 123 124 125 126

[RP1-135101111]



Motronic engine control module, Wastegate bypass regulator valve, EVAP canister purge regulator valve 1, Camshaft adjustment valve 1, Exhaust door valve, Turbocharger recirculation valve, Fuel pressure regulator valve

- J220 Motronic engine control module
- N75 Wastegate bypass regulator valve
- N80 EVAP canister purge regulator valve 1
- N205 Camshaft adjustment valve 1
- N220 Exhaust door valve
- N249 Turbocharger recirculation valve
- N276 Fuel pressure regulator valve
- SB7 Fuse 7 (on fuse panel B)
- SB9 Fuse 9 (on fuse panel B)
- SB27 Fuse 27 (on fuse panel B)
- SB38 Fuse 38 (on fuse panel B)
- T4d 4-pin connector
- T14 14-pin connector
- T26 26-pin connector
- T40 40-pin connector
- T60 60-pin connector
- T94 94-pin connector

B321 Positive connection 7 (30a) (in main wiring harness)

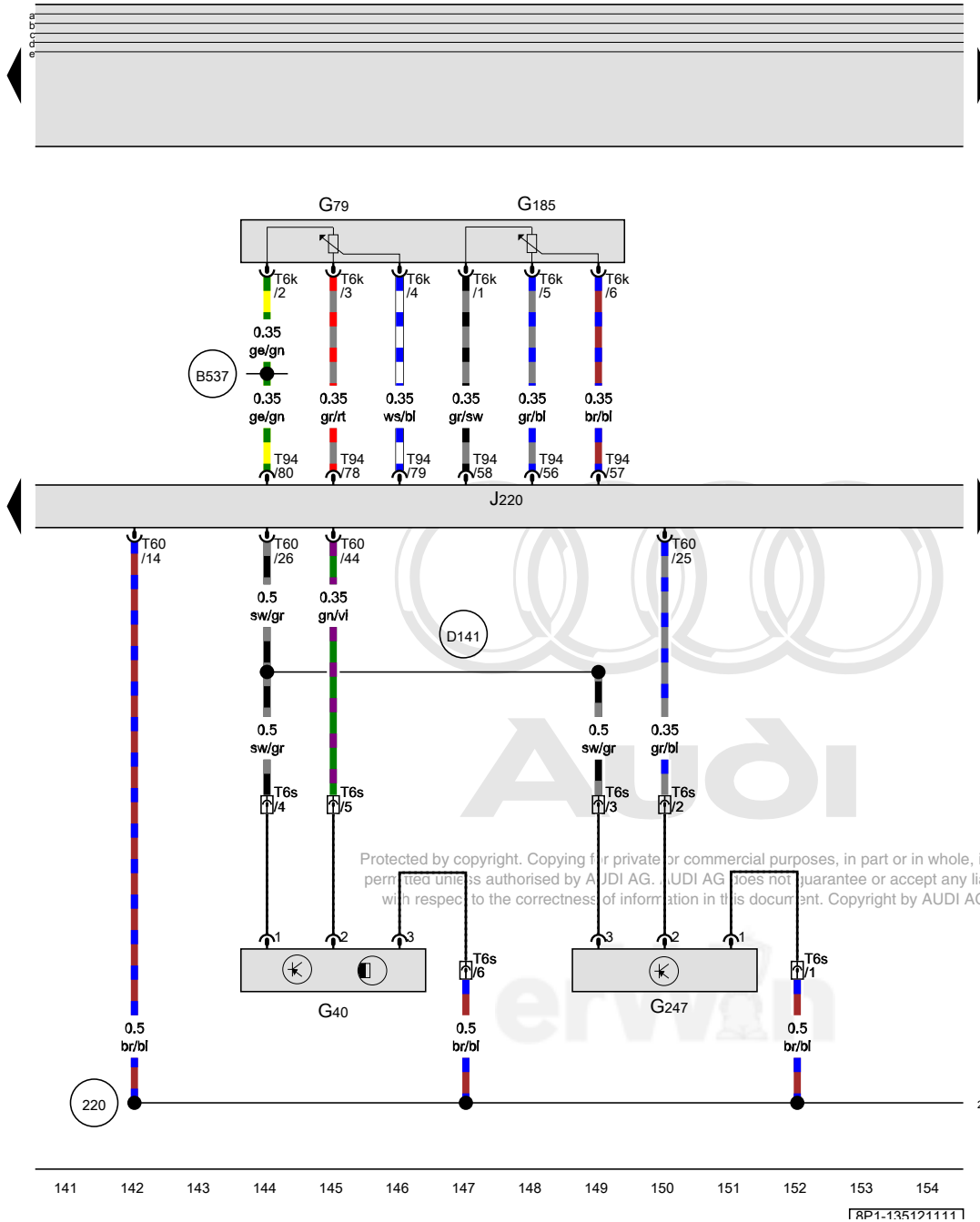
D116 Connection (14) (in engine compartment wiring harness)

Protected by copyright. Copying for private or commercial purposes, in part or in whole, is not permitted unless authorised by AUDI AG. AUDI AG does not guarantee or accept any liability with respect to the correctness of information in this document. Copyright by AUDI AG. Refer to applicable coolant fan wiring diagram

- ws = white
- sw = black
- ro = red
- br = brown
- gn = green
- bl = blue
- gr = grey
- li = lilac
- ge = yellow
- or = orange
- rs = pink

127 128 129 130 131 132 133 134 135 136 137 138 139 140

[RP1-135111111]



Camshaft position sensor, Accelerator pedal position sensor, Motronic engine control module

- G40 Camshaft position sensor
- G79 Accelerator pedal position sensor
- G185 Accelerator pedal position sensor 2
- G247 Fuel pressure sensor
- J220 Motronic engine control module
- T6k 6-pin connector
- T6s 6-pin connector
- T60 60-pin connector
- T94 94-pin connector
- 220 Sensor ground connection (in engine compartment wiring harness)
- B537 Connection 28 (in main wiring harness)
- D141 Connection (5V) (in engine wiring harness)

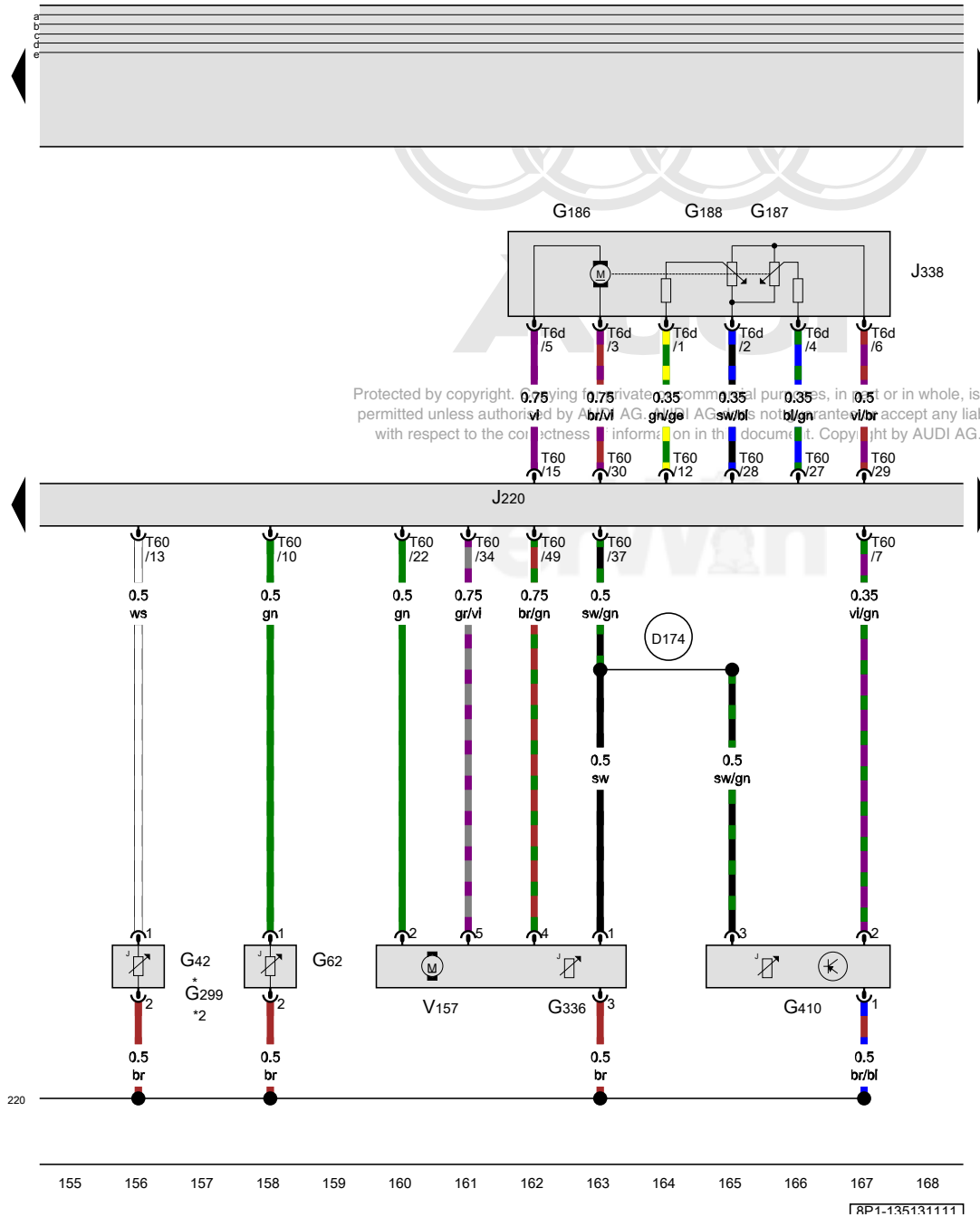
Protected by copyright. Copying for private or commercial purposes, in part or in whole, is not permitted unless authorised by AUDI AG. AUDI AG does not guarantee or accept any liability with respect to the correctness of information in this document. Copyright by AUDI AG.

- ws = white
- sw = black
- ro = red
- br = brown
- gn = green
- bl = blue
- gr = grey
- li = lilac
- ge = yellow
- or = orange
- rs = pink

Intake air temperature sensor, Engine coolant temperature sensor, Motronic engine control module, Throttle valve control module

- G42 Intake air temperature sensor
- G62 Engine coolant temperature sensor
- G186 EPC throttle drive
- G187 EPC throttle drive angle sensor 1
- G188 EPC throttle drive angle sensor 2
- G299 Intake air temperature sensor 2
- G336 Intake manifold runner position sensor
- G410 Low fuel pressure sensor
- J220 Motronic engine control module
- J338 Throttle valve control module
- T6d 6-pin connector
- T60 60-pin connector
- V157 Intake flap motor

Protected by copyright. Any reproduction, copying, distribution, or use in any form, in whole or in part, is not permitted unless authorized by Audi AG. Audi AG does not warrant the correctness of the information in this document. Copyright by Audi AG.

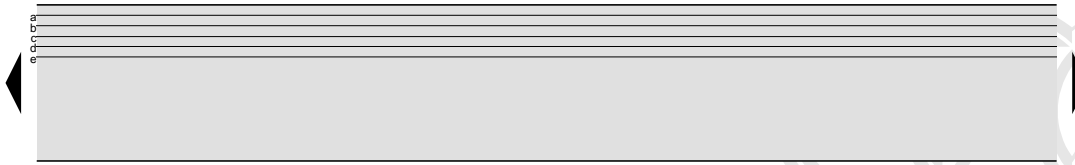


- (220) Sensor ground connection (in engine compartment wiring harness)
- (D174) Connection 2 (5V) (in engine wiring harness)
- * Running change
- *2 Omitted as a running change

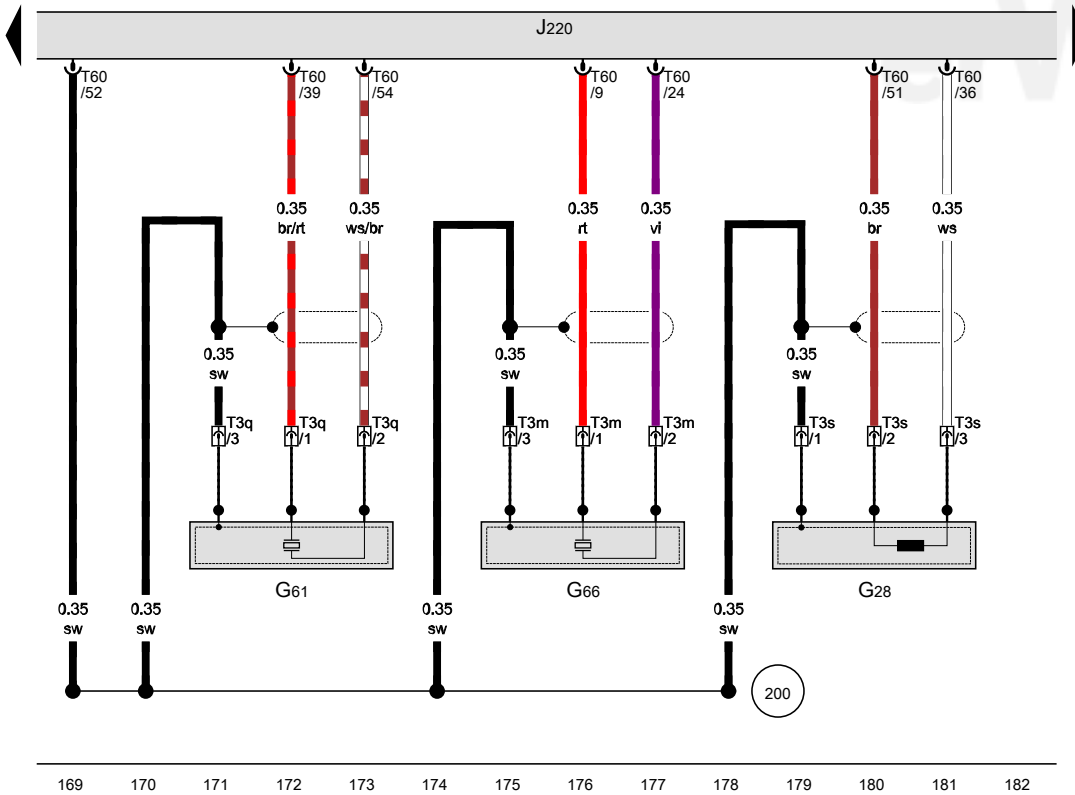
- ws = white
- sw = black
- ro = red
- br = brown
- gn = green
- bl = blue
- gr = grey
- li = lilac
- ge = yellow
- or = orange
- rs = pink

Motronic engine control module

- G28 Engine speed sensor
- G61 Knock sensor 1
- G66 Knock sensor 2
- J220 Motronic engine control module
- T3m 3-pin connector
- T3q 3-pin connector
- T3s 3-pin connector
- T60 60-pin connector
- (200) Ground connection shielding (in engine compartment wiring harness)

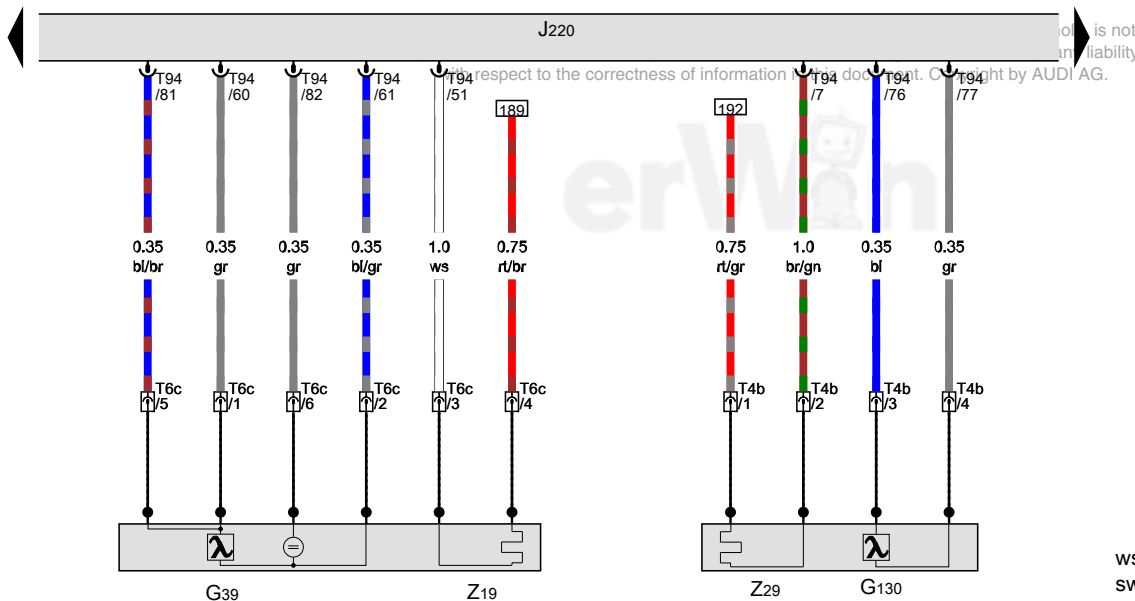
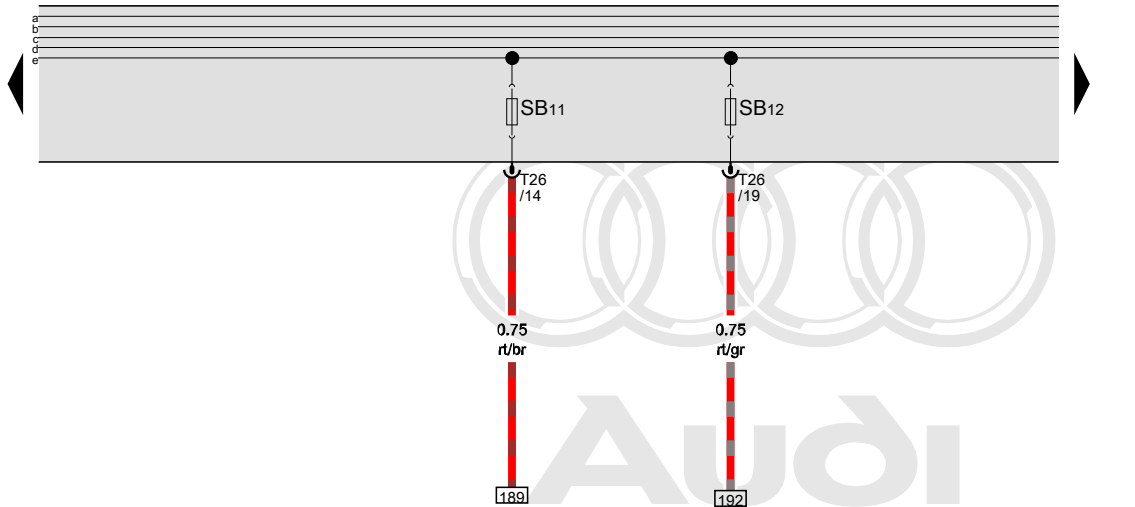


Protected by copyright. Copying for private or commercial purposes, in part or in whole, is not permitted unless authorised by AUDI AG. AUDI AG does not guarantee or accept any liability with respect to the correctness of information in this document. Copyright by AUDI AG.



- ws = white
- sw = black
- ro = red
- br = brown
- gn = green
- bl = blue
- gr = grey
- li = lilac
- ge = yellow
- or = orange
- rs = pink

[RP1-135141111]



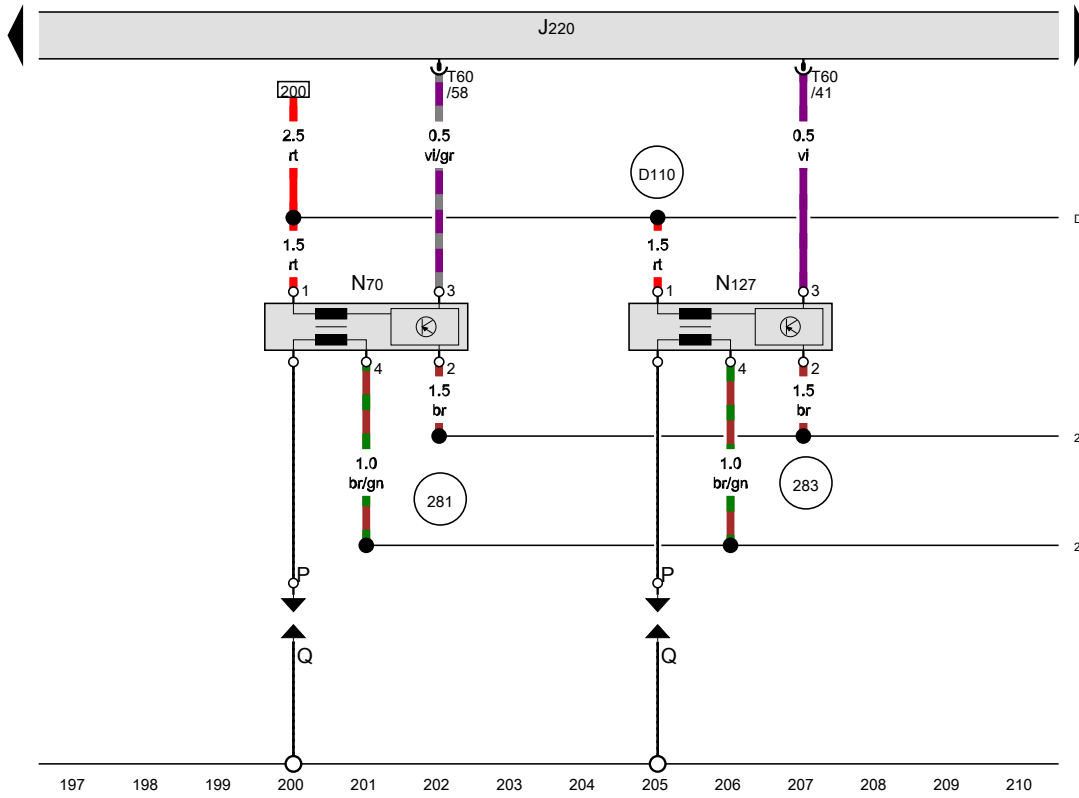
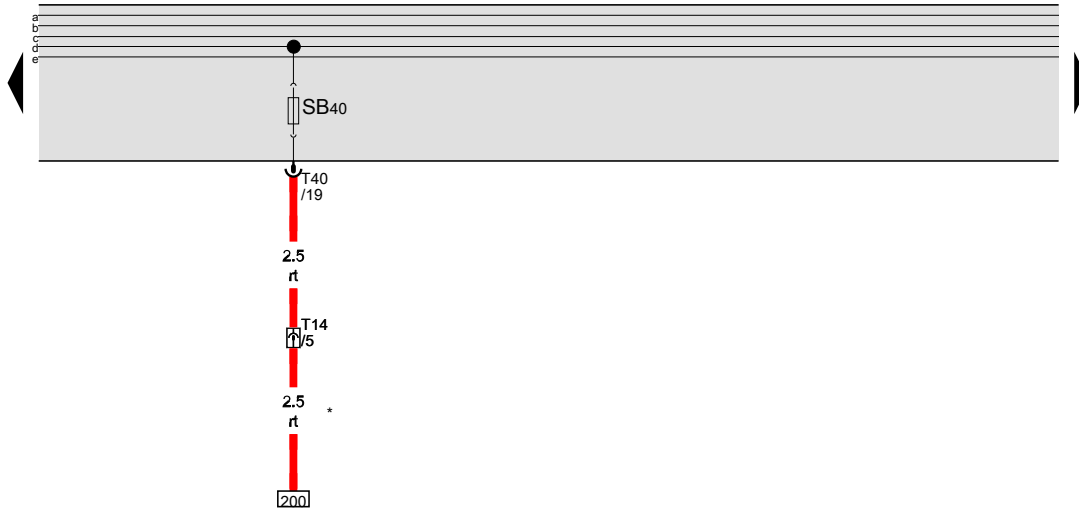
Heated oxygen sensor, Motronic engine control module, Oxygen sensor heater

- G39 Heated oxygen sensor
- G130 Oxygen sensor after three way catalytic converter
- J220 Motronic engine control module
- SB11 Fuse 11 (on fuse panel B)
- SB12 Fuse 12 (on fuse panel B)
- T4b 4-pin connector, on the oxygen sensor after the catalytic converter
- T6c 6-pin connector, on the oxygen sensor before the catalytic converter
- T26 26-pin connector
- T94 94-pin connector
- Z19 Oxygen sensor heater
- Z29 Heater for oxygen sensor 1 after catalytic converter

- ws = white
- sw = black
- ro = red
- br = brown
- gn = green
- bl = blue
- gr = grey
- li = lilac
- ge = yellow
- or = orange
- rs = pink

183 184 185 186 187 188 189 190 191 192 193 194 195 196

[RP1-135151111]



Motronic engine control module, Ignition coil 1 with power output stage, Ignition coil 2 with power output stage

- J220 Motronic engine control module
- N70 Ignition coil 1 with power output stage
- N127 Ignition coil 2 with power output stage
- P Spark plug connectors
- Q Spark plugs
- SB40 Fuse 40 (on fuse panel B)
- T14 14-pin connector
- T40 40-pin connector
- T60 60-pin connector

281 Ground connection 1 (in engine wiring harness)

283 Ground connection 2 (in engine wiring harness)

D110 Connection (8) (in engine compartment wiring harness)

Protected by copyright. Copying for private or commercial purposes, in part or in whole, is not permitted unless authorised by AUDI AG. AUDI AG does not guarantee or accept any liability with respect to the correctness of information in this document. Copyright by AUDI AG.
* The color of the wires depends on vehicle equipment

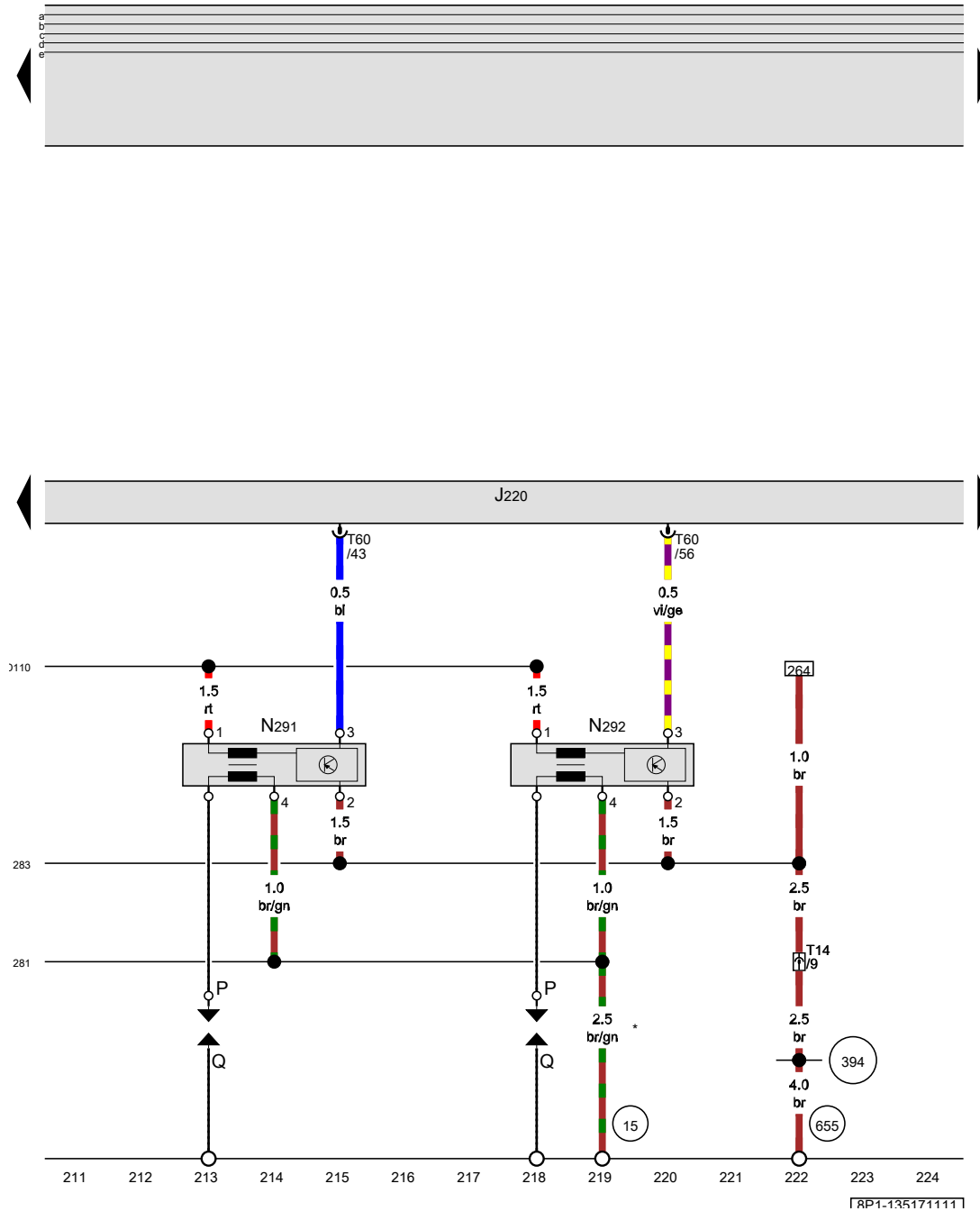
- ws = white
- sw = black
- ro = red
- br = brown
- gn = green
- bl = blue
- gr = grey
- li = lilac
- ge = yellow
- or = orange
- rs = pink

Motronic engine control module, Ignition coil 3 with power output stage, Ignition coil 4 with power output stage

- J220 Motronic engine control module
- N291 Ignition coil 3 with power output stage
- N292 Ignition coil 4 with power output stage
- P Spark plug connectors
- Q Spark plugs
- T14 14-pin connector, near the left front longitudinal member
- T60 60-pin connector

- 15 Ground connection on cylinder head
- 281 Ground connection 1 (in engine wiring harness)
- 283 Ground connection 2 (in engine wiring harness)
- 394 Ground connection 29 (in main wiring harness)
- 655 Ground connection on left headlamp
- D110 Connection (8) (in engine compartment wiring harness)

* The color of the wires depends on vehicle equipment
 Protected by copyright. Copying for private or commercial purposes, in part or in whole, is not permitted unless authorised by AUDI AG. AUDI AG does not guarantee or accept any liability with respect to the correctness of information in this document. Copyright by AUDI AG.



- ws = white
- sw = black
- ro = red
- br = brown
- gn = green
- bl = blue
- gr = grey
- li = lilac
- ge = yellow
- or = orange
- rs = pink

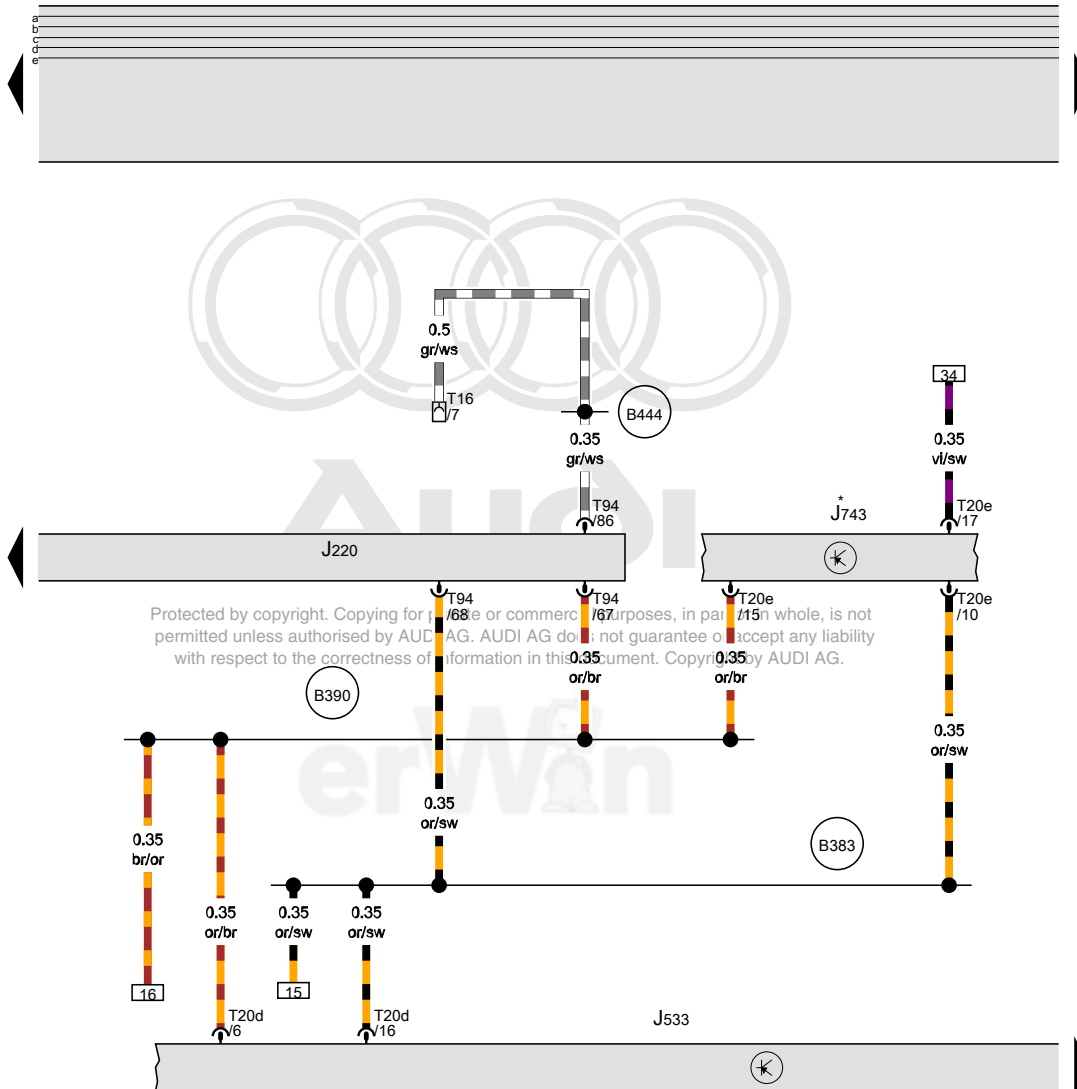
[RP1-135171111]

Motronic engine control module, Data bus on board diagnostic interface, DSG transmission Mechatronic

- J220 Motronic engine control module
- J533 Data bus on board diagnostic interface
- J743 DSG transmission Mechatronic
- T16 16-pin connector
- T20d 20-pin connector
- T20e 20-pin connector
- T94 94-pin connector

- B383 Powertrain CAN bus high connection 1 (in main wiring harness)
- B390 Powertrain CAN bus low connection 1 (in main wiring harness)
- B444 OBD connection 1 (in main wiring harness)

* Refer to applicable wiring diagram for automatic transmission

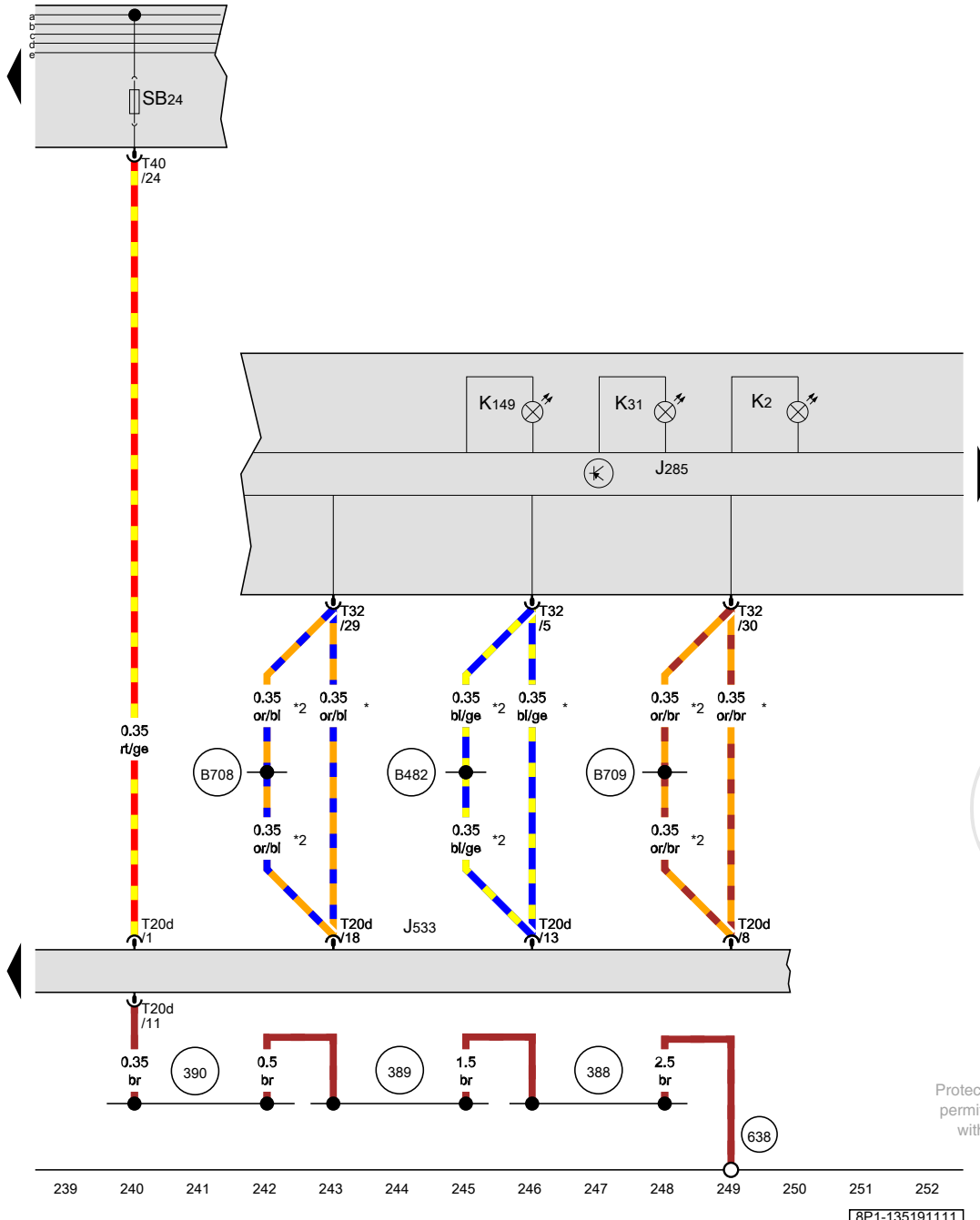


Protected by copyright. Copying for private or commercial purposes, in part or in whole, is not permitted unless authorised by AUDI AG. AUDI AG does not guarantee or accept any liability with respect to the correctness of information in this document. Copyright by AUDI AG.

- ws = white
- sw = black
- ro = red
- br = brown
- gn = green
- bl = blue
- gr = grey
- li = lilac
- ge = yellow
- or = orange
- rs = pink

225 226 227 228 229 230 231 232 233 234 235 236 237 238

[RP1-135181111]



Instrument cluster control module, Data bus on board diagnostic interface

- J285 Instrument cluster control module
- J533 Data bus on board diagnostic interface
- K2 Generator indicator lamp
- K31 Cruise control indicator lamp
- K149 Engine electronics indicator lamp
- SB24 Fuse 24 (on fuse panel B)
- T20d 20-pin connector
- T32 32-pin connector
- T40 40-pin connector

- 388 Ground connection 23 (in main wiring harness)
- 389 Ground connection 24 (in main wiring harness)
- 390 Ground connection 25 (in main wiring harness)
- 638 Ground connection on right A-pillar
- B482 Connection 18 (in main wiring harness)
- B708 Instrument cluster CAN bus high connection 1 (in main wiring harness)
- B709 Instrument cluster CAN bus low connection 1 (in main wiring harness)
- * Running change
- *2 Omitted as a running change

- ws = white
- sw = black
- ro = red
- br = brown
- gn = green
- bl = blue
- gr = grey
- li = lilac
- ge = yellow
- or = orange
- rs = pink

Protected by copyright. Copying for private or commercial purposes, in part or in whole, is not permitted unless authorised by AUDI AG. AUDI AG does not guarantee or accept any liability with respect to the correctness of information in this document. Copyright by AUDI AG.

3.2L fuel injection engine (Motronic - cylinder 6), BUB, CBRA

from May 2009

Note:

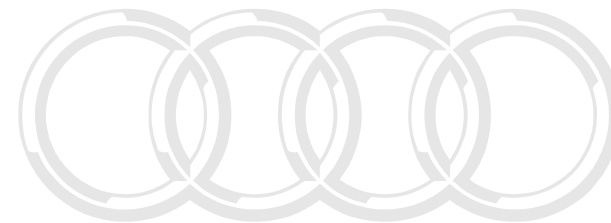
Information for

- ◆ Relay and fuse arrangements
- ◆ Connector arrangements
- ◆ Control Modules and Relays
- ◆ Ground Connections

⇒ Component Locations

Information for

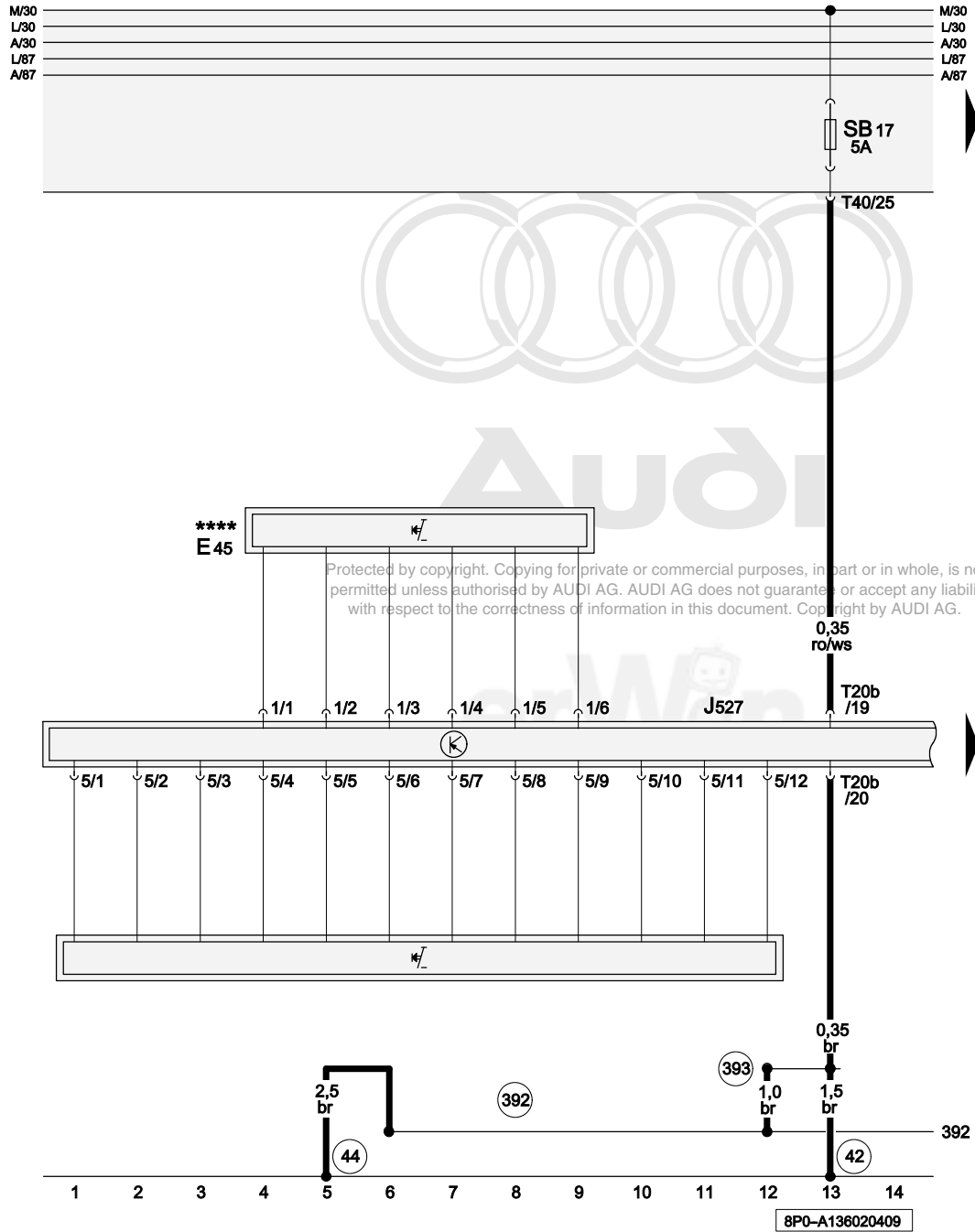
- ◆ Troubleshooting Procedures
- ⇒ Guided Fault Finding using VAS 5051 / 5052



Audi

Protected by copyright. Copying for private or commercial purposes, in part or in whole, is not permitted unless authorised by AUDI AG. AUDI AG does not guarantee or accept any liability with respect to the correctness of information in this document. Copyright by AUDI AG.





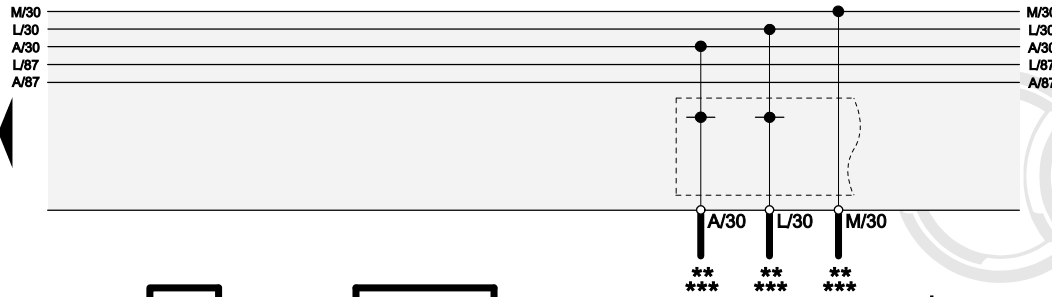
Cruise Control Switch, Ignition/Starter Switch

- D Ignition/Starter Switch
- E45 Cruise Control Switch
- J527 Steering Column Electronic Systems Control Module
- T20b 20-Pin Connector, black (Connector A)
- SB17 Fuse 17 (on fuse panel B)
- T40 40-Pin Connector, black, on electronics box engine compartment (Connector J)

- 42 Ground Connection (beside steering column)
- 44 Ground Connection (on left lower A-pillar)
- 392 Ground Connection 27 (in main wiring harness)
- 393 Ground Connection 28 (in main wiring harness)

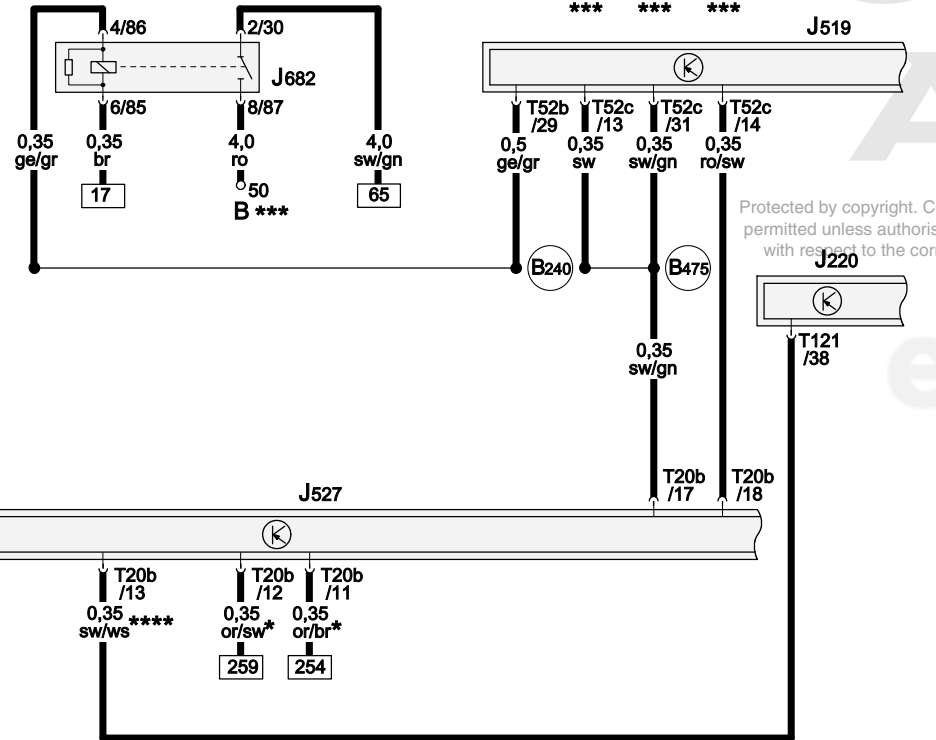
**** Only for models with cruise control system

- ws = white
- sw = black
- ro = red
- br = brown
- gn = green
- bl = blue
- gr = grey
- li = lilac
- ge = yellow
- or = orange
- rs = pink



Electronics Box Supply, Power Supply Relay (terminal 50)

- B Starter
- J220 Motronic Engine Control Module (ECM)
- J519 Vehicle Electrical System Control Module
- J527 Steering Column Electronic Systems Control Module
- J682 Power Supply Relay (terminal 50)
- T20b 20-Pin Connector, black (Connector A)
- T52b 52-Pin Connector, white (Connector B)
- T52c 52-Pin Connector, brown (Connector C)
- T121 121-Pin Connector, black, on engine control module (ECM)



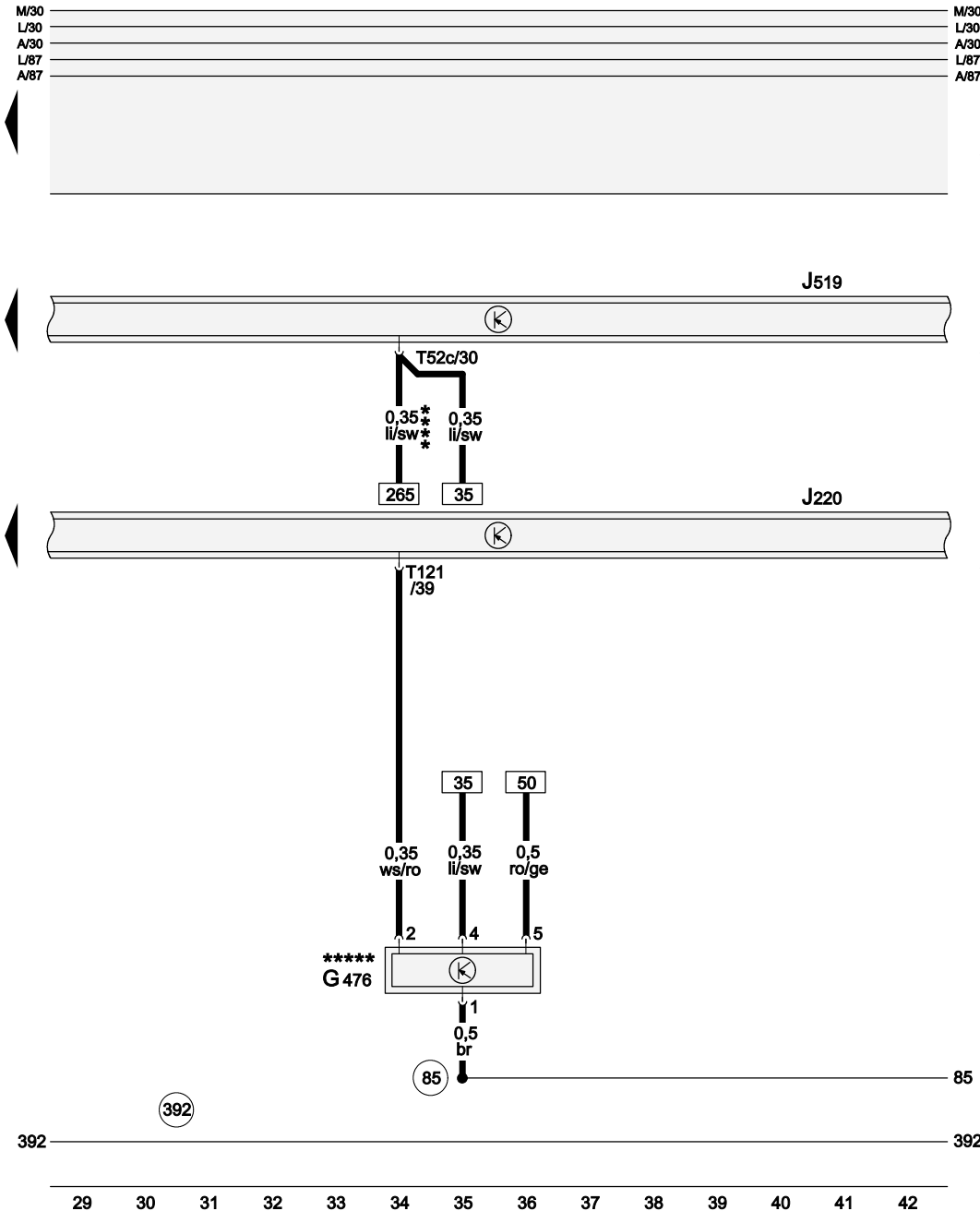
Protected by copyright. Copying for private or commercial purposes, in any form and by any means, is prohibited without the prior written permission of AUDI AG. AUDI AG does not guarantee or accept any liability with respect to the correctness of information in this document. Copyright © AUDI AG

- 392 Ground Connection 27 (in main wiring harness)
- B240 Plus Connection 2 (50) (in interior wiring harness)
- * Only models with powertrain CAN-Bus
- ** Luggage compartment main fuse panel supply
- *** Applicable Wiring Diagram for models with battery in luggage compartment
- **** Only for models with cruise control system



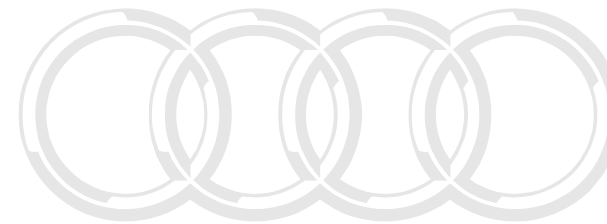
- ws = white
- sw = black
- ro = red
- br = brown
- gn = green
- bl = blue
- gr = grey
- li = lilac
- ge = yellow
- or = orange
- rs = pink

8P0-A136030410



Clutch Position Sensor

- G476 Clutch Position Sensor
- J220 Motronic Engine Control Module (ECM)
- J519 Vehicle Electrical System Control Module
- T52c 52-Pin Connector, brown (Connector C)
- T121 121-Pin Connector, black, on engine control module (ECM)
- 85 Ground Connection 1 (in engine compartment wiring harness)
- 392 Ground Connection 27 (in main wiring harness)
- **** Only models with automatic transmission
- ***** Only models with manual transmission

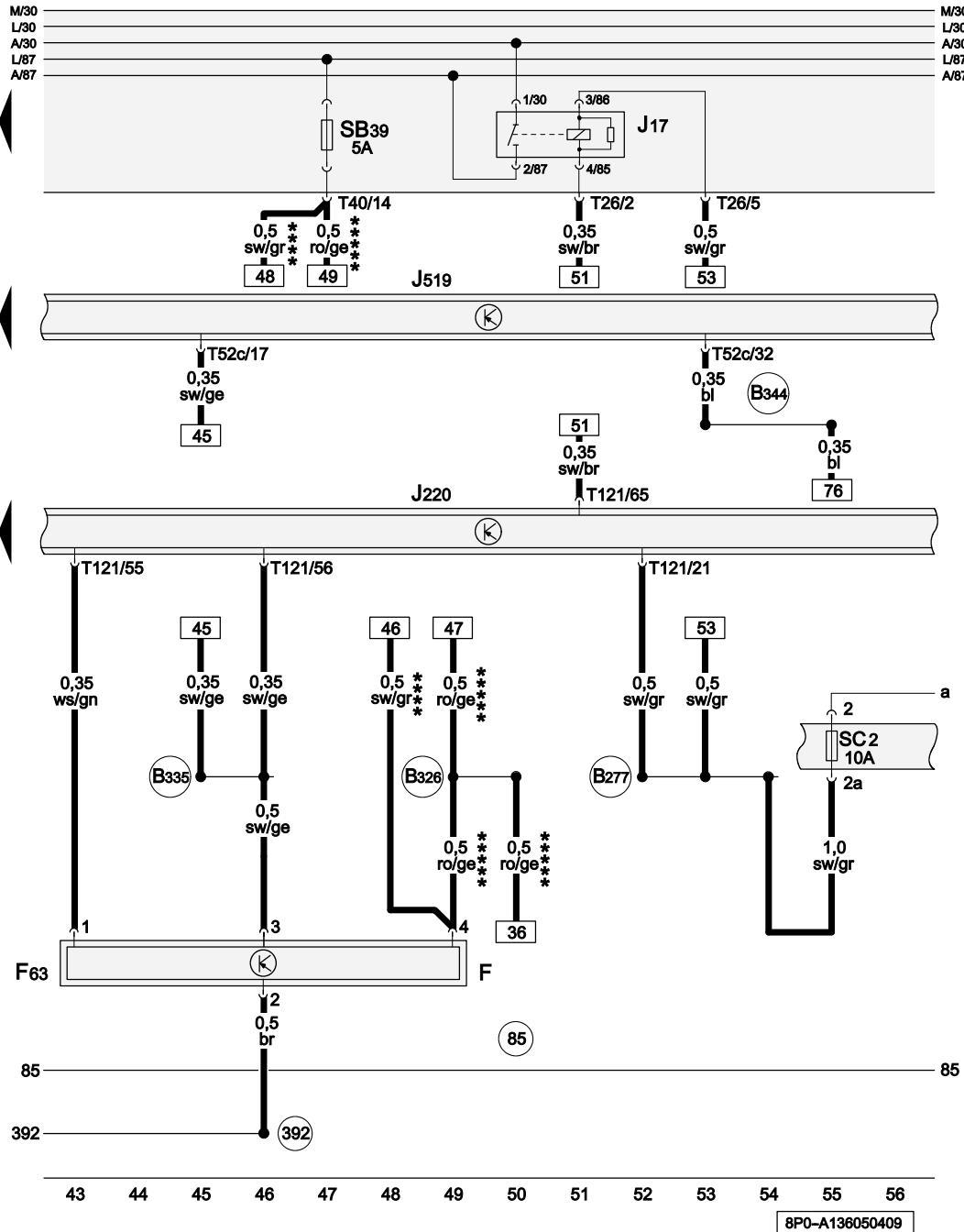


Audi

Protected by copyright. Copying for private or commercial purposes, in part or in whole, is not permitted unless authorised by AUDI AG. AUDI AG does not guarantee or accept any liability with respect to the correctness of information in this document. Copyright by AUDI AG.

- ws = white
- sw = black
- ro = red
- br = brown
- gn = green
- bl = blue
- gr = grey
- li = lilac
- ge = yellow
- or = orange
- rs = pink

8P0-A136040409



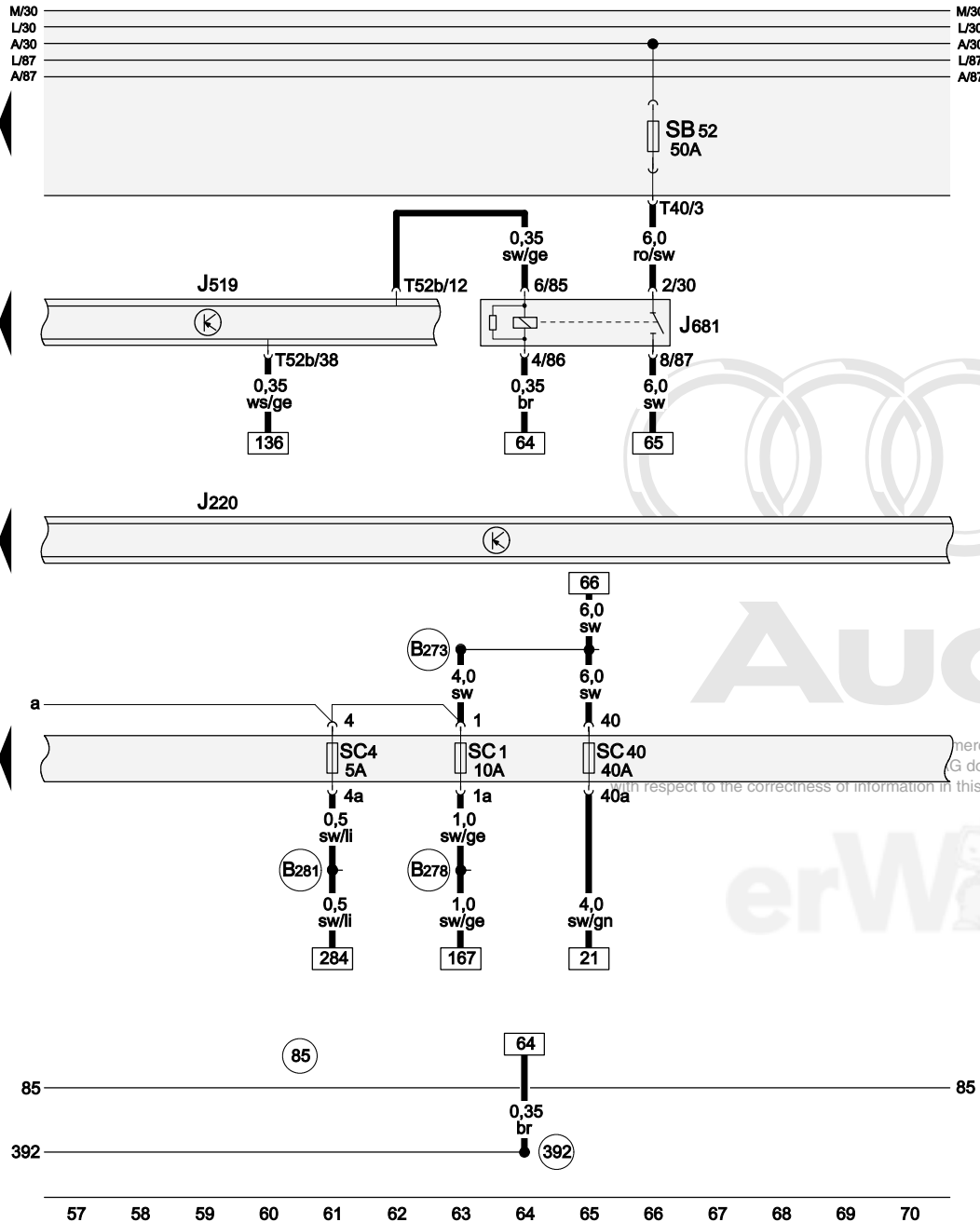
Brake Light Switch, Brake Pedal Switch

- F Brake Light Switch
- F63 Brake Pedal Switch
- J17 Fuel Pump (FP) Relay
- J220 Motronic Engine Control Module (ECM)
- J519 Vehicle Electrical System Control Module
- SB39 Fuse 39 (on fuse panel B)
- SC2 Fuse 2 (on fuse panel C)
- T26 26-Pin Connector, black, on electronics box engine compartment (Connector K)
- T40 40-Pin Connector, black, on electronics box engine compartment (Connector J)
- T52c 52-Pin Connector, brown (Connector C)
- T121 121-Pin Connector, black, on engine control module (ECM)
- 85 Ground Connection 1 (in engine compartment wiring harness)
- 392 Ground Connection 27 (in main wiring harness)
- B277 Plus Connection 1 (15a) (in main wiring harness)
- B326 Plus Connection 12 (30a) (in main wiring harness)
- B335 Connection 1 (54) (in main wiring harness)
- B344 Connection 1 (61) (in main wiring harness)
- **** Only models with automatic transmission
- ***** Only models with manual transmission

Protected by copyright. Copying for private or commercial purposes, in part or in whole, is not permitted unless authorised by AUDI AG. AUDI AG does not guarantee or accept any liability with respect to the correctness of information in this document. Copyright by AUDI AG

- ws = white
- sw = black
- ro = red
- br = brown
- gn = green
- bl = blue
- gr = grey
- li = lilac
- ge = yellow
- or = orange
- rs = pink

8P0-A136050409

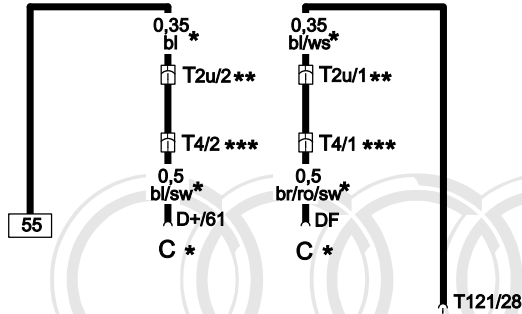
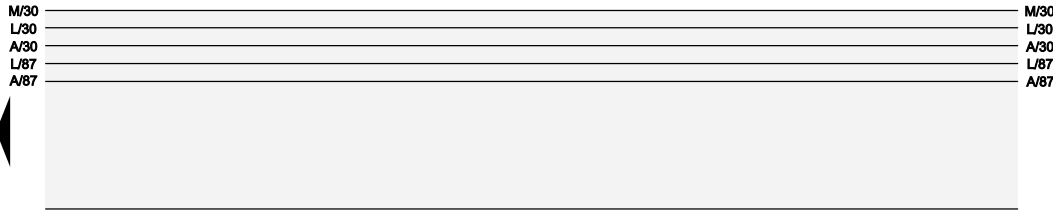


Power Supply Relay 2 (terminal 15)

- J220 Motronic Engine Control Module (ECM)
- J519 Vehicle Electrical System Control Module
- J681 Power Supply Relay 2 (terminal 15)
- SB52 Fuse 52 (on fuse panel B)
- SC1 Fuse 1 (on fuse panel C)
- SC4 Fuse 4 (on fuse panel C)
- SC40 Fuse 40 (on fuse panel C)
- T40 40-Pin Connector, black, on electronics box engine compartment (Connector J)
- T52b 52-Pin Connector, white (Connector B)
- 85 Ground Connection 1 (in engine compartment wiring harness)
- 392 Ground Connection 27 (in main wiring harness)
- B273 Plus Connection (15) (in main wiring harness)
- B278 Plus Connection 2 (15a) (in main wiring harness)
- B281 Plus Connection 5 (15a) (in main wiring harness)

- ws = white
- sw = black
- ro = red
- br = brown
- gn = green
- bl = blue
- gr = grey
- li = lilac
- ge = yellow
- or = orange
- rs = pink

8P0-A136060409



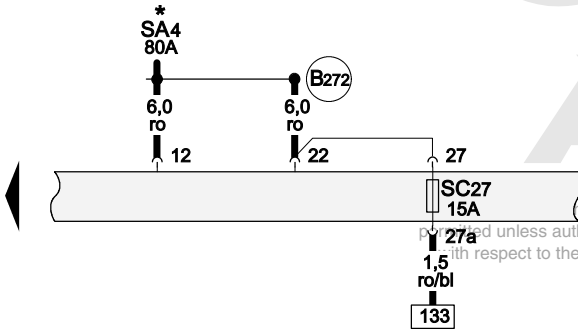
Generator (GEN)

- C Generator (GEN)
- J220 Motronic Engine Control Module (ECM)
- SA4 Fuse 4 (on fuse panel A)
- SC27 Fuse 27 (on fuse panel C)
- T2u Double Connector, brown, in engine compartment, front left
- T4 4-Pin Connector, black, in engine compartment, front left
- T121 121-Pin Connector, black, on engine control module (ECM)

85 Ground Connection 1 (in engine compartment wiring harness)

B272 Plus Connection (30) (in main wiring harness)

- * ⇒ Applicable Wiring Diagram for models with battery in luggage compartment
- ** Only models without A/C
- *** Only models with A/C



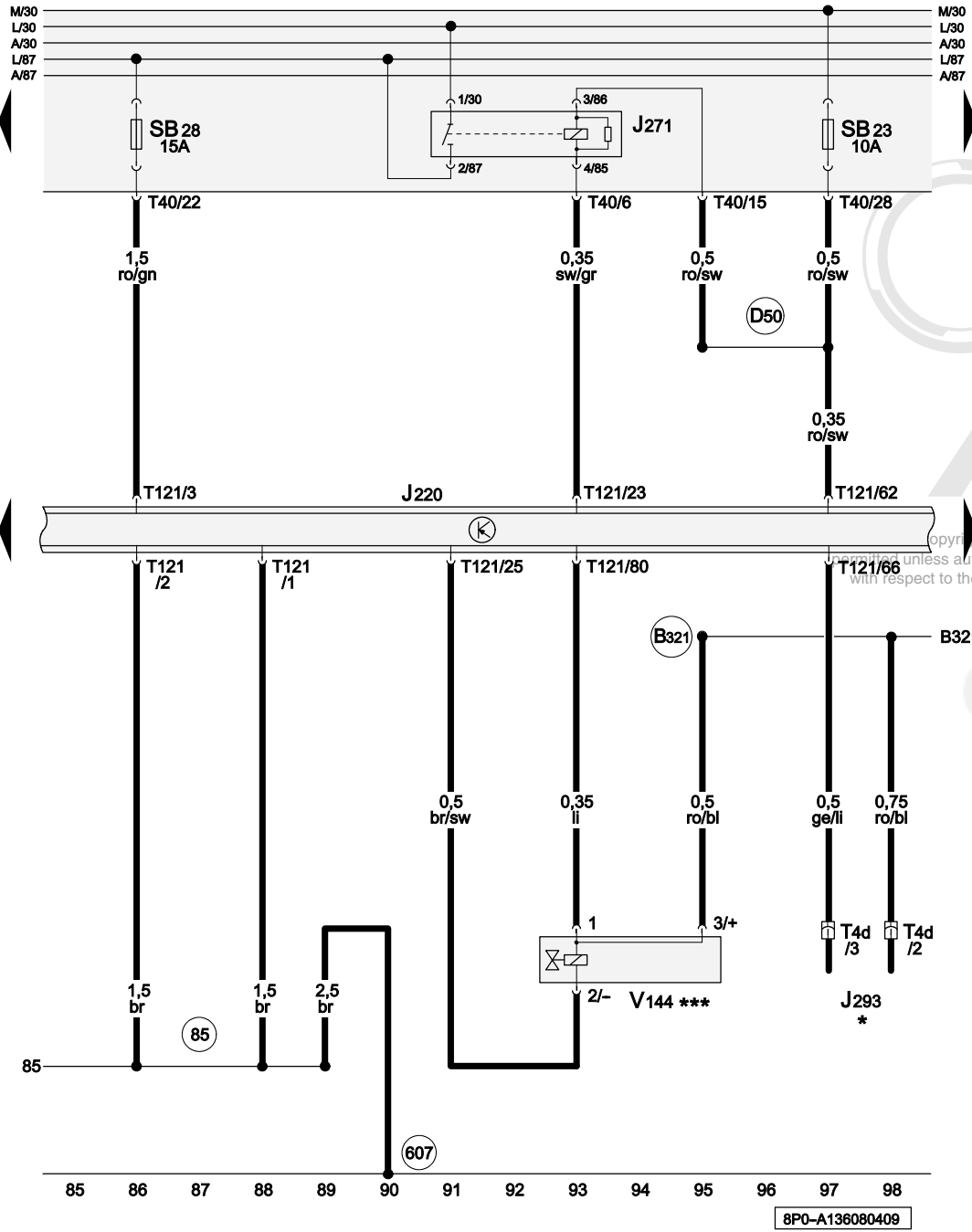
Copyright © Audi AG. All rights reserved. Copying for private or commercial purposes, in part or in whole, is not permitted unless authorised by AUDI AG. AUDI AG does not guarantee or accept any liability with respect to the correctness of information in this document. Copyright by AUDI AG.



- ws = white
- sw = black
- ro = red
- br = brown
- gn = green
- bl = blue
- gr = grey
- li = lilac
- ge = yellow
- or = orange
- rs = pink



8P0-A136070409

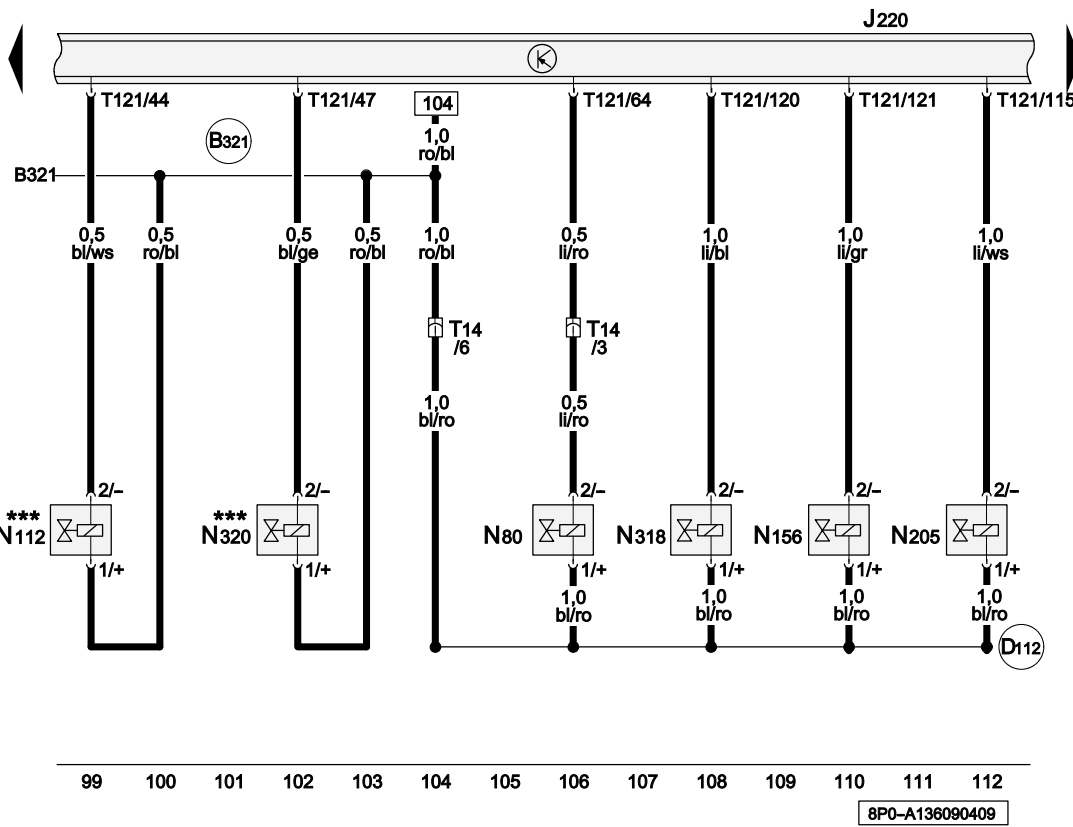
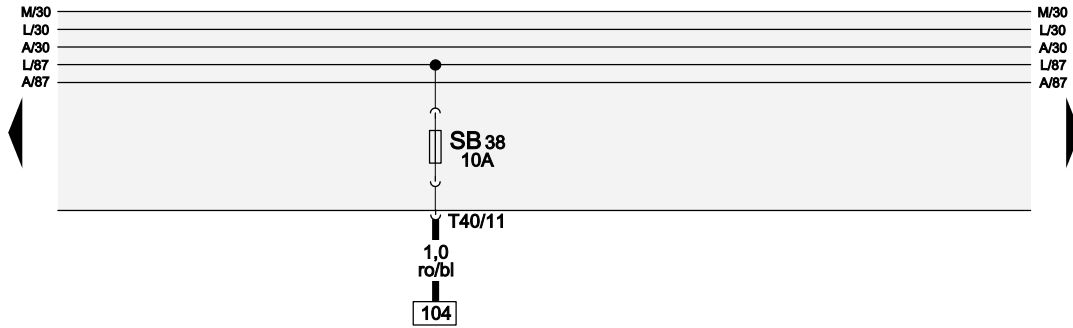


Motronic Engine Control Module (ECM) Power Supply Relay, Leak Detection Pump (LDP)

- J220 Motronic Engine Control Module (ECM)
 - J271 Motronic Engine Control Module (ECM) Power Supply Relay
 - J293 Coolant Fan Control (FC) Control Module
 - SB23 Fuse 23 (on fuse panel B)
 - SB28 Fuse 28 (on fuse panel B)
 - T4d 4-Pin Connector, black, on coolant fan control (FC) (front end)
 - T40 40-Pin Connector, black, on electronics box engine compartment (Connector J)
 - T121 121-Pin Connector, black, on engine control module (ECM)
 - V144 Leak Detection Pump (LDP)
 - 85 Ground Connection 1 (in engine compartment wiring harness)
 - 607 Ground Connection (in plenum chamber, left)
 - B321 Plus Connection 7 (30a) (in main wiring harness)
 - D50 Plus Connection (30) (in engine compartment wiring harness)
- Copyright. Copying for private or commercial purposes is prohibited unless authorised by AUDI AG. AUDI AG does not guarantee or accept any liability with respect to the correctness of information in this document.
- Applicable Wiring Diagram Coolant Fan Control
 *** Only models with US equipment

- ws = white
- sw = black
- ro = red
- br = brown
- gn = green
- bl = blue
- gr = grey
- li = lilac
- ge = yellow
- or = orange
- rs = pink

8P0-A136080409



- ws = white
- sw = black
- ro = red
- br = brown
- gn = green
- bl = blue
- gr = grey
- li = lilac
- ge = yellow
- or = orange
- rs = pink

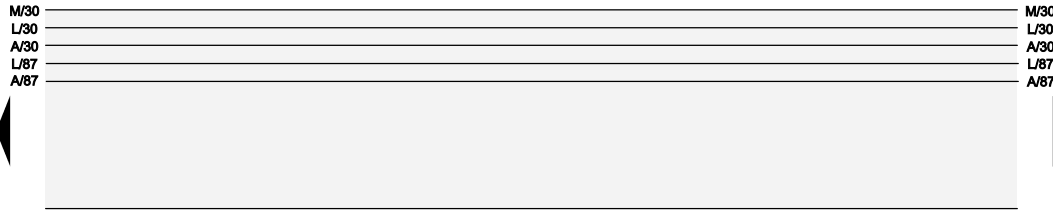
Solenoid Valves

- J220 Motronic Engine Control Module (ECM)
- N80 Evaporative Emission (EVAP) Canister Purge Regulator Valve 1
- N112 Secondary Air Injection (AIR) Solenoid Valve
- N156 Intake Manifold Tuning (IMT) Valve
- N205 Camshaft Adjustment Valve 1
- N318 Camshaft Adjustment Valve 1 (exhaust)
- N320 Secondary Air Injection (AIR) Solenoid Valve 2
- SB38 Fuse 38 (on fuse panel B)
- T14 14-Pin Connector, black, near left front long member
- T40 40-Pin Connector, black, on electronics box engine compartment (Connector J)
- T121 121-Pin Connector, black, on engine control module (ECM)

- (B321) Plus Connection 7 (30a) (in main wiring harness)
- (D112) Connection 10 (in engine compartment wiring harness)
- *** Only models with US equipment

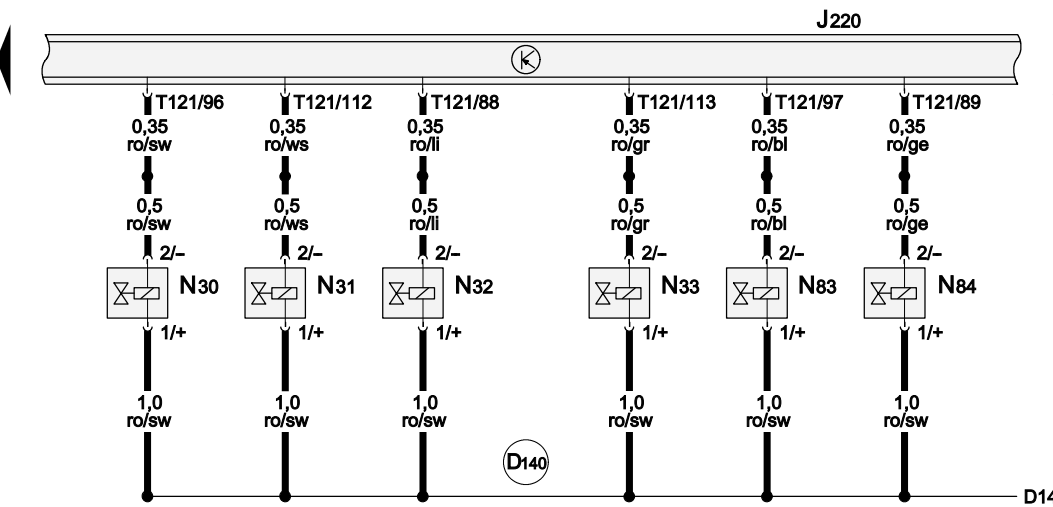
Protected by copyright. Copying for private or commercial purposes, in part or in whole, is not permitted unless authorised by AUDI AG. AUDI AG does not guarantee or accept any liability with respect to the correctness of information in this document. Copyright by AUDI AG.





Injectors

- J220 Motronic Engine Control Module (ECM)
 - N30 Cylinder 1 Fuel Injector
 - N31 Cylinder 2 Fuel Injector
 - N32 Cylinder 3 Fuel Injector
 - N33 Cylinder 4 Fuel Injector
 - N83 Cylinder 5 Fuel Injector
 - N84 Cylinder 6 Fuel Injector
 - T121 121-Pin Connector, black, on engine control module (ECM)
- (D140) Connection (injectors) (in engine pre-wiring wiring harness)

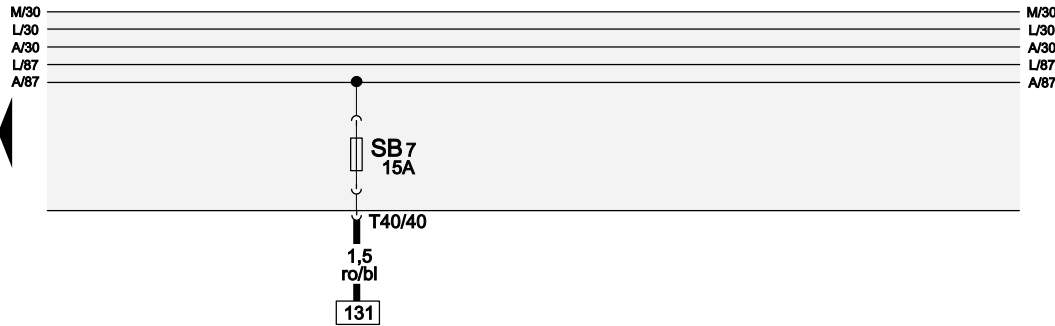


Protected by copyright. Copying for private or commercial purposes, in part or in whole, is not permitted unless authorised by AUDI AG. AUDI AG does not guarantee or accept any liability with respect to the correctness of information in this document. Copyright by AUDI AG.

- ws = white
- sw = black
- ro = red
- br = brown
- gn = green
- bl = blue
- gr = grey
- li = lilac
- ge = yellow
- or = orange
- rs = pink

113 114 115 116 117 118 119 120 121 122 123 124 125 126

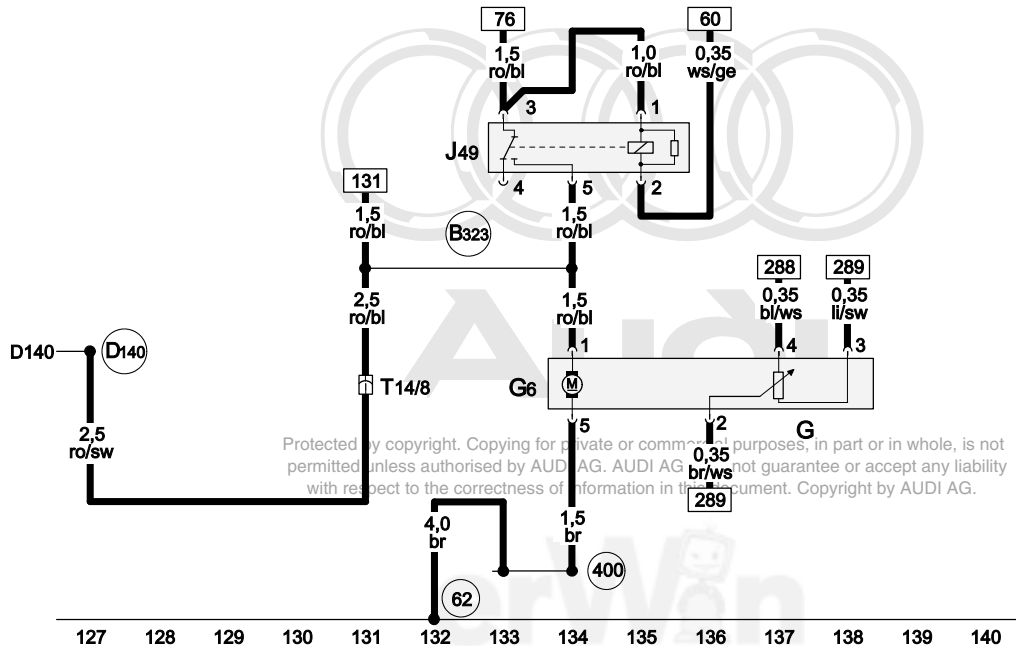
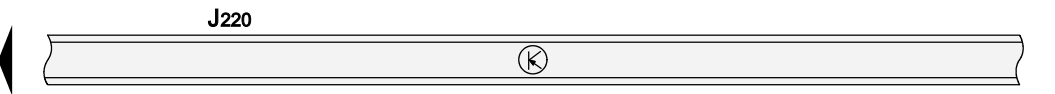
8P0-A136100409



Fuel Pump (FP), Fuel Level Sensor

- G Fuel Level Sensor
- G6 Transfer Fuel Pump (FP)
- J49 Fuel Pump (FP) 2 Relay
- J220 Motronic Engine Control Module (ECM)
- SB7 Fuse 7 (on fuse panel B)
- T14 14-Pin Connector, black, near left front long member
- T40 40-Pin Connector, black, on electronics box engine compartment (Connector J)

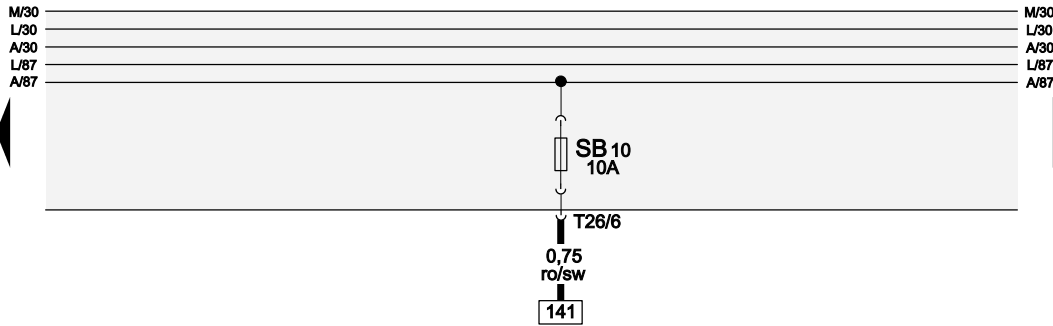
- 62 Ground Connection (on right C-pillar)
- 400 Ground Connection 35 (in main wiring harness)
- B323 Plus Connection 9 (30a) (in main wiring harness)
- D140 Connection (injectors) (in engine pre-wiring wiring harness)



Protected by copyright. Copying for private or commercial purposes, in part or in whole, is not permitted unless authorised by AUDI AG. AUDI AG does not guarantee or accept any liability with respect to the correctness of information in this document. Copyright by AUDI AG.

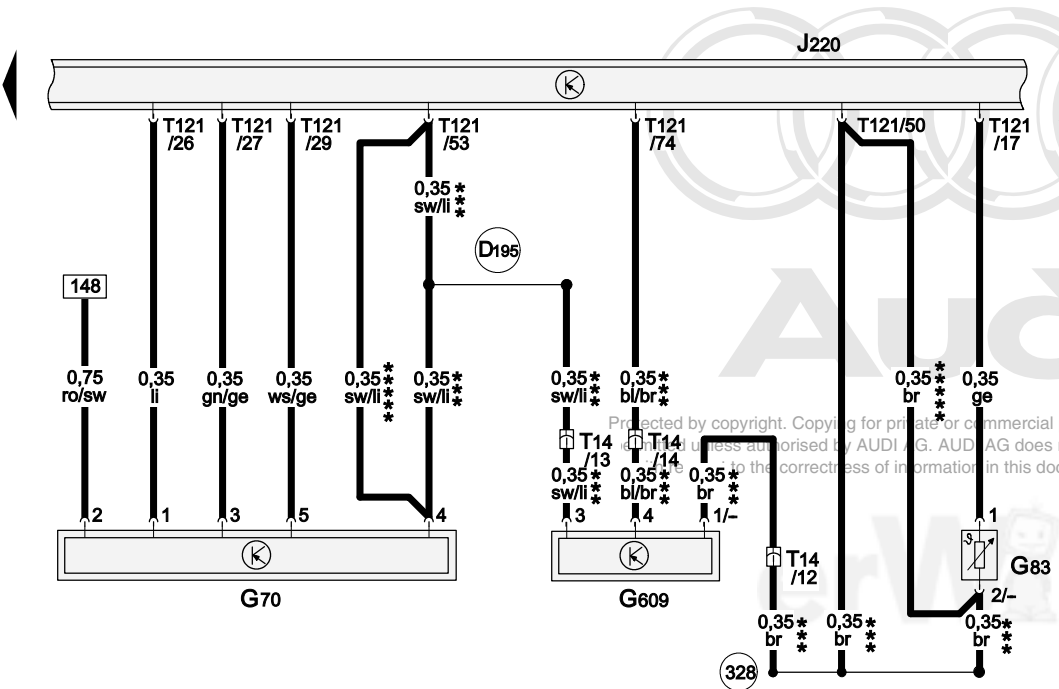
- ws = white
- sw = black
- ro = red
- br = brown
- gn = green
- bl = blue
- gr = grey
- li = lilac
- ge = yellow
- or = orange
- rs = pink

8P0-A136110409



Mass Air Flow (MAF) Sensor, Engine Coolant Temperature (ECT) Sensor (on Radiator), Secondary Air Injection (AIR) Sensor 1

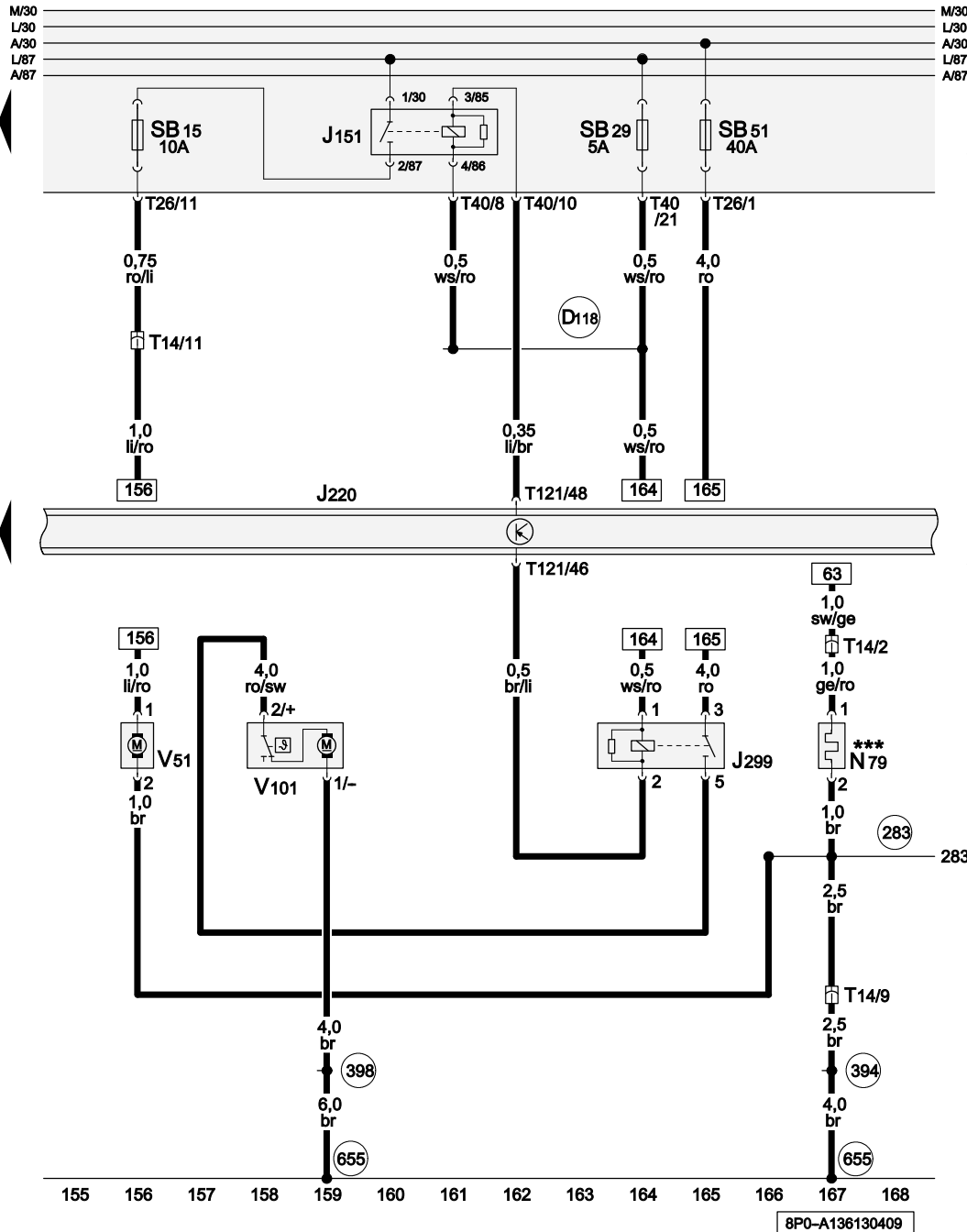
- G70 Mass Air Flow (MAF) Sensor
- G83 Engine Coolant Temperature (ECT) Sensor (on Radiator)
- G609 Secondary Air Injection (AIR) Sensor 1
- J220 Motronic Engine Control Module (ECM)
- SB10 Fuse 10 (on fuse panel B)
- T14 14-Pin Connector, black, near left front long member
- T26 26-Pin Connector, black, on electronics box engine compartment (Connector K)
- T121 121-Pin Connector, black, on engine control module (ECM)
- 328 Sensor Ground Connection 2 (in engine compartment wiring harness)
- D195 Connection 1 (5V) (in engine compartment wiring harness)
- *** Only models with US equipment
- **** Not for models with US equipment



- ws = white
- sw = black
- ro = red
- br = brown
- gn = green
- bl = blue
- gr = grey
- li = lilac
- ge = yellow
- or = orange
- rs = pink

141 142 143 144 145 146 147 148 149 150 151 152 153 154

8P0-A136120409



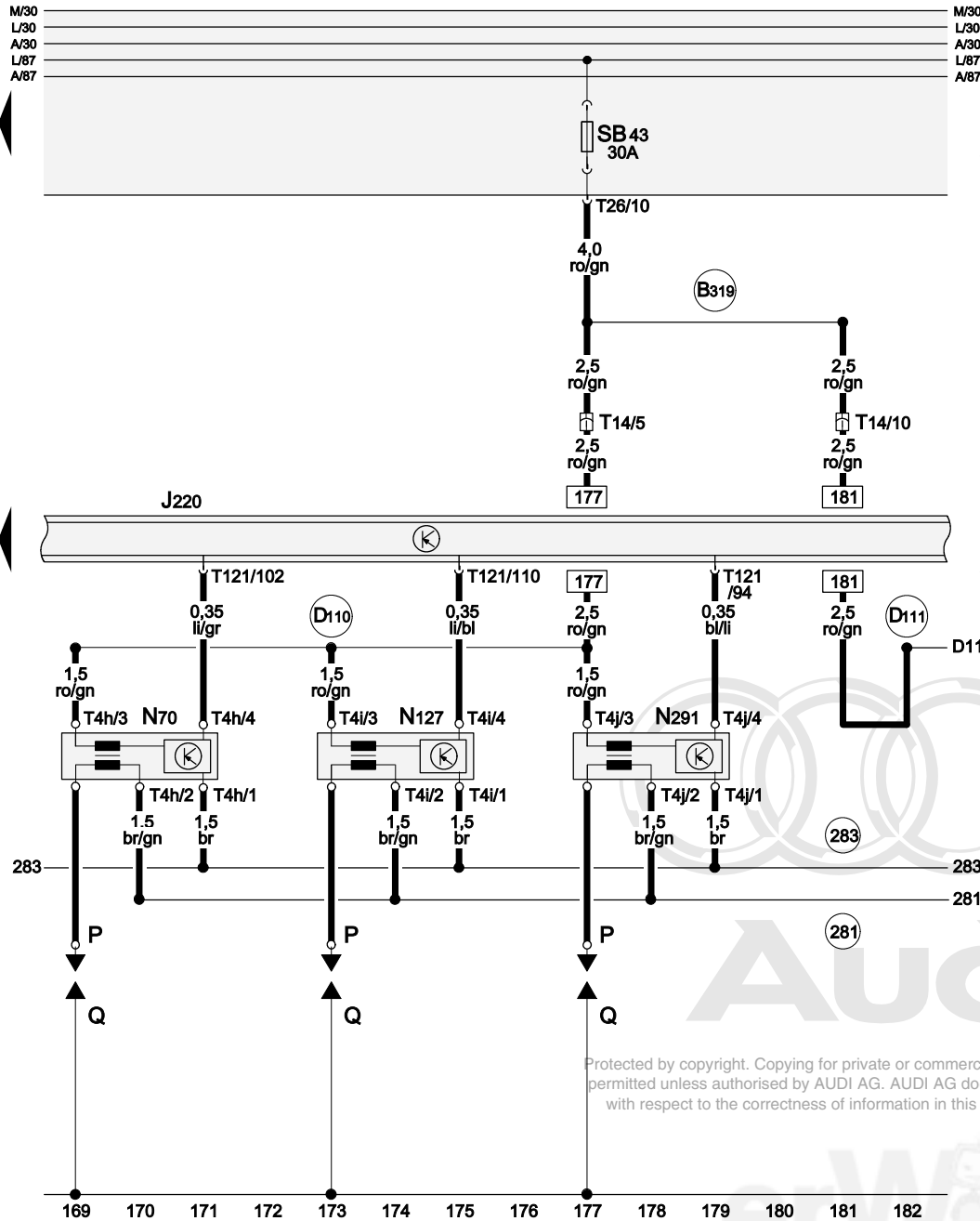
Coolant Circulation and Secondary Air Injection (AIR) Pump Relay, Positive Crankcase Ventilation (PCV) Heating Element

- J151 Coolant Circulation Pump Relay
- J220 Motronic Engine Control Module (ECM)
- J299 Secondary Air Injection (AIR) Pump Relay
- N79 Positive Crankcase Ventilation (PCV) Heating Element
- SB15 Fuse 15 (on fuse panel B)
- SB29 Fuse 29 (on fuse panel B)
- SB51 Fuse 51 (on fuse panel B)
- T14 14-Pin Connector, black, near left front long member
- T26 26-Pin Connector, black, on electronics box engine compartment (Connector K)
- T40 40-Pin Connector, black, on electronics box engine compartment (Connector J)
- T121 121-Pin Connector, black, on engine control module (ECM)
- V51 After-Run Coolant Pump
- V101 Secondary Air Injection (AIR) Pump Motor

- 283 Ground Connection 2 (in engine pre-wiring wiring harness)
- 394 Ground Connection 29 (in main wiring harness)
- 398 Ground Connection 33 (in main wiring harness)
- 655 Ground Connection (on left headlamp)
- D118 Connection 16 (in engine compartment wiring harness)
- *** Only models with heating element

ws = white
 ro = black
 li = red
 br = brown
 gn = green
 bl = blue
 gr = grey
 li = lilac
 ge = yellow
 or = orange
 rs = pink

Protected by copyright. Copying for private or commercial purposes, in part or in whole, is not permitted unless authorised by AUDI AG. AUDI AG does not guarantee or accept any liability with respect to the correctness of information in this document. Copyright by AUDI AG.



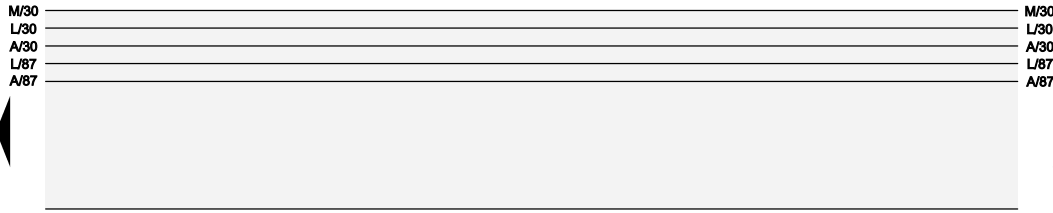
Ignition Coils 1 through 3 with Power Output Stage, Spark Plug Connectors, Spark Plugs

- J220 Motronic Engine Control Module (ECM)
- N70 Ignition Coil 1 with Power Output Stage
- N127 Ignition Coil 2 with Power Output Stage
- N291 Ignition Coil 3 with Power Output Stage
- P Spark Plug Connectors
- Q Spark Plugs
- SB43 Fuse 43 (on fuse panel B)
- T4h 4-Pin Connector, black, on ignition coil 1 with power output stage
- T4i 4-Pin Connector, black, on ignition coil 2 with power output stage
- T4j 4-Pin Connector, black, on ignition coil 3 with power output stage
- T14 14-Pin Connector, black, near left front long member
- T26 26-Pin Connector, black, on electronics box engine compartment (Connector K)
- T121 121-Pin Connector, black, on engine control module (ECM)
- 281 Ground Connection 1 (in engine pre-wiring wiring harness)
- 283 Ground Connection 2 (in engine pre-wiring wiring harness)
- B319 Plus Connection 5 (30a) (in main wiring harness)
- D110 Connection 8 (in engine compartment wiring harness)
- D111 Connection 9 (in engine compartment wiring harness)

- ws = white
- sw = black
- ro = red
- br = brown
- gn = green
- bl = blue
- gr = grey
- li = lilac
- ge = yellow
- or = orange
- rs = pink

Protected by copyright. Copying for private or commercial purposes in whole or in part, or in any form, is not permitted unless authorised by AUDI AG. AUDI AG does not guarantee the correctness of the information in this document. Copyright © 2010 AUDI AG.

8P0-A136140409

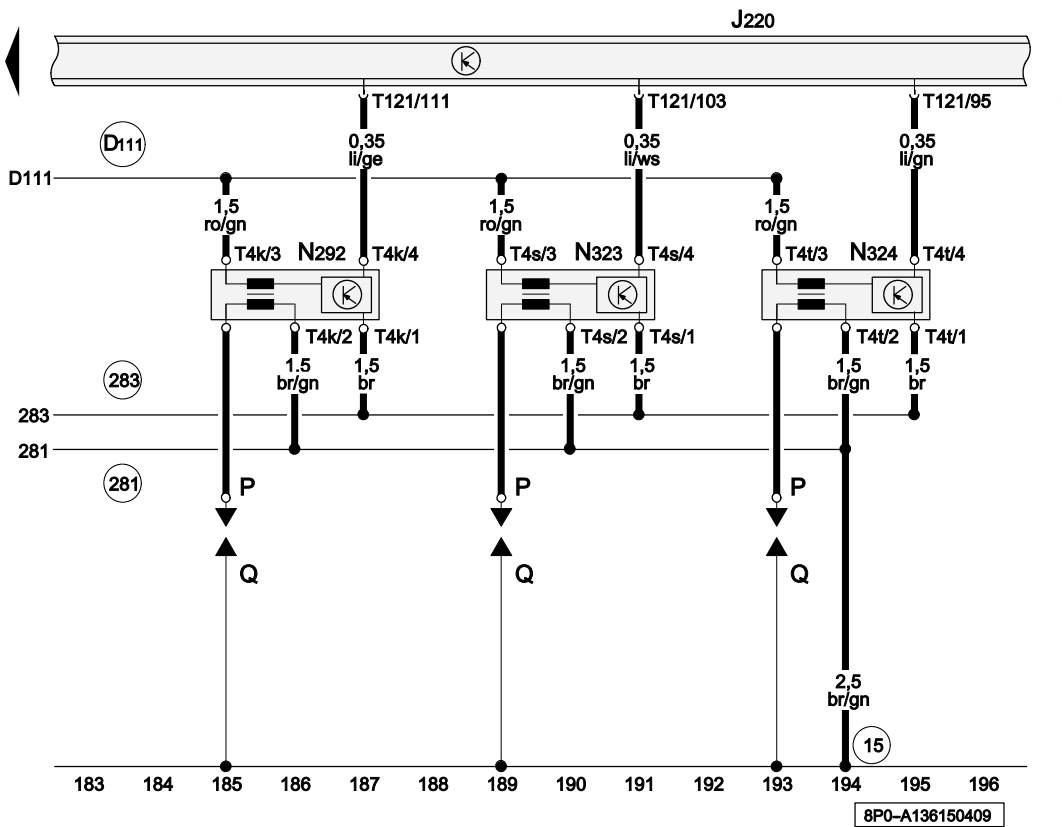


Ignition Coils 4 through 6 with Power Output Stage, Spark Plug Connectors, Spark Plugs

- J220 Motronic Engine Control Module (ECM)
- N292 Ignition Coil 4 with Power Output Stage
- N323 Ignition Coil 5 with Power Output Stage
- N324 Ignition Coil 6 with Power Output Stage
- P Spark Plug Connectors
- Q Spark Plugs
- T4k 4-Pin Connector, black, on ignition coil 4 with power output stage
- T4s 4-Pin Connector, black, on ignition coil 5 with power output stage
- T4t 4-Pin Connector, black, on ignition coil 6 with power output stage
- T121 121-Pin Connector, black, on engine control module (ECM)

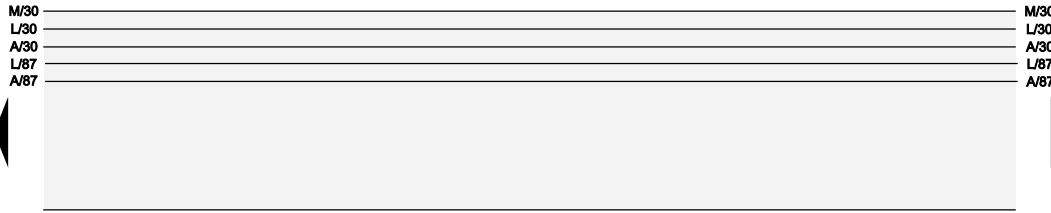
- 15 Ground Connection (on cylinder head)
- 281 Ground Connection 1 (in engine pre-wiring harness)
- 283 Ground Connection 2 (in engine pre-wiring harness)
- D111 Connection 9 (in engine compartment wiring harness)

Protected by copyright. Copying for private or commercial purposes, in part or in whole, is not permitted unless authorised by AUDI AG. AUDI AG does not guarantee or accept any liability with respect to the correctness of information in this document. Copyright by AUDI AG.



- ws = white
- sw = black
- ro = red
- br = brown
- gn = green
- bl = blue
- gr = grey
- li = lilac
- ge = yellow
- or = orange
- rs = pink

8P0-A136150409



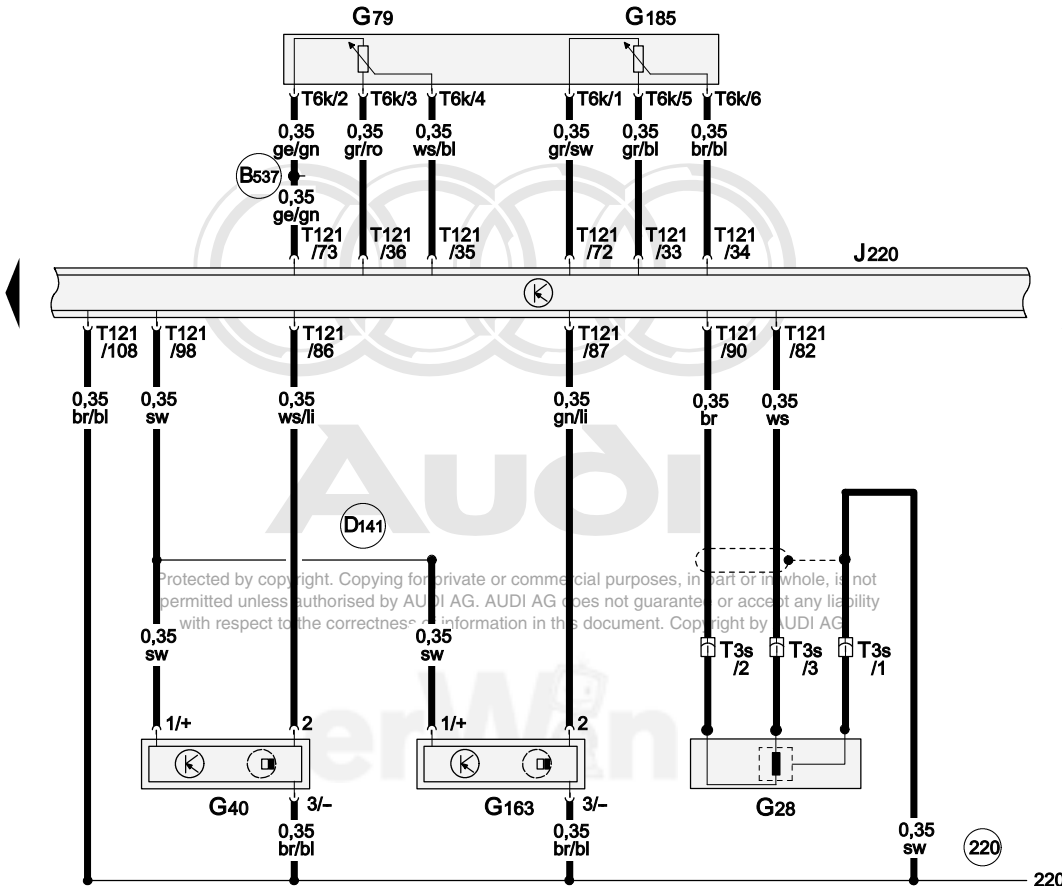
Camshaft Position (CMP) Sensor, Throttle Position (TP) Sensor, Engine Speed (RPM) Sensor

- G28 Engine Speed (RPM) Sensor
- G40 Camshaft Position (CMP) Sensor
- G79 Throttle Position (TP) Sensor
- G163 Camshaft Position (CMP) Sensor 2
- G185 Accelerator Pedal Position Sensor 2
- J220 Motronic Engine Control Module (ECM)
- T3s 3-Pin Connector
- T6k 6-Pin Connector, black, near throttle position (TP) sensor
- T121 121-Pin Connector, black, on engine control module (ECM)

(220) Sensor Ground Connection (in engine wiring harness)

(B537) Connection 28 (in main wiring harness)

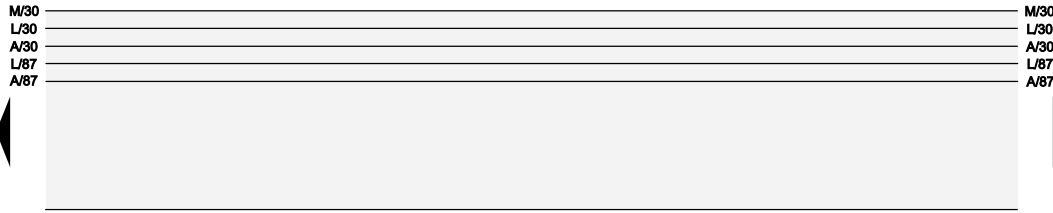
(D141) Connection (5V) (in engine pre-wiring wiring harness)



- ws = white
- sw = black
- ro = red
- br = brown
- gn = green
- bl = blue
- gr = grey
- li = lilac
- ge = yellow
- or = orange
- rs = pink

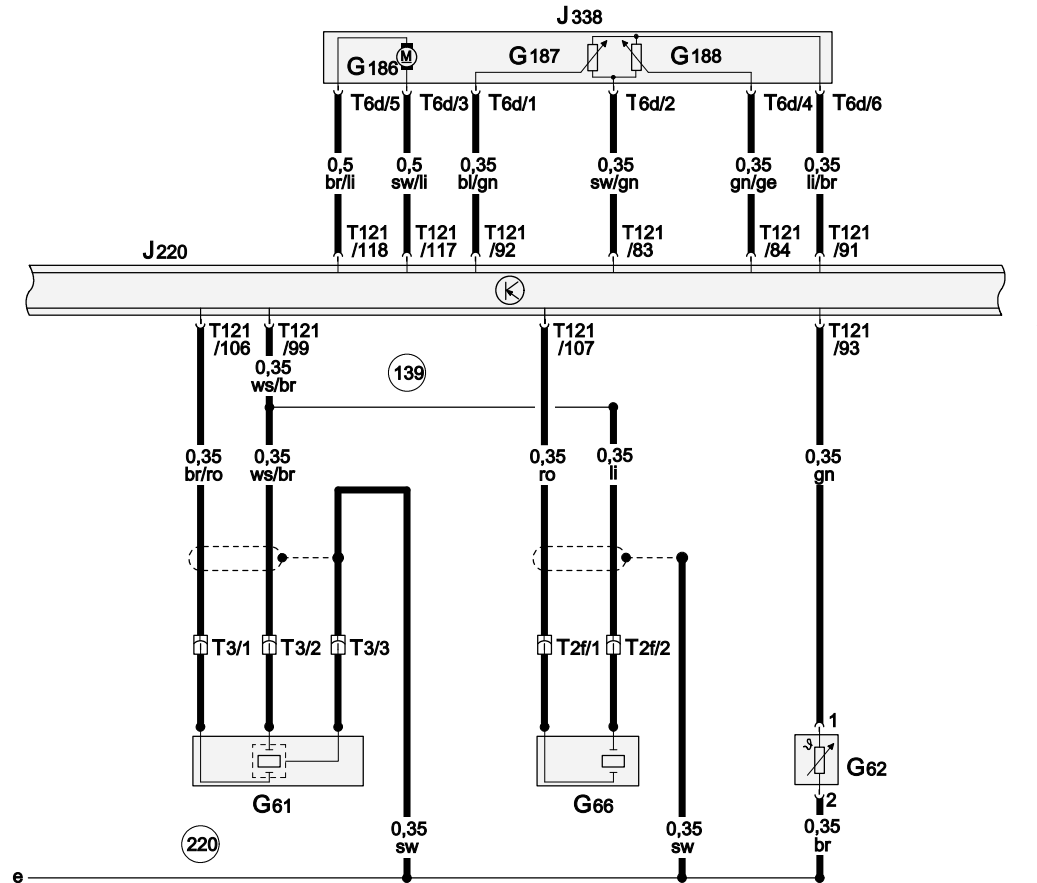
197 198 199 200 201 202 203 204 205 206 207 208 209 210

8P0-A136160409



Throttle Valve Control Module, Knock Sensors (KS), Temperature Sensor

- G61 Knock Sensor (KS) 1
- G62 Engine Coolant Temperature (ECT) Sensor
- G66 Knock Sensor (KS) 2
- G186 Throttle Drive (for Electronic Power Control (EPC))
- G187 Throttle Drive Angle Sensor 1 (for Electronic Power Control (EPC))
- G188 Throttle Drive Angle Sensor 2 (for Electronic Power Control (EPC))
- J220 Motronic Engine Control Module (ECM)
- J338 Throttle Valve Control Module
- T2f Double Connector, black, in left engine compartment (knock sensor 2)
- T3 3-Pin Connector, red, in left engine compartment (knock sensor)
- T6d 6-Pin Connector, black, near throttle valve control module
- T121 121-Pin Connector, black, on engine control module (ECM)
- 139 Sensor Ground Connection (in Motronic Multipoint Fuel Injection (MFI) wiring harness)
- 220 Sensor Ground Connection (in engine wiring harness)

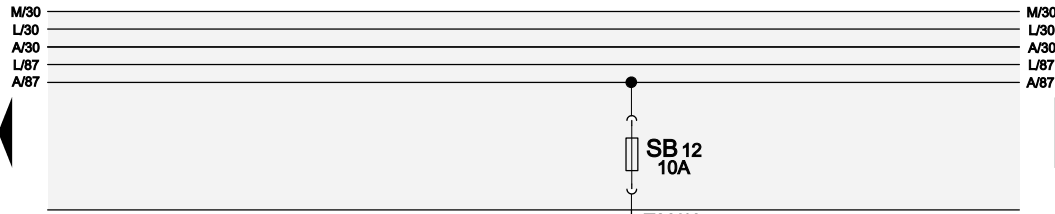


- ws = white
- sw = black
- ro = red
- br = brown
- gn = green
- bl = blue
- gr = grey
- li = lilac
- ge = yellow
- or = orange
- rs = pink

211 212 213 214 215 216 217 218 219 220 221 222 223 224

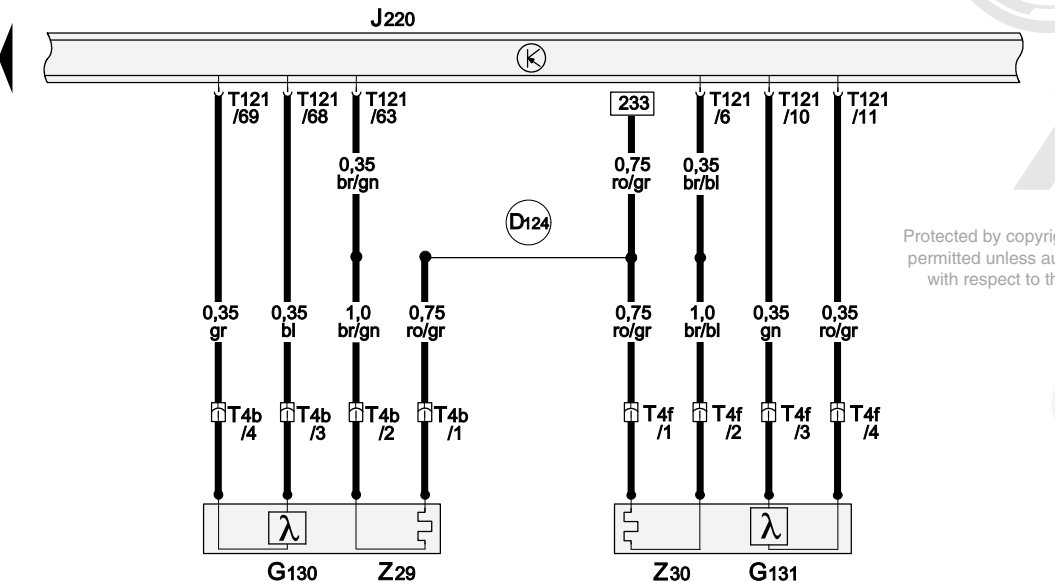
8P0-A136170409

Protected by copyright. Copying for private or commercial purposes, in part or in whole, is not permitted unless authorised by AUDI AG. AUDI AG does not guarantee or accept any liability with respect to the correctness of information in this document. Copyright by AUDI AG.



Oxygen Sensor (O2S) Behind Three Way Catalytic Converter (TWC), Oxygen Sensor (O2S) 2 Behind Three Way Catalytic Converter (TWC)

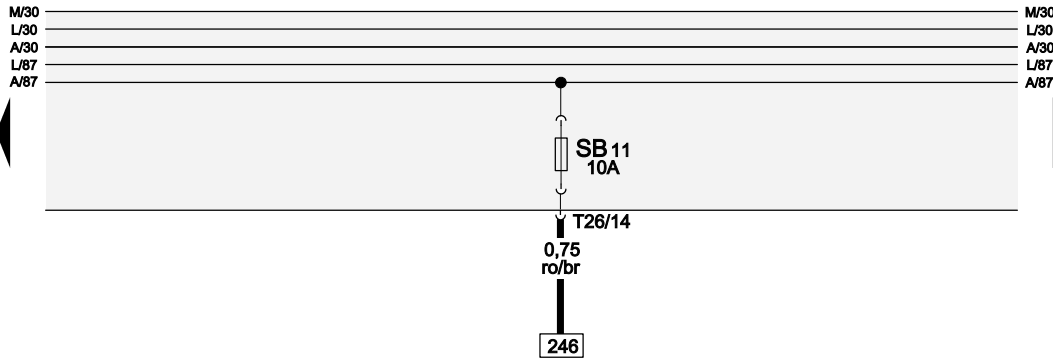
- G130 Oxygen Sensor (O2S) Behind Three Way Catalytic Converter (TWC)
- G131 Oxygen Sensor (O2S) 2 Behind Three Way Catalytic Converter (TWC)
- J220 Motronic Engine Control Module (ECM)
- SB12 Fuse 12 (on fuse panel B)
- T4b 4-Pin Connector, black, on oxygen sensor (O2S) behind three way catalytic converter (TWC)
- T4f 4-Pin Connector, brown, on oxygen sensor (O2S) 2 behind three way catalytic converter (TWC)
- T26 26-Pin Connector, black, on electronics box engine compartment (Connector K)
- T121 121-Pin Connector, black, on engine control module (ECM)
- Z29 Oxygen Sensor (O2S) Heater 1 (behind Three Way Catalytic Converter (TWC)
- Z30 Oxygen Sensor (O2S) Heater 2 (behind Three Way Catalytic Converter (TWC)



D124 Connection 22 (in engine compartment wiring harness)

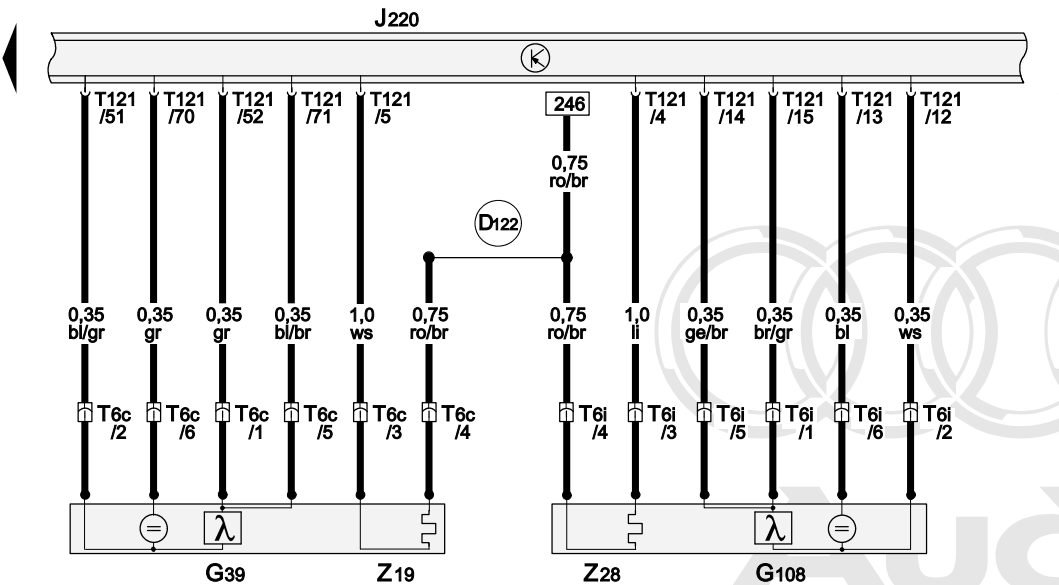
Protected by copyright. Copying for private or commercial purposes, in part or in whole, is not permitted unless authorised by AUDI AG. AUDI AG does not guarantee or accept any liability with respect to the correctness of information in this document. Copyright by AUDI AG.

- ws = white
- sw = black
- ro = red
- br = brown
- gn = green
- bl = blue
- gr = grey
- li = lilac
- ge = yellow
- or = orange
- rs = pink



Heated Oxygen Sensor (HO2S), Heated Oxygen Sensor (HO2S) 2

- G39 Heated Oxygen Sensor (HO2S)
 - G108 Heated Oxygen Sensor (HO2S) 2
 - J220 Motronic Engine Control Module (ECM)
 - SB11 Fuse 11 (on fuse panel B)
 - T6c 6-Pin Connector, black, on oxygen sensor (O2S) before three way catalytic converter (TWC)
 - T6i 6-Pin Connector, brown, on oxygen sensor (O2S) 2 before three way catalytic converter (TWC)
 - T26 26-Pin Connector, black, on electronics box engine compartment (Connector K)
 - T121 121-Pin Connector, black, on engine control module (ECM)
 - Z19 Oxygen Sensor (O2S) Heater
 - Z28 Oxygen Sensor (O2S) Heater 2
- (D122) Connection 20 (in engine compartment wiring harness)

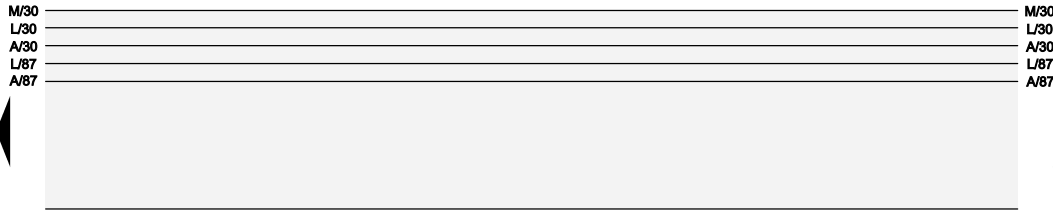


- ws = white
- sw = black
- ro = red
- br = brown
- gn = green
- bl = blue
- gr = grey
- li = lilac
- ge = yellow
- or = orange
- rs = pink

Protected by copyright. Copying for private or commercial purposes, in part or in whole, is not permitted unless authorised by AUDI AG. AUDI AG does not guarantee any liability with respect to the correctness of information in this document. Copyright by AUDI AG.

239 240 241 242 243 244 245 246 247 248 249 250 251 252

8P0-A136190409



Powertrain CAN-Bus, Diagnostic

- J220 Motronic Engine Control Module (ECM)
- J533 Data Bus On Board Diagnostic Interface
- J743 Direct Shift Gearbox (DSG) Mechatronic
- T16 16-Pin Connector, black, instrument panel driver's side, bottom left (diagnostic connector)
- T20d 20-Pin Connector, black (Connector A)
- T20e 20-Pin Connector, black (Connector A)
- T121 121-Pin Connector, black, on engine control module (ECM)

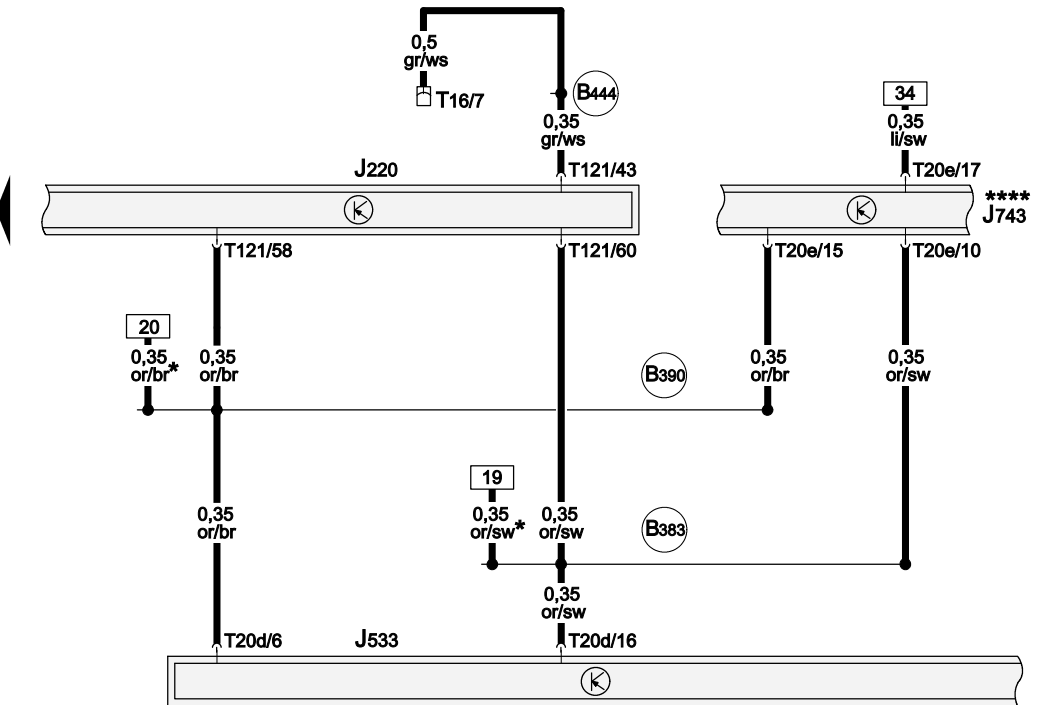
B383 Powertrain CAN-Bus High Connection 1 (in main wiring harness)

B390 Powertrain CAN-Bus Low Connection 1 (in main wiring harness)

B444 OBD Connection 1 (in main wiring harness)

* Only models with powertrain CAN-Bus
 **** Only models with automatic transmission

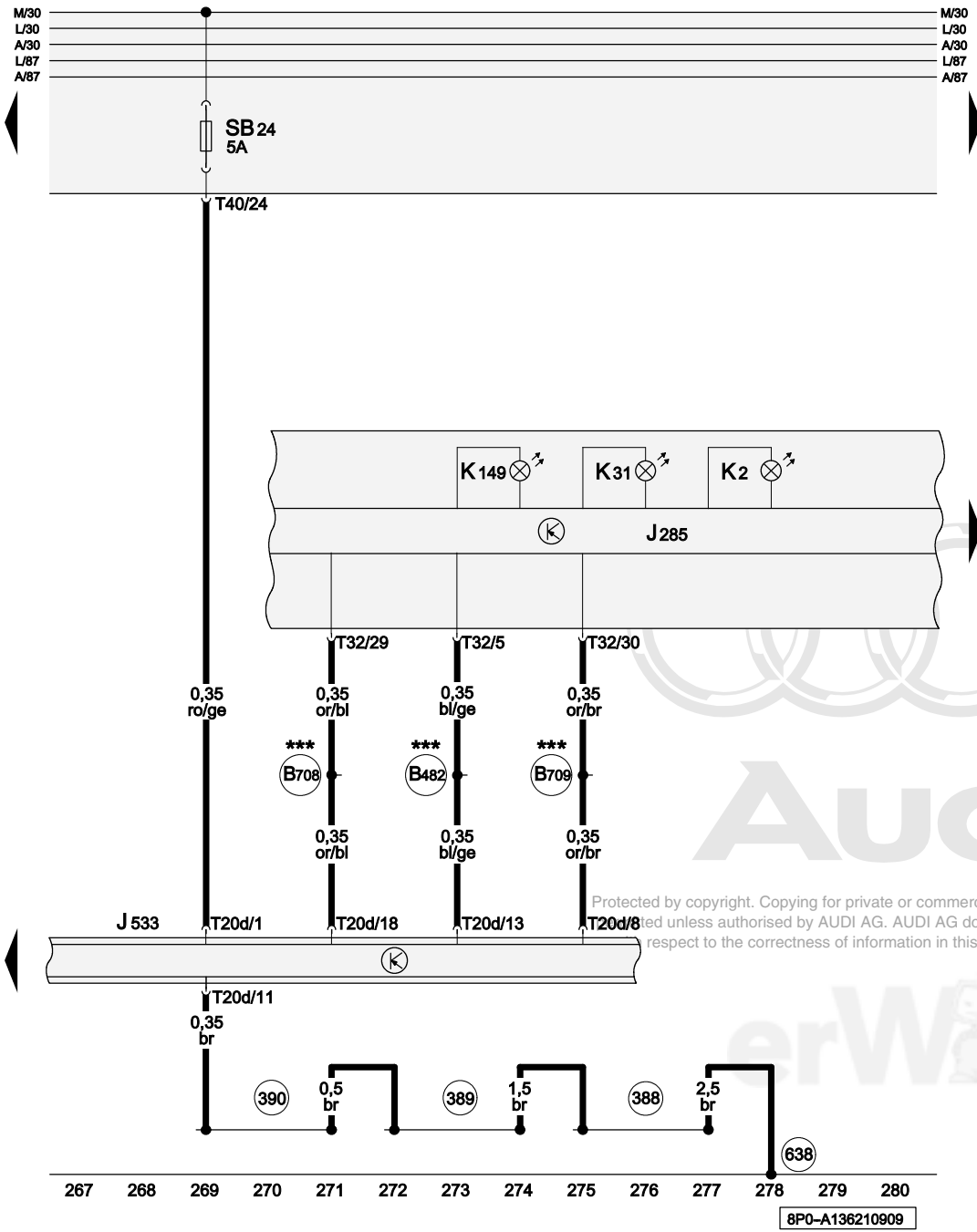
Protected by copyright. Copying for private or commercial purposes, in part or in whole, is not permitted unless authorised by AUDI AG. AUDI AG does not guarantee or accept any liability with respect to the correctness of information in this document. Copyright by AUDI AG.



- ws = white
- sw = black
- ro = red
- br = brown
- gn = green
- bl = blue
- gr = grey
- li = lilac
- ge = yellow
- or = orange
- rs = pink

253 254 255 256 257 258 259 260 261 262 263 264 265 266

8P0-A136200409



Data Bus On Board Diagnostic Interface

- J285 Instrument Cluster Control Module
- J533 Data Bus On Board Diagnostic Interface
- K2 Generator (GEN) Warning Lamp
- K31 Cruise Control Indicator Lamp
- K149 Engine Electronics Warning Lamp
- SB24 Fuse 24 (on fuse panel B)
- T20d 20-Pin Connector, black (Connector A)
- T32 32-Pin Connector, blue (Connector A)
- T40 40-Pin Connector, black, on electronics box engine compartment (Connector J)

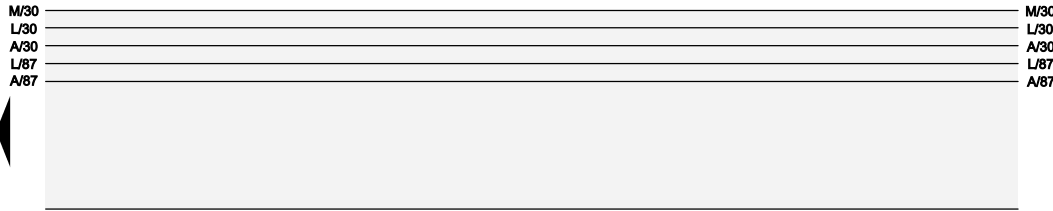
- 388 Ground Connection 23 (in main wiring harness)
- 389 Ground Connection 24 (in main wiring harness)
- 390 Ground Connection 25 (in main wiring harness)
- 638 Ground Connection (on right A-pillar)
- B482 Connection 18 (in main wiring harness)
- B708 Instrument Cluster CAN Bus - High Connection 1 (in main wiring harness)
- B709 Instrument Cluster CAN Bus - Low Connection 1 (in main wiring harness)

* Not applicable, phased-in modification

Protected by copyright. Copying for private or commercial purposes, in part or in whole, is not allowed unless authorised by AUDI AG. AUDI AG does not guarantee or accept any liability respect to the correctness of information in this document. Copyright by AUDI AG.

- ws = white
- sw = black
- ro = red
- br = brown
- gn = green
- bl = blue
- gr = grey
- li = lilac
- ge = yellow
- or = orange
- rs = pink

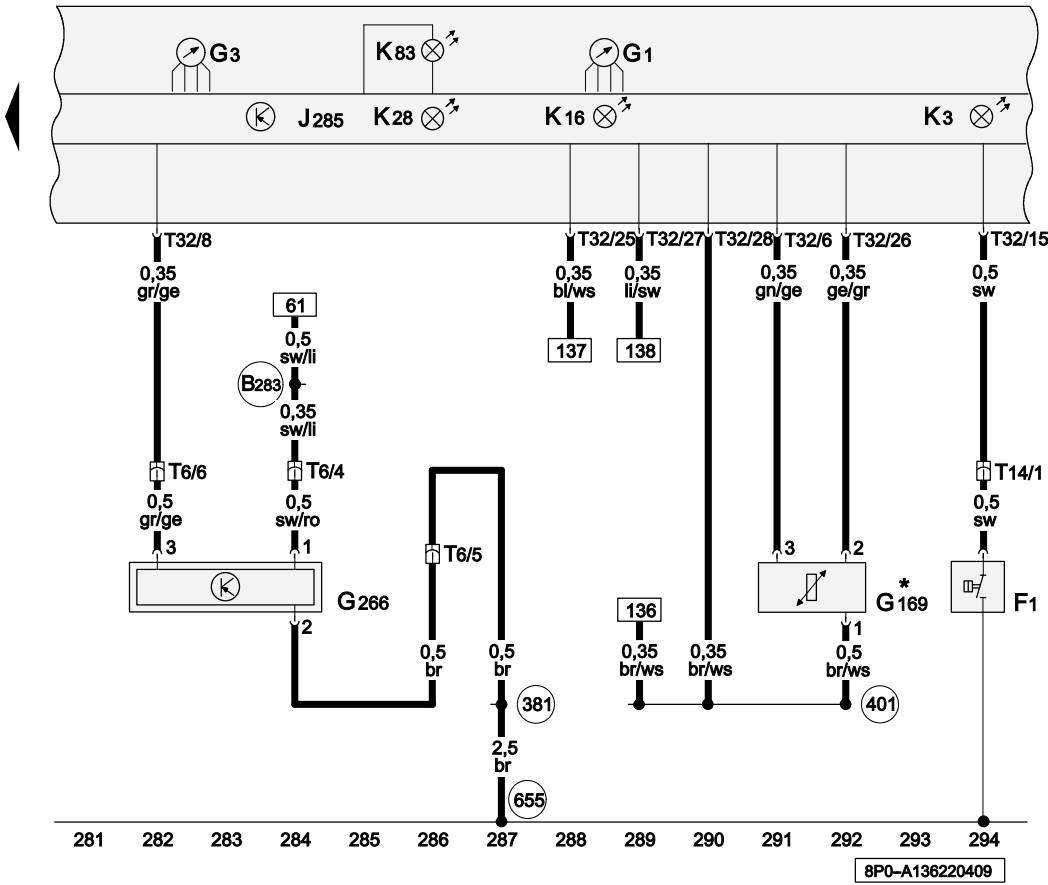
8P0-A136210909



Oil Pressure Switch, Oil Level Thermal Sensor

- F1 Oil Pressure Switch
- G1 Fuel Gauge
- G3 Engine Coolant Temperature (ECT) Gauge
- G169 Fuel Level Sensor 2
- G266 Oil Level Thermal Sensor
- J285 Instrument Cluster Control Module
- K3 Oil Pressure Warning Lamp
- K16 Fuel Reserve Warning Lamp
- K28 Engine Coolant Level/Temperature (ECL/ECT) Warning Lamp
- K83 Malfunction Indicator Lamp (MIL)
- T6 6-Pin Connector, black, near left front long member
- T14 14-Pin Connector, black, near left front long member
- T32 32-Pin Connector, blue (Connector A)

- 381 Ground Connection 16 (in main wiring harness)
- 401 Sensor Ground Connection (in interior wiring harness)
- 655 Ground Connection (on left headlamp)
- B283 Plus Connection 7 (15a) (in main wiring harness)
- * Only models with all-wheel drive



- ws = white
- sw = black
- ro = red
- br = brown
- gn = green
- bl = blue
- gr = grey
- li = lilac
- ge = yellow
- or = orange
- rs = pink



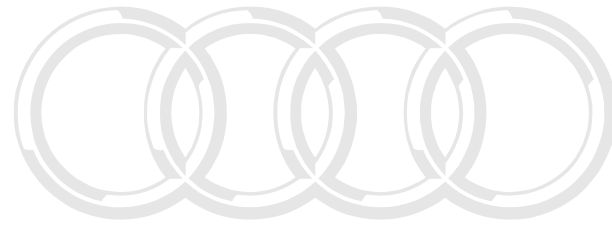
Protected by copyright. Copying for private or commercial purposes, in part or in whole, is not permitted unless authorised by AUDI AG. AUDI AG does not guarantee or accept any liability with respect to the correctness of information in this document. Copyright by AUDI AG.



8P0-A136220409

Comfort system, left-hand drive

From May 2009



Audi

Protected by copyright. Copying for private or commercial purposes, in part or in whole, is not permitted unless authorised by AUDI AG. AUDI AG does not guarantee or accept any liability with respect to the correctness of information in this document. Copyright by AUDI AG.

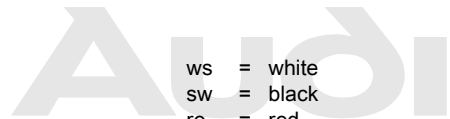
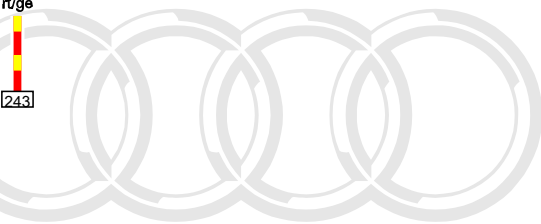
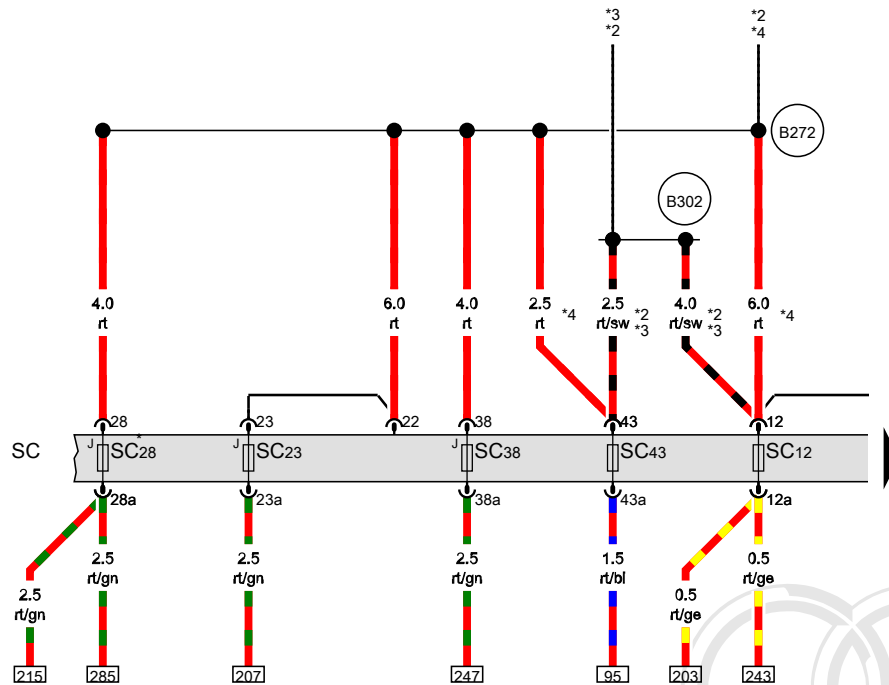


Fuse panel C

- SC Fuse panel C
- SC12 Fuse 12 (on fuse panel C)
- SC23 Fuse 23 (on fuse panel C)
- SC28 Fuse 28 (on fuse panel C)
- SC38 Fuse 38 (on fuse panel C)
- SC43 Fuse 43 (on fuse panel C)

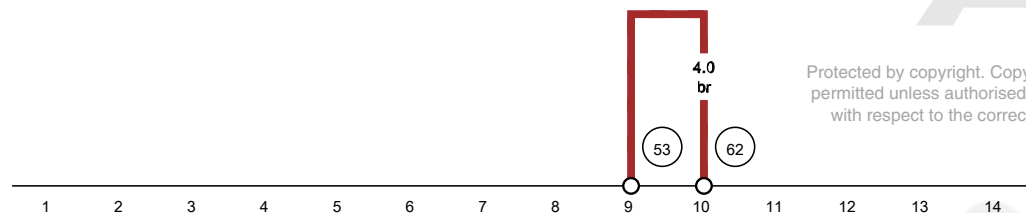
- 53 Ground connection in rear lid, right
- 62 Ground connection on right C-pillar
- B272 Positive connection (30) (in main wiring harness)
- B302 Positive connection 6 (30) (in main wiring harness)

- * Only for vehicles with 5-door equipment
- *2 Only for vehicles with a battery in the luggage compartment
- *3 Refer to applicable wiring diagram
- *4 Refer to applicable wiring diagram for battery in engine compartment



- ws = white
- sw = black
- ro = red
- br = brown
- gn = green
- bl = blue
- gr = grey
- li = lilac
- ge = yellow
- or = orange
- rs = pink

Protected by copyright. Copying for private or commercial purposes, in part or in whole, is not permitted unless authorised by AUDI AG. AUDI AG does not guarantee or accept any liability with respect to the correctness of information in this document. Copyright by AUDI AG.



18P1-137021210

Fuse panel C

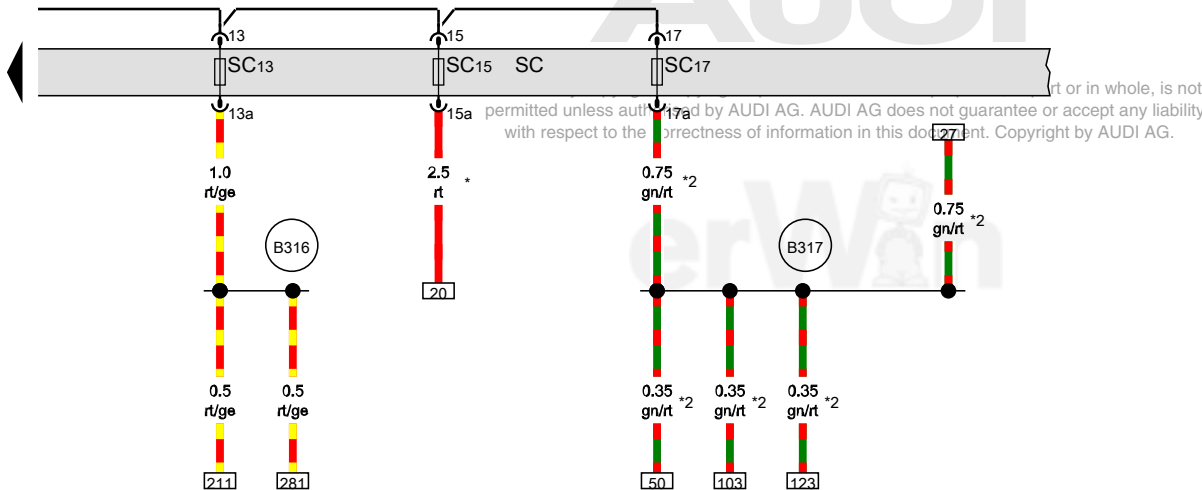
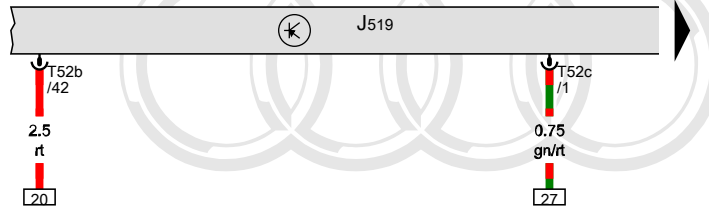
- J519 Vehicle electrical system control module
- SC Fuse panel C
- SC13 Fuse 13 (on fuse panel C)
- SC15 Fuse 15 (on fuse panel C)
- SC17 Fuse 17 (on fuse panel C)
- T52b 52-pin connector
- T52c 52-pin connector

B316 Positive connection 2 (30a) (in main wiring harness)

B317 Positive connection 3 (30a) (in main wiring harness)

* Depending on equipment

*2 For vehicles with anti-theft alarm system



- ws = white
- sw = black
- ro = red
- br = brown
- gn = green
- bl = blue
- gr = grey
- li = lilac
- ge = yellow
- or = orange
- rs = pink

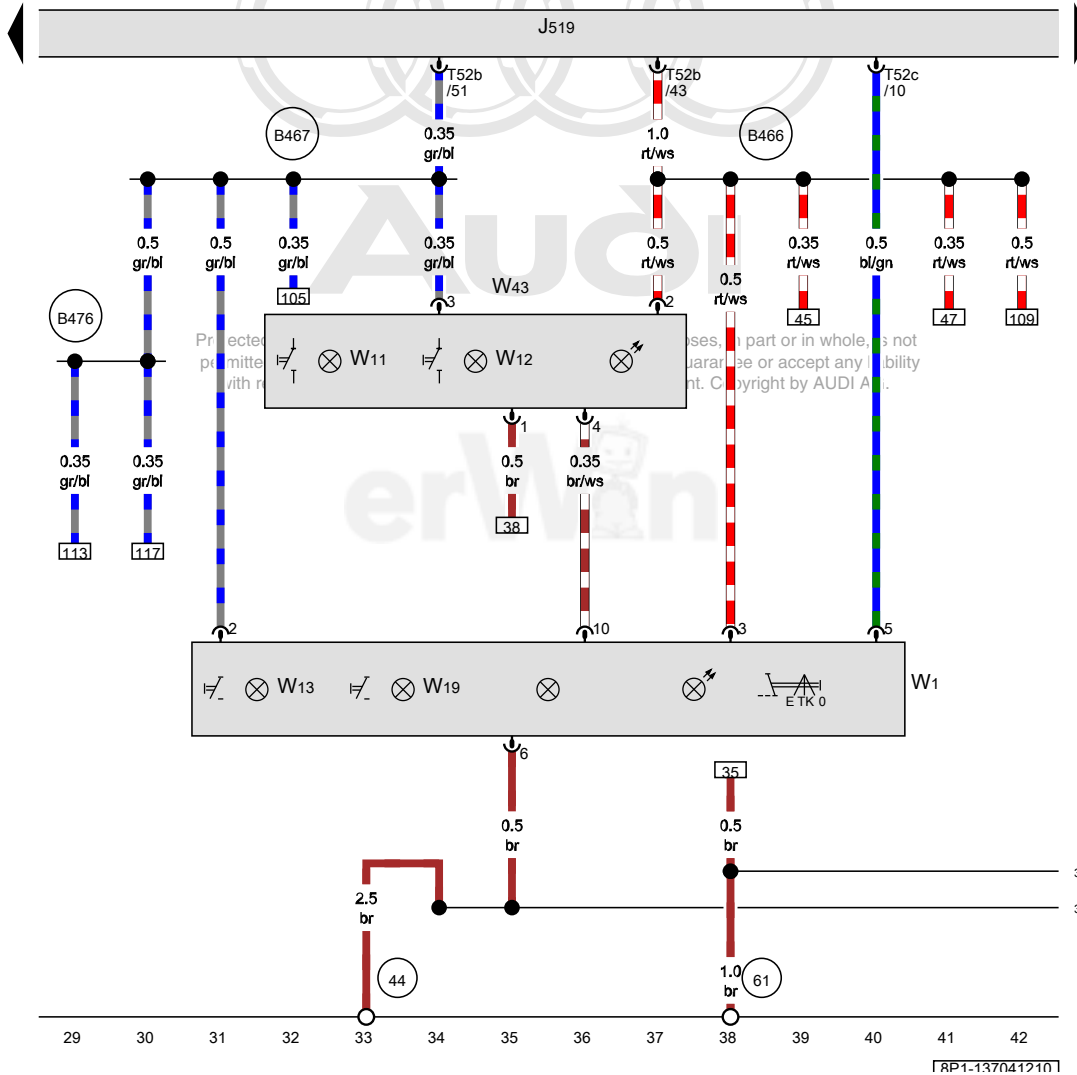
15 16 17 18 19 20 21 22 23 24 25 26 27 28

18P1-1370312101

Front interior lamp, Rear interior lamp

- J519 Vehicle electrical system control module
- T52b 52-pin connector
- T52c 52-pin connector
- W1 Front interior lamp
- W11 Left rear reading lamp
- W12 Right rear reading lamp
- W13 Front passenger reading lamp
- W19 Driver reading lamp
- W43 Rear interior lamp

- 44 Ground connection on A-pillar, lower left
- 61 Ground connection on left C-pillar
- 383 Ground connection 18 (in main wiring harness)
- 399 Ground connection 34 (in main wiring harness)
- B466 Connection 2 (in main wiring harness)
- B467 Connection 3 (in main wiring harness)
- B476 Connection 12 (in main wiring harness)

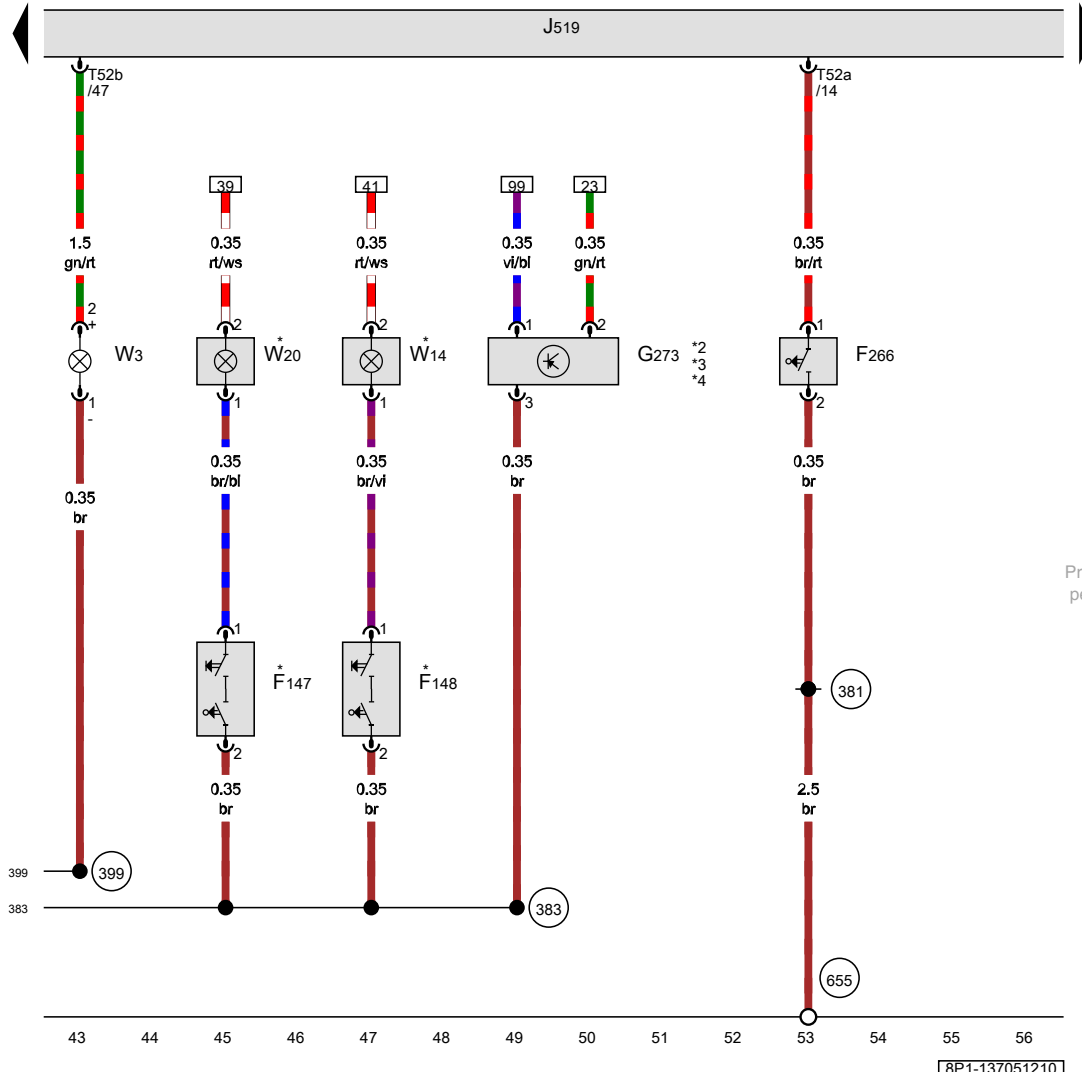


- ws = white
- sw = black
- ro = red
- br = brown
- gn = green
- bl = blue
- gr = grey
- li = lilac
- ge = yellow
- or = orange
- rs = pink

18P1-1370412101

Driver vanity mirror lamp contact switch, Front passenger vanity mirror lamp contact switch, Engine hood contact switch, Interior monitoring sensor, Luggage compartment lamp

- F147 Driver vanity mirror lamp contact switch
- F148 Front passenger vanity mirror lamp contact switch
- F266 Engine hood contact switch
- G273 Interior monitoring sensor
- J519 Vehicle electrical system control module
- T52a 52-pin connector
- T52b 52-pin connector
- W3 Luggage compartment lamp
- W14 Front passenger vanity mirror lamp
- W20 Driver vanity mirror lamp



- 381 Ground connection 16 (in main wiring harness)
- 383 Ground connection 18 (in main wiring harness)
- 399 Ground connection 34 (in main wiring harness)
- 655 Ground connection on left headlamp
- * Only for vehicles with illuminated vanity mirror
- *2 Only for vehicles with an interior monitoring sensor
- *3 Only for vehicles without US equipment
- *4 For vehicles with anti-theft alarm system

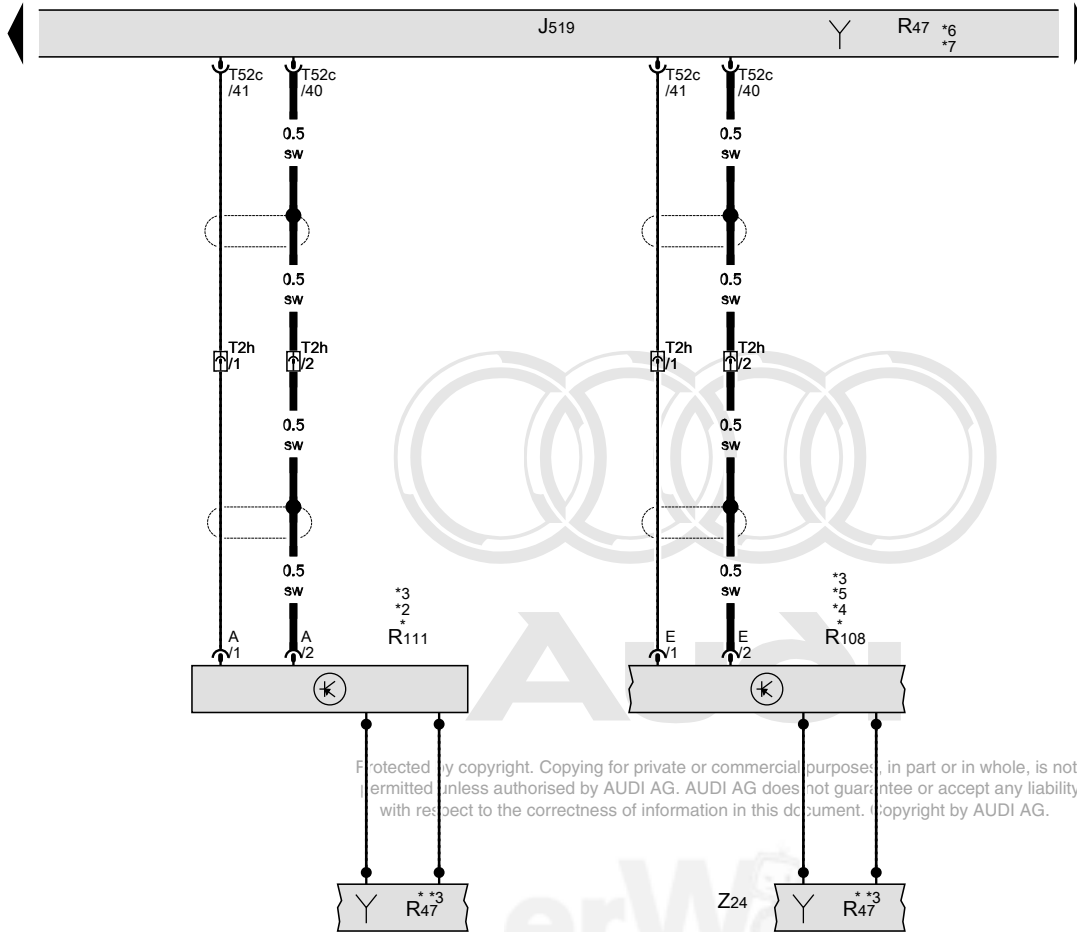
Protected by copyright. Copying for private or commercial purposes, in part or in whole, is not permitted unless authorised by AUDI AG. AUDI AG does not guarantee or accept any liability with respect to the correctness of information in this document. Copyright by AUDI AG.

- ws = white
- sw = black
- ro = red
- br = brown
- gn = green
- bl = blue
- gr = grey
- li = lilac
- ge = yellow
- or = orange
- rs = pink

18P1-137051210

Central locking and anti-theft alarm system antenna

- J519 Vehicle electrical system control module
- R47 Central locking and anti-theft alarm system antenna
- R108 Left antenna module
- R111 Antenna amplifier 2
- T2h Double connector
- T52c 52-pin connector
- Z24 Rear window defogger with window antenna
- * Omitted as a running change
- *2 Only for vehicles without a radio or navigation system
- *3 Only for RS3
- *4 Only for vehicles with radio navigation system
- *5 Only for vehicles with a radio
- *6 Running change
- *7 Not for RS3



Protected by copyright. Copying for private or commercial purposes, in part or in whole, is not permitted unless authorised by AUDI AG. AUDI AG does not guarantee or accept any liability with respect to the correctness of information in this document. Copyright by AUDI AG.

- ws = white
- sw = black
- ro = red
- br = brown
- gn = green
- bl = blue
- gr = grey
- li = lilac
- ge = yellow
- or = orange
- rs = pink

57 58 59 60 61 62 63 64 65 66 67 68 69 70

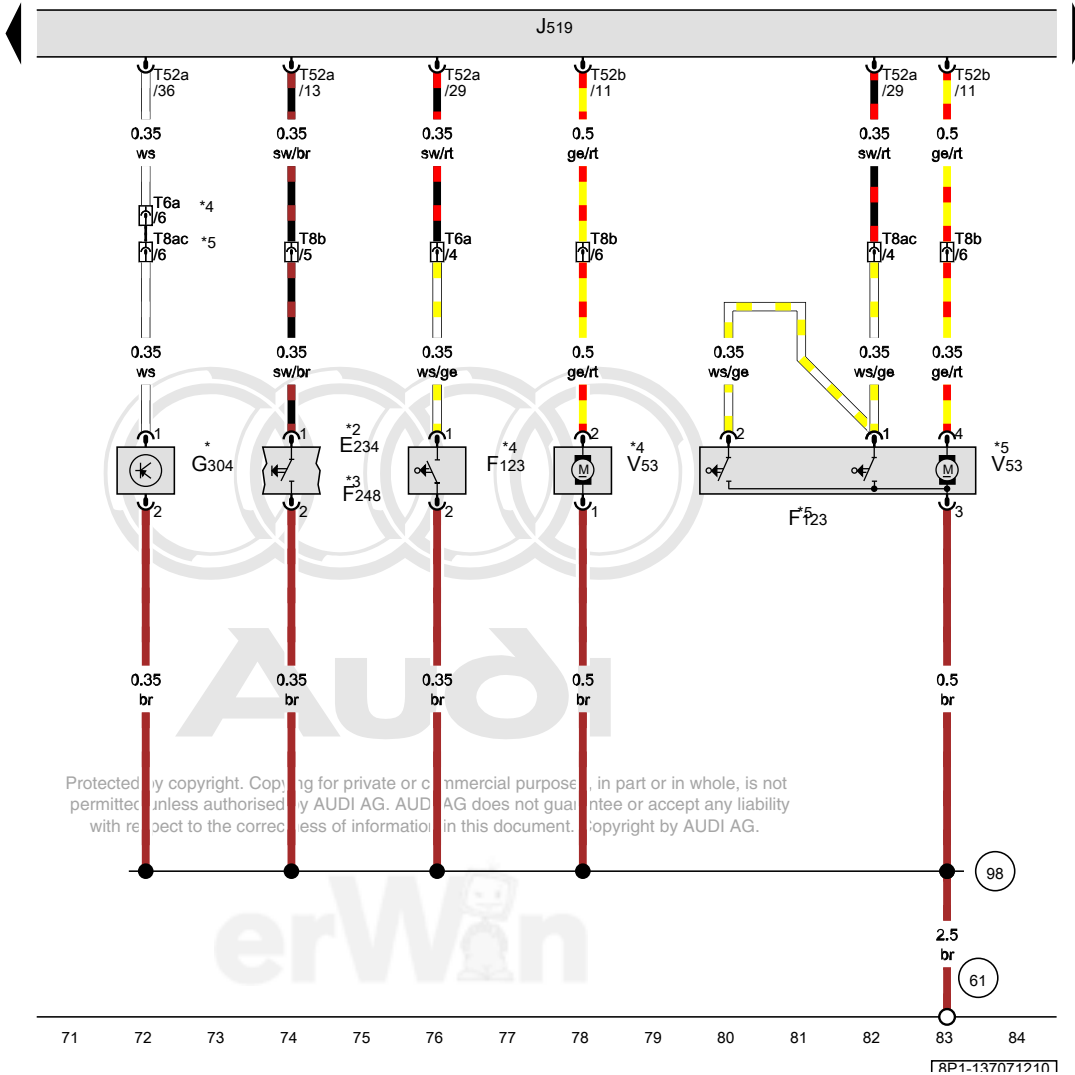
[RP1-137061210]

Release button in rear lid handle, Rear lid alarm switch, Rear window breakage sensor, Rear lid central locking system motor

- E234 Release button in rear lid handle
- F123 Rear lid alarm switch
- F248 Rear lid lock cylinder unlock button
- G304 Rear window breakage sensor
- J519 Vehicle electrical system control module
- T6a 6-pin connector, on the left C-pillar
- T8ac 8-pin connector, black
- T8b 8-pin connector, on the left C-pillar
- T52a 52-pin connector
- T52b 52-pin connector
- V53 Rear lid central locking system motor

- 61 Ground connection on left C-pillar
- 98 Ground connection (in rear lid wiring harness)

- * For vehicles with anti-theft alarm system
- *2 Running change
- *3 Omitted as a running change
- *4 Only for vehicles with 3-door equipment
- *5 Only for vehicles with 5-door equipment



Protected by copyright. Copying for private or commercial purposes, in part or in whole, is not permitted unless authorised by AUDI AG. AUDI AG does not guarantee or accept any liability with respect to the correctness of information in this document. Copyright by AUDI AG.

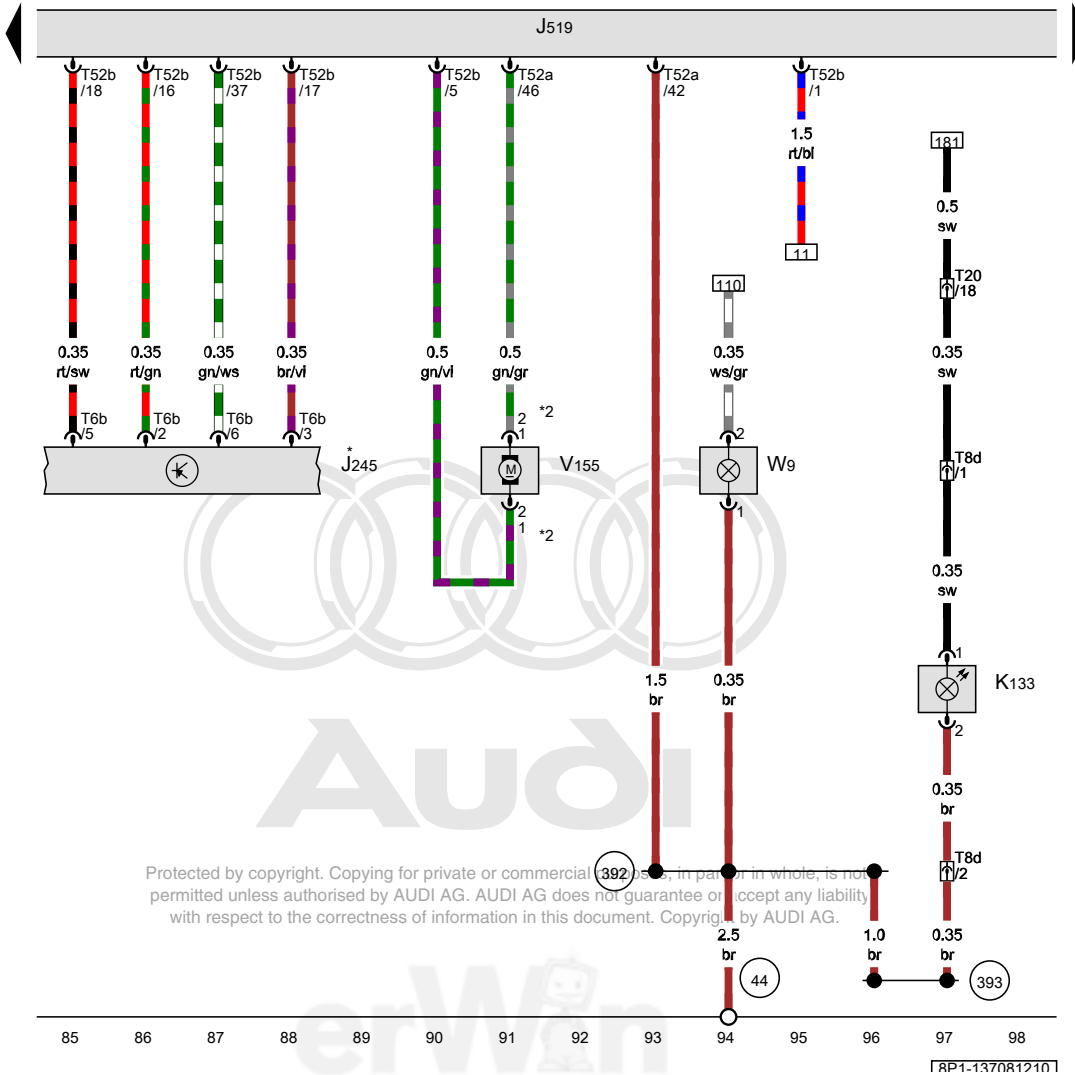
- ws = white
- sw = black
- ro = red
- br = brown
- gn = green
- bl = blue
- gr = grey
- li = lilac
- ge = yellow
- or = orange
- rs = pink

18P1-137071210

Central locking -SAFE- indicator lamp, Fuel filler door unlock motor, Left footwell lamp

- J245 Power sunroof control module
- J519 Vehicle electrical system control module
- K133 Central locking -SAFE- indicator lamp
- T6b 6-pin connector
- T8d 8-pin connector, behind the center console
- T20 20-pin connector, on the left A-pillar
- T52a 52-pin connector
- T52b 52-pin connector
- V155 Fuel filler door unlock motor
- W9 Left footwell lamp

- 44 Ground connection on A-pillar, lower left
- 392 Ground connection 27 (in main wiring harness)
- 393 Ground connection 28 (in main wiring harness)
- * Refer to applicable wiring diagram
- *2 Only for vehicles with US equipment



- ws = white
- sw = black
- ro = red
- br = brown
- gn = green
- bl = blue
- gr = grey
- li = lilac
- ge = yellow
- or = orange
- rs = pink

Rear center interior locking switch, Alarm horn, Glove compartment lamp, Right footwell lamp

- E26 Glove compartment lamp switch
- E286 Rear center interior locking switch
- H12 Alarm horn
- J519 Vehicle electrical system control module
- T8a 8-pin connector, near the glove compartment
- T52a 52-pin connector
- T52b 52-pin connector
- W6 Glove compartment lamp
- W10 Right footwell lamp

388 Ground connection 23 (in main wiring harness)

389 Ground connection 24 (in main wiring harness)

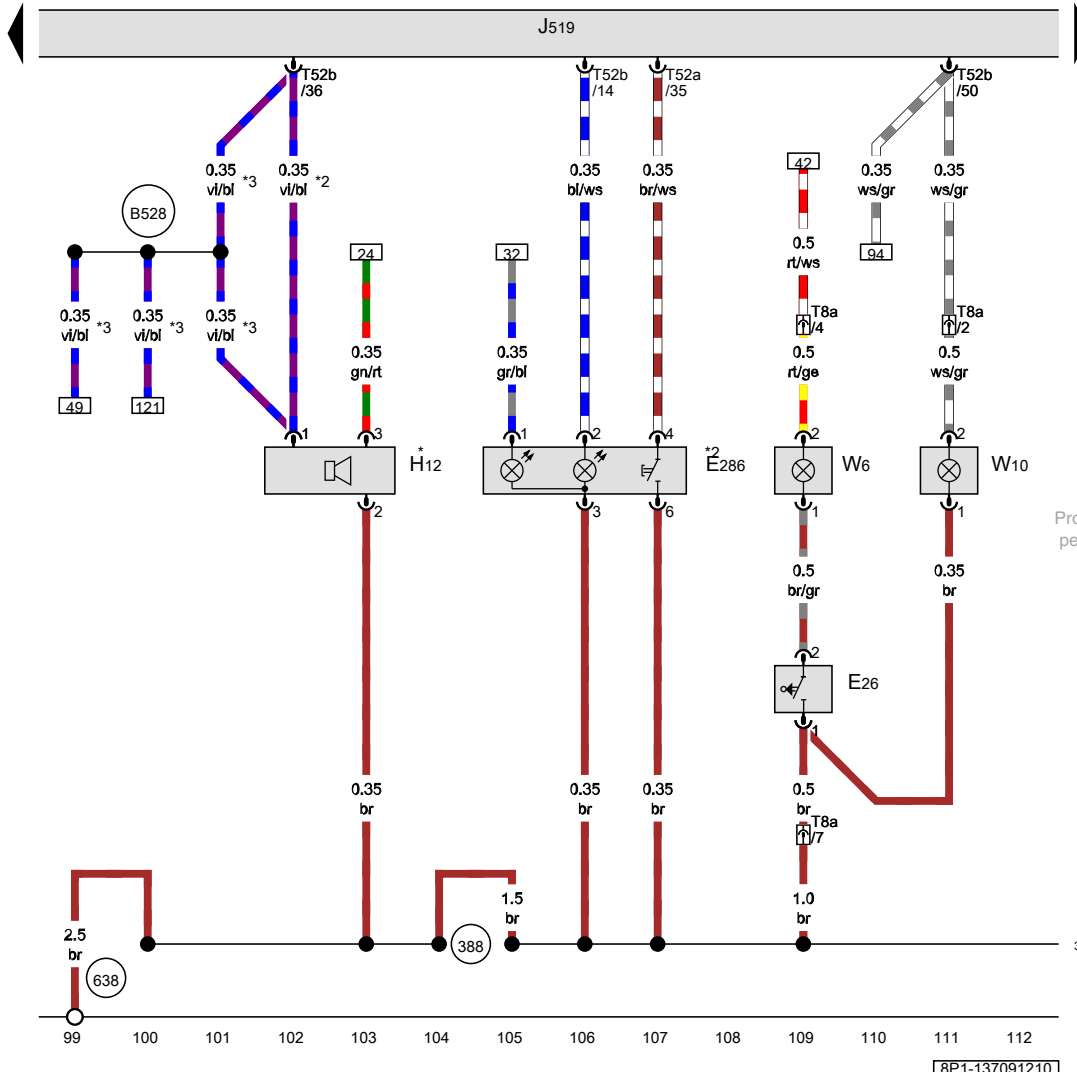
638 Ground connection on right A-pillar

B528 LIN bus connection 1 (in main wiring harness)

* Only for vehicles with an alarm horn

*2 Only for vehicles with US equipment

*3 For vehicles with anti-theft alarm system



Protected by copyright. Copying for private or commercial purposes, in part or in whole, is not permitted unless authorised by AUDI AG. AUDI AG does not guarantee or accept any liability with respect to the correctness of information in this document. Copyright by AUDI AG.

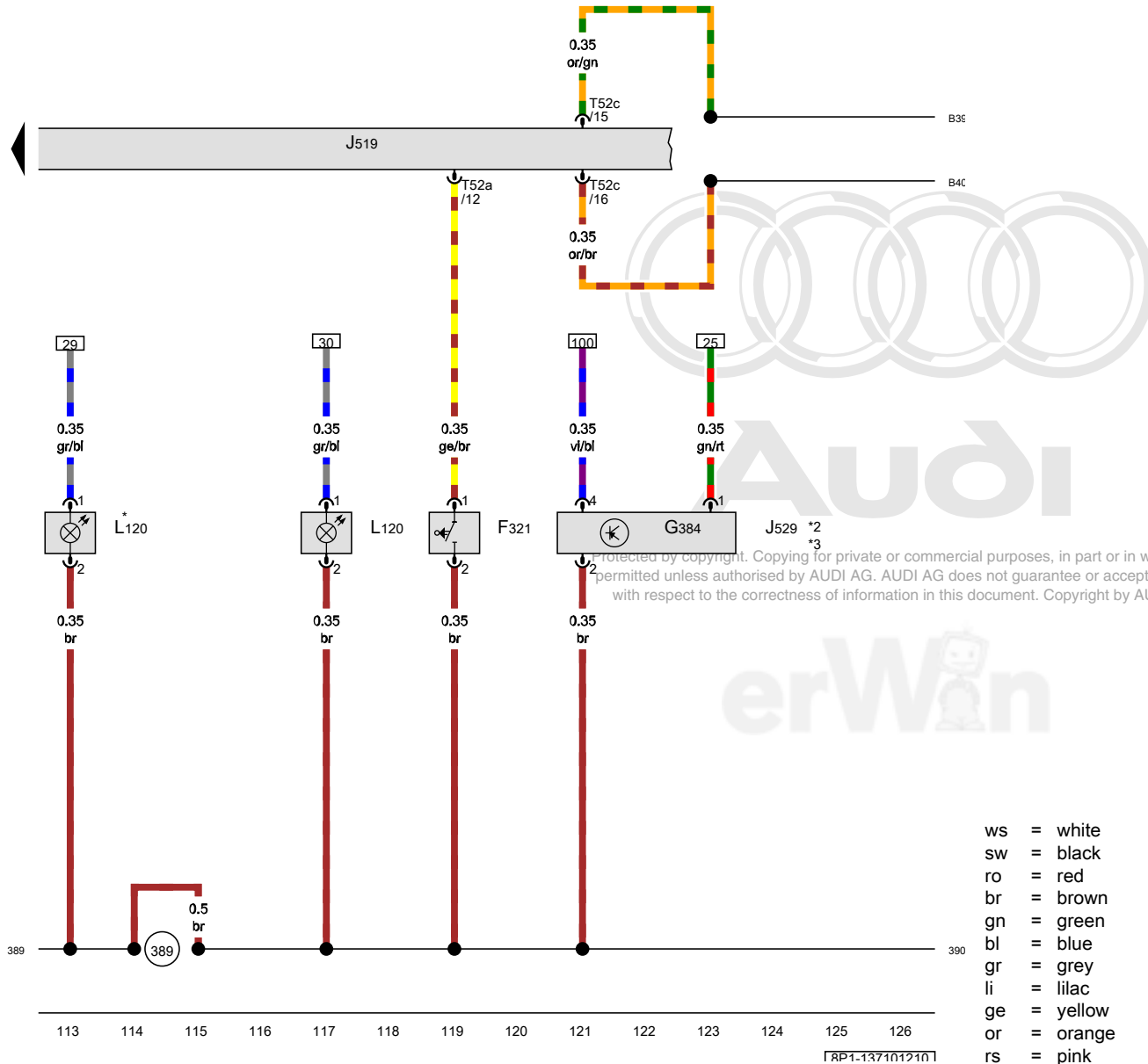
- ws = white
- sw = black
- ro = red
- br = brown
- gn = green
- bl = blue
- gr = grey
- li = lilac
- ge = yellow
- or = orange
- rs = pink

18P1-137091210

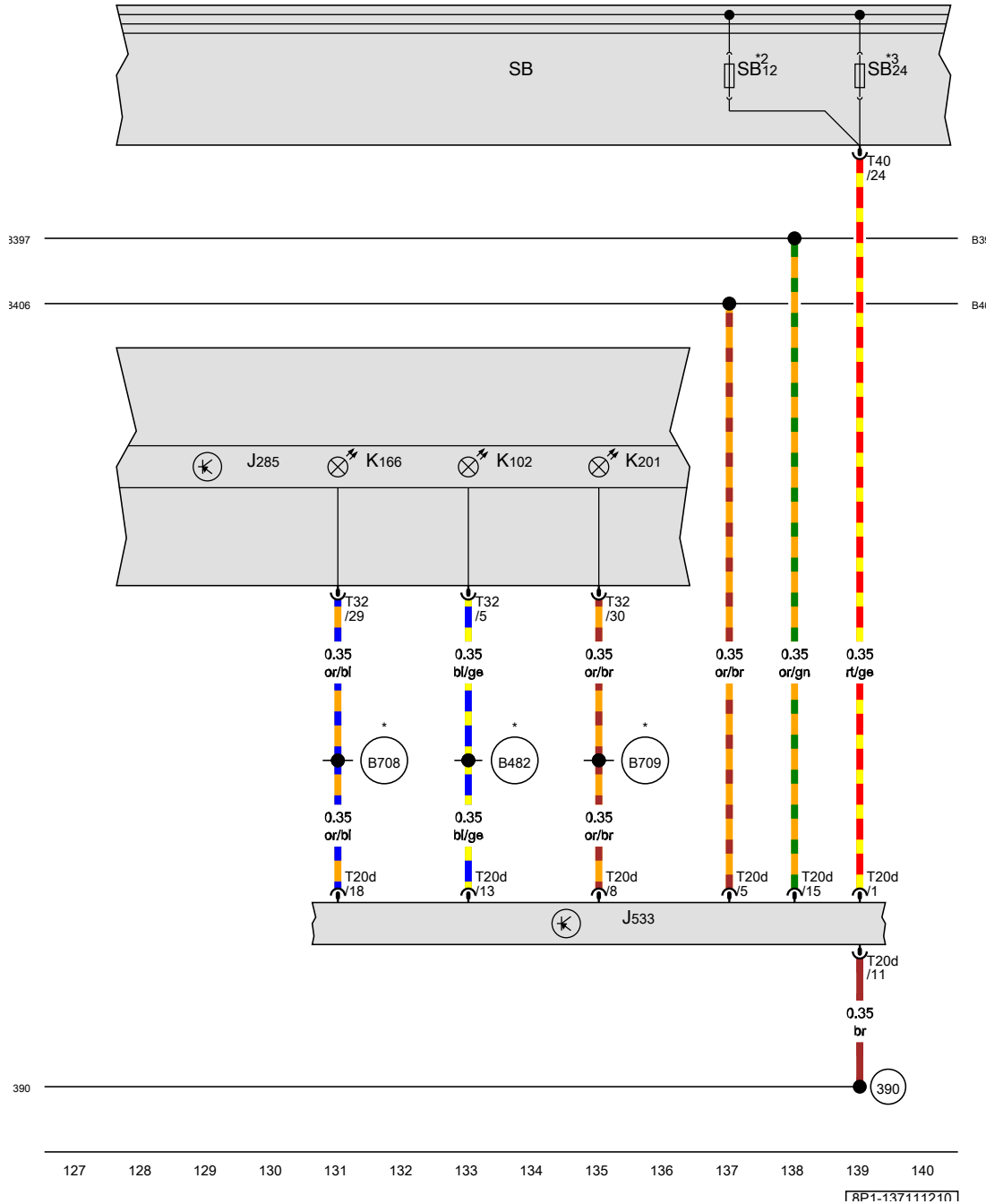
Parking brake contact switch, Inclination sensor/anti-theft system control module, Storage compartment illumination bulb

- F321 Parking brake contact switch
- G384 Vehicle inclination sensor
- J519 Vehicle electrical system control module
- J529 Inclination sensor/anti-theft system control module
- L120 Storage compartment illumination bulb
- T52a 52-pin connector
- T52c 52-pin connector

- 389 Ground connection 24 (in main wiring harness)
- 390 Ground connection 25 (in main wiring harness)
- B397 Comfort system CAN bus high connection 1 (in main wiring harness)
- B406 Comfort system CAN bus low connection 1 (in main wiring harness)
- * Omitted as a running change
- *2 Only for vehicles without US equipment
- *3 For vehicles with anti-theft alarm system



- ws = white
- sw = black
- ro = red
- br = brown
- gn = green
- bl = blue
- gr = grey
- li = lilac
- ge = yellow
- or = orange
- rs = pink



Instrument cluster control module, Data bus on board diagnostic interface

- J285 Instrument cluster control module
- J533 Data bus on board diagnostic interface
- K102 Rear lid -closed- indicator lamp
- K166 Door ajar indicator lamp
- K201 Fuel filler door lock indicator lamp
- SB Fuse panel B
- SB12 Fuse 12 (on fuse panel B)
- SB24 Fuse 24 (on fuse panel B)
- T20d 20-pin connector
- T32 32-pin connector
- T40 40-pin connector

- 390 Ground connection 25 (in main wiring harness)
- B397 Comfort system CAN bus high connection 1 (in main wiring harness)
- B406 Comfort system CAN bus low connection 1 (in main wiring harness)
- B482 Connection 18 (in main wiring harness)
- B708 Instrument cluster CAN bus high connection 1 (in main wiring harness)
- B709 Instrument cluster CAN bus low connection 1 (in main wiring harness)

Protected by copyright. Copying for private or commercial purposes, in part or in whole, is not permitted unless authorised by AUDI AG. AUDI AG does not guarantee or accept any liability with respect to the correctness of the information contained in this document, copyright © AUDI AG.

- * Omitted as a running change
- *2 E-Box low
- *3 E-Box high

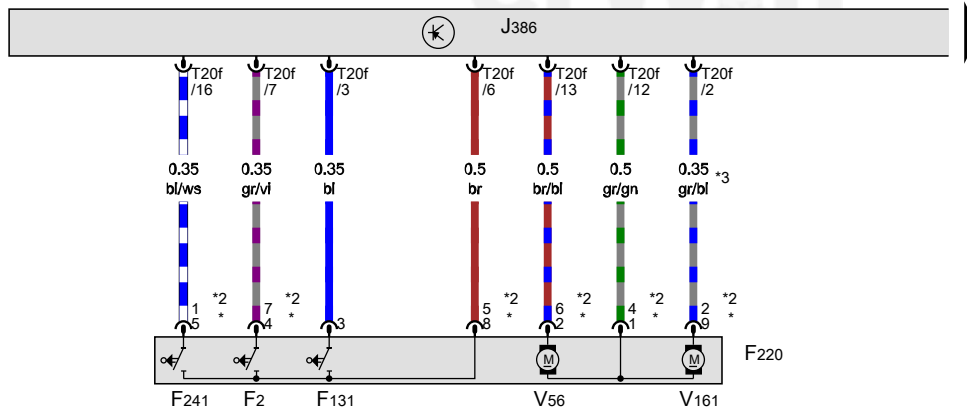
- ws = white
- sw = black
- ro = red
- br = brown
- gn = green
- bl = blue
- gr = grey
- li = lilac
- ge = yellow
- or = orange
- rs = pink



Driver central locking lock unit

- F2 Driver door contact switch
- F131 Left front central locking system actuator
- F220 Driver central locking lock unit
- F241 Driver lock cylinder contact switch
- J386 Driver door control module
- T20f 20-pin connector
- V56 Driver door central locking system motor
- V161 Driver door central locking -SAFE- motor
- B397** Comfort system CAN bus high connection 1 (in main wiring harness)
- B406** Comfort system CAN bus low connection 1 (in main wiring harness)
- * Omitted as a running change
- *2 Running change
- *3 Only for vehicles without US equipment

Protected by copyright. Copying for private or commercial purposes, in part or in whole, is not permitted unless authorised by AUDI AG. AUDI AG does not guarantee or accept any liability with respect to the correctness of information in this document. Copyright by AUDI AG.



- ws = white
- sw = black
- ro = red
- br = brown
- gn = green
- bl = blue
- gr = grey
- li = lilac
- ge = yellow
- or = orange
- rs = pink

141 142 143 144 145 146 147 148 149 150 151 152 153 154

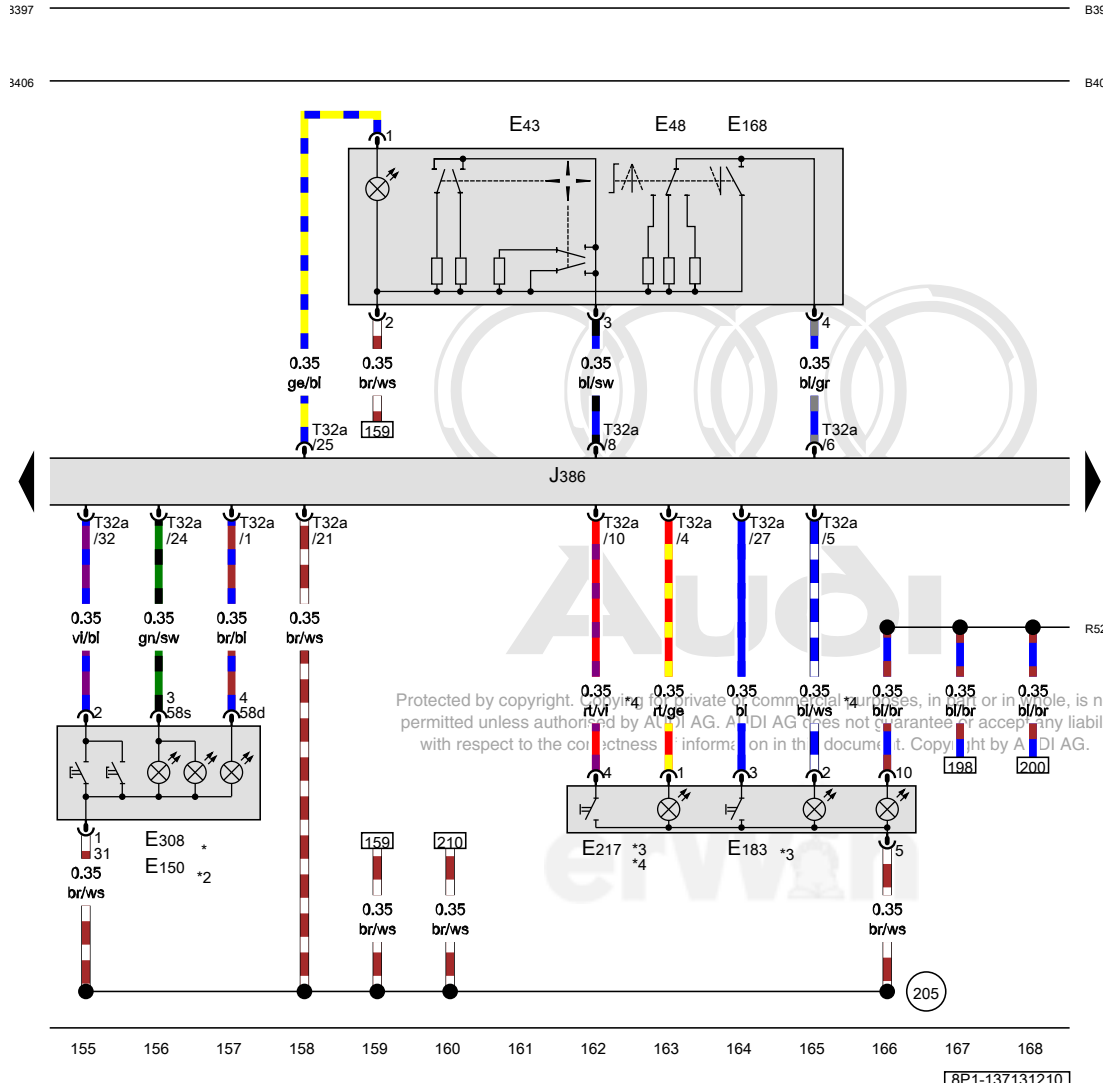
18P1-137121210

Mirror adjusting switch, Folding mirror adjustment switch, Alarm system deactivation switch, Driver interior locking button

- E43 Mirror adjusting switch
- E48 Mirror selector switch
- E150 Driver interior locking switch
- E168 Folding mirror adjustment switch
- E183 Interior monitoring switch
- E217 Alarm system deactivation switch
- E308 Driver interior locking button
- J386 Driver door control module
- T32a 32-pin connector

- (205) Ground connection (in driver door wiring harness)
- (B397) Comfort system CAN bus high connection 1 (in main wiring harness)
- (B406) Comfort system CAN bus low connection 1 (in main wiring harness)
- (R52) Connection (58s) (in driver door wiring harness)

- * Running change
- *2 Omitted as a running change
- *3 Only for vehicles with interior monitoring
- *4 Through April 2010



- ws = white
- sw = black
- ro = red
- br = brown
- gn = green
- bl = blue
- gr = grey
- li = lilac
- ge = yellow
- or = orange
- rs = pink

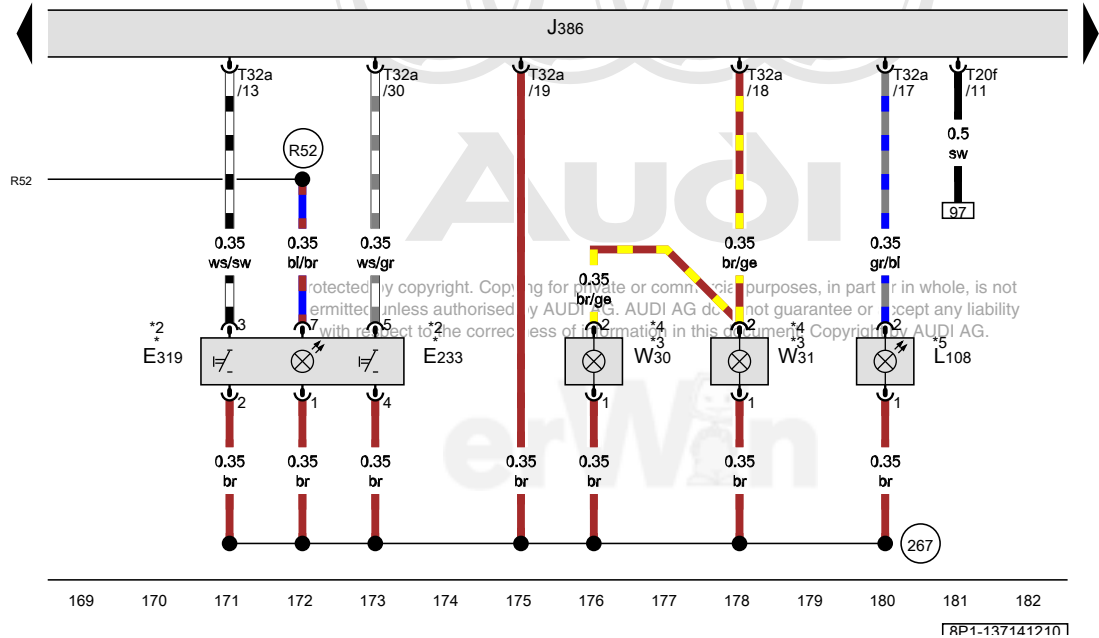
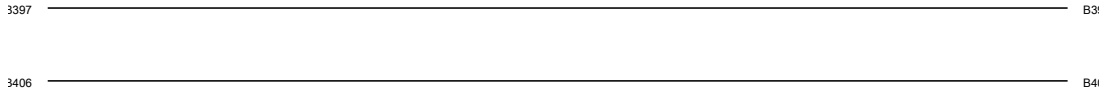
18P1-137131210

Rear lid remote release button, Fuel filler door release button, Driver door opener illumination bulb, Driver door warning lamp, Left front entry lamp

- E233 Rear lid remote release button
- E319 Fuel filler door release button
- J386 Driver door control module
- L108 Driver door opener illumination bulb
- T20f 20-pin connector
- T32a 32-pin connector
- W30 Driver door warning lamp
- W31 Left front entry lamp

- 267 Ground connection 2 (in driver door wiring harness)
- B397 Comfort system CAN bus high connection 1 (in main wiring harness)
- B406 Comfort system CAN bus low connection 1 (in main wiring harness)
- R52 Connection (58s) (in driver door wiring harness)

- * Only for vehicles with US equipment
- *2 If available
- *3 Only for vehicles without US equipment
- *4 Only for vehicles with door handle illumination, entry lamps and door warning lamps
- *5 Only for vehicles with driver door handle illumination



- ws = white
- sw = black
- ro = red
- br = brown
- gn = green
- bl = blue
- gr = grey
- li = lilac
- ge = yellow
- or = orange
- rs = pink

FRP1-137141210

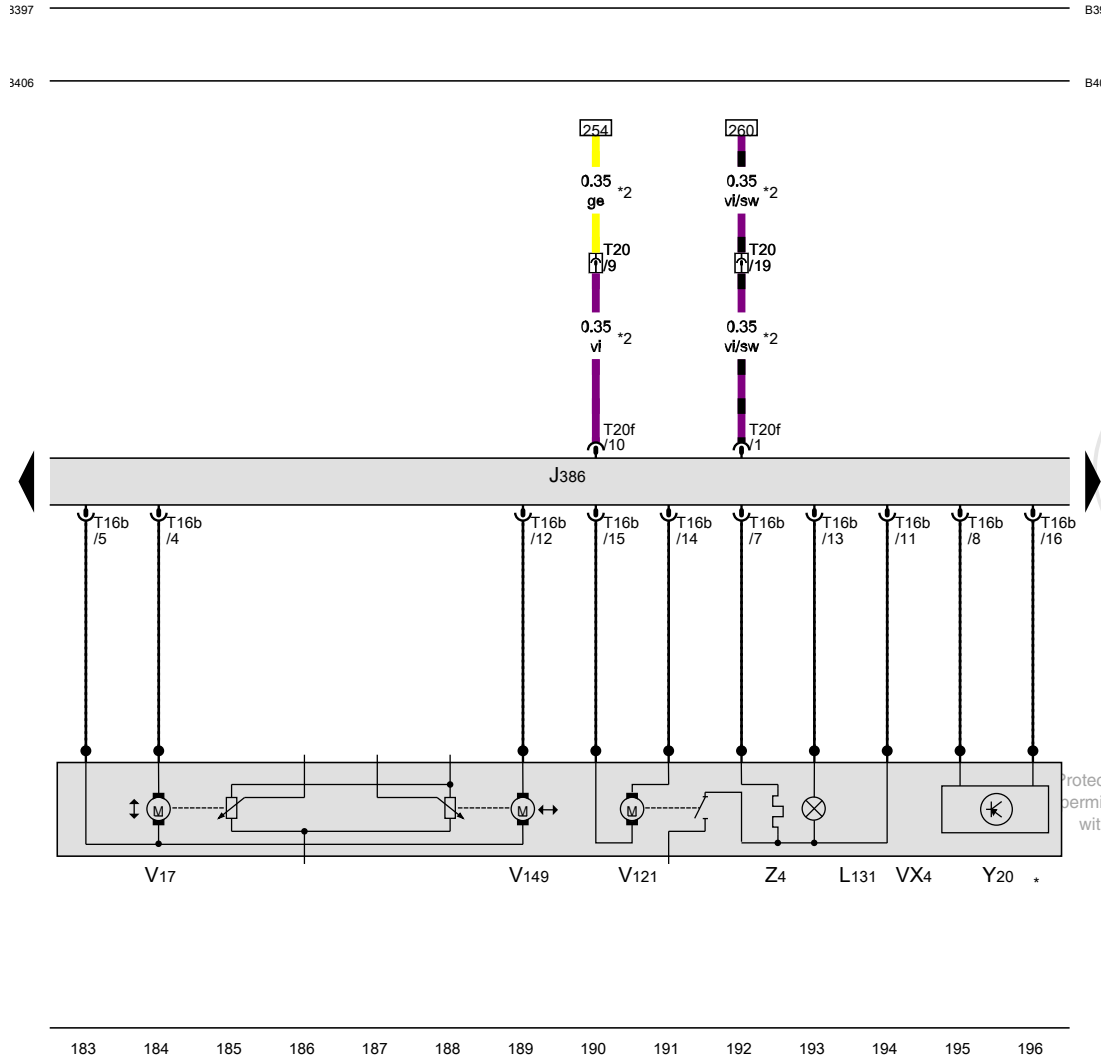
Driver exterior rearview mirror

- J386 Driver door control module
- L131 Driver exterior rearview mirror turn signal bulb
- T16b 16-pin connector
- T20 20-pin connector, on the left A-pillar
- T20f 20-pin connector
- VX4 Driver exterior rearview mirror
- V17 Driver mirror adjustment motor
- V121 Driver exterior rearview mirror folding motor
- V149 Driver mirror adjustment motor
- Y20 Driver automatic dimming exterior rearview mirror
- Z4 Heated driver exterior rearview mirror

B397 Comfort system CAN bus high connection 1 (in main wiring harness)

B406 Comfort system CAN bus low connection 1 (in main wiring harness)

- * Only for vehicles with automatic dimming exterior rearview mirror
- *2 Only for vehicles with automatic dimming interior rearview mirror



Protected by copyright. Copying for private or commercial purposes, in part or in whole, is not permitted unless authorised by AUDI AG. AUDI AG does not guarantee or accept any liability with respect to the correctness of information in this document. Copyright by AUDI AG.

- vs = white
- sw = black
- ro = red
- br = brown
- gn = green
- bl = blue
- gr = grey
- li = lilac
- ge = yellow
- or = orange
- rs = pink

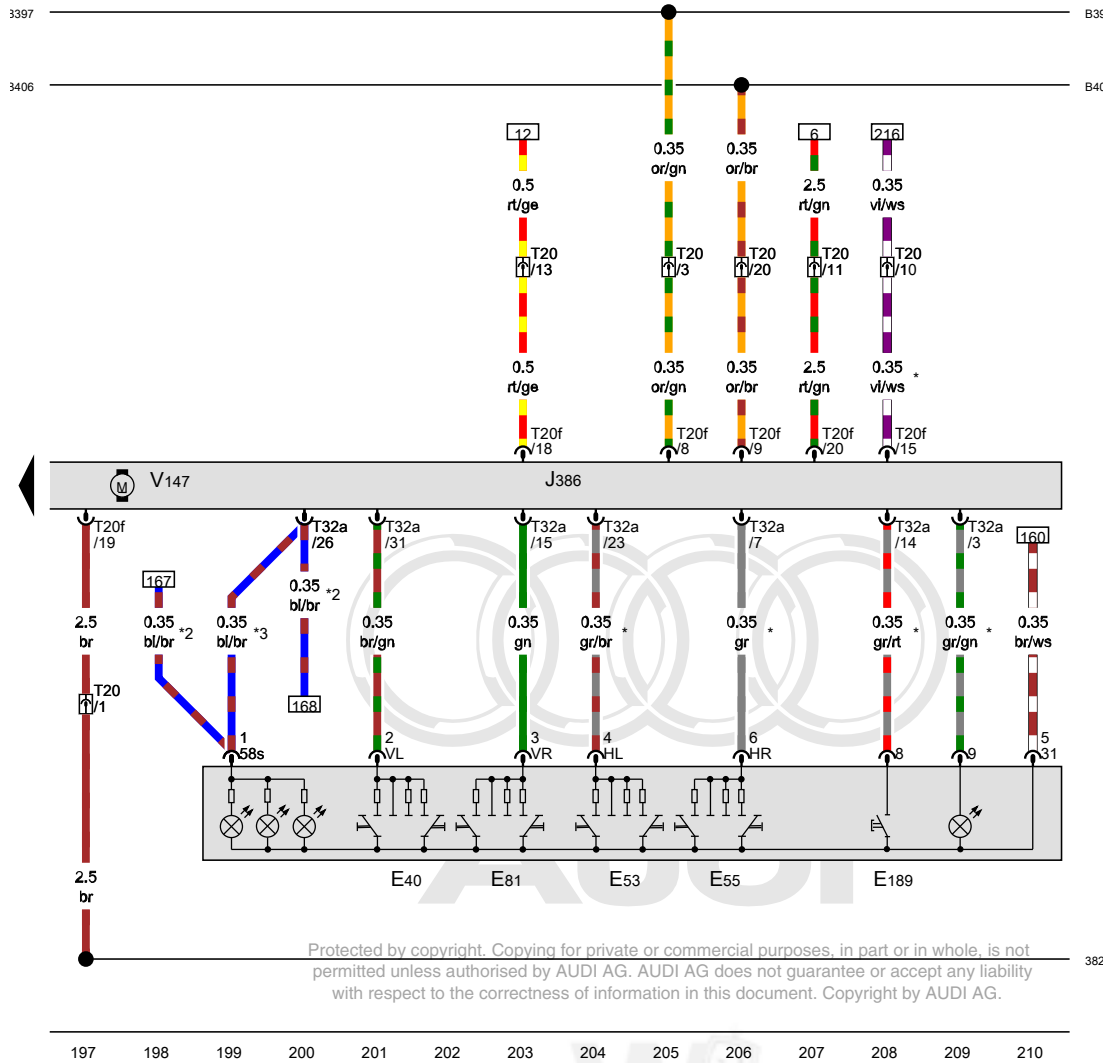
183 184 185 186 187 188 189 190 191 192 193 194 195 196

RP1-137151210

Central window regulator switch in driver door, Driver window regulator motor

- E40 Left front window regulator switch
- E53 Left rear window regulator switch in driver door
- E55 Right rear window regulator switch in driver door
- E81 Right front power window switch in driver door
- E189 Central window regulator switch in driver door
- J386 Driver door control module
- T20 20-pin connector, on the left A-pillar
- T20f 20-pin connector
- T32a 32-pin connector
- V147 Driver window regulator motor

- 382 Ground connection 17 (in main wiring harness)
- B397 Comfort system CAN bus high connection 1 (in main wiring harness)
- B406 Comfort system CAN bus low connection 1 (in main wiring harness)
- * Only for vehicles with 5-door equipment
- *2 Only for vehicles with interior monitoring
- *3 Only for vehicles without interior monitoring

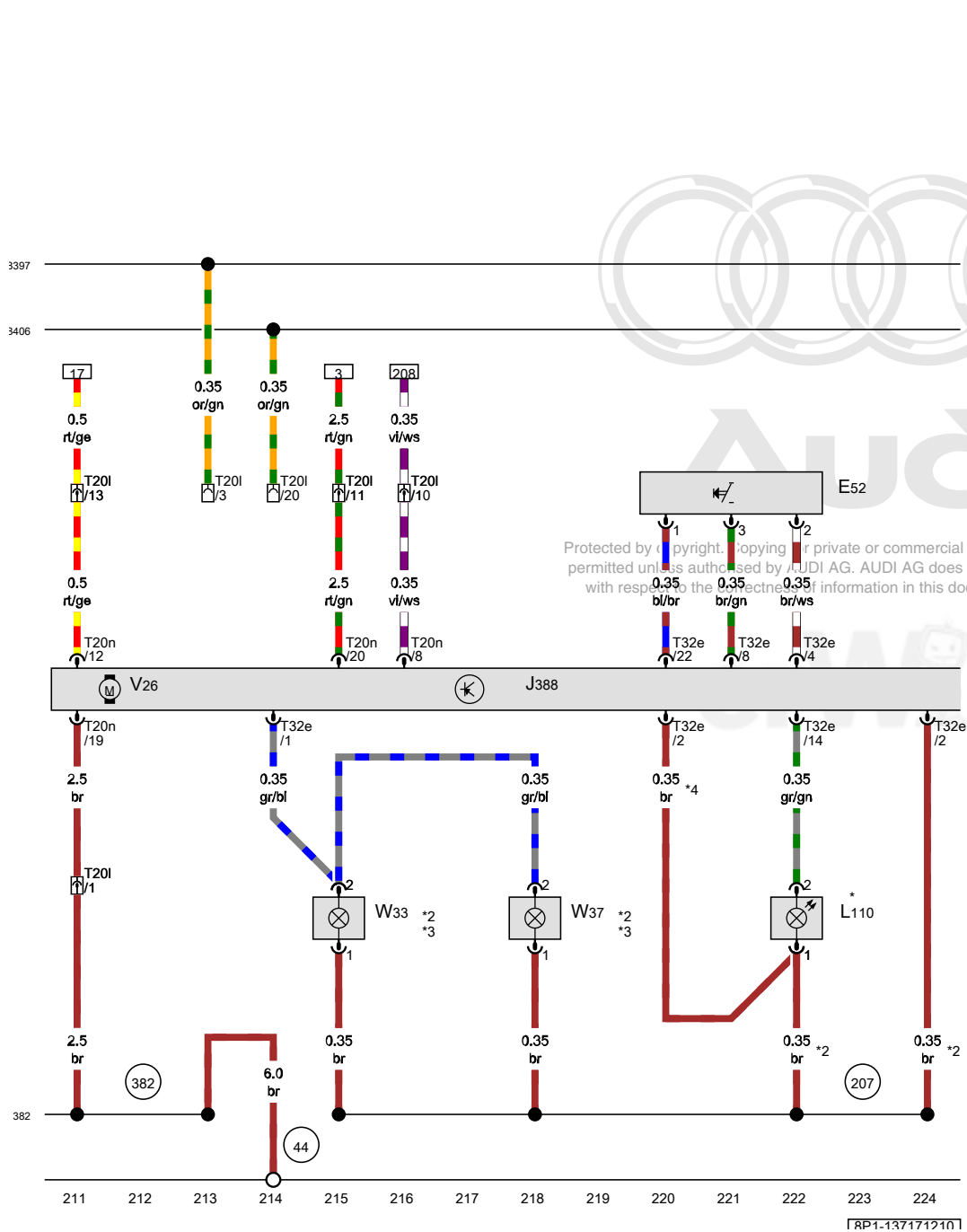


Protected by copyright. Copying for private or commercial purposes, in part or in whole, is not permitted unless authorised by AUDI AG. AUDI AG does not guarantee or accept any liability with respect to the correctness of information in this document. Copyright by AUDI AG.

- ws = white
- sw = black
- ro = red
- br = brown
- gn = green
- bl = blue
- gr = grey
- li = lilac
- ge = yellow
- or = orange
- rs = pink

197 198 199 200 201 202 203 204 205 206 207 208 209 210

18P1-137161210



Left rear power window switch in left rear door, Left rear door opener illumination bulb, Left rear window regulator motor, Left rear entry lamp, Left rear door warning lamp

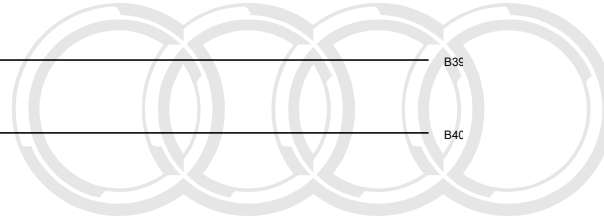
- E52 Left rear power window switch in left rear door
- J388 Left rear door control module
- L110 Left rear door opener illumination bulb
- T20I 20-pin connector, on the left B-pillar
- T20n 20-pin connector
- T32e 32-pin connector
- V26 Left rear window regulator motor
- W33 Left rear entry lamp
- W37 Left rear door warning lamp
- 44 Ground connection on A-pillar, lower left
- 207 Ground connection (in left rear door wiring harness)
- 382 Ground connection 17 (in main wiring harness)
- B397 Comfort system CAN bus high connection 1 (in main wiring harness)
- B406 Comfort system CAN bus low connection 1 (in main wiring harness)
- * Only for vehicles with left rear door handle illumination
- *2 Depending on equipment
- *3 Only for vehicles without US equipment
- *4 Only for vehicles without left rear door warning lamps and entry lamps

- ws = white
- sw = black
- ro = red
- br = brown
- gn = green
- bl = blue
- gr = grey
- li = lilac
- ge = yellow
- or = orange
- rs = pink

18P1-137171210

3397

3406



Audi

Protected by copyright. Copying for private or commercial purposes, in part or in whole, is not permitted unless authorised by AUDI AG. AUDI AG does not guarantee or accept any liability with respect to the correctness of information in this document. Copyright by AUDI AG.

Left rear central locking lock unit

- F10 Left rear door contact switch
- F132 Left rear central locking system actuator
- F222 Left rear central locking lock unit
- J388 Left rear door control module
- T20n 20-pin connector
- V115 Left rear central locking system motor
- V163 Left rear central locking -SAFE- motor

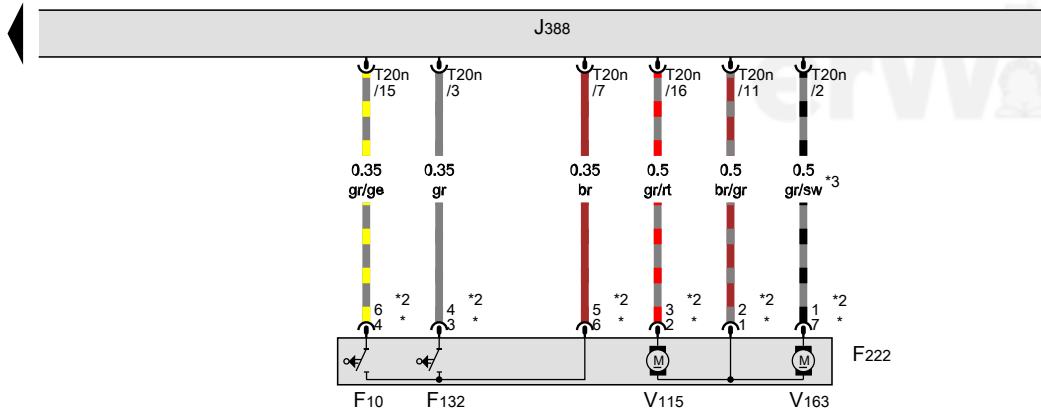
B397 Comfort system CAN bus high connection 1 (in main wiring harness)

B406 Comfort system CAN bus low connection 1 (in main wiring harness)

* Omitted as a running change

*2 Running change

*3 Only for vehicles without US equipment



- ws = white
- sw = black
- ro = red
- br = brown
- gn = green
- bl = blue
- gr = grey
- li = lilac
- ge = yellow
- or = orange
- rs = pink

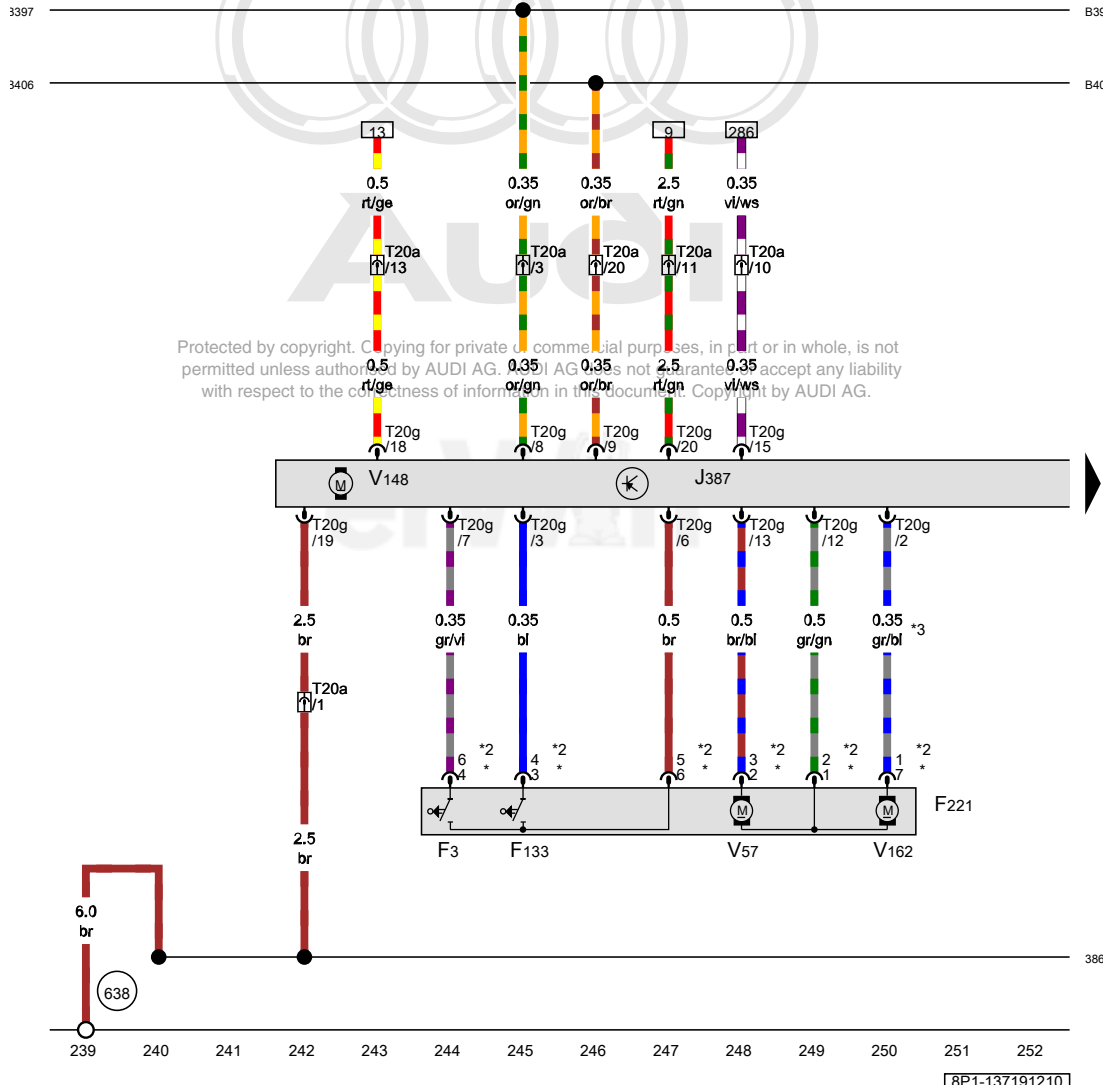
225 226 227 228 229 230 231 232 233 234 235 236 237 238

[RP1-137181210]

Front passenger central locking lock unit, Front passenger window regulator motor

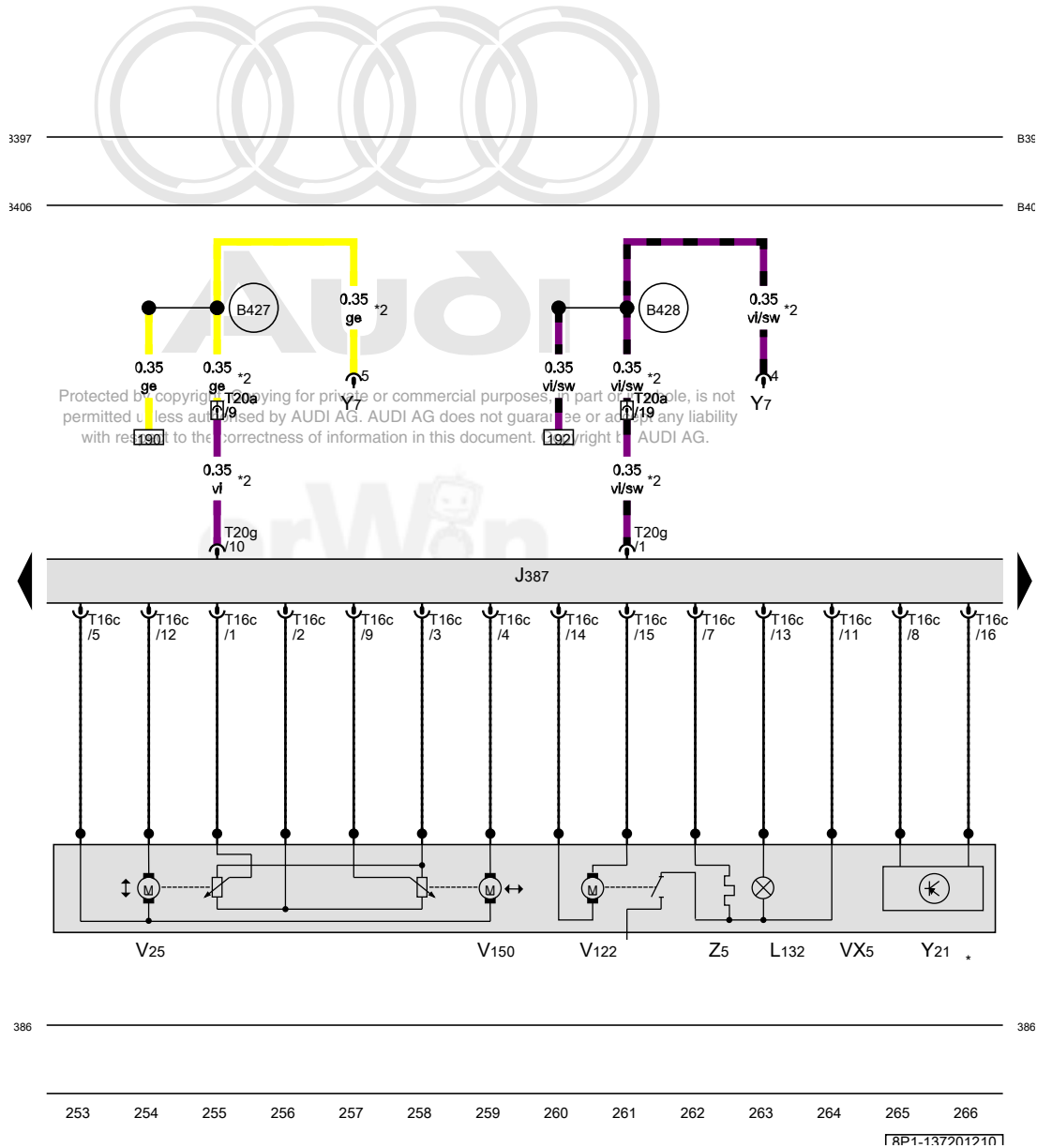
- F3 Front passenger door contact switch
- F133 Right front central locking system actuator
- F221 Front passenger central locking lock unit
- J387 Front passenger door control module
- T20a 20-pin connector, on the right A-pillar
- T20g 20-pin connector
- V57 Front passenger door central locking system motor
- V148 Front passenger window regulator motor
- V162 Front passenger central locking -SAFE- motor

- 386 Ground connection 21 (in main wiring harness)
- 638 Ground connection on right A-pillar
- B397 Comfort system CAN bus high connection 1 (in main wiring harness)
- B406 Comfort system CAN bus low connection 1 (in main wiring harness)
- * Omitted as a running change
- *2 Running change
- *3 Only for vehicles without US equipment



- ws = white
- sw = black
- ro = red
- br = brown
- gn = green
- bl = blue
- gr = grey
- li = lilac
- ge = yellow
- or = orange
- rs = pink

18P1-137191210



Front passenger exterior rearview mirror

- J387 Front passenger door control module
- L132 Front passenger exterior rearview mirror turn signal bulb
- T16c 16-pin connector
- T20a 20-pin connector, on the right A-pillar
- T20g 20-pin connector
- VX5 Front passenger exterior rearview mirror
- V25 Front passenger mirror adjustment motor
- V122 Front passenger exterior rearview mirror folding motor
- V150 Front passenger mirror adjustment motor
- Y7 Automatic dimming interior rearview mirror
- Y21 Front passenger automatic dimming exterior rearview mirror
- Z5 Heated front passenger exterior rearview mirror

- 386 Ground connection 21 (in main wiring harness)
- B397 Comfort system CAN bus high connection 1 (in main wiring harness)
- B406 Comfort system CAN bus low connection 1 (in main wiring harness)
- B427 Mirror auto-dimming signal connection 1 (in main wiring harness)
- B428 Mirror auto-dimming signal connection 2 (in main wiring harness)

- * Only for vehicles with automatic dimming exterior rearview mirror
- *2 Only for vehicles with automatic dimming interior rearview mirror

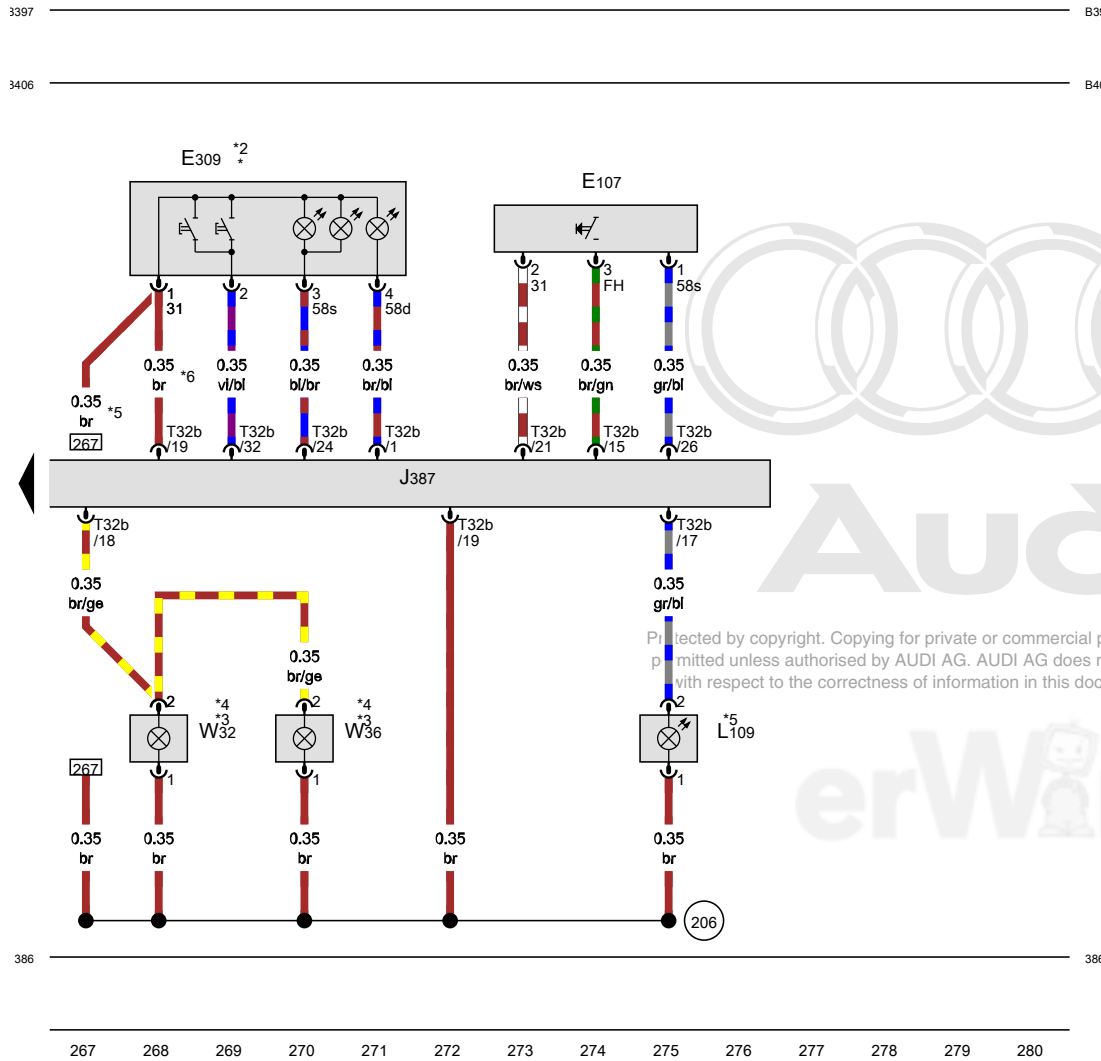
- ws = white
- sw = black
- ro = red
- br = brown
- gn = green
- bl = blue
- gr = grey
- li = lilac
- ge = yellow
- or = orange
- rs = pink

Front passenger door window regulator switch, Front passenger door opener illumination bulb, Right front entry lamp, Front passenger door warning lamp

- E107 Front passenger door window regulator switch
- E309 Front passenger interior locking button
- J387 Front passenger door control module
- L109 Front passenger door opener illumination bulb
- T32b 32-pin connector
- W32 Right front entry lamp
- W36 Front passenger door warning lamp

- 206 Ground connection (in front passenger door wiring harness)
- 386 Ground connection 21 (in main wiring harness)
- B397 Comfort system CAN bus high connection 1 (in main wiring harness)
- B406 Comfort system CAN bus low connection 1 (in main wiring harness)

- * Only for vehicles with US equipment
- *2 If available
- *3 Only for vehicles without US equipment
- *4 Only for vehicles with door handle illumination, entry lamps and door warning lamps
- *5 Only for vehicles with front passenger door handle illumination
- *6 Only for vehicles without front passenger door handle illumination



Protected by copyright. Copying for private or commercial purposes, in part or in whole, is not permitted unless authorised by AUDI AG. AUDI AG does not guarantee or accept any liability with respect to the correctness of information in this document. Copyright by AUDI AG.

- ws = white
- sw = black
- ro = red
- br = brown
- gn = green
- bl = blue
- gr = grey
- li = lilac
- ge = yellow
- or = orange
- rs = pink

Right rear window switch in right rear door, Right rear door opener illumination bulb, Right rear window regulator motor, Right rear entry lamp, Right rear door warning lamp

- E54 Right rear window switch in right rear door
- J389 Right rear door control module
- L111 Right rear door opener illumination bulb
- T20m 20-pin connector, on the right B-pillar
- T20o 20-pin connector
- T32f 32-pin connector
- V27 Right rear window regulator motor
- W34 Right rear entry lamp
- W38 Right rear door warning lamp

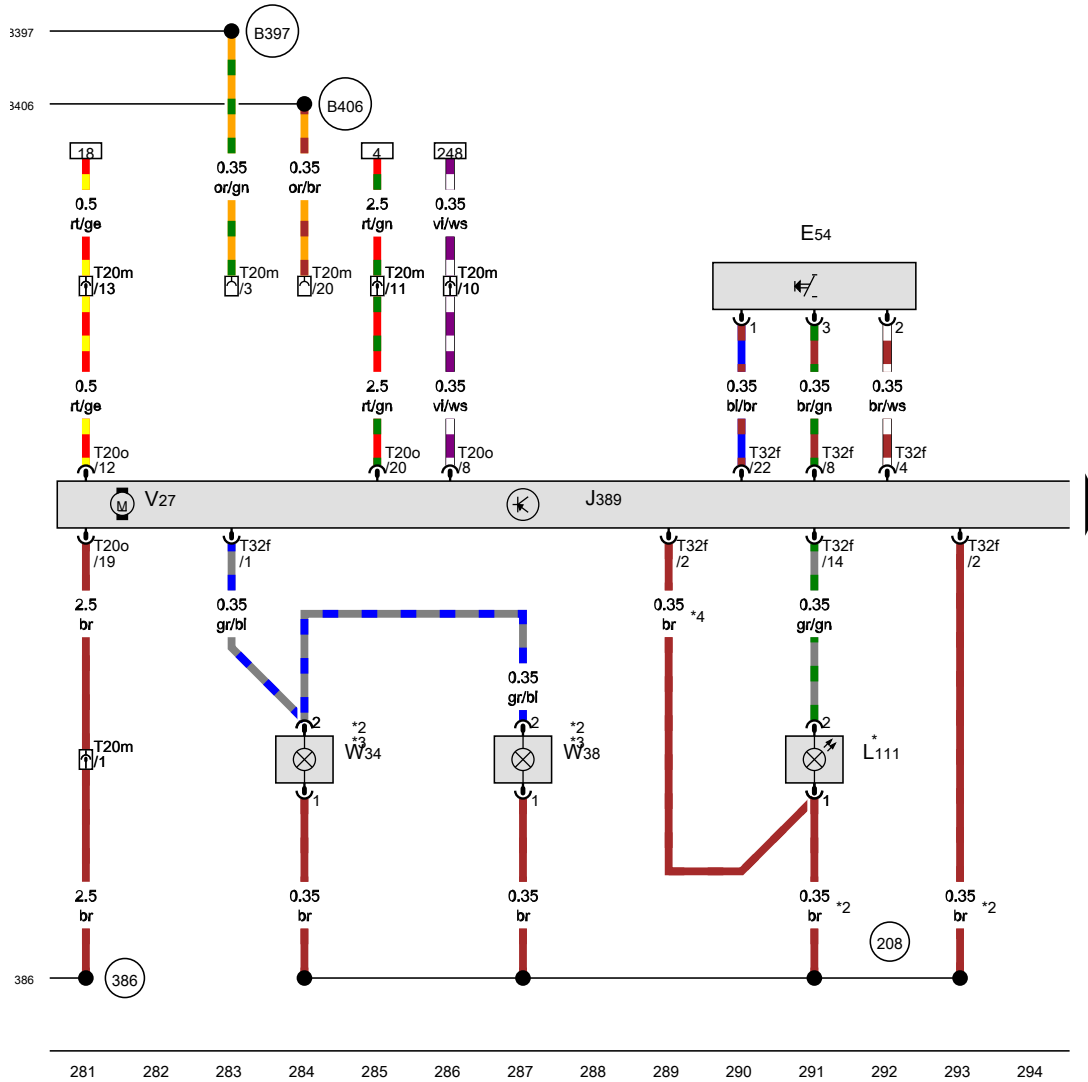
208 Ground connection (in right rear door wiring harness)

386 Ground connection 21 (in main wiring harness)

B397 Comfort system CAN bus high connection 1 (in main wiring harness)

B406 Comfort system CAN bus low connection 1 (in main wiring harness)

- * Only for vehicles with right rear door handle illumination
- *2 Only for vehicles with door handle illumination, entry lamps and door warning lamps
- *3 Only for vehicles without US equipment
- *4 Only for vehicles without right rear door warning lamps and entry lamps

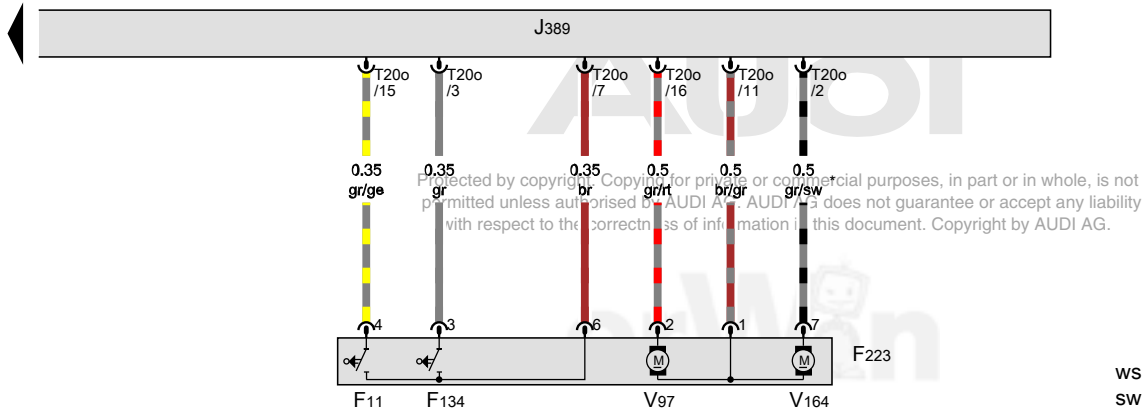


- ws = white
- sw = black
- ro = red
- br = brown
- gn = green
- bl = blue
- gr = grey
- li = lilac
- ge = yellow
- or = orange
- rs = pink

18P1-137221210

Right rear central locking lock unit

- F11 Right rear door contact switch
- F134 Right rear central locking system actuator
- F223 Right rear central locking lock unit
- J389 Right rear door control module
- T20o 20-pin connector
- V97 Right rear door central locking system motor
- V164 Right rear central locking -SAFE- motor
- * Only for vehicles without US equipment



Protected by copyright. Copying for private or commercial purposes, in part or in whole, is not permitted unless authorised by AUDI AG. AUDI AG does not guarantee or accept any liability with respect to the correctness of information in this document. Copyright by AUDI AG.

- ws = white
- sw = black
- ro = red
- br = brown
- gn = green
- bl = blue
- gr = grey
- li = lilac
- ge = yellow
- or = orange
- rs = pink

295 296 297 298 299 300 301 302 303 304 305 306 307 308

[RP1-137231210]

Front Heated Seat, with Manual Power Seat

⇒ Only heater with manual regulation

⇒ Only A/C with manual regulation

from May 2009

Note:

Information for

◆ Relay and fuse arrangements

◆ Connector arrangements

◆ Control Modules and Relays

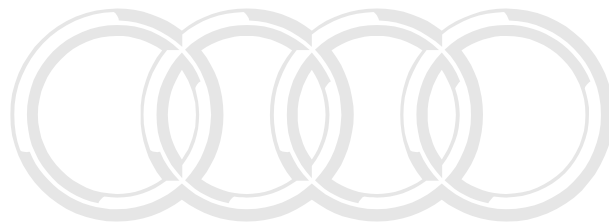
◆ Ground Connections

⇒ Component Locations

Information for

◆ Troubleshooting Procedures

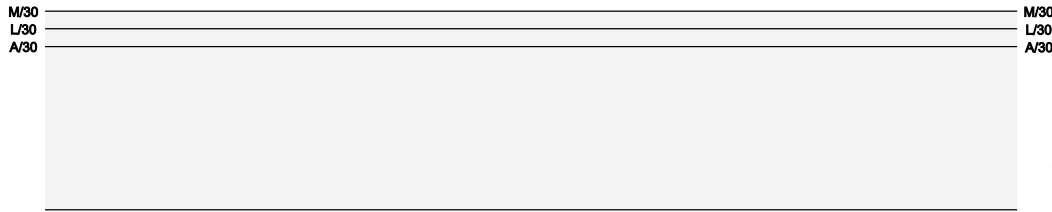
⇒ Guided Fault Finding using VAS 5051 / 5052



Audi

Protected by copyright. Copying for private or commercial purposes, in part or in whole, is not permitted unless authorised by AUDI AG. AUDI AG does not guarantee or accept any liability with respect to the correctness of information in this document. Copyright by AUDI AG.



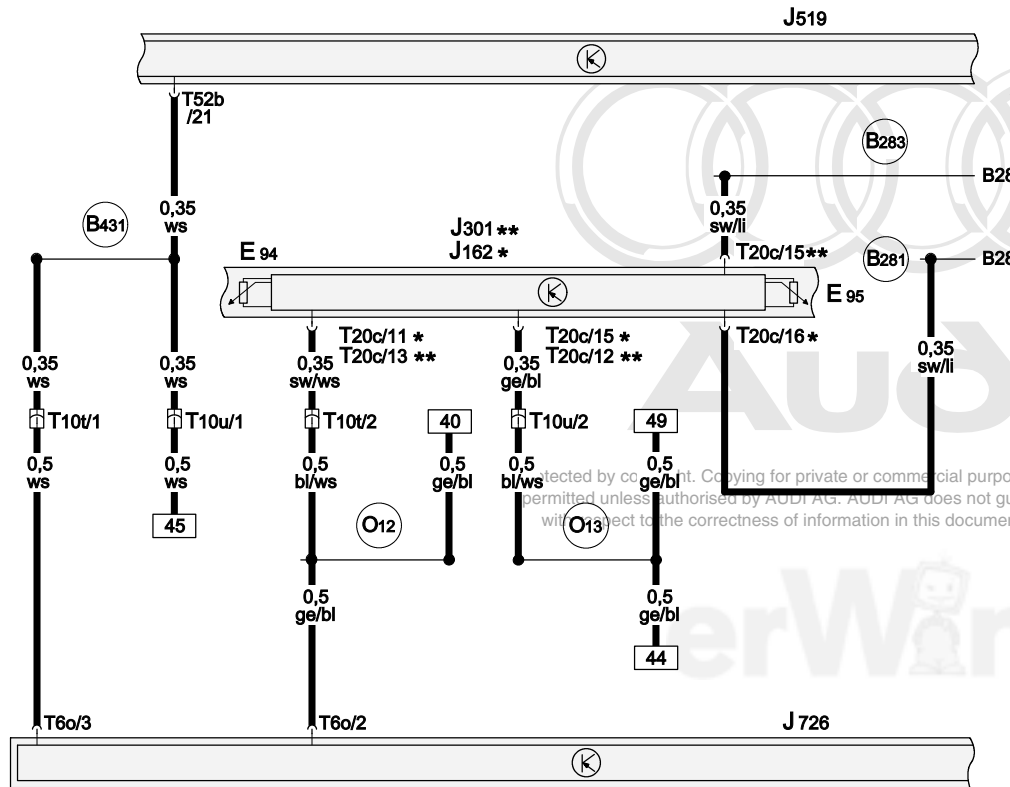


Driver's Heated Seat Adjuster, Front Passenger's Heated Seat Adjuster

- E94 Driver's Heated Seat Adjuster
- E95 Front Passenger's Heated Seat Adjuster
- J162 Heater Control Module
- J301 A/C Control Module
- J519 Vehicle Electrical System Control Module
- J726 Driver's Heated Seat Control Module
- T6o 6-Pin Connector, black, on driver seat heater control module
- T10t 10-Pin Connector, black, below driver's seat
- T10u 10-Pin Connector, black, below front passenger's seat
- T20c 20-Pin Connector, black (Connector A)
- T52b 52-Pin Connector, white (Connector B)

- (B281) Plus Connection 5 (15a) (in main wiring harness)
- (B283) Plus Connection 7 (15a) (in main wiring harness)
- (B431) Seat Heating Connection (in main wiring harness)
- (O12) Connection 1 (in seat heater wiring harness)
- (O13) Connection 2 (in seat heater wiring harness)

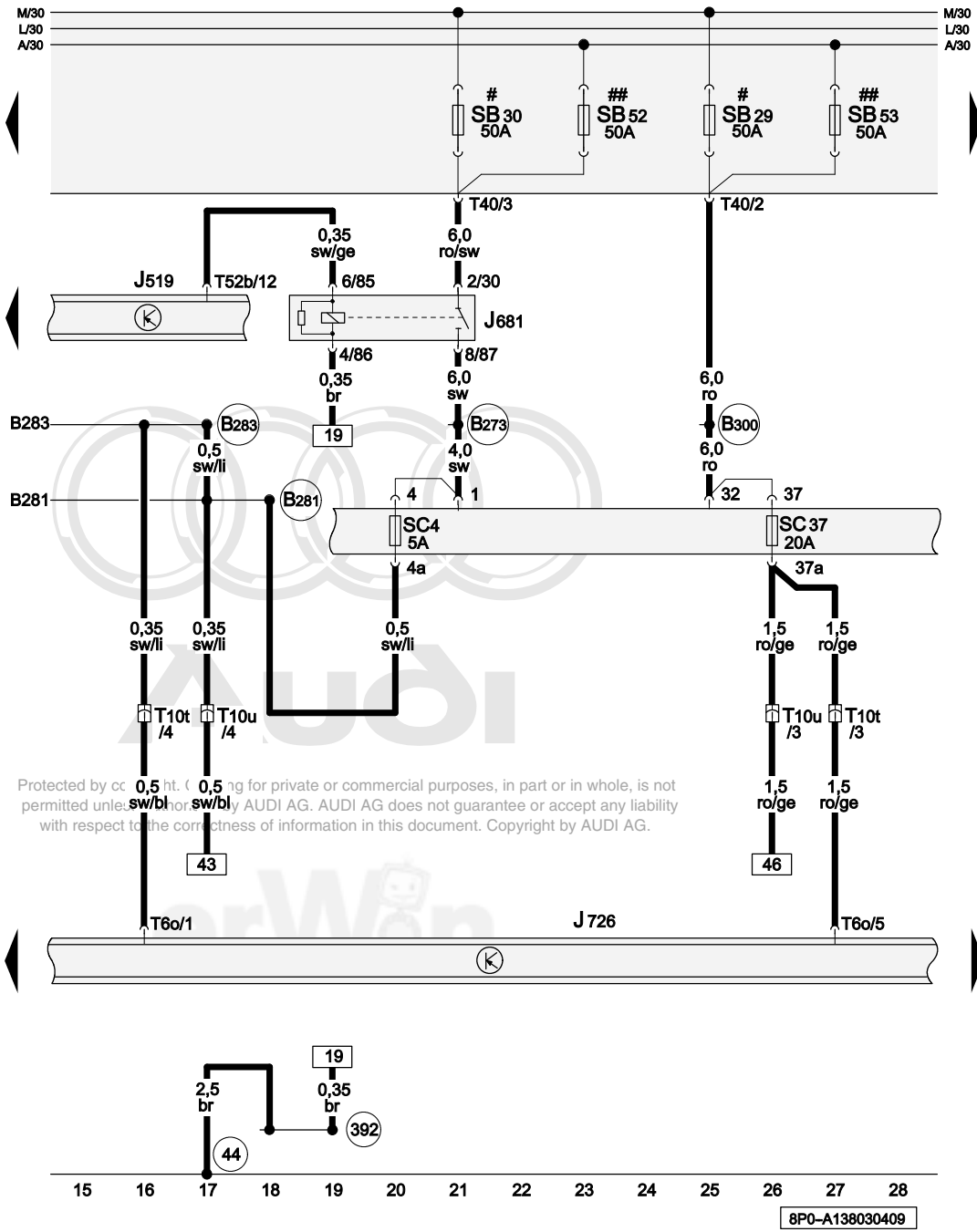
* Only heater with manual regulation
 ** Only A/C with manual regulation



- ws = white
- sw = black
- ro = red
- br = brown
- gn = green
- bl = blue
- gr = grey
- li = lilac
- ge = yellow
- or = orange
- rs = pink

1 2 3 4 5 6 7 8 9 10 11 12 13 14

8P0-A138020409



Driver's Heated Seat Control Module, Power Supply Relay 2 (terminal 15)

- J519 Vehicle Electrical System Control Module
- J681 Power Supply Relay 2 (terminal 15)
- J726 Driver's Heated Seat Control Module
- SB29 Fuse 29 (on fuse panel B)
- SB30 Fuse 30 (on fuse panel B)
- SB52 Fuse 52 (on fuse panel B)
- SB53 Fuse 53 (on fuse panel B)
- SC4 Fuse 4 (on fuse panel C)
- SC37 Fuse 37 (on fuse panel C)
- T6o 6-Pin Connector, black, on driver seat heater control module
- T10t 10-Pin Connector, black, below driver's seat
- T10u 10-Pin Connector, black, below front passenger's seat
- T40 40-Pin Connector, black, on electronics box engine compartment (Connector J)
- T52b 52-Pin Connector, white (Connector B)
- 44 Ground Connection (on left lower A-pillar)
- 392 Ground Connection 27 (in main wiring harness)
- B273 Plus Connection (15) (in main wiring harness)
- B281 Plus Connection 5 (15a) (in main wiring harness)
- B283 Plus Connection 7 (15a) (in main wiring harness)
- B300 Plus Connection 4 (30) (in main wiring harness)
- # Only models with electronics box Low
- ## Only models with electronics box High

Protected by copyright. No part of this document may be reproduced, stored in a retrieval system, or transmitted in any form or by any means, electronic, mechanical, photocopying, recording, or by any information storage and retrieval system, without the prior written permission of Audi AG. Audi AG does not guarantee or accept any liability with respect to the correctness of information in this document. Copyright by Audi AG.

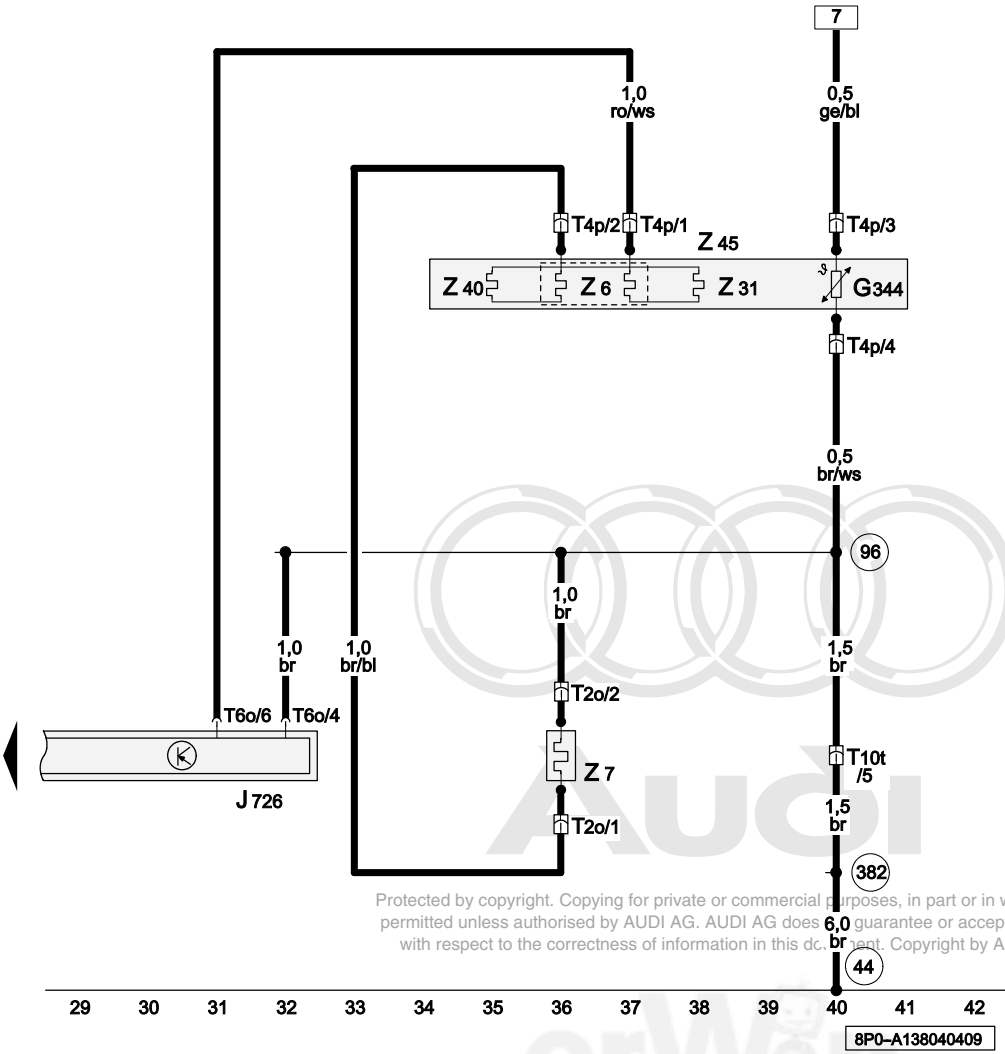
- ws = white
- sw = black
- ro = red
- br = brown
- gn = green
- bl = blue
- gr = grey
- li = lilac
- ge = yellow
- or = orange
- rs = pink



Driver's Heated Seat Control Module, Front Left Heated Seat

- G344 Left Front Seat Temperature Sensor
- J726 Driver's Heated Seat Control Module
- T2o Double Connector, black, on driver's backrest heating element
- T4p 4-Pin Connector, black, on driver's heated seat
- T6o 6-Pin Connector, black, on driver seat heater control module
- T10t 10-Pin Connector, black, below driver's seat
- Z6 Driver's Seat Heating Element
- Z7 Driver's Backrest Heating Element
- Z31 Driver's Seat Side Bolster Heater
- Z40 Driver's Seat Side Bolster Heater 2
- Z45 Front Left Heated Seat

- 44 Ground Connection (on left lower A-pillar)
- 96 Ground Connection 1 (in heated seats wiring harness)
- 382 Ground Connection 17 (in main wiring harness)



- ws = white
- sw = black
- ro = red
- br = brown
- gn = green
- bl = blue
- gr = grey
- li = lilac
- ge = yellow
- or = orange
- rs = pink

8P0-A138040409



Front Passenger's Heated Seat Control Module, Front Right Heated Seat

- G345 Right Front Seat Temperature Sensor
- J727 Front Passenger's Heated Seat Control Module
- T2p Double Connector, black, on front passenger's backrest heating element
- T4q 4-Pin Connector, black, on front passenger's heated seat
- T6p 6-Pin Connector, black, on front passenger seat heater control module
- T10u 10-Pin Connector, black, below front passenger's seat
- Z8 Front Passenger's Seat Heating Element
- Z9 Front Passenger's Backrest Heating Element
- Z33 Front Passenger's Seat Side Bolster Heater
- Z41 Front Passenger's Seat Side Bolster Heater 2
- Z46 Front Right Heated Seat

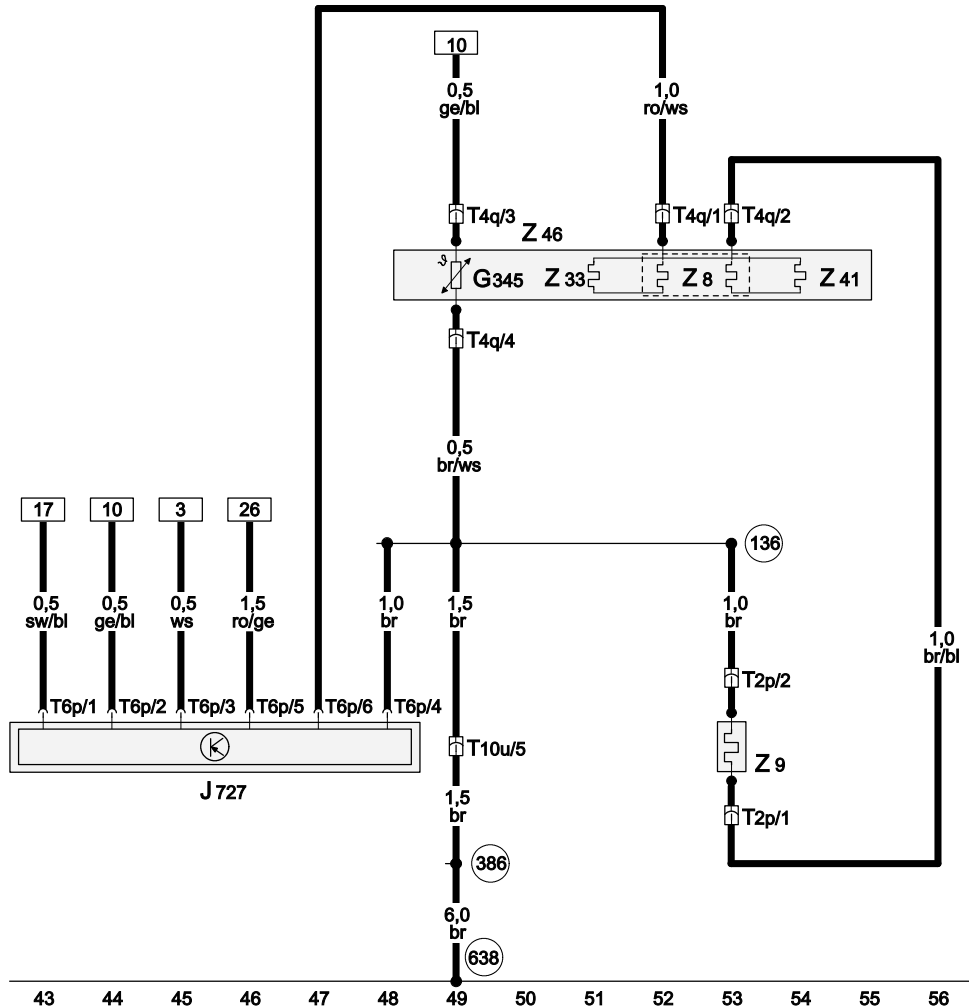
- 136 Ground Connection 2 (in heated seats wiring harness)
- 386 Ground Connection 21 (in main wiring harness)
- 638 Ground Connection (on right A-pillar)

Audi

Protected by copyright. Copying for private or commercial purposes, in part or in whole, is not permitted unless authorised by AUDI AG. AUDI AG does not guarantee or accept any liability with respect to the correctness of information in this document. Copyright by AUDI AG.

erWin

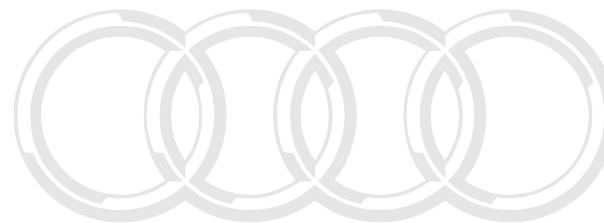
- ws = white
- sw = black
- ro = red
- br = brown
- gn = green
- bl = blue
- gr = grey
- li = lilac
- ge = yellow
- or = orange
- rs = pink



8P0-A138050409

Tire pressure monitoring

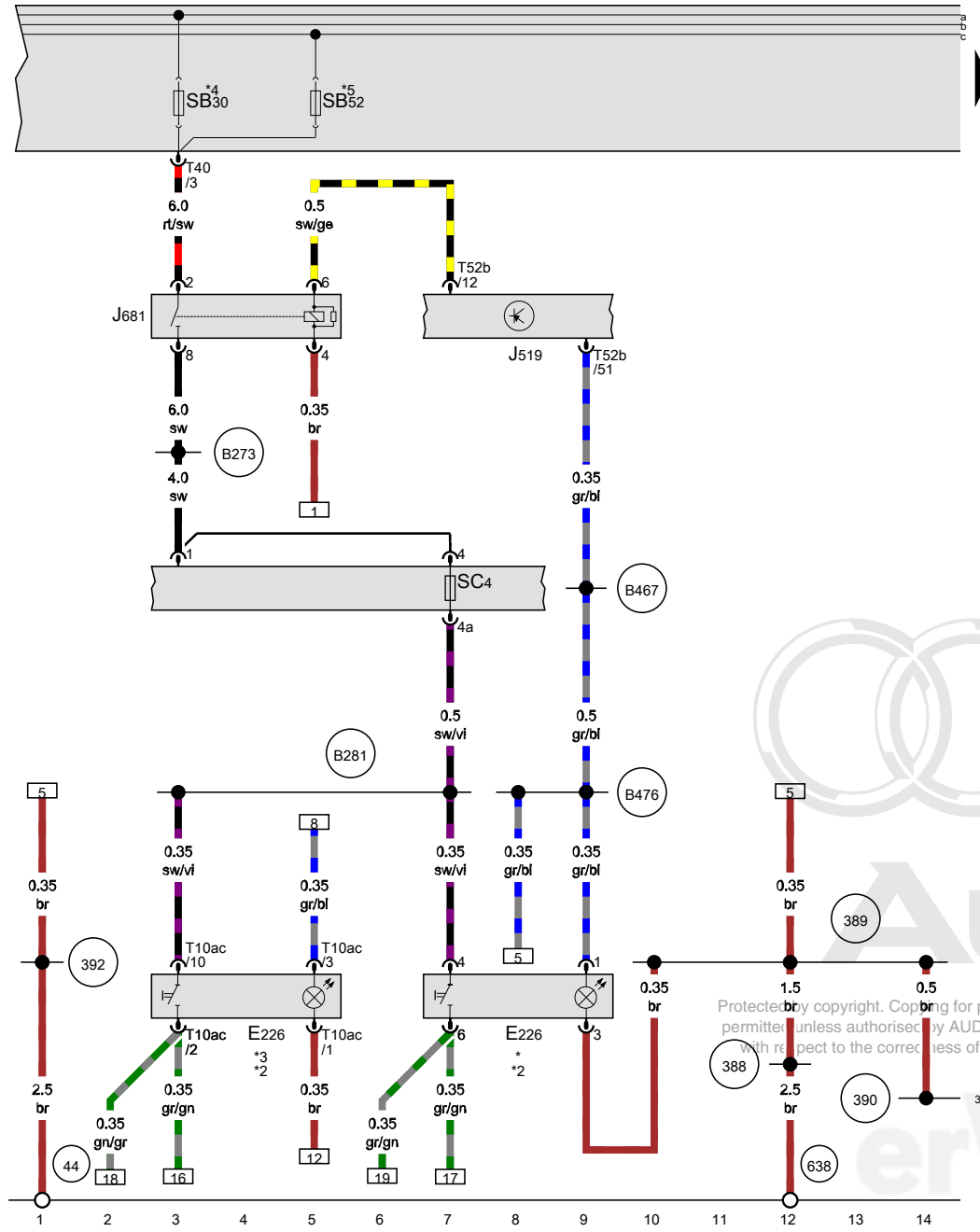
From May 2009



Audi

Protected by copyright. Copying for private or commercial purposes, in part or in whole, is not permitted unless authorised by AUDI AG. AUDI AG does not guarantee or accept any liability with respect to the correctness of information in this document. Copyright by AUDI AG.





Terminal 15 power supply relay 2

- E226 Tire pressure monitoring button
- J519 Vehicle electrical system control module
- J681 Terminal 15 power supply relay 2
- SC4 Fuse 4 (on fuse panel C)
- SB30 Fuse 30 (on fuse panel B)
- SB52 Fuse 52 (on fuse panel B)
- T10ac 10-pin connector
- T40 40-pin connector
- T52b 52-pin connector

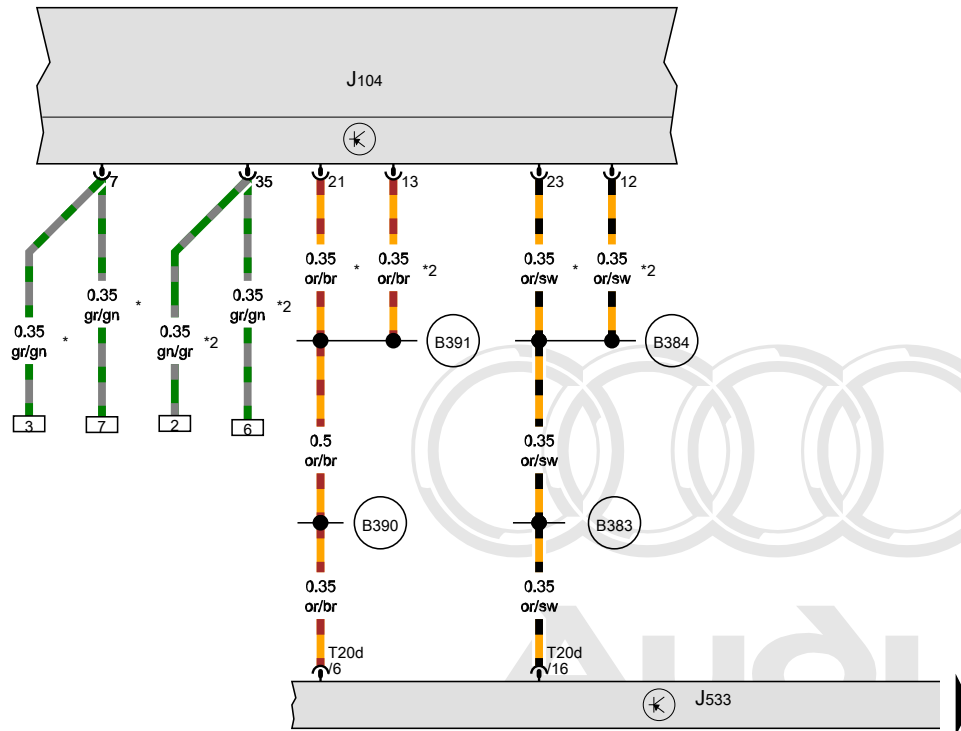
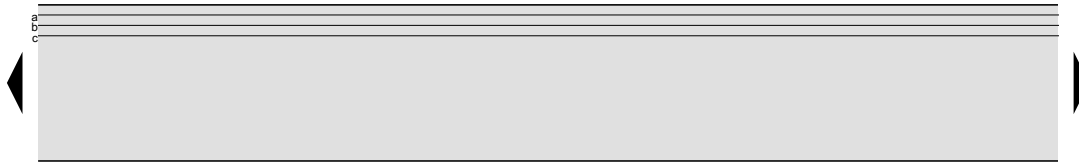
- 44 Ground connection on A-pillar, lower left
- 388 Ground connection 23 (in main wiring harness)
- 389 Ground connection 24 (in main wiring harness)
- 390 Ground connection 25 (in main wiring harness)
- 392 Ground connection 27 (in main wiring harness)
- 638 Ground connection on right A-pillar
- B273 Positive connection (15) (in main wiring harness)
- B281 Positive connection 5 (15a) (in main wiring harness)
- B467 Connection 3 (in main wiring harness)
- B476 Connection 12 (in main wiring harness)

- * Omitted as a running change
- *2 If available
- *3 Running change
- *4 E-Box low
- *5 E-Box high

Protected by copyright. Copying for private or commercial purposes, in part or in full, is prohibited unless authorised by AUDI AG. AUDI AG does not guarantee or accept any liability with respect to the correctness of information in this document. Copyright by AUDI AG.

- ws = white
- sw = black
- ro = red
- br = brown
- gn = green
- bl = blue
- gr = grey
- li = lilac
- ge = yellow
- or = orange
- rs = pink

1391-1390205101



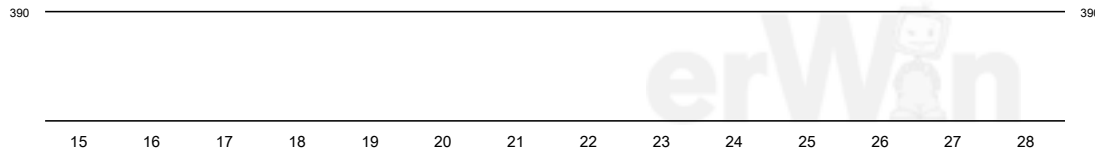
- J104 ABS control module
- J533 Data bus on board diagnostic interface
- T20d 20-pin connector

- 390** Ground connection 25 (in main wiring harness)
- B383** Powertrain CAN bus high connection 1 (in main wiring harness)
- B384** Powertrain CAN bus high connection 2 (in main wiring harness)
- B390** Powertrain CAN bus low connection 1 (in main wiring harness)
- B391** Powertrain CAN bus low connection 2 (in main wiring harness)

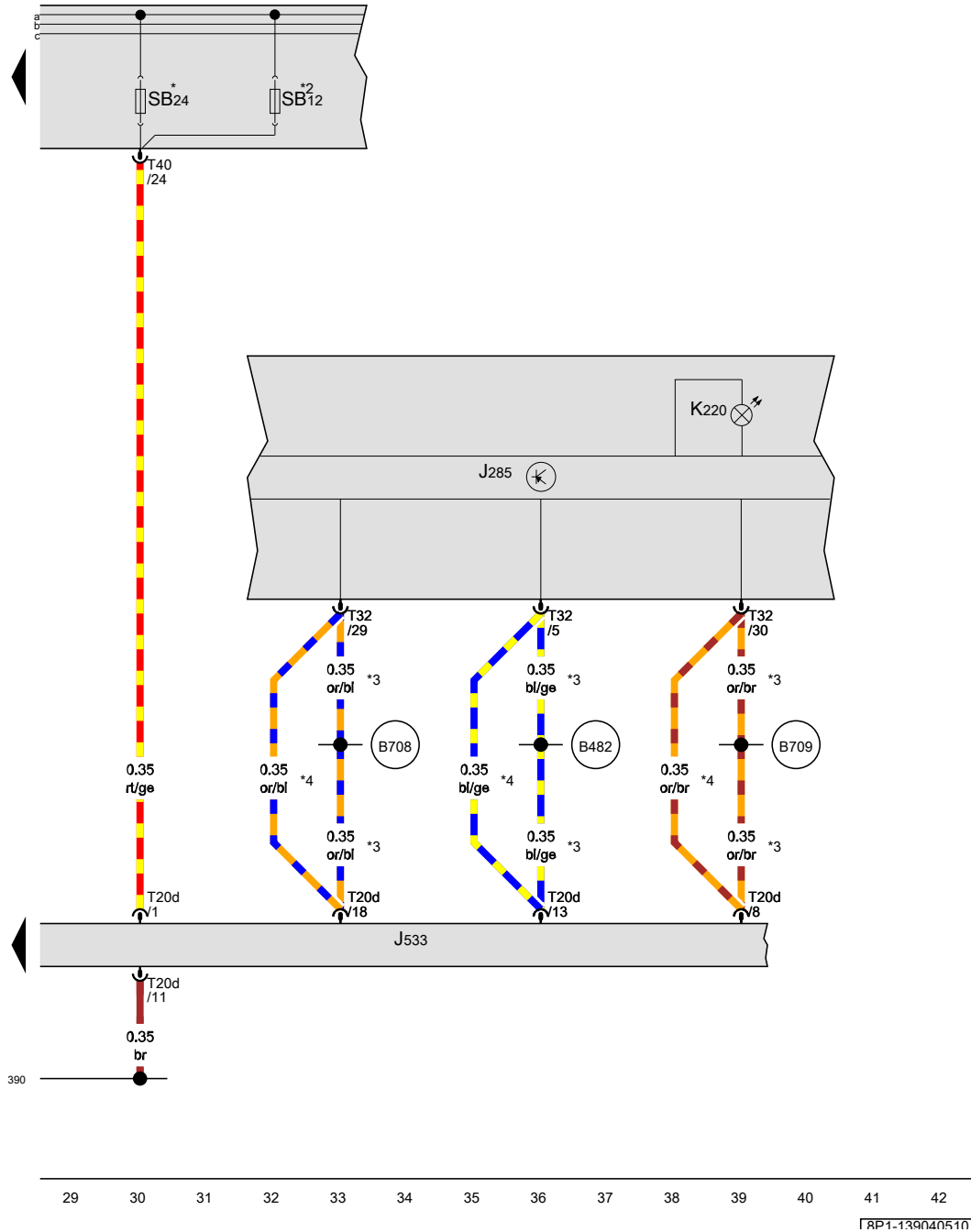
* Only for vehicles with ABS without ESP
 *2 Only for vehicles with ABS and ESP

Protected by copyright. Copying for private or commercial purposes, in part or in whole, is not permitted unless authorised by AUDI AG. AUDI AG does not guarantee or accept any liability with respect to the correctness of information in this document. Copyright by Audi AG

- ws = white
- sw = black
- ro = red
- br = brown
- gn = green
- bl = blue
- gr = grey
- li = lilac
- ge = yellow
- or = orange
- rs = pink



139030510



Instrument cluster control module

- J285 Instrument cluster control module
- J533 Data bus on board diagnostic interface
- K220 Tire pressure monitoring display indicator lamp
- SB12 Fuse 12 (on fuse panel B)
- SB24 Fuse 24 (on fuse panel B)
- T20d 20-pin connector
- T32 32-pin connector
- T40 40-pin connector

- 390 Ground connection 25 (in main wiring harness)
- B482 Connection 18 (in main wiring harness)
- B708 Instrument cluster CAN bus high connection 1 (in main wiring harness)
- B709 Instrument cluster CAN bus low connection 1 (in main wiring harness)
- * E-Box high
- *2 E-Box low
- *3 Omitted as a running change
- *4 Running change

Protected by copyright. Copying for private or commercial purposes, in part or in whole, is not permitted unless authorised by AUDI AG. AUDI AG does not guarantee or accept any liability with respect to the correctness of information in this document. Copyright by AUDI AG.

- ws = white
- sw = black
- ro = red
- br = brown
- gn = green
- bl = blue
- gr = grey
- li = lilac
- ge = yellow
- or = orange
- rs = pink

A/C with automatic regulation

from May 2009

Note:

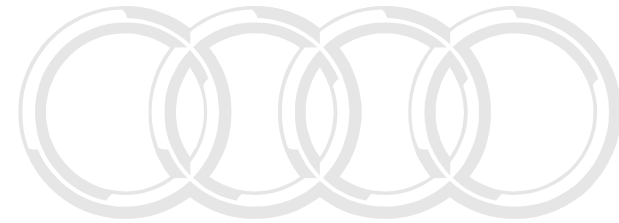
Information for

- ◆ Relay and fuse arrangements
- ◆ Connector arrangements
- ◆ Control Modules and Relays
- ◆ Ground Connections

⇒ Component Locations

Information for

- ◆ Troubleshooting Procedures
- ⇒ Guided Fault Finding using VAS 5051 / 5052



Audi

Protected by copyright. Copying for private or commercial purposes, in part or in whole, is not permitted unless authorised by AUDI AG. AUDI AG does not guarantee or accept any liability with respect to the correctness of information in this document. Copyright by AUDI AG.



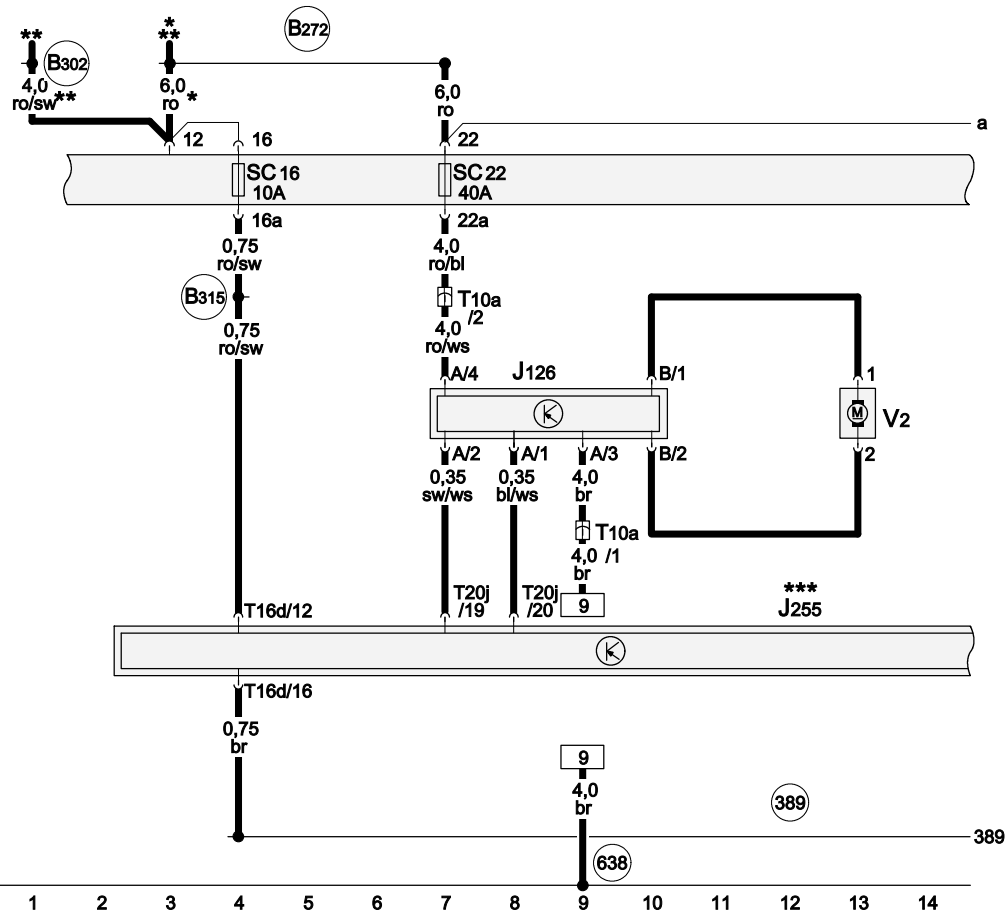


Fresh Air Blower Control Module, Fuses (on fuse panel)

- J126 Fresh Air Blower Control Module
- J255 Climatronic Control Module
- SC16 Fuse 16 (on fuse panel C)
- SC22 Fuse 22 (on fuse panel C)
- T10a 10-Pin Connector, black, behind glove compartment
- T16d 16-Pin Connector, black (Connector D)
- T20j 20-Pin Connector, red (Connector B)
- V2 Fresh Air Blower

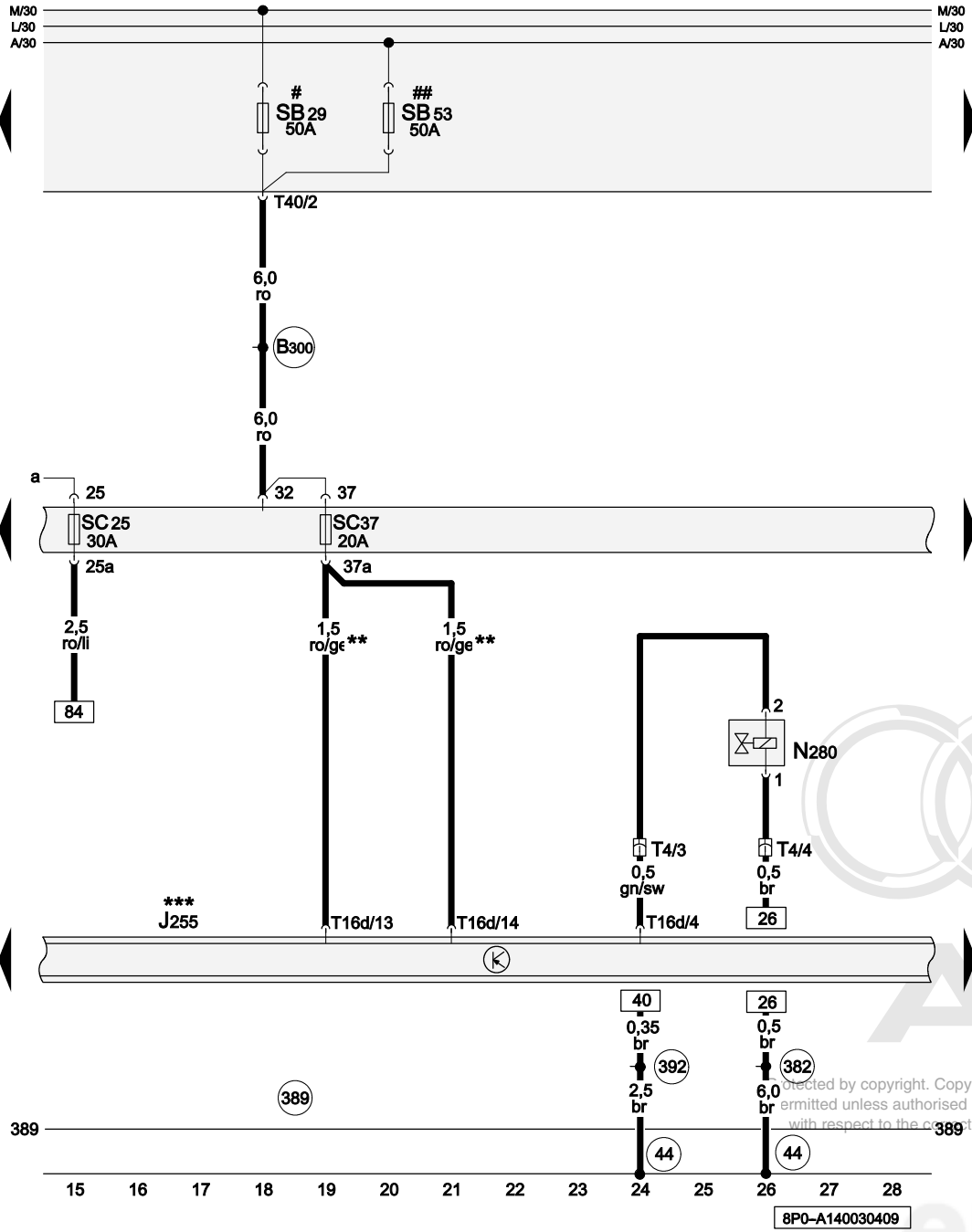
- 389 Ground Connection 24 (in main wiring harness)
- 638 Ground Connection (on right A-pillar)
- B272 Plus Connection (30) (in main wiring harness)
- B302 Plus Connection 6 (30) (in main wiring harness)
- B315 Plus Connection 1 (30a) (in main wiring harness)

- * => Applicable Wiring Diagram for models with battery in engine compartment
- ** => Applicable Wiring Diagram with battery in luggage compartment
- *** A/C Control Head (A/C, Climatronic)



- ws = white
- sw = black
- ro = red
- br = brown
- gn = green
- bl = blue
- gr = grey
- li = lilac
- ge = yellow
- or = orange
- rs = pink

8P0-A140020409



Fuses (on fuse panel), A/C Compressor Regulator Valve

- J255 Climatronic Control Module
- N280 A/C Compressor Regulator Valve
- SB29 Fuse 29 (on fuse panel B)
- SB53 Fuse 53 (on fuse panel B)
- SC25 Fuse 25 (on fuse panel C)
- SC37 Fuse 37 (on fuse panel C)
- T4 4-Pin Connector, black, in engine compartment, front left
- T16d 16-Pin Connector, black (Connector D)
- T40 40-Pin Connector, black, on electronics box engine compartment (Connector J)

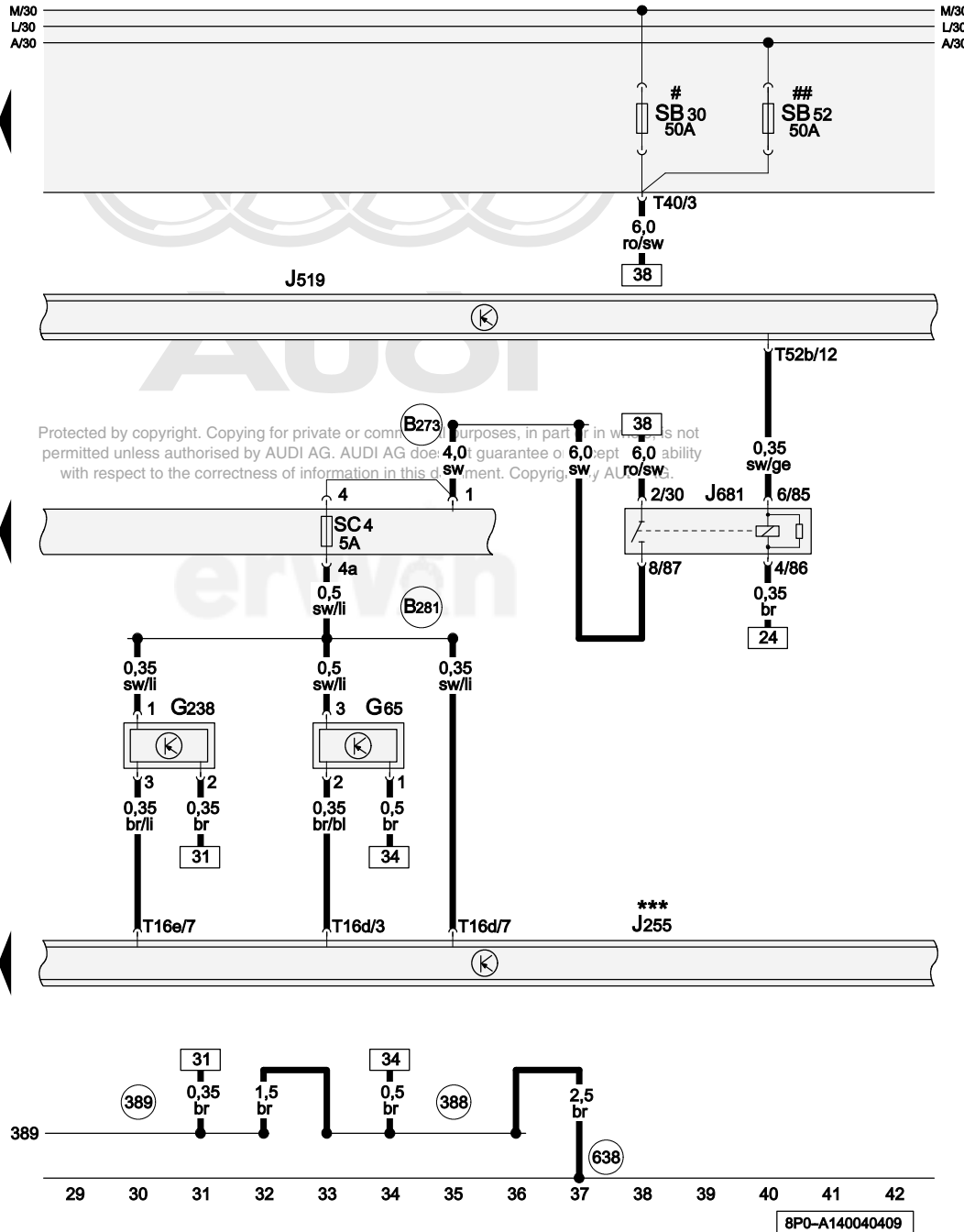
- 44 Ground Connection (on left lower A-pillar)
- 382 Ground Connection 17 (in main wiring harness)
- 389 Ground Connection 24 (in main wiring harness)
- 392 Ground Connection 27 (in main wiring harness)
- B300 Plus Connection 4 (30) (in main wiring harness)

- ** Only models with heated seats
- *** A/C Control Head (A/C, Climatronic)
- # Only models with electronics box Low
- ## Only models with electronics box High

- ws = white
- sw = black
- ro = red
- br = brown
- gn = green
- bl = blue
- gr = grey
- li = lilac
- ge = yellow
- or = orange
- rs = pink

Copyrighted by copyright. Copying or private use for commercial purposes, in part or in whole, is not permitted unless authorised by AUDI AG. AUDI AG does not guarantee or accept any liability with respect to the correctness of information in this document. Copyright by AUDI AG.

8P0-A140030409



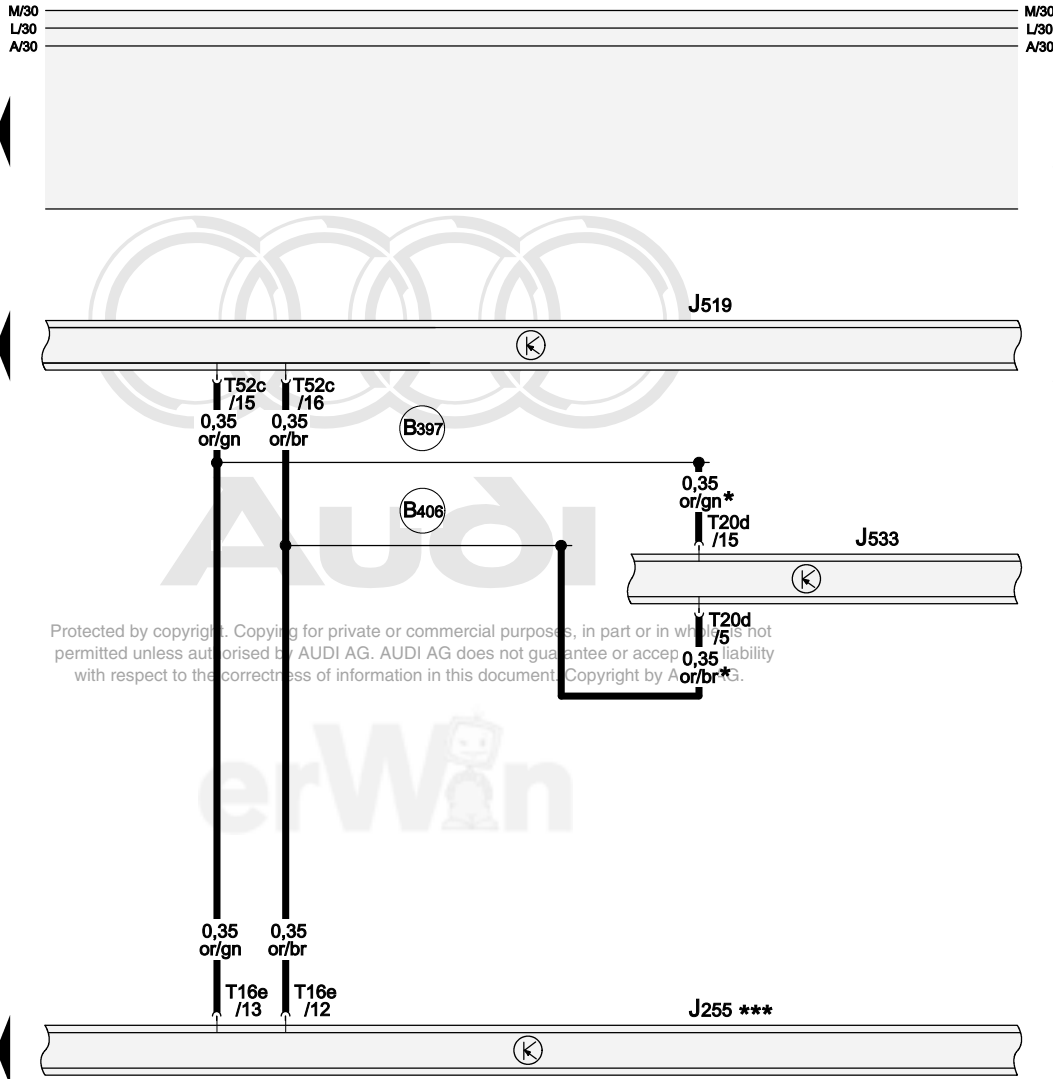
High Pressure Sensor, Air Quality Sensor, Power Supply Relay 2 (terminal 15)

- G65 High Pressure Sensor
- G238 Air Quality Sensor
- J255 Climatronic Control Module
- J519 Vehicle Electrical System Control Module
- J681 Power Supply Relay 2 (terminal 15)
- SB30 Fuse 30 (on fuse panel B)
- SB52 Fuse 52 (on fuse panel B)
- SC4 Fuse 4 (on fuse panel C)
- T16d 16-Pin Connector, black (Connector D)
- T16e 16-Pin Connector, brown (Connector C)
- T40 40-Pin Connector, black, on electronics box engine compartment (Connector J)
- T52b 52-Pin Connector, white (Connector B)

- 388 Ground Connection 23 (in main wiring harness)
- 389 Ground Connection 24 (in main wiring harness)
- 638 Ground Connection (on right A-pillar)
- B273 Plus Connection (15) (in main wiring harness)
- B281 Plus Connection 5 (15a) (in main wiring harness)

- *** A/C Control Head (A/C, Climatronic)
- # Only models with electronics box Low
- ## Only models with electronics box High

- ws = white
- sw = black
- ro = red
- br = brown
- gn = green
- bl = blue
- gr = grey
- li = lilac
- ge = yellow
- or = orange
- rs = pink



Comfort System CAN-Bus

- J255 Climatronic Control Module
- J519 Vehicle Electrical System Control Module
- J533 Data Bus On Board Diagnostic Interface
- T16e 16-Pin Connector, brown (Connector C)
- T20d 20-Pin Connector, black (Connector A)
- T52c 52-Pin Connector, brown (Connector C)

(B397) Comfort System CAN-Bus High Connection 1 (in main wiring harness)

(B406) Comfort System CAN-Bus Low Connection 1 (in main wiring harness)

* ⇒ Applicable Wiring Diagram Standard Equipment

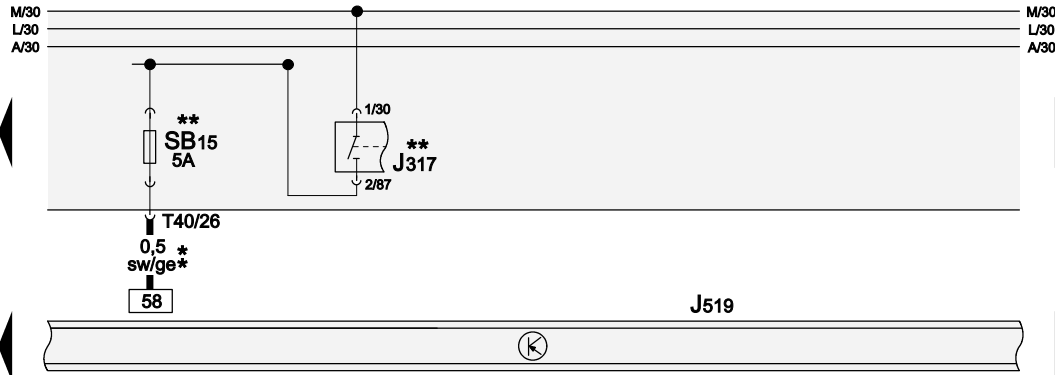
*** A/C Control Head (A/C, Climatronic)

Protected by copyright. Copying for private or commercial purposes, in part or in whole, is not permitted unless authorised by AUDI AG. AUDI AG does not guarantee or accept liability with respect to the correctness of information in this document. Copyright by Audi AG.

- ws = white
- sw = black
- ro = red
- br = brown
- gn = green
- bl = blue
- gr = grey
- li = lilac
- ge = yellow
- or = orange
- rs = pink

43 44 45 46 47 48 49 50 51 52 53 54 55 56

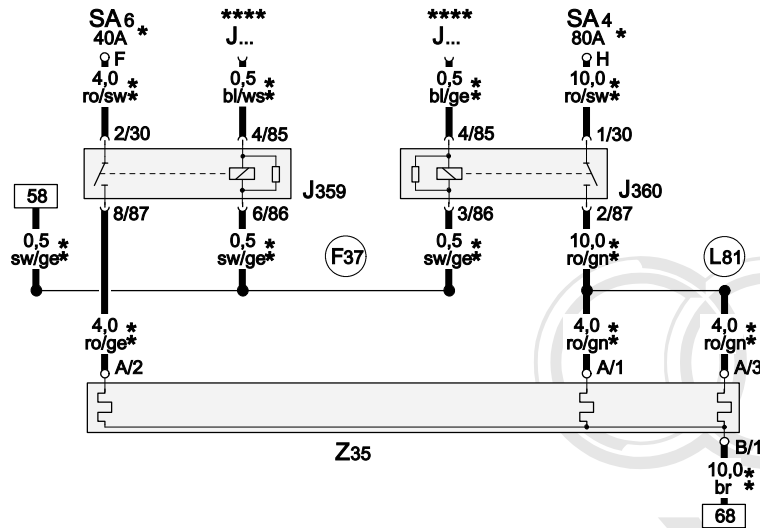
8P0-A140050409



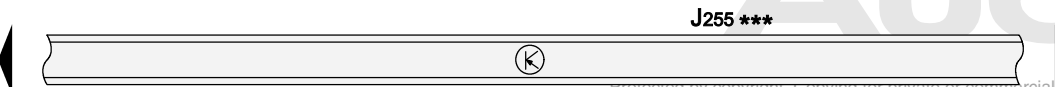
Auxiliary Air Heater

- J... Engine Control Modules (ECM)
- J255 Climatronic Control Module
- J317 Power Supply Relay (terminal 30)
- J359 Preheating Coolant, Low Heat Output Relay
- J360 Preheating Coolant, High Heat Output Relay
- J519 Vehicle Electrical System Control Module
- SA4 Fuse 4 (on fuse panel A)
- SA6 Fuse 6 (on fuse panel A)
- SB15 Fuse 15 (on fuse panel B)
- T40 40-Pin Connector, black, on electronics box engine compartment (Connector J)
- Z35 Auxiliary Air Heater Heating Element

- 639 Ground Connection (on left A-pillar)
- L81 Connection (in auxiliary heater wiring harness)
- F37 Auxiliary Heater Connection (in Diesel Direct Fuel Injection (DFI) system wiring harness)



- * ⇒ Applicable Wiring Diagram for models with battery in engine compartment
- ** Only models with diesel engines
- *** A/C Control Head (A/C, Climatronic)
- **** ⇒ Applicable Wiring Diagram Engine

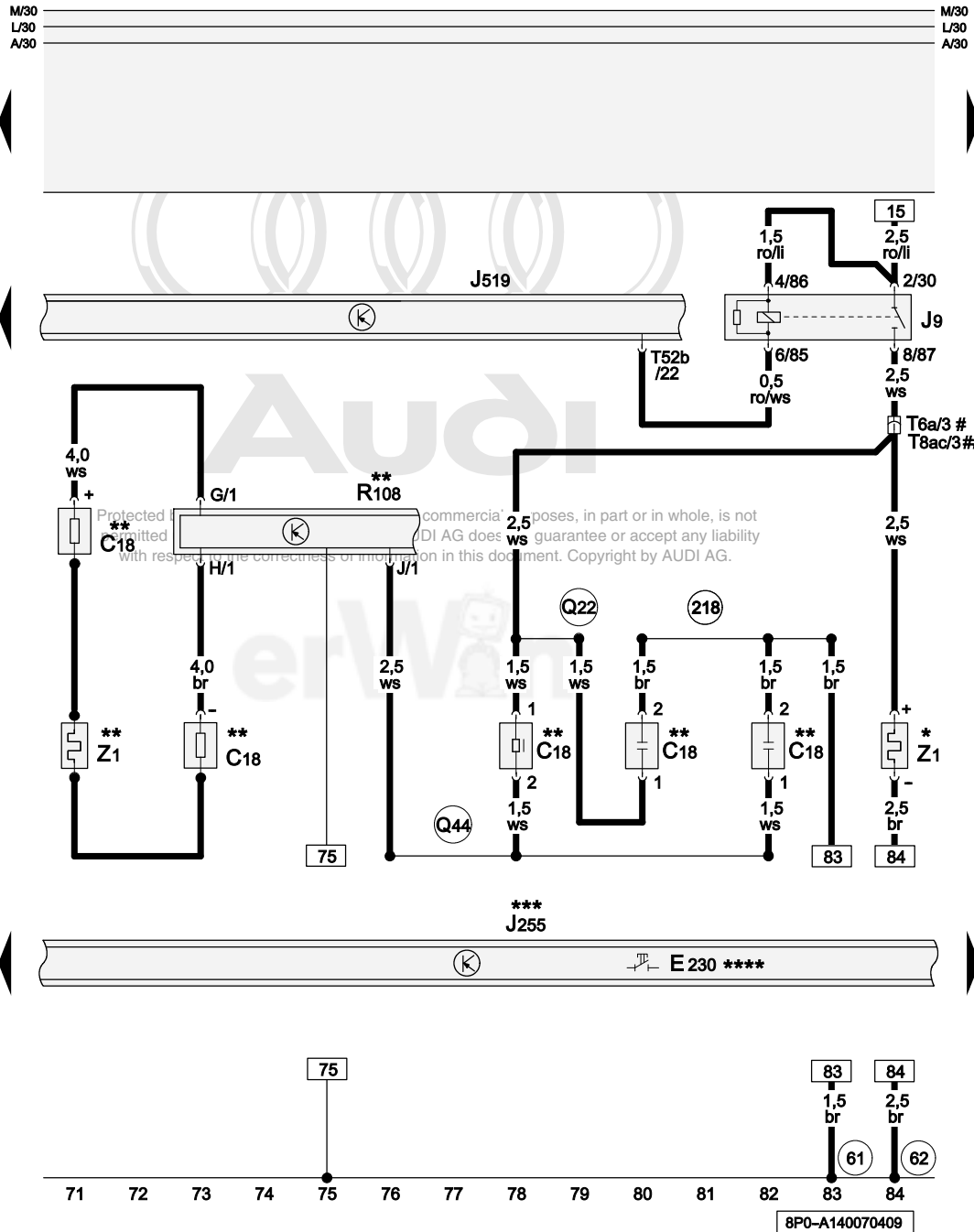


Protected by Copyright. Copying for private or commercial purposes, in part or in whole, is not permitted unless authorised by AUDI AG. AUDI AG does not guarantee or accept any liability with respect to the correctness of information in this document. Copyright by AUDI AG.

- ws = white
- sw = black
- ro = red
- br = brown
- gn = green
- bl = blue
- gr = grey
- li = lilac
- ge = yellow
- or = orange
- rs = pink

57 58 59 60 61 62 63 64 65 66 67 68 69 70

8P0-A140060409



Rear Window Defogger Relay, Heated Rear Window

- C18 Windshield Antenna Suppression Filter
- E230 Heated Rear Window Button
- J9 Rear Window Defogger Relay
- J255 Climatronic Control Module
- J519 Vehicle Electrical System Control Module
- R108 Left Antenna Module
- T6a 6-Pin Connector, black, on C-pillar, left
- T8ac 8-Pin Connector, black
- T52b 52-Pin Connector, white (Connector B)
- Z1 Heated Rear Window

- 61 Ground Connection (on left C-pillar)
- 62 Ground Connection (on right C-pillar)
- 218 Ground Connection 1 (in rear lid wiring harness)
- Q22 Connection 1 (in tailgate wiring harness)
- Q44 Connection 2 (in tailgate wiring harness)

- * Only models without radio
- ** Only models with radio or radio/navigation system
- *** A/C Control Head (A/C, Climatronic)
- **** Z1 Operation over Comfort System CAN-Bus
- # Only 3-door models
- ## Only 5-door models

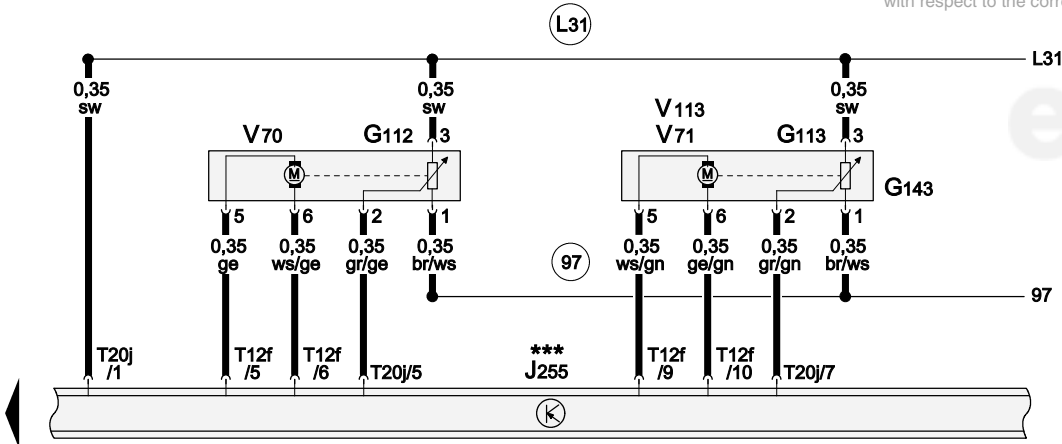
- ws = white
- sw = black
- ro = red
- br = brown
- gn = green
- bl = blue
- gr = grey
- li = lilac
- ge = yellow
- or = orange
- rs = pink



Central Air Flap Motor, Back Pressure Flap Motor, Recirculation Flap Motor

- G112 Central Flap Motor Position Sensor
- G113 Back Pressure Flap Motor Position Sensor
- G143 Recirculation Flap Motor Position Sensor
- J255 Climatronic Control Module
- T12f 12-Pin Connector, black (Connector A)
- T20j 20-Pin Connector, red (Connector B)
- V70 Central Air Flap Motor
- V71 Air Flow Flap Motor
- V113 Recirculation Flap Motor
- 97 Ground Connection 1 (in A/C wiring harness)
- L31 Connection (5 Volts) (in A/C wiring harness)
- *** A/C Control Head (A/C, Climatronic)

Protected by copyright. Copying for private or commercial purposes, in part or in whole, is not permitted unless authorised by AUDI AG. AUDI AG does not guarantee or accept any liability with respect to the correctness of information in this document. Copyright by AUDI AG.



- ws = white
- sw = black
- ro = red
- br = brown
- gn = green
- bl = blue
- gr = grey
- li = lilac
- ge = yellow
- or = orange
- rs = pink

85 86 87 88 89 90 91 92 93 94 95 96 97 98

8P0-A140080409



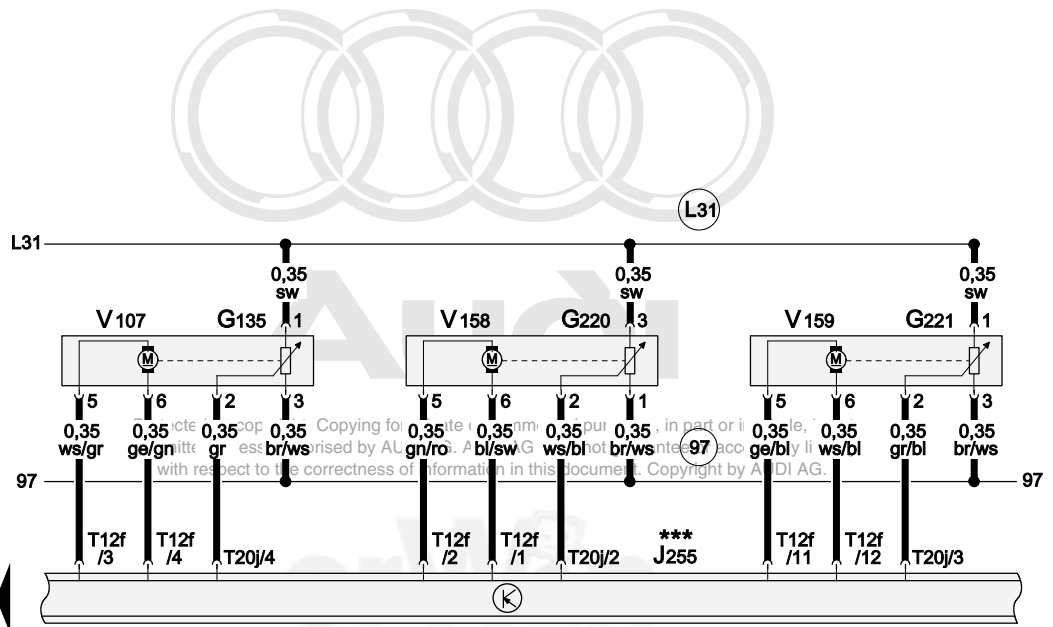
Defroster Flap Motor, Left Temperature Flap Motor, Right Temperature Flap Motor

- G135 Defroster Flap Motor Position Sensor
- G220 Left Temperature Flap Potentiometer/Actuator
- G221 Right Temperature Flap Potentiometer/Actuator
- J255 Climatronic Control Module
- T12f 12-Pin Connector, black (Connector A)
- T20j 20-Pin Connector, red (Connector B)
- V107 Defroster Flap Motor
- V158 Left Temperature Flap Motor
- V159 Right Temperature Flap Motor

97 Ground Connection 1 (in A/C wiring harness)

L31 Connection (5 Volts) (in A/C wiring harness)

*** A/C Control Head (A/C, Climatronic)



- ws = white
- sw = black
- ro = red
- br = brown
- gn = green
- bl = blue
- gr = grey
- li = lilac
- ge = yellow
- or = orange
- rs = pink

99 100 101 102 103 104 105 106 107 108 109 110 111 112

8P0-A140090409

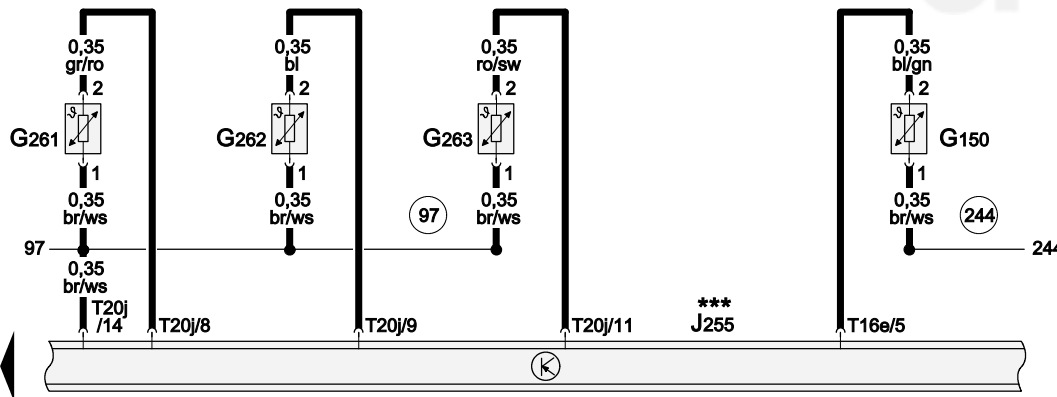


Vent Temperature Sensor

- G150 Left Vent Temperature Sensor
- G261 Left Footwell Vent Temperature Sensor
- G262 Right Footwell Vent Temperature Sensor
- G263 Evaporator Vent Temperature Sensor
- J255 Climatronic Control Module
- T16e 16-Pin Connector, brown (Connector C)
- T20j 20-Pin Connector, red (Connector B)

- 97 Ground Connection 1 (in A/C wiring harness)
- 244 Sensor Ground Connection (in Climatronic wiring harness)
- *** A/C Control Head (A/C, Climatronic)

Protected by copyright. Copying for private or commercial purposes, in part or in whole, is not permitted unless authorised by AUDI AG. AUDI AG does not guarantee or accept any liability with respect to the correctness of information in this document. Copyright by AUDI AG.



- ws = white
- sw = black
- ro = red
- br = brown
- gn = green
- bl = blue
- gr = grey
- li = lilac
- ge = yellow
- or = orange
- rs = pink

113 114 115 116 117 118 119 120 121 122 123 124 125 126

8P0-A140100409

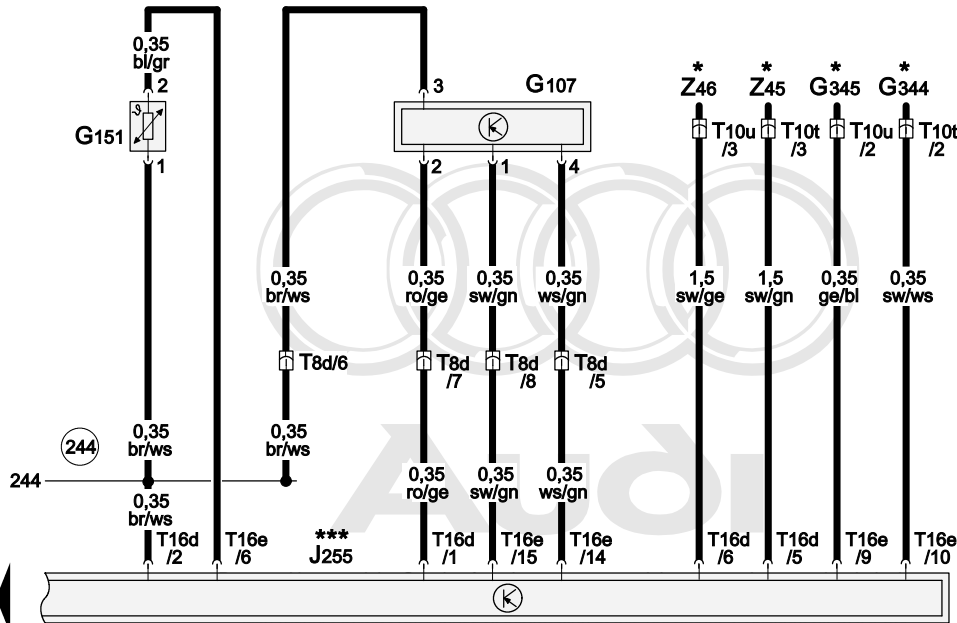
M/30 L/30 A/30 M/30 L/30 A/30

Sunlight Photo Sensor, Right Vent Temperature Sensor, Front Seat Temperature Sensor

- G107 Sunlight Photo Sensor
- G151 Right Vent Temperature Sensor
- G344 Left Front Seat Temperature Sensor
- G345 Right Front Seat Temperature Sensor
- J255 Climatronic Control Module
- T8d 8-Pin Connector, black, behind center console
- T10t 10-Pin Connector, black, below driver's seat
- T10u 10-Pin Connector, black, below front passenger's seat
- T16d 16-Pin Connector, black (Connector D)
- T16e 16-Pin Connector, brown (Connector C)
- Z45 Front Left Heated Seat
- Z46 Front Right Heated Seat

244 Sensor Ground Connection (in Climatronic wiring harness)

- * See Applicable Wiring Diagram Heated Seats
- *** A/C Control Head (A/C, Climatronic)



- ws = white
- sw = black
- ro = red
- br = brown
- gn = green
- bl = blue
- gr = grey
- li = lilac
- ge = yellow
- or = orange
- rs = pink

127 128 129 130 131 132 133 134 135 136 137 138 139 140

8P0-A140110409

Anti-lock braking system (ABS) with electronic stabilization program (ESP), traction control (ASR) and hydraulic brake booster (HBB)

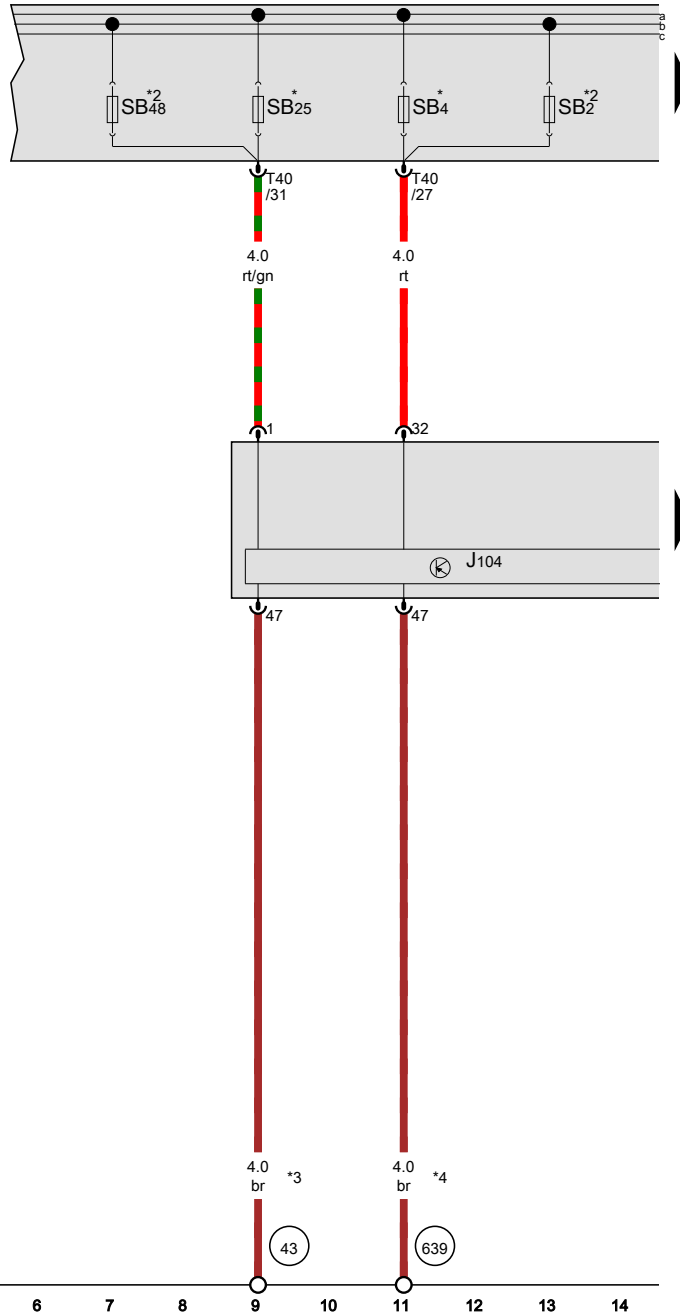
From May 2009



Audi

Protected by copyright. Copying for private or commercial purposes, in part or in whole, is not permitted unless authorised by AUDI AG. AUDI AG does not guarantee or accept any liability with respect to the correctness of information in this document. Copyright by AUDI AG.





ABS control module

- J104 ABS control module
- SB2 Fuse 2 (on fuse panel B)
- SB4 Fuse 4 (on fuse panel B)
- SB25 Fuse 25 (on fuse panel B)
- SB48 Fuse 48 (on fuse panel B)
- T40 40-pin connector

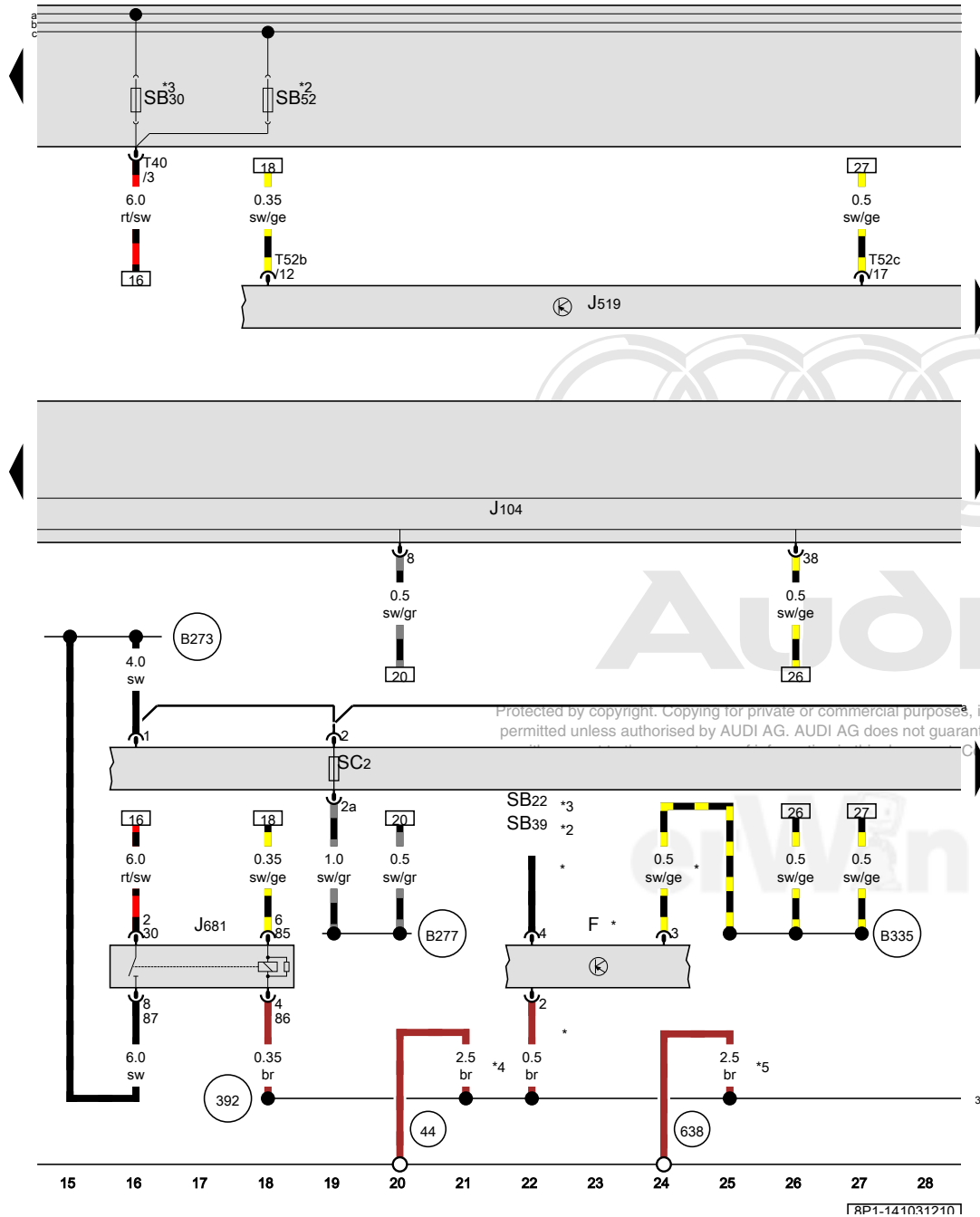
- 43 Ground connection on A-pillar, lower right
- 639 Ground connection on left A-pillar

* E-Box low
 *2 E-Box high
 *3 Only for left-hand drive vehicles
 *4 Only for right-hand drive vehicles

- ws = white
- sw = black
- ro = red
- rt = red
- br = brown
- gn = green
- bl = blue
- gr = grey
- li = lilac
- vi = lilac
- ge = yellow
- or = orange
- rs = pink

1 2 3 4 5 6 7 8 9 10 11 12 13 14

FRP1-1410212101



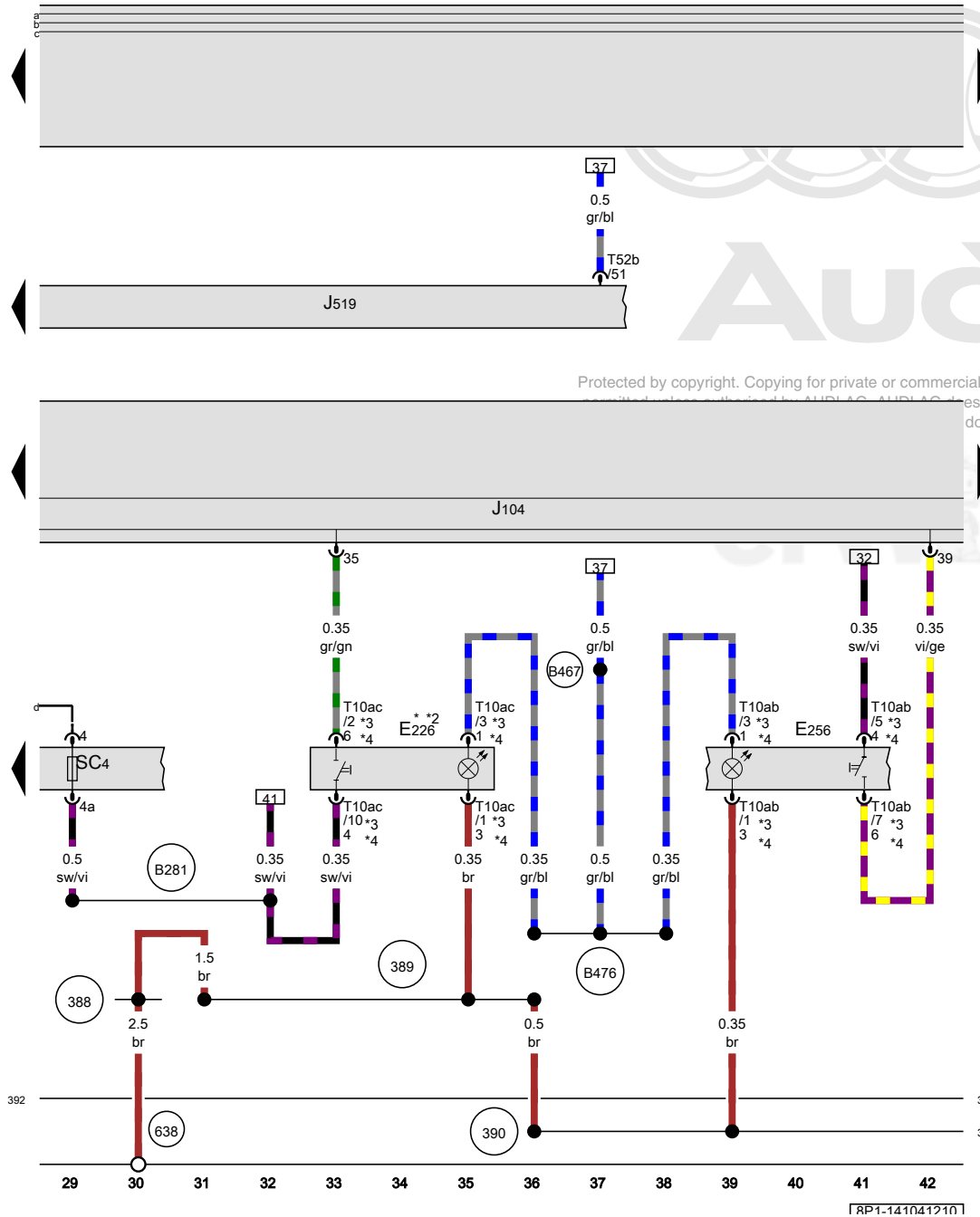
Brake lamp switch, ABS control module, Vehicle electrical system control module, Terminal 15 power supply relay 2

- F Brake lamp switch
- J104 ABS control module
- J519 Vehicle electrical system control module
- J681 Terminal 15 power supply relay 2
- SC2 Fuse 2 (on fuse panel C)
- SB22 Fuse 22 (on fuse panel B)
- SB30 Fuse 30 (on fuse panel B)
- SB39 Fuse 39 (on fuse panel B)
- SB52 Fuse 52 (on fuse panel B)
- T40 40-pin connector
- T52b 52-pin connector
- T52c 52-pin connector

- 44 Ground connection on A-pillar, lower left
- 392 Ground connection 27 (in main wiring harness)
- 638 Ground connection on right A-pillar
- B273 Positive connection (15) (in main wiring harness)
- B277 Positive connection 1 (15a) (in main wiring harness)
- B335 Connection 1 (54) (in main wiring harness)
- * Refer to applicable engine wiring diagram
- *2 E-Box high
- *3 E-Box low
- *4 Only for left-hand drive vehicles
- *5 Only for right-hand drive vehicles

- ws = white
- sw = black
- ro = red
- rt = red
- br = brown
- gn = green
- bl = blue
- gr = grey
- li = lilac
- vi = lilac
- ge = yellow
- or = orange
- rs = pink

14110312101



Tire pressure monitoring button, ASR/ESP button, ABS control module, Vehicle electrical system control module

- E226 Tire pressure monitoring button
- E256 ASR/ESP button
- J104 ABS control module
- J519 Vehicle electrical system control module
- SC4 Fuse 4 (on fuse panel C)
- T10ab 10-pin connector
- T10ac 10-pin connector
- T52b 52-pin connector

- 388 Ground connection 23 (in main wiring harness)
- 389 Ground connection 24 (in main wiring harness)
- 390 Ground connection 25 (in main wiring harness)
- 392 Ground connection 27 (in main wiring harness)
- 638 Ground connection on right A-pillar
- B281 Positive connection 5 (15a) (in main wiring harness)
- B467 Connection 3 (in main wiring harness)
- B476 Connection 12 (in main wiring harness)

- * Only for vehicles with tire pressure monitoring
- *2 If available
- *3 Running change
- *4 Omitted as a running change

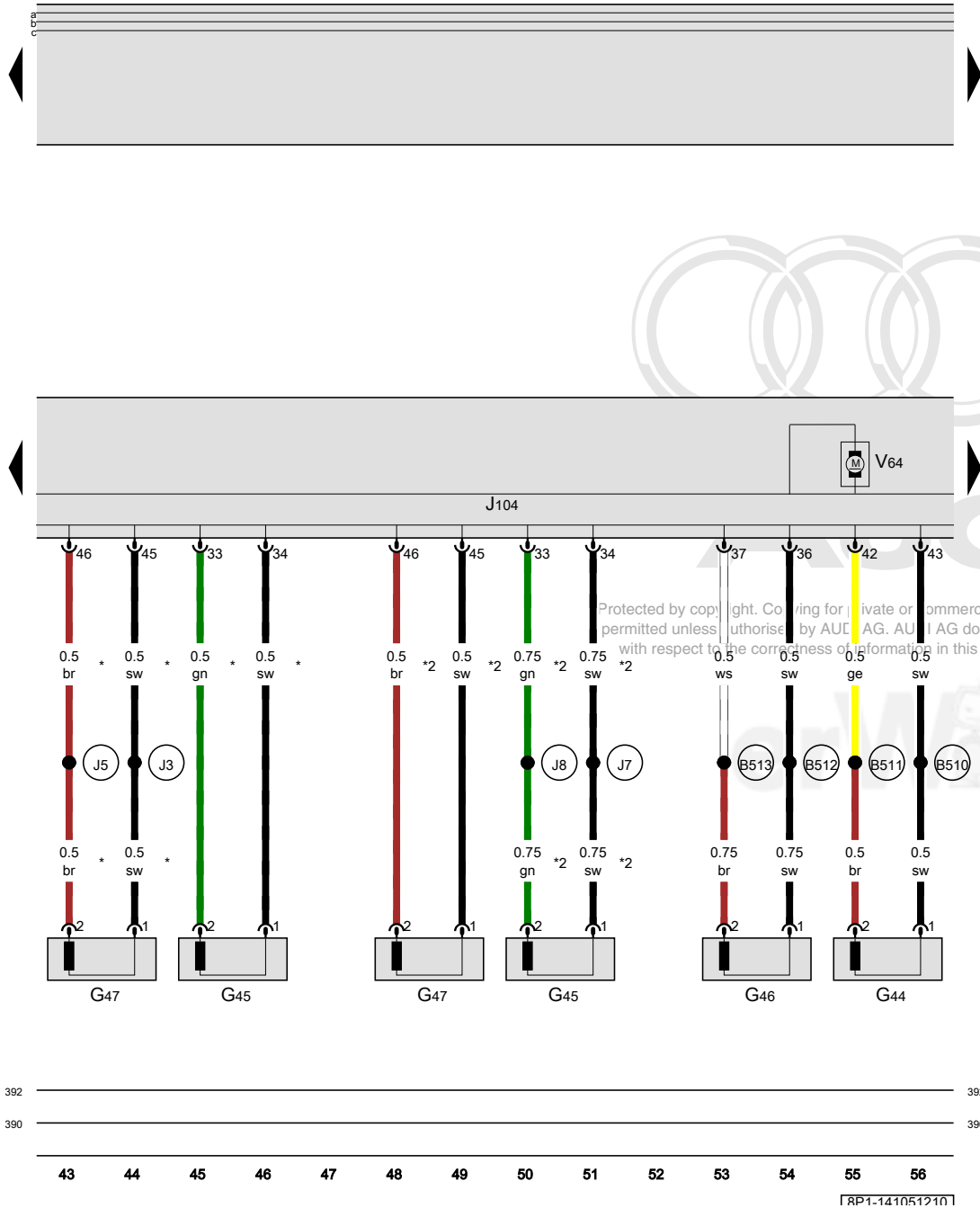
- ws = white
- sw = black
- ro = red
- rt = red
- br = brown
- gn = green
- bl = blue
- gr = grey
- li = lilac
- vi = lilac
- ge = yellow
- or = orange
- rs = pink

FRP1-1410412101

Right rear ABS wheel speed sensor, Right front ABS wheel speed sensor, Left rear ABS wheel speed sensor, Left front ABS wheel speed sensor, ABS control module

- G44 Right rear ABS wheel speed sensor
- G45 Right front ABS wheel speed sensor
- G46 Left rear ABS wheel speed sensor
- G47 Left front ABS wheel speed sensor
- J104 ABS control module
- V64 ABS hydraulic pump

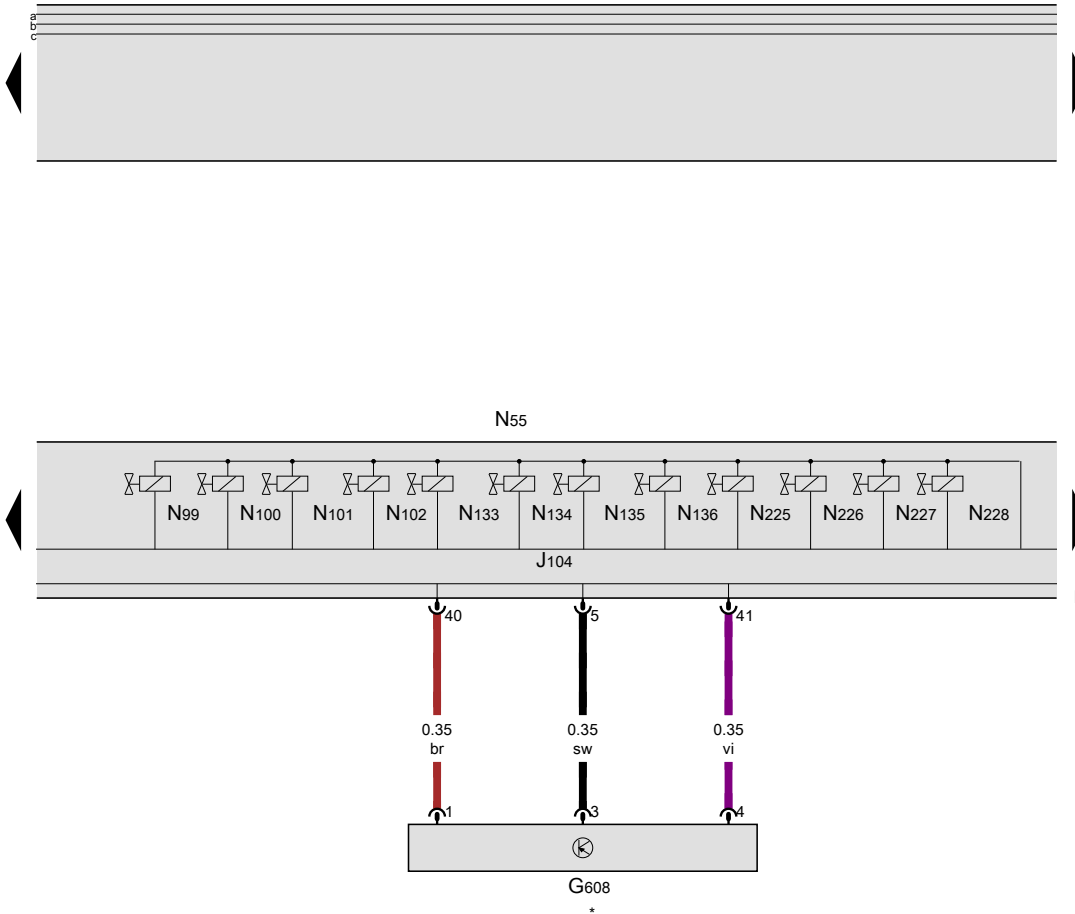
- 390 Ground connection 25 (in main wiring harness)
- 392 Ground connection 27 (in main wiring harness)
- B510 Right rear speed sensor connection 1 (in interior wiring harness)
- B511 Right rear speed sensor connection 2 (in interior wiring harness)
- B512 Left rear speed sensor connection 1 (in interior wiring harness)
- B513 Left rear speed sensor connection 2 (in interior wiring harness)
- J3 Connection 1 (in ABS wiring harness)
- J5 Connection 2 (in ABS wiring harness)
- J7 Connection 3 (in ABS wiring harness)
- J8 Connection 4 (in ABS wiring harness)
- * Only for left-hand drive vehicles
- *2 Only for right-hand drive vehicles



ws = white
 sw = black
 ro = red
 rt = red
 br = brown
 gn = green
 bl = blue
 gr = grey
 li = lilac
 vi = lilac
 ge = yellow
 or = orange
 rs = pink

Vacuum sensor, ABS control module, ABS hydraulic unit

- G608 Vacuum sensor
- J104 ABS control module
- N55 ABS hydraulic unit
- N99 Right front ABS inlet valve
- N100 Right front ABS outlet valve
- N101 Left front ABS inlet valve
- N102 Left front ABS outlet valve
- N133 Right rear ABS inlet valve
- N134 Left rear ABS inlet valve
- N135 Right rear ABS outlet valve
- N136 Left rear ABS outlet valve
- N225 Driving dynamics regulation switch valve 1
- N226 Driving dynamics regulation switch valve 2
- N227 Driving dynamics regulation high pressure switch valve 1
- N228 Driving dynamics regulation high pressure switch valve 2



- 390 Ground connection 25 (in main wiring harness)
- 392 Ground connection 27 (in main wiring harness)
- * Depending on equipment

Protected by copyright. Copying for private or commercial purposes, in part or in whole, is not permitted unless authorised by AUDI AG. AUDI AG does not guarantee or accept any liability with respect to the correctness of information in this document. Copyright by AUDI AG.

- ws = white
- sw = black
- ro = red
- rt = red
- br = brown
- gn = green
- bl = blue
- gr = grey
- li = lilac
- vi = lilac
- ge = yellow
- or = orange
- rs = pink



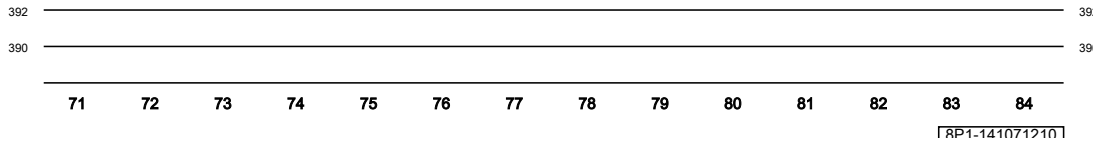
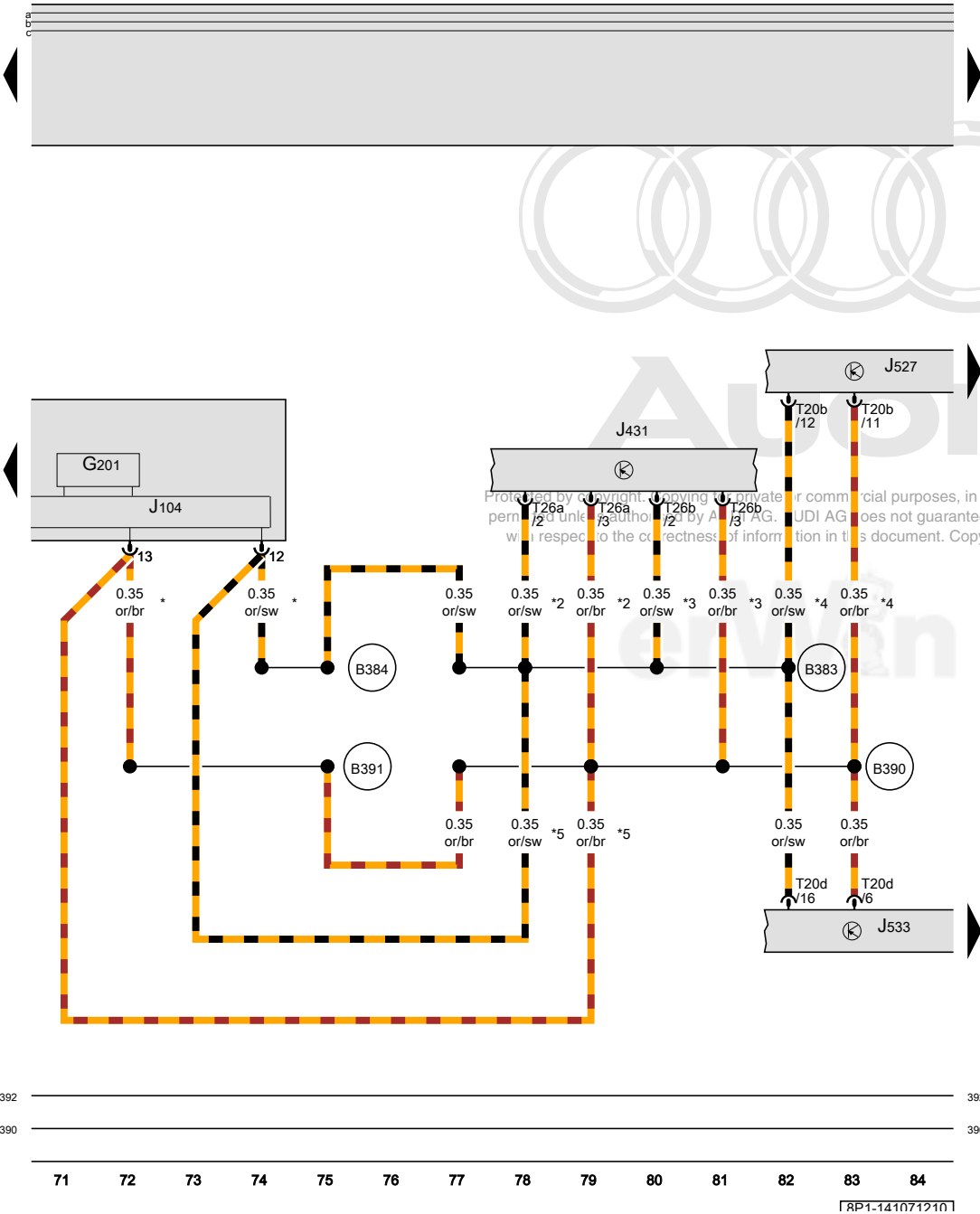
RP1-141061210

Brake pressure sensor 1, ABS control module, Headlamp range control module, Steering column electronics control module, Data bus on board diagnostic interface

- G201 Brake pressure sensor 1
- J104 ABS control module
- J431 Headlamp range control module
- J527 Steering column electronics control module
- J533 Data bus on board diagnostic interface
- T20b 20-pin connector
- T20d 20-pin connector
- T26a 26-pin connector
- T26b 26-pin connector

- (390) Ground connection 25 (in main wiring harness)
- (392) Ground connection 27 (in main wiring harness)
- (B383) Powertrain CAN bus high connection 1 (in main wiring harness)
- (B384) Powertrain CAN bus high connection 2 (in main wiring harness)
- (B390) Powertrain CAN bus low connection 1 (in main wiring harness)
- (B391) Powertrain CAN bus low connection 2 (in main wiring harness)

- * Only for left-hand drive vehicles
- *2 Depending on equipment
- *3 Only for vehicles with dynamic cornering lamp
- *4 If available
- *5 Only for right-hand drive vehicles



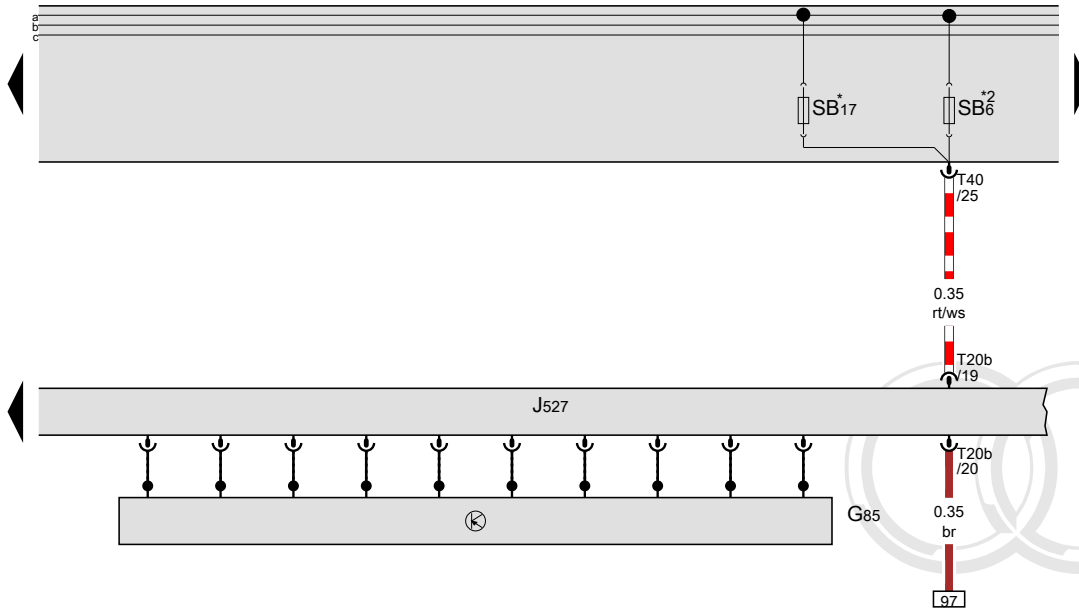
18P1-1410712101

Steering angle sensor, Steering column electronics control module, Data bus on board diagnostic interface

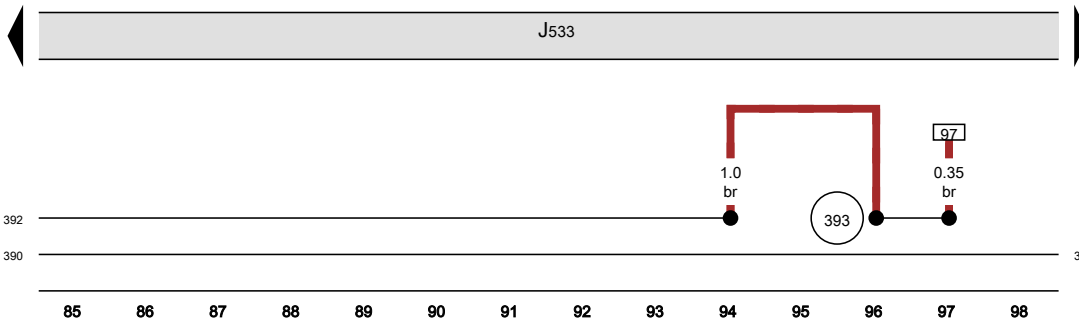
- G85 Steering angle sensor
- J527 Steering column electronics control module
- J533 Data bus on board diagnostic interface
- SB6 Fuse 6 (on fuse panel B)
- SB17 Fuse 17 (on fuse panel B)
- T20b 20-pin connector
- T40 40-pin connector

- 390 Ground connection 25 (in main wiring harness)
- 392 Ground connection 27 (in main wiring harness)
- 393 Ground connection 28 (in main wiring harness)

- * E-Box high
- *2 E-Box low

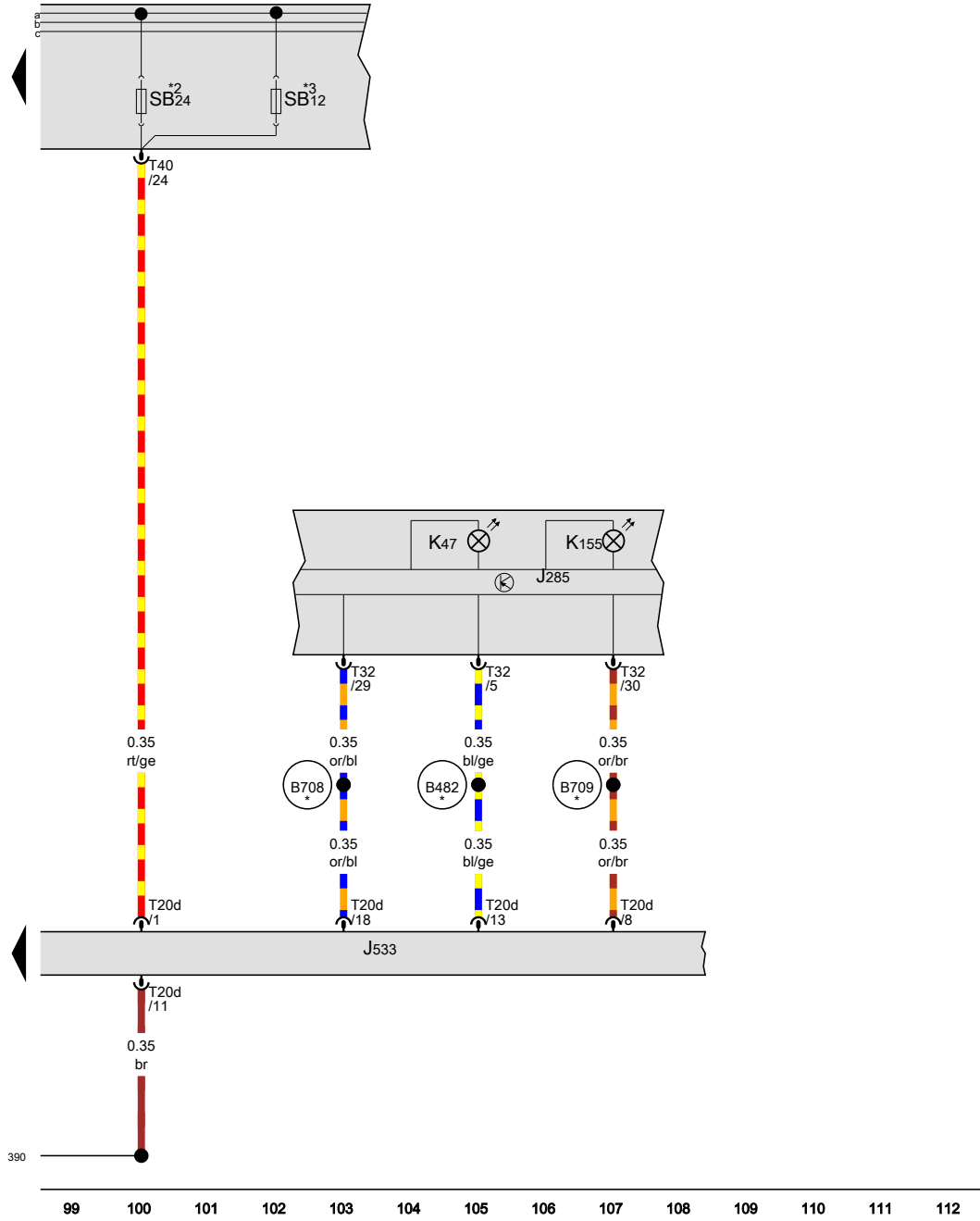


Protected by copyright. Copying for private or commercial purposes, in part or in whole, is not permitted unless authorised by AUDI AG. AUDI AG does not guarantee or accept any liability with respect to the correctness of information in this document. Copyright by AUDI AG.



- ws = white
- sw = black
- ro = red
- rt = red
- br = brown
- gn = green
- bl = blue
- gr = grey
- li = lilac
- vi = lilac
- ge = yellow
- or = orange
- rs = pink

RP1-1410R1210



Instrument cluster control module, Data bus on board diagnostic interface, ABS indicator lamp, ASR/ESP indicator lamp

- J285 Instrument cluster control module
- J533 Data bus on board diagnostic interface
- K47 ABS indicator lamp
- K155 ASR/ESP indicator lamp
- SB12 Fuse 12 (on fuse panel B)
- SB24 Fuse 24 (on fuse panel B)
- T20d 20-pin connector
- T32 32-pin connector
- T40 40-pin connector

- 390 Ground connection 25 (in main wiring harness)
- B482 Connection 18 (in main wiring harness)
- B708 Instrument cluster CAN bus high connection 1 (in main wiring harness)
- B709 Instrument cluster CAN bus low connection 1 (in main wiring harness)
- * Omitted as a running change
- *2 E-Box high
- *3 E-Box low

Protected by copyright. Copying for private or commercial purposes, in part or in whole, is not permitted unless authorised by AUDI AG. AUDI AG does not guarantee or accept any liability with respect to the correctness of information in this document. Copyright by AUDI AG.

- ws = white
- sw = black
- ro = red
- rt = red
- br = brown
- gn = green
- bl = blue
- gr = grey
- li = lilac
- vi = lilac
- ge = yellow
- or = orange
- rs = pink

A/C with manual regulation

from May 2009

Note:

Information for

- ◆ Relay and fuse arrangements
- ◆ Connector arrangements
- ◆ Control Modules and Relays
- ◆ Ground Connections

⇒ Component Locations

Information for

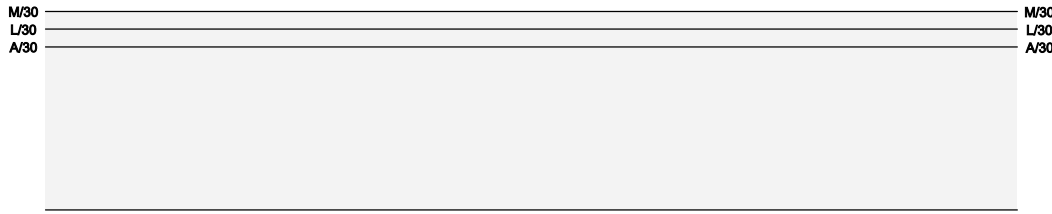
- ◆ Troubleshooting Procedures
- ⇒ Guided Fault Finding using VAS 5051 / 5052



Audi

Protected by copyright. Copying for private or commercial purposes, in part or in whole, is not permitted unless authorised by AUDI AG. AUDI AG does not guarantee or accept any liability with respect to the correctness of information in this document. Copyright by AUDI AG.



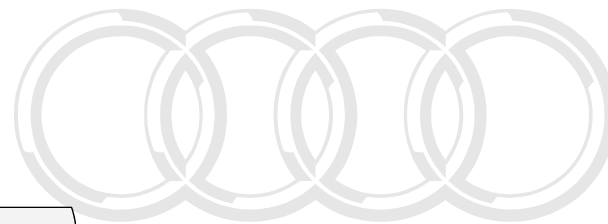
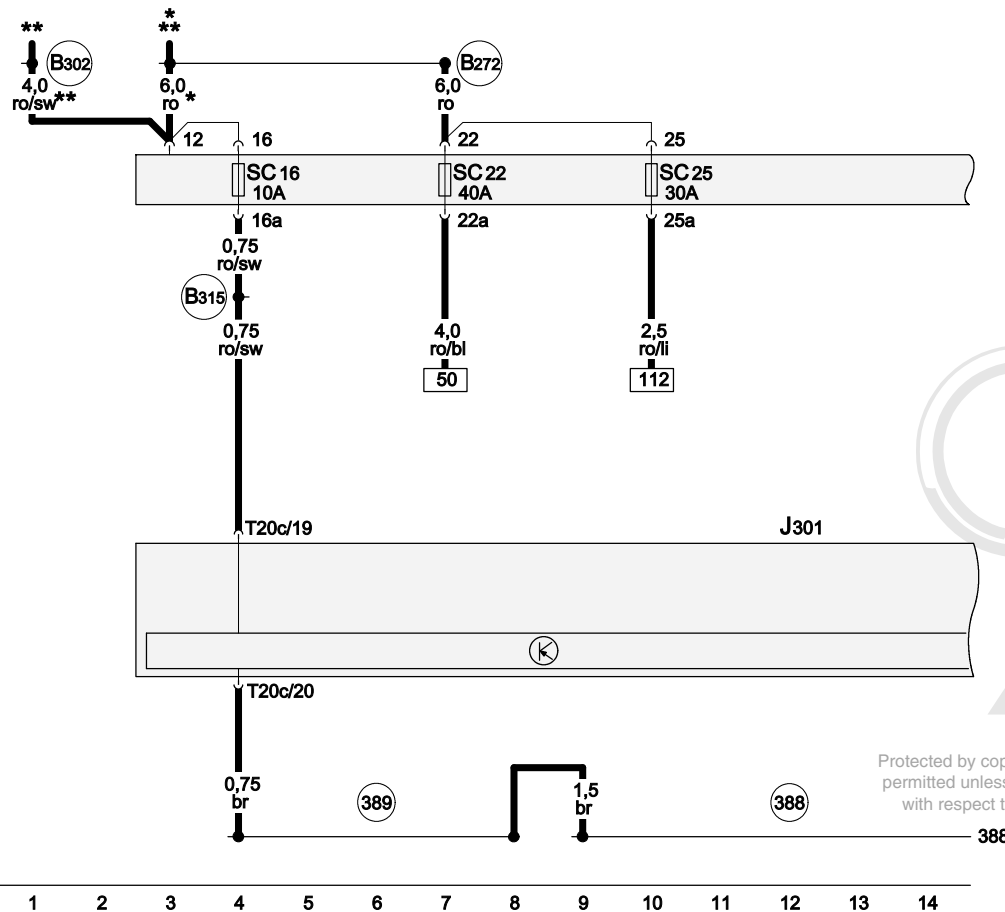


Fuses (on fuse panel)

- J301 A/C Control Module
- SC16 Fuse 16 (on fuse panel C)
- SC22 Fuse 22 (on fuse panel C)
- SC25 Fuse 25 (on fuse panel C)
- T20c 20-Pin Connector, black (Connector A)

- 388 Ground Connection 23 (in main wiring harness)
- 389 Ground Connection 24 (in main wiring harness)
- B272 Plus Connection (30) (in main wiring harness)
- B302 Plus Connection 6 (30) (in main wiring harness)
- B315 Plus Connection 1 (30a) (in main wiring harness)

* => Applicable Wiring Diagram with battery in engine compartment
 ** => Applicable Wiring Diagram with battery in luggage compartment

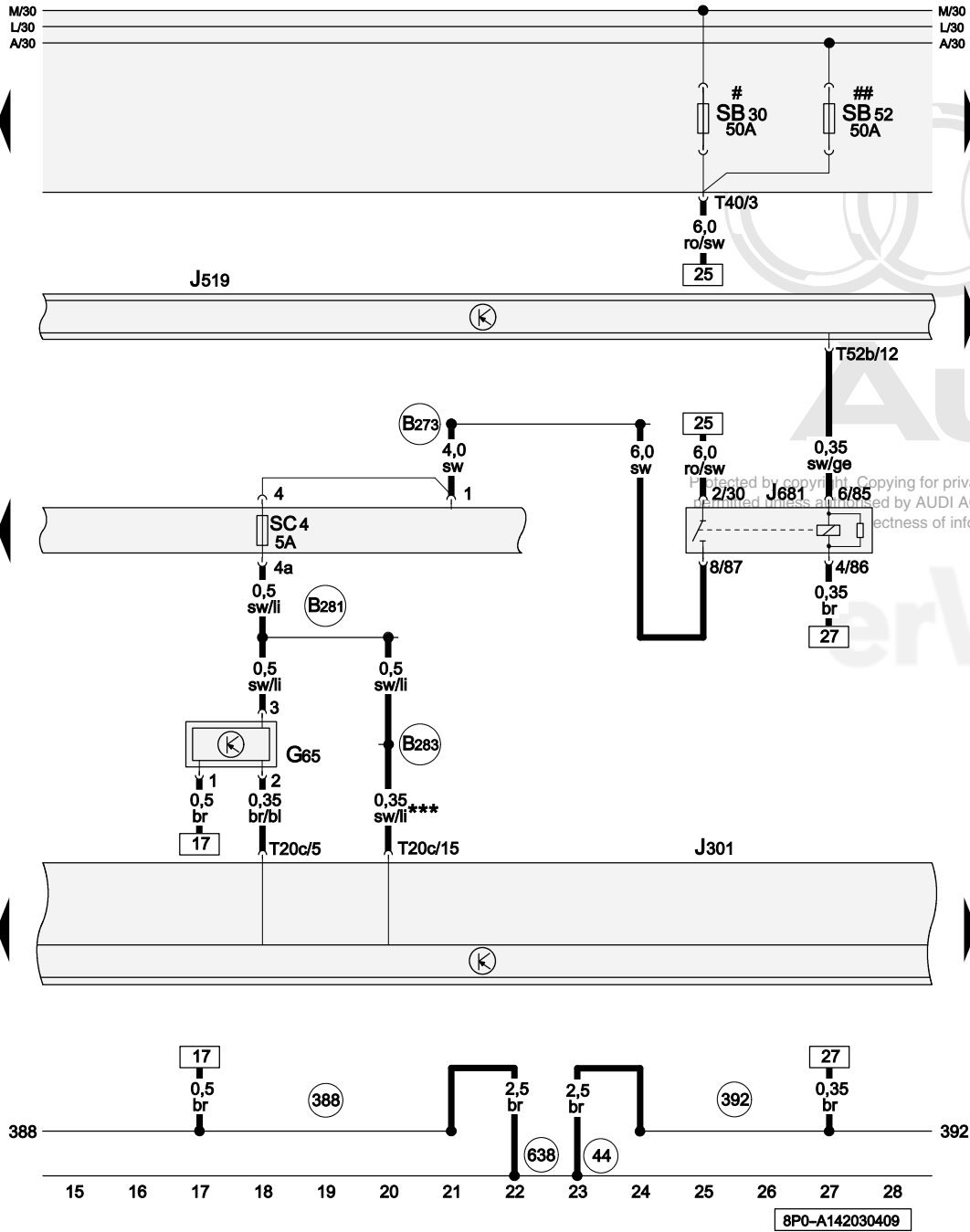


- ws = white
- sw = black
- ro = red
- br = brown
- gn = green
- bl = blue
- gr = grey
- li = lilac
- ge = yellow
- or = orange
- rs = pink

Protected by copyright. Copying for private or commercial purposes, in part or in whole, is not permitted unless authorised by Audi AG. AUDI AG does not guarantee or accept any liability with respect to the correctness of information in this document. Copyright by AUDI AG.

1 2 3 4 5 6 7 8 9 10 11 12 13 14

8P0-A142020409



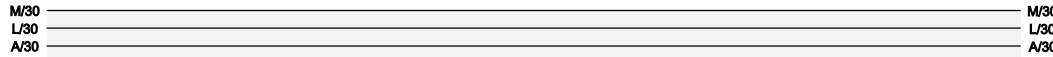
Fuses (on fuse panel), Power Supply Relay 2 (terminal 15), High Pressure Sensor

- G65 High Pressure Sensor
- J301 A/C Control Module
- J519 Vehicle Electrical System Control Module
- J681 Power Supply Relay 2 (terminal 15)
- SB30 Fuse 30 (on fuse panel B)
- SB52 Fuse 52 (on fuse panel B)
- SC4 Fuse 4 (on fuse panel C)
- T20c 20-Pin Connector, black (Connector A)
- T40 40-Pin Connector, black, on electronics box engine compartment (Connector J)
- T52b 52-Pin Connector, white (Connector B)
- 44 Ground Connection (on left lower A-pillar)
- 392 Ground Connection 27 (in main wiring harness)
- 388 Ground Connection 23 (in main wiring harness)
- 638 Ground Connection (on right A-pillar)
- B273 Plus Connection (15) (in main wiring harness)
- B281 Plus Connection 5 (15a) (in main wiring harness)
- B283 Plus Connection 7 (15a) (in main wiring harness)

*** => Applicable Wiring Diagram Heated Seats
 # Only models with electronics box Low
 ## Only models with electronics box High

- ws = white
- sw = black
- ro = red
- br = brown
- gn = green
- bl = blue
- gr = grey
- li = lilac
- ge = yellow
- or = orange
- rs = pink

8P0-A142030409



Vent Temperature Sensor, Temperature Flap Motor, Recirculation Flap Motor

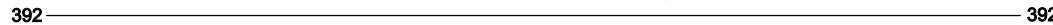
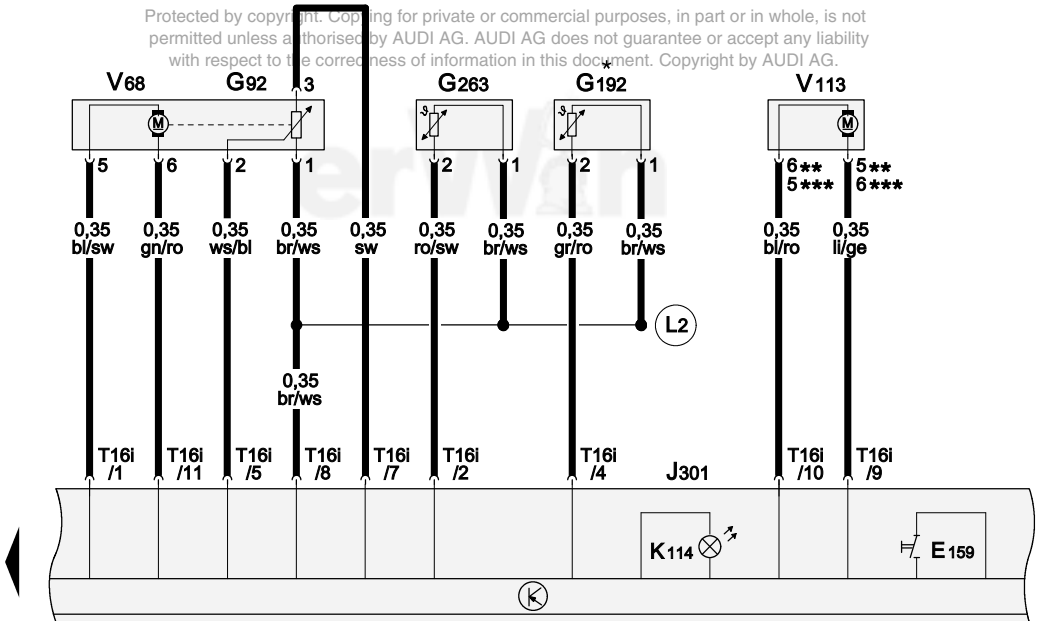
- E159 Fresh Air/Recirculating Flap Switch
- G92 Temperature Flap Potentiometer/Actuator
- G192 Footwell Outlet Temperature Sensor
- G263 Evaporator Vent Temperature Sensor
- J301 A/C Control Module
- J519 Vehicle Electrical System Control Module
- K114 Fresh Air and Recirculating Air Mode Indicator Lamp
- T16i 16-Pin Connector, black (Connector B)
- V68 Temperature Regulator Flap Motor
- V113 Recirculation Flap Motor

392 Ground Connection 27 (in main wiring harness)

L2 Connection (in A/C wiring harness)

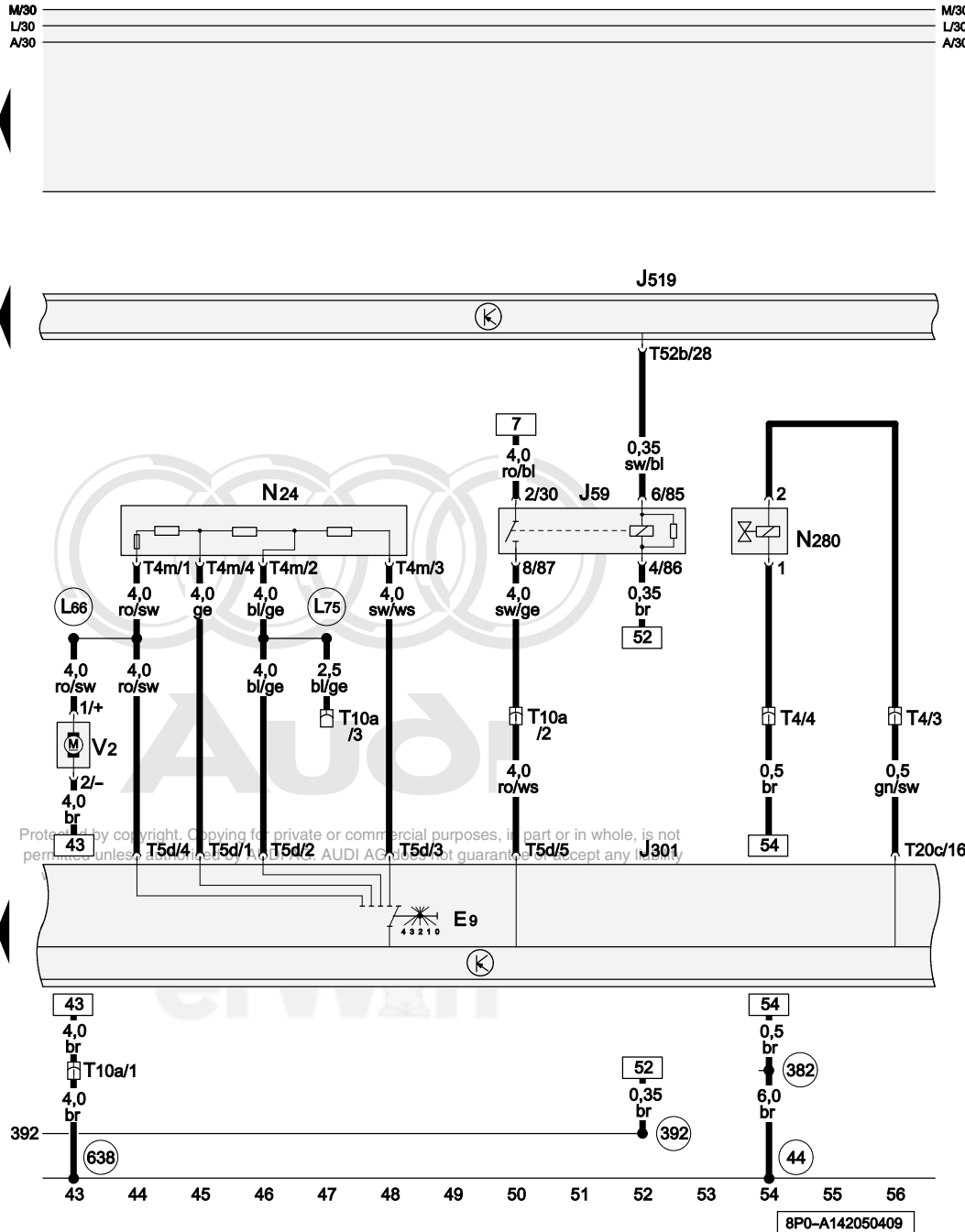
- * Where applicable
- ** Only left-hand drive
- *** Only right-hand drive

Protected by copyright. Copying for private or commercial purposes, in part or in whole, is not permitted unless authorised by AUDI AG. AUDI AG does not guarantee or accept any liability with respect to the correctness of information in this document. Copyright by AUDI AG.



8P0-A142040409

- ws = white
- sw = black
- ro = red
- br = brown
- gn = green
- bl = blue
- gr = grey
- li = lilac
- ge = yellow
- or = orange
- rs = pink

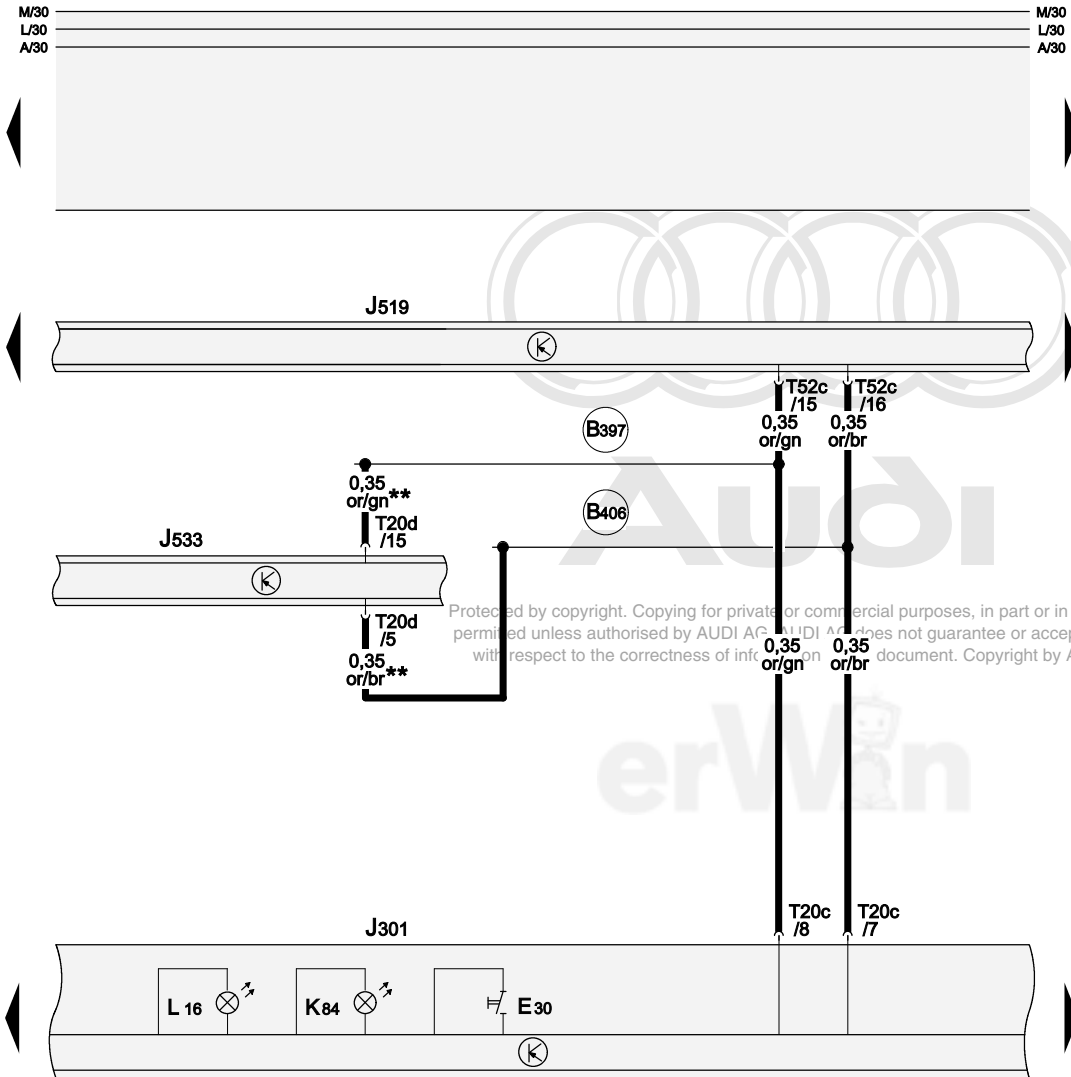


Fresh Air Blower Series Resistor With Fuse, Fresh Air Blower, A/C Compressor Regulator Valve, Load Reduction Relay

- E9 Fresh Air Blower Switch
- J59 Load Reduction Relay
- J301 A/C Control Module
- J519 Vehicle Electrical System Control Module
- N24 Fresh Air Blower Series Resistor With Fuse
- N280 A/C Compressor Regulator Valve
- T4 4-Pin Connector, black, in engine compartment, front left
- T4m 4-Pin Connector, black (Connector A)
- T5d 5-Pin Connector, black (Connector C)
- T10a 10-Pin Connector, black, behind glove compartment
- T20c 20-Pin Connector, black (Connector A)
- T52b 52-Pin Connector, white (Connector B)
- V2 Fresh Air Blower

- 44 Ground Connection (on left lower A-pillar)
- 382 Ground Connection 17 (in main wiring harness)
- 392 Ground Connection 27 (in main wiring harness)
- 638 Ground Connection (on right A-pillar)
- L66 Connection (in wiring harness) heater blower
- L75 Connection 2 (in heater blower wiring harness)

- ws = white
- sw = black
- ro = red
- br = brown
- gn = green
- bl = blue
- gr = grey
- li = lilac
- ge = yellow
- or = orange
- rs = pink



Comfort System CAN-Bus, Data Bus On Board Diagnostic Interface

- E30 A/C Switch
- J301 A/C Control Module
- J519 Vehicle Electrical System Control Module
- J533 Data Bus On Board Diagnostic Interface
- K84 A/C Warning Lamp
- L16 Fresh Air Regulator Illumination
- T20c 20-Pin Connector, black (Connector A)
- T20d 20-Pin Connector, black (Connector A)
- T52c 52-Pin Connector, brown (Connector C)

B397 Comfort System CAN-Bus High Connection 1 (in main wiring harness)

B406 Comfort System CAN-Bus Low Connection 1 (in main wiring harness)

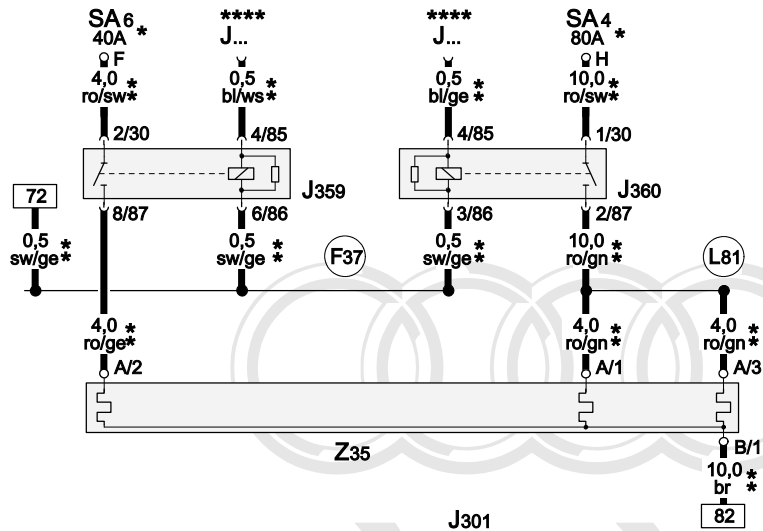
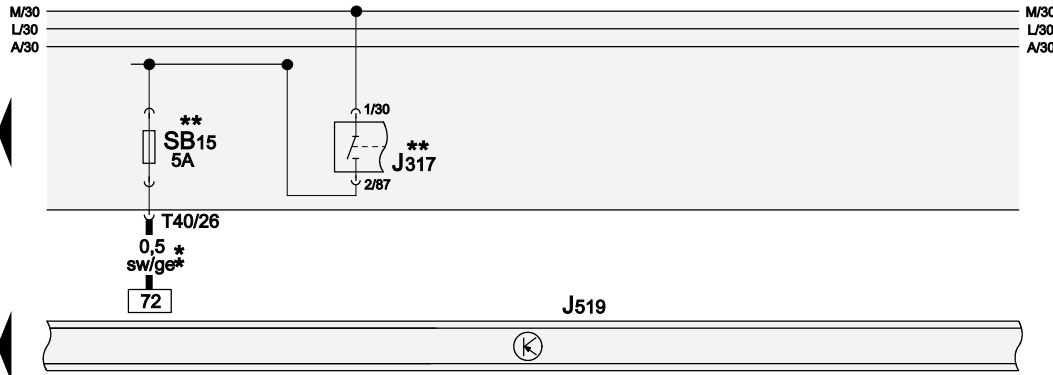
** => Applicable Wiring Diagram Standard Equipment

Protected by copyright. Copying for private or commercial purposes, in part or in whole, is not permitted unless authorised by AUDI AG. AUDI AG does not guarantee or accept any liability with respect to the correctness of information in this document. Copyright by AUDI AG.

- ws = white
- sw = black
- ro = red
- br = brown
- gn = green
- bl = blue
- gr = grey
- li = lilac
- ge = yellow
- or = orange
- rs = pink

57 58 59 60 61 62 63 64 65 66 67 68 69 70

8P0-A142060409



Auxiliary Air Heater

- J... Engine Control Modules (ECM)
- J301 A/C Control Module
- J317 Power Supply Relay (terminal 30)
- J359 Preheating Coolant, Low Heat Output Relay
- J360 Preheating Coolant, High Heat Output Relay
- J519 Vehicle Electrical System Control Module
- SA4 Fuse 4 (on fuse panel A)
- SA6 Fuse 6 (on fuse panel A)
- SB15 Fuse 15 (on fuse panel B)
- T40 40-Pin Connector, black, on electronics box engine compartment (Connector J)
- Z35 Auxiliary Air Heater Heating Element

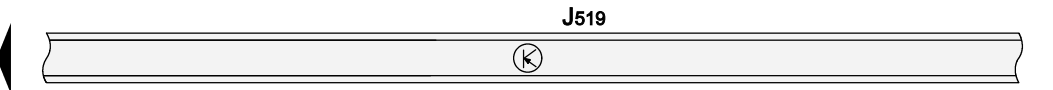
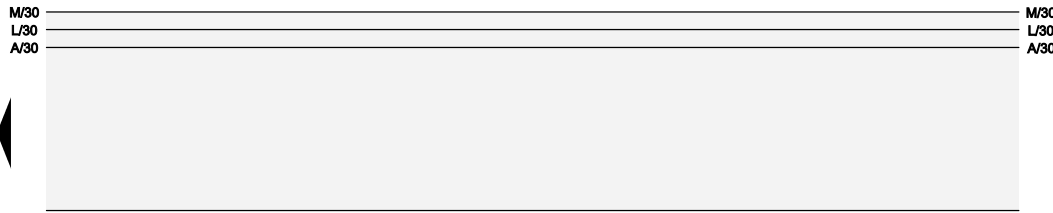
- 639 Ground Connection (on left A-pillar)
- L81 Connection (in auxiliary heater wiring harness)
- F37 Auxiliary Heater Connection (in Diesel Direct Fuel Injection (DFI) system wiring harness)
- * ⇒ Applicable Wiring Diagram for models with battery in engine compartment
- ** Only models with diesel engines
- **** ⇒ Applicable Wiring Diagram Engine

Protected by copyright. Copying for private or commercial purposes, in part or in whole, is not permitted unless authorised by AUDI AG. AUDI AG does not guarantee or accept any liability with respect to the correctness of information in this document. Copyright by AUDI AG.

- ws = white
- sw = black
- ro = red
- br = brown
- gn = green
- bl = blue
- gr = grey
- li = lilac
- ge = yellow
- or = orange
- rs = pink

71 72 73 74 75 76 77 78 79 80 81 82 83 84

8P0-A142070409



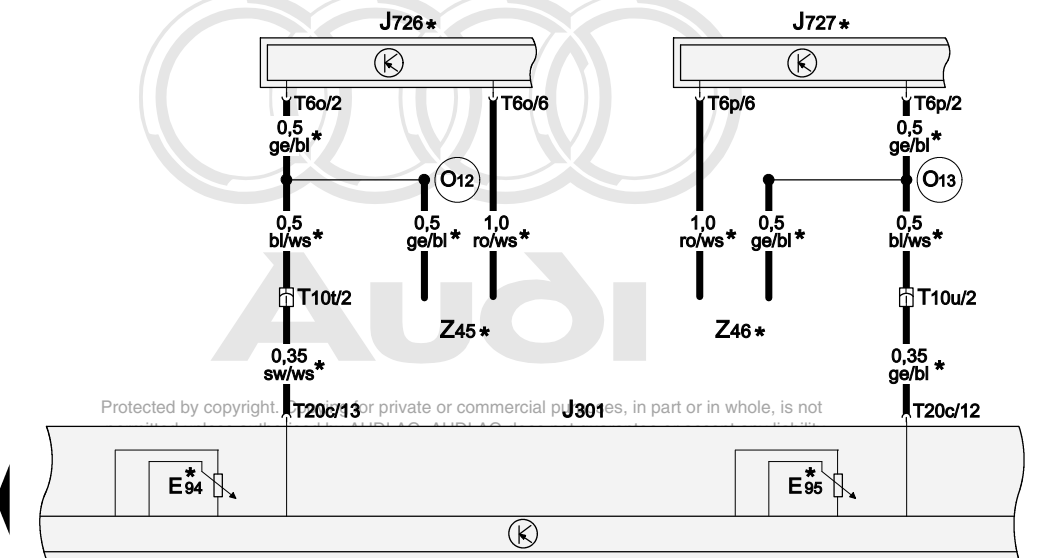
Heated Seats Adjuster

- E94 Driver's Heated Seat Adjuster
- E95 Front Passenger's Heated Seat Adjuster
- J301 A/C Control Module
- J519 Vehicle Electrical System Control Module
- J726 Driver's Heated Seat Control Module
- J727 Front Passenger's Heated Seat Control Module
- T6o 6-Pin Connector, black, on driver seat heater control module
- T6p 6-Pin Connector, black, on front passenger seat heater control module
- T10t 10-Pin Connector, black, below driver's seat
- T10u 10-Pin Connector, black, below front passenger's seat
- T20c 20-Pin Connector, black (Connector A)
- Z45 Front Left Heated Seat
- Z46 Front Right Heated Seat

O12 Connection 1 (in seat heater wiring harness)

O13 Connection 2 (in seat heater wiring harness)

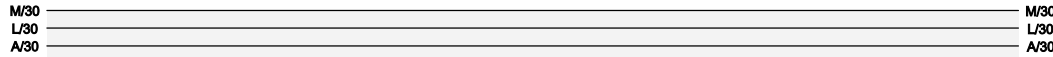
* ⇒ Applicable Wiring Diagram Heated Seats



- ws = white
- sw = black
- ro = red
- br = brown
- gn = green
- bl = blue
- gr = grey
- li = lilac
- ge = yellow
- or = orange
- rs = pink

85 86 87 88 89 90 91 92 93 94 95 96 97 98

8P0-A142080409

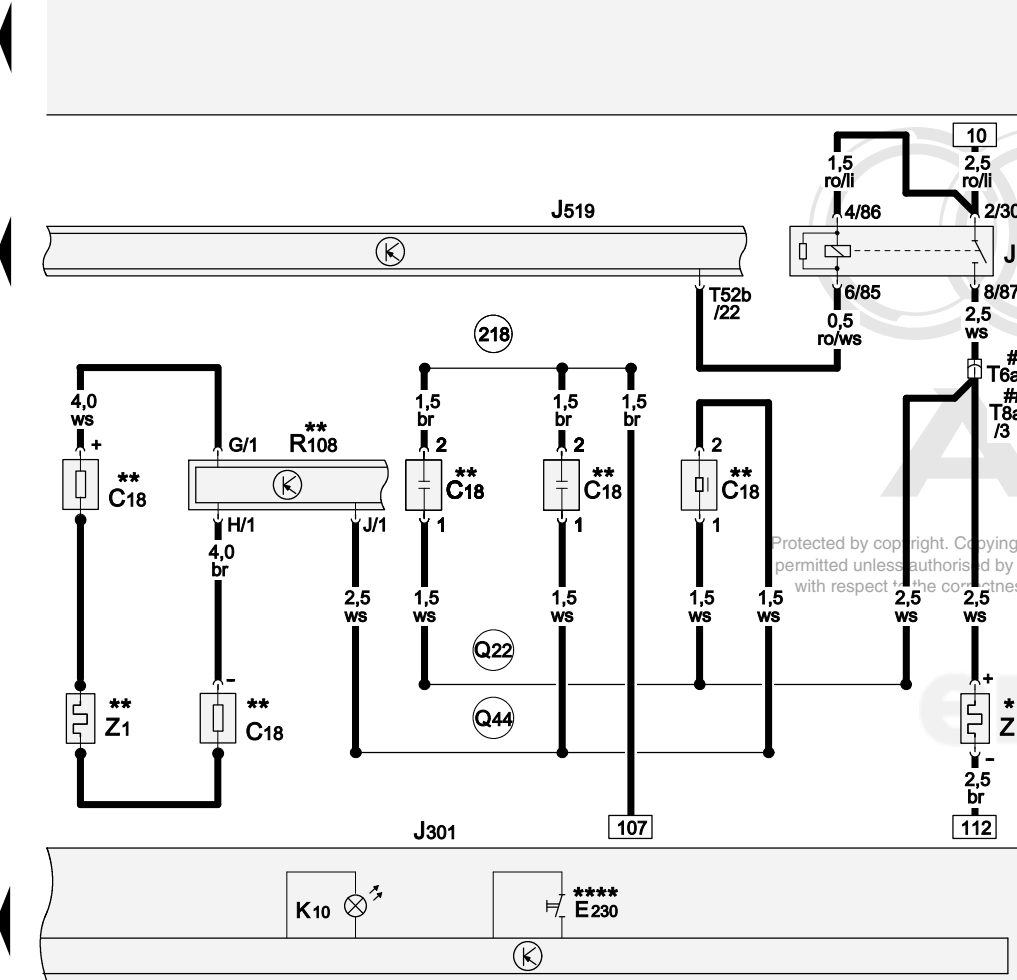


Rear Window Defogger Relay, Heated Rear Window

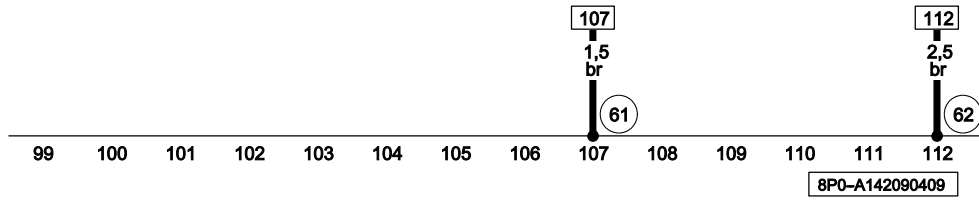
- C18 Windshield Antenna Suppression Filter
- E230 Heated Rear Window Button
- J9 Rear Window Defogger Relay
- J301 A/C Control Module
- J519 Vehicle Electrical System Control Module
- K10 Rear Window Defogger Indicator Lamp
- R108 Left Antenna Module
- T6a 6-Pin Connector, black, on C-pillar, left
- T8ac 8-Pin Connector, black
- T52b 52-Pin Connector, white (Connector B)
- Z1 Heated Rear Window

- 61 Ground Connection (on left C-pillar)
- 62 Ground Connection (on right C-pillar)
- 218 Ground Connection 1 (in rear lid wiring harness)
- Q22 Connection 1 (in tailgate wiring harness)
- Q44 Connection 2 (in tailgate wiring harness)
- * Only models without radio
- ** Only models with radio or radio/navigation system
- **** Z1 Operation over Comfort System CAN-Bus
- # Only 3-door models
- ## Only 5-door models

Protected by copyright. Copying for private or commercial purposes, in part or in whole, is not permitted unless authorized by AUDI AG. AUDI AG does not guarantee or accept any liability with respect to the correctness of information in this document. Copyright by AUDI AG.

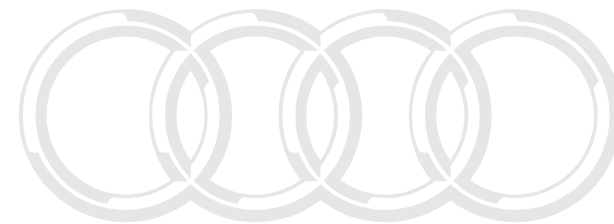


- ws = white
- sw = black
- ro = red
- br = brown
- gn = green
- bl = blue
- gr = grey
- li = lilac
- ge = yellow
- or = orange
- rs = pink



8P0-A142090409

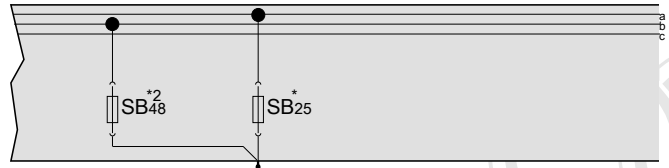
ABS with ASR
From May 2009



Audi

Protected by copyright. Copying for private or commercial purposes, in part or in whole, is not permitted unless authorised by AUDI AG. AUDI AG does not guarantee or accept any liability with respect to the correctness of information in this document. Copyright by AUDI AG.





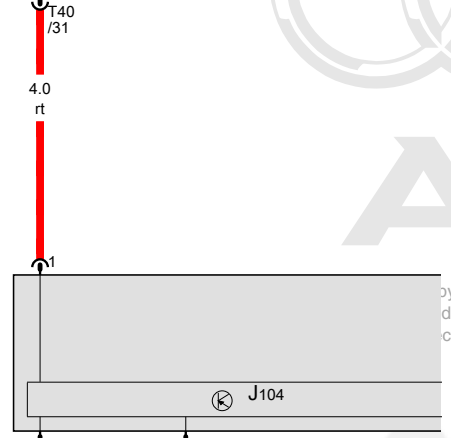
ABS control module

- J104 ABS control module
- SB25 Fuse 25 (on fuse panel B)
- SB48 Fuse 48 (on fuse panel B)
- T40 40-pin connector

43 Ground connection on A-pillar, lower right

639 Ground connection on left A-pillar

- * E-Box low
- *2 E-Box high
- *3 Only for left-hand drive vehicles
- *4 Only for right-hand drive vehicles

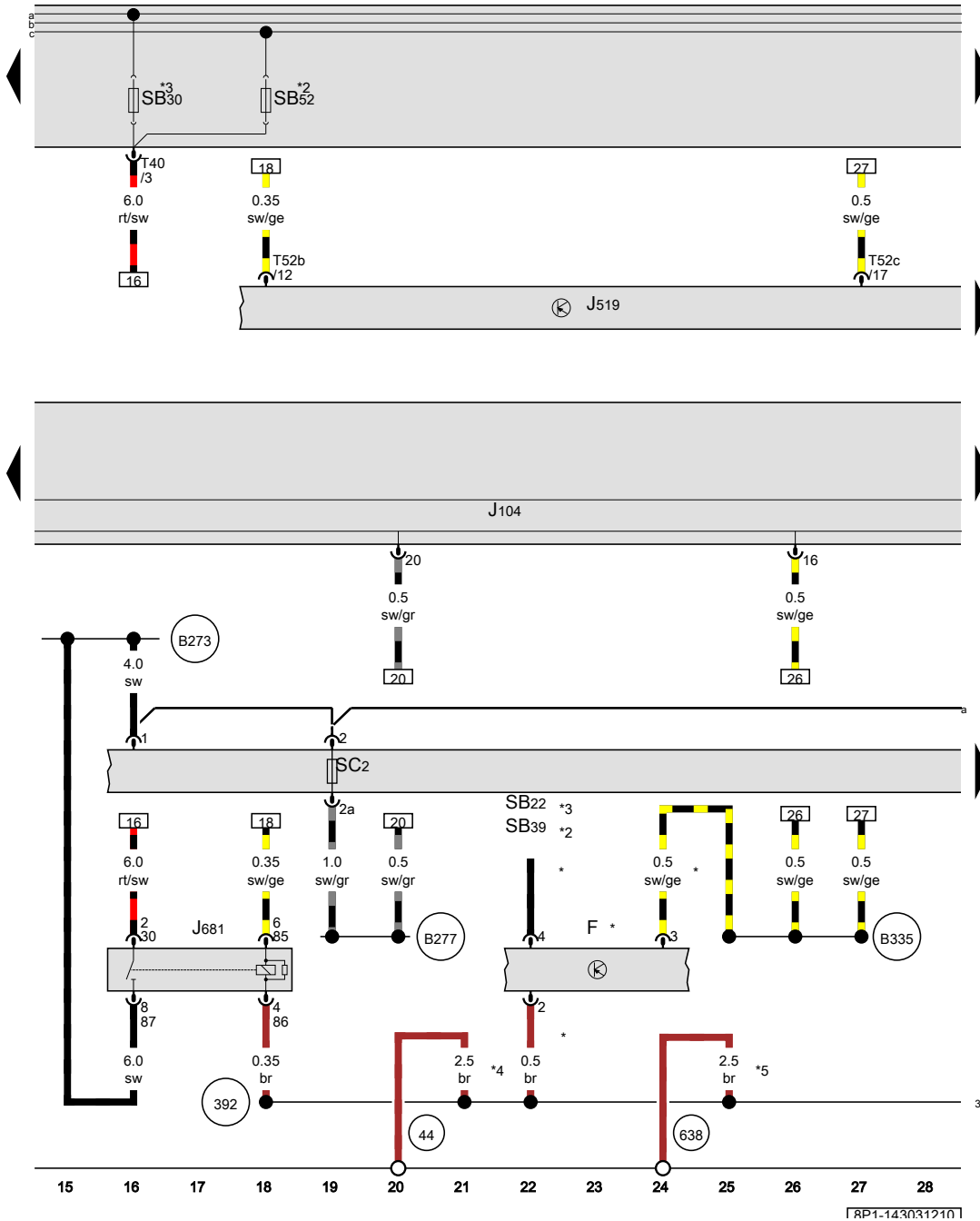


... for private or commercial purposes, in part or in whole, is not permitted by AUDI AG. AUDI AG does not guarantee or accept any liability for the correctness of information in this document. Copyright by AUDI AG.

- ws = white
- sw = black
- ro = red
- rt = red
- br = brown
- gn = green
- bl = blue
- gr = grey
- li = lilac
- vi = lilac
- ge = yellow
- or = orange
- rs = pink



FRP1-1430212101



Brake lamp switch, ABS control module, Vehicle electrical system control module, Terminal 15 power supply relay 2

- F Brake lamp switch
- J104 ABS control module
- J519 Vehicle electrical system control module
- J681 Terminal 15 power supply relay 2
- SC2 Fuse 2 (on fuse panel C)
- SB22 Fuse 22 (on fuse panel B)
- SB30 Fuse 30 (on fuse panel B)
- SB39 Fuse 39 (on fuse panel B)
- SB52 Fuse 52 (on fuse panel B)
- T40 40-pin connector
- T52b 52-pin connector
- T52c 52-pin connector

Protected by copyright. Copying, distributing, or otherwise using this document, in whole or in part, is not permitted unless authorized by AUDI AG. AUDI AG does not guarantee or accept any liability with respect to the correctness of information in this document. Copyright by AUDI AG.

- 44 Ground connection on A-pillar, lower left
- 392 Ground connection 27 (in main wiring harness)
- 638 Ground connection on right A-pillar
- B273 Positive connection (15) (in main wiring harness)
- B277 Positive connection 1 (15a) (in main wiring harness)
- B335 Connection 1 (54) (in main wiring harness)
- * Refer to applicable engine wiring diagram
- *2 E-Box high
- *3 E-Box low
- *4 Only for left-hand drive vehicles
- *5 Only for right-hand drive vehicles

- ws = white
- sw = black
- ro = red
- rt = red
- br = brown
- gn = green
- bl = blue
- gr = grey
- li = lilac
- vi = lilac
- ge = yellow
- or = orange
- rs = pink

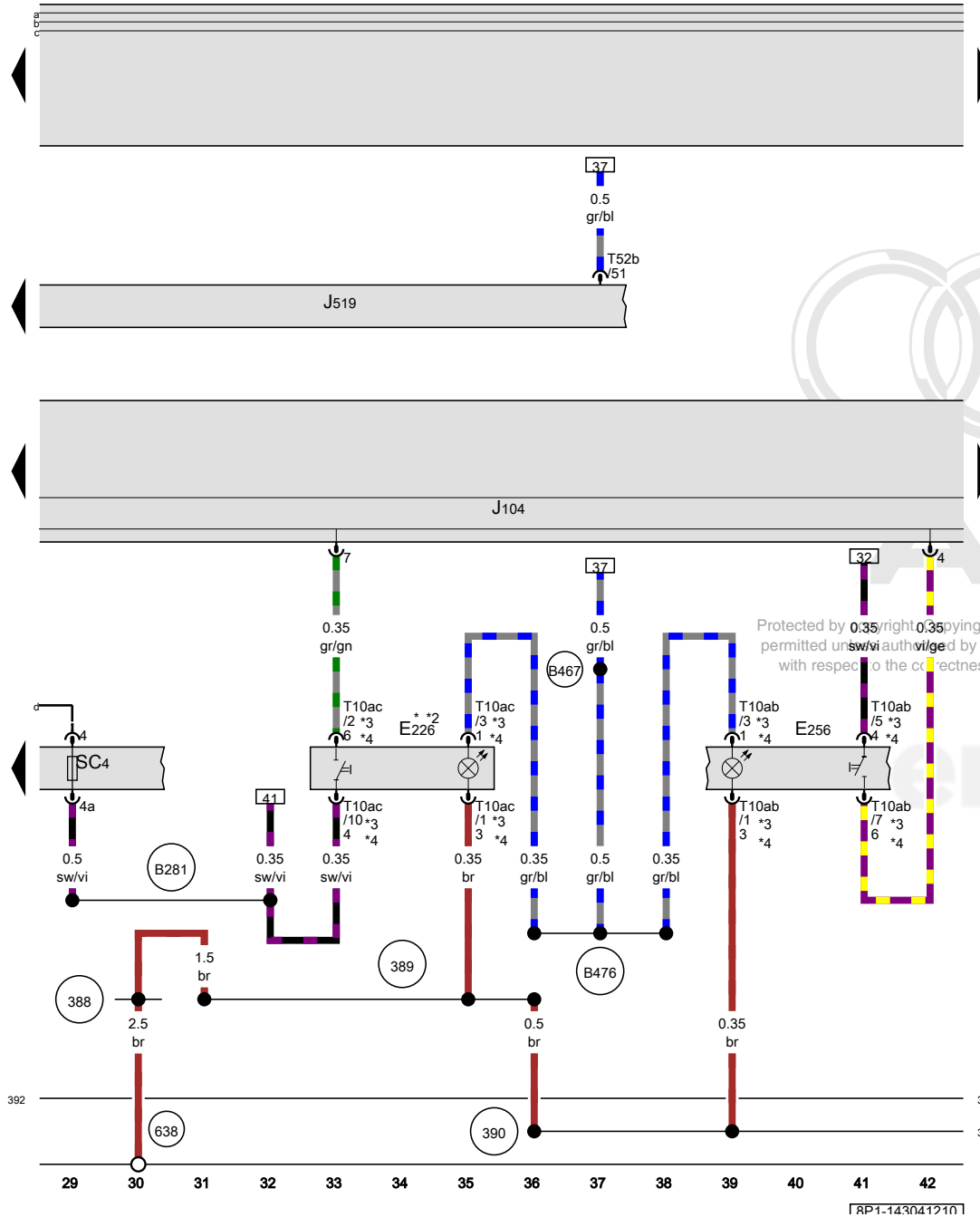
1430312101

Tire pressure monitoring button, ASR/ESP button, ABS control module, Vehicle electrical system control module

- E226 Tire pressure monitoring button
- E256 ASR/ESP button
- J104 ABS control module
- J519 Vehicle electrical system control module
- SC4 Fuse 4 (on fuse panel C)
- T10ab 10-pin connector
- T10ac 10-pin connector
- T52b 52-pin connector

- 388 Ground connection 23 (in main wiring harness)
- 389 Ground connection 24 (in main wiring harness)
- 390 Ground connection 25 (in main wiring harness)
- 392 Ground connection 27 (in main wiring harness)
- 638 Ground connection on right A-pillar
- B281 Positive connection 5 (15a) (in main wiring harness)
- B467 Connection 3 (in main wiring harness)
- B476 Connection 12 (in main wiring harness)

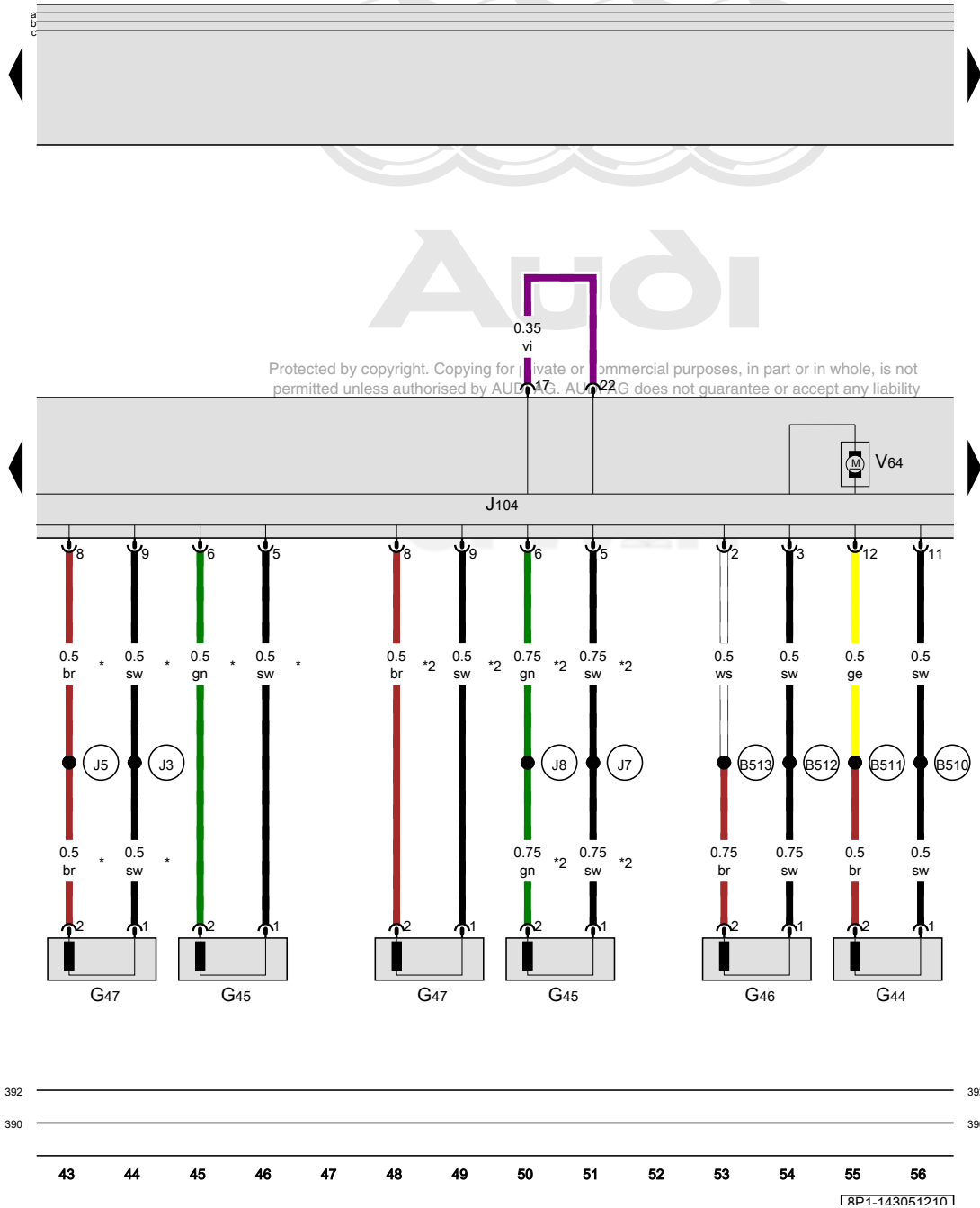
Protected by copyright. Copying for private or commercial purposes, in part or in whole, is not permitted without the written authorization of AUDI AG. AUDI AG does not guarantee the accuracy of the information in this document. Copyright by AUDI AG.



- * Only for vehicles with tire pressure monitoring
- *2 If available
- *3 Running change
- *4 Omitted as a running change

- ws = white
- sw = black
- ro = red
- rt = red
- br = brown
- gn = green
- bl = blue
- gr = grey
- li = lilac
- vi = lilac
- ge = yellow
- or = orange
- rs = pink

1430412101



Right rear ABS wheel speed sensor, Right front ABS wheel speed sensor, Left rear ABS wheel speed sensor, Left front ABS wheel speed sensor, ABS control module

- G44 Right rear ABS wheel speed sensor
- G45 Right front ABS wheel speed sensor
- G46 Left rear ABS wheel speed sensor
- G47 Left front ABS wheel speed sensor
- J104 ABS control module
- V64 ABS hydraulic pump

- 390 Ground connection 25 (in main wiring harness)
- 392 Ground connection 27 (in main wiring harness)
- B510 Right rear speed sensor connection 1 (in interior wiring harness)
- B511 Right rear speed sensor connection 2 (in interior wiring harness)
- B512 Left rear speed sensor connection 1 (in interior wiring harness)
- B513 Left rear speed sensor connection 2 (in interior wiring harness)
- J3 Connection 1 (in ABS wiring harness)
- J5 Connection 2 (in ABS wiring harness)
- J7 Connection 3 (in ABS wiring harness)
- J8 Connection 4 (in ABS wiring harness)
- * Only for left-hand drive vehicles
- *2 Only for right-hand drive vehicles

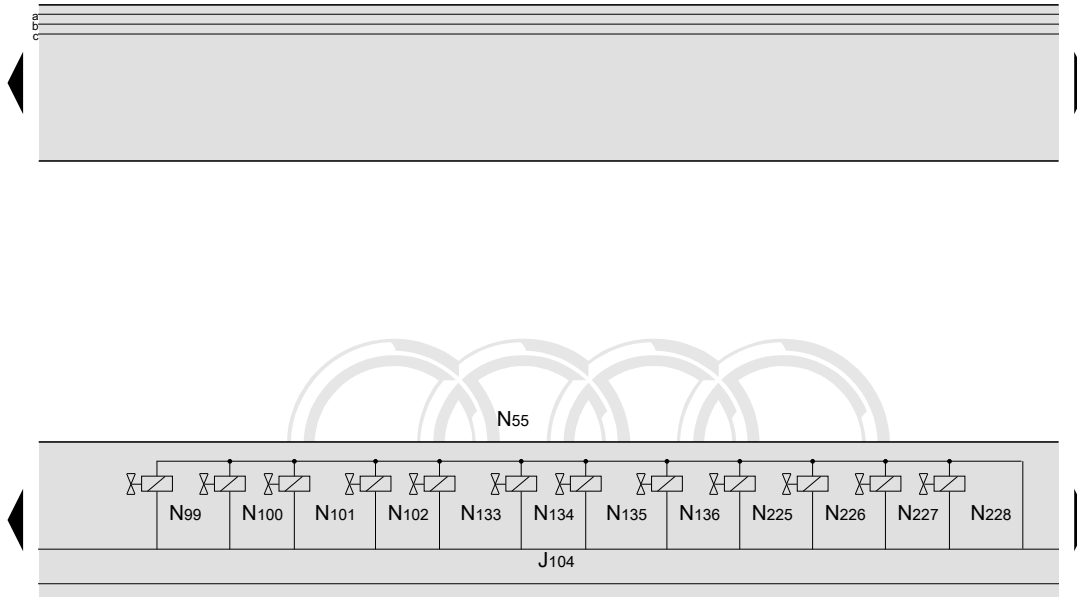
- ws = white
- sw = black
- ro = red
- rt = red
- br = brown
- gn = green
- bl = blue
- gr = grey
- li = lilac
- vi = lilac
- ge = yellow
- or = orange
- rs = pink

ABS control module, ABS hydraulic unit

- J104 ABS control module
- N55 ABS hydraulic unit
- N99 Right front ABS inlet valve
- N100 Right front ABS outlet valve
- N101 Left front ABS inlet valve
- N102 Left front ABS outlet valve
- N133 Right rear ABS inlet valve
- N134 Left rear ABS inlet valve
- N135 Right rear ABS outlet valve
- N136 Left rear ABS outlet valve
- N225 Driving dynamics regulation switch valve 1
- N226 Driving dynamics regulation switch valve 2
- N227 Driving dynamics regulation high pressure switch valve 1
- N228 Driving dynamics regulation high pressure switch valve 2

390 Ground connection 25 (in main wiring harness)

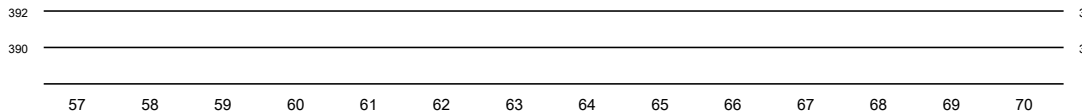
392 Ground connection 27 (in main wiring harness)



Protected by copyright. Copying for private or commercial purposes, in part or in whole, is not permitted unless authorised by AUDI AG. AUDI AG does not guarantee or accept any liability with respect to the correctness of information in this document. Copyright by AUDI AG.



- ws = white
- sw = black
- ro = red
- rt = red
- br = brown
- gn = green
- bl = blue
- gr = grey
- li = lilac
- vi = lilac
- ge = yellow
- or = orange
- rs = pink



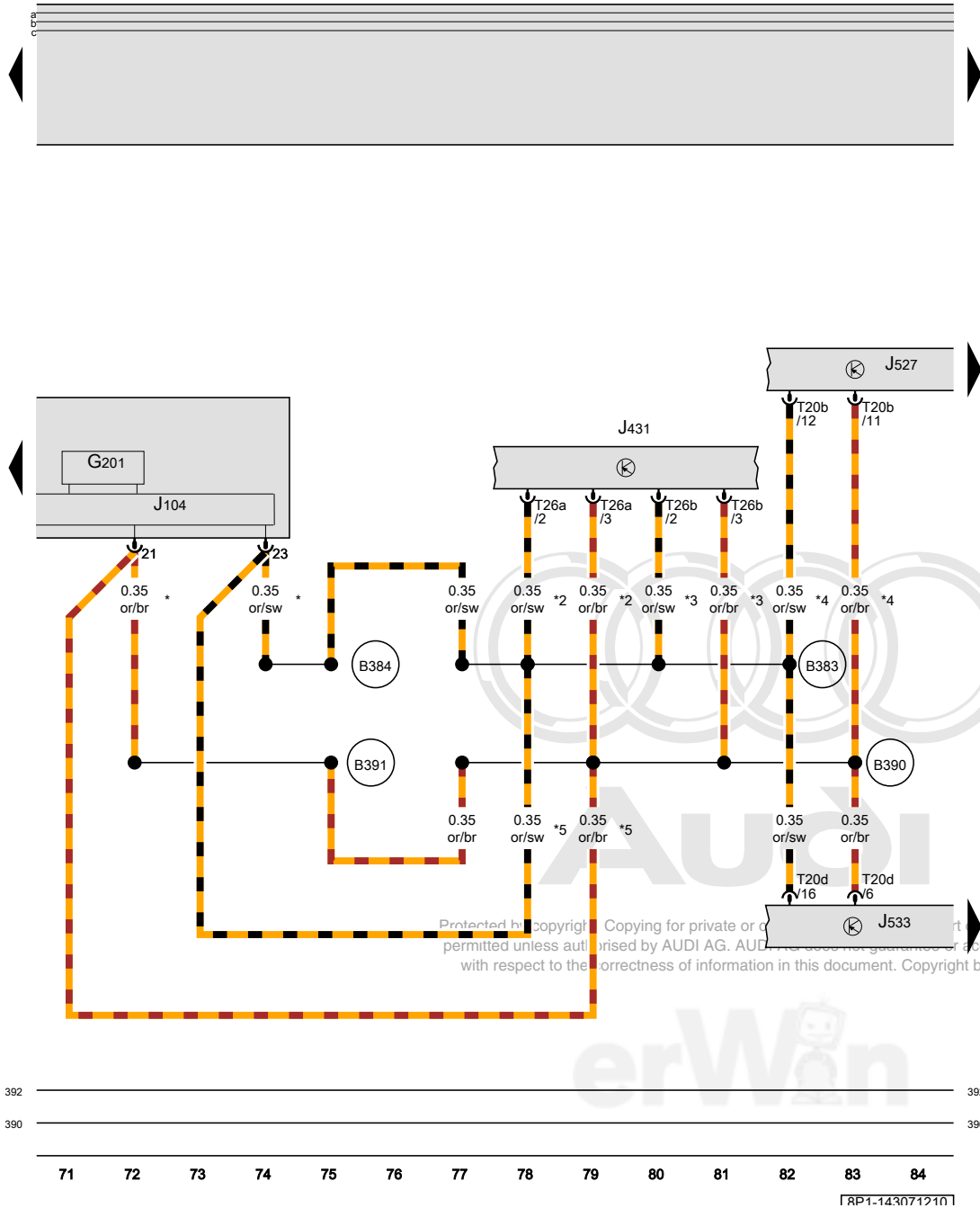
18P1-143061210

Brake pressure sensor 1, ABS control module, Headlamp range control module, Steering column electronics control module, Data bus on board diagnostic interface

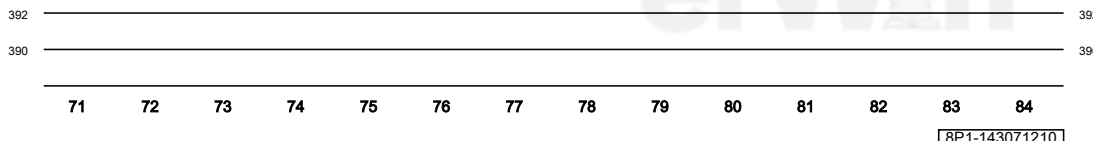
- G201 Brake pressure sensor 1
- J104 ABS control module
- J431 Headlamp range control module
- J527 Steering column electronics control module
- J533 Data bus on board diagnostic interface
- T20b 20-pin connector
- T20d 20-pin connector
- T26a 26-pin connector
- T26b 26-pin connector

- 390 Ground connection 25 (in main wiring harness)
- 392 Ground connection 27 (in main wiring harness)
- B383 Powertrain CAN bus high connection 1 (in main wiring harness)
- B384 Powertrain CAN bus high connection 2 (in main wiring harness)
- B390 Powertrain CAN bus low connection 1 (in main wiring harness)
- B391 Powertrain CAN bus low connection 2 (in main wiring harness)

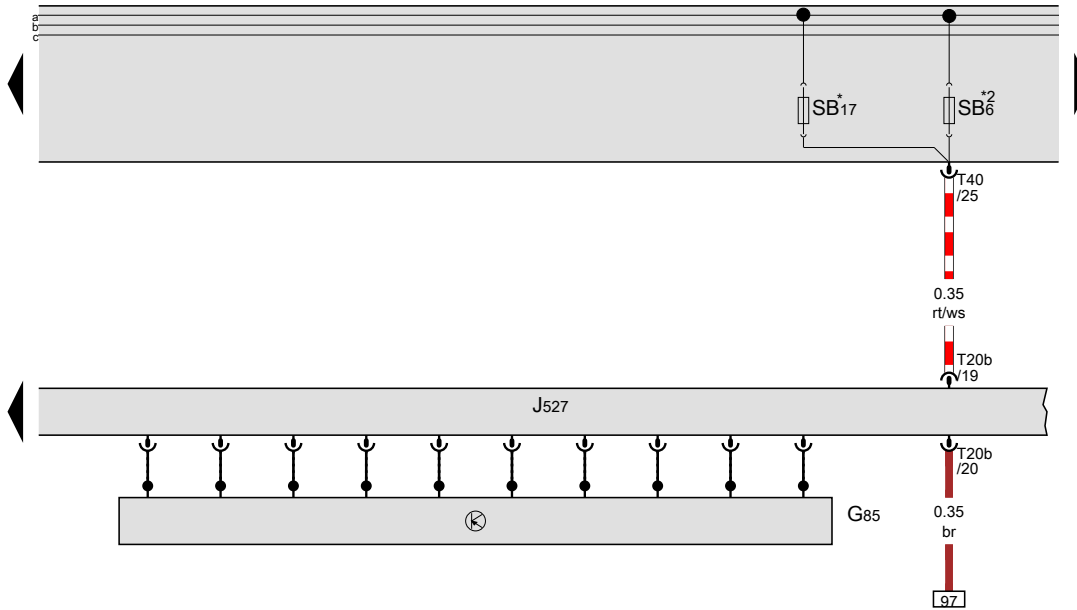
- * Only for left-hand drive vehicles
- *2 Depending on equipment
- *3 Only for vehicles with dynamic cornering lamp
- *4 If available
- *5 Only for right-hand drive vehicles



Protected by copyright. Copying for private or domestic use is permitted unless authorised by AUDI AG. AUDI AG does not accept any liability with respect to the correctness of information in this document. Copyright by AUDI AG.



18P1-143071210

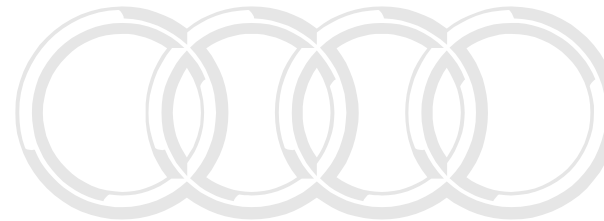


Steering angle sensor, Steering column electronics control module, Data bus on board diagnostic interface

- G85 Steering angle sensor
- J527 Steering column electronics control module
- J533 Data bus on board diagnostic interface
- SB6 Fuse 6 (on fuse panel B)
- SB17 Fuse 17 (on fuse panel B)
- T20b 20-pin connector
- T40 40-pin connector

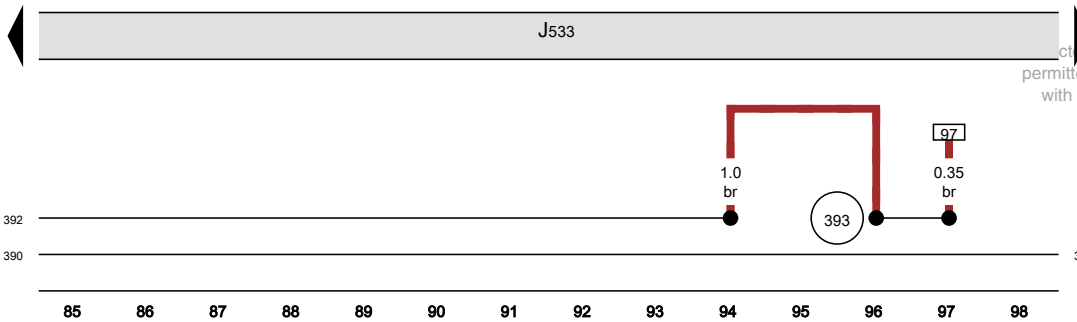
- 390 Ground connection 25 (in main wiring harness)
- 392 Ground connection 27 (in main wiring harness)
- 393 Ground connection 28 (in main wiring harness)

- * E-Box high
- *2 E-Box low



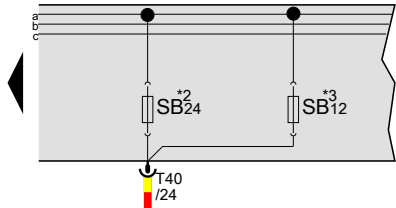
Audi

Copyright by Audi AG. All rights reserved. Copying for private or commercial purposes, in part or in whole, is not permitted unless authorised by AUDI AG. AUDI AG does not guarantee or accept any liability with respect to the correctness of information in this document. Copyright by AUDI AG.



- ws = white
- sw = black
- ro = red
- rt = red
- br = brown
- gn = green
- bl = blue
- gr = grey
- li = lilac
- vi = lilac
- ge = yellow
- or = orange
- rs = pink

RP1-143081210

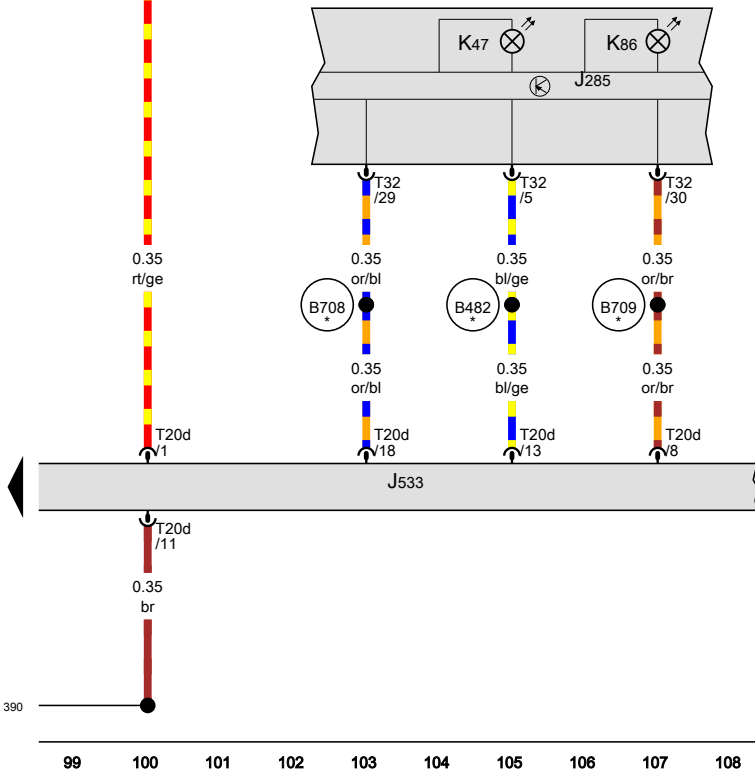


Protected by copyright. Copying for private or commercial purposes, in part or in whole, is not permitted unless authorised by AUDI AG. AUDI AG does not guarantee or accept any liability with respect to the correctness of information in this document. Copyright by AUDI AG.

Instrument cluster control module, Data bus on board diagnostic interface, ABS indicator lamp, Traction control indicator lamp

- J285 Instrument cluster control module
- J533 Data bus on board diagnostic interface
- K47 ABS indicator lamp
- K86 Traction control indicator lamp
- SB12 Fuse 12 (on fuse panel B)
- SB24 Fuse 24 (on fuse panel B)
- T20d 20-pin connector
- T32 32-pin connector
- T40 40-pin connector

- 390 Ground connection 25 (in main wiring harness)
- B482 Connection 18 (in main wiring harness)
- B708 Instrument cluster CAN bus high connection 1 (in main wiring harness)
- B709 Instrument cluster CAN bus low connection 1 (in main wiring harness)
- * Omitted as a running change
- *2 E-Box high
- *3 E-Box low



- ws = white
- sw = black
- ro = red
- rt = red
- br = brown
- gn = green
- bl = blue
- gr = grey
- li = lilac
- vi = lilac
- ge = yellow
- or = orange
- rs = pink

18P1-1430912101

Rear Heated Seat, with and without A/C

from May 2009

Note:

Information for

◆ Relay and fuse arrangements

◆ Connector arrangements

◆ Control Modules and Relays

◆ Ground Connections

⇒ Component Locations

Information for

◆ Troubleshooting Procedures

⇒ Guided Fault Finding using VAS 5051 / 5052

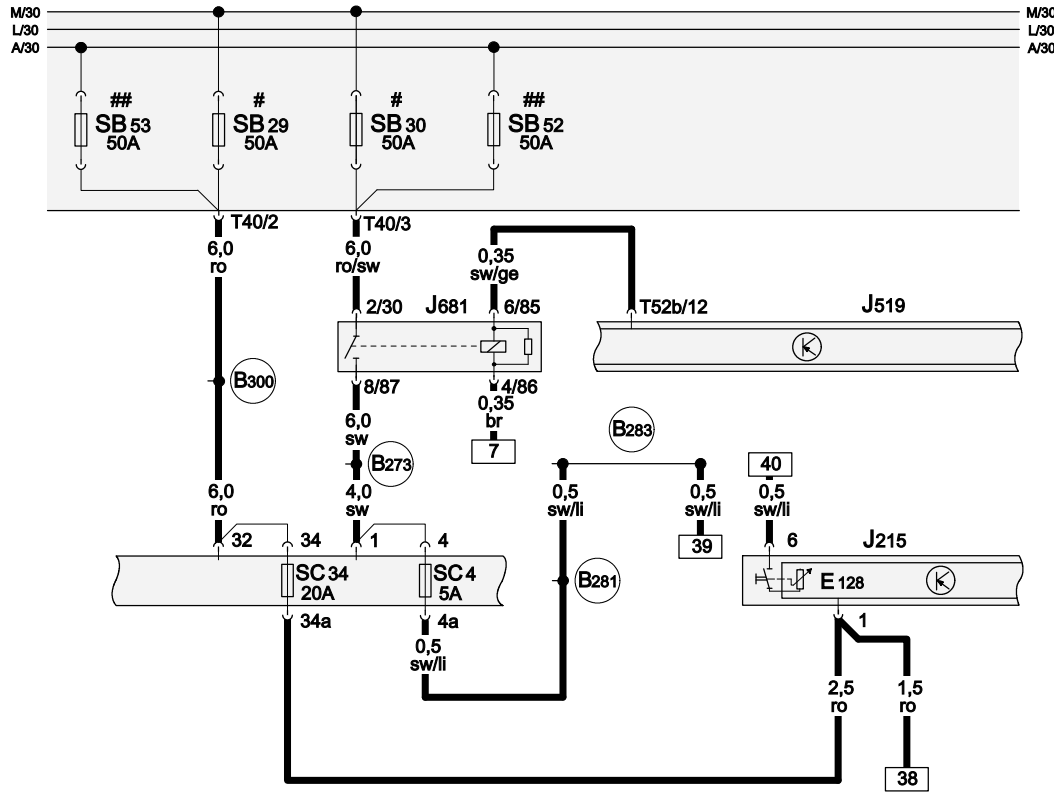


Audi

Protected by copyright. Copying for private or commercial purposes, in part or in whole, is not permitted unless authorised by AUDI AG. AUDI AG does not guarantee or accept any liability with respect to the correctness of information in this document. Copyright by AUDI AG.



erWin



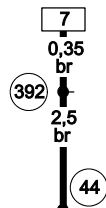
Left Rear Heated Seat Control Module, Fuses (on fuse panel)

- E128 Left Rear Heated Seat Regulating Switch
- J215 Left Rear Heated Seat Control Module
- J519 Vehicle Electrical System Control Module
- J681 Power Supply Relay 2 (terminal 15)
- SB29 Fuse 29 (on fuse panel B)
- SB30 Fuse 30 (on fuse panel B)
- SB52 Fuse 52 (on fuse panel B)
- SB53 Fuse 53 (on fuse panel B)
- SC4 Fuse 4 (on fuse panel C)
- SC34 Fuse 34 (on fuse panel C)
- T40 40-Pin Connector, black, on electronics box engine compartment (Connector J)
- T52b 52-Pin Connector, white (Connector B)

- 44 Ground Connection (on left lower A-pillar)
- 392 Ground Connection 27 (in main wiring harness)
- B273 Plus Connection (15) (in main wiring harness)
- B281 Plus Connection 5 (15a) (in main wiring harness)
- B283 Plus Connection 7 (15a) (in main wiring harness)
- B300 Plus Connection 4 (30) (in main wiring harness)

Only models with electronics box Low
 ## Only models with electronics box High

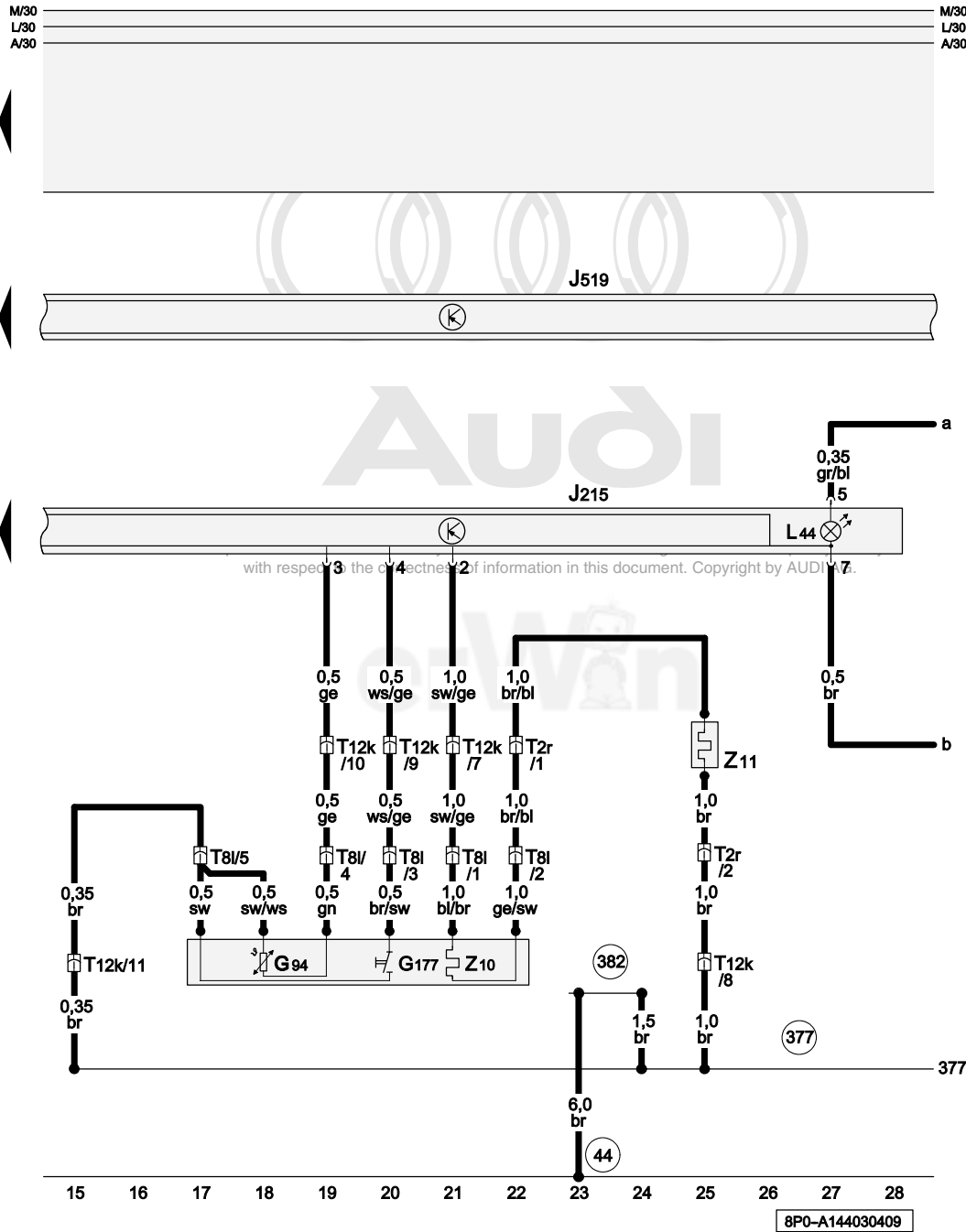
Protected by copyright. Copying for private or commercial purposes, in part or in whole, is not permitted unless authorised by AUDI AG. AUDI AG does not guarantee or accept any liability with respect to the correctness of information in this document. Copyright by AUDI AG.



- ws = white
- sw = black
- ro = red
- br = brown
- gn = green
- bl = blue
- gr = grey
- li = lilac
- ge = yellow
- or = orange
- rs = pink



8P0-A144020409



Left Rear Heated Seat Control Module, Left Rear Heated Seat Temperature Sensor, Left Rear Seat Heating Element, Left Rear Backrest Heating Element

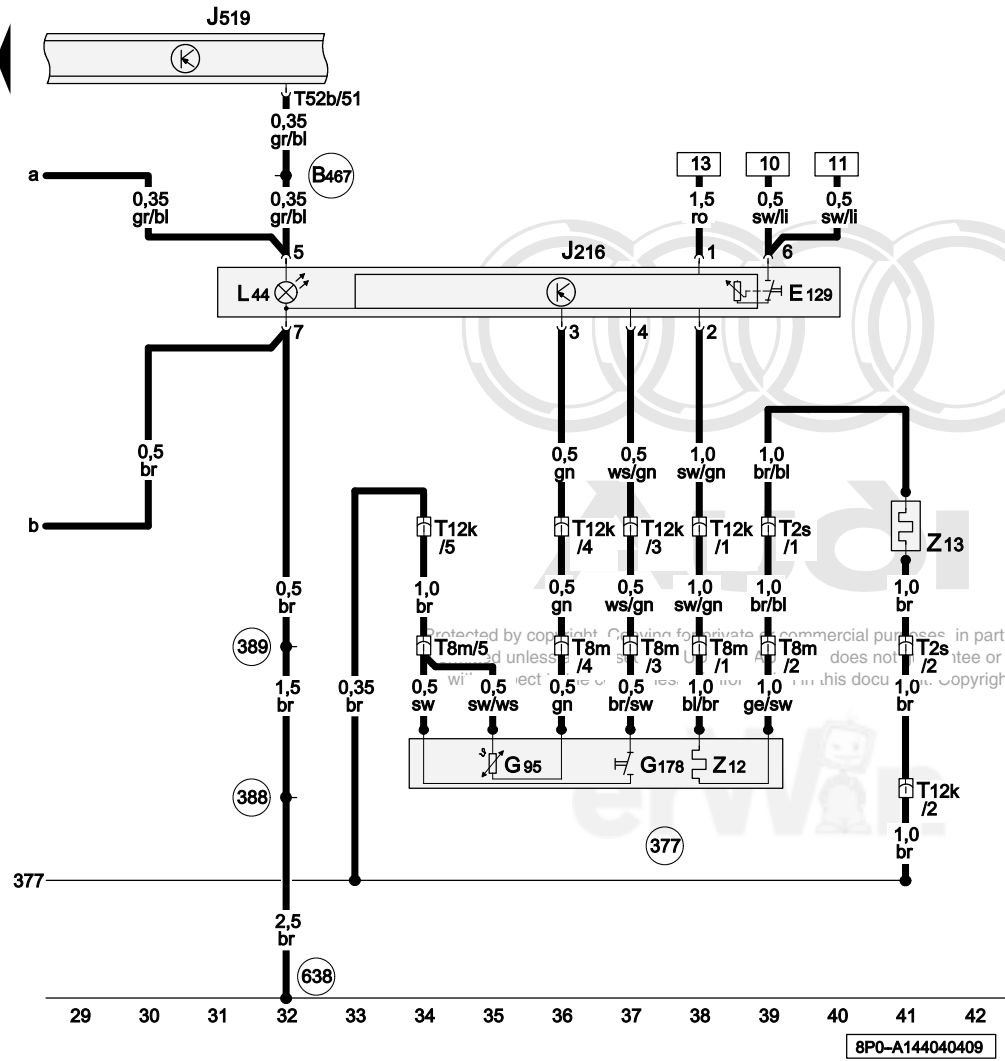
- G94 Left Rear Heated Seat Temperature Sensor
 - G177 Driver Side Rear Seat Occupied Sensor
 - J215 Left Rear Heated Seat Control Module
 - J519 Vehicle Electrical System Control Module
 - L44 Heated Seat Switch Illumination
 - T2r Double Connector, black, below rear seat
 - T8l 8-Pin Connector, black, on left rear seat
 - T12k 12-Pin Connector, black, below rear seat
 - Z10 Left Rear Seat Heating Element
 - Z11 Left Rear Backrest Heating Element
- 44 Ground Connection (on left lower A-pillar)
 - 377 Ground Connection 12 (in main wiring harness)
 - 382 Ground Connection 17 (in main wiring harness)

- ws = white
- sw = black
- ro = red
- br = brown
- gn = green
- bl = blue
- gr = grey
- li = lilac
- ge = yellow
- or = orange
- rs = pink



Right Rear Heated Seat Control Module, Right Rear Heated Seat Temperature Sensor, Right Rear Seat Heating Element, Right Rear Backrest Heating Element

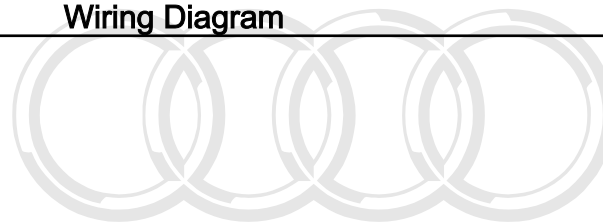
- E129 Right Rear Heated Seat Regulating Switch
- G95 Right Rear Heated Seat Temperature Sensor
- G178 Front Passenger Side Rear Seat Occupied Sensor
- J216 Right Rear Heated Seat Control Module
- J519 Vehicle Electrical System Control Module
- L44 Heated Seat Switch Illumination
- T2s Double Connector, black, below rear seat
- T8m 8-Pin Connector, black, on right rear seat
- T12k 12-Pin Connector, black, below rear seat
- T52b 52-Pin Connector, white (Connector B)
- Z12 Right Rear Seat Heating Element
- Z13 Right Rear Backrest Heating Element



- 377 Ground Connection 12 (in main wiring harness)
- 388 Ground Connection 23 (in main wiring harness)
- 389 Ground Connection 24 (in main wiring harness)
- 638 Ground Connection (on right A-pillar)
- B467 Connection 3 (in main wiring harness)

Dimming interior rearview mirror

From May 2009

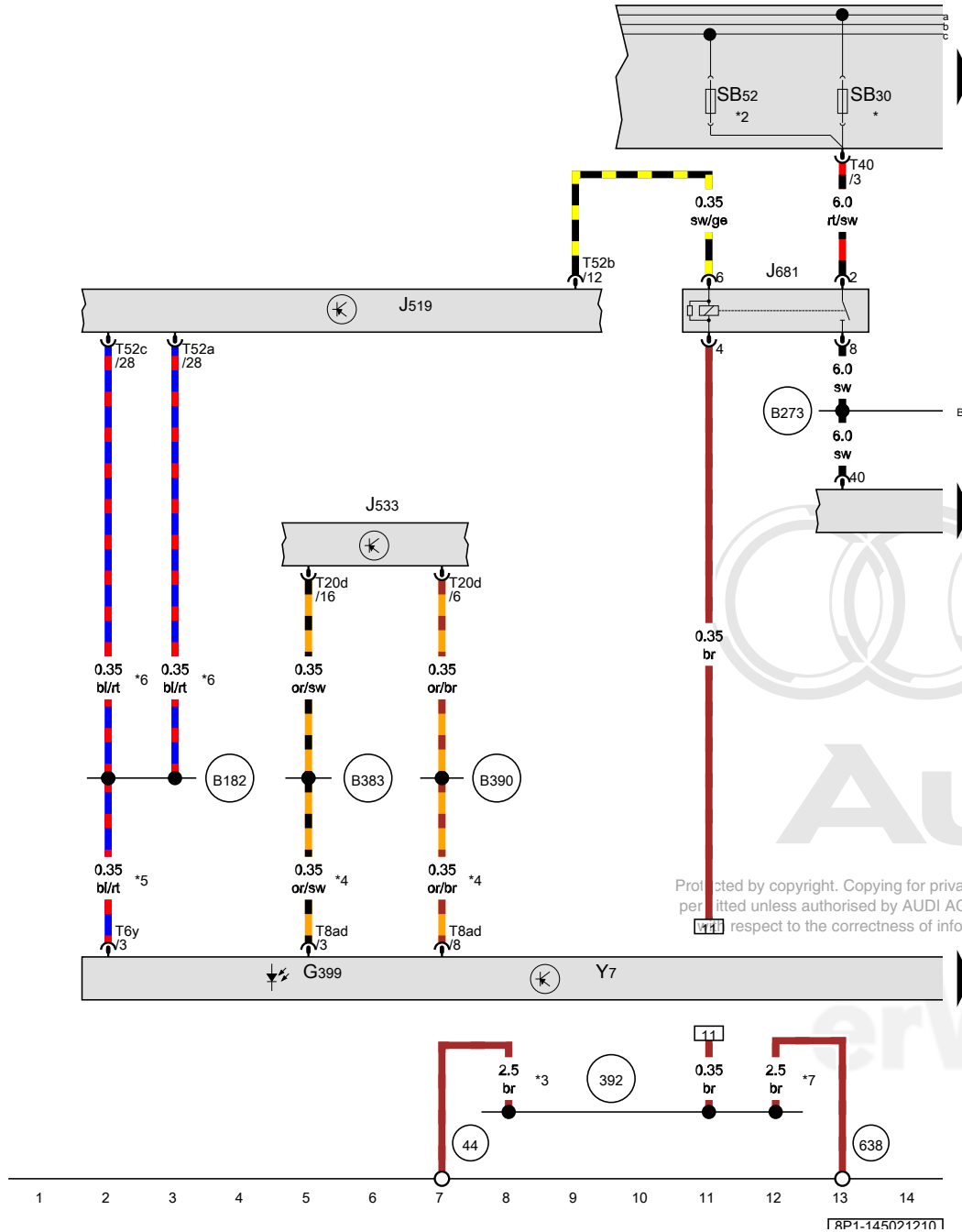


Audi

Protected by copyright. Copying for private or commercial purposes, in part or in whole, is not permitted unless authorised by AUDI AG. AUDI AG does not guarantee or accept any liability with respect to the correctness of information in this document. Copyright by AUDI AG.



Light recognition sensor, Vehicle electrical system control module, Data bus on board diagnostic interface, Terminal 15 power supply relay 2, Automatic dimming interior rearview mirror

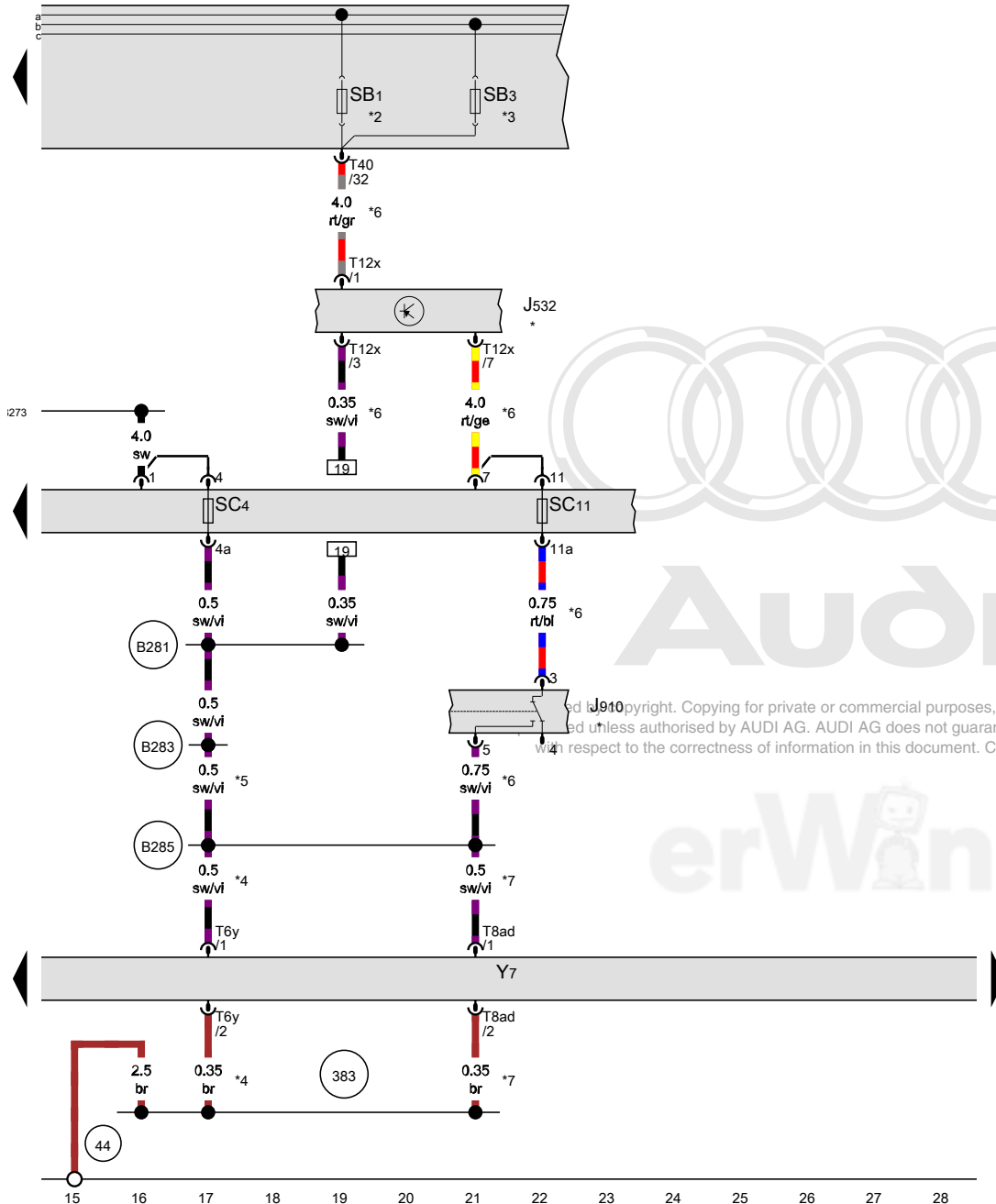


- G399 Light recognition sensor
- J519 Vehicle electrical system control module
- J533 Data bus on board diagnostic interface
- J681 Terminal 15 power supply relay 2
- SB30 Fuse 30 (on fuse panel B)
- SB52 Fuse 52 (on fuse panel B)
- T6y 6-pin connector
- T8ad 8-pin connector
- T20d 20-pin connector
- T40 40-pin connector
- T52a 52-pin connector
- T52b 52-pin connector
- T52c 52-pin connector
- Y7 Automatic dimming interior rearview mirror
- 44 Ground connection on A-pillar, lower left
- 392 Ground connection 27 (in main wiring harness)
- 638 Ground connection on right A-pillar
- B182 Connection (RF) (in interior wiring harness)
- B273 Positive connection (15) (in main wiring harness)
- B383 Powertrain CAN bus high connection 1 (in main wiring harness)
- B390 Powertrain CAN bus low connection 1 (in main wiring harness)

Protected by copyright. Copying for private or commercial purposes, in part or in whole, is not permitted unless authorised by AUDI AG. AUDI AG does not guarantee or accept any liability with respect to the correctness of information in this document. Copyright by AUDI AG

- ws = white
- sw = black
- ro = red
- br = brown
- gn = green
- bl = blue
- gr = grey
- li = lilac
- ge = yellow
- or = orange
- rs = pink

- *2 E-Box low
- *2 E-Box high
- *3 Only for left-hand drive vehicles
- *4 Only for vehicles with high beam assist
- *5 Only for vehicles without high beam assist
- *6 Depending on equipment
- *7 Only for right-hand drive vehicles



Voltage stabilizer, Automatic dimming interior rearview mirror relay, Automatic dimming interior rearview mirror

- J532 Voltage stabilizer
- J910 Automatic dimming interior rearview mirror relay
- SB1 Fuse 1 (on fuse panel B)
- SB3 Fuse 3 (on fuse panel B)
- SC4 Fuse 4 (on fuse panel C)
- SC11 Fuse 11 (on fuse panel C)
- T6y 6-pin connector
- T8ad 8-pin connector
- T12x 12-pin connector
- T40 40-pin connector
- Y7 Automatic dimming interior rearview mirror

- 44 Ground connection on A-pillar, lower left
- 383 Ground connection 18 (in main wiring harness)
- B273 Positive connection (15) (in main wiring harness)
- B281 Positive connection 5 (15a) (in main wiring harness)
- B283 Positive connection 7 (15a) (in main wiring harness)
- B285 Positive connection 9 (15a) (in main wiring harness)

- * Refer to applicable wiring diagram for battery in engine compartment
- *2 E-Box low
- *3 E-Box high
- *4 Only for vehicles without high beam assist
- *5 Only for vehicles without Start/Stop system
- *6 Only for vehicles with Start/Stop system
- *7 Only for vehicles with high beam assist

- ws = white
- sw = black
- ro = red
- br = brown
- gn = green
- bl = blue
- gr = grey
- li = lilac
- ge = yellow
- or = orange
- rs = pink

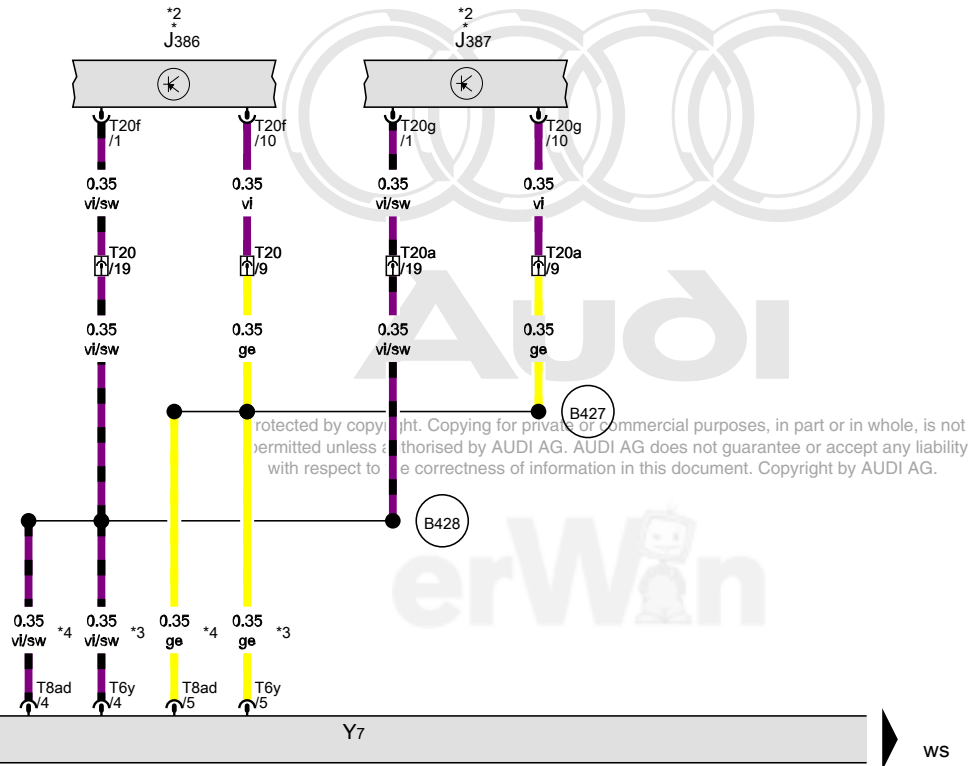
FRP1-1450312101

Driver door control module, Front passenger door control module, Automatic dimming interior rearview mirror

- J386 Driver door control module
- J387 Front passenger door control module
- T6y 6-pin connector
- T8ad 8-pin connector
- T20 20-pin connector, on the lower left A-pillar
- T20a 20-pin connector, on the lower right A-pillar
- T20f 20-pin connector
- T20g 20-pin connector
- Y7 Automatic dimming interior rearview mirror

- (B427) Mirror auto-dimming signal connection 1 (in main wiring harness)
- (B428) Mirror auto-dimming signal connection 2 (in main wiring harness)

- * Only for left-hand drive vehicles
- *2 Refer to applicable convenience system wiring diagram
- *3 Only for vehicles without high beam assist
- *4 Only for vehicles with high beam assist



- ws = white
- sw = black
- ro = red
- br = brown
- gn = green
- bl = blue
- gr = grey
- li = lilac
- ge = yellow
- or = orange
- rs = pink

29 30 31 32 33 34 35 36 37 38 39 40 41 42

[RP1-145041210]

Driver door control module, Front passenger door control module, Automatic dimming interior rearview mirror

- J386 Driver door control module
- J387 Front passenger door control module
- T6y 6-pin connector
- T8ad 8-pin connector
- T20 20-pin connector, on the lower left A-pillar
- T20a 20-pin connector, on the lower right A-pillar
- T20f 20-pin connector
- T20g 20-pin connector
- Y7 Automatic dimming interior rearview mirror

B427 Mirror auto-dimming signal connection 1 (in main wiring harness)

B428 Mirror auto-dimming signal connection 2 (in main wiring harness)

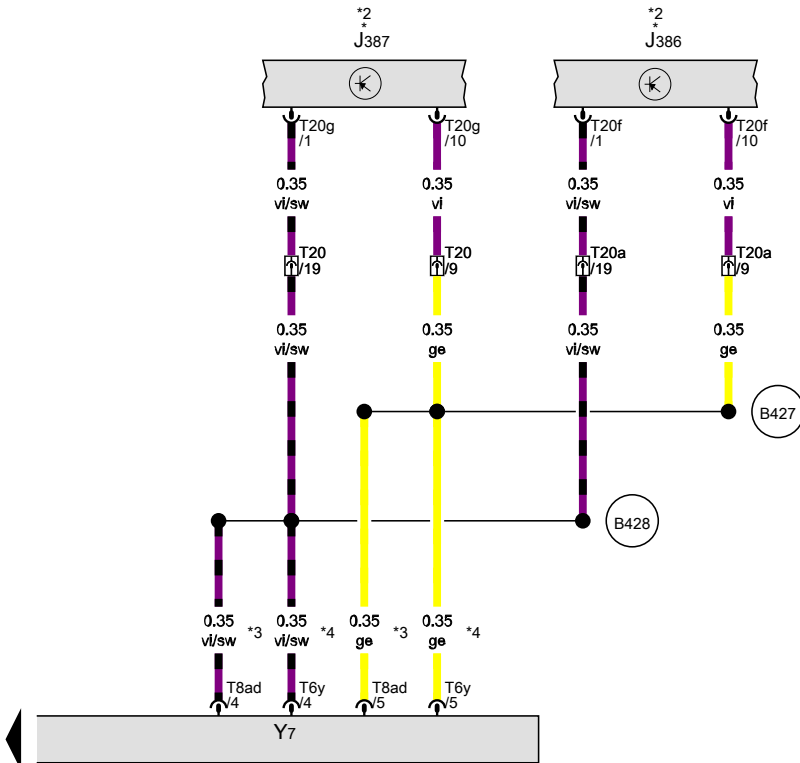
Protected by copyright. Copying for private or commercial purposes is prohibited without permission unless authorised by AUDI AG. AUDI AG does not guarantee or accept any liability with respect to the correctness of information in this document. Copyright © 2010 Audi AG

* Only for right-hand drive vehicles

*2 Refer to applicable convenience system wiring diagram

*3 Only for vehicles with high beam assist

*4 Only for vehicles without high beam assist



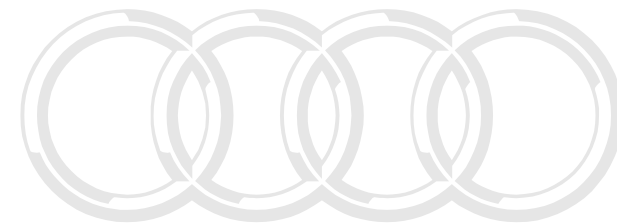
- ws = white
- sw = black
- ro = red
- br = brown
- gn = green
- bl = blue
- gr = grey
- li = lilac
- ge = yellow
- or = orange
- rs = pink

43 44 45 46 47 48 49 50 51 52 53 54 55 56

[RP1-145051210]

Heating with manual control

From May 2009



Audi

Protected by copyright. Copying for private or commercial purposes, in part or in whole, is not permitted unless authorised by AUDI AG. AUDI AG does not guarantee or accept any liability with respect to the correctness of information in this document. Copyright by AUDI AG.

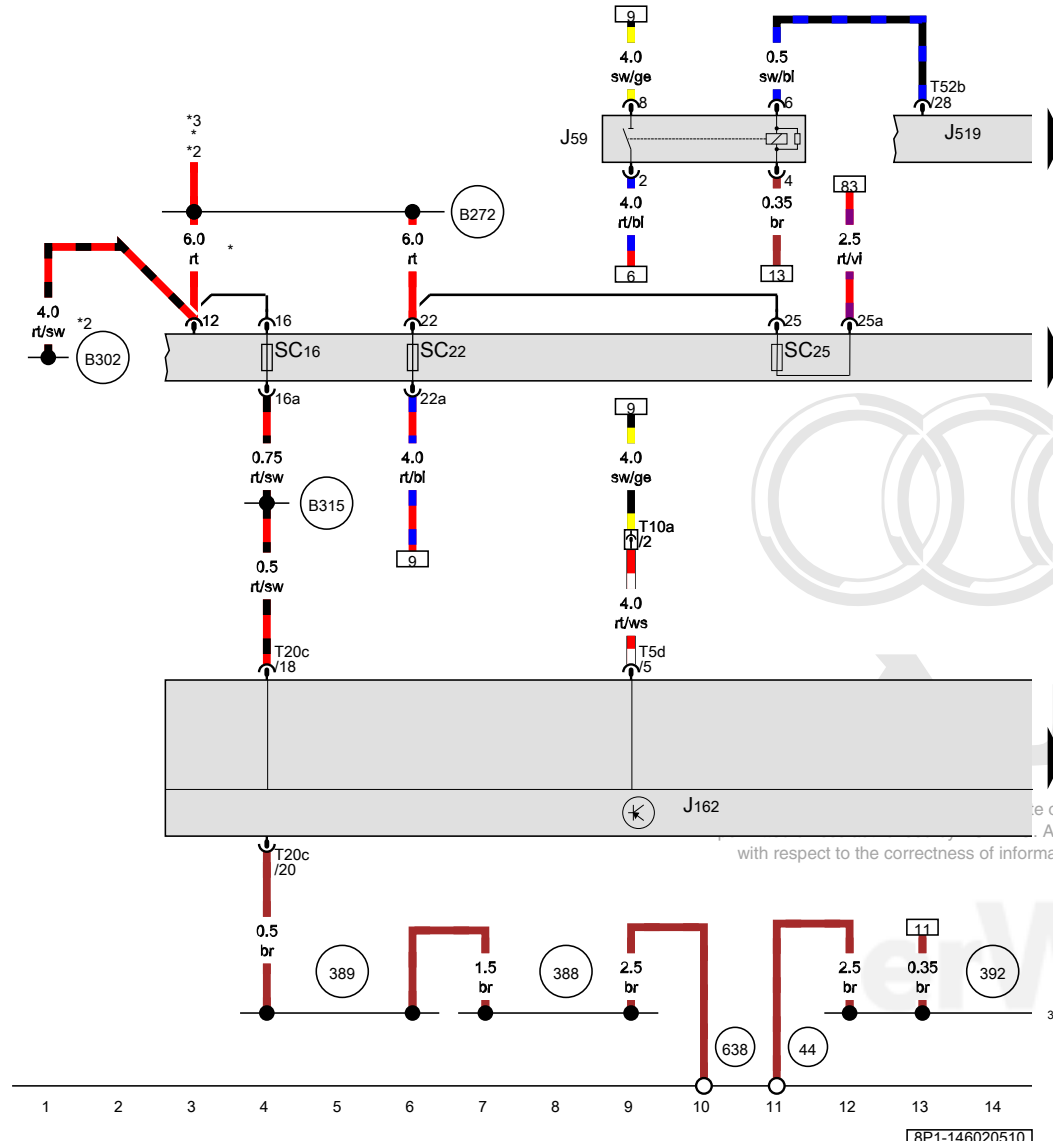


Load reduction relay, Heater control module, Vehicle electrical system control module

- J59 Load reduction relay
- J162 Heater control module
- J519 Vehicle electrical system control module
- SC16 Fuse 16 (on fuse panel C)
- SC22 Fuse 22 (on fuse panel C)
- SC25 Fuse 25 (on fuse panel C)
- T1 Single connector
- T5d 5-pin connector
- T10a 10-pin connector, behind the glove compartment
- T20c 20-pin connector
- T52b 52-pin connector

- 44 Ground connection on A-pillar, lower left
- 388 Ground connection 23 (in main wiring harness)
- 389 Ground connection 24 (in main wiring harness)
- 392 Ground connection 27 (in main wiring harness)
- 638 Ground connection on right A-pillar
- B272 Positive connection (30) (in main wiring harness)
- B302 Positive connection 6 (30) (in main wiring harness)
- B315 Positive connection 1 (30a) (in main wiring harness)

- * Only for vehicles with a battery in the engine compartment
- *2 Only for vehicles with a battery in the luggage compartment
- *3 Refer to applicable wiring diagram



... or commercial purposes, in part or in whole, is not permitted. AUDI AG does not guarantee or accept any liability with respect to the correctness of information in this document. Copyright by AUDI AG.

- ws = white
- sw = black
- ro = red
- br = brown
- gn = green
- bl = blue
- gr = grey
- li = lilac
- ge = yellow
- or = orange
- rs = pink

Fresh air blower switch, Fresh air/recirculation door switch, Heater control module, Vehicle electrical system control module, Fresh air blower series resistor with fuse, Fresh air blower, Fresh/recirculated air door motor

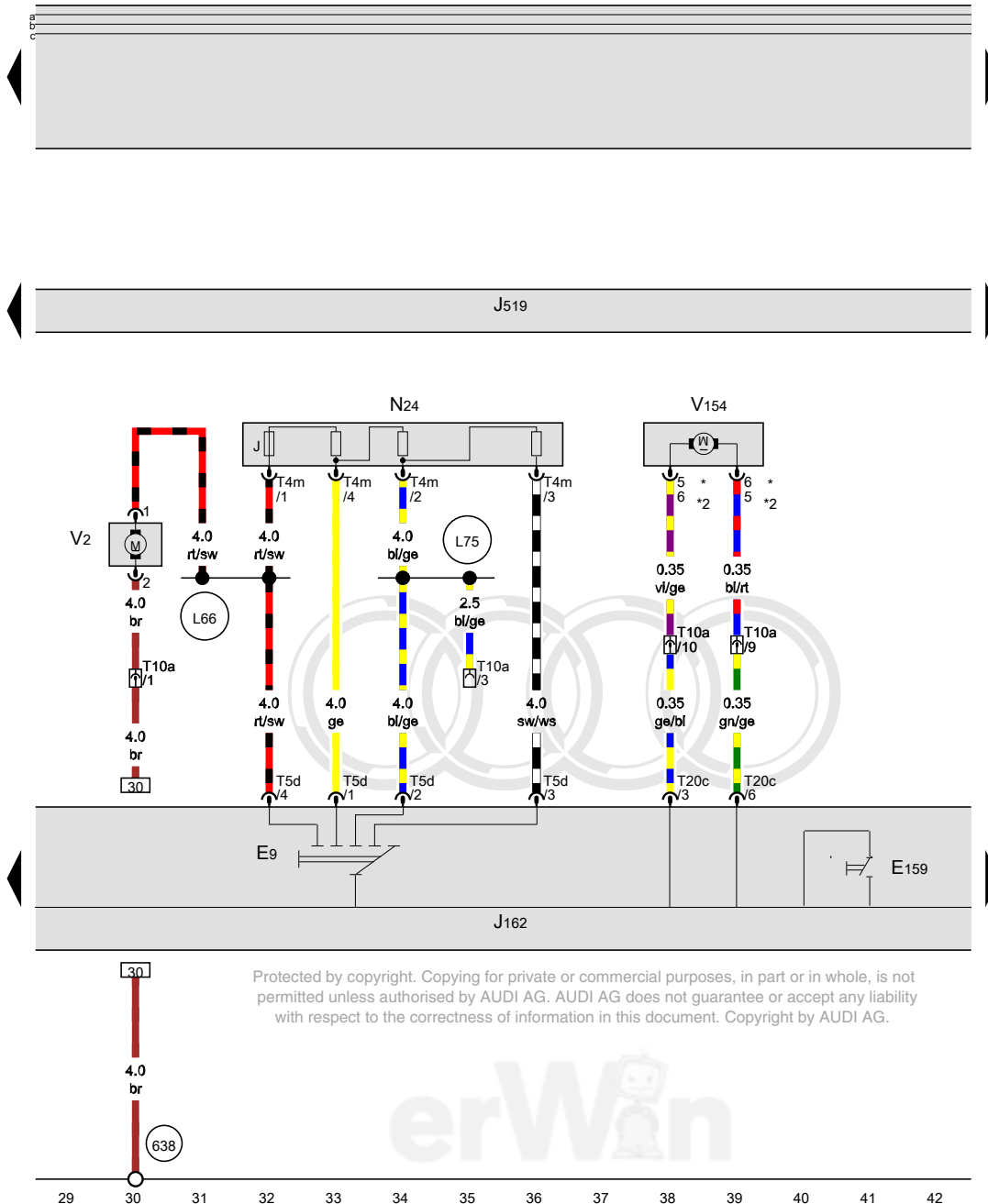
- E9 Fresh air blower switch
- E159 Fresh air/recirculation door switch
- J162 Heater control module
- J519 Vehicle electrical system control module
- N24 Fresh air blower series resistor with fuse
- T4m 4-pin connector
- T5d 5-pin connector
- T10a 10-pin connector, behind the glove compartment
- T20c 20-pin connector
- V2 Fresh air blower
- V154 Fresh/recirculated air door motor

638 Ground connection on right A-pillar

L66 Connection (in heater blower wiring harness)

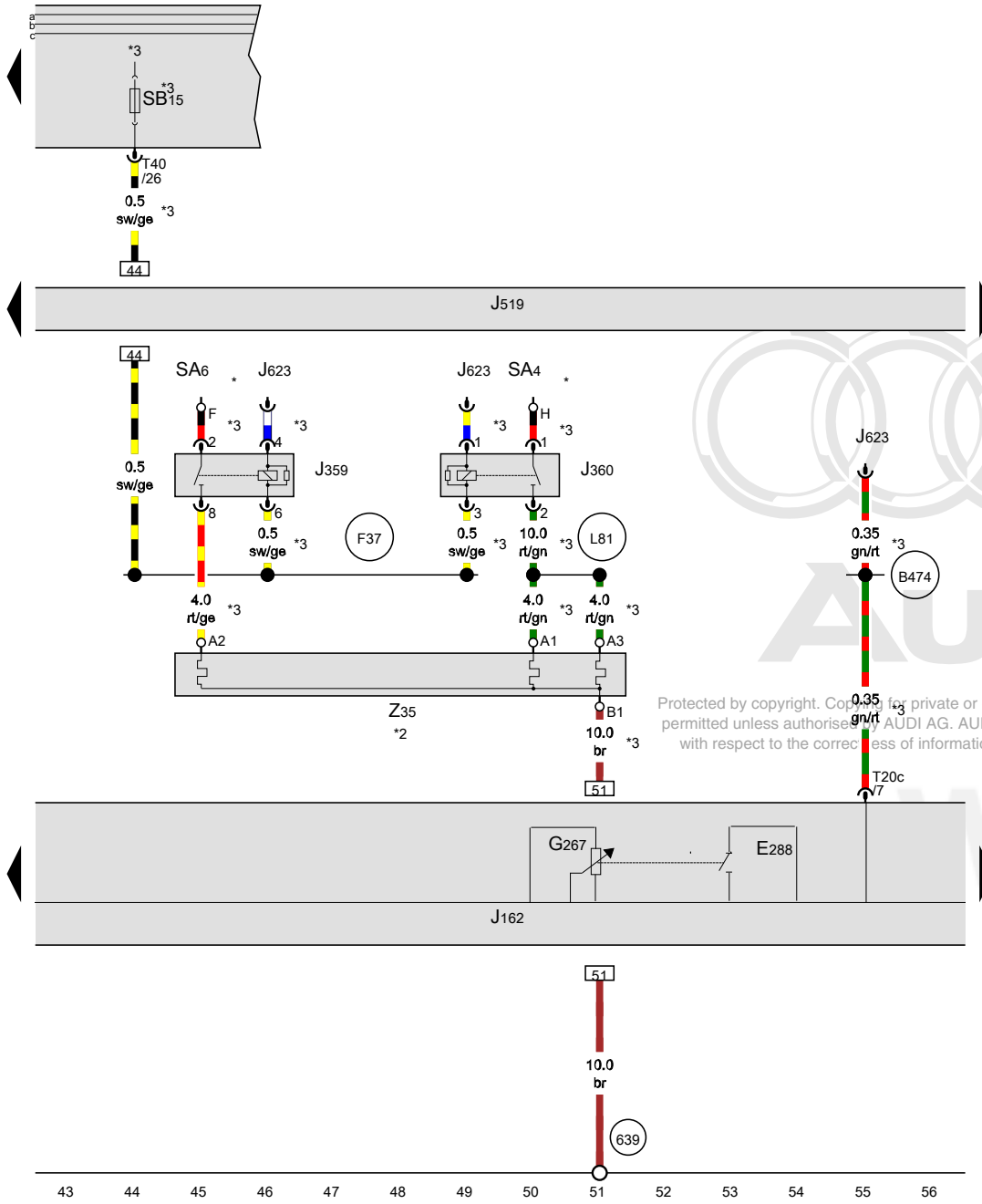
L75 Connection 2 (in heater blower wiring harness)

- * Only for left-hand drive vehicles
- *2 Only for right-hand drive vehicles



Protected by copyright. Copying for private or commercial purposes, in part or in whole, is not permitted unless authorised by AUDI AG. AUDI AG does not guarantee or accept any liability with respect to the correctness of information in this document. Copyright by AUDI AG.

- ws = white
- sw = black
- ro = red
- br = brown
- gn = green
- bl = blue
- gr = grey
- li = lilac
- ge = yellow
- or = orange
- rs = pink



Auxiliary heater/ECON button, Temperature selector knob potentiometer, Heater control module, Low heat output relay, High heat output relay, Vehicle electrical system control module, Auxiliary heater heating element

- E288 Auxiliary heater/ECON button
- G267 Temperature selector knob potentiometer
- J162 Heater control module
- J359 Low heat output relay
- J360 High heat output relay
- J519 Vehicle electrical system control module
- J623 Engine control module
- SA4 Fuse 4 (on fuse panel A)
- SA6 Fuse 6 (on fuse panel A)
- SB15 Fuse 15 (on fuse panel B)
- T20c 20-pin connector
- T40 40-pin connector
- Z35 Auxiliary heater heating element

- 639 Ground connection on left A-pillar
- B474 Connection 10 (in main wiring harness)
- F37 Auxiliary heater connection (in diesel direct injection system wiring harness)
- L81 Connection (in auxiliary heater wiring harness)
- * Refer to applicable wiring diagram for battery in engine compartment
- 2 only for vehicles with auxiliary heater
- 3 Refer to applicable engine wiring diagram

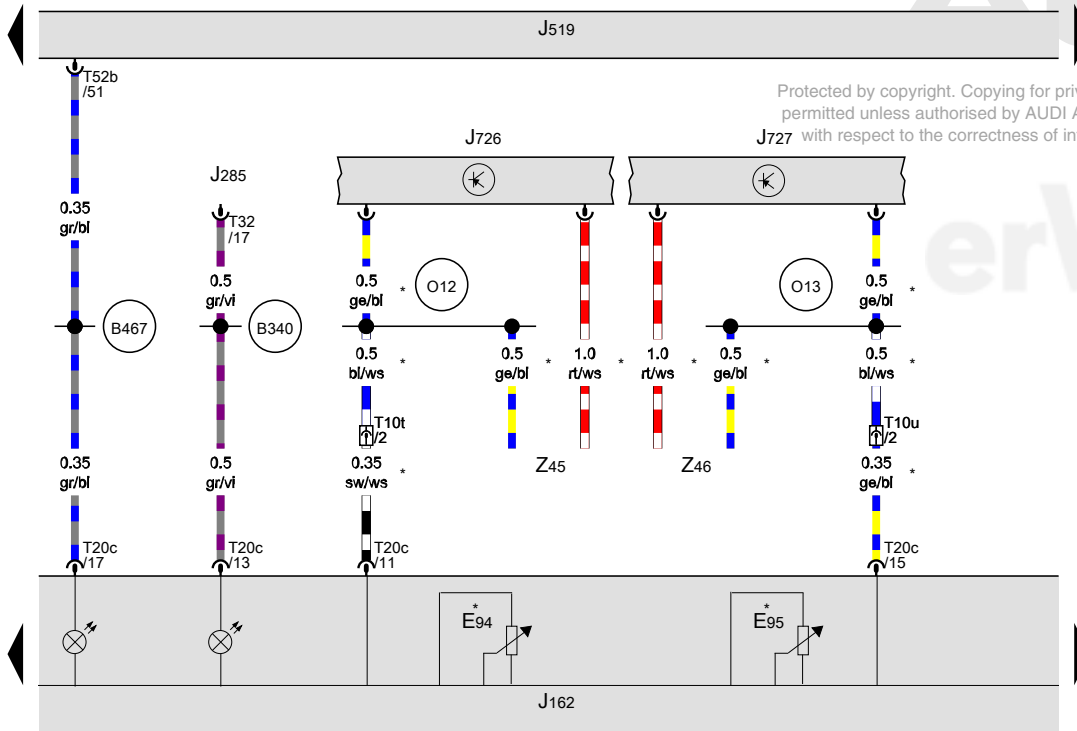
- ws = white
- sw = black
- ro = red
- br = brown
- gn = green
- bl = blue
- gr = grey
- li = lilac
- ge = yellow
- or = orange
- rs = pink

43 44 45 46 47 48 49 50 51 52 53 54 55 56

18P1-146050510

Heated driver seat adjuster, Heated front passenger seat adjuster, Heater control module, Vehicle electrical system control module, Driver seat heating control module, Front passenger seat heating control module

- E94 Heated driver seat adjuster
- E95 Heated front passenger seat adjuster
- J162 Heater control module
- J285 Instrument cluster control module
- J519 Vehicle electrical system control module
- J726 Driver seat heating control module
- J727 Front passenger seat heating control module
- T10t 10-pin connector, under the driver seat
- T10u 10-pin connector, under the front passenger seat
- T20c 20-pin connector
- T32 32-pin connector
- T52b 52-pin connector



Protected by copyright. Copying for private or commercial purposes, in part or in whole, is not permitted unless authorised by AUDI AG. AUDI AG does not guarantee the correctness of information in this document. Copyright © Audi AG 2010

- Z45 Left front seat heating element
- Z46 Right front seat heating element

- B340 Connection 1 (58d) (in main wiring harness)
- B467 Connection 3 (in main wiring harness)
- O12 Connection 1 (in heated seats wiring harness)
- O13 Connection 2 (in heated seats wiring harness)

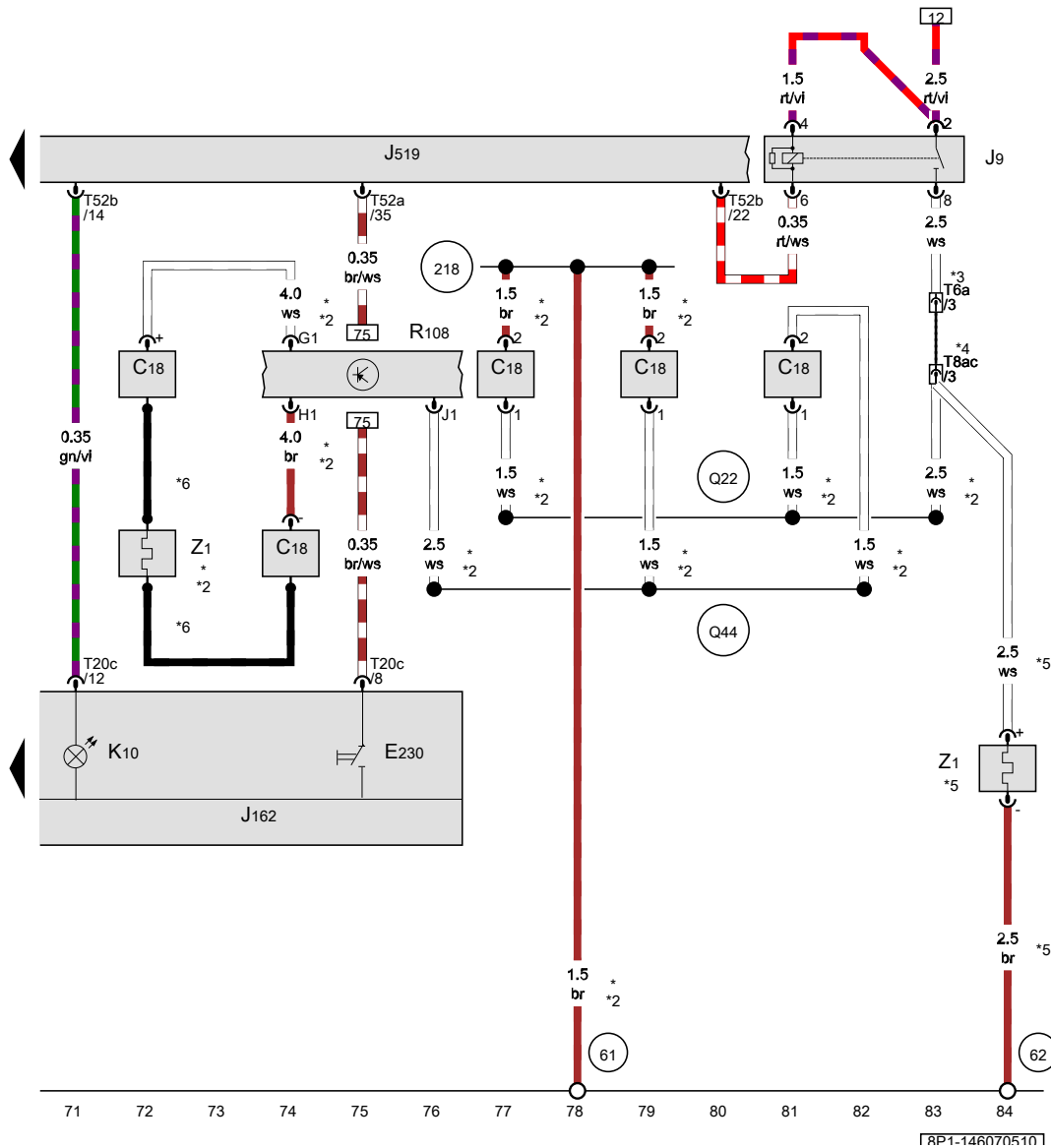
* Refer to the applicable heated seats wiring diagram

- ws = white
- sw = black
- ro = red
- br = brown
- gn = green
- bl = blue
- gr = grey
- li = lilac
- ge = yellow
- or = orange
- rs = pink

57 58 59 60 61 62 63 64 65 66 67 68 69 70

14600510

Rear window defogger relay, Heater control module, Vehicle electrical system control module, Left antenna module, Rear window defogger



- C18 Windshield antenna suppression filter
- E230 Rear window defogger button
- J9 Rear window defogger relay
- J162 Heater control module
- J519 Vehicle electrical system control module
- K10 Rear window defogger indicator lamp
- R108 Left antenna module
- T6a 6-pin connector, on the left C-pillar
- T8ac 8-pin connector, on the left C-pillar
- T20c 20-pin connector
- T52a 52-pin connector
- T52b 52-pin connector
- Z1 Rear window defogger

- 61 Ground connection on left C-pillar
- 62 Ground connection on right C-pillar
- 218 Ground connection 1 (in rear lid wiring harness)
- Q22 Connection 1 (in rear lid wiring harness)
- Q44 Connection 2 (in rear lid wiring harness)

- * Only for vehicles with a radio
- *2 Only for vehicles with radio navigation system
- *3 Only for vehicles with 3-door equipment
- *4 Only for vehicles with 5-door equipment
- *5 Only for vehicles without a radio or navigation system
- *6 Adapter cable

Protected by copyright. Copying for private or commercial purposes, in part or in whole, is not permitted unless authorised by AUDI AG. AUDI AG does not guarantee or accept any liability with respect to the correctness of information in this document. Copyright by AUDI AG.

- ws = white
- sw = black
- ro = red
- br = brown
- gn = green
- bl = blue
- gr = grey
- li = lilac
- ge = yellow
- or = orange
- rs = pink

1RP1-1460705101

Direct Shift Gearbox (02E)

from May 2009

Note:

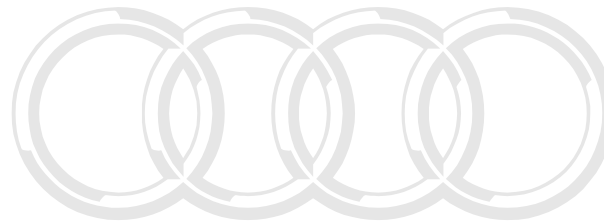
Information for

- ◆ Relay and fuse arrangements
- ◆ Connector arrangements
- ◆ Control Modules and Relays
- ◆ Ground Connections

⇒ Component Locations

Information for

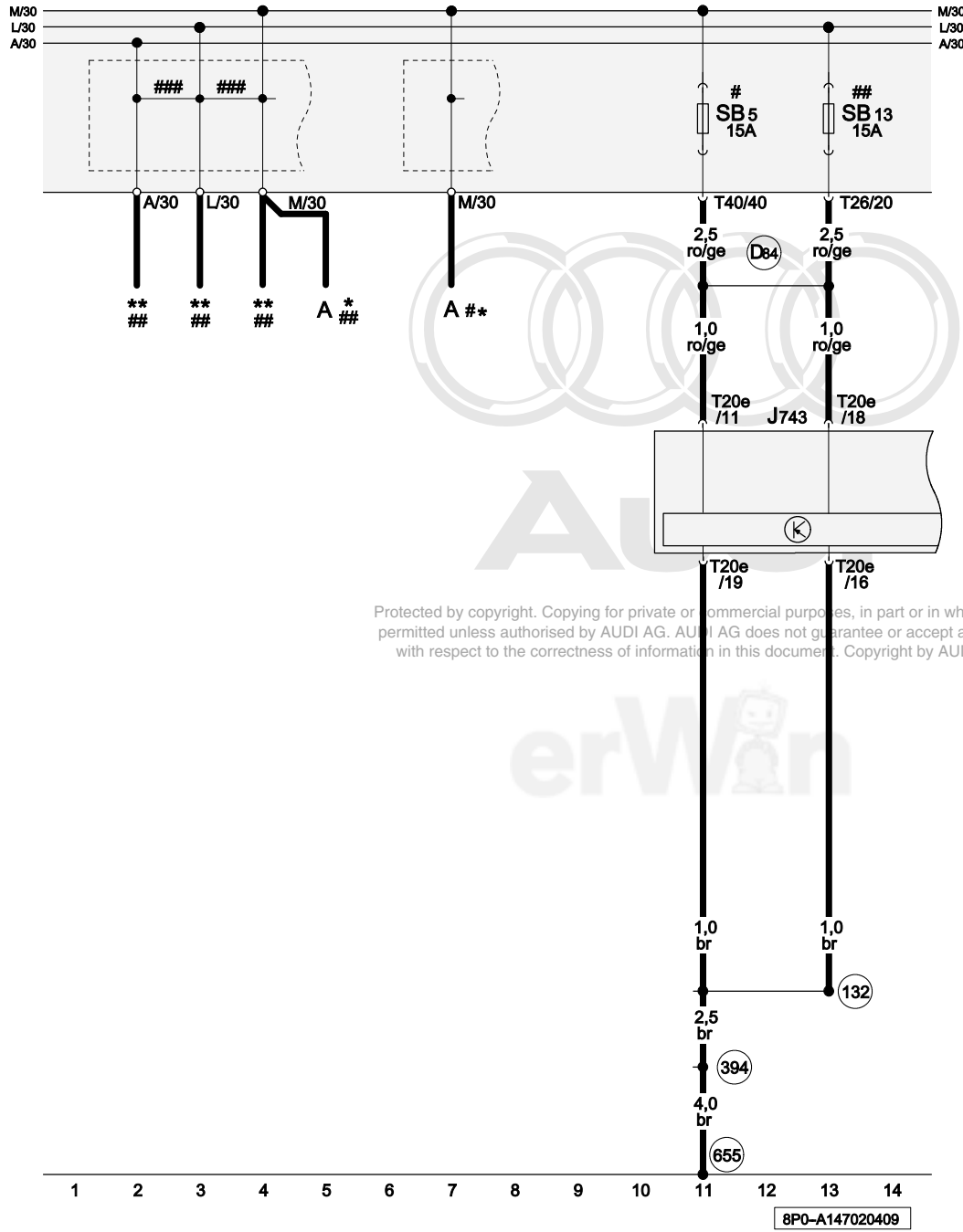
- ◆ Troubleshooting Procedures
- ⇒ Guided Fault Finding using VAS 5051 / 5052



Audi

Protected by copyright. Copying for private or commercial purposes, in part or in whole, is not permitted unless authorised by AUDI AG. AUDI AG does not guarantee or accept any liability with respect to the correctness of information in this document. Copyright by AUDI AG.





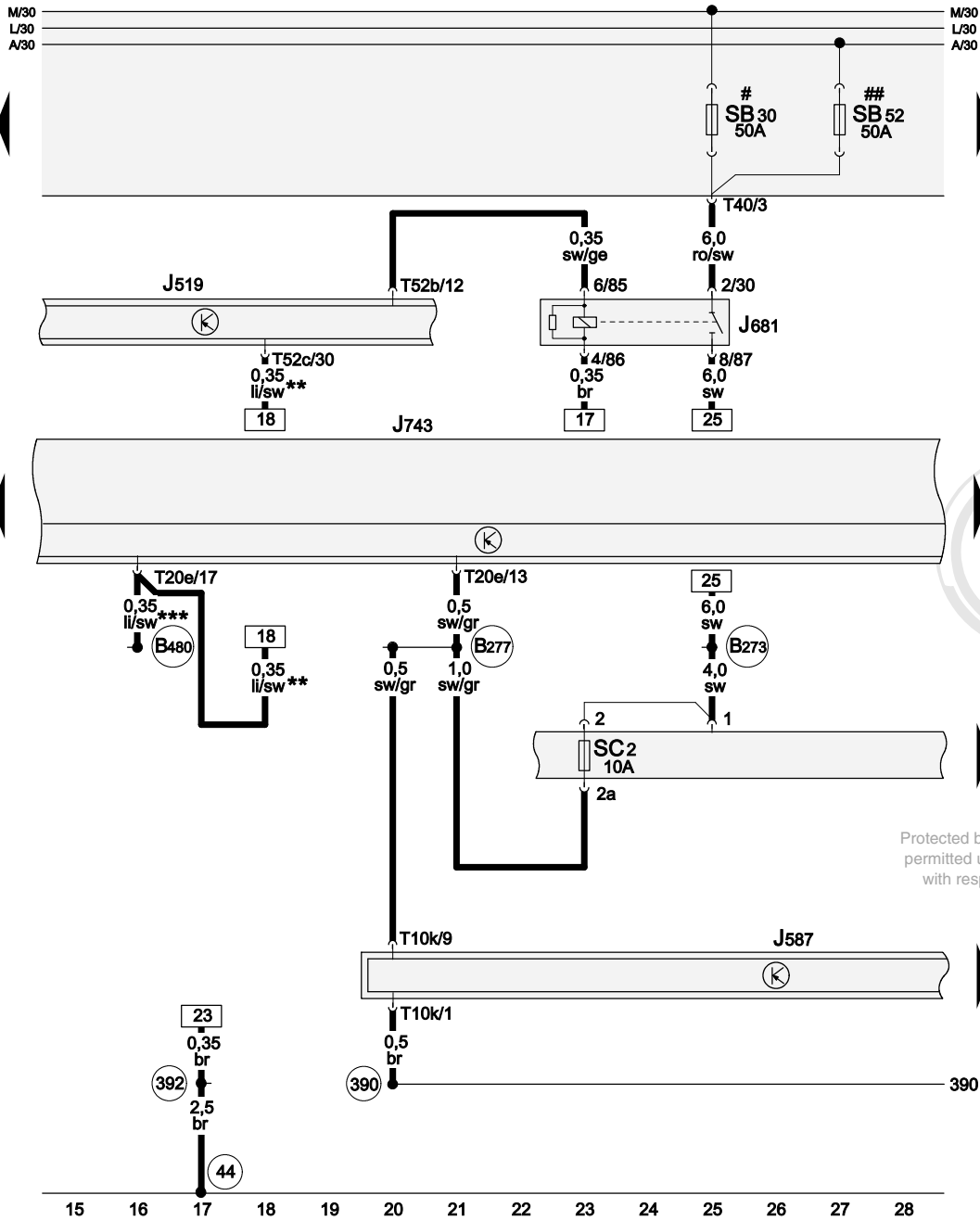
Protected by copyright. Copying for private or commercial purposes, in part or in whole, is not permitted unless authorised by AUDI AG. AUDI AG does not guarantee or accept any liability with respect to the correctness of information in this document. Copyright by AUDI AG.

Electronics Box Supply, Fuses (on fuse panel)

- A Battery
- J743 Direct Shift Gearbox (DSG) Mechatronic
- SB5 Fuse 5 (on fuse panel B)
- SB13 Fuse 13 (on fuse panel B)
- T20e 20-Pin Connector, black (Connector A)
- T26 26-Pin Connector, black, on electronics box engine compartment (Connector K)
- T40 40-Pin Connector, black, on electronics box engine compartment (Connector J)
- 132 Ground Connection 3 (in engine compartment wiring harness)
- 394 Ground Connection 29 (in main wiring harness)
- 655 Ground Connection (on left headlamp)
- D84 Automatic Transmission Connection (in engine compartment wiring harness)
- * => Applicable Wiring Diagram for models with battery in engine compartment
- ** Main fuse panel supply => Applicable Wiring Diagram for models with battery in luggage compartment
- # Only models with electronics box Low
- ## Only models with electronics box High
- ### Connection bridge, only models with engine codes BPY, CDLA

- ws = white
- sw = black
- ro = red
- br = brown
- gn = green
- bl = blue
- gr = grey
- li = lilac
- ge = yellow
- or = orange
- rs = pink

8P0-A147020409



Power Supply (terminal 15), Selector Lever Sensor Control Module, Direct Shift Gearbox (DSG) Mechatronic

- J519 Vehicle Electrical System Control Module
- J587 Selector Lever Sensor Control Module
- J681 Power Supply Relay 2 (terminal 15)
- J743 Direct Shift Gearbox (DSG) Mechatronic
- SB30 Fuse 30 (on fuse panel B)
- SB52 Fuse 52 (on fuse panel B)
- SC2 Fuse 2 (on fuse panel C)
- T10k 10-Pin Connector, black (Connector A)
- T20e 20-Pin Connector, black (Connector A)
- T40 40-Pin Connector, black, on electronics box engine compartment (Connector J)
- T52b 52-Pin Connector, white (Connector B)
- T52c 52-Pin Connector, brown (Connector C)

- 44 Ground Connection (on left lower A-pillar)
- 390 Ground Connection 25 (in main wiring harness)
- 392 Ground Connection 27 (in main wiring harness)
- B273 Plus Connection (15) (in main wiring harness)
- B277 Plus Connection 1 (15a) (in main wiring harness)
- B480 Connection 16 (in main wiring harness)
- ** Only models without stop/start system
- *** Only models with stop/start system => Applicable Wiring Diagram
- Engine
- # Only models with electronics box Low
- ## Only models with electronics box High

- ws = white
- sw = black
- ro = red
- br = brown
- gn = green
- bl = blue
- gr = grey
- li = lilac
- ge = yellow
- or = orange
- rs = pink

Protected by copyright. Copying for private or commercial purposes, in part or in whole, is not permitted unless authorised by AUDI AG. AUDI AG does not guarantee or accept any liability with respect to the correctness of information in this document. Copyright by AUDI AG.



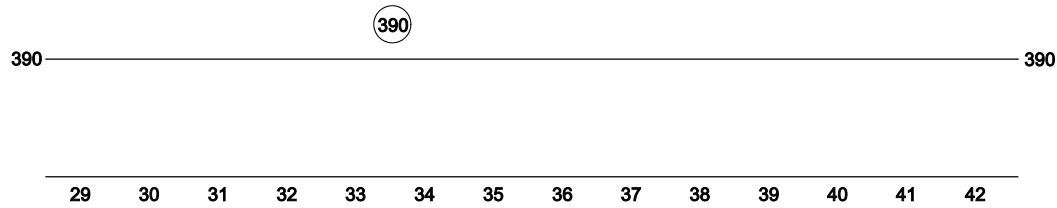
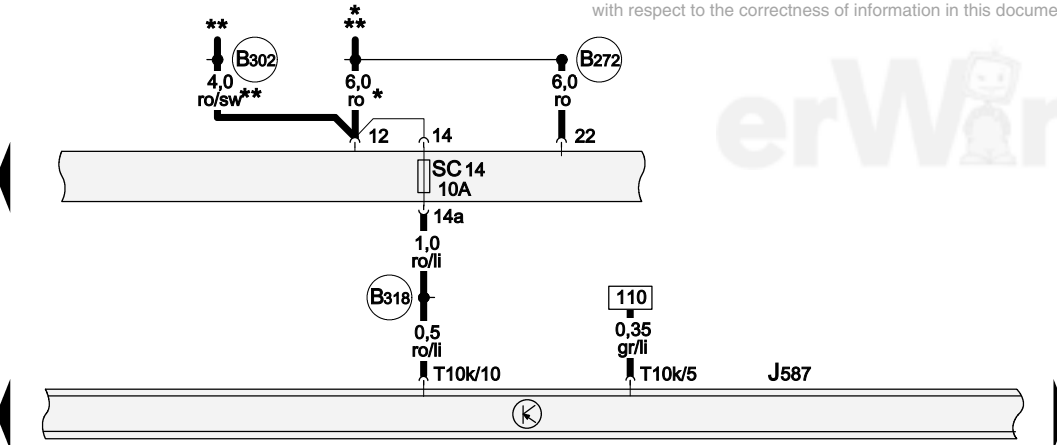
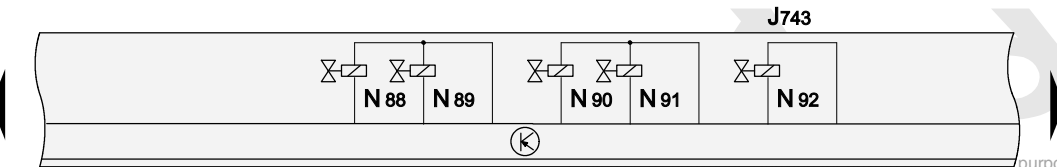
Solenoid Valves, Power Supply (terminal 30), Selector Lever Sensor Control Module

- J587 Selector Lever Sensor Control Module
- J743 Direct Shift Gearbox (DSG) Mechatronic
- N88 Solenoid Valve 1
- N89 Solenoid Valve 2
- N90 Solenoid Valve 3
- N91 Solenoid Valve 4
- N92 Solenoid Valve 5
- SC14 Fuse 14 (on fuse panel C)
- T10k 10-Pin Connector, black (Connector A)

- 390 Ground Connection 25 (in main wiring harness)
- B272 Plus Connection (30) (in main wiring harness)
- B302 Plus Connection 6 (30) (in main wiring harness)
- B318 Plus Connection 4 (30a) (in main wiring harness)

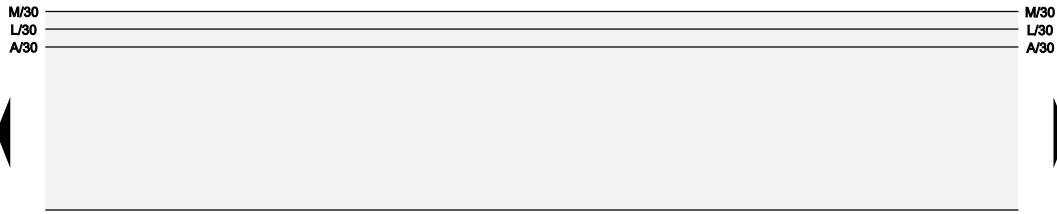
* => Applicable Wiring Diagram with battery in engine compartment
 ** => Applicable Wiring Diagram with battery in luggage compartment

... purposes, in part or in whole, is not permitted unless authorised by AUDI AG. AUDI AG does not guarantee or accept any liability with respect to the correctness of information in this document. Copyright by AUDI AG.



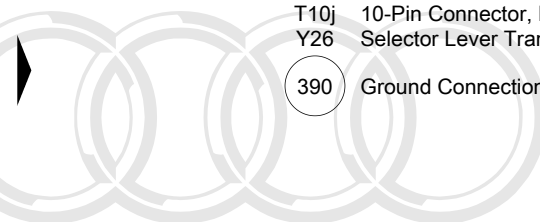
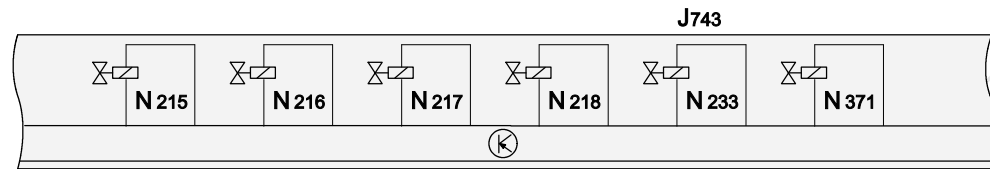
- ws = white
- sw = black
- ro = red
- br = brown
- gn = green
- bl = blue
- gr = grey
- li = lilac
- ge = yellow
- or = orange
- rs = pink

8P0-A147040409



Selector Lever Transmission Range (TR) Position Display Unit, Pressure Regulating Valves, Selector Lever Park Position Lock Switch

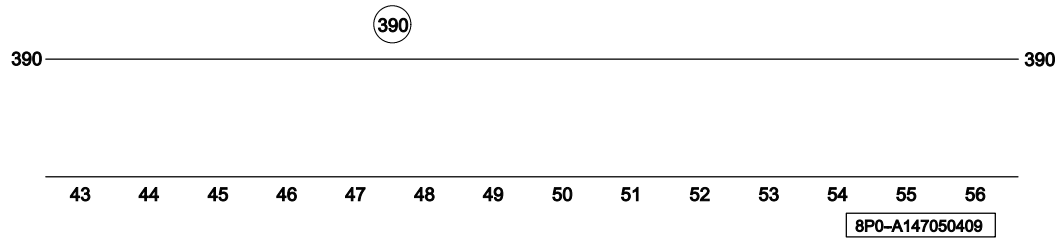
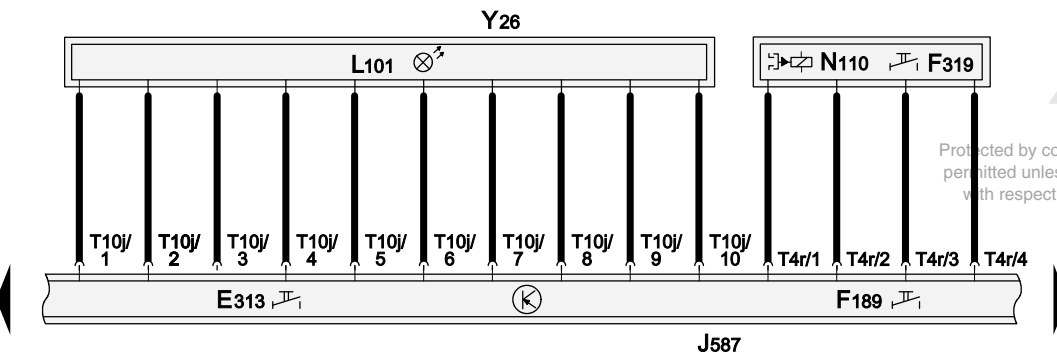
- E313 Selector Lever
- F189 Tiptronic Switch
- F319 Selector Lever Park Position Lock Switch
- J587 Selector Lever Sensor Control Module
- J743 Direct Shift Gearbox (DSG) Mechatronic
- L101 Selector Lever Scale Illumination
- N110 Shift Lock Solenoid
- N215 Automatic Transmission Pressure Regulating Valve 1
- N216 Automatic Transmission Pressure Regulating Valve 2
- N217 Automatic Transmission Pressure Regulating Valve 3
- N218 Automatic Transmission Pressure Regulating Valve 4
- N233 Automatic Transmission Pressure Regulating Valve 5
- N371 Automatic Transmission Pressure Regulating Valve 6
- T4r 4-Pin Connector, on selector lever
- T10j 10-Pin Connector, black, on selector lever
- Y26 Selector Lever Transmission Range (TR) Position Display Unit
- 390 Ground Connection 25 (in main wiring harness)



Audi

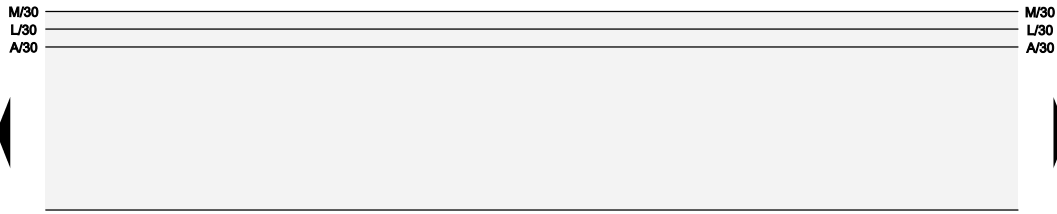
Protected by copyright. Copying for private or commercial purposes, in part or in whole, is not permitted unless authorised by AUDI AG. AUDI AG does not guarantee or accept any liability with respect to the correctness of information in this document. Copyright by AUDI AG.

erWin



- ws = white
- sw = black
- ro = red
- br = brown
- gn = green
- bl = blue
- gr = grey
- li = lilac
- ge = yellow
- or = orange
- rs = pink

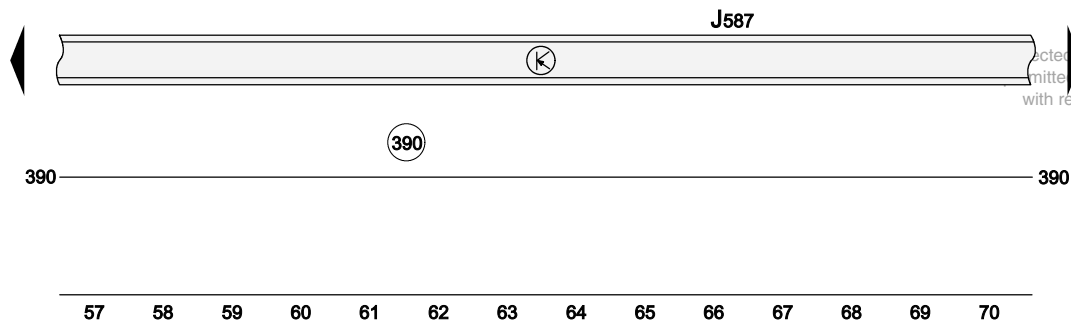
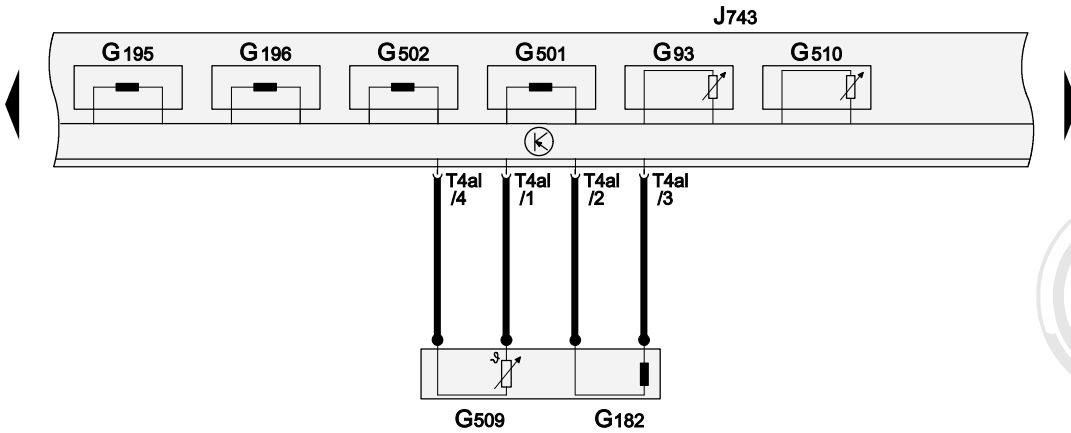
8P0-A147050409



Transmission Speed Sensor, Temperature Sensor

- G93 Transmission Fluid Temperature Sensor
- G182 Transmission Input Speed (RPM) Sensor
- G195 Transmission Output Speed (RPM) Sensor
- G196 Transmission Output Speed (RPM) Sensor 2
- G501 Transmission Input Speed (RPM) Sensor 1
- G502 Transmission Input Speed (RPM) Sensor 2
- G509 Clutch Temperature Sensor
- G510 Temperature Sensor (in Control Module)
- J587 Selector Lever Sensor Control Module
- J743 Direct Shift Gearbox (DSG) Mechatronic
- T4al 4-Pin Connector

390 Ground Connection 25 (in main wiring harness)



8P0-A147060409

Copyright by Audi AG. Copying for private or commercial purposes, in part or in whole, is not permitted unless authorised by AUDI AG. AUDI AG does not guarantee or accept any liability with respect to the correctness of information in this document. Copyright by AUDI AG.

- ws = white
- sw = black
- ro = red
- br = brown
- gn = green
- bl = blue
- gr = grey
- li = lilac
- ge = yellow
- or = orange
- rs = pink

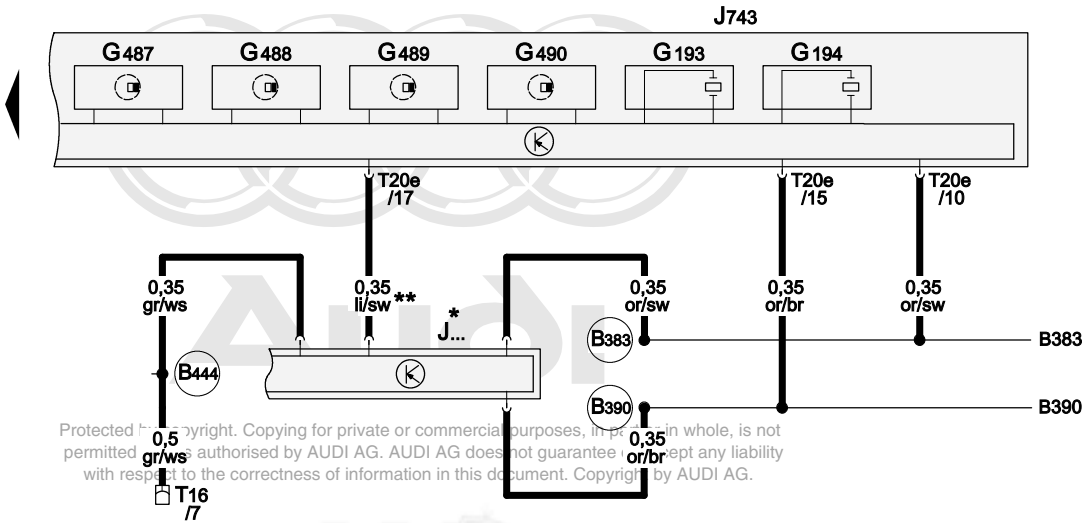


Powertrain CAN-Bus, Hydraulic Pressure Sensor, Gear Position Distance Sensor

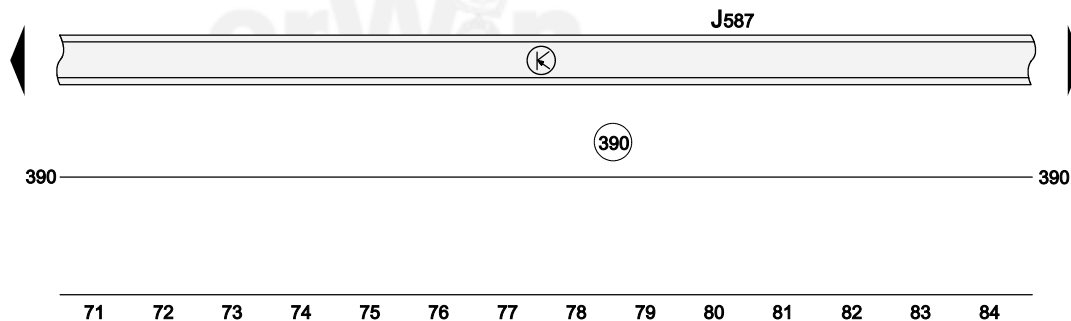
- G193 Automatic Transmission Hydraulic Pressure Sensor 1
- G194 Automatic Transmission Hydraulic Pressure Sensor 2
- G487 Gear Position Distance Sensor 1
- G488 Gear Position Distance Sensor 2
- G489 Gear Position Distance Sensor 3
- G490 Gear Position Distance Sensor 4
- J... Engine Control Modules (ECM)
- J587 Selector Lever Sensor Control Module
- J743 Direct Shift Gearbox (DSG) Mechatronic
- T16 16-Pin Connector, black, instrument panel driver's side, bottom left (diagnostic connector)
- T20e 20-Pin Connector, black (Connector A)

- (390) Ground Connection 25 (in main wiring harness)
- (B383) Powertrain CAN-Bus High Connection 1 (in main wiring harness)
- (B390) Powertrain CAN-Bus Low Connection 1 (in main wiring harness)
- (B444) OBD Connection 1 (in main wiring harness)

* => Applicable Wiring Diagram Engine
 ** Only models with engine code CBFA



Protected by copyright. Copying for private or commercial purposes, in part or in whole, is not permitted without the express authorisation by AUDI AG. AUDI AG does not guarantee or accept any liability with respect to the correctness of information in this document. Copyright by AUDI AG.



- ws = white
- sw = black
- ro = red
- br = brown
- gn = green
- bl = blue
- gr = grey
- li = lilac
- ge = yellow
- or = orange
- rs = pink

8P0-A147070409

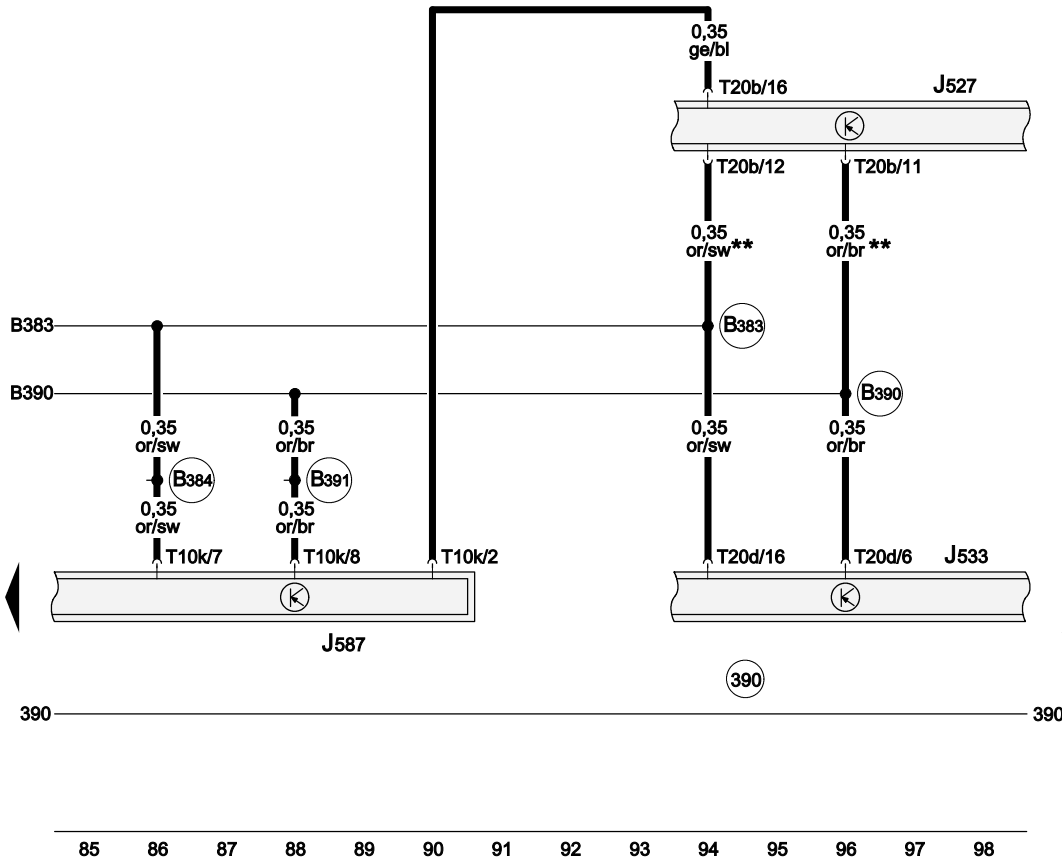


Powertrain CAN-Bus

- J527 Steering Column Electronic Systems Control Module
- J533 Data Bus On Board Diagnostic Interface
- J587 Selector Lever Sensor Control Module
- T10k 10-Pin Connector, black (Connector A)
- T20b 20-Pin Connector, black (Connector A)
- T20d 20-Pin Connector, black (Connector A)

- 390 Ground Connection 25 (in main wiring harness)
- B383 Powertrain CAN-Bus High Connection 1 (in main wiring harness)
- B384 Powertrain CAN-Bus High Connection 2 (in main wiring harness)
- B390 Powertrain CAN-Bus Low Connection 1 (in main wiring harness)
- B391 Powertrain CAN-Bus Low Connection 2 (in main wiring harness)

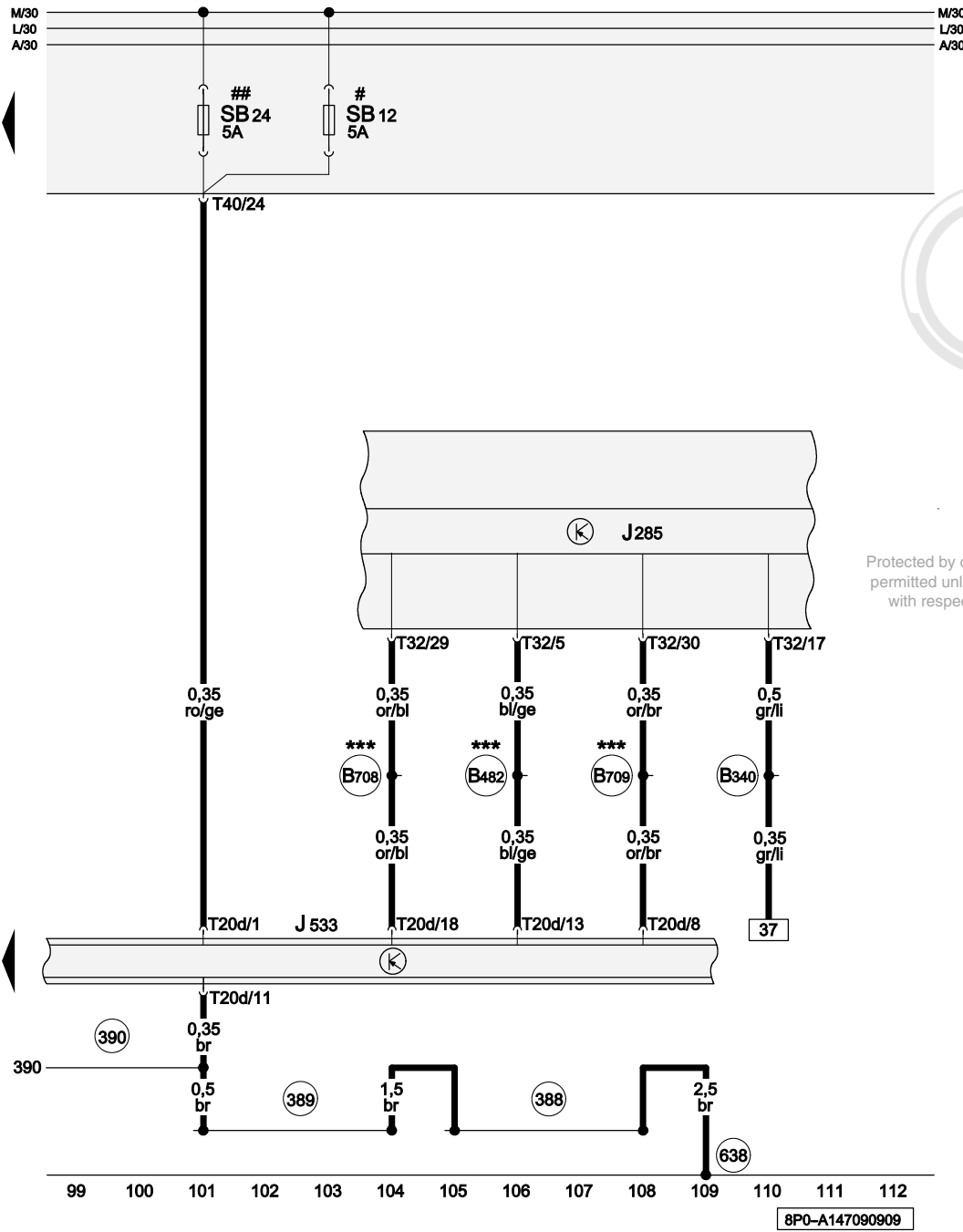
** Only models with powertrain CAN-Bus



Protected by copyright. Copying for private or commercial purposes, in part or in whole, is not permitted without the express written authorization of AUDI AG. AUDI AG does not guarantee or accept any liability with regard to the correctness of information in this document. Copyright by AUDI AG.

- ws = white
- sw = black
- ro = red
- br = brown
- gn = green
- bl = blue
- gr = grey
- li = lilac
- ge = yellow
- or = orange
- rs = pink

8P0-A147080409



Data Bus On Board Diagnostic Interface, Instrument Cluster Control Module

- J285 Instrument Cluster Control Module
- J533 Data Bus On Board Diagnostic Interface
- SB12 Fuse 12 (on fuse panel B)
- SB24 Fuse 24 (on fuse panel B)
- T20d 20-Pin Connector, black (Connector A)
- T32 32-Pin Connector, blue (Connector A)
- T40 40-Pin Connector, black, on electronics box engine compartment (Connector J)

- 388 Ground Connection 23 (in main wiring harness)
- 389 Ground Connection 24 (in main wiring harness)
- 390 Ground Connection 25 (in main wiring harness)
- 638 Ground Connection (on right A-pillar)
- B340 Connection 1 (58d) (in main wiring harness)
- B482 Connection 18 (in main wiring harness)
- B708 Instrument Cluster CAN Bus - High Connection 1 (in main wiring harness)
- B709 Instrument Cluster CAN Bus - Low Connection 1 (in main wiring harness)
- # Only models with electronics box Low
- ## Only models with electronics box High
- *** Not applicable, phased-in modification

Protected by copyright. Copying for private or commercial use without the written permission of Audi AG is prohibited. Audi AG does not guarantee or accept any liability with respect to the correctness of information in this document. Copyright by Audi AG.

- ws = white
- sw = black
- ro = red
- br = brown
- gn = green
- bl = blue
- gr = grey
- li = lilac
- ge = yellow
- or = orange
- rs = pink

8P0-A147090909

Cellular Telephone Preparation without Hands Free System (VDA-Interface)

from May 2009

Note:

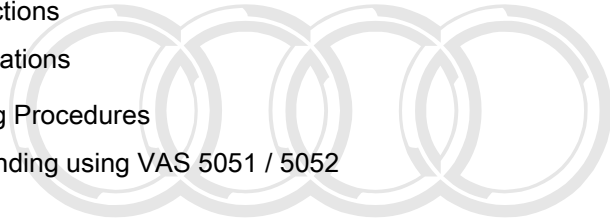
Information for

- ◆ Relay and fuse arrangements
- ◆ Connector arrangements
- ◆ Control Modules and Relays
- ◆ Ground Connections

⇒ Component Locations

Information for

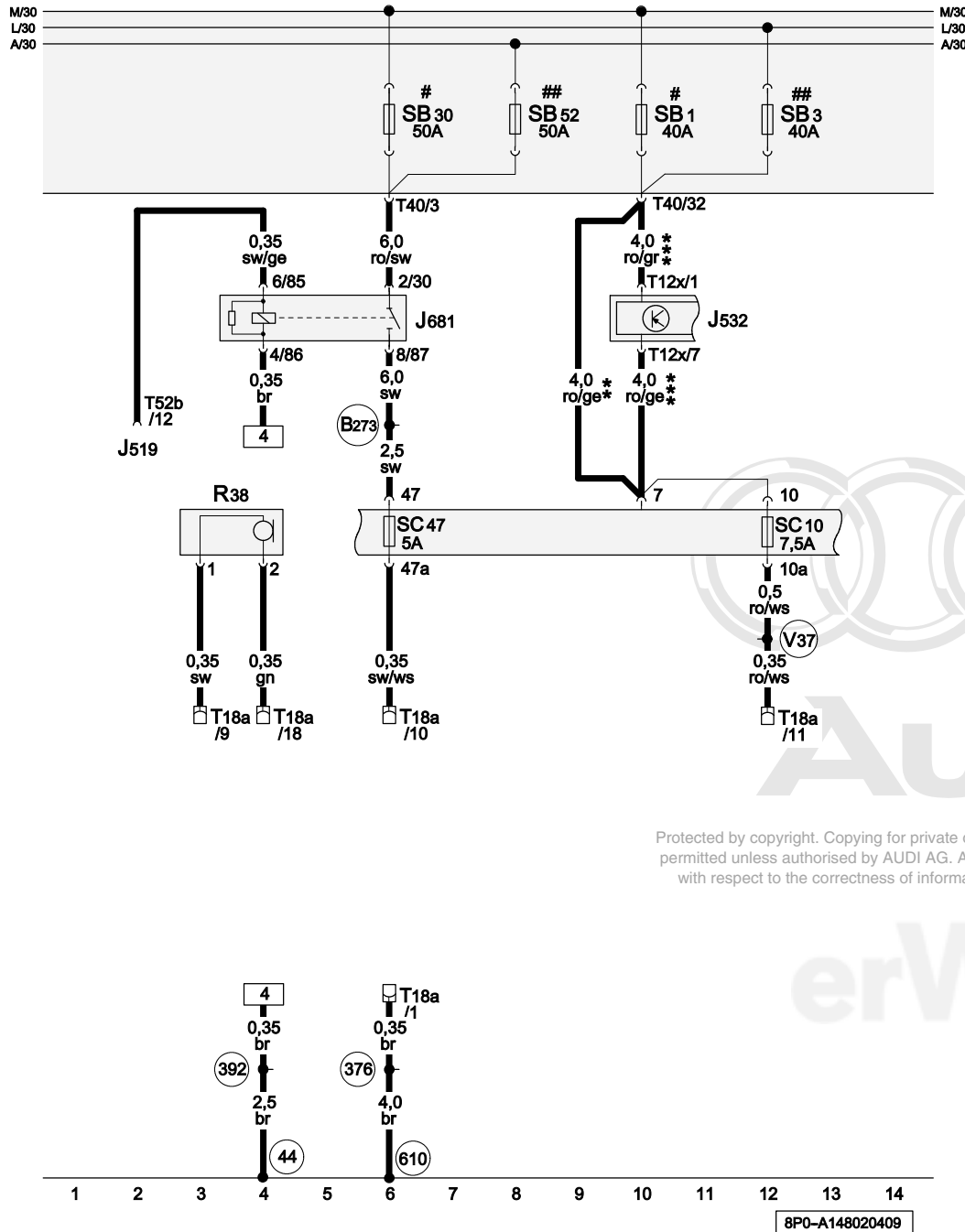
- ◆ Troubleshooting Procedures
- ⇒ Guided Fault Finding using VAS 5051 / 5052



Audi

Protected by copyright. Copying for private or commercial purposes, in part or in whole, is not permitted unless authorised by AUDI AG. AUDI AG does not guarantee or accept any liability with respect to the correctness of information in this document. Copyright by AUDI AG.





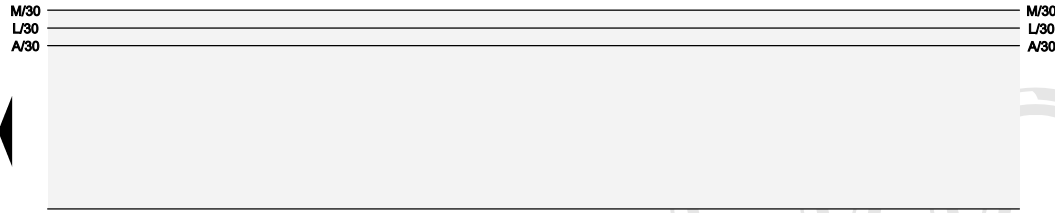
Telephone Microphone, Power Supply Relay 2 (terminal 15)

- J519 Vehicle Electrical System Control Module
- J532 Voltage Stabilizer
- J681 Power Supply Relay 2 (terminal 15)
- R38 Telephone Microphone
- SB1 Fuse 1 (on fuse panel B)
- SB3 Fuse 3 (on fuse panel B)
- SB30 Fuse 30 (on fuse panel B)
- SB52 Fuse 52 (on fuse panel B)
- SC10 Fuse 10 (on fuse panel C)
- SC47 Fuse 47 (on fuse panel C)
- T12x 12-Pin Connector, black (Connector A)
- T18a 18-Pin Connector, near glove compartment (Connector A)
- T40 40-Pin Connector, black, on electronics box engine compartment (Connector J)
- T52b 52-Pin Connector, white (Connector B)
- 44 Ground Connection (on left lower A-pillar)
- 376 Ground Connection 11 (in main wiring harness)
- 392 Ground Connection 27 (in main wiring harness)
- 610 Ground Connection (Audio) (under center console, front)
- B273 Plus Connection (15) (in main wiring harness)
- V37 Plus Connection (30) (in communications wiring harness)

Protected by copyright. Copying for private or commercial purposes, in part or in whole, is not permitted unless authorised by AUDI AG. AUDI AG does not guarantee or accept any liability with respect to the correctness of information in this document. Copyright by AUDI AG.

- ws = white
- sw = black
- ro = red
- br = brown
- gn = green
- bl = blue
- gr = grey
- li = lilac
- ge = yellow
- or = orange
- rs = pink

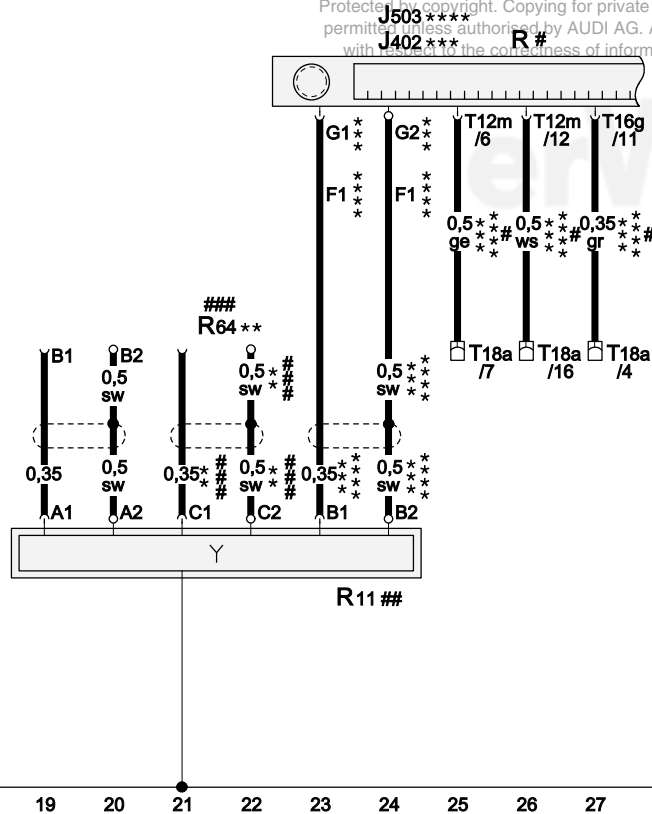
8P0-A148020409



Roof Antenna, Mute

- J402 Navigation System Operating Electronics Control Module
- J503 Radio/Navigation Display Control Module
- R Radio
- R11 Antenna
- R64 Auxiliary Heater RF Receiver
- T12m 12-Pin Connector, black (Connector C) (connector locking green)
- T16g 16-Pin Connector, black (Connector D)
- T18a 18-Pin Connector, near glove compartment (Connector A)
- ** Only models with auxiliary heater
- *** Only models with radio/navigation system (RNS-E)
- **** Only models with radio/navigation system (RNS-Low)
- # Only models with radio generation II plus
- ## R11 replace R66
- ### Not for models with US equipment

Protected by copyright. Copying for private or commercial purposes, in part or in whole, is not permitted unless authorized by AUDI AG. AUDI AG does not guarantee or accept any liability with respect to the correctness of information in this document. Copyright by AUDI AG.

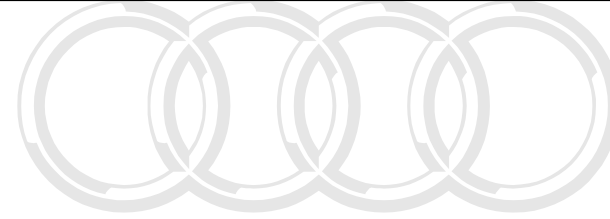


- ws = white
- sw = black
- ro = red
- br = brown
- gn = green
- bl = blue
- gr = grey
- li = lilac
- ge = yellow
- or = orange
- rs = pink

8P0-A148030409

Level control system with dampening adjustment

From May 2009



Audi

Protected by copyright. Copying for private or commercial purposes, in part or in whole, is not permitted unless authorised by AUDI AG. AUDI AG does not guarantee or accept any liability with respect to the correctness of information in this document. Copyright by AUDI AG.

erWin 

Electronic damping control module, Vehicle electrical system control module, Terminal 15 power supply relay 2

- J250 Electronic damping control module
- J519 Vehicle electrical system control module
- J681 Terminal 15 power supply relay 2
- SA7 Fuse 7 (on fuse panel A)
- SC20 Fuse 20 (on fuse panel C)
- SB30 Fuse 30 (on fuse panel B)
- SB52 Fuse 52 (on fuse panel B)
- T40 40-pin connector
- T47 47-pin connector
- T52b 52-pin connector

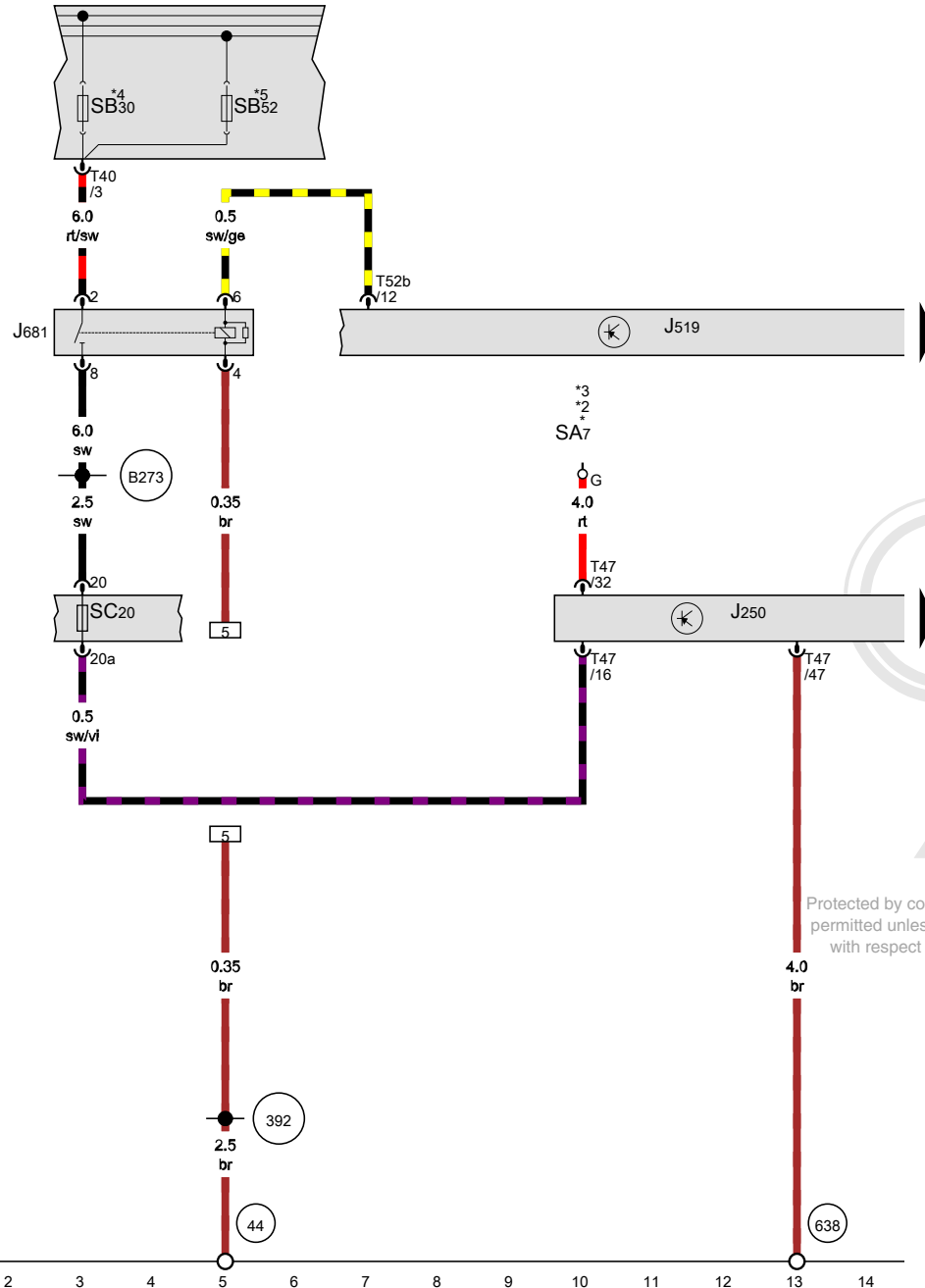
44 Ground connection on A-pillar, lower left

392 Ground connection 27 (in main wiring harness)

638 Ground connection on right A-pillar

B273 Positive connection (15) (in main wiring harness)

- * Only for vehicles with a battery in the luggage compartment
- *2 Only for vehicles with a battery in the engine compartment
- *3 Refer to applicable wiring diagram
- *4 E-Box low
- *5 E-Box high



Protected by copyright. Copying for private or commercial purposes, in part or in whole, is not permitted unless authorised by AUDI AG. AUDI AG does not guarantee or accept any liability with respect to the correctness of information in this document. Copyright by AUDI AG.

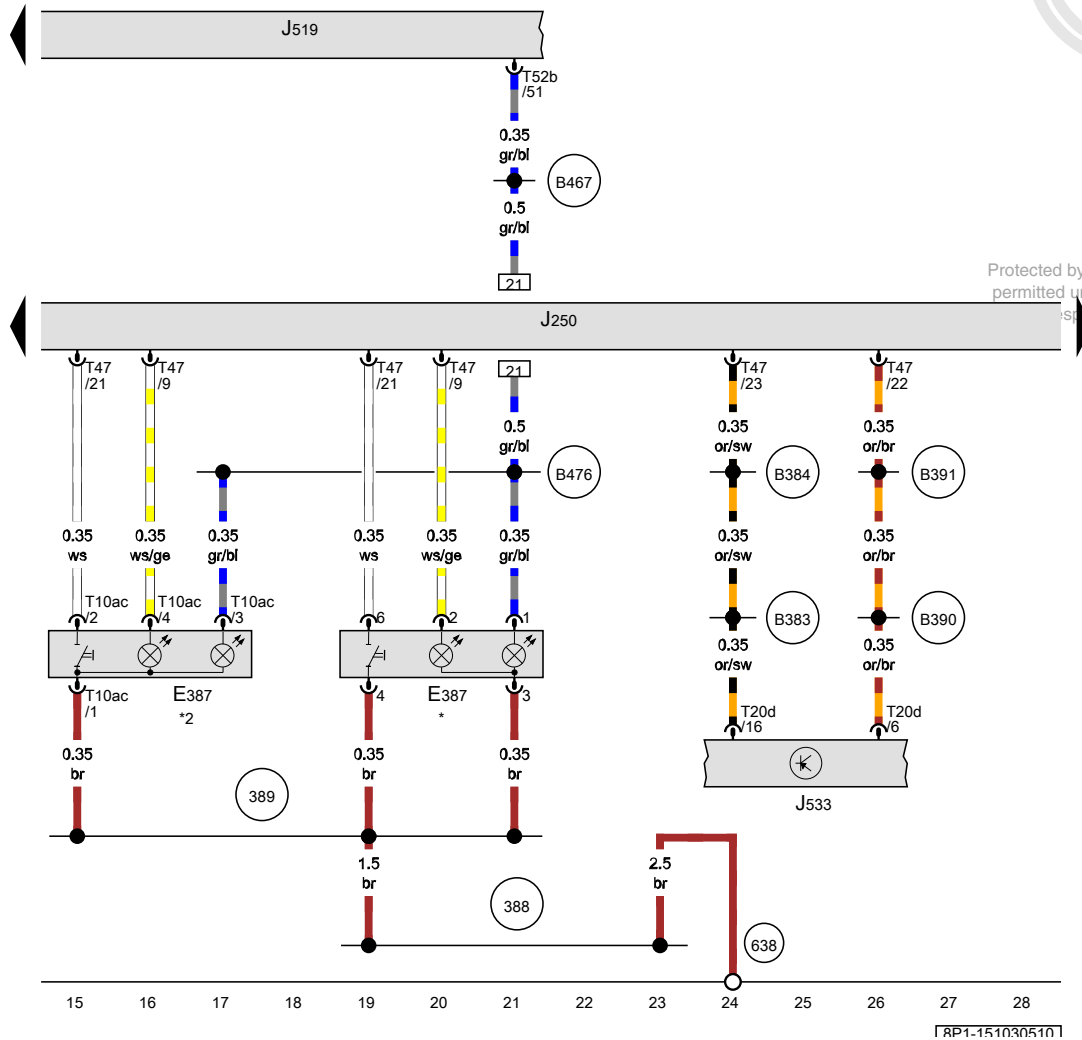
- ws = white
- sw = black
- ro = red
- br = brown
- gn = green
- bl = blue
- gr = grey
- li = lilac
- ge = yellow
- or = orange
- rs = pink

18P1-1510205101

Damping adjustment button, Electronic damping control module, Vehicle electrical system control module, Data bus on board diagnostic interface

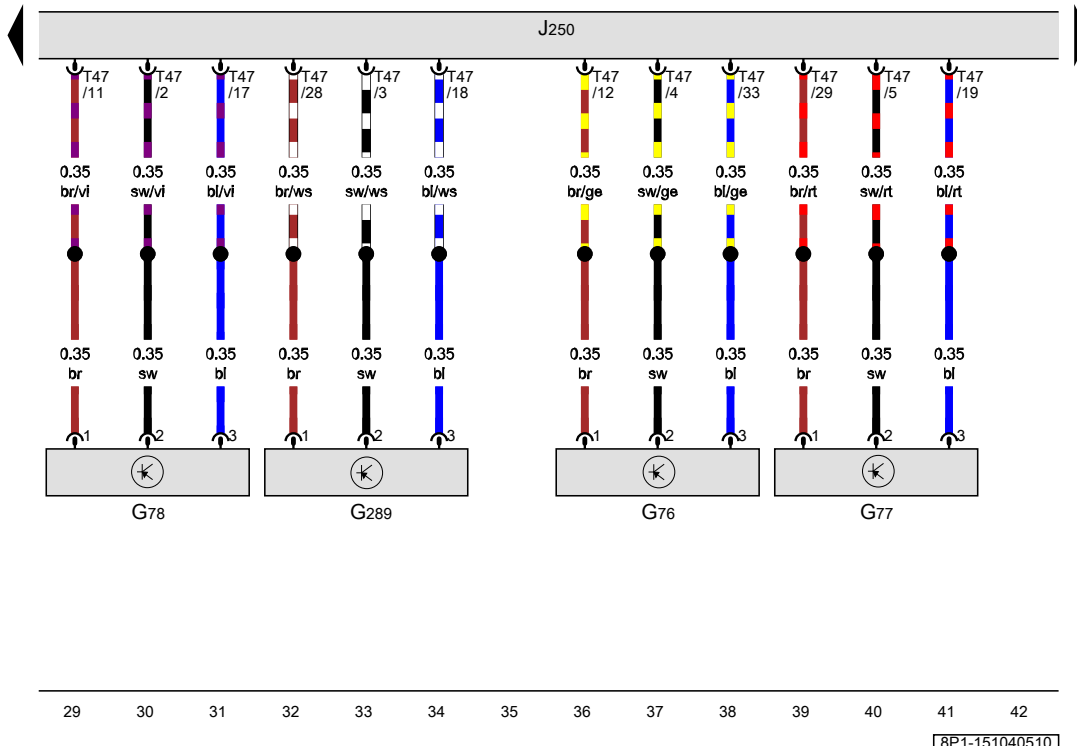
- E387 Damping adjustment button
- J250 Electronic damping control module
- J519 Vehicle electrical system control module
- J533 Data bus on board diagnostic interface
- T10ac 10-pin connector
- T20d 20-pin connector
- T47 47-pin connector
- T52b 52-pin connector

- 388 Ground connection 23 (in main wiring harness)
- 389 Ground connection 24 (in main wiring harness)
- 638 Ground connection on right A-pillar
- B383 Powertrain CAN bus high connection 1 (in main wiring harness)
- B384 Powertrain CAN bus high connection 2 (in main wiring harness)
- B390 Powertrain CAN bus low connection 1 (in main wiring harness)
- B391 Powertrain CAN bus low connection 2 (in main wiring harness)
- B467 Connection 3 (in main wiring harness)
- B476 Connection 12 (in main wiring harness)
- * Omitted as a running change
- *2 Running change



Left rear level control system sensor, Right rear level control system sensor, Left front level control system sensor, Right front level control sensor, Electronic damping control module

- G76 Left rear level control system sensor
- G77 Right rear level control system sensor
- G78 Left front level control system sensor
- G289 Right front level control sensor
- J250 Electronic damping control module
- T47 47-pin connector



Audi

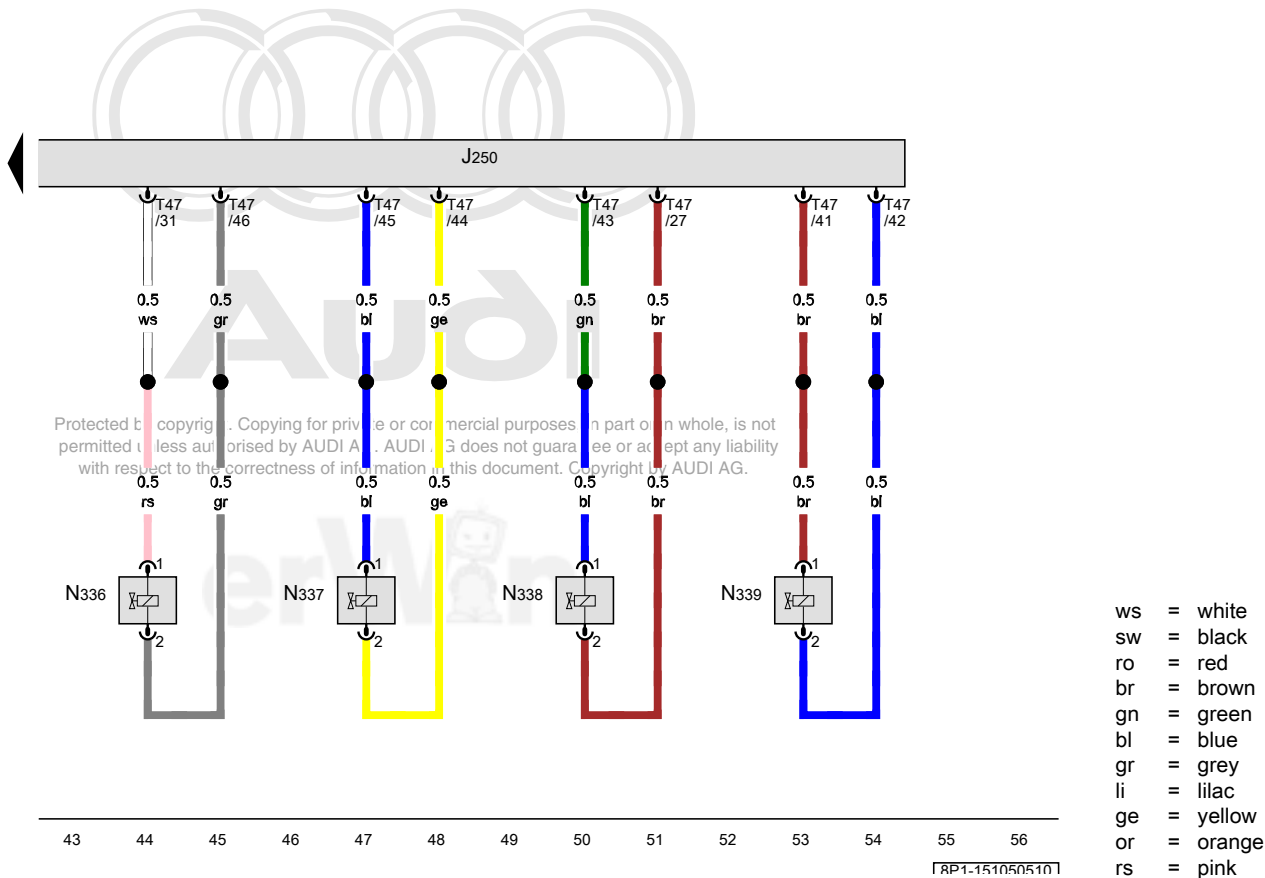
Protected by copyright. Copying for private or commercial purposes, in part or in whole, is not permitted unless authorised by AUDI AG. AUDI AG does not guarantee or accept any liability with respect to the correctness of information in this document. Copyright by AUDI AG.



- ws = white
- sw = black
- ro = red
- br = brown
- gn = green
- bl = blue
- gr = grey
- li = lilac
- ge = yellow
- or = orange
- rs = pink

Electronic damping control module, Left front damping adjustment valve, Right front damping adjustment valve, Left rear damping adjustment valve, Right rear damping adjustment valve

- J250 Electronic damping control module
- N336 Left front damping adjustment valve
- N337 Right front damping adjustment valve
- N338 Left rear damping adjustment valve
- N339 Right rear damping adjustment valve
- T47 47-pin connector



Diagnostic Connector

from May 2009

Note:

Information for

- ◆ Relay and fuse arrangements
- ◆ Connector arrangements
- ◆ Control Modules and Relays
- ◆ Ground Connections

⇒ Component Locations

Information for

- ◆ Troubleshooting Procedures
- ⇒ Guided Fault Finding using VAS 5051 / 5052



Audi

Protected by copyright. Copying for private or commercial purposes, in part or in whole, is not permitted unless authorised by AUDI AG. AUDI AG does not guarantee or accept any liability with respect to the correctness of information in this document. Copyright by AUDI AG.



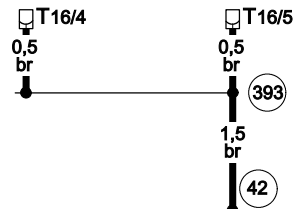
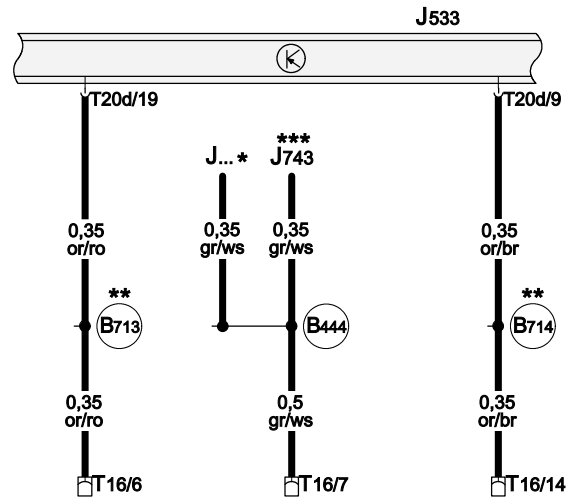


Data Bus On Board Diagnostic Interface, Diagnostic Connector

- J... Engine Control Modules (ECM)
- J533 Data Bus On Board Diagnostic Interface
- J743 Direct Shift Gearbox (DSG) Mechatronic
- T16 16-Pin Connector, black, instrument panel driver's side, bottom left (diagnostic connector)
- T20d 20-Pin Connector, black (Connector A)

- 42 Ground Connection (beside steering column)
- 393 Ground Connection 28 (in main wiring harness)
- B444 OBD Connection 1 (in main wiring harness)
- B713 Diagnostic CAN-Bus High Connection 1 (in main wiring harness)
- B714 Diagnostic CAN-Bus Low Connection 1 (in main wiring harness)

Protected by copyright. Copying for private or commercial purposes, in part or in whole, is not permitted unless authorised by AUDI AG. AUDI AG does not guarantee or accept any liability with respect to the correctness of information in this document. Copyright by AUDI AG.



15 16 17 18 19 20 21 22 23 24 25 26 27 28

8P0-A152030909

- ws = white
- sw = black
- ro = red
- br = brown
- gn = green
- bl = blue
- gr = grey
- li = lilac
- ge = yellow
- or = orange
- rs = pink

Preparation for Radio (trade product)

from May 2009

Note:

Information for

- ◆ Relay and fuse arrangements
- ◆ Connector arrangements
- ◆ Control Modules and Relays
- ◆ Ground Connections

⇒ Component Locations

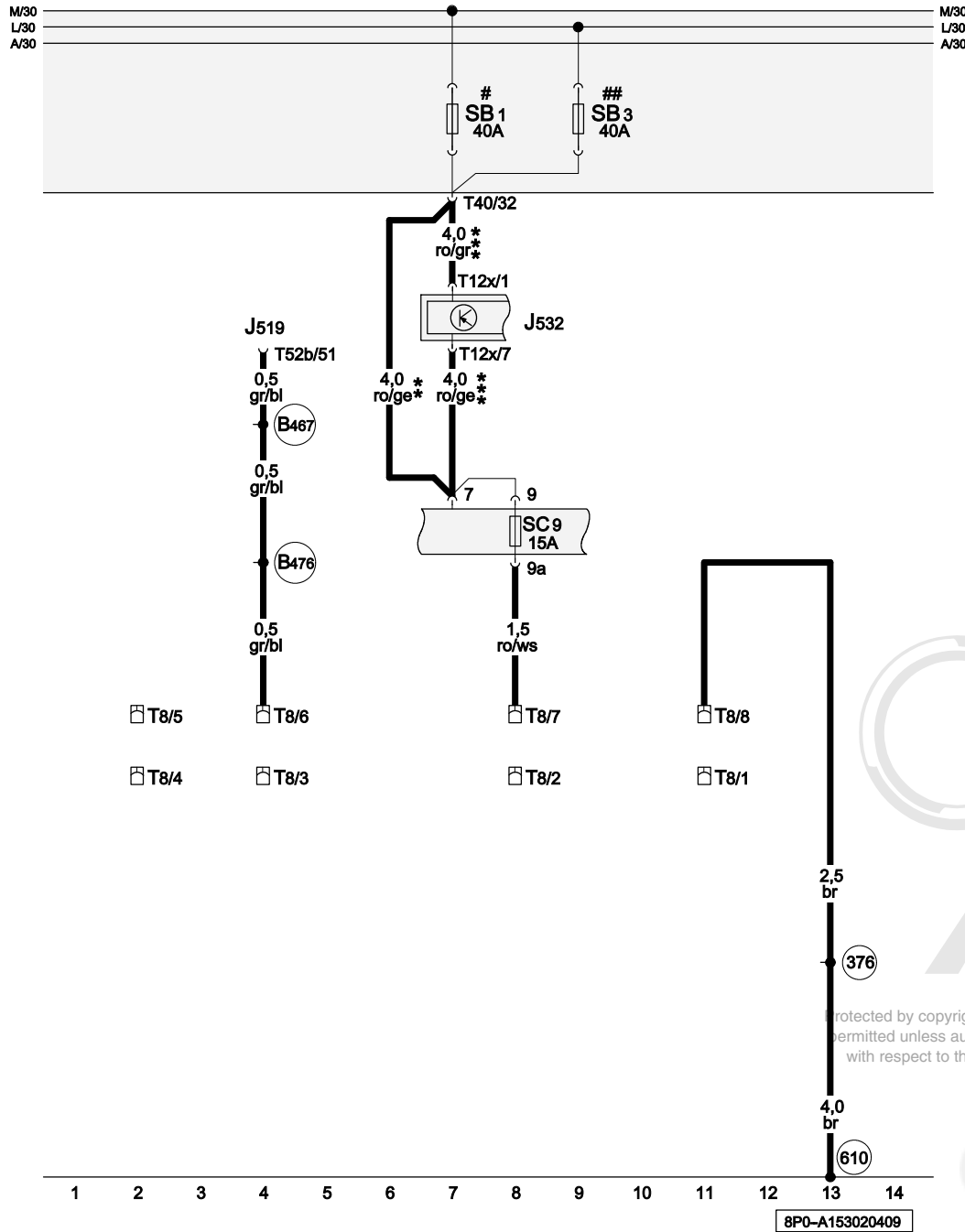
Information for

- ◆ Troubleshooting Procedures
- ⇒ Guided Fault Finding using VAS 5051 / 5052



Protected by copyright. Copying for private or commercial purposes, in part or in whole, is not permitted unless authorised by AUDI AG. AUDI AG does not guarantee or accept any liability with respect to the correctness of information in this document. Copyright by AUDI AG.





Power Supply

- J519 Vehicle Electrical System Control Module
- J532 Voltage Stabilizer
- SB1 Fuse 1 (on fuse panel B)
- SB3 Fuse 3 (on fuse panel B)
- SC9 Fuse 9 (on fuse panel C)
- T8 8-Pin Connector, black (Connector A)
- T12x 12-Pin Connector, black (Connector A)
- T40 40-Pin Connector, black, on electronics box engine compartment (Connector J)
- T52b 52-Pin Connector, white (Connector B)
- 376 Ground Connection 11 (in main wiring harness)
- 610 Ground Connection (Audio) (under center console, front)
- B467 Connection 3 (in main wiring harness)
- B476 Connection 12 (in main wiring harness)
- ** Only models without stop/start system
- *** Only models with stop/start system
- # Only models with electronics box Low
- ## Only models with electronics box High

protected by copyright. Copying or reproduction for private or commercial purposes, in part or in whole, is not permitted unless authorised by AUDI AG. AUDI AG does not guarantee or accept any liability with respect to the correctness of information in this document. Copyright by AUDI AG.

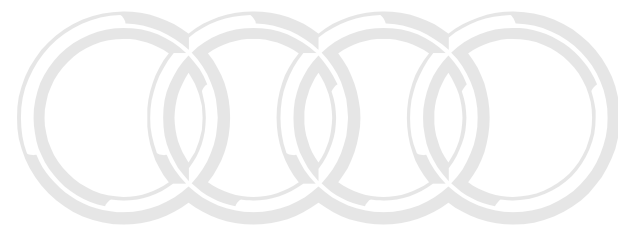
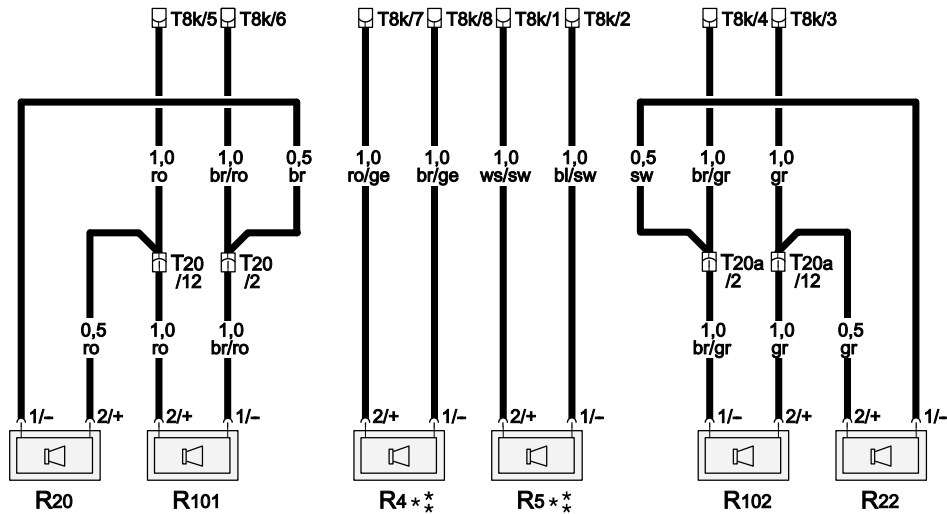
- ws = white
- sw = black
- ro = red
- br = brown
- gn = green
- bl = blue
- gr = grey
- li = lilac
- ge = yellow
- or = orange
- rs = pink

8P0-A153020409



Front and Rear Speaker

- R4 Left Rear Speaker
- R5 Right Rear Speaker
- R20 Left Front Treble Speaker
- R22 Right Front Treble Speaker
- R101 Left Front Mid-Bass Speaker
- R102 Right Front Mid-Bass Speaker
- T8k 8-Pin Connector, brown (Connector B)
- T20 20-Pin Connector, black, door A-pillar, left
- T20a 20-Pin Connector, black, door A-pillar, right
- Only models with rear speaker
- ** Only 3-door models



- ws = white
- sw = black
- ro = red
- br = brown
- gn = green
- bl = blue
- gr = grey
- li = lilac
- ge = yellow
- or = orange
- rs = pink

Protected by copyright. Copying for private or commercial purposes, in part or in whole, is not permitted unless authorised by AUDI AG. AUDI AG does not guarantee or accept any liability with respect to the correctness of information in this document. Copyright by AUDI AG.

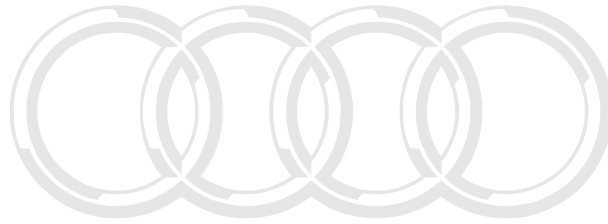
15 16 17 18 19 20 21 22 23 24 25 26 27 28

8P0-A153030409

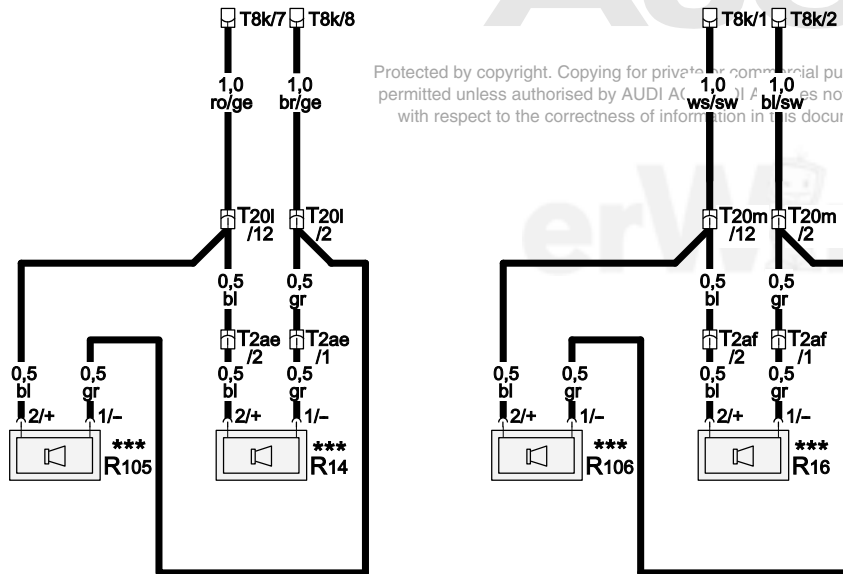


Rear Speaker

- R14 Left Rear Treble Speaker
- R16 Right Rear Treble Speaker
- R105 Left Rear Midrange Speaker
- R106 Right Rear Midrange Speaker
- T2ae Double Connector, black, in rear left door
- T2af Double Connector, black, in rear right door
- T8k 8-Pin Connector, brown (Connector B)
- T20l 20-Pin Connector, black, door B-pillar, left
- T20m 20-Pin Connector, black, door B-pillar, right
- *** Only 5-door models



Protected by copyright. Copying for private or commercial purposes, in part or in whole, is not permitted unless authorised by AUDI AG. AUDI AG does not guarantee or accept any liability with respect to the correctness of information in this document. Copyright by AUDI AG.



- ws = white
- sw = black
- ro = red
- br = brown
- gn = green
- bl = blue
- gr = grey
- li = lilac
- ge = yellow
- or = orange
- rs = pink

29 30 31 32 33 34 35 36 37 38 39 40 41 42

8P0-A153040409



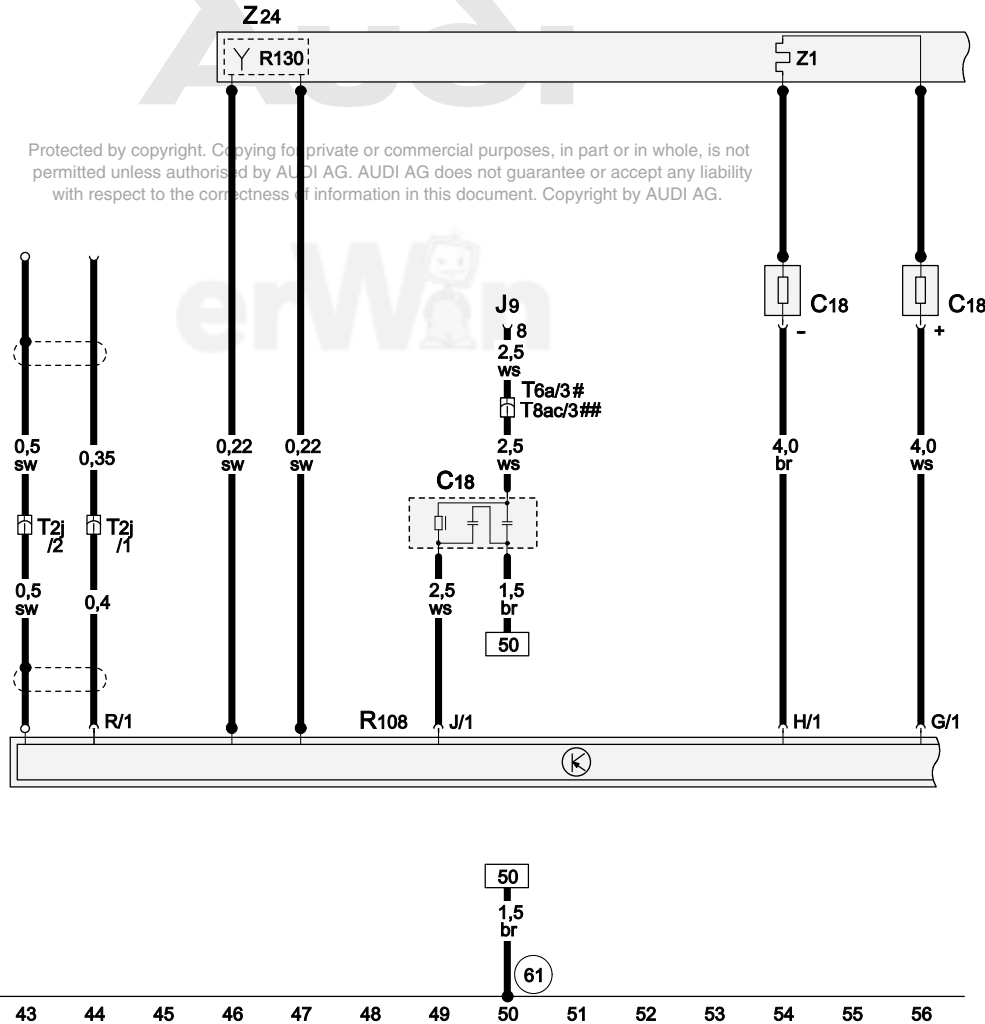
Left Antenna Module, Rear Window Antenna 1

- C18 Windshield Antenna Suppression Filter
- J9 Rear Window Defogger Relay
- R108 Left Antenna Module
- R130 Rear Window Antenna 1
- T2j Double Connector, near right C-pillar
- T6a 6-Pin Connector, black, on C-pillar, left
- T8ac 8-Pin Connector, black
- T10d 10-Pin Connector, black (Connector K)
- Z1 Heated Rear Window
- Z24 Rear Window Defogger with Window Antenna

61 Ground Connection (on left C-pillar)

Only 3-door models
Only 5-door models

Protected by copyright. Copying for private or commercial purposes, in part or in whole, is not permitted unless authorised by AUDI AG. AUDI AG does not guarantee or accept any liability with respect to the correctness of information in this document. Copyright by AUDI AG.

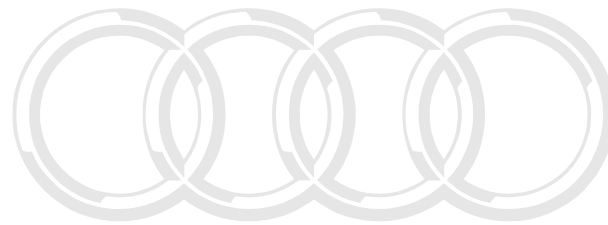


- ws = white
- sw = black
- ro = red
- br = brown
- gn = green
- bl = blue
- gr = grey
- li = lilac
- ge = yellow
- or = orange
- rs = pink

8P0-A153050409

Headlamps, Bixenon HID with automatic range control, cornering lamp, LED daytime running lamps

From May 2009



Audi

Protected by copyright. Copying for private or commercial purposes, in part or in whole, is not permitted unless authorised by AUDI AG. AUDI AG does not guarantee or accept any liability with respect to the correctness of information in this document. Copyright by AUDI AG.

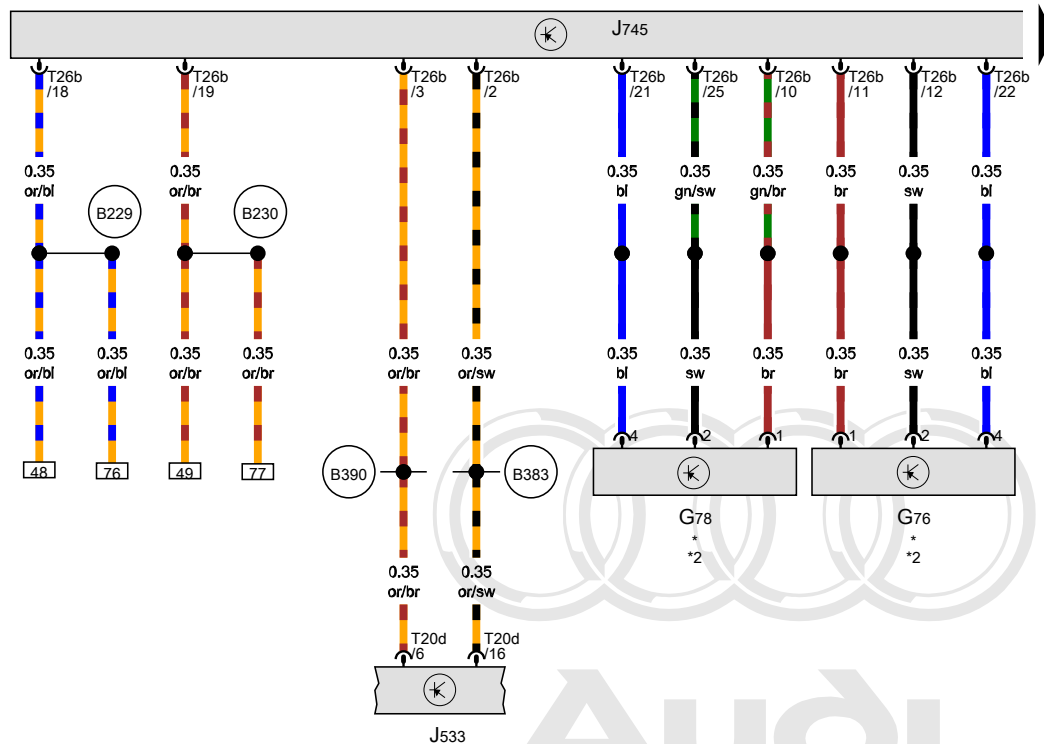


Left rear level control system sensor, Left front level control system sensor, Cornering lamp and headlamp range control module

- G76 Left rear level control system sensor
- G78 Left front level control system sensor
- J533 Data bus on board diagnostic interface
- J745 Cornering lamp and headlamp range control module
- T20d 20-pin connector
- T26b 26-pin connector

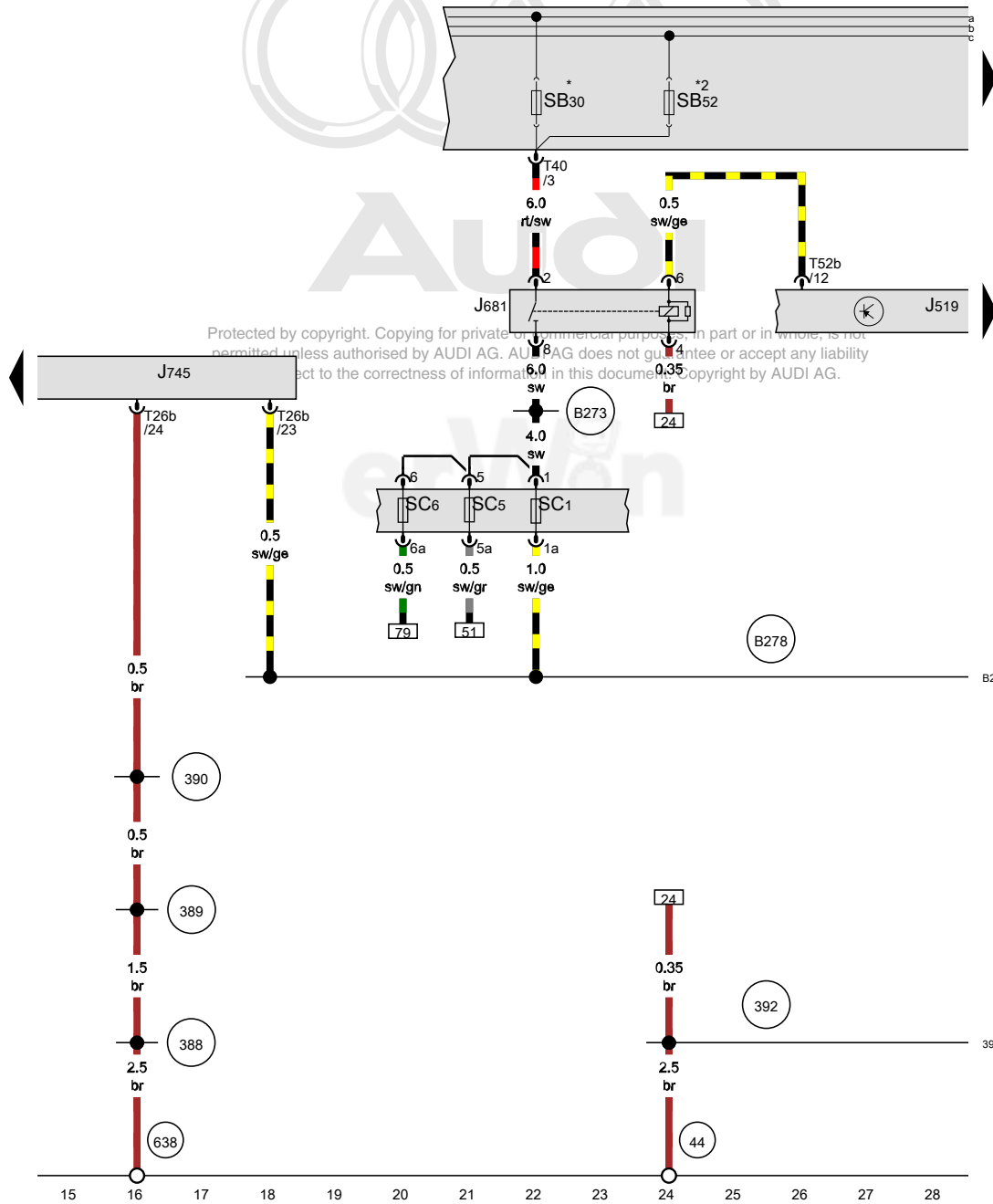
- B229 High bus connection (in interior wiring harness)
- B230 Low bus connection (in interior wiring harness)
- B383 Powertrain CAN bus high connection 1 (in main wiring harness)
- B390 Powertrain CAN bus low connection 1 (in main wiring harness)

* Depending on equipment
 *2 Only for vehicles without electronic damping



- ws = white
- sw = black
- ro = red
- br = brown
- gn = green
- bl = blue
- gr = grey
- li = lilac
- ge = yellow
- or = orange
- rs = pink

Protected by copyright. Copying for private or commercial purposes, in part or in whole, is not permitted unless authorised by AUDI AG. AUDI AG does not guarantee or accept any liability with respect to the correctness of information in this document. Copyright by AUDI AG.



Vehicle electrical system control module, Terminal 15 power supply relay 2, Cornering lamp and headlamp range control module

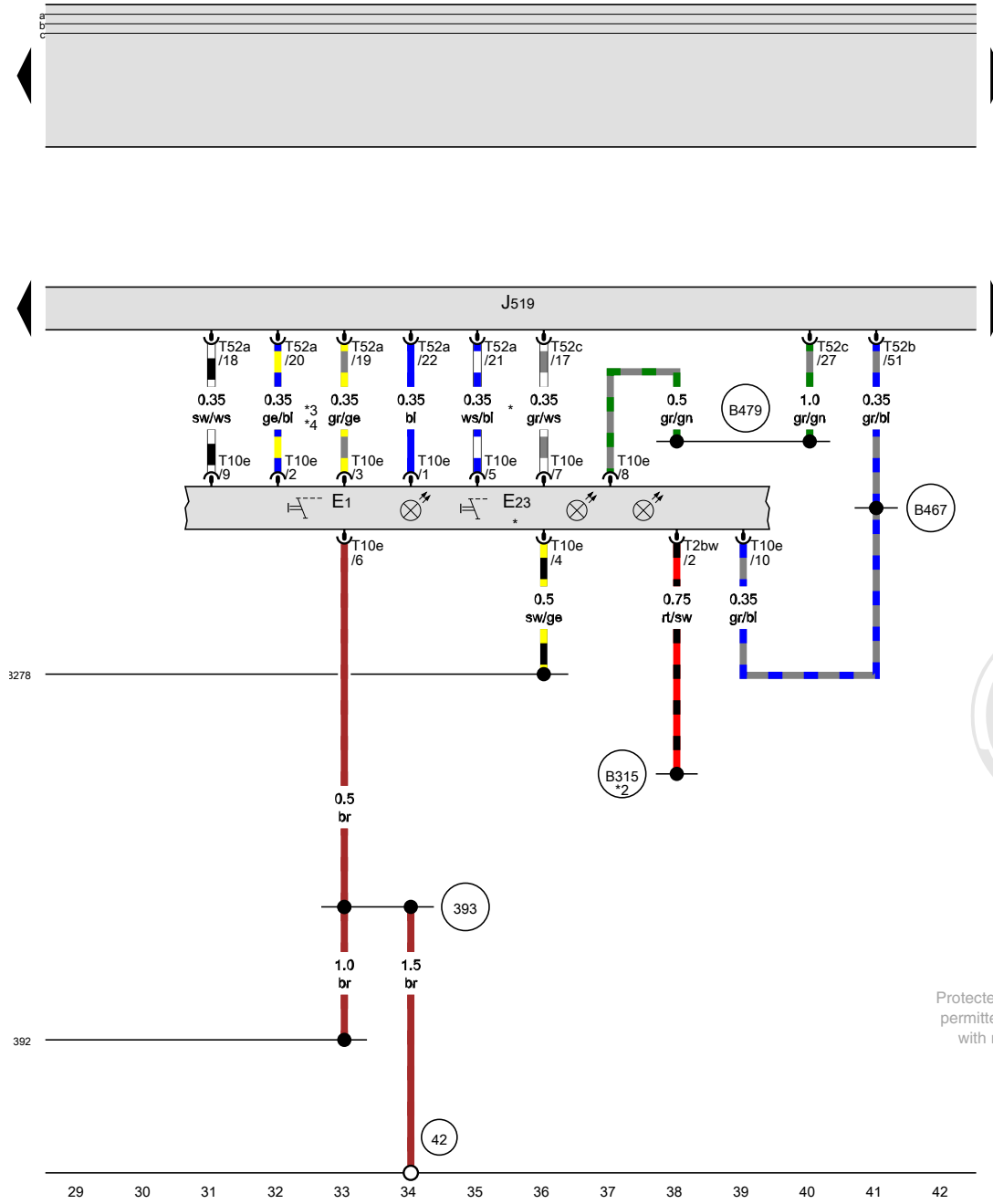
- J519 Vehicle electrical system control module
- J681 Terminal 15 power supply relay 2
- J745 Cornering lamp and headlamp range control module
- SC1 Fuse 1 (on fuse panel C)
- SC5 Fuse 5 (on fuse panel C)
- SC6 Fuse 6 (on fuse panel C)
- SB30 Fuse 30 (on fuse panel B)
- SB52 Fuse 52 (on fuse panel B)
- T26b 26-pin connector
- T40 40-pin connector
- T52b 52-pin connector

- 44 Ground connection on A-pillar, lower left
- 388 Ground connection 23 (in main wiring harness)
- 389 Ground connection 24 (in main wiring harness)
- 390 Ground connection 25 (in main wiring harness)
- 392 Ground connection 27 (in main wiring harness)
- 638 Ground connection on right A-pillar
- B273 Positive connection (15) (in main wiring harness)
- B278 Positive connection 2 (15a) (in main wiring harness)

* E-Box low
 *2 E-Box high

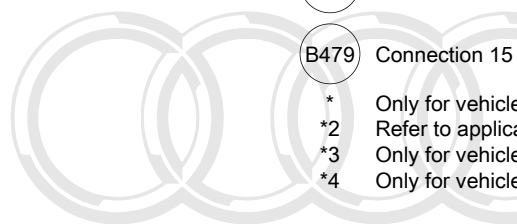
- ws = white
- sw = black
- ro = red
- br = brown
- gn = green
- bl = blue
- gr = grey
- li = lilac
- ge = yellow
- or = orange
- rs = pink

Light switch, Fog lamp and rear fog lamp switch, Vehicle electrical system control module



- E1 Light switch
- E23 Fog lamp and rear fog lamp switch
- J519 Vehicle electrical system control module
- T2bw Double connector
- T10e 10-pin connector
- T52a 52-pin connector
- T52b 52-pin connector
- T52c 52-pin connector

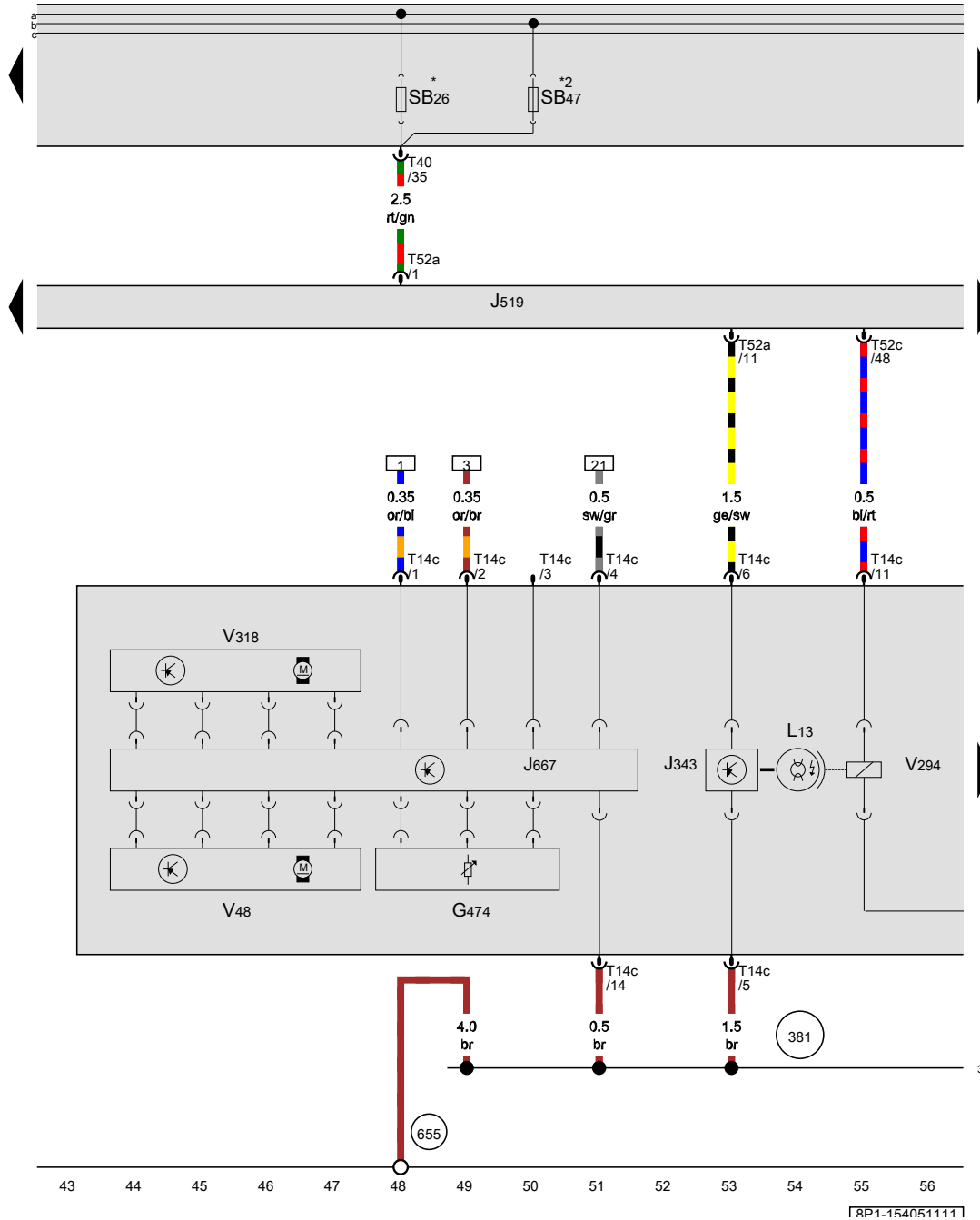
- (42) Ground connection near steering column
- (392) Ground connection 27 (in main wiring harness)
- (393) Ground connection 28 (in main wiring harness)
- (B278) Positive connection 2 (15a) (in main wiring harness)
- (B315) Positive connection 1 (30a) (in main wiring harness)
- (B467) Connection 3 (in main wiring harness)
- (B479) Connection 15 (in main wiring harness)
- * Only for vehicles with fog lamps
- *2 Refer to applicable standard equipment wiring diagram
- *3 Only for vehicles with daytime running lamps
- *4 Only for vehicles with automatic headlamp assist



Audi

Protected by copyright. Copying for private or commercial purposes, in part or in whole, is not permitted unless authorised by AUDI AG. AUDI AG does not guarantee or accept any liability with respect to the correctness of information in this document. Copyright by AUDI AG.

- ws = white
- sw = black
- ro = red
- br = brown
- gn = green
- bl = blue
- gr = grey
- li = lilac
- ge = yellow
- or = orange
- rs = pink



Vehicle electrical system control module, Left headlamp power output stage, Left HID headlamp bulb, Left headlamp beam adjustment motor, Left low beam headlamp reflector motor, Left adaptive cornering lamp motor

- G474 Left swivel module position sensor
- J343 Left HID headlamp control module
- J519 Vehicle electrical system control module
- J667 Left headlamp power output stage
- L13 Left HID headlamp bulb
- SB26 Fuse 26 (on fuse panel B)
- SB47 Fuse 47 (on fuse panel B)
- T14c 14-pin connector
- T40 40-pin connector
- T52a 52-pin connector
- T52c 52-pin connector
- V48 Left headlamp beam adjustment motor
- V294 Left low beam headlamp reflector motor
- V318 Left adaptive cornering lamp motor

381 Ground connection 16 (in main wiring harness)

655 Ground connection on left headlamp

* E-Box low
*2 E-Box high

Protected by copyright. Copying for private or commercial purposes, in part or in whole, is not permitted unless authorised by AUDI AG. AUDI AG does not guarantee or accept any liability with respect to the correctness of information in this document. Copyright by AUDI AG.

- ws = white
- sw = black
- ro = red
- br = brown
- gn = green
- bl = blue
- gr = grey
- li = lilac
- ge = yellow
- or = orange
- rs = pink

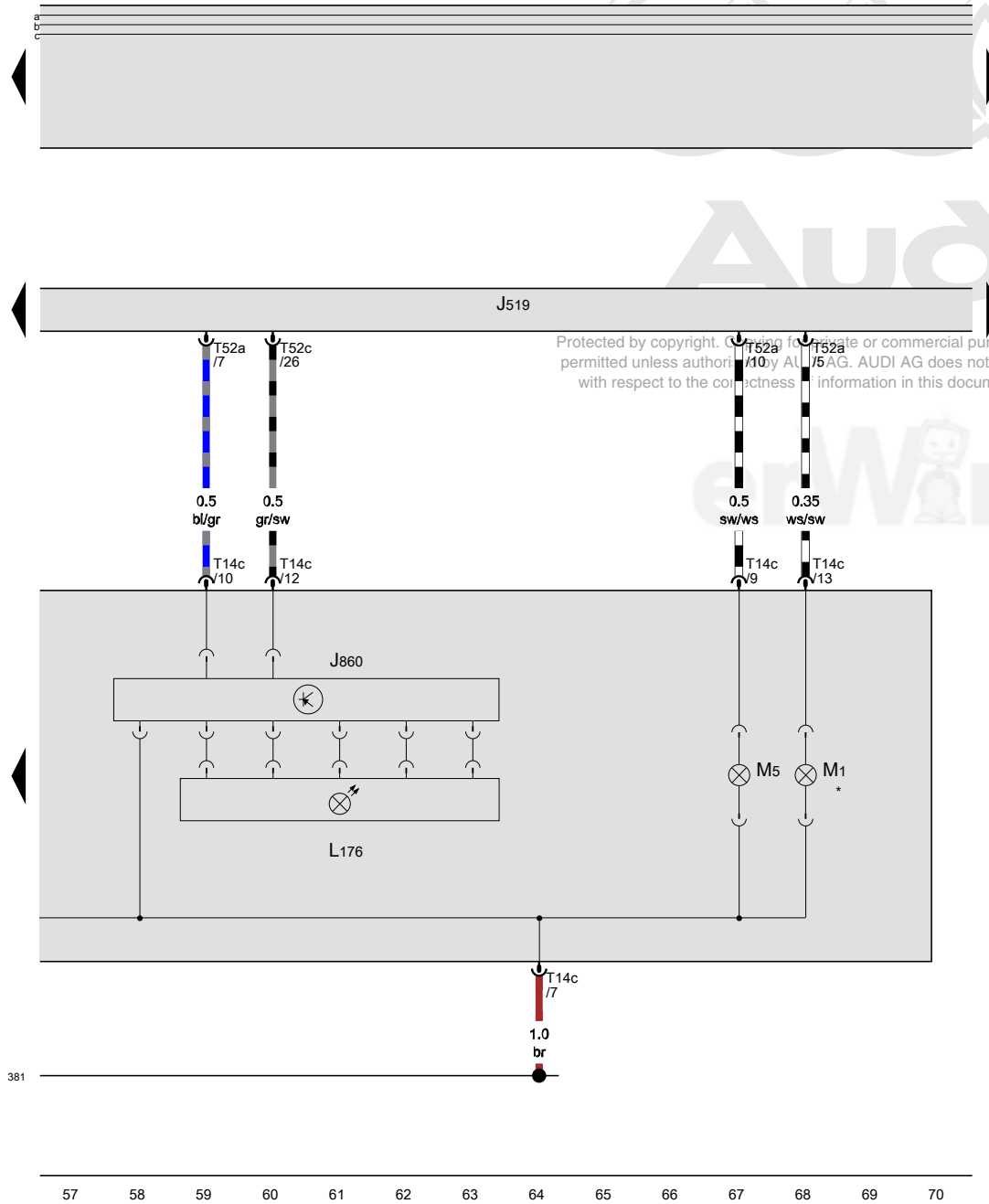
Vehicle electrical system control module, Left daytime running lamp and parking lamp LED module, Left side marker lamp bulb, Left front turn signal bulb

- J519 Vehicle electrical system control module
- J860 Left daytime running lamp and parking lamp control module
- L176 Left daytime running lamp and parking lamp LED module
- M1 Left side marker lamp bulb
- M5 Left front turn signal bulb
- T14c 14-pin connector
- T52a 52-pin connector
- T52c 52-pin connector

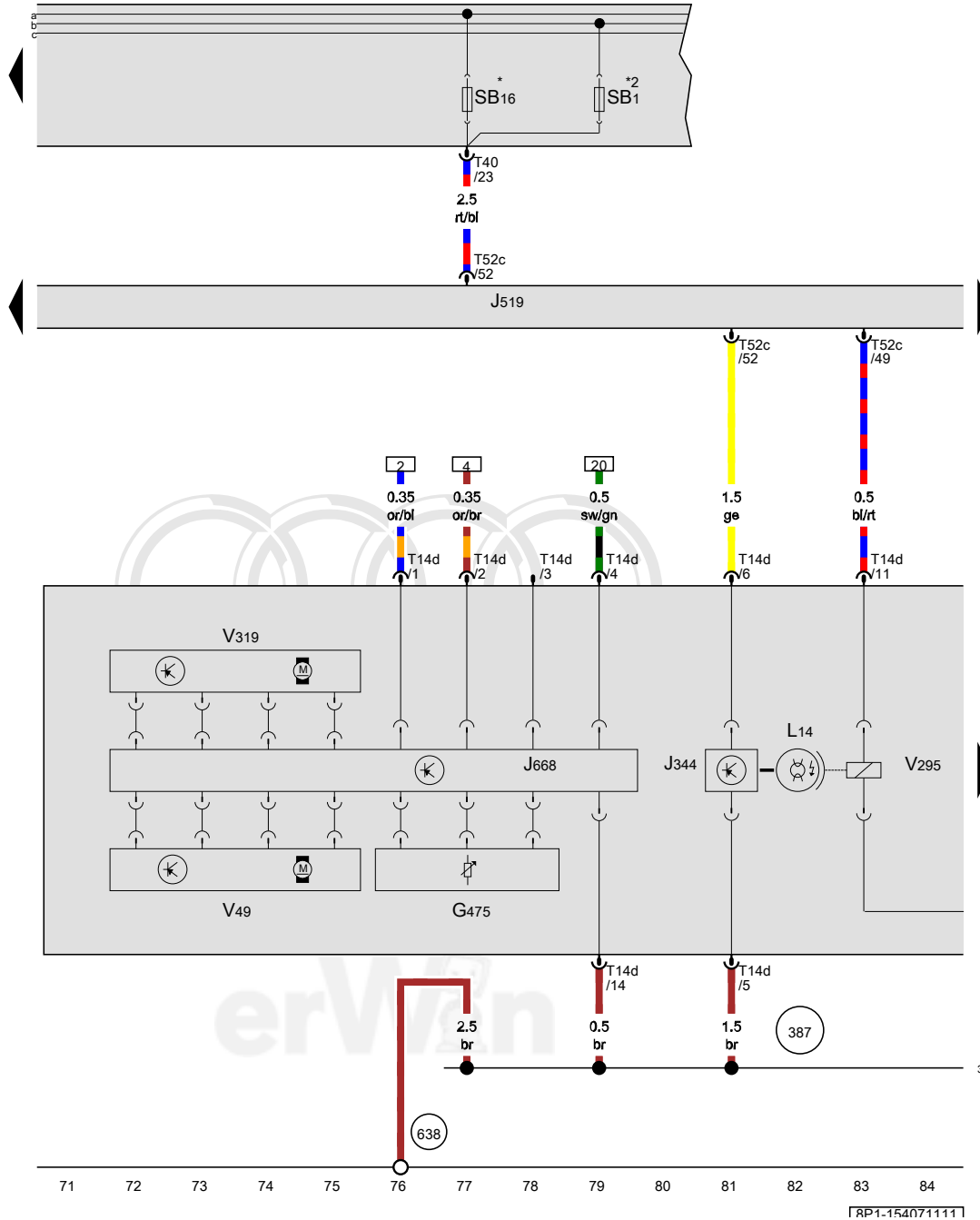
381 Ground connection 16 (in main wiring harness)

* Only for vehicles with US equipment

Protected by copyright. Copying for private or commercial purposes, in part or in whole, is not permitted unless authorized by AUDI AG. AUDI AG does not guarantee or accept any liability with respect to the correctness of the information in this document. Copyright by AUDI AG.



- ws = white
- sw = black
- ro = red
- br = brown
- gn = green
- bl = blue
- gr = grey
- li = lilac
- ge = yellow
- or = orange
- rs = pink



Vehicle electrical system control module, Right headlamp power output stage, Right HID headlamp bulb, Right headlamp beam adjustment motor, Right low beam headlamp reflector motor, Right adaptive cornering lamp motor

- G475 Right swivel module position sensor
- J344 Right HID headlamp control module
- J519 Vehicle electrical system control module
- J668 Right headlamp power output stage
- L14 Right HID headlamp bulb
- SB1 Fuse 1 (on fuse panel B)
- SB16 Fuse 16 (on fuse panel B)
- T14d 14-pin connector
- T40 40-pin connector
- T52c 52-pin connector
- V49 Right headlamp beam adjustment motor
- V295 Right low beam headlamp reflector motor
- V319 Right adaptive cornering lamp motor

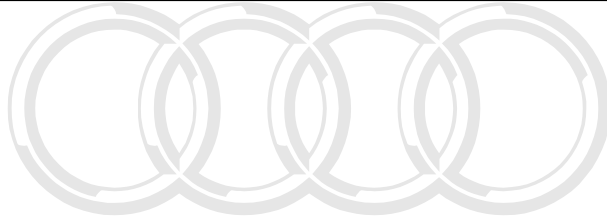
387 Ground connection 22 (in main wiring harness)

638 Ground connection on right A-pillar

- * E-Box low
- *2 E-Box high

- ws = white
- sw = black
- ro = red
- br = brown
- gn = green
- bl = blue
- gr = grey
- li = lilac
- ge = yellow
- or = orange
- rs = pink

[RP1-154071111]



Audi

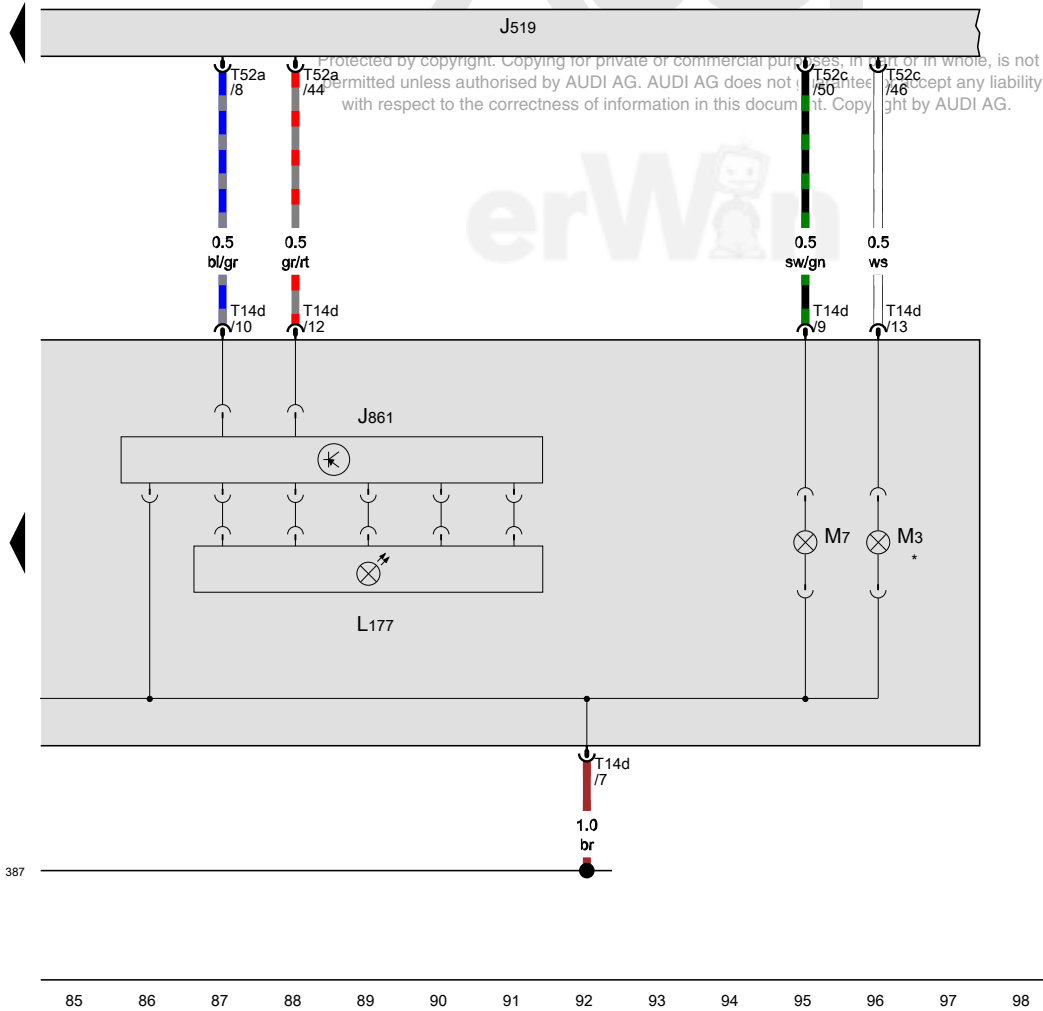
erW

Vehicle electrical system control module, Right LED daytime running lamp and parking lamp LED module, Right side marker lamp bulb, Right front turn signal bulb

- J519 Vehicle electrical system control module
- J861 Right daytime running lamp and parking lamp control module
- L177 Right LED daytime running lamp and parking lamp LED module
- M3 Right side marker lamp bulb
- M7 Right front turn signal bulb
- T14d 14-pin connector
- T52a 52-pin connector
- T52c 52-pin connector

387 Ground connection 22 (in main wiring harness)

* Only for vehicles with US equipment



- ws = white
- sw = black
- ro = red
- br = brown
- gn = green
- bl = blue
- gr = grey
- li = lilac
- ge = yellow
- or = orange
- rs = pink

[RP1-1540R1111]

Headlamp with High-Intensity Gas Discharge Lamp (Xenon plus) and Automatic Headlamp Range Control

from May 2009

Note:

Information for

◆ Relay and fuse arrangements

◆ Connector arrangements

◆ Control Modules and Relays

◆ Ground Connections

⇒ Component Locations

Information for

◆ Troubleshooting Procedures

⇒ Guided Fault Finding using VAS 5051 / 5052



Audi

Protected by copyright. Copying for private or commercial purposes, in part or in whole, is not permitted unless authorised by AUDI AG. AUDI AG does not guarantee or accept any liability with respect to the correctness of information in this document. Copyright by AUDI AG.





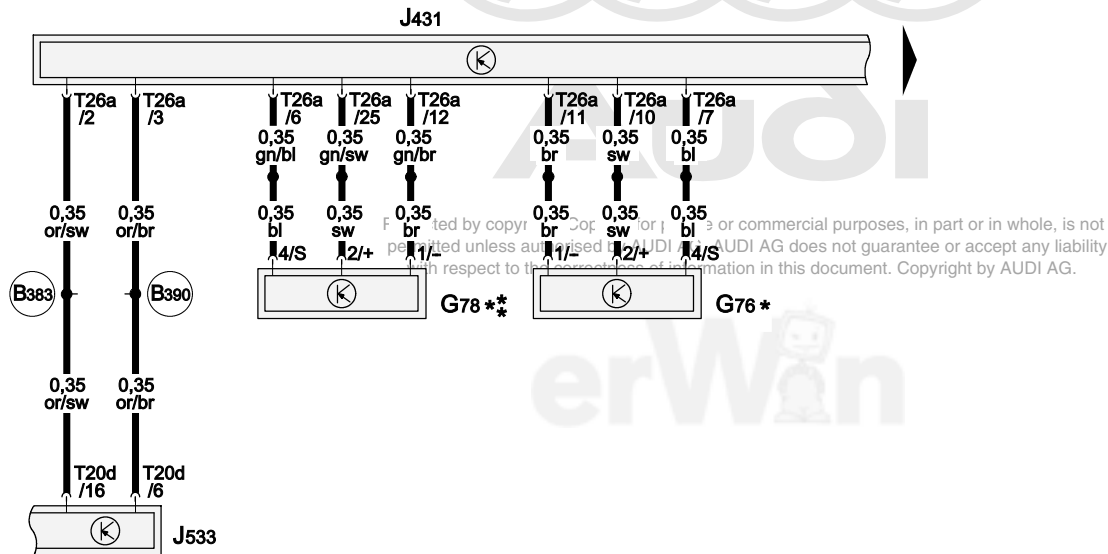
Level Control System Sensor, Data Bus On Board Diagnostic Interface

- G76 Left Rear Level Control System Sensor
- G78 Left Front Level Control System Sensor
- J431 Headlamp Range Control Module
- J533 Data Bus On Board Diagnostic Interface
- T20d 20-Pin Connector, black (Connector A)
- T26a 26-Pin Connector, black (Connector A)

(B383) Powertrain CAN-Bus High Connection 1 (in main wiring harness)

(B390) Powertrain CAN-Bus Low Connection 1 (in main wiring harness)

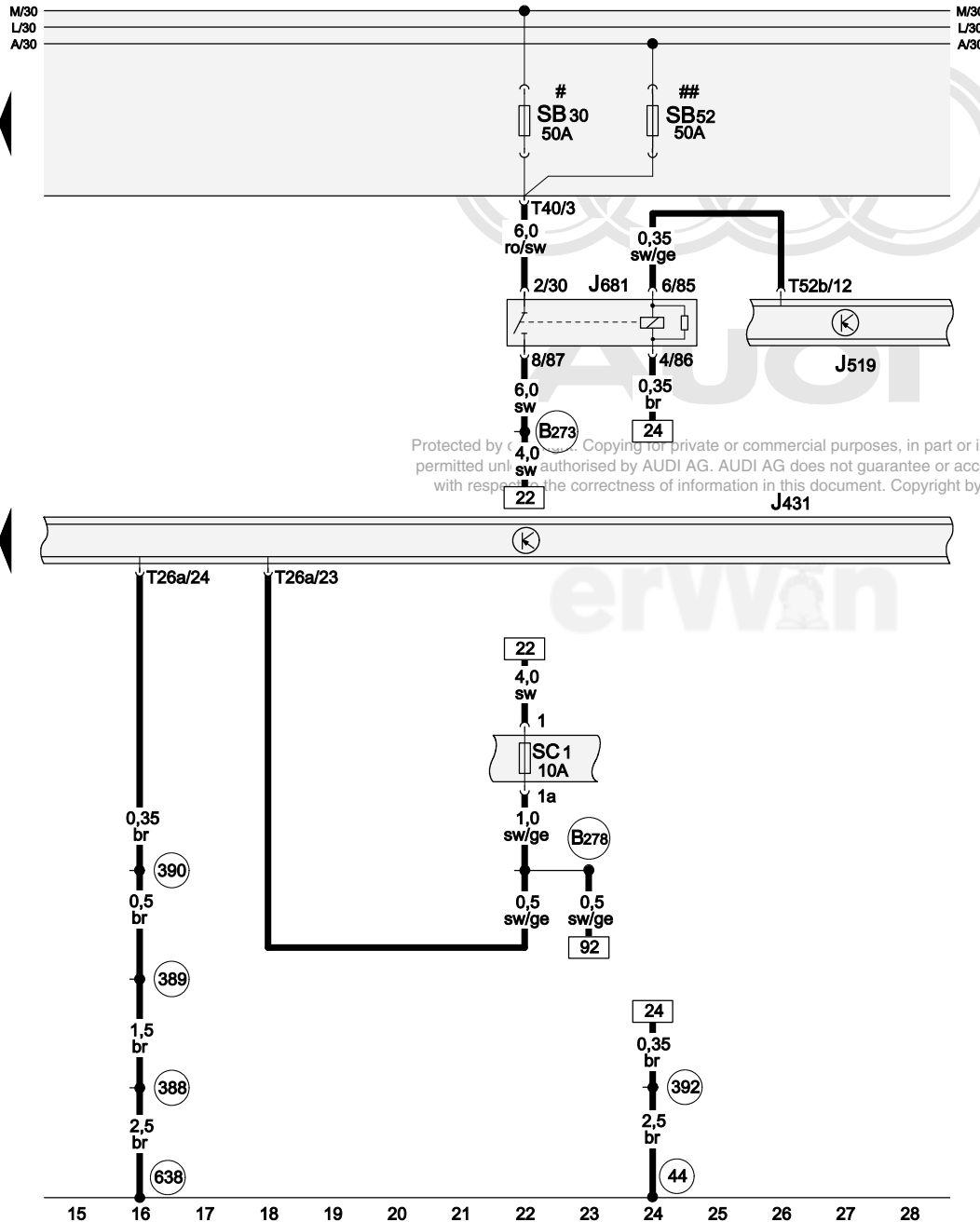
* Not applicable with electronic damping
 ** Not applicable, phased-in modification



- ws = white
- sw = black
- ro = red
- br = brown
- gn = green
- bl = blue
- gr = grey
- li = lilac
- ge = yellow
- or = orange
- rs = pink

1 2 3 4 5 6 7 8 9 10 11 12 13 14

8P0-A155020409



Protected by copyright. Copying for private or commercial purposes, in part or in whole, is not permitted unless authorised by AUDI AG. AUDI AG does not guarantee or accept any liability with respect to the correctness of information in this document. Copyright by AUDI AG.

Power Supply Relay 2 (terminal 15), Fuses (on fuse panel)

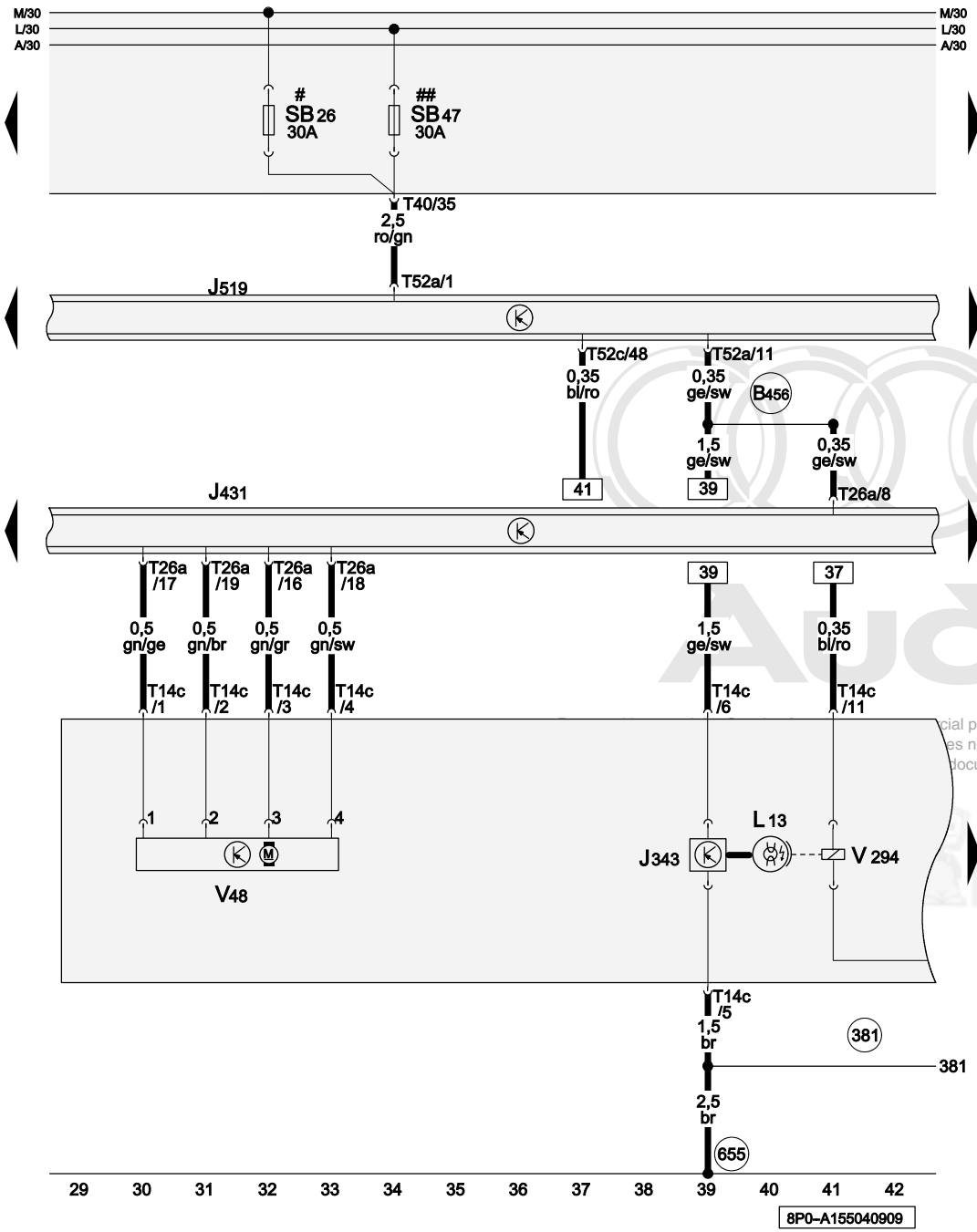
- J431 Headlamp Range Control Module
- J519 Vehicle Electrical System Control Module
- J681 Power Supply Relay 2 (terminal 15)
- SB30 Fuse 30 (on fuse panel B)
- SB52 Fuse 52 (on fuse panel B)
- SC1 Fuse 1 (on fuse panel C)
- T26a 26-Pin Connector, black (Connector A)
- T40 40-Pin Connector, black, on electronics box engine compartment (Connector J)
- T52b 52-Pin Connector, white (Connector B)

- 44 Ground Connection (on left lower A-pillar)
- 392 Ground Connection 27 (in main wiring harness)
- 388 Ground Connection 23 (in main wiring harness)
- 389 Ground Connection 24 (in main wiring harness)
- 390 Ground Connection 25 (in main wiring harness)
- 638 Ground Connection (on right A-pillar)
- B273 Plus Connection (15) (in main wiring harness)
- B278 Plus Connection 2 (15a) (in main wiring harness)

- # Only models with electronics box Low
- ## Only models with electronics box High

- ws = white
- sw = black
- ro = red
- br = brown
- gn = green
- bl = blue
- gr = grey
- li = lilac
- ge = yellow
- or = orange
- rs = pink

8P0-A155030409



Left High Intensity Gas Discharge (HID) Lamp, Left Headlamp Beam Adjustment Motor, Left Low Beam Reflector Motor

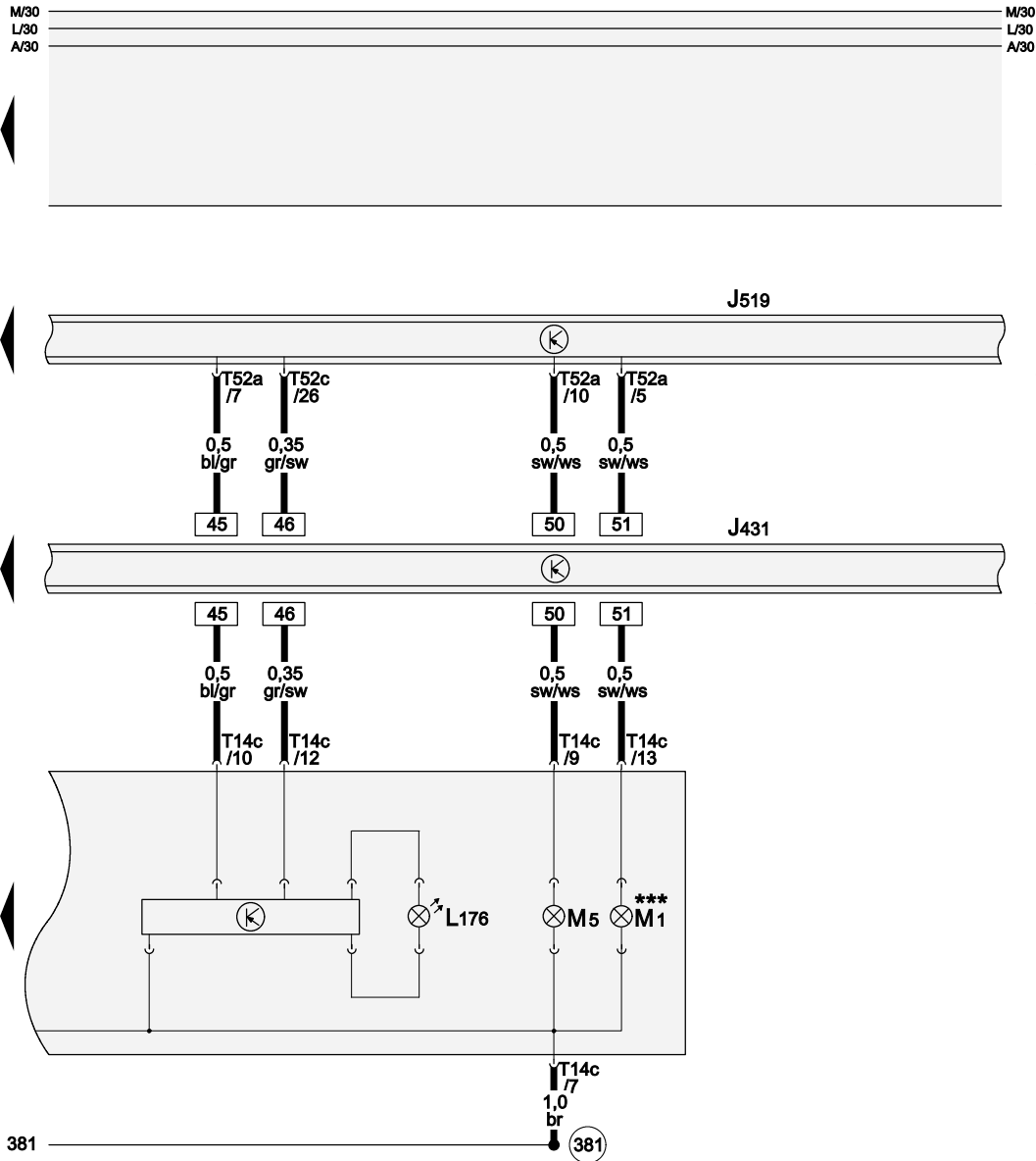
- J343 Left High-intensity Gas Discharge Lamp Control Module
- J431 Headlamp Range Control Module
- J519 Vehicle Electrical System Control Module
- L13 Left High Intensity Gas Discharge (HID) Lamp
- SB26 Fuse 26 (on fuse panel B)
- SB47 Fuse 47 (on fuse panel B)
- T14c 14-Pin Connector
- T26a 26-Pin Connector, black (Connector A)
- T40 40-Pin Connector, black, on electronics box engine compartment (Connector J)
- T52a 52-Pin Connector, black (Connector A)
- T52c 52-Pin Connector, brown (Connector C)
- V48 Left Headlamp Beam Adjustment Motor
- V294 Left Low Beam Reflector Motor

- 381 Ground Connection 16 (in main wiring harness)
- 655 Ground Connection (on left headlamp)
- B456 Connection (56b) (in main wiring harness)

- # Only models with electronics box Low
- ## Only models with electronics box High

Special purposes, in part or in whole, is not guaranteed or accept any liability. Copyright by AUDI AG.

- ws = white
- sw = black
- ro = red
- br = brown
- gn = green
- bl = blue
- gr = grey
- li = lilac
- ge = yellow
- or = orange
- rs = pink



Left LED Parking Lamp/DRL Module, Left Front Turn Signal Lamp

- J431 Headlamp Range Control Module
- J519 Vehicle Electrical System Control Module
- L176 Left LED Parking Lamp/DRL Module
- M1 Left Parking Lamp
- M5 Left Front Turn Signal Lamp
- T14c 14-Pin Connector
- T52a 52-Pin Connector, black (Connector A)
- T52c 52-Pin Connector, brown (Connector C)

381 Ground Connection 16 (in main wiring harness)

*** Only models with US equipment



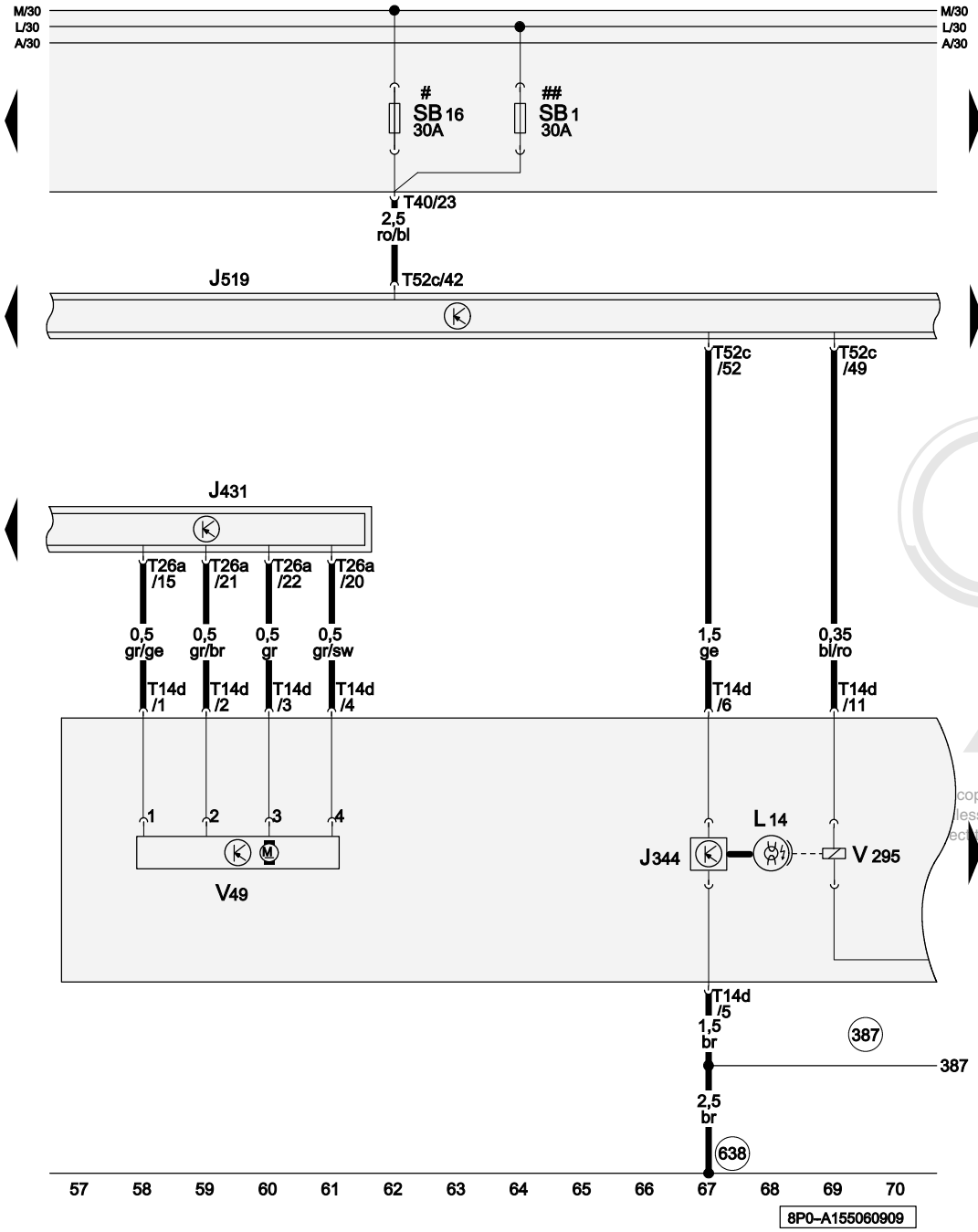
Protected by copyright. Copying for private or commercial purposes, in part or in whole, is not permitted unless authorised by AUDI AG. AUDI AG does not guarantee or accept any liability with respect to the correctness of information in this document. Copyright by AUDI AG.



- ws = white
- sw = black
- ro = red
- br = brown
- gn = green
- bl = blue
- gr = grey
- li = lilac
- ge = yellow
- or = orange
- rs = pink

43 44 45 46 47 48 49 50 51 52 53 54 55 56

8P0-A155050909



Right High Intensity Gas Discharge (HID) Lamp, Right Headlamp Beam Adjustment Motor, Right Low Beam Reflector Motor

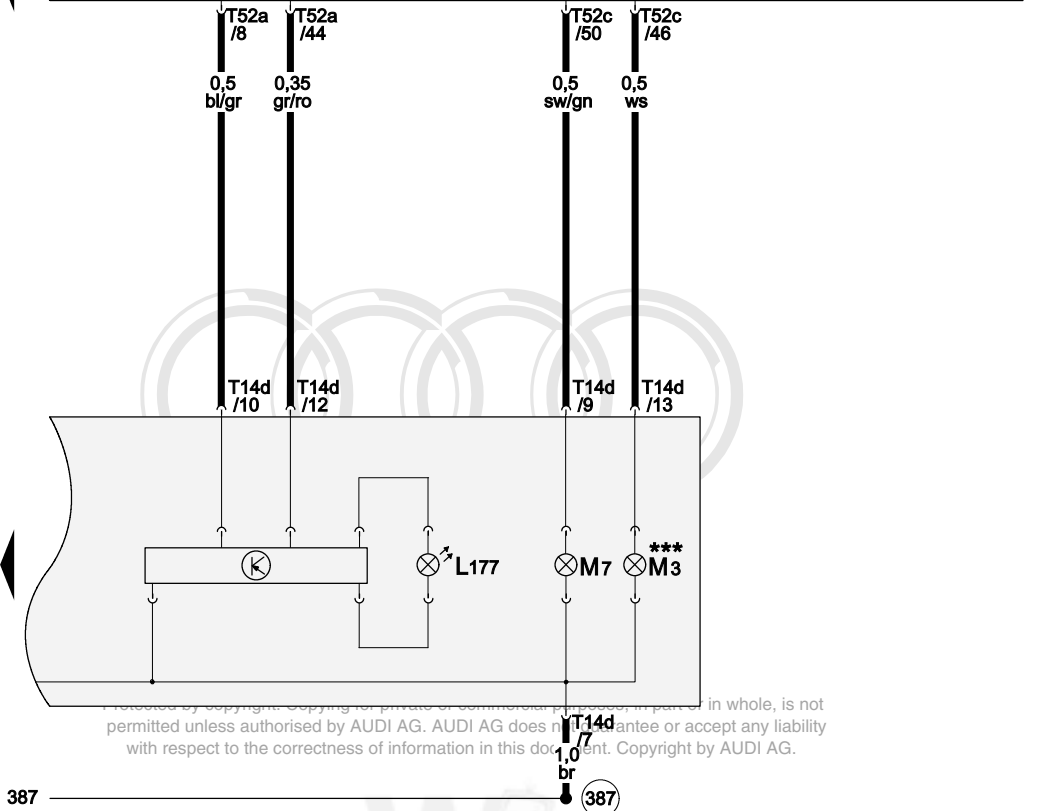
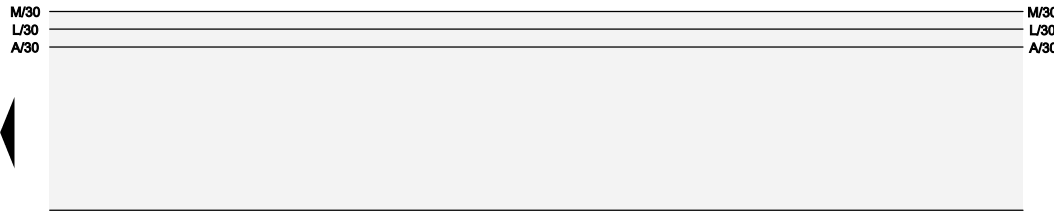
- J344 Right High-intensity Gas Discharge Lamp Control Module
- J431 Headlamp Range Control Module
- J519 Vehicle Electrical System Control Module
- L14 Right High Intensity Gas Discharge (HID) Lamp
- SB1 Fuse 1 (on fuse panel B)
- SB16 Fuse 16 (on fuse panel B)
- T14d 14-Pin Connector
- T26a 26-Pin Connector, black (Connector A)
- T40 40-Pin Connector, black, on electronics box engine compartment (Connector J)
- T52c 52-Pin Connector, brown (Connector C)
- V49 Right Headlamp Beam Adjustment Motor
- V295 Right Low Beam Reflector Motor

- 387 Ground Connection 22 (in main wiring harness)
- 638 Ground Connection (on right A-pillar)
- # Only models with electronics box Low
- ## Only models with electronics box High

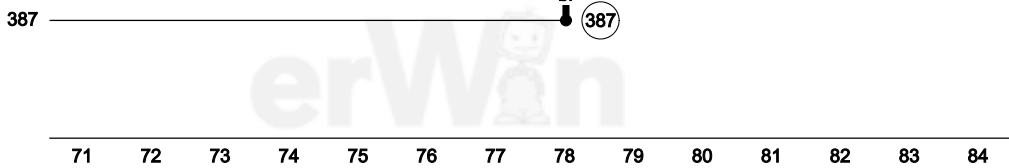
copyright. Copying for private or commercial purposes, in part or in whole, is not less authorised by AUDI AG. AUDI AG does not guarantee or accept any liability for the correctness of information in this document. Copyright by AUDI AG.

- ws = white
- sw = black
- ro = red
- br = brown
- gn = green
- bl = blue
- gr = grey
- li = lilac
- ge = yellow
- or = orange
- rs = pink

8P0-A155060909



... is not permitted unless authorised by AUDI AG. AUDI AG does not warrant or accept any liability with respect to the correctness of information in this document. Copyright by AUDI AG.



8P0-A155070909

Right LED Parking Lamp/DRL Module, Right Front Turn Signal Lamp

- J519 Vehicle Electrical System Control Module
- L177 Right LED Parking Lamp/DRL Module
- M3 Right Parking Lamp
- M7 Right Front Turn Signal Lamp
- T14d 14-Pin Connector
- T52a 52-Pin Connector, black (Connector A)
- T52c 52-Pin Connector, brown (Connector C)

387 Ground Connection 22 (in main wiring harness)

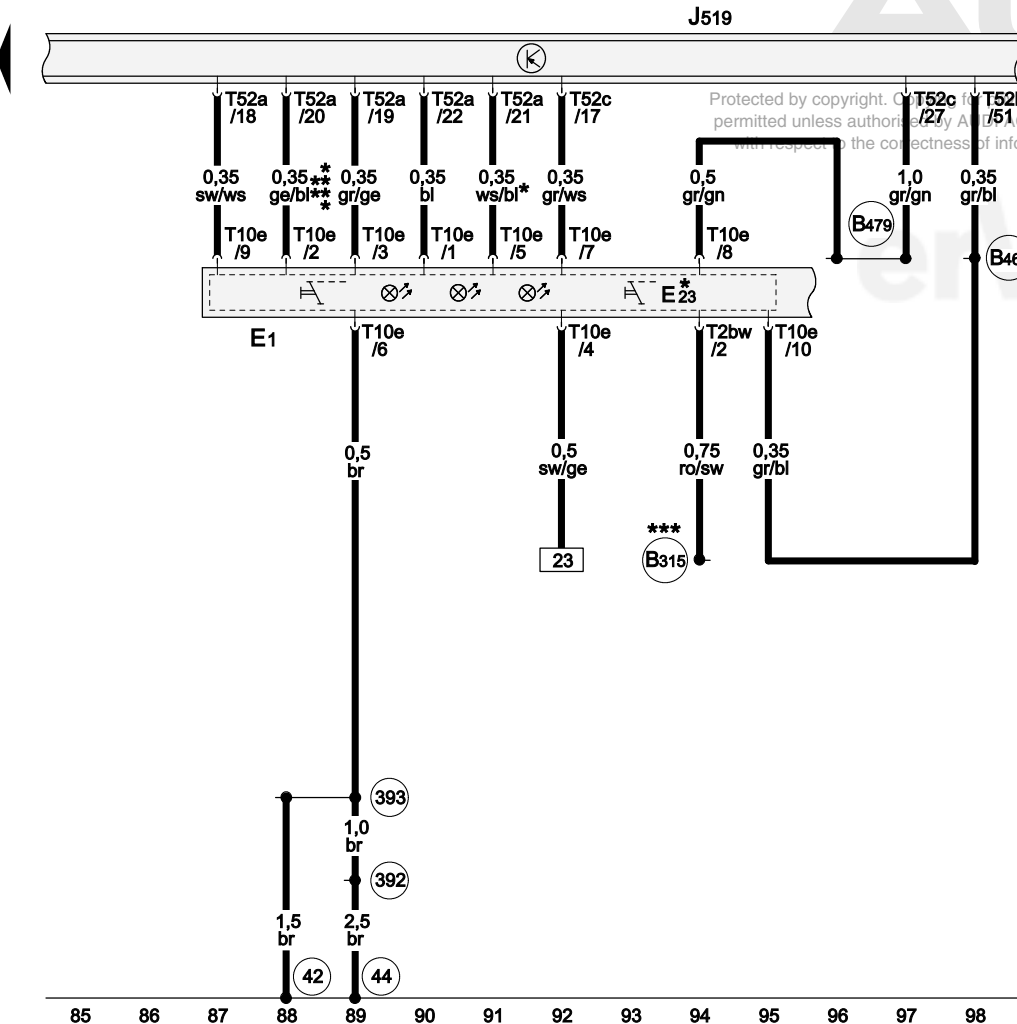
*** Only models with US equipment

- ws = white
- sw = black
- ro = red
- br = brown
- gn = green
- bl = blue
- gr = grey
- li = lilac
- ge = yellow
- or = orange
- rs = pink



Light Switch

- E1 Light Switch
- E23 Fog Lamp and Rear Fog Lamp Switch
- J519 Vehicle Electrical System Control Module
- T2bw Double Connector, brown (Connector D)
- T10e 10-Pin Connector, black (Connector A)
- T52a 52-Pin Connector, black (Connector A)
- T52b 52-Pin Connector, white (Connector B)
- T52c 52-Pin Connector, brown (Connector C)



- 42 Ground Connection (beside steering column)
- 44 Ground Connection (on left lower A-pillar)
- 392 Ground Connection 27 (in main wiring harness)
- 393 Ground Connection 28 (in main wiring harness)
- B315 Plus Connection 1 (30a) (in main wiring harness)
- B467 Connection 3 (in main wiring harness)
- B479 Connection 15 (in main wiring harness)
- * Only models with front fog lamps
- ** Only models with automatic headlamp switching
- *** Fuse SC16 Power Supply ⇒ Applicable Wiring Diagram Standard Equipment
- **** Only models with daytime running lights

- ws = white
- sw = black
- ro = red
- br = brown
- gn = green
- bl = blue
- gr = grey
- li = lilac
- ge = yellow
- or = orange
- rs = pink

8P0-A155080409

Headlamp with Coming-Home

from May 2009

Note:

Information for

- ◆ Relay and fuse arrangements
- ◆ Connector arrangements
- ◆ Control Modules and Relays
- ◆ Ground Connections

⇒ Component Locations

Information for

- ◆ Troubleshooting Procedures
- ⇒ Guided Fault Finding using VAS 5051 / 5052



Audi

Protected by copyright. Copying for private or commercial purposes, in part or in whole, is not permitted unless authorised by AUDI AG. AUDI AG does not guarantee or accept any liability with respect to the correctness of information in this document. Copyright by AUDI AG.

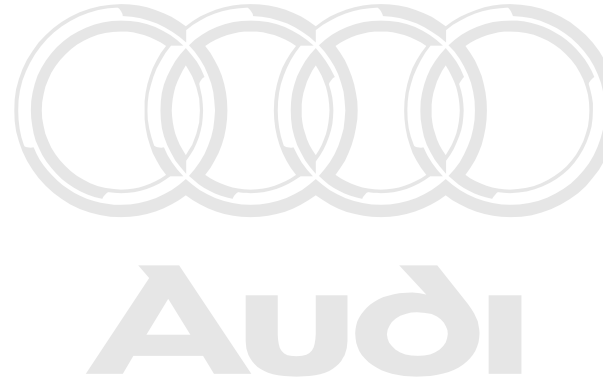
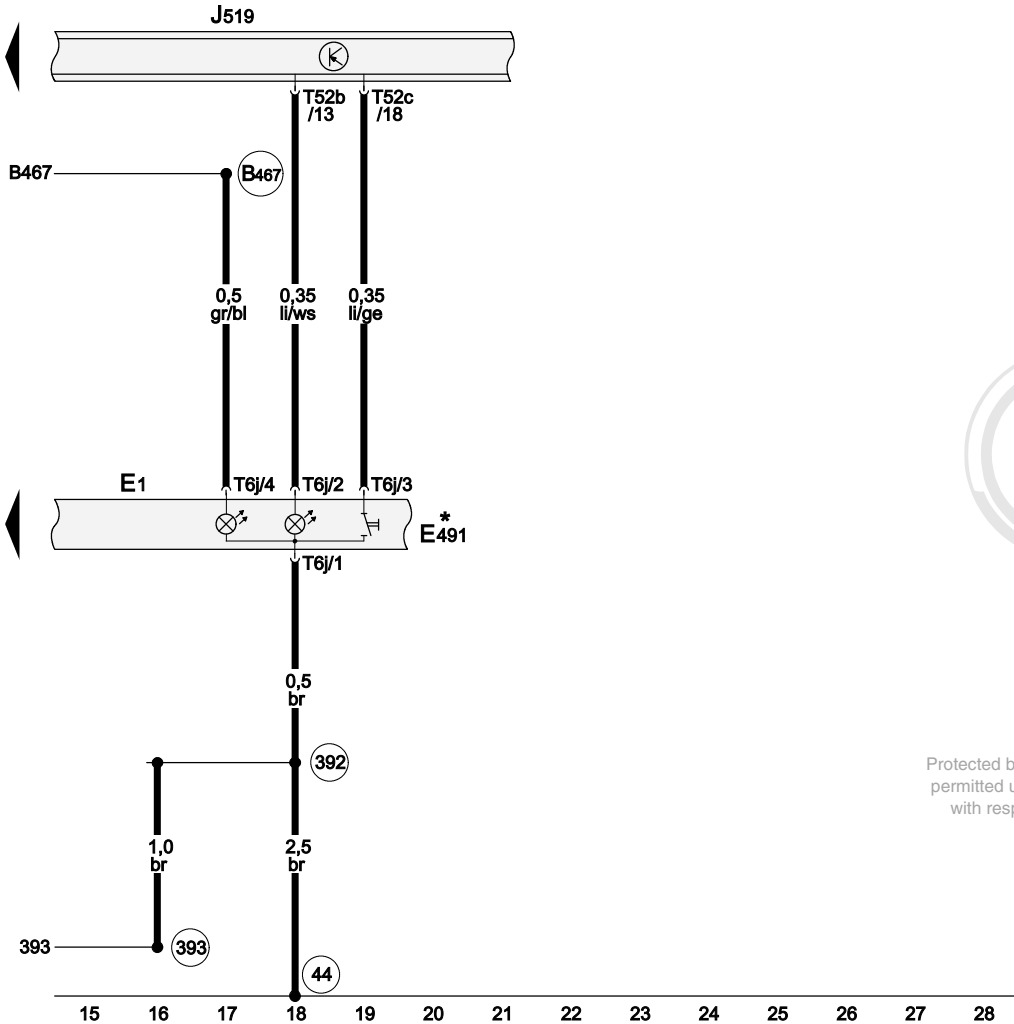




Light Switch

- E1 Light Switch
- E491 Ambient Lighting Deactivation Switch
- J519 Vehicle Electrical System Control Module
- T6j 6-Pin Connector, black (Connector C)
- T52b 52-Pin Connector, white (Connector B)
- T52c 52-Pin Connector, brown (Connector C)

- 44 Ground Connection (on left lower A-pillar)
- 392 Ground Connection 27 (in main wiring harness)
- 393 Ground Connection 28 (in main wiring harness)
- B467 Connection 3 (in main wiring harness)
- * Coming Home Switch



Protected by copyright. Copying for private or commercial purposes, in part or in whole, is not permitted unless authorised by AUDI AG. AUDI AG does not guarantee or accept any liability with respect to the correctness of information in this document. Copyright by AUDI AG.

- ws = white
- sw = black
- ro = red
- br = brown
- gn = green
- bl = blue
- gr = grey
- li = lilac
- ge = yellow
- or = orange
- rs = pink

8P0-A156030409

Cell phone preparation

From May 2009



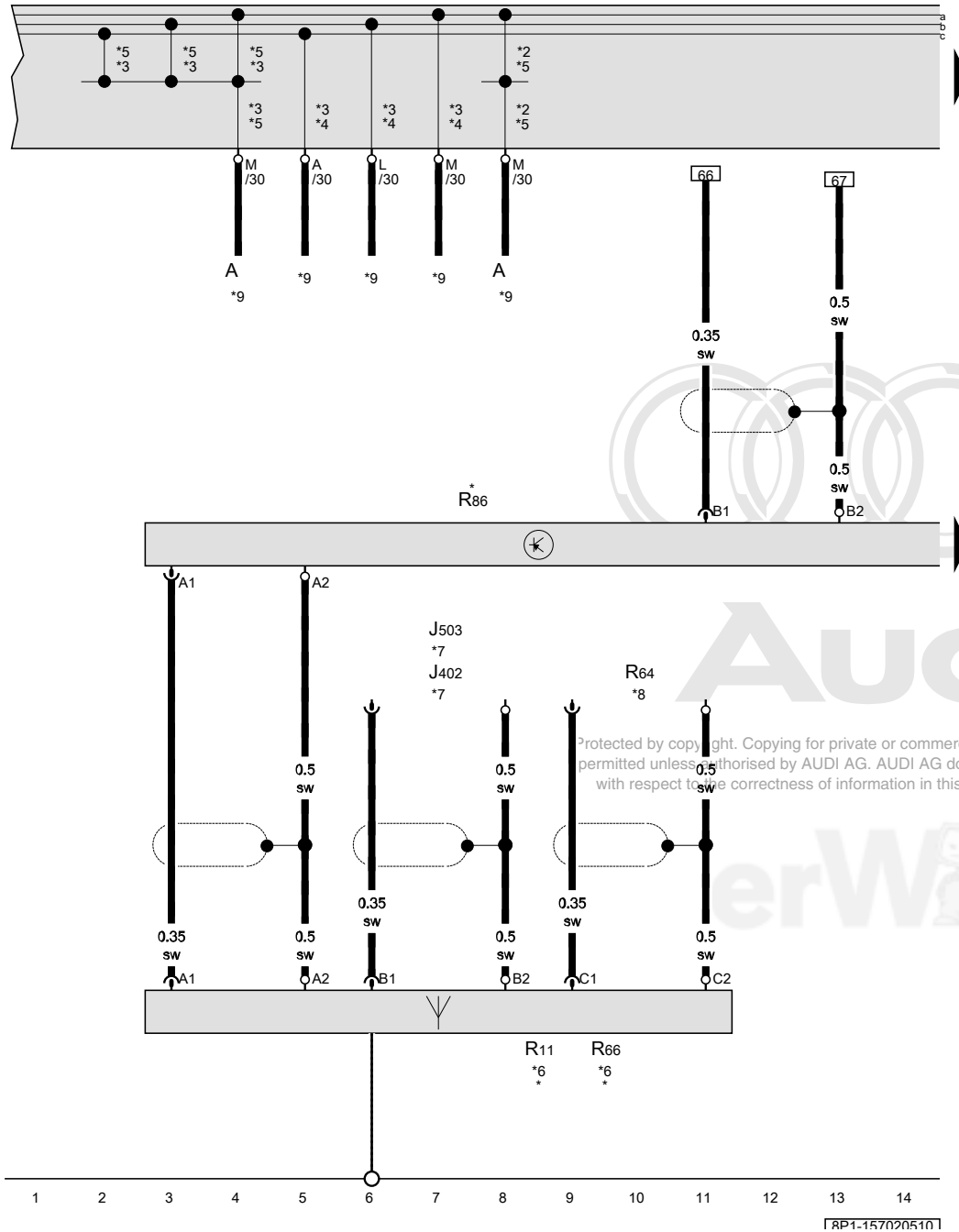
Audi

Protected by copyright. Copying for private or commercial purposes, in part or in whole, is not permitted unless authorised by AUDI AG. AUDI AG does not guarantee or accept any liability with respect to the correctness of information in this document. Copyright by AUDI AG.



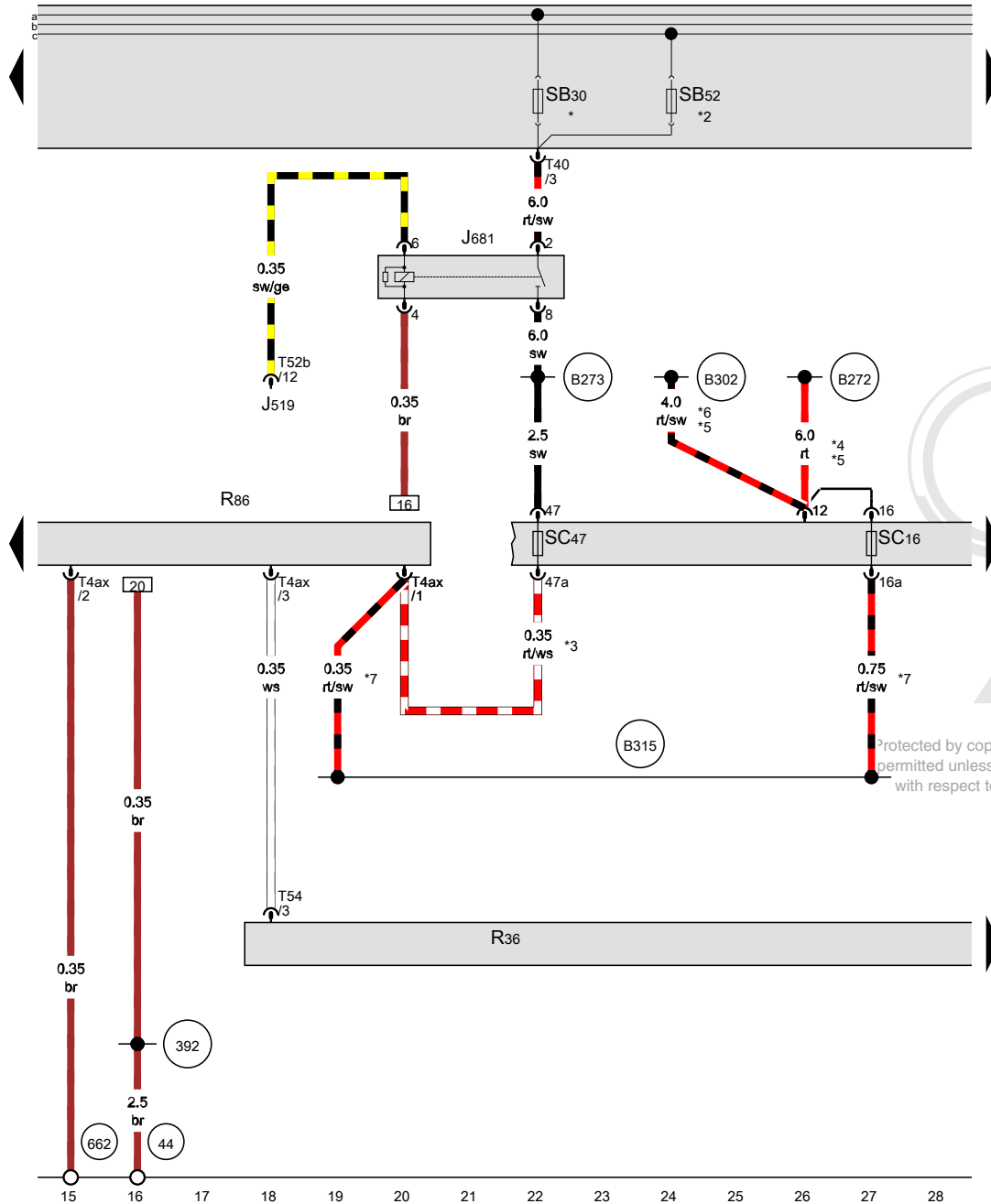
Telephone/navigation system/auxiliary heater antenna,
Cellular telephone amplifier

- A Battery
- J402 Operating electronics/navigation system control module
- J503 Radio/navigation display unit control module
- R11 Antenna
- R64 Auxiliary heater radio receiver
- R66 Telephone/navigation system/auxiliary heater antenna
- R86 Cellular telephone amplifier
- * Not for USA
- *2 E-Box low
- *3 E-Box high
- *4 Only for vehicles with a battery in the luggage compartment
- *5 Only for vehicles with a battery in the engine compartment
- *6 Roof antenna
- *7 Only for vehicles with radio navigation system
- *8 Only for vehicles with an auxiliary heater
- *9 Refer to applicable wiring diagram



- ws = white
- sw = black
- ro = red
- br = brown
- gn = green
- bl = blue
- gr = grey
- li = lilac
- ge = yellow
- or = orange
- rs = pink

18P1-157020510



Terminal 15 power supply relay 2, Telephone transceiver, Cellular telephone amplifier

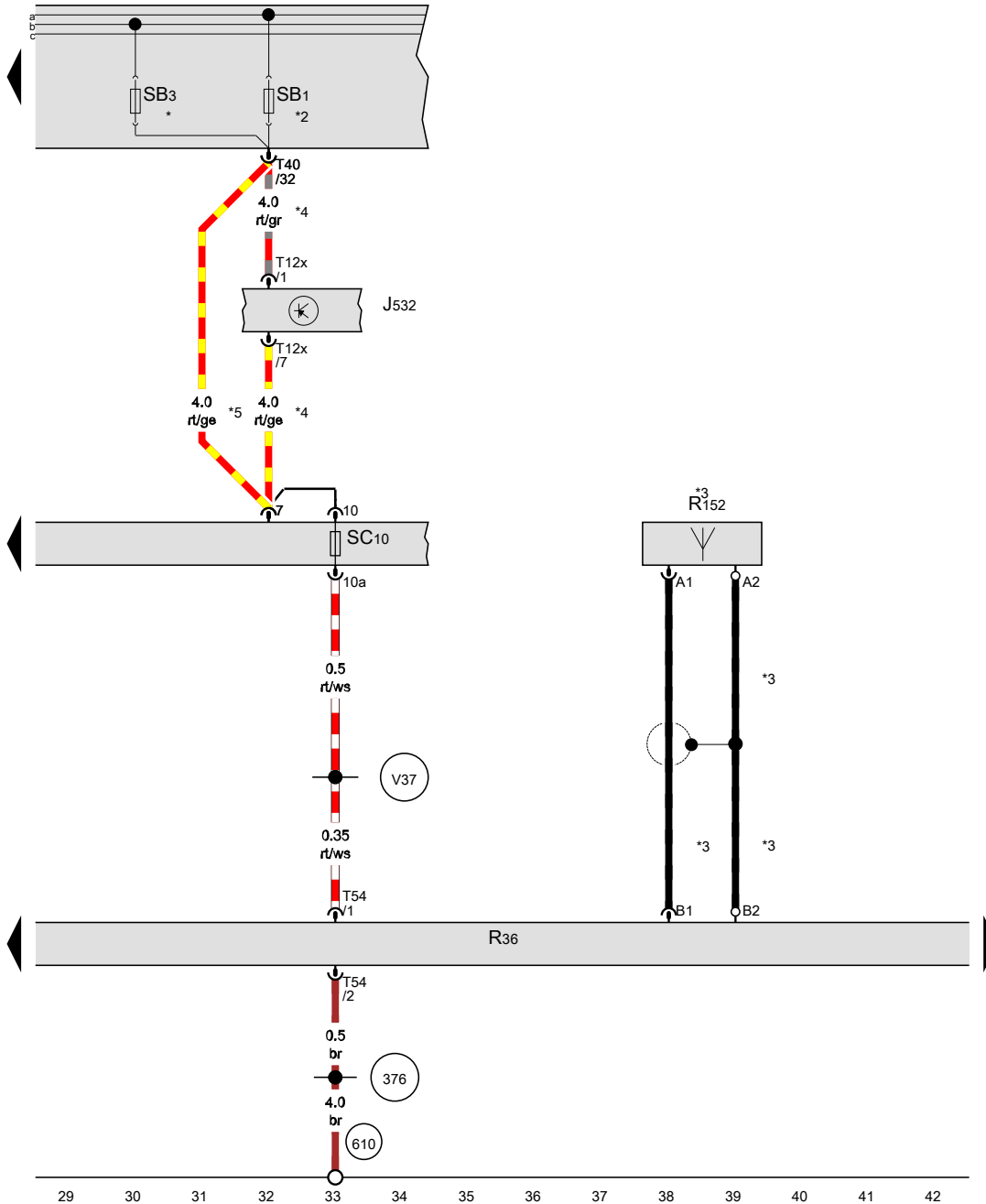
- J519 Vehicle electrical system control module
- J681 Terminal 15 power supply relay 2
- R36 Telephone transceiver
- R86 Cellular telephone amplifier
- SC16 Fuse 16 (on fuse panel C)
- SB30 Fuse 30 (on fuse panel B)
- SC47 Fuse 47 (on fuse panel C)
- SB52 Fuse 52 (on fuse panel B)
- T4ax 4-pin connector
- T40 40-pin connector
- T52b 52-pin connector
- T54 54-pin connector

- 44 Ground connection on A-pillar, lower left
- 392 Ground connection 27 (in main wiring harness)
- 662 Ground connection in left rear side panel
- B272 Positive connection (30) (in main wiring harness)
- B273 Positive connection (15) (in main wiring harness)
- B302 Positive connection 6 (30) (in main wiring harness)
- B315 Positive connection 1 (30a) (in main wiring harness)

Protected by copyright. Copying for private or commercial purposes, in part or in whole, is not permitted unless authorised by AUDI AG. AUDI AG does not guarantee or accept any liability with respect to the correctness of information in this document. Copyright by AUDI AG.

- * E-Box low
- *2 E-Box high
- *3 Omitted as a running change
- *4 Only for vehicles with a battery in the engine compartment
- *5 Refer to applicable wiring diagram
- *6 Only for vehicles with a battery in the luggage compartment
- *7 Running change

- ws = white
- sw = black
- ro = red
- br = brown
- gn = green
- bl = blue
- gr = grey
- li = lilac
- ge = yellow
- or = orange
- rs = pink



Voltage stabilizer, Telephone transceiver, Bluetooth antenna

- J532 Voltage stabilizer
- R36 Telephone transceiver
- R152 Bluetooth antenna
- SB1 Fuse 1 (on fuse panel B)
- SB3 Fuse 3 (on fuse panel B)
- SC10 Fuse 10 (on fuse panel C)
- T12x 12-pin connector
- T40 40-pin connector
- T54 54-pin connector

- 376 Ground connection 11 (in main wiring harness)
- 610 Audio ground connection under front center console
- V37 Positive connection (30) (in communication wiring harness)

* E-Box high
 *2 E-Box low
 *3 Only for vehicles with Bluetooth antenna
 *4 Only for vehicles with Stop/Start system
 *5 Only for vehicles without Start/Stop system

- ws = white
- sw = black
- ro = red
- br = brown
- gn = green
- bl = blue
- gr = grey
- li = lilac
- ge = yellow
- or = orange
- rs = pink

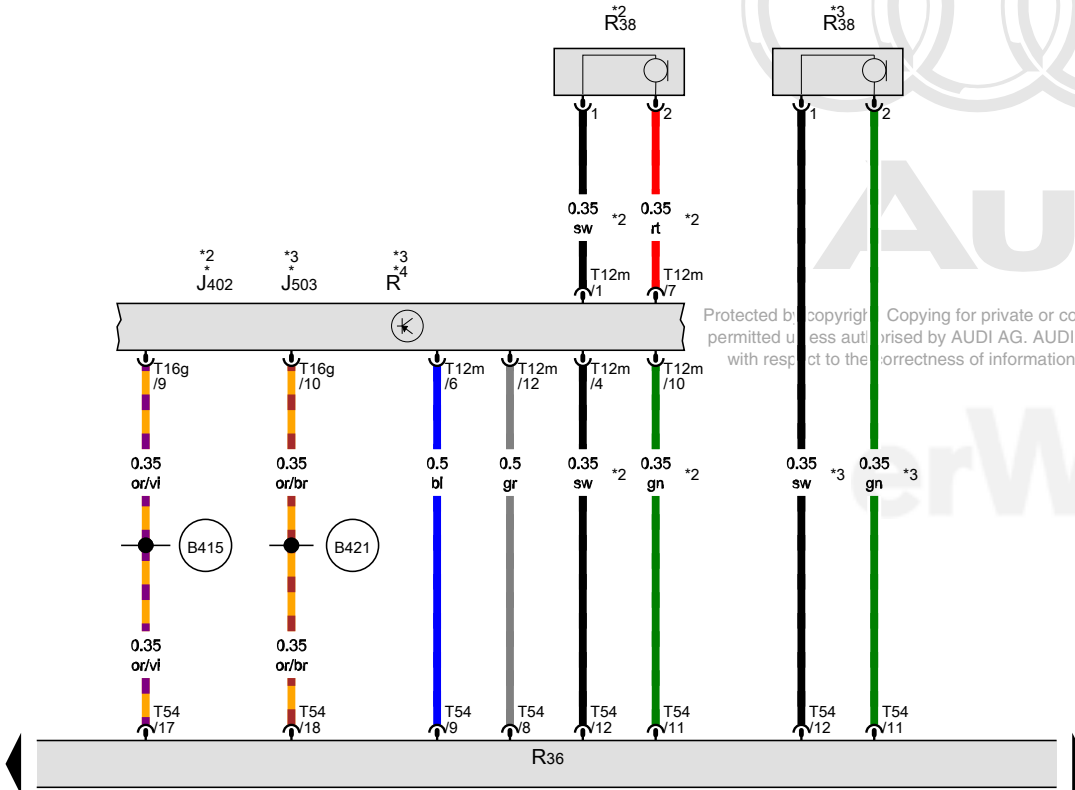
Operating electronics/navigation system control module, Radio/navigation display unit control module, Radio, Telephone transceiver, Telephone microphone

- J402 Operating electronics/navigation system control module
- J503 Radio/navigation display unit control module
- R Radio
- R36 Telephone transceiver
- R38 Telephone microphone
- T12m 12-pin connector
- T16g 16-pin connector
- T54 54-pin connector

B415 Infotainment CAN Bus high connection 1 (in main wiring harness)

B421 Infotainment CAN bus low connection 1 (in main wiring harness)

- * Only for vehicles with radio navigation system
- *2 Only for vehicles with a speech recognition system
- *3 Only for vehicles without speech recognition system
- *4 Only for vehicles with a radio



Protected by copyright. Copying for private or commercial purposes, in part or in whole, is not permitted unless authorised by AUDI AG. AUDI AG does not guarantee or accept any liability with respect to the correctness of information in this document. Copyright by AUDI AG.

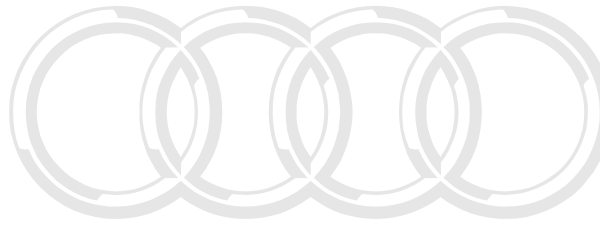
- ws = white
- sw = black
- ro = red
- br = brown
- gn = green
- bl = blue
- gr = grey
- li = lilac
- ge = yellow
- or = orange
- rs = pink

43 44 45 46 47 48 49 50 51 52 53 54 55 56

[RP1-157050510]

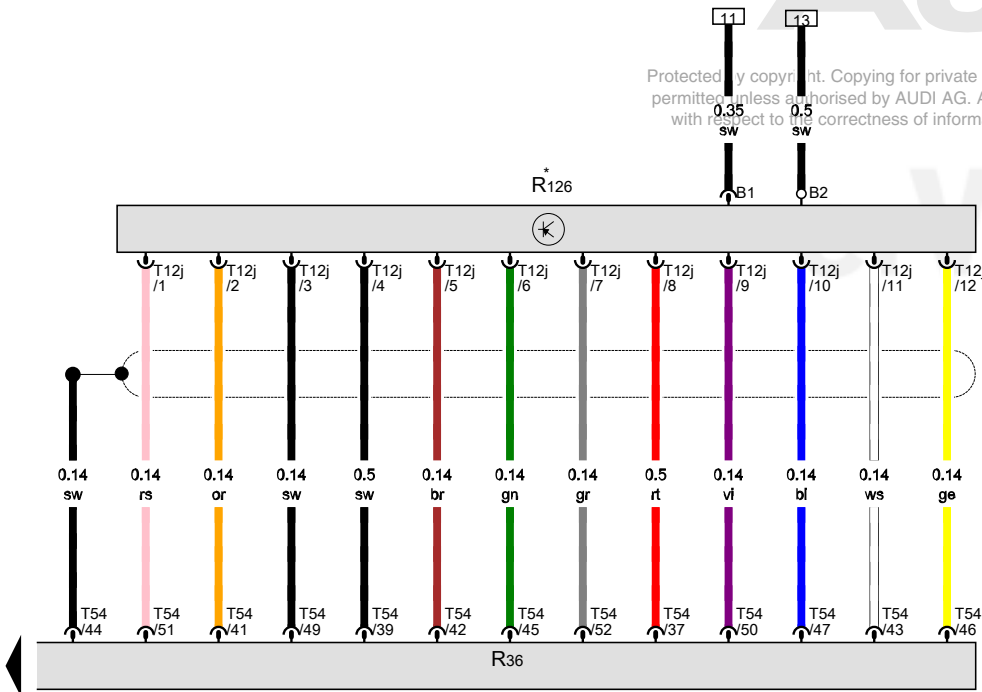
Telephone transceiver, Telephone baseplate

- R36 Telephone transceiver
- R126 Telephone baseplate
- T12j 12-pin connector
- T54 54-pin connector
- * Not for USA



Audi

Protected by copyright. Copying for private or commercial purposes, in part or in whole, is not permitted unless authorised by AUDI AG. AUDI AG does not guarantee or accept any liability with respect to the correctness of information in this document. Copyright by AUDI AG.



- ws = white
- sw = black
- ro = red
- br = brown
- gn = green
- bl = blue
- gr = grey
- li = lilac
- ge = yellow
- or = orange
- rs = pink

57 58 59 60 61 62 63 64 65 66 67 68 69 70

[RP1-157060510]

Sliding-/Tilting Sunroof

from model year 2006

Note:

Information for

◆ Relay and fuse arrangements

◆ Connector arrangements

◆ Control Modules and Relays

◆ Ground Connections

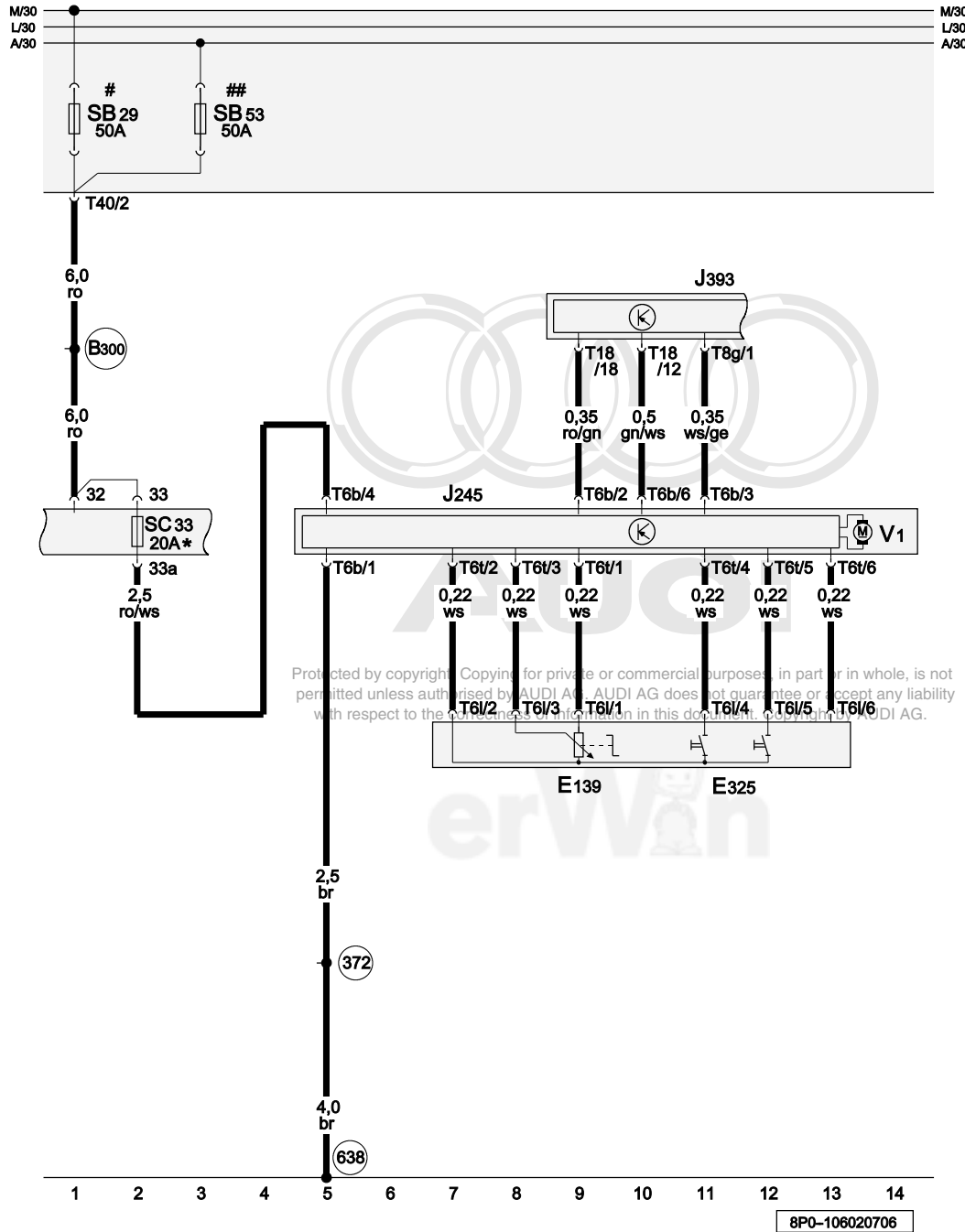
⇒ Component Locations

Information for

◆ Troubleshooting Procedures

⇒ Guided Fault Finding using VAS 5051 / 5052

Protected by copyright. Copying for private or commercial purposes, in part or in whole, is not permitted unless authorised by AUDI AG. AUDI AG does not guarantee or accept any liability with respect to the correctness of information in this document. Copyright by AUDI AG.



Sunroof Motor, Power Sunroof Control Module

- E139 Sunroof Regulator
- E325 Sunroof Button
- J245 Power Sunroof Control Module
- J393 Comfort System Central Control Module
- SB29 Fuse 29 (on fuse panel B)
- SB53 Fuse 53 (on fuse panel B)
- SC33 Fuse 33 (on fuse panel C)
- T6b 6-Pin Connector, blue (Connector A)
- T6t 6-Pin Connector, black (Connector B)
- T8g 8-Pin Connector, black (Connector B)
- T18 18-Pin Connector, brown (Connector A)
- T40 40-Pin Connector, black, on electronics box engine compartment (Connector J)
- V1 Sunroof Motor

372 Ground Connection 7 (in main wiring harness)

638 Ground Connection (on right A-pillar)

B300 Plus Connection 4 (30) (in main wiring harness)

* Fuse was reduced from 25 A to 20 A, applicable from model year 2007

Only models with electronics box Low ⇒ Component Locations

Only models with electronics box High ⇒ Component Locations

Protected by copyright. Copying, for private or commercial purposes, in part or in whole, is not permitted unless authorised by AUDI AG. AUDI AG does not guarantee or accept any liability with respect to the correctness of information in this document, especially for AUDI AG.

- ws = white
- sw = black
- ro = red
- br = brown
- gn = green
- bl = blue
- gr = grey
- li = lilac
- ge = yellow
- or = orange
- rs = pink

8PO-106020706

Radio/Navigation System (RNS-E) without BOSE system

from model year 2006

Note:

Information for

◆ Relay and fuse arrangements

◆ Connector arrangements

◆ Control Modules and Relays

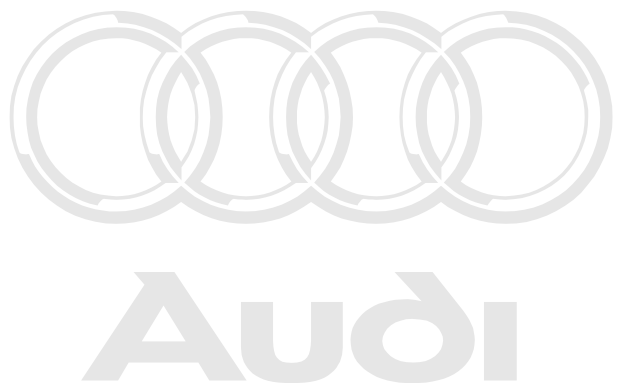
◆ Ground Connections

⇒ Component Locations

Information for

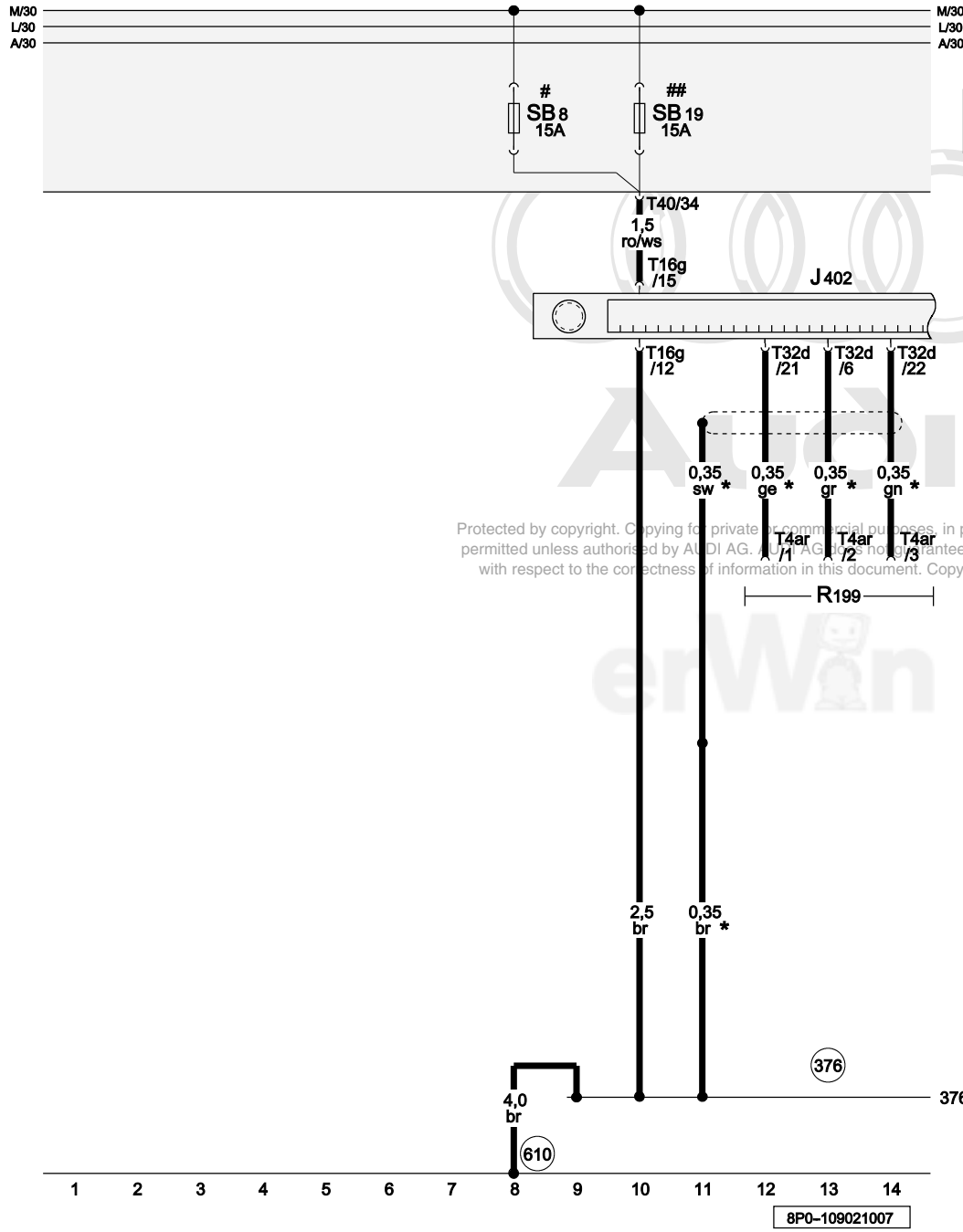
◆ Troubleshooting Procedures

⇒ Guided Fault Finding using VAS 5051 / 5052



Protected by copyright. Copying for private or commercial purposes, in part or in whole, is not permitted unless authorised by AUDI AG. AUDI AG does not guarantee or accept any liability with respect to the correctness of information in this document. Copyright by AUDI AG.





Protected by copyright. Copying for private or commercial purposes, in part or in whole, is not permitted unless authorised by AUDI AG. AUDI AG does not guarantee or accept any liability with respect to the correctness of information in this document. Copyright by AUDI AG.

Fuses (on fuse panel)

- J402 Navigation System Operating Electronics Control Module
- R199 External Audio Source Connector
- SB8 Fuse 8 (on fuse panel B)
- SB19 Fuse 19 (on fuse panel B)
- T4ar 4-Pin Connector
- T16g 16-Pin Connector, black (Connector D)
- T32d 32-Pin Connector, grey (Connector E)
- T40 40-Pin Connector, black, on electronics box engine compartment (Connector J)

- 376 Ground Connection 11 (in main wiring harness)
- 610 Ground Connection (Audio) (under center console, front)

- * Only models with external audio source connector
- # Only models with electronics box Low ⇒ Component Locations
- ## Only models with electronics box High ⇒ Component Locations

- ws = white
- sw = black
- ro = red
- br = brown
- gn = green
- bl = blue
- gr = grey
- li = lilac
- ge = yellow
- or = orange
- rs = pink

8P0-109021007



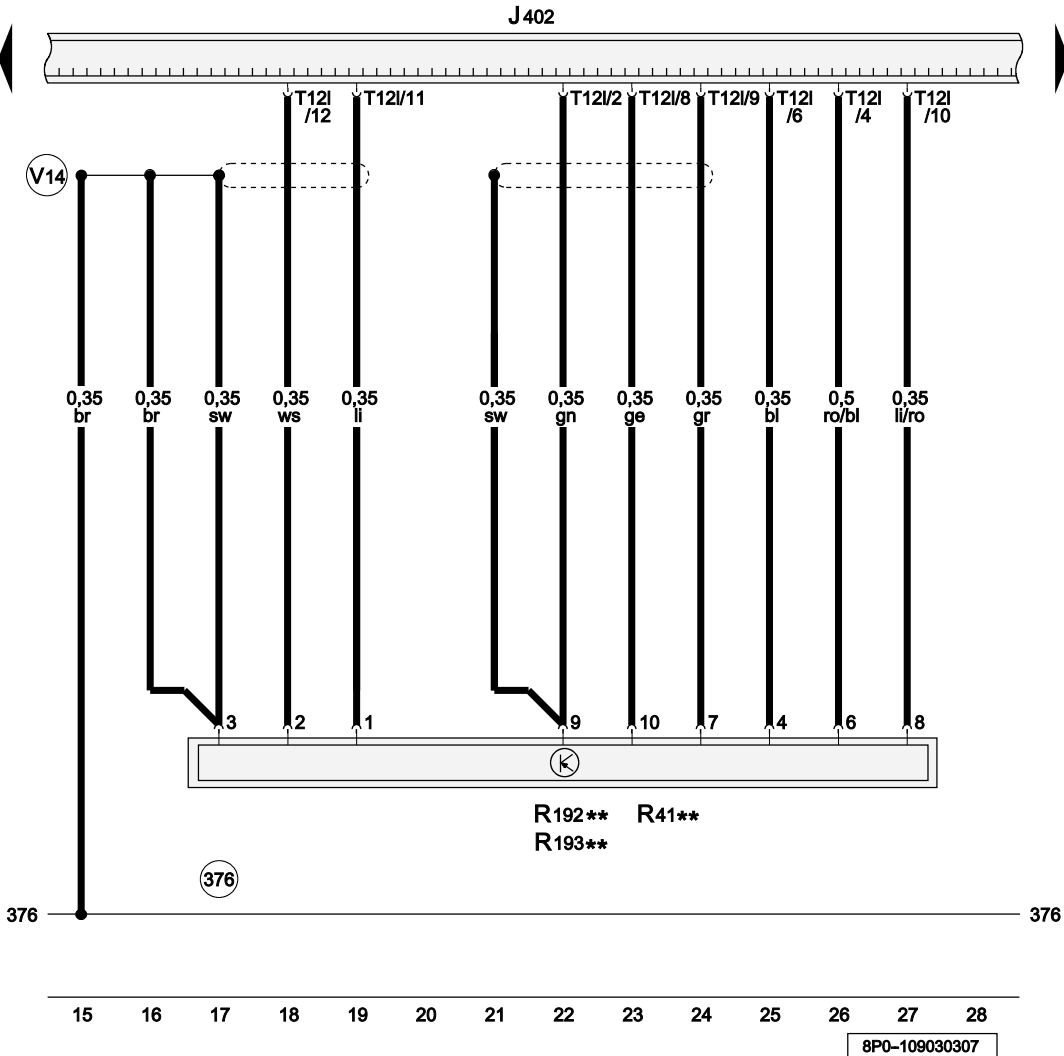
CD Changer, iPod Baseplate, USB Connection Baseplate

- J402 Navigation System Operating Electronics Control Module
- R41 CD Changer
- R192 iPod Baseplate
- R193 USB Connection Baseplate
- T121 12-Pin Connector, blue (Connector B)

376 Ground Connection 11 (in main wiring harness)

V14 Connection (shielding) (in CD-changer wiring harness)

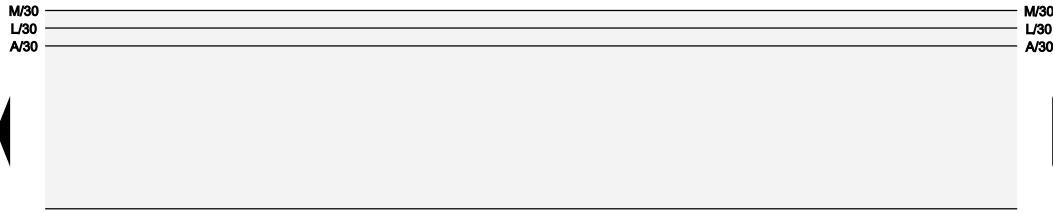
** Only models with CD Changer or iPod Baseplate or USB Connection Baseplate



- ws = white
- sw = black
- ro = red
- br = brown
- gn = green
- bl = blue
- gr = grey
- li = lilac
- ge = yellow
- or = orange
- rs = pink

Protected by copyright. Copying for private or commercial purposes, in part or in whole, is not permitted unless authorised by AUDI AG. AUDI AG does not guarantee or accept any liability with respect to the correctness of information in this document. Copyright by AUDI AG.

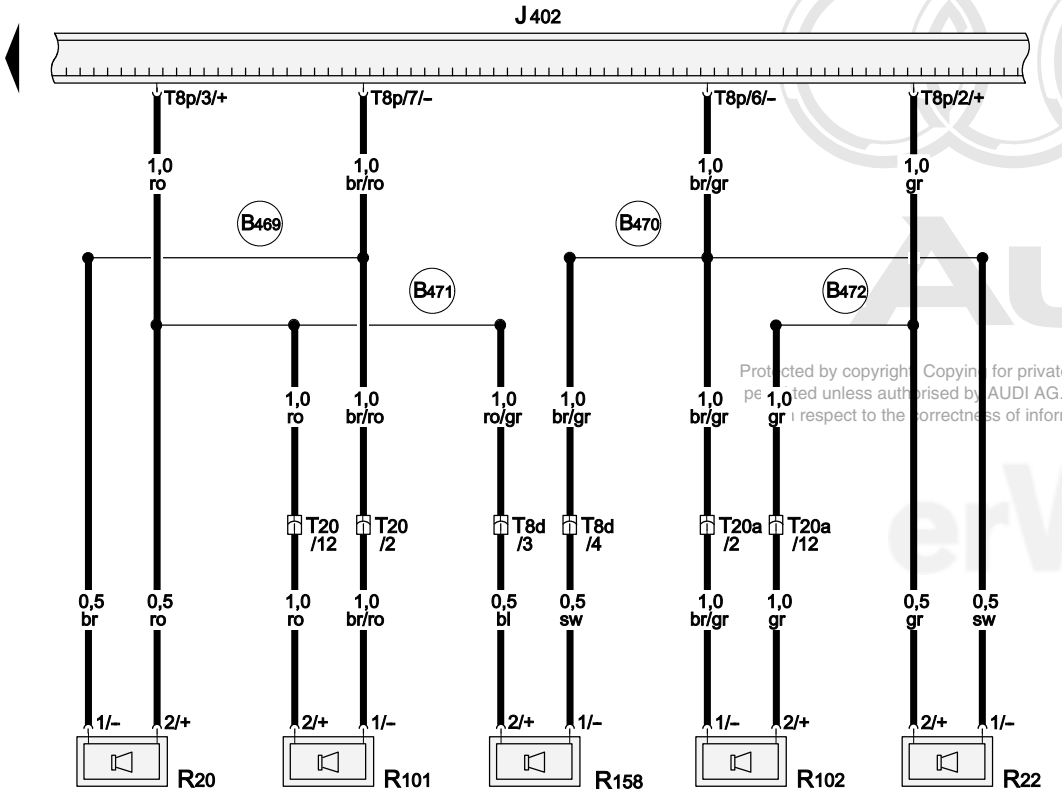




Front Speaker

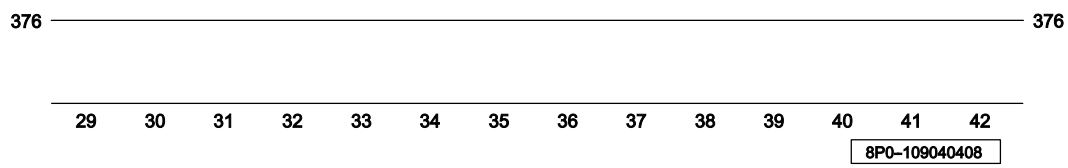
- J402 Navigation System Operating Electronics Control Module
- R20 Left Front Treble Speaker
- R22 Right Front Treble Speaker
- R101 Left Front Mid-Bass Speaker
- R102 Right Front Mid-Bass Speaker
- R158 Center Midrange Speaker
- T8d 8-Pin Connector, black, behind center console
- T8p 8-Pin Connector, brown (Connector A)
- T20 20-Pin Connector, black, door A-pillar, left
- T20a 20-Pin Connector, black, door A-pillar, right

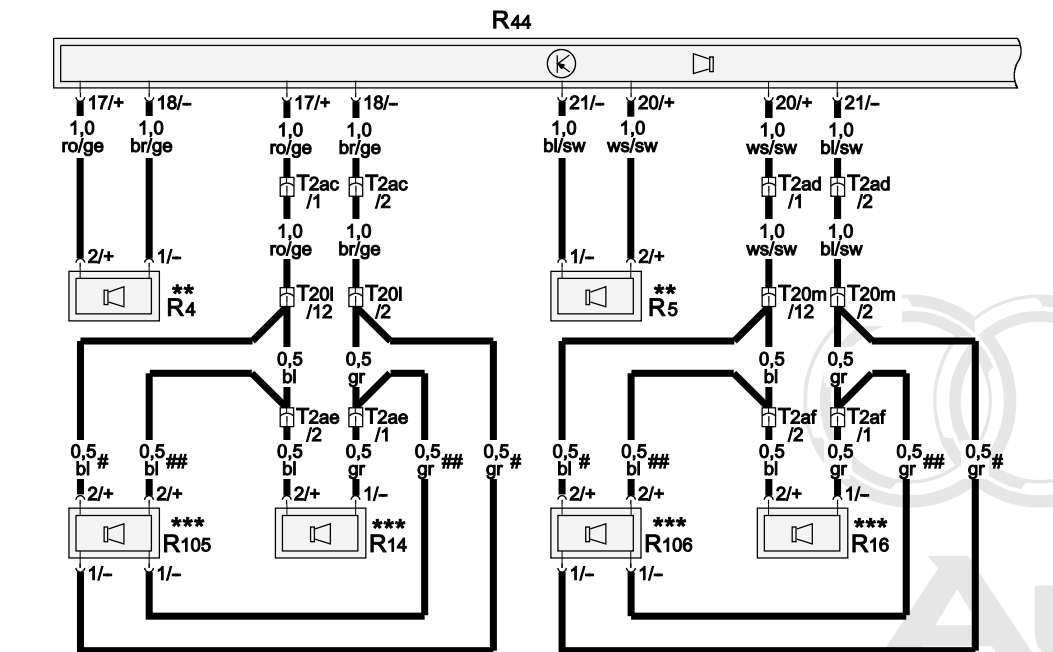
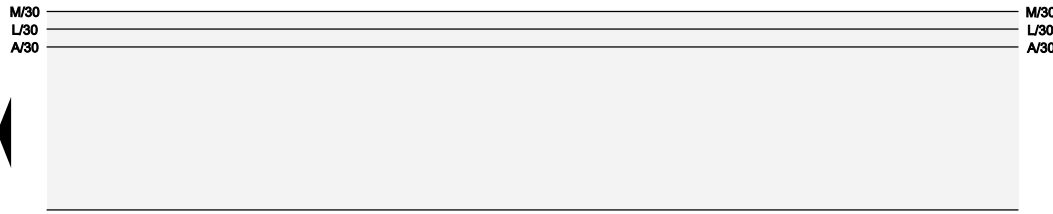
- (B469) Connection 5 (in main wiring harness)
- (B470) Connection 6 (in main wiring harness)
- (B471) Connection 7 (in main wiring harness)
- (B472) Connection 8 (in main wiring harness)



Protected by copyright. Copying for private or commercial purposes, in part or in whole, is not permitted unless authorised by AUDI AG. AUDI AG does not guarantee or accept any liability in respect to the correctness of information in this document. Copyright by AUDI AG.

- ws = white
- sw = black
- ro = red
- br = brown
- gn = green
- bl = blue
- gr = grey
- li = lilac
- ge = yellow
- or = orange
- rs = pink





Bass Speakers Amplifier, in luggage compartment, left, Rear Speaker

- J402 Navigation System Operating Electronics Control Module
- R4 Left Rear Speaker
- R5 Right Rear Speaker
- R14 Left Rear Treble Speaker
- R16 Right Rear Treble Speaker
- R44 Bass Speakers Amplifier, in luggage compartment, left
- R105 Left Rear Midrange Speaker
- R106 Right Rear Midrange Speaker
- T2ac Double Connector, black, behind rear left side panel trim
- T2ad Double Connector, black, behind rear right side panel trim
- T2ae Double Connector, black, in rear left door
- T2af Double Connector, black, in rear right door
- T20l 20-Pin Connector, black, door B-pillar, left
- T20m 20-Pin Connector, black, door B-pillar, right
- ** Only 3-door models
- *** Only 5-door models
- # Phased-in modification
- ## Not applicable, phased-in modification

376

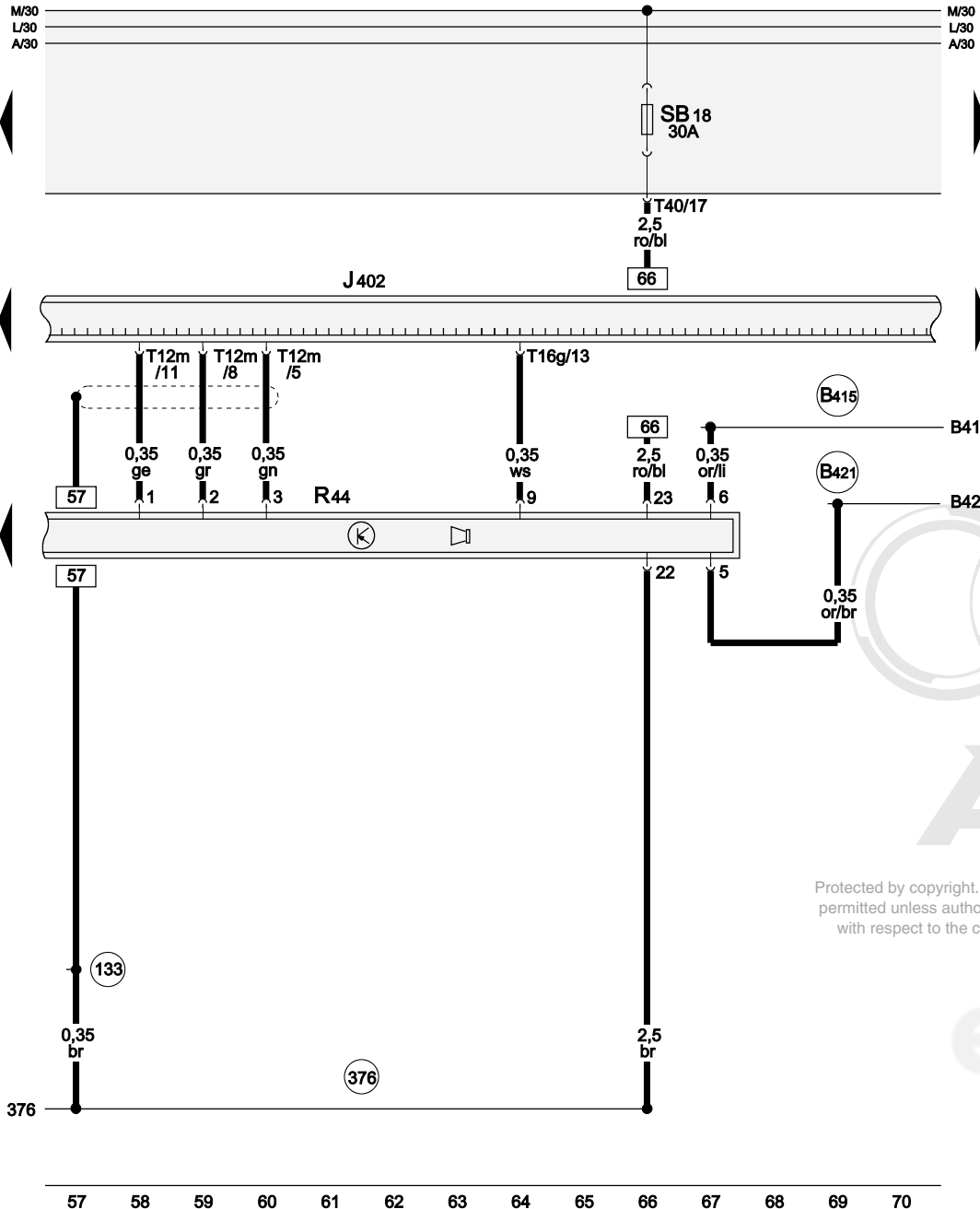
376

Protected by copyright. Copying for private or commercial purposes, in part or in whole, is not permitted unless authorised by AUDI AG. AUDI AG does not guarantee or accept any liability with respect to the correctness of information in this document. Copyright by AUDI AG.

43 44 45 46 47 48 49 50 51 52 53 54 55 56

8P0-109050307

- ws = white
- sw = black
- ro = red
- br = brown
- gn = green
- bl = blue
- gr = grey
- li = lilac
- ge = yellow
- or = orange
- rs = pink



Bass Speakers Amplifier, in luggage compartment, left

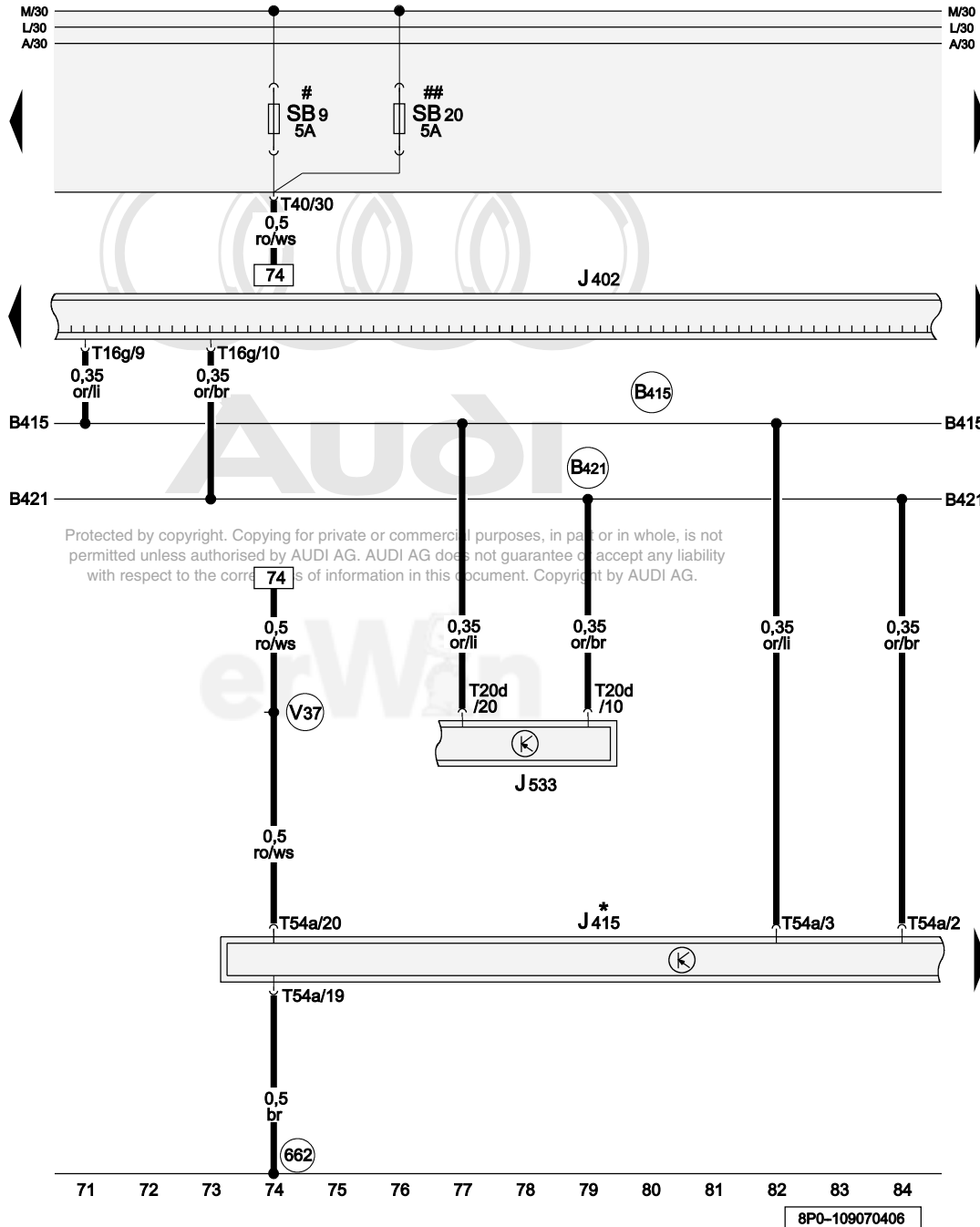
- J402 Navigation System Operating Electronics Control Module
- R44 Bass Speakers Amplifier, in luggage compartment, left
- SB18 Fuse 18 (on fuse panel B)
- T12m 12-Pin Connector, black (Connector C) (connector locking green)
- T16g 16-Pin Connector, black (Connector D)
- T40 40-Pin Connector, black, on electronics box engine compartment (Connector J)

- (133) Ground Connection (in speaker wiring harness)
- (376) Ground Connection 11 (in main wiring harness)
- (B415) Infotainment CAN-Bus High Connection 1 (in main wiring harness)
- (B421) Infotainment CAN-Bus Low Connection 1 (in main wiring harness)

Protected by copyright. Copying for private or commercial purposes, in part or in whole, is not permitted unless authorised by AUDI AG. AUDI AG does not guarantee or accept any liability with respect to the correctness of information in this document. Copyright by AUDI AG.

- ws = white
- sw = black
- ro = red
- br = brown
- gn = green
- bl = blue
- gr = grey
- li = lilac
- ge = yellow
- or = orange
- rs = pink

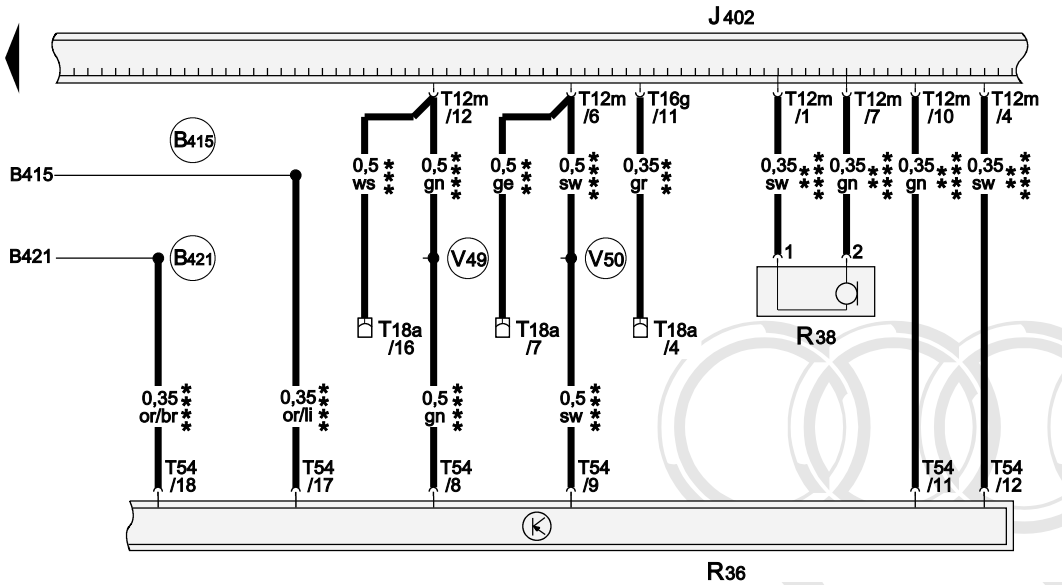
8P0-109060307



Infotainment CAN-Bus, Data Bus On Board Diagnostic Interface

- J402 Navigation System Operating Electronics Control Module
- J415 Navigation/TV Tuner
- J533 Data Bus On Board Diagnostic Interface
- SB9 Fuse 9 (on fuse panel B)
- SB20 Fuse 20 (on fuse panel B)
- T16g 16-Pin Connector, black (Connector D)
- T20d 20-Pin Connector, yellow (Connector A)
- T40 40-Pin Connector, black, on electronics box engine compartment (Connector J)
- T54a 54-Pin Connector, black (Connector A)
- 662 Ground Connection (on left rear side panel)
- B415 Infotainment CAN-Bus High Connection 1 (in main wiring harness)
- B421 Infotainment CAN-Bus Low Connection 1 (in main wiring harness)
- V37 Plus Connection (30) (in communications wiring harness)
- * Only models with TV Tuner
- # Only models with electronics box Low ⇒ Component Locations
- ## Only models with electronics box High ⇒ Component Locations

ws = white
 sw = black
 ro = red
 br = brown
 gn = green
 bl = blue
 gr = grey
 li = lilac
 ge = yellow
 or = orange
 rs = pink



Infotainment CAN-Bus, Telephone Microphone

- J402 Navigation System Operating Electronics Control Module
- J415 Navigation System Tuner, TV
- R36 Telephone Transceiver
- R38 Telephone Microphone
- T12m 12-Pin Connector, black (Connector C) (connector locking green)
- T16g 16-Pin Connector, black (Connector D)
- T18a 18-Pin Connector, black, near glove compartment (Connector A)
- T54 54-Pin Connector, black (Connector A)

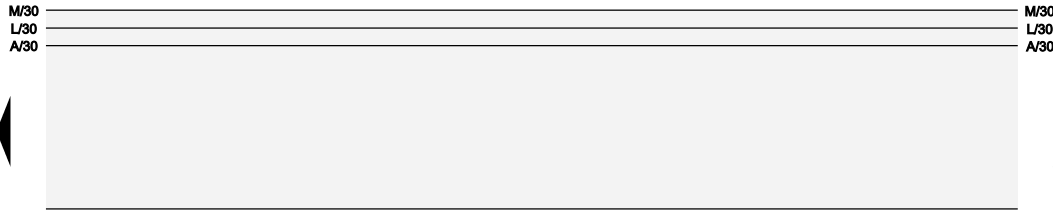
- B415 Infotainment CAN-Bus High Connection 1 (in main wiring harness)
- B421 Infotainment CAN-Bus Low Connection 1 (in main wiring harness)
- V49 Low Frequency + Connection (in communication wiring harness)
- V50 Low Frequency - Connection (in communication wiring harness)

- * Only models with TV Tuner
- ** Only models with voice control
- *** Cellular telephone preparation without hands free system only
- **** Cellular telephone preparation with hands free system only



Protected by copyright. Copying for private or commercial purposes, in part or in whole, is not allowed. This document. Copyright by AUDI AG.

- ws = white
- sw = black
- ro = red
- br = brown
- gn = green
- bl = blue
- gr = grey
- li = lilac
- ge = yellow
- or = orange
- rs = pink

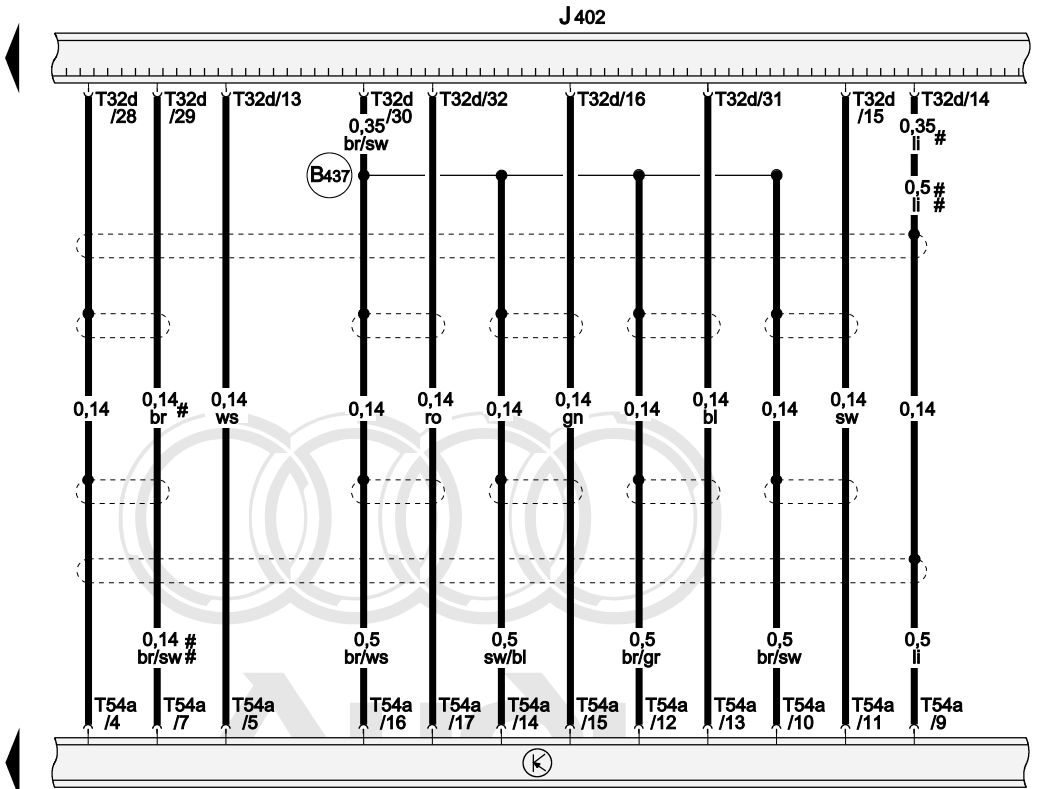


Navigation System Tuner, TV

- J402 Navigation System Operating Electronics Control Module
- J415 Navigation System Tuner, TV
- T32d 32-Pin Connector, grey (Connector E)
- T54a 54-Pin Connector, black (Connector A)

B437 GND Connection 1 (in main wiring harness)

- * Only models with TV Tuner
- # Not applicable from model year 2006
- ## Applicable from model year 2006



J415 *

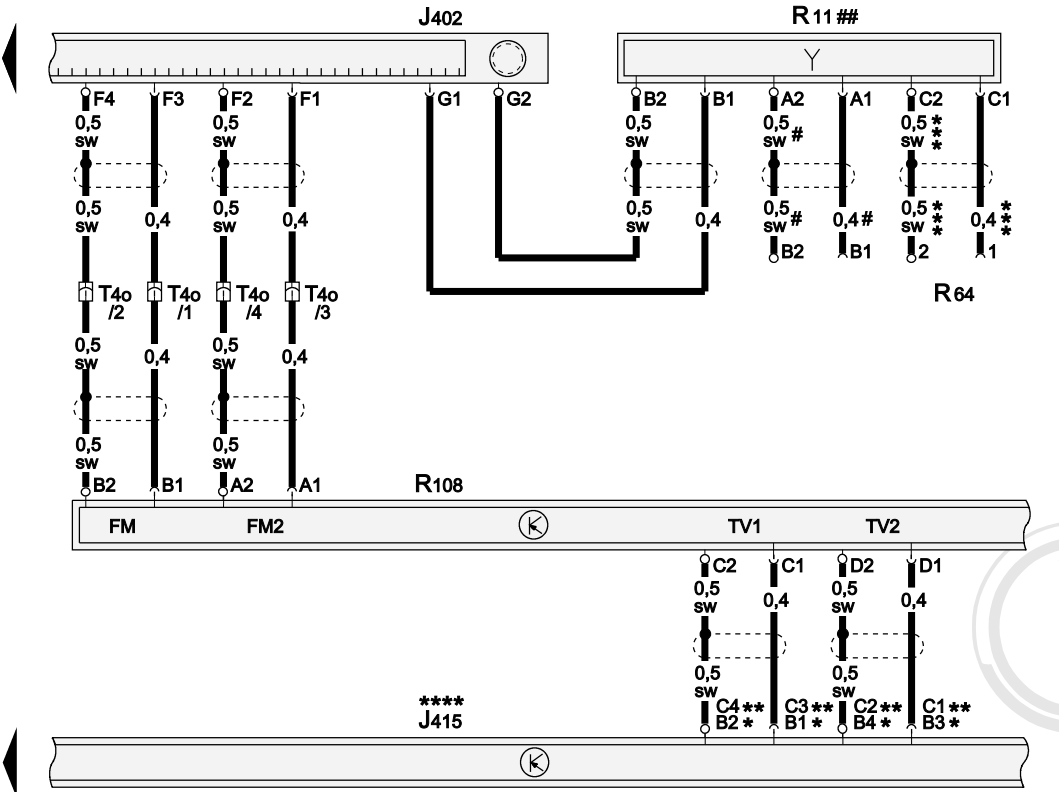
Protected by copyright. Copying for private or commercial purposes, in part or in whole, is not permitted unless authorised by AUDI AG. AUDI AG does not guarantee or accept any liability with respect to the correctness of information in this document. Copyright by AUDI AG.

- ws = white
- sw = black
- ro = red
- br = brown
- gn = green
- bl = blue
- gr = grey
- li = lilac
- ge = yellow
- or = orange
- rs = pink



Left Antenna Module, Roof Antenna

- J402 Navigation System Operating Electronics Control Module
- J415 Navigation System Tuner, TV
- R11 Antenna
- R64 Auxiliary Heater RF Receiver
- R108 Left Antenna Module
- T4o 4-Pin Connector, near right C-pillar
- * Only models with analog TV Tuner
- ** Only models with hybrid TV Tuner
- *** Only models with auxiliary heater
- **** Only models with TV Tuner
- # Only models with cellular telephone preparation
- ## R11 replace R66



- ws = white
- sw = black
- ro = red
- br = brown
- gn = green
- bl = blue
- gr = grey
- li = lilac
- ge = yellow
- or = orange
- rs = pink

Protected by copyright. Copying for private or commercial purposes, in part or in whole, is not permitted unless authorised by AUDI AG. AUDI AG does not guarantee or accept any liability with respect to the correctness of the information in this document. Copyright by AUDI AG.

113 114 115 116 117 118 119 120 121 122 123 124 125 126

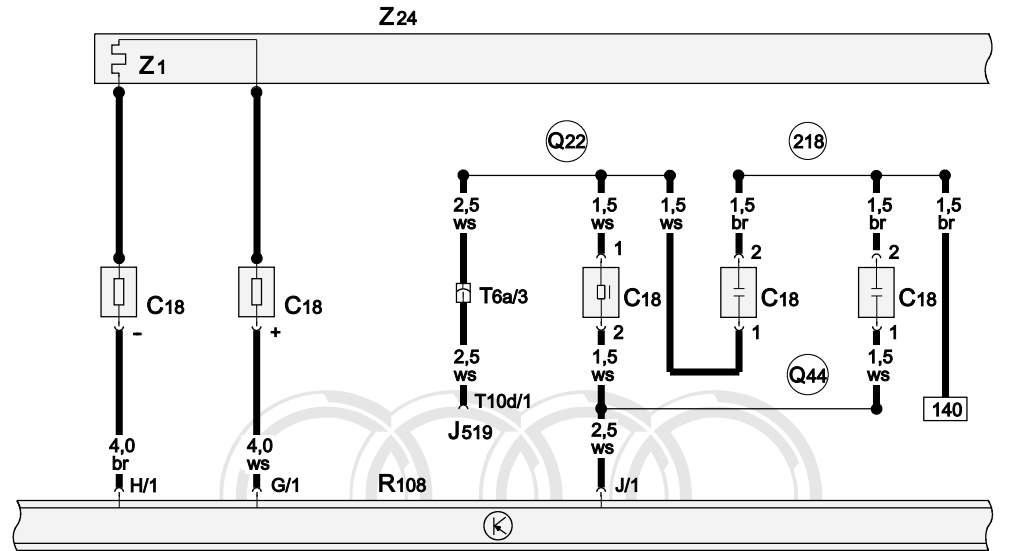
8P0-109101007



Left Antenna Module, Heated Rear Window with Window Antenna

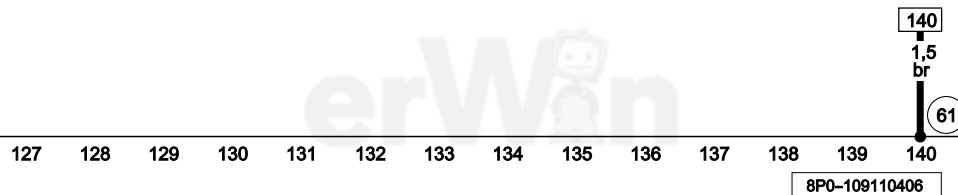
- C18 Windshield Antenna Suppression Filter
- J415 Navigation System Tuner, TV
- J519 Vehicle Electrical System Control Module
- R108 Left Antenna Module
- T6a 6-Pin Connector, black, on C-pillar, left
- T10d 10-Pin Connector, black (Connector K)
- Z1 Heated Rear Window
- Z24 Rear Window Defogger with Window Antenna

- 61 Ground Connection (on left C-pillar)
- 218 Ground Connection 1 (in rear lid wiring harness)
- Q22 Connection 1 (in tailgate wiring harness)
- Q44 Connection 2 (in tailgate wiring harness)
- * Only models with TV Tuner



Protected by copyright. Copying for private or commercial purposes, in part or in whole, is not permitted unless authorised by AUDI AG. AUDI AG does not guarantee or accept any liability with respect to the correctness of information in this document. Copyright by AUDI AG.

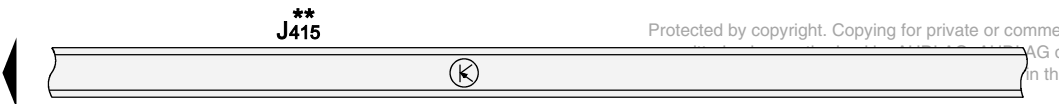
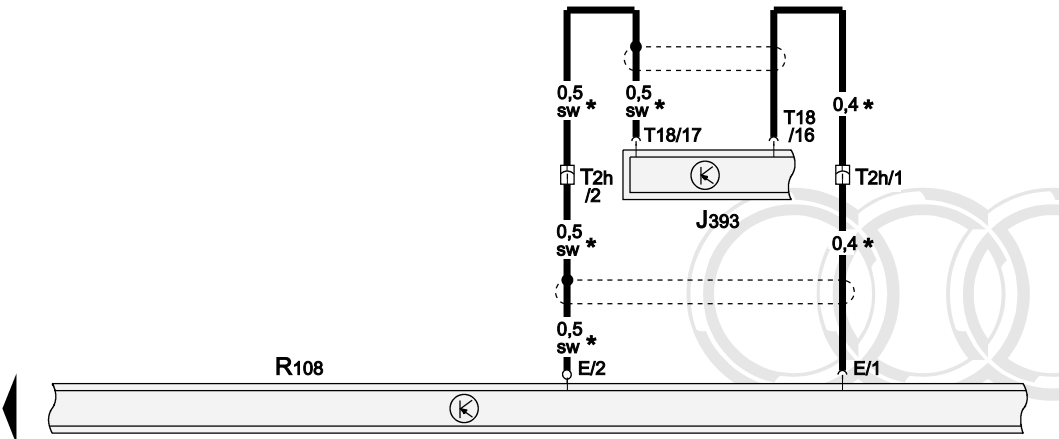
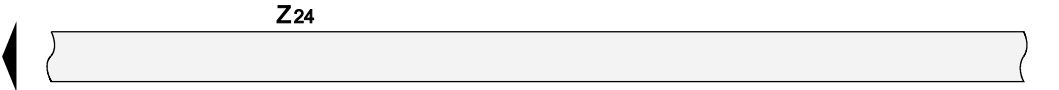
- ws = white
- sw = black
- ro = red
- br = brown
- gn = green
- bl = blue
- gr = grey
- li = lilac
- ge = yellow
- or = orange
- rs = pink





Left Antenna Module, Comfort System Central Control Module

- J393 Comfort System Central Control Module
- J415 Navigation System Tuner, TV
- R108 Left Antenna Module
- T2h Double Connector, on C-pillar, right
- T18 18-Pin Connector, brown (Connector A)
- Z24 Rear Window Defogger with Window Antenna
- * Only models with central locking system or anti-theft alarm system
- ** Only models with TV Tuner

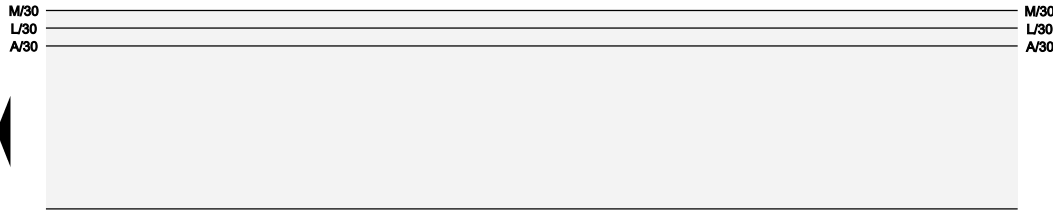


Protected by copyright. Copying for private or commercial purposes, in part or in whole, is not permitted. AUDI AG does not guarantee or accept any liability for the content of this document. Copyright by AUDI AG.

- ws = white
- sw = black
- ro = red
- br = brown
- gn = green
- bl = blue
- gr = grey
- li = lilac
- ge = yellow
- or = orange
- rs = pink

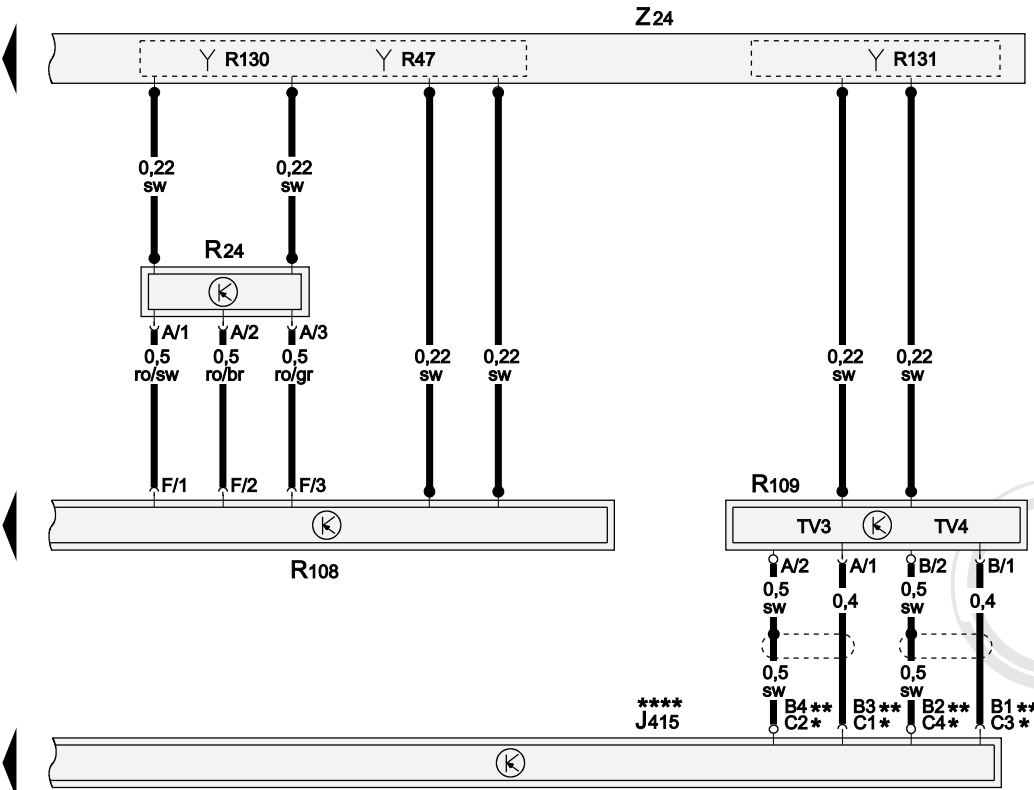
141 142 143 144 145 146 147 148 149 150 151 152 153 154

8P0-109120406



Rear Window Antenna 1, Rear Window Antenna 2

- J415 Navigation System Tuner, TV
- R24 Antenna Amplifier
- R47 Central Locking and Anti-Theft Alarm System Antenna
- R108 Left Antenna Module
- R109 Right Antenna Module
- R130 Rear Window Antenna 1
- R131 Rear Window Antenna 2
- Z24 Rear Window Defogger with Window Antenna
- * Only models with analog TV Tuner
- ** Only models with hybrid TV Tuner
- **** Only models with TV Tuner



- ws = white
- sw = black
- ro = red
- br = brown
- gn = green
- bl = blue
- gr = grey
- li = lilac
- ge = yellow
- or = orange
- rs = pink

Protected by copyright. Copying for private or commercial purposes, in part or in whole, is not permitted unless authorised by AUDI AG. AUDI AG does not guarantee or accept any liability with respect to the correctness of information in this document. Copyright by AUDI AG.

155 156 157 158 159 160 161 162 163 164 165 166 167 168

8P0-109131007

Radio/Navigation System (RNS-E) with BOSE system

from model year 2007

Note:

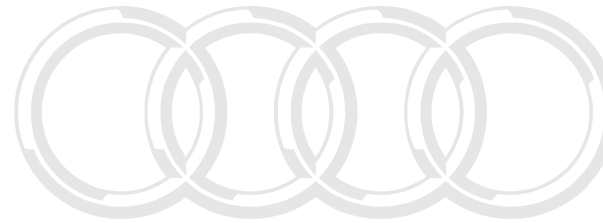
Information for

- ◆ Relay and fuse arrangements
- ◆ Connector arrangements
- ◆ Control Modules and Relays
- ◆ Ground Connections

⇒ Component Locations

Information for

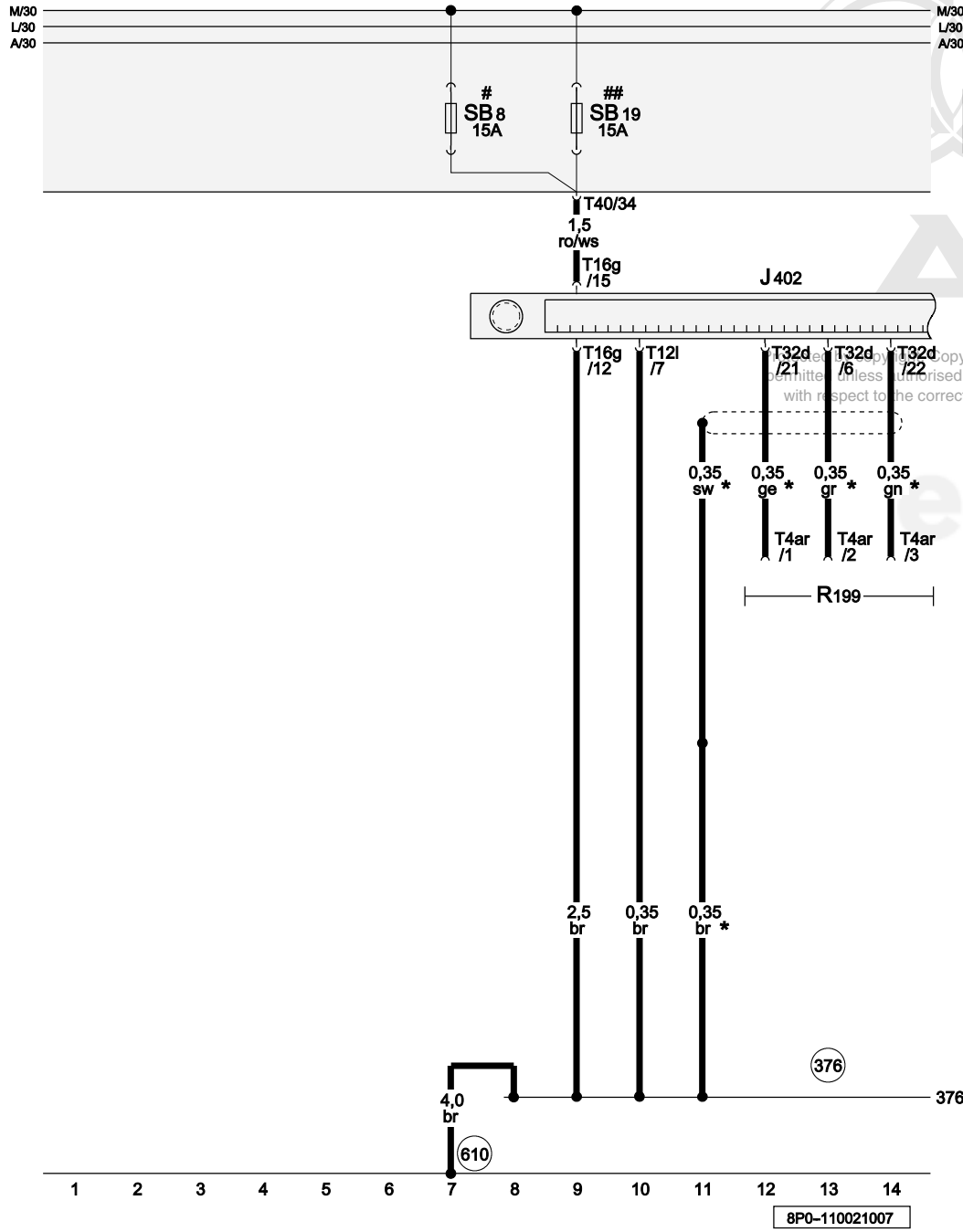
- ◆ Troubleshooting Procedures
- ⇒ Guided Fault Finding using VAS 5051 / 5052



Audi

Protected by copyright. Copying for private or commercial purposes, in part or in whole, is not permitted unless authorised by AUDI AG. AUDI AG does not guarantee or accept any liability with respect to the correctness of information in this document. Copyright by AUDI AG.

erWin



Fuses (on fuse panel)

- J402 Navigation System Operating Electronics Control Module
- R199 External Audio Source Connector
- SB8 Fuse 8 (on fuse panel B)
- SB19 Fuse 19 (on fuse panel B)
- T4ar 4-Pin Connector
- T12i 12-Pin Connector, blue (Connector B)
- T16g 16-Pin Connector, black (Connector D)
- T32d 32-Pin Connector, grey (Connector E)
- T40 40-Pin Connector, black, on electronics box engine compartment (Connector J)

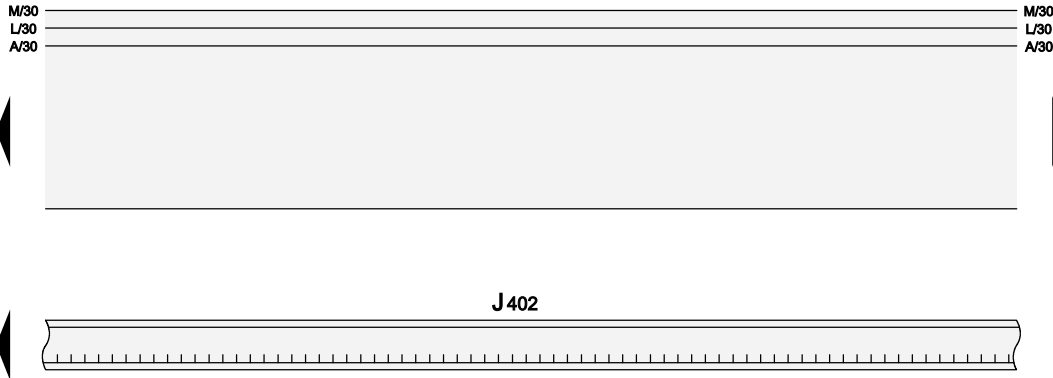
376 Ground Connection 11 (in main wiring harness)

610 Ground Connection (Audio) (under center console, front)

- * Only models with external audio source connector
- # Only models with electronics box Low ⇒ Component Locations
- ## Only models with electronics box High ⇒ Component Locations

- ws = white
- sw = black
- ro = red
- br = brown
- gn = green
- bl = blue
- gr = grey
- li = lilac
- ge = yellow
- or = orange
- rs = pink

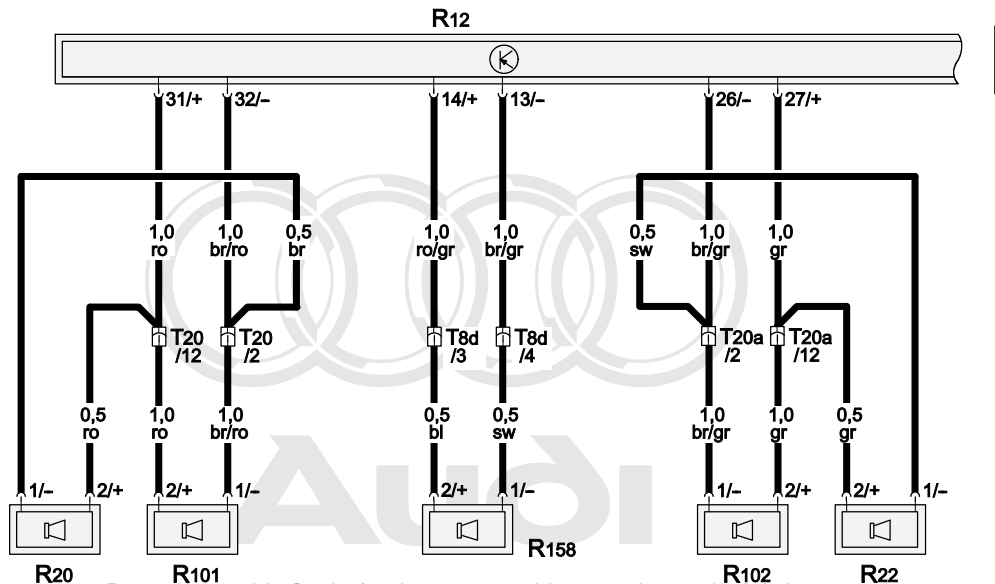
8P0-110021007



Front Speaker

- J402 Navigation System Operating Electronics Control Module
- R12 Amplifier
- R20 Left Front Treble Speaker
- R22 Right Front Treble Speaker
- R101 Left Front Mid-Bass Speaker
- R102 Right Front Mid-Bass Speaker
- R158 Center Midrange Speaker
- T8d 8-Pin Connector, black, behind center console
- T20 20-Pin Connector, black, door A-pillar, left
- T20a 20-Pin Connector, black, door A-pillar, right

376 Ground Connection 11 (in main wiring harness)



Protected by copyright. Copying for private or commercial purposes, in part or in whole, is not permitted unless authorised by AUDI AG. AUDI AG does not guarantee or accept any liability with respect to the correctness of information in this document. Copyright by AUDI AG.

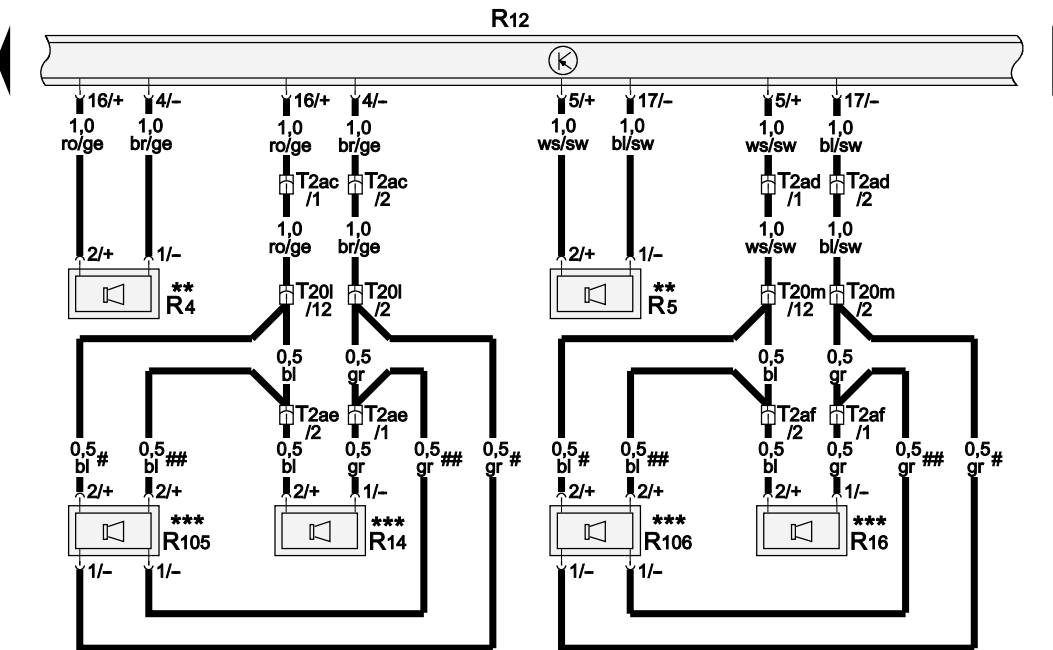
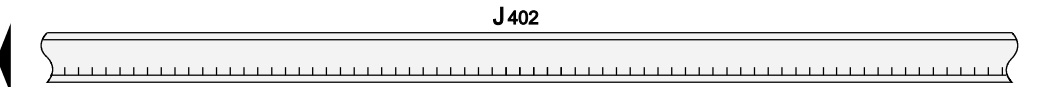
- ws = white
- sw = black
- ro = red
- br = brown
- gn = green
- bl = blue
- gr = grey
- li = lilac
- ge = yellow
- or = orange
- rs = pink

376

376

15 16 17 18 19 20 21 22 23 24 25 26 27 28

8P0-110030408



376 376

29 30 31 32 33 34 35 36 37 38 39 40 41 42

8P0-110040307

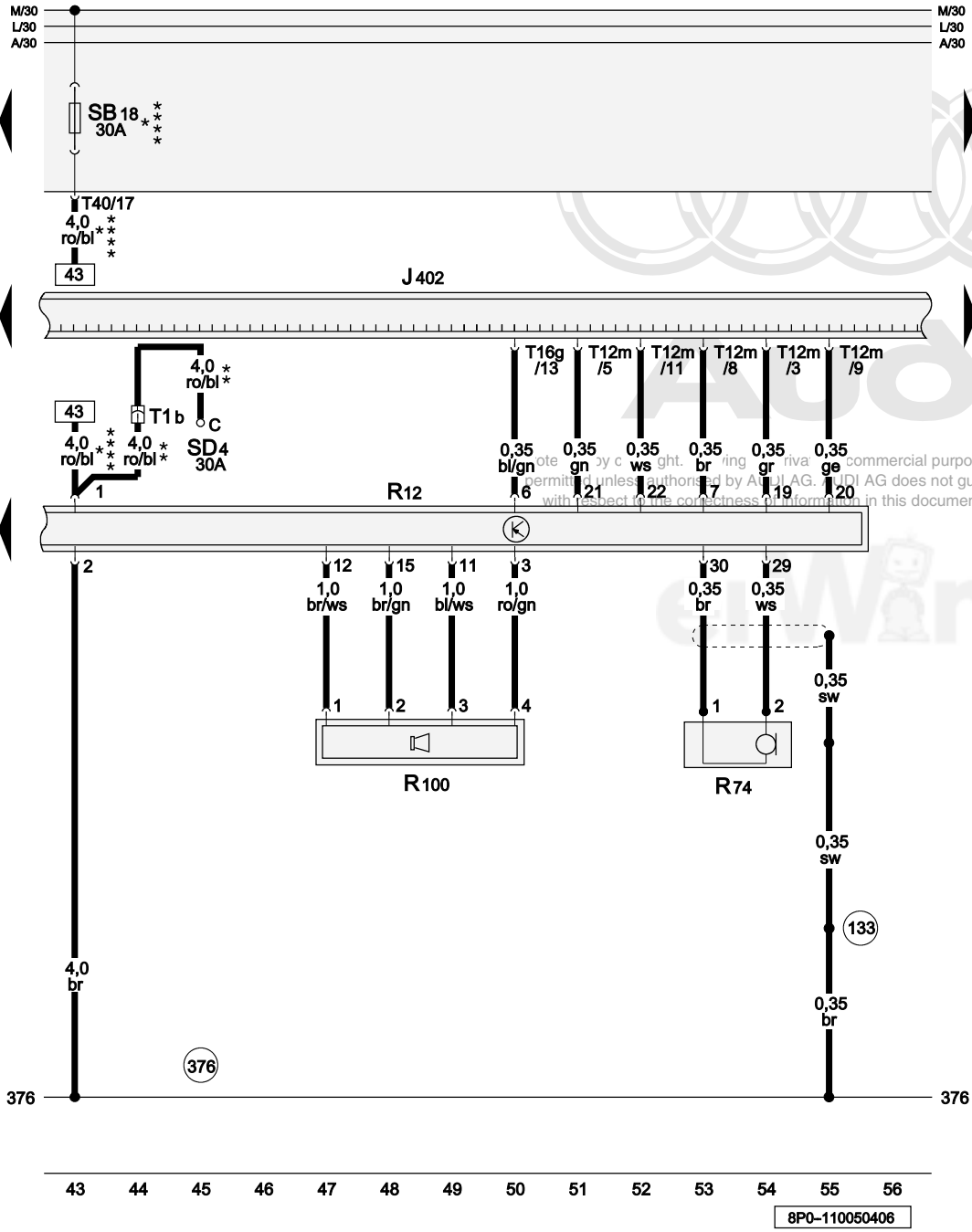
Rear Speaker

- J402 Navigation System Operating Electronics Control Module
- R4 Left Rear Speaker
- R5 Right Rear Speaker
- R12 Amplifier
- R14 Left Rear Treble Speaker
- R16 Right Rear Treble Speaker
- R105 Left Rear Midrange Speaker
- R106 Right Rear Midrange Speaker
- T2ac Double Connector, black, behind rear left side panel trim
- T2ad Double Connector, black, behind rear right side panel trim
- T2ae Double Connector, black, in rear left door
- T2af Double Connector, black, in rear right door
- T20l 20-Pin Connector, black, door B-pillar, left
- T20m 20-Pin Connector, black, door B-pillar, right

Protected by copyright. Copying, distributing, or otherwise using in whole, is not permitted unless expressly permitted by Audi AG. Audi AG does not accept any liability with respect to the correctness of information in this document. Copyright by AUDI AG.

- ** Only 3-door models
- *** Only 5-door models
- # Phased-in modification
- ## Not applicable, phased-in modification

- ws = white
- sw = black
- ro = red
- br = brown
- gn = green
- bl = blue
- gr = grey
- li = lilac
- ge = yellow
- or = orange
- rs = pink



Bass Speaker, Inside Microphone

- J402 Navigation System Operating Electronics Control Module
- R4 Left Rear Speaker
- R5 Right Rear Speaker
- R12 Amplifier
- R74 Inside Microphone
- R100 Bass Speaker
- SB18 Fuse 18 (on fuse panel B)
- SD4 Fuse 4 (on fuse panel D)
- T1b Single Connector, black, on C-pillar, left
- T12m 12-Pin Connector, black (Connector C) (connector locking green)
- T16g 16-Pin Connector, black (Connector D)
- T40 40-Pin Connector, black, on electronics box engine compartment (Connector J)

133 Ground Connection (in speaker wiring harness)

376 Ground Connection 11 (in main wiring harness)

- * Only models with battery in engine compartment
- ** Only models with battery in luggage compartment, not applicable from November 2005
- **** Applicable from November 2005 for models with battery in engine compartment and luggage compartment

- ws = white
- sw = black
- ro = red
- br = brown
- gn = green
- bl = blue
- gr = grey
- li = lilac
- ge = yellow
- or = orange
- rs = pink



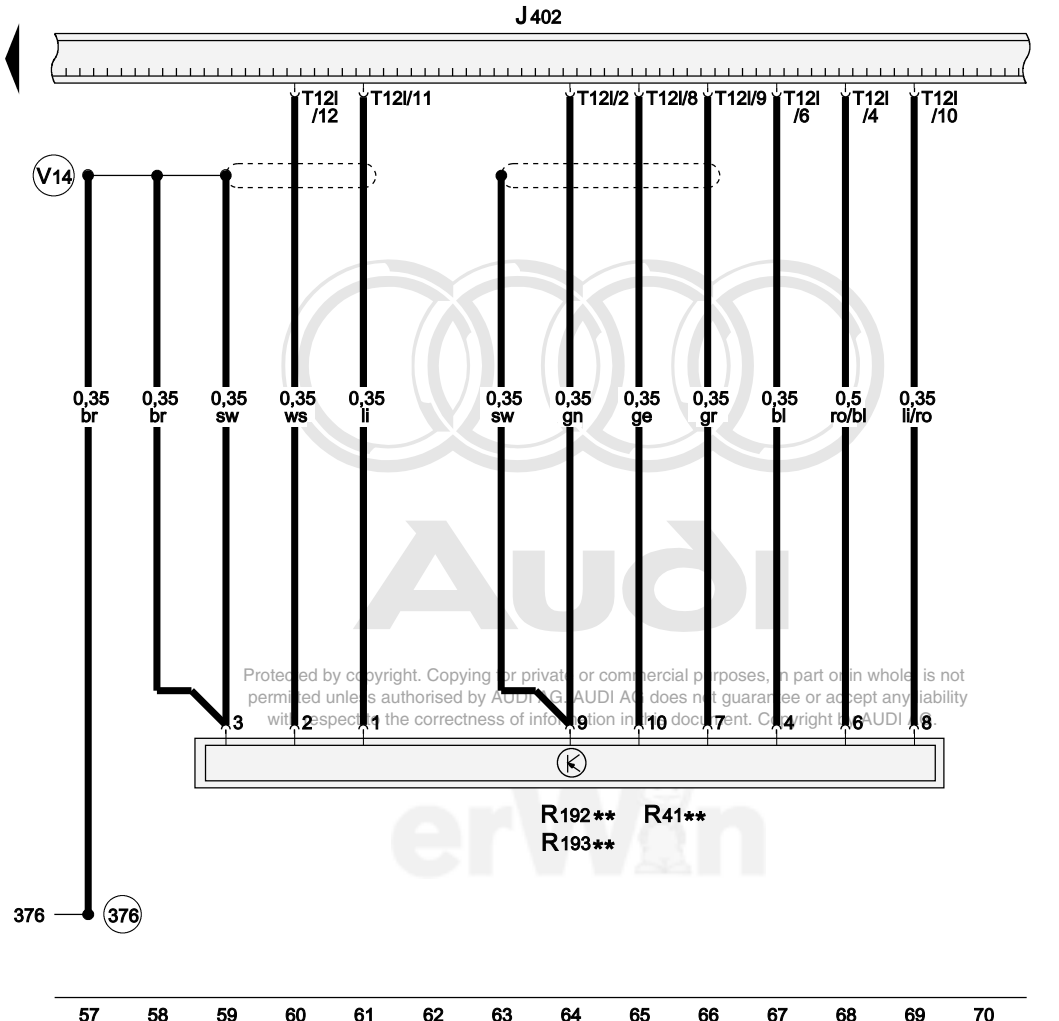
CD Changer, iPod Baseplate, USB Connection Baseplate

- J402 Navigation System Operating Electronics Control Module
- R41 CD Changer
- R192 iPod Baseplate
- R193 USB Connection Baseplate
- T121 12-Pin Connector, blue (Connector B)

376 Ground Connection 11 (in main wiring harness)

V14 Connection (shielding) (in CD-changer wiring harness)

** Only models with CD Changer or iPod Baseplate or USB Connection Baseplate



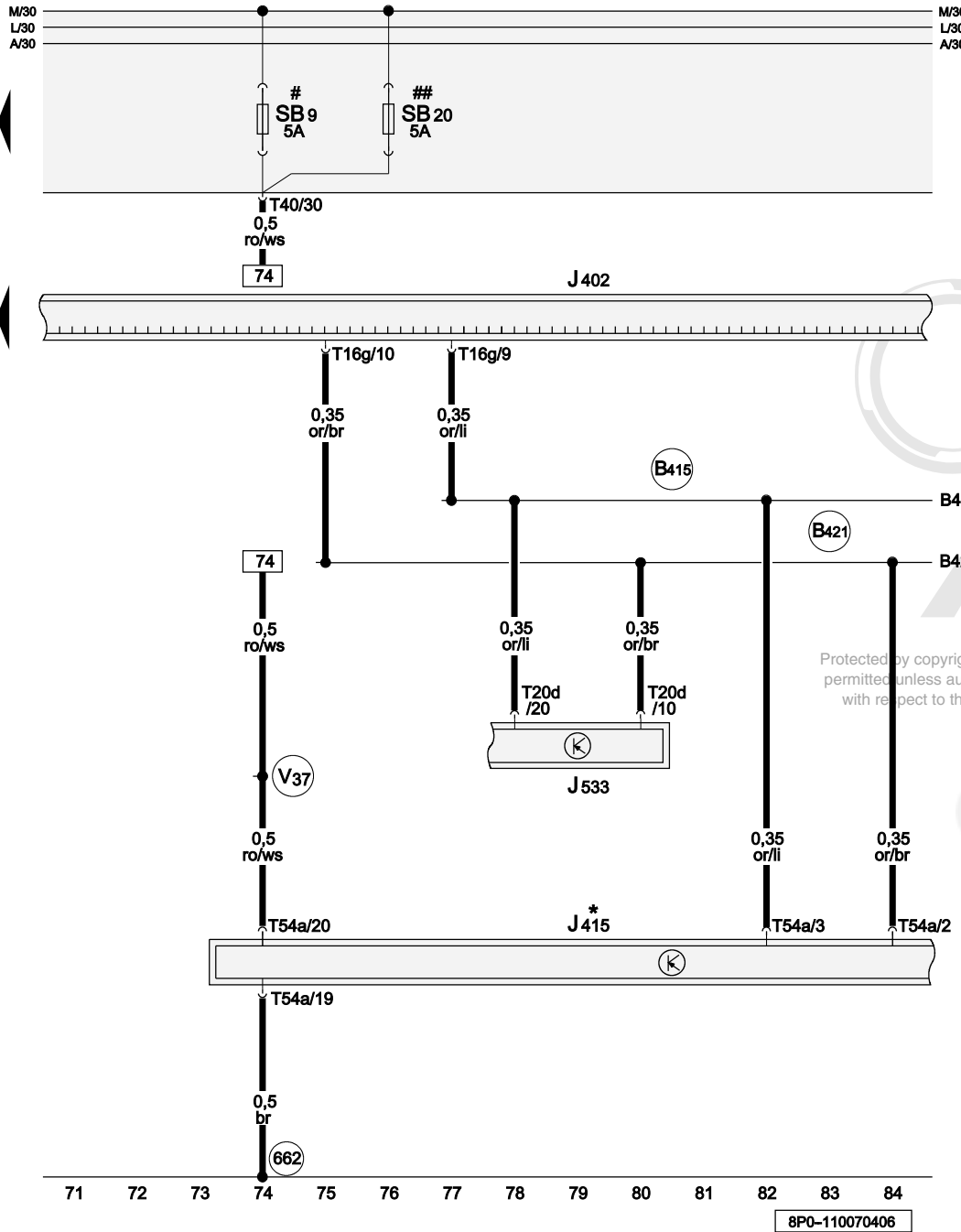
Protected by copyright. Copying for private or commercial purposes, in part or in whole, is not permitted unless authorised by AUDI AG. AUDI AG does not guarantee or accept any liability with respect to the correctness of information in this document. Copyright © AUDI AG 2008.

R192** R41**
R193**

- ws = white
- sw = black
- ro = red
- br = brown
- gn = green
- bl = blue
- gr = grey
- li = lilac
- ge = yellow
- or = orange
- rs = pink

57 58 59 60 61 62 63 64 65 66 67 68 69 70

8P0-110060307



Infotainment CAN-Bus, Data Bus On Board Diagnostic Interface

- J402 Navigation System Operating Electronics Control Module
- J415 Navigation/TV Tuner
- J533 Data Bus On Board Diagnostic Interface
- SB9 Fuse 9 (on fuse panel B)
- SB20 Fuse 20 (on fuse panel B)
- T16g 16-Pin Connector, black (Connector D)
- T20d 20-Pin Connector, yellow (Connector A)
- T40 40-Pin Connector, black, on electronics box engine compartment (Connector J)
- T54a 54-Pin Connector, black (Connector A)
- 662 Ground Connection (on left rear side panel)
- B415 Infotainment CAN-Bus High Connection 1 (in main wiring harness)
- B421 Infotainment CAN-Bus Low Connection 1 (in main wiring harness)
- V37 Plus Connection (30) (in communications wiring harness)
- * Only models with TV Tuner
- # Only models with electronics box Low ⇒ Component Locations
- ## Only models with electronics box High ⇒ Component Locations

Protected by copyright. Copying for private or commercial purposes, in part or in whole, is not permitted unless authorised by AUDI AG. AUDI AG does not guarantee or accept any liability with respect to the correctness of information in this document. Copyright by AUDI AG.

- ws = white
- sw = black
- ro = red
- br = brown
- gn = green
- bl = blue
- gr = grey
- li = lilac
- ge = yellow
- or = orange
- rs = pink

8P0-110070406



Infotainment CAN-Bus, Telephone Microphone

- J402 Navigation System Operating Electronics Control Module
- J415 Navigation System Tuner, TV
- R36 Telephone Transceiver
- R38 Telephone Microphone
- T12m 12-Pin Connector, black (Connector C) (connector locking green)
- T16g 16-Pin Connector, black (Connector D)
- T18a 18-Pin Connector, black, near glove compartment (Connector A)
- T54 54-Pin Connector, black (Connector A)

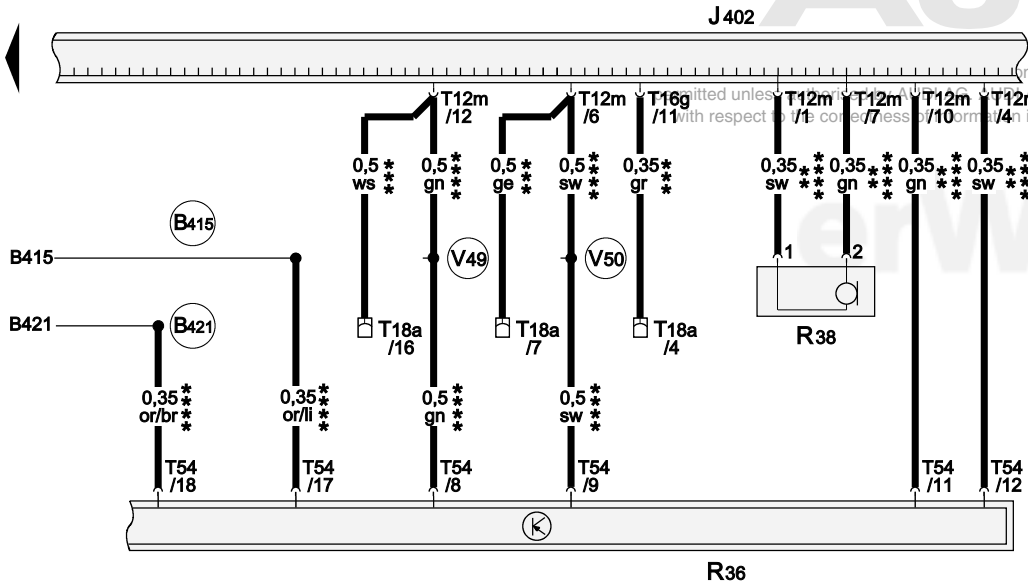
B415 Infotainment CAN-Bus High Connection 1 (in main wiring harness)

B421 Infotainment CAN-Bus Low Connection 1 (in main wiring harness)

V49 Low Frequency + Connection (in communication wiring harness)

V50 Low Frequency - Connection (in communication wiring harness)

- * Only models with TV Tuner
- ** Only models with voice control
- *** Cellular telephone preparation without hands free system only
- **** Cellular telephone preparation with hands free system only



- ws = white
- sw = black
- ro = red
- br = brown
- gn = green
- bl = blue
- gr = grey
- li = lilac
- ge = yellow
- or = orange
- rs = pink

85 86 87 88 89 90 91 92 93 94 95 96 97 98

8P0-110080406

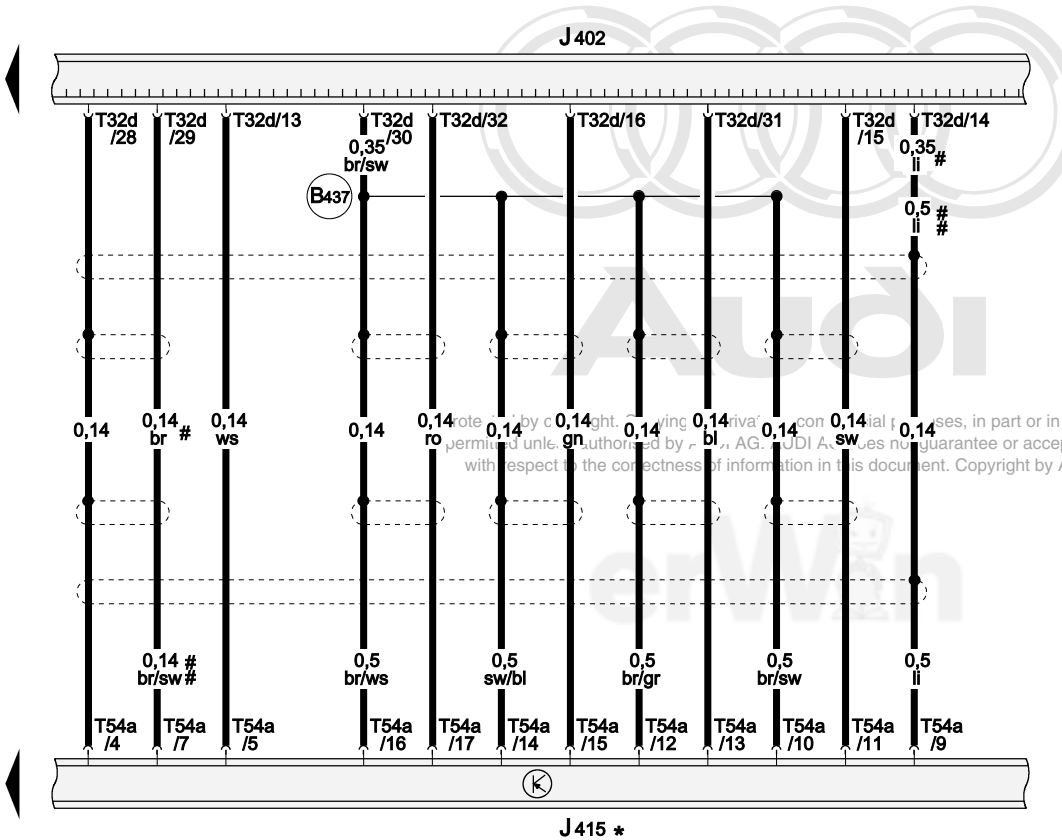


Navigation System Tuner, TV

- J402 Navigation System Operating Electronics Control Module
- J415 Navigation System Tuner, TV
- T32d 32-Pin Connector, grey (Connector E)
- T54a 54-Pin Connector, black (Connector A)

B437 GND Connection 1 (in main wiring harness)

- * Only models with TV Tuner
- # Not applicable from model year 2006
- ## Applicable from model year 2006



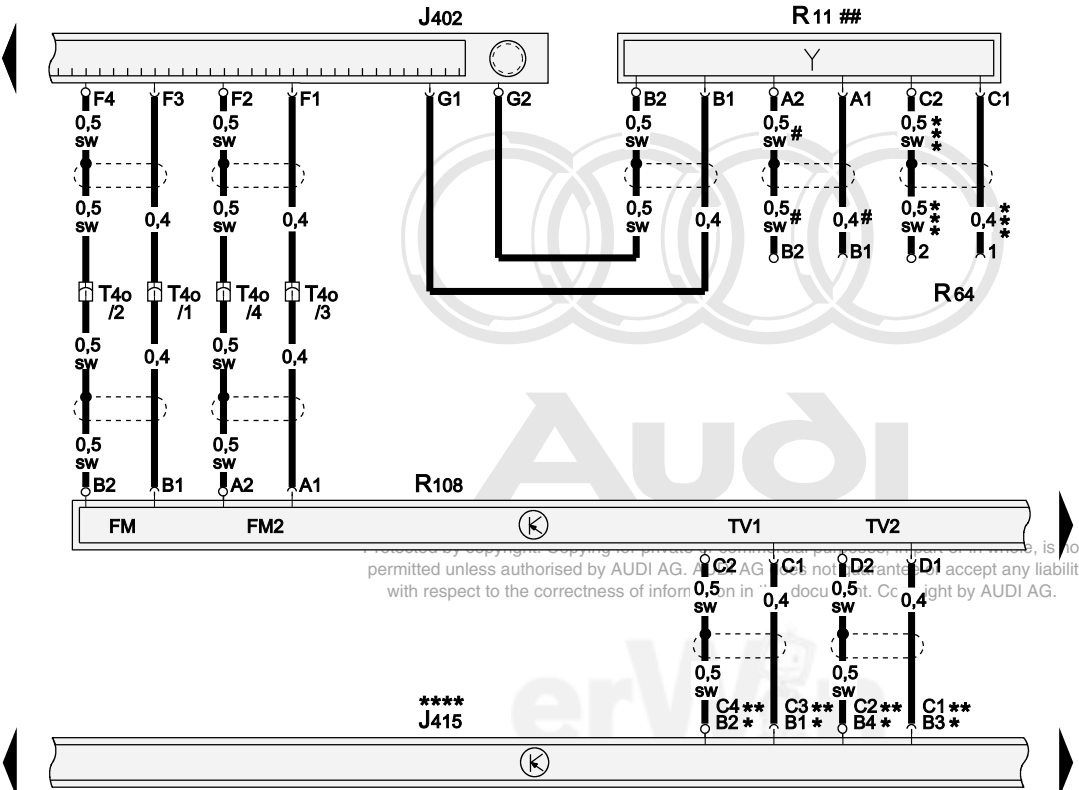
Information by copyright holder, in part or in whole, is not permitted unless authorized by Audi AG. Audi AG does not guarantee or accept any liability with respect to the correctness of information in this document. Copyright by AUDI AG.

- ws = white
- sw = black
- ro = red
- br = brown
- gn = green
- bl = blue
- gr = grey
- li = lilac
- ge = yellow
- or = orange
- rs = pink



Left Antenna Module, Roof Antenna

- J402 Navigation System Operating Electronics Control Module
- J415 Navigation System Tuner, TV
- R11 Antenna
- R64 Auxiliary Heater RF Receiver
- R108 Left Antenna Module
- T4o 4-Pin Connector, near right C-pillar
- * Only models with analog TV Tuner
- ** Only models with hybrid TV Tuner
- *** Only models with auxiliary heater
- **** Only models with TV Tuner
- # Only models with cellular telephone preparation
- ## R11 replace R66



- ws = white
- sw = black
- ro = red
- br = brown
- gn = green
- bl = blue
- gr = grey
- li = lilac
- ge = yellow
- or = orange
- rs = pink

113 114 115 116 117 118 119 120 121 122 123 124 125 126

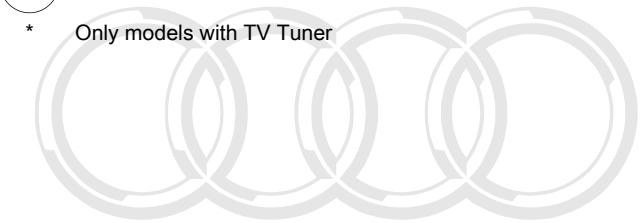
8P0-110101007



Left Antenna Module, Heated Rear Window with Window Antenna

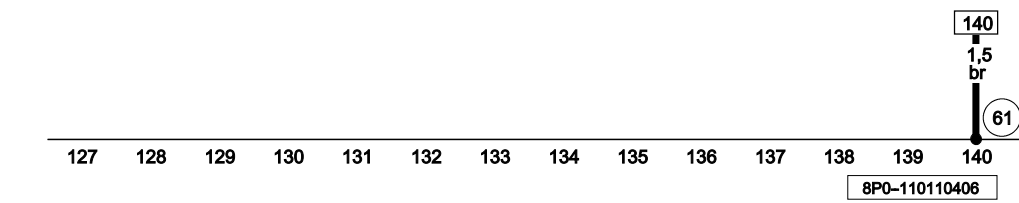
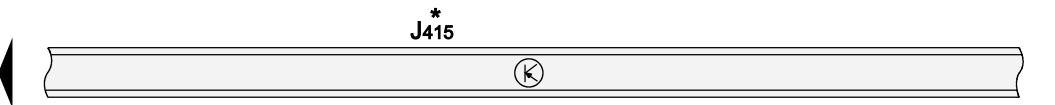
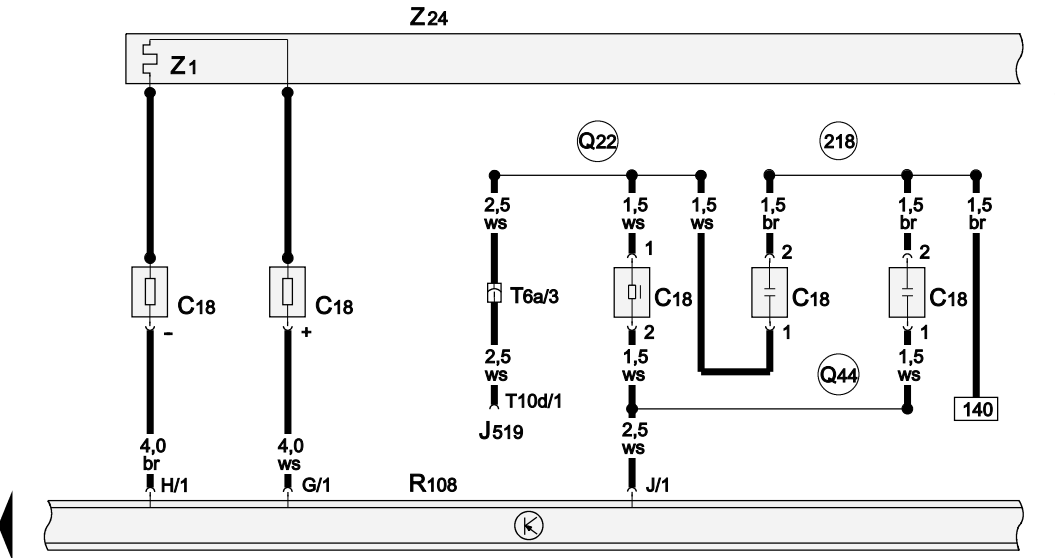
- C18 Windshield Antenna Suppression Filter
- J415 Navigation/TV Tuner
- J519 Vehicle Electrical System Control Module
- R108 Left Antenna Module
- T6a 6-Pin Connector, black, on C-pillar, left
- T10d 10-Pin Connector, black (Connector K)
- Z1 Heated Rear Window
- Z24 Rear Window Defogger with Window Antenna

- 61 Ground Connection (on left C-pillar)
- 218 Ground Connection 1 (in rear lid wiring harness)
- Q22 Connection 1 (in tailgate wiring harness)
- Q44 Connection 2 (in tailgate wiring harness)

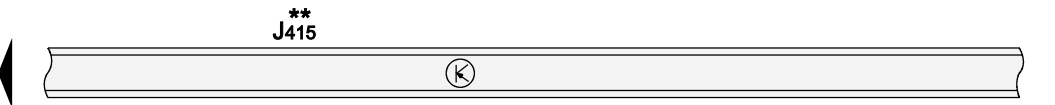
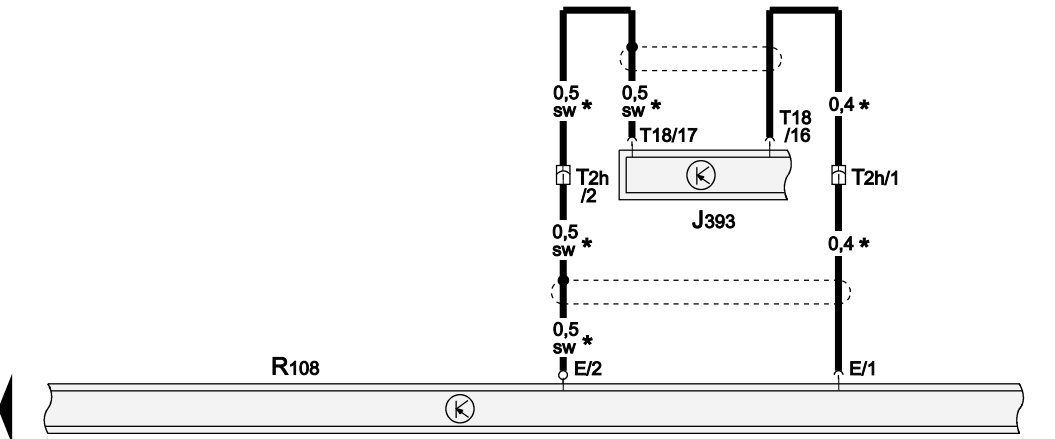
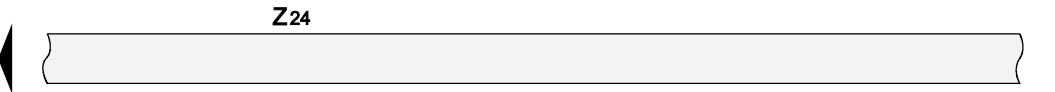


Audi

Protected by copyright. Copying for private or commercial purposes, in part or in whole, is not permitted unless authorised by AUDI AG. AUDI AG does not guarantee or accept any liability with respect to the correctness of information in this document. Copyright by AUDI AG.

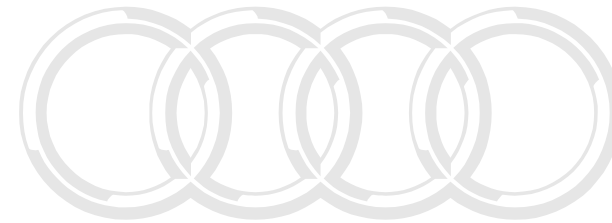


- ws = white
- sw = black
- ro = red
- br = brown
- gn = green
- bl = blue
- gr = grey
- li = lilac
- ge = yellow
- or = orange
- rs = pink



Comfort System Central Control Module, Left Antenna Module

- J393 Comfort System Central Control Module
- J415 Navigation/TV Tuner
- R108 Left Antenna Module
- T2h Double Connector, on C-pillar, right
- T18 18-Pin Connector, brown (Connector A)
- Z24 Rear Window Defogger with Window Antenna
- * Only models with central locking system or anti-theft alarm system
- ** Only models with TV Tuner



Audi

Protected by copyright. Copying for private or commercial purposes, in part or in whole, is not permitted unless authorised by AUDI AG. AUDI AG does not guarantee or accept any liability with respect to the correctness of information in this document. Copyright by AUDI AG.



- ws = white
- sw = black
- ro = red
- br = brown
- gn = green
- bl = blue
- gr = grey
- li = lilac
- ge = yellow
- or = orange
- rs = pink

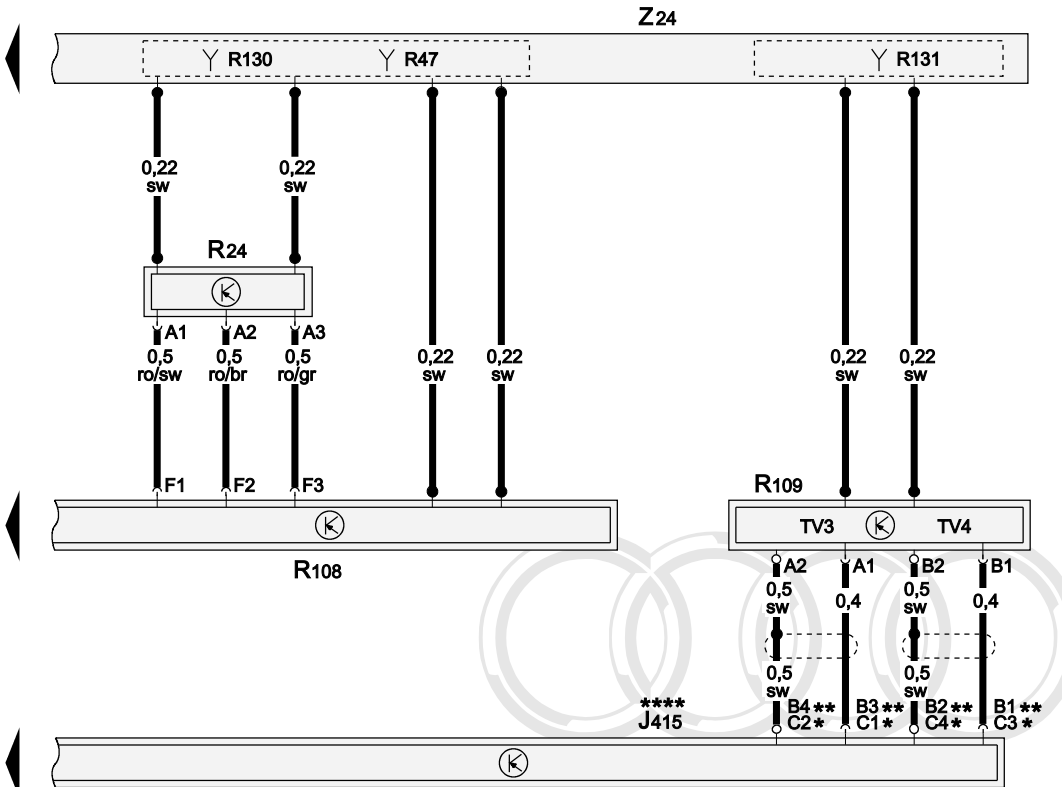
141 142 143 144 145 146 147 148 149 150 151 152 153 154

8P0-110120406



Rear Window Antenna 1, Rear Window Antenna 2

- J415 Navigation System Tuner, TV
- R24 Antenna Amplifier
- R47 Central Locking and Anti-Theft Alarm System Antenna
- R108 Left Antenna Module
- R109 Right Antenna Module
- R130 Rear Window Antenna 1
- R131 Rear Window Antenna 2
- Z24 Rear Window Defogger with Window Antenna
- * Only models with analog TV Tuner
- ** Only models with hybrid TV Tuner
- **** Only models with TV Tuner



- ws = white
- sw = black
- ro = red
- br = brown
- gn = green
- bl = blue
- gr = grey
- li = lilac
- ge = yellow
- or = orange
- rs = pink

Protected by copyright. Copying for private or commercial purposes, in part or in whole, is not permitted unless authorised by AUDI AG. AUDI AG does not guarantee or accept any liability with respect to the correctness of information in this document. Copyright by AUDI AG.

155 156 157 158 159 160 161 162 163 164 165 166 167 168

8P0-110131007

Coolant Fan Control 520W (with and without A/C)

⇒ AXX, BMJ, BPY, BUB, BWA, BHZ, BZC

from model year 2006

Note:

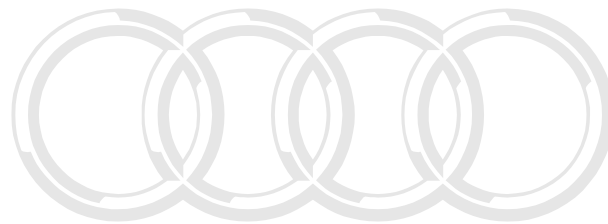
Information for

- ◆ Relay and fuse arrangements
- ◆ Connector arrangements
- ◆ Control Modules and Relays
- ◆ Ground Connections

⇒ Component Locations

Information for

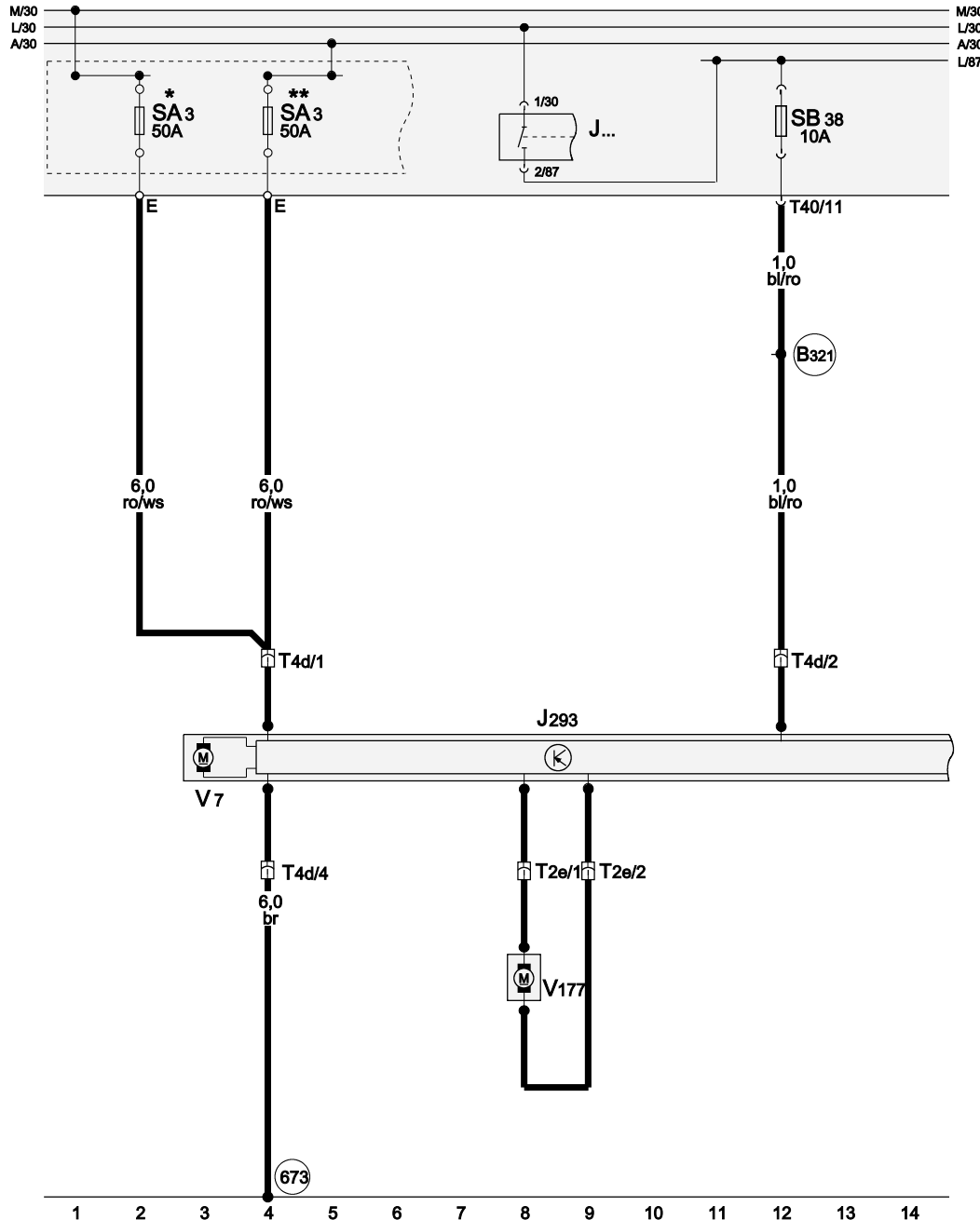
- ◆ Troubleshooting Procedures
- ⇒ Guided Fault Finding using VAS 5051 / 5052



Audi

Protected by copyright. Copying for private or commercial purposes, in part or in whole, is not permitted unless authorised by AUDI AG. AUDI AG does not guarantee or accept any liability with respect to the correctness of information in this document. Copyright by AUDI AG.





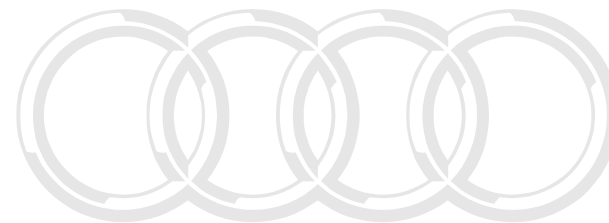
Coolant Fan, Coolant Fan 2

- J... Engine Control Relay
- J293 Coolant Fan Control (FC) Control Module
- SA3 Fuse 3 (on fuse panel A)
- SB38 Fuse 38 (on fuse panel B)
- T2e Double Connector, black, on coolant fan control (FC) (front end)
- T4d 4-Pin Connector, black, on coolant fan control (FC) (front end)
- T40 40-Pin Connector, black, on electronics box engine compartment (Connector J)
- V7 Coolant Fan
- V177 Coolant Fan 2

673 Ground Connection 3 (on left front long member)

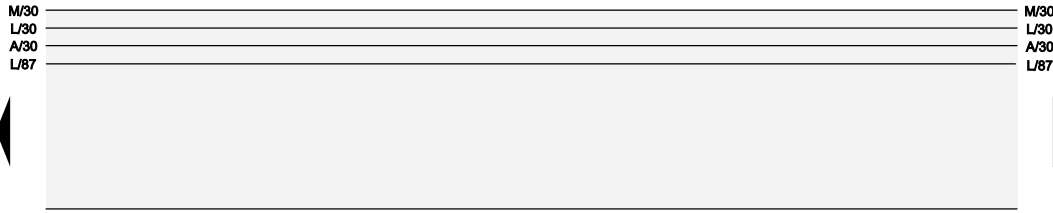
B321 Plus Connection 7 (30a) (in main wiring harness)

- * ⇒ Applicable Wiring Diagram for models with battery in engine compartment, engine codes AXX, BPY, BWA, BHZ, BZC
- ** ⇒ Applicable Wiring Diagram for models with battery in luggage compartment, engine codes BMJ, BUB



- ws = white
 - sw = black
 - ro = red
 - br = brown
 - gn = green
 - bl = blue
 - gr = grey
 - li = lilac
 - ge = yellow
 - or = orange
 - rs = pink
- Protected by Copyright. Copying for private or commercial purposes, in part or in whole, is not permitted unless authorised by AUDI AG. AUDI AG does not guarantee or accept any liability with respect to the correctness of information in this document. Copyright by AUDI AG.

97-85305

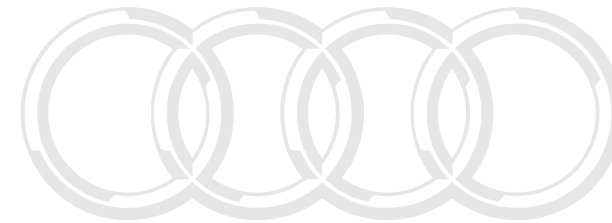
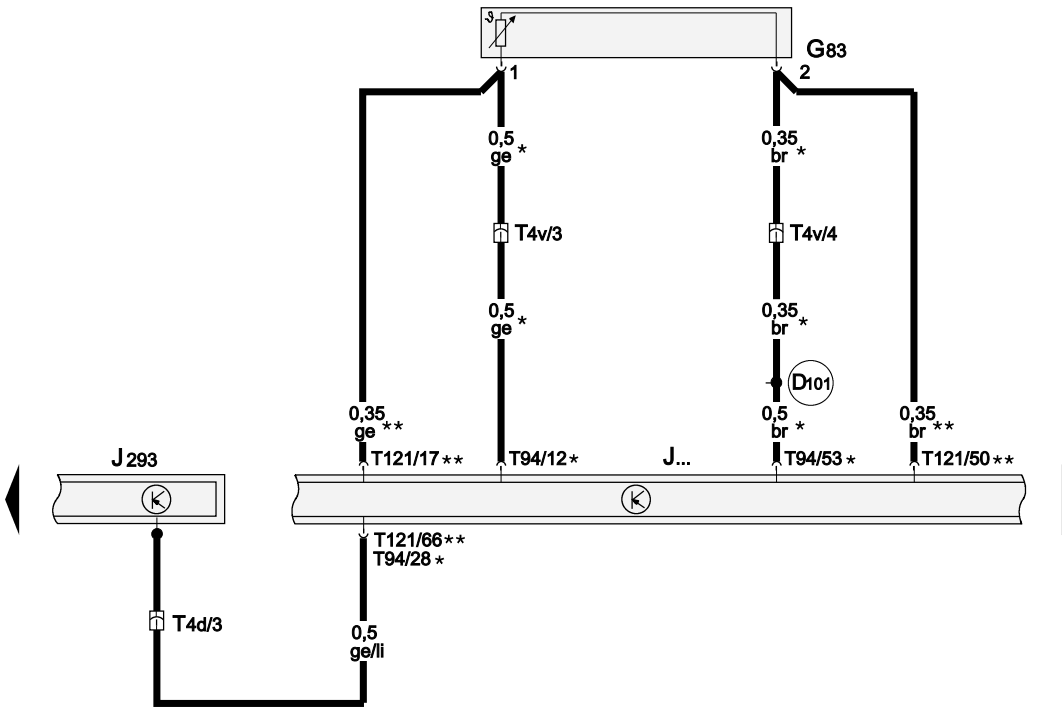


Engine Coolant Temperature (ECT) Sensor (on Radiator)

- G83 Engine Coolant Temperature (ECT) Sensor (on Radiator)
- J... Engine Control Modules (ECM)
- J293 Coolant Fan Control (FC) Control Module
- T4d 4-Pin Connector, black, on coolant fan control (FC) (front end)
- T4v 4-Pin Connector, black, near left front long member
- T94 94-Pin Connector, black (Connector B)
- T121 121-Pin Connector, black, on engine control module (ECM)

D101 Connection 1 (in engine compartment wiring harness)

- * Only models with engine codes AXX, BPY, BWA, BHZ, BZC
- ** Only models with engine codes BMJ, BUB



Audi

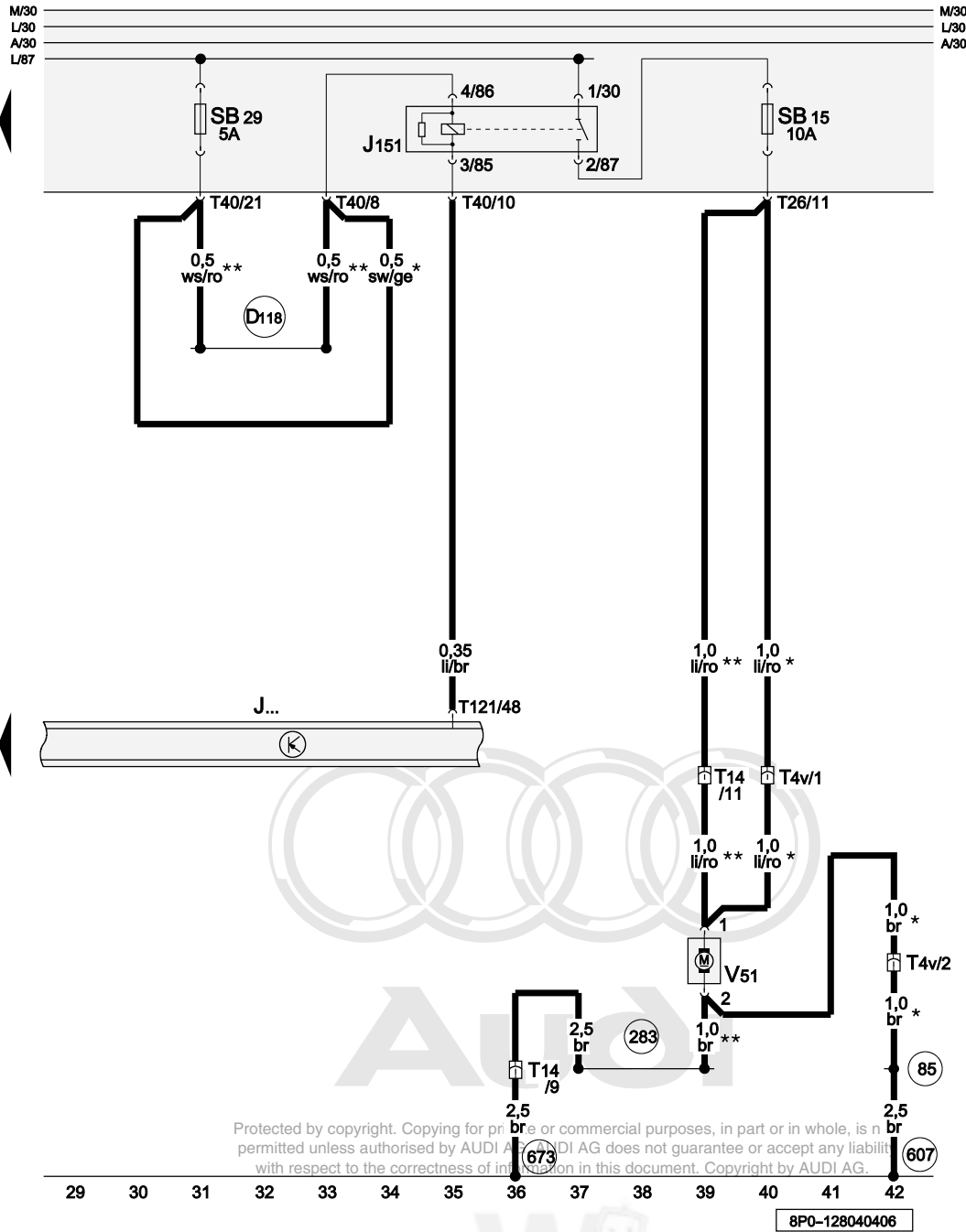
- ws = white
- sw = black
- ro = red
- br = brown
- gn = green
- bl = blue
- gr = grey
- li = lilac
- ge = yellow
- or = orange
- rs = pink

Copyrighted by copyright. Copying for private or commercial purposes, in part or in whole, is not permitted unless authorised by AUDI AG. AUDI AG does not guarantee or accept any liability with respect to the correctness of information in this document. Copyright by AUDI AG.



15 16 17 18 19 20 21 22 23 24 25 26 27 28

97-85306



After-Run Coolant Pump

- J... Engine Control Modules (ECM)
- J151 Coolant Circulation Pump Relay
- SB15 Fuse 15 (on fuse panel B)
- SB29 Fuse 29 (on fuse panel B)
- T4v 4-Pin Connector, black, near left front long member
- T14 14-Pin Connector, black, near left front long member
- T26 26-Pin Connector, black, on electronics box engine compartment (Connector K)
- T40 40-Pin Connector, black, on electronics box engine compartment (Connector J)
- T121 121-Pin Connector, black, on engine control module (ECM)
- V51 After-Run Coolant Pump

- 85 Ground Connection 1 (in engine compartment wiring harness)
- 283 Ground Connection 2 (in engine pre-wiring wiring harness)
- 607 Ground Connection (in plenum chamber, left)
- 673 Ground Connection 3 (on left front long member)
- D118 Connection 16 (in engine compartment wiring harness)

* Only models with engine codes AXX, BPY, BWA, BHZ, BZC
 ** Only models with engine codes BMJ, BUB

- ws = white
- sw = black
- ro = red
- br = brown
- gn = green
- bl = blue
- gr = grey
- li = lilac
- ge = yellow
- or = orange
- rs = pink

Protected by copyright. Copying for private or commercial purposes, in part or in whole, is not permitted unless authorised by AUDI AG. AUDI AG does not guarantee or accept any liability with respect to the correctness of information in this document. Copyright by AUDI AG.

8P0-128040406

Heated Seat-Front, with Manual Power Seat

⇒ Only A/C with automatic regulation

from model year 2006

Note:

Information for

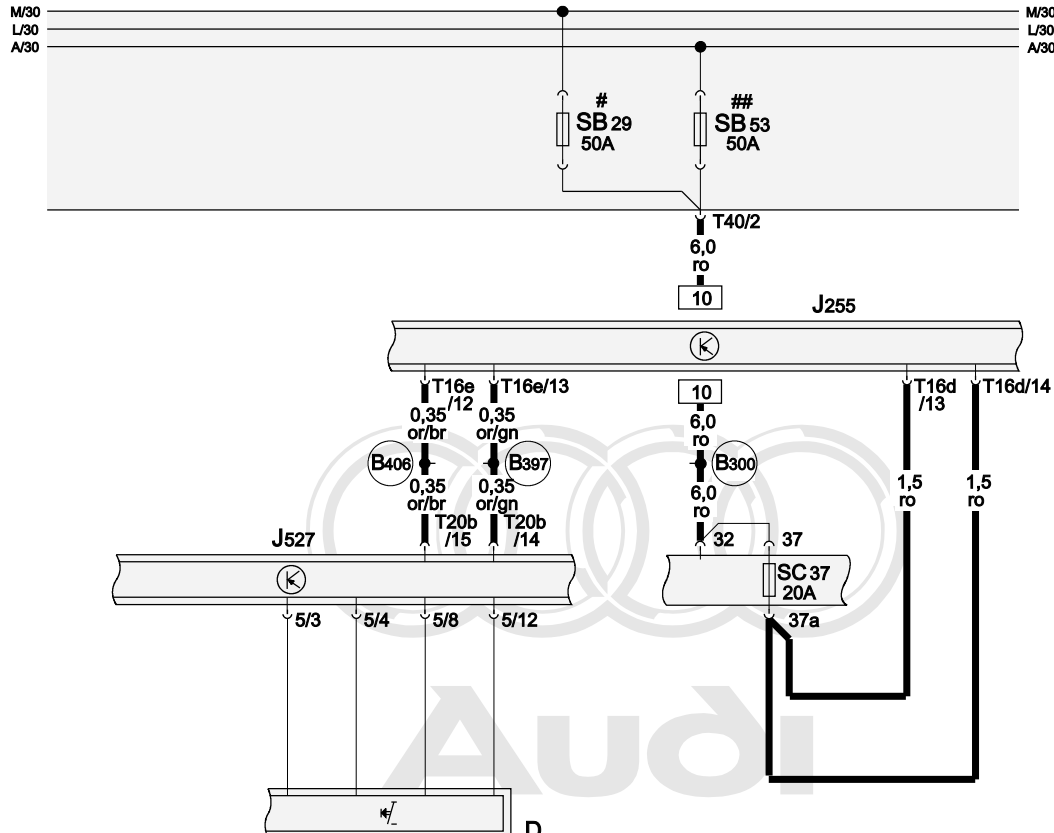
- ◆ Relay and fuse arrangements
- ◆ Connector arrangements
- ◆ Control Modules and Relays
- ◆ Ground Connections

⇒ Component Locations

Information for

- ◆ Troubleshooting Procedures
- ⇒ Guided Fault Finding using VAS 5051 / 5052

Protected by copyright. Copying for private or commercial purposes, in part or in whole, is not permitted unless authorised by AUDI AG. AUDI AG does not guarantee or accept any liability with respect to the correctness of information in this document. Copyright by AUDI AG.



Fuses (on fuse panel)

- D Ignition/Starter Switch
- J255 Climatronic Control Module
- J527 Steering Column Electronic Systems Control Module
- SB29 Fuse 29 (on fuse panel B)
- SB53 Fuse 53 (on fuse panel B)
- SC37 Fuse 37 (on fuse panel C)
- T16d 16-Pin Connector, black (Connector D)
- T16e 16-Pin Connector, brown (Connector C)
- T20b 20-Pin Connector, black (Connector A)
- T40 40-Pin Connector, black, on electronics box engine compartment (Connector J)

- (B300) Plus Connection 4 (30) (in main wiring harness)
- (B397) Comfort System CAN-Bus High Connection 1 (in main wiring harness)
- (B406) Comfort System CAN-Bus Low Connection 1 (in main wiring harness)
- # Only models with electronics box Low ⇒ Component Locations
- ## Only models with electronics box High ⇒ Component Locations

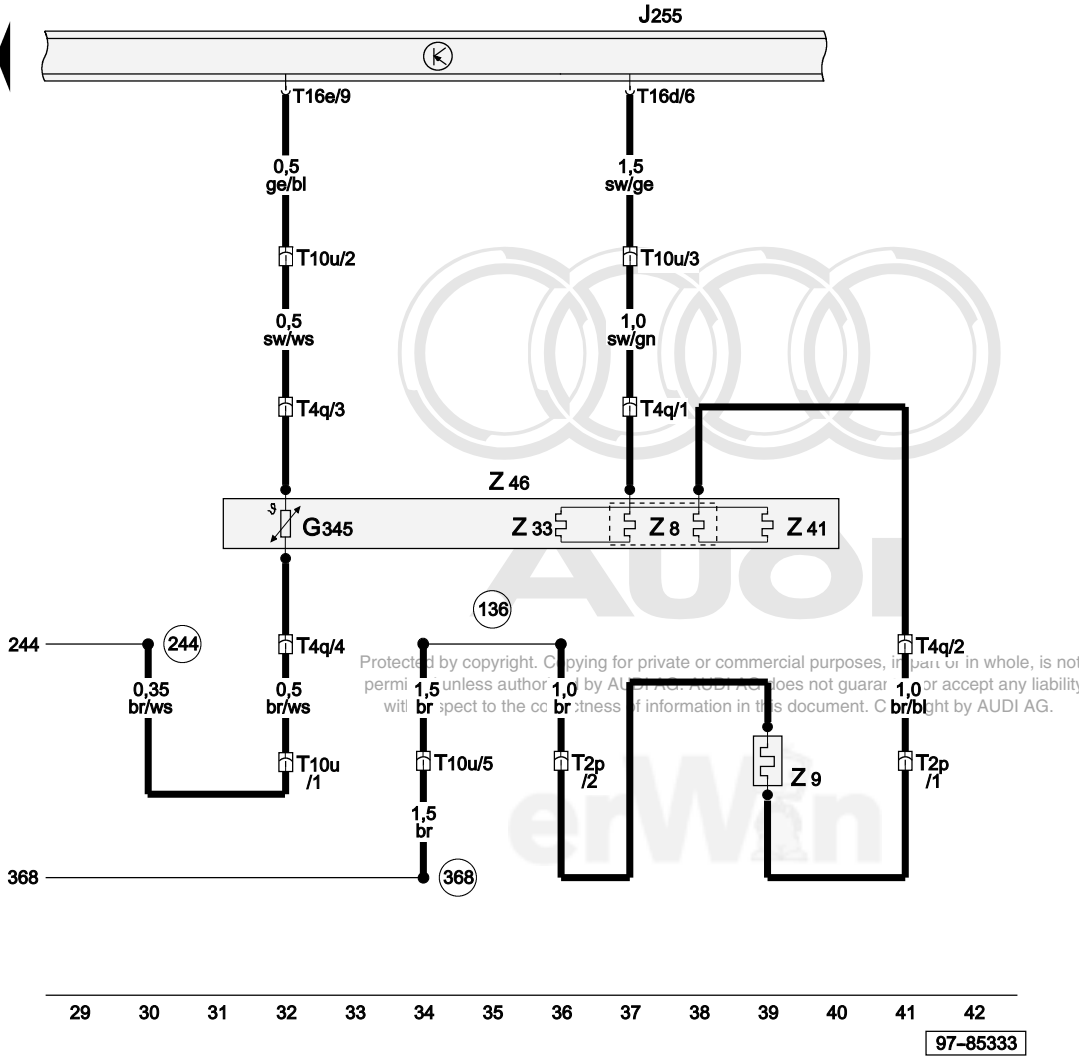
Protected by copyright. Copying for private or commercial purposes, in part or in whole, is not permitted unless authorised by AUDI AG. AUDI AG does not guarantee or accept any liability with respect to the correctness of information in this document. Copyright by AUDI AG.



- ws = white
- sw = black
- ro = red
- br = brown
- gn = green
- bl = blue
- gr = grey
- li = lilac
- ge = yellow
- or = orange
- rs = pink

1 2 3 4 5 6 7 8 9 10 11 12 13 14

97-85331



Front Passenger's Seat Heating Element

- G345 Right Front Seat Temperature Sensor
- J255 Climatronic Control Module
- T2p Double Connector, black, on front passenger's backrest heating element
- T4q 4-Pin Connector, black, on front passenger's heated seat
- T10u 10-Pin Connector, black, below front passenger's seat
- T16d 16-Pin Connector, black (Connector D)
- T16e 16-Pin Connector, brown (Connector C)
- Z8 Front Passenger's Seat Heating Element
- Z9 Front Passenger's Backrest Heating Element
- Z33 Front Passenger's Seat Side Bolster Heater
- Z41 Front Passenger's Seat Side Bolster Heater 2
- Z46 Front Right Heated Seat

- 136 Ground Connection 2 (in heated seats wiring harness)
- 244 Sensor Ground Connection (in Climatronic wiring harness)
- 368 Ground Connection 3 (in main wiring harness)

- ws = white
- sw = black
- ro = red
- br = brown
- gn = green
- bl = blue
- gr = grey
- li = lilac
- ge = yellow
- or = orange
- rs = pink

Multi-function Steering Wheel

from model year 2006

Note:

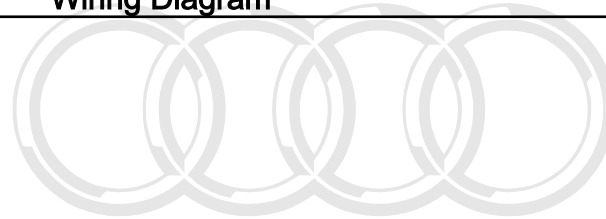
Information for

- ◆ Relay and fuse arrangements
- ◆ Connector arrangements
- ◆ Control Modules and Relays
- ◆ Ground Connections

⇒ Component Locations

Information for

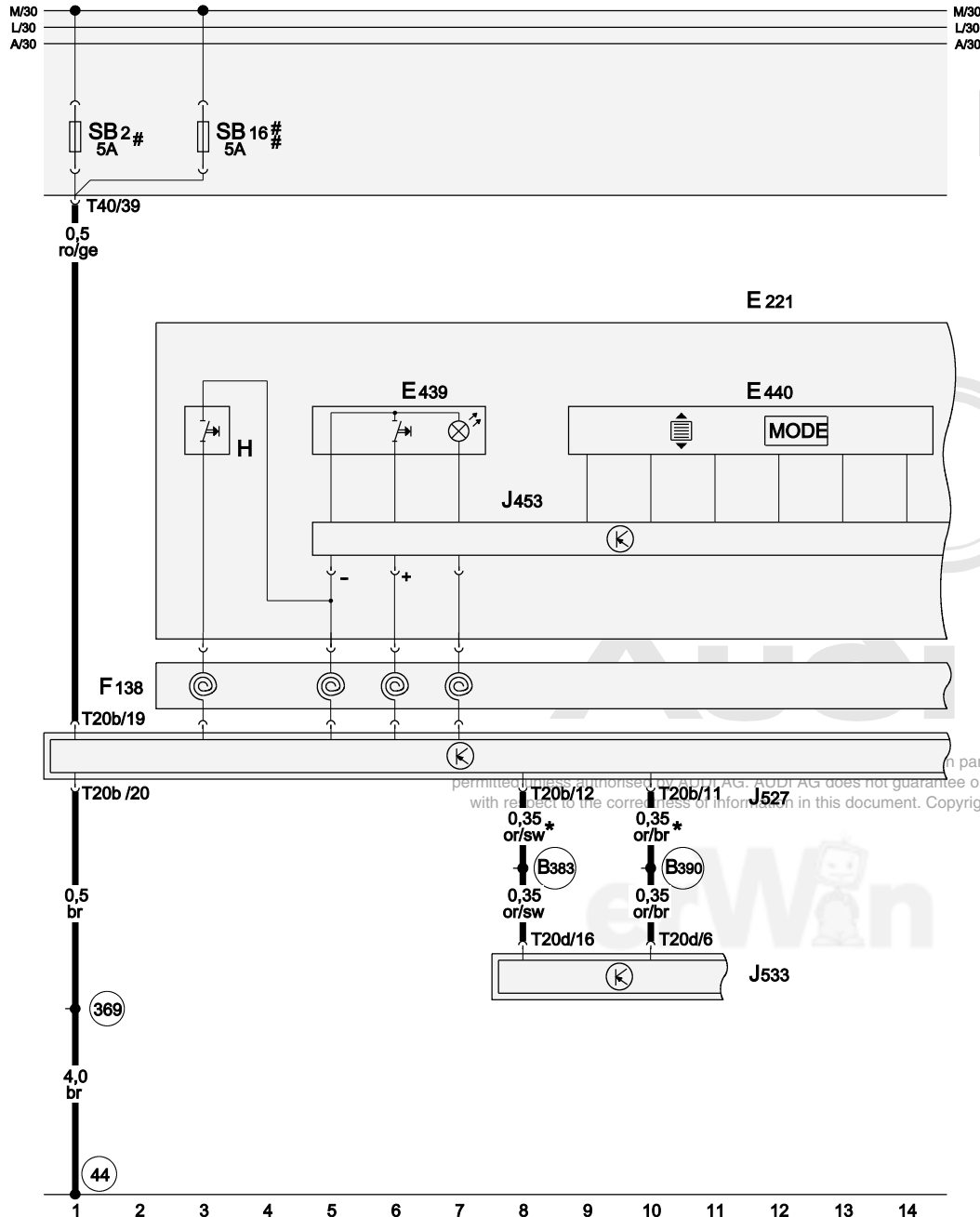
- ◆ Troubleshooting Procedures
- ⇒ Guided Fault Finding using VAS 5051 / 5052



Audi

Protected by copyright. Copying for private or commercial purposes, in part or in whole, is not permitted unless authorised by AUDI AG. AUDI AG does not guarantee or accept any liability with respect to the correctness of information in this document. Copyright by AUDI AG.





Control Head in Steering Wheel

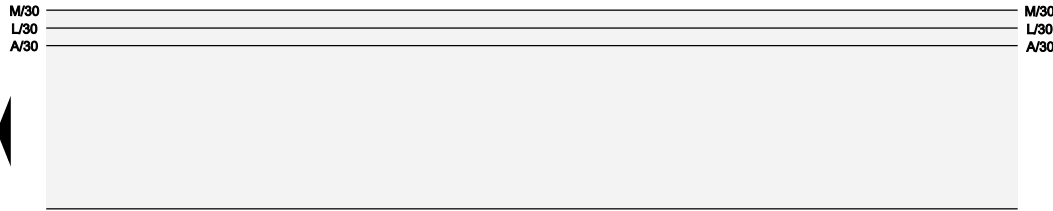
- E221 Control Head in Steering Wheel
- E439 Tiptronic Downshift Button (on steering wheel)
- E440 Left Multi-function Buttons (on steering wheel)
- F138 Airbag Spiral Spring/Return Spring With Slip Ring
- H Signal Horn Activation
- J453 Multi-function Steering Wheel Control Module
- J527 Steering Column Electronic Systems Control Module
- J533 Data Bus On Board Diagnostic Interface
- SB2 Fuse 2 (on fuse panel B)
- SB16 Fuse 16 (on fuse panel B)
- T20b 20-Pin Connector, black (Connector A)
- T20d 20-Pin Connector, yellow (Connector A)
- T40 40-Pin Connector, black, on electronics box engine compartment (Connector J)

- 44 Ground Connection (on left lower A-pillar)
- 369 Ground Connection 4 (in main wiring harness)
- B383 Powertrain CAN-Bus High Connection 1 (in main wiring harness)
- B390 Powertrain CAN-Bus Low Connection 1 (in main wiring harness)

* => Applicable Wiring Diagram Automatic Transmission
 # Only models with electronics box Low => Component Locations
 ## Only models with electronics box High => Component Locations

ws = white
 sw = black
 ro = red
 br = brown
 gn = green
 bl = blue
 gr = grey
 li = lilac
 ge = yellow
 or = orange
 rs = pink

97-85772

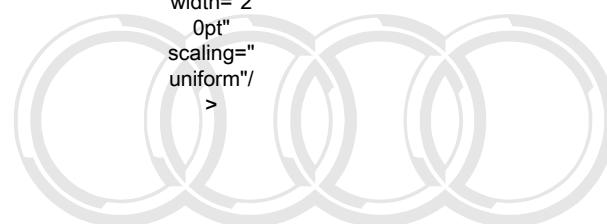


Steering Wheel Tiptronic Switch

- E221 Control Head in Steering Wheel
- E438 Tiptronic Upshift Button (on steering wheel)
- E441 Right Multi-function Buttons (on steering wheel)
- F138 Airbag Spiral Spring/Return Spring With Slip Ring
- J234 Airbag Control Module
- J453 Multi-function Steering Wheel Control Module
- J527 Steering Column Electronic Systems Control Module
- N95 Driver's Airbag Igniter
- N250 Driver's Airbag Igniter 2
- T4n 4-Pin Connector, yellow (Connector B)
- ** => Applicable Wiring Diagram Airbag

<fo:exter Short circuit bridge becomes effective when connector is unplugged

nal- graphic src="./../PDOC/samba/tools/png-convert/out//slp/ft_icons/kurzbr_1.png" content-width="20pt" scaling="uniform"/>



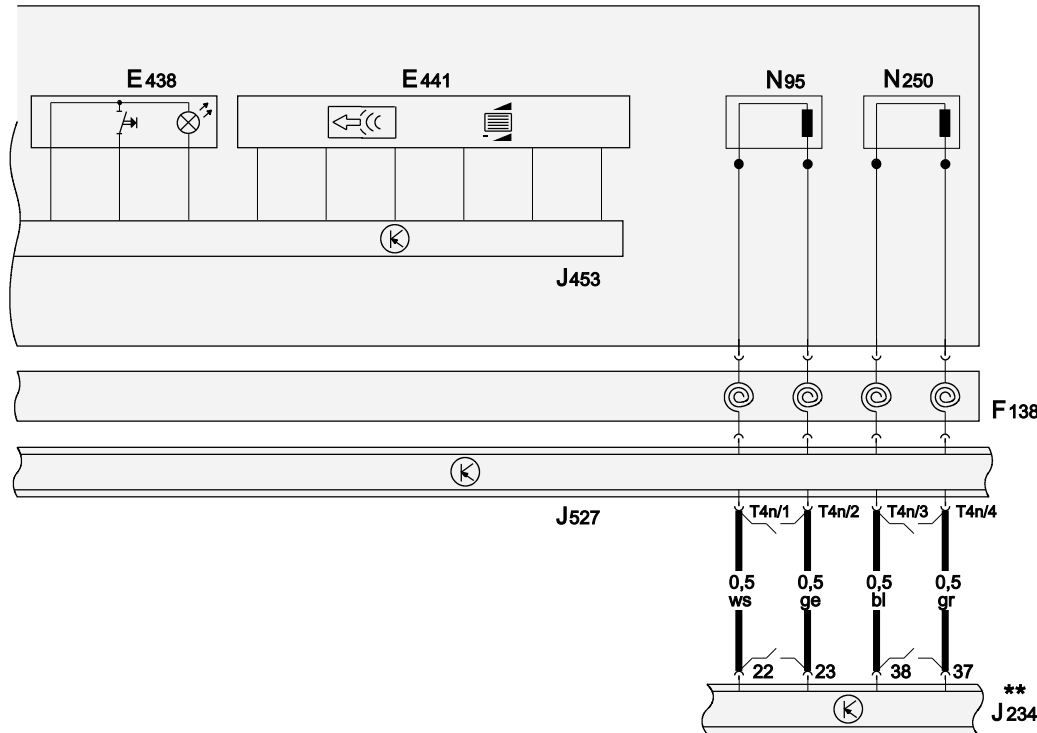
Audi



- ws = white
- sw = black
- ro = red
- br = brown
- gn = green
- bl = blue
- gr = grey
- li = lilac
- ge = yellow
- or = orange
- rs = pink

Protected by copyright. Copying for private or commercial purposes, in part or in whole, is not permitted unless authorised by AUDI AG. AUDI AG does not guarantee or accept any liability with respect to the correctness of information in this document. Copyright by AUDI AG.

E 221



15 16 17 18 19 20 21 22 23 24 25 26 27 28

97-80685

Headlamp with Coming-Home

from model year 2006

Note:

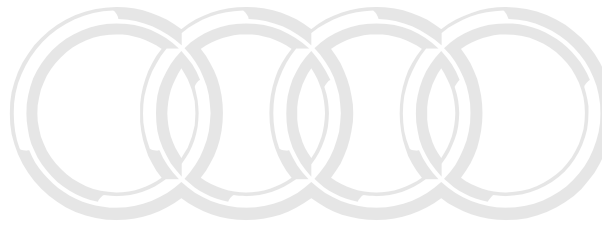
Information for

- ◆ Relay and fuse arrangements
- ◆ Connector arrangements
- ◆ Control Modules and Relays
- ◆ Ground Connections

⇒ Component Locations

Information for

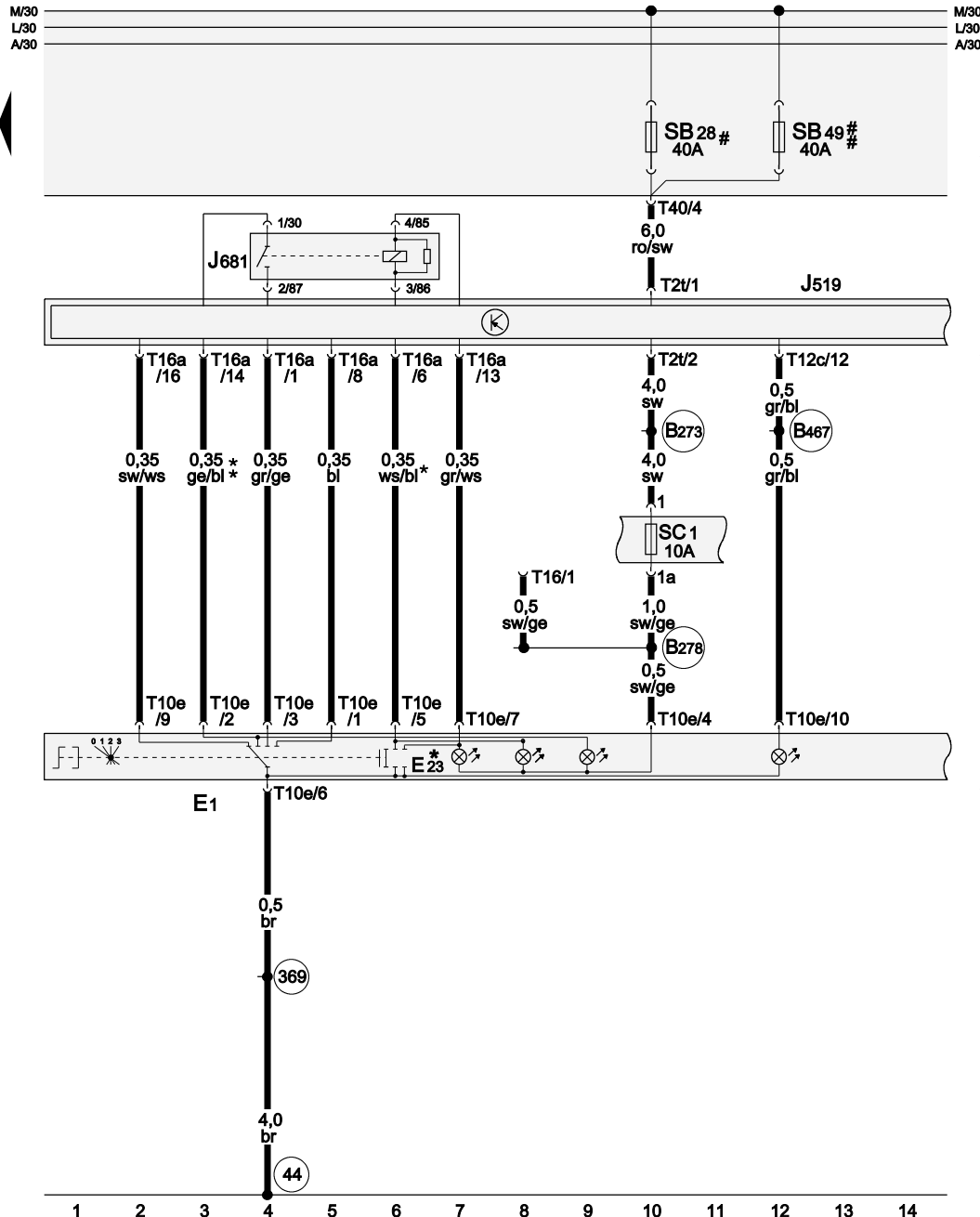
- ◆ Troubleshooting Procedures
- ⇒ Guided Fault Finding using VAS 5051 / 5052



Audi

Protected by copyright. Copying for private or commercial purposes, in part or in whole, is not permitted unless authorised by AUDI AG. AUDI AG does not guarantee or accept any liability with respect to the correctness of information in this document. Copyright by AUDI AG.





Light Switch, Fuse (on fuse panel)

- E1 Light Switch
- E23 Fog Lamp and Rear Fog Lamp Switch
- J519 Vehicle Electrical System Control Module
- J681 Power Supply Relay 2 (terminal 15)
- SB28 Fuse 28 (on fuse panel B)
- SB49 Fuse 49 (on fuse panel B)
- SC1 Fuse 1 (on fuse panel C)
- T2t Double Connector, black (Connector L)
- T10e 10-Pin Connector, black (Connector A)
- T12c 12-Pin Connector, black (Connector B)
- T16 16-Pin Connector, black, instrument panel driver's side, bottom left (diagnostic connector)
- T16a 16-Pin Connector, black (Connector E)
- T40 40-Pin Connector, black, on electronics box engine compartment (Connector J)

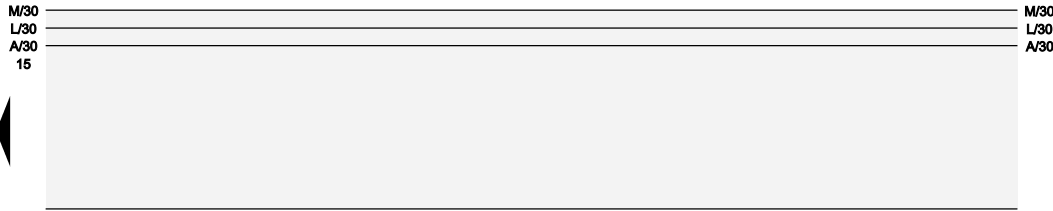
- 44 Ground Connection (on left lower A-pillar)
- 369 Ground Connection 4 (in main wiring harness)
- B273 Plus Connection (15) (in main wiring harness)
- B278 Plus Connection 2 (15a) (in main wiring harness)
- B467 Connection 3 (in main wiring harness)

- * Only models with front fog lamps
- ** Only models with automatic headlamp switching
- # Only models with electronics box Low => Component Locations
- ## Only models with electronics box High => Component Locations

Protected by copyright. Copying for private or commercial purposes, in part or in whole, is not permitted unless authorised by AUDI AG. AUDI AG does not guarantee or accept any liability with respect to the correctness of information in this document. Copyright by AUDI AG.

- ws = white
- sw = black
- ro = red
- br = brown
- gn = green
- bl = blue
- gr = grey
- li = lilac
- ge = yellow
- or = orange
- rs = pink

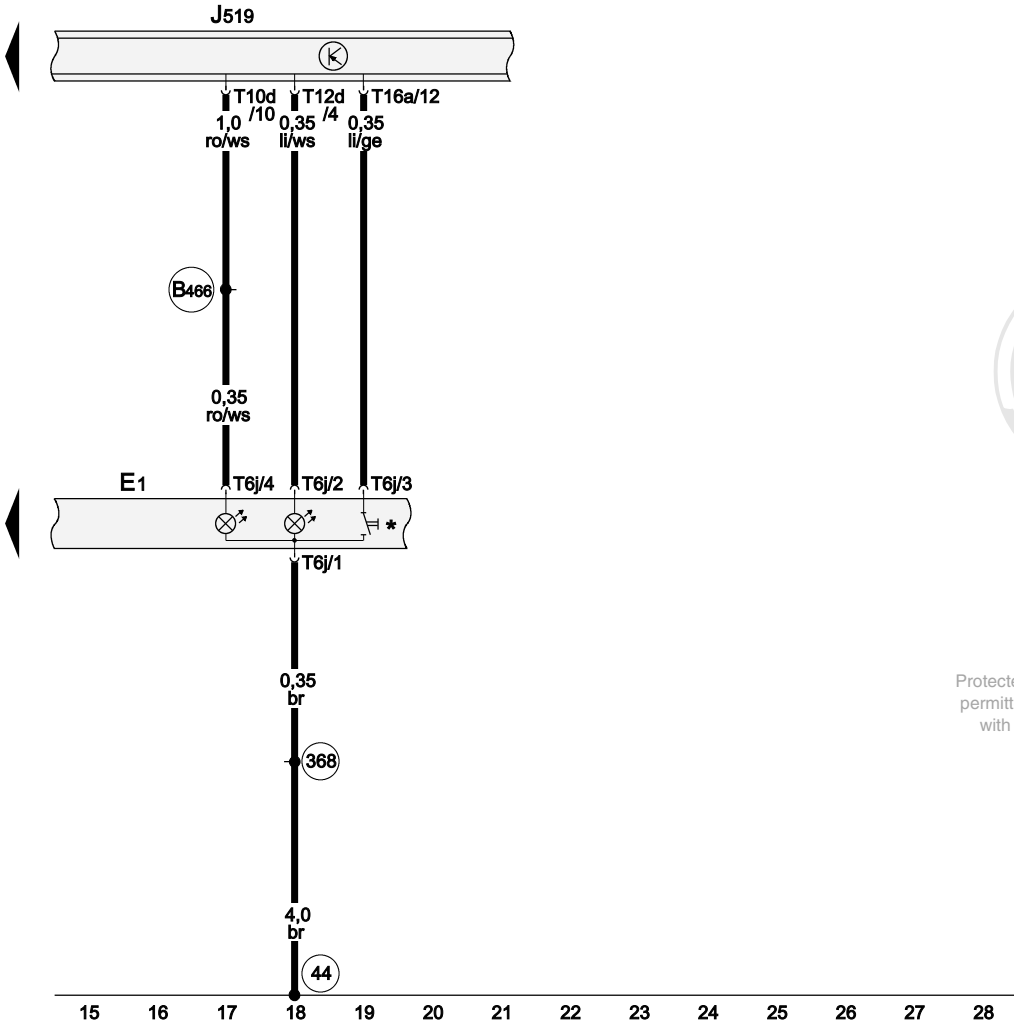
97-85775



Light Switch

- E1 Light Switch
- J519 Vehicle Electrical System Control Module
- T6j 6-Pin Connector, black (Connector C)
- T10d 10-Pin Connector, black (Connector K)
- T12d 12-Pin Connector, brown (Connector C)
- T16a 16-Pin Connector, black (Connector E)

- 44 Ground Connection (on left lower A-pillar)
- 368 Ground Connection 3 (in main wiring harness)
- B466 Connection 2 (in main wiring harness)
- * Coming Home Switch



Protected by copyright. Copying for private or commercial purposes, in part or in whole, is not permitted unless authorised by AUDI AG. AUDI AG does not guarantee or accept any liability with respect to the correctness of information in this document. Copyright by AUDI AG.

- ws = white
- sw = black
- ro = red
- br = brown
- gn = green
- bl = blue
- gr = grey
- li = lilac
- ge = yellow
- or = orange
- rs = pink

97-85776

Seat Lumbar Support Adjustment with Manual Power Seat

from model year 2006

Note:

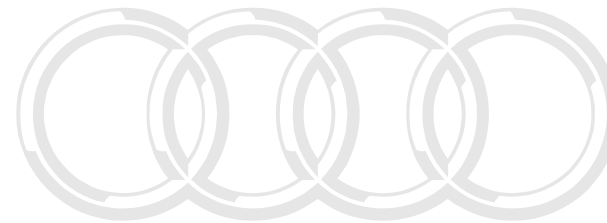
Information for

- ◆ Relay and fuse arrangements
- ◆ Connector arrangements
- ◆ Control Modules and Relays
- ◆ Ground Connections

⇒ Component Locations

Information for

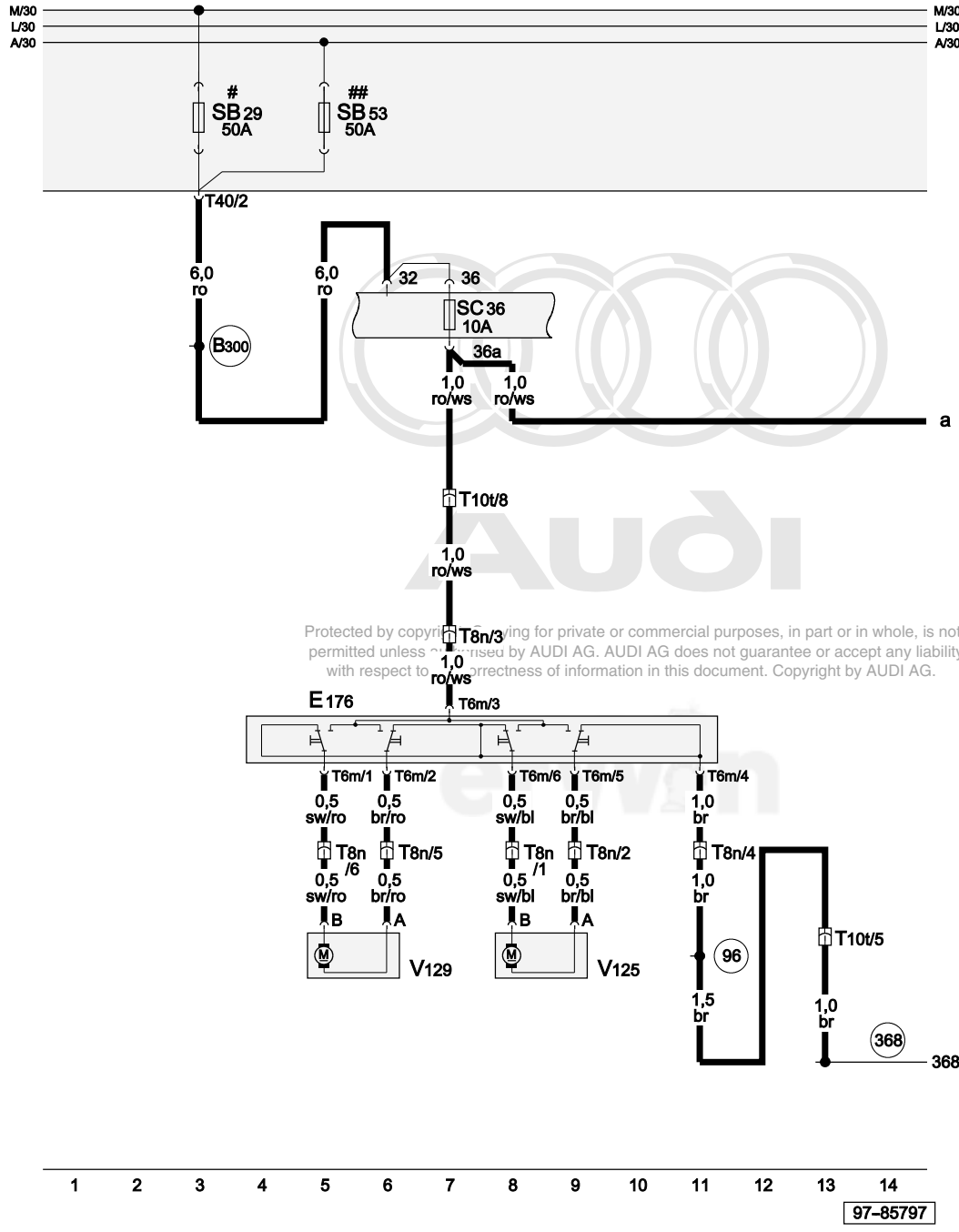
- ◆ Troubleshooting Procedures
- ⇒ Guided Fault Finding using VAS 5051 / 5052



Audi

Protected by copyright. Copying for private or commercial purposes, in part or in whole, is not permitted unless authorised by AUDI AG. AUDI AG does not guarantee or accept any liability with respect to the correctness of information in this document. Copyright by AUDI AG.





Driver's Seat Lumbar Support Adjustment

- E176 Driver's Seat Lumbar Support Adjustment Switch
- SB29 Fuse 29 (on fuse panel B)
- SB53 Fuse 53 (on fuse panel B)
- SC36 Fuse 36 (on fuse panel C)
- T6m 6-Pin Connector, black, on driver's seat lumbar support adjustment switch
- T8n 8-Pin Connector, black, below driver's seat
- T10t 10-Pin Connector, black, below driver's seat
- T40 40-Pin Connector, black, on electronics box engine compartment (Connector J)
- V125 Driver's Seat Lumbar Support Curvature Adjustment Motor
- V129 Driver's Seat Lumbar Support Height Adjustment Motor
- 96 Ground Connection 1 (in heated seats wiring harness)
- 368 Ground Connection 3 (in main wiring harness)
- B300 Plus Connection 4 (30) (in main wiring harness)
- # Only models with electronics box Low ⇒ Component Locations
- ## Only models with electronics box High ⇒ Component Locations

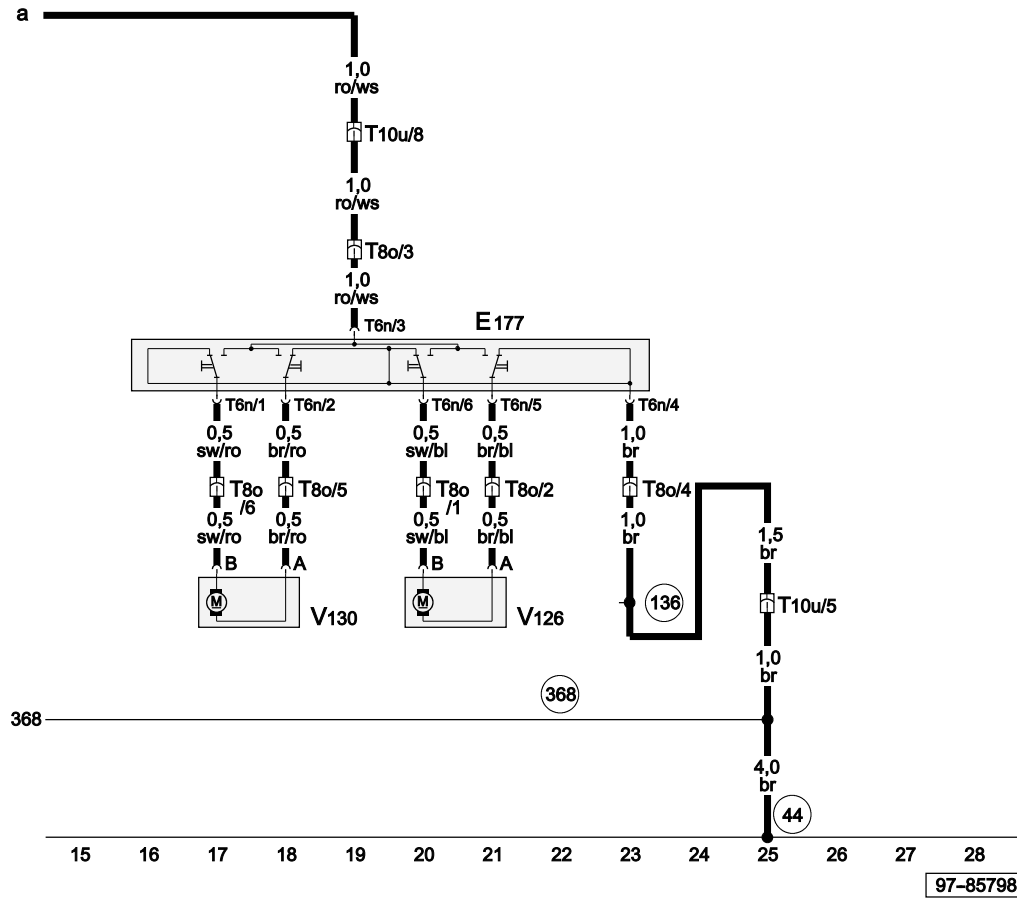
- ws = white
- sw = black
- ro = red
- br = brown
- gn = green
- bl = blue
- gr = grey
- li = lilac
- ge = yellow
- or = orange
- rs = pink



Front Passenger's Seat Lumbar Support Adjustment

- E177 Front Passenger's Seat Lumbar Support Adjustment Switch
- T6n 6-Pin Connector, black, on front passenger's seat lumbar support adjustment switch
- T8o 8-Pin Connector, black, below front passenger's seat
- T10u 10-Pin Connector, black, below front passenger's seat
- V126 Front Passenger's Seat Lumbar Support Curvature Adjustment Motor
- V130 Front Passenger Seat Lumbar Support Height Adjustment Motor

- 44 Ground Connection (on left lower A-pillar)
- 136 Ground Connection 2 (in heated seats wiring harness)
- 368 Ground Connection 3 (in main wiring harness)



Audi

Protected by copyright. Copying for private or commercial purposes, in part or in whole, is not permitted unless authorised by AUDI AG. AUDI AG does not guarantee or accept any liability with respect to the correctness of information in this document. Copyright by AUDI AG.

Power Seats with Lumbar Support Adjustment and Heated Seats

from model year 2006

Note:

Information for

◆ Relay and fuse arrangements

◆ Connector arrangements

◆ Control Modules and Relays

◆ Ground Connections

⇒ Component Locations

Information for

◆ Troubleshooting Procedures

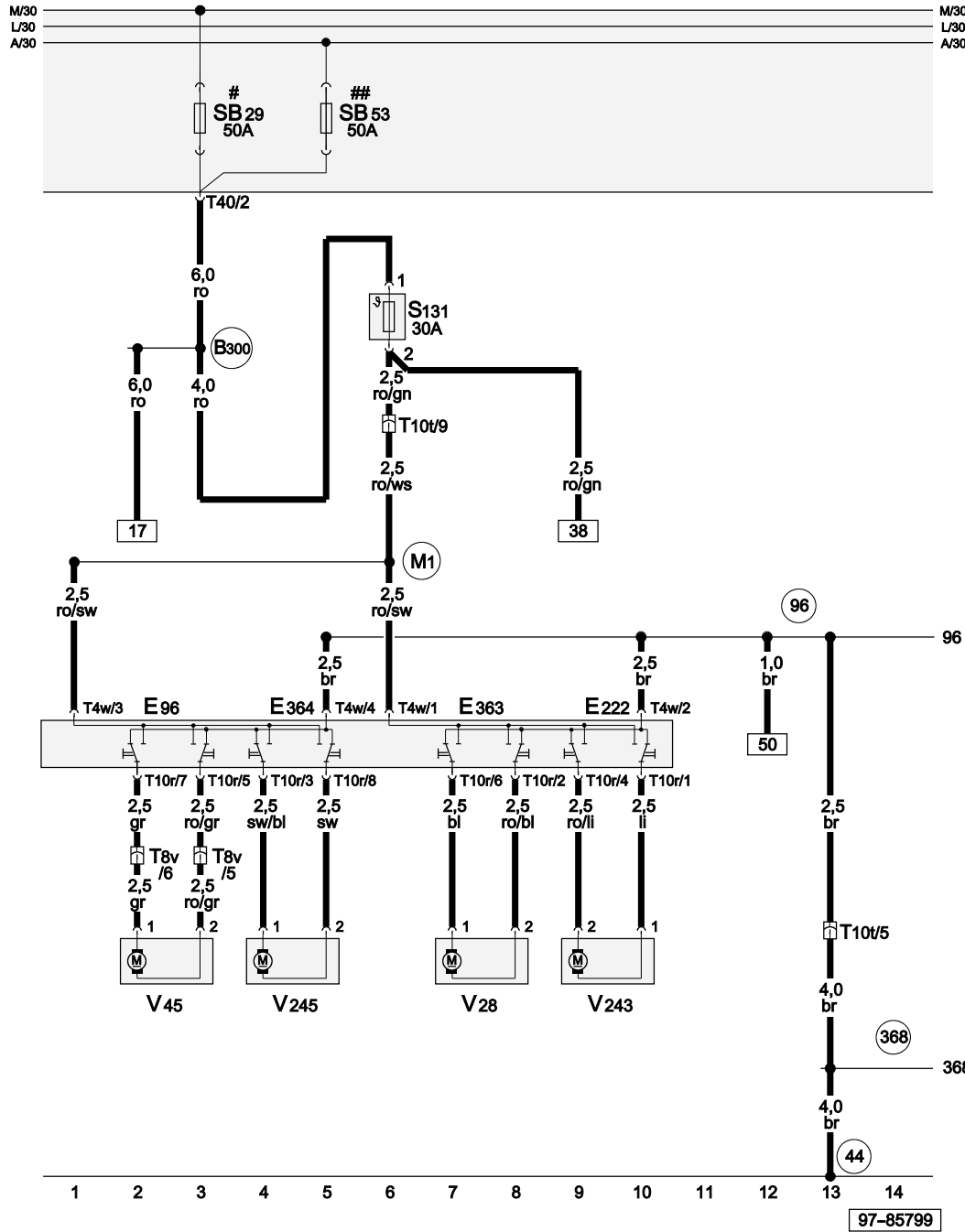
⇒ Guided Fault Finding using VAS 5051 / 5052



Audi

Protected by copyright. Copying for private or commercial purposes, in part or in whole, is not permitted unless authorised by AUDI AG. AUDI AG does not guarantee or accept any liability with respect to the correctness of information in this document. Copyright by AUDI AG.





Driver's Seat Power Seats

- E96 Driver's Backrest Adjustment Switch
- E222 Driver's Seat Tilt Adjustment Switch
- E363 Driver's Seat Fore/Aft Switch
- E364 Driver's Seat Height Adjustment Switch
- S131 Safety Fuse 1
- SB29 Fuse 29 (on fuse panel B)
- SB53 Fuse 53 (on fuse panel B)
- T4w 4-Pin Connector, black
- T8v 8-Pin Connector, black, on driver's seat backrest
- T10r 10-Pin Connector, black
- T10t 10-Pin Connector, black, below driver's seat
- T40 40-Pin Connector, black, on electronics box engine compartment (Connector J)
- V28 Driver's Seat fore/aft Adjustment Motor
- V45 Driver's Backrest Adjustment Motor
- V243 Driver's Seat Inclination Adjustment Motor
- V245 Driver's Seat Height Adjustment Motor

- 44 Ground Connection (on left lower A-pillar)
- 96 Ground Connection 1 (in heated seats wiring harness)
- 368 Ground Connection 3 (in main wiring harness)
- B300 Plus Connection 4 (30) (in main wiring harness)
- M1 Plus Connection 1 (30) (in power seats wiring harness)

Protected by copyright. Copying for private or commercial purposes, in part or in whole, is not permitted unless authorised by AUDI AG. AUDI AG does not guarantee or accept any liability with respect to the correctness of information in this document. Copyright by AUDI AG.

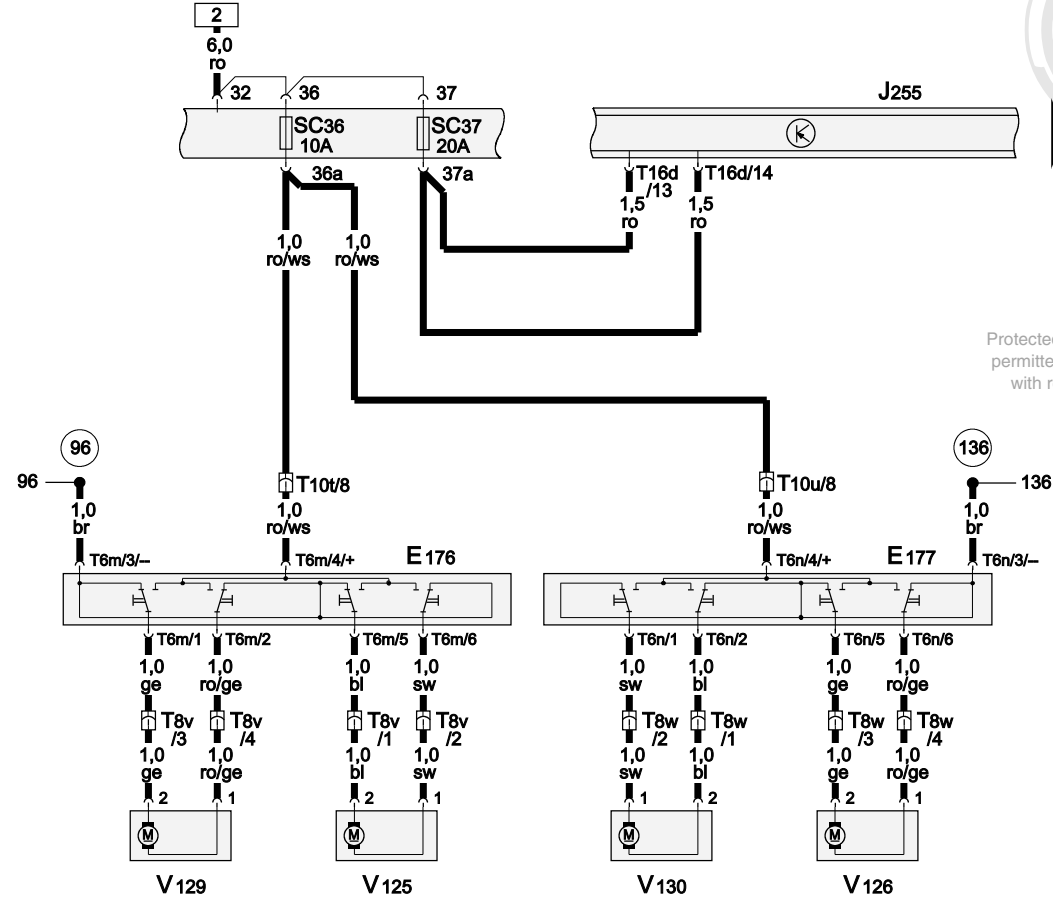
- # Only models with electronics box Low ⇒ Component Locations
- ## Only models with electronics box High ⇒ Component Locations

- ws = white
- sw = black
- ro = red
- br = brown
- gn = green
- bl = blue
- gr = grey
- li = lilac
- ge = yellow
- or = orange
- rs = pink



Lumbar Support Adjustment

- E176 Driver's Seat Lumbar Support Adjustment Switch
- E177 Front Passenger's Seat Lumbar Support Adjustment Switch
- J255 Climatronic Control Module
- SC36 Fuse 36 (on fuse panel C)
- SC37 Fuse 37 (on fuse panel C)
- T6m 6-Pin Connector, black, on driver's seat lumbar support adjustment switch
- T6n 6-Pin Connector, black, on front passenger's seat lumbar support adjustment switch
- T8v 8-Pin Connector, black, on driver's seat backrest
- T8w 8-Pin Connector, black, on front passenger's seat backrest
- T10t 10-Pin Connector, black, below driver's seat
- T10u 10-Pin Connector, black, below front passenger's seat
- T16d 16-Pin Connector, black (Connector D)
- V125 Driver's Seat Lumbar Support Curvature Adjustment Motor
- V126 Front Passenger's Seat Lumbar Support Curvature Adjustment Motor
- V129 Driver's Seat Lumbar Support Height Adjustment Motor
- V130 Front Passenger's Seat Lumbar Support Height Adjustment Motor

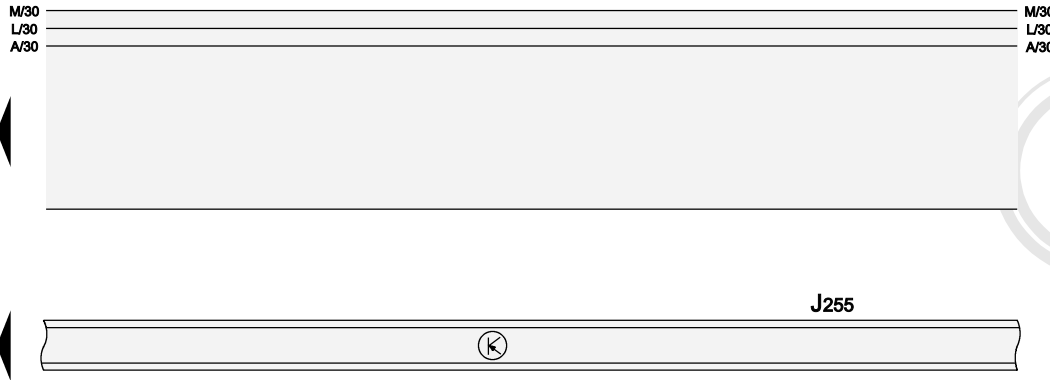


Protected by copyright. Copying for private or commercial purposes, in part or in whole, is not permitted unless authorised by AUDI AG. 96 Ground Connection 1 (in heated seats wiring harness) with respect to the correctness of information in this document. Copyright by AUDI AG.

136 Ground Connection 2 (in heated seats wiring harness)



- ws = white
- sw = black
- ro = red
- br = brown
- gn = green
- bl = blue
- gr = grey
- li = lilac
- ge = yellow
- or = orange
- rs = pink

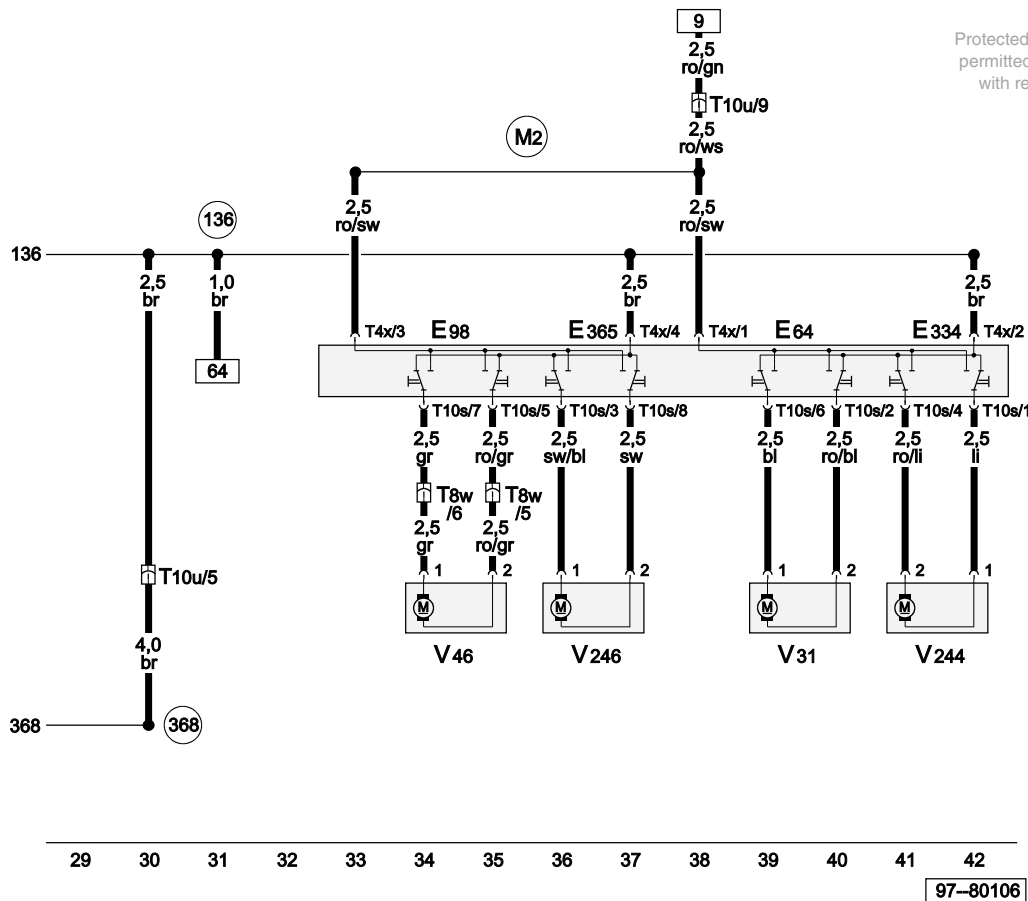


Front Passenger's Power Seats

- E64 Front Passenger's Seat Fore/Aft Adjustment Switch
- E98 Passenger Backrest Adjustment Switch
- E334 Front Passenger's Seat Tilt Adjustment Button
- E365 Front Passenger's Seat Height Adjustment Switch
- J255 Climatronic Control Module
- T4x 4-Pin Connector, black
- T8w 8-Pin Connector, black, on front passenger's seat backrest
- T10s 10-Pin Connector, black
- T10u 10-Pin Connector, black, below front passenger's seat
- V31 Front Passenger's Seat Fore/Aft Adjustment Motor
- V46 Front Passenger's Backrest Adjustment Motor
- V244 Front Passenger's Seat Inclination Adjustment Motor
- V246 Front Passenger's Seat Height Adjustment Motor
- 136 Ground Connection 2 (in heated seats wiring harness)

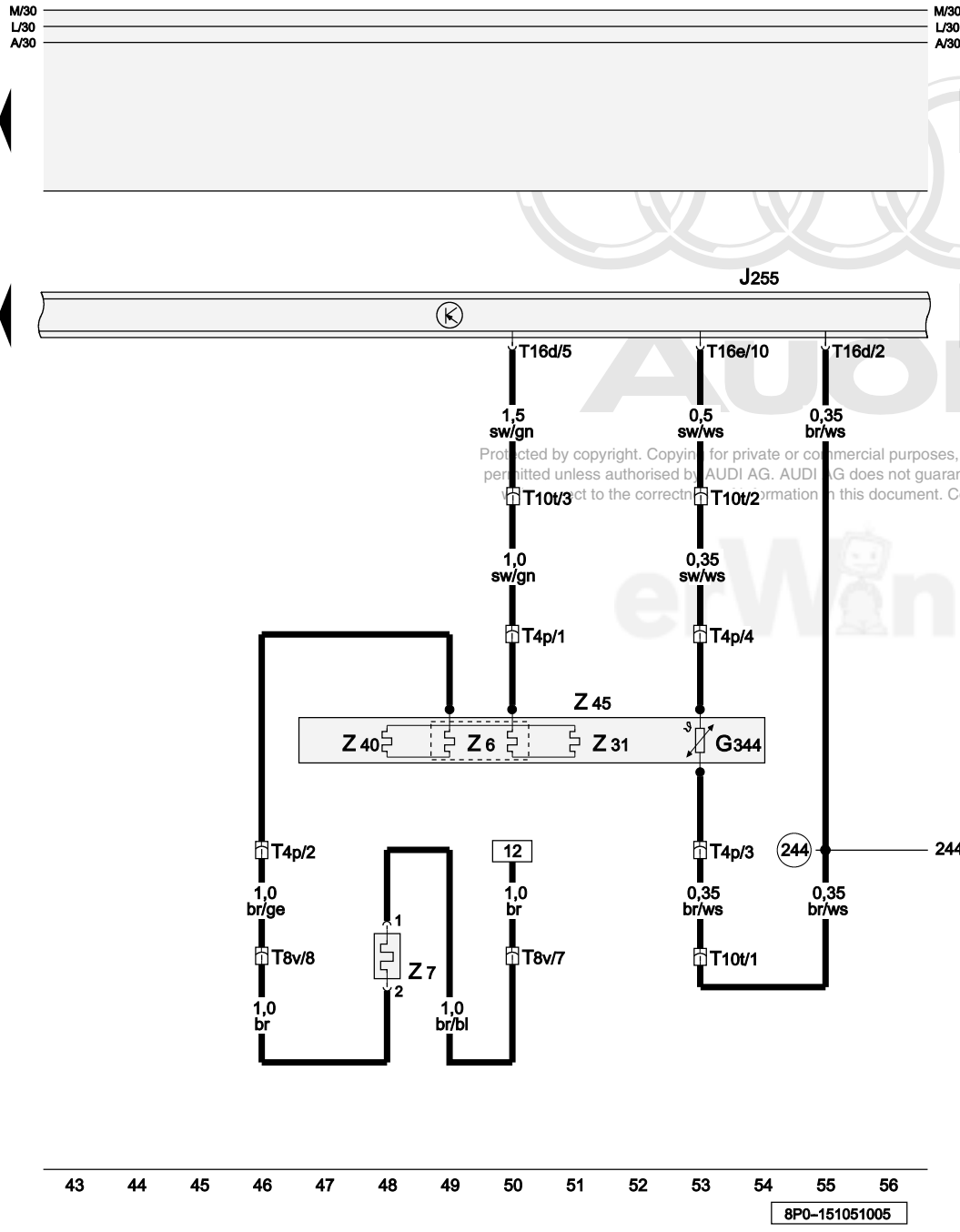
Protected by copyright. Copying for private or commercial purposes, in part or in whole, is not permitted unless authorised by AUDI AG. AUDI AG does not guarantee or accept any liability with respect to the correctness of information in this document. Copyright by AUDI AG.

- 368 Ground Connection 3 (in main wiring harness)
- M2 Plus Connection 2 (30) (in power seats wiring harness)



- ws = white
- sw = black
- ro = red
- br = brown
- gn = green
- bl = blue
- gr = grey
- li = lilac
- ge = yellow
- or = orange
- rs = pink

97-80106



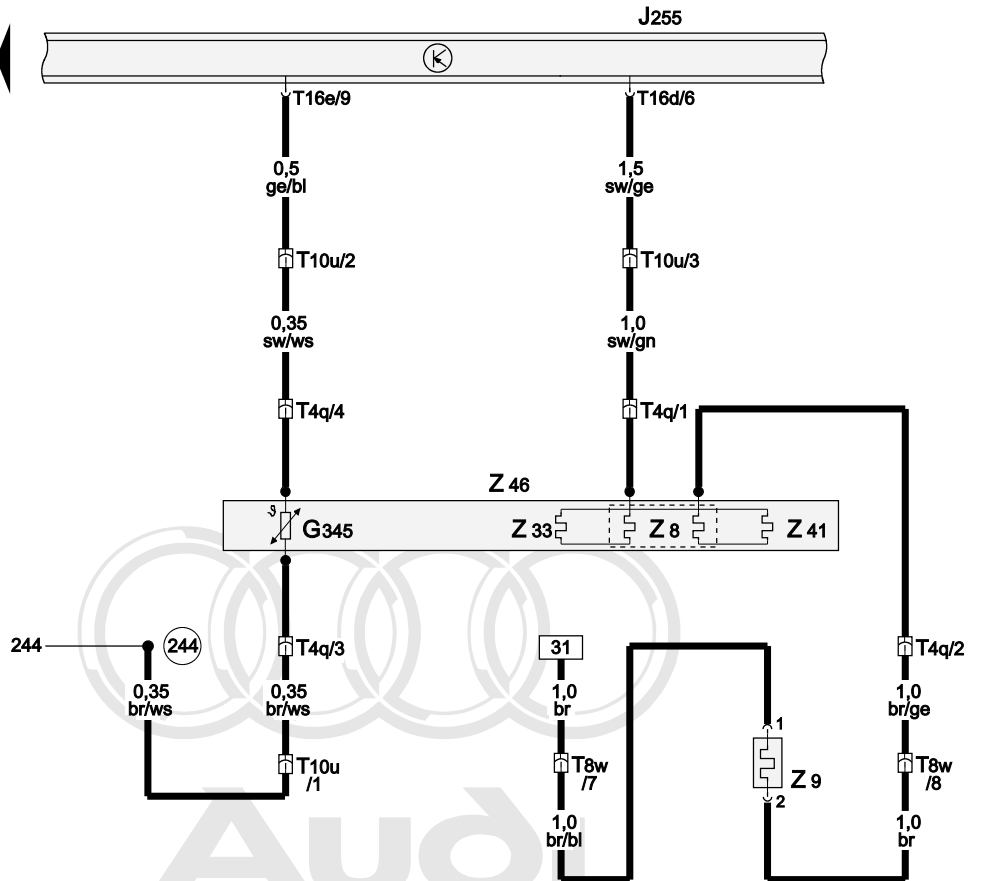
Protected by copyright. Copying for private or commercial purposes, in part or in whole, is not permitted unless authorised by AUDI AG. AUDI AG does not guarantee or accept any liability for the correctness of the information in this document. Copyright by AUDI AG.

Driver's Heated Seat

- G344 Left Front Seat Temperature Sensor
- J255 Climatronic Control Module
- T4p 4-Pin Connector, black, on driver's heated seat
- T8v 8-Pin Connector, black, on driver's seat backrest
- T10t 10-Pin Connector, black, below driver's seat
- T16d 16-Pin Connector, black (Connector D)
- T16e 16-Pin Connector, brown (Connector C)
- Z6 Driver's Seat Heating Element
- Z7 Driver's Backrest Heating Element
- Z31 Driver's Seat Side Bolster Heater
- Z40 Driver's Seat Side Bolster Heater 2
- Z45 Front Left Heated Seat

(244) Sensor Ground Connection (in Climatronic wiring harness)

- ws = white
- sw = black
- ro = red
- br = brown
- gn = green
- bl = blue
- gr = grey
- li = lilac
- ge = yellow
- or = orange
- rs = pink



Front Passenger's Heated Seat

- G345 Right Front Seat Temperature Sensor
- J255 Climatronic Control Module
- T4q 4-Pin Connector, black, on front passenger's heated seat
- T8w 8-Pin Connector, black, on front passenger's seat backrest
- T10u 10-Pin Connector, black, below front passenger's seat
- T16d 16-Pin Connector, black (Connector D)
- T16e 16-Pin Connector, brown (Connector C)
- Z8 Front Passenger's Seat Heating Element
- Z9 Front Passenger's Backrest Heating Element
- Z33 Front Passenger's Seat Side Bolster Heater
- Z41 Front Passenger's Seat Side Bolster Heater 2
- Z46 Front Right Heated Seat

244 Sensor Ground Connection (in Climatronic wiring harness)

- ws = white
- sw = black
- ro = red
- br = brown
- gn = green
- bl = blue
- gr = grey
- li = lilac
- ge = yellow
- or = orange
- rs = pink

Protected by copyright. Copying for private or commercial purposes, in part or in whole, is not permitted unless authorised by AUDI AG. AUDI AG does not guarantee or accept any liability with respect to the correctness of information in this document. Copyright by AUDI AG.

57 58 59 60 61 62 63 64 65 66 67 68 69 70

8P0-151061005

Headlamp with High-Intensity Gas Discharge Lamp (Xenon plus) and Automatic Headlamp Range Control

from model year 2006

Note:

Information for

- ◆ Relay and fuse arrangements
- ◆ Connector arrangements
- ◆ Control Modules and Relays
- ◆ Ground Connections

⇒ Component Locations

Information for

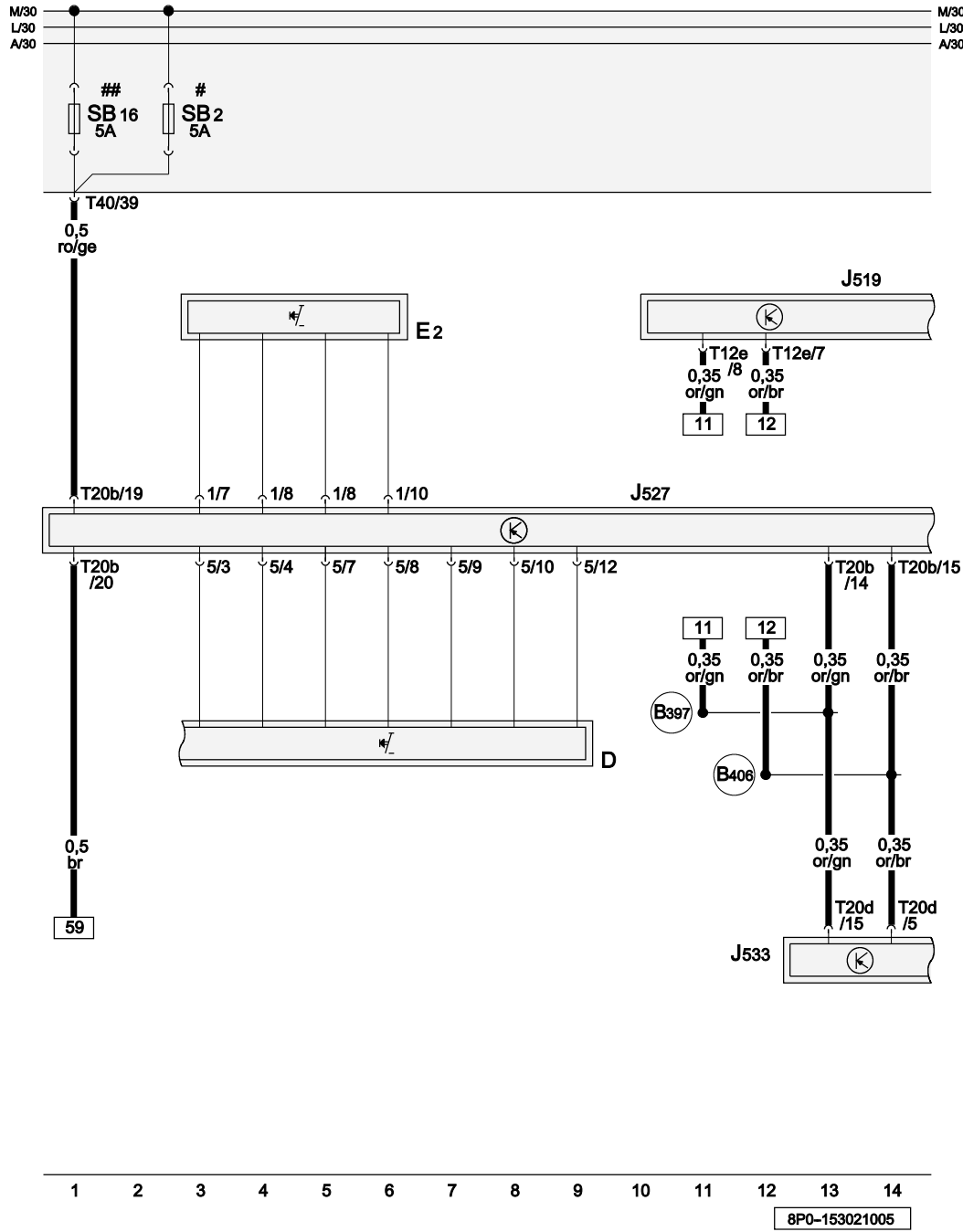
- ◆ Troubleshooting Procedures
- ⇒ Guided Fault Finding using VAS 5051 / 5052



Audi

Protected by copyright. Copying for private or commercial purposes, in part or in whole, is not permitted unless authorised by AUDI AG. AUDI AG does not guarantee or accept any liability with respect to the correctness of information in this document. Copyright by AUDI AG.





Ignition/Starter Switch, Turn Signal Switch

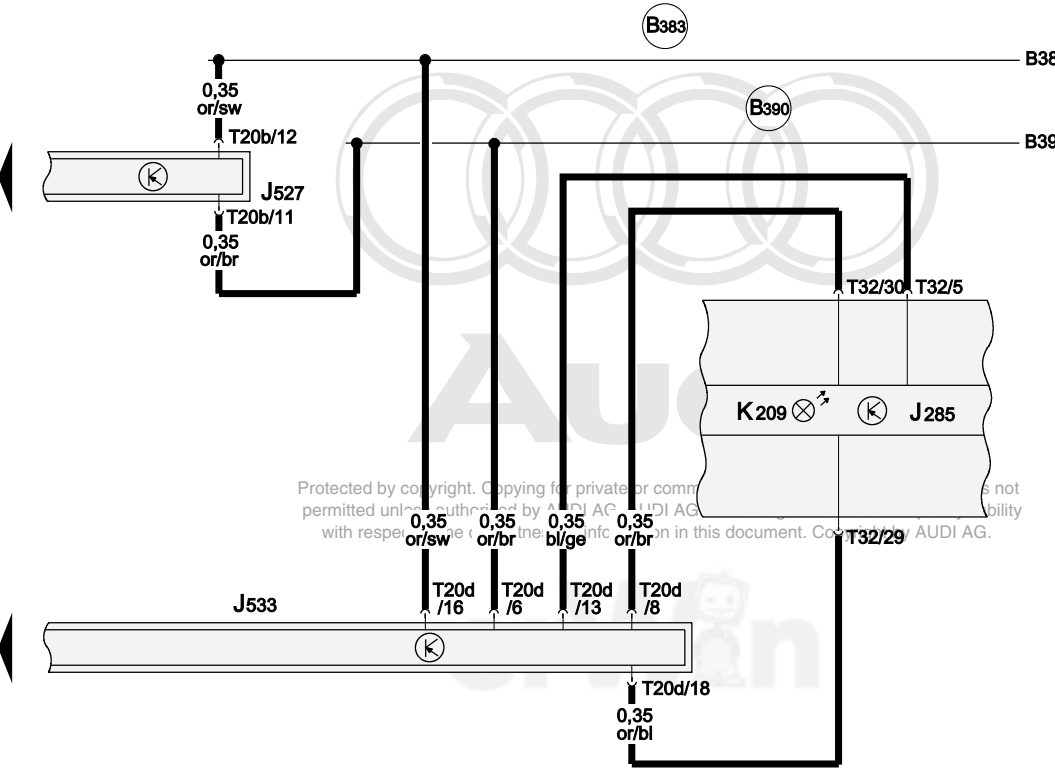
- D Ignition/Starter Switch
- E2 Turn Signal Switch
- J519 Vehicle Electrical System Control Module
- J527 Steering Column Electronic Systems Control Module
- J533 Data Bus On Board Diagnostic Interface
- SB2 Fuse 2 (on fuse panel B)
- SB16 Fuse 16 (on fuse panel B)
- T12e 12-Pin Connector, black (Connector G)
- T20b 20-Pin Connector, black (Connector A)
- T20d 20-Pin Connector, yellow (Connector A)
- T40 40-Pin Connector, black, on electronics box engine compartment (Connector J)
- B397 Comfort System CAN-Bus High Connection 1 (in main wiring harness)
- B406 Comfort System CAN-Bus Low Connection 1 (in main wiring harness)
- # Only models with electronics box Low → Component Locations
- ## Only models with electronics box High → Component Locations

Protected by copyright. Copying for private or commercial purposes, in part or in whole, is not permitted unless authorised by the copyright owner. All rights reserved. © 2006 Audi AG. All rights reserved.

- ws = white
- sw = black
- ro = red
- br = brown
- gn = green
- bl = blue
- gr = grey
- li = lilac
- ge = yellow
- or = orange
- rs = pink

1 2 3 4 5 6 7 8 9 10 11 12 13 14

8P0-153021005



Instrument Cluster Control Module

- J285 Instrument Cluster Control Module
- J519 Vehicle Electrical System Control Module
- J527 Steering Column Electronic Systems Control Module
- J533 Data Bus On Board Diagnostic Interface
- K209 Automatic Light Control Indicator Lamp
- T20b 20-Pin Connector, black (Connector A)
- T20d 20-Pin Connector, yellow (Connector A)
- T32 32-Pin Connector, blue (Connector A)

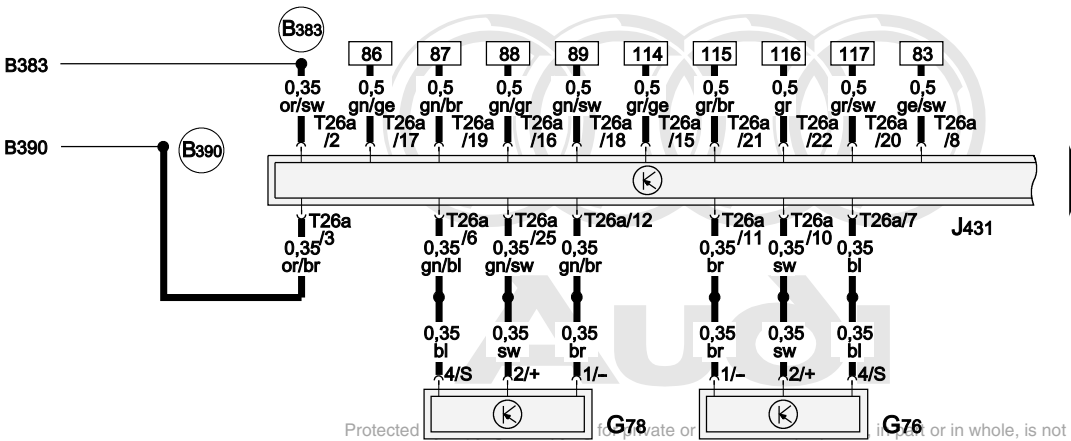
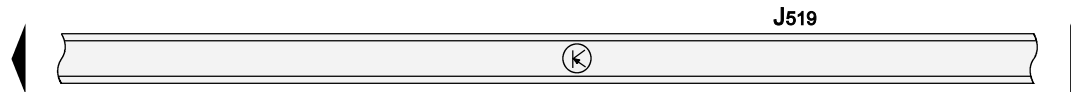
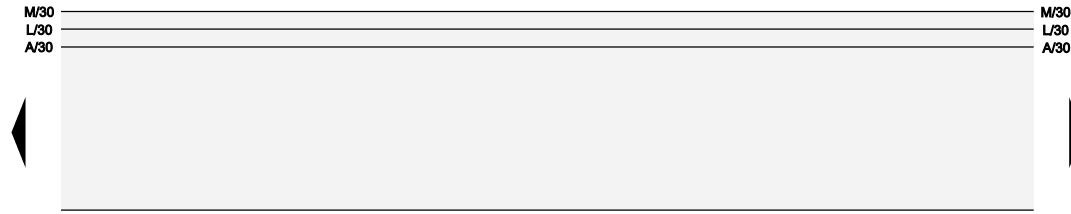
- (B383) Powertrain CAN-Bus High Connection 1 (in main wiring harness)
- (B390) Powertrain CAN-Bus Low Connection 1 (in main wiring harness)

Protected by copyright. Copying for private or commercial use is not permitted unless authorized by AUDI AG. AUDI AG is not liable for any damage or liability arising from the use of this document. Copyright © AUDI AG.

- ws = white
- sw = black
- ro = red
- br = brown
- gn = green
- bl = blue
- gr = grey
- li = lilac
- ge = yellow
- or = orange
- rs = pink

15 16 17 18 19 20 21 22 23 24 25 26 27 28

97-85784



Protected by copyright. In part or in whole, is not permitted unless authorised by AUDI AG. AUDI AG does not guarantee or accept any liability with respect to the correctness of information in this document. Copyright by AUDI AG.

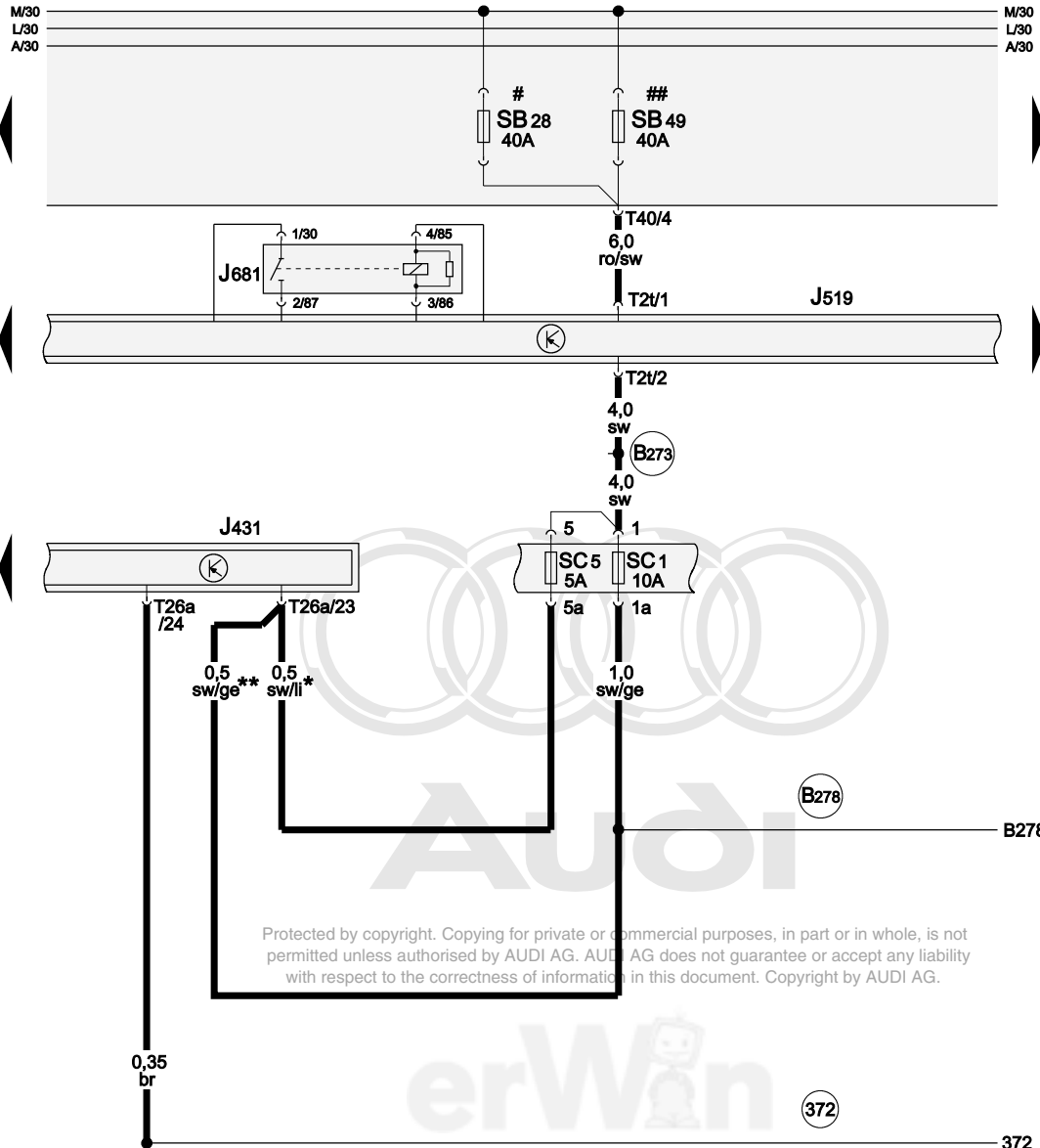
Level Control System Sensor

- G76 Left Rear Level Control System Sensor
- G78 Left Front Level Control System Sensor
- J431 Headlamp Range Control Module
- J519 Vehicle Electrical System Control Module
- T26a 26-Pin Connector, black (Connector A)

B383 Powertrain CAN-Bus High Connection 1 (in main wiring harness)

B390 Powertrain CAN-Bus Low Connection 1 (in main wiring harness)

- ws = white
- sw = black
- ro = red
- br = brown
- gn = green
- bl = blue
- gr = grey
- li = lilac
- ge = yellow
- or = orange
- rs = pink



Power Supply Relay 2 (terminal 15)

- J431 Headlamp Range Control Module
- J519 Vehicle Electrical System Control Module
- J681 Power Supply Relay 2 (terminal 15)
- SB28 Fuse 28 (on fuse panel B)
- SB49 Fuse 49 (on fuse panel B)
- SC1 Fuse 1 (on fuse panel C)
- SC5 Fuse 5 (on fuse panel C)
- T2t Double Connector, black (Connector L)
- T26a 26-Pin Connector, black (Connector A)
- T40 40-Pin Connector, black, on electronics box engine compartment (Connector J)

- (372) Ground Connection 7 (in main wiring harness)
- (B273) Plus Connection (15) (in main wiring harness)
- (B278) Plus Connection 2 (15a) (in main wiring harness)

- * Not applicable from model year 2006
- ** Applicable from model year 2007
- # Only models with electronics box Low ⇒ Component Locations
- ## Only models with electronics box High ⇒ Component Locations

Protected by copyright. Copying for private or commercial purposes, in part or in whole, is not permitted unless authorised by AUDI AG. AUDI AG does not guarantee or accept any liability with respect to the correctness of information in this document. Copyright by AUDI AG.

- ws = white
- sw = black
- ro = red
- br = brown
- gn = green
- bl = blue
- gr = grey
- li = lilac
- ge = yellow
- or = orange
- rs = pink

43 44 45 46 47 48 49 50 51 52 53 54 55 56

(372)

372

(B278)

B278

(B273)

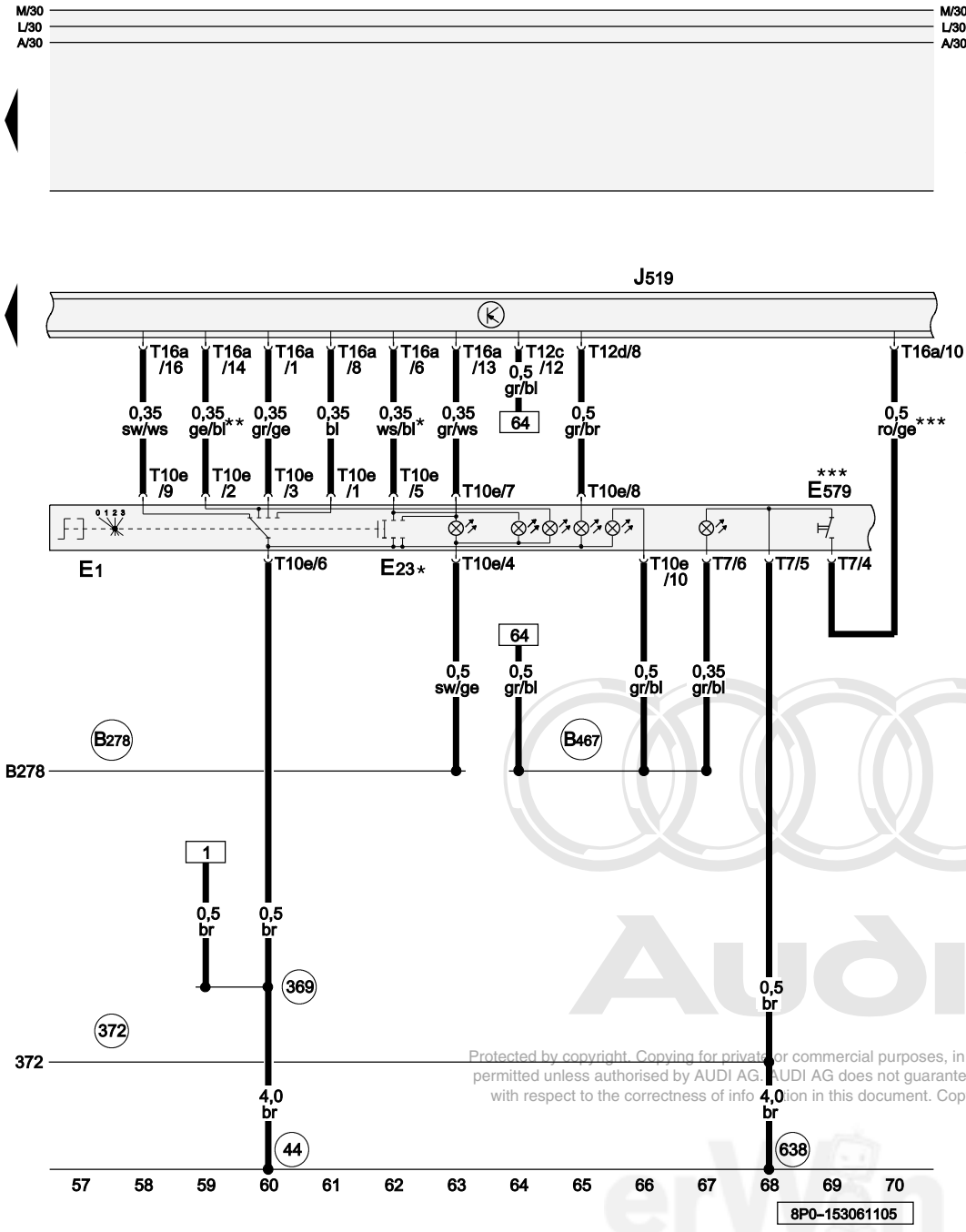
(K)

(K)

(K)

(K)

8P0-153050406



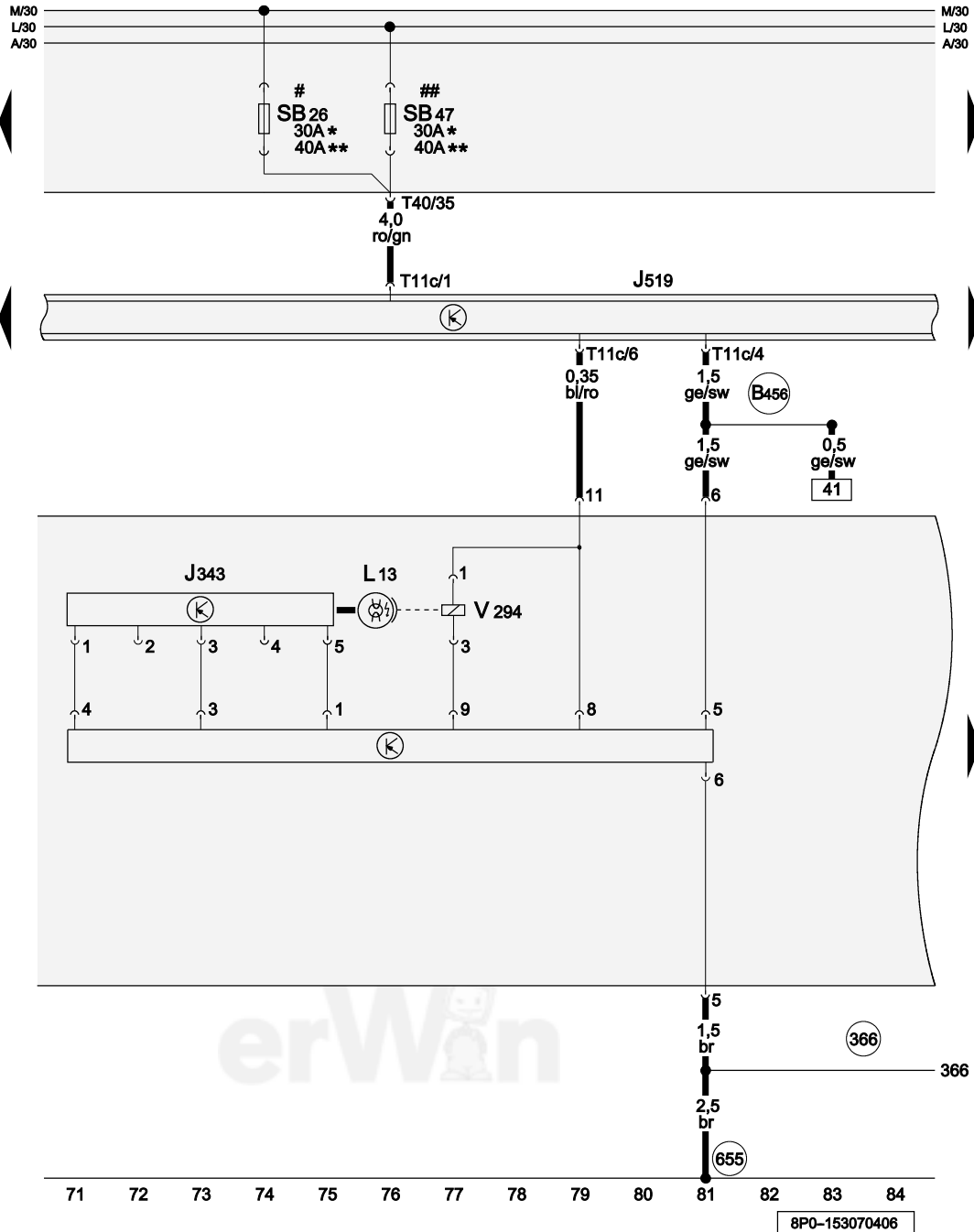
Light Switch

- E1 Light Switch
- E23 Fog Lamp and Rear Fog Lamp Switch
- E579 Daytime Running Lamps Disable Switch
- J519 Vehicle Electrical System Control Module
- T7 7-Pin Connector, black (Connector B)
- T10e 10-Pin Connector, black (Connector A)
- T12c 12-Pin Connector, black (Connector B)
- T12d 12-Pin Connector, brown (Connector C)
- T16a 16-Pin Connector, black (Connector E)
- 44 Ground Connection (on left lower A-pillar)
- 369 Ground Connection 4 (in main wiring harness)
- 372 Ground Connection 7 (in main wiring harness)
- 638 Ground Connection (on right A-pillar)
- B278 Plus Connection 2 (15a) (in main wiring harness)
- B467 Connection 3 (in main wiring harness)
- * Only models with front fog lamps
- ** Only models with automatic headlamp switching
- *** Only models with daytime running lights

ws = white
 sw = black
 ro = red
 br = brown
 gn = green
 bl = blue
 gr = grey
 li = lilac
 ge = yellow
 or = orange
 rs = pink

Protected by copyright. Copying for private or commercial purposes, in part or in whole, is not permitted unless authorised by AUDI AG. AUDI AG does not guarantee or accept any liability with respect to the correctness of information in this document. Copyright by AUDI AG.

8P0-153061105



Left High Intensity Gas Discharge (HID) Lamp

- J343 Left High-intensity Gas Discharge Lamp Control Module
- J519 Vehicle Electrical System Control Module
- L13 Left High Intensity Gas Discharge (HID) Lamp
- SB26 Fuse 26 (on fuse panel B)
- SB47 Fuse 47 (on fuse panel B)
- T11c 11-Pin Connector, brown (Connector D)
- T40 40-Pin Connector, black, on electronics box engine compartment (Connector J)
- V294 Left Low Beam Reflector Motor

366 Ground Connection 1 (in main wiring harness)

655 Ground Connection (on left headlamp)

B456 Connection (56b) (in main wiring harness)

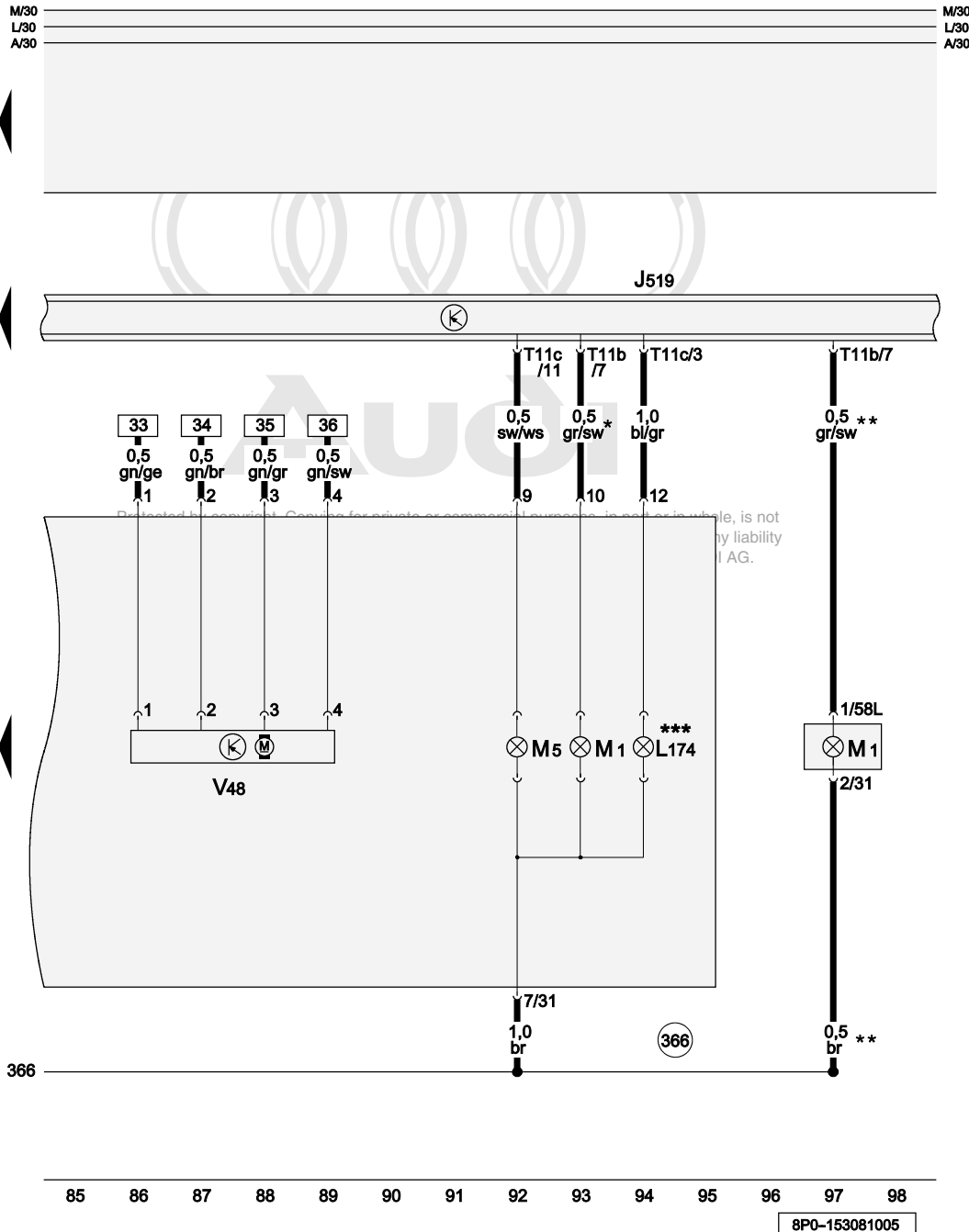
* Applicable from model year 2007

** Not applicable from model year 2007

Only models with electronics box Low ⇒ Component Locations

Only models with electronics box High ⇒ Component Locations

- ws = white
- sw = black
- ro = red
- br = brown
- gn = green
- bl = blue
- gr = grey
- li = lilac
- ge = yellow
- or = orange
- rs = pink



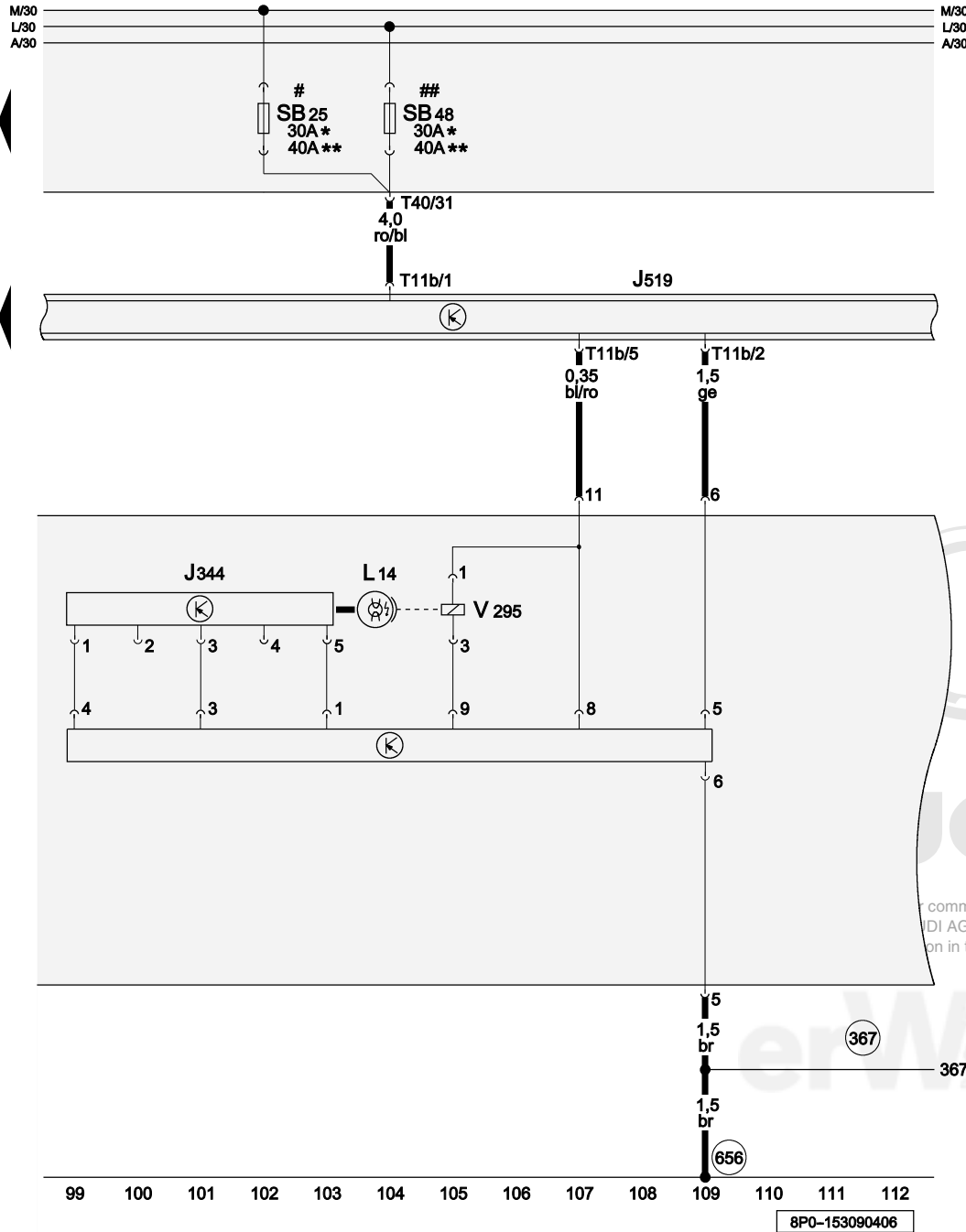
Left Parking Lamp, Left Front Turn Signal Lamp, Left Daytime Running Lamp (DRL) Lamp

- J519 Vehicle Electrical System Control Module
- L174 Left Daytime Running Lamp (DRL) Lamp
- M1 Left Parking Lamp
- M5 Left Front Turn Signal Lamp
- T11b 11-Pin Connector, black (Connector A)
- T11c 11-Pin Connector, brown (Connector D)
- V48 Left Headlamp Beam Adjustment Motor

366 Ground Connection 1 (in main wiring harness)

- * Only models with parking light in headlamp
- ** Only models without parking light in headlamp
- *** Only models with daytime running lights

- ws = white
- sw = black
- ro = red
- br = brown
- gn = green
- bl = blue
- gr = grey
- li = lilac
- ge = yellow
- or = orange
- rs = pink

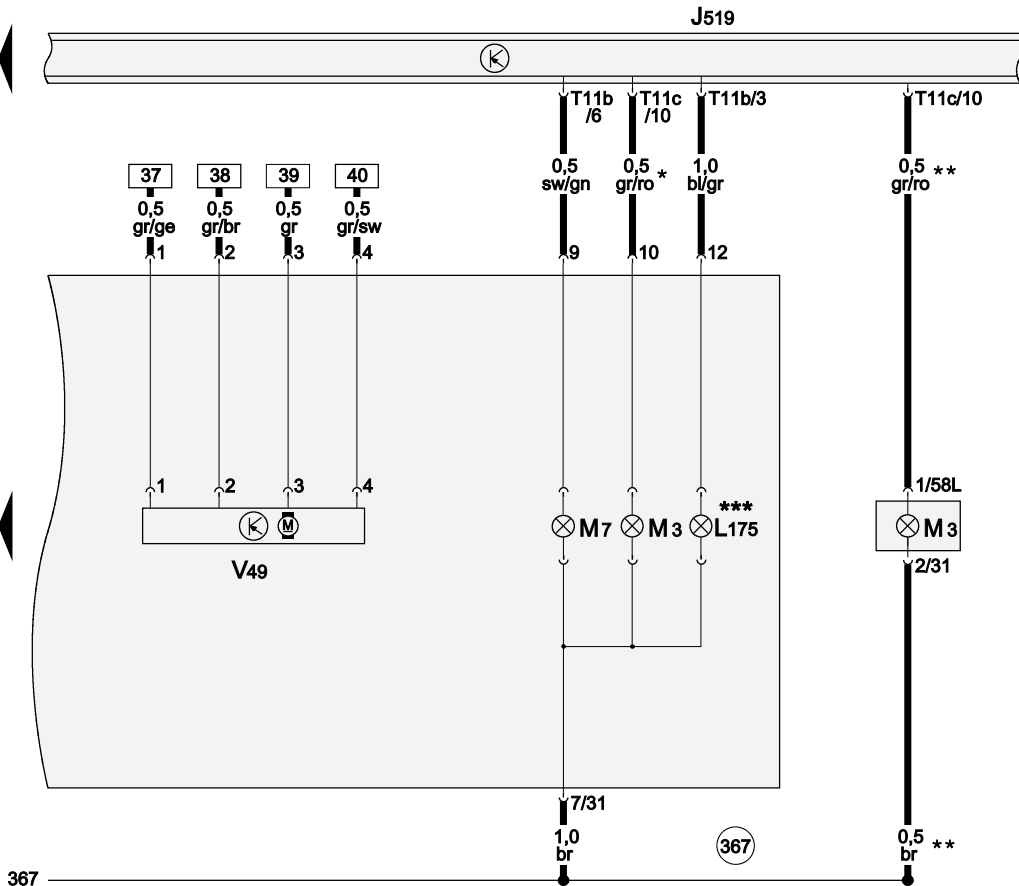
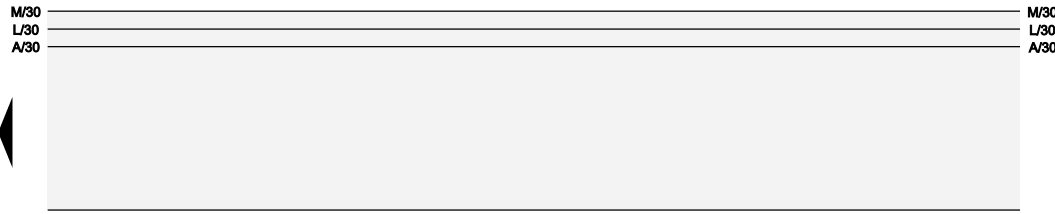


Right High Intensity Gas Discharge (HID) Lamp

- J344 Right High-intensity Gas Discharge Lamp Control Module
- J519 Vehicle Electrical System Control Module
- L14 Right High Intensity Gas Discharge (HID) Lamp
- SB25 Fuse 25 (on fuse panel B)
- SB48 Fuse 48 (on fuse panel B)
- T11b 11-Pin Connector, black (Connector A)
- T40 40-Pin Connector, black, on electronics box engine compartment (Connector J)
- V295 Right Low Beam Reflector Motor
- 367 Ground Connection 2 (in main wiring harness)
- 656 Ground Connection (on right headlamp)
- * Applicable from model year 2007
- ** Not applicable from model year 2007
- # Only models with electronics box Low ⇒ Component Locations
- ## Only models with electronics box High ⇒ Component Locations

commercial purposes, in part or in whole, is not
 Audi AG does not guarantee or accept any liability
 on in this document. Copyright by AUDI AG.

- ws = white
- sw = black
- ro = red
- br = brown
- gn = green
- bl = blue
- gr = grey
- li = lilac
- ge = yellow
- or = orange
- rs = pink



Right Parking Lamp, Right Front Turn Signal Lamp, Right Daytime Running Lamp (DRL) Lamp

- J519 Vehicle Electrical System Control Module
- L175 Right Daytime Running Lamp (DRL) Lamp
- M3 Right Parking Lamp
- M7 Right Front Turn Signal Lamp
- T11b 11-Pin Connector, black (Connector A)
- T11c 11-Pin Connector, brown (Connector D)
- V49 Right Headlamp Beam Adjustment Motor

367 Ground Connection 2 (in main wiring harness)

- * Only models with parking light in headlamp
- ** Only models without parking light in headlamp
- *** Only models with daytime running lights



Protected by copyright. Copying for private or commercial purposes, in part or in whole, is not permitted unless authorised by AUDI AG. AUDI AG does not guarantee or accept any liability with respect to the correctness of information in this document. Copyright by AUDI AG.



- ws = white
- sw = black
- ro = red
- br = brown
- gn = green
- bl = blue
- gr = grey
- li = lilac
- ge = yellow
- or = orange
- rs = pink

113 114 115 116 117 118 119 120 121 122 123 124 125 126

8P0-153101005

Data-Bus Wires (CAN-Bus, LIN-Bus)

from model year 2006

Note:

Information for

- ◆ Relay and fuse arrangements
- ◆ Connector arrangements
- ◆ Control Modules and Relays
- ◆ Ground Connections

⇒ Component Locations

Information for

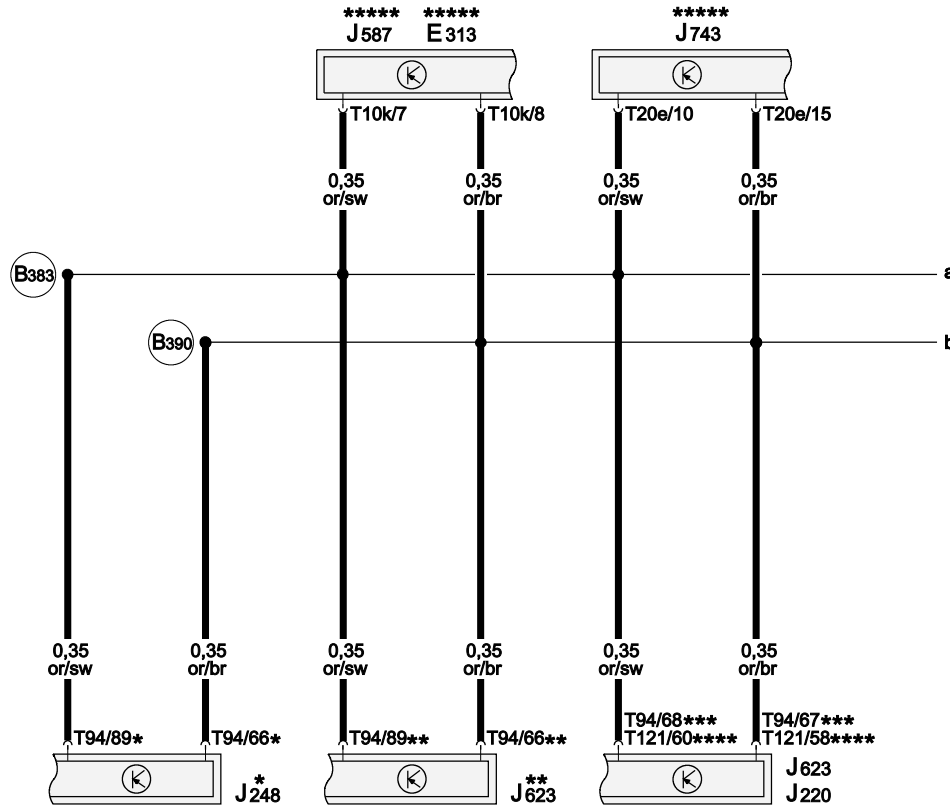
- ◆ Troubleshooting Procedures
- ⇒ Guided Fault Finding using VAS 5051 / 5052



Audi

Protected by copyright. Copying for private or commercial purposes, in part or in whole, is not permitted unless authorised by AUDI AG. AUDI AG does not guarantee or accept any liability with respect to the correctness of information in this document. Copyright by AUDI AG.

erWin



Powertrain CAN-Bus

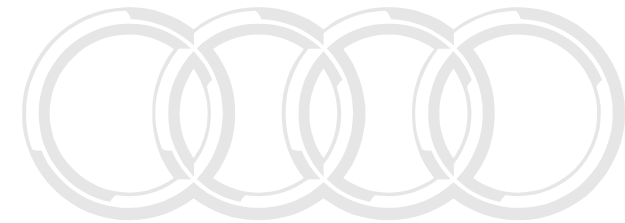
- E313 Selector Lever
- J220 Motronic Engine Control Module (ECM)
- J248 Diesel Direct Fuel Injection (DFI) Engine Control Module (ECM)
- J587 Selector Lever Sensor Control Module
- J623 Engine Control Module (ECM)
- J743 Direct Shift Gearbox (DSG) Mechatronic
- T10k 10-Pin Connector, black (Connector A)
- T20e 20-Pin Connector, black (Connector A)
- T94 94-Pin Connector, black (Connector B)
- T121 121-Pin Connector, black, on engine control module (ECM)

B383 Powertrain CAN-Bus High Connection 1 (in main wiring harness)

B390 Powertrain CAN-Bus Low Connection 1 (in main wiring harness)

- * Only models with engine codes AZV, BKD, BKC, BXE
- ** Only models with engine codes BMM, BMN, BUY, BLS
- *** Only models with engine codes AXX, BPY, BWA, BPT, BPU, BYT, CAXC, CAWB, BZB, CCTA, CBFA
- **** Only models with engine codes BMJ, BUB
- ***** Only models with Direct Shift Gearbox (02E)

- ws = white
- sw = black
- ro = red
- rt = red
- br = brown
- gn = green
- bl = blue
- gr = grey
- li = lilac
- vi = lilac
- ge = yellow
- or = orange
- rs = pink



Audi

Protected by copyright. Copying for private or commercial purposes, in part or in whole, is not permitted unless authorised by AUDI AG. AUDI AG does not guarantee or accept any liability with respect to the correctness of information in this document. Copyright by AUDI AG.

1 2 3 4 5 6 7 8 9 10 11 12 13 14

8PO-155021007



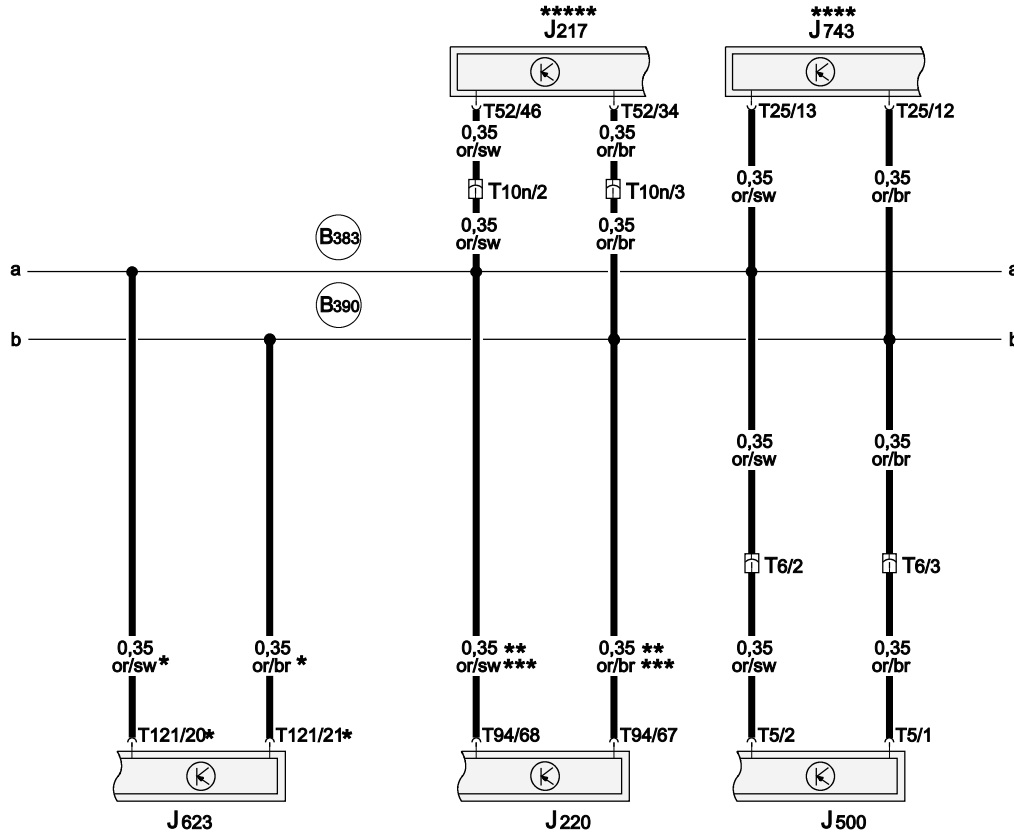
Powertrain CAN-Bus

- J217 Transmission Control Module (TCM)
- J220 Motronic Engine Control Module (ECM)
- J500 Power Steering Control Module
- J623 Engine Control Module (ECM)
- J743 Direct Shift Gearbox (DSG) Mechatronic
- T5 5-Pin Connector, white (Connector C)
- T6 6-Pin Connector, black, near left front long member
- T10n 10-Pin Connector, black, near left front long member
- T25 25-Pin Connector, black (Connector A)
- T52 52-Pin Connector, black (Connector A)
- T94 94-Pin Connector, black (Connector B)
- T121 121-Pin Connector, black, on engine control module (ECM)

B383 Powertrain CAN-Bus High Connection 1 (in main wiring harness)

B390 Powertrain CAN-Bus Low Connection 1 (in main wiring harness)

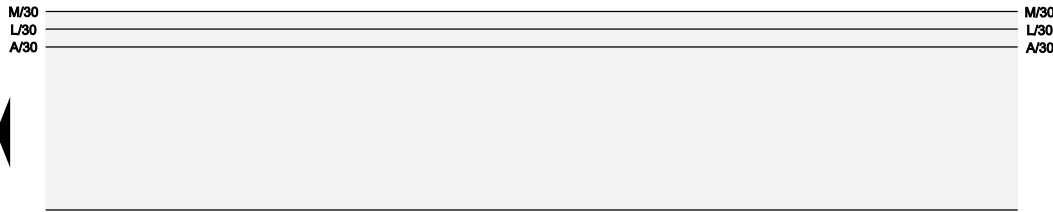
- * Only models with engine codes BSE, BSF
- ** Only models with engine codes BLR, BLY, BVY, BVZ
- *** Only models with engine code BLF
- **** Only models with direct shift gearbox 0AM
- ***** Only models with automatic transmission (09G)



- ws = white
- sw = black
- ro = red
- rt = red
- br = brown
- gn = green
- bl = blue
- gr = grey
- li = lilac
- vi = lilac
- ge = yellow
- or = orange
- rs = pink

15 16 17 18 19 20 21 22 23 24 25 26 27 28

8P0-155031007

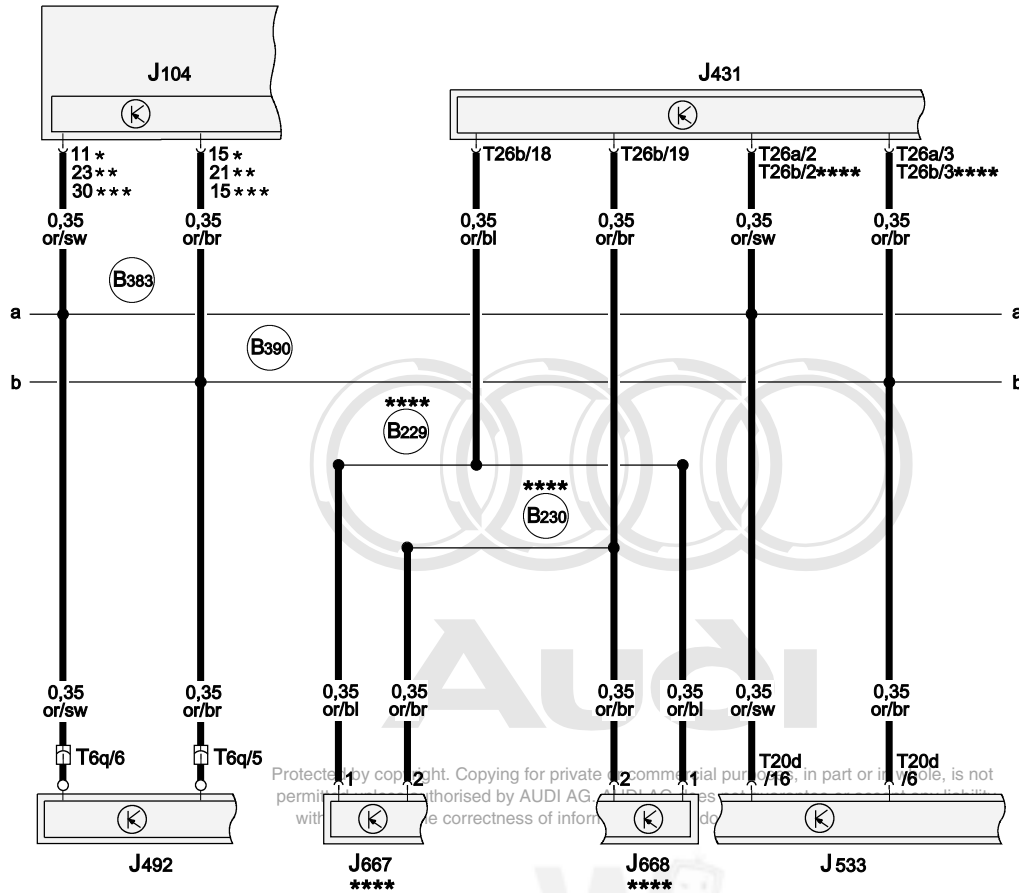


Powertrain CAN-Bus

- J104 ABS Control Module
- J431 Headlamp Range Control Module
- J492 All-Wheel Drive Control Module
- J533 Data Bus On Board Diagnostic Interface
- J667 Left Headlamp Power Output Stage
- J668 Right Headlamp Power Output Stage
- T6q 6-Pin Connector, black, near fuel level sensor 2
- T20d 20-Pin Connector, yellow (Connector A)
- T26a 26-Pin Connector, black (Connector A)
- T26b 26-Pin Connector, blue (Connector A)

- B229 High-Bus Connection (in interior wiring harness)
- B230 Low-Bus Connection (in interior wiring harness)
- B383 Powertrain CAN-Bus High Connection 1 (in main wiring harness)
- B390 Powertrain CAN-Bus Low Connection 1 (in main wiring harness)

- * Only models with anti-lock brake system (ABS) MK60 and direct shift gearbox (02E) or manual transmission
- ** Only models with anti-lock brake system (ABS) MK70
- *** Only models with anti-lock brake system (ABS) MK60 and automatic transmission (09G)
- **** Only models with dynamic cornering light



- ws = white
- sw = black
- ro = red
- rt = red
- br = brown
- gn = green
- bl = blue
- gr = grey
- li = lilac
- vi = lilac
- ge = yellow
- or = orange
- rs = pink

29 30 31 32 33 34 35 36 37 38 39 40 41 42

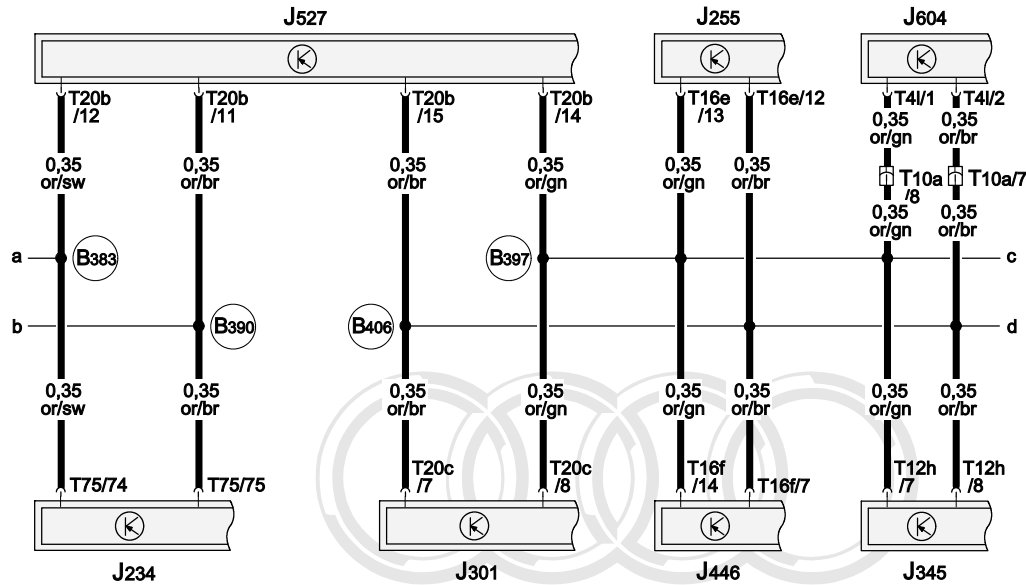
8P0-155041005



Comfort System CAN-Bus

- J234 Airbag Control Module
- J255 Climatronic Control Module
- J301 A/C Control Module
- J345 Towing Recognition Control Module
- J446 Parking Aid Control Module
- J527 Steering Column Electronic Systems Control Module
- J533 Data Bus On Board Diagnostic Interface
- J604 Auxiliary Air Heater Control Module
- T4l 4-Pin Connector, black (Connector C)
- T10a 10-Pin Connector, black, behind glove compartment
- T12h 12-Pin Connector, red (Connector A)
- T16e 16-Pin Connector, brown (Connector C)
- T16f 16-Pin Connector, brown, on parking aid control module
- T20b 20-Pin Connector, black (Connector A)
- T20c 20-Pin Connector, black (Connector A)
- T75 75-Pin Connector, yellow (connector locking green)

- (B383) Powertrain CAN-Bus High Connection 1 (in main wiring harness)
- (B390) Powertrain CAN-Bus Low Connection 1 (in main wiring harness)
- (B397) Comfort System CAN-Bus High Connection 1 (in main wiring harness)
- (B406) Comfort System CAN-Bus Low Connection 1 (in main wiring harness)



- ws = white
- sw = black
- ro = red
- rt = red
- br = brown
- gn = green
- bl = blue
- gr = grey
- li = lilac
- vi = lilac
- ge = yellow
- or = orange
- rs = pink

Protected by Copyright. Copying for private or commercial purposes, in part or in whole, is not permitted unless authorised by AUDI AG. AUDI AG does not guarantee or accept any liability with respect to the correctness of information in this document. Copyright by AUDI AG.

43 44 45 46 47 48 49 50 51 52 53 54 55 56

8P0-155050408

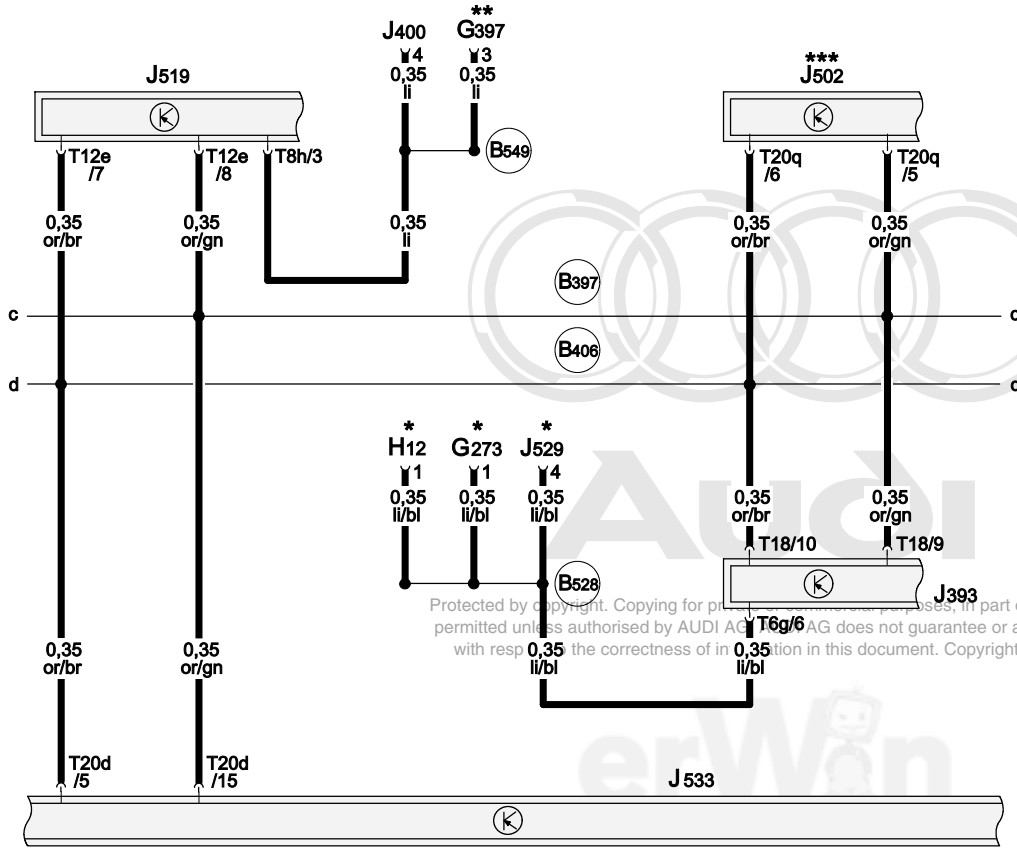


Comfort System CAN-Bus, LIN-Bus

- G273 Interior Monitoring Sensor
- G397 Rain/Light Recognition Sensor
- H12 Alarm Horn
- J393 Comfort System Central Control Module
- J400 Wiper Motor Control Module
- J502 Tire Pressure Monitoring Control Module
- J519 Vehicle Electrical System Control Module
- J529 Inclination-/Anti-Theft Control Module
- J533 Data Bus On Board Diagnostic Interface
- T6g 6-Pin Connector, black (Connector E)
- T8h 8-Pin Connector, black (Connector F)
- T12e 12-Pin Connector, black (Connector G)
- T18 18-Pin Connector, brown (Connector A)
- T20d 20-Pin Connector, yellow (Connector A)
- T20q 20-Pin Connector (Connector A)

- (B397) Comfort System CAN-Bus High Connection 1 (in main wiring harness)
- (B406) Comfort System CAN-Bus Low Connection 1 (in main wiring harness)
- (B528) LIN-Bus Connection 1 (in main wiring harness)
- (B549) LIN-Bus Connection 2 (in main wiring harness)

- * Only models with anti-theft alarm system
- ** Only models with automatic headlamp switching
- *** Only models with US equipment



Protected by copyright. Copying for private use or for internal or external promotional purposes, in part or in whole, is not permitted unless authorised by AUDI AG. AUDI AG does not guarantee or accept any liability with respect to the correctness of information in this document. Copyright by AUDI AG.

- ws = white
- sw = black
- ro = red
- rt = red
- br = brown
- gn = green
- bl = blue
- gr = grey
- li = lilac
- vi = lilac
- ge = yellow
- or = orange
- rs = pink

57 58 59 60 61 62 63 64 65 66 67 68 69 70

8P0-155060408

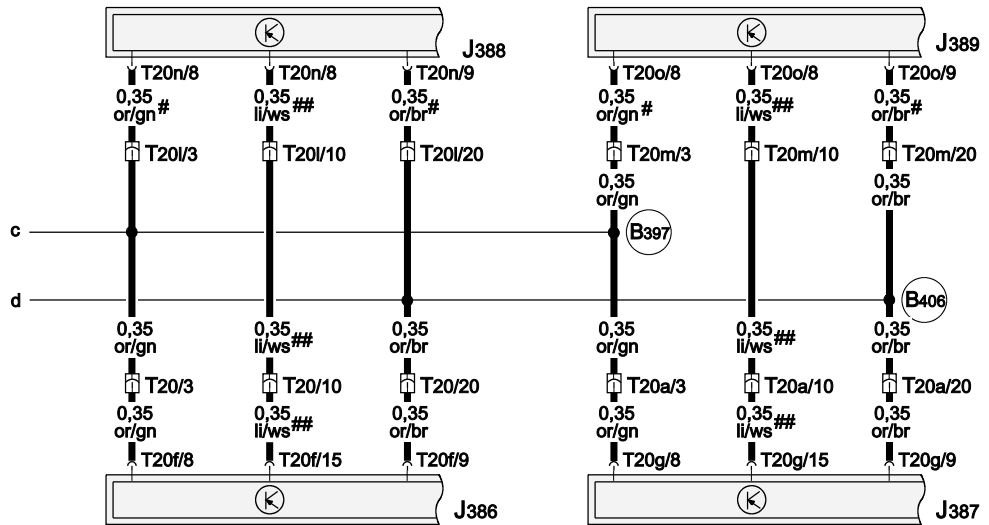


Comfort System CAN-Bus

- J386 Driver's Door Control Module
- J387 Front Passenger's Door Control Module
- J388 Left Rear Door Control Module
- J389 Right Rear Door Control Module
- J533 Data Bus On Board Diagnostic Interface
- T20 20-Pin Connector, black, door A-pillar, left
- T20a 20-Pin Connector, black, door A-pillar, right
- T20f 20-Pin Connector, black (Connector A)
- T20g 20-Pin Connector, black (Connector A)
- T20l 20-Pin Connector, black, door B-pillar, left
- T20m 20-Pin Connector, black, door B-pillar, right
- T20n 20-Pin Connector, black (Connector A)
- T20o 20-Pin Connector, black (Connector A)

B397 Comfort System CAN-Bus High Connection 1 (in main wiring harness)
 B406 Comfort System CAN-Bus Low Connection 1 (in main wiring harness)

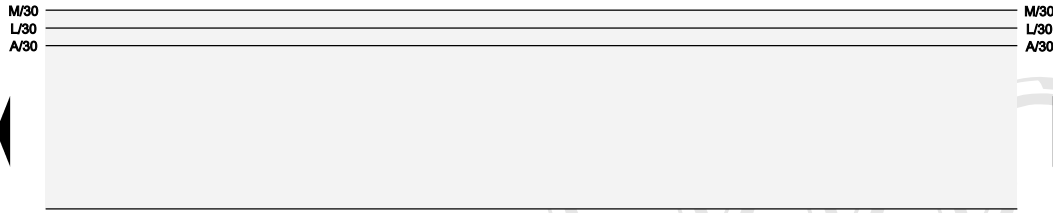
- # Not applicable from May 2007
- ## Applicable from May 2007



- ws = white
- sw = black
- ro = red
- rt = red
- br = brown
- gn = green
- bl = blue
- gr = grey
- li = lilac
- vi = lilac
- ge = yellow
- or = orange
- rs = pink

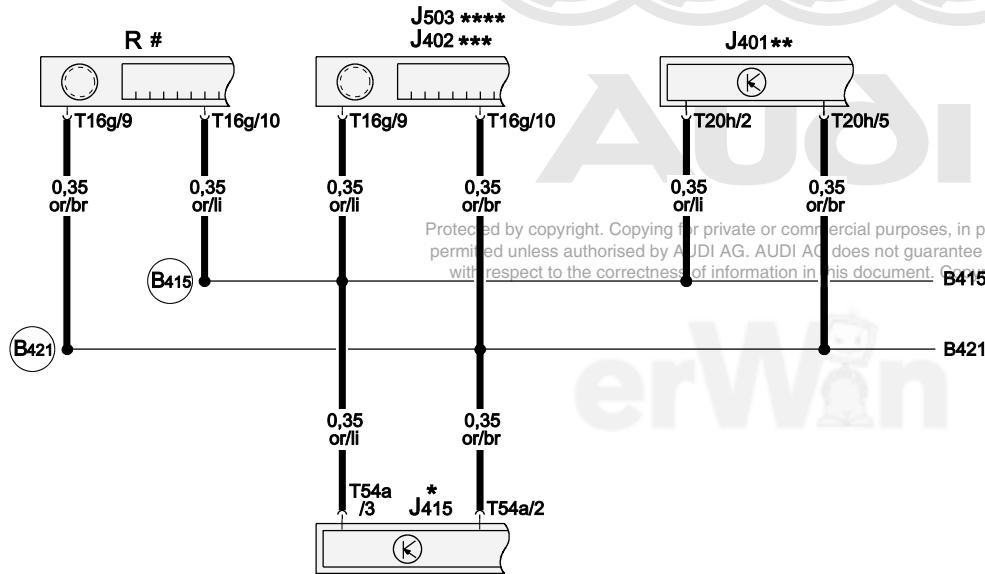
71 72 73 74 75 76 77 78 79 80 81 82 83 84

8P0-155071007



Infotainment CAN-Bus

- J401 Navigation System Control Module with CD Drive
- J402 Navigation System Operating Electronics Control Module
- J503 Radio/Navigation Display Control Module
- J415 Navigation System Tuner, TV
- J533 Data Bus On Board Diagnostic Interface
- R Radio
- T20d 20-Pin Connector, yellow (Connector A)
- T20h 20-Pin Connector, black (Connector C)
- T54a 54-Pin Connector, black (Connector A)

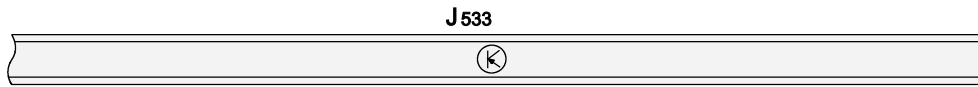


B415 Infotainment CAN-Bus High Connection 1 (in main wiring harness)

B421 Infotainment CAN-Bus Low Connection 1 (in main wiring harness)

- * Only models with TV Tuner
- ** Only models with navigation system NS-Low
- *** Only models with radio/navigation system (RNS-E)
- **** Only models with radio/navigation system (RNS-Low)
- # Only models with radio generation II plus

Protected by copyright. Copying for private or commercial purposes, in part or in whole, is not permitted unless authorised by AUDI AG. AUDI AG does not guarantee or accept any liability with respect to the correctness of information in this document. Copyright by AUDI AG.



- ws = white
- sw = black
- ro = red
- rt = red
- br = brown
- gn = green
- bl = blue
- gr = grey
- li = lilac
- vi = lilac
- ge = yellow
- or = orange
- rs = pink

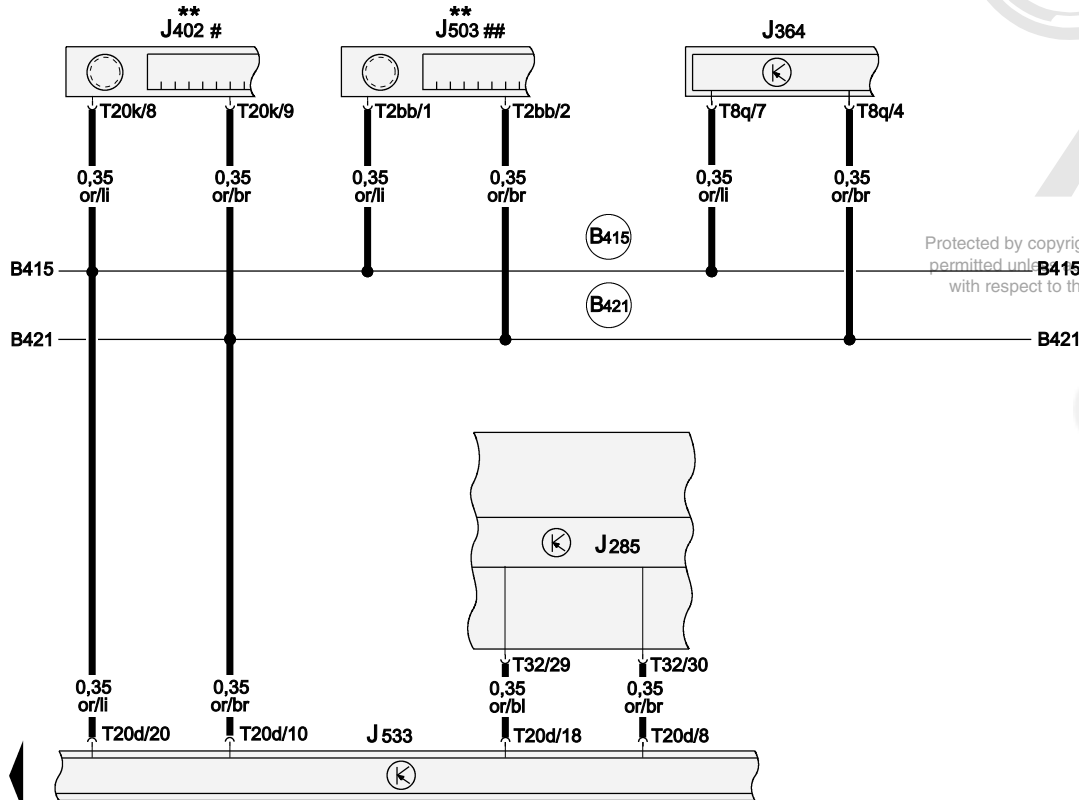
85 86 87 88 89 90 91 92 93 94 95 96 97 98

8P0-155080706



Infotainment CAN-Bus

- J285 Instrument Cluster Control Module
- J364 Auxiliary Heater Control Module
- J402 Navigation System Operating Electronics Control Module
- J503 Radio/Navigation Display Control Module
- J533 Data Bus On Board Diagnostic Interface
- T2bb Double Connector, black (Connector D)
- T8q 8-Pin Connector, black (Connector A)
- T20d 20-Pin Connector, yellow (Connector A)
- T20k 20-Pin Connector, black (Connector C)
- T32 32-Pin Connector, blue (Connector A)



(B415) Infotainment CAN-Bus High Connection 1 (in main wiring harness)

(B421) Infotainment CAN-Bus Low Connection 1 (in main wiring harness)

** Only models with radio/navigation system (Japan)

Not applicable from model year 2006

Applicable from model year 2007

Protected by copyright. Copying for private or commercial purposes is not permitted unless authorized by AUDI AG. AUDI AG does not guarantee or accept any liability with respect to the correctness of information in this document. Copyright by AUDI AG.

- ws = white
- sw = black
- ro = red
- rt = red
- br = brown
- gn = green
- bl = blue
- gr = grey
- li = lilac
- vi = lilac
- ge = yellow
- or = orange
- rs = pink

99 100 101 102 103 104 105 106 107 108 109 110 111 112

8P0-155090706

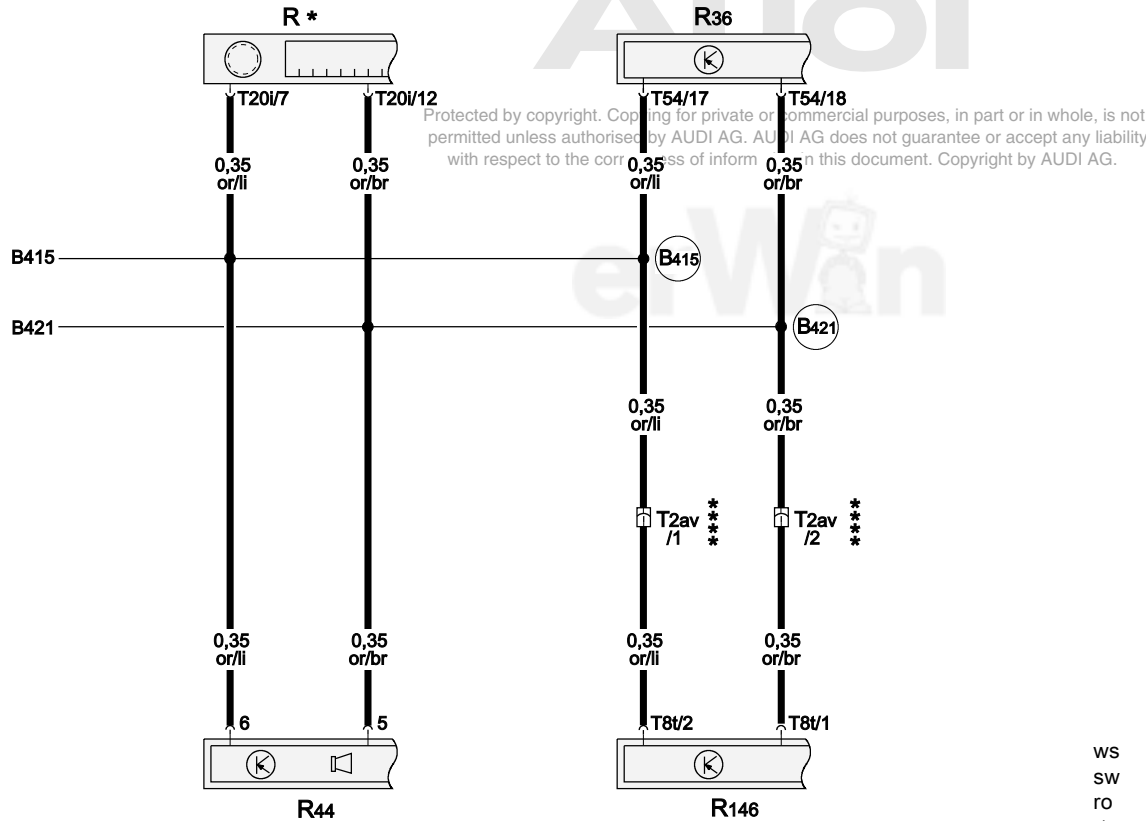


Infotainment CAN-Bus

- R Radio
- R36 Telephone Transceiver
- R44 Bass Speakers Amplifier, in luggage compartment, left
- R146 Satellite Radio
- T2av Double Connector, black, on right A-pillar
- T8t 8-Pin Connector, black, in luggage compartment, left rear (Connector B)
- T20i 20-Pin Connector, black (Connector A)
- T54 54-Pin Connector, black (Connector A)

- (B415) Infotainment CAN-Bus High Connection 1 (in main wiring harness)
- (B421) Infotainment CAN-Bus Low Connection 1 (in main wiring harness)

* Only models with radio generation II
 **** Only preparation for satellite radio



- ws = white
- sw = black
- ro = red
- rt = red
- br = brown
- gn = green
- bl = blue
- gr = grey
- li = lilac
- vi = lilac
- ge = yellow
- or = orange
- rs = pink

Cellular Telephone Preparation with Hands Free System

⇒ Only US equipment

from model year 2006

Note:

Information for


- ◆ Relay and fuse arrangements
- ◆ Connector arrangements
- ◆ Control Modules and Relays
- ◆ Ground Connections

⇒ Component Locations


Information for

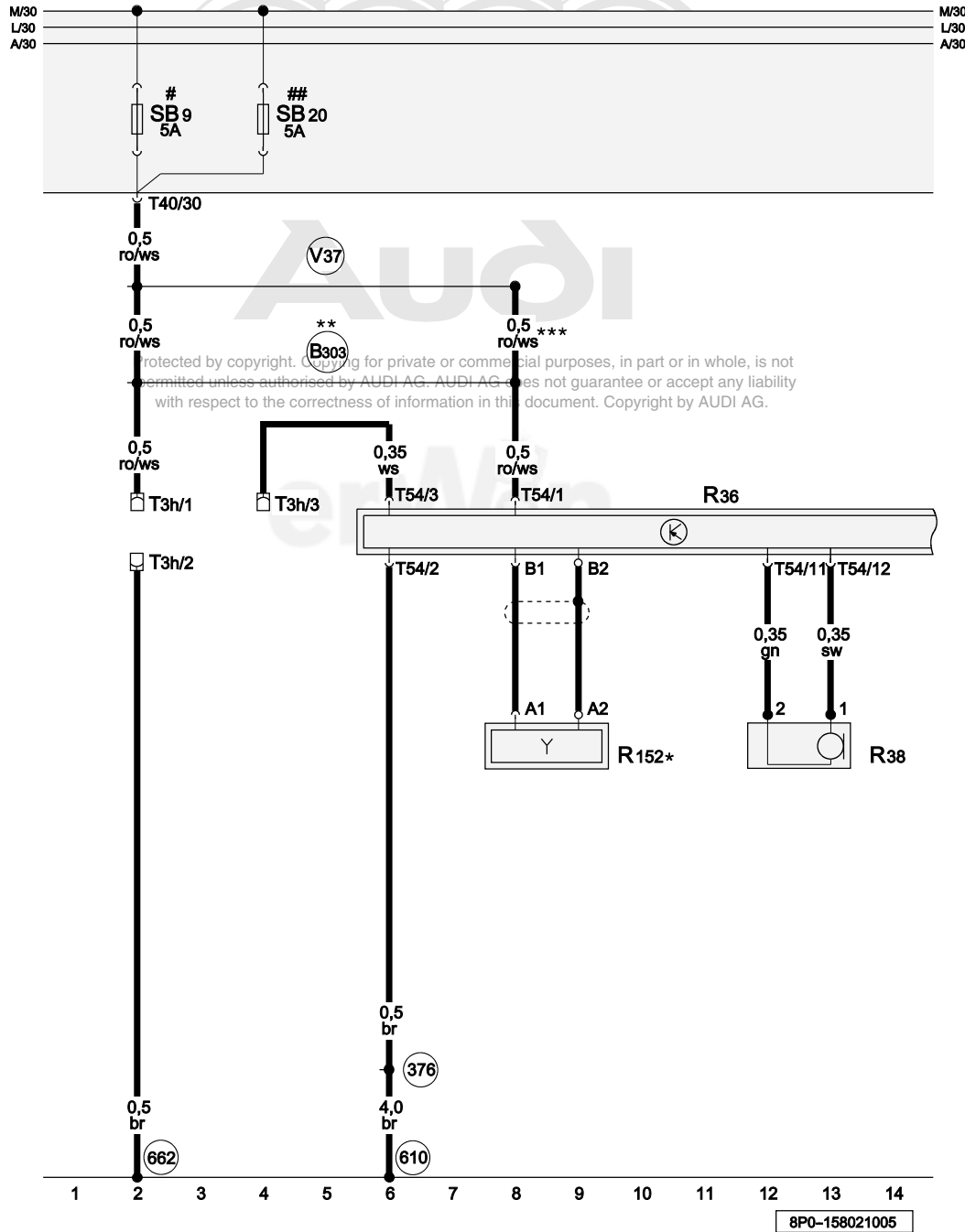
- ◆ Troubleshooting Procedures

⇒ Guided Fault Finding using VAS 5051 / 5052



Protected by copyright. Copying for private or commercial purposes, in part or in whole, is not permitted unless authorised by AUDI AG. AUDI AG does not guarantee or accept any liability with respect to the correctness of information in this document. Copyright by AUDI AG.





Telephone Microphone, Bluetooth Antenna

- R36 Telephone Transceiver
- R38 Telephone Microphone
- R152 Bluetooth Antenna
- SB9 Fuse 9 (on fuse panel B)
- SB20 Fuse 20 (on fuse panel B)
- T3h 3-Pin Connector, black, on C-pillar, rear left (Connector A)
- T40 40-Pin Connector, black, on electronics box engine compartment (Connector J)
- T54 54-Pin Connector, black (Connector A)

- 376 Ground Connection 11 (in main wiring harness)
- 610 Ground Connection (Audio) (under center console, front)
- 662 Ground Connection (on left rear side panel)
- B303 Plus Connection 7 (30) (in main wiring harness)
- V37 Plus Connection (30) (in communications wiring harness)

- * Only models with Bluetooth antenna
- ** Not applicable, phased-in modification
- *** Insert with B303 dropped
- # Only models with electronics box Low => Component Locations
- ## Only models with electronics box High => Component Locations

- ws = white
- sw = black
- ro = red
- br = brown
- gn = green
- bl = blue
- gr = grey
- li = lilac
- ge = yellow
- or = orange
- rs = pink

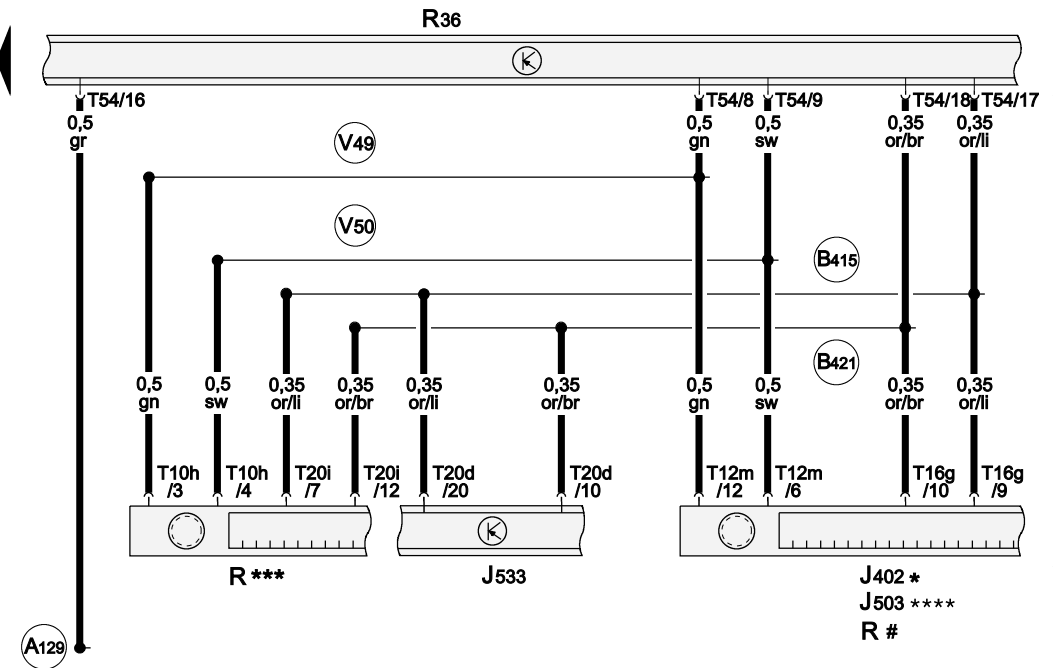
8PO-158021005



Mute, Infotainment CAN-Bus

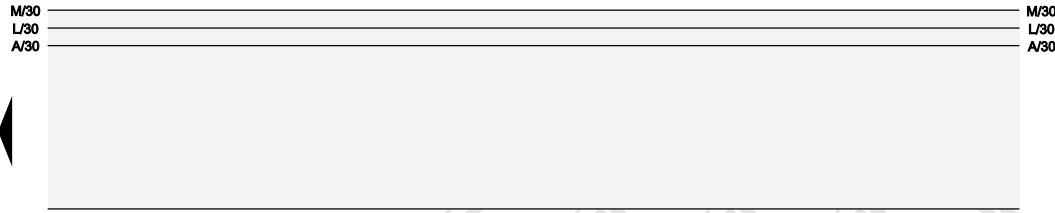
- J402 Navigation System Operating Electronics Control Module
- J503 Radio/Navigation Display Control Module
- J533 Data Bus On Board Diagnostic Interface
- R Radio
- R36 Telephone Transceiver
- T10h 10-Pin Connector, red (Connector D)
- T12m 12-Pin Connector, black (Connector C) (connector locking green)
- T16g 16-Pin Connector, black (Connector D)
- T20d 20-Pin Connector, yellow (Connector A)
- T20i 20-Pin Connector, black (Connector A)
- T54 54-Pin Connector, black (Connector A)

- A129 Mute Connection (in instrument panel wiring harness)
- B415 Infotainment CAN-Bus High Connection 1 (in main wiring harness)
- B421 Infotainment CAN-Bus Low Connection 1 (in main wiring harness)
- V49 Low Frequency + Connection (in communication wiring harness)
- V50 Low Frequency - Connection (in communication wiring harness)
- * Only models with radio/navigation system (RNS-E)
- *** Only models with radio generation II
- **** Only models with radio/navigation system (RNS-Low)
- # Only models with radio generation II plus



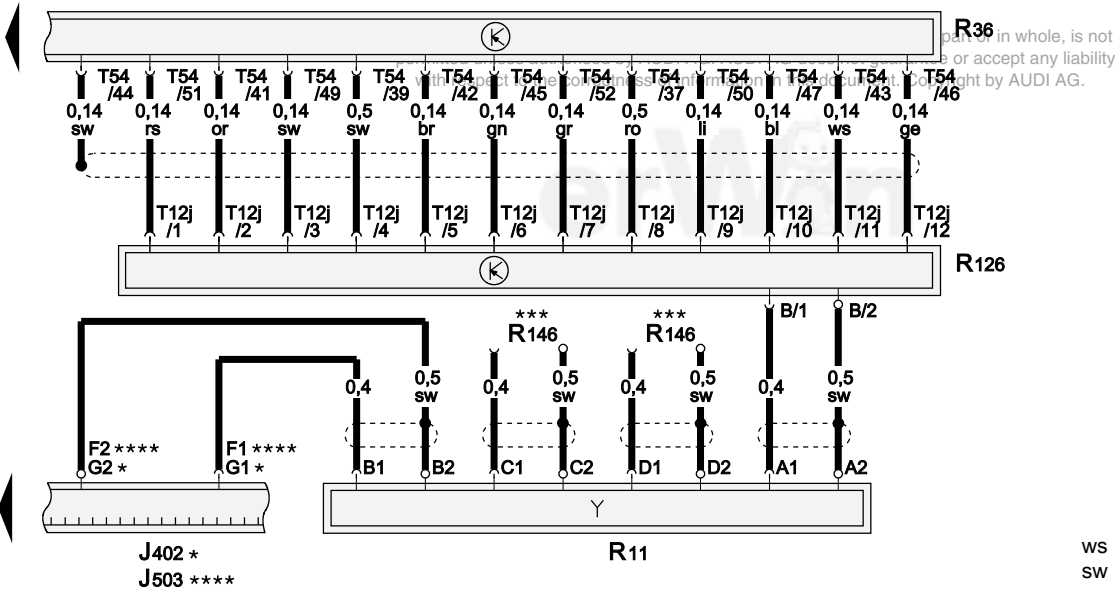
- ws = white
- sw = black
- ro = red
- br = brown
- gn = green
- bl = blue
- gr = grey
- li = lilac
- ge = yellow
- or = orange
- rs = pink

8P0-158030406



Roof Antenna, Telephone Baseplate

- J402 Navigation System Operating Electronics Control Module
- J503 Radio/Navigation Display Control Module
- R11 Antenna
- R36 Telephone Transceiver
- R126 Telephone Baseplate
- R146 Satellite Radio
- T12j 12-Pin Connector, brown (Connector A)
- T54 54-Pin Connector, black (Connector A)
- * Only models with radio/navigation system (RNS-E)
- *** Only models with satellite radio
- **** Only models with radio/navigation system (RNS-Low)



- ws = white
- sw = black
- ro = red
- br = brown
- gn = green
- bl = blue
- gr = grey
- li = lilac
- ge = yellow
- or = orange
- rs = pink

29 30 31 32 33 34 35 36 37 38 39 40 41 42

8P0-158040307

Sunroof (Open-Sky-System)

from model year 2006

Note:

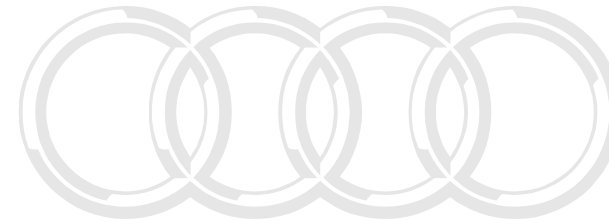
Information for

- ◆ Relay and fuse arrangements
- ◆ Connector arrangements
- ◆ Control Modules and Relays
- ◆ Ground Connections

⇒ Component Locations

Information for

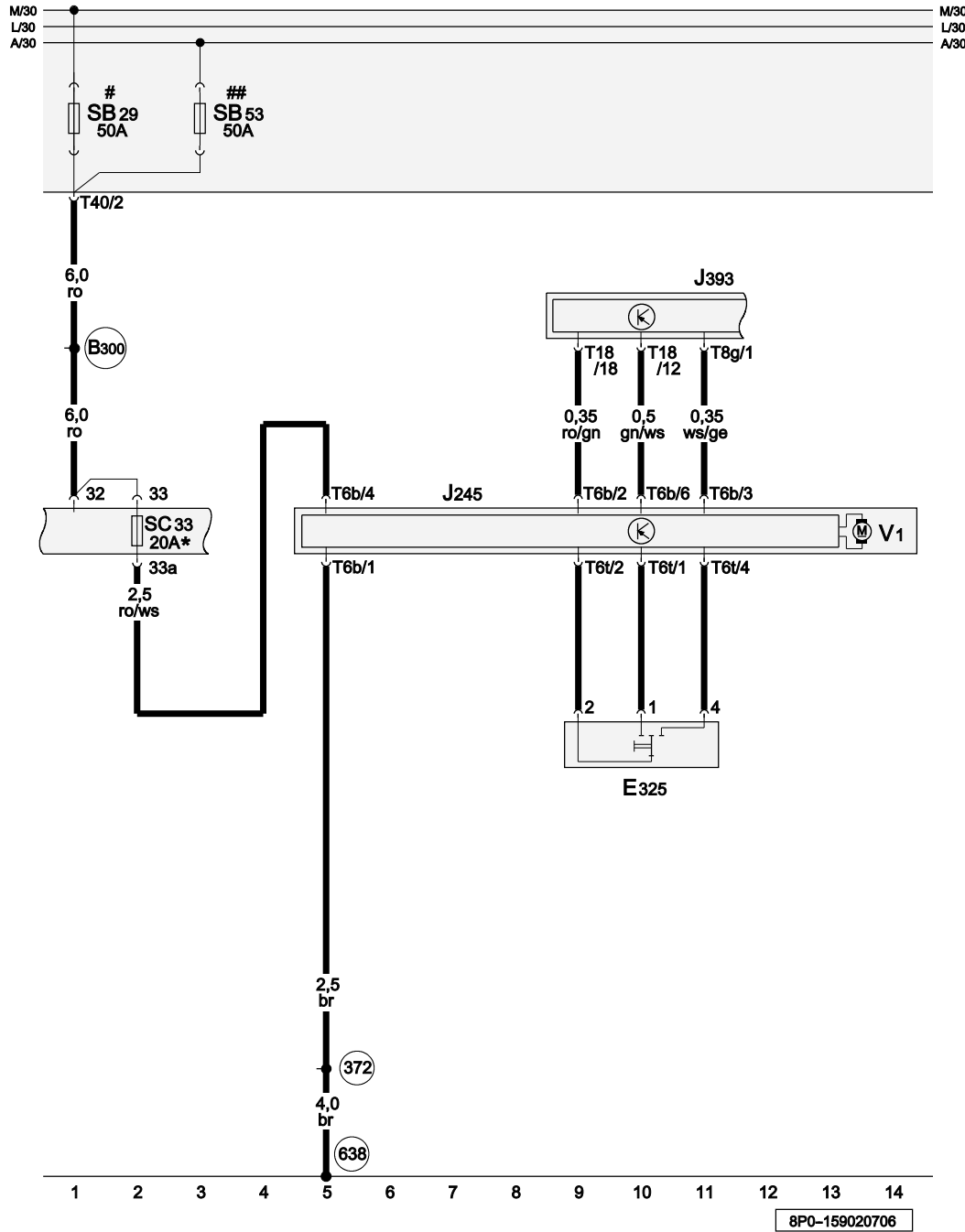
- ◆ Troubleshooting Procedures
- ⇒ Guided Fault Finding using VAS 5051 / 5052



Audi

Protected by copyright. Copying for private or commercial purposes, in part or in whole, is not permitted unless authorised by AUDI AG. AUDI AG does not guarantee or accept any liability with respect to the correctness of information in this document. Copyright by AUDI AG.

erWin



Sunroof Button, Power Sunroof Control Module

- E325 Sunroof Button
- J245 Power Sunroof Control Module
- J393 Comfort System Central Control Module
- SB29 Fuse 29 (on fuse panel B)
- SB53 Fuse 53 (on fuse panel B)
- SC33 Fuse 33 (on fuse panel C)
- T6b 6-Pin Connector, blue (Connector A)
- T6t 6-Pin Connector, black (Connector B)
- T8g 8-Pin Connector, black (Connector B)
- T18 18-Pin Connector, brown (Connector A)
- T40 40-Pin Connector, black, on electronics box engine compartment (Connector J)
- V1 Sunroof Motor

- 372 Ground Connection 7 (in main wiring harness)
- 638 Ground Connection (on right A-pillar)
- B300 Plus Connection 4 (30) (in main wiring harness)

Protected by copyright. Copying for private or commercial purposes, in part or in whole, is not permitted unless authorized by Audi AG. Audi AG does not guarantee or accept any liability with respect to the correctness of information in this document. Copyright © Audi AG.

- # Fuse was reduced from 25 A to 20 A, applicable from model year 2007
- # Only models with electronics box Low => Component Locations
- ## Only models with electronics box High => Component Locations

- ws = white
- sw = black
- ro = red
- br = brown
- gn = green
- bl = blue
- gr = grey
- li = lilac
- ge = yellow
- or = orange
- rs = pink

8PO-159020706

Radio without BOSE system

⇒ Only models with radio generation II
from model year 2006

Note:

Information for

- ◆ Relay and fuse arrangements
- ◆ Connector arrangements
- ◆ Control Modules and Relays
- ◆ Ground Connections

⇒ Component Locations

Information for

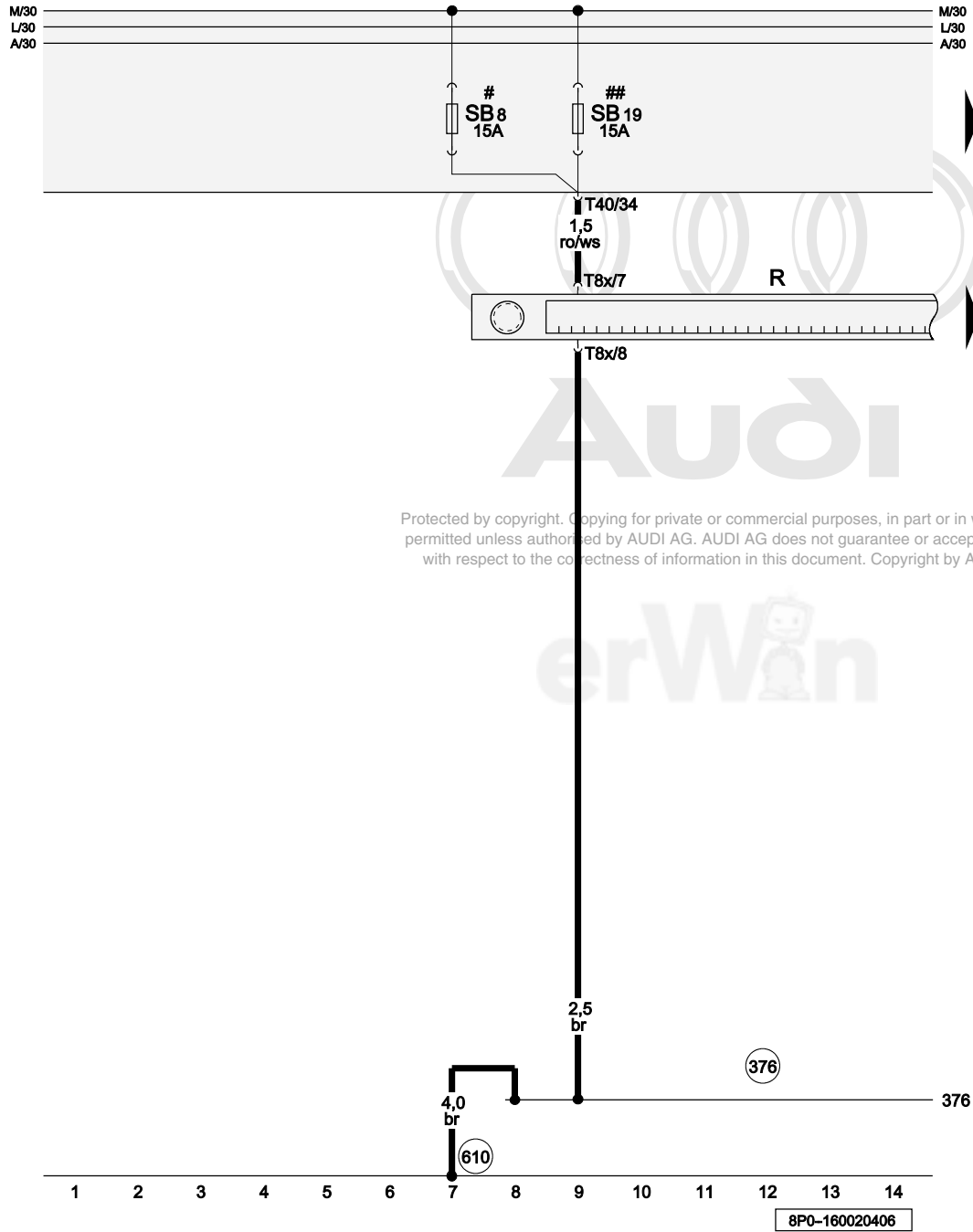
- ◆ Troubleshooting Procedures
- ⇒ Guided Fault Finding using VAS 5051 / 5052



Audi

Protected by copyright. Copying for private or commercial purposes, in part or in whole, is not permitted unless authorised by AUDI AG. AUDI AG does not guarantee or accept any liability with respect to the correctness of information in this document. Copyright by AUDI AG.





Protected by copyright. Copying for private or commercial purposes, in part or in whole, is not permitted unless authorized by AUDI AG. AUDI AG does not guarantee or accept any liability with respect to the correctness of information in this document. Copyright by AUDI AG.

Power Supply

- R Radio
- SB8 Fuse 8 (on fuse panel B)
- SB19 Fuse 19 (on fuse panel B)
- T8x 8-Pin Connector, black (Connector C)
- T40 40-Pin Connector, black, on electronics box engine compartment (Connector J)

- 376 Ground Connection 11 (in main wiring harness)
- 610 Ground Connection (Audio) (under center console, front)

- # Only models with electronics box Low ⇒ Component Locations
- ## Only models with electronics box High ⇒ Component Locations

- ws = white
- sw = black
- ro = red
- br = brown
- gn = green
- bl = blue
- gr = grey
- li = lilac
- ge = yellow
- or = orange
- rs = pink

8PO-160020406

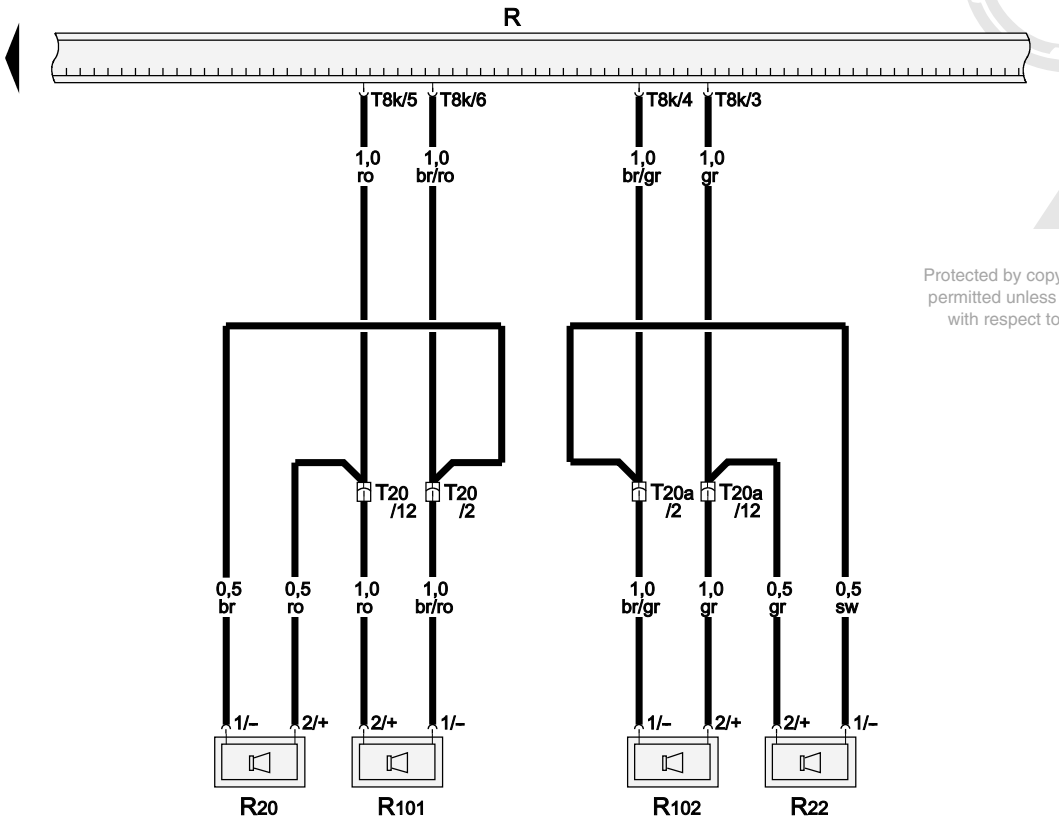


Front Speaker without Amplifier

- R Radio
- R20 Left Front Treble Speaker
- R22 Right Front Treble Speaker
- R101 Left Front Mid-Bass Speaker
- R102 Right Front Mid-Bass Speaker
- R158 Center Midrange Speaker
- T8d 8-Pin Connector, black, behind center console
- T8k 8-Pin Connector, brown (Connector B)
- T20 20-Pin Connector, black, door A-pillar, left
- T20a 20-Pin Connector, black, door A-pillar, right

- B469 Connection 5 (in main wiring harness)
- B470 Connection 6 (in main wiring harness)
- B471 Connection 7 (in main wiring harness)
- B472 Connection 8 (in main wiring harness)

Protected by copyright. Copying for private or commercial purposes without the written permission is prohibited unless authorised by AUDI AG. AUDI AG does not guarantee or accept any liability with respect to the correctness of information in this document. Copyright by AUDI AG.



- ws = white
- sw = black
- ro = red
- br = brown
- gn = green
- bl = blue
- gr = grey
- li = lilac
- ge = yellow
- or = orange
- rs = pink

376 _____ 376

15 16 17 18 19 20 21 22 23 24 25 26 27 28

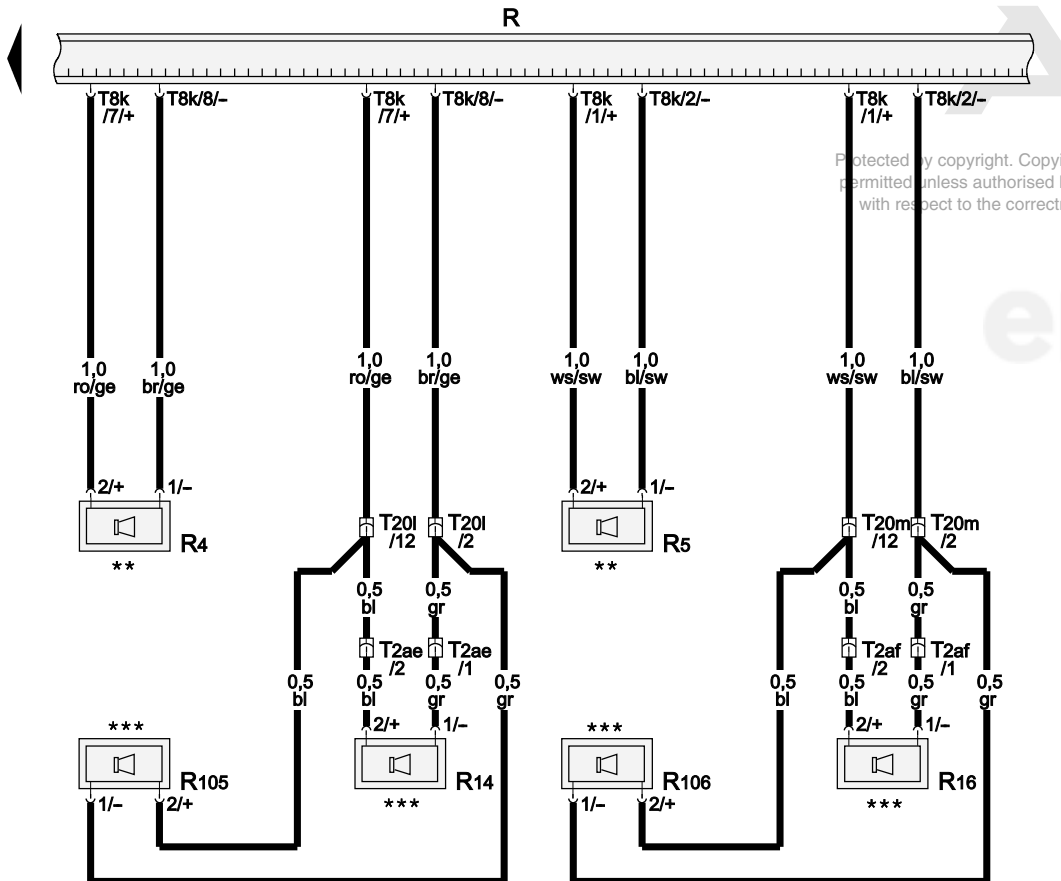
8P0-160031005



Rear Speaker without Amplifier

- R Radio
- R4 Left Rear Speaker
- R5 Right Rear Speaker
- R14 Left Rear Treble Speaker
- R16 Right Rear Treble Speaker
- R105 Left Rear Midrange Speaker
- R106 Right Rear Midrange Speaker
- T2ae Double Connector, black, in rear left door
- T2af Double Connector, black, in rear right door
- T8k 8-Pin Connector, brown (Connector B)
- T20l 20-Pin Connector, black, door B-pillar, left
- T20m 20-Pin Connector, black, door B-pillar, right
- ** Only 3-door models
- *** Only 5-door models

Protected by copyright. Copying for private or commercial purposes, in part or in whole, is not permitted unless authorised by AUDI AG. AUDI AG does not guarantee or accept any liability with respect to the correctness of information in this document. Copyright by AUDI AG.



- ws = white
- sw = black
- ro = red
- br = brown
- gn = green
- bl = blue
- gr = grey
- li = lilac
- ge = yellow
- or = orange
- rs = pink

376

376

29 30 31 32 33 34 35 36 37 38 39 40 41 42

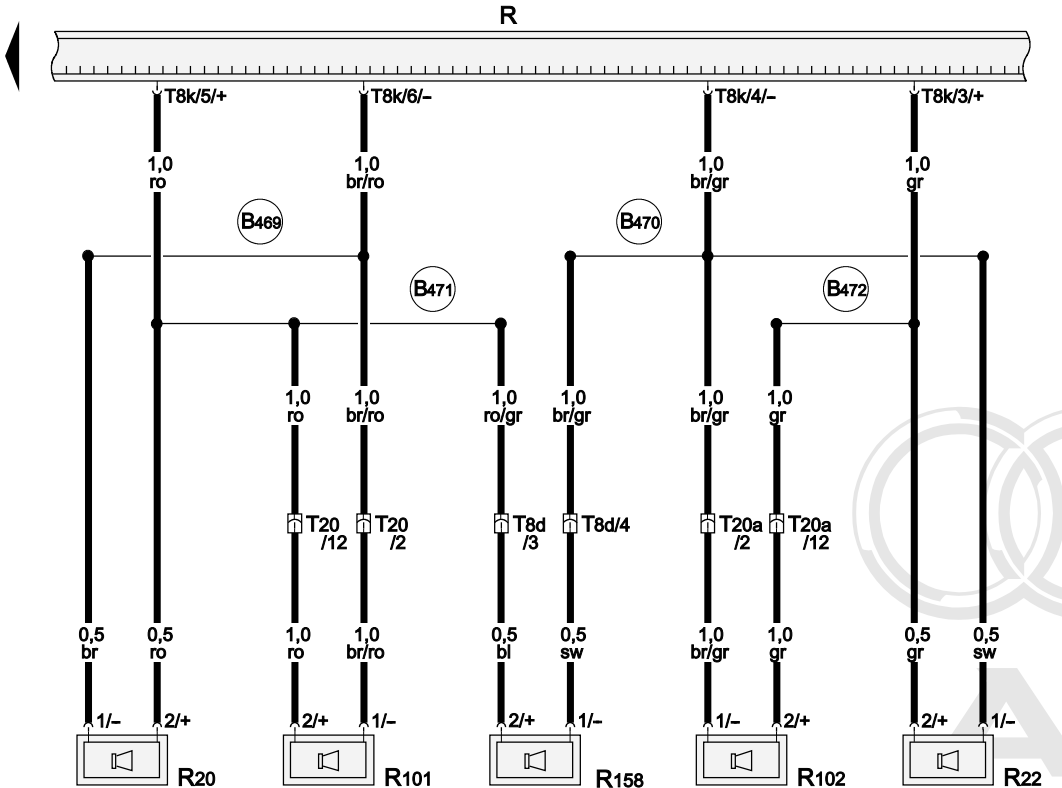
8P0-160041005



Front Speaker with Amplifier

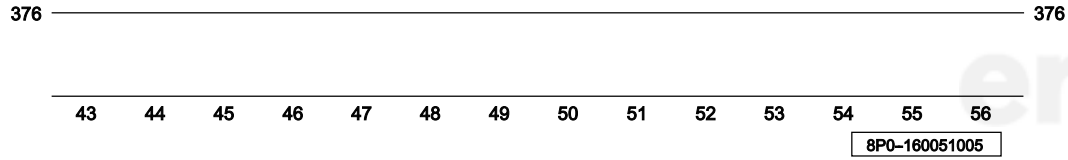
- R Radio
- R20 Left Front Treble Speaker
- R22 Right Front Treble Speaker
- R101 Left Front Mid-Bass Speaker
- R102 Right Front Mid-Bass Speaker
- R158 Center Midrange Speaker
- R158 Center Midrange Speaker
- T8d 8-Pin Connector, black, behind center console
- T8k 8-Pin Connector, brown (Connector B)
- T20 20-Pin Connector, black, door A-pillar, left
- T20a 20-Pin Connector, black, door A-pillar, right

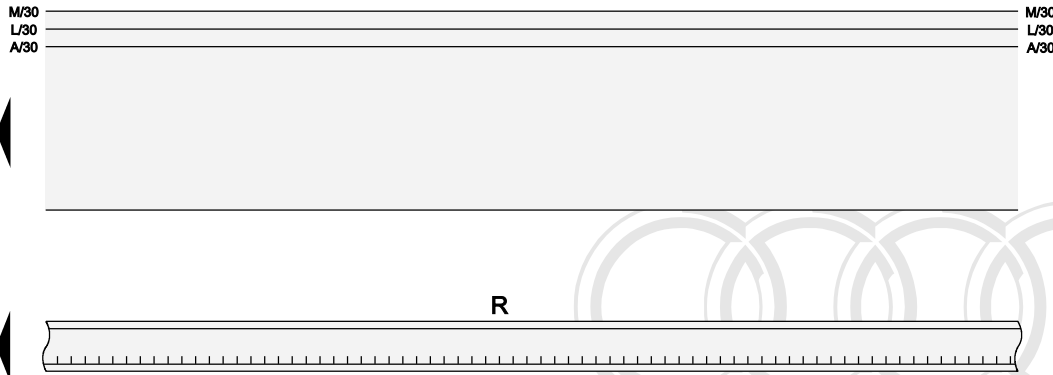
- (B469) Connection 5 (in main wiring harness)
- (B470) Connection 6 (in main wiring harness)
- (B471) Connection 7 (in main wiring harness)
- (B472) Connection 8 (in main wiring harness)



Protected by copyright. Copying for private or special purposes, in part or in whole, is not permitted unless authorised by AUDI AG. AUDI AG does not guarantee or accept any liability with respect to the correctness of information in this document. Copyright by AUDI AG.

- ws = white
- sw = black
- ro = red
- br = brown
- gn = green
- bl = blue
- gr = grey
- li = lilac
- ge = yellow
- or = orange
- rs = pink

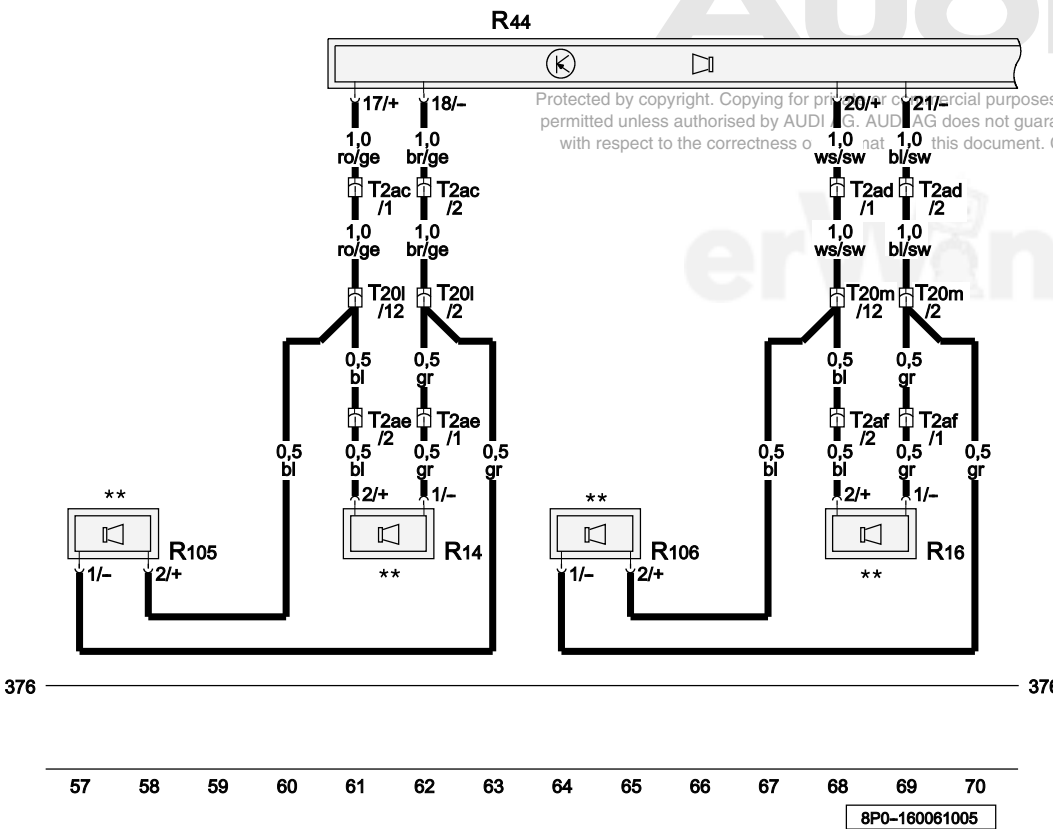




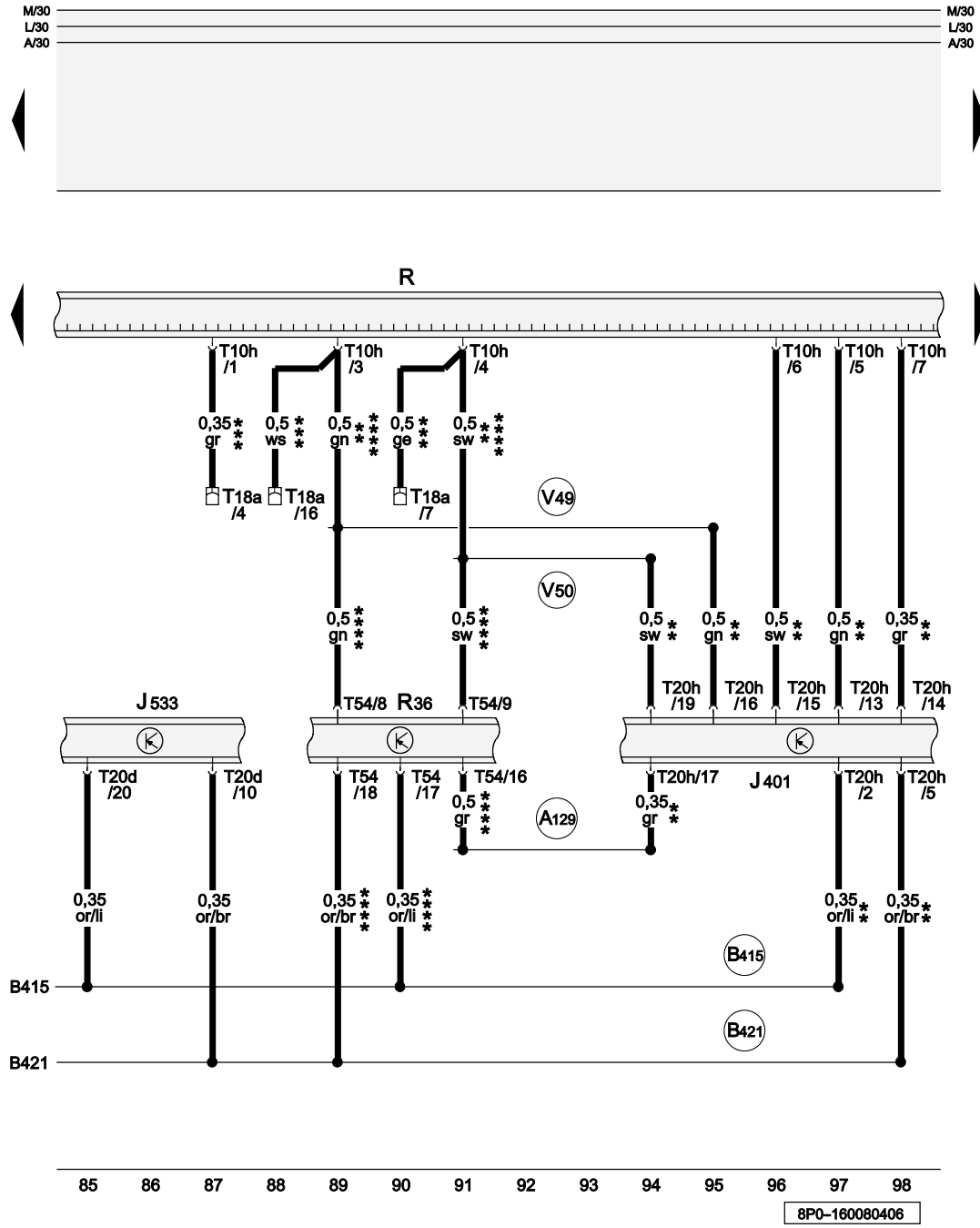
Rear Speaker with Amplifier (5-door models)

- R Radio
- R14 Left Rear Treble Speaker
- R16 Right Rear Treble Speaker
- R44 Bass Speakers Amplifier, in luggage compartment, left
- R105 Left Rear Midrange Speaker
- R106 Right Rear Midrange Speaker
- T2ac Double Connector, black, behind rear left side panel trim
- T2ad Double Connector, black, behind rear right side panel trim
- T2ae Double Connector, black, in rear left door
- T2af Double Connector, black, in rear right door
- T20l 20-Pin Connector, black, door B-pillar, left
- T20m 20-Pin Connector, black, door B-pillar, right
- ** Only 5-door models

Protected by copyright. Copying for private or commercial purposes, in part or in whole, is not permitted unless authorised by AUDI AG. AUDI AG does not guarantee or accept any liability with respect to the correctness of the data in this document. Copyright by AUDI AG.



- ws = white
- sw = black
- ro = red
- br = brown
- gn = green
- bl = blue
- gr = grey
- li = lilac
- ge = yellow
- or = orange
- rs = pink

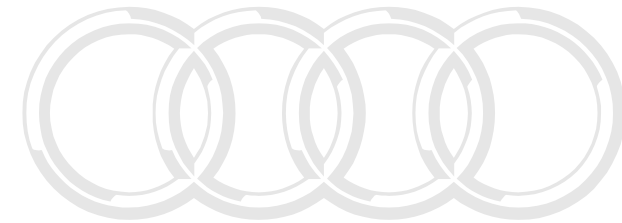


Mute, Infotainment CAN-Bus

- J401 Navigation System Control Module with CD Drive
- J533 Data Bus On Board Diagnostic Interface
- R Radio
- R36 Telephone Transceiver
- T10h 10-Pin Connector, red (Connector D)
- T18a 18-Pin Connector, black, near glove compartment (Connector A)
- T20d 20-Pin Connector, yellow (Connector A)
- T20h 20-Pin Connector, black (Connector C)
- T54 54-Pin Connector, black (Connector A)

- (A129) Mute Connection (in instrument panel wiring harness)
- (B415) Infotainment CAN-Bus High Connection 1 (in main wiring harness)
- (B421) Infotainment CAN-Bus Low Connection 1 (in main wiring harness)
- (V49) Low Frequency + Connection (in communication wiring harness)
- (V50) Low Frequency - Connection (in communication wiring harness)
- ** Only models with navigation system NS-Low
- *** Cellular telephone preparation without hands free system only
- **** Cellular telephone preparation with hands free system only

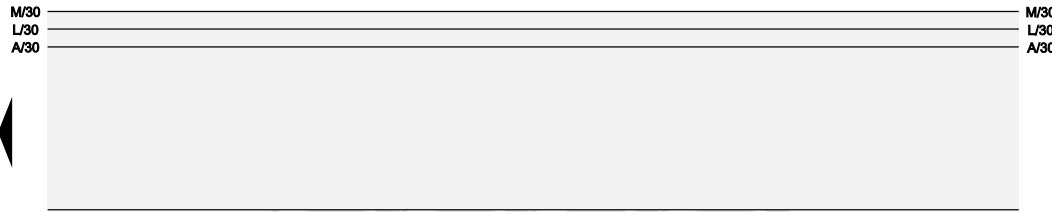
- ws = white
- sw = black
- ro = red
- br = brown
- gn = green
- bl = blue
- gr = grey
- li = lilac
- ge = yellow
- or = orange
- rs = pink



Audi

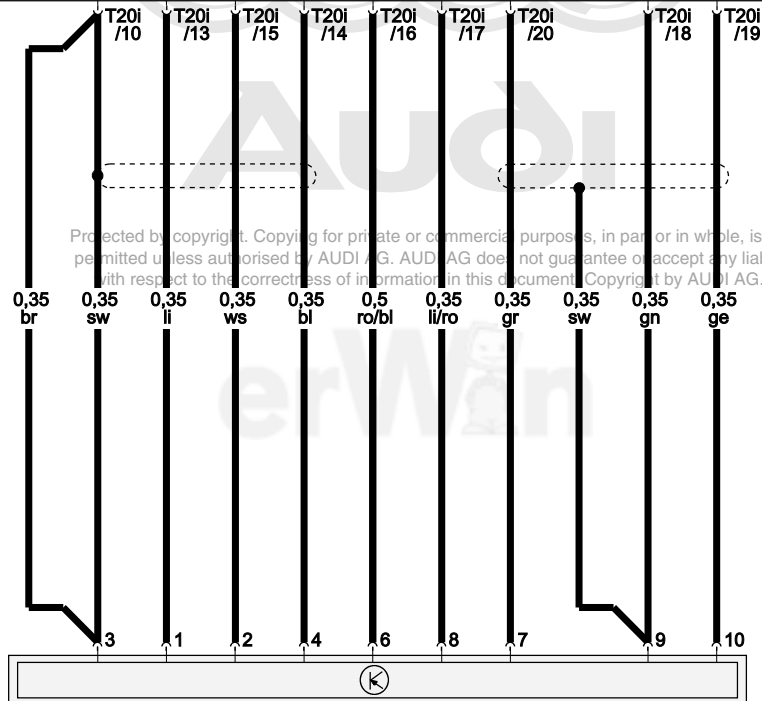
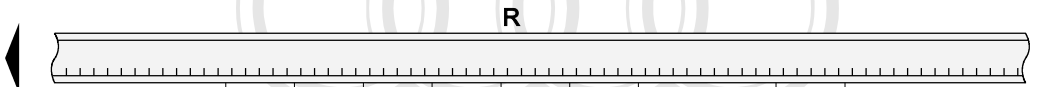
Protected by copyright. Copying for private or commercial purposes, in part or in whole, is not permitted unless authorised by AUDI AG. AUDI AG does not guarantee or accept any liability with respect to the correctness of information in this document. Copyright by AUDI AG.

erWin



CD Changer, iPod Baseplate, USB Connection Baseplate

- R Radio
- R41 CD Changer
- R192 iPod Baseplate
- R193 USB Connection Baseplate
- T20i 20-Pin Connector, black (Connector A)
- ** Only models with CD Changer or iPod Baseplate or USB Connection Baseplate



Protected by copyright. Copying for private or commercial purposes, in part or in whole, is not permitted unless authorised by AUDI AG. AUDI AG does not guarantee or accept any liability with respect to the correctness of information in this document. Copyright by AUDI AG.

R192** R41**
R193**

- ws = white
- sw = black
- ro = red
- br = brown
- gn = green
- bl = blue
- gr = grey
- li = lilac
- ge = yellow
- or = orange
- rs = pink

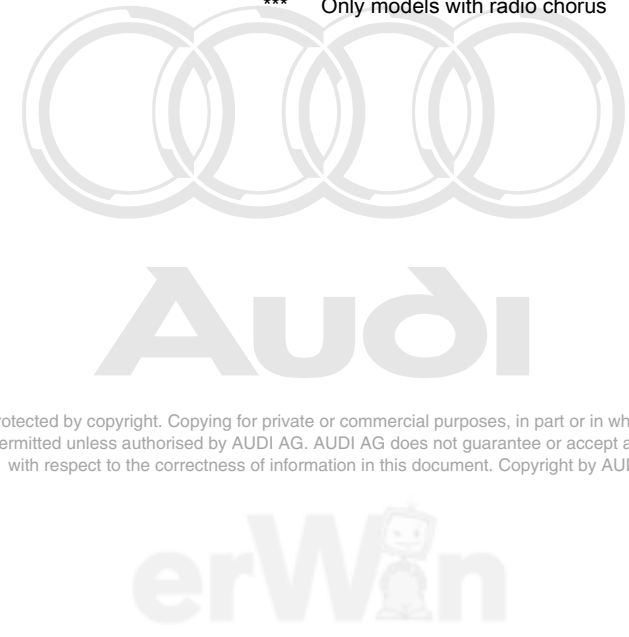
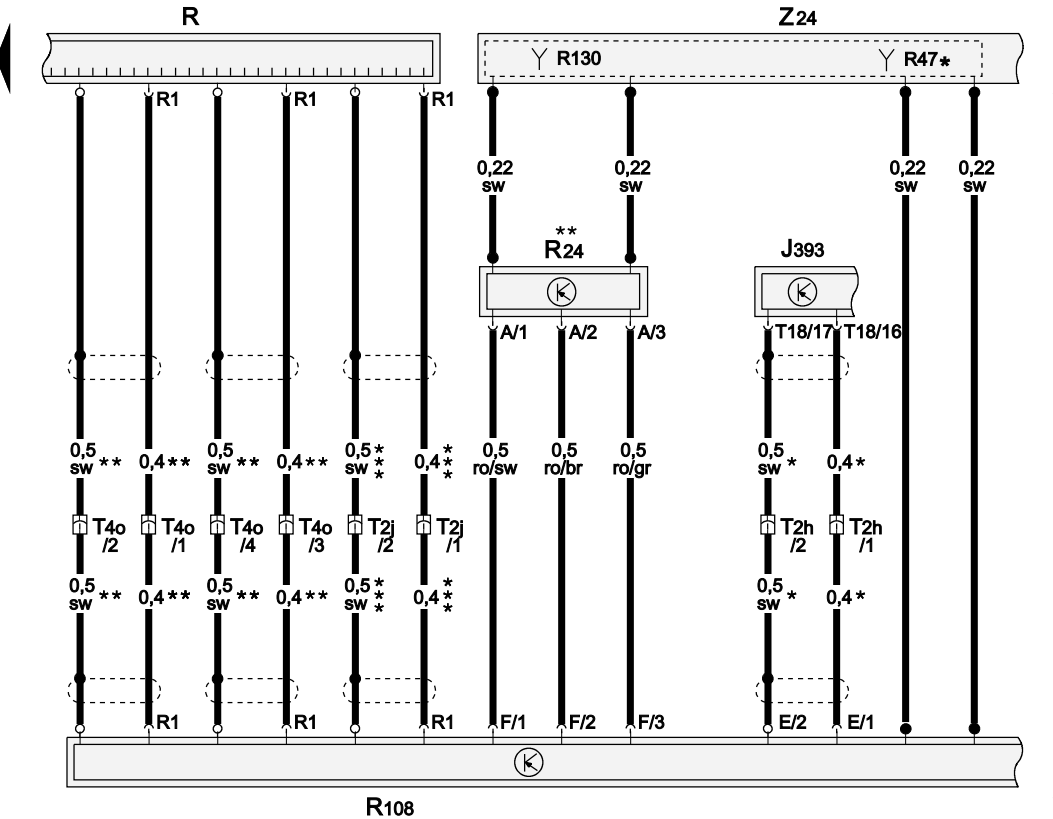
99 100 101 102 103 104 105 106 107 108 109 110 111 112

8P0-160090307



Left Antenna Module, Rear Window Antenna 1

- J393 Comfort System Central Control Module
- R Radio
- R1 Antenna Connection
- R24 Antenna Amplifier
- R47 Central Locking and Anti-Theft Alarm System Antenna
- R108 Left Antenna Module
- R130 Rear Window Antenna 1
- T2h Double Connector, on C-pillar, right
- T2j Double Connector, near right C-pillar
- T4o 4-Pin Connector, near right C-pillar
- T18 18-Pin Connector, brown (Connector A)
- Z24 Rear Window Defogger with Window Antenna
- * Only models with central locking system or anti-theft alarm system
- ** Not for models with radio chorus
- *** Only models with radio chorus



Protected by copyright. Copying for private or commercial purposes, in part or in whole, is not permitted unless authorised by AUDI AG. AUDI AG does not guarantee or accept any liability with respect to the correctness of information in this document. Copyright by AUDI AG.

- ws = white
- sw = black
- ro = red
- br = brown
- gn = green
- bl = blue
- gr = grey
- li = lilac
- ge = yellow
- or = orange
- rs = pink

113 114 115 116 117 118 119 120 121 122 123 124 125 126

8P0-160101005

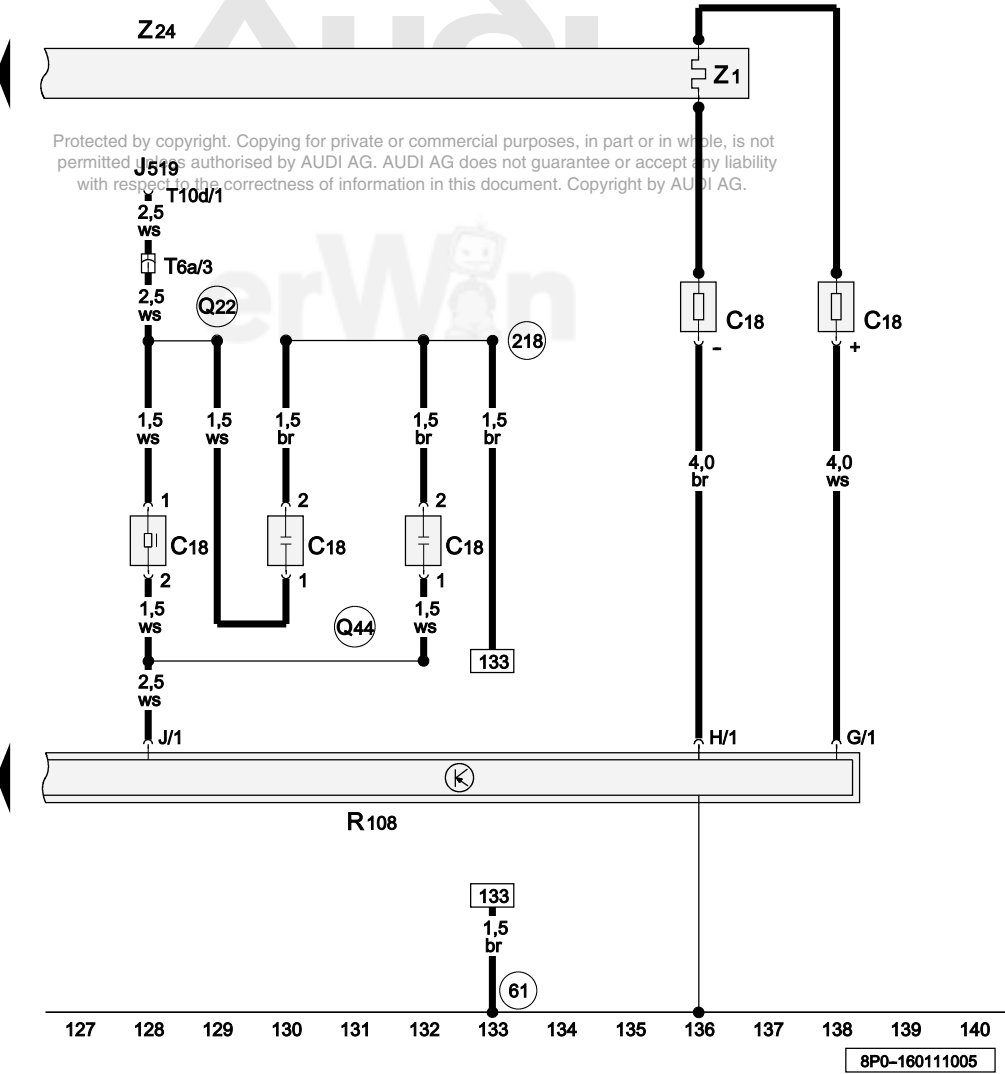


Left Antenna Module, Heated Rear Window

- C18 Windshield Antenna Suppression Filter
- J519 Vehicle Electrical System Control Module
- R108 Left Antenna Module
- T6a 6-Pin Connector, black, on C-pillar, left
- T10d 10-Pin Connector, black (Connector K)
- Z1 Heated Rear Window
- Z24 Rear Window Defogger with Window Antenna

- (61) Ground Connection (on left C-pillar)
- (218) Ground Connection 1 (in rear lid wiring harness)
- (Q22) Connection 1 (in tailgate wiring harness)
- (Q44) Connection 2 (in tailgate wiring harness)

Protected by copyright. Copying for private or commercial purposes, in part or in whole, is not permitted unless authorised by AUDI AG. AUDI AG does not guarantee or accept any liability with respect to the correctness of information in this document. Copyright by AUDI AG.



- ws = white
- sw = black
- ro = red
- br = brown
- gn = green
- bl = blue
- gr = grey
- li = lilac
- ge = yellow
- or = orange
- rs = pink

Radio with BOSE system

⇒ Only models with radio generation II
from model year 2006

Note:

Information for

- ◆ Relay and fuse arrangements
- ◆ Connector arrangements
- ◆ Control Modules and Relays
- ◆ Ground Connections

⇒ Component Locations

Information for

- ◆ Troubleshooting Procedures

⇒ Guided Fault Finding using VAS 5051 / 5052

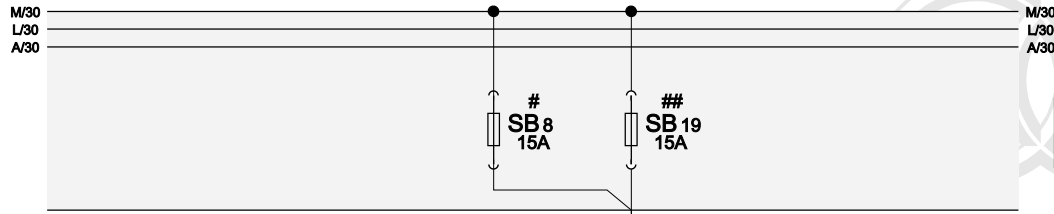


Audi

Protected by copyright. Copying for private or commercial purposes, in part or in whole, is not permitted unless authorised by AUDI AG. AUDI AG does not guarantee or accept any liability with respect to the correctness of information in this document. Copyright by AUDI AG.



erWin



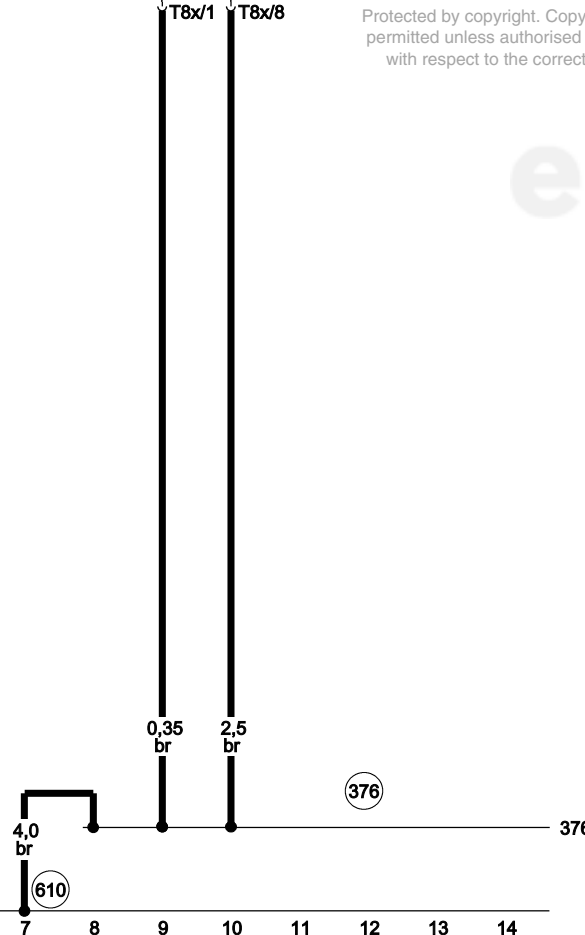
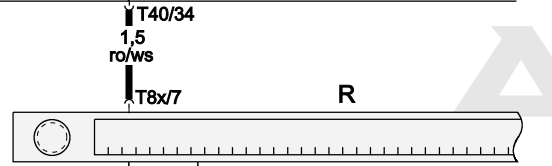
Fuses (on fuse panel)

- R Radio
- SB8 Fuse 8 (on fuse panel B)
- SB19 Fuse 19 (on fuse panel B)
- T8x 8-Pin Connector, black (Connector C)
- T40 40-Pin Connector, black, on electronics box engine compartment (Connector J)

- 376 Ground Connection 11 (in main wiring harness)
- 610 Ground Connection (Audio) (under center console, front)

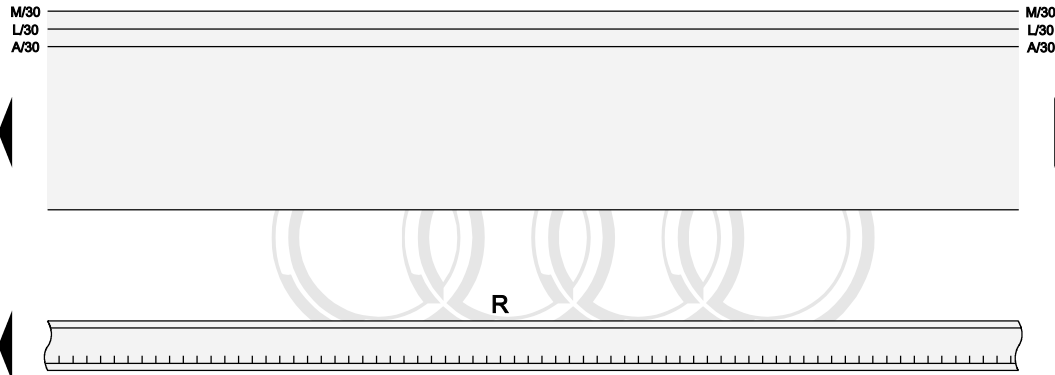
- # Only models with electronics box Low ⇒ Component Locations
- ## Only models with electronics box High ⇒ Component Locations

Protected by copyright. Copying for private or commercial purposes in part or in full is not permitted unless authorised by AUDI AG. AUDI AG does not guarantee or accept any liability with respect to the correctness of information in this document. Copyright by AUDI AG.



- ws = white
- sw = black
- ro = red
- br = brown
- gn = green
- bl = blue
- gr = grey
- li = lilac
- ge = yellow
- or = orange
- rs = pink

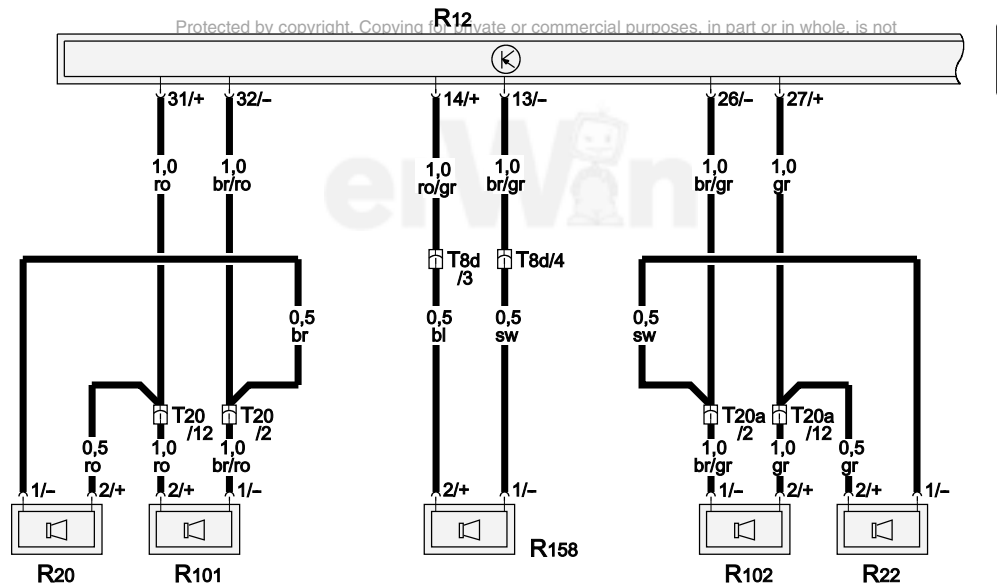
8P0-161020406



Front Speaker

- R Radio
- R12 Amplifier
- R20 Left Front Treble Speaker
- R22 Right Front Treble Speaker
- R101 Left Front Mid-Bass Speaker
- R102 Right Front Mid-Bass Speaker
- R158 Center Midrange Speaker
- T8d 8-Pin Connector, black, behind center console
- T20 20-Pin Connector, black, door A-pillar, left
- T20a 20-Pin Connector, black, door A-pillar, right

Protected by copyright. Copying for private or commercial purposes, in part or in whole, is not permitted.



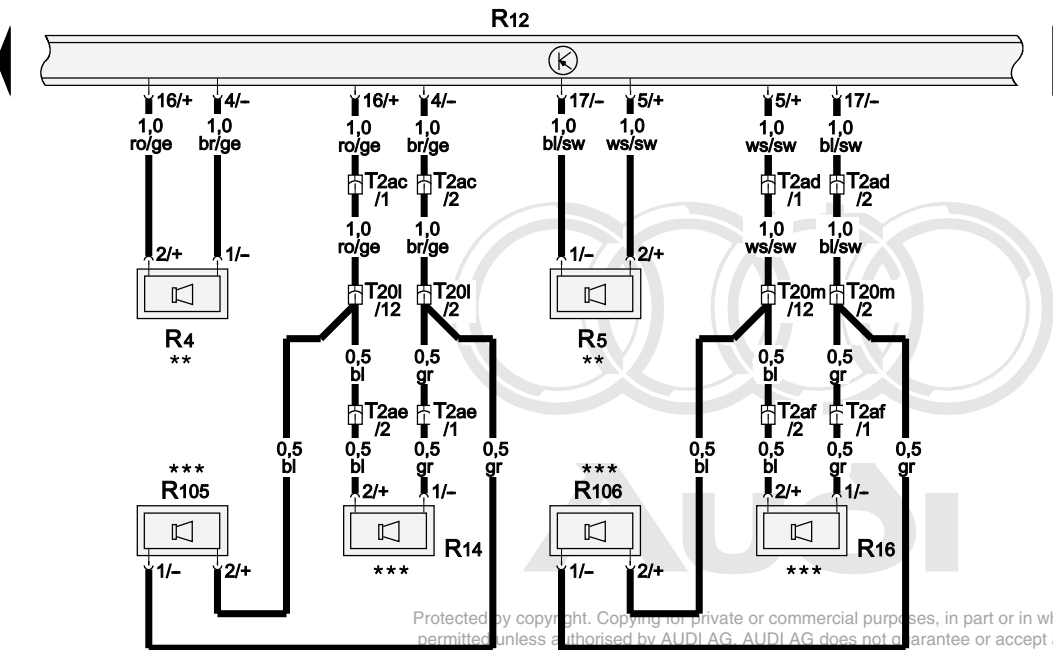
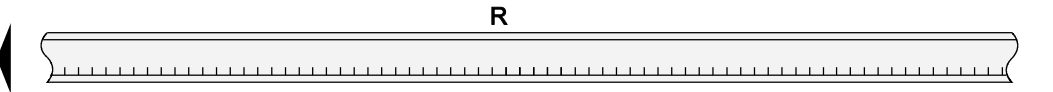
- ws = white
- sw = black
- ro = red
- br = brown
- gn = green
- bl = blue
- gr = grey
- li = lilac
- ge = yellow
- or = orange
- rs = pink

376

376

15 16 17 18 19 20 21 22 23 24 25 26 27 28

8P0-161030406



Rear Speaker

- R Radio
- R4 Left Rear Speaker
- R5 Right Rear Speaker
- R12 Amplifier
- R14 Left Rear Treble Speaker
- R16 Right Rear Treble Speaker
- R105 Left Rear Midrange Speaker
- R106 Right Rear Midrange Speaker
- T2ac Double Connector, black, behind rear left side panel trim
- T2ad Double Connector, black, behind rear right side panel trim
- T2ae Double Connector, black, in rear left door
- T2af Double Connector, black, in rear right door
- T20l 20-Pin Connector, black, door B-pillar, left
- T20m 20-Pin Connector, black, door B-pillar, right
- ** Only 3-door models
- *** Only 5-door models

- ws = white
- sw = black
- ro = red
- br = brown
- gn = green
- bl = blue
- gr = grey
- li = lilac
- ge = yellow
- or = orange
- rs = pink

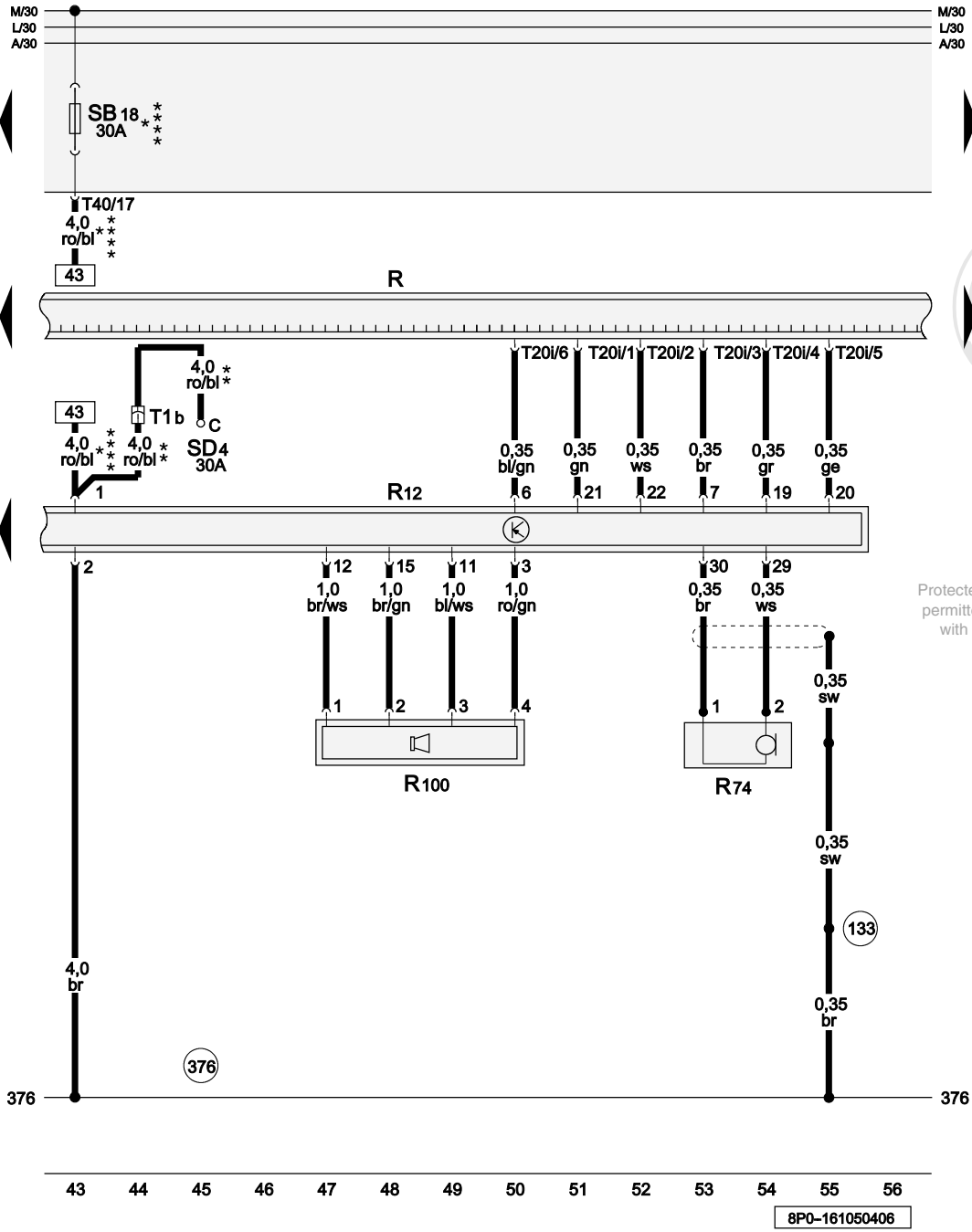
Protected by copyright. Copying for private or commercial purposes, in part or in whole, is not permitted unless authorised by AUDI AG. AUDI AG does not guarantee or accept any liability with respect to the correctness of information in this document. Copyright by AUDI AG

376

376

29 30 31 32 33 34 35 36 37 38 39 40 41 42

8P0-161040307



Bass Speaker, Inside Microphone

- R Radio
- R12 Amplifier
- R74 Inside Microphone
- R100 Bass Speaker
- SB18 Fuse 18 (on fuse panel B)
- SD4 Fuse 4 (on fuse panel D)
- T1b Single Connector, black, on C-pillar, left
- T20i 20-Pin Connector, black (Connector A)
- T16g 16-Pin Connector, black (Connector D)
- T40 40-Pin Connector, black, on electronics box engine compartment (Connector J)

133 Ground Connection (in speaker wiring harness)

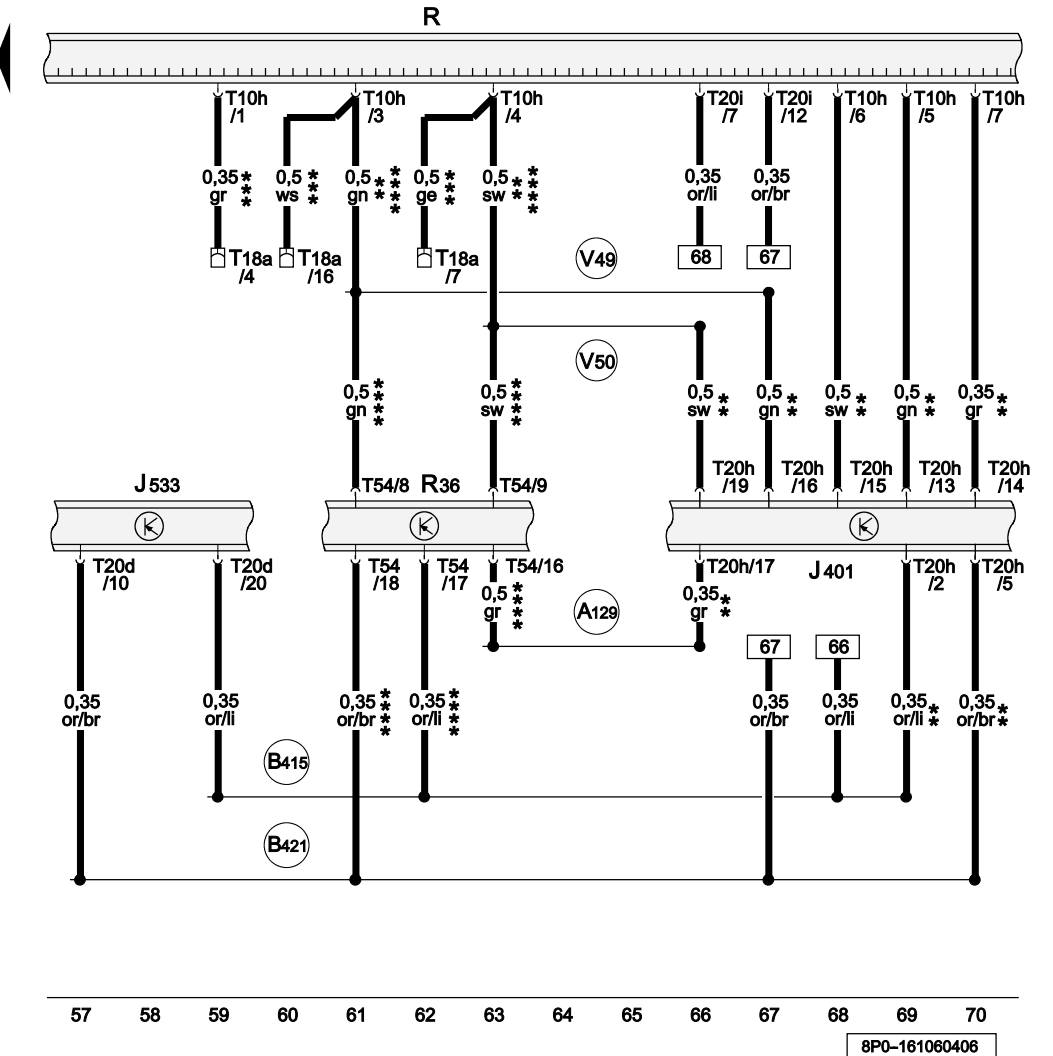
376 Ground Connection 11 (in main wiring harness)

* Only models with battery in engine compartment
 ** Only models with battery in luggage compartment, not applicable from November 2005

**** Applicable from November 2005 for models with battery in engine compartment and luggage compartment

Protected by copyright. Copying for private or commercial purposes, in part or in whole, is not permitted unless authorised by AUDI AG. AUDI AG does not guarantee or accept any liability with respect to the correctness of information in this document. Copyright by AUDI AG.

- ws = white
- sw = black
- ro = red
- br = brown
- gn = green
- bl = blue
- gr = grey
- li = lilac
- ge = yellow
- or = orange
- rs = pink



Mute, Infotainment CAN-Bus

- J401 Navigation System Control Module with CD Drive
- J533 Data Bus On Board Diagnostic Interface
- R Radio
- R36 Telephone Transceiver
- T10h 10-Pin Connector, red (Connector D)
- T18a 18-Pin Connector, black, near glove compartment (Connector A)
- T20d 20-Pin Connector, yellow (Connector A)
- T20h 20-Pin Connector, black (Connector C)
- T20i 20-Pin Connector, black (Connector A)
- T54 54-Pin Connector, black (Connector A)

- A129 Mute Connection (in instrument panel wiring harness)
- B415 Infotainment CAN-Bus High Connection 1 (in main wiring harness)
- B421 Infotainment CAN-Bus Low Connection 1 (in main wiring harness)
- V49 Low Frequency + Connection (in communication wiring harness)
- V50 Low Frequency - Connection (in communication wiring harness)

Protected by copyright. Copying for private or commercial purposes, in part or in whole, is not permitted unless authorized by Audi AG. Copyright by Audi AG. with respect to the correctness of information in this document. Copyright by AUDI AG.

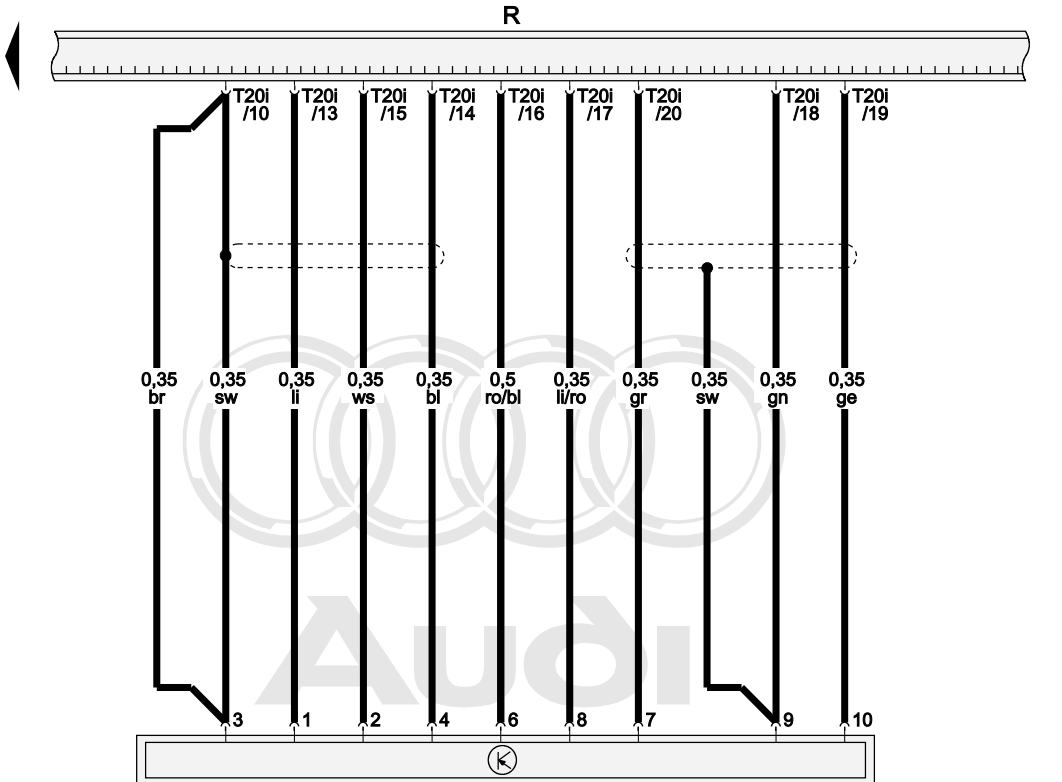
- ** Only models with navigation system NS-Low
- *** Cellular telephone preparation without hands free system only
- **** Cellular telephone preparation with hands free system only

- ws = white
- sw = black
- ro = red
- br = brown
- gn = green
- bl = blue
- gr = grey
- li = lilac
- ge = yellow
- or = orange
- rs = pink



CD Changer, iPod Baseplate, USB Connection Baseplate

- R Radio
- R41 CD Changer
- R192 iPod Baseplate
- R193 USB Connection Baseplate
- T20i 20-Pin Connector, black (Connector A)
- ** Only models with CD Changer or iPod Baseplate or USB Connection Baseplate



with respect to the correctness of information in this document. Copyright by AUDI AG.

R192** R41**
R193**

- ws = white
- sw = black
- ro = red
- br = brown
- gn = green
- bl = blue
- gr = grey
- li = lilac
- ge = yellow
- or = orange
- rs = pink

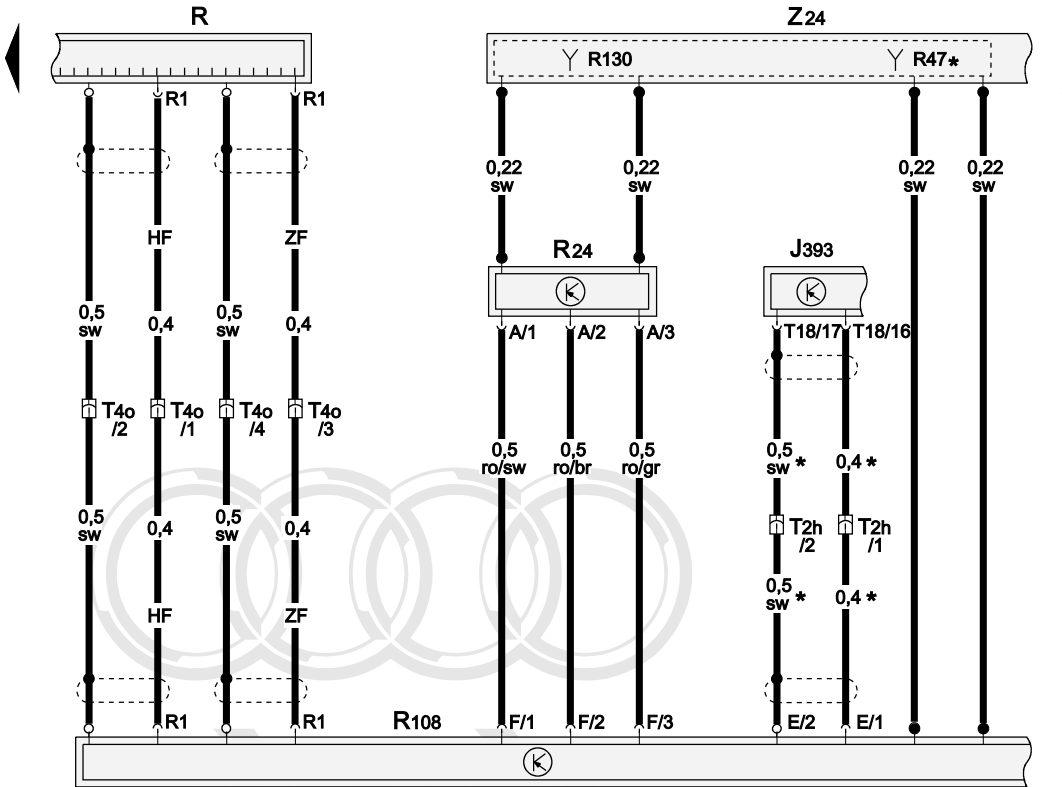
71 72 73 74 75 76 77 78 79 80 81 82 83 84

8P0-161070307



Antenna Amplifier, Rear Window Defogger with Window Antenna

- J393 Comfort System Central Control Module
- R Radio
- R1 Antenna Connection
- R24 Antenna Amplifier
- R47 Central Locking and Anti-Theft Alarm System Antenna
- R108 Left Antenna Module
- R130 Rear Window Antenna 1
- T2h Double Connector, on C-pillar, right
- T4o 4-Pin Connector, near right C-pillar
- T18 18-Pin Connector, brown (Connector A)
- Z24 Rear Window Defogger with Window Antenna
- * Only models with central locking system or anti-theft alarm system



- ws = white
- sw = black
- ro = red
- br = brown
- gn = green
- bl = blue
- gr = grey
- li = lilac
- ge = yellow
- or = orange
- rs = pink

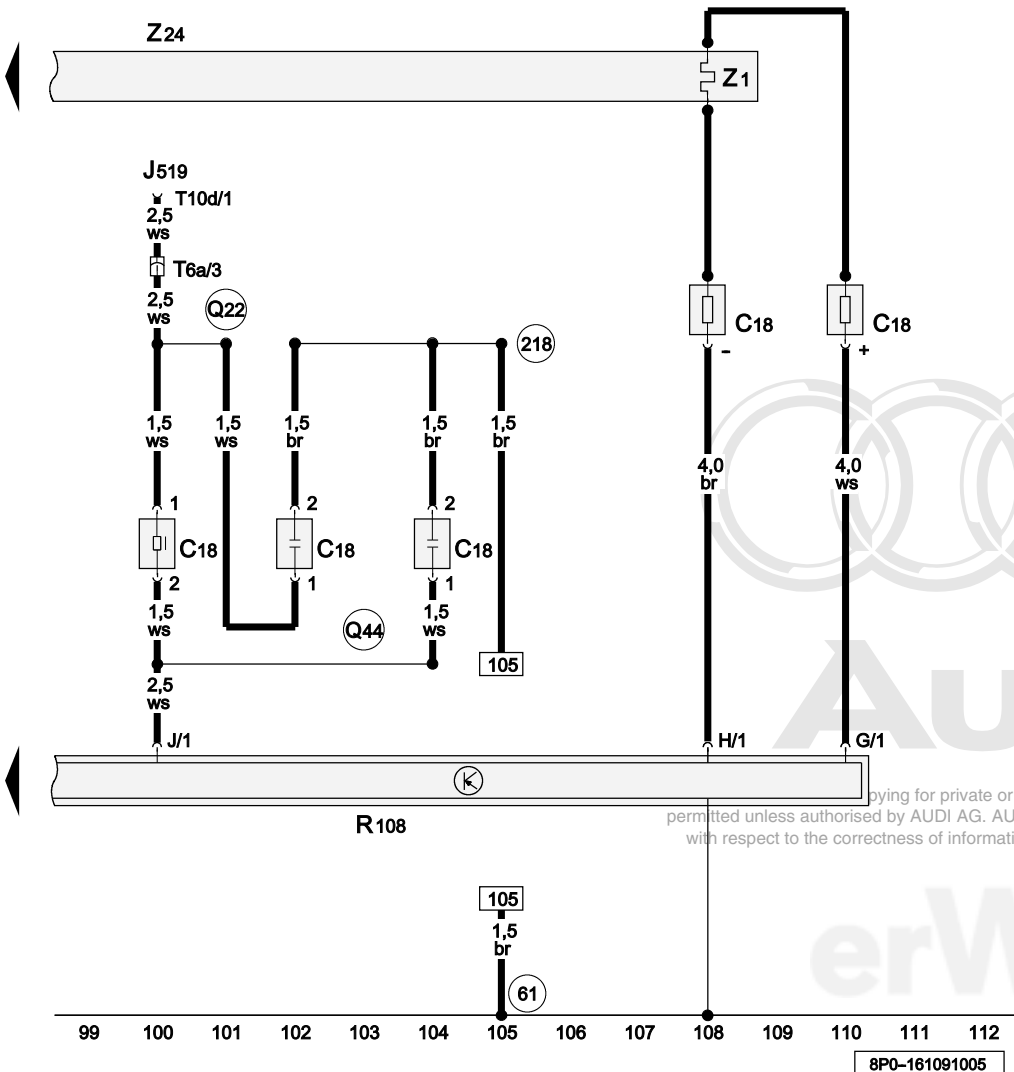
Protected by copyright. Copying for private or commercial purposes, in part or in whole, is not permitted unless authorised by AUDI AG. AUDI AG does not guarantee or accept any liability with respect to the correctness of information in this document. Copyright by AUDI AG.



Left Antenna Module, Heated Rear Window

- C18 Windshield Antenna Suppression Filter
- J519 Vehicle Electrical System Control Module
- R108 Left Antenna Module
- T6a 6-Pin Connector, black, on C-pillar, left
- T10d 10-Pin Connector, black (Connector K)
- Z1 Heated Rear Window
- Z24 Rear Window Defogger with Window Antenna

- (61) Ground Connection (on left C-pillar)
- (218) Ground Connection 1 (in rear lid wiring harness)
- (Q22) Connection 1 (in tailgate wiring harness)
- (Q44) Connection 2 (in tailgate wiring harness)



Copyright for private or commercial purposes, in part or in whole, is not permitted unless authorised by AUDI AG. AUDI AG does not warrant or accept any liability with respect to the correctness of information in this document. Copyright by AUDI AG.

- ws = white
- sw = black
- ro = red
- br = brown
- gn = green
- bl = blue
- gr = grey
- li = lilac
- ge = yellow
- or = orange
- rs = pink

8P0-161091005

Radio

- ⇒ Only models with US equipment
 - ⇒ Only models with radio generation II
- from model year 2006

Note:

Information for

- ◆ Relay and fuse arrangements
- ◆ Connector arrangements
- ◆ Control Modules and Relays
- ◆ Ground Connections

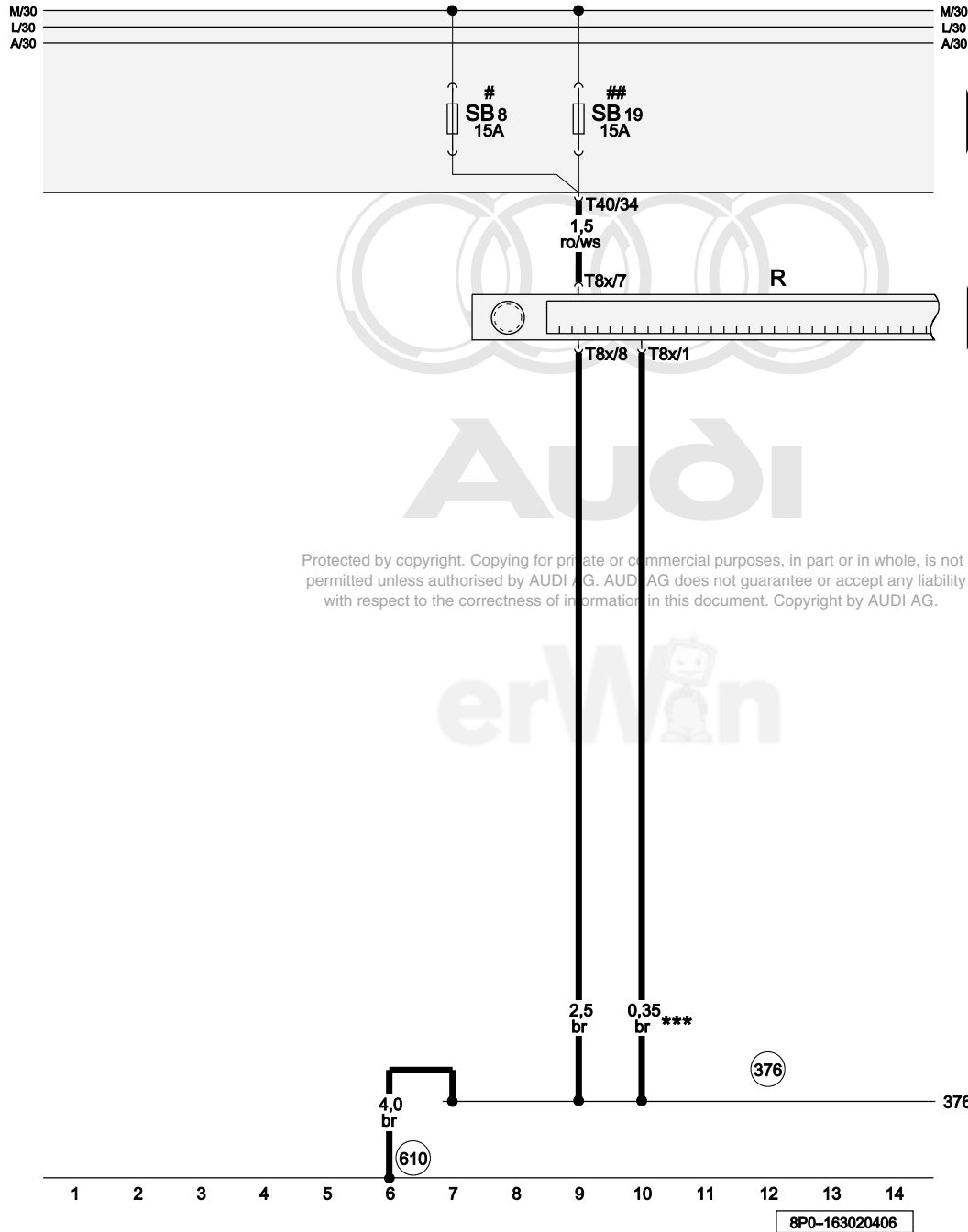
⇒ Component Locations

Information for

- ◆ Troubleshooting Procedures
- ⇒ Guided Fault Finding using VAS 5051 / 5052

Protected by copyright. Copying for private or commercial purposes, in part or in whole, is not permitted unless authorised by AUDI AG. AUDI AG does not guarantee or accept any liability with respect to the correctness of information in this document. Copyright by AUDI AG.

erWin



Radio, Power Supply

- R Radio
- SB8 Fuse 8 (on fuse panel B)
- SB19 Fuse 19 (on fuse panel B)
- T8x 8-Pin Connector, black (Connector C)
- T40 40-Pin Connector, black, on electronics box engine compartment (Connector J)

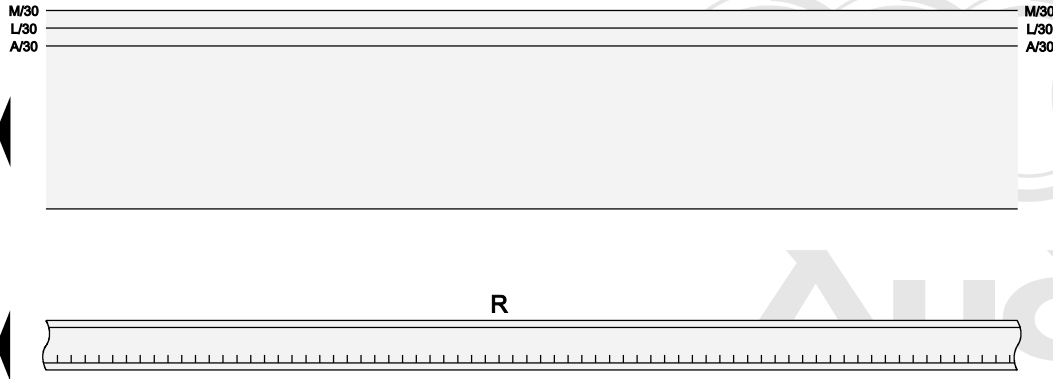
- 376 Ground Connection 11 (in main wiring harness)
- 610 Ground Connection (Audio) (under center console, front)

- *** Only models with BOSE system
- # Only models with electronics box Low ⇒ Component Locations
- ## Only models with electronics box High ⇒ Component Locations

Protected by copyright. Copying for private or commercial purposes, in part or in whole, is not permitted unless authorised by AUDI AG. AUDI AG does not guarantee or accept any liability with respect to the correctness of information in this document. Copyright by AUDI AG.

- ws = white
- sw = black
- ro = red
- br = brown
- gn = green
- bl = blue
- gr = grey
- li = lilac
- ge = yellow
- or = orange
- rs = pink

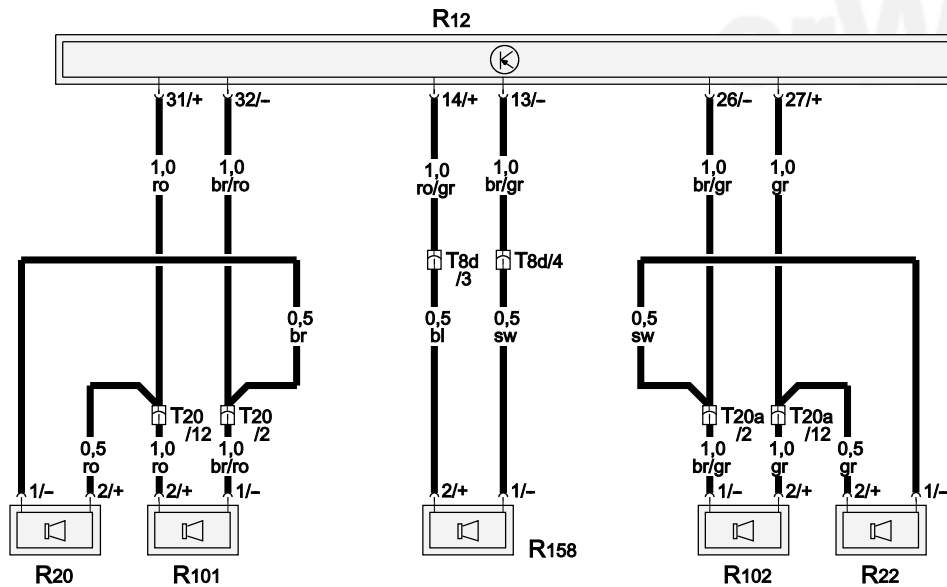
8P0-163020406



Front Speaker with BOSE system

- R Radio
- R12 Amplifier
- R20 Left Front Treble Speaker
- R22 Right Front Treble Speaker
- R101 Left Front Mid-Bass Speaker
- R102 Right Front Mid-Bass Speaker
- R158 Center Midrange Speaker
- T8d 8-Pin Connector, black, behind center console
- T20 20-Pin Connector, black, door A-pillar, left
- T20a 20-Pin Connector, black, door A-pillar, right

Protected by copyright. Copying for private or commercial purposes, in part or in whole, is not permitted unless authorised by AUDI AG. AUDI AG does not guarantee or accept any liability with respect to the correctness of information in this document. Copyright by AUDI AG.



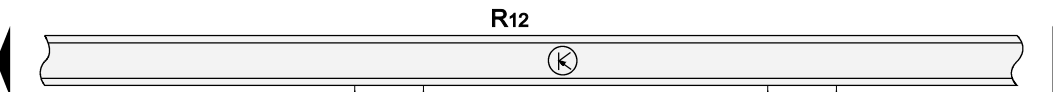
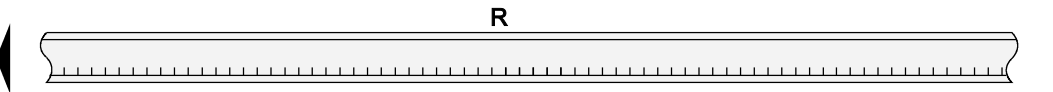
- ws = white
- sw = black
- ro = red
- br = brown
- gn = green
- bl = blue
- gr = grey
- li = lilac
- ge = yellow
- or = orange
- rs = pink

376

376

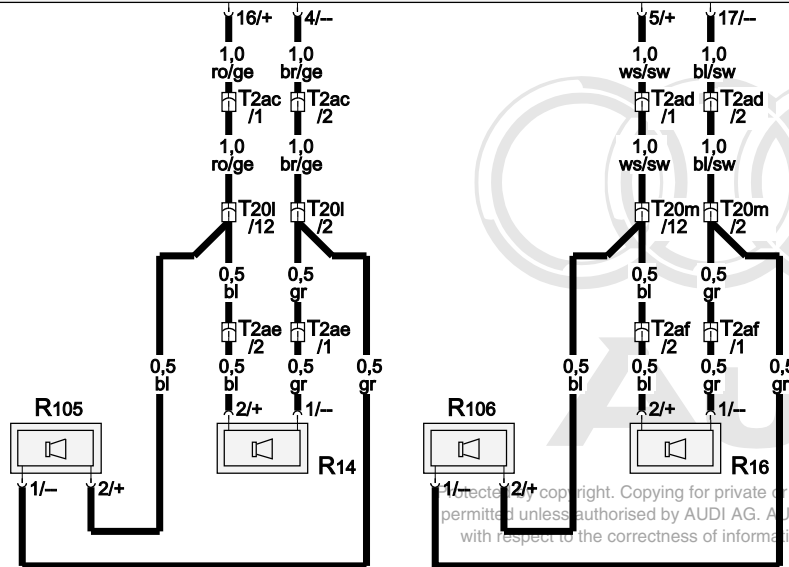
15 16 17 18 19 20 21 22 23 24 25 26 27 28

8P0-163031005



Rear Speaker with BOSE system

- R Radio
- R12 Amplifier
- R14 Left Rear Treble Speaker
- R16 Right Rear Treble Speaker
- R105 Left Rear Midrange Speaker
- R106 Right Rear Midrange Speaker
- T2ac Double Connector, black, behind rear left side panel trim
- T2ad Double Connector, black, behind rear right side panel trim
- T2ae Double Connector, black, in rear left door
- T2af Double Connector, black, in rear right door
- T20l 20-Pin Connector, black, door B-pillar, left
- T20m 20-Pin Connector, black, door B-pillar, right



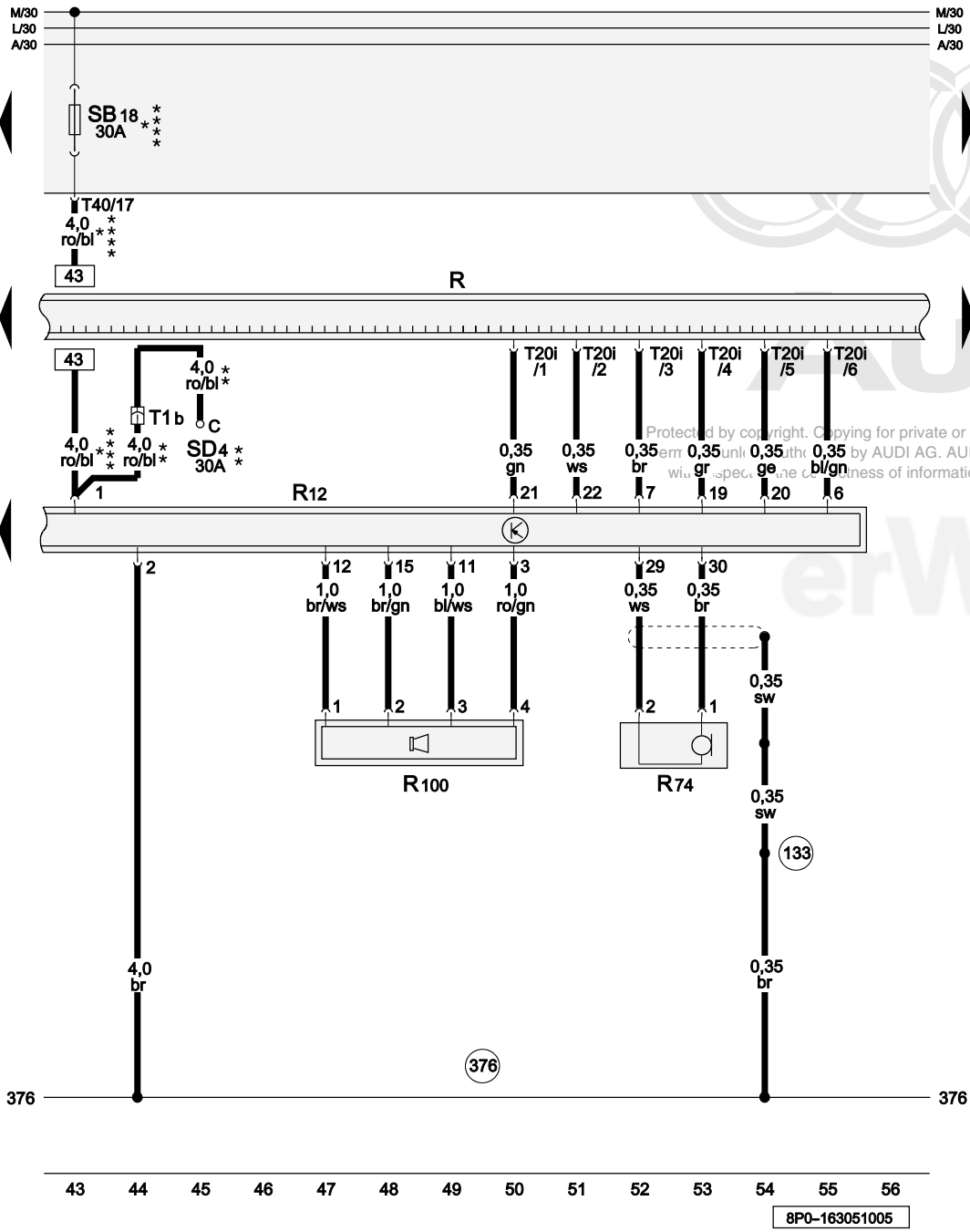
- ws = white
- sw = black
- ro = red
- br = brown
- gn = green
- bl = blue
- gr = grey
- li = lilac
- ge = yellow
- or = orange
- rs = pink

376

376

29 30 31 32 33 34 35 36 37 38 39 40 41 42

97-80625



Inside Microphone, Bass Speaker with BOSE system

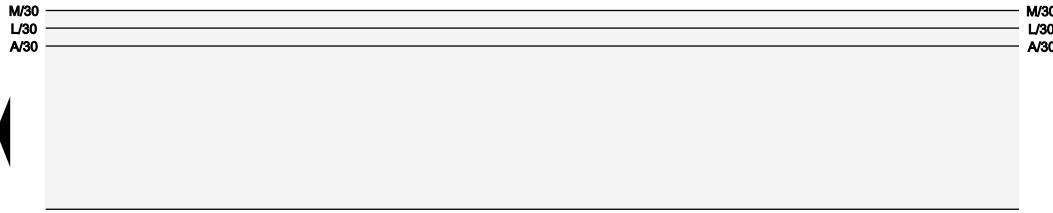
- R Radio
- R12 Amplifier
- R74 Inside Microphone
- R100 Bass Speaker
- SB18 Fuse 18 (on fuse panel B)
- SD4 Fuse 4 (on fuse panel D)
- T1b Single Connector, black, on C-pillar, left
- T20i 20-Pin Connector, black (Connector A)
- T40 40-Pin Connector, black, on electronics box engine compartment (Connector J)

133 Ground Connection (in speaker wiring harness)

376 Ground Connection 11 (in main wiring harness)

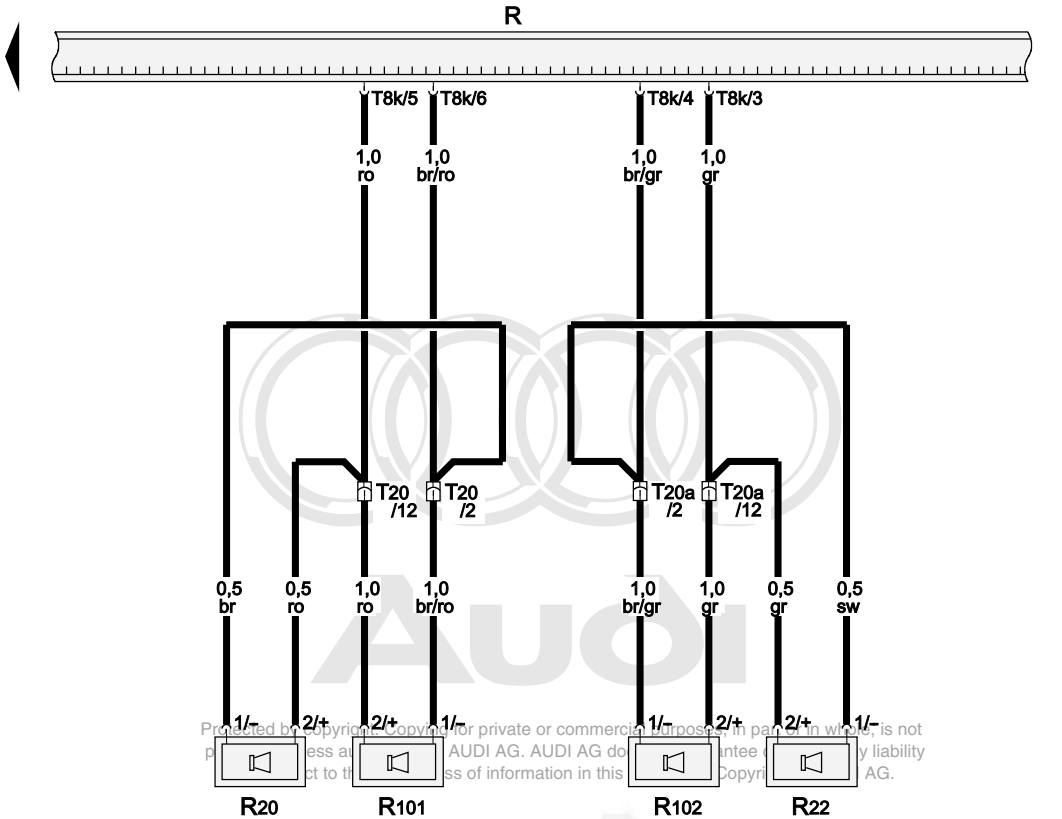
* Only models with battery in engine compartment
 ** Only models with battery in luggage compartment, not applicable from November 2005
 **** Applicable from November 2005 for models with battery in engine compartment and luggage compartment

- ws = white
- sw = black
- ro = red
- br = brown
- gn = green
- bl = blue
- gr = grey
- li = lilac
- ge = yellow
- or = orange
- rs = pink



Front Speaker without Amplifier

- R Radio
- R20 Left Front Treble Speaker
- R22 Right Front Treble Speaker
- R101 Left Front Mid-Bass Speaker
- R102 Right Front Mid-Bass Speaker
- T8k 8-Pin Connector, brown (Connector B)
- T20 20-Pin Connector, black, door A-pillar, left
- T20a 20-Pin Connector, black, door A-pillar, right



Produced by copyright for private or commercial purposes in part in which is not less than AUDI AG. AUDI AG does not accept the liability for the content of this information in this Copyright AG.

- ws = white
- sw = black
- ro = red
- br = brown
- gn = green
- bl = blue
- gr = grey
- li = lilac
- ge = yellow
- or = orange
- rs = pink

376

376

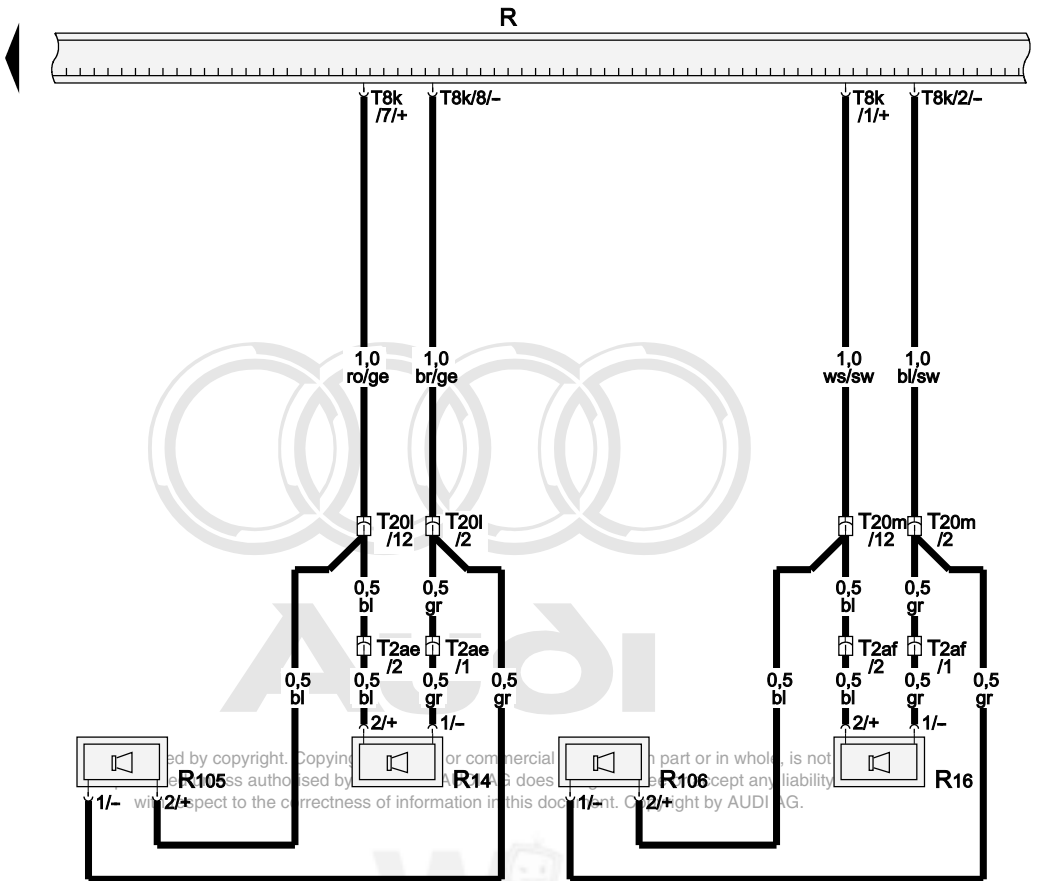
57 58 59 60 61 62 63 64 65 66 67 68 69 70

8P0-163061005



Rear Speaker without Amplifier

- R Radio
- R14 Left Rear Treble Speaker
- R16 Right Rear Treble Speaker
- R105 Left Rear Midrange Speaker
- R106 Right Rear Midrange Speaker
- T2ae Double Connector, black, in rear left door
- T2af Double Connector, black, in rear right door
- T8k 8-Pin Connector, brown (Connector B)
- T20l 20-Pin Connector, black, door B-pillar, left
- T20m 20-Pin Connector, black, door B-pillar, right



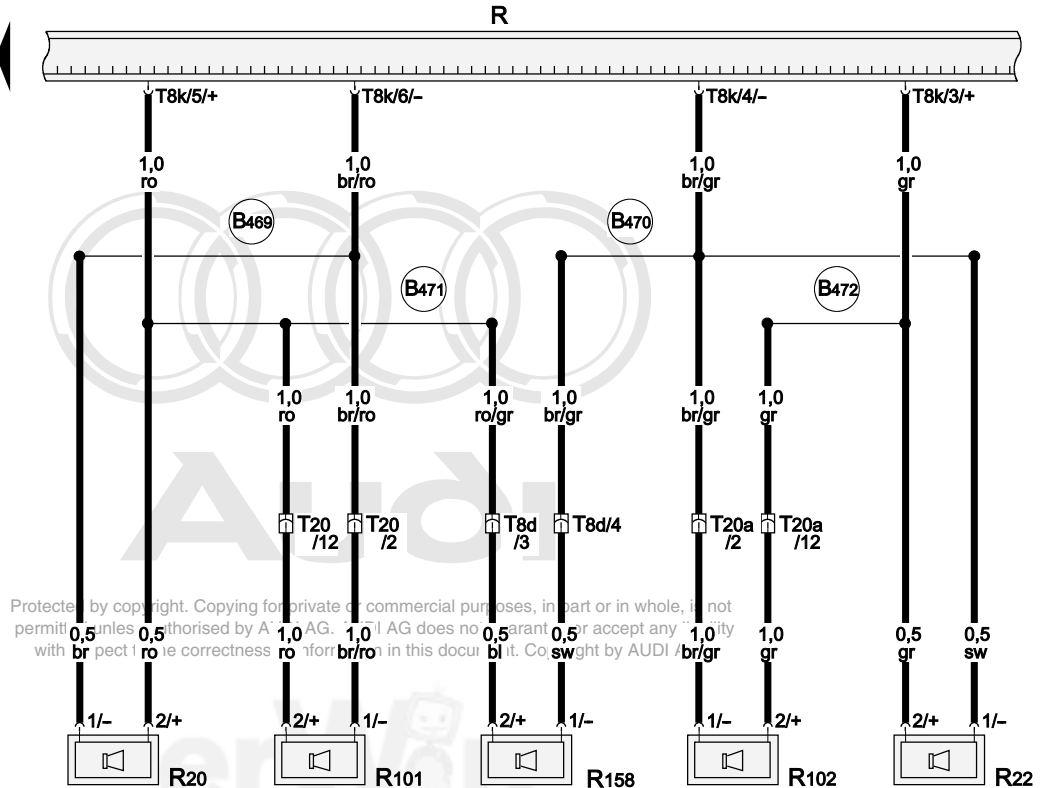
- ws = white
- sw = black
- ro = red
- br = brown
- gn = green
- bl = blue
- gr = grey
- li = lilac
- ge = yellow
- or = orange
- rs = pink

376

376

71 72 73 74 75 76 77 78 79 80 81 82 83 84

8P0-163071005



Front Speaker with Amplifier

- R Radio
- R20 Left Front Treble Speaker
- R22 Right Front Treble Speaker
- R101 Left Front Mid-Bass Speaker
- R102 Right Front Mid-Bass Speaker
- R158 Center Midrange Speaker
- T8d 8-Pin Connector, black, behind center console
- T8k 8-Pin Connector, brown (Connector B)
- T20 20-Pin Connector, black, door A-pillar, left
- T20a 20-Pin Connector, black, door A-pillar, right

- (B469) Connection 5 (in main wiring harness)
- (B470) Connection 6 (in main wiring harness)
- (B471) Connection 7 (in main wiring harness)
- (B472) Connection 8 (in main wiring harness)

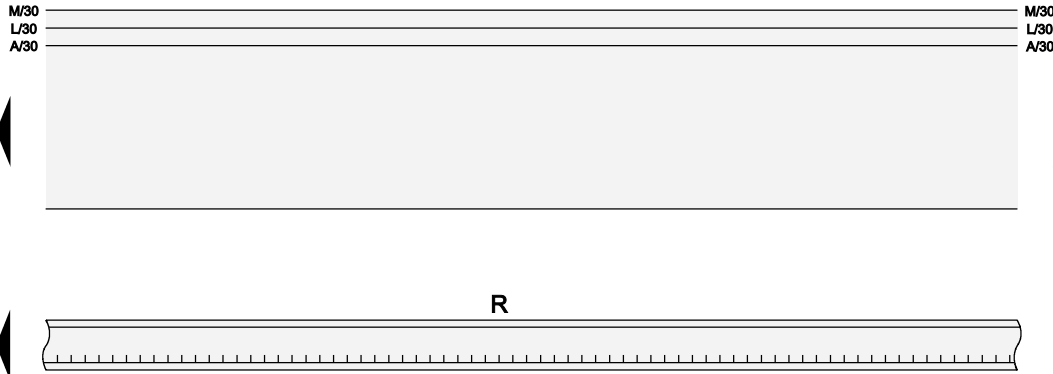
Protected by copyright. Copying for private or commercial purposes, in part or in whole, is not permitted unless authorised by Audi AG. Audi AG does not warrant or accept any liability with respect to the correctness of the information in this document. Copyright by AUDI AG.

376 _____ 376

85 86 87 88 89 90 91 92 93 94 95 96 97 98

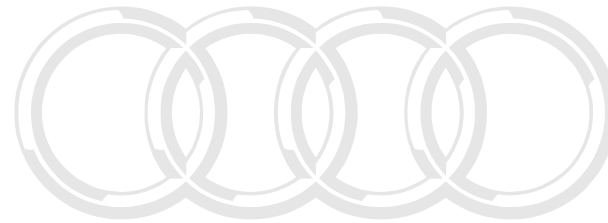
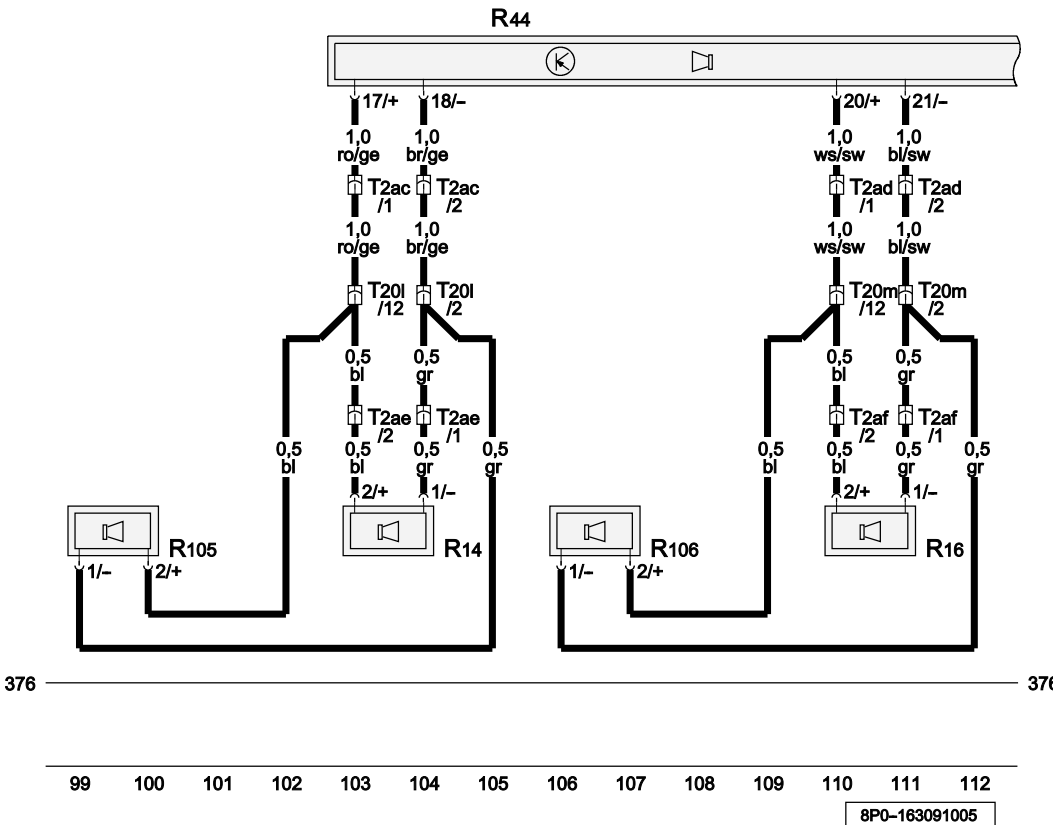
8P0-163081005

- ws = white
- sw = black
- ro = red
- br = brown
- gn = green
- bl = blue
- gr = grey
- li = lilac
- ge = yellow
- or = orange
- rs = pink



Amplifier with Rear Speaker

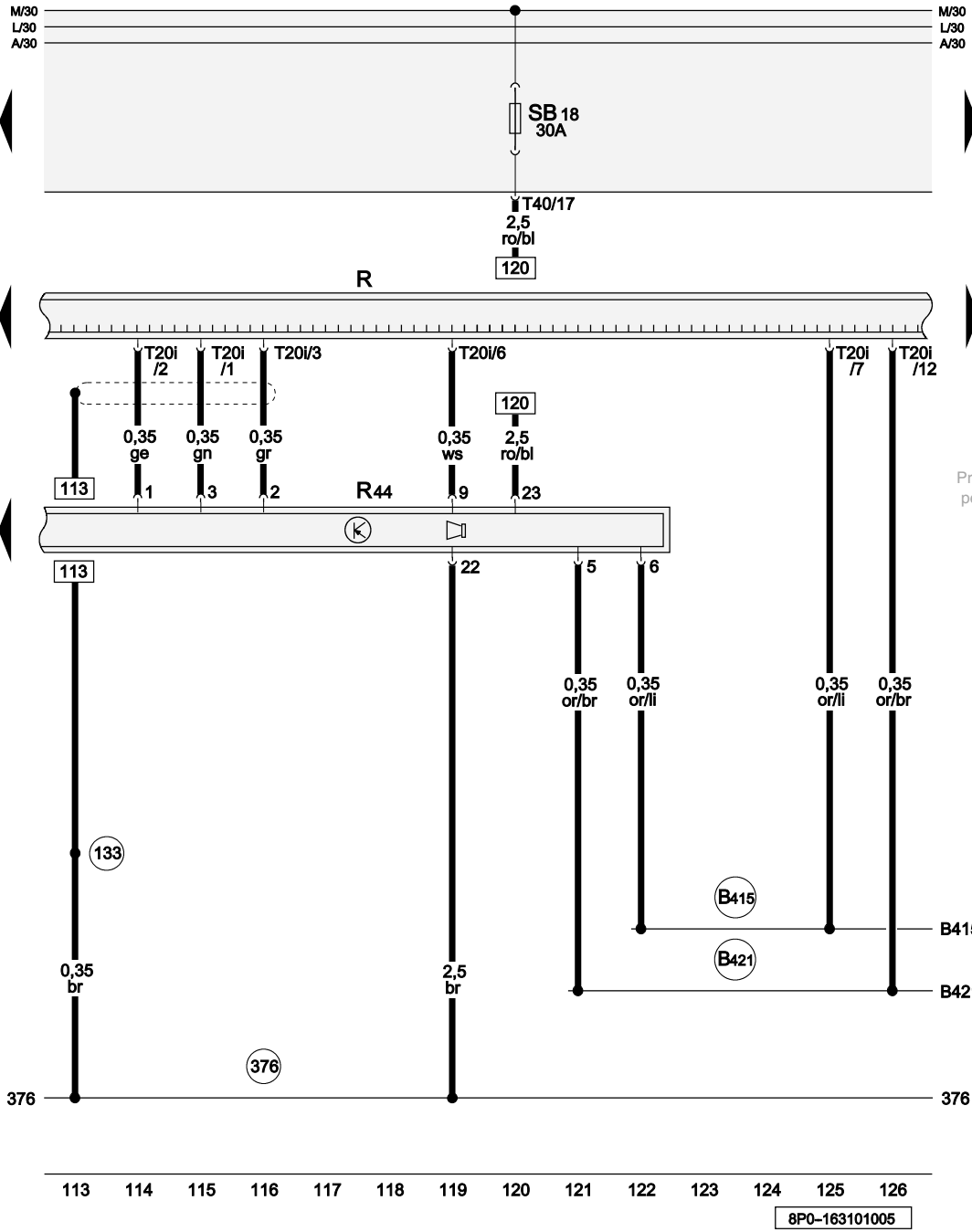
- R Radio
- R14 Left Rear Treble Speaker
- R16 Right Rear Treble Speaker
- R44 Bass Speakers Amplifier, in luggage compartment, left
- R105 Left Rear Midrange Speaker
- R106 Right Rear Midrange Speaker
- T2ac Double Connector, black, behind rear left side panel trim
- T2ad Double Connector, black, behind rear right side panel trim
- T2ae Double Connector, black, in rear left door
- T2af Double Connector, black, in rear right door
- T20l 20-Pin Connector, black, door B-pillar, left
- T20m 20-Pin Connector, black, door B-pillar, right



Audi

Protected by copyright. Copying for private or commercial purposes, in part or in whole, is not permitted unless authorised by AUDI AG. AUDI AG does not guarantee or accept any liability with respect to the correctness of information in this document. Copyright by AUDI AG.

- ws = white
- sw = black
- ro = red
- br = brown
- gn = green
- bl = blue
- gr = grey
- li = lilac
- ge = yellow
- or = orange
- rs = pink

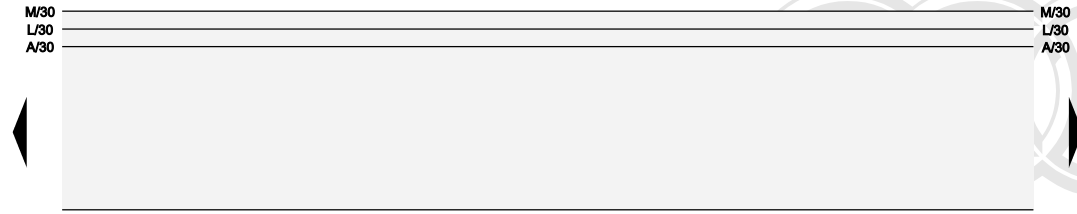


Bass Speakers Amplifier, in luggage compartment, left

- R Radio
- R44 Bass Speakers Amplifier, in luggage compartment, left
- SB18 Fuse 18 (on fuse panel B)
- T20i 20-Pin Connector, black (Connector A)
- T40 40-Pin Connector, black, on electronics box engine compartment (Connector J)
- 133 Ground Connection (in speaker wiring harness)
- 376 Ground Connection 11 (in main wiring harness)
- B415 Infotainment CAN-Bus High Connection 1 (in main wiring harness)
- B421 Infotainment CAN-Bus Low Connection 1 (in main wiring harness)

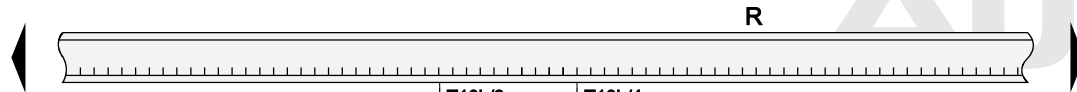
Protected by copyright. Copying for private or commercial purposes, in part or in whole, is not permitted unless authorised by AUDI AG. AUDI AG does not guarantee or accept any liability with respect to the correctness of information in this document. Copyright by AUDI AG.

- ws = white
- sw = black
- ro = red
- br = brown
- gn = green
- bl = blue
- gr = grey
- li = lilac
- ge = yellow
- or = orange
- rs = pink



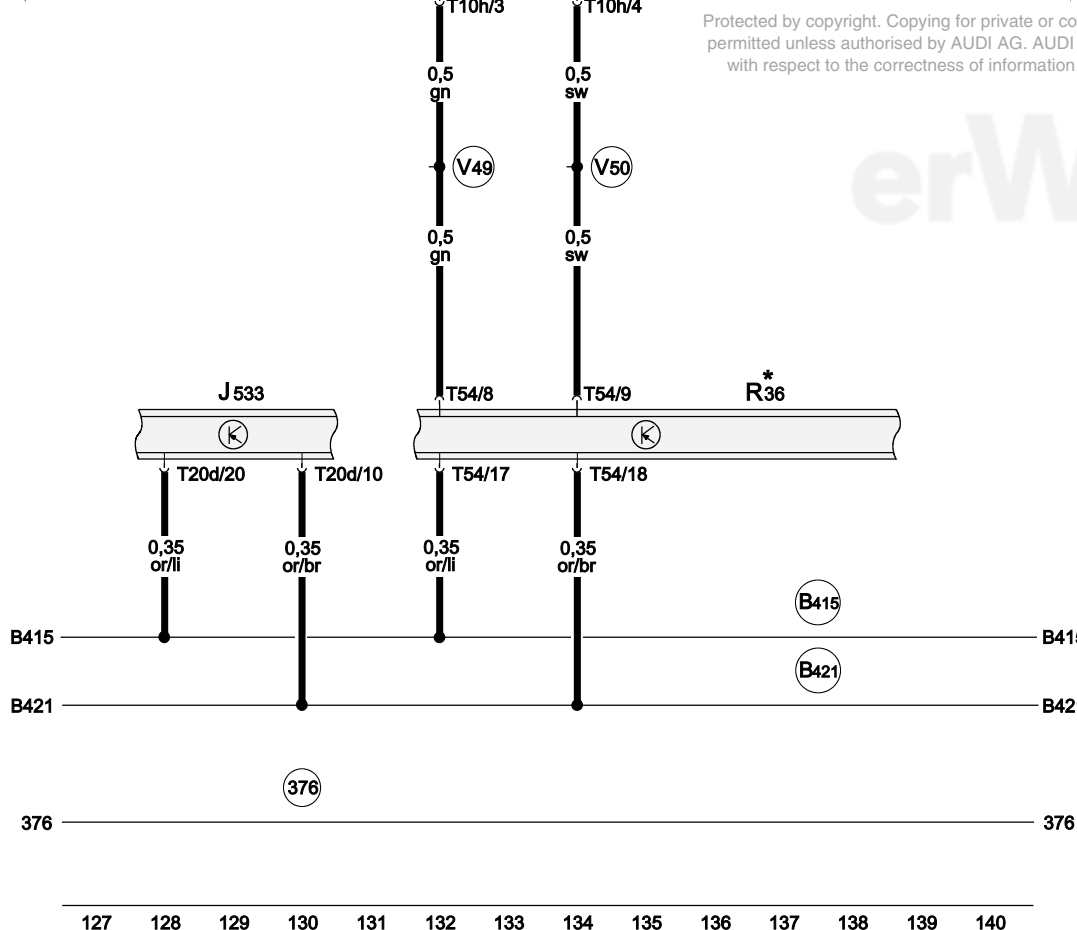
Data Bus On Board Diagnostic Interface, Telephone Transceiver

- J533 Data Bus On Board Diagnostic Interface
- R Radio
- R36 Telephone Transceiver
- T10h 10-Pin Connector, red (Connector D)
- T20d 20-Pin Connector, yellow (Connector A)
- T54 54-Pin Connector, black (Connector A)



Protected by copyright. Copying for private or commercial purposes, in part or in whole, is not permitted unless authorised by AUDI AG. AUDI AG does not guarantee or accept any liability with respect to the correctness of information in this document. Copyright by AUDI AG.

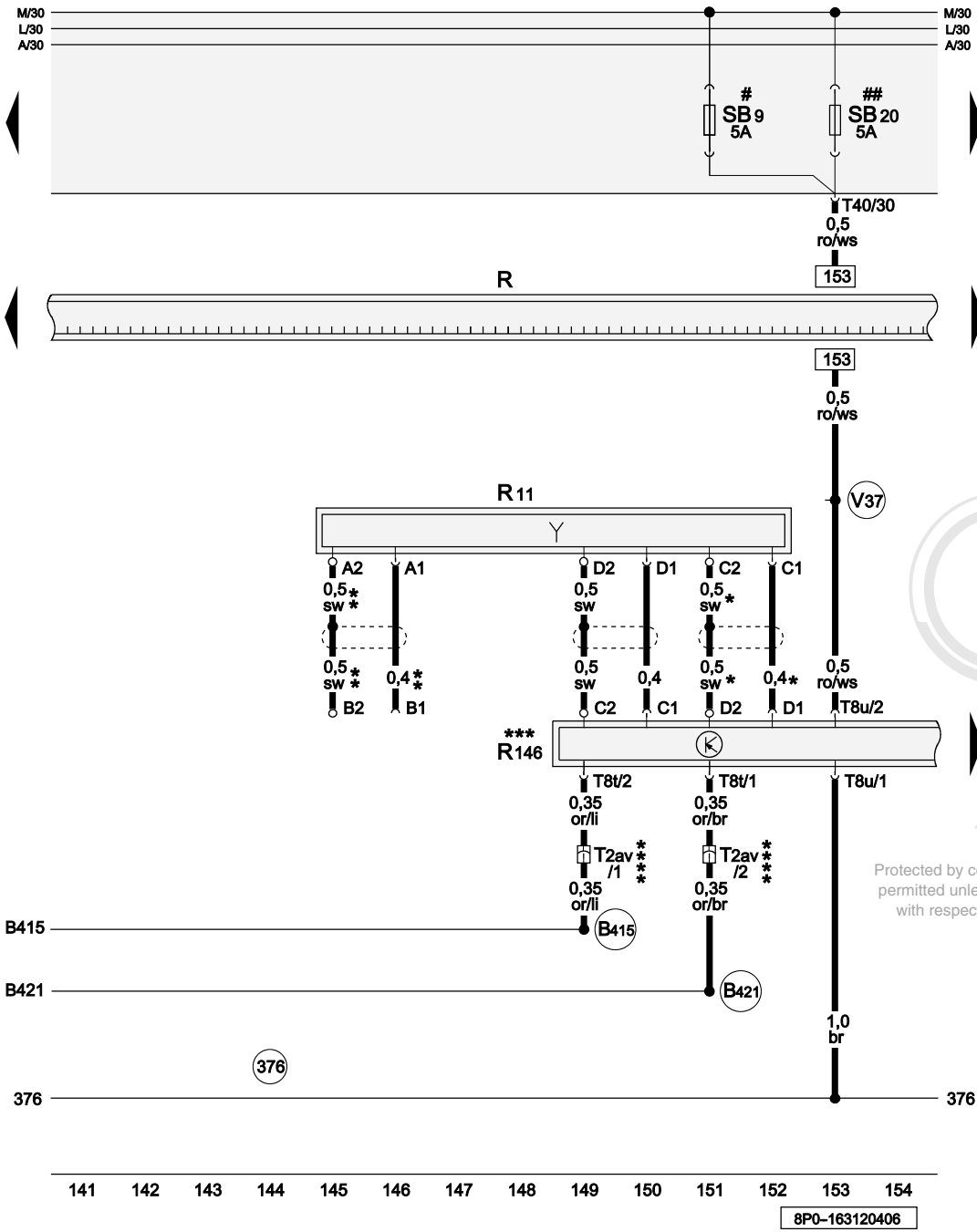
- 376 Ground Connection 11 (in main wiring harness)
- B415 Infotainment CAN-Bus High Connection 1 (in main wiring harness)
- B421 Infotainment CAN-Bus Low Connection 1 (in main wiring harness)
- V49 Low Frequency + Connection (in communication wiring harness)
- V50 Low Frequency - Connection (in communication wiring harness)
- * Only models with telephone



- ws = white
- sw = black
- ro = red
- br = brown
- gn = green
- bl = blue
- gr = grey
- li = lilac
- ge = yellow
- or = orange
- rs = pink

127 128 129 130 131 132 133 134 135 136 137 138 139 140

8P0-163111005



Roof Antenna

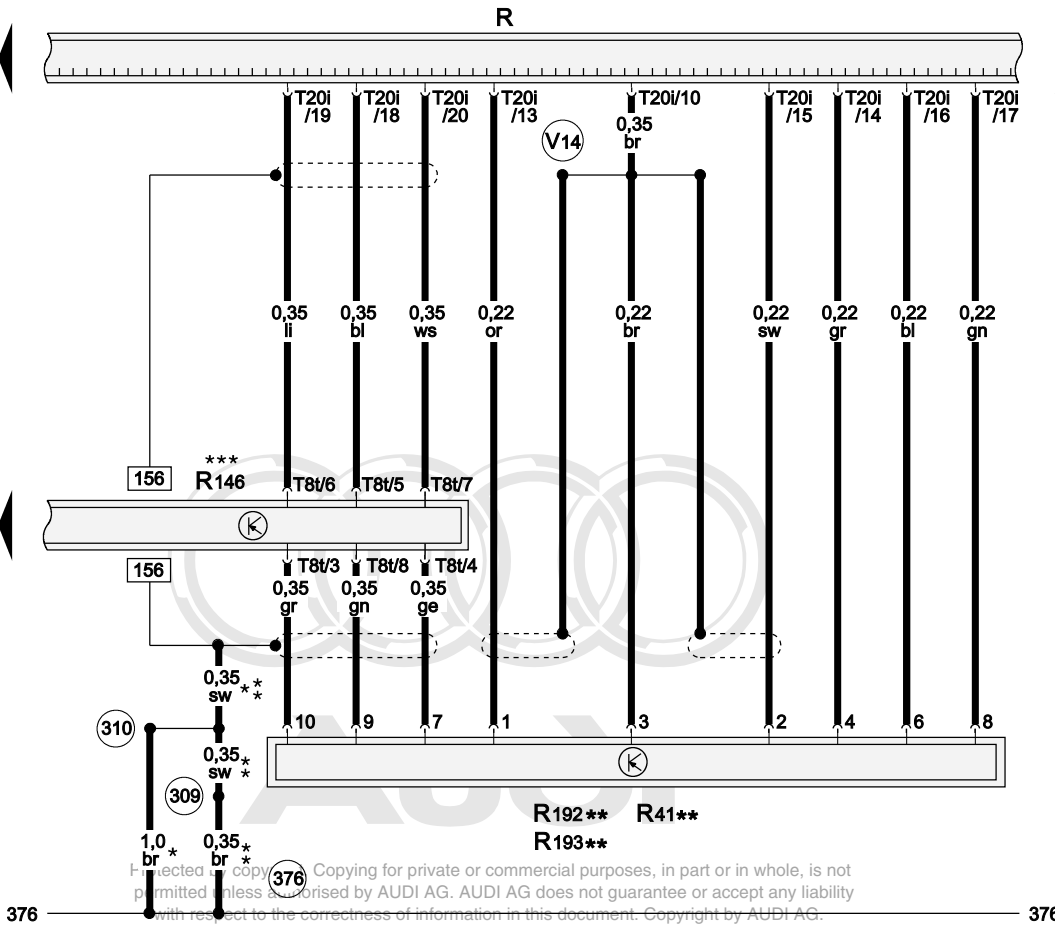
- R Radio
- R11 Antenna
- R146 Satellite Radio
- SB9 Fuse 9 (on fuse panel B)
- SB20 Fuse 20 (on fuse panel B)
- T2av Double Connector, black, on right A-pillar
- T8t 8-Pin Connector, black, in luggage compartment, left rear (Connector B)
- T8u 8-Pin Connector, black (Connector A)
- T40 40-Pin Connector, black, on electronics box engine compartment (Connector J)

- 376 Ground Connection 11 (in main wiring harness)
- B415 Infotainment CAN-Bus High Connection 1 (in main wiring harness)
- B421 Infotainment CAN-Bus Low Connection 1 (in main wiring harness)
- V37 Plus Connection (30) (in communications wiring harness)

- * Not applicable from November 2006
- ** Only models with telephone
- *** Only models with satellite radio
- **** Only preparation for satellite radio
- # Only models with electronics box Low => Component Locations
- ## Only models with electronics box High => Component Locations

Protected by copyright. Copying for private or commercial purposes, in part or in whole, is not permitted unless authorised by AUDI AG. AUDI AG does not guarantee or accept any liability with respect to the correctness of information in this document. Copyright by AUDI AG.

- ws = white
- sw = black
- ro = red
- br = brown
- gn = green
- bl = blue
- gr = grey
- li = lilac
- ge = yellow
- or = orange
- rs = pink



CD Changer, iPod Baseplate, USB Connection Baseplate, with Satellite Radio

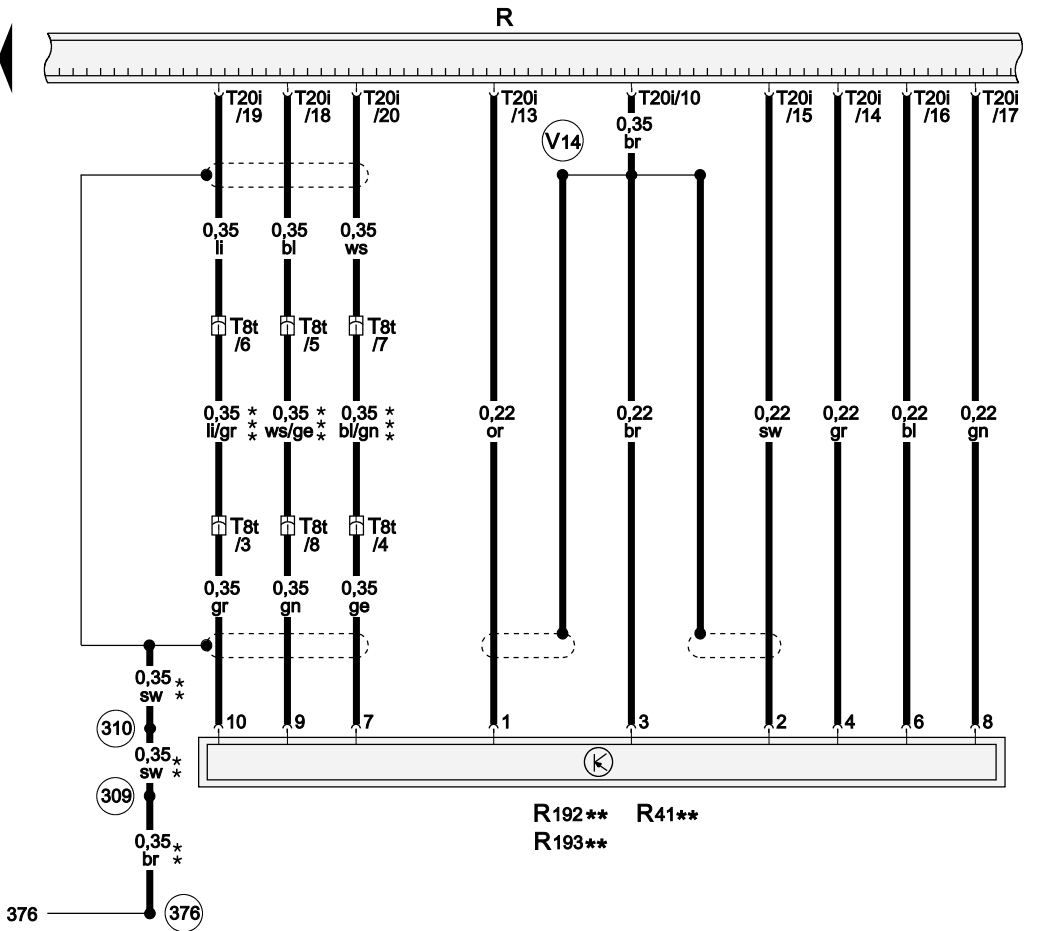
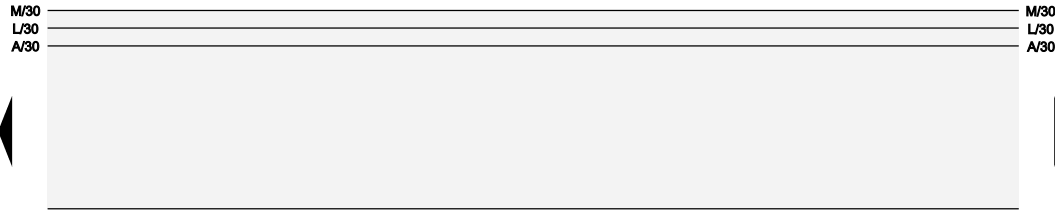
- R Radio
- R41 CD Changer
- R146 Satellite Radio
- R192 iPod Baseplate
- R193 USB Connection Baseplate
- T8t 8-Pin Connector, black, in luggage compartment, left rear (Connector B)
- T20i 20-Pin Connector, black (Connector A)
- 309 Shielding Ground Connection 1 (in CD changer wiring harness)
- 310 Shielding Ground Connection 2 (in CD changer wiring harness)
- 376 Ground Connection 11 (in main wiring harness)
- V14 Connection (shielding) (in CD-changer wiring harness)
- * Only models without CD Changer or iPod Baseplate or USB Connection Baseplate
- ** Only models with CD Changer or iPod Baseplate or USB Connection Baseplate
- *** Only models with satellite radio

- ws = white
- sw = black
- ro = red
- br = brown
- gn = green
- bl = blue
- gr = grey
- li = lilac
- ge = yellow
- or = orange
- rs = pink

Copyrighted copy. Copying for private or commercial purposes, in part or in whole, is not permitted unless authorised by AUDI AG. AUDI AG does not guarantee or accept any liability with respect to the correctness of information in this document. Copyright by AUDI AG.

155 156 157 158 159 160 161 162 163 164 165 166 167 168

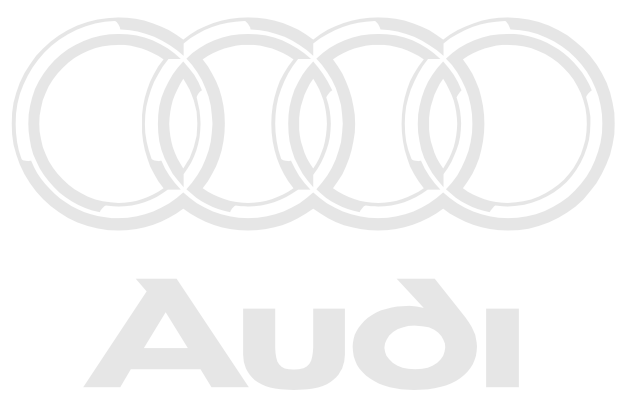
8P0-163130307

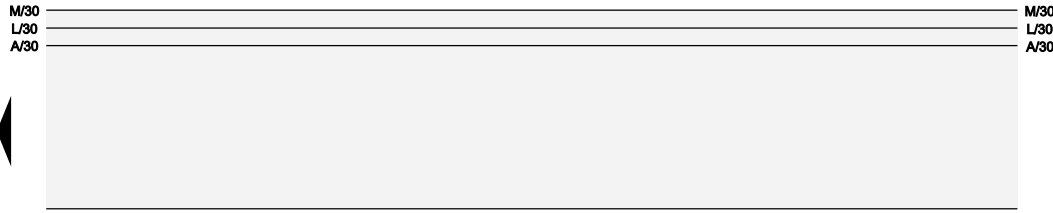


CD Changer, iPod Baseplate, USB Connection Baseplate, without Satellite Radio

- R Radio
- R41 CD Changer
- R192 iPod Baseplate
- R193 USB Connection Baseplate
- T8t 8-Pin Connector, black, in luggage compartment, left rear (Connector B)
- T20i 20-Pin Connector, black (Connector A)
- 309 Shielding Ground Connection 1 (in CD changer wiring harness)
- 310 Shielding Ground Connection 2 (in CD changer wiring harness)
- 376 Ground Connection 11 (in main wiring harness)
- V14 Connection (shielding) (in CD-changer wiring harness)
- ** Only models with CD Changer or iPod Baseplate or USB Connection Baseplate
- *** Only models without satellite radio

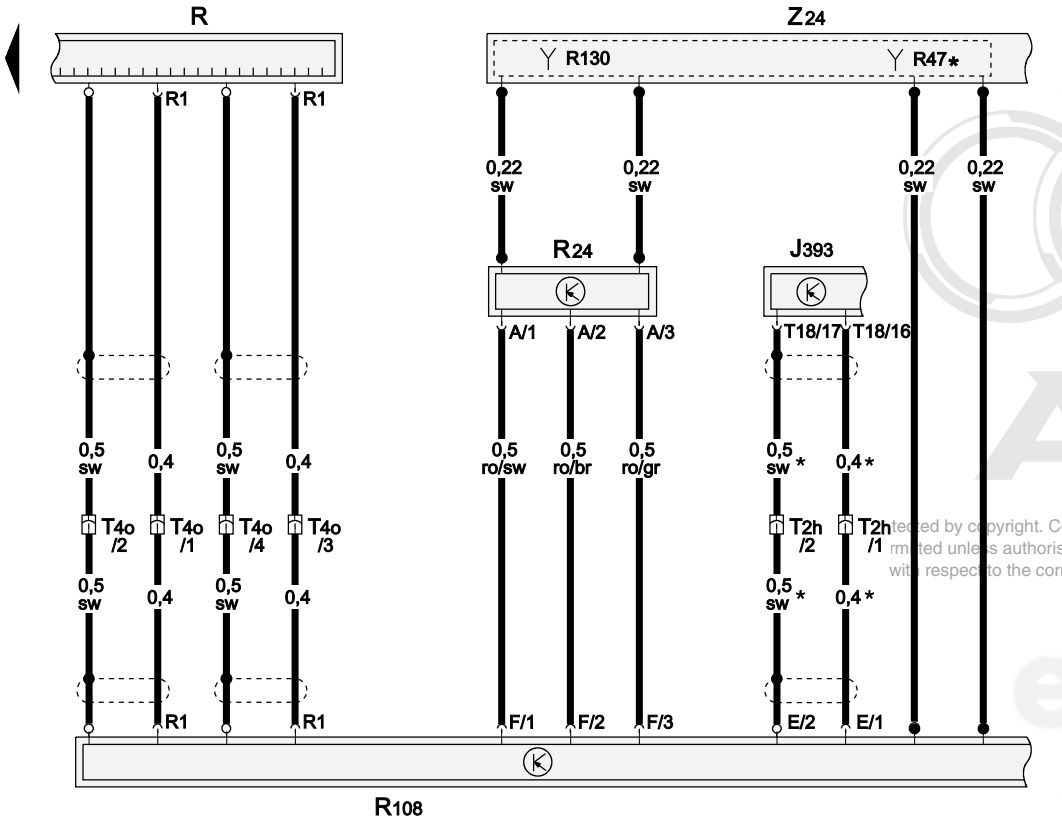
- ws = white
- sw = black
- ro = red
- br = brown
- gn = green
- bl = blue
- gr = grey
- li = lilac
- ge = yellow
- or = orange
- rs = pink





Left Antenna Module, Rear Window Antenna 1

- J393 Comfort System Central Control Module
- R Radio
- R1 Antenna Connection
- R24 Antenna Amplifier
- R47 Central Locking and Anti-Theft Alarm System Antenna
- R108 Left Antenna Module
- R130 Rear Window Antenna 1
- T2h Double Connector, on C-pillar, right
- T4o 4-Pin Connector, near right C-pillar
- T18 18-Pin Connector, brown (Connector A)
- Z24 Rear Window Defogger with Window Antenna
- * Only models with central locking system or anti-theft alarm system



Copyrighted by Audi AG. Copying for private or commercial purposes, in part or in whole, is not permitted unless authorized by AUDI AG. AUDI AG does not guarantee or accept any liability with respect to the correctness of information in this document. Copyright by AUDI AG.

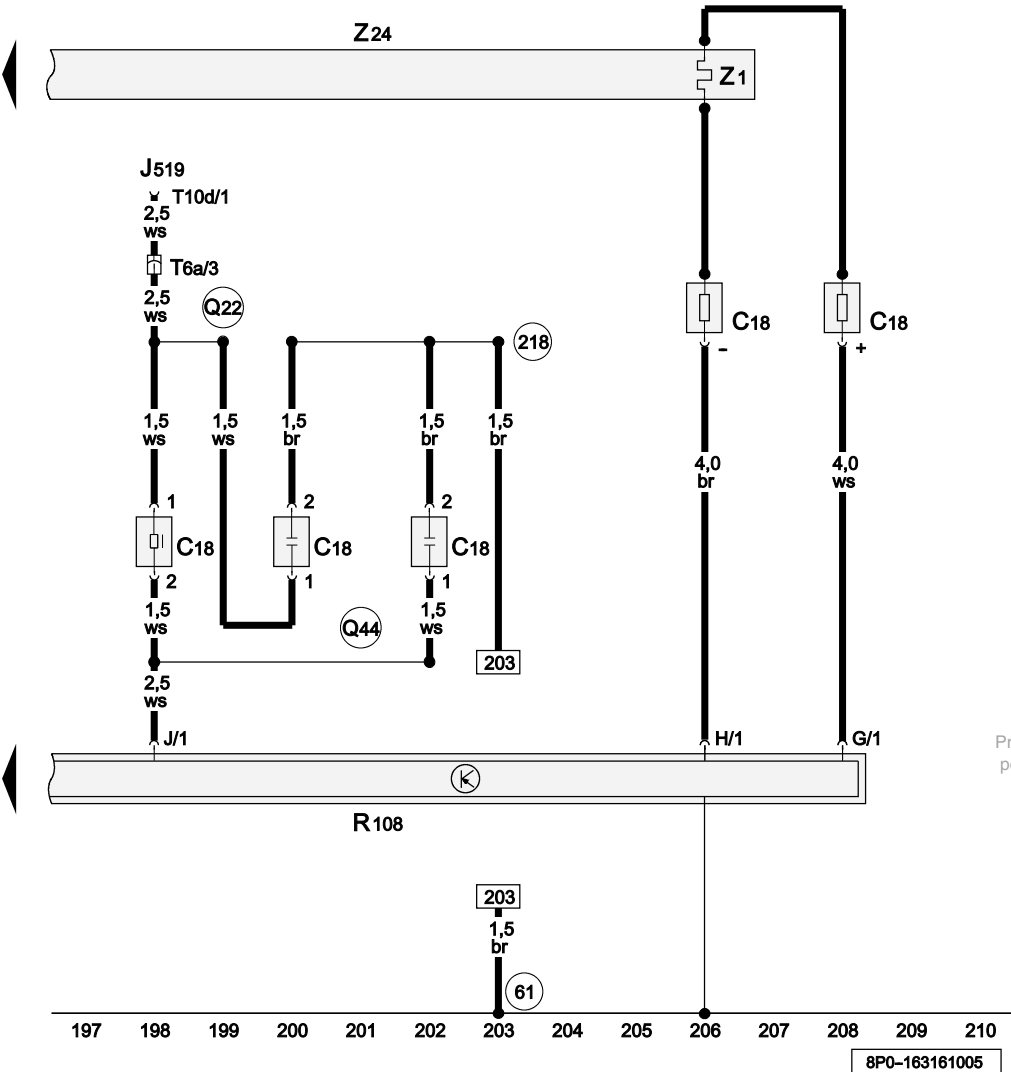
- ws = white
- sw = black
- ro = red
- br = brown
- gn = green
- bl = blue
- gr = grey
- li = lilac
- ge = yellow
- or = orange
- rs = pink



Left Antenna Module, Windshield Antenna Suppression Filter

- C18 Windshield Antenna Suppression Filter
- J519 Vehicle Electrical System Control Module
- R108 Left Antenna Module
- T6a 6-Pin Connector, black, on C-pillar, left
- T10d 10-Pin Connector, black (Connector K)
- Z1 Heated Rear Window
- Z24 Rear Window Defogger with Window Antenna

- 61 Ground Connection (on left C-pillar)
- 218 Ground Connection 1 (in rear lid wiring harness)
- Q22 Connection 1 (in tailgate wiring harness)
- Q44 Connection 2 (in tailgate wiring harness)



Protected by copyright. Copying for private or commercial purposes, in part or in whole, is not permitted unless authorised by AUDI AG. AUDI AG does not guarantee or accept any liability with respect to the correctness of information in this document. Copyright by AUDI AG.

- ws = white
- sw = black
- ro = red
- br = brown
- gn = green
- bl = blue
- gr = grey
- li = lilac
- ge = yellow
- or = orange
- rs = pink

Radio/Navigation System (RNS-E)

⇒ Only US equipment
from model year 2006

Note:

Information for

- ◆ Relay and fuse arrangements
- ◆ Connector arrangements
- ◆ Control Modules and Relays
- ◆ Ground Connections

⇒ Component Locations

Information for

- ◆ Troubleshooting Procedures

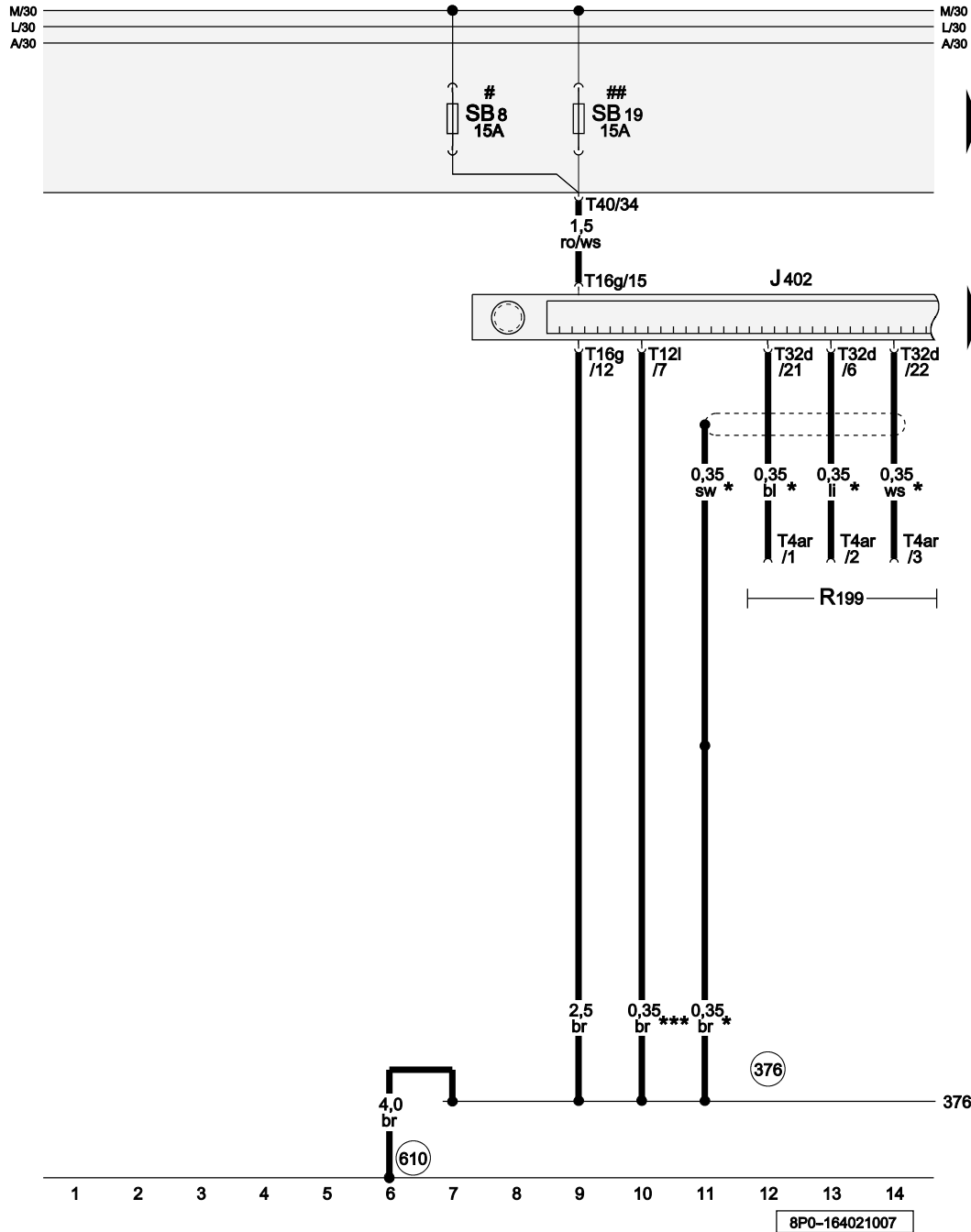
⇒ Guided Fault Finding using VAS 5051 / 5052



Audi

Protected by copyright. Copying for private or commercial purposes, in part or in whole, is not permitted unless authorised by AUDI AG. AUDI AG does not guarantee or accept any liability with respect to the correctness of information in this document. Copyright by AUDI AG.

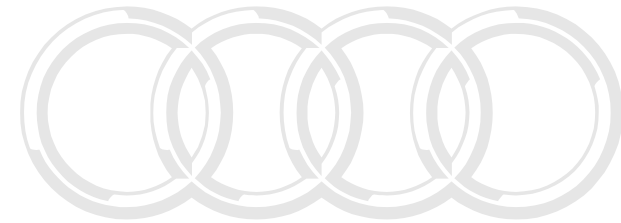




Fuses (on fuse panel)

- J402 Navigation System Operating Electronics Control Module
- R199 External Audio Source Connector
- SB8 Fuse 8 (on fuse panel B)
- SB19 Fuse 19 (on fuse panel B)
- T4ar 4-Pin Connector
- T12l 12-Pin Connector, blue (Connector B)
- T16g 16-Pin Connector, black (Connector D)
- T32d 32-Pin Connector, grey (Connector E)
- T40 40-Pin Connector, black, on electronics box engine compartment (Connector J)

- 376 Ground Connection 11 (in main wiring harness)
- 610 Ground Connection (Audio) (under center console, front)
- * Only models with external audio source connector
- *** Only models with BOSE system
- # Only models with electronics box Low ⇒ Component Locations
- ## Only models with electronics box High ⇒ Component Locations



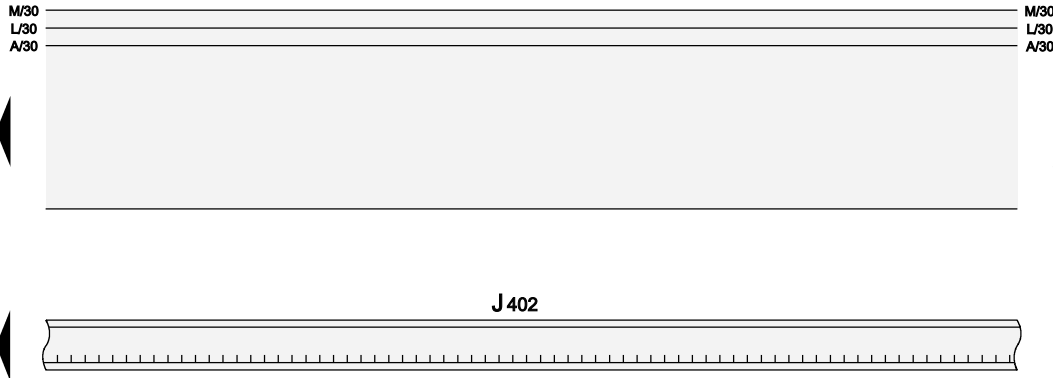
Audi

Protected by copyright. Copying for private or commercial purposes, in part or in whole, is not permitted unless authorised by AUDI AG. AUDI AG does not guarantee or accept any liability with respect to the correctness of information in this document. Copyright by AUDI AG.



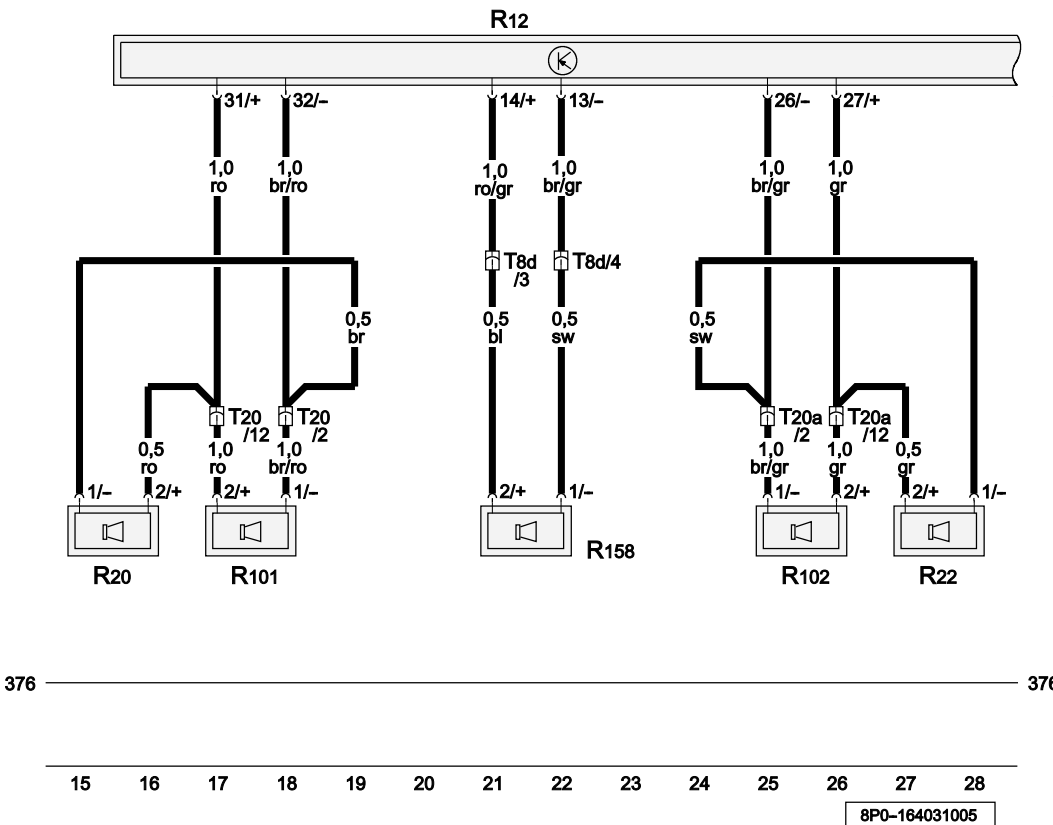
- ws = white
- sw = black
- ro = red
- br = brown
- gn = green
- bl = blue
- gr = grey
- li = lilac
- ge = yellow
- or = orange
- rs = pink

8P0-164021007



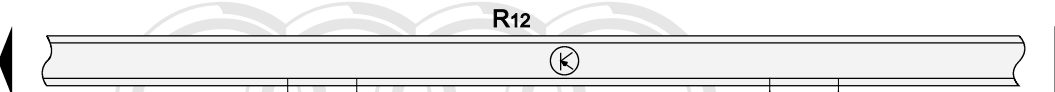
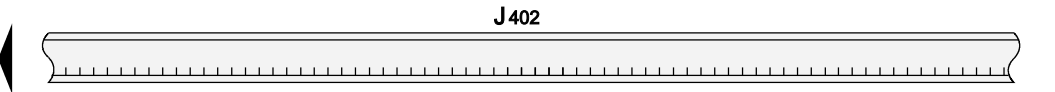
Front Speaker with BOSE system

- J402 Navigation System Operating Electronics Control Module
- R12 Amplifier
- R20 Left Front Treble Speaker
- R22 Right Front Treble Speaker
- R101 Left Front Mid-Bass Speaker
- R102 Right Front Mid-Bass Speaker
- R158 Center Midrange Speaker
- T8d 8-Pin Connector, black, behind center console
- T20 20-Pin Connector, black, door A-pillar, left
- T20a 20-Pin Connector, black, door A-pillar, right



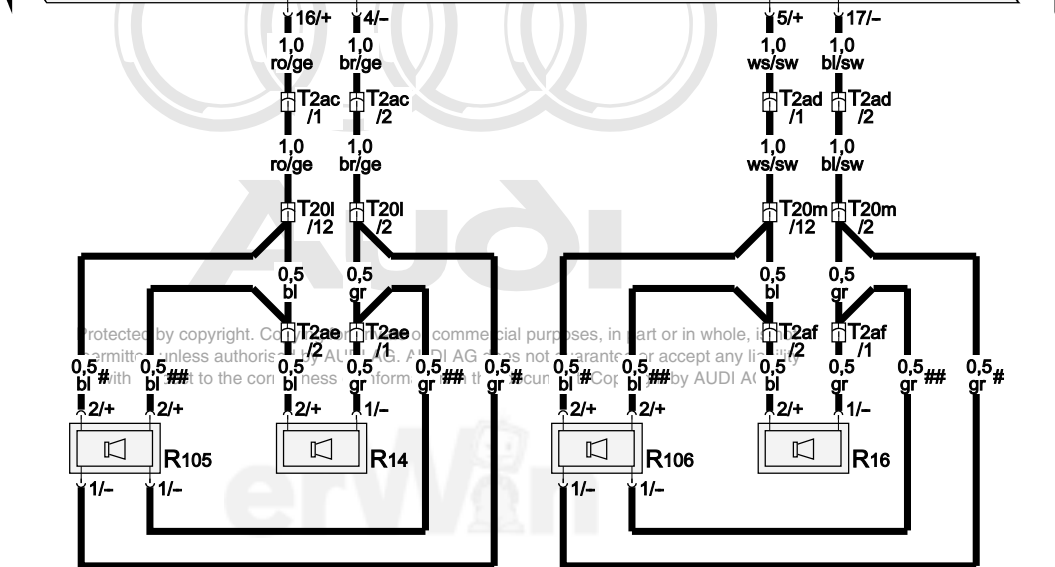
Protected by copyright. Copying for private or commercial purposes, in part or in whole, is not permitted unless authorised by AUDI AG. AUDI AG does not guarantee or accept any liability with respect to the correctness of information in this document. Copyright by AUDI AG.

- ws = white
- sw = black
- ro = red
- br = brown
- gn = green
- bl = blue
- gr = grey
- li = lilac
- ge = yellow
- or = orange
- rs = pink



Rear Speaker with BOSE system

- J402 Navigation System Operating Electronics Control Module
- R12 Amplifier
- R14 Left Rear Treble Speaker
- R16 Right Rear Treble Speaker
- R105 Left Rear Midrange Speaker
- R106 Right Rear Midrange Speaker
- T2ac Double Connector, black, behind rear left side panel trim
- T2ad Double Connector, black, behind rear right side panel trim
- T2ae Double Connector, black, in rear left door
- T2af Double Connector, black, in rear right door
- T20l 20-Pin Connector, black, door B-pillar, left
- T20m 20-Pin Connector, black, door B-pillar, right
- # Phased-in modification
- ## Not applicable, phased-in modification

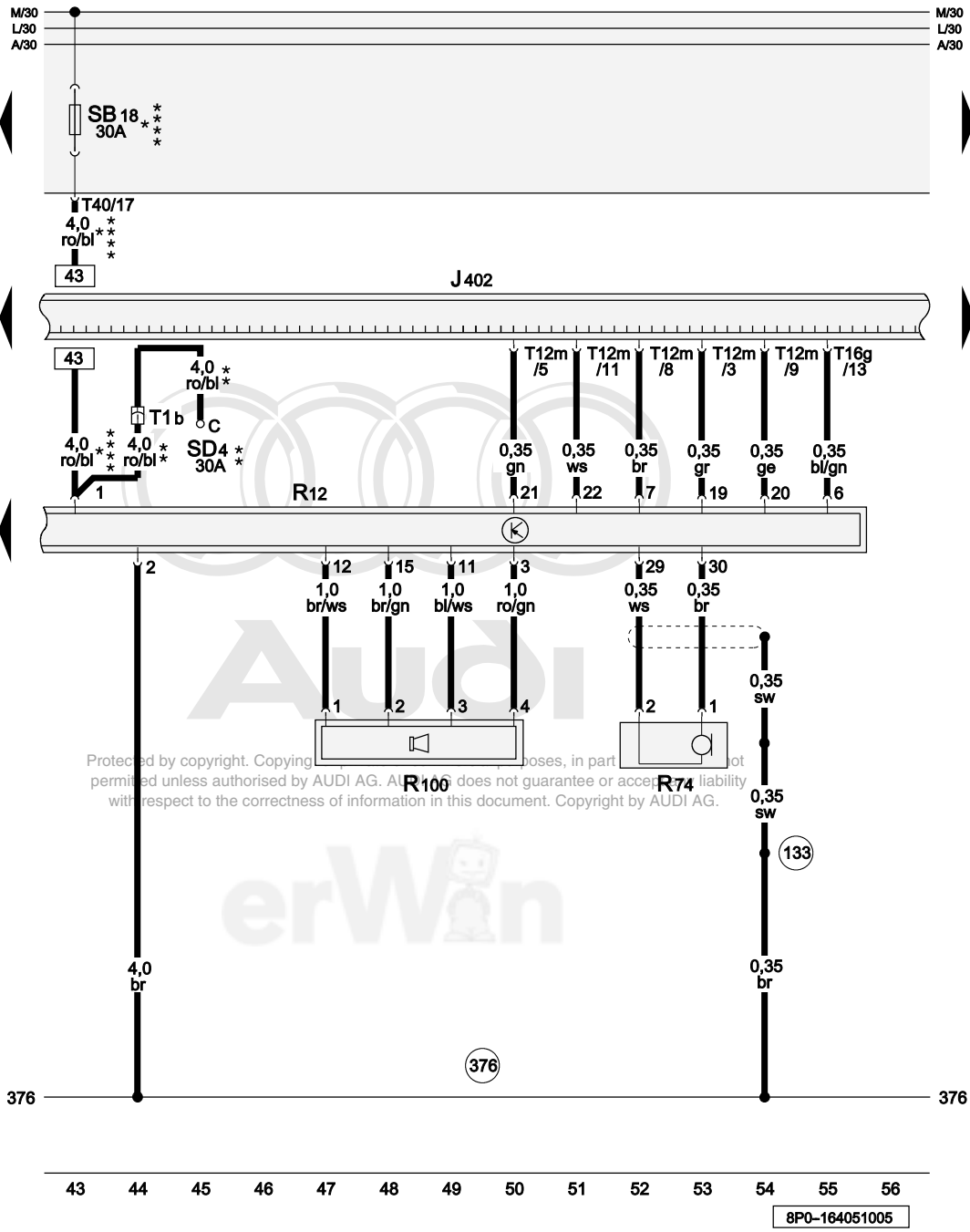


376 376

29 30 31 32 33 34 35 36 37 38 39 40 41 42

8P0-164040307

- ws = white
- sw = black
- ro = red
- br = brown
- gn = green
- bl = blue
- gr = grey
- li = lilac
- ge = yellow
- or = orange
- rs = pink



Inside Microphone, Bass Speaker with BOSE system

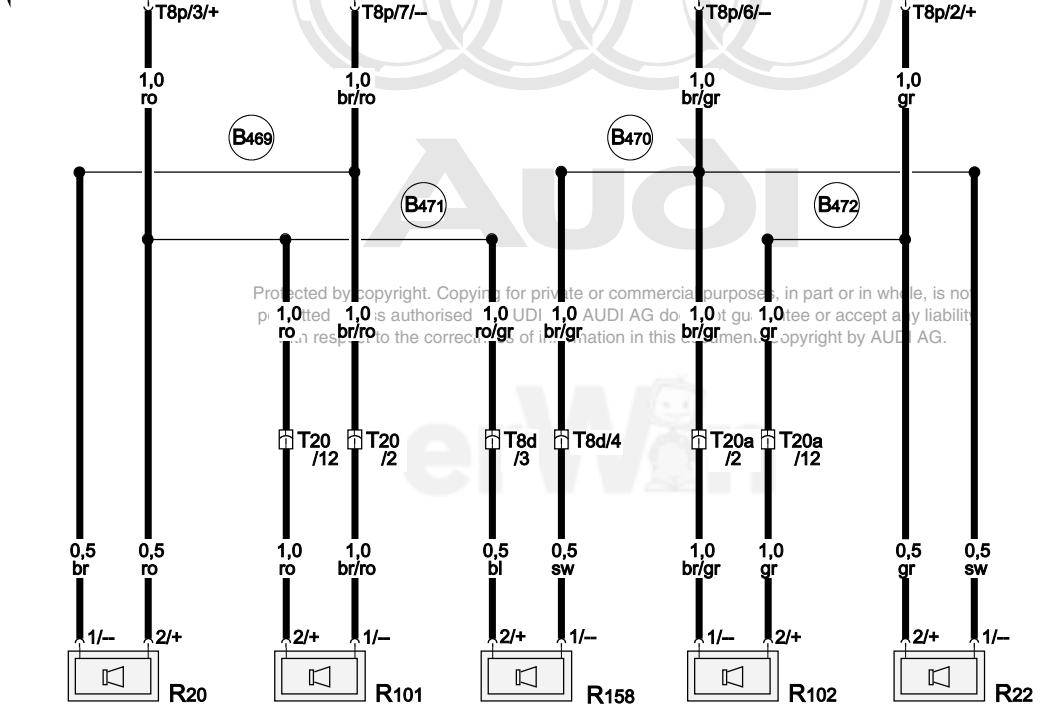
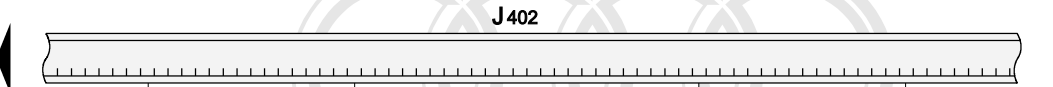
- J402 Navigation System Operating Electronics Control Module
- R12 Amplifier
- R74 Inside Microphone
- R100 Bass Speaker
- SB18 Fuse 18 (on fuse panel B)
- SD4 Fuse 4 (on fuse panel D)
- T1b Single Connector, black, on C-pillar, left
- T12m 12-Pin Connector, black (Connector C) (connector locking green)
- T16g 16-Pin Connector, black (Connector D)
- T40 40-Pin Connector, black, on electronics box engine compartment (Connector J)

133 Ground Connection (in speaker wiring harness)

376 Ground Connection 11 (in main wiring harness)

- * Only models with battery in engine compartment
- ** Only models with battery in luggage compartment, not applicable November 2005
- **** Applicable from November 2005 for models with battery in engine compartment and luggage compartment

- ws = white
- sw = black
- ro = red
- br = brown
- gn = green
- bl = blue
- gr = grey
- li = lilac
- ge = yellow
- or = orange
- rs = pink



Front Speaker

- J402 Navigation System Operating Electronics Control Module
- R20 Left Front Treble Speaker
- R22 Right Front Treble Speaker
- R101 Left Front Mid-Bass Speaker
- R102 Right Front Mid-Bass Speaker
- R158 Center Midrange Speaker
- T8p 8-Pin Connector, brown (Connector A)
- T8d 8-Pin Connector, black, behind center console
- T20 20-Pin Connector, black, door A-pillar, left
- T20a 20-Pin Connector, black, door A-pillar, right

- B469 Connection 5 (in main wiring harness)
- B470 Connection 6 (in main wiring harness)
- B471 Connection 7 (in main wiring harness)
- B472 Connection 8 (in main wiring harness)

Protected by copyright. Copying for private or commercial purposes, in part or in whole, is not permitted. Audi is authorised by the Audi AG to use the Audi logo and the Audi name for identification in this document. Copyright by Audi AG.

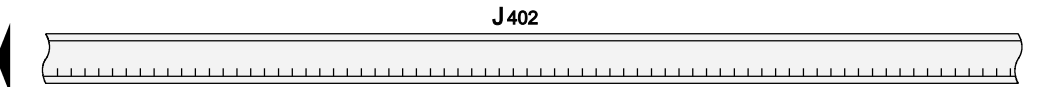
- ws = white
- sw = black
- ro = red
- br = brown
- gn = green
- bl = blue
- gr = grey
- li = lilac
- ge = yellow
- or = orange
- rs = pink

376

376

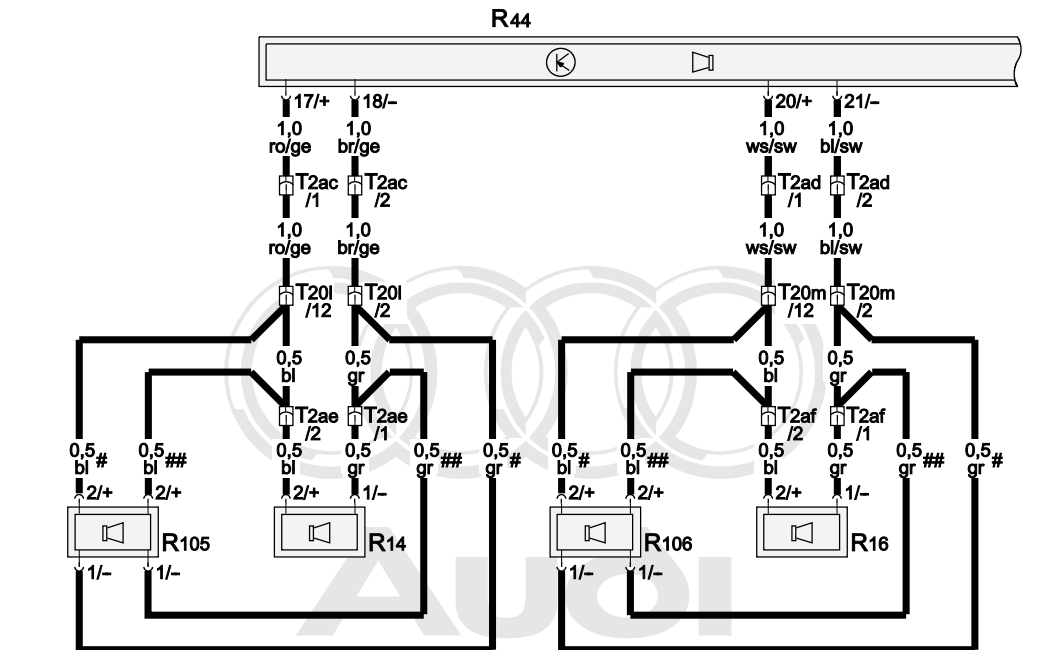
57 58 59 60 61 62 63 64 65 66 67 68 69 70

97-80640



Bass Speakers Amplifier, in luggage compartment, left, Rear Speaker

- J402 Navigation System Operating Electronics Control Module
- R14 Left Rear Treble Speaker
- R16 Right Rear Treble Speaker
- R44 Bass Speakers Amplifier, in luggage compartment, left
- R105 Left Rear Midrange Speaker
- R106 Right Rear Midrange Speaker
- T2ac Double Connector, black, behind rear left side panel trim
- T2ad Double Connector, black, behind rear right side panel trim
- T2ae Double Connector, black, in rear left door
- T2af Double Connector, black, in rear right door
- T20l 20-Pin Connector, black, door B-pillar, left
- T20m 20-Pin Connector, black, door B-pillar, right
- # Phased-in modification
- ## Not applicable, phased-in modification

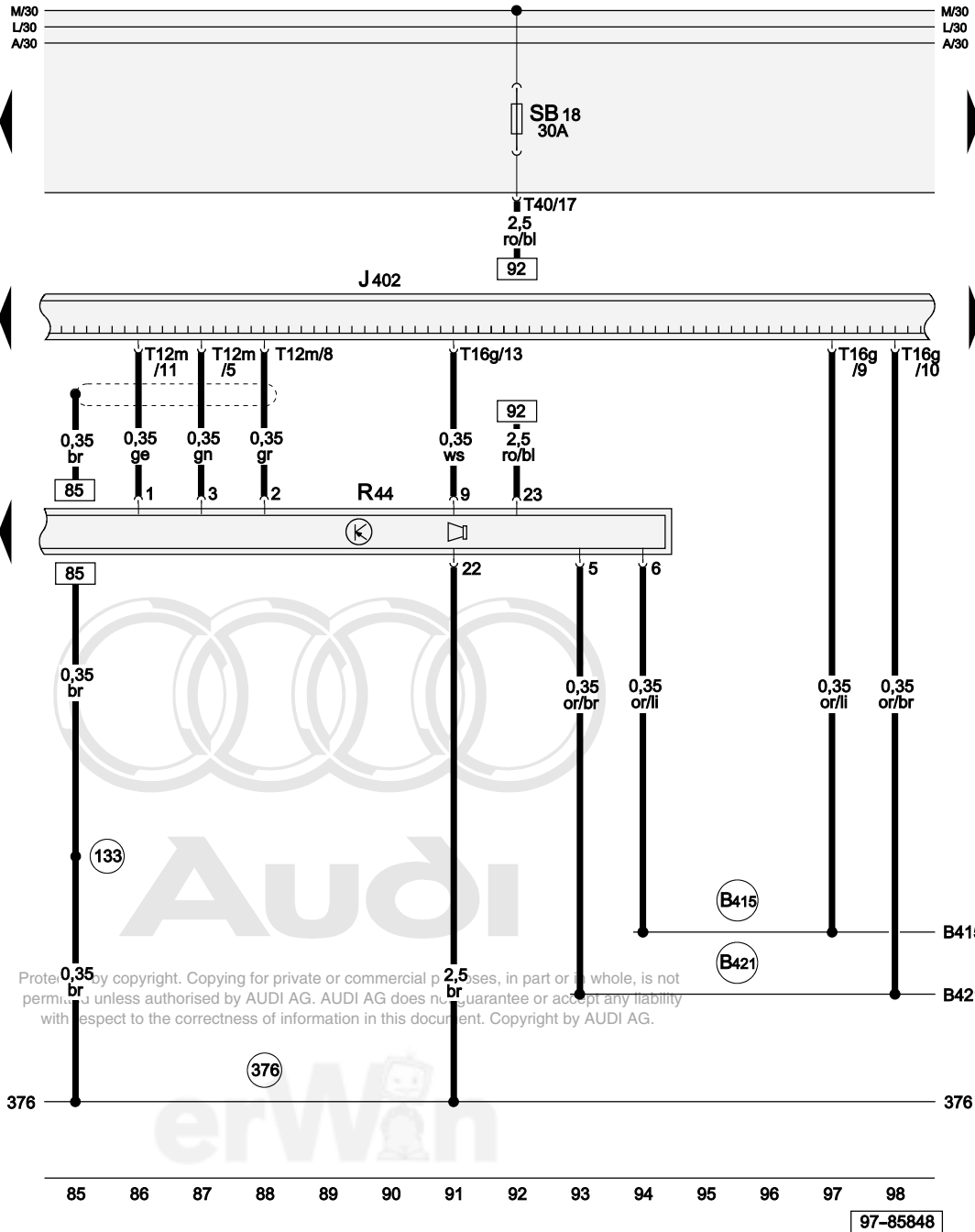


376 Protected by copyright. Copying for private or commercial purposes, in part or in whole, is not permitted unless authorised by AUDI AG. AUDI AG does not guarantee or accept any liability with respect to the correctness of information in this document. Copyright by AUDI AG.

- 376
- ws = white
 - sw = black
 - ro = red
 - br = brown
 - gn = green
 - bl = blue
 - gr = grey
 - li = lilac
 - ge = yellow
 - or = orange
 - rs = pink

71 72 73 74 75 76 77 78 79 80 81 82 83 84

8P0-164070307



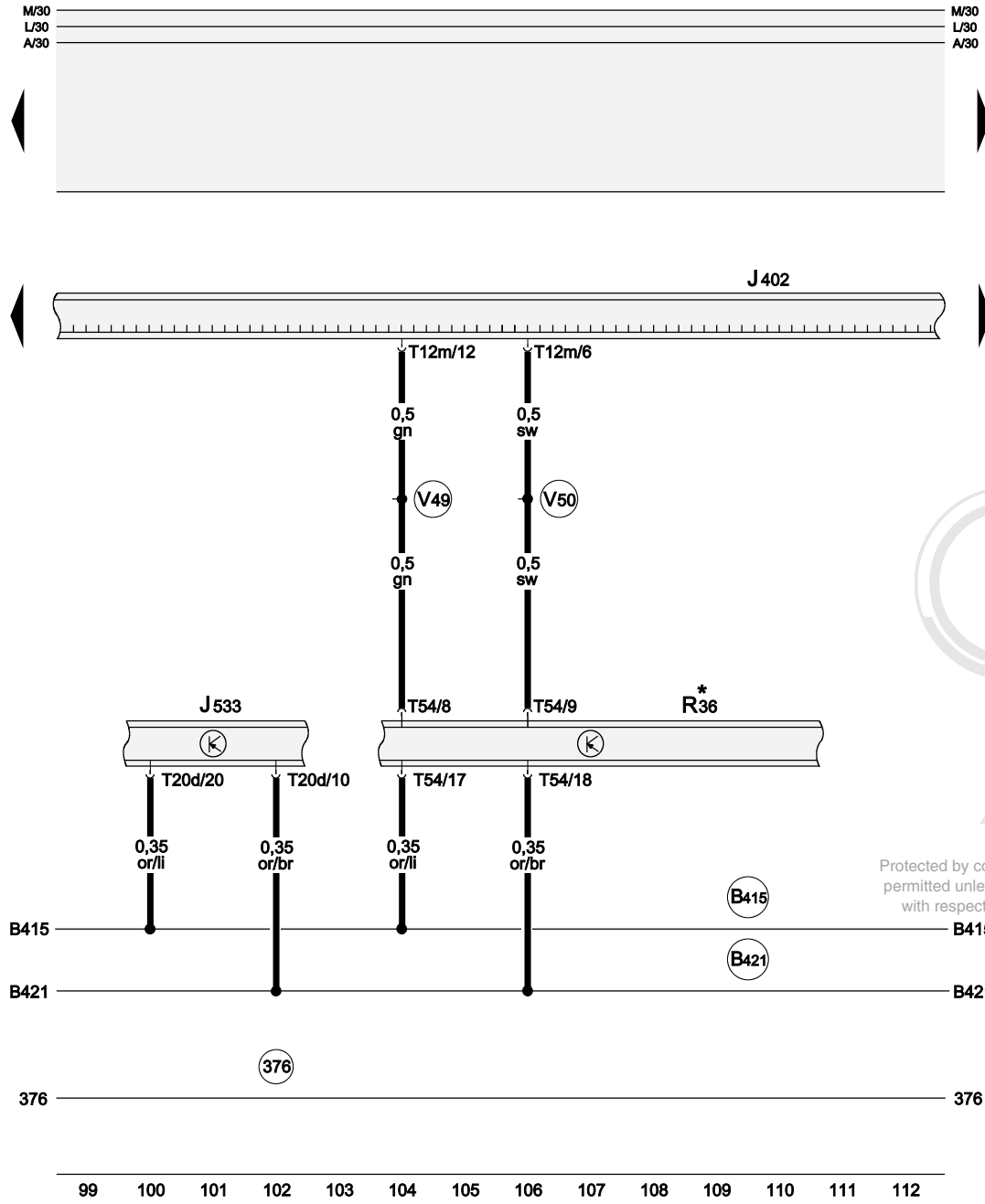
Bass Speakers Amplifier, in luggage compartment, left

- J402 Navigation System Operating Electronics Control Module
- R44 Bass Speakers Amplifier, in luggage compartment, left
- SB18 Fuse 18 (on fuse panel B)
- T12m 12-Pin Connector, black (Connector C) (connector locking green)
- T16g 16-Pin Connector, black (Connector D)
- T40 40-Pin Connector, black, on electronics box engine compartment (Connector J)

- (133) Ground Connection (in speaker wiring harness)
- (376) Ground Connection 11 (in main wiring harness)
- (B415) Infotainment CAN-Bus High Connection 1 (in main wiring harness)
- (B421) Infotainment CAN-Bus Low Connection 1 (in main wiring harness)

Protected by copyright. Copying for private or commercial purposes, in part or in whole, is not permitted unless authorised by AUDI AG. AUDI AG does not guarantee or accept any liability with respect to the correctness of information in this document. Copyright by AUDI AG.

- ws = white
- ro = red
- br = brown
- gn = green
- bl = blue
- gr = grey
- li = lilac
- ge = yellow
- or = orange
- rs = pink



Data Bus On Board Diagnostic Interface, Telephone Transceiver

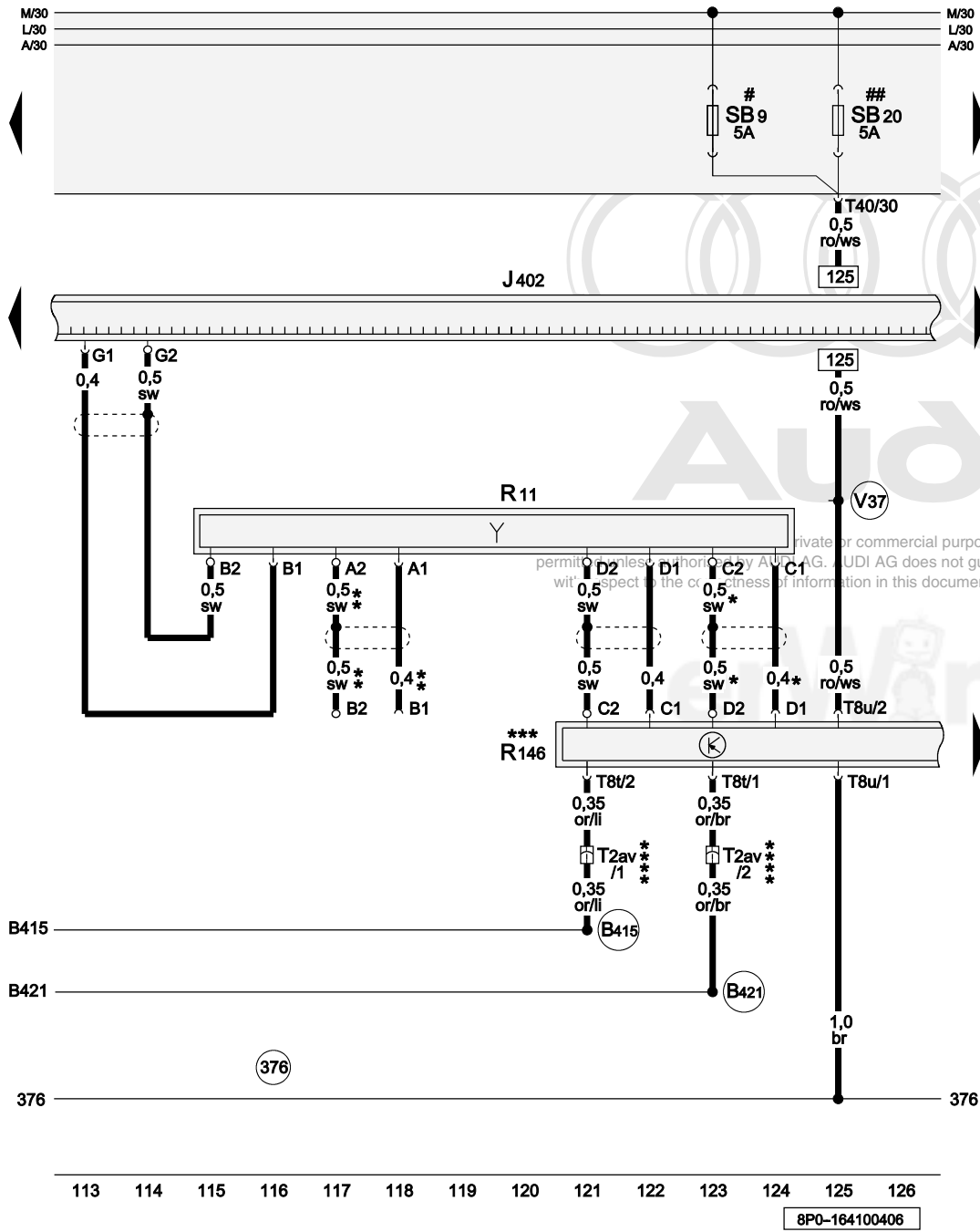
- J402 Navigation System Operating Electronics Control Module
- J533 Data Bus On Board Diagnostic Interface
- R36 Telephone Transceiver
- T12m 12-Pin Connector, black (Connector C) (connector locking green)
- T20d 20-Pin Connector, yellow (Connector A)
- T54 54-Pin Connector, black (Connector A)

- 376 Ground Connection 11 (in main wiring harness)
- B415 Infotainment CAN-Bus High Connection 1 (in main wiring harness)
- B421 Infotainment CAN-Bus Low Connection 1 (in main wiring harness)
- V49 Low Frequency + Connection (in communication wiring harness)
- V50 Low Frequency - Connection (in communication wiring harness)

* Only models with telephone

Protected by copyright. Copying for private or commercial purposes, in part or in whole, is not permitted unless authorised by AUDI AG. AUDI AG does not guarantee or accept any liability with respect to the correctness of information in this document. Copyright by AUDI AG.

- ws = white
- sw = black
- ro = red
- br = brown
- gn = green
- bl = blue
- gr = grey
- li = lilac
- ge = yellow
- or = orange
- rs = pink



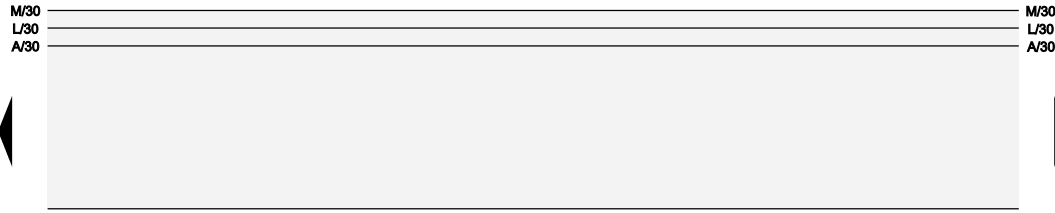
Roof Antenna

- J402 Navigation System Operating Electronics Control Module
- R11 Antenna
- R146 Satellite Radio
- SB9 Fuse 9 (on fuse panel B)
- SB20 Fuse 20 (on fuse panel B)
- T2av Double Connector, black, on right A-pillar
- T8t 8-Pin Connector, black, in luggage compartment, left rear (Connector B)
- T8u 8-Pin Connector, black (Connector A)
- T40 40-Pin Connector, black, on electronics box engine compartment (Connector J)

- 376 Ground Connection 11 (in main wiring harness)
- B415 Infotainment CAN-Bus High Connection 1 (in main wiring harness)
- B421 Infotainment CAN-Bus Low Connection 1 (in main wiring harness)
- V37 Plus Connection (30) (in communications wiring harness)

- * Not applicable from November 2006
- ** Only models with telephone
- *** Only models with satellite radio
- **** Only preparation for satellite radio
- # Only models with electronics box Low => Component Locations
- ## Only models with electronics box High => Component Locations

ws = white
 sw = black
 ro = red
 br = brown
 gn = green
 bl = blue
 gr = grey
 li = lilac
 ge = yellow
 or = orange
 rs = pink

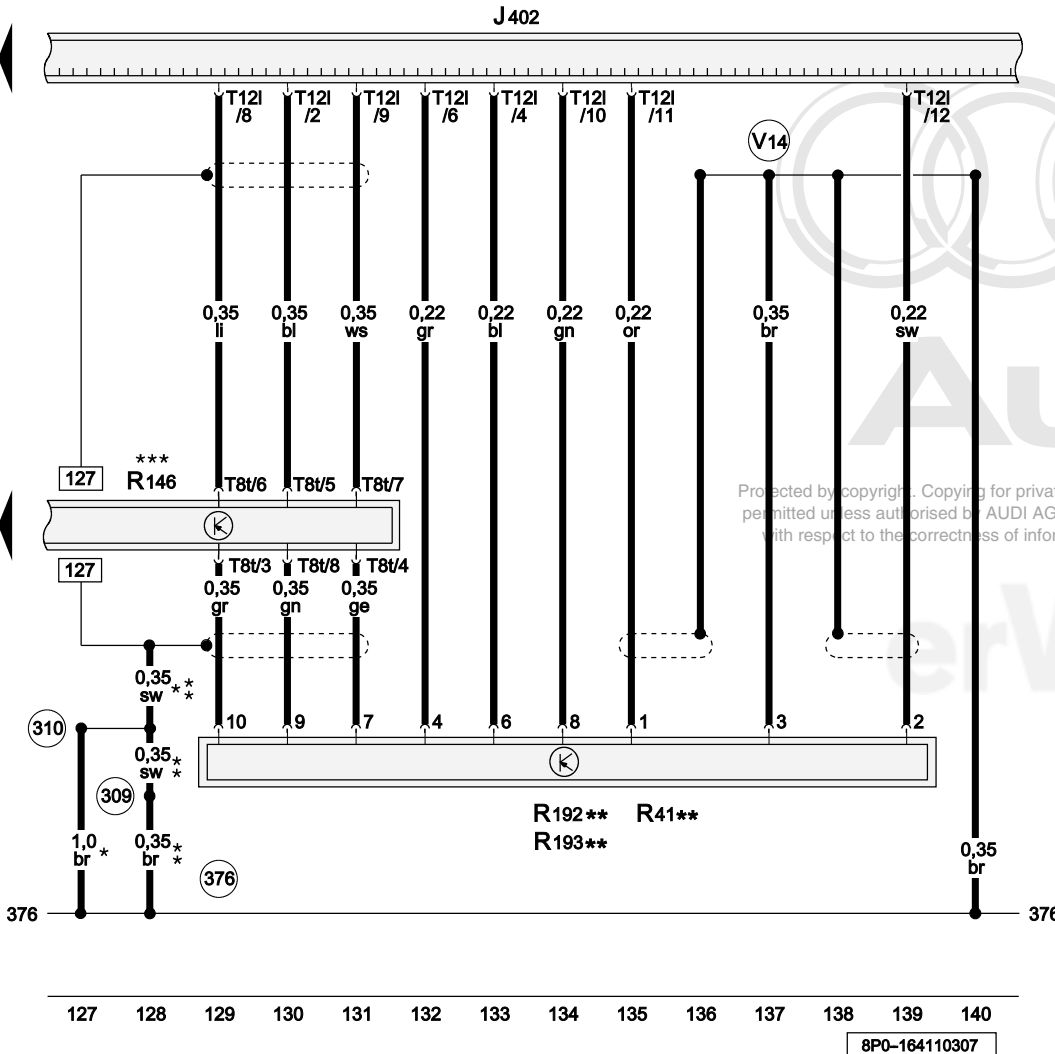


CD Changer, iPod Baseplate, USB Connection Baseplate, with Satellite Radio

- J402 Navigation System Operating Electronics Control Module
- R41 CD Changer
- R146 Satellite Radio
- R192 iPod Baseplate
- R193 USB Connection Baseplate
- T8t 8-Pin Connector, black, in luggage compartment, left rear (Connector B)
- T12l 12-Pin Connector, blue (Connector B)

- 309 Shielding Ground Connection 1 (in CD changer wiring harness)
- 310 Shielding Ground Connection 2 (in CD changer wiring harness)
- 376 Ground Connection 11 (in main wiring harness)
- V14 Connection (shielding) (in CD-changer wiring harness)

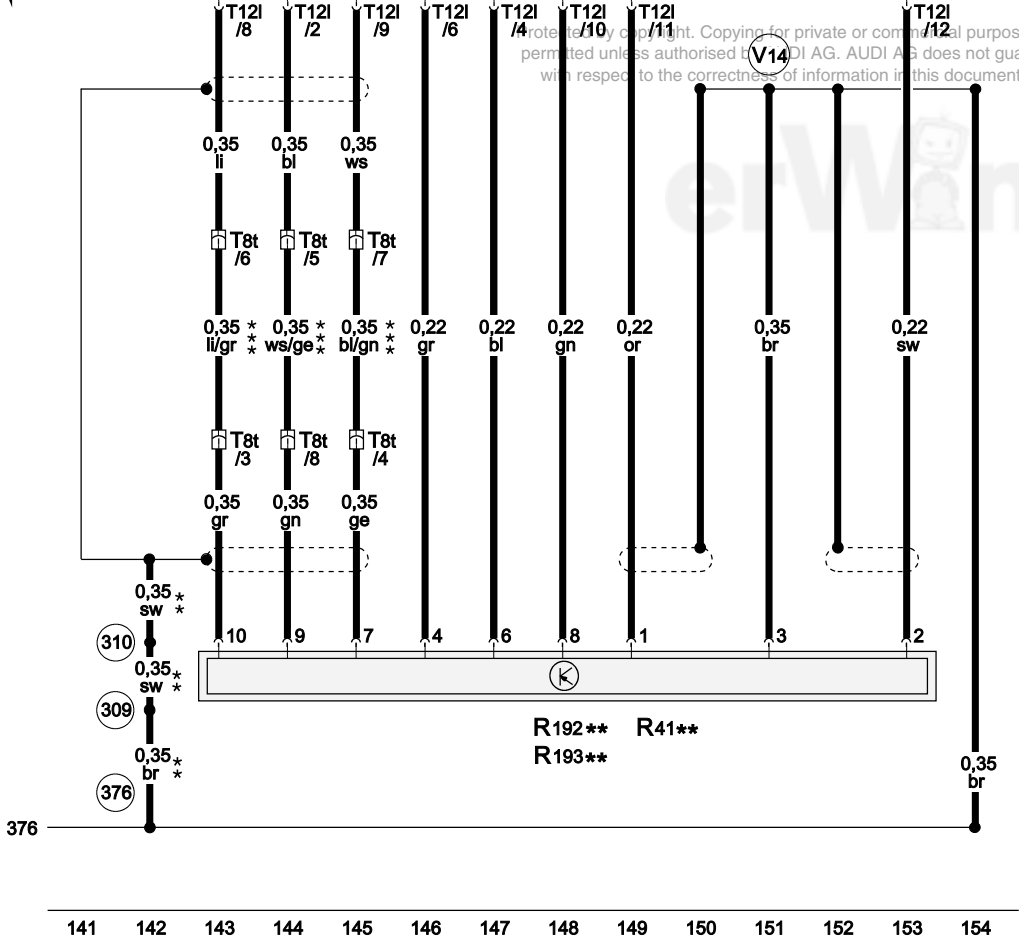
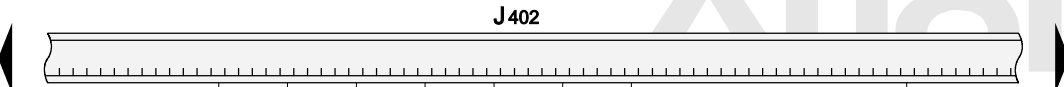
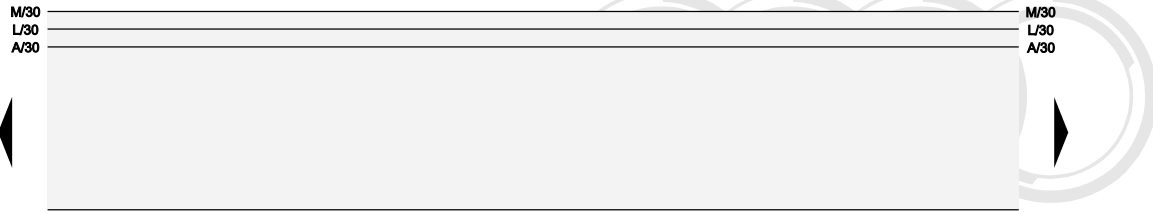
- * Only models without CD Changer or iPod Baseplate or USB Connection Baseplate
- ** Only models with CD Changer or iPod Baseplate or USB Connection Baseplate
- *** Only models with satellite radio



Protected by copyright. Copying for private or commercial purposes, in part or in whole, is not permitted unless authorised by AUDI AG. AUDI AG does not guarantee or accept any liability with respect to the correctness of information in this document. Copyright by AUDI AG.

- ws = white
- sw = black
- ro = red
- br = brown
- gn = green
- bl = blue
- gr = grey
- li = lilac
- ge = yellow
- or = orange
- rs = pink

8P0-164110307



8P0-164120307

CD Changer, iPod Baseplate, USB Connection Baseplate, without Satellite Radio

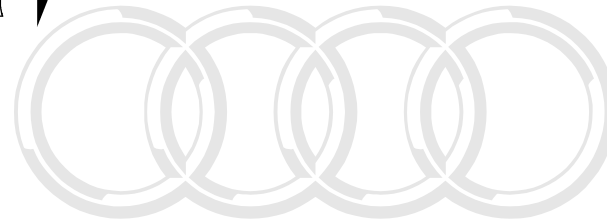
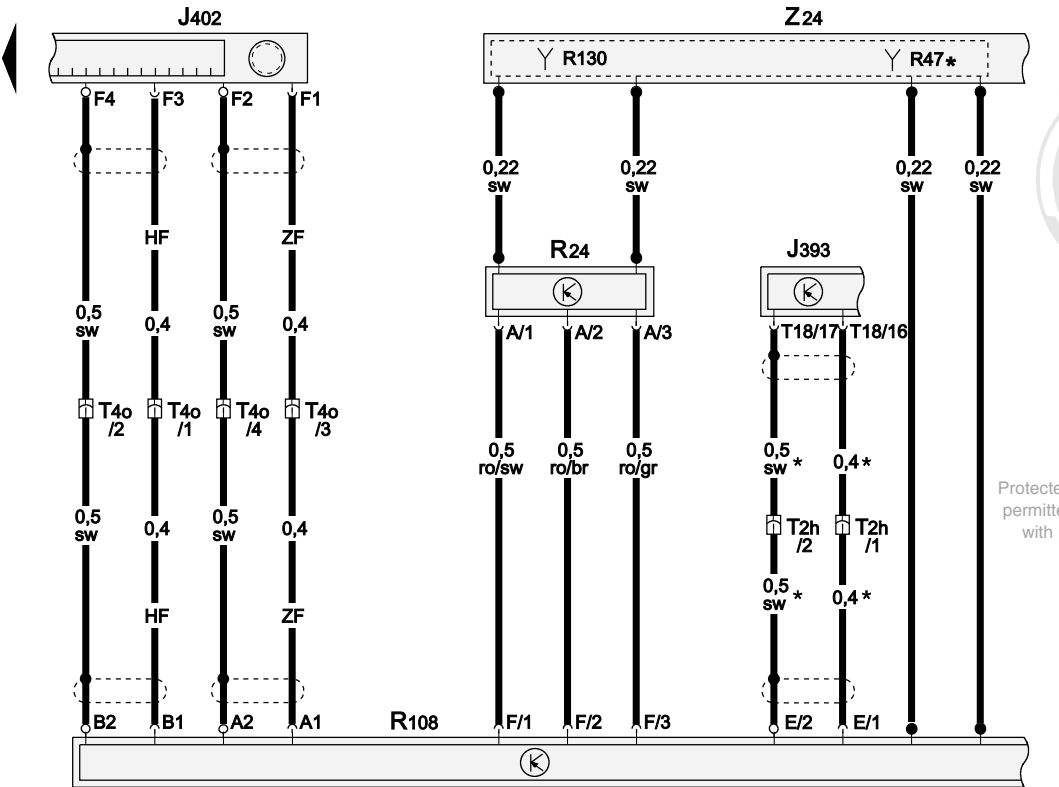
- J402 Navigation System Operating Electronics Control Module
- R41 CD Changer
- R192 iPod Baseplate
- R193 USB Connection Baseplate
- T8t 8-Pin Connector, black, in luggage compartment, left rear (Connector B)
- T12l 12-Pin Connector, blue (Connector B)
- 309 Shielding Ground Connection 1 (in CD changer wiring harness)
- 310 Shielding Ground Connection 2 (in CD changer wiring harness)
- 376 Ground Connection 11 (in main wiring harness)
- V14 Connection (shielding) (in CD-changer wiring harness)
- ** Only models with CD Changer or iPod Baseplate or USB Connection Baseplate
- *** Only models without satellite radio

- ws = white
- sw = black
- ro = red
- br = brown
- gn = green
- bl = blue
- gr = grey
- li = lilac
- ge = yellow
- or = orange
- rs = pink



Left Antenna Module, Rear Window Antenna 1

- J393 Comfort System Central Control Module
- J402 Navigation System Operating Electronics Control Module
- R24 Antenna Amplifier
- R47 Central Locking and Anti-Theft Alarm System Antenna
- R108 Left Antenna Module
- R130 Rear Window Antenna 1
- T2h Double Connector, on C-pillar, right
- T4o 4-Pin Connector, near right C-pillar
- T18 18-Pin Connector, brown (Connector A)
- Z24 Rear Window Defogger with Window Antenna
- * Only models with central locking system or anti-theft alarm system

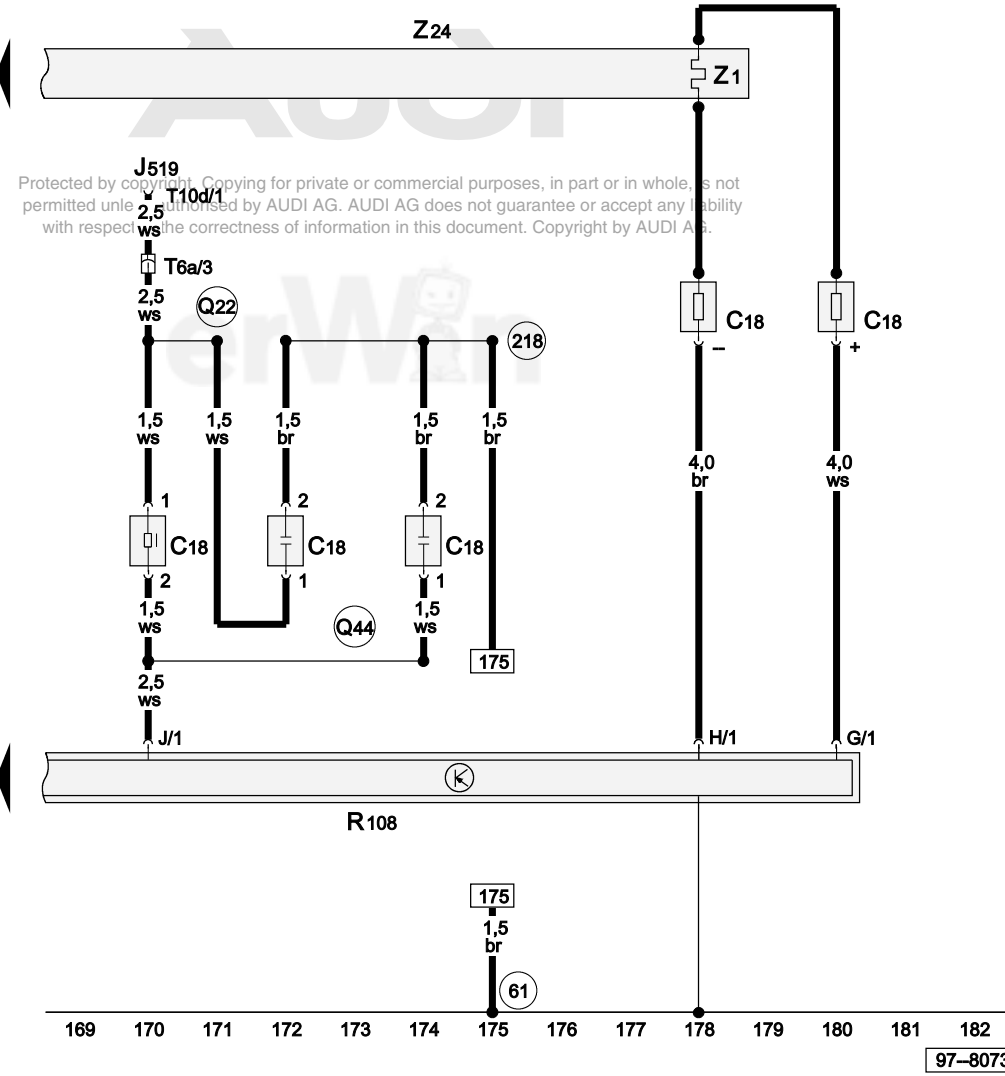
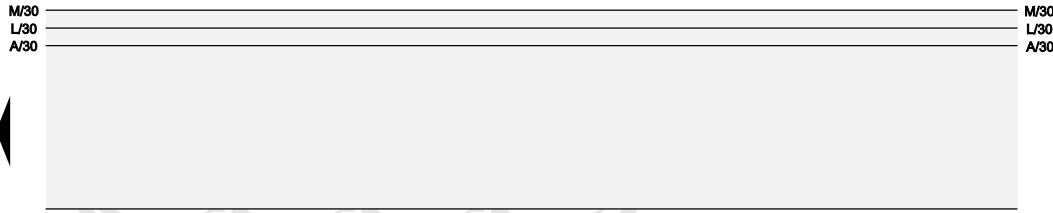


Audi

Protected by copyright. Copying for private or commercial purposes, in part or in whole, is not permitted unless authorised by AUDI AG. AUDI AG does not guarantee or accept any liability with respect to the correctness of information in this document. Copyright by AUDI AG.



- ws = white
- sw = black
- ro = red
- br = brown
- gn = green
- bl = blue
- gr = grey
- li = lilac
- ge = yellow
- or = orange
- rs = pink



Left Antenna Module, Windshield Antenna Suppression Filter

- C18 Windshield Antenna Suppression Filter
- J519 Vehicle Electrical System Control Module
- R108 Left Antenna Module
- T6a 6-Pin Connector, black, on C-pillar, left
- T10d 10-Pin Connector, black (Connector K)
- Z1 Heated Rear Window
- Z24 Rear Window Defogger with Window Antenna

- 61 Ground Connection (on left C-pillar)
- 218 Ground Connection 1 (in rear lid wiring harness)
- Q22 Connection 1 (in tailgate wiring harness)
- Q44 Connection 2 (in tailgate wiring harness)

- ws = white
- sw = black
- ro = red
- br = brown
- gn = green
- bl = blue
- gr = grey
- li = lilac
- ge = yellow
- or = orange
- rs = pink

Radio/Navigation System (RNS-Low)

from February 2006

Note:

Information for

- ◆ Relay and fuse arrangements
- ◆ Connector arrangements
- ◆ Control Modules and Relays
- ◆ Ground Connections

⇒ Component Locations

Information for

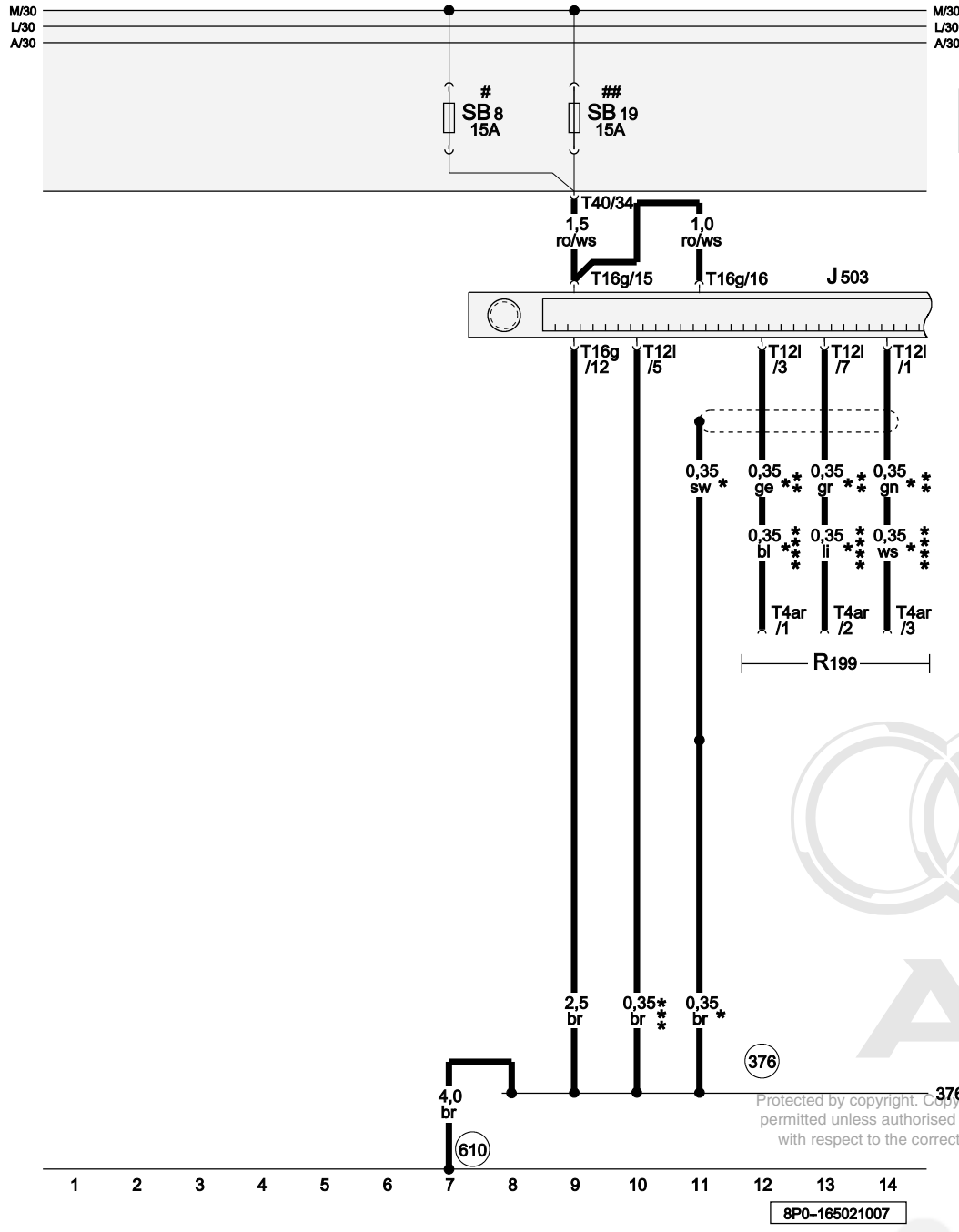
- ◆ Troubleshooting Procedures
- ⇒ Guided Fault Finding using VAS 5051 / 5052



Audi

Protected by copyright. Copying for private or commercial purposes, in part or in whole, is not permitted unless authorised by AUDI AG. AUDI AG does not guarantee or accept any liability with respect to the correctness of information in this document. Copyright by AUDI AG.





Fuses (on fuse panel)

- J503 Radio/Navigation Display Control Module
- R199 External Audio Source Connector
- SB8 Fuse 8 (on fuse panel B)
- SB19 Fuse 19 (on fuse panel B)
- T4ar 4-Pin Connector
- T12i 12-Pin Connector, blue (Connector B)
- T16g 16-Pin Connector, black (Connector D)
- T40 40-Pin Connector, black, on electronics box engine compartment (Connector J)

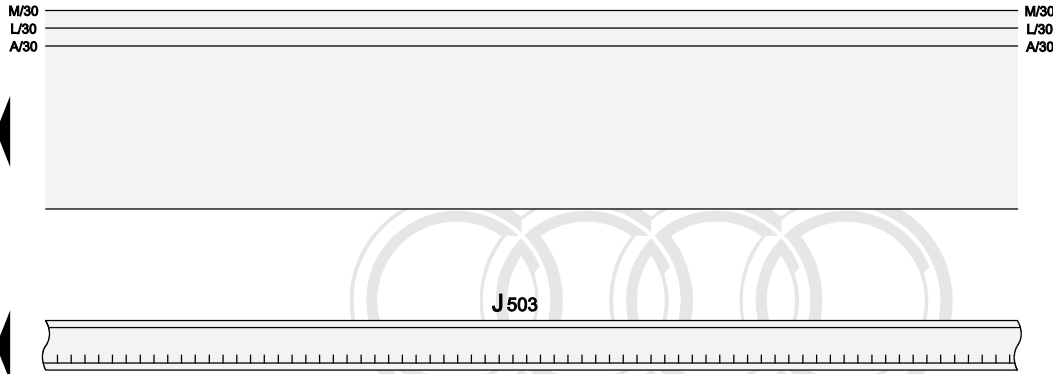
- 376 Ground Connection 11 (in main wiring harness)
- 610 Ground Connection (Audio) (under center console, front)

- * Only models with external audio source connector
- ** Not for models with US equipment
- *** Only models with BOSE system
- **** Only models with US equipment
- # Only models with electronics box Low ⇒ Component Locations
- ## Only models with electronics box High ⇒ Component Locations

- ws = white
- sw = black
- ro = red
- br = brown
- gn = green
- bl = blue
- gr = grey
- li = lilac
- ge = yellow
- or = orange
- rs = pink

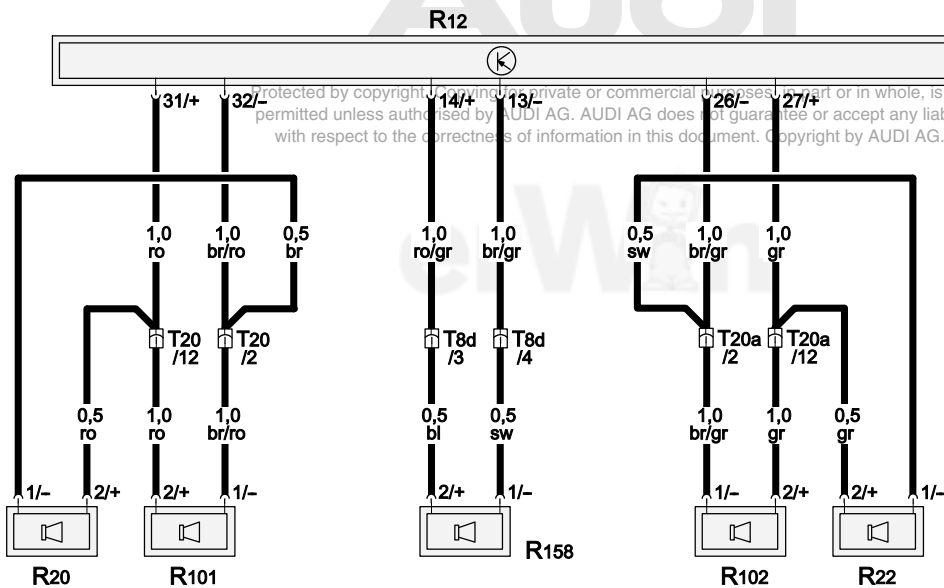
Protected by copyright. Copying for private or commercial purposes, in part or in whole, is not permitted unless authorised by AUDI AG. AUDI AG does not guarantee or accept any liability with respect to the correctness of information in this document. Copyright by AUDI AG.

8P0-165021007



Front Speaker with BOSE system

- J503 Radio/Navigation Display Control Module
- R12 Amplifier
- R20 Left Front Treble Speaker
- R22 Right Front Treble Speaker
- R101 Left Front Mid-Bass Speaker
- R102 Right Front Mid-Bass Speaker
- R158 Center Midrange Speaker
- T8d 8-Pin Connector, black, behind center console
- T20 20-Pin Connector, black, door A-pillar, left
- T20a 20-Pin Connector, black, door A-pillar, right



- ws = white
- sw = black
- ro = red
- br = brown
- gn = green
- bl = blue
- gr = grey
- li = lilac
- ge = yellow
- or = orange
- rs = pink

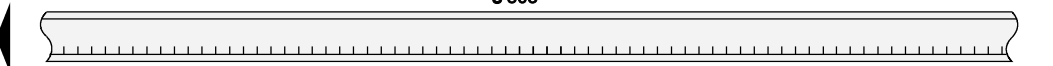
376 _____ 376

15 16 17 18 19 20 21 22 23 24 25 26 27 28

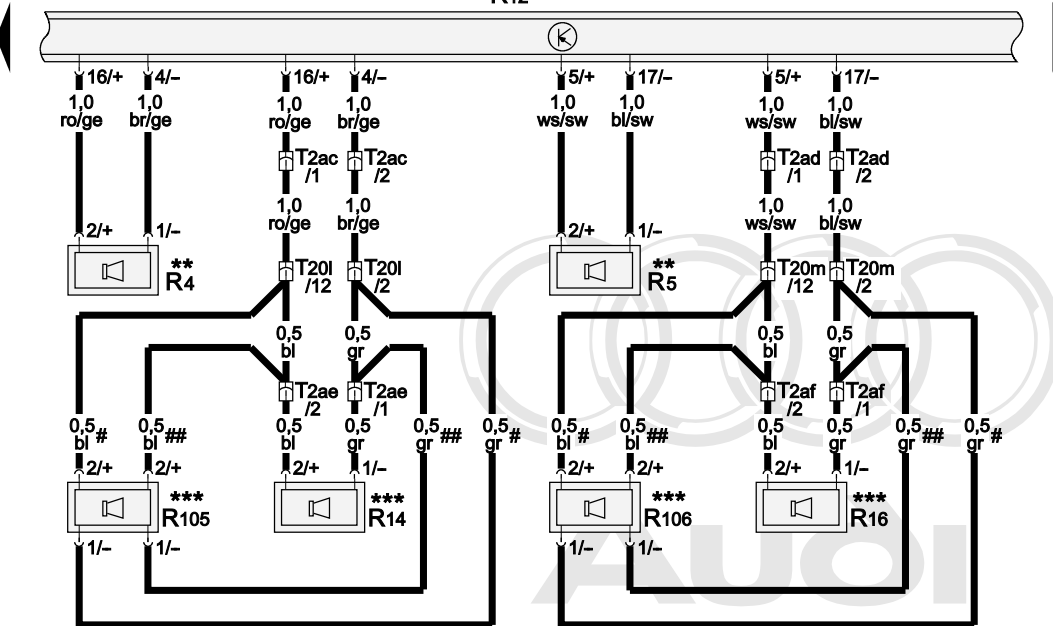
8P0-165030408



J503



R12



Rear Speaker with BOSE system

- J503 Radio/Navigation Display Control Module
- R4 Left Rear Speaker
- R5 Right Rear Speaker
- R12 Amplifier
- R14 Left Rear Treble Speaker
- R16 Right Rear Treble Speaker
- R105 Left Rear Midrange Speaker
- R106 Right Rear Midrange Speaker
- T2ac Double Connector, black, behind rear left side panel trim
- T2ad Double Connector, black, behind rear right side panel trim
- T2ae Double Connector, black, in rear left door
- T2af Double Connector, black, in rear right door
- T20l 20-Pin Connector, black, door B-pillar, left
- T20m 20-Pin Connector, black, door B-pillar, right
- ** Only 3-door models
- *** Only 5-door models
- # Phased-in modification
- ## Not applicable, phased-in modification

- ws = white
- sw = black
- ro = red
- br = brown
- gn = green
- bl = blue
- gr = grey
- li = lilac
- ge = yellow
- or = orange
- rs = pink

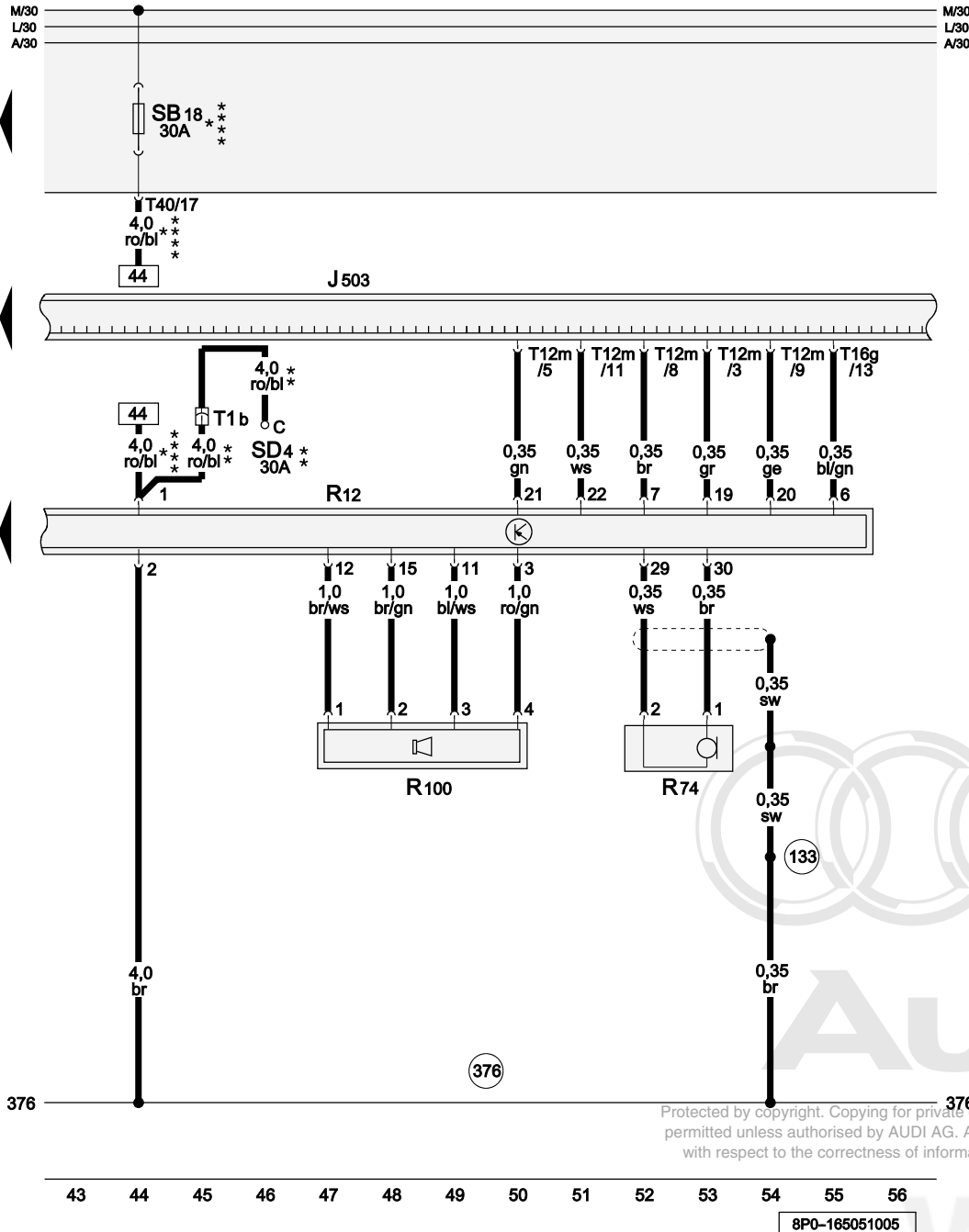
376

Protected by copyright. Copying for private or commercial purposes, in part or in whole, is not permitted unless authorised by AUDI AG. AUDI AG does not guarantee or accept any liability with respect to the correctness of information in this document. Copyright by AUDI AG.

376

29 30 31 32 33 34 35 36 37 38 39 40 41 42

8P0-165040307



Inside Microphone, Bass Speaker with BOSE system

- J503 Radio/Navigation Display Control Module
- R12 Amplifier
- R74 Inside Microphone
- R100 Bass Speaker
- SB18 Fuse 18 (on fuse panel B)
- SD4 Fuse 4 (on fuse panel D)
- T1b Single Connector, black, on C-pillar, left
- T12m 12-Pin Connector, black (Connector C) (connector locking green)
- T16g 16-Pin Connector, black (Connector D)
- T40 40-Pin Connector, black, on electronics box engine compartment (Connector J)

133 Ground Connection (in speaker wiring harness)

376 Ground Connection 11 (in main wiring harness)

- * Only models with battery in engine compartment
- ** Only models with battery in luggage compartment, not applicable from November 2005
- **** Applicable from November 2005 for models with battery in engine compartment and luggage compartment

- ws = white
- sw = black
- ro = red
- br = brown
- gn = green
- bl = blue
- gr = grey
- li = lilac
- ge = yellow
- or = orange
- rs = pink

Protected by copyright. Copying for private or commercial purposes, in part or in whole, is not permitted unless authorised by AUDI AG. AUDI AG does not guarantee or accept any liability with respect to the correctness of information in this document. Copyright by AUDI AG.

43 44 45 46 47 48 49 50 51 52 53 54 55 56

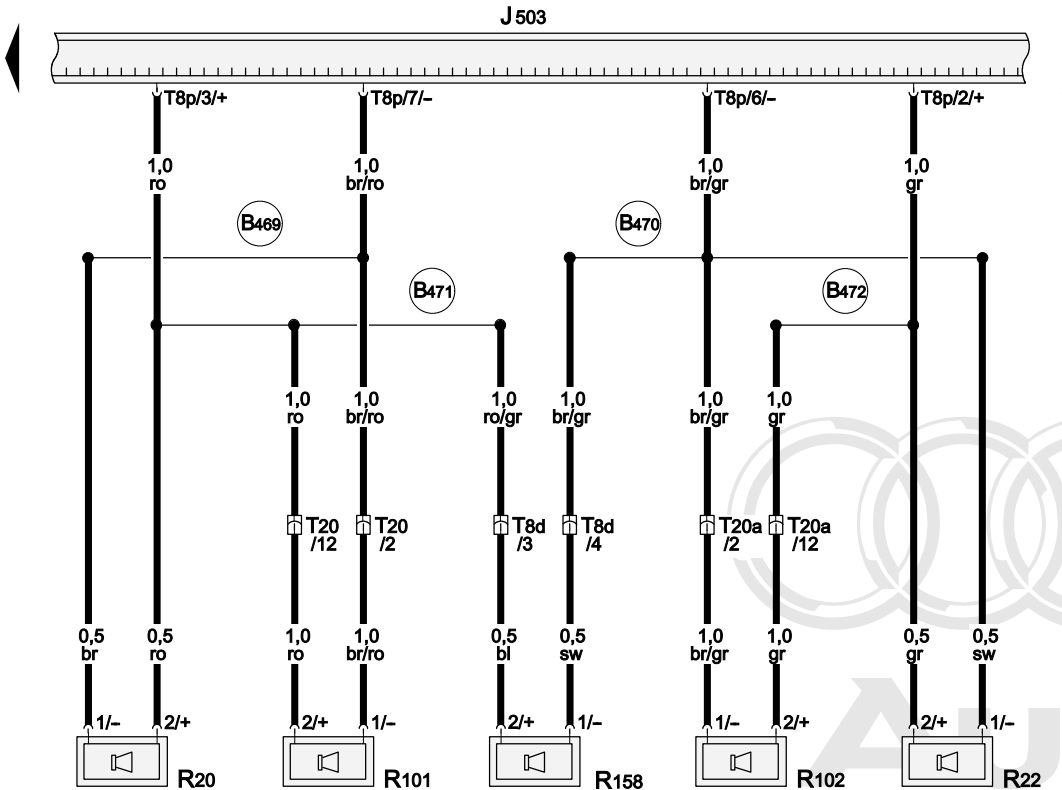
8P0-165051005



Front Speaker with Amplifier

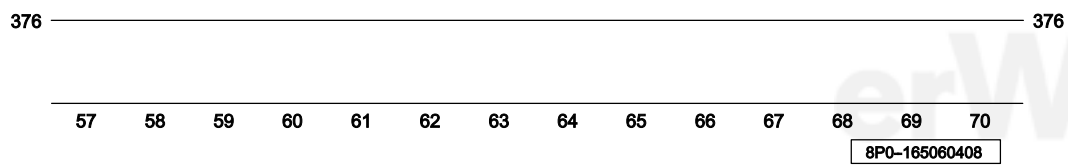
- J503 Radio/Navigation Display Control Module
- R20 Left Front Treble Speaker
- R22 Right Front Treble Speaker
- R101 Left Front Mid-Bass Speaker
- R102 Right Front Mid-Bass Speaker
- R158 Center Midrange Speaker
- T8d 8-Pin Connector, black, behind center console
- T8p 8-Pin Connector, brown (Connector A)
- T20 20-Pin Connector, black, door A-pillar, left
- T20a 20-Pin Connector, black, door A-pillar, right

- (B469) Connection 5 (in main wiring harness)
- (B470) Connection 6 (in main wiring harness)
- (B471) Connection 7 (in main wiring harness)
- (B472) Connection 8 (in main wiring harness)



- ws = white
- sw = black
- ro = red
- br = brown
- gn = green
- bl = blue
- gr = grey
- li = lilac
- ge = yellow
- or = orange
- rs = pink

Protected by copyright. Copying for private or commercial purposes, in part or in whole, is not permitted unless authorised by AUDI AG. AUDI AG does not guarantee or accept any liability with respect to the correctness of information in this document. Copyright by AUDI AG.

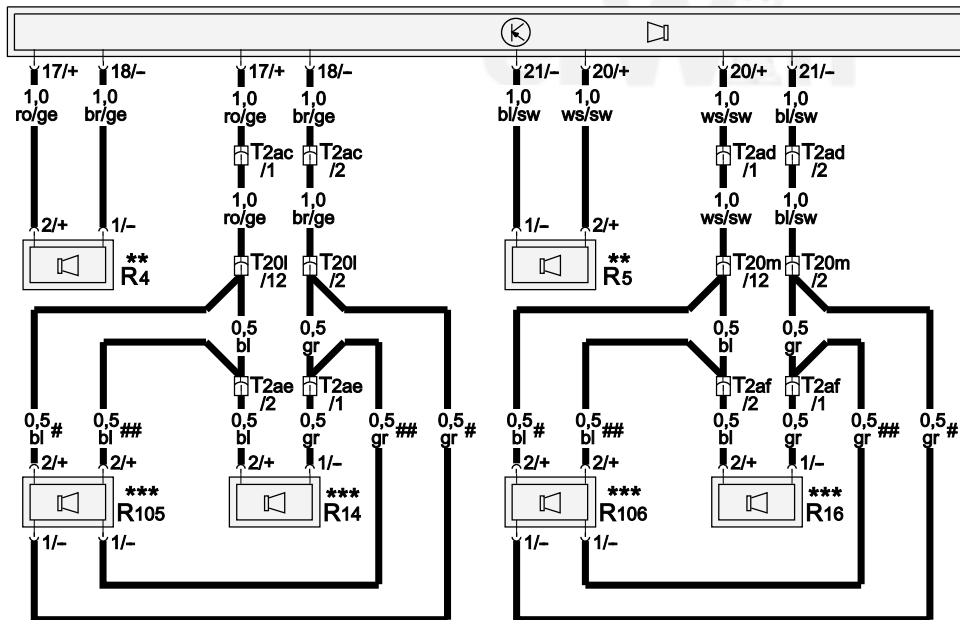




J503

Protected by copyright. Copying for private or commercial purposes, in part or in whole, is not permitted unless authorised by AUDI AG. AUDI AG does not guarantee or accept any liability with respect to the correctness of information in this document. Copyright by AUDI AG.

R44



376

376

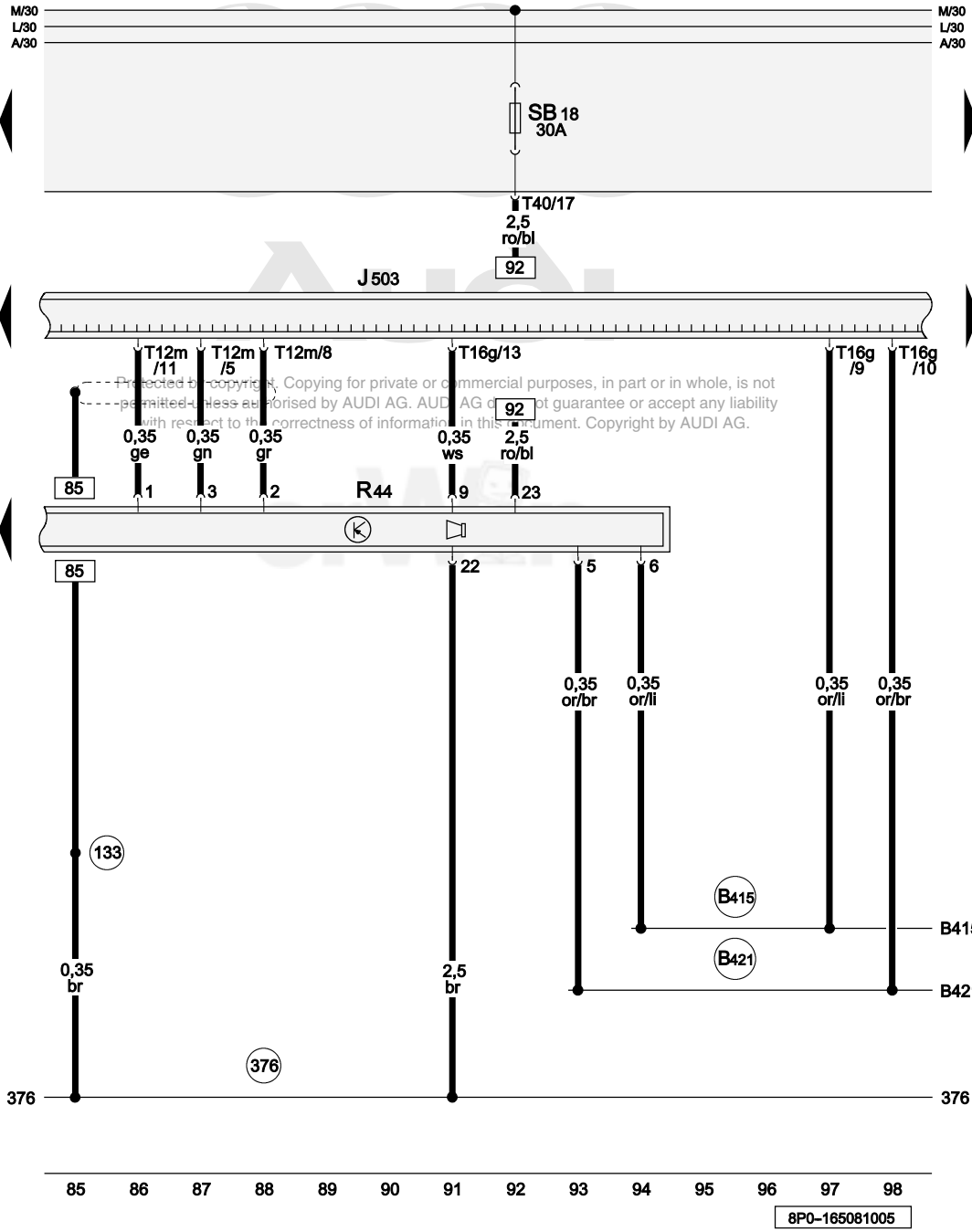
71 72 73 74 75 76 77 78 79 80 81 82 83 84

8P0-165070307

Bass Speakers Amplifier, in luggage compartment, left, Rear Speaker

- J503 Radio/Navigation Display Control Module
- R4 Left Rear Speaker
- R5 Right Rear Speaker
- R14 Left Rear Treble Speaker
- R16 Right Rear Treble Speaker
- R44 Bass Speakers Amplifier, in luggage compartment, left
- R105 Left Rear Midrange Speaker
- R106 Right Rear Midrange Speaker
- T2ac Double Connector, black, behind rear left side panel trim
- T2ad Double Connector, black, behind rear right side panel trim
- T2ae Double Connector, black, in rear left door
- T2af Double Connector, black, in rear right door
- T20l 20-Pin Connector, black, door B-pillar, left
- T20m 20-Pin Connector, black, door B-pillar, right
- ** Only 3-door models
- *** Only 5-door models
- # Phased-in modification
- ## Not applicable, phased-in modification

- ws = white
- sw = black
- ro = red
- br = brown
- gn = green
- bl = blue
- gr = grey
- li = lilac
- ge = yellow
- or = orange
- rs = pink

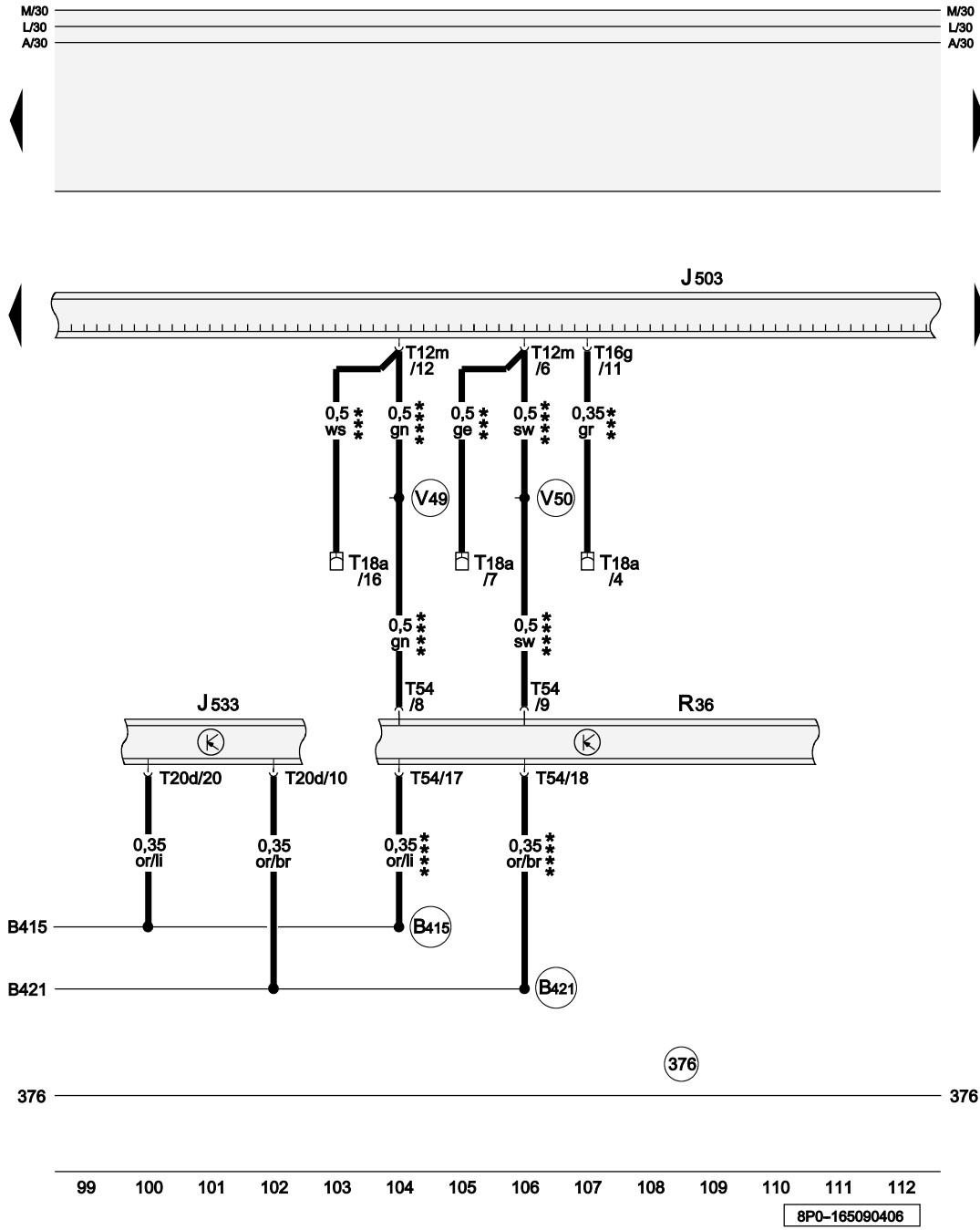


Bass Speakers Amplifier, in luggage compartment, left

- J503 Radio/Navigation Display Control Module
- R44 Bass Speakers Amplifier, in luggage compartment, left
- SB18 Fuse 18 (on fuse panel B)
- T12m 12-Pin Connector, black (Connector C) (connector locking green)
- T16g 16-Pin Connector, black (Connector D)
- T40 40-Pin Connector, black, on electronics box engine compartment (Connector J)

- (133) Ground Connection (in speaker wiring harness)
- (376) Ground Connection 11 (in main wiring harness)
- (B415) Infotainment CAN-Bus High Connection 1 (in main wiring harness)
- (B421) Infotainment CAN-Bus Low Connection 1 (in main wiring harness)

- ws = white
- sw = black
- ro = red
- br = brown
- gn = green
- bl = blue
- gr = grey
- li = lilac
- ge = yellow
- or = orange
- rs = pink



Data Bus On Board Diagnostic Interface, Telephone Transceiver

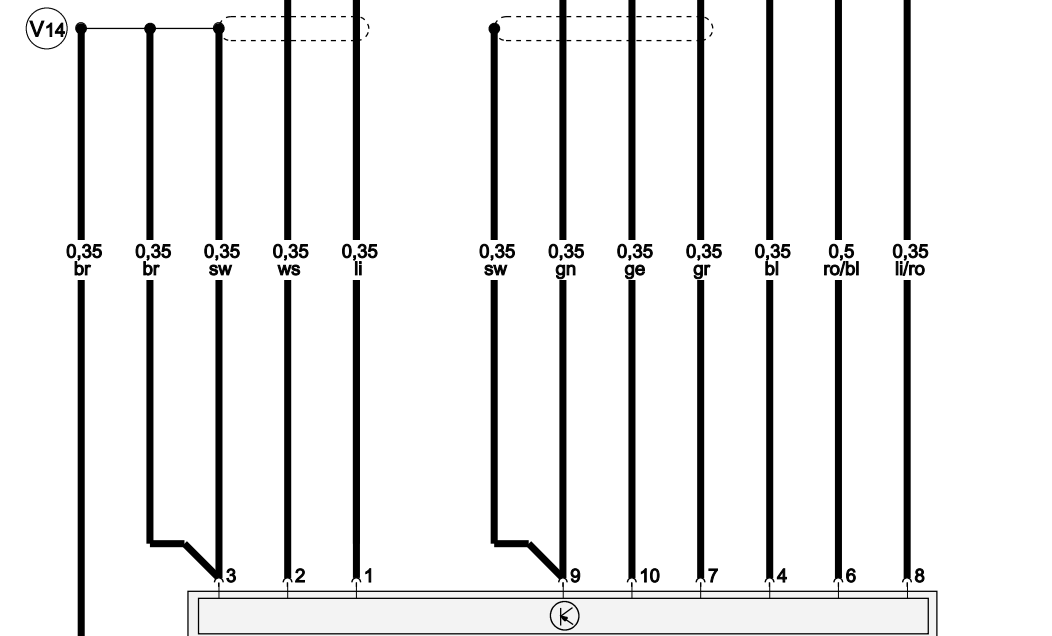
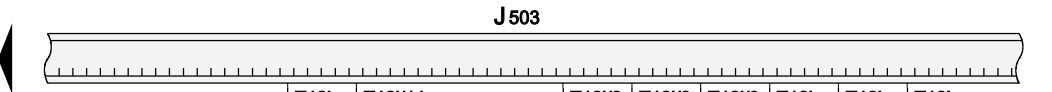
- J503 Radio/Navigation Display Control Module
- J533 Data Bus On Board Diagnostic Interface
- R36 Telephone Transceiver
- T12m 12-Pin Connector, black (Connector C) (connector locking green)
- T16g 16-Pin Connector, black (Connector D)
- T18a 18-Pin Connector, black, near glove compartment (Connector A)
- T20d 20-Pin Connector, yellow (Connector A)
- T54 54-Pin Connector, black (Connector A)

- 376 Ground Connection 11 (in main wiring harness)
- B415 Infotainment CAN-Bus High Connection 1 (in main wiring harness)
- B421 Infotainment CAN-Bus Low Connection 1 (in main wiring harness)
- V49 Low Frequency + Connection (in communication wiring harness)
- V50 Low Frequency - Connection (in communication wiring harness)

Protected by copyright. Copying for private or commercial purposes, in part or in whole, is not permitted unless authorised by AUDI AG. AUDI AG does not guarantee or accept any liability with respect to the correctness of information in this document. Copyright © 2008 AUDI AG

- *** Cellular telephone preparation without hands free system only
- **** Cellular telephone preparation with hands free system only

- ws = white
- sw = black
- ro = red
- br = brown
- gn = green
- bl = blue
- gr = grey
- li = lilac
- ge = yellow
- or = orange
- rs = pink



R192** R41**
R193**

376 (376)

113 114 115 116 117 118 119 120 121 122 123 124 125 126

8P0-165100307

CD Changer, iPod Baseplate, USB Connection Baseplate

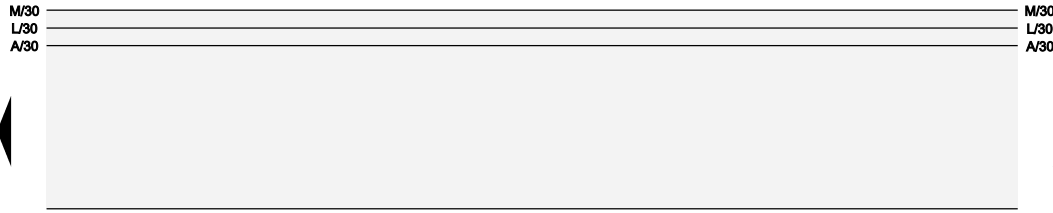
- J503 Radio/Navigation Display Control Module
- R41 CD Changer
- R192 iPod Baseplate
- R193 USB Connection Baseplate
- T121 12-Pin Connector, blue (Connector B)

- 376 Ground Connection 11 (in main wiring harness)
- V14 Connection (shielding) (in CD-changer wiring harness)

** Only models with CD Changer or iPod Baseplate or USB Connection Baseplate

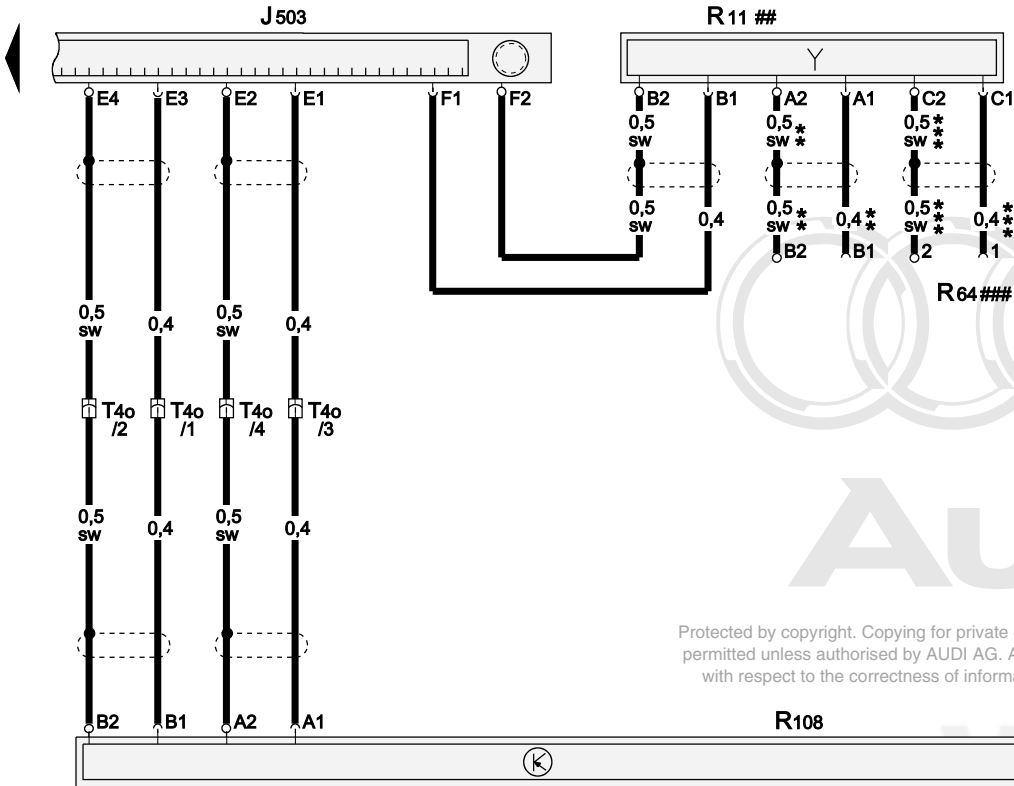
Protected by copyright. Copying for private or commercial purposes, in part or in whole, is not permitted unless authorised by AUDI AG. AUDI AG does not guarantee or accept any liability with respect to the correctness of information in this document. Copyright by AUDI AG.

- ws = white
- sw = black
- ro = red
- br = brown
- gn = green
- bl = blue
- gr = grey
- li = lilac
- ge = yellow
- or = orange
- rs = pink



Roof Antenna

- J503 Radio/Navigation Display Control Module
- R11 Antenna
- R64 Auxiliary Heater RF Receiver
- R108 Left Antenna Module
- T4o 4-Pin Connector, near right C-pillar
- ** Only models with cellular telephone preparation
- *** Only models with auxiliary heater
- ## R11 replace R66
- ### Not for models with US equipment

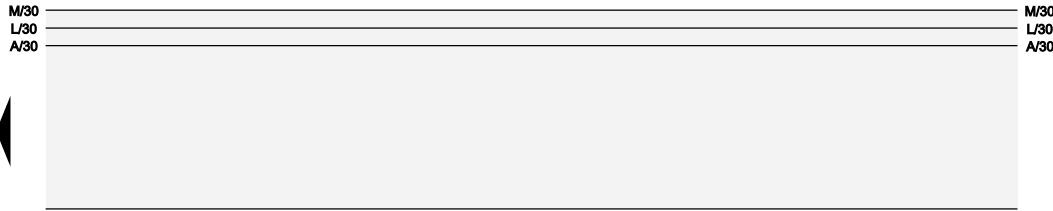


Protected by copyright. Copying for private or commercial purposes, in part or in whole, is not permitted unless authorised by AUDI AG. AUDI AG does not guarantee or accept any liability with respect to the correctness of information in this document. Copyright by AUDI AG.

- ws = white
- sw = black
- ro = red
- br = brown
- gn = green
- bl = blue
- gr = grey
- li = lilac
- ge = yellow
- or = orange
- rs = pink

127 128 129 130 131 132 133 134 135 136 137 138 139 140

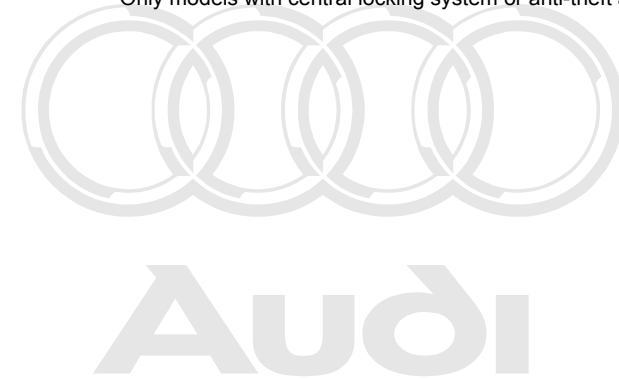
8P0-165110406



Left Antenna Module, Rear Window Antenna 1

- C18 Windshield Antenna Suppression Filter
- J393 Comfort System Central Control Module
- J519 Vehicle Electrical System Control Module
- R24 Antenna Amplifier
- R47 Central Locking and Anti-Theft Alarm System Antenna
- R108 Left Antenna Module
- R130 Rear Window Antenna 1
- T2h Double Connector, on C-pillar, right
- T6a 6-Pin Connector, black, on C-pillar, left
- T18 18-Pin Connector, brown (Connector A)
- T10d 10-Pin Connector, black (Connector K)
- Z1 Heated Rear Window
- Z24 Rear Window Defogger with Window Antenna

- 61 Ground Connection (on left C-pillar)
- 218 Ground Connection 1 (in rear lid wiring harness)
- Q22 Connection 1 (in tailgate wiring harness)
- Q44 Connection 2 (in tailgate wiring harness)
- * Only models with central locking system or anti-theft alarm system

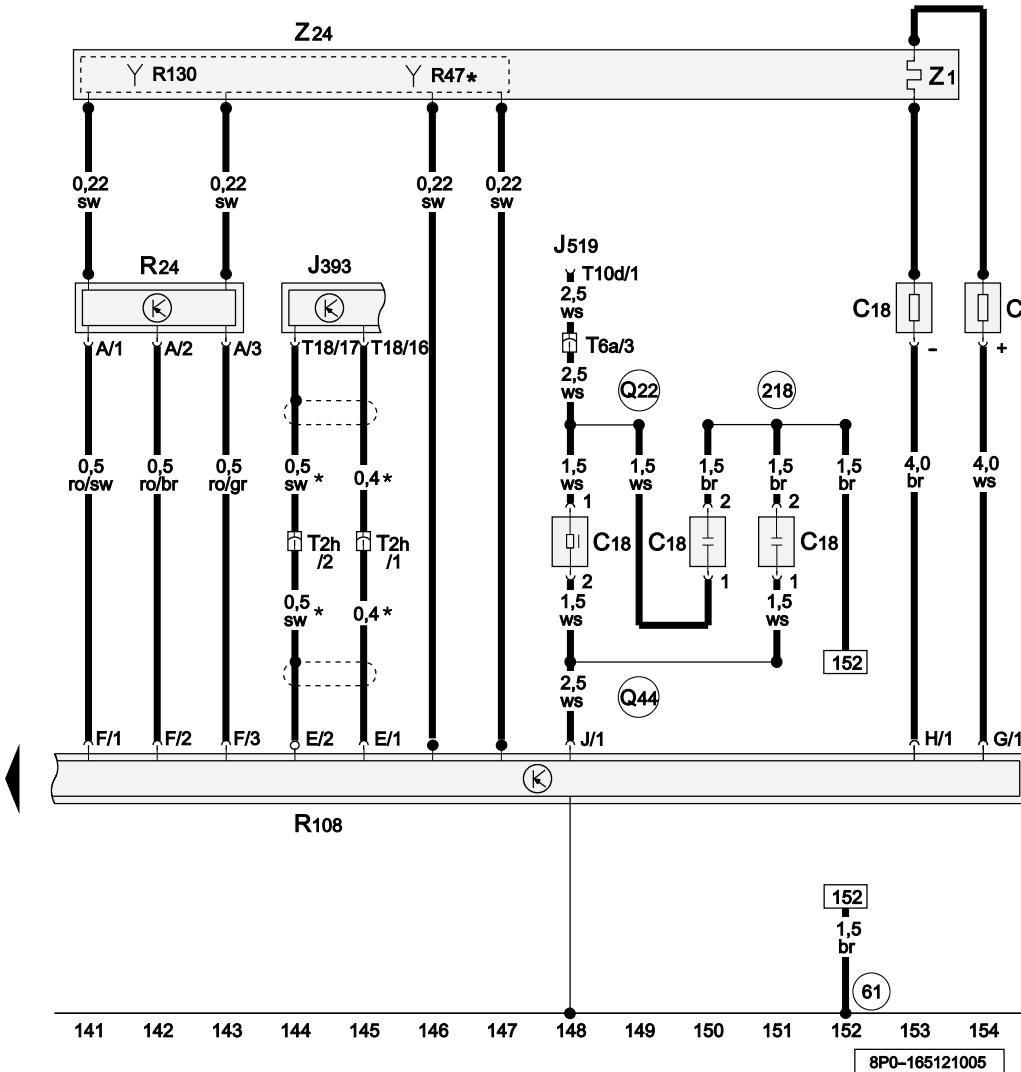


Audi

erWin

- ws = white
- sw = black
- ro = red
- br = brown
- gn = green
- bl = blue
- gr = grey
- li = lilac
- ge = yellow
- or = orange
- rs = pink

Protected by copyright. Copying for private or commercial purposes, in part or in whole, is not permitted unless authorised by AUDI AG. AUDI AG does not guarantee or accept any liability with respect to the correctness of information in this document. Copyright by AUDI AG.



Battery in luggage compartment

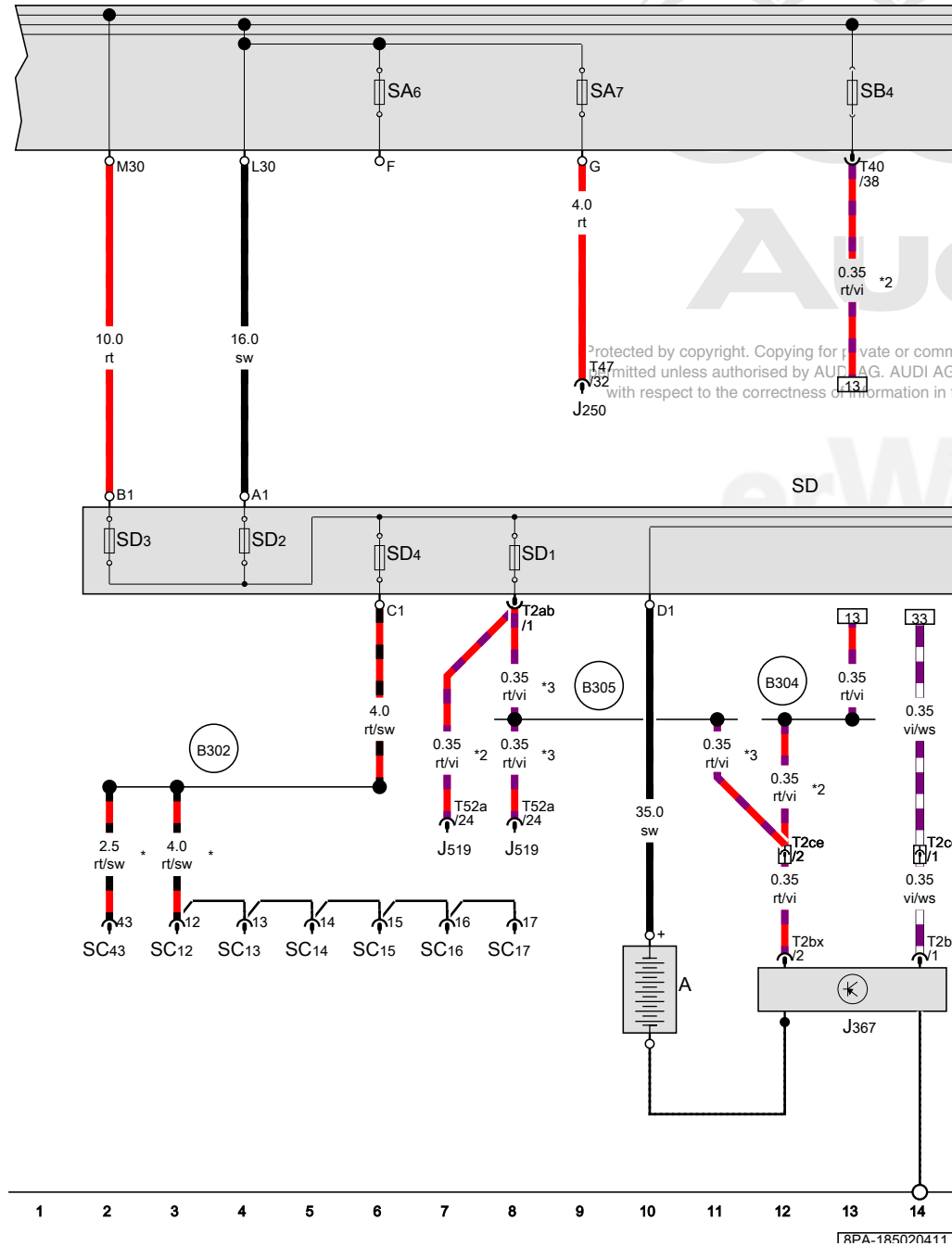
From December 2010



Audi

Protected by copyright. Copying for private or commercial purposes, in part or in whole, is not permitted unless authorised by AUDI AG. AUDI AG does not guarantee or accept any liability with respect to the correctness of information in this document. Copyright by AUDI AG.





Battery, Battery monitoring control module, Fuse panel D

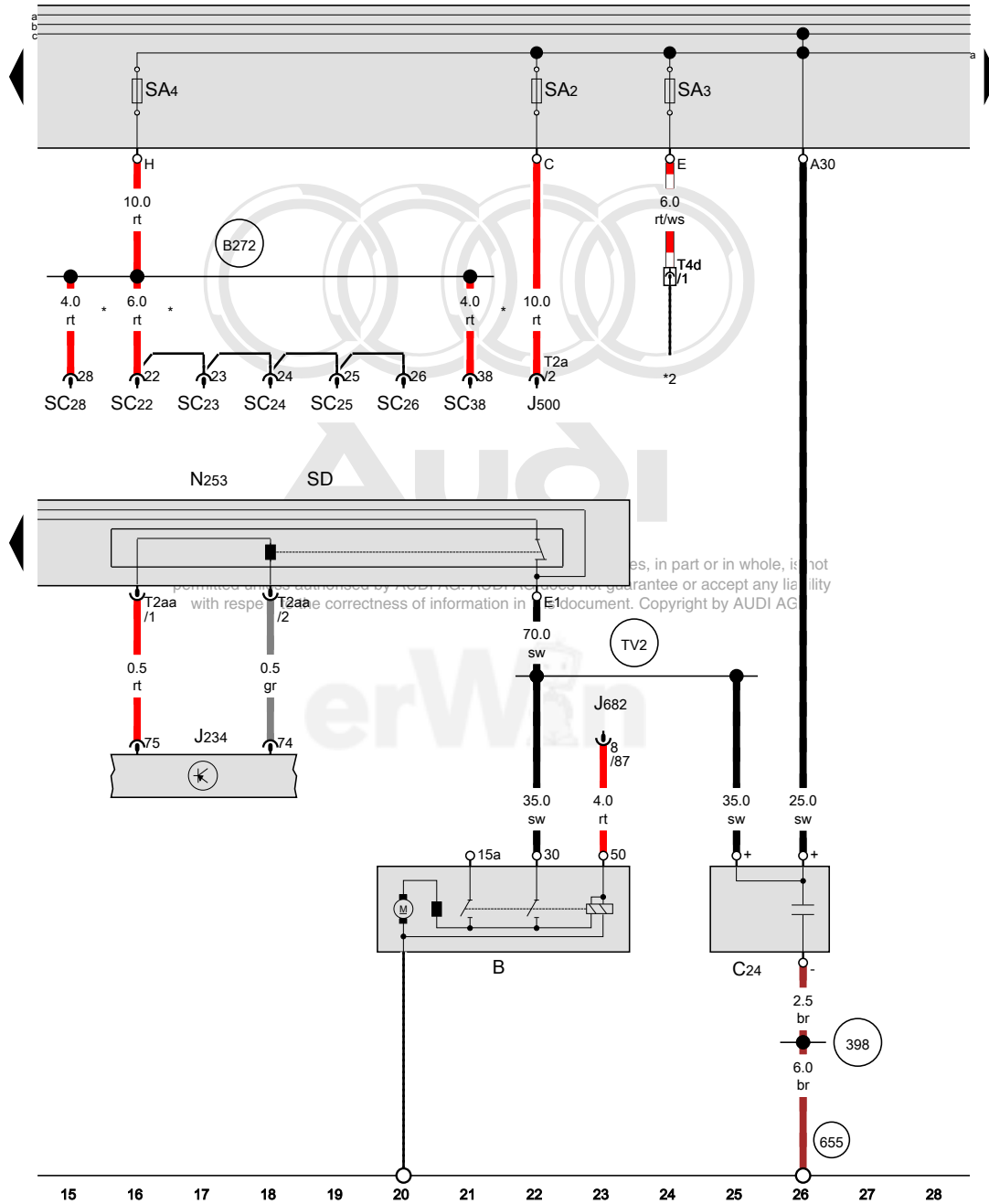
- A Battery
- J250 Electronic damping control module
- J367 Battery monitoring control module
- J519 Vehicle electrical system control module
- SB4 Fuse 4 (on fuse panel B)
- SA6 Fuse 6 (on fuse panel A)
- SA7 Fuse 7 (on fuse panel A)
- SC12 Fuse 12 (on fuse panel C)
- SC13 Fuse 13 (on fuse panel C)
- SC14 Fuse 14 (on fuse panel C)
- SC15 Fuse 15 (on fuse panel C)
- SC16 Fuse 16 (on fuse panel C)
- SC17 Fuse 17 (on fuse panel C)
- SC43 Fuse 43 (on fuse panel C)
- SD Fuse panel D
- SD1 Fuse 1 (on fuse panel D)
- SD2 Fuse 2 (on fuse panel D)
- SD3 Fuse 3 (on fuse panel D)
- SD4 Fuse 4 (on fuse panel D)
- T2ab Double connector
- T2bx Double connector
- T2ce Double connector
- T40 40-pin connector
- T47 47-pin connector
- T52a 52-pin connector

- B302 Positive connection 6 (30) (in main wiring harness)
- B304 Positive connection 8 (30) (in main wiring harness)
- B305 Positive connection 9 (30) (in main wiring harness)

- * Refer to applicable wiring diagram
- *2 Omitted as a running change
- *3 Running change

- ws = white
- sw = black
- ro = red
- rt = red
- br = brown
- gn = green
- bl = blue
- gr = grey
- li = lilac
- vi = lilac
- ge = yellow
- or = orange
- rs = pink

Starter, Suppressor, Fuse panel D

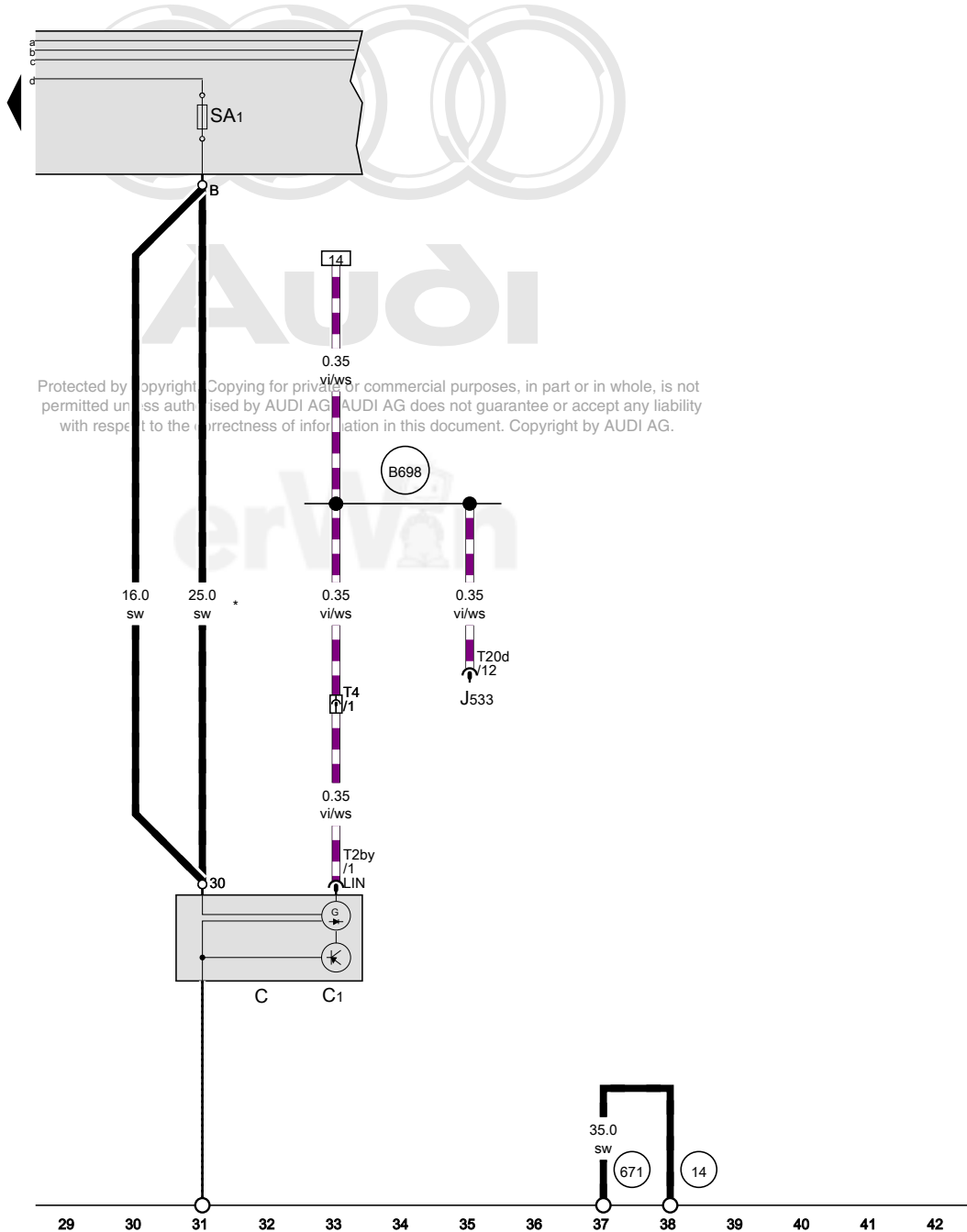


- B Starter
- C24 Suppressor
- J234 Airbag control module
- J500 Power steering control module
- J682 Terminal 50 power supply relay
- N253 Battery interrupt igniter
- SA2 Fuse 2 (on fuse panel A)
- SA3 Fuse 3 (on fuse panel A)
- SA4 Fuse 4 (on fuse panel A)
- SC22 Fuse 22 (on fuse panel C)
- SC23 Fuse 23 (on fuse panel C)
- SC24 Fuse 24 (on fuse panel C)
- SC25 Fuse 25 (on fuse panel C)
- SC26 Fuse 26 (on fuse panel C)
- SC28 Fuse 28 (on fuse panel C)
- SC38 Fuse 38 (on fuse panel C)
- SD Fuse panel D
- T1 Single connector
- T1a Single connector
- T2a Double connector
- T2aa Double connector
- T4d 4-pin connector

- 398 Ground connection 33 (in main wiring harness)
- 655 Ground connection on left headlamp
- B272 Positive connection (30) (in main wiring harness)
- TV2 Terminal 30 wire junction
- * Refer to applicable wiring diagram
- *2 Refer to applicable coolant fan wiring diagram

- ws = white
- sw = black
- ro = red
- rt = red
- br = brown
- gn = green
- bl = blue
- gr = grey
- li = lilac
- vi = lilac
- ge = yellow
- or = orange
- rs = pink

FRPA-185030411



Protected by copyright. Copying for private or commercial purposes, in part or in whole, is not permitted unless authorised by AUDI AG. AUDI AG does not guarantee or accept any liability with respect to the correctness of information in this document. Copyright by AUDI AG.

Generator

- C Generator
- C1 Voltage regulator
- J533 Data bus on board diagnostic interface
- SA1 Fuse 1 (on fuse panel A)
- T2by Double connector
- T4 4-pin connector
- T20d 20-pin connector

- 14 Ground connection on transmission
- 671 Ground connection 1 on left front longitudinal member
- B698 LIN bus connection 3 (in main wiring harness)
- * Only for vehicles with a generator (140 A)

- ws = white
- sw = black
- ro = red
- rt = red
- br = brown
- gn = green
- bl = blue
- gr = grey
- li = lilac
- vi = lilac
- ge = yellow
- or = orange
- rs = pink

[RPA-185040411]

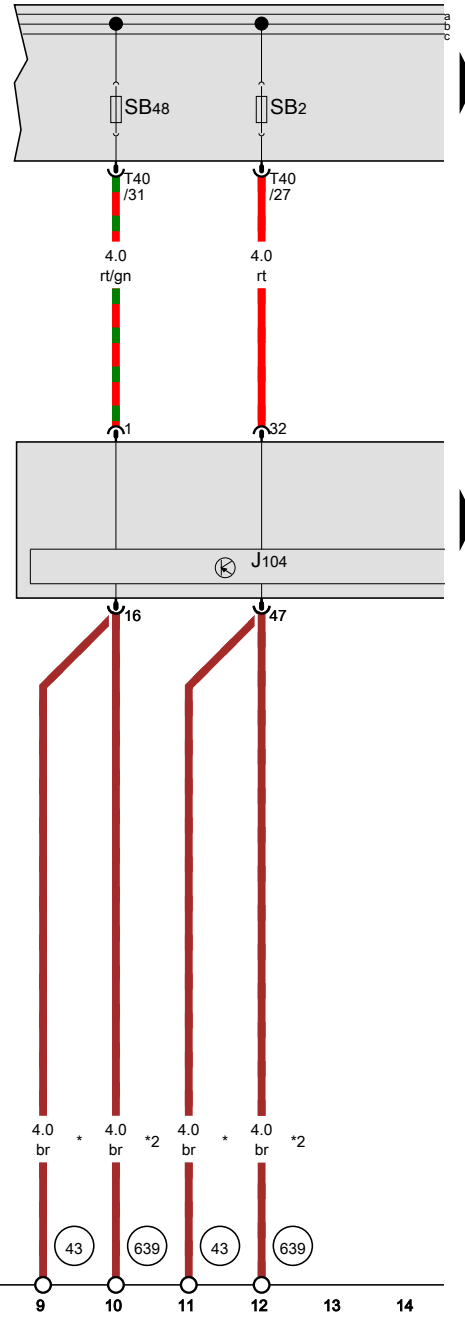
ABS with ESP
From December 2010



Audi

Protected by copyright. Copying for private or commercial purposes, in part or in whole, is not permitted unless authorised by AUDI AG. AUDI AG does not guarantee or accept any liability with respect to the correctness of information in this document. Copyright by AUDI AG.





ABS control module

- J104 ABS control module
- SB2 Fuse 2 (on fuse panel B)
- SB48 Fuse 48 (on fuse panel B)
- T40 40-pin connector

- 43 Ground connection on A-pillar, lower right
- 639 Ground connection on left A-pillar
- * Only for left-hand drive vehicles
- *2 Only for right-hand drive vehicles



Protected by copyright. Copying for private or commercial purposes, in part or in whole, is not permitted unless authorised by AUDI AG. AUDI AG does not guarantee or accept any liability with respect to the correctness of information in this document. Copyright by AUDI AG.

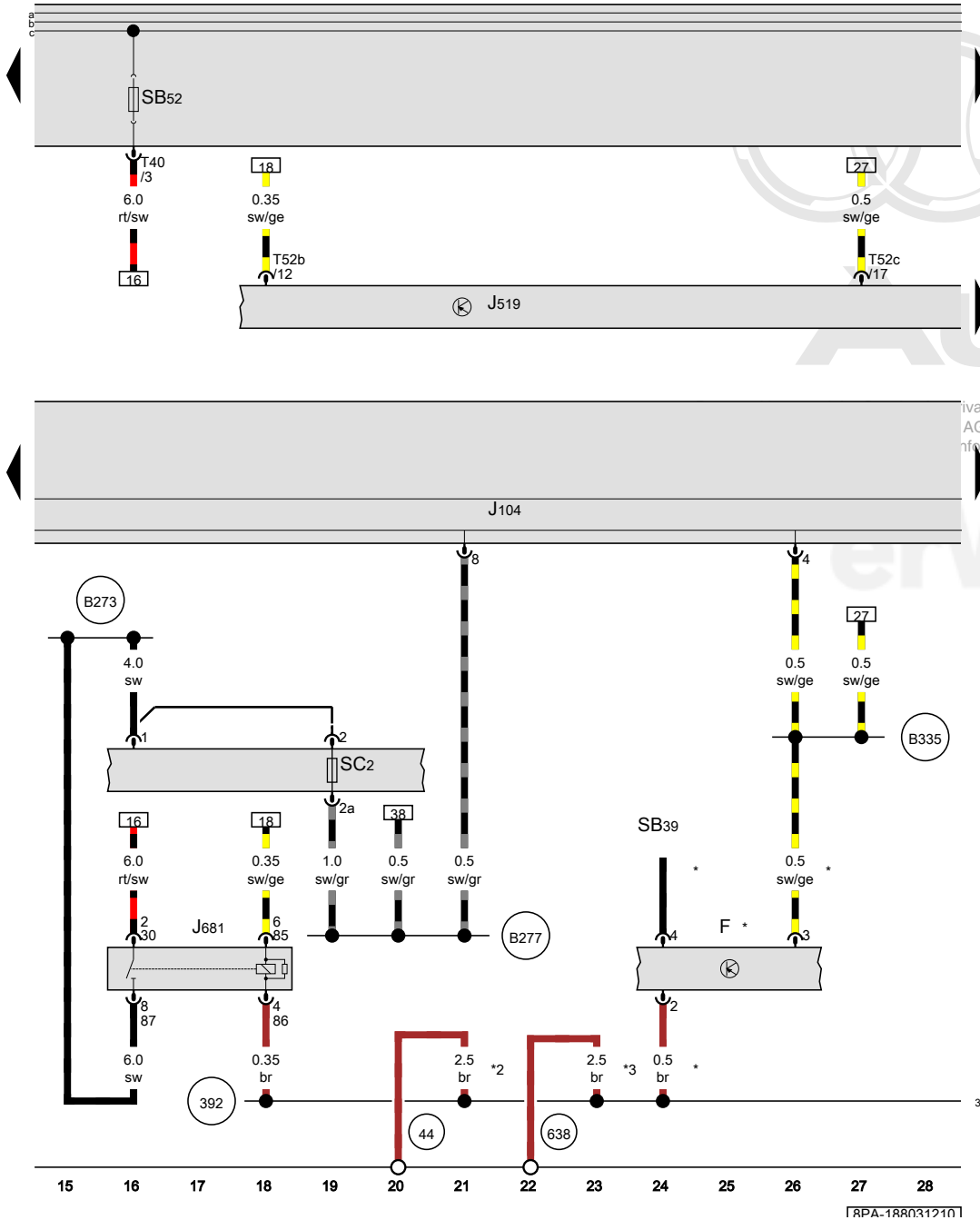


- ws = white
- sw = black
- ro = red
- rt = red
- br = brown
- gn = green
- bl = blue
- gr = grey
- li = lilac
- vi = lilac
- ge = yellow
- or = orange
- rs = pink

1 2 3 4 5 6 7 8 9 10 11 12 13 14

[RPA-188021210]

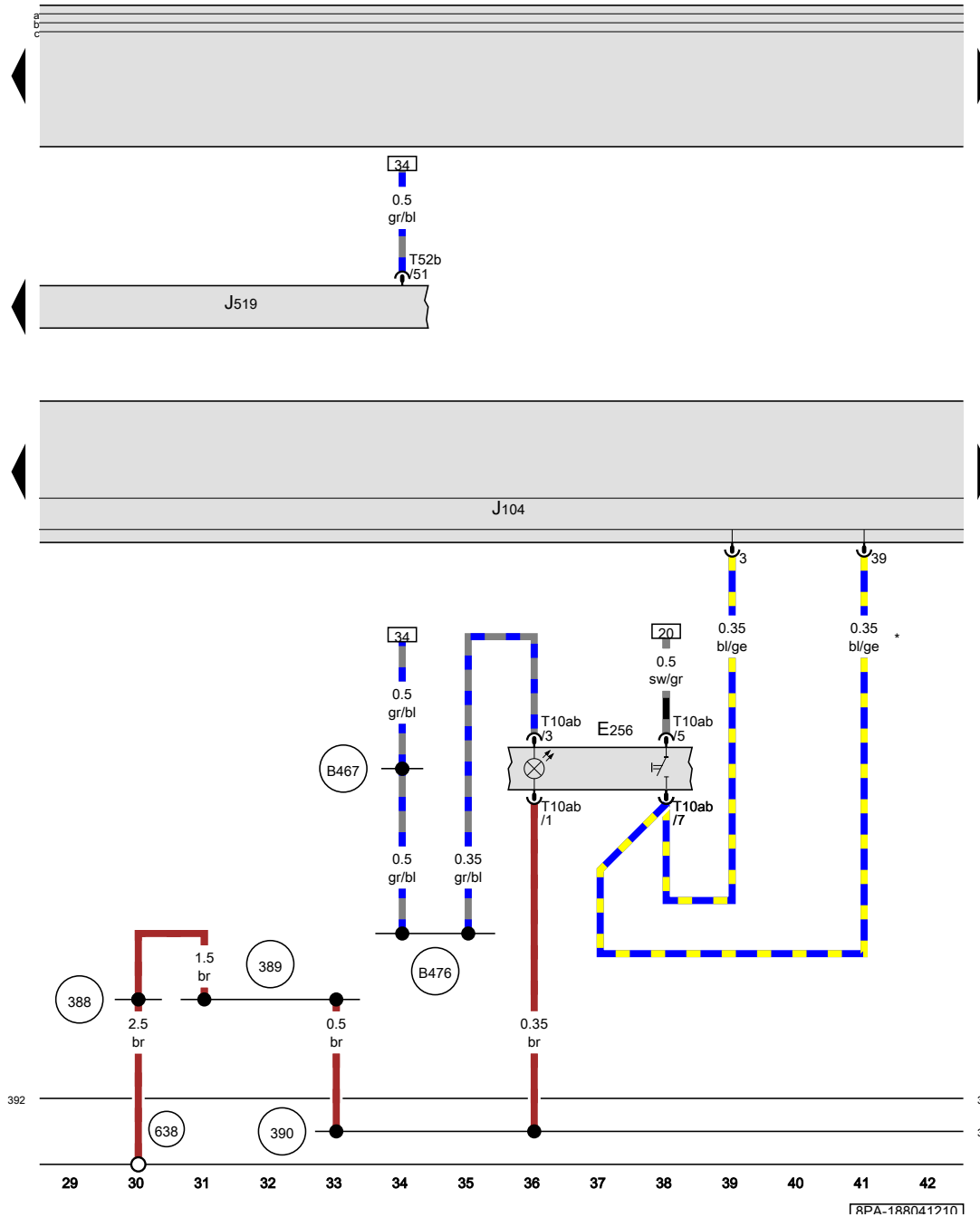
Brake lamp switch, ABS control module, Vehicle electrical system control module, Terminal 15 power supply relay 2



- F Brake lamp switch
- J104 ABS control module
- J519 Vehicle electrical system control module
- J681 Terminal 15 power supply relay 2
- SC2 Fuse 2 (on fuse panel C)
- SB39 Fuse 39 (on fuse panel B)
- SB52 Fuse 52 (on fuse panel B)
- T40 40-pin connector
- T52b 52-pin connector
- T52c 52-pin connector

- 44 Ground connection on A-pillar, lower left
- 392 Ground connection 27 (in main wiring harness)
- 638 Ground connection on right A-pillar
- B273 Positive connection (15) (in main wiring harness)
- B277 Positive connection 1 (15a) (in main wiring harness)
- B335 Connection 1 (54) (in main wiring harness)
- * Refer to applicable engine wiring diagram
- *2 Only for left-hand drive vehicles
- *3 Only for right-hand drive vehicles

ws = white
 sw = black
 ro = red
 rt = red
 br = brown
 gn = green
 bl = blue
 gr = grey
 li = lilac
 vi = lilac
 ge = yellow
 or = orange
 rs = pink



ASR/ESP button, ABS control module, Vehicle electrical system control module

- E256 ASR/ESP button
- J104 ABS control module
- J519 Vehicle electrical system control module
- T10ab 10-pin connector
- T52b 52-pin connector

- 388 Ground connection 23 (in main wiring harness)
- 389 Ground connection 24 (in main wiring harness)
- 390 Ground connection 25 (in main wiring harness)
- 392 Ground connection 27 (in main wiring harness)
- 638 Ground connection on right A-pillar
- B467 Connection 3 (in main wiring harness)
- B476 Connection 12 (in main wiring harness)

* If available



- ws = white
- sw = black
- ro = red
- rt = red
- br = brown
- gn = green
- bl = blue
- gr = grey
- li = lilac
- vi = lilac
- ge = yellow
- or = orange
- rs = pink

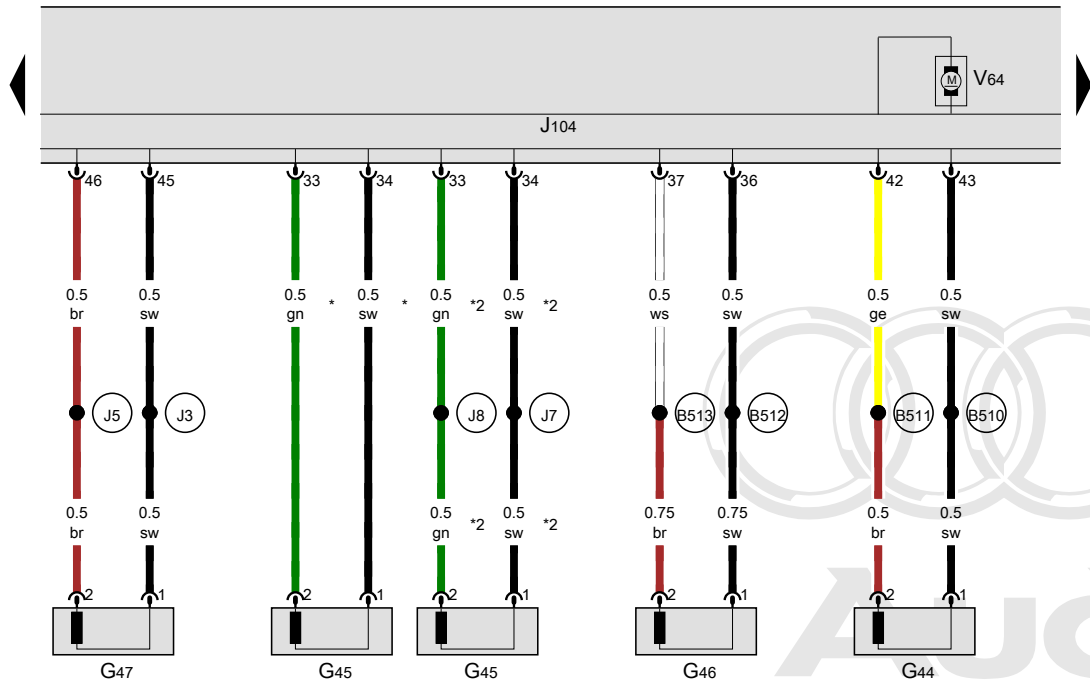
Protected by copyright. Copying for private or commercial purposes, in part or in whole, is not permitted without express authorization by AUDI AG. AUDI AG does not guarantee or accept any liability with respect to the correctness of information in this document. Copyright by AUDI AG.



Right rear ABS wheel speed sensor, Right front ABS wheel speed sensor, Left rear ABS wheel speed sensor, Left front ABS wheel speed sensor, ABS control module

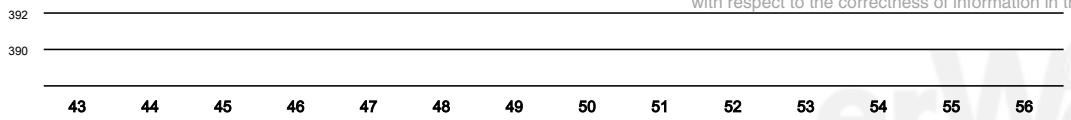
- G44 Right rear ABS wheel speed sensor
- G45 Right front ABS wheel speed sensor
- G46 Left rear ABS wheel speed sensor
- G47 Left front ABS wheel speed sensor
- J104 ABS control module
- V64 ABS hydraulic pump

- 390 Ground connection 25 (in main wiring harness)
- 392 Ground connection 27 (in main wiring harness)
- B510 Right rear speed sensor connection 1 (in interior wiring harness)
- B511 Right rear speed sensor connection 2 (in interior wiring harness)
- B512 Left rear speed sensor connection 1 (in interior wiring harness)
- B513 Left rear speed sensor connection 2 (in interior wiring harness)
- J3 Connection 1 (in ABS wiring harness)
- J5 Connection 2 (in ABS wiring harness)
- J7 Connection 3 (in ABS wiring harness)
- J8 Connection 4 (in ABS wiring harness)
- * Only for left-hand drive vehicles
- *2 Only for right-hand drive vehicles



- ws = white
- sw = black
- ro = red
- rt = red
- br = brown
- gn = green
- bl = blue
- gr = grey
- li = lilac
- vi = lilac
- ge = yellow
- or = orange
- rs = pink

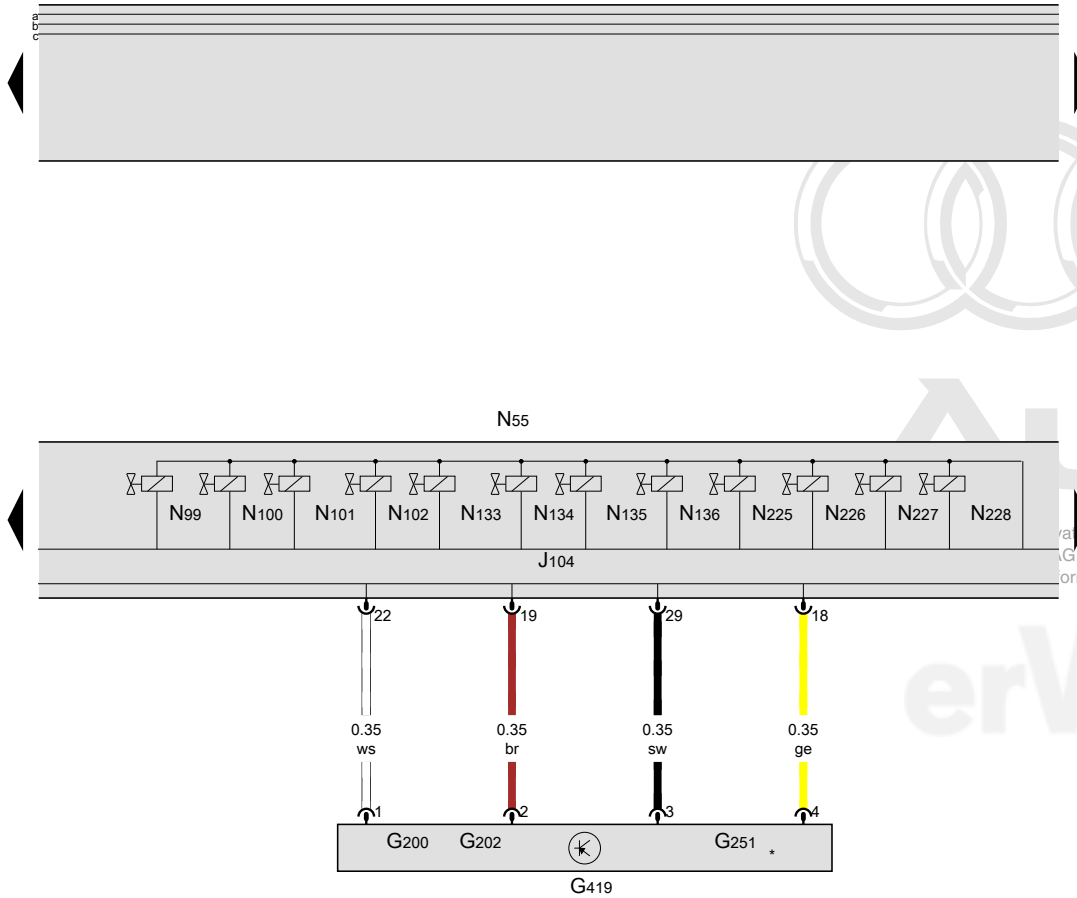
Protected by copyright. Copying for private or commercial purposes, in whole or in part, is not permitted unless authorised by AUDI AG. AUDI AG does not guarantee the accuracy of the information in this document. Copyright by AUDI AG.



18PA-188051210

ESP sensor unit, ABS control module, ABS hydraulic unit

- G200 Transverse acceleration sensor
- G202 Rotation rate sensor
- G251 Longitudinal acceleration sensor
- G419 ESP sensor unit
- J104 ABS control module
- N55 ABS hydraulic unit
- N99 Right front ABS inlet valve
- N100 Right front ABS outlet valve
- N101 Left front ABS inlet valve
- N102 Left front ABS outlet valve
- N133 Right rear ABS inlet valve
- N134 Left rear ABS inlet valve
- N135 Right rear ABS outlet valve
- N136 Left rear ABS outlet valve
- N225 Driving dynamics regulation switch valve 1
- N226 Driving dynamics regulation switch valve 2
- N227 Driving dynamics regulation high pressure switch valve 1
- N228 Driving dynamics regulation high pressure switch valve 2

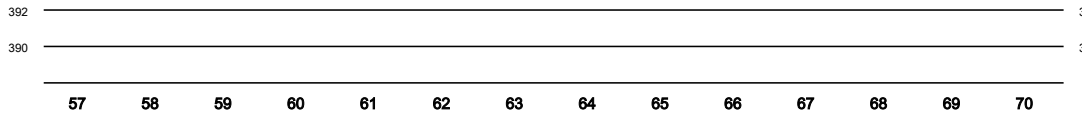


390 Ground connection 25 (in main wiring harness)

392 Ground connection 27 (in main wiring harness)

* Only for vehicles with all wheel drive

- ws = white
- sw = black
- ro = red
- rt = red
- br = brown
- gn = green
- bl = blue
- gr = grey
- li = lilac
- vi = lilac
- ge = yellow
- or = orange
- rs = pink

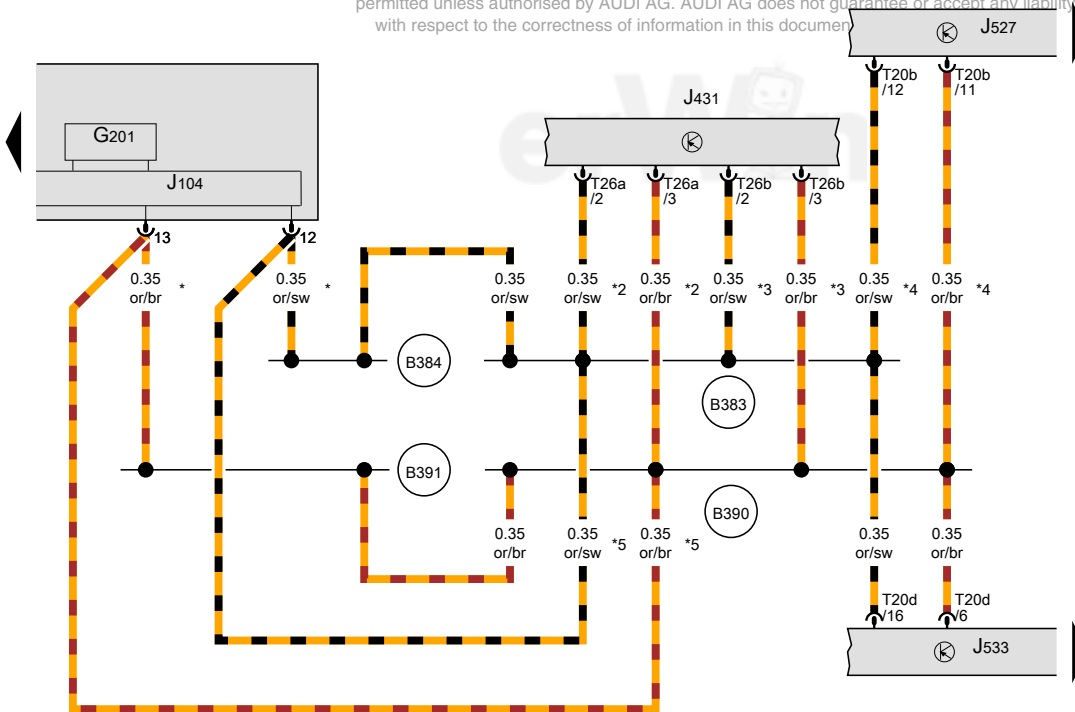


18PA-188061210

Brake pressure sensor 1, ABS control module, Headlamp range control module, Steering column electronics control module, Data bus on board diagnostic interface

- G201 Brake pressure sensor 1
- J104 ABS control module
- J431 Headlamp range control module
- J527 Steering column electronics control module
- J533 Data bus on board diagnostic interface
- T20b 20-pin connector
- T20d 20-pin connector
- T26a 26-pin connector
- T26b 26-pin connector

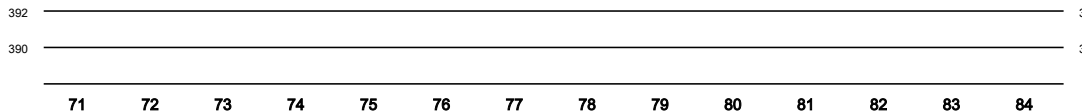
Protected by copyright. Copying for private or commercial purposes, in part or in whole, is not permitted unless authorised by AUDI AG. AUDI AG does not guarantee or accept any liability with respect to the correctness of information in this document.



- (390) Ground connection 25 (in main wiring harness)
- (392) Ground connection 27 (in main wiring harness)
- (B383) Powertrain CAN bus high connection 1 (in main wiring harness)
- (B384) Powertrain CAN bus high connection 2 (in main wiring harness)
- (B390) Powertrain CAN bus low connection 1 (in main wiring harness)
- (B391) Powertrain CAN bus low connection 2 (in main wiring harness)

- * Only for left-hand drive vehicles
- *2 Depending on equipment
- *3 Only for vehicles with dynamic cornering lamp
- *4 If available
- *5 Only for right-hand drive vehicles

- ws = white
- sw = black
- ro = red
- rt = red
- br = brown
- gn = green
- bl = blue
- gr = grey
- li = lilac
- vi = lilac
- ge = yellow
- or = orange
- rs = pink

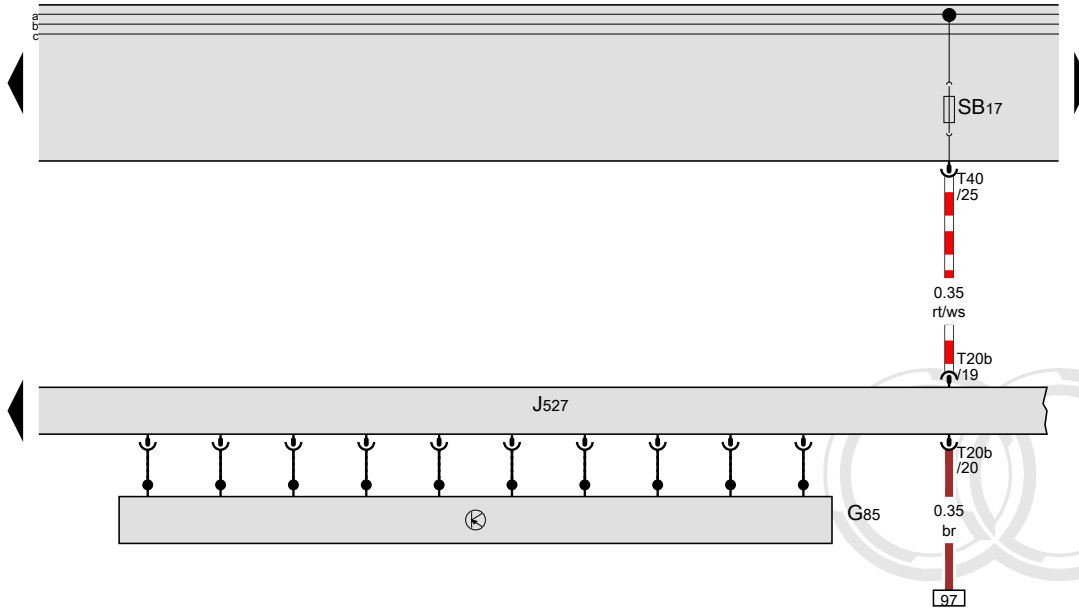


18PA-1880712101

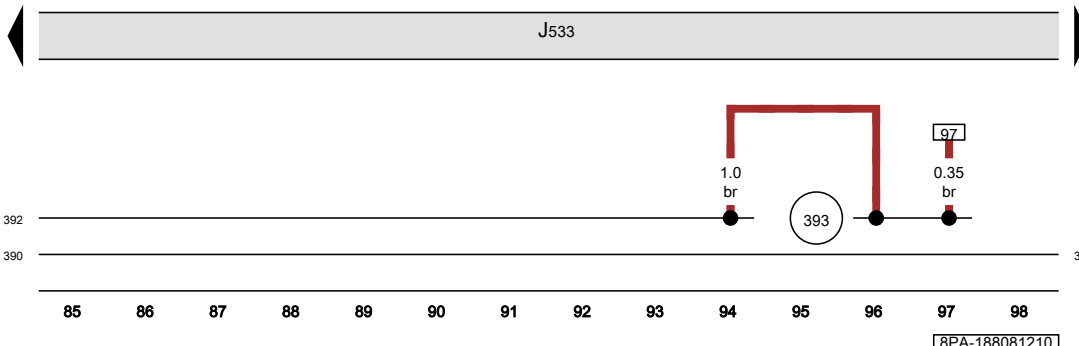
Steering angle sensor, Steering column electronics control module, Data bus on board diagnostic interface

- G85 Steering angle sensor
- J527 Steering column electronics control module
- J533 Data bus on board diagnostic interface
- SB17 Fuse 17 (on fuse panel B)
- T20b 20-pin connector
- T40 40-pin connector

- 390 Ground connection 25 (in main wiring harness)
- 392 Ground connection 27 (in main wiring harness)
- 393 Ground connection 28 (in main wiring harness)

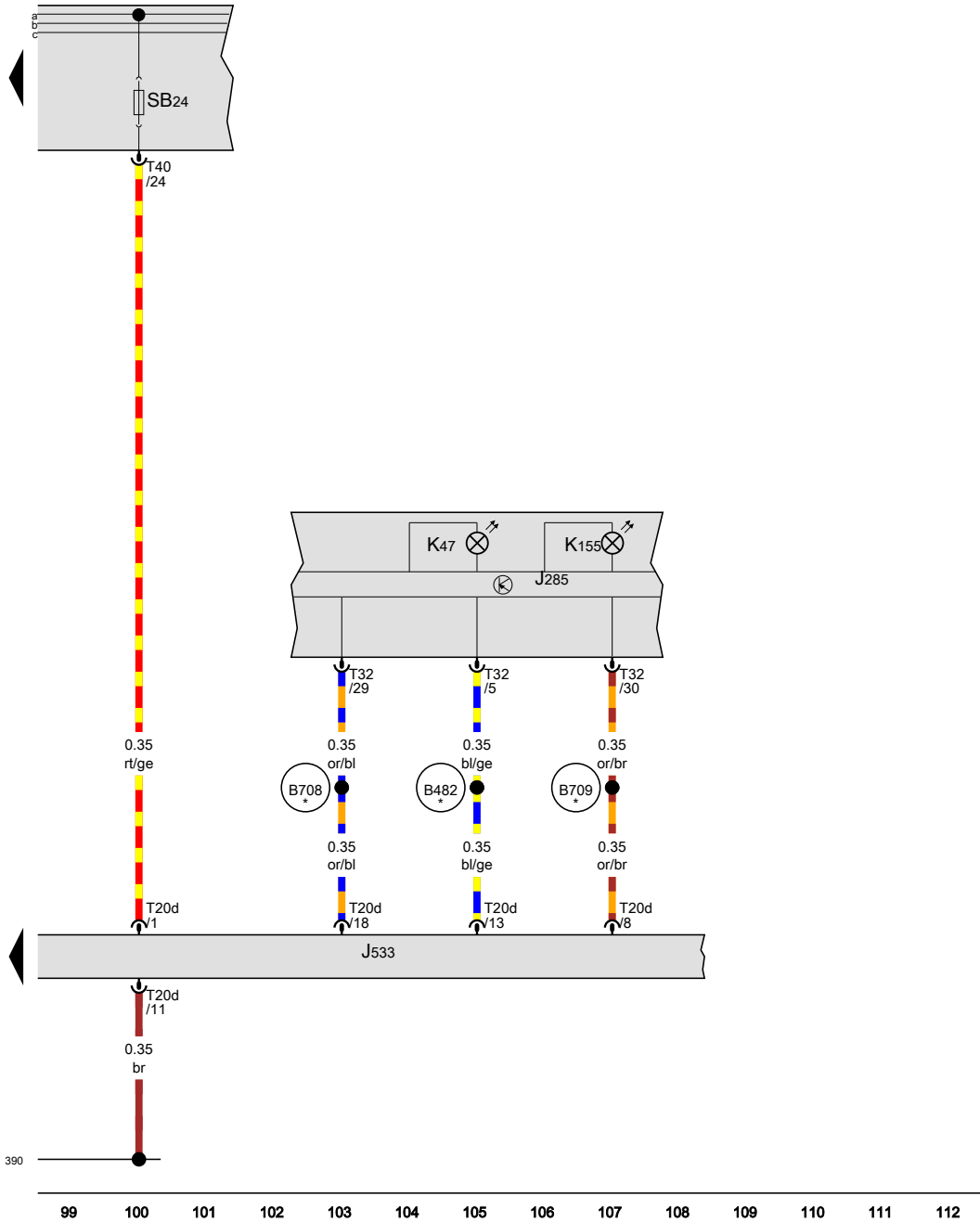


Protected by copyright. Copying for private or commercial purposes, in part or in whole, is not permitted unless authorised by AUDI AG. AUDI AG does not guarantee or accept any liability with respect to the correctness of information in this document. Copyright by AUDI AG.



- ws = white
- sw = black
- ro = red
- rt = red
- br = brown
- gn = green
- bl = blue
- gr = grey
- li = lilac
- vi = lilac
- ge = yellow
- or = orange
- rs = pink

18PA-188081210



Instrument cluster control module, Data bus on board diagnostic interface, ABS indicator lamp, ASR/ESP indicator lamp

- J285 Instrument cluster control module
- J533 Data bus on board diagnostic interface
- K47 ABS indicator lamp
- K155 ASR/ESP indicator lamp
- SB24 Fuse 24 (on fuse panel B)
- T20d 20-pin connector
- T32 32-pin connector
- T40 40-pin connector

Protected by copyright. Copying for private or commercial purposes, in part or in whole, is not permitted unless authorised by AUDI AG. AUDI AG does not guarantee or accept any liability with respect to the correctness of information in this document. Copyright by AUDI AG.

- 390 Ground connection 25 (in main wiring harness)
- B482 Connection 18 (in main wiring harness)
- B708 Instrument cluster CAN bus high connection 1 (in main wiring harness)
- B709 Instrument cluster CAN bus low connection 1 (in main wiring harness)
- * Omitted as a running change

- ws = white
- sw = black
- ro = red
- rt = red
- br = brown
- gn = green
- bl = blue
- gr = grey
- li = lilac
- vi = lilac
- ge = yellow
- or = orange
- rs = pink

1 Ground Connections

1.1 Overview of ground connections in front part of vehicle

1 - Ground Connection (in plenum chamber, right) -609-

- Component Location ⇒ [page 8](#)
- Not applicable from model year 2005

2 - Ground Connection (in plenum chamber, left) -607-

- Component Location ⇒ [page 7](#)

3 - Ground Connection (in engine compartment, left) -12-

- Component Location ⇒ Page ⇒ [page 6](#)

4 - Ground Connection (on left headlamp) -655-

- Component Location ⇒ [page 11](#)
- Not applicable from model year 2005

4 - Ground Connection 4 (on left front long member) -674-

- Component Location ⇒ [page 12](#)
- Applicable from model year 2005
- Not applicable from model year 2009

5 - Ground Connection 4 (on left front long member) -674-

- Component Location ⇒ [page 13](#)
- Not applicable from model year 2005

5 - Ground Connection (on left headlamp) -655-

- Component Location ⇒ [page 12](#)
- Applicable from model year 2005

6 - Ground Connection 2 (on left front long member) -672-

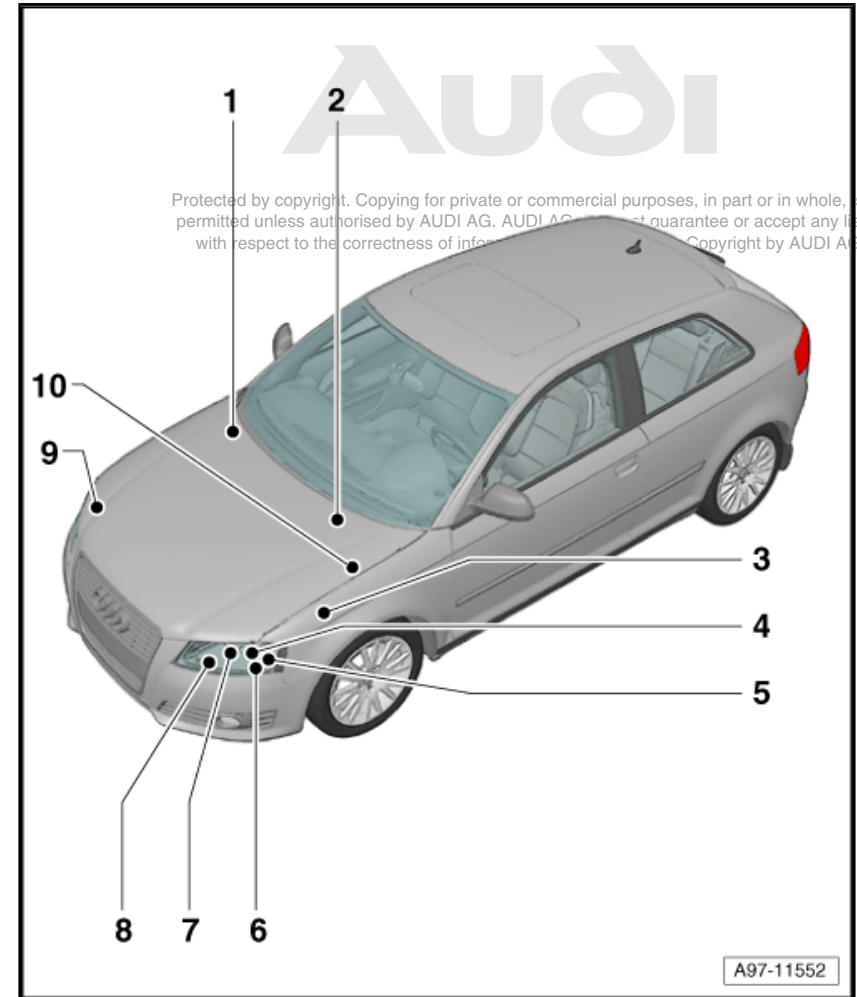
- Not applicable from model year 2009

7 - Ground Connection 1 (on left front long member) -671-

- Component Location ⇒ [page 11](#)

8 - Ground Connection 3 (on left front long member) -673-

- Component Location ⇒ [page 10](#)
- Not applicable from model year 2009

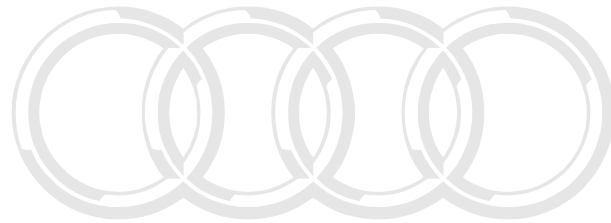


9 - Ground Connection (on right headlamp) -656-

- Component Location ⇒ [page 9](#)
- Not applicable from model year 2009

10 - Ground Connection, on left suspension strut -615-

- Component Location ⇒ [page 14](#)
- Only models with right-hand drive



Audi

Protected by copyright. Copying for private or commercial purposes, in part or in whole, is not permitted unless authorised by AUDI AG. AUDI AG does not guarantee or accept any liability with respect to the correctness of information in this document. Copyright by AUDI AG.



1.2 Overview of Ground Connections in interior of vehicle

1 - Ground Connection (on left rear side panel) -662-

- Component Location ⇒ [page 18](#)

2 - Ground Connection (on left lower A-pillar) -44-

- Component Location ⇒ [page 16](#)

3 - Ground Connection (on left A-pillar) -639-

- Component Location ⇒ [page 16](#)

4 - Ground Connection (beside steering column) -42-

5 - Ground Connection (Audio) (under center console, front) -610-

- Component Location ⇒ [page 17](#)

6 - Ground Connection (on right A-pillar) -638-

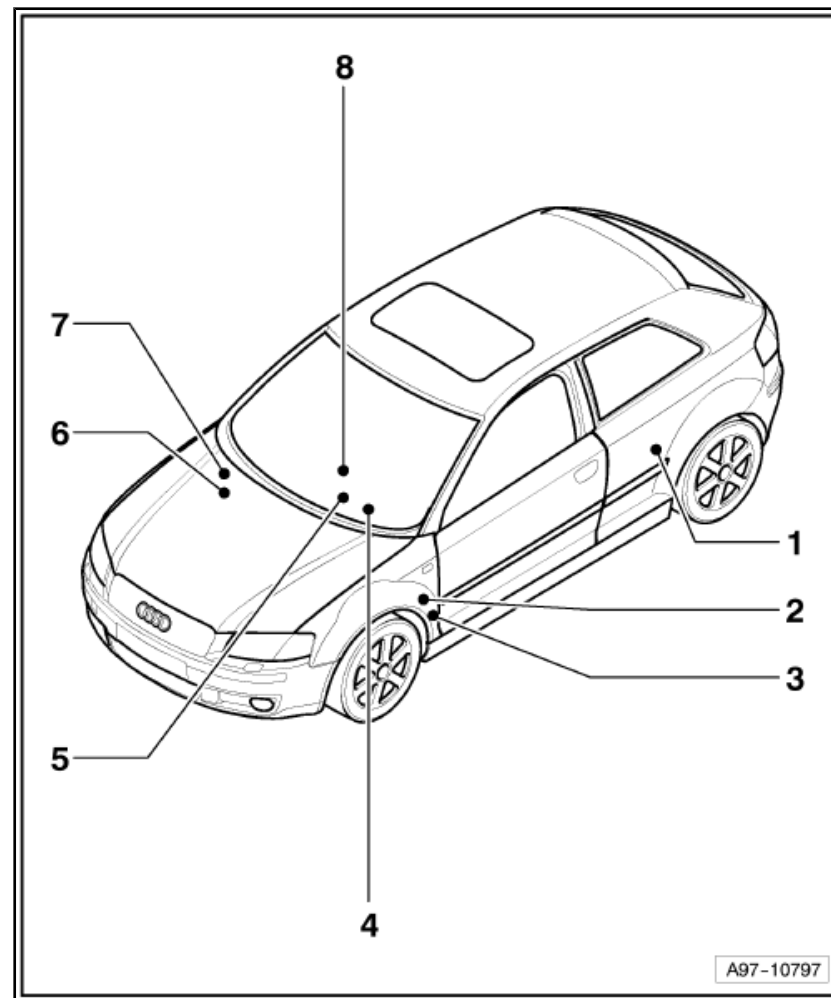
- Component Location ⇒ [page 15](#)

7 - Ground Connection (on right lower A-pillar) -43-

- Component Location ⇒ Page ⇒ [page 15](#)

8 - Airbag Control Module Ground Connection -637-

- Component Location ⇒ [page 17](#)
- Not applicable from model year 2005



A97-10797

Protected by copyright. Copying for private or commercial purposes, in part or in whole, is not permitted unless authorised by AUDI AG. AUDI AG does not guarantee or accept any liability with respect to the correctness of information in this document. Copyright by AUDI AG.



1.3 Overview of ground connections in rear part of vehicle (3-door models)

1 - Ground Connection (in luggage compartment, right) -51-

- Component Location ⇒ [page 19](#)
- Only 5-door models ⇒ Page ⇒ [Item 1 \(page 5\)](#) Items ⇒ [Item 1 \(page 5\)](#)

2 - Ground Connection (on right C-pillar) -62-

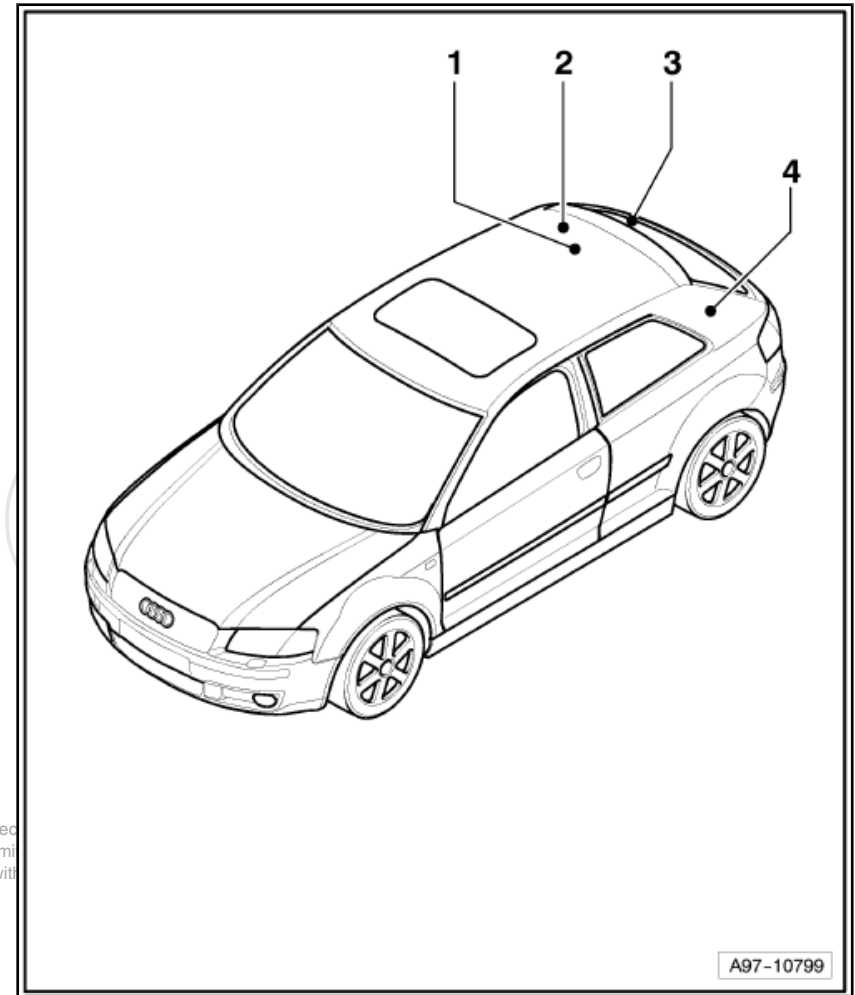
- Component Location ⇒ [page 22](#)
- Only 5-door models ⇒ Page ⇒ [Item 2 \(page 5\)](#) Items ⇒ [Item 2 \(page 5\)](#)

3 - Ground Connection (in rear lid, right) -53-

- Component Location ⇒ [page 20](#)
- Only 5-door models ⇒ Page ⇒ [Item 3 \(page 5\)](#) Items ⇒ [Item 3 \(page 5\)](#)

4 - Ground Connection (on left C-pillar) -61-

- Component Location ⇒ [page 21](#)
- Only 5-door models ⇒ Page ⇒ [Item 4 \(page 5\)](#) Items ⇒ [Item 4 \(page 5\)](#)



1.4 Overview of ground connections in rear part of vehicle (5-door models)

1 - Ground Connection (in luggage compartment, right) -51-

❑ Component Location ⇒ [page 19](#)

2 - Ground Connection (on right C-pillar) -62-

❑ Component Location ⇒ [page 22](#)

3 - Ground Connection (in rear lid, right) -53-

❑ Component Location ⇒ [page 20](#)

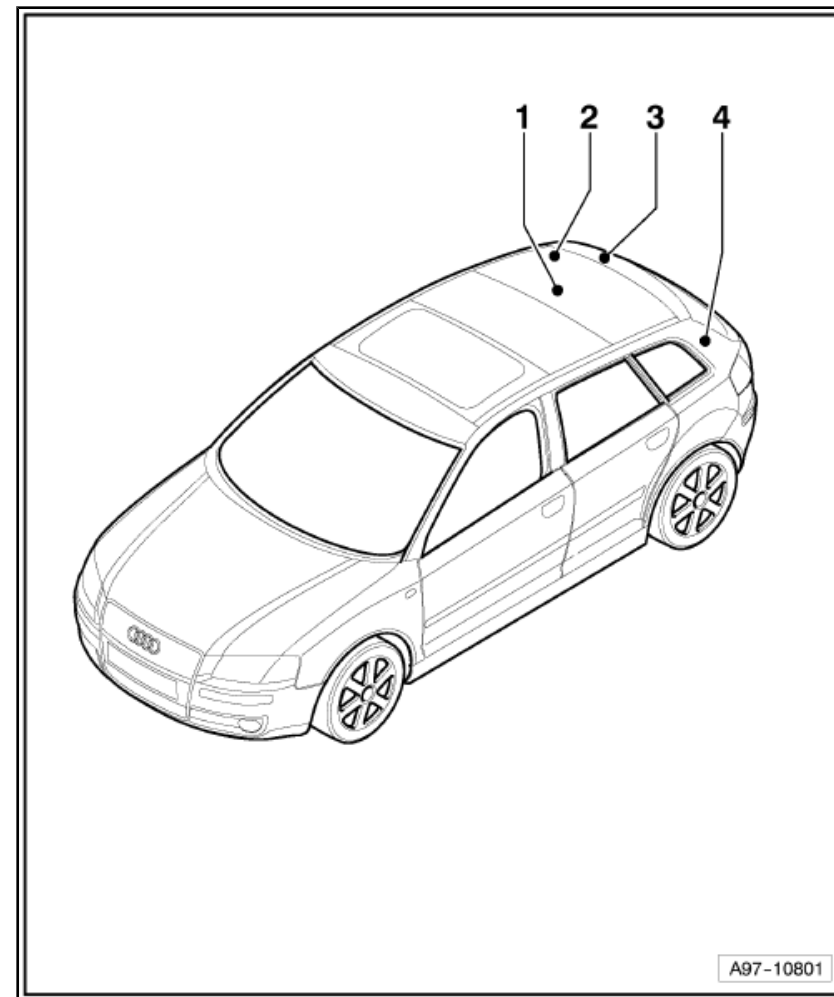
4 - Ground Connection (on left C-pillar) -61-

❑ Component Location ⇒ [page 21](#)


Audi

Protected by copyright. Copying for private or commercial purposes, in part or in whole, is not permitted unless authorised by AUDI AG. AUDI AG does not guarantee or accept any liability with respect to the correctness of information in this document. Copyright by AUDI AG.

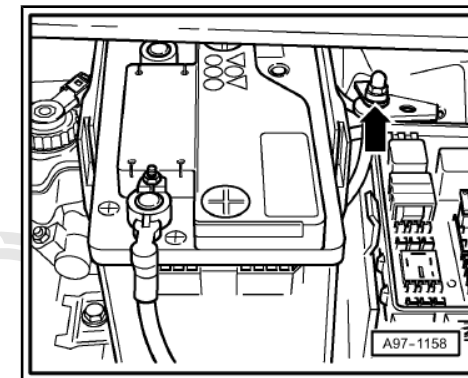
erWin 



1.5 Ground Connections in engine compartment

12 - Ground Connection (in left engine compartment, near battery) -Arrow-

Torque Setting: 15 Nm



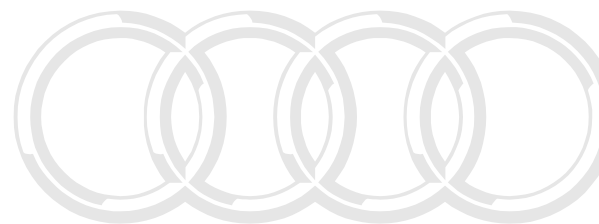
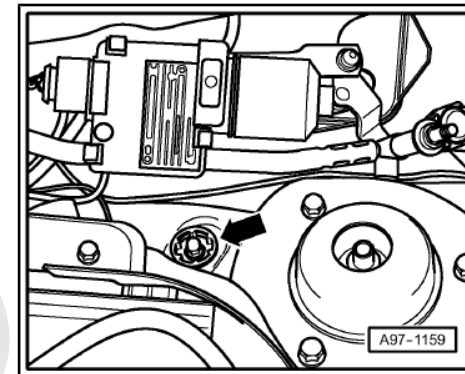
Audi

Protected by copyright. Copying for private or commercial purposes, in part or in whole, is not permitted unless authorised by AUDI AG. AUDI AG does not guarantee or accept any liability with respect to the correctness of information in this document. Copyright by AUDI AG.

erWin

607 - Ground Connection (in left plenum chamber, near windshield wiper motor) -Arrow-

Torque Setting: 10 Nm



Audi

Protected by copyright. Copying for private or commercial purposes, in part or in whole, is not permitted unless authorised by AUDI AG. AUDI AG does not guarantee or accept any liability with respect to the correctness of information in this document. Copyright by AUDI AG.



609 - Ground Connection (in right plenum chamber, near air quality sensor) -Arrow-

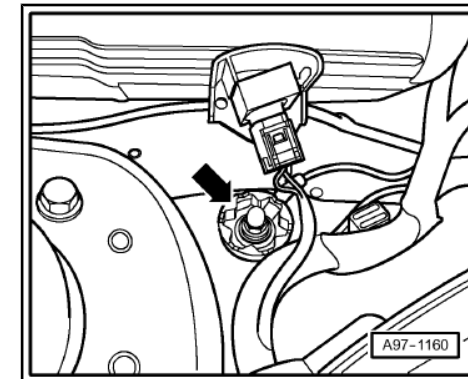
Torque Setting: 10 Nm

Not applicable from model year 2005

Audi

Protected by copyright. Copying for private or commercial purposes, in part or in whole, is not permitted unless authorised by AUDI AG. AUDI AG does not guarantee or accept any liability with respect to the correctness of information in this document. Copyright by AUDI AG.

erWin



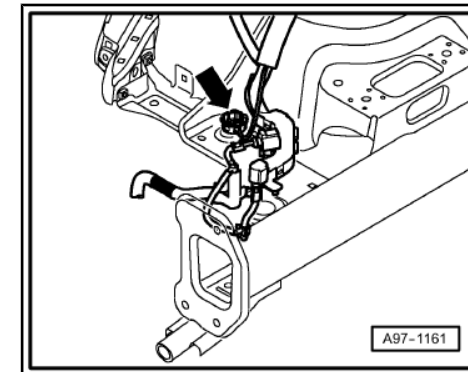
656 - Ground Connection (on right headlamp) -Arrow-

Torque Setting: 10 Nm

Not applicable from model year 2009



Audi



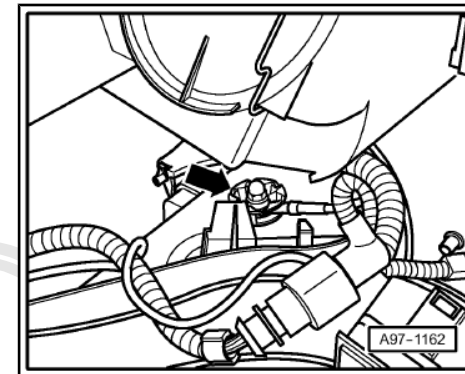
Protected by copyright. Copying for private or commercial purposes, in part or in whole, is not permitted unless authorised by AUDI AG. AUDI AG does not guarantee or accept any liability with respect to the correctness of information in this document. Copyright by AUDI AG.

erWin 

673 - Ground Connection 3 (on left front long member -Arrow-

Torque Setting: 10 Nm

Not applicable from model year 2009



Audi

Protected by copyright. Copying for private or commercial purposes, in part or in whole, is not permitted unless authorised by AUDI AG. AUDI AG does not guarantee or accept any liability with respect to the correctness of information in this document. Copyright by AUDI AG.



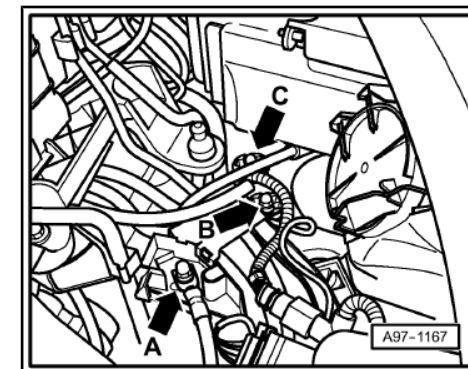
671 - Ground Connection 1 (on left front long member -Arrow A-

Torque Setting: 15 Nm

655 - Ground Connection (on left headlamp, long member)
-Arrow B-

Torque Setting: 10 Nm

Not applicable from model year 2005



Audi

Protected by copyright. Copying for private or commercial purposes, in part or in whole, is not permitted unless authorised by AUDI AG. AUDI AG does not guarantee or accept any liability with respect to the correctness of information in this document. Copyright by AUDI AG.



674 - Ground Connection -4- (on left front long member
-Arrow B-

Torque Setting: 10 Nm

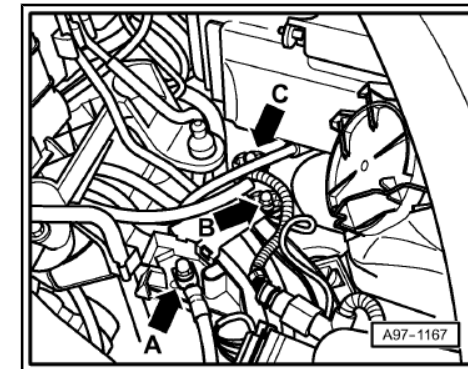
Applicable from model year 2005

Not applicable from model year 2009

655 - Ground Connection (on left headlamp, long member)
-Arrow C-

Torque Setting: 10 Nm

Applicable from model year 2005



Audi

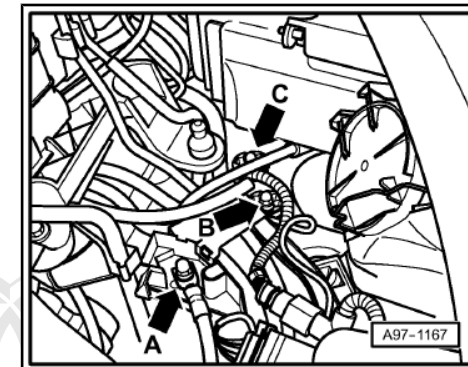
Protected by copyright. Copying for private or commercial purposes, in part or in whole, is not permitted unless authorised by AUDI AG. AUDI AG does not guarantee or accept any liability with respect to the correctness of information in this document. Copyright by AUDI AG.



674 - Ground Connection -4- (on left front long member
-Arrow C-

Torque Setting: 10 Nm

Not applicable from model year 2005

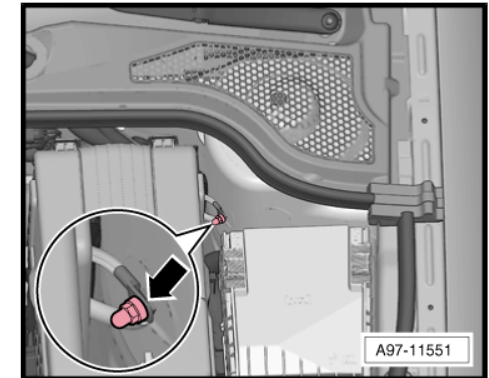


Audi

Protected by copyright. Copying for private or commercial purposes, in part or in whole, is not permitted unless authorised by AUDI AG. AUDI AG does not guarantee or accept any liability with respect to the correctness of information in this document. Copyright by AUDI AG.

erWin

615 - Ground Connection, on left suspension strut -Arrow-



Protected by copyright. Copying for private or commercial purposes, in part or in whole, is not permitted unless authorised by AUDI AG. AUDI AG does not guarantee or accept any liability with respect to the correctness of information in this document. Copyright by AUDI AG.



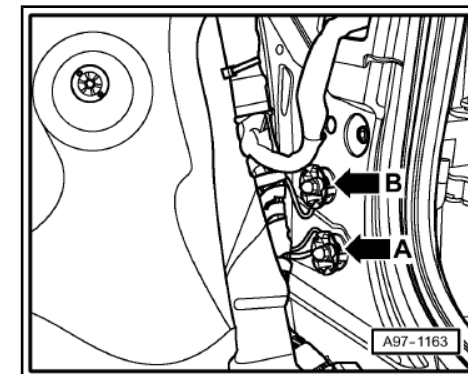
1.6 Ground Connections in interior

43 - Ground Connection (on right lower A-pillar) -Arrow A-

Torque Setting: 10 Nm

638 - Ground Connection (on right A-pillar) -Arrow B-

Torque Setting: 10 Nm



Audi

Protected by copyright. Copying for private or commercial purposes, in part or in whole, is not permitted unless authorised by AUDI AG. AUDI AG does not guarantee or accept any liability with respect to the correctness of information in this document. Copyright by AUDI AG.

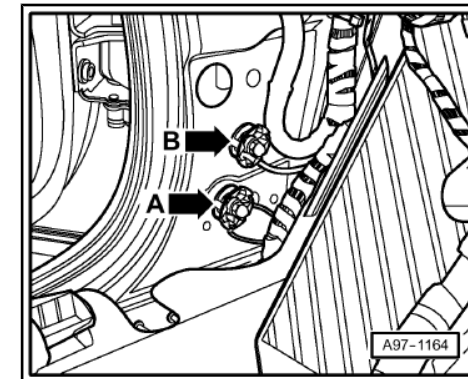


44 - Ground Connection (on left lower A-pillar) -Arrow A-

Torque Setting: 10 Nm

639 - Ground Connection (on left A-pillar) -Arrow B-

Torque Setting: 10 Nm



Audi

Protected by copyright. Copying for private or commercial purposes, in part or in whole, is not permitted unless authorised by AUDI AG. AUDI AG does not guarantee or accept any liability with respect to the correctness of information in this document. Copyright by AUDI AG.



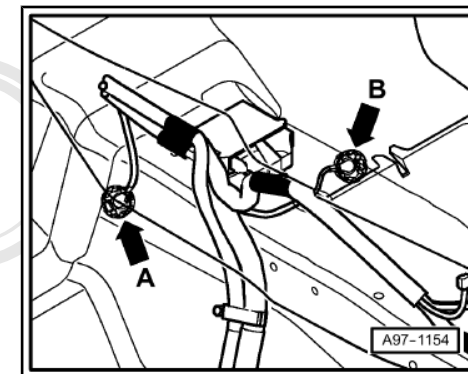
610 - Ground Connection (Audio) (under center console, front)
-Arrow A-

Torque Setting: 10 Nm

637 - Airbag Control Module Ground Connection -Arrow B-

Torque Setting: 10 Nm

Not applicable from model year 2005



Protected by copyright. Copying for private or commercial purposes, in part or in whole, is not permitted unless authorised by AUDI AG. AUDI AG does not guarantee or accept any liability with respect to the correctness of information in this document. Copyright by AUDI AG.



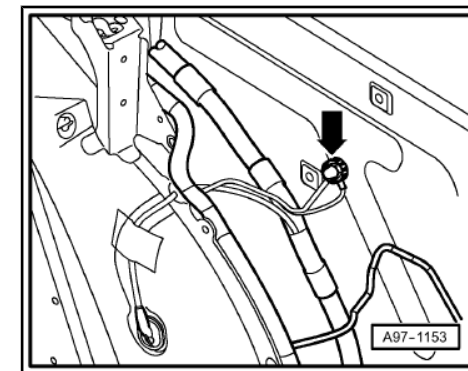
662 - Ground Connection (on left rear side panel) -Arrow-
Torque Setting: 10 Nm



Audi

Protected by copyright. Copying for private or commercial purposes, in part or in whole, is not permitted unless authorised by AUDI AG. AUDI AG does not guarantee or accept any liability with respect to the correctness of information in this document. Copyright by AUDI AG.

erWin

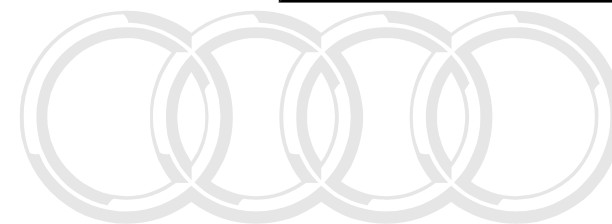
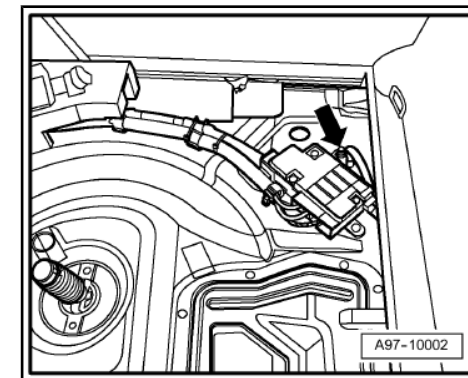


1.7 Ground Connections in luggage compartment

51 - Ground Connection (in luggage compartment, right)

-Arrow-

Torque Setting: 20 Nm

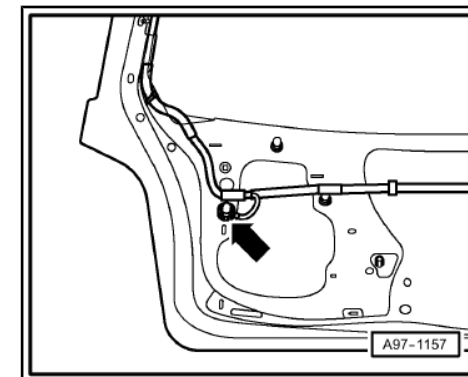


Audi

Protected by copyright. Copying for private or commercial purposes, in part or in whole, is not permitted unless authorised by AUDI AG. AUDI AG does not guarantee or accept any liability with respect to the correctness of information in this document. Copyright by AUDI AG.



53 - Ground Connection (in rear lid, right) -Arrow-
Torque Setting: 10 Nm

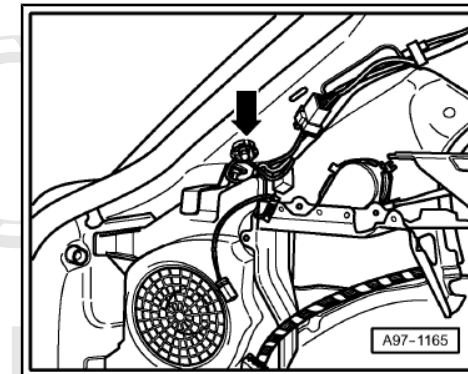


Audi

Protected by copyright. Copying for private or commercial purposes, in part or in whole, is not permitted unless authorised by AUDI AG. AUDI AG does not guarantee or accept any liability with respect to the correctness of information in this document. Copyright by AUDI AG.



61 - Ground Connection (on left C-pillar) -Arrow-
Torque Setting: 10 Nm



Protected by copyright. Copying for private or commercial purposes, in part or in whole, is not permitted unless authorised by AUDI AG. AUDI AG does not guarantee or accept any liability with respect to the correctness of information in this document. Copyright by AUDI AG.

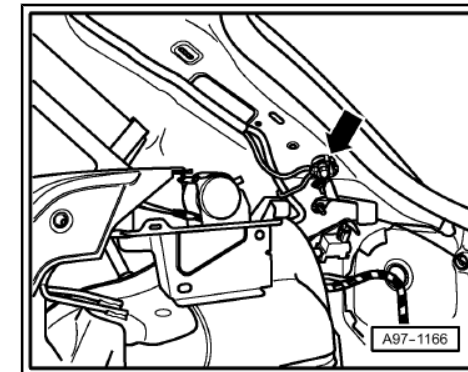
62 - Ground Connection (on right C-pillar) -Arrow-
Torque Setting: 10 Nm



Audi

Protected by copyright. Copying for private or commercial purposes, in part or in whole, is not permitted unless authorised by AUDI AG. AUDI AG does not guarantee or accept any liability with respect to the correctness of information in this document. Copyright by AUDI AG.

erWin 

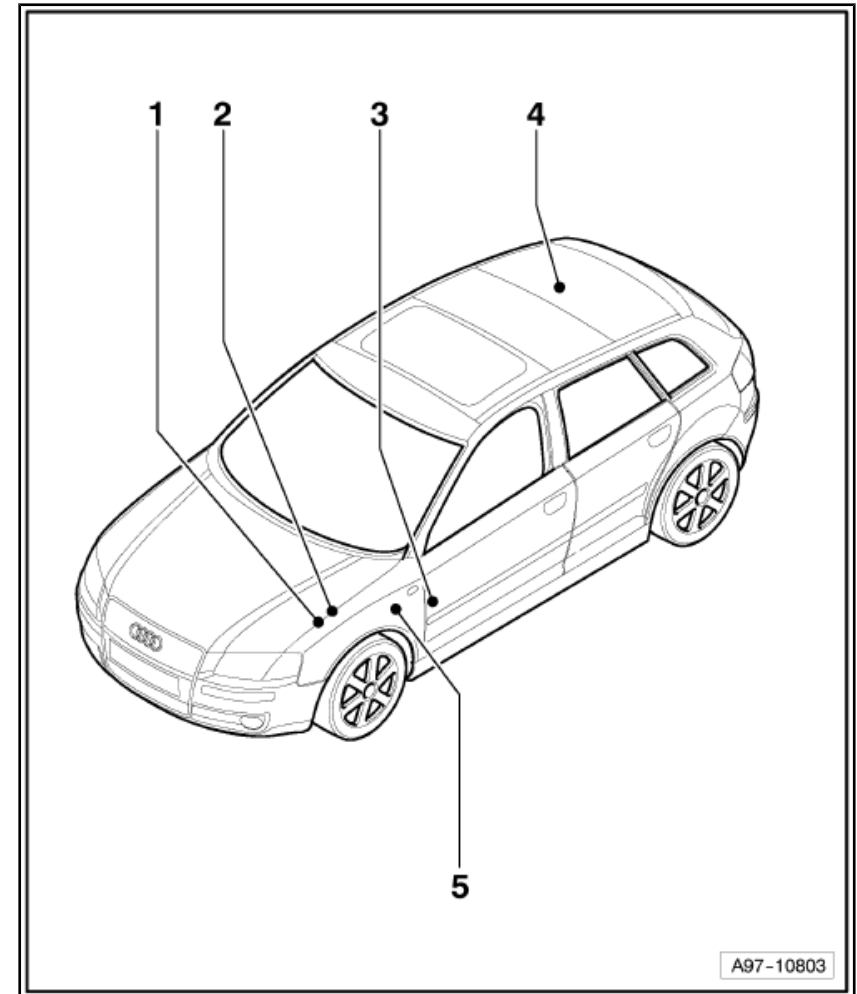


1 Fuses

1.1 Overview of Fuses

1 - Fuse Panel A -SA-

- ❑ Location Main Fuse Panel, Electronics Box Low, from model year 2006 ⇒ [page 3](#)
- ❑ Position of Fuses Main Fuse Panel, Electronics Box Low, from model year 2006 ⇒ [page 4](#)
- ❑ Position of Fuses Main Fuse Panel, Electronics Box Low, from model year 2007 ⇒ [page 4](#)
- ❑ Location Main Fuse Panel, Electronics Box Low, from November 2008 ⇒ [page 5](#)
- ❑ Position of Fuses Main Fuse Panel, Electronics Box Low, from November 2008 ⇒ [page 6](#)
- ❑ Location Main Fuse Panel, Electronics Box High ⇒ [page 7](#)
- ❑ Position of Fuses Main Fuse Panel, Electronics Box High, from model year 2004 ⇒ [page 8](#)
- ❑ Position of Fuses Main Fuse Panel, Electronics Box High, from model year 2005 ⇒ [page 9](#)
- ❑ Position of Fuses Main Fuse Panel, Electronics Box High, from model year 2006



[⇒ page 10](#)

2 - Fuse Panel B -SB-

- Location Electronics Box Low [⇒ page 11](#)
- Fuse Arrangements Electronics Box Low, from model year 2006 [⇒ page 12](#)
- Fuse Arrangements Electronics Box Low, from model year 2007 [⇒ page 15](#)
- Location Electronics Box High [⇒ page 21](#)
- Position of Fuses Electronics Box High, from model year 2004 [⇒ page 22](#)
- Position of Fuses Electronics Box High, from model year 2006 [⇒ page 27](#)
- Position of Fuses Electronics Box High, from model year 2007 [⇒ page 29](#)

3 - Fuse Panel C -SC-

- Location [⇒ page 35](#)
- Position of Fuses, from model year 2004 [⇒ page 36](#)
- Position of Fuses, from model year 2006 [⇒ page 39](#)
- Position of Fuses, from model year 2007 [⇒ page 43](#)

4 - Fuse panel D -SD-

- Location Main Fuse Panel [⇒ page 48](#)
- Position of Fuses Main Fuse Panel, from model year 2004 [⇒ page 49](#)
- Position of Fuses Main Fuse Panel, from model year 2006 [⇒ page 50](#)

5 -

Fuses under instrument panel, left

- Component: -S37- , -S280- , -S131-
- Position of Fuses, from model year 2004 [⇒ page 50](#)

Protected by copyright. Copying for private or commercial purposes, in part or in whole, is not permitted unless authorised by AUDI AG. AUDI AG does not guarantee or accept any liability with respect to the correctness of information in this document. Copyright by AUDI AG.

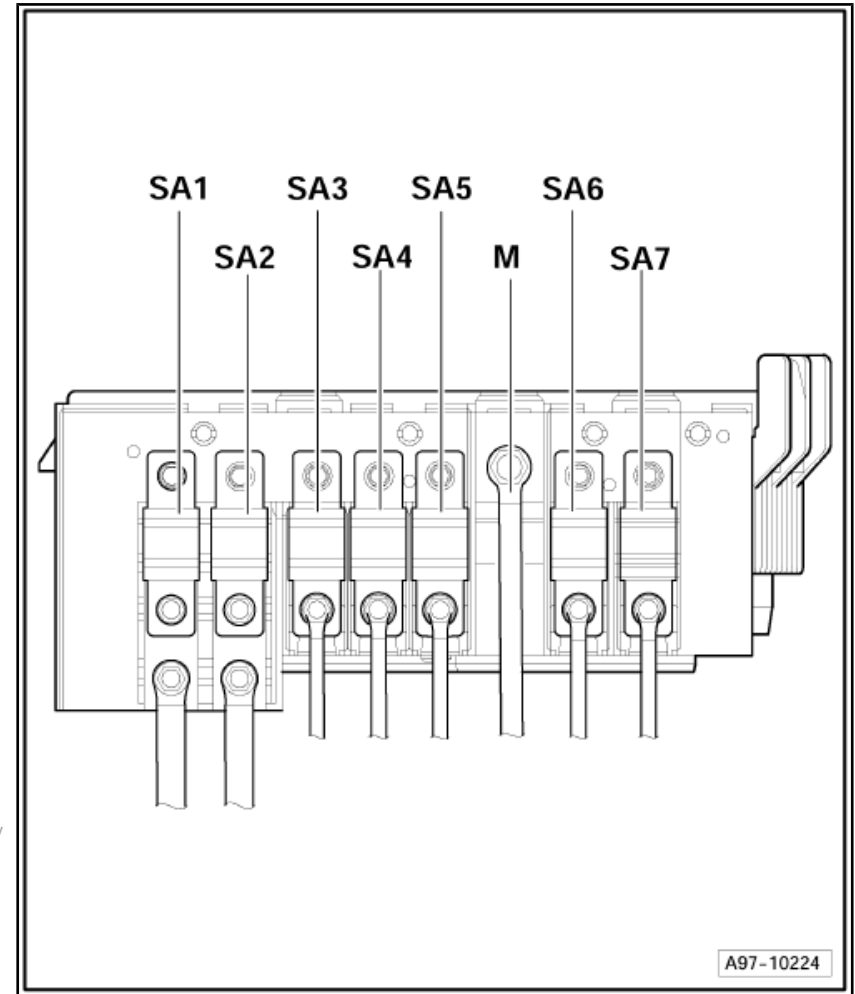
1.2 Main Fuse Panel: Location Fuse Panel A -SA- on electronics box Low, from model year 2006

1.2.1 Main Supply Connection:

M - Threaded Connection M (terminal 30)



Protected by copyright. Copying for private or commercial purposes, in part or in whole, is not permitted unless authorised by AUDI AG. AUDI AG does not guarantee or accept any liability with respect to the correctness of information in this document. Copyright by AUDI AG.



A97-10224

1.3 Fuse Arrangements Electronics Box Low, from model year 2006

Designation in Wiring Diagram	Nominal Value	Function/Component	Terminal
Fuse 1 (on fuse panel A) -SA1-	150 A	- Generator (GEN) -C- (70 A) - Generator (GEN) -C- (90 A) - Generator (GEN) -C- (110 A) - Generator (GEN) -C- (120 A)	30
	200 A	- Generator (GEN) -C- (140 A)	30
Fuse 2 (on fuse panel A) -SA2-	80 A	- Power Steering Control Module -J500-	30
Fuse 3 (on fuse panel A) -SA3-	50 A	- Coolant Fan Control (FC) Control Module -J293- - Coolant Fan Control (FC) Thermal Switch -F18- - Coolant Fan -V7-	30
Fuse 4 (on fuse panel A) -SA4-	80 A	- Fuses Supply: -SC12- through -SC17- , -SC19- , -SC22- through -SC27- , -SC28- , -SC38- - Not applicable from November 2005	30
Fuse 5 (on fuse panel A) -SA5-	80 A	- Fuses Supply: -SC12- through -SC17- , -SC19- , -SC22- through -SC27- , -SC28- , -SC38- - Applicable from November 2005	30
Fuse 5 (on fuse panel A) -SA5-	100 A	- Auxiliary Air Heater Control Module -J604- - Not applicable from November 2005	30
Fuse 6 (on fuse panel A) -SA6-	100 A	- Auxiliary Air Heater Control Module -J604- - Applicable from November 2005	30
Fuse 7 (on fuse panel A) -SA7-	50 A	- Doctor Option	30
	80 A	- Police Option	30

1.4 Fuse Arrangements Electronics Box Low, from model year 2007

Designation in Wiring Diagram	Nominal Value	Function/Component	Terminal
Fuse 1 (on fuse panel A) -SA1-	150 A	- Generator (GEN) -C- (70 A) - Generator (GEN) -C- (90 A) - Generator (GEN) -C- (110 A) - Generator (GEN) -C- (120 A)	30
	200 A	- Generator (GEN) -C- (140 A)	30
Fuse 2 (on fuse panel A) -SA2-	80 A	- Power Steering Control Module -J500-	30
Fuse 3 (on fuse panel A) -SA3-	50 A	- Coolant Fan Control (FC) Control Module -J293- - Coolant Fan Control (FC) Thermal Switch -F18- - Coolant Fan -V7-	30

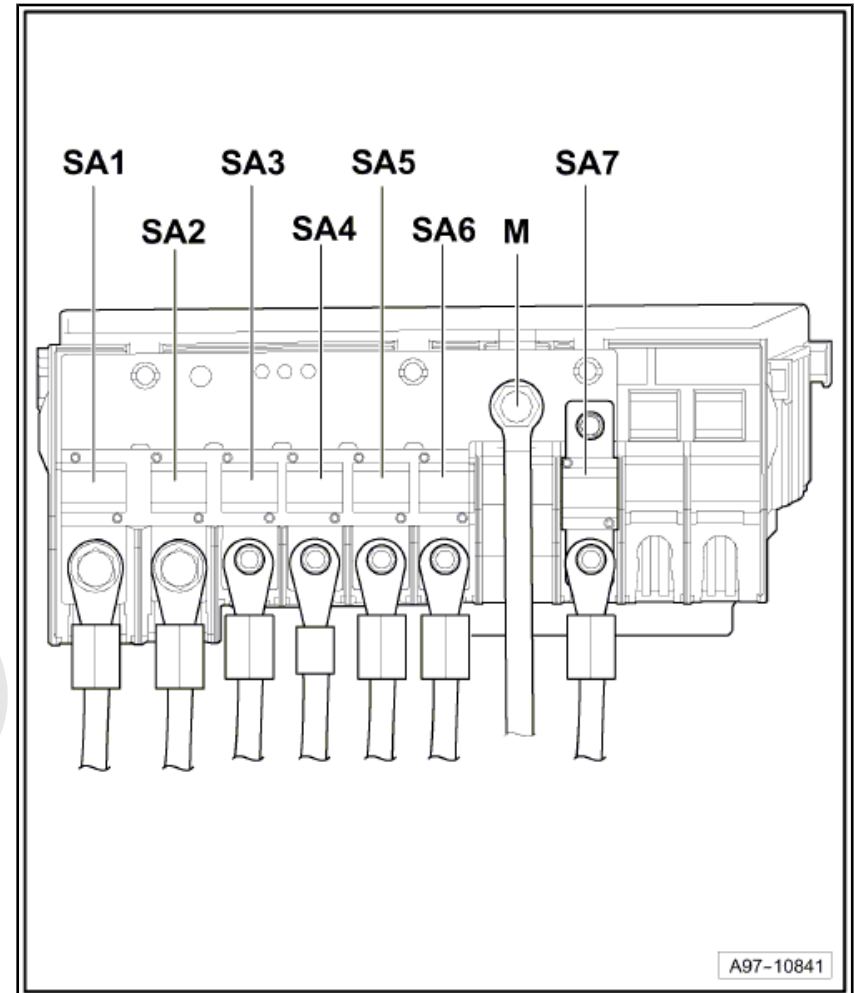
Fuse 4 (on fuse panel A) -SA4-	40 A	- Preheating Coolant, Low Heat Output Relay -J359- Applicable from November 2006	30
Fuse 5 (on fuse panel A) -SA5-	80 A	- (B272) Plus Connection (30) (in main wiring harness) Fuses Supply: -SC12- through -SC17- , -SC22- through -SC27- , -SC28- , -SC38- , -SC43-	30
Fuse 6 (on fuse panel A) -SA6-	100 A	- Auxiliary Air Heater Control Module -J604- Not applicable from November 2006	30
Fuse 6 (on fuse panel A) -SA6-	80 A	- Preheating Coolant, High Heat Output Relay -J360- Applicable from November 2006	30
Fuse 7 (on fuse panel A) -SA7-	50 A	- Doctor Option	30
	80 A	- Police Option	30
	30 A	- Electronic Damping Control Module -J250- Applicable from May 2008	30

Created by eWAVE. All rights reserved. This document, in whole, is not permitted to be reproduced, stored in a retrieval system, or transmitted in any form or by any means, electronic, mechanical, photocopying, recording, or by any information storage and retrieval system, without the prior written permission of Audi AG. Audi AG does not guarantee or accept any liability with respect to the correctness of information in this document. Copyright by AUDI AG.

1.5 Main Fuse Panel: Location Fuse Panel A -SA- on electronics box Low, from November 2008

1.5.1 Main Supply Connection:

M - Threaded Connection M (terminal 30)



Protected by copyright. Copying for private or commercial purposes, in part or in whole, is not permitted unless authorised by AUDI AG. AUDI AG does not guarantee or accept any liability with respect to the correctness of information in this document. Copyright by AUDI AG.

1.6 Fuse Arrangements Electronics Box Low, from November 2008

Designation in Wiring Diagram	Nominal Value	Function/Component	Terminal
Fuse 1 (on fuse panel A) -SA1-	150 A	- Generator (GEN) -C- (70 A) - Generator (GEN) -C- (90 A) - Generator (GEN) -C- (110 A) - Generator (GEN) -C- (120 A)	30
	200 A	- Generator (GEN) -C- (140 A)	30

Fuse 2 (on fuse panel A) -SA2-	80 A	-	Power Steering Control Module -J500-	30
Fuse 3 (on fuse panel A) -SA3-	50 A	-	Coolant Fan Control (FC) Control Module -J293- Coolant Fan Control (FC) Thermal Switch -F18- Coolant Fan -V7-	30
Fuse 4 (on fuse panel A) -SA4-	80 A	-	Preheating Coolant, High Heat Output Relay -J360-	30
Fuse 5 (on fuse panel A) -SA5-	80 A	-	(B272) Plus Connection (30) (in main wiring harness) Fuses Supply: -SC12- through -SC17- , -SC22- through -SC27- , -SC28- , -SC38- , -SC43-	30
Fuse 6 (on fuse panel A) -SA6-	40 A	-	Preheating Coolant, Low Heat Output Relay -J359-	30
Fuse 7 (on fuse panel A) -SA7-	50 A	-	Doctor Option Not applicable from May 2009	30
	50 A	-	Doctor or Police Option Applicable from May 2009	30
	80 A	-	Police Option Not applicable from May 2009	30
	30 A	-	Electronic Damping Control Module -J250-	30

1.7 Main Fuse Panel: Location Fuse Panel A -SA- on electronics box High

1.7.1 Main Supply Connection:



Audi

Protected by copyright. Copying for private or commercial purposes, in part or in whole, is not permitted unless authorised by AUDI AG. AUDI AG does not guarantee or accept any liability with respect to the correctness of information in this document. Copyright by AUDI AG.

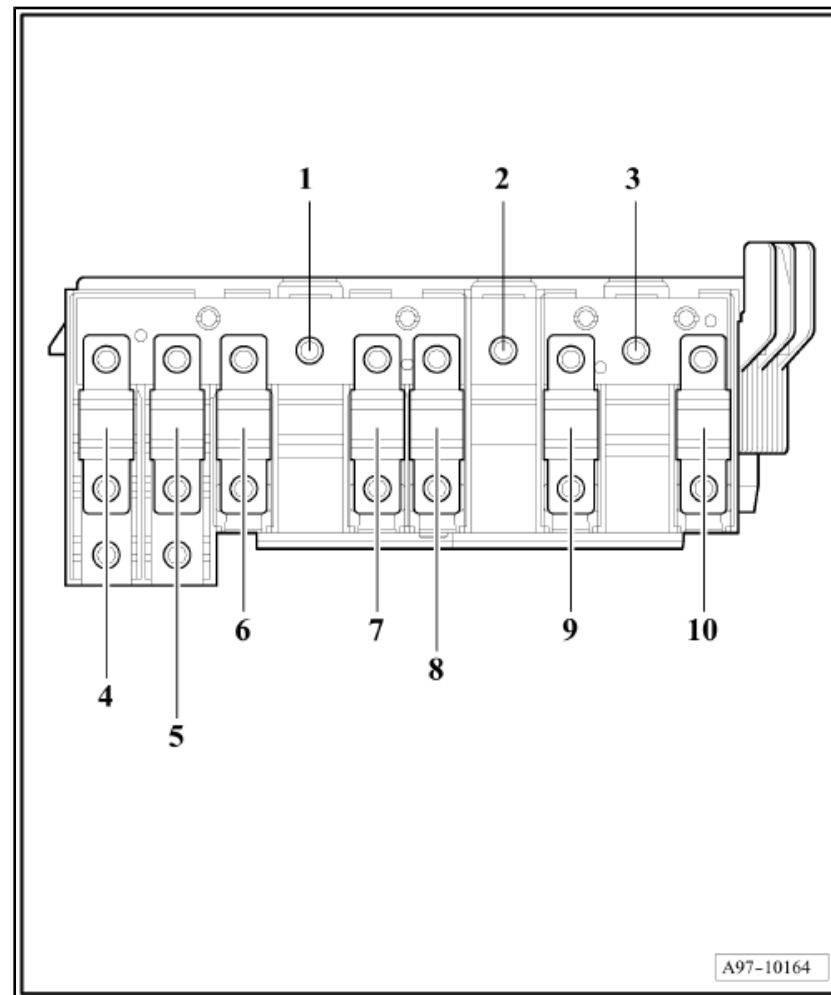


- 1 - Threaded Connection A (terminal 30)
- 2 - Threaded Connection M (terminal 30)
- 3 - Threaded Connection L (terminal 30)



Audi

Protected by copyright. Copying for private or commercial purposes, in part or in whole, is not permitted unless authorised by AUDI AG. AUDI AG does not guarantee or accept any liability with respect to the correctness of information in this document. Copyright by AUDI AG.



A97-10164

1.8 Fuse Arrangements Electronics Box High, from model year 2004

No.	Designation in Wiring Diagram	Nominal Value	Function/Component	Terminal
4	- Fuse 1 (on fuse panel A) -SA1-	150 A	- Generator (GEN) -C- (70 A) - Generator (GEN) -C- (90 A) - Generator (GEN) -C- (110 A) - Generator (GEN) -C- (120 A)	30
4	- Fuse 1 (on fuse panel A) -SA1-	200 A	- Generator (GEN) -C- (140 A)	30

5	- Fuse 2 (on fuse panel A) -SA2-	80 A	- Power Steering Control Module -J500-	30
6	- Fuse 3 (on fuse panel A) -SA3-	80 A	- Coolant Fan Control (FC) Control Module -J293-	30
7	- Fuse 4 (on fuse panel A) -SA4-	80 A	- Window Regulator Single Fuse -S37- Fuses Supply: -SC22- through -SC27- Only models with battery in luggage compartment	30
8	- Fuse 5 (on fuse panel A) -SA5-	100 A	- Auxiliary Air Heater Control Module -J604-	30
9	- Fuse 6 (on fuse panel A) -SA6-	50 A	- Fuses Supply: -SC12- through -SC17- , -SC44- , -SC45- Only models with battery in luggage compartment	30
		80 A	- Window Regulator Single Fuse -S37- Fuses Supply: -SC12- through -SC17- , -SC22- through -SC27- Only models with battery in engine compartment	30

1.9 Fuse Arrangements Electronics Box High, from model year 2005

No.	Designation in Wiring Diagram	Nominal Value	Function/Component	Terminal
4	- Fuse 1 (on fuse panel A) -SA1-	150 A	- Generator (GEN) -C- (70 A) Generator (GEN) -C- (90 A) Generator (GEN) -C- (110 A) Generator (GEN) -C- (120 A)	30
4	- Fuse 1 (on fuse panel A) -SA1-	200 A	- Generator (GEN) -C- (140 A)	30
5	- Fuse 2 (on fuse panel A) -SA2-	80 A	- Power Steering Control Module -J500-	30
6	- Fuse 3 (on fuse panel A) -SA3-	80 A	- Coolant Fan Control (FC) Control Module -J293-	30
7	- Fuse 4 (on fuse panel A) -SA4- <small>Protected by copyright. Copying for private or commercial purposes, in part or in whole, is not permitted unless authorised by AUDI AG. AUDI AG does not guarantee or accept any liability with respect to the correctness of information in this document. Copyright by AUDI AG.</small>	80 A	- Window Regulator Single Fuse -S37- Window Regulator Single Fuse 2 -S280- Fuses Supply: -SC22- through -SC27- Only models with battery in luggage compartment	30
8	- Fuse 5 (on fuse panel A) -SA5-	100 A	- Auxiliary Air Heater Control Module -J604-	30
9	- Fuse 6 (on fuse panel A) -SA6-	50 A	- Fuses Supply: -SC12- through -SC17- , -SC19- , -SC44- , -SC45- Only models with battery in luggage compartment	30
		80 A	- Window Regulator Single Fuse -S37- Window Regulator Single Fuse 2 -S280- Fuses Supply: -SC12- through -SC17- , -SC19- , -SC22- through -SC27- Only models with battery in engine compartment	30

1.10 Fuse Arrangements Electronics Box High, engine codes AXX, BWA, BPY, BHZ, BZC, CDLA, CDLC, from model year 2006

No.	Designation in Wiring Diagram	Nominal Value	Function/Component	Terminal
4	- Fuse 1 (on fuse panel A) -SA1-	150 A	- Generator (GEN) -C- (70 A) Generator (GEN) -C- (90 A) Generator (GEN) -C- (110 A) Generator (GEN) -C- (120 A)	30
		200 A	- Generator (GEN) -C- (140 A)	
5	- Fuse 2 (on fuse panel A) -SA2-	80 A	- Power Steering Control Module -J500-	30
6	- Fuse 3 (on fuse panel A) -SA3-	50 A	- Coolant Fan Control (FC) Control Module -J293-	30
7	- Fuse 4 (on fuse panel A) -SA4-	80 A	- Fuses Supply: -SC12- through -SC17- , -SC19- , -SC22- through -SC27- , -SC28- , -SC38- Not applicable from November 2005	30
7	- Fuse 4 (on fuse panel A) -SA4-	80 A	- Fuses Supply: -SC12- through -SC17- , -SC22- through -SC27- , -SC28- , -SC38- , -SC43- Applicable from May 2009	30
8	- Fuse 5 (on fuse panel A) -SA5-	80 A	- Fuses Supply: -SC12- through -SC17- , -SC19- , -SC22- through -SC27- , -SC28- , -SC38- Applicable from November 2005 Not applicable from May 2006	30
8	- Fuse 5 (on fuse panel A) -SA5-	80 A	- Fuses Supply: -SC12- through -SC17- , -SC22- through -SC27- , -SC28- , -SC38- , -SC43- Applicable from May 2006 Not applicable from May 2009	30
9	- Fuse 6 (on fuse panel A) -SA6-	-	- Not used	-
10	- Fuse 7 (on fuse panel A) -SA7-	50 A	- Doctor Option Not applicable from May 2009	30
		50 A	- Doctor or Police Option Applicable from May 2009	
		80 A	- Police Option Not applicable from May 2009	
		30 A	- Electronic Damping Control Module -J250- Applicable from May 2008	

Protected by copyright. Copying for private or commercial purposes, in part or in whole, is not permitted unless authorised by AUDI AG. AUDI AG does not guarantee or accept any liability with respect to the correctness of information in this document. Copyright by AUDI AG.

1.11 Fuse Arrangements Electronics Box High, engine codes BMJ, BUB, CBRA, from model year 2006, CEPA, CEPB from model year 2011

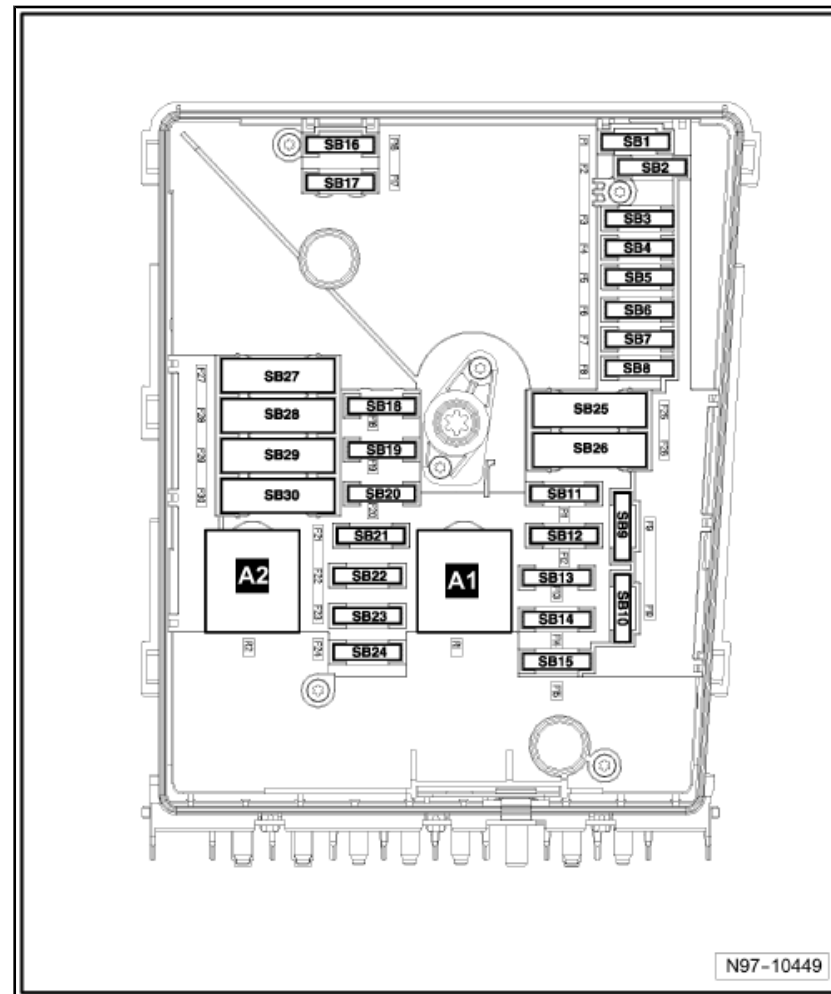
No.	Designation in Wiring Diagram	Nominal Value	Function/Component	Terminal
4	- Fuse 1 (on fuse panel A) -SA1-	150 A	- Generator (GEN) -C- (70 A) - Generator (GEN) -C- (90 A) - Generator (GEN) -C- (110 A) - Generator (GEN) -C- (120 A)	30
		200 A	- Generator (GEN) -C- (140A)	
5	- Fuse 2 (on fuse panel A) -SA2-	80 A	- Power Steering Control Module -J500-	30
6	- Fuse 3 (on fuse panel A) -SA3-	50 A	- Coolant Fan Control (FC) Control Module -J293-	30
7	- Fuse 4 (on fuse panel A) -SA4-	80 A	- Fuses Supply: -SC22- through -SC27- , -SC28- , -SC38- Applicable from May 2009	30
8	- Fuse 5 (on fuse panel A) -SA5-	80 A	- Fuses Supply: -SC22- through -SC27- , -SC28- , -SC38- Not applicable from May 2009	30
9	- Fuse 6 (on fuse panel A) -SA6-	50 A	- Fuses Supply: -SC12- through -SC17- , -SC19- , -SC44- , -SC45- Not applicable from November 2005	30
9	- Fuse 6 (on fuse panel A) -SA6-	50 A	- Fuses Supply: -SC44- , -SC45- Applicable from November 2005	30
10	- Fuse 7 (on fuse panel A) -SA7-	50 A	- Doctor Option Not applicable from May 2009	30
		50 A	- Doctor or Police Option Applicable from May 2009	
		80 A	- Police Option Not applicable from May 2009	
		30 A	- Electronic Damping Control Module -J250- Applicable from May 2008	

1.12 Location Fuse Panel B -SB- on electronics box Low, in left engine compartment
1.12.1 Fuse Colours

- 50 A - red
- 40 A - orange
- 30 A - light-green
- 25 A - natural (white)
- 20 A - yellow
- 15 A - light-blue
- 10 A - red
- 7,5 A - brown
- 5 A - light-brown
- 3 A - purple



Protected by copyright. Copying for private or commercial purposes, in part or in whole, is not permitted unless authorised by AUDI AG. AUDI AG does not guarantee or accept any liability with respect to the correctness of information in this document. Copyright by AUDI AG.



1.13 Fuse Arrangements Electronics Box Low, from model year 2006

No.	Designation in Wiring Diagram	Nominal Value	Function/Component	Terminal
F1	- Fuse 1 (on fuse panel B) -SB1-	20 A	- Comfort System Central Control Module -J393-	30
F2	- Fuse 2 (on fuse panel B) -SB2-	5 A	- Steering Column Electronic Systems Control Module -J527-	30
F3	- Fuse 3 (on fuse panel B) -SB3-	5 A	- Vehicle Electrical System Control Module -J519-	30

F4	- Fuse 4 (on fuse panel B) -SB4-	30 A	- ABS Control Module -J104- ABS Hydraulic Unit -N55-	30
F5	- Fuse 5 (on fuse panel B) -SB5-	15 A	- Direct Shift Gearbox (DSG) Mechatronic -J743-	30
F6	- Fuse 6 (on fuse panel B) -SB6-	5 A	- Instrument Cluster Control Module -J285-	30
F7	- Not used	-	-	
F8	- Fuse 8 (on fuse panel B) -SB8-	15 A	- Radio -R- Navigation System Operating Electronics Control Module -J402-	30
F9	- Fuse 9 (on fuse panel B) -SB9-	5 A	- Navigation System Control Module with CD Drive -J401- Navigation System Tuner, TV -J415- Satellite Radio -R146- Telephone Transceiver -R36- Amplifier for Telephone -R86-	30
F10	- Fuse 10 (on fuse panel B) -SB10-	5 A	- Motronic Engine Control Module (ECM) -J220- Motronic Engine Control Module (ECM) Power Supply Relay -J271- Power Supply Relay (terminal 30) -J317-	30
F11	- Fuse 11 (on fuse panel B) -SB11-	20 A	- Auxiliary Heater Control Module -J364-	30
F12	- Fuse 12 (on fuse panel B) -SB12-	5 A	- Data Bus On Board Diagnostic Interface -J533-	30
F13	- Fuse 13 (on fuse panel B) -SB13-	30 A	- Engine Control Module (ECM) -J623- Diesel Direct Fuel Injection (DFI) Engine Control Module (ECM) -J248-	87
		25 A	- Motronic Engine Control Module (ECM) -J220- Engine Control Module (ECM) -J623-	
F14	- Fuse 14 (on fuse panel B) -SB14-	20 A	- Ignition Coil 1 with Power Output Stage -N- Ignition Coil 2 -N128- Ignition Coil 1 with Power Output Stage -N70- Ignition Coil 2 with Power Output Stage -N127- Ignition Coil 3 with Power Output Stage -N291- Ignition Coil 4 with Power Output Stage -N292-	87
F15	- Fuse 15 (on fuse panel B) -SB15-	15 A	- Oxygen Sensor (O2S) Heater 1 (behind Three Way Catalytic Converter (TWC) -Z29- Oxygen Sensor (O2S) Heater 2 (behind Three Way Catalytic Converter (TWC) -Z30- Oxygen Sensor (O2S) Heater 3 (behind Three Way Catalytic Converter (TWC) -Z64-	87
F15	- Fuse 15 (on fuse panel B) -SB15-	10 A	- Oxygen Sensor (O2S) Heater 1 (behind Three Way Catalytic Converter (TWC) -Z29-	87
F15	- Fuse 15 (on fuse panel B) -SB15-	5 A	- Automatic Glow Time Control Module -J179- Fuel Pump (FP) Relay -J17-	87
F16	- Fuse 16 (on fuse panel B) -SB16-	30 A	- ABS Control Module -J104- ABS Hydraulic Pump -V64-	30
F17	- Fuse 17 (on fuse panel B) -SB17-	15 A	- High Tone Horn -H2- Low Tone Horn -H7-	30

F18	- Fuse 18 (on fuse panel B) -SB18-	30 A	- Amplifier -R12- Bass Speakers Amplifier, in luggage compartment, left -R44-	30
F19	- Fuse 19 (on fuse panel B) -SB19-	30 A	- Wiper Motor Control Module -J400-	30
F21	- Fuse 21 (on fuse panel B) -SB21-	15 A	- Oxygen Sensor (O2S) Heater -Z19- Oxygen Sensor (O2S) Heater 2 -Z28- Oxygen Sensor (O2S) Heater 1 (behind Three Way Catalytic Converter (TWC) -Z29-	87
		10 A	- Oxygen Sensor (O2S) Heater -Z19-	
F22	- Fuse 22 (on fuse panel B) -SB22-	5 A	- Brake Pedal Switch -F63- Clutch Position Sensor -G476-	87
F23	- Fuse 23 (on fuse panel B) -SB23- <small>Protected by copyright. Copying for private or commercial purposes, in part or in whole, is not permitted unless authorised by AUDI AG. AUDI AG does not guarantee or accept any liability with respect to the correctness of information in this document. Copyright by AUDI AG.</small>	15 A	- Fuel Pressure Regulator Valve -N276-	87
		10 A	- EGR Vacuum Regulator Solenoid Valve -N18- Wastegate Bypass Regulator Valve -N75- EGR Valve 2 -N213- Exhaust Gas Recirculation (EGR) Cooler Switch-Over Valve -N345-	
		5 A	- Secondary Air Injection (AIR) Pump Relay -J299-	
F24	- Fuse 24 (on fuse panel B) -SB24-	10 A	- Map Controlled Engine Cooling Thermostat -F265- Evaporative Emission (EVAP) Canister Purge Regulator Valve 1 -N80- Intake Manifold Tuning (IMT) Valve -N156- Camshaft Adjustment Valve 1 -N205- Intake Flap Motor -V157-	87
F25	- Fuse 25 (on fuse panel B) -SB25-	40 A	- Vehicle Electrical System Control Module -J519- (Right Parking Lamp, Right High Beam Lamp, Right Low Beam Lamp, Right Parking Lamp, Right Front Fog Lamp)	30
F26	- Fuse 26 (on fuse panel B) -SB26-	40 A	- Vehicle Electrical System Control Module -J519- (Left Parking Lamp, Left High Beam Lamp, Left Low Beam Lamp, Left Parking Lamp, Left Front Fog Lamp)	30
F27	- Fuse 27 (on fuse panel B) -SB27-	50 A	- Automatic Glow Time Control Module -J179- Glow Plug 1 -Q10- Glow Plug 2 -Q11- Glow Plug 3 -Q12- Glow Plug 4 -Q13-	87
		40 A	- Secondary Air Injection (AIR) Pump Motor -V101-	
F28	- Fuse 28 (on fuse panel B) -SB28-	40 A	- Power Supply Relay 2 (terminal 15) -J681- Fuses Supply: -SC1- through -SC6- , -SC7- through -SC11- , -SC29- through -SC31- , -SC39- , -SC47- , -SC49-	30
F29	- Fuse 29 (on fuse panel B) -SB29-	50 A	- Fuses Supply: -SC18- , -SC20- , -SC32- through -SC37- , -SC44- , -SC45- , -SC48- , -S131-	30

F30	- Fuse 30 (on fuse panel B) -SB30-	50 A ¹	- Load Reduction Relay -J59- Fuses Supply: -SC40- , -SC41- , -SC42- , -SC46-	30
-----	------------------------------------	-------------------	------------------------------------------------------------------------------------	----


Note

¹ Fuse was increased from 40 A to 50 A, applicable from November 2005

1.14 Fuse Arrangements Electronics Box Low, from model year 2007

No.	Designation in Wiring Diagram	Nominal Value	Function/Component	Terminal
F1	- Fuse 1 (on fuse panel B) -SB1-	40 A	- Voltage Stabilizer -J532- Fuses Supply: -SC7- through -SC11- Only models with stop/start system Applicable from model year 2010	30
F1	- Fuse 1 (on fuse panel B) -SB1-	40 A	- Fuses Supply: -SC7- through -SC10- Only models without stop/start system Applicable from model year 2010	30
F2	- Fuse 2 (on fuse panel B) -SB2-	5 A	- Steering Column Electronic Systems Control Module -J527- Not applicable from model year 2009	30
F2	- Fuse 2 (on fuse panel B) -SB2-	30 A	- Direct Shift Gearbox (DSG) Mechatronic -J743- (7-Speed Direct Shift Gearbox 0AM) Applicable from model year 2009	30
F2	- Fuse 2 (on fuse panel B) -SB2-	20 A	- Fuel Pressure Regulator Valve -N276- (CBFA) Applicable from model year 2009 Not applicable from May 2011	30
F2	- Fuse 2 (on fuse panel B) -SB2-	15 A	- Fuel Pressure Regulator Valve -N276- (CBFA) Applicable from May 2011	30
F3	- Fuse 3 (on fuse panel B) -SB3-	5 A	- Vehicle Electrical System Control Module -J519-	30
F3	- Fuse 3 (on fuse panel B) -SB3-	5 A	- Battery Monitoring Control Module -J367- Applicable from model year 2010	30
F4	- Fuse 4 (on fuse panel B) -SB4-	30 A	- ABS Control Module -J104- (MK60 ESP-Valves) ABS Control Module -J104- (MK70 ABS-valves) Not applicable from model year 2009	30
F4	- Fuse 4 (on fuse panel B) -SB4-	20 A	- ABS Control Module -J104- (MK60 ESP-Valves) Applicable from model year 2009	30
F5	- Fuse 5 (on fuse panel B) -SB5-	15 A	- Direct Shift Gearbox (DSG) Mechatronic -J743-	30

F6	- Fuse 6 (on fuse panel B) -SB6-	5 A	- Instrument Cluster Control Module -J285- Not applicable from model year 2010	30
F6	- Fuse 6 (on fuse panel B) -SB6-	5 A	- Steering Column Electronic Systems Control Module -J527- Applicable from model year 2009	30
F7	- Fuse 7 (on fuse panel B) -SB7-	20 A	- Fuel Pressure Regulator Valve -N276- (CBFA) Not applicable from model year 2009	30
F8	- Fuse 8 (on fuse panel B) -SB8-	15 A	- Navigation System Operating Electronics Control Module -J402- Radio/Navigation Display Control Module -J503- Radio -R- Not applicable from model year 2010	30
F8	- Fuse 8 (on fuse panel B) -SB8-	25 A	- Radio/Navigation Display Control Module -J503- ¹ Only with radio/navigation system Japan Not applicable from model year 2010	30
F9	- Fuse 9 (on fuse panel B) -SB9-	5 A	- Navigation System Control Module with CD Drive -J401- ¹ Navigation System Tuner, TV -J415- ¹ Satellite Radio -R146- Telephone Transceiver -R36- Amplifier for Telephone -R86- ¹ 18-Pin Connector -T18a- (VDA-Interface) ¹ Not applicable from model year 2010	30
F10	- Fuse 10 (on fuse panel B) -SB10-	5 A	- Power Supply Relay (terminal 30) -J317- (BKC, BXE, AZV, BKD, BLS, BMM, BUY, BMN, CBBB, CBAB, CBAA, CAYB, CAYC, CBEA, CFFA, CFFB, CFGB, CLJA)	30
F10	Fuse 10 (on fuse panel B) -SB10-	5 A	- Engine Control Modules (ECM) -J...- (CMSA, CAXC, CBBB, CBAB, CBAA, CAYB, CAYC, CBEA, CBZB, CFFA, CFFB, CFGB, CLJA) Motronic Engine Control Module (ECM) Power Supply Relay -J271- (CAXC, CBZB)	30
F10	- Fuse 10 (on fuse panel B) -SB10-	10 A	- Engine Control Modules (ECM) -J...- (BLF, BPT, BPU, BVZ, BVY, BZB, CAWB, CBFA, CCTA, CDAA, CCZA) Motronic Engine Control Module (ECM) Power Supply Relay -J271- (BLF, BPT, BPU, BVZ, BVY, BZB, CAWB, CBFA, CCTA, CDAA, CCZA)	30
F11	- Fuse 11 (on fuse panel B) -SB11-	20 A	- Auxiliary Heater Control Module -J364- ¹ Not applicable from November 2010	30
F11	- Fuse 11 (on fuse panel B) -SB11-	30 A	- Auxiliary Heater Control Module -J364- ¹ Applicable from November 2010	30
F12	- Fuse 12 (on fuse panel B) -SB12-	5 A	- Data Bus On Board Diagnostic Interface -J533-	30
F13	- Fuse 13 (on fuse panel B) -SB13-	30 A	- Engine Control Modules (ECM) -J...- (BKC, BXE, AZV, BKD, BLS, BMM, BUY, BMN, CBBB, CBAB, CBAA, CAYB, CAYC, CBEA, CFFA, CFFB, CFGB, CLJA)	87
		25 A	- Engine Control Modules (ECM) -J...- (BLF, BPT, BPU, BYT, BVZ, BVY, BSE, BSF) Not applicable from May 2007, only models with engine codes BSE, BSF	

		15 A	Engine Control Modules (ECM) -J...- (CMSA, CAXC, BZB, CAWB, CBFA, CCTA, CDAA, CCZA, CBZB) Applicable from May 2007, only models with engine codes BSE, BSF, CCSA, CMXA	
F14	Fuse 14 (on fuse panel B) -SB14-	20 A	- Ignition Coil 1 with Power Output Stage -N- (BSE, BSF, CCSA, CBZB, CMXA) Ignition Coil 2 -N128- (BSE, BSF, CCSA, CBZB, CMXA)	87
F14	- Fuse 14 (on fuse panel B) -SB14-	20 A	- Ignition Coil 1 with Power Output Stage -N70- Ignition Coil 2 with Power Output Stage -N127- Ignition Coil 3 with Power Output Stage -N291- Ignition Coil 4 with Power Output Stage -N292- Only models with engine codes BLF, BPT, BPU, BYT, BVZ, BVY, CAXC, CMSA, BZB, CAWB, CBFA, CCTA, CDAA, CCZA	87
F14	- Fuse 14 (on fuse panel B) -SB14-	20 A	- Fuel Pressure Regulator Valve -N276- (CBBB, CBAB, CBAA, CAYB, CAYC, CBEA, CFFA, CFFB, CFGB, CLJA) Fuel Metering Valve -N290- (CBBB, CBAB, CBAA, CAYB, CAYC, CBEA, CFFA, CFFB, CFGB, CLJA) Not applicable from May 2011	87
F14	- Fuse 14 (on fuse panel B) -SB14-	15 A	- Fuel Pressure Regulator Valve -N276- (CBBB, CBAB, CBAA, CAYB, CAYC, CBEA, CFFA, CFFB, CFGB, CLJA) Fuel Metering Valve -N290- (CBBB, CBAB, CBAA, CAYB, CAYC, CBEA, CFFA, CFFB, CFGB, CLJA) Throttle Valve Control Module -J338- (CBEA) Coolant Fan Control (FC) Control Module -J293- (CBEA) Applicable from May 2011	87
F15	- Fuse 15 (on fuse panel B) -SB15-	15 A	- Oxygen Sensor (O2S) Heater 1 (behind Three Way Catalytic Converter (TWC) -Z29- (BVY) Oxygen Sensor (O2S) Heater 2 (behind Three Way Catalytic Converter (TWC) -Z30- (BVY) Oxygen Sensor (O2S) Heater 3 (behind Three Way Catalytic Converter (TWC) -Z64- (BVY)	87
F15	- Fuse 15 (on fuse panel B) -SB15-	10 A	- Oxygen Sensor (O2S) Heater 1 (behind Three Way Catalytic Converter (TWC) -Z29- (BVZ)	87
F15	- Fuse 15 (on fuse panel B) -SB15-	10 A	- Oxygen Sensor (O2S) Heater 1 (behind Three Way Catalytic Converter (TWC) -Z29- (CAXC, CBZB, CMSA) Oxygen Sensor (O2S) Heater -Z19- (CAXC, CBZB, CMSA)	87
F15	- Fuse 15 (on fuse panel B) -SB15-	10 A	- Camshaft Adjustment Valve 1 -N205- (BPT, BPU, BYT)	87
F15	Fuse 15 (on fuse panel B) -SB15-	10 A	- Radiator Identification Sensor -G611- (CBFA) Leak Detection Pump (LDP) -V144- (CBFA, CCTA) Oxygen Sensor (O2S) Heater -Z19- (CBFA)	87
F15	- Fuse 15 (on fuse panel B) -SB15-	5 A	- Fuel Pump (FP) Relay -J17- Automatic Glow Time Control Module -J179- Only models with engine codes BKC, BXE, AZV, BKD, BLS, BMM, BUY, BMN, CBBB, CBAB, CBAA, CAYB, CAYC, CBEA, CFFA, CFFB, CFGB, CLJA	87

F15	- Fuse 15 (on fuse panel B) -SB15-	5 A	- Preheating Coolant, Low Heat Output Relay -J359- Preheating Coolant, High Heat Output Relay -J360- Only models with engine codes BKC, BXE, AZV, BKD, BLS, BMM, BUY, BMN, CBBB, CBAB, CBAA, CAYB, CAYC, CBEA, CFFA, CFFB, CFGB, CLJA Applicable from November 2006, only models with auxiliary air heater	87
F15	- Fuse 15 (on fuse panel B) -SB15-	5 A	- Auxiliary Fuel Pump Relay -J832- (CBBB, CBAB, CBAA, CBEA, CFFA, CFFB, CFGB, CLJA)	87
F16	- Fuse 16 (on fuse panel B) -SB16-	30 A	- ABS Control Module -J104- (ABS Pump) Not applicable from model year 2009	30
F16	- Fuse 16 (on fuse panel B) -SB16-	30 A	- Vehicle Electrical System Control Module -J519- Right Parking Lamp, Right High Beam Lamp, Right Low Beam Lamp, Right Parking Lamp, Right Front Fog Lamp Supply Applicable from model year 2009	30
F17	- Fuse 17 (on fuse panel B) -SB17-	15 A	- High Tone Horn -H2- Low Tone Horn -H7-	30
F18	- Fuse 18 (on fuse panel B) -SB18-	30 A	- Amplifier -R12- Bass Speakers Amplifier, in luggage compartment, left -R44-	30
F18	- Fuse 18 (on fuse panel B) -SB18-	30 A	- Voltage Stabilizer -J532- Amplifier -R12- Bass Speakers Amplifier, in luggage compartment, left -R44- Only models with stop/start system Applicable from model year 2010	30
F19	- Fuse 19 (on fuse panel B) -SB19-	30 A	- Wiper Motor Control Module -J400-	30
F20	- Fuse 20 (on fuse panel B) -SB20-	20 A	- Fuel Pressure Regulator Valve -N276- (BYT, BPT, BPU, BZB, CAWB, CCTA, CDAA, CCZA) Not applicable from May 2011	87
F20	- Fuse 20 (on fuse panel B) -SB20-	15 A	- Fuel Pressure Regulator Valve -N276- (BYT, BPT, BPU, BZB, CAWB, CCTA, CDAA, CCZA) Applicable from May 2011	87
F20	- Fuse 20 (on fuse panel B) -SB20-	10 A	- Coolant Pump -V50- (CAXC, CMSA)	87
F21	- Fuse 21 (on fuse panel B) -SB21-	10 A	- Oxygen Sensor (O2S) Heater 3 (behind Three Way Catalytic Converter (TWC) -Z64- (CBFA)	87
F21	- Fuse 21 (on fuse panel B) -SB21-	10 A	- Oxygen Sensor (O2S) Heater -Z19- (BSE, BSF, BLF, BPT, BPU, BYT, BVZ, BVY, BLS, BMM, BUY, BMN, BZB, CAWB, CCTA, CCSA, CDAA, CCZA, CBBB, CBAB, CBAA, CAYB, CAYC, CBEA, CFFA, CFFB, CFGB) Oxygen Sensor (O2S) Heater 1 (behind Three Way Catalytic Converter (TWC) -Z29- (BSE, BSF, BLF, CCTA, CBFA, CCSA, CDAA, CCZA, CBEA) Not applicable from May 2009, only models with engine codes BSF, BSE, CCSA, CCTA, CCZA, CDAA	87

F21	- Fuse 21 (on fuse panel B) -SB21-	15 A	- Oxygen Sensor (O2S) Heater -Z19- (BSE, CCSA, CCTA, CCZA, CDAA, CMXA, BSF) Oxygen Sensor (O2S) Heater 1 (behind Three Way Catalytic Converter (TWC) -Z29- (BSE, CCSA, CCTA, CCZA, CDAA, CMXA, BSF) Applicable from model year 2010	87
F21	- Fuse 21 (on fuse panel B) -SB21-	20 A	- Vacuum Pump Relay -J57- (CAXC, CMSA) Brake System Vacuum Pump -V192- (CAXC, CMSA)	87
F22	Fuse 22 (on fuse panel B) -SB22-	5 A	Clutch Position Sensor -G476-	87
F22	Fuse 22 (on fuse panel B) -SB22-	5 A	Brake Light Switch -F- Brake Pedal Switch -F63- Applicable from model year 2010	87
F23	- Fuse 23 (on fuse panel B) -SB23-	5 A	- Coolant Circulation Pump Relay -J151- (BPT, BPU, BYT, BZB, CAWB, CCTA, CBFA, CCZA, CDAA) Secondary Air Injection (AIR) Pump Relay -J299- (BSE, BSF, CBFA, CCSA, CMXA) Engine Component Power Supply Relay -J757- (CBFA) After-Run Coolant Pump -V51- (BPT, BPU, BYT, BZB, CAWB, CCTA, CBFA, CCZA, CDAA)	87
		10 A	EGR Vacuum Regulator Solenoid Valve -N18- (BKC, BXE, AZV, BKD) Wastegate Bypass Regulator Valve -N75- (BLS, BMM, BKC, BXE, AZV, BKD, BMN, BUY, CBBB, CBAB, CBAA, CAYB, CAYC, CBEA, CFFA, CFFB, CFGB, CLJA) EGR Valve 2 -N213- (BKC, BXE, AZV, BKD) Intake Manifold Runner Control (IMRC) Valve -N316- (BMN, BUY) Exhaust Gas Recirculation (EGR) Cooler Switch-Over Valve -N345- (BLS, BMM) Exhaust Gas Recirculation (EGR) Cooler Switch-Over Valve -N345- (BMN, BUY, CBBB, CBAB, CBAA, CAYB, CAYC, CFFA, CFFB, CFGB, CLJA)	
		10 A	Mass Air Flow (MAF) Sensor -G70- (CFFA, CFFB, CFGB, CLJA)	
		15 A	Fuel Pressure Regulator Valve -N276- (BLF, CAXC, BVY, BVZ, CBZB, CMSA)	



F24	- Fuse 24 (on fuse panel B) -SB24-	10 A	- Coolant Fan Control (FC) Control Module -J293- Auxiliary Engine Coolant (EC) Pump Relay -J496- (CAXC, CMSA) Engine Component Power Supply Relay -J757- (BPT, BPU, BYT, CAXC, CDAA, CAWB, CCZA, CCTA) Throttle Valve Control Module -J338- (CBEA) Wastegate Bypass Regulator Valve -N75- (BPT, BPU, BYT, CAXC, CMSA, CAWB, BZB, CCTA, CBFA, CDAA, CCZA) Evaporative Emission (EVAP) Canister Purge Regulator Valve 1 -N80- (BPT, BPU, BYT, BSE, BSF, BLF, BVY, BVZ, CMSA, CAXC, CAWB, BZB, CCTA, CBFA, CCSA, CDAA, CCZA, CBZB, CMXA) Secondary Air Injection (AIR) Solenoid Valve -N112- (CBFA) Intake Manifold Tuning (IMT) Valve -N156- (BSE, BSF, BLF, BVY, BVZ, CCSA, CMXA) Camshaft Adjustment Valve 1 -N205- (BLF, BVY, BVZ, CAXC, CAWB, BZB, CMSA, CCTA, CBFA, CDAA, CCZA) Turbocharger Recirculating Valve -N249- (BPT, BPU, BYT, CMSA, CAXC, CAWB, BZB, CCTA, CBFA, CDAA, CCZA) Intake Manifold Runner Control (IMRC) Valve -N316- (BPT, BPU, BYT, CAWB, BZB, CCTA, CBFA, CDAA, CCZA, CBZB) Oil Pressure Regulation Valve -N428- Intake Flap Motor -V157- (BKC, BXE, AZV, BKD) Exhaust Gas Recirculation (EGR) Cooler Pump -V400- (CBBB, CBAB, CBAA, CAYB, CAYC, CFFA, CFFB, CFGB, CLJA) Electrohydraulic Engine Mounting Regulator Valve -N398- (CAYB, CAYC)	87
F25	- Fuse 25 (on fuse panel B) -SB25-	30 A	- Vehicle Electrical System Control Module -J519- Right Parking Lamp, Right High Beam Lamp, Right Low Beam Lamp, Right Parking Lamp, Right Front Fog Lamp Supply Not applicable from model year 2009	30
F25	- Fuse 25 (on fuse panel B) -SB25-	40 A	- ABS Control Module -J104- (MK60 ESP-Pump) ABS Control Module -J104- (MK70 ABS Pump and ABS Valves) Applicable from model year 2009	30
F26	- Fuse 26 (on fuse panel B) -SB26-	30 A	- Vehicle Electrical System Control Module -J519- Left Parking Lamp, Left High Beam Lamp, Left Low Beam Lamp, Left Parking Lamp, Left Front Fog Lamp Supply	30
F27	- Fuse 27 (on fuse panel B) -SB27-	50 A	- Automatic Glow Time Control Module -J179- Glow Plug 1 -Q10- Glow Plug 2 -Q11- Glow Plug 3 -Q12- Glow Plug 4 -Q13- Only models with engine codes BKC, BXE, AZV, BKD, BLS, BMM, BMN, BUY, CBBB, CBAB, CBAA, CAYB, CAYC, CBEA, CFFA, CFFB, CFGB, CLJA	87
F27	- Fuse 27 (on fuse panel B) -SB27-	40 A	- Secondary Air Injection (AIR) Pump Motor -V101- (BSF, BSE, CBFA, CCSA, CMXA)	87

Protected by copyright. Copying for private or commercial purposes, in part or in whole, is not permitted unless authorised by AUDI AG. AUDI AG does not guarantee or accept any liability with respect to the correctness of information in this document. Copyright by AUDI AG.

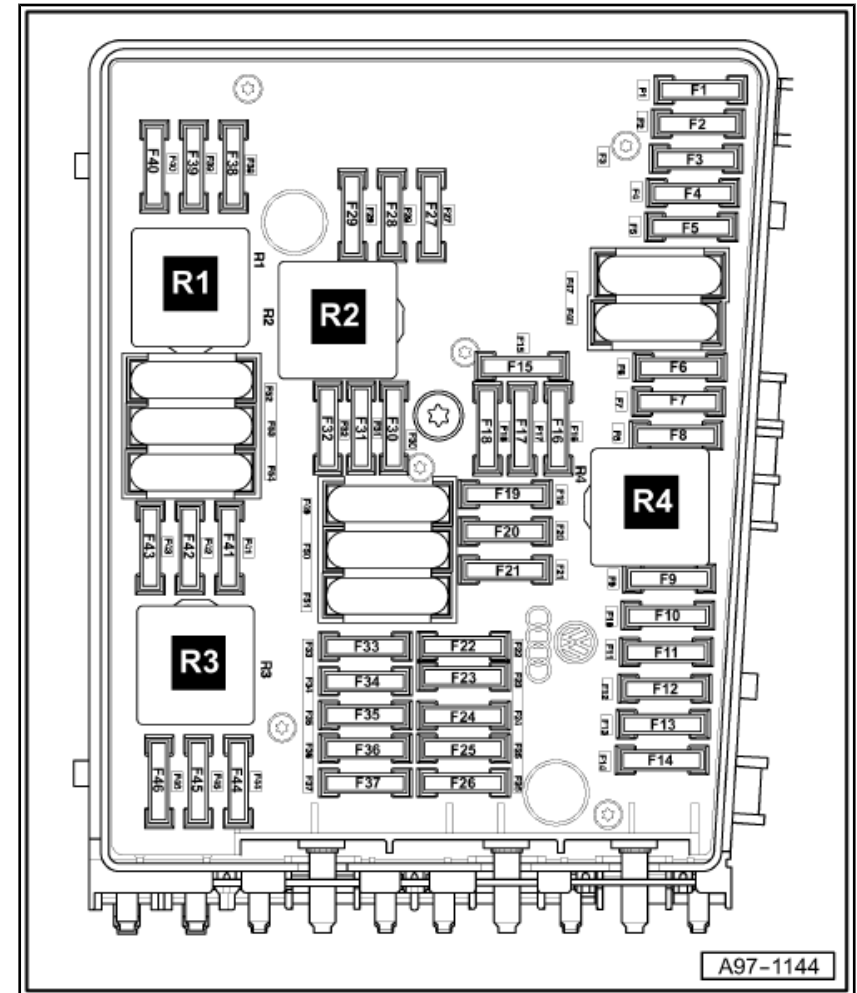
F28	- Fuse 28 (on fuse panel B) -SB28-	40 A	- Power Supply Relay 2 (terminal 15) -J681- Fuses Supply: -SC1- through -SC6- , -SC29- through -SC31- , -SC46- , -SC47- , -SC49- Not applicable from model year 2009	30
F29	- Fuse 29 (on fuse panel B) -SB29-	50 A	- (B300) Plus Connection 4 (30) (in main wiring harness) Fuses Supply: -SC32- through -SC37- , -SC44- , -SC45- , -SC48- , -S131- Not applicable from model year 2009	30
F29	- Fuse 29 (on fuse panel B) -SB29-	50 A	- (B300) Plus Connection 4 (30) (in main wiring harness) Fuses Supply: -SC32- through -SC37- , -SC39- , -SC44- , -SC45- , -SC48- , -S131- Applicable from model year 2009	30
F30	- Fuse 30 (on fuse panel B) -SB30-	50 A	- Load Reduction Relay -J59- Fuses Supply: -SC40- , -SC41- , -SC42- Not applicable from model year 2009	30
F30	- Fuse 30 (on fuse panel B) -SB30-	50 A	- Power Supply Relay 2 (terminal 15) -J681- Fuses Supply: -SC1- through -SC6- , -SC19- , -SC20- , -SC29- through -SC31- , -SC40- , -SC41- , -SC42- , -SC46- , -SC47- , -SC49- Applicable from model year 2009	30

¹ Not for models with US equipment

1.15 Location Fuse Panel B -SB- on electronics box High, engine compartment, left

1.15.1 Fuse Colours

- 50 A - red
- 40 A - orange
- 30 A - light-green
- 25 A - natural (white)
- 20 A - yellow
- 15 A - light-blue
- 10 A - red
- 7,5 A - brown
- 5 A - light-brown
- 3 A - purple



1.16 Fuse Arrangements Electronics Box High, from model year 2004

No.	Designation in Wiring Diagram	Nominal Value	Function/Component	Terminal
F1	Fuse 1 (on fuse panel B) -SB1-	30 A	ABS Hydraulic Pump -V64-	30
F2	Fuse 2 (on fuse panel B) -SB2-	30 A	ABS Hydraulic Unit -N55-	30
F3	Fuse 3 (on fuse panel B) -SB3-	20 A	Comfort System Central Control Module -J393-	30

F4	-	Fuse 4 (on fuse panel B) -SB4-	5 A	- Vehicle Electrical System Control Module -J519- Only models with battery in engine compartment	30
F5	-	Fuse 5 (on fuse panel B) -SB5-	20 A	- High Tone Horn -H2- Low Tone Horn -H7-	30
F6	-	Fuse 6 (on fuse panel B) -SB6-	7,5 A	- Fuel Pressure Regulator Valve -N276- ¹ Not applicable from model year 2005	87 (30a)
			15 A	- Fuel Pressure Regulator Valve -N276- ¹ Applicable from model year 2005	
			20 A	- Power Output Stage -N122- ¹	
			30 A	- Ignition Coil 1 with Power Output Stage -N70- Ignition Coil 2 with Power Output Stage -N127- Ignition Coil 3 with Power Output Stage -N291- Ignition Coil 4 with Power Output Stage -N292- Ignition Coil 5 with Power Output Stage -N323- ¹ Ignition Coil 6 with Power Output Stage -N324- ¹	
F7	-	Fuse 7 (on fuse panel B) -SB7-	5 A	- Brake Light Switch -F- Brake Pedal Switch -F63- Clutch Pedal Position (CPP) Sensor -G162-	87 (30a)
F8	-	Fuse 8 (on fuse panel B) -SB8-	10 A	- Map Controlled Engine Cooling Thermostat -F265- ¹ Coolant Fan Control (FC) Control Module -J293- EGR Vacuum Regulator Solenoid Valve -N18- ¹ Evaporative Emission (EVAP) Canister Purge Regulator Valve 1 -N80- ¹ Intake Manifold Tuning (IMT) Valve -N156- ¹ Camshaft Adjustment Valve 1 -N205- Camshaft Adjustment Valve 1 (exhaust) -N318- ¹ Intake Flap Motor -V157- ¹	87 (30a)
F9	-	Fuse 9 (on fuse panel B) -SB9-	10 A	- Fuel Pump (FP) Relay -J17- ¹ Coolant Circulation Pump Relay -J151- Automatic Glow Time Control Module -J179- ¹ NOX Sensor Control Module -J583- ¹ After-Run Coolant Pump -V51- NOX Sensor Heater -Z44- ¹	87 (30a)

Protected by copyright. Copying for private or commercial purposes, in part or in whole, is not permitted unless authorised by AUDI AG. AUDI AG does not guarantee or accept any liability with respect to the correctness of information in this document. Copyright by AUDI AG.

F10	- Fuse 10 (on fuse panel B) -SB10-	10 A	- Secondary Air Injection (AIR) Pump Relay -J299- ¹ EGR Vacuum Regulator Solenoid Valve -N18- ¹ Wastegate Bypass Regulator Valve -N75- ¹ Secondary Air Injection (AIR) Solenoid Valve -N112- ¹ EGR Valve 2 -N213- ¹ Exhaust Flap Valve -N220- ¹ Oxygen Sensor (O2S) Heater 1 (behind Three Way Catalytic Converter (TWC) -Z29- ¹ Oxygen Sensor (O2S) Heater 2 (behind Three Way Catalytic Converter (TWC) -Z30- ¹ Leak Detection Pump (LDP) -V144-	87 (30a)
F11	- Fuse 11 (on fuse panel B) -SB11-	25 A	- Motronic Engine Control Module (ECM) -J220- SIMOS Control Module -J361- ¹	87 (30a)
		30 A	- Diesel Direct Fuel Injection (DFI) Engine Control Module (ECM) -J248- ¹	
F12	- Fuse 12 (on fuse panel B) -SB12-	15 A	- NOX Sensor Control Module -J583- ¹ Oxygen Sensor (O2S) Heater -Z19- ¹ Oxygen Sensor (O2S) Heater 2 -Z28- ¹ NOX Sensor Heater -Z44- ¹	87 (30a)
F13	- Fuse 13 (on fuse panel B) -SB13-	20 A	- Direct Shift Gearbox (DSG) Mechatronic -J743-	30
F14	- Not used	-	-	-
F15	- Fuse 15 (on fuse panel B) -SB15-	40 A	- Starter -B-	87 (50)
F16	- Fuse 16 (on fuse panel B) -SB16-	15 A	- Steering Column Electronic Systems Control Module -J527-	30
F17	- Fuse 17 (on fuse panel B) -SB17-	10 A	- Instrument Cluster Control Module -J285-	30
F18	- Fuse 18 (on fuse panel B) -SB18-	30 A	- Amplifier -R12- Bass Speakers Amplifier, in luggage compartment, left -R44-	30
F19	- Fuse 19 (on fuse panel B) -SB19-	15 A	- Radio -R- Navigation System Operating Electronics Control Module -J402-	30
F20	- Fuse 20 (on fuse panel B) -SB20-	5 A	- Telephone Transceiver -R36- Amplifier for Telephone -R86- ¹	30
F21	- Fuse 21 (on fuse panel B) -SB21-	10 A	- Navigation System Control Module with CD Drive -J401- Navigation System Tuner, TV -J415- ¹	30
F22	- Not used	-	-	-
F23	- Not used	-	-	-
F24	- Fuse 24 (on fuse panel B) -SB24-	10 A	- Data Bus On Board Diagnostic Interface -J533-	30
F25	- Not used	-	-	-
F26	- Fuse 26 (on fuse panel B) -SB26-	10 A	- Motronic Engine Control Module (ECM) -J220- Motronic Engine Control Module (ECM) Power Supply Relay -J271-	30
		5 A	- Power Supply Relay (terminal 30) -J317- ¹	

F27	-	Fuse 21 (on fuse panel B) -SB21-	10 A	- Positive Crankcase Ventilation (PCV) Heating Element -N79- ¹ Only models with heating element	87 (15)
			5 A	- Positive Crankcase Ventilation (PCV) Heating Element -N79- ¹ Only models with heating element	87 (15)
F28		Fuse 28 (on fuse panel B) -SB28-	20 A	- Transmission Control Module (TCM) -J217- ¹	87 (15)
F29	-	Fuse 29 (on fuse panel B) -SB29-	10 A	- Cylinder 1 Fuel Injector -N30- ¹ Cylinder 2 Fuel Injector -N31- ¹ Cylinder 3 Fuel Injector -N32- ¹ Cylinder 4 Fuel Injector -N33- ¹ Cylinder 5 Fuel Injector -N83- ¹ Cylinder 6 Fuel Injector -N84- ¹	87 (15)
			20 A	- Ignition Coil 1 with Power Output Stage -N70- ¹ Ignition Coil 2 with Power Output Stage -N127- ¹ Ignition Coil 3 with Power Output Stage -N291- ¹ Ignition Coil 4 with Power Output Stage -N292- ¹	
F30	-	Fuse 30 (on fuse panel B) -SB30-	20 A	- Auxiliary Heater Control Module -J364- ¹	30
F31	-	Fuse 31 (on fuse panel B) -SB31-	30 A	- Wiper Motor Control Module -J400-	30
F32	-	Fuse 32 (on fuse panel B) -SB32-	10 A	- Cylinder 1 Fuel Injector -N30- ¹ Cylinder 2 Fuel Injector -N31- ¹ Cylinder 3 Fuel Injector -N32- ¹ Cylinder 4 Fuel Injector -N33- ¹ Wastegate Bypass Regulator Valve -N75- Evaporative Emission (EVAP) Canister Purge Regulator Valve 1 -N80- Turbocharger Recirculating Valve -N249-	87 (15a)
F33	-	Fuse 33 (on fuse panel B) -SB33-	15 A	- Transfer Fuel Pump (FP) -G6- ¹	87 (15a)
F33	-	Fuse 33 (on fuse panel B) -SB33-	7,5 A	- Fuel Pressure Regulator Valve -N276- Not applicable from model year 2005	87 (15a)
F33	-	Fuse 33 (on fuse panel B) -SB33-	15 A	- Fuel Pressure Regulator Valve -N276- Applicable from model year 2005	87 (15a)
F34	-	Not used	-	-	-
F35	-	Not used	-	-	-
F36	-	Not used	-	-	-
F37	-	Not used	-	-	-
F38	-	Fuse 38 (on fuse panel B) -SB38-	10 A	- Left Headlamp Beam Adjustment Motor -V48- Right Headlamp Beam Adjustment Motor -V49-	87 (15)
F39	-	Fuse 39 (on fuse panel B) -SB39-	5 A	- Oil Level Thermal Sensor -G266-	87 (15)
F40	-	Fuse 40 (on fuse panel B) -SB40-	20 A	- Fuses Supply: -SC1- through -SC6-, -SC7- through -SC11-, -SC29- through -SC31- Only models with battery in engine compartment	87 (15)

F41	- Fuse 41 (on fuse panel B) -SB41-	10 A	- Mass Air Flow (MAF) Sensor -G70-	87 (15)
F42	- Fuse 42 (on fuse panel B) -SB42-	5 A	- Fuel Pump (FP) Relay -J17-	87 (15)
		10 A	- Mass Air Flow (MAF) Sensor -G70- ¹	
F43	- Fuse 43 (on fuse panel B) -SB43-	20 A	- Vacuum Pump Relay -J57- ¹ Only gasoline engine with automatic transmission	87 (15)
F44	- Fuse 44 (on fuse panel B) -SB44-	10 A	- Mass Air Flow (MAF) Sensor -G70- ¹ Leak Detection Pump (LDP) -V144-	87 (15a)
F45	- Fuse 45 (on fuse panel B) -SB45-	10 A	- Oxygen Sensor (O2S) Heater -Z19- Oxygen Sensor (O2S) Heater 1 (behind Three Way Catalytic Converter (TWC) -Z29- ¹	87 (15a)
		15 A	- Oxygen Sensor (O2S) Heater -Z19- ¹ Oxygen Sensor (O2S) Heater 1 (behind Three Way Catalytic Converter (TWC) -Z29- ¹	
F46	- Fuse 46 (on fuse panel B) -SB46-	10 A	- Oxygen Sensor (O2S) Heater 2 -Z28- ¹ Oxygen Sensor (O2S) Heater 1 (behind Three Way Catalytic Converter (TWC) -Z29- Oxygen Sensor (O2S) Heater 2 (behind Three Way Catalytic Converter (TWC) -Z30- ¹	87 (15a)
F47	- Fuse 47 (on fuse panel B) -SB47-	40 A	- Vehicle Electrical System Control Module -J519- Left Parking Lamp, Left High Beam Lamp, Left Low Beam Lamp, Left Parking Lamp, Left Front Fog Lamp Supply	30
F48	- Fuse 48 (on fuse panel B) -SB48-	40 A	- Vehicle Electrical System Control Module -J519- Right Parking Lamp, Right High Beam Lamp, Right Low Beam Lamp, Right Parking Lamp, Right Front Fog Lamp Supply	30
F49	- Fuse 49 (on fuse panel B) -SB49-	30 A	- Power Supply Relay 2 (terminal 15) -J681- Fuses Supply: -SC1- through -SC6- , -SC7- through -SC11- , -SC29- through -SC31- Only models with battery in luggage compartment	30
F50	- Not used	-	-	-
F51	- SB51 - Fuse 51 (on fuse panel)	40 A	- Secondary Air Injection (AIR) Pump Relay -J299- ¹ Secondary Air Injection (AIR) Pump Motor -V101- ¹	30
		50 A	- Automatic Glow Time Control Module -J179- ¹	
F52	- SB52 - Fuse 52 (on fuse panel)	50 A	- Load Reduction Relay -J59- Fuses Supply: -SC40- , -SC41- , -SC42- , -SC46-	30
F53	- SB53 - Fuse 53 (on fuse panel)	50 A	- Fuses Supply: -SC32- through -SC37- , -SC44- , -SC45- Only models with battery in engine compartment	30

		50 A	- Fuses Supply: -SC32- through -SC37- Only models with battery in luggage compartment	30
F54	-	50 A	- Coolant Fan Control (FC) Thermal Switch -F18- ¹ Coolant Fan Control (FC) Control Module -J293- J293 - Coolant Fan Control (FC) Control Module	30

¹ Not for models with US equipment

1.17 Fuse Arrangements Electronics Box High, from model year 2006

No.	Designation in Wiring Diagram	Nominal Value	Function/Component	Terminal
F1	- Fuse 1 (on fuse panel B) -SB1-	30 A	- ABS Control Module -J104- ABS Hydraulic Pump -V64-	30
F2	- Fuse 2 (on fuse panel B) -SB2-	30 A	- ABS Control Module -J104- ABS Hydraulic Unit -N55-	30
F3	- Fuse 3 (on fuse panel B) -SB3-	20 A	- Comfort System Central Control Module -J393-	30
F4	- Fuse 4 (on fuse panel B) -SB4-	5 A	- Vehicle Electrical System Control Module -J519-	30
F5	- Fuse 5 (on fuse panel B) -SB5-	15 A	- High Tone Horn -H2- Low Tone Horn -H7-	30
F6	- Fuse 6 (on fuse panel B) -SB6-	15 A	- Fuel Pressure Regulator Valve -N276- Transfer Fuel Pump (FP) -G6-	87
F7	- Not used	-	-	-
F8	- Not used	-	-	-
F9	- Fuse 9 (on fuse panel B) -SB9-	10 A	- Wastegate Bypass Regulator Valve -N75- Evaporative Emission (EVAP) Canister Purge Regulator Valve 1 -N80- Turbocharger Recirculating Valve -N249-	87
F10	- Fuse 10 (on fuse panel B) -SB10-	10 A	- Mass Air Flow (MAF) Sensor -G70- Leak Detection Pump (LDP) -V144-	87
F11	- Fuse 11 (on fuse panel B) -SB11-	10 A	- Oxygen Sensor (O2S) Heater -Z19- Oxygen Sensor (O2S) Heater 2 -Z28-	87
F12	- Fuse 12 (on fuse panel B) -SB12-	10 A	- Oxygen Sensor (O2S) Heater 1 (behind Three Way Catalytic Converter (TWC) -Z29- Oxygen Sensor (O2S) Heater 2 (behind Three Way Catalytic Converter (TWC) -Z30-	87
F13	- Fuse 13 (on fuse panel B) -SB13-	15 A	- Direct Shift Gearbox (DSG) Mechatronic -J743-	30
F14	- Not used	-	-	-
F15	- Fuse 15 (on fuse panel B) -SB15-	10 A	- After-Run Coolant Pump -V51-	87

F16	- Fuse 16 (on fuse panel B) -SB16-	5 A	- Steering Column Electronic Systems Control Module -J527-	30
F17	- Fuse 17 (on fuse panel B) -SB17-	5 A	- Instrument Cluster Control Module -J285-	30
F18	- Fuse 18 (on fuse panel B) -SB18-	30 A	- Amplifier -R12- Bass Speakers Amplifier, in luggage compartment, left -R44-	30
F19	- Fuse 19 (on fuse panel B) -SB19-	15 A	- Radio -R- Navigation System Operating Electronics Control Module -J402-	30
F20	- Fuse 20 (on fuse panel B) -SB20-	5 A	- Navigation System Control Module with CD Drive -J401- ¹ Navigation System Tuner, TV -J415- ¹ Telephone Transceiver -R36- Amplifier for Telephone -R86- ¹ Satellite Radio -R146-	30
F21	- Not used	-	-	-
F22	- Not used	-	-	-
F23	- Fuse 23 (on fuse panel B) -SB23-	5 A	- Motronic Engine Control Module (ECM) -J220- Motronic Engine Control Module (ECM) Power Supply Relay -J271-	30
F24	- Fuse 24 (on fuse panel B) -SB24-	5 A	- Data Bus On Board Diagnostic Interface -J533-	30
F25	- Not used	-	-	-
F26	- Not used	-	-	-
F27	- Not used	-	-	-
F28	- Fuse 28 (on fuse panel B) -SB28-	25 A	- Motronic Engine Control Module (ECM) -J220-	87
F29	- Fuse 29 (on fuse panel B) -SB29-	5 A	- Coolant Circulation Pump Relay -J151- Secondary Air Injection (AIR) Pump Relay -J299-	87
F30	- Fuse 30 (on fuse panel B) -SB30-	20 A	- Auxiliary Heater Control Module -J364-	30
F31	- Fuse 31 (on fuse panel B) -SB31-	30 A	- Wiper Motor Control Module -J400-	30
F32	- Not used	-	-	-
F33	- Not used	-	-	-
F34	- Not used	-	-	-
F35	- Not used	-	-	-
F36	- Not used	-	-	-
F37	- Not used	-	-	-
F38	- Fuse 38 (on fuse panel B) -SB38-	10 A	- Evaporative Emission (EVAP) Canister Purge Regulator Valve 1 -N80- ¹ Intake Manifold Tuning (IMT) Valve -N156- ¹ Camshaft Adjustment Valve 1 -N205- Camshaft Adjustment Valve 1 (exhaust) -N318- ¹ Coolant Fan Control (FC) Control Module -J293-	87
F39	- Fuse 39 (on fuse panel B) -SB39-	5 A	- Brake Pedal Switch -F63- Clutch Position Sensor -G476-	87

protected by copyright. Copying for private or commercial purposes, in part or in whole, is not permitted unless authorised by AUDI AG. AUDI AG does not guarantee or accept any liability with respect to the correctness of information in this document. Copyright by AUDI AG.

F40	- Fuse 40 (on fuse panel B) -SB40-	20 A	- Ignition Coil 1 with Power Output Stage -N70- Ignition Coil 2 with Power Output Stage -N127- Ignition Coil 3 with Power Output Stage -N291- Ignition Coil 4 with Power Output Stage -N292-	87
F41	- Not used	-	-	-
F42	- Fuse 42 (on fuse panel B) -SB42-	5 A	- Engine Component Power Supply Relay -J757-	87
F43	- Fuse 43 (on fuse panel B) -SB43-	30 A	- Ignition Coil 1 with Power Output Stage -N70- Ignition Coil 2 with Power Output Stage -N127- Ignition Coil 3 with Power Output Stage -N291- Ignition Coil 4 with Power Output Stage -N292- Ignition Coil 5 with Power Output Stage -N323- Ignition Coil 6 with Power Output Stage -N324-	87
F44	- Not used	-	-	-
F45	- Not used	-	-	-
F46	- Not used	-	-	-
F47	- Fuse 47 (on fuse panel B) -SB47-	40 A	- Vehicle Electrical System Control Module -J519- Left Parking Lamp, Left High Beam Lamp, Left Low Beam Lamp, Left Parking Lamp, Left Front Fog Lamp Supply	30
F48	- Fuse 48 (on fuse panel B) -SB48-	40 A	- Vehicle Electrical System Control Module -J519- Right Parking Lamp, Right High Beam Lamp, Right Low Beam Lamp, Right Parking Lamp, Right Front Fog Lamp Supply	30
F49	- Fuse 49 (on fuse panel B) -SB49-	40 A	- J681 -Power Supply Relay 2 (terminal 15) Fuses Supply: -SC1- through -SC6- , -SC7- through -SC11- , -SC29- through -SC31- , -SC47- , -SC49-	30
F50	- Not used	-	-	-
F51	- Fuse 51 (on fuse panel B) -SB51-	40 A	- Secondary Air Injection (AIR) Pump Relay -J299- Secondary Air Injection (AIR) Pump Motor -V101-	30
F52	- Fuse 52 (on fuse panel B) -SB52-	50 A ²	- Load Reduction Relay -J59- Fuses Supply: -SC40- , -SC41- , -SC42- , -SC46-	30
F53	- Fuse 53 (on fuse panel B) -SB53-	50 A	- Fuses Supply: -SC18- , -SC20- , -SC32- through -SC37- , -SC44- , -SC45- , -SC48- , -S131-	30

Protected by copyright. Copying for private or commercial purposes, in part or in whole, is not permitted unless authorised by AUDI AG. AUDI AG does not guarantee or accept any liability with respect to the correctness of information in this document. Copyright by AUDI AG.

¹ Not for models with US equipment

² Fuse was increased from 40 A to 50 A, applicable from November 2005

1.18 Fuse Arrangements Electronics Box High, from model year 2007

No.	Designation in Wiring Diagram	Nominal Value	Function/Component	Terminal
-----	-------------------------------	---------------	--------------------	----------

F1	- Fuse 1 (on fuse panel B) -SB1-	30 A	- ABS Control Module -J104- (ABS Pump) Not applicable from model year 2009	30
F1	- Fuse 1 (on fuse panel B) -SB1-	30 A	- Vehicle Electrical System Control Module -J519- Right Parking Lamp, Right High Beam Lamp, Right Low Beam Lamp, Right Parking Lamp, Right Front Fog Lamp Supply Applicable from model year 2009	30
F2	- Fuse 2 (on fuse panel B) -SB2-	30 A	- ABS Control Module -J104- (MK60 ESP-Valves) ABS Control Module -J104- (MK70 ABS-valves) Not applicable from model year 2009	30
F2	- Fuse 2 (on fuse panel B) -SB2-	20 A	- ABS Control Module -J104- (MK60 ESP-Valves) Applicable from model year 2009	30
F3	- Fuse 3 (on fuse panel B) -SB3-	40 A	- Voltage Stabilizer -J532- Fuses Supply: -SC7- through -SC11- Only models with stop/start system Applicable from model year 2010	30
F3	- Fuse 3 (on fuse panel B) -SB3-	40 A	- Fuses Supply: -SC7- through -SC10- Only models without stop/start system Applicable from model year 2010	30
F4	- Fuse 4 (on fuse panel B) -SB4-	5 A	- Vehicle Electrical System Control Module -J519-	30
F5	- Fuse 5 (on fuse panel B) -SB5-	15 A	- High Tone Horn -H2- Low Tone Horn -H7-	30
F6	- Fuse 6 (on fuse panel B) -SB6-	15 A	- Fuel Pressure Regulator Valve -N276- (BPY, BWA, BHZ, BZC, CDLC)	87
F6	- Fuse 6 (on fuse panel B) -SB6-	15 A	- Transfer Fuel Pump (FP) -G6- Cylinder 1 Fuel Injector -N30- Cylinder 2 Fuel Injector -N31- Cylinder 3 Fuel Injector -N32- Cylinder 4 Fuel Injector -N33- Cylinder 5 Fuel Injector -N83- Cylinder 6 Fuel Injector -N84- Only models with engine code BUB Not applicable from model year 2009	87
F7	- Fuse 7 (on fuse panel B) -SB7-	15 A	- Transfer Fuel Pump (FP) -G6- Cylinder 1 Fuel Injector -N30- Cylinder 2 Fuel Injector -N31- Cylinder 3 Fuel Injector -N32- Cylinder 4 Fuel Injector -N33- Cylinder 5 Fuel Injector -N83- Cylinder 6 Fuel Injector -N84- Only models with engine codes BUB, CBRA Applicable from model year 2009	87
F7	- Fuse 7 (on fuse panel B) -SB7-	15 A	- Fuel Pressure Regulator Valve -N276- (CDLA, CDLC, BPY, BZC) Applicable from model year 2009	87

Protected by copyright. Copying for private or commercial purposes is not permitted unless authorised by AUDI AG. AUDI AG does not guarantee the liability with respect to the correctness of information in this document. Copyright by AUDI AG.

F7	Fuse 7 (on fuse panel B) -SB7-	30 A	Fuel Pump (FP) Control Module -J538- (CEPA, CEPB)	87
F8	- Not used	-	-	
F9	Fuse 9 (on fuse panel B) -SB9-	10 A	- Wastegate Bypass Regulator Valve -N75- Evaporative Emission (EVAP) Canister Purge Regulator Valve 1 -N80- Turbocharger Recirculating Valve -N249- Only models with engine codes BPY, BWA, BHZ, CDLA, CDLC, BZC	87
F9	Fuse 9 (on fuse panel B) -SB9-	15 A	- Wastegate Bypass Regulator Valve -N75- Evaporative Emission (EVAP) Canister Purge Regulator Valve 1 -N80- Turbocharger Recirculating Valve -N249- Fuel Metering Valve -N290- Exhaust Flap Valve 1 -N321- Only models with engine code CEPA, CEPB	87
F10	Fuse 10 (on fuse panel B) -SB10- <small>Protected by copyright. Copying for private or commercial purposes, in part or in whole, is not permitted unless authorised by AUDI AG. AUDI AG does not guarantee or accept any liability for the accuracy of the information in this document. Copyright by AUDI AG.</small>	10 A	- Leak Detection Pump (LDP) -V144- (BPY, BWA, BHZ, BZC, CDLA, CDLC)	87
F10	Fuse 10 (on fuse panel B) -SB10-	10 A	- Mass Air Flow (MAF) Sensor -G70- (BUB, CBRA)	87
F11	Fuse 11 (on fuse panel B) -SB11-	10 A	- Oxygen Sensor (O2S) Heater -Z19- (BPY, BWA, BHZ, CDLA, CDLC, BZC)	87
F11	Fuse 11 (on fuse panel B) -SB11-	10 A	- Oxygen Sensor (O2S) Heater -Z19- (BUB, CBRA) Oxygen Sensor (O2S) Heater 2 -Z28- (BUB, CBRA)	87
F12	Fuse 12 (on fuse panel B) -SB12-	10 A	- Oxygen Sensor (O2S) Heater 1 (behind Three Way Catalytic Converter (TWC) -Z29- (BPY, BWA, BHZ, CDLA, CDLC, BZC)	87
F12	Fuse 12 (on fuse panel B) -SB12-	10 A	- Oxygen Sensor (O2S) Heater 1 (behind Three Way Catalytic Converter (TWC) -Z29- (BUB, CBRA) Oxygen Sensor (O2S) Heater 2 (behind Three Way Catalytic Converter (TWC) -Z30- (BUB, CBRA)	87
F13	Fuse 13 (on fuse panel B) -SB13-	15 A	- Direct Shift Gearbox (DSG) Mechatronic -J743-	30
F14	- Not used	-	-	
F15	Fuse 15 (on fuse panel B) -SB15-	10 A	- After-Run Coolant Pump -V51-	87
F15	Fuse 15 (on fuse panel B) -SB15-	10 A	- Coolant Circuit Solenoid Valve -N492- (CEPA, CEPB)	87
F16	Fuse 16 (on fuse panel B) -SB16-	5 A	- Steering Column Electronic Systems Control Module -J527- Not applicable from model year 2009	30
F17	Fuse 17 (on fuse panel B) -SB17-	5 A	- Instrument Cluster Control Module -J285- Not applicable from model year 2010	30
F17	Fuse 17 (on fuse panel B) -SB17-	5 A	- Steering Column Electronic Systems Control Module -J527- Applicable from model year 2009	30
F18	Fuse 18 (on fuse panel B) -SB18-	30 A	- Amplifier -R12- Bass Speakers Amplifier, in luggage compartment, left -R44-	30

F18	- Fuse 18 (on fuse panel B) -SB18-	30 A	- Voltage Stabilizer -J532- Amplifier -R12- Bass Speakers Amplifier, in luggage compartment, left -R44- Only models with stop/start system Applicable from model year 2010	30
F19	- Fuse 19 (on fuse panel B) -SB19-	25 A	- Radio/Navigation Display Control Module -J503- Only with radio/navigation system Japan Not for models with US equipment Not applicable from model year 2010	30
F19	- Fuse 19 (on fuse panel B) -SB19-	15 A	- Navigation System Operating Electronics Control Module -J402- Radio/Navigation Display Control Module -J503- Radio -R- Not applicable from model year 2010	30
F20	- Fuse 20 (on fuse panel B) -SB20-	5 A	- Navigation System Control Module with CD Drive -J401- Navigation System Tuner, TV -J415- Telephone Transceiver -R36- Amplifier for Telephone -R86- Not applicable from model year 2010	30
F20	- Fuse 20 (on fuse panel B) -SB20-	5 A	- 18-Pin Connector -T18a- (VDA-Interface) Not for models with US equipment Not applicable from model year 2010	30
F20	- Fuse 20 (on fuse panel B) -SB20-	5 A	- Satellite Radio -R146- Only models with US equipment Not applicable from model year 2010	30
F20	- Fuse 20 (on fuse panel B) -SB20-	5 A	- Telephone Transceiver -R36- Not applicable from model year 2010	30
F21	- Not used		-	
F22	- Not used		-	
F23	- Fuse 23 (on fuse panel B) -SB23-	10 A	- Engine Control Modules (ECM) -J...- Motronic Engine Control Module (ECM) Power Supply Relay -J271- Not for models with engine code CEPA, CEPB	30
F23	- Fuse 23 (on fuse panel B) -SB23-	5 A	- Engine Control Module (ECM) -J623- Motronic Engine Control Module (ECM) Power Supply Relay -J271- Control Relay -J789- Only models with engine code CEPA, CEPB	30
F24	- Fuse 24 (on fuse panel B) -SB24-	5 A	- Data Bus On Board Diagnostic Interface -J533-	30
F25	- Not used	-	-	
F26	- Not used	-	-	
F27	- Fuse 27 (on fuse panel B) -SB27-	5 A	- Exhaust Flap Valve -N220- (BHZ, CDLA, CDLC, BZC)	87
F27	- Fuse 27 (on fuse panel B) -SB27-	15 A	- Oxygen Sensor (O2S) Heater -Z19- (CEPA, CEPB)	87

F28	- Fuse 28 (on fuse panel B) -SB28-	15 A	- Oxygen Sensor (O2S) Heater 1 (behind Three Way Catalytic Converter (TWC) -Z29- (CEPA, CEPB)	87
F28	- Fuse 28 (on fuse panel B) -SB28-	25 A	- Engine Control Modules (ECM) -J...- (BHZ, BUB, BWA, BPY, CDLA, BZC, CDLC, CDLA) Not applicable from May 2007, only models with engine codes BUB, BHZ, BWA, BPY, CDLA, CDLC	87
F28	- Fuse 28 (on fuse panel B) -SB28-	15 A	- Engine Control Modules (ECM) -J...- Applicable from May 2007, only models with engine codes BUB, BHZ, BWA, BPY, CDLA, CDLC, CBRA, BZC	87
F29	- Fuse 29 (on fuse panel B) -SB29-	5 A	- Coolant Circulation Pump Relay -J151- (BWA, BPY, BZC, BHZ, BUB, CDLA, CDLC, CBRA) Secondary Air Injection (AIR) Pump Relay -J299- (BUB, CBRA)	87
F29	- Fuse 29 (on fuse panel B) -SB29-	15 A	- Auxiliary Engine Coolant (EC) Pump Relay -J496- (CEPA, CEPB) Exhaust Gas Temperature (EGT) Sensor 1 -G235- (CEPA, CEPB) Camshaft Adjustment Valve 1 -N205- (CEPA, CEPB) Intake Manifold Runner Control (IMRC) Valve -N316- (CEPA, CEPB) Camshaft Adjustment Valve 1 (exhaust) -N318- (CEPA, CEPB) Oil Pressure Regulation Valve -N428- (CEPA, CEPB)	87
F30	- Fuse 30 (on fuse panel B) -SB30-	20 A	- Auxiliary Heater Control Module -J364- Not applicable from November 2010	30
F30	- Fuse 30 (on fuse panel B) -SB30-	30 A	- Auxiliary Heater Control Module -J364- Applicable from November 2010	30
F31	- Fuse 31 (on fuse panel B) -SB31-	30 A	- Wiper Motor Control Module -J400-	30
F32	- Not used	-	-	
F33	- Not used	-	-	
F34	- Not used	-	-	
F35	- Not used	-	-	
F36	- Not used	-	-	
F37	- Not used	-	-	
F38	- Fuse 38 (on fuse panel B) -SB38-	10 A	- Coolant Fan Control (FC) Control Module -J293- (BPY, BWA, BHZ, BUB, CDLA, CDLC, CBRA, BZC, CEPA, CEPB) Evaporative Emission (EVAP) Canister Purge Regulator Valve 1 -N80- (BUB, CBRA) Secondary Air Injection (AIR) Solenoid Valve -N112- (BUB, CBRA) Intake Manifold Tuning (IMT) Valve -N156- (BUB, CBRA) Camshaft Adjustment Valve 1 -N205- (BPY, BWA, BHZ, BUB, CDLA, CDLC, CBRA, BZC) Camshaft Adjustment Valve 1 (exhaust) -N318- (BUB, CBRA) Secondary Air Injection (AIR) Solenoid Valve 2 -N320- (BUB, CBRA) Leak Detection Pump (LDP) -V144- (BUB, CBRA)	87

Protected by copyright. Copying for private or commercial purposes, in part or in whole, is not permitted unless authorised by AUDI AG. AUDI AG does not guarantee or accept any liability with respect to the correctness of information in this document. Copyright by AUDI AG.

F39	- Fuse 39 (on fuse panel B) -SB39-	5 A	- Clutch Position Sensor -G476-	87
F39	- Fuse 39 (on fuse panel B) -SB39-	5 A	- Brake Light Switch -F- Brake Pedal Switch -F63- Applicable from model year 2010	87
F40	- Fuse 40 (on fuse panel B) -SB40-	20 A	- Ignition Coil 1 with Power Output Stage -N70- Ignition Coil 2 with Power Output Stage -N127- Ignition Coil 3 with Power Output Stage -N291- Ignition Coil 4 with Power Output Stage -N292- Only models with engine codes BPY, BWA, BHZ, CDLA, CDLC, BZC	87
F40	- Fuse 40 (on fuse panel B) -SB40-	15 A	- Engine Control Module (ECM) -J623- Only models with engine code CEPA, CEPB	87
F41	- Not used	-	-	
F42	- Fuse 42 (on fuse panel B) -SB42-	5 A	- Engine Component Power Supply Relay -J757- Only models with engine codes BPY, BWA, BHZ, CDLA, CDLC, BZC, CEPA, CEPB	87
F43	- Fuse 43 (on fuse panel B) -SB43-	30 A	- Ignition Coil 1 with Power Output Stage -N70- (BUB, CBRA, CEPA, CEPB) Ignition Coil 2 with Power Output Stage -N127- (BUB, CBRA, CEPA, CEPB) Ignition Coil 3 with Power Output Stage -N291- (BUB, CBRA, CEPA, CEPB) Ignition Coil 4 with Power Output Stage -N292- (BUB, CBRA, CEPA, CEPB) Ignition Coil 5 with Power Output Stage -N323- (BUB, CBRA, CEPA, CEPB) Ignition Coil 6 with Power Output Stage -N324- (BUB, CBRA)	87
F44	- Not used	-	-	
F45	- Not used	-	-	
F46	- Not used	-	-	
F47	- Fuse 47 (on fuse panel B) -SB47-	30 A	- Vehicle Electrical System Control Module -J519- Left Parking Lamp, Left High Beam Lamp, Left Low Beam Lamp, Left Parking Lamp, Left Front Fog Lamp Supply	30
F48	- Fuse 48 (on fuse panel B) -SB48-	40 A	- ABS Control Module -J104- (MK60 ESP-Pump) ABS Control Module -J104- (MK70 ABS Pump and ABS Valves) Applicable from model year 2009	30
F48	- Fuse 48 (on fuse panel B) -SB48-	30 A	- Vehicle Electrical System Control Module -J519- Right Parking Lamp, Right High Beam Lamp, Right Low Beam Lamp, Right Parking Lamp, Right Front Fog Lamp Supply Not applicable from model year 2009	30

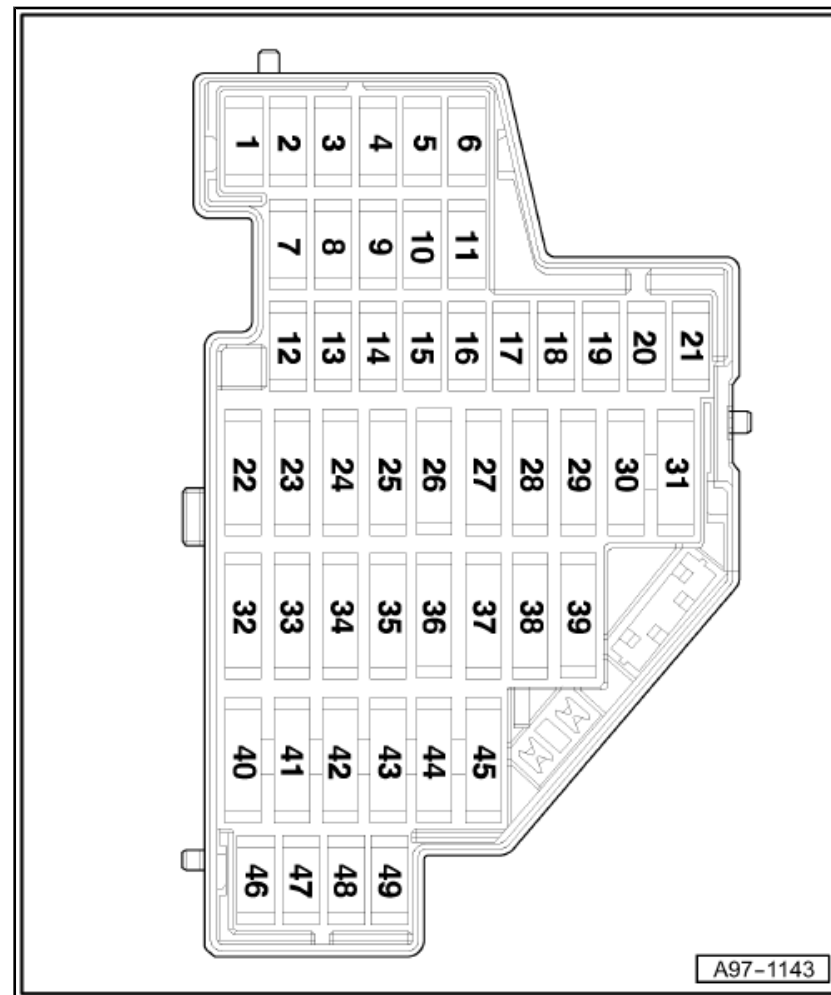
Protected by copyright. Copying for private or commercial purposes, in part or in whole, is not permitted unless authorised by AUDI AG. AUDI AG does not guarantee or accept any liability with respect to the correctness of information in this document. Copyright by AUDI AG.

F49	- Fuse 49 (on fuse panel B) -SB49-	40 A	- Power Supply Relay 2 (terminal 15) -J681- Fuses Supply: -SC1- through -SC6- , -SC29- through -SC31- , -SC46- , -SC47- , -SC49- Not applicable from model year 2009	30
F50	- Not used	-	-	
F51	- Fuse 51 (on fuse panel B) -SB51-	40 A	- Secondary Air Injection (AIR) Pump Motor -V101- (BUB, CBRA)	30
F52	- Fuse 52 (on fuse panel B) -SB52-	50 A	- Power Supply Relay 2 (terminal 15) -J681- Fuses Supply: -SC1- through -SC6- , -SC19- , -SC20- , -SC29- through -SC31- , -SC40- , -SC41- , -SC42- , -SC46- , -SC47- , -SC49- Applicable from model year 2009	30
F52	- Fuse 52 (on fuse panel B) -SB52-	50 A	- Load Reduction Relay -J59- Fuses Supply: -SC40- , -SC41- , -SC42- Not applicable from model year 2009	30
F53	- Fuse 53 (on fuse panel B) -SB53-	50 A	- (B300) Plus Connection 4 (30) (in main wiring harness) Fuses Supply: -SC32- through -SC37- , -SC44- , -SC45- , -SC48- , -S131- Only models with battery in engine compartment Not applicable from model year 2009	30
F53	- Fuse 53 (on fuse panel B) -SB53-	50 A	- (B300) Plus Connection 4 (30) (in main wiring harness) Fuses Supply: -SC32- through -SC37- , -SC48- , -S131- Only models with battery in luggage compartment Not applicable from model year 2009	30
F53	- Fuse 53 (on fuse panel B) -SB53-	50 A	- (B300) Plus Connection 4 (30) (in main wiring harness) Fuses Supply: -SC32- through -SC37- , -SC39- , -SC44- , -SC45- , -SC48- , -S131- Only models with battery in engine compartment Applicable from model year 2009	30
F53	- Fuse 53 (on fuse panel B) -SB53-	50 A	- (B300) Plus Connection 4 (30) (in main wiring harness) Fuses Supply: -SC32- through -SC37- , -SC39- , -SC48- , -S131- Only models with battery in luggage compartment Applicable from model year 2009	30

1.19 Location Fuse Panel C -SC- , under instrument panel, left

1.19.1 Fuse Colours

- 50 A - red
- 40 A - orange
- 30 A - light-green
- 25 A - natural (white)
- 20 A - yellow
- 15 A - light-blue
- 10 A - red
- 7,5 A - brown
- 5 A - light-brown
- 3 A - purple



1.20 Position of fuses on fuse panel, from model year 2004

No.	Designation in Wiring Diagram	Nominal Value	Function/Component	Terminal
1	- Fuse 1 (on fuse panel C) -SC1-	10 A	- 16-Pin Connector -T16- (diagnostic connector) Light Switch -E1-	15
2	- Fuse 2 (on fuse panel C) -SC2-	5 A	- ABS Control Module -J104- ASR/ESP Button -E256-	15
3	- Fuse 3 (on fuse panel C) -SC3-	10 A	- Power Steering Control Module -J500-	15

4	- Fuse 4 (on fuse panel C) -SC4-	10 A	- Heater Control Module -J65- ¹ Air Quality Sensor -G238- High Pressure Sensor -G65-	15
5	- Fuse 5 (on fuse panel C) -SC5-	5 A	- Airbag Control Module -J234- Seat Occupied Recognition Control Module -J706- Applicable from model year 2005	15
5	- Fuse 5 (on fuse panel C) -SC5-	5 A	- Clutch Position Sensor -G476- ¹ Brake Light Switch -F- ¹ Brake Pedal Switch -F63- ¹ Not applicable from April 2003	15
6	- Fuse 6 (on fuse panel C) -SC6-	5 A	- Data Bus On Board Diagnostic Interface -J533- Function Selection Switch 2 -E272- ¹ Towing Recognition Control Module -J345-	15
7	- Fuse 7 (on fuse panel C) -SC7-	5 A	- Heater Control Module -J65- ¹ Headlamp Range Control Module -J431- Left Rear Heated Seat Regulating Switch -E128- Right Rear Heated Seat Regulating Switch -E129-	15
8	- Fuse 8 (on fuse panel C) -SC8-	10 A	- Garage Door Opener Control Head -E284- Navigation System Control Module with CD Drive -J401- ¹ Parking Aid Control Module -J446- Garage Door Opener Control Module -J530- Automatic Day/Night Interior Mirror -Y7-	15
9	- Fuse 9 (on fuse panel C) -SC9-	5 A	- All-Wheel Drive Control Module -J492-	15
10	- Fuse 10 (on fuse panel C) -SC10-	5 A	- Selector Lever -E313- Tiptronic Switch -F189- ¹	15
11	- Fuse 11 (on fuse panel C) -SC11-	10 A	- Trailer Socket -U10- ¹	15
12	- Fuse 12 (on fuse panel C) -SC12-	10 A	- Driver's Door Control Module -J386- Front Passenger's Door Control Module -J387-	30
13	- Fuse 13 (on fuse panel C) -SC13-	10 A	- Brake Light Switch -F- 16-Pin Connector -T16- (diagnostic connector)	30
14	- Fuse 14 (on fuse panel C) -SC14-	5 A	- Transmission Control Module (TCM) -J217- ¹	30
15	- Fuse 15 (on fuse panel C) -SC15-	10 A	- Vehicle Electrical System Control Module -J519-	30
16	- Fuse 16 (on fuse panel C) -SC16-	10 A	- Rain/Light Recognition Sensor -G397- Heater Control Module -J65- ¹ Climatronic Control Module -J255- Auxiliary Heater RF Receiver -R64- ¹	30
17	- Fuse 17 (on fuse panel C) -SC17-	5 A	- Comfort System Central Control Module -J393-	30

18	- Fuse 18 (on fuse panel C) -SC18-	5 A	- Selector Lever -E313- Tiptronic Switch -F189- ¹ Parking Aid Control Module -J446- ¹ ABS Control Module -J104-	30
19	- Fuse 19 (on fuse panel C) -SC19-	10 A	- Left Rear Door Control Module -J388- Right Rear Door Control Module -J389-	30
20	- Not used	-	-	-
21	- Not used	-	-	-
22	- Fuse 22 (on fuse panel C) -SC22-	40 A	- Fresh Air Blower Control Module -J126-	30
23	- Fuse 23 (on fuse panel C) -SC23-	20 A	- Headlamp Washer Relay -J39- Headlamp Washer Pump -V11- Not applicable from model year 2005	30
24	- Fuse 24 (on fuse panel C) -SC24-	20 A	- Cigarette Lighter -U1- 12 V Socket -U5-	30
25	- Fuse 25 (on fuse panel C) -SC25-	30 A	- Heated Rear Window -Z1-	30
26	- Fuse 26 (on fuse panel C) -SC26-	20 A	- Socket -U-	30
27	- Fuse 27 (on fuse panel C) -SC27-	15 A	- Fuel Pump (FP) Relay -J17- ¹ Fuel Pump (FP) 2 Relay -J49- ¹ Fuel Pump (FP) Control Module -J538-	30
28	- Not used	-	-	-
29	- Fuse 29 (on fuse panel C) -SC29-	10 A	- Motronic Engine Control Module (ECM) -J220- Diesel Direct Fuel Injection (DFI) Engine Control Module (ECM) -J248- ¹ SIMOS Control Module -J361- ¹ Fuel Pump (FP) Control Module -J538- Front Passenger Airbag Disabled Indicator Lamp -K145-	15
30	- Not used	-	-	-
31	- Fuse 31 (on fuse panel C) -SC31-	5 A	- Back-Up Light Switch -F4- Direct Shift Gearbox (DSG) Mechatronic -J743-	15
32	- Not used	-	-	-
33	- Fuse 33 (on fuse panel C) -SC33-	25 A	- Power Sunroof Control Module -J245-	15
34	- Fuse 34 (on fuse panel C) -SC34-	20 A	- Left Rear Heated Seat Control Module -J215- ¹ Right Rear Heated Seat Control Module -J216- ¹	30
35	- Fuse 35 (on fuse panel C) -SC35-	5 A	- Interior Monitoring Sensor -G273- Vehicle Inclination Sensor -G384- Alarm Horn -H12-	30
36	- Fuse 36 (on fuse panel C) -SC36-	10 A	- Driver's Seat Lumbar Support Adjustment Switch -E176- Front Passenger's Seat Lumbar Support Adjustment Switch -E177-	30

Protected by copyright. Copying for private or commercial purposes, in part or in whole, is not permitted unless authorised by AUDI AG. AUDI AG does not guarantee, or accept any liability with respect to the correctness of information in this document. Copyright by AUDI AG.



37	- Fuse 37 (on fuse panel C) -SC37-	20 A	- Climatronic Control Module -J255- Driver's Heated Seat Control Module -J726- ¹ Front Passenger's Heated Seat Control Module -J727- ¹	30
38	- Not used	-	-	-
39	- Not used	-	-	-
40	- Fuse 40 (on fuse panel C) -SC40-	40 A	- Fresh Air Blower Switch -E9- ¹ Only models without A/C	75
41	- Fuse 41 (on fuse panel C) -SC41-	15 A	- Rear Window Wiper Motor -V12-	75
42	- Fuse 42 (on fuse panel C) -SC42-	15 A	- Windshield and Rear Window Washer Pump -V59-	75
43	- Not used	-	-	-
44	- Fuse 44 (on fuse panel C) -SC44-	20 A	- Towing Recognition Control Module -J345- ¹ Turn Signal, Brake Lamp, Left Taillamp Supply	30
45	- Fuse 45 (on fuse panel C) -SC45-	15 A	- Towing Recognition Control Module -J345- ¹ Rear Fog Lamp, Back-Up Lamp, Right Taillamp Supply	30
46	- Fuse 46 (on fuse panel C) -SC46-	5 A	- Heater Control Module -J65- ¹ Climatronic Control Module -J255- Left Washer Nozzle Heater -Z20- Right Washer Nozzle Heater -Z21-	75
47	- Not used	-	-	-
48	- Fuse 48 (on fuse panel C) -SC48-	10 A	- Driving School Option	30
49	- Fuse 49 (on fuse panel C) -SC49-	10 A	- Driving School Option	15
49	- Fuse 49 (on fuse panel C) -SC49-	5 A	- Police Option	15

¹ Not for models with US equipment

1.21 Position of fuses on fuse panel, from model year 2006

No.	Designation in Wiring Diagram	Nominal Value	Function/Component	Terminal
1	- Fuse 1 (on fuse panel C) -SC1-	10 A	- Light Switch -E1- Fuel Pump (FP) Relay -J17- Engine Control Module (ECM) -J623- ¹ Motronic Engine Control Module (ECM) -J220- Diesel Direct Fuel Injection (DFI) Engine Control Module (ECM) -J248- ¹ Fuel Pump (FP) Control Module -J538- 16-Pin Connector -T16- (diagnostic connector)	15

2	- Fuse 2 (on fuse panel C) -SC2-	5 A	- ABS Control Module -J104- Brake Light Switch -F- Brake Pedal Switch -F63-	15
3	- Fuse 3 (on fuse panel C) -SC3-	5 A	- Airbag Control Module -J234- Front Passenger Airbag Disabled Indicator Lamp -K145-	15
4	- Fuse 4 (on fuse panel C) -SC4-	5 A	- Tire Pressure Monitoring Button -E226- ¹ ASR/ESP Button -E256- Back-Up Light Switch -F4- High Pressure Sensor -G65- Air Quality Sensor -G238- Oil Level Thermal Sensor -G266- Heater Control Module -J162- ¹ Left Rear Heated Seat Control Module -J215- ¹ Right Rear Heated Seat Control Module -J216- ¹ Driver's Heated Seat Control Module -J726- ¹ Front Passenger's Heated Seat Control Module -J727- ¹	15
5	- Fuse 5 (on fuse panel C) -SC5-	5 A	- Headlamp Range Control Module -J431-	15
		10 A	- Headlamp Adjuster -E102- ¹ Left Headlamp Beam Adjustment Motor -V48- ¹ Right Headlamp Beam Adjustment Motor -V49- ¹	15
6	- Fuse 6 (on fuse panel C) -SC6-	5 A	- Function Selection Switch 2 -E272- ¹ Selector Lever -E313- Tiptronic Switch -F189- ¹ Power Steering Control Module -J500- Data Bus On Board Diagnostic Interface -J533- Direct Shift Gearbox (DSG) Mechatronic -J743-	15
7	- Fuse 7 (on fuse panel C) -SC7-	5 A	- Garage Door Opener Control Head -E284- Towing Recognition Control Module -J345- ¹ Navigation System Control Module with CD Drive -J401- ¹ Navigation System Operating Electronics Control Module -J402- Parking Aid Control Module -J446- ¹ Garage Door Opener Control Module -J530- Automatic Day/Night Interior Mirror -Y7-	15
8	- Fuse 8 (on fuse panel C) -SC8-	10 A	- Trailer Socket -U10- ¹	15
9	- Not used	-	-	-
10	- Fuse 10 (on fuse panel C) -SC10-	5 A	- Seat Occupied Recognition Control Module -J706-	15
11	- Fuse 11 (on fuse panel C) -SC11-	5 A	- Right Headlamp Power Output Stage -J668-	15
12	- Fuse 12 (on fuse panel C) -SC12-	10 A	- Driver's Door Control Module -J386- Front Passenger's Door Control Module -J387-	30
13	- Fuse 13 (on fuse panel C) -SC13-	10 A	- Brake Light Switch -F- (brake lights) 16-Pin Connector -T16- (diagnostic connector)	30

14	- Fuse 14 (on fuse panel C) -SC14-	5 A	- Transmission Control Module (TCM) -J217- ¹	30
15	- Fuse 15 (on fuse panel C) -SC15-	10 A	- Vehicle Electrical System Control Module -J519-	30
16	- Fuse 16 (on fuse panel C) -SC16-	10 A	- Rain/Light Recognition Sensor -G397- Heater Control Module -J162- ¹ Climatronic Control Module -J255- Auxiliary Heater RF Receiver -R64- ¹	30
17	- Fuse 17 (on fuse panel C) -SC17-	5 A	- Comfort System Central Control Module -J393-	30
18	- Fuse 18 (on fuse panel C) -SC18-	5 A	- Selector Lever -E313- Tiptronic Switch -F189- ¹ Parking Aid Control Module -J446- ¹	30
19	- Fuse 19 (on fuse panel C) -SC19-	10 A	- Left Rear Door Control Module -J388- Right Rear Door Control Module -J389-	30
20	- Fuse 20 (on fuse panel C) -SC20-	5 A	- ABS Control Module -J104- ¹	30
21	- Not used	-	-	-
22	- Fuse 22 (on fuse panel C) -SC22-	40 A	- Fresh Air Blower Control Module -J126-	30
23	- Fuse 23 (on fuse panel C) -SC23-	30 A	- Driver's Window Regulator Motor -V147-	30
24	- Fuse 24 (on fuse panel C) -SC24-	20 A	- Cigarette Lighter -U1- 12 V Socket -U5-	30
25	- Fuse 25 (on fuse panel C) -SC25-	30 A	- Heated Rear Window -Z1-	30
26	- Fuse 26 (on fuse panel C) -SC26-	20 A	- Socket -U-	30
27	- Fuse 27 (on fuse panel C) -SC27-	15 A	- Fuel Pump (FP) 2 Relay -J49- Fuel Pump (FP) Control Module -J538-	30
28	- Fuse 28 (on fuse panel C) -SC28-	30 A	- Left Rear Window Regulator Motor -V26- Right Rear Window Regulator Motor -V27-	30
29	- Fuse 29 (on fuse panel C) -SC29-	10 A	- Mass Air Flow (MAF) Sensor -G70- Positive Crankcase Ventilation (PCV) Heating Element -N79-	15
30	- Fuse 30 (on fuse panel C) -SC30-	10 A	- Cylinder 1 Fuel Injector -N30- Cylinder 2 Fuel Injector -N31- Cylinder 3 Fuel Injector -N32- Cylinder 4 Fuel Injector -N33- Cylinder 5 Fuel Injector -N83- Cylinder 6 Fuel Injector -N84-	15
31	- Fuse 31 (on fuse panel C) -SC31-	5 A	- All-Wheel Drive Control Module -J492-	15
		20 A	- Vacuum Pump Relay -J57- ¹	15

32	- Fuse 32 (on fuse panel C) -SC32-	30 A	- Headlamp Washer Pump -V11- Headlamp Washer Relay -J39-	30
33	- Fuse 33 (on fuse panel C) -SC33-	25 A	- Power Sunroof Control Module -J245-	30
34	- Fuse 34 (on fuse panel C) -SC34-	20 A	- Left Rear Heated Seat Control Module -J215- ¹ Right Rear Heated Seat Control Module -J216- ¹	30
35	- Fuse 35 (on fuse panel C) -SC35-	5 A	- Interior Monitoring Sensor -G273- Vehicle Inclination Sensor -G384- Alarm Horn -H12-	30
36	- Fuse 36 (on fuse panel C) -SC36-	10 A	- Driver's Seat Lumbar Support Adjustment Switch -E176- Front Passenger's Seat Lumbar Support Adjustment Switch -E177-	30
37	- Fuse 37 (on fuse panel C) -SC37-	20 A	- Climatronic Control Module -J255- Driver's Heated Seat Control Module -J726- ¹ Front Passenger's Heated Seat Control Module -J727- ¹ Front Left Heated Seat -Z45- Front Right Heated Seat -Z46-	30
38	- Fuse 38 (on fuse panel C) -SC38-	30 A	- Front Passenger's Window Regulator Motor -V148-	30
39	- Fuse 39 (on fuse panel C) -SC39-	20 A	- Multi-Function Transmission Range (TR) Switch -F125- ¹ Transmission Control Module (TCM) -J217- ¹	15
40	- Fuse 40 (on fuse panel C) -SC40-		- Fresh Air Blower Switch -E9- ¹ Only models without A/C	75
41	- Fuse 41 (on fuse panel C) -SC41-	15 A	- Rear Window Wiper Motor -V12-	75
42	- Fuse 42 (on fuse panel C) -SC42-	15 A	- Windshield and Rear Window Washer Pump -V59-	75
43	- Not used			
44	- Fuse 44 (on fuse panel C) -SC44-	20 A	- Towing Recognition Control Module -J345- ¹	30
45	- Fuse 45 (on fuse panel C) -SC45-	15 A	- Towing Recognition Control Module -J345- ¹	30
46	- Fuse 46 (on fuse panel C) -SC46-	5 A	- Heater Control Module -J162- ¹ Climatronic Control Module -J255- Left Washer Nozzle Heater -Z20- Right Washer Nozzle Heater -Z21-	75
47	- Fuse 47 (on fuse panel C) -SC47-	5 A	- Left Headlamp Power Output Stage -J667-	15
48	- Fuse 48 (on fuse panel C) -SC48-	10 A	- Socket -U- ¹ Only Driving School	30

49	- Fuse 49 (on fuse panel C) -SC49-	5 A	- Special Purpose Vehicle Fuse 6 -S296- ¹ Footwell Illumination Switch -E295- ¹ Warning Buzzer Switch -E296- ¹	15
----	------------------------------------	-----	-------------------------------------------------------------------------------------------------------------------------------------------------------	----

¹ Not for models with US equipment

1.22 Position of fuses on fuse panel, from model year 2007

No.	Designation in Wiring Diagram	Nominal Value	Function/Component	Terminal
1	- Fuse 1 (on fuse panel C) -SC1-	10 A	- Light Switch -E1- Headlamp Adjuster -E102- ¹ Mass Air Flow (MAF) Sensor -G70- (BKC, BXE, AZV, BKD, BLS, BMM, BMN, BPU, BPT, BYZ, BWA, BPY, BHZ, BZB, CAWB, CBFA, BUY, CDAA, CCZA, CCTA, CDLA, CDLC, CAYB, CAYC, BZC, CBEA) Towing Recognition Control Module -J345- ¹ Headlamp Range Control Module -J431- Positive Crankcase Ventilation (PCV) Heating Element -N79- (BSE, BSF, BKC, BXE, AZV, BKD, BLS, BMM, BMN, BUB, BUY, CCSA, CBBB, CBAB, CBAA, CBRA, CAYB, CAYC, CBEA, CFFA, CFFB, CFGB, CMXA, CLJA) 16-Pin Connector -T16- (diagnostic connector) Left Headlamp Beam Adjustment Motor -V48- ¹ Right Headlamp Beam Adjustment Motor -V49- ¹	15
1	- Fuse 1 (on fuse panel C) -SC1-	10 A	- Mass Air Flow (MAF) Sensor -G70- (CBBB, CBAB, CBAA) Only models without stop/start system Applicable from model year 2010	15
1	- Fuse 1 (on fuse panel C) -SC1-	10 A	- Stop/Start Mode Button -E693- Only models with stop/start system Not applicable, phased-in model year 2010	15
2	- Fuse 2 (on fuse panel C) -SC2-	10 A	- Engine Control Modules (ECM) -J- Fuel Pump (FP) Relay -J17- (BSE, BSF, BUB, CCSA, CBRA, CMXA) ABS Control Module -J104- SIMOS Control Module Power Supply Relay -J363- (BSE, BSF, CCSA, CMXA) ¹ Power Steering Control Module -J500- Data Bus On Board Diagnostic Interface -J533- Fuel Pump (FP) Control Module -J538- (BPU, BYT, BPT, BLF, BVY, BVZ, BPY, BWA, BHZ, CMSA, CAXC, BZB, CAWB, CBFA, CDAA, CCZA, CCTA, CDLC, CDLA, BZC) Selector Lever Sensor Control Module -J587- Direct Shift Gearbox (DSG) Mechatronic -J743-	15
2	- Fuse 2 (on fuse panel C) -SC2-	10 A	- Brake Light Switch -F- Brake Pedal Switch -F63- Not applicable from model year 2010	15

2	- Fuse 2 (on fuse panel C) -SC2-	10 A	- Tiptronic Switch -F189- ¹ All-Wheel Drive Control Module -J492- Not applicable from model year 2009	15
2	- Fuse 2 (on fuse panel C) -SC2-	10 A	- Starter Relay 1 -J906- Starter Relay 2 -J907- Automatic Day/Night Interior Mirror Relay -J910- Only models with stop/start system Applicable from model year 2010	15
3	- Fuse 3 (on fuse panel C) -SC3-	5 A	- Airbag Control Module -J234- Front Passenger Airbag Disabled Indicator Lamp -K145-	15
4	- Fuse 4 (on fuse panel C) -SC4-	5 A	- Left Rear Heated Seat Regulating Switch -E128- ¹ Right Rear Heated Seat Regulating Switch -E129- ¹ Tire Pressure Monitoring Button -E226- ¹ ASR/ESP Button -E256- Garage Door Opener Control Head -E284- Back-Up Light Switch -F4- High Pressure Sensor -G65- Air Quality Sensor -G238- Oil Level Thermal Sensor -G266- Heater Control Module -J162- Climatronic Control Module -J255- A/C Control Module -J301- ¹ Navigation System Control Module with CD Drive -J401- ¹ Parking Aid Control Module -J446- Garage Door Opener Control Module -J530- Seat Occupied Recognition Control Module -J706- Driver's Heated Seat Control Module -J726- ¹ Front Passenger's Heated Seat Control Module -J727- ¹ Left Washer Nozzle Heater -Z20- Right Washer Nozzle Heater -Z21-	15
4	- Fuse 4 (on fuse panel C) -SC4-	5 A	- Automatic Day/Night Interior Mirror -Y7- Not applicable from model year 2010	15
4	- Fuse 4 (on fuse panel C) -SC4-	5 A	- Automatic Day/Night Interior Mirror -Y7- Only models without stop/start system Applicable from model year 2010	15
4	- Fuse 4 (on fuse panel C) -SC4-	5 A	- Voltage Stabilizer -J532- Only models with stop/start system Applicable from model year 2010	15
4	- Fuse 4 (on fuse panel C) -SC4-	5 A	- Stop/Start Mode Button -E693- Only models with stop/start system Insert in model year 2010	15
5	- Fuse 5 (on fuse panel C) -SC5-	5 A	- Left Headlamp Power Output Stage -J667-	15
6	- Fuse 6 (on fuse panel C) -SC6-	5 A	- Right Headlamp Power Output Stage -J668-	15
7	- Not used	-	-	-

Protected by copyright. Copying for private or commercial purposes, in part or in whole, is not permitted unless authorised by AUDI AG. AUDI AG does not warrant or accept any liability with respect to the correctness, completeness or timeliness of the information. Copyright by AUDI AG.

8	- Fuse 8 (on fuse panel C) -SC8-	5 A	- Instrument Cluster Control Module -J285- Applicable from model year 2010	30
9	- Fuse 9 (on fuse panel C) -SC9-	15 A	- Navigation System Operating Electronics Control Module -J402- Radio/Navigation Display Control Module -J503- Radio -R- 8-Pin Connector -T8- (Preparation for Radio) ¹ Applicable from model year 2010	30
10	- Fuse 10 (on fuse panel C) -SC10-	7,5 A	- Navigation System Tuner, TV -J415- ¹ Telephone Transceiver -R36- Satellite Radio -R146- ² External Audio Source Connector -R199- 18-Pin Connector -T18a- (VDA-Interface) ¹ Applicable from model year 2010	30
11	- Fuse 11 (on fuse panel C) -SC11-	10 A	- Automatic Day/Night Interior Mirror Relay -J910- Automatic Day/Night Interior Mirror -Y7- Only models with stop/start system Applicable from model year 2010	30
12	- Fuse 12 (on fuse panel C) -SC12-	10 A	- Driver's Door Control Module -J386- Front Passenger's Door Control Module -J387-	30
13	- Fuse 13 (on fuse panel C) -SC13-	10 A	- Left Rear Door Control Module -J388- Right Rear Door Control Module -J389-	30
13	- Fuse 13 (on fuse panel C) -SC13-	10 A	- Comfort System Central Control Module -J393- Not applicable from model year 2010	30
14	- Fuse 14 (on fuse panel C) -SC14-	10 A	- ABS Control Module -J104- Selector Lever Sensor Control Module -J587-	30
14	- Fuse 14 (on fuse panel C) -SC14-	10 A	- Tiptronic Switch -F189- ¹ Transmission Control Module (TCM) -J217- ¹ Parking Aid Control Module -J446- Not applicable from model year 2009	30
15	- Fuse 15 (on fuse panel C) -SC15-	10 A	- Front Interior Light -W- Front Interior Light -W1- Rear Interior Light -W43-	30
16	- Fuse 16 (on fuse panel C) -SC16-	10 A	- Rain/Light Recognition Sensor -G397- Heater Control Module -J162- Climatronic Control Module -J255- A/C Control Module -J301- ¹ Tire Pressure Monitoring Control Module -J502- ² Auxiliary Heater RF Receiver -R64- ¹ 16-Pin Connector -T16- (diagnostic connector)	30
16	- Fuse 16 (on fuse panel C) -SC16-	10 A	- Light Switch -E1- Applicable from model year 2010	30

Protected by copyright. Copying for private or commercial purposes, in part or in whole, is not permitted unless authorised by AUDI AG. AUDI AG does not guarantee or accept any liability for the correctness of information in this document. Copyright by AUDI AG.

17	- Fuse 17 (on fuse panel C) -SC17-	5 A	- Interior Monitoring Sensor -G273- ¹ Vehicle Inclination Sensor -G384- ¹ Alarm Horn -H12-	30
18	- Fuse 18 (on fuse panel C) -SC18-	5 A	- Engine Control Module (ECM) -J623- (Diagnosis Wire) Only models with engine code CBFA Not applicable from model year 2010	50
18	- Fuse 18 (on fuse panel C) -SC18-	5 A	- Vehicle Electrical System Control Module -J519- (Diagnosis Wire) Voltage Stabilizer -J532- (Diagnosis Wire) Engine Control Module (ECM) -J623- (Diagnosis Wire) Only models with stop/start system Applicable from model year 2010	50
18	- Fuse 18 (on fuse panel C) -SC18-	5 A	- Vehicle Electrical System Control Module -J519- (Diagnosis Wire) Engine Control Module (ECM) -J623- (Diagnosis Wire) Only models with engine code CBFA Applicable from model year 2010	50
19	- Fuse 19 (on fuse panel C) -SC19-	10 A	- All-Wheel Drive Control Module -J492- Applicable from model year 2009	15
20	- Fuse 20 (on fuse panel C) -SC20-	5 A	- Electronic Damping Control Module -J250- Applicable from model year 2009	15
21	- Not used	-	-	-
22	- Fuse 22 (on fuse panel C) -SC22-	40 A	- Fresh Air Blower Control Module -J126- Fresh Air Blower -V2-	30
23	- Fuse 23 (on fuse panel C) -SC23-	30 A	- Driver's Window Regulator Motor -V147-	30
24	- Fuse 24 (on fuse panel C) -SC24-	20 A	- Cigarette Lighter -U1-	30
25	- Fuse 25 (on fuse panel C) -SC25-	30 A	- Heated Rear Window -Z1-	30
26	- Fuse 26 (on fuse panel C) -SC26-	20 A	- Socket -U-	30
27	- Fuse 27 (on fuse panel C) -SC27-	15 A	- Fuel Pump (FP) Relay -J17- (BSE, BSF, CCSA, CBBB, CBAB, CBAA, BKC, BXE, AZV, BKD, BLS, BMM, BUY, BMN, CAYB, CAYC, CBEA, CFFA, CFFB, CFGB, CMXA, CLJA) Fuel Pump (FP) Control Module -J538- (BPU, BYT, BPT, BWA, BPY, BHZ, CMSA, CAXC, BZB, CAWB, CCTA, CBFA, BLF, BVY, BVZ, CDAA, CCZA, CDLA, CDLC, BZC, CBZB)	30
27	- Fuse 27 (on fuse panel C) -SC27-	15 A	- Fuel Pump (FP) 2 Relay -J49- (BSE, BSF, BUB, CCSA, CBRA, CMXA) Applicable from November 2006, only models with auxiliary heater, engine codes BKC, BXE, AZV, BKD, BLS, BMM, BUY, BMN, CBBB, CBAB, CBAA, CAYB, CAYC, CFFA, CFFB, CFGB, CLJA	30
27	- Fuse 27 (on fuse panel C) -SC27-	15 A	- Auxiliary Fuel Pump Relay -J832- (CBBB, CBAB, CBAA, CBEA, CFFA, CFFB, CFGB, CLJA) Auxiliary Fuel Pump -V393- (CBBB, CBAB, CBAA, CBEA, CFFA, CFFB, CFGB, CLJA)	30

28	- Fuse 28 (on fuse panel C) -SC28-	30 A	- Left Rear Window Regulator Motor -V26- Right Rear Window Regulator Motor -V27-	30
29	- Not used	-	-	-
30	- Fuse 30 (on fuse panel C) -SC30-	20 A	- Multi-Function Transmission Range (TR) Switch -F125- ¹ Transmission Control Module (TCM) -J217- ¹ Not applicable from model year 2009	15
31	- Fuse 31 (on fuse panel C) -SC31-	20 A	- Brake System Vacuum Pump -V192- (CCSA, BSE, BSF, CMXA) ¹	15
32	- Fuse 32 (on fuse panel C) -SC32-	30 A	- Headlamp Washer Pump -V11-	30
33	- Fuse 33 (on fuse panel C) -SC33-	20 A	- Power Sunroof Control Module -J245-	30
34	- Fuse 34 (on fuse panel C) -SC34-	20 A	- Left Rear Heated Seat Control Module -J215- ¹ Right Rear Heated Seat Control Module -J216- ¹	30
35	- Not used	-	-	-
36	- Fuse 36 (on fuse panel C) -SC36-	10 A	- Driver's Seat Lumbar Support Adjustment Switch -E176- Front Passenger's Seat Lumbar Support Adjustment Switch -E177-	30
37	- Fuse 37 (on fuse panel C) -SC37-	20 A	- Climatronic Control Module -J255- Driver's Heated Seat Control Module -J726- ¹ Front Passenger's Heated Seat Control Module -J727- ¹	30
38	- Fuse 38 (on fuse panel C) -SC38-	30 A	- Front Passenger's Window Regulator Motor -V148-	30
39	- Fuse 39 (on fuse panel C) -SC39-	5 A	- Models Location System Control Module Interface -J843- (Special Functions Interface)	30
39	- Fuse 39 (on fuse panel C) -SC39-	25 A	- Radio/Navigation Display Control Module -J503- ¹ Only with radio/navigation system Japan Applicable from model year 2010	30
40	- Fuse 40 (on fuse panel C) -SC40-	40 A	- Starter -B- Applicable from model year 2009	15
40	- Fuse 40 (on fuse panel C) -SC40-	40 A	- Fresh Air Blower Switch -E9- ¹ Fresh Air Blower -V2- ¹ Not applicable from model year 2009	75
41	- Fuse 41 (on fuse panel C) -SC41-	15 A	- Rear Window Wiper Motor -V12- Applicable from model year 2009	15
41	- Fuse 41 (on fuse panel C) -SC41-	15 A	- Rear Window Wiper Motor -V12- Not applicable from model year 2009	75
42	- Fuse 42 (on fuse panel C) -SC42-	15 A	- Windshield and Rear Window Washer Pump -V59- Not applicable from model year 2009	75
42	- Fuse 42 (on fuse panel C) -SC42-	15 A	- Windshield and Rear Window Washer Pump -V59- Applicable from model year 2009 Not applicable from model year 2010	15
43	- Fuse 43 (on fuse panel C) -SC43-	20 A	- Comfort System Central Control Module -J393- Not applicable from model year 2010	30

Protected by copyright. Copying for private or commercial purposes in part or in whole is not permitted unless authorised by AUDI AG. AUDI AG does not guarantee or accept any liability with respect to the correctness of information in this document. Copyright © 2011 Audi AG

43	- Fuse 43 (on fuse panel C) -SC43-	20 A	- Vehicle Electrical System Control Module -J519- Applicable from model year 2010	30
44	- Fuse 44 (on fuse panel C) -SC44-	20 A	- Towing Recognition Control Module -J345- ¹	30
45	- Fuse 45 (on fuse panel C) -SC45-	15 A	- Towing Recognition Control Module -J345- ¹ Not applicable from November 2006	30
45	- Fuse 45 (on fuse panel C) -SC45-	20 A	- Towing Recognition Control Module -J345- ¹ Applicable from November 2006	30
46	- Fuse 46 (on fuse panel C) -SC46-	10 A	- Trailer Socket -U10- ¹	15
47	- Fuse 47 (on fuse panel C) -SC47-	5 A	- 18-Pin Connector -T18a- (VDA-Interface) ¹	15
47	- Fuse 47 (on fuse panel C) -SC47-	5 A	- Amplifier for Telephone -R86- ¹ Applicable from model year 2010	15
48	- Fuse 48 (on fuse panel C) -SC48-	10 A	- Socket -U- (Driving School) ¹	30
49	- Fuse 49 (on fuse panel C) -SC49-	5 A	- Warning Buzzer -H3- (Driving School) ¹ Special Purpose Vehicle Fuse 6 -S296- (Criminal Investigation / Doctor on Call Models) ¹ Driving School Footwell Illumination -W56- ¹	15

¹ Not for models with US equipment

² Only models with US equipment

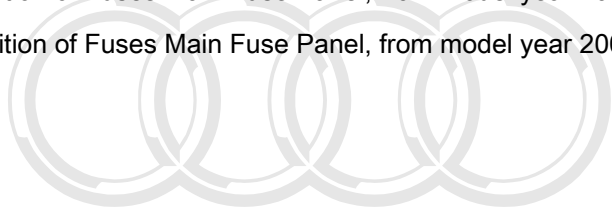
1.23 Main fuse panel: Location Fuse Panel D -SD- in luggage compartment, right rear

Protected by copyright. Copying for private or commercial purposes, in part or in whole, is not permitted unless authorised by AUDI AG. AUDI AG does not guarantee or accept any liability with respect to the correctness of information in this document. Copyright by AUDI AG.

1.23.1 Position of fuses:

Position of Fuses Main Fuse Panel, from model year 2004 => [page 49](#)

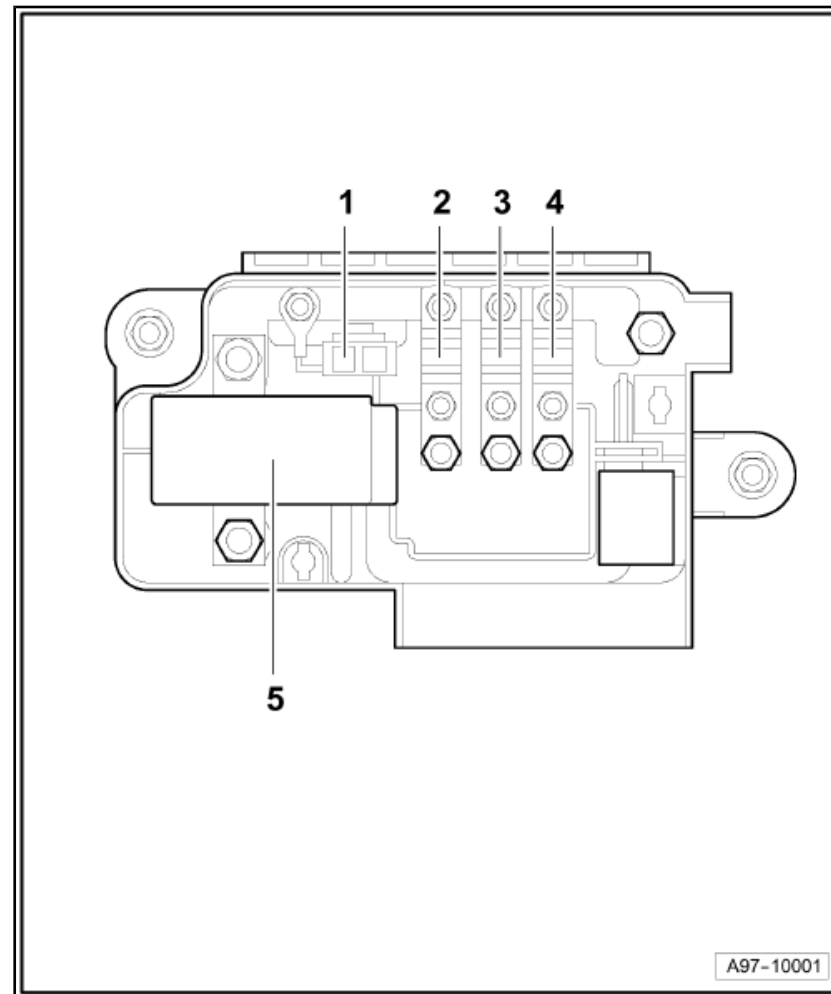
Position of Fuses Main Fuse Panel, from model year 2006 => [page 50](#)



Audi

Protected by copyright. Copying for private or commercial purposes, in part or in whole, is not permitted unless authorised by AUDI AG. AUDI AG does not guarantee or accept any liability with respect to the correctness of information in this document. Copyright by AUDI AG.

erWin



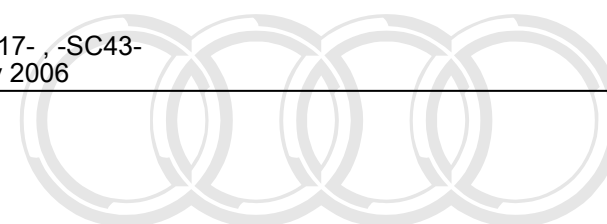
1.24 Position of fuses on main fuse panel, from model year 2004

No.	Designation in Wiring Diagram	Nominal Value	Function/Component	Terminal
1	- Fuse 1 (on fuse panel D) -SD1-	5 A	- Vehicle Electrical System Control Module -J519-	30
2	- Fuse 2 (on fuse panel D) -SD2-	125 A	- Electronics Box Main Fuse Panel Supply, Relay and Fuse Carrier Electronics Box	30
3	- Fuse 3 (on fuse panel D) -SD3-	80 A	- Electronics Box Main Fuse Panel Supply, Relay and Fuse Carrier Electronics Box	30

4	- Fuse 4 (on fuse panel D) -SD4-	30 A	- Amplifier -R12- Only models with BOSE system	30
---	----------------------------------	------	---------------------------------------------------	----

1.25 Position of fuses on main fuse panel, from model year 2006

No.	Designation in Wiring Diagram	Nominal Value	Function/Component	Terminal
1	- Fuse 1 (on fuse panel D) -SD1-	5 A	- Vehicle Electrical System Control Module -J519-	30
2	- Fuse 2 (on fuse panel D) -SD2-	125 A	- Electronics Box High Main Fuse Panel Supply, Relay and Fuse Carrier Electronics Box High	30
3	- Fuse 3 (on fuse panel D) -SD3-	80 A	- Electronics Box High Main Fuse Panel Supply, Relay and Fuse Carrier Electronics Box High	30
4	- Fuse 4 (on fuse panel D) -SD4-	30 A	- Amplifier -R12- Only models with BOSE system Not applicable from November 2005	30
		50 A	- Doctor Option Not applicable from November 2005	
4	- Fuse 4 (on fuse panel D) -SD4-	30 A	- Fuses Supply: -SC12- through -SC17- , -SC19- Applicable from November 2005	30
4	- Fuse 4 (on fuse panel D) -SD4-	30 A	- Fuses Supply: -SC12- through -SC17- , -SC43- Applicable from May 2006	30

1.26 Fuses under instrument panel, left


Audi

Protected by copyright. Copying for private or commercial purposes, in part or in whole, is not permitted unless authorised by AUDI AG. AUDI AG does not guarantee or accept any liability with respect to the correctness of information in this document. Copyright by AUDI AG.



Position of Fuses, from model year 2004

B - Window Regulator Single Fuse -S37- - 30 A

Position of Fuses, from model year 2005

A - Window Regulator Single Fuse 2 -S280- - 30 A

B - Window Regulator Single Fuse -S37- - 30 A

C - Safety Fuse 1 -S131- - 30 A

Position of Fuses, from model year 2006

C - Safety Fuse 1 -S131- - 30 A

Only models with left-hand drive

Only models with right-hand drive, not applicable, phased-in model year 2012

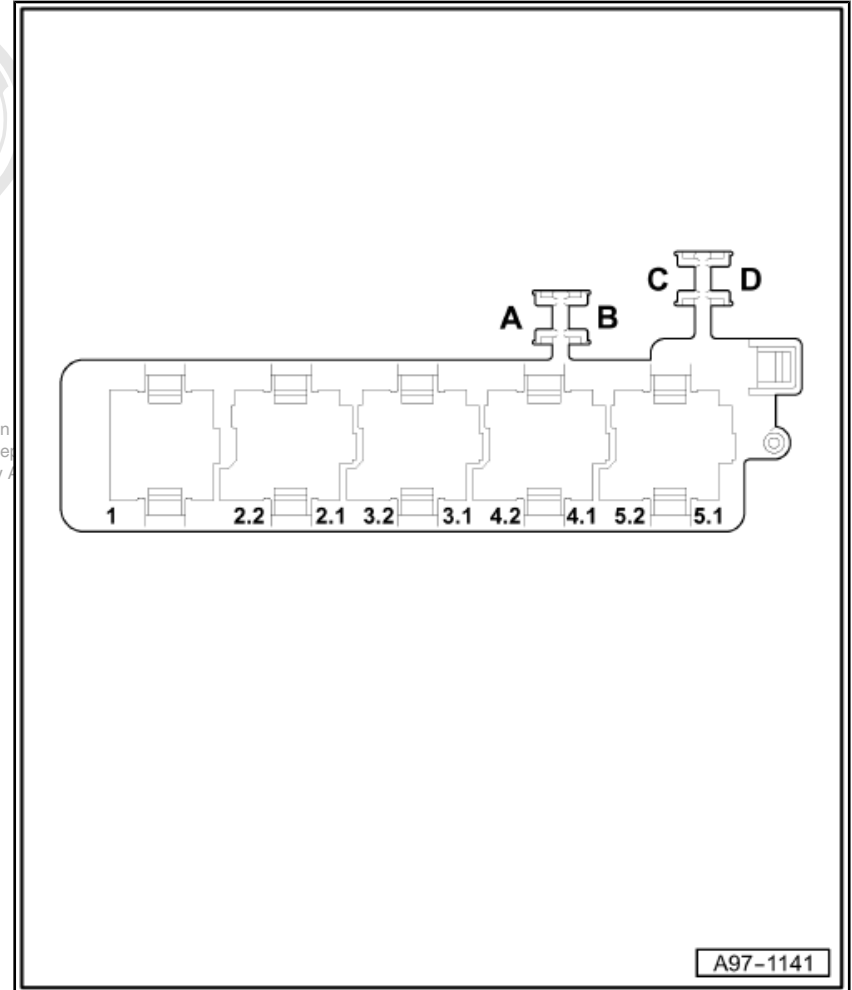
D - Safety Fuse 1 -S131- - 30 A

Only models with right-hand drive, insert-in model year 2012



Audi

Protected by copyright. Copying for private or commercial purposes, in part or in full, is prohibited. Audi does not guarantee or accept any liability with respect to the correctness of information in this document. Copyright by Audi AG



A97-1141

1 Relay

1.1 Overview of Relay

1 - Relay Carrier on Electronics Box

- in engine compartment, left
- Component: -J271- , -J317- , -J363- , -J757- , -J329- , -J469-
- Position of Relays Electronics Box Low, from model year 2006 ⇒ [page 2](#)
- Position of Relays Electronics Box High, from model year 2004 ⇒ [page 3](#)
- Position of Relays Electronics Box High, from model year 2006 ⇒ [page 4](#)

2 - Relay Arrangements, under left instrument panel

- Component: -J17- , -J49- , -J359- , -J682- , -J360- , -J663- , -J151- , -J39- , -J662- , -J832- , -J906- , -J907- , -J910- -J789-
- Position of Relays, from model year 2004 ⇒ [page 7](#)
- Position of Relays, from model year 2009 ⇒ [page 11](#)

3 - Position of Relays on Main Fuse Panel, in luggage compartment, right rear

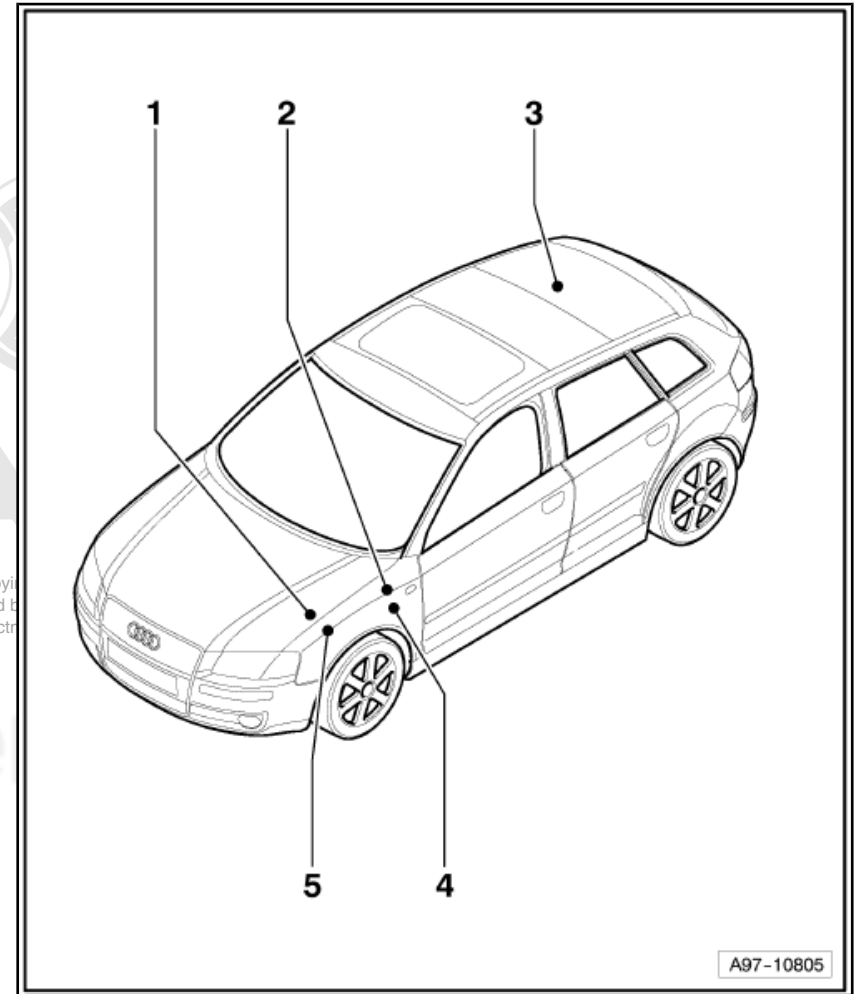
- Component: -J655- , -N253-
- Position of Relays, from model year 2004 ⇒ [page 14](#)

4 - Relay Carrier on Vehicle Electrical System Control Module

- Under instrument panel, left
- Component: -J681- , -J9- , -J413- , -J59- , -J729- , -J689- , -J730-
- Position of Relays, from model year 2004 ⇒ [page 5](#)
- Position of Relays, from model year 2010 ⇒ [page 6](#)

5 - Relay Carrier under Electronics Box

- Component: -J179- , -J299-
- Position of Relays, from model year 2004 ⇒ [page 13](#)



1.2 Position of Relays on electronics box Low, from model year 2006

1 - Motronic Engine Control Module (ECM) Power Supply Relay -J271-

- Connection A1
- Only models with engine codes BLF, BLR, BLY, BVY, BVZ, BPT, BPU, BYT, CMSA, CAXC, BZB, CAWB, CBFA, CCTA, CDA, CCZA, CBZB

1 - Power Supply Relay (terminal 30) -J317-

- Connection A1
- Only models with engine codes BKC, BXE, AZV, BKD, BLS, BMM, BUY, BMN, CBBB, CBAB, CBAA, CAYB, CAYC, CBEA, CFFA, CFFB, CFGB, CLJA

1 - SIMOS Control Module Power Supply Relay -J363-

- Connection A1
- Only models with engine codes BSE, BSF, CCSA, CMXA

2 - Connection Bridge, Automatic Glow Time Control Module

- Connection A2
- Only models with engine codes BKC, BXE, AZV, BKD, BLS, BMM, BUY, BMN, CBBB, CBAB, CBAA, CAYB, CAYC, CFFA, CFFB, CFGB, CLJA

2 - Secondary Air Injection (AIR) Pump Relay -J299-

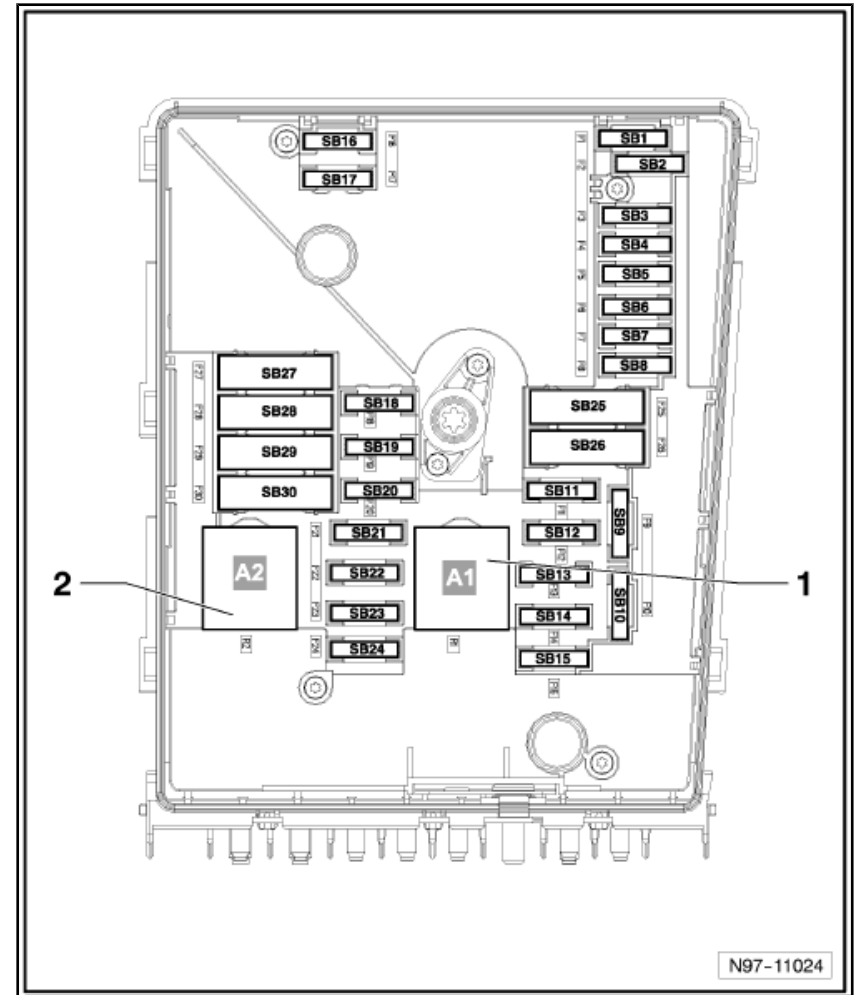
- Connection A2
- Only models with engine codes BSE, BSF, CBFA, CCSA, CMXA

2 - Engine Component Power Supply Relay -J757-

- Connection A2
- Only models with engine codes BPT, BPU, BYT, BZB, CAWB, CCTA, CAXC, CDA, CCZA, CBZB
- Only models from model year 2008, with engine code CBFA ⇒ [page 10](#)
- Only models from model year 2009, with engine code CBFA ⇒ [page 12](#)

2 - Auxiliary Engine Coolant (EC) Pump Relay -J496-

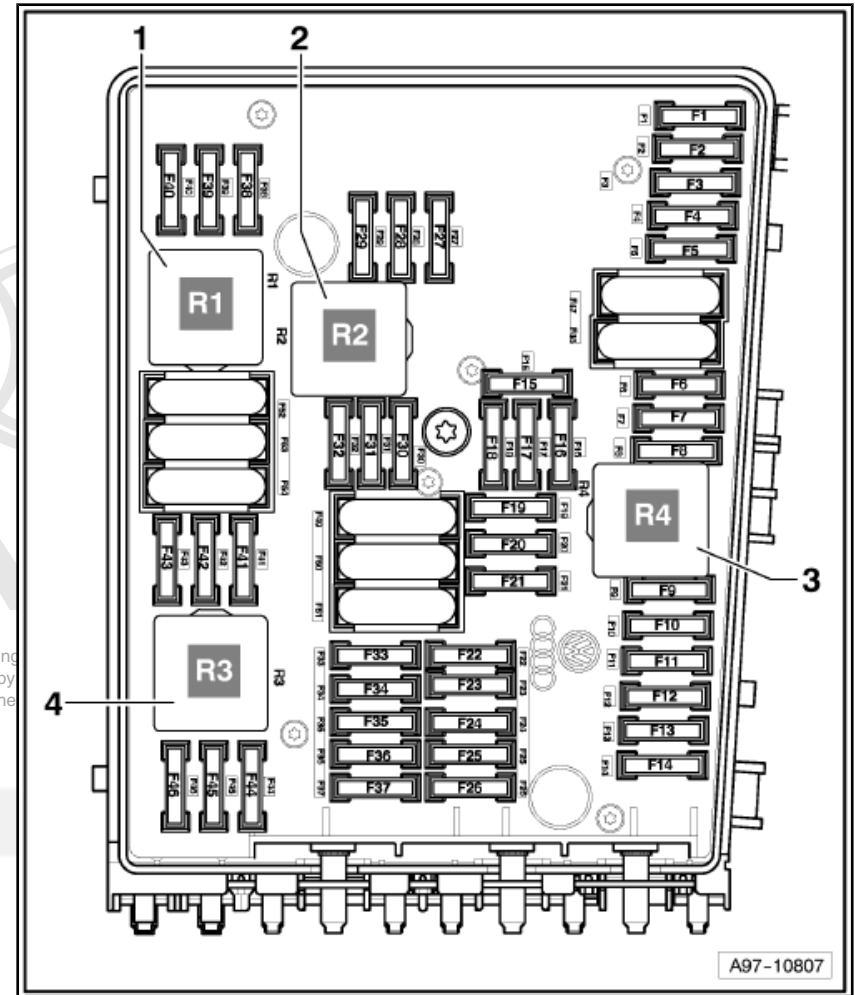
- Connection A2
- Only models with engine codes CAXC, CMSA



Protected by copyright. Copying for private or commercial purposes, in part or in whole, is not permitted unless authorised by AUDI AG. AUDI AG does not guarantee or accept any liability with respect to the correctness of information in this document. Copyright by AUDI AG.

1.3 Position of Relays on Electronics Box High, from model year 2004

- 1 - Power Supply Relay (terminal 15) -J329-
 - Connection R1
- 2 - Power Supply Relay (terminal 50) -J682-
 - Connection R2
- 3 - Motronic Engine Control Module (ECM) Power Supply Relay -J271-
 - Connection R4
- 3 - Power Supply Relay (terminal 30) -J317-
 - Connection R4
 - Not for models with US equipment
- 3 - SIMOS Control Module Power Supply Relay -J363-
 - Connection R4
 - Not for models with US equipment
- 4 - Fuel Pump (FP) Relay -J17-
 - Connection R3



1.4 Position of Relays on Electronics Box High, from model year 2006

1 - Motronic Engine Control Module (ECM) Power Supply Relay -J271-

- Connection R1
- Only models with engine codes AXX, BPY, BWA, BHZ, BUB, BMJ, CDLA, CDLC, CBRA, BZC, CEPA, CEPB

2 - Coolant Circulation Pump Relay -J151-

- Connection R2
- Only models with engine codes AXX, BPY, BWA, BHZ, BUB, BMJ, CDLA, CDLC, CBRA, BZC

2 - Auxiliary Engine Coolant (EC) Pump Relay -J496-

- Connection R2
- Only models with engine code CEPA, CEPB

3 - Fuel Pump (FP) Relay -J17-

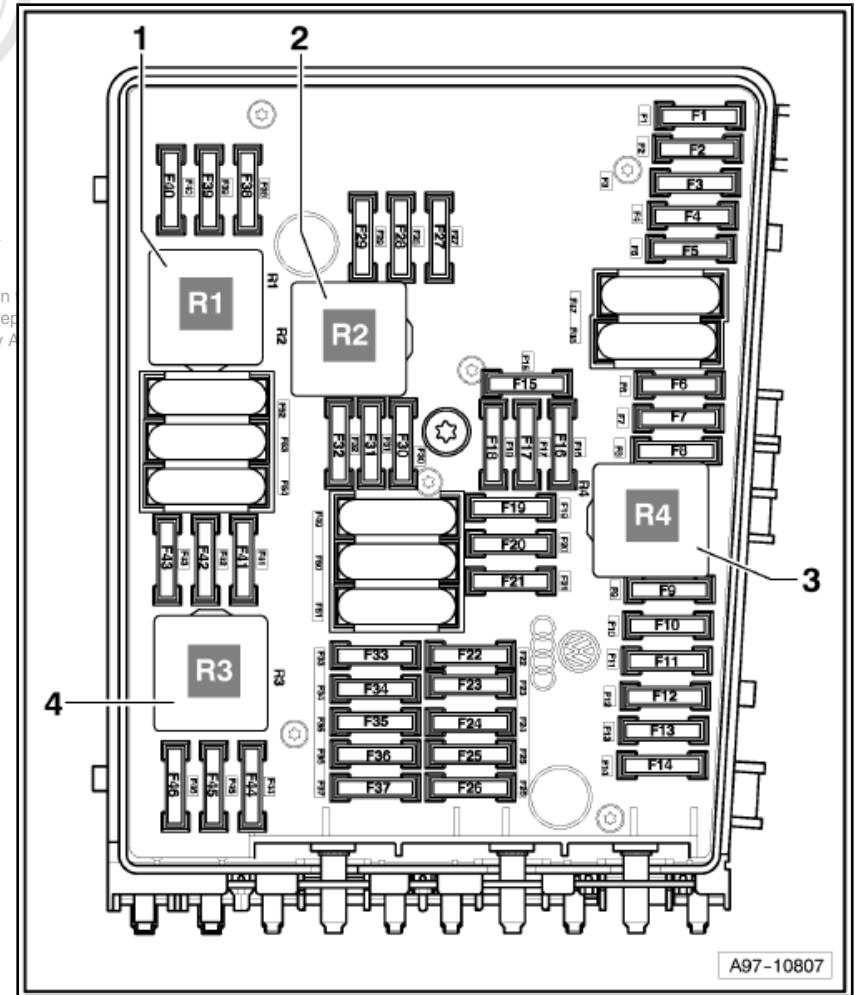
- Connection R4
- Only models with engine codes BUB, BMJ, CBRA

3 - Engine Component Power Supply Relay -J757-

- Connection R4
- Only models with engine codes AXX, BPY, BWA, BHZ, CDLA, CDLC, BZC, CEPA, CEPB

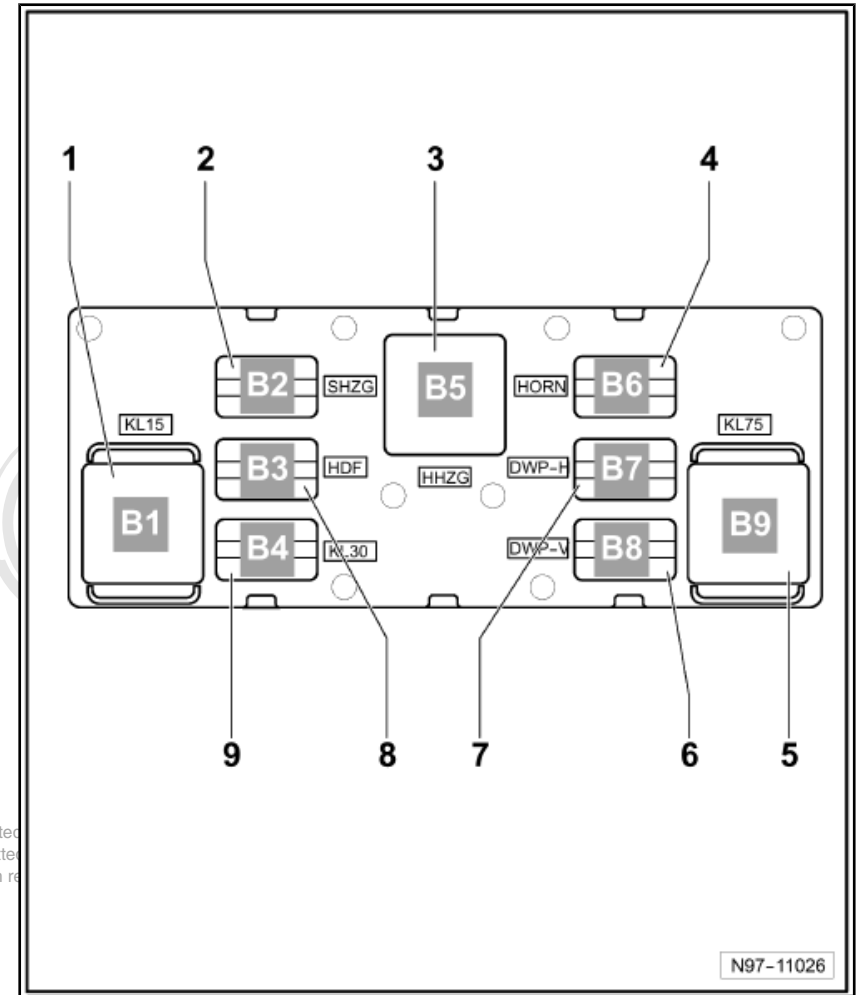
4 - Not used

- Connection R3



1.5 Position of Relays, Relay Carrier on Vehicle Electrical System Control Module, under instrument panel, left, from model year 2004

- 1 - Power Supply Relay 2 (terminal 15) -J681-**
 Connection B1
- 2 - Not used**
 Connection B2
- 3 - Rear Window Defogger Relay -J9-**
 Connection B5
- 4 - Horn Relay -J413-**
 Connection B6
- 5 - Load Reduction Relay -J59-**
 Connection B9
- 6 - Dual Washer Pump Relay 1 -J729-**
 Connection B8
- 7 - Dual Washer Pump Relay 2 -J730-**
 Connection B7
- 8 - Not used**
 Connection B3
- 9 - Power Supply Relay 2 (terminal 30) -J689-**
 Connection B4



Protected
permitted
with re

1.6 Position of Relays, Relay Carrier on Vehicle Electrical System Control Module, under instrument panel, left, from model year 2010

- 1 - Power Supply Relay 2 (terminal 15) -J681-
- 2 - Rear Window Defogger Relay -J9-
- 3 - Horn Relay -J413-
- 3 - Headlamp Washer Relay -J39-
- 4 - Load Reduction Relay -J59-
- 5 - Preheating Coolant, High Heat Output Relay -J360-
 - Only models with auxiliary air heater

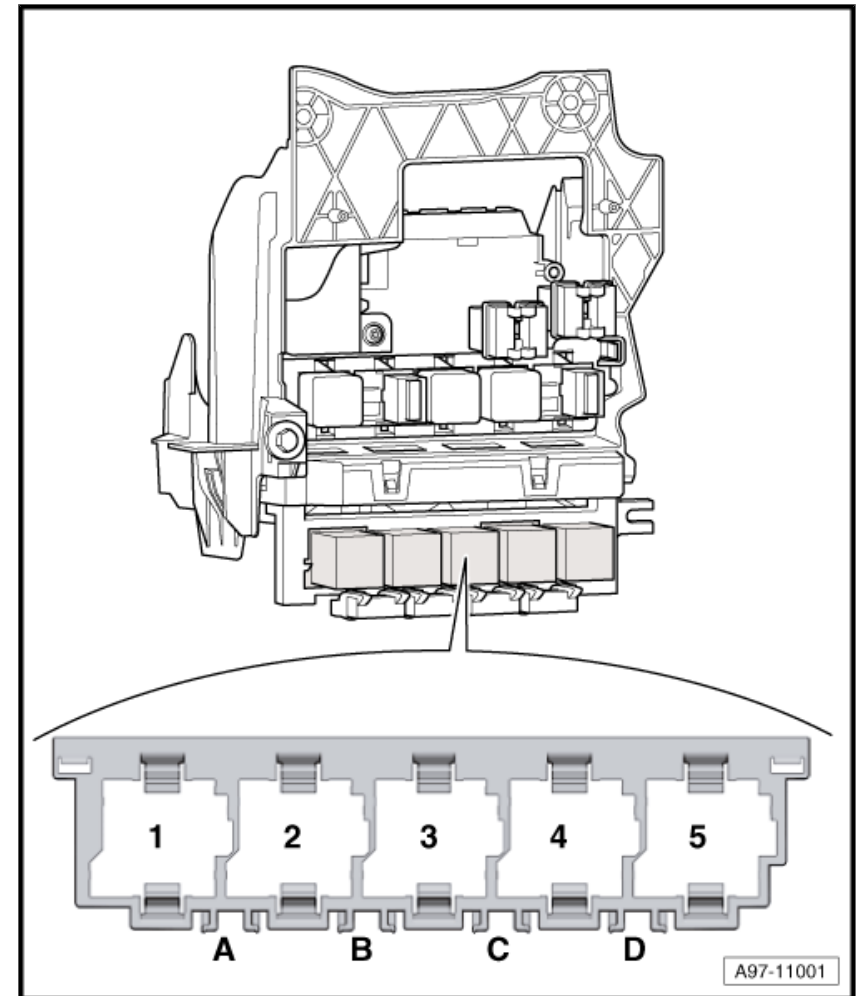
 Note

-J39- and -J413- are minirelays located on a relay connector panel.



Audi

Protected by copyright. Copying for private or commercial purposes, in part or in whole, is not permitted unless authorised by AUDI AG. AUDI AG does not guarantee or accept any liability with respect to the correctness of information in this document. Copyright by AUDI AG.

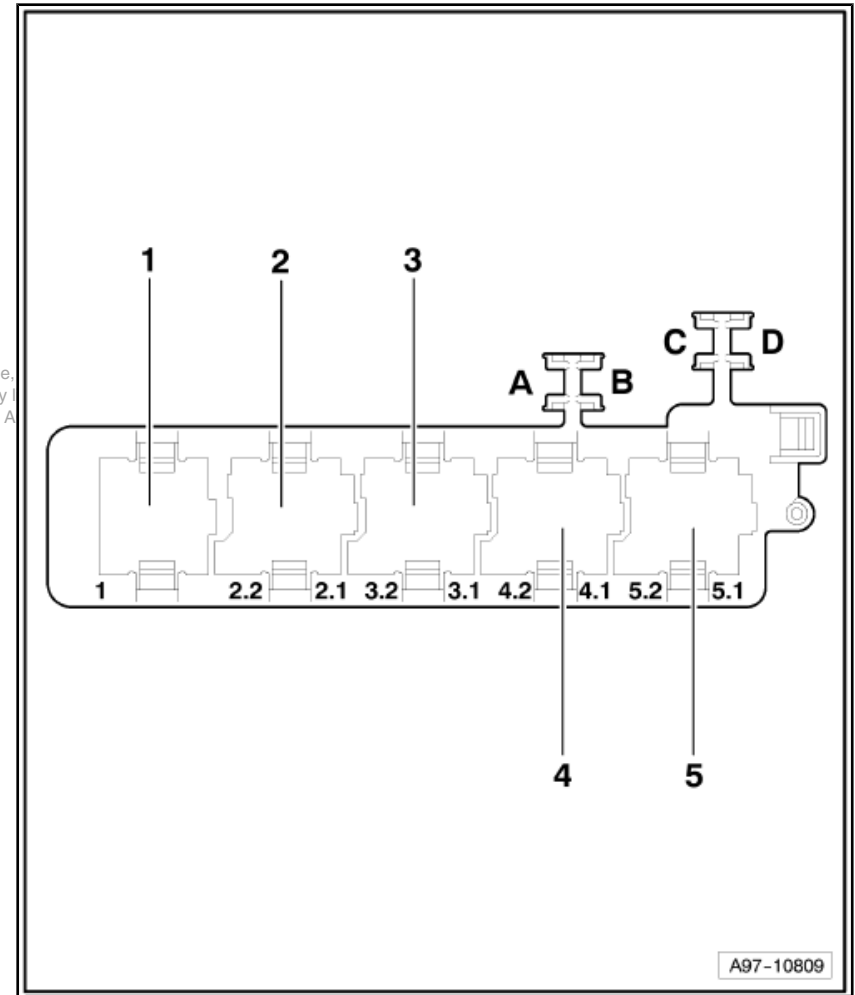
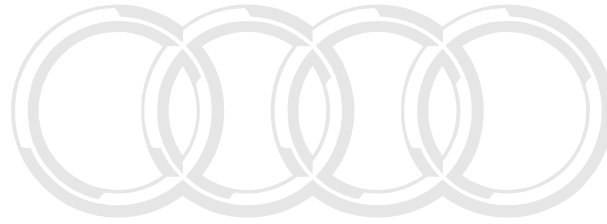


1.7 Position of Relays under instrument panel, left, from model year 2004

1 - Headlamp Washer Relay -J39-

2 - Fuel Pump (FP) Relay -J17-

- Connection 2.1
- Only models with diesel engines
- Not applicable from model year 2006
- Models with gasoline engines and electronics box Low, from May 2005 => [page 8](#)
- Models with diesel engines and electronics box Low, from May 2005 => [page 8](#)
- Models with gasoline engines and electronics box Low, from August 2005 => [page 9](#)
- Models with diesel engines and electronics box Low, from August 2005 => [page 10](#)
- Only models from model year 2004 with electronics box High, engine codes BGU, BDB, BMJ, => [page 3](#)
- Only models from model year 2006 with electronics box High, engine codes BUB, BMJ,



A97-10809

[⇒ page 4](#)

2 - Fuel Pump (FP) 2 Relay -J49-

- Connection 2.1
- Only models with gasoline engine
- Not for models with FSI engine
- Not applicable from model year 2006
- Models with gasoline engine, from May 2005 [⇒ page 8](#)
- Models with gasoline engine, from August 2005 [⇒ page 10](#)
- Models with diesel engines, from November 2006 [⇒ page 9](#)

2 - Fuel Pump (FP) Relay -J17-

- Connection 2.1
- Applicable from May 2005
- Not applicable from August 2005
- Only models with engine codes BSE, BSF

2 - Fuel Pump (FP) 2 Relay -J49-

- Connection 2.2
- Only models with gasoline engine
- Not for models with FSI engine
- Applicable from May 2005
- Not applicable from August 2005

2 - Fuel Pump (FP) Relay -J17-

- Connection 2.2
- Applicable from May 2005
- Not applicable from August 2005
- Only models with diesel engines

2 - Preheating Coolant, Low Heat Output Relay -J359-

- Applicable from November 2006, only models with auxiliary air heater
- Only models with diesel engines



Audi

Protected by copyright. Copying for private or commercial purposes, in part or in whole, is not permitted unless authorised by AUDI AG. AUDI AG does not guarantee or accept any liability with respect to the correctness of information in this document. Copyright by AUDI AG.



3 - Power Supply Relay (terminal 50) -J682-

- Applicable from May 2005
- Not applicable from August 2005
- Models, from model year 2004 ⇒ [page 3](#)
- Models, from August 2005 ⇒ [page 9](#)

3 - Preheating Coolant, High Heat Output Relay -J360-

- Applicable from November 2006, only models with auxiliary air heater
- Only models with diesel engines

4 - Power Supply Relay (terminal 50) -J682-

- Applicable from August 2005

4 - Engine Power Reduction Relay 2 -J663-

- Applicable from model year 2005
- Not applicable from model year 2006

5 - Fuel Pump (FP) 2 Relay -J49-

- Connection 5.1
- Not for models with US equipment
- Applicable from November 2006, only models with auxiliary heater
- Only models with diesel engines

5 - Coolant Circulation Pump Relay -J151-

- Connection 5.1
- Applicable from model year 2007
- Only models with engine codes BPT, BPU, BYT, BZB, CAWB, CBFA, CCTA
- Models, from model year 2004 ⇒ [page 13](#)
- Only models from model year 2006, engine codes AXX, BPY, BWA, BHZ, BUB, BMJ, BZC, CDLA, CDLC ⇒ [page 4](#)

5 - Fuel Pump (FP) Relay -J17-

- Connection 5.1
- Applicable from August 2005
- Only models with engine codes BSE, BSF



Audi

Protected by copyright. Copying for private or commercial purposes, in part or in whole, is not permitted unless authorised by AUDI AG. AUDI AG does not guarantee or accept any liability with respect to the correctness of information in this document. Copyright by AUDI AG.

erWin

5 -
Engine Component Power Supply Relay -J757-

- Connection 5.2
- Applicable from model year 2007
- Only models with engine code CBFA

5 -
Fuel Pump (FP) 2 Relay -J49-

- Connection 5.2
- Applicable from August 2005
- Only models with gasoline engine
- Not for models with FSI engine

5 -
Fuel Pump (FP) Relay -J17-

- Connection 5.2
 - Applicable from August 2005
 - Only models with diesel engines
- Copyright © 2011 Audi AG. All rights reserved. Copying for private or commercial purposes, in part or in whole, is not permitted unless authorised by AUDI AG. AUDI AG does not guarantee or accept any liability for the correctness of information in this document. Copyright by AUDI AG.

5 - **Engine Power Reduction Relay 1 -J662-**

- Applicable from model year 2005
- Not applicable from model year 2006

1.8 Position of Relays under instrument panel, left, from model year 2009

1 - Preheating Coolant, Low Heat Output Relay -J359-

- Only models with auxiliary air heater

1 - Control Relay -J789-

- Only models with engine code CEPA, CEPB
- Applicable from model year 2011

2 - Power Supply Relay (terminal 50) -J682-

- Only models without stop/start system

3 - Auxiliary Fuel Pump Relay -J832-

- Connection 3.1
- Only models with engine codes CBAA, CBAB, CBBB
- Not applicable from model year 2010
- Models, from model year 2010 ⇒ [page 12](#)

3 - Starter Relay 1 -J906-

- Connection 3.1
- Applicable from model year 2010
- Only models with stop/start system

3 - Headlamp Washer Relay -J39-

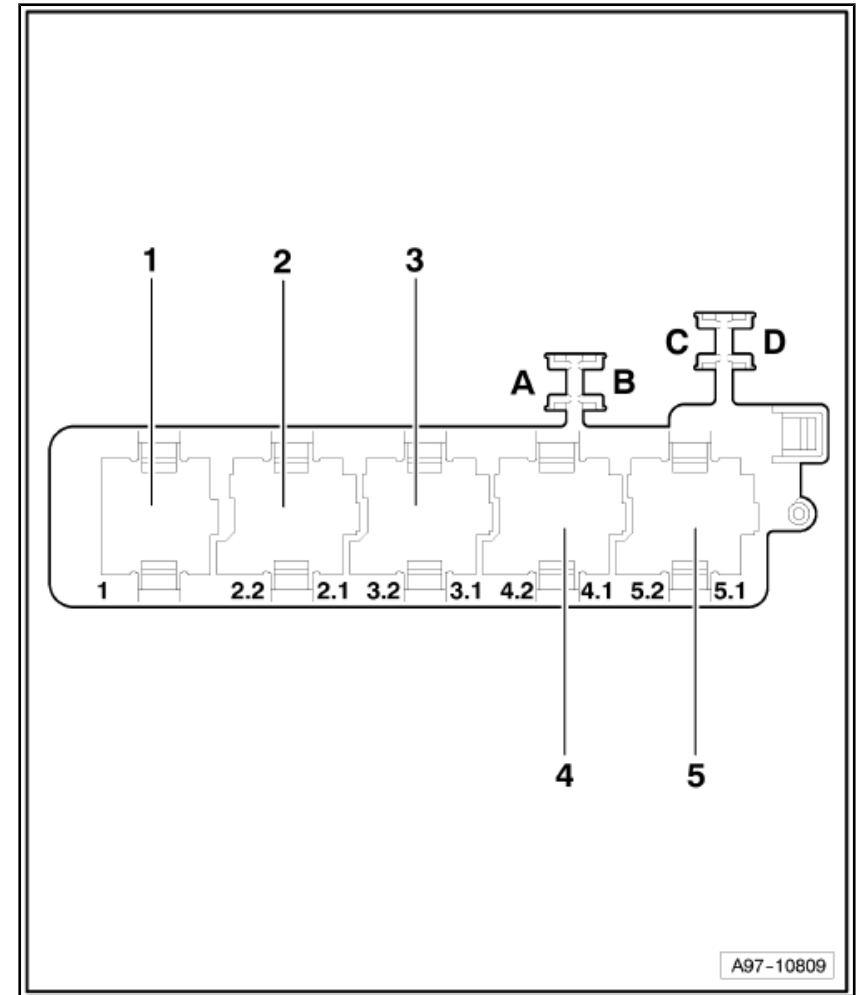
- Connection 3.2
- Not applicable from model year 2010
- Models, from model year 2010 ⇒ [page 6](#)

3 - Starter Relay 2 -J907-

- Connection 3.2
- Applicable from model year 2010
- Only models with stop/start system

4 - Fuel Pump (FP) Relay -J17-

- Connection 4.1
- Only models with engine codes BSE, CCSA, BLS, BXE, CBBB, CBAB, CBAA, CAYB, CAYC, CBEA, CFFA, CFFB, CFGB, CLJA
- Not applicable from model year 2010, models with engine codes BSE, BSF, CCSA, CMXA
- Models with engine codes BUB, CBRA ⇒ [page 4](#)



4 - Fuel Pump (FP) 2 Relay -J49-

- Connection 4.1
- Only models with engine codes BUB, CBRA
- Applicable from model year 2010, models with engine codes BSE, BSF, CCSA, CMXA

4 - Coolant Circulation Pump Relay -J151-

- Connection 4.1
- Only models with engine codes CDAA, CCZA, CAWB, CCTA, CBFA
- Models with engine codes BUB, CBRA ⇒ [page 4](#)

4 - Fuel Pump (FP) 2 Relay -J49-

- Connection 4.2
- Only models with engine codes ~~BSE, BSF, CCSA, CMXA~~ or with auxiliary heater, engine codes BLS, BXE, CBBB, CBAB, CBAA, CAYB, CAYC, CFFA, CFFB, CFGB, CLJA
- Not applicable from model year 2010, models with engine codes BSE, BSF, CCSA, CMXA

4 - Fuel Pump (FP) Relay -J17-

- Connection 4.2
- Applicable from model year 2010, models with engine codes BSE, BSF, CCSA, CMXA

4 - Engine Component Power Supply Relay -J757-

- Connection 4.2
- Only models with engine code CBFA

5 - Preheating Coolant, High Heat Output Relay -J360-

- Only models with auxiliary air heater
- Not applicable from model year 2010
- Models, from model year 2010 ⇒ [page 6](#)

5 - Automatic Day/Night Interior Mirror Relay -J910-

- Connection 5.1
- Applicable from model year 2010

5 - Auxiliary Fuel Pump Relay -J832-

- Connection 5.2
- Only models with engine codes CBAA, CBAB, CBBB, CBEA, CFFA, CFFB, CFGB, CLJA
- Applicable from model year 2010

Protected by copyright. Copying for private or commercial purposes, in part or in whole, is not permitted without the prior written consent of Audi AG. Copyright by Audi AG. All rights reserved. with respect to the correctness of information in this document. Copyright by AUDI AG.

1.9 Position of Relays under Electronics Box

1 - Not used

2 - Automatic Glow Time Control Module -J179-

- Connection R2
- Not for models with US equipment
- Applicable from model year 2004
- Not applicable from model year 2006
- Models, from model year 2006 ⇒ [page 14](#)

3 - Not used

4 - Coolant Circulation Pump Relay -J151-

- Connection R6
- Applicable from model year 2004
- Not applicable from model year 2006

5 - Secondary Air Injection (AIR) Pump Relay -J299-

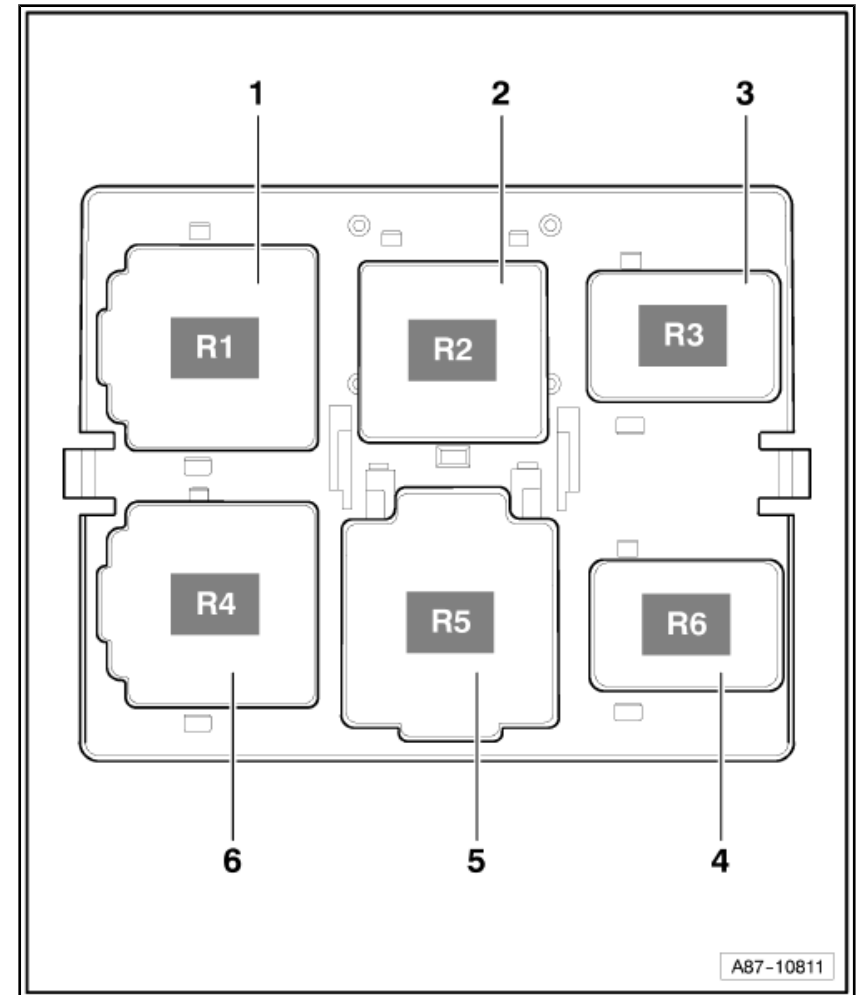
- Connection R5
- Applicable from model year 2004
- Models with electronics box Low, from model year 2006 ⇒ [page 2](#)
- Models with electronics box High, from model year 2009 ⇒ [page 14](#)

6 - Not used



Note

Relay carrier is only visible when the electronics box is removed.



1.10 Position of Relays under Electronics Box

Position of Relays under electronics box Low, from model year 2006

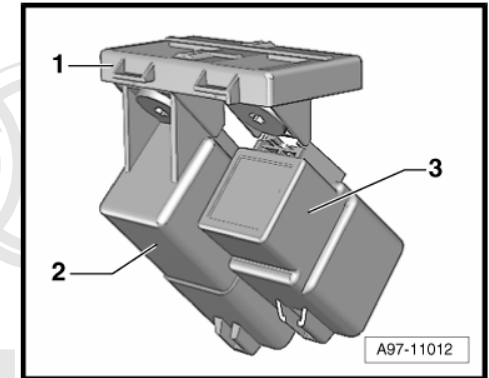
- 1 - Relay Carrier under Electronics Box, in engine compartment, left
- 2 - Automatic Glow Time Control Module -J179-
- 3 - Not used

Position of Relays under electronics box High, from model year 2009

- 1 - Relay Carrier under Electronics Box, in engine compartment, left
- 2 - Not used
- 3 - Secondary Air Injection (AIR) Pump Relay -J299-

 Note

Relay carrier is only visible when the electronics box is removed.

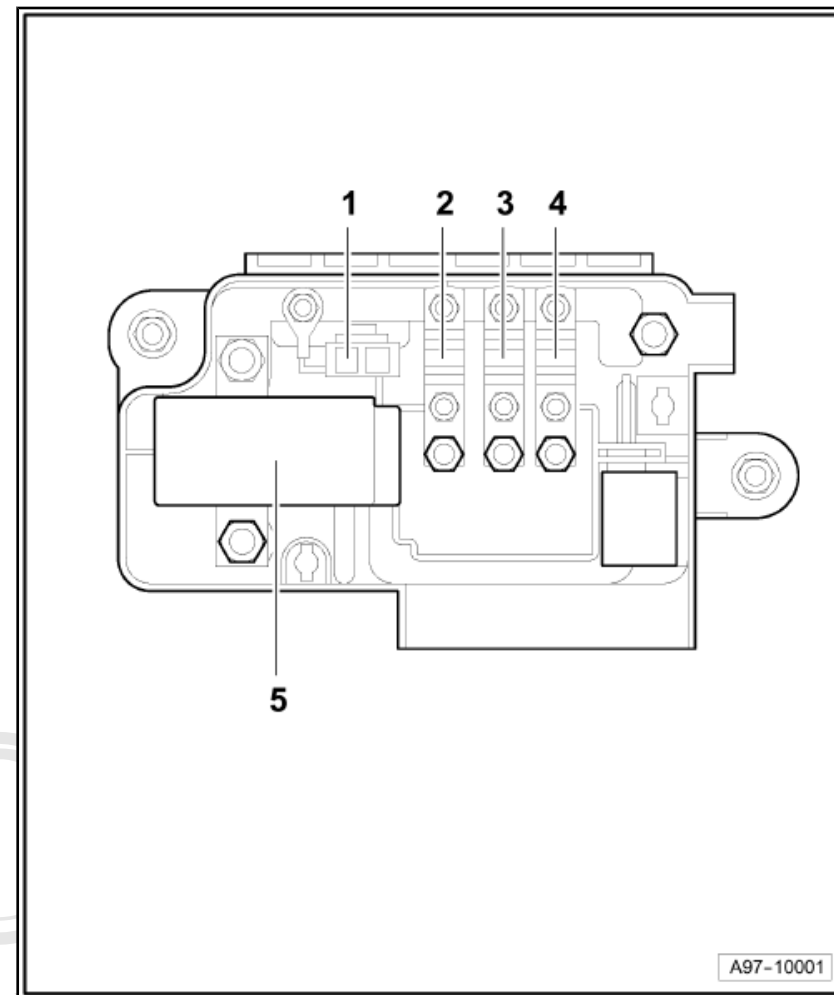


Protected by copyright. Copying for private or commercial purposes, in part or in whole, is not permitted unless authorised by AUDI AG. AUDI AG does not guarantee or accept any liability with respect to the correctness of information in this document. Copyright by AUDI AG.

1.11 Position of Relays on Main Fuse Panel, in luggage compartment, right rear

5 - Battery Switch-Off Relay -J655-

5 - Battery Interrupt Igniter -N253-



Protected by copyright. Copying for private or commercial purposes, in part or in whole, is not permitted unless authorised by AUDI AG. AUDI AG does not guarantee or accept any liability with respect to the correctness of information in this document. Copyright by AUDI AG.



1 Control modules in front part of vehicle

1.1 Overview of Control Modules

1 - Transmission Control Module (TCM) -J217-

- Only models with automatic transmission (09G)
- Component Location ⇒ [page 4](#)
- Pin Arrangements ⇒ [page 5](#)

2 - Wiper Motor Control Module -J400-

- Component Location ⇒ [page 6](#)

2 - Battery Monitoring Control Module -J367-

- Only models with battery in engine compartment
- Component Location ⇒ [page 3](#)

3 - Direct Shift Gearbox (DSG) Mechatronic -J743-

- Component Location Direct Shift Gearbox (02E) ⇒ [page 7](#)
- Pin Arrangements Direct Shift Gearbox (02E) ⇒ [page 8](#)
- Component Location Direct Shift Gearbox (0AM) ⇒ [page 9](#)
- Pin Arrangements Direct Shift Gearbox (0AM) ⇒ [page 10](#)
- Component Location Direct Shift Gearbox (0B5) ⇒ [page 11](#)
- Pin Arrangements Direct Shift Gearbox (0B5) ⇒ [page 11](#)

4 - Power Steering Control Module -J500-

- Component Location ⇒ [page 12](#)
- Pin Arrangements ⇒ [page 13](#)

5 - Left High-intensity Gas Discharge Lamp Control Module -J343-

- Component Location ⇒ [page 14](#)

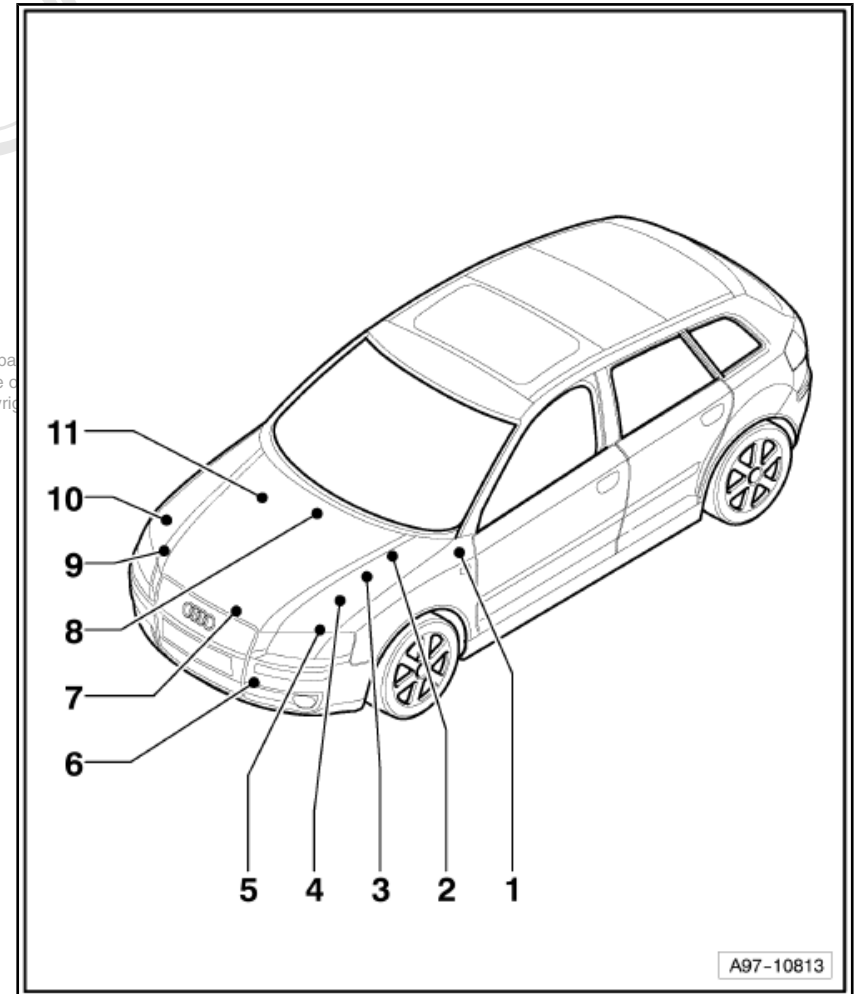
5 - Left Headlamp Power Output Stage -J667-

- In headlamp

6 - Garage Door Opener Control Module -J530-

- Component Location ⇒ [page 15](#)
- Pin Arrangements ⇒ [page 16](#)

Protected by copyright. Copying for private or commercial purposes, in part or in full, is not permitted unless authorised by AUDI AG. AUDI AG does not guarantee the accuracy of the information with respect to the correctness of information in this document. Copyright © 2010 Audi AG.



7 - Coolant Fan Control (FC) Control Module -J293-

- Component Location ⇒ [page 17](#)

8 -

**SIMOS Control Module -J361- /
Motronic Engine Control Module (ECM) -J220- /
Diesel Direct Fuel Injection (DFI) Engine Control Module (ECM) -J248- /
Engine Control Module (ECM) -J623-**

- Component Location ⇒ [page 18](#)
- 121-pin, Pin Arrangements ⇒ [page 19](#)
- 154-pin, Pin Arrangements ⇒ [page 20](#)

9 - Right High-intensity Gas Discharge Lamp Control Module -J344-

- Component Location ⇒ [page 14](#)

9 -

Right Headlamp Power Output Stage -J668-

- In headlamp

10 - Auxiliary Heater Control Module -J364-

- Below right front long member
- Pin Arrangements ⇒ [page 24](#)

11 - ABS Control Module -J104-

- Component Location ⇒ [page 21](#)
- 47-pin, Pin Arrangements ⇒ [page 22](#)
- 26-pin, Pin Arrangements ⇒ [page 23](#)

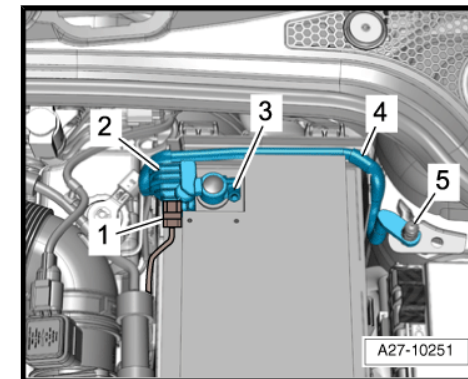
Protected by copyright. Copying for private or commercial purposes, in part or in whole, is not permitted unless authorised by AUDI AG. AUDI AG does not guarantee or accept any liability with respect to the correctness of information in this document. Copyright by AUDI AG.



1.2 Battery Monitoring Control Module -J367-

1.2.1 Component Location:

in left engine compartment, on battery -2-

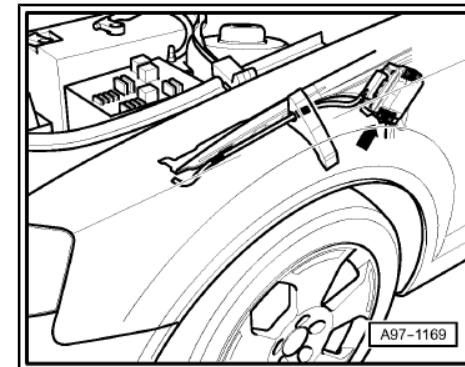


Audi

Protected by copyright. Copying for private or commercial purposes, in part or in whole, is not permitted unless authorised by AUDI AG. AUDI AG does not guarantee or accept any liability with respect to the correctness of information in this document. Copyright by AUDI AG.



1.3 Transmission Control Module (TCM)
-J217-



1.3.1 Component Location:

Below front left bumper, near A-pillar



Audi

Protected by copyright. Copying for private or commercial purposes, in part or in whole, is not permitted unless authorised by AUDI AG. AUDI AG does not guarantee or accept any liability with respect to the correctness of information in this document. Copyright by AUDI AG.

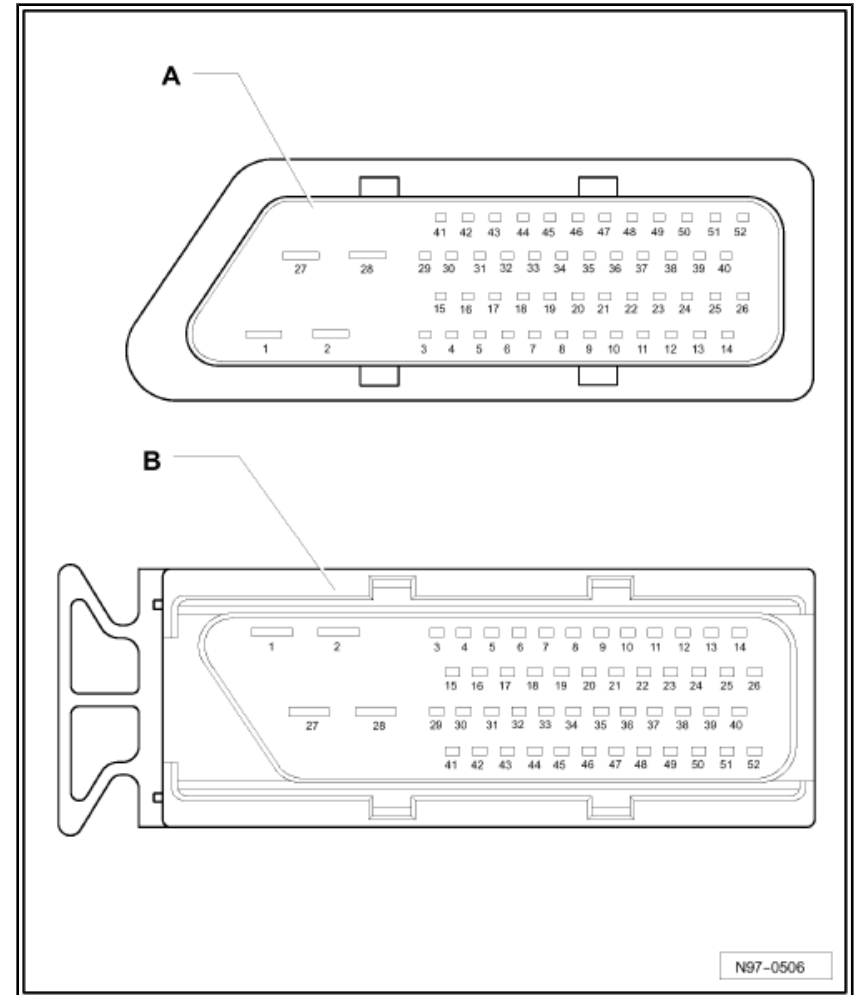


1.3.2 Pin Arrangements:

A - Transmission Control Module (TCM) -J217-

Connector:

B - 52-Pin Connector -T52-

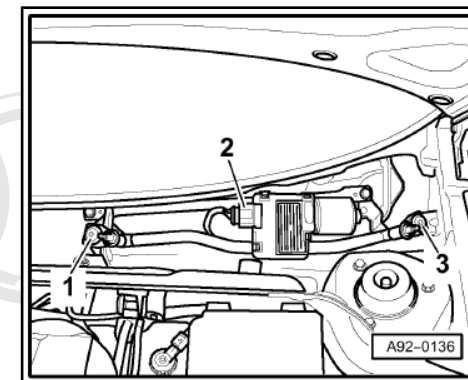


Protected by copyright. Copying for private or commercial purposes, in part or in whole, is not permitted unless authorised by AUDI AG. AUDI AG does not guarantee or accept any liability with respect to the correctness of information in this document. Copyright by AUDI AG.

1.4 Wiper Motor Control Module -J400-

1.4.1 Component Location:

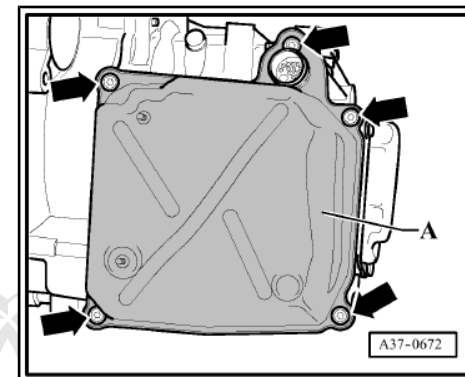
In plenum chamber on windshield wiper motor -V-



Protected by copyright. Copying for private or commercial purposes, in part or in whole, is not permitted unless authorised by AUDI AG. AUDI AG does not guarantee or accept any liability with respect to the correctness of information in this document. Copyright by AUDI AG.



1.5 Direct Shift Gearbox (DSG) Mechatronic
-J743-



1.5.1 Component Location:

On transmission

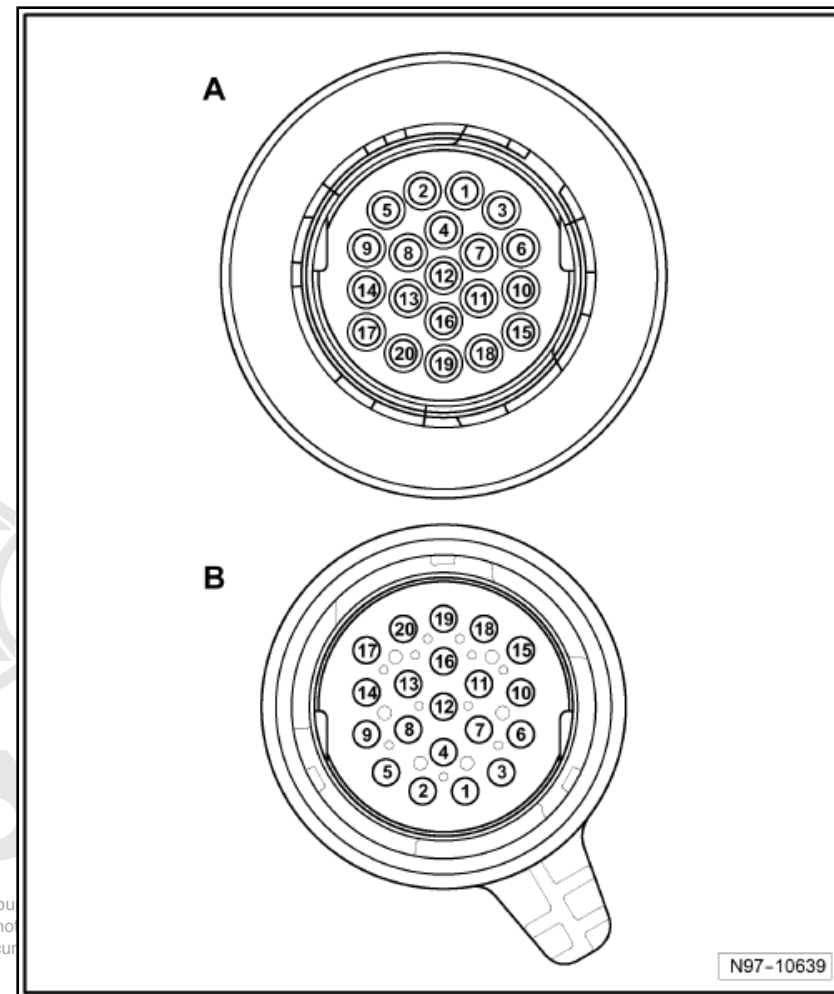
Protected by copyright. Copying for private or commercial purposes, in part or in whole, is not permitted unless authorised by AUDI AG. AUDI AG does not guarantee or accept any liability with respect to the correctness of information in this document. Copyright by AUDI AG.

1.5.2 Pin Arrangements:

A - Direct Shift Gearbox (DSG) Mechatronic -J743-

Connector:

B - 20-Pin Connector -T20e-



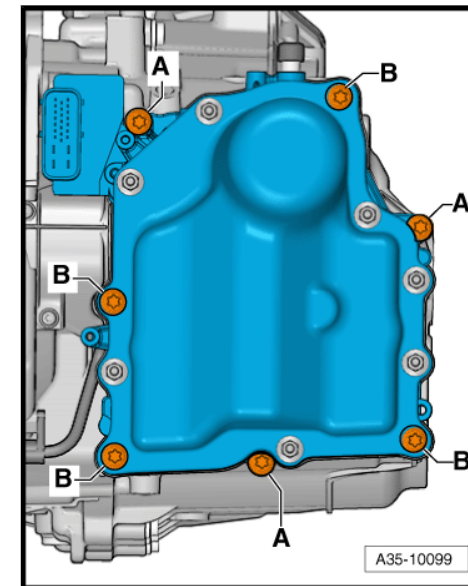
Protected by copyright. Copying for private or commercial use is not permitted unless authorised by AUDI AG. AUDI AG does not accept any liability with respect to the correctness of information in this document.

N97-10639

1.6 Direct Shift Gearbox (DSG) Mechatronic -J743-

1.6.1 Component Location:

On transmission



Audi

Protected by copyright. Copying for private or commercial purposes, in part or in whole, is not permitted unless authorised by AUDI AG. AUDI AG does not guarantee or accept any liability with respect to the correctness of information in this document. Copyright by AUDI AG.

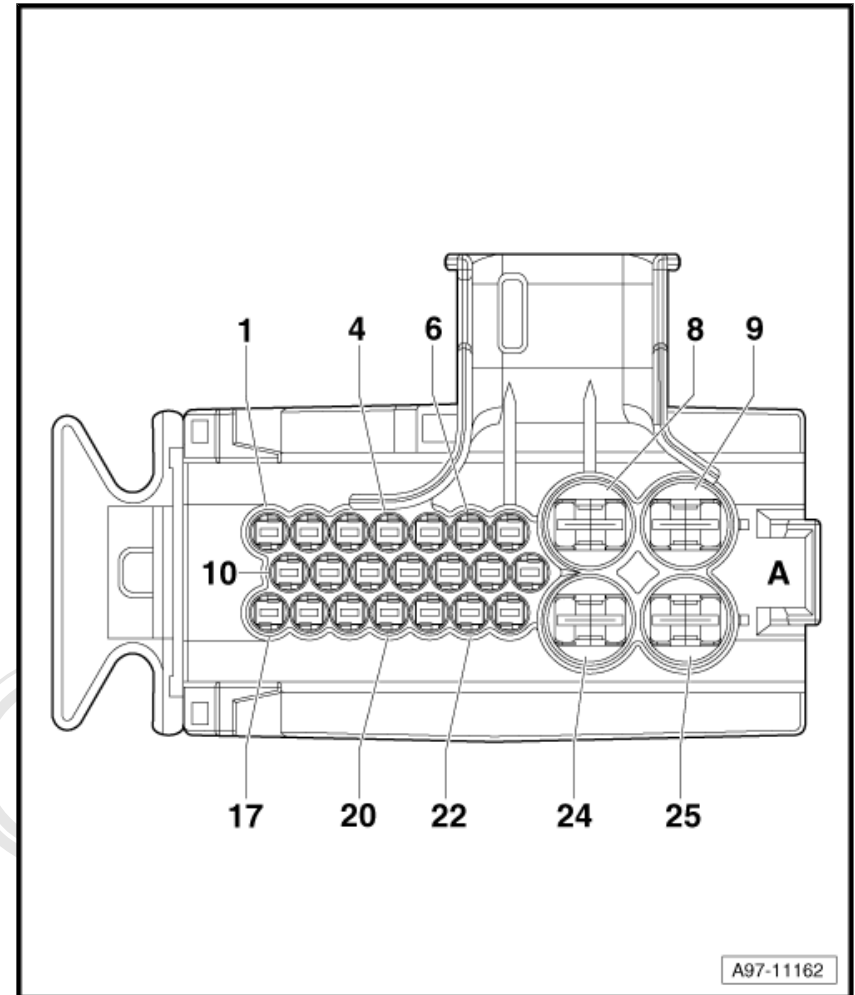


1.6.2 Pin Arrangements:

- Direct Shift Gearbox (DSG) Mechatronic -J743-

Connector:

A - 25-Pin Connector -T25-



Protected by copyright. Copying for private or commercial purposes, in part or in whole, is not permitted unless authorised by AUDI AG. AUDI AG does not guarantee or accept any liability with respect to the correctness of information in this document. Copyright by AUDI AG.



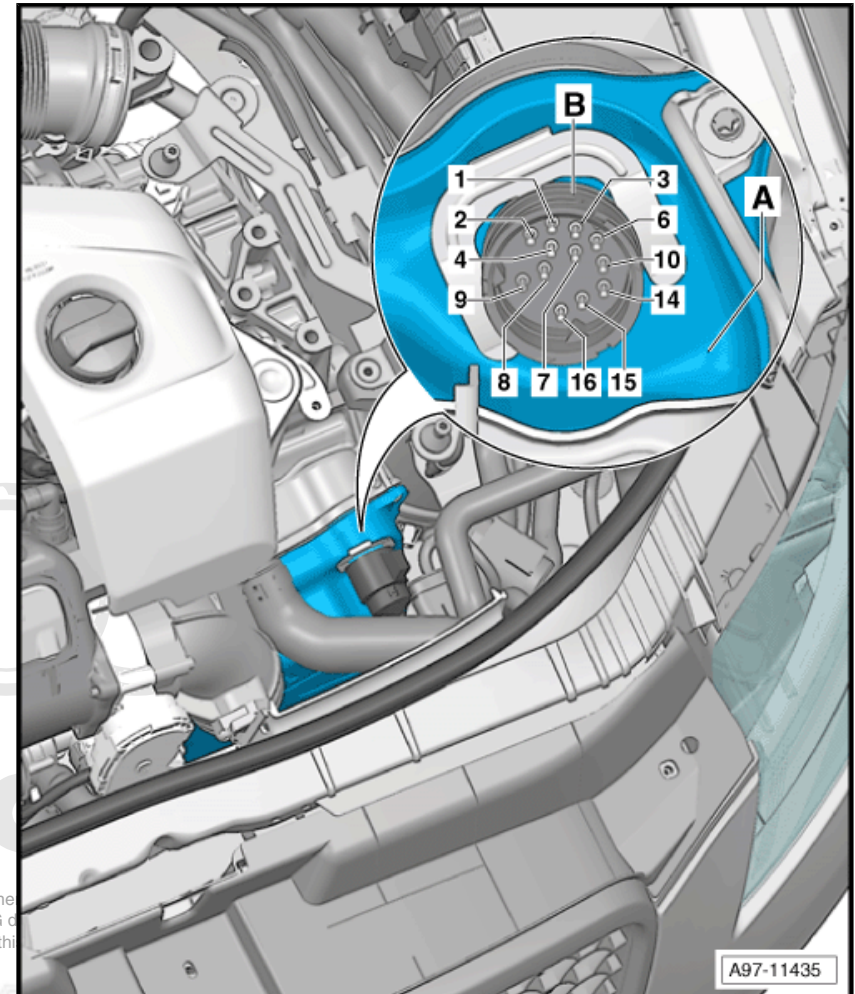
1.7 Direct Shift Gearbox (DSG) Mechatronic -J743-

Component Location

in engine compartment, left

A - Direct Shift Gearbox (DSG) Mechatronic -J743-

B - 16-Pin Connector -T16j-



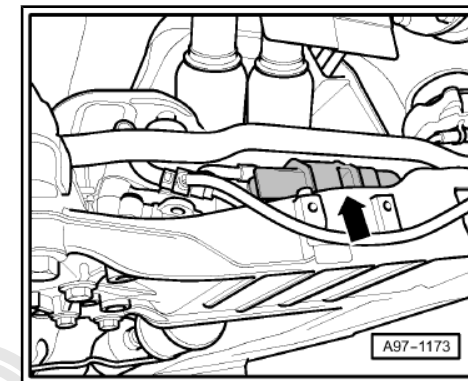
Protected by copyright. Copying for private or commercial use is not permitted unless authorised by AUDI AG. AUDI AG does not accept any liability with respect to the correctness of information in this document.

A97-11435

1.8 Power Steering Control Module -J500-

1.8.1 Component Location:

On steering box -Arrow-



Audi

Protected by copyright. Copying for private or commercial purposes, in part or in whole, is not permitted unless authorised by AUDI AG. AUDI AG does not guarantee or accept any liability with respect to the correctness of information in this document. Copyright by AUDI AG.



1.8.2 Pin Arrangements:

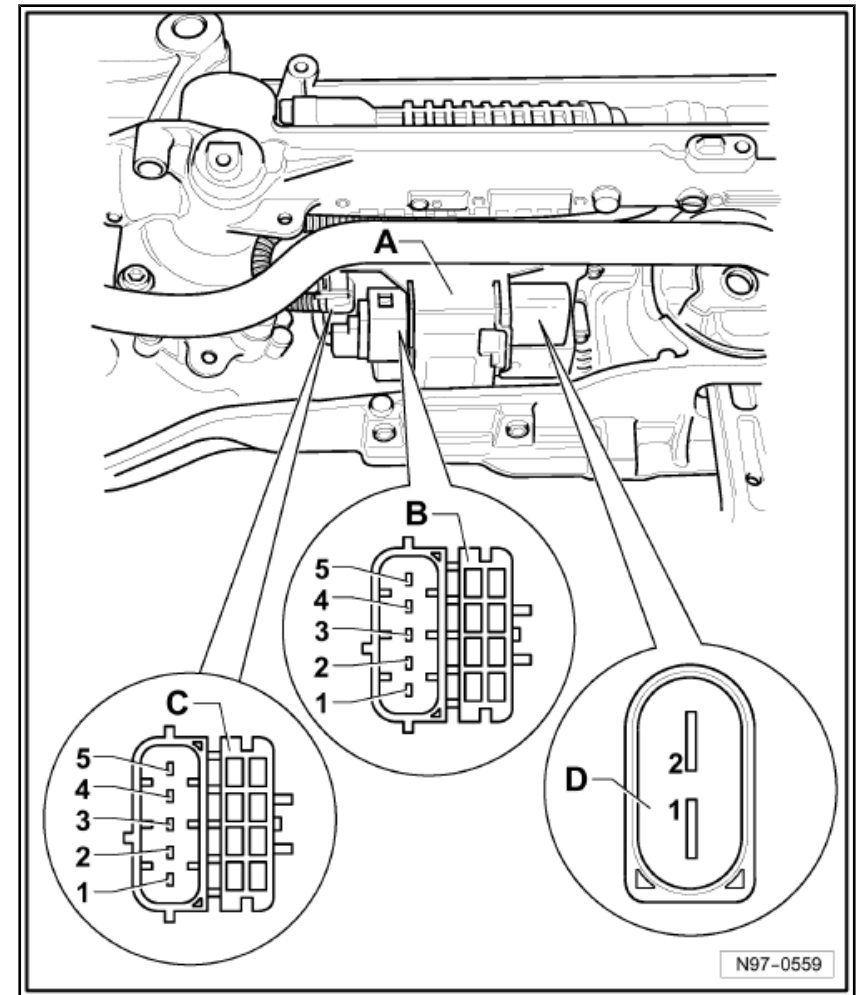
A - Power Steering Control Module -J500-

Connector:

B - 5-Pin Connector -T5-

C - 5-Pin Connector -T5a-

D - Double Connector -T2a-



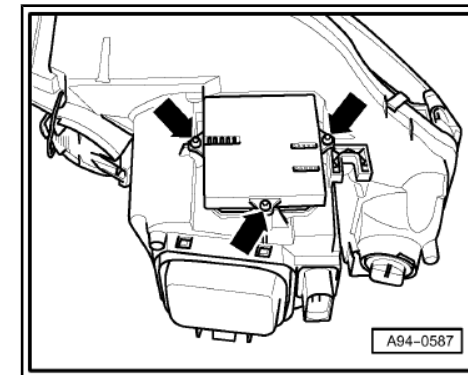
Protected by copyright. Copying for private or commercial purposes, in part or in whole, is not permitted unless authorised by AUDI AG. AUDI AG does not guarantee or accept any liability with respect to the correctness of information in this document. Copyright by AUDI AG.



1.9 Left High-intensity Gas Discharge Lamp Control Module -J343- / Right High-intensity Gas Discharge Lamp Control Module -J344-

1.9.1 Component Location:

On headlamp housing

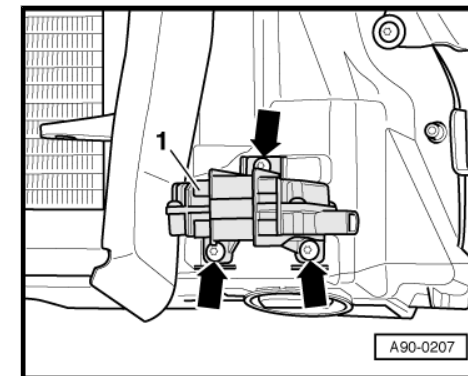


Audi

Protected by copyright. Copying for private or commercial purposes, in part or in whole, is not permitted unless authorised by AUDI AG. AUDI AG does not guarantee or accept any liability with respect to the correctness of information in this document. Copyright by AUDI AG.



1.10 Garage Door Opener Control Module
-J530-



1.10.1 Component Location:

Below front bumper -1-



Protected by copyright. Copying for private or commercial purposes, in part or in whole, is not permitted unless authorised by AUDI AG. AUDI AG does not guarantee or accept any liability with respect to the correctness of information in this document. Copyright by AUDI AG.

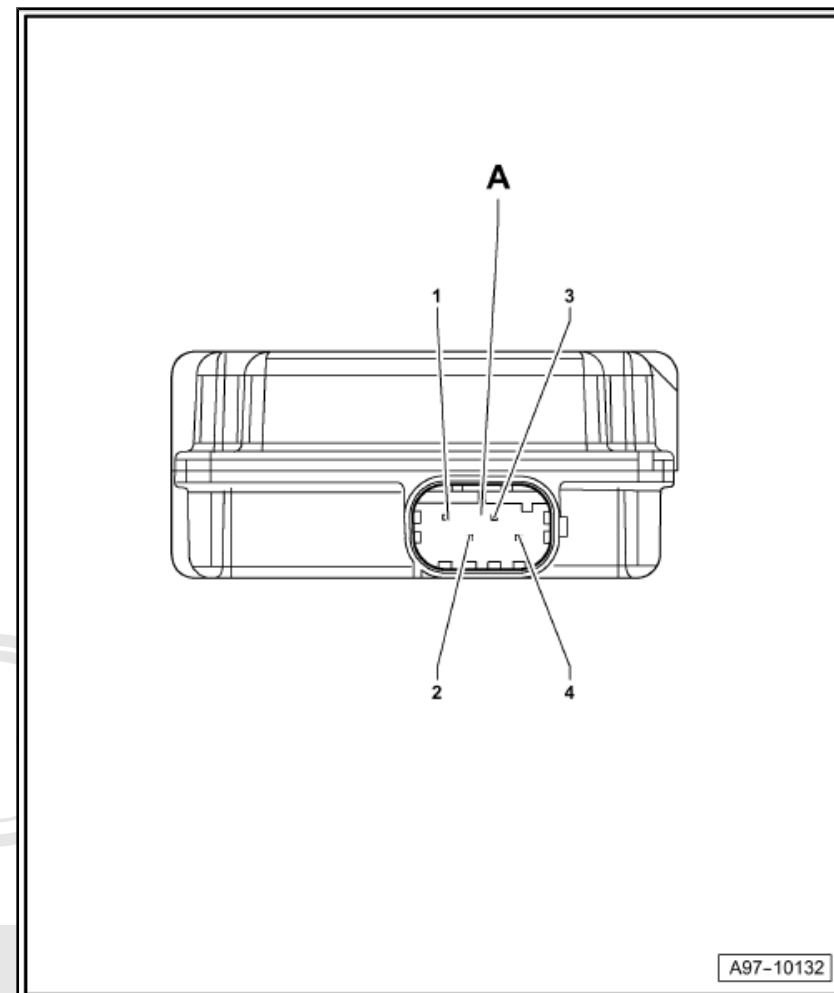


1.10.2 Pin Arrangements:

- Garage Door Opener Control Module -J530-

Connector:

A - 4-Pin Connector -T4ak-



A97-10132

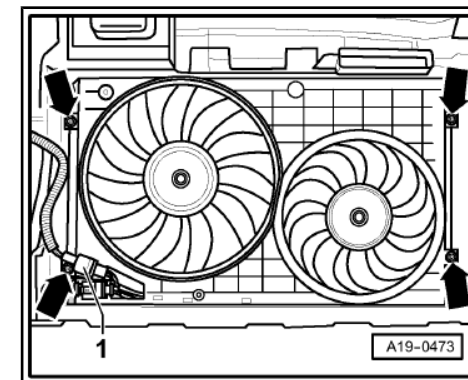
Protected by copyright. Copying for private or commercial purposes, in part or in whole, is not permitted unless authorised by AUDI AG. AUDI AG does not guarantee or accept any liability with respect to the correctness of information in this document. Copyright by AUDI AG.



1.11 Coolant Fan Control (FC) Control Module -J293-

1.11.1 Component Location:

On engine Coolant Fan -V7-

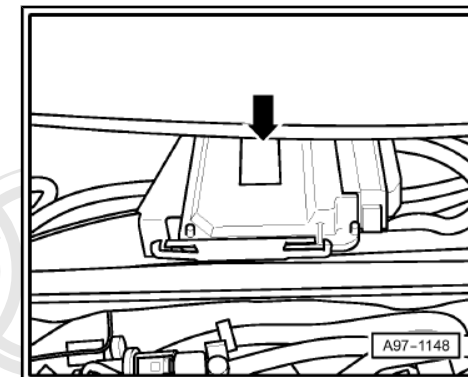


Audi

Protected by copyright. Copying for private or commercial purposes, in part or in whole, is not permitted unless authorised by AUDI AG. AUDI AG does not guarantee or accept any liability with respect to the correctness of information in this document. Copyright by AUDI AG.



- 1.12 SIMOS Control Module -J361- /
Motronic Engine Control Module (ECM)
-J220- / Diesel Direct Fuel Injection
(DFI) Engine Control Module (ECM)
-J248- / Engine Control Module (ECM)
-J623-



1.12.1 Component Location:

In center plenum chamber -Arrow-

Protected by copyright. Copying for private or commercial purposes, in part or in whole, is not permitted unless authorised by AUDI AG. AUDI AG does not guarantee or accept any liability with respect to the correctness of information in this document. Copyright by AUDI AG.



1.12.2 121-pin, Pin Arrangements:

A - Engine Control Module (ECM) -J623-Connector:

B - 81-Pin Connector -T81-

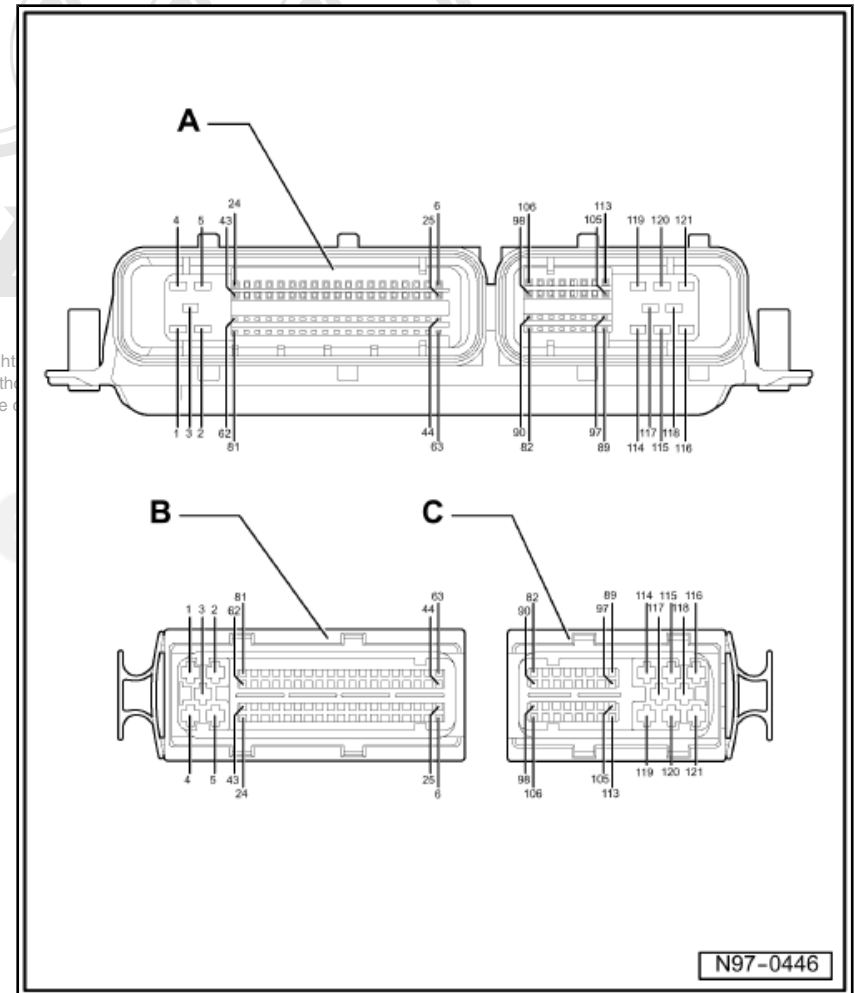
C - 40-Pin Connector -T40-



Note

-T121- consists of items B and C.

Protected by copyright
permitted unless auth
with respect to the d



1.12.3 154-pin, Pin Arrangements:

A - Engine Control Module (ECM)

Connector:

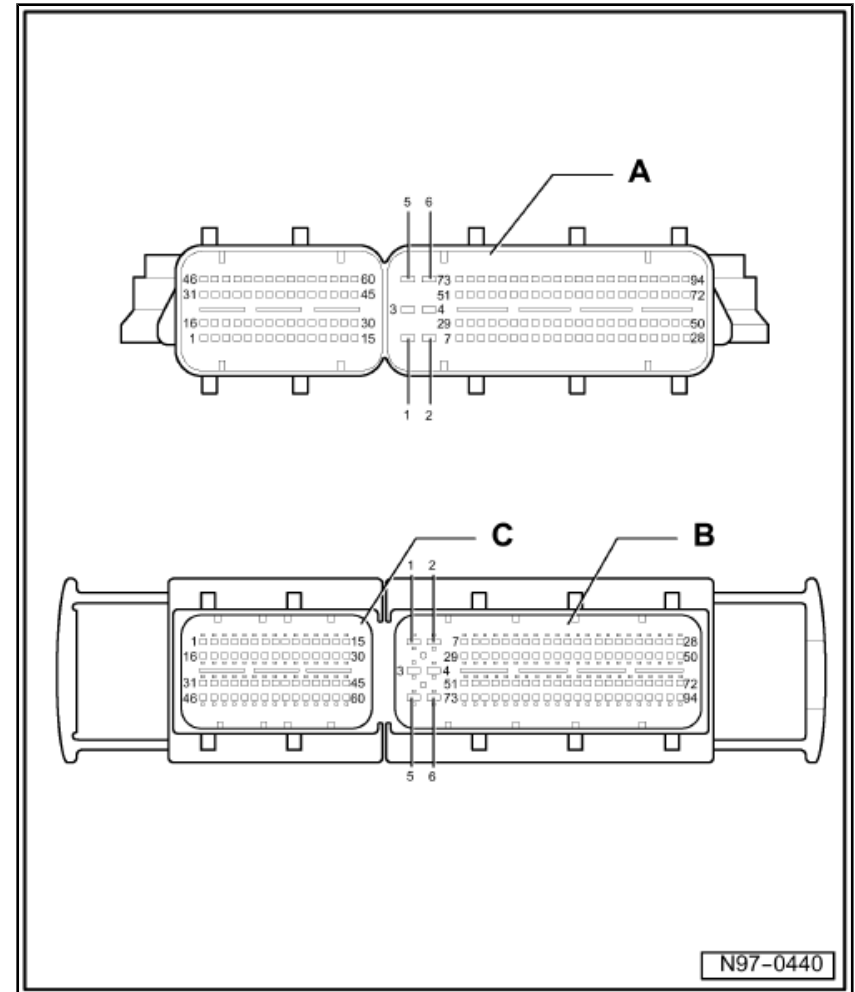
B - 94-Pin Connector -T94-

C - 60-Pin Connector -T60-



Audi

Protected by copyright. Copying for private or commercial purposes, in part or in whole, is not permitted unless authorised by AUDI AG. AUDI AG does not guarantee or accept any liability with respect to the correctness of information in this document. Copyright by AUDI AG.

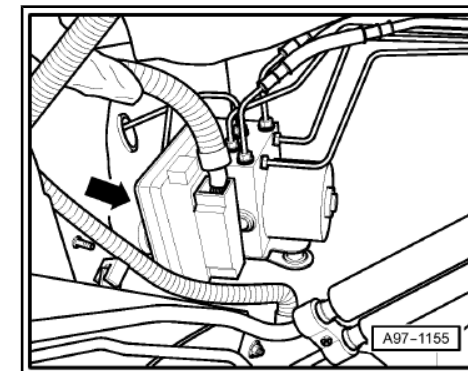


N97-0440

1.13 ABS Control Module -J104-

1.13.1 Component Location:

On firewall in engine compartment, right -Arrow-



Protected by copyright. Copying for private or commercial purposes, in part or in whole, is not permitted unless authorised by AUDI AG. AUDI AG does not guarantee or accept any liability with respect to the correctness of information in this document. Copyright by AUDI AG.

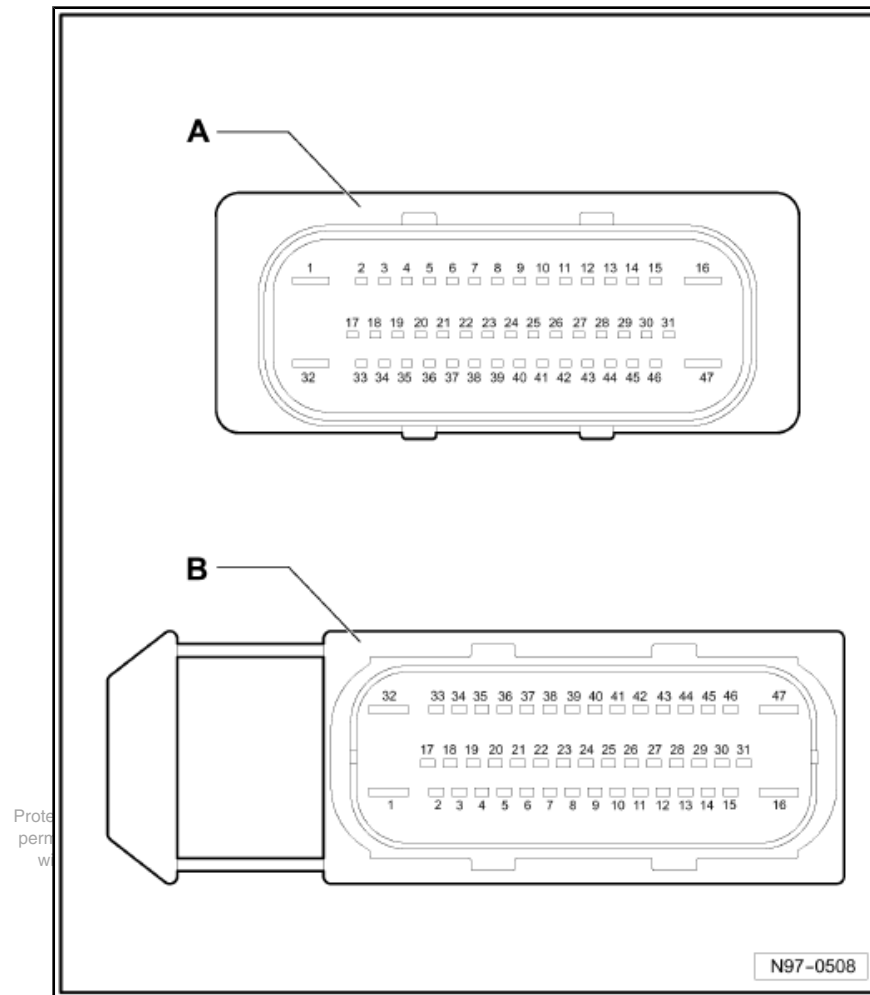


1.13.2 Pin Arrangements:

A - ABS Control Module (MK60) -J104-

Connector:

B - 47-Pin Connector



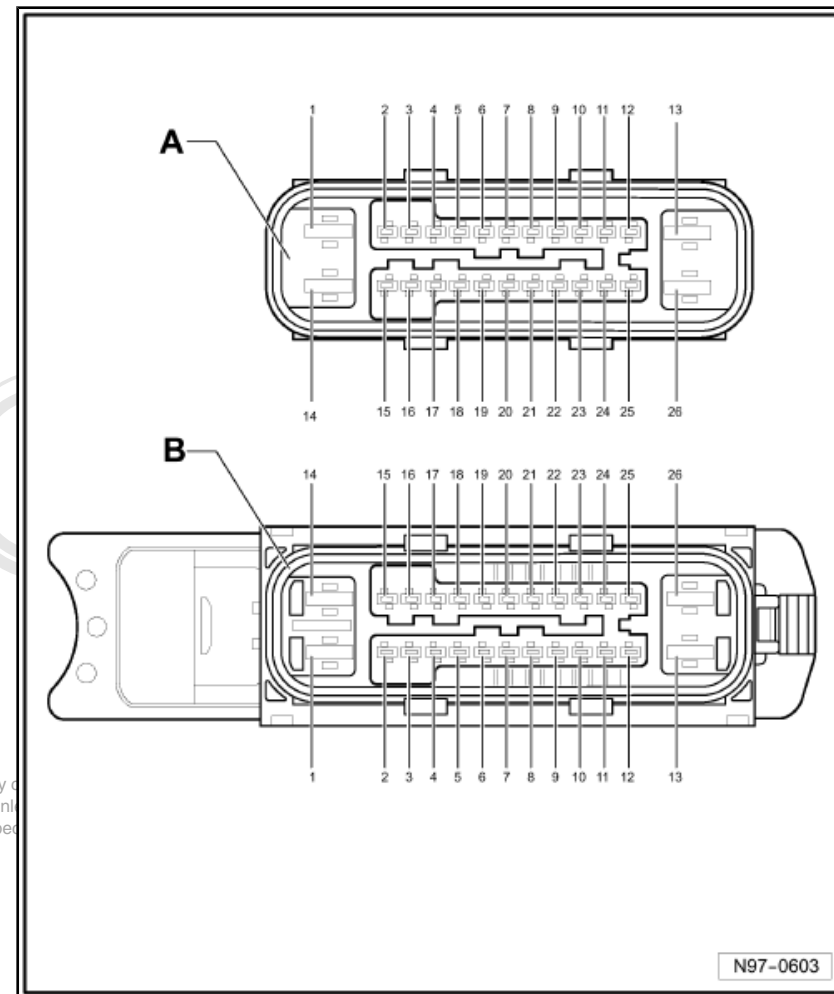
Prote
per
w

1.13.3 Pin Arrangements:

A - ABS Control Module (MK70) -J104-

Connector:

B - 26-Pin Connector



Protected by d
permitted unl
with respec

1.14 Auxiliary Heater Control Module -J364-

1.14.1 Pin Arrangements:

1 - Auxiliary Heater Control Module -J364- Connector:

2 - Double Connector -T2v-

3 - Double Connector -T2x-

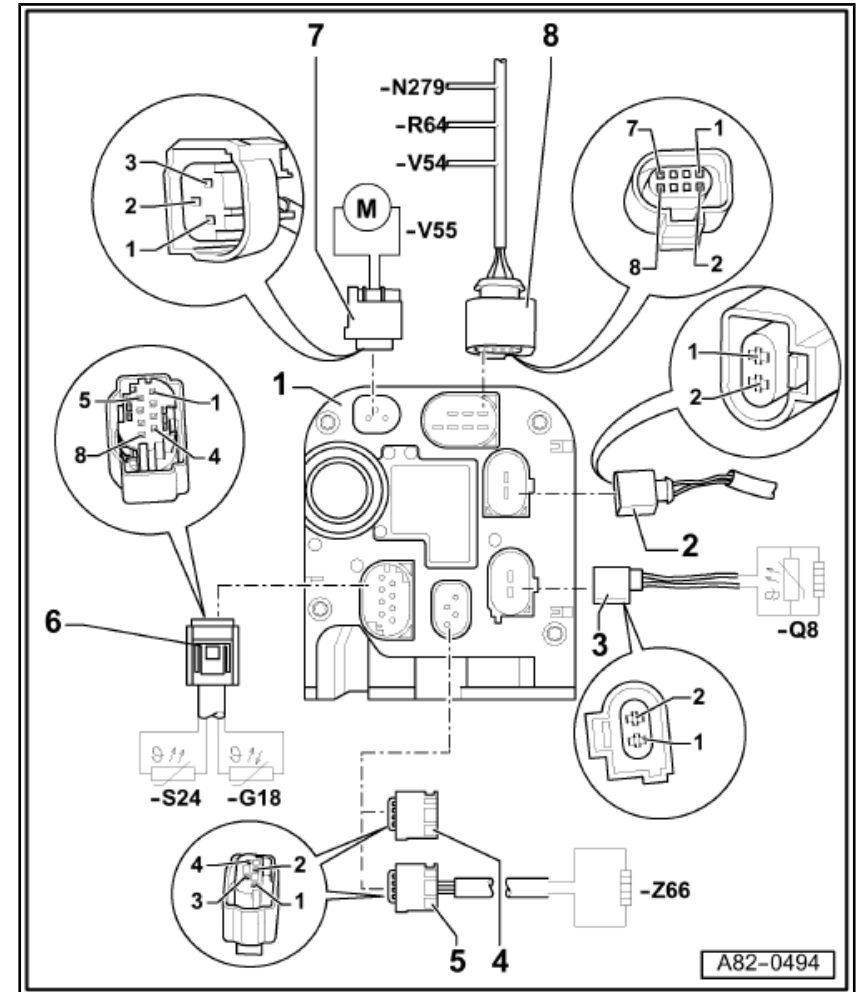
5 - 4-Pin Connector -T4u-

6 - 8-Pin Connector -T8r-

7 - 3-Pin Connector -T3j-

8 - 8-Pin Connector -T8q-

Protected by copyright. Copying for private or commercial purposes, in part or in whole, is not permitted unless authorised by AUDI AG. AUDI AG does not guarantee or accept any liability with respect to the correctness of information in this document. Copyright by AUDI AG.



1 Control Modules in Interior of Vehicle

1.1 Overview of Control Modules

1 - Headlamp Range Control Module -J431-

- Component Location ⇒ [page 6](#)
- Pin Arrangements ⇒ [page 7](#)

2 - Front Passenger's Heated Seat Control Module -J727-

- Component Location ⇒ [page 8](#)
- Pin Arrangements ⇒ [page 9](#)
- Not for models with US equipment

2 - Electronic Damping Control Module -J250-

- Component Location ⇒ [page 47](#)
- Pin Arrangements ⇒ [page 48](#)

3 - Power Sunroof Control Module -J245-

- Component Location ⇒ [page 10](#)
- Pin Arrangements ⇒ [page 11](#)

4 - NOX Sensor Control Module -J583-

- Component Location ⇒ [page 12](#)
- Not for models with US equipment

5 - Left Rear Door Control Module -J388-

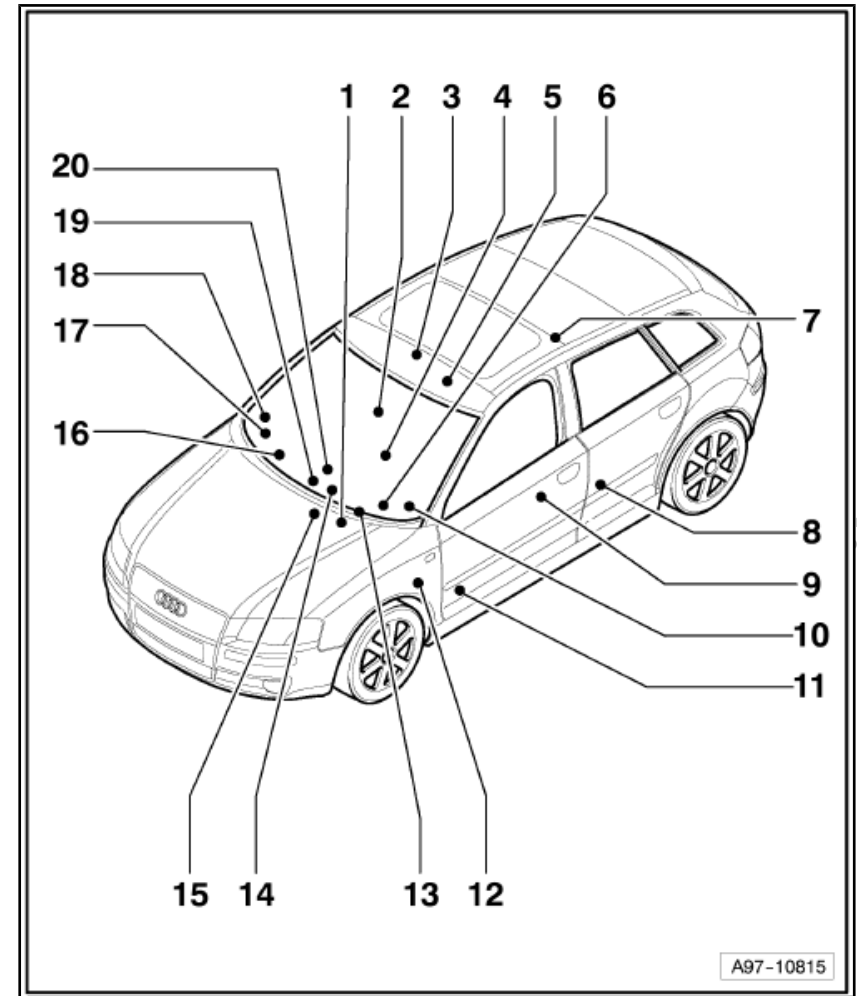
- Component Location ⇒ [page 13](#)
- Pin Arrangements ⇒ [page 14](#)
- Only 5-door models

6 - Instrument Cluster Control Module -J285-

- Component Location ⇒ [page 16](#)
- Pin Arrangements ⇒ [page 17](#)

7 - Fuel Pump (FP) Control Module -J538-

- Component Location ⇒ [page 18](#)
- Pin Arrangements ⇒ [page 19](#)



not
ility

8 - Right Rear Door Control Module -J389-

- Component Location ⇒ [page 13](#)
- Pin Arrangements ⇒ [page 15](#)
- Only 5-door models

9 - Driver's Heated Seat Control Module -J726-

- Component Location ⇒ [page 20](#)
- Pin Arrangements ⇒ [page 21](#)
- Not for models with US equipment

9 - Voltage Stabilizer -J532-

- Component Location ⇒ [page 52](#)
- Pin Arrangements ⇒ [page 53](#)
- Not for models with US equipment

10 - Steering Column Electronic Systems Control Module -J527-

- Component Location ⇒ [page 22](#)
- Pin Arrangements ⇒ [page 23](#)

11 - Driver's Door Control Module -J386-

- Component Location ⇒ [page 24](#)
- Pin Arrangements ⇒ [page 25](#)

12 - Vehicle Electrical System Control Module -J519-

- Component Location from model year 2004 ⇒ [page 26](#)
- Component Location from model year 2010 ⇒ [page 28](#)
- Pin Arrangements, from model year 2004 ⇒ [page 27](#)
- Pin Arrangements, from model year 2010 ⇒ [page 29](#)

**13 - Heater Control Module -J65- /
Heater Control Module -J162-**

- Component Location ⇒ [page 30](#)

**13 -
Climatronic Control Module -J255-**

- Component Location ⇒ [page 31](#)
- Pin Arrangements ⇒ [page 32](#)

**13 -
A/C Control Module -J301-**

- In the center console
- Not for models with US equipment



Protected by copyright. Copying for private or commercial purposes, in part or in whole, is not permitted unless authorised by AUDI AG. AUDI AG does not guarantee or accept any liability with respect to the correctness of information in this document. Copyright by AUDI AG.



14 - Auxiliary Air Heater Control Module -J604-

- Component Location ⇒ [page 42](#)
- Pin Arrangements ⇒ [page 43](#)
- Not for models with US equipment

15 - Data Bus On Board Diagnostic Interface -J533-

- Component Location ⇒ [page 33](#)
- Pin Arrangements ⇒ [page 34](#)

16 - CD Changer -R41-

- Component Location ⇒ [page 46](#)

**16 -
Tire Pressure Monitoring Control Module -J502-**

- Component Location ⇒ [page 49](#)
- Pin Arrangements ⇒ [page 50](#)

**16 -
Inclination-/Anti-Theft Control Module -J529-**

- Component Location ⇒ [page 5](#)

**16 -
External Audio Source Connector -R199-**

- Component Location ⇒ [page 51](#)
- Pin Arrangements ⇒ [page 51](#)

17 - Fresh Air Blower Control Module -J126-

- Component Location ⇒ [page 35](#)

18 - Front Passenger's Door Control Module -J387-

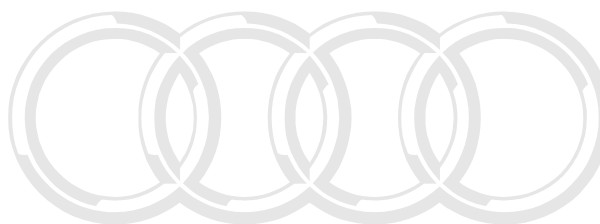
- Component Location ⇒ [page 36](#)
- Pin Arrangements ⇒ [page 37](#)

19 - Airbag Control Module -J234-

- Component Location ⇒ [page 38](#)
- 75-pin, Pin Arrangements ⇒ [page 39](#)
- 84-pin, Pin Arrangements ⇒ [page 40](#)
- 100-pin, Pin Arrangements ⇒ [page 41](#)

**20 - Radio -R- /
Radio/Navigation Display Control Module -J503-**

- Component Location ⇒ [page 44](#)

20 -

Audi

Protected by copyright. Copying for private or commercial purposes, in part or in whole, is not permitted unless authorised by AUDI AG. AUDI AG does not guarantee or accept any liability with respect to the correctness of information in this document. Copyright by AUDI AG.



Navigation System Operating Electronics Control Module -J402-

- Component Location ⇒ [page 45](#)



Audi

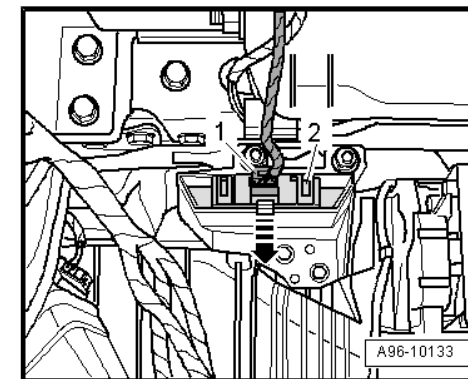
Protected by copyright. Copying for private or commercial purposes, in part or in whole, is not permitted unless authorised by AUDI AG. AUDI AG does not guarantee or accept any liability with respect to the correctness of information in this document. Copyright by AUDI AG.



1.2 Inclination-/Anti-Theft Control Module -J529-

1.2.1 Component Location:

Behind glove compartment -2-

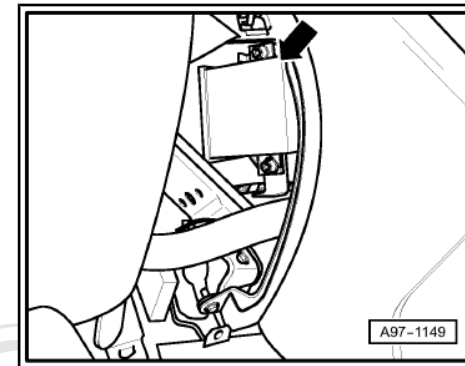


Audi

Protected by copyright. Copying for private or commercial purposes, in part or in whole, is not permitted unless authorised by AUDI AG. AUDI AG does not guarantee or accept any liability with respect to the correctness of information in this document. Copyright by AUDI AG.



1.3 Headlamp Range Control Module
-J431-



1.3.1 Component Location:

Below instrument panel, right, on left center console -Arrow-



Audi

Protected by copyright. Copying for private or commercial purposes, in part or in whole, is not permitted unless authorised by AUDI AG. AUDI AG does not guarantee or accept any liability with respect to the correctness of information in this document. Copyright by AUDI AG.

erWin

1.3.2 Pin Arrangements:

A - Headlamp Range Control Module -J431-

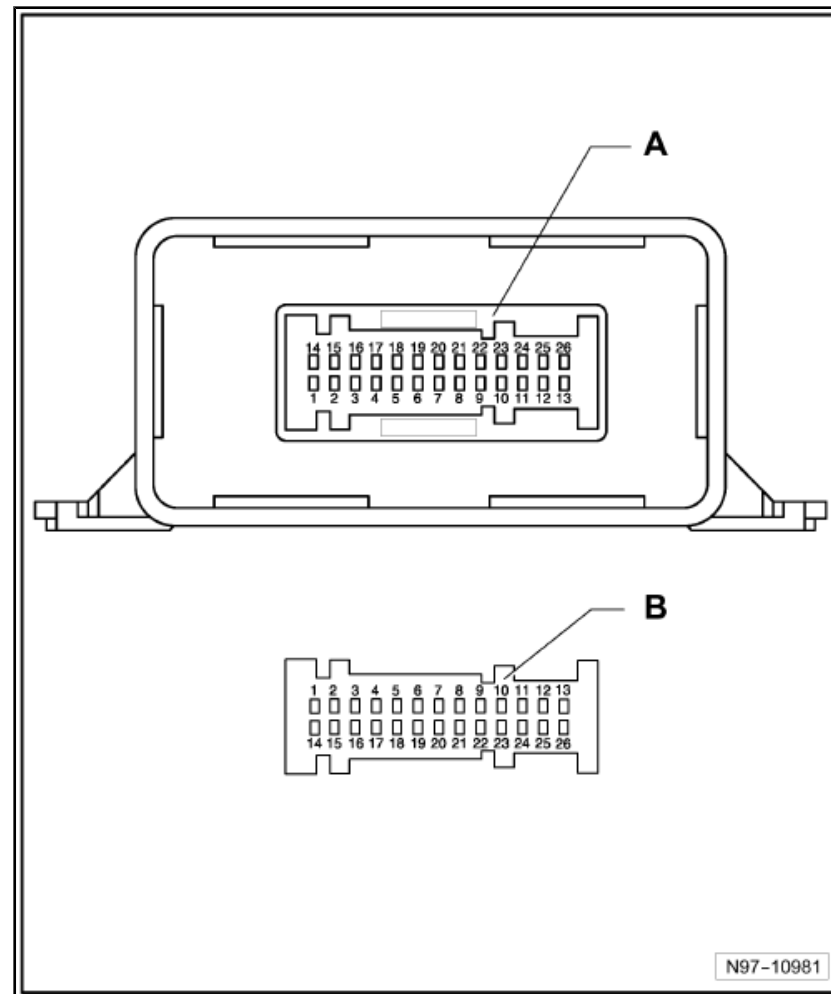
Connector:

B - 26-Pin Connector -T26a-



Audi

Protected by copyright. Copying for private or commercial purposes, in part or in whole, is not permitted unless authorised by AUDI AG. AUDI AG does not guarantee or accept any liability with respect to the correctness of information in this document. Copyright by AUDI AG.

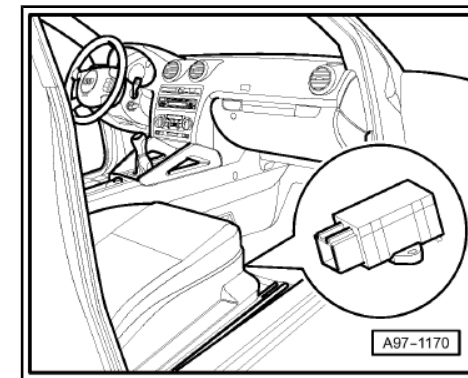


N97-10981

1.4 Front Passenger's Heated Seat Control Module -J727-

1.4.1 Component Location:

Below front passenger's seat



Audi

Protected by copyright. Copying for private or commercial purposes, in part or in whole, is not permitted unless authorised by AUDI AG. AUDI AG does not guarantee or accept any liability with respect to the correctness of information in this document. Copyright by AUDI AG.



1.4.2 Pin Arrangements:

- Front Passenger's Heated Seat Control Module -J727-

Connector:

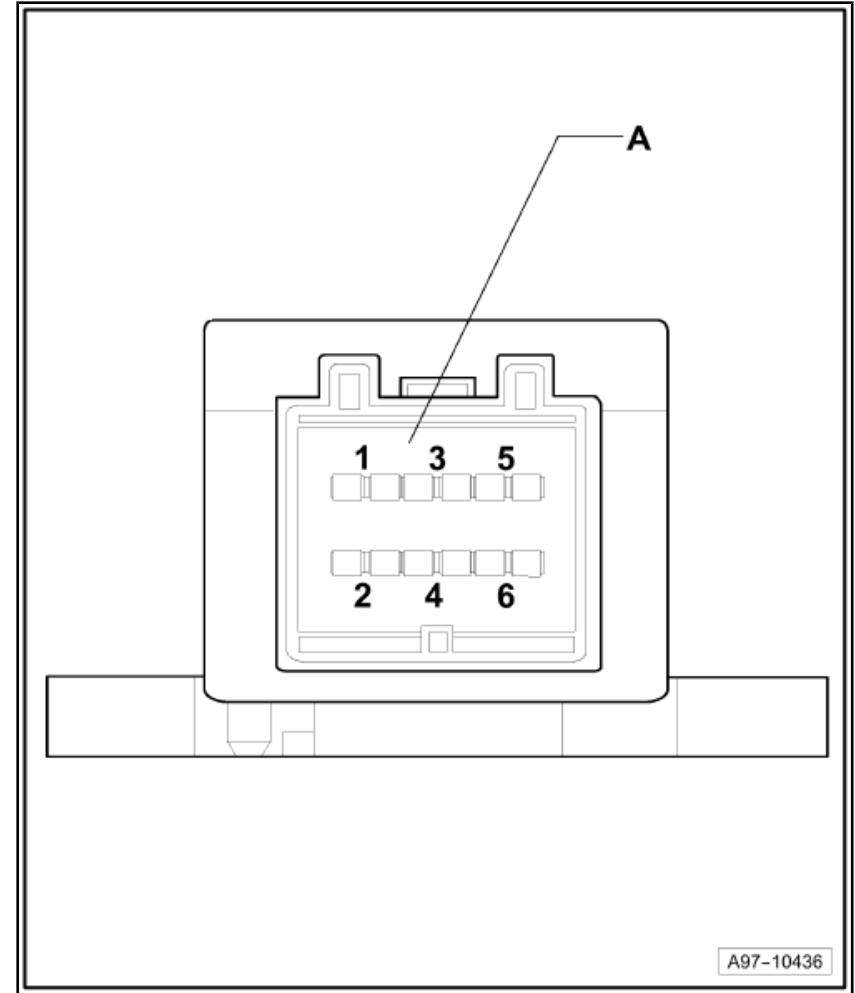
A - 6-Pin Connector -T6p-



Audi

Protected by copyright. Copying for private or commercial purposes, in part or in whole, is not permitted unless authorised by AUDI AG. AUDI AG does not guarantee or accept any liability with respect to the correctness of information in this document. Copyright by AUDI AG.

erWin

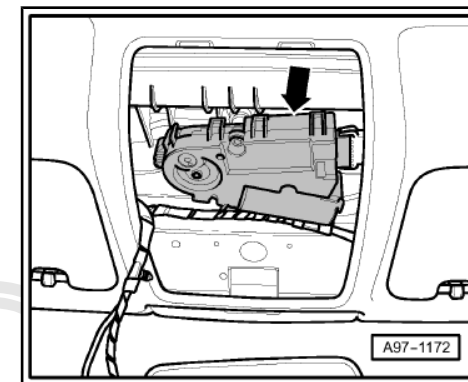


A97-10436

1.5 Power Sunroof Control Module -J245-

1.5.1 Component Location:

Under interior light control head cover -Arrow-



Audi

Protected by copyright. Copying for private or commercial purposes, in part or in whole, is not permitted unless authorised by AUDI AG. AUDI AG does not guarantee or accept any liability with respect to the correctness of information in this document. Copyright by AUDI AG.



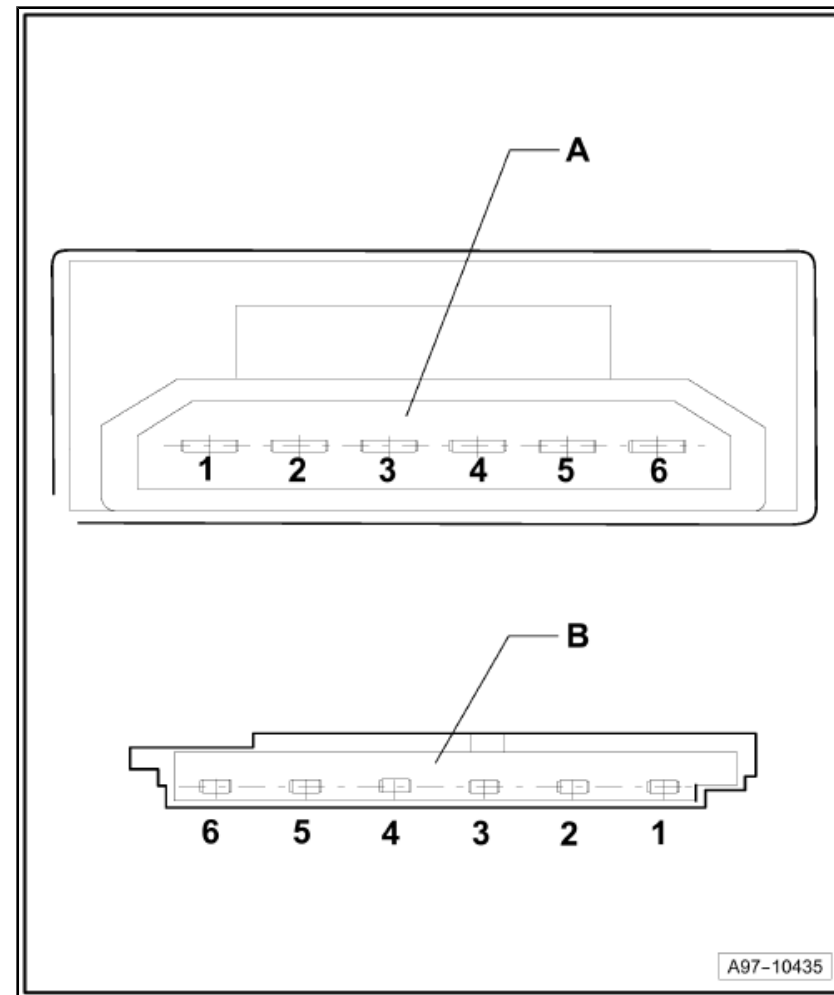
1.5.2 Pin Arrangements:

- Power Sunroof Control Module -J245-

Connector:

A - 6-Pin Connector -T6b-

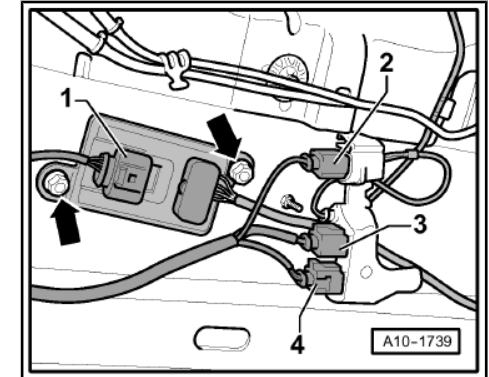
B - 6-Pin Connector -T6t-



Protected by copyright. Copying for private or commercial purposes, in part or in whole, is not permitted unless authorised by AUDI AG. AUDI AG does not guarantee or accept any liability with respect to the correctness of information in this document. Copyright by AUDI AG.



1.6 NOX Sensor Control Module -J583-



1.6.1 Component Location:

On Underbody, near NOX Three Way Catalytic Converter

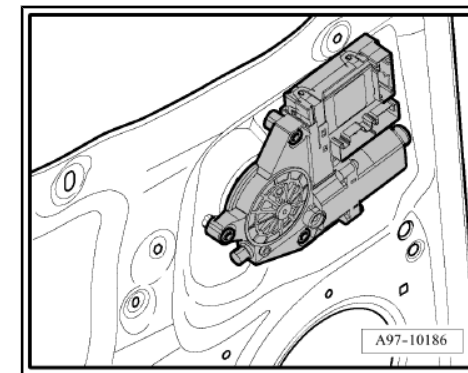


Audi

Protected by copyright. Copying for private or commercial purposes, in part or in whole, is not permitted unless authorised by AUDI AG. AUDI AG does not guarantee or accept any liability with respect to the correctness of information in this document. Copyright by AUDI AG.



1.7 Left Rear Door Control Module -J388- /
Right Rear Door Control Module -J389-



1.7.1 Component Location:

In rear door



Audi

Protected by copyright. Copying for private or commercial purposes, in part or in whole, is not permitted unless authorised by AUDI AG. AUDI AG does not guarantee or accept any liability with respect to the correctness of information in this document. Copyright by AUDI AG.



1.7.2 Pin Arrangements:

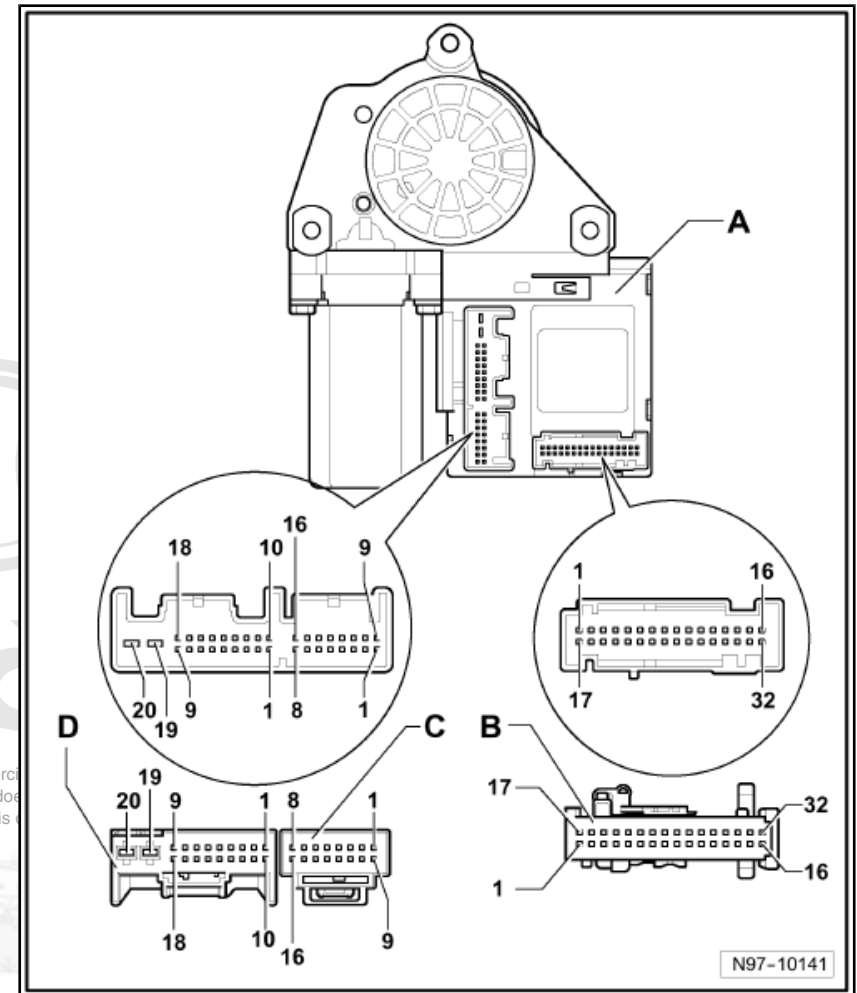
A - Left Rear Door Control Module -J388-

Connector:

B - 32-Pin Connector -T32e-

C - 16-Pin Connector (not used)

D - 20-Pin Connector -T20n-



Protected by copyright. Copying for private or commercial use is not permitted unless authorised by AUDI AG. AUDI AG does not accept any liability with respect to the correctness of information in this document.

1.7.3 Pin Arrangements:

A - Right Rear Door Control Module -J389-

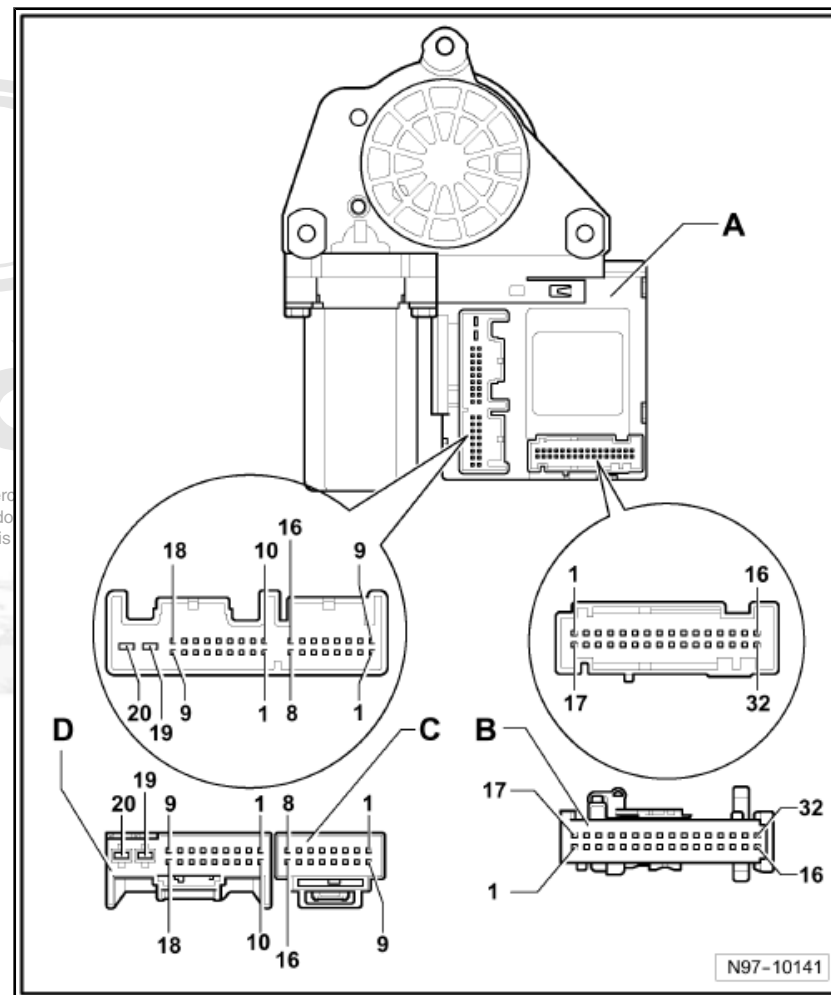
Connector:

B - 32-Pin Connector -T32f-

C - 16-Pin Connector (not used)

D - 20-Pin Connector -T20o-

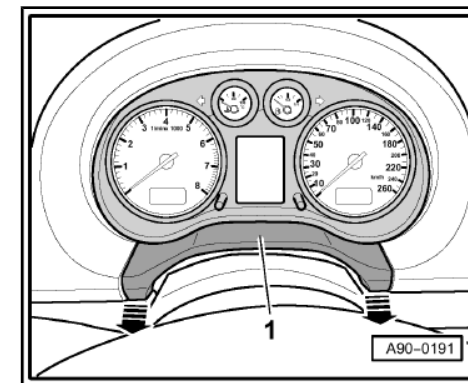
Protected by copyright. Copying for private or commercial use is not permitted unless authorised by AUDI AG. AUDI AG does not accept any liability with respect to the correctness of information in this document.



1.8 Instrument Cluster Control Module -J285-

1.8.1 Component Location:

In instrument panel



Audi

Protected by copyright. Copying for private or commercial purposes, in part or in whole, is not permitted unless authorised by AUDI AG. AUDI AG does not guarantee or accept any liability with respect to the correctness of information in this document. Copyright by AUDI AG.



1.8.2 Pin Arrangements:

- Instrument Cluster Control Module -J285-

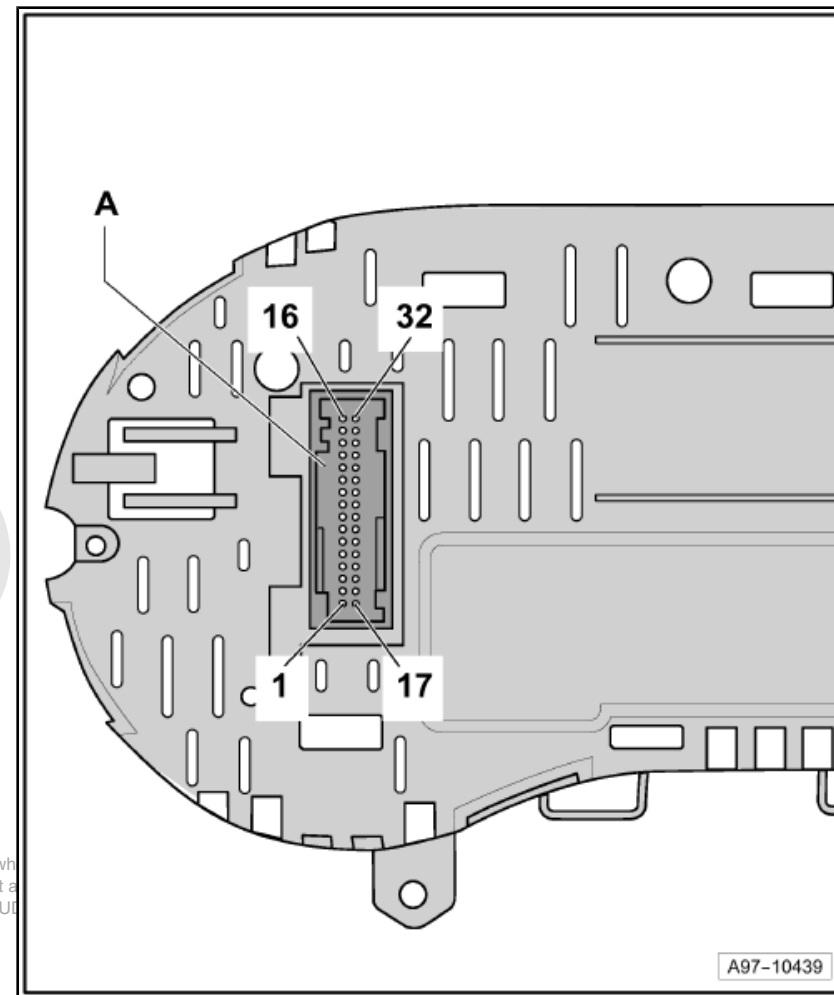
Connector:

A - 32-Pin Connector -T32-



Audi

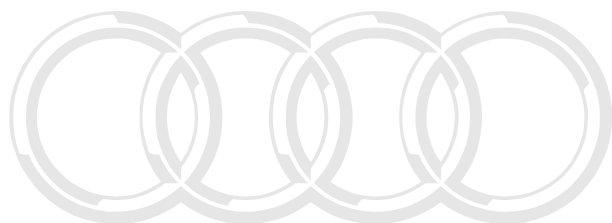
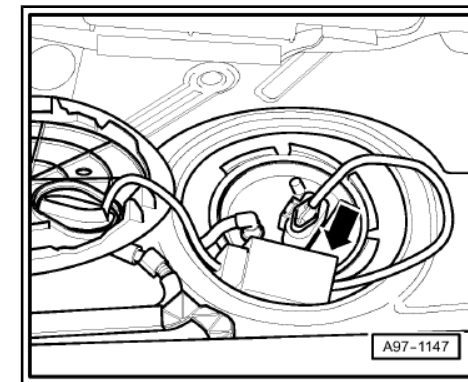
Protected by copyright. Copying for private or commercial purposes, in part or in whole, is not permitted unless authorised by AUDI AG. AUDI AG does not guarantee or accept any liability with respect to the correctness of information in this document. Copyright by AUDI AG.



1.9 Fuel Pump (FP) Control Module -J538-

1.9.1 Component Location:

Below rear seat, on fuel pump -Arrow-



Audi

Protected by copyright. Copying for private or commercial purposes, in part or in whole, is not permitted unless authorised by AUDI AG. AUDI AG does not guarantee or accept any liability with respect to the correctness of information in this document. Copyright by AUDI AG.



1.9.2 Pin Arrangements:

A - Fuel Pump (FP) Control Module -J538-

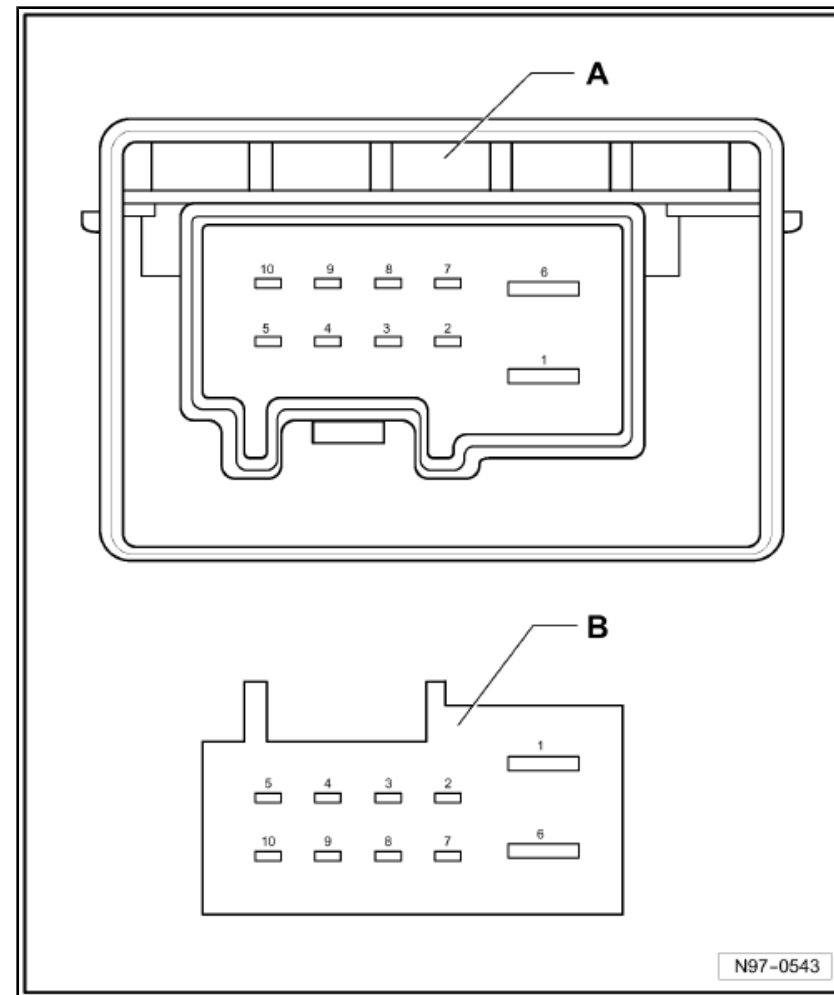
Connector:

B - 10-Pin Connector -T10b-



Audi

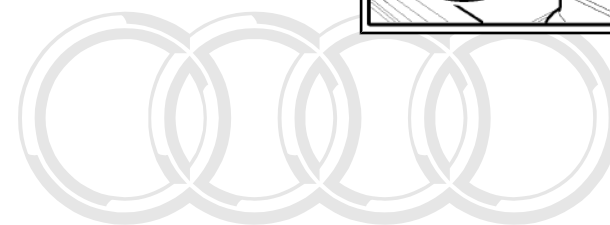
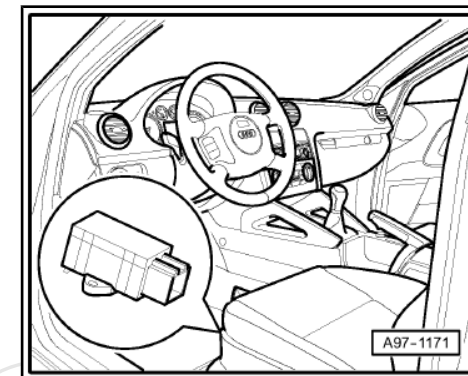
Protected by copyright. Copying for private or commercial purposes, in part or in whole, is not permitted unless authorised by AUDI AG. AUDI AG does not guarantee or accept any liability with respect to the correctness of information in this document. Copyright by AUDI AG.



1.10 Driver's Heated Seat Control Module -J726-

1.10.1 Component Location:

Below driver's seat



Audi

Protected by copyright. Copying for private or commercial purposes, in part or in whole, is not permitted unless authorised by AUDI AG. AUDI AG does not guarantee or accept any liability with respect to the correctness of information in this document. Copyright by AUDI AG.

erWin

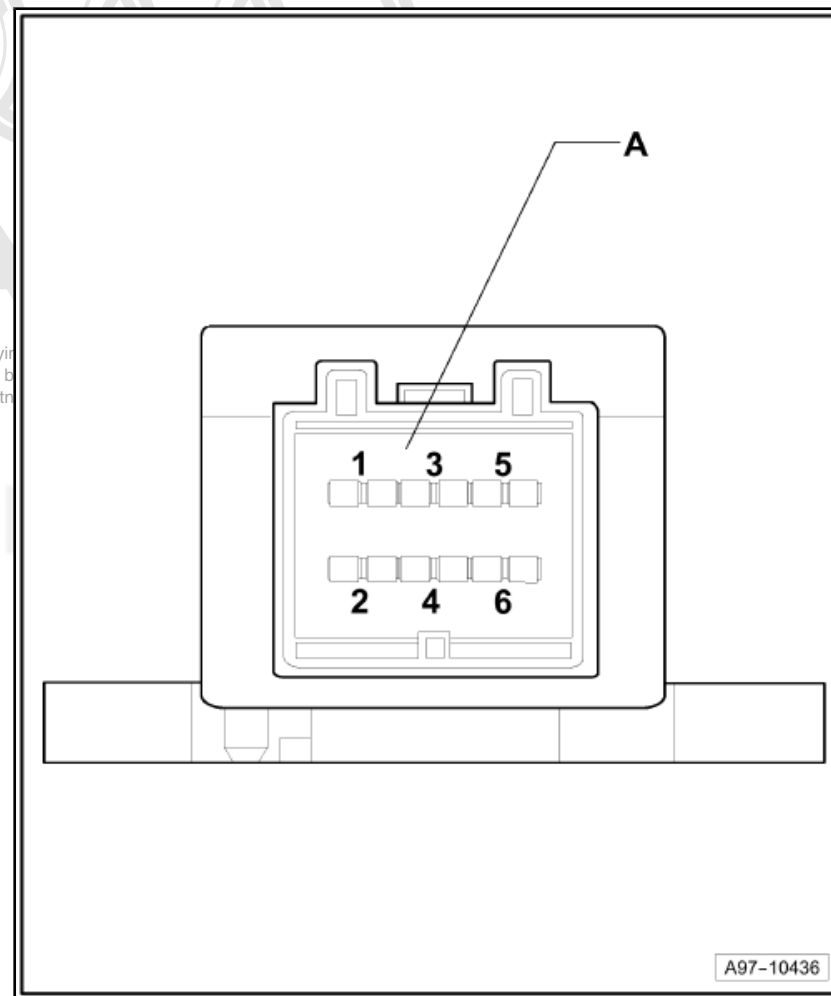
1.10.2 Pin Arrangements:

- Driver's Heated Seat Control Module -J726-

Connector:

A - 6-Pin Connector -T6o-

Protected by copyright. Copying
permitted unless authorised by
with respect to the correct

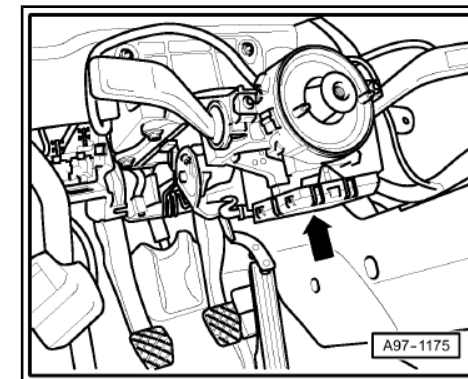


A97-10436

1.11 Steering Column Electronic Systems Control Module -J527-

1.11.1 Component Location:

On steering column -Arrow-



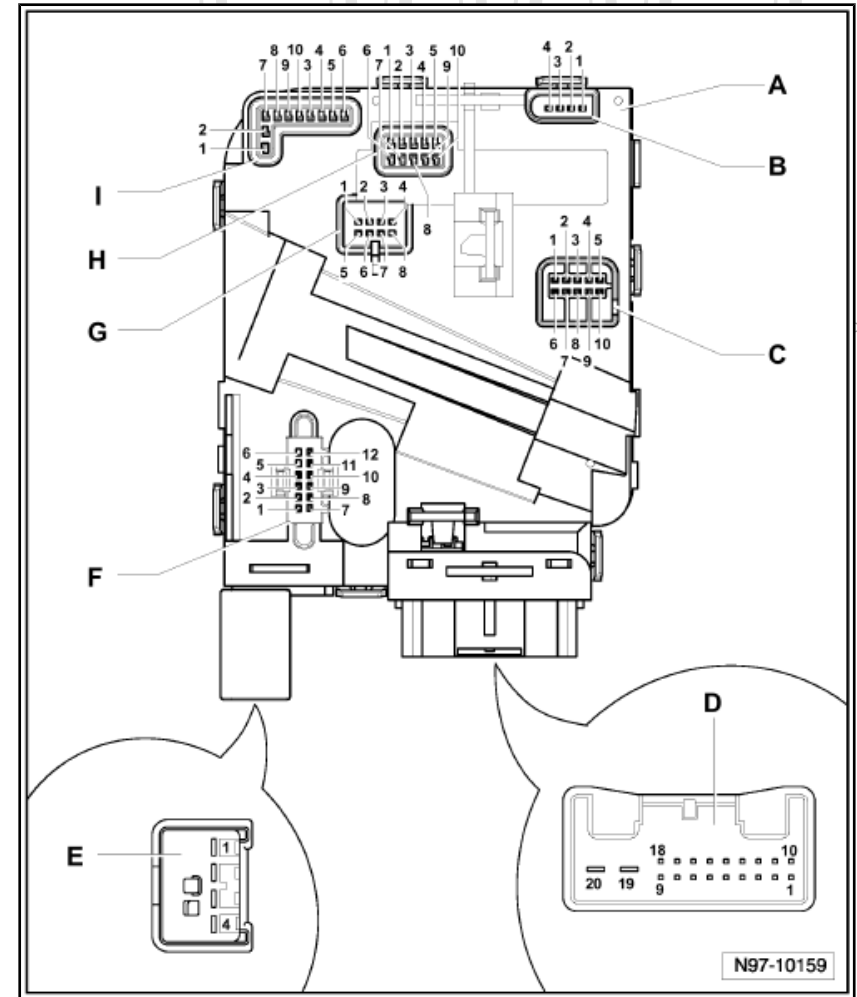
Audi

Protected by copyright. Copying for private or commercial purposes, in part or in whole, is not permitted unless authorised by AUDI AG. AUDI AG does not guarantee or accept any liability with respect to the correctness of information in this document. Copyright by AUDI AG.



1.11.2 Pin Arrangements:

- A - Steering Column Electronic Systems Control Module -J527-**
- B - 4-Pin Connector (Charging Airbag)**
- C - 10-Pin Connector (Charging Turn Signal and Cruise Control System)**
- D - 20-Pin Connector -T20b-**
- E - 4-Pin Connector -T4n-**
- F - 12-Pin Connector (Charging Ignition/Starter Switch and Ignition Switch Key Lock)**
- G - 8-Pin Connector (Charging Wiper, Interval potentiometer and Multi-Function Indicator (MFI))**
- H - 10-Pin Connector (Charging Steering Angle Sensor)**
- I - 10-Pin Connector (Charging Spiral Spring)**

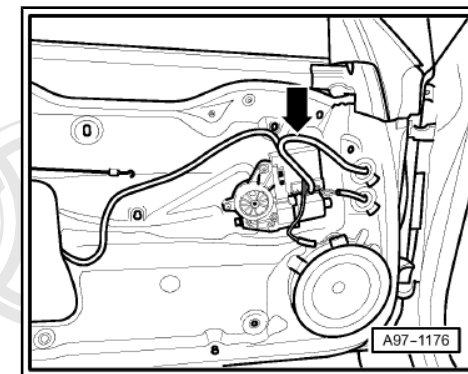


not
bility

1.12 Driver's Door Control Module -J386-

1.12.1 Component Location:

In driver's door -Arrow-



Protected by copyright. Copying for private or commercial purposes, in part or in whole, is not permitted unless authorised by AUDI AG. AUDI AG does not guarantee or accept any liability with respect to the correctness of information in this document. Copyright by AUDI AG.

1.12.2 Pin Arrangements:

A - Driver's Door Control Module -J386-

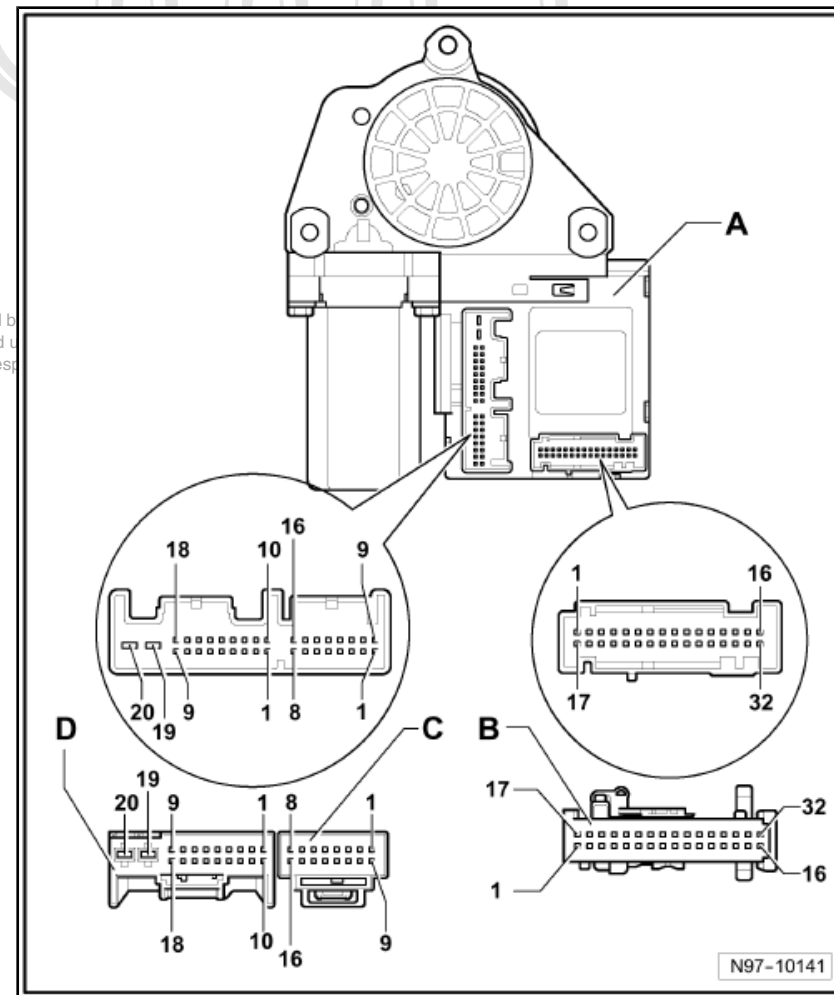
Connector:

B - 32-Pin Connector -T32a-

C - 16-Pin Connector -T16b-

D - 20-Pin Connector -T20f-

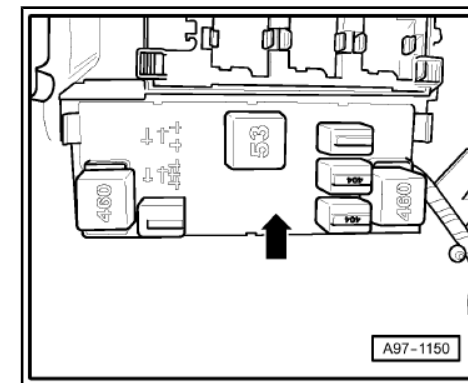
Protected by
patent law
permitted use
with resp



1.13 Vehicle Electrical System Control Module -J519-

1.13.1 Component Location:

Under instrument panel, left, below relay carrier -Arrow-



Audi

Protected by copyright. Copying for private or commercial purposes, in part or in whole, is not permitted unless authorised by AUDI AG. AUDI AG does not guarantee or accept any liability with respect to the correctness of information in this document. Copyright by AUDI AG.



1.13.2 Pin Arrangements:

- Vehicle Electrical System Control Module -J519-

Connector:

A - 11-Pin Connector -T11b-

B - 12-Pin Connector -T12c-

C - 12-Pin Connector -T12d-

D - 11-Pin Connector -T11c-

E - 16-Pin Connector -T16a-

F - 8-Pin Connector -T8h-

G - 12-Pin Connector -T12e-

H - 12-Pin Connector

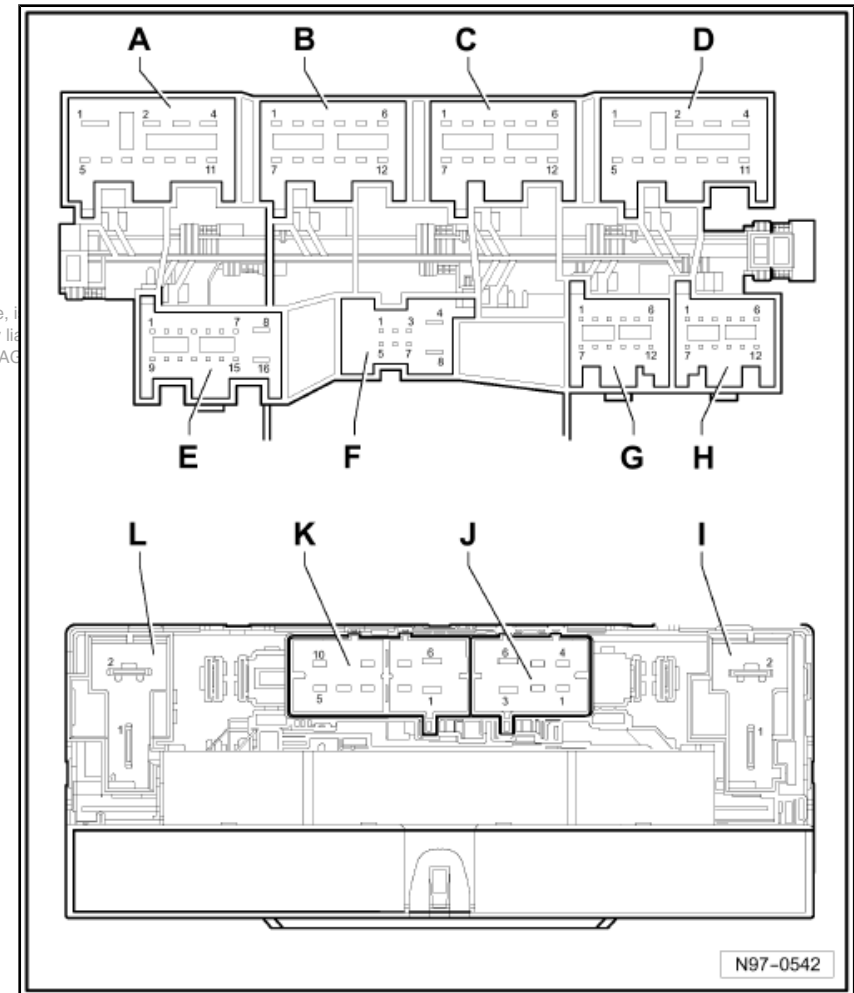
I - Double Connector -T2b-

J - 6-Pin Connector -T6h-

K - 10-Pin Connector -T10d-

L - Double Connector -T2t-

Protected by copyright. Copying for private or commercial purposes, in part or in whole, is permitted unless authorised by AUDI AG. AUDI AG does not guarantee or accept any liability with respect to the correctness of information in this document. Copyright by AUDI AG



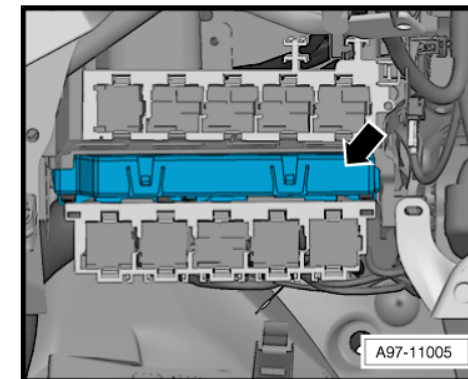
1.14 Vehicle Electrical System Control Module -J519-

1.14.1 Component Location:

Under instrument panel, left -Arrow-



Audi



Protected by copyright. Copying for private or commercial purposes, in part or in whole, is not permitted unless authorised by AUDI AG. AUDI AG does not guarantee or accept any liability with respect to the correctness of information in this document. Copyright by AUDI AG.

erWin

1.14.2 Pin Arrangements:

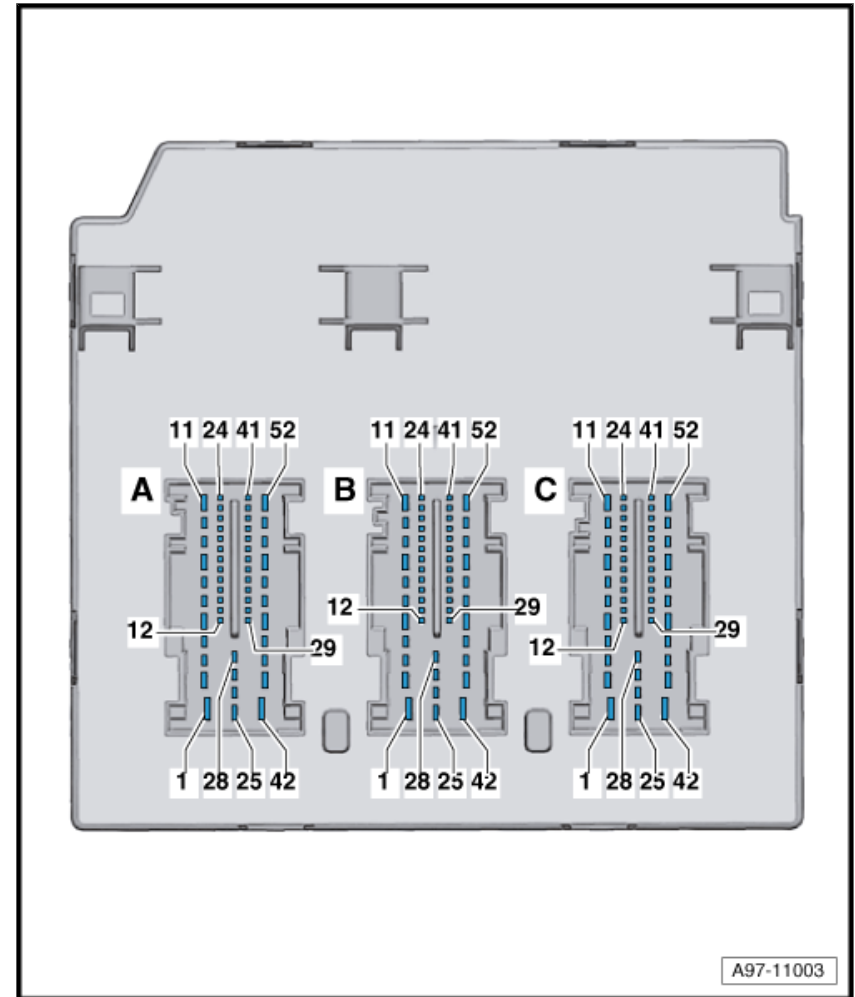
- Vehicle Electrical System Control Module -J519-

Connector:

A - 52-Pin Connector -T52a-

B - 52-Pin Connector -T52b-

C - 52-Pin Connector -T52c-

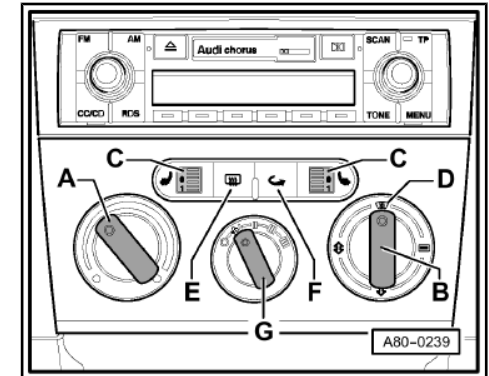


A97-11003

Protected by copyright. Copying for private or commercial purposes, in part or in whole, is not permitted unless authorised by AUDI AG. AUDI AG does not guarantee or accept any liability with respect to the correctness of information in this document. Copyright by AUDI AG.



1.15 Heater Control Module -J65- / Heater Control Module -J162-



1.15.1 Component Location:

In the center console

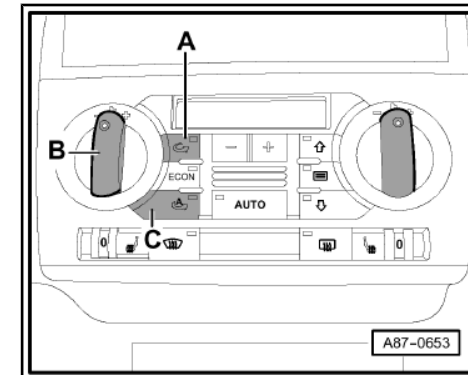


Audi

Protected by copyright. Copying for private or commercial purposes, in part or in whole, is not permitted unless authorised by AUDI AG. AUDI AG does not guarantee or accept any liability with respect to the correctness of information in this document. Copyright by AUDI AG.



1.16 Climatronic Control Module -J255-



1.16.1 Component Location:

In the center console



Audi

Protected by copyright. Copying for private or commercial purposes, in part or in whole, is not permitted unless authorised by AUDI AG. AUDI AG does not guarantee or accept any liability with respect to the correctness of information in this document. Copyright by AUDI AG.

erWin

1.16.2 Pin Arrangements:

- Climatronic Control Module -J255-

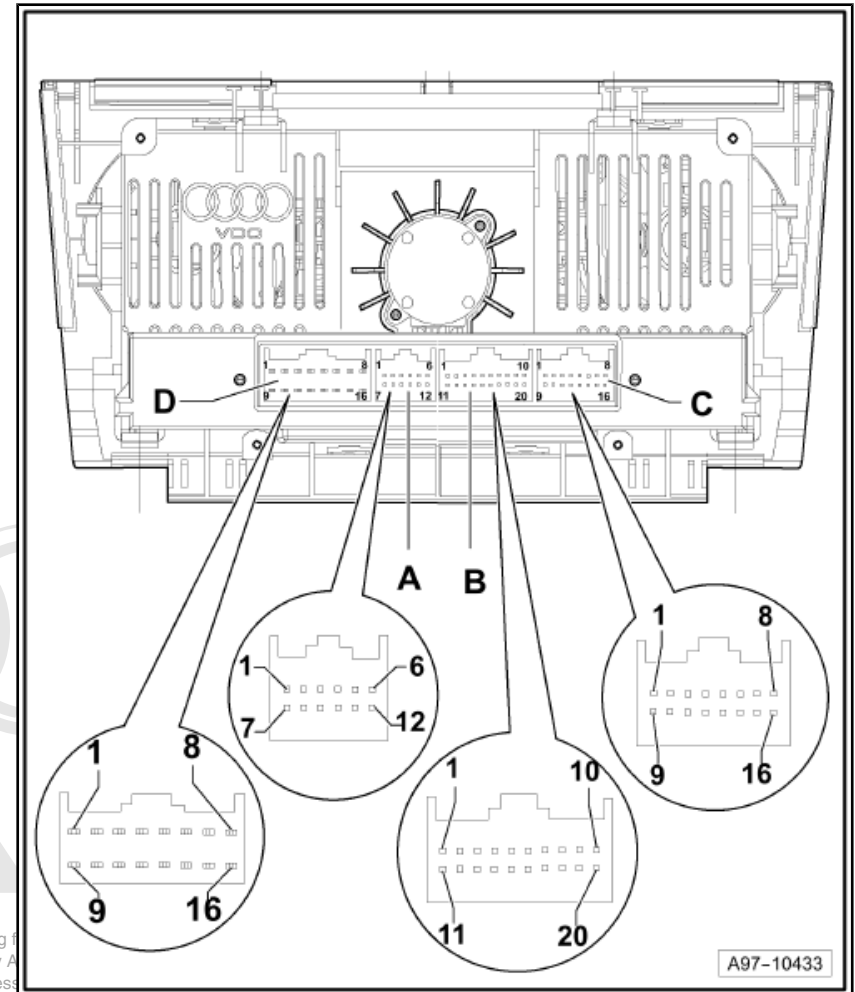
Connector:

A - 12-Pin Connector -T12f-

B - 20-Pin Connector -T20j-

C - 16-Pin Connector -T16e-

D - 16-Pin Connector -T16d-



Protected by copyright. Copying is permitted unless authorised by Audi AG with respect to the correctness.

A97-10433



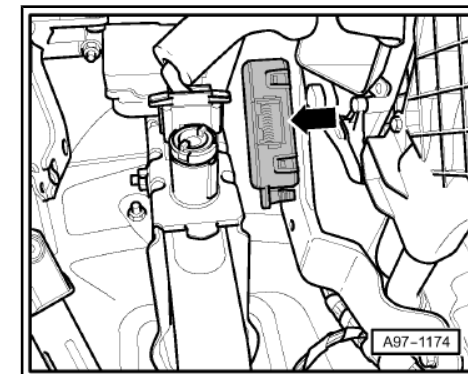
1.17 Data Bus On Board Diagnostic Interface -J533-

1.17.1 Component Location:

In left footwell -Arrow-

 Note

The Component Location from Data Bus On Board Diagnostic Interface -J533- are equal for right and left-hand drive.



Audi

Protected by copyright. Copying for private or commercial purposes, in part or in whole, is not permitted unless authorised by AUDI AG. AUDI AG does not guarantee or accept any liability with respect to the correctness of information in this document. Copyright by AUDI AG.

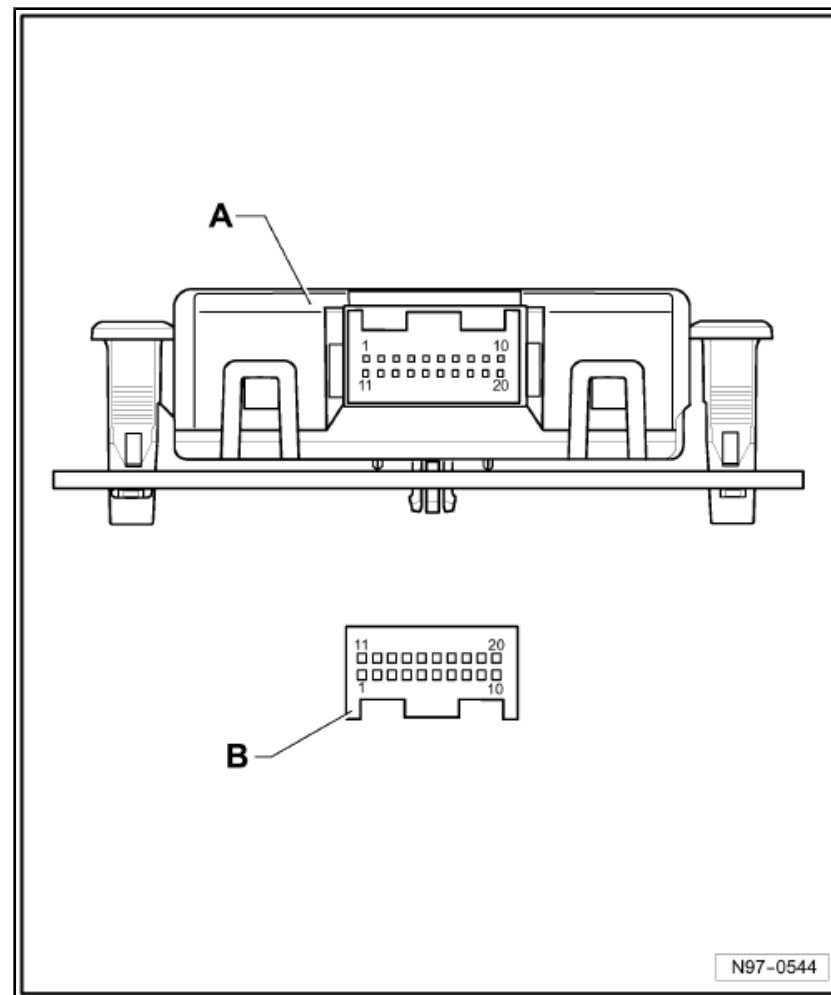


1.17.2 Pin Arrangements:

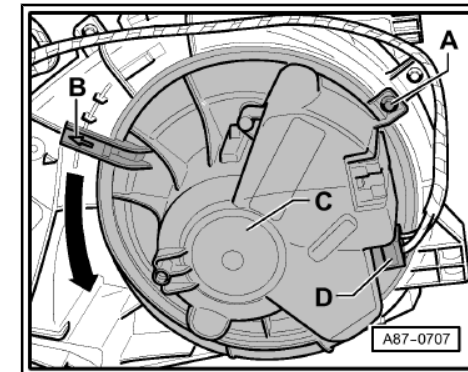
A - Data Bus On Board Diagnostic Interface -J533-

Connector:

B - 20-Pin Connector -T20d-



1.18 Fresh Air Blower Control Module
-J126-



1.18.1 Component Location:

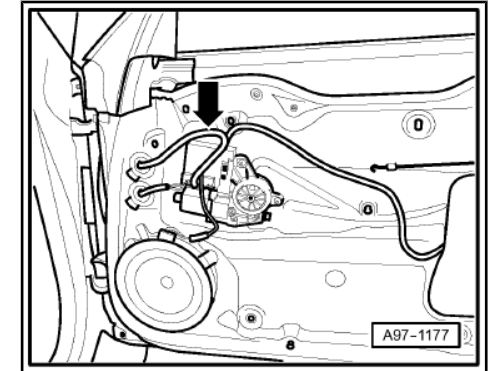
Below glove compartment, on Fresh Air Blower -V2-



Protected by copyright. Copying for private or commercial purposes, in part or in whole, is not permitted unless authorised by AUDI AG. AUDI AG does not guarantee or accept any liability with respect to the correctness of information in this document. Copyright by AUDI AG.

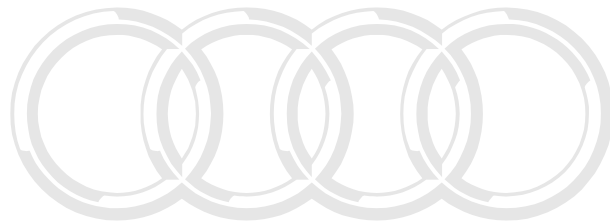


1.19 Front Passenger's Door Control Module
-J387-



1.19.1 Component Location:

In front passenger's door -Arrow-



Audi

Protected by copyright. Copying for private or commercial purposes, in part or in whole, is not permitted unless authorised by AUDI AG. AUDI AG does not guarantee or accept any liability with respect to the correctness of information in this document. Copyright by AUDI AG.



1.19.2 Pin Arrangements:

A - Front Passenger's Door Control Module -J387-

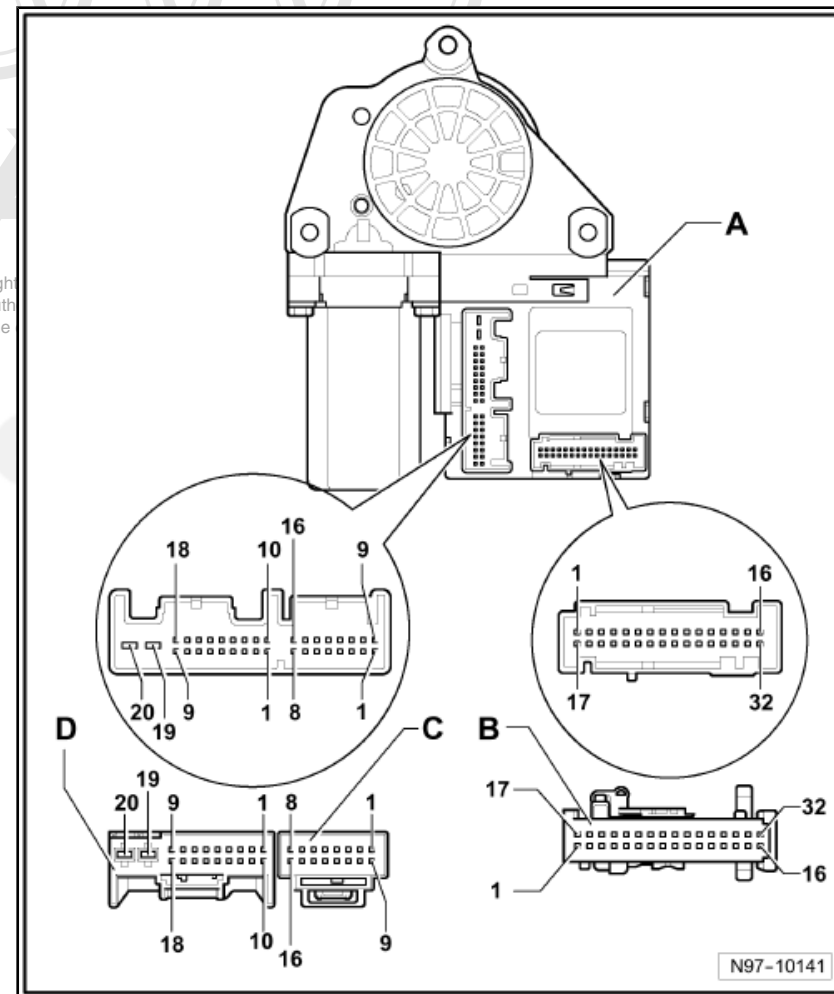
Connector:

B - 32-Pin Connector -T32b-

C - 16-Pin Connector -T16c-

D - 20-Pin Connector -T20g-

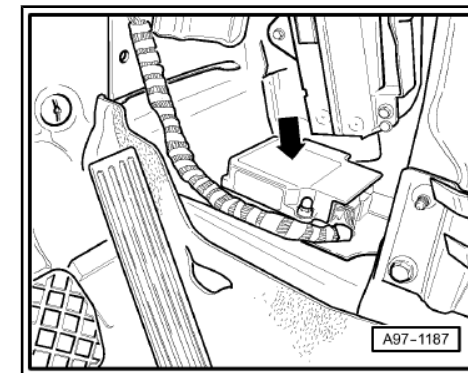
Protected by copyright
permitted unless auth
with respect to the



1.20 Airbag Control Module -J234-

1.20.1 Component Location:

Below center console -Arrow-



Audi

Protected by copyright. Copying for private or commercial purposes, in part or in whole, is not permitted unless authorised by AUDI AG. AUDI AG does not guarantee or accept any liability with respect to the correctness of information in this document. Copyright by AUDI AG.



1.20.2 Pin Arrangements:

A - Airbag Control Module -J234-

Connector:

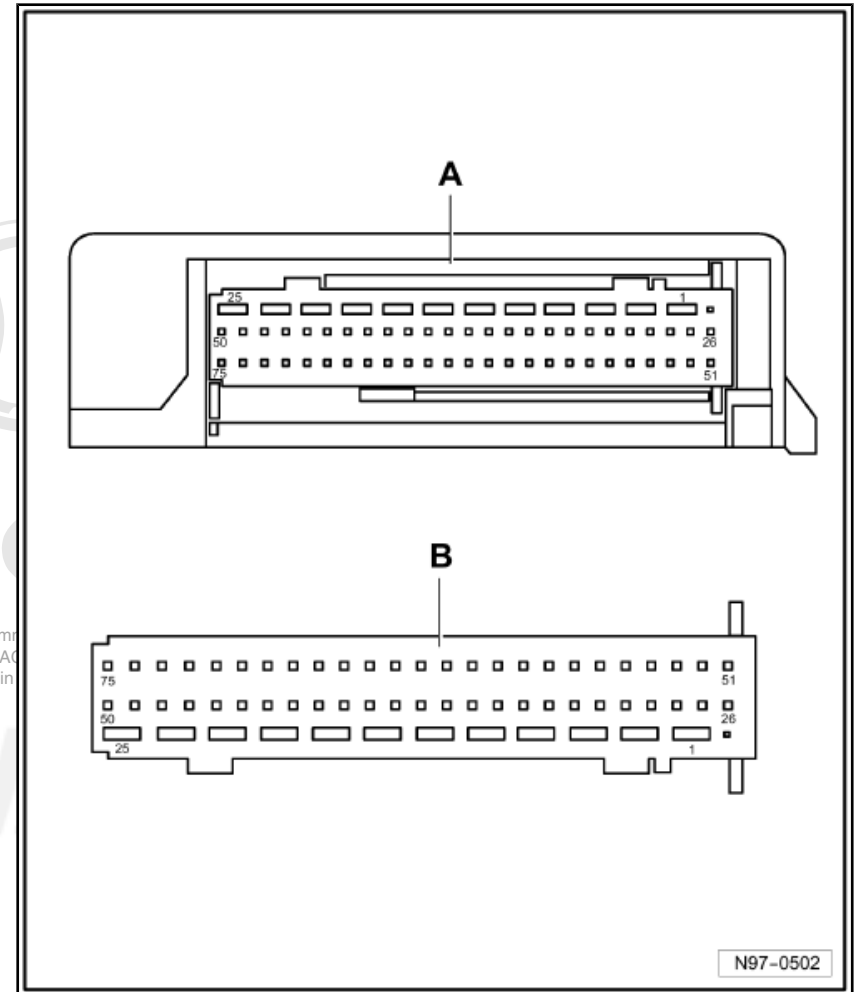
B - 75-Pin Connector -T75-



Audi

Protected by copyright. Copying for private or commercial use is not permitted unless authorised by AUDI AG. AUDI AG is not liable with respect to the correctness of information in this document.

erW



1.20.3 Pin Arrangements:

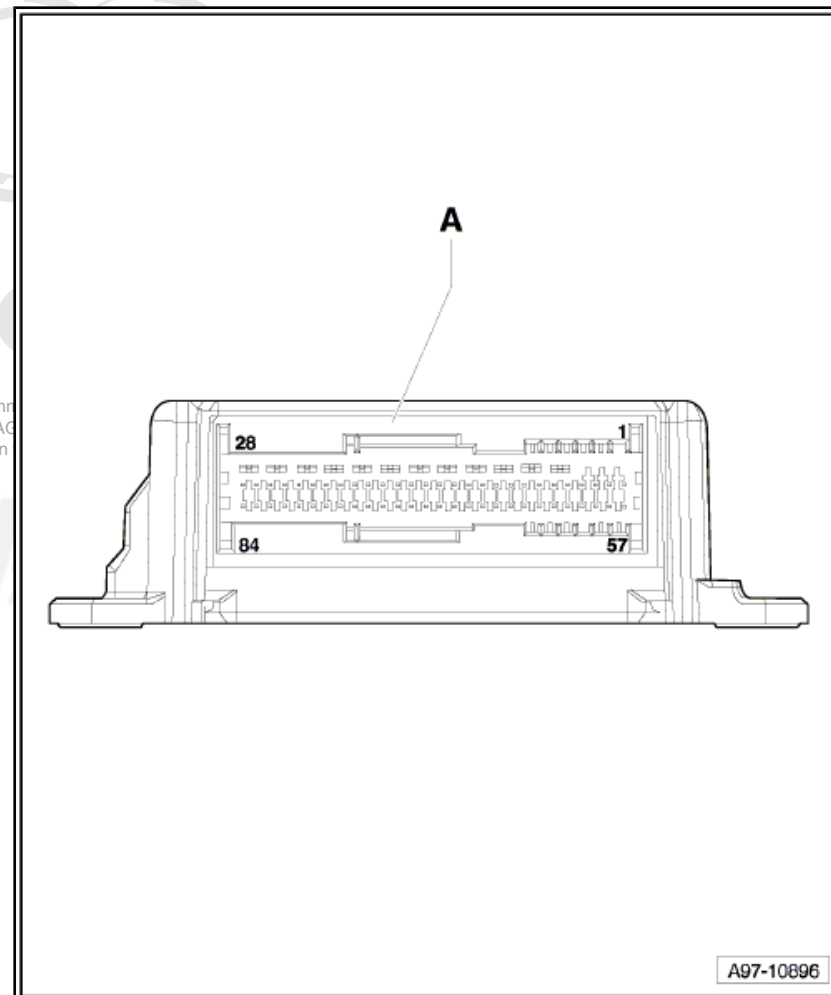
- Airbag Control Module -J234-

Connector:

A - 84-Pin Connector -T84-

A - 84-Pin Connector -T84a-

Protected by copyright. Copying for private or commercial use is not permitted unless authorised by AUDI AG. AUDI AG is not liable with respect to the correctness of information in this document.



A97-10896

1.20.4 Pin Arrangements:

- Airbag Control Module -J234-

Connector:

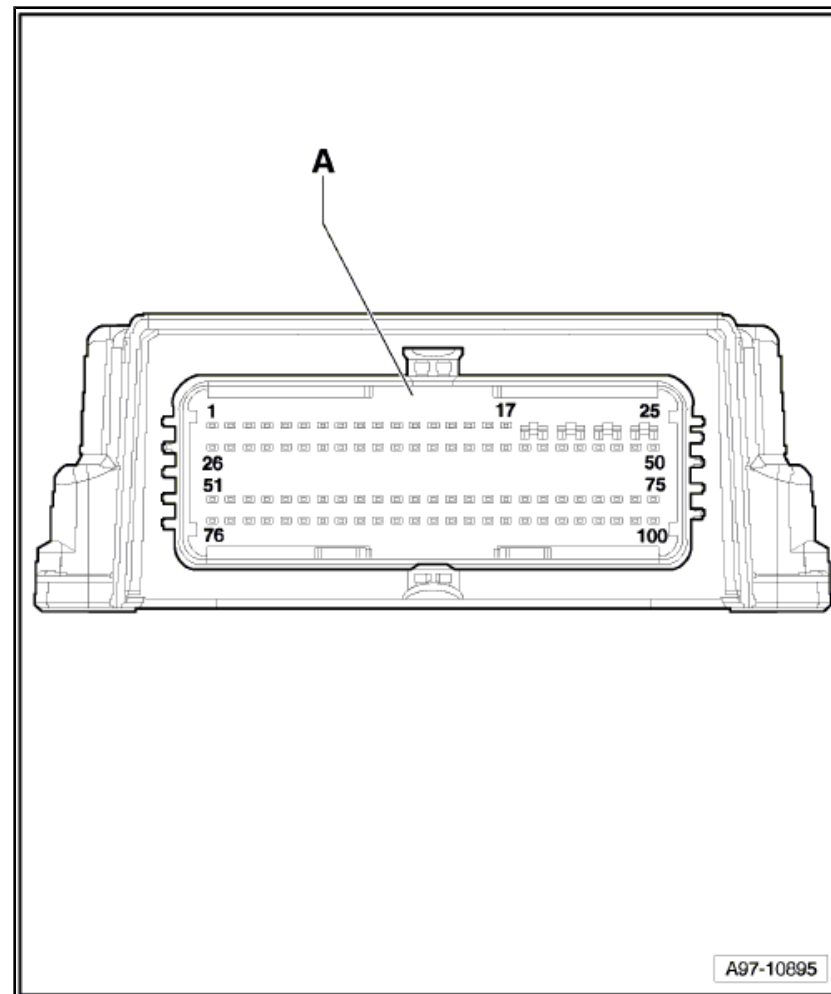
A - 100-Pin Connector -T100-

A - 100-Pin Connector -T100a-



Audi

Protected by copyright. Copying for private or commercial purposes, in part or in whole, is not permitted unless authorised by AUDI AG. AUDI AG does not guarantee or accept any liability with respect to the correctness of information in this document. Copyright by AUDI AG.

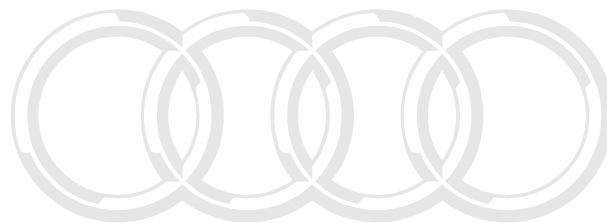
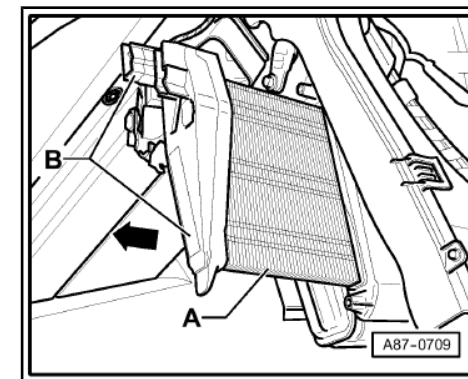


A97-10895

1.21 Auxiliary Air Heater Control Module -J604-

1.21.1 Component Location:

On A/C system, extreme left, beside to heat exchanger



Audi

Protected by copyright. Copying for private or commercial purposes, in part or in whole, is not permitted unless authorised by AUDI AG. AUDI AG does not guarantee or accept any liability with respect to the correctness of information in this document. Copyright by AUDI AG.



1.21.2 Pin Arrangements:

- Auxiliary Air Heater Control Module -J604-

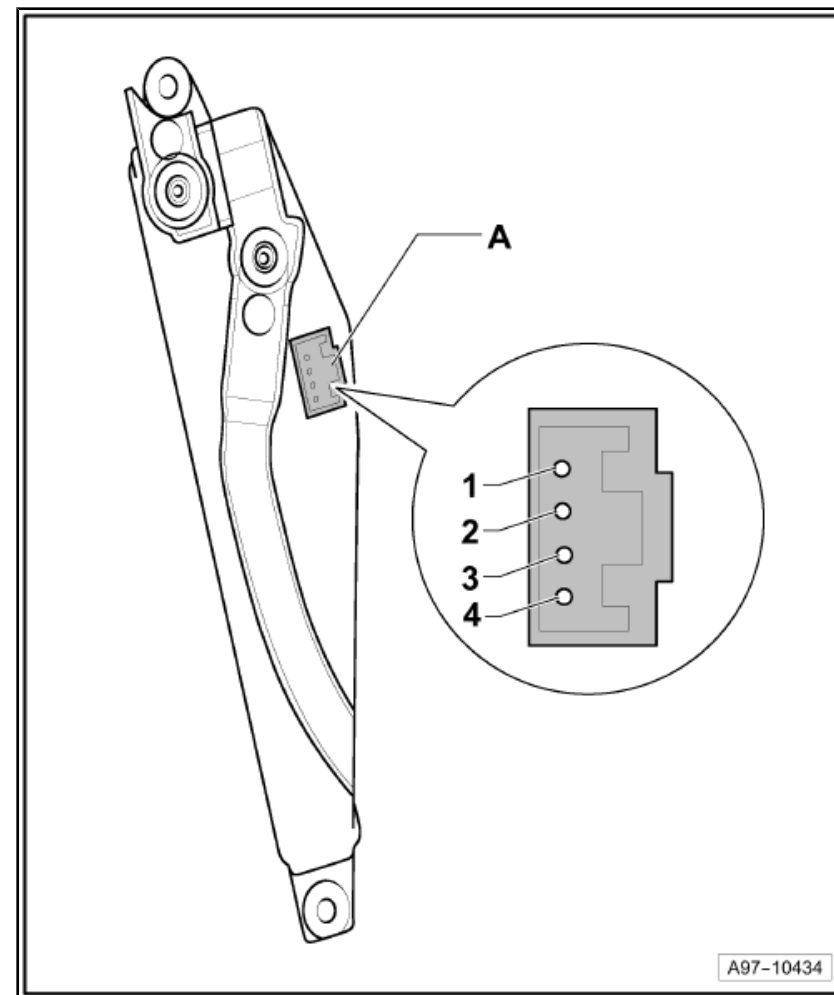
Connector:

A - 4-Pin Connector -T4I-



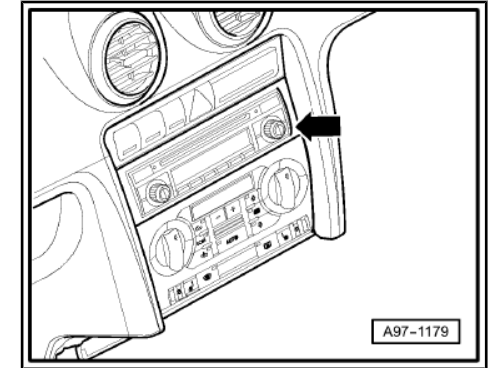
Audi

Protected by copyright. Copying for private or commercial purposes, in part or in whole, is not permitted unless authorised by AUDI AG. AUDI AG does not guarantee or accept any liability with respect to the correctness of information in this document. Copyright by AUDI AG.



A97-10434

1.22 Radio -R- / Radio/Navigation Display
Control Module -J503- (RNS-Low)



1.22.1 Component Location:

In the center console -Arrow-

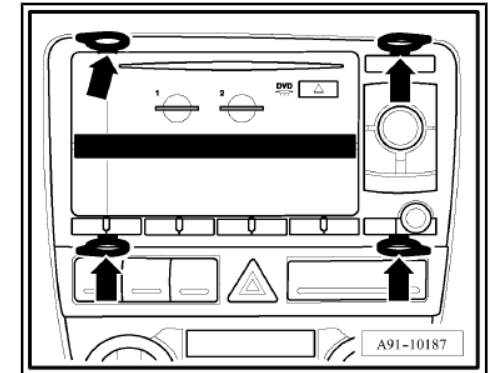


Audi

Protected by copyright. Copying for private or commercial purposes, in part or in whole, is not permitted unless authorised by AUDI AG. AUDI AG does not guarantee or accept any liability with respect to the correctness of information in this document. Copyright by AUDI AG.



1.23 Navigation System Operating
Electronics Control Module -J402-
(RNS-E)



1.23.1 Component Location:

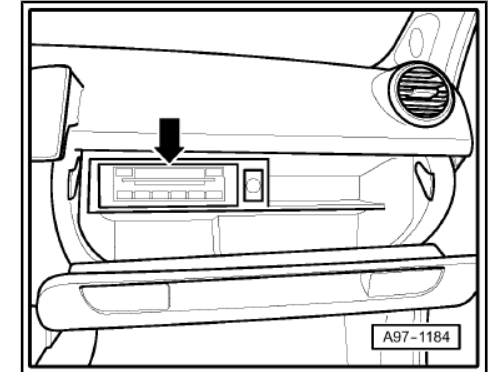
In the center console



Protected by copyright. Copying for private or commercial purposes, in part or in whole, is not permitted unless authorised by AUDI AG. AUDI AG does not guarantee or accept any liability with respect to the correctness of information in this document. Copyright by AUDI AG.

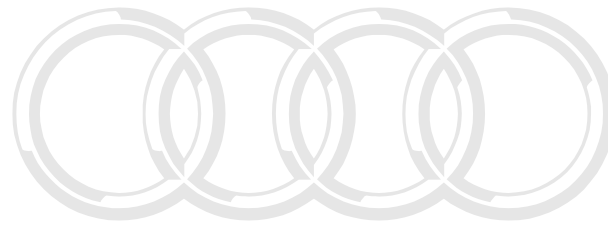


1.24 CD Changer -R41-



1.24.1 Component Location:

In glove compartment -Arrow-

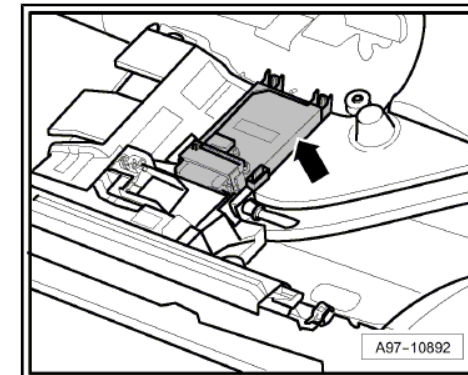


Audi

Protected by copyright. Copying for private or commercial purposes, in part or in whole, is not permitted unless authorised by AUDI AG. AUDI AG does not guarantee or accept any liability with respect to the correctness of information in this document. Copyright by AUDI AG.



1.25 Electronic Damping Control Module
-J250-



1.25.1 Component Location:

Below passenger's seat -Arrow-



Audi

Protected by copyright. Copying for private or commercial purposes, in part or in whole, is not permitted unless authorised by AUDI AG. AUDI AG does not guarantee or accept any liability with respect to the correctness of information in this document. Copyright by AUDI AG.

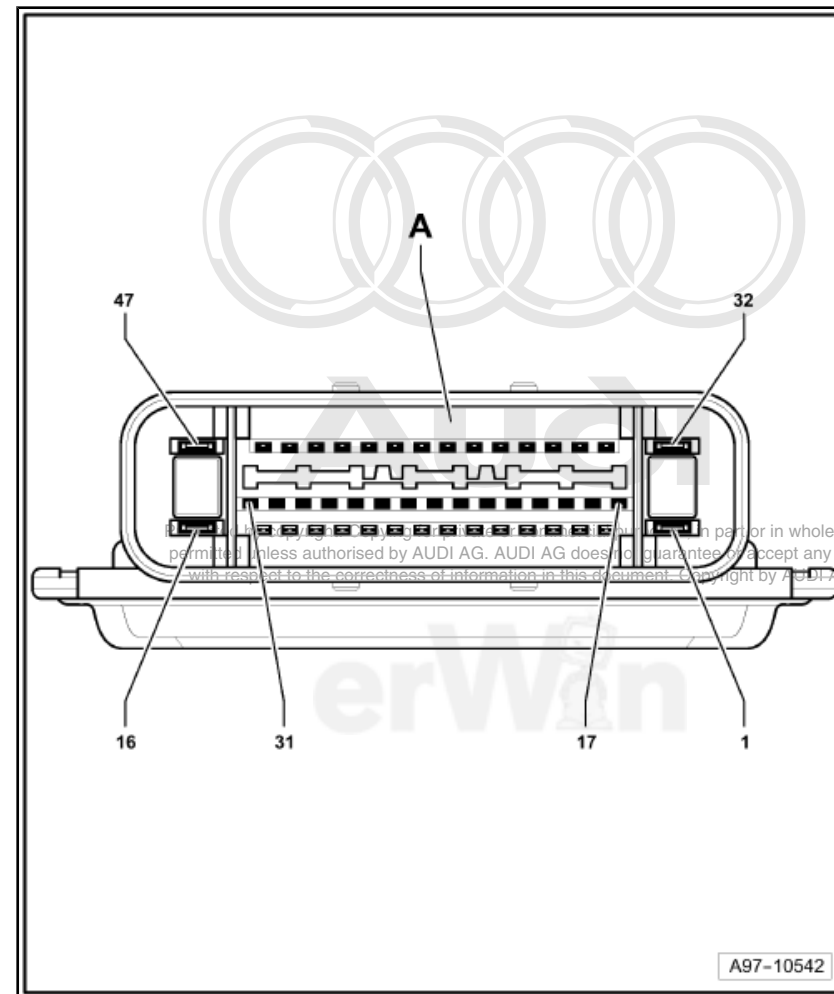


1.25.2 Pin Arrangements:

- Electronic Damping Control Module -J250-

Connector:

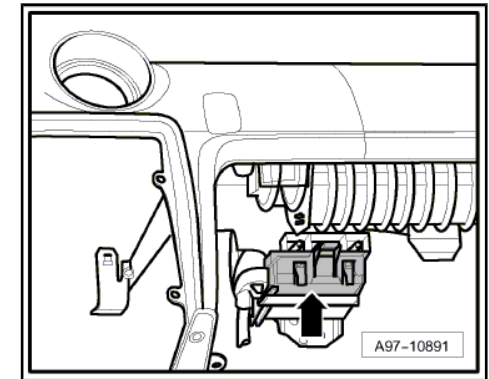
A - 47-Pin Connector -T47-



1.26 Tire Pressure Monitoring Control Module -J502-

1.26.1 Component Location:

Behind glove compartment -Arrow-



Audi

Protected by copyright. Copying for private or commercial purposes, in part or in whole, is not permitted unless authorised by AUDI AG. AUDI AG does not guarantee or accept any liability with respect to the correctness of information in this document. Copyright by AUDI AG.

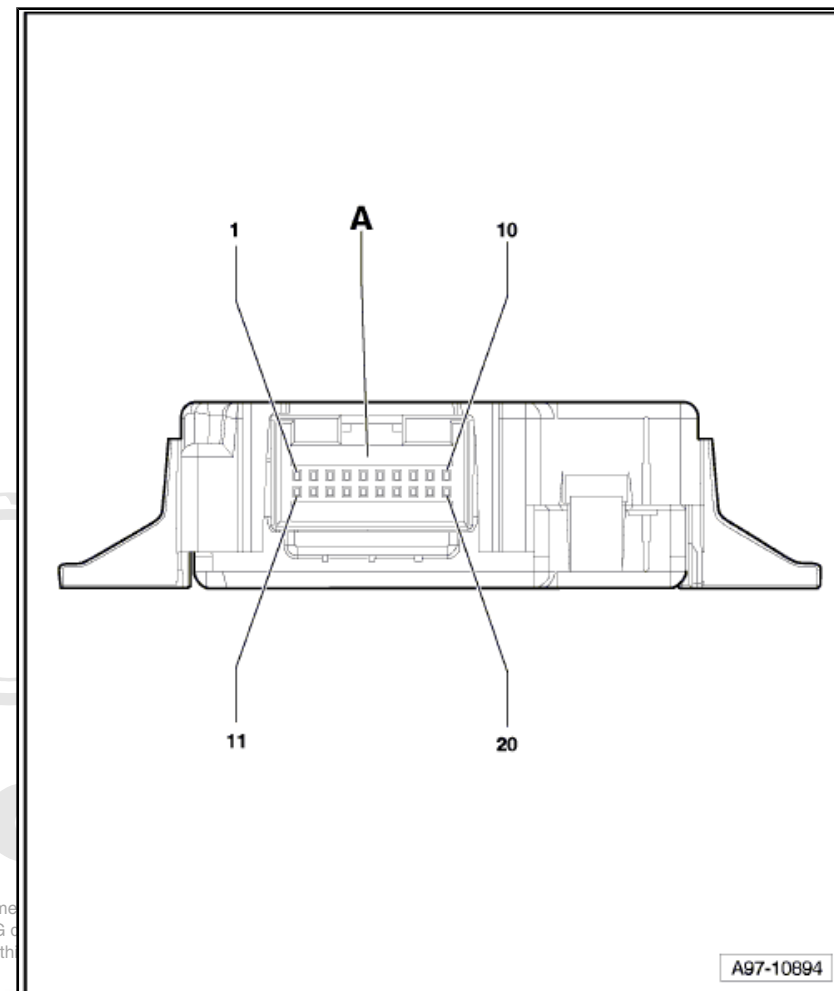
erWin

1.26.2 Pin Arrangements:

- Tire Pressure Monitoring Control Module -J502-

Connector:

A - 20-Pin Connector -T20q-



Protected by copyright. Copying for private or commercial use is not permitted unless authorised by AUDI AG. AUDI AG does not accept any liability with respect to the correctness of information in this document.

A97-10894

1.27 External Audio Source Connector -R199-

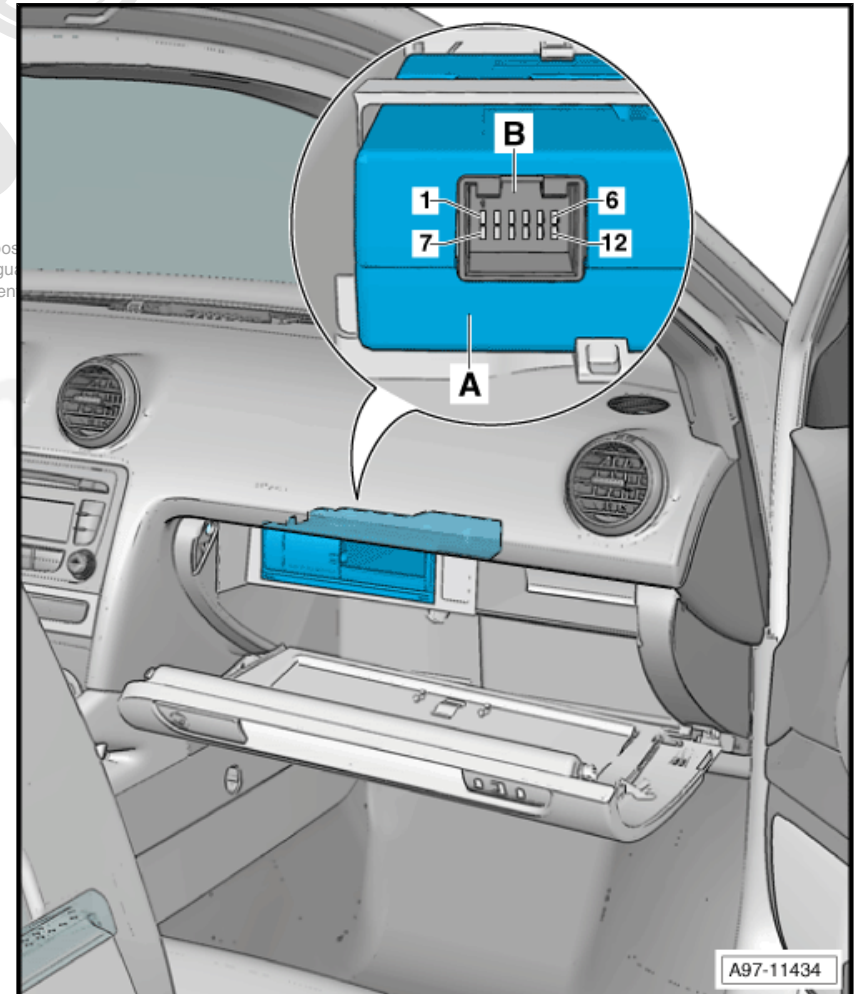
Component Location

In glove compartment

A - External Audio Source Connector -R199-

B - 12-Pin Connector -T12y-

Protected by copyright. Copying for private or commercial purposes is not permitted unless authorised by AUDI AG. AUDI AG does not guarantee the accuracy with respect to the correctness of information in this document.



A97-11434

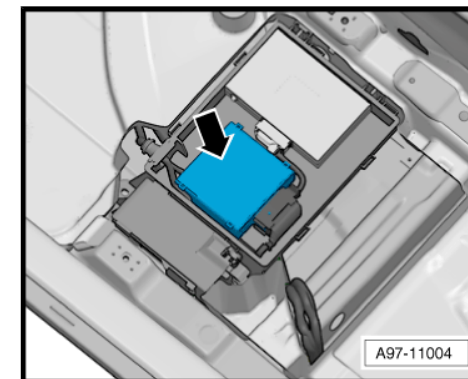
1.28 Voltage Stabilizer -J532-

1.28.1 Component Location:

Below driver's seat -Arrow-



Protected by copyright. Copying for private or commercial purposes, in part or in whole, is not permitted unless authorised by AUDI AG. AUDI AG does not guarantee or accept any liability with respect to the correctness of information in this document. Copyright by AUDI AG.

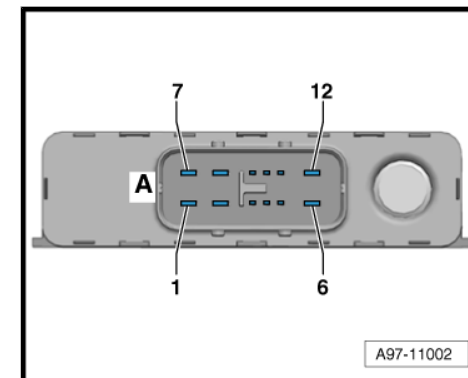


1.28.2 Pin Arrangements:

- Voltage Stabilizer -J532-

Connector:

A - 12-Pin Connector -T12x-



Audi

Protected by copyright. Copying for private or commercial purposes, in part or in whole, is not permitted unless authorised by AUDI AG. AUDI AG does not guarantee or accept any liability with respect to the correctness of information in this document. Copyright by AUDI AG.



1 Control modules in rear part of vehicle

1.1 Overview of Control Modules

1- Control modules in right luggage compartment

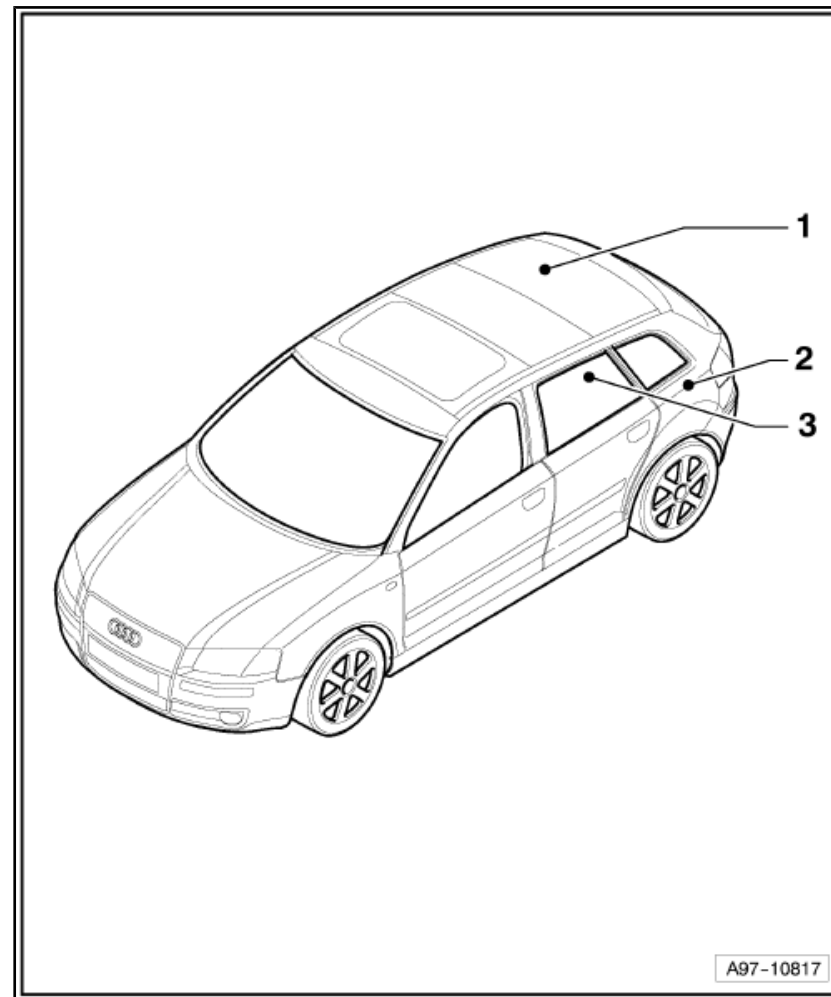
- Component: -J345- , -J393- , -J446- , -J791-
- Component Location [⇒ page 2](#)
- Pin Arrangements of -J345- [⇒ page 3](#)
- Pin Arrangements of -J393- [⇒ page 4](#)
- Pin Arrangements of -J446- / -J791- [⇒ page 5](#)

2- Control modules in left luggage compartment

- Component: -J401- , -J415- , -R86- , -R146- , -R44-
- Component Location of -J401- [⇒ page 6](#)
- Component Location of -J415- [⇒ page 8](#)
- Component Location of -R86- [⇒ page 6](#)
- Component Location of -R146- [⇒ page 8](#)
- Component Location of -R44- [⇒ page 10](#)

3 - All-Wheel Drive Control Module -J492-

- Component Location [⇒ page 11](#)
- Pin Arrangements [⇒ page 12](#)



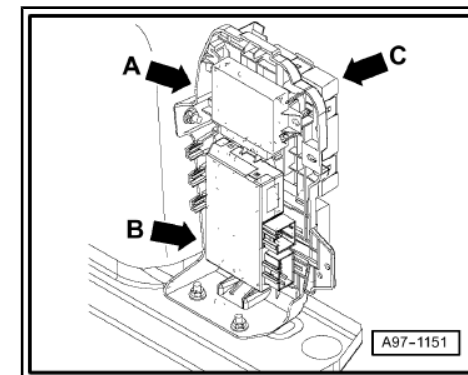
1.2 Control modules in right luggage compartment

1.2.1 Component Location:

A - Parking Aid Control Module -J446- / Parallel Parking Assistance Control Module -J791-

B - Towing Recognition Control Module -J345-

C - Comfort System Central Control Module -J393-



Audi

Protected by copyright. Copying for private or commercial purposes, in part or in whole, is not permitted unless authorised by AUDI AG. AUDI AG does not guarantee or accept any liability with respect to the correctness of information in this document. Copyright by AUDI AG.



1.2.2 Pin Arrangements:

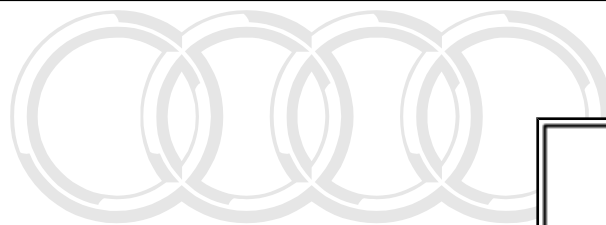
A - Towing Recognition Control Module -J345-

Connector:

B - 16-Pin Connector -T16h-

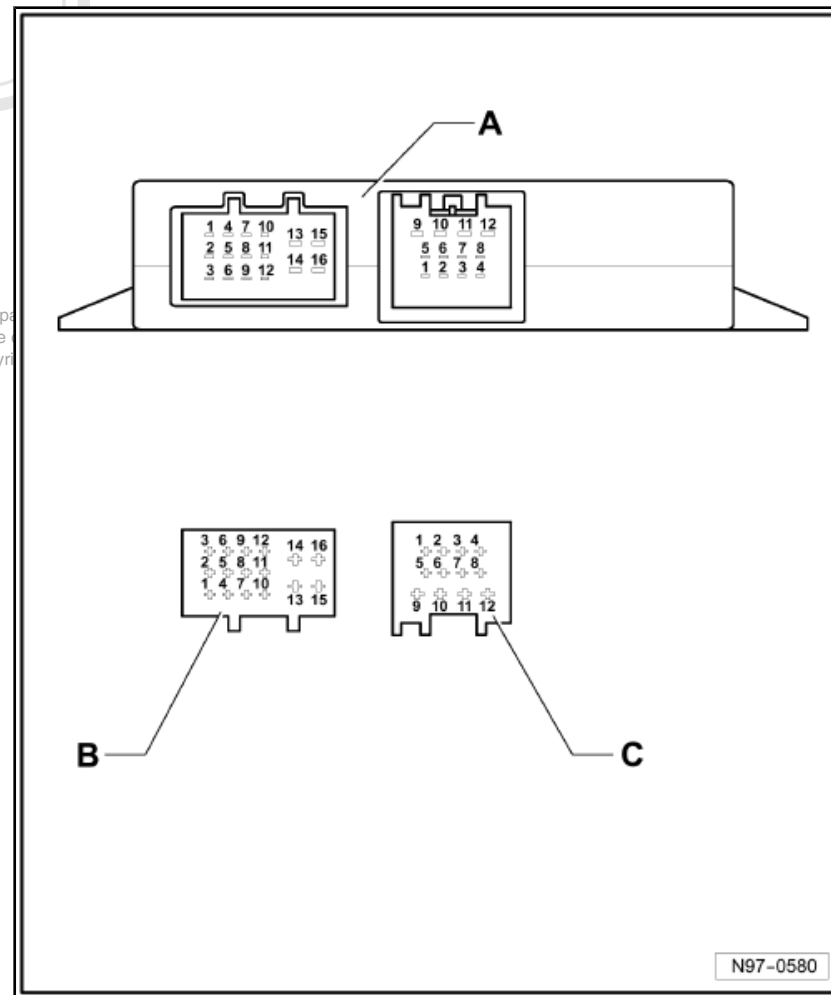
C - 12-Pin Connector -T12h-

Protected by copyright. Copying for private or commercial purposes, in part or in whole, is not permitted unless authorised by AUDI AG. AUDI AG does not guarantee the accuracy of the information with respect to the correctness of information in this document. Copyright © 2011 Audi AG



Audi

erWin



N97-0580

1.2.3 Pin Arrangements:

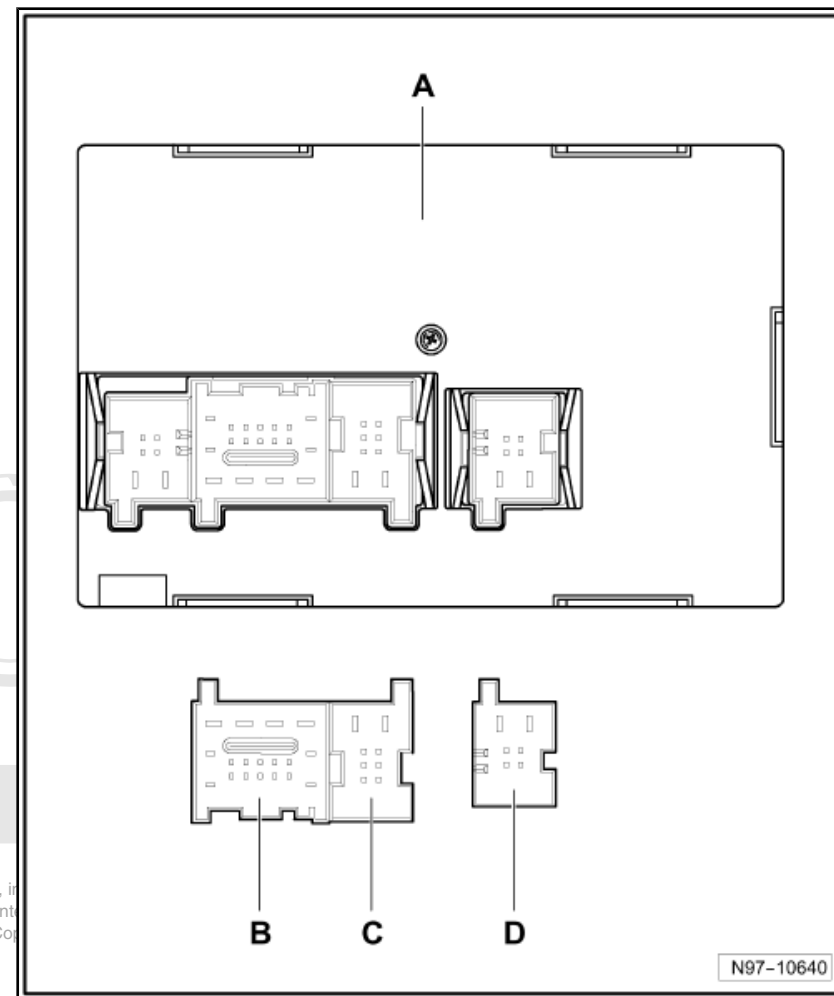
A - Comfort System Central Control Module -J393-

Connector:

B - 18-Pin Connector -T18-

C - 8-Pin Connector -T8g-

D - 6-Pin Connector -T6g-



Protected by copyright. Copying for private or commercial purposes, in whole or in part, is not permitted unless authorised by AUDI AG. AUDI AG does not guarantee the accuracy of the information with respect to the correctness of information in this document. Copying is prohibited.

1.2.4 Pin Arrangements:

A - Parking Aid Control Module -J446-
Connector (4-Channel Parking Aid):

B - 16-Pin Connector -T16f-

C - Not used

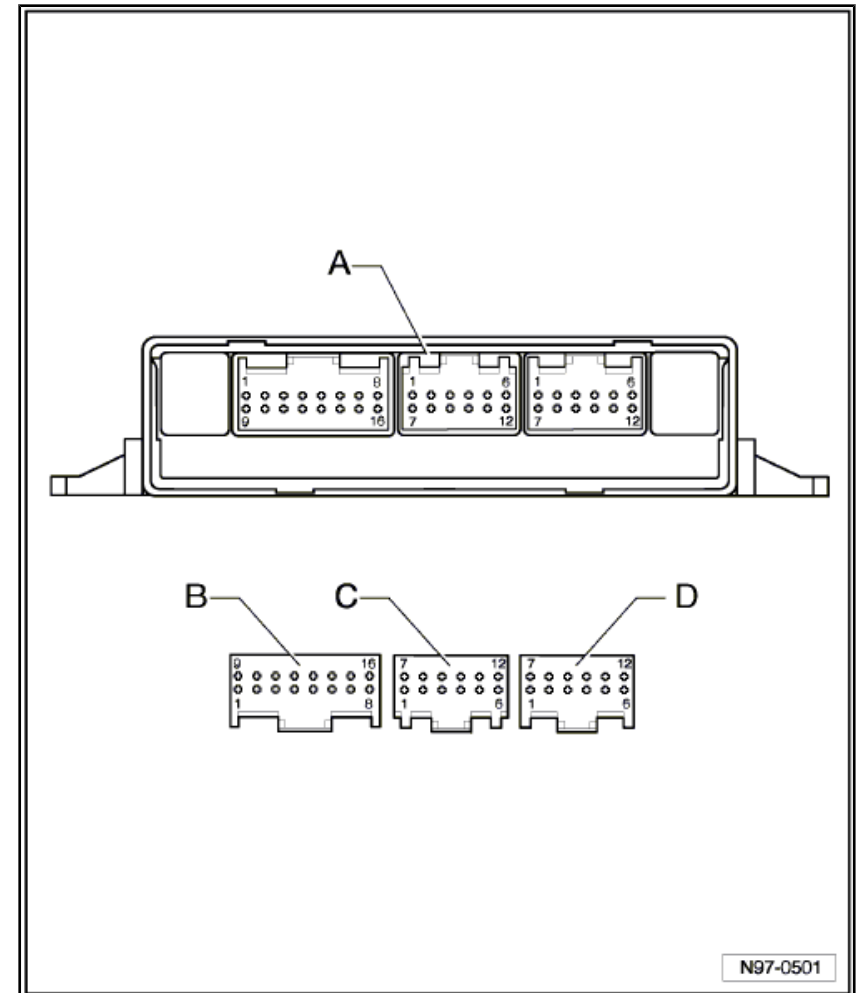
D - 12-Pin Connector -T12i-

A - Parking Aid Control Module -J446- / Parallel Parking Assistance Control Module -J791-
Connector (8-Channel Parking Aid):

B - 16-Pin Connector -T16f-

C - 12-Pin Connector -T12t-

D - 12-Pin Connector -T12i-

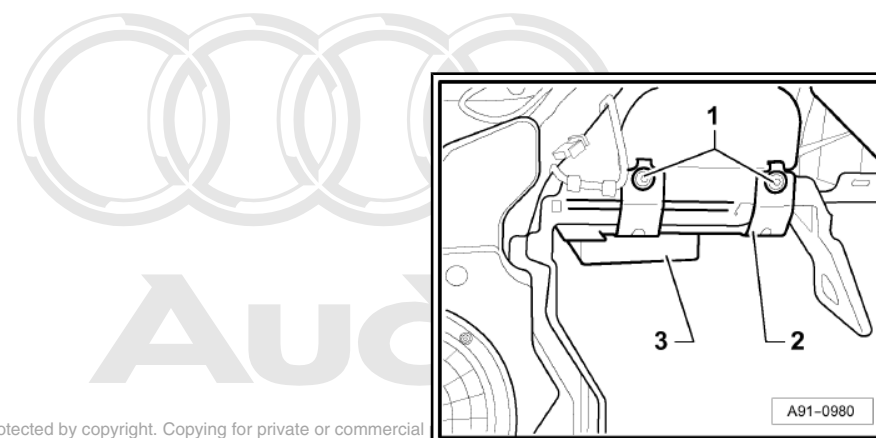


N97-0501

1.3 Control modules in left luggage compartment

1.3.1 Component Location:

3 - Amplifier for Telephone -R86-

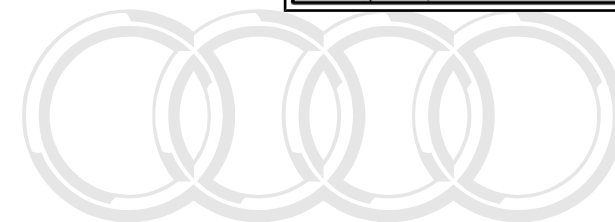
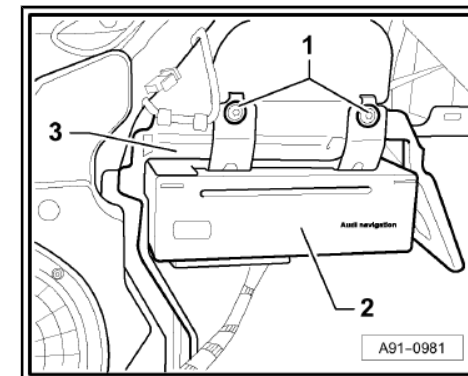


Protected by copyright. Copying for private or commercial permitted unless authorised by AUDI AG. AUDI AG does not guarantee or accept any liability with respect to the correctness of information in this document. Copyright by AUDI AG.



1.3.2 Component Location:

2 - Navigation System Control Module with CD Drive -J401-



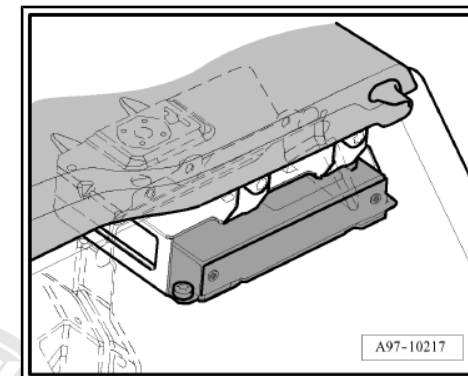
Audi

Protected by copyright. Copying for private or commercial purposes, in part or in whole, is not permitted unless authorised by AUDI AG. AUDI AG does not guarantee or accept any liability with respect to the correctness of information in this document. Copyright by AUDI AG.

erWin

1.3.3 Component Location:

Satellite Radio -R146-



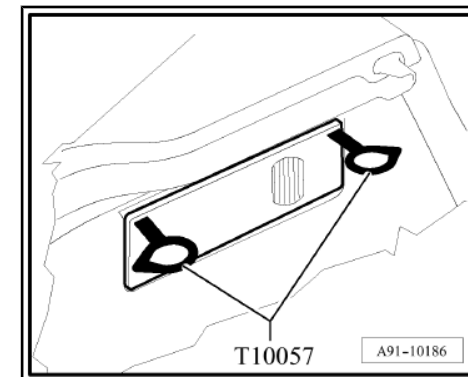
Audi

Protected by copyright. Copying for private or commercial purposes, in part or in whole, is not permitted unless authorised by AUDI AG. AUDI AG does not guarantee or accept any liability with respect to the correctness of information in this document. Copyright by AUDI AG.



1.3.4 Component Location:

Navigation System Tuner, TV -J415-

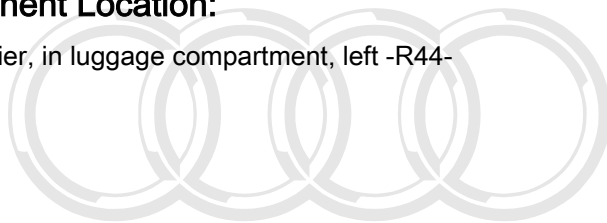


Protected by copyright. Copying for private or commercial purposes, in part or in whole, is not permitted unless authorised by AUDI AG. AUDI AG does not guarantee or accept any liability with respect to the correctness of information in this document. Copyright by AUDI AG.



1.3.5 Component Location:

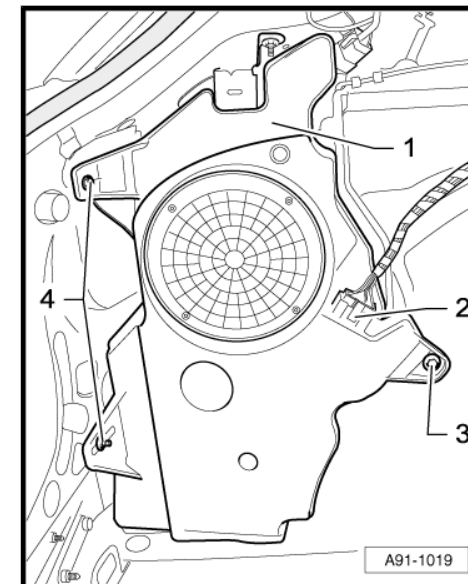
Bass Speakers Amplifier, in luggage compartment, left -R44-



Audi

Protected by copyright. Copying for private or commercial purposes, in part or in whole, is not permitted unless authorised by AUDI AG. AUDI AG does not guarantee or accept any liability with respect to the correctness of information in this document. Copyright by AUDI AG.

erWin



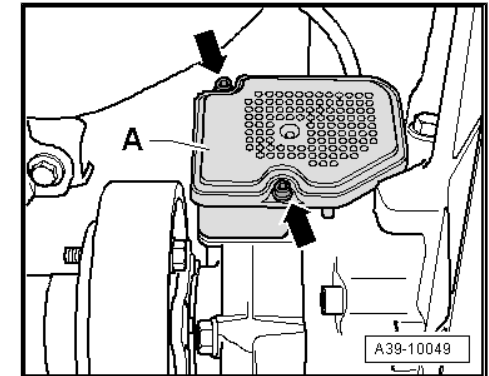
1.4 All-Wheel Drive Control Module -J492-



Audi

1.4.1 Component Location:

On rear axle differential, front left



erWin

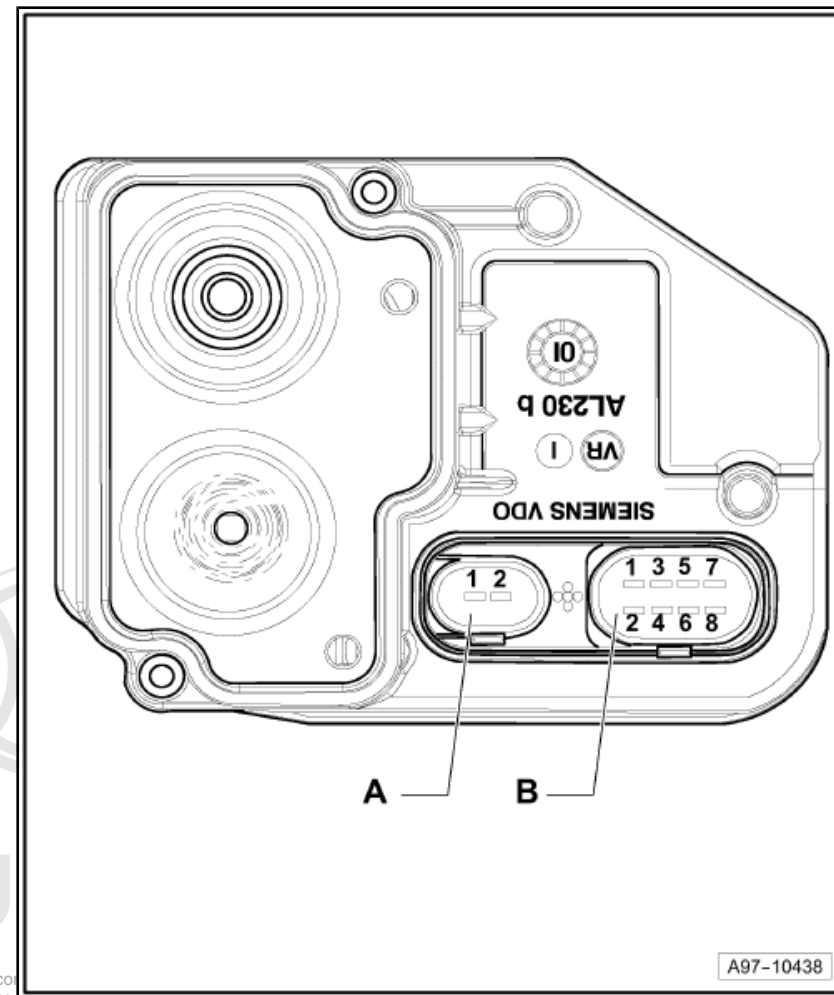
1.4.2 Pin Arrangements:

- All-Wheel Drive Control Module -J492-

Connector:

A - Double Connector -T2ax-

B - 8-Pin Connector -T8y-



Protected by copyright. Copying for private or commercial use is not permitted unless authorised by AUDI AG. AUDI AG does not guarantee or accept any liability with respect to the correctness of information in this document. Copyright by AUDI AG.



1 Component Locations: Climate / Climatronic Systems

- ◆ Components Outside Passenger Compartment - Group 1 ⇒ [page 2](#)
- ◆ Components Outside Passenger Compartment - Group 2 ⇒ [page 3](#)
- ◆ Components Inside Passenger Compartment - Group 1 ⇒ [page 4](#)
- ◆ Components Inside Passenger Compartment - Group 2 ⇒ [page 5](#)
- ◆ Heating & A/C Unit Components - Manual A/C System ⇒ [page 6](#)
- ◆ A/C Unit Components - Automatically Regulated A/C System ⇒ [page 7](#)



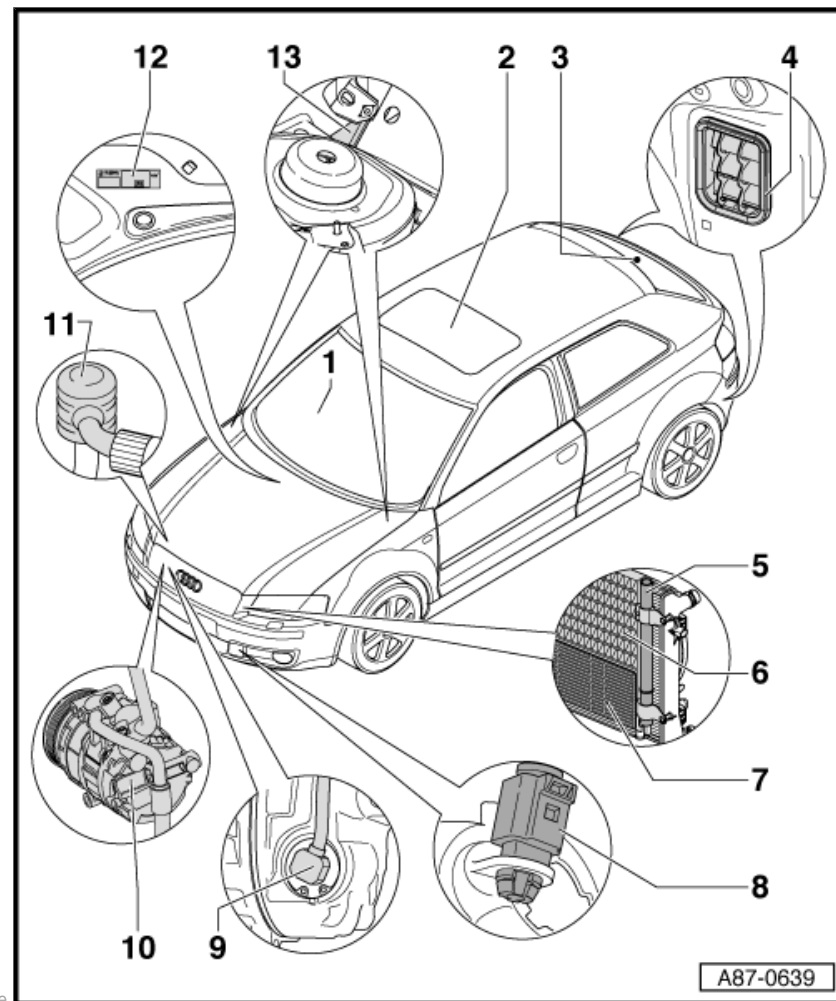
Audi

Protected by copyright. Copying for private or commercial purposes, in part or in whole, is not permitted unless authorised by AUDI AG. AUDI AG does not guarantee or accept any liability with respect to the correctness of information in this document. Copyright by AUDI AG.



1.1 Components Outside Passenger Compartment - Group 1

- 1 - Heated Windshield -Z2-
- 2 - Sun roof
- 3 - Heated Rear Window -Z1-
- 4 - Forced air extractor
 - Fitted on left and right beneath rear bumper
- 5 - Fluid Reservoir
- 6 - Condenser
- 8 - Outside Air Temperature Sensor -G17-
- 9 - A/C Compressor Regulator Valve -N280-
- 10 - A/C Compressor

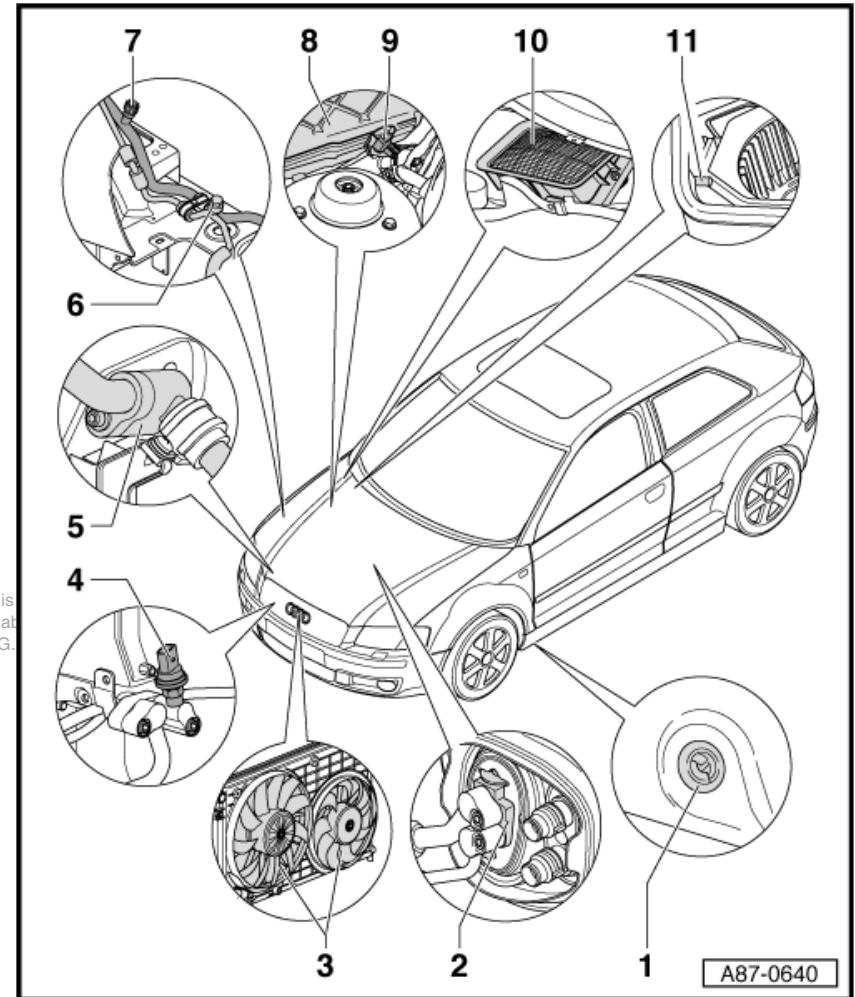


Protected by copyright. Copying for private or commercial purposes, in part or in whole, is not permitted unless authorised by AUDI AG. AUDI AG does not guarantee or accept any liability with respect to the correctness of information in this document. Copyright by AUDI AG.



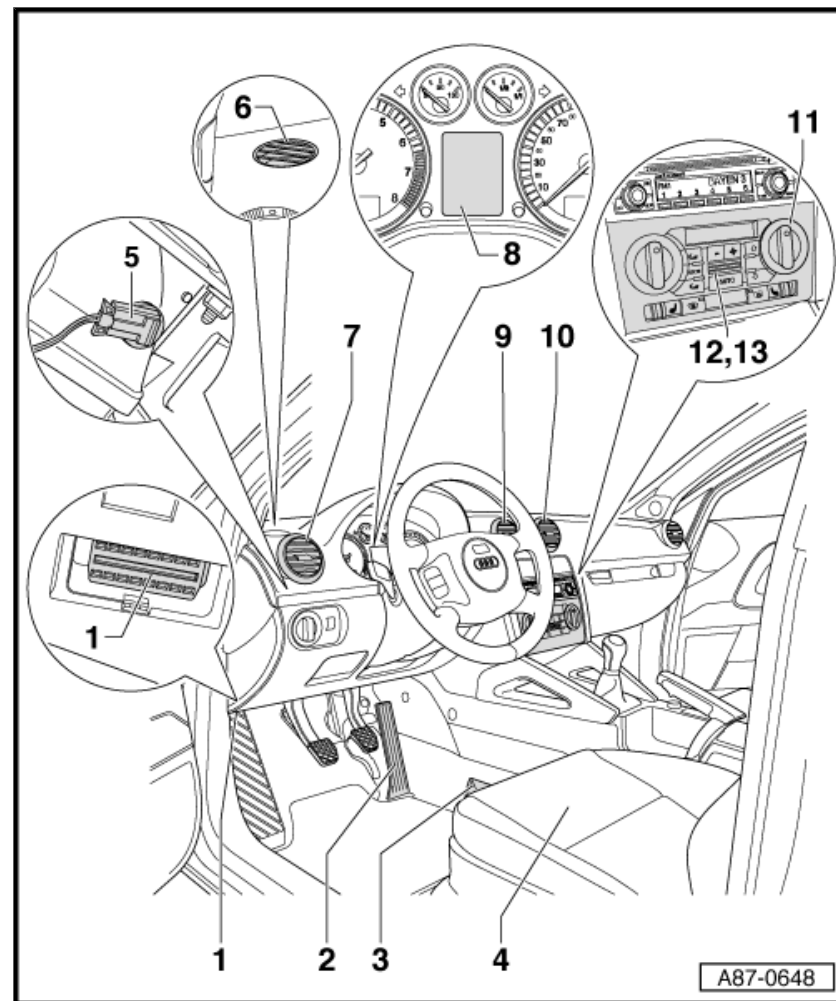
1.2 Components Outside Passenger Compartment - Group 2

- 1 - Condensation drain
- 2 - Expansion Valve
- 3 - Coolant Fan -V7-
- 4 - High Pressure Sensor -G65-
- 6 - Service Connection
 - High pressure side
- 7 - Service Connection
 - Low pressure side
- 8 - Fresh air intake cover
- 9 - Air Quality Sensor -G238-
 - Not installed in all vehicles (optional equipment at this time)
- 10 - Intake grille for fresh air intake
- 11 - Fresh Air Intake Duct Temperature Sensor -G89-
 - For the A/C Unit Components - Automatically Regulated A/C System location ⇒ [page 7](#)
 - Installed only on vehicles with automatically regulated A/C system up to model year 2006 (discontinued as running change in model year 2006)



1.3 Components Inside Passenger Compartment - Group 1

- 1 - Diagnostic Connection
- 2 - Accelerator Mechanism
- 3 - Left footwell vent
- 4 - Left Front Heated Seat -Z45- and Left Front Seat Temperature Sensor -G344-
 - Seat heater is not installed in all vehicles (optional equipment).
- 5 - Left Vent Temperature Sensor -G150-
 - Not installed on vehicles with manually regulated A/C system
- 8 - Instrument Cluster Control Module -J285-
 - With Outside Air Temperature Display -G106-
- 11 - Climatronic Control Module -J255- / A/C Control Module -J301-
 - A/C control head Climatronic Control Module -J255- (on vehicles with automatically regulated A/C system)
- 12 - Interior Temperature Sensor Fan -V42-
 - Not installed on vehicles with manually regulated A/C system
 - Installed in A/C control head Climatronic Control Module -J255-
- 13 - Instrument Panel Interior Temperature Sensor -G56-
 - Not installed on vehicles with manually regulated A/C system
 - Installed in A/C control head Climatronic Control Module -J255-



Audi

Protected by copyright. Copying for private or commercial purposes, in part or in whole, is not permitted unless authorised by AUDI AG. AUDI AG does not guarantee or accept any liability with respect to the correctness of information in this document. Copyright by AUDI AG.

erWin

1.4 Components Inside Passenger Compartment - Group 2

1 - Right Front Heated Seat -Z46- and Right Front Seat Temperature Sensor -G345-

❑ Seat heater is not installed in all vehicles (optional equipment)

2 - Right footwell vent

3 - Right Vent Temperature Sensor -G151-

❑ Not installed on vehicles with manually regulated A/C system

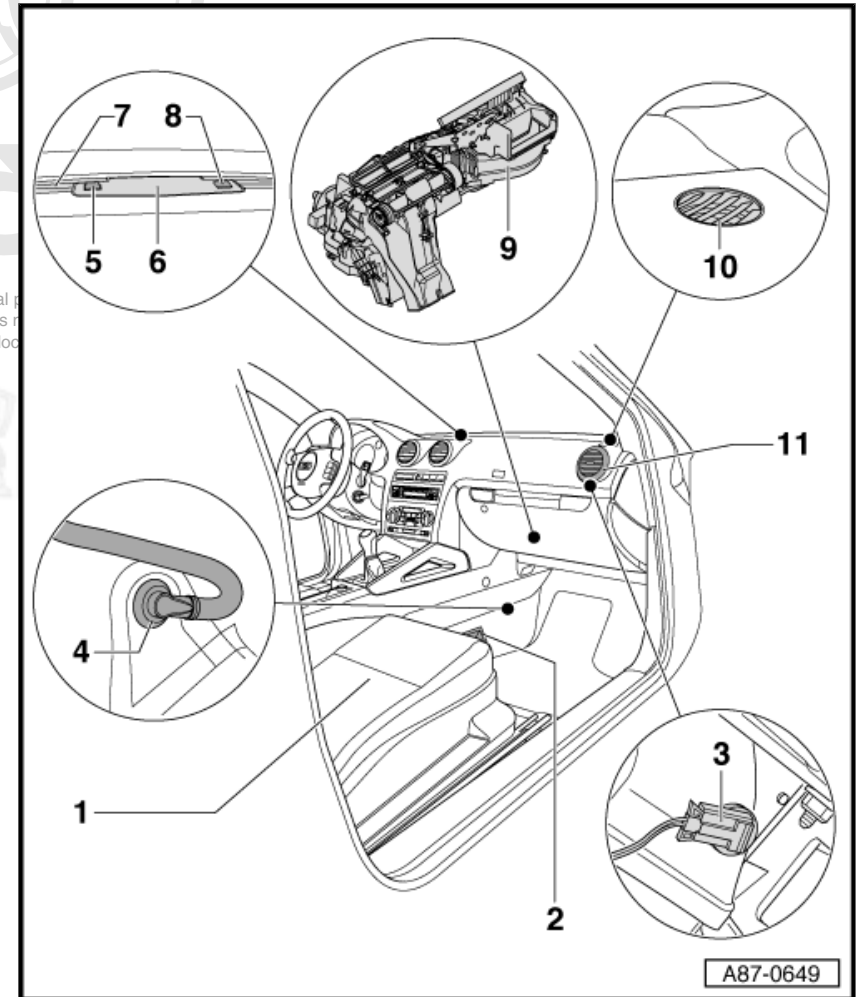
5 - Sunlight Photo Sensor -G107-

❑ Not installed on vehicles with manually regulated A/C system

8 - Light Emitting Diode for Central Locking System

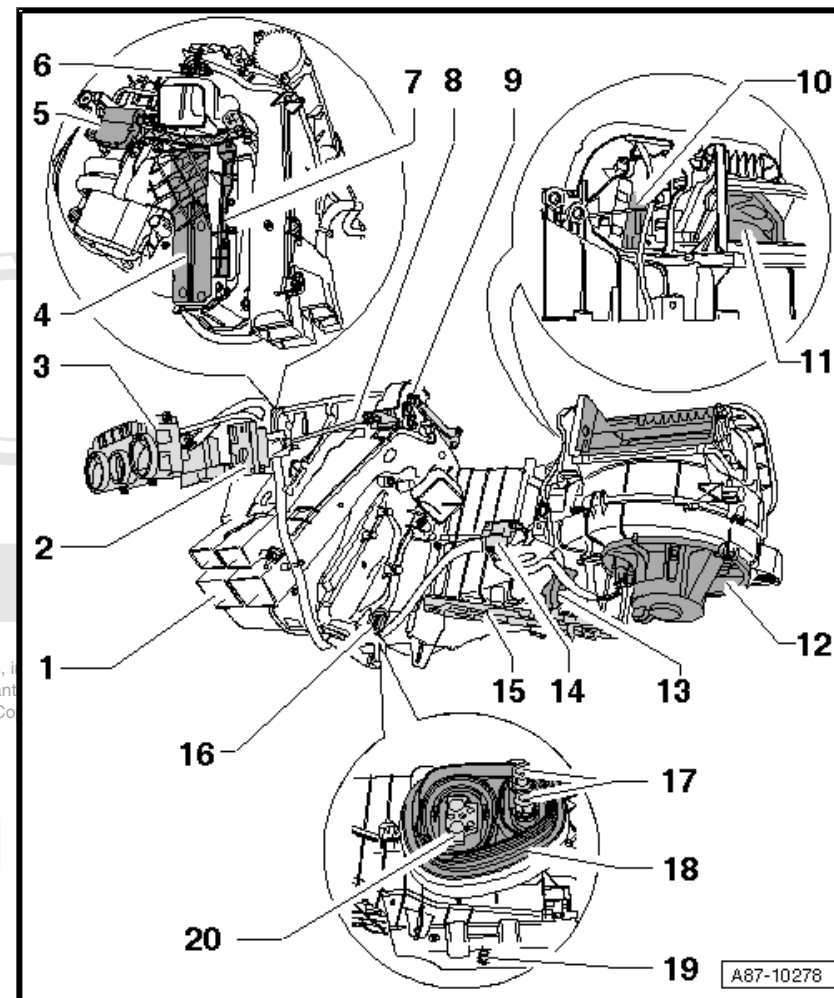
9 - A/C unit with evaporator and add-on components

Protected by copyright. Copying for private or commercial purposes is not permitted unless authorised by AUDI AG. AUDI AG does not accept any liability with respect to the correctness of information in this document.



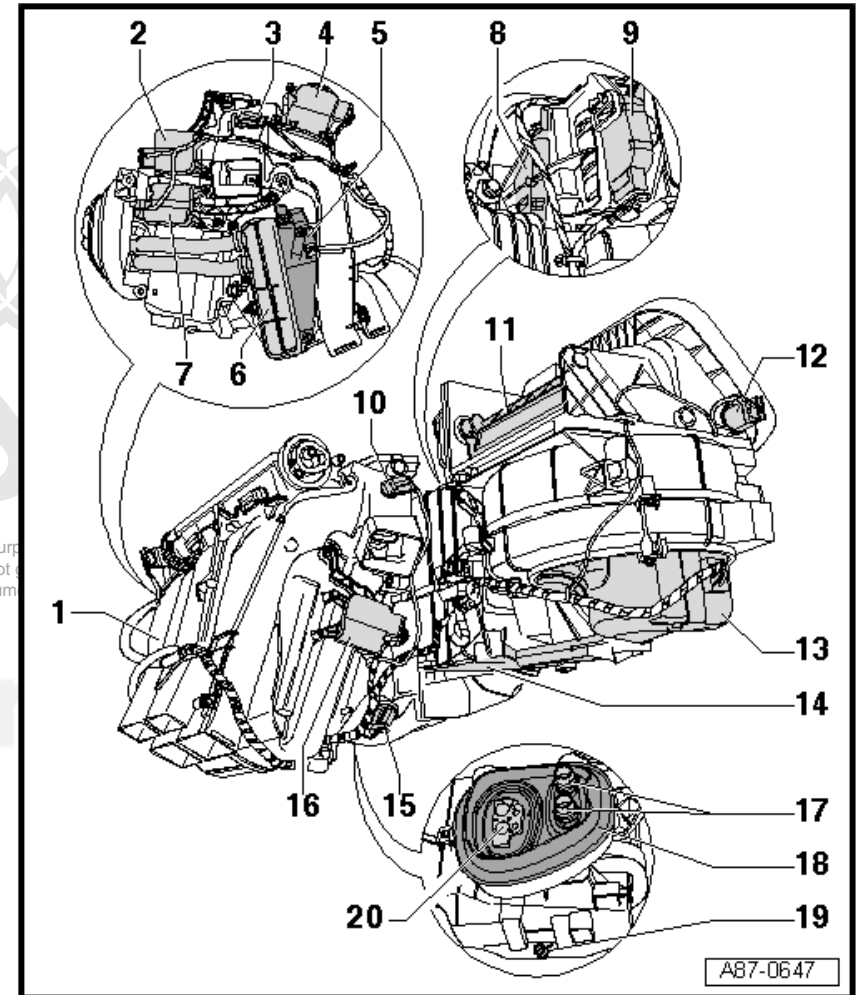
1.5 Heating & A/C Unit Components - Manual A/C System

- 1 - A/C unit with evaporator
- 2 - A/C system controls / base plate
- 3 - A/C system controls/ A/C Control Module -J301-
- 4 - Heat exchanger for heater unit
- 5 - Temperature Regulator Flap Motor -V68-
 - With Temperature Regulator Flap Motor Position Sensor -G92-
- 6 - Left Footwell Vent Temperature Sensor -G261-
 - For the A/C Unit Components - Automatically Regulated A/C System location ⇒ [page 7](#)
- 7 - Auxiliary Air Heater Heating Element -Z35- with Auxiliary Air Heater Control Module -J604-
 - For the A/C Unit Components - Automatically Regulated A/C System location ⇒ [page 7](#)
- 10 - Recirculation Flap Motor -V113-
 - For the A/C Unit Components - Automatically Regulated A/C System location ⇒ [page 7](#)
- 11 - Intake housing with fresh/recirculating air door
- 12 - Fresh air blower -V2-
 - For the A/C Unit Components - Automatically Regulated A/C System location ⇒ [Item 13 \(page 8\)](#)
- 13 - Fresh Air Blower Series Resistor With Fuse -N24-
 - Protected by copyright. Copying for private or commercial purposes, is permitted unless authorised by AUDI AG. AUDI AG does not guarantee with respect to the correctness of information in this document. Co
- 14 - Dust and pollen filter
- 15 - 10-pin connector
- 16 - Evaporator Vent Temperature Sensor -G263-
 - For the A/C Unit Components - Automatically Regulated A/C System location ⇒ [Item 15 \(page 8\)](#)
- 20 - Expansion Valve



1.6 A/C Unit Components - Automatically Regulated A/C System

- 1 - A/C unit with evaporator**
- 2 - Defroster Flap Motor -V107-**
 - With Defroster Flap Motor Position Sensor -G135-
 - Lever color identification - blue
- 3 - Left Footwell Vent Temperature Sensor -G261-**
- 4 - Central Air Flap Motor -V70-**
 - With Central Flap Motor Position Sensor -G112-
- 5 - Auxiliary Air Heater Heating Element -Z35- with Auxiliary Air Heater Control Module -J604-**
- 6 - Heat exchanger for heater unit**
- 7 - Left Temperature Flap Motor -V158-**
 - Left Temperature Flap Potentiometer/Actuator -G220-
 - Lever color identification - white
- 8 - Air Flow Flap Motor -V71-**
 - With Back Pressure Flap Motor Position Sensor -G113-
- 9 - Recirculation Flap Motor -V113-**
 - With Recirculation Flap Motor Position Sensor -G143-
- 10 - Right Footwell Vent Temperature Sensor -G262-**
- 11 - Intake housing with recirculating air back pressure door (fresh air door)**
- 12 - Fresh Air Intake Duct Temperature Sensor -G89-**



Protected by copyright. Copying for private or commercial purposes is not permitted unless authorised by AUDI AG. AUDI AG does not accept any liability with respect to the correctness of information in this document.

A/C Unit Components - Automatically Regulated A/C System continued

13 - Fresh air blower -V2-

□ With Fresh Air Blower Control Module -J126-

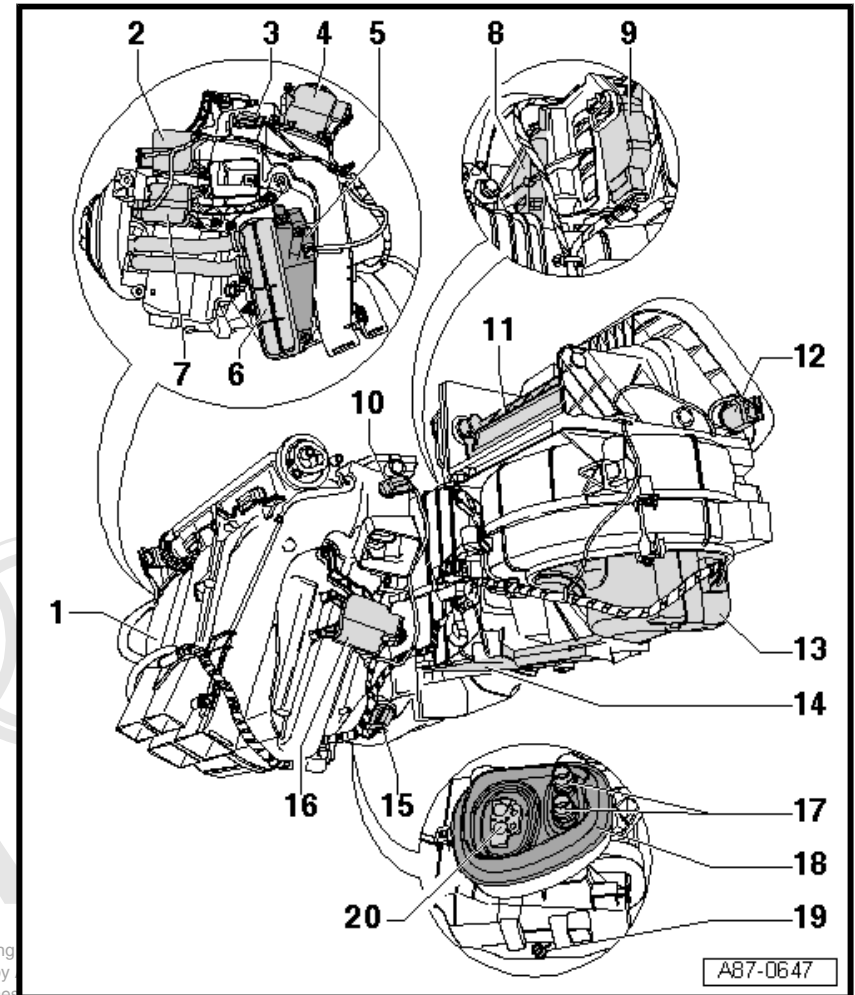
14 - Dust and pollen filter

15 - Evaporator Vent Temperature Sensor -G263-

16 - Right Temperature Flap Motor -V159-

□ With Right Temperature Flap Potentiometer/Actuator -G221-

20 - Expansion Valve



Protected by copyright. Copying permitted unless authorised by with respect to the correctness

A87-0647



1 Component Locations: Anti-Lock Brake Systems

1.1 ABS/Electronic Stabilization Program ITT Mark 60/ITT Mark 70

Component A is not shown in the over view

A - Brake Booster Vacuum Sensor -G483- → [page 7](#)

B - Vacuum Sensor -G608-

- In vacuum line to booster, only on models with sensor

1 - ABS Control Module -J104-

- Located on the hydraulic unit right of the engine compartment

2 - ABS Hydraulic Unit -N55-

- Located right of the engine compartment
- The ABS Hydraulic Pump -V64- , ABS Hydraulic Unit -N55- and ABS Control Module -J104- comprise the hydraulic control unit
- With integrated Brake Pressure Sensor 1 -G201-

3 - ASR/ESP Button -E256-

Located in the center console

4 - ESP Sensor Unit -G419-

- Located under the front passenger seat

Integrated in one housing with the following:

- ◆ Transverse Acceleration Sensor -G200-
- ◆ Rotation Rate Sensor -G202-
- ◆ Longitudinal Acceleration Sensor -G251- **(on all-wheel drive vehicles)**

Protected by copyright. Copying for private or commercial purposes, in part or in whole, is not permitted. Audi does not guarantee or accept any liability with respect to the correctness of information in this document. Copyright by AUDI AG.

5 - ASR/ESP Control Lamp -K155-

- Located in the instrument cluster

6 - Brake Pad Wear Indicator Lamp -K32-

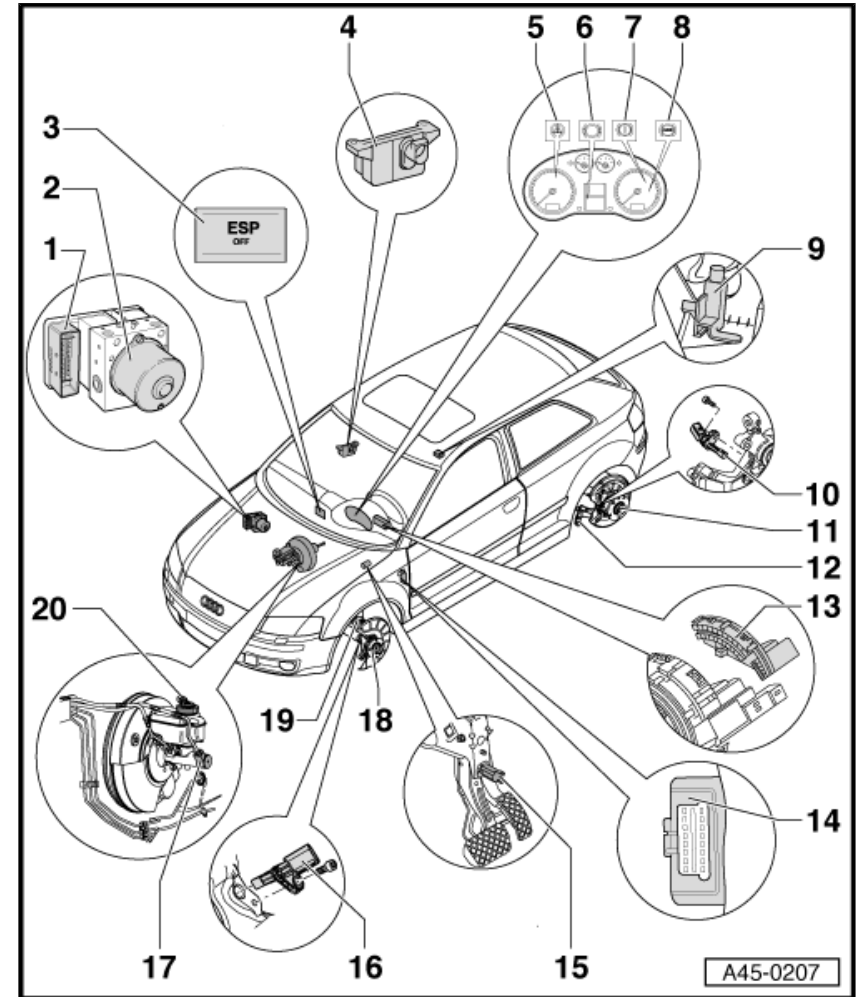
- Located in the instrument cluster

7 - Brake System Warning Lamp -K118-

- Located in the instrument cluster

8 - ABS Warning Lamp -K47-

- Located in the instrument cluster





Audi

Protected by copyright. Copying for private or commercial purposes, in part or in whole, is not permitted unless authorised by AUDI AG. AUDI AG does not guarantee or accept any liability with respect to the correctness of information in this document. Copyright by AUDI AG.



ABS/Electronic Stabilization Program ITT Mark 60/ITT Mark 70 continued

9 - Parking Brake Warning Light Switch -F9-

- ❑ Located on the parking brake lever

**10 - Right Rear ABS Wheel Speed Sensor -G44- and Left Rear ABS Wheel Speed Sensor -G46-
⇒ page 4**

11 - Wheel bearing/hub unit

- ❑ The ABS sensor ring/rotor is installed in wheel bearing

12 - Wheel bearing housing

13 - Steering Angle Sensor -G85- ⇒ page 0

- ❑ Located on the coil ring with slip ring on steering column switch

14 - Data Link Connector (DLC)

- ❑ Located in the driver footwell

15 - Brake Light Switch -F- and Brake pedal switch -F63-

Located at the brake pedal

**16 - Right Front ABS Wheel Speed Sensor -G45- and Left Front ABS Wheel Speed Sensor -G47-
⇒ page 6**

17 - Brake master cylinder

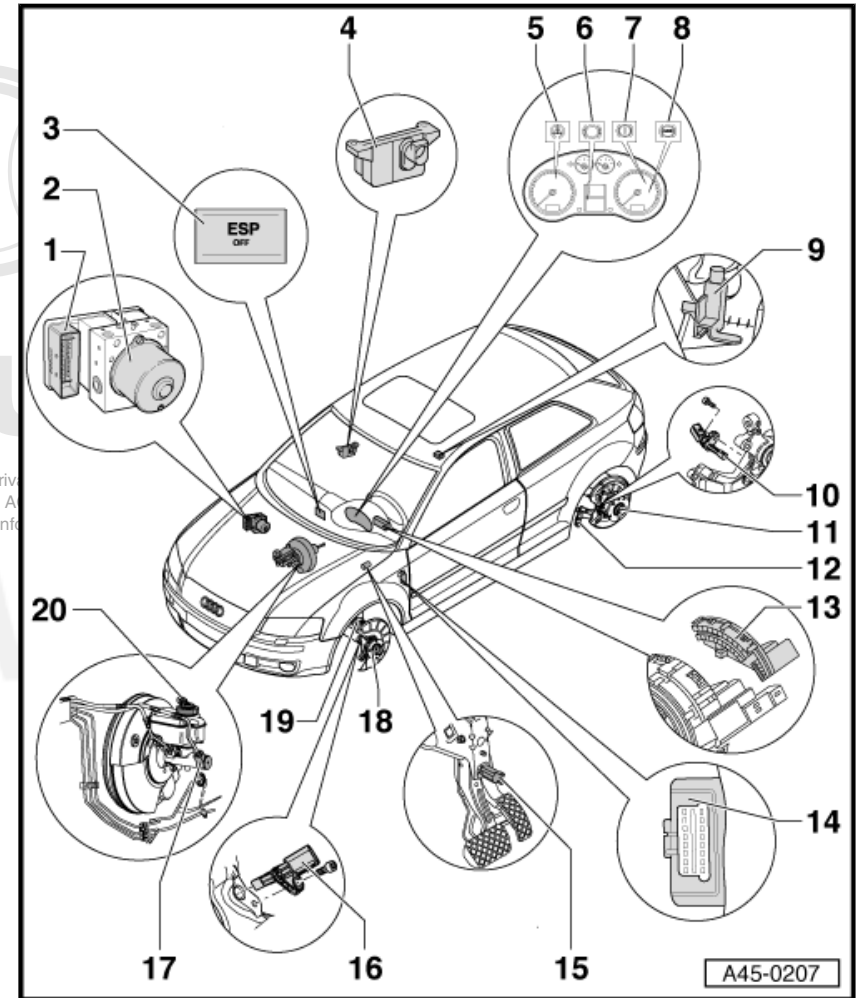
18 - Wheel bearing/hub unit

- ❑ The ABS sensor ring/rotor is installed in the wheel bearing

19 - Wheel bearing housing

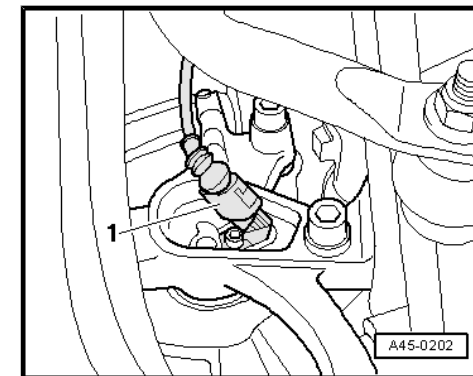
20 - Brake Fluid Level Warning Switch -F34-

Protected by copyright. Copying for private use is permitted unless authorised by AUDI AG. All rights reserved. with respect to the correctness of information.



Rear Wheel Speed Sensor

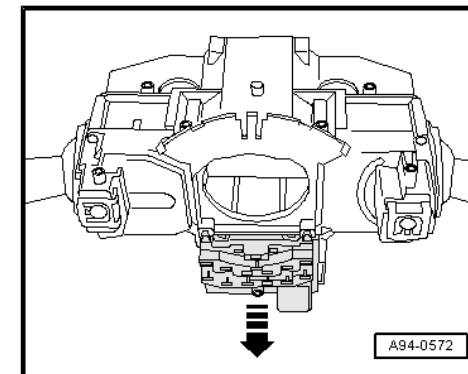
1 - Right Rear ABS Wheel Speed Sensor -G44- / Left Rear ABS Wheel Speed Sensor -G46-



Protected by copyright. Copying for private or commercial purposes, in part or in whole, is not permitted unless authorised by AUDI AG. AUDI AG does not guarantee or accept any liability with respect to the correctness of information in this document. Copyright by AUDI AG.



Arrow - Steering Angle Sensor -G85-



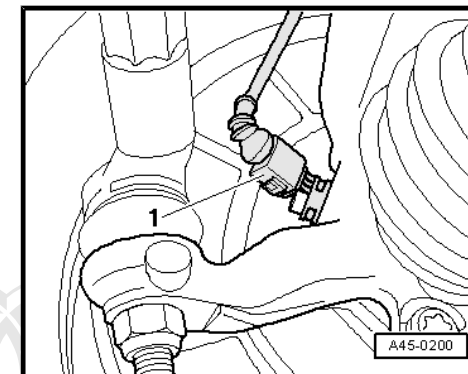
Audi

Protected by copyright. Copying for private or commercial purposes, in part or in whole, is not permitted unless authorised by AUDI AG. AUDI AG does not guarantee or accept any liability with respect to the correctness of information in this document. Copyright by AUDI AG.



Front Wheel Speed Sensor

1 - Right Front ABS Wheel Speed Sensor -G45- / Left Front ABS Wheel Speed Sensor -G47-



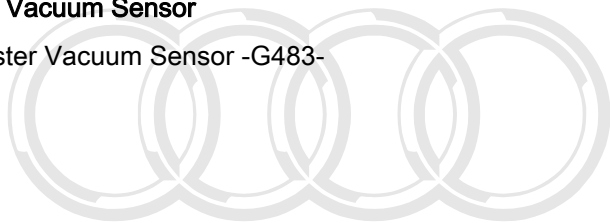
Audi

Protected by copyright. Copying for private or commercial purposes, in part or in whole, is not permitted unless authorised by AUDI AG. AUDI AG does not guarantee or accept any liability with respect to the correctness of information in this document. Copyright by AUDI AG.

erWin 

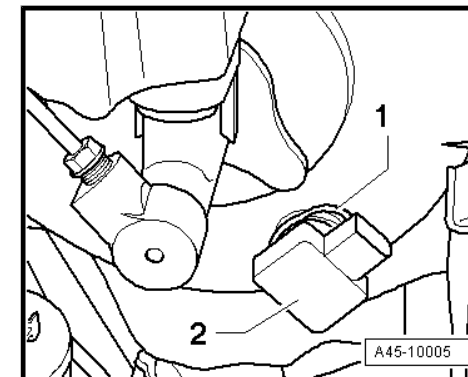
Brake Booster Vacuum Sensor

2 - Brake Booster Vacuum Sensor -G483-



Audi

Protected by copyright. Copying for private or commercial purposes, in part or in whole, is not permitted unless authorised by AUDI AG. AUDI AG does not guarantee or accept any liability with respect to the correctness of information in this document. Copyright by AUDI AG.



1 Component Locations: Airbag Systems

- ◆ Airbag Component Locations ⇒ [page 1](#)
- ◆ Airbag Crash Sensors ⇒ [page 6](#)
- ◆ Passive Occupant Detection System ⇒ [page 7](#)
- ◆ Seat Belt Overview ⇒ [page 9](#)



1.1 Airbag Component Locations

Audi

Protected by copyright. Copying for private or commercial purposes, in part or in whole, is not permitted unless authorised by AUDI AG. AUDI AG does not guarantee or accept any liability with respect to the correctness of information in this document. Copyright by AUDI AG.

erWin

Component A - B are not shown in the overview

A - Battery Interrupt Igniter -N253- → [page 4](#)

- Located in the right front area of luggage compartment

B - Airbag Spiral Spring/Return Spring With Slip Ring -F138- → [page 5](#)

1 - Driver Side Airbag Crash Sensor -G179- → [page 6](#)

- Located in the front door

2 - Driver Airbag Igniter -N95- and Driver Airbag Igniter 2 -N250-

- Located in the steering column

3 - Driver Front Airbag Crash Sensor -G283- → [page 6](#)

- Located near the headlights

4 - Front Passenger Front Airbag Crash Sensor -G284- → [page 6](#)

- Located near the headlights

5 - Front Passenger Airbag Disabled Indicator Lamp -K145-

Private or commercial purposes, in part or in whole, is not permitted unless authorised by AUDI AG. AUDI AG does not guarantee or accept any liability for errors or omissions in this publication. © 2009 AUDI AG.

6 - Front Passenger Airbag Igniter 1 -N131- and Front Passenger Airbag Igniter 2 -N132-

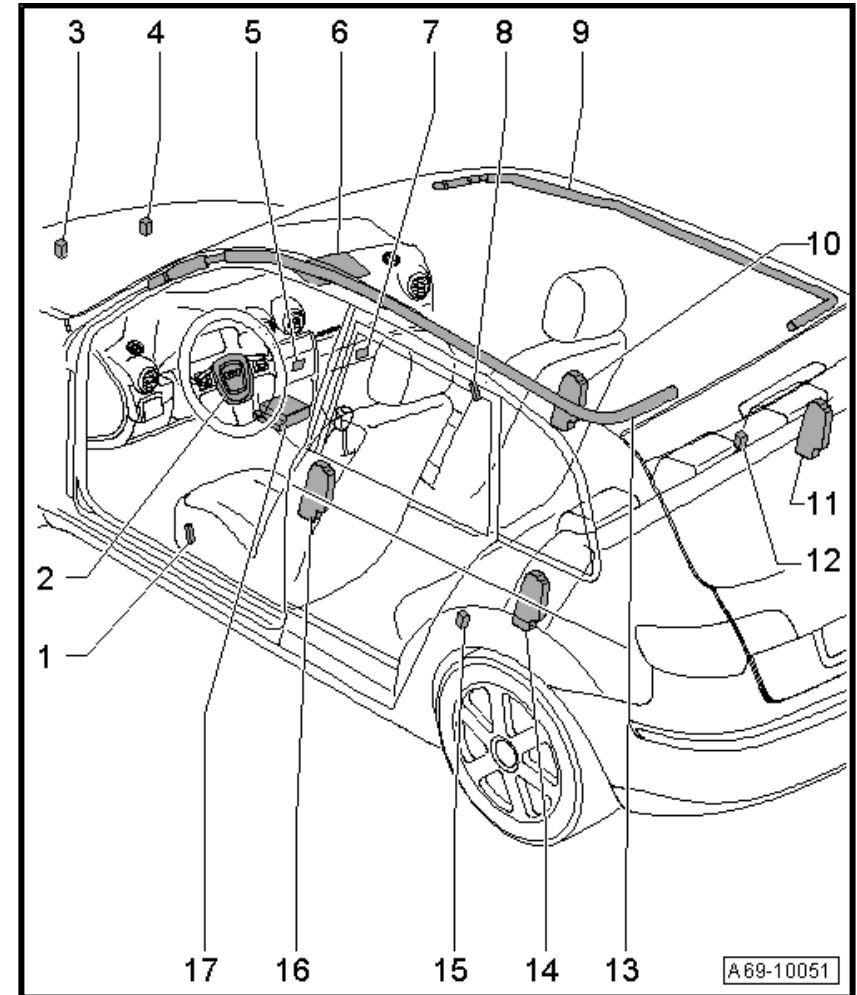
- Located under the passenger side dash board

7 - Front Passenger Airbag -Off- Key Switch -E224-

- Not applicable for North America

8 - Front Passenger Side Airbag Crash Sensor -G180- → [page 6](#)

- Located in the front door



Airbag component locations continued

9 - Front Passenger Side Curtain Airbag Igniter -N252-

- Located on the passenger-side left roof rail

10 - Front Passenger Side Airbag Igniter -N200-

- Located right side of the front passenger seat

11 - Rear Passenger Side Airbag (front Passenger side) Igniter -N202-

- Located right side of the rear passenger - side seat
- Only for some countries

12 - Rear Side Airbag Crash Sensor (on front Passenger side) -G257- ⇒ [page 6](#)

- Located on the rear wheel housing liner facing forward

13 - Driver Side Curtain Airbag Igniter -N251-

- Located on the driver-side left roof rail

14 - Rear Passenger Side Airbag (Driver side) Igniter -N201-

- Located left side of the rear driver-side seat
- Only for some countries

15 - Rear Side Airbag Crash Sensor (on Driver side) -G256- ⇒ [page 6](#)

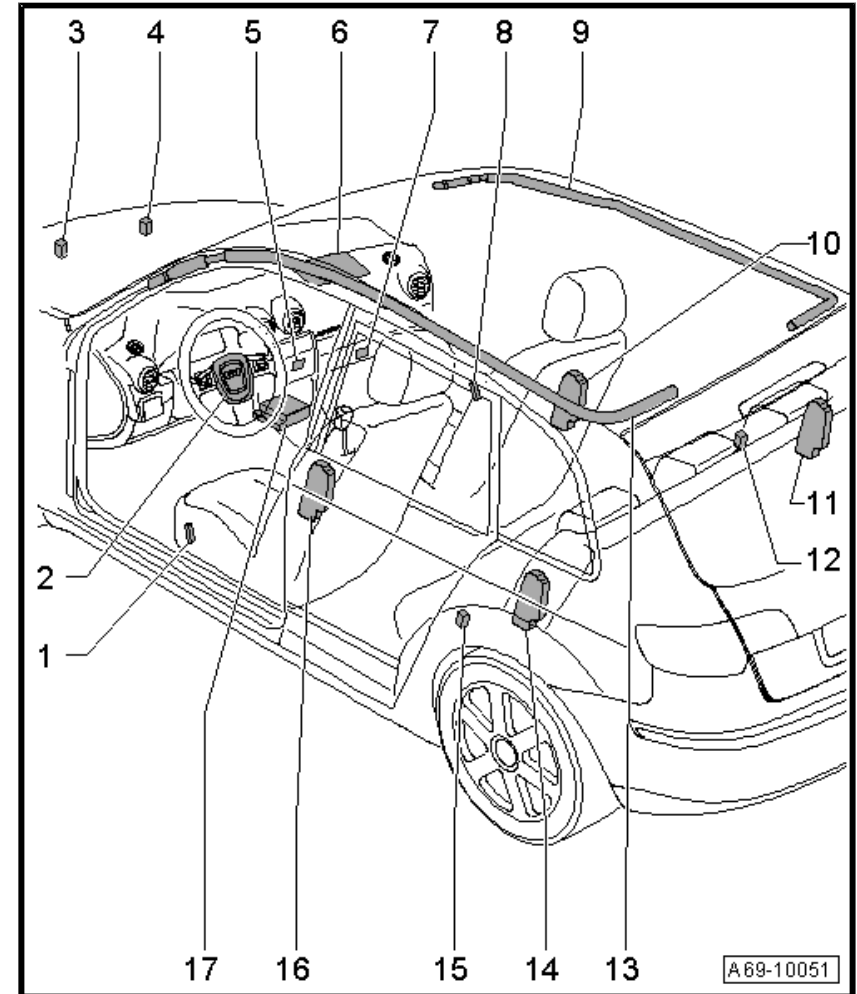
- Located on the rear wheel housing liner facing forward

16 - Driver Side Airbag Igniter -N199-

- Located left side of the driver seat

17 - Airbag Control Module -J234-

- Located behind the front center console

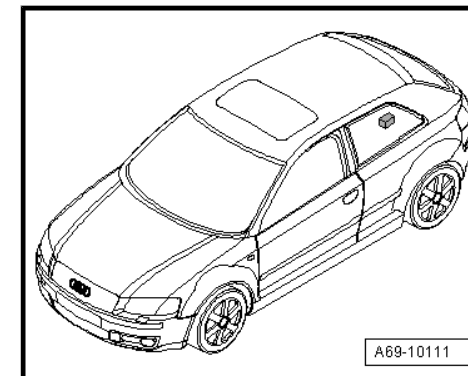


Protected by copyright. Copying for private or commercial purposes, in part or in whole, is not permitted unless authorised by AUDI AG. AUDI AG does not guarantee or accept any liability with respect to the correctness of information in this document. Copyright by AUDI AG.



Battery Interrupt Igniter

-- Battery Interrupt Igniter -N253-



Audi

Protected by copyright. Copying for private or commercial purposes, in part or in whole, is not permitted unless authorised by AUDI AG. AUDI AG does not guarantee or accept any liability with respect to the correctness of information in this document. Copyright by AUDI AG.

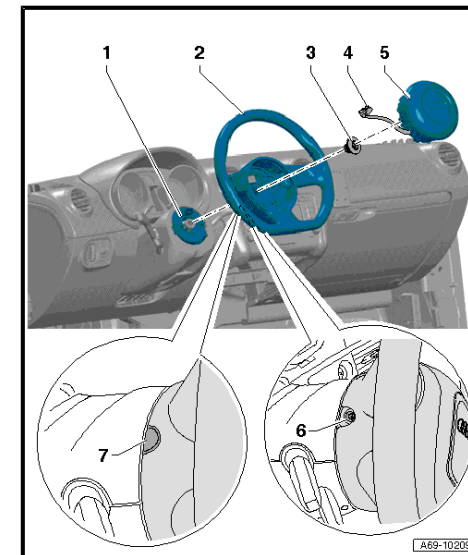


Steering Wheel with Airbag Assembly Overview

- 1 - Airbag Spiral Spring/Return Spring With Slip Ring -F138-
- 2 - Steering Wheel with Airbag



Protected by copyright. Copying for private or commercial purposes, in part or in whole, is not permitted unless authorised by AUDI AG. AUDI AG does not guarantee or accept any liability with respect to the correctness of information in this document. Copyright by AUDI AG.



1.2 Airbag Crash Sensors

1 - Front Passenger Front Airbag Crash Sensor -G284-

- Located near the headlights

2 - Front Passenger Side Airbag Crash Sensor -G180-

- Located in the front door

3 - Rear Side Airbag Crash Sensor (on front Passenger side) -G257-

- Located on the rear wheel housing liner facing forward

4 - Rear Side Airbag Crash Sensor (on Driver side) -G256-

- Located on the rear wheel housing liner facing forward

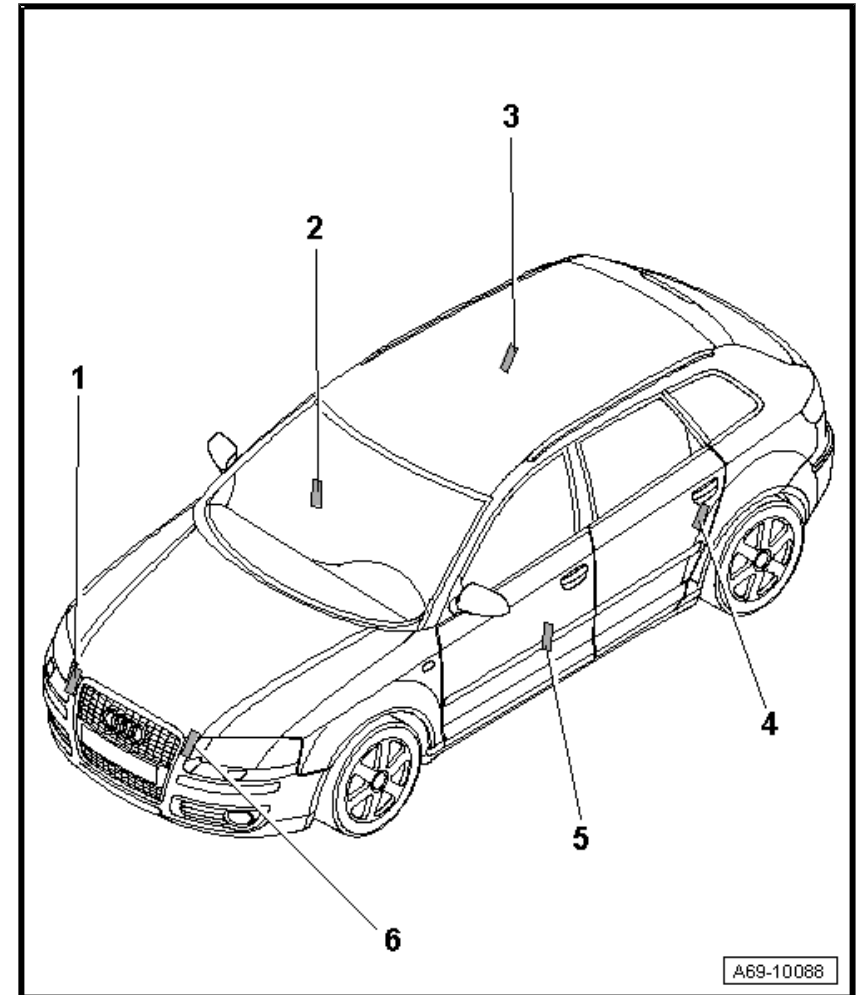
5 - Driver Side Airbag Crash Sensor -G179-

- Located in the front door

6 - Driver Front Airbag Crash Sensor -G283-

- Located near the headlights

Copyright. Copying for private or commercial purposes, in part or in whole, is not permitted unless authorised by AUDI AG. AUDI AG does not guarantee or accept any liability with respect to the correctness of information in this document. Copyright by AUDI AG.



A69-10088

1.3 Passive Occupant Detection System

4 - Passive Occupant Detection System Mat

- The mat is a component with the seat occupied recognition pressure sensor -G452-
- Do not separate from the seat pan upholstery -6-

6 - Seat Pan Upholstery

- Do not separate from the seat occupied recognition mat -4-

9 - Electrical Wiring Harness

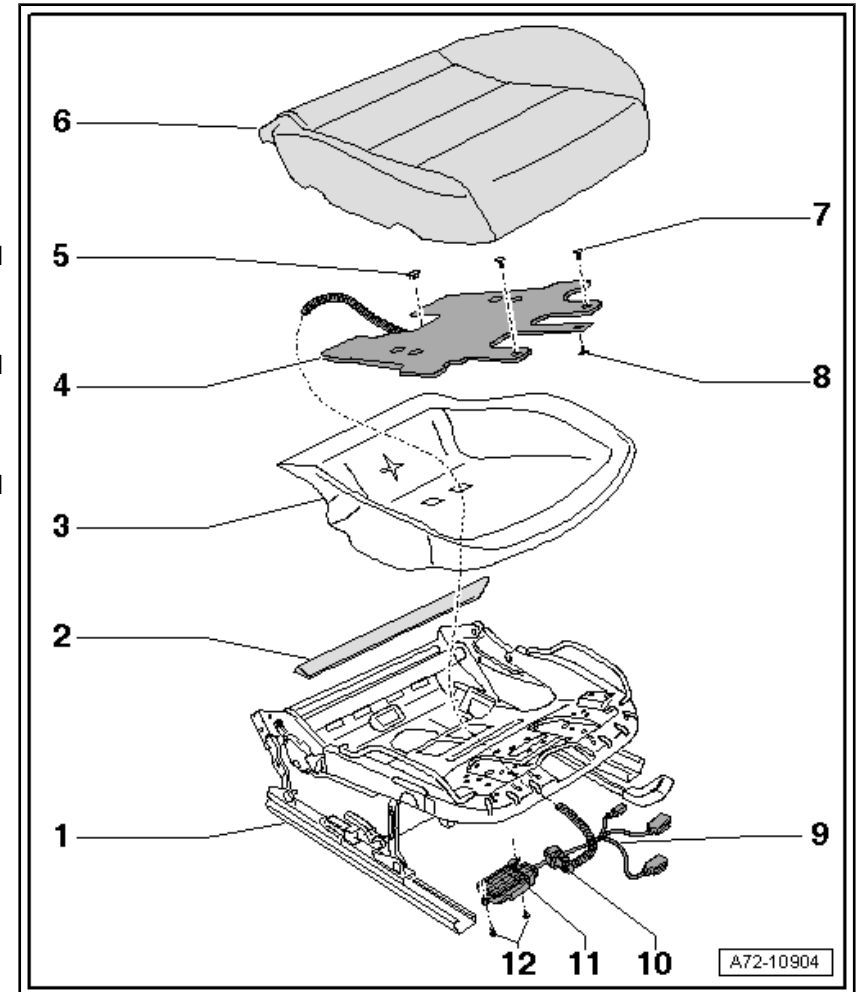
- Do not separate from the seat occupied recognition pressure sensor -G452- and seat occupied recognition control module -J706-

10 - Seat Occupied Recognition Pressure Sensor -G452-

- Complementary component with the seat occupied recognition mat and must not be separated
- Do not disconnect the electrical connector

11 - Seat Occupied Recognition Control Module -J706-

- Complementary component with the seat occupied recognition mat and must not be separated
- Do not disconnect the electrical connector



Front Passenger Seat Occupied Sensor -G128-

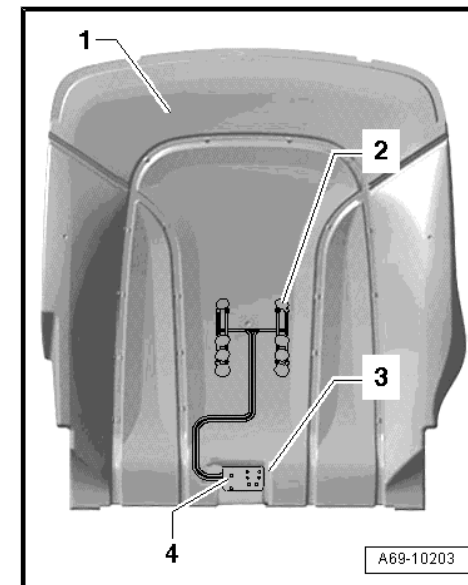
1 - Seat Padding

2 - Front Passenger Seat Occupied Sensor -G128-



Audi

Protected by copyright. Copying for private or commercial purposes, in part or in whole, is not permitted unless authorised by AUDI AG. AUDI AG does not guarantee or accept any liability with respect to the correctness of information in this document. Copyright by AUDI AG.



1.4 Seat Belt Overview

1 - Right Seat Belt Latch Anchorage Point

- Seat Occupied Recognition Seat Belt Force Sensor -G453-
- Front Passenger Seat Belt Switch -E25-

2 - Front Three-Point Seat Belt

-

3 - Seat Belt Height Adjuster

-

4 - Right Rear Three-Point Seatbelt

-

5 - Belt Guide

-

6 - Third Rear Three-Point Seat Belt

-

7 - Left Rear Three-Point Seatbelt

-

8 - Rear Outside Floor Assembly Anchorage Point

-

9 - Center Rear Floor Assembly Anchorage Points

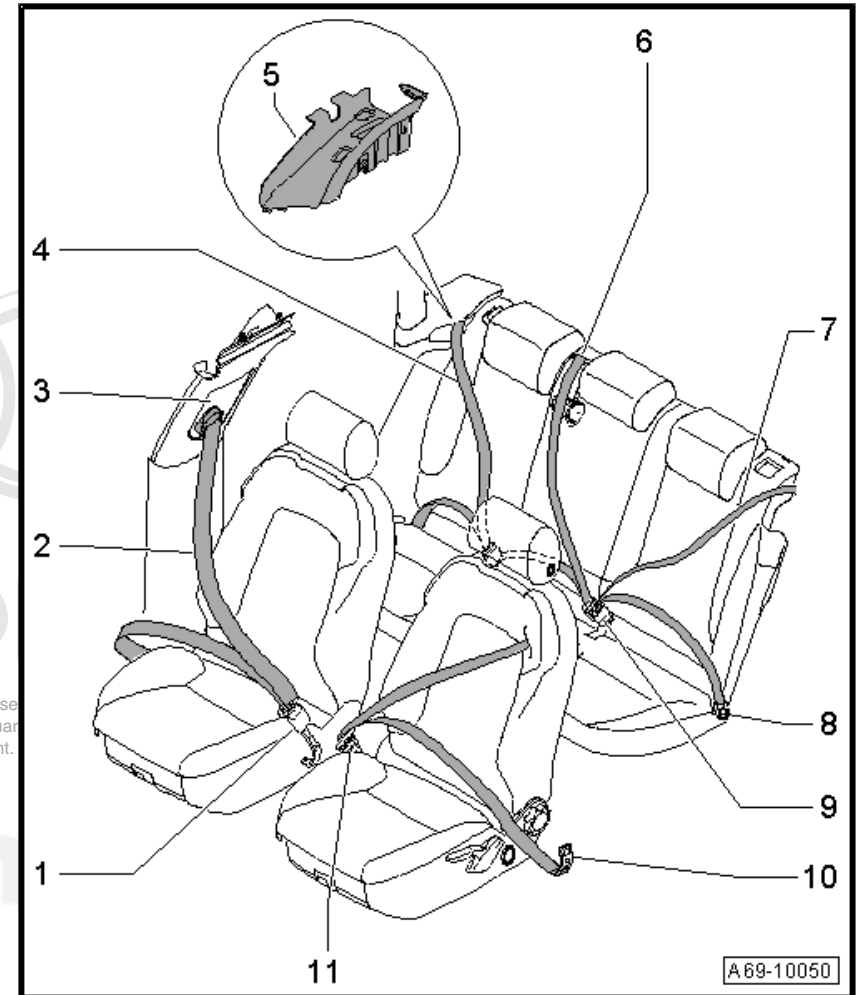
-

10 - Outside Floor Assembly Anchorage Point

-

11 - Left Seat Belt Latch Anchorage Point

- Driver Seat Belt Switch -E24-

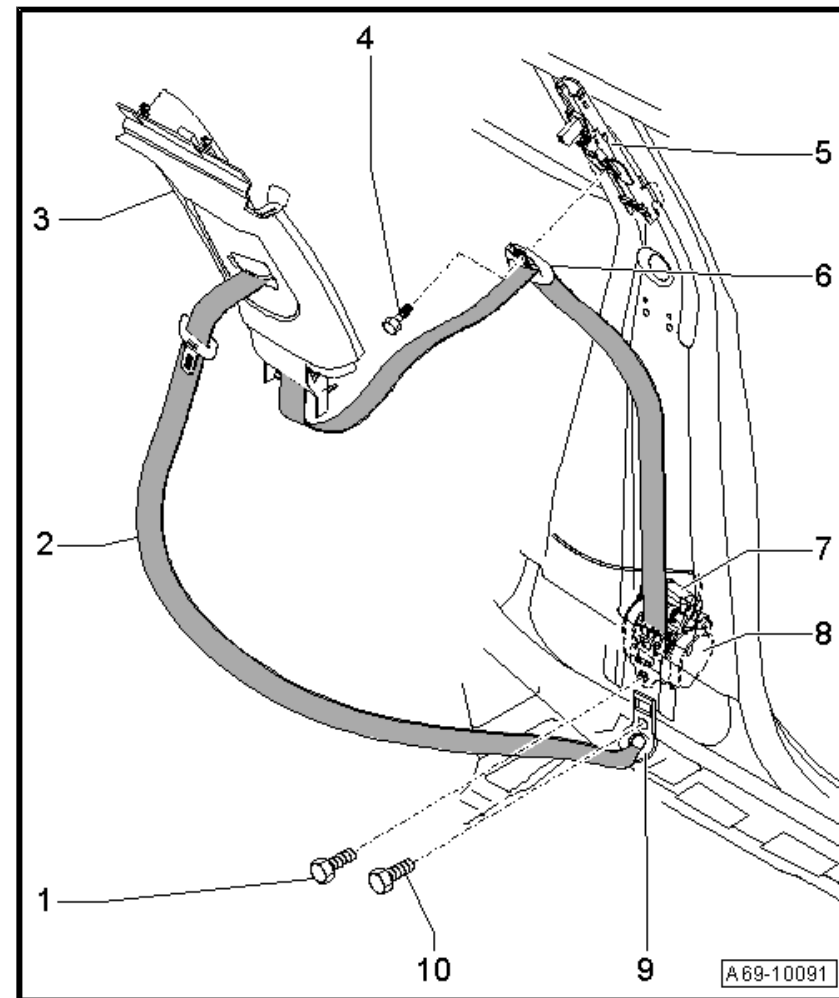


Protected by copyright. Copying for private or commercial purpose permitted unless authorised by AUDI AG. AUDI AG does not guarantee with respect to the correctness of information in this document.

Seat Belt Tensioners - Front

7 - Belt Tensioner Connector

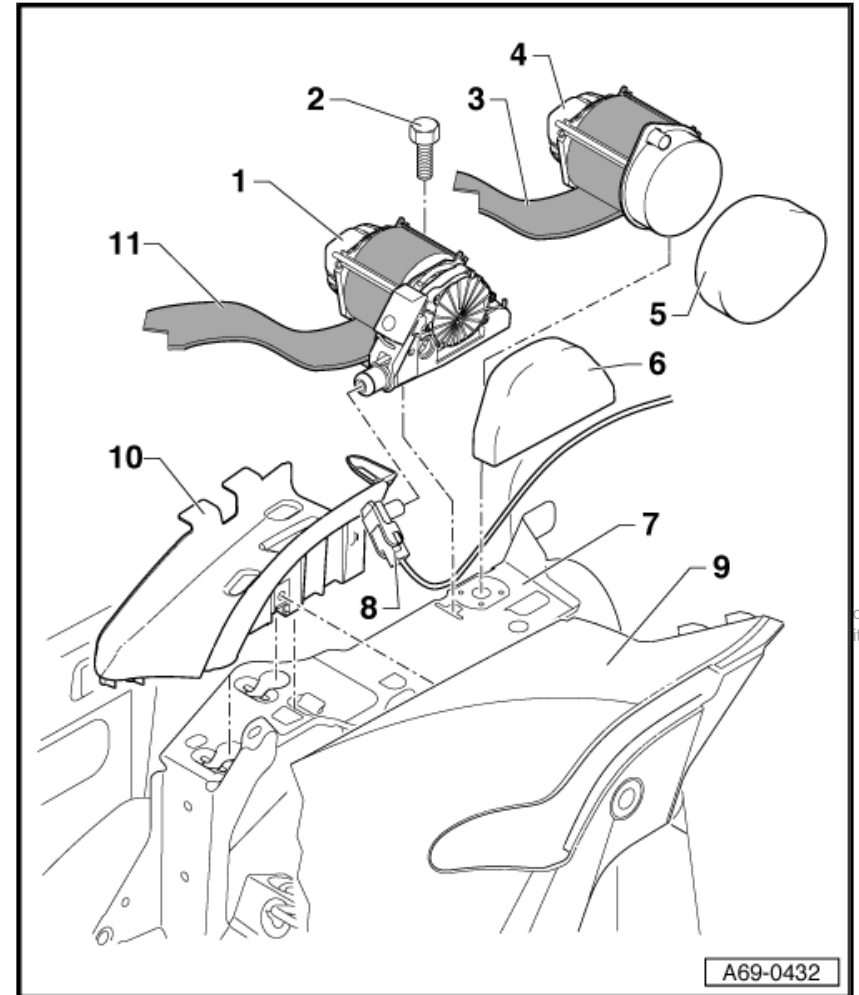
8 - Driver Seat Belt Tensioner Igniter 1 -N153- and Front Passenger Seat Belt Tensioner Igniter 1 -N154-



Seat Belt Tensioners - Outer Rear

1 - Left Rear Seat Belt Tensioner Igniter -N196- and Right Rear Seat Belt Tensioner Igniter -N197-

8 - Belt Tensioner Connector



1 Component Locations: Engine Management System

Select system or component ID below to navigate to a location view:

- ◆ 2.0L BPY ⇒ [page 4](#)
- ◆ 2.0L CCTA and CBFA ⇒ [page 19](#)
- ◆ 2.0L TDI CBEA ⇒ [page 38](#)
- ◆ 3.2L BUB and CBRA ⇒ [page 54](#)
- ◆ Exhaust System ⇒ [page 69](#)
- ◆ Cooling Fans and Cooling Pump ⇒ [page 78](#)
- ◆ Fuel Pump and Sensors ⇒ [page 83](#)
- ◆ Accelerator Pedal Module ⇒ [page 88](#)



Audi

Protected by copyright. Copying for private or commercial purposes, in part or in whole, is not permitted unless authorised by AUDI AG. AUDI AG does not guarantee or accept any liability with respect to the correctness of information in this document. Copyright by AUDI AG.



<p>Camshaft Adjustment Valve 1 -N205-</p> <ul style="list-style-type: none"> ◆ 2.0L BPY ⇒ Item 8 (page 5) ◆ 2.0L CCTA and CBFA ⇒ Item 1 (page 19) ◆ 3.2L BUB and CBRA ⇒ Item 23 (page 55) 	<ul style="list-style-type: none"> ◆ Cylinder 1 Fuel Injector -N30- ◆ Cylinder 2 Fuel Injector -N31- ◆ Cylinder 3 Fuel Injector -N32- ◆ Cylinder 4 Fuel Injector -N33- ◆ Cylinder 5 Fuel Injector -N83- ◆ Cylinder 6 Fuel Injector -N84- ◆ 2.0L BPY ⇒ Item D (page 4) ◆ 2.0L CCTA and CBFA ⇒ Item E (page 19) ◆ 2.0L TDI CBEA ⇒ Item 5 (page 38) ◆ 3.2L BUB and CBRA ⇒ Item E (page 54) 	<p>Intake Air Temperature (IAT) Sensor -G42-</p> <ul style="list-style-type: none"> ◆ 2.0L BPY ⇒ Item 20 (page 5) ◆ 2.0L CCTA and CBFA ⇒ Item 18 (page 20) ◆ 2.0L TDI CBEA ⇒ Item 18 (page 39) ◆ 3.2L BUB and CBRA ⇒ Item 13 (page 55) 	<p>Oil Pressure Switch -F1- Oil Pressure Switch -F22-</p> <ul style="list-style-type: none"> ◆ 2.0L BPY ⇒ Item G (page 4) ◆ 2.0L CCTA and CBFA ⇒ Item 24 (page 20) ◆ 2.0L TDI CBEA ⇒ Item E (page 38) ◆ 3.2L BUB and CBRA ⇒ Item G (page 54)
<p>Camshaft Position (CMP) Sensor -G40-</p> <ul style="list-style-type: none"> ◆ 2.0L BPY ⇒ Item 22 (page 5) ◆ 2.0L CCTA and CBFA ⇒ Item 21 (page 20) ◆ 2.0L TDI CBEA ⇒ Item 2 (page 38) ◆ 3.2L BUB and CBRA ⇒ Item 24 (page 55) 	<p>Fuel Pressure Regulator Valve -N276-</p> <ul style="list-style-type: none"> ◆ 2.0L BPY ⇒ Item 7 (page 5) ◆ 2.0L CCTA and CBFA ⇒ Item 7 (page 19) ◆ 2.0L TDI CBEA ⇒ Item 8 (page 38) 	<p>Knock Sensor 1 -G61-</p> <ul style="list-style-type: none"> ◆ 2.0L BPY ⇒ Item E (page 4) ◆ 2.0L CCTA and CBFA ⇒ Item 19 (page 20) ◆ 3.2L BUB and CBRA ⇒ Item 2 (page 54) 	<p>Positive Crankcase Ventilation (PCV) Heating Element -N79-</p> <ul style="list-style-type: none"> ◆ 2.0L TDI CBEA ⇒ Item A (page 38) ◆ 3.2L BUB and CBRA ⇒ Item 10 (page 54)
<p>Charge Air Pressure Sensor -G31-</p> <ul style="list-style-type: none"> ◆ 2.0L BPY ⇒ Item 16 (page 5) ◆ 2.0L CCTA and CBFA ⇒ Item 12 (page 20) ◆ 2.0L TDI CBEA ⇒ Item 18 (page 39) 	<p>Fuel Pressure Sensor -G247-</p> <ul style="list-style-type: none"> ◆ 2.0L BPY ⇒ Item 21 (page 5) ◆ 2.0L CCTA and CBFA ⇒ Item 22 (page 20) ◆ 2.0L TDI CBEA ⇒ Item 25 (page 39) <p style="font-size: small; margin-top: 10px;">Protected by copyright. Copying for private or commercial purposes, in part or in whole, is not permitted unless authorised by AUDI AG. AUDI AG does not guarantee or accept any liability with respect to the correctness of information in this document. Copyright by AUDI AG.</p>	<p>Knock Sensor 2 -G66-</p> <ul style="list-style-type: none"> ◆ 2.0L BPY ⇒ Item F (page 4) ◆ 2.0L CCTA and CBFA ⇒ Item F (page 19) ◆ 3.2L BUB and CBRA ⇒ Item C (page 54) 	<p>Throttle Valve Control Module -J338-</p> <ul style="list-style-type: none"> ◆ 2.0L BPY ⇒ Item 19 (page 5) ◆ 2.0L CCTA and CBFA ⇒ Item 16 (page 20) ◆ 2.0L TDI CBEA ⇒ Item 17 (page 39) ◆ 3.2L BUB and CBRA ⇒ Item 11 (page 55)



<p>Engine Coolant Temperature (ECT) Sensor -G62-</p> <ul style="list-style-type: none"> ◆ 2.0L BPY ⇒ Item 9 (page 5) ◆ 2.0L CCTA and CBFA ⇒ Item 20 (page 20) ◆ 2.0L TDI CBEA ⇒ Item 12 (page 38) ◆ 3.2L BUB and CBRA ⇒ Item 25 (page 55) 	<p>Ignition Coil N70, N127, N291, N292, N323 and N324</p> <ul style="list-style-type: none"> ◆ 2.0L BPY ⇒ Item 4 (page 5) ◆ 2.0L CCTA and CBFA ⇒ Item 4 (page 19) ◆ 3.2L BUB and CBRA ⇒ Item D (page 54) 	<p>Leak Detection Pump (LDP) -V144-</p> <ul style="list-style-type: none"> ◆ 2.0L BPY ⇒ Item I (page 4) ◆ 2.0L CCTA and CBFA ⇒ Item G (page 19) ◆ 3.2L BUB and CBRA ⇒ Item A (page 54) 	<p>Turbocharger Recirculating Valve -N249-</p> <ul style="list-style-type: none"> ◆ 2.0L BPY ⇒ Item 2 (page 4) ◆ 2.0L CCTA and CBFA ⇒ Item 3 (page 19)
<p>Engine Speed (RPM) Sensor -G28-</p> <ul style="list-style-type: none"> ◆ 2.0L BPY ⇒ Item 17 (page 5) ◆ 2.0L CCTA and CBFA ⇒ Item 11 (page 20) ◆ 2.0L TDI CBEA ⇒ Item 13 (page 38) ◆ 3.2L BUB and CBRA ⇒ Item 26 (page 55) 	<p>Intake Flap Motor -V157-</p> <ul style="list-style-type: none"> ◆ 2.0L BPY ⇒ Item 13 (page 5) ◆ 2.0L TDI CBEA ⇒ Item 14 (page 39) 	<p>Mass Air Flow (MAF) Sensor -G70-</p> <ul style="list-style-type: none"> ◆ 2.0L BPY ⇒ Item A (page 4) ◆ 2.0L CCTA and CBFA ⇒ Item A (page 19) ◆ 2.0L TDI CBEA ⇒ Item 11 (page 38) ◆ 3.2L BUB and CBRA ⇒ Item 13 (page 55) 	<p>Wastegate Bypass Regulator Valve -N75-</p> <ul style="list-style-type: none"> ◆ 2.0L BPY ⇒ Item 1 (page 4) ◆ 2.0L CCTA and CBFA ⇒ Item 2 (page 19) ◆ 2.0L TDI CBEA ⇒ Item 9 (page 38)
<p>Evaporative Emission (EVAP) Canister Purge Regulator Valve 1 -N80-</p> <ul style="list-style-type: none"> ◆ 2.0L BPY ⇒ Item 14 (page 5) ◆ 2.0L CCTA and CBFA ⇒ Item 17 (page 20) ◆ 3.2L BUB and CBRA ⇒ Item 3 (page 54) 	<p>Intake Manifold Runner Position Sensor -G336-</p> <ul style="list-style-type: none"> ◆ 2.0L BPY ⇒ Item 13 (page 5) ◆ 2.0L CCTA and CBFA ⇒ Item 23 (page 20) ◆ 2.0L TDI CBEA ⇒ Item 14 (page 39) 	<p>Oil Level Thermal Sensor -G266-</p> <ul style="list-style-type: none"> ◆ 2.0L BPY ⇒ Item H (page 4) ◆ 2.0L CCTA and CBFA ⇒ Item H (page 19) ◆ 2.0L TDI CBEA ⇒ Item D (page 38) ◆ 3.2L BUB and CBRA ⇒ Item F (page 54) 	<p>Engine Coolant Temperature (ECT) Sensor -G83-</p> <ul style="list-style-type: none"> ◆ 2.0L BPY ⇒ page 81 ◆ 2.0L CCTA and CBFA ⇒ page 78 ◆ 2.0L TDI CBEA ⇒ page 82 ◆ 3.2L BUB and CBRA ⇒ page 78

Protected by copyright. Copying for private or commercial purposes, in part or in whole, is not permitted unless authorized by Audi AG. Audi AG does not guarantee or accept any liability with respect to the correctness of information in this document. Copyright by Audi AG.



1.1 2.0L BPY

Components A - I are not shown in the overview

A - Mass Air Flow (MAF) Sensor -G70- ⇒ [page 15](#)

- ❑ Located in upper section of the air filter

B - Brake Light Switch -F- and Brake Pedal Switch -F63-

- ❑ Located at the brake pedal assembly

C - Clutch Position Sensor -G476- ⇒ [page 16](#)

- ❑ Only for vehicles with manual transmission

D - Fuel Injectors ⇒ [page 8](#)

E - Knock Sensor 1 -G61- ⇒ [page 12](#)

- ❑ 3 pin harness connector for knock sensor (KS) 1-G61- ⇒ [page 14](#)

F - Knock Sensor 2 -G66- ⇒ [page 12](#)

- ❑ 3 pin harness connector for knock sensor (KS) 2 -G66- ⇒ [page 12](#)

G - Oil Pressure Switch -F1- ⇒ [page 14](#)

H - Oil Level Thermal Sensor -G266- ⇒ [page 17](#)

- ❑ Located at the bottom of oil pan

I - Leak Detection Pump (LDP) -V144- ⇒ [page 18](#)

- ❑ Located under the wheel housing liner in right rear wheel housing

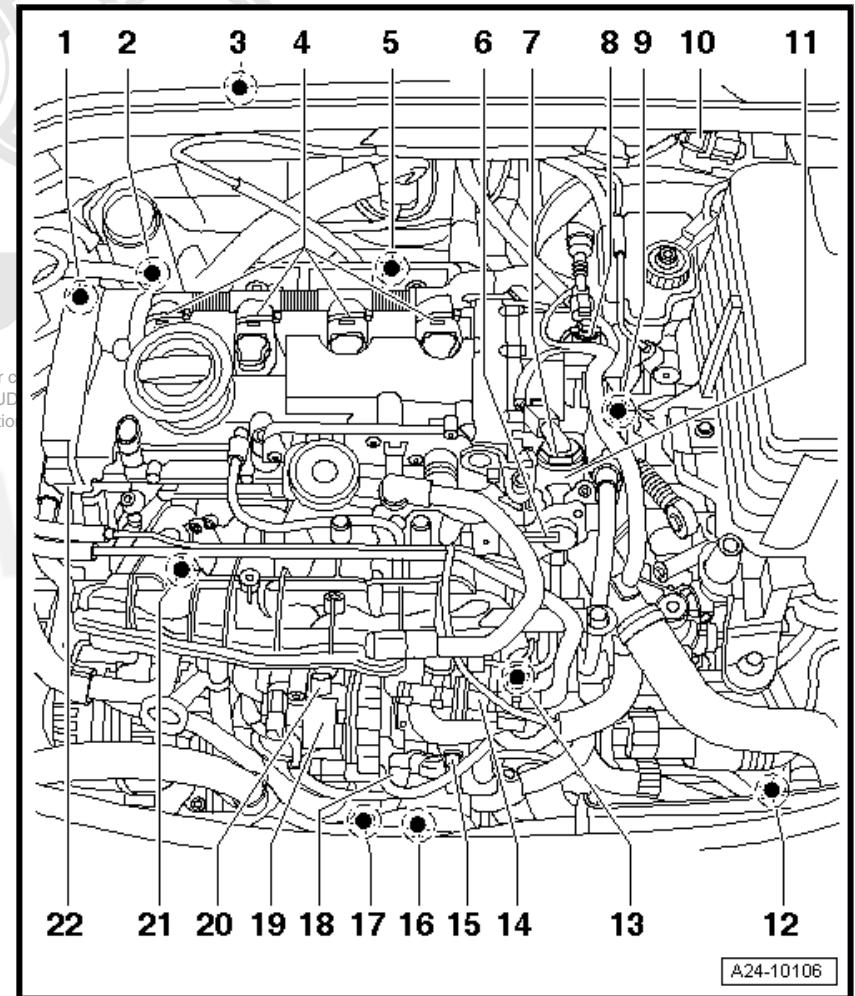
1 - Wastegate Bypass Regulator Valve -N75- ⇒ [page 6](#)

- ❑ Installed directly on turbocharger

2 - Turbocharger Recirculating Valve -N249- ⇒ [page 6](#)

- ❑ Installed directly on turbocharger

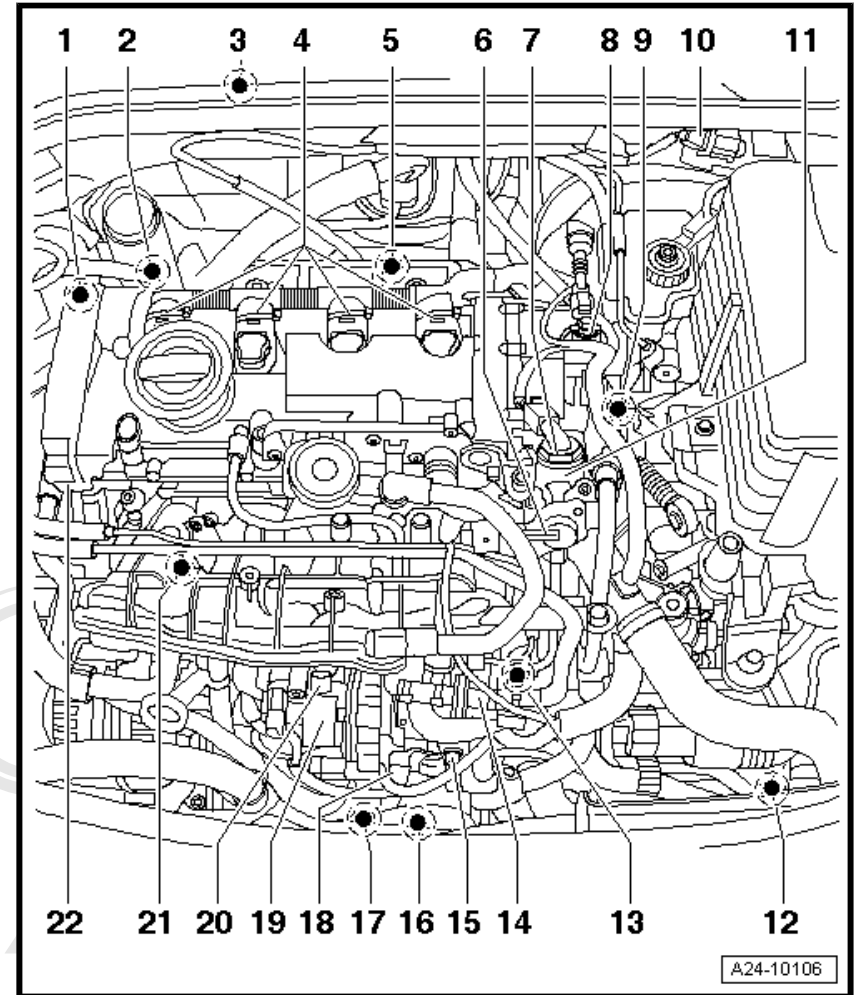
3 - Engine Control Module (ECM) -J623-



Protected by copyright. Copying for private or commercial use is not permitted unless authorised by AUDI AG. AUDI AG is not liable for any damage with respect to the correctness of information.

2.0L BPY continued

- 4 - Ignition Coils with power output stages ⇒ [page 7](#)
- 5 - Heated Oxygen Sensor (HO2S) -G39- ⇒ [page 69](#)
- 6 - Low Fuel Pressure Sensor -G410- ⇒ [page 8](#)
- 7 - Fuel Pressure Regulator Valve -N276- ⇒ [page 8](#)
- 8 - Camshaft Adjustment Valve 1 -N205- ⇒ [page 9](#)
- 9 - Engine Coolant Temperature (ECT) Sensor -G62- ⇒ [page 10](#)
- 10 - 6-pin Harness Connector
 - ❑ For Heated Oxygen Sensor (HO2S) -G39- and Oxygen Sensor (O2S) Heater -Z19- (black)
- 11 - Single piston high pressure pump ⇒ [page 8](#)
- 13 - Intake Flap Motor -V157- with Intake Manifold Runner Position Sensor -G336- ⇒ [page 11](#)
- 14 - Evaporative Emission (EVAP) Canister Purge Regulator Valve 1 -N80- ⇒ [page 8](#)
- 15 - Connector ⇒ [page 12](#)
 - ❑ For Camshaft Position (CMP) Sensor -G40- and Fuel Pressure Sensor -G247-
- 16 - Charge Air Pressure Sensor -G31- ⇒ [page 13](#)
- 17 - Engine Speed (RPM) Sensor -G28- ⇒ [page 14](#)
- 18 - 8-pin harness connector for fuel injectors ⇒ [page 12](#)
- 19 - Throttle Valve Control Module -J338- ⇒ [page 11](#)
 - ❑ Integrated with Throttle Drive (for Electronic Power Control (EPC)) -G186- , Throttle Drive Angle Sensor 1 (for Electronic Power Control (EPC) -G187- and Throttle Drive Angle Sensor 2 (for Electronic Power Control (EPC) -G188-
- 20 - Intake Air Temperature (IAT) Sensor -G42- ⇒ [page 11](#)
- 21 - Fuel Pressure Sensor -G247- ⇒ [page 8](#)
- 22 - Camshaft Position (CMP) Sensor -G40- ⇒ [page 9](#)

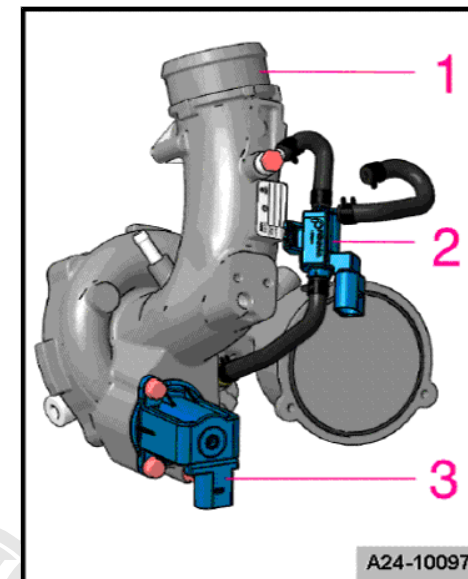


Protected by copyright. Copying for private or commercial purposes, in part or in whole, is not permitted unless authorised by AUDI AG. AUDI AG does not guarantee or accept any liability with respect to the correctness of information in this document. Copyright by AUDI AG.



Turbo Charger Components

- 1 - Turbocharger
- 2 - Wastegate Bypass Regulator Valve -N75-
- 3 - Turbocharger Recirculating Valve -N249-



Audi

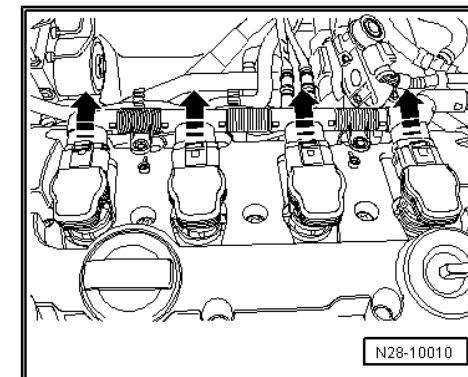
Protected by copyright. Copying for private or commercial purposes, in part or in whole, is not permitted unless authorised by AUDI AG. AUDI AG does not guarantee or accept any liability with respect to the correctness of information in this document. Copyright by AUDI AG.



Ignition Coils

-- Ignition Coils with power output stages

- ◆ Ignition Coil 1 with Power Output Stage -N70-
- ◆ Ignition Coil 2 with Power Output Stage -N127-
- ◆ Ignition Coil 3 with Power Output Stage -N291-
- ◆ Ignition Coil 4 with Power Output Stage -N292-



Audi

Protected by copyright. Copying for private or commercial purposes, in part or in whole, is not permitted unless authorised by AUDI AG. AUDI AG does not guarantee or accept any liability with respect to the correctness of information in this document. Copyright by AUDI AG.



Fuel Rail Assembly Overview

2 - Fuel Injector

◆ Cylinder 1 Fuel Injector -N30-

◆ Cylinder 2 Fuel Injector -N31-

◆ Cylinder 3 Fuel Injector -N32-

◆ Cylinder 4 Fuel Injector -N33-

4 - Fuel Rail

5 - Fuel Pressure Sensor -G247-

6 - Low Fuel Pressure Sensor -G410-

7 - Fuel Pressure Regulator Valve -N276-

8 - Mechanical single-piston high-pressure pump

- With Fuel Pressure Regulator Valve -N276- and Low Fuel Pressure Sensor -G410-

9 - Evaporative Emission (EVAP) Canister Purge Regulator Valve 1 -N80-

10 - Throttle Valve Control Module -J338- with Throttle Drive (for Electronic Power Control (EPC)) -G186- , Throttle Drive Angle Sensor 1 (for Electronic Power Control (EPC)) -G187- and Throttle Drive Angle Sensor 2 (for Electronic Power Control (EPC)) -G188-

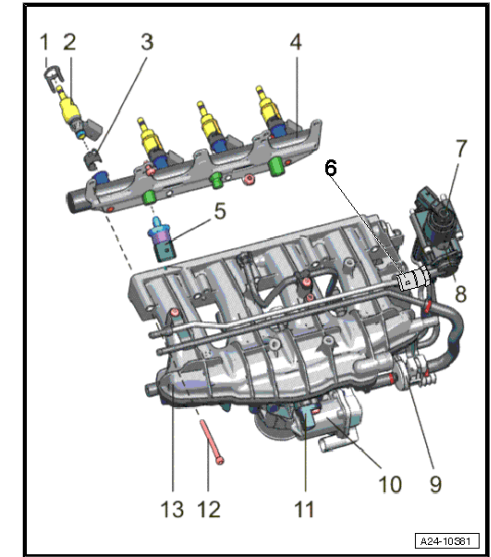
11 - Intake Air Temperature (IAT) Sensor -G42-

13 - Intake manifold



Audi

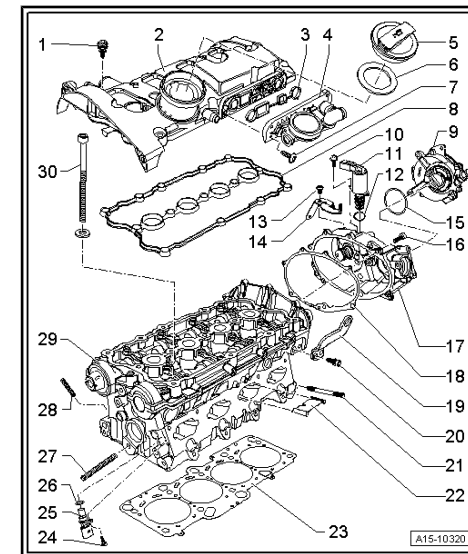
Protected by copyright. Copying for private or commercial purposes, in part or in whole, is not permitted unless authorised by AUDI AG. AUDI AG does not guarantee or accept any liability with respect to the correctness of information in this document. Copyright by AUDI AG.



Cylinder Head Assembly Overview

11 - Camshaft Adjustment Valve 1 -N205-

25 - Camshaft Position (CMP) Sensor -G40-

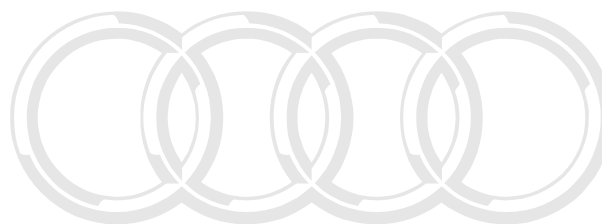
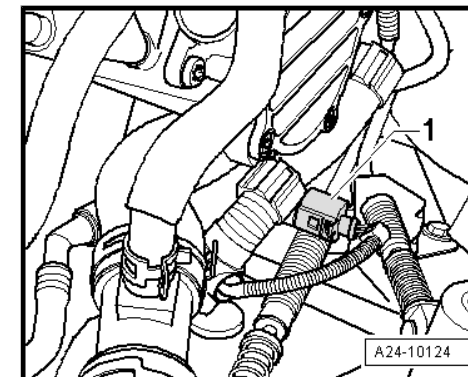


Protected by copyright. Copying for private or commercial purposes, in part or in whole, is not permitted unless authorised by AUDI AG. AUDI AG does not guarantee or accept any liability with respect to the correctness of information in this document. Copyright by AUDI AG.



Engine Coolant Temperature (ECT) Sensor

1 - Engine Coolant Temperature (ECT) Sensor -G62-



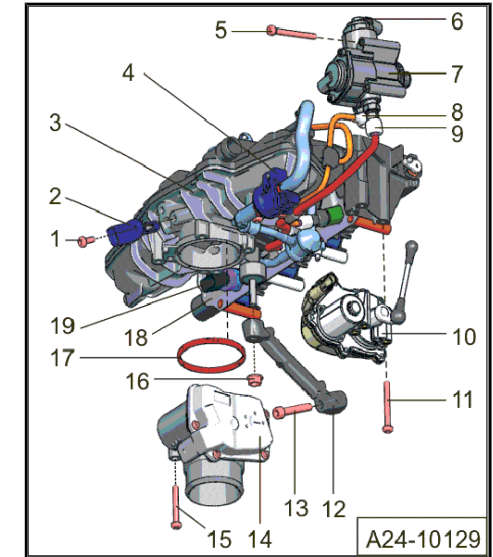
Audi

Protected by copyright. Copying for private or commercial purposes, in part or in whole, is not permitted unless authorised by AUDI AG. AUDI AG does not guarantee or accept any liability with respect to the correctness of information in this document. Copyright by AUDI AG.



Intake Manifold Assembly Overview

- 2 - Intake Air Temperature (IAT) Sensor -G42-
- 3 - Intake manifold
- 4 - Evaporative Emission (EVAP) Canister Purge Regulator Valve 1 -N80-
- 6 - Fuel Pressure Regulator Valve -N276-
- 7 - Mechanical single-piston high-pressure pump
 - With Fuel Pressure Regulator Valve -N276- and Low Fuel Pressure Sensor -G410-
- 10 - Intake Flap Motor -V157- with Intake Manifold Runner Position Sensor -G336-
- 14 - Throttle Valve Control Module -J338- with Throttle Drive (for Electronic Power Control (EPC)) -G186- , Throttle Drive Angle Sensor 1 (for Electronic Power Control (EPC)) -G187- and Throttle Drive Angle Sensor 2 (for Electronic Power Control (EPC)) -G188-
- 19 - Fuel Pressure Sensor -G247-

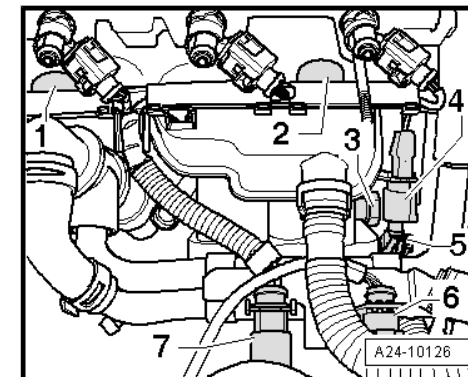


Protected by copyright. Copying for private or commercial purposes, in part or in whole, is not permitted unless authorised by AUDI AG. AUDI AG does not guarantee or accept any liability with respect to the correctness of information in this document. Copyright by AUDI AG.



Component locations beneath intake manifold

- 1 - Knock Sensor 1 -G61-
- 2 - Knock Sensor 2 -G66-
- 3 - Oil Pressure Sensor -G10-
- 4 - 3-pin harness connector (brown) for Knock Sensor (KS) 2 - G66-
- 5 - 3-pin connector (gray) for Engine Speed (RPM) Sensor -G28-
- 6 - Electrical connector for Camshaft Position (CMP) Sensor - G40- and Fuel Pressure Sensor -G247-
- 7 - 8-pin harness connector for fuel injectors



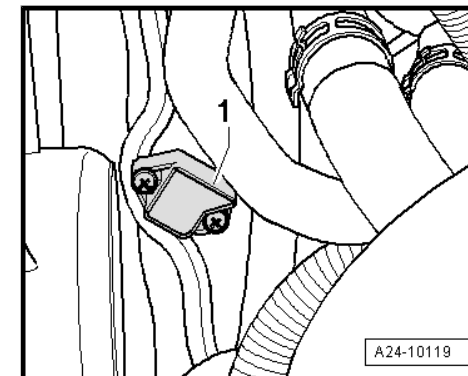
Audi

Protected by copyright. Copying for private or commercial purposes, in part or in whole, is not permitted unless authorised by AUDI AG. AUDI AG does not guarantee or accept any liability with respect to the correctness of information in this document. Copyright by AUDI AG.

erWin

Charge Air Pressure Sensor

1 - Charge Air Pressure Sensor -G31-



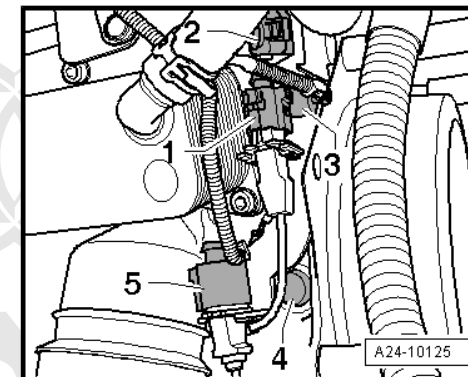
Audi

Protected by copyright. Copying for private or commercial purposes, in part or in whole, is not permitted unless authorised by AUDI AG. AUDI AG does not guarantee or accept any liability with respect to the correctness of information in this document. Copyright by AUDI AG.



Component locations and electrical harness connectors

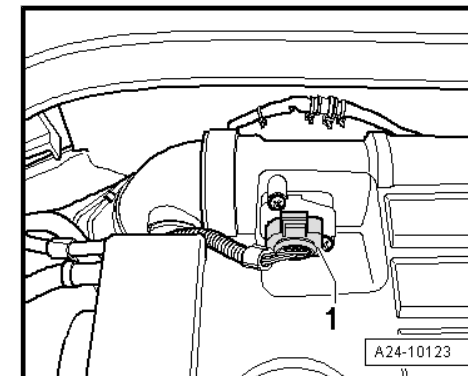
- 1 - 3-pin harness connector (green) for Knock Sensor (KS) 1 - G61-
- 2 - 3-pin harness connector (brown) for Knock Sensor (KS) 2 - G66-
- 3 - Oil Pressure Switch -F1-
- 4 - Engine Speed (RPM) Sensor -G28-
- 5 - 3-pin connector (gray) for Engine Speed (RPM) Sensor -G28-



Protected by copyright. Copying for private or commercial purposes, in part or in whole, is not permitted unless authorised by AUDI AG. AUDI AG does not guarantee or accept any liability with respect to the correctness of information in this document. Copyright by AUDI AG.

Mass Air Flow (MAF) Sensor

1 - Mass Air Flow (MAF) Sensor -G70-



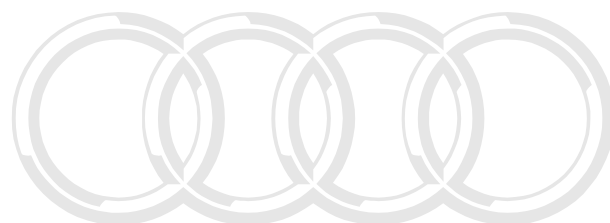
Audi

Protected by copyright. Copying for private or commercial purposes, in part or in whole, is not permitted unless authorised by AUDI AG. AUDI AG does not guarantee or accept any liability with respect to the correctness of information in this document. Copyright by AUDI AG.



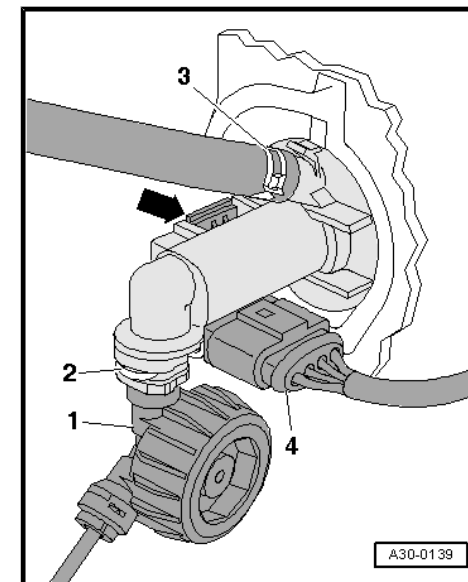
Clutch Position Sensor

4 - Clutch Position Sensor -G476- connector



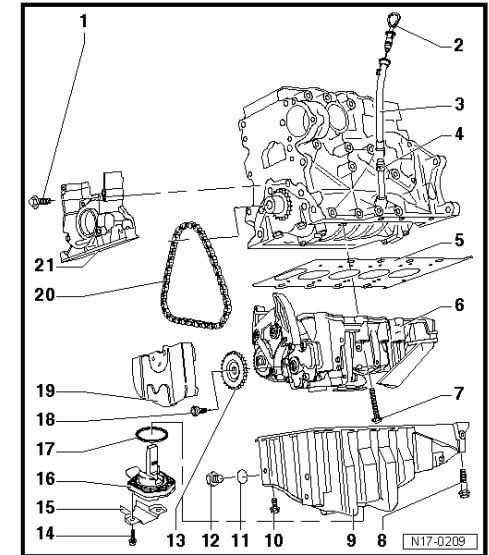
Audi

Protected by copyright. Copying for private or commercial purposes, in part or in whole, is not permitted unless authorised by AUDI AG. AUDI AG does not guarantee or accept any liability with respect to the correctness of information in this document. Copyright by AUDI AG.



Oil Pan Assembly Overview

16 - Oil Level Thermal Sensor -G266-



Audi

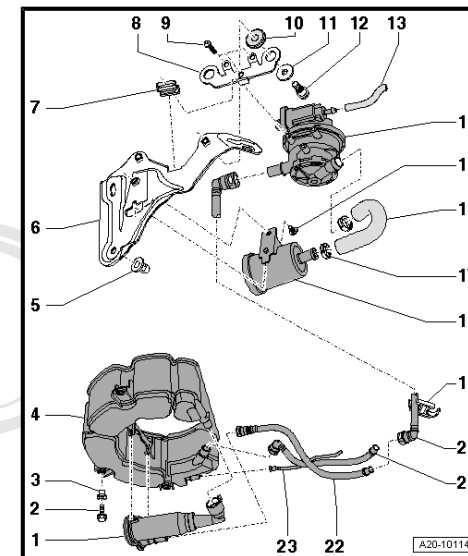
Protected by copyright. Copying for private or commercial purposes, in part or in whole, is not permitted unless authorised by AUDI AG. AUDI AG does not guarantee or accept any liability with respect to the correctness of information in this document. Copyright by AUDI AG.



EVAP Canister System/Leak Detection System

4 - EVAP canister

14 - Leak Detection Pump (LDP) -V144-



Protected by copyright. Copying for private or commercial purposes, in part or in whole, is not permitted unless authorised by AUDI AG. AUDI AG does not guarantee or accept any liability with respect to the correctness of information in this document. Copyright by AUDI AG.



1.2 2.0L CCTA and CBFA

Components A - H are not shown in the overview

A - Mass Air Flow (MAF) Sensor -G70- and Intake Air Temperature (IAT) Sensor 2 -G299- (engine code CCTA only) ⇒ [page 32](#)

B - Fuel Pump (FP) Control Module -J538- ⇒ [page 83](#)

C - Brake Light Switch -F- and Brake Pedal Switch -F63- ⇒ [page 33](#)

D - Clutch Position Sensor -G476-

E - Fuel Injector ⇒ [page 24](#)

- ❑ Located in the fuel rail pipe

F - Knock Sensor 2 -G66- (engine code CBFA) ⇒ [page 35](#)

G - Leak Detection Pump (LDP) -V144- ⇒ [page 36](#)

- ❑ Located under the wheel housing liner in right rear wheel housing

H - Oil Level Thermal Sensor -G266- ⇒ [page 37](#)

1 - Camshaft Adjustment Valve 1 -N205- ⇒ [page 21](#)

2 - Wastegate Bypass Regulator Valve -N75- ⇒ [page 22](#)

- ❑ Installed directly on the turbocharger

3 - Turbocharger Recirculating Valve -N249- ⇒ [page 22](#)

- ❑ Installed directly on the turbocharger

4 - Ignition Coils with Power Output Stages ⇒ [page 23](#)

5 - Engine Control Module-

6 - Mechanical Single-Piston High-Pressure Pump ⇒ [page 24](#)

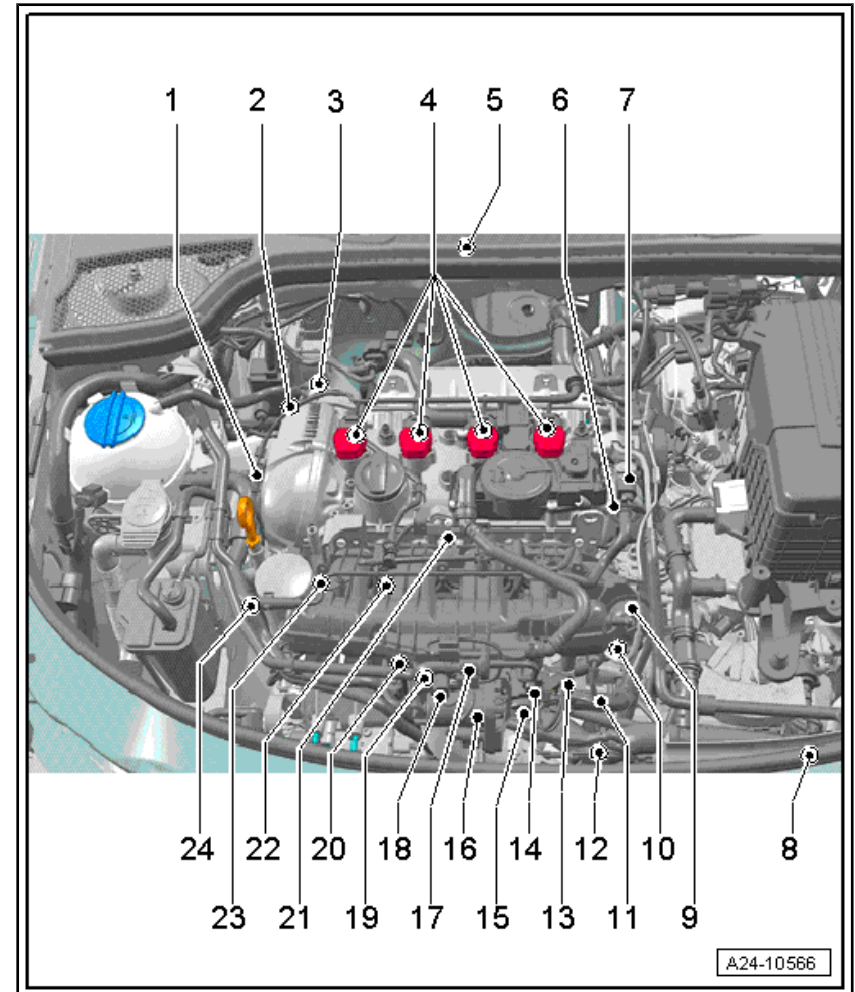
- ❑ With Fuel Pressure Regulator Valve -N276-

7 - Fuel Pressure Regulator Valve -N276- ⇒ [page 24](#)

8 - Engine Coolant Temperature (ECT) Sensor (on Radiator) -G83- ⇒ [page 78](#)

9 - Vacuum diaphragm for the channel separating plate ⇒ [page 24](#)

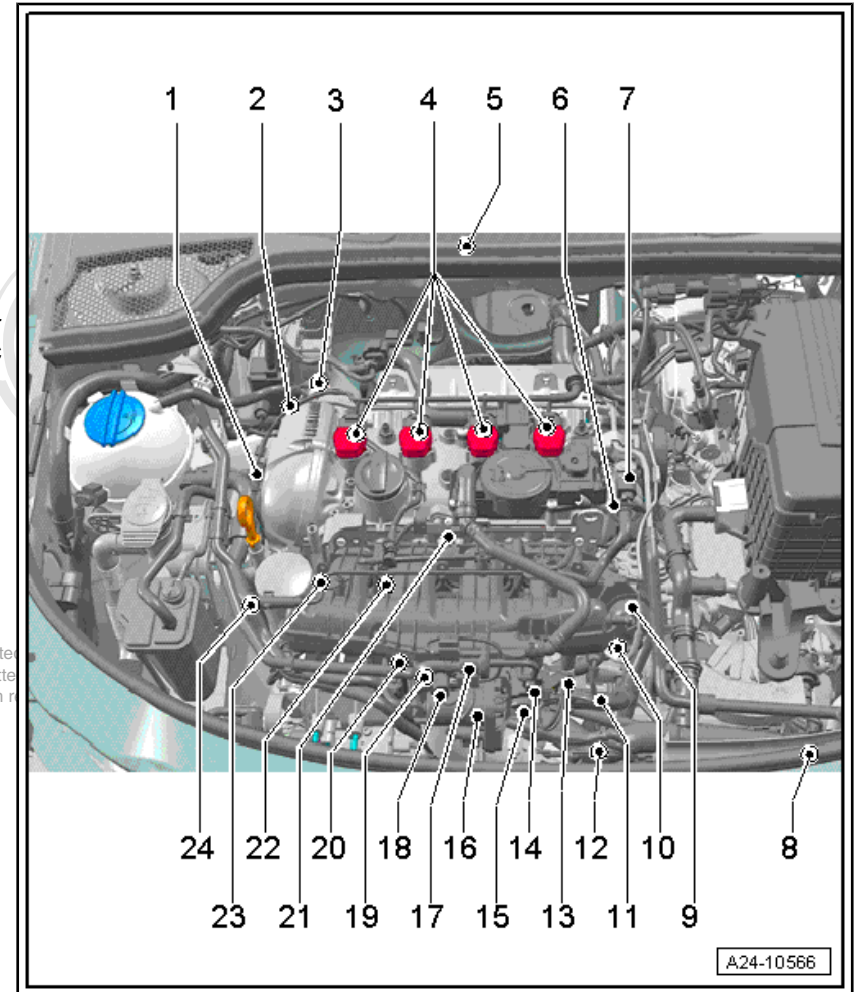
10 - Intake Manifold Runner Control (IMRC) Valve -N316- ⇒ [page 24](#)



Protected by copyright. Copying for private or commercial purposes, in part or in whole, is not permitted unless authorized by AUDI AG. AUDI AG does not guarantee or accept any liability with respect to the correctness of information in this document. Copyright by AUDI AG.

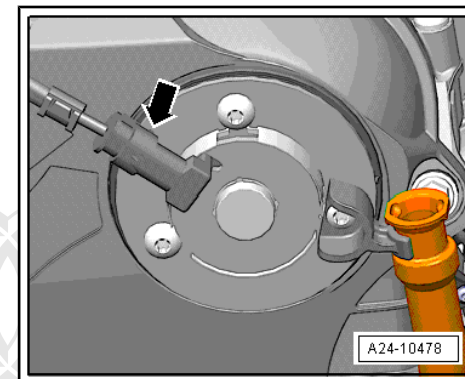
2.0L CCTA and CBFA continued

- 11 - Engine Speed (RPM) Sensor -G28- ⇒ [page 25](#)
- 12 - Charge Air Pressure Sensor -G31- ⇒ [page 26](#)
- 13 - Electrical Connector from Knock Sensor (KS) 1 -G61- ⇒ [page 27](#)
- 14 - Electrical Connector from Camshaft Position (CMP) Sensor 2 -G40- ⇒ [page 27](#)
- 15 - 8 Pin Harness Connector for Fuel Injectors ⇒ [page 27](#)
- 16 - Throttle Valve Control Module -J338- ⇒ [page 24](#)
 - ❑ With Throttle Drive (for Electronic Power Control (EPC)) -G186-, Throttle Drive Angle Sensor 1 (for Electronic Power Control (EPC)) -G187- and Throttle Drive Angle Sensor 2 (for Electronic Power Control (EPC)) -G188-
- 17 - Evaporative Emission (EVAP) Canister Purge Regulator Valve 1 -N80- ⇒ [page 24](#)
- 18 - Intake Air Temperature (IAT) Sensor -G42- ⇒ [page 24](#)
 - ❑ Bolted to the front of the intake manifold
- 19 - Knock Sensor 1 -G61- ⇒ [page 27](#)
 - ❑ Located below the intake manifold behind the coolant pump
- 20 - Engine Coolant Temperature (ECT) Sensor -G62- ⇒ [page 28](#)
 - ❑ Located in the coolant pump housing
- 21 - Camshaft Position (CMP) Sensor -G40- ⇒ [page 29](#)
 - ❑ Located below cover with oil separator
- 22 - Fuel Pressure Sensor -G247- ⇒ [page 30](#)
 - ❑ Located on the fuel rail
- 23 - Intake Manifold Runner Position Sensor -G336- ⇒ [page 30](#)
 - ❑ Located in the intake manifold to the right
- 24 - Oil Pressure Switch -F1- / Oil Pressure Switch -F22- (Engine code CCTA) ⇒ [page 31](#)
 Located in the accessory assembly bracket



Camshaft Adjustment Valve 1

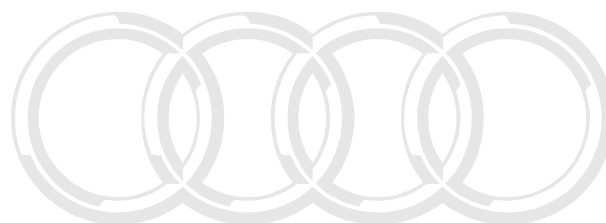
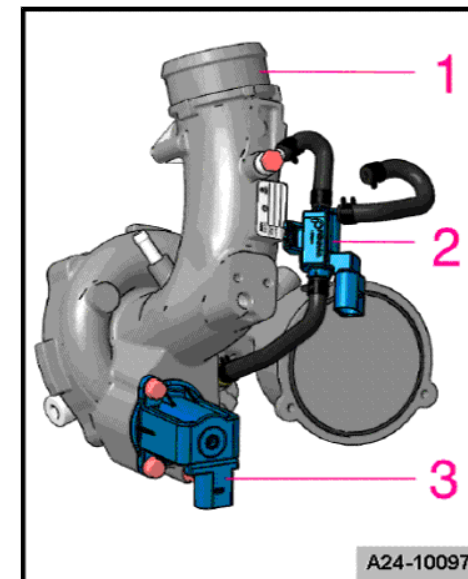
Arrow - Camshaft Adjustment Valve 1 -N205-



Protected by copyright. Copying for private or commercial purposes, in part or in whole, is not permitted unless authorised by AUDI AG. AUDI AG does not guarantee or accept any liability with respect to the correctness of information in this document. Copyright by AUDI AG.

Components on Turbocharger

- 1 - Turbocharger
- 2 - Wastegate Bypass Regulator Valve -N75-
- 3 - Turbocharger Recirculating Valve -N249-



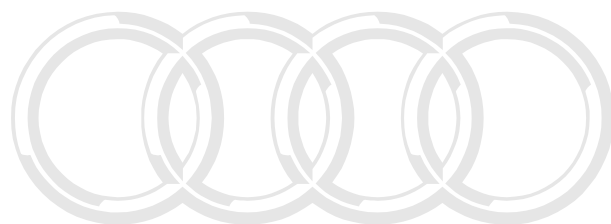
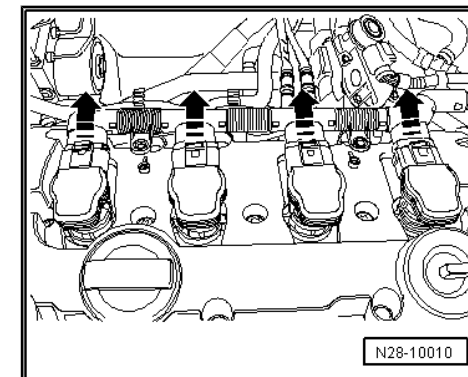
Audi

Protected by copyright. Copying for private or commercial purposes, in part or in whole, is not permitted unless authorised by AUDI AG. AUDI AG does not guarantee or accept any liability with respect to the correctness of information in this document. Copyright by AUDI AG.



Ignition Coils with Power Output Stages

- Ignition Coil 1 with Power Output Stage -N70-
- Ignition Coil 2 with Power Output Stage -N127-
- Ignition Coil 3 with Power Output Stage -N291-
- Ignition Coil 4 with Power Output Stage -N292-



Audi

Protected by copyright. Copying for private or commercial purposes, in part or in whole, is not permitted unless authorised by AUDI AG. AUDI AG does not guarantee or accept any liability with respect to the correctness of information in this document. Copyright by AUDI AG.



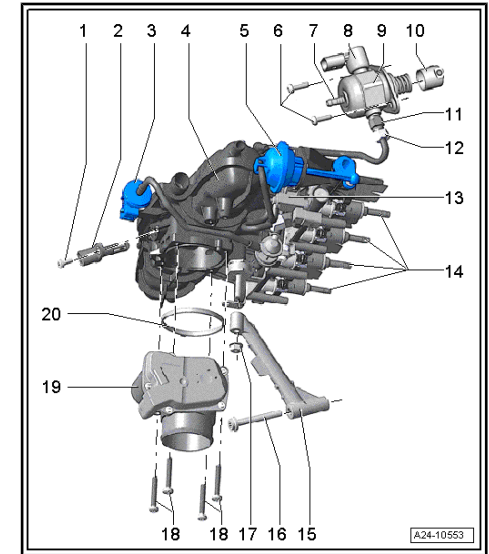
Intake Manifold Assembly Overview

- 2 - Intake Air Temperature (IAT) Sensor -G42-
- 3 - Evaporative Emission (EVAP) Canister Purge Regulator Valve 1 -N80-
- 4 - Intake manifold
- 5 - Channel separating plate vacuum diaphragm (intake manifold flaps)
- 8 - Fuel Pressure Regulator Valve -N276-
- 9 - Mechanical single-piston high-pressure pump
 - With Fuel Pressure Regulator Valve -N276-
- 13 - Intake Manifold Runner Control (IMRC) Valve -N316-
- 14 - Fuel Injectors
 - ◆ Cylinder 1 Fuel Injector -N30-
 - ◆ Cylinder 2 Fuel Injector -N31-
 - ◆ Cylinder 3 Fuel Injector -N32-
 - ◆ Cylinder 4 Fuel Injector -N33-
- 19 - Throttle Valve Control Module -J338-

The Throttle Valve Control Module -J338- is integrated with the following:

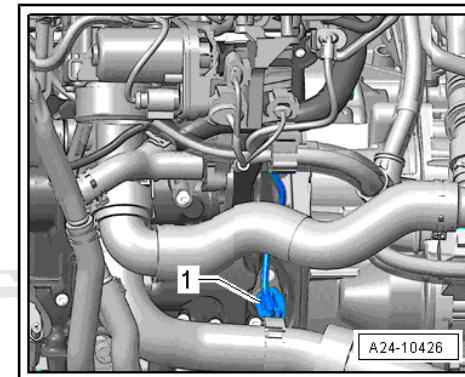
- ◆ Throttle Drive (for Electronic Power Control (EPC)) -G186-
- ◆ Throttle Drive Angle Sensor 1 (for Electronic Power Control (EPC)) -G187-
- ◆ Throttle Drive Angle Sensor 2 (for Electronic Power Control (EPC)) -G188-

Protected by copyright. Copying for private or commercial purposes, in part or in whole, is not permitted unless authorized by AUDI AG. AUDI AG does not guarantee or accept any liability with respect to the correctness of information in this document. Copyright by AUDI AG.



Engine Speed (RPM) Sensor

1 - Engine Speed (RPM) Sensor -G28-



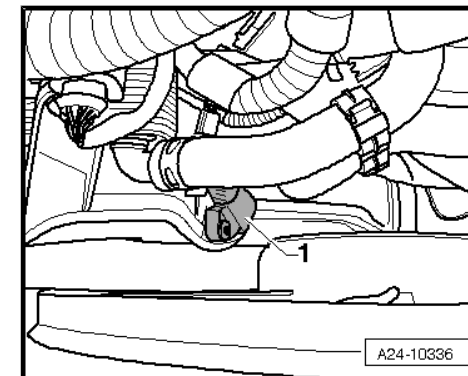
Audi

Protected by copyright. Copying for private or commercial purposes, in part or in whole, is not permitted unless authorised by AUDI AG. AUDI AG does not guarantee or accept any liability with respect to the correctness of information in this document. Copyright by AUDI AG.

erWin

Charge Air Pressure Sensor

1 - Charge Air Pressure Sensor -G31-



Audi

Protected by copyright. Copying for private or commercial purposes, in part or in whole, is not permitted unless authorised by AUDI AG. AUDI AG does not guarantee or accept any liability with respect to the correctness of information in this document. Copyright by AUDI AG.

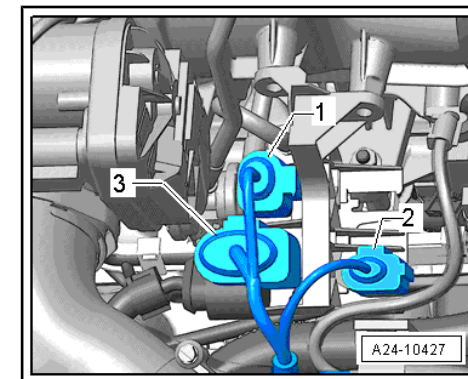


Electrical Harness Connectors

1 - From camshaft position sensor -G40- and intake manifold runner position sensor -G336-

2 - From Knock Sensor (KS) 1 -G61-

3 - 8 pin harness connector for fuel injectors



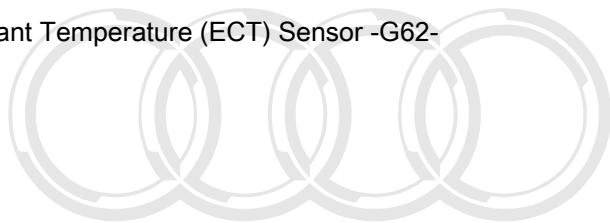
Audi

Protected by copyright. Copying for private or commercial purposes, in part or in whole, is not permitted unless authorised by AUDI AG. AUDI AG does not guarantee or accept any liability with respect to the correctness of information in this document. Copyright by AUDI AG.



Engine Coolant Temperature (ECT) Sensor

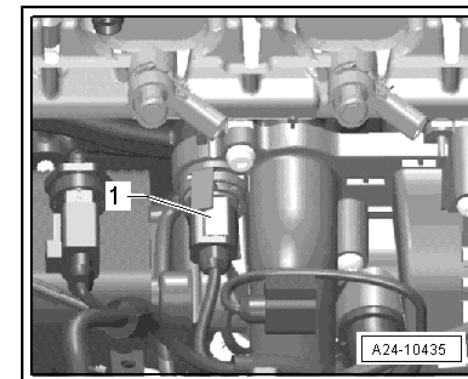
1 - Engine Coolant Temperature (ECT) Sensor -G62-



Audi

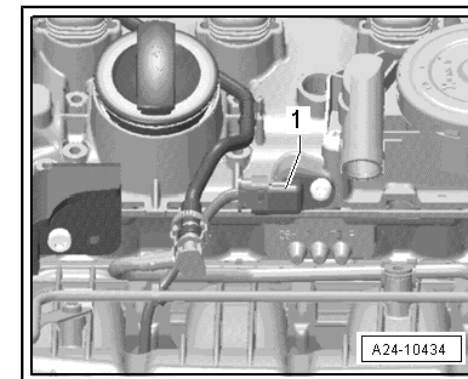
Protected by copyright. Copying for private or commercial purposes, in part or in whole, is not permitted unless authorised by AUDI AG. AUDI AG does not guarantee or accept any liability with respect to the correctness of information in this document. Copyright by AUDI AG.

erWin 



Camshaft Position (CMP) Sensor

1 - Camshaft Position (CMP) Sensor -G40-



Audi

Protected by copyright. Copying for private or commercial purposes, in part or in whole, is not permitted unless authorised by AUDI AG. AUDI AG does not guarantee or accept any liability with respect to the correctness of information in this document. Copyright by AUDI AG.



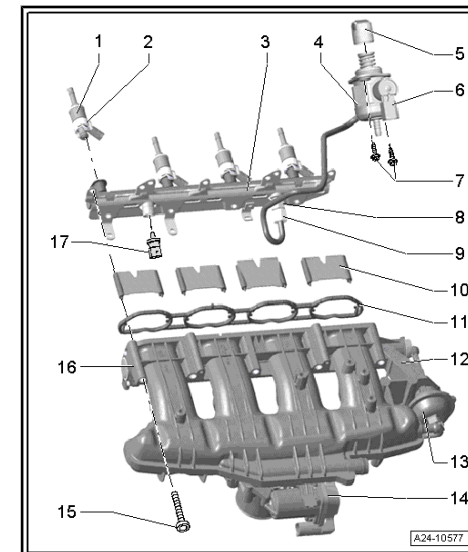
Fuel Rail Assembly Overview

3 - Fuel Rail

6 - Fuel Pressure Regulator Valve -N276-

16 - Intake Manifold Runner Position Sensor -G336-

17 - Fuel Pressure Sensor -G247-



Audi

Protected by copyright. Copying for private or commercial purposes, in part or in whole, is not permitted unless authorised by AUDI AG. AUDI AG does not guarantee or accept any liability with respect to the correctness of information in this document. Copyright by AUDI AG.



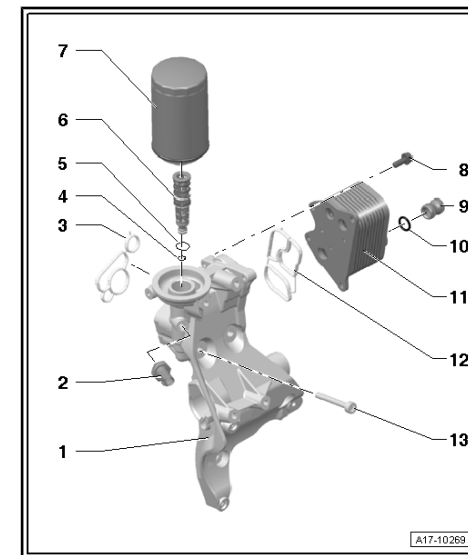
Oil Filter and Oil Cooler Assembly Overview

2 - Oil Pressure Switch -F1-



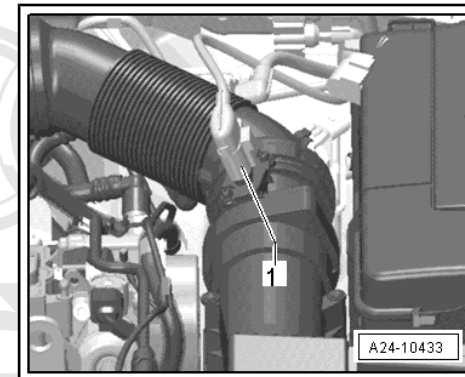
Audi

Protected by copyright. Copying for private or commercial purposes, in part or in whole, is not permitted unless authorised by AUDI AG. AUDI AG does not guarantee or accept any liability with respect to the correctness of information in this document. Copyright by AUDI AG.



Mass Air Flow (MAF) Sensor

1 - Mass Air Flow (MAF) Sensor -G70- and Intake Air Temperature (IAT) Sensor 2 -G299- (engine code CCTA only)



Protected by copyright. Copying for private or commercial purposes, in part or in whole, is not permitted unless authorised by AUDI AG. AUDI AG does not guarantee or accept any liability with respect to the correctness of information in this document. Copyright by AUDI AG.

erWin

Brake Light Switch -F- and Brake Pedal Switch -F63-

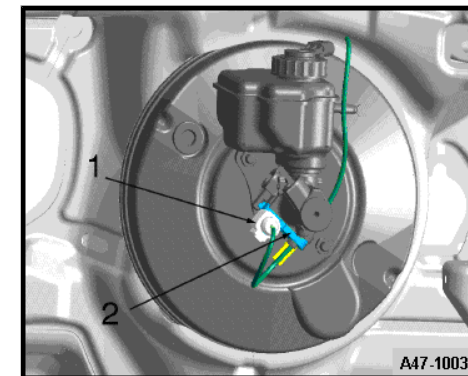
1 - Brake Light Switch -F- and Brake Pedal Switch -F63-



Audi

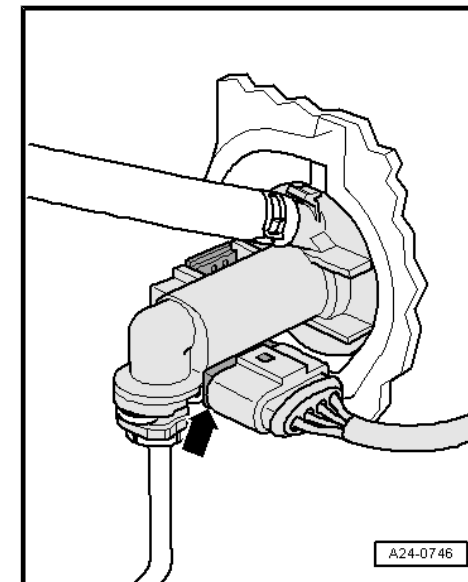
Protected by copyright. Copying for private or commercial purposes, in part or in whole, is not permitted unless authorised by AUDI AG. AUDI AG does not guarantee or accept any liability with respect to the correctness of information in this document. Copyright by AUDI AG.

erWin



Clutch Position Sensor

Arrow - Clutch Position Sensor -G476-



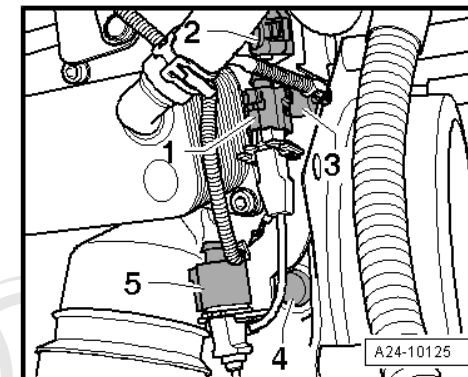
Audi

Protected by copyright. Copying for private or commercial purposes, in part or in whole, is not permitted unless authorised by AUDI AG. AUDI AG does not guarantee or accept any liability with respect to the correctness of information in this document. Copyright by AUDI AG.



Knock Sensor (KS) 2 -G66

2 - Knock Sensor 2 -G66-



Audi

Protected by copyright. Copying for private or commercial purposes, in part or in whole, is not permitted unless authorised by AUDI AG. AUDI AG does not guarantee or accept any liability with respect to the correctness of information in this document. Copyright by AUDI AG.

erWin

EVAP Canister System/Leak Detection System

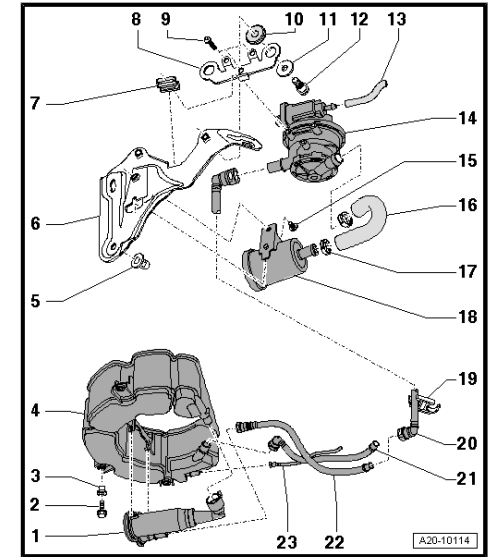
4 - EVAP canister

14 - Leak Detection Pump (LDP) -V144-



Audi

Protected by copyright. Copying for private or commercial purposes, in part or in whole, is not permitted unless authorised by AUDI AG. AUDI AG does not guarantee or accept any liability with respect to the correctness of information in this document. Copyright by AUDI AG.

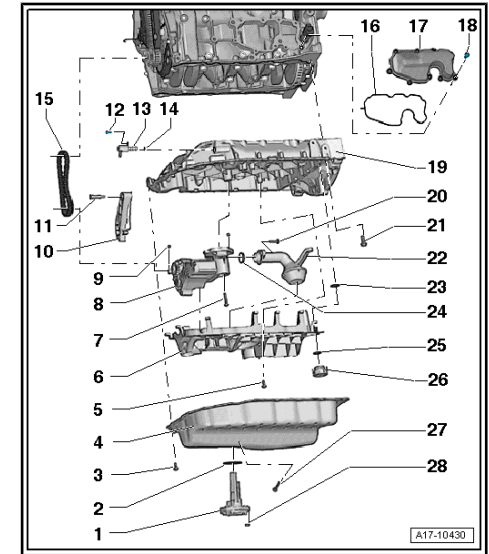


Oil Pan and Oil Pump Assembly Overview

- 1 - Oil Level Thermal Sensor -G266-
- 4 - Oil pan lower section
- 13 - Oil Pressure Regulation Valve -N428-
- 19 - Oil pan (upper section)



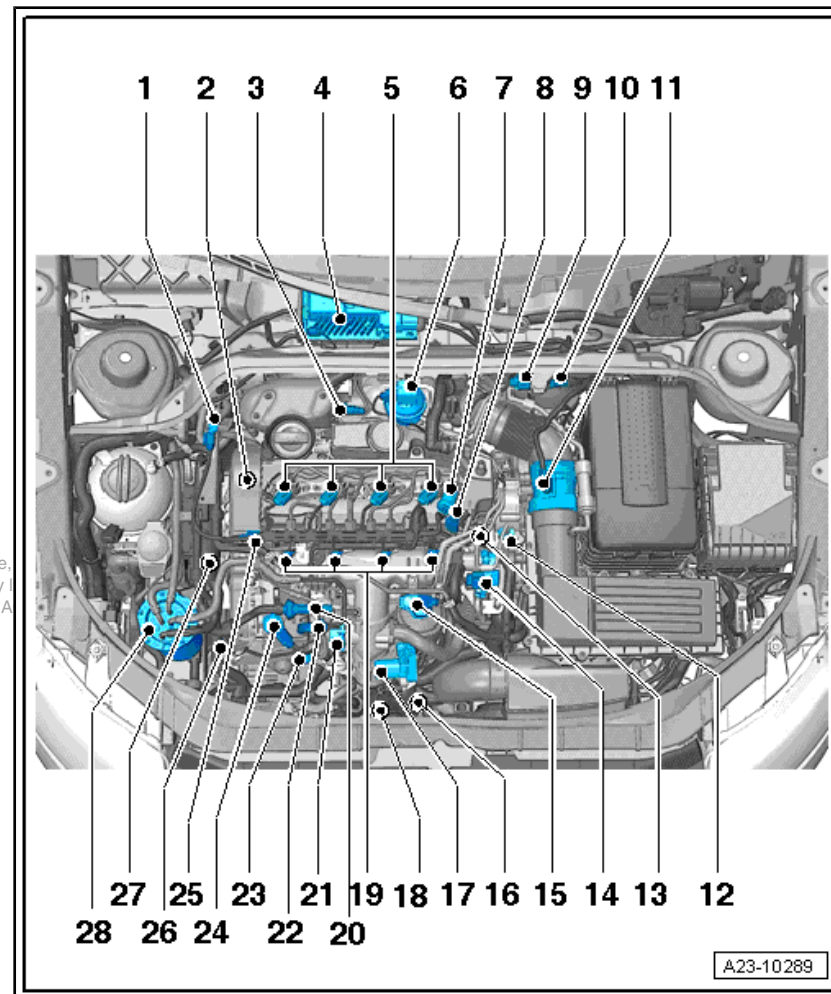
Protected by copyright. Copying for private or commercial purposes, in part or in whole, is not permitted unless authorised by AUDI AG. AUDI AG does not guarantee or accept any liability with respect to the correctness of information in this document. Copyright by AUDI AG.



1.3 2.0L TDI CBEA

Components A - Fare not shown in the overview

- A - Positive Crankcase Ventilation (PCV) Heating Element -N79- ⇒ [page 51](#)**
- B - Brake Light Switch -F- and Brake Pedal Switch -F47- / Brake Pedal Switch -F63- ⇒ [page 52](#)**
- C - Clutch Position Sensor -G476- ⇒ [page 53](#)**
 - ❑ Only for vehicles with manual transmission
- D - Oil Level Thermal Sensor -G266-**
 - ❑ Located at the bottom of the lower oil pan
- E - Oil Pressure Switch -F1-**
 - ❑ Located at the oil filter bracket
- F - Automatic Glow Time Control Module -J179-**
 - ❑ Located at the relay carrier under the engine compartment E-box.
- 1 - Differential Pressure Sensor -G505- ⇒ [page 40](#)**
- 2 - Camshaft Position (CMP) Sensor -G40- ⇒ [page 41](#)**
- 3 - Heated Oxygen Sensor (HO2S) -G39- with Oxygen Sensor (O2S) Heater -Z19- ⇒ [page 70](#)**
- 4 - Engine Control Module**
- 5 - Injection Units - ⇒ [page 42](#)**
- 6 - Charge Pressure Actuator Position Sensor -G581- ⇒ [page 43](#)**
- 7 - Pressure Retention Valve**
- 8 - Fuel Pressure Regulator Valve -N276- ⇒ [page 44](#)**
- 9 - Wastegate Bypass Regulator Valve -N75- ⇒ [page 45](#)**
- 10 - Electrical Harness Connector**
 - ❑ For Exhaust Gas Temperature (EGT) Sensor 4 -G648-, For Exhaust Gas Temperature (EGT) Sensor 1 -G235- and For Heated Oxygen Sensor (HO) -G39-
- 11 - Mass Air Flow (MAF) Sensor -G70- ⇒ [page 46](#)**
- 12 - Engine Coolant Temperature (ECT) Sensor -G62- ⇒ [page 47](#)**
- 13 - Engine Speed (RPM) Sensor -G28- ⇒ [page 48](#)**



2.0L TDI CBEA continued

14 - Intake Flap Motor -V157- with Intake Manifold Runner Position Sensor -G336- ⇒ [page 44](#)

- ❑ Component located on the intake manifold

15 - Exhaust Gas Recirculation (EGR) Cooler Switch-Over Valve -N345- ⇒ [page 44](#)

16 - Exhaust Gas Recirculation (EGR) Cooler Pump -V400- ⇒ [page 49](#)

17 - Throttle Valve Control Module -J338- with Throttle Position (TP) Sensor -G69- ⇒ [page 44](#)

- ❑ Component located on the intake manifold

18 - Charge Air Pressure Sensor -G31- with Intake Air Temperature (IAT) Sensor -G42- ⇒ [page 50](#)

19 - Glow Plugs - Glow Plug 1 -Q10-, Glow Plug 2 -Q11-, Glow Plug 3 -Q12- and Glow Plug 4 -Q13-

- ❑ Glow plugs with combustion chamber pressure sensors are integrated with - Cylinder 1 Internal Pressure Sensor -G620-, Cylinder 2 Internal Pressure Sensor -G621-, Cylinder 3 Internal Pressure Sensor -G622- and Cylinder 4 Internal Pressure Sensor -G623-

20 - Fuel Temperature Sensor -G81- ⇒ [page 44](#)

21 - Exhaust Gas Recirculation (EGR) Motor -V338- with EGR Potentiometer -G212- ⇒ [page 44](#)

- ❑ Exhaust system engine code CBEA TDI component location ⇒ [page 70](#)

22 - Fuel Return Line Connection to the Fuel Filter

23 - Fuel Supply Line Connection (High Pressure Line) to the Fuel Rail (High Pressure Reservoir

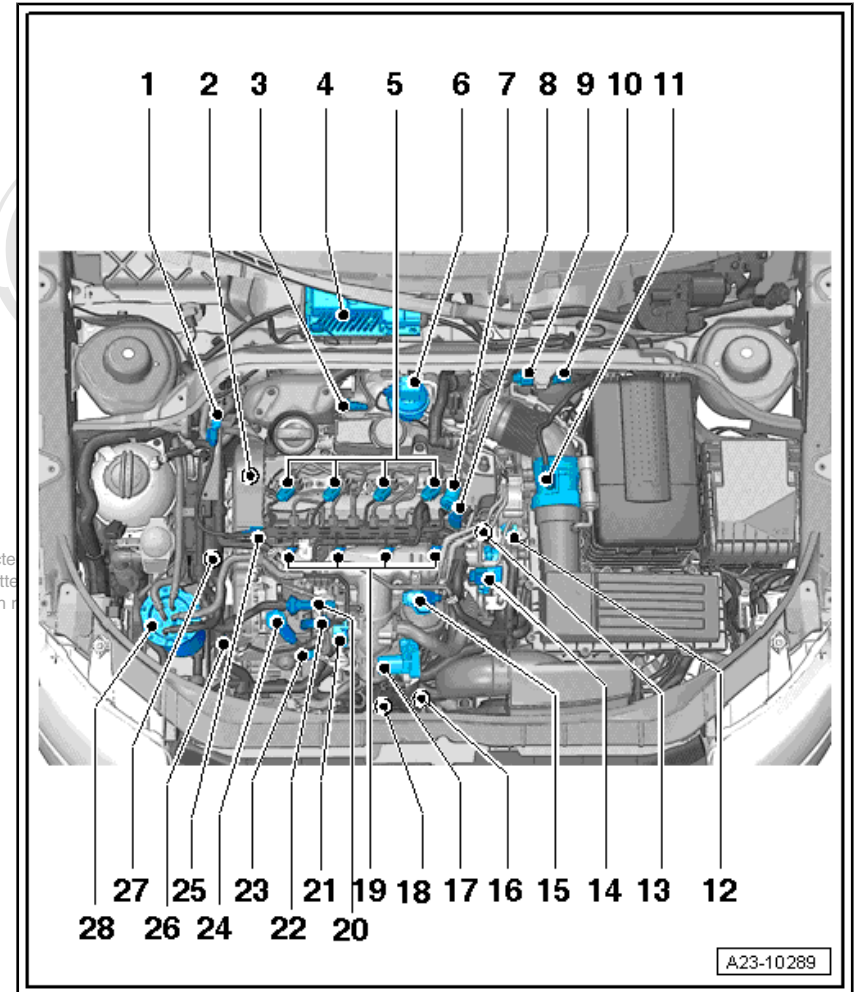
24 - Fuel Metering Valve -N290- ⇒ [page 44](#)

25 - Fuel Pressure Sensor -G247- ⇒ [page 44](#)

26 - Engine Coolant Temperature (ECT) Sensor (on Radiator) -G83- ⇒ [page 78](#)

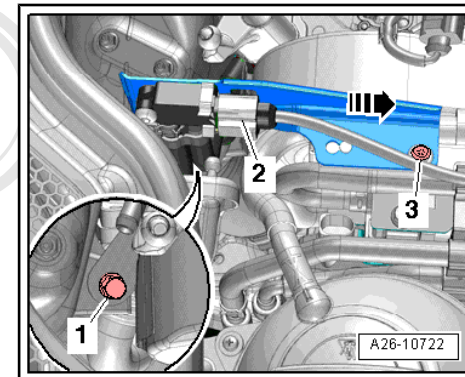
27 - Auxiliary Fuel Pump -V393-

28 - Fuel Filter



Pressure Sensor

2 - Differential Pressure Sensor -G505-



Protected by copyright. Copying for private or commercial purposes, in part or in whole, is not permitted unless authorised by AUDI AG. AUDI AG does not guarantee or accept any liability with respect to the correctness of information in this document. Copyright by AUDI AG.



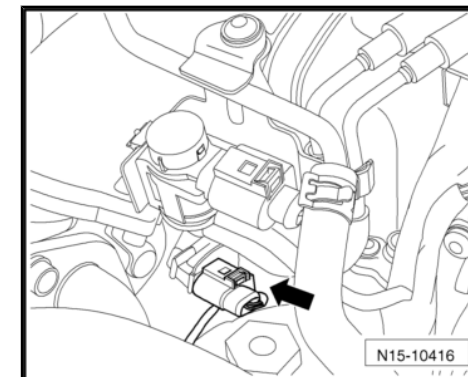
Camshaft Position (CMP) Sensor -G40-

Arrow - Camshaft Position (CMP) Sensor -G40-



Audi

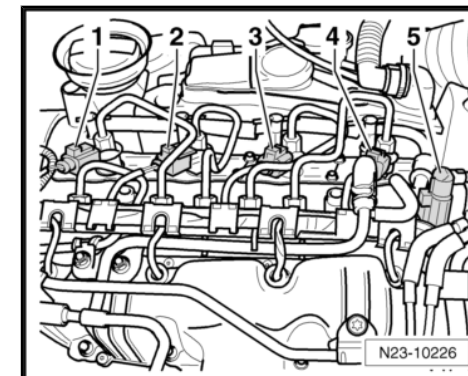
Protected by copyright. Copying for private or commercial purposes, in part or in whole, is not permitted unless authorised by AUDI AG. AUDI AG does not guarantee or accept any liability with respect to the correctness of information in this document. Copyright by AUDI AG.



Fuel Injectors

-- Fuel Injectors

1. Cylinder 1 Fuel Injector -N30-
2. Cylinder 2 Fuel Injector -N31-
3. Cylinder 3 Fuel Injector -N32-
4. Cylinder 4 Fuel Injector -N33-
5. Fuel Pressure Regulator Valve -N276-



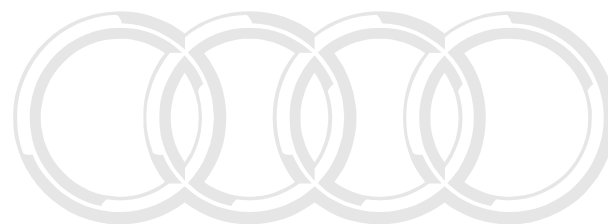
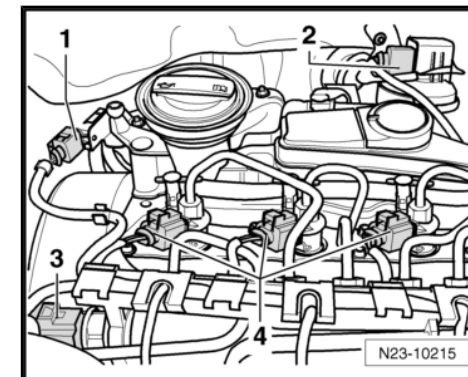
Audi

Protected by copyright. Copying for private or commercial purposes, in part or in whole, is not permitted unless authorised by AUDI AG. AUDI AG does not guarantee or accept any liability with respect to the correctness of information in this document. Copyright by AUDI AG.



Components on the Engine

- 1 - Differential Pressure Sensor -G505-
- 2 - Charge Pressure Actuator Position Sensor -G581-
- 3 - Fuel Pressure Sensor -G247-
- 4 - Fuel Injectors



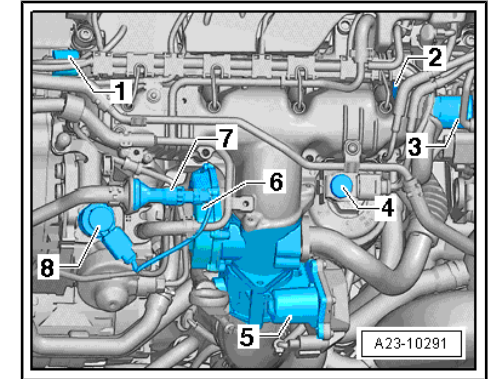
Audi

Protected by copyright. Copying for private or commercial purposes, in part or in whole, is not permitted unless authorised by AUDI AG. AUDI AG does not guarantee or accept any liability with respect to the correctness of information in this document. Copyright by AUDI AG.



Component Locations Overview

- 1 - Fuel Pressure Sensor -G247-
- 2 - Fuel Pressure Regulator Valve -N276-
- 3 - Intake Flap Motor -V157- with Intake Manifold Runner Position Sensor -G336-
- 4 - Exhaust Gas Recirculation (EGR) Cooler Switch-Over Valve -N345- (if applicable)
- 5 - Throttle Valve Control Module -J338- with Throttle Position (TP) Sensor -G69-
- 6 - Exhaust Gas Recirculation (EGR) Motor -V338- with EGR Potentiometer -G212-
- 7 - Fuel Temperature Sensor -G81-
- 8 - Fuel Metering Valve -N290-



Audi

Protected by copyright. Copying for private or commercial purposes, in part or in whole, is not permitted unless authorised by AUDI AG. AUDI AG does not guarantee or accept any liability with respect to the correctness of information in this document. Copyright by AUDI AG.



Installed Locations and Connectors

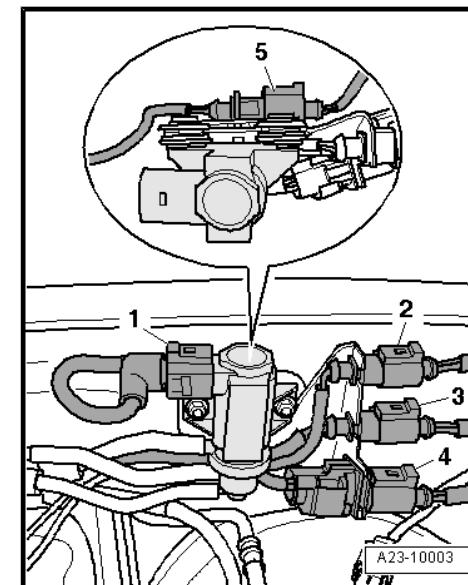
- 1 - Wastegate Bypass Regulator Valve -N75- connector
- 2 - Exhaust Gas Temperature (EGT) Sensor 2 -G448-
- 3 - Exhaust Gas Temperature (EGT) Sensor 1 -G235- connector
- 4 - Oxygen sensor -G39- connector
- 5 - Exhaust gas temperature sensor 3 -G495- connector



Audi

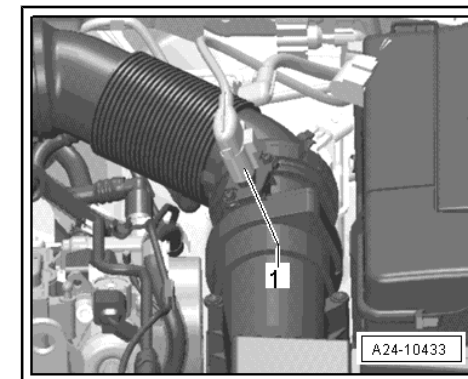
Protected by copyright. Copying for private or commercial purposes, in part or in whole, is not permitted unless authorised by AUDI AG. AUDI AG does not guarantee or accept any liability with respect to the correctness of information in this document. Copyright by AUDI AG.

erWin



Mass Air Flow Sensor

1 - Mass Air Flow (MAF) Sensor -G70-

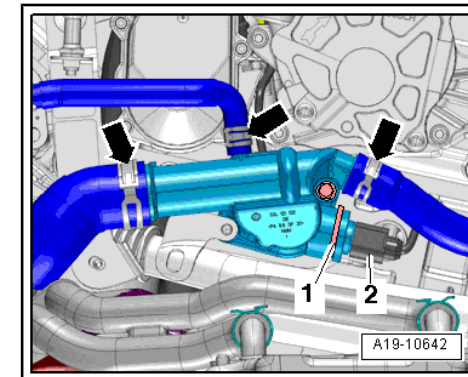


Protected by copyright. Copying for private or commercial purposes, in part or in whole, is not permitted unless authorised by AUDI AG. AUDI AG does not guarantee or accept any liability with respect to the correctness of information in this document. Copyright by AUDI AG.



Engine Coolant Temperature (ECT) Sensor

2 - Engine Coolant Temperature (ECT) Sensor -G62-



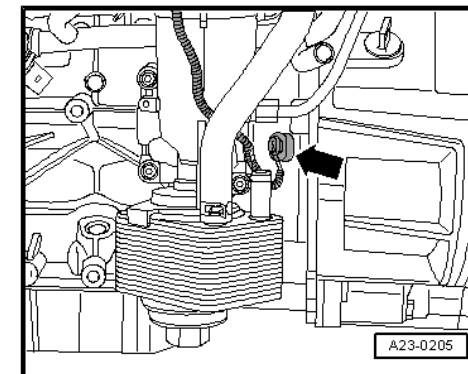
Audi

Protected by copyright. Copying for private or commercial purposes, in part or in whole, is not permitted unless authorised by AUDI AG. AUDI AG does not guarantee or accept any liability with respect to the correctness of information in this document. Copyright by AUDI AG.



Engine Speed (RPM) Sensor

Arrow - Engine Speed (RPM) Sensor -G28-



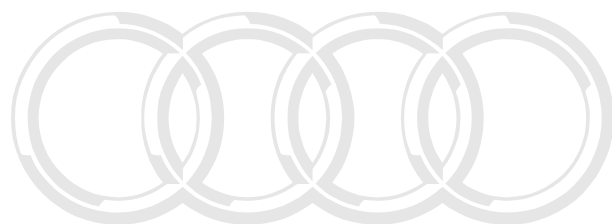
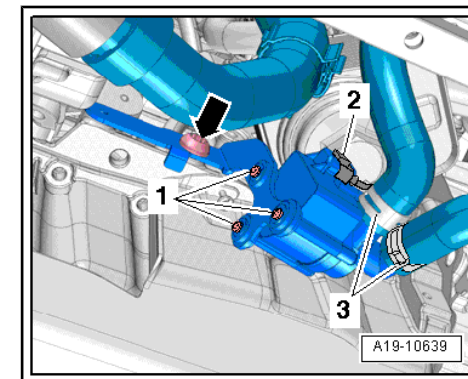
Audi

Protected by copyright. Copying for private or commercial purposes, in part or in whole, is not permitted unless authorised by AUDI AG. AUDI AG does not guarantee or accept any liability with respect to the correctness of information in this document. Copyright by AUDI AG.



Exhaust Gas Recirculation Cooler Pump

-- Exhaust Gas Recirculation (EGR) Cooler Pump -V400-



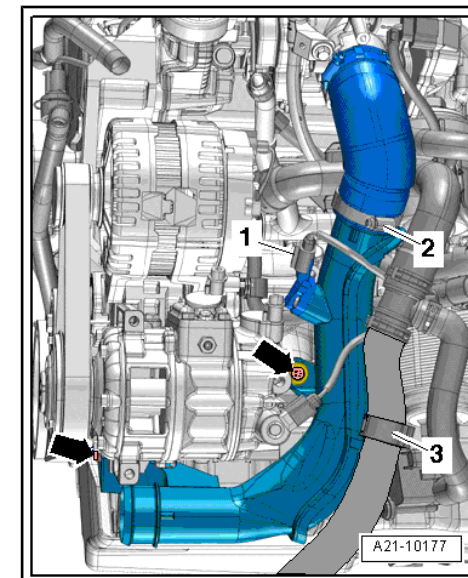
Audi

Protected by copyright. Copying for private or commercial purposes, in part or in whole, is not permitted unless authorised by AUDI AG. AUDI AG does not guarantee or accept any liability with respect to the correctness of information in this document. Copyright by AUDI AG.



Charge Air Pressure Sensor

1 - Charge Air Pressure Sensor -G31- with Intake Air Temperature (IAT) Sensor -G42-



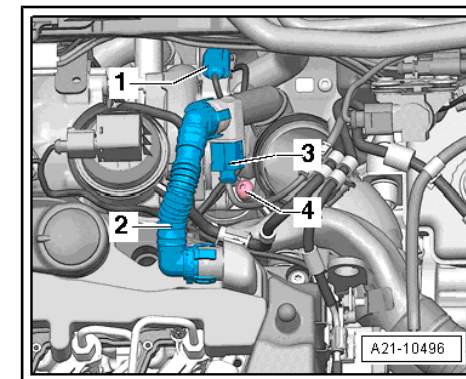
Audi

Protected by copyright. Copying for private or commercial purposes, in part or in whole, is not permitted unless authorised by AUDI AG. AUDI AG does not guarantee or accept any liability with respect to the correctness of information in this document. Copyright by AUDI AG.



Positive Crankcase Ventilation (PCV) Heating Element

3 - Positive Crankcase Ventilation (PCV) Heating Element
-N79-



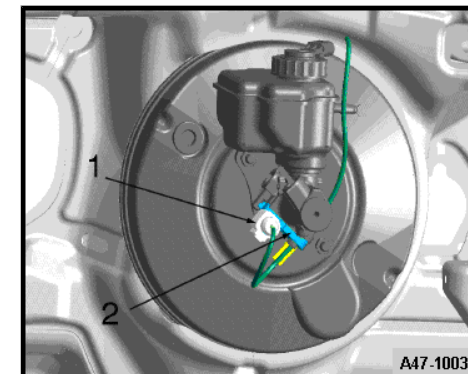
Audi

Protected by copyright. Copying for private or commercial purposes, in part or in whole, is not permitted unless authorised by AUDI AG. AUDI AG does not guarantee or accept any liability with respect to the correctness of information in this document. Copyright by AUDI AG.



Brake Lamp Switch -F- and Brake Pedal Switch -F47--1-

1 - Brake Light Switch -F- and Brake Pedal Switch -F47- / Brake Pedal Switch -F63-



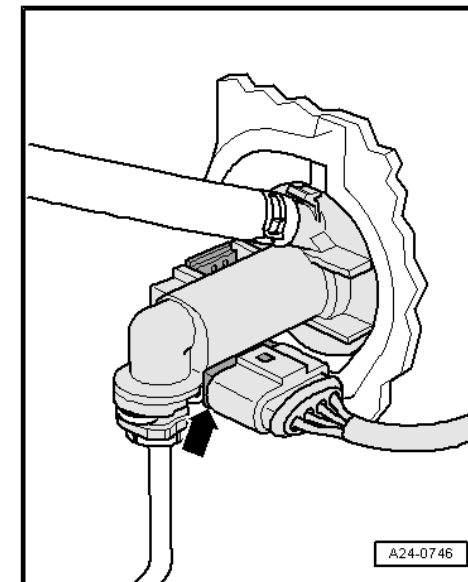
Audi

Protected by copyright. Copying for private or commercial purposes, in part or in whole, is not permitted unless authorised by AUDI AG. AUDI AG does not guarantee or accept any liability with respect to the correctness of information in this document. Copyright by AUDI AG.



Clutch Position Sensor -G476-

-- Clutch Position Sensor -G476- integrated with Clutch Pedal
Starter Interlock Switch -F194- and Clutch Pedal Switch -F36-



Audi

Protected by copyright. Copying for private or commercial purposes, in part or in whole, is not permitted unless authorised by AUDI AG. AUDI AG does not guarantee or accept any liability with respect to the correctness of information in this document. Copyright by AUDI AG.



1.4 3.2L BUB and CBRA

Components A - G are not shown in the overview

A - Leak Detection Pump (LDP) -V144- ⇒ [page 57](#)

- ❑ Located under the wheel housing liner in right rear wheel housing

B - Intake Manifold Tuning (IMT) Valve -N156- ⇒ [page 63](#)

- ❑ Located at the vacuum reservoir in front of engine.

C - Knock Sensor 2 -G66- ⇒ [page 64](#)

- ❑ Located at the front on cylinder block.

D - Ignition Coils - ⇒ [page 65](#)

E - Fuel injectors - ⇒ [page 66](#)

- ❑ Located at the fuel rail

F - Oil Level Thermal Sensor -G266- ⇒ [page 67](#)

G - Oil Pressure Switch -F1- ⇒ [page 68](#)

1 - 3-pin harness connector

- ❑ For Knock Sensor (KS) 1 -G61-

2 - Knock Sensor 1 -G61- ⇒ [page 56](#)

- ❑ Located right rear on the cylinder block

3 - Evaporative Emission (EVAP) Canister Purge Regulator Valve 1 -N80- ⇒ [page 57](#)

- ❑ Located at the front in engine compartment

4 - Heated Oxygen Sensor (HO2S) -G39- ⇒ [page 69](#)

5 - Connectors ⇒ [page 69](#)

- ❑ For Oxygen Sensor (O2S) -G130- and Oxygen Sensor (O2S) 2 -G131-

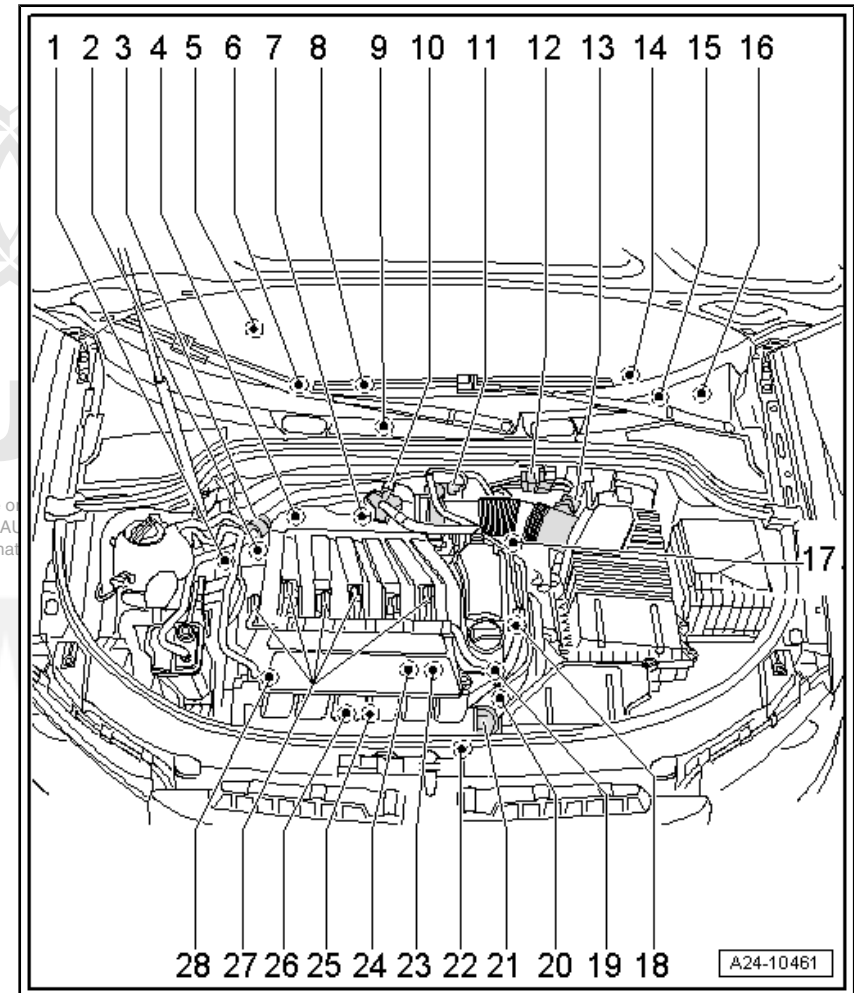
6 - Oxygen Sensor (O2S) -G130- with Oxygen Sensor (O2S) Heater -Z29- ⇒ [page 69](#)

7 - Heated Oxygen Sensor (HO2S) 2 -G108- with Oxygen Sensor (O2S) 2 Heater -Z28- ⇒ [page 69](#)

8 - Oxygen Sensor (O2S) 2 -G131- with Oxygen Sensor (O2S) 2 Heater -Z30- ⇒ [page 69](#)

9 - Motronic Engine Control Module (ECM) -J220-

10 - Positive Crankcase Ventilation (PCV) Heating Element -N79- ⇒ [page 58](#)



3.2L BUB and CBRA continued

11 - Throttle Valve Control Module -J338- ⇒ [page 58](#)

12 - Connectors

- ❑ For Heated Oxygen Sensor (HO2S) -G39- and Heated Oxygen Sensor (HO2S) 2 -G108-

13 - Mass Air Flow (MAF) Sensor -G70- and Intake Air Temperature (IAT) Sensor -G42- ⇒ [page 59](#)

- ❑ Intake Air Temperature (IAT) Sensor -G42- is integrated with the MAF sensor

15 - Throttle Position (TP) Sensor -G79- and Accelerator Pedal Position Sensor 2 -G185- ⇒ [page 88](#)

17 - Secondary Air Injection Sensor 1 -G609- ⇒ [page 69](#)

- ❑ For engine code CBRA only

18 - Secondary Air Injection (AIR) Pump Relay -J299-

- ❑ Located on relay carrier under E-Box, engine compartment

19 - Motronic Engine Control Module (ECM) Power Supply Relay -J271-

- ❑ Located in E-box, engine compartment

20 - Fuel Pump (FP) Relay -J17-

- ❑ Located in E-box, engine compartment

21 - Camshaft Position (CMP) Sensor 2 -G163- ⇒ [page 60](#)

- ❑ Located left on the cylinder head

22 - Camshaft Adjustment Valve 1 (exhaust) -N318- ⇒ [page 60](#)

- ❑ Located left on the cylinder head

23 - Camshaft Adjustment Valve 1 -N205- ⇒ [page 60](#)

24 - Camshaft Position (CMP) Sensor -G40- ⇒ [page 60](#)

25 - Engine Coolant Temperature (ECT) Sensor -G62- ⇒ [page 61](#)

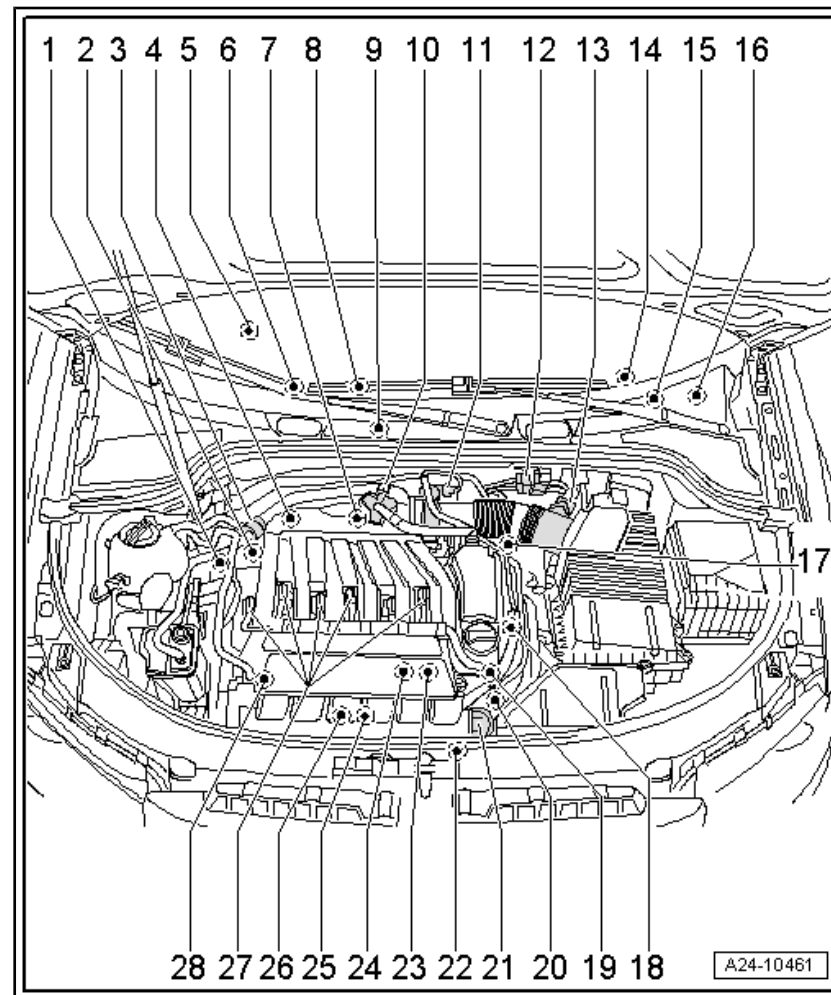
- ❑ Located left front on the cylinder head

26 - Engine Speed (RPM) Sensor -G28- ⇒ [page 62](#)

- ❑ Located front on the engine

27 - Actuator for Intake manifold change-over

28 - Secondary Air Injection (AIR) Pump Motor -V101- ⇒ [page 69](#)



Protected by copyright. Copying for private or commercial purposes, in part or in whole, is not permitted unless authorized by AUDI AG. AUDI AG does not guarantee or accept any liability with respect to the correctness of information in this document. Copyright by AUDI AG.

Knock Sensor 1 -G61-

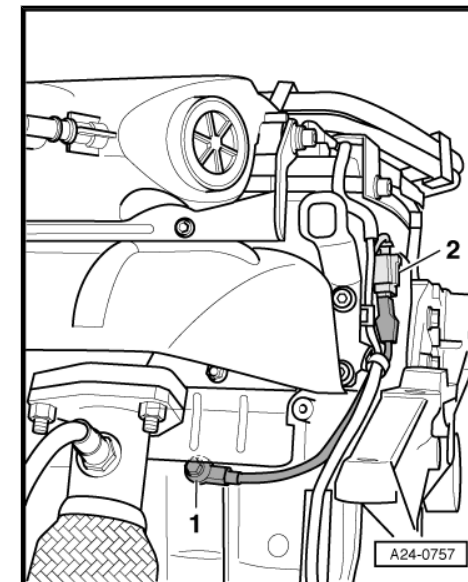
1 - Knock Sensor 1 -G61-

2 - 3-pin harness connector



Audi

Protected by copyright. Copying for private or commercial purposes, in part or in whole, is not permitted unless authorised by AUDI AG. AUDI AG does not guarantee or accept any liability with respect to the correctness of information in this document. Copyright by AUDI AG.



EVAP Canister/Tank Leak Detection System

8 - Leak Detection Pump (LDP) -V144-

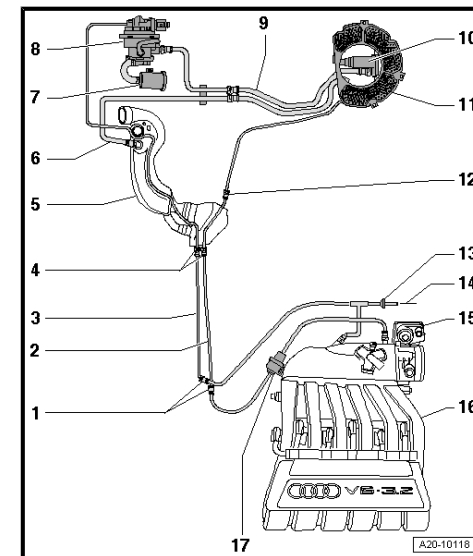
15 - Throttle Valve Control Module -J338-

17 - Evaporative Emission (EVAP) Canister Purge Regulator
Valve 1 -N80-



Audi

Protected by copyright. Copying for private or commercial purposes, in part or in whole, is not permitted unless authorised by AUDI AG. AUDI AG does not guarantee or accept any liability with respect to the correctness of information in this document. Copyright by AUDI AG.



Intake Manifold Component Overview

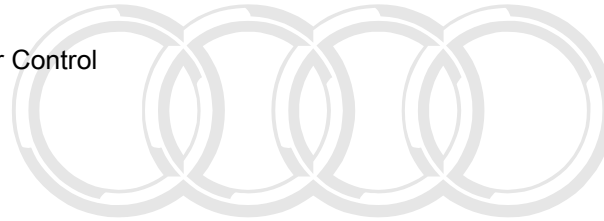
6 - Intake manifold

10 - Connection for crankcase ventilation with Positive Crankcase Ventilation (PCV) Heating Element -N79-

12 - Throttle Valve Control Module -J338-

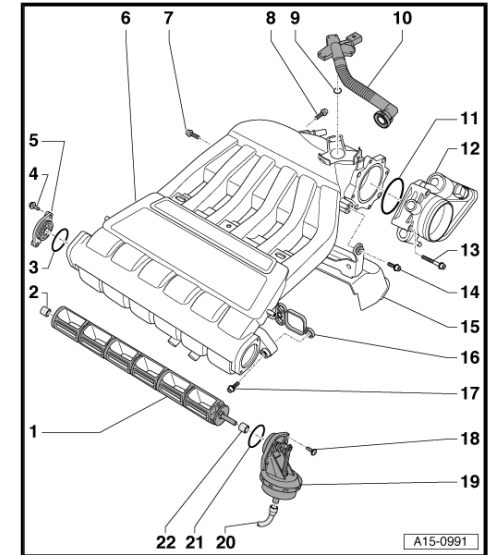
Integrated with the following:

- ◆ Throttle Drive (for Electronic Power Control (EPC)) -G186-
- ◆ Throttle Drive Angle Sensor 1 (for Electronic Power Control (EPC)) -G187-
- ◆ Throttle Drive Angle Sensor 2 (for Electronic Power Control (EPC)) -G188-



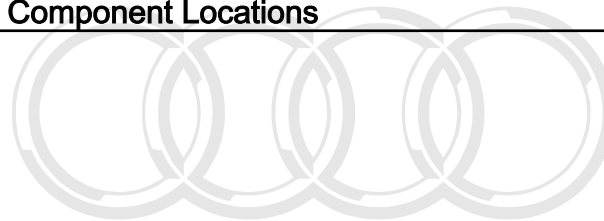
Audi

Protected by copyright. Copying for private or commercial purposes, in part or in whole, is not permitted unless authorised by AUDI AG. AUDI AG does not guarantee or accept any liability with respect to the correctness of information in this document. Copyright by AUDI AG.



Air Filter Assembly Overview

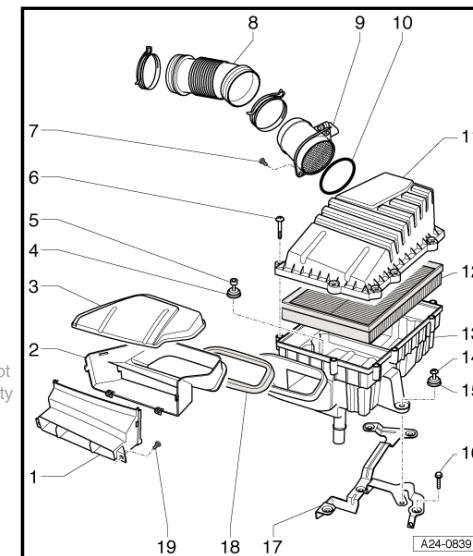
9 - Mass Air Flow (MAF) Sensor -G70- with Intake Air Temperature (IAT) Sensor -G42-



Audi

Protected by copyright. Copying for private or commercial purposes, in part or in whole, is not permitted unless authorised by AUDI AG. AUDI AG does not guarantee or accept any liability with respect to the correctness of information in this document. Copyright by AUDI AG.

erWin

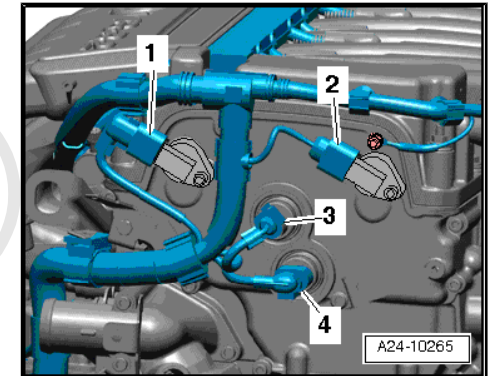


Components Left on Cylinder Head

- 1 - Camshaft Position (CMP) Sensor -G40-
- 2 - Camshaft Position (CMP) Sensor 2 -G163-
- 3 - Camshaft Adjustment Valve 1 -N205-
- 4 - Camshaft Adjustment Valve 1 (exhaust) -N318-



Audi

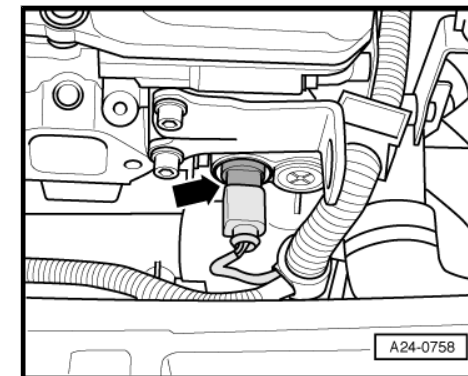


Protected by copyright. Copying for private or commercial purposes, in part or in whole, is not permitted unless authorised by AUDI AG. AUDI AG does not guarantee or accept any liability with respect to the correctness of information in this document. Copyright by AUDI AG.

erWin

Engine Coolant Temperature (ECT) Sensor

Arrow - Engine Coolant Temperature (ECT) Sensor -G62-

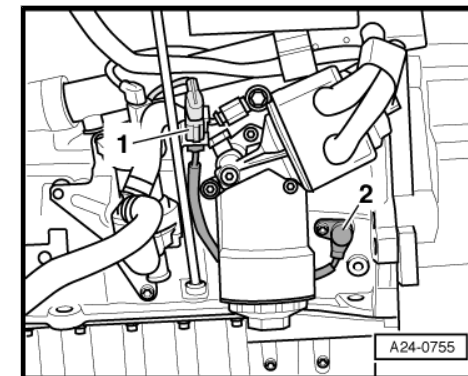


Protected by copyright. Copying for private or commercial purposes, in part or in whole, is not permitted unless authorised by AUDI AG. AUDI AG does not guarantee or accept any liability with respect to the correctness of information in this document. Copyright by AUDI AG.



Engine Speed (RPM) Sensor

- 1 - 3-pin harness connector
- 2 - Engine Speed (RPM) Sensor -G28-



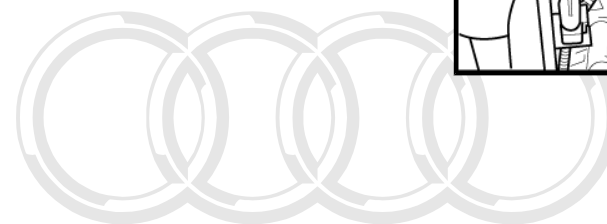
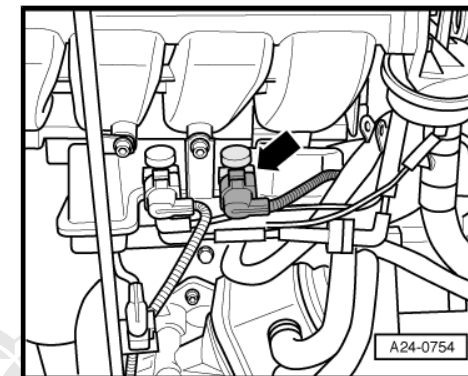
Audi

Protected by copyright. Copying for private or commercial purposes, in part or in whole, is not permitted unless authorised by AUDI AG. AUDI AG does not guarantee or accept any liability with respect to the correctness of information in this document. Copyright by AUDI AG.



Intake Manifold Tuning (IMT) Valve

Arrow - Intake Manifold Tuning (IMT) Valve -N156-



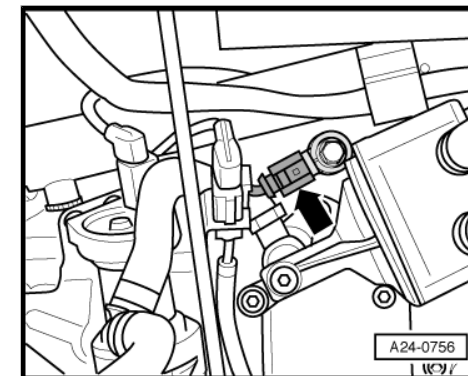
Audi

Protected by copyright. Copying for private or commercial purposes, in part or in whole, is not permitted unless authorised by AUDI AG. AUDI AG does not guarantee or accept any liability with respect to the correctness of information in this document. Copyright by AUDI AG.

erWin 

Knock Sensor (KS) 2

Arrow - Knock Sensor 2 -G66-



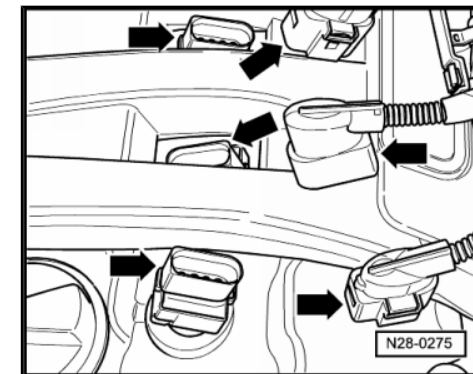
Protected by copyright. Copying for private or commercial purposes, in part or in whole, is not permitted unless authorised by AUDI AG. AUDI AG does not guarantee or accept any liability with respect to the correctness of information in this document. Copyright by AUDI AG.



Ignition Coils

Arrow - Ignition Coils

- ◆ Ignition Coil 1 with Power Output Stage -N70-
- ◆ Ignition Coil 2 with Power Output Stage -N127-
- ◆ Ignition Coil 3 with Power Output Stage -N291-
- ◆ Ignition Coil 4 with Power Output Stage -N292-
- ◆ Ignition Coil 5 with Power Output Stage -N323-
- ◆ Ignition Coil 6 with Power Output Stage -N324-



Audi

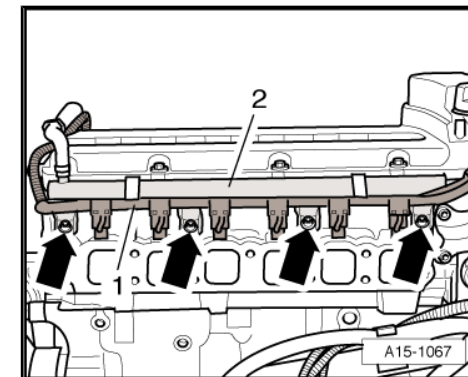
Protected by copyright. Copying for private or commercial purposes, in part or in whole, is not permitted unless authorised by AUDI AG. AUDI AG does not guarantee or accept any liability with respect to the correctness of information in this document. Copyright by AUDI AG.



Fuel Rail

2 - Fuel Rail with fuel injectors:

- ◆ Cylinder 1 Fuel Injector -N30-
- ◆ Cylinder 2 Fuel Injector -N31-
- ◆ Cylinder 3 Fuel Injector -N32-
- ◆ Cylinder 4 Fuel Injector -N33-
- ◆ Cylinder 5 Fuel Injector -N83-
- ◆ Cylinder 6 Fuel Injector -N84-



Audi

Protected by copyright. Copying for private or commercial purposes, in part or in whole, is not permitted unless authorised by AUDI AG. AUDI AG does not guarantee or accept any liability with respect to the correctness of information in this document. Copyright by AUDI AG.



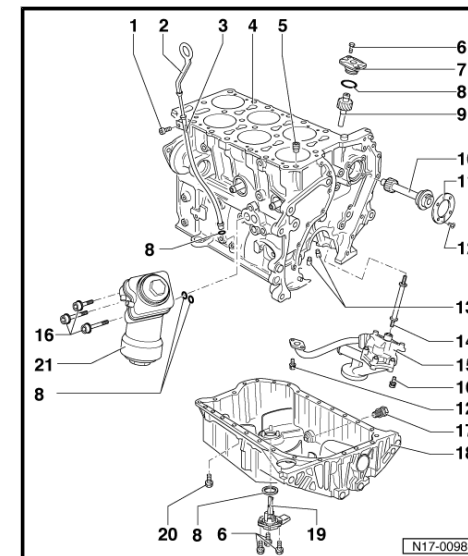
Oil Pump and Oil Pan Assembly Overview

19 - Oil Level Thermal Sensor -G266-



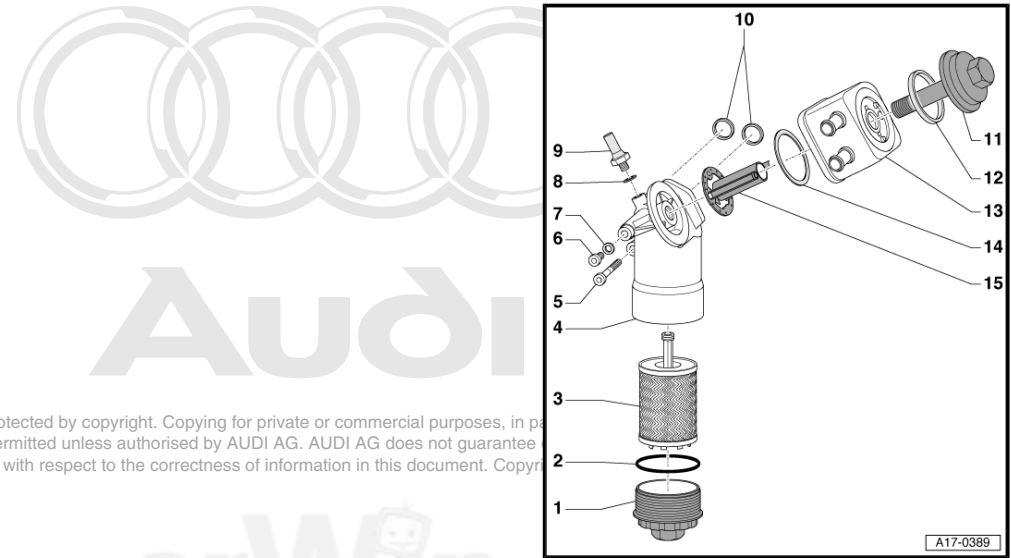
Audi

Protected by copyright. Copying for private or commercial purposes, in part or in whole, is not permitted unless authorised by AUDI AG. AUDI AG does not guarantee or accept any liability with respect to the correctness of information in this document. Copyright by AUDI AG.



Oil Cooler and Oil Filter Housing Assembly Overview

9 - Oil Pressure Switch -F1-



Protected by copyright. Copying for private or commercial purposes, in part or in full, is not permitted unless authorised by AUDI AG. AUDI AG does not guarantee the accuracy of information with respect to the correctness of information in this document. Copying is prohibited.

A17-0389

1.5 Exhaust System

- ◆ 2.0L TDI CBEA ⇒ [page 70](#)
- ◆ 2.0L CCTA, CBFA and BPY ⇒ [page 74](#)
- ◆ 3.2L BUB and CBRA ⇒ [page 76](#)



Audi

Protected by copyright. Copying for private or commercial purposes, in part or in whole, is not permitted unless authorised by AUDI AG. AUDI AG does not guarantee or accept any liability with respect to the correctness of information in this document. Copyright by AUDI AG.



1.5.1 2.0L TDI CBEA Exhaust System

Component A is not shown in the overview

A - Exhaust Gas Recirculation (EGR) Motor 2 -V339- with Exhaust Gas Recirculation (EGR) Position Sensor 2 -G466-

- Installed in the EGR housing

3 - Differential Pressure Sensor -G505-

5 - Exhaust Pressure Sensor 1 -G450-

8 - Exhaust Gas Temperature (EGT) Sensor 3 -G495-

9 - Exhaust Gas Temperature (EGT) Sensor 2 -G448-

10 - Exhaust Gas Temperature (EGT) Sensor 1 -G235-

11 - Turbocharger

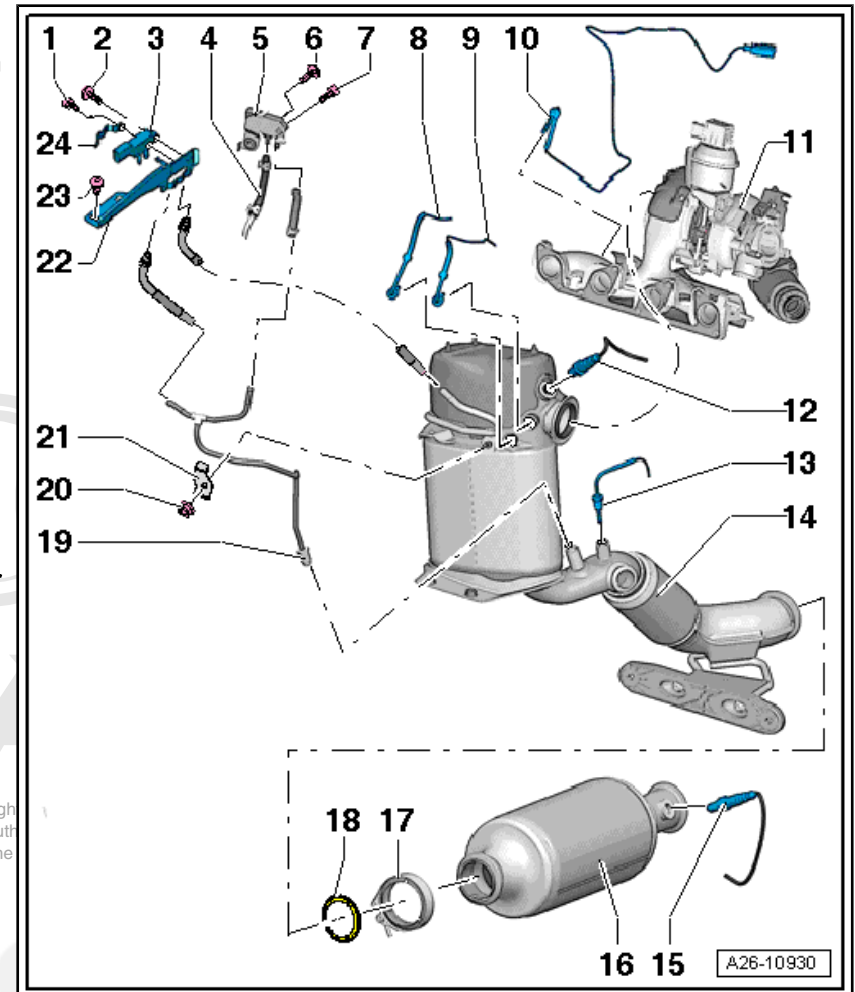
12 - Heated Oxygen Sensor (HO2S) -G39- with Oxygen Sensor (O2S) Heater -Z19-

13 - Exhaust Gas Temperature (EGT) Sensor 4 -G648-

14 - Particulate Filter

15 - Oxygen Sensor (O2S) Behind Three Way Catalytic Converter (TWC) -G130- with Oxygen Sensor (O2S) 1 Heater -Z29-

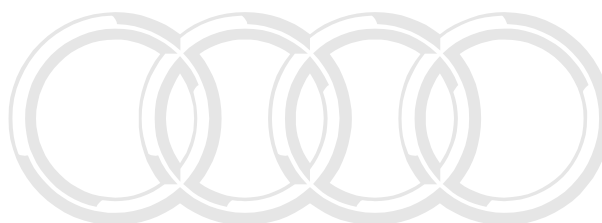
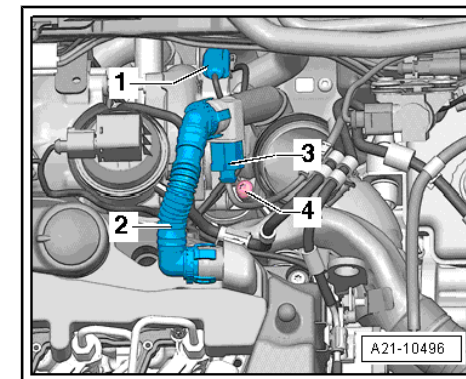
16 - NOx Reduction Catalytic Converter



Protected by copyright
permitted unless auth
with respect to the

EGR Temperature Sensor -G98-

1 - EGR Temperature Sensor -G98- . Installed in the EGR housing



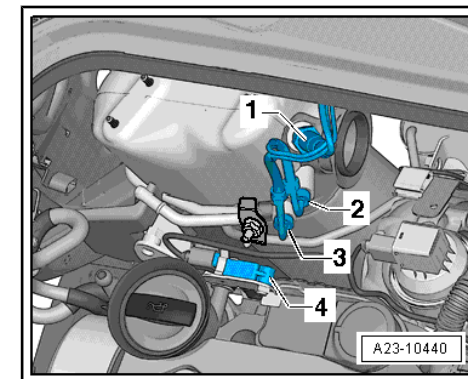
Audi

Protected by copyright. Copying for private or commercial purposes, in part or in whole, is not permitted unless authorised by AUDI AG. AUDI AG does not guarantee or accept any liability with respect to the correctness of information in this document. Copyright by AUDI AG.



Exhaust Pressure Sensor 2

4 - Exhaust Pressure Sensor 2 -G451-

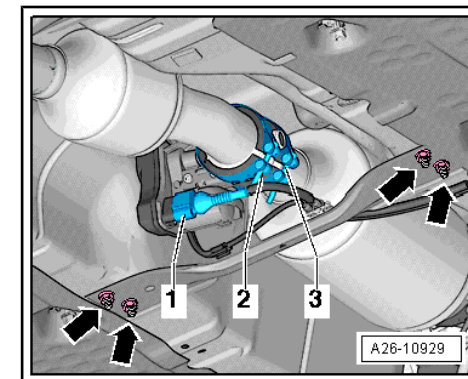


Protected by copyright. Copying for private or commercial purposes, in part or in whole, is not permitted unless authorised by AUDI AG. AUDI AG does not guarantee or accept any liability with respect to the correctness of information in this document. Copyright by AUDI AG.



Exhaust Flap Control Module -J883-

-- Exhaust Flap Control Module -J883-



Audi

Protected by copyright. Copying for private or commercial purposes, in part or in whole, is not permitted unless authorised by AUDI AG. AUDI AG does not guarantee or accept any liability with respect to the correctness of information in this document. Copyright by AUDI AG.

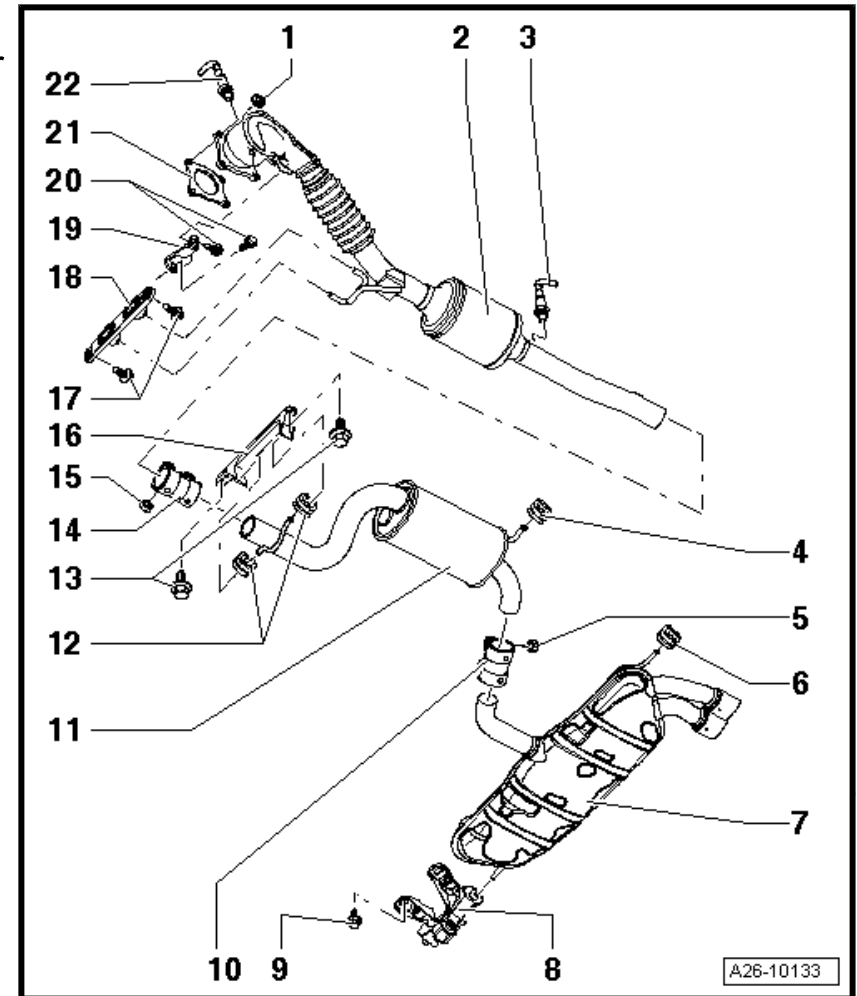


1.5.2 2.0L CCTA, CBFA and BPY Exhaust System

Oxygen Sensors - Engine Code 2.0L BPY

3 - Oxygen Sensor (O2S) Behind Three Way Catalytic Converter (TWC) -G130- with Oxygen Sensor O2S) 1 (behind Three Way Catalytic Converter (TWC)) Heater -Z29-

2 - Heated Oxygen Sensor (HO2S) -G39- with Oxygen Sensor (O2S) Heater -Z19-

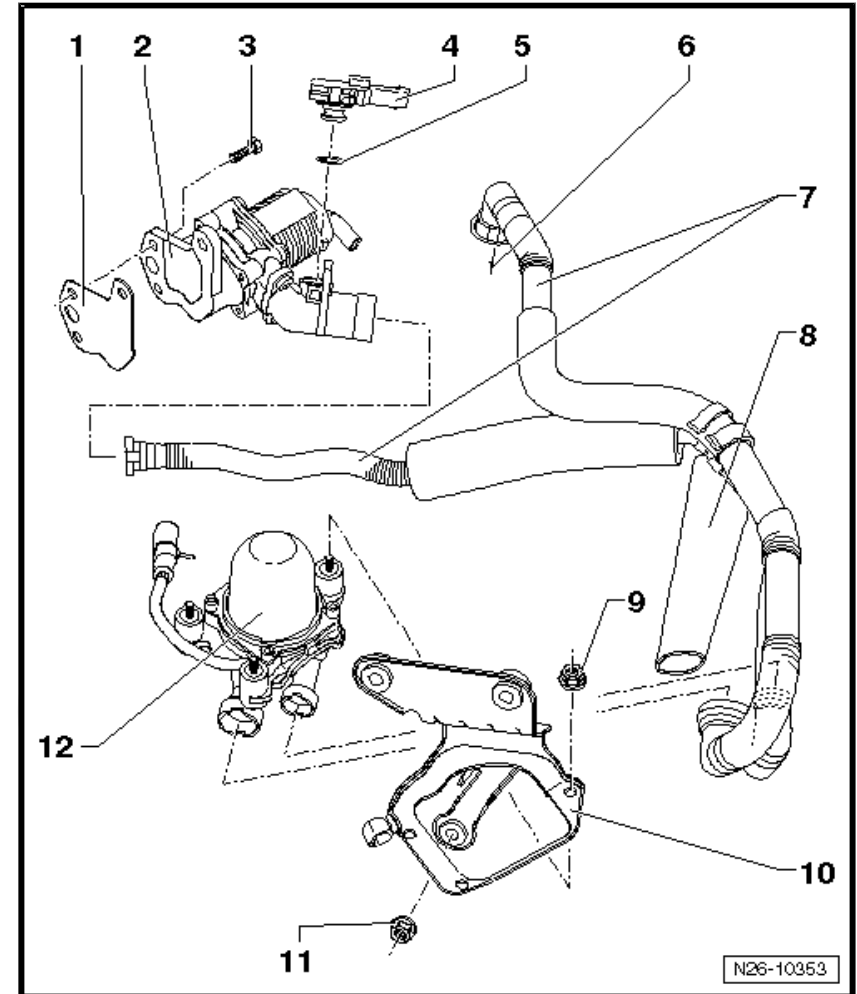


Secondary Air Injection Overview - Engine Code 2.0L CCTA and CBFA

2 - Secondary Air Injection (AIR) Solenoid Valve -N112-

4 - Secondary Air Injection Sensor 1 -G609-

12 - Secondary Air Injection (AIR) Pump Motor -V101-



Protected by copyright. Copying for private or commercial purposes, in part or in whole, is not permitted unless authorised by AUDI AG. AUDI AG does not guarantee or accept any liability with respect to the correctness of information in this document. Copyright by AUDI AG.



1.5.3 3.2L BUB and CBRA Exhaust System

Oxygen Sensors

15 - Oxygen Sensor Before Catalytic Converter

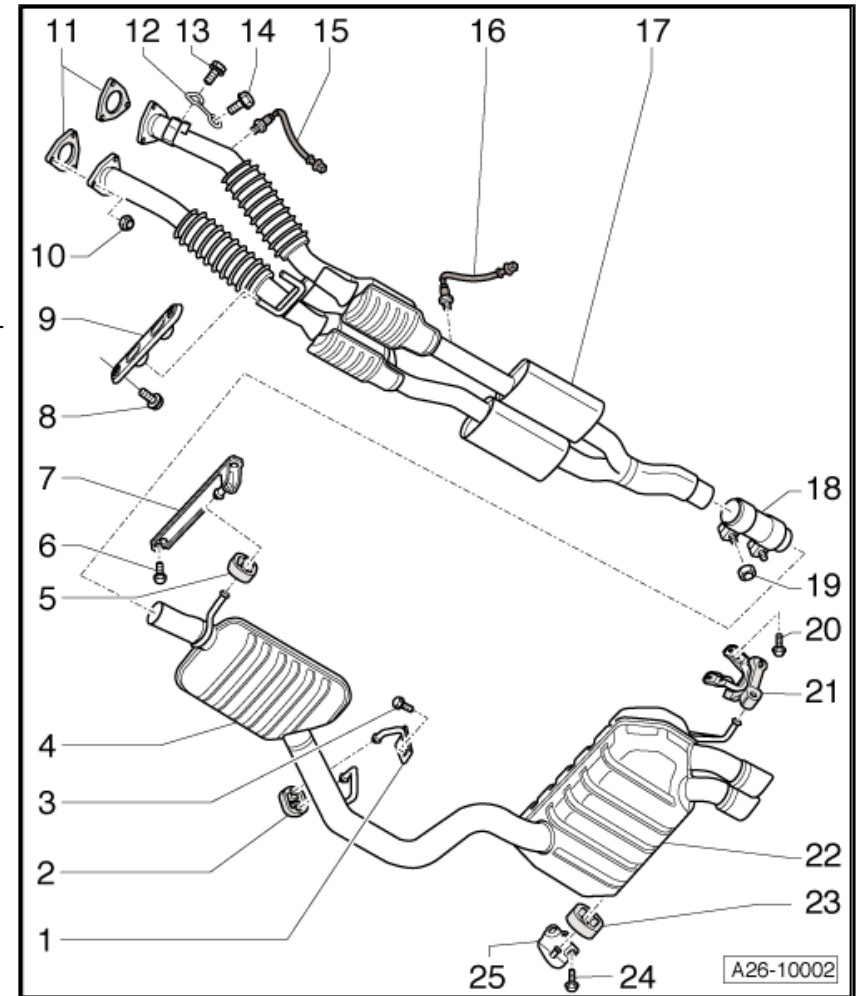
□ 2 pieces

- ◆ Heated Oxygen Sensor (HO2S) -G39- with Oxygen Sensor (O2S) Heater -Z19-
- ◆ Heated Oxygen Sensor (HO2S) 2 -G108- with Oxygen Sensor (O2S) 2 Heater -Z28-

16 - Oxygen Sensor (O2S) Behind Three Way Catalytic Converter (TWC)

□ 2 pieces

- ◆ Oxygen Sensor (O2S) Behind Three Way Catalytic Converter (TWC) -G130- with Oxygen Sensor (O2S) 1 (behind Three Way Catalytic Converter (TWC)) Heater -Z29-
- ◆ Oxygen Sensor (O2S) 2 Behind Three Way Catalytic Converter (TWC) -G131- with Oxygen Sensor (O2S) 2 (behind Three Way Catalytic Converter (TWC)) Heater -Z30-

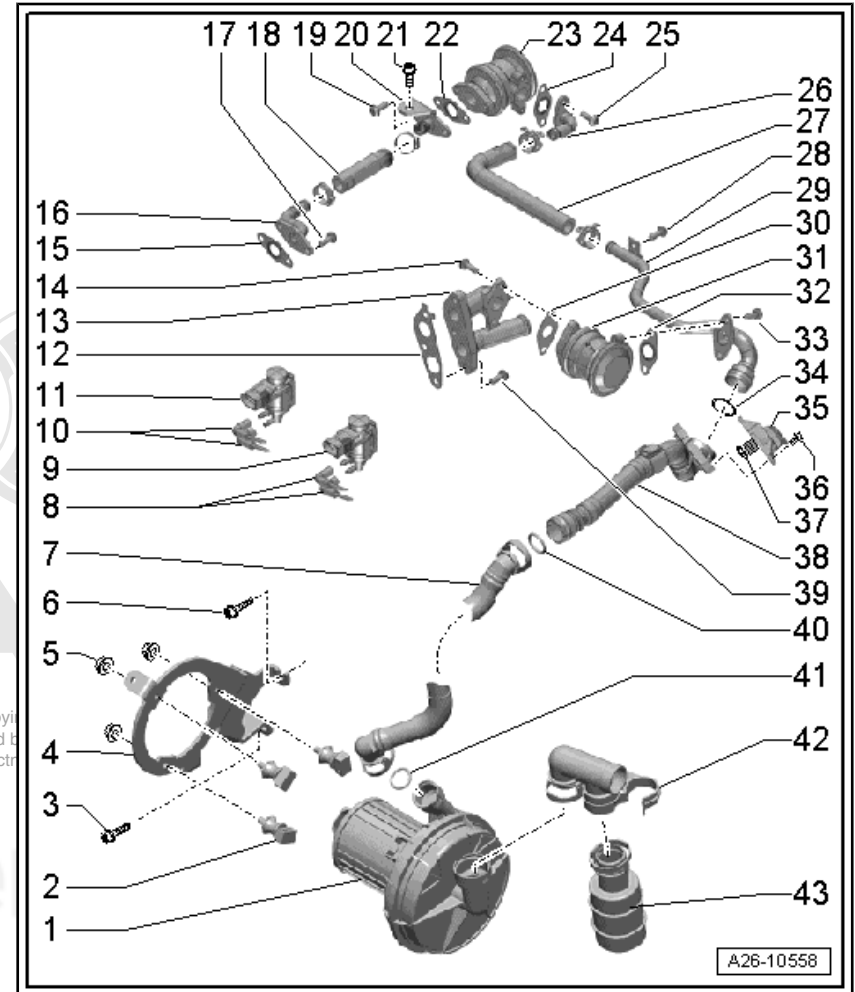


Protected by copyright. Copying for private or commercial purposes, in part or in whole, is not permitted unless authorised by AUDI AG. AUDI AG does not guarantee or accept any liability with respect to the correctness of information in this document. Copyright by AUDI AG.



Secondary Air Injection Overview - Engine Code 3.2L CBRA

- 1 - Secondary Air Injection (AIR) Pump Motor -V101-
- 9 - Secondary Air Injection (AIR) Solenoid Valve 2 -N320-
- 11 - Secondary Air Injection (AIR) Solenoid Valve -N112-
- 23 - Right Secondary Air Injection (AIR) Combination Valve
- 31 - Left Secondary Air Injection (AIR) Combination Valve
- 35 - Secondary Air Injection Sensor 1 -G609-



1.6 Cooling Fans and Cooling Pump

1 - Coolant Fan -V7-

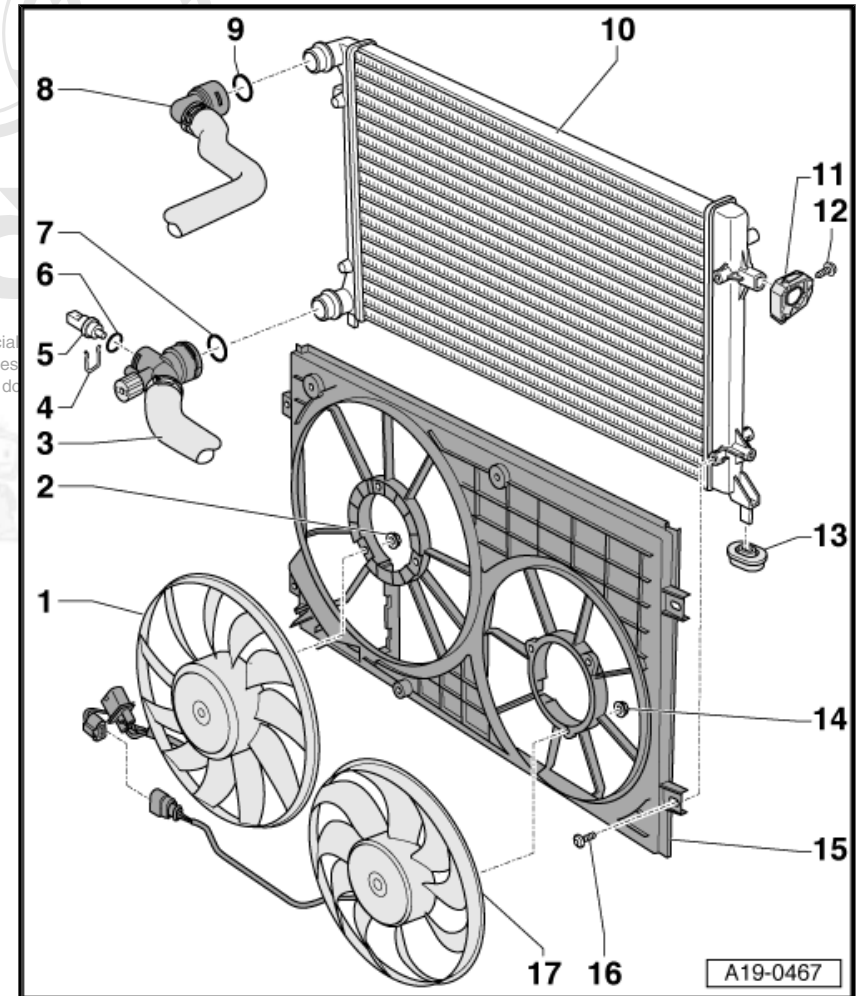
- Integrated with Coolant Fan Control (FC) Control Module -J293-

5 - Engine Coolant Temperature (ECT) Sensor (on Radiator) -G83-

- 2.0L CCTA and CBFA
- 3.2L BUB and CBRA

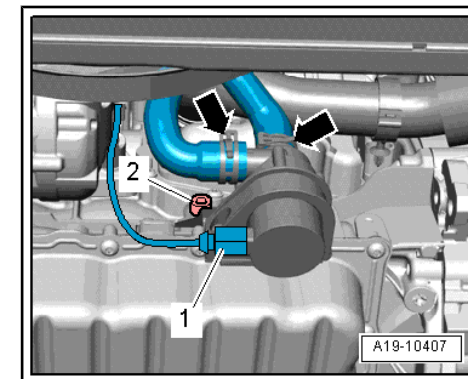
17 - Coolant Fan 2 -V177-

Protected by copyright. Copying for private or commercial use is not permitted unless authorised by AUDI AG. AUDI AG does not accept any liability with respect to the correctness of information in this document.



After-Run Coolant Pump - Engine Code 2.0L CBFA

1 - After-Run Coolant Pump -V51-



Audi

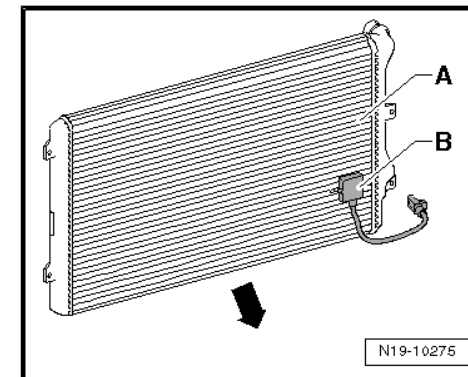
Protected by copyright. Copying for private or commercial purposes, in part or in whole, is not permitted unless authorised by AUDI AG. AUDI AG does not guarantee or accept any liability with respect to the correctness of information in this document. Copyright by AUDI AG.



Radiator Identification Sensor - Engine Code 2.0L CBFA

A - Radiator

B - Radiator Identification Sensor -G611-



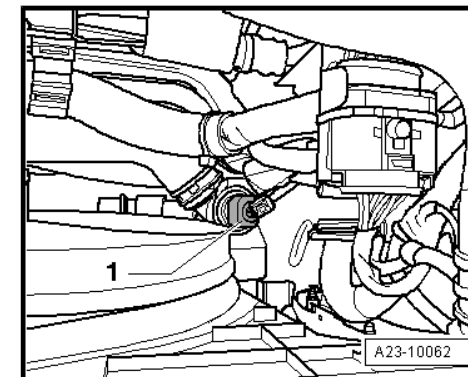
Audi

Protected by copyright. Copying for private or commercial purposes, in part or in whole, is not permitted unless authorised by AUDI AG. AUDI AG does not guarantee or accept any liability with respect to the correctness of information in this document. Copyright by AUDI AG.



Engine Coolant Temperature (ECT) Sensor (on Radiator) -G83-
(2.0L BPY engine)

1 - Engine Coolant Temperature (ECT) Sensor (on Radiator)
-G83-



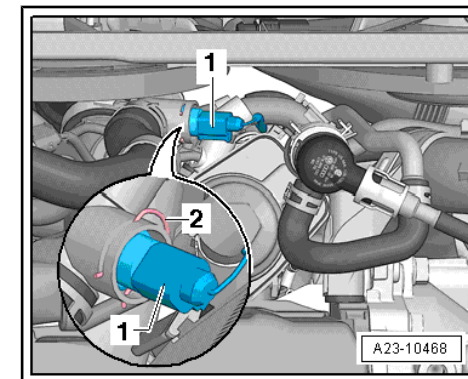
Audi

Protected by copyright. Copying for private or commercial purposes, in part or in whole, is not permitted unless authorised by AUDI AG. AUDI AG does not guarantee or accept any liability with respect to the correctness of information in this document. Copyright by AUDI AG.



Engine Coolant Temperature Sensor (On Radiator) -G83-
(2.0LTDI CBEA Engine)

1 - Engine Coolant Temperature (ECT) Sensor (on Radiator)
-G83-



Protected by copyright. Copying for private or commercial purposes, in part or in whole, is not permitted unless authorised by AUDI AG. AUDI AG does not guarantee or accept any liability with respect to the correctness of information in this document. Copyright by AUDI AG.



Fuel Delivery Unit

1 - Fuel delivery unit

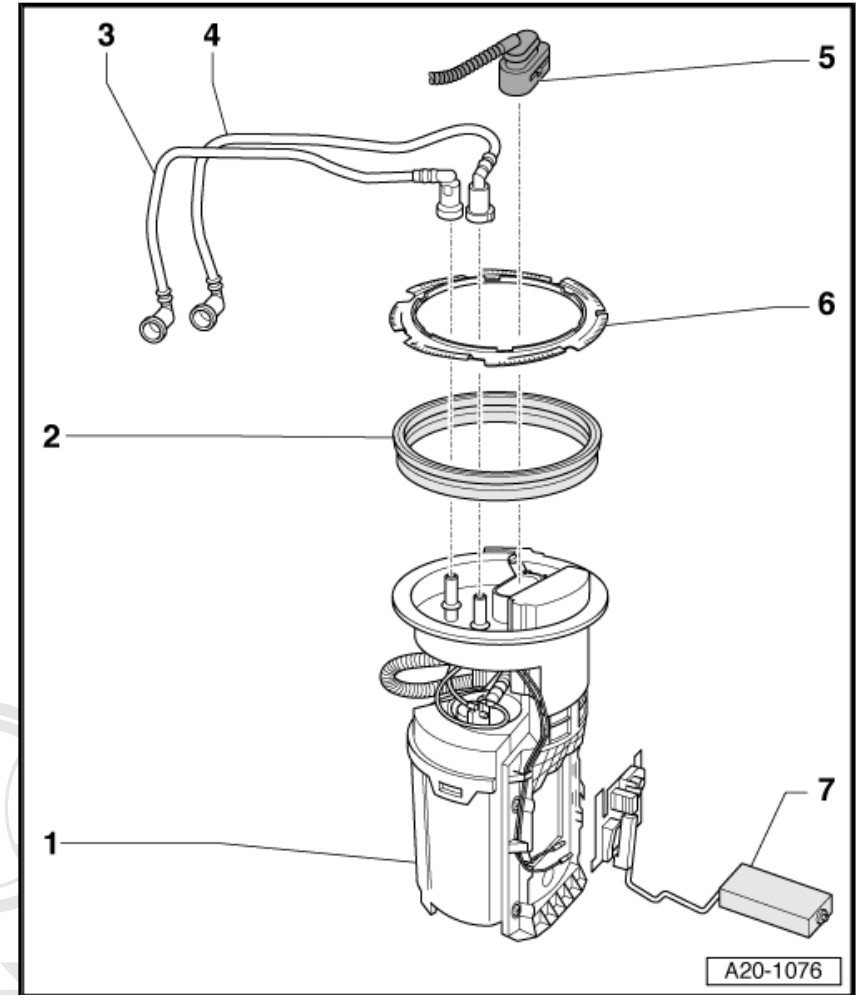
- With Transfer Fuel Pump (FP) -G6- and Fuel Pump (FP) Control Module -J538- ⇒ [page 87](#)
- AWD fuel delivery unit ⇒ [Item 2 \(page 86\)](#)

5 - Electrical harness connector

- For Transfer Fuel Pump (FP) -G6- and Fuel Level Sensor -G-

7 - Fuel Level Sensor -G-

- AWD fuel level sensor ⇒ [Item 1 \(page 86\)](#)



Protected by copyright. Copying for private or commercial purposes, in part or in whole, is not permitted unless authorised by AUDI AG. AUDI AG does not guarantee or accept any liability with respect to the correctness of information in this document. Copyright by AUDI AG.



Fuel Tank AWD

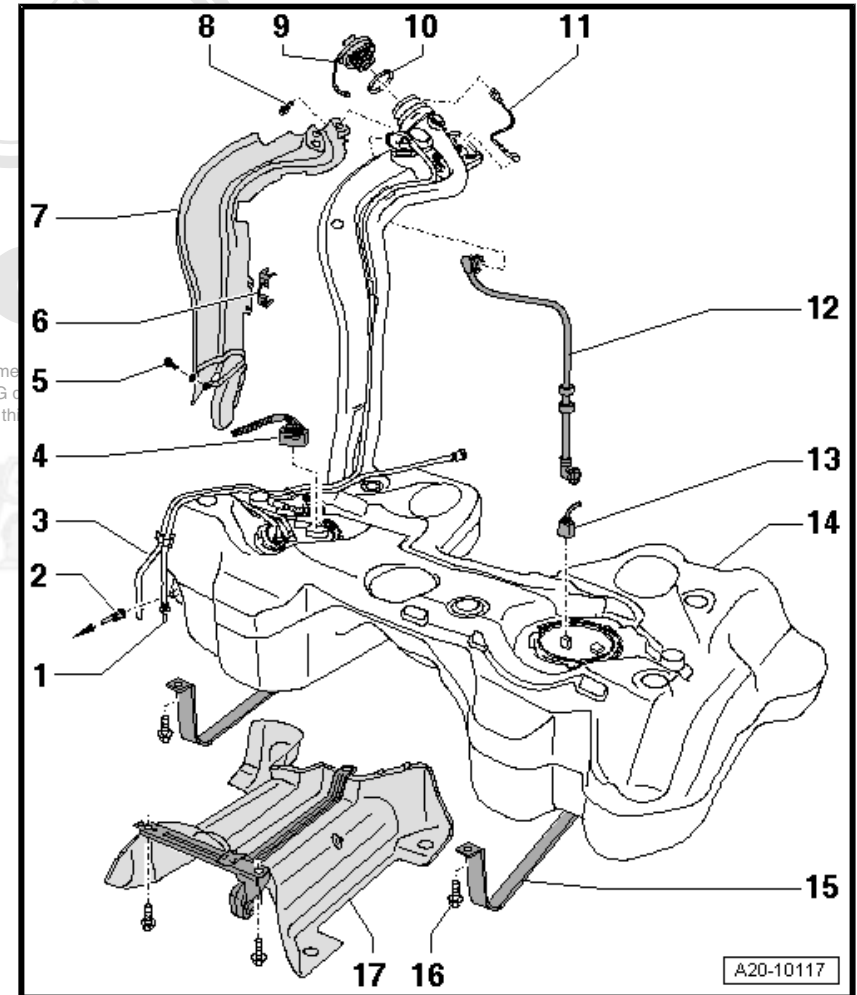
4 - Electrical harness connector

- For Transfer Fuel Pump (FP) -G6- and Fuel Level Sensor -G-

13 - Electrical harness connector

- For Fuel Level Sensor 2 -G169-

Protected by copyright. Copying for private or commercial use is not permitted unless authorised by AUDI AG. AUDI AG does not accept any liability with respect to the correctness of information in this document.



Fuel Delivery Unit

1 - Fuel Level Sensor -G-

2 - Fuel delivery unit

□ With Transfer Fuel Pump (FP) -G6- and Fuel Pump (FP) Control Module -J538- → [page 87](#)

6 - Electrical harness connector

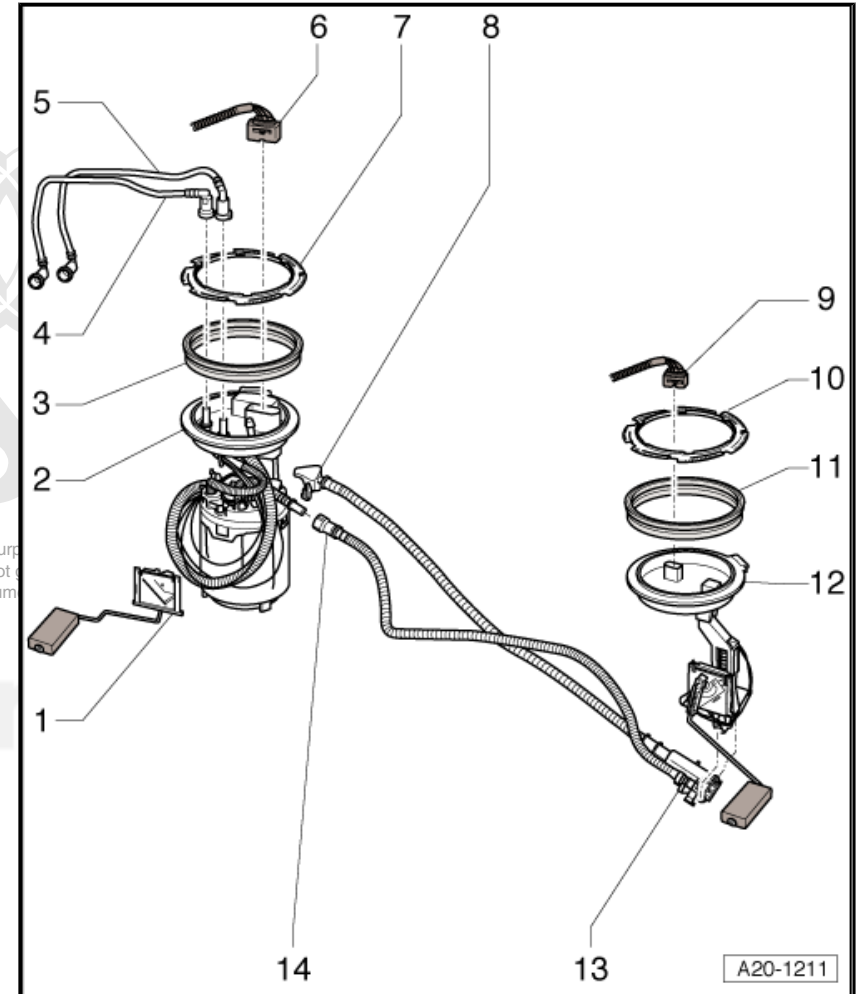
□ For Transfer Fuel Pump (FP) -G6- and Fuel Level Sensor -G-

9 - Electrical harness connector

□ For Fuel Level Sensor 2 -G169-

12 - Fuel Level Sensor 2 -G169-

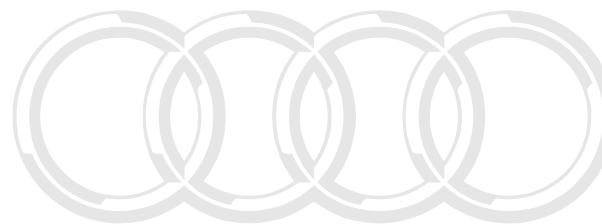
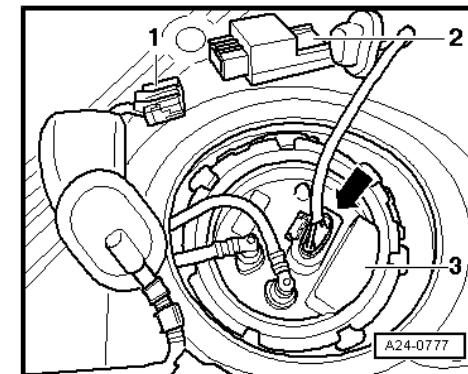
Protected by copyright. Copying for private or commercial purposes is not permitted unless authorised by AUDI AG. AUDI AG does not accept any liability with respect to the correctness of information in this document.



A20-1211

Fuel Delivery Unit

- 1 - Fuel Pump (FP) Control Module -J538- Connector
- 2 - Fuel Pump (FP) Control Module -J538-
- 3 - Transfer Fuel Pump (FP) -G6-



Audi

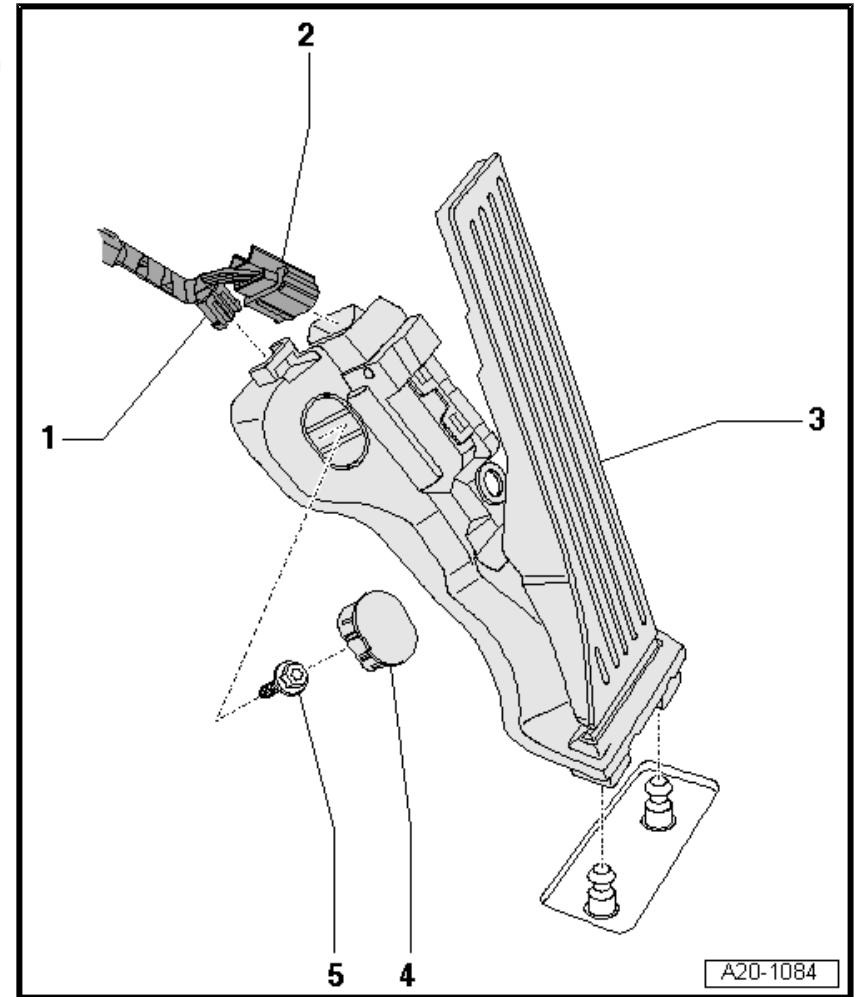
Protected by copyright. Copying for private or commercial purposes, in part or in whole, is not permitted unless authorised by AUDI AG. AUDI AG does not guarantee or accept any liability with respect to the correctness of information in this document. Copyright by AUDI AG.



1.8 Accelerator Pedal Module

2 - Electrical harness connector

3 - Accelerator Pedal Module with Throttle Position (TP) Sensor -G79- and Accelerator Pedal Position Sensor 2 -G185-



Protected by copyright. Copying for private or commercial purposes, in part or in whole, is not permitted unless authorised by AUDI AG. AUDI AG does not guarantee or accept any liability with respect to the correctness of information in this document. Copyright by AUDI AG.



1 Component Locations: Parking Aid Systems

- ◆ Parking Aid Assembly Overview - through 05.2008 ⇒ [page 2](#)
- ◆ Front Park Assist Assembly Overview - from 06.2008 ⇒ [page 4](#)
- ◆ Rear Park Assist Assembly Overview - from 06.2008 ⇒ [page 5](#)



Protected by copyright. Copying for private or commercial purposes, in part or in whole, is not permitted unless authorised by AUDI AG. AUDI AG does not guarantee or accept any liability with respect to the correctness of information in this document. Copyright by AUDI AG.



1.1 Parking Aid Assembly Overview - through 05.2008

1 - Rear Parking Aid Warning Buzzer -H15- ⇒ [page 3](#)

- Located under the belt guide for the rear right safety belt
- Rear park assist from 06.2008 location ⇒ [page 5](#)

2 - Parking Aid Control Module -J446-

- Located rear right side of the luggage compartment below the side trim
- Rear park assist from 06.2008 location ⇒ [page 5](#)

3 - Sensor for Parking Aid

- Located in the rear bumper

Protected by copyright. Copying for private or commercial purposes, in part or in whole, is not permitted unless authorised by AUDI AG. AUDI AG does not guarantee or accept any liability with respect to the correctness of information in this document. Copyright by AUDI AG.

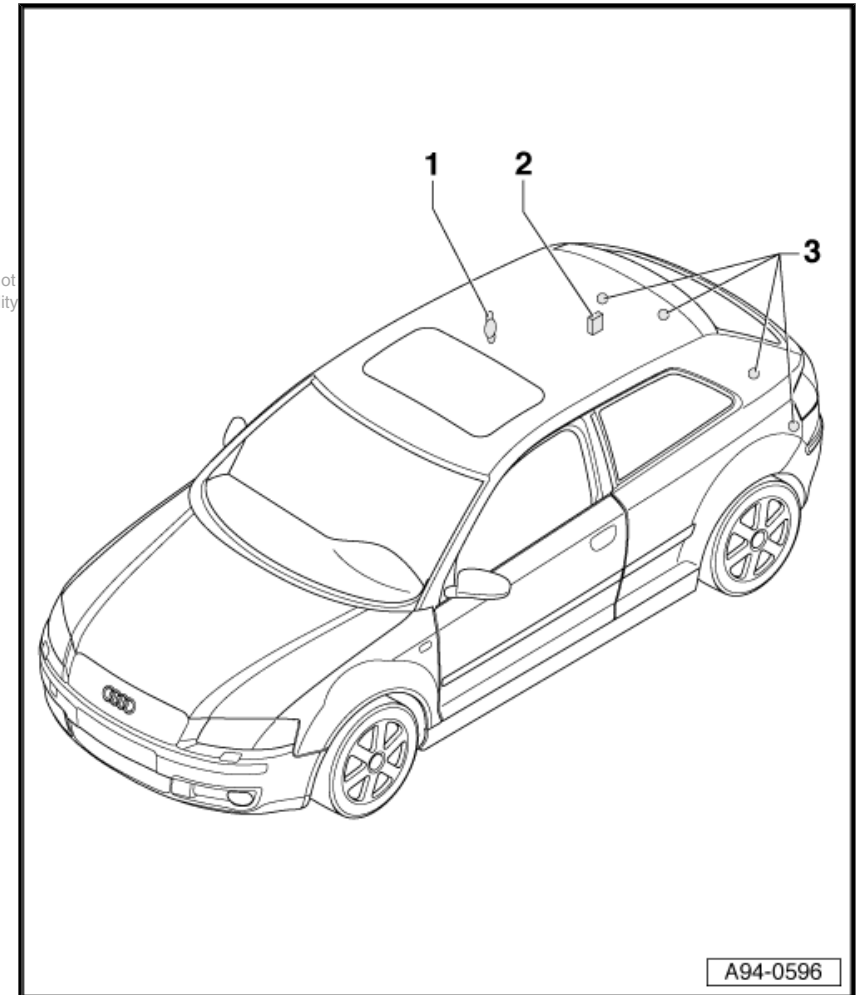
◆ Left Rear Parking Aid Sensor -G203-

◆ Left Rear Center Parking Aid Sensor -G204-

◆ Right Rear Center Parking Aid Sensor -G205-

◆ Right Rear Parking Aid Sensor -G206-

- Rear park assist from 06.2008 location ⇒ [page 5](#)



Rear Parking Aid Warning Buzzer

1 - Electrical Connector

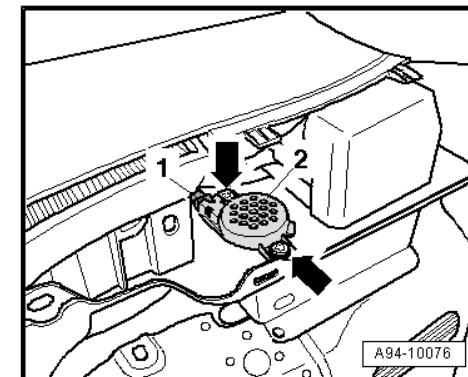
2 - Rear Parking Aid Warning Buzzer -H15-



Audi

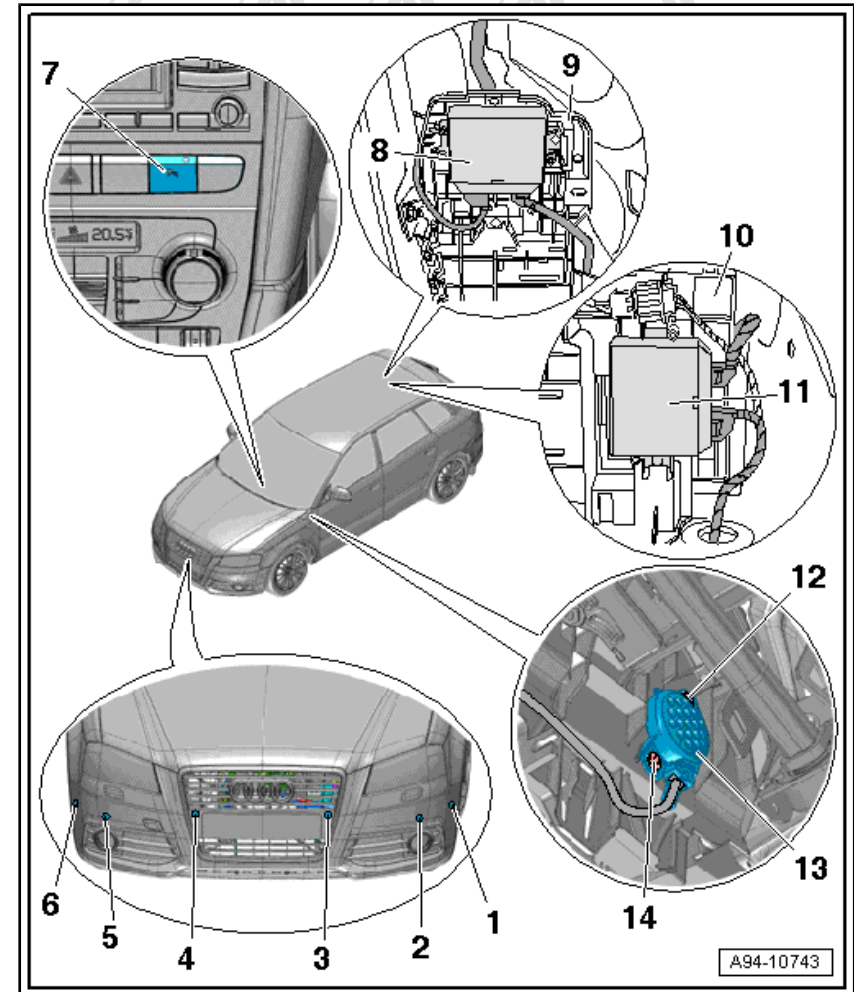
Protected by copyright. Copying for private or commercial purposes, in part or in whole, is not permitted unless authorised by AUDI AG. AUDI AG does not guarantee or accept any liability with respect to the correctness of information in this document. Copyright by AUDI AG.

erWin



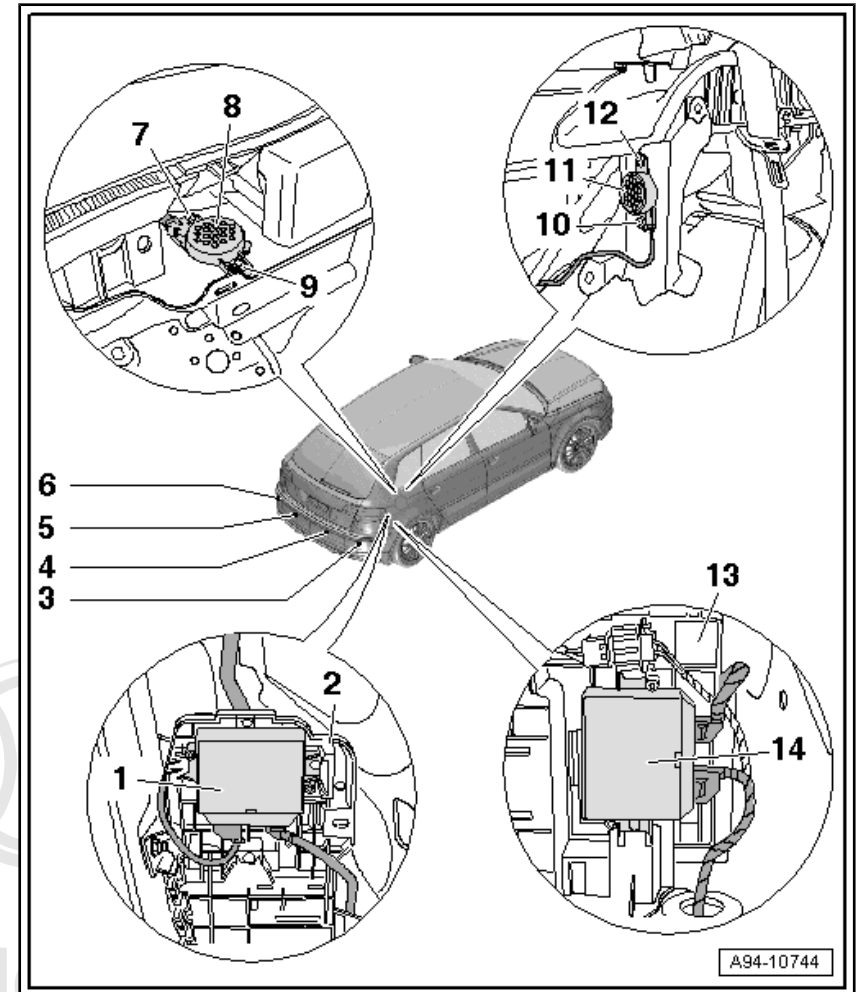
1.2 Front Park Assist Assembly Overview - from 06.2008

- 1 - Left Front Parallel Parking Assistance Sensor (vehicle - left side) -G568-**
 Only on vehicles with parallel parking assistance
- 2 - Left Front Parking Aid Sensor -G255-**
 Located in the front bumper
- 3 - Left Front Center Parking Aid Sensor -G254-**
 Located in the radiator grille
- 4 - Right Front Center Parking Aid Sensor -G253-**
 Located in the radiator grille
- 5 - Right Front Parking Aid Sensor -G252-**
 Located in the front bumper
- 6 - Right Front Parallel Parking Assistance Sensor (vehicle - right side) -G569-**
 Only on vehicles with parallel parking assistance
- 7 - Parking Aid Button -E266-**
- 8 - Parking Aid Control Module -J446- - Three door**
 Not Available
- 11 - Parking Aid Control Module -J446- - Sportback**
- 13 - Front Parking Aid Warning Buzzer -H22-**
 Located at the instrument panel carrier behind the driver side storage compartment



1.3 Rear Park Assist Assembly Overview - from 06.2008

- 1 - Parking Aid Control Module -J446- - Three-door
 Not Available
- 3 - Right Rear Parking Aid Sensor -G206-
- 4 - Right Rear Center Parking Aid Sensor -G205-
- 5 - Left Rear Center Parking Aid Sensor -G204-
- 6 - Left Rear Parking Aid Sensor -G203-
- 8 - Rear Parking Aid Warning Buzzer -H15- - Sportback
- 11 - Rear Parking Aid Warning Buzzer -H15- - Three-door
- 14 - Parking Aid Control Module -J446- - Sportback



Protected by copyright. Copying for private or commercial purposes, in part or in whole, is not permitted unless authorised by AUDI AG. AUDI AG does not guarantee or accept any liability with respect to the correctness of information in this document. Copyright by AUDI AG.



1 Component Locations: Radio / Navigation System

Select a system or component below to navigate to a location view:

- ◆ Radio System Component Overview ⇒ [page 2](#)
- ◆ Satellite Radio/Radio Navigation System Component Overview ⇒ [page 4](#)
- ◆ Telephone System Component Overview ⇒ [page 6](#)
- ◆ Antenna System Component Overview ⇒ [page 8](#)

Protected by copyright. Copying for private or commercial purposes, in part or in whole, is not permitted unless authorised by AUDI AG. AUDI AG does not guarantee or accept any liability with respect to the correctness of information in this document. Copyright by AUDI AG.



1.1 Radio System Component Overview

1 - CD Changer -R41-

- Located in the glove compartment
- Component location same for other systems

The following is included only for models with CD changer, iPod connection or USB connection baseplate (if applicable):

- ◆ iPod Baseplate -R192-
- ◆ USB Connection Baseplate -R193-
- ◆ External Audio Source Connection -R199-

2 - Center Mid/High Range Speaker -R158-

- Located in the upper instrument panel - center

3 - Inside Microphone -R74-

- Integrated with the front interior lamp module
- Component location same for other systems

4 - Amplifier -R12-

- Located behind the right luggage compartment trim
- Component location same for other systems

5 - Antenna Amplifier -R24-

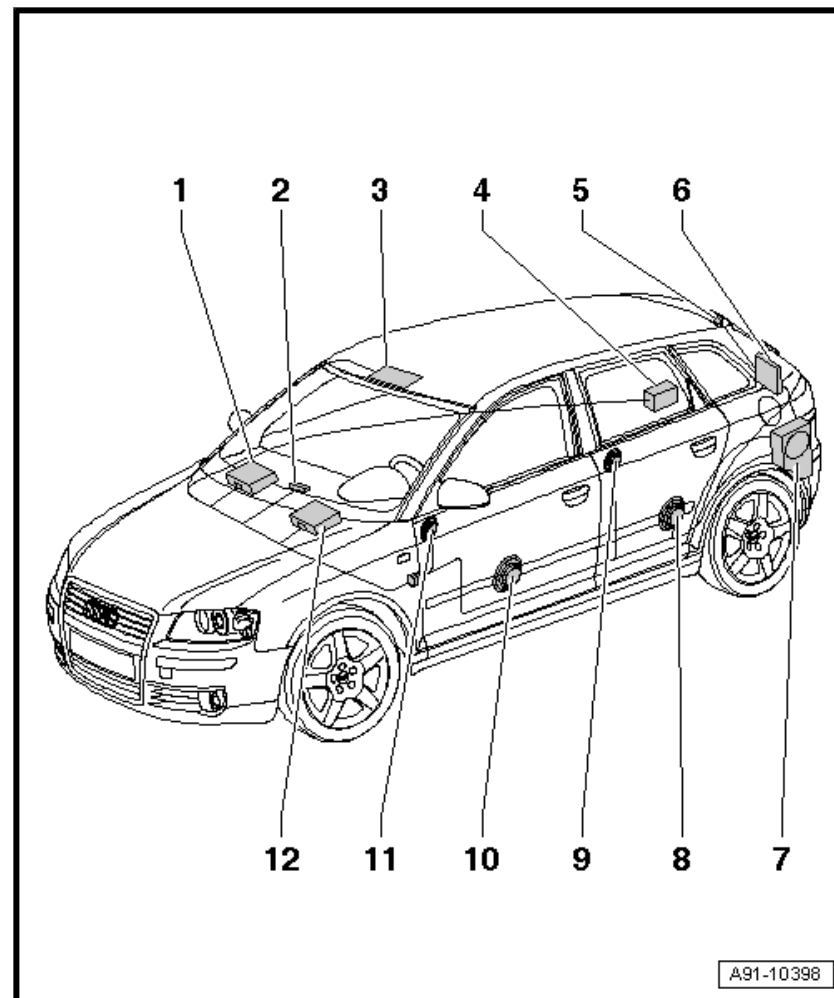
- Located upper left of the rear lid

6 - Left Antenna Module -R108-

- Located lower left of the rear lid

7 - Amplifier/Woofer (in left rear luggage compartment) -R44- / Bass Speaker -R100-

- Located behind the right rear luggage compartment trim



Protected by copyright. Copying for private or commercial purposes, in part or in whole, is not permitted unless authorised by AUDI AG. AUDI AG does not guarantee or accept any liability with respect to the correctness of information in this document. Copyright by AUDI AG.

Radio System Component Overview continued

8 - Left Rear Midrange Speaker -R105- / Right Rear Midrange Speaker -R106-

- Located in the lower rear door trim

9 - Left Rear Treble Speaker -R14- / Right Rear Treble Speaker -R16-

- Located in the upper rear door trim

10 - Left Front Mid-Bass Speaker -R101- / Right Front Mid-Bass Speaker -R102-

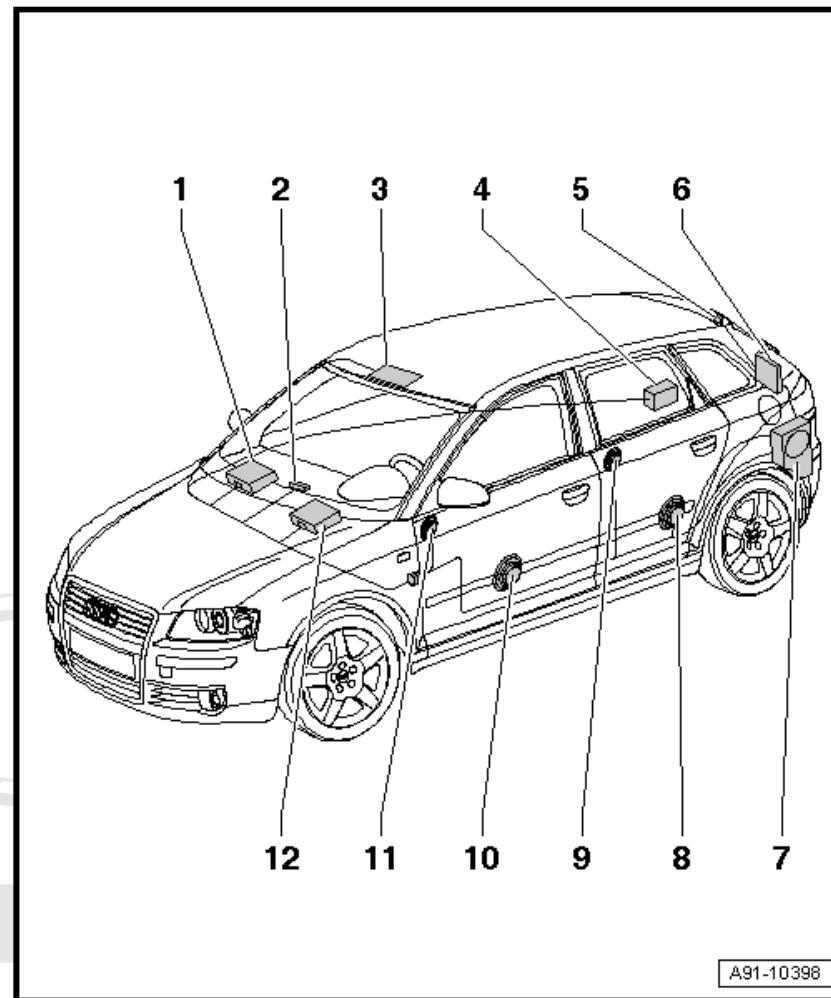
- Located in the lower front door trim

11 - Left Front Treble Speaker -R20- / Right Front Treble Speaker -R22-

- Located in the front door A-pillar trim

12 - Radio -R-

- Located in the center console
- Component location same for other systems



A91-10398

Protected by copyright. Copying for private or commercial purposes, in part or in whole, is not permitted unless authorised by AUDI AG. AUDI AG does not guarantee or accept any liability with respect to the correctness of information in this document. Copyright by AUDI AG.



1.2 Satellite Radio/Radio Navigation System Component Overview

1 - CD Changer -R41-

- Located in the glove compartment
- Component location same for other systems

The following is included only for models with CD changer, iPod connection or USB connection baseplate (if applicable):

- ◆ iPod Baseplate -R192-
- ◆ USB Connection Baseplate -R193-
- ◆ External Audio Source Connection -R199-

2 - Center Mid/High Range Speaker -R158-

- Located in the upper instrument panel - center

3 - Inside Microphone -R74-

- Integrated with the front interior lamp module
- Component location same for other systems

4 - Amplifier -R12-

- Located behind the right luggage compartment trim
- Component location same for other systems

5 - Radio, Telephone, Navigation System Antenna -R52- or Antenna -R11- (if applicable)

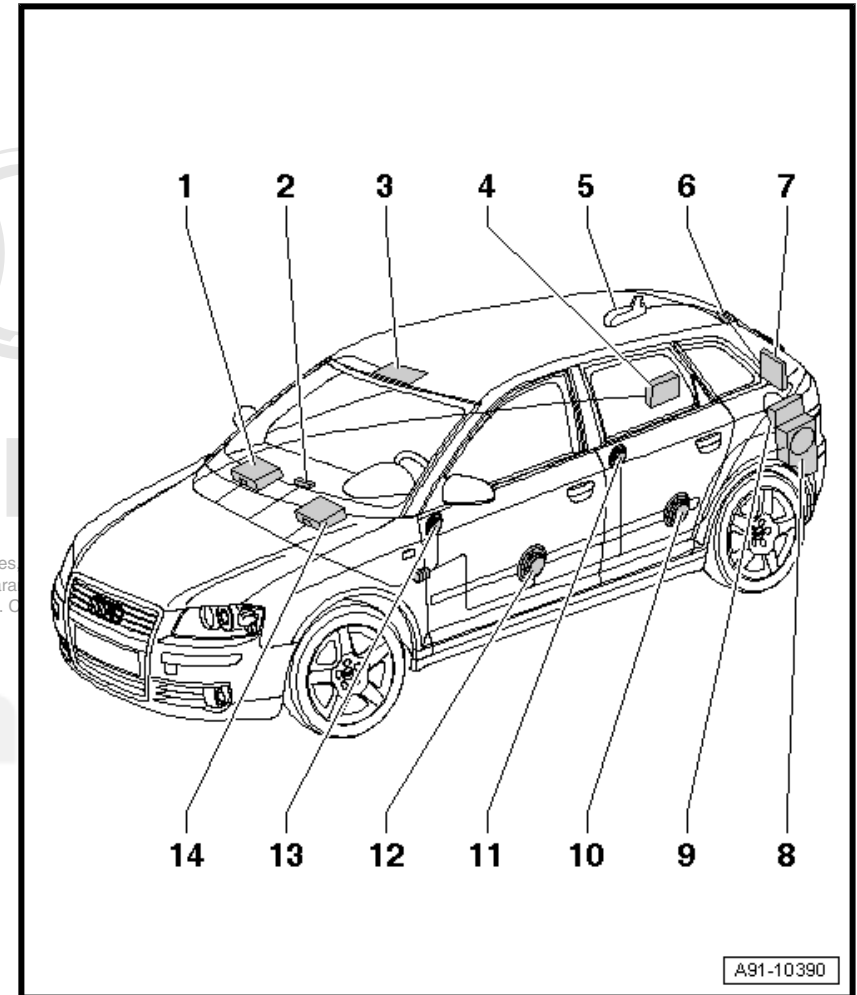
- Roof antenna
- Component location same for other systems

6 - Antenna Amplifier -R24-

- Located upper left of the rear lid

7 - Left Antenna Module -R108-

- Located lower left of the rear lid



Protected by copyright. Copying for private or commercial purposes is not permitted unless authorised by AUDI AG. AUDI AG does not guarantee with respect to the correctness of information in this document. C

Satellite Radio System Component Overview continued

8 - Amplifier/Woofer (in left rear luggage compartment) -R44- / Bass Speaker -R100-

- Located behind the left luggage compartment trim

9 - Satellite Radio -R146-

- Located behind the left luggage compartment trim
- Component location same for other system

10 - Left Rear Midrange Speaker -R105- / Right Rear Midrange Speaker -R106-

- Located in the lower rear door trim

11 - Left Rear Treble Speaker -R14- / Right Rear Treble Speaker -R16-

- Located in the upper rear door trim

12 - Left Front Mid-Bass Speaker -R101- / Right Front Mid-Bass Speaker -R102-

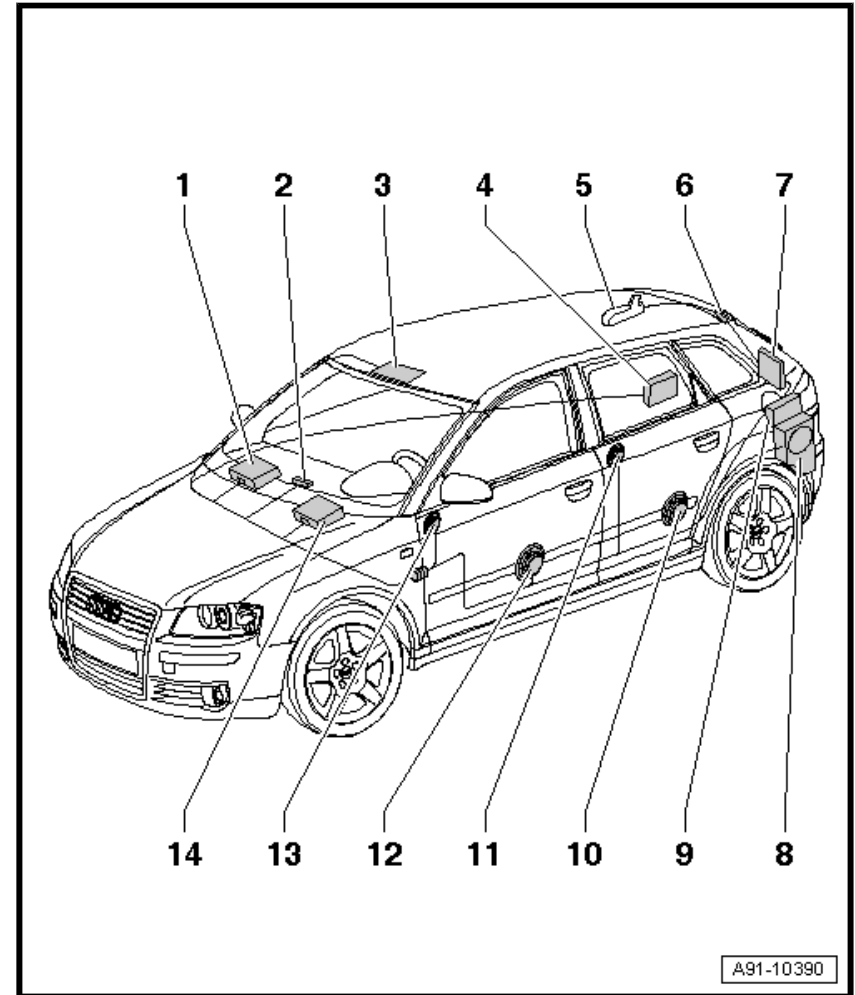
- Located in the lower front door trim

13 - Left Front Treble Speaker -R20- / Right Front Treble Speaker -R22-

Integrated with front door A-pillar trim

14 - Radio -R- - for satellite radio system or Operating Electronics, Navigation Control Module -J402- - for the radio navigation system

- Located in the center console
- Component location same for other systems



1.3 Telephone System Component Overview

1 - CD Changer -R41-

- Located in the glove compartment
- Component location same for the other systems

The following is included only for models with CD changer, iPod connection or USB connection baseplate (if applicable):

- ◆ iPod Baseplate -R192-
- ◆ USB Connection Baseplate -R193-
- ◆ External Audio Source Connection -R199-

2 - Center Mid/High Range Speaker -R158-

- Located in the upper instrument panel - center

3 - Telephone Baseplate -R126-

- Located in the center console/armrest

Protected by copyright. Copying for private or commercial purposes, in part or in whole, is not permitted unless authorised by AUDI AG. AUDI AG does not guarantee or accept any liability with respect to the correctness of information in this document. Copyright by AUDI AG.

4 - Telephone Microphone -R38-

- Integrated with the front interior lamp module

5 - Amplifier -R12-

- Located behind the right luggage compartment trim
- Component location same for the other systems

6 - Radio, Telephone, Navigation System Antenna -R52- or Antenna -R11- (if applicable)

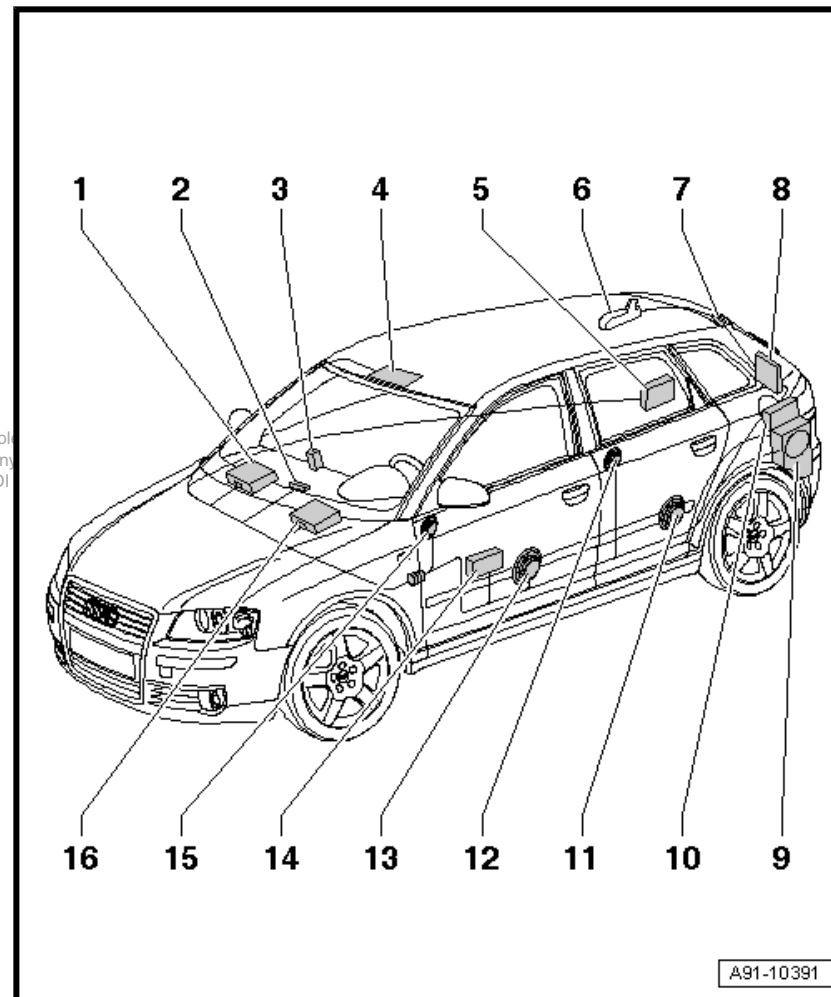
- Roof antenna

7 - Antenna Amplifier -R24-

- Located upper left of the rear lid

8 - Left Antenna Module -R108-

- Located lower left of the rear lid



Telephone System Component Overview continued

9 - Amplifier/Woofers (in left rear luggage compartment) -R44- / Bass Speaker -R100-

- Located behind the left luggage compartment trim

10 - Satellite Radio -R146-

- Located behind the left luggage compartment trim

11 - Left Rear Midrange Speaker -R105- / Right Rear Midrange Speaker -R106-

- Located in the lower rear door trim

12 - Left Rear Treble Speaker -R14- / Right Rear Treble Speaker -R16-

- Located in the upper rear door trim

13 - Left Front Mid-Bass Speaker -R101- / Right Front Mid-Bass Speaker -R102-

- Located in the lower front door trim

14 - Telephone Transceiver -R36- with Bluetooth Antenna -R152-

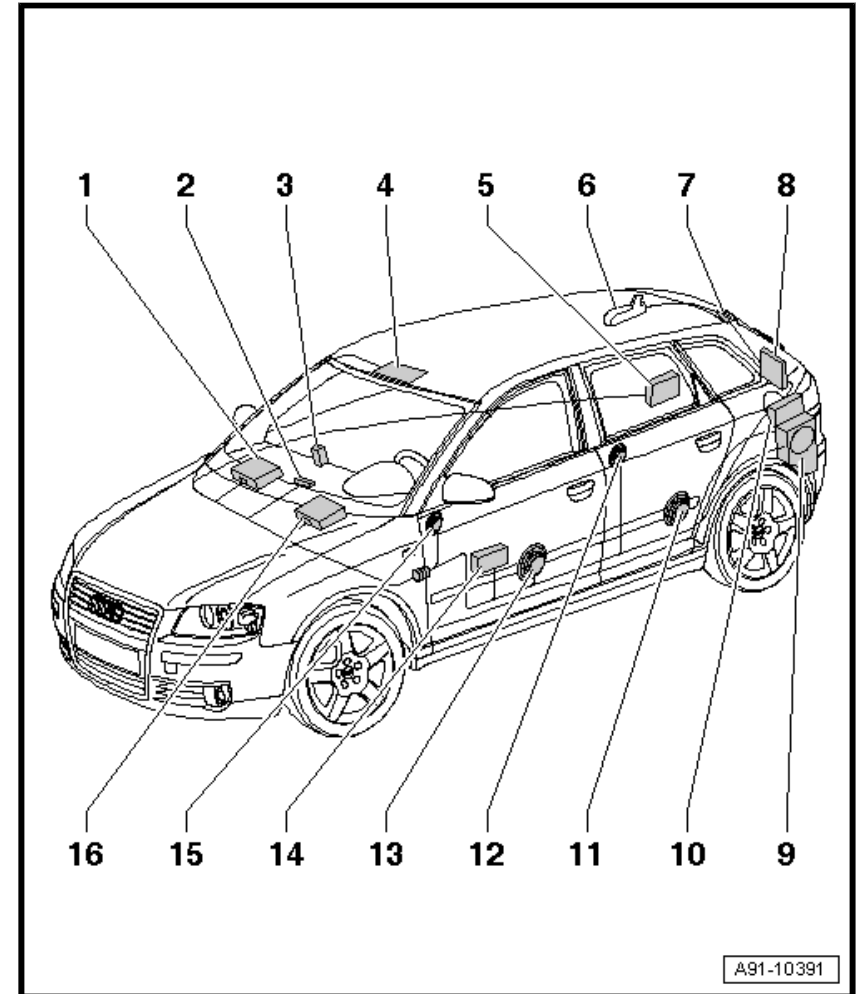
- Located in the E-box - driver footwell

15 - Left Front Treble Speaker -R20- / Right Front Treble Speaker -R22-

Integrated with front door A-pillar trim

16 - Radio -R-

- Located in the center console
- Component location same for the other systems



1.4 Antenna System Component Overview

Component A is not shown in the overview

A - Rear Window Defogger With Window Antenna -Z24-

- Integrated with Rear Window Antenna 1 -R130- , Rear Window Antenna 2 -R131- , Central Locking and Anti-Theft Alarm System Antenna -R47- and Heated Rear Window -Z1- (if applicable to system)

1 - Left Antenna Module -R108-

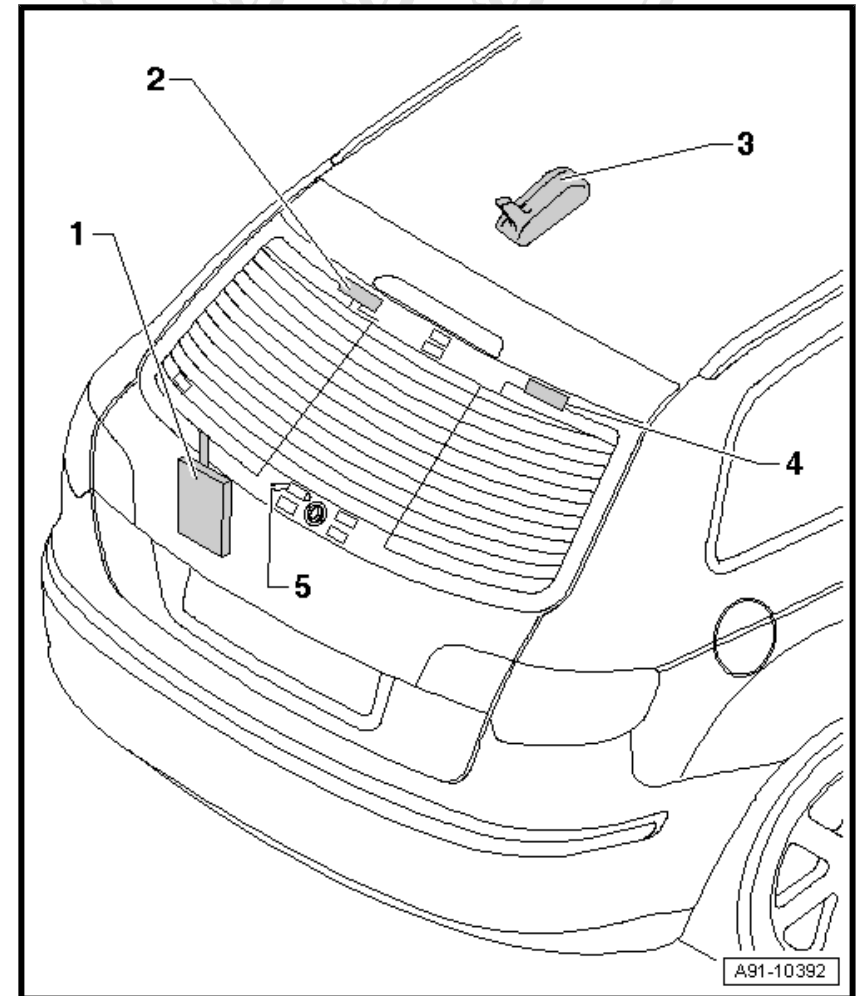
- Located lower left of the rear lid

2 - Antenna Amplifier -R24-

- Located upper left of the rear lid

3 - Radio, Telephone, Navigation System Antenna -52- or Antenna -R11- (if applicable)

- Roof antenna



1 Component Locations: Suspension System

1.1 Magnetic Ride Electronically-Controlled Damping Overview

1 - Shock Absorber with Right Front Dampening Adjustment Valve -N337-

2 - Right Front Level Control Sensor -G289- → [page 2](#)

3 - Electronic Dampening Control Module -J250- → [page 3](#)

- Installed under the passenger seat

4 - Dampening Adjustment Button -E387-

- Installed in the center console switch strip

5 - Shock Absorber with Right Rear Dampening Adjustment Valve -N339-

6 - Right Rear Level Control System Sensor -G77- → [page 4](#)

7 - Shock Absorber with Left Rear Dampening Adjustment Valve -N338-

8 - Left Rear Level Control System Sensor -G76- → [page 4](#)

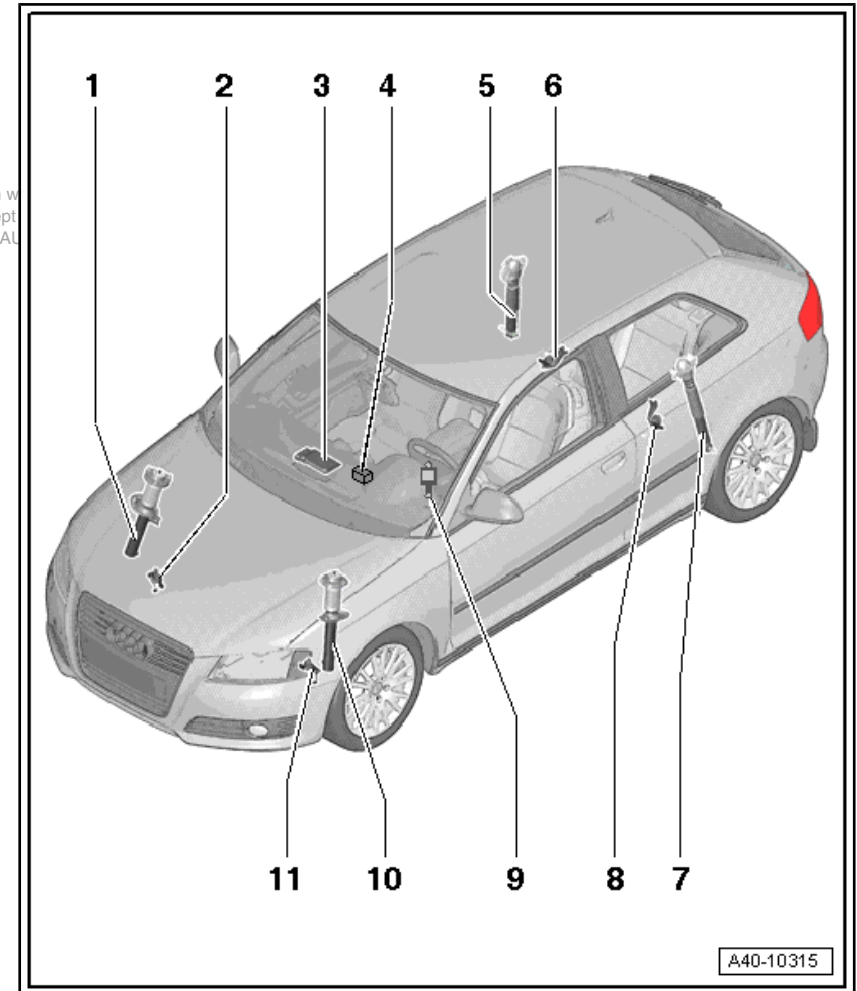
9 - Dampening Adjustment Indicator Lamp -K189-

- Located in the instrument cluster

10 - Shock Absorber with Left Front Dampening Adjustment Valve -N336-

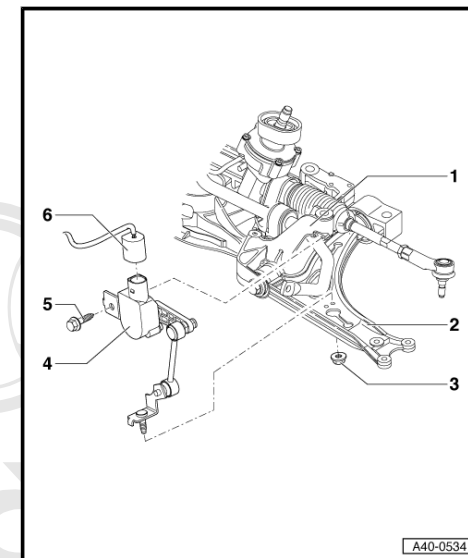
11 - Left Front Level Control System Sensor -G78- → [page 2](#)

Protected by copyright. Copying for private or commercial purposes, in part or in whole, is not permitted unless authorised by AUDI AG. AUDI AG does not guarantee or accept any liability with respect to the correctness of information in this document. Copyright by Audi AG.



Front Level Control Sensor

4 - Right Front Level Control Sensor -G289- / Left Front Level Control System Sensor -G78-



Protected by copyright. Copying for private or commercial purposes, in part or in whole, is not permitted unless authorised by AUDI AG. AUDI AG does not guarantee or accept any liability with respect to the correctness of information in this document. Copyright by AUDI AG.

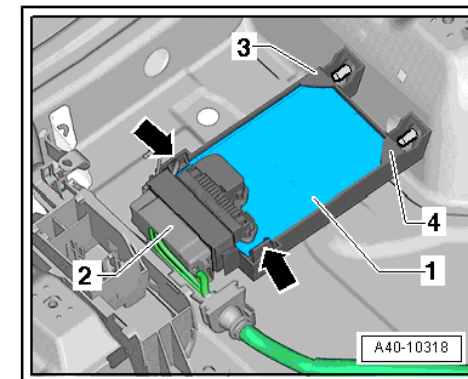
Electronic Damping Control Module

1 - Electronic Damping Control Module -J250-



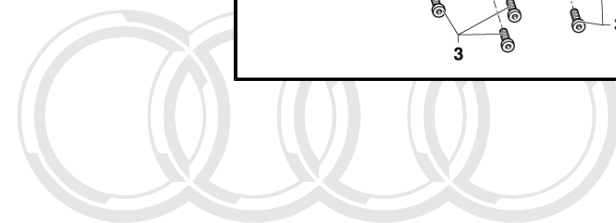
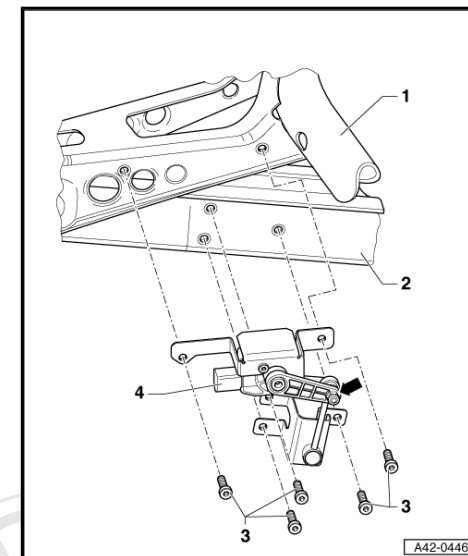
Audi

Protected by copyright. Copying for private or commercial purposes, in part or in whole, is not permitted unless authorised by AUDI AG. AUDI AG does not guarantee or accept any liability with respect to the correctness of information in this document. Copyright by AUDI AG.



Rear Level Control System Sensor

4 - Right Rear Level Control System Sensor -G77- / Left Rear Level Control System Sensor -G76-



Audi

Protected by copyright. Copying for private or commercial purposes, in part or in whole, is not permitted unless authorised by AUDI AG. AUDI AG does not guarantee or accept any liability with respect to the correctness of information in this document. Copyright by AUDI AG.

erWin 

1 Component Locations: Transmission System

1.1 Direct shift gearbox 02E (DSG)

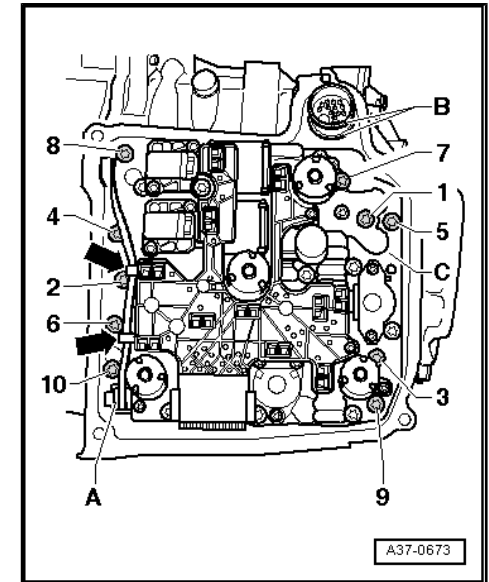
Direct Shift Gearbox (DSG) Mechatronic -J743-

-- Direct Shift Gearbox (DSG) Mechatronic -J743- is integrated onto the Direct Shift Gearbox (DSG)

– The Direct Shift Gearbox (DSG) Mechatronic -J743- is screwed to the front of the transmission housing and is covered by the transmission oil pan

The following are secured to the valve body or integrated to the Direct Shift Gearbox (DSG) Mechatronic -J743- :

- ◆ Automatic Transmission Pressure Regulating Valve 1 -N215-
- ◆ Automatic Transmission Pressure Regulating Valve 2 -N216-
- ◆ Automatic Transmission Pressure Regulating Valve 3 -N217-
- ◆ Automatic Transmission Pressure Regulating Valve 4 -N218-
- ◆ Automatic Transmission Pressure Regulating Valve 5 -N233-
- ◆ Automatic Transmission Pressure Regulating Valve 6 -N371-
- ◆ Solenoid Valve 1 -N88-
- ◆ Solenoid Valve 2 -N89-
- ◆ Solenoid Valve 3 -N90-
- ◆ Solenoid Valve 4 -N91-
- ◆ Solenoid Valve 5 -N92-
- ◆ Temperature Sensor (in Control Module) -G510-



Protected by copyright. Copying for private or commercial purposes, in part or in whole, is not permitted unless authorised by AUDI AG. AUDI AG does not guarantee or accept any liability with respect to the correctness of information in this document. Copyright by AUDI AG.

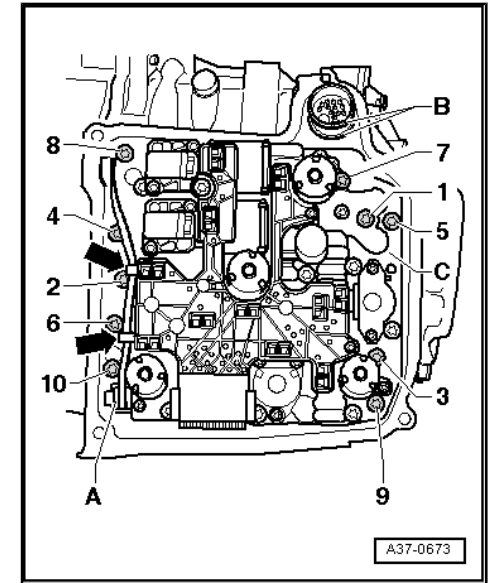


Direct Shift Gearbox (DSG) Mechatronic -J743- continued

The following are secured to the valve body or integrated to the Direct Shift Gearbox (DSG) Mechatronic -J743- :

- ◆ Automatic Transmission Hydraulic Pressure Sensor 1 -G193-
- ◆ Automatic Transmission Hydraulic Pressure Sensor 2 -G194-
- ◆ Transmission Output Speed (RPM) Sensor -G195-
- ◆ Transmission Output Speed (RPM) Sensor 2 -G196-
- ◆ Gear Position Distance Sensor 1 -G487-
- ◆ Gear Position Distance Sensor 2 -G488-
- ◆ Gear Position Distance Sensor 3 -G489-
- ◆ Gear Position Distance Sensor 4 -G490-
- ◆ Driveshaft Speed Sensor 1 -G501-
- ◆ Driveshaft Speed Sensor 2 -G502-
- ◆ Transmission Fluid Temperature Sensor -G93-

Protected by copyright. Copying for private or commercial purposes, in part or in whole, is not permitted. Audi AG does not guarantee or accept any liability with respect to the correctness of information in this document. Copyright by AUDI AG.



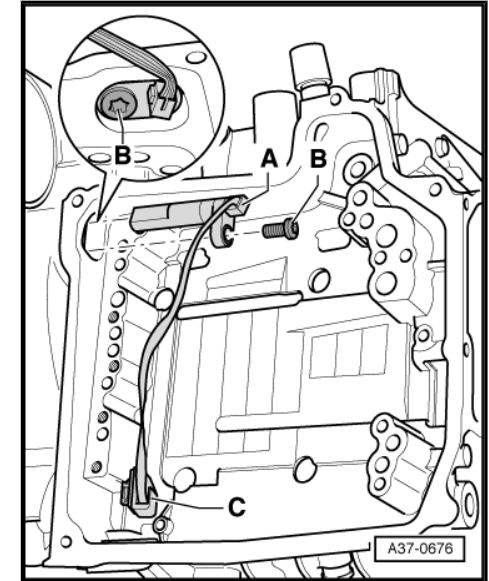
Transmission Input Speed (RPM) Sensor -G182-/Clutch Oil Temperature Sensor -G509-

A - Located on the transmission housing under the Direct Shift Gearbox (DSG) Mechatronic -J743-



Audi

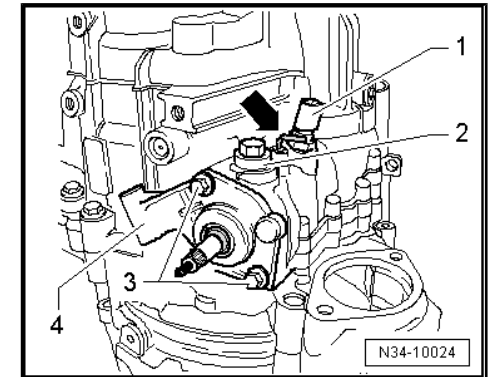
Protected by copyright. Copying for private or commercial purposes, in part or in whole, is not permitted unless authorised by AUDI AG. AUDI AG does not guarantee or accept any liability with respect to the correctness of information in this document. Copyright by AUDI AG.



Back-Up Light Switch

1 - Back-Up Light Switch -F4-

erWin

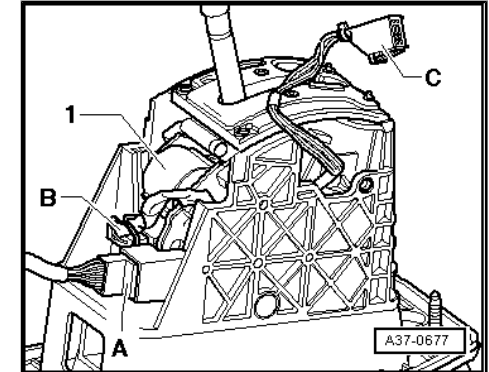


Selector Mechanism

1 - Shift Lock Solenoid -N110-

 **Note**

Permanently installed in the selector mechanism with Selector Lever Sensor System Control Module -J587- and cannot be replaced separately

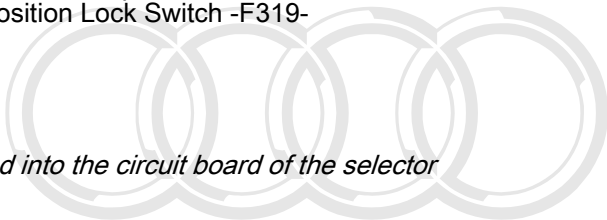
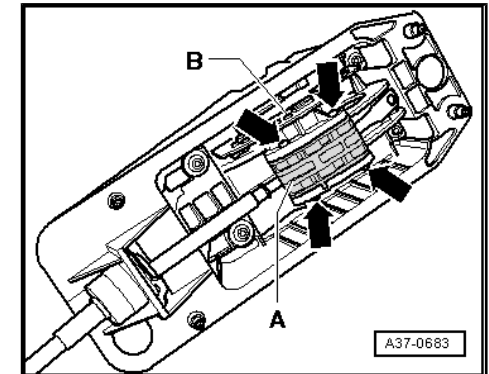


Selector Lever -E313-

B - Selector Lever -E313- with Tiptronic Switch -F189- and Selector Lever Park Position Lock Switch -F319-

 **Note**

Permanently integrated into the circuit board of the selector mechanism

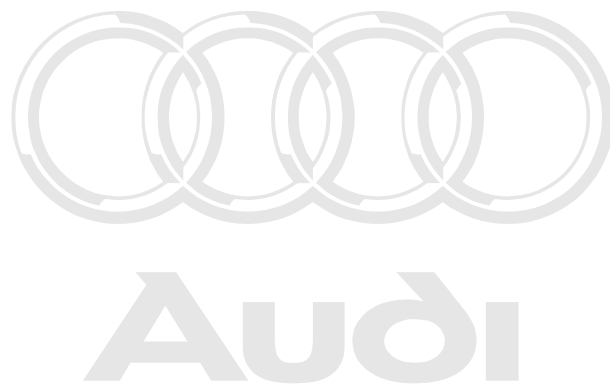


Protected by copyright. Copying for private or commercial purposes, in part or in whole, is not permitted unless authorised by AUDI AG. AUDI AG does not guarantee or accept any liability with respect to the correctness of information in this document. Copyright by AUDI AG.

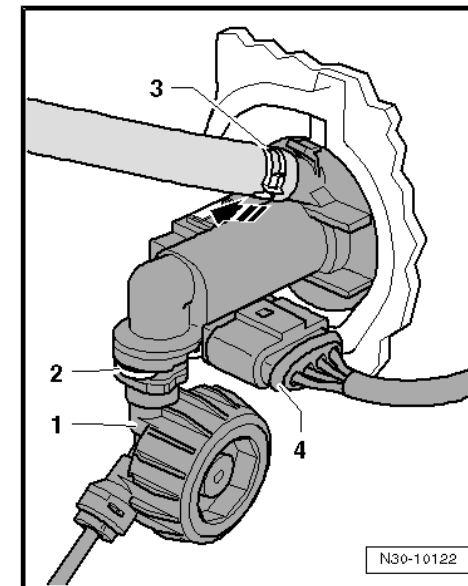


Clutch Position Sensor

4 - Connector for Clutch Position Sensor -G476- on manual trans



Protected by copyright. Copying for private or commercial purposes, in part or in whole, is not permitted unless authorised by AUDI AG. AUDI AG does not guarantee or accept any liability with respect to the correctness of information in this document. Copyright by AUDI AG.



1 Component Locations: Tire Pressure Monitor System

1.1 Tire Pressure Monitoring System

1 - Tire Pressure Monitoring Control Module -J502-

- With Rear Tire Pressure Monitoring Antenna -R96-

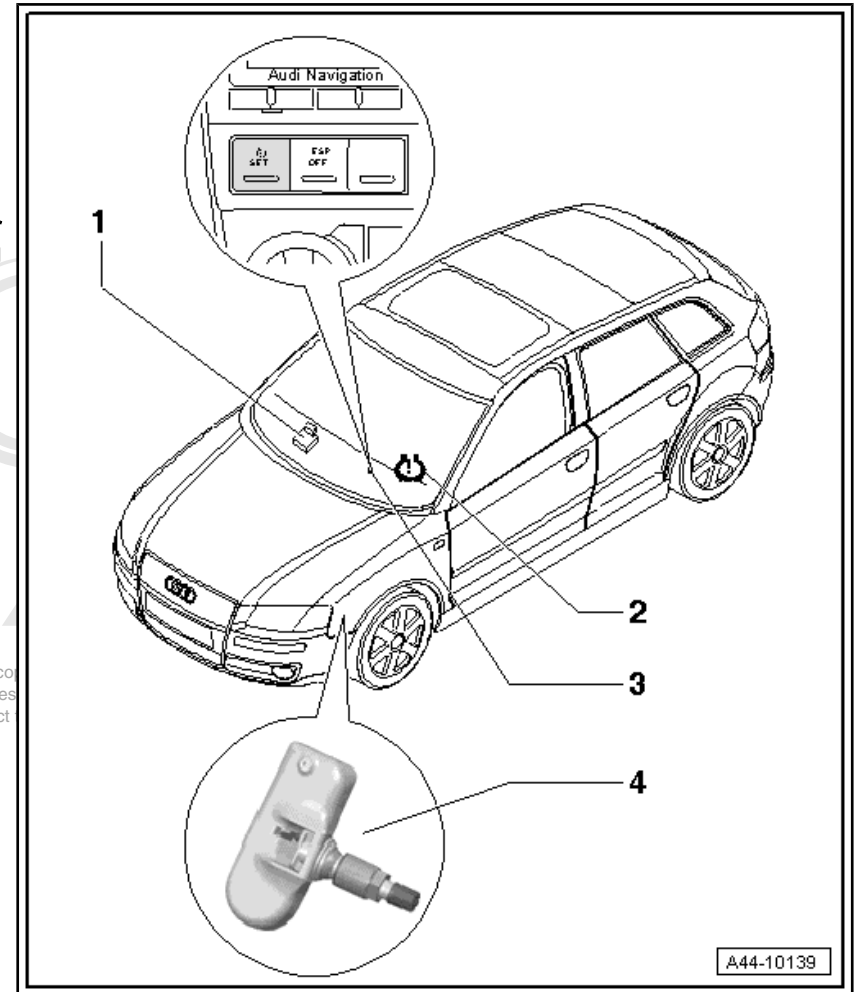
2 - Display in Instrument Cluster

3 - Tire Pressure Monitoring Button -E226-

- Installed in the center console switch strip

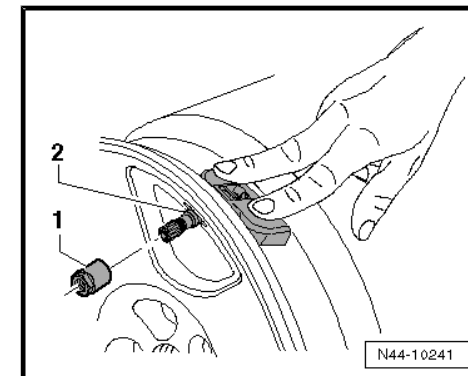
4 - Left Front Tire Pressure Monitoring Sensor -G222- , Right Front Tire Pressure Monitoring Sensor -G223- , Left Rear Tire Pressure Monitoring Sensor -G224- and Right Rear Tire Pressure Monitoring Sensor -G225-

Protected by copyright
permitted unless
with respect



Tire Pressure Sensor

2 - Left Front Tire Pressure Monitoring Sensor -G222- , Right Front Tire Pressure Monitoring Sensor -G223- , Left Rear Tire Pressure Monitoring Sensor -G224- and Right Rear Tire Pressure Monitoring Sensor -G225-



Audi

Protected by copyright. Copying for private or commercial purposes, in part or in whole, is not permitted unless authorised by AUDI AG. AUDI AG does not guarantee or accept any liability with respect to the correctness of information in this document. Copyright by AUDI AG.

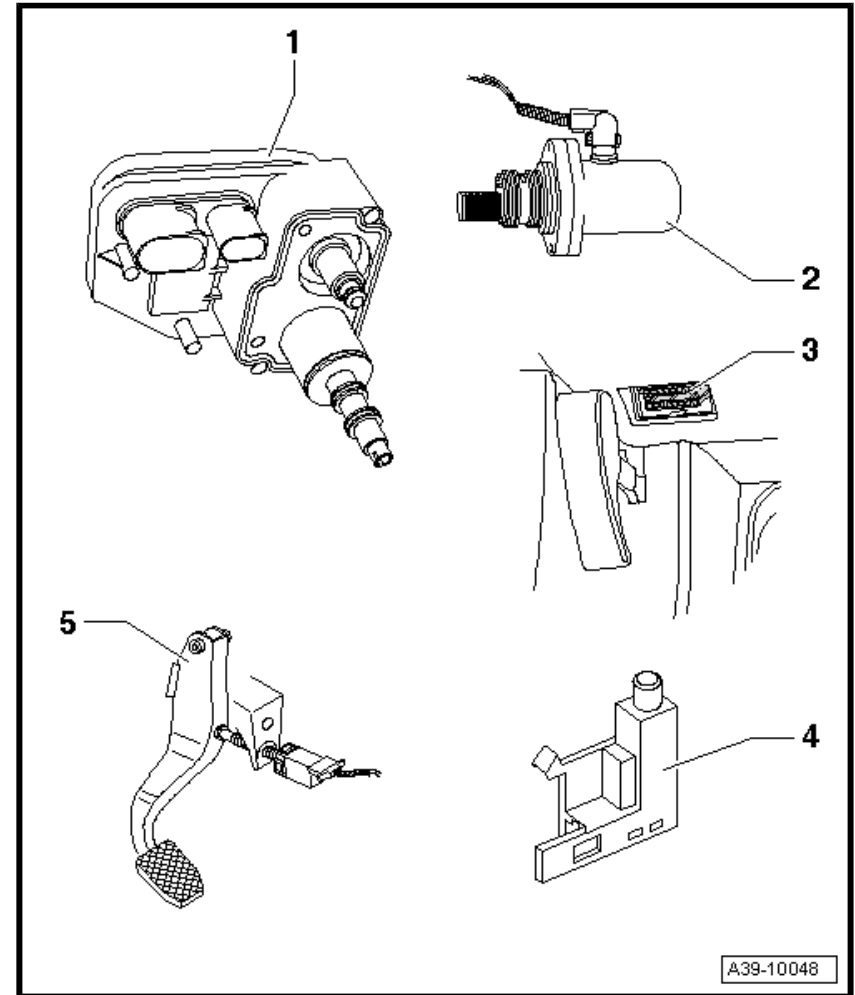


1 Component Locations: All-Wheel Drive System

- ◆ Rear Final Drive 02D and 0AV ⇒ [page 1](#)
- ◆ Rear Final Drive 0BR ⇒ [page 6](#)

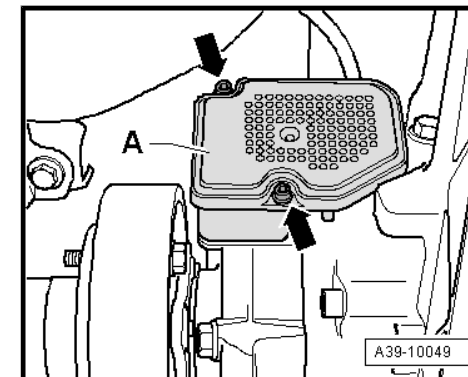
1.1 Rear Final Drive 02D and 0AV

- 1 - All Wheel Drive Control Module -J492- ⇒ [page 2](#)
 - ❑ With Haldex Clutch Control Valve -N373- ⇒ [page 5](#)
 - ❑ With Oil Pressure/Temperature Sensor -G437- ⇒ [page 5](#)
 - ❑ Oil Pressure Actuator -V184-
 - ❑ Located in rear final drive in the front left area.
 - ❑ For Rear Final Drive 0BR location ⇒ [page 6](#)
- 2 - Haldex Clutch Pump -V181- ⇒ [page 3](#)
 - ❑ Located in rear final drive in the front right area.
 - ❑ For Rear Final Drive 0BR location ⇒ [page 6](#)
- 3 - Data Link Connector (DLC)
 - ❑ Located at the front left footwell near the hood opener
- 4 - Parking Brake Warning Light Switch -F9- ⇒ [page 4](#)
 - ❑ Located on the handbrake lever.
- 5 - Brake Light Switch -F-
 - ❑ Located on the pedal assembly over brake pedal.



All Wheel Drive Control Module -J492-

A - All Wheel Drive Control Module -J492-



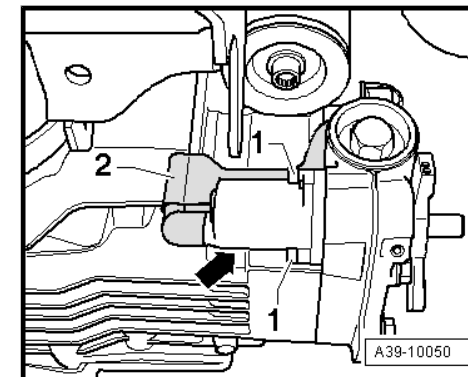
Audi

Protected by copyright. Copying for private or commercial purposes, in part or in whole, is not permitted unless authorised by AUDI AG. AUDI AG does not guarantee or accept any liability with respect to the correctness of information in this document. Copyright by AUDI AG.



Haldex Clutch Pump -V181-

Arrow - Haldex Clutch Pump -V181-



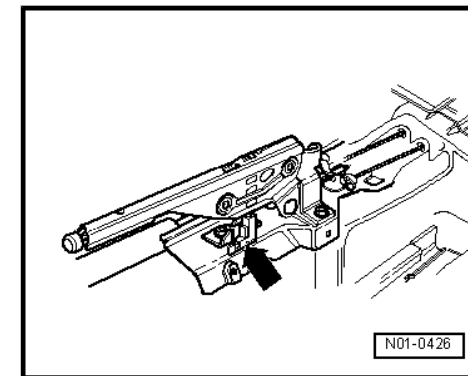
Audi

Protected by copyright. Copying for private or commercial purposes, in part or in whole, is not permitted unless authorised by AUDI AG. AUDI AG does not guarantee or accept any liability with respect to the correctness of information in this document. Copyright by AUDI AG.



Parking Brake Warning Light Switch -F9-

Arrow - Parking Brake Warning Light Switch -F9-



Audi

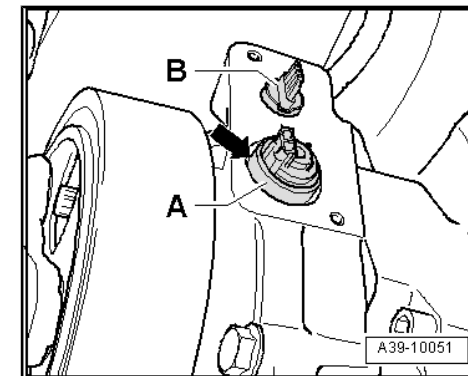
Protected by copyright. Copying for private or commercial purposes, in part or in whole, is not permitted unless authorised by AUDI AG. AUDI AG does not guarantee or accept any liability with respect to the correctness of information in this document. Copyright by AUDI AG.



Haldex Clutch Control Valve -N373-

A - Haldex Clutch Control Valve -N373-

B - Oil Pressure/Temperature Sensor -G437-



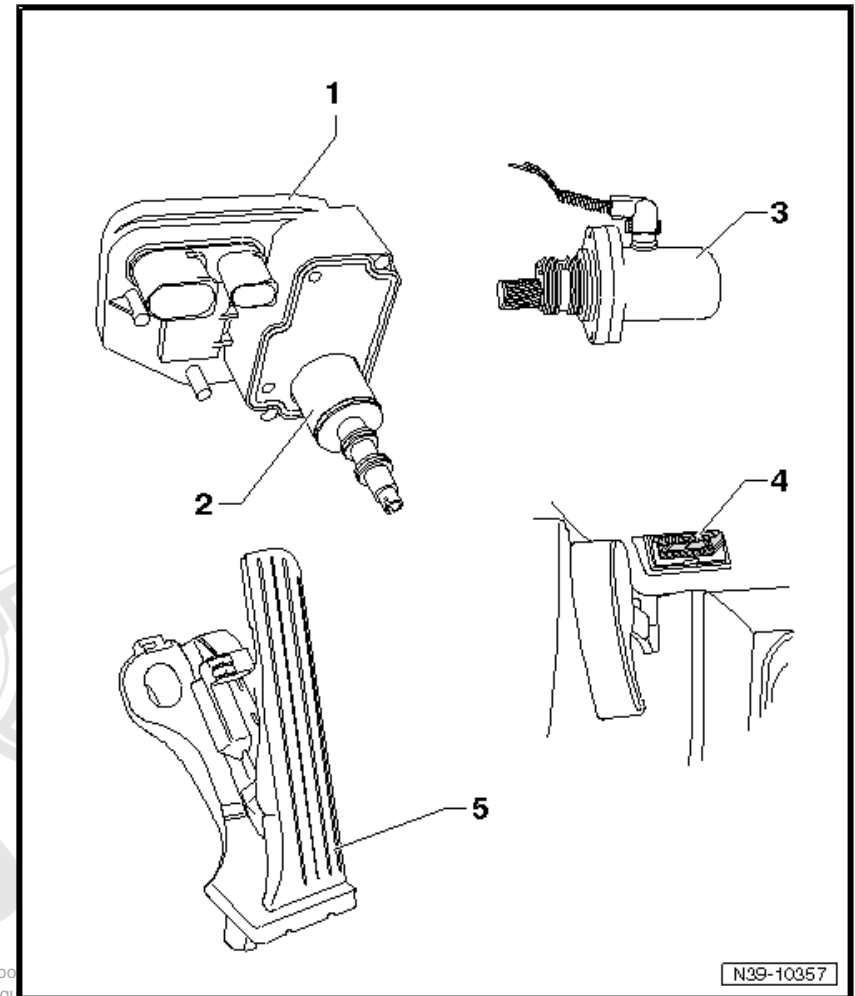
Audi

Protected by copyright. Copying for private or commercial purposes, in part or in whole, is not permitted unless authorised by AUDI AG. AUDI AG does not guarantee or accept any liability with respect to the correctness of information in this document. Copyright by AUDI AG.



1.2 Rear Final Drive 0BR

- 1 - All Wheel Drive Control Module -J492-
- 2 - Haldex Clutch Control Valve -N373-
- 3 - Haldex Clutch Pump -V181-
- 4 - Data Link Connector (DLC)
- 5 - Throttle Position (TP) Sensor -G79-

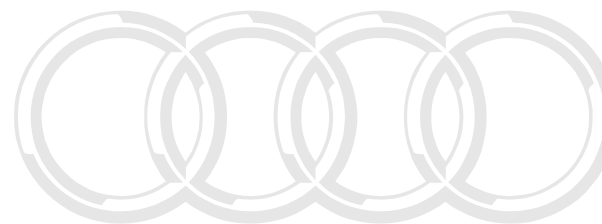


Protected by copyright. Copying for private or commercial purposes is not permitted unless authorised by AUDI AG. AUDI AG does not guarantee the accuracy with respect to the correctness of information in this document. Copyright by AUDI AG.



1 Component Locations: Central Locking / Anti-Theft Systems

- ◆ Central Locking / Anti-Theft Systems ⇒ [page 2](#)
- ◆ Door Locks ⇒ [page 11](#)
- ◆ Rear Lid Lock ⇒ [page 13](#)



Audi

Protected by copyright. Copying for private or commercial purposes, in part or in whole, is not permitted unless authorised by AUDI AG. AUDI AG does not guarantee or accept any liability with respect to the correctness of information in this document. Copyright by AUDI AG.

erWin

1.1 Central Locking / Anti-Theft Systems

Component A - C are not shown in the overview

A - Interior Monitoring Sensor -G273- ⇒ [page 8](#)

- Located in the front interior/reading lamp

B - Central Locking and Anti-Theft Alarm System Antenna -R47-

- Integrated in Vehicle electrical system control module -J519- for late model vehicles except RS3.
- Integrated with Antenna amplifier 2 -R111- or Left antenna module -R108- for early model vehicles and RS3.

C - Left Antenna Module -R108-

- Located lower left on the rear lid

1 - Alarm Horn -H12- ⇒ [page 4](#)

- Located under the right front wheel housing liner

2 - Vehicle Inclination Sensor -G384- (Inclination-/Anti-Theft Control Module -J529-) ⇒ [page 5](#)

- Located under the front center console

3 - Front Passenger Door Control Module -J387- ⇒ [page 6](#)

- Integrated in Front Passenger Window Regulator Motor -V148-
- Located in front passenger door

4 - Right Rear Door Control Module -J389- ⇒ [page 7](#)

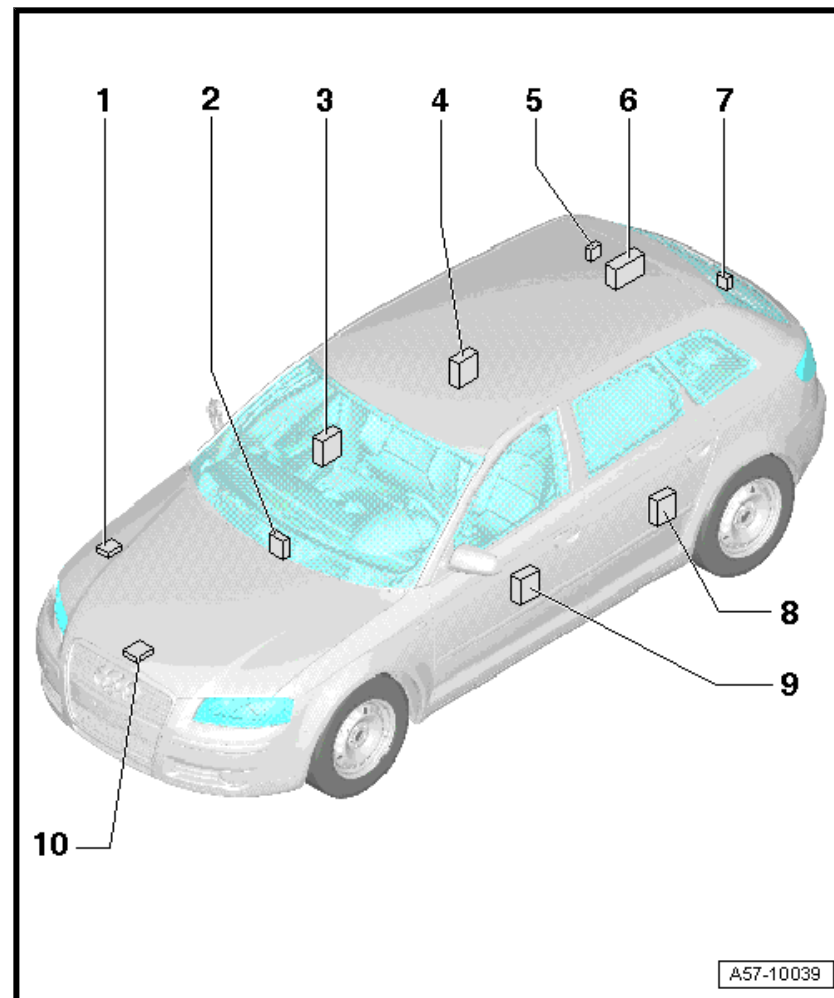
- Integrated in Right Rear Window Regulator Motor -V27-

5 - Fuel Tank Lid Unlock Motor -V155- ⇒ [page 9](#)

- Located on the side trim on the right side of luggage compartment.

6 - Comfort System Central Control Module -J393-

- Up to 2011 MY: Located in the luggage compartment right rear below side trim.
- From early 2012 MY: J393 module is integrated into J519 which is located in Instrument Panel, left



A57-10039

Central Locking / Anti-Theft Systems continued

7 - Rear Lid Unlock Motor -V139-

- Located in the rear lid.

8 - Left Rear Door Control Module -J388- → [page 7](#)

- Integrated in the Left Rear Window Regulator Motor -V26-

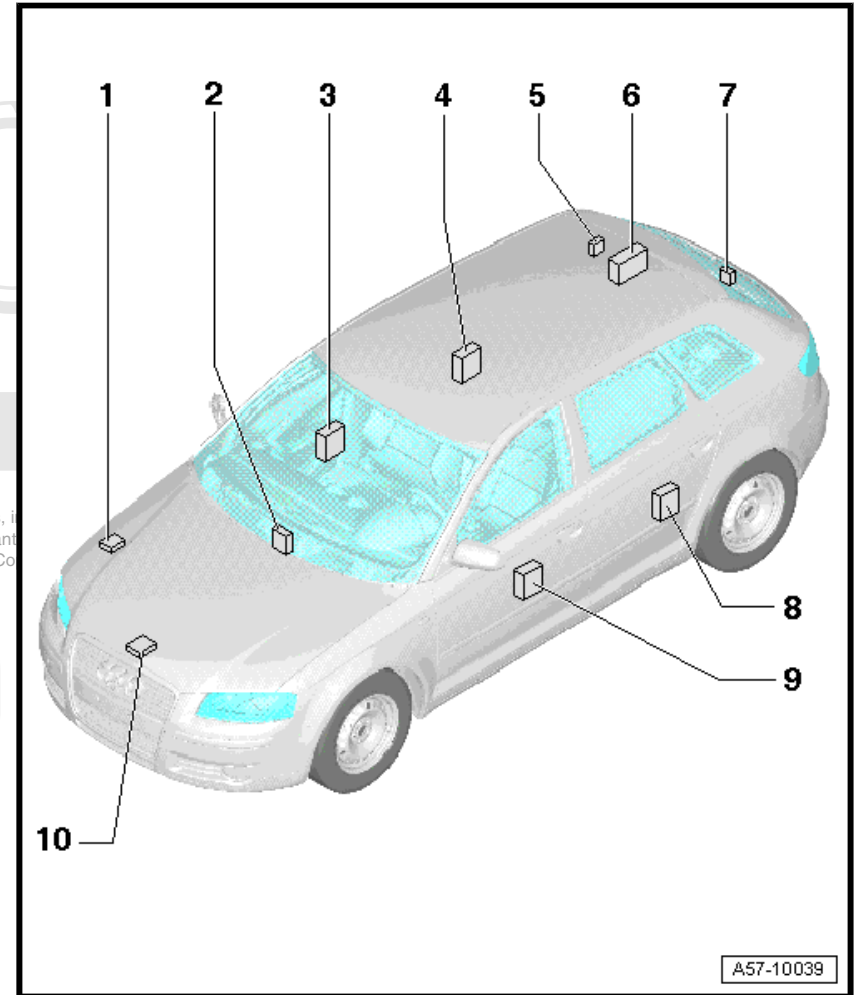
9 - Driver Door Control Module -J386- → [page 6](#)

- Integrated in Driver Window Regulator Motor -V147-

10 - Front Hood Switch -F266- → [page 10](#)

- Integrated in the hood lock
- Located in the hood lock carrier

Protected by copyright. Copying for private or commercial purposes, is permitted unless authorised by AUDI AG. AUDI AG does not guarantee with respect to the correctness of information in this document. Co



Alarm Horn

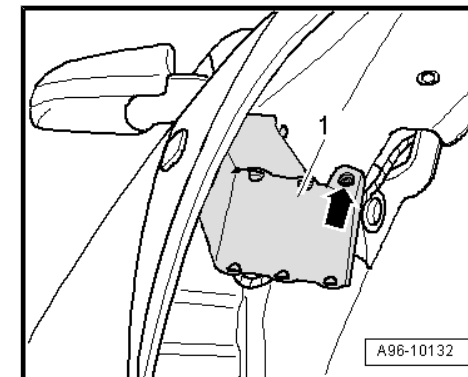
1 - Alarm Horn -H12-



Audi

Protected by copyright. Copying for private or commercial purposes, in part or in whole, is not permitted unless authorised by AUDI AG. AUDI AG does not guarantee or accept any liability with respect to the correctness of information in this document. Copyright by AUDI AG.

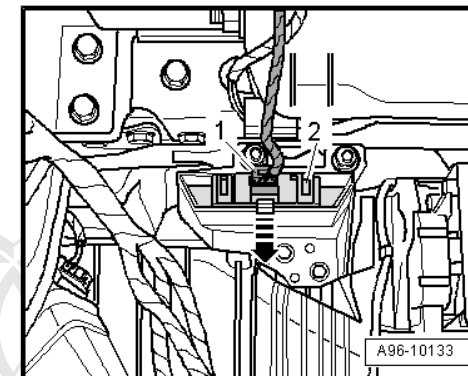
erWin



Inclination/Anti-Theft Control Module

1 - Electrical Connector

2 - Vehicle Inclination Sensor -G384- (Inclination-/Anti-Theft Control Module -J529-)



Audi

Protected by copyright. Copying for private or commercial purposes, in part or in whole, is not permitted unless authorised by AUDI AG. AUDI AG does not guarantee or accept any liability with respect to the correctness of information in this document. Copyright by AUDI AG.

erWin

Window Regulator Motor - Front Door

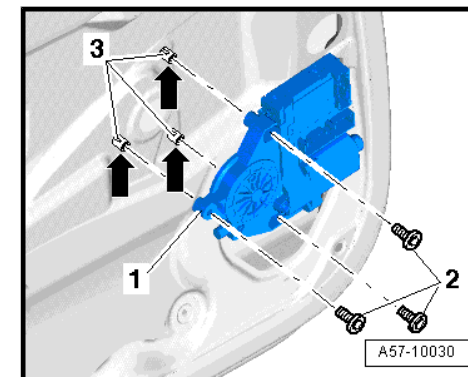
1 - Driver Window Regulator Motor -V147- integrated with Driver Door Control Module -J386- / Front Passenger Window Regulator Motor -V148- integrated with Front Passenger Door Control Module -J387-



Audi

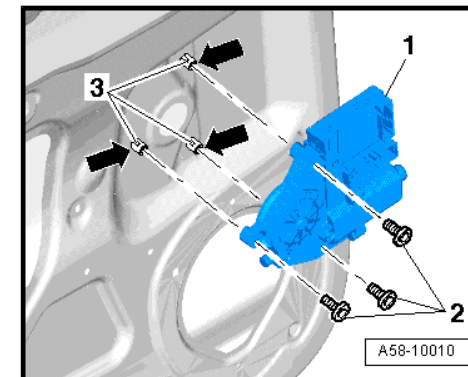
Protected by copyright. Copying for private or commercial purposes, in part or in whole, is not permitted unless authorised by AUDI AG. AUDI AG does not guarantee or accept any liability with respect to the correctness of information in this document. Copyright by AUDI AG.

erWin



Window Regulator Motor - Rear Door

1 - Left Rear Window Regulator Motor -V26- integrated with Left Rear Door Control Module -J388- / Right Rear Window Regulator Motor -V27- integrated with Right Rear Door Control Module -J389-



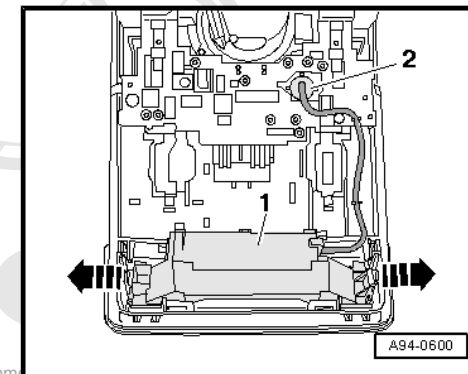
Audi

Protected by copyright. Copying for private or commercial purposes, in part or in whole, is not permitted unless authorised by AUDI AG. AUDI AG does not guarantee or accept any liability with respect to the correctness of information in this document. Copyright by AUDI AG.



Interior Monitoring Sensor

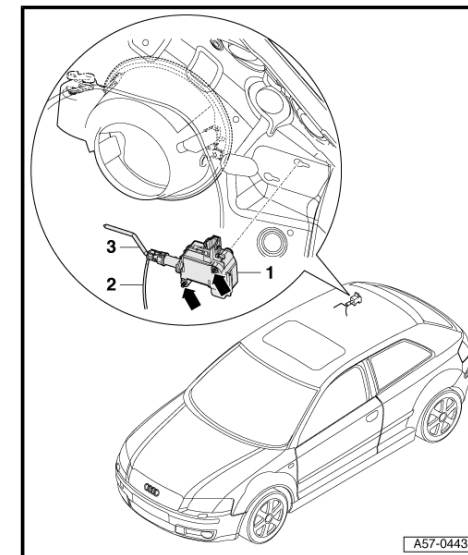
1 & 2 - Interior Monitoring Sensor -G273-



Protected by copyright. Copying for private or commercial use is not permitted unless authorised by AUDI AG. AUDI AG does not guarantee or accept any liability with respect to the correctness of information in this document. Copyright by AUDI AG.

Fuel Filler Door Unlock Motor

1 - Fuel Tank Lid Unlock Motor -V155-



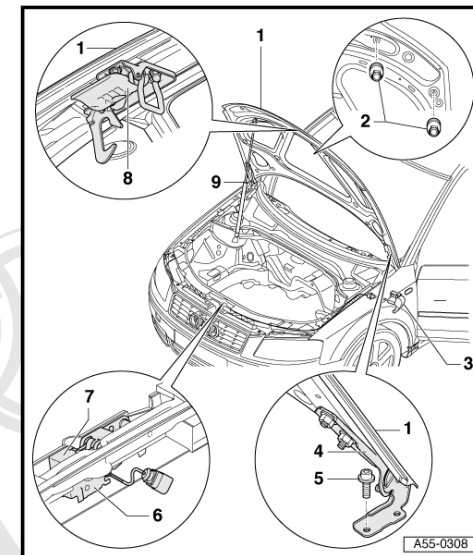
Audi

Protected by copyright. Copying for private or commercial purposes, in part or in whole, is not permitted unless authorised by AUDI AG. AUDI AG does not guarantee or accept any liability with respect to the correctness of information in this document. Copyright by AUDI AG.



Hood

- 1 - Hood
- 2 - Hood lock with Front Hood Switch -F266-
- 7 - Lock Carrier



Protected by copyright. Copying for private or commercial purposes, in part or in whole, is not permitted unless authorised by AUDI AG. AUDI AG does not guarantee or accept any liability with respect to the correctness of information in this document. Copyright by AUDI AG.

1.2 Door Locks

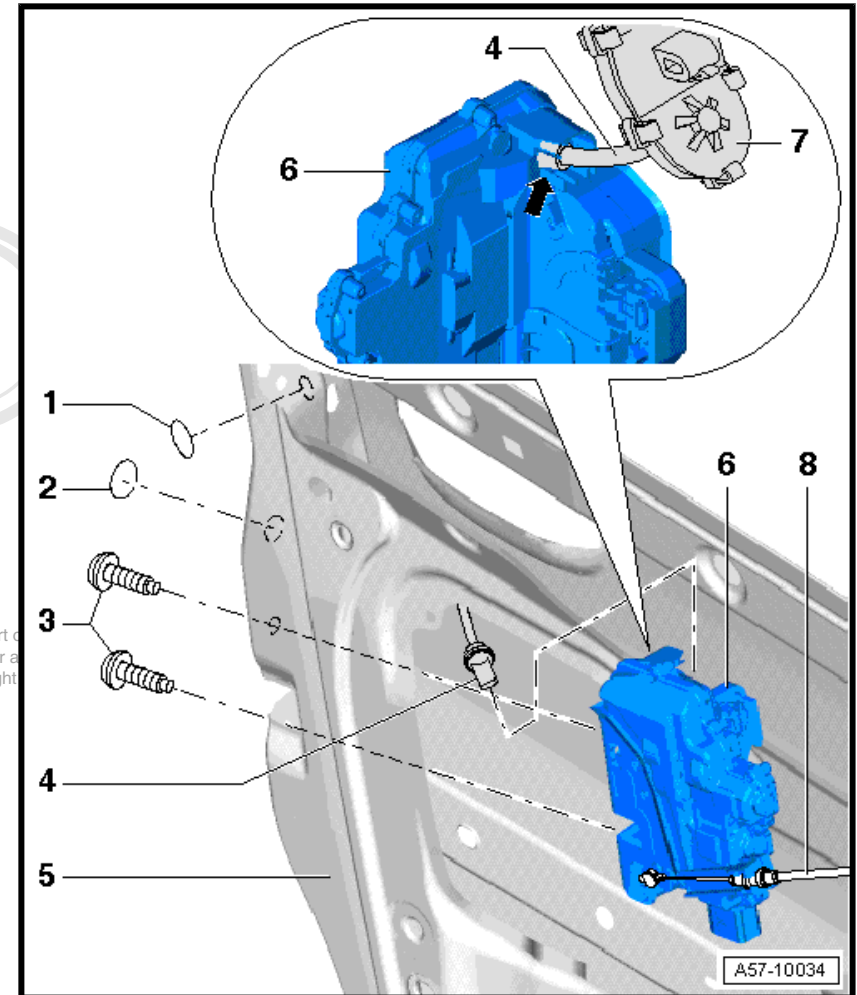
Front Door Lock

6 - Door Lock

- ◆ Driver Door Central Locking Lock Unit -F220-
- ◆ Driver Door Contact Switch -F2-
- ◆ Driver Door Central Locking System Motor -V56-
- ◆ Driver Door Central Locking (Safe) Motor -V161-
- ◆ Driver Lock Cylinder Contact Switch -F241-
- ◆ Left Front Central Locking System Actuator -F131-
- ◆ Front Passenger Door Central Locking Lock Unit -F221-
- ◆ Front Passenger Door Contact Switch -F3-
- ◆ Front Passenger Door Central Locking System Motor -V57-
- ◆ Front Passenger Central Locking (Safe) Motor -V162-
- ◆ Right Front Central Locking System Actuator -F133-

Component location is similar for the driver and passenger front doors

Protected by copyright. Copying for private or commercial purposes, in part or in full, is prohibited without the written permission of AUDI AG. AUDI AG does not guarantee or accept any liability with respect to the correctness of information in this document. Copyright © 2014 Audi AG



A57-10034

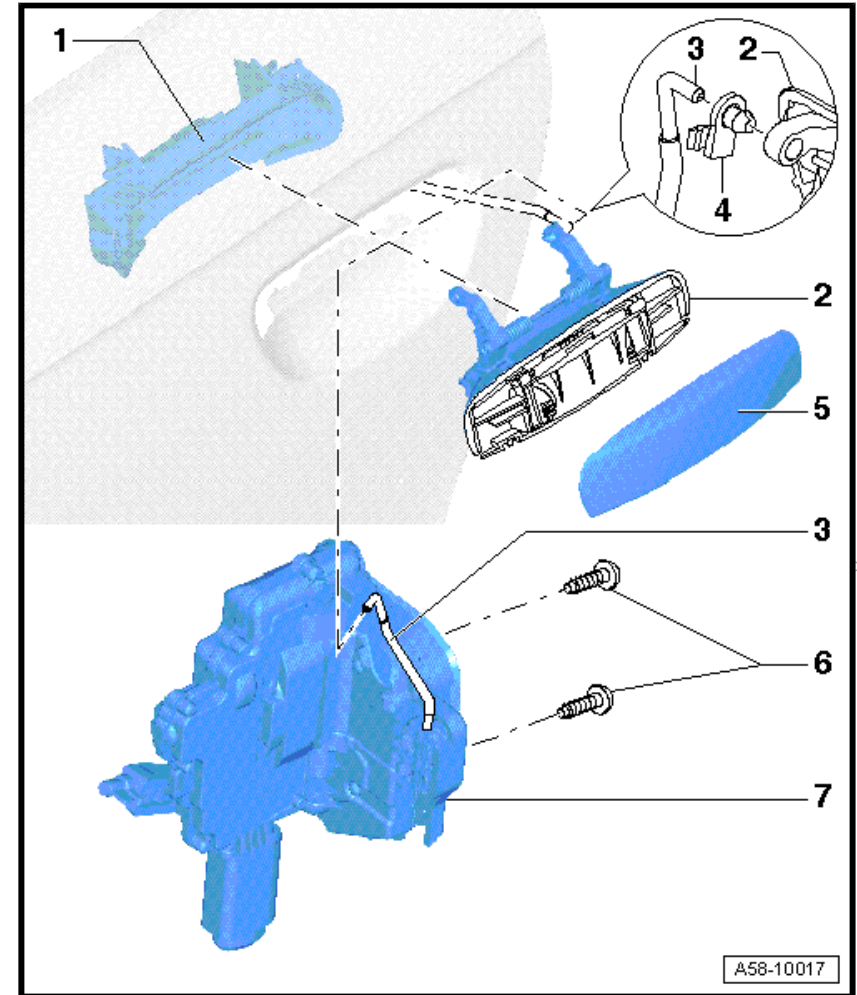
Rear Door Lock

2 - Door Handle

7 - Door Lock

- ◆ Left Rear Central Locking Lock Unit -F222-
- ◆ Left Rear Door Contact Switch -F10-
- ◆ Left Rear Central Locking System Motor -V115-
- ◆ Left Rear Central Locking System Actuator -F132-
- ◆ Left Rear Central Locking (Safe) Motor -V163-
- ◆ Right Rear Door Contact Switch -F11-
- ◆ Right Rear Central Locking Lock Unit -F223-
- ◆ Right Rear Central Locking System Motor -V97-
- ◆ Right Rear Central Locking System Actuator -F134-
- ◆ Right Rear Central Locking (Safe) Motor -V164-

Component location is similar for the left and right rear doors



not
ability

1.3 Rear Lid Lock

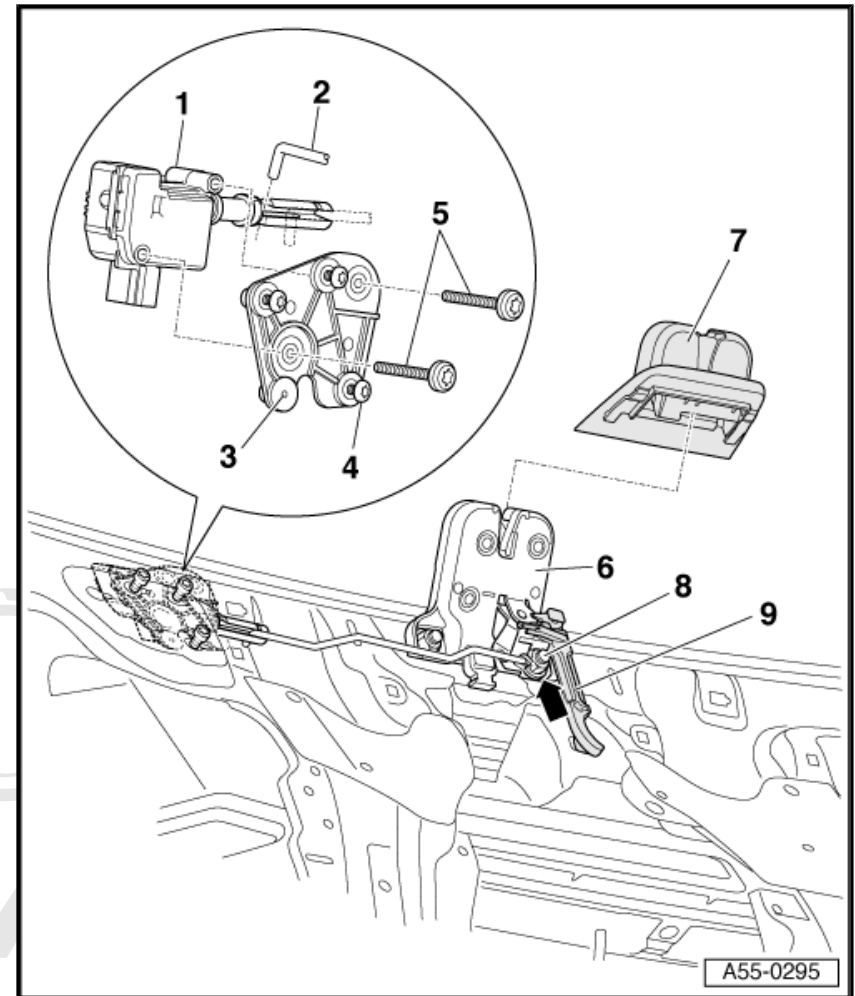
1 - Rear Lid Actuator

6 - Rear Lid Lock

◆ Rear Lid Central Locking System Motor -V53-

◆ Trunk Lid Alarm Switch -F123-

◆ Trunk Lock/Alarm/Central Locking Switch -F124- (if applicable)



Protected by copyright. Copying for private or commercial purposes, in part or in whole, is not permitted unless authorised by AUDI AG. AUDI AG does not guarantee or accept any liability with respect to the correctness of information in this document. Copyright by AUDI AG.



1 Component Locations: Comfort Systems

- ◆ Signal Horns ⇒ [page 2](#)
- ◆ Automatic Headlamp Vertical Aim Control Overview ⇒ [page 3](#)
- ◆ HID Headlamps Assembly Overview through 05.2008 ⇒ [page 5](#)
- ◆ Bi-Xenon Headlamps with Cornering Lamp Overview ⇒ [page 6](#)
- ◆ Garage Door Opener Control Module ⇒ [page 9](#)
- ◆ Front Power Seats Component Overview ⇒ [page 10](#)
- ◆ Heated Seats ⇒ [page 11](#)

Protected by copyright. Copying for private or commercial purposes, in part or in whole, is not permitted unless authorised by AUDI AG. AUDI AG does not guarantee or accept any liability with respect to the correctness of information in this document. Copyright by AUDI AG.

erWin

1.1 Signal Horns

1 - High Tone Horn -H2-

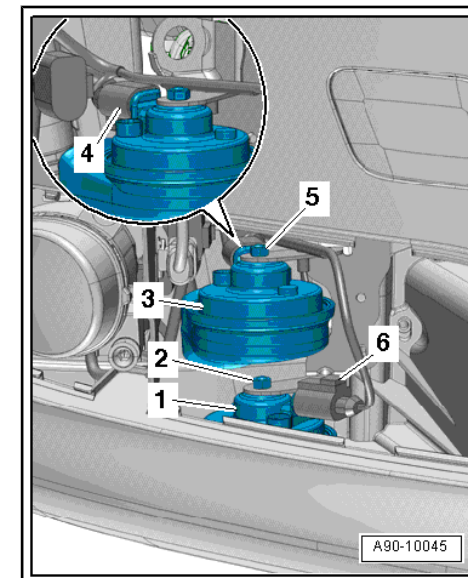
2 - Low Tone Horn -H7-

Located behind the lower right air inlet grille



Audi

Protected by copyright. Copying for private or commercial purposes, in part or in whole, is not permitted unless authorised by AUDI AG. AUDI AG does not guarantee or accept any liability with respect to the correctness of information in this document. Copyright by AUDI AG.



1.2 Automatic Headlamp Vertical Aim Control Overview

1 - Right Headlamp Beam Adjustment Motor -V49-

- Located inside the headlamp
- HID Headlamps Assembly Overview through 05.2008 location ⇒ [Item 10 \(page 5\)](#)

2 - Left Headlamp Beam Adjustment Motor -V48-

- Located inside the headlamp
- HID Headlamps Assembly Overview through 05.2008 location ⇒ [Item 10 \(page 5\)](#)

3 - Left Front Level Control System Sensor -G78-

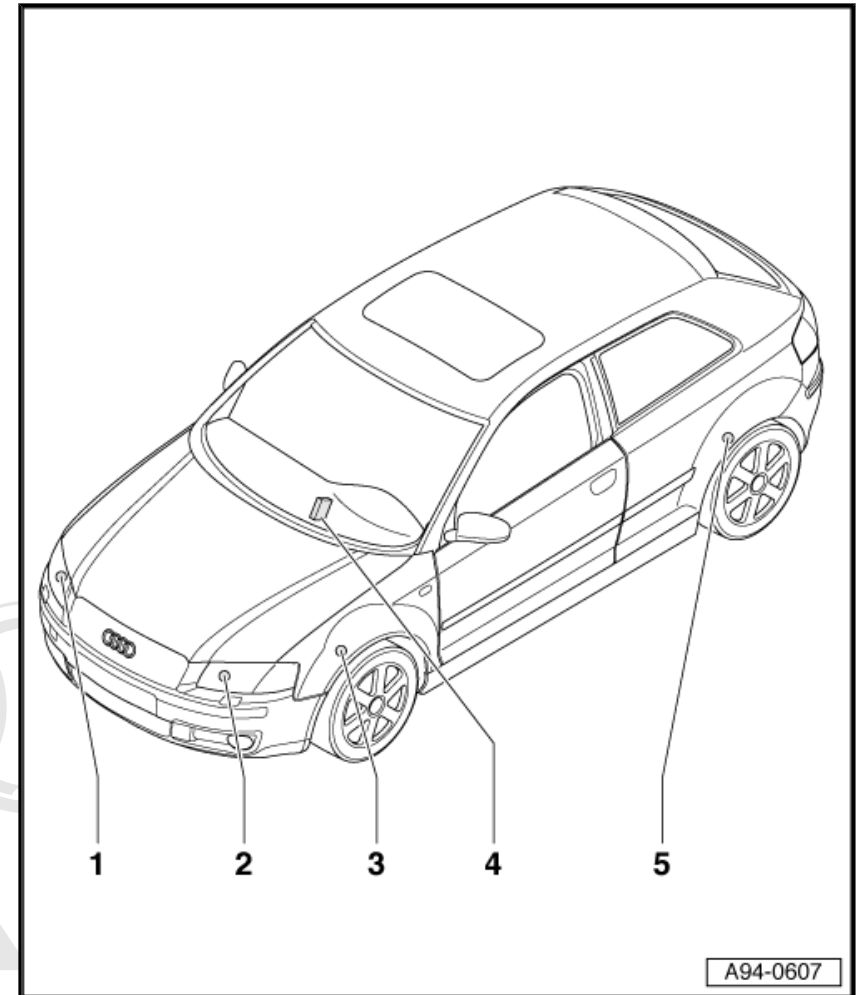
- Located on the left front control arm

4 - Headlamp Range Control Module -J431- ⇒ [page 4](#)

- Located at the front of instrument panel carrier in driver side footwell

5 - Left Rear Level Control System Sensor -G76-

- Located on the left rear control arm



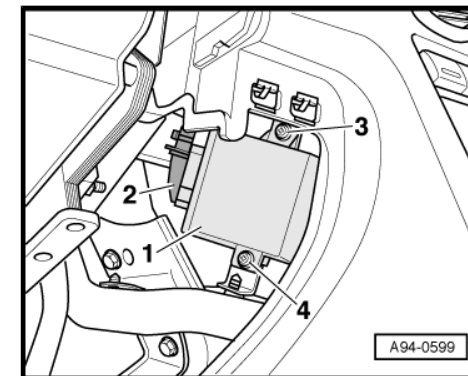
Protected by copyright. Copying for private or commercial purposes, in part or in whole, is not permitted unless authorised by AUDI AG. AUDI AG does not guarantee or accept any liability with respect to the correctness of information in this document. Copyright by AUDI AG.



Automatic Headlamp Range Control Module

1 - Headlamp Range Control Module -J431-

2 - Electrical Connector



Audi

Protected by copyright. Copying for private or commercial purposes, in part or in whole, is not permitted unless authorised by AUDI AG. AUDI AG does not guarantee or accept any liability with respect to the correctness of information in this document. Copyright by AUDI AG.



1.3 HID Headlamps Assembly Overview through 05.2008

10 - Headlamp Range Control Positioning Motor

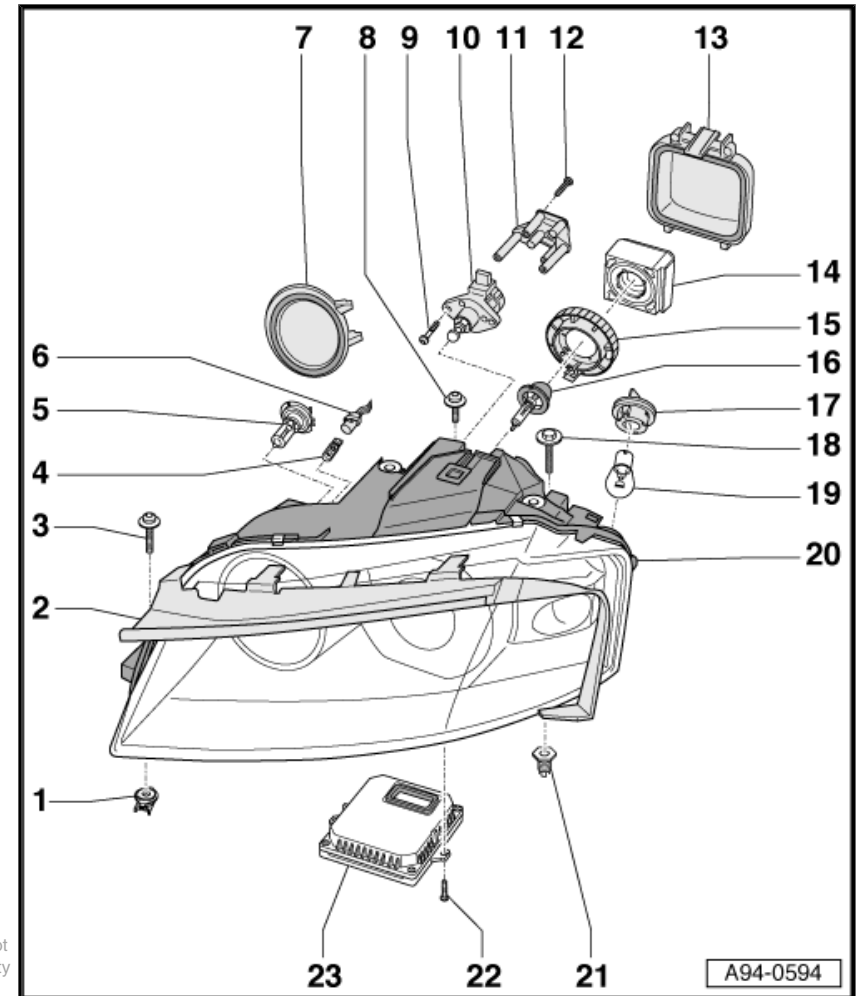
- For the Left Headlamp Beam Adjustment Motor -V48-
- For the Right Headlamp Beam Adjustment Motor -V49-

23 - HID Headlamp Control Module

- For the Left High-intensity Gas Discharge Lamp Control Module -J343-
- For the Right High-intensity Gas Discharge Lamp Control Module -J344-



Protected by copyright. Copying for private or commercial purposes, in part or in whole, is not permitted unless authorised by AUDI AG. AUDI AG does not guarantee or accept any liability with respect to the correctness of information in this document. Copyright by AUDI AG.



A94-0594

1.4 Bi-Xenon Headlamps with Cornering Lamp Overview

Bi-Xenon Headlamps with Cornering Lamp Overview through 05.2008

Components A - C are not shown in the overview

A - Swivel Module Position Sensors

- ◆ Left Swivel Module Position Sensor -G474-
- ◆ Right Swivel Module Position Sensor -G475-
 - ❑ Located in the headlamp housing and cannot be replaced separately

B - Dynamic Cornering Lamp Motor with Cornering Lamp

- ◆ Left Dynamic Cornering Light Motor -V318-
- ◆ Right Dynamic Cornering Light Motor -V319-
 - ❑ Located in the headlamp housing and cannot be replaced separately
 - ❑ Bi-Xenon Headlamps with Cornering Lamp Overview from 06.2008 location
⇒ [Item A \(page 7\)](#)

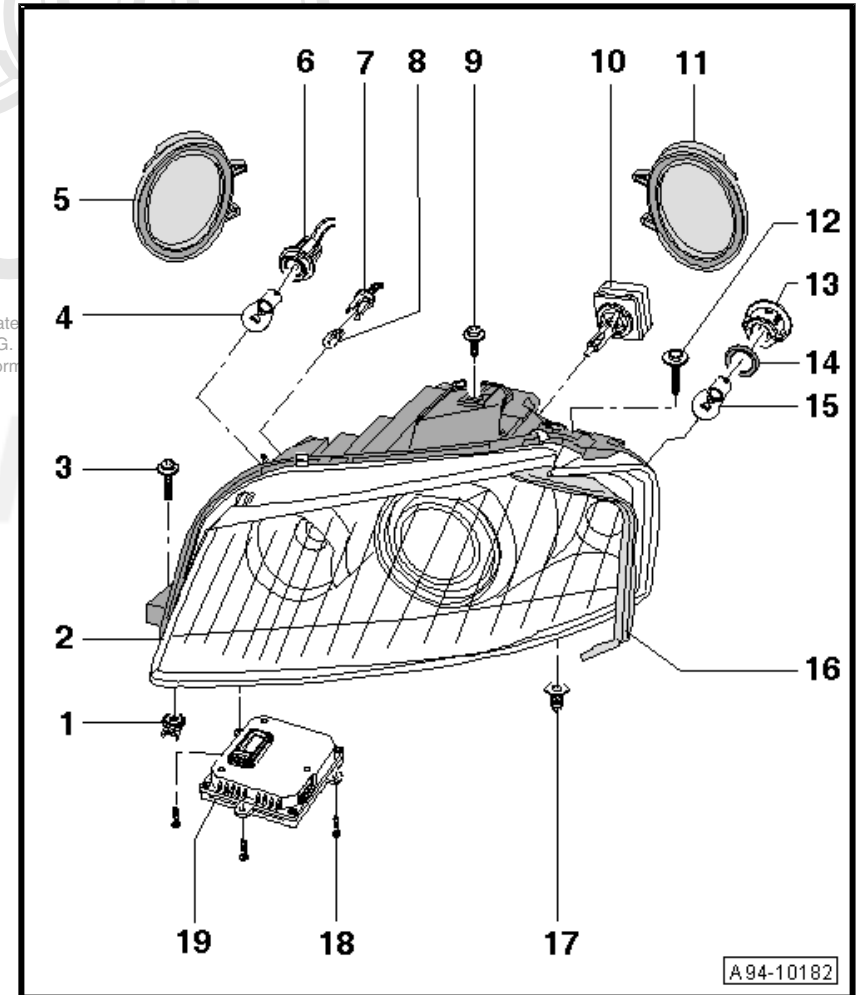
C - Low Beam Reflector Motors

- ◆ Left Low Beam Reflector Motor -V294-
- ◆ Right Low Beam Reflector Motor -V295-
 - ❑ Located in the headlamp housing and cannot be replaced separately
 - ❑ Bi-Xenon Headlamps with Cornering Lamp Overview from 06.2008 location
⇒ [Item B \(page 7\)](#)

19 - HID Headlamp Control Module

- ◆ For the Left High-intensity Gas Discharge Lamp Control Module -J343-
- ◆ For the Right High-intensity Gas Discharge Lamp Control Module -J344-

Protected by copyright. Copying for private use is permitted unless authorised by AUDI AG. with respect to the correctness of information.



A94-10182

Bi-Xenon Headlamps with Cornering Lamp Overview from 06.2008

Components A - C are not shown in the overview

A - Dynamic Cornering Lamp Motor with Cornering Lamp

- ◆ Left Dynamic Cornering Light Motor -V318-
- ◆ Right Dynamic Cornering Light Motor -V319-
 - Located in the headlamp housing and cannot be replaced separately

B - Low Beam Reflector Motors

- ◆ Left Low Beam Reflector Motor -V294-
- ◆ Right Low Beam Reflector Motor -V295-
 - Located in the headlamp housing and cannot be replaced separately

C - Headlamp Range Control Module -J431- ⇒ page 8

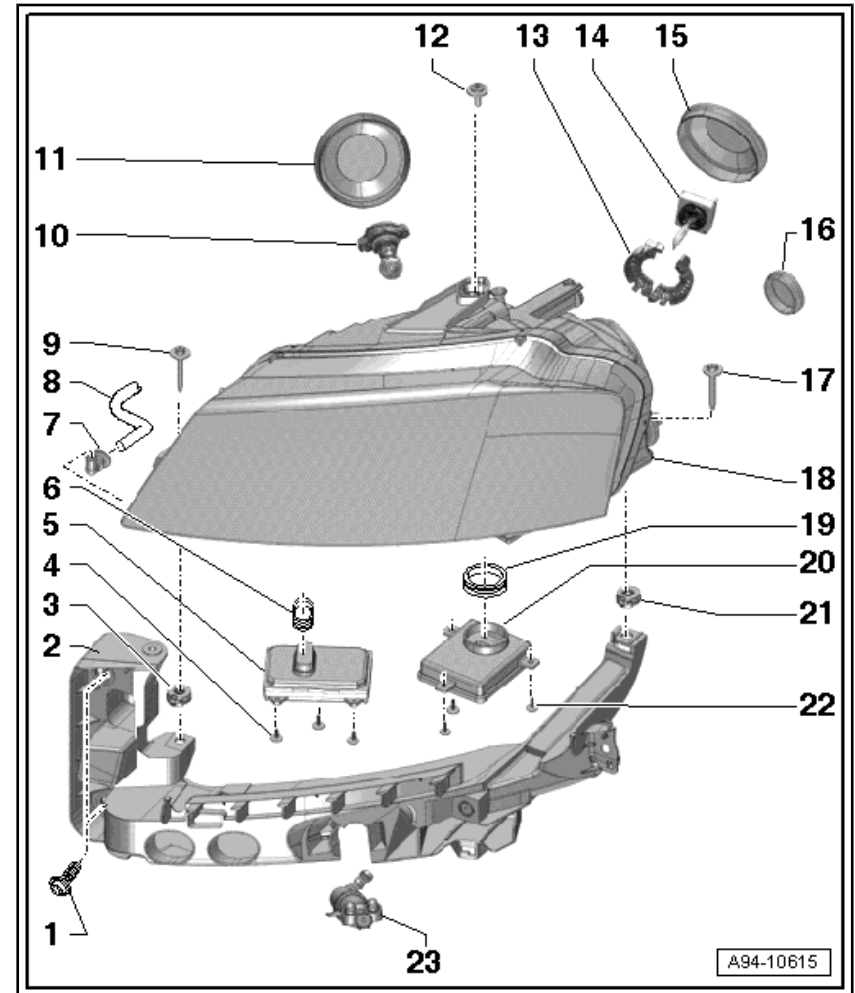
- Located at the front of instrument panel carrier in driver side footwell

5 - Headlamp Power Output Stages

- ◆ Left Headlamp Power Output Stage -J667-
- ◆ Right Headlamp Power Output Stage -J668-
 - Vehicles with AFS only

20 - HID Headlamp Control Module

- ◆ Left High-intensity Gas Discharge Lamp Control Module -J343-
- ◆ Right High-intensity Gas Discharge Lamp Control Module -J344-

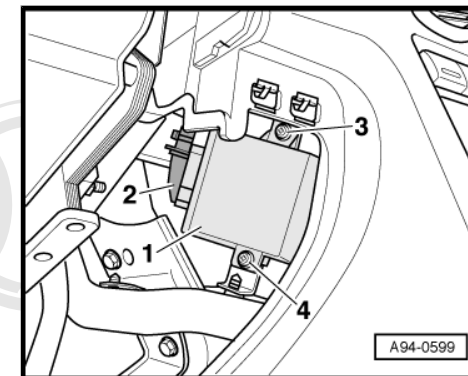


For commercial purposes, in part or in whole, is not permitted unless authorised by AUDI AG. AUDI AG does not guarantee or accept any liability for the correctness of information in this document. Copyright by AUDI AG.

Automatic Headlamp Range Control Module

1 - Headlamp Range Control Module -J431-

2 - Electrical Connector

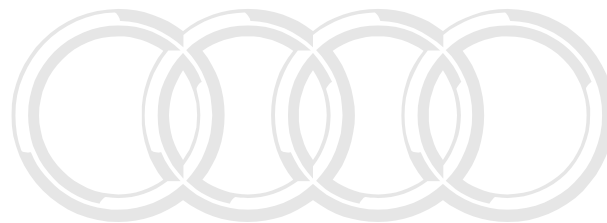


Protected by copyright. Copying for private or commercial purposes, in part or in whole, is not permitted unless authorised by AUDI AG. AUDI AG does not guarantee or accept any liability with respect to the correctness of information in this document. Copyright by AUDI AG.



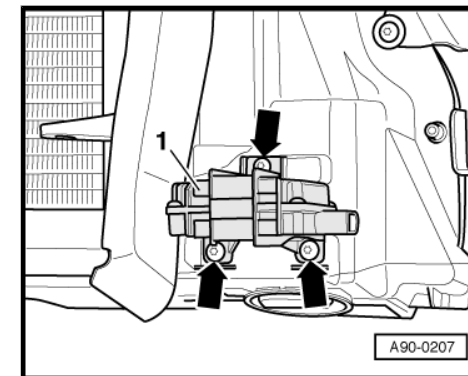
1.5 Garage Door Opener Control Module

- 1 - Garage Door Opener Control Module -J530-
- Located behind the front bumper



Audi

Protected by copyright. Copying for private or commercial purposes, in part or in whole, is not permitted unless authorised by AUDI AG. AUDI AG does not guarantee or accept any liability with respect to the correctness of information in this document. Copyright by AUDI AG.



1.6 Front Power Seats Component Overview

1 - Seat Inclination Adjustment Motor

- ◆ Driver Seat Angle Adjustment Motor -V243-
- ◆ Front Passenger Seat Angle Adjustment Motor -V244-

2 - Forward/Back Seat Adjustment Motor

- ◆ Driver Seat Forward/Back Adjustment Motor -V28-
- ◆ Front Passenger Seat Forward/Back Adjustment Motor -V31-

3 - Backrest Adjustment Motor

- ◆ Driver Backrest Adjustment Motor -V45-
- ◆ Front Passenger Backrest Adjustment Motor -V46-

4 - Lumbar Support Height Adjustment Motor

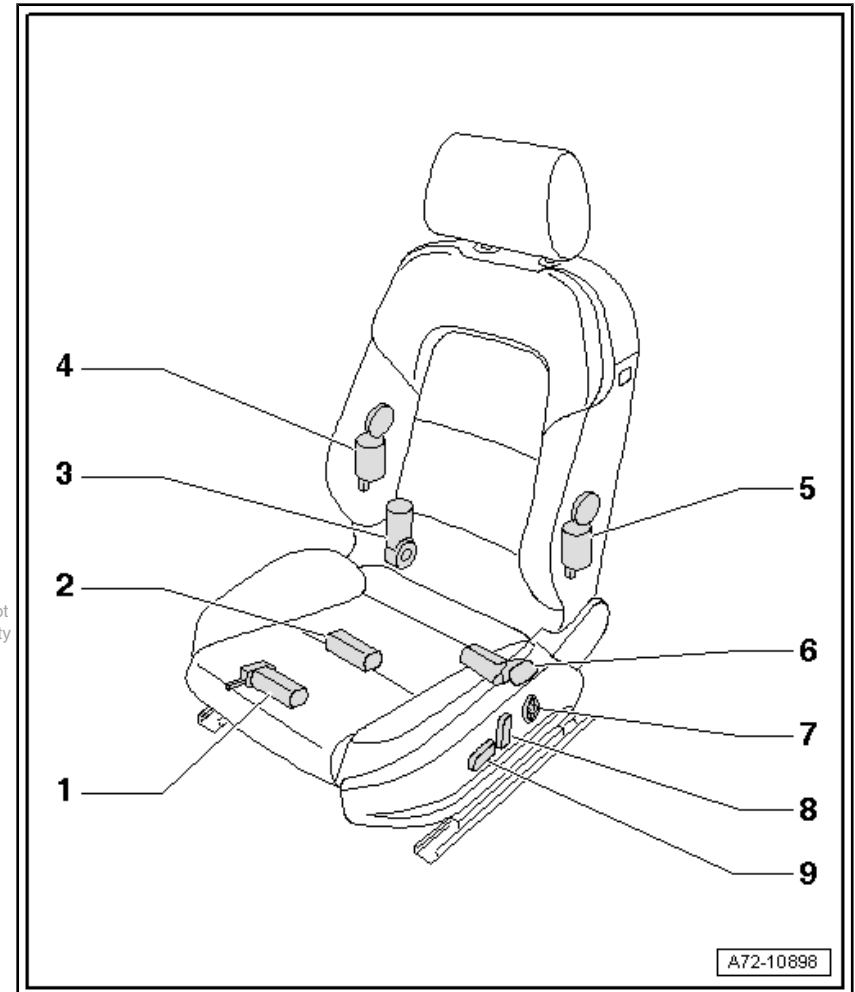
- ◆ Driver Seat Lumbar Support Height Adjustment Motor -V129-
- ◆ Front passenger Seat Lumbar Support Height Adjustment Motor -V130-

5 - Lumbar Support Curvature Adjustment Motor

- ◆ Driver Seat Lumbar Support Curvature Adjustment Motor -V125-
- ◆ Front Passenger Seat Lumbar Support Curvature Adjustment Motor -V126-

6 - Seat Height Adjustment Motor

- ◆ Driver Seat Height Adjustment Motor -V245-
- ◆ Front Passenger Seat Height Adjustment Motor -V246-



Copyright. Copying for private or commercial purposes, in part or in whole, is not permitted unless authorised by AUDI AG. AUDI AG does not guarantee or accept any liability for the content of this document. Copyright by AUDI AG.

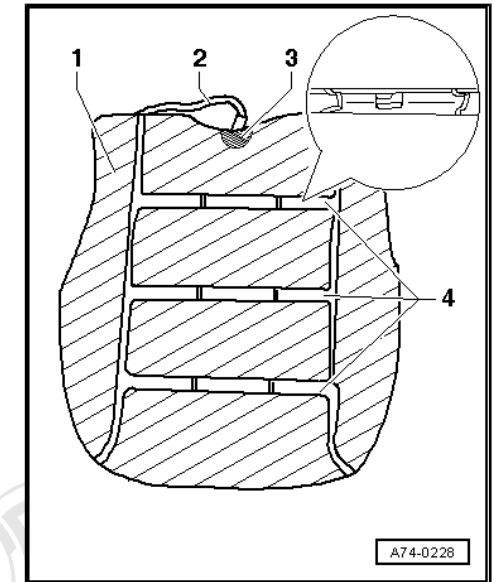
1.7 Heated Seats

Front Seat Heating Element

1 - Driver Seat Heating Element -Z6- integrated in Left Front Heated Seat -Z45- / Front Passenger Seat Heating Element -Z8- integrated in Right Front Heated Seat -Z46-

The following are also integrated in Left Front Heated Seat -Z45- / Right Front Heated Seat -Z46- :

- ◆ Left Front Seat Temperature Sensor -G344-
- ◆ Driver Seat Side Bolster Heater -Z31-
- ◆ Driver Seat Side Bolster Heater 2 -Z40-
- ◆ Right Front Seat Temperature Sensor -G345-
- ◆ Front Passenger Seat Side Bolster Heater -Z33-
- ◆ Front Passenger Seat Side Bolster Heater 2 -Z41-



Protected by copyright. Copying for private or commercial purposes, in part or in whole, is not permitted unless authorised by AUDI AG. AUDI AG does not guarantee or accept any liability with respect to the correctness of information in this document. Copyright by AUDI AG.

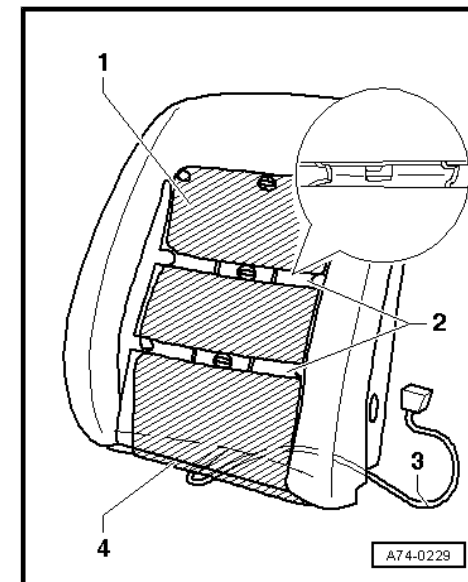
Front Backrest Heating Element

1 - Driver Backrest Heating Element -Z7- / Front Passenger
Backrest Heating Element -Z9-



Audi

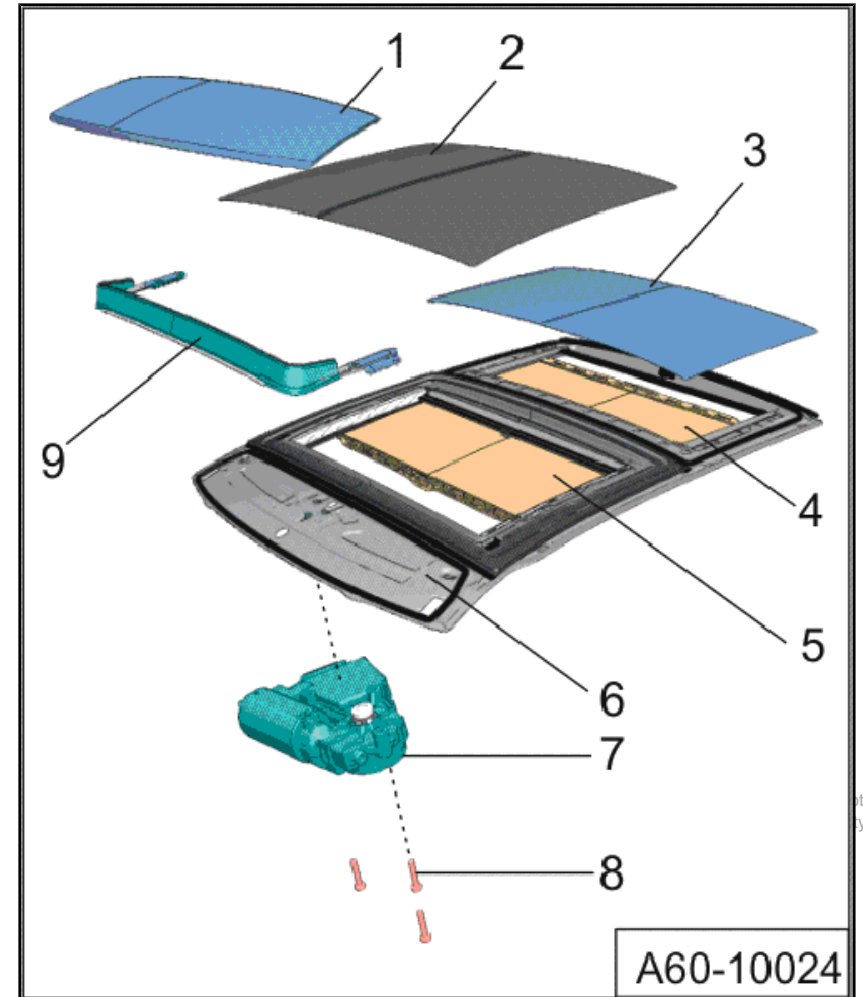
Protected by copyright. Copying for private or commercial purposes, in part or in whole, is not permitted unless authorised by AUDI AG. AUDI AG does not guarantee or accept any liability with respect to the correctness of information in this document. Copyright by AUDI AG.



1 Component Locations: Sunroof System

1.1 Sunroof Assembly Components

- 1 - Cover -1-
 - Bonded to roof module
- 2 - Cover -2-
- 3 - Cover -3-
- 4 - Rear sun shade
- 5 - Front sun shade
- 7 - Power Sunroof Control Module -J245- integrated with Sunroof Motor -V1-



1 Component Locations: Power Steering System

◆ ⇒ ["1.1 Steering Gear Assembly Overview Generation I, II and III", page 1](#)

◆ ⇒ ["1.2 Steering Column Switch Module Assembly Overview", page 2](#)

1.1 Steering Gear Assembly Overview Generation I, II and III

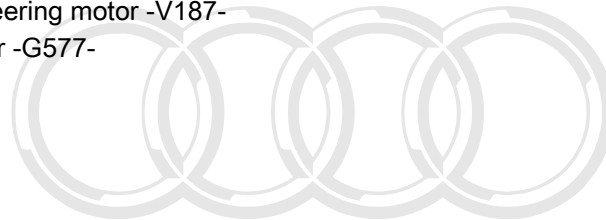
Generation II and III shown, generation I similar.

12 - Steering Pinion with Steering Torque Sensor Steering Torque Sensor -G269-

13 - Sensor Wire

20 - Servo Motor with Control Module

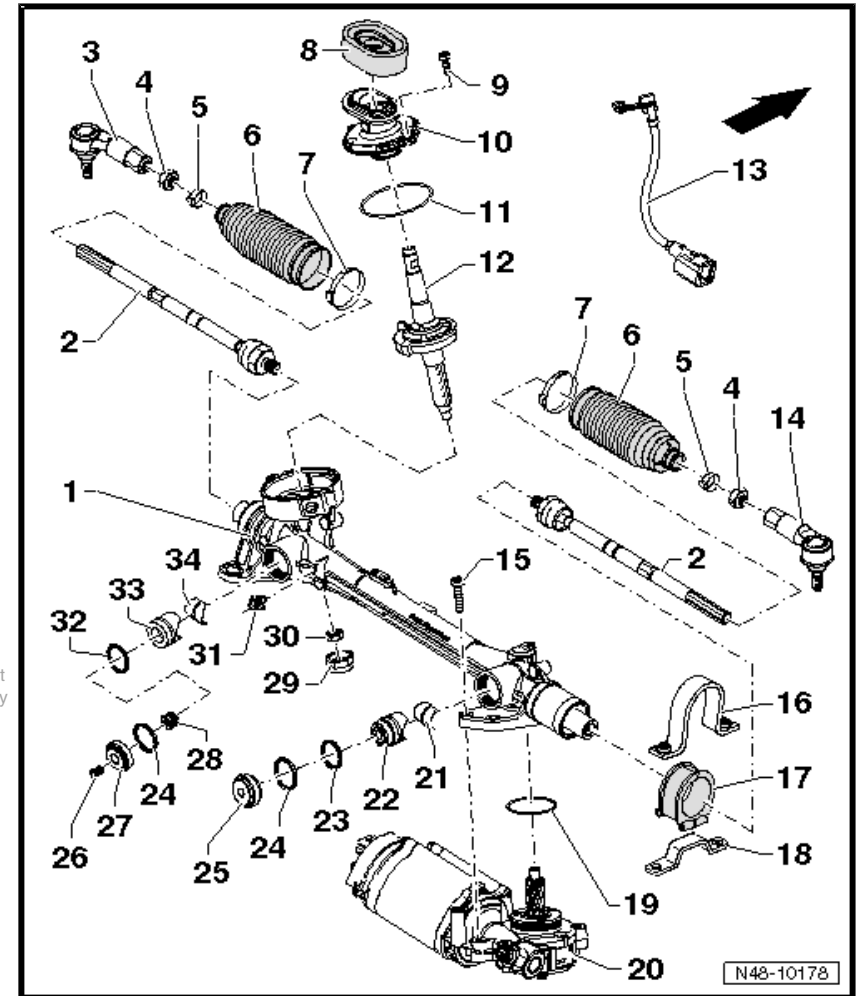
- With Power Steering Control Module -J500-
- With Steering angle sensor -G85- (Gen II and III only, for Gen I refer to ⇒ [Item 3 \(page 2\)](#))
- With Electromechanical power steering motor -V187-
- With Steering motor speed sensor -G577-



Audi

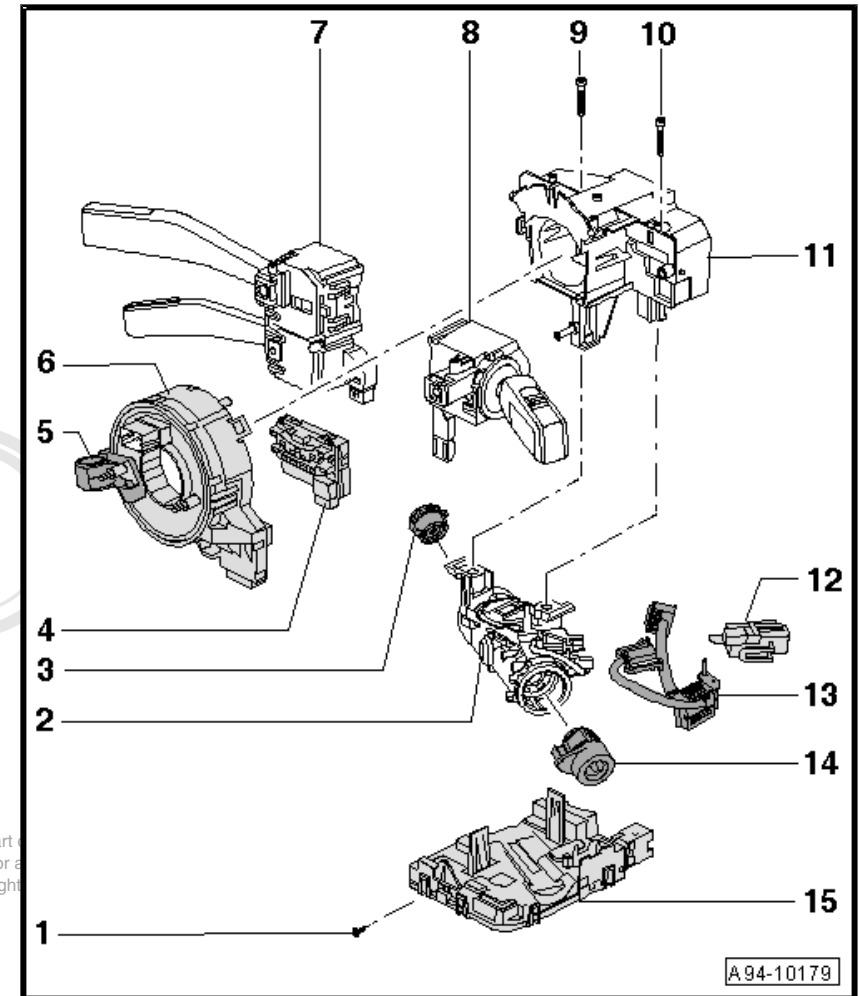
Protected by copyright. Copying for private or commercial purposes, in part or in whole, is not permitted unless authorised by AUDI AG. AUDI AG does not guarantee or accept any liability with respect to the correctness of information in this document. Copyright by AUDI AG.

erWin



1.2 Steering Column Switch Module Assembly Overview

- 3 - Ignition/starter switch -D-
- 4 - Steering Angle Sensor -G85- (Gen I Only, for Gen II and III refer to ⇒ [Item 20 \(page 1\)](#))
- 6 - Airbag Spiral Spring/Return Spring With Slip Ring -F138-
- 7 - Turn Signal Switch -E2-
 - On vehicles with cruise control: Cruise Control Switch -E45-
- 8 - Windshield Wiper/Washer Intermittent Switch -E22-
- 12 - Ignition Switch Key Lock Solenoid -N376-
 - On vehicles with automatic transmission
- 15 - Steering Column Electronic Systems Control Module -J527-



Protected by copyright. Copying for private or commercial purposes, in part or in full, is not permitted unless authorised by AUDI AG. AUDI AG does not guarantee or accept any liability with respect to the correctness of information in this document. Copyright



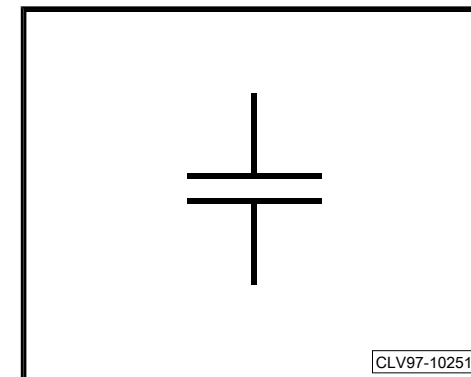
1 Understanding Wiring Diagrams Terminology and Symbols

1.1 Capacitor

Capacitors are a passive electronic component that holds a charge in the form of an electrostatic field. They are often used in combination with transistors in DRAM, acting as storage cells to hold bits. Capacitors typically consist of conducting plates separated by thin layers of dielectric material, such as dry air or mica. The plates on opposite sides of the dielectric material are oppositely charged and the electrical energy of the charged system is stored in the polarized dielectric.



Protected by copyright. Copying for private or commercial purposes, in part or in whole, is not permitted unless authorised by AUDI AG. AUDI AG does not guarantee or accept any liability with respect to the correctness of information in this document. Copyright by AUDI AG.



1.2 Connector

Connectors are the part of a cable that plugs into a port or interface to connect one device to another. Most connectors are either male (containing one or more exposed pins) or female (containing holes in which the male connector can be inserted).

Given a relatively fixed voltage in an automotive electrical system (12.6 volts), the current in the circuit is determined by the amount of resistance in the load and in the conductors and connections in the circuit.

Terminals, connectors and splices are used throughout the electrical wiring harness to aid in vehicle assembly and service. Any connection in a circuit creates a place where problems can occur.

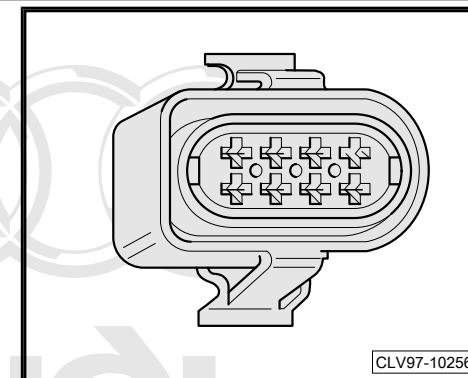
Typical connector problems include:

- ◆ Disconnected connector
- ◆ Terminal backed out
- ◆ Terminal corrosion
- ◆ Terminal spread too wide
- ◆ Improperly made splice

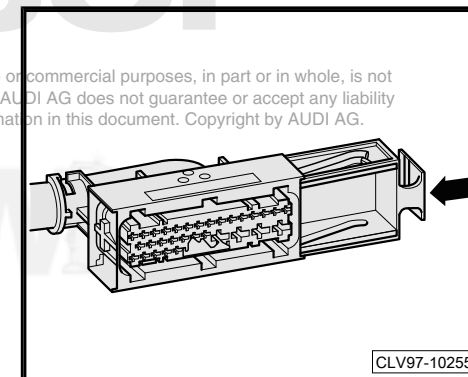
Connector pin numbers are always shown from the mating side of the connector, not the harness side of the connector. If you are back-probing the connector for a voltage check, remember the pin numbering becomes the mirror of what is pictured in the diagram.

Push-on/multi-pin connectors use the “T” designation, and are identified in the legend. For example, T8a/5 designates an 8-pin connector, with the specified wire located in terminal 5 of the connector housing.

Most pin assignments are labeled on the plastic hardshell connector housing and/or the corresponding component. On larger connectors, pin assignments are labeled at either end of a row. For example, the Engine Control Module (ECM) plug often has 2 or 3 rows of 12 or more terminals. Each row will be marked on each end to facilitate diagnosis.



Protected by copyright. Copying for private or commercial purposes, in part or in whole, is not permitted unless authorised by AUDI AG. AUDI AG does not guarantee or accept any liability with respect to the correctness of information in this document. Copyright by AUDI AG.



1.3 Component Code Prefixes

- ◆ A - Battery
- ◆ B - Starter
- ◆ C - Alternator/generator
- ◆ D - Ignition/starter switch
- ◆ E - Switches — these are usually more complex switches: A/C control head, sunroof regulator
- ◆ F - Switches — door, hood, brake, clutch, trunk, multifunction, etc.
- ◆ G - Gauges and sensors

- ◆ H - Horn
- ◆ J - Control modules, relays, electronic relays
- ◆ K - Indicator/warning lights
- ◆ L - Lights
- ◆ M - Lights
- ◆ N - Solenoids/inductors/ignition — fuel injectors, purge, ignition coil, ignition module, etc.
- ◆ P - Spark plug connector
- ◆ Q - Spark plugs
- ◆ R - Radio, CD, telephone, navigation
- ◆ S - Fuse, circuit breaker, protection device
- ◆ T - Wire connector V Motor — window motors, vacuum pumps, etc.
- ◆ W - Lights — interior, trunk
- ◆ Z - Heating elements — O₂ sensor heater, heated seats, heated mirrors, etc.

permitted unless authorised by AUDI AG. AUDI AG does not guarantee or accept any liability with respect to the correctness of information in this document. Copyright by AUDI AG.

1.4 DIN Standard 72 552

German institute for standards that establishes guidelines for manufacturing and nomenclature.

This standard applies to the terminal designations for circuits. The purpose of the terminal designation system is to enable accurate connection identification from conductors (wires) to various components when diagnosis and repair is necessary. DIN standards for terminal designations are shown below:

- ◆ 1 - Ignition coil, ignition distributor — low voltage
- ◆ 1a - To contact breaker I (ignition distributor with two separate circuits)
- ◆ 1b - To contact breaker II (ignition distributor with two separate circuits)
- ◆ 4 - Ignition coil, ignition distributor — high voltage
- ◆ 4a - From ignition coil I (ignition distributor with two separate circuits)
- ◆ 4b - From ignition coil II (ignition distributor with two separate circuits)
- ◆ 15 - Switched (+) downstream of battery (output of ignition/driving switch)
- ◆ 15a - Output at ballast resistor to ignition coil and starter

- ◆ 17 - Glow plug and starter switch — start
- ◆ 19 - Glow plug and starter switch — preheat
- ◆ 30 - Input from battery (+) term., direct 12/24 V seriesparallel battery switch
- ◆ 30a - Input from (+) terminal of battery II
- ◆ 31 - Battery negative terminal, or ground, direct
- ◆ 31a - Return line to battery II, negative (12/24 V seriesparallel battery switch)
- ◆ 31b - Return line to battery negative terminal, or ground via switch or relay (switched negative)
- ◆ 31c - Return line to battery I, negative (12/24 V seriesparallel battery switch)
- ◆ 50 - Starter control (direct)
- ◆

Electric Motors

- ◆ 32 - Return line
- ◆ 33 - Main terminal connection
- ◆ 33a - Self-parking switch-off
- ◆ 33b - Shunt field
- ◆ 33f - For second lower-speed range
- ◆ 33g - For third lower-speed range
- ◆ 33h - For fourth lower-speed range
- ◆ 33L - Counter-clockwise rotation
- ◆ 33R - Clockwise rotation

Starters

- ◆ 45 - Separate starter relay, output; starter, input (main current) Two-starter parallel operation C — starting relay for engagement current
- ◆ 45a - Output, starter I, input, starters I and II



Audi

Protected by copyright. Copying for private or commercial purposes, in part or in whole, is not permitted unless authorised by AUDI AG. AUDI AG does not guarantee or accept any liability with respect to the correctness of information in this document. Copyright by AUDI AG.



- ◆ 45b - Output, starter II
- ◆ 48 - Terminal ON starter and ON start-repeating relay for monitoring starting

Turn-Signal Flashers (Pulse Generators)

- ◆ 49 - Input
- ◆ 49a - Output
- ◆ 49b - Output, second circuit
- ◆ 49c - Output, third circuit

Starter Control

- ◆ 50 - Starter control (direct)
- ◆ 50a - Series-parallel battery switch — output for starter control
- ◆ 50b - With parallel operation of two starters with sequential control Starting relay for sequential control of the engagement current during parallel operation of two starters
- ◆ 50c - Input at starting relay for starter I
- ◆ 50d - Input at starting relay for starter II
- ◆ 50e - Start-locking relay input
- ◆ 50f - Start-locking relay output
- ◆ 50g - Start-repeating relay input
- ◆ 50h - Start-repeating relay output

Protected by copyright. Copying for private or commercial purposes, in part or in whole, is not permitted unless authorised by AUDI AG. AUDI AG does not guarantee or accept any liability with respect to the correctness of information in this document. Copyright by AUDI AG.

Wiper Motors

- ◆ 53 - Wiper motor, input (+)
- ◆ 53a - Wiper (+), self-parking switch-off
- ◆ 53b - Wiper (shunt winding)

- ◆ 53c - Electric windshield-washer pump
- ◆ 53e - Wiper (brake winding)
- ◆ 53l - Wiper motor with permanent magnet and third brush (for higher speed)

Lighting

- ◆ 55 - Fog lamp
- ◆ 56 - Headlamp
- ◆ 56a - High beam, high-beam indicator lamp
- ◆ 56b - Low beam
- ◆ 56d - Headlamp-flasher contact
- ◆ 57a - Parking lamp
- ◆ 57L - Parking lamp, left
- ◆ 57R - Parking lamp, right
- ◆ 58 - Side-marker, tail, license plate, and instrument panel lamps
- ◆ 58b - Dimmer
- ◆ 58d - Dimmer
- ◆ 58L - License-plate lamp, left
- ◆ 58R - License-plate lamp, right

Alternators and Voltage Regulators

- ◆ 61 - Alternator charge-indicator lamp
- ◆ B+ - Battery positive
- ◆ B- - Battery negative
- ◆ D+ - Dynamo positive
- ◆ D- - Dynamo negative



Audi

Protected by copyright. Copying for private or commercial purposes, in part or in whole, is not permitted unless authorised by AUDI AG. AUDI AG does not guarantee or accept any liability with respect to the correctness of information in this document. Copyright by AUDI AG.



- ◆ DF - Dynamo fi eld DF1 Dynamo fi eld 1
- ◆ DF2 - Dynamo fi eld 2
- ◆ U,V,W - Alternator terminals
- ◆ 75 - Radio, cigarette lighter
- ◆ 76 - Speakers

Switches

Break Contact (NC) and Changeover Switches

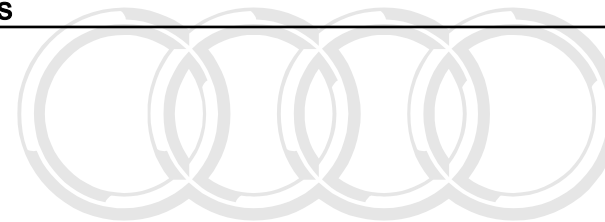
- ◆ 81 - Input
- ◆ 81a - Output 1, NC side
- ◆ 81b - Output 2, NC side

Multiple-Position Switches

- ◆ 83 - Input
- ◆ 83a - Output, position 1
- ◆ 83b - Output, position 2
- ◆ 83L - Output, left-hand position
- ◆ 83R - Output, right-hand position

Relays/Current Relays

- ◆ 84 - Input, actuator and relay contact
- ◆ 84a - Output, actuator
- ◆ 84b - Output, relay contact



Audi

Protected by copyright. Copying for private or commercial purposes, in part or in whole, is not permitted unless authorised by AUDI AG. AUDI AG does not guarantee or accept any liability with respect to the correctness of information in this document. Copyright by AUDI AG.



Alternators and Voltage Regulators

- ◆ 85 - Output, actuator (end of winding to ground or negative)
- ◆ 86 - Input, actuator (start of winding)
- ◆ 86a - Start of winding or 1st winding
- ◆ 86b - Winding tap or 2nd winding

Relay Contact for Break (NC) and Changeover Contacts

- ◆ 87 - Input
- ◆ 87a - Output 1 (NC side)
- ◆ 87b - Output 2 87c Output 3
- ◆ 87z - Input 1
- ◆ 87y - Input 2
- ◆ 87x - Input 3

Relay Contact for Make (NO) Contact and Changeover Contacts

- ◆ 88 - Input
- ◆ 88a - Output 1
- ◆ 88b - Output 2
- ◆ 88c - Output 3
- ◆ 88z - Input 1
- ◆ 88y - Input 2
- ◆ 88x - Input 3

Protected by copyright. Copying for private or commercial purposes, in part or in whole, is not permitted unless authorised by AUDI AG. AUDI AG does not guarantee or accept any liability with respect to the correctness of information in this document. Copyright by AUDI AG.

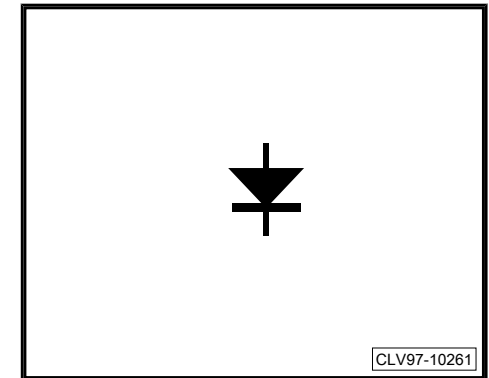
Directional Signals (Turn Signal Flashers)

- ◆ C - Indicator lamp 1
- ◆ C2 - Indicator lamp 2

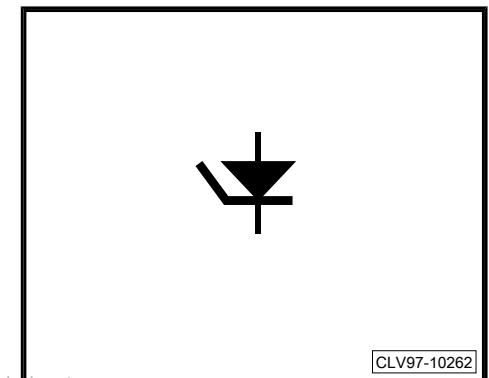
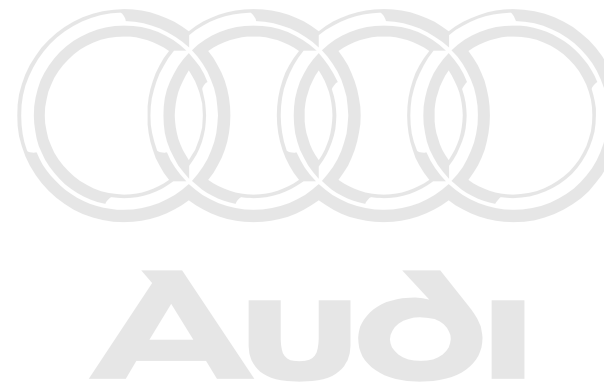
- ◆ C0 - Main terminal connection for separate indicator circuits actuated by the turn signal switch
- ◆ C3 - Indicator lamp 3 (e.g., when towing two trailers)
- ◆ L - Turn-signal lamps, left
- ◆ R - Turn-signal lamps, right

1.5 Diode

Normal Diode



Zener Diode



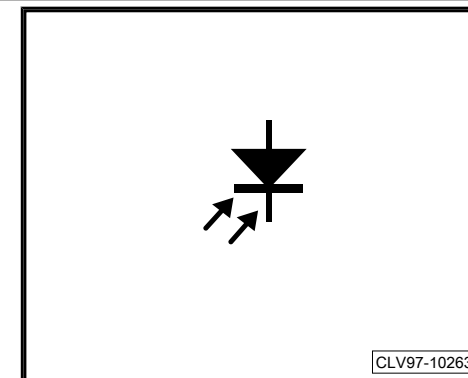
Protected by copyright. Copying for private or commercial purposes, in part or in whole, is not permitted unless authorised by AUDI AG. AUDI AG does not guarantee or accept any liability with respect to the correctness of information in this document. Copyright by AUDI AG.



Light Sensitive Diode

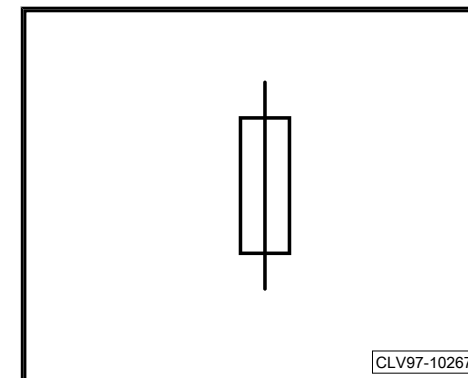
Diodes are an electric component that conducts electric current in only one direction, functioning as a one-way valve. Diodes typically are made from semiconductor materials such as silicon, germanium or selenium and are used as voltage regulators, signal rectifiers, oscillators and signal modulators/demodulators.

The arrow of the circuit symbol shows the direction in which the current can flow. Diodes are the electrical version of a valve and early diodes were actually called valves.



1.6 Fuse

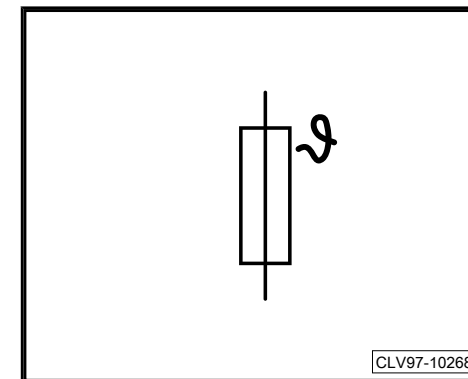
Normal Fuse



Thermal Fuse

A component installed in series with a circuit, designed to disrupt the circuit when carrying more than its specified amperage. Fuses are placed in circuits to protect other components in the circuit from damage.

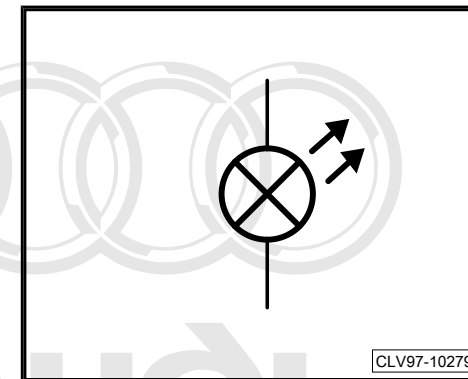
Fuses are used to prevent excessive current from damaging other components in a circuit. There are various types including standard fuses, thermal fuses (circuit breakers) and strip fuses. Fuses use the component designation S.



1.7 LED (Light-emitting Diode)

An LED is a light-emitting diode semiconductor device used to transmit light into a fiber in response to an electrical signal. It typically has a broad spectral width.

The diode is created such that light emitted at a p-n junction is proportional to the bias current; color output depends on the material used.



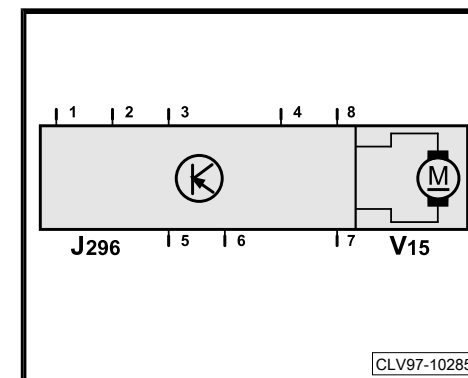
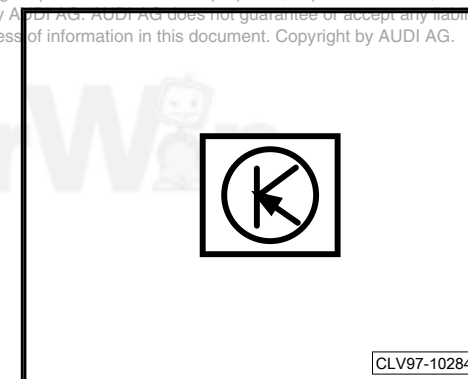
1.8 Module

A transistorized, rather than analog, switching circuit that relies on one or inputs to control the switching of a logic circuit.

Control Modules can make the task of reading and interpreting wiring diagrams more difficult because multiple signals enter and/or exit, but the internal schematic is not always shown.

Some control modules may be integrated with other components. Take, for example, the window motor with control module. Both the motor and the control module are combined to make a single component.

The symbol below represents the combined components.



1.9 Motor

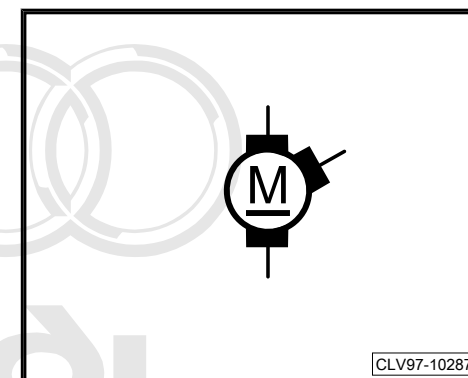
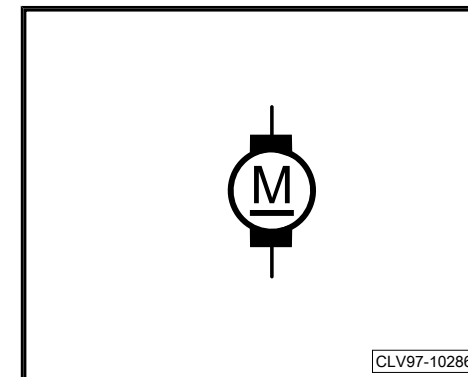
Single Speed Motor

Two Speed Motor

A motor is driven by electromotive force.

A device that converts electrical energy into rotational motion. On late model vehicles, the speed of most motors is controlled using PWM circuits. If a motor has low output, checking the motor amperage can determine if the problem is electrical or mechanical. Increasing the electrical resistance in a motor circuit will decrease the amperage in the circuit, while increasing the mechanical load on the motor shaft will increase the amperage in the circuit.

The direction of motor rotation can be changed by reversing the polarity of the signals to the motor.



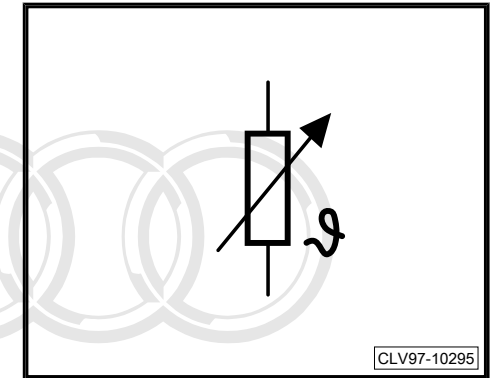
Protected by copyright. Copying for private or commercial purposes, in part or in whole, is not permitted unless authorised by AUDI AG. AUDI AG does not guarantee or accept any liability with respect to the correctness of information in this document. Copyright by AUDI AG.

1.10 Potentiometer or Rheostat

A resistor that varies its resistance based on a mechanical input.

A three wire variable resistor that is used as a voltage divider. A reference voltage (usually 5 volts or battery voltage) and ground are placed across a resistance element. A wiper is moved across the element to produce an infinitely variable voltage signal from zero up to the reference voltage, which is measured on the third wire. In automotive applications, potentiometers are commonly used as position sensors for motors or measuring throttle plate position.

A rheostat, or potentiometer, varies its resistance based on mechanical input. An example of this is the Throttle Position Sensor (TPS) on a Motronic equipped car.



Protected by copyright. Copying for private or commercial purposes, in part or in whole, is not permitted unless authorised by AUDI AG. AUDI AG does not guarantee or accept any liability with respect to the correctness of information in this document. Copyright by AUDI AG.



1.11 Relay

Component that uses a low current to switch a high current circuit.

It contains a winding that is used to magnetically move a set of points (switch), similar to the operation of a solenoid. When an on/off signal is supplied to the winding, a magnetic field is generated which changes the position of the switch. Depending on the design of the relay, the switch may be normally open or normally closed in its rest state. The most common type of relay is a four wire relay, which uses two wires for the control circuit and two wires for the switched circuit. Relays that use more than four wires are usually variations of this design, usually containing multiple control and switched circuits. If a relay contains logic circuits, it is generally considered a control unit although it may still be called a relay.

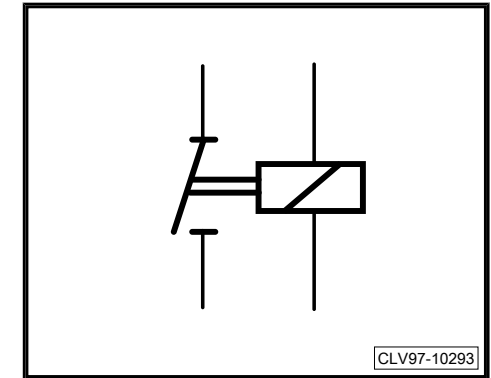
Like solenoids, relays also produce an inductive kick. Volkswagen relays have a built in suppression circuit consisting of a resistor placed parallel to the winding.

Although there are numerous types of relays used in VW and Audi vehicles, two major distinctions might be made, conventional mechanical relays and solid state relays.

Solid state relays are actually transistors—miniaturized electronic components that have a purpose similar to mechanical relays.

Transistors, like relays, allow a circuit with low current to control a circuit with high current.

- ◆ Mechanical relays are always shown with the coil de-energized.
- ◆ Solid state relays may be part of a Relay Box/Junction Block. If they are a transistor and they fail, the entire relay box/Junction Block must be replaced.



1.12 Resistor

Normal Resistor

A commonly used symbol is the resistor, used to create a voltage drop in a circuit.

A component that creates a voltage drop in a circuit. Resistors can be used for measurement of current flow, as well as to drop the applied voltage for certain consumers.

Resistors are an electronic component that resists, limits or regulates the flow of electrical current in an electronic circuit. Since the device has resistance it is used in a circuit for protection and current control.

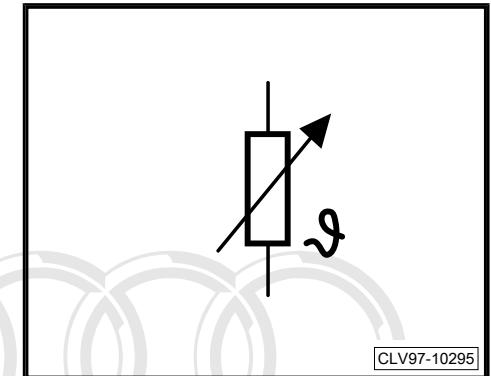
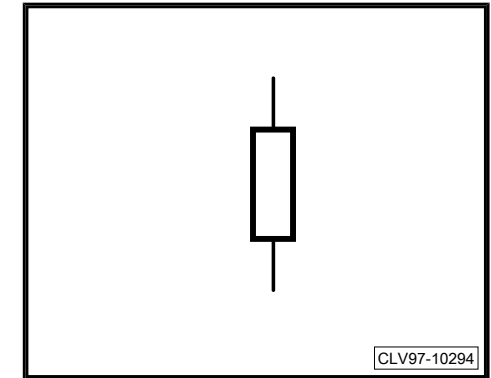
A standard resistor has a fixed resistance.

Temperature Dependent Resistor

A temperature dependent resistor or thermistor is a two wire sensor that utilizes a resistor whose resistance varies with temperature. The thermistors used in most automotive applications have a Negative Temperature Coefficient (NTC), where the resistance of the thermistor decreases as the temperature increases. In a Positive Temperature Coefficient (PTC) thermistor, the resistance of the thermistor increases as the temperature increases. NTC thermistors are commonly used as temperature sensors. The temperature value is not obtained by reading the sensor resistance directly, but instead by placing a reference voltage (usually 5 volts) and ground across the sensor and then reading the resulting voltage drop.

A temperature dependent resistor varies its resistance based on temperature. This type of resistor is used as the Engine Coolant Temperature (ECT) sensor on an engine management system, or the Interior Temperature sensor on models with climate control

When a resistor is used as a sensor, it generally carries a component designator "G."




Audi

Protected by copyright. Copying for private or commercial purposes, in part or in whole, is not permitted unless authorised by AUDI AG. AUDI AG does not guarantee or accept any liability with respect to the correctness of information in this document. Copyright by AUDI AG.



1.13 Sensors
1.13.1 Analog Sensors
Thermistor

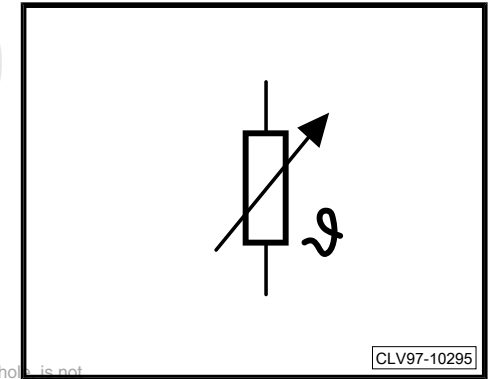
A two wire sensor that utilizes a resistor whose resistance varies with temperature. The thermistors used in most automotive applications have a Negative Temperature Coefficient (NTC), where the resistance of the thermistor decreases as the temperature increases. In a Positive Temperature Coefficient (PTC) thermistor, the resistance of the thermistor increases as the temperature increases. NTC thermistors are commonly used as temperature sensors. The temperature value is not obtained by reading the sensor resistance directly, but instead by placing a reference voltage (usually 5 volts) and ground across the sensor and then reading the resulting voltage drop.

Potentiometer

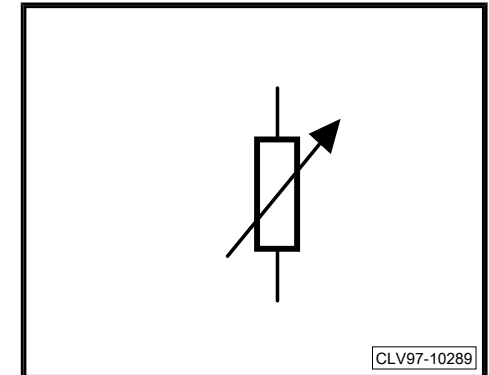
A three wire variable resistor that is used as a voltage divider. A reference voltage (usually 5 volts or battery voltage) and ground are placed across a resistance element. A wiper is moved across the element to produce an infinitely variable voltage signal from zero up to the reference voltage, which is measured on the third wire. In automotive applications, potentiometers are commonly used as position sensors for motors or measuring throttle plate position.

Inductive Sensor: A two wire sensor that measures the rotation of a shaft. Unlike other sensors, this sensor does not have an external power supply. Instead, it contains a permanent magnet that creates a magnetic field which collapses and expands when a sensor wheel is rotated through it, generating an AC sine wave signal. The frequency of the signal varies with changes in the RPM of the sensor wheel. Many crankshaft position (RPM) sensors and older ABS wheel speed sensors are inductive sensors.

Knock Sensor: A two wire sensor that is used to measure spark knock in an engine. This sensor uses a crystal material that generates an AC voltage when mechanical stress is applied to it (piezoelectric effect) when spark knock occurs. During installation, a knock sensor must be properly torqued to read spark knock correctly.

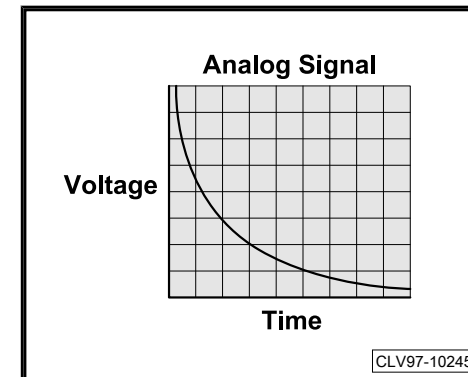


Protected by copyright. Copying for private or commercial purposes, in part or in whole, is not permitted unless authorised by AUDI AG. AUDI AG does not guarantee or accept any liability with respect to the correctness of information in this document. Copyright by AUDI AG.



Analog Signal

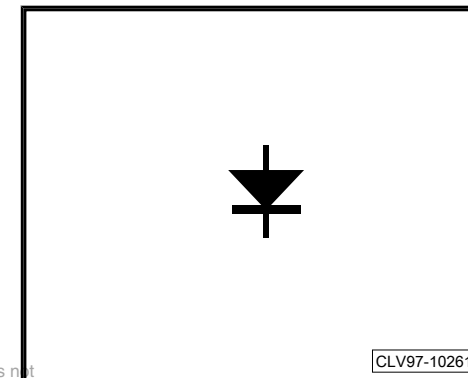
An electrical signal whose amplitude can be measured at an infinite number of positions along the waveform.



1.13.2 Digital Sensors

Hall Sensors and Switches

A two or three wire electronic sensor that produces a variable frequency square wave signal. Power and ground are supplied to a Hall Effect Transistor which is located in a magnetic field generated by a permanent magnet. As the magnet field is altered by moving the magnet in relation to the transistor or by moving a shutter wheel through the magnetic field, the reference voltage is alternately pulled high or low resulting in a square wave signal. Hall Sensors are often used to measure the position of rotating components such as camshaft position sensors.

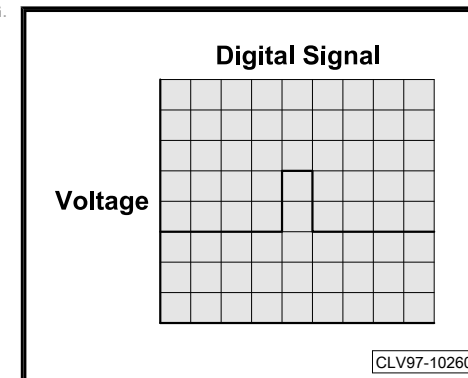


Protected by copyright. Copying for private or commercial purposes, in part or in whole, is not permitted unless authorised by AUDI AG. AUDI AG does not guarantee or accept any liability with respect to the correctness of information in this document. Copyright by AUDI AG.

Digital Signal

An electrical signal with an instantaneous change in amplitude (called a pulse) from low to high and high to low. Since the change in state is instantaneous, the amplitude can only be measured in two positions, high or low.

The pulse shown is a positive pulse, because the normal state of the waveform is low and the pulse goes high. However, with a negative pulse, the normal state of the waveform is high and the pulse goes low.

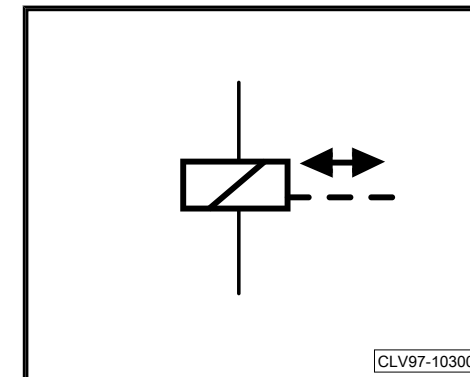


1.14 Solenoid

Used to actuate other components, a solenoid consists of a coil of wire wrapped around an iron core. When a current is passed through a wire, a magnetic field is induced. This magnetic "pull" is used to operate other components.

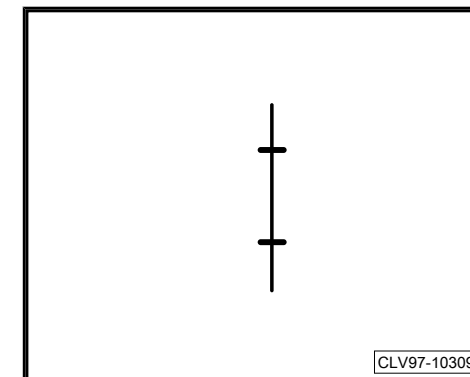
Solenoids are used to actuate many different components, including fuel injectors and relays.

A solenoid is a coil of wire wrapped around an iron core. When current is passed through the wire, a magnetic field is induced. This pulls a set of contacts in the relay closed, either opening or closing the circuit.



1.15 Switch

Normally Closed Switch

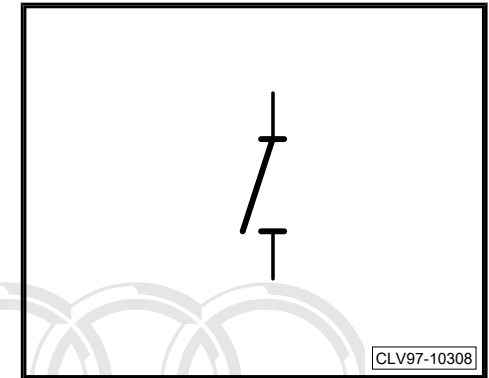
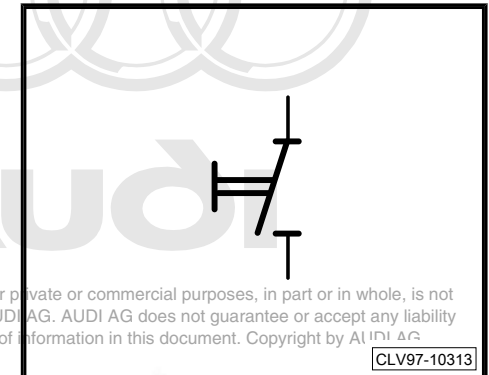


Protected by copyright. Copying for private or commercial purposes, in part or in whole, is not permitted unless authorised by AUDI AG. AUDI AG does not guarantee or accept any liability with respect to the correctness of information in this document. Copyright by AUDI AG.

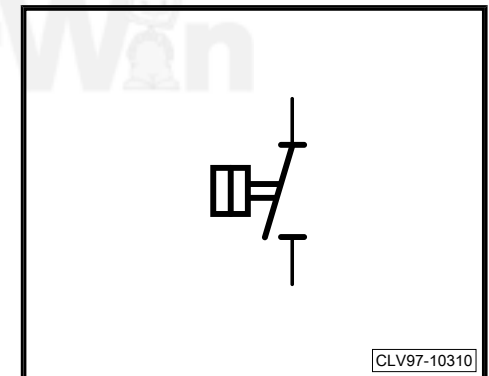


Normally Open Switch

The switch is another component used to control current flow. The basic symbols for an open and closed switch are shown in illustration SSP 8730/22. An example of this simple two-position switch would be a glove compartment light switch. A simple switch uses the component designation "F." There are many types of designs, including mechanically actuated, pressure actuated, temperature actuated and momentary.

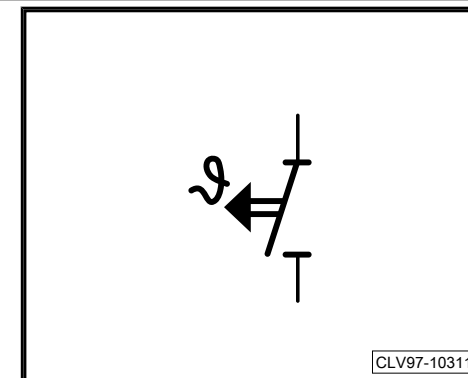
**Manually Operated Switch****Pressure Operated Switch**

Oil pressure switch (pressure actuated)



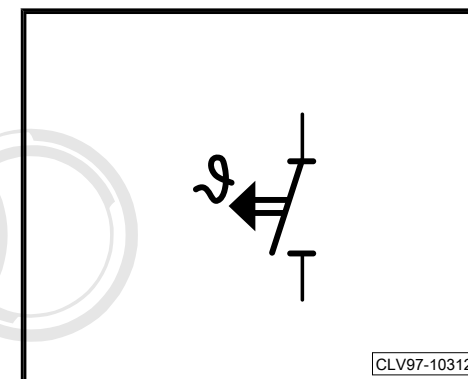
Thermally Operated Switch

Cooling fan thermo-switch (temperature actuated)



Mechanically Operated Switch

Brake Switch -F- (mechanically operated)



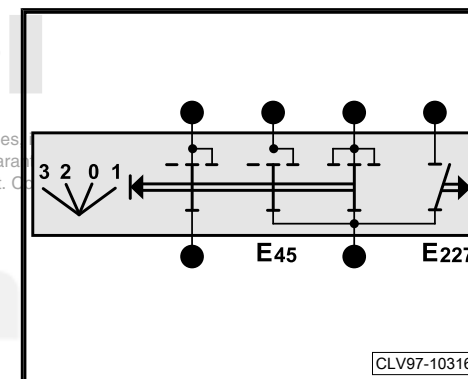
Complex Circuit with Multiple Switches

More complex circuits may require a switch with multiple sets of contacts. An example of this would be the cruise control switch.

As you can see in illustration above, there are multiple sets of contacts within the assembly. Depending on the position of the switch, various sets of contacts are open or closed. Careful study of the symbols allows the technician to follow the circuit through the switch under any condition.

A complex switch uses the component designation "E"

Protected by copyright. Copying for private or commercial purposes is not permitted unless authorised by AUDI AG. AUDI AG does not guarantee the correctness of information in this document.



1.16 Solenoid

A two wire electromechanical device used to control the flow of liquids, gasses or the operation of mechanical components. To operate the solenoid, an on/off, PWM or variable frequency signal (commonly a switched ground) is supplied to a winding inside the solenoid, which in turn generates a magnetic field that moves a plunger. Depending on the design of the solenoid, the plunger may be normally open or normally closed in its rest state. A fuel injector is an example of a solenoid.

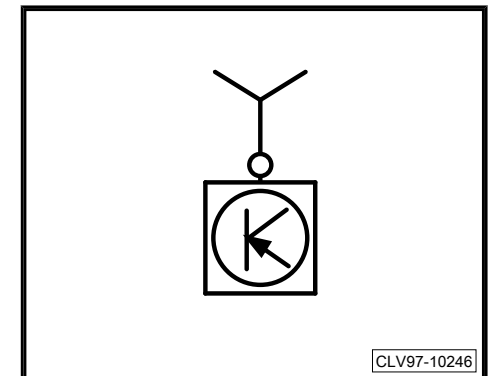
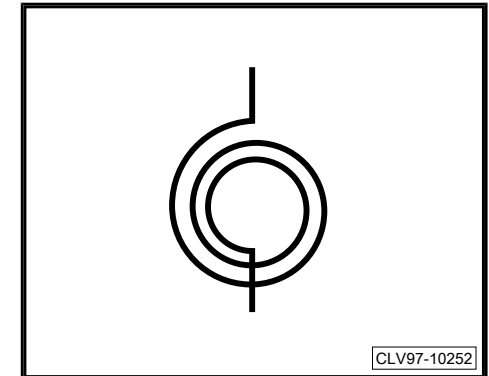
When the signal to the solenoid is switched off and the magnetic field around the winding collapses, the winding produces a phenomenon called "inductive kick". Inductive kick is a high voltage pulse that is injected back into the control circuit and is similar in principal to the pulse produced by an ignition coil, although the voltage is much lower (generally around 30 to 60 volts).

1.17 Symbols

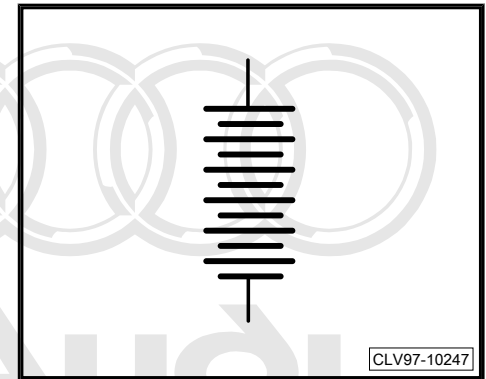
Airbag Spiral Spring

Protected by copyright. Copying for private or commercial purposes, in part or in whole, is not permitted unless authorised by AUDI AG. AUDI AG does not guarantee or accept any liability with respect to the correctness of information in this document. Copyright by AUDI AG.

Antenna With Amplifier

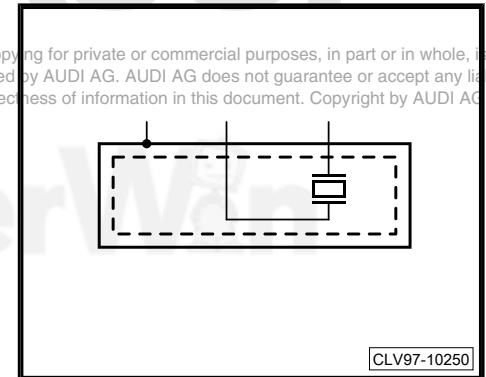


Battery

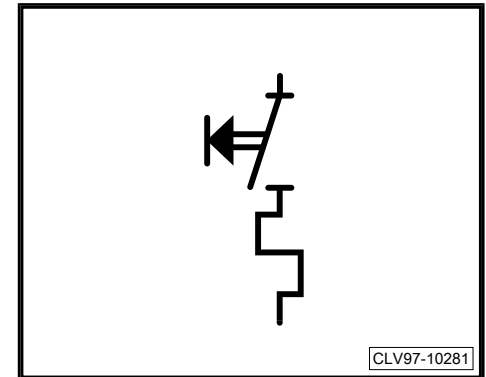


Camshaft Sensor

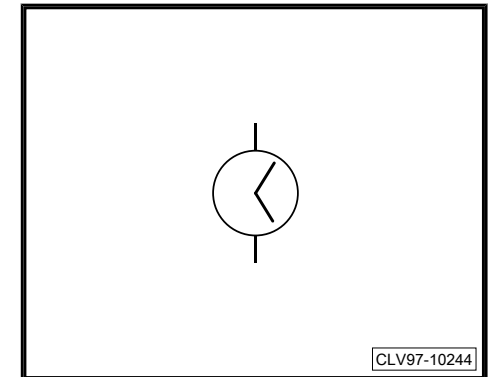
Protected by copyright. Copying for private or commercial purposes, in part or in whole, is not permitted unless authorised by AUDI AG. AUDI AG does not guarantee or accept any liability with respect to the correctness of information in this document. Copyright by AUDI AG.



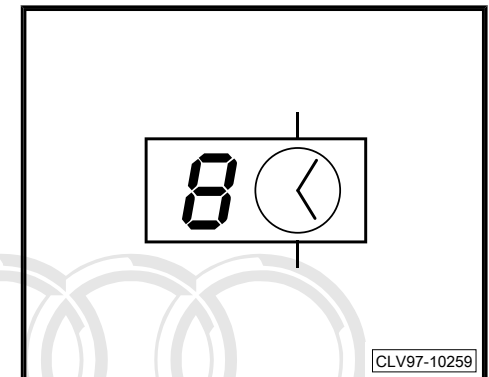
Cigarette Lighter



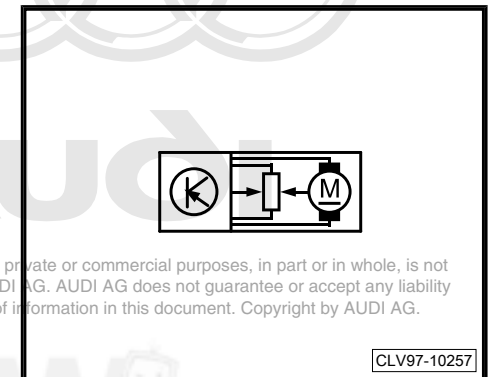
Clock, Analog



Clock, Digital

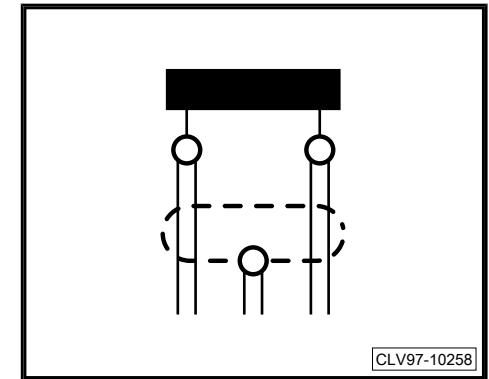


Control Motor

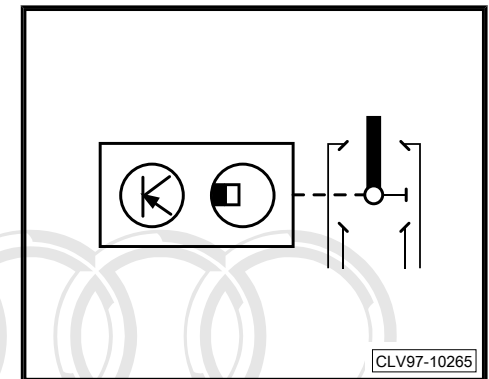


Protected by copyright. Copying for private or commercial purposes, in part or in whole, is not permitted unless authorised by AUDI AG. AUDI AG does not guarantee or accept any liability with respect to the correctness of information in this document. Copyright by AUDI AG.

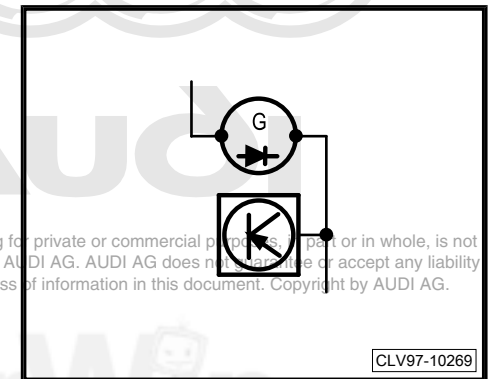
Crankshaft Sensor



Distributor

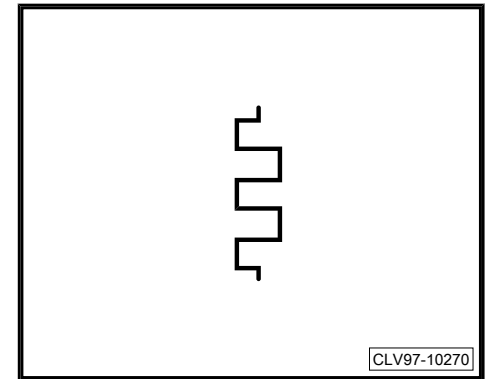


Generator



Protected by copyright. Copying for private or commercial purposes, in part or in whole, is not permitted unless authorised by AUDI AG. AUDI AG does not guarantee or accept any liability with respect to the correctness of information in this document. Copyright by AUDI AG.

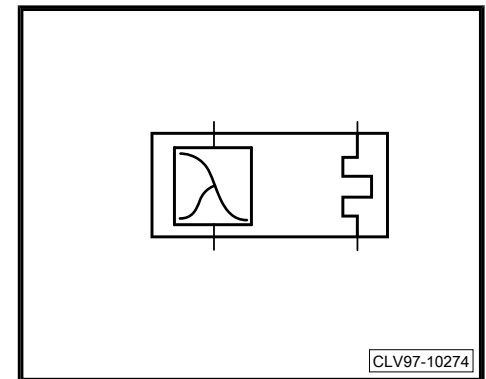
Glow Plug



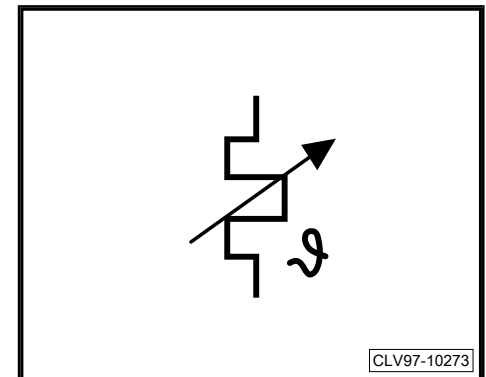
Heated O2 Sensor



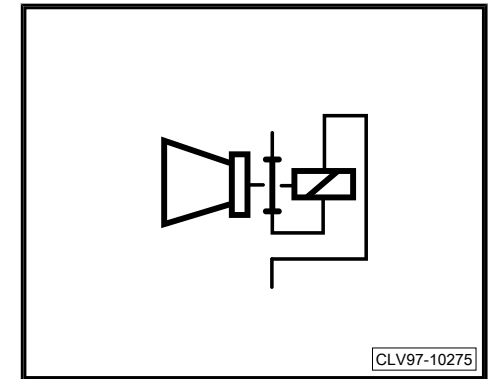
Protected by copyright. Copying for private or commercial purposes, in part or in whole, is not permitted unless authorised by AUDI AG. AUDI AG does not guarantee or accept any liability with respect to the correctness of information in this document. Copyright by AUDI AG.



Heater Element



Horn

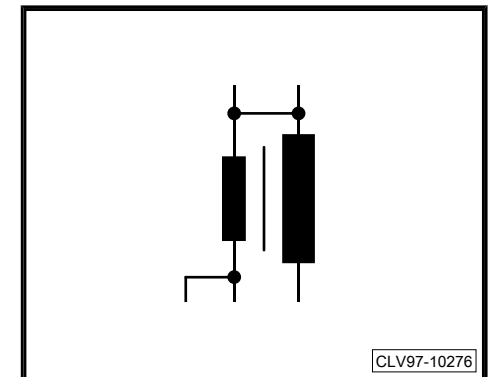


Ignition Coil

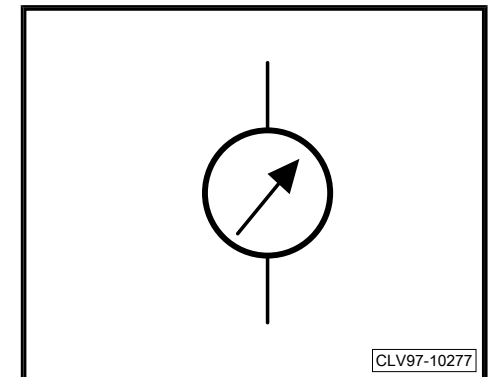


Audi

Protected by copyright. Copying for private or commercial purposes, in part or in whole, is not permitted unless authorised by AUDI AG. AUDI AG does not guarantee or accept any liability with respect to the correctness of information in this document. Copyright by AUDI AG.



Instrument Gauge



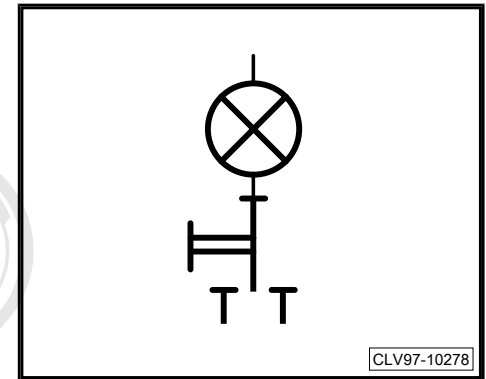
Interior Light



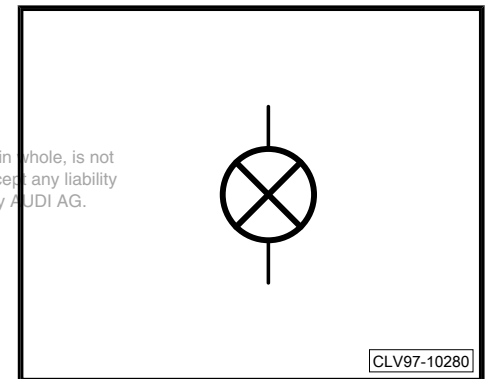
Audi

Protected by copyright. Copying for private or commercial purposes, in part or in whole, is not permitted unless authorised by AUDI AG. AUDI AG does not guarantee or accept any liability with respect to the correctness of information in this document. Copyright by AUDI AG.

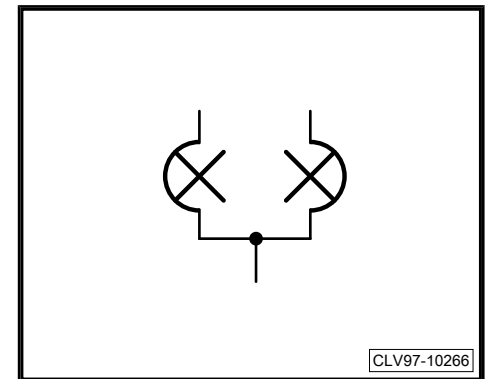
erWin



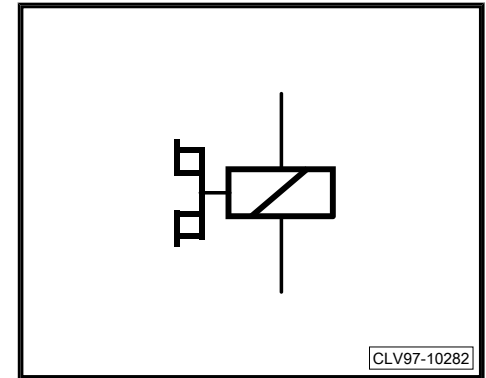
Light Bulb, Single Filament



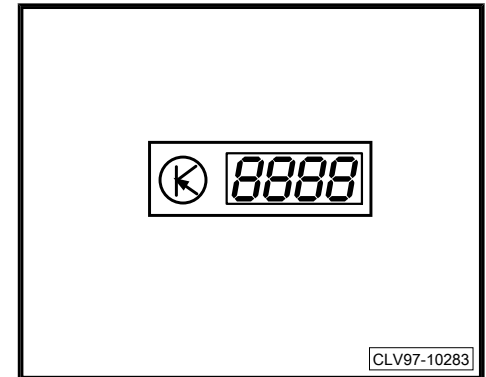
Light Bulb, Dual Filament



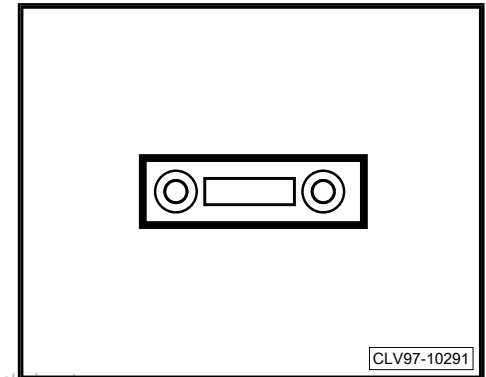
Magnetic Clutch



Malfunction Indicator



Radio



Protected by copyright. Copying for private or commercial purposes, in part or in whole, is not permitted unless authorised by AUDI AG. AUDI AG does not guarantee or accept any liability with respect to the correctness of information in this document. Copyright by AUDI AG.



Rear Window Defogger



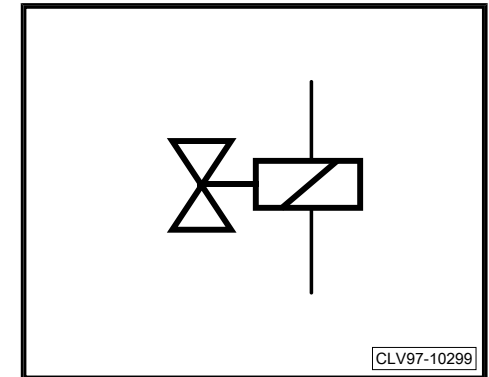
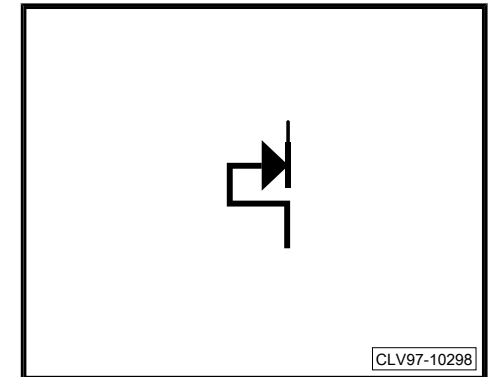
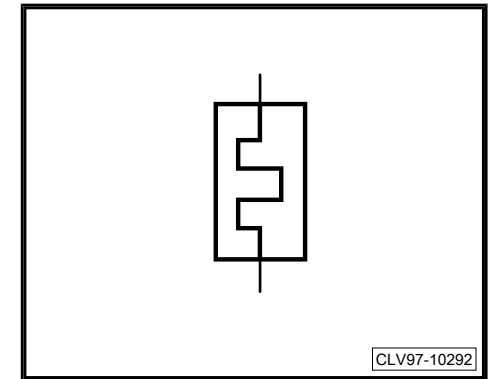
Audi

Protected by copyright. Copying for private or commercial purposes, in part or in whole, is not permitted unless authorised by AUDI AG. AUDI AG does not guarantee or accept any liability with respect to the correctness of information in this document. Copyright by AUDI AG.

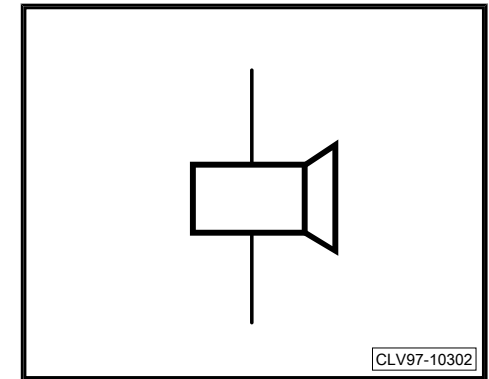


Slip Contact

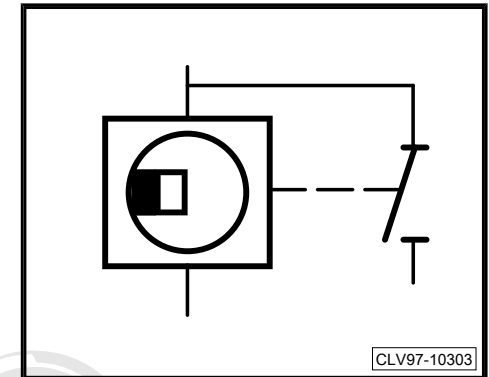
Solenoid Valve



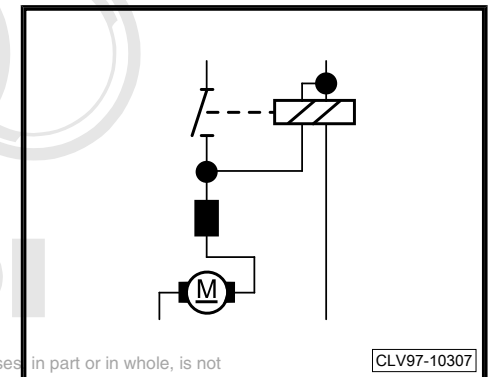
Speaker



Speed Sensor

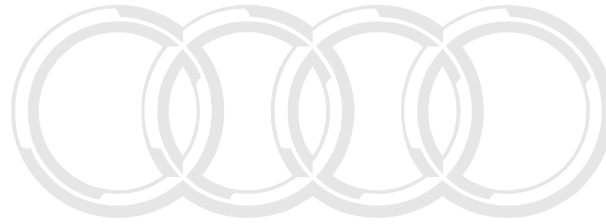


Starter

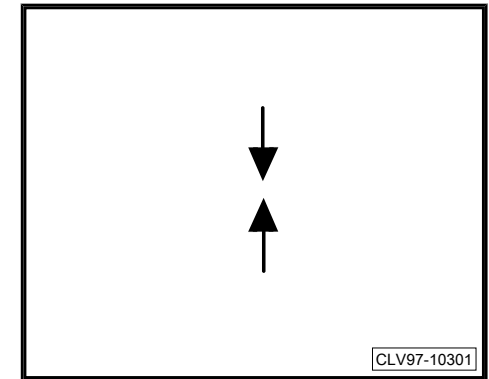


Protected by copyright. Copying for private or commercial purposes, in part or in whole, is not permitted unless authorised by AUDI AG. AUDI AG does not guarantee or accept any liability with respect to the correctness of information in this document. Copyright by AUDI AG.

Spark Plug



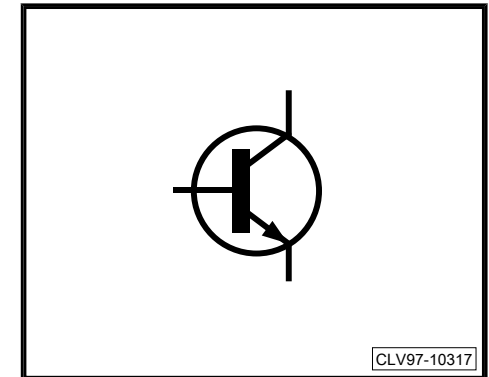
Audi



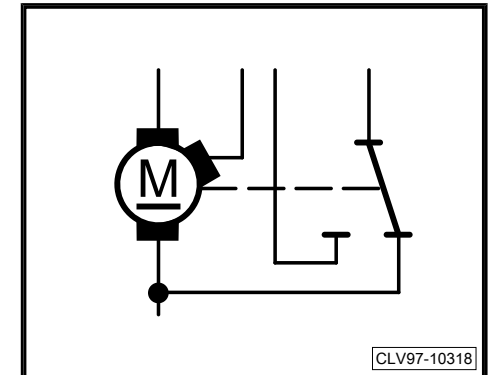
Transistor

Protected by copyright. Copying for private or commercial purposes, in part or in whole, is not permitted unless authorised by AUDI AG. AUDI AG does not guarantee or accept any liability with respect to the correctness of information in this document. Copyright by AUDI AG.

erWin

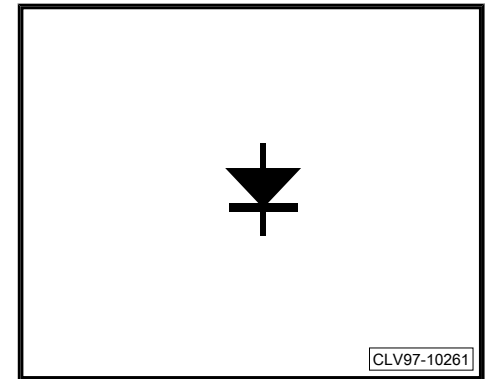


Wiper Motor

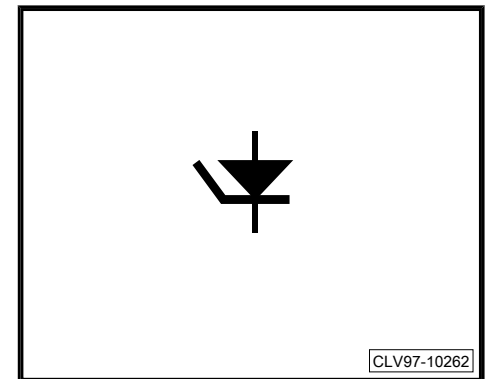


1.17.1 Diodes

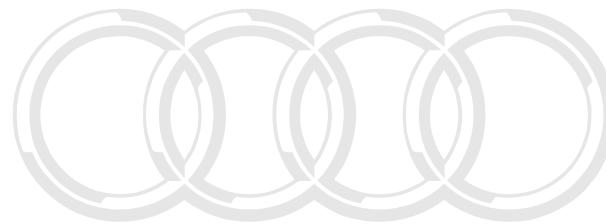
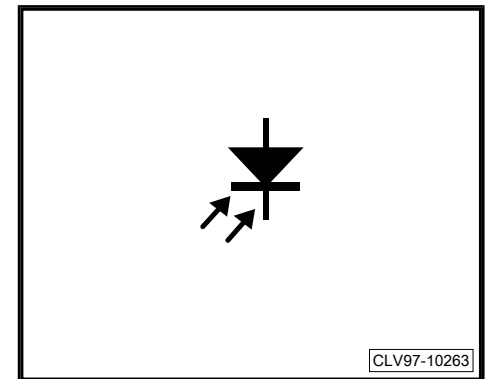
Diode



Zener Diode



Light Sensitive Diode

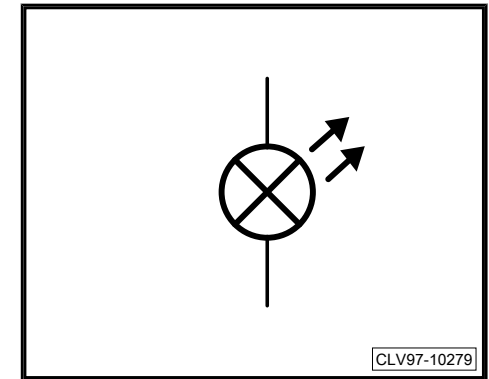


Audi

Protected by copyright. Copying for private or commercial purposes, in part or in whole, is not permitted unless authorised by AUDI AG. AUDI AG does not guarantee or accept any liability with respect to the correctness of information in this document. Copyright by AUDI AG.

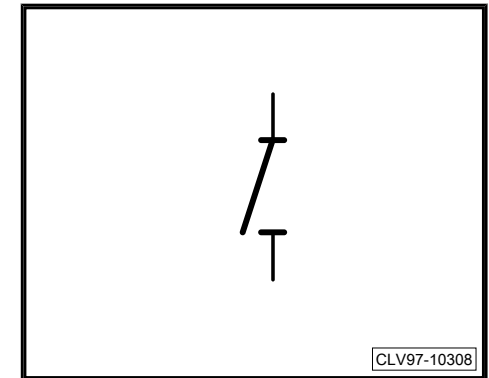


LED (Light Emitting Diode)

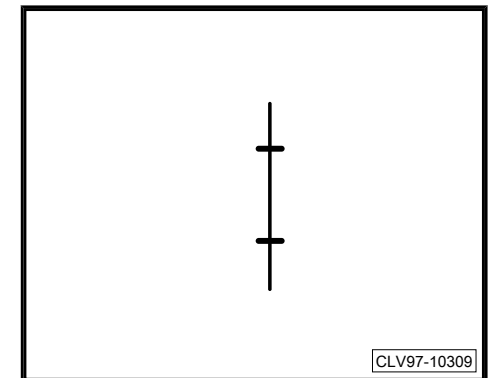


1.17.2 Switches

Normally Open Switch



Normally Closed Switch

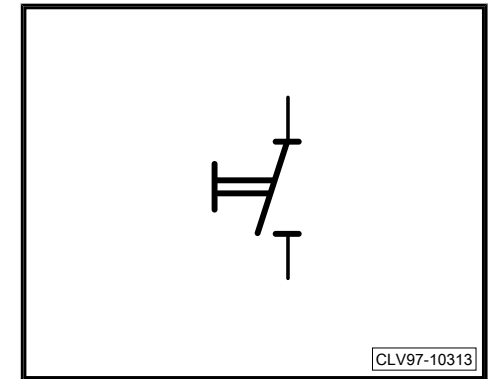


Audi

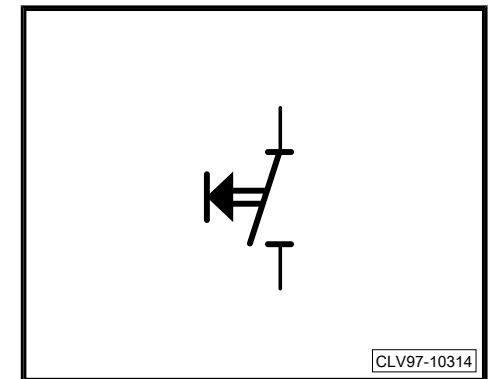
Protected by copyright. Copying for private or commercial purposes, in part or in whole, is not permitted unless authorised by AUDI AG. AUDI AG does not guarantee or accept any liability with respect to the correctness of information in this document. Copyright by AUDI AG.



Manually Operated Switch

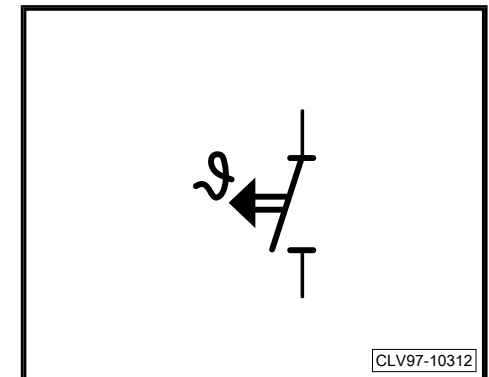


Push Button Switch

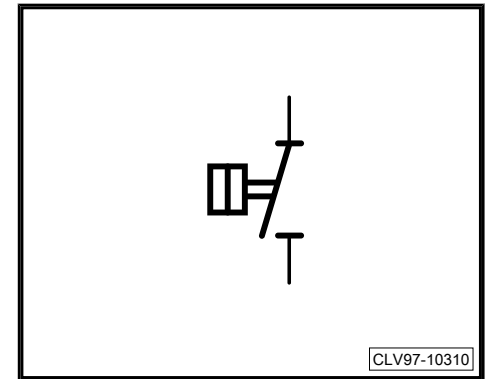


Mechanically Operated Switch

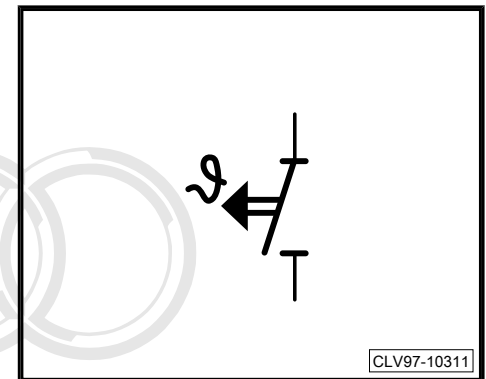
Protected by copyright. Copying for private or commercial purposes, in part or in whole, is not permitted unless authorised by AUDI AG. AUDI AG does not guarantee or accept any liability with respect to the correctness of information in this document. Copyright by AUDI AG.



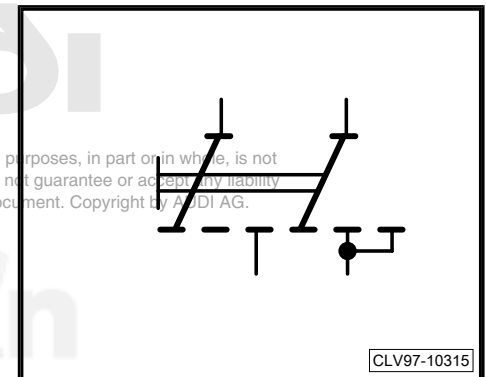
Pressure Operated Switch



Thermally Operated Switch



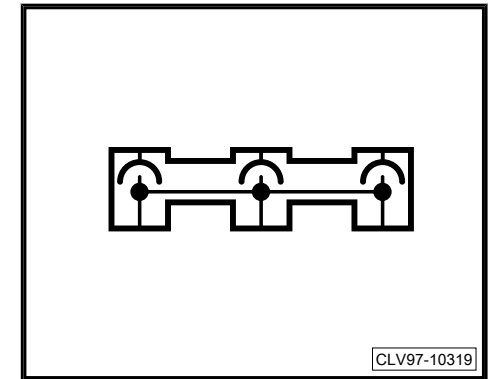
Multiple Switch



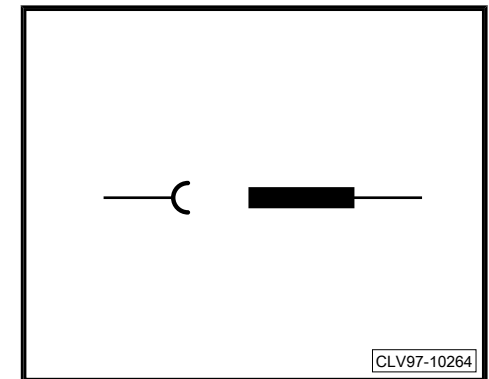
Protected by copyright. Copying for private or commercial purposes, in part or in whole, is not permitted unless authorised by AUDI AG. AUDI AG does not guarantee or accept any liability with respect to the correctness of information in this document. Copyright by AUDI AG.

1.17.3 Wiring

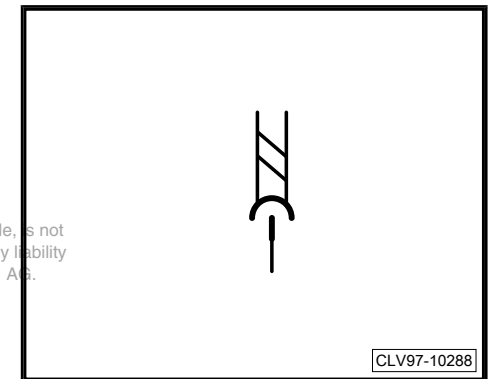
Wire Junction



Disconnected Wire Terminal



Multi Point Connection

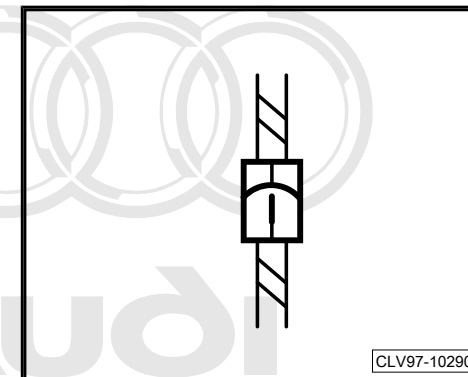


Audi

Protected by copyright. Copying for private or commercial purposes, in part or in whole, is not permitted unless authorised by AUDI AG. AUDI AG does not guarantee or accept any liability with respect to the correctness of information in this document. Copyright by AUDI AG.

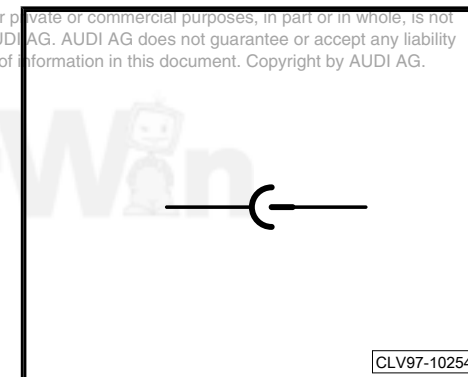


Push On Connector



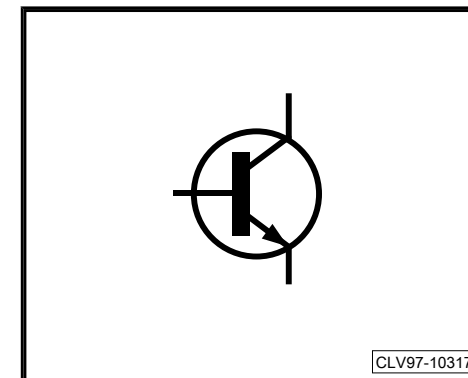
Connected Wire Terminal

Protected by copyright. Copying for private or commercial purposes, in part or in whole, is not permitted unless authorised by AUDI AG. AUDI AG does not guarantee or accept any liability with respect to the correctness of information in this document. Copyright by AUDI AG.



1.18 Transistor

Transistor is a device composed of semiconductor material that amplifies a signal or opens or closes a circuit.



1.19 Wire

- ◆ A wire is a single conductor which usually has an outer layer of insulation

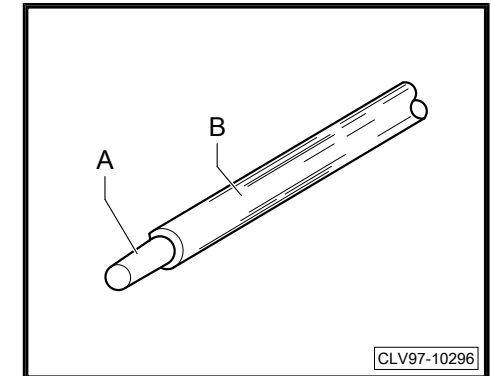
1.19.1 Wire Type

Single core wire

Single core wire: It consists of a solid wire with a plastic coating.

A - Strand

B - Insulating materials



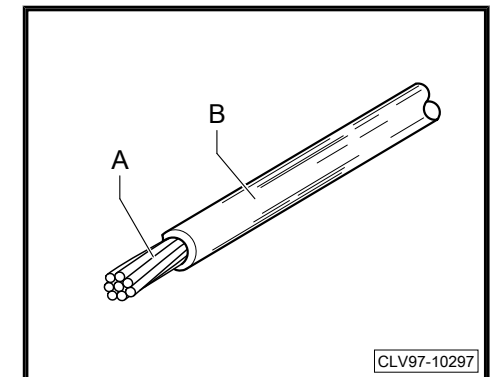
Protected by copyright. Copying for private or commercial purposes, in part or in whole, is not permitted unless authorised by AUDI AG. AUDI AG does not guarantee or accept any liability with respect to the correctness of information in this document. Copyright by AUDI AG.

Stranded wire

Stranded wire: It consists of many fine strands of wire covered with an outer plastic coating.

A - Strand

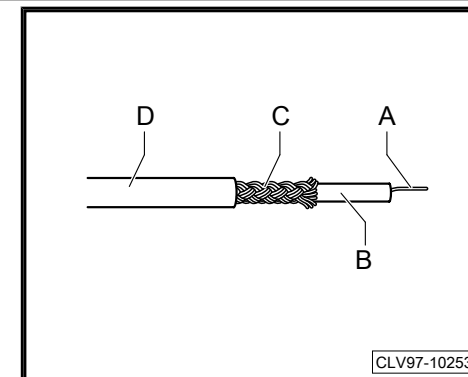
B - Insulating materials



Co-axial wire (cable)

- ◆ Co-axial wire (cable): It consists of insulated central wire which is used for signal, screen wires which are connected to 0 Volt to shield any electrical interference, and an outer sheath.

- A - Signal wire
- B - Insulation wire
- C - Screen fine wires
- D - Sheath



CLV97-10253

1.19.2 Wire color

Wire color is used to assist identify different circuit. It usually consists of one of two color: Base and Tracer. The base color is the dominant wire color whereas the tracer is thin color line.


Note

The brown colored wire - whether is solid brown or traced brown - is typically used for ground or controlled ground.

Circuit color abbreviation summary

Protected by copyright. Copying for private or commercial purposes, in part or in whole, is not permitted unless authorised by AUDI AG. AUDI AG does not guarantee or accept any liability with respect to the accuracy of information in this document. Copyright by AUDI AG.

German Abbreviation	English Abbreviation	Explanation
bl	bl/lb	Blue
br	br	Brown
ge	yl	Yellow
gn	dg	Green
ro	rd	Red
sw	bk	Black
li	vi	Violet
ws	wt	White

1.19.3 Wire Gauge

- ◆ Wire gauge: The term gauge is essentially a standard measure of thickness. A rule of thumb when understanding wire gauge : the lower the gauge number, the higher the bead.

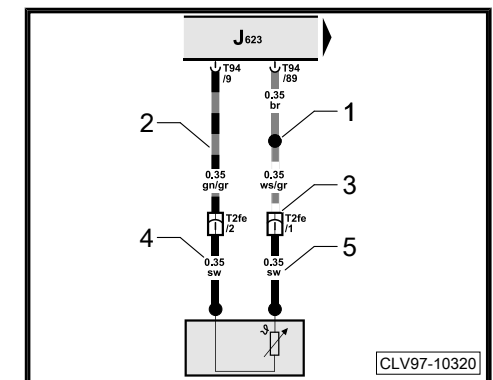
Metric Gauge Size in mm2	America Wire Gauge (AWG) Size
.35	22
.50	20
.75	18
1.00	16
1.50	14
2.50	12
4.00	10
6.00	8
16.0	4
25.0	2
35.0	2

Protected by copyright. Copying for private or commercial purposes, in part or in whole, is not permitted unless authorised by AUDI AG. AUDI AG does not guarantee or accept any liability with respect to the correctness of information in this document. Copyright by AUDI AG.

1.19.4 Wire Layout

In this example we will identify a basic wire layout.

- 1 - Wire connection
- 2 - Circuit color - base circuit color covers 60%
- 3 - Harness inline connector
- 4 - Wire gauge
- 5 - Wire color



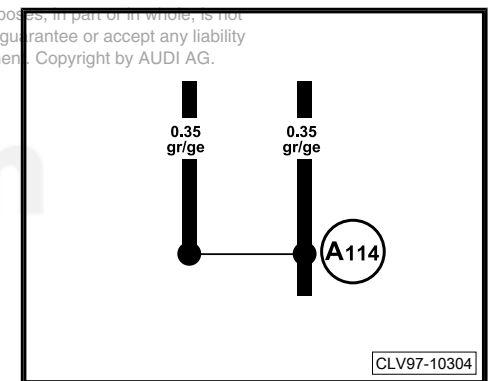
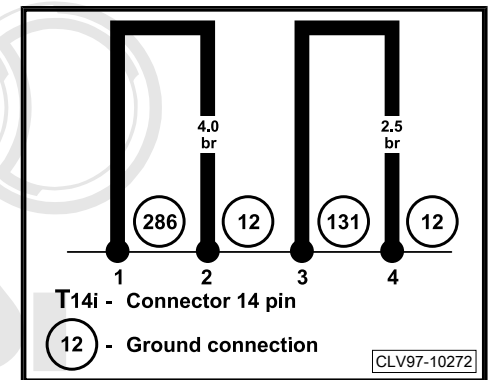
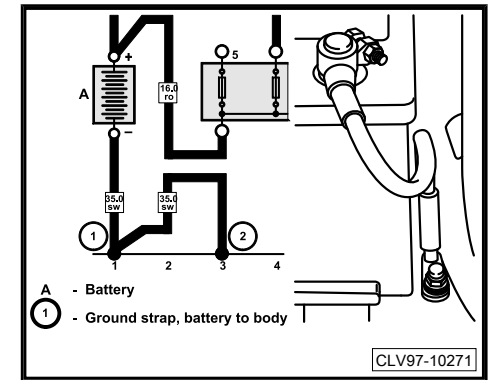
1.19.5 Wire Connection

Wire connection: it is two or more spliced wires together of the same circuit function. There are two types of spliced wires: negative connection or positive connection wires.

The vehicle chassis acts as a common Ground conductor throughout the vehicle, and is identified by the line at the bottom of the wiring diagram above the current track numbers. This Ground line will also show Grounds that are welded connections in the harness. The number in the circle will be repeated in the legend with a description of the Ground connection.

Ground connections are represented as a line at the bottom of the wiring diagram page, directly above the current track numbers. All ground connections, whether they occur as a splice in a harness, or the final ground source, are numbered and identified in the wiring diagram.

Some components, such as the starter or generator, may receive Ground where they are bolted to the engine or transmission. This is also shown as a thin black line.

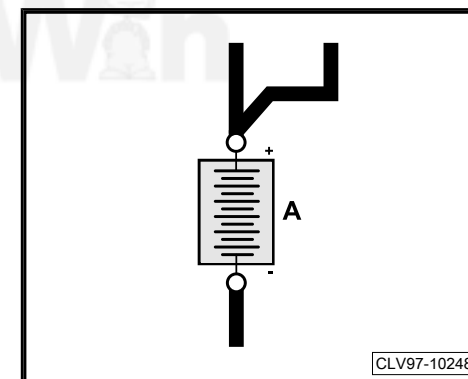
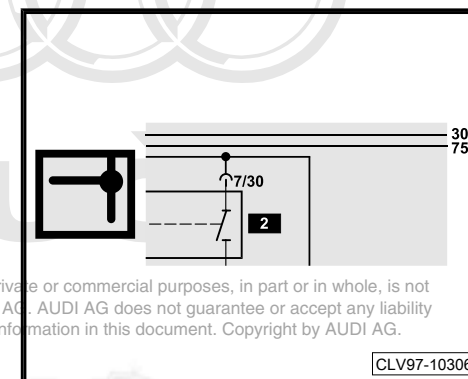
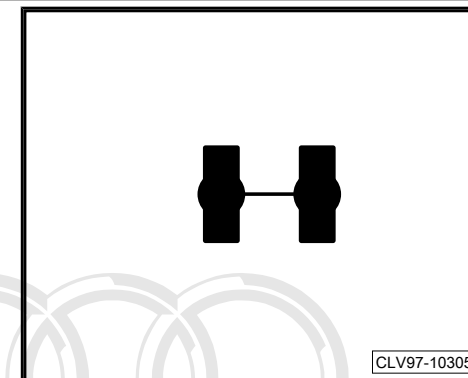


Protected by copyright. Copying for private or commercial purposes, in part or in whole, is not permitted unless authorised by AUDI AG. AUDI AG does not guarantee or accept any liability with respect to the correctness of information in this document. Copyright by AUDI AG.

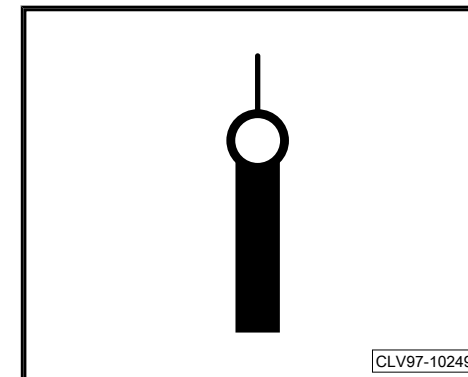
Welded connections are used in wiring harnesses to join multiple, smaller gauge wires to a single larger wire which terminates at the fuse relay panel or chassis ground.

Sometimes a welded connection is shown with the thin line not terminating at another wire. This symbolizes that this welded connection is used in other diagrams for the car. The technician may need to reference other diagrams to locate components or Grounds related to this connection.

Internal conductors exist inside components, acting as bridges between the wiring harness and the final consumer. In some components these conductors are labeled in the component. An example would be the 30 circuit (Battery +) in the central/relay panel. In other components the conductor is not labeled. Internal conductors are shown as thin, black lines.



Threaded connectors are commonly used on the bottom of the fuse relay plate to distribute power and ground to components. The common connectors include battery power, ground, and load reduction (X).



Audi

Protected by copyright. Copying for private or commercial purposes, in part or in whole, is not permitted unless authorised by AUDI AG. AUDI AG does not guarantee or accept any liability with respect to the correctness of information in this document. Copyright by AUDI AG.



1 Engine Management System - Connector Views

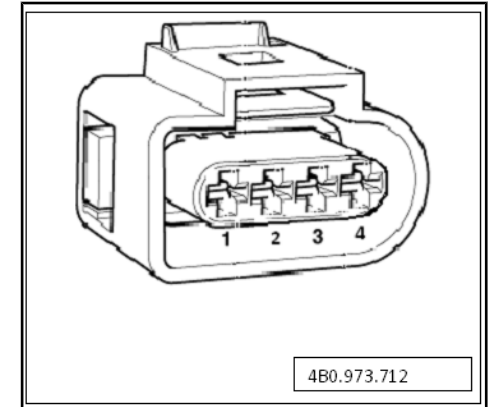
1.1 Brake lamp switch -F-

All engines except 2.0L - BPY - 2005 and earlier

Cavity	Function
1	Signal, output
2	Ground, sensor
3	Signal, output
4	Power, sensor

2.0L- BPY - 2005 and earlier

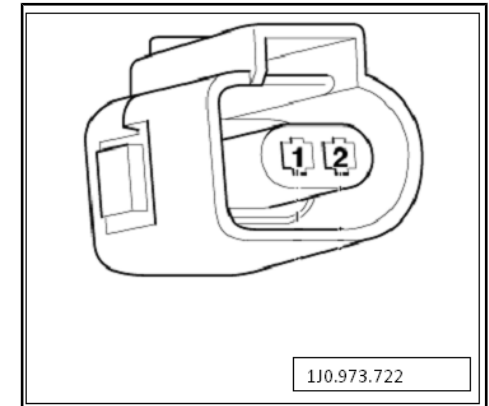
Cavity	Function
1	Power, sensor
2	Power, sensor
3	Signal, output
4	Signal, output



1.2 EVAP canister purge regulator valve 1 -N80-

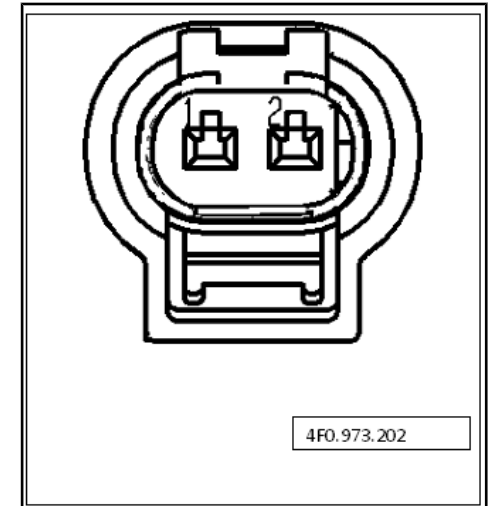
2.0L- BPY; 3.2L - BUB, CBRA

Protected by copyright. Copying for private or commercial purposes, in part or in whole, is not permitted unless authorised by AUDI AG. AUDI AG does not guarantee or accept any liability with respect to the correctness of information in this document. Copyright by AUDI AG.

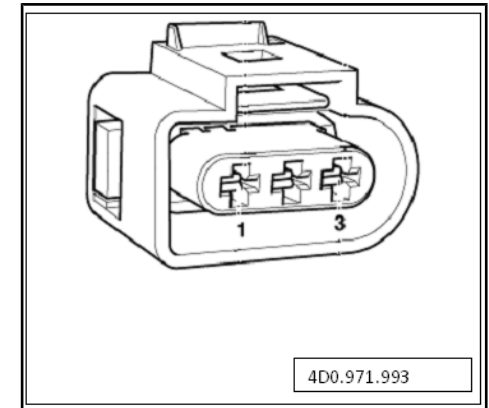


2.0L - CCTA, CBFA

Cavity	Function
1	Power, sensor
2	Ground, sensor



Cavity	Function
1	Ground, sensor
2	Signal, sensor
3	5 volt, sensor



Audi

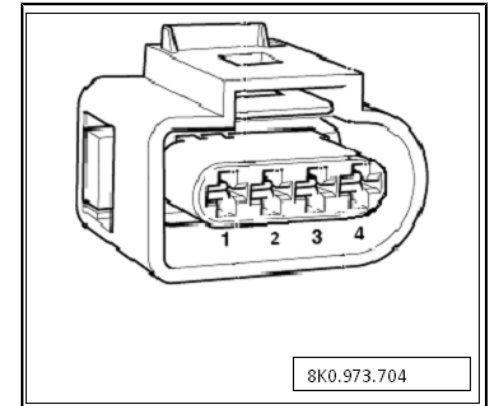
Protected by copyright. Copying for private or commercial purposes, in part or in whole, is not permitted unless authorised by AUDI AG. AUDI AG does not guarantee or accept any liability with respect to the correctness of information in this document. Copyright by AUDI AG.



1.4 Throttle valve control module -J338-

All engines except 2.0L - CBEA

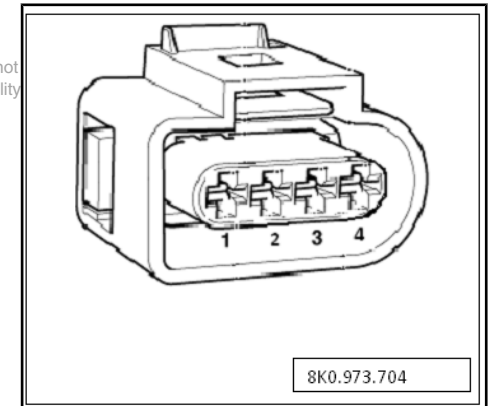
Cavity	Function
1	Signal monitor, sensor 2
2	Signal (+), sensor 1+2
3	Ground, motor
4	Signal monitor, sensor 1
5	Voltage Supply, motor
6	Signal (-), sensor 1+2



2.0L - CBEA

Cavity	Function
1	Ground, sensor Signal monitor, sensor 2
2	Power, sensor
3	PWM
4	Signal, sensor

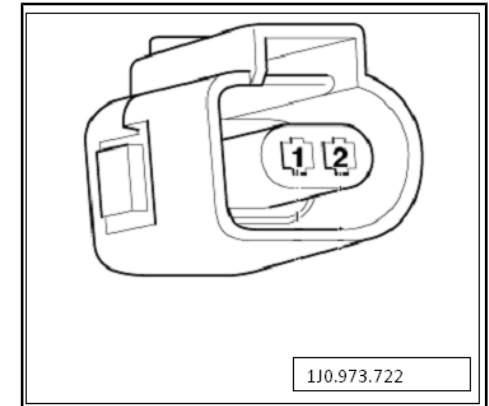
Protected by copyright. Copying for private or commercial purposes, in part or in whole, is not permitted unless authorized by AUDI AG. AUDI AG does not guarantee or accept any liability with respect to the correctness of information in this document. Copyright by AUDI AG.



1.5 Wastegate bypass regulator valve -N75-

2.0L engines

Cavity	Function
1	Power
2	Ground

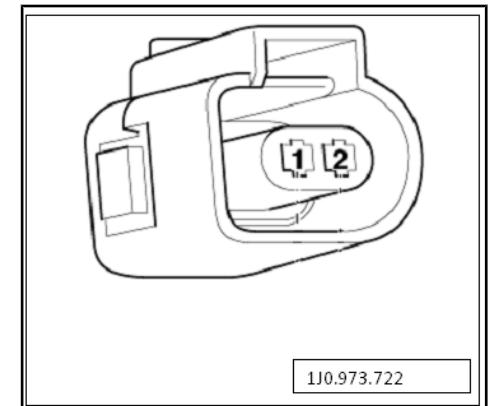


Protected by copyright. Copying for private or commercial purposes, in part or in whole, is not permitted unless authorised by AUDI AG. AUDI AG does not guarantee or accept any liability with respect to the correctness of information in this document. Copyright by AUDI AG.

1.6 Intake manifold runner control valve -N316-

2.0L - BPY, CCTA, CBFA

Cavity	Function
1	Power
2	Ground

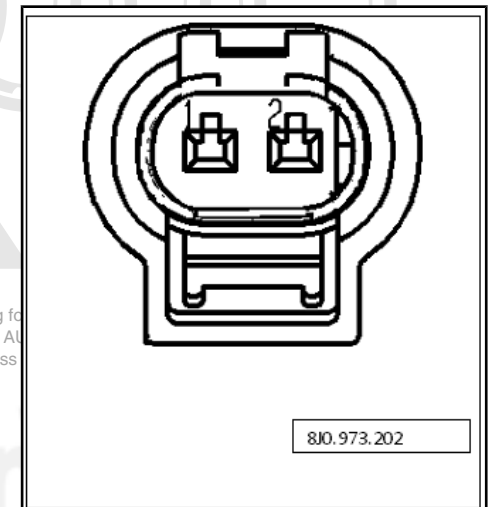
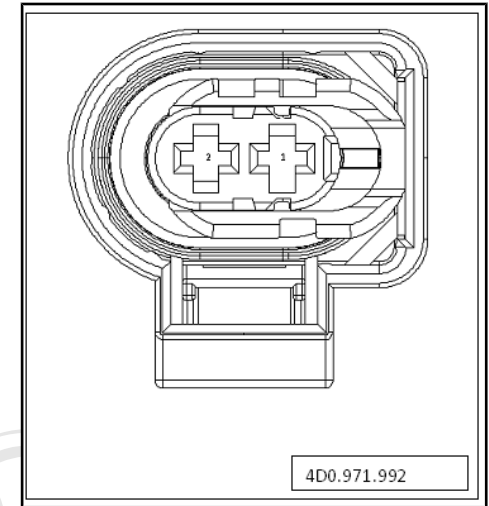


1.7 Fuel Injectors

2.0L - CBEA, BPY

2.0L - CCTA, CBFA

Cavity	Function
1	Power
2	Ground

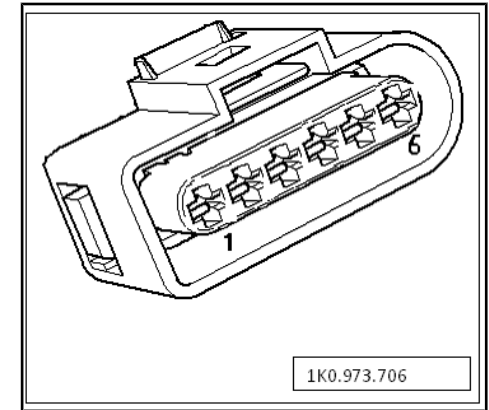


Protected by copyright. Copying for private use is permitted unless authorised by Audi AG. All rights reserved with respect to the correctness.

1.8 Accelerator pedal position sensor 2 -G185- / Accelerator pedal position sensor -G79-

All engines

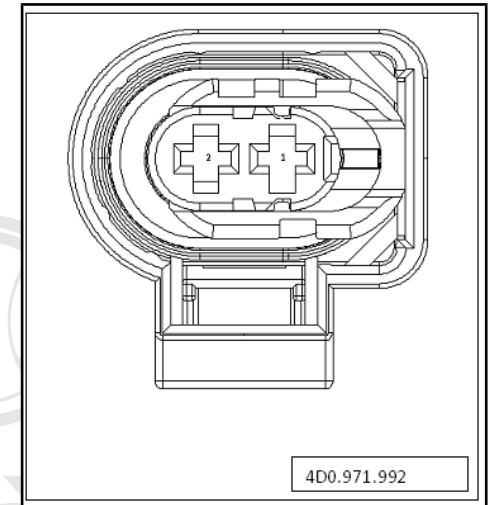
Cavity	Function
1	5 volt, sensor 2
2	5 volt, sensor 1
3	Ground, sensor 1
4	Signal, sensor 1
5	Ground, sensor 2
6	Signal, sensor 2



1.9 Fuel pressure regulator valve -N276-

2.0L engines

Cavity	Function
1	Power
2	Ground

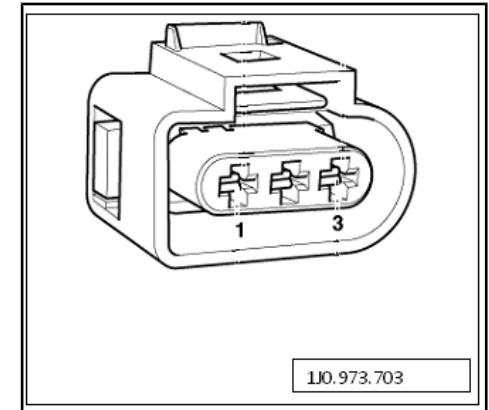


Protected by copyright. Copying for private or commercial purposes, in part or in whole, is not permitted unless authorised by AUDI AG. AUDI AG does not guarantee or accept any liability with respect to the correctness of information in this document. Copyright by AUDI AG.

1.10 Engine speed sensor -G28-

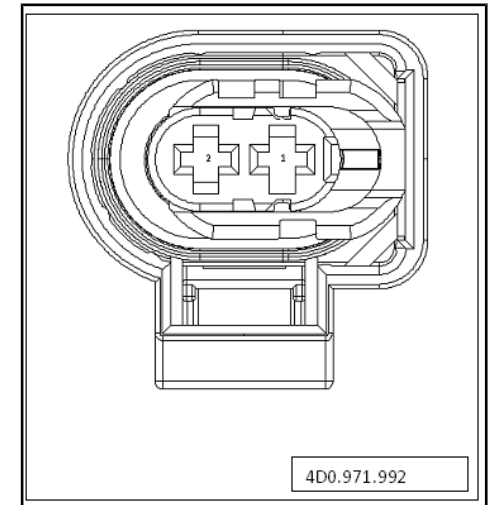
2.0L - CBEA, BPY; 3.2L - BUB, CBRA

Cavity	Function
1	Signal, sensor
2	Ground, sensor
3	Power, sensor



2.0L - CCTA, CBEA

Cavity	Function
1	Ground
2	Power



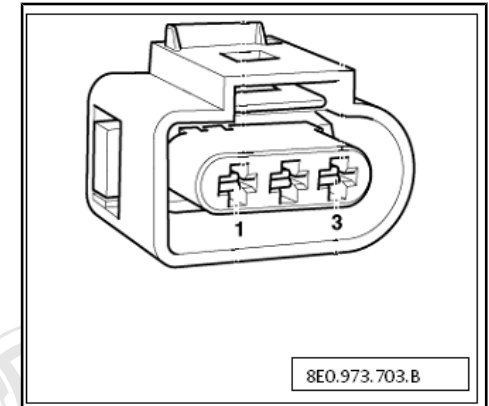
Protected by copyright. Copying for private or commercial purposes, in part or in whole, is not permitted unless authorised by AUDI AG. AUDI AG does not guarantee or accept any liability with respect to the correctness of information in this document. Copyright by AUDI AG.



1.11 Knock sensor 1 -G61-

All engines except 2.0L - CBEA

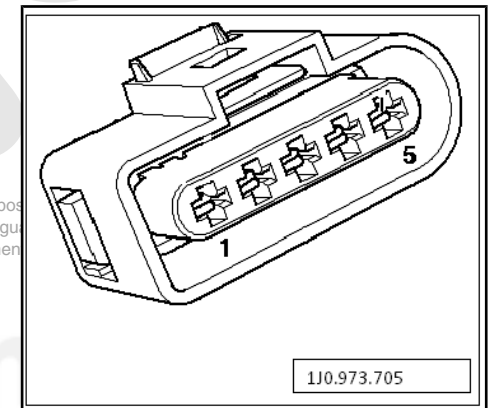
Cavity	Function
1	Power supply, Sensor
2	Ground, Sensor
3	Monitor, sensor



1.12 Intake manifold runner position sensor -G336-

2.0L - CBEA, BPY

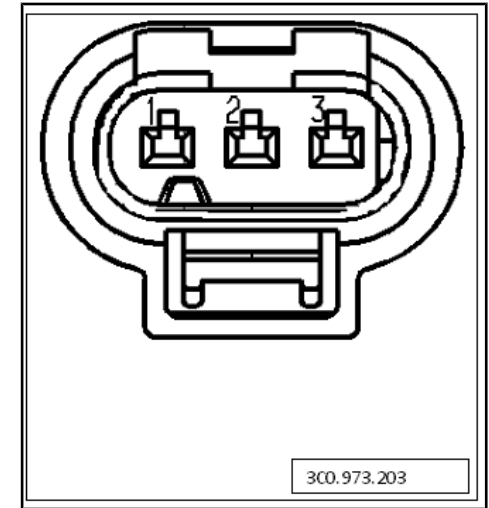
Cavity	Function
1	Power supply, sensor
2	Signal, sensor
3	Ground, sensor
4	Ground, motor
5	Power, motor



Protected by copyright. Copying for private or commercial purposes is not permitted unless authorised by AUDI AG. AUDI AG does not guarantee the correctness of information in this document.

2.0L - CCTA, CBFA

Cavity	Function
1	Power supply, Sensor
2	Signal, sensor
3	Ground, Sensor



1.13 Charge air pressure sensor -G31- / Intake air temperature sensor -G42-

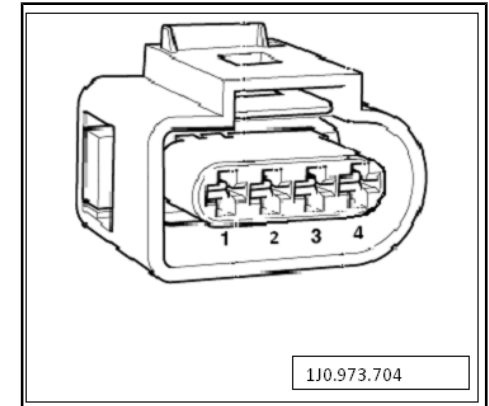
2.0L - CCTA, CBFA, BPY



Audi

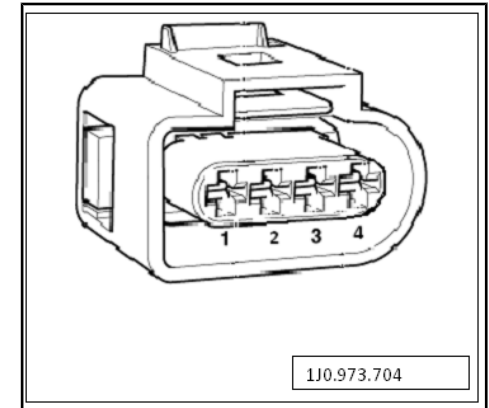
Protected by copyright. Copying for private or commercial purposes, in part or in whole, is not permitted unless authorised by AUDI AG. AUDI AG does not guarantee or accept any liability with respect to the correctness of information in this document. Copyright by AUDI AG.

erWin



2.0L TDI - CBEA

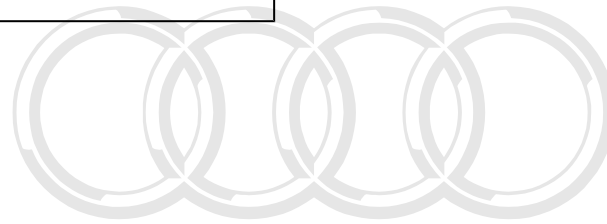
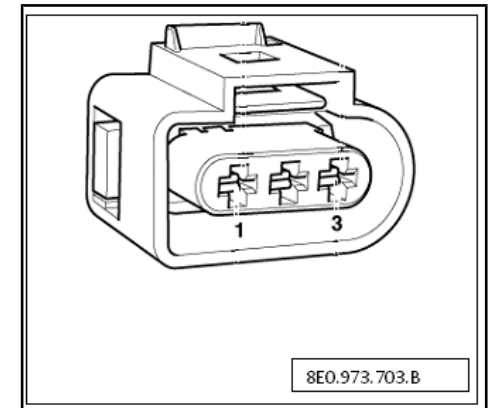
Cavity	Function
1	Ground
2	Signal, temperature sensor (TDI)
3	5 volt
4	Signal, sensor



1.14 Leak detection pump -V144-

All engines except 2.0L TDI - CBEA

Cavity	Function
1	Signal, Sensor
2	Power supply
3	Ground



Audi

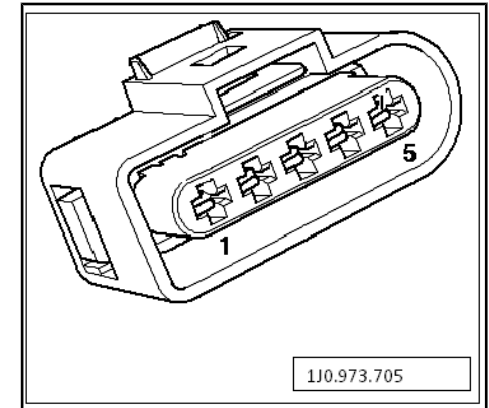
Protected by copyright. Copying for private or commercial purposes, in part or in whole, is not permitted unless authorised by AUDI AG. AUDI AG does not guarantee or accept any liability with respect to the correctness of information in this document. Copyright by AUDI AG.



1.15 Mass airflow sensor -G70-

All engines

Cavity	Function
1	Signal, sensor (Air-mass)
2	Ground, Sensor
3	Voltage Supply
4	...
5	...

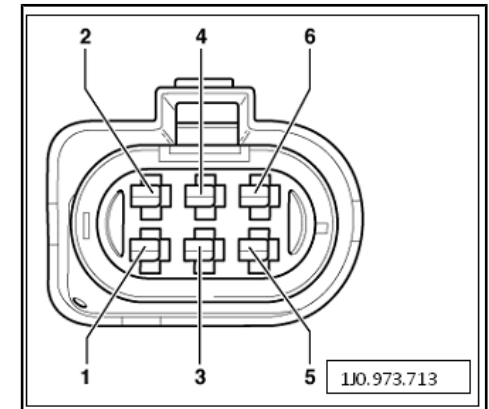


1.16 Heated oxygen sensor -G39- / Oxygen sensor heater -Z19-

All engines

Protected by copyright. Copying for private or commercial purposes, in part or in whole, is not permitted unless authorised by AUDI AG. AUDI AG does not guarantee or accept any liability with respect to the correctness of information in this document. Copyright by AUDI AG.

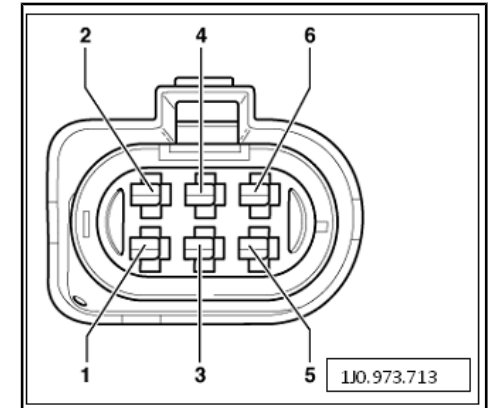
Cavity	Function
1	Voltage Supply
2	Ground, Sensor
3	Heater, Ground (H -)
4	Heater, Voltage (H+)
5	Trim Current (RT)
6	Voltage, sensor (RE+)



1.17 Heated oxygen sensor 2 -G108- / Oxygen sensor 2 heater -Z28-

3.2L - BUB, CBRA

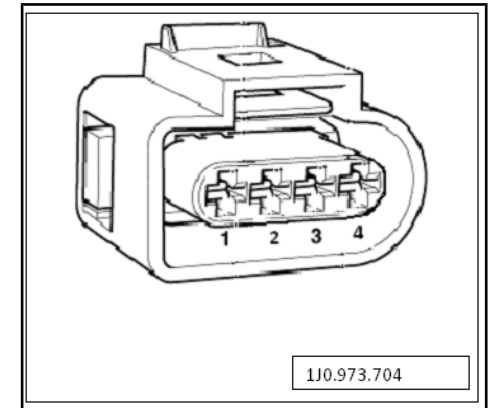
Cavity	Function
1	Voltage Supply
2	Ground, Sensor
3	Heater, Ground (H -)
4	Heater, Voltage (H+)
5	Trim Current (RT)
6	Voltage, sensor (RE+)



1.18 Oxygen sensor after three way catalytic converter -G130- / Heater for oxygen sensor 1 after catalytic converter -Z29-

All engines

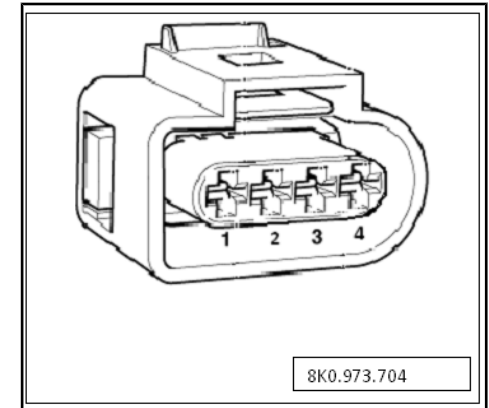
Cavity	Function
1	Heater, Voltage (H+)
2	Heater, Ground (H -)
3	Ground, Sensor
4	Signal, Sensor



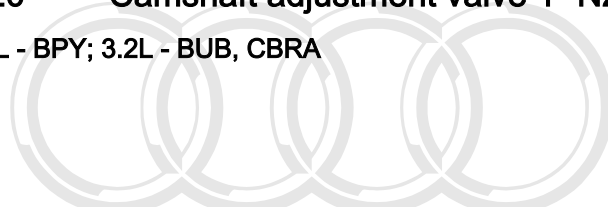
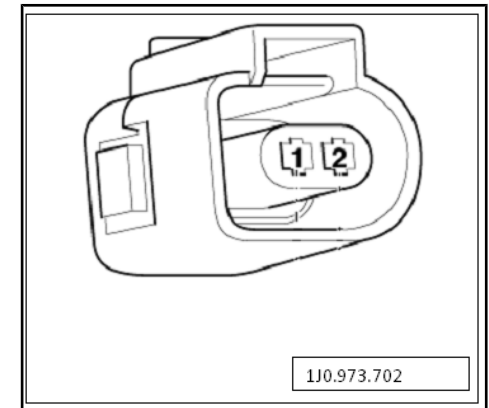
1.19 Oxygen sensor 2 after catalytic converter -G131- / Heater for oxygen sensor 2 after catalytic converter -Z30-

All engines

Cavity	Function
1	Heater, Voltage (H+)
2	Heater, Ground (H -)
3	Ground, Sensor
4	Signal, Sensor



1.20 Camshaft adjustment valve 1 -N205-
2.0L - BPY; 3.2L - BUB, CBRA



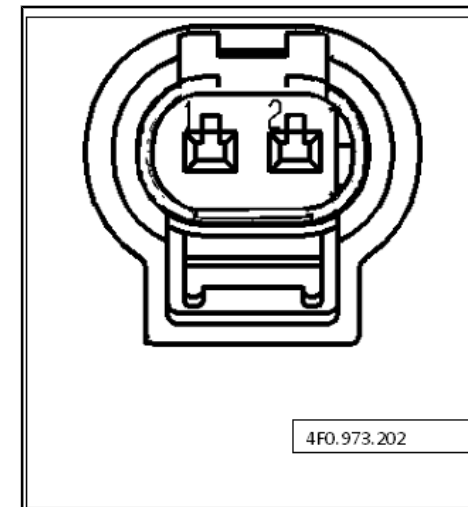
Audi

Protected by copyright. Copying for private or commercial purposes, in part or in whole, is not permitted unless authorised by AUDI AG. AUDI AG does not guarantee or accept any liability with respect to the correctness of information in this document. Copyright by AUDI AG.



2.0L - CCTA, CBFA

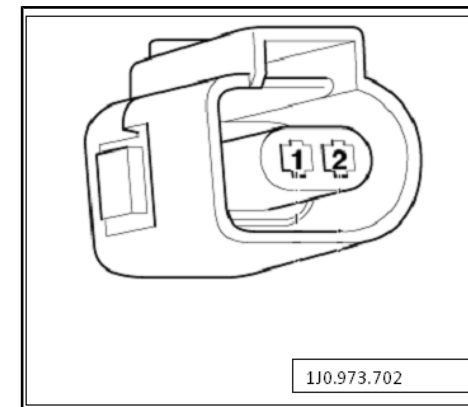
Cavity	Function
1	Power
2	Ground



1.21 Exhaust camshaft adjustment valve 1 -N318-

3.2L - BUB, CBRA

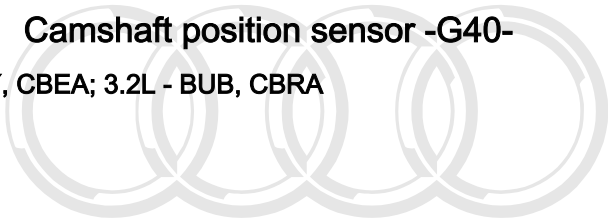
Cavity	Function
1	Power
2	Ground



Protected by copyright. Copying for private or commercial purposes, in part or in whole, is not permitted unless authorised by AUDI AG. AUDI AG does not guarantee or accept any liability with respect to the correctness of information in this document. Copyright by AUDI AG.

1.22 Camshaft position sensor -G40-

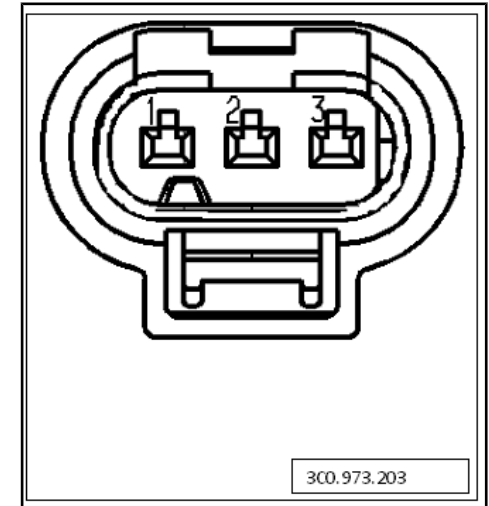
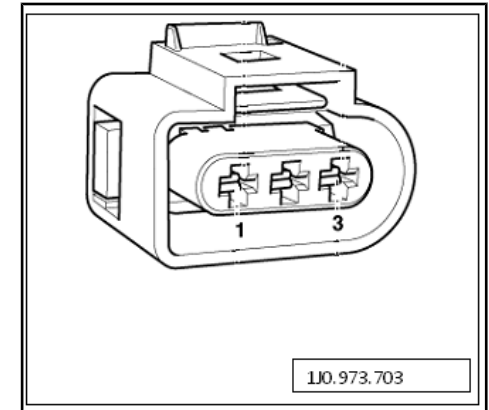
2.0L - BPY, CBEA; 3.2L - BUB, CBRA



Protected by copyright. Copying for private or commercial purposes, in part or in whole, is not permitted unless authorised by AUDI AG. AUDI AG does not guarantee or accept any liability for the correctness of information in this document. Copyright by AUDI AG.

2.0L - CBFA, CCTA

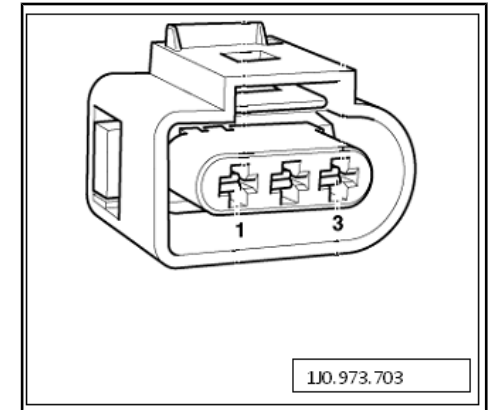
Cavity	Function
1	5 Volt, Sensor
2	Signal, Sensor
3	Ground, sensor



1.23 Camshaft position sensor 2 -G163-

3.2L - BUB, CBRA

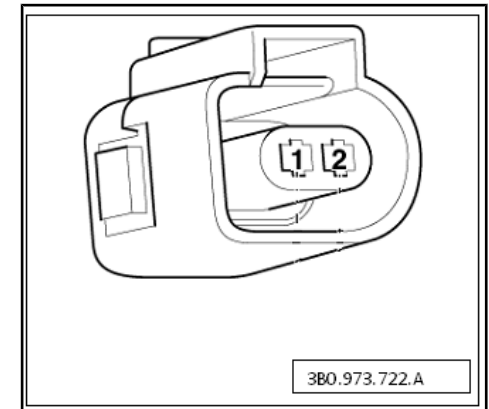
Cavity	Function
1	5 Volt, Sensor
2	Signal, Sensor
3	Ground, sensor



1.24 Turbocharger recirculation valve -N249-

2.0L - CCTA, CBFA, BPY

Cavity	Function
1	Power
2	Ground



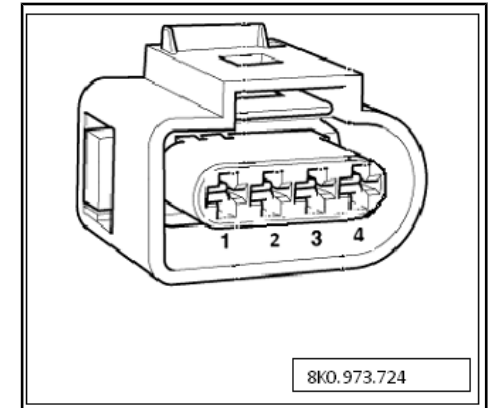
Protected by copyright. Copying for private or commercial purposes, in part or in whole, is not permitted unless authorised by AUDI AG. AUDI AG does not guarantee or accept any liability with respect to the correctness of information in this document. Copyright by AUDI AG.



1.25 Ignition Coils

2.0L - BPY, CBFA, CCTA; 3.2L - BUB, CBRA

Cavity	Function
1	Power
2	Chassis ground
3	Module ground
4	Coil ground

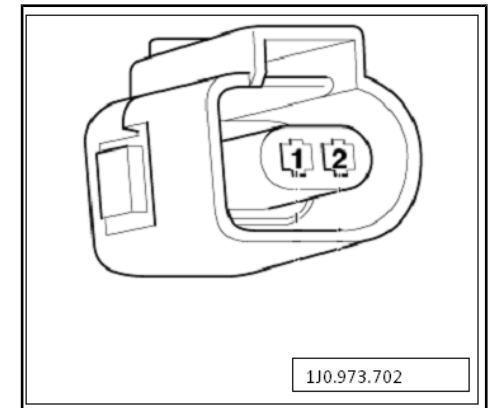


1.26 Engine coolant temperature sensor - G62-

Copyright in this document, in part or in whole, is not permitted unless authorized by AUDI AG. AUDI AG does not guarantee or accept any liability with respect to the correctness of information in this document. Copyright by AUDI AG.

All engines

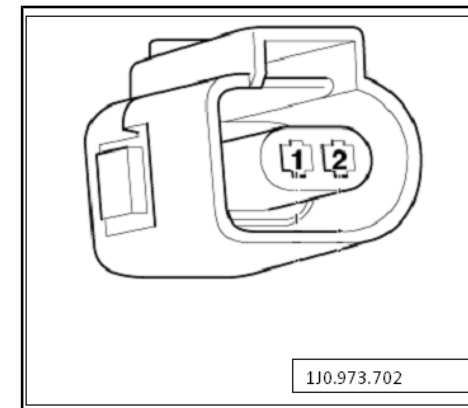
Cavity	Function
1	Signal input, sensor
2	Signal output, sensor



1.27 Engine coolant temperature sensor on radiator -G83-

All engines

Cavity	Function
1	Signal input, sensor
2	Signal output, sensor

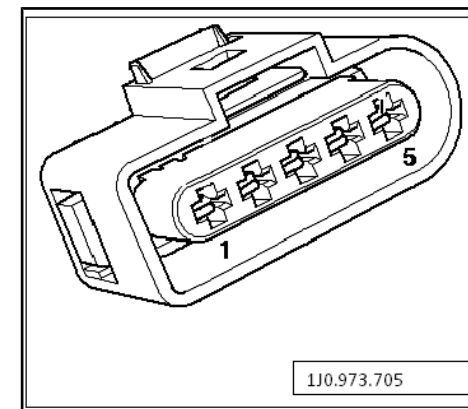


Protected by copyright. Copying for private or commercial purposes, in part or in whole, is not permitted unless authorised by AUDI AG. AUDI AG does not guarantee or accept any liability with respect to the correctness of information in this document. Copyright by AUDI AG.

1.28 Clutch position sensor -G476-

All engines

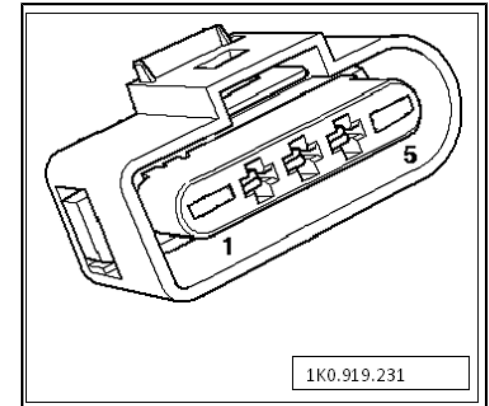
Cavity	Function
1	Ground, sensor
2	Signal, GRA
3	...
4	Signal, Interlock
5	Power, sensor



1.29 Transfer fuel pump -G6- / Fuel level sensor -G-

All engines

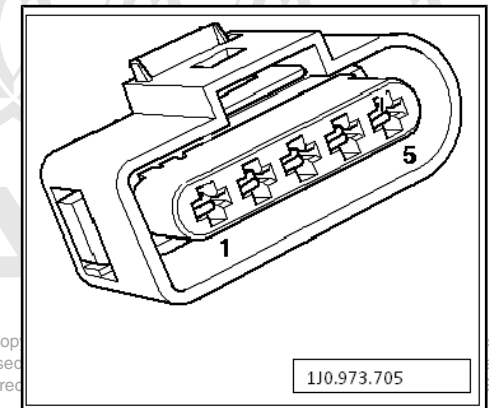
Cavity	Function
1	Power, Motor
2	Signal Monitor, sensor (Wiper)
3	Signal, sensor (FULL)
4	Signal, sensor (EMPTY)
5	Ground, Motor



1.30 Fuel pump control module -J538-

2.0L - BPY, CCTA, CBFA

Cavity	Function
1	Signal (+), motor
2	Signal (-), motor
3	Voltage supply (30), sensor
4	Ground (31), sensor
5	Signal (PWM), sensor



Protected by copyright. Copying is not permitted unless authorised in writing with respect to the corrected version.

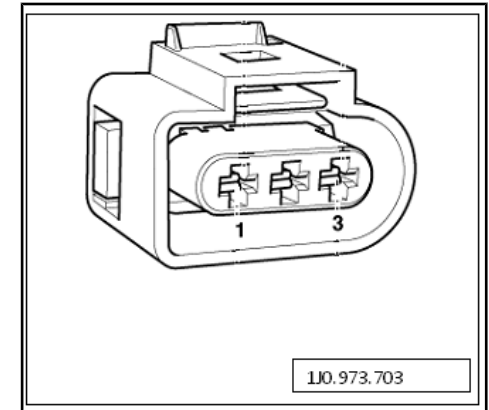
is not permitted unless authorised in writing with respect to the corrected version.



1.31 Fuel level sensor 2 -G169-

AWD

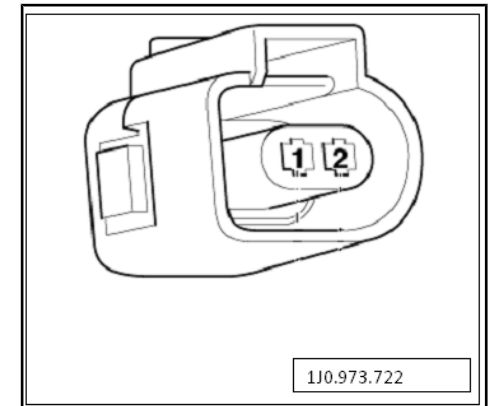
Cavity	Function
1	Signal Monitor, sensor (Wiper)
2	Signal, sensor (FULL)
3	Signal, sensor (EMPTY)



Protected by copyright. Copying for private or commercial purposes, in part or in whole, is not permitted unless authorised by AUDI AG. AUDI AG does not guarantee or accept any liability with respect to the correctness of information in this document. Copyright by AUDI AG.

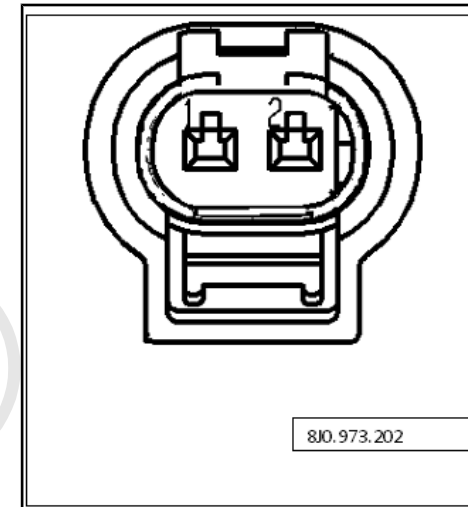
1.32 Secondary air injection solenoid valve -N112-

3.2L - BUB, CBRA



2.0L - CBFA

Cavity	Function
1	Power
2	Ground



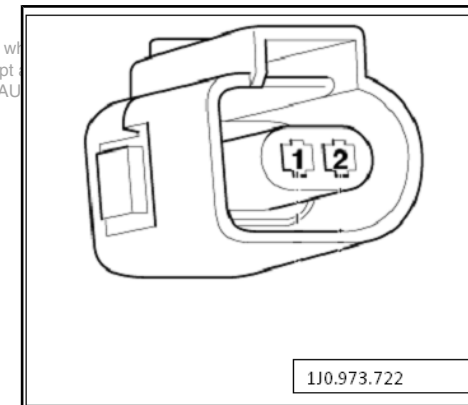
Audi

1.33 Secondary air injection solenoid valve 2 -N320-

3.2L - BUB, CBRA

Cavity	Function
1	Power
2	Ground

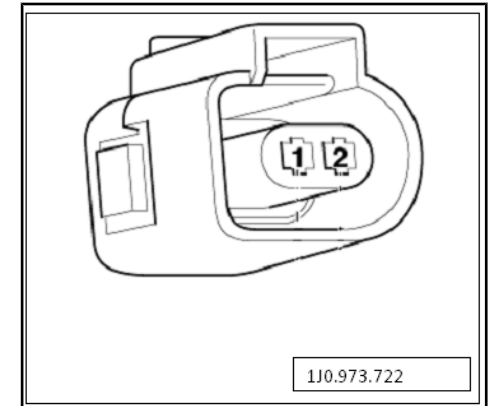
Protected by copyright. Copying for private or commercial purposes, in part or in whole, is not permitted unless authorised by AUDI AG. AUDI AG does not guarantee or accept any liability with respect to the correctness of information in this document. Copyright by AUDI AG.



1.34 Intake manifold tuning valve -N156-

3.2L - BUB, CBRA

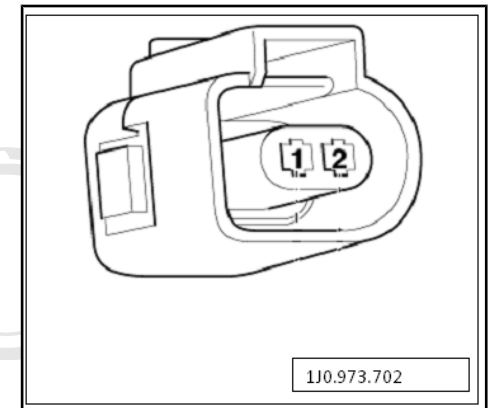
Cavity	Function
1	Power
2	Ground



1.35 Knock sensor 2 -G66-

3.2L- BUB, CBRA

Cavity	Function
1	Power, sensor
2	Ground, Sensor

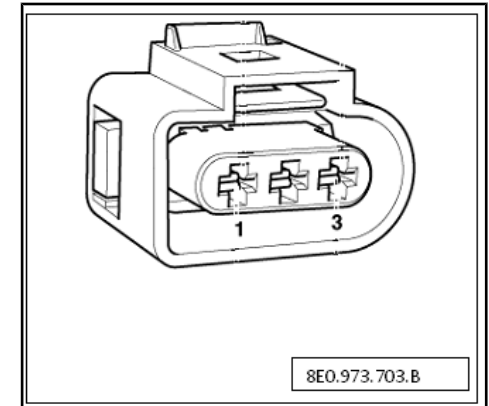


Protected by copyright. Copying for private or commercial purposes, in part or in whole, is not permitted unless authorised by AUDI AG. AUDI AG does not guarantee or accept any liability with respect to the correctness of information in this document. Copyright by AUDI AG.



2.0L - BPY, CBFA

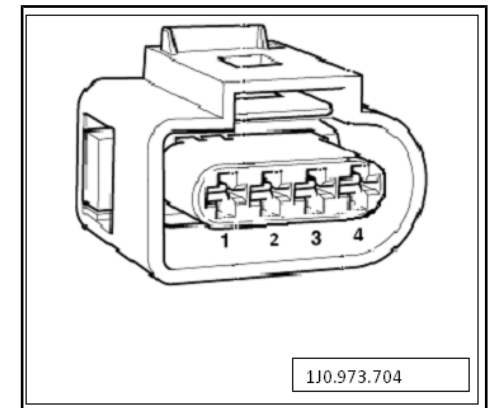
Cavity	Function
1	Monitor, sensor
2	Ground, Sensor
3	Power supply, sensor



1.36 Secondary air injection sensor 1 -G609-

3.2L - BUB, CBRA

Cavity	Function
1	Ground
2	Signal, temperature sensor
3	5 volt
4	Signal, sensor

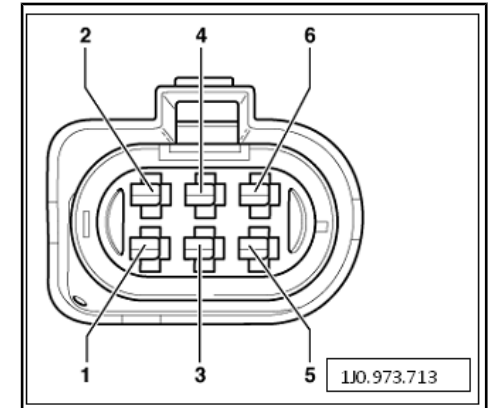


Protected by copyright. Copying for private or commercial purposes, in part or in whole, is not permitted unless authorised by AUDI AG. AUDI AG does not guarantee or accept any liability with respect to the correctness of information in this document. Copyright by AUDI AG.

1.37 Fuel quality sensor -G446- / EGR valve 2 -N213-

2.0L TDI - CBEA

Cavity	Function
1	5 Volts, sensor
2	Ground, motor
3	Ground, sensor
4	-----
5	Signal out, Sensor
6	Voltage supply, motor

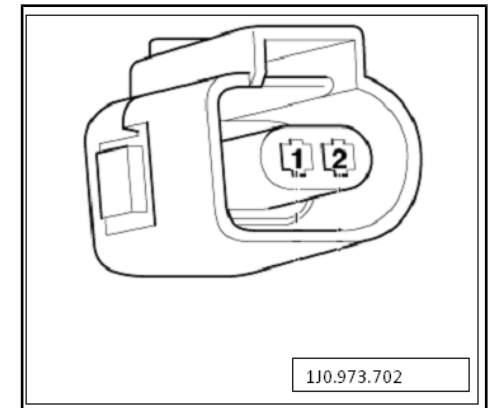


Protected by copyright. Copying for private or commercial purposes, in part or in whole, is not permitted unless authorised by AUDI AG. AUDI AG does not guarantee or accept any liability with respect to the correctness of information in this document. Copyright by AUDI AG.

1.38 Exhaust gas temperature sensor 1 -G235-

2.0L TDI - CBEA

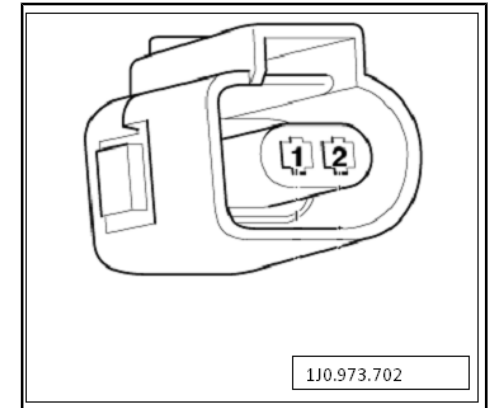
Cavity	Function
1	Ground, sensor
2	Signal (+), sensor



1.39 Exhaust gas temperature sensor 2 -G448-

2.0L TDI - CBEA

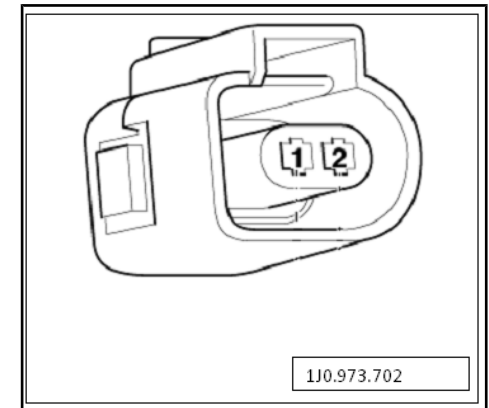
Cavity	Function
1	Ground, sensor
2	Signal (+), sensor



1.40 Exhaust gas temperature sensor 3 -G495-

2.0L TDI - CBEA

Cavity	Function
1	Ground, sensor
2	Signal (+), sensor



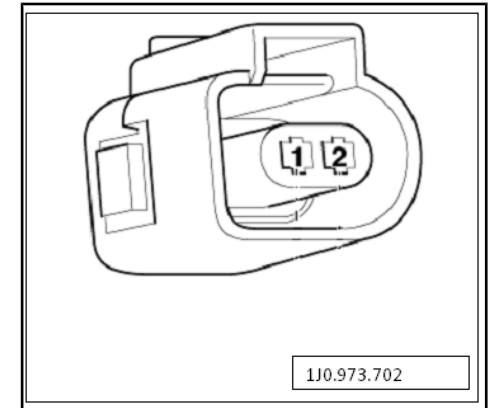
Protected by copyright. Copying for private or commercial purposes, in part or in whole, is not permitted unless authorised by AUDI AG. AUDI AG does not guarantee or accept any liability with respect to the correctness of information in this document. Copyright by AUDI AG.



1.41 Exhaust gas temperature sensor 4 -G648-

2.0L TDI - CBEA

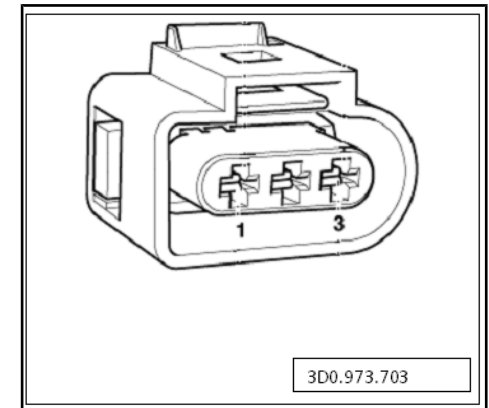
Cavity	Function
1	Ground, sensor
2	Signal (+), sensor



1.42 Exhaust pressure sensor 1 -G450-

2.0L TDI - CBEA

Cavity	Function
1	5 volt, Sensor
2	Ground, Sensor
3	Signal (-), sensor



Audi

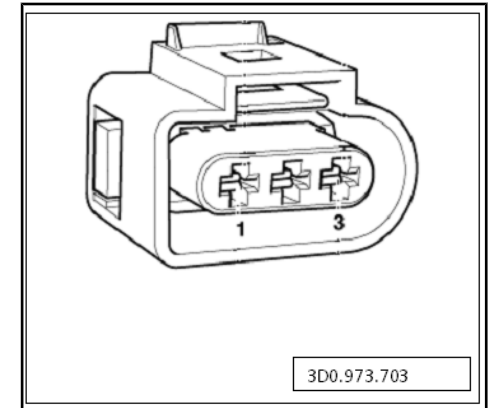
Protected by copyright. Copying for private or commercial purposes, in part or in whole, is not permitted unless authorised by AUDI AG. AUDI AG does not guarantee or accept any liability with respect to the correctness of information in this document. Copyright by AUDI AG.



1.43 Exhaust pressure sensor 1 -G451-

2.0L TDI - CBEA

Cavity	Function
1	5 volt, Sensor
2	Ground, Sensor
3	Signal (-), sensor

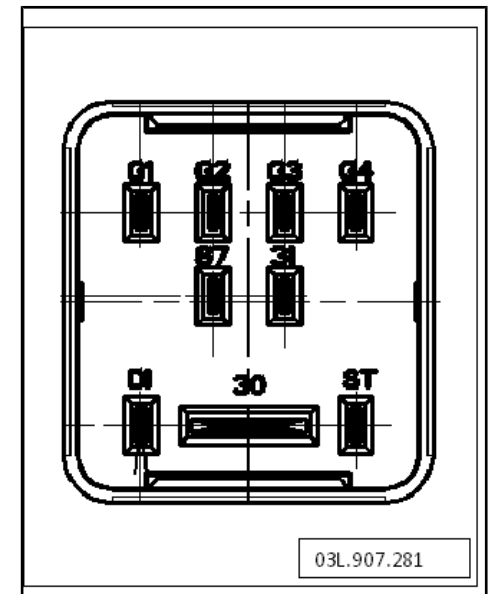


1.44 Automatic glow time control module -J179-

2.0L TDI - CBEA

Protected by copyright. Copying for private or commercial purposes, in part or in whole, is not permitted unless authorised by AUDI AG. AUDI AG does not guarantee or accept any liability with respect to the correctness of information in this document. Copyright by AUDI AG.

Cavity	Function
G1	Glow 1, power
G2	Glow 2, power
G3	Glow 3, power
G4	Glow 4, power
87	Signal (+), Sensor
31	Ground, Sensor
DI	Signal, Diagnoses
30	Voltage Supply
ST	Signal, Control

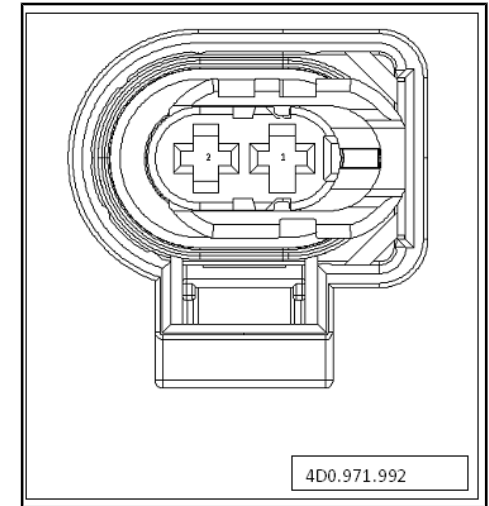


1.45 Fuel metering valve -N290-

2.0L TDI - CBEA

Cavity	Function
1	Power supply, Sensor
2	Signal output, Sensor

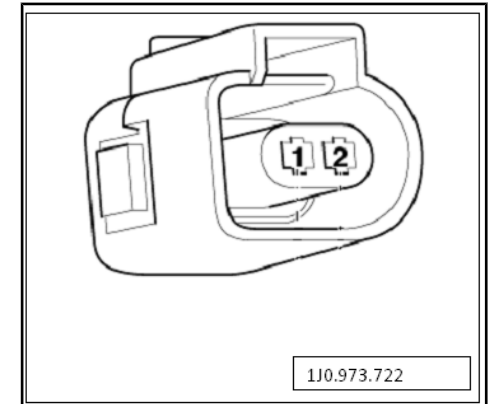
Protected by copyright. Copying for private or commercial purposes, in part or in whole, is not permitted unless authorised by AUDI AG. AUDI AG does not guarantee or accept any liability with respect to the correctness of information in this document. Copyright by AUDI AG.



1.46 Positive crankcase ventilation heating element -N79-

2.0L TDI - CBEA

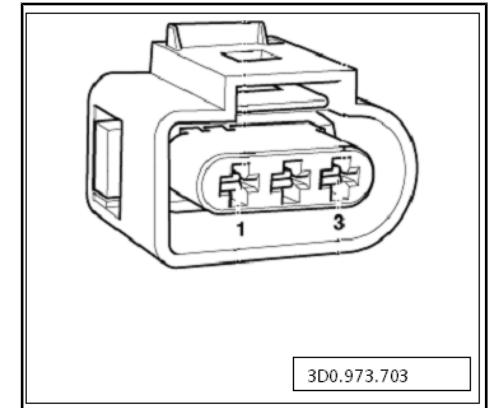
Cavity	Function
1	Power
2	Ground



1.47 Charge pressure actuator position sensor -G581-

2.0L TDI - CBEA

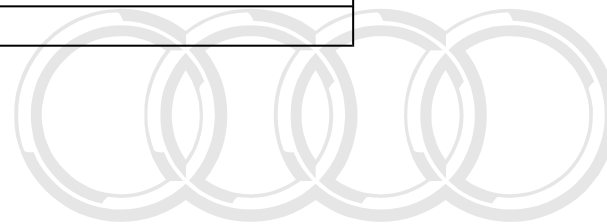
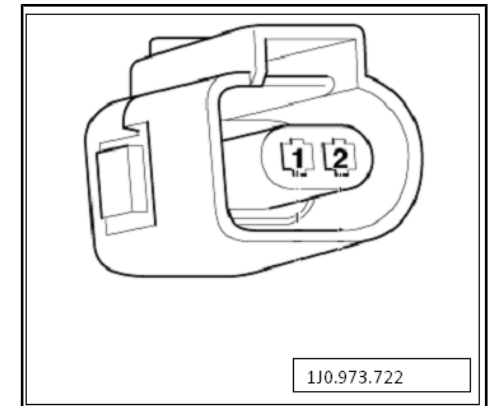
Cavity	Function
1	Ground, Sensor
2	Signal output, Sensor
3	5 Volts power, Sensor



1.48 Fuel temperature sensor -G81-

2.0L TDI - CBEA

Cavity	Function
1	Ground, sensor
2	Signal (+), sensor



Audi

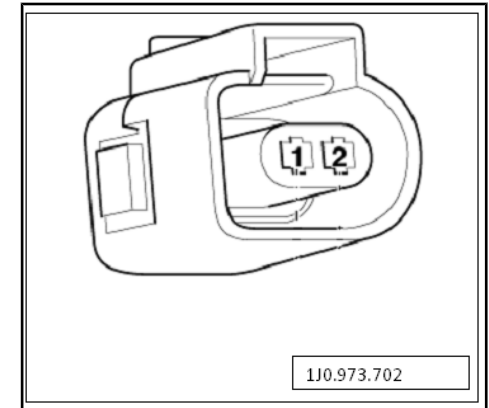
Protected by copyright. Copying for private or commercial purposes, in part or in whole, is not permitted unless authorised by AUDI AG. AUDI AG does not guarantee or accept any liability with respect to the correctness of information in this document. Copyright by AUDI AG.



1.49 EGR temperature sensor -G98-

2.0L TDI - CBEA

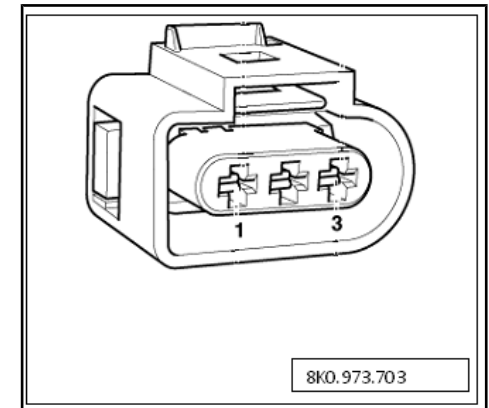
Cavity	Function
1	Power supply, Sensor
2	Ground, Sensor



1.50 Low fuel pressure sensor -G410-

2.0L - BPY

Cavity	Function
1	Ground, sensor
2	Signal, sensor
3	Power supply, sensor



Protected by copyright. Copying for private or commercial purposes, in part or in whole, is not permitted unless authorised by AUDI AG. AUDI AG does not guarantee or accept any liability with respect to the correctness of information in this document. Copyright by AUDI AG.

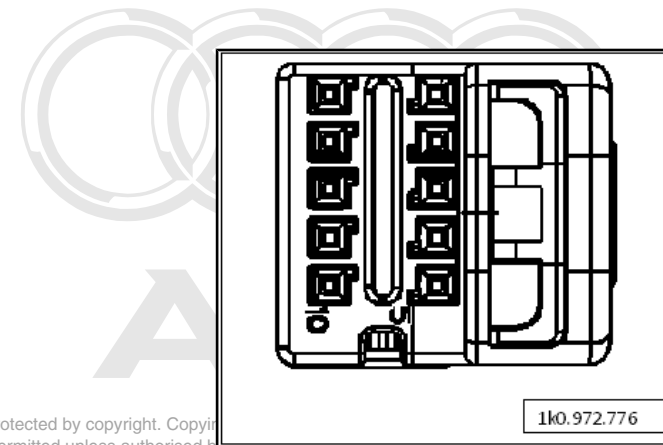


1 Transmission Systems Connector Views

1.1 Tiptronic switch -F189- / Selector lever park position lock switch -F319- / Shift lock solenoid -N110-

02E, 0AM Transmissions

Cavity	Function
1	Ground, park switch
2	Park switch, output
3	...
4	...
5	Output to Vehicle electrical system control module
6	...
7	CAN H
8	CAN L
9	Power, switched
10	Power, battery



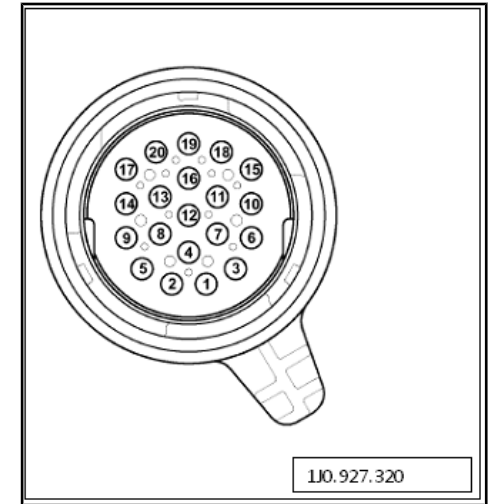
Protected by copyright. Copying or reproduction of any part of this document is not permitted unless authorised by Audi AG. The copyright holder assumes no liability with respect to the correctness of information in this document. Copyright by AUDI AG.



1.2 DSG transmission Mechatronic -J743-

02E Transmission

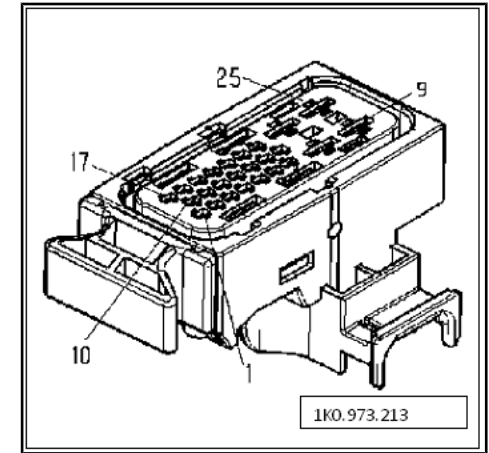
Cavity	Function
1	K Line, diagnostic
2	...
3	...
4	...
5	...
6	...
7	...
8	...
9	...
10	CAN H
11	Power, battery
12	...
13	Power, switched
14	...
15	CAN L
16	Ground
17	Output to Vehicle electrical system control module and PCM
18	Power, battery
19	Ground
20	...



Protected by copyright. Copying for private or commercial purposes, in part or in whole, is not permitted unless authorised by AUDI AG. AUDI AG does not guarantee or accept any liability with respect to the correctness of information in this document. Copyright by AUDI AG.

OAM Transmission

Cavity	Function
1	...
2	...
3	...
4	...
5	...
6	...
7	...
8	Motor, ground
9	Motor, power
10	Power, switched
11	K Line, diagnosticPower, battery
12	CAN L
13	CAN H
14	...
15	...
16	Output to Vehicle electrical system control module and PCM
17	...
18	...
19	...
20	...
21	...
22	...
23	...
24	Ground
25	Power, battery



Protected by copyright. Copying for private or commercial purposes, in part or in whole, is not permitted unless authorised by AUDI AG. AUDI AG does not guarantee or accept any liability with respect to the correctness of information in this document. Copyright by AUDI AG.

Cautions & Warnings

Please read these WARNINGS and CAUTIONS before proceeding with maintenance and repair work. You must answer that you have read and you understand these WARNINGS and CAUTIONS before you will be allowed to view this information.

- If you lack the skills, tools and equipment, or a suitable workshop for any procedure described in this manual, we suggest you leave such repairs to an authorized Audi retailer or other qualified shop. We especially urge you to consult an authorized Audi retailer before beginning repairs on any vehicle that may still be covered wholly or in part by any of the extensive warranties issued by Audi.
- Disconnect the battery negative terminal (ground strap) whenever you work on the fuel system or the electrical system. Do not smoke or work near heaters or other fire hazards. Keep an approved fire extinguisher handy.
- Audi is constantly improving its vehicles and sometimes these changes, both in parts and specifications, are made applicable to earlier models. Therefore, part numbers listed in this manual are for reference only. Always check with your authorized Audi retailer parts department for the latest information.
- Any time the battery has been disconnected on an automatic transmission vehicle, it will be necessary to reestablish Transmission Control Module (TCM) basic settings using the VAG 1551 Scan Tool (ST).
- Never work under a lifted vehicle unless it is solidly supported on stands designed for the purpose. Do not support a vehicle on cinder blocks, hollow tiles or other props that may crumble under continuous load. Never work under a vehicle that is supported solely by a jack. Never work under the vehicle while the engine is running.
- For vehicles equipped with an anti-theft radio, be sure of the correct radio activation code before disconnecting the battery or removing the radio. If the wrong code is entered when the power is restored, the radio may lock up and become inoperable, even if the correct code is used in a later attempt.
- If you are going to work under a vehicle on the ground, make sure that the ground is level. Block the wheels to keep the vehicle from rolling. Disconnect the battery negative terminal (ground strap) to prevent others from starting the vehicle while you are under it.
- Do not attempt to work on your vehicle if you do not feel well. You increase the danger of injury to yourself and others if you are tired, upset or have taken medicine or any other substances that may impair you or keep you from being fully alert.
- Never run the engine unless the work area is well ventilated. Carbon monoxide (CO) kills.
- Always observe good workshop practices. Wear goggles when you operate machine tools or work with acid. Wear goggles, gloves and other protective clothing whenever the job requires working with harmful substances.
- Tie long hair behind your head. Do not wear a necktie, a scarf, loose clothing, or a necklace when you work near machine tools or running engines. If your hair, clothing, or jewelry were to get caught in the machinery, severe injury could result.

Protected by copyright. Copying for private or commercial purposes, in part or in whole, is not permitted without the express written consent of AUDI AG. AUDI AG does not accept any responsibility with respect to the correctness of information in this document. Copyright by AUDI AG.

Cautions & Warnings

- Do not re-use any fasteners that are worn or deformed in normal use. Some fasteners are designed to be used only once and are unreliable and may fail if used a second time. This includes, but is not limited to, nuts, bolts, washers, circlips and cotter pins. Always follow the recommendations in this manual - replace these fasteners with new parts where indicated, and any other time it is deemed necessary by inspection.
- Illuminate the work area adequately but safely. Use a portable safety light for working inside or under the vehicle. Make sure the bulb is enclosed by a wire cage. The hot filament of an accidentally broken bulb can ignite spilled fuel or oil.
- Friction materials such as brake pads and clutch discs may contain asbestos fibers. Do not create dust by grinding, sanding, or by cleaning with compressed air. Avoid breathing asbestos fibers and asbestos dust. Breathing asbestos can cause serious diseases such as asbestosis or cancer, and may result in death.
- Finger rings should be removed so that they cannot cause electrical shorts, get caught in running machinery, or be crushed by heavy parts.
- Before starting a job, make certain that you have all the necessary tools and parts on hand. Read all the instructions thoroughly, do not attempt shortcuts. Use tools that are appropriate to the work and use only replacement parts meeting Audi specifications. Makeshift tools, parts and procedures will not make good repairs.
- Catch draining fuel, oil or brake fluid in suitable containers. Do not use empty food or beverage containers that might mislead someone into drinking from them. Store flammable fluids away from fire hazards. Wipe up spills at once, but do not store the oily rags, which can ignite and burn spontaneously.
- Use pneumatic and electric tools only to loosen threaded parts and fasteners. Never use these tools to tighten fasteners, especially on light alloy parts. Always use a torque wrench to tighten fasteners to the tightening torque listed.
- Keep sparks, lighted matches, and open flame away from the top of the battery. If escaping hydrogen gas is ignited, it will ignite gas trapped in the cells and cause the battery to explode.
- Be mindful of the environment and ecology. Before you drain the crankcase, find out the proper way to dispose of the oil. Do not pour oil onto the ground, down a drain, or into a stream, pond, or lake. Consult local ordinances that govern the disposal of wastes.
- The air-conditioning (A/C) system is filled with a chemical refrigerant that is hazardous. The A/C system should be serviced only by trained automotive service technicians using approved refrigerant recovery/recycling equipment, trained in related safety precautions, and familiar with regulations governing the discharging and disposal of automotive chemical refrigerants.
- Before doing any electrical welding on vehicles equipped with anti-lock brakes (ABS), disconnect the battery negative terminal (ground strap) and the ABS control module connector.
- Do not expose any part of the A/C system to high temperatures such as open flame. Excessive heat will increase system pressure and may cause the system to burst.

Cautions & Warnings

- When boost-charging the battery, first remove the fuses for the Engine Control Module (ECM), the Transmission Control Module (TCM), the ABS control module, and the trip computer. In cases where one or more of these components is not separately fused, disconnect the control module connector(s).
- Some of the vehicles covered by this manual are equipped with a supplemental restraint system (SRS), that automatically deploys an airbag in the event of a frontal impact. The airbag is operated by an explosive device. Handled improperly or without adequate safeguards, it can be accidentally activated and cause serious personal injury. To guard against personal injury or airbag system failure, only trained Audi Service technicians should test, disassemble or service the airbag system.
- Do not quick-charge the battery (for boost starting) for longer than one minute, and do not exceed 16.5 volts at the battery with the boosting cables attached. Wait at least one minute before boosting the battery a second time.
- Never use a test light to conduct electrical tests of the airbag system. The system must only be tested by trained Audi Service technicians using the VAG 1551 Scan Tool (ST) or an approved equivalent. The airbag unit must never be electrically tested while it is not installed in the vehicle.
- Some aerosol tire inflators are highly flammable. Be extremely cautious when repairing a tire that may have been inflated using an aerosol tire inflator. Keep sparks, open flame or other sources of ignition away from the tire repair area. Inflate and deflate the tire at least four times before breaking the bead from the rim. Completely remove the tire from the rim before attempting any repair.
- When driving or riding in an airbag-equipped vehicle, never hold test equipment in your hands or lap while the vehicle is in motion. Objects between you and the airbag can increase the risk of injury in an accident.

I have read and I understand these Cautions and Warnings.