

rusEFI.com

Sheet: /LS/
File: LS4.kicad_sch

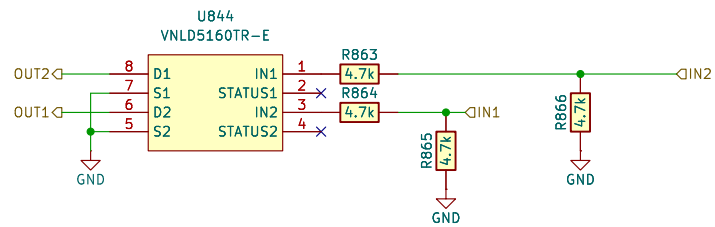
Title: mega-uefi

Size: A4 Date: 2024-08-15

KiCad E.D.A. 8.0.4

Rev: 0.3

Id: 3/7



rusEFI.com

Sheet: /LS HOT/

File: LS_HOT.kicad_sch

Title: mega-uefi

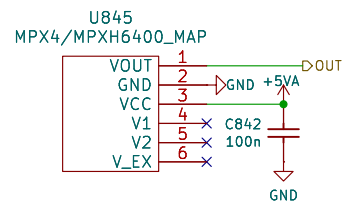
Size: A4

Date: 2024-08-15

Rev: 0.3

KiCad E.D.A. 8.0.4

Id: 6/7



rusEFI.com

Sheet: /MAP/

File: MAP.kicad_sch

Title: mega-uefi

Size: A4

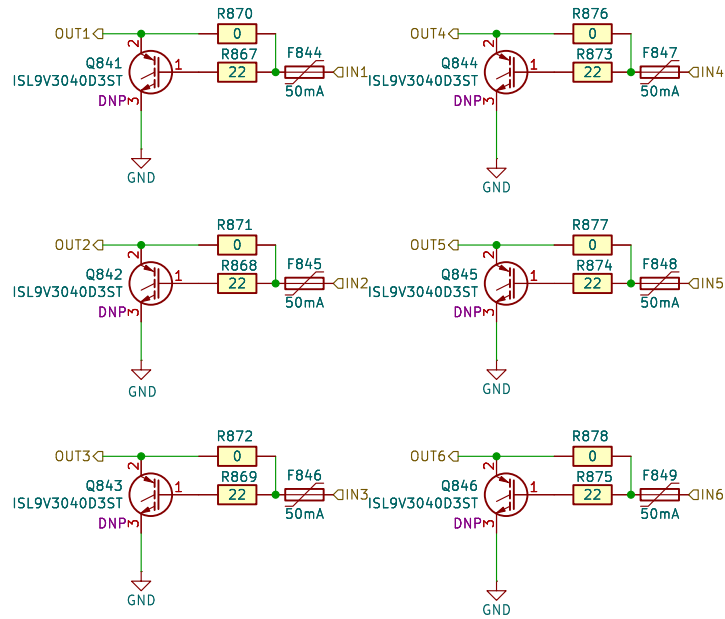
Date: 2024-08-15

Rev: 0.3

KiCad E.D.A. 8.0.4

Id: 8/7

Remove R870-R872, R876-R878, and install Q841-Q846 for use with dumb coils



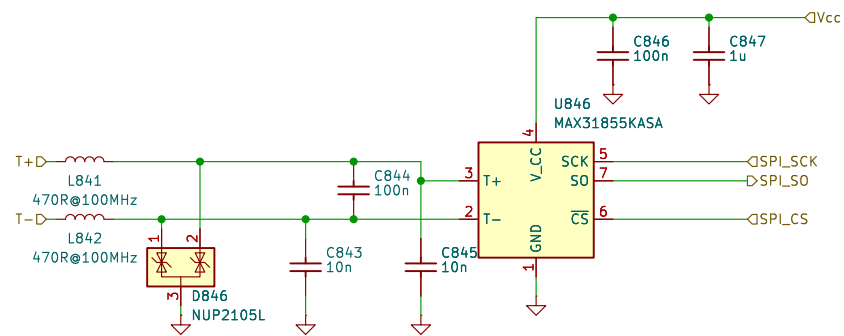
rusEFI.com

Sheet: /Ignition/
File: IGN6.kicad_sch

Title: mega-uae

Size: A4 Date: 2024-08-15
KiCad E.D.A. 8.0.4

Rev: 0.3
Id: 9/7



rusEFI.com

Sheet: /EGT/

File: egt.kicad_sch

Title: mega-uaefi

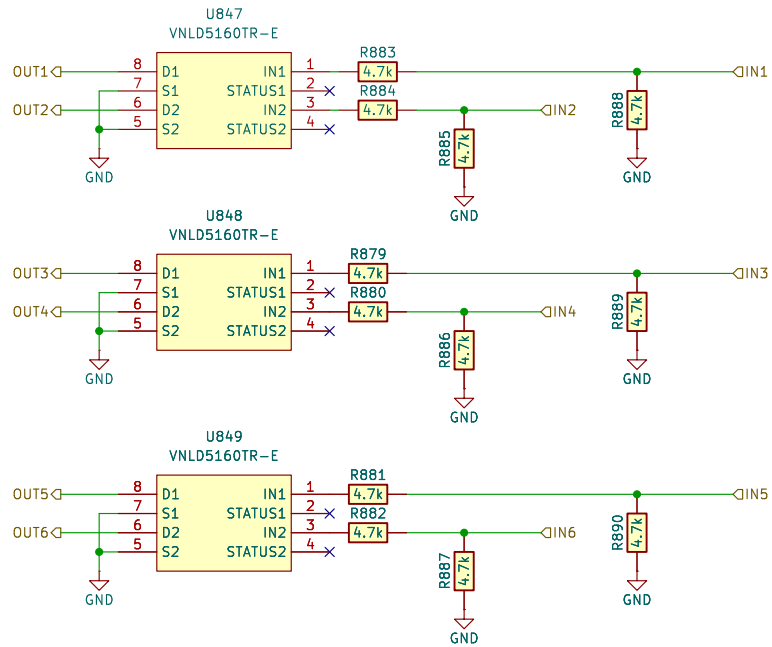
Size: A4

Date: 2024-08-15

Rev: 0.3

KiCad E.D.A. 8.0.4

Id: 9/7



rusEFI.com

Sheet: /Injector/
File: INJ6.kicad_sch

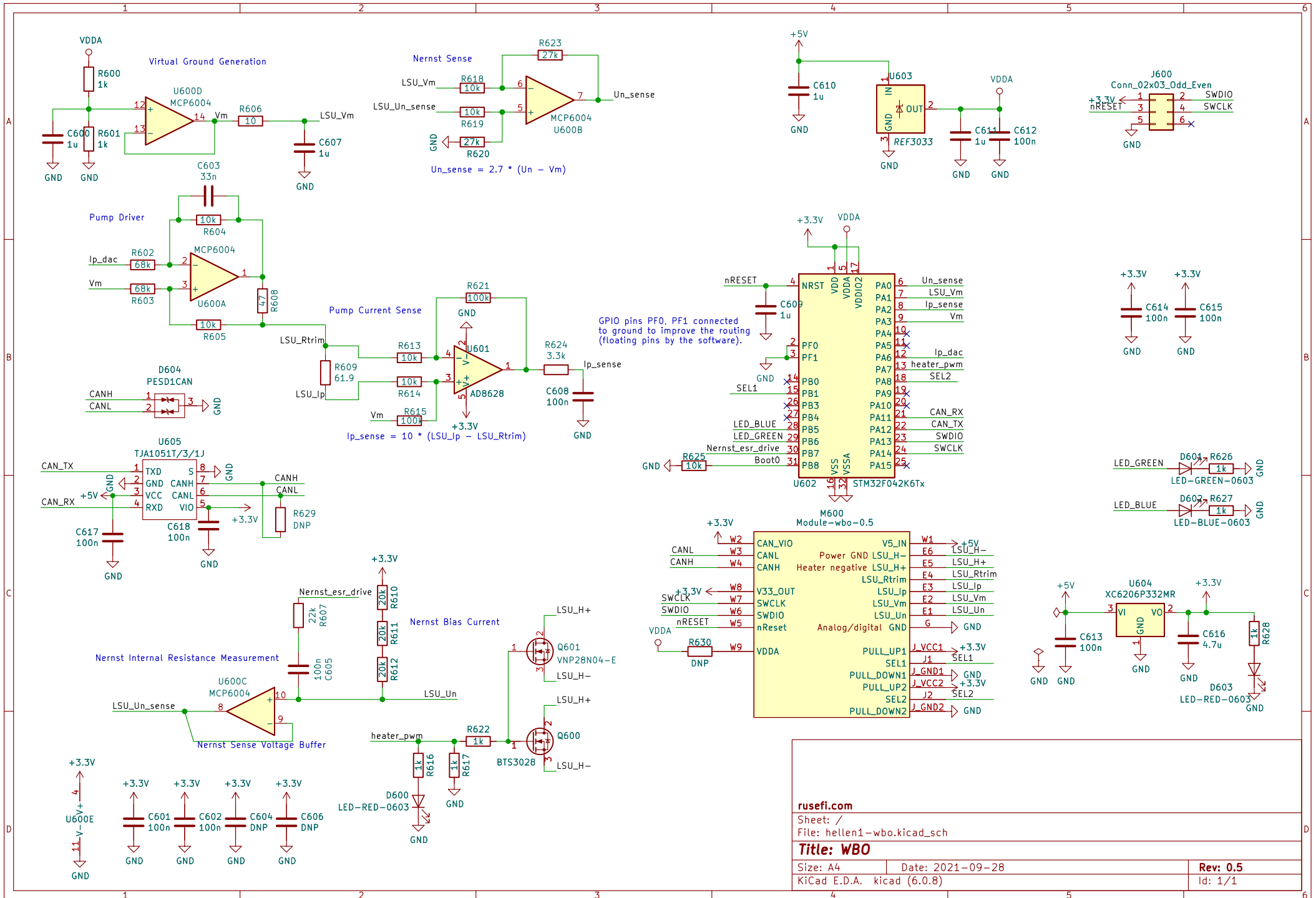
Title: mega-uefi

Size: A4 Date: 2024-08-15

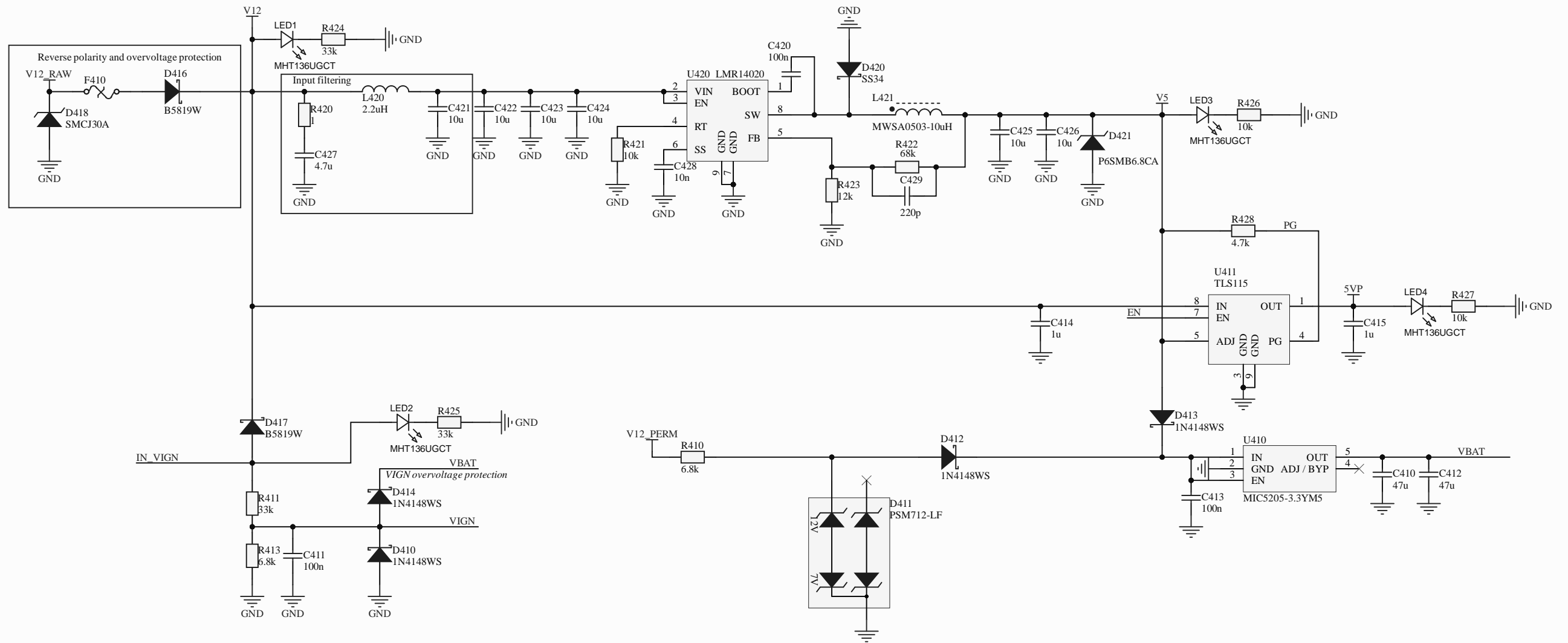
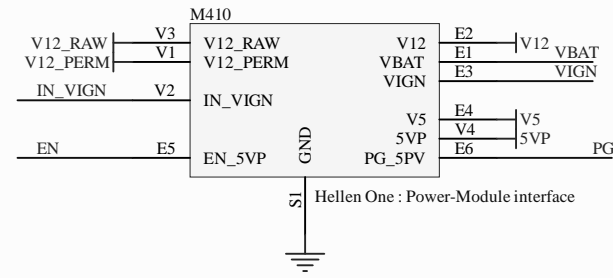
KiCad E.D.A. 8.0.4

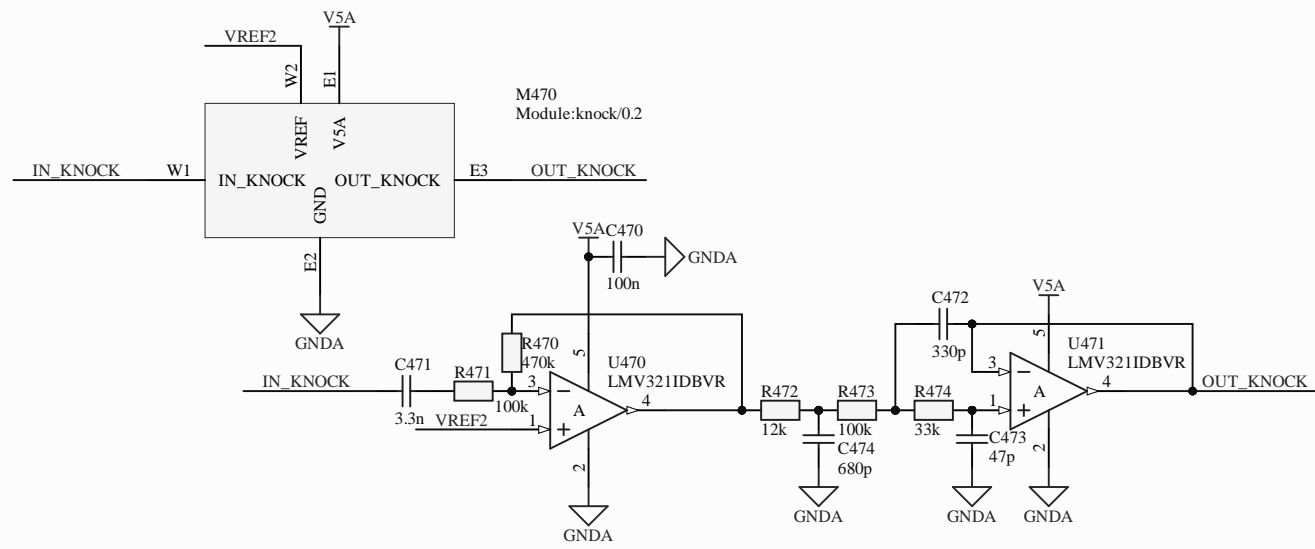
Rev: 0.3

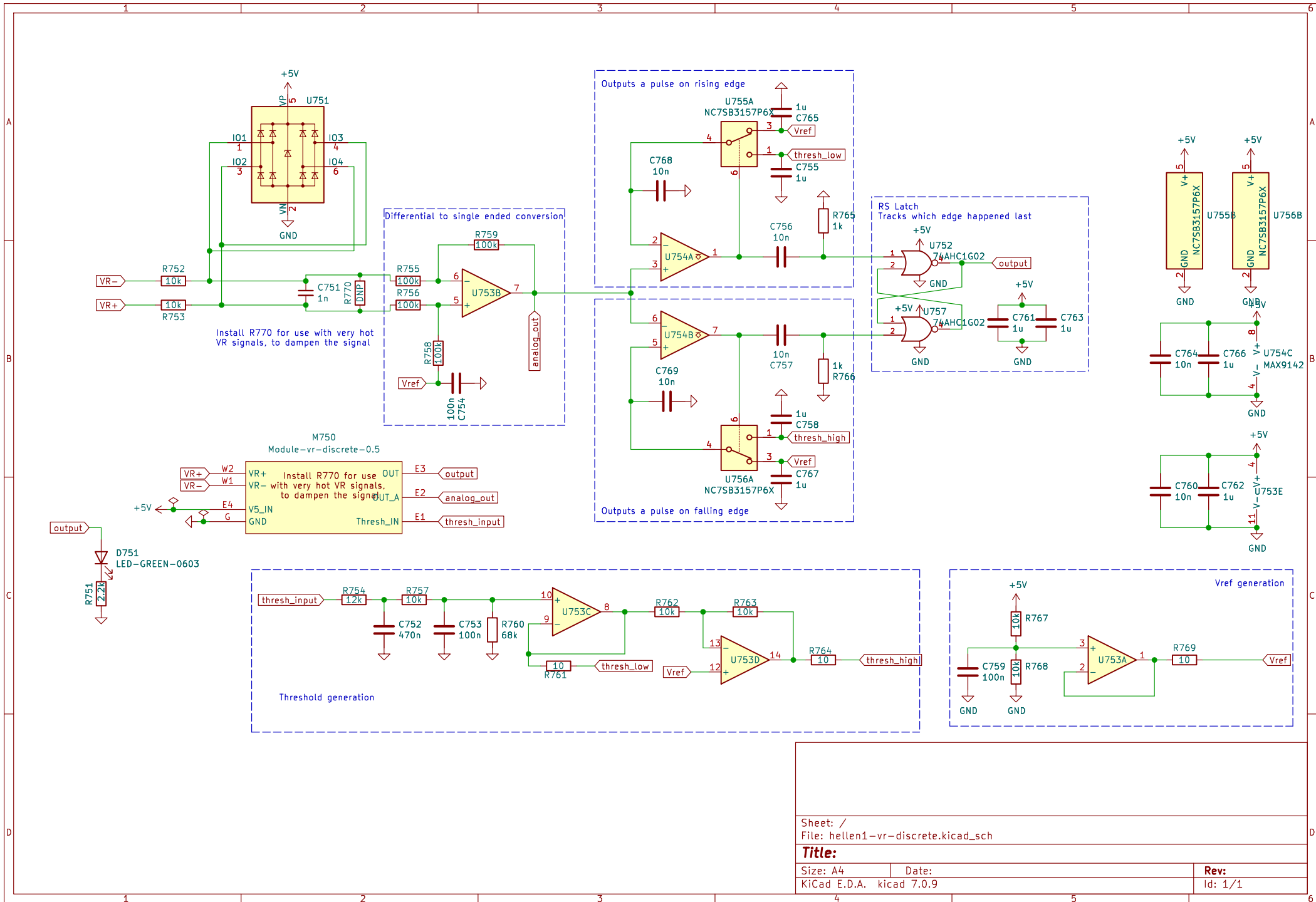
Id: 10/7



rusefi.com	
Sheet: /	
File: hellen1-wbo.kicad_sch	
Title: WBO	
Size: A4	Date: 2021-09-28
KiCad E.D.A. kicad (6.0.8)	Rev: 0.5
	Id: 1/1





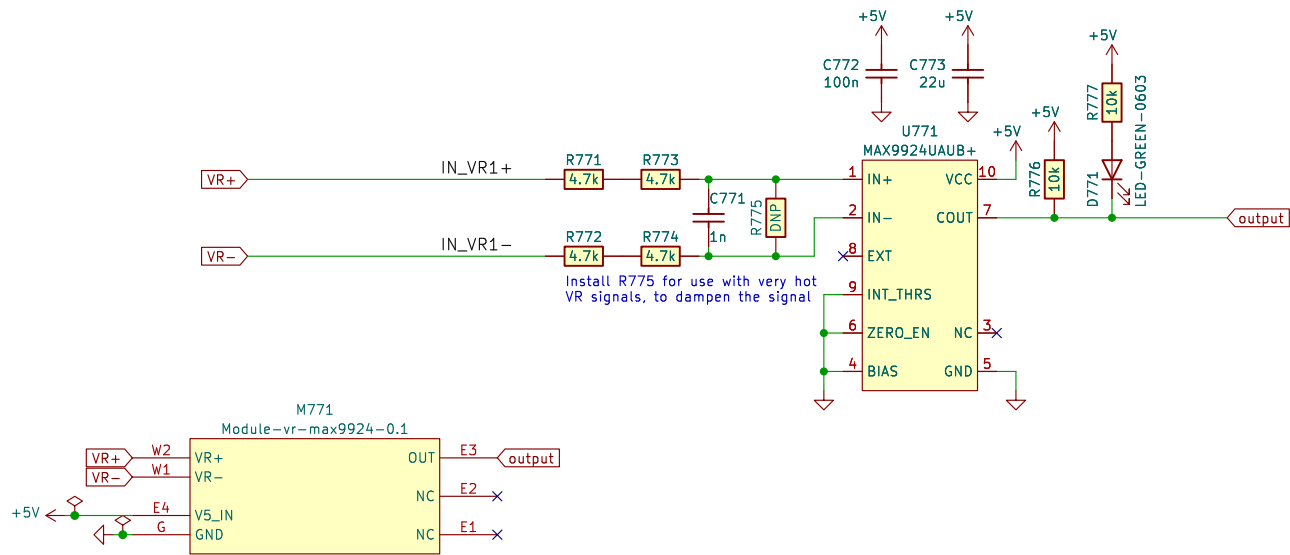


Sheet: /
 File: hellen1-vr-discrete.kicad_sch

Title:

Size: A4 Date:
 KiCad E.D.A. kicad 7.0.9

Rev:
 Id: 1/1



Sheet: /
File: hellen1-vr-max9924.kicad_sch

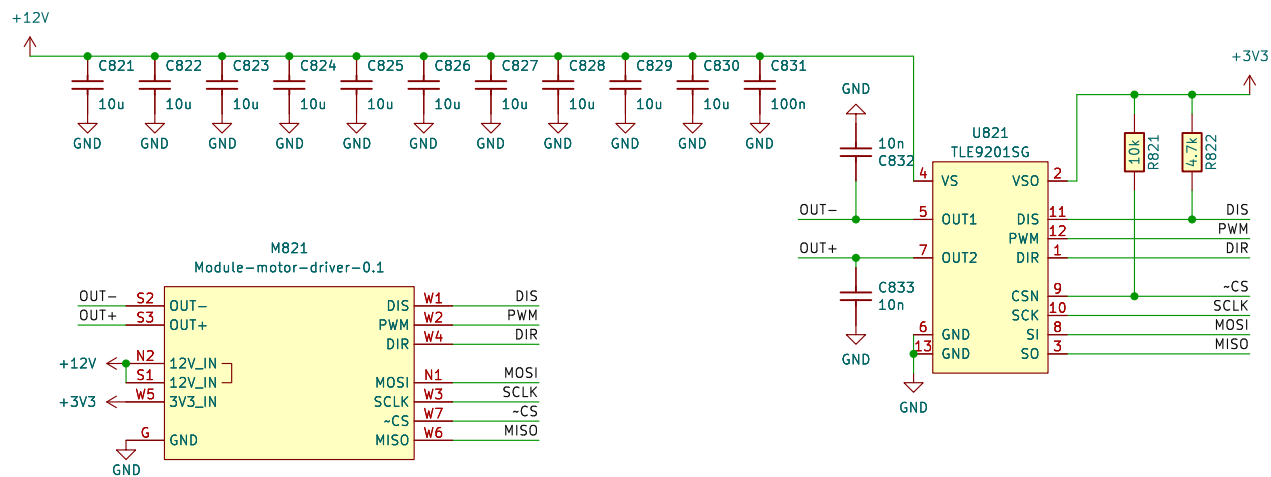
Title: VR MAX9924 module

Size: A4 Date: 2023-07-25

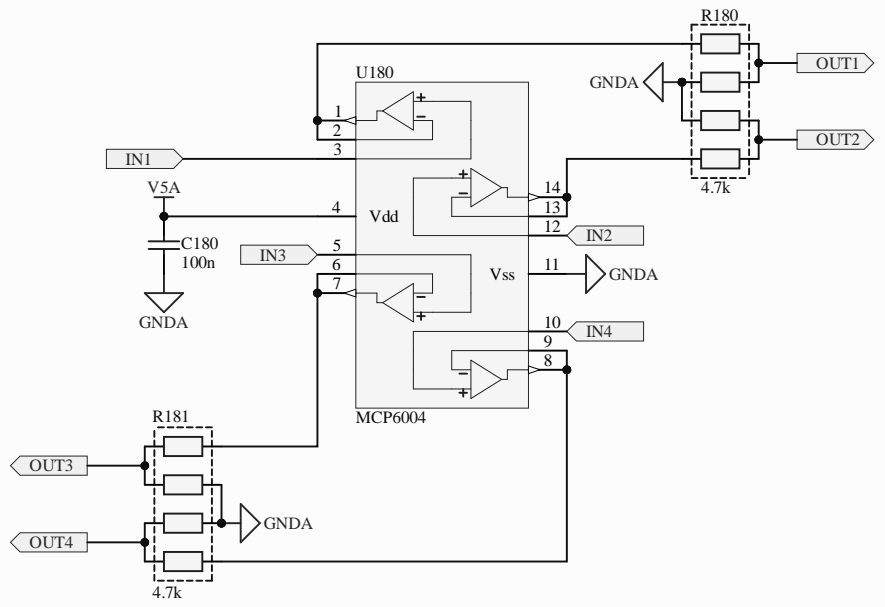
KiCad E.D.A. eeschema 7.0.9

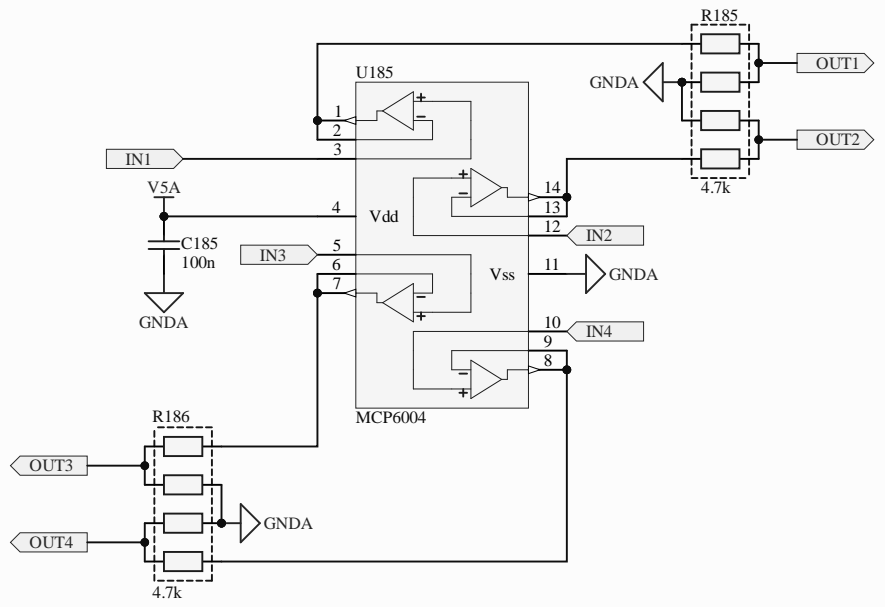
Rev: 0.1

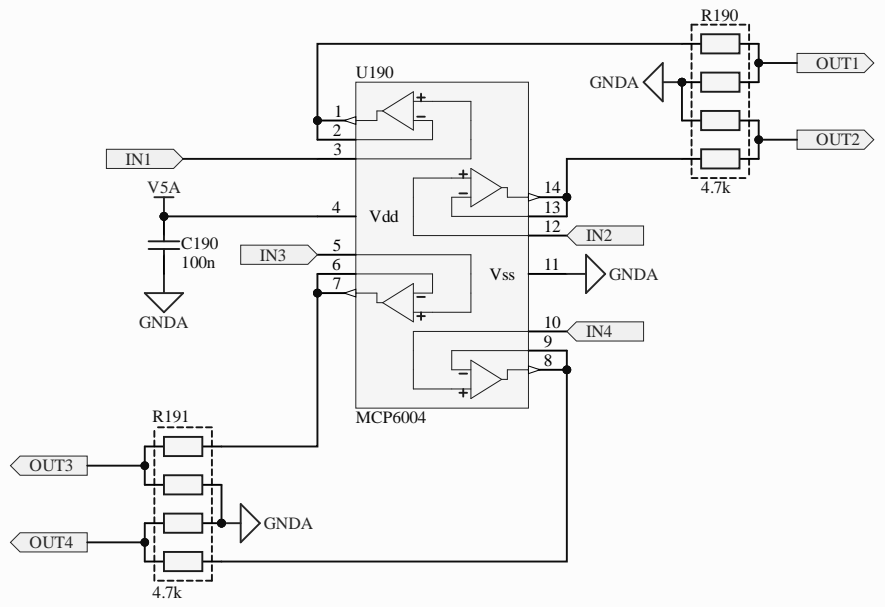
Id: 1/1

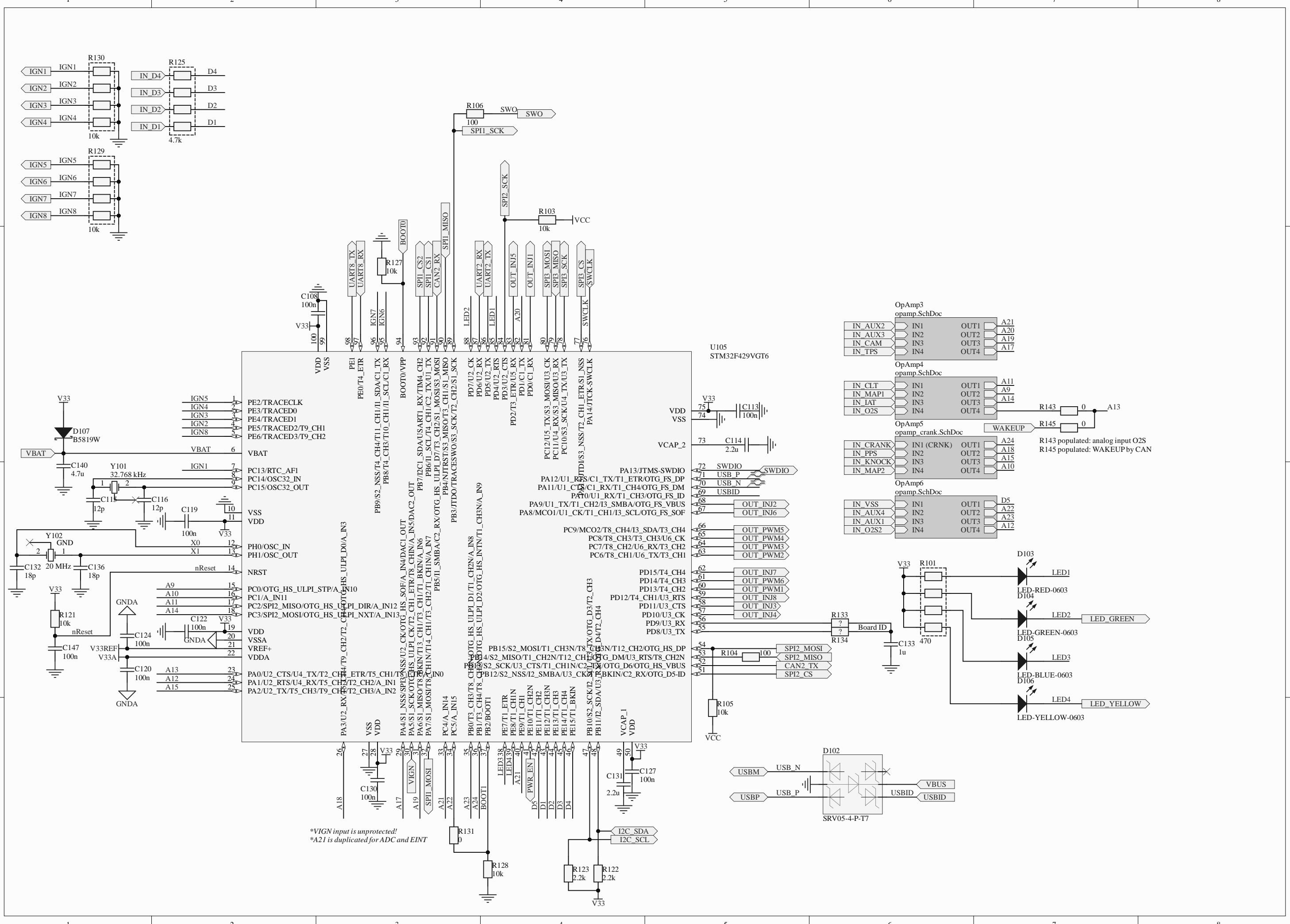


Sheet: /	
File: hellen1-motor-driver.kicad_sch	
Title: Motor-driver module	
Size: A4	Date: 2024-03-07
KiCad E.D.A. 8.0.3	Rev: 0.1
	Id: 1/1



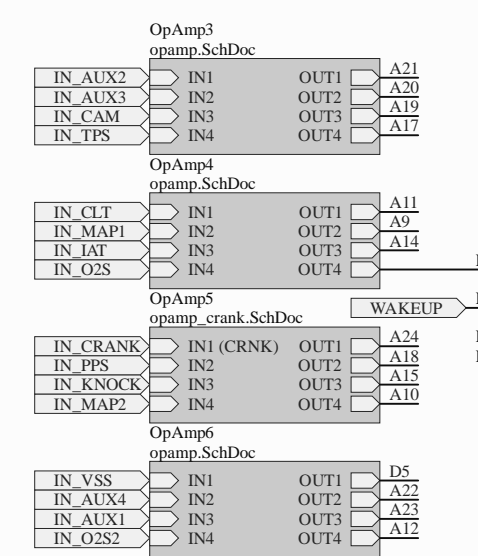
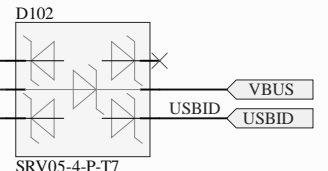




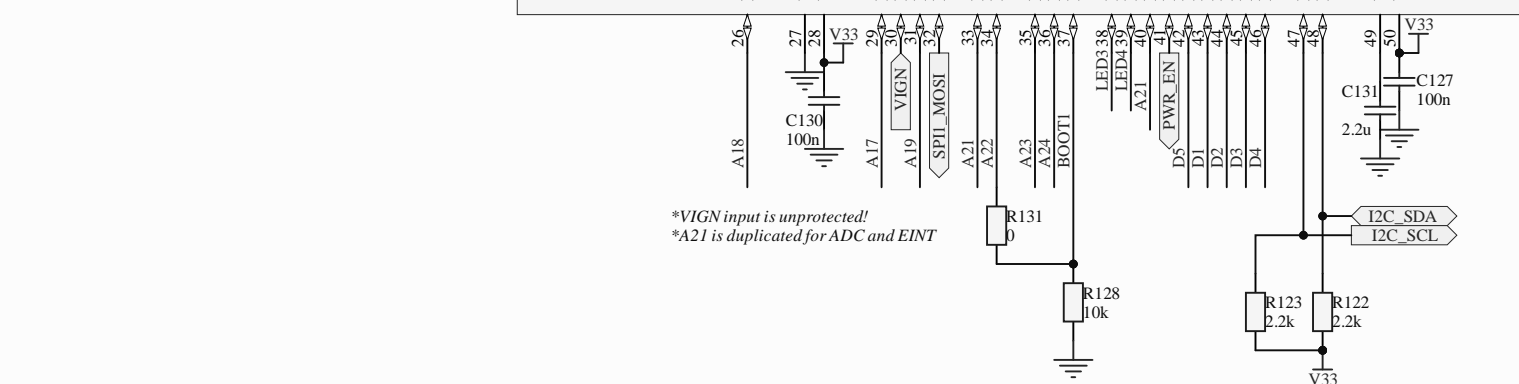
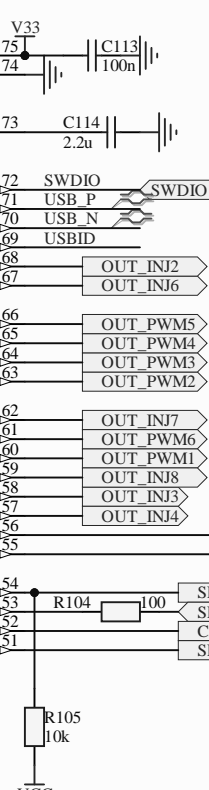
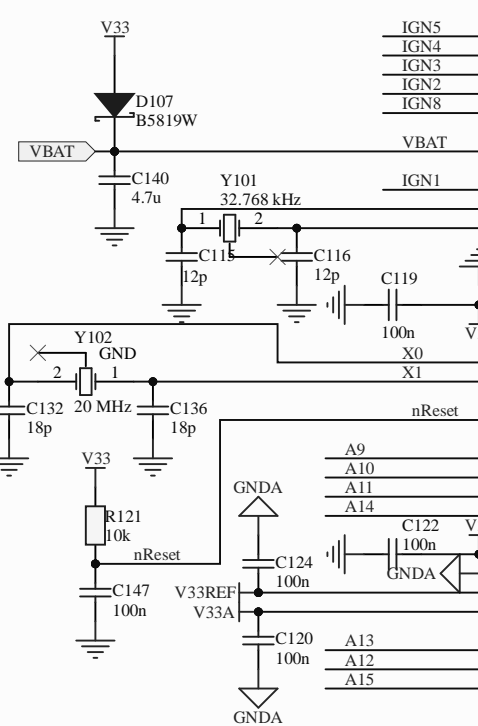
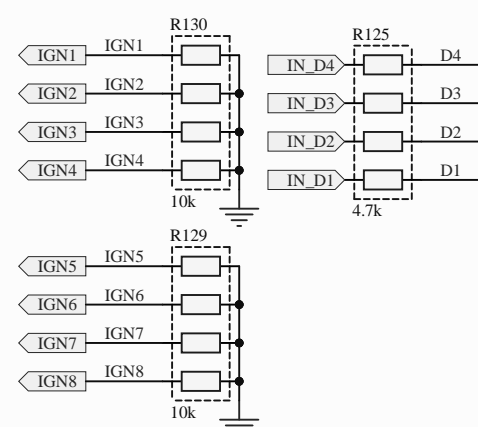


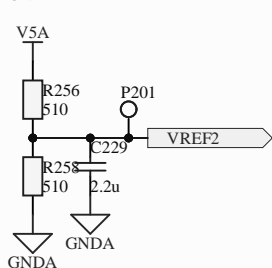
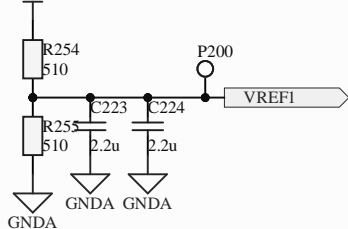
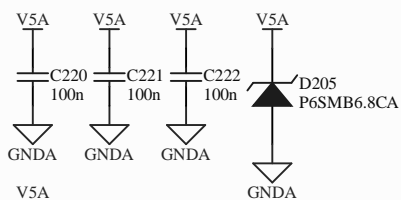
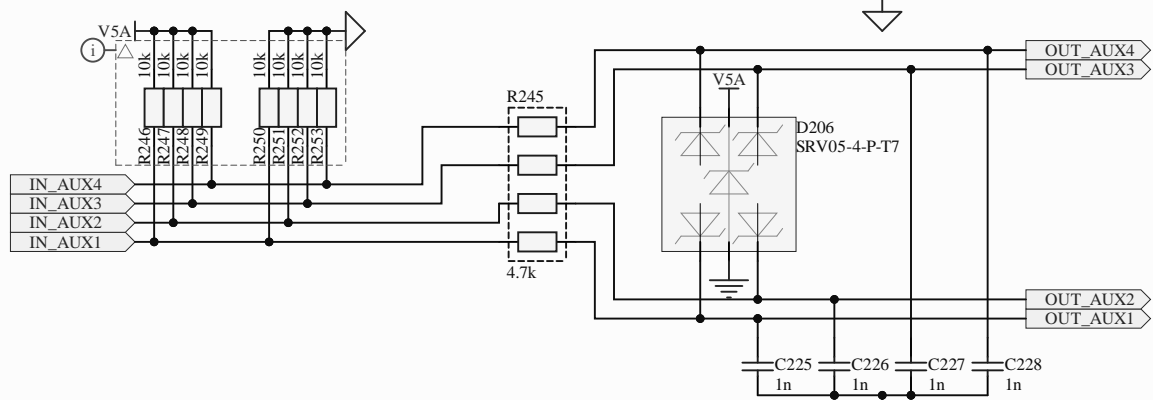
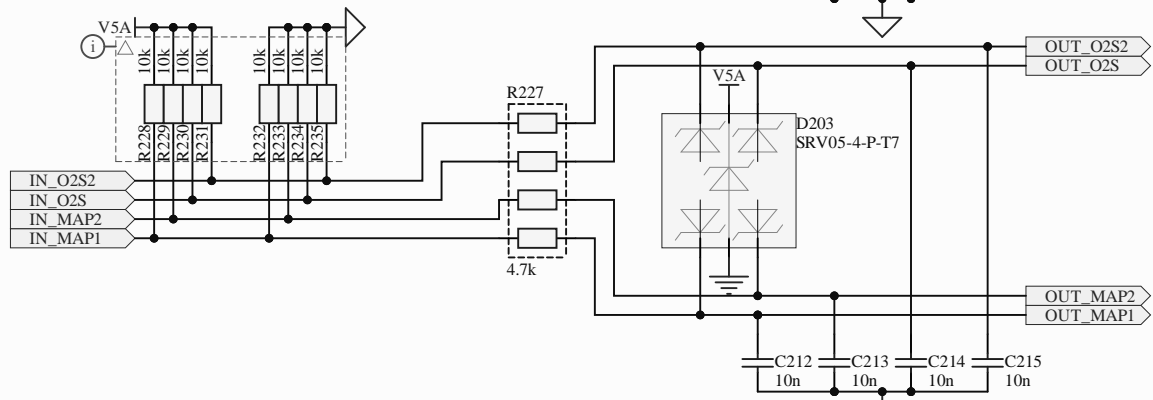
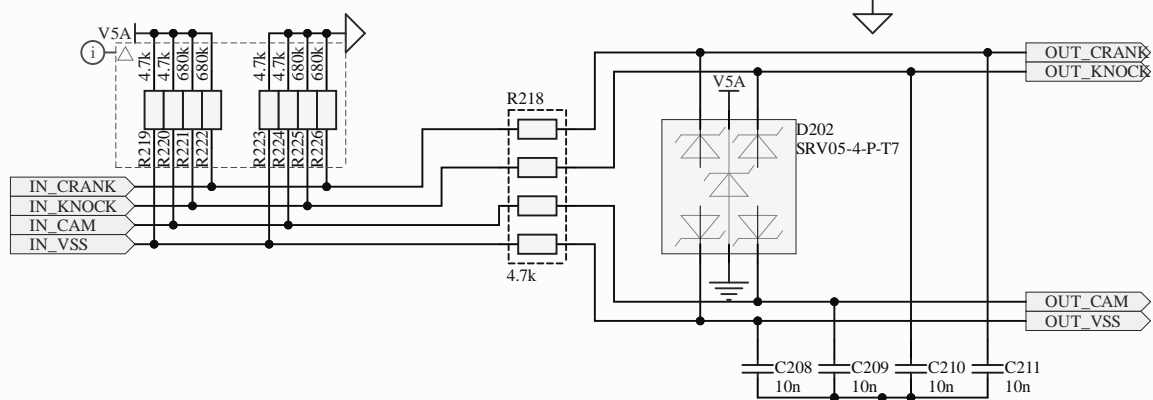
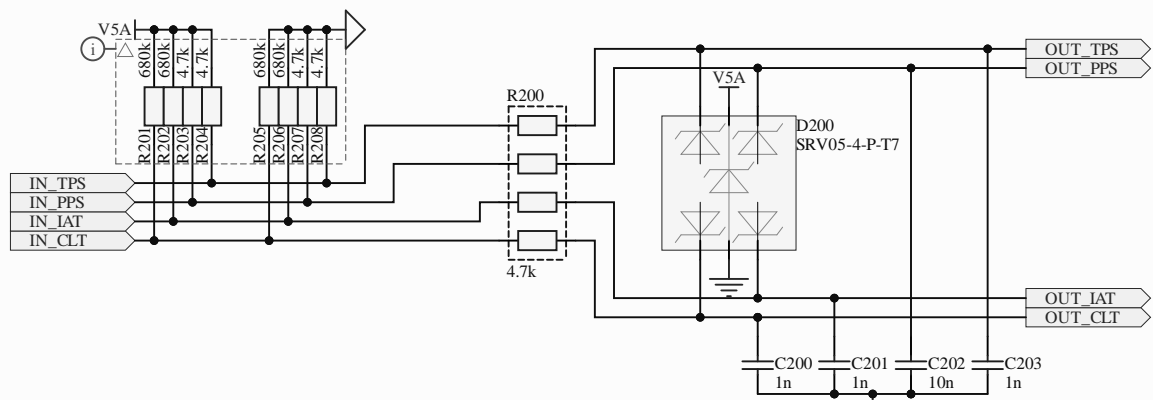
*VIGN input is unprotected!
 *A21 is duplicated for ADC and EINT

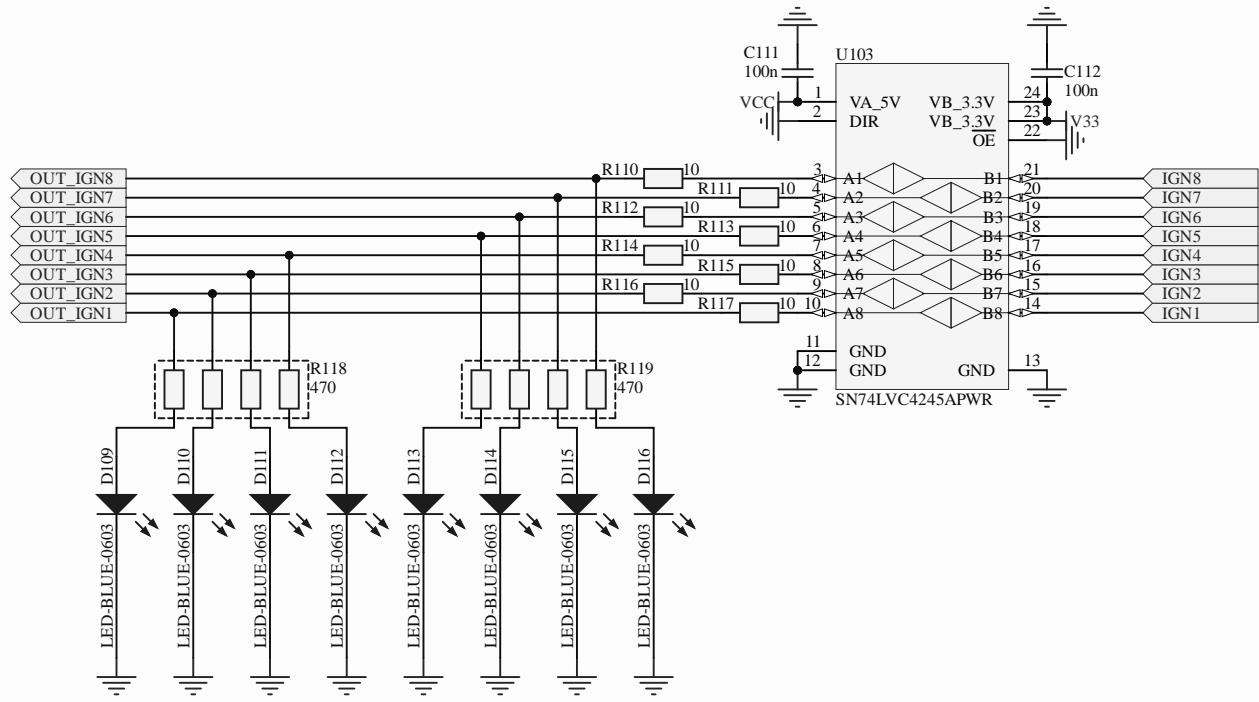
R143 populated: analog input O2S
 R145 populated: WAKEUP by CAN

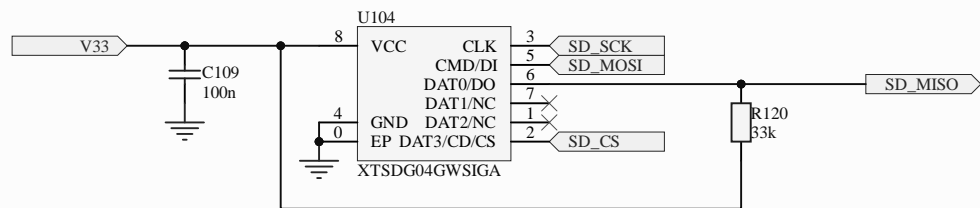


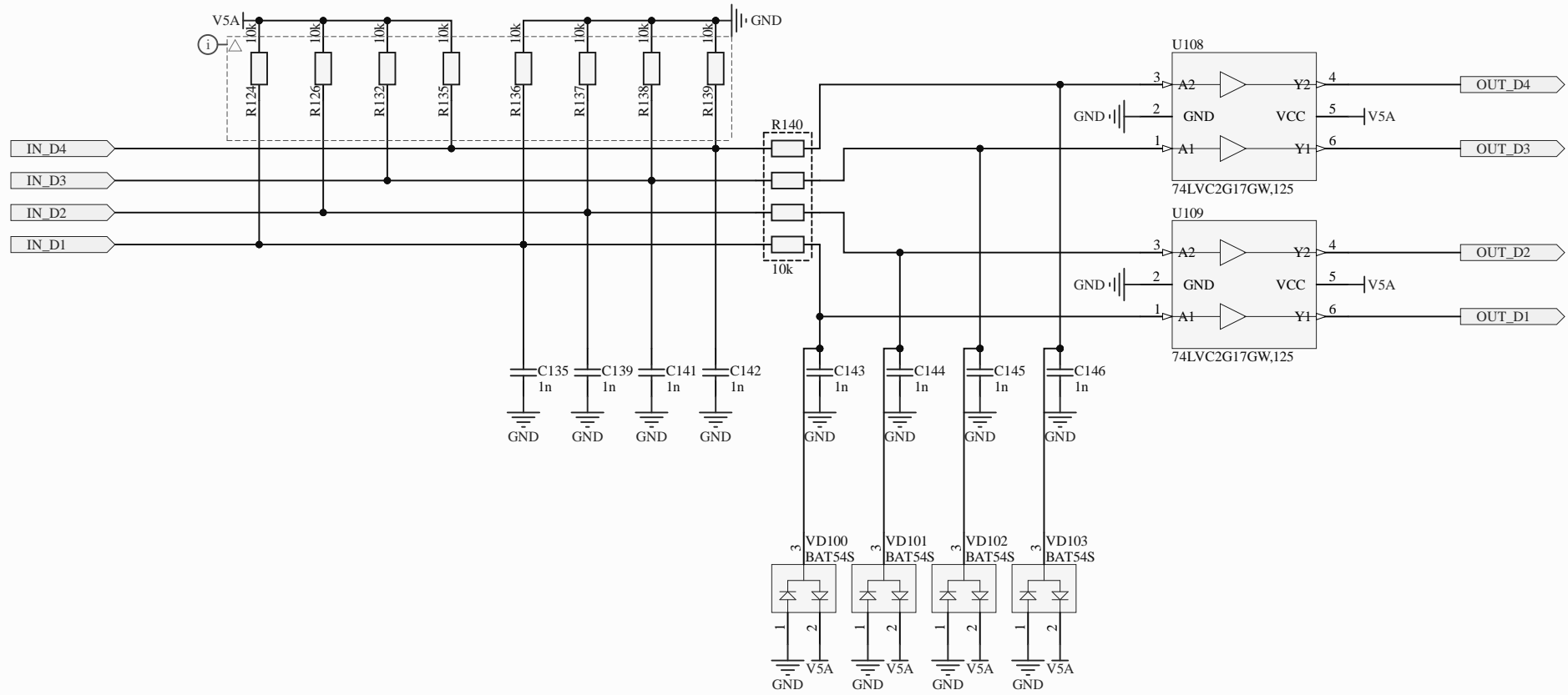
U105
 STM32F429VGT6

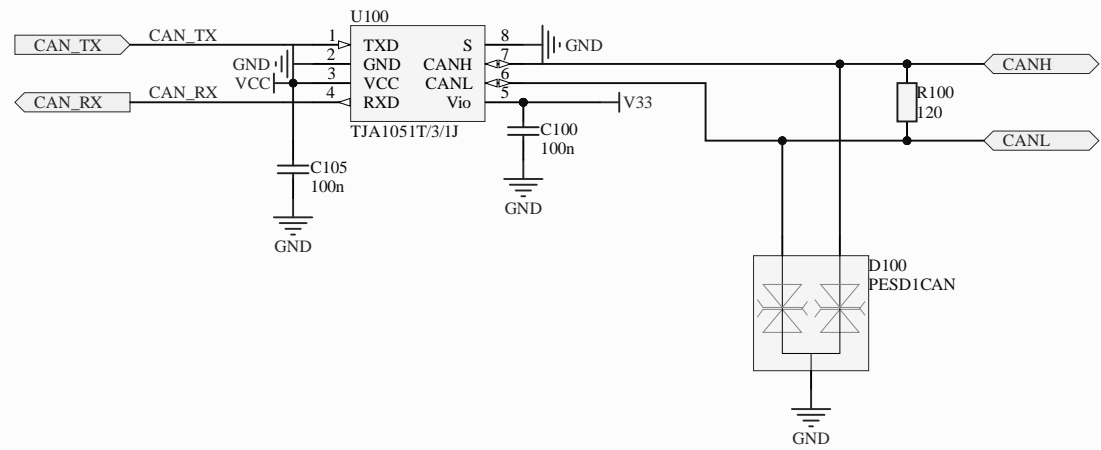


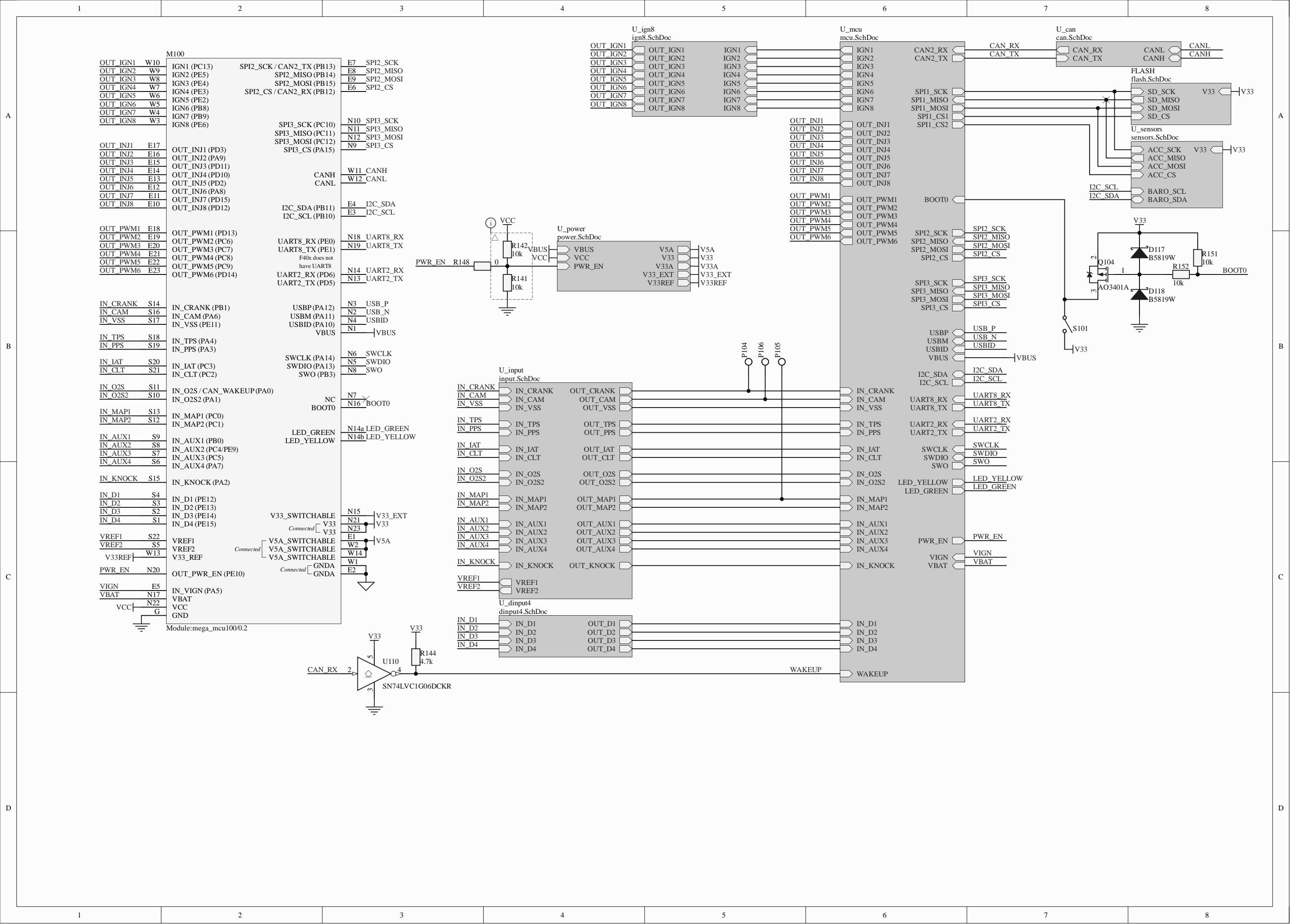




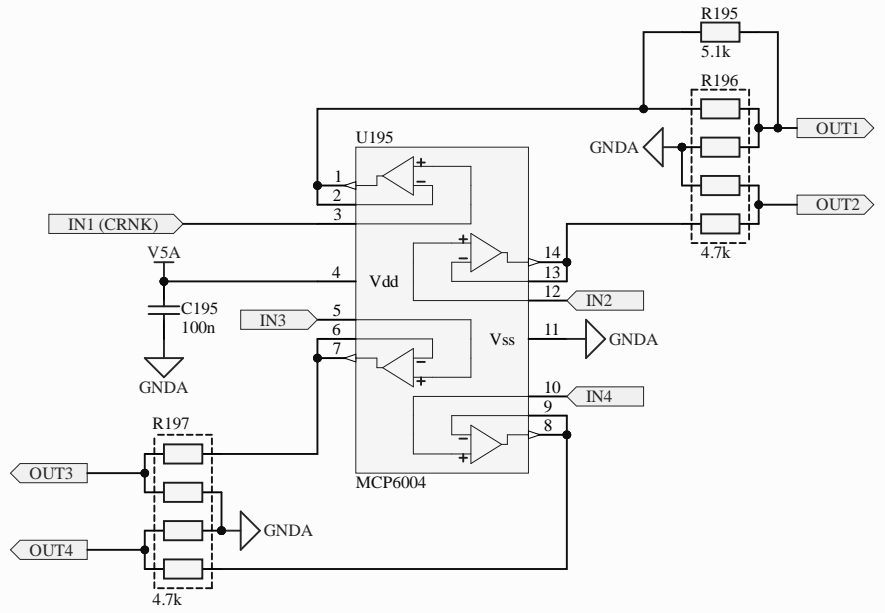


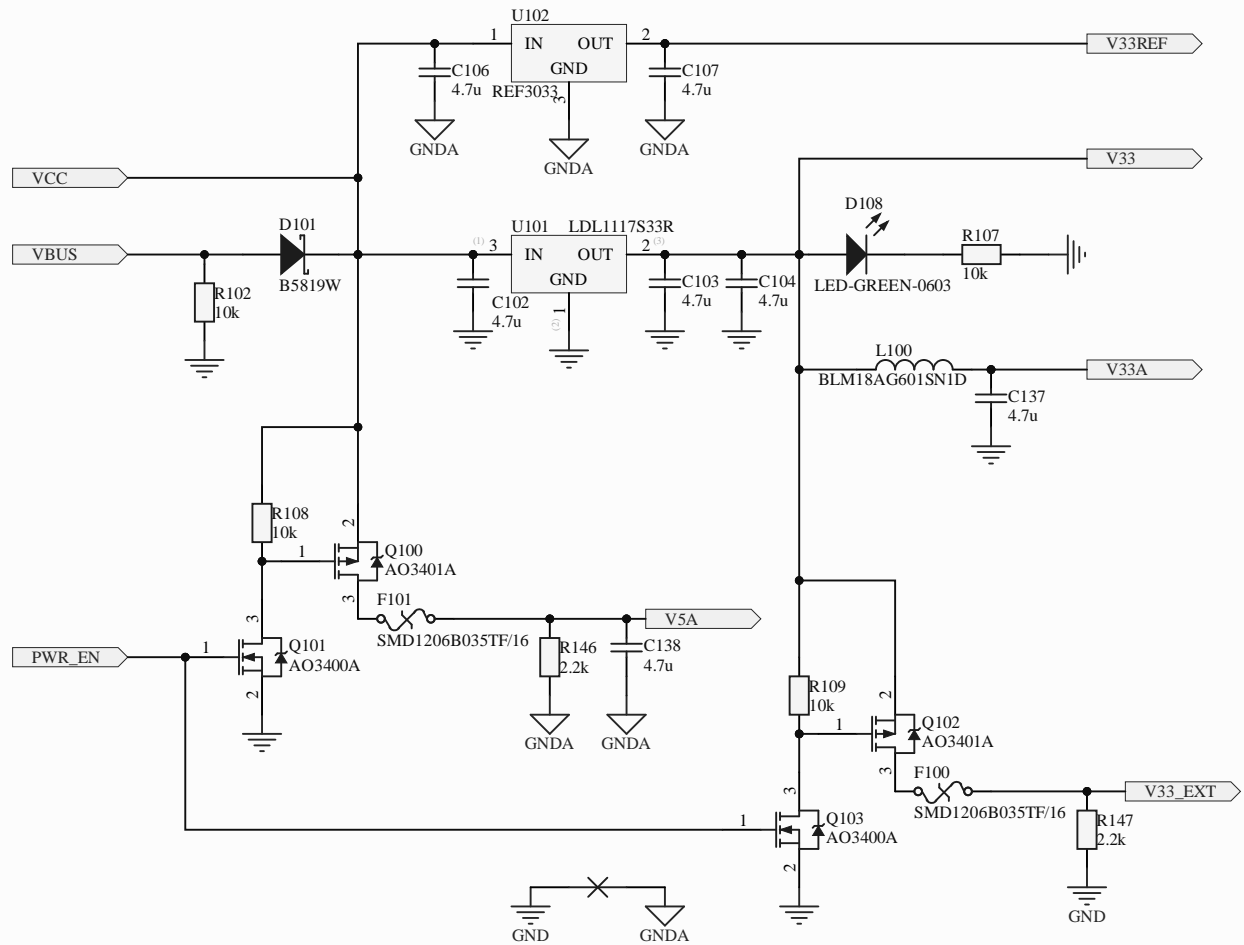






More accurate threshold for "raw" connection of VR sensors





Title		
Size	Number	Revision
A4		
Date:	8.15.2024	Sheet of
File:	C:\Work\...\power.SchDoc	Drawn By:

