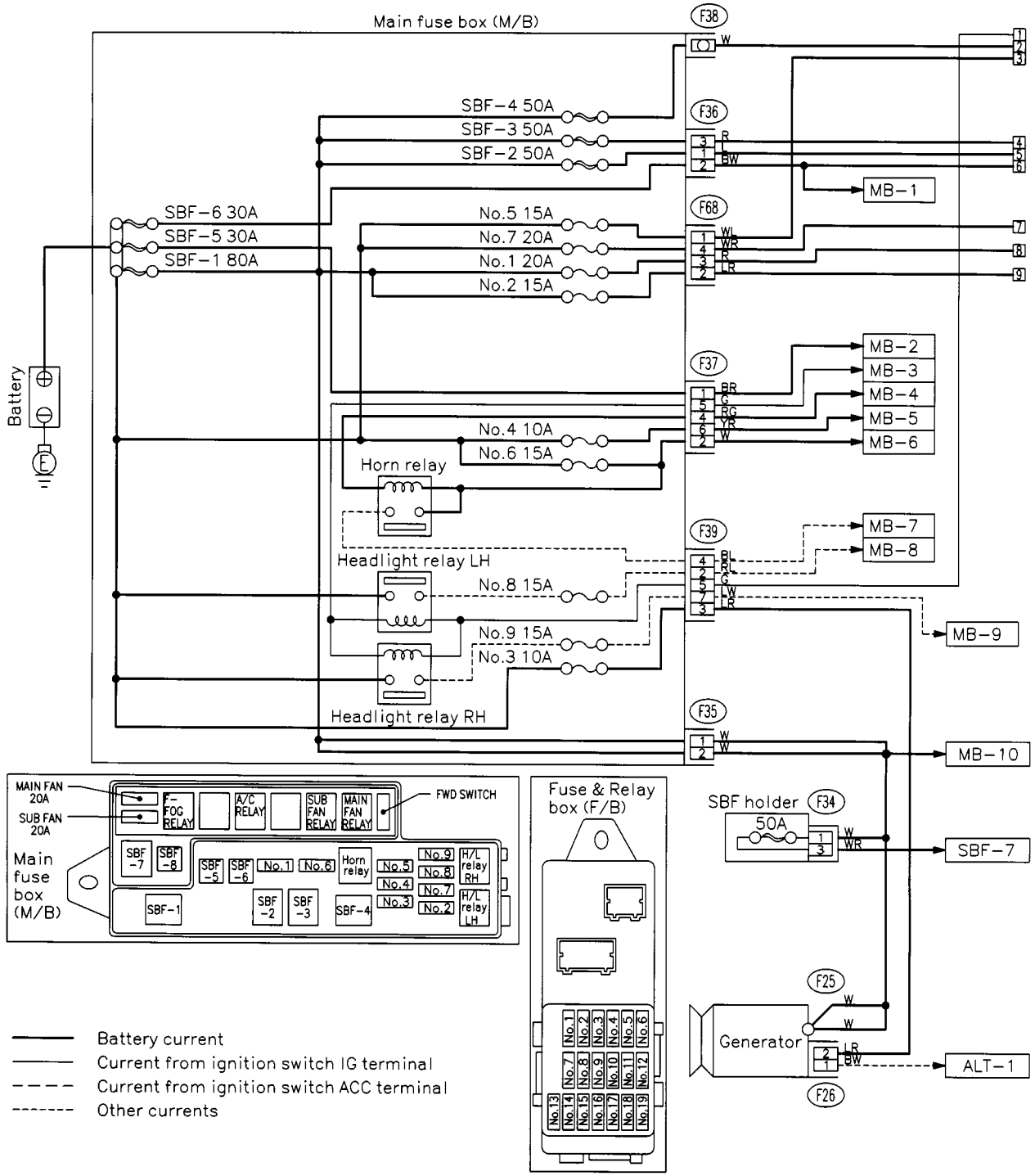


5. Wiring Diagram

A: POWER SUPPLY ROUTING



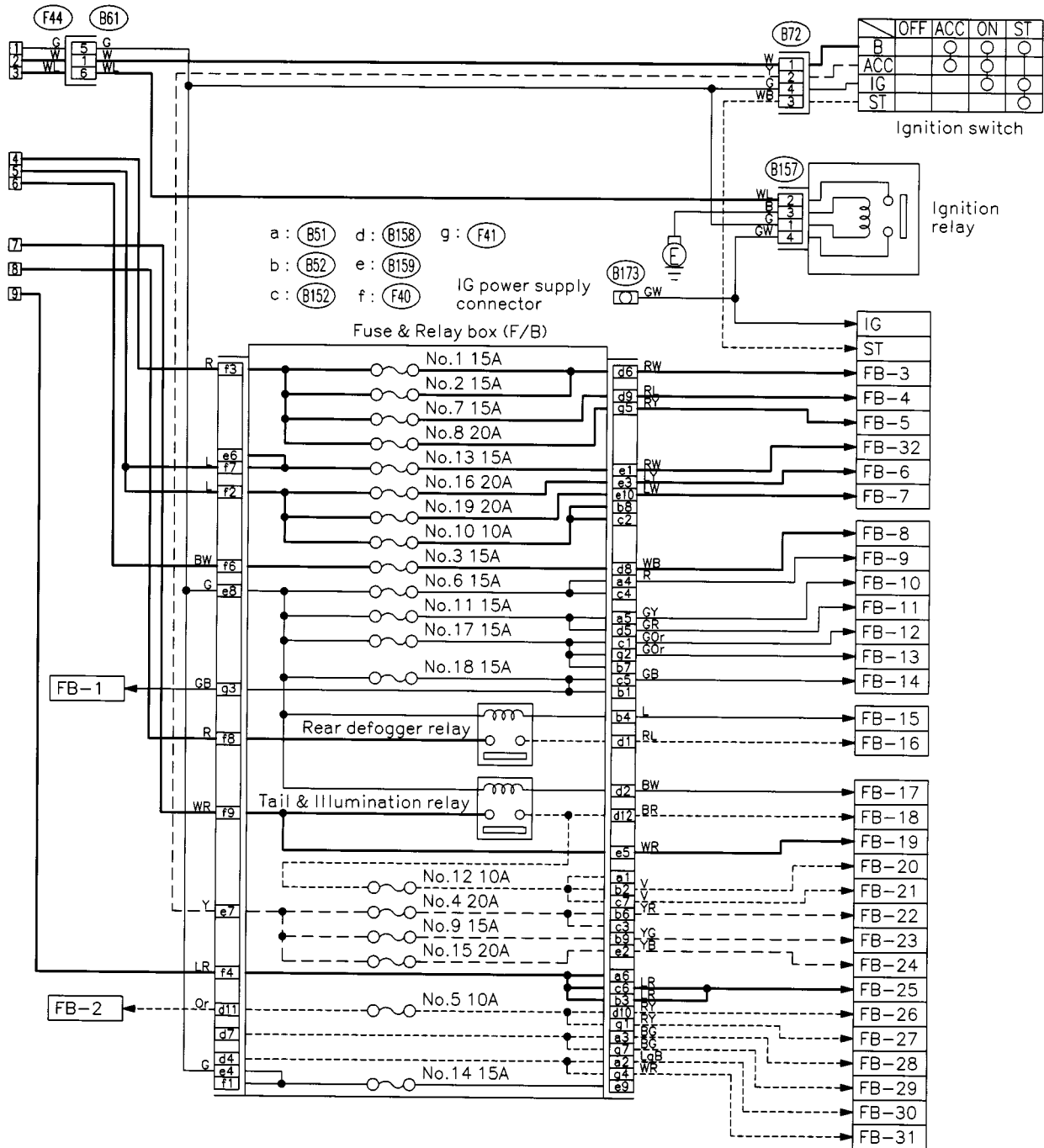
- Battery current
- Current from ignition switch IG terminal
- - - Current from ignition switch ACC terminal
- Other currents

(F26) (Green) (F35) (F36) (F68) (Black) (F37) (Black) (F34) (F39) (Black)



SU01-04A

SU01-04A



a: (B51) d: (B158) g: (F41)
 b: (B52) e: (B159)
 c: (B152) f: (F40) IG power supply connector

(B72) (Blue) c: (B152) b: (B52) (Blue)
 (B61) (B157) (Red) g: (F41) (Gray) a: (B51) (Blue) f: (F40) (Brown) e: (B159) (Gray) d: (B158)



SU01-04B

SU01-04B

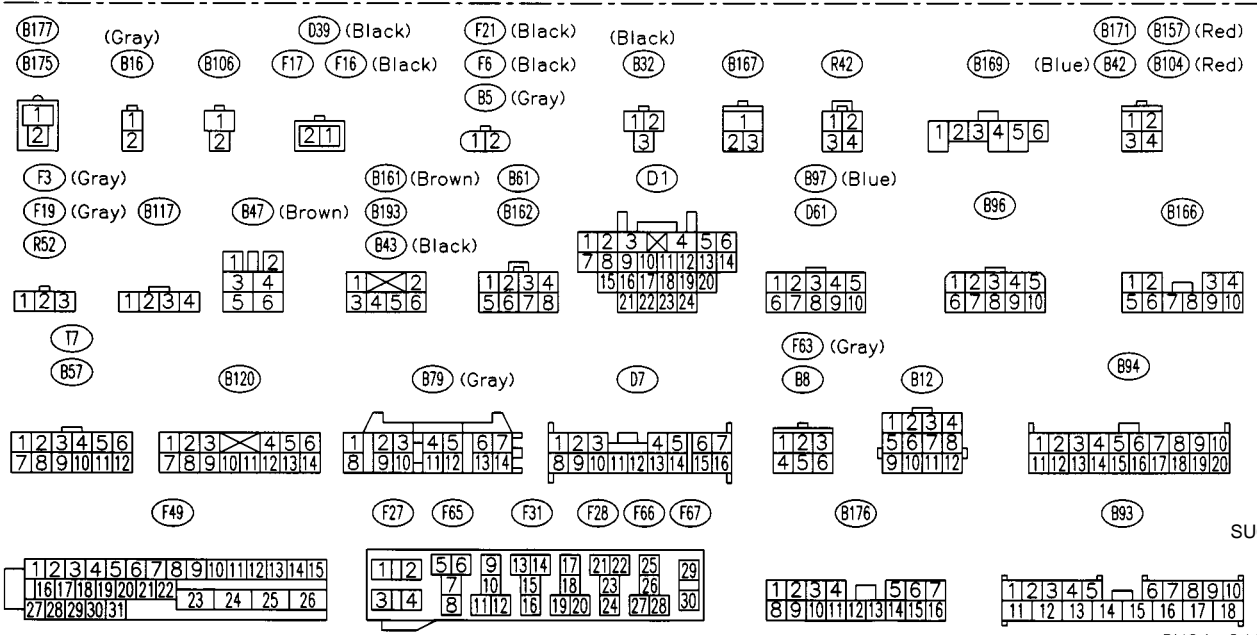
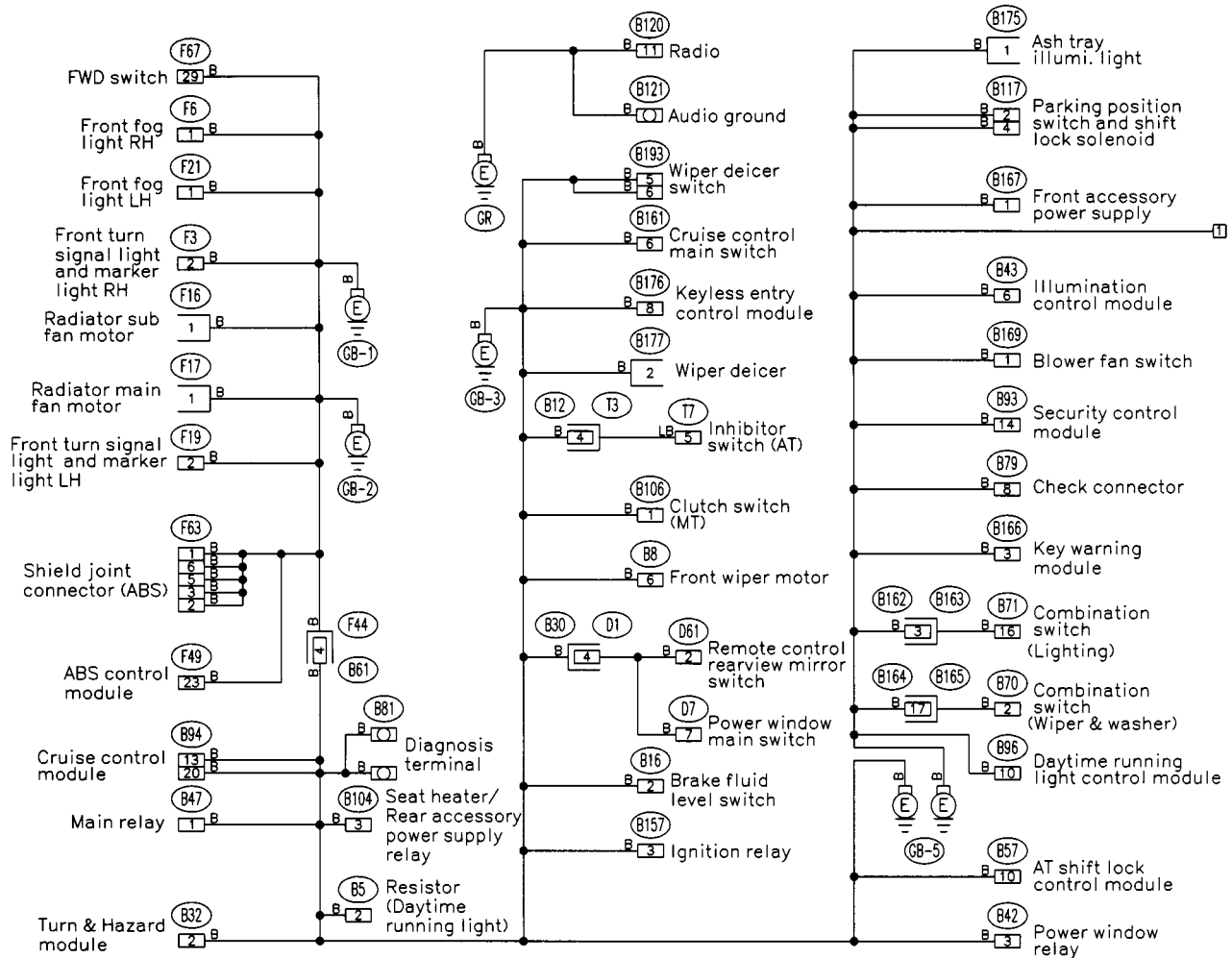
5. Wiring Diagram

No.	Load
MB-1	Power window circuit breaker
MB-2	Data link connector Engine control module Fuel pump relay Main relay OBD-II service connector
MB-3	Diode (Daytime running light) (Daytime running light control module) Lighting switch
MB-4	Cruise control sub switch Horn switch
MB-5	Transmission control module
MB-6	AT shift lock control module Hazard switch Key warning switch
MB-7	Horn
MB-8	Headlight LH
MB-9	Combination meter Front fog light relay Front fog light switch Headlight RH
MB-10	A/C relay holder
SBF-7	ABS control module
ALT-1	Combination meter Daytime running light control module
IG	Check connector Combination meter Hazard switch Key warning module Mirror heater LH Mirror heater RH Power window relay Vehicle speed sensor
ST	Engine control module Interrupt relay
FB-1	ABS control module Main fan relay
FB-2	Parking switch
FB-3	Blower motor relay
FB-4	Front fog light relay
FB-5	ABS control module
FB-6	Stop light switch
FB-7	Seat heater/rear accessory power supply relay
FB-8	Keyless entry control module
FB-9	Airbag control module
FB-10	Airbag control module
FB-11	Engine control module Fuel pump relay Ignition coil Transmission control module
FB-12	Blower motor relay Mode control panel Rear defogger switch
FB-13	A/C relay Sub fan relay

No.	Load
FB-14	AT shift lock control module Back-up light switch (MT) Cruise control main switch Cruise control module Daytime running light control module Daytime running light relay Hi-beam relay Inhibitor switch (AT) Keyless entry control module Security control module Wiper deicer relay Wiper deicer timer
FB-15	Rear defogger switch
FB-16	Mirror heater relay Rear defogger Rear defogger switch
FB-17	Lighting switch
FB-18	Front fog light switch Parking switch
FB-19	Parking switch Security control module
FB-20	Illumination light Illumination control module Keyless entry control module
FB-21	Illumination light Illumination control module Keyless entry control module
FB-22	AT shift lock control module Front accessory power supply Remote control rearview mirror switch Seat heater/rear accessory power supply relay
FB-23	Clock Noise killer Radio
FB-24	Front washer motor Front wiper motor Front wiper & washer switch Rear washer motor Rear wiper intermittent module Rear wiper motor
FB-25	Clock Combination meter Compass mirror Luggage room light Radio Room light Security control module Spot light Trailer connector
FB-26	License plate light Tail light LH Tail light RH Trailer connector
FB-27	Front clearance light LH Front clearance light RH

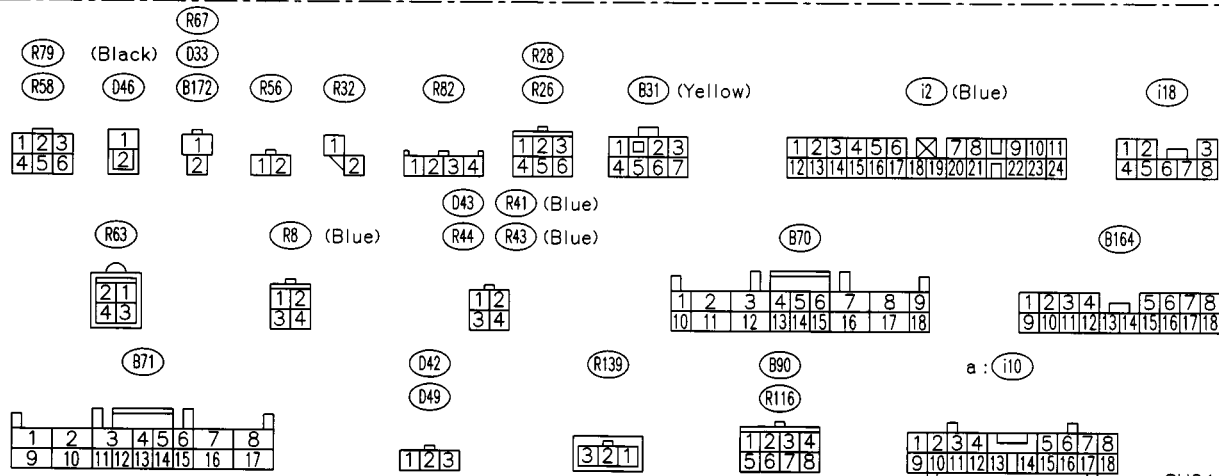
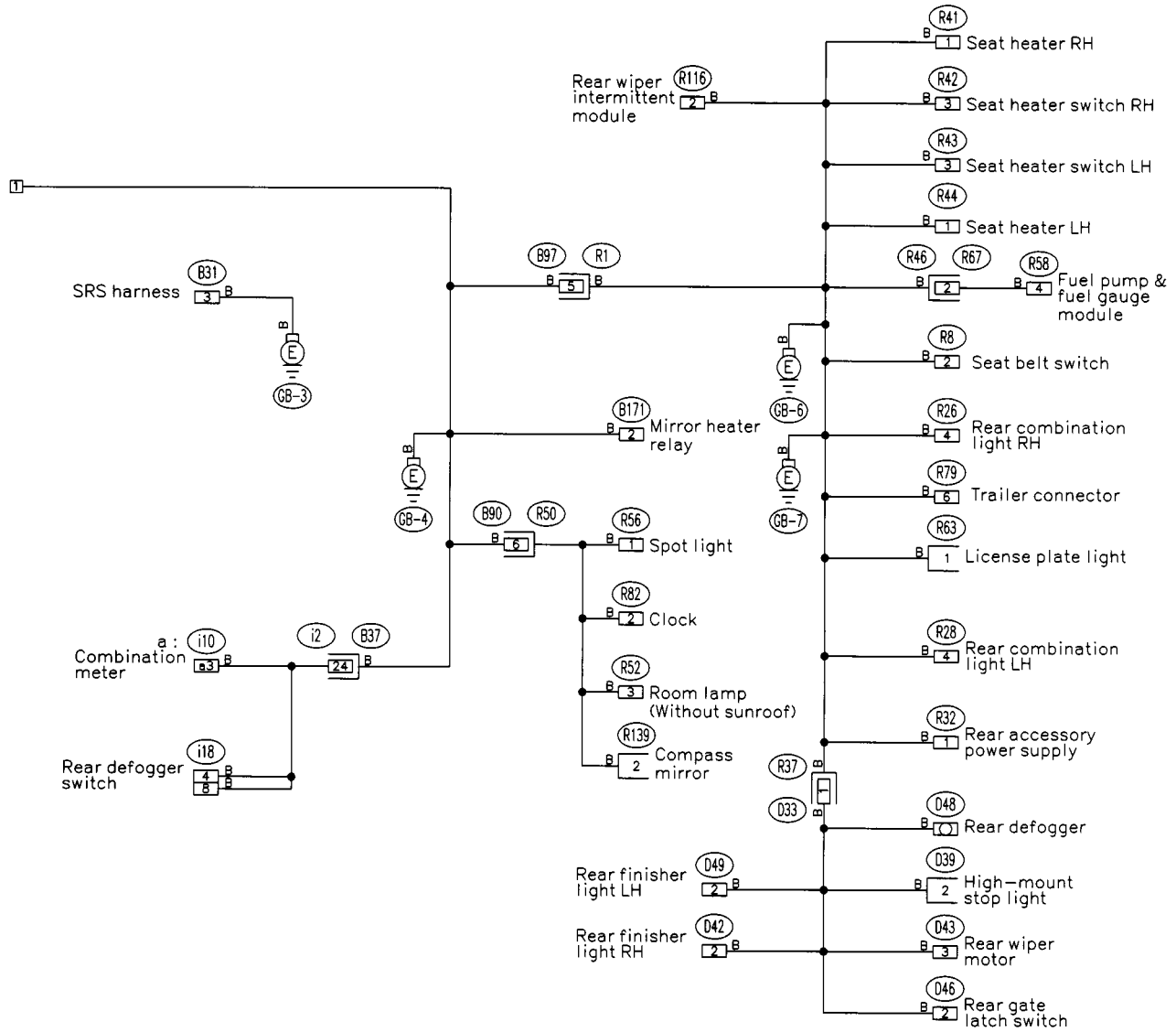
No.	Load
FB-28	Combination meter Hazard switch Rear turn signal light LH Trailer connector Turn signal switch
FB-29	Front turn signal light LH
FB-30	Combination meter Hazard switch Rear turn signal light RH Trailer connector Turn signal switch
FB-31	Front turn signal light RH
FB-32	Wiper deicer relay

B: GROUND DISTRIBUTION



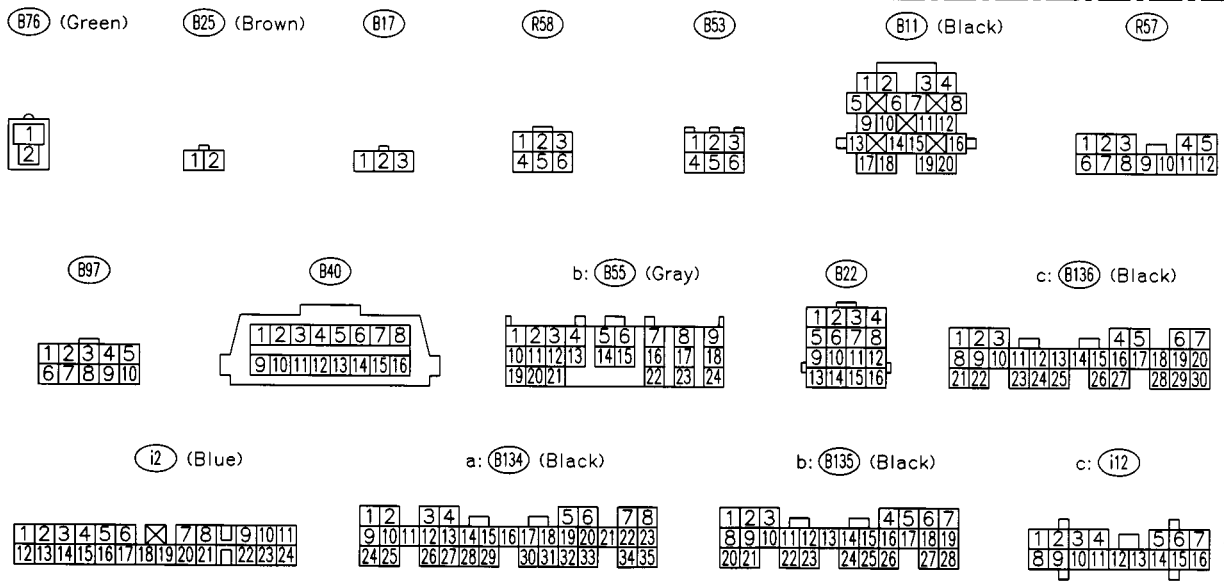
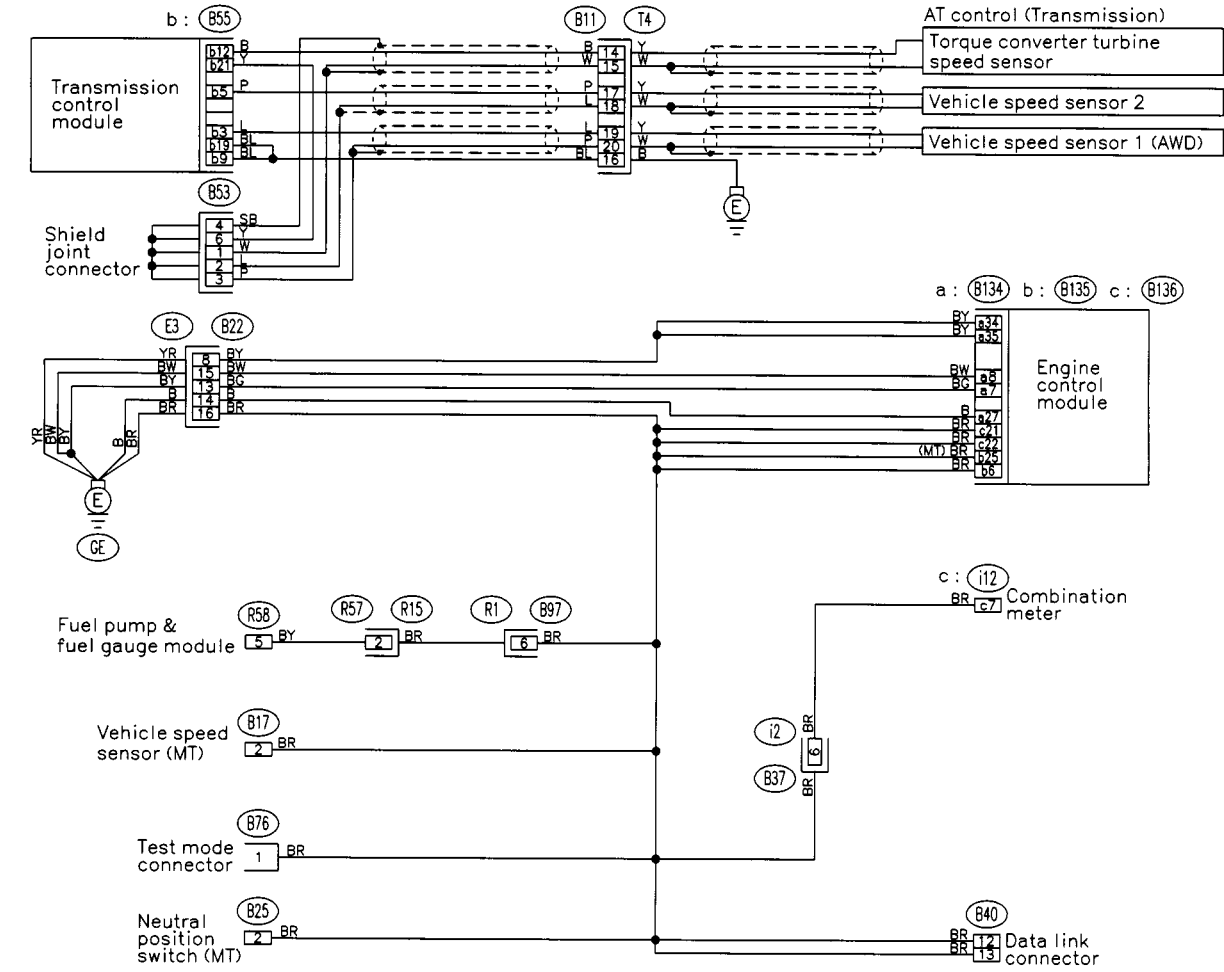
SU04-04A

SU04-04A



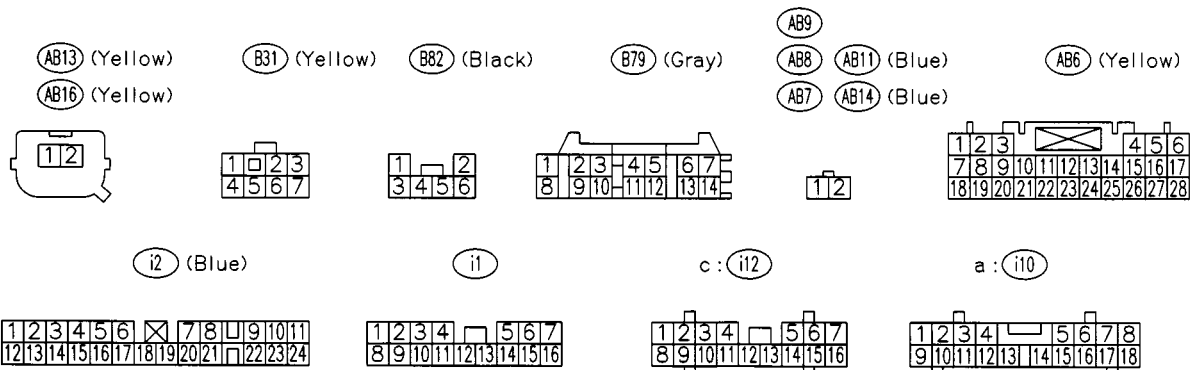
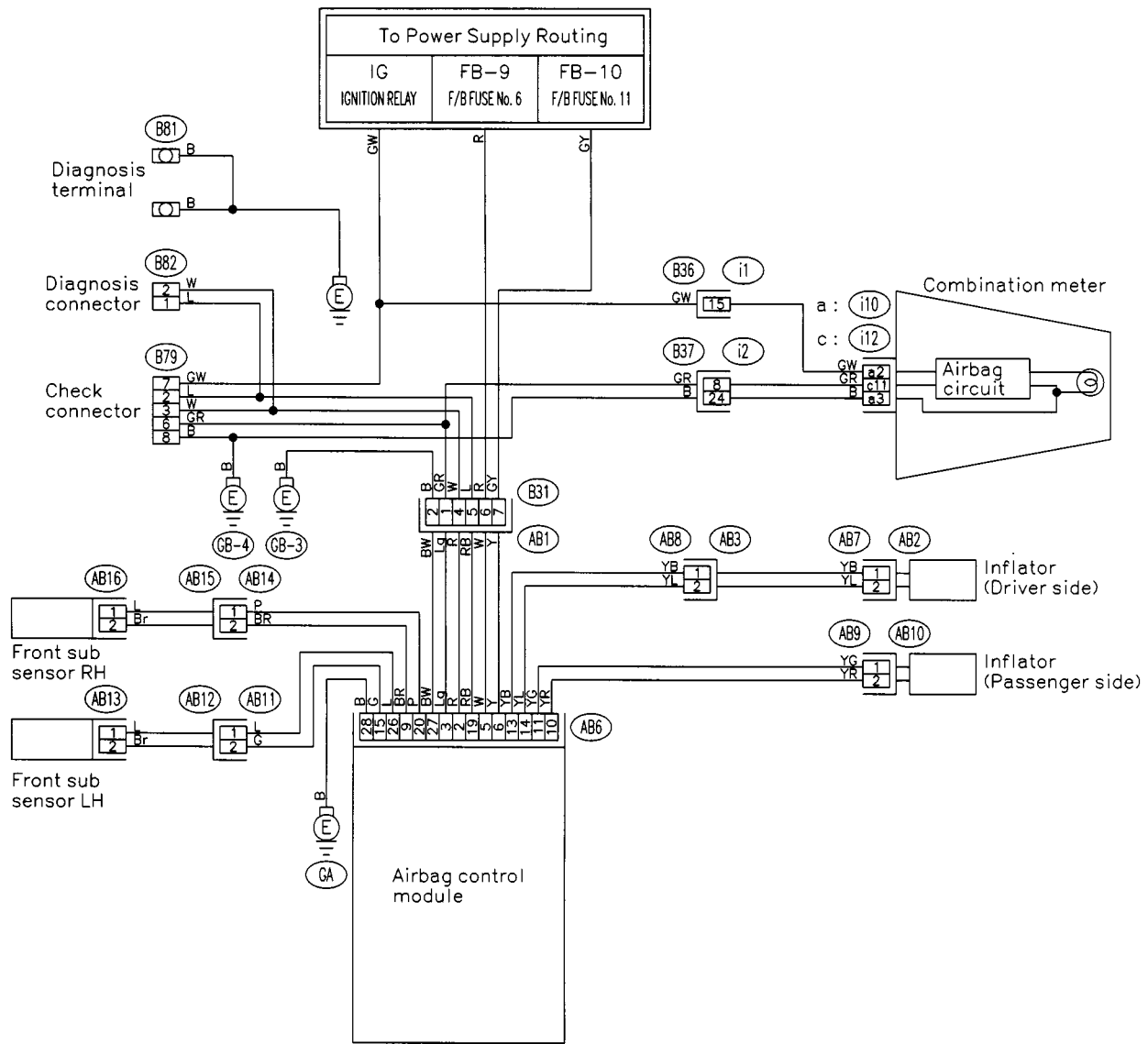
SU04-04B

SU04-04B

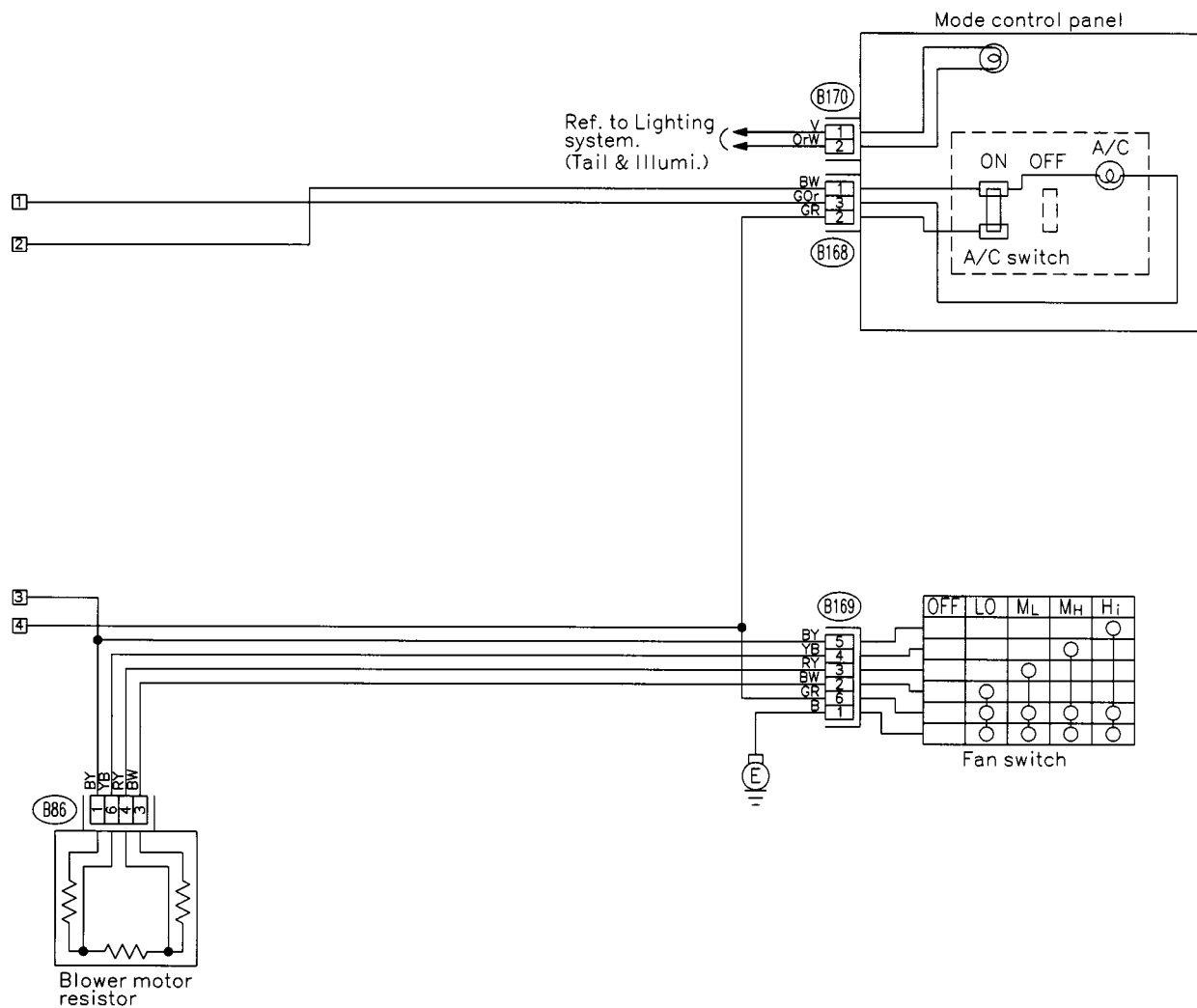


SU04-04C

C: AIRBAG SYSTEM



SU86-05
SU86-05



(B170)



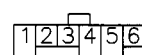
(B168)



(B86)



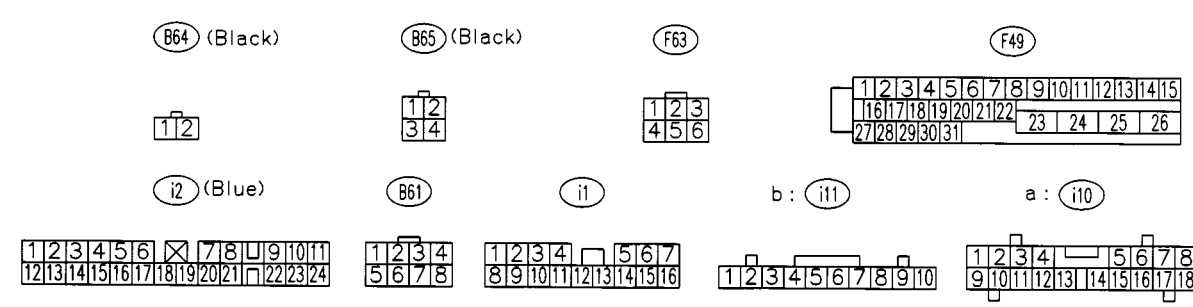
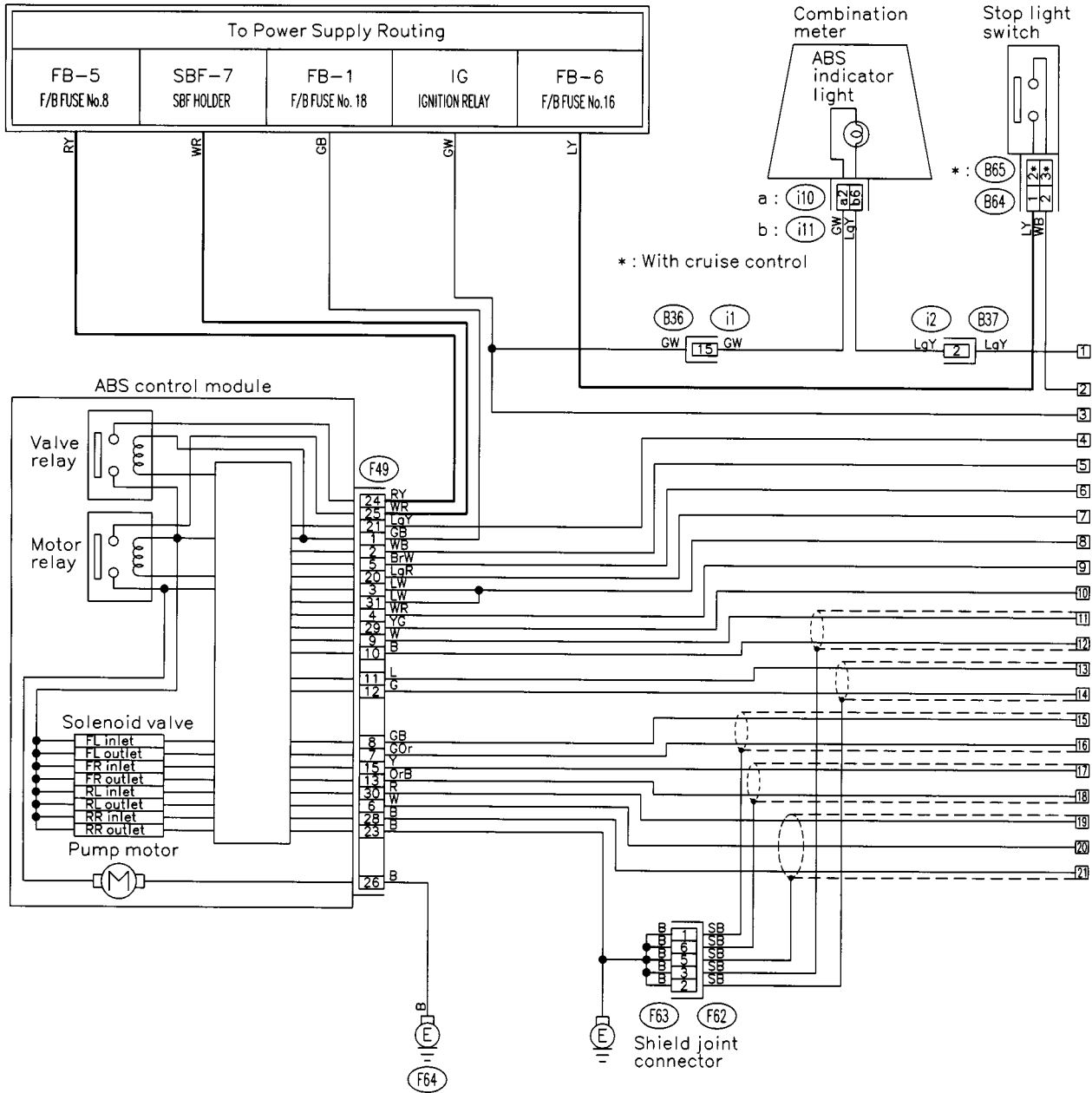
(B169)



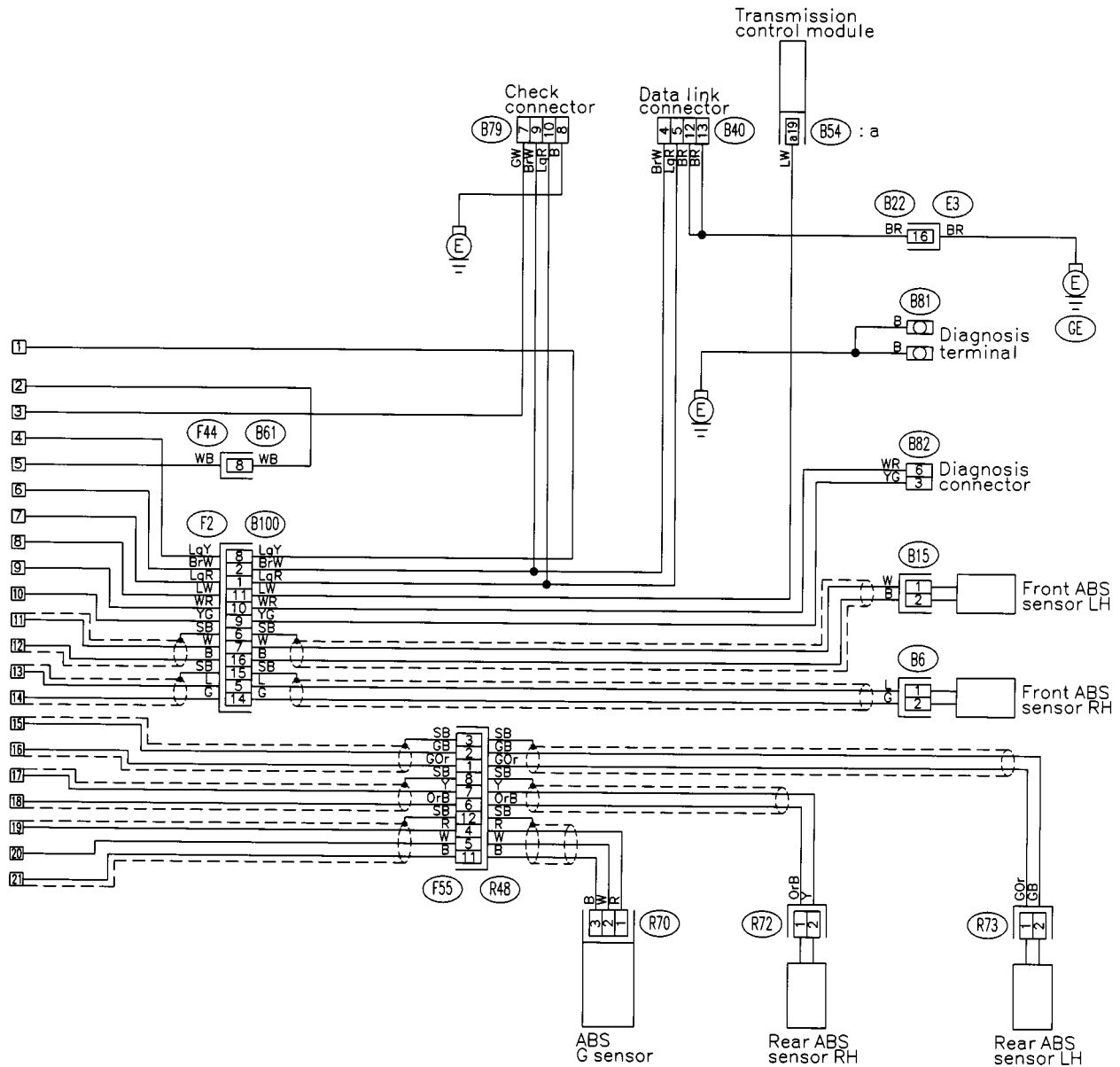
SU45-04B

SU45-04B

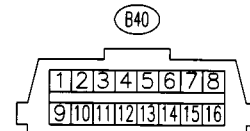
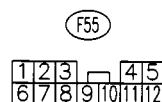
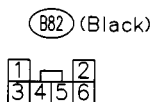
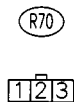
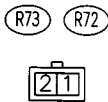
E: ANTI-LOCK BRAKE SYSTEM



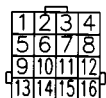
SU82-04A
SU82-04A



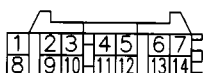
(Brown) B6 B15 (Brown)



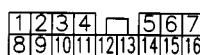
B22



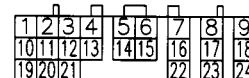
B79 (Gray)



B100 (Black)



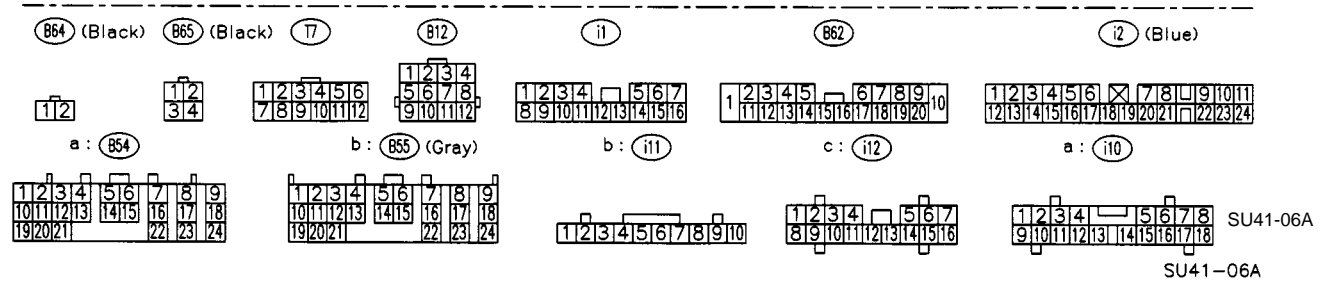
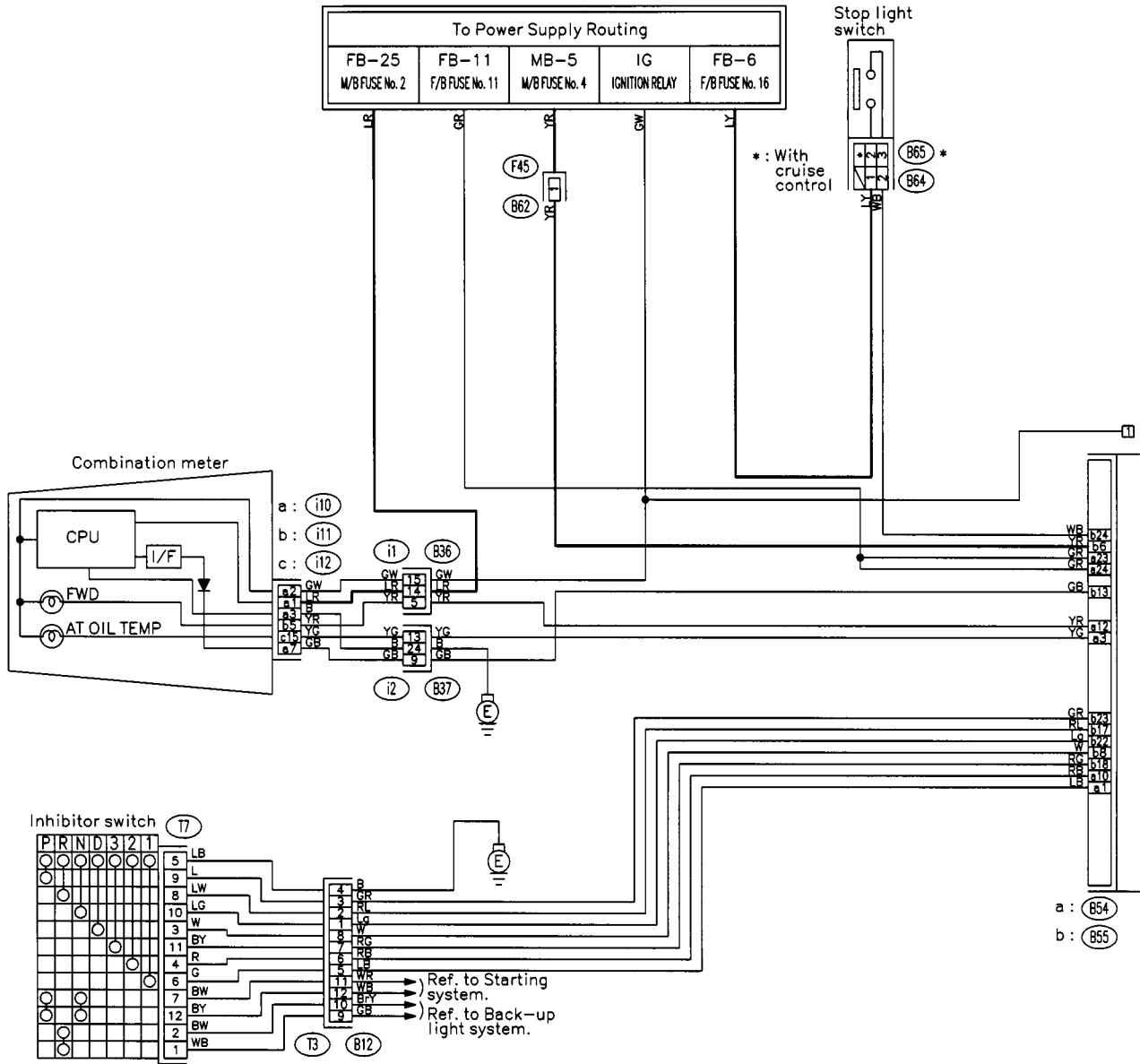
a : B54

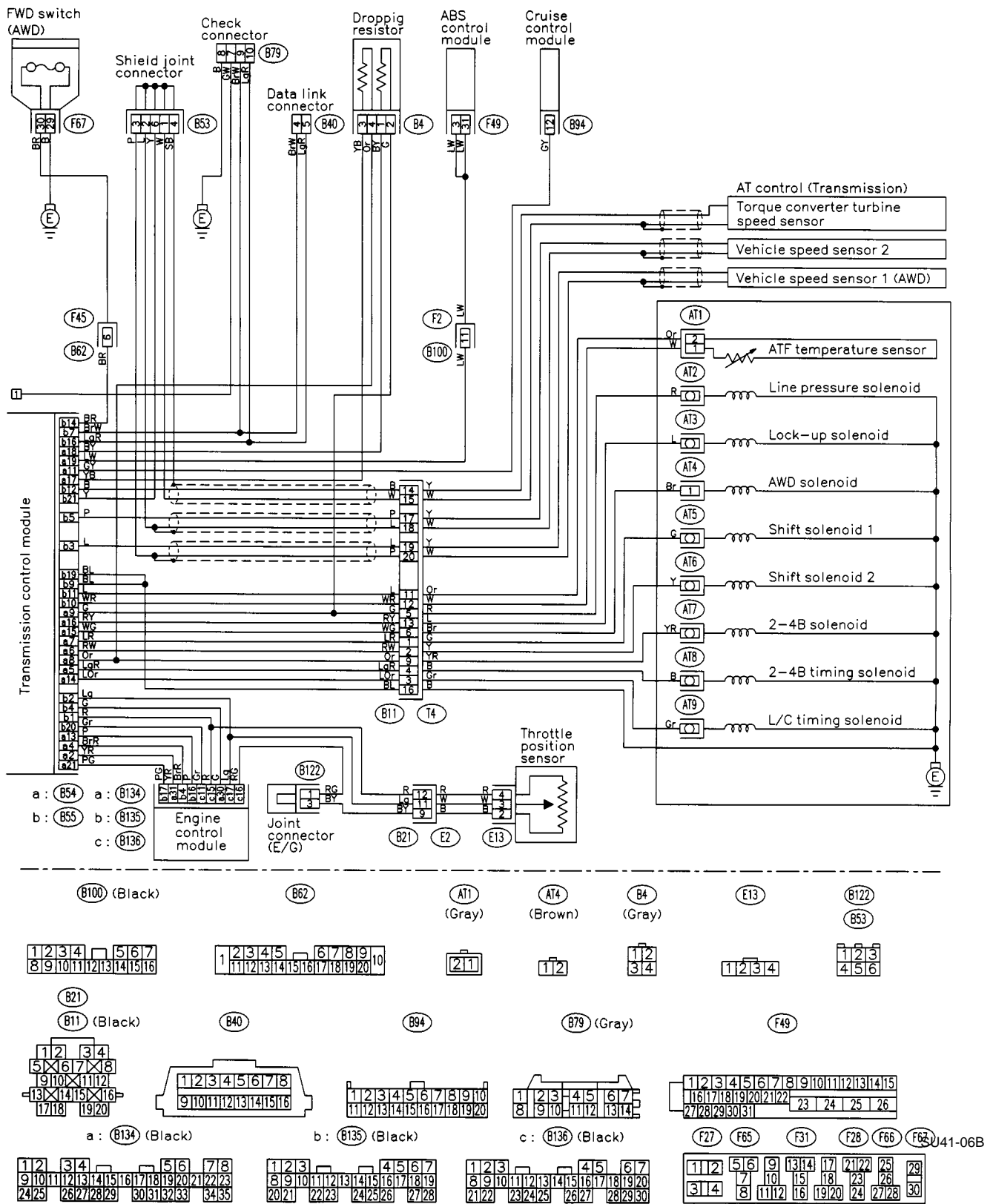


SU82-04B

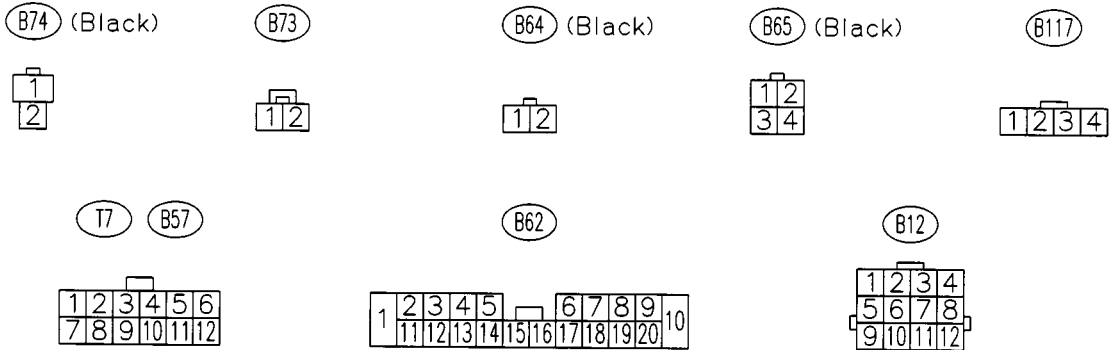
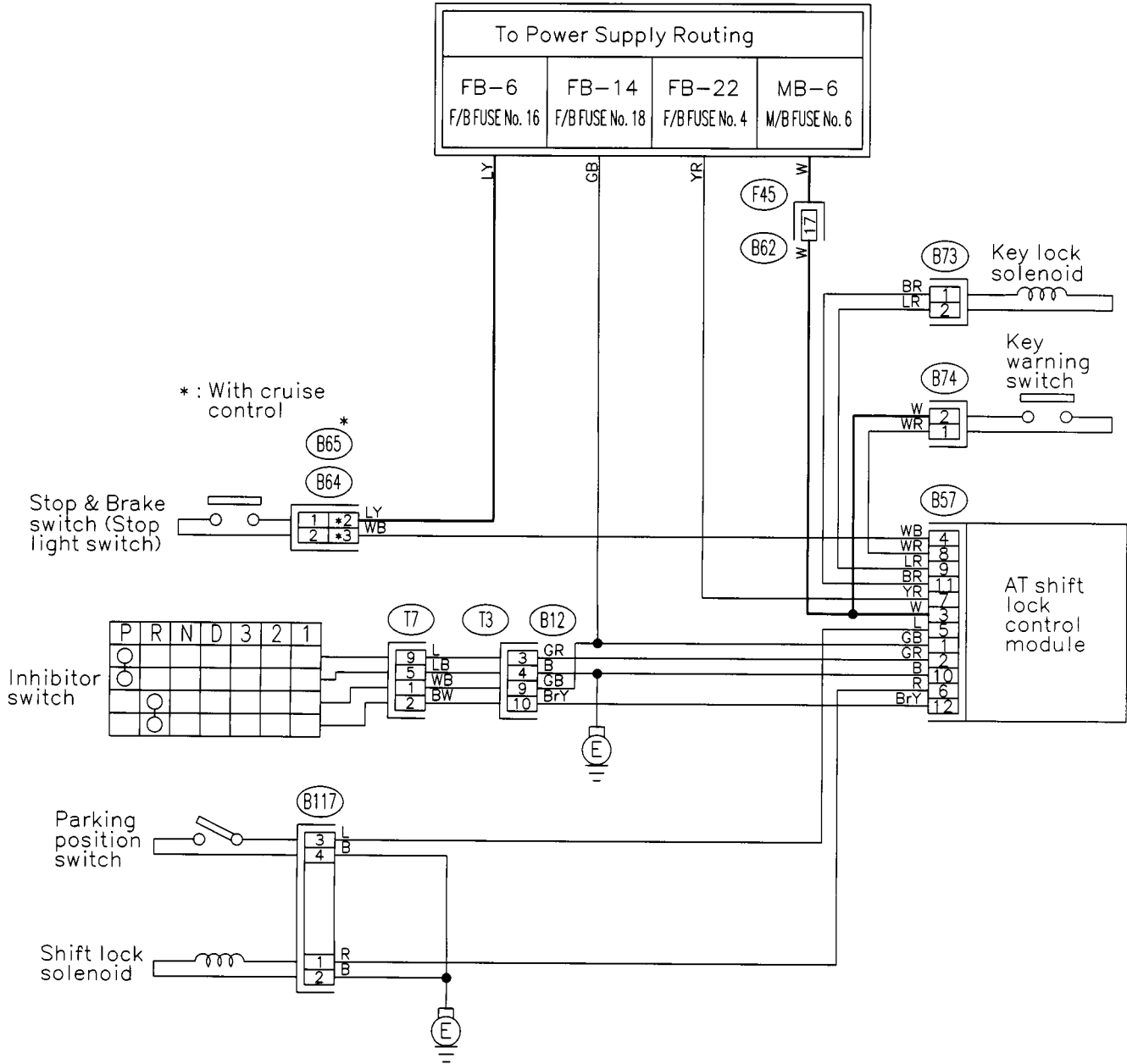
SU82-04B

F: A/T CONTROL SYSTEM





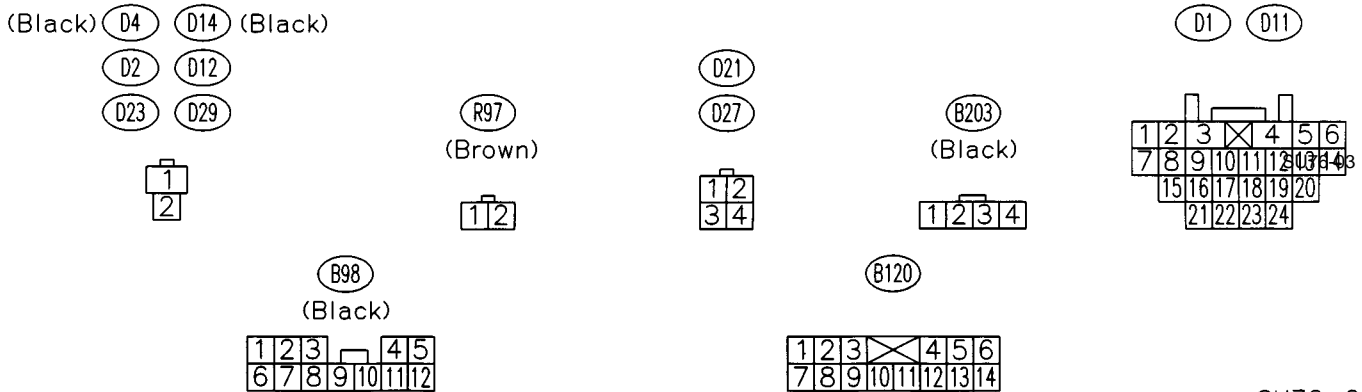
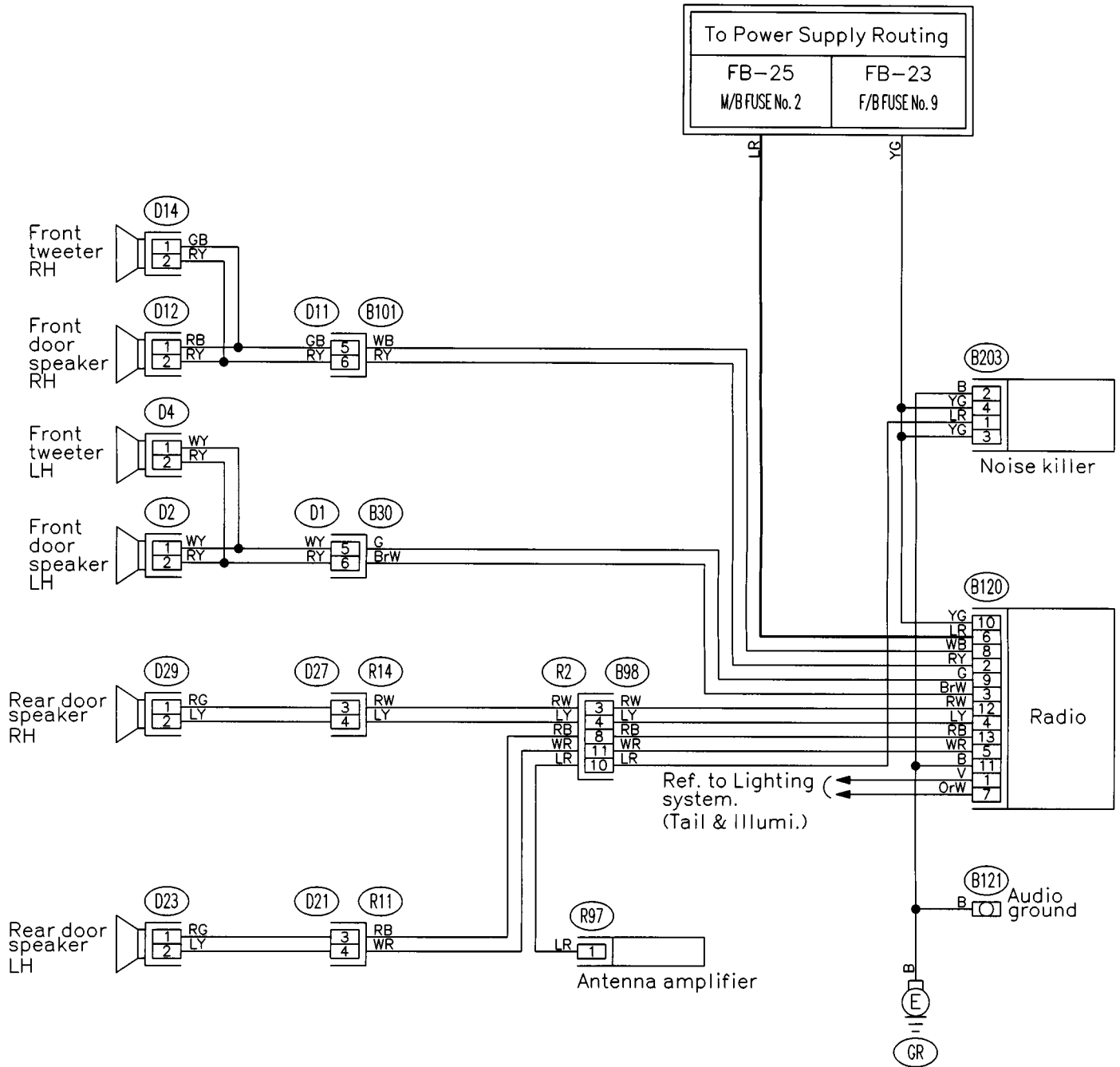
G: A/T SHIFT LOCK SYSTEM



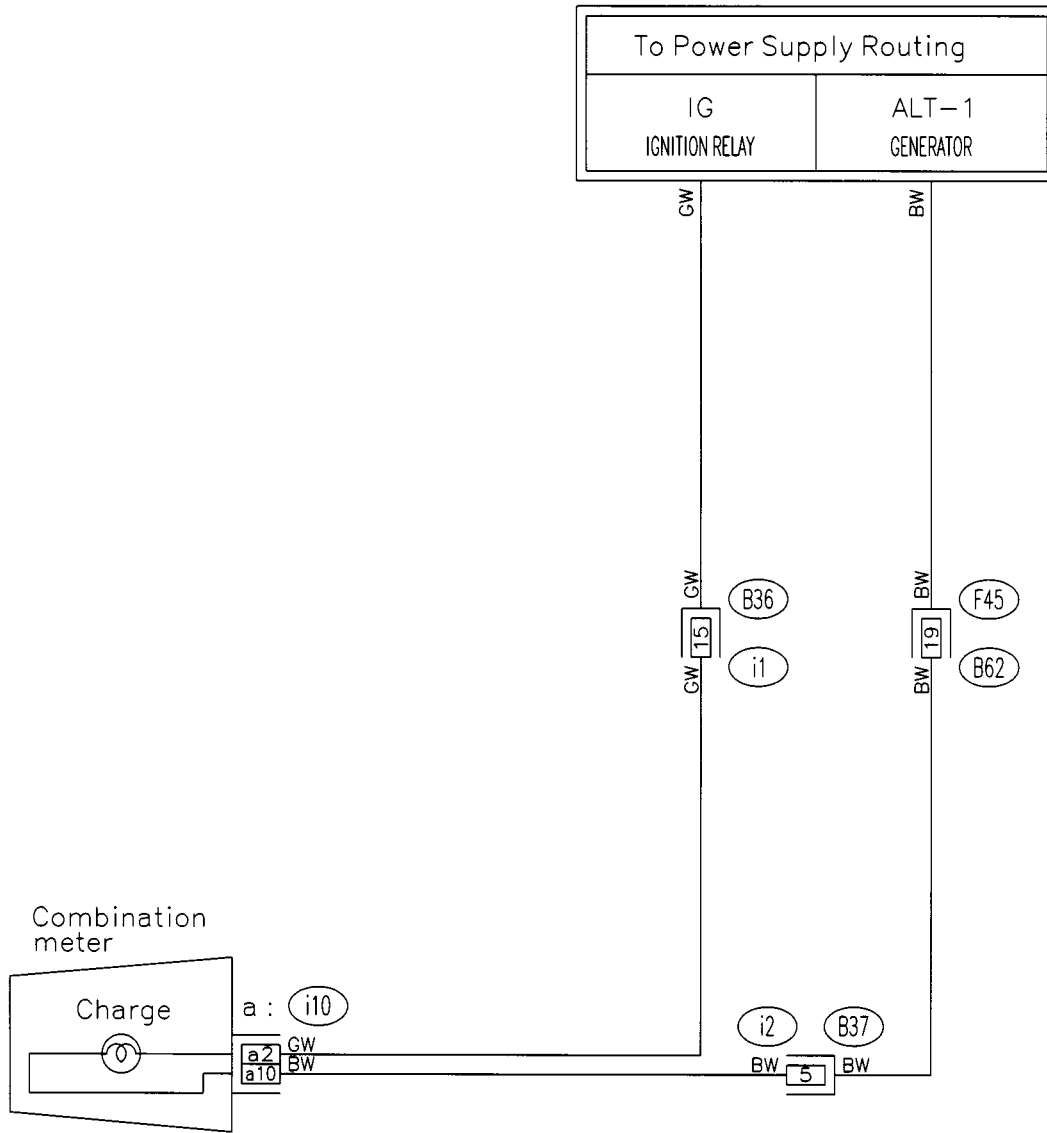
SU42-04

SU42-04

H: AUDIO SYSTEM



I: CHARGING SYSTEM



i1

1	2	3	4		5	6	7	
8	9	10	11	12	13	14	15	16

i2 (Blue)

1	2	3	4	5	6	⊗	7	8	9	10	11		
12	13	14	15	16	17	18	19	20	21	□	22	23	24

B62

1	2	3	4	5		6	7	8	9	10
11	12	13	14	15	16	17	18	19	20	

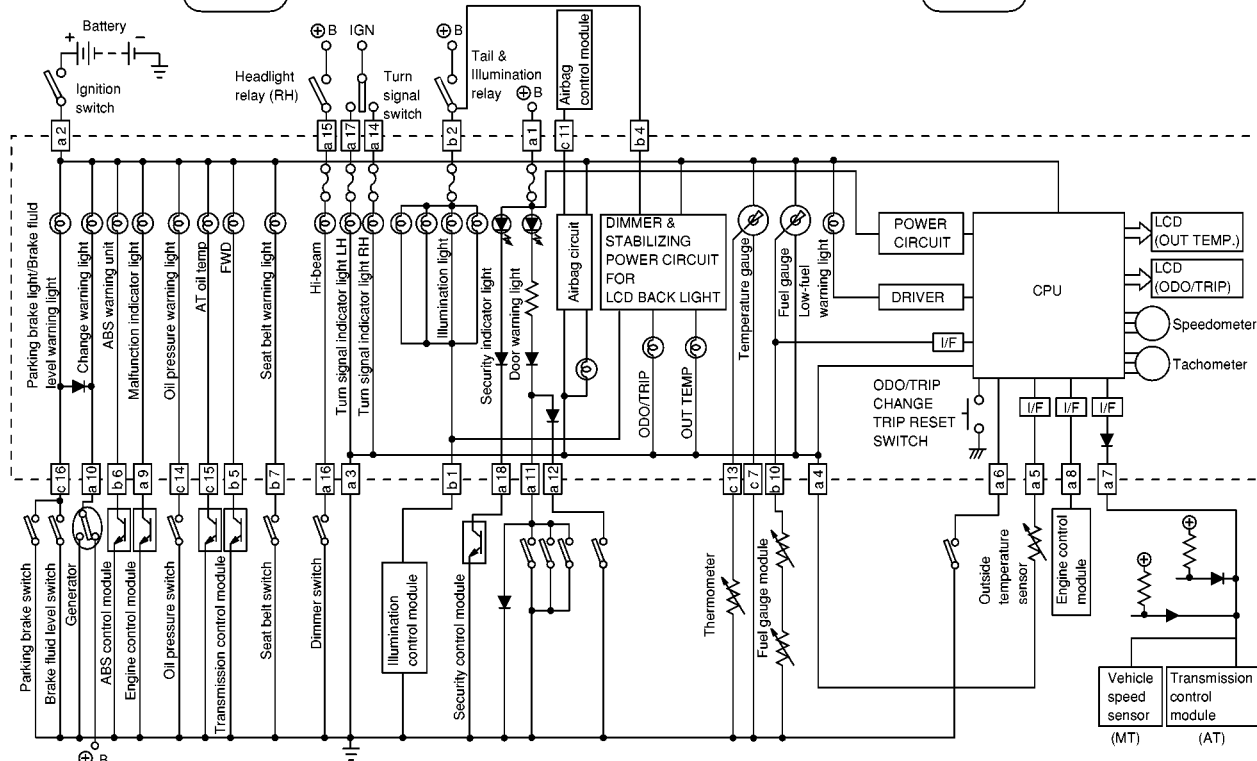
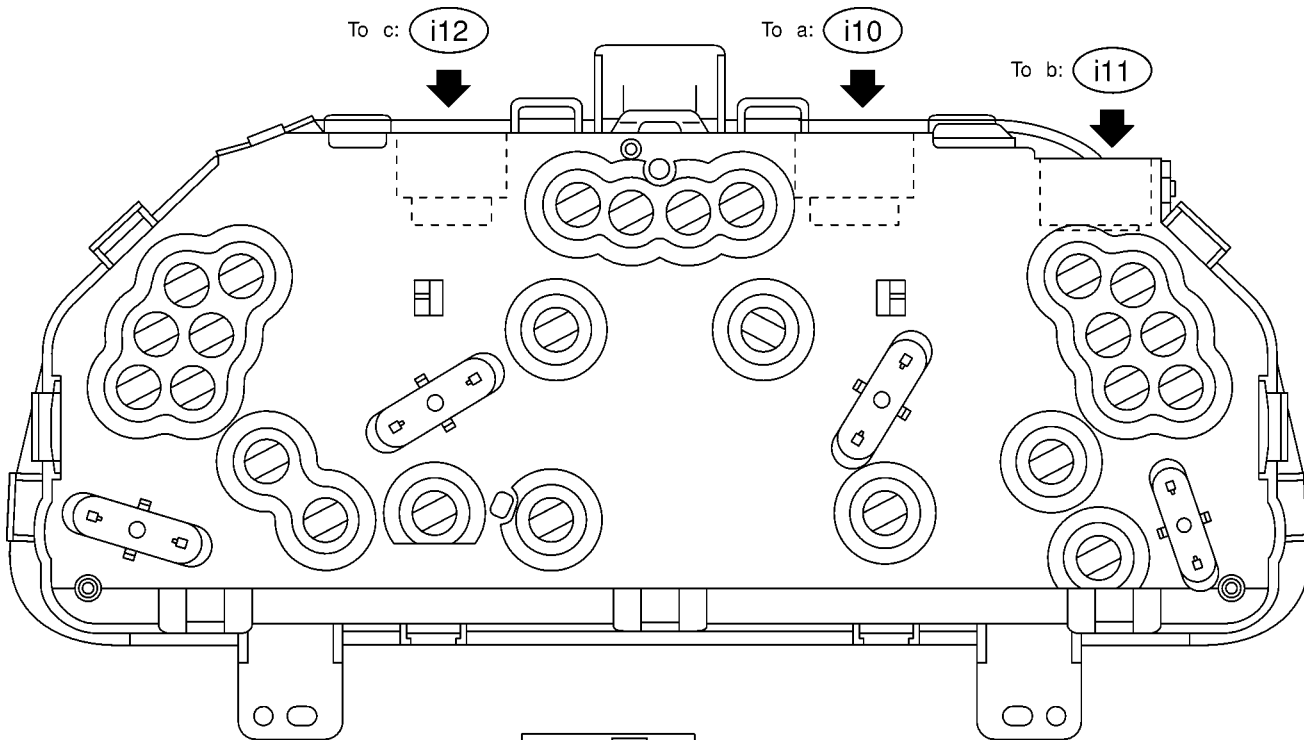
a : i10

1	2	3	4		5	6	7	8	
9	10	11	12	13	14	15	16	17	18

SU02-03

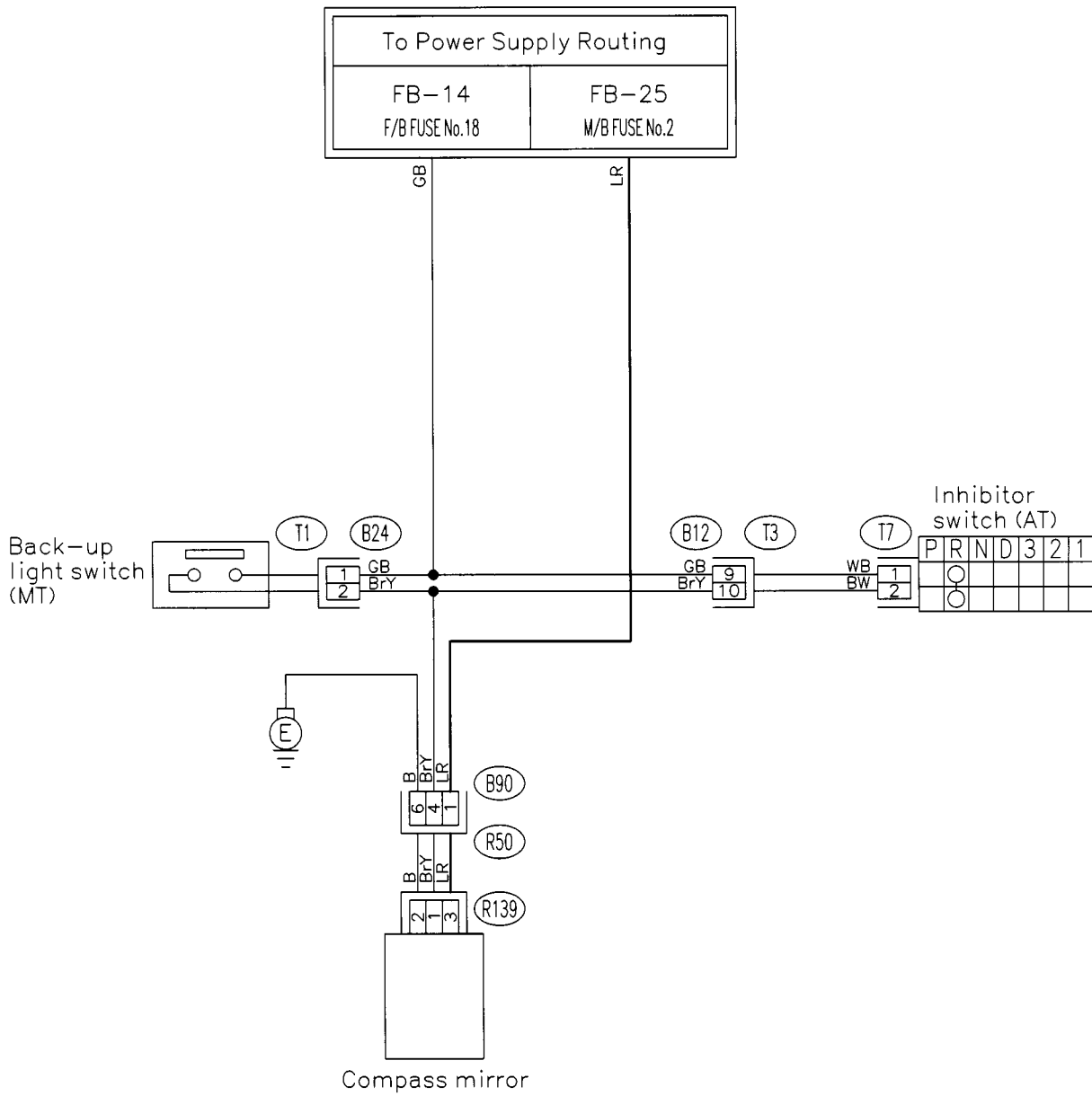
SU02-03

J: COMBINATION METER



SU64-03

K: COMPASS MIRROR SYSTEM



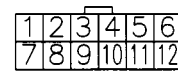
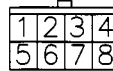
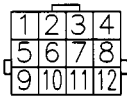
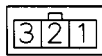
(B24) (Gray)

(R139)

(B12)

(B90)

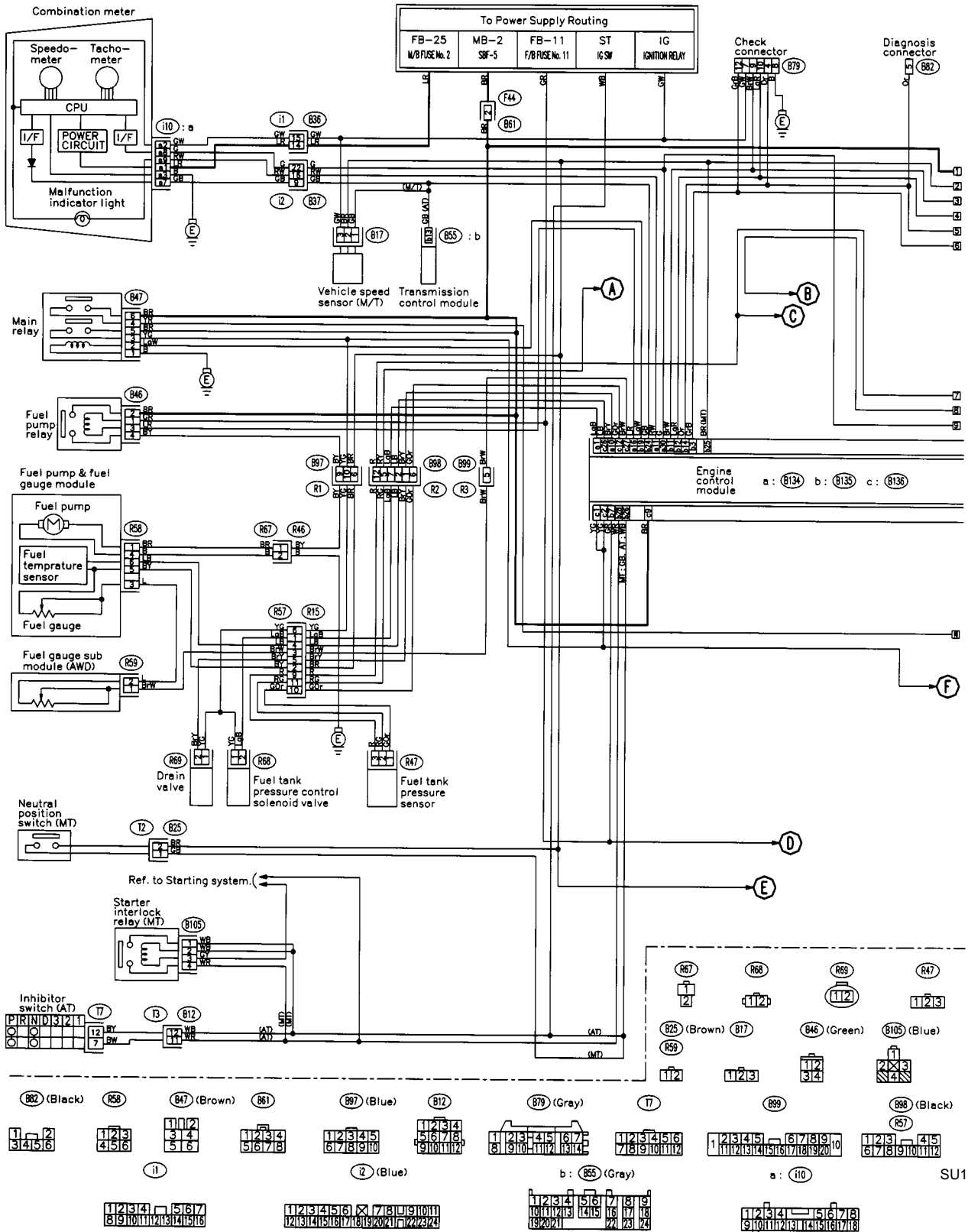
(T7)



SU97-01

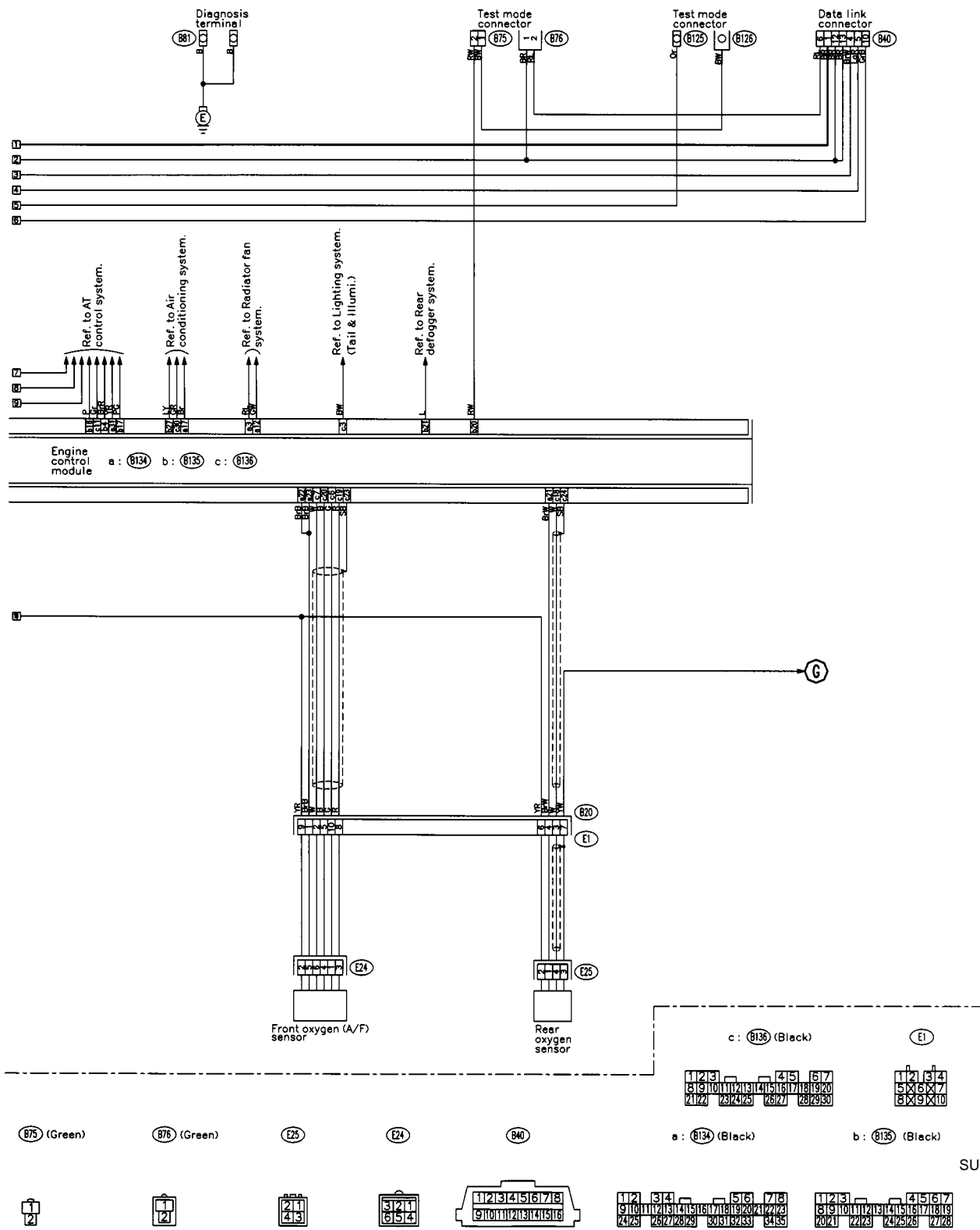
SU97-01

M: ENGINE ELECTRICAL SYSTEM



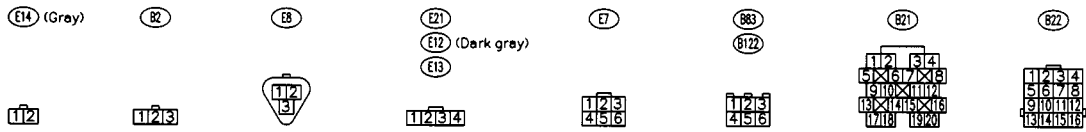
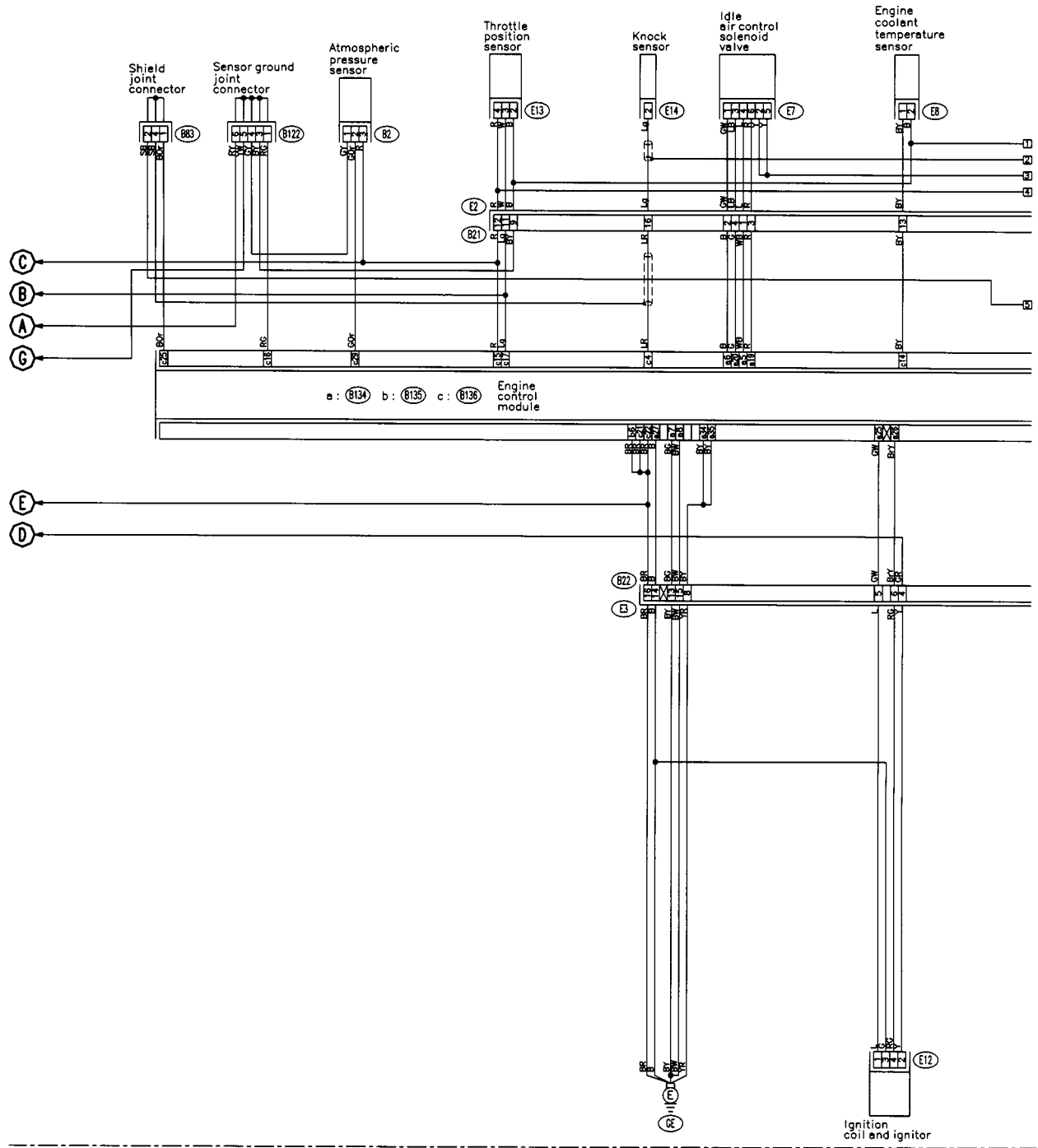
SU10-07A

SU10-07A



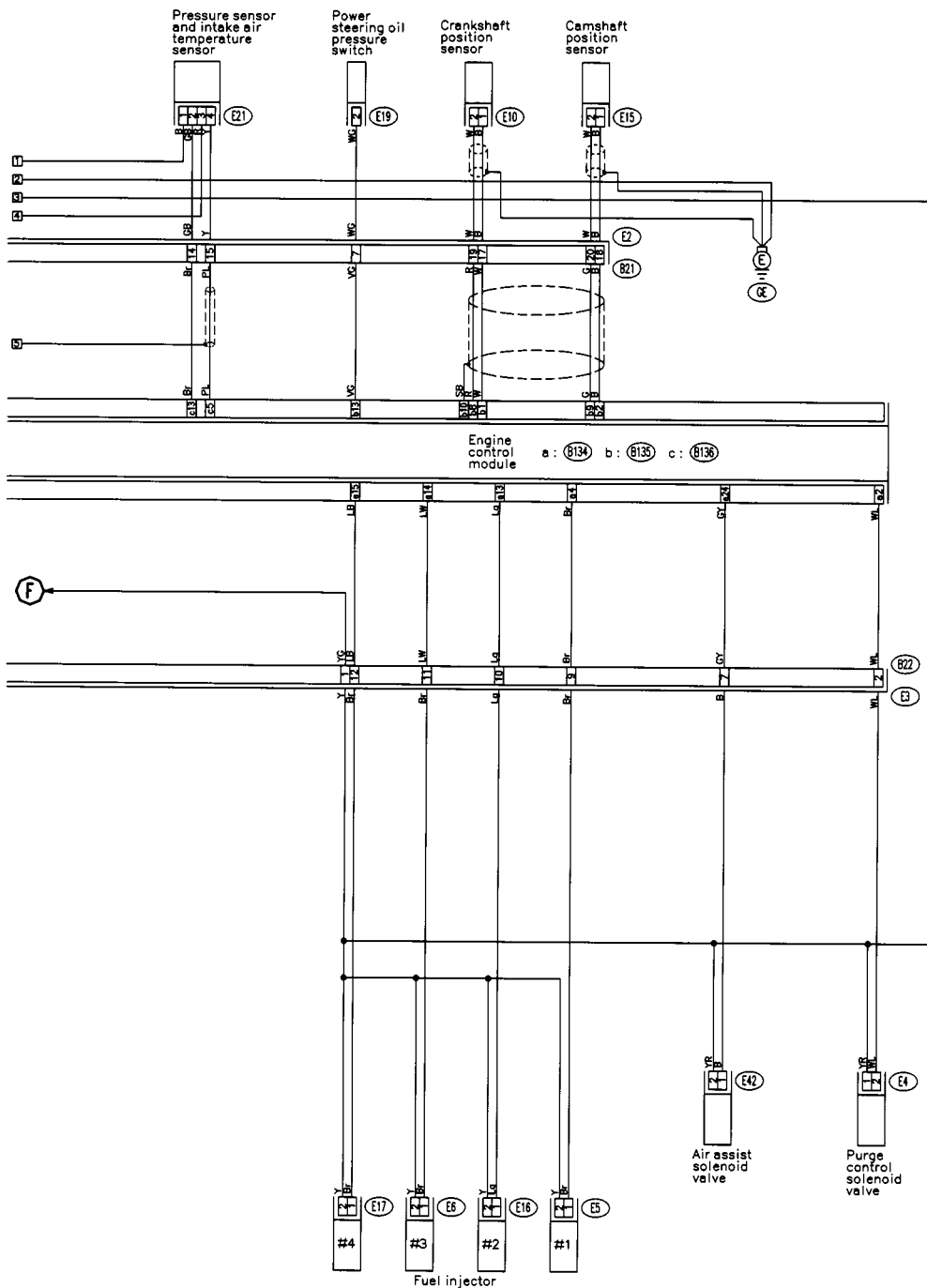
SU10-07B

SU10-07B



SU10-07C

SU10-07C

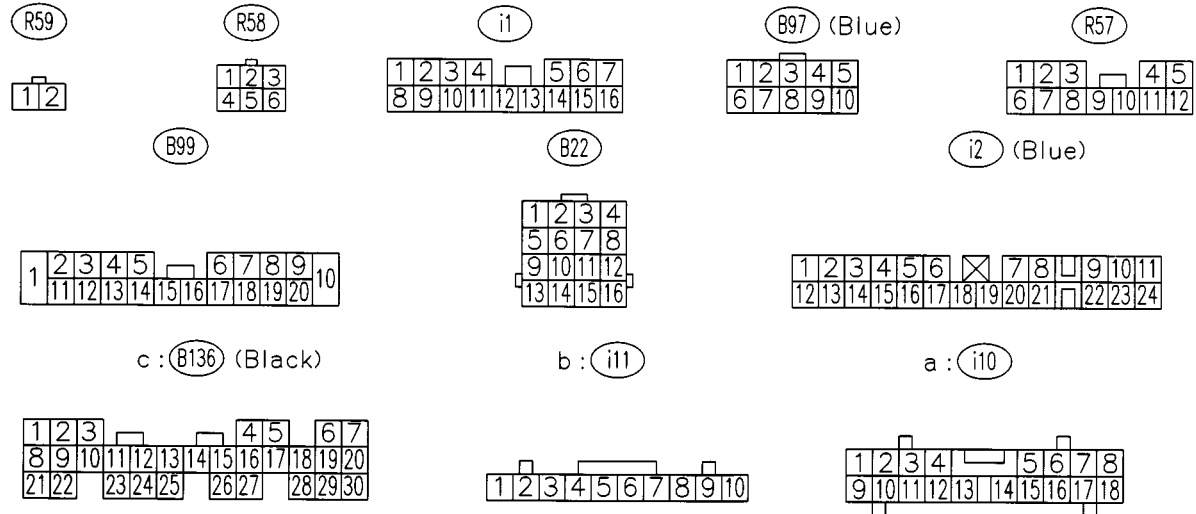
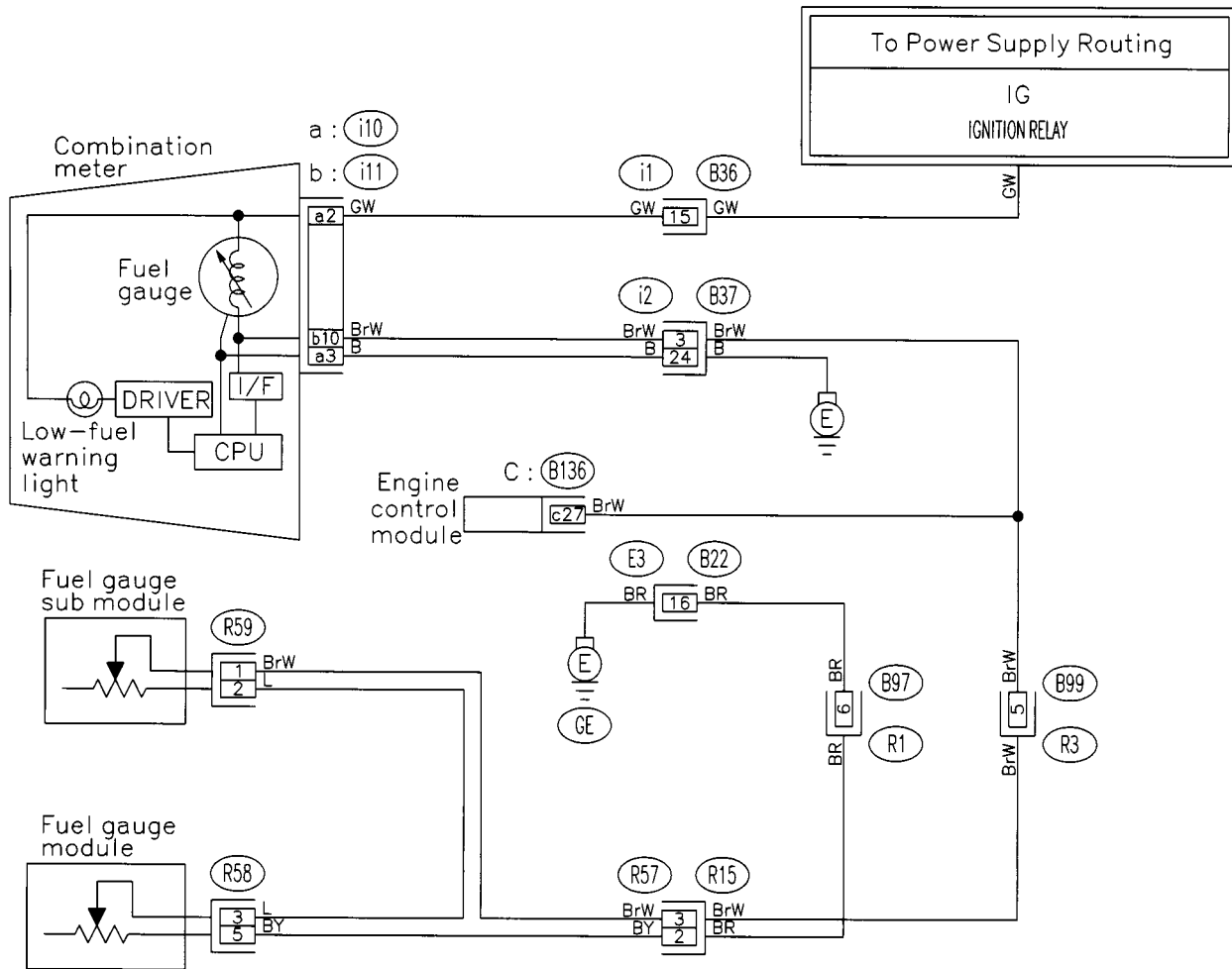


<p>(E5)</p> <p>(E6)</p> <p>(E16)</p> <p>(E17)</p>	<p>(E10)</p> <p>(E15)</p> <p>(E42)</p> <p>(E19)</p> <p>(E4)</p>	<p>b: (8135) (Black)</p> <table border="1" style="font-size: small; border-collapse: collapse;"> <tr><td>1</td><td>2</td><td>3</td><td>4</td><td>5</td><td>6</td><td>7</td></tr> <tr><td>8</td><td>9</td><td>10</td><td>11</td><td>12</td><td>13</td><td>14</td></tr> <tr><td>15</td><td>16</td><td>17</td><td>18</td><td>19</td><td>20</td><td>21</td></tr> <tr><td>22</td><td>23</td><td>24</td><td>25</td><td>26</td><td>27</td><td>28</td></tr> </table>	1	2	3	4	5	6	7	8	9	10	11	12	13	14	15	16	17	18	19	20	21	22	23	24	25	26	27	28	<p>c: (8136) (Black)</p> <table border="1" style="font-size: small; border-collapse: collapse;"> <tr><td>1</td><td>2</td><td>3</td><td>4</td><td>5</td><td>6</td><td>7</td></tr> <tr><td>8</td><td>9</td><td>10</td><td>11</td><td>12</td><td>13</td><td>14</td></tr> <tr><td>15</td><td>16</td><td>17</td><td>18</td><td>19</td><td>20</td><td>21</td></tr> <tr><td>22</td><td>23</td><td>24</td><td>25</td><td>26</td><td>27</td><td>28</td></tr> </table>	1	2	3	4	5	6	7	8	9	10	11	12	13	14	15	16	17	18	19	20	21	22	23	24	25	26	27	28	<p>a: (8134) (Black)</p> <table border="1" style="font-size: small; border-collapse: collapse;"> <tr><td>1</td><td>2</td><td>3</td><td>4</td><td>5</td><td>6</td><td>7</td><td>8</td></tr> <tr><td>9</td><td>10</td><td>11</td><td>12</td><td>13</td><td>14</td><td>15</td><td>16</td></tr> <tr><td>17</td><td>18</td><td>19</td><td>20</td><td>21</td><td>22</td><td>23</td><td>24</td></tr> <tr><td>25</td><td>26</td><td>27</td><td>28</td><td>29</td><td>30</td><td>31</td><td>32</td></tr> </table>	1	2	3	4	5	6	7	8	9	10	11	12	13	14	15	16	17	18	19	20	21	22	23	24	25	26	27	28	29	30	31	32
1	2	3	4	5	6	7																																																																																						
8	9	10	11	12	13	14																																																																																						
15	16	17	18	19	20	21																																																																																						
22	23	24	25	26	27	28																																																																																						
1	2	3	4	5	6	7																																																																																						
8	9	10	11	12	13	14																																																																																						
15	16	17	18	19	20	21																																																																																						
22	23	24	25	26	27	28																																																																																						
1	2	3	4	5	6	7	8																																																																																					
9	10	11	12	13	14	15	16																																																																																					
17	18	19	20	21	22	23	24																																																																																					
25	26	27	28	29	30	31	32																																																																																					

SU10-07D

SU10-07D

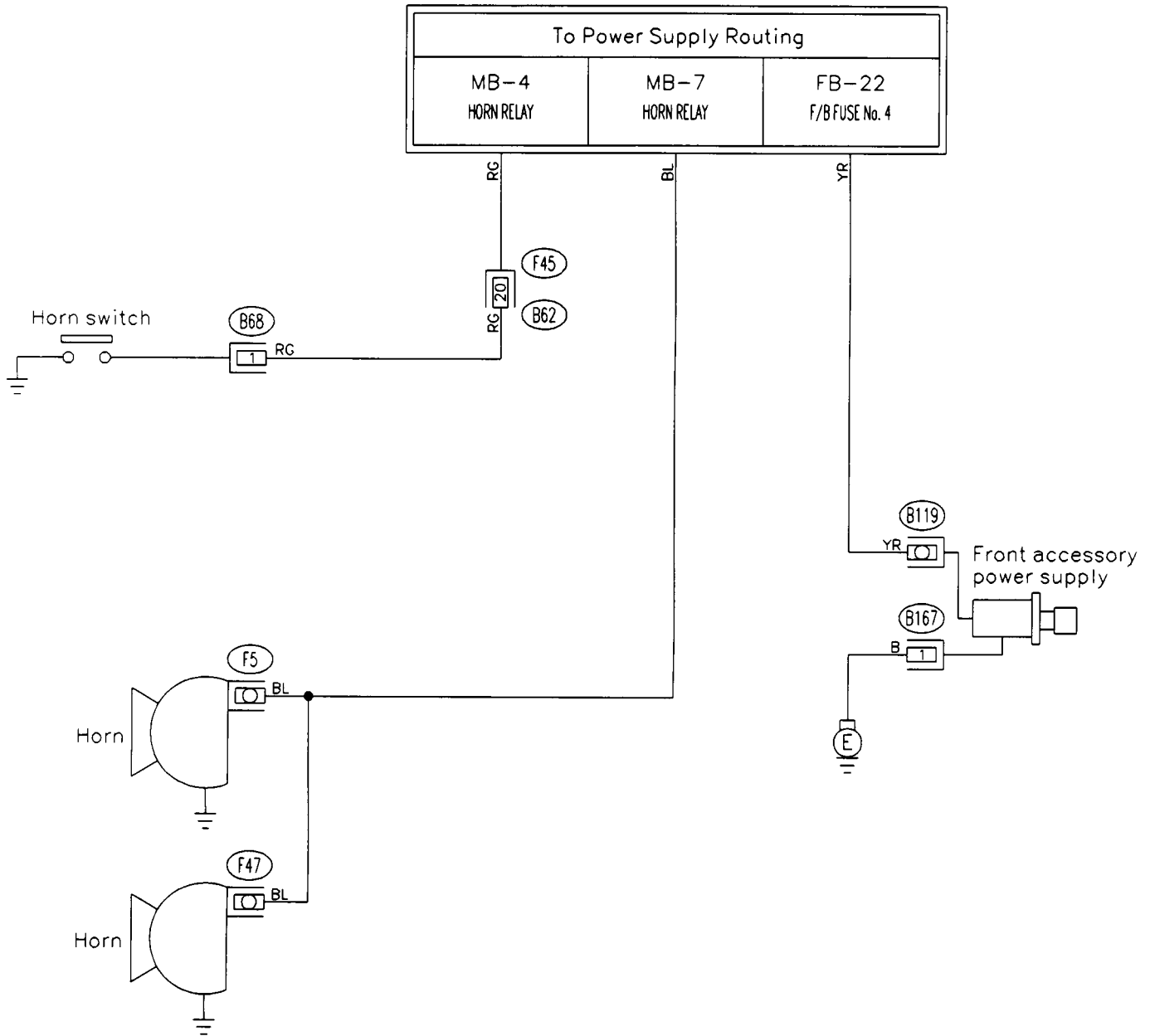
N: FUEL GAUGE SYSTEM



SU61-04

SU61-04

O: HORN AND FRONT ACCESSORY POWER SUPPLY SYSTEM

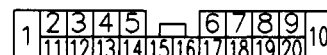


SU74-02

(B167)

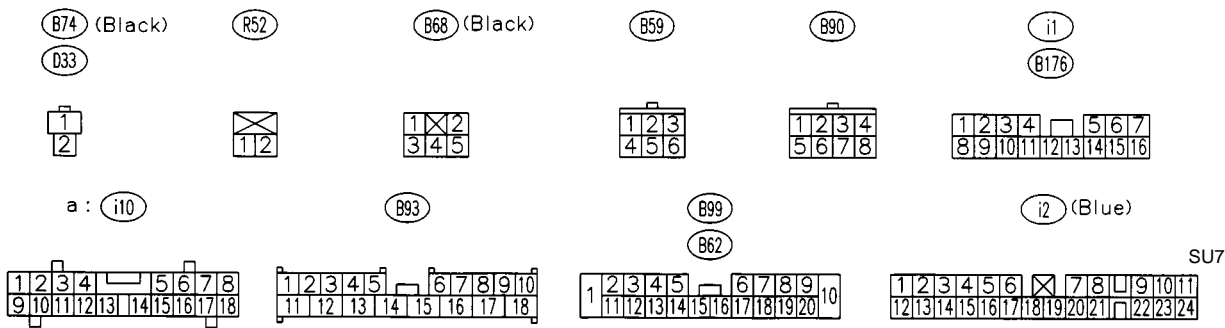
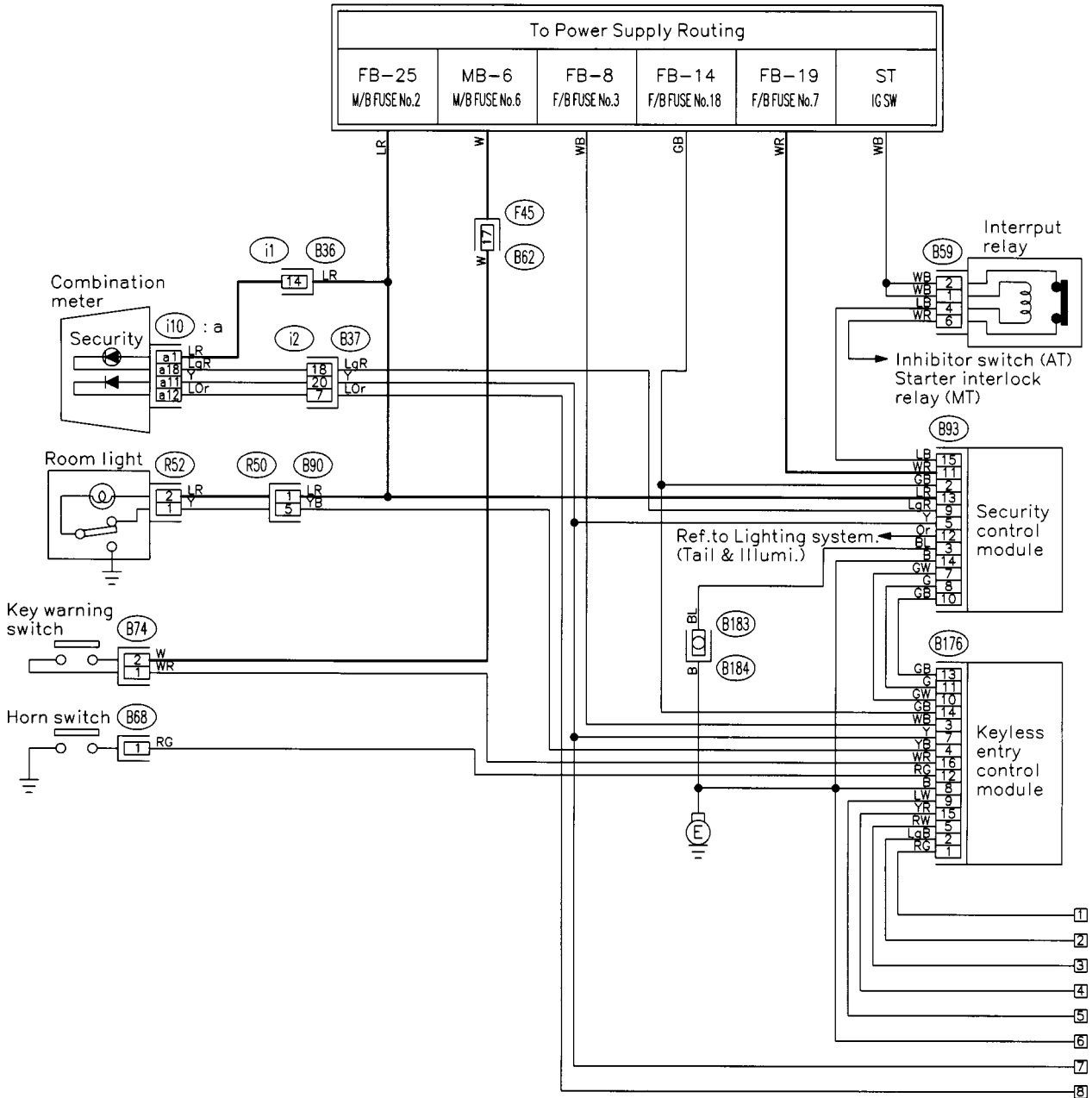
(B68) (Black)

(B62)



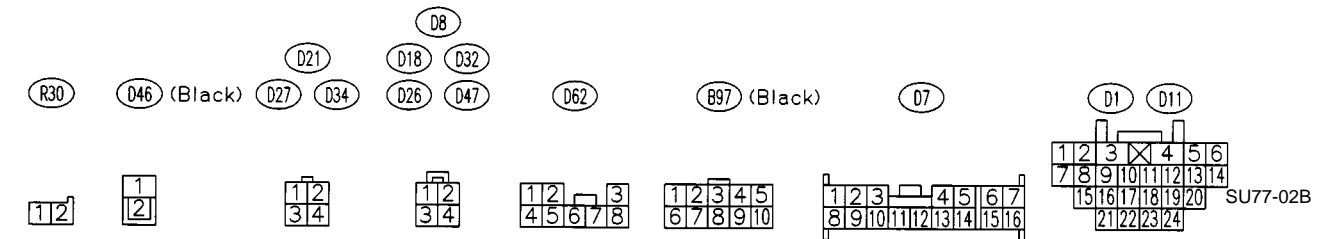
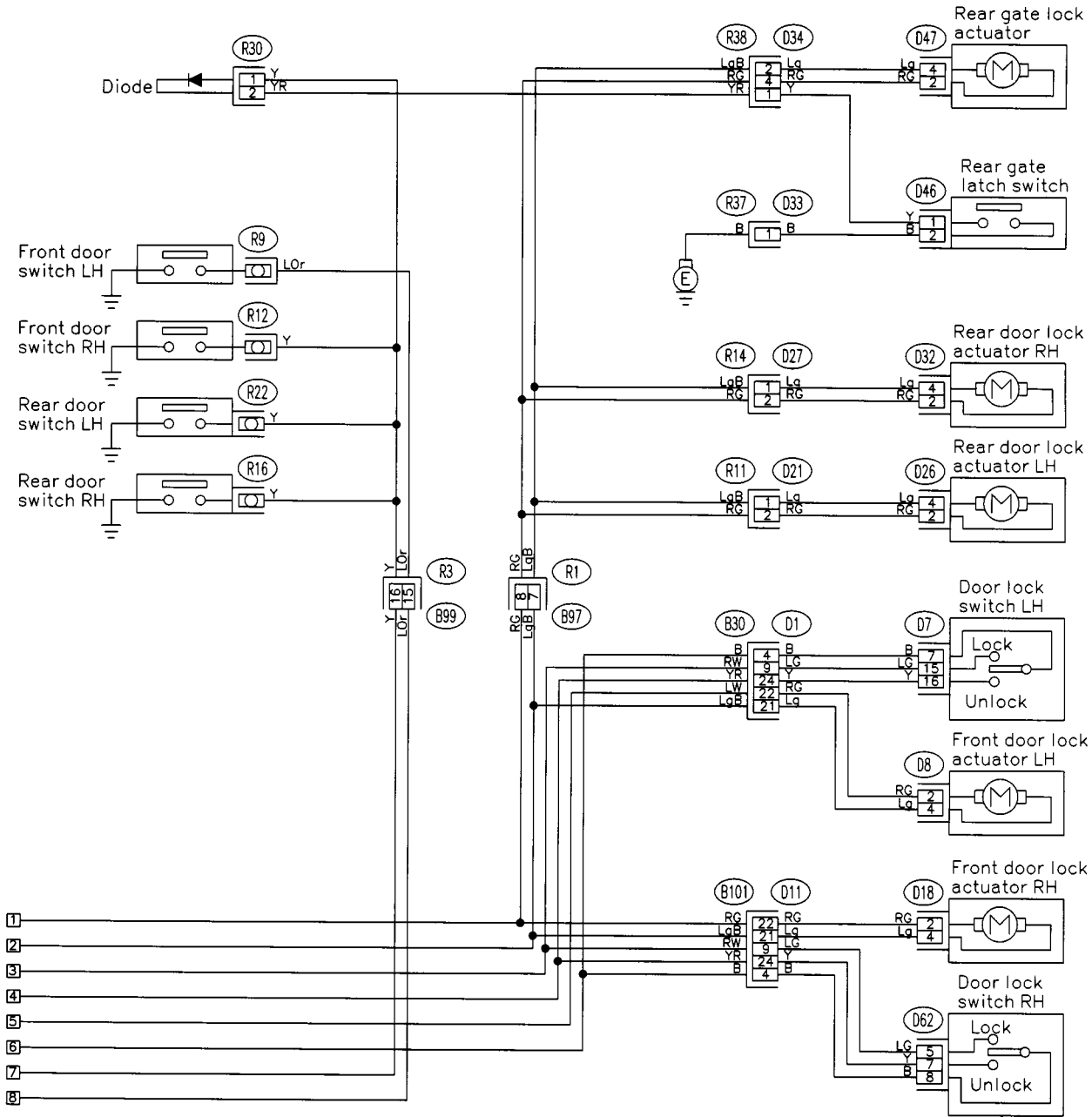
SU74-02

P: KEYLESS ENTRY AND SECURITY SYSTEM



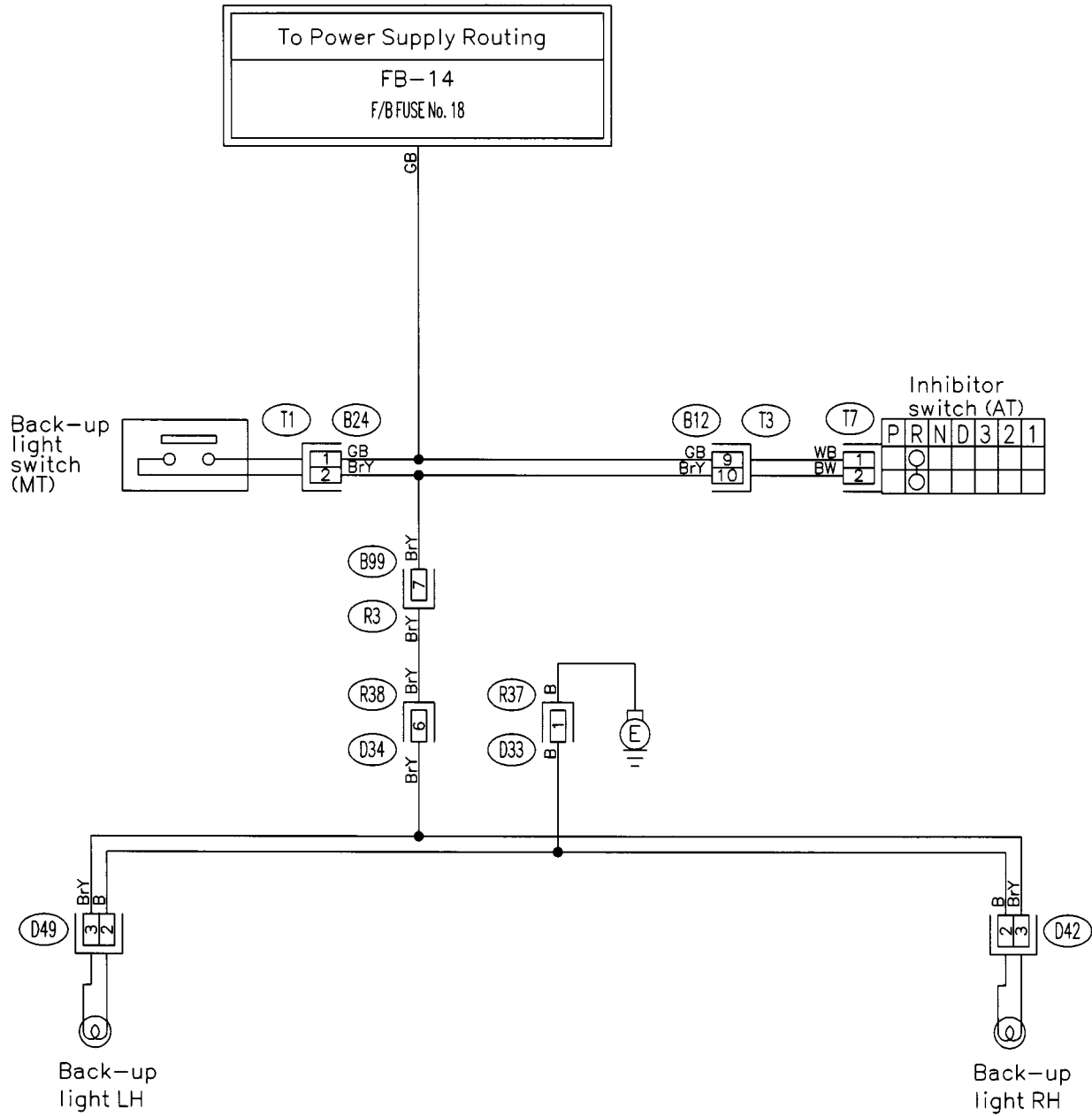
SU77-02A

SU77-02A



SU77-02B

Q: LIGHTING SYSTEM (BACK-UP LIGHT)



Legend for components and connectors:

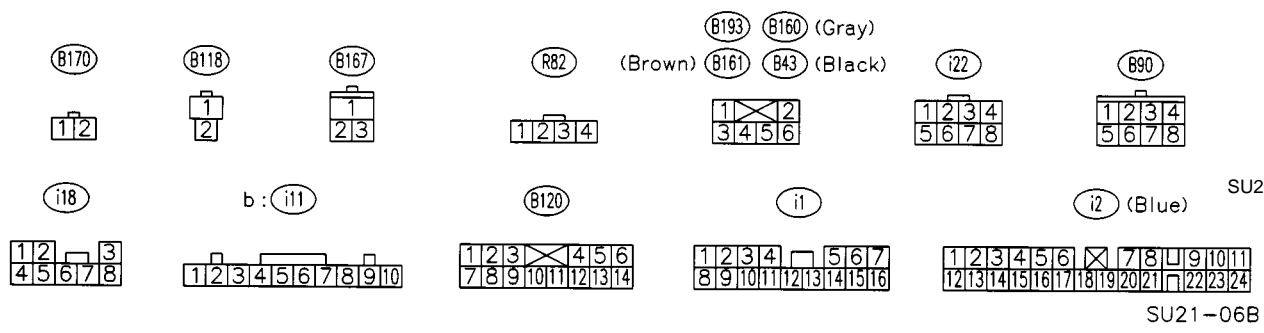
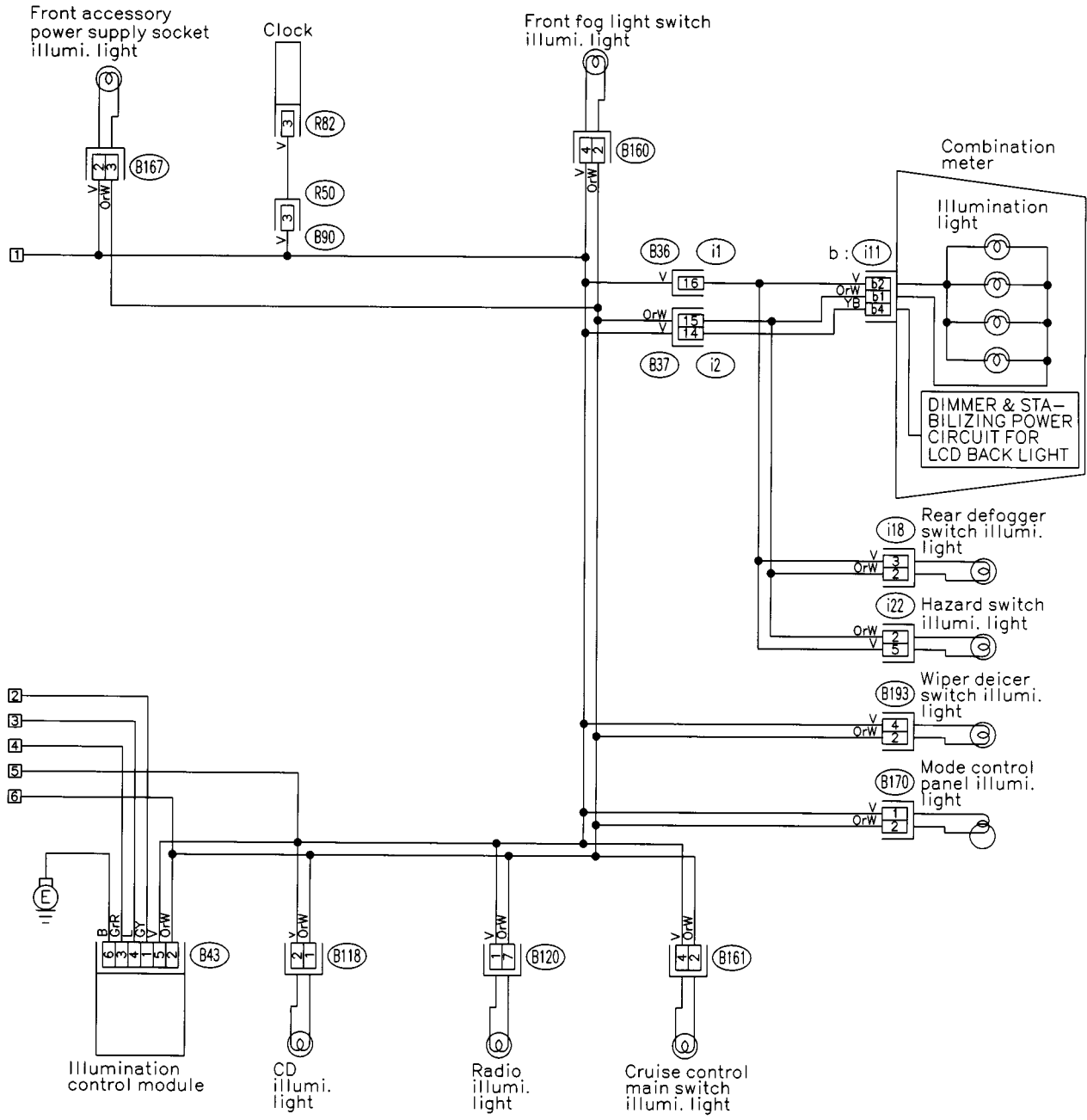
- B24 (Gray)
- D33
- D42
- D34
- B12
- T7
- B99
- D49

Connector diagrams:

- 1 2
- 1 2
- 1 2 3
- 1 2 3 4 5 6
- 1 2 3 4 5 6 7 8 9 10 11 12
- 1 2 3 4 5 6 7 8 9 10 11 12
- 1 2 3 4 5 6 7 8 9 10 11 12 13 14 15 16 17 18 19 20

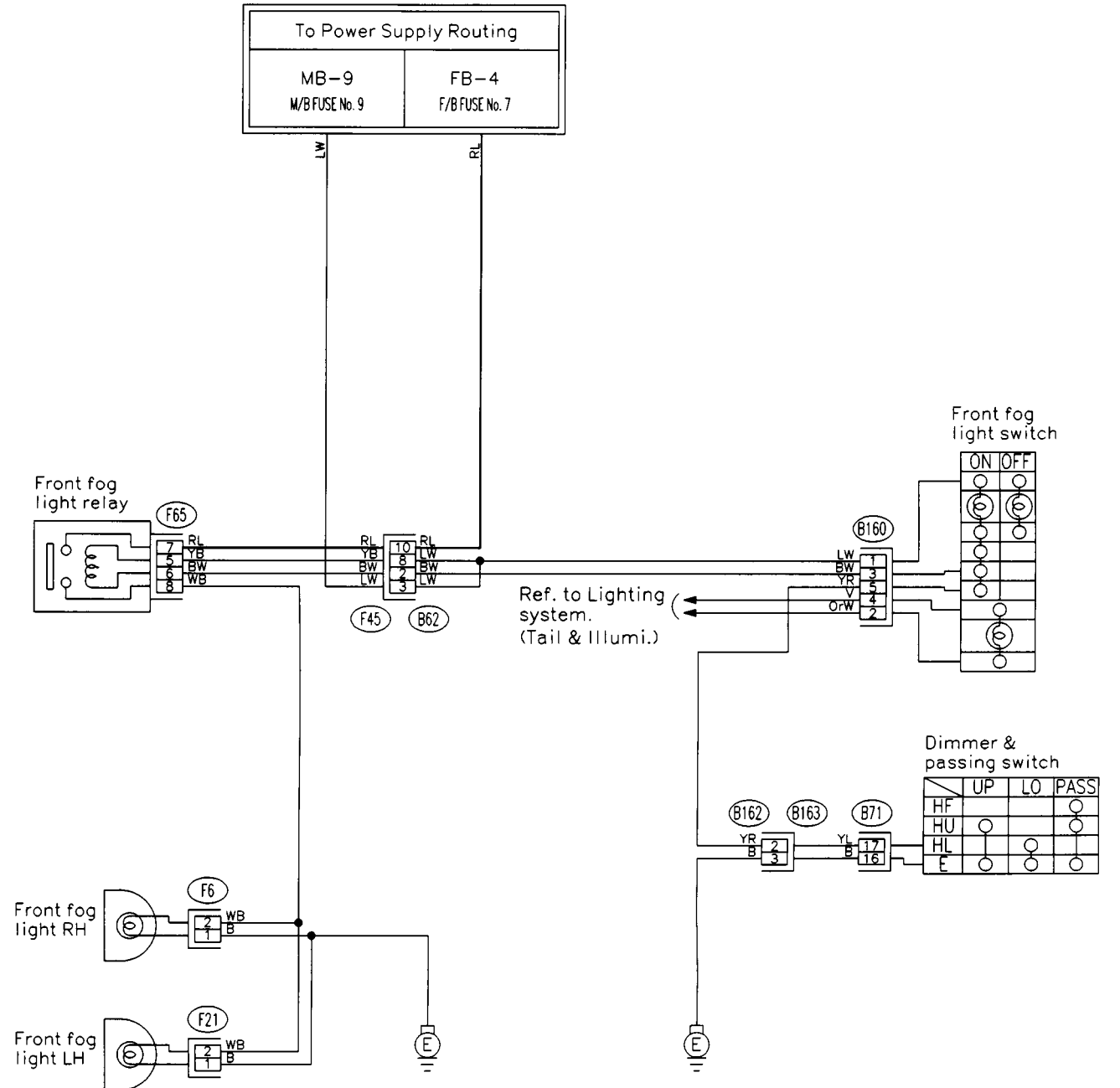
SU29-06

MEMO:



S: LIGHTING SYSTEM (FRONT FOG LIGHT)

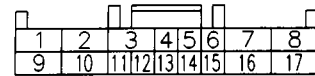
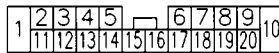
1. WITHOUT DRL MODEL



(Black) (F6) (F21) (Black)

(B62)

(B71)

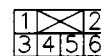
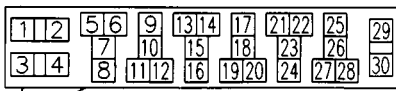


(F27) (F65) (F31) (F28) (F66) (F67)

(B162)

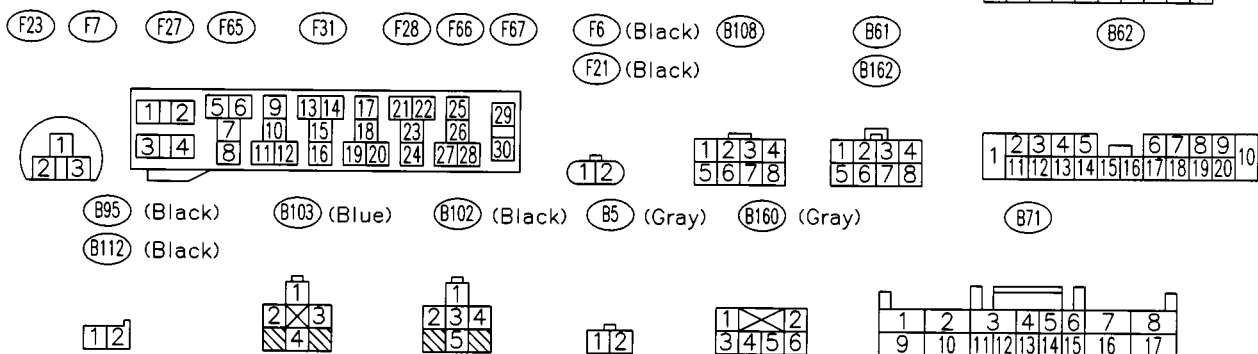
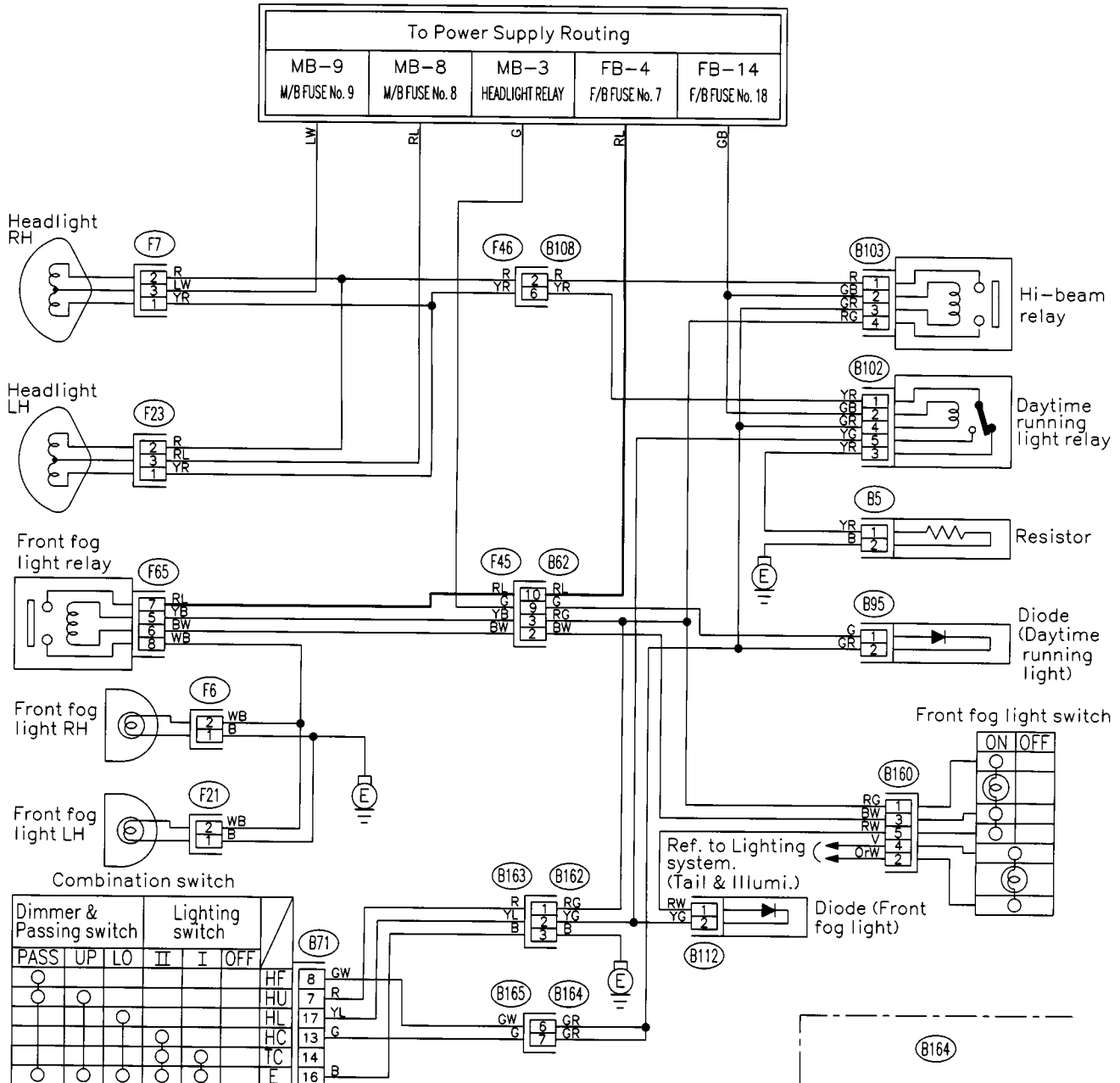
(B160) (Gray)

SU22-02



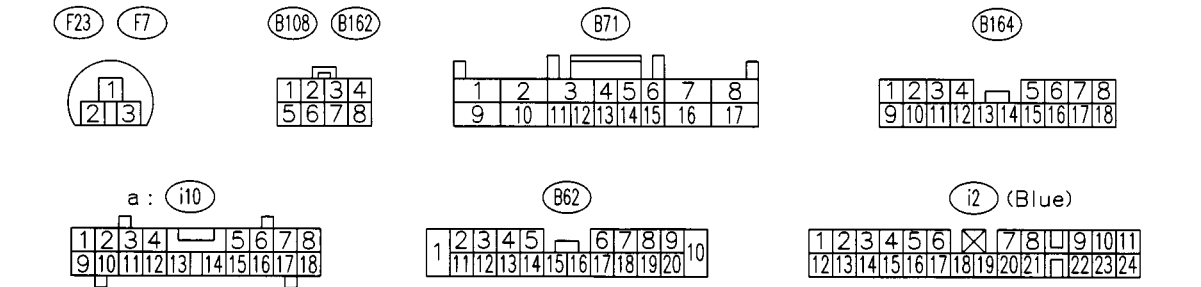
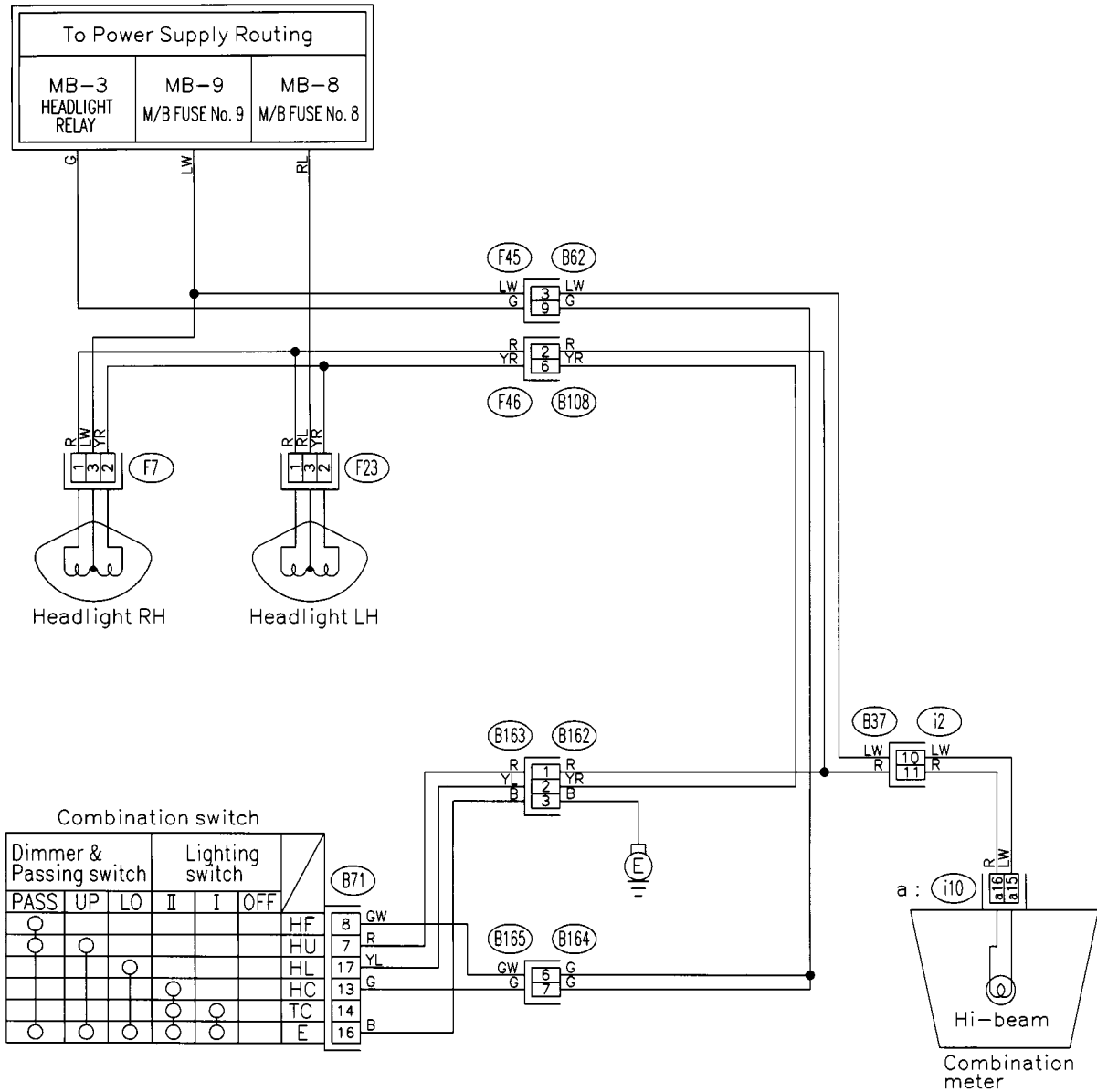
SU22-02

2. WITH DRL MODEL



T: LIGHTING SYSTEM (HEADLIGHT)

1. WITHOUT DRL MODEL

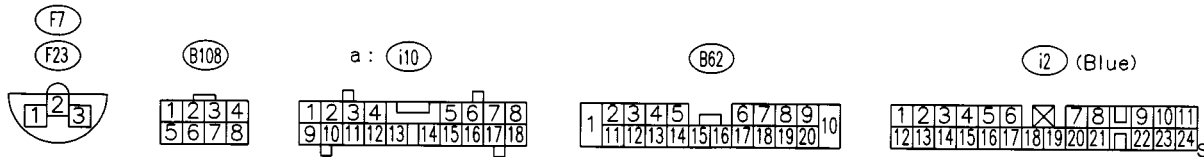
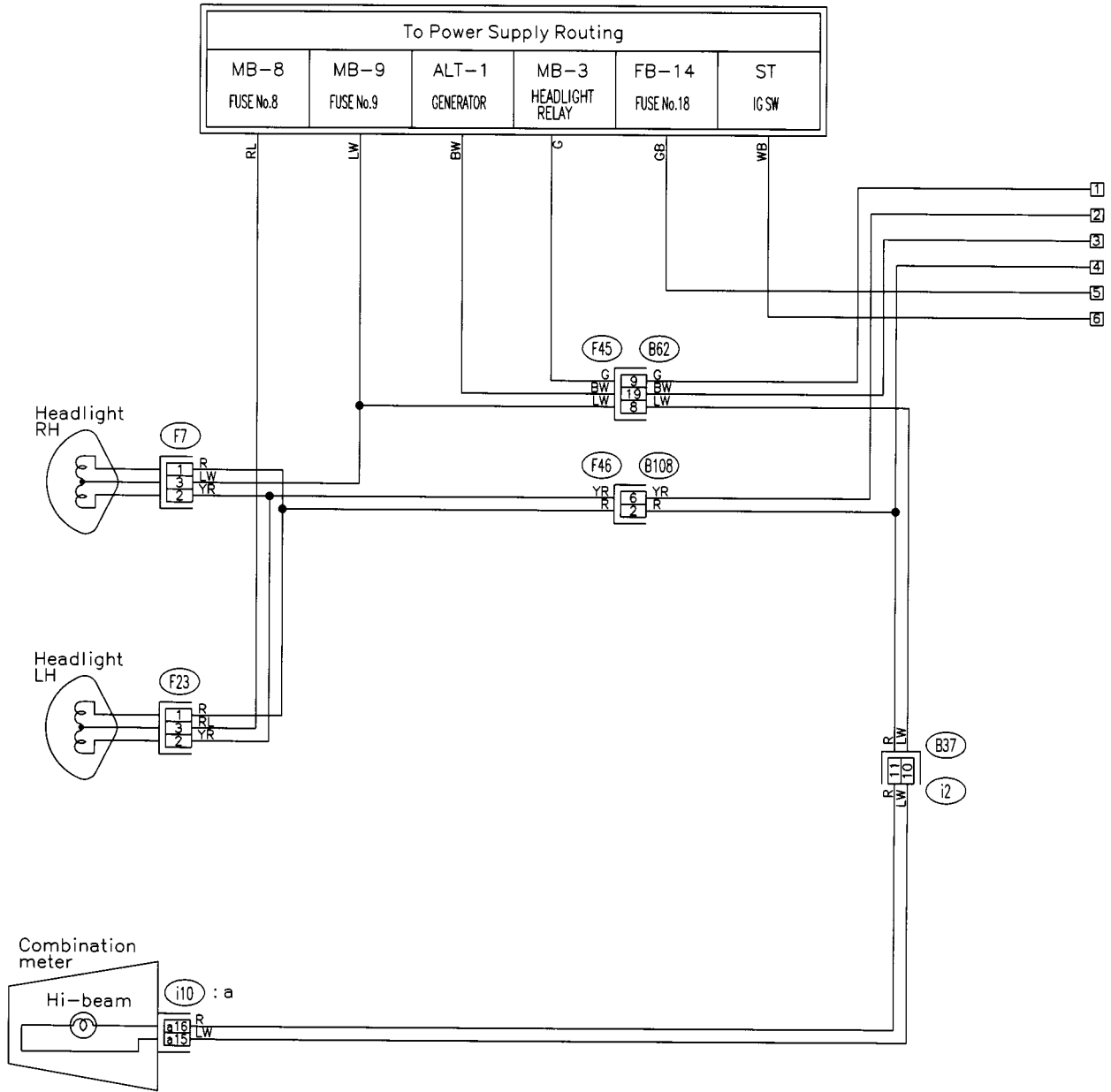


SU20-06

SU20-06

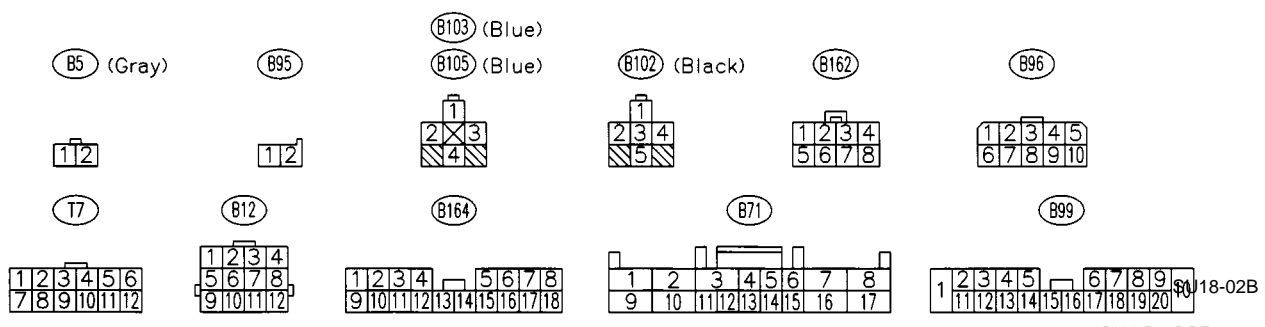
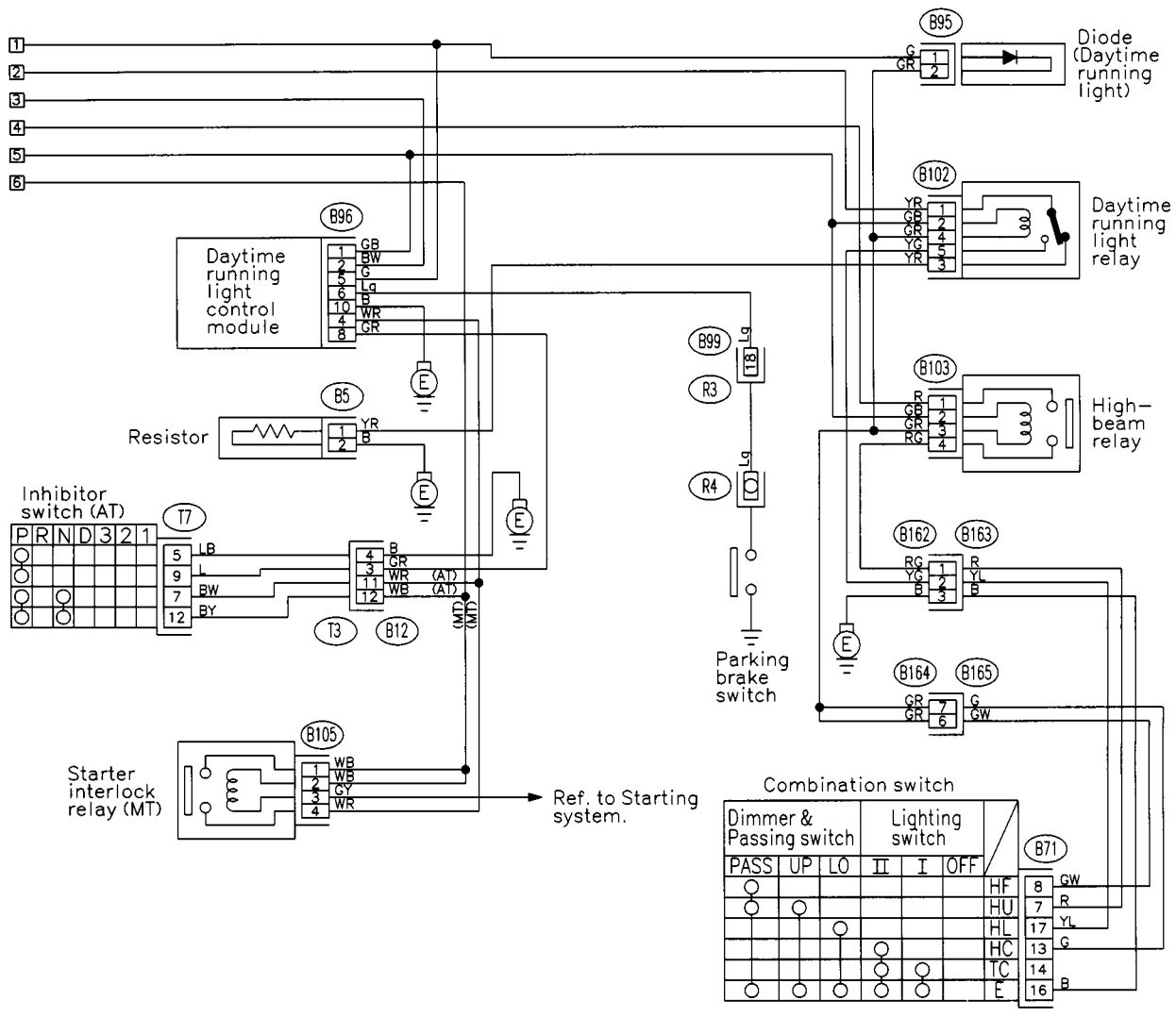
MEMO:

2. WITH DRL MODEL



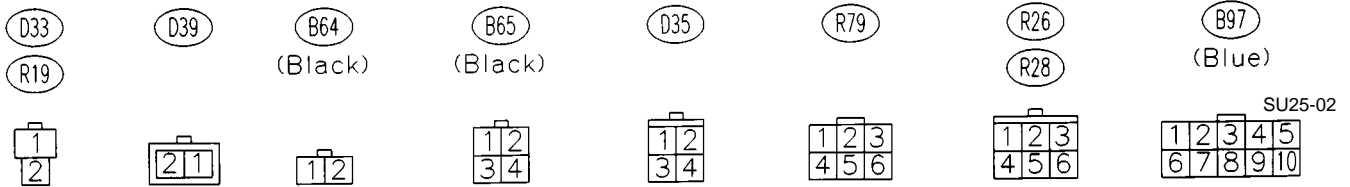
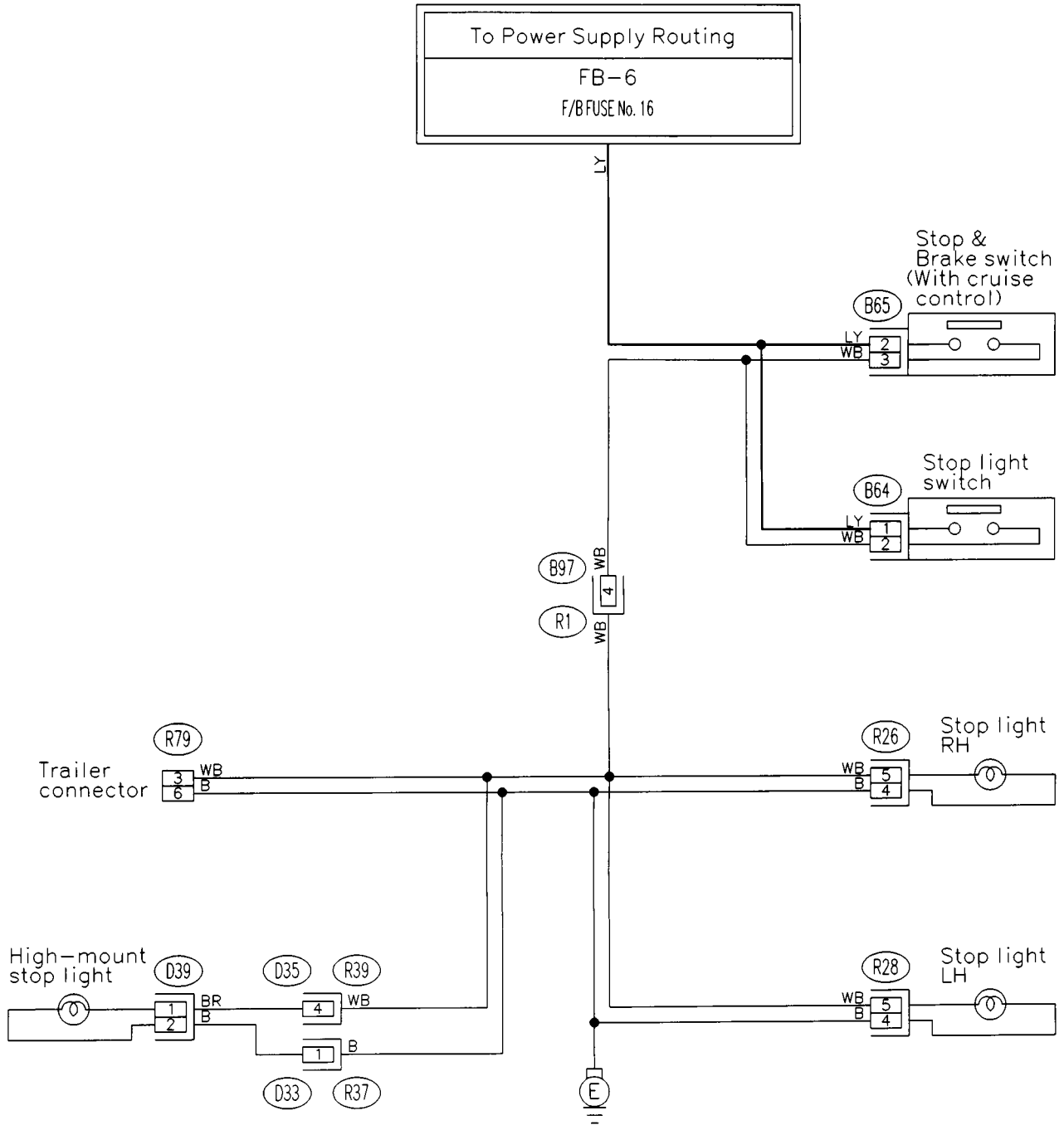
SU18-02A

SU18-02A



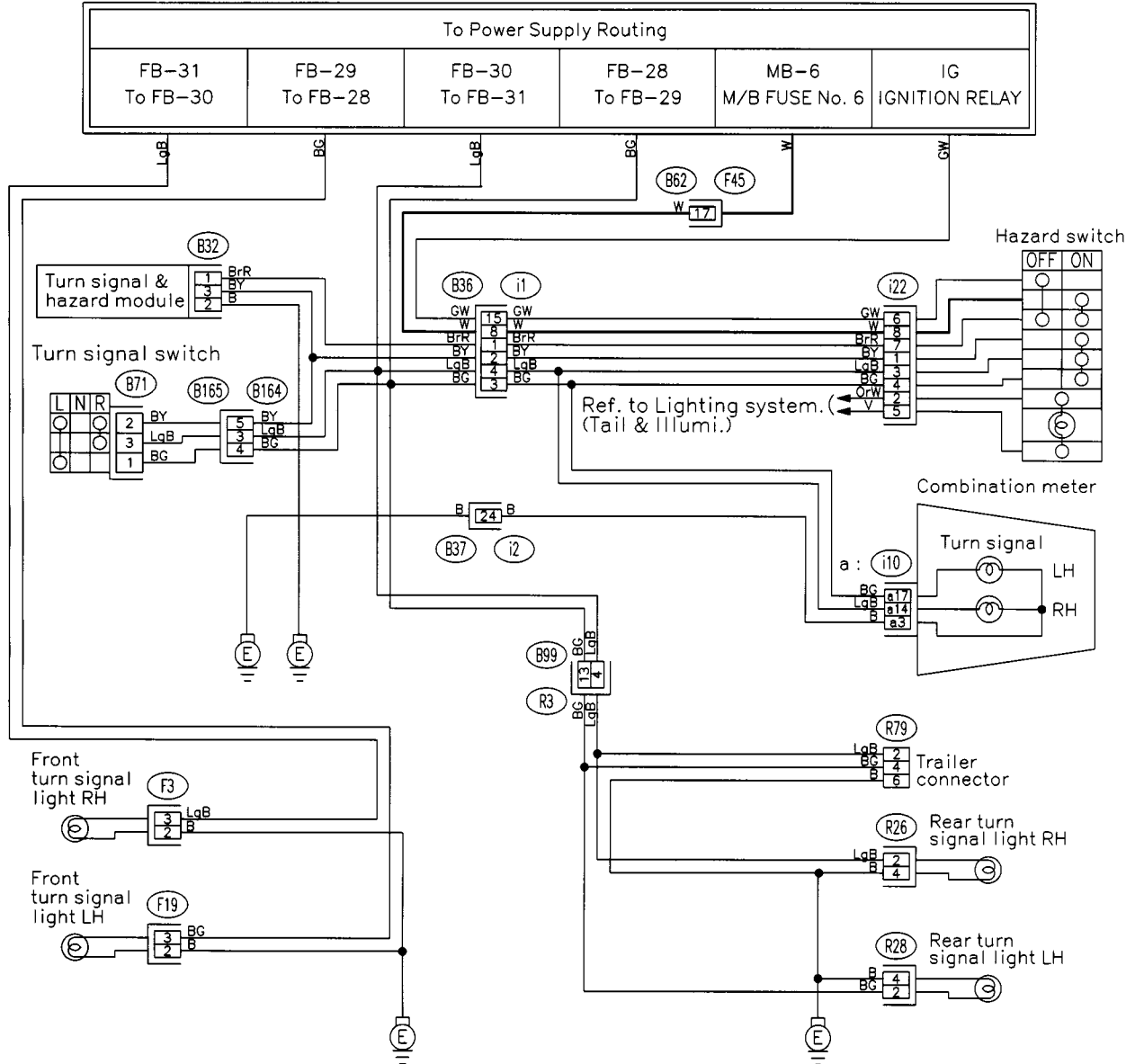
SU18-02B

V: LIGHTING SYSTEM (STOP LIGHT)



SU25-02

W: LIGHTING SYSTEM (TURN SIGNAL LIGHT AND HAZARD LIGHT)



(Gray) (Gray)

F3 F19



B32 (Black)



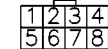
R79



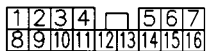
R26 R28



i22



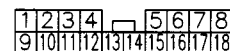
i1



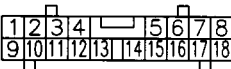
B71



B164

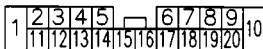


a : i10

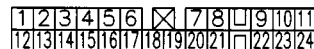


B62

B99



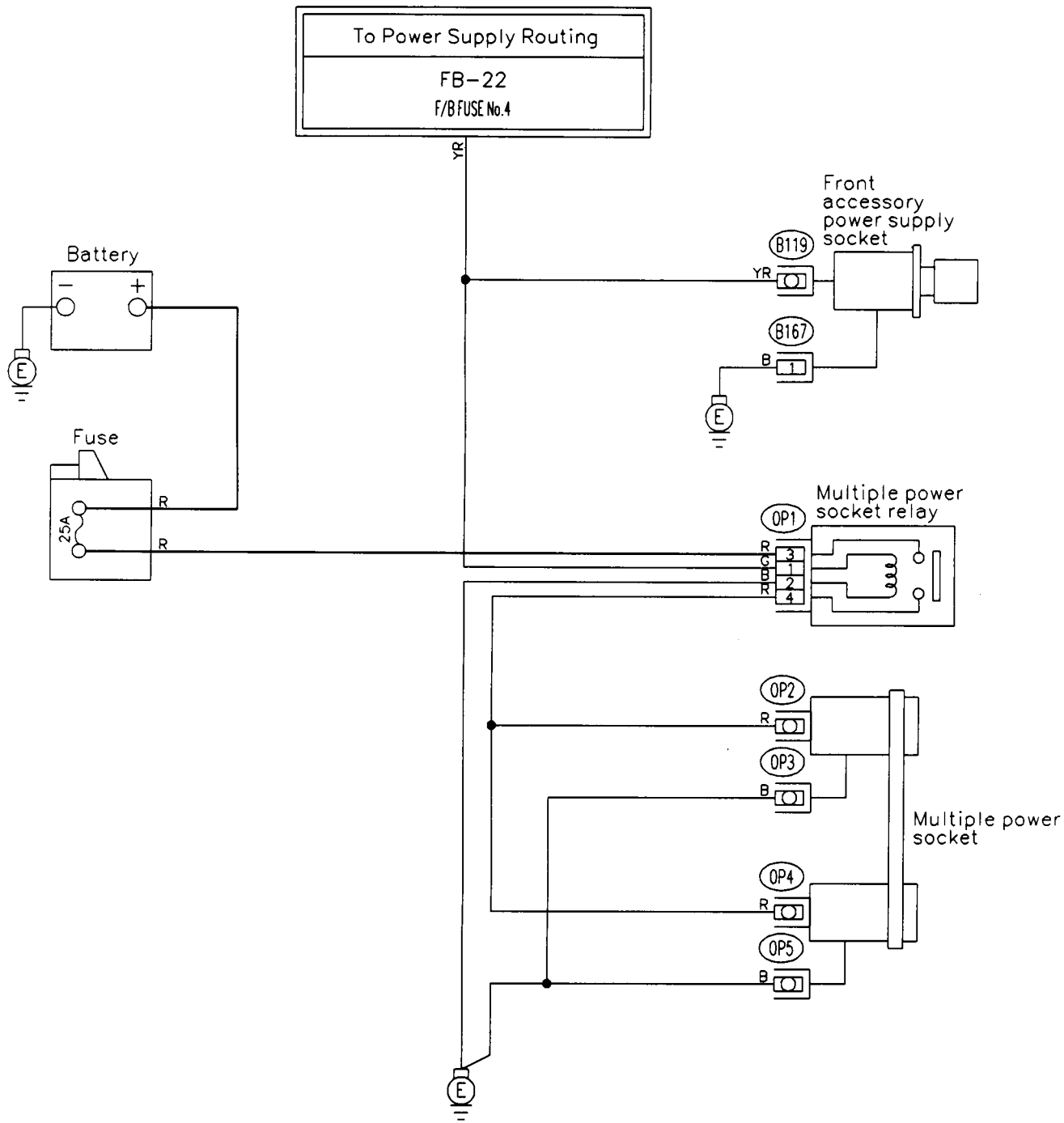
i2 (Blue)



SU26-04

SU26-04

X: MULTIPLE POWER SOCKET SYSTEM (OPTION)



B167

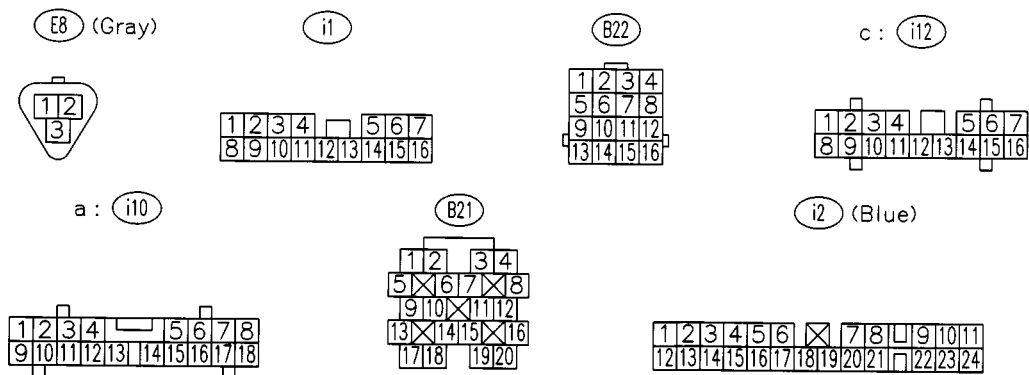
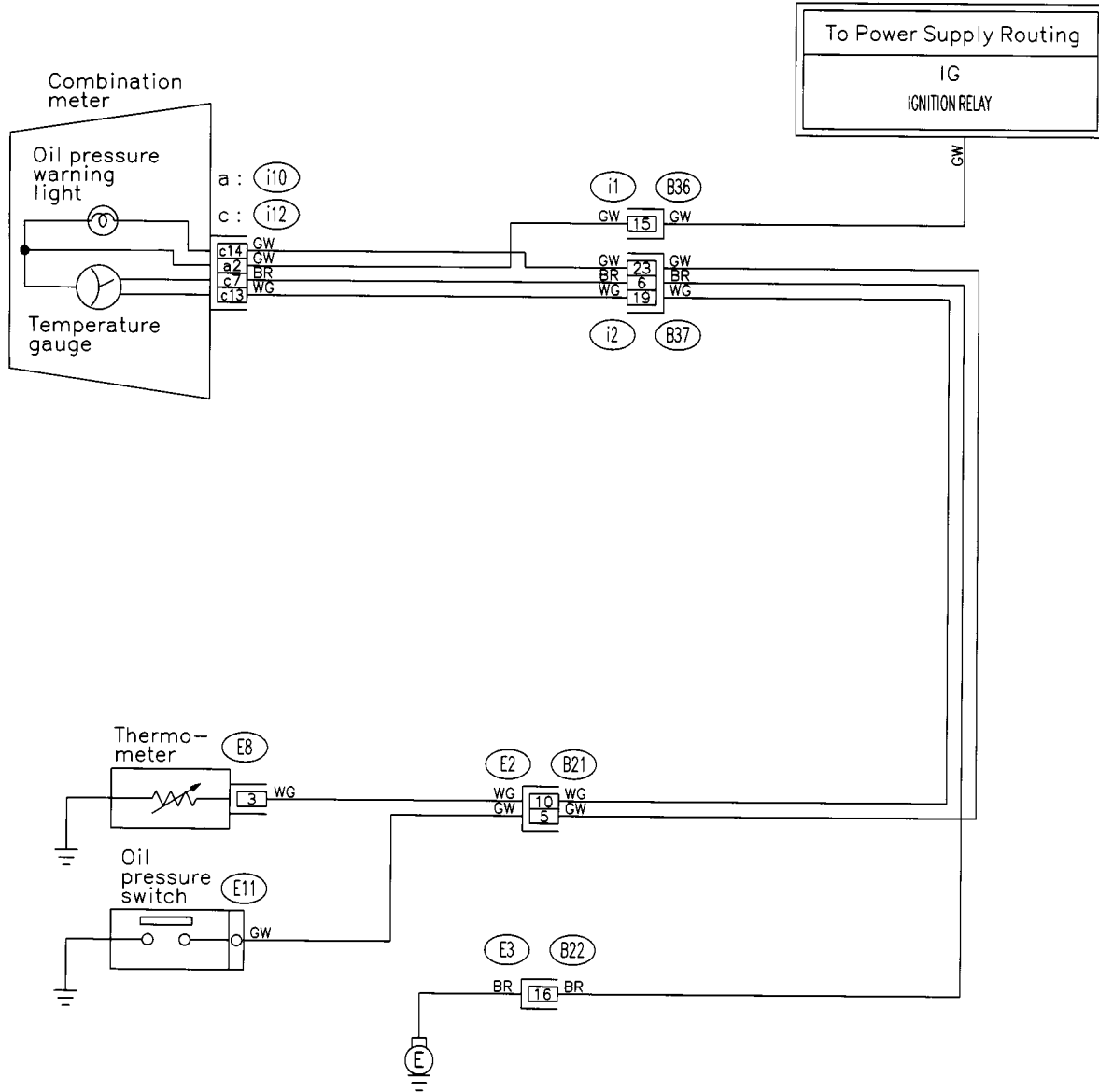
OP1 (Blue)



SU92-01

SU92-01

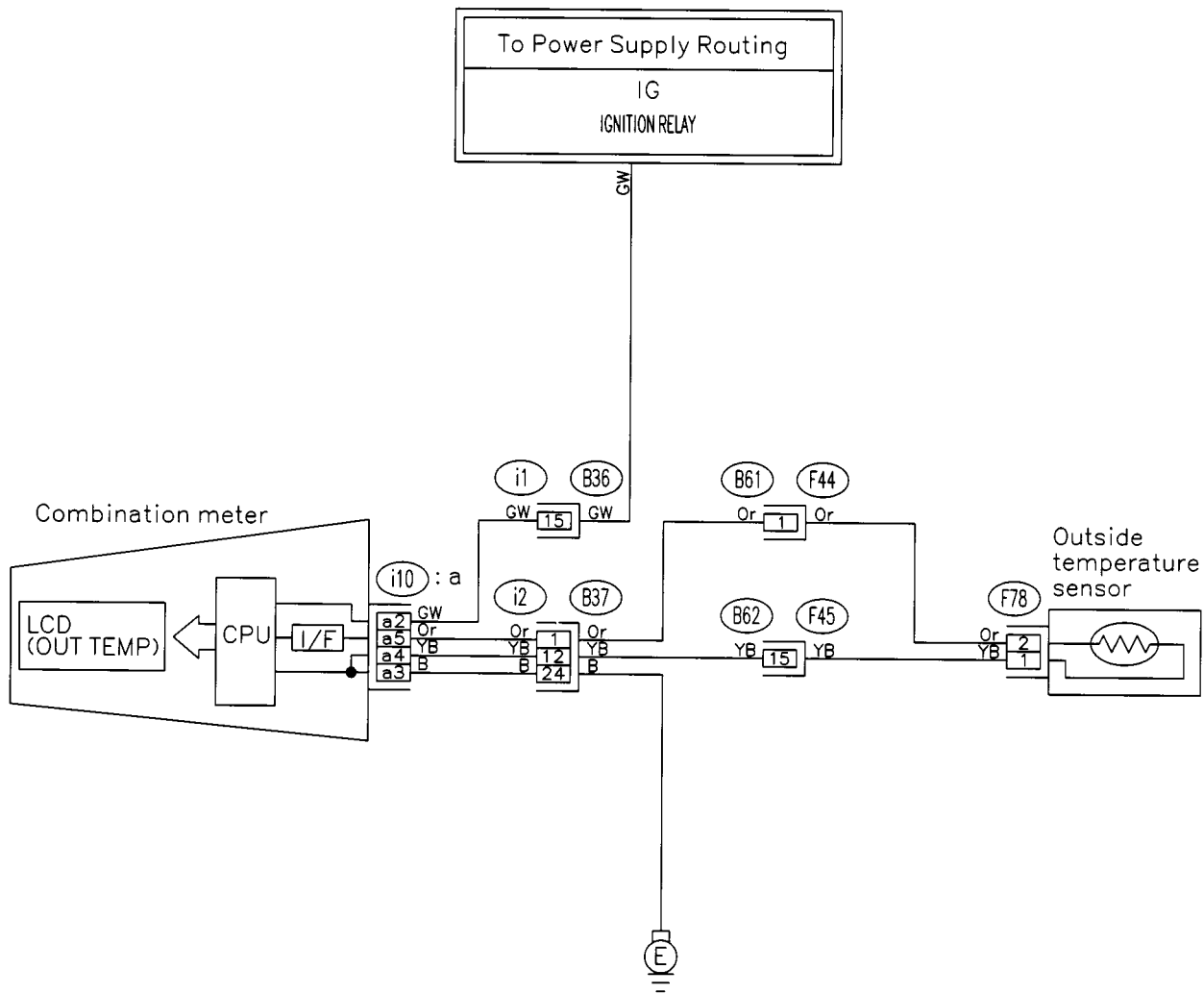
Y: OIL PRESSURE AND TEMPERATURE GAUGE SYSTEM



SU66-04

SU66-04

Z: OUTSIDE TEMPERATURE DISPLAY SYSTEM

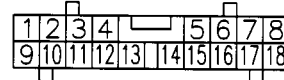
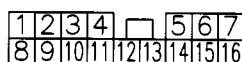
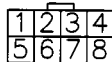


(F78) (Black)

(B61)

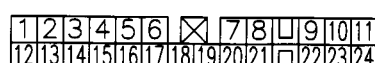
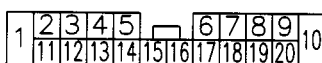
(i1)

a : (i10)



(B62)

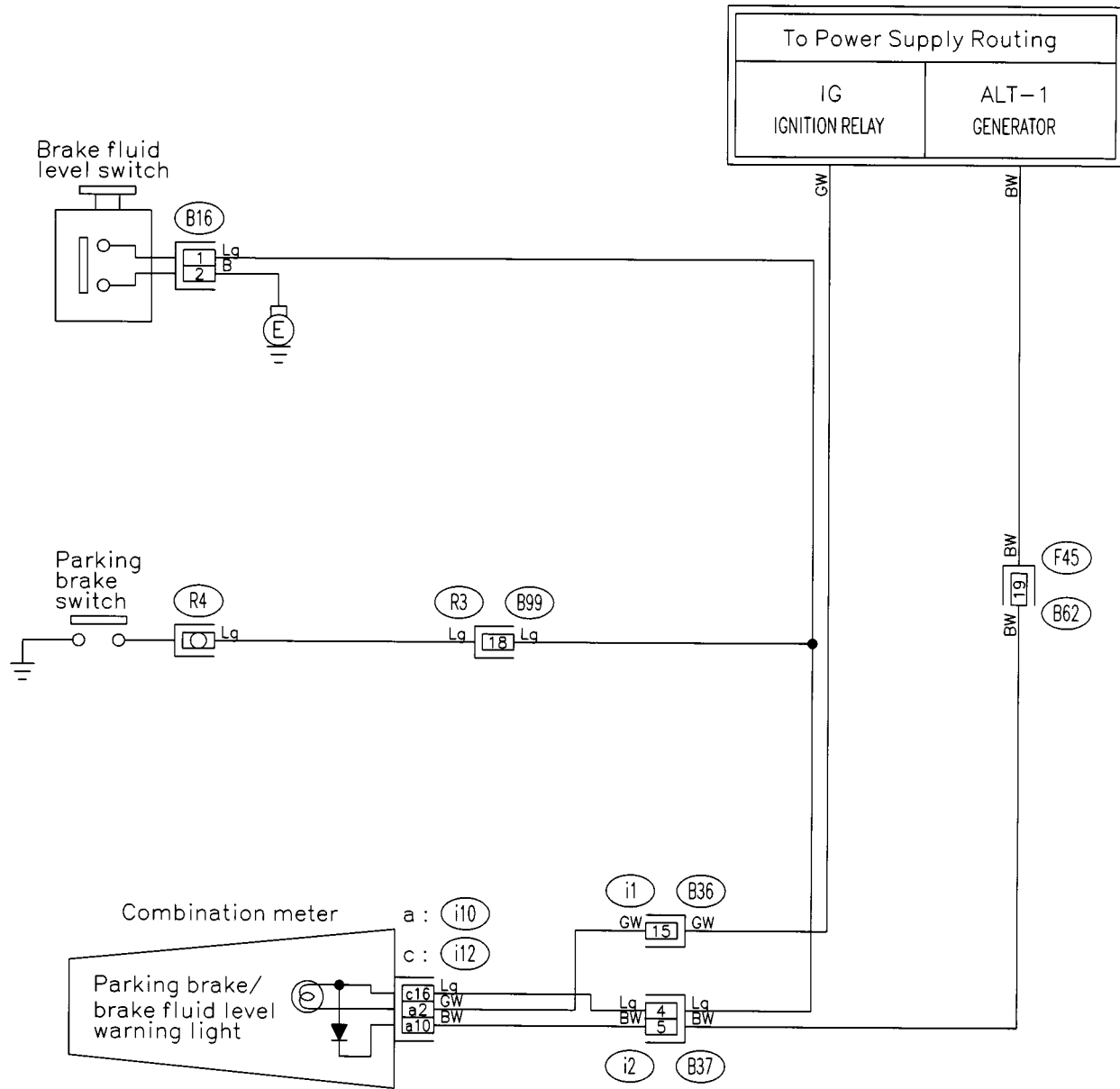
(i2) (Blue)



SU96-01

SU96-01

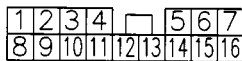
AA: PARKING BRAKE AND BRAKE FLUID LEVEL WARNING SYSTEM



B16 (Gray)



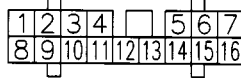
i1



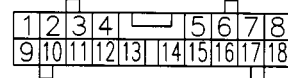
B62

B99

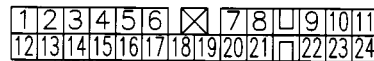
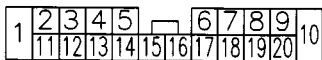
c : i12



a : i10



i2 (Blue)

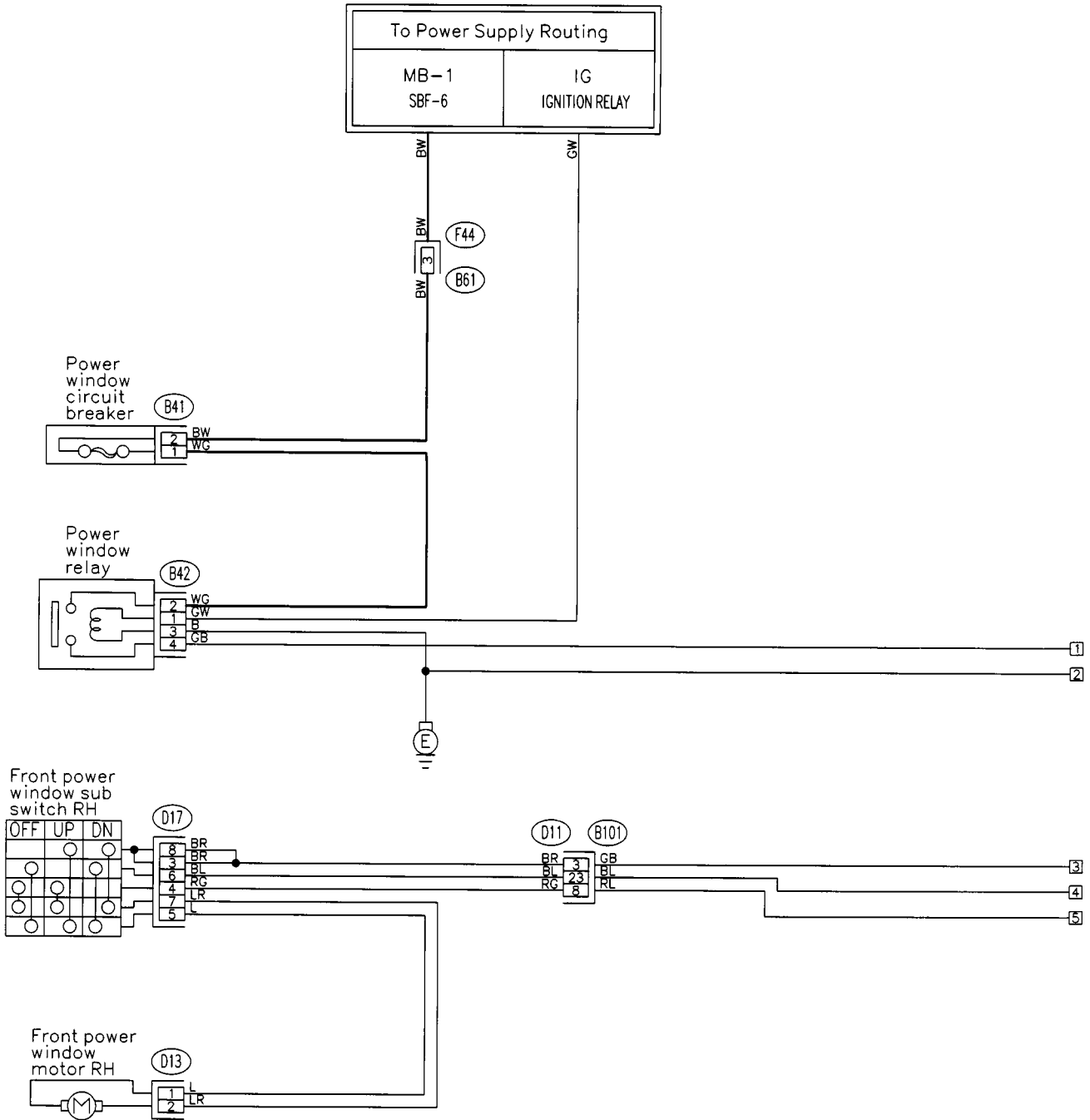


SU60-03

SU60-03

MEMO:

AB: POWER WINDOW SYSTEM



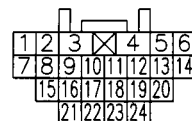
(Blue) (B41)
(Blue) (D3) (D13) (Blue)
(Blue) (D30) (D24) (Blue)

(B42) (Blue)

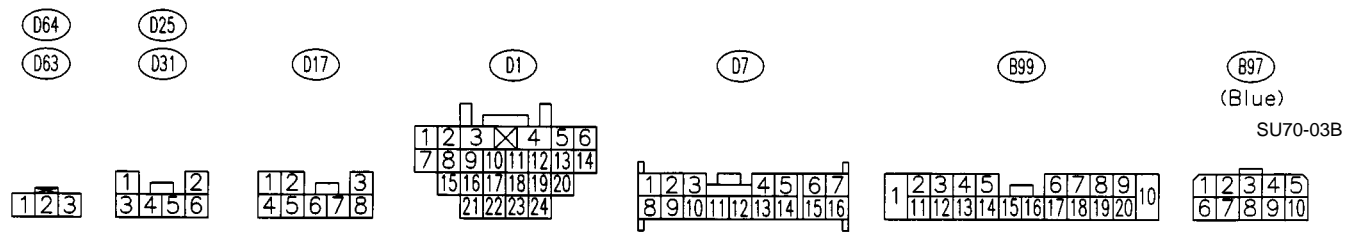
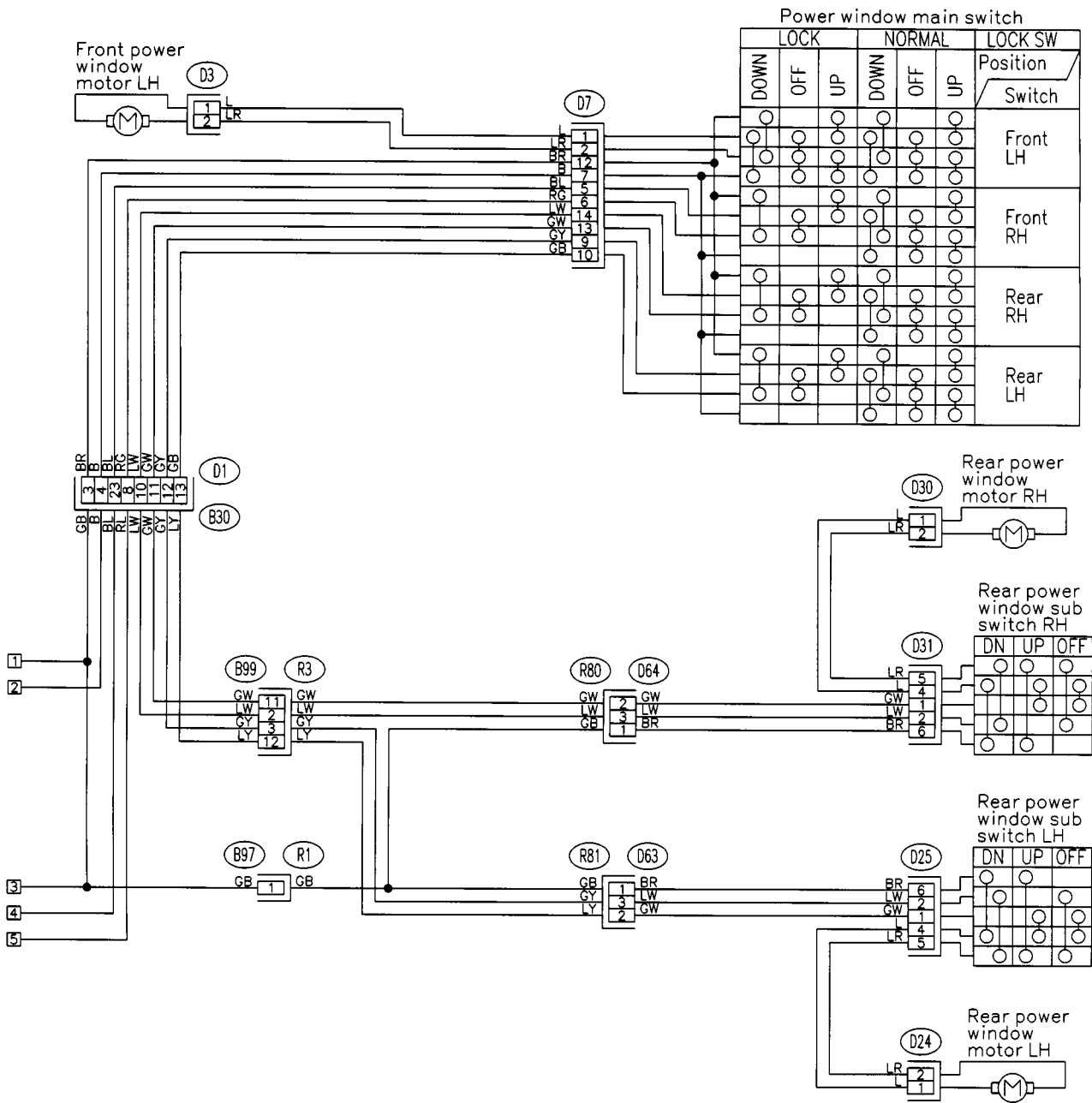
(B61)

(D11)

SU70-03A

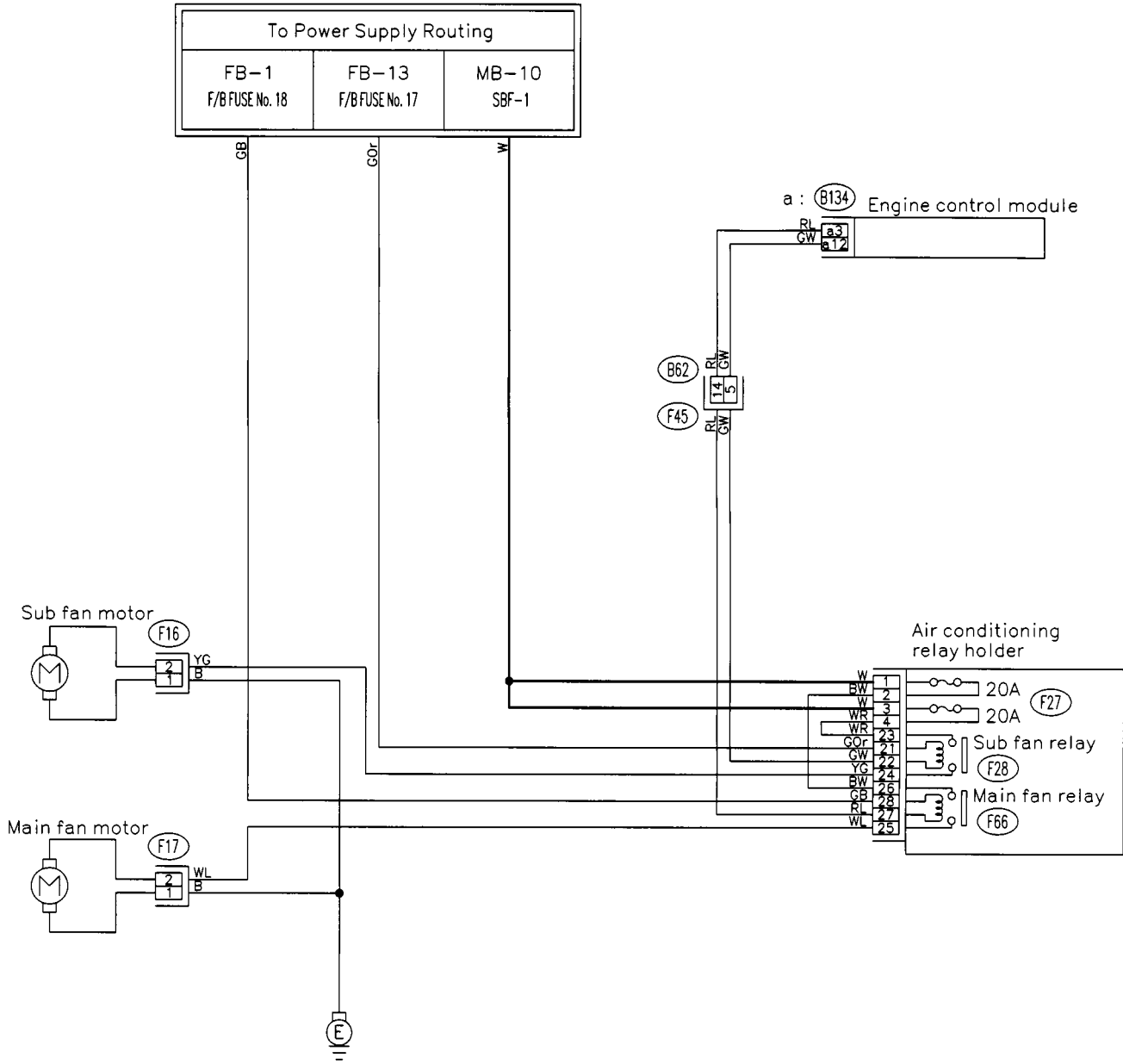


SU70-03A



SU70-03B

AC: RADIATOR FAN SYSTEM

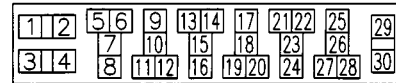
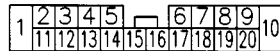


(F16) (Black)

(F17) (Black)

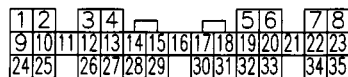
(B62)

(F27) (F65) (F31) (F28) (F66) (F67)



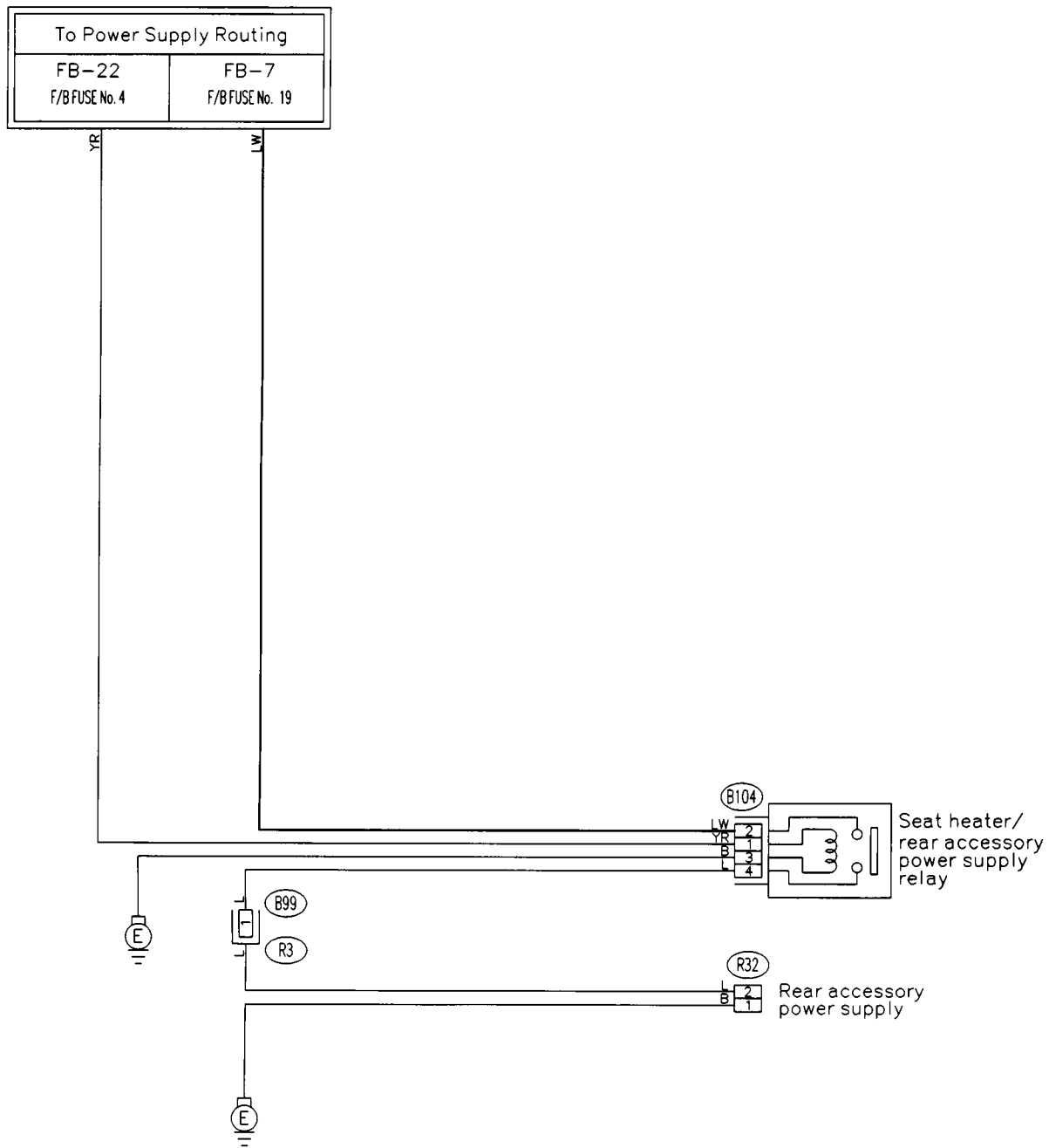
a : (B134) (Black)

SU14-03



SU14-03

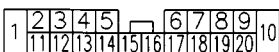
AD: REAR ACCESSORY POWER SUPPLY SYSTEM



R32

B99

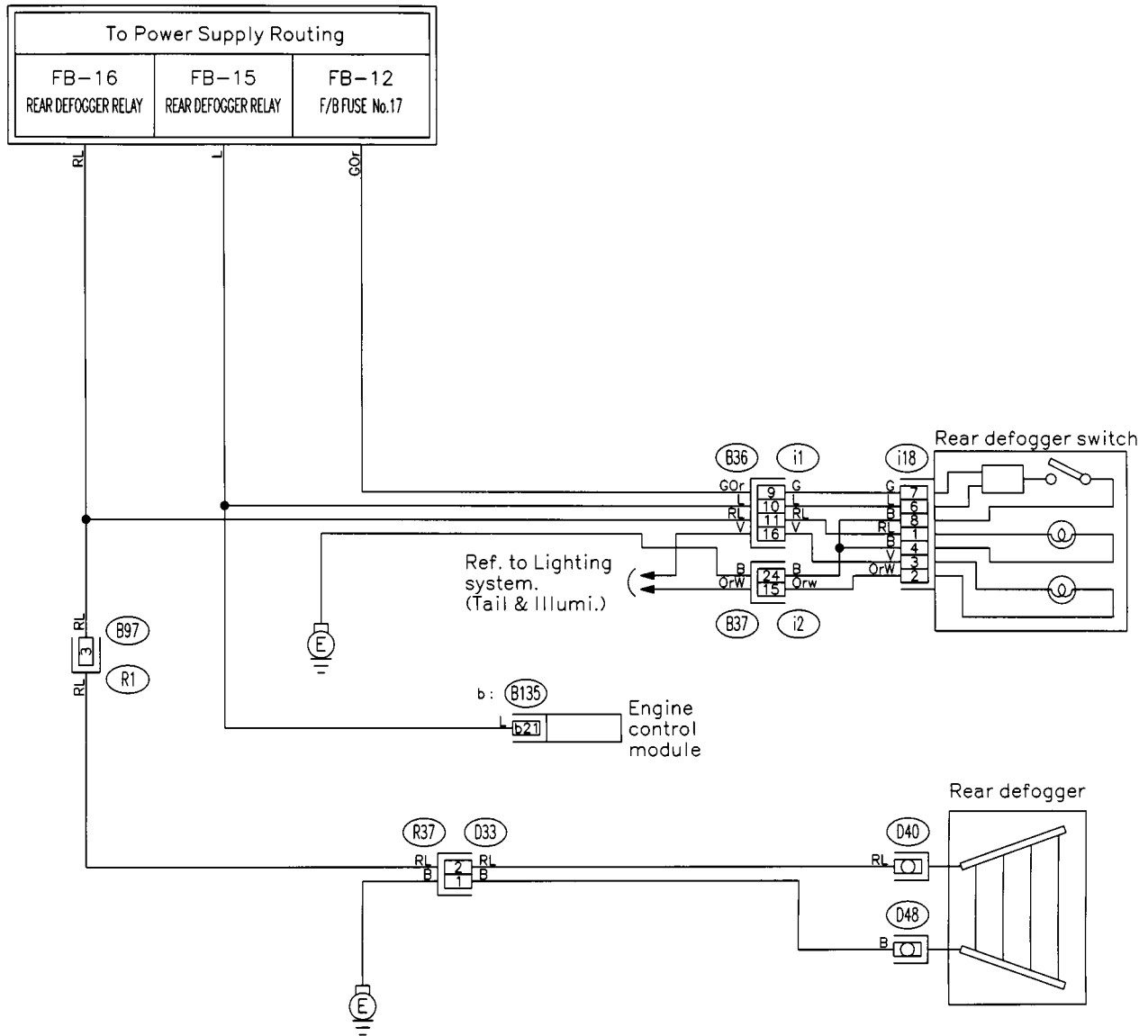
B104



SU90-02

SU90-02

AE: REAR WINDOW DEFOGGER SYSTEM



i18 i1 i2 (Blue) B97 (Blue) D33

1	2	3	
4	5	6	7

1	2	3	4		5	6	7
8	9	10	11	12	13	14	15

1	2	3	4	5	6	⊗	7	8	9	10	11
12	13	14	15	16	17	18	19	20	21	□	22

1	2	3	4	5
6	7	8	9	10

1
2

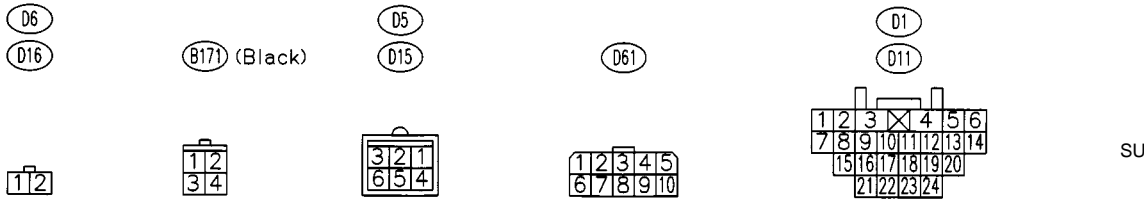
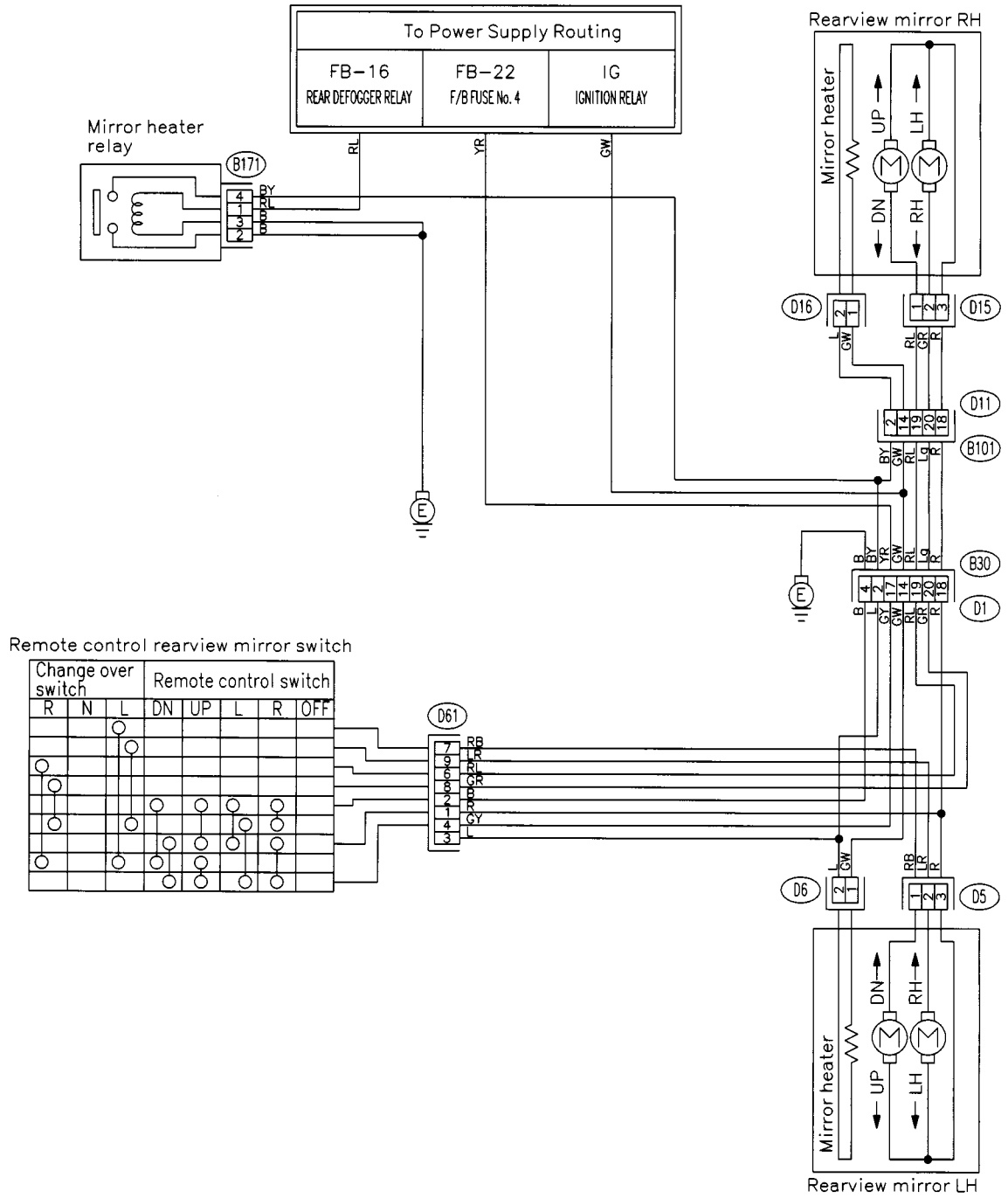
b: (B135) (Black)

SU52-03

1	2	3			4	5	6	7
8	9	10	11	12	13	14	15	16
17	18	19						
20	21	22	23	24	25	26	27	28

SU52-03

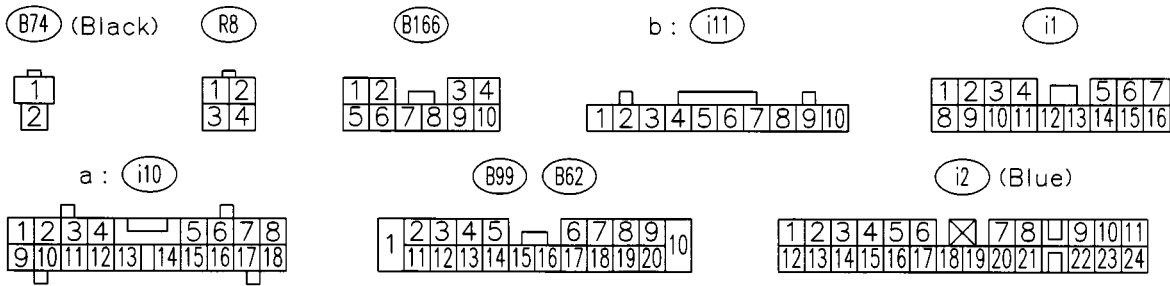
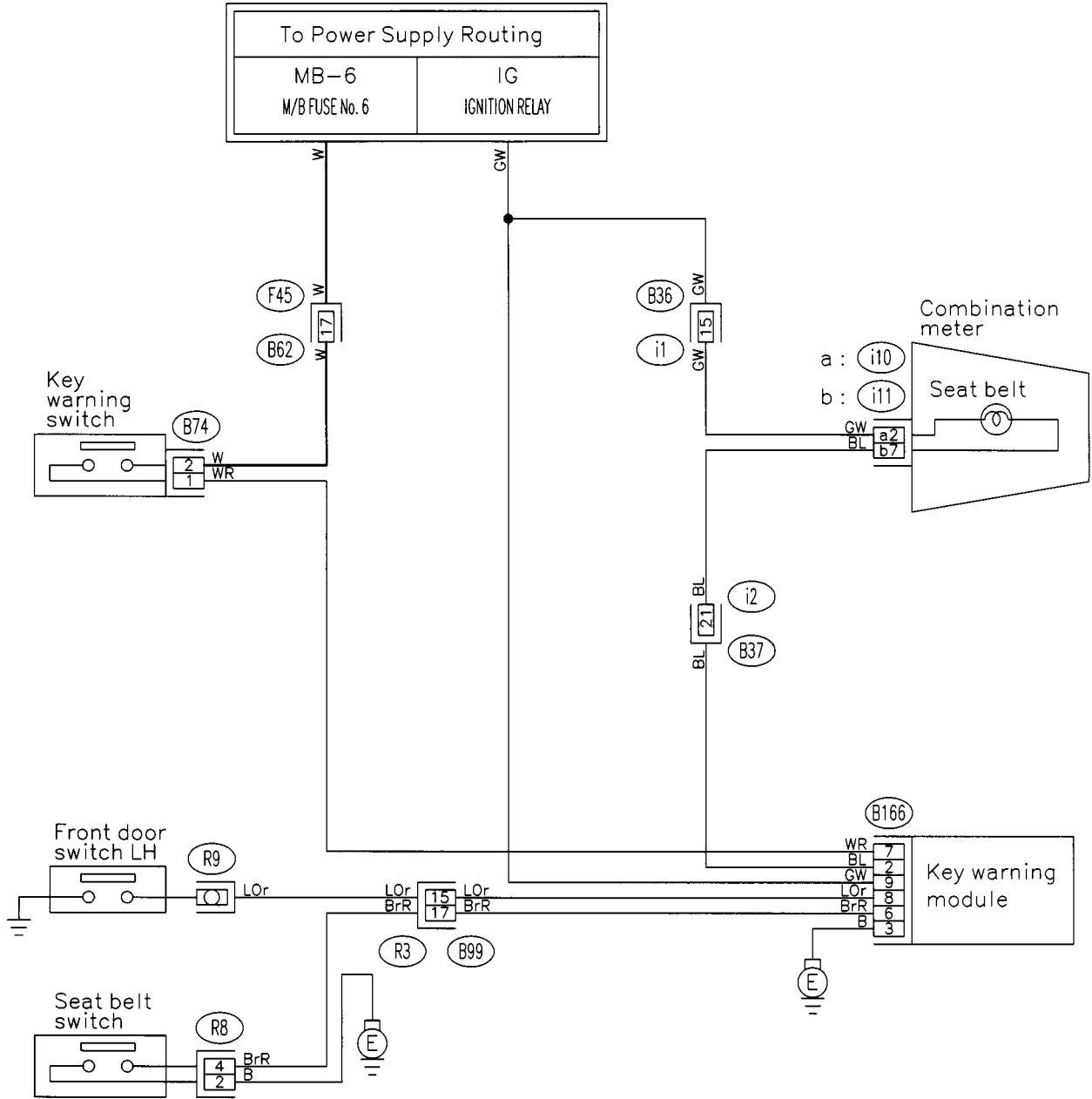
AF: REMOTE CONTROLLED REARVIEW MIRROR SYSTEM



SU79-04

SU79-04

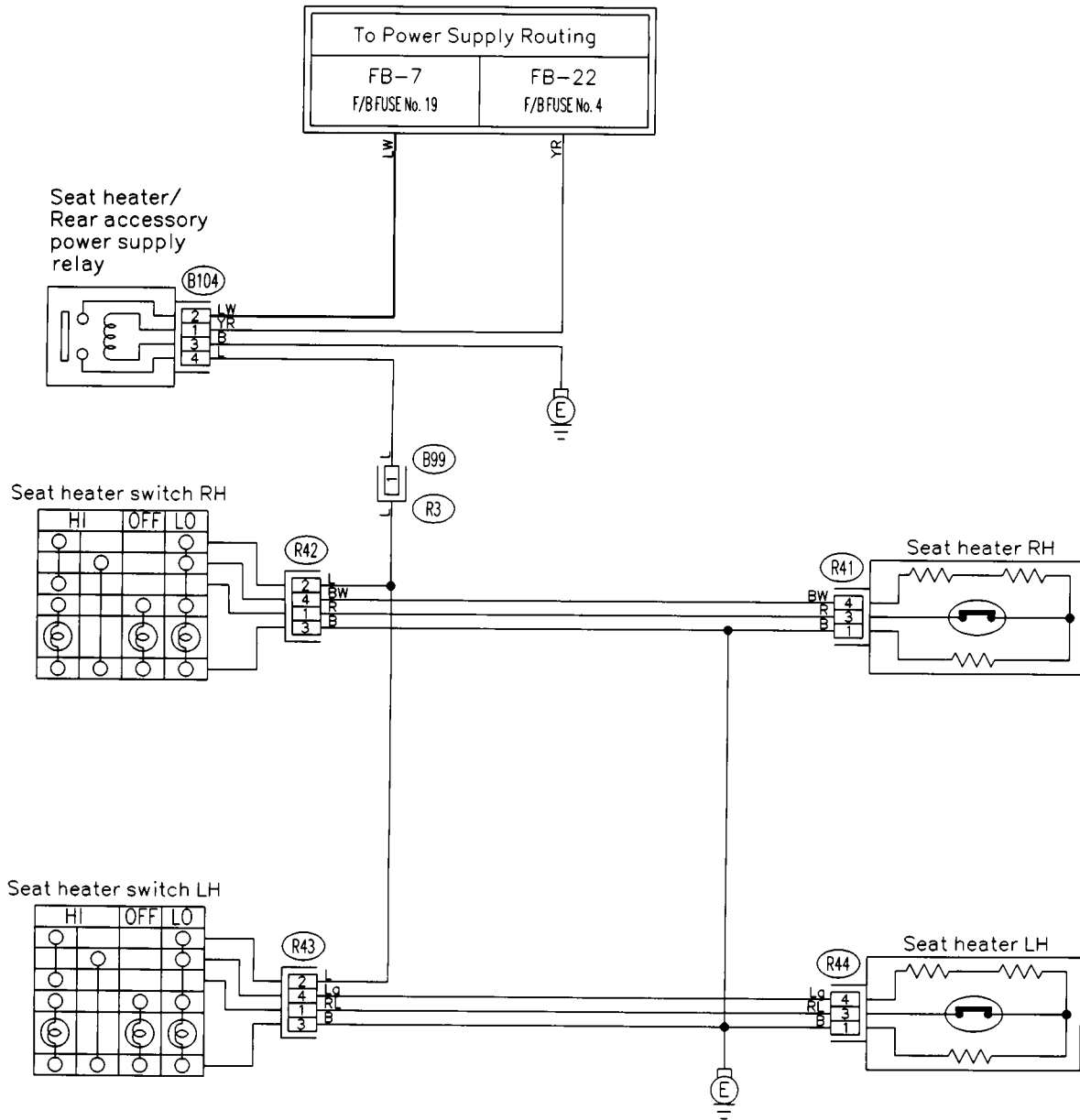
AG: SEAT BELT WARNING AND KEY WARNING SYSTEM



SU87-03

SU87-03

AH: SEAT HEATER SYSTEM



(B99)

(B104)

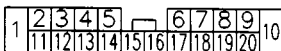
(R42)

(R43) (Blue)

(R41) (Blue)

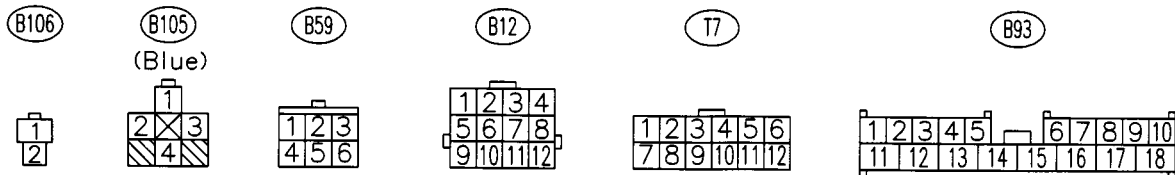
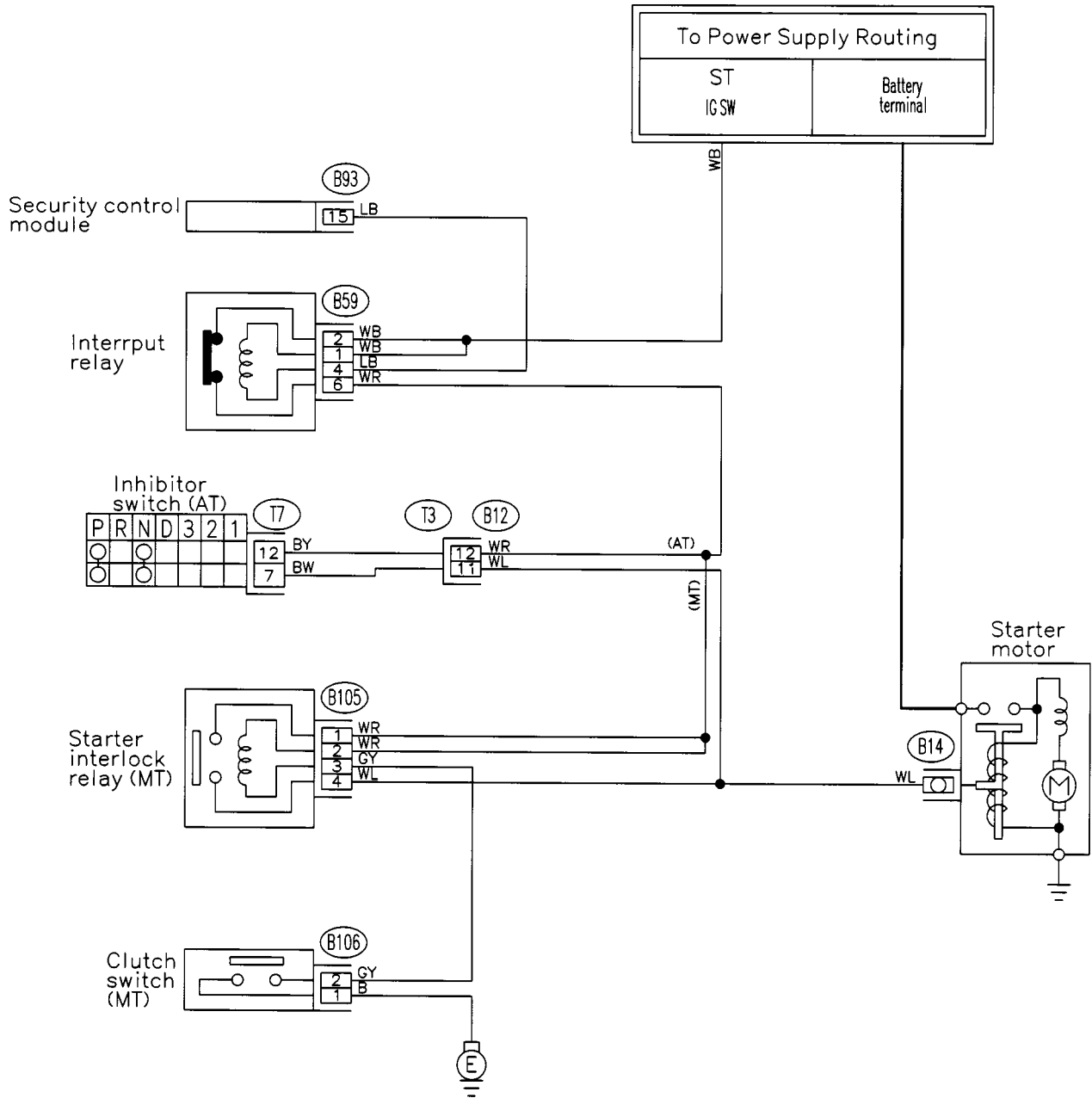
(R44) (Blue)

SU84-02



SU84-02

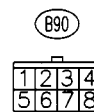
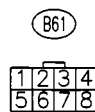
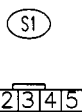
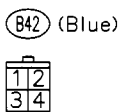
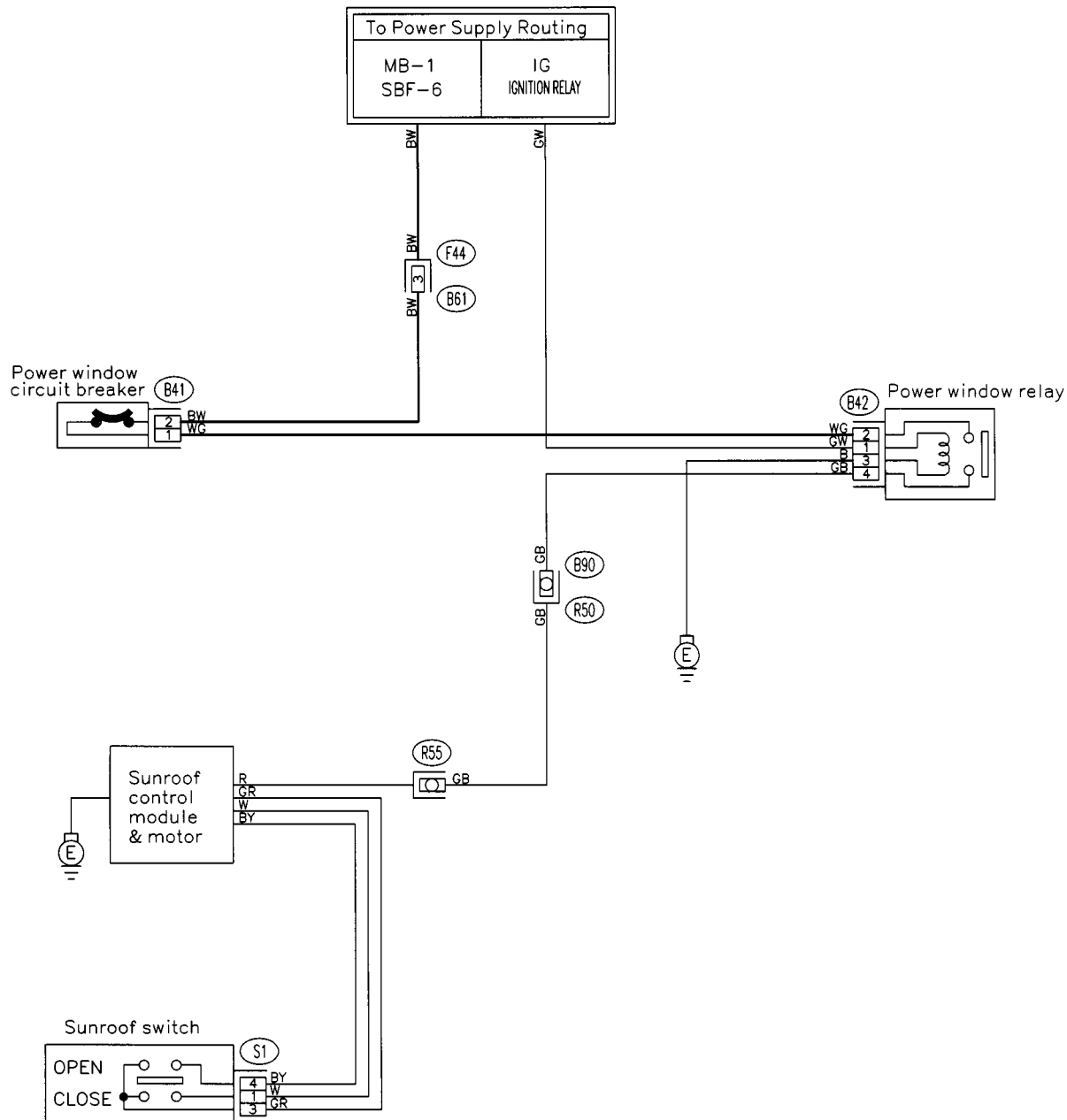
AI: STARTER SYSTEM



SU03-06

SU03-06

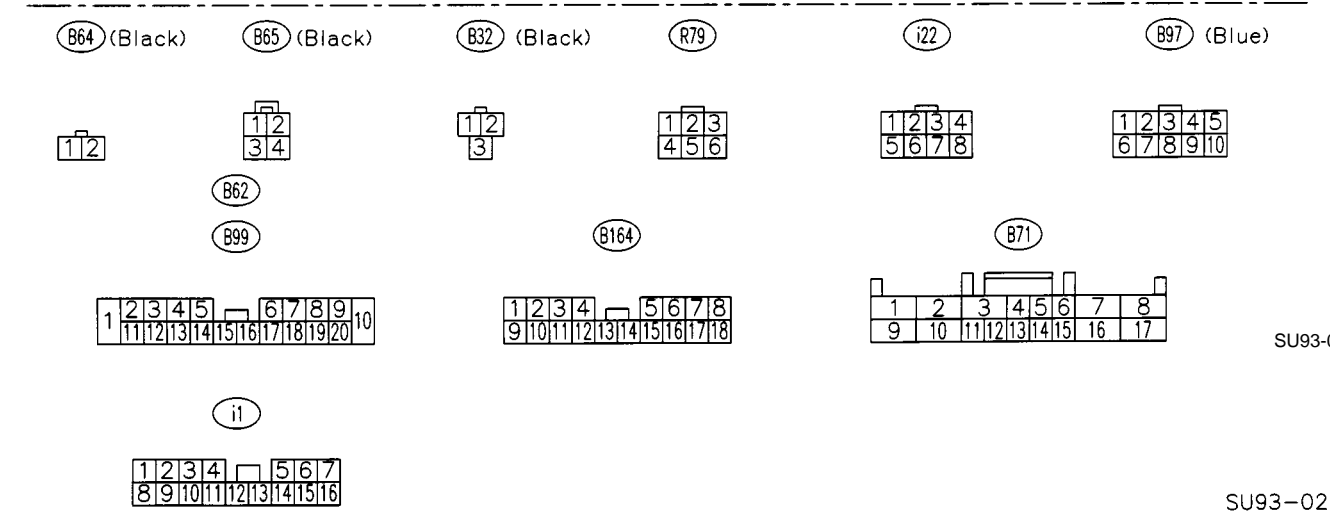
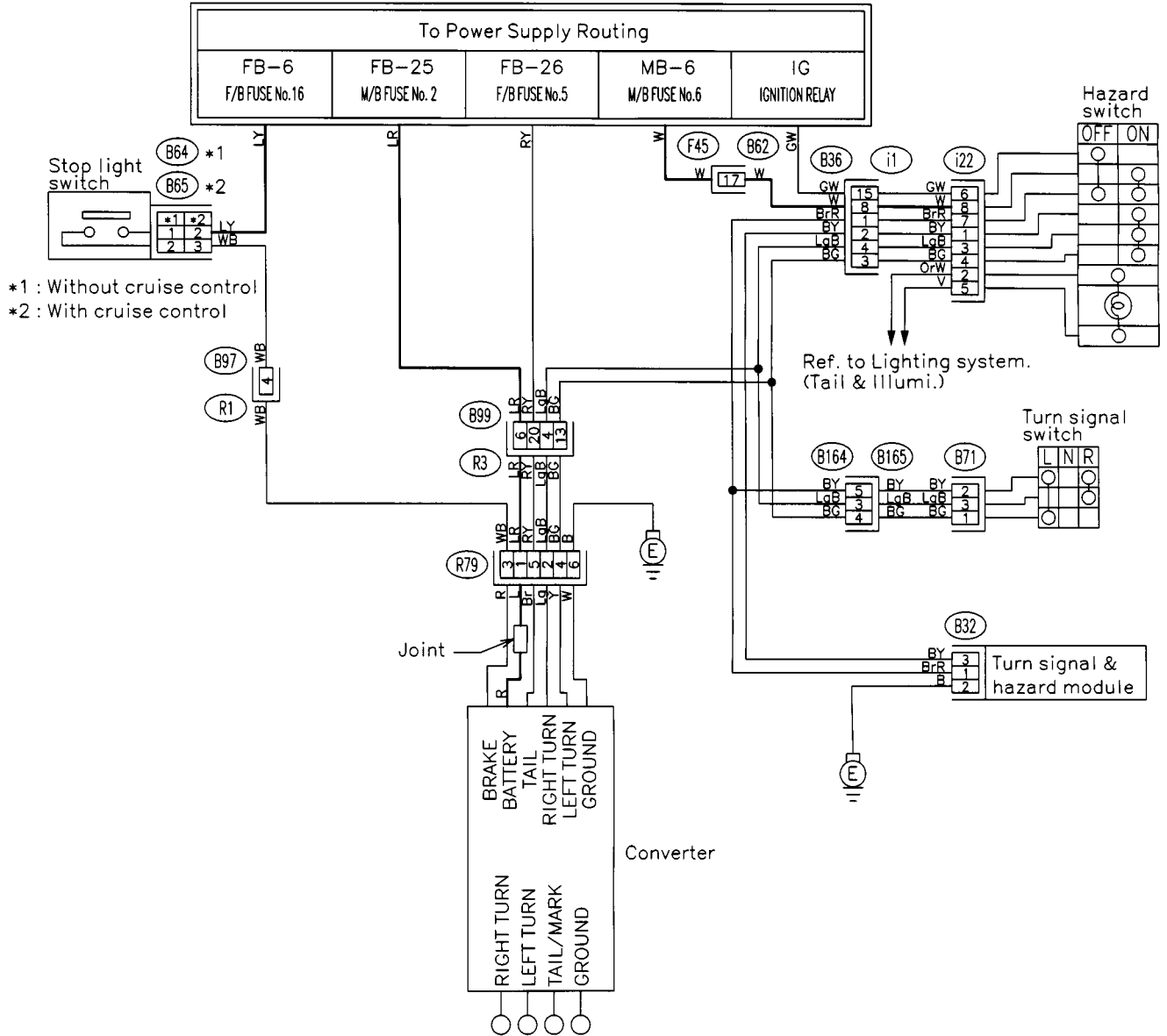
AJ: SUNROOF SYSTEM



SU75-01

SU75-01

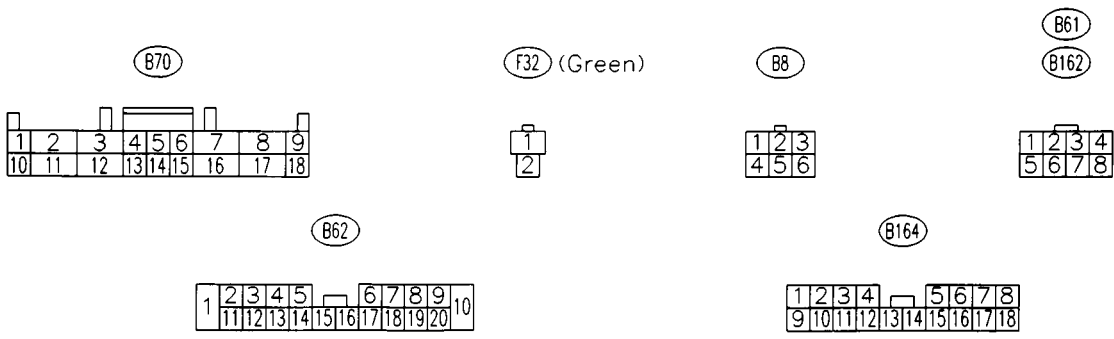
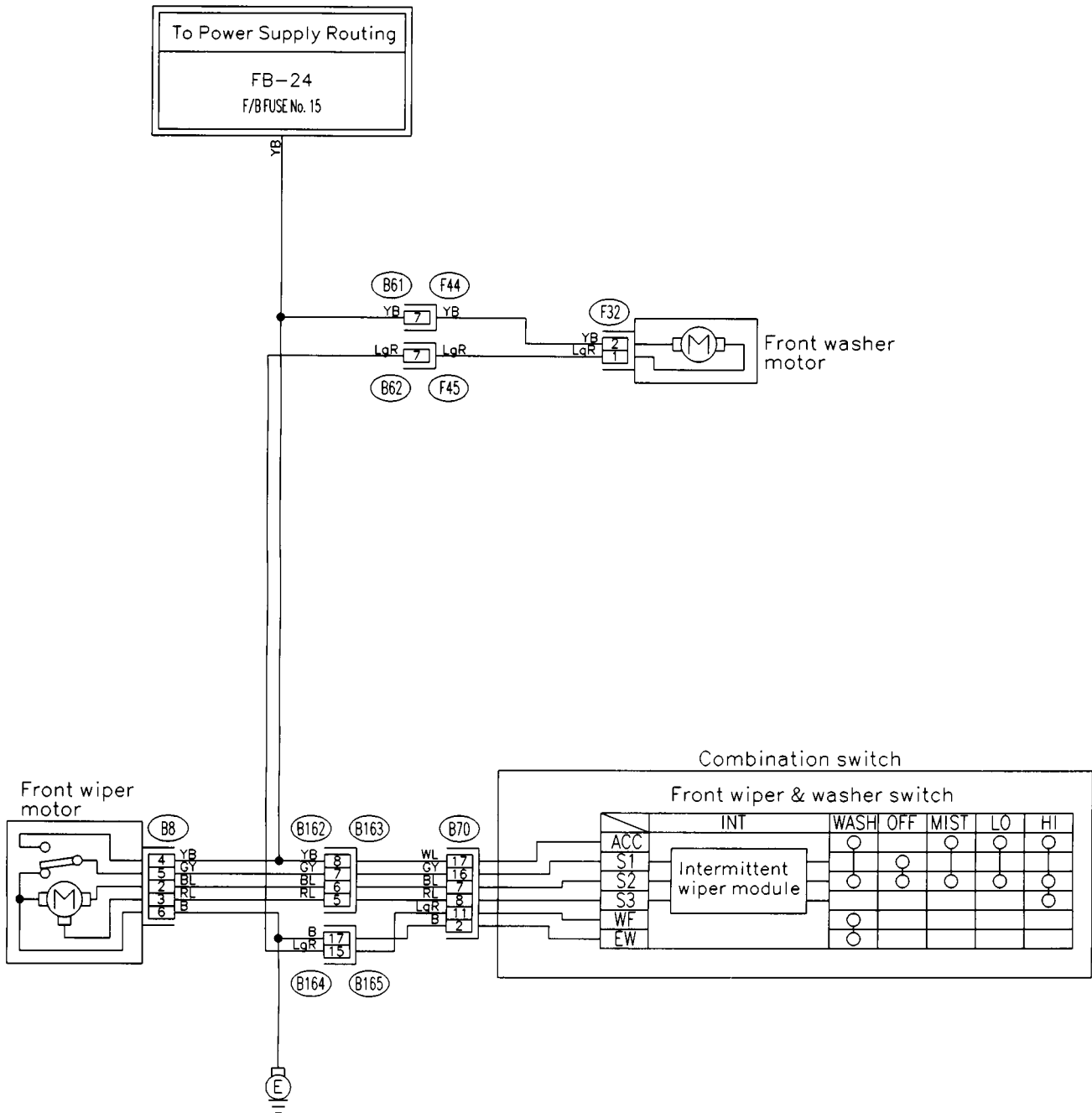
AK: TRAILER WIRE HARNESS (OPTION)



SU93-02

SU93-02

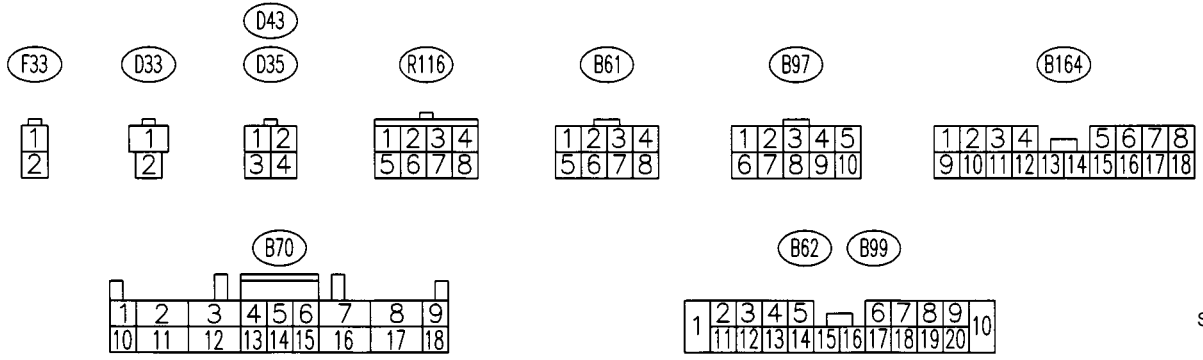
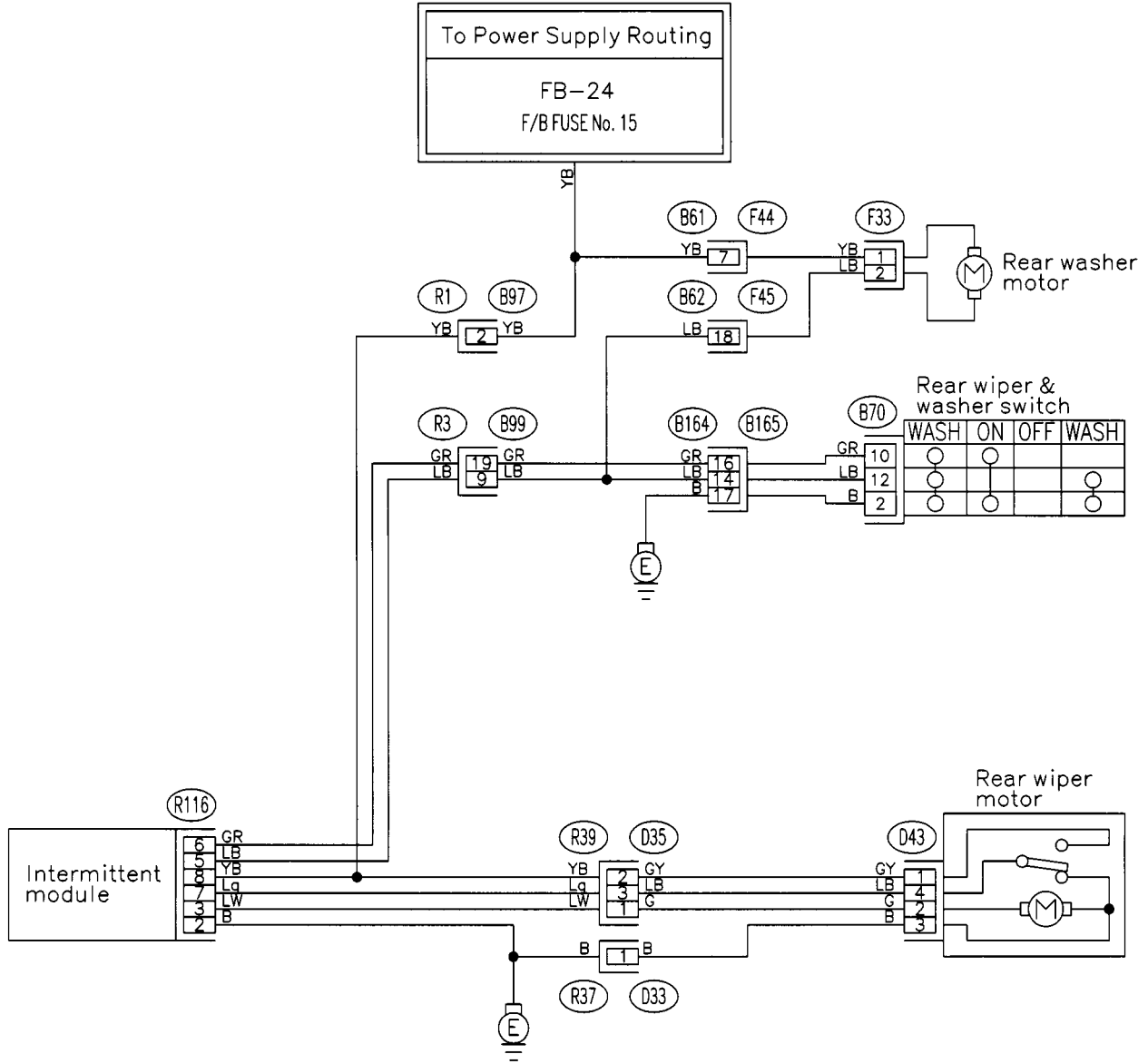
AL: WIPER AND WASHER SYSTEM (FRONT)



SU50-02

SU50-02

AM: WIPER AND WASHER SYSTEM (REAR)



SU51-03

SU51-03

AN: WIPER DEICER SYSTEM

MEMO: