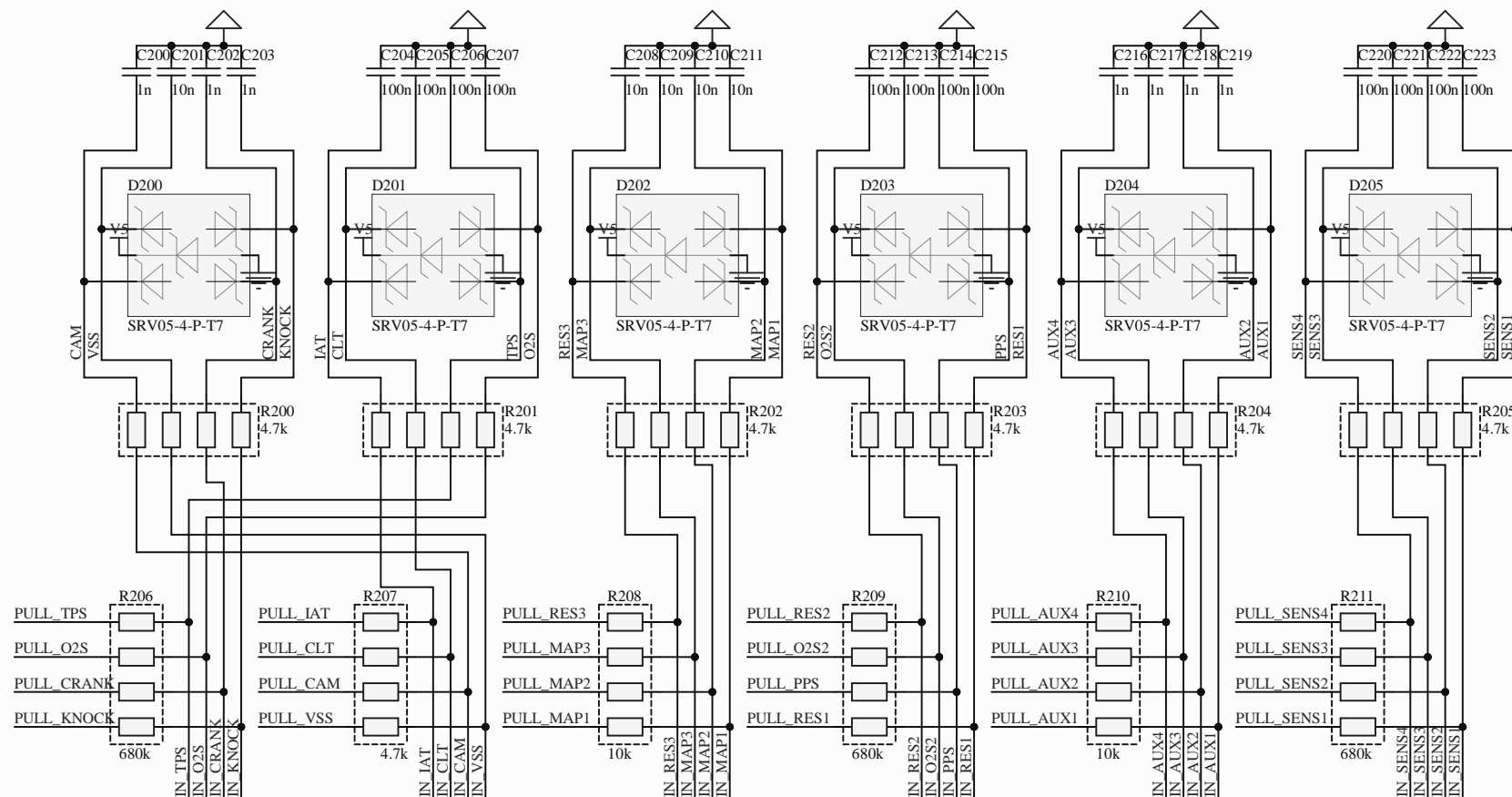


FOR OFF ROAD PURPOSES ONLY
 This is not for applications with
 emissions or safety regulations
 (AKA not for street use). This is
 for closed stages, track
 and equipment.
<http://rusefi.com/s/hellenNB2>

M200D			
PULL_CRANK J21	PULL_CRANK	PULL_MAP1	J14 PULL_MAP1
PULL_CAM J17	PULL_CAM	PULL_MAP2	J13 PULL_MAP2
PULL_VSS J18	PULL_VSS	PULL_MAP3	J12 PULL_MAP3
PULL_TPS J19	PULL_TPS	PULL_AUX1	J10 PULL_AUX1
PULL_PPS J5	PULL_PPS	PULL_AUX2	J9 PULL_AUX2
PULL_IAT J15	PULL_IAT	PULL_AUX3	J8 PULL_AUX3
PULL_CLT J16	PULL_CLT	PULL_AUX4	J7 PULL_AUX4
PULL_O2S J20	PULL_O2S	PULL_SENS1	J26 PULL_SENS1
PULL_O2S2 J4	PULL_O2S2	PULL_SENS2	J25 PULL_SENS2
PULL_RES1 J6	PULL_RES1	PULL_SENS3	J24 PULL_SENS3
PULL_RES2 J3	PULL_RES2	PULL_SENS4	J23 PULL_SENS4
PULL_RES3 J11	PULL_RES3	PULL_KNOCK	J22 PULL_KNOCK

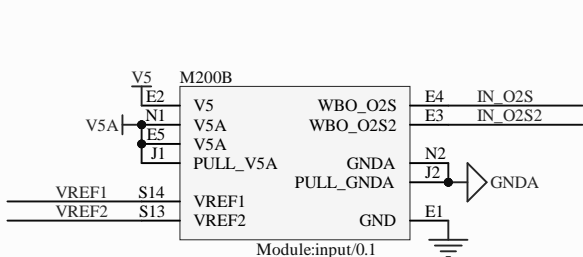
Module:input/0.1



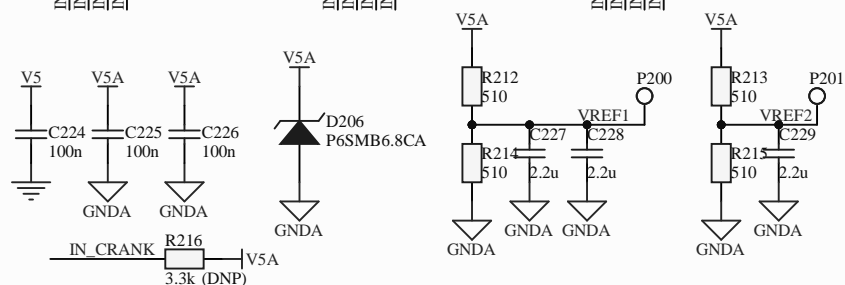
M200C		M200A	
IN_CRANK S8	IN_CRANK	N21	CRANK
IN_CAM S5	IN_CAM	N19	CAM
IN_VSS S6	IN_VSS	N20	VSS
IN_TPS S10	IN_TPS	N17	TPS
IN_PPS S24	IN_PPS	N5	PPS
IN_IAT S16	IN_IAT	N15	IAT
IN_CLT S15	IN_CLT	N16	CLT
IN_O2S S9	IN_O2S	N18	O2S
IN_O2S2 S25	IN_O2S2	N4	O2S2
IN_RES1 S23	IN_RES1	N6	RES1
IN_RES2 S26	IN_RES2	N3	RES2
IN_RES3 S22	IN_RES3	N11	RES3
IN_MAP1 S11	IN_MAP1	N14	MAP1
IN_MAP2 S12	IN_MAP2	N13	MAP2
IN_MAP3 S19	IN_MAP3	N12	MAP3
IN_AUX1 S17	IN_AUX1	N10	AUX1
IN_AUX2 S18	IN_AUX2	N9	AUX2
IN_AUX3 S20	IN_AUX3	N8	AUX3
IN_AUX4 S21	IN_AUX4	N7	AUX4
IN_SENS1 S1	IN_SENS1	N26	SENS1
IN_SENS2 S2	IN_SENS2	N25	SENS2
IN_SENS3 S3	IN_SENS3	N24	SENS3
IN_SENS4 S4	IN_SENS4	N23	SENS4
IN_KNOCK S7	IN_KNOCK	N22	KNOCK

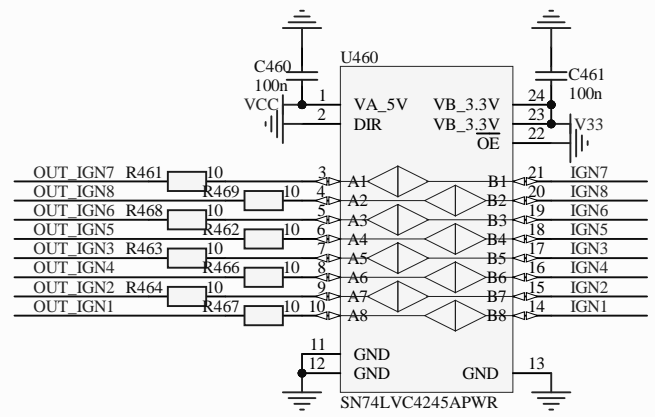
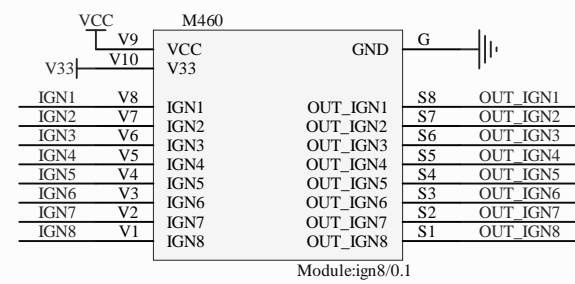
Module:input/0.1

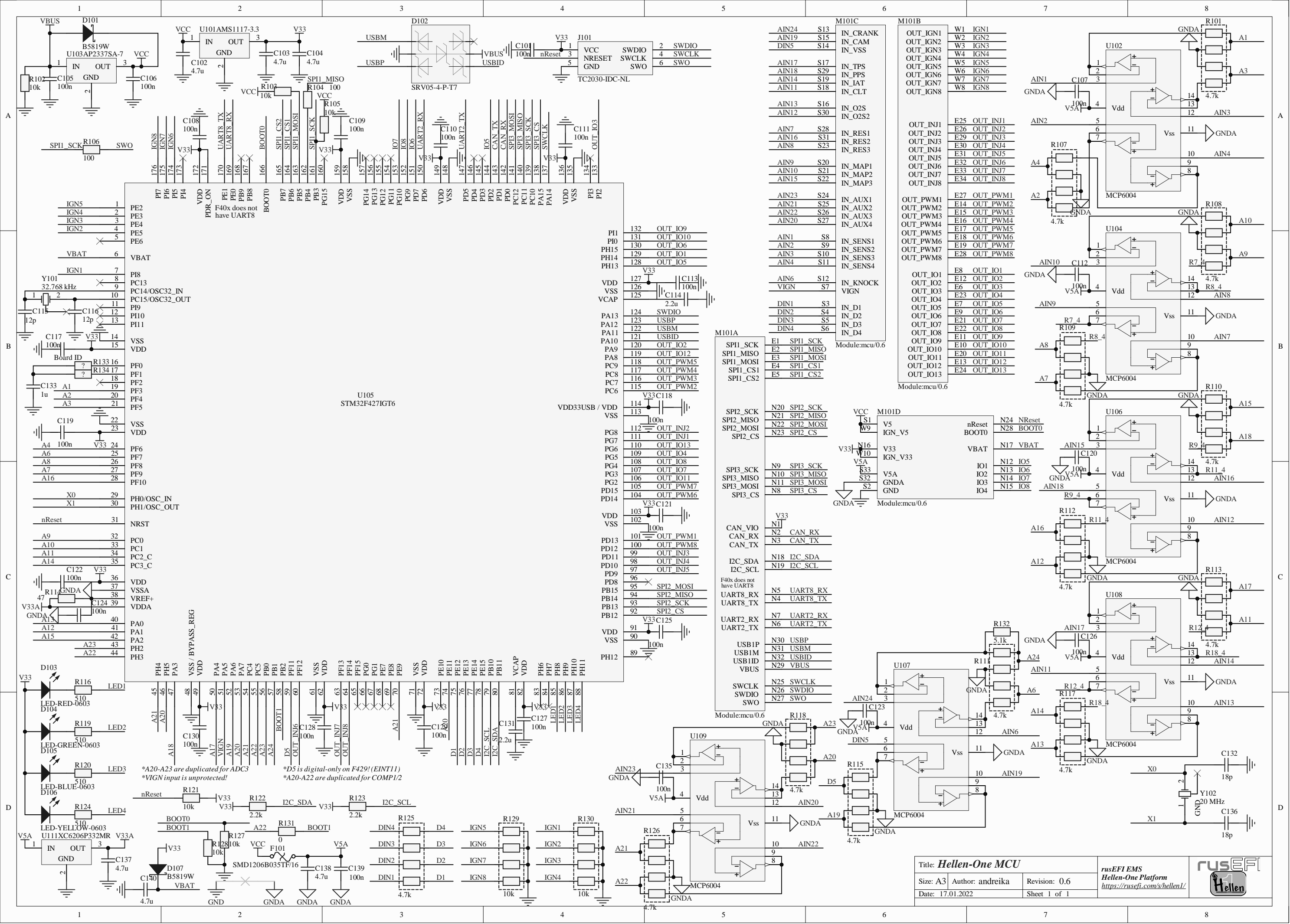
Module:input/0.1



Module:input/0.1





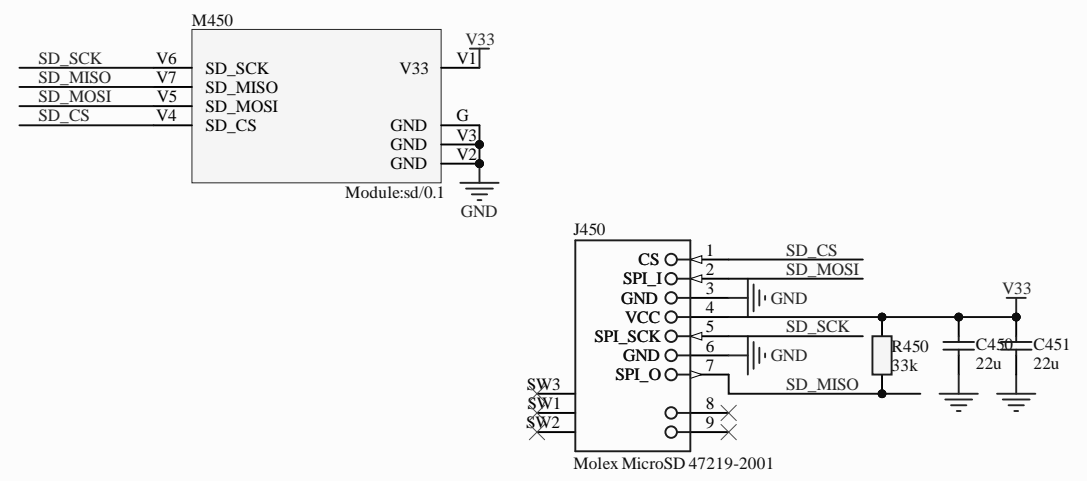


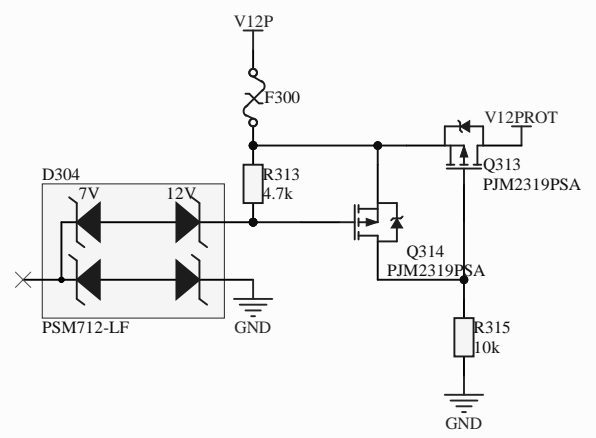
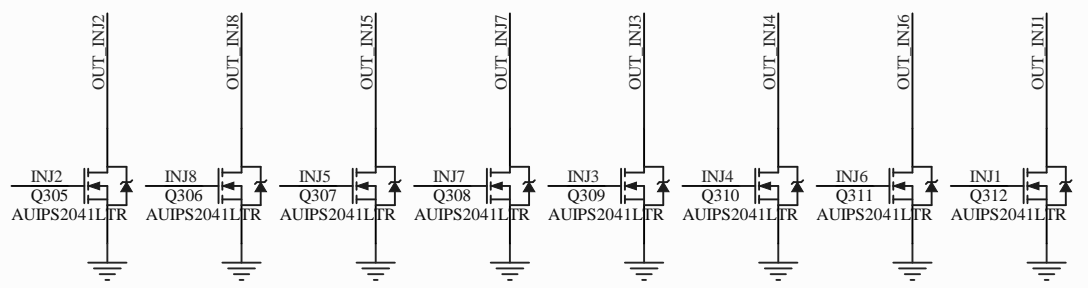
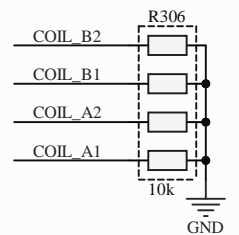
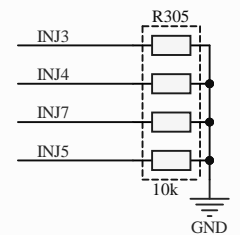
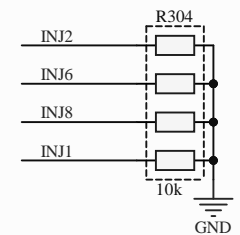
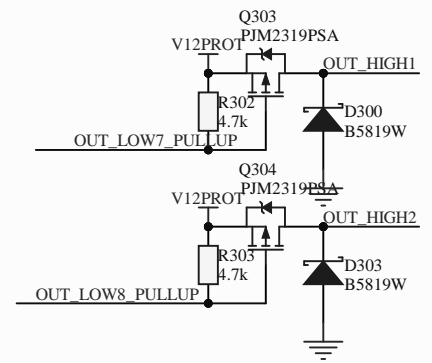
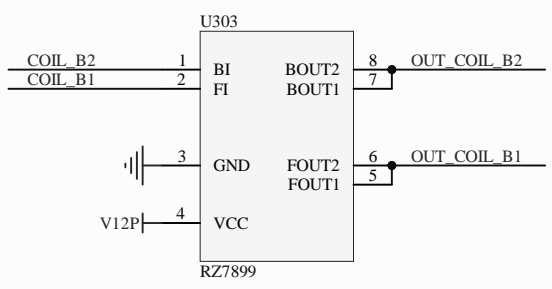
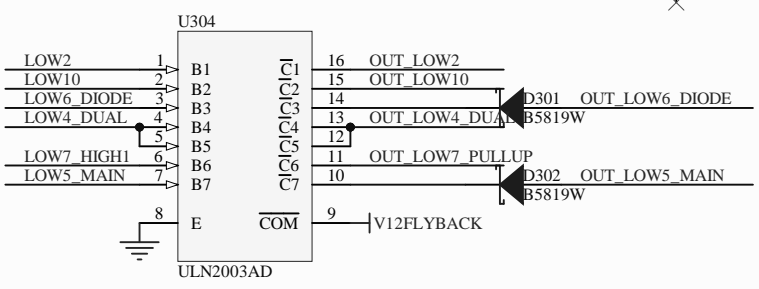
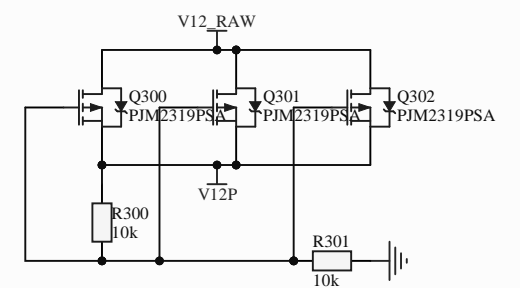
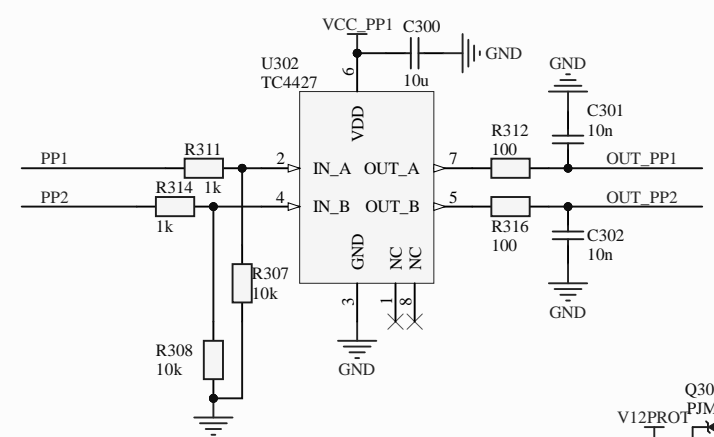
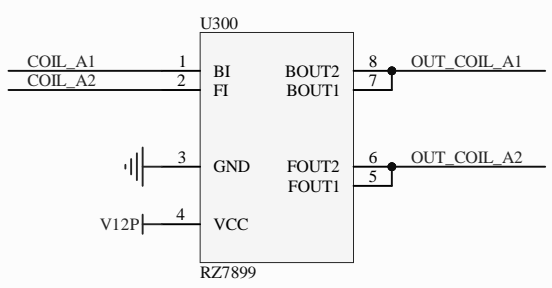
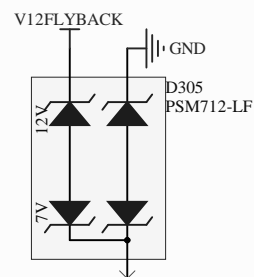
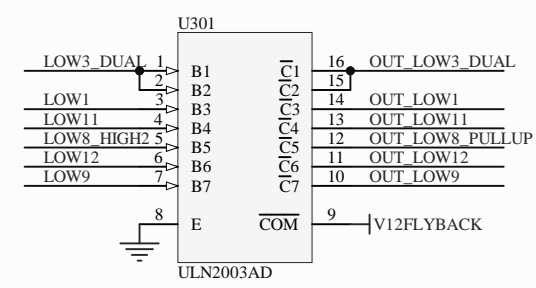
IGN5	1	PE2	P7	176
IGN4	2	PE3	P6	175
IGN3	3	PE4	P5	174
IGN2	4	PE5	P4	173
	5	PE6		
VBAT				
IGN1	7	PI8	P17	172
	8	PC13	P16	171
	9	PC14/OSC32_IN		
	10	PC15/OSC32_OUT		
	11	P19		
	12	PI10		
	13	PI11		
	14			
	15	VSS		
	16	VDD		
	17			
	18	PF0		
	19	PF1		
	20	PF2		
	21	PF3		
	22	PF4		
	23	PF5		
	24			
	25	PF6		
	26	PF7		
	27	PF8		
	28	PF9		
	29	PF10		
X0	29	PH0/OSC_IN		
X1	30	PH1/OSC_OUT		
	31	NRST		
A9	32	PC0		
A10	33	PC1		
A11	34	PC2_C		
A14	35	PC3_C		
	36	VDD		
	37	VSSA		
	38	VREF+		
	39	VDDA		
	40	PA0		
	41	PA1		
	42	PA2		
	43	PH2		
	44	PH3		
	45	PH4		
	46	PH5		
	47	PA3		
	48	VSS / BYPASS_REG		
	49	VDD		
	50	PA4		
	51	PA5		
	52	PA6		
	53	PA7		
	54	PA8		
	55	PC4		
	56	PC5		
	57	PC6		
	58	PC7		
	59	PC8		
	60	PC9		
	61	PC10		
	62	PC11		
	63	PC12		
	64	PC13		
	65	PC14		
	66	PC15		
	67	PG0		
	68	PG1		
	69	PG2		
	70	PG3		
	71	PG4		
	72	PG5		
	73	PG6		
	74	PG7		
	75	PG8		
	76	PG9		
	77	PG10		
	78	PG11		
	79	PG12		
	80	PG13		
	81	PG14		
	82	PG15		
	83	PG16		
	84	PG17		
	85	PG18		
	86	PG19		
	87	PG20		
	88	PG21		
	89	PG22		
	90	PG23		
	91	PG24		
	92	PG25		
	93	PG26		
	94	PG27		
	95	PG28		
	96	PG29		
	97	PG30		
	98	PG31		
	99	PG32		
	100	PG33		
	101	PG34		
	102	PG35		
	103	PG36		
	104	PG37		
	105	PG38		
	106	PG39		
	107	PG40		
	108	PG41		
	109	PG42		
	110	PG43		
	111	PG44		
	112	PG45		
	113	PG46		
	114	PG47		
	115	PG48		
	116	PG49		
	117	PG50		
	118	PG51		
	119	PG52		
	120	PG53		
	121	PG54		
	122	PG55		
	123	PG56		
	124	PG57		
	125	PG58		
	126	PG59		
	127	PG60		
	128	PG61		
	129	PG62		
	130	PG63		
	131	PG64		
	132	PG65		
	133	PG66		
	134	PG67		
	135	PG68		
	136	PG69		
	137	PG70		
	138	PG71		
	139	PG72		
	140	PG73		
	141	PG74		
	142	PG75		
	143	PG76		
	144	PG77		
	145	PG78		
	146	PG79		
	147	PG80		
	148	PG81		
	149	PG82		
	150	PG83		
	151	PG84		
	152	PG85		
	153	PG86		
	154	PG87		
	155	PG88		
	156	PG89		
	157	PG90		
	158	PG91		
	159	PG92		
	160	PG93		
	161	PG94		
	162	PG95		
	163	PG96		
	164	PG97		
	165	PG98		
	166	PG99		
	167	PG100		
	168	PG101		
	169	PG102		
	170	PG103		
	171	PG104		
	172	PG105		
	173	PG106		
	174	PG107		
	175	PG108		
	176	PG109		
	177	PG110		
	178	PG111		
	179	PG112		
	180	PG113		
	181	PG114		
	182	PG115		
	183	PG116		
	184	PG117		
	185	PG118		
	186	PG119		
	187	PG120		
	188	PG121		
	189	PG122		
	190	PG123		
	191	PG124		
	192	PG125		
	193	PG126		
	194	PG127		
	195	PG128		
	196	PG129		
	197	PG130		
	198	PG131		
	199	PG132		
	200	PG133		

AIN24	S13	IN_CRANK
AIN19	S15	IN_CAM
DIN5	S14	IN_VSS
AIN17	S17	IN_TPS
AIN18	S29	IN_PPS
AIN14	S19	IN_IAT
AIN11	S18	IN_CLT
AIN13	S16	IN_O2S
AIN12	S30	IN_O2S2
AIN7	S28	IN_RES1
AIN16	S31	IN_RES2
AIN8	S23	IN_RES3
AIN9	S20	IN_MAP1
AIN10	S21	IN_MAP2
AIN15	S22	IN_MAP3
AIN23	S24	IN_AUX1
AIN21	S25	IN_AUX2
AIN22	S26	IN_AUX3
AIN20	S27	IN_AUX4
AIN1	S8	IN_SENS1
AIN2	S9	IN_SENS2
AIN3	S10	IN_SENS3
AIN4	S11	IN_SENS4
AIN6	S12	IN_KNOCK
VIGN	S7	VIGN
DIN1	S3	IN_D1
DIN2	S4	IN_D2
DIN3	S5	IN_D3
DIN4	S6	IN_D4

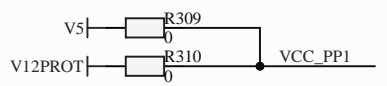
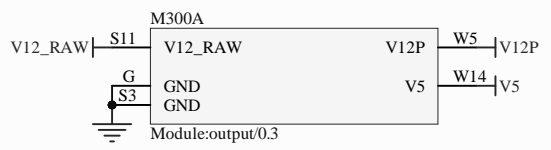
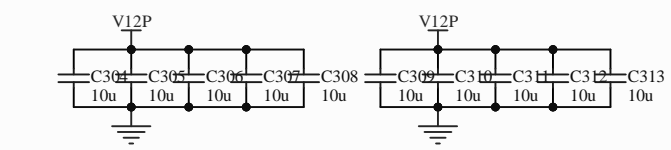
SPI1_SCK	E1	SPI1_SCK
SPI1_MISO	E2	SPI1_MISO
SPI1_MOSI	E3	SPI1_MOSI
SPI1_CS1	E4	SPI1_CS1
SPI1_CS2	E5	SPI1_CS2
SPI2_SCK	N20	SPI2_SCK
SPI2_MISO	N21	SPI2_MISO
SPI2_MOSI	N22	SPI2_MOSI
SPI2_CS	N23	SPI2_CS
SPI3_SCK	N9	SPI3_SCK
SPI3_MISO	N10	SPI3_MISO
SPI3_MOSI	N11	SPI3_MOSI
SPI3_CS	N8	SPI3_CS
CAN_VIO	N1	CAN_VIO
CAN_RX	N2	CAN_RX
CAN_TX	N3	CAN_TX
I2C_SDA	N18	I2C_SDA
I2C_SCL	N19	I2C_SCL
UART8_RX	N5	UART8_RX
UART8_TX	N4	UART8_TX
UART2_RX	N7	UART2_RX
UART2_TX	N6	UART2_TX
USB1P	N30	USB1P
USB1M	N31	USB1M
USB1D	N32	USB1D
VBUS	N29	VBUS
SWCLK	N25	SWCLK
SWDIO	N26	SWDIO
SWO	N27	SWO

OUT_IGN1	W1	IGN1
OUT_IGN2	W2	IGN2
OUT_IGN3	W3	IGN3
OUT_IGN4	W4	IGN4
OUT_IGN5	W5	IGN5
OUT_IGN6	W6	IGN6
OUT_IGN7	W7	IGN7
OUT_IGN8	W8	IGN8
OUT_INJ1	E25	OUT_INJ1
OUT_INJ2	E26	OUT_INJ2
OUT_INJ3	E29	OUT_INJ3
OUT_INJ4	E30	OUT_INJ4
OUT_INJ5	E31	OUT_INJ5
OUT_INJ6	E32	OUT_INJ6
OUT_INJ7	E33	OUT_INJ7
OUT_INJ8	E34	OUT_INJ8
OUT_PWM1	E27	OUT_PWM1
OUT_PWM2	E14	OUT_PWM2
OUT_PWM3	E15	OUT_PWM3
OUT_PWM4	E16	OUT_PWM4
OUT_PWM5	E17	OUT_PWM5
OUT_PWM6	E18	OUT_PWM6
OUT_PWM7	E19	OUT_PWM7
OUT_PWM8	E28	OUT_PWM8
OUT_IO1	E8	OUT_IO1
OUT_IO2	E12	OUT_IO2
OUT_IO3	E6	OUT_IO3
OUT_IO4	E23	OUT_IO4
OUT_IO5	E7	OUT_IO5
OUT_IO6	E9	OUT_IO6
OUT_IO7	E21	OUT_IO7
OUT_IO8	E22	OUT_IO8
OUT_IO9	E11	OUT_IO9
OUT_IO10	E10	OUT_IO10
OUT_IO11	E20	OUT_IO11
OUT_IO12	E13	OUT_IO12
OUT_IO13	E24	OUT_IO13

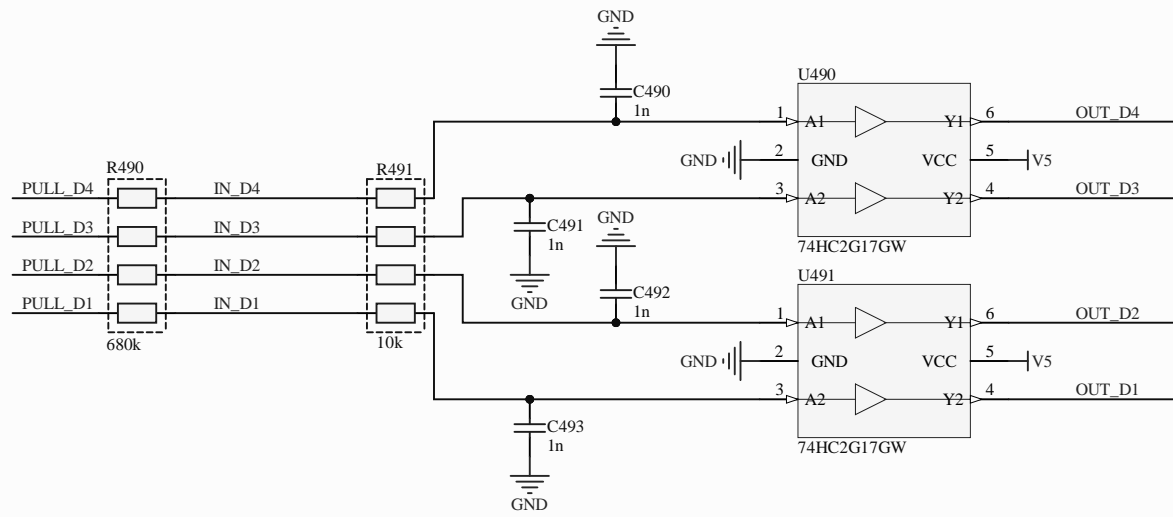
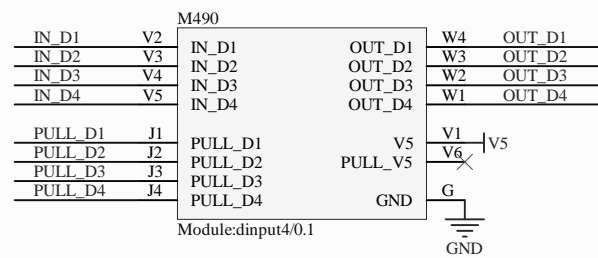


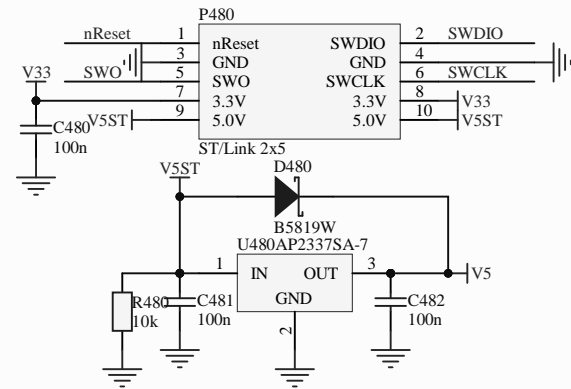
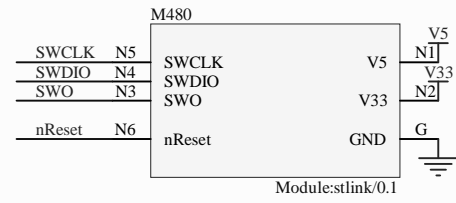


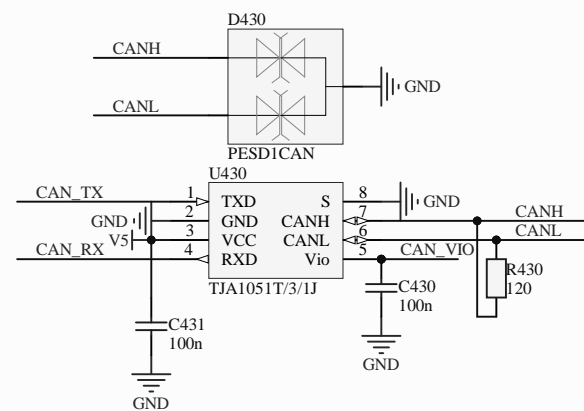
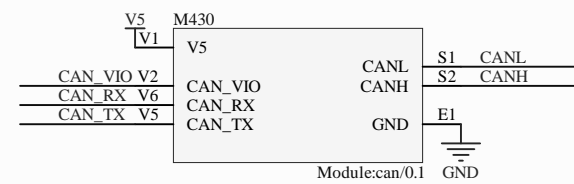
M300B		M300C	
INJ1	W24	OUT_INJ1	S18
INJ2	W23	OUT_INJ2	S16
INJ3	W20	OUT_INJ3	S17
INJ4	W19	OUT_INJ4	W7
INJ5	W18	OUT_INJ5	W10
INJ6	W17	OUT_INJ6	S15
INJ7	W16	OUT_INJ7	W12
INJ8	W15	OUT_INJ8	W11
PP1	W28	OUT_PP1	W6
PP2	W22	OUT_PP2	S6
COIL_A1	W33	OUT_SOLENOID_A1	S1
COIL_A2	W32	OUT_SOLENOID_A2	S2
COIL_B1	W31	OUT_SOLENOID_B1	S4
COIL_B2	W30	OUT_SOLENOID_B2	S5
LOW1	W21	OUT_LOW1	S8
LOW2	W29	OUT_LOW2	W1
LOW3_DUAL	W38	OUT_LOW3_DUAL	S7
LOW4_DUAL	W34	OUT_LOW4_DUAL	W4
LOW5_MAIN	W40	OUT_LOW5_MAIN	W13
LOW6_DIODE	W25	OUT_LOW6_DIODE	W3
LOW7_HIGH1	W39	OUT_LOW7_PULLUP	W9
LOW8_HIGH2	W37	OUT_LOW8_PULLUP	S12
LOW9	W27	OUT_LOW9	S14
LOW10	W26	OUT_LOW10	W2
LOW11	W35	OUT_LOW11	S10
LOW12	W36	OUT_LOW12	S13
		OUT_HIGH1	W8
		OUT_HIGH2	S9

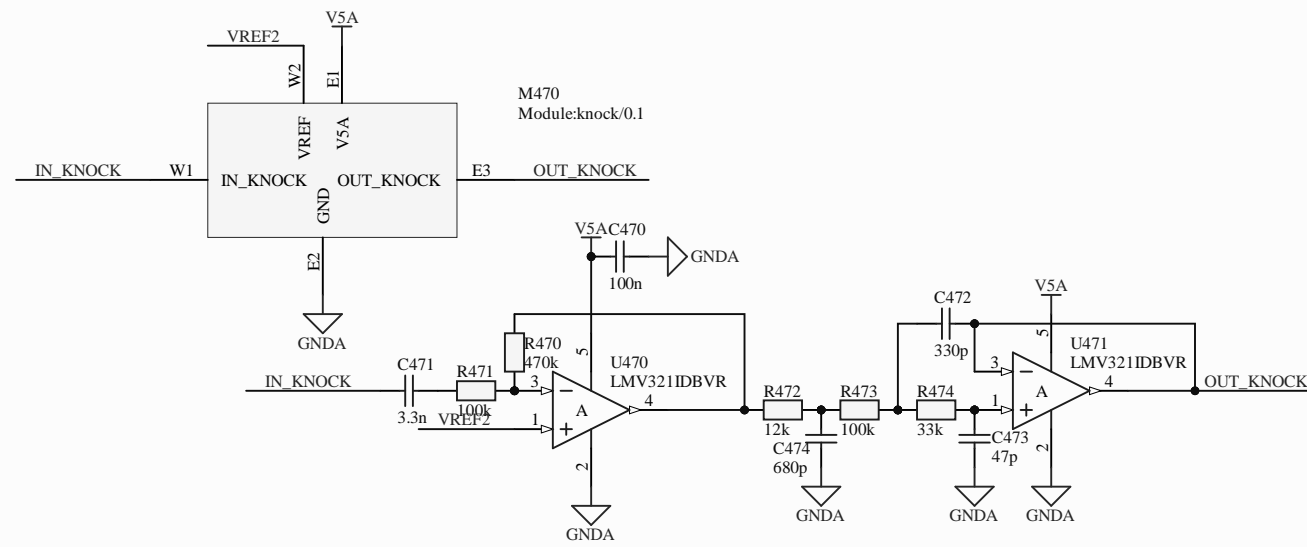


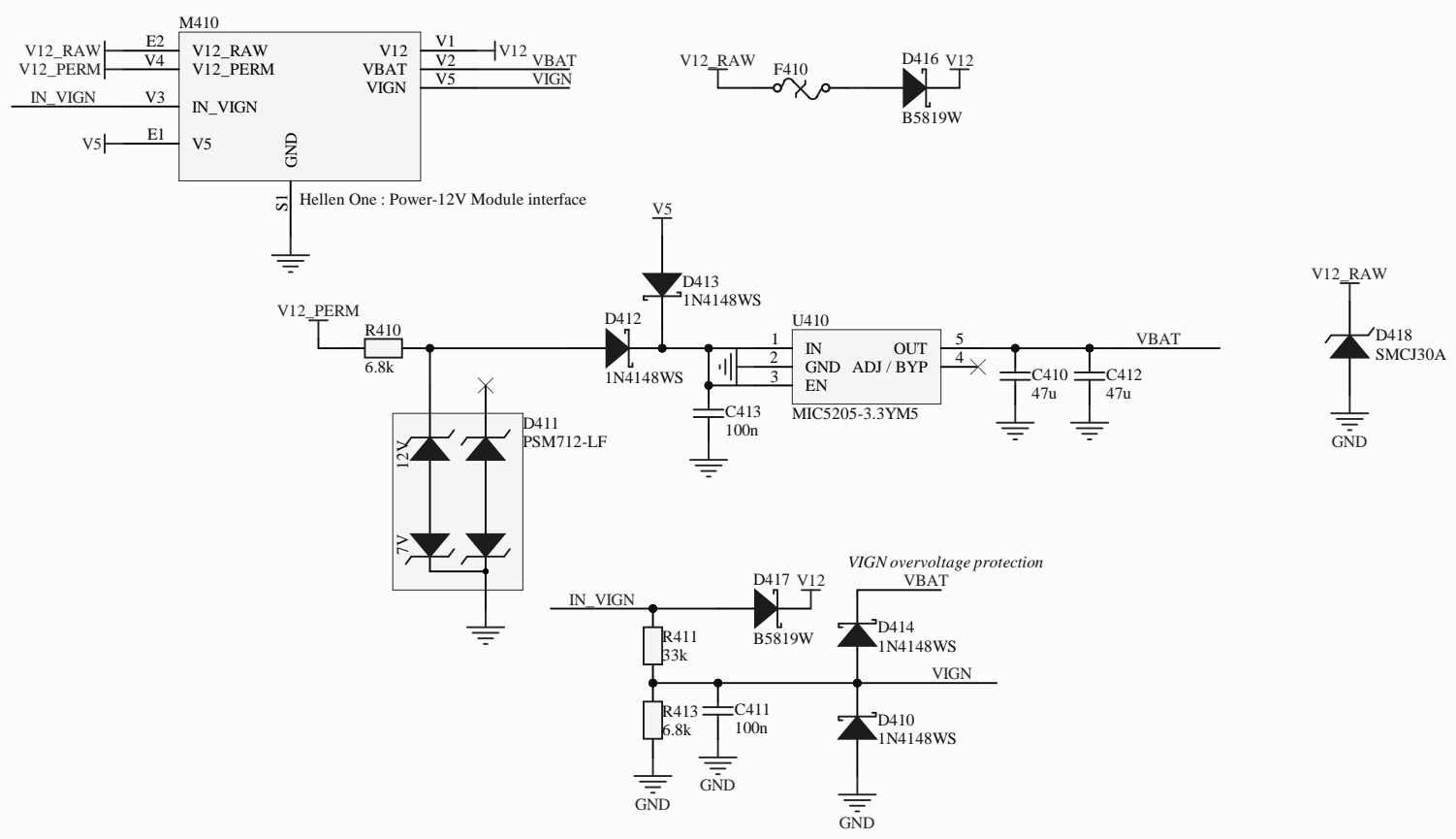
* These can be removed in the board compilation file

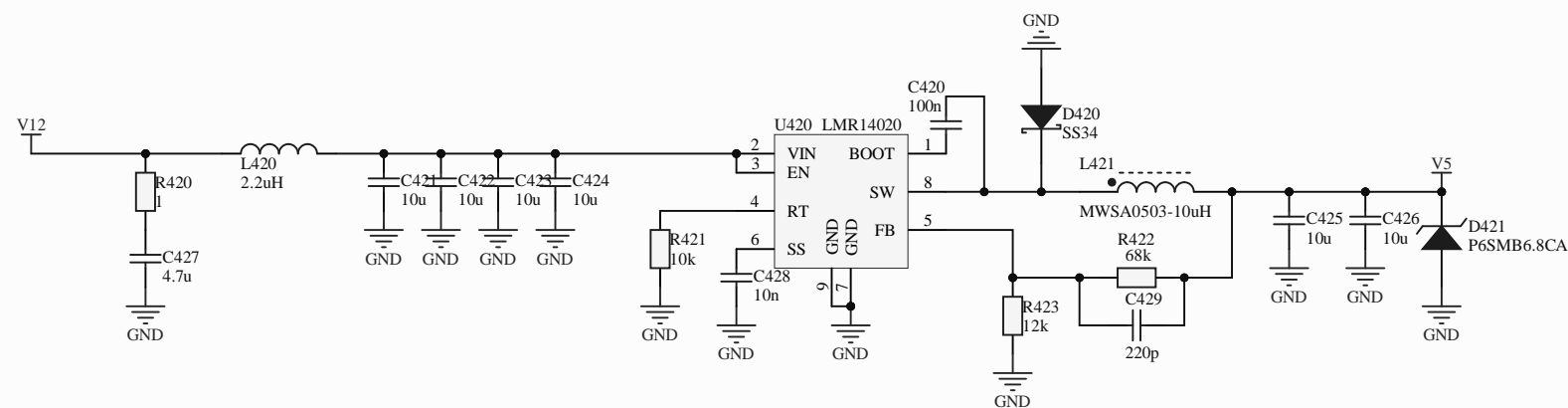
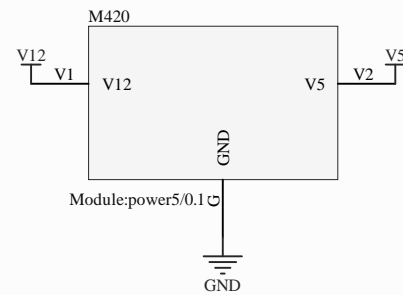


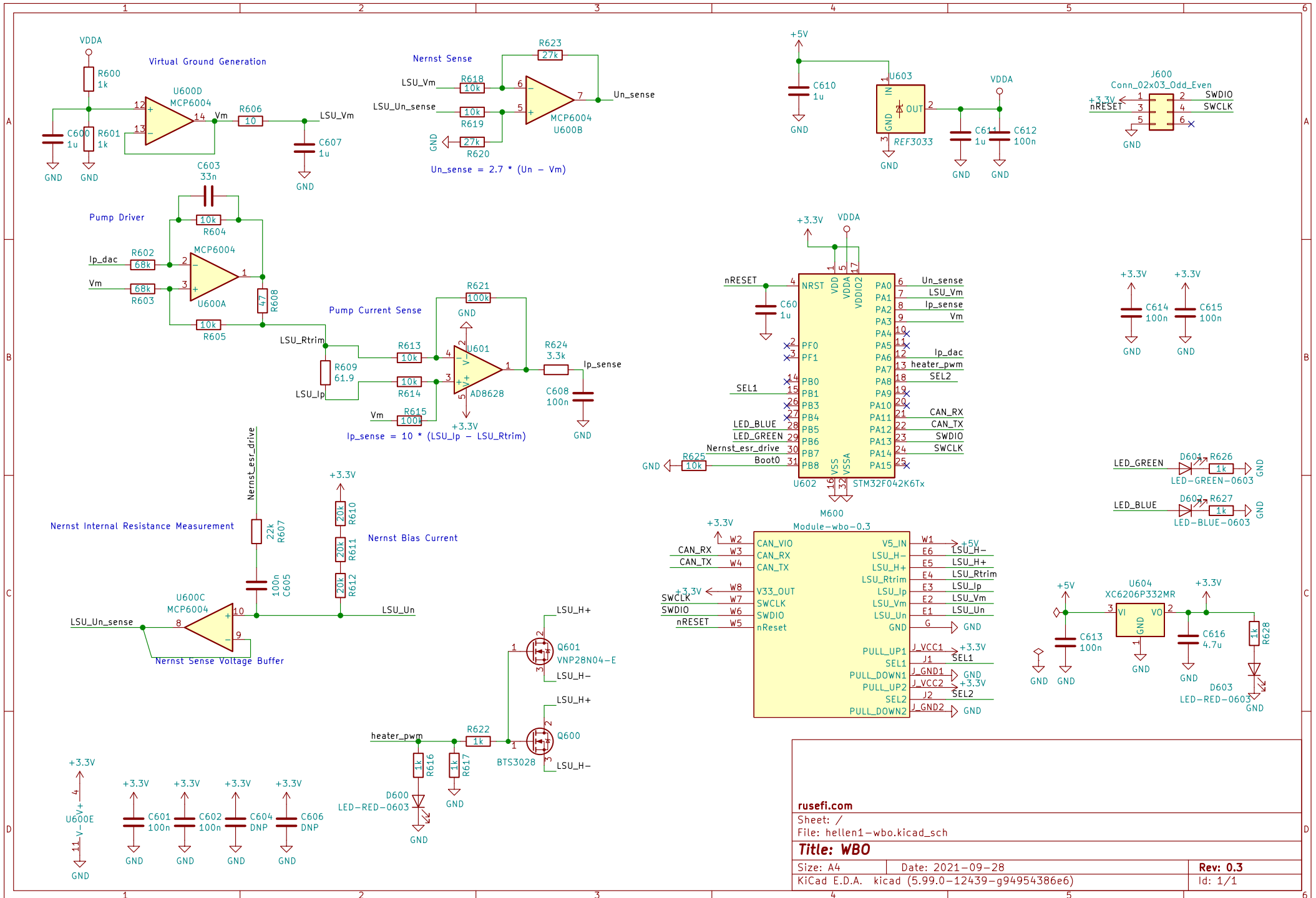












rusefi.com	
Sheet: /	
File: hellen1-wbo.kicad_sch	
Title: WBO	
Size: A4	Date: 2021-09-28
KiCad E.D.A. kicad (5.99.0-12439-g94954386e6)	
Rev: 0.3	
Id: 1/1	