

PRODEMAND

YMMS: 2015 Ford Mustang V6
Engine: 3.7L Eng
VIN:

Jun 15, 2023
License:
Odometer:

ENGINE PERFORMANCE > 2.3L TURBO

Fig 1: 2.3L Turbo, Engine Performance Circuit (1 of 6)

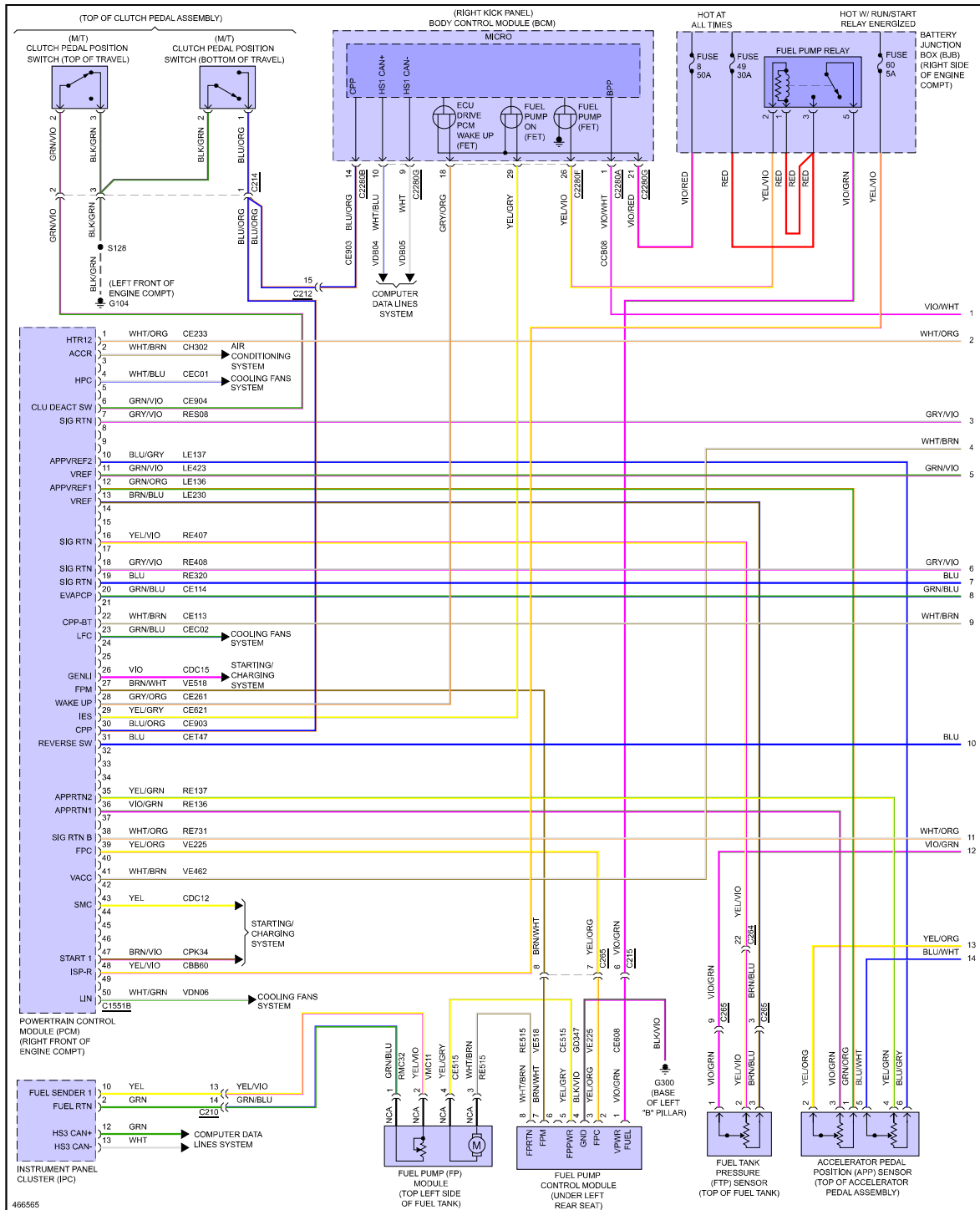


Fig 2: 2.3L Turbo, Engine Performance Circuit (2 of 6)

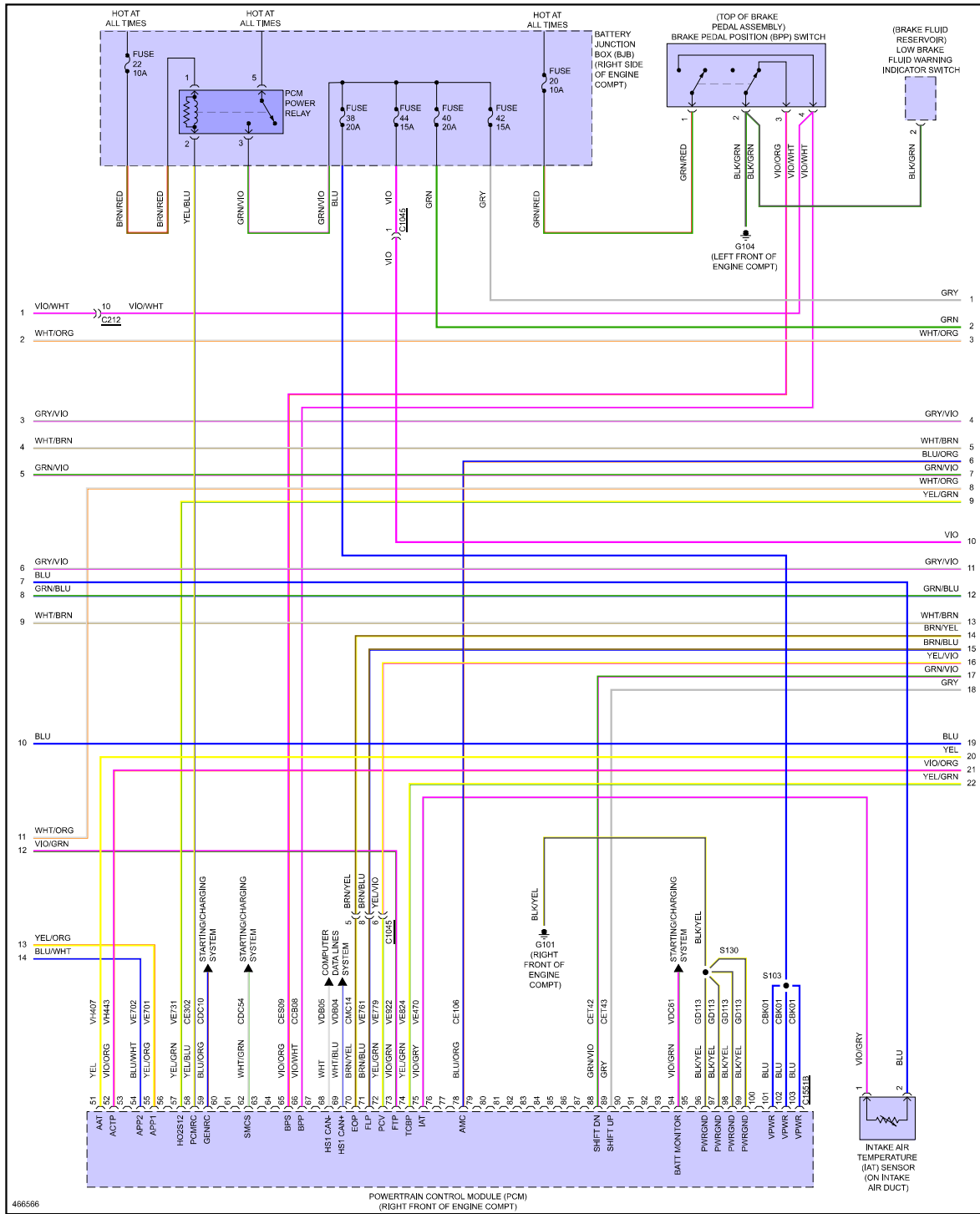


Fig 3: 2.3L Turbo, Engine Performance Circuit (3 of 6)

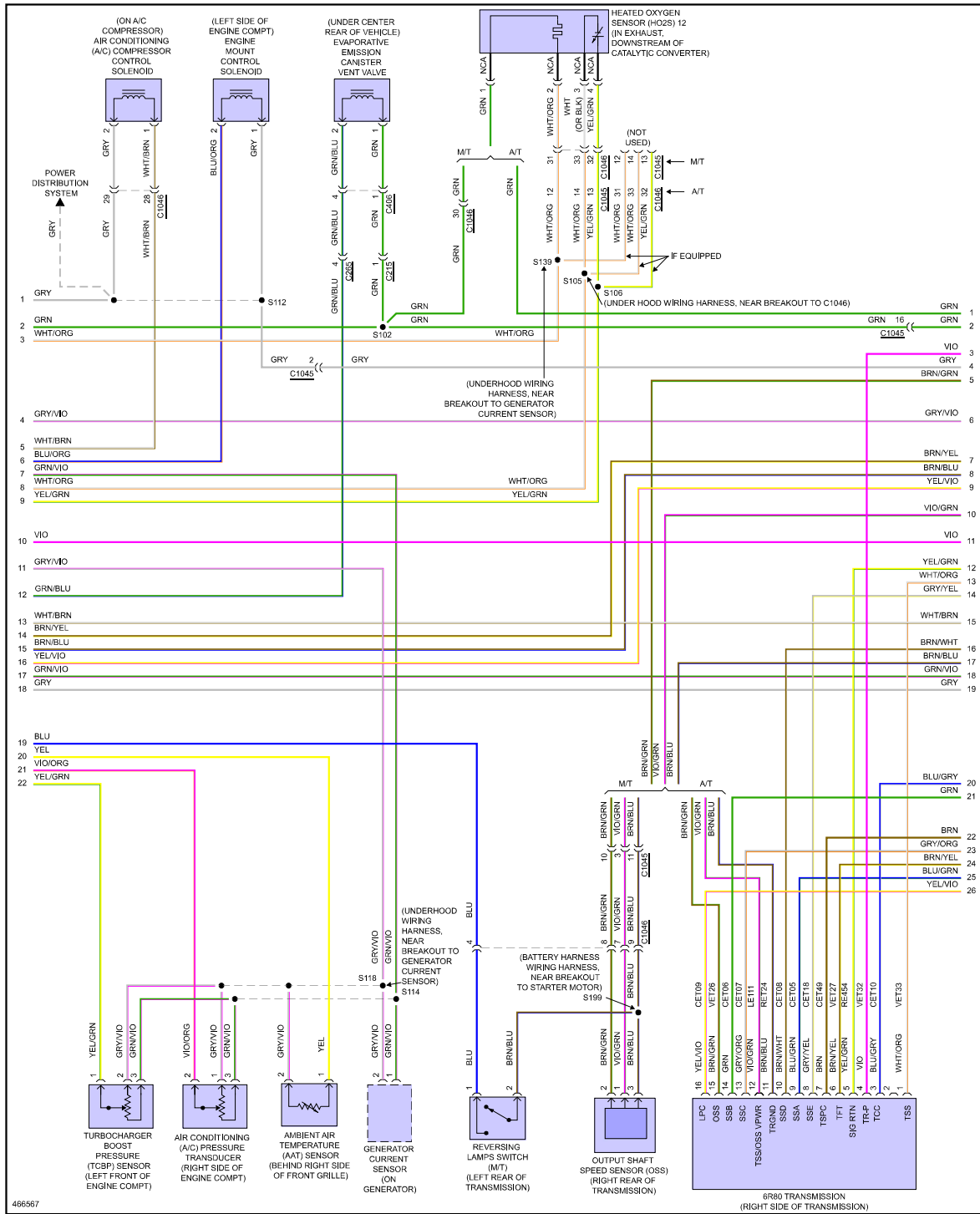
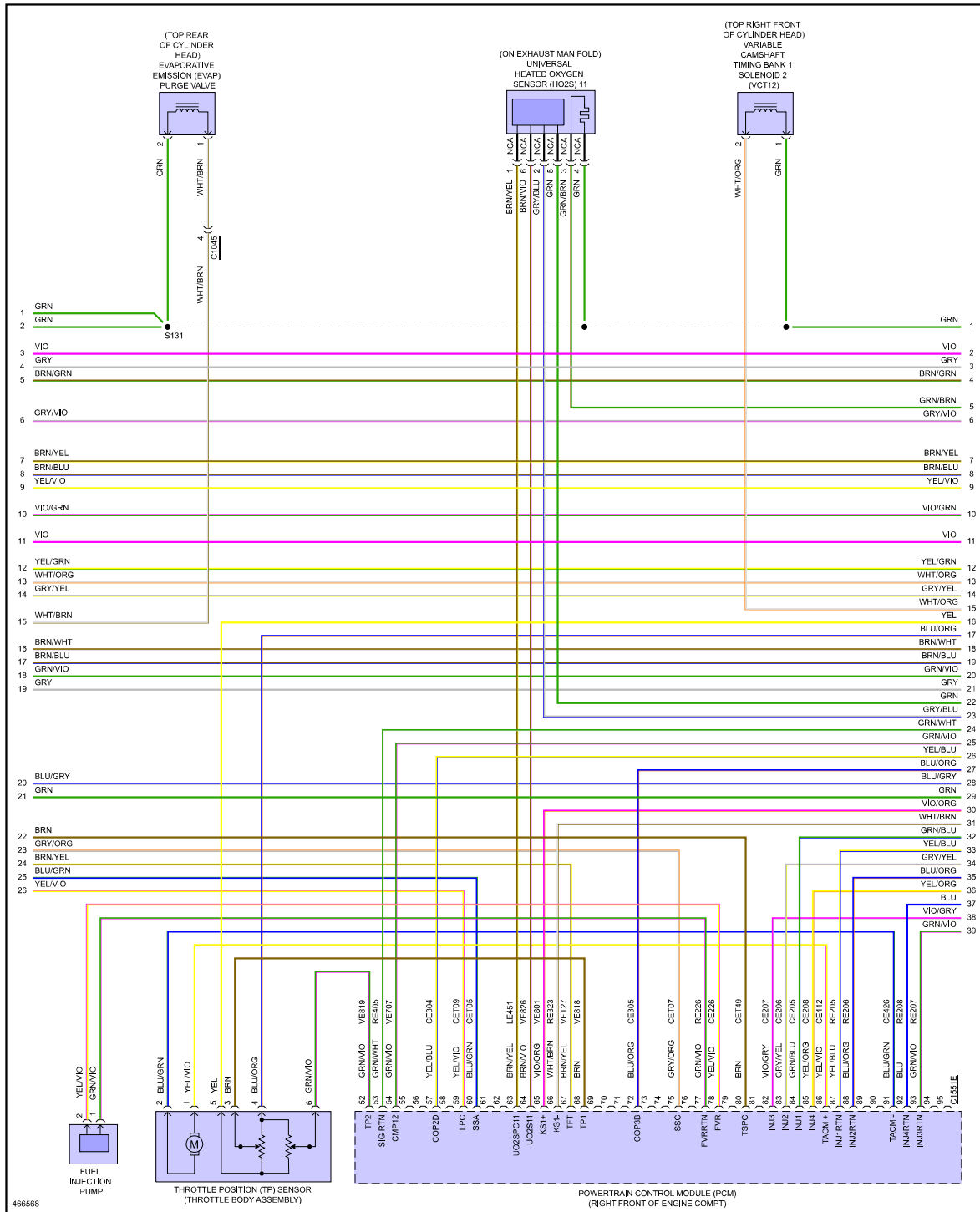
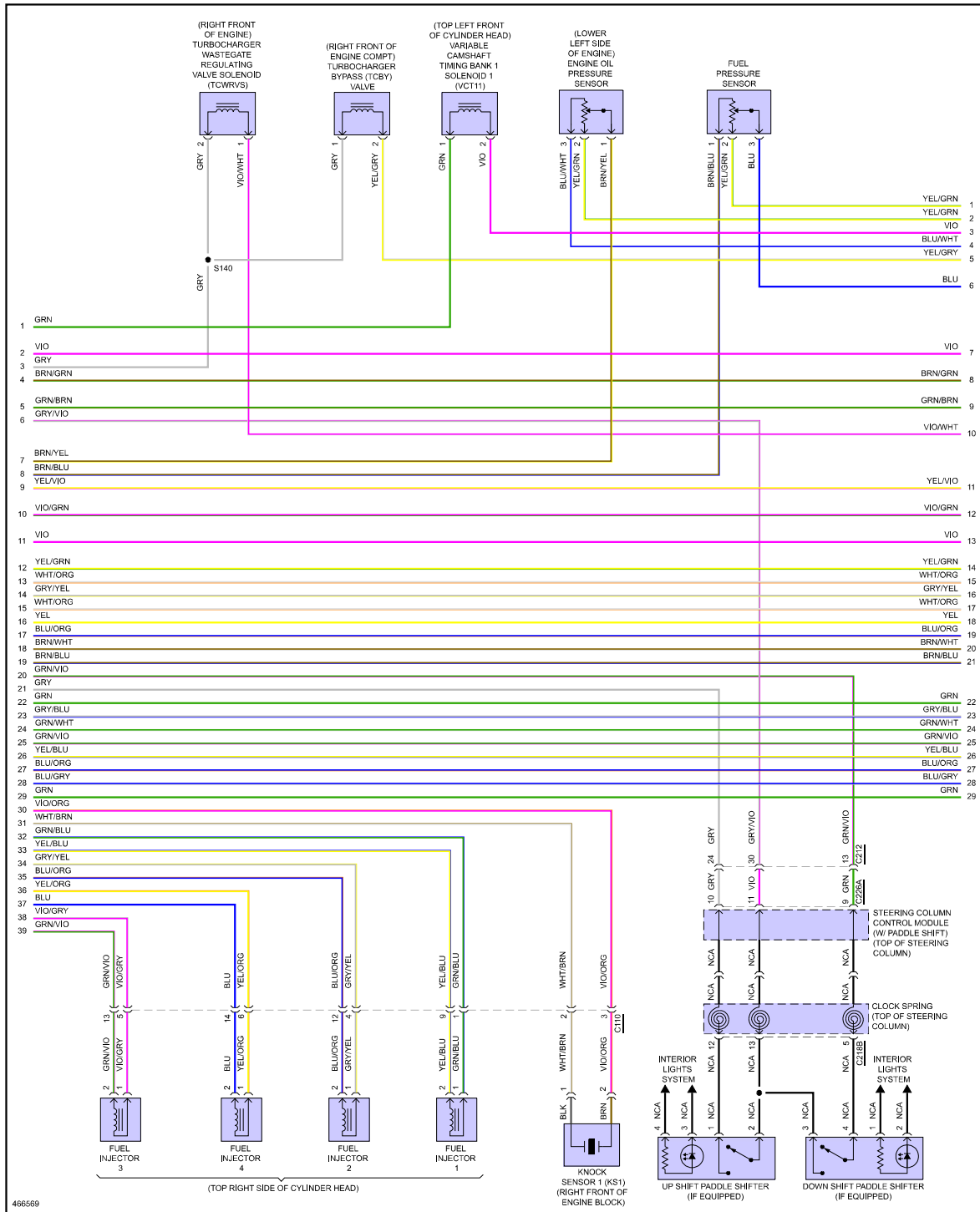


Fig 4: 2.3L Turbo, Engine Performance Circuit (4 of 6)



466568

Fig 5: 2.3L Turbo, Engine Performance Circuit (5 of 6)



466569

Fig 6: 2.3L Turbo, Engine Performance Circuit (6 of 6)

