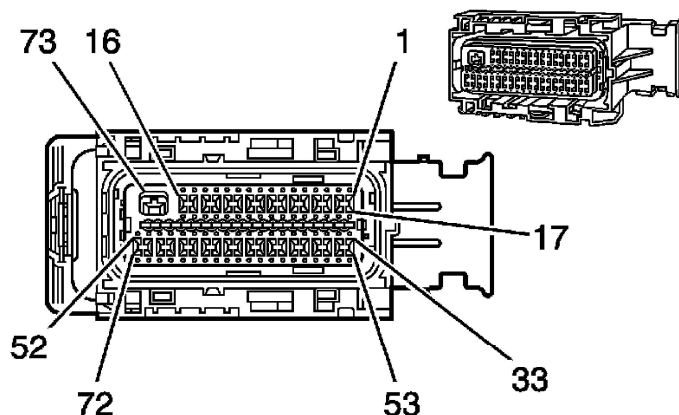


Vehicle: Connector Views

Engine Control Module (ECM) X2

Component Connector End Views

Engine Control Module (ECM) X2 (LSA)



Connector Part Information

- Harness Type: Engine
- OEM Connector: 12582677
- Service Connector: 88988931
- Description: 73-Way F 0.64/2.8 Series, Sealed (BK with BK Terminal Position Assurance Lock)

Terminal Part Information

- Pins: 1-5, 11-13, 16-19, 24, 25, 28, 32-35, 40-42, 48, 49, 52-55, 60, 62, 67-72
- Terminated Lead: 13575575
- Release Tool: J-38125-213
- Diagnostic Test Probe: J-35616-64B (L-BU)
- Terminal/Tray: 33467-0005/23
- Core/Insulation Crimp: J/J
- Pins: 6-9, 23, 27, 29, 39, 43-45, 59, 63-66
- Terminated Lead: 13575811
- Release Tool: J-38125-213
- Diagnostic Test Probe: J-35616-64B (L-BU)
- Terminal/Tray: 33467-0003/23
- Core/Insulation Crimp: H/H
- Pins: 73
- Terminated Lead: Pending
- Release Tool: J-38125-11A
- Diagnostic Test Probe: J-35616-35 (VT)
- Terminal/Tray: 7116-4152-02/9
- Core/Insulation Crimp: A/5

Engine Control Module (ECM) X2 (LSA)

| Pin | Wire | Circuit | Function |
|-------|-------------|---------|---|
| 1 | 0.5 PU | 2121 | Ignition Control (1) |
| 2 | 0.5 TN | 1664 | HO2S Low Signal - Bank 1 Sensor 1 |
| 3 | 0.5 PU/WH | 1665 | HO2S High Signal - Bank 1 Sensor 1 |
| 4 | 0.5 PU/WH | 1668 | HO2S High Signal - Bank 1 Sensor 2 |
| 5 | 0.5 TN/WH | 1669 | HO2S Low Signal - Bank 1 Sensor 2 |
| 6 | 0.35 L-BU | 1876 | Knock Sensor (KS) 2 Signal |
| 7 | 0.35 GY | 2303 | Knock Sensor (KS) Signal |
| 8 | 0.35 D-BU | 496 | Knock Sensor (KS) 1 Signal |
| 9 | 0.35 GY | 1716 | Knock Sensor (KS) 1 Signal |
| 10 | - | - | Not Used |
| 11 | 0.5 YE | 581 | Throttle Actuator Control Open |
| 12 | 0.5 BN | 582 | Throttle Actuator Control Close |
| 13 | 0.8 PK/BK | 5290 | Ignition 1 Voltage |
| 14-15 | - | - | Not Used |
| 16 | 0.5 PK/BK | 1746 | Fuel Injector 3 Control |
| 17 | 0.5 PU/WH | 2128 | Ignition Control (8) |
| 18 | 0.5 D-GN/WH | 2124 | Ignition Control (4) |
| 19 | 0.8 BN/WH | 2130 | Ignition Control Low Reference Bank 2 |
| 20-22 | - | - | Not Used |
| 23 | 0.35 BN | 6266 | Low Reference |
| 24 | 0.8 BK | 2755 | Oil Pressure Sensor Low Reference |
| 25 | 0.8 D-GN | 7125 | Super Charger Inlet Air Pressure Sensor Return |
| 26 | - | - | Not Used |
| 27 | 0.35 GY/BK | 6272 | Low Reference |
| 28 | 0.8 PK/BK | 5290 | Ignition 1 Voltage |
| 29 | 0.35 TN | 2752 | Low Reference |
| 30-31 | - | - | Not Used |
| 32 | 0.5 L-GN/BK | 1745 | Fuel Injector 2 Control |
| 33 | 0.5 OG | 2127 | Ignition Control (7) |
| 34 | 0.5 D-GN | 2125 | Ignition Control (5) |
| 35 | 0.8 BN | 2129 | Ignition Control Low Reference Bank 1 |
| 36-38 | - | - | Not Used |
| 39 | 0.35 D-BU | 6259 | 5-Volt Reference 1 |
| 40 | 0.8 GY | 2705 | 5-Volt Reference 1 |
| 41 | 0.8 YE/BK | 7124 | 5-Volt Reference 1 |
| 42 | 0.5 TN | 2760 | Intake Air Temperature Sensor Low Reference |
| 43 | 0.35 PU/WH | 6270 | 5-Volt Reference 2 |
| 44 | 0.35 GY | 2701 | 5-Volt Reference 2 |
| 45 | 0.35 OG/BK | 586 | Transmission Oil Temperature Sensor Low Reference (MG9) |
| 46-47 | - | - | Not Used |
| 48 | 0.5 D-BU/WH | 878 | Fuel Injector 8 Control |
| 49 | 0.5 TN/WH | 845 | Fuel Injector 5 Control |

| Pin | Wire | Circuit | Function |
|-------|--------------|---------|--|
| 50-51 | - | - | Not Used |
| 52 | 0.5 YE/BK | 846 | Fuel Injector 6 Control |
| 53 | 0.5 OG/WH | 2122 | Ignition Control (2) |
| 54 | 0.5 D-BU/WH | 2126 | Ignition Control (6) |
| 55 | 0.5 D-BU | 2123 | Ignition Control (3) |
| 56-58 | - | - | Not Used |
| 59 | 0.35 D-BU/WH | 6265 | CMP Sensor Signal |
| 60 | 0.8 TN/WH | 331 | Oil Pressure Sensor Signal |
| 61 | - | - | Not Used |
| 62 | 0.5 TN | 472 | Induction Air Temperature Sensor Signal |
| 63 | 0.35 WH/BK | 6271 | CKP Sensor Signal |
| 64 | 0.35 D-GN | 485 | Throttle Position Sensor Signal (1) |
| 65 | 0.35 TN/WH | 585 | Transmission Oil Temperature Sensor Signal (MG9) |
| 66 | 0.35 PU | 486 | Throttle Position Sensor Signal (2) |
| 67 | 0.5 YE | 492 | Mass Air Flow Sensor Signal |
| 68 | 0.5 GY/WH | 3113 | HO2S Heater Low Control - Bank 1 Sensor 1 |
| 69 | 0.5 GY/WH | 3122 | HO2S Heater Low Control - Bank 1 Sensor 2 |
| 70 | 0.5 L-BU/BK | 844 | Fuel Injector 4 Control |
| 71 | 0.5 OG/BK | 877 | Fuel Injector 7 Control |
| 72 | 0.5 TN | 1744 | Fuel Injector 1 Control |
| 73 | 3.0 BK | 1550 | Ground |