

PRODEMAND

YMMS: 2022 Ford Mustang Shelby GT500
Engine: 5.2L Eng
VIN:

Nov 14, 2022
License:
Odometer:

ENGINE PERFORMANCE > 2.3L TURBO

Fig 1: 2.3L Turbo, Engine Performance Circuit (1 of 8)

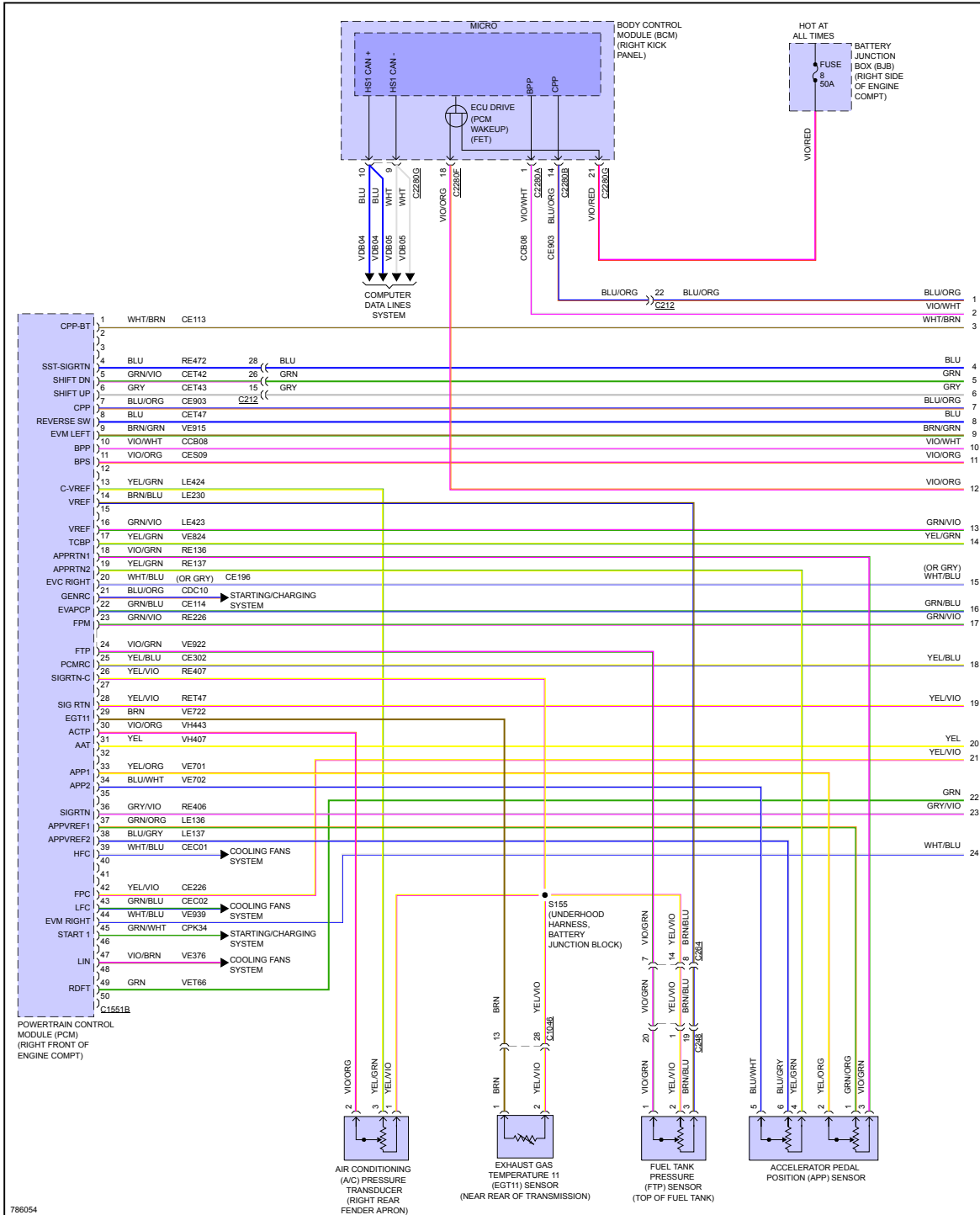


Fig 2: 2.3L Turbo, Engine Performance Circuit (2 of 8)

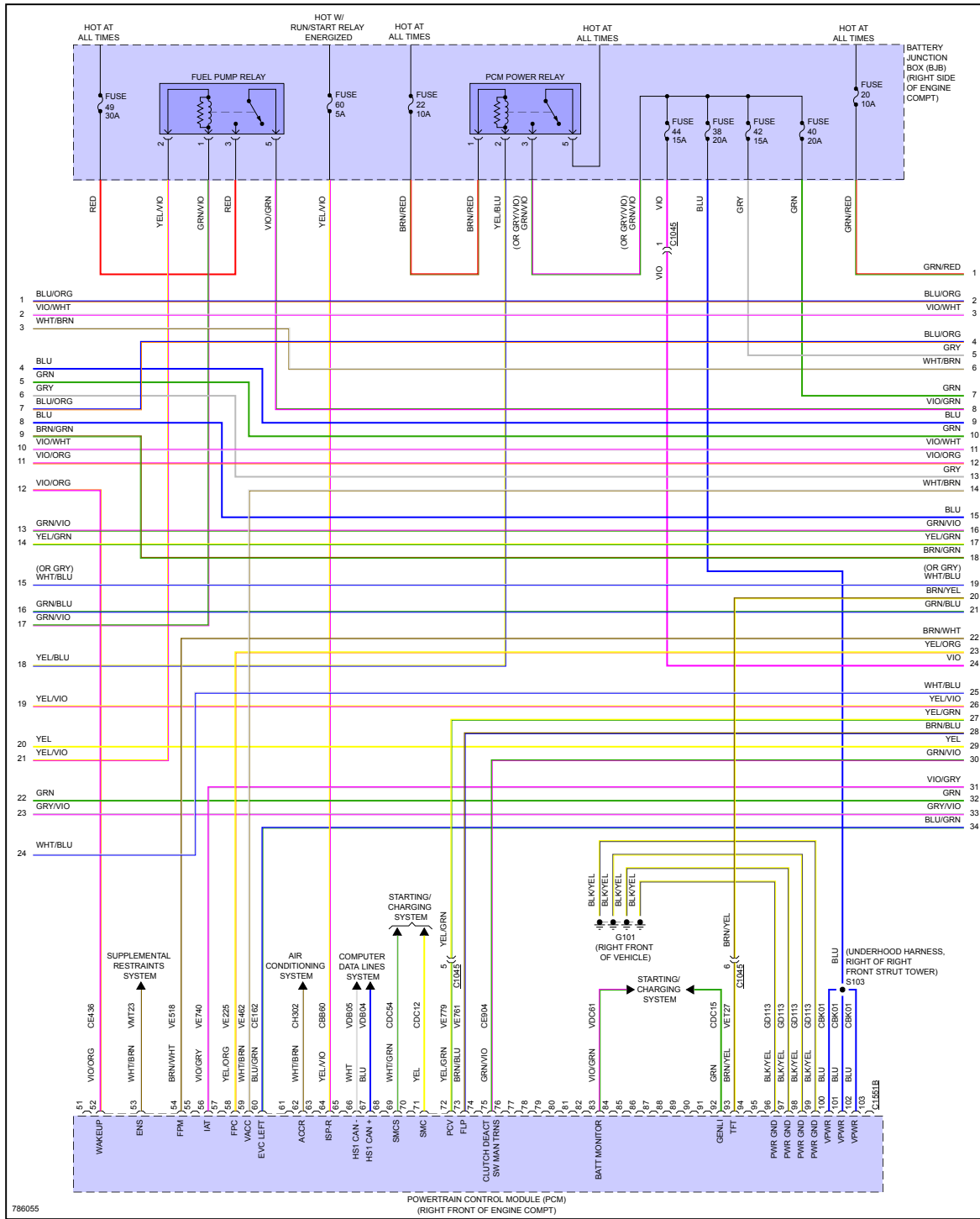
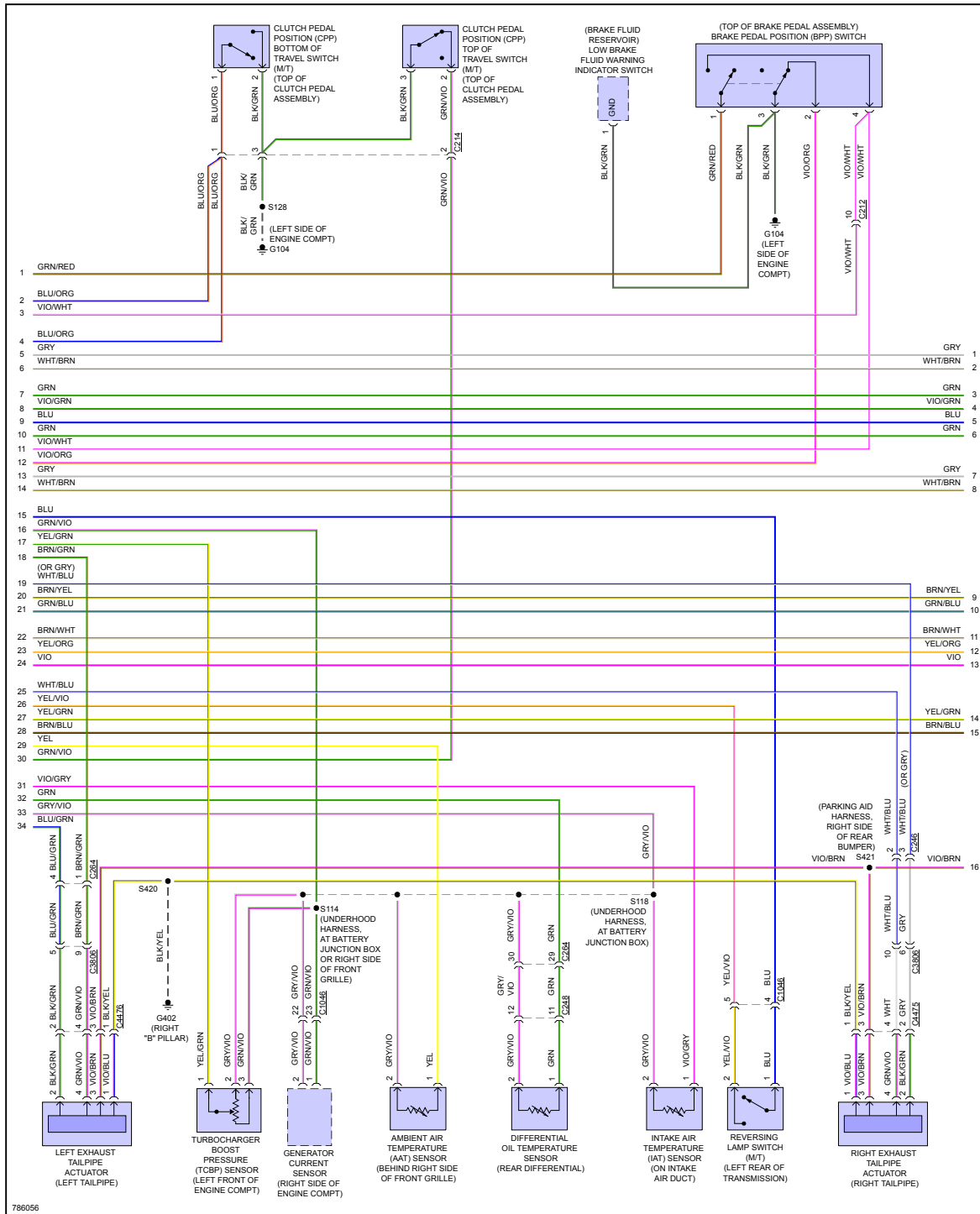
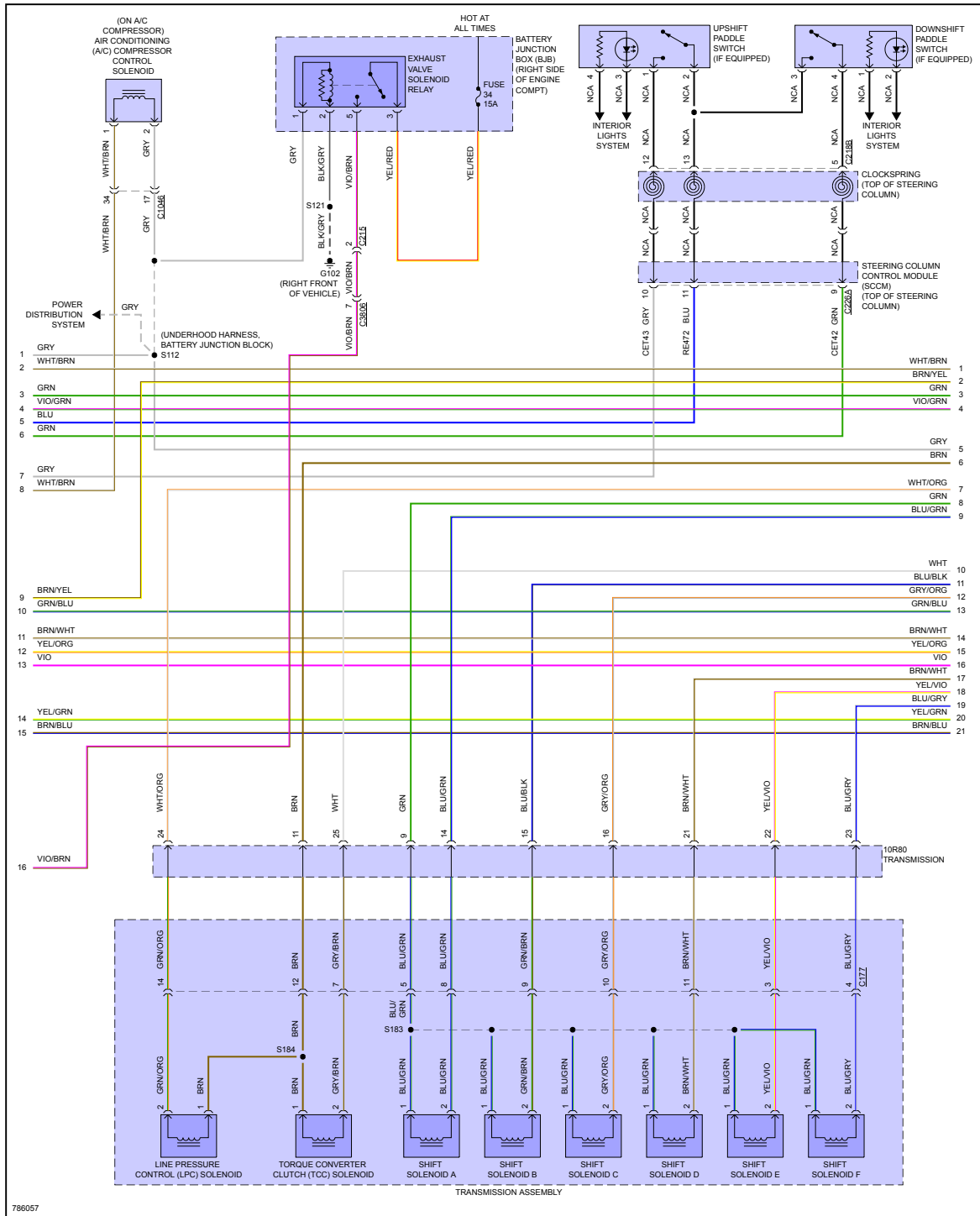


Fig 3: 2.3L Turbo, Engine Performance Circuit (3 of 8)



786056

Fig 4: 2.3L Turbo, Engine Performance Circuit (4 of 8)



786057

Fig 5: 2.3L Turbo, Engine Performance Circuit (5 of 8)

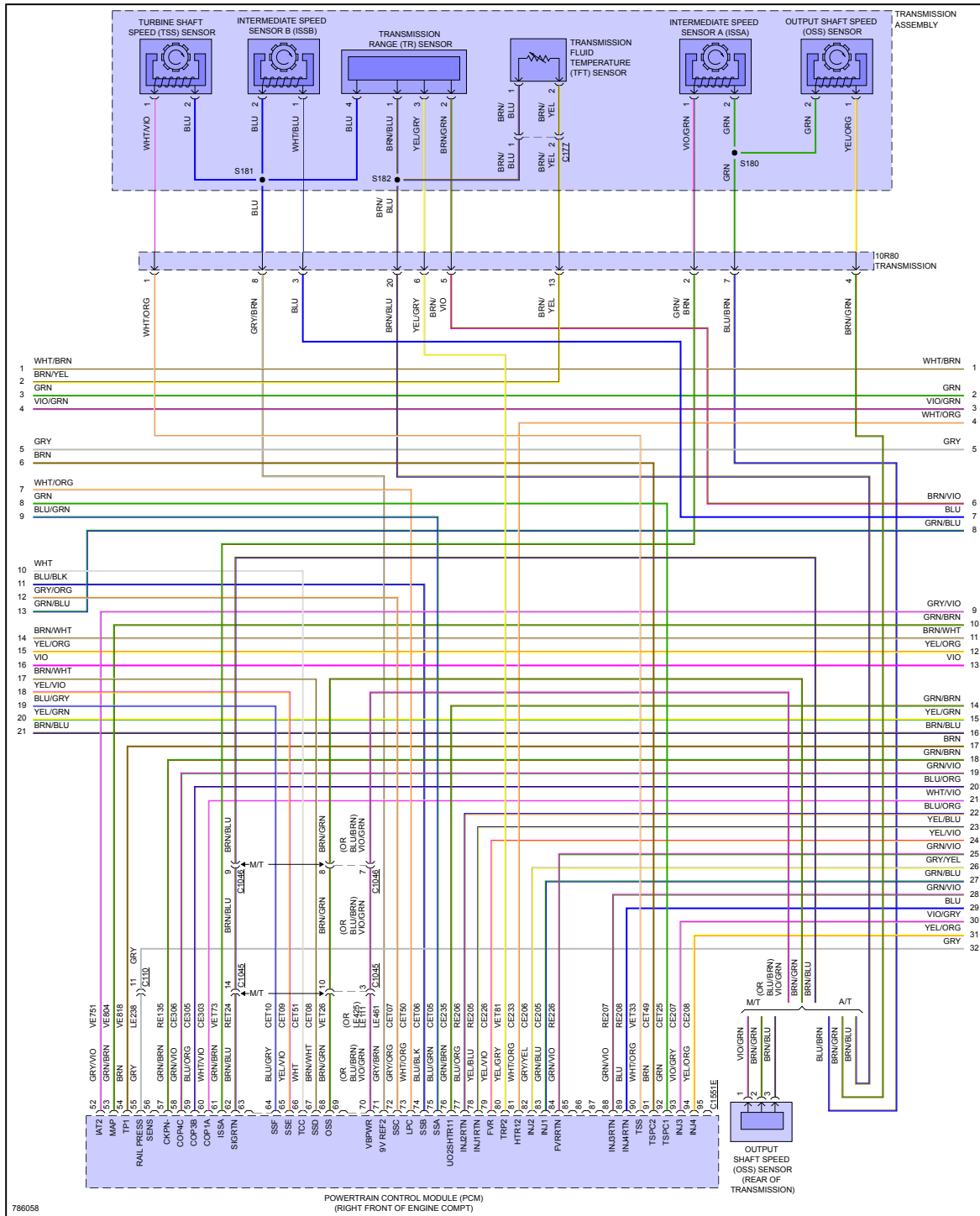
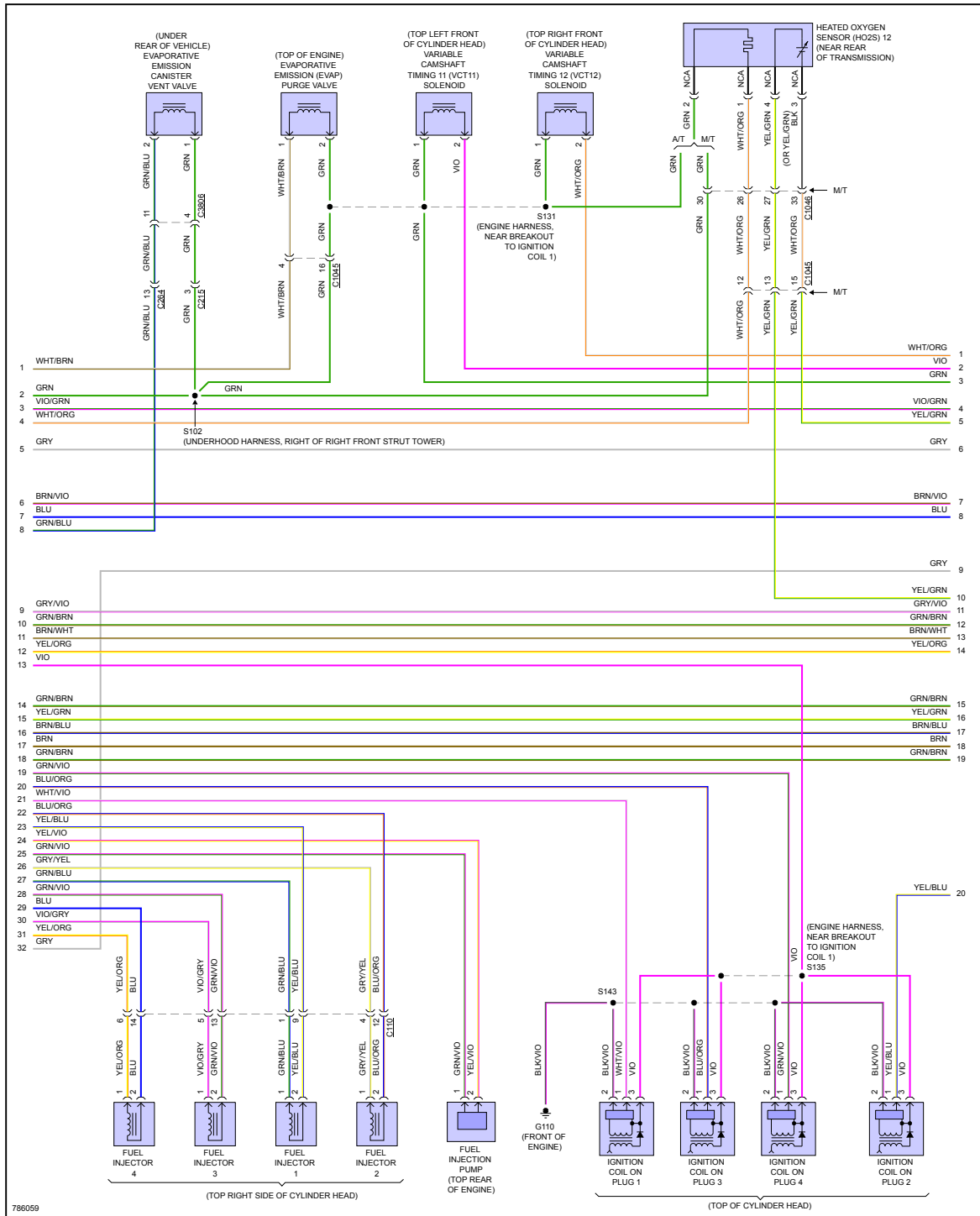
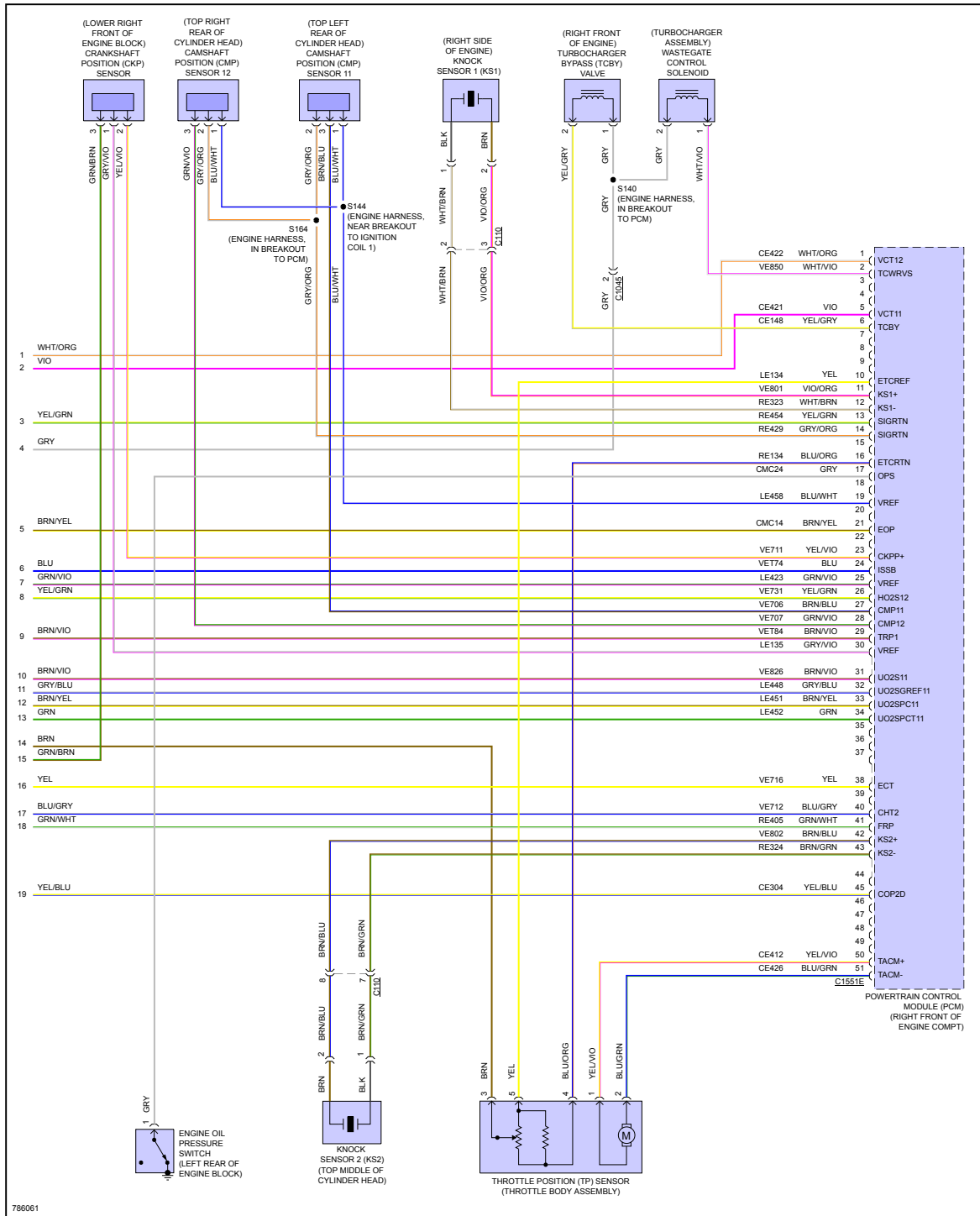


Fig 6: 2.3L Turbo, Engine Performance Circuit (6 of 8)



786059

Fig 8: 2.3L Turbo, Engine Performance Circuit (8 of 8)



786061

