

PRODEMAND

YMMS: 2015 Ford Mustang V6

Jun 15, 2023

Engine: 3.7L Eng

License:

VIN:

Odometer:

ENGINE PERFORMANCE > 3.7L

Fig 1: 3.7L, Engine Performance Circuit (1 of 6)

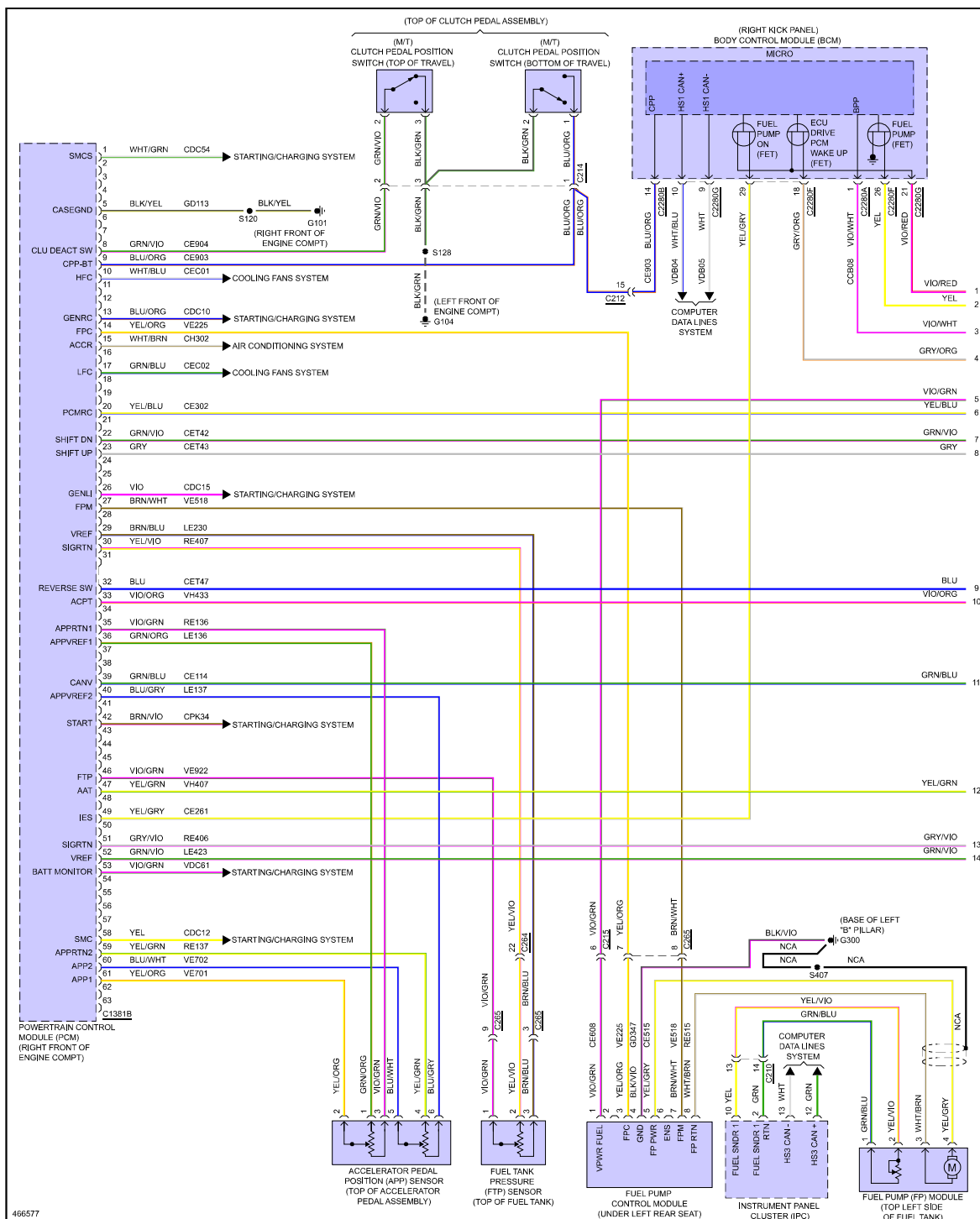


Fig 2: 3.7L, Engine Performance Circuit (2 of 6)

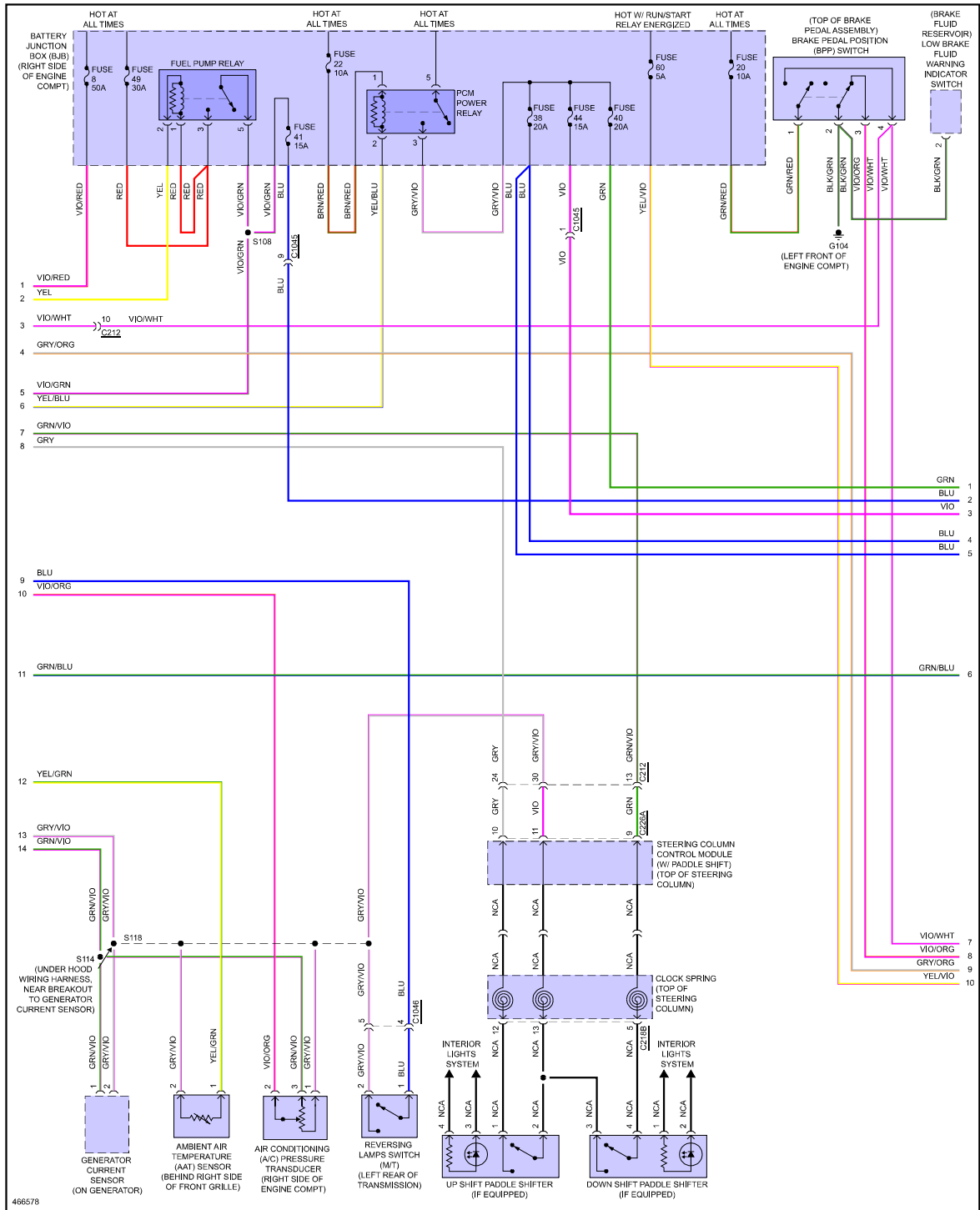


Fig 3: 3.7L, Engine Performance Circuit (3 of 6)

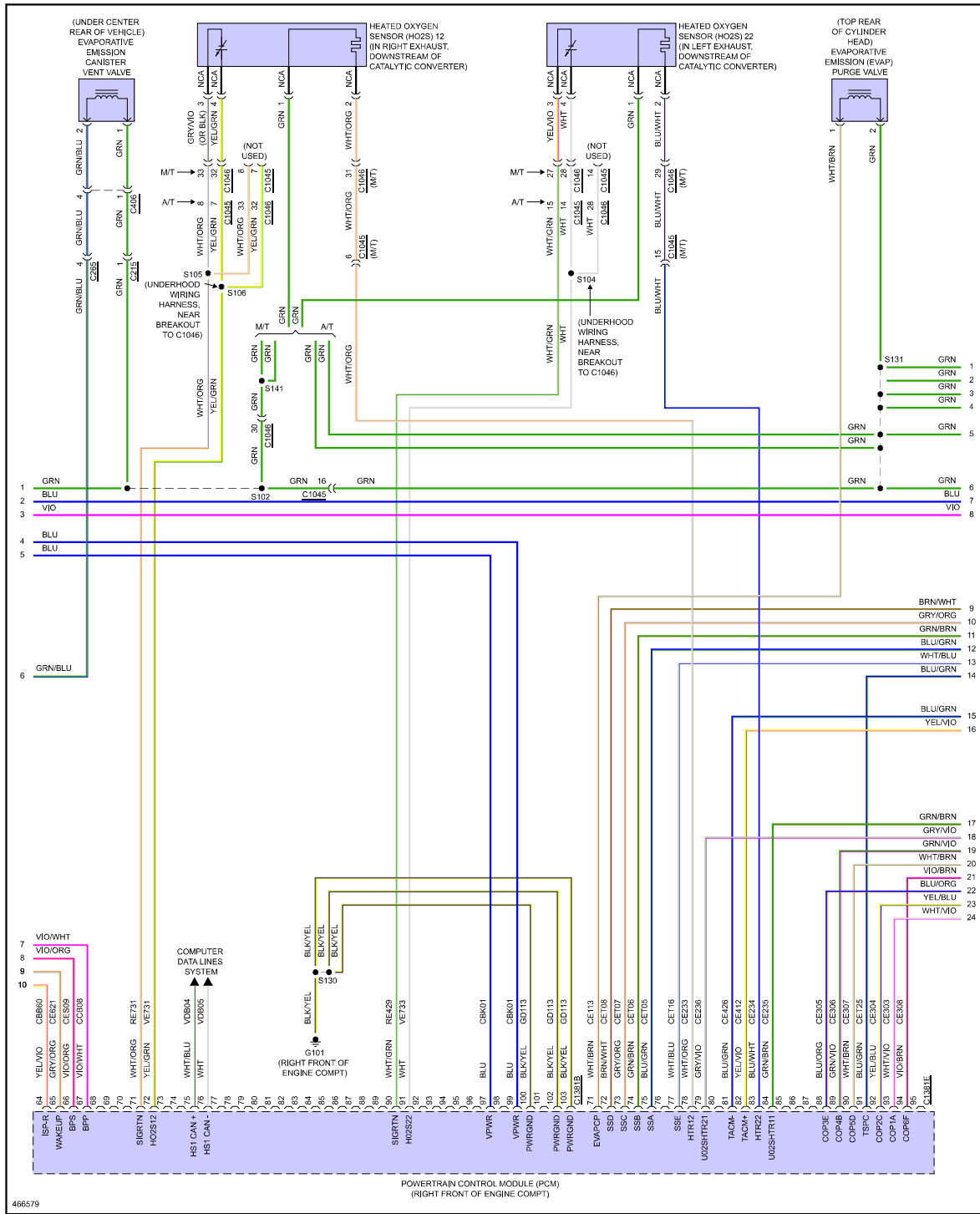


Fig 4: 3.7L, Engine Performance Circuit (4 of 6)

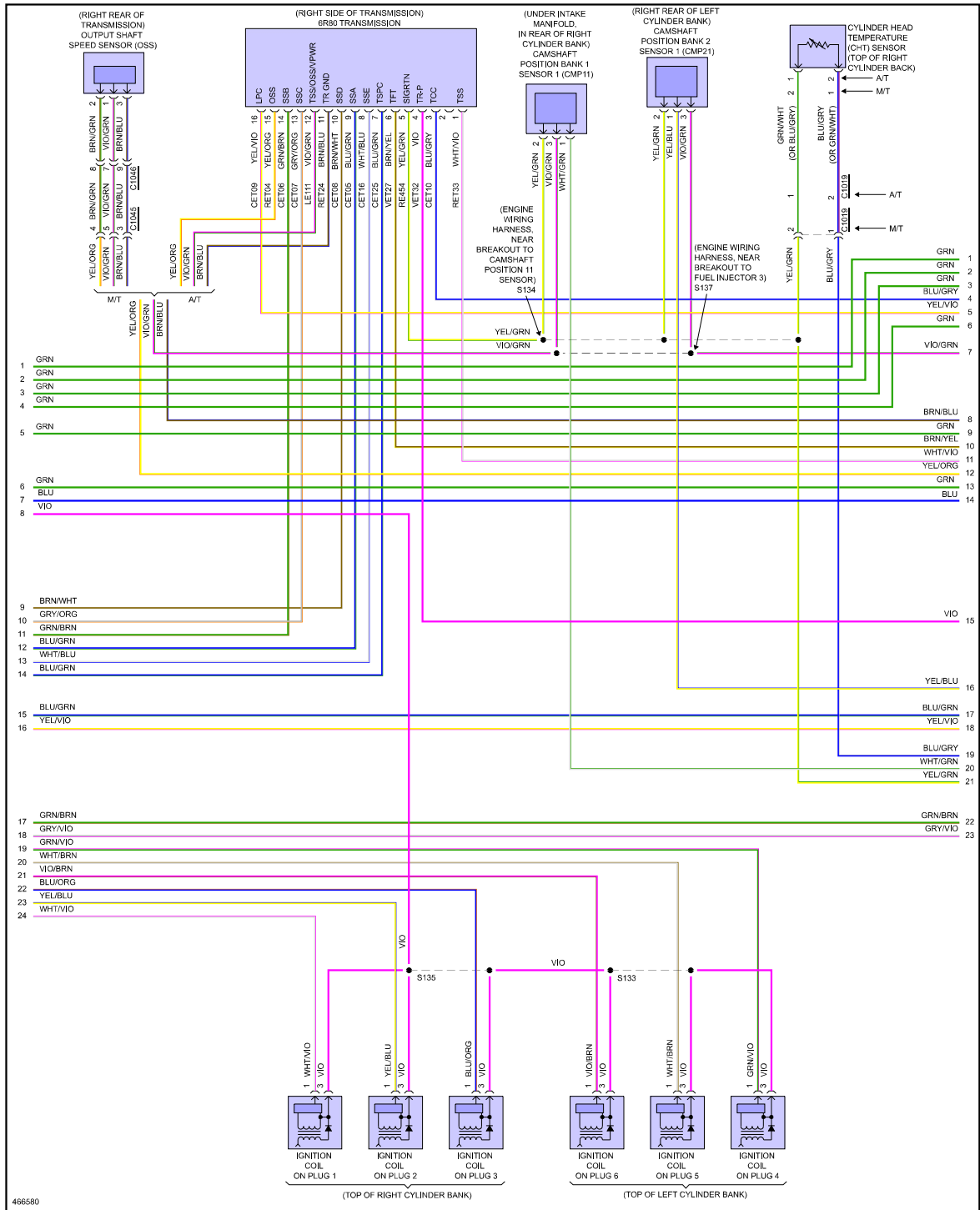


Fig 5: 3.7L, Engine Performance Circuit (5 of 6)

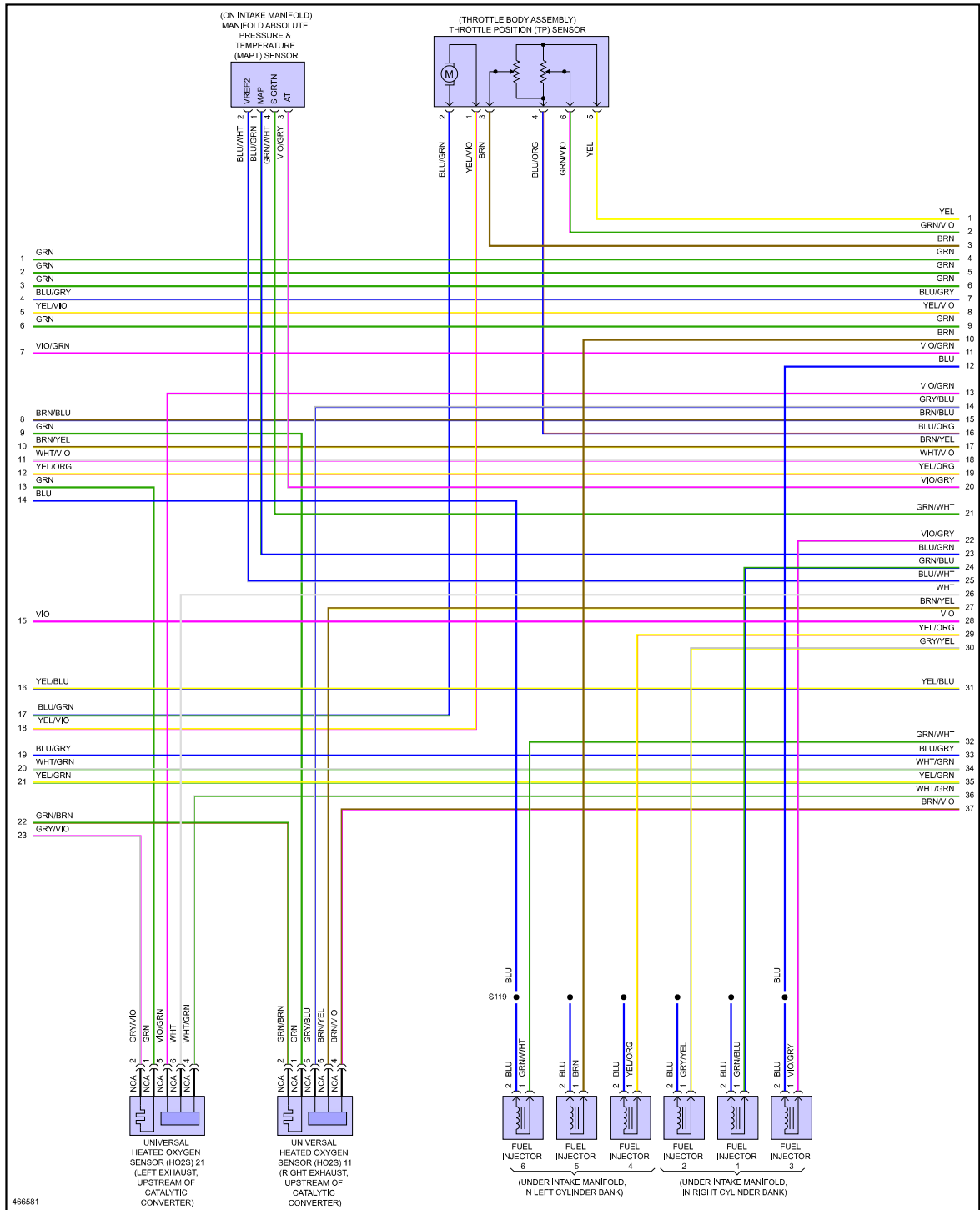


Fig 6: 3.7L, Engine Performance Circuit (6 of 6)

