

Standard equipment
from May 2006



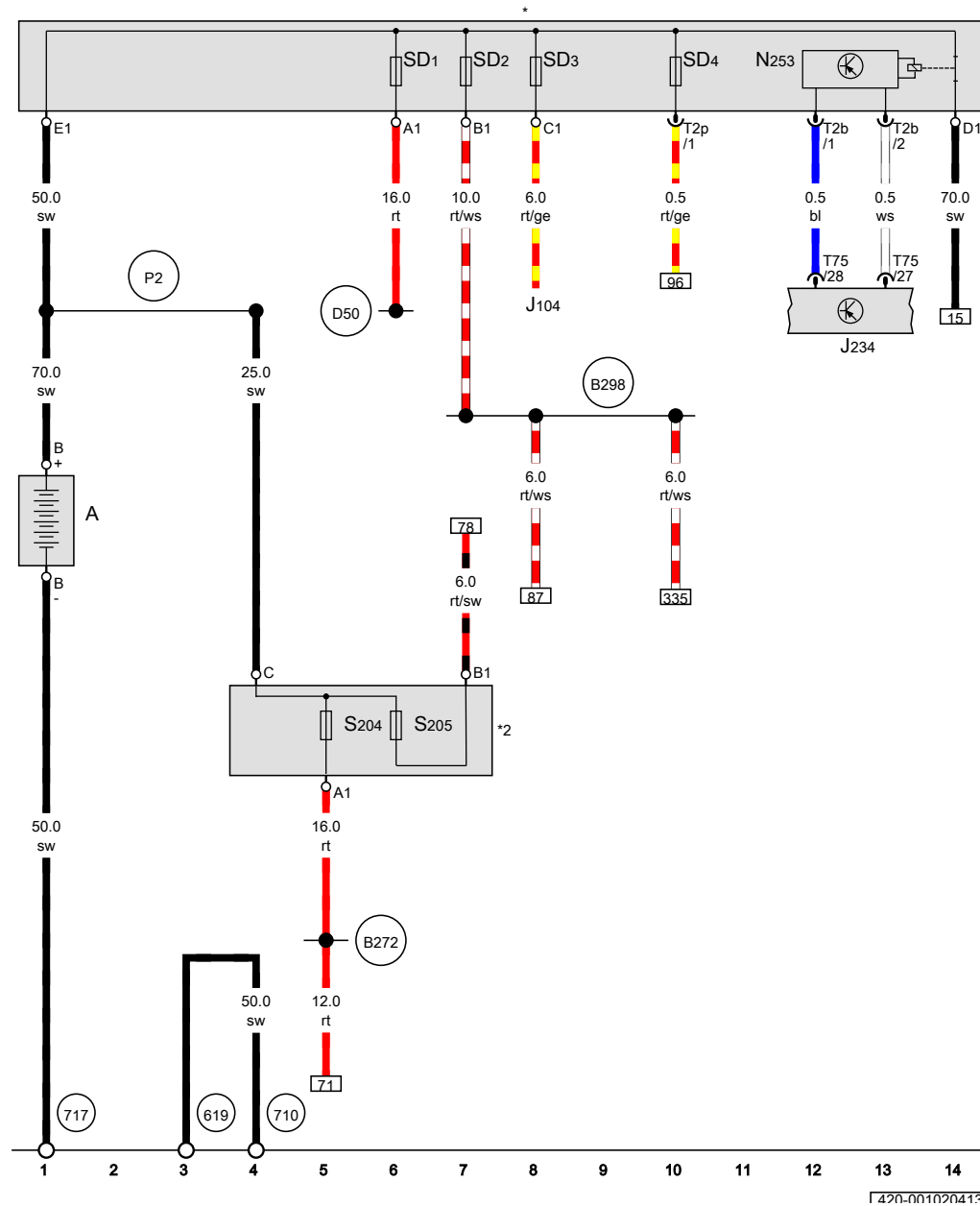
Audi

Protected by copyright. Copying for private or commercial purposes, in part or in whole, is not permitted unless authorised by AUDI AG. AUDI AG does not guarantee or accept any liability with respect to the correctness of information in this document. Copyright by AUDI AG.



Battery, Battery interrupt igniter

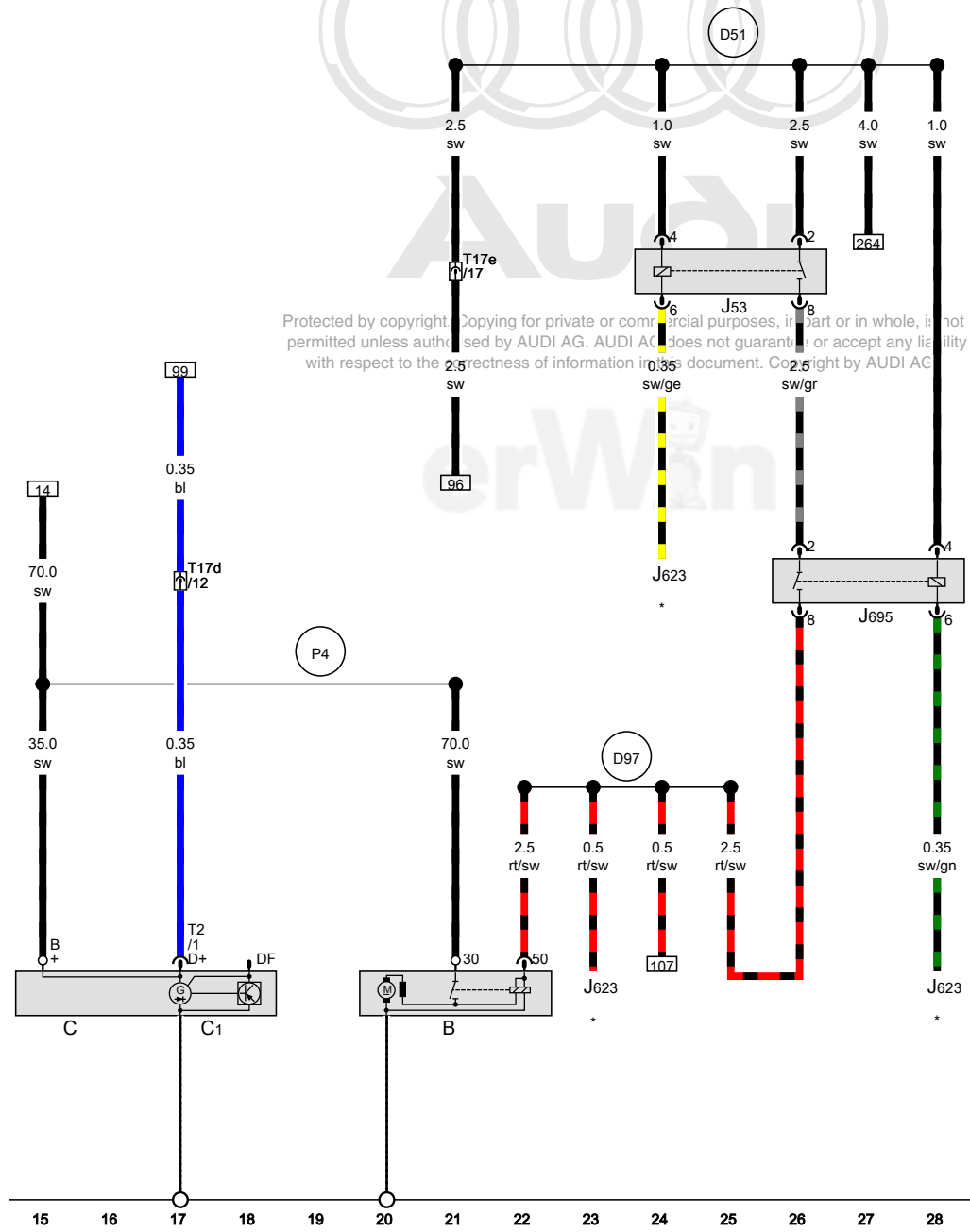
- A Battery
- J104 ABS control module
- J234 Airbag control module
- N253 Battery interrupt igniter
- SD1 Fuse 1 (on fuse panel D)
- SD2 Fuse 2 (on fuse panel D)
- SD3 Fuse 3 (on fuse panel D)
- SD4 Fuse 4 (on fuse panel D)
- S204 Fuse 1 (terminal 30)
- S205 Fuse 2 (terminal 30), in the right front footwell
- T2b Double connector
- T2p Double connector, black
- T75 75-pin connector, yellow
- 619 Ground connection on engine block, lower left
- 710 Ground connection 2 on left rear chassis side member
- 717 Ground connection on right front crossmember
- B272 Positive connection (30) (in main wiring harness)
- B298 Positive connection 2 (30) (in main wiring harness)
- D50 Positive connection (30) (in engine compartment wiring harness)
- P2 Positive connection (30) (in battery wiring harness)
- * Main fuse box in the right front footwell
- *2 Main distribution in the right front footwell



Protected by copyright. Copying for private or commercial purposes, in part or in whole, is not permitted unless authorised by AUDI AG. AUDI AG does not guarantee or accept any liability with respect to the correctness of information in this document. Copyright by AUDI AG.



1420-001020413



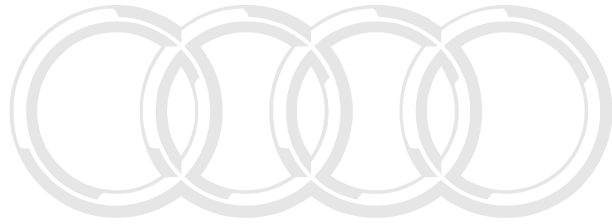
Protected by copyright. Copying for private or commercial purposes, in part or in whole, is not permitted unless authorized by AUDI AG. AUDI AG does not guarantee or accept any liability with respect to the correctness of information in this document. Copyright by AUDI AG

Starter, Generator, Starter relay, Relay 2 for starter

- B Starter
- C Generator
- C1 Voltage regulator
- J53 Starter relay, 9-pin relay and fuse panel C under the rear shelf, right
- J623 Engine control module
- J695 Relay 2 for starter, 9-pin relay and fuse panel C under the rear shelf, right
- T2 Double connector
- T2a Double connector
- T17d 17-pin connector, Connector station under the rear shelf, right, brown
- T17e 17-pin connector, Connector station under the rear shelf, right, red
- D51 Positive connection 1 (15) (in engine compartment wiring harness)
- D97 Connection 50 (in right engine compartment wiring harness)
- P4 Positive connection 2 (30) (in battery wiring harness)
- * Refer to applicable engine wiring diagram

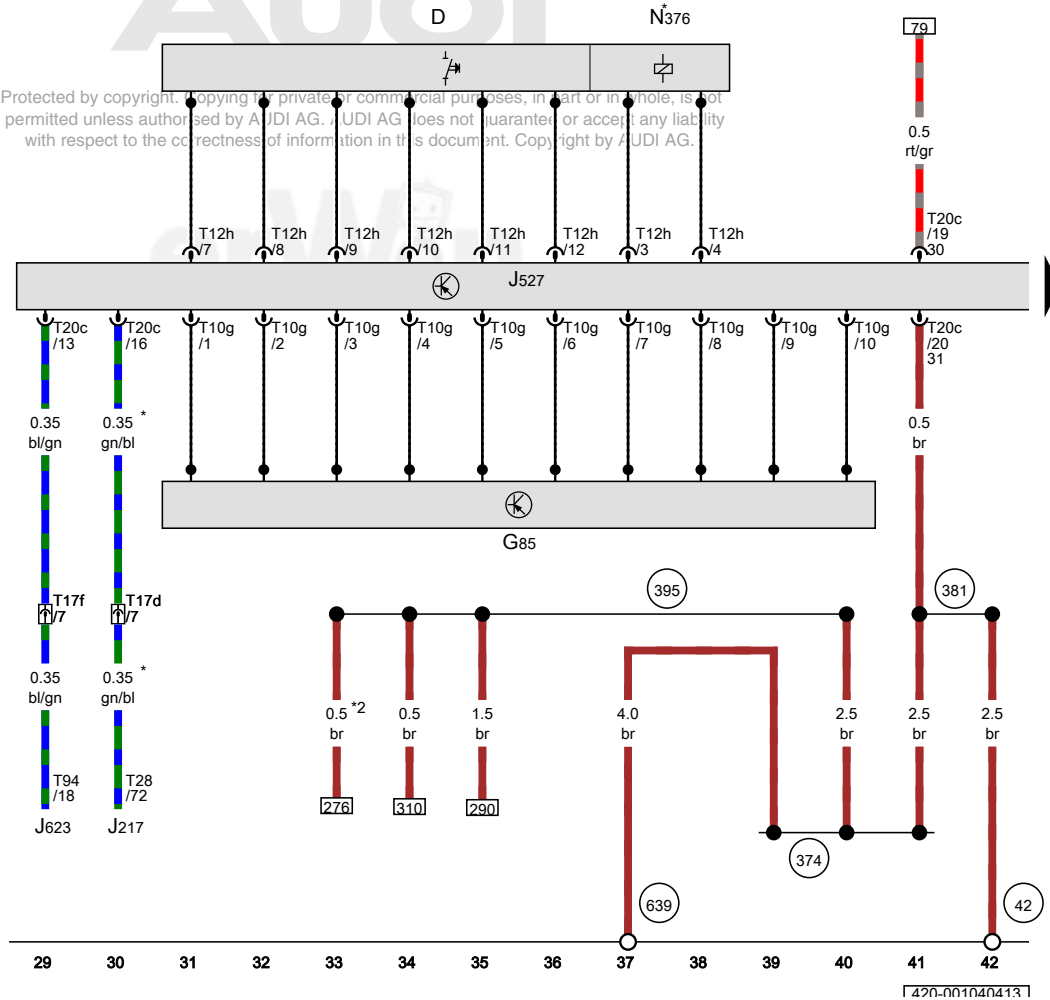
- ws = white
- sw = black
- ro = red
- rt = red
- br = brown
- gn = green
- bl = blue
- gr = grey
- li = lilac
- vi = lilac
- ge = yellow
- or = orange
- rs = pink

1420-001030413



Audi

Protected by copyright. Copying for private or commercial purposes, in part or in whole, is not permitted unless authorised by AUDI AG. AUDI AG does not guarantee or accept any liability with respect to the correctness of information in this document. Copyright by AUDI AG.



Ignition/starter switch, Steering column electronics control module

- D Ignition/starter switch
- G85 Steering angle sensor
- J217 Transmission control module
- J527 Steering column electronics control module
- J623 Engine control module
- N376 Ignition switch key lock solenoid
- T10g 10-pin connector
- T12h 12-pin connector
- T17d 17-pin connector, Connector station under the rear shelf, right, brown
- T17f 17-pin connector, on the fuel tank filler neck
- T20c 20-pin connector, black
- T28 28-pin connector, black
- T94 94-pin connector, black

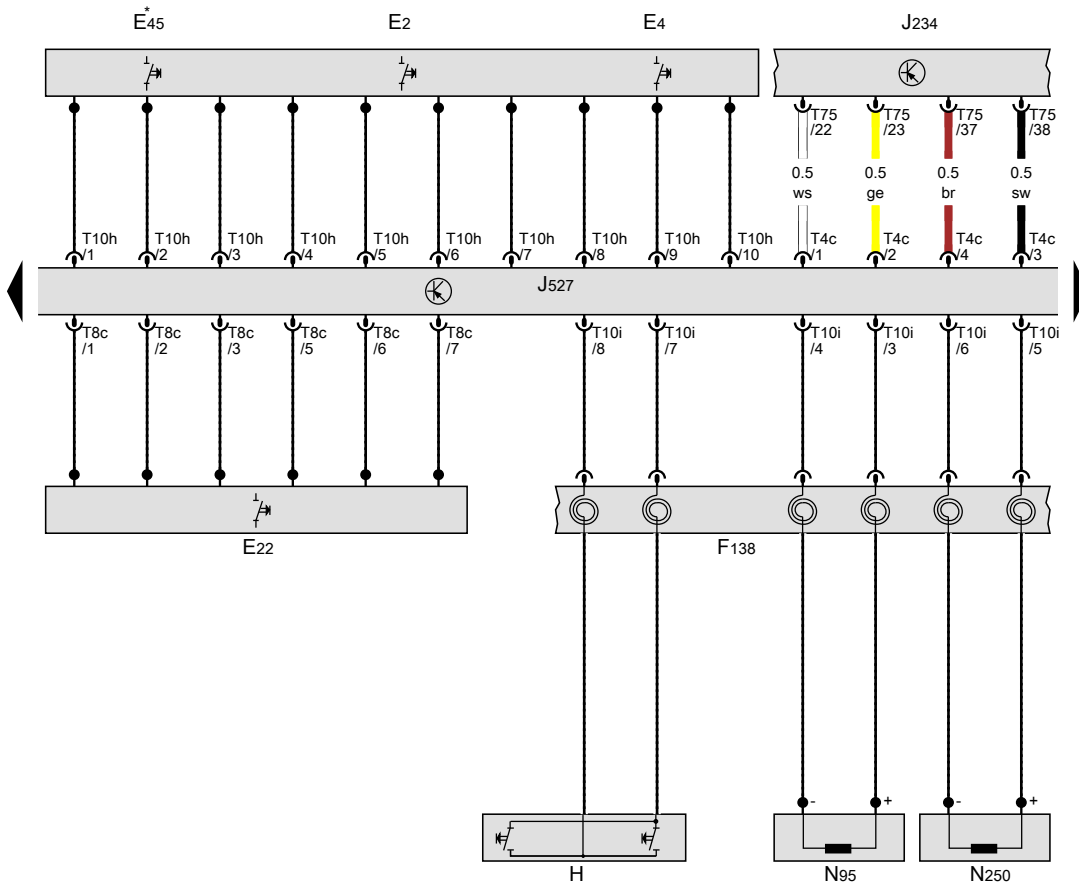
- 42 Ground connection near steering column
- 374 Ground connection 9 (in main wiring harness)
- 381 Ground connection 16 (in main wiring harness)
- 395 Ground connection 30 (in main wiring harness)
- 639 Ground connection on left A-pillar
- * Only for vehicles with automated manual transmission (R tronic) 086
- *2 Only for vehicles with a manual transmission

- ws = white
- sw = black
- ro = red
- rt = red
- br = brown
- gn = green
- bl = blue
- gr = grey
- li = lilac
- vi = lilac
- ge = yellow
- or = orange
- rs = pink

1 427 001 020 413 1

Turn signal switch, Headlamp dimmer/flasher switch, Windshield wiper intermittent mode switch, Cruise control switch, Signal horn activation, Steering column electronics control module

- E2 Turn signal switch
- E4 Headlamp dimmer/flasher switch
- E22 Windshield wiper intermittent mode switch
- E45 Cruise control switch
- F138 Airbag spiral spring/return spring with slip ring
- H Signal horn activation
- J234 Airbag control module
- J527 Steering column electronics control module
- N95 Driver airbag igniter
- N250 Driver airbag igniter 2
- T4c 4-pin connector, yellow
- T8c 8-pin connector
- T10h 10-pin connector
- T10i 10-pin connector
- T75 75-pin connector, yellow
- * Only for vehicles with cruise control

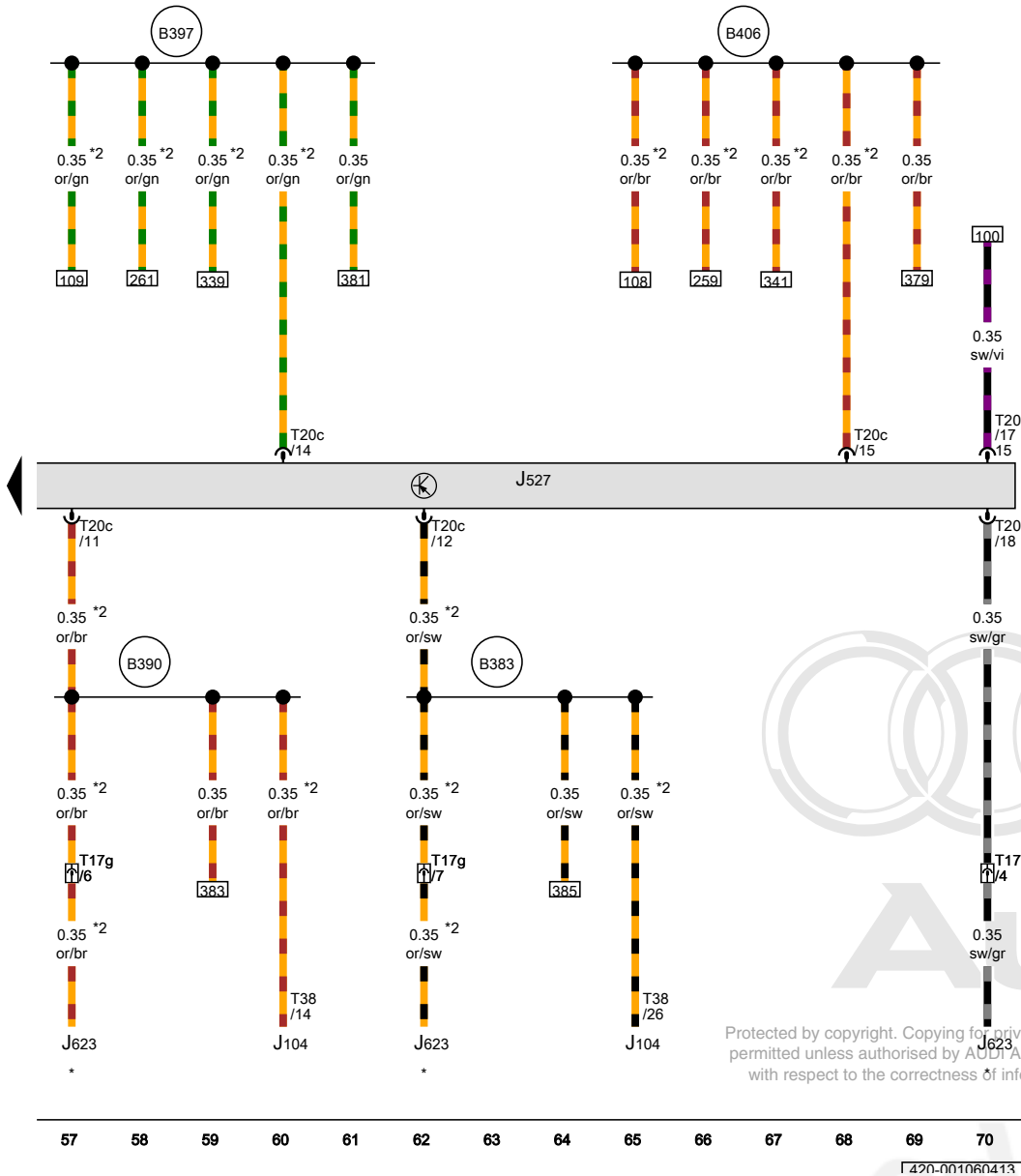


Protected by copyright. Copying for private or commercial purposes, in part or in whole, is not permitted unless authorised by AUDI AG. AUDI AG does not guarantee or accept any liability with respect to the correctness of information in this document. Copyright by AUDI AG.

- ws = white
- sw = black
- ro = red
- rt = red
- br = brown
- gn = green
- bl = blue
- gr = grey
- li = lilac
- vi = lilac
- ge = yellow
- or = orange
- rs = pink

Steering column electronics control module

- J104 ABS control module
- J527 Steering column electronics control module
- J623 Engine control module
- T17d 17-pin connector, Connector station under the rear shelf, right, brown
- T17g 17-pin connector, Connector station under the rear shelf, right, black
- T20c 20-pin connector, black
- T38 38-pin connector, gray
- B383 Powertrain CAN bus high connection 1 (in main wiring harness)
- B390 Powertrain CAN bus low connection 1 (in main wiring harness)
- B397 Comfort system CAN bus high connection 1 (in main wiring harness)
- B406 Comfort system CAN bus low connection 1 (in main wiring harness)
- * Refer to applicable engine wiring diagram
- *2 Data bus wire (CAN bus)



Protected by copyright. Copying for private or commercial purposes, in part or in whole, is not permitted unless authorised by AUDI AG. AUDI AG does not guarantee or accept any liability with respect to the correctness of information in this document. Copyright by AUDI AG.

- ws = white
- sw = black
- ro = red
- rt = red
- br = brown
- gn = green
- bl = blue
- gr = grey
- li = lilac
- vi = lilac
- ge = yellow
- or = orange
- rs = pink



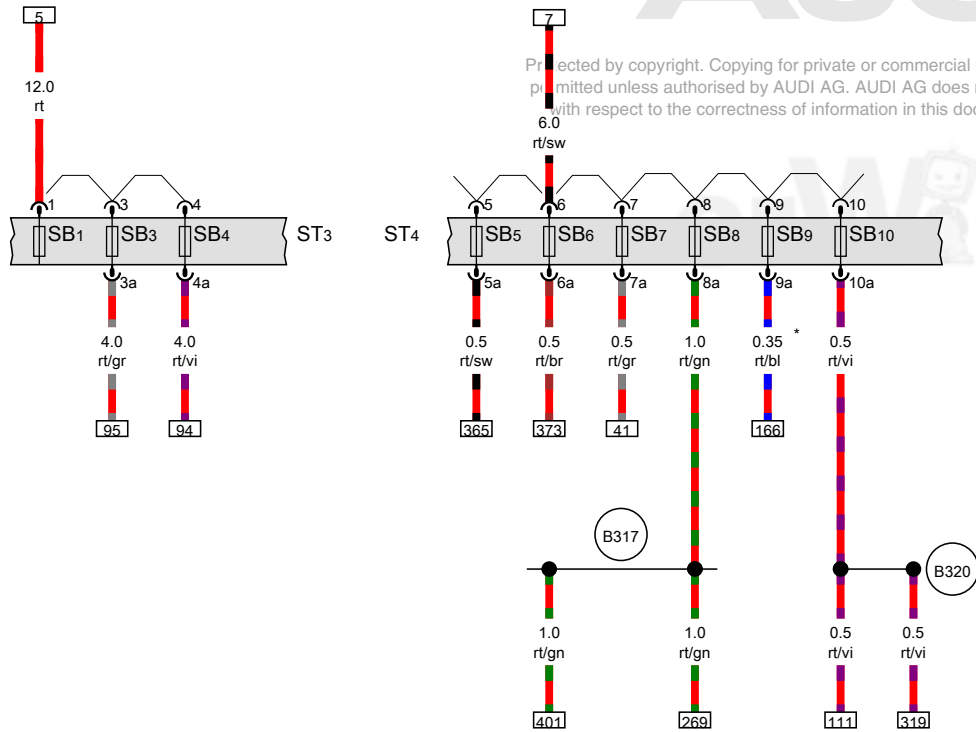
Fuse panel 3, Fuse panel 4

- SB1 Fuse 1 (on fuse panel B)
- SB3 Fuse 3 (on fuse panel B)
- ST3 Fuse panel 3
- ST4 Fuse panel 4
- SB4 Fuse 4 (on fuse panel B)
- SB5 Fuse 5 (on fuse panel B)
- SB6 Fuse 6 (on fuse panel B)
- SB7 Fuse 7 (on fuse panel B)
- SB8 Fuse 8 (on fuse panel B)
- SB9 Fuse 9 (on fuse panel B)
- SB10 Fuse 10 (on fuse panel B)

B317 Positive connection 3 (30a) (in main wiring harness)

B320 Positive connection 6 (30a) (in main wiring harness)

* Only for vehicles with rain/light recognition sensor



Protected by copyright. Copying for private or commercial purposes, in part or in whole, is not permitted unless authorised by AUDI AG. AUDI AG does not guarantee or accept any liability with respect to the correctness of information in this document. Copyright by AUDI AG.

- ws = white
- sw = black
- ro = red
- rt = red
- br = brown
- gn = green
- bl = blue
- gr = grey
- li = lilac
- vi = violet
- ge = yellow
- or = orange
- rs = pink

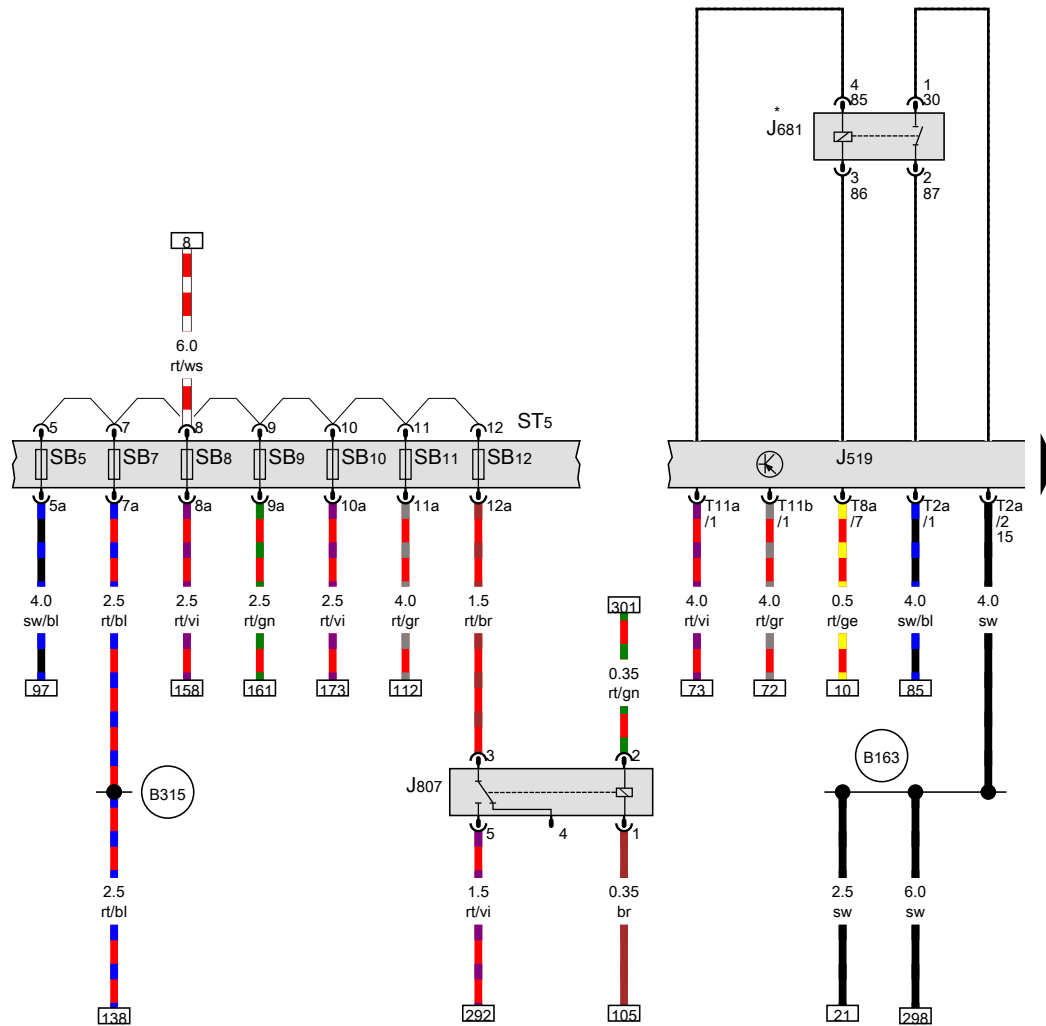
Vehicle electrical system control module, Terminal 15 power supply relay 2, Sockets relay

- J519 Vehicle electrical system control module
- J681 Terminal 15 power supply relay 2
- J807 Sockets relay, Relay carrier in the right front footwell
- ST5 Fuse panel 5
- SB5 Fuse 5 (on fuse panel B)
- SB7 Fuse 7 (on fuse panel B)
- SB8 Fuse 8 (on fuse panel B)
- SB9 Fuse 9 (on fuse panel B)
- SB10 Fuse 10 (on fuse panel B)
- SB11 Fuse 11 (on fuse panel B)
- SB12 Fuse 12 (on fuse panel B)
- T2a Double connector, black
- T8a 8-pin connector, black
- T11a 11-pin connector, black
- T11b 11-pin connector, brown

B163 Positive connection 1 (15) (in interior wiring harness)

B315 Positive connection 1 (30a) (in main wiring harness)

* Relay carrier on the vehicle electrical system control module in the right front footwell



Protected by copyright. Copying for private or commercial purposes, in part or in whole, is not permitted unless authorised by AUDI AG. AUDI AG does not guarantee or accept any liability with respect to the correctness of information in this document. Copyright by AUDI AG.

- ws = white
- sw = black
- ro = red
- rt = red
- br = brown
- gn = green
- bl = blue
- gr = grey
- li = lilac
- vi = lilac
- ge = yellow
- or = orange
- rs = pink

85 86 87 88 89 90 91 92 93 94 95 96 97 98

1420-001080413

Vehicle electrical system control module

- J519 Vehicle electrical system control module
- T6a 6-pin connector, black
- T8a 8-pin connector, black
- T10a 10-pin connector, black
- T11a 11-pin connector, black
- T11b 11-pin connector, brown
- T12a 12-pin connector, black
- T16a 16-pin connector, black
- T17d 17-pin connector, Connector station under the rear shelf, right, brown

375 Ground connection 10 (in main wiring harness)

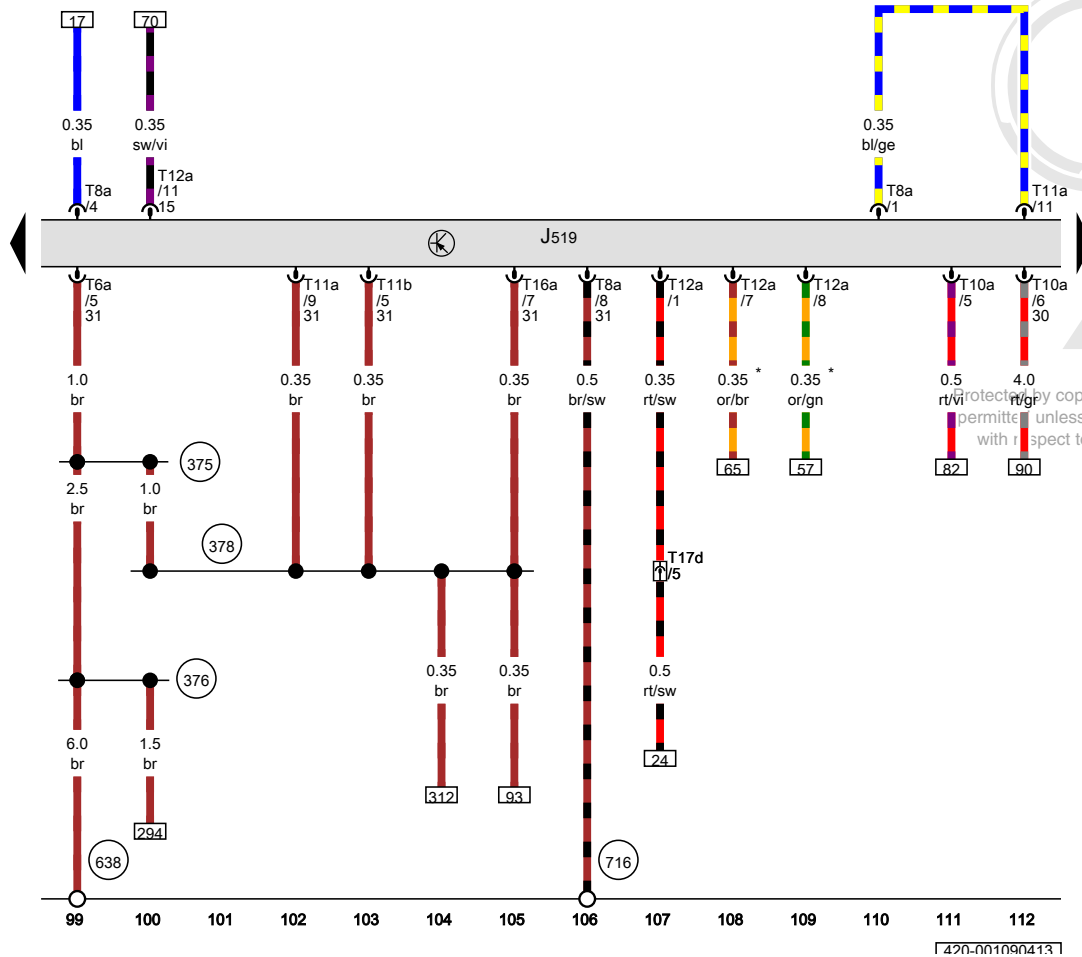
376 Ground connection 11 (in main wiring harness)

378 Ground connection 13 (in main wiring harness)

638 Ground connection on right A-pillar

716 Ground connection on right crossmember

* Data bus wire (CAN bus)

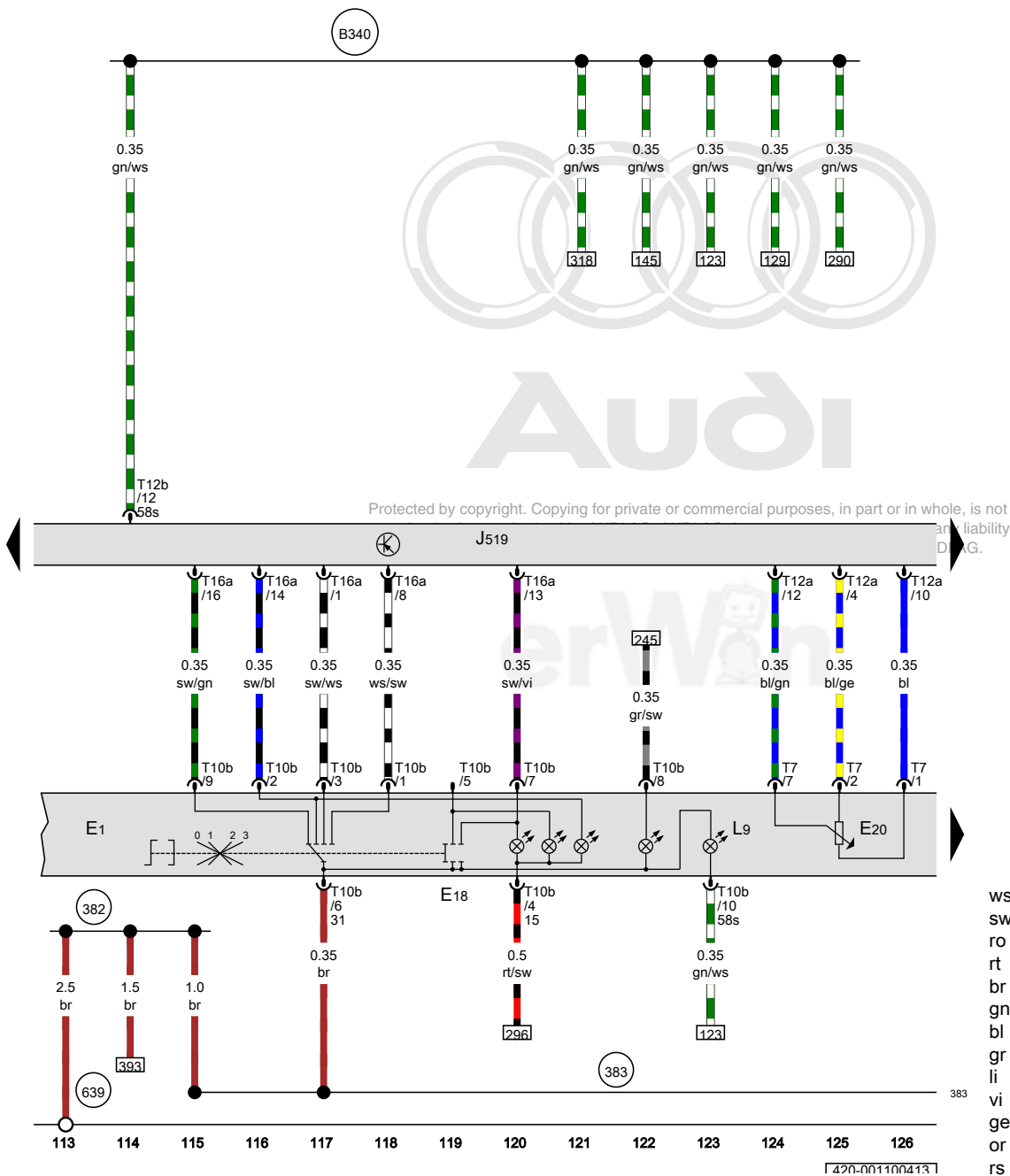


Copyright © Audi AG. All rights reserved. Copying for private or commercial purposes, in part or in whole, is not permitted unless authorised by AUDI AG. AUDI AG does not guarantee or accept any liability with respect to the correctness of information in this document. Copyright by AUDI AG.

- ws = white
- sw = black
- ro = red
- rt = red
- br = brown
- gn = green
- bl = blue
- gr = grey
- li = lilac
- vi = lilac
- ge = yellow
- or = orange
- rs = pink

1420-001090413

Light switch, Instrument panel and switch illumination dimmer switch, Vehicle electrical system control module



- E1 Light switch
- E18 Rear fog lamp switch
- E20 Instrument panel and switch illumination dimmer switch
- J519 Vehicle electrical system control module
- L9 Headlamp switch illumination bulb
- T7 7-pin connector, black
- T10b 10-pin connector, black
- T12a 12-pin connector, black
- T12b 12-pin connector, black
- T16a 16-pin connector, black

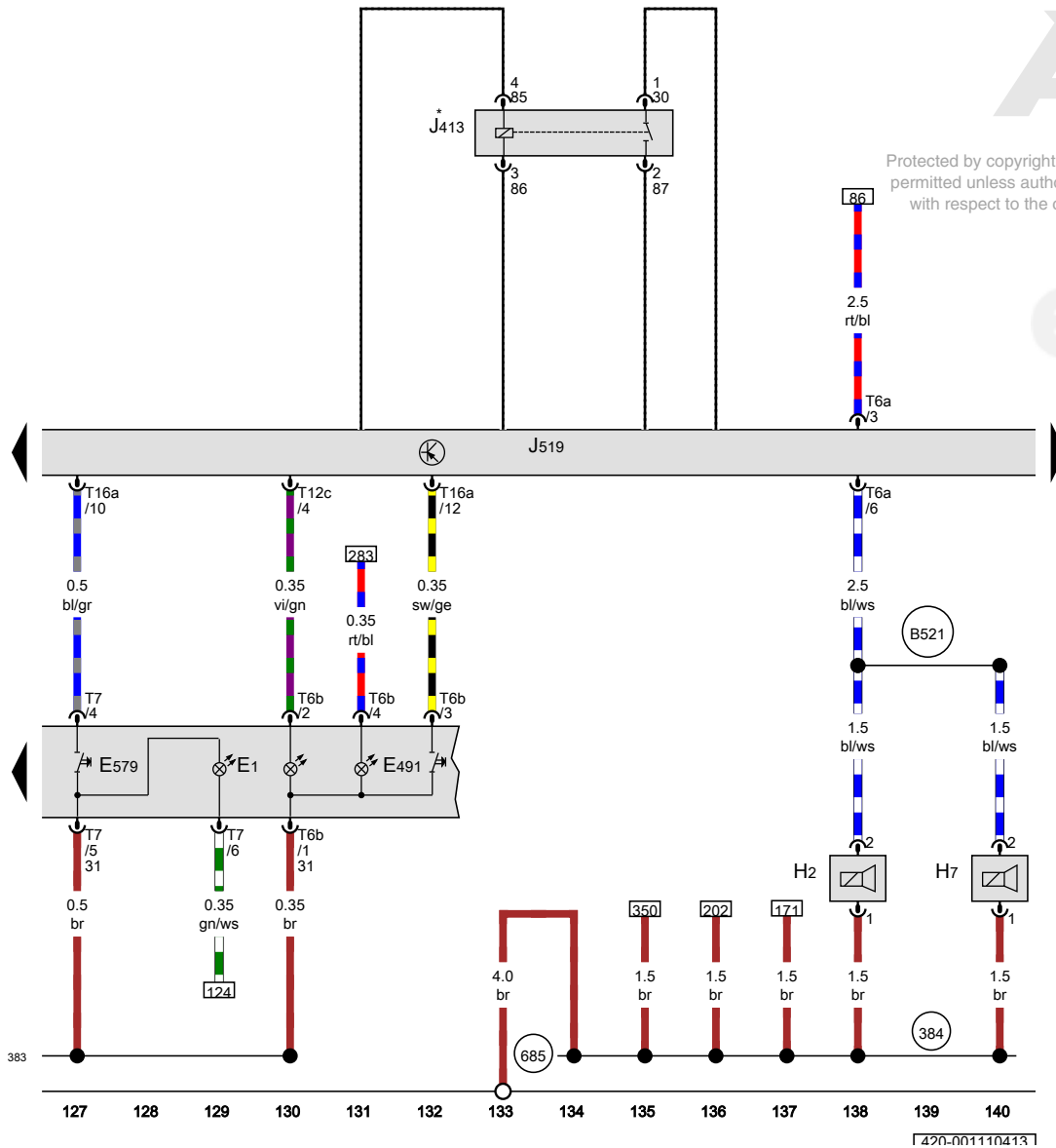
- 382 Ground connection 17 (in main wiring harness)
- 383 Ground connection 18 (in main wiring harness)
- 639 Ground connection on left A-pillar
- B340 Connection 58d (in main wiring harness) 1

- ws = white
- sw = black
- ro = red
- rt = red
- br = brown
- gn = green
- bl = blue
- gr = grey
- li = lilac
- vi = lilac
- ge = yellow
- or = orange
- rs = pink

Light switch, Ambient lighting deactivation switch, Daytime running lamps disabling switch, High tone horn, Low tone horn, Horn relay, Vehicle electrical system control module

- E1 Light switch
- E491 Ambient lighting deactivation switch
- E579 Daytime running lamps disabling switch
- H2 High tone horn
- H7 Low tone horn
- J413 Horn relay
- J519 Vehicle electrical system control module
- T6a 6-pin connector, black
- T6b 6-pin connector, black
- T7 7-pin connector, black
- T12c 12-pin connector, brown
- T16a 16-pin connector, black

Protected by copyright. Copying for private or commercial purposes is prohibited without the prior written permission of Audi AG. Audi AG does not accept any liability with respect to the correctness of information in this document. Copyright by Audi AG



- 383 Ground connection 18 (in main wiring harness)
- 384 Ground connection 19 (in main wiring harness)
- 685 Ground connection 1 on right front longitudinal member
- B521 Dual tone horn connection (in main wiring harness)

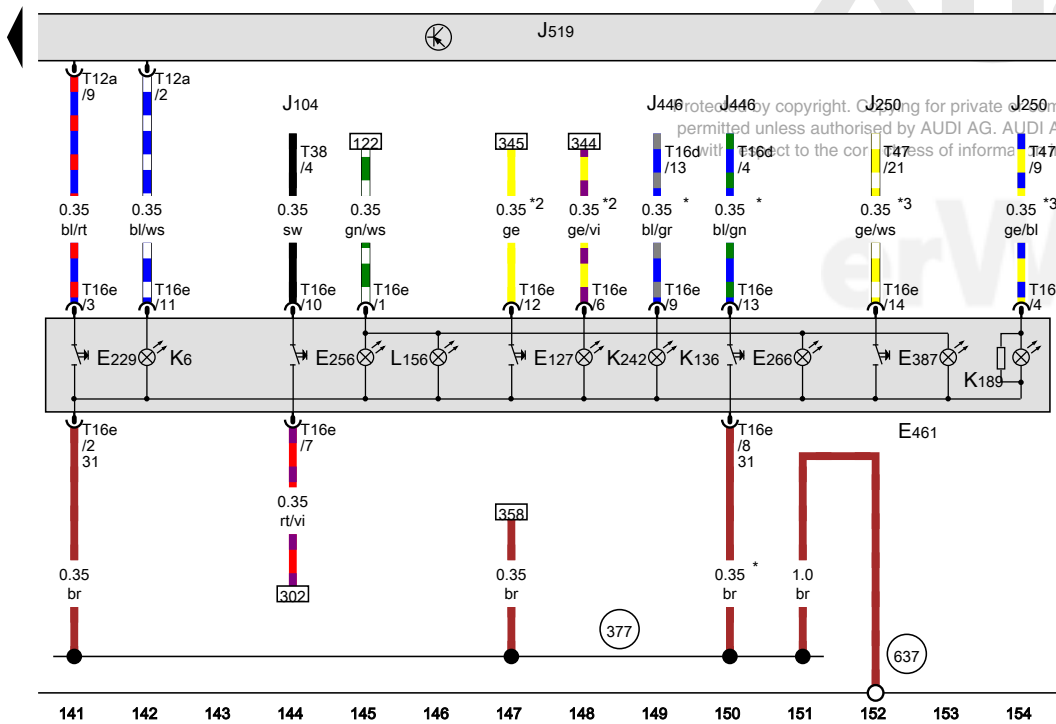
* Relay carrier on the vehicle electrical system control module in the right front footwell

- ws = white
- sw = black
- ro = red
- rt = red
- br = brown
- gn = green
- bl = blue
- gr = grey
- li = lilac
- vi = lilac
- ge = yellow
- or = orange
- rs = pink

1420-001110413

Front center console control head, Vehicle electrical system control module

- E127 Rear spoiler adjustment switch
- E229 Emergency flasher button
- E256 ASR/ESP button
- E266 Parking aid button
- E387 Damping adjustment button
- E461 Front center console control head
- J104 ABS control module
- J250 Electronic damping control module
- J446 Parking aid control module
- J519 Vehicle electrical system control module
- K6 Emergency flasher indicator lamp
- K136 Parking aid indicator lamp
- K189 Damping adjustment indicator lamp
- K242 Rear spoiler adjustment indicator lamp
- L156 Switch illumination bulb
- T12a 12-pin connector, black
- T16d 16-pin connector, brown
- T16e 16-pin connector, brown
- T38 38-pin connector, gray
- T47 47-pin connector, black



377 Ground connection 12 (in main wiring harness)

637 Airbag control module ground connection

*1 Only for vehicles with park distance control (PDC)

*2 Only for vehicles with an adjustable rear spoiler

*3 Only for vehicles with electronic damping

- ws = white
- sw = black
- ro = red
- rt = red
- br = brown
- gn = green
- bl = blue
- gr = grey
- li = lilac
- vi = lilac
- ge = yellow
- or = orange
- rs = pink

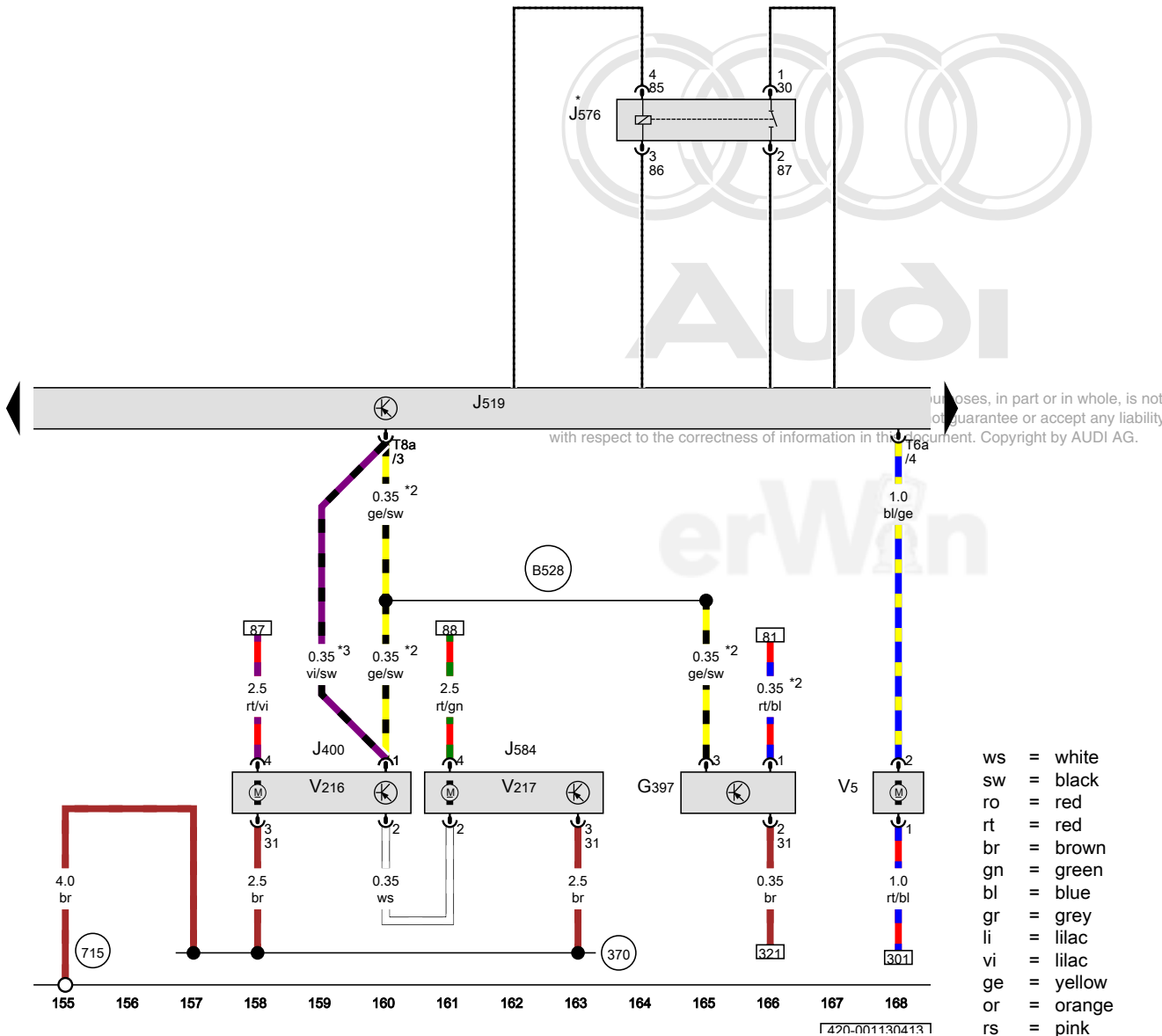
1420-001120413

Rain/light recognition sensor, Wiper motor control module, Vehicle electrical system control module, Windshield washer pump relay, Front passenger windshield wiper motor control module, Windshield washer pump

- G397 Rain/light recognition sensor
- J400 Wiper motor control module
- J519 Vehicle electrical system control module
- J576 Windshield washer pump relay
- J584 Front passenger windshield wiper motor control module
- T6a 6-pin connector, black
- T8a 8-pin connector, black
- V5 Windshield washer pump
- V216 Driver windshield wiper motor
- V217 Front passenger windshield wiper motor

- 370 Ground connection 5 (in main wiring harness)
- 715 Ground connection on left crossmember
- B528 LIN bus connection 1 (in main wiring harness)

- * Relay carrier on the vehicle electrical system control module in the right front footwell
- *2 Only for vehicles with rain/light recognition sensor
- *3 Only for vehicles without rain/light recognition sensor



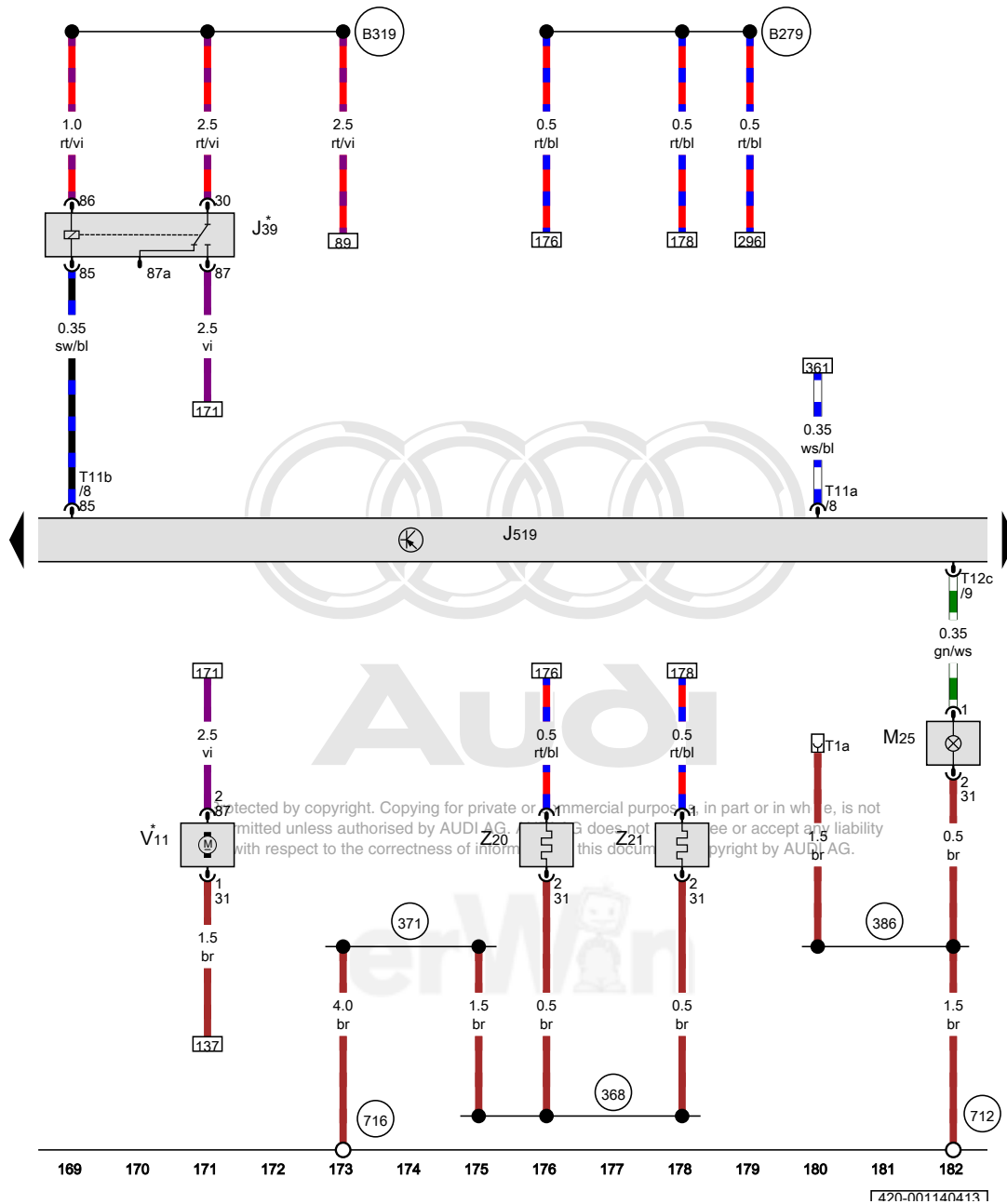
- ws = white
- sw = black
- ro = red
- rt = red
- br = brown
- gn = green
- bl = blue
- gr = grey
- li = lilac
- vi = lilac
- ge = yellow
- or = orange
- rs = pink

1420-001130413

Headlamp washer relay, Vehicle electrical system control module, High-mounted brake lamp bulb, Left washer nozzle heater

- J39 Headlamp washer relay, Relay and fuse holder B on the vehicle electrical system control module in the right front footwell
- J519 Vehicle electrical system control module
- M25 High-mounted brake lamp bulb
- T1a Single connector, on the left fuel tank
- T11a 11-pin connector, black
- T11b 11-pin connector, brown
- T12c 12-pin connector, brown
- V11 Headlamp washer pump
- Z20 Left washer nozzle heater
- Z21 Right washer nozzle heater

- 368 Ground connection 3 (in main wiring harness)
- 371 Ground connection 6 (in main wiring harness)
- 386 Ground connection 21 (in main wiring harness)
- 712 Ground connection under rear shelf, left
- 716 Ground connection on right crossmember
- B279 Positive connection 3 (15a) (in main wiring harness)
- B319 Positive connection 5 (30a) (in main wiring harness)
- * Only for vehicles with a headlamp washer system



- ws = white
- sw = black
- ro = red
- rt = red
- br = brown
- gn = green
- bl = blue
- gr = grey
- li = lilac
- vi = lilac
- ge = yellow
- or = orange
- rs = pink

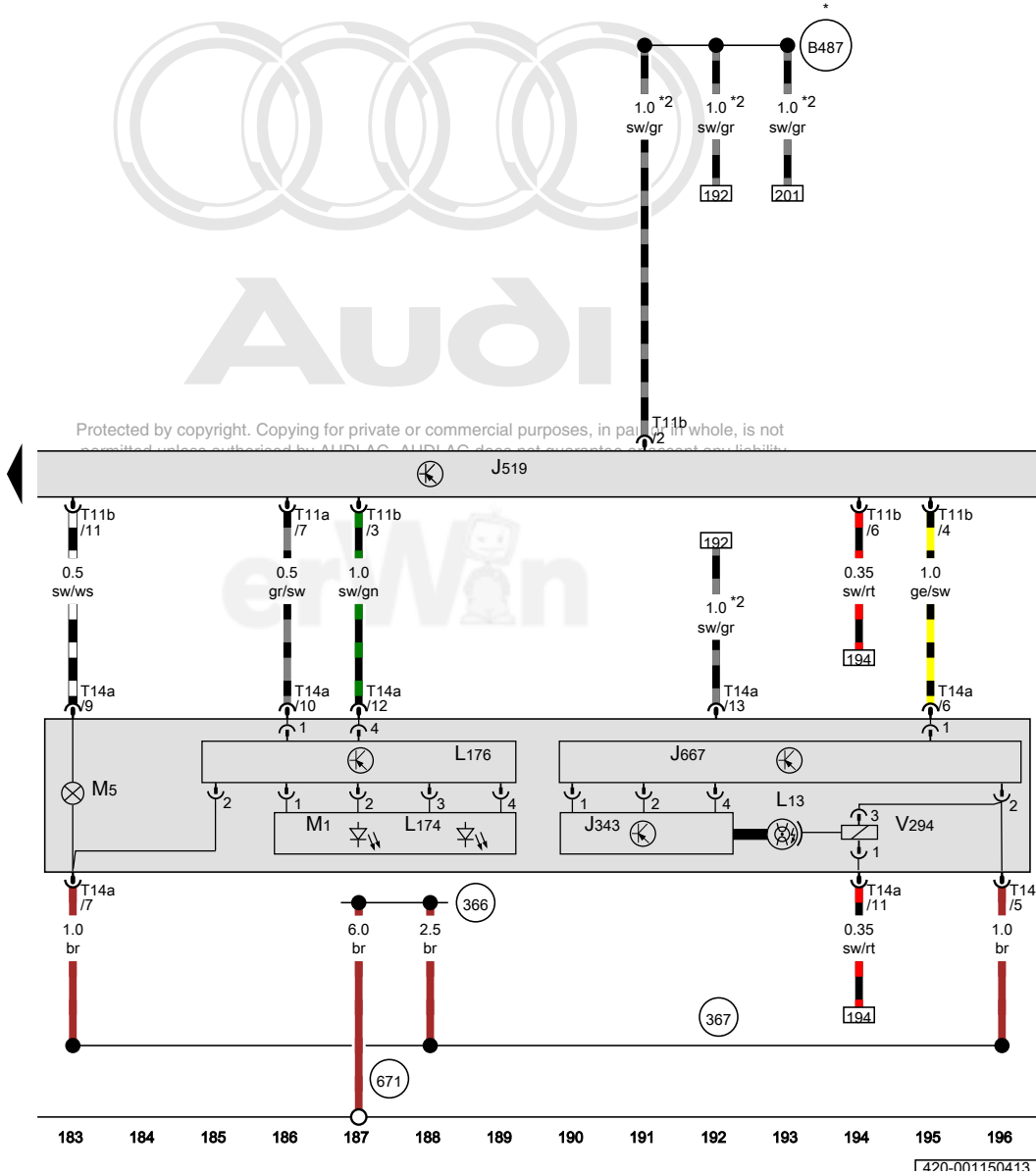
1420-001140413

Vehicle electrical system control module, Left headlamp power output stage

- J343 Left HID headlamp control module
- J519 Vehicle electrical system control module
- J667 Left headlamp power output stage, on the left headlamp
- L13 Left HID headlamp bulb
- L174 Left daytime running lamp bulb
- L176 Left daytime running lamp and position lamp LED module
- M1 Left position lamp bulb
- M5 Left front turn signal bulb
- T11a 11-pin connector, black
- T11b 11-pin connector, brown
- T14a 14-pin connector, black
- V294 Left low beam headlamp reflector motor

- 366 Ground connection 1 (in main wiring harness)
- 367 Ground connection 2 (in main wiring harness)
- 671 Ground connection 1 on left front longitudinal member
- B487 Connection 23 (in main wiring harness)

* from June 2008
 *2 Installation instructions for LED headlamps



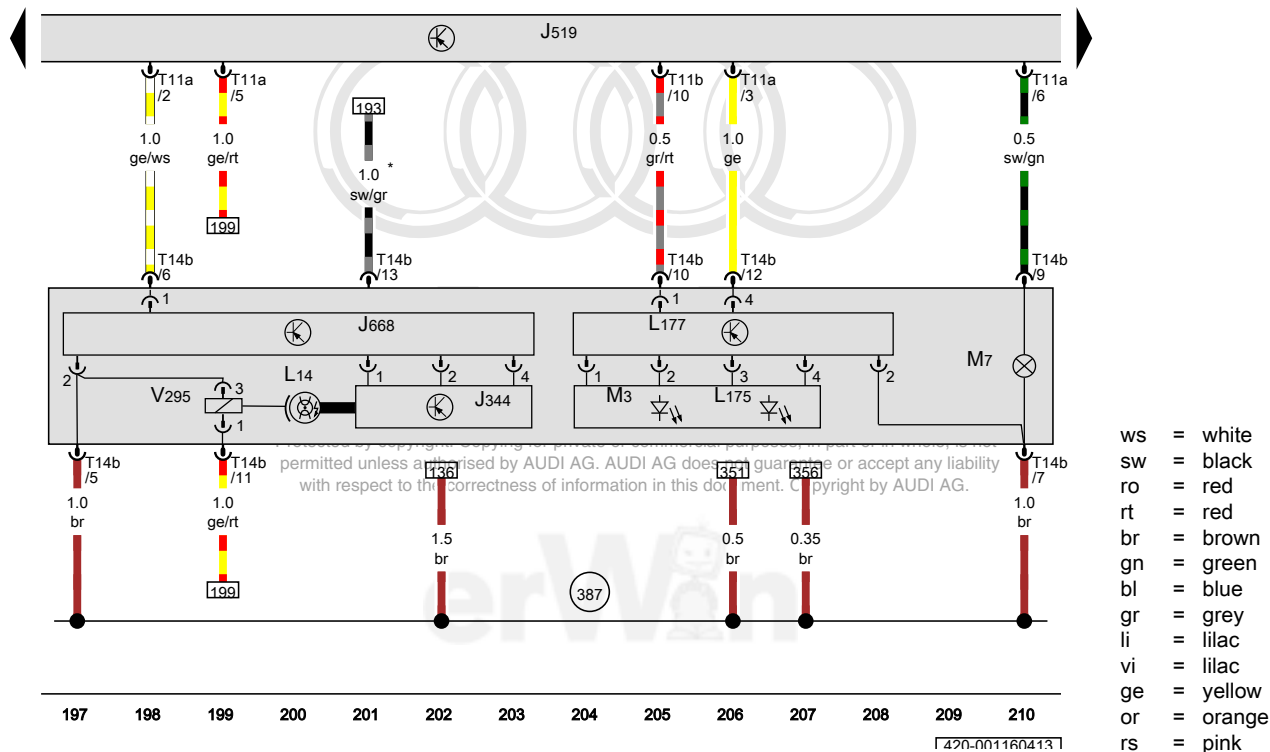
1420-001150413

Vehicle electrical system control module, Right headlamp power output stage

- J344 Right HID headlamp control module
- J519 Vehicle electrical system control module
- J668 Right headlamp power output stage, on the right headlamp
- L14 Right HID headlamp bulb
- L175 Right daytime running lamp and position lamp LED module
- M3 Right position lamp bulb
- M7 Right front turn signal bulb
- T11a 11-pin connector, black
- T11b 11-pin connector, brown
- T14b 14-pin connector, black
- V295 Right low beam headlamp reflector motor

387 Ground connection 22 (in main wiring harness)

* Installation instructions for LED headlamps

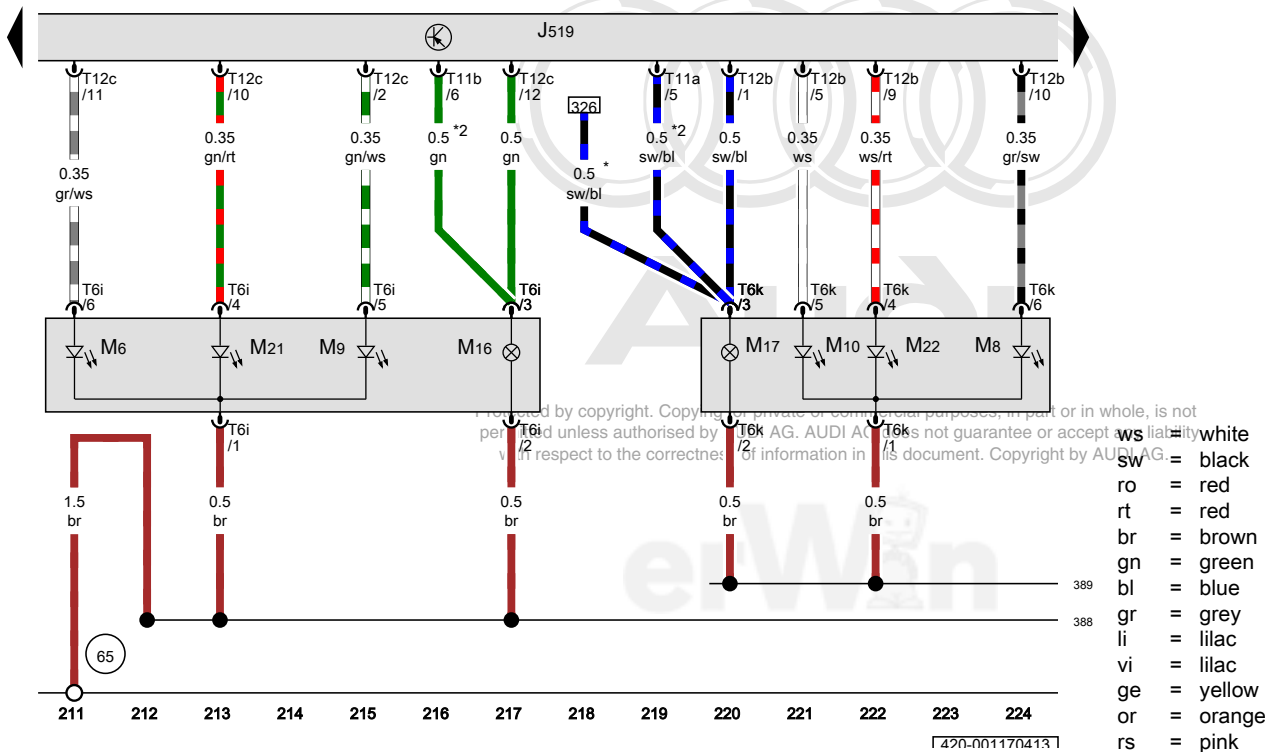


Vehicle electrical system control module, Left brake/tail lamp bulb, Right brake/tail lamp bulb

- J519 Vehicle electrical system control module
- M6 Left rear turn signal bulb
- M8 Right rear turn signal bulb
- M9 Left brake lamp bulb
- M10 Right brake lamp bulb
- M16 Left back-up lamp bulb
- M17 Right back-up lamp bulb
- M21 Left brake/tail lamp bulb
- M22 Right brake/tail lamp bulb
- T6i 6-pin connector, black
- T6k 6-pin connector, black
- T11a 11-pin connector, black
- T11b 11-pin connector, brown
- T12b 12-pin connector, black
- T12c 12-pin connector, brown

- 65 Ground connection on left rear longitudinal member
- 388 Ground connection 23 (in main wiring harness)
- 389 Ground connection 24 (in main wiring harness)

* Only for vehicles with automatic dimming interior rearview mirror
 *2 Depending on equipment



1420-001170413



Audi

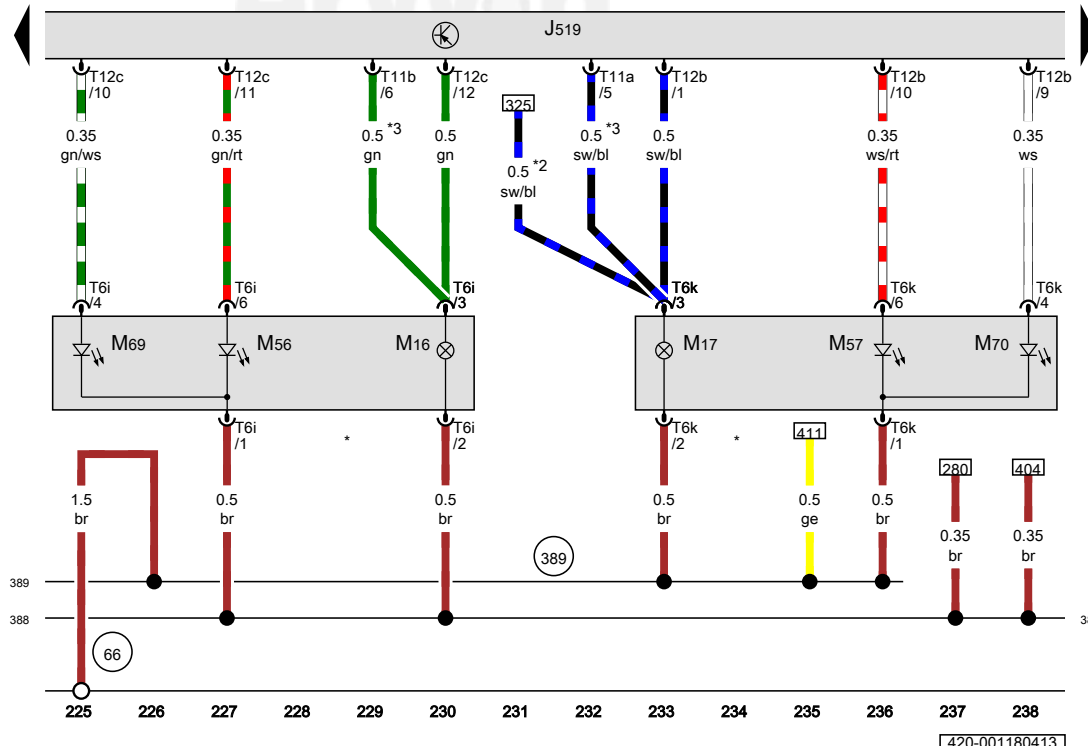
Protected by copyright. Copying for private or commercial purposes, in part or in whole, is not permitted unless authorised by AUDI AG. AUDI AG does not guarantee or accept any liability with respect to the correctness of information in this document. Copyright by AUDI AG.

Vehicle electrical system control module, Right back-up lamp bulb, Right brake lamp/turn signal bulb, Left brake lamp/turn signal/tail lamp bulb

- J519 Vehicle electrical system control module
- M16 Left back-up lamp bulb
- M17 Right back-up lamp bulb
- M56 Left brake lamp/turn signal bulb
- M57 Right brake lamp/turn signal bulb
- M69 Left brake lamp/turn signal/tail lamp bulb
- M70 Right brake lamp/turn signal/tail lamp bulb
- T6i 6-pin connector
- T6k 6-pin connector
- T11a 11-pin connector, black
- T11b 11-pin connector, brown
- T12b 12-pin connector, black
- T12c 12-pin connector, brown

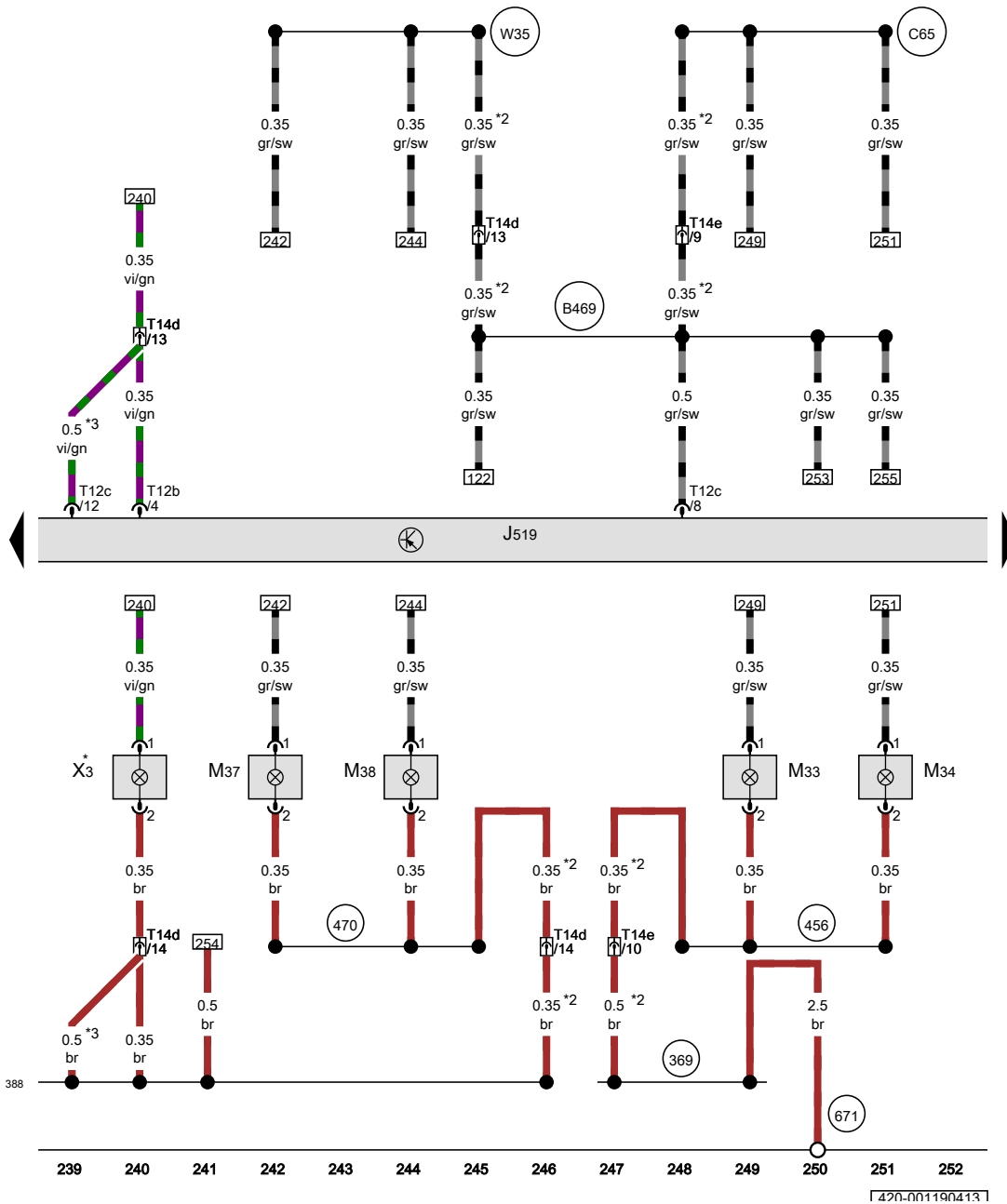
- 66 Ground connection on right rear longitudinal member
- 388 Ground connection 23 (in main wiring harness)
- 389 Ground connection 24 (in main wiring harness)

- * USA only
- *2 Only for vehicles with automatic dimming interior rearview mirror
- *3 Depending on equipment



- ws = white
- sw = black
- ro = red
- rt = red
- br = brown
- gn = green
- bl = blue
- gr = grey
- li = lilac
- vi = lilac
- ge = yellow
- or = orange
- rs = pink

Vehicle electrical system control module, Left front side marker lamp bulb, Left rear side marker lamp bulb, Rear fog lamp



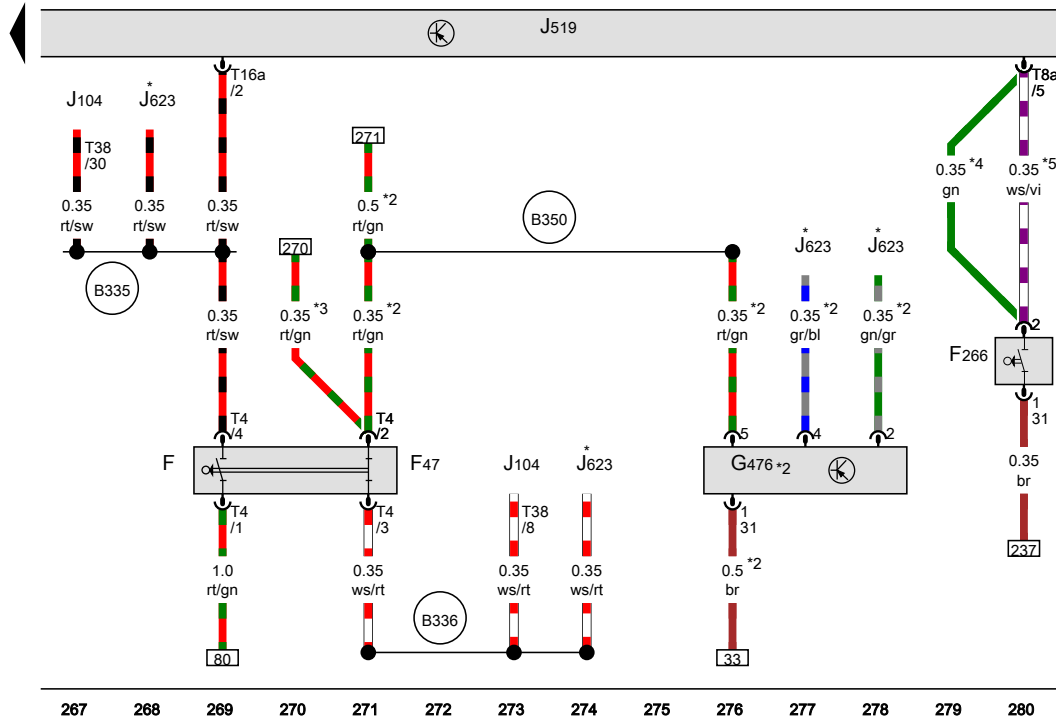
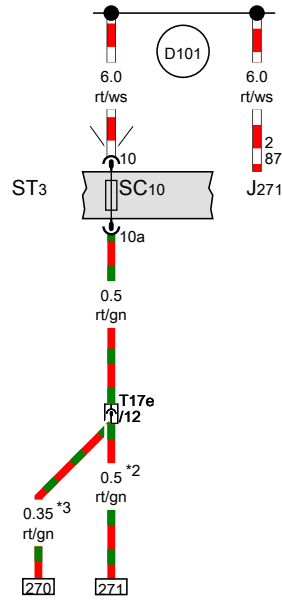
- J519 Vehicle electrical system control module
- M33 Left front side marker lamp bulb
- M34 Right front side marker lamp bulb
- M37 Left rear side marker lamp bulb
- M38 Right rear side marker lamp bulb
- T12b 12-pin connector, black
- T12c 12-pin connector, brown
- T14d 14-pin connector, behind the left rear bumper, black
- T14e 14-pin connector, behind the bumper, left front, black
- X3 Rear fog lamp

- 369 Ground connection 4 (in main wiring harness)
- 388 Ground connection 23 (in main wiring harness)
- 456 Ground connection 1 (in front bumper wiring harness)
- 470 Ground connection 1 (in rear bumper wiring harness)
- 671 Ground connection 1 on left front longitudinal member
- B469 Connection 5 (in main wiring harness)
- C65 Side marker lamp positive connection 1
- W35 Side marker lamp connection (in rear wiring harness)
- * Not for USA
- *2 USA only
- *3 Depending on equipment

- ws = white
- sw = black
- ro = red
- rt = red
- br = brown
- gn = green
- bl = blue
- gr = grey
- li = lilac
- vi = lilac
- ge = yellow
- or = orange
- rs = pink

Protected by copyright. Copying for private or commercial purposes, in part or in whole, is not permitted unless authorised by AUDI AG. AUDI AG does not guarantee or accept any liability with respect to the correctness of information in this document. Copyright by AUDI AG.





Brake lamp switch, Brake pedal switch, Engine hood contact switch, Clutch position sensor, Vehicle electrical system control module

- F Brake lamp switch
- F47 Brake pedal switch
- F266 Engine hood contact switch
- G476 Clutch position sensor
- J104 ABS control module
- J271 Motronic engine control module power supply relay, 9-pin relay and fuse panel C under the rear shelf, right
- J519 Vehicle electrical system control module
- J623 Engine control module
- ST3 Fuse panel 3
- SC10 Fuse 10 (on fuse panel C)
- T4 4-pin connector
- T8a 8-pin connector, black
- T16a 16-pin connector, black
- T17e 17-pin connector, Connector station under the rear shelf, right, red
- T38 38-pin connector, gray

B335 Connection 54 (in main wiring harness) 1

Protected by copyright. Copying for private or commercial purposes, in part or in whole, is not permitted unless authorised by AUDI AG. AUDI AG does not guarantee or accept any liability with respect to the correctness of information in this document. Copyright by AUDI AG.

B336 Connection 54 (in main wiring harness) 2

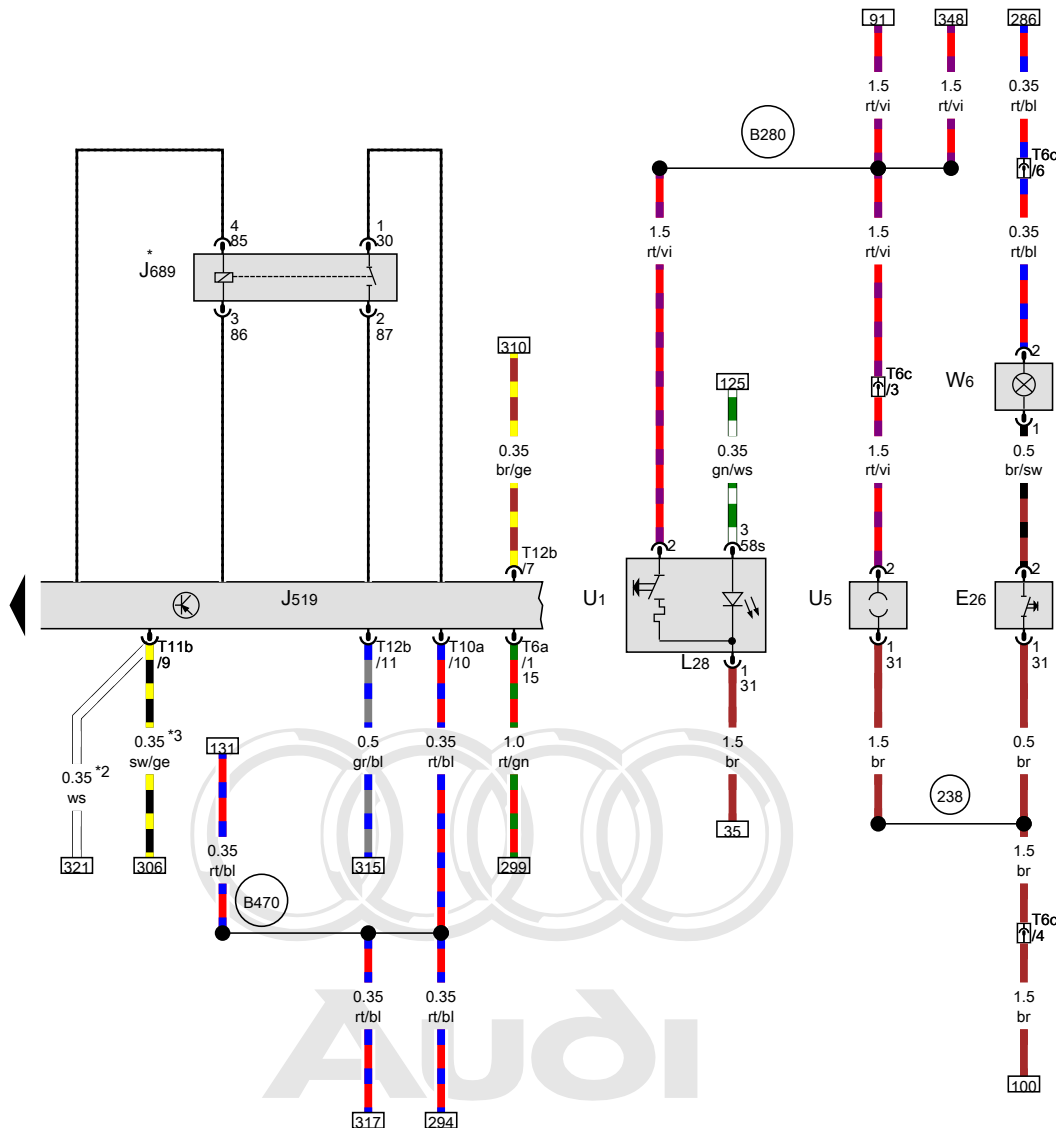
B350 Positive connection 1 (87a) (in main wiring harness)

D101 Connection 1 (in engine compartment wiring harness)

- * Refer to applicable engine wiring diagram
- *2 Only for vehicles with a manual transmission
- *3 Only for vehicles with automated manual transmission (R tronic) 086
- *4 from June 2007
- *5 Through May 2007

- ws = white
- sw = black
- ro = red
- rt = red
- br = brown
- gn = green
- bl = blue
- gr = grey
- li = lilac
- vi = lilac
- ge = yellow
- or = orange
- rs = pink

Glove compartment lamp switch, Vehicle electrical system control module, Terminal 30 power supply relay 2, Cigarette lighter, 12 V socket, Glove compartment lamp



- E26 Glove compartment lamp switch
- J519 Vehicle electrical system control module
- J689 Terminal 30 power supply relay 2
- L28 Cigarette lighter illumination bulb
- T6a 6-pin connector, black
- T6c 6-pin connector, behind the glove compartment, black
- T10a 10-pin connector, black
- T11b 11-pin connector, brown
- T12b 12-pin connector, black
- T52a 52-pin connector
- U1 Cigarette lighter
- U5 12 V socket
- W6 Glove compartment lamp

- (238) Ground connection 1 (in interior wiring harness)
- (B280) Positive connection 4 (15a) (in main wiring harness)
- (B470) Connection 6 (in main wiring harness)

- * Relay carrier on the vehicle electrical system control module in the right front footwell
- *2 Depending on equipment
- *3 Through May 2008

- ws = white
- sw = black
- ro = red
- rt = red
- br = brown
- gn = green
- bl = blue
- gr = grey
- li = lilac
- vi = lilac
- ge = yellow
- or = orange
- rs = pink

Protected by copyright. Copying for private or commercial purposes, in part or in whole, is not permitted unless authorised by AUDI AG. AUDI AG does not guarantee or accept any liability with respect to the correctness of information in this document. Copyright by AUDI AG.

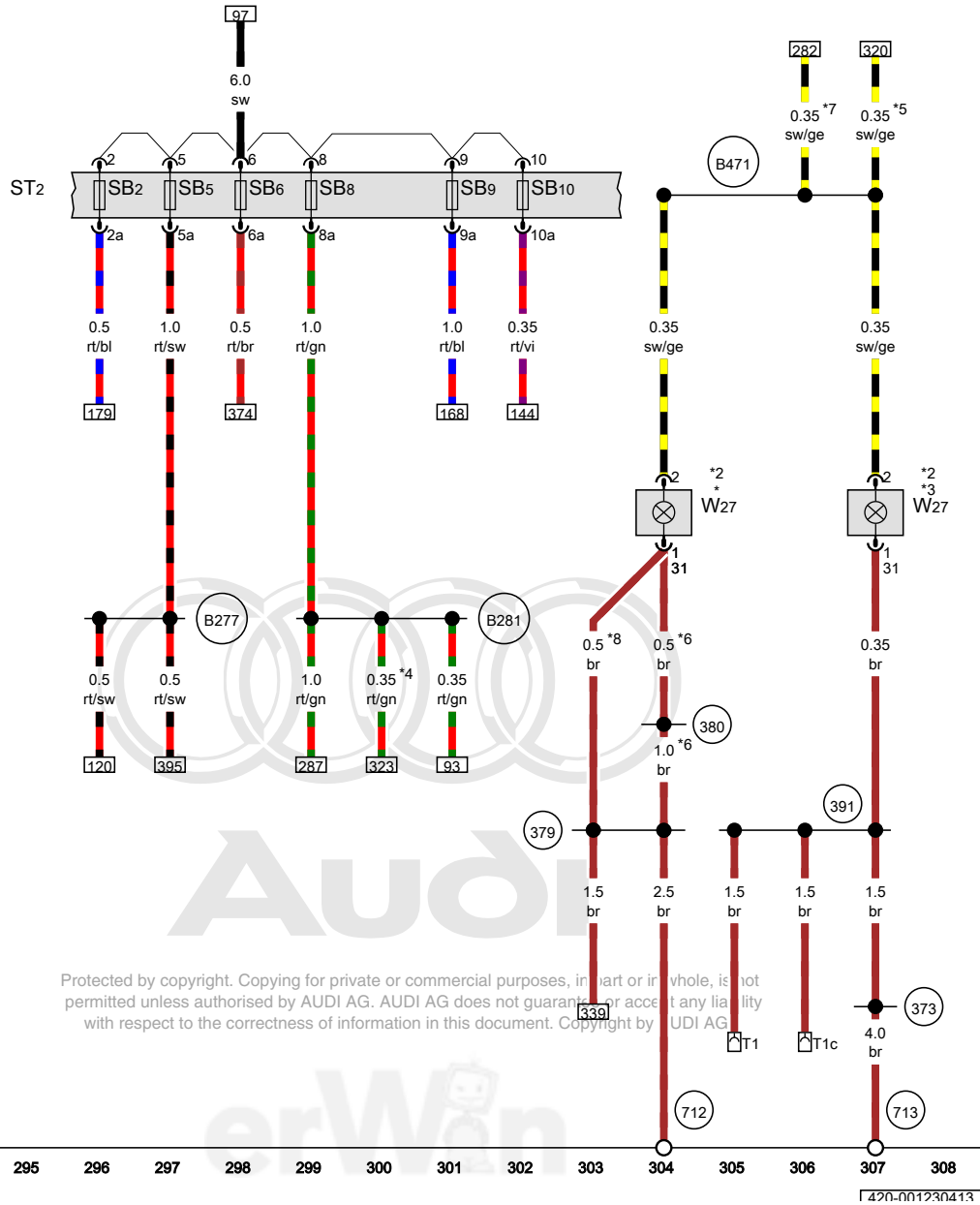
Engine compartment lamp

- SB2 Fuse 2 (on fuse panel B)
- ST2 Fuse panel 2
- SB5 Fuse 5 (on fuse panel B)
- SB6 Fuse 6 (on fuse panel B)
- SB8 Fuse 8 (on fuse panel B)
- SB9 Fuse 9 (on fuse panel B)
- SB10 Fuse 10 (on fuse panel B)
- T1 Single connector, on the fuel tank filler neck
- T1c Single connector, on the right fuel tank
- W27 Engine compartment lamp

- (373) Ground connection 8 (in main wiring harness)
- (379) Ground connection 14 (in main wiring harness)
- (380) Ground connection 15 (in main wiring harness)
- (391) Ground connection 26 (in main wiring harness)
- (712) Ground connection under rear shelf, left
- (713) Ground connection under rear shelf, right
- (B277) Positive connection 1 (15a) (in main wiring harness)
- (B281) Positive connection 5 (15a) (in main wiring harness)
- (B471) Connection 7 (in main wiring harness)

- * Left
- *2 Only for vehicles with engine compartment lamp
- *3 Right
- *4 Only for vehicles with automatic dimming interior rearview mirror
- *5 from June 2008
- *6 Through May 2007
- *7 Through May 2008
- *8 from June 2007

- ws = white
- sw = black
- ro = red
- rt = red
- br = brown
- gn = green
- bl = blue
- gr = grey
- li = lilac
- vi = lilac
- ge = yellow
- or = orange
- rs = pink



Front interior lamp, Left footwell lamp, Right footwell lamp

- E326 Front interior lamp button
- E457 Driver reading lamp button
- E458 Front passenger reading lamp button
- L156 Switch illumination bulb
- T3r 3-pin connector, blue
- T6l 6-pin connector, black
- W1 Front interior lamp
- W9 Left footwell lamp
- W10 Right footwell lamp
- W13 Front passenger reading lamp
- W19 Driver reading lamp

385 Ground connection 20 (in main wiring harness)

689 Ground connection on roof, center front

B472 Connection 8 (in main wiring harness)

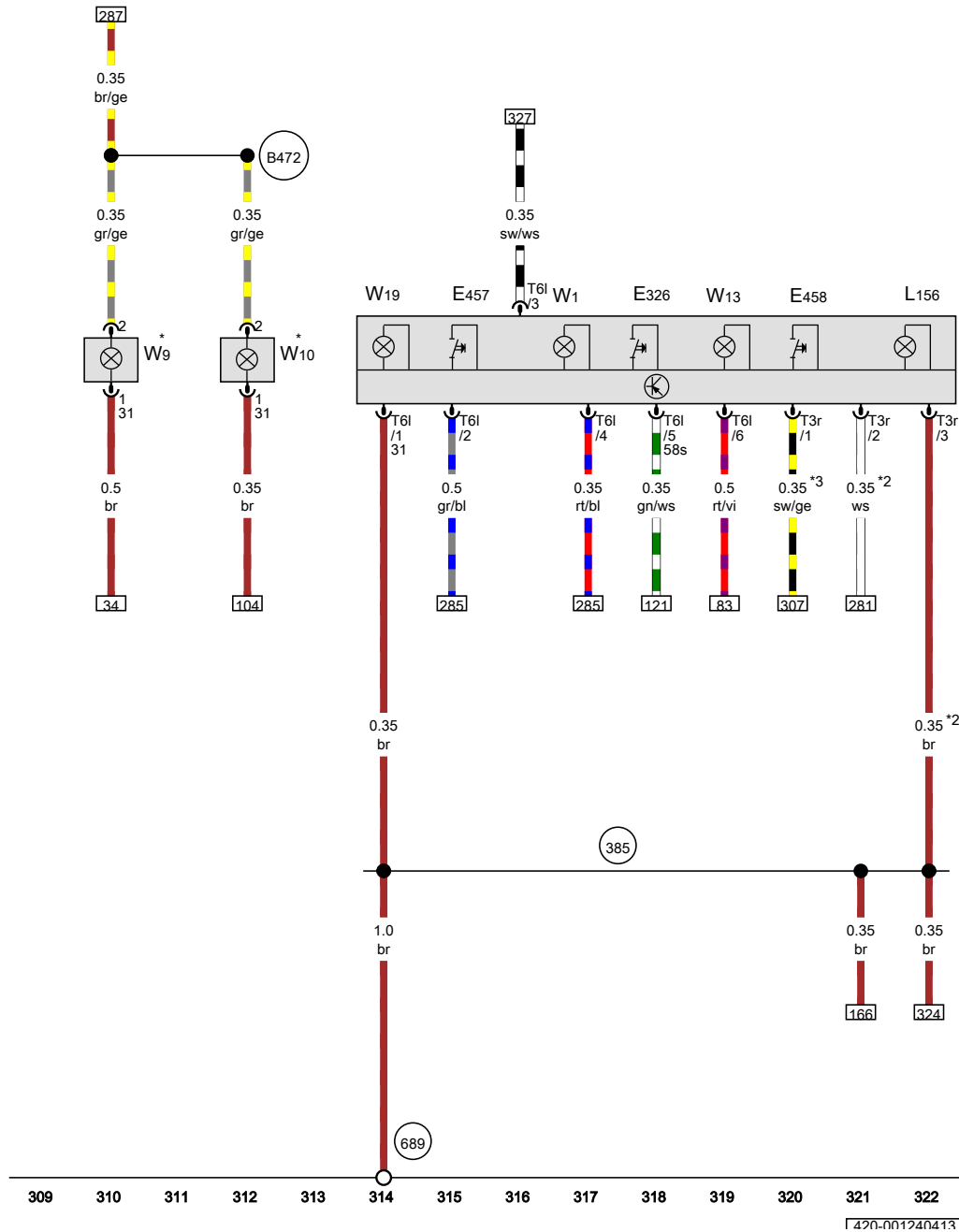
- * Only for vehicles with footwell lamp
- *2 Depending on equipment
- *3 from June 2008



Protected by copyright. Copying for private or commercial purposes, in part or in whole, is not permitted unless authorised by AUDI AG. AUDI AG does not guarantee or accept any liability with respect to the correctness of information in this document. Copyright by AUDI AG.



- ws = white
- sw = black
- ro = red
- rt = red
- br = brown
- gn = green
- bl = blue
- gr = grey
- li = lilac
- vi = lilac
- ge = yellow
- or = orange
- rs = pink



Humidity sensor, Light recognition sensor, Automatic dimming interior rearview mirror

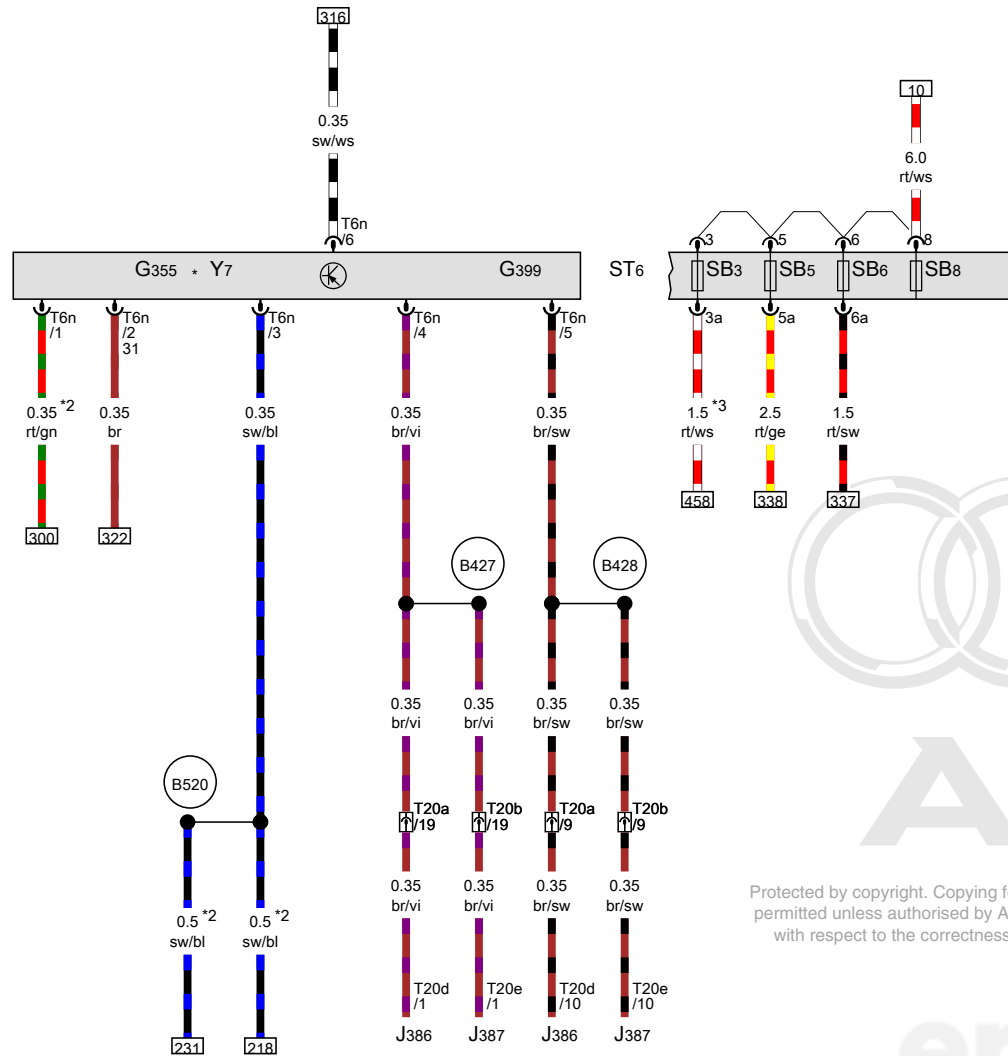
- G355 Humidity sensor
- G399 Light recognition sensor
- J386 Driver door control module
- J387 Front passenger door control module
- SB3 Fuse 3 (on fuse panel B)
- SB5 Fuse 5 (on fuse panel B)
- ST6 Fuse panel 6
- SB6 Fuse 6 (on fuse panel B)
- SB8 Fuse 8 (on fuse panel B)
- T6n 6-pin connector, black
- T20a 20-pin connector, in the left front door, black
- T20b 20-pin connector, in the right front door, black
- T20d 20-pin connector, black
- T20e 20-pin connector, black
- Y7 Automatic dimming interior rearview mirror

(B427) Mirror auto-dimming signal connection 1 (in main wiring harness)

(B428) Mirror auto-dimming signal connection 2 (in main wiring harness)

(B520) Connection RF (in main wiring harness)

- * Only for vehicles with a humidity sensor
- *2 Only for vehicles with automatic dimming interior rearview mirror
- *3 Only for vehicles with automatic dimming interior rearview mirror from June 2008



Protected by copyright. Copying for private use or for non-commercial purposes, in part or in whole, is not permitted unless authorised by AUDI AG. AUDI AG does not guarantee or accept any liability with respect to the correctness of information in this document. Copyright by AUDI AG.

- ws = white
- sw = black
- ro = red
- rt = red
- br = brown
- gn = green
- bl = blue
- gr = grey
- li = lilac
- vi = lilac
- ge = yellow
- or = orange
- rs = pink

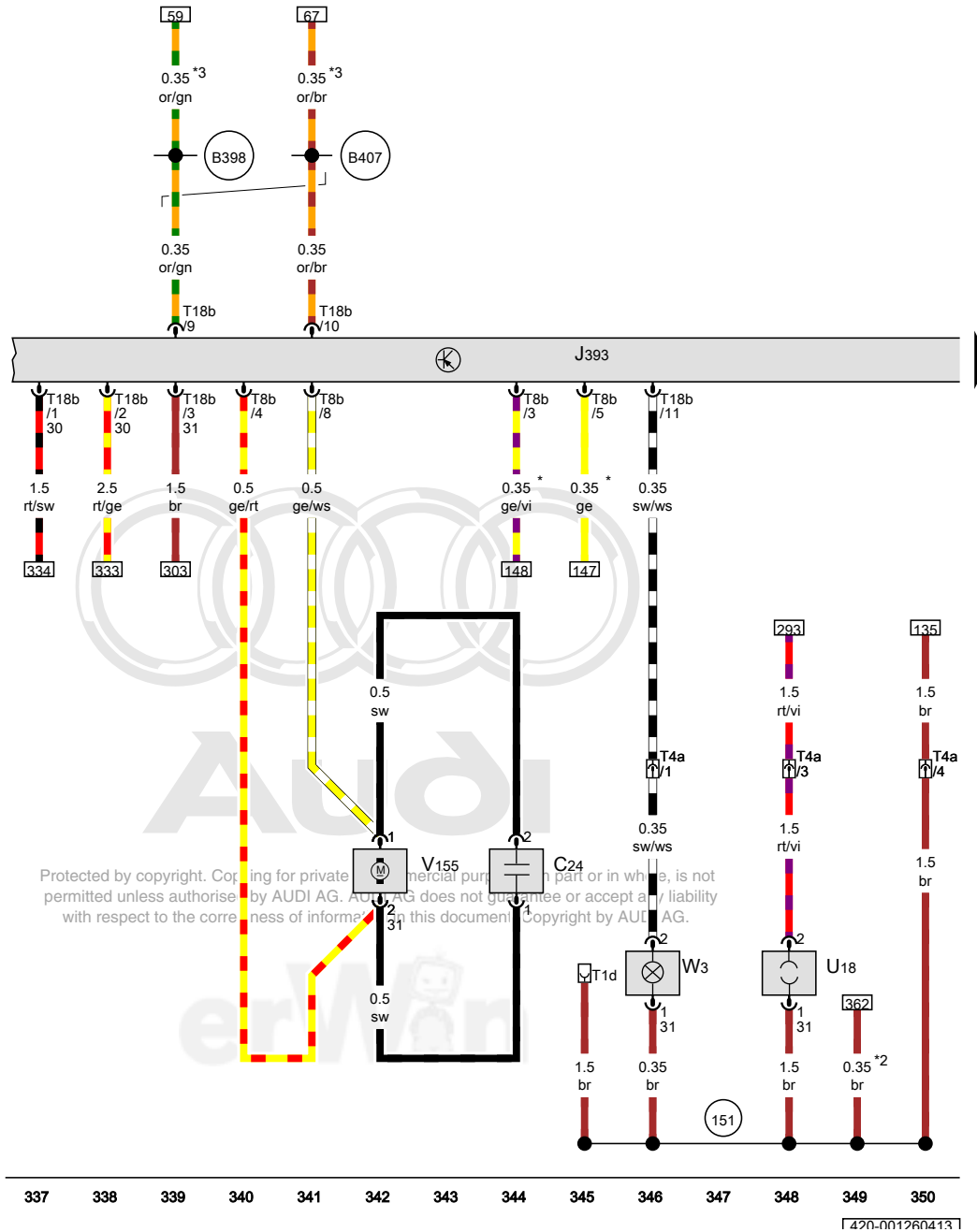
323 324 325 326 327 328 329 330 331 332 333 334 335 336

[420-001250413]

Comfort system central control module, 12 V socket 2, Fuel filler door unlock motor, Luggage compartment lamp

- C24 Suppressor
- J393 Comfort system central control module
- T1d Single connector, in the luggage compartment, black
- T4a 4-pin connector, in the luggage compartment, right, black
- T8b 8-pin connector, black
- T18b 18-pin connector, brown
- U18 12 V socket 2
- V155 Fuel filler door unlock motor
- W3 Luggage compartment lamp

- (151) Ground connection 1 (in front wiring harness)
- (B398) Comfort system CAN bus high connection 2 (in main wiring harness)
- (B407) Comfort system CAN bus low connection 2 (in main wiring harness)
- * Only for vehicles with an adjustable rear spoiler
- *2 USA only
- *3 Data bus wire (CAN bus)



Protected by copyright. Copying for private or commercial purposes, in part or in whole, is not permitted unless authorised by AUDI AG. AUDI AG does not guarantee or accept any liability with respect to the correctness of information in this document. Copyright by AUDI AG.

- ws = white
- sw = black
- ro = red
- rt = red
- br = brown
- gn = green
- bl = blue
- gr = grey
- li = lilac
- vi = lilac
- ge = yellow
- or = orange
- rs = pink

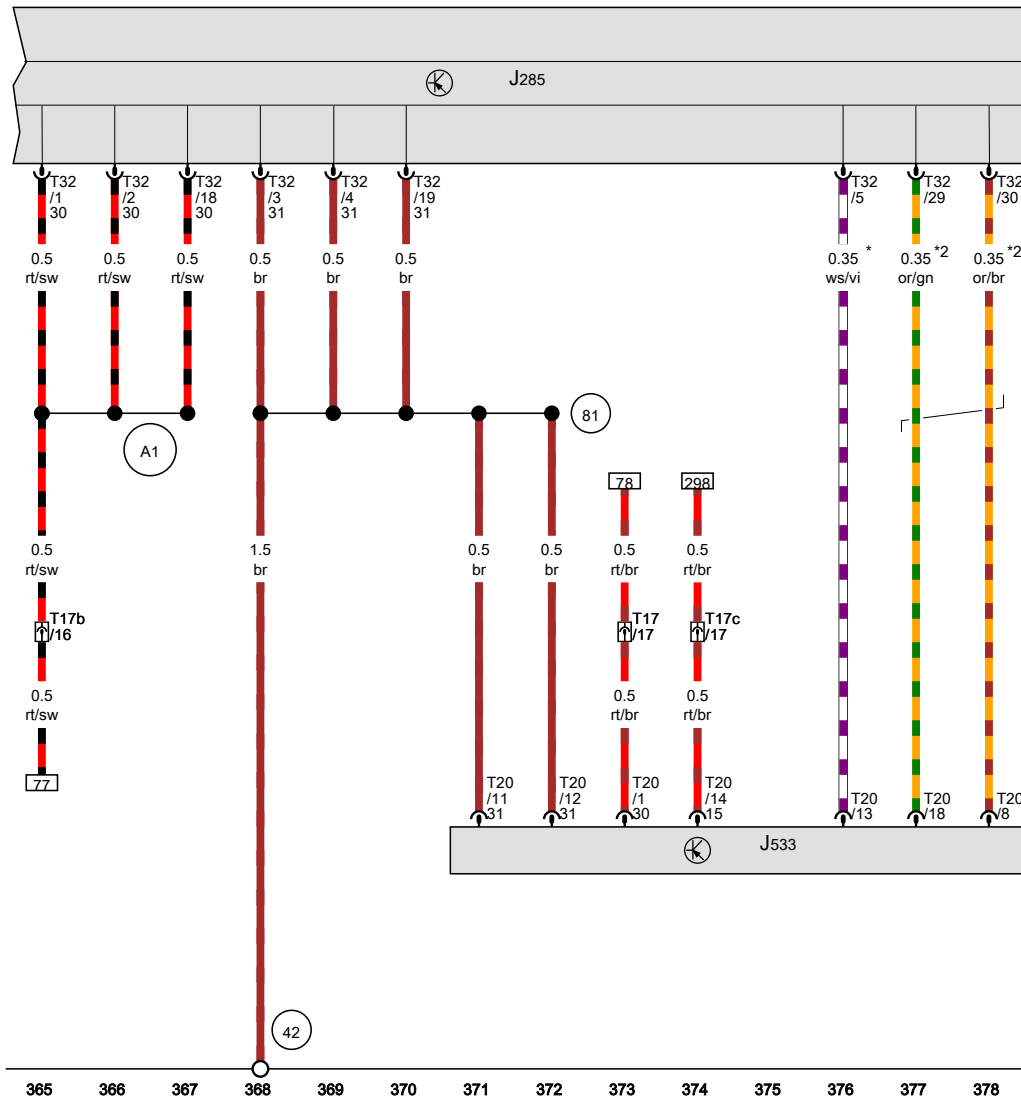
420-001260413

Instrument cluster control module, Data bus on board diagnostic interface

- J285 Instrument cluster control module
- J533 Data bus on board diagnostic interface
- T17 17-pin connector, Inside the center console connector station on the right side, red
- T17b 17-pin connector, Inside the center console connector station on the right side, brown
- T17c 17-pin connector, Inside the center console connector station on the right side, blue
- T20 20-pin connector
- T32 32-pin connector, blue

- 42 Ground connection near steering column
- 81 Ground connection 1 (in instrument panel wiring harness)
- A1 Positive connection (30a) (in instrument panel wiring harness)
- * Prompt wire
- *2 Data bus wire (CAN bus)

Protected by copyright. Copying for private or internal use is permitted unless authorised by AUDI AG. AUDI AG does not guarantee or accept any liability with respect to the correctness of information in this document. Copyright by AUDI AG.



- ws = white
- sw = black
- ro = red
- rt = red
- br = brown
- gn = green
- bl = blue
- gr = grey
- li = lilac
- vi = lilac
- ge = yellow
- or = orange
- rs = pink

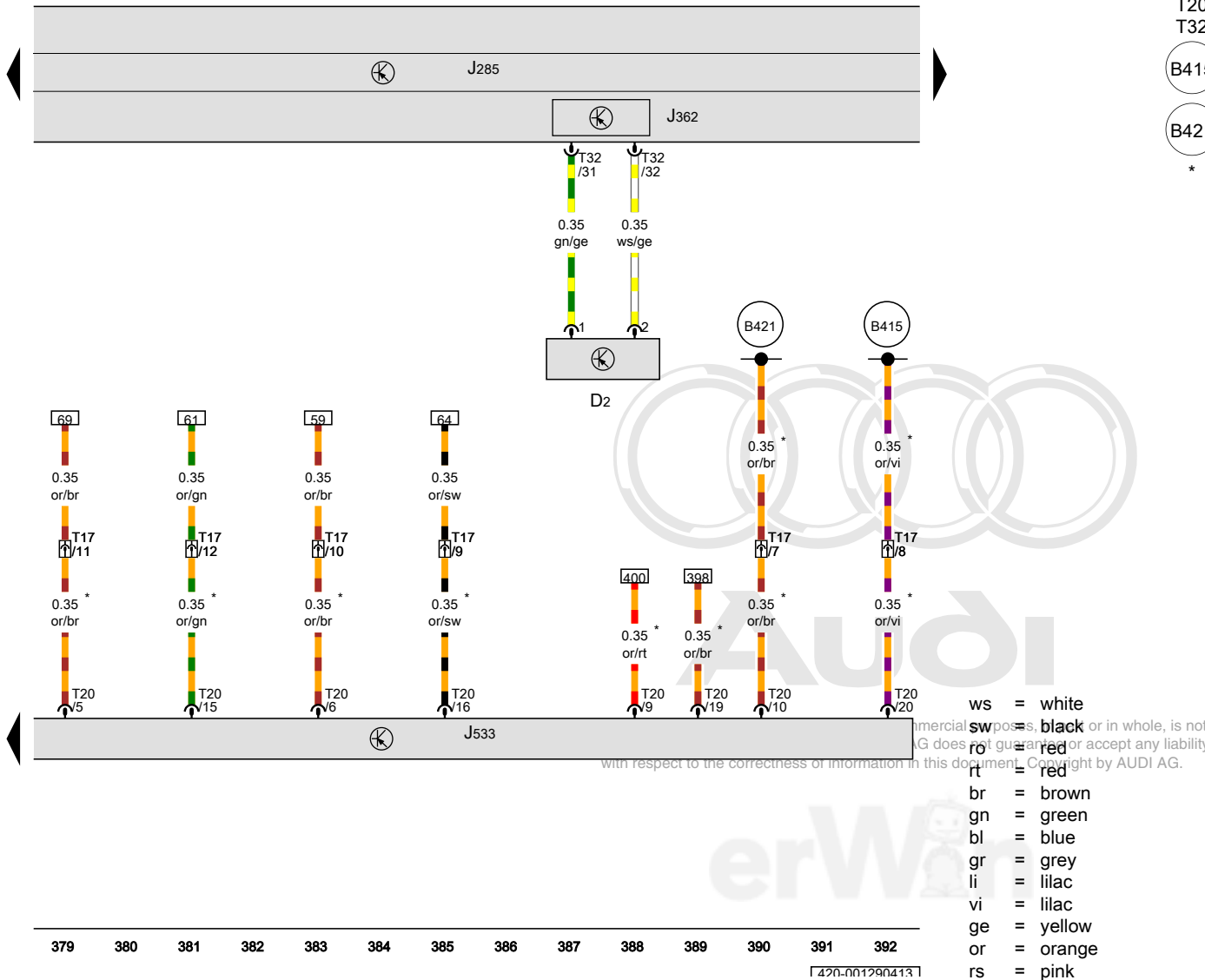
[420-001280413]

Anti-theft immobilizer reader coil, Instrument cluster control module, Data bus on board diagnostic interface

- D2 Anti-theft immobilizer reader coil
- J285 Instrument cluster control module
- J362 Anti-theft immobilizer control module
- J533 Data bus on board diagnostic interface
- T17 17-pin connector, Inside the center console connector station on the right side, red
- T20 20-pin connector
- T32 32-pin connector, blue

- B415 Infotainment CAN Bus high connection 1 (in main wiring harness)
- B421 Infotainment CAN bus low connection 1 (in main wiring harness)

* Data bus wire (CAN bus)

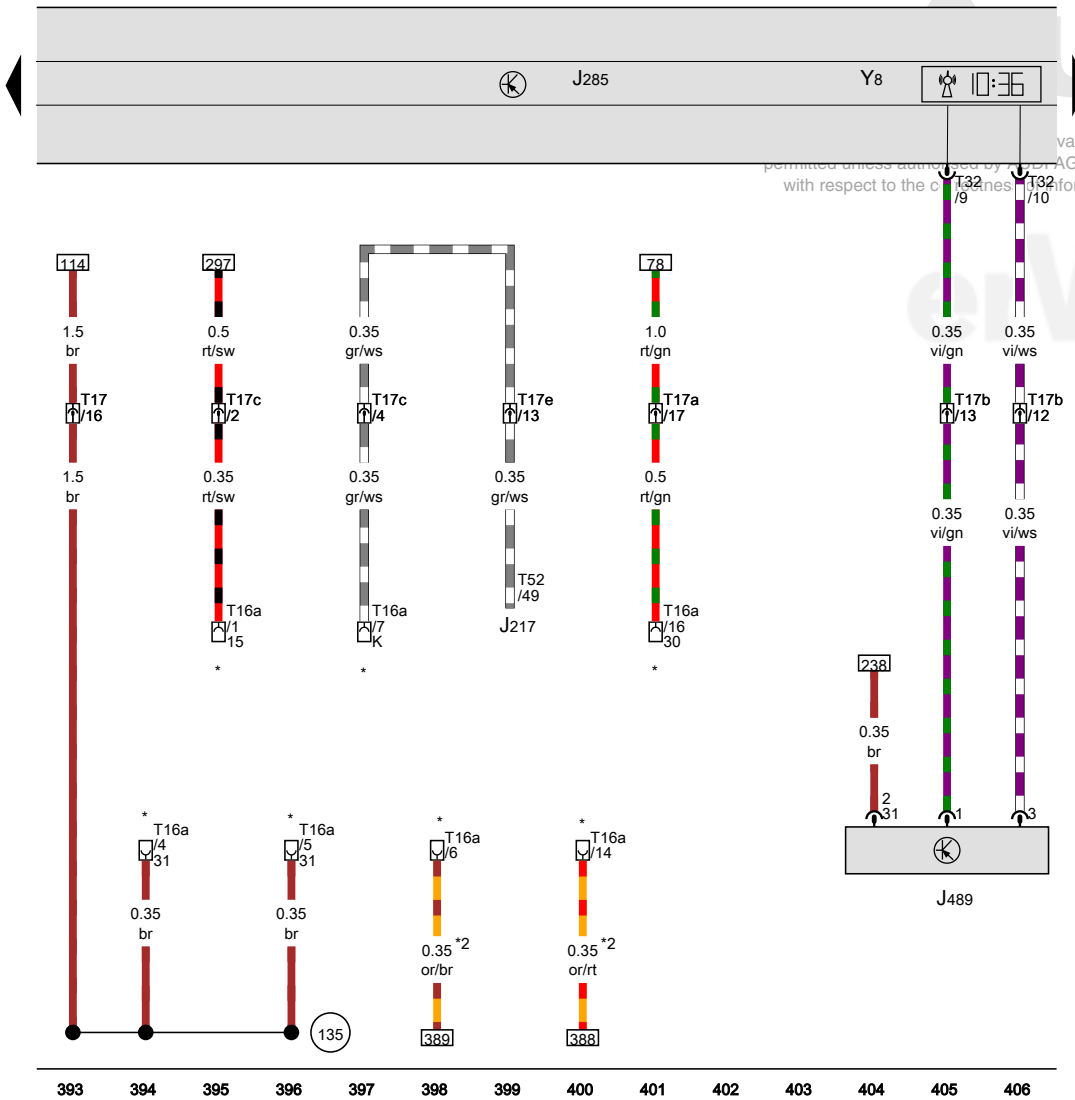


Instrument cluster control module, Radio frequency controlled clock receiver

- J217 Transmission control module
- J285 Instrument cluster control module
- J489 Radio frequency controlled clock receiver
- T16a 16-pin connector, under the instrument panel, left
- T17 17-pin connector, Inside the center console connector station on the right side, red
- T17a 17-pin connector, Inside the center console connector station on the right side, black
- T17b 17-pin connector, Inside the center console connector station on the right side, brown
- T17c 17-pin connector, Inside the center console connector station on the right side, blue
- T17e 17-pin connector, Connector station under the rear shelf, right, red
- T32 32-pin connector, blue
- T52 52-pin connector, black
- Y8 Radio frequency controlled clock

135 Ground connection 2 (in instrument panel wiring harness)

* Diagnostic connector
*2 Data bus wire (CAN bus)



- ws = white
- sw = black
- ro = red
- rt = red
- br = brown
- gn = green
- bl = blue
- gr = grey
- li = lilac
- vi = lilac
- ge = yellow
- or = orange
- rs = pink

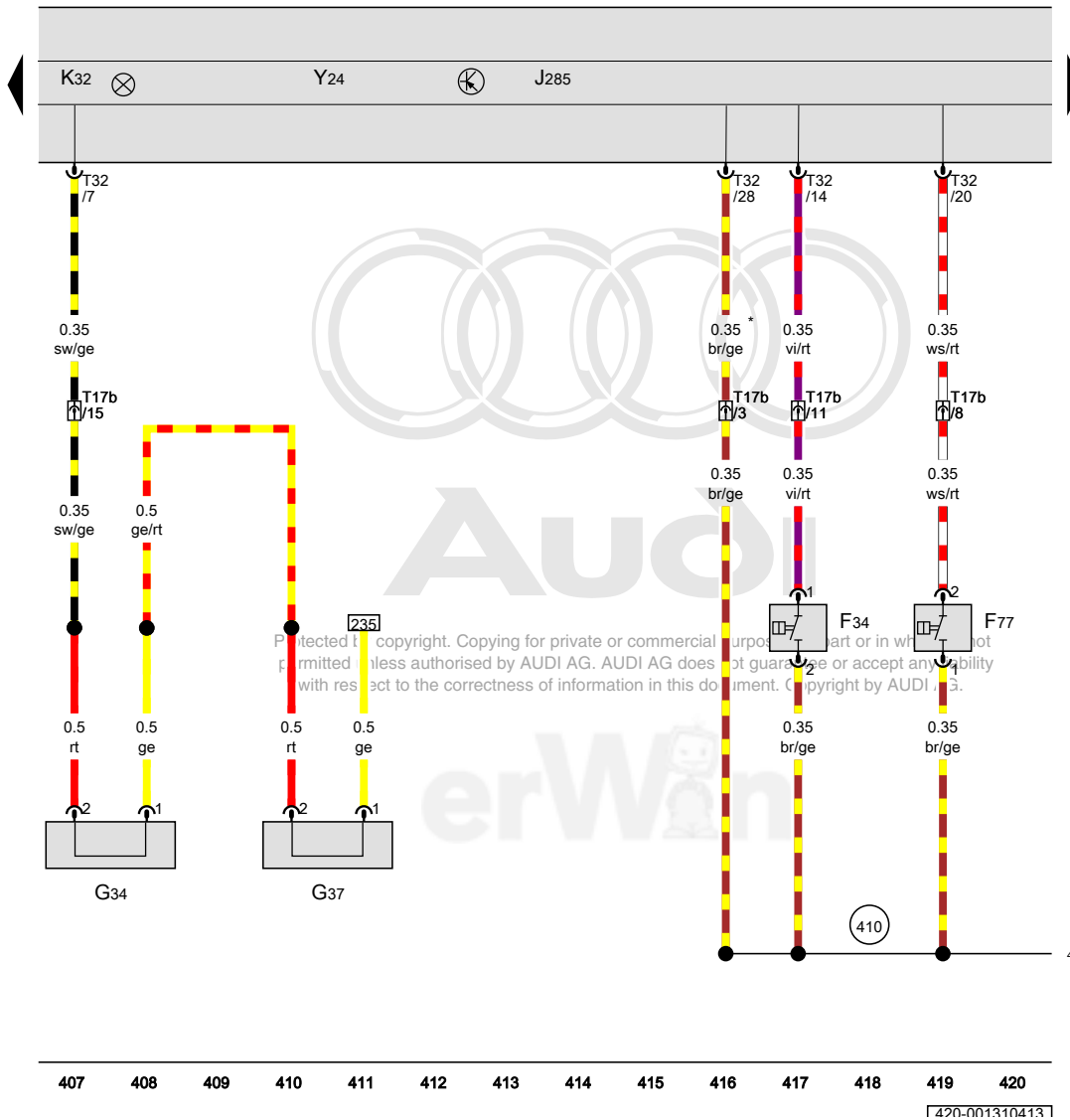
420-001300413

Brake fluid level warning switch, Windshield washer fluid level warning switch, Left front brake pad wear sensor, Instrument cluster control module, Brake pad wear indicator lamp

- F34 Brake fluid level warning switch
- F77 Windshield washer fluid level warning switch
- G34 Left front brake pad wear sensor
- G37 Right rear brake pad wear sensor
- J285 Instrument cluster control module
- K32 Brake pad wear indicator lamp
- T17b 17-pin connector, Inside the center console connector station on the right side, brown
- T32 32-pin connector, blue
- Y24 Display unit in instrument cluster

410 Sensor ground connection 1 (in main wiring harness)

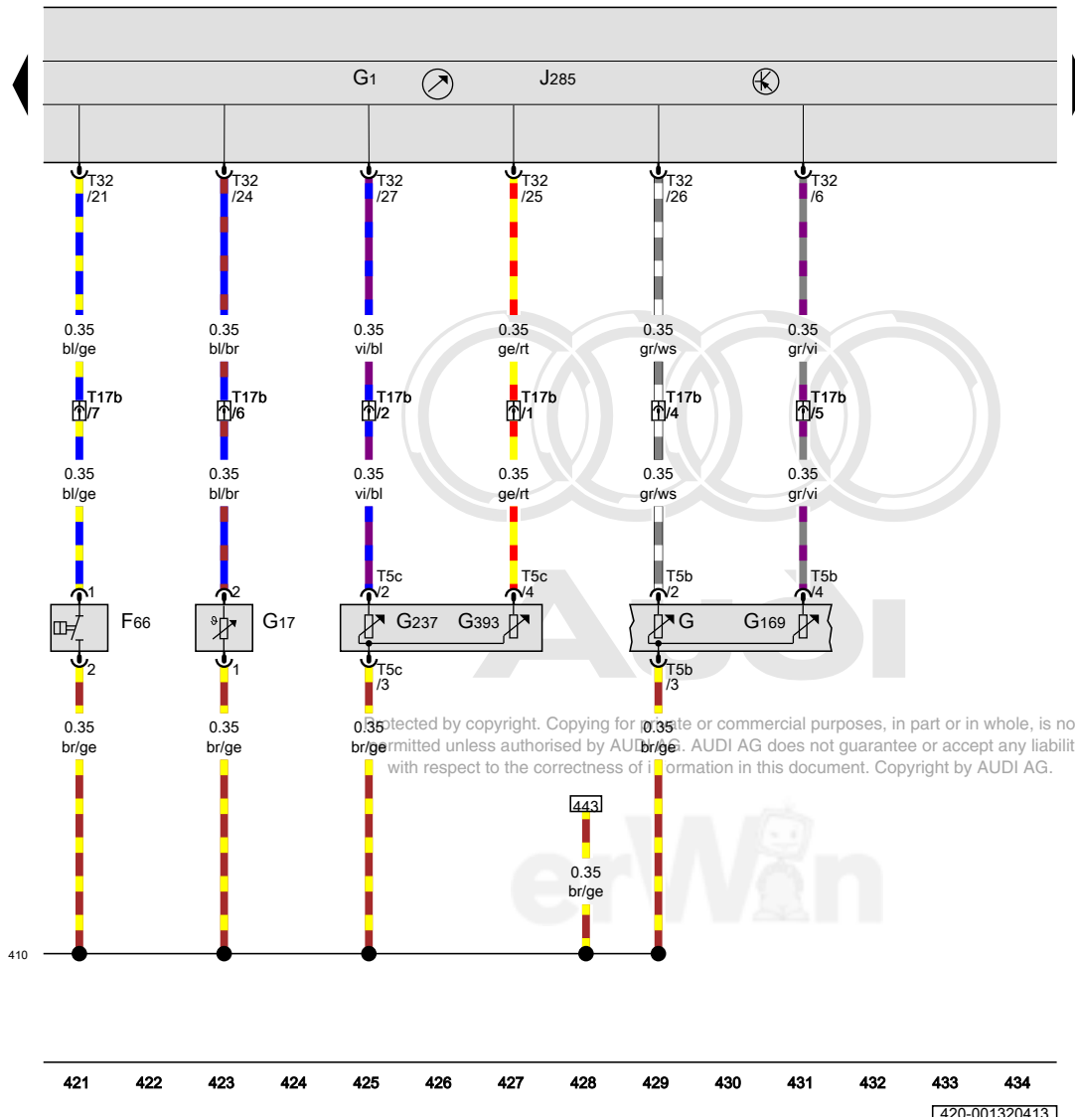
* Sensor ground output



- ws = white
- sw = black
- ro = red
- rt = red
- br = brown
- gn = green
- bl = blue
- gr = grey
- li = lilac
- vi = lilac
- ge = yellow
- or = orange
- rs = pink

Engine coolant level warning switch, Fuel level sensor, Fuel gauge, Outside air temperature sensor, Instrument cluster control module

- F66 Engine coolant level warning switch
 - G Fuel level sensor
 - G1 Fuel gauge
 - G17 Outside air temperature sensor
 - G169 Fuel level sensor 2
 - G237 Fuel level sensor 3
 - G393 Fuel level sensor 4
 - J285 Instrument cluster control module
 - T5b 5-pin connector, black
 - T5c 5-pin connector, black
 - T17b 17-pin connector, Inside the center console connector station on the right side, brown
 - T32 32-pin connector, blue
- 410 Sensor ground connection 1 (in main wiring harness)

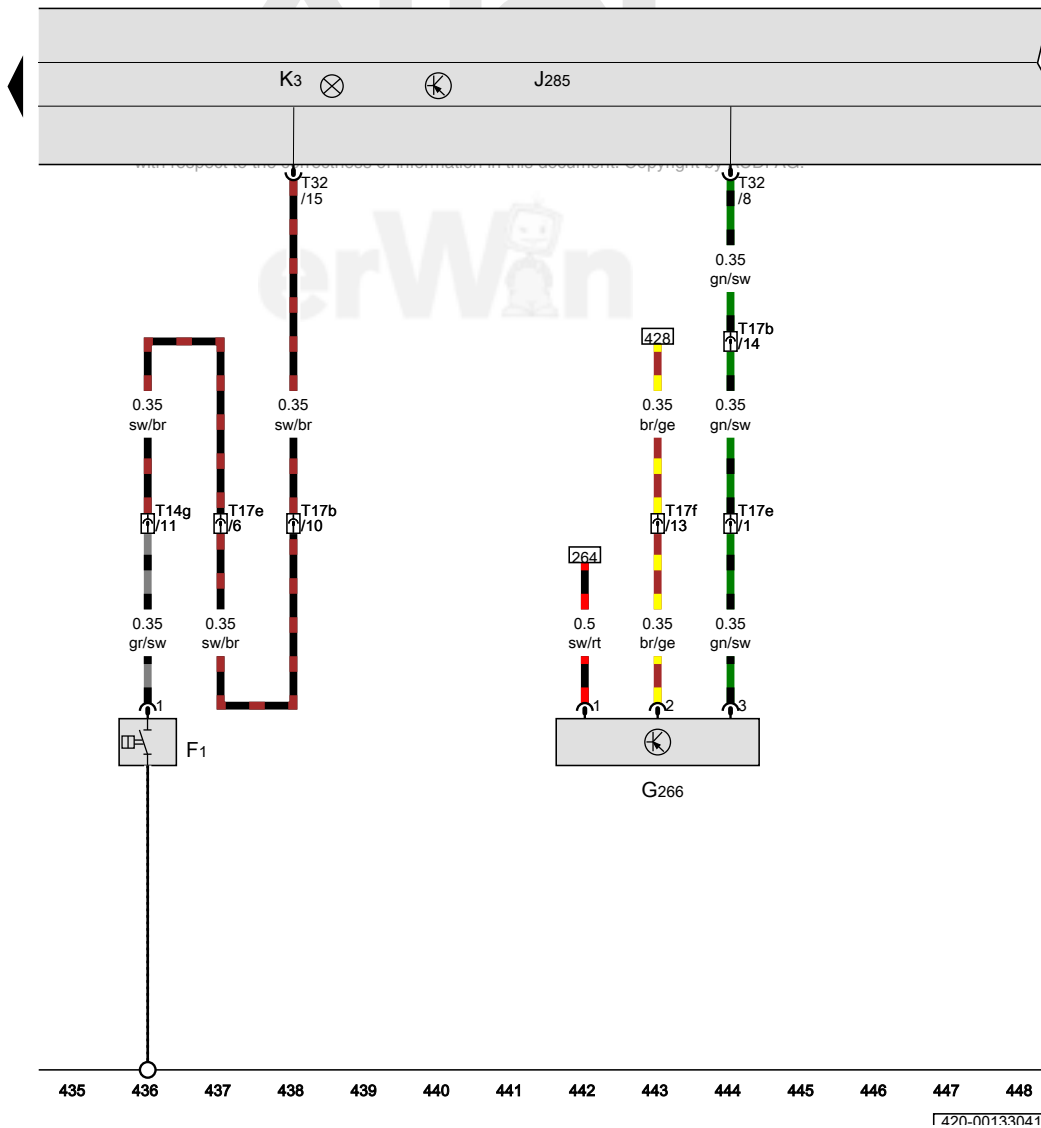


- ws = white
- sw = black
- ro = red
- rt = red
- br = brown
- gn = green
- bl = blue
- gr = grey
- li = lilac
- vi = lilac
- ge = yellow
- or = orange
- rs = pink

[420-001320413]

Oil pressure switch, Oil level thermal sensor, Instrument cluster control module

- F1 Oil pressure switch
- G266 Oil level thermal sensor
- J285 Instrument cluster control module
- K3 Oil pressure indicator lamp
- T14g 14-pin connector, in the engine compartment
- T17b 17-pin connector, Inside the center console connector station on the right side, brown
- T17e 17-pin connector, Connector station under the rear shelf, right, red
- T17f 17-pin connector, on the fuel tank filler neck
- T32 32-pin connector, blue



- ws = white
- sw = black
- ro = red
- rt = red
- br = brown
- gn = green
- bl = blue
- gr = grey
- li = lilac
- vi = lilac
- ge = yellow
- or = orange
- rs = pink

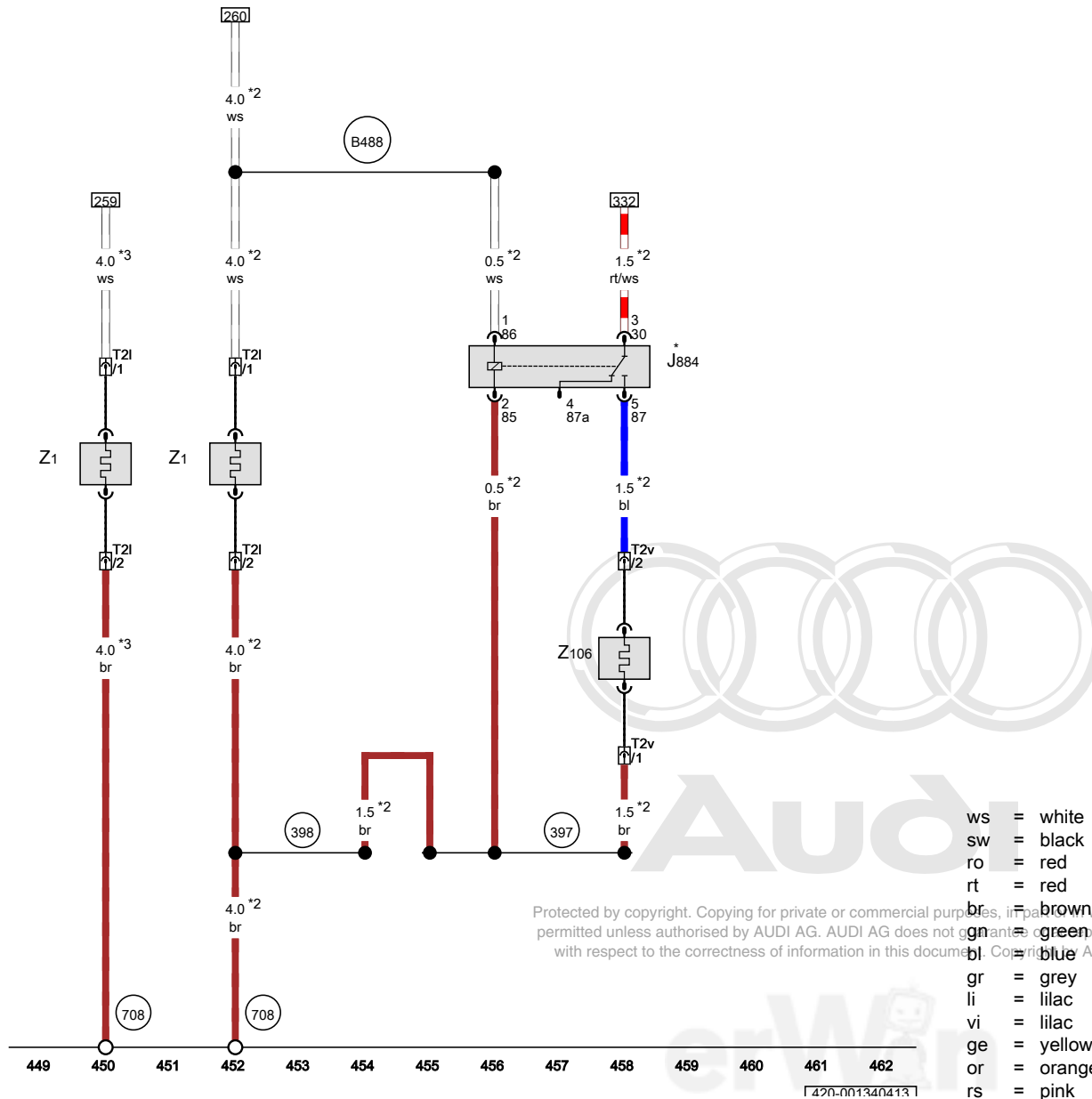
[420-001330413]

Partition window defogger relay, Rear window defogger, Partition window defogger

- J884 Partition window defogger relay
- T2l Double connector, black
- T2v Double connector, black
- Z1 Rear window defogger
- Z106 Partition window defogger

- 397 Ground connection 32 (in main wiring harness)
- 398 Ground connection 33 (in main wiring harness)
- 708 Ground connection 2 on right rear chassis side member
- B488 Connection 24 (in main wiring harness)

- * Relay and fuse holder B on the vehicle electrical system control module in the right front footwell
- *2 from June 2008
- *3 Through May 2008

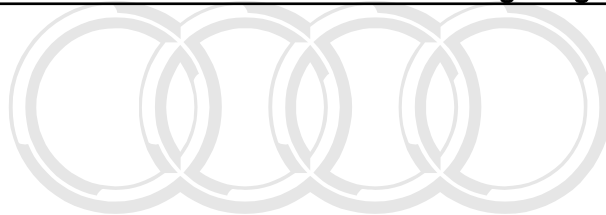


- ws = white
- sw = black
- ro = red
- rt = red
- br = brown
- gn = green
- bl = blue
- gr = grey
- li = lilac
- vi = lilac
- ge = yellow
- or = orange
- rs = pink

Protected by copyright. Copying for private or commercial purposes, in part or as a whole, is not permitted unless authorised by AUDI AG. AUDI AG does not grant any liability with respect to the correctness of information in this document. Copyright © AUDI AG.

420-001340413

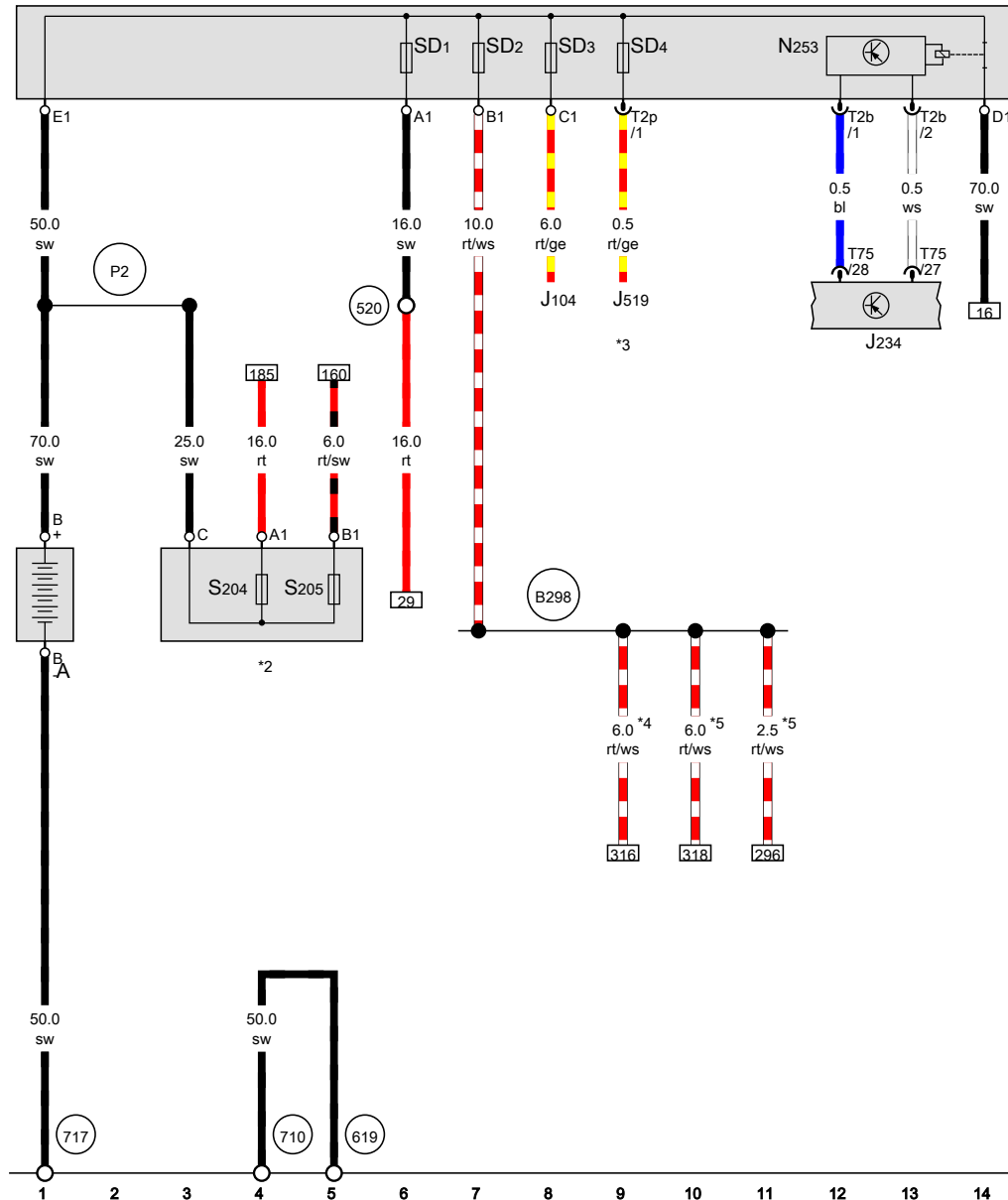
4.2L gasoline engine , BYH
from May 2006



Audi

Protected by copyright. Copying for private or commercial purposes, in part or in whole, is not permitted unless authorised by AUDI AG. AUDI AG does not guarantee or accept any liability with respect to the correctness of information in this document. Copyright by AUDI AG.





Battery interrupt igniter

- A Battery
- J104 ABS control module
- J234 Airbag control module
- J519 Vehicle electrical system control module
- N253 Battery interrupt igniter
- SD1 Fuse 1 (on fuse panel D)
- SD2 Fuse 2 (on fuse panel D)
- SD3 Fuse 3 (on fuse panel D)
- SD4 Fuse 4 (on fuse panel D)
- S204 Fuse 1 (terminal 30)
- S205 Fuse 2 (terminal 30)
- T2b Double connector
- T2p Double connector, black
- T75 75-pin connector, yellow
- 520 Threaded connection on the coupling station, Connector station under the rear shelf, right
- 619 Ground connection on engine block, lower left
- 710 Ground connection 2 on left rear chassis side member
- 717 Ground connection on right front crossmember
- B298 Positive connection 2 (30) (in main wiring harness)
- P2 Positive connection (30) (in battery wiring harness)
- * Main fuse box in the right front footwell
- *2 Main distribution in the right front footwell
- *3 Refer to applicable standard equipment wiring diagram from June 2009
- *4 Through May 2009

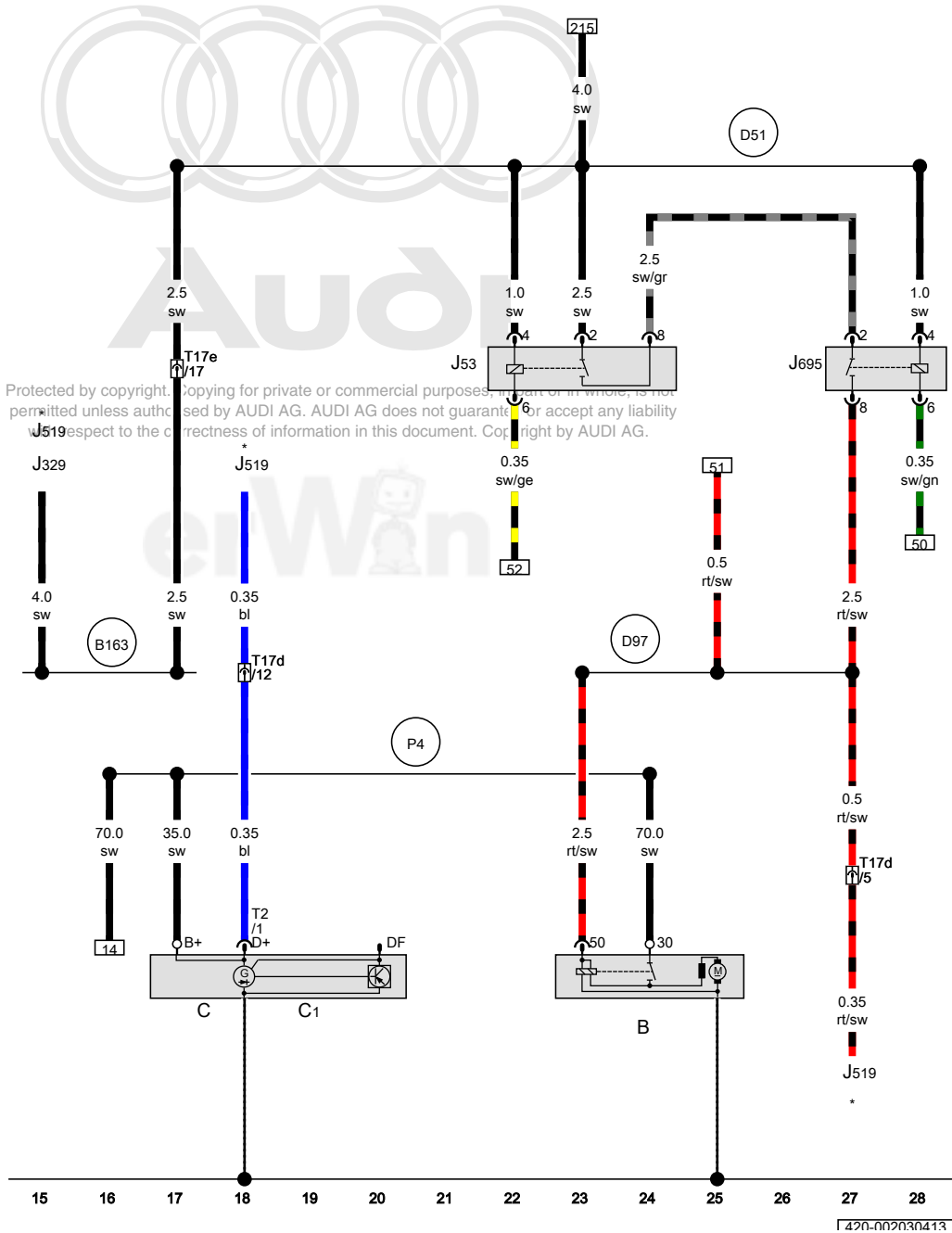
Protected by copyright. Copying for private or commercial purposes, in part or in whole, is not permitted unless authorised by AUDI AG. AUDI AG does not guarantee or accept any liability with respect to the correctness of information in this document. Copyright by AUDI AG.

- ws = white
- sw = black
- ro = red
- rt = red
- br = brown
- gn = green
- bl = blue
- gr = grey
- li = lilac
- vi = lilac
- ge = yellow
- or = orange
- rs = pink



1420-002020413

Starter, Generator, Starter relay, Relay 2 for starter



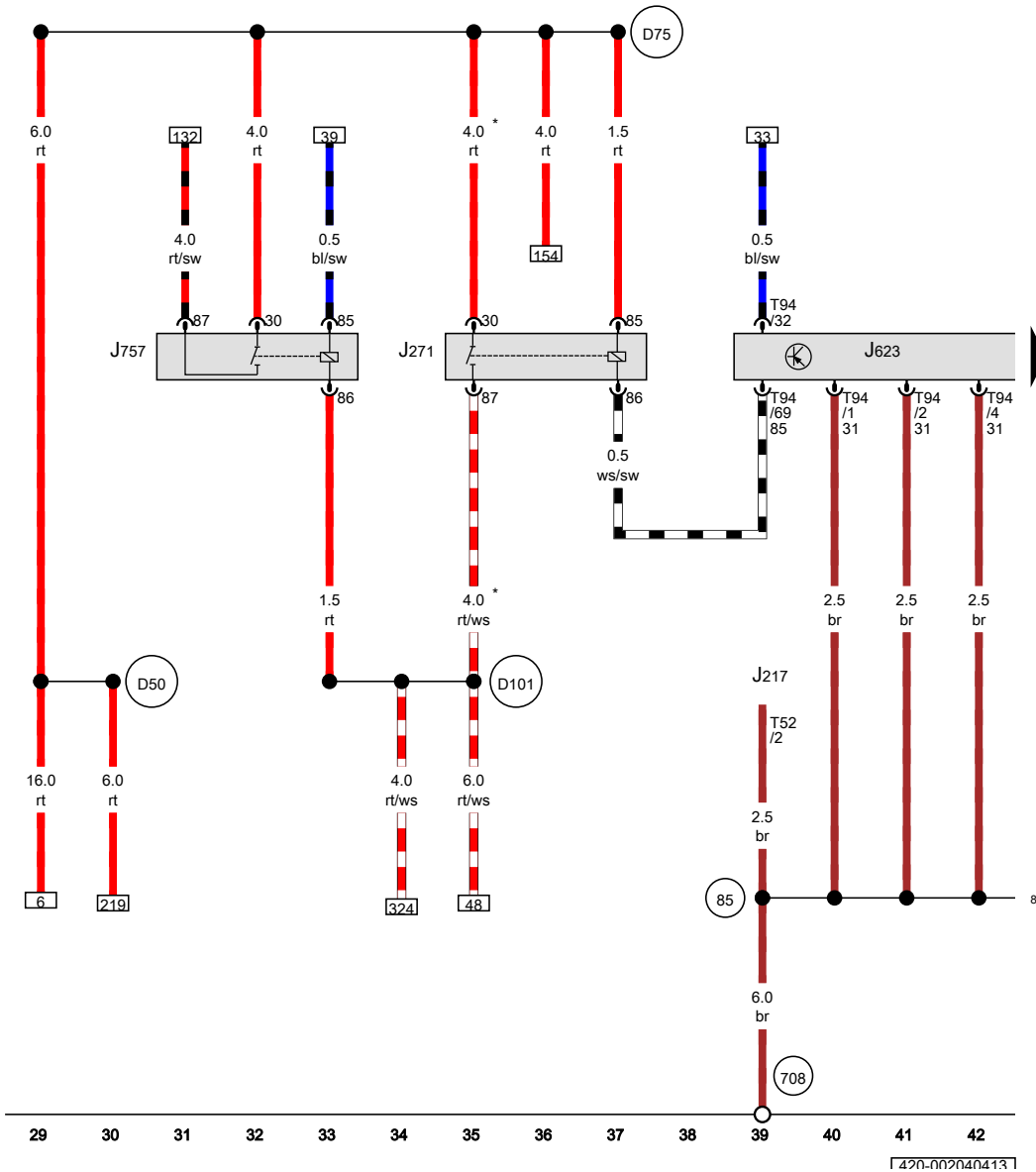
- B Starter
- C Generator
- C1 Voltage regulator
- J53 Starter relay, 9-pin relay and fuse panel C under the rear shelf, right
- J329 Terminal 15 power supply relay
- J519 Vehicle electrical system control module
- J695 Relay 2 for starter, 9-pin relay and fuse panel C under the rear shelf, right
- T2 Double connector
- T17d 17-pin connector, Connector station under the rear shelf, right, brown
- T17e 17-pin connector, Connector station under the rear shelf, right, red
- B163 Positive connection 1 (15) (in interior wiring harness)
- D51 Positive connection 1 (15) (in engine compartment wiring harness)
- D97 Connection 50 (in right engine compartment wiring harness)
- P4 Positive connection 2 (30) (in battery wiring harness)
- * Refer to applicable standard equipment wiring diagram

- ws = white
- sw = black
- ro = red
- rt = red
- br = brown
- gn = green
- bl = blue
- gr = grey
- li = lilac
- vi = lilac
- ge = yellow
- or = orange
- rs = pink

Motronic engine control module power supply relay, Engine control module, Engine component power supply relay

- J217 Transmission control module
- J271 Motronic engine control module power supply relay
- J623 Engine control module
- J757 Engine component power supply relay, 9-pin relay and fuse panel C under the rear shelf, right
- T52 52-pin connector, black
- T94 94-pin connector, black

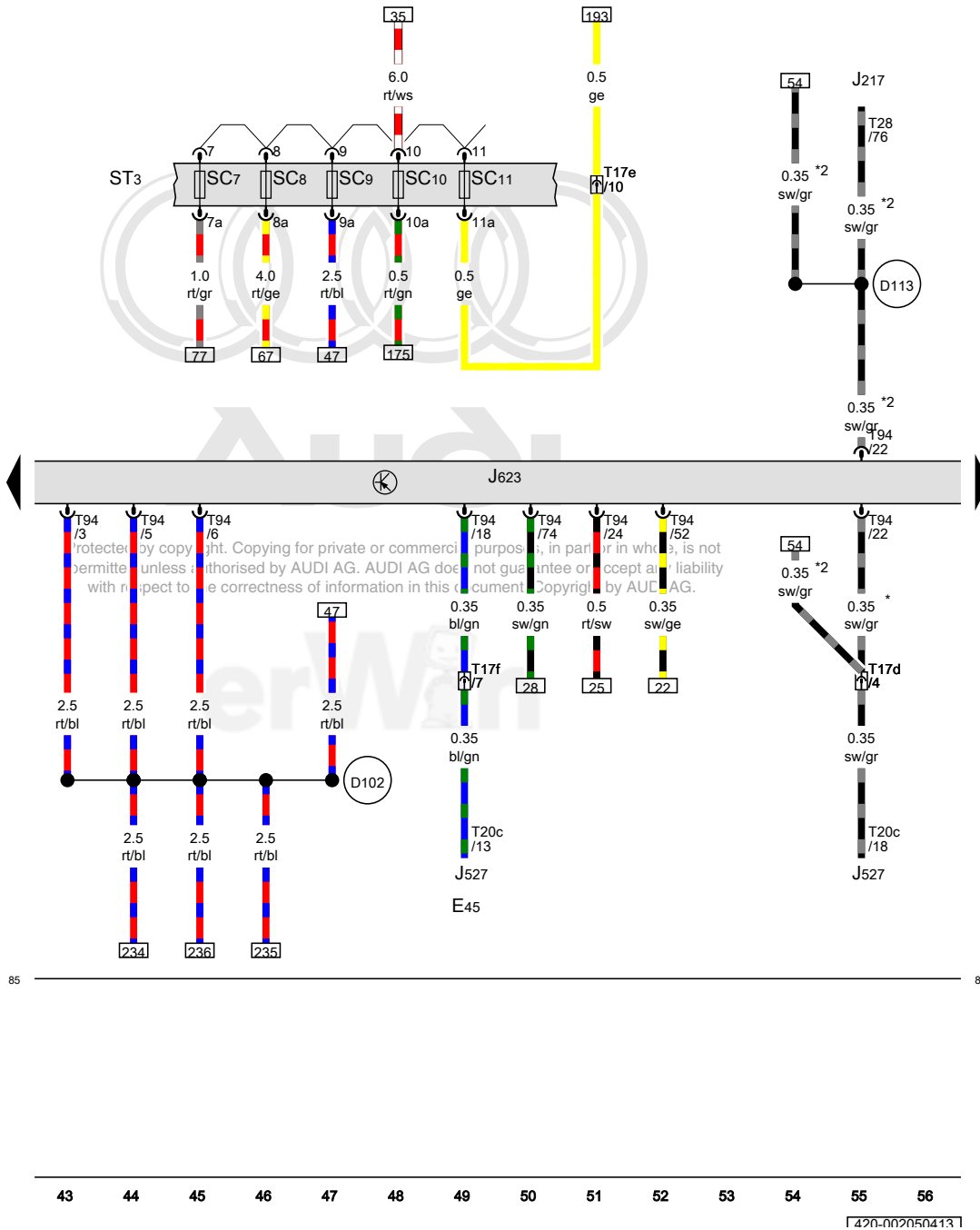
- (85) Ground connection 1 (in engine compartment wiring harness)
- (708) Ground connection 2 on right rear chassis side member
- (D50) Positive connection (30) (in engine compartment wiring harness)
- (D75) Positive connection 2 (30) (in engine compartment wiring harness)
- (D101) Connection 1 (in engine compartment wiring harness)



- ws = white
- sw = black
- ro = red
- rt = red
- br = brown
- gn = green
- bl = blue
- gr = grey
- li = lilac
- vi = lilac
- ge = yellow
- or = orange
- rs = pink

* 6.0 diameter possible
 Protected by copyright. Copying for private or commercial purposes, in part or in whole, is not permitted unless authorised by AUDI AG. AUDI AG does not guarantee or accept any liability with respect to the correctness of information in this document. Copyright by AUDI AG.

1420-002040413



Engine control module

- E45 Cruise control switch
- J217 Transmission control module
- J527 Steering column electronics control module
- J623 Engine control module
- ST3 Fuse panel 3
- SC7 Fuse 7 (on fuse panel C)
- SC8 Fuse 8 (on fuse panel C)
- SC9 Fuse 9 (on fuse panel C)
- SC10 Fuse 10 (on fuse panel C)
- SC11 Fuse 11 (on fuse panel C)
- T17d 17-pin connector, Connector station under the rear shelf, right, brown
- T17e 17-pin connector, Connector station under the rear shelf, right, red
- T17f 17-pin connector, Connector station under the rear shelf, right, white
- T20c 20-pin connector, black
- T28 28-pin connector, black
- T94 94-pin connector, black

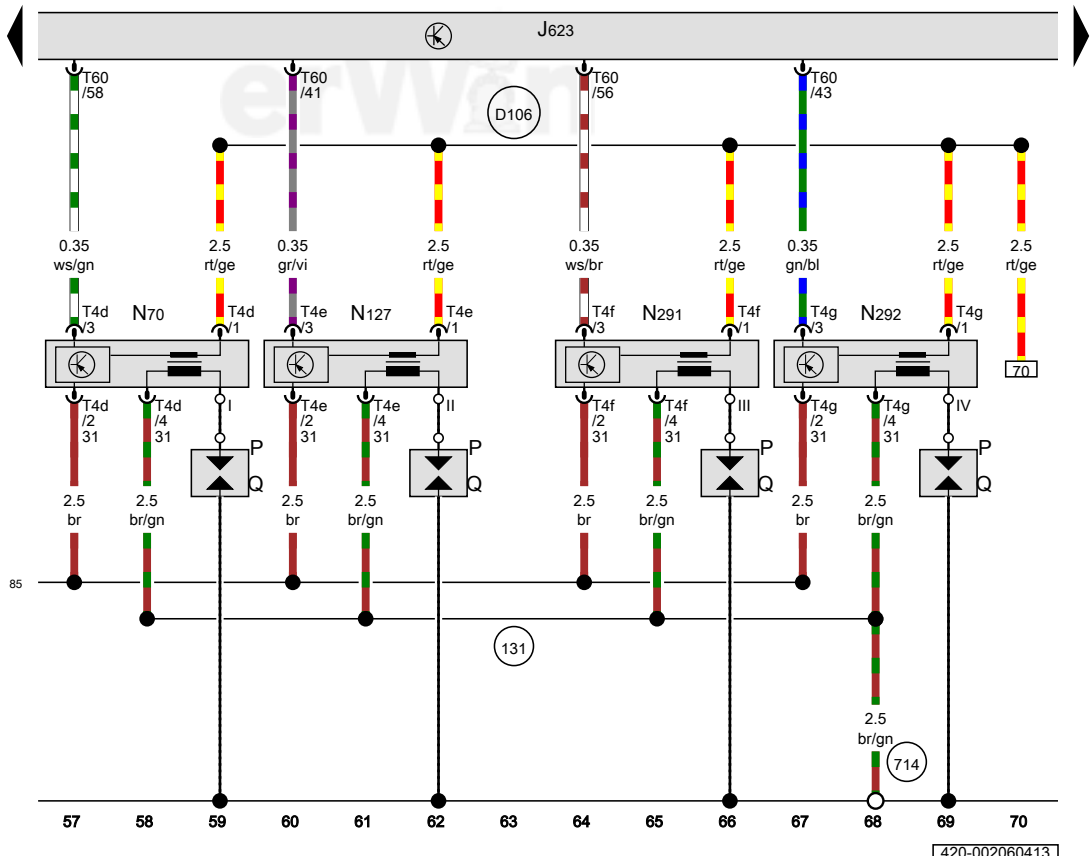
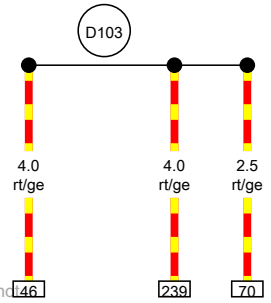
- 85 Ground connection 1 (in engine compartment wiring harness)
- D102 Connection 2 (in engine compartment wiring harness)
- D113 Connection 11 (in engine compartment wiring harness)
- * Only for vehicles with a manual transmission
- *2 Only for vehicles with automated manual transmission (R tronic) 086

- ws = white
- sw = black
- ro = red
- rt = red
- br = brown
- gn = green
- bl = blue
- gr = grey
- li = lilac
- vi = lilac
- ge = yellow
- or = orange
- rs = pink

1420-002050413



Protected by copyright. Copying for private or commercial purposes, in part or in whole, is not permitted unless authorised by AUDI AG. AUDI AG does not guarantee or accept any liability with respect to the correctness of information in this document. Copyright by AUDI AG.



- ws = white
- sw = black
- ro = red
- rt = red
- br = brown
- gn = green
- bl = blue
- gr = grey
- li = lilac
- vi = lilac
- ge = yellow
- or = orange
- rs = pink

Engine control module, Ignition coil 1 with power output stage, Ignition coil 2 with power output stage, Ignition coil 3 with power output stage, Ignition coil 4 with power output stage

- J623 Engine control module
- N70 Ignition coil 1 with power output stage
- N127 Ignition coil 2 with power output stage
- N291 Ignition coil 3 with power output stage
- N292 Ignition coil 4 with power output stage
- P Spark plug connectors
- Q Spark plugs
- T4d 4-pin connector, black
- T4e 4-pin connector, black
- T4f 4-pin connector, black
- T4g 4-pin connector, black
- T60 60-pin connector, black

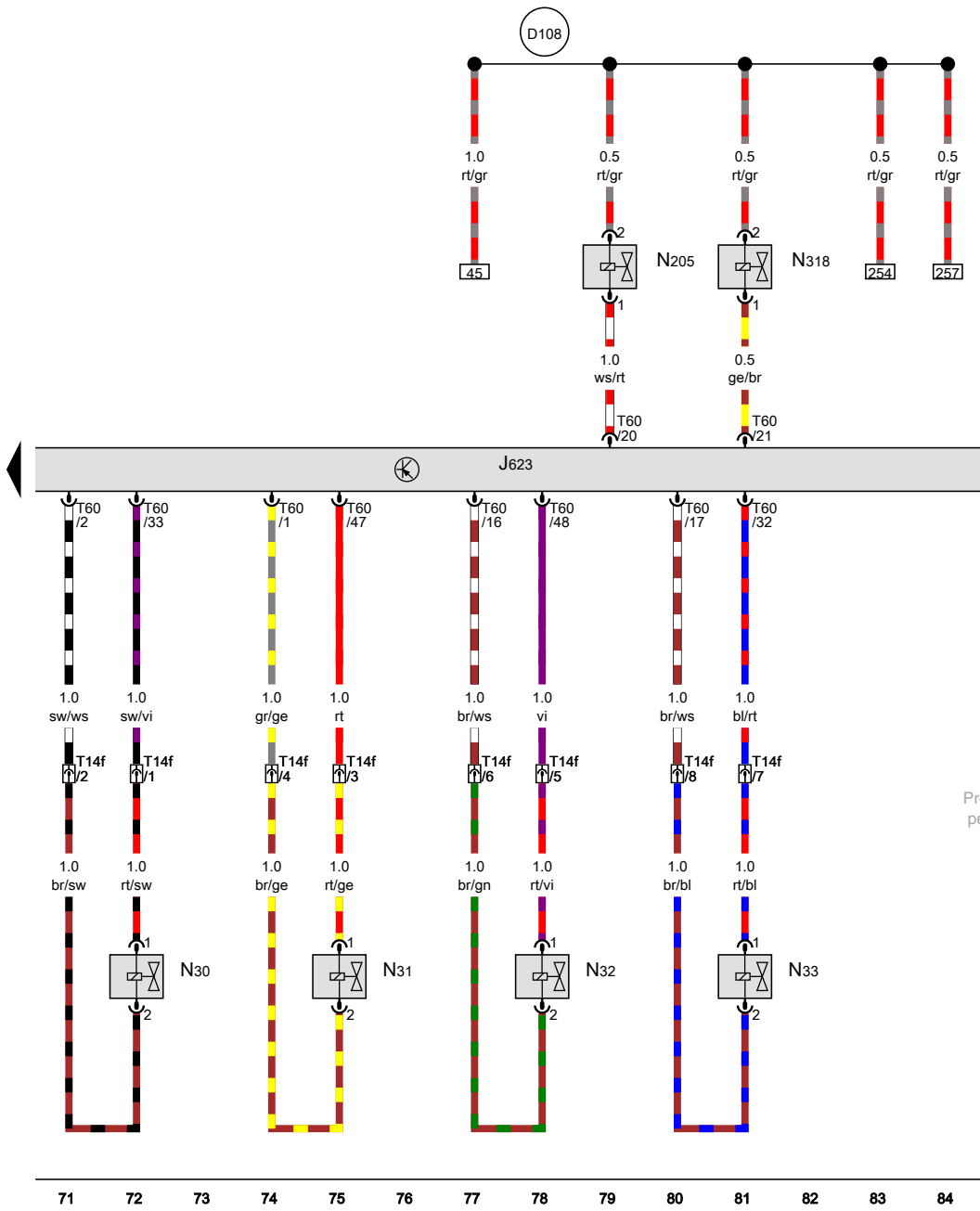
- 85 Ground connection 1 (in engine compartment wiring harness)
- 131 Ground connection 2 (in engine compartment wiring harness)
- 714 Ground connection on engine, right
- D103 Connection 3 (in engine compartment wiring harness)
- D106 Connection 4 (in engine compartment wiring harness)

1420-002060413

Engine control module, Cylinder 1 fuel injector, Cylinder 2 fuel injector, Cylinder 3 fuel injector, Cylinder 4 fuel injector, Camshaft adjustment valve 1, Exhaust camshaft adjustment valve 1

- J623 Engine control module
- N30 Cylinder 1 fuel injector
- N31 Cylinder 2 fuel injector
- N32 Cylinder 3 fuel injector
- N33 Cylinder 4 fuel injector
- N205 Camshaft adjustment valve 1
- N318 Exhaust camshaft adjustment valve 1
- T14f 14-pin connector, in the engine compartment, black
- T60 60-pin connector, black

D108 Connection 6 (in engine compartment wiring harness)



Protected by copyright. Copying for private or commercial purposes, in part or in whole, is not permitted unless authorised by AUDI AG. AUDI AG does not guarantee or accept any liability with respect to the correctness of information in this document. Copyright by AUDI AG.

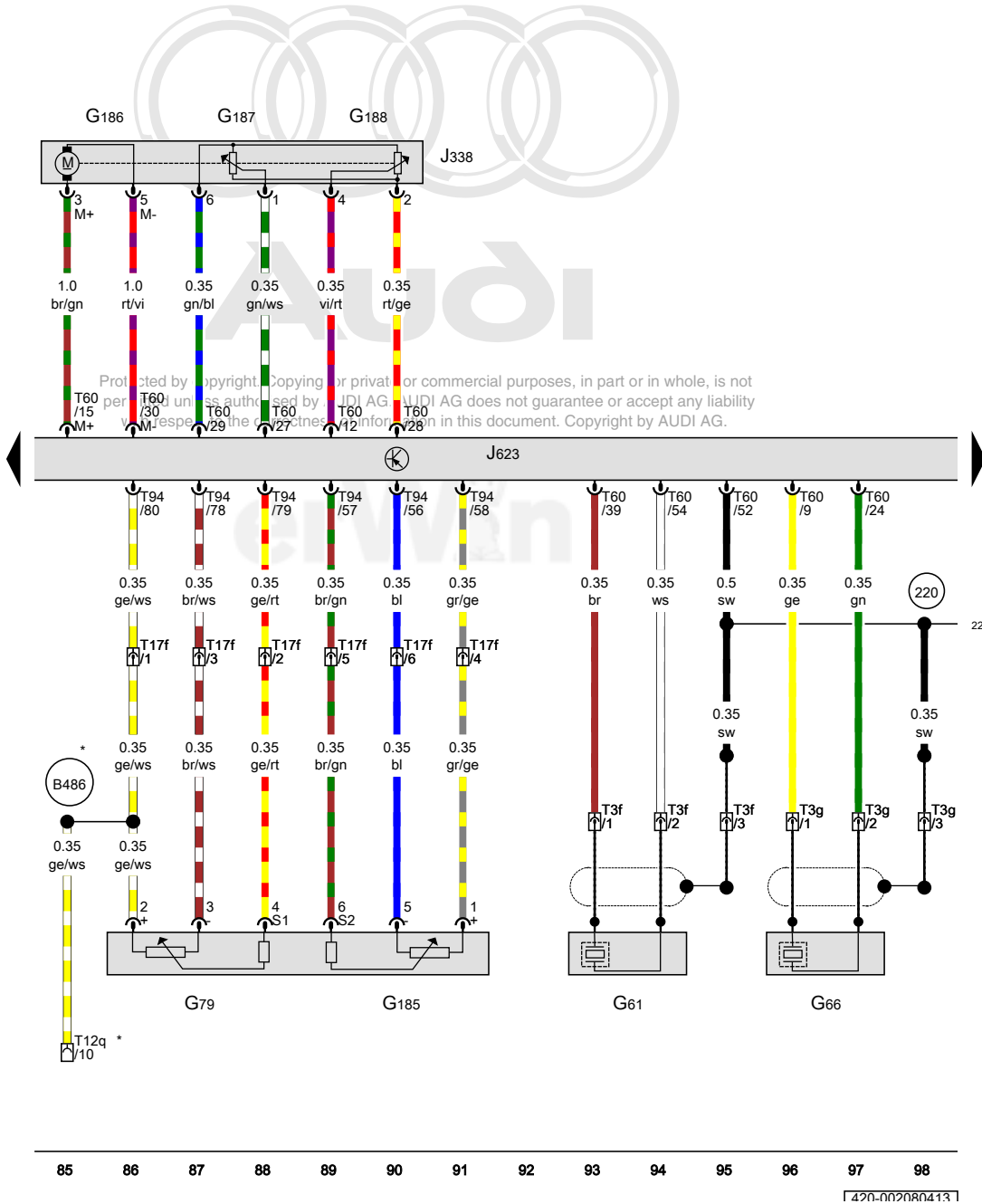
- ws = white
- sw = black
- ro = red
- rt = red
- br = brown
- gn = green
- bl = blue
- gr = grey
- li = lilac
- vi = lilac
- ge = yellow
- or = orange
- rs = pink

71 72 73 74 75 76 77 78 79 80 81 82 83 84

1420-002070413

Accelerator pedal position sensor, Throttle valve control module, Engine control module

- G61 Knock sensor 1
- G66 Knock sensor 2
- G79 Accelerator pedal position sensor
- G185 Accelerator pedal position sensor 2
- G186 EPC throttle drive
- G187 EPC throttle drive angle sensor 1
- G188 EPC throttle drive angle sensor 2
- J338 Throttle valve control module
- J623 Engine control module
- T3f 3-pin connector, black
- T3g 3-pin connector, brown
- T12q 12-pin connector, under the right front seat, brown
- T17f 17-pin connector, Connector station under the rear shelf, right, white
- T60 60-pin connector, black
- T94 94-pin connector, black



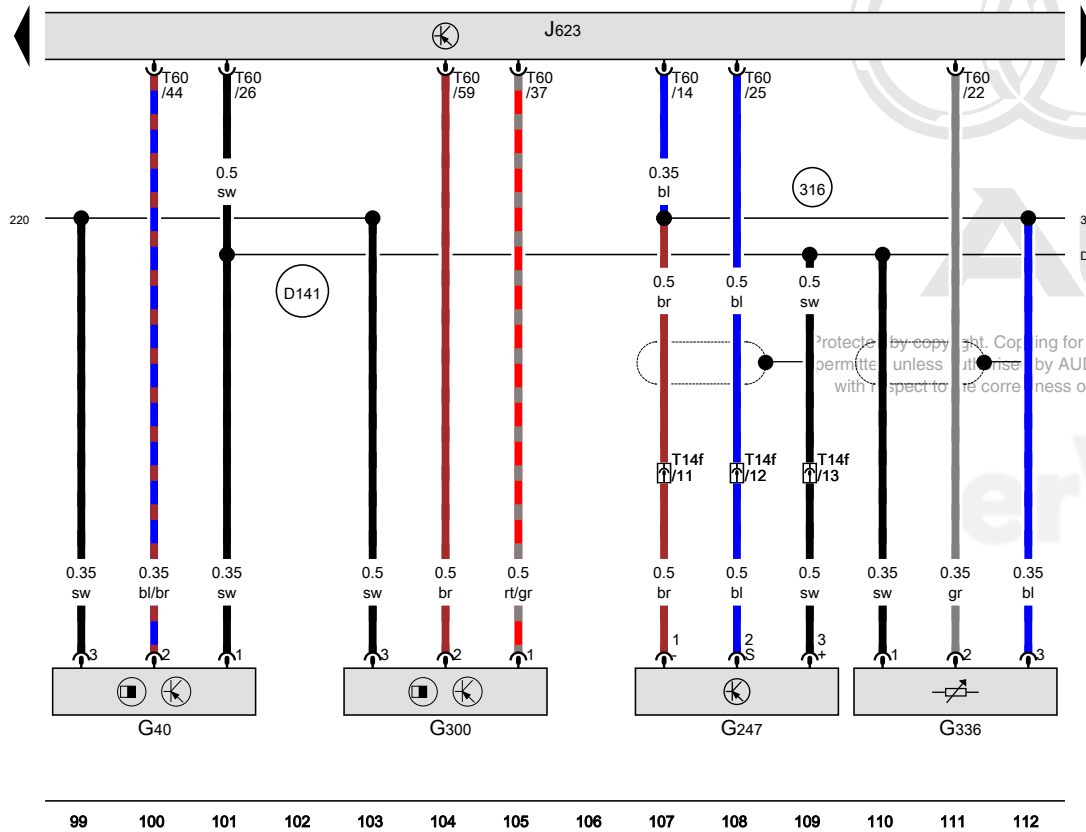
- 220 Sensor ground connection (in engine wiring harness)
- B486 Connection 22 (in main wiring harness)
- * Only for vehicles with special functions interface

- ws = white
- sw = black
- ro = red
- rt = red
- br = brown
- gn = green
- bl = blue
- gr = grey
- li = lilac
- vi = lilac
- ge = yellow
- or = orange
- rs = pink

Camshaft position sensor, Fuel pressure sensor, Intake manifold runner position sensor, Engine control module

- G40 Camshaft position sensor
- G247 Fuel pressure sensor
- G300 Camshaft position sensor 3
- G336 Intake manifold runner position sensor
- J623 Engine control module
- T14f 14-pin connector, in the engine compartment, black
- T60 60-pin connector, black

- (220) Sensor ground connection (in engine wiring harness)
- (316) Sensor ground connection 2 (in engine wiring harness)
- (D141) Connection 5V (in engine pre-wiring harness)



- ws = white
- sw = black
- ro = red
- rt = red
- br = brown
- gn = green
- bl = blue
- gr = grey
- li = lilac
- vi = lilac
- ge = yellow
- or = orange
- rs = pink

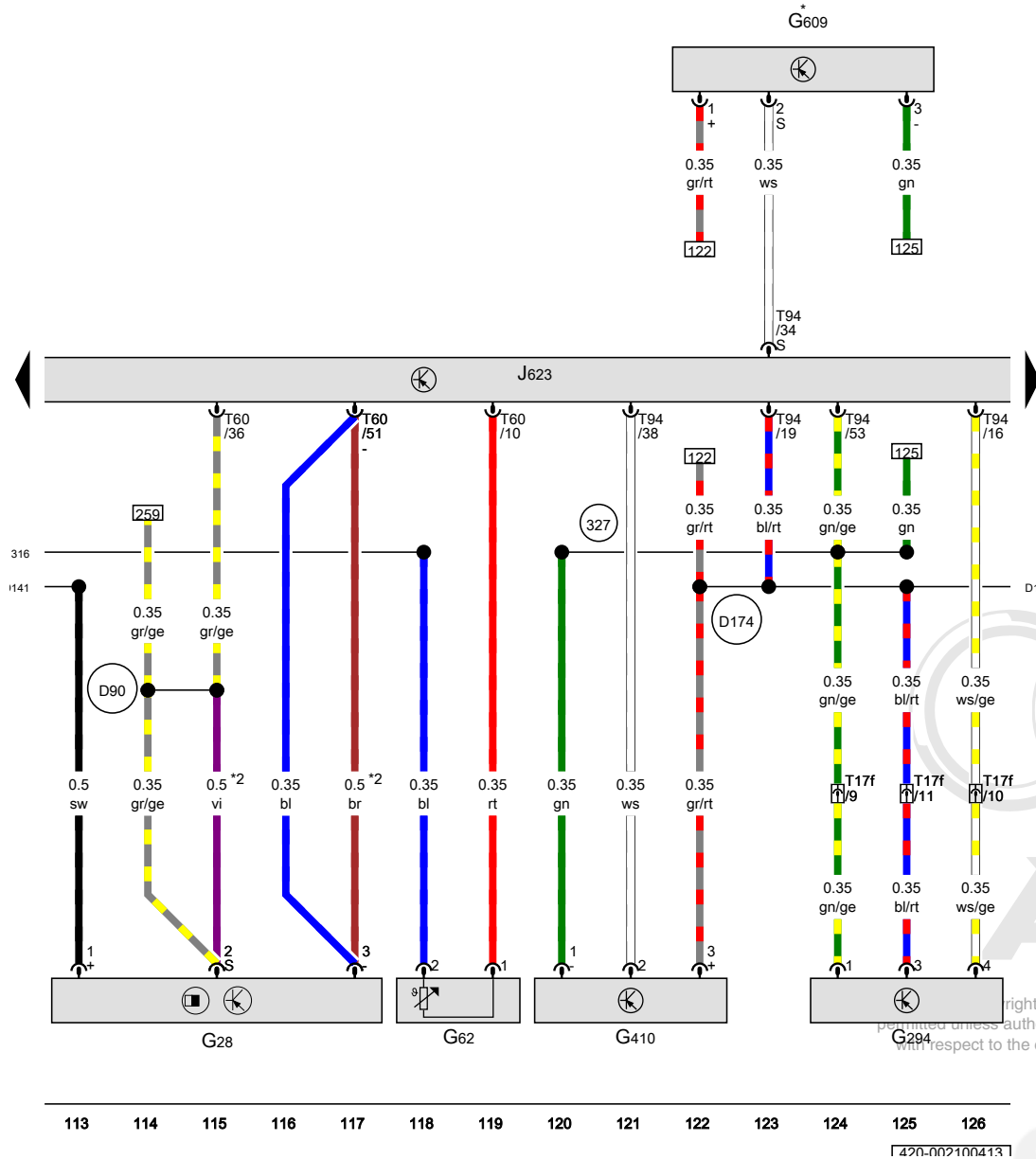
1420-002090413

Engine speed sensor, Engine coolant temperature sensor, Brake booster pressure sensor, Low fuel pressure sensor, Secondary air injection sensor 1, Engine control module

- G28 Engine speed sensor
- G62 Engine coolant temperature sensor
- G294 Brake booster pressure sensor
- G410 Low fuel pressure sensor
- G609 Secondary air injection sensor 1
- J623 Engine control module
- T17f 17-pin connector, Connector station under the rear shelf, right, white
- T60 60-pin connector, black
- T94 94-pin connector, black

- 316 Sensor ground connection 2 (in engine wiring harness)
- 327 Sensor ground connection (in engine compartment wiring harness)
- D90 RPM signal connection (in engine compartment wiring harness)
- D141 Connection 5V (in engine pre-wiring harness)
- D174 Connection 5V (in engine pre-wiring harness) 2

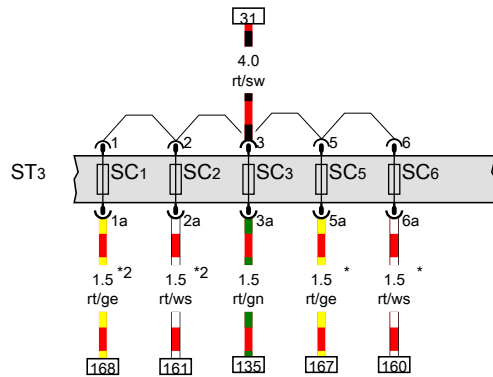
* USA only
*2 Running change



- ws = white
- sw = black
- ro = red
- rt = red
- br = brown
- gn = green
- bl = blue
- gr = grey
- li = lilac
- vi = lilac
- ge = yellow
- or = orange
- rs = pink

right. Copying for private or commercial purposes, in part or in whole, is not permitted unless authorised by AUDI AG. AUDI AG does not guarantee or accept any liability with respect to the correctness of information in this document. Copyright by AUDI AG.

[420-002100413]



Intake air temperature sensor, Mass airflow sensor, Engine control module, EVAP canister purge regulator valve 1, Fuel metering valve, Intake manifold runner control valve

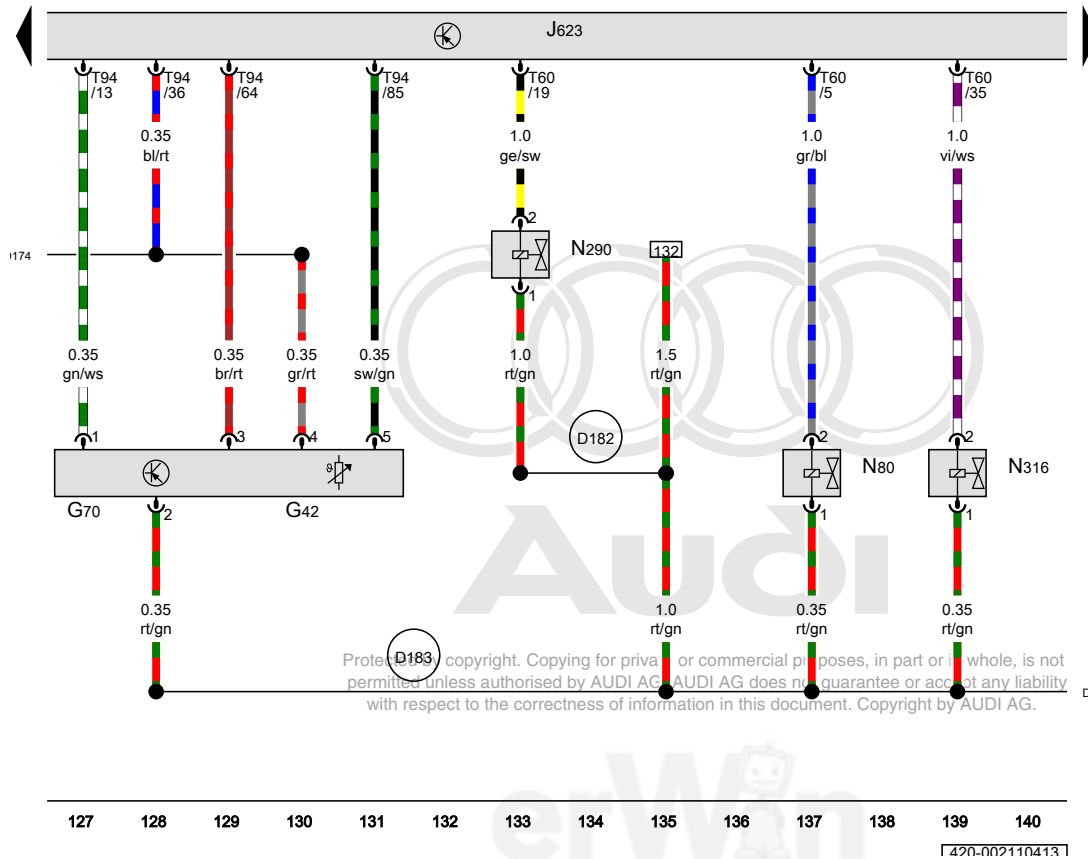
- G42 Intake air temperature sensor
- G70 Mass airflow sensor
- J623 Engine control module
- N80 EVAP canister purge regulator valve 1
- N290 Fuel metering valve
- N316 Intake manifold runner control valve
- SC1 Fuse 1 (on fuse panel C)
- SC2 Fuse 2 (on fuse panel C)
- SC3 Fuse 3 (on fuse panel C)
- ST3 Fuse panel 3
- SC5 Fuse 5 (on fuse panel C)
- SC6 Fuse 6 (on fuse panel C)
- T60 60-pin connector, black
- T94 94-pin connector, black

D174 Connection 5V (in engine pre-wiring harness) 2

D182 Connection 87a (in engine compartment wiring harness) 3

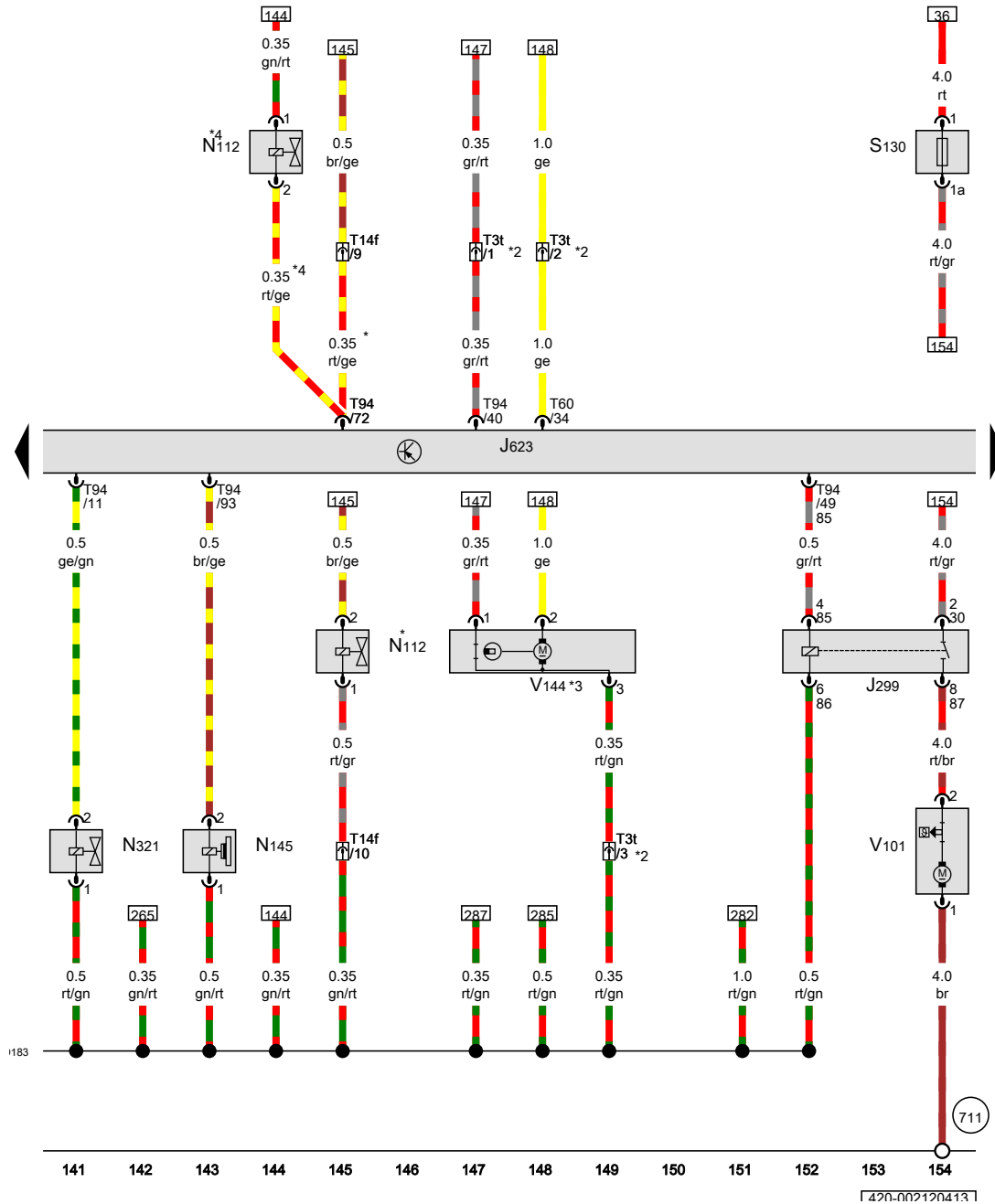
D183 Connection 87a (in engine compartment wiring harness) 4

* from June 2010
 *2 Through May 2010



Protected by copyright. Copying for private or commercial purposes, in part or in whole, is not permitted unless authorised by AUDI AG. AUDI AG does not guarantee or accept any liability with respect to the correctness of information in this document. Copyright by AUDI AG.

- ws = white
- sw = black
- ro = red
- rt = red
- br = brown
- gn = green
- bl = blue
- gr = grey
- li = lilac
- vi = lilac
- ge = yellow
- or = orange
- rs = pink



Secondary air injection pump relay, Engine control module, Secondary air injection solenoid valve, Right electrohydraulic engine mount solenoid valve, Exhaust door valve 1, Secondary air injection pump motor

- J299 Secondary air injection pump relay
- J623 Engine control module
- N112 Secondary air injection solenoid valve
- N145 Right electrohydraulic engine mount solenoid valve
- N321 Exhaust door valve 1
- S130 Secondary air injection pump fuse, 9-pin relay and fuse panel C under the rear shelf, right
- T3t 3-pin connector, black
- T14f 14-pin connector, in the engine compartment, black
- T60 60-pin connector, black
- T94 94-pin connector, black
- V101 Secondary air injection pump motor
- V144 Leak detection pump

711 Ground connection 3 on left rear chassis side member

D183 Connection 87a (in engine compartment wiring harness) 4

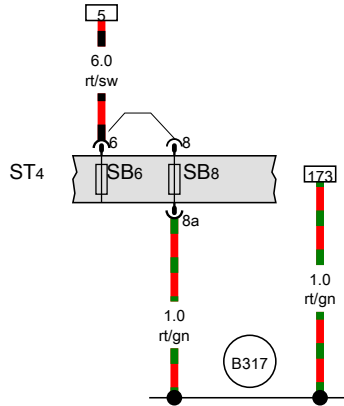
- * Not for USA
- *2 Only for Audi R8 Spyder
- *3 Only for vehicles with a fuel system diagnostic pump
- *4 USA only

Protected by copyright. Copying for private or commercial purposes, in part or in whole, is not permitted unless authorised by AUDI AG. AUDI AG does not guarantee or accept any liability with respect to the correctness of information in this document. Copyright by AUDI AG.

- ws = white
- sw = black
- ro = red
- rt = red
- br = brown
- gn = green
- bl = blue
- gr = grey
- li = lilac
- vi = lilac
- ge = yellow
- or = orange
- rs = pink

1420-002120413 1

Heated oxygen sensor, Oxygen sensor after three way catalytic converter, Engine control module



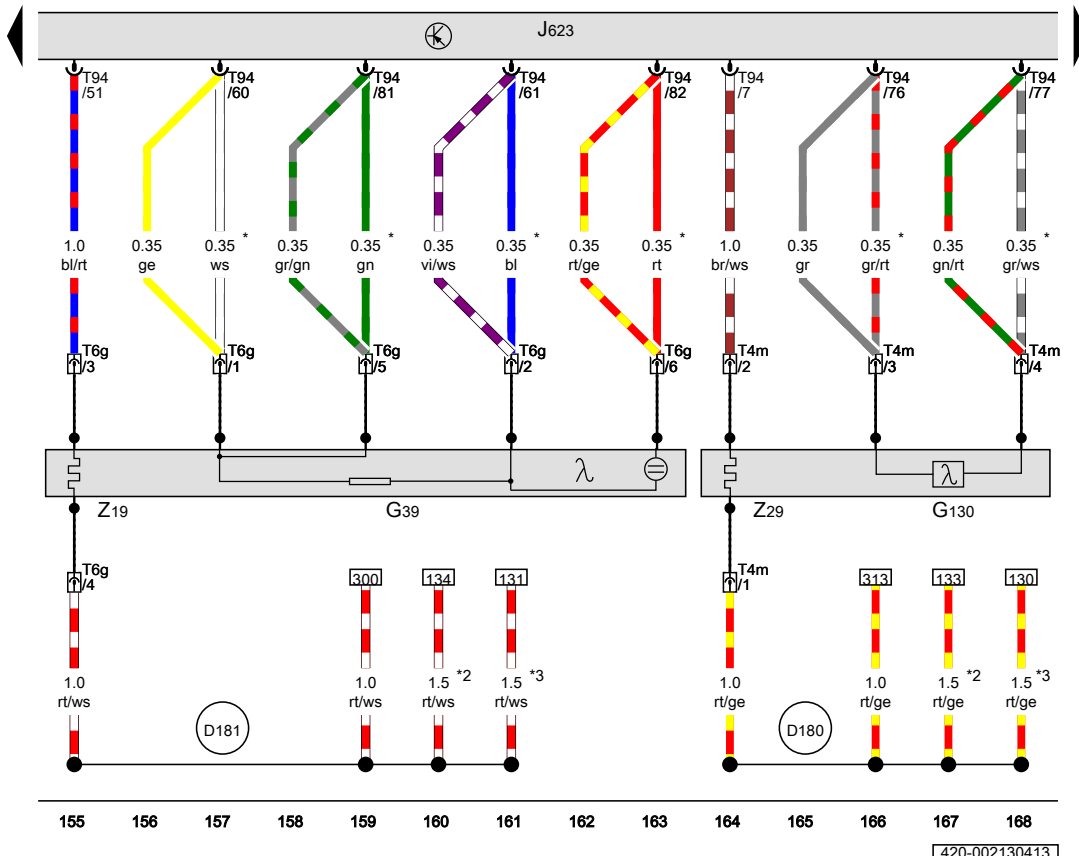
- G39 Heated oxygen sensor
- G130 Oxygen sensor after three way catalytic converter
- J623 Engine control module
- ST4 Fuse panel 4
- SB6 Fuse 6 (on fuse panel B)
- SB8 Fuse 8 (on fuse panel B)
- T4m 4-pin connector, black
- T6g 6-pin connector, black
- T94 94-pin connector, black
- Z19 Oxygen sensor heater
- Z29 Heater for oxygen sensor 1 after catalytic converter

B317 Positive connection 3 (30a) (in main wiring harness)

D180 Connection 87a (in engine compartment wiring harness)

D181 Connection 87a (in engine compartment wiring harness) 2

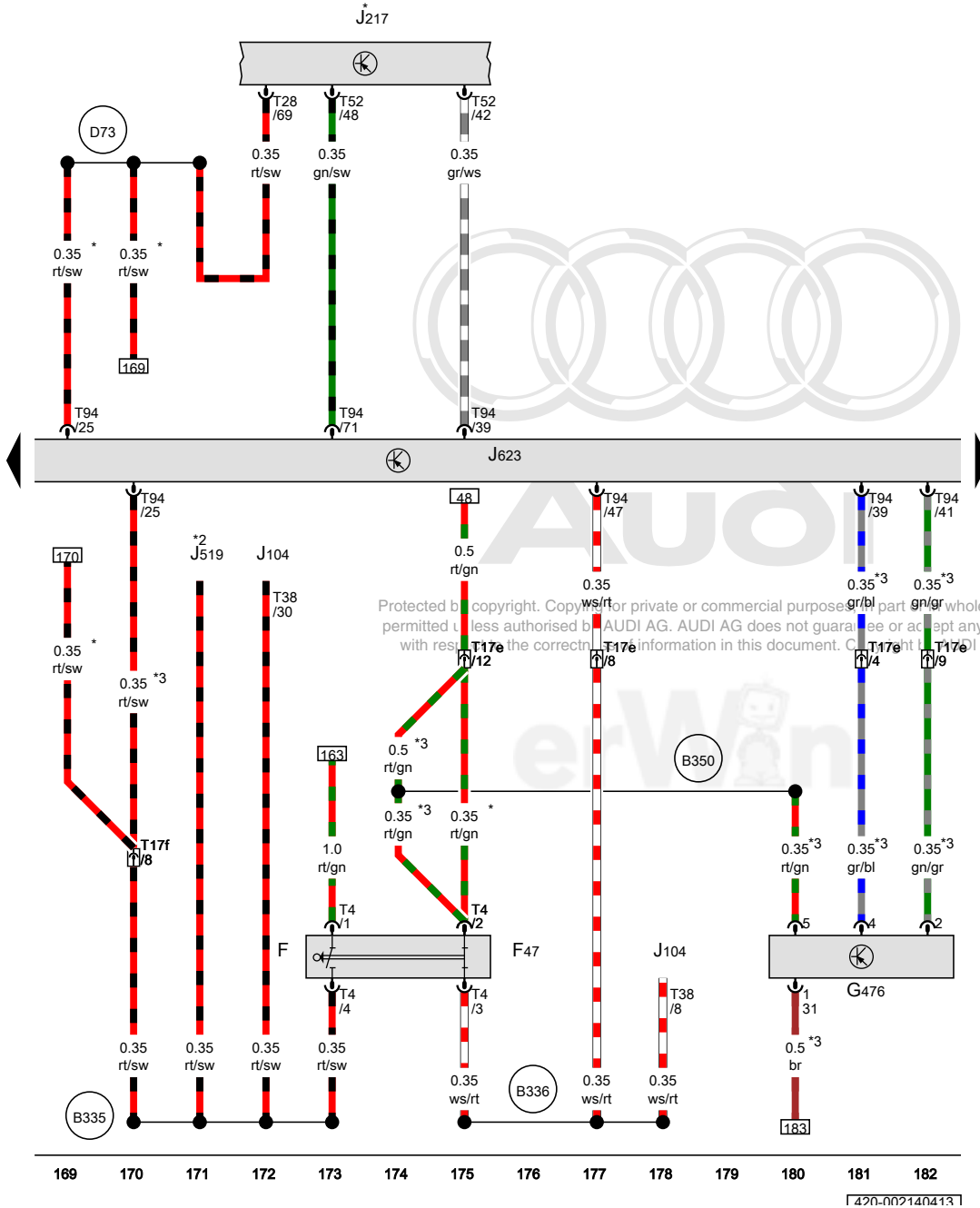
- * Running change
- *2 from June 2010
- *3 Through May 2010



- ws = white
- sw = black
- ro = red
- rt = red
- br = brown
- gn = green
- bl = blue
- gr = grey
- li = lilac
- vi = lilac
- ge = yellow
- or = orange
- rs = pink

1420-002130413

Brake pedal switch, Clutch position sensor, Engine control module

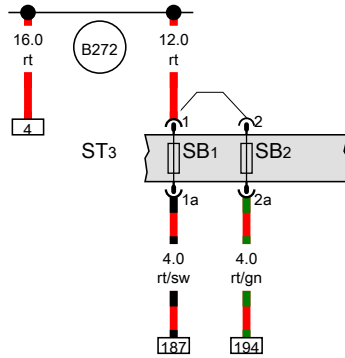


- F Brake lamp switch
- F47 Brake pedal switch
- G476 Clutch position sensor
- J104 ABS control module
- J217 Transmission control module
- J519 Vehicle electrical system control module
- J623 Engine control module
- T4 4-pin connector, black
- T17e 17-pin connector, Connector station under the rear shelf, right, red
- T17f 17-pin connector, Connector station under the rear shelf, right, white
- T28 28-pin connector, black
- T38 38-pin connector, gray
- T52 52-pin connector, black
- T94 94-pin connector, black
- B335 Connection 54 (in main wiring harness) 1
- B336 Connection 54 (in main wiring harness) 2
- B350 Positive connection 1 (87a) (in main wiring harness)
- D73 Positive connection (54) (in engine compartment wiring harness)
- * Only for vehicles with automated manual transmission (R tronic) 086
- *2 Refer to applicable standard equipment wiring diagram
- *3 Only for vehicles with a manual transmission

ws = white
 sw = black
 ro = red
 rt = red
 br = brown
 gn = green
 bl = blue
 gr = grey
 li = lilac
 vi = lilac
 ge = yellow
 or = orange
 rs = pink

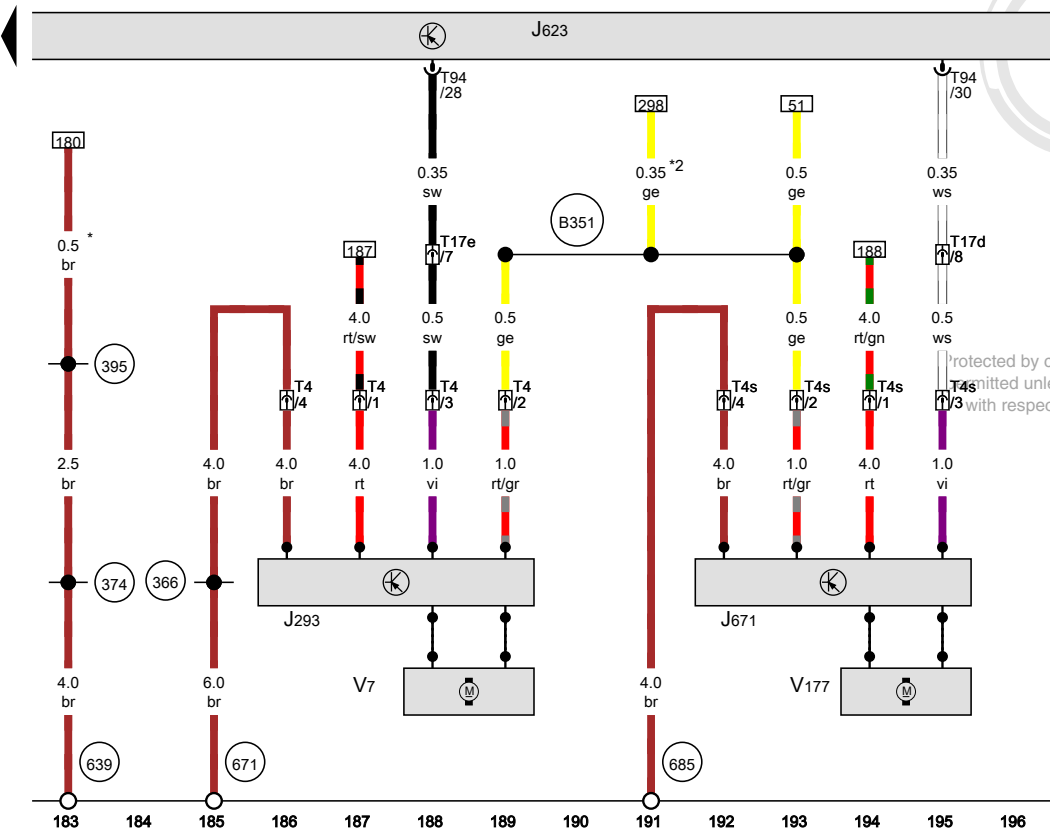
1420-002140413

Coolant fan control module, Engine control module, Coolant fan



- J293 Coolant fan control module
- J623 Engine control module
- J671 Coolant fan control module 2
- SB1 Fuse 1 (on fuse panel B)
- SB2 Fuse 2 (on fuse panel B)
- ST3 Fuse panel 3
- T4 4-pin connector, on the coolant fan, black
- T4s 4-pin connector, on the coolant fan, black
- T17d 17-pin connector, Connector station under the rear shelf, right, brown
- T17e 17-pin connector, Connector station under the rear shelf, right, red
- T94 94-pin connector, black
- V7 Coolant fan
- V177 Coolant fan 2

- 366 Ground connection 1 (in main wiring harness)
- 374 Ground connection 9 (in main wiring harness)
- 395 Ground connection 30 (in main wiring harness)
- 639 Ground connection on left A-pillar
- 671 Ground connection 1 on left front longitudinal member
- 685 Ground connection 1 on right front longitudinal member
- B272 Positive connection (30) (in main wiring harness)
- B351 Positive connection 2 (87a) (in main wiring harness)



- ws = white
- sw = black
- ro = red
- rt = red
- br = brown
- gn = green
- bl = blue
- gr = grey
- li = lilac
- vi = lilac
- ge = yellow
- or = orange
- rs = pink

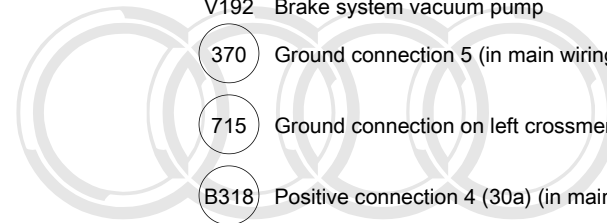
- * Only for vehicles with a manual transmission
- *2 Version for hot climates

1420-002150413

Brake booster relay, Engine control module, Brake system vacuum pump

- J569 Brake booster relay, Relay and fuse holder B on the vehicle electrical system control module in the right front footwell
- J623 Engine control module
- T17d 17-pin connector, Connector station under the rear shelf, right, brown
- T94 94-pin connector, black
- V192 Brake system vacuum pump

- 370 Ground connection 5 (in main wiring harness)
- 715 Ground connection on left crossmember
- B318 Positive connection 4 (30a) (in main wiring harness)

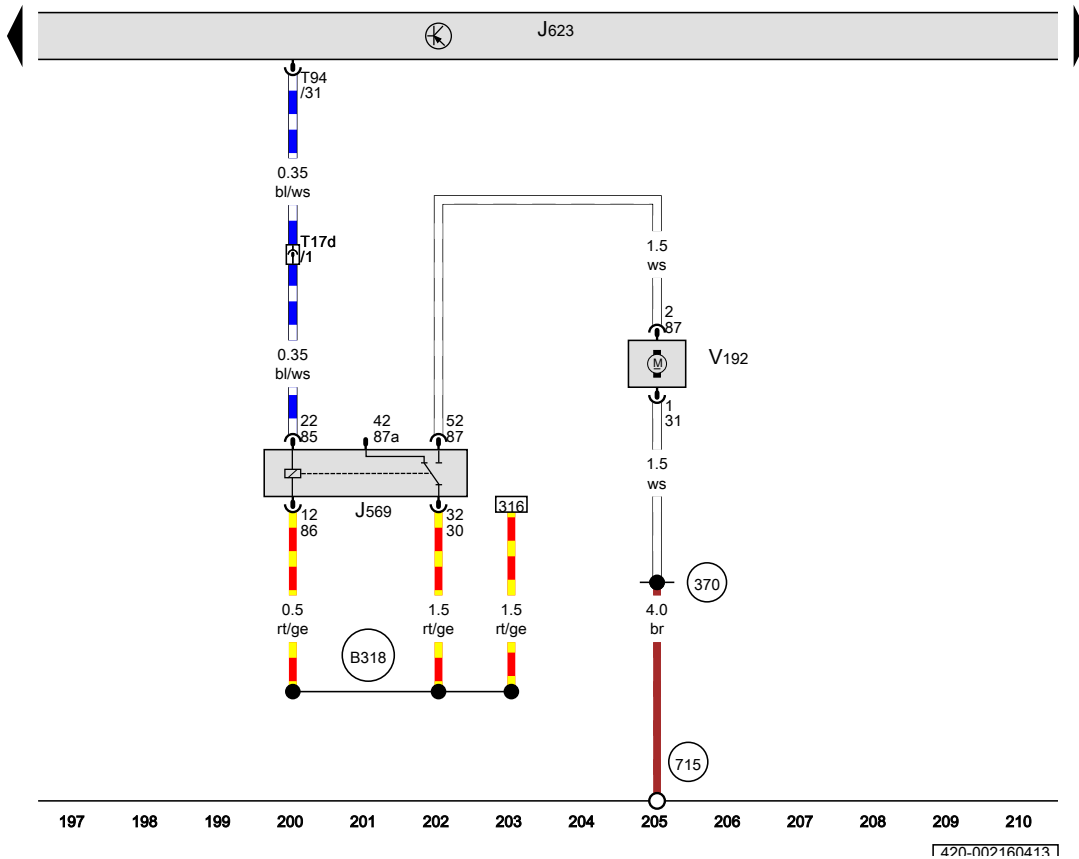


Audi

Protected by copyright. Copying for private or commercial purposes, in part or in whole, is not permitted unless authorised by AUDI AG. AUDI AG does not guarantee or accept any liability with respect to the correctness of information in this document. Copyright by AUDI AG.

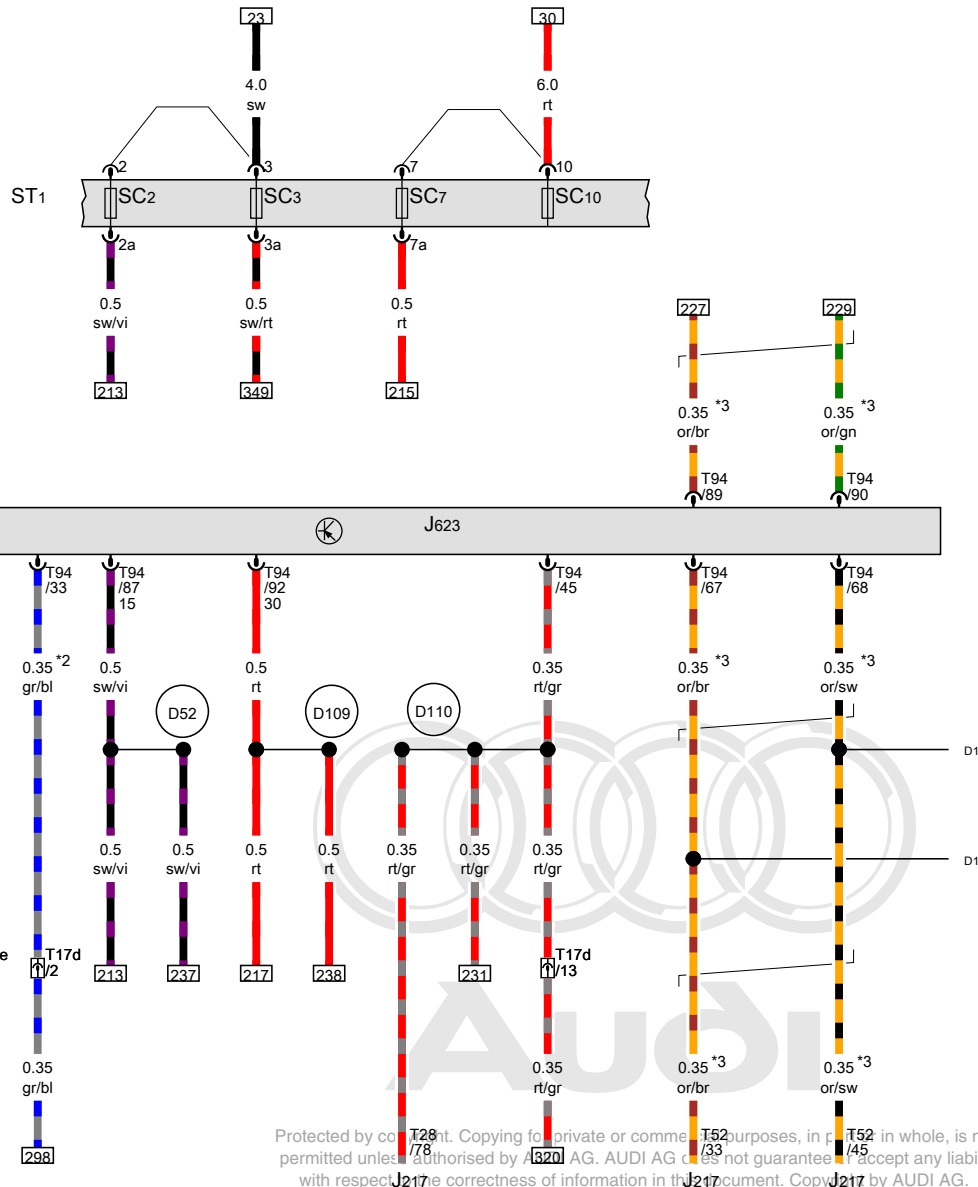
erWin

- ws = white
- sw = black
- ro = red
- rt = red
- br = brown
- gn = green
- bl = blue
- gr = grey
- li = lilac
- vi = lilac
- ge = yellow
- or = orange
- rs = pink



197 198 199 200 201 202 203 204 205 206 207 208 209 210

[420-002160413]



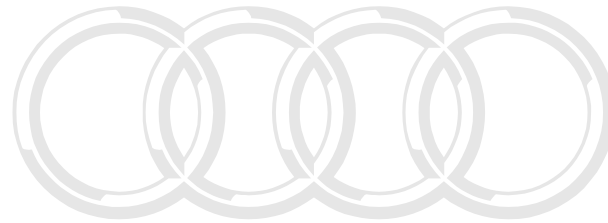
Engine control module

- J217 Transmission control module
- J623 Engine control module
- ST1 Fuse panel 1
- SC2 Fuse 2 (on fuse panel C)
- SC3 Fuse 3 (on fuse panel C)
- SC7 Fuse 7 (on fuse panel C)
- SC10 Fuse 10 (on fuse panel C)
- T17d 17-pin connector, Connector station under the rear shelf, right, brown
- T17e 17-pin connector, Connector station under the rear shelf, right, red
- T28 28-pin connector, black
- T52 52-pin connector, black
- T94 94-pin connector, black

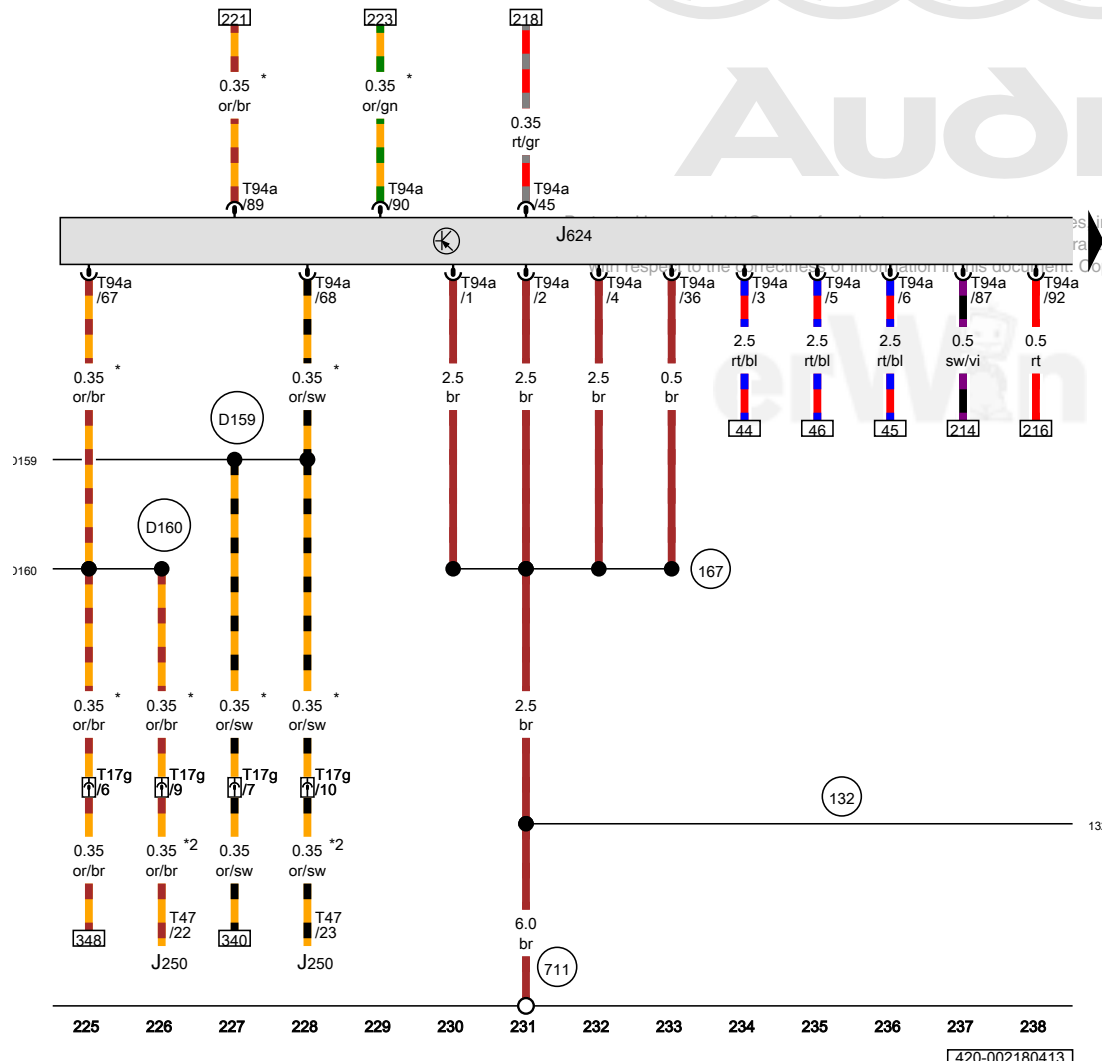
- (D52) Positive connection (15a) (in engine compartment wiring harness)
- (D109) Connection 7 (in engine compartment wiring harness)
- (D110) Connection 8 (in engine compartment wiring harness)
- (D159) High bus connection (in engine compartment wiring harness)
- (D160) Low bus positive connection (in engine compartment wiring harness)
- * Only for vehicles with automated manual transmission (R tronic) 086
- *2 Version for hot climates
- *3 Data bus wire (CAN bus)

- ws = white
- sw = black
- ro = red
- rt = red
- br = brown
- gn = green
- bl = blue
- gr = grey
- li = lilac
- vi = lilac
- ge = yellow
- or = orange
- rs = pink

Protected by copyright. Copying for private or commercial purposes, in part or in whole, is not permitted unless authorised by AUDI AG. AUDI AG does not guarantee or accept any liability with respect to the correctness of information in this document. Copying by AUDI AG.



Audi



- ws = white
- sw = black
- ro = red
- rt = red
- br = brown
- gn = green
- bl = blue
- gr = grey
- li = lilac
- vi = lilac
- ge = yellow
- or = orange
- rs = pink

Engine control module 2

- J250 Electronic damping control module
- J624 Engine control module 2
- T17g 17-pin connector, Connector station under the rear shelf, right, black
- T47 47-pin connector, black
- T94a 94-pin connector, black

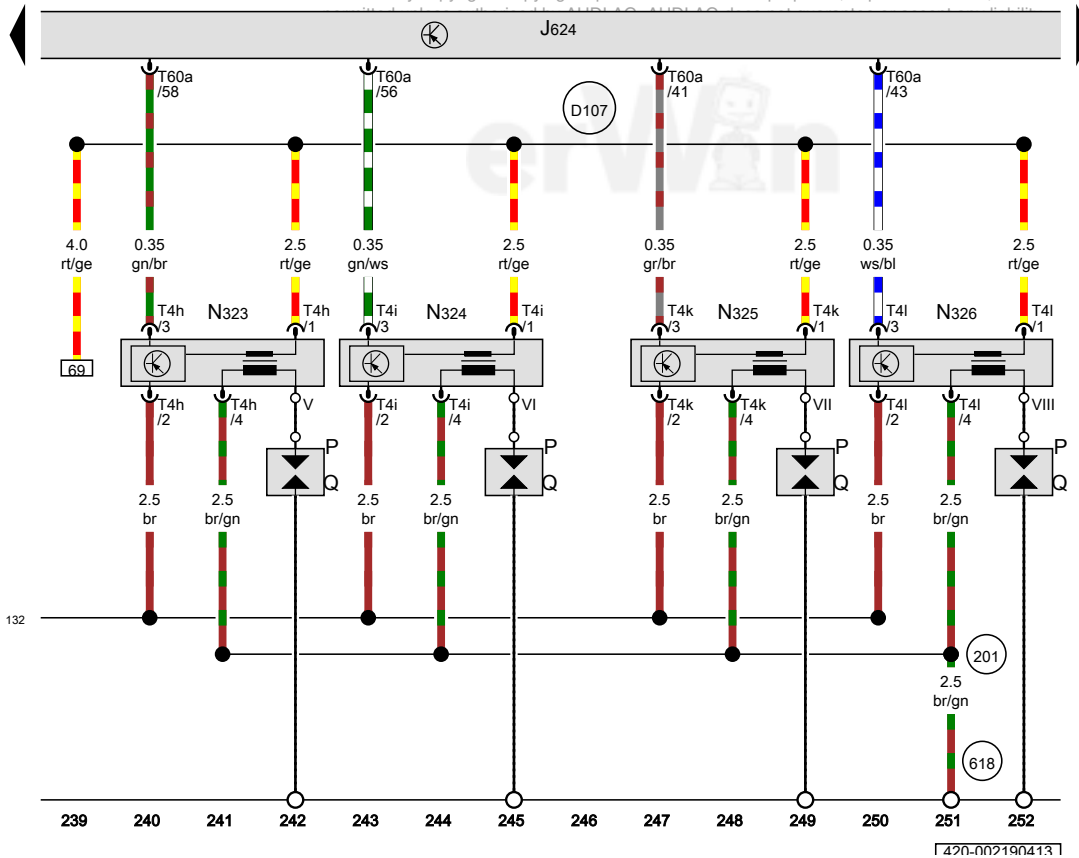
- 132 Ground connection 3 (in engine compartment wiring harness)
- 167 Ground connection 4 (in engine compartment wiring harness)
- 711 Ground connection 3 on left rear chassis side member
- D159 High bus connection (in engine compartment wiring harness)
- D160 Low bus positive connection (in engine compartment wiring harness)

- * Data bus wire (CAN bus)
- *2 Only for vehicles with electronic damping



Audi

Protected by copyright. Copying for private or commercial purposes, in part or in whole, is not permitted.



Engine control module 2, Ignition coil 5 with power output stage, Ignition coil 6 with power output stage, Ignition coil 7 with power output stage, Ignition coil 8 with power output stage

- J624 Engine control module 2
- N323 Ignition coil 5 with power output stage
- N324 Ignition coil 6 with power output stage
- N325 Ignition coil 7 with power output stage
- N326 Ignition coil 8 with power output stage
- P Spark plug connectors
- Q Spark plugs
- T4h 4-pin connector, black
- T4i 4-pin connector, black
- T4k 4-pin connector, black
- T4l 4-pin connector, black
- T60a 60-pin connector, black

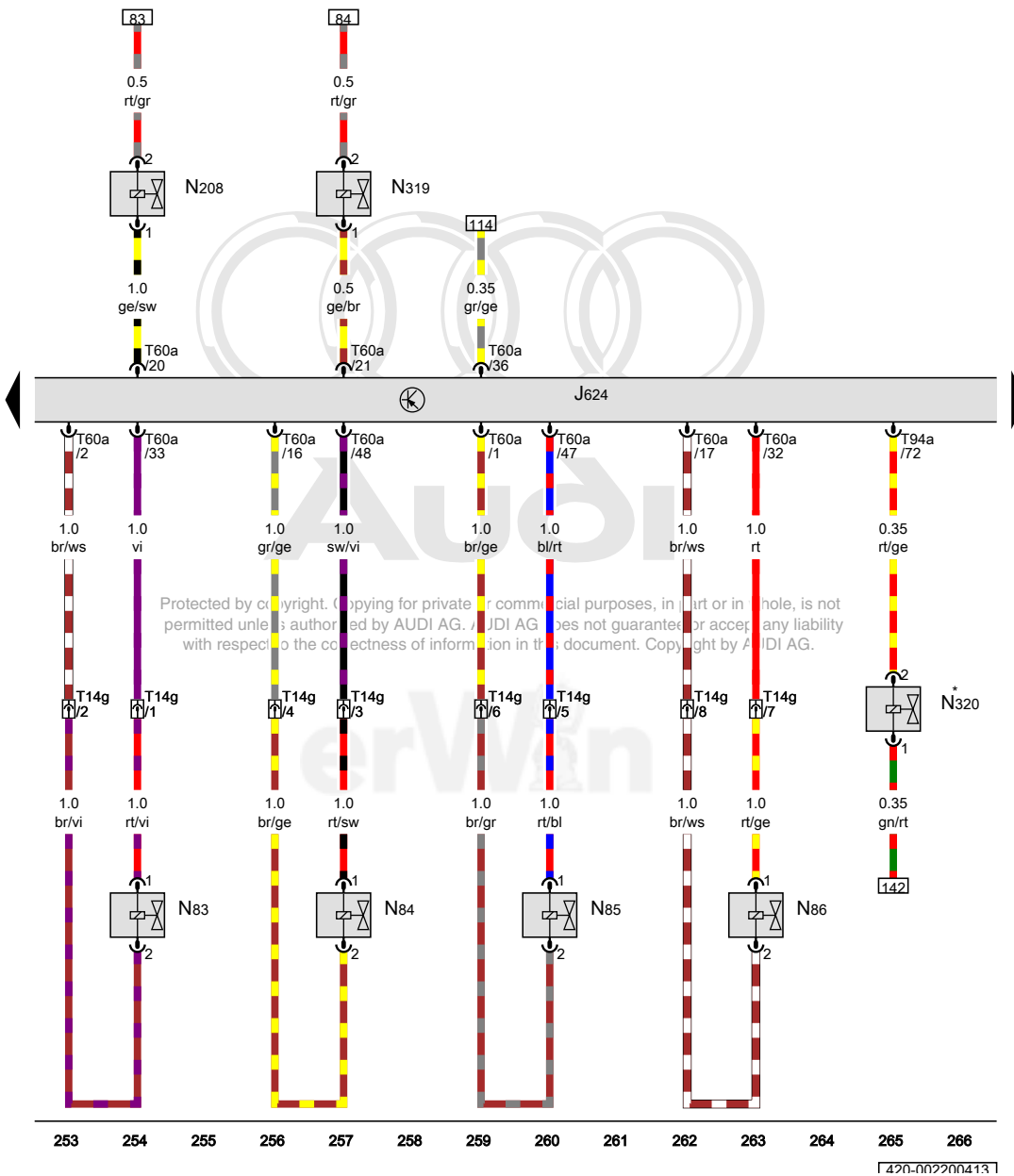
- 132 Ground connection 3 (in engine compartment wiring harness)
- 201 Ground connection 5 (in engine compartment wiring harness)
- 618 Ground connection on engine, left
- D107 Connection 5 (in engine compartment wiring harness)

- ws = white
- sw = black
- ro = red
- rt = red
- br = brown
- gn = green
- bl = blue
- gr = grey
- li = lilac
- vi = lilac
- ge = yellow
- or = orange
- rs = pink

1420-002190413

Engine control module 2, Cylinder 5 fuel injector, Cylinder 6 fuel injector, Cylinder 7 fuel injector, Cylinder 8 fuel injector, Camshaft adjustment valve 2, Exhaust camshaft adjustment valve 2, Secondary air injection solenoid valve 2

- J624 Engine control module 2
- N83 Cylinder 5 fuel injector
- N84 Cylinder 6 fuel injector
- N85 Cylinder 7 fuel injector
- N86 Cylinder 8 fuel injector
- N208 Camshaft adjustment valve 2
- N319 Exhaust camshaft adjustment valve 2
- N320 Secondary air injection solenoid valve 2
- T14g 14-pin connector, in the engine compartment, black
- T60a 60-pin connector, black
- T94a 94-pin connector, black
- * USA only

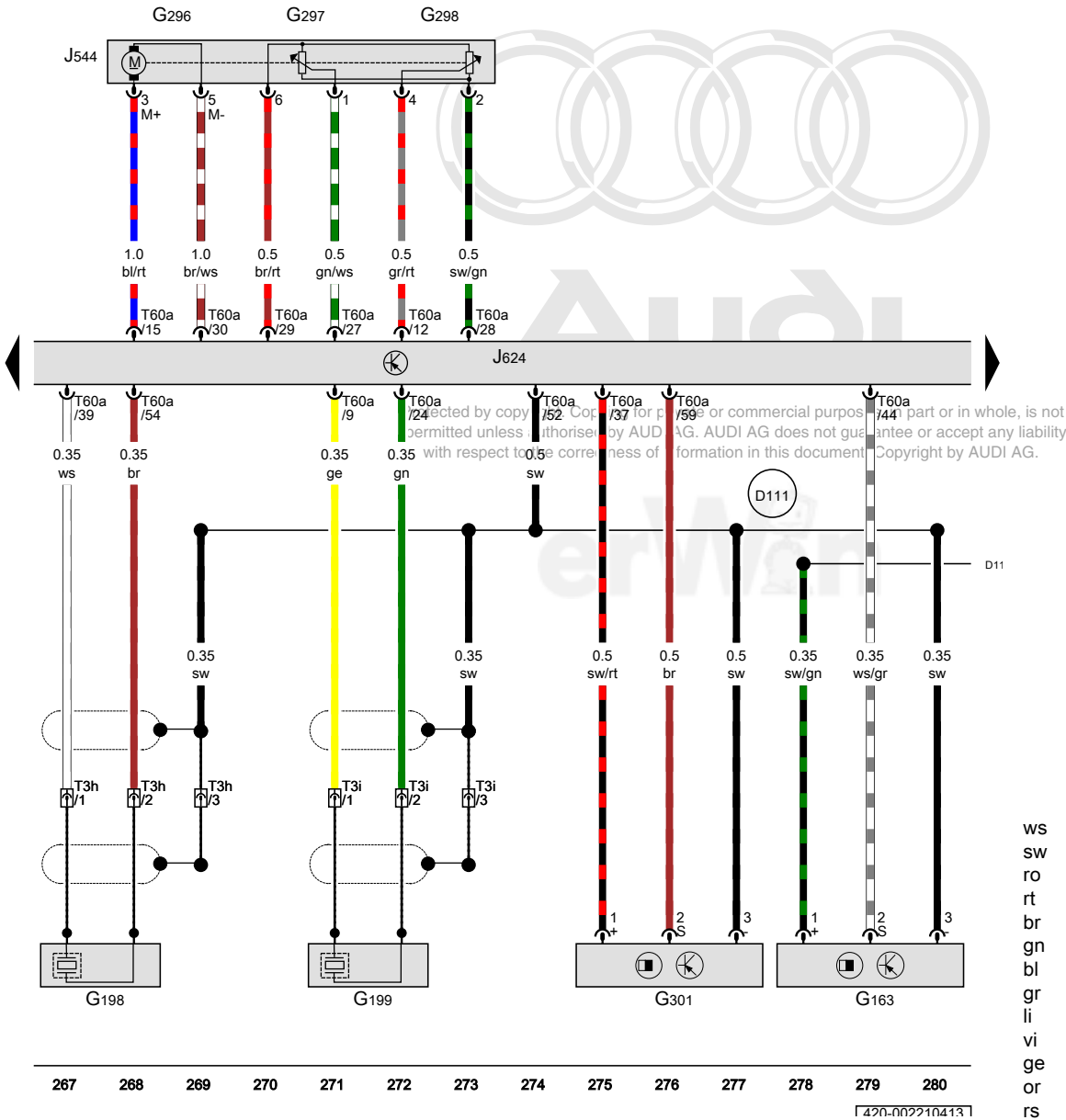


[420-002200413]

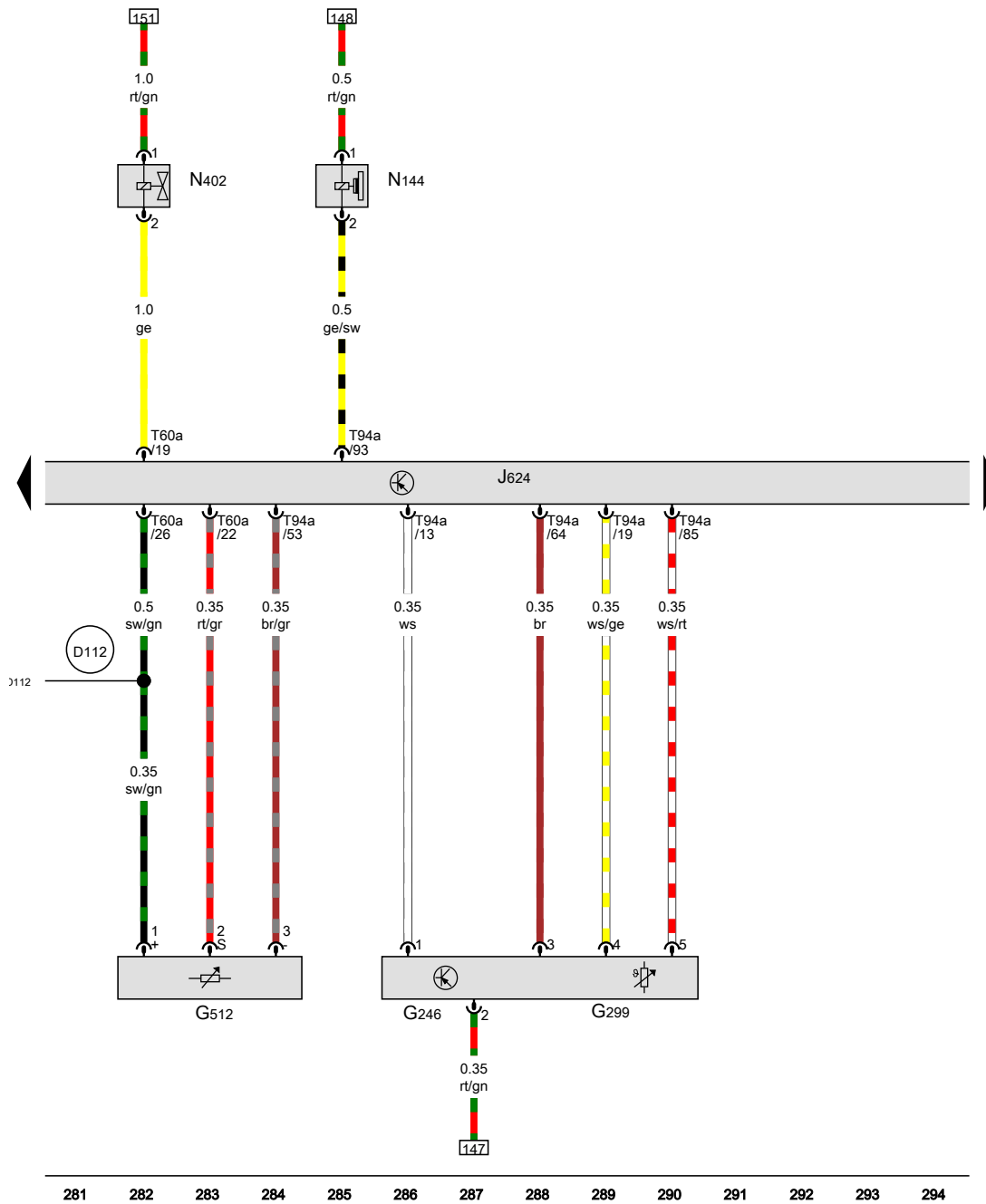
Camshaft position sensor 2, Knock sensor 3, Knock sensor 4, Camshaft position sensor 4, Throttle valve control module 2, Engine control module 2

- G163 Camshaft position sensor 2
- G198 Knock sensor 3
- G199 Knock sensor 4
- G296 Throttle drive 2
- G297 Throttle drive 2 angle sensor 1
- G298 Throttle drive 2 angle sensor 2
- G301 Camshaft position sensor 4
- J544 Throttle valve control module 2
- J624 Engine control module 2
- T3h 3-pin connector, on the knock sensor 3
- T3i 3-pin connector, on the knock sensor 4
- T60a 60-pin connector, black

- D111 Connection 9 (in engine compartment wiring harness)
- D112 Connection 10 (in engine compartment wiring harness)



426-002210413



Mass airflow sensor 2, Intake manifold runner position sensor 2, Engine control module 2, Left electrohydraulic engine mount solenoid valve, Fuel metering valve 2

- G246 Mass airflow sensor 2
- G299 Intake air temperature sensor 2
- G512 Intake manifold runner position sensor 2
- J624 Engine control module 2
- N144 Left electrohydraulic engine mount solenoid valve
- N402 Fuel metering valve 2
- T60a 60-pin connector, black
- T94a 94-pin connector, black

D112 Connection 10 (in engine compartment wiring harness)



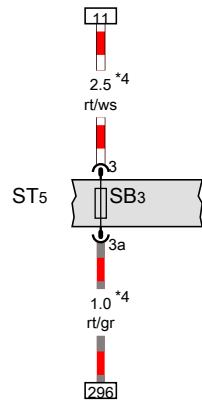
Protected by copyright. Copying for private or commercial purposes, in part or in whole, is not permitted unless authorised by AUDI AG. AUDI AG does not guarantee or accept any liability with respect to the correctness of information in this document. Copyright by AUDI AG.

- ws = white
- bl = black
- ro = red
- rt = red
- br = brown
- gn = green
- bl = blue
- gr = grey
- li = lilac
- vi = lilac
- ge = yellow
- or = orange
- rs = pink



281 282 283 284 285 286 287 288 289 290 291 292 293 294

[426-002220413]



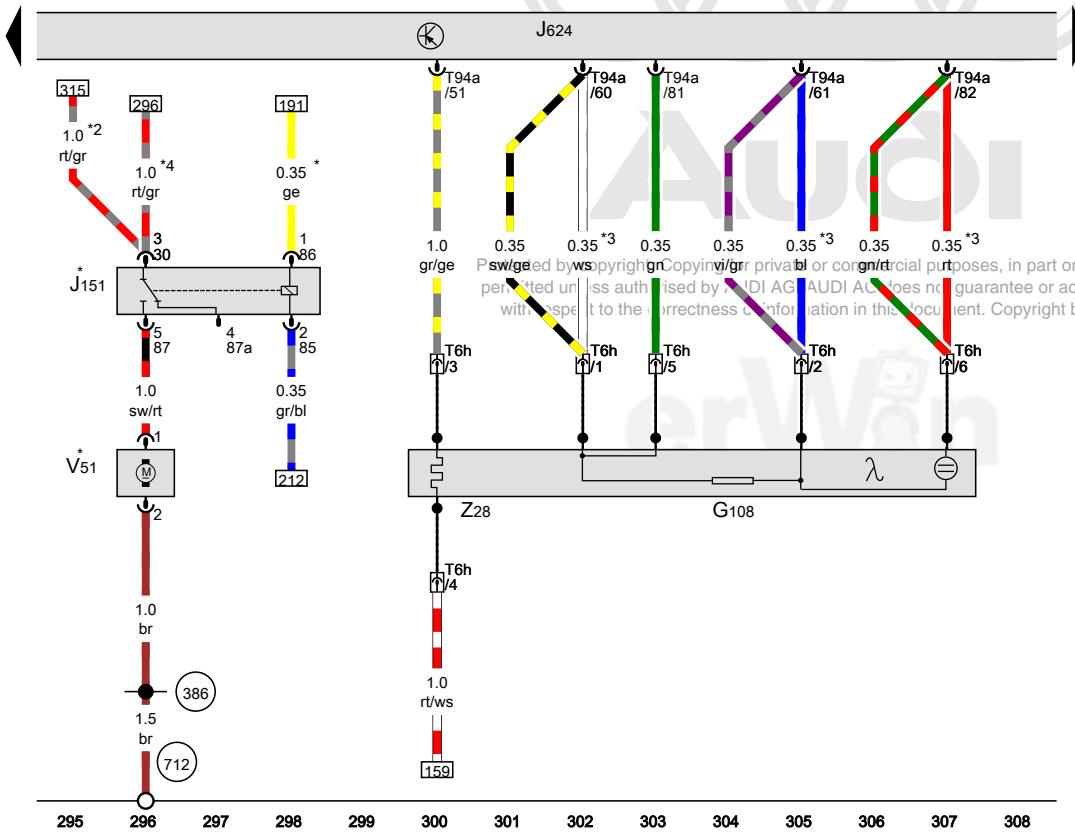
Heated oxygen sensor 2, Coolant circulation pump relay, Engine control module 2

- G108 Heated oxygen sensor 2
- J151 Coolant circulation pump relay
- J624 Engine control module 2
- SB3 Fuse 3 (on fuse panel B)
- ST5 Fuse panel 5
- T6h 6-pin connector, brown
- T94a 94-pin connector, black
- V51 After-run coolant pump
- Z28 Oxygen sensor 2 heater

386 Ground connection 21 (in main wiring harness)

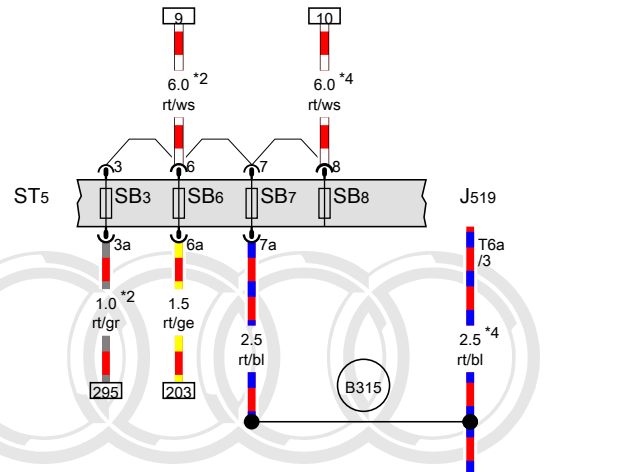
712 Ground connection under rear shelf, left

- * Version for hot climates
- *2 from June 2009
- *3 Running change
- *4 Through May 2009



- ws = white
- sw = black
- ro = red
- rt = red
- br = brown
- gn = green
- bl = blue
- gr = grey
- li = lilac
- vi = lilac
- ge = yellow
- or = orange
- rs = pink

426-002230413



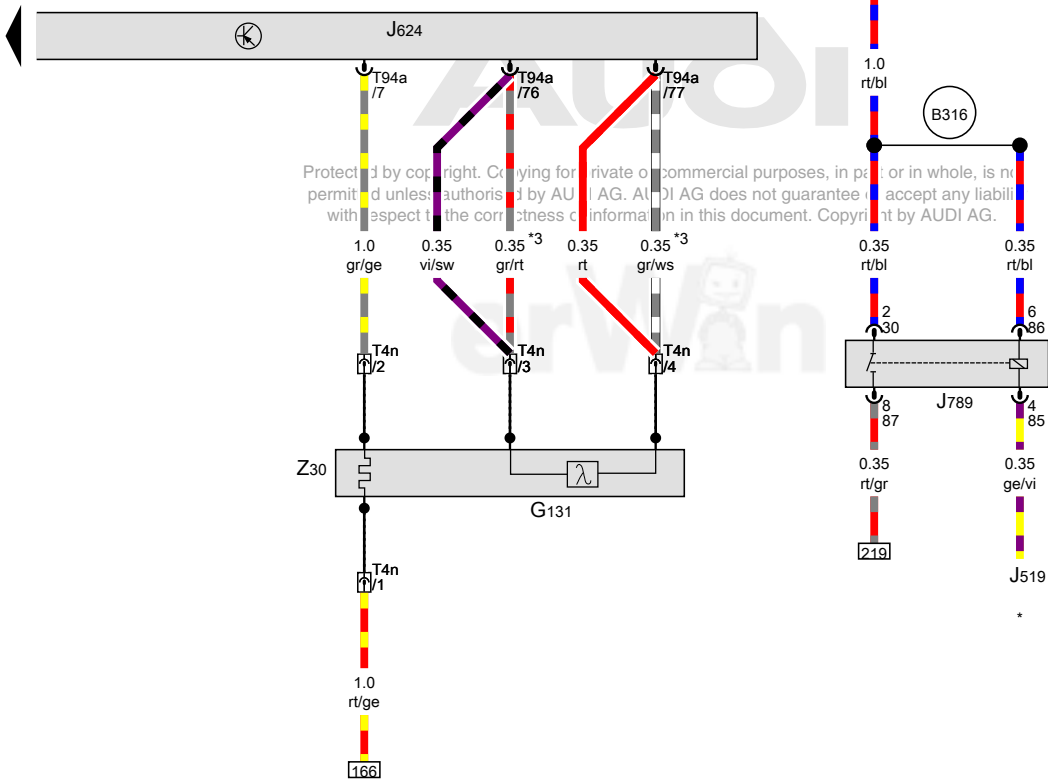
Oxygen sensor 2 after catalytic converter, Engine control module 2, Control relay

- G131 Oxygen sensor 2 after catalytic converter
- J519 Vehicle electrical system control module
- J624 Engine control module 2
- J789 Control relay, Relay and fuse holder B on the vehicle electrical system control module in the right front footwell
- SB3 Fuse 3 (on fuse panel B)
- ST5 Fuse panel 5
- SB6 Fuse 6 (on fuse panel B)
- SB7 Fuse 7 (on fuse panel B)
- SB8 Fuse 8 (on fuse panel B)
- T4n 4-pin connector, brown
- T6a 6-pin connector, black
- T94a 94-pin connector, black
- Z30 Heater for oxygen sensor 2 after catalytic converter

B315 Positive connection 1 (30a) (in main wiring harness)

B316 Positive connection 2 (30a) (in main wiring harness)

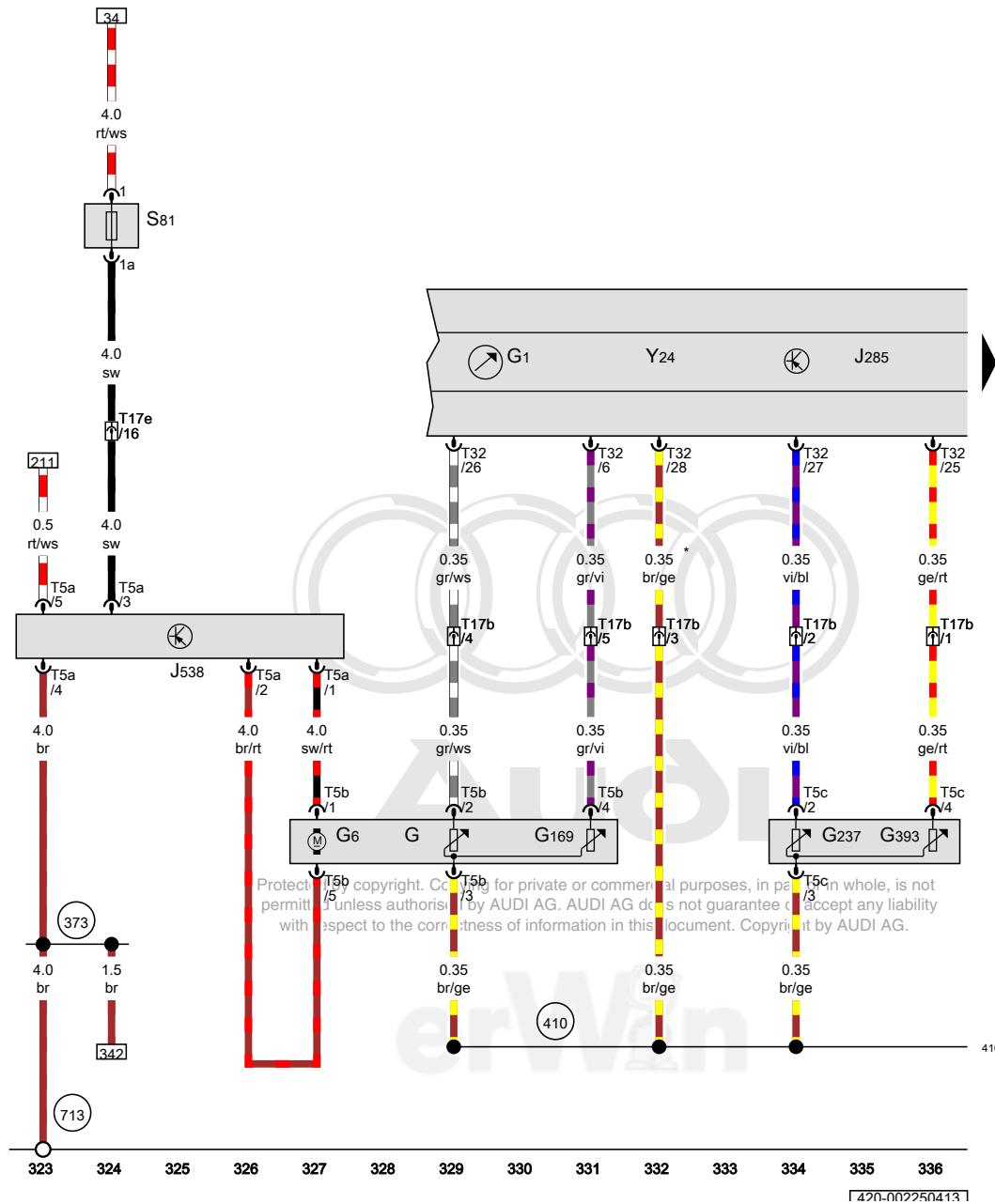
- * Refer to applicable standard equipment wiring diagram
- *2 from June 2009
- *3 Running change
- *4 Through May 2009



Protected by copyright. Copying for private or commercial purposes, in part or in whole, is not permitted unless authorized by AUDI AG. AUDI AG does not guarantee or accept any liability with respect to the correctness of information in this document. Copyright by AUDI AG.

- ws = white
- sw = black
- ro = red
- rt = red
- br = brown
- gn = green
- bl = blue
- gr = grey
- li = lilac
- vi = lilac
- ge = yellow
- or = orange
- rs = pink

Fuel level sensor, Transfer fuel pump, Instrument cluster control module, Fuel pump control module



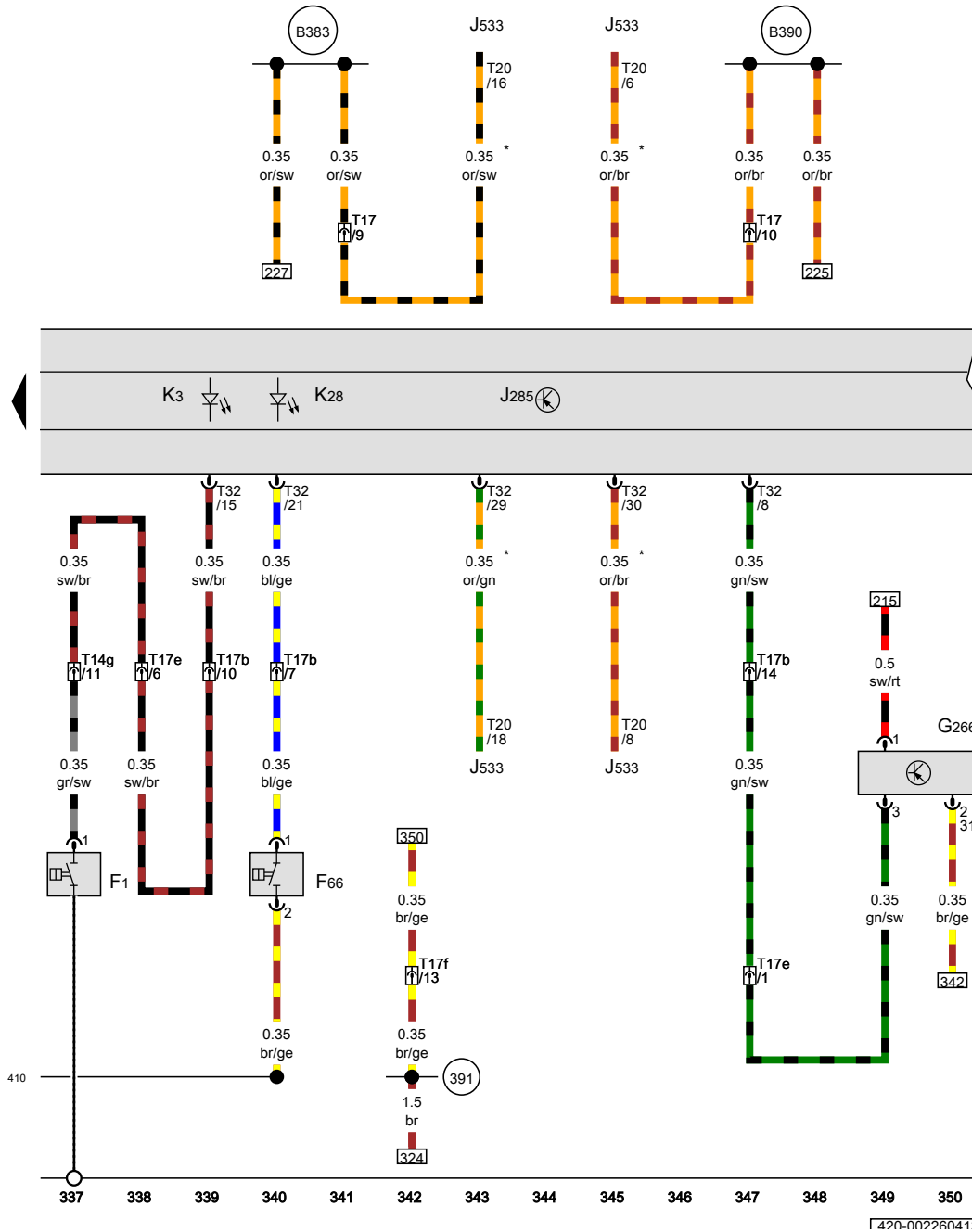
- G Fuel level sensor
- G1 Fuel gauge
- G6 Transfer fuel pump
- G169 Fuel level sensor 2
- G237 Fuel level sensor 3
- G393 Fuel level sensor 4
- J285 Instrument cluster control module
- J538 Fuel pump control module
- S81 Fuel pump fuse, 9-pin relay and fuse panel C under the rear shelf, right
- T5a 5-pin connector, black
- T5b 5-pin connector, black
- T5c 5-pin connector, black
- T17b 17-pin connector, Inside the center console connector station on the right side, brown
- T17e 17-pin connector, Connector station under the rear shelf, right, red
- T32 32-pin connector, blue
- Y24 Display unit in instrument cluster
- 373 Ground connection 8 (in main wiring harness)
- 410 Sensor ground connection 1 (in main wiring harness)
- 713 Ground connection under rear shelf, right
- * Sensor ground output

- ws = white
- sw = black
- ro = red
- rt = red
- br = brown
- gn = green
- bl = blue
- gr = grey
- li = lilac
- vi = lilac
- ge = yellow
- or = orange
- rs = pink

426-002250413

Oil pressure switch, Engine coolant level warning switch, Oil level thermal sensor, Instrument cluster control module

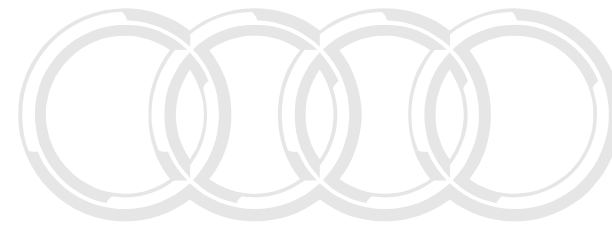
- F1 Oil pressure switch
- F66 Engine coolant level warning switch
- G266 Oil level thermal sensor
- J285 Instrument cluster control module
- J533 Data bus on board diagnostic interface
- K3 Oil pressure indicator lamp
- K28 Engine coolant level/temperature indicator lamp
- T14g 14-pin connector, in the engine compartment, black
- T17 17-pin connector, Inside the center console connector station on the right side, red
- T17b 17-pin connector, Inside the center console connector station on the right side, brown
- T17e 17-pin connector, Connector station under the rear shelf, right, red
- T17f 17-pin connector, Connector station under the rear shelf, right, white
- T20 20-pin connector, red
- T32 32-pin connector, blue
- 391 Ground connection 26 (in main wiring harness)
- 410 Sensor ground connection 1 (in main wiring harness)
- B383 Powertrain CAN bus high connection 1 (in main wiring harness)
- B390 Powertrain CAN bus low connection 1 (in main wiring harness)
- * Data bus wire (CAN bus)



- ws = white
- sw = black
- ro = red
- rt = red
- br = brown
- gn = green
- bl = blue
- gr = grey
- li = lilac
- vi = lilac
- ge = yellow
- or = orange
- rs = pink

1420-002260413

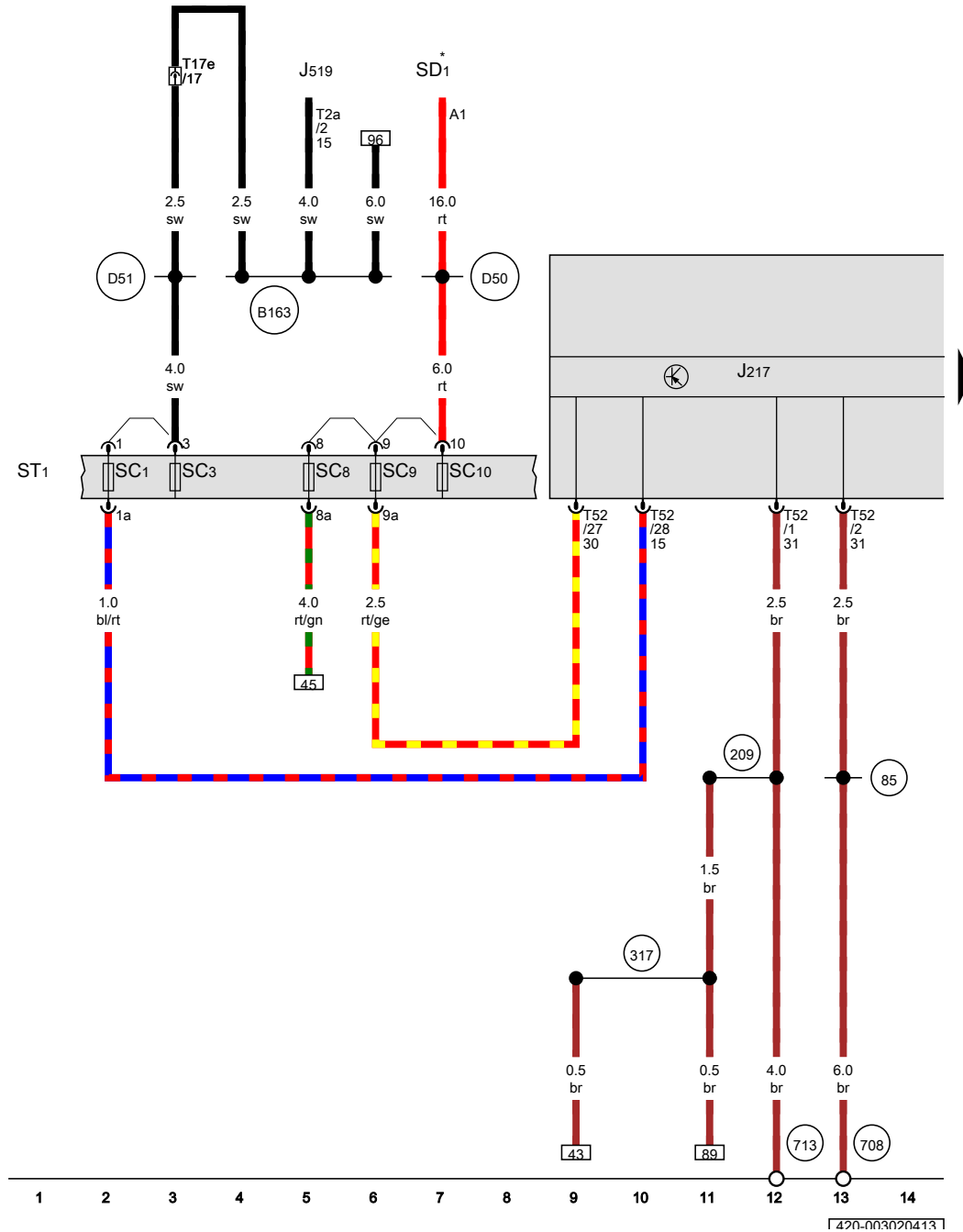
Automatic transmission (R tronic) 086
from May 2006



Audi

Protected by copyright. Copying for private or commercial purposes, in part or in whole, is not permitted unless authorised by AUDI AG. AUDI AG does not guarantee or accept any liability with respect to the correctness of information in this document. Copyright by AUDI AG.





Transmission control module, Fuse panel 1

- J217 Transmission control module
- J519 Vehicle electrical system control module
- SC1 Fuse 1 (on fuse panel C)
- ST1 Fuse panel 1
- SD1 Fuse 1 (on fuse panel D)
- SC3 Fuse 3 (on fuse panel C)
- SC8 Fuse 8 (on fuse panel C)
- SC9 Fuse 9 (on fuse panel C)
- SC10 Fuse 10 (on fuse panel C)
- T2a Double connector
- T17e 17-pin connector, Connector station under the rear shelf, right, red
- T52 52-pin connector, black
- 85 Ground connection 1 (in engine compartment wiring harness)
- 209 Ground connection 6 (in engine compartment wiring harness)
- 317 Ground connection 7 (in engine compartment wiring harness)
- 708 Ground connection 2 on right rear chassis side member
- 713 Ground connection under rear shelf, right
- B163 Positive connection 1 (15) (in interior wiring harness)
- D50 Positive connection (30) (in engine compartment wiring harness)
- D51 Positive connection 1 (15) (in engine compartment wiring harness)
- * Main fuse box in the right front footwell

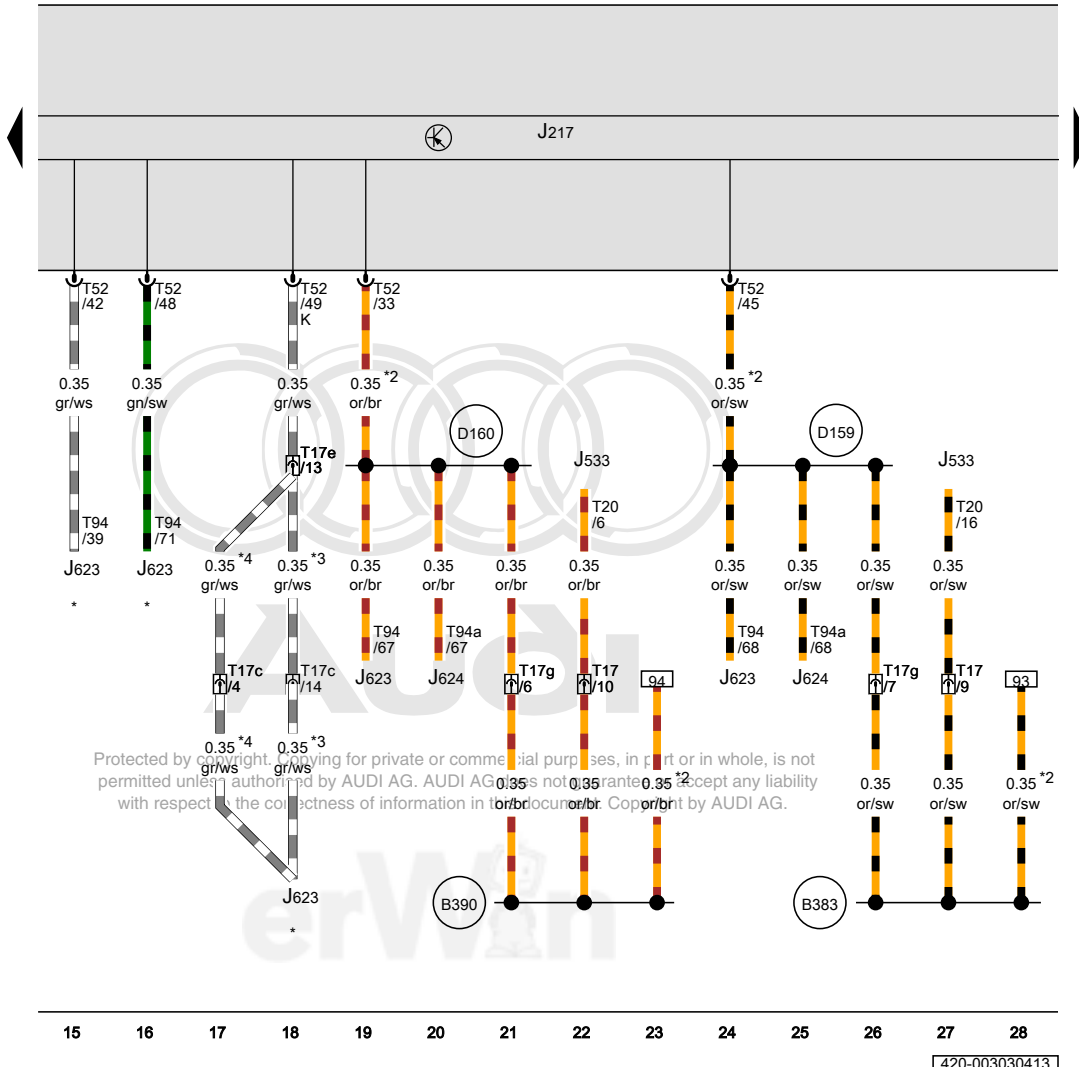
- ws = white
- sw = black
- ro = red
- rt = red
- br = brown
- gn = green
- bl = blue
- gr = grey
- li = lilac
- vi = lilac
- ge = yellow
- or = orange
- rs = pink

1420-003020413

Transmission control module

- J217 Transmission control module
- J533 Data bus on board diagnostic interface
- J623 Engine control module
- J624 Engine control module 2
- T17 17-pin connector, Inside the center console connector station on the right side, red
- T17c 17-pin connector, Inside the center console connector station on the right side, blue
- T17e 17-pin connector, Connector station under the rear shelf, right, red
- T17g 17-pin connector, Connector station under the rear shelf, right, black
- T20 20-pin connector, red
- T52 52-pin connector, black
- T94 94-pin connector, black
- T94a 94-pin connector, black

- (B383) Powertrain CAN bus high connection 1 (in main wiring harness)
 - (B390) Powertrain CAN bus low connection 1 (in main wiring harness)
 - (D159) High bus connection (in engine compartment wiring harness)
 - (D160) Low bus positive connection (in engine compartment wiring harness)
- * Refer to applicable engine wiring diagram
 *2 Data bus wire (CAN bus)
 *3 Through May 2007
 *4 from June 2007



- ws = white
- sw = black
- ro = red
- rt = red
- br = brown
- gn = green
- bl = blue
- gr = grey
- li = lilac
- vi = lilac
- ge = yellow
- or = orange
- rs = pink

Protected by copyright. Copying for private or commercial purposes, in part or in whole, is not permitted unless authorized by AUDI AG. AUDI AG does not warrant or accept any liability with respect to the correctness of information in this document. Copyright by AUDI AG.

1420-003030413

Brake lamp switch, Transmission control module

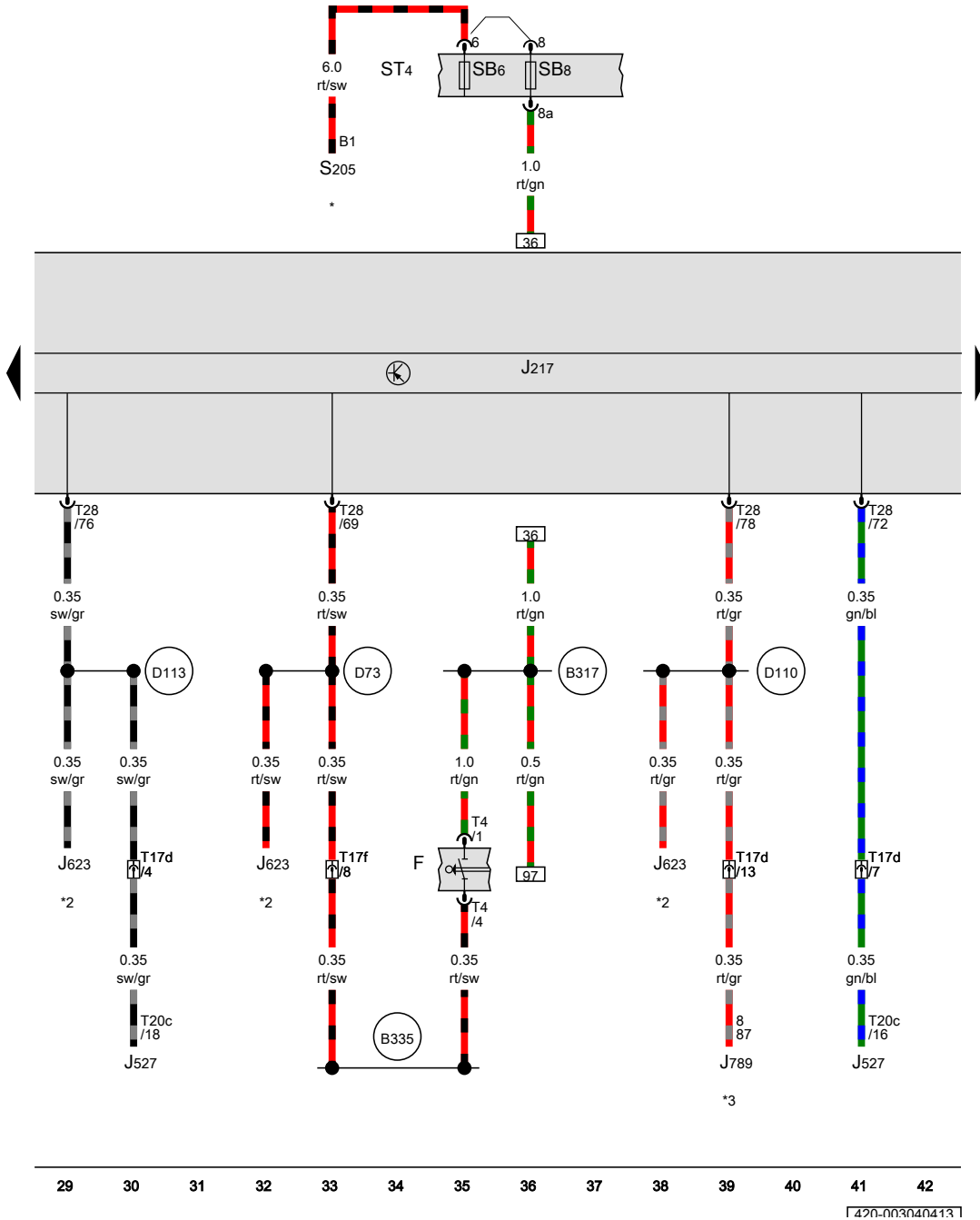
- F Brake lamp switch
- J217 Transmission control module
- J527 Steering column electronics control module
- J623 Engine control module
- J789 Control relay
- ST4 Fuse panel 4
- SB6 Fuse 6 (on fuse panel B)
- SB8 Fuse 8 (on fuse panel B)
- S205 Fuse 2 (terminal 30)
- T4 4-pin connector, black
- T17d 17-pin connector, Connector station under the rear shelf, right, brown
- T17f 17-pin connector, Connector station under the rear shelf, right, white
- T20c 20-pin connector, black
- T28 28-pin connector, black

- (B317) Positive connection 3 (30a) (in main wiring harness)
- (B335) Connection 54 (in main wiring harness) 1
- (D73) Positive connection (54) (in engine compartment wiring harness)
- (D110) Connection 8 (in engine compartment wiring harness)
- (D113) Connection 11 (in engine compartment wiring harness)

Protected by copyright. Copying for private or commercial purposes, in part or in whole, is not permitted unless authorised by AUDI AG. AUDI AG does not guarantee or accept any liability with respect to the correctness of information in this document. Copyright by AUDI AG.

- * Main distribution in the right front footwell
- *2 Refer to applicable engine wiring diagram
- *3 Relay and fuse holder B on the vehicle electrical system control module in the right front footwell

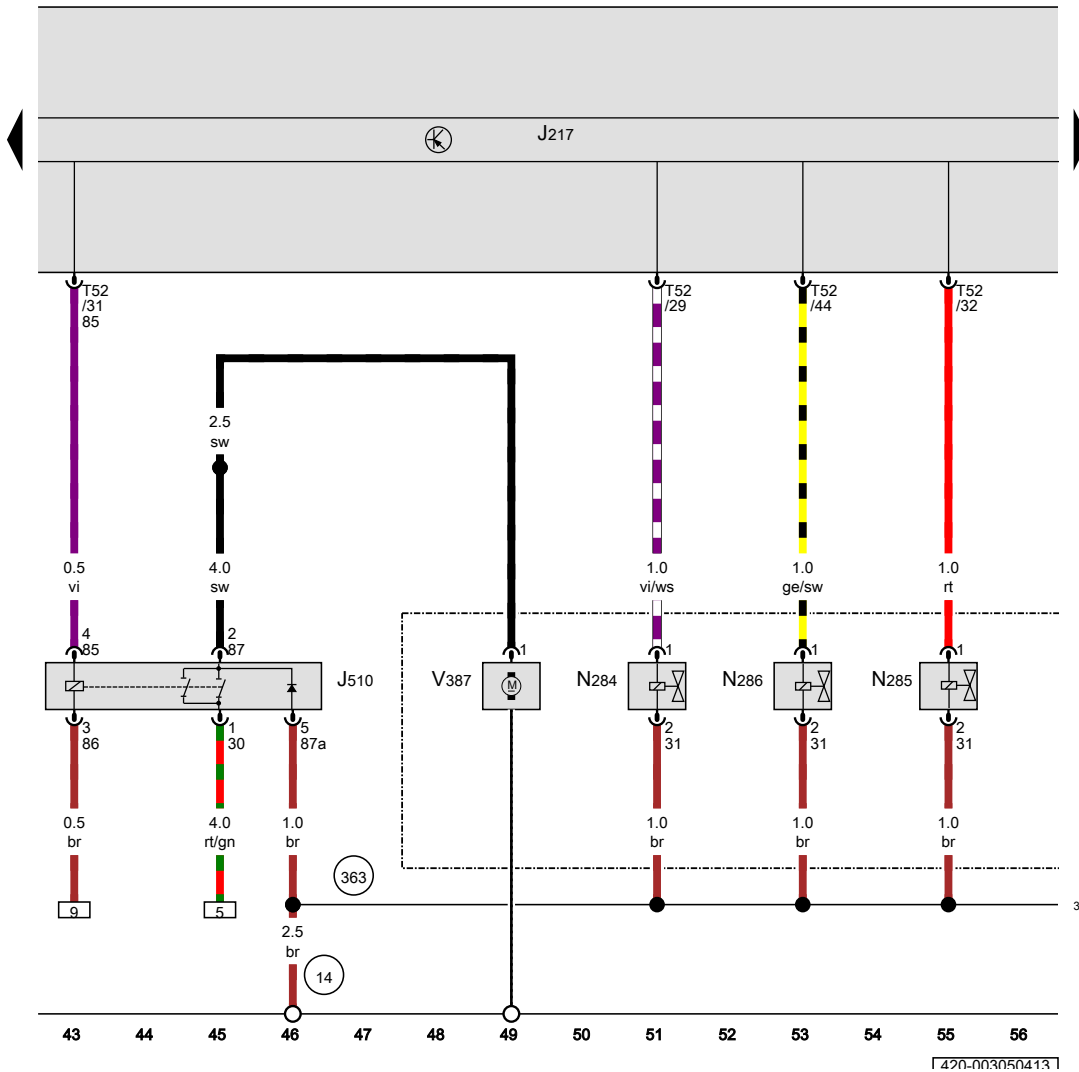
- ws = white
- sw = black
- ro = red
- rt = red
- br = brown
- gn = green
- bl = blue
- gr = grey
- li = lilac
- vi = lilac
- ge = yellow
- or = orange
- rs = pink



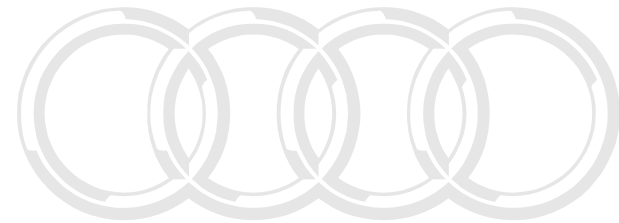
1420-003040413

Transmission control module, Transmission hydraulic pump relay, Gear selection valve 1, Gear selection valve 2, Gear selection valve 3, Transmission hydraulic pump

- J217 Transmission control module
- J510 Transmission hydraulic pump relay, 9-pin relay and fuse panel C under the rear shelf, right
- N284 Gear selection valve 1
- N285 Gear selection valve 2
- N286 Gear selection valve 3
- T52 52-pin connector, black
- V387 Transmission hydraulic pump
- 14 Ground connection on transmission
- 363 Ground connection 8 (in engine compartment wiring harness)



- ws = white
- sw = black
- ro = red
- rt = red
- br = brown
- gn = green
- bl = blue
- gr = grey
- li = lilac
- vi = lilac
- ge = yellow
- or = orange
- rs = pink



Audi

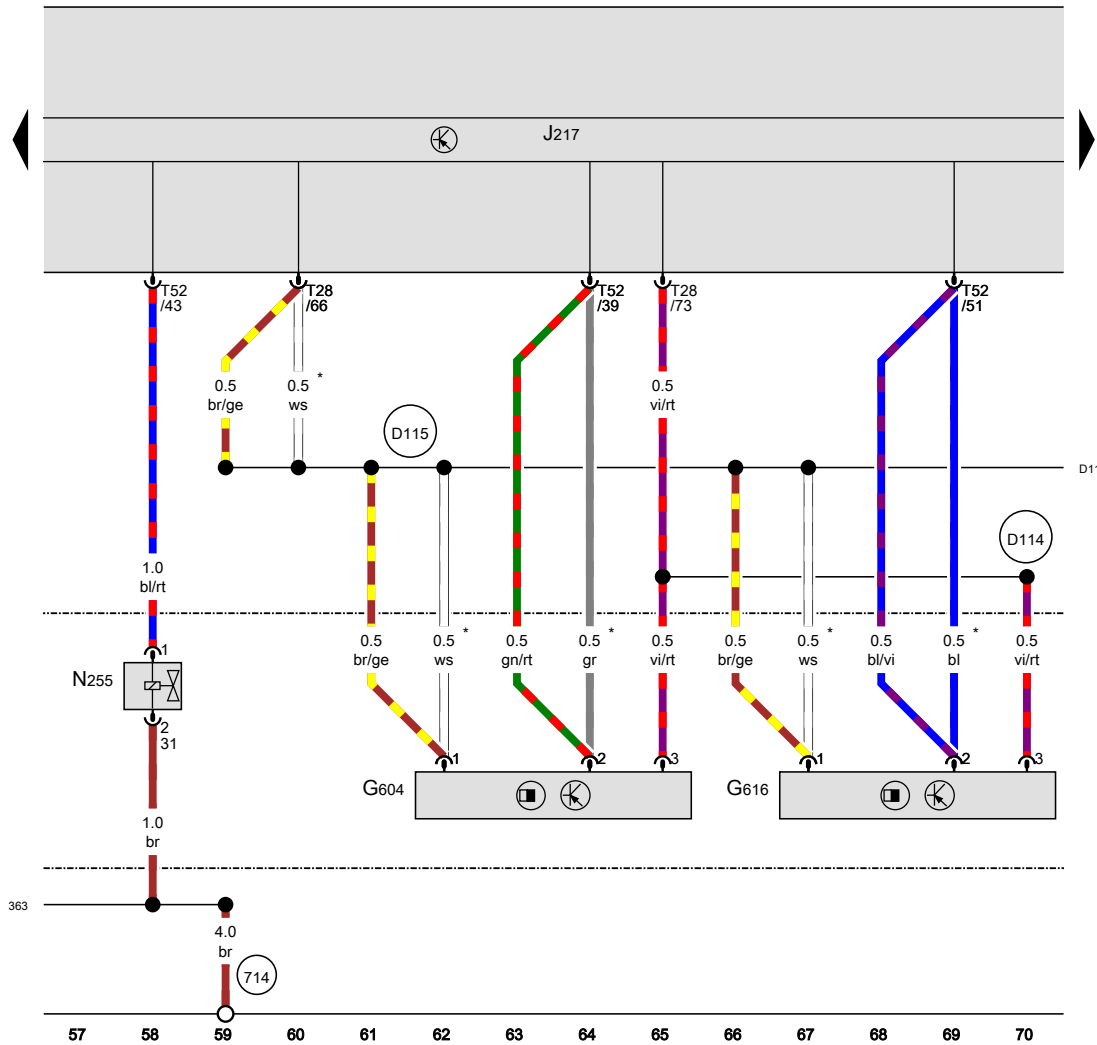
Copyrighted by copyright. Copying for private or commercial purposes, in part or in whole, is not permitted unless authorised by AUDI AG. AUDI AG does not guarantee or accept any liability with respect to the correctness of information in this document. Copyright by AUDI AG.



Gear recognition sensor, Gear recognition sensor 2, Transmission control module, Clutch actuator valve

- G604 Gear recognition sensor
- G616 Gear recognition sensor 2
- J217 Transmission control module
- N255 Clutch actuator valve
- T28 28-pin connector, black
- T52 52-pin connector, black

- 363 Ground connection 8 (in engine compartment wiring harness)
- 714 Ground connection on engine, right
- D114 Connection 12 (in engine compartment wiring harness)
- D115 Connection 13 (in engine compartment wiring harness)
- * Running change



- ws = white
- sw = black
- ro = red
- rt = red
- br = brown
- gn = green
- bl = blue
- gr = grey
- li = lilac
- vi = lilac
- ge = yellow
- or = orange
- rs = pink

Protected by copyright. Copying for private or commercial purposes, in part or in whole, is not permitted unless authorised by AUDI AG. AUDI AG does not guarantee or accept any liability with respect to the correctness of information in this document. Copyright by AUDI AG.

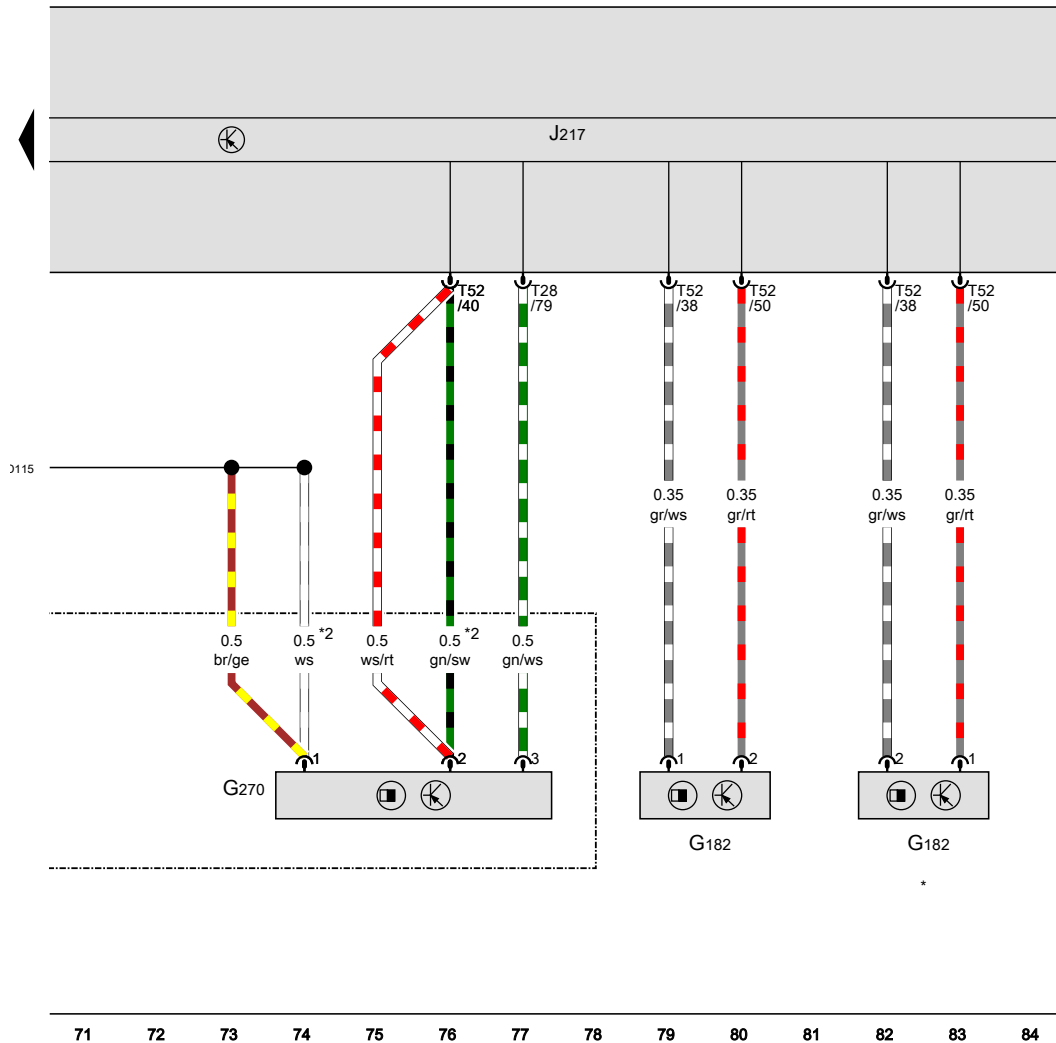
420-003060413

Transmission input speed sensor, Hydraulic pressure sensor, Transmission control module

- G182 Transmission input speed sensor
- G270 Hydraulic pressure sensor
- J217 Transmission control module
- T28 28-pin connector, black
- T52 52-pin connector, black

D115 Connection 13 (in engine compartment wiring harness)

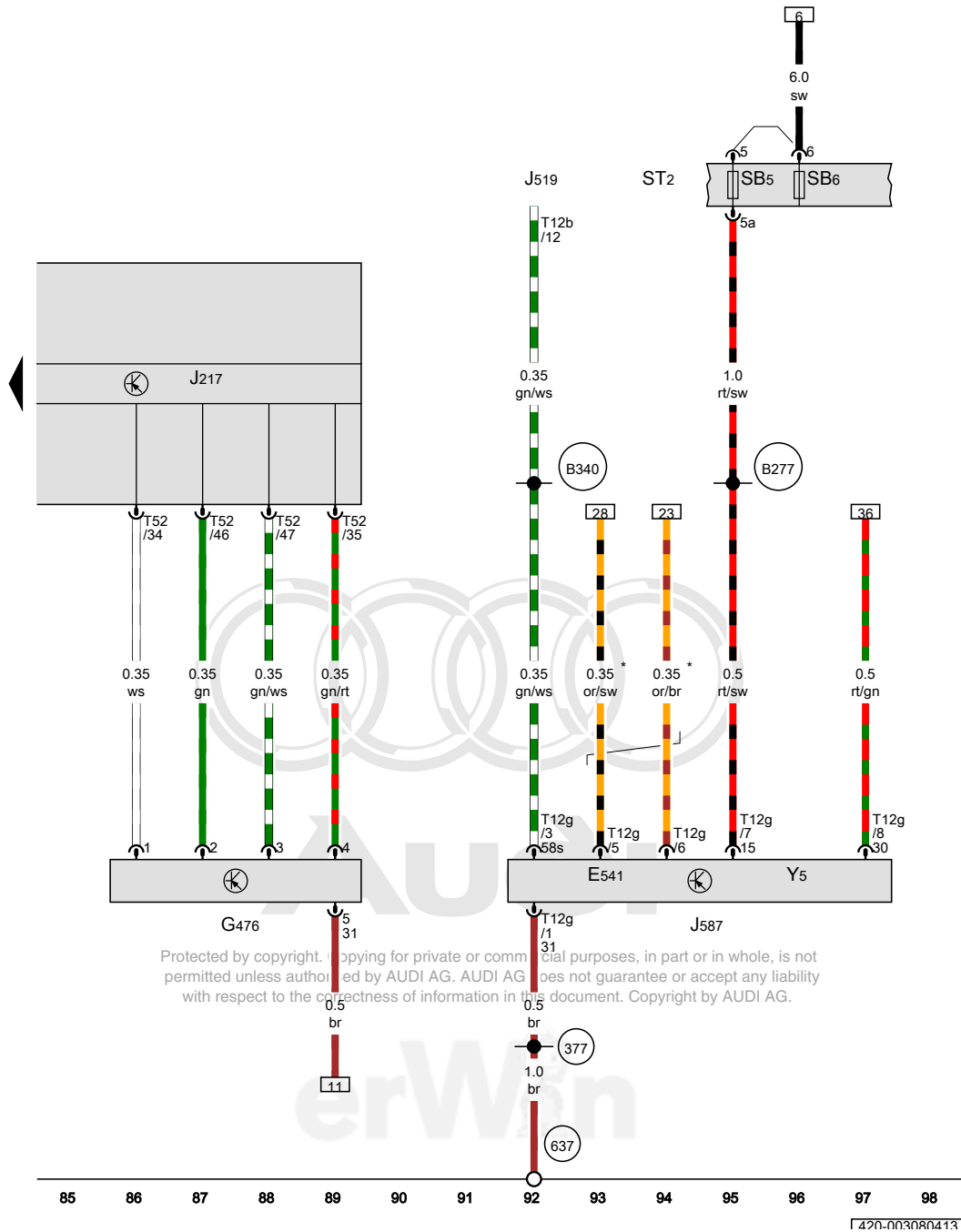
- * Only in vehicles with 10-cylinder engine
- *2 Running change



Protected by copyright. Copying for private or commercial purposes, in part or in whole, is not permitted unless authorised by AUDI AG. AUDI AG does not guarantee or accept any liability with respect to the correctness of information in this document. Copyright by AUDI AG.

- ws = white
- sw = black
- ro = red
- rt = red
- br = brown
- gn = green
- bl = blue
- gr = grey
- li = lilac
- vi = lilac
- ge = yellow
- or = orange
- rs = pink

[420-003070413]



Sport program button, Clutch position sensor, Transmission control module, Selector lever sensor system control module, Selector lever transmission range display

- E541 Sport program button
- G476 Clutch position sensor
- J217 Transmission control module
- J519 Vehicle electrical system control module
- J587 Selector lever sensor system control module
- ST2 Fuse panel 2
- SB5 Fuse 5 (on fuse panel B)
- SB6 Fuse 6 (on fuse panel B)
- T12b 12-pin connector, black
- T12g 12-pin connector
- T52 52-pin connector, black
- Y5 Selector lever transmission range display

- 377 Ground connection 12 (in main wiring harness)
- 637 Airbag control module ground connection
- B277 Positive connection 1 (15a) (in main wiring harness)
- B340 Connection 58d (in main wiring harness) 1
- * Data bus wire (CAN bus)

- ws = white
- sw = black
- ro = red
- rt = red
- br = brown
- gn = green
- bl = blue
- gr = grey
- li = lilac
- vi = lilac
- ge = yellow
- or = orange
- rs = pink

Anti-Lock Brake System (ABS) with EDL and ASR and ESP

from May 2006

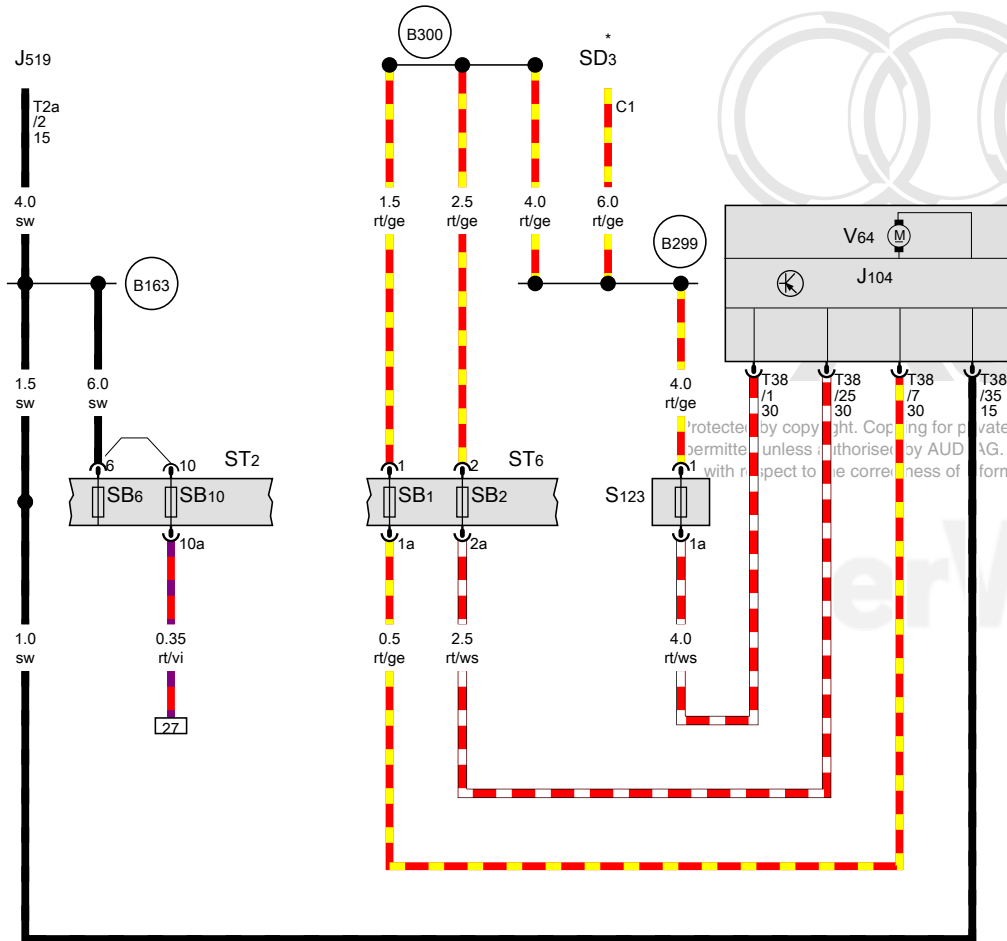


Audi

Protected by copyright. Copying for private or commercial purposes, in part or in whole, is not permitted unless authorised by AUDI AG. AUDI AG does not guarantee or accept any liability with respect to the correctness of information in this document. Copyright by AUDI AG.



ABS control module, ABS control module fuse 1



- J104 ABS control module
- J519 Vehicle electrical system control module
- SB1 Fuse 1 (on fuse panel B)
- ST2 Fuse panel 2
- SB2 Fuse 2 (on fuse panel B)
- SD3 Fuse 3 (on fuse panel D)
- ST6 Fuse panel 6
- SB6 Fuse 6 (on fuse panel B)
- SB10 Fuse 10 (on fuse panel B)
- S123 ABS control module fuse 1, on the vehicle electrical system control module
- T2a Double connector, black
- T38 38-pin connector, gray
- V64 ABS hydraulic pump

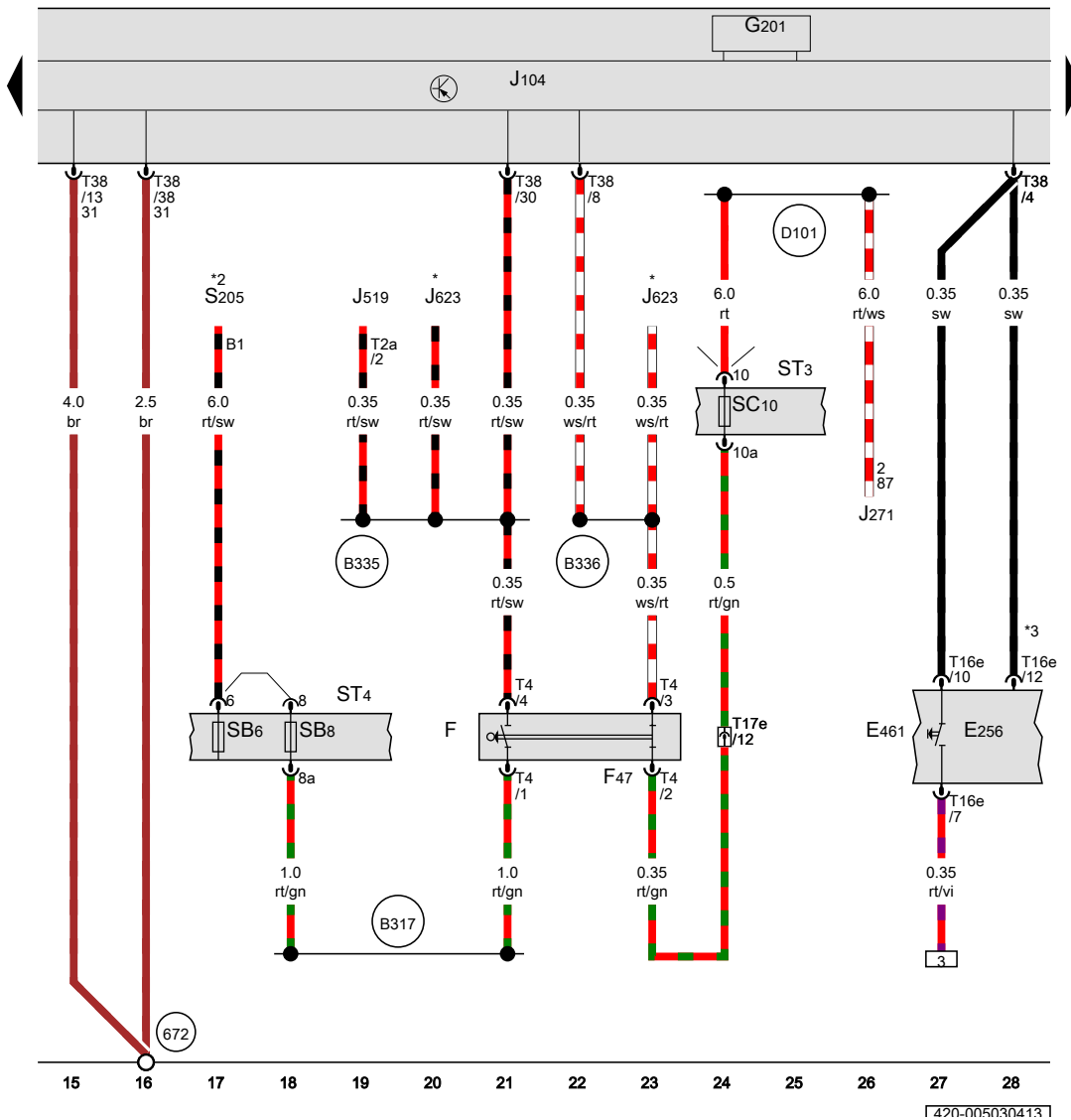
- B163 Positive connection 1 (15) (in interior wiring harness)
- B299 Positive connection 3 (30) (in main wiring harness)
- B300 Positive connection 4 (30) (in main wiring harness)
- * Main fuse box in the right front footwell

- ws = white
- sw = black
- ro = red
- rt = red
- br = brown
- gn = green
- bl = blue
- gr = grey
- li = lilac
- vi = lilac
- ge = yellow
- or = orange
- rs = pink

1 2 3 4 5 6 7 8 9 10 11 12 13 14

[420-005020413]

ASR/ESP button, Brake lamp switch, Brake pressure sensor 1, ABS control module



- E256 ASR/ESP button
- E461 Front center console control head
- F Brake lamp switch
- F47 Brake pedal switch
- G201 Brake pressure sensor 1
- J104 ABS control module
- J271 Motronic engine control module power supply relay, 9-pin relay and fuse panel C under the rear shelf, right
- J519 Vehicle electrical system control module
- J623 Engine control module
- ST3 Fuse panel 3
- ST4 Fuse panel 4
- SB6 Fuse 6 (on fuse panel B)
- SB8 Fuse 8 (on fuse panel B)
- SC10 Fuse 10 (on fuse panel C)
- S205 Fuse 2 (terminal 30)
- T2a Double connector, black
- T4 4-pin connector, black
- T16e 16-pin connector, brown
- T17e 17-pin connector, Connector station under the rear shelf, right, red
- T38 38-pin connector, gray
- 672 Ground connection 2 on left front longitudinal member
- B317 Positive connection 3 (30a) (in main wiring harness)
- B335 Connection 54 (in main wiring harness) 1
- B336 Connection 54 (in main wiring harness) 2
- D101 Connection 1 (in engine compartment wiring harness)
- * Refer to applicable engine wiring diagram
- *2 Main distribution in the right front footwell
- *3 Only for right-hand drive vehicles

- ws = white
- sw = black
- ro = red
- rt = red
- br = brown
- gn = green
- bl = blue
- gr = grey
- li = lilac
- vi = lilac
- ge = yellow
- or = orange
- rs = pink

Protected by copyright. Copying for private or commercial purposes, in part or in whole, is not permitted unless authorised by AUDI AG. AUDI AG does not guarantee or accept any liability with respect to the correctness of information in this document. Copyright by AUDI AG

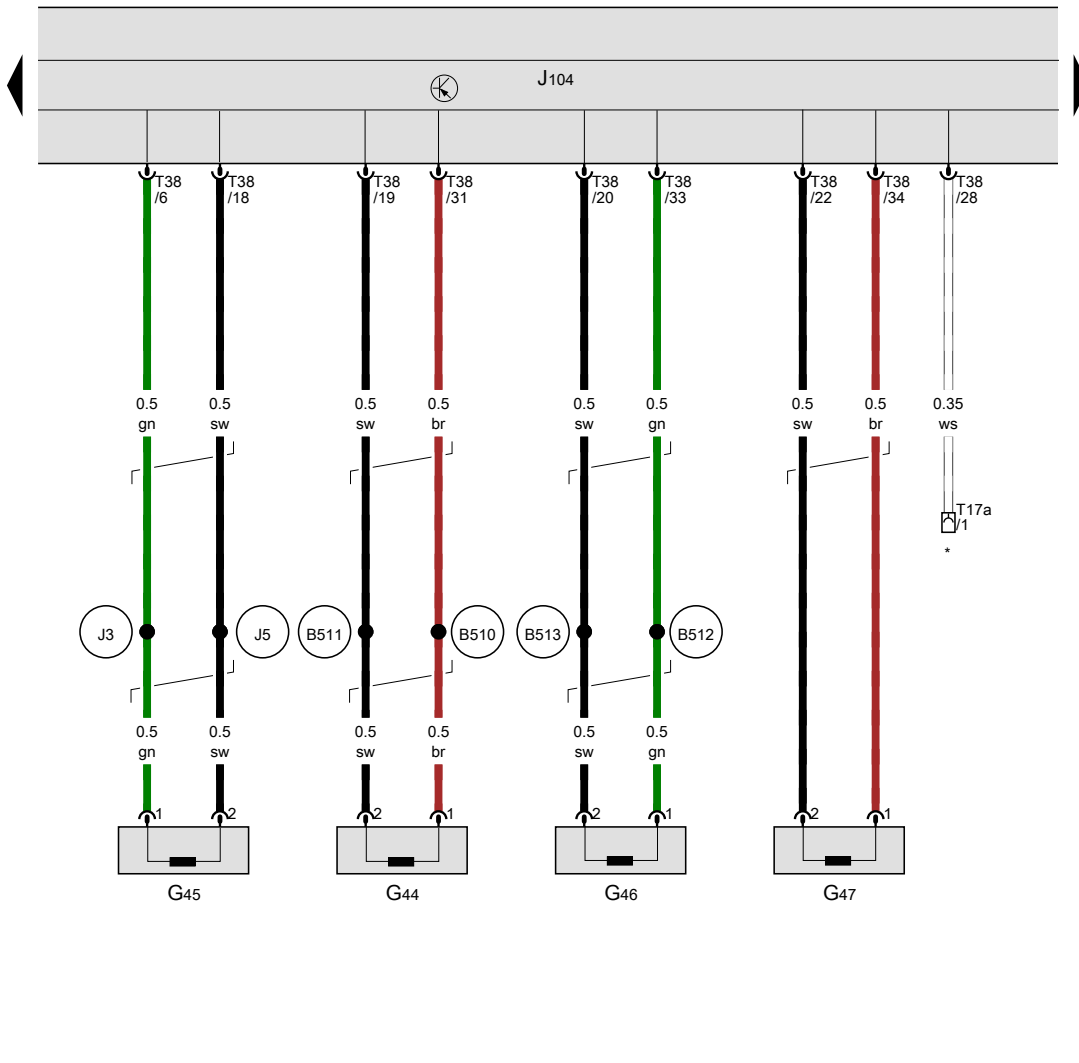
1420-005030413

Left rear ABS wheel speed sensor, Left front ABS wheel speed sensor, ABS control module

- G44 Right rear ABS wheel speed sensor
- G45 Right front ABS wheel speed sensor
- G46 Left rear ABS wheel speed sensor
- G47 Left front ABS wheel speed sensor
- J104 ABS control module
- T17a 17-pin connector, Inside the center console connector station on the right side, black
- T38 38-pin connector, gray

- B510 Right rear speed sensor connection 1 (in interior wiring harness)
- B511 Right rear speed sensor connection 2 (in interior wiring harness)
- B512 Left rear speed sensor connection 1 (in interior wiring harness)
- B513 Left rear speed sensor connection 2 (in interior wiring harness)
- J3 Connection 1 (in ABS wiring harness)
- J5 Connection 2 (in ABS wiring harness)
- * Speed signal output for retrofitted equipment

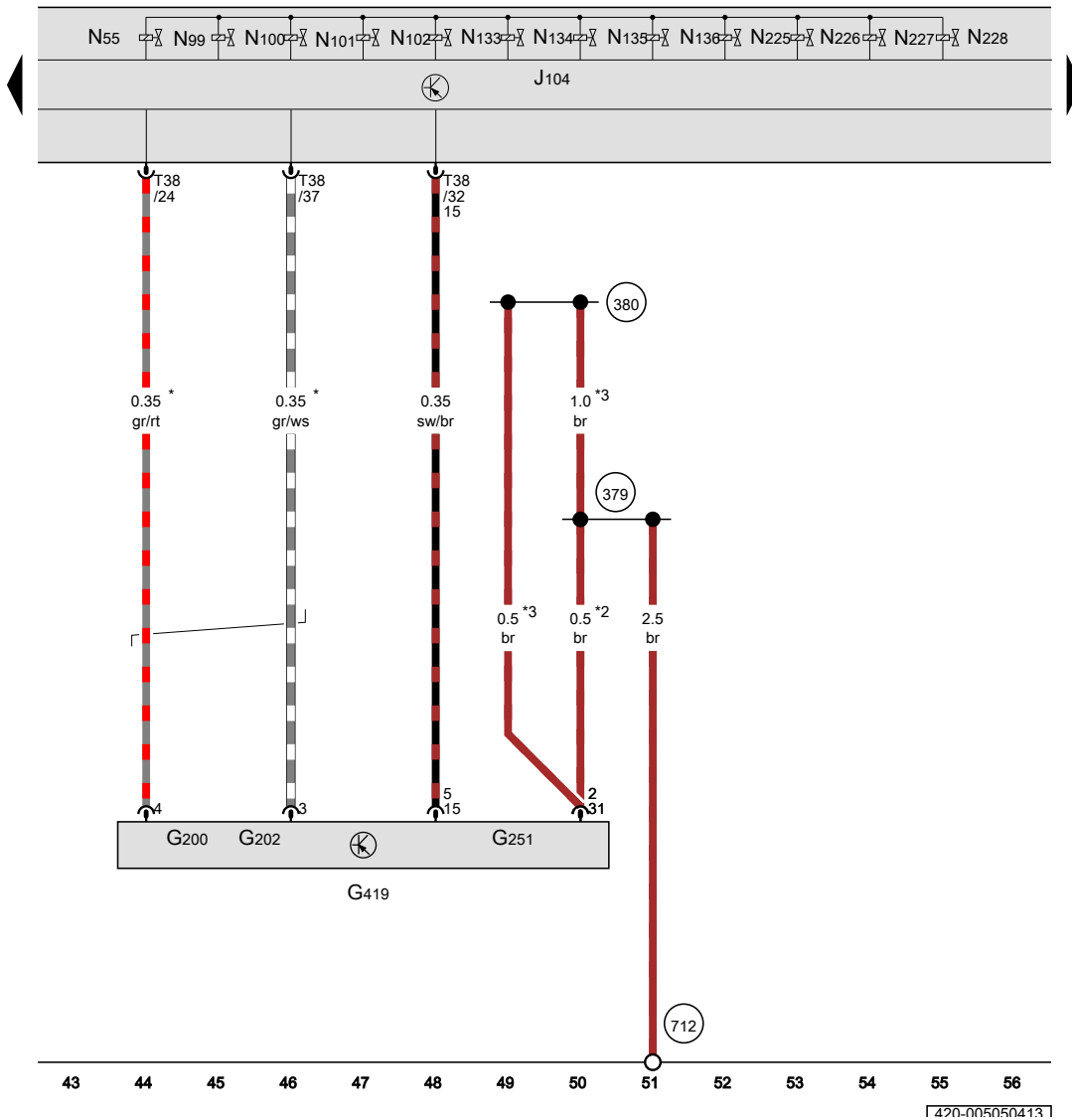
Protected by copyright. Copying for private or commercial purposes, in part or in whole, is not permitted unless authorized by AUDI AG. AUDI AG does not guarantee or accept any liability with respect to the correctness of information in this document. Copyright by AUDI AG.



- ws = white
- sw = black
- ro = red
- rt = red
- br = brown
- gn = green
- bl = blue
- gr = grey
- li = lilac
- vi = lilac
- ge = yellow
- or = orange
- rs = pink

ESP sensor unit, ABS control module, ABS hydraulic unit

- G200 Transverse acceleration sensor
- G202 Rotation rate sensor
- G251 Longitudinal acceleration sensor
- G419 ESP sensor unit
- J104 ABS control module
- N55 ABS hydraulic unit
- N99 Right front ABS inlet valve
- N100 Right front ABS outlet valve
- N101 Left front ABS inlet valve
- N102 Left front ABS outlet valve
- N133 Right rear ABS inlet valve
- N134 Left rear ABS inlet valve
- N135 Right rear ABS outlet valve
- N136 Left rear ABS outlet valve
- N225 Driving dynamics regulation switch valve 1
- N226 Driving dynamics regulation switch valve 2
- N227 Driving dynamics regulation high pressure switch valve 1
- N228 Driving dynamics regulation high pressure switch valve 2
- T38 38-pin connector, gray



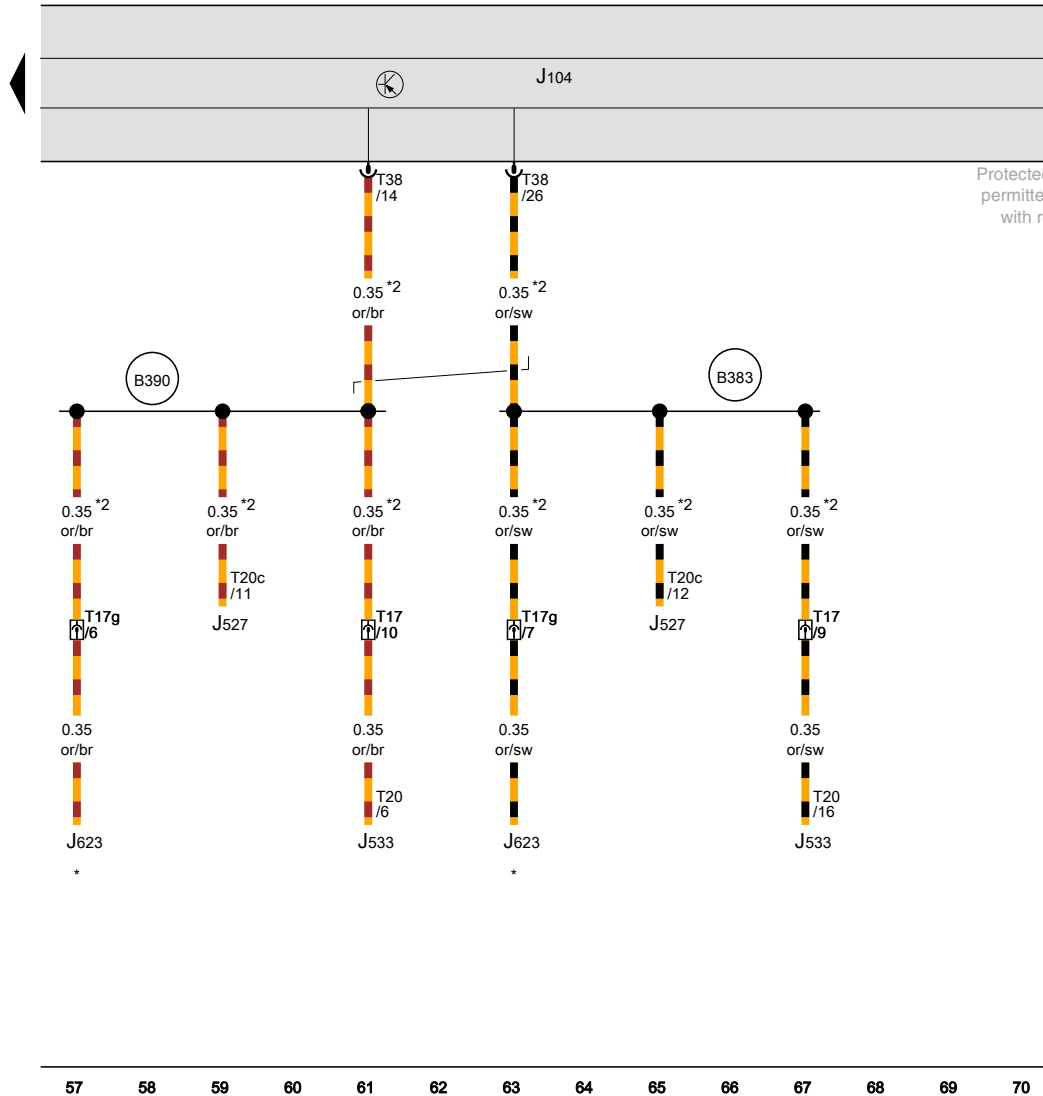
- ws = white
- sw = black
- ro = red
- rt = red
- br = brown
- gn = green
- bl = blue
- gr = grey
- li = lilac
- vi = lilac
- ge = yellow
- or = orange
- rs = pink

ABS control module

- J104 ABS control module
- J527 Steering column electronics control module
- J533 Data bus on board diagnostic interface
- J623 Engine control module
- T17 17-pin connector, Inside the center console connector station on the right side, red
- T17g 17-pin connector, Connector station under the rear shelf, right, black
- T20 20-pin connector, red
- T20c 20-pin connector
- T38 38-pin connector, gray
- B383 Powertrain CAN bus high connection 1 (in main wiring harness)
- B390 Powertrain CAN bus low connection 1 (in main wiring harness)

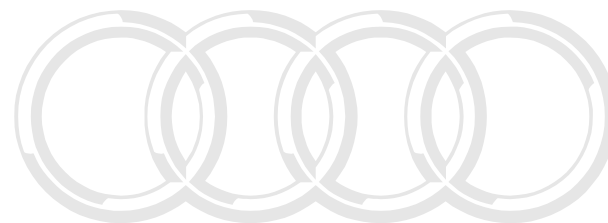
Protected by copyright. Copying for private or commercial purposes, in part or in whole, is not permitted unless authorised by AUDI AG. AUDI AG does not accept any liability for errors or omissions with respect to the correctness of information in this document. Copyright by AUDI AG.

- * Refer to applicable engine wiring diagram
- *2 Data bus wire (CAN bus)



420-005060413

Air conditioning system
from May 2006



Audi

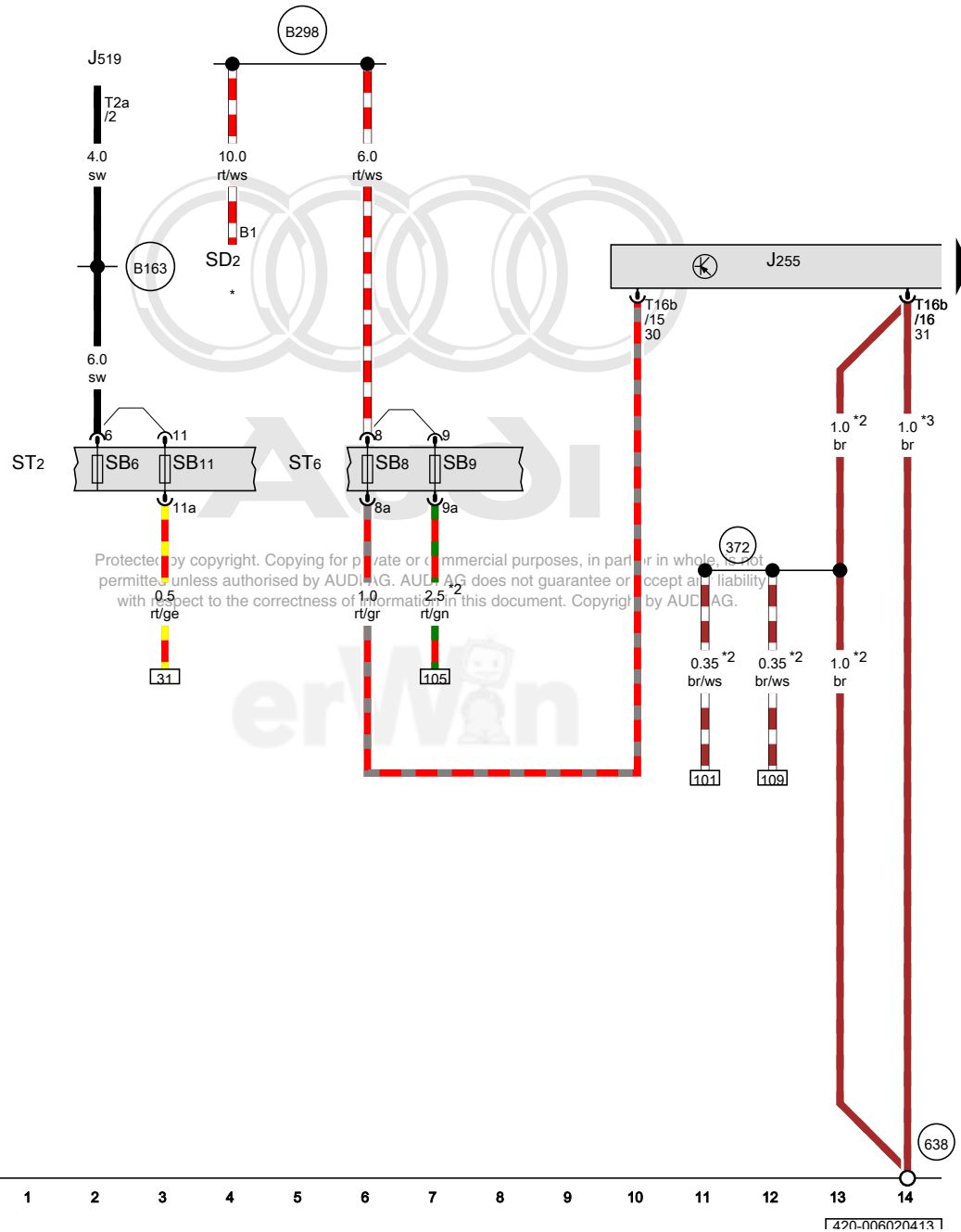
Protected by copyright. Copying for private or commercial purposes, in part or in whole, is not permitted unless authorised by AUDI AG. AUDI AG does not guarantee or accept any liability with respect to the correctness of information in this document. Copyright by AUDI AG.

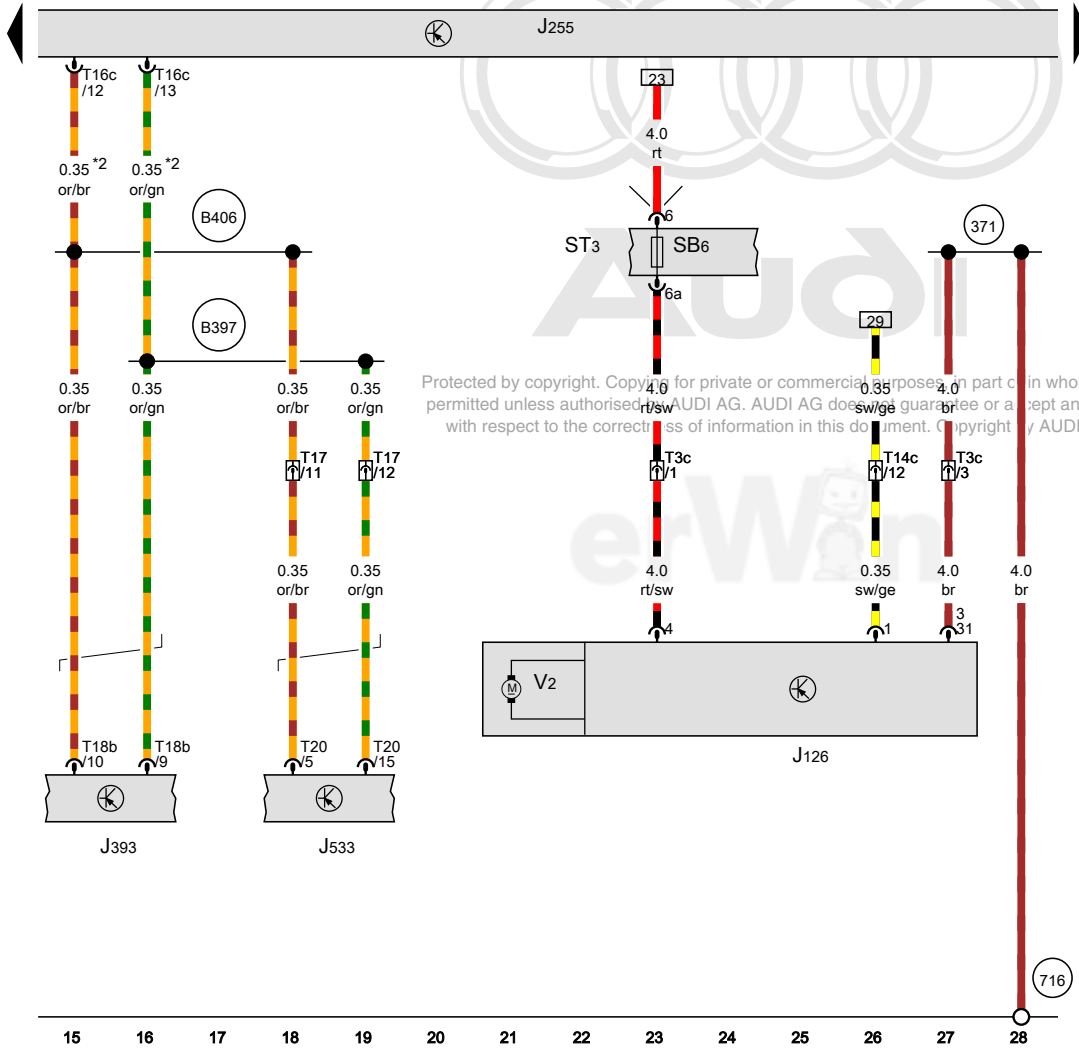
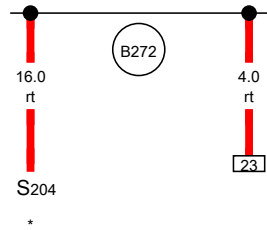


Climatronic control module

- J255 Climatronic control module
- J519 Vehicle electrical system control module
- SD2 Fuse 2 (on fuse panel D)
- ST2 Fuse panel 2
- ST6 Fuse panel 6
- SB6 Fuse 6 (on fuse panel B)
- SB8 Fuse 8 (on fuse panel B)
- SB9 Fuse 9 (on fuse panel B)
- SB11 Fuse 11 (on fuse panel B)
- T2a Double connector, black
- T16b 16-pin connector, black

- 372 Ground connection 7 (in main wiring harness)
- 638 Ground connection on right A-pillar
- B163 Positive connection 1 (15) (in interior wiring harness)
- B298 Positive connection 2 (30) (in main wiring harness)
- * Main fuse box in the right front footwell
- *2 Only for vehicles with an auxiliary heater
- *3 Only for vehicles without heated seats





Protected by copyright. Copying for private or commercial purposes in part or in whole, is not permitted unless authorised by AUDI AG. AUDI AG does not guarantee or accept any liability with respect to the correctness of information in this document. Copyright by AUDI AG.

Fresh air blower control module, Climatronic control module, Fuse 6 (on fuse panel B), Fresh air blower

- J126 Fresh air blower control module
- J255 Climatronic control module
- J393 Comfort system central control module
- J533 Data bus on board diagnostic interface
- ST3 Fuse panel 3
- SB6 Fuse 6 (on fuse panel B)
- S204 Fuse 1 (terminal 30)
- T3c 3-pin connector, near the right headlamp, black
- T14c 14-pin connector, near the right headlamp, black
- T16c 16-pin connector, brown
- T17 17-pin connector, Inside the center console connector station on the right side, red
- T18b 18-pin connector, brown
- T20 20-pin connector, red
- V2 Fresh air blower

- 371 Ground connection 6 (in main wiring harness)
- 716 Ground connection on right crossmember
- B272 Positive connection (30) (in main wiring harness)
- B397 Comfort system CAN bus high connection 1 (in main wiring harness)
- B406 Comfort system CAN bus low connection 1 (in main wiring harness)
- * Main distribution in the right front footwell
- *2 Data bus wire (CAN bus)

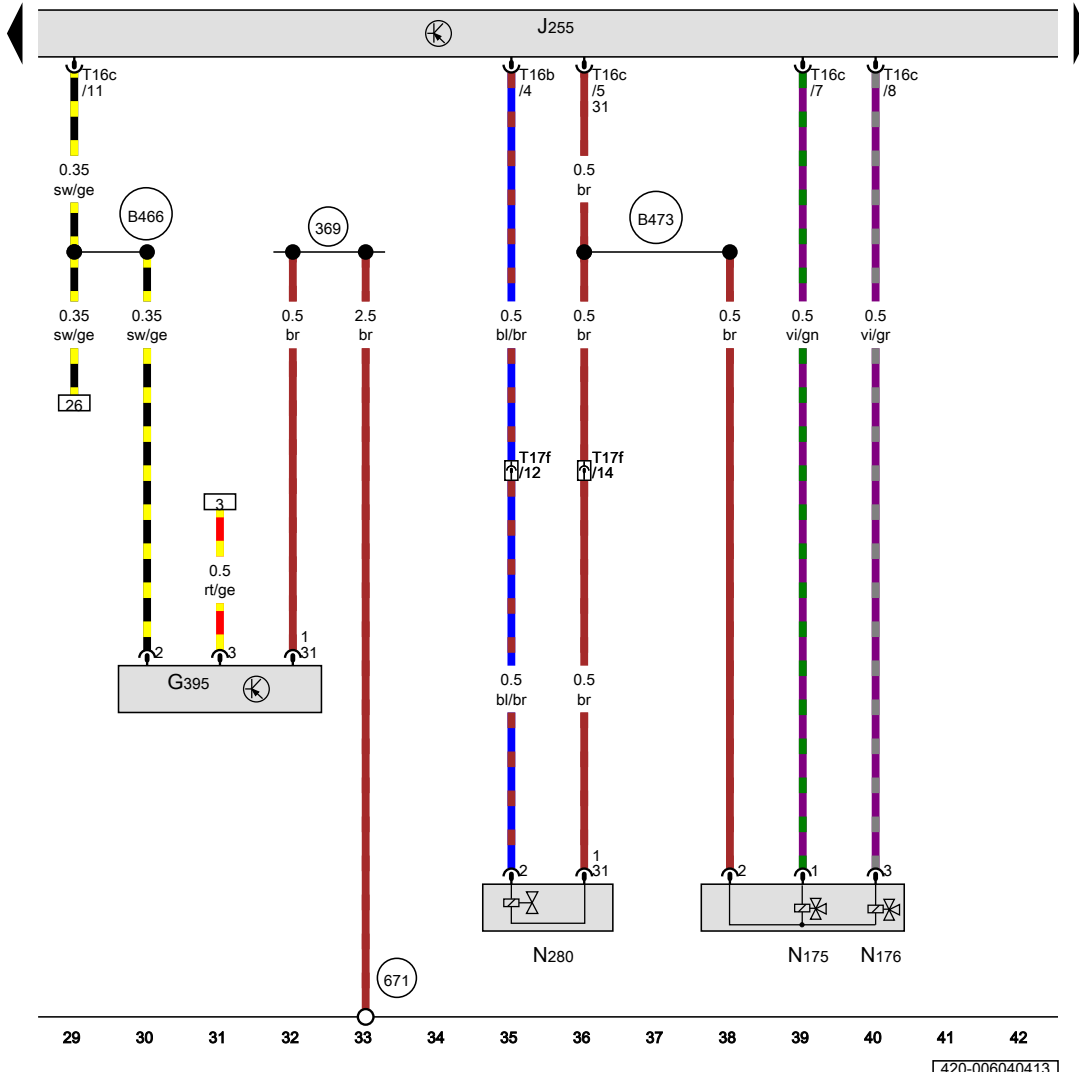
- ws = white
- sw = black
- ro = red
- rt = red
- br = brown
- gn = green
- bl = blue
- gr = grey
- li = lilac
- vi = lilac
- ge = yellow
- or = orange
- rs = pink

1420-006030413

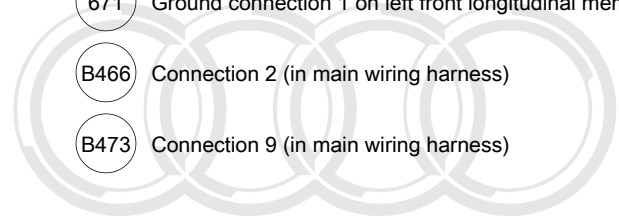
A/C pressure/temperature sensor, Climatronic control module, Left heat regulating valve, Right heat regulating valve, A/C compressor regulator valve

- G395 A/C pressure/temperature sensor
- J255 Climatronic control module
- N175 Left heat regulating valve
- N176 Right heat regulating valve
- N280 A/C compressor regulator valve
- T16b 16-pin connector, black
- T16c 16-pin connector, brown
- T17f 17-pin connector, Connector station under the rear shelf, right, white

- 369 Ground connection 4 (in main wiring harness)
- 671 Ground connection 1 on left front longitudinal member
- B466 Connection 2 (in main wiring harness)
- B473 Connection 9 (in main wiring harness)



- ws = white
- sw = black
- ro = red
- rt = red
- br = brown
- gn = green
- bl = blue
- gr = grey
- li = lilac
- vi = lilac
- ge = yellow
- or = orange
- rs = pink



Audi

Protected by copyright. Copying for private or commercial purposes, in part or in whole, is not permitted unless authorised by AUDI AG. AUDI AG does not guarantee or accept any liability with respect to the correctness of information in this document. Copyright by AUDI AG.



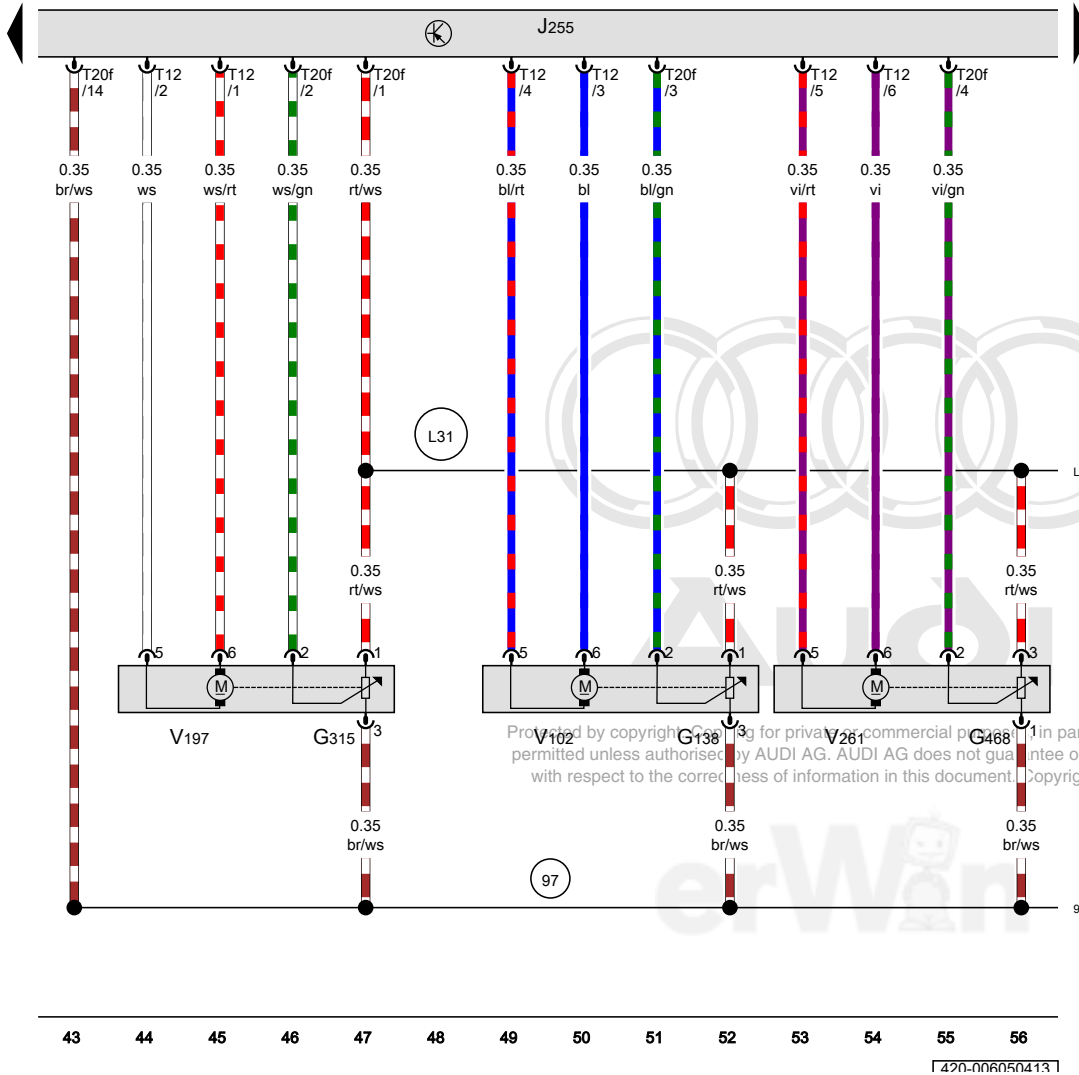
1420-006040413

Climatronic control module, Center vent adjustment motor, Front cold air door motor, Footwell door motor

- G138 Center vent motor position sensor
- G315 Front cold air door motor position sensor
- G468 Footwell door motor position sensor
- J255 Climatronic control module
- T12 12-pin connector
- T20f 20-pin connector
- V102 Center vent adjustment motor
- V197 Front cold air door motor
- V261 Footwell door motor

97 Ground connection 1 (in A/C wiring harness)

L31 Connection (5 Volt) (in A/C system wiring harness)



Provided by copyright Audi AG for private commercial purposes. In part or in whole, is not permitted unless authorised by AUDI AG. AUDI AG does not guarantee or accept any liability with respect to the correctness of information in this document. Copyright by AUDI AG.

- ws = white
- sw = black
- ro = red
- rt = red
- br = brown
- gn = green
- bl = blue
- gr = grey
- li = lilac
- vi = lilac
- ge = yellow
- or = orange
- rs = pink

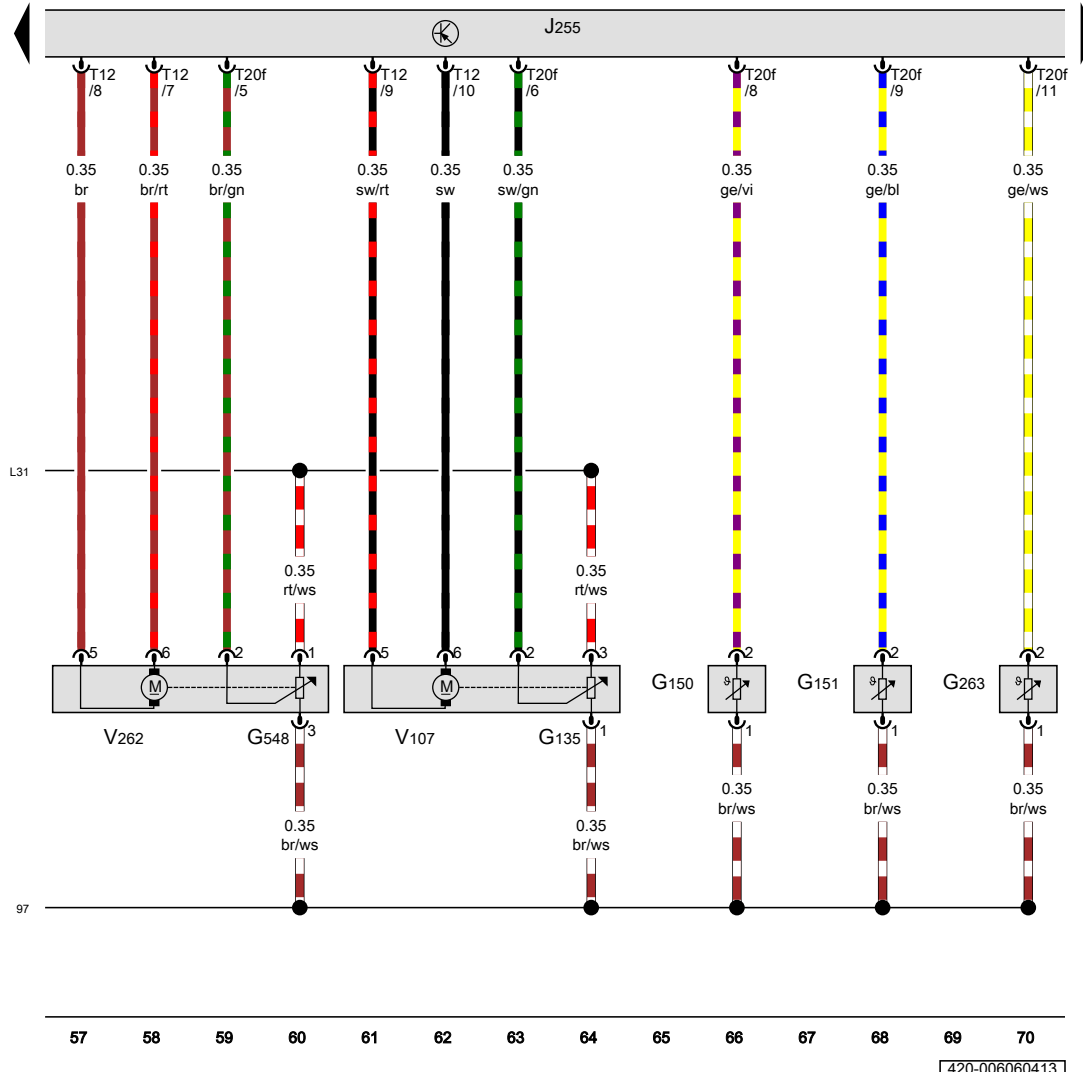
1420-006050413

Left vent temperature sensor, Evaporator vent temperature sensor, Climatronic control module, Defroster door motor, Side vent motor

- G135 Defroster door motor position sensor
- G150 Left vent temperature sensor
- G151 Right vent temperature sensor
- G263 Evaporator vent temperature sensor
- G548 Side vent motors position sensor
- J255 Climatronic control module
- T12 12-pin connector
- T20f 20-pin connector
- V107 Defroster door motor
- V262 Side vent motor

97 Ground connection 1 (in A/C wiring harness)

L31 Connection (5 Volt) (in A/C system wiring harness)



- ws = white
- sw = black
- ro = red
- rt = red
- br = brown
- gn = green
- bl = blue
- gr = grey
- li = lilac
- vi = lilac
- ge = yellow
- or = orange
- rs = pink

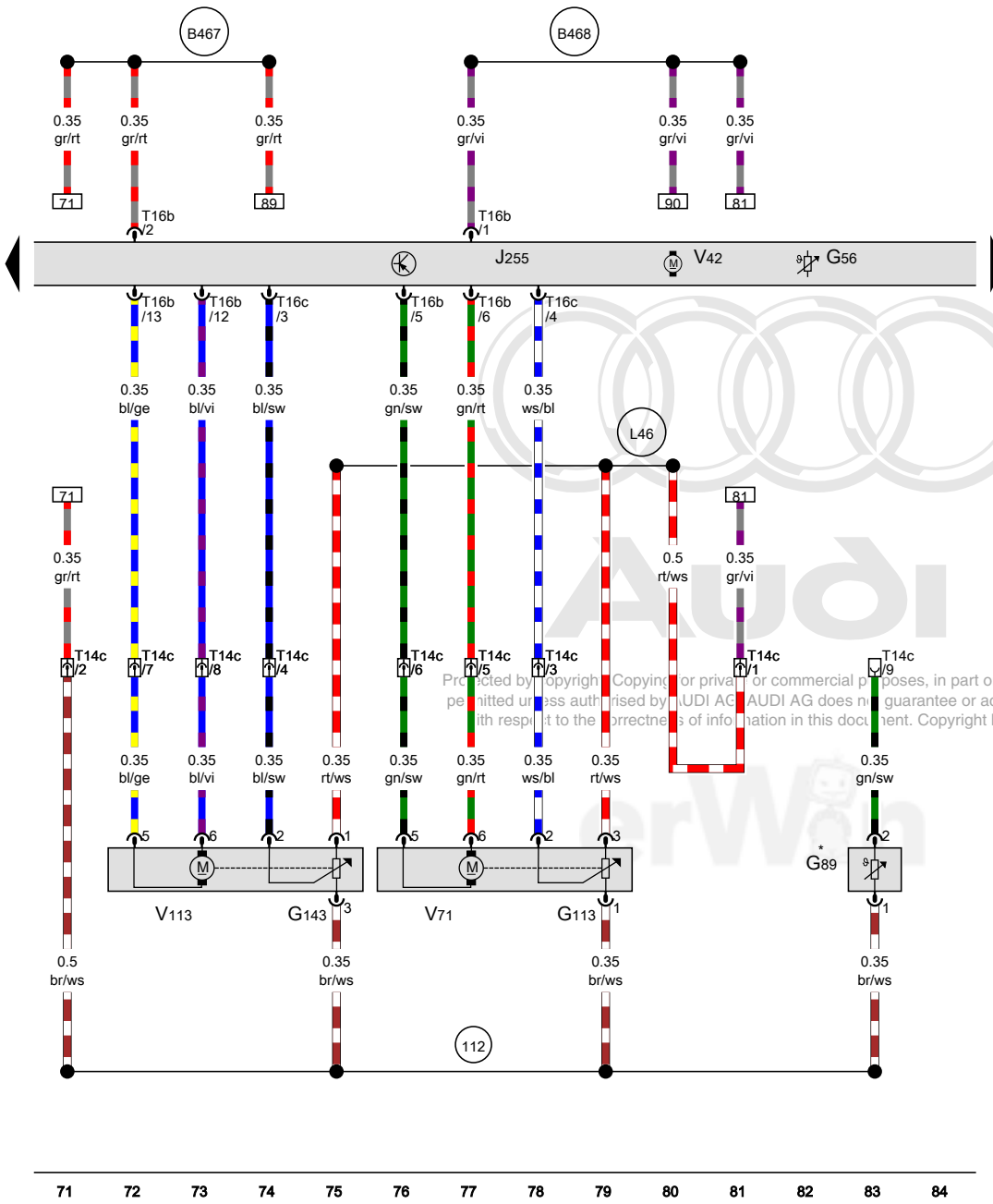


Audi

Protected by copyright. Copying for private or commercial purposes, in part or in whole, is not permitted unless authorised by AUDI AG. AUDI AG does not guarantee or accept any liability with respect to the correctness of information in this document. Copyright by AUDI AG.



1420-006060413



Fresh air intake duct temperature sensor, Climatronic control module, Airflow door motor, Recirculation door motor

- G56 Instrument panel temperature sensor
- G89 Fresh air intake duct temperature sensor
- G113 Back pressure door motor position sensor
- G143 Recirculation door motor position sensor
- J255 Climatronic control module
- T14c 14-pin connector, near the right headlamp, black
- T16b 16-pin connector, black
- T16c 16-pin connector, brown
- V42 Interior temperature sensor fan
- V71 Airflow door motor
- V113 Recirculation door motor

- 112 Ground connection 2 (in A/C wiring harness)
- B467 Connection 3 (in main wiring harness)
- B468 Connection 4 (in main wiring harness)
- L46 Connection (5 Volt) (in Climatronic controls wiring harness)
- * If available

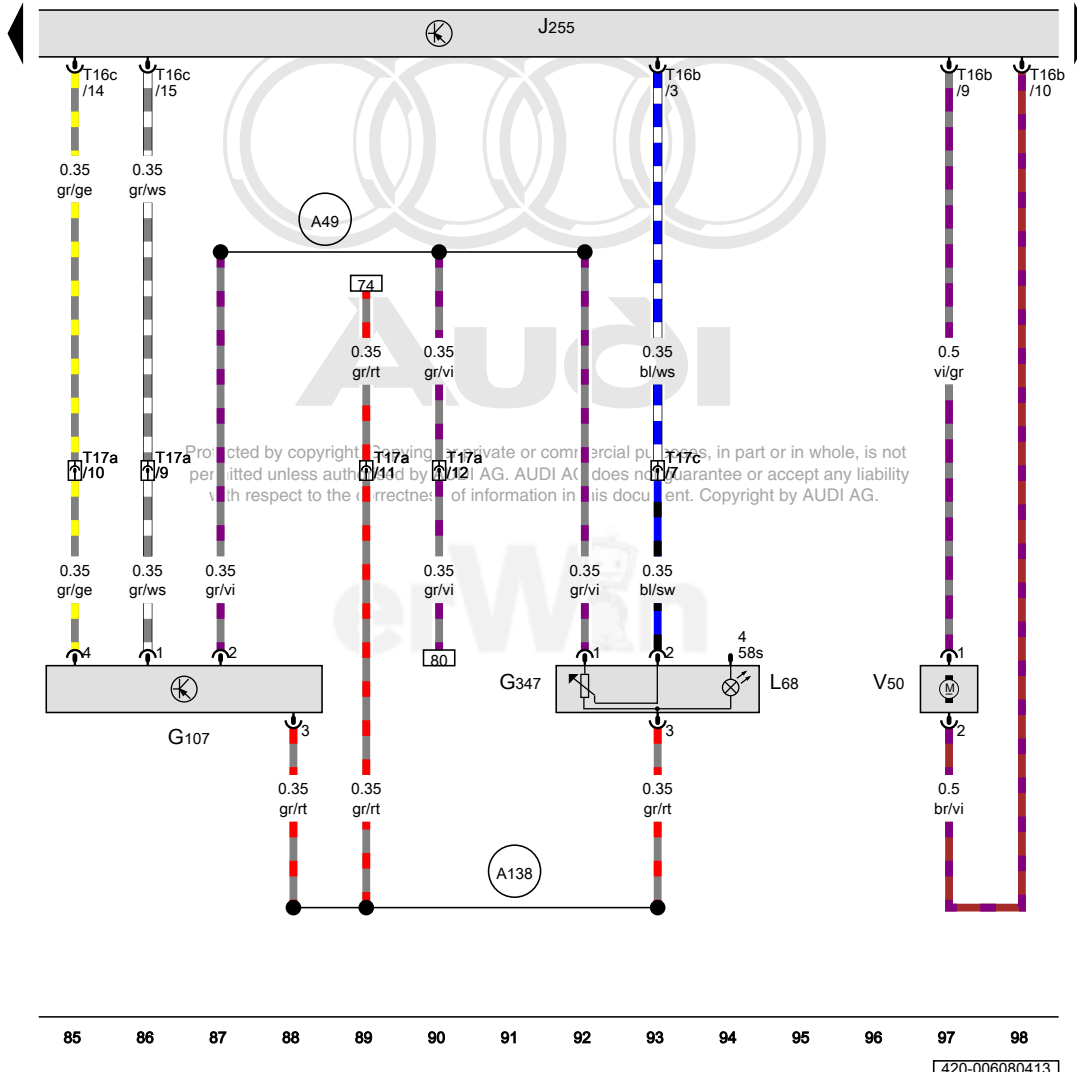
- ws = white
- sw = black
- ro = red
- rt = red
- br = brown
- gn = green
- bl = blue
- gr = grey
- li = lilac
- vi = lilac
- ge = yellow
- or = orange
- rs = pink

420-006070413

Sunlight photo sensor, Left center air vent sensor, Climatronic control module, Coolant recirculation pump

- G107 Sunlight photo sensor
- G347 Left center air vent sensor
- J255 Climatronic control module
- L68 Center instrument panel vent illumination bulb
- T16b 16-pin connector, black
- T16c 16-pin connector, brown
- T17a 17-pin connector, Inside the center console connector station on the right side, black
- T17c 17-pin connector, Inside the center console connector station on the right side, blue
- V50 Coolant recirculation pump

- (A49) Connection 1 (in instrument panel wiring harness)
- (A138) Connection 2 (in instrument panel wiring harness)

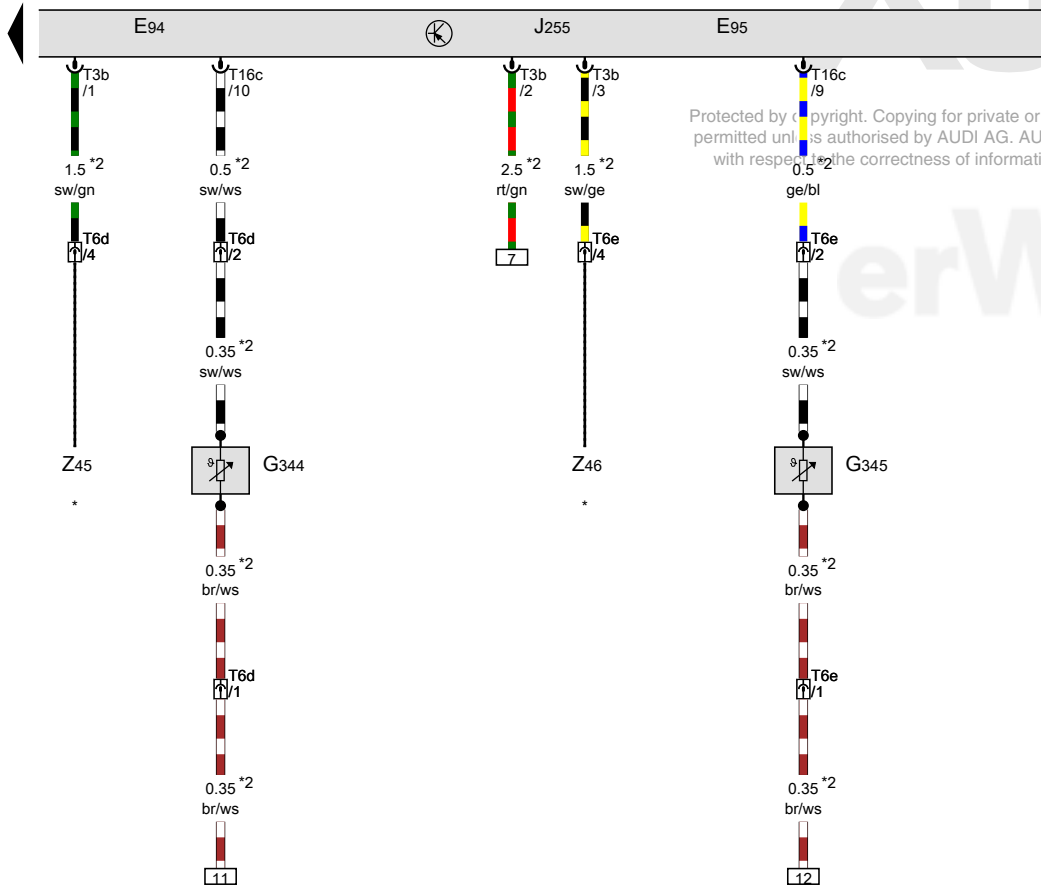


- ws = white
- sw = black
- ro = red
- rt = red
- br = brown
- gn = green
- bl = blue
- gr = grey
- li = lilac
- vi = lilac
- ge = yellow
- or = orange
- rs = pink

420-006080413

Left front seat temperature sensor, Right front seat temperature sensor, Climatronic control module

- E94 Heated driver seat adjuster
- E95 Heated front passenger seat adjuster
- G344 Left front seat temperature sensor
- G345 Right front seat temperature sensor
- J255 Climatronic control module
- T3b 3-pin connector, black
- T6d 6-pin connector, under the driver seat, green
- T6e 6-pin connector, under the front passenger seat, green
- T16c 16-pin connector, brown
- Z45 Left front seat heating element
- Z46 Right front seat heating element
- * Refer to the applicable heated seats wiring diagram
- *2 Only for vehicles with an auxiliary heater



Protected by copyright. Copying for private or commercial purposes, in part or in whole, is not permitted unless authorised by AUDI AG. AUDI AG does not guarantee or accept any liability with respect to the correctness of information in this document. Copyright by AUDI AG.

- ws = white
- sw = black
- ro = red
- rt = red
- br = brown
- gn = green
- bl = blue
- gr = grey
- li = lilac
- vi = lilac
- ge = yellow
- or = orange
- rs = pink

Convenience system
from May 2006



Audi

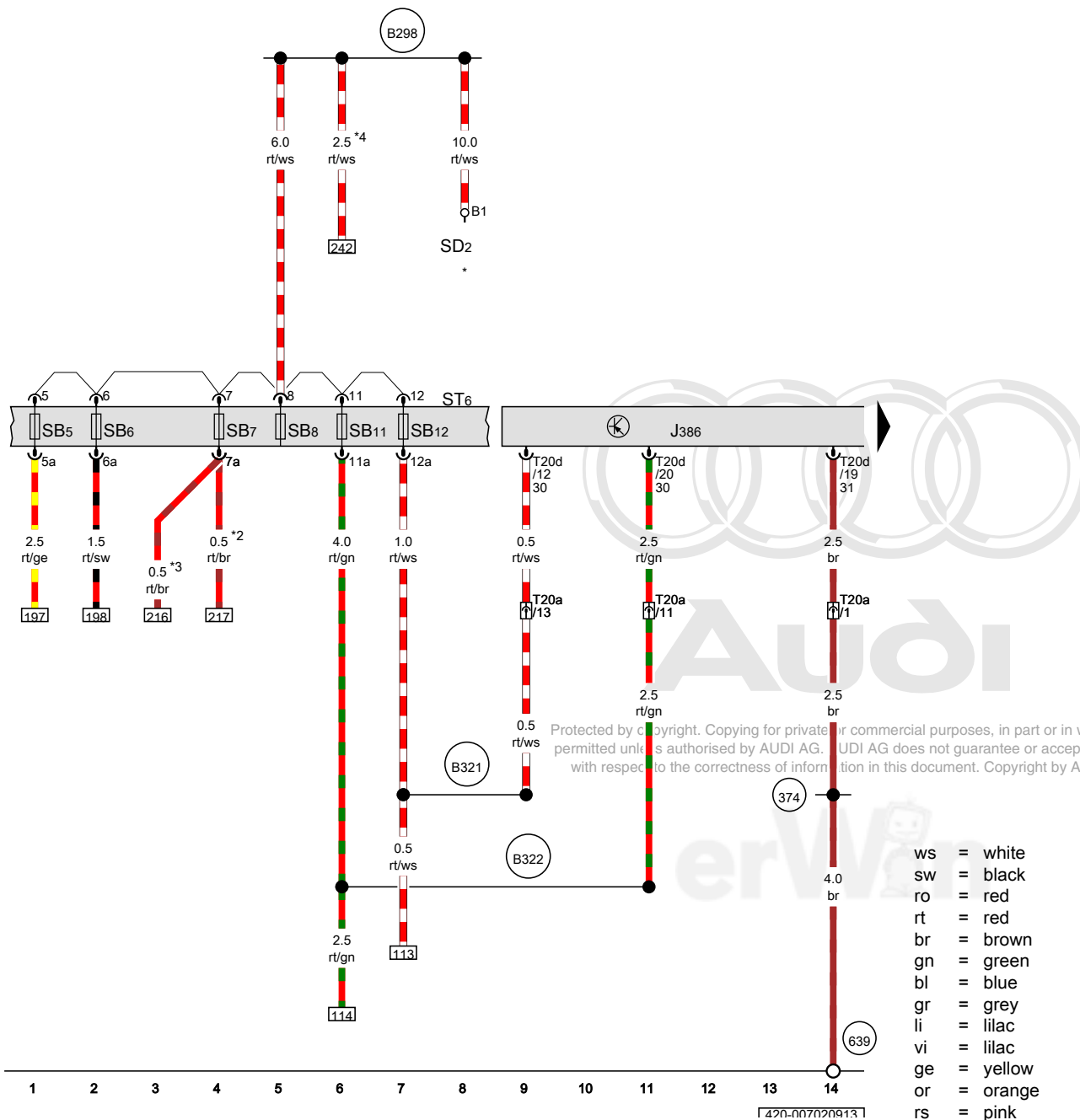
Protected by copyright. Copying for private or commercial purposes, in part or in whole, is not permitted unless authorised by AUDI AG. AUDI AG does not guarantee or accept any liability with respect to the correctness of information in this document. Copyright by AUDI AG.



Driver door control module

- J386 Driver door control module
- SD2 Fuse 2 (on fuse panel D)
- SB5 Fuse 5 (on fuse panel B)
- ST6 Fuse panel 6
- SB6 Fuse 6 (on fuse panel B)
- SB7 Fuse 7 (on fuse panel B)
- SB8 Fuse 8 (on fuse panel B)
- SB11 Fuse 11 (on fuse panel B)
- SB12 Fuse 12 (on fuse panel B)
- T20a 20-pin connector, in the left front door, black
- T20d 20-pin connector, black

- 374 Ground connection 9 (in main wiring harness)
- 639 Ground connection on left A-pillar
- B298 Positive connection 2 (30) (in main wiring harness)
- B321 Positive connection 7 (30a) (in main wiring harness)
- B322 Positive connection 8 (30a) (in main wiring harness)
- * Main fuse box in the right front footwell
- *2 Only for vehicles with interior monitoring
- *3 Anti-theft alarm system without interior monitoring
- *4 From September 2008



Protected by copyright. Copying for private or commercial purposes, in part or in whole, is not permitted unless authorised by AUDI AG. AUDI AG does not guarantee or accept any liability with respect to the correctness of information in this document. Copyright by AUDI AG.

Driver door control module

- J386 Driver door control module
- J533 Data bus on board diagnostic interface
- T17 17-pin connector, Inside the center console connector station on the right side, red
- T20 20-pin connector
- T20a 20-pin connector, in the left front door, black
- T20d 20-pin connector, black
- Y7 Automatic dimming interior rearview mirror

- (B397) Comfort system CAN bus high connection 1 (in main wiring harness)
- (B406) Comfort system CAN bus low connection 1 (in main wiring harness)
- (B427) Mirror auto-dimming signal connection 1 (in main wiring harness)
- (B428) Mirror auto-dimming signal connection 2 (in main wiring harness)

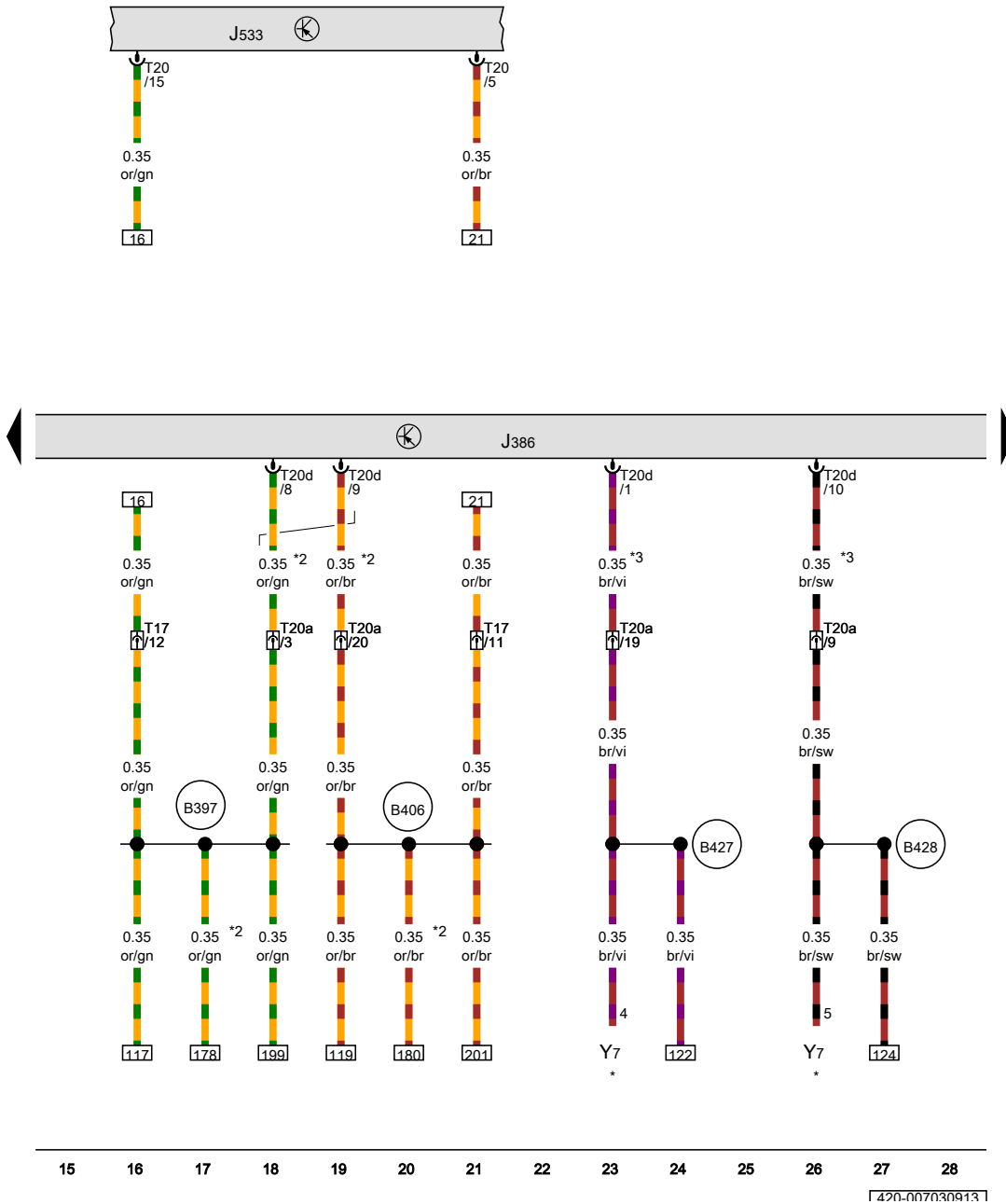
- * Refer to applicable standard equipment wiring diagram
- *2 Data bus wire (CAN bus)
- *3 Only for vehicles with automatic dimming interior rearview mirror



Protected by copyright. Copying for private or commercial purposes, in part or in whole, is not permitted unless authorised by AUDI AG. AUDI AG does not guarantee or accept any liability with respect to the correctness of information in this document. Copyright by AUDI AG.



- ws = white
- sw = black
- ro = red
- rt = red
- br = brown
- gn = green
- bl = blue
- gr = grey
- li = lilac
- vi = lilac
- ge = yellow
- or = orange
- rs = pink

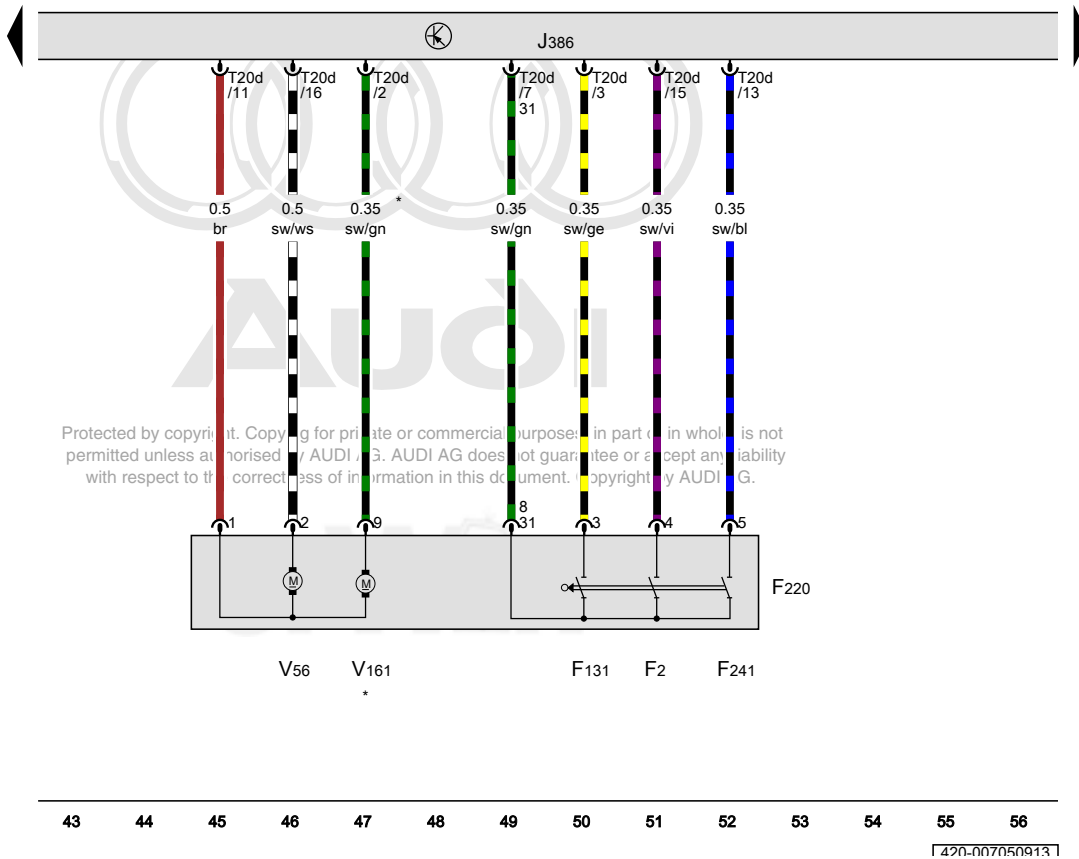


15 16 17 18 19 20 21 22 23 24 25 26 27 28

[420-007030913]

Driver central locking lock unit, Driver door control module

- F2 Driver door contact switch
- F131 Left front central locking system actuator
- F220 Driver central locking lock unit
- F241 Driver lock cylinder contact switch
- J386 Driver door control module
- T20d 20-pin connector, black
- V56 Driver door central locking system motor
- V161 Driver door central locking -SAFE- motor
- * Not for USA



- ws = white
- sw = black
- ro = red
- rt = red
- br = brown
- gn = green
- bl = blue
- gr = grey
- li = lilac
- vi = lilac
- ge = yellow
- or = orange
- rs = pink



Audi

Protected by copyright. Copying for private or commercial purposes, in part or in whole, is not permitted unless authorised by AUDI AG. AUDI AG does not guarantee or accept any liability with respect to the correctness of information in this document. Copyright by AUDI AG.

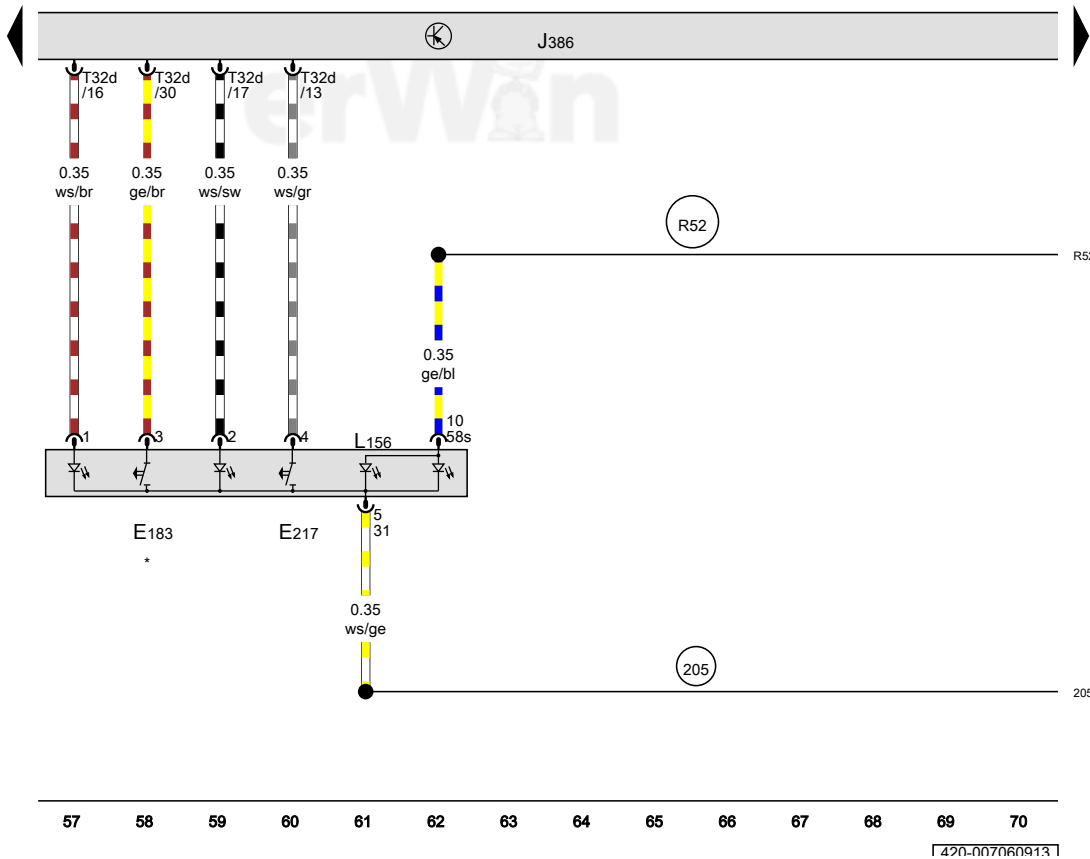
Alarm system deactivation switch, Driver door control module

- E183 Interior monitoring switch
- E217 Alarm system deactivation switch
- J386 Driver door control module
- L156 Switch illumination bulb
- T32d 32-pin connector, gray

205 Ground connection (in driver door wiring harness)

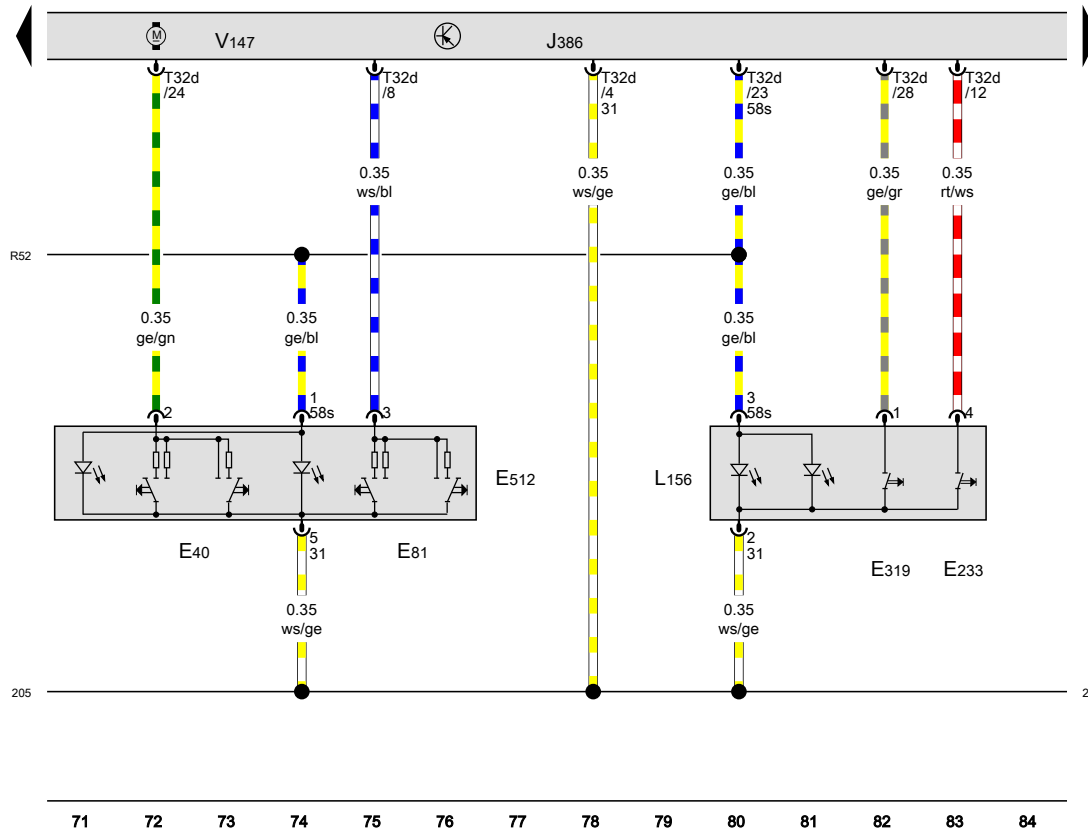
R52 Connection 58s (in driver door wiring harness)

* Not for USA



Rear lid remote release button, Fuel filler door release button, Power window control head in driver door, Driver door control module, Driver window regulator motor

- E40 Left front window regulator switch
 - E81 Right front power window switch in driver door
 - E233 Rear lid remote release button
 - E319 Fuel filler door release button
 - E512 Power window control head in driver door
 - J386 Driver door control module
 - L156 Switch illumination bulb
 - T32d 32-pin connector, gray
 - V147 Driver window regulator motor
- (205) Ground connection (in driver door wiring harness)
- (R52) Connection 58s (in driver door wiring harness)



Protected by copyright. Copying for private or commercial purposes, in part or in whole, is not permitted unless authorised by AUDI AG. AUDI AG does not guarantee or accept any liability with respect to the correctness of information in this document. Copyright by AUDI AG.

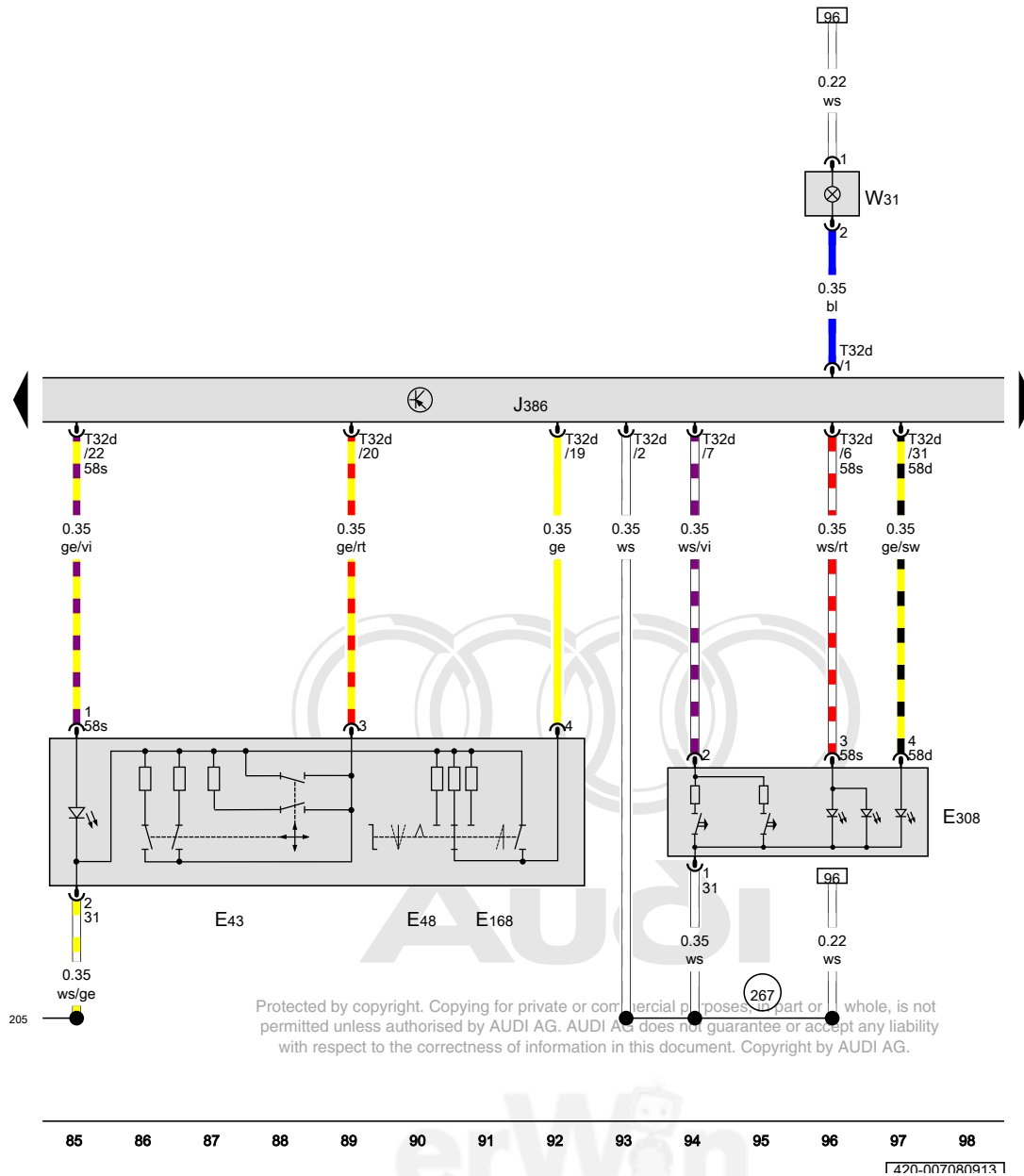
- ws = white
- sw = black
- ro = red
- rt = red
- br = brown
- gn = green
- bl = blue
- gr = grey
- li = lilac
- vi = lilac
- ge = yellow
- or = orange
- rs = pink

[420-007070913]

Mirror adjusting switch, Driver interior locking button, Driver door control module, Left front entry lamp

- E43 Mirror adjusting switch
- E48 Mirror selector switch
- E168 Folding mirror adjustment switch
- E308 Driver interior locking button
- J386 Driver door control module
- T32d 32-pin connector, gray
- W31 Left front entry lamp

- (205) Ground connection (in driver door wiring harness)
- (267) Ground connection 2 (in driver door wiring harness)



Protected by copyright. Copying for private or commercial purposes, in part or in whole, is not permitted unless authorised by AUDI AG. AUDI AG does not guarantee or accept any liability with respect to the correctness of information in this document. Copyright by AUDI AG.

- ws = white
- sw = black
- ro = red
- rt = red
- br = brown
- gn = green
- bl = blue
- gr = grey
- li = lilac
- vi = lilac
- ge = yellow
- or = orange
- rs = pink

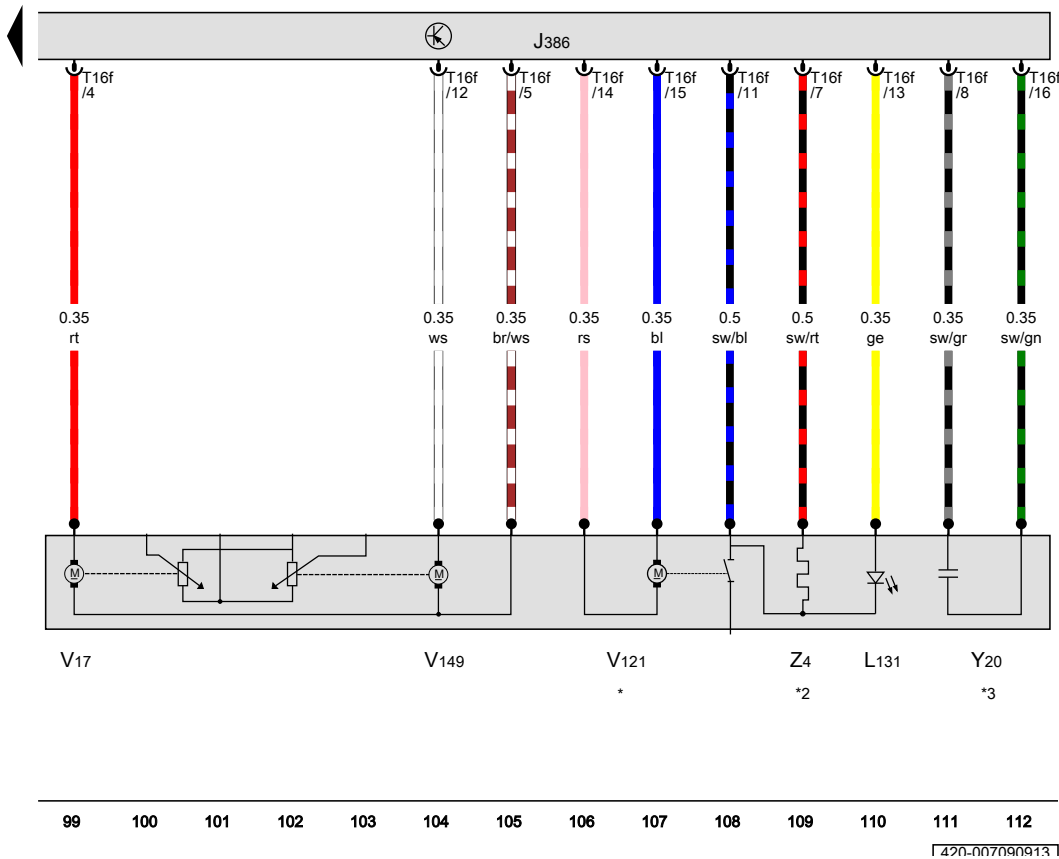
85 86 87 88 89 90 91 92 93 94 95 96 97 98

1420-007080913

Driver door control module, Driver mirror adjustment motor

- J386 Driver door control module
- L131 Driver exterior rearview mirror turn signal bulb
- T16f 16-pin connector
- V17 Driver mirror adjustment motor
- V121 Driver exterior rearview mirror folding motor
- V149 Driver mirror adjustment motor
- Y20 Driver automatic dimming exterior rearview mirror
- Z4 Heated driver exterior rearview mirror
- * Only for vehicles with folding mirrors
- *2 Only for vehicles with heated exterior rearview mirrors
- *3 Only for vehicles with automatic dimming exterior rearview mirror

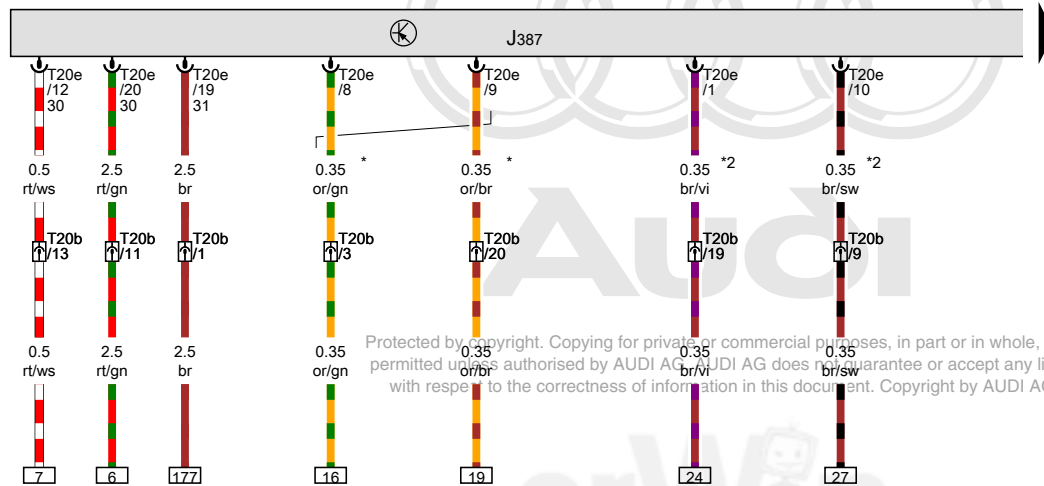
Protected by copyright. Copying for private or commercial purposes, in part or in whole, is not permitted unless authorised by AUDI AG. AUDI AG does not guarantee or accept any liability with respect to the correctness of information in this document. Copyright by AUDI AG.



1420-007090913

Front passenger door control module

- J387 Front passenger door control module
- T20b 20-pin connector, in the right front door, black
- T20e 20-pin connector, black
- * Data bus wire (CAN bus)
- *2 Only for vehicles with automatic dimming interior rearview mirror



Protected by copyright. Copying for private or commercial purposes, in part or in whole, is not permitted unless authorised by AUDI AG. AUDI AG does not guarantee or accept any liability with respect to the correctness of information in this document. Copyright by AUDI AG.

- ws = white
- sw = black
- ro = red
- rt = red
- br = brown
- gn = green
- bl = blue
- gr = grey
- li = lilac
- vi = lilac
- ge = yellow
- or = orange
- rs = pink

113 114 115 116 117 118 119 120 121 122 123 124 125 126

[420-007100913]

Front passenger central locking lock unit, Front passenger door control module

- F3 Front passenger door contact switch
- F133 Right front central locking system actuator
- F221 Front passenger central locking lock unit
- J387 Front passenger door control module
- T20e 20-pin connector, black
- V57 Front passenger door central locking system motor
- V162 Front passenger central locking -SAFE- motor
- * Not for USA

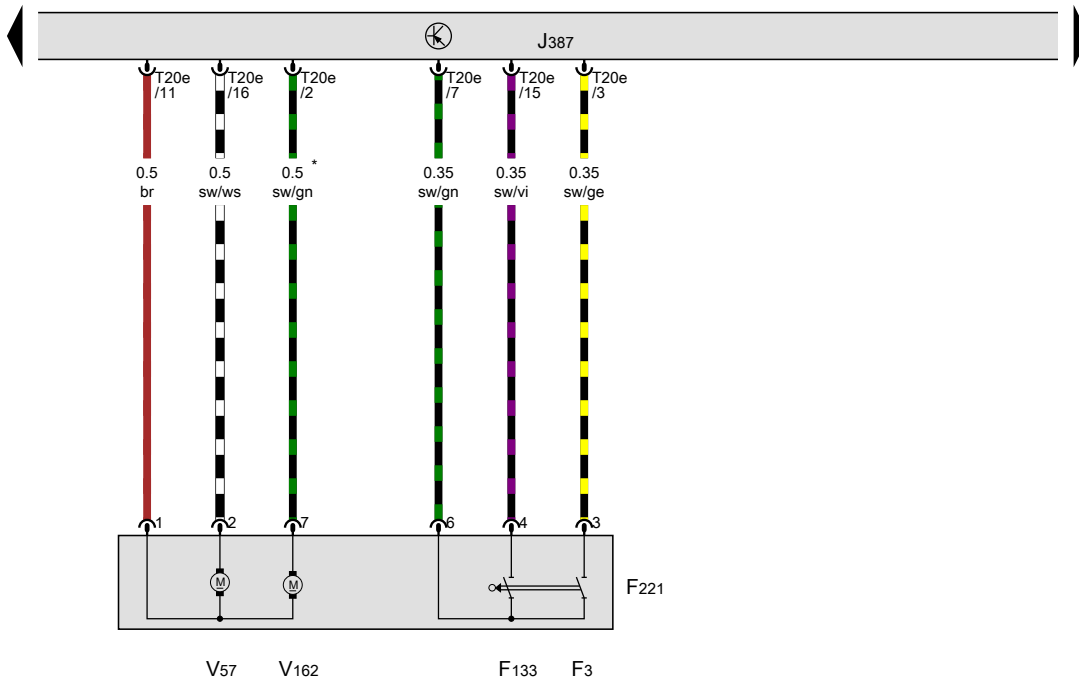


Audi

Protected by copyright. Copying for private or commercial purposes, in part or in whole, is not permitted unless authorised by AUDI AG. AUDI AG does not guarantee or accept any liability with respect to the correctness of information in this document. Copyright by AUDI AG.

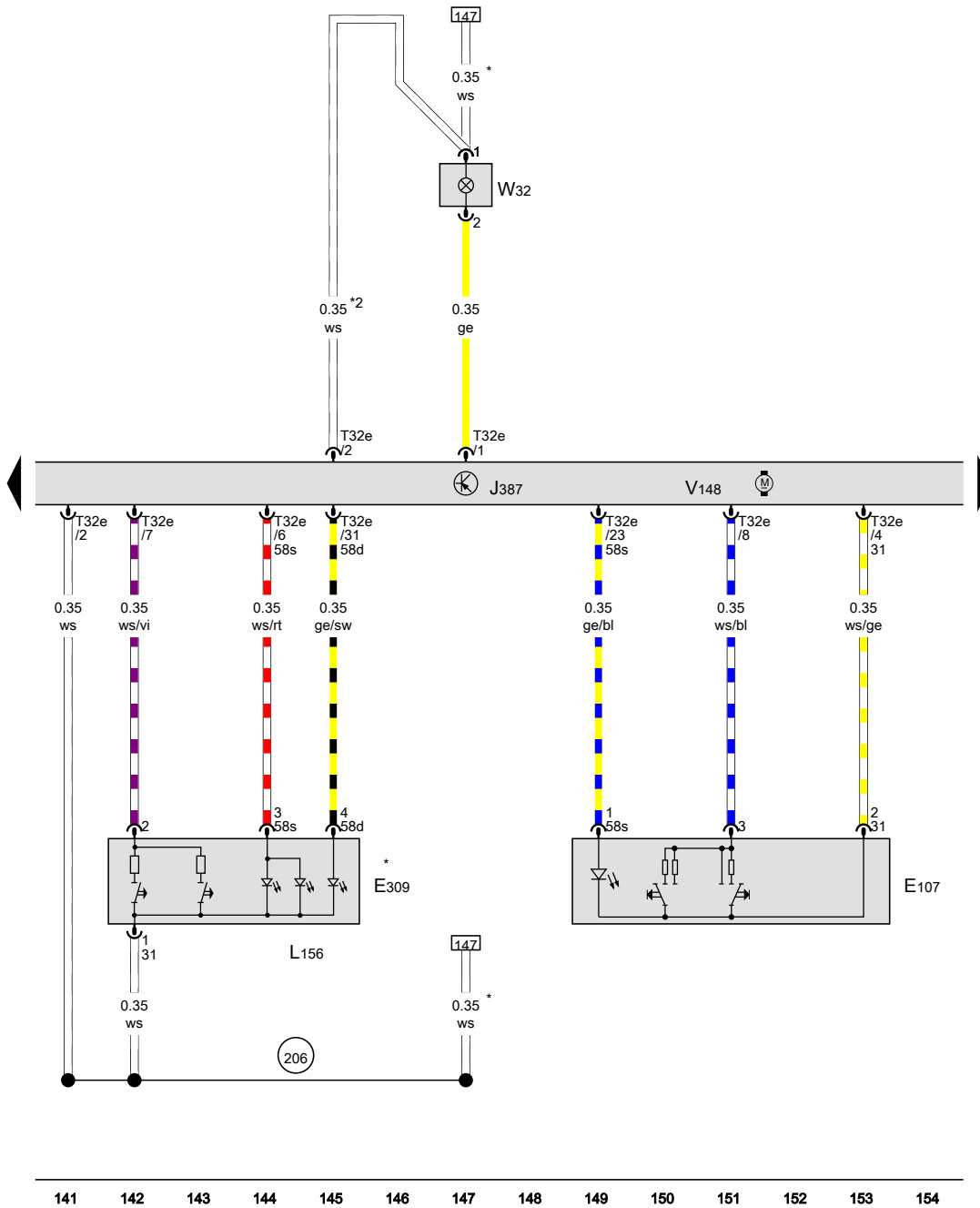


- ws = white
- sw = black
- ro = red
- rt = red
- br = brown
- gn = green
- bl = blue
- gr = grey
- li = lilac
- vi = lilac
- ge = yellow
- or = orange
- rs = pink



127 128 129 130 131 132 133 134 135 136 137 138 139 140

[420-007110913]



Front passenger door window regulator switch, Front passenger interior locking button, Front passenger door control module, Right front entry lamp

- E107 Front passenger door window regulator switch
- E309 Front passenger interior locking button
- J387 Front passenger door control module
- L156 Switch illumination bulb
- T32e 32-pin connector, gray
- V148 Front passenger window regulator motor
- W32 Right front entry lamp

206 Ground connection (in front passenger door wiring harness)

- * USA only
- *2 Not for USA



Protected by copyright. Copying for private or commercial purposes, in part or in whole, is not permitted unless authorised by AUDI AG. AUDI AG does not guarantee or accept any liability with respect to the correctness of information in this document. Copyright by AUDI AG.



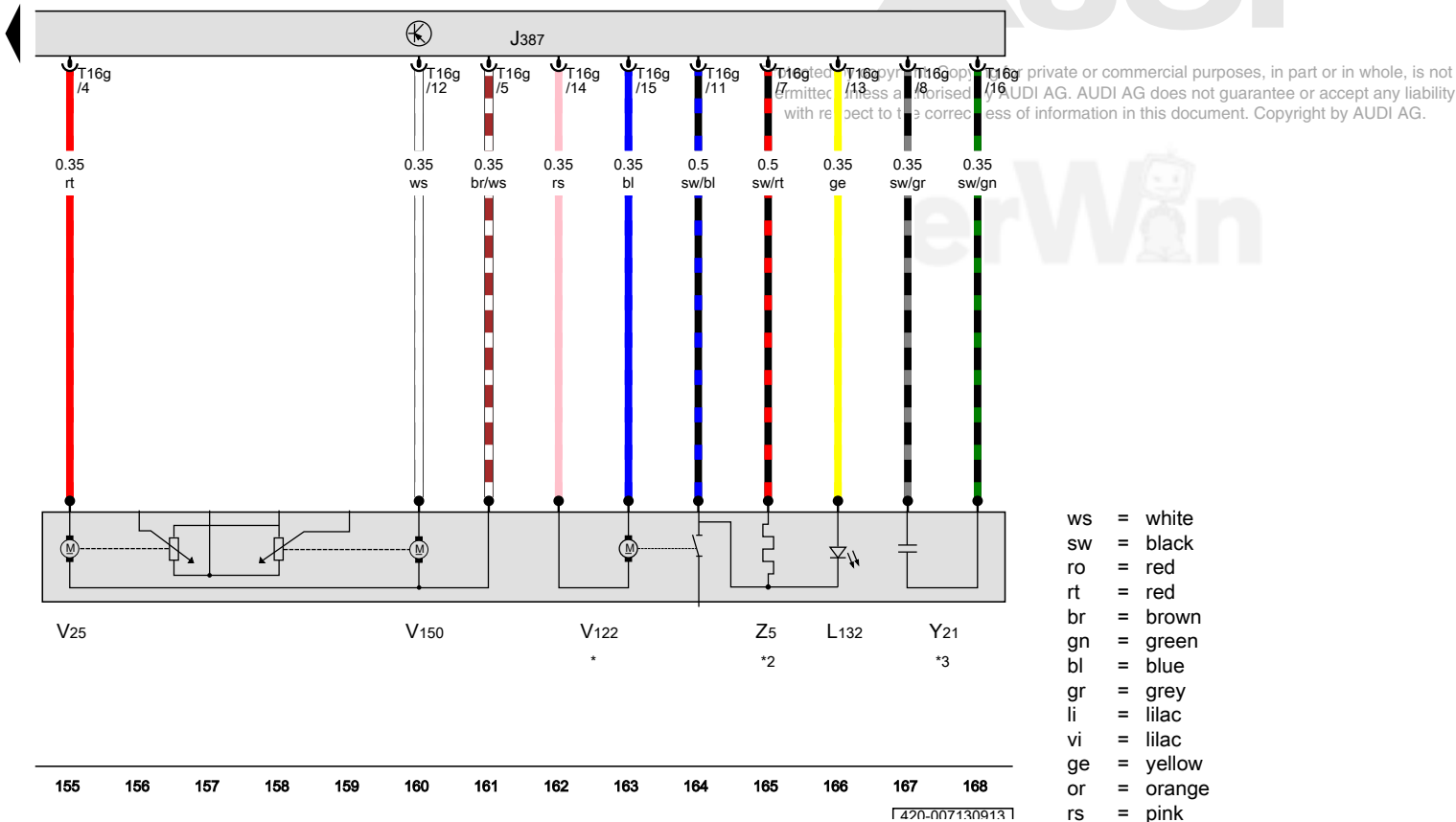
- ws = white
- sw = black
- ro = red
- rt = red
- br = brown
- gn = green
- bl = blue
- gr = grey
- li = lilac
- vi = lilac
- ge = yellow
- or = orange
- rs = pink

141 142 143 144 145 146 147 148 149 150 151 152 153 154

420-007120913

Front passenger door control module, Front passenger mirror adjustment motor, Front passenger automatic dimming exterior rearview mirror, Heated front passenger exterior rearview mirror

- J387 Front passenger door control module
- L132 Front passenger exterior rearview mirror turn signal bulb
- T16g 16-pin connector
- V25 Front passenger mirror adjustment motor
- V122 Front passenger exterior rearview mirror folding motor
- V150 Front passenger mirror adjustment motor
- Y21 Front passenger automatic dimming exterior rearview mirror
- Z5 Heated front passenger exterior rearview mirror
- * Only for vehicles with folding mirrors
- *2 Only for vehicles with heated exterior rearview mirrors
- *3 Only for vehicles with automatic dimming exterior rearview mirror

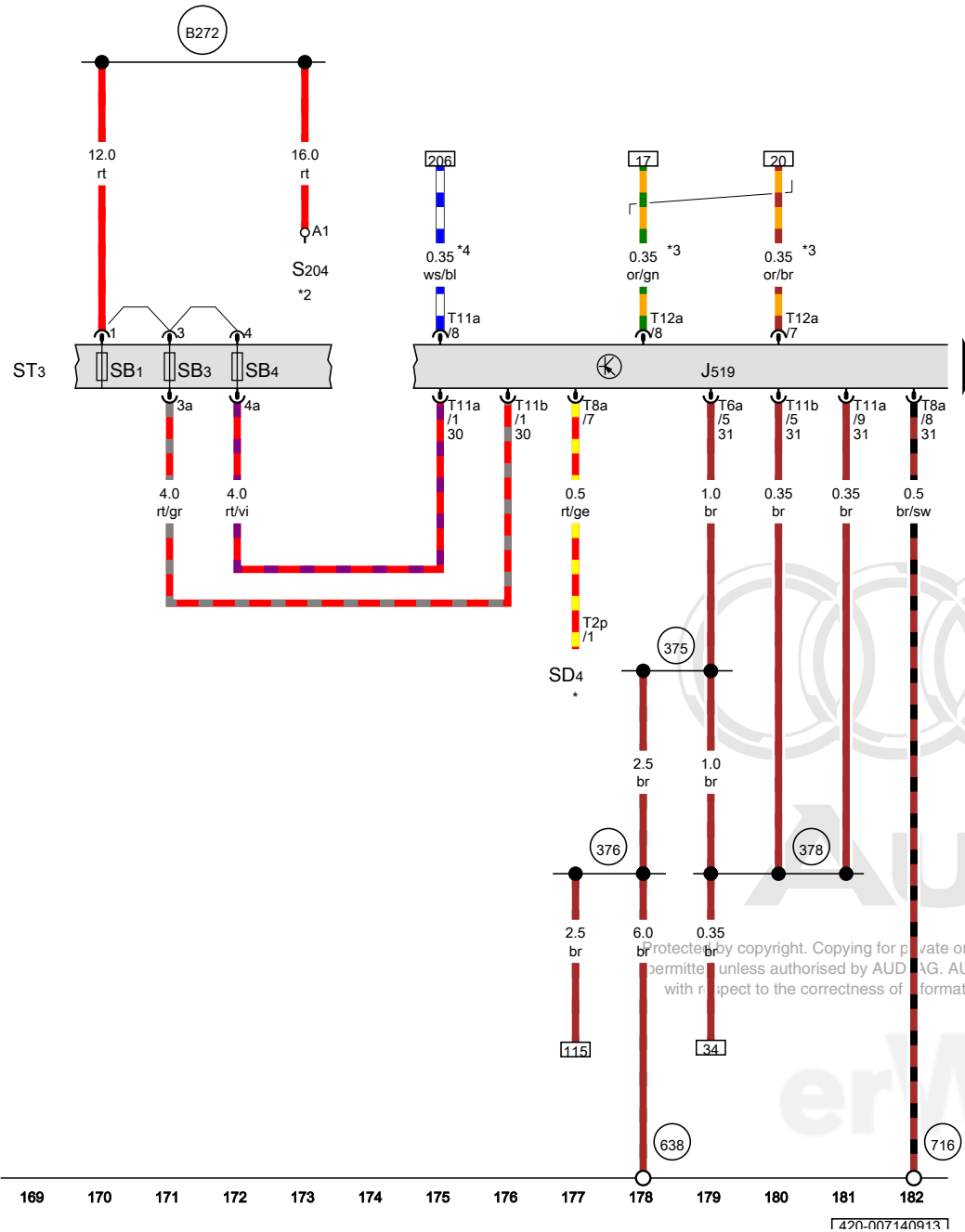


Vehicle electrical system control module

- J519 Vehicle electrical system control module
- SB1 Fuse 1 (on fuse panel B)
- ST3 Fuse panel 3
- SB3 Fuse 3 (on fuse panel B)
- SD4 Fuse 4 (on fuse panel D)
- SB4 Fuse 4 (on fuse panel B)
- S204 Fuse 1 (terminal 30)
- T2p Double connector, black
- T6a 6-pin connector, black
- T8a 8-pin connector, black
- T11a 11-pin connector, black
- T11b 11-pin connector, brown
- T12a 12-pin connector, black

- 375 Ground connection 10 (in main wiring harness)
- 376 Ground connection 11 (in main wiring harness)
- 378 Ground connection 13 (in main wiring harness)
- 638 Ground connection on right A-pillar
- 716 Ground connection on right crossmember
- B272 Positive connection (30) (in main wiring harness)

- * Main fuse box in the right front footwell
- *2 Main distribution in the right front footwell
- *3 Data bus wire (CAN bus)
- *4 USA only



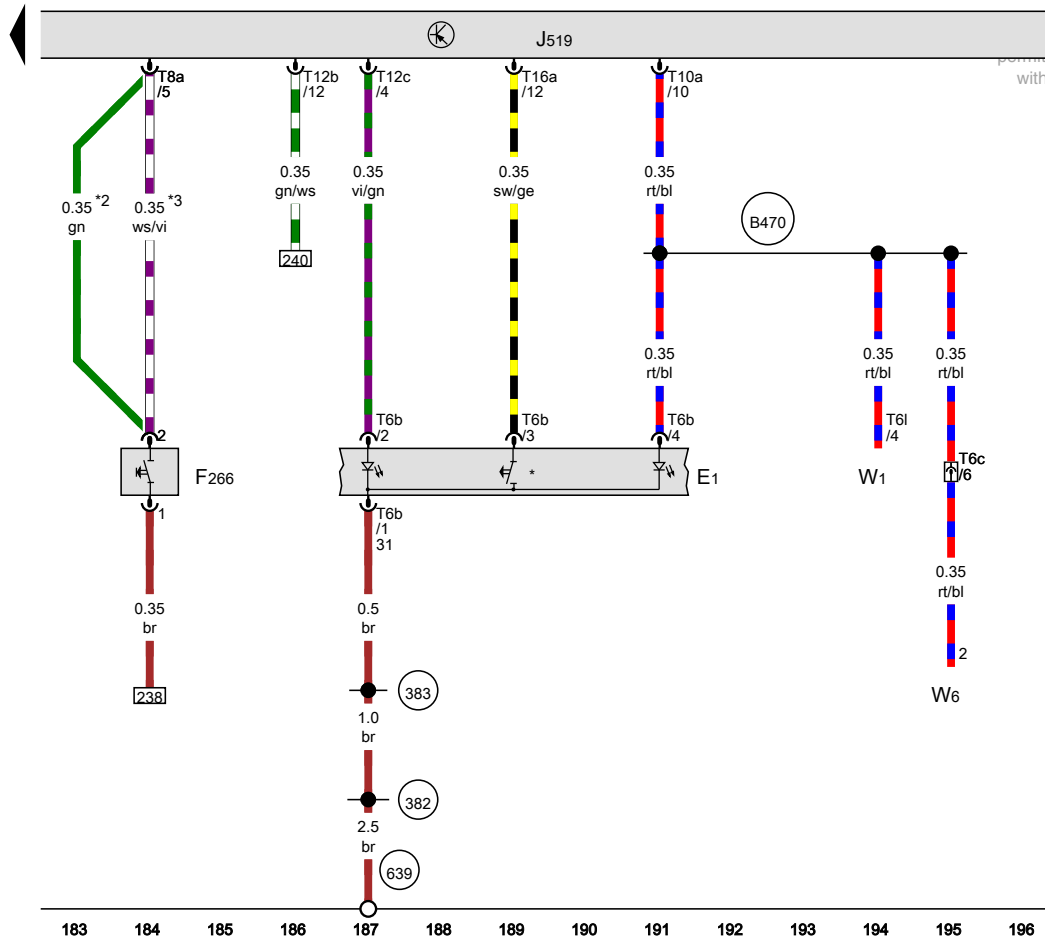
- ws = white
- sw = black
- ro = red
- rt = red
- br = brown
- gn = green
- bl = blue
- gr = grey
- li = lilac
- vi = lilac
- ge = yellow
- or = orange
- rs = pink

169 170 171 172 173 174 175 176 177 178 179 180 181 182

420-007140913

Light switch, Engine hood contact switch, Vehicle electrical system control module

- E1 Light switch
- F266 Engine hood contact switch
- J519 Vehicle electrical system control module
- T6b 6-pin connector, black
- T6c 6-pin connector, behind the glove compartment, black
- T6l 6-pin connector
- T8a 8-pin connector, black
- T10a 10-pin connector, black
- T12b 12-pin connector, black
- T12c 12-pin connector, brown
- T16a 16-pin connector, black
- W1 Front interior lamp
- W6 Glove compartment lamp



- 382 Ground connection 17 (in main wiring harness)
- 383 Ground connection 18 (in main wiring harness)
- 639 Ground connection on left A-pillar
- B470 Connection 6 (in main wiring harness)

- * Coming Home switch from June 2007
- *2 Through May 2007
- *3 Through May 2007

- ws = white
- sw = black
- ro = red
- rt = red
- br = brown
- gn = green
- bl = blue
- gr = grey
- li = lilac
- vi = lilac
- ge = yellow
- or = orange
- rs = pink

[420-007150913]

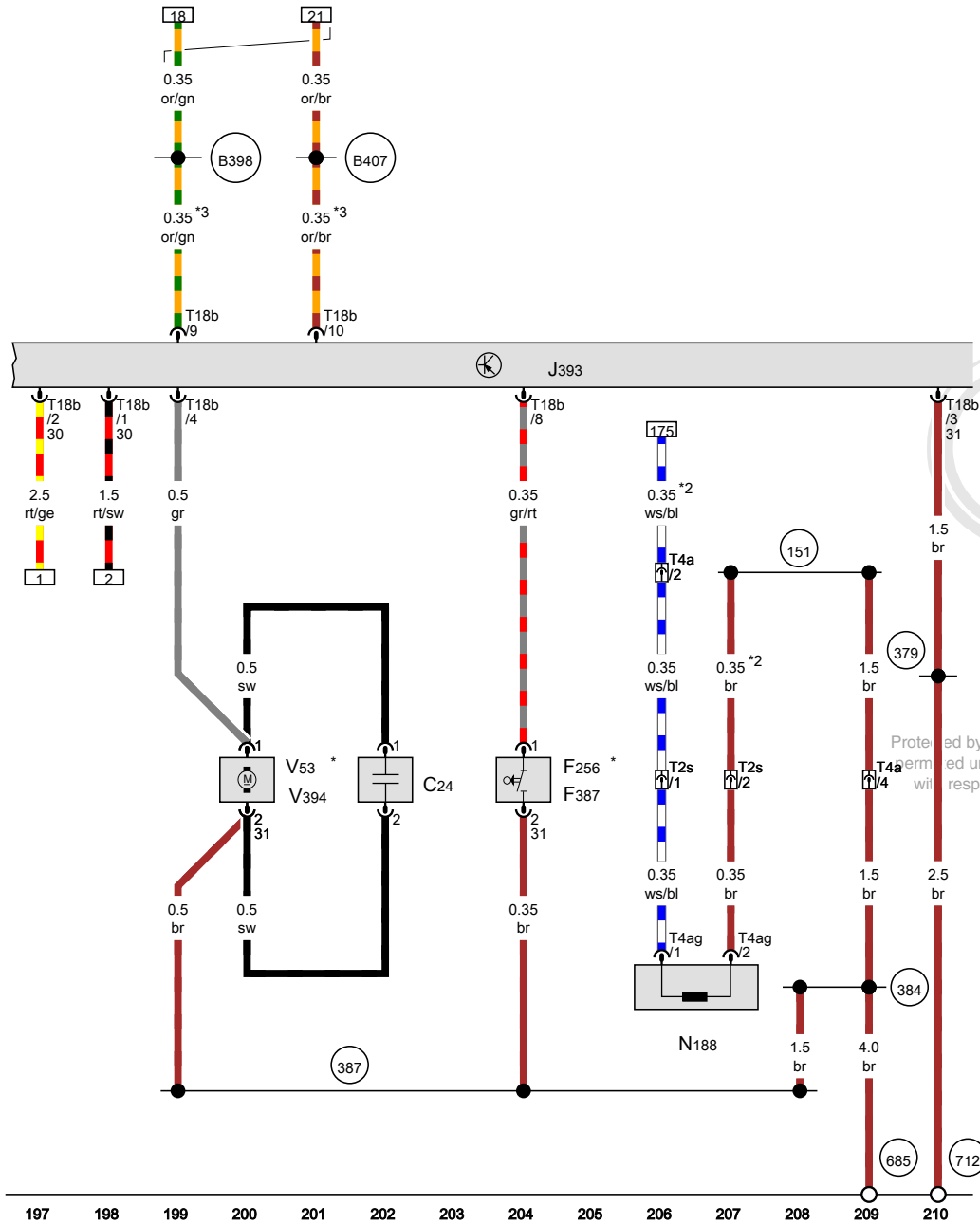
Rear lid lock unit, Hood contact switch, Comfort system central control module, Luggage compartment release solenoid, Rear lid central locking system motor, Hood release motor

- C24 Suppressor
- F256 Rear lid lock unit
- F387 Hood contact switch
- J393 Comfort system central control module
- N188 Luggage compartment release solenoid
- T2s Double connector, black
- T4a 4-pin connector, in the luggage compartment, right, black
- T4ag 4-pin connector
- T18b 18-pin connector, brown
- V53 Rear lid central locking system motor
- V394 Hood release motor

- 151 Ground connection 1 (in front wiring harness)
- 379 Ground connection 14 (in main wiring harness)
- 384 Ground connection 19 (in main wiring harness)
- 387 Ground connection 22 (in main wiring harness)
- 685 Ground connection 1 on right front longitudinal member
- 712 Ground connection under rear shelf, left
- B398 Comfort system CAN bus high connection 2 (in main wiring harness)
- B407 Comfort system CAN bus low connection 2 (in main wiring harness)

- * Designation in Guided Fault Finding
- *2 USA only
- *3 Data bus wire (CAN bus)

- ws = white
- sw = black
- ro = red
- rt = red
- br = brown
- gn = green
- bl = blue
- gr = grey
- li = lilac
- vi = lilac
- ge = yellow
- or = orange
- rs = pink



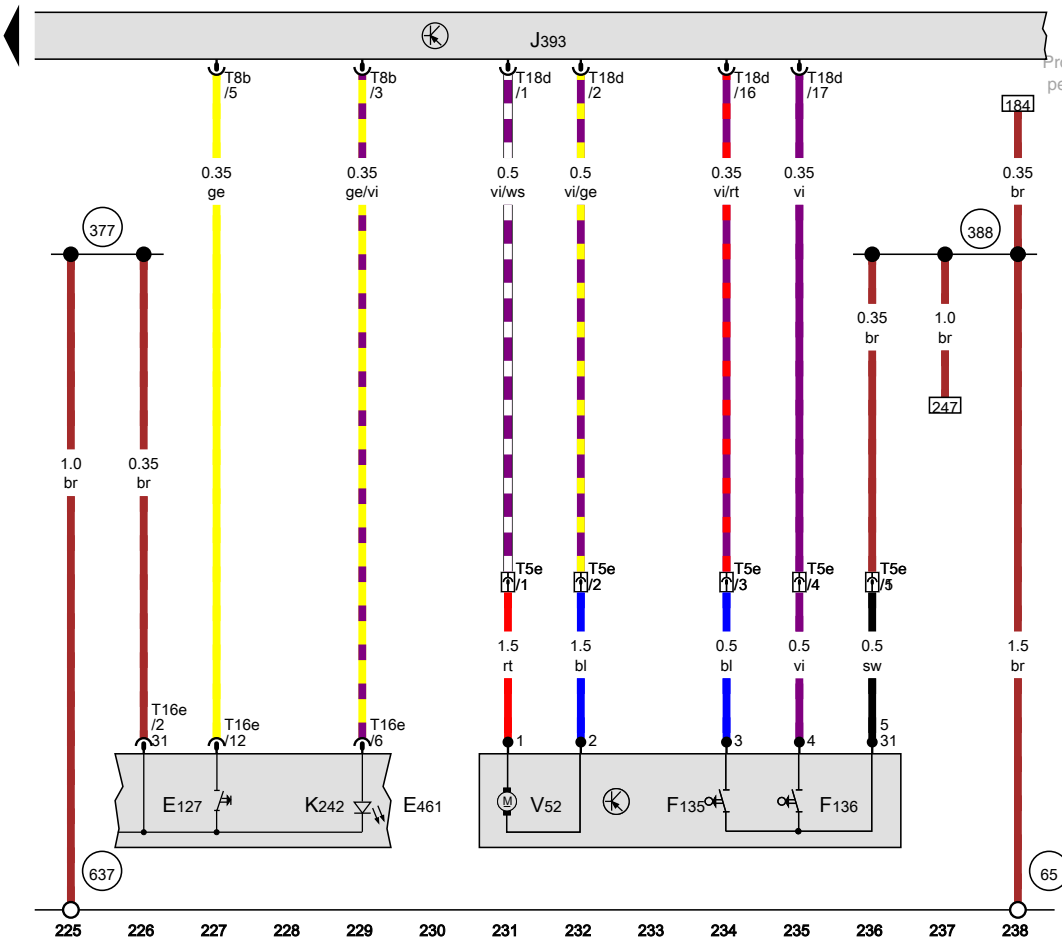
420-007160913

Rear spoiler adjustment switch, Comfort system central control module

- E127 Rear spoiler adjustment switch
- E461 Front center console control head
- F135 Rear spoiler stop switch 1
- F136 Rear spoiler stop switch 2
- J393 Comfort system central control module
- K242 Rear spoiler adjustment indicator lamp
- T5e 5-pin connector, on the rear spoiler, black
- T8b 8-pin connector, black
- T16e 16-pin connector, brown
- T18d 18-pin connector, black
- V52 Rear spoiler motor

- 65 Ground connection on left rear longitudinal member
- 377 Ground connection 12 (in main wiring harness)
- 388 Ground connection 23 (in main wiring harness)
- 637 Airbag control module ground connection

Protected by copyright. Copying for private or commercial purposes in whole or in part is not permitted unless authorised by AUDI AG. AUDI AG does not guarantee or accept any liability with respect to the correctness of information in this document. Copyright by AUDI AG.



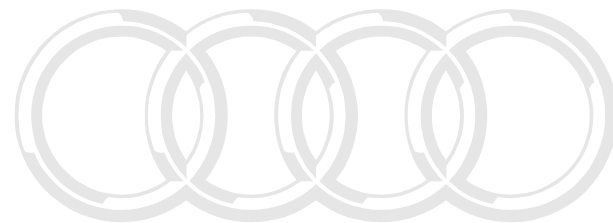
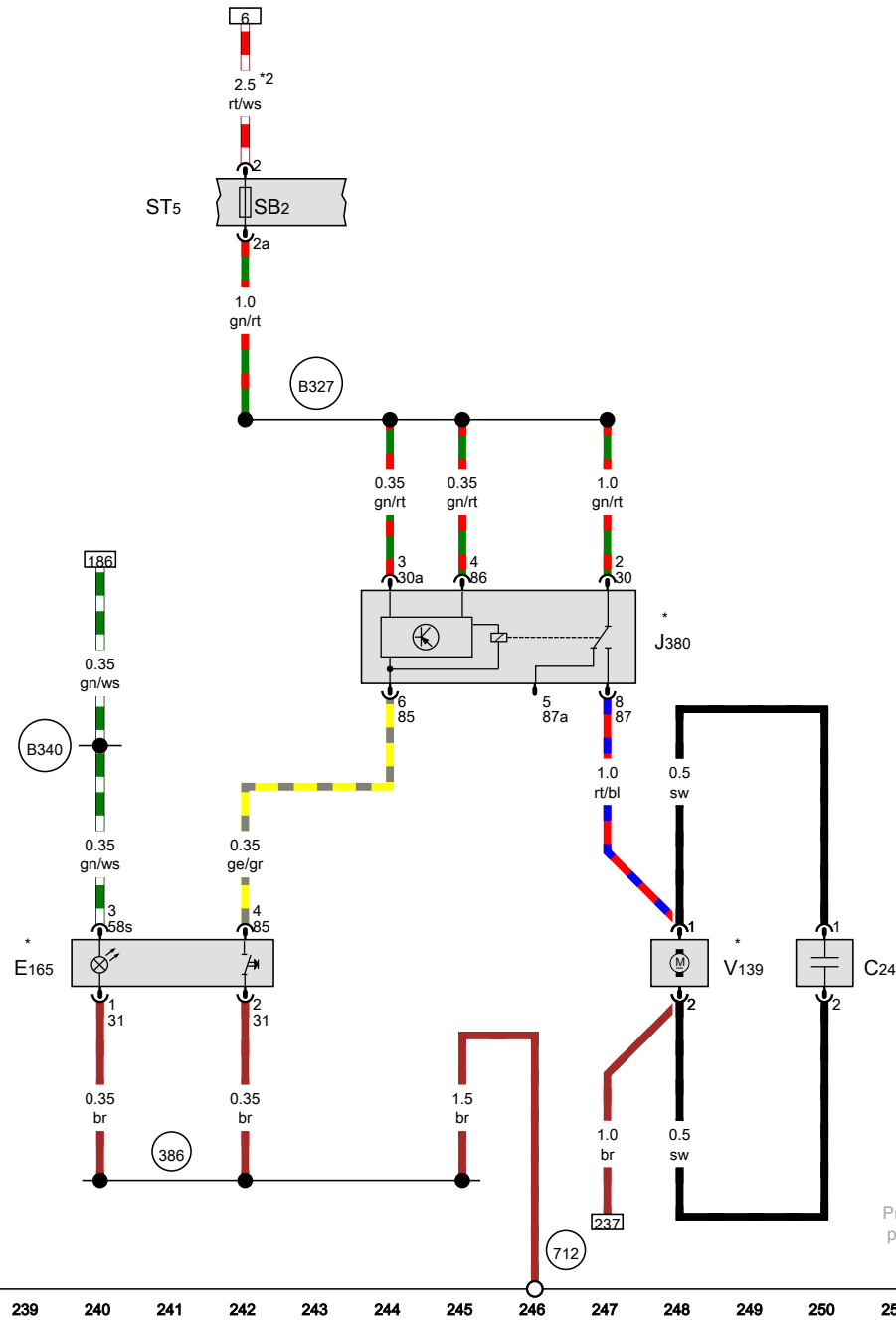
- ws = white
- sw = black
- ro = red
- rt = red
- br = brown
- gn = green
- bl = blue
- gr = grey
- li = lilac
- vi = lilac
- ge = yellow
- or = orange
- rs = pink

420-007180913

Rear lid unlock switch, Rear lid central locking relay, Rear lid unlock motor

- C24 Suppressor
- E165 Rear lid unlock switch
- J380 Rear lid central locking relay, Relay and fuse holder B on the vehicle electrical system control module in the right front footwell
- SB2 Fuse 2 (on fuse panel B)
- ST5 Fuse panel 5
- V139 Rear lid unlock motor

- (386) Ground connection 21 (in main wiring harness)
- (712) Ground connection under rear shelf, left
- (B327) Positive connection 13 (30a) (in main wiring harness)
- (B340) Connection 58d (in main wiring harness) 1
- * Only for vehicles with electronic rear lid opener
- *2 From September 2008



- ws = white
- sw = black
- ro = red
- rt = red
- br = brown
- gn = green
- bl = blue
- gr = grey
- li = lilac
- vi = lilac
- ge = yellow
- or = orange
- rs = pink

Protected by copyright. Copying for private or commercial purposes, in part or in whole, is not permitted unless authorised by AUDI AG. AUDI AG does not guarantee or accept any liability with respect to the correctness of the information in this document. Copyright by AUDI AG.

239 240 241 242 243 244 245 246 247 248 249 250 251 252

[420-007190913]

Level control system with dampening adjustment
from May 2006



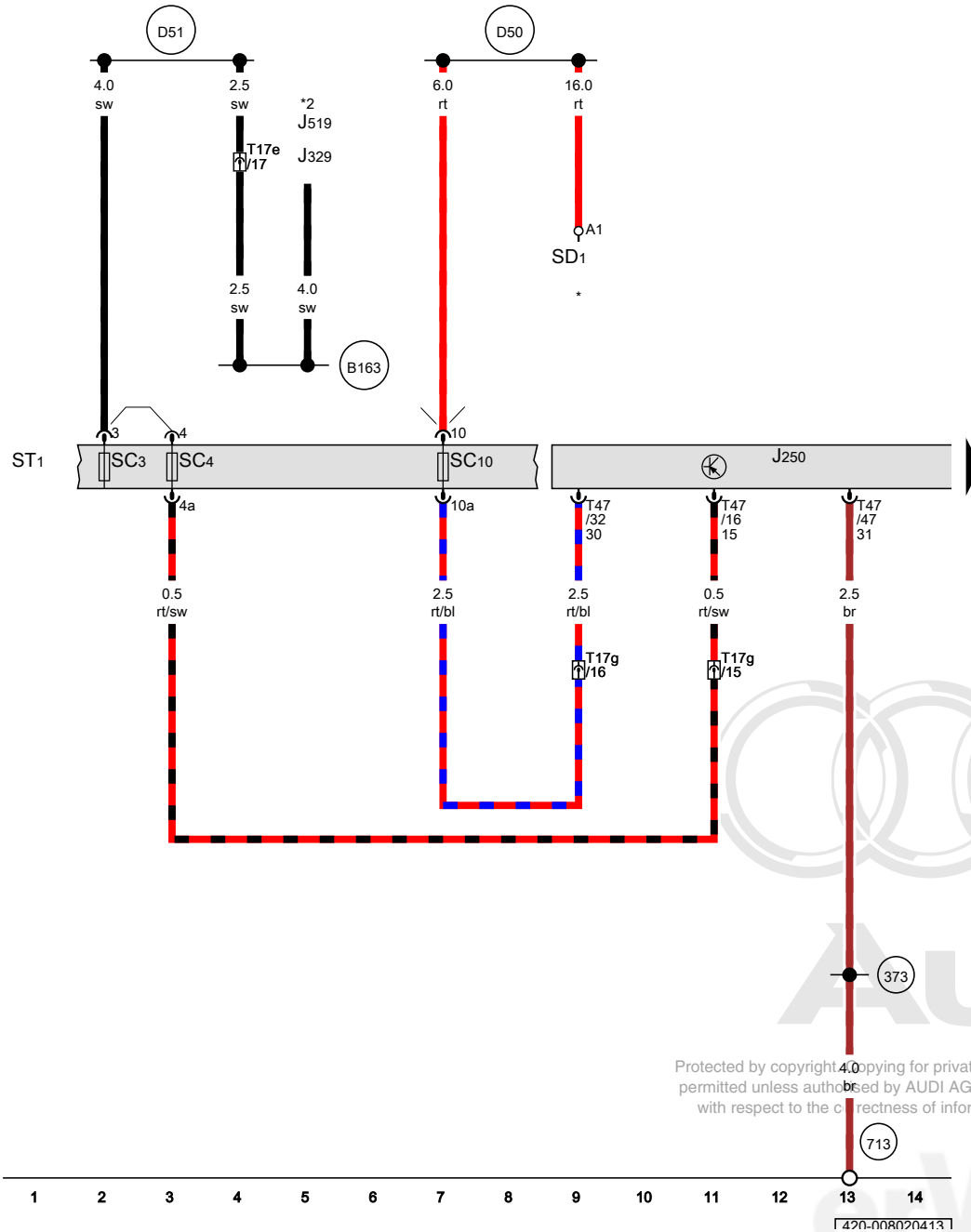
Audi

Protected by copyright. Copying for private or commercial purposes, in part or in whole, is not permitted unless authorised by AUDI AG. AUDI AG does not guarantee or accept any liability with respect to the correctness of information in this document. Copyright by AUDI AG.



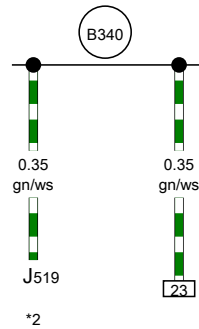
Electronic damping control module

- J250 Electronic damping control module
- J329 Terminal 15 power supply relay
- J519 Vehicle electrical system control module
- ST1 Fuse panel 1
- SD1 Fuse 1 (on fuse panel D)
- SC3 Fuse 3 (on fuse panel C)
- SC4 Fuse 4 (on fuse panel C)
- SC10 Fuse 10 (on fuse panel C)
- T17e 17-pin connector, Connector station under the rear shelf, right, red
- T17g 17-pin connector, Connector station under the rear shelf, right, black
- T47 47-pin connector, black
- 373 Ground connection 8 (in main wiring harness)
- 713 Ground connection under rear shelf, right
- B163 Positive connection 1 (15) (in interior wiring harness)
- D50 Positive connection (30) (in engine compartment wiring harness)
- D51 Positive connection 1 (15) (in engine compartment wiring harness)
- * Main fuse box in the right front footwell
- *2 Refer to applicable standard equipment wiring diagram



Protected by copyright. Copying for private or commercial purposes, in part or in whole, is not permitted unless authorized by AUDI AG. AUDI AG does not guarantee or accept any liability with respect to the correctness of information in this document. Copyright by AUDI AG.

- ws = white
- sw = black
- ro = red
- rt = red
- br = brown
- gn = green
- bl = blue
- gr = grey
- li = lilac
- vi = lilac
- ge = yellow
- or = orange
- rs = pink



Damping adjustment button, Front center console control head, Electronic damping control module, Damping adjustment indicator lamp

- E387 Damping adjustment button
- E461 Front center console control head
- J250 Electronic damping control module
- J519 Vehicle electrical system control module
- J533 Data bus on board diagnostic interface
- J623 Engine control module
- K189 Damping adjustment indicator lamp
- L156 Switch illumination bulb
- T16e 16-pin connector, brown
- T17g 17-pin connector, Connector station under the rear shelf, right, black
- T47 47-pin connector, black

377 Ground connection 12 (in main wiring harness)

637 Airbag control module ground connection

B340 Connection 58d (in main wiring harness) 1

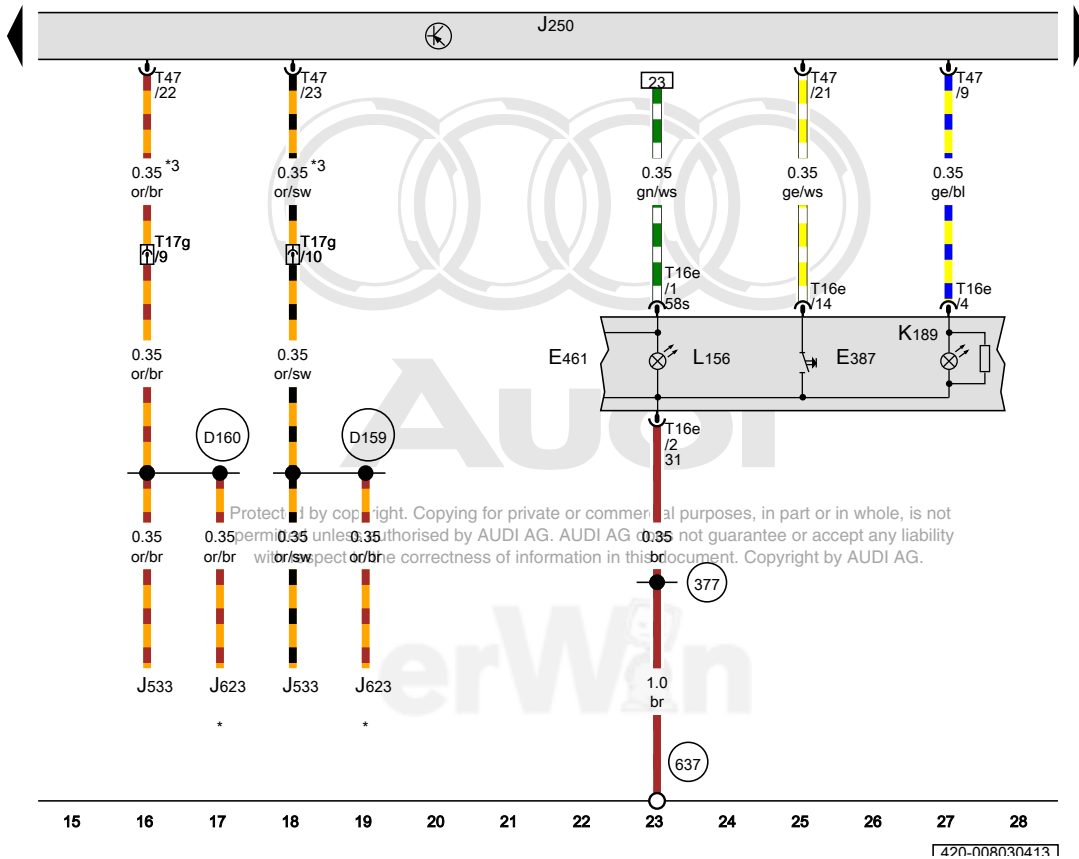
D159 High bus connection (in engine compartment wiring harness)

D160 Low bus positive connection (in engine compartment wiring harness)

* Refer to applicable engine wiring diagram

*2 Refer to applicable standard equipment wiring diagram

*3 Data bus wire (CAN bus)



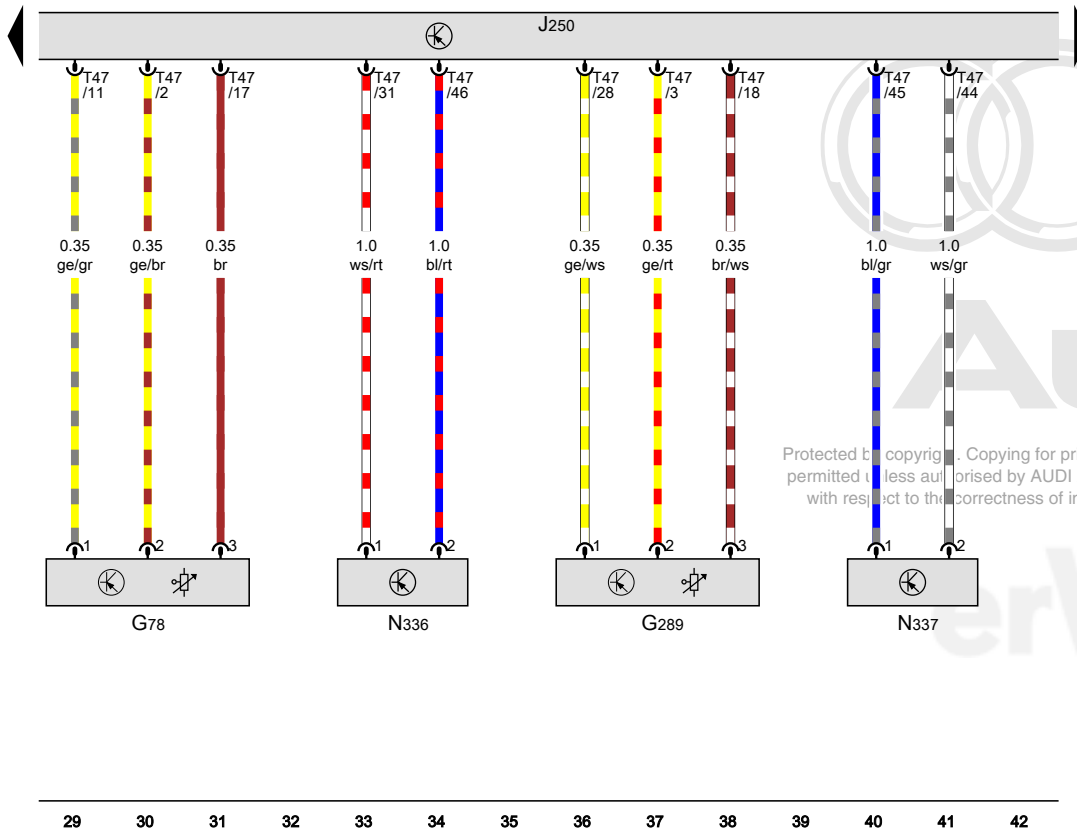
Protected by copyright. Copying for private or commercial purposes, in part or in whole, is not permitted unless authorised by AUDI AG. AUDI AG does not guarantee or accept any liability with respect to the correctness of information in this document. Copyright by AUDI AG.

- ws = white
- sw = black
- ro = red
- rt = red
- br = brown
- gn = green
- bl = blue
- gr = grey
- li = lilac
- vi = lilac
- ge = yellow
- or = orange
- rs = pink

1420-008030413

Left front level control system sensor, Electronic damping control module, Left front damping adjustment valve, Right front damping adjustment valve

- G78 Left front level control system sensor
- G289 Right front level control sensor
- J250 Electronic damping control module
- N336 Left front damping adjustment valve
- N337 Right front damping adjustment valve
- T47 47-pin connector, black

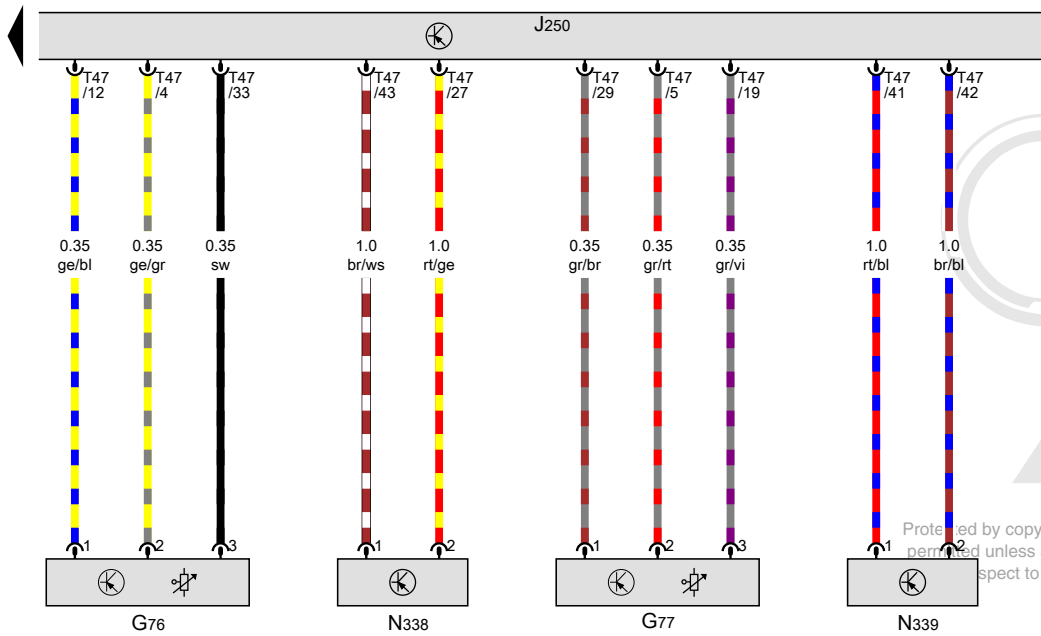


Protected by copyright. Copying for private or commercial purposes, in part or in whole, is not permitted without authorisation by AUDI AG. AUDI AG does not guarantee or accept any liability with respect to the correctness of information in this document. Copyright by AUDI AG.

- ws = white
- sw = black
- ro = red
- rt = red
- br = brown
- gn = green
- bl = blue
- gr = grey
- li = lilac
- vi = lilac
- ge = yellow
- or = orange
- rs = pink

Left rear level control system sensor, Electronic damping control module, Left rear damping adjustment valve

- G76 Left rear level control system sensor
- G77 Right rear level control system sensor
- J250 Electronic damping control module
- N338 Left rear damping adjustment valve
- N339 Right rear damping adjustment valve
- T47 47-pin connector, black



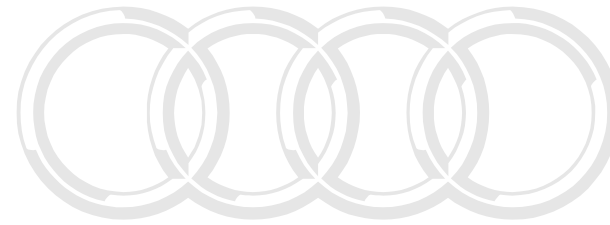
Protected by copyright. Copying for private or commercial purposes, in part or in whole, is not permitted unless authorised by AUDI AG. AUDI AG does not guarantee or accept any liability with respect to the correctness of information in this document. Copyright by AUDI AG.

- sw = white
- ro = red
- rt = red
- br = brown
- gn = green
- bl = blue
- gr = grey
- li = lilac
- vi = lilac
- ge = yellow
- or = orange
- rs = pink

43 44 45 46 47 48 49 50 51 52 53 54 55 56

[420-008050413]

Tire pressure monitoring
from May 2006



Audi

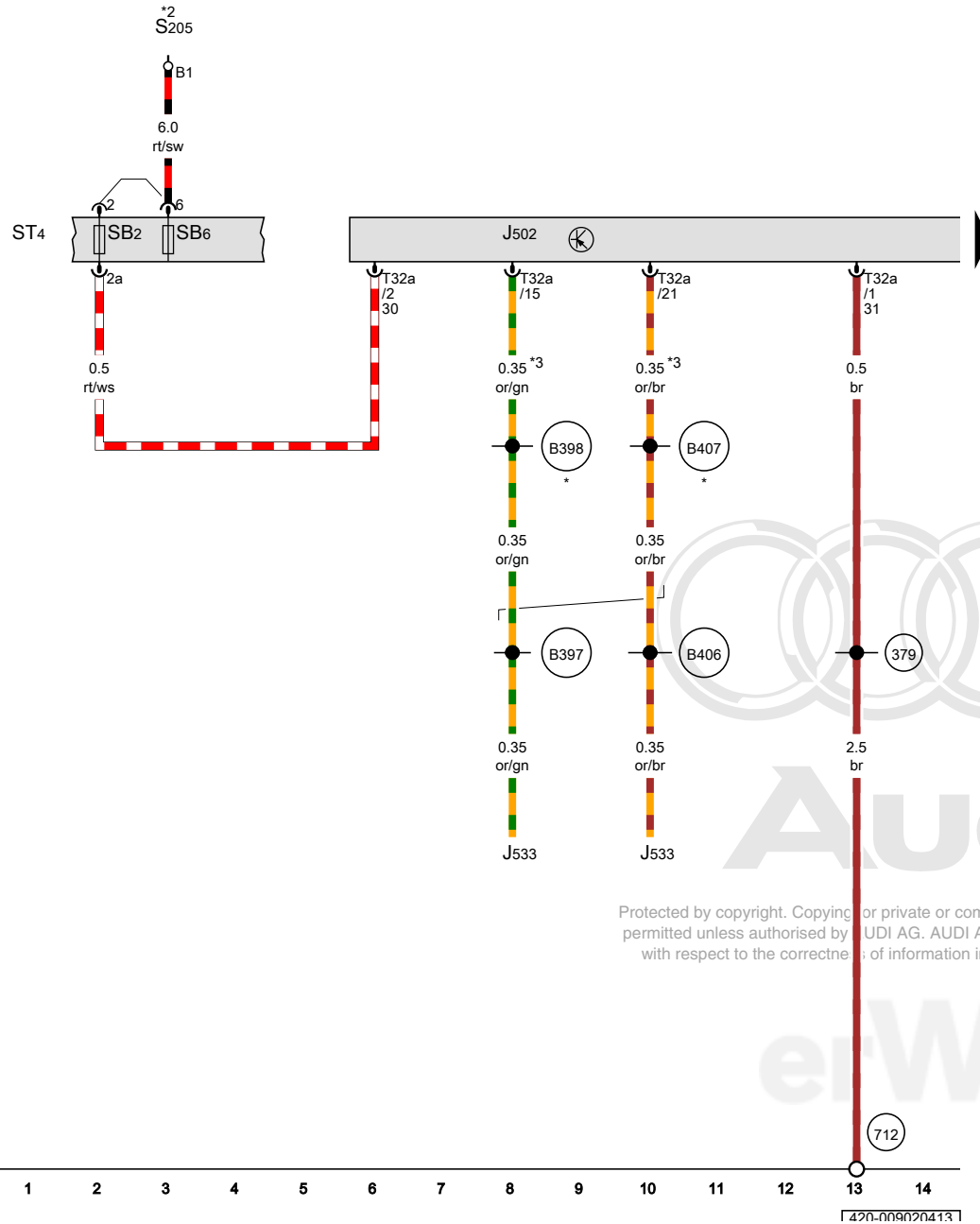
Protected by copyright. Copying for private or commercial purposes, in part or in whole, is not permitted unless authorised by AUDI AG. AUDI AG does not guarantee or accept any liability with respect to the correctness of information in this document. Copyright by AUDI AG.



Tire pressure monitoring control module

- J502 Tire pressure monitoring control module
- J533 Data bus on board diagnostic interface
- SB2 Fuse 2 (on fuse panel B)
- ST4 Fuse panel 4
- SB6 Fuse 6 (on fuse panel B)
- S205 Fuse 2 (terminal 30)
- T32a 32-pin connector, black

- (379) Ground connection 14 (in main wiring harness)
- (712) Ground connection under rear shelf, left
- (B397) Comfort system CAN bus high connection 1 (in main wiring harness)
- (B398) Comfort system CAN bus high connection 2 (in main wiring harness)
- (B406) Comfort system CAN bus low connection 1 (in main wiring harness)
- (B407) Comfort system CAN bus low connection 2 (in main wiring harness)
- * Depending on equipment
- *2 Main distribution in the right front footwell
- *3 Data bus wire (CAN bus)

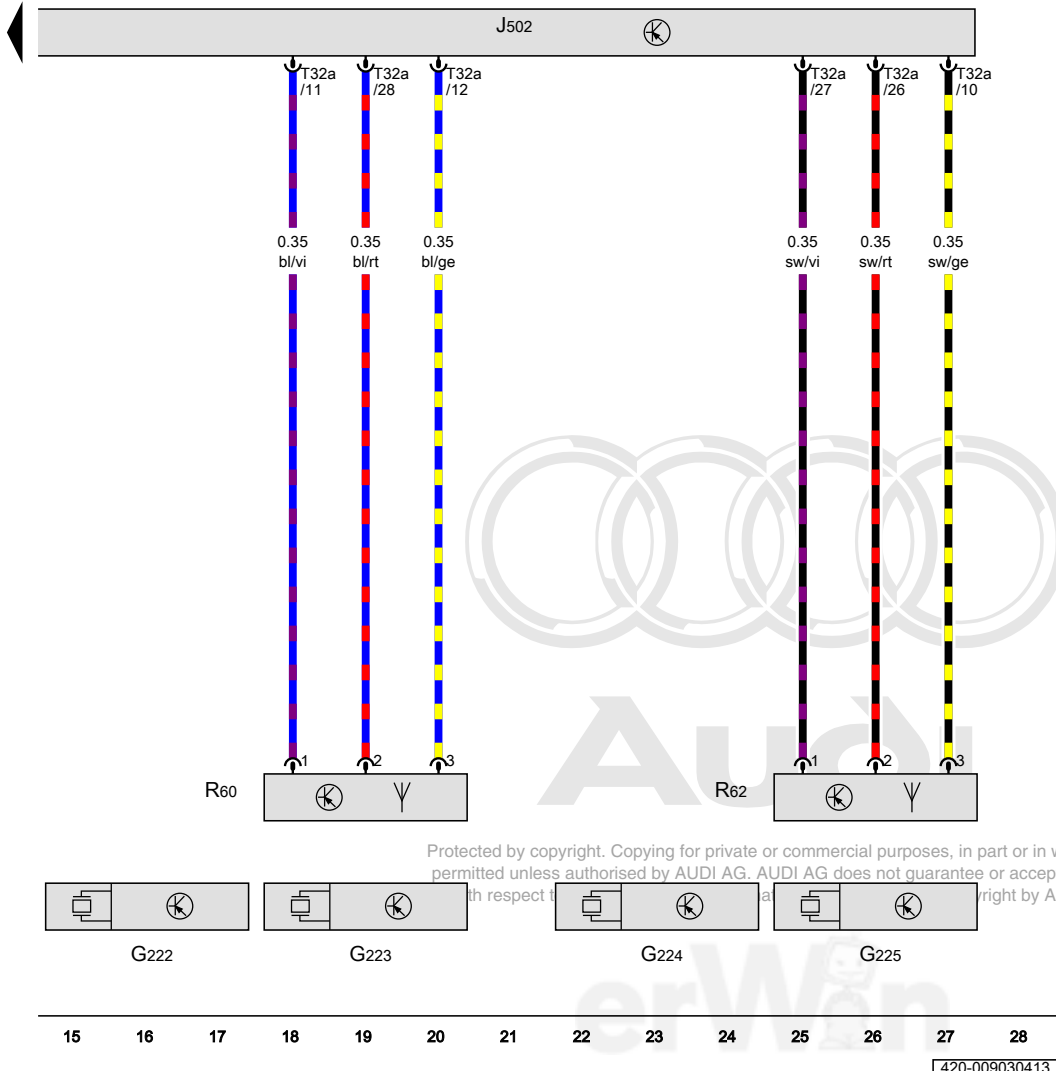


Protected by copyright. Copying for private or commercial purposes, in part or in whole, is not permitted unless authorised by AUDI AG. AUDI AG does not guarantee or accept any liability with respect to the correctness of information in this document. Copyright by AUDI AG.

1420-009020413

Left front tire pressure monitoring sensor, Left rear tire pressure monitoring sensor, Tire pressure monitoring control module

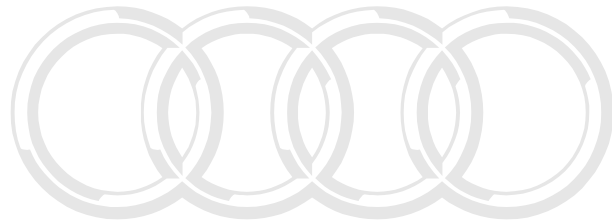
- G222 Left front tire pressure monitoring sensor
- G223 Right front tire pressure monitoring sensor
- G224 Left rear tire pressure monitoring sensor
- G225 Right rear tire pressure monitoring sensor
- J502 Tire pressure monitoring control module
- R60 Right front tire pressure monitoring antenna
- R62 Right rear tire pressure monitoring antenna
- T32a 32-pin connector, black



- ws = white
- sw = black
- ro = red
- rt = red
- br = brown
- gn = green
- bl = blue
- gr = grey
- li = lilac
- vi = lilac
- ge = yellow
- or = orange
- rs = pink

1420-009030413

CAN bus network
from May 2006



Audi

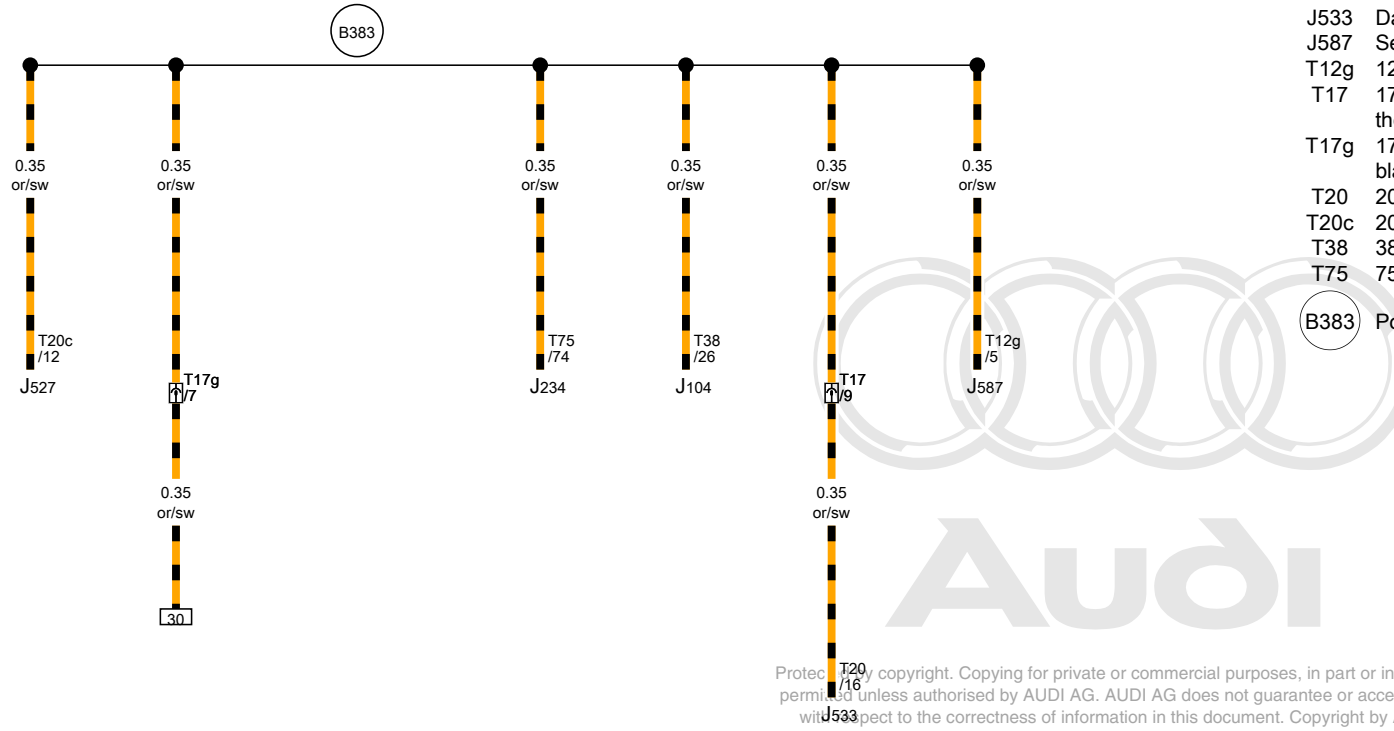
Protected by copyright. Copying for private or commercial purposes, in part or in whole, is not permitted unless authorised by AUDI AG. AUDI AG does not guarantee or accept any liability with respect to the correctness of information in this document. Copyright by AUDI AG.



Powertrain CAN bus high connection 1 (in main wiring harness)

- J104 ABS control module
- J234 Airbag control module
- J527 Steering column electronics control module
- J533 Data bus on board diagnostic interface
- J587 Selector lever sensor system control module
- T12g 12-pin connector
- T17 17-pin connector, Inside the center console connector station on the right side, red
- T17g 17-pin connector, Connector station under the rear shelf, right, black
- T20 20-pin connector, red
- T20c 20-pin connector, black
- T38 38-pin connector, gray
- T75 75-pin connector, yellow

B383 Powertrain CAN bus high connection 1 (in main wiring harness)



Protected by copyright. Copying for private or commercial purposes, in part or in whole, is not permitted unless authorised by AUDI AG. AUDI AG does not guarantee or accept any liability with respect to the correctness of information in this document. Copyright by AUDI AG.



- ws = white
- sw = black
- ro = red
- rt = red
- br = brown
- gn = green
- bl = blue
- gr = grey
- li = lilac
- vi = lilac
- ge = yellow
- or = orange
- rs = pink

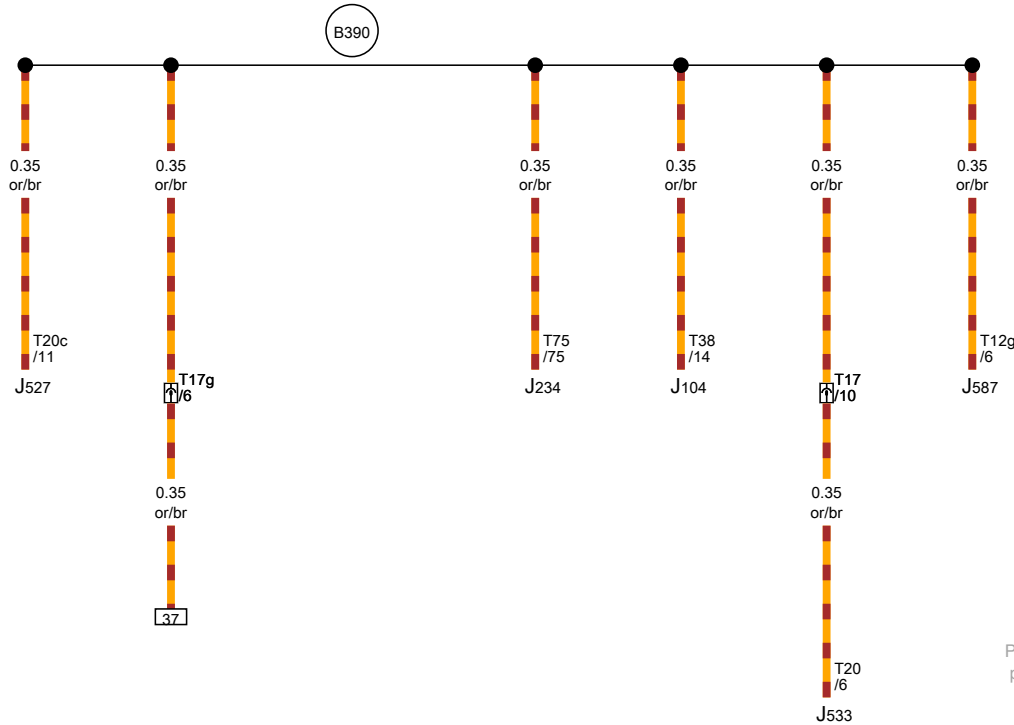
1 2 3 4 5 6 7 8 9 10 11 12 13 14

1420-010020413

Powertrain CAN bus low connection 1 (in main wiring harness)

- J104 ABS control module
- J234 Airbag control module
- J527 Steering column electronics control module
- J533 Data bus on board diagnostic interface
- J587 Selector lever sensor system control module
- T12g 12-pin connector
- T17 17-pin connector, Inside the center console connector station on the right side, red
- T17g 17-pin connector, Connector station under the rear shelf, right, black
- T20 20-pin connector, red
- T20c 20-pin connector, black
- T38 38-pin connector, gray
- T75 75-pin connector, yellow

B390 Powertrain CAN bus low connection 1 (in main wiring harness)



Protected by copyright. Copying for private or commercial purposes, in part or in whole, is not permitted unless authorised by AUDI AG. AUDI AG does not guarantee or accept any liability with respect to the correctness of information in this document. Copyright by AUDI AG.

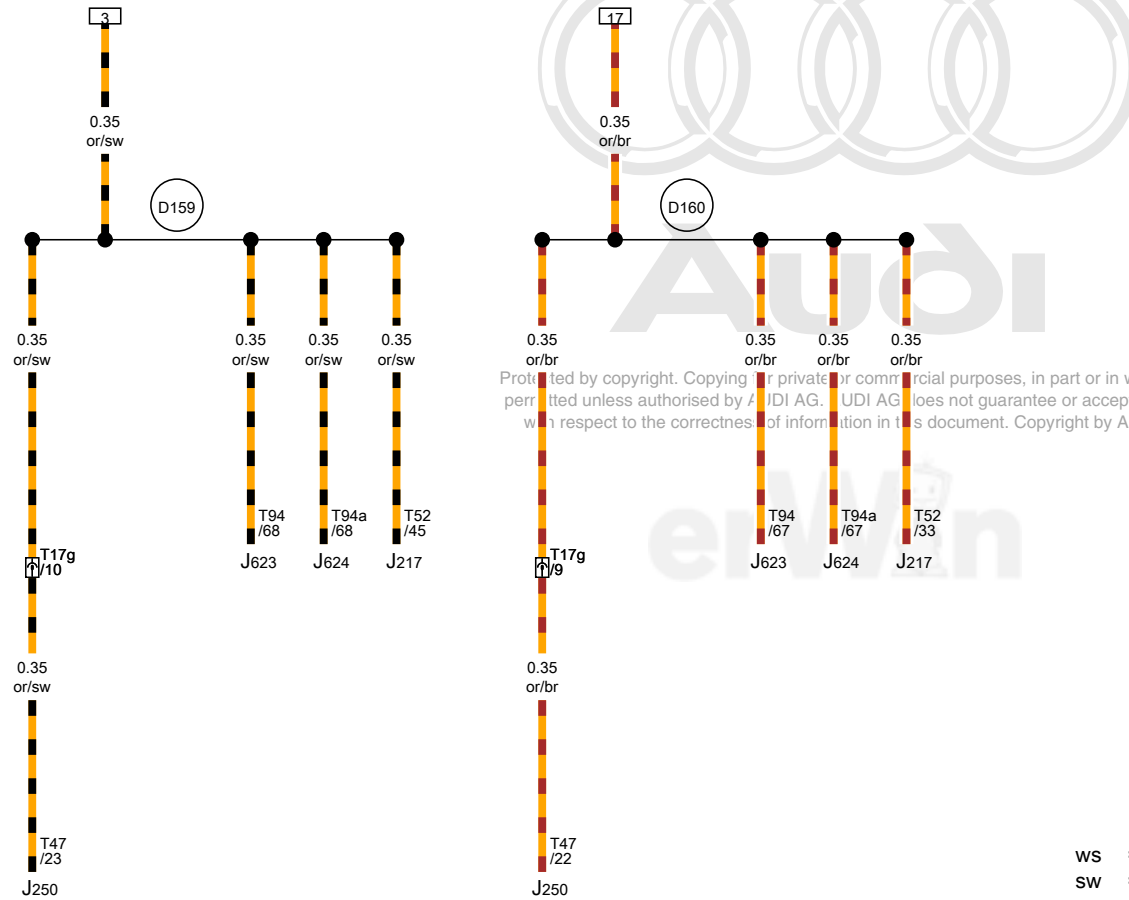
- ws = white
- sw = black
- ro = red
- rt = red
- br = brown
- gn = green
- bl = blue
- gr = grey
- li = lilac
- vi = lilac
- ge = yellow
- or = orange
- rs = pink

High bus connection (in engine compartment wiring harness), Low bus positive connection (in engine compartment wiring harness)

- J217 Transmission control module
- J250 Electronic damping control module
- J623 Engine control module
- J624 Engine control module 2
- T17g 17-pin connector, Connector station under the rear shelf, right, black
- T47 47-pin connector, black
- T52 52-pin connector, black
- T94 94-pin connector, black
- T94a 94-pin connector, black

D159 High bus connection (in engine compartment wiring harness)

D160 Low bus positive connection (in engine compartment wiring harness)



Protected by copyright. Copying for private or commercial purposes, in part or in whole, is not permitted unless authorised by AUDI AG. AUDI AG does not guarantee or accept any liability with respect to the correctness of information in this document. Copyright by AUDI AG.

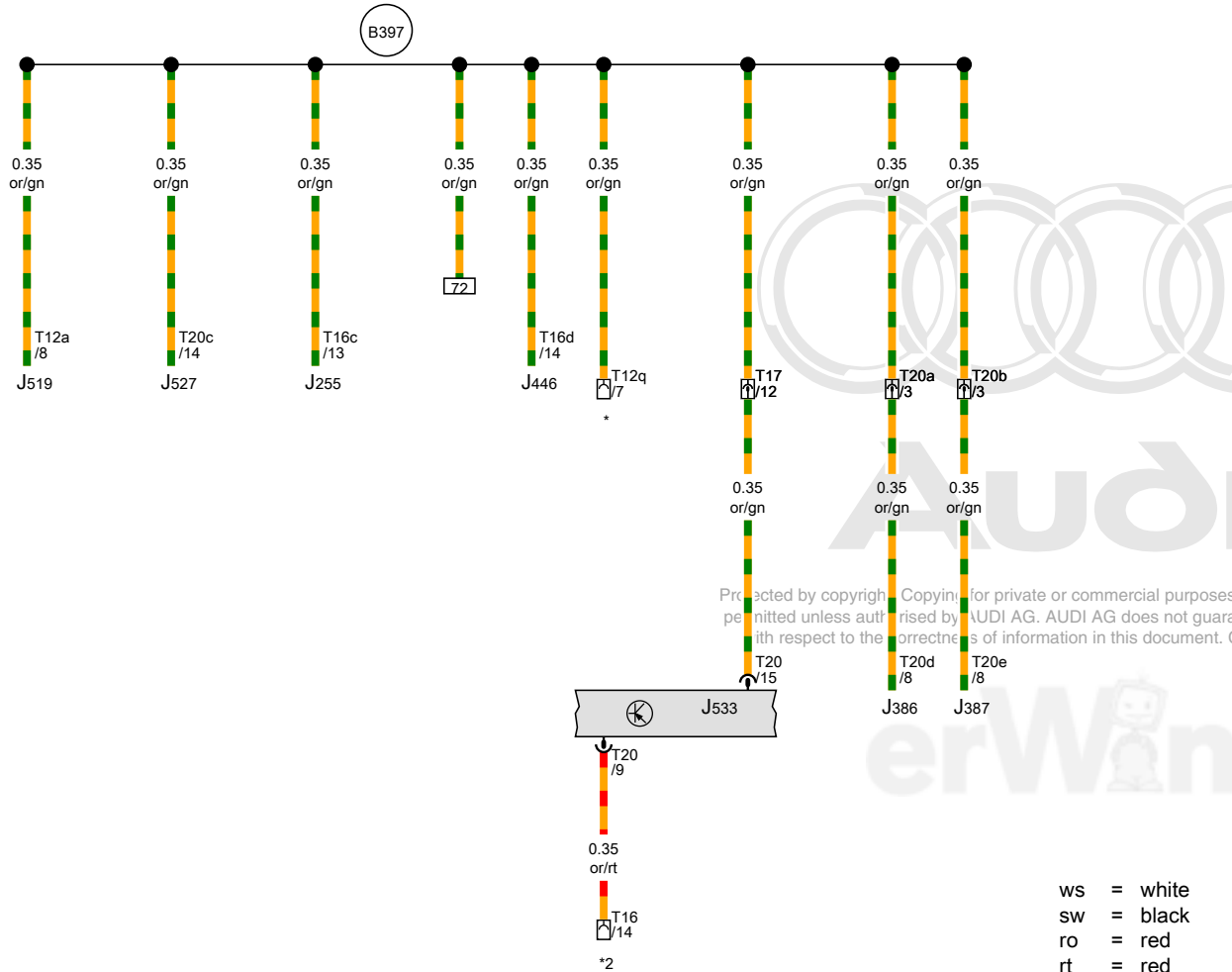
29 30 31 32 33 34 35 36 37 38 39 40 41 42

1420-010040413

Comfort system CAN bus high connection 1 (in main wiring harness)

- J255 Climatronic control module
- J386 Driver door control module
- J387 Front passenger door control module
- J446 Parking aid control module
- J519 Vehicle electrical system control module
- J527 Steering column electronics control module
- J533 Data bus on board diagnostic interface
- T12a 12-pin connector, black
- T12q 12-pin connector, brown
- T16 16-pin connector, black
- T16c 16-pin connector, brown
- T16d 16-pin connector, brown
- T17 17-pin connector, Inside the center console connector station on the right side, red
- T20 20-pin connector, red
- T20a 20-pin connector, in the left front door, black
- T20b 20-pin connector, in the right front door, black
- T20c 20-pin connector, black
- T20d 20-pin connector, black
- T20e 20-pin connector, black

- B397** Comfort system CAN bus high connection 1 (in main wiring harness)
- * Only for vehicles with special functions interface
- *2 Diagnostic connector



Protected by copyright. Copying for private or commercial purposes, in part or in whole, is not permitted unless authorized by AUDI AG. AUDI AG does not guarantee or accept any liability with respect to the correctness of information in this document. Copyright by AUDI AG.

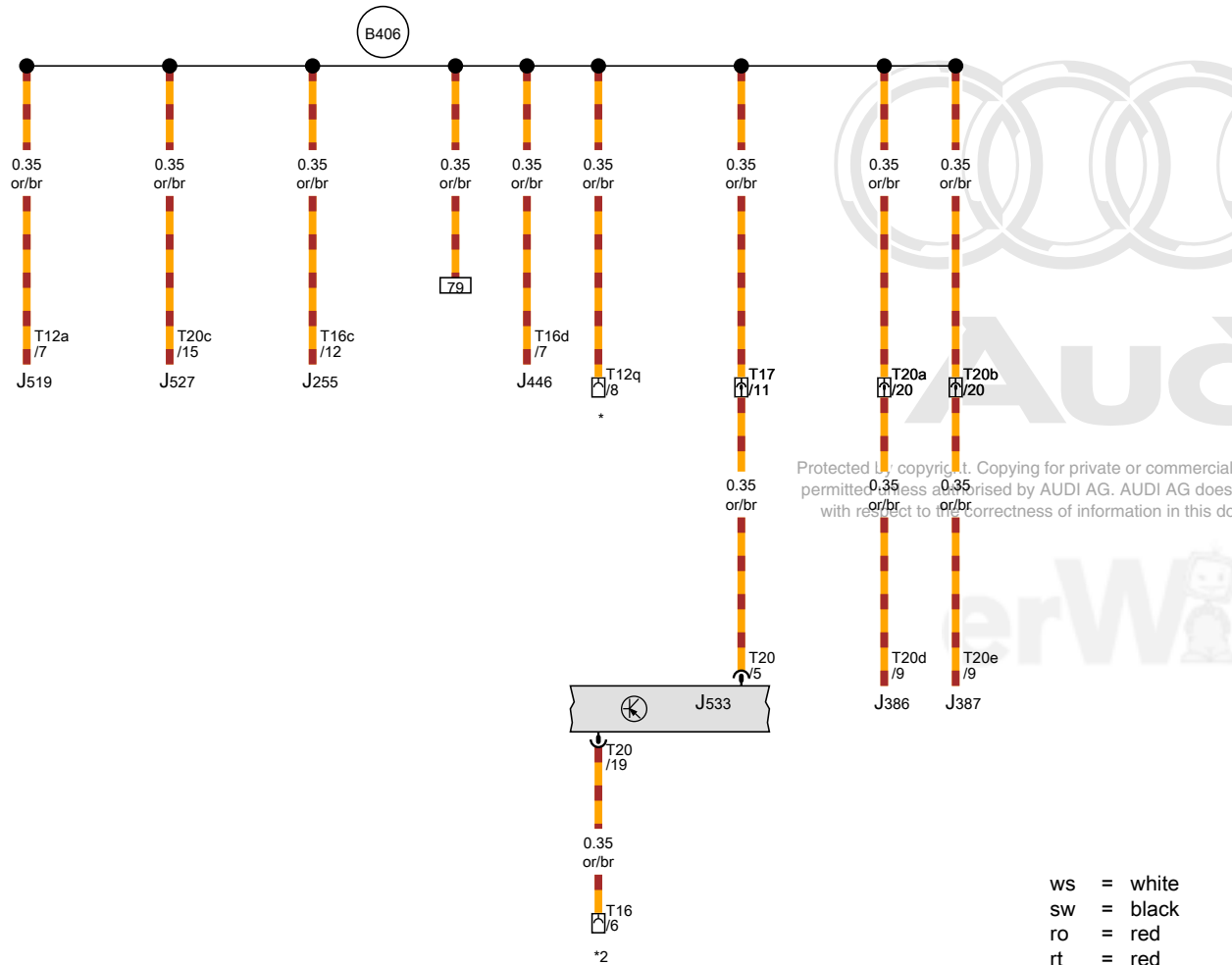
- ws = white
- sw = black
- ro = red
- rt = red
- br = brown
- gn = green
- bl = blue
- gr = grey
- li = lilac
- vi = lilac
- ge = yellow
- or = orange
- rs = pink

43 44 45 46 47 48 49 50 51 52 53 54 55 56

1420-010050413

Comfort system CAN bus low connection 1 (in main wiring harness)

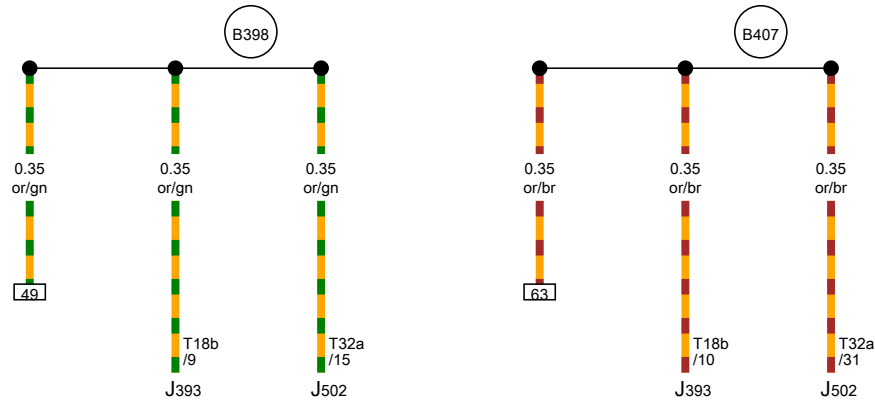
- J255 Climatronic control module
- J386 Driver door control module
- J387 Front passenger door control module
- J446 Parking aid control module
- J519 Vehicle electrical system control module
- J527 Steering column electronics control module
- J533 Data bus on board diagnostic interface
- T12a 12-pin connector, black
- T12q 12-pin connector, brown
- T16 16-pin connector, black
- T16c 16-pin connector, brown
- T16d 16-pin connector, brown
- T17 17-pin connector, Inside the center console connector station on the right side, red
- T20 20-pin connector, red
- T20a 20-pin connector, in the left front door, black
- T20b 20-pin connector, in the right front door, black
- T20c 20-pin connector, black
- T20d 20-pin connector, black
- T20e 20-pin connector, black



Protected by copyright. Copying for private or commercial purposes, in part or in whole, is not permitted unless authorised by AUDI AG. AUDI AG does not guarantee or accept any liability with respect to the correctness of information in this document. Copyright © AUDI AG

B406 Comfort system CAN bus low connection 1 (in main wiring harness)

* Only for vehicles with special functions interface
*2 Diagnostic connector



- J393 Comfort system central control module
- J502 Tire pressure monitoring control module
- T18b 18-pin connector, brown
- T32a 32-pin connector, black
- B398** Comfort system CAN bus high connection 2 (in main wiring harness)
- B407** Comfort system CAN bus low connection 2 (in main wiring harness)



Audi

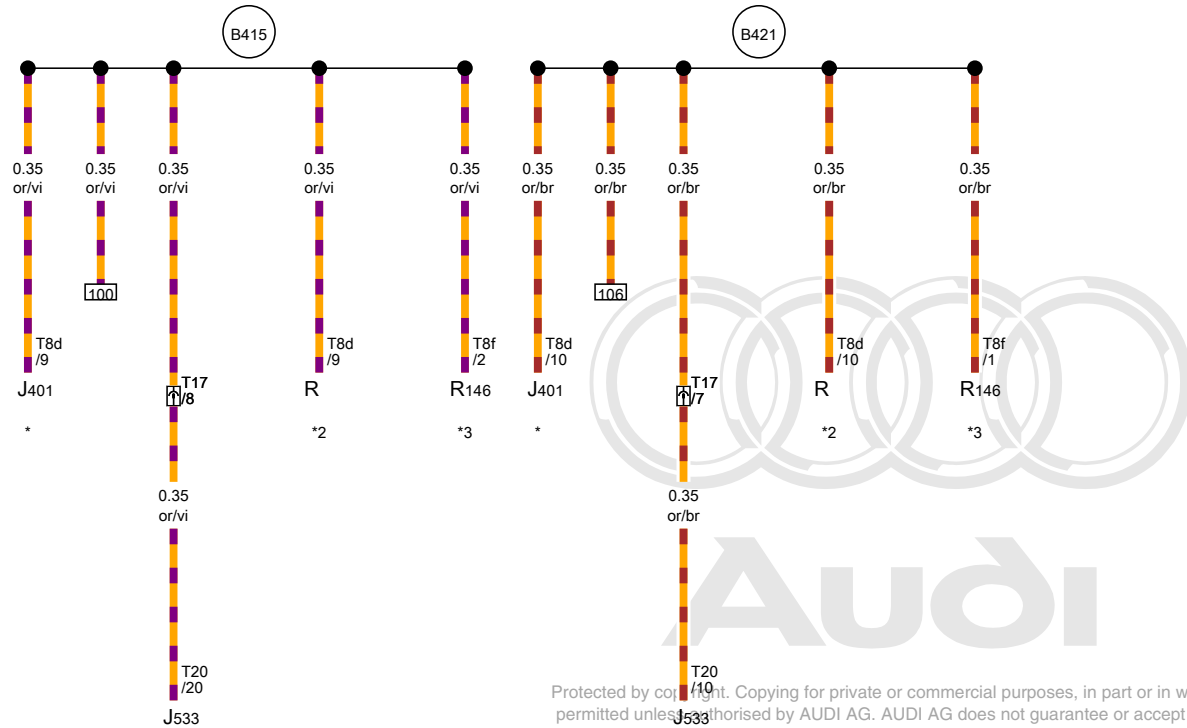
Protected by copyright. Copying for private or commercial purposes, in part or in whole, is not permitted unless authorised by AUDI AG. AUDI AG does not guarantee or accept any liability with respect to the correctness of information in this document. Copyright by AUDI AG.



- ws = white
- sw = black
- ro = red
- rt = red
- br = brown
- gn = green
- bl = blue
- gr = grey
- li = lilac
- vi = lilac
- ge = yellow
- or = orange
- rs = pink

Infotainment CAN Bus high connection 1 (in main wiring harness), Infotainment CAN bus low connection 1 (in main wiring harness)

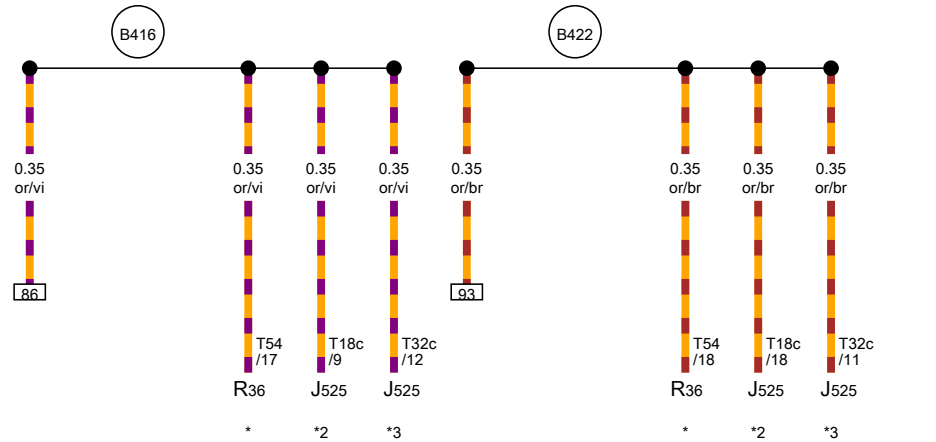
- J401 Navigation system with CD drive control module
- J533 Data bus on board diagnostic interface
- R Radio
- R146 Satellite radio
- T8d 8-pin connector, black
- T8f 8-pin connector, black
- T17 17-pin connector, Inside the center console connector station on the right side, red
- T20 20-pin connector, red
- B415 Infotainment CAN Bus high connection 1 (in main wiring harness)
- B421 Infotainment CAN bus low connection 1 (in main wiring harness)
- * Only for vehicles with radio/navigation RNS-E
- *2 Only for vehicles with a radio
- *3 Only for vehicles with satellite radio



Protected by copyright. Copying for private or commercial purposes, in part or in whole, is not permitted unless authorised by AUDI AG. AUDI AG does not guarantee or accept any liability with respect to the correctness of information in this document. Copyright by AUDI AG.



- ws = white
- sw = black
- ro = red
- rt = red
- br = brown
- gn = green
- bl = blue
- gr = grey
- li = lilac
- vi = lilac
- ge = yellow
- or = orange
- rs = pink



Infotainment CAN Bus high connection 2 (in main wiring harness), Infotainment CAN bus low connection 2 (in main wiring harness)

- J525 Digital sound system control module
- R36 Telephone transceiver
- T18c 18-pin connector, black
- T32c 32-pin connector, black
- T54 54-pin connector, black

B416 Infotainment CAN Bus high connection 2 (in main wiring harness)

B422 Infotainment CAN bus low connection 2 (in main wiring harness)

- * Only for vehicles with cell phone preparation
- *2 Only for vehicles with Bang & Olufsen sound system
- *3 Only for vehicles with standard sound system



Protected by copyright. Copying for private or commercial purposes, in part or in whole, is not permitted unless authorised by AUDI AG. AUDI AG does not guarantee or accept any liability with respect to the correctness of information in this document. Copyright by AUDI AG.

- ws = white
- sw = black
- ro = red
- rt = red
- br = brown
- gn = green
- bl = blue
- gr = grey
- li = lilac
- vi = lilac
- ge = yellow
- or = orange
- rs = pink



Parking aid, front and rear
from May 2006

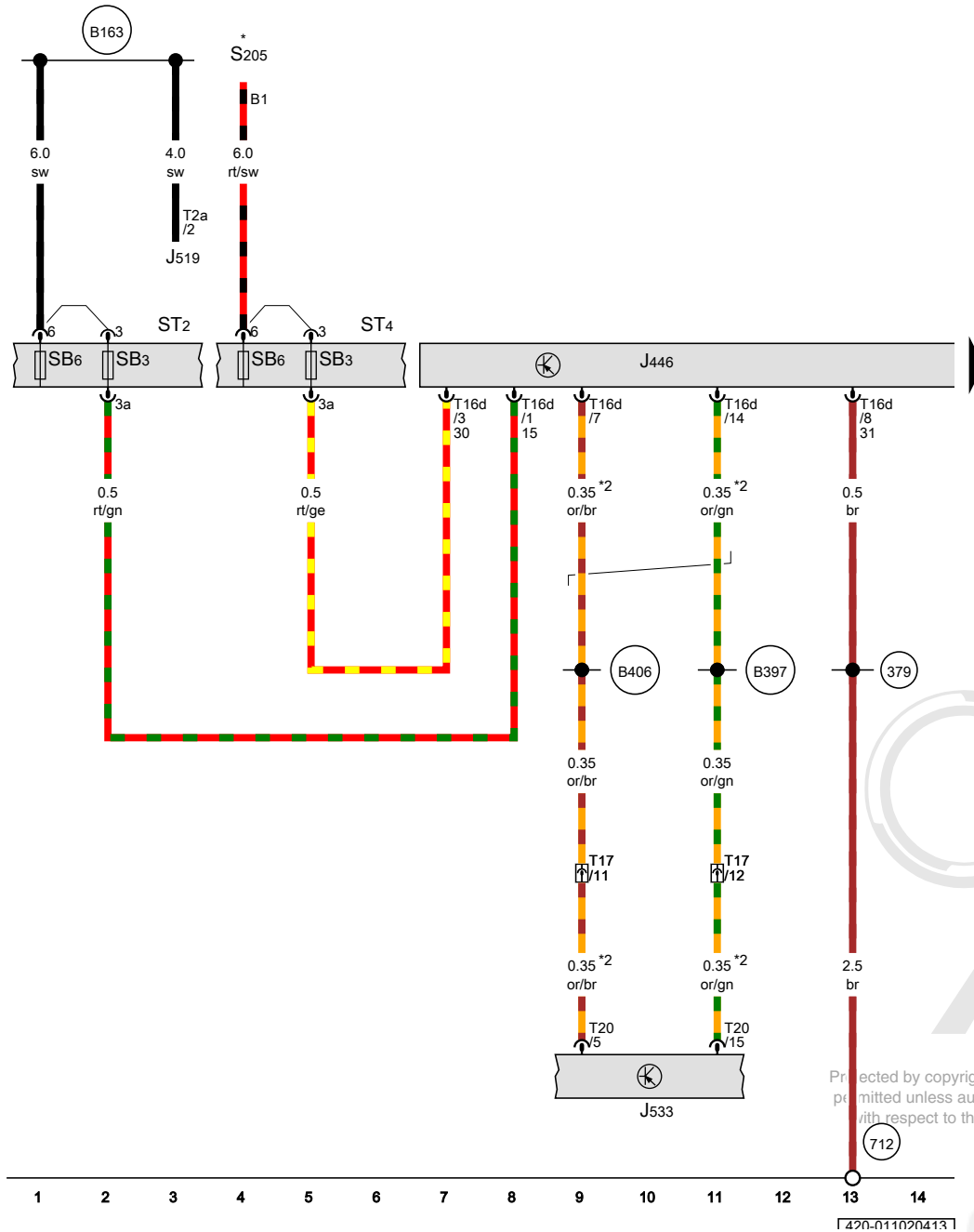


Audi

Protected by copyright. Copying for private or commercial purposes, in part or in whole, is not permitted unless authorised by AUDI AG. AUDI AG does not guarantee or accept any liability with respect to the correctness of information in this document. Copyright by AUDI AG.



Parking aid control module, Fuse panel 2, Fuse panel 4



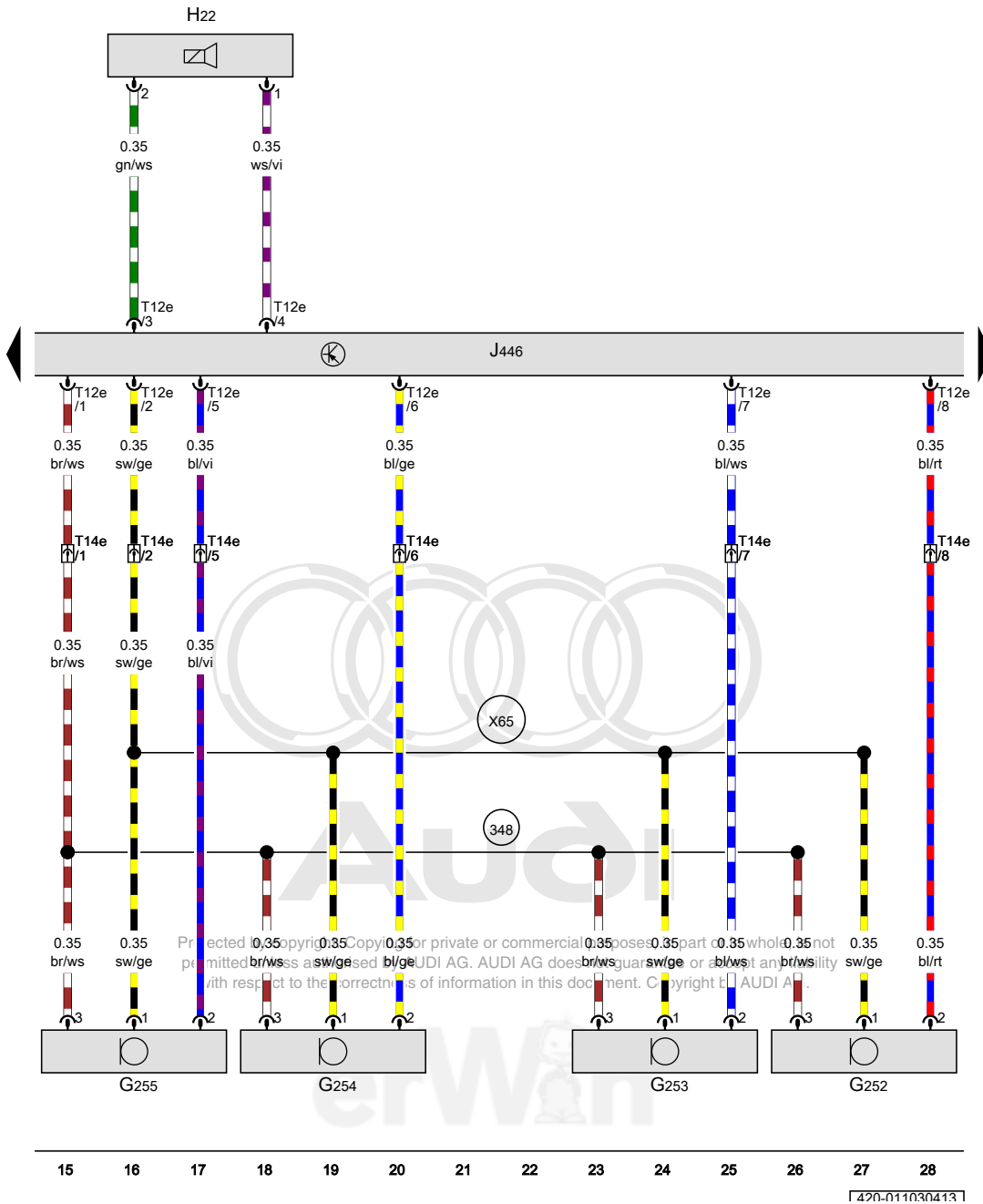
- J446 Parking aid control module
- J519 Vehicle electrical system control module
- J533 Data bus on board diagnostic interface
- ST2 Fuse panel 2
- SB3 Fuse 3 (on fuse panel B)
- ST4 Fuse panel 4
- SB6 Fuse 6 (on fuse panel B)
- S205 Fuse 2 (terminal 30)
- T2a Double connector, black
- T16d 16-pin connector, brown
- T17 17-pin connector, Inside the center console connector station on the right side, red
- T20 20-pin connector, red
- 379 Ground connection 14 (in main wiring harness)
- 712 Ground connection under rear shelf, left
- B163 Positive connection 1 (15) (in interior wiring harness)
- B397 Comfort system CAN bus high connection 1 (in main wiring harness)
- B406 Comfort system CAN bus low connection 1 (in main wiring harness)
- * Main distribution in the right front footwell
- *2 Data bus wire (CAN bus)

- ws = white
- sw = black
- ro = red
- rt = red
- br = brown
- gn = green
- bl = blue
- gr = grey
- li = lilac
- vi = lilac
- ge = yellow
- or = orange
- rs = pink

Protected by copyright. Copying or reproduction for private or commercial purposes, in part or in whole, is not permitted unless authorised by AUDI AG. AUDI AG does not guarantee or accept any liability with respect to the correctness of the information in this document. Copyright by AUDI AG.

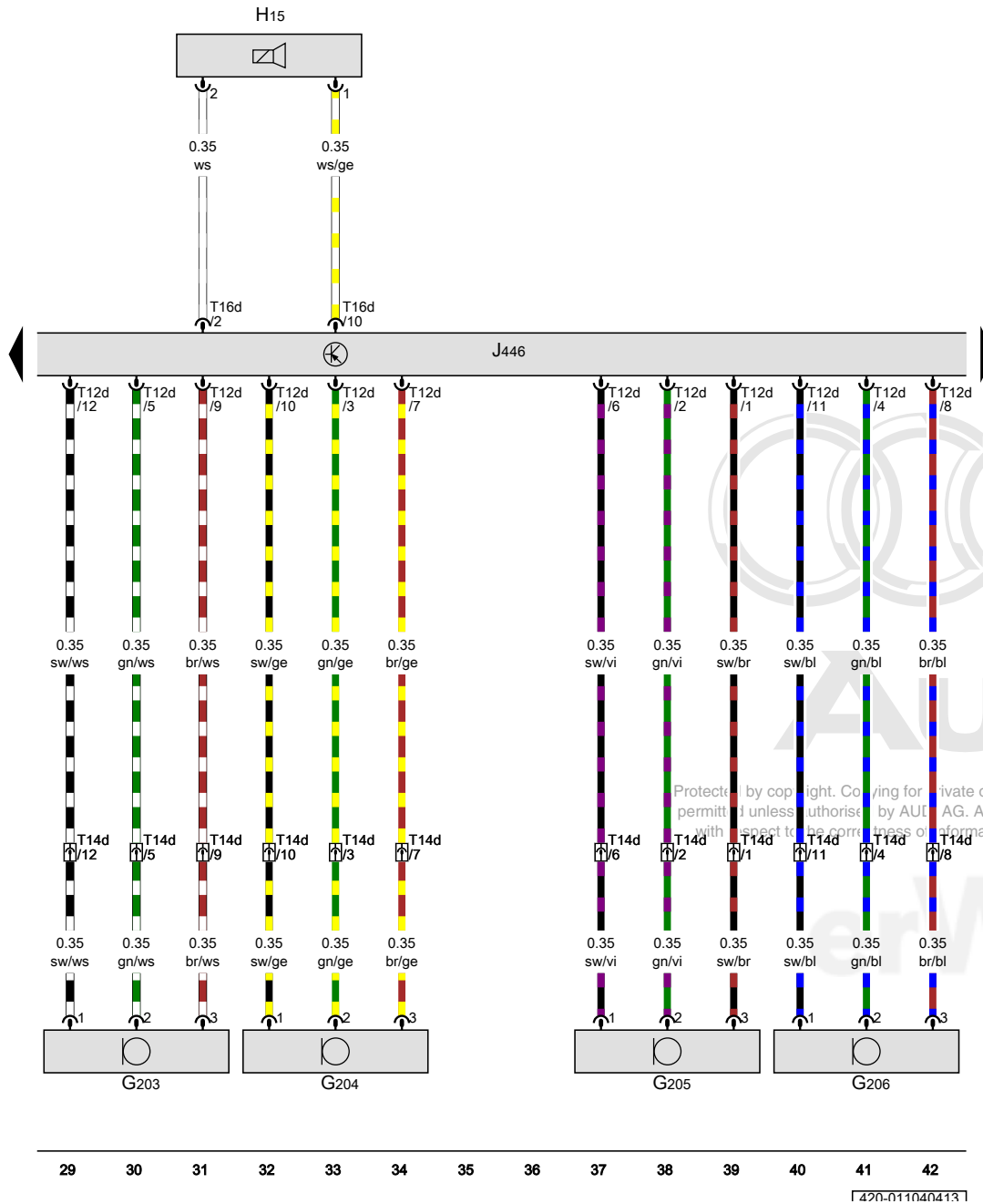
Right front parking aid sensor, Left front center parking aid sensor, Left front parking aid sensor, Front parking aid warning buzzer, Parking aid control module

- G252 Right front parking aid sensor
- G253 Right front center parking aid sensor
- G254 Left front center parking aid sensor
- G255 Left front parking aid sensor
- H22 Front parking aid warning buzzer
- J446 Parking aid control module
- T12e 12-pin connector, brown
- T14e 14-pin connector, behind the right front bumper, black
- 348 Parking aid ground connection (in front bumper wiring harness)
- X65 Parking aid connection (in front bumper wiring harness)



Left rear center parking aid sensor, Right rear parking aid sensor, Rear parking aid warning buzzer, Parking aid control module

- G203 Left rear parking aid sensor
- G204 Left rear center parking aid sensor
- G205 Right rear center parking aid sensor
- G206 Right rear parking aid sensor
- H15 Rear parking aid warning buzzer
- J446 Parking aid control module
- T12d 12-pin connector, black
- T14d 14-pin connector, behind the left rear bumper, black
- T16d 16-pin connector, brown



Protected by copyright. Copying for private or commercial purposes, in part or in whole, is not permitted unless authorised by AUDI AG. AUDI AG does not guarantee or accept any liability with respect to the correctness of information in this document. Copyright by AUDI AG.

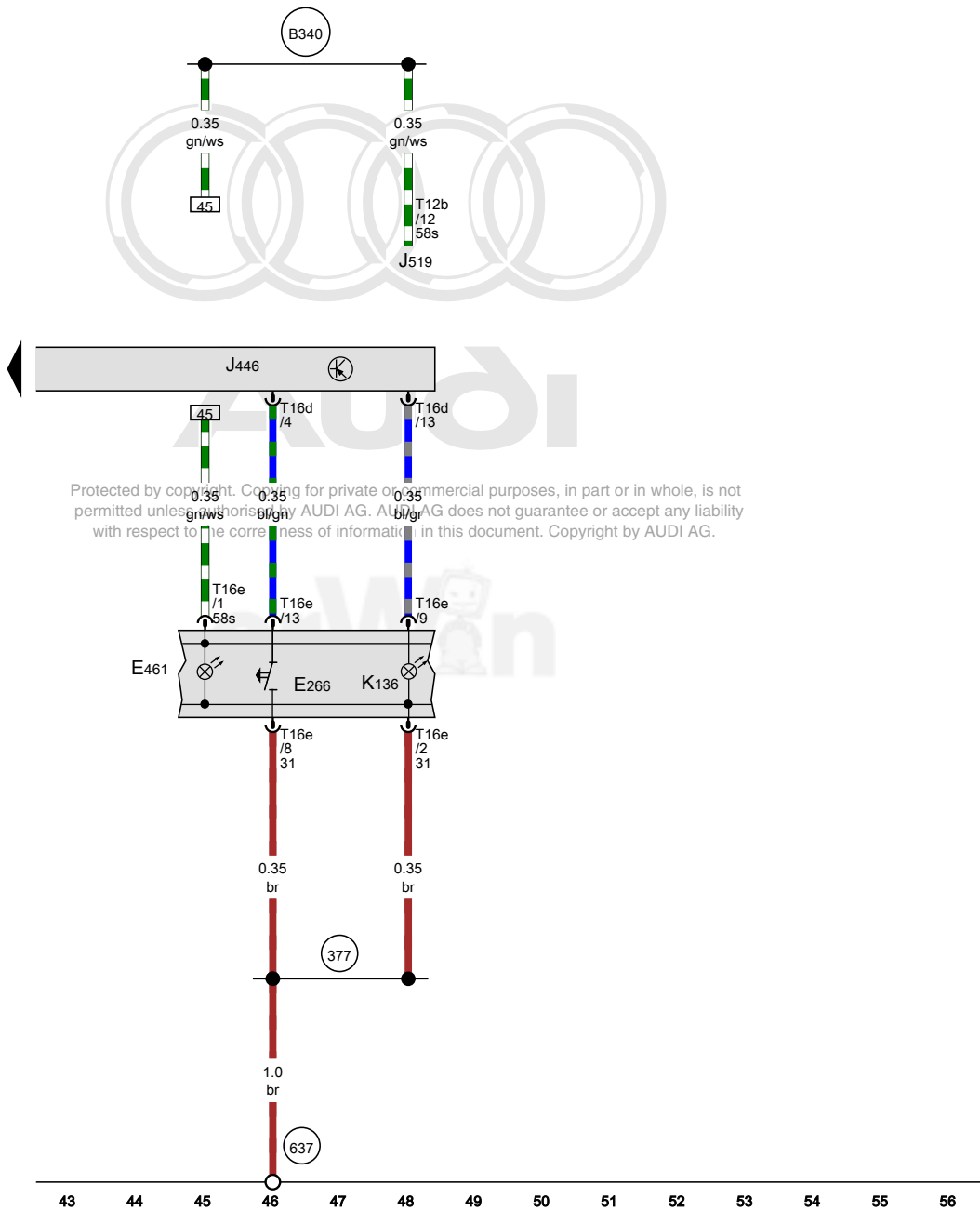
- ws = white
- sw = black
- ro = red
- rt = red
- br = brown
- gn = green
- bl = blue
- gr = grey
- li = lilac
- vi = lilac
- ge = yellow
- or = orange
- rs = pink

420-011040413

Parking aid button, Front center console control head, Parking aid control module, Parking aid indicator lamp

- E266 Parking aid button
- E461 Front center console control head
- J446 Parking aid control module
- J519 Vehicle electrical system control module
- K136 Parking aid indicator lamp
- T12b 12-pin connector, black
- T16d 16-pin connector, brown
- T16e 16-pin connector, brown

- 377 Ground connection 12 (in main wiring harness)
- 637 Airbag control module ground connection
- B340 Connection 58d (in main wiring harness) 1

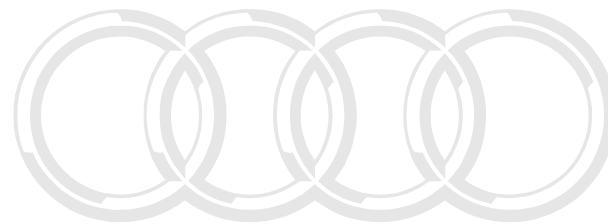


Protected by copyright. Copying for private or commercial purposes, in part or in whole, is not permitted unless authorized by AUDI AG. AUDI AG does not guarantee or accept any liability with respect to the correctness of information in this document. Copyright by AUDI AG.

- ws = white
- sw = black
- ro = red
- rt = red
- br = brown
- gn = green
- bl = blue
- gr = grey
- li = lilac
- vi = lilac
- ge = yellow
- or = orange
- rs = pink

[420-011050413]

Garage door opener
from May 2006



Audi

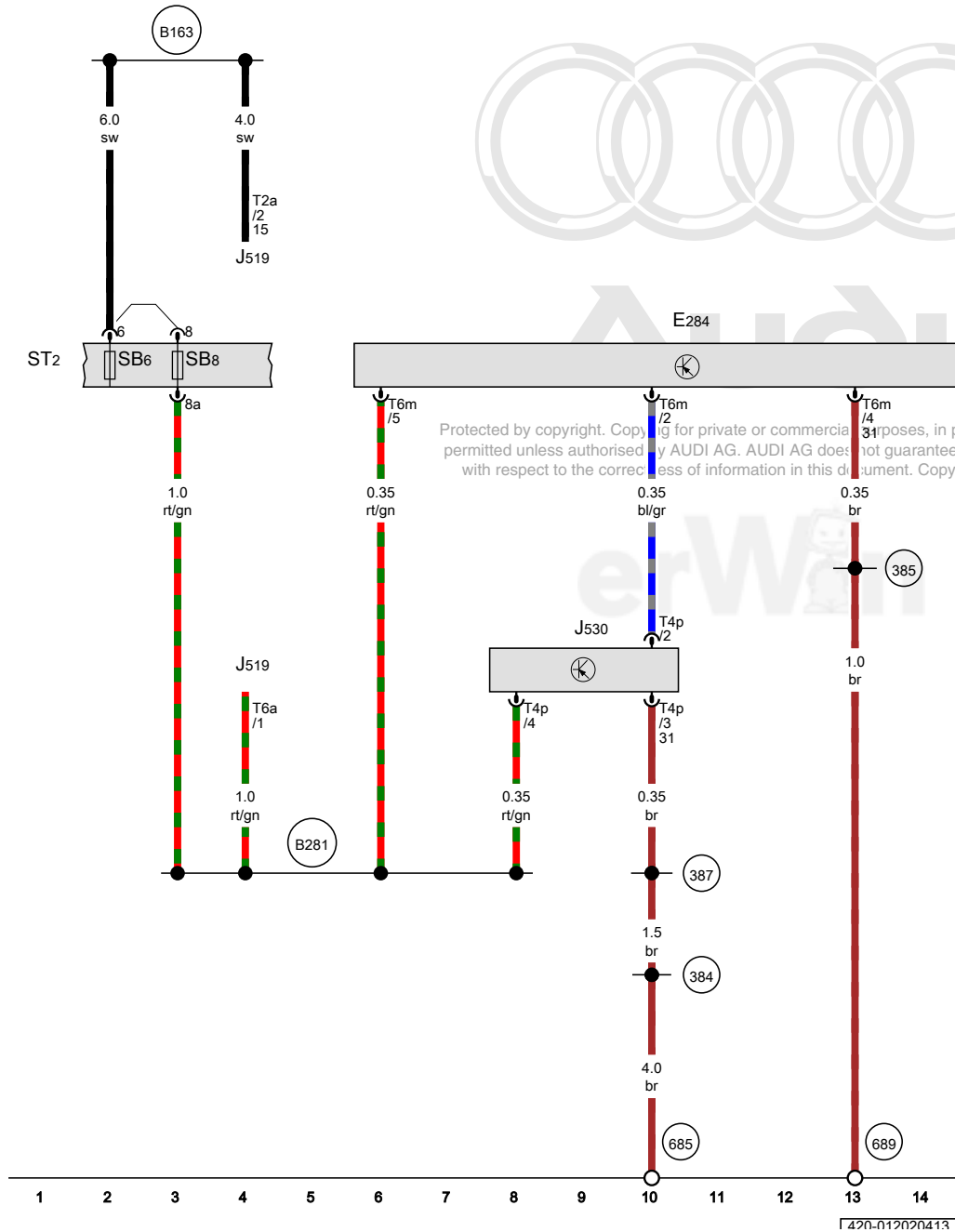
Protected by copyright. Copying for private or commercial purposes, in part or in whole, is not permitted unless authorised by AUDI AG. AUDI AG does not guarantee or accept any liability with respect to the correctness of information in this document. Copyright by AUDI AG.



Garage door opener control head, Garage door opener control module

- E284 Garage door opener control head
- J519 Vehicle electrical system control module
- J530 Garage door opener control module
- ST2 Fuse panel 2
- SB6 Fuse 6 (on fuse panel B)
- SB8 Fuse 8 (on fuse panel B)
- T2a Double connector, black
- T4p 4-pin connector, black
- T6a 6-pin connector, black
- T6m 6-pin connector, brown

- 384 Ground connection 19 (in main wiring harness)
- 385 Ground connection 20 (in main wiring harness)
- 387 Ground connection 22 (in main wiring harness)
- 685 Ground connection 1 on right front longitudinal member
- 689 Ground connection on roof, center front
- B163 Positive connection 1 (15) (in interior wiring harness)
- B281 Positive connection 5 (15a) (in main wiring harness)

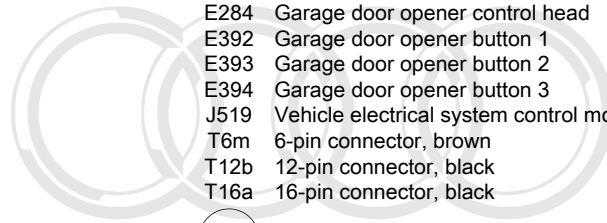


Protected by copyright. Copying for private or commercial purposes, in part or in whole, is not permitted unless authorised by AUDI AG. AUDI AG does not guarantee or accept any liability with respect to the correctness of information in this document. Copyright by AUDI AG.

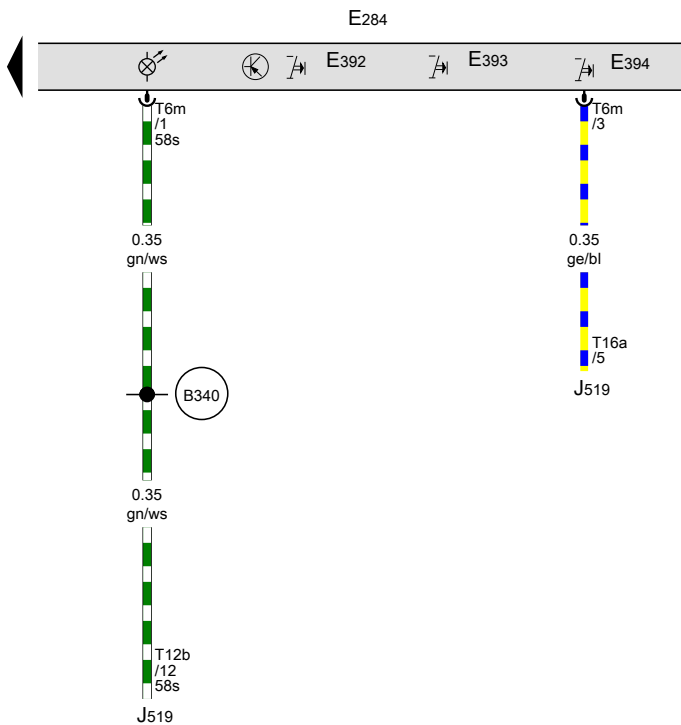
1420-012020413

Garage door opener control head, Garage door opener button 1

- E284 Garage door opener control head
- E392 Garage door opener button 1
- E393 Garage door opener button 2
- E394 Garage door opener button 3
- J519 Vehicle electrical system control module
- T6m 6-pin connector, brown
- T12b 12-pin connector, black
- T16a 16-pin connector, black
- B340 Connection 58d (in main wiring harness) 1



Protected by copyright. Copying for private or commercial purposes, in part or in whole, is not permitted unless authorised by AUDI AG. AUDI AG does not guarantee or accept any liability with respect to the correctness of information in this document. Copyright by AUDI AG.



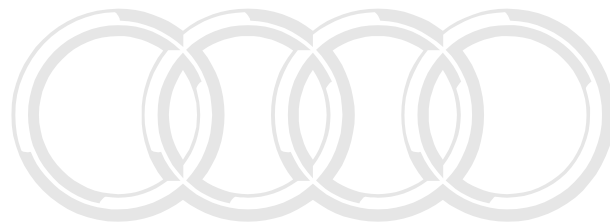
- ws = white
- sw = black
- ro = red
- rt = red
- br = brown
- gn = green
- bl = blue
- gr = grey
- li = lilac
- vi = lilac
- ge = yellow
- or = orange
- rs = pink

15 16 17 18 19 20 21 22 23 24 25 26 27 28

[420-012030413]

Multifunction steering wheel with toggle switches

from May 2006



Audi

Protected by copyright. Copying for private or commercial purposes, in part or in whole, is not permitted unless authorised by AUDI AG. AUDI AG does not guarantee or accept any liability with respect to the correctness of information in this document. Copyright by AUDI AG.



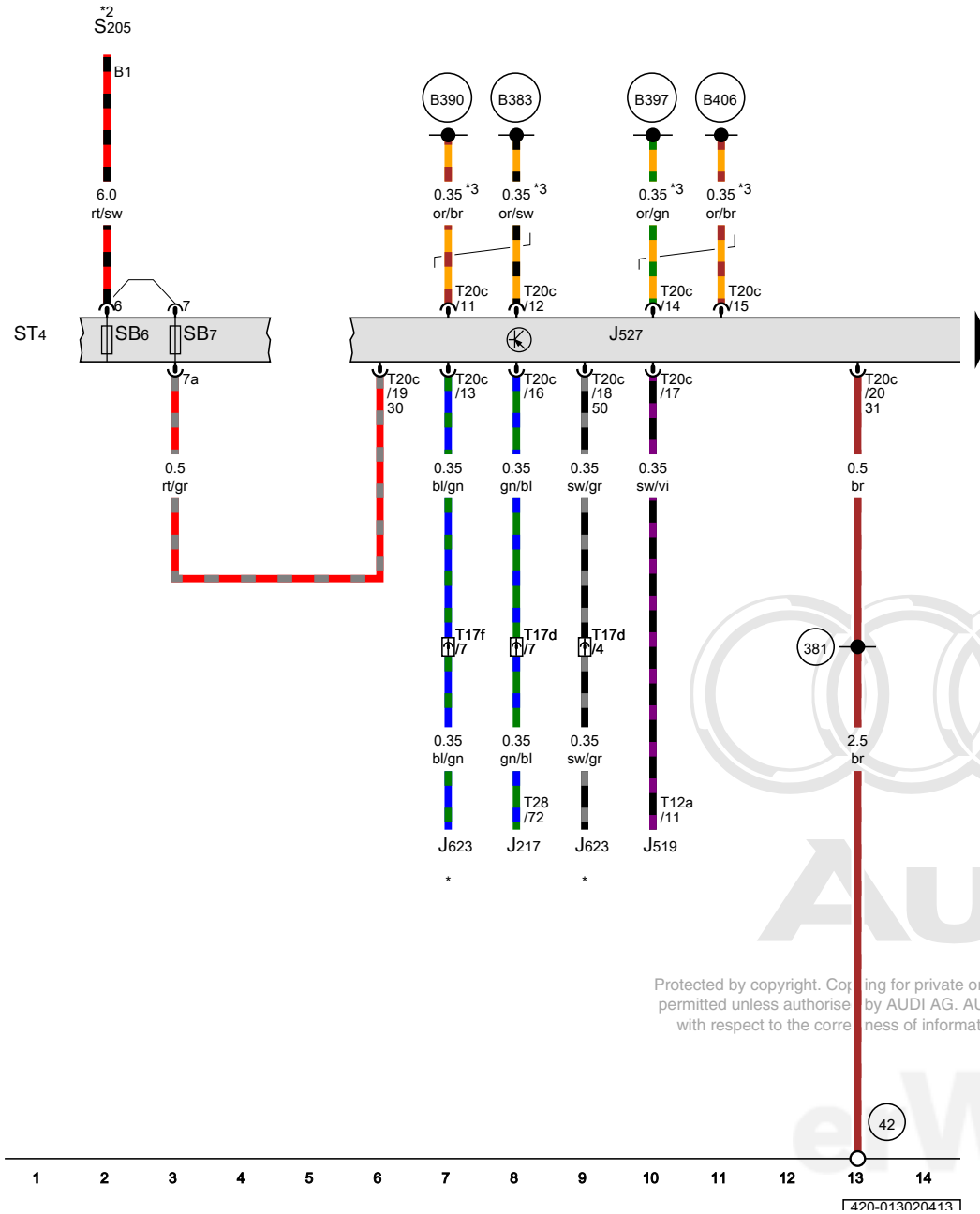
Steering column electronics control module

- J217 Transmission control module
- J519 Vehicle electrical system control module
- J527 Steering column electronics control module
- J623 Engine control module
- ST4 Fuse panel 4
- SB6 Fuse 6 (on fuse panel B)
- SB7 Fuse 7 (on fuse panel B)
- S205 Fuse 2 (terminal 30)
- T12a 12-pin connector, black
- T17d 17-pin connector, Connector station under the rear shelf, right, brown
- T17f 17-pin connector, Connector station under the rear shelf, right, white
- T20c 20-pin connector, black
- T28 28-pin connector

- (42) Ground connection near steering column
- (381) Ground connection 16 (in main wiring harness)
- (B383) Powertrain CAN bus high connection 1 (in main wiring harness)
- (B390) Powertrain CAN bus low connection 1 (in main wiring harness)
- (B397) Comfort system CAN bus high connection 1 (in main wiring harness)
- (B406) Comfort system CAN bus low connection 1 (in main wiring harness)

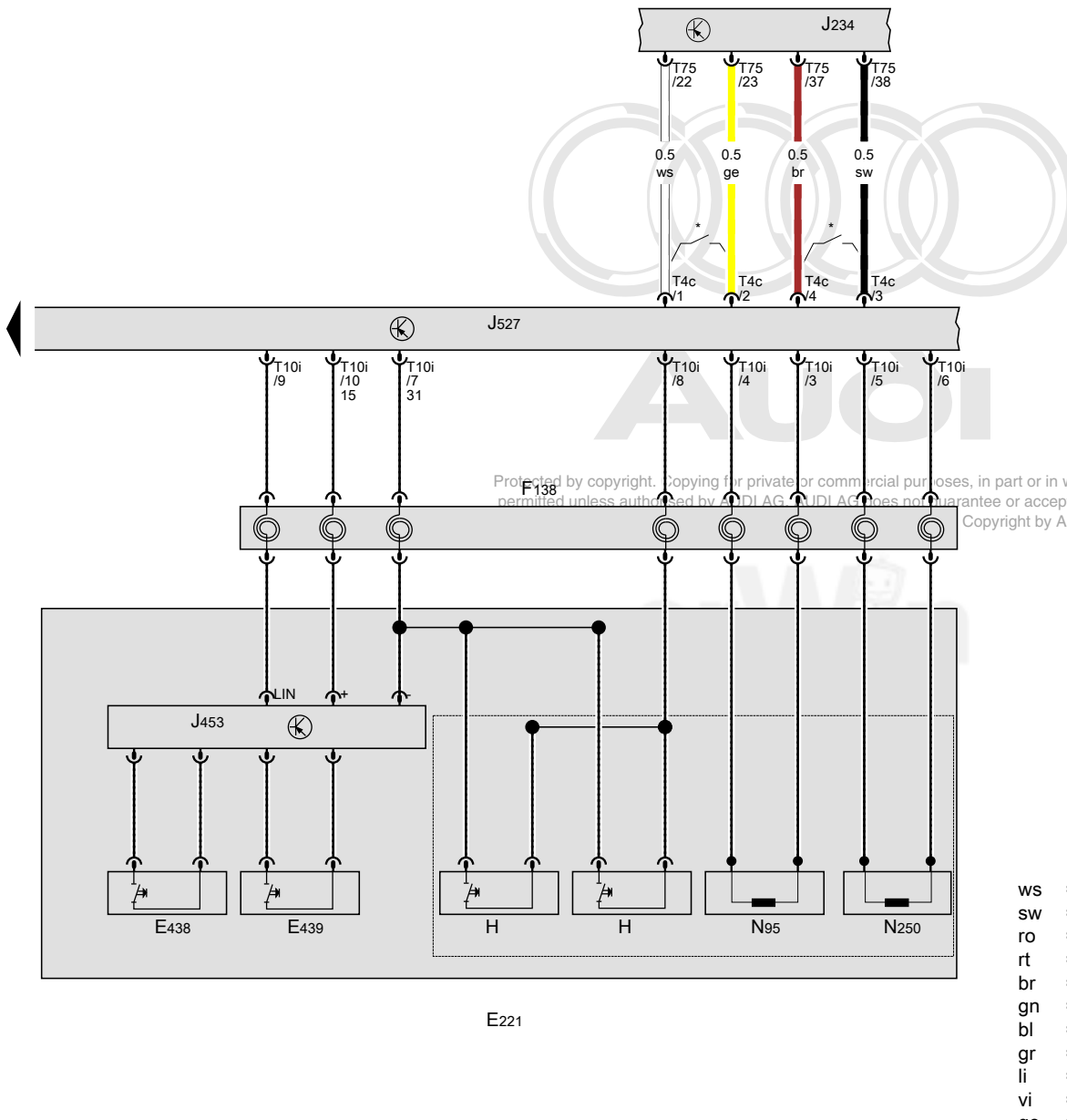
- * Refer to applicable engine wiring diagram
- *2 Main distribution in the right front footwell
- *3 Data bus wire (CAN bus)

- ws = white
- sw = black
- ro = red
- rt = red
- br = brown
- gn = green
- bl = blue
- gr = grey
- li = lilac
- vi = lilac
- ge = yellow
- or = orange
- rs = pink



Protected by copyright. Copying for private or commercial purposes, in part or in whole, is not permitted unless authorised by AUDI AG. AUDI AG does not guarantee or accept any liability with respect to the correctness of information in this document. Copyright by AUDI AG.

Control unit in steering wheel, tiptronic upshift button on steering wheel, tiptronic downshift button on steering wheel, Signal horn activation, Steering column electronics control module, Driver airbag igniter, Driver airbag igniter 2



- E221 Control unit in steering wheel
- E438 tiptronic upshift button on steering wheel
- E439 tiptronic downshift button on steering wheel
- F138 Airbag spiral spring/return spring with slip ring
- H Signal horn activation
- J234 Airbag control module
- J453 Multifunction steering wheel control module
- J527 Steering column electronics control module
- N95 Driver airbag igniter
- N250 Driver airbag igniter 2
- T4c 4-pin connector, yellow
- T10i 10-pin connector
- T75 75-pin connector, yellow
- * Short circuit bridge operates when the connector is disconnected

Protected by copyright. Copying for private or commercial purposes, in part or in whole, is not permitted unless authorized by AUDI AG. AUDI AG does not guarantee or accept any liability. Copyright by AUDI AG.

- ws = white
- sw = black
- ro = red
- rt = red
- br = brown
- gn = green
- bl = blue
- gr = grey
- li = lilac
- vi = lilac
- ge = yellow
- or = orange
- rs = pink

15 16 17 18 19 20 21 22 23 24 25 26 27 28

1 420-013030413 1

Multifunction steering wheel
from May 2006



Audi

Protected by copyright. Copying for private or commercial purposes, in part or in whole, is not permitted unless authorised by AUDI AG. AUDI AG does not guarantee or accept any liability with respect to the correctness of information in this document. Copyright by AUDI AG.



Steering column electronics control module

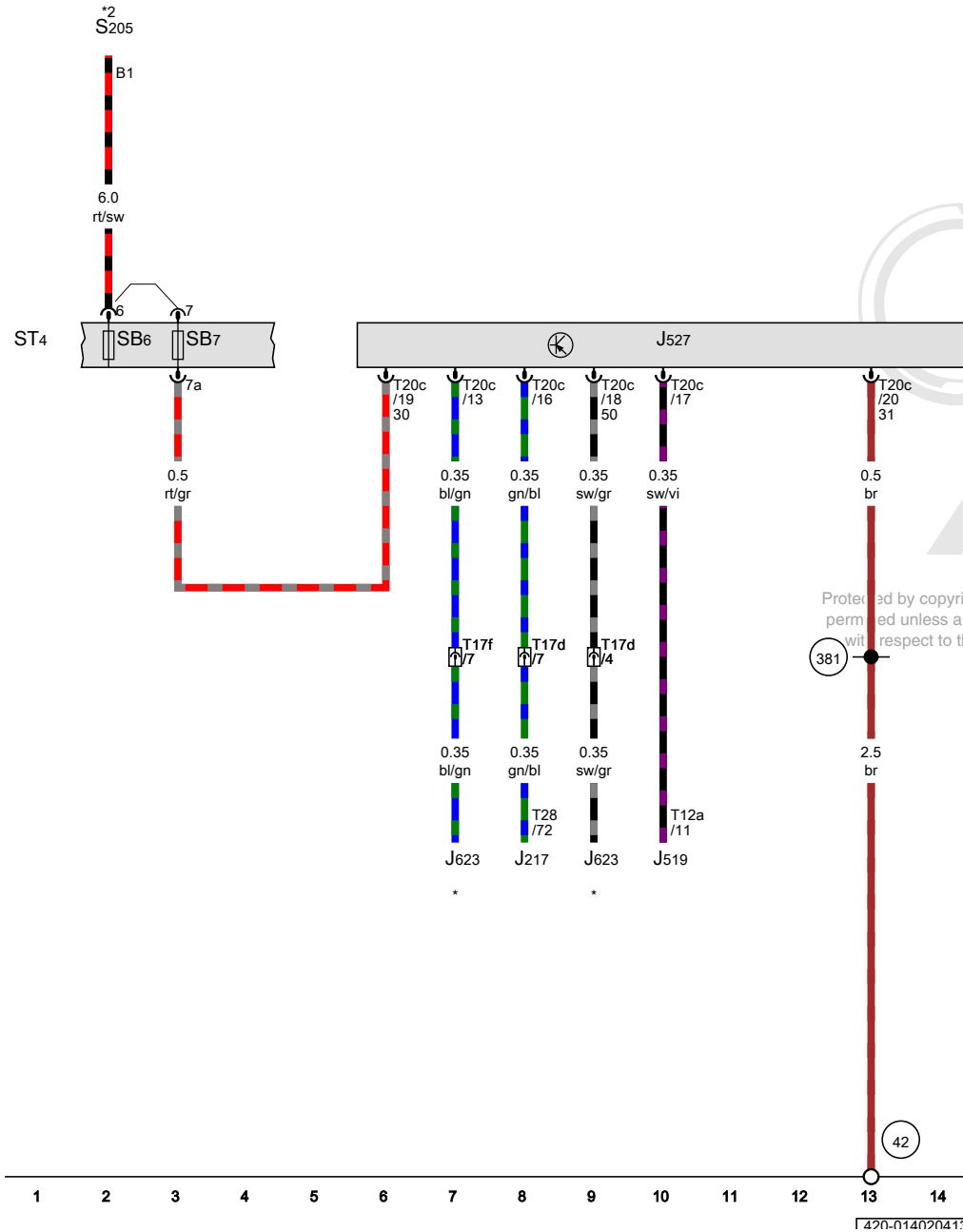
- J217 Transmission control module
- J519 Vehicle electrical system control module
- J527 Steering column electronics control module
- J623 Engine control module
- ST4 Fuse panel 4
- SB6 Fuse 6 (on fuse panel B)
- SB7 Fuse 7 (on fuse panel B)
- S205 Fuse 2 (terminal 30)
- T12a 12-pin connector, black
- T17d 17-pin connector, Connector station under the rear shelf, right, brown
- T17f 17-pin connector, Connector station under the rear shelf, right, white
- T20c 20-pin connector, black
- T28 28-pin connector

42 Ground connection near steering column

381 Ground connection 16 (in main wiring harness)

* Refer to applicable engine wiring diagram
 *2 Main distribution in the right front footwell

Protected by copyright. Copying for private or commercial purposes, in part or in whole, is not permitted unless authorised by AUDI AG. AUDI AG does not guarantee or accept any liability with respect to the correctness of information in this document. Copyright by AUDI AG.

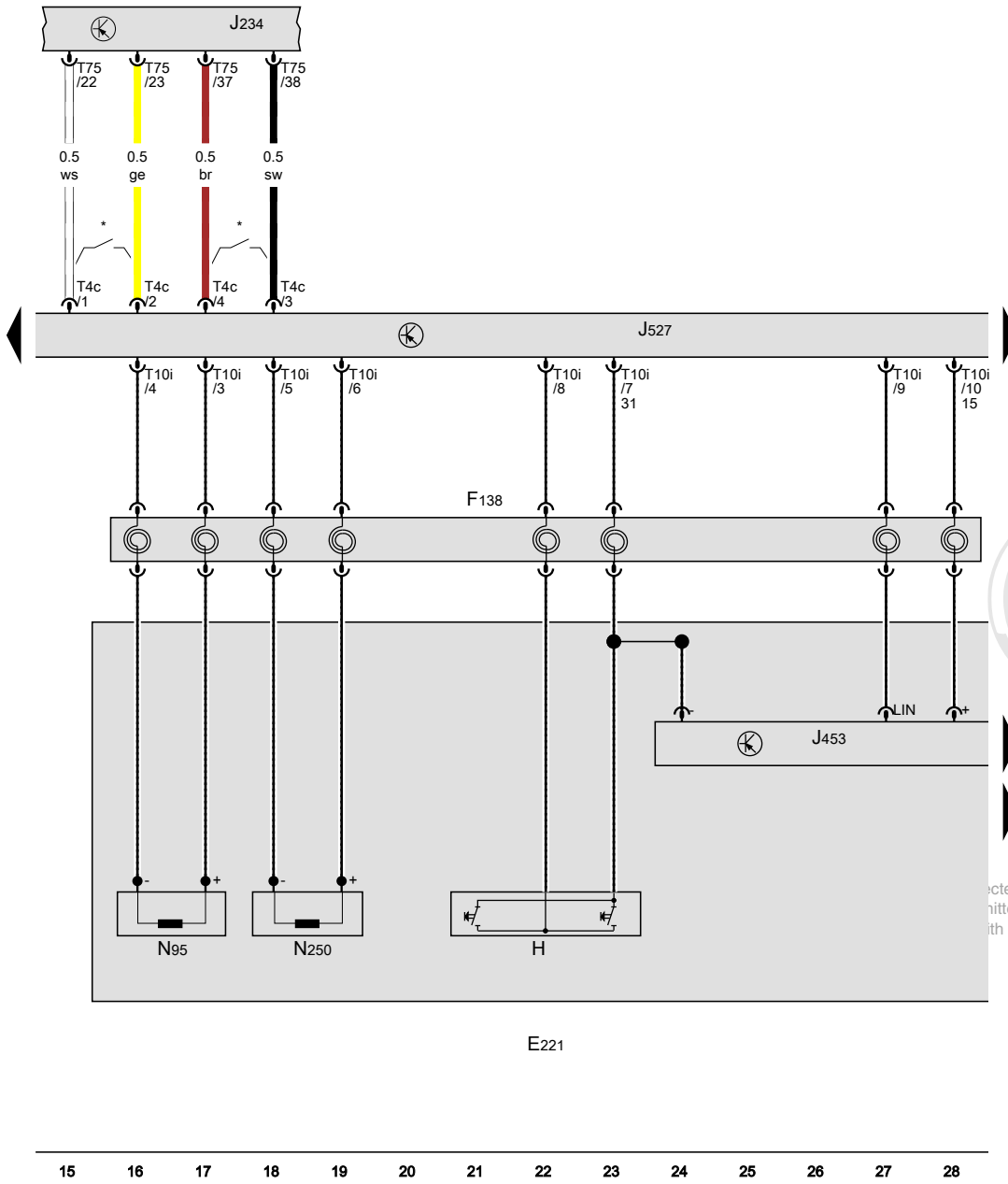


- ws = white
- sw = black
- ro = red
- rt = red
- br = brown
- gn = green
- bl = blue
- gr = grey
- li = lilac
- vi = lilac
- ge = yellow
- or = orange
- rs = pink

1420-014020413

Control unit in steering wheel, Signal horn activation, Steering column electronics control module, Driver airbag igniter, Driver airbag igniter 2

- E221 Control unit in steering wheel
- F138 Airbag spiral spring/return spring with slip ring
- H Signal horn activation
- J234 Airbag control module
- J453 Multifunction steering wheel control module
- J527 Steering column electronics control module
- N95 Driver airbag igniter
- N250 Driver airbag igniter 2
- T4c 4-pin connector, yellow
- T10i 10-pin connector
- T75 75-pin connector, yellow
- * Short circuit bridge operates when the connector is disconnected

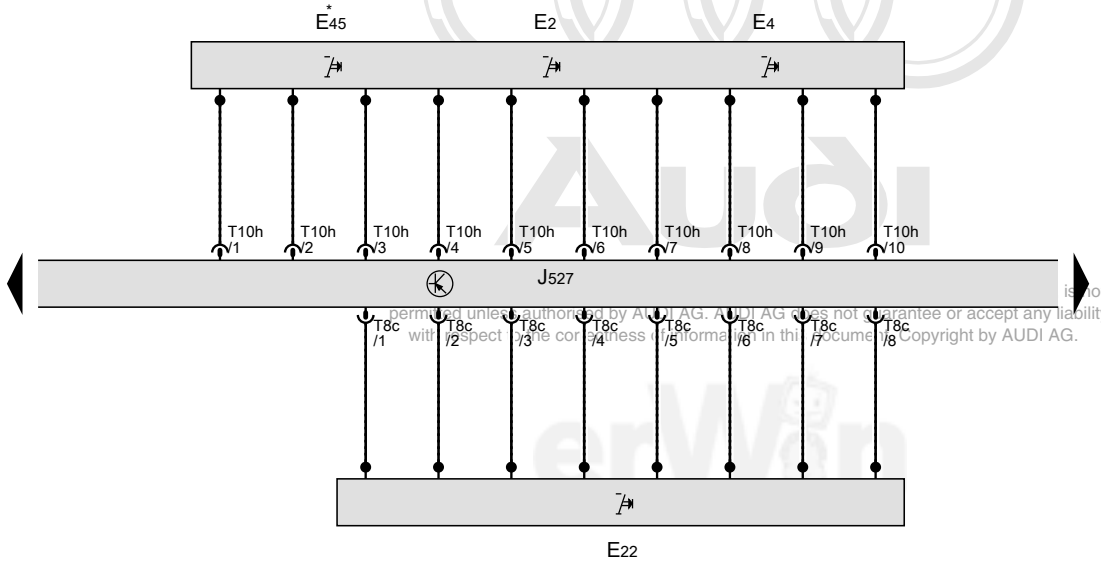


Protected by copyright. Copying for private or commercial purposes, in part or in whole, is not permitted unless authorized by AUDI AG. AUDI AG does not guarantee or accept any liability with respect to the correctness of information in this document. Copyright by AUDI AG.

- ws = white
- sw = black
- ro = red
- rt = red
- br = brown
- gn = green
- bl = blue
- gr = grey
- li = lilac
- vi = lilac
- ge = yellow
- or = orange
- rs = pink

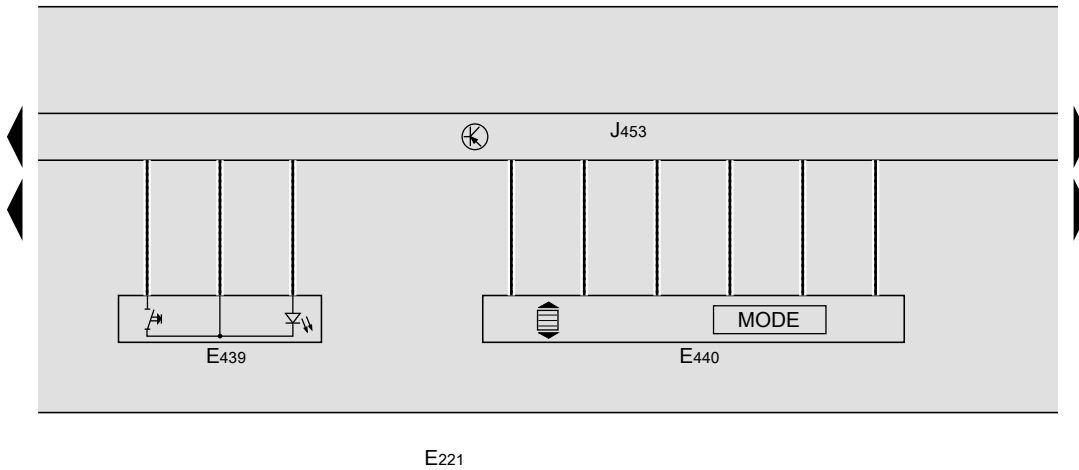
15 16 17 18 19 20 21 22 23 24 25 26 27 28

1420-014030413



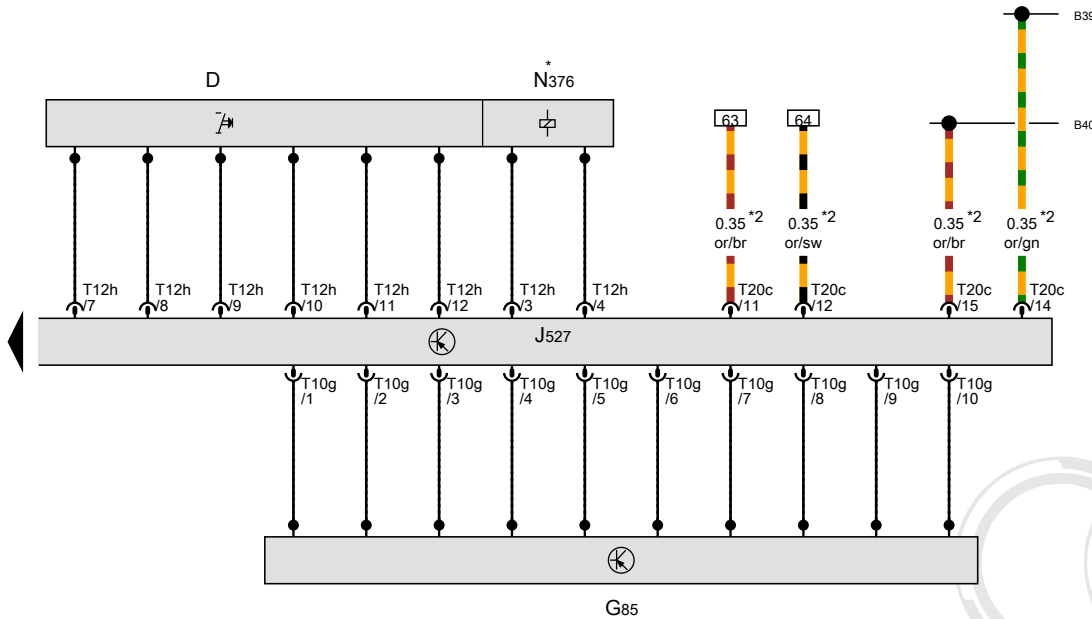
Turn signal switch, Headlamp dimmer/flasher switch, Windshield wiper intermittent mode switch, Cruise control switch, Control unit in steering wheel, tiptronic downshift button on steering wheel, Steering column electronics control module

- E2 Turn signal switch
- E4 Headlamp dimmer/flasher switch
- E22 Windshield wiper intermittent mode switch
- E45 Cruise control switch
- E221 Control unit in steering wheel
- E439 tiptronic downshift button on steering wheel
- E440 Left multifunction buttons on steering wheel
- J453 Multifunction steering wheel control module
- J527 Steering column electronics control module
- T8c 8-pin connector
- T10h 10-pin connector
- * Only for vehicles with cruise control

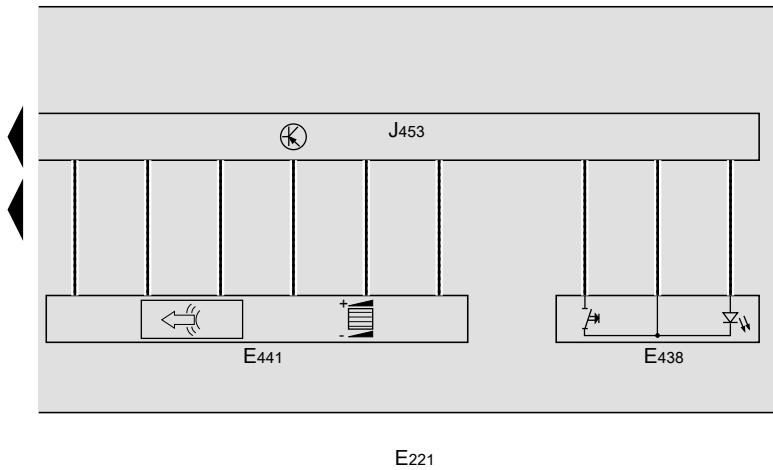


- ws = white
- sw = black
- ro = red
- rt = red
- br = brown
- gn = green
- bl = blue
- gr = grey
- li = lilac
- vi = lilac
- ge = yellow
- or = orange
- rs = pink

Ignition/starter switch, Control unit in steering wheel, tiptronic upshift button on steering wheel, Right multifunction buttons on steering wheel, Steering angle sensor, Steering column electronics control module, Ignition switch key lock solenoid



- D Ignition/starter switch
- E221 Control unit in steering wheel
- E438 tiptronic upshift button on steering wheel
- E441 Right multifunction buttons on steering wheel
- G85 Steering angle sensor
- J453 Multifunction steering wheel control module
- J527 Steering column electronics control module
- N376 Ignition switch key lock solenoid
- T10g 10-pin connector
- T12h 12-pin connector
- T20c 20-pin connector, black
- B397 Comfort system CAN bus high connection 1 (in main wiring harness)
- B406 Comfort system CAN bus low connection 1 (in main wiring harness)
- * Only for vehicles with automated manual transmission (R tronic) 086
- *2 Data bus wire (CAN bus)

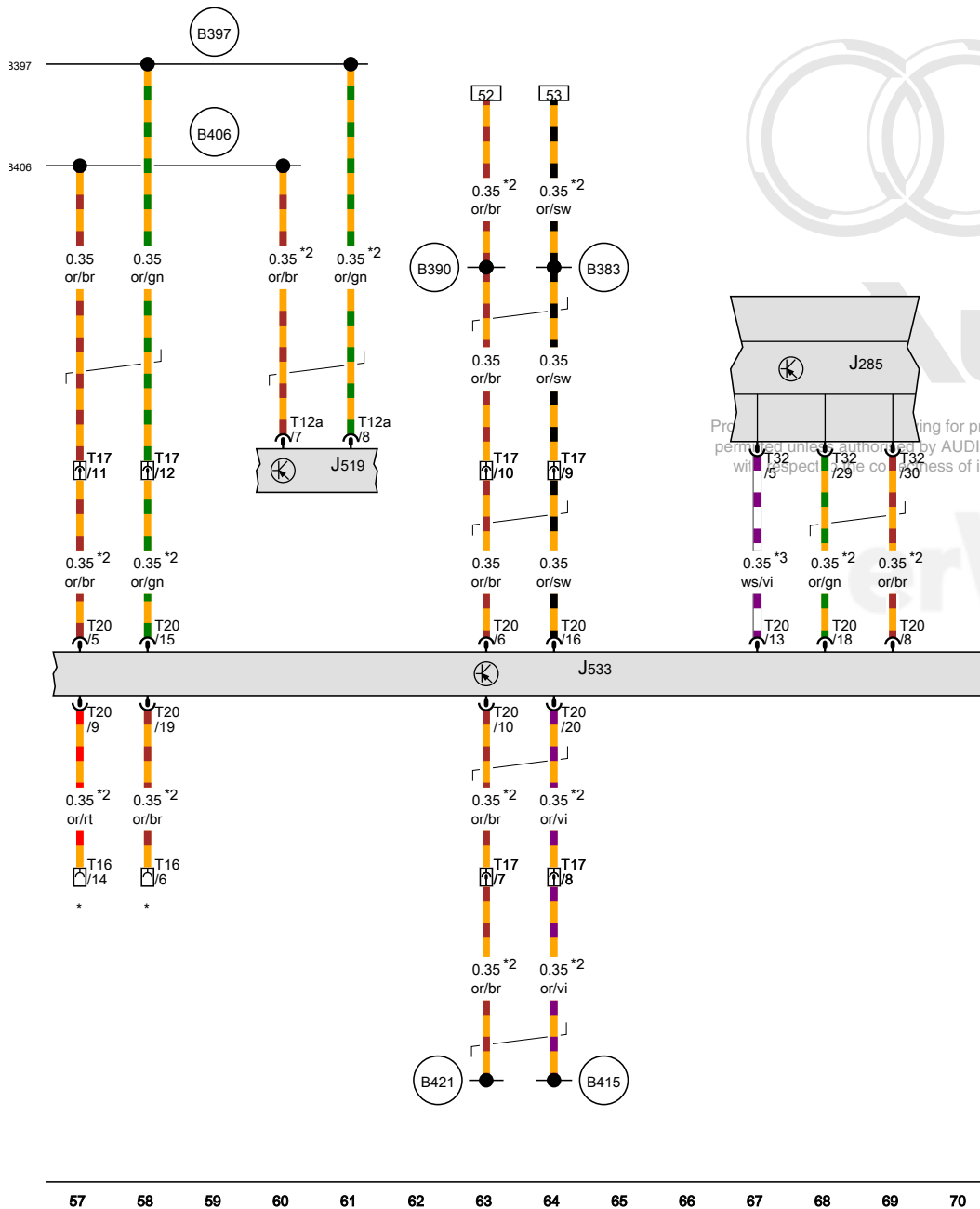


Protected by copyright. Copying for private or commercial purposes, in part or in whole, is not permitted unless authorised by AUDI AG. AUDI AG does not guarantee or accept any liability with respect to the correctness of information in this document. Copyright by AUDI AG.

- ws = white
- sw = black
- ro = red
- rt = red
- br = brown
- gn = green
- bl = blue
- gr = grey
- li = lilac
- vi = lilac
- ge = yellow
- or = orange
- rs = pink

43 44 45 46 47 48 49 50 51 52 53 54 55 56

[420-014050413]



Instrument cluster control module, Data bus on board diagnostic interface

- J285 Instrument cluster control module
- J519 Vehicle electrical system control module
- J533 Data bus on board diagnostic interface
- T12a 12-pin connector, black
- T16 16-pin connector, black
- T17 17-pin connector, Inside the center console connector station on the right side, red
- T20 20-pin connector, red
- T32 32-pin connector
- B383 Powertrain CAN bus high connection 1 (in main wiring harness)
- B390 Powertrain CAN bus low connection 1 (in main wiring harness)
- B397 Comfort system CAN bus high connection 1 (in main wiring harness)
- B406 Comfort system CAN bus low connection 1 (in main wiring harness)
- B415 Infotainment CAN Bus high connection 1 (in main wiring harness)
- B421 Infotainment CAN bus low connection 1 (in main wiring harness)
- * Diagnostic connector
- *2 Data bus wire (CAN bus)
- *3 Prompt wire

- ws = white
- sw = black
- ro = red
- rt = red
- br = brown
- gn = green
- bl = blue
- gr = grey
- li = lilac
- vi = lilac
- ge = yellow
- or = orange
- rs = pink

Power seats
from May 2006

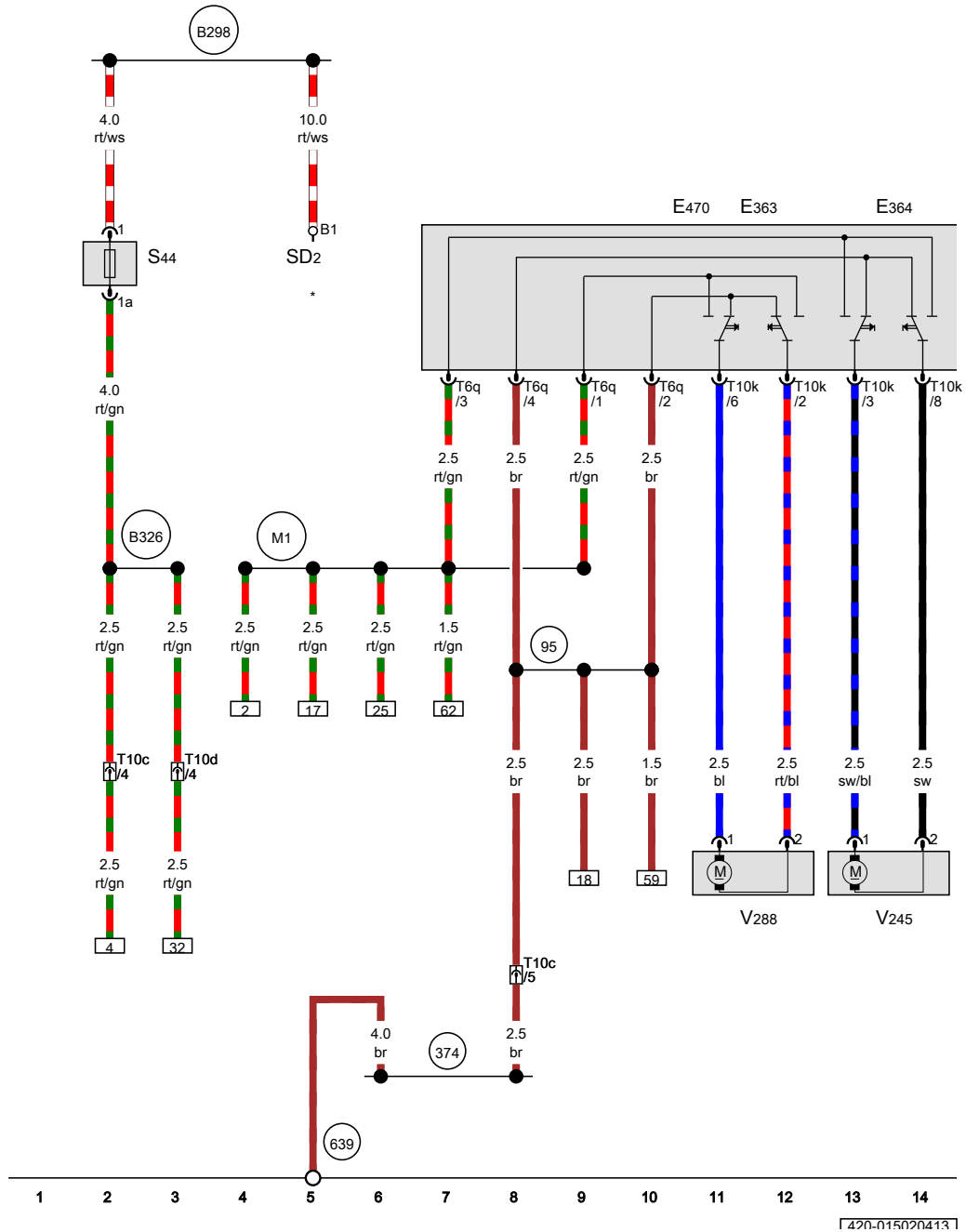


Audi

Protected by copyright. Copying for private or commercial purposes, in part or in whole, is not permitted unless authorised by AUDI AG. AUDI AG does not guarantee or accept any liability with respect to the correctness of information in this document. Copyright by AUDI AG.



Driver seat adjustment control head, Driver power seat adjustment circuit breaker 1, Driver seat height adjustment motor, Seat forward/back adjustment motor



- E363 Driver seat forward/back adjustment switch
- E364 Driver seat height adjustment switch
- E470 Driver seat adjustment control head
- SD2 Fuse 2 (on fuse panel D)
- S44 Driver power seat adjustment circuit breaker 1, Relay and fuse holder B on the vehicle electrical system control module in the right front footwell
- T6q 6-pin connector
- T10c 10-pin connector, under the driver seat, red
- T10d 10-pin connector, under the front passenger seat, red
- T10k 10-pin connector
- V245 Driver seat height adjustment motor
- V288 Seat forward/back adjustment motor

- 95 Ground connection 1 (in seat adjustment wiring harness)
- 374 Ground connection 9 (in main wiring harness)
- 639 Ground connection on left A-pillar
- B298 Positive connection 2 (30) (in main wiring harness)
- B326 Positive connection 12 (30a) (in main wiring harness)
- M1 Positive connection 1 (30) (in seat adjustment wiring harness)
- * Main fuse box in the right front footwell

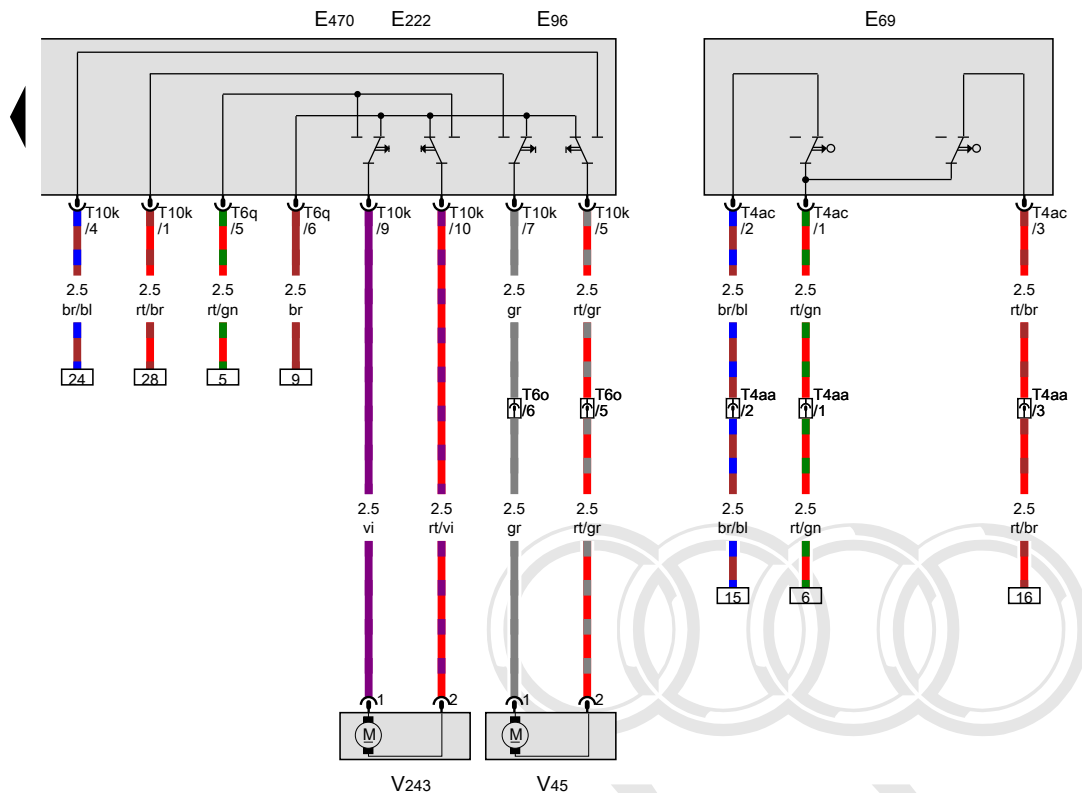
- ws = white
- sw = black
- ro = red
- rt = red
- br = brown
- gn = green
- bl = blue
- gr = grey
- li = lilac
- vi = lilac
- ge = yellow
- or = orange
- rs = pink

Protected by copyright. Copying for private or commercial purposes, in part or in whole, is not permitted unless authorised by AUDI AG. AUDI AG does not guarantee or accept any liability with respect to the correctness of information in this document. Copyright by AUDI AG.



Driver backrest stop switch, Driver seat adjustment control head

- E69 Driver backrest stop switch
- E96 Driver backrest adjustment switch
- E222 Driver seat angle adjustment switch
- E470 Driver seat adjustment control head
- T4aa 4-pin connector, in the driver seat
- T4ac 4-pin connector
- T6o 6-pin connector, in the driver seat
- T6q 6-pin connector
- T10k 10-pin connector
- V45 Driver backrest adjustment motor
- V243 Driver seat angle adjustment motor



- ws = white
- sw = black
- ro = red
- rt = red
- br = brown
- gn = green
- bl = blue
- gr = grey
- li = lilac
- vi = lilac
- ge = yellow
- or = orange
- rs = pink

Protected by copyright. Copying for private or commercial purposes, in part or in whole, is not permitted unless authorised by AUDI AG. AUDI AG does not guarantee or accept any liability with respect to the correctness of information in this document. Copyright by AUDI AG

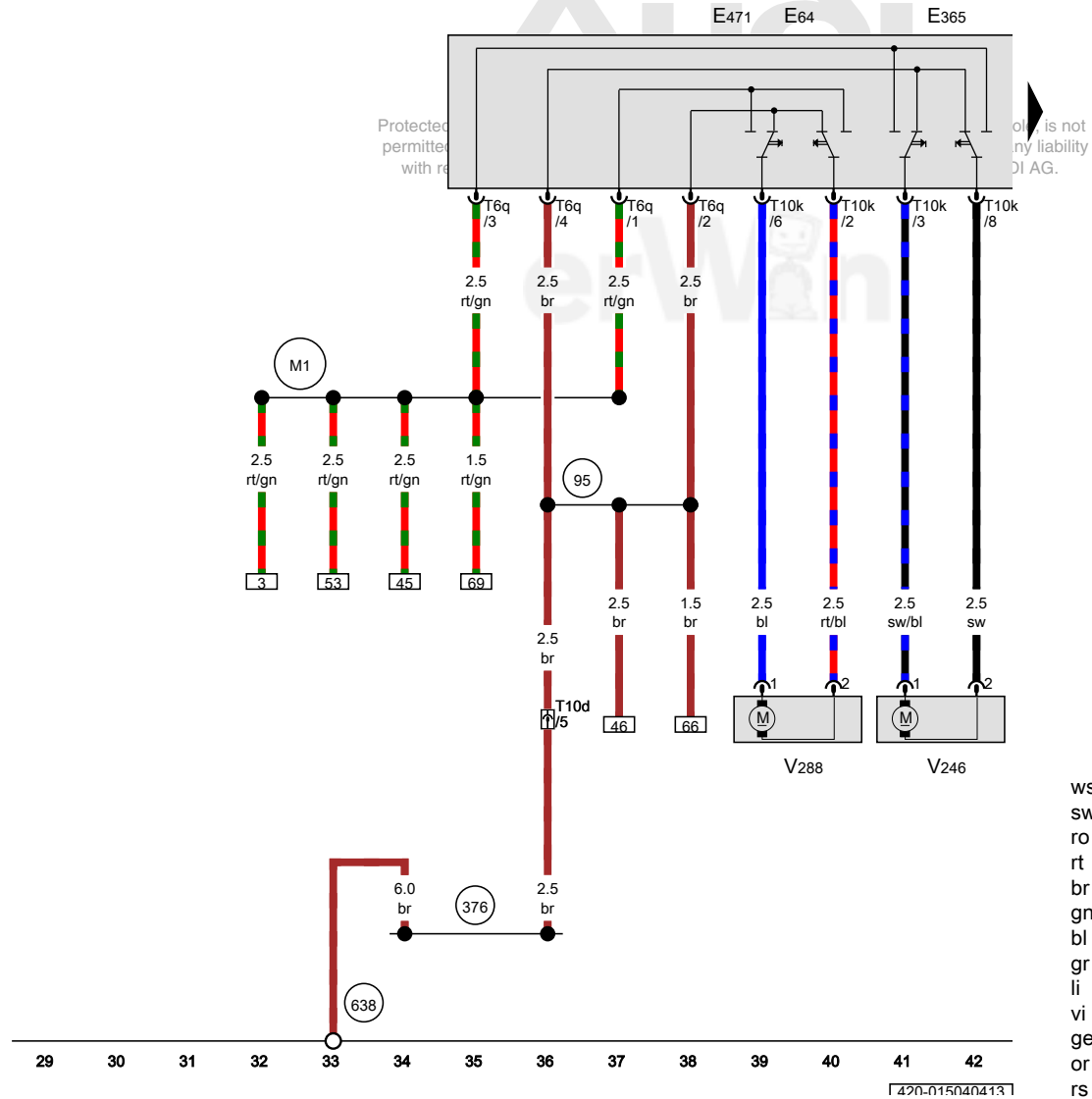
15 16 17 18 19 20 21 22 23 24 25 26 27 28

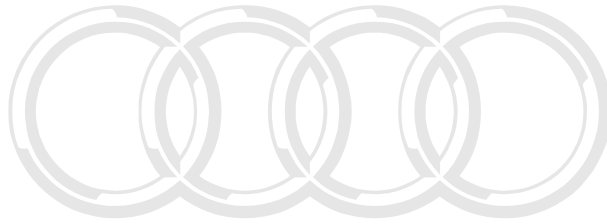
1420-015030413

Front passenger seat adjustment control head, Front passenger seat height adjustment motor, Seat forward/back adjustment motor

- E64 Front passenger seat forward/back adjustment switch
- E365 Front passenger seat height adjustment switch
- E471 Front passenger seat adjustment control head
- T6q 6-pin connector
- T10d 10-pin connector, under the front passenger seat, red
- T10k 10-pin connector
- V246 Front passenger seat height adjustment motor
- V288 Seat forward/back adjustment motor

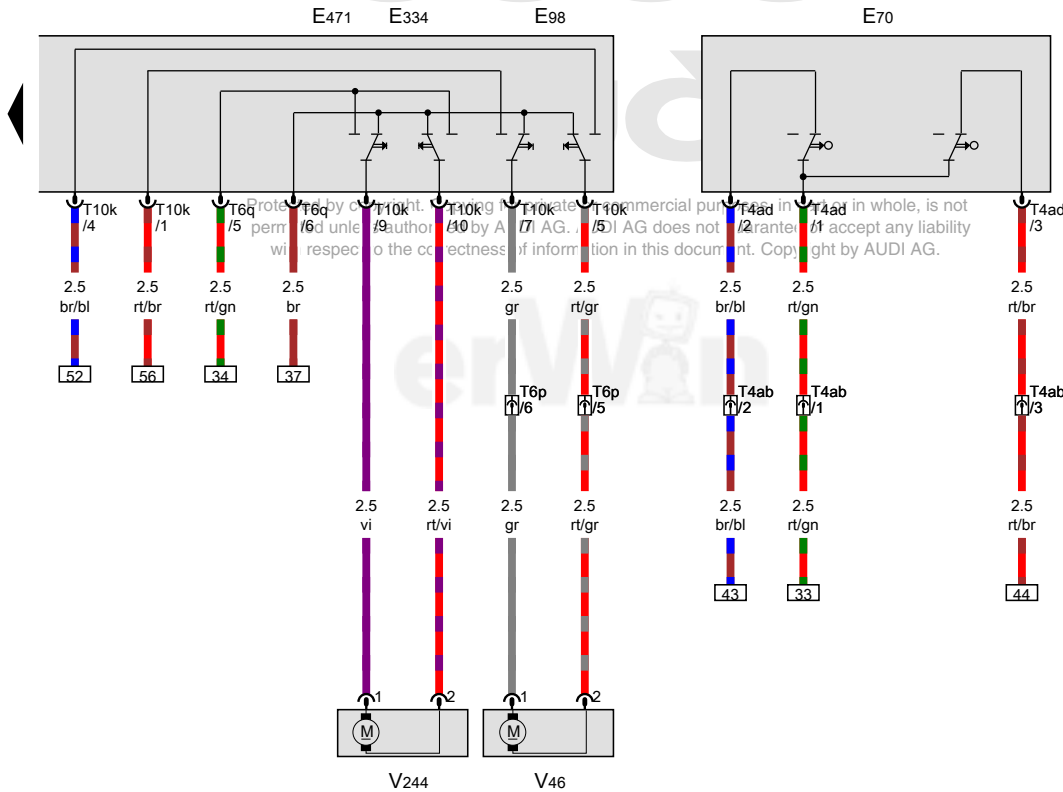
- 95 Ground connection 1 (in seat adjustment wiring harness)
- 376 Ground connection 11 (in main wiring harness)
- 638 Ground connection on right A-pillar
- M1 Positive connection 1 (30) (in seat adjustment wiring harness)





Front passenger backrest stop switch, Front passenger seat adjustment control head

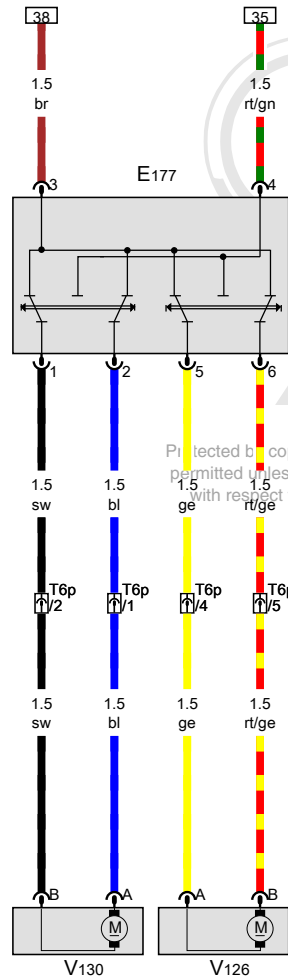
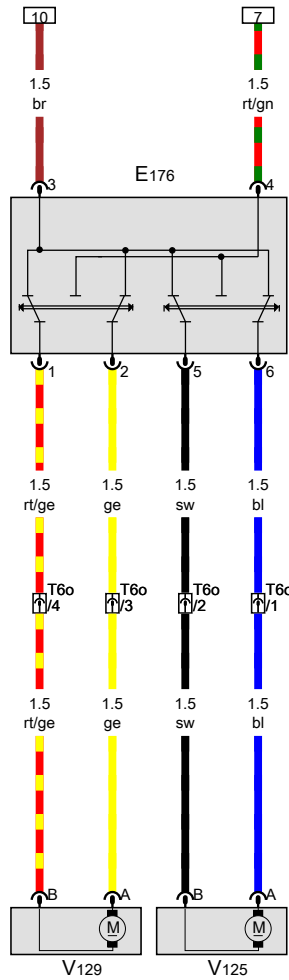
- E70 Front passenger backrest stop switch
- E98 Front passenger backrest adjustment switch
- E334 Front passenger seat angle adjustment button
- E471 Front passenger seat adjustment control head
- T4ab 4-pin connector, in the front passenger seat
- T4ad 4-pin connector
- T6p 6-pin connector, in the front passenger seat
- T6q 6-pin connector
- T10k 10-pin connector
- V46 Front passenger backrest adjustment motor
- V244 Front passenger seat angle adjustment motor



- ws = white
- sw = black
- ro = red
- rt = red
- br = brown
- gn = green
- bl = blue
- gr = grey
- li = lilac
- vi = lilac
- ge = yellow
- or = orange
- rs = pink

43 44 45 46 47 48 49 50 51 52 53 54 55 56

[420-015050413]



Driver seat lumbar support adjustment switch, Front passenger seat lumbar support adjustment switch

- E176 Driver seat lumbar support adjustment switch
- E177 Front passenger seat lumbar support adjustment switch
- T6o 6-pin connector, in the driver seat
- T6p 6-pin connector, in the front passenger seat
- V125 Driver seat lumbar support curvature adjustment motor
- V126 Front passenger seat lumbar support curvature adjustment motor
- V129 Driver seat lumbar support height adjustment motor
- V130 Front passenger seat lumbar support height adjustment motor

Protected by copyright. Copying for private or commercial purposes, in part or in whole, is not permitted unless authorised by AUDI AG. AUDI AG does not guarantee or accept any liability with respect to the correctness of information in this document. Copyright by AUDI AG.

- ws = white
- sw = black
- ro = red
- rt = red
- br = brown
- gn = green
- bl = blue
- gr = grey
- li = lilac
- vi = lilac
- ge = yellow
- or = orange
- rs = pink

Lumbar support adjustment
from May 2006



Audi

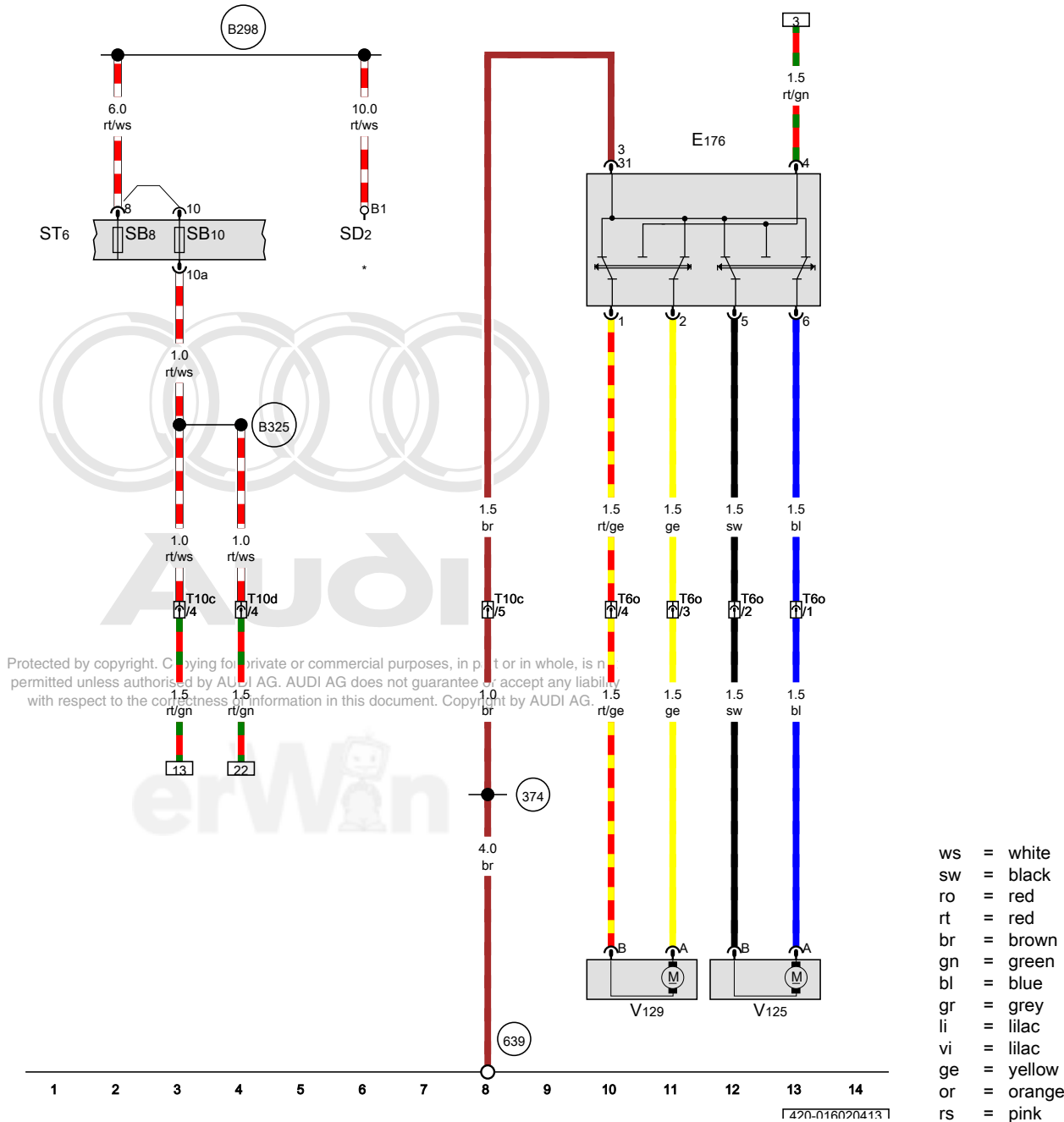
Protected by copyright. Copying for private or commercial purposes, in part or in whole, is not permitted unless authorised by AUDI AG. AUDI AG does not guarantee or accept any liability with respect to the correctness of information in this document. Copyright by AUDI AG.

erWin

Driver seat lumbar support adjustment switch

- E176 Driver seat lumbar support adjustment switch
- SD2 Fuse 2 (on fuse panel D)
- ST6 Fuse panel 6
- SB8 Fuse 8 (on fuse panel B)
- SB10 Fuse 10 (on fuse panel B)
- T6o 6-pin connector, in the driver seat
- T10c 10-pin connector, under the driver seat, red
- T10d 10-pin connector, under the front passenger seat, red
- V125 Driver seat lumbar support curvature adjustment motor
- V129 Driver seat lumbar support height adjustment motor

- 374 Ground connection 9 (in main wiring harness)
- 639 Ground connection on left A-pillar
- B298 Positive connection 2 (30) (in main wiring harness)
- B325 Positive connection 11 (30a) (in main wiring harness)
- * Main fuse box in the right front footwell



- ws = white
- sw = black
- ro = red
- rt = red
- br = brown
- gn = green
- bl = blue
- gr = grey
- li = lilac
- vi = lilac
- ge = yellow
- or = orange
- rs = pink

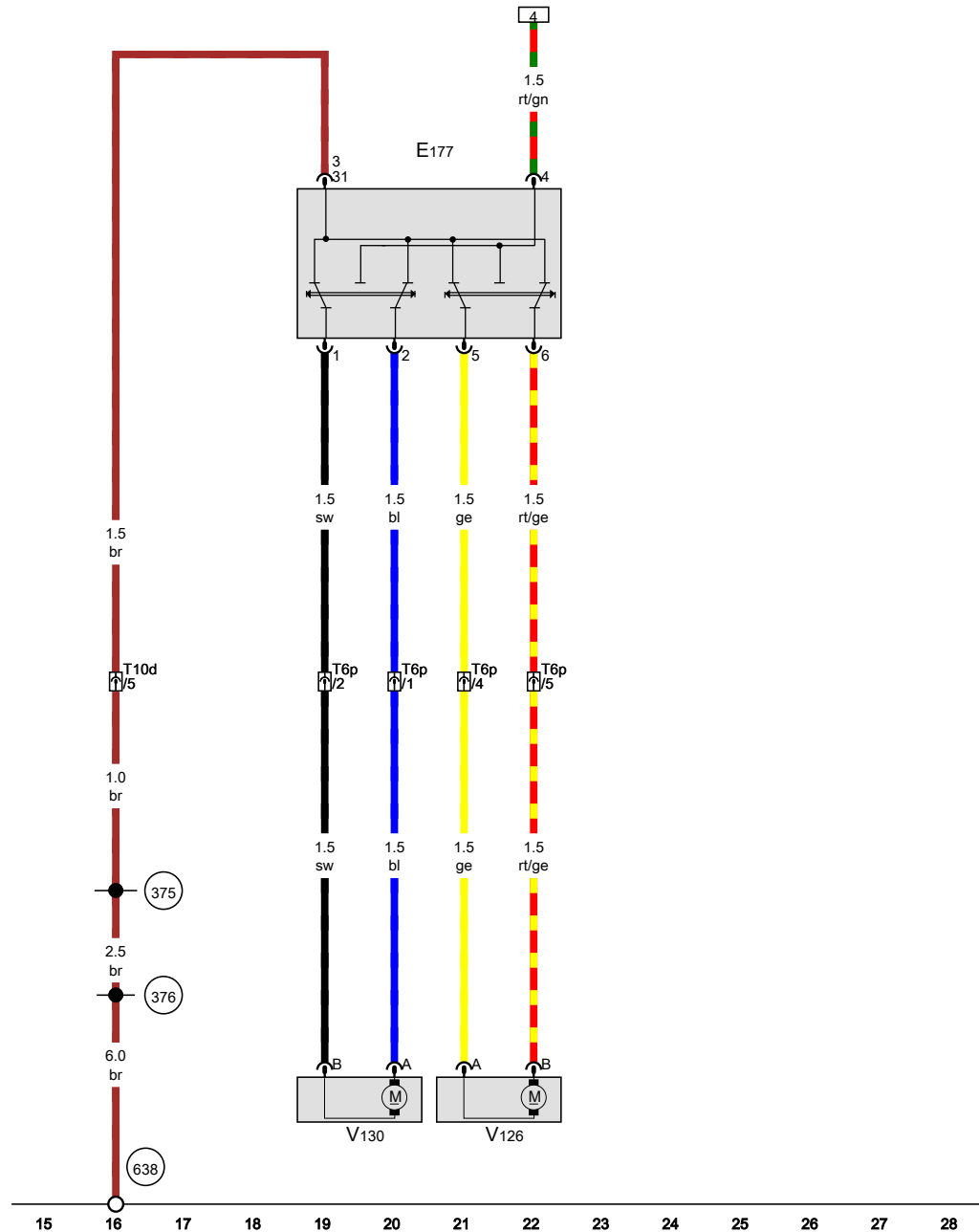
Front passenger seat lumbar support adjustment switch

- E177 Front passenger seat lumbar support adjustment switch
- T6p 6-pin connector, in the front passenger seat
- T10d 10-pin connector, under the front passenger seat, red
- V126 Front passenger seat lumbar support curvature adjustment motor
- V130 Front passenger seat lumbar support height adjustment motor

- 375 Ground connection 10 (in main wiring harness)
- 376 Ground connection 11 (in main wiring harness)
- 638 Ground connection on right A-pillar



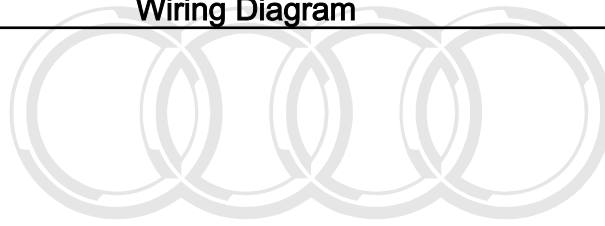
Protected by copyright. Copying for private or commercial purposes, in part or in whole, is not permitted unless authorised by AUDI AG. AUDI AG does not guarantee or accept any liability with respect to the correctness of information in this document. Copyright by AUDI AG.



- ws = white
- sw = black
- ro = red
- rt = red
- br = brown
- gn = green
- bl = blue
- gr = grey
- li = lilac
- vi = lilac
- ge = yellow
- or = orange
- rs = pink

1420-016030413

Heated seats
from May 2006



Audi

Protected by copyright. Copying for private or commercial purposes, in part or in whole, is not permitted unless authorised by AUDI AG. AUDI AG does not guarantee or accept any liability with respect to the correctness of information in this document. Copyright by AUDI AG.



Climatronic control module

- J255 Climatronic control module
- SD2 Fuse 2 (on fuse panel D)
- ST6 Fuse panel 6
- SB8 Fuse 8 (on fuse panel B)
- SB9 Fuse 9 (on fuse panel B)
- T3b 3-pin connector, black
- T16b 16-pin connector, black

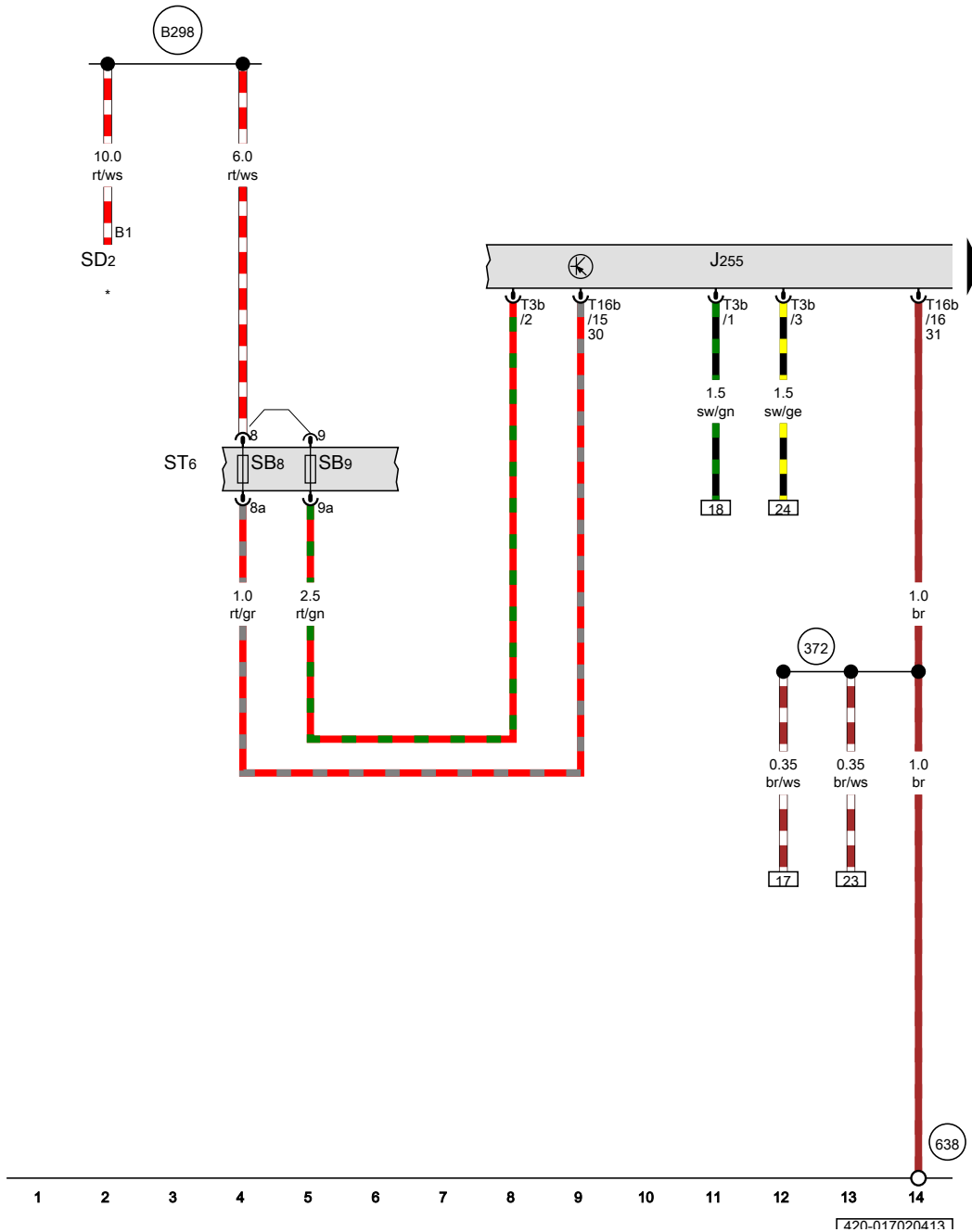
372 Ground connection 7 (in main wiring harness)

638 Ground connection on right A-pillar

B298 Positive connection 2 (30) (in main wiring harness)

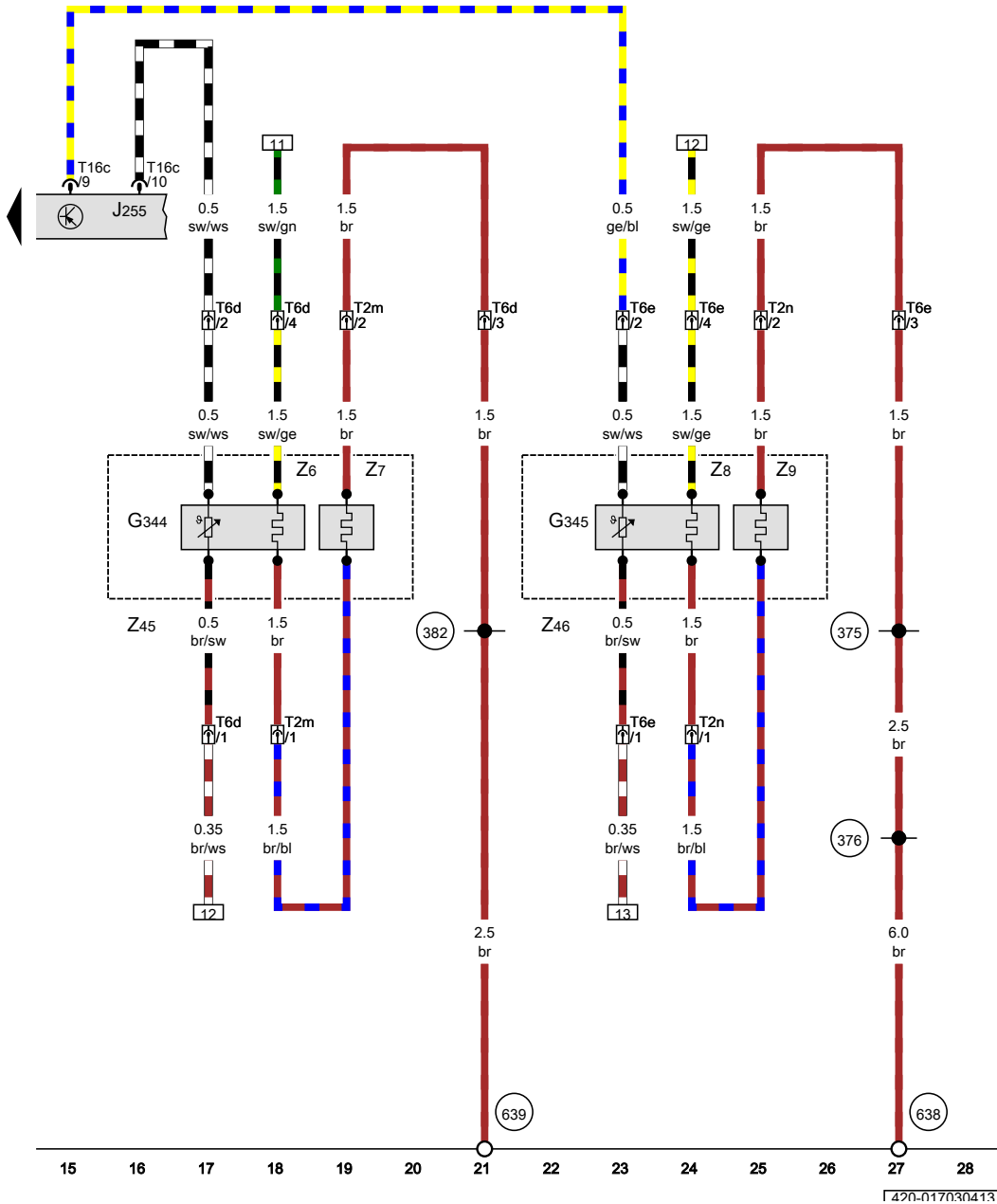
* Main fuse box in the right front footwell

Protected by copyright. Copying for private or commercial purposes, in part or in whole, is not permitted unless authorised by AUDI AG. AUDI AG does not guarantee or accept any liability with respect to the correctness of information in this document. Copyright by AUDI AG.



- ws = white
- sw = black
- ro = red
- rt = red
- br = brown
- gn = green
- bl = blue
- gr = grey
- li = lilac
- vi = lilac
- ge = yellow
- or = orange
- rs = pink

Left front seat temperature sensor, Right front seat temperature sensor, Climatronic control module, Left front seat heating element, Right front seat heating element



- G344 Left front seat temperature sensor
- G345 Right front seat temperature sensor
- J255 Climatronic control module
- T2m Double connector, in the driver seat
- T2n Double connector, in the front passenger seat
- T6d 6-pin connector, under the driver seat, green
- T6e 6-pin connector, under the front passenger seat, green
- T16c 16-pin connector, brown
- Z6 Driver seat heating element
- Z7 Driver backrest heating element
- Z8 Front passenger seat heating element
- Z9 Front passenger backrest heating element
- Z45 Left front seat heating element
- Z46 Right front seat heating element

Protected by copyright. Copying for private or commercial purposes, in part or in whole, is not permitted unless authorized by AUDI AG. AUDI AG does not guarantee or accept any liability with respect to the correctness of information in this document. Copyright by AUDI AG.

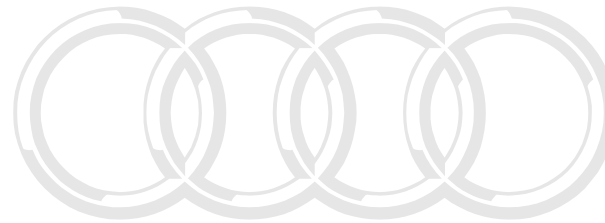
- 375 Ground connection 10 (in main wiring harness)
- 376 Ground connection 11 (in main wiring harness)
- 382 Ground connection 17 (in main wiring harness)
- 638 Ground connection on right A-pillar
- 639 Ground connection on left A-pillar

- ws = white
- sw = black
- ro = red
- rt = red
- br = brown
- gn = green
- bl = blue
- gr = grey
- li = lilac
- vi = lilac
- ge = yellow
- or = orange
- rs = pink

1420-017030413

Cell phone preparation without hands-free system (Infotainment CAN bus)

From June 2006



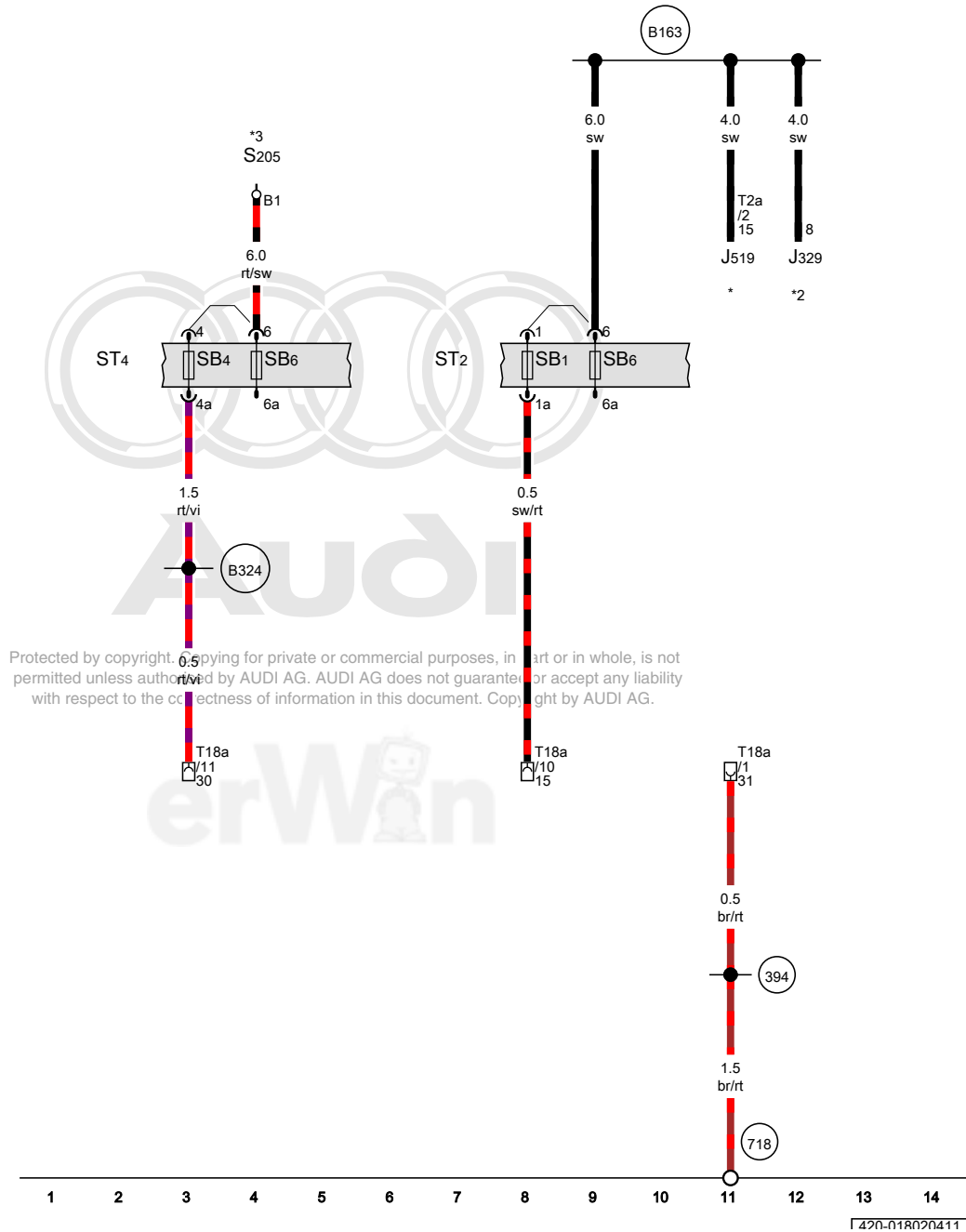
Audi

Protected by copyright. Copying for private or commercial purposes, in part or in whole, is not permitted unless authorised by AUDI AG. AUDI AG does not guarantee or accept any liability with respect to the correctness of information in this document. Copyright by AUDI AG.



Fuse panel 2, Fuse panel 4

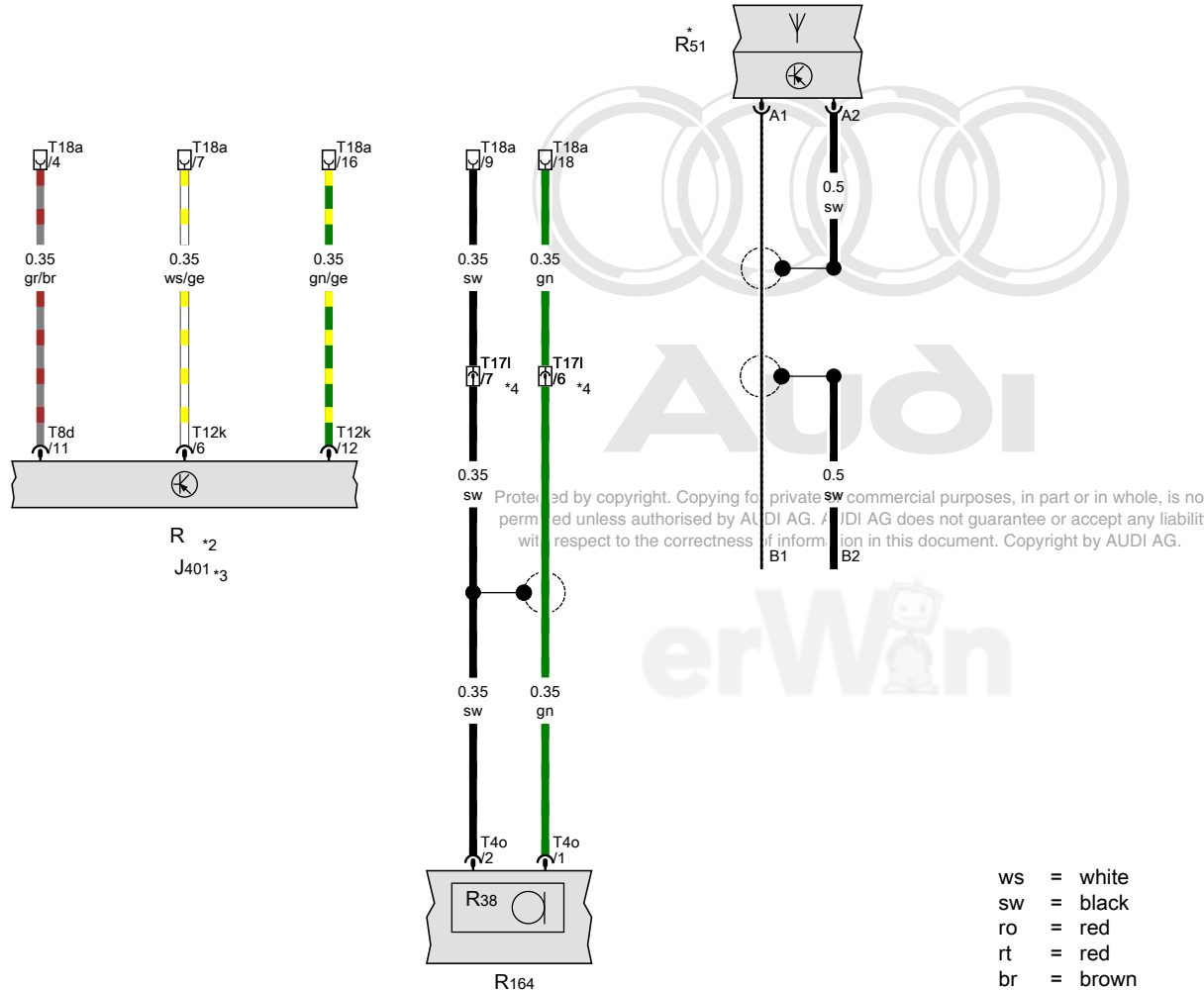
- J329 Terminal 15 power supply relay, Relay carrier in the right front footwell
- J519 Vehicle electrical system control module
- SB1 Fuse 1 (on fuse panel B)
- ST2 Fuse panel 2
- SB4 Fuse 4 (on fuse panel B)
- ST4 Fuse panel 4
- SB6 Fuse 6 (on fuse panel B)
- S205 Fuse 2 (terminal 30)
- T2a Double connector
- T18a 18-pin connector, behind the glove compartment
- 394 Ground connection 29 (in main wiring harness)
- 718 Audio ground connection under rear shelf
- B163 Positive connection 1 (15) (in interior wiring harness)
- B324 Positive connection 10 (30a) (in main wiring harness)
- * Through May 2009
- *2 From June 2009
- *3 Main distribution in the right front footwell



- ws = white
- sw = black
- ro = red
- rt = red
- br = brown
- gn = green
- bl = blue
- gr = grey
- li = lilac
- vi = lilac
- ge = yellow
- or = orange
- rs = pink

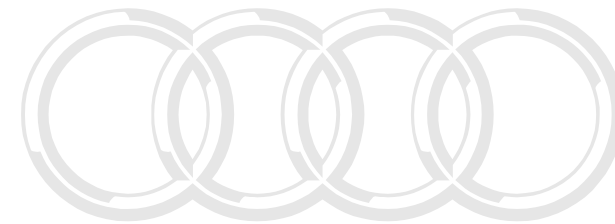
Telephone microphone, Radio/telephone antenna, Microphone unit in front roof module, 18-pin connector

- J401 Navigation system with CD drive control module
- R Radio
- R38 Telephone microphone
- R51 Radio/telephone antenna
- R164 Microphone unit in front roof module
- T4o 4-pin connector
- T8d 8-pin connector
- T12k 12-pin connector
- T17i 17-pin connector, on the left A-pillar
- T18a 18-pin connector, behind the glove compartment
- * Telephone antenna, rear lid
- *2 Only for vehicles with a radio
- *3 Only for vehicles with radio navigation system
- *4 Depending on equipment



- ws = white
- sw = black
- ro = red
- rt = red
- br = brown
- gn = green
- bl = blue
- gr = grey
- li = lilac
- vi = lilac
- ge = yellow
- or = orange
- rs = pink

Cell phone preparation
from May 2006



Audi

Protected by copyright. Copying for private or commercial purposes, in part or in whole, is not permitted unless authorised by AUDI AG. AUDI AG does not guarantee or accept any liability with respect to the correctness of information in this document. Copyright by AUDI AG.



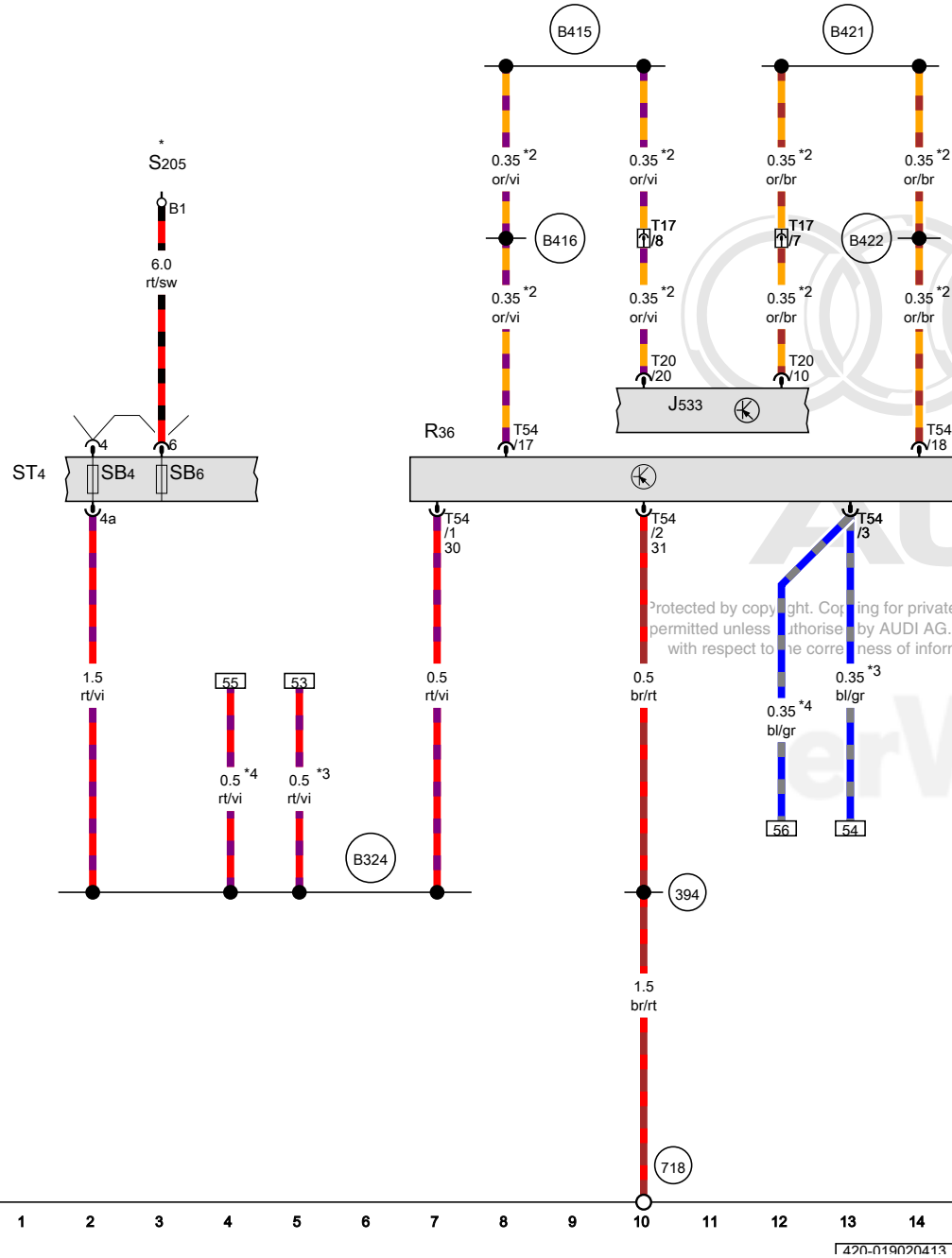
Telephone transceiver

- J533 Data bus on board diagnostic interface
- R36 Telephone transceiver
- ST4 Fuse panel 4
- SB4 Fuse 4 (on fuse panel B)
- SB6 Fuse 6 (on fuse panel B)
- S205 Fuse 2 (terminal 30)
- T17 17-pin connector, Inside the center console connector station on the right side, red
- T20 20-pin connector, red
- T54 54-pin connector

- 394 Ground connection 29 (in main wiring harness)
- 718 Audio ground connection under rear shelf
- B324 Positive connection 10 (30a) (in main wiring harness)
- B415 Infotainment CAN Bus high connection 1 (in main wiring harness)
- B416 Infotainment CAN Bus high connection 2 (in main wiring harness)
- B421 Infotainment CAN bus low connection 1 (in main wiring harness)
- B422 Infotainment CAN bus low connection 2 (in main wiring harness)

- * Main distribution in the right front footwell
- *2 Infotainment CAN bus
- *3 Through May 2008
- *4 from June 2008

- ws = white
- sw = black
- ro = red
- rt = red
- br = brown
- gn = green
- bl = blue
- gr = grey
- li = lilac
- vi = lilac
- ge = yellow
- or = orange
- rs = pink



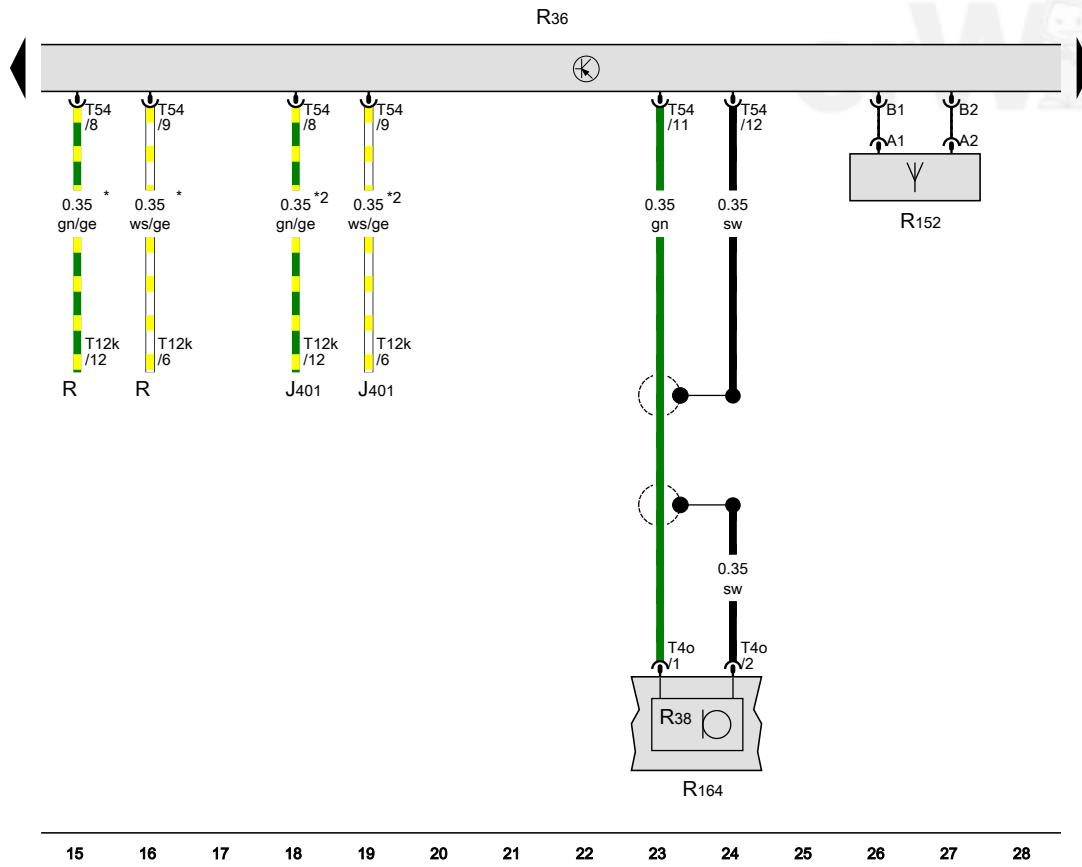
1420-019020413



Telephone transceiver, Bluetooth antenna, Microphone unit in front roof module

- J401 Navigation system with CD drive control module
- R Radio
- R36 Telephone transceiver
- R38 Telephone microphone
- R152 Bluetooth antenna
- R164 Microphone unit in front roof module
- T4o 4-pin connector
- T12k 12-pin connector
- T54 54-pin connector
- * Only for vehicles with a radio
- *2 Only for vehicles with radio/navigation RNS-E

Protected by copyright. Copying for private or commercial purposes, in part or in whole, is not permitted unless authorised by AUDI AG. AUDI AG does not guarantee or accept any liability with respect to the correctness of information in this document. Copyright by AUDI AG.



- ws = white
- sw = black
- ro = red
- rt = red
- br = brown
- gn = green
- bl = blue
- gr = grey
- li = lilac
- vi = lilac
- ge = yellow
- or = orange
- rs = pink

15 16 17 18 19 20 21 22 23 24 25 26 27 28

1420-019030413

Telephone transceiver, Cellular telephone, Telephone baseplate

- R36 Telephone transceiver
- R54 Cellular telephone
- R126 Telephone baseplate
- T12m 12-pin connector
- T54 54-pin connector
- * Not for USA

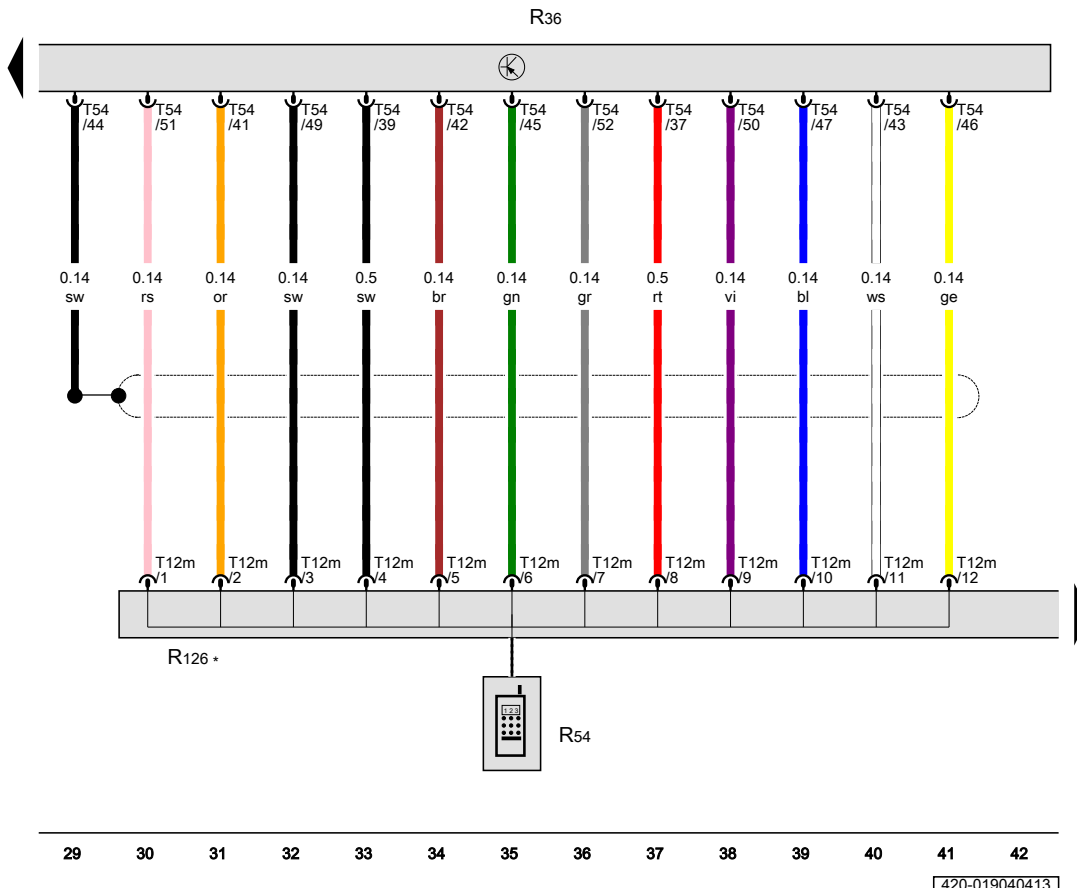


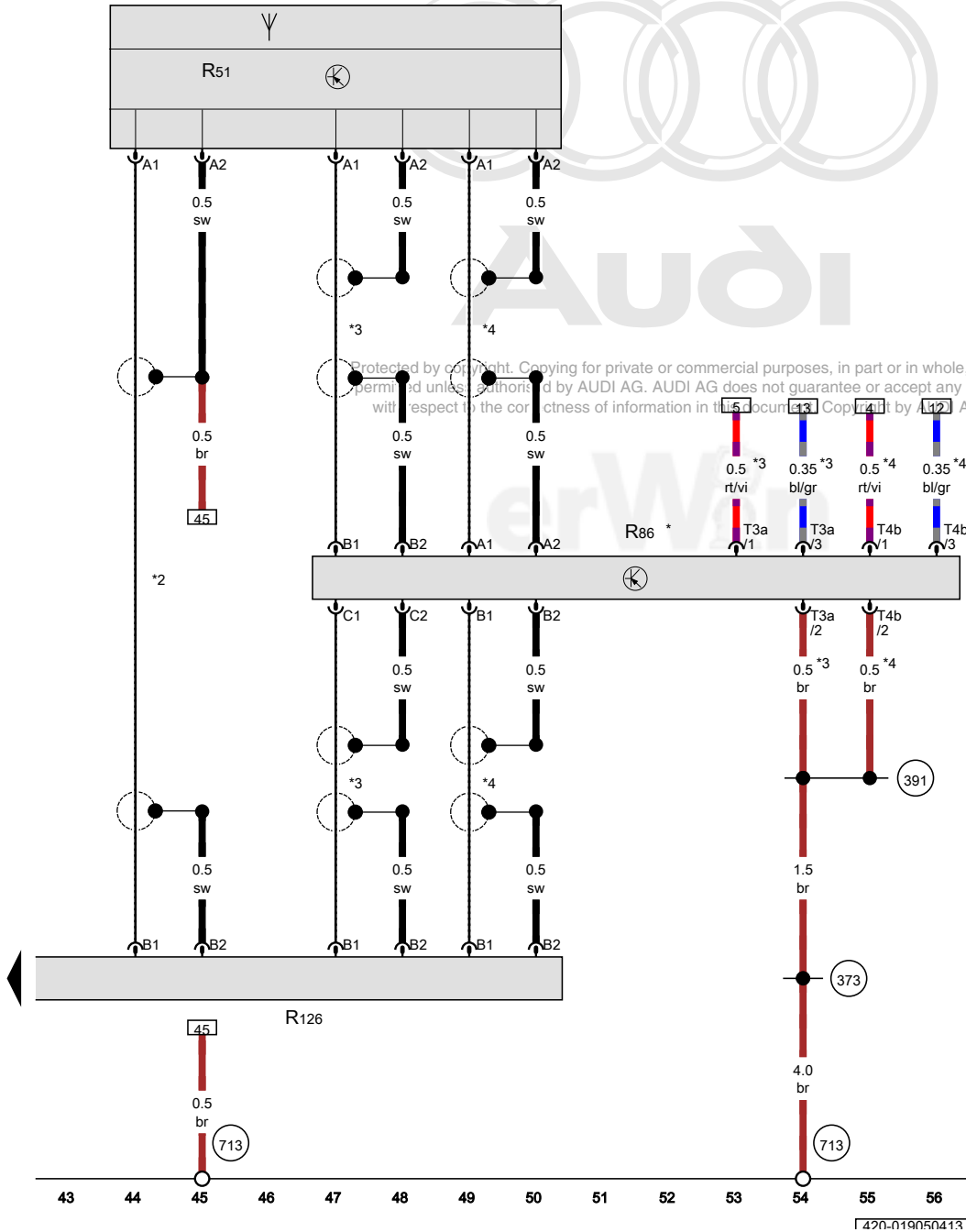
Audi

Protected by copyright. Copying for private or commercial purposes, in part or in whole, is not permitted unless authorised by AUDI AG. AUDI AG does not guarantee or accept any liability with respect to the correctness of information in this document. Copyright by AUDI AG.



- ws = white
- sw = black
- ro = red
- rt = red
- br = brown
- gn = green
- bl = blue
- gr = grey
- li = lilac
- vi = lilac
- ge = yellow
- or = orange
- rs = pink





Radio/telephone antenna, Cellular telephone amplifier, Telephone baseplate

- R51 Radio/telephone antenna
- R86 Cellular telephone amplifier
- R126 Telephone baseplate
- T3a 3-pin connector
- T4b 4-pin connector

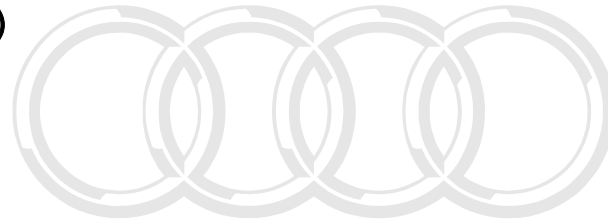
- 373 Ground connection 8 (in main wiring harness)
- 391 Ground connection 26 (in main wiring harness)
- 713 Ground connection under rear shelf, right

- * Not for USA
- *2 USA only
- *3 Through May 2008
- *4 from June 2008

- ws = white
- sw = black
- ro = red
- rt = red
- br = brown
- gn = green
- bl = blue
- gr = grey
- li = lilac
- vi = lilac
- ge = yellow
- or = orange
- rs = pink

420-019050413

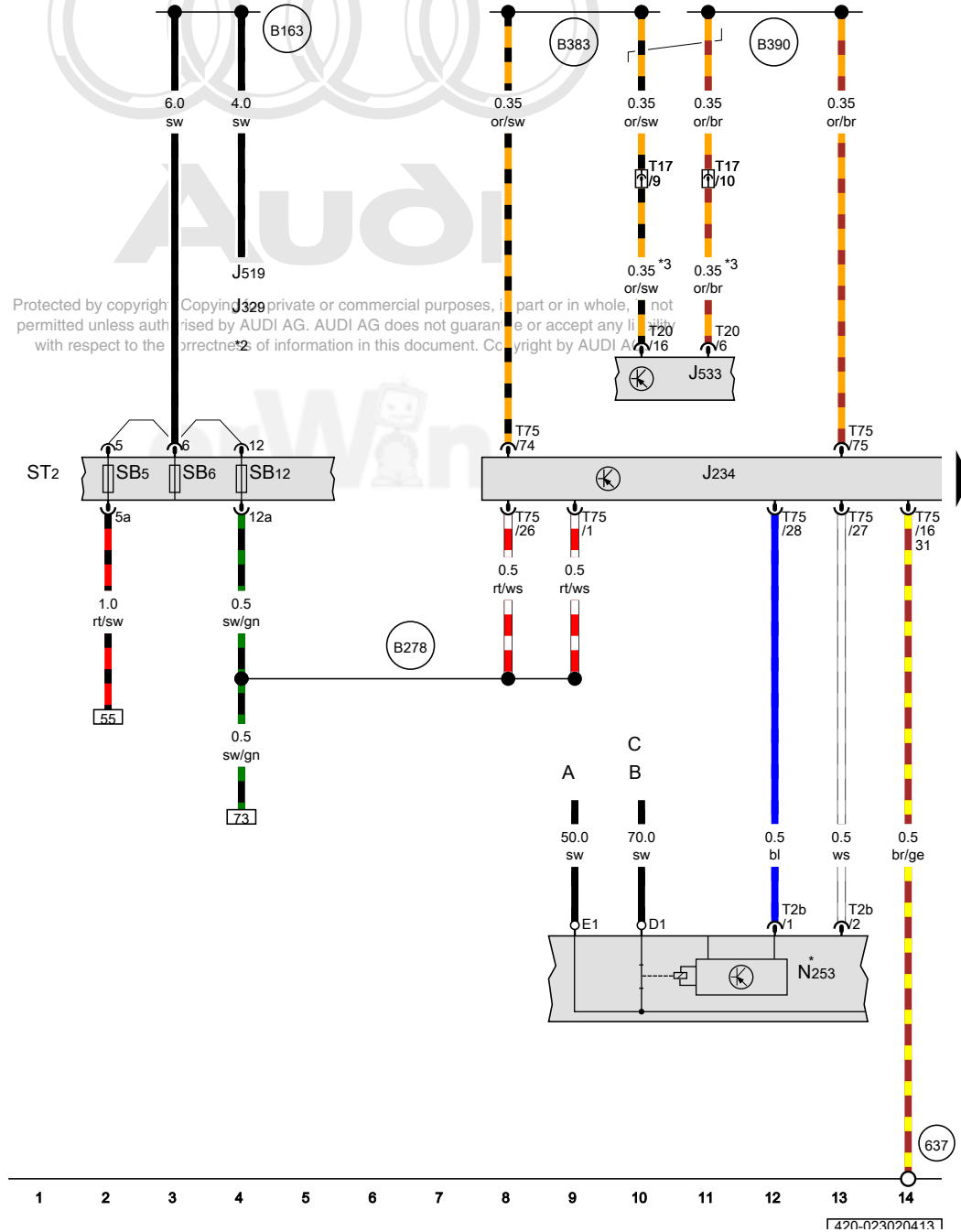
Airbag systems (US equipment)
from May 2006



Audi

Protected by copyright. Copying for private or commercial purposes, in part or in whole, is not permitted unless authorised by AUDI AG. AUDI AG does not guarantee or accept any liability with respect to the correctness of information in this document. Copyright by AUDI AG.





Protected by copyright. Copying for private or commercial purposes, in part or in whole, is not permitted unless authorized by AUDI AG. AUDI AG does not guarantee or accept any liability with respect to the correctness of information in this document. Copyright by AUDI AG.

Airbag control module, Data bus on board diagnostic interface

- A Battery
- B Starter
- C Generator
- J234 Airbag control module
- J329 Terminal 15 power supply relay
- J519 Vehicle electrical system control module
- J533 Data bus on board diagnostic interface
- N253 Battery interrupt igniter
- ST2 Fuse panel 2
- SB5 Fuse 5 (on fuse panel B)
- SB6 Fuse 6 (on fuse panel B)
- SB12 Fuse 12 (on fuse panel B)
- T2b Double connector
- T17 17-pin connector, Inside the center console connector station on the right side, red
- T20 20-pin connector, red
- T75 75-pin connector, yellow
- 637 Airbag control module ground connection
- B163 Positive connection 1 (15) (in interior wiring harness)
- B278 Positive connection 2 (15a) (in main wiring harness)
- B383 Powertrain CAN bus high connection 1 (in main wiring harness)
- B390 Powertrain CAN bus low connection 1 (in main wiring harness)
- * Main fuse box in the right front footwell
- *2 Refer to applicable standard equipment wiring diagram
- *3 Data bus wire (CAN bus)

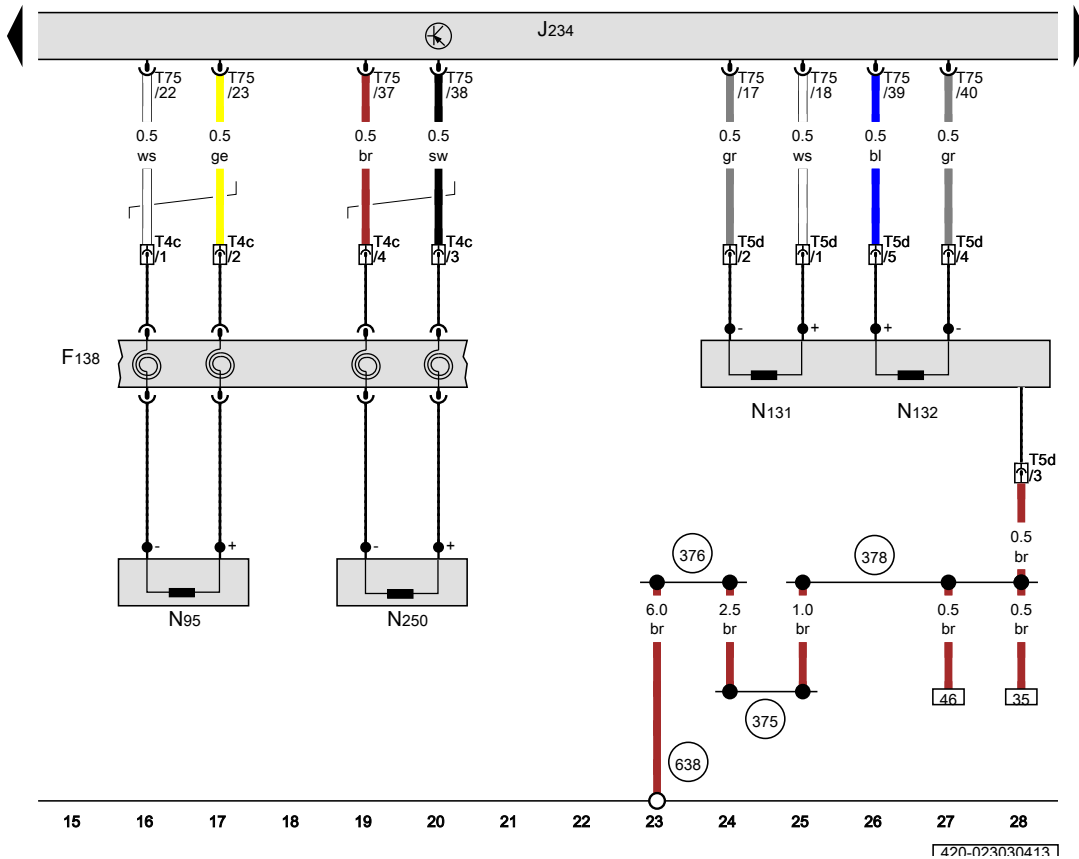
1 2 3 4 5 6 7 8 9 10 11 12 13 14

Airbag spiral spring/return spring with slip ring, Airbag control module, Driver airbag igniter, Front passenger airbag igniter 2, Driver airbag igniter 2

- F138 Airbag spiral spring/return spring with slip ring
- J234 Airbag control module
- N95 Driver airbag igniter
- N131 Front passenger airbag igniter 1
- N132 Front passenger airbag igniter 2
- N250 Driver airbag igniter 2
- T4c 4-pin connector, on the steering column electronics control module, yellow
- T5d 5-pin connector, behind the instrument panel, right, yellow
- T75 75-pin connector, yellow

- 375 Ground connection 10 (in main wiring harness)
- 376 Ground connection 11 (in main wiring harness)
- 378 Ground connection 13 (in main wiring harness)
- 638 Ground connection on right A-pillar

Protected by copyright. Copying for private or commercial purposes, in part or in whole, is not permitted unless authorised by AUDI AG. AUDI AG does not guarantee or accept any liability with respect to the correctness of information in this document. Copyright by AUDI AG.



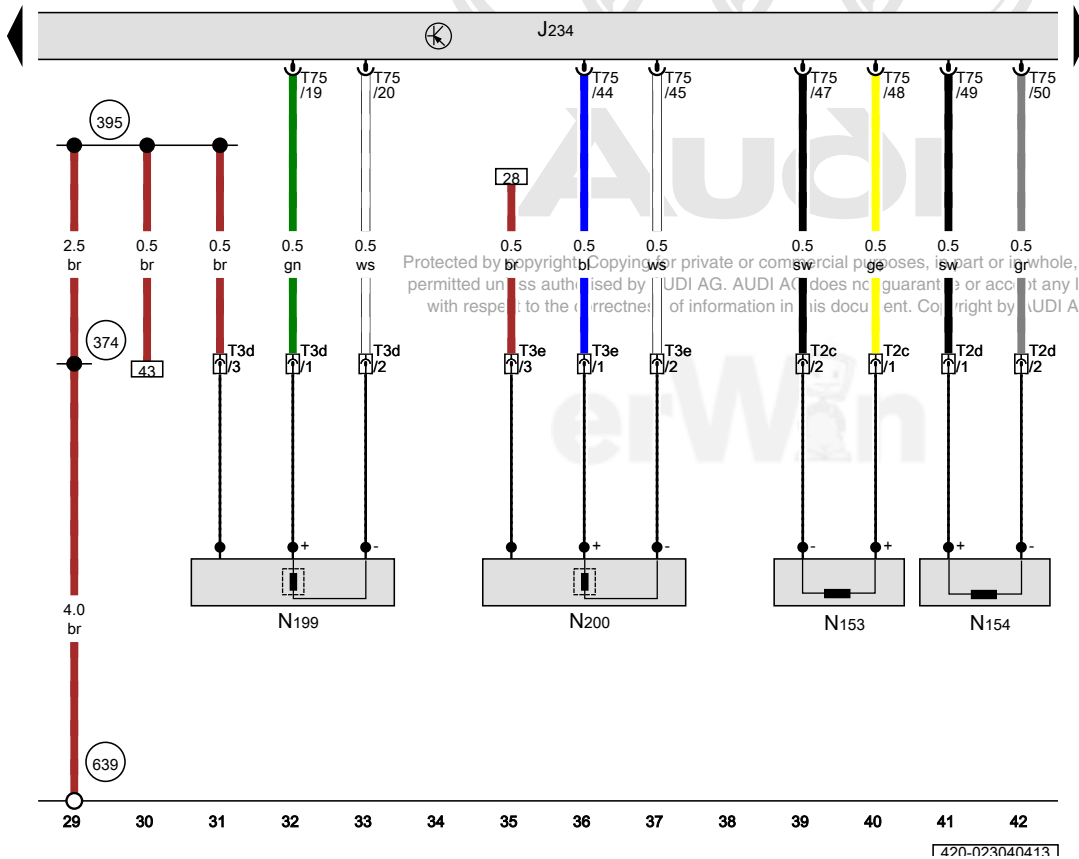
- ws = white
- sw = black
- ro = red
- rt = red
- br = brown
- gn = green
- bl = blue
- gr = grey
- li = lilac
- vi = lilac
- ge = yellow
- or = orange
- rs = pink

1420-023030413

Airbag control module, Driver seat belt tensioner igniter 1, Driver thorax airbag igniter, Front passenger thorax airbag igniter

- J234 Airbag control module
- N153 Driver seat belt tensioner igniter 1
- N154 Front passenger seat belt tensioner igniter 1
- N199 Driver thorax airbag igniter
- N200 Front passenger thorax airbag igniter
- T2c Double connector, on the left B-pillar, yellow
- T2d Double connector, on the right B-pillar, yellow
- T3d 3-pin connector, under the driver seat, yellow
- T3e 3-pin connector, under the front passenger seat, yellow
- T75 75-pin connector, yellow

- 374 Ground connection 9 (in main wiring harness)
- 395 Ground connection 30 (in main wiring harness)
- 639 Ground connection on left A-pillar



Protected by copyright. Copying for private or commercial purposes, in part or in whole, is not permitted unless authorised by AUDI AG. AUDI AG does not guarantee or accept any liability with respect to the correctness of information in this document. Copyright by AUDI AG.

- ws = white
- sw = black
- ro = red
- rt = red
- br = brown
- gn = green
- bl = blue
- gr = grey
- li = lilac
- vi = lilac
- ge = yellow
- or = orange
- rs = pink

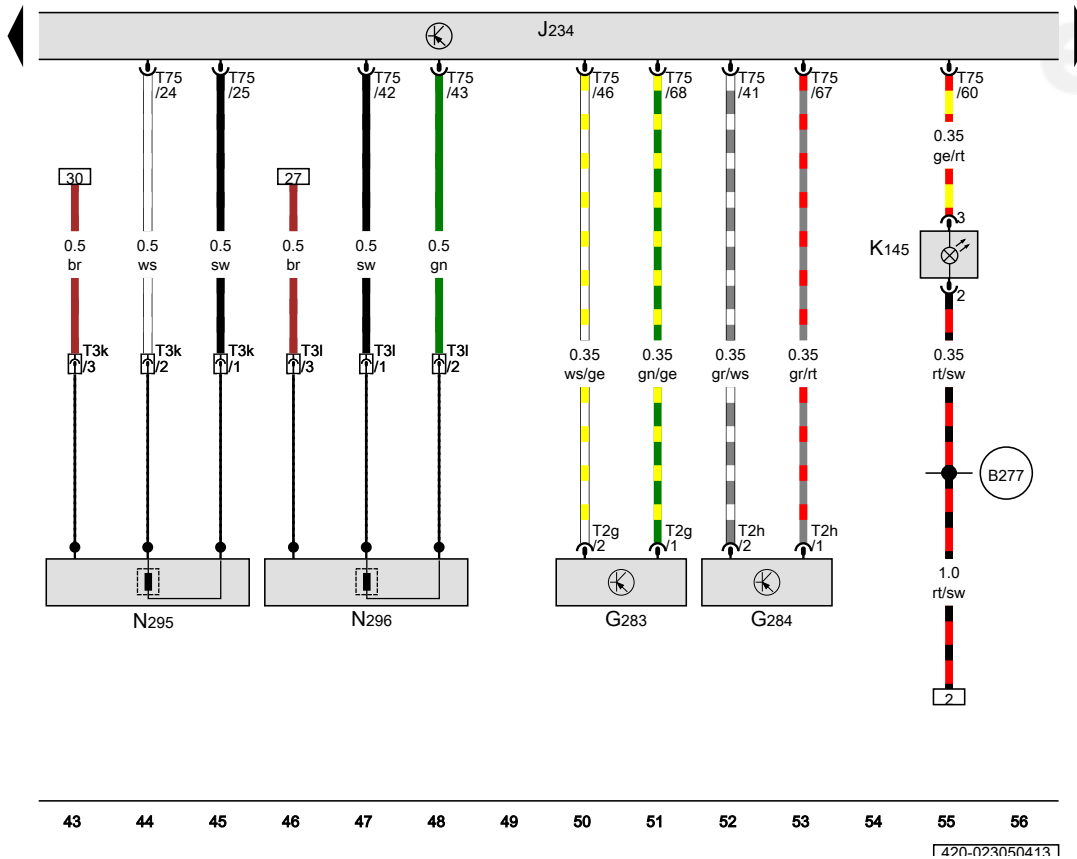
1420-023040413

Driver front airbag crash sensor, Passenger side front airbag crash sensor, Airbag control module, Front passenger airbag -disabled- indicator lamp, Driver knee airbag igniter, Front passenger knee airbag igniter

- G283 Driver front airbag crash sensor
- G284 Passenger side front airbag crash sensor
- J234 Airbag control module
- K145 Front passenger airbag -disabled- indicator lamp
- N295 Driver knee airbag igniter
- N296 Front passenger knee airbag igniter
- T2g Double connector, yellow
- T2h Double connector, yellow
- T3k 3-pin connector, on the driver knee airbag igniter, yellow
- T3l 3-pin connector, on the front passenger knee airbag igniter, yellow
- T75 75-pin connector, yellow

Protected by copyright. Copying for private or commercial purposes, in part or in whole, is not permitted unless authorised by AUDI AG. AUDI AG does not guarantee or accept any liability with respect to the correctness of information in this document. Copyright by AUDI AG.

B277 Positive connection 1 (15a) (in main wiring harness)



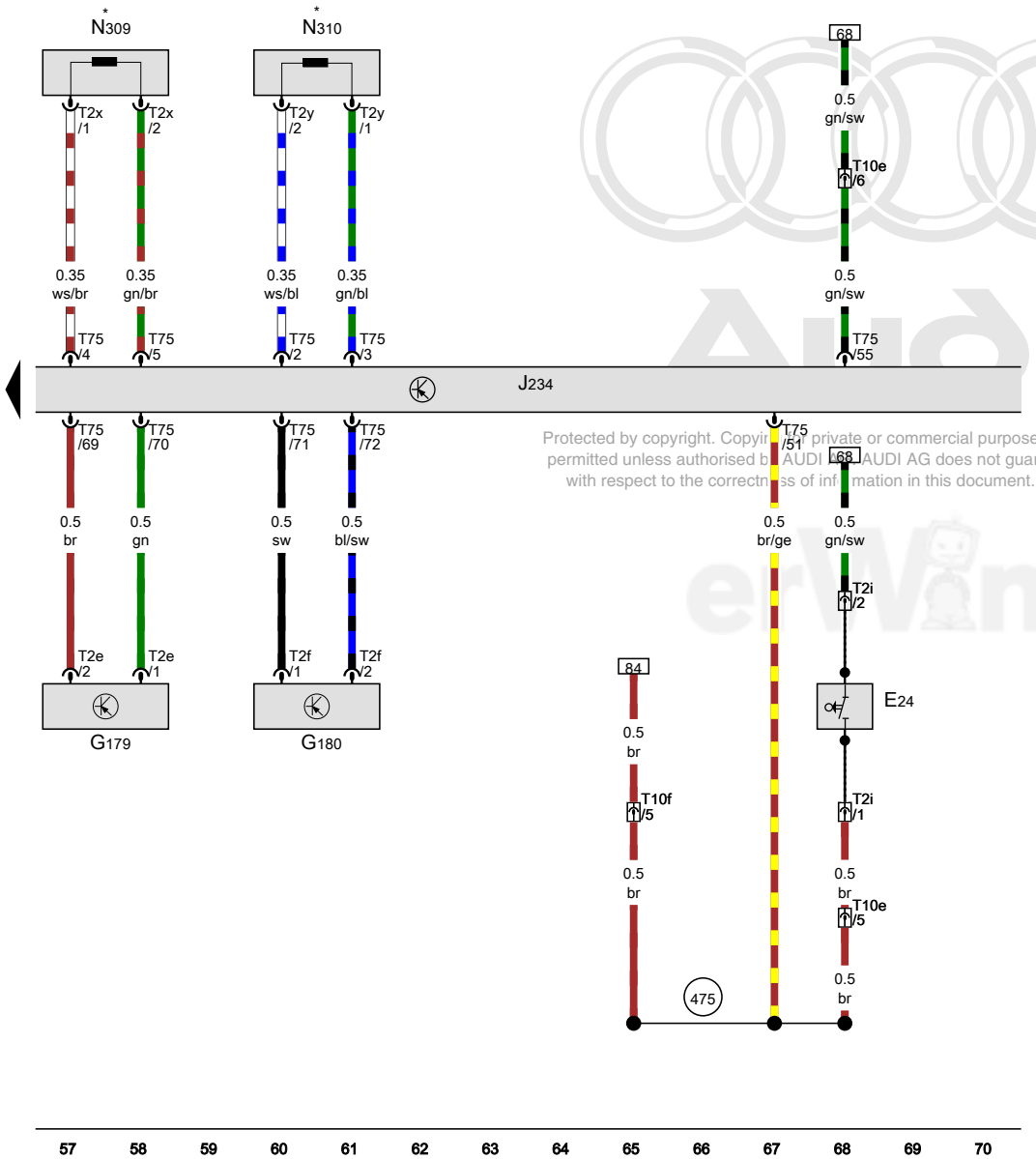
420-023050413

Driver seat belt switch, Driver side airbag crash sensor, Airbag control module, Driver rollover protection solenoid, Front passenger rollover protection solenoid

- E24 Driver seat belt switch
- G179 Driver side airbag crash sensor
- G180 Front passenger side airbag crash sensor
- J234 Airbag control module
- N309 Driver rollover protection solenoid
- N310 Front passenger rollover protection solenoid
- T2e Double connector
- T2f Double connector
- T2i Double connector, in the driver seat
- T2x Double connector, yellow
- T2y Double connector, yellow
- T10e 10-pin connector, under the driver seat, black
- T10f 10-pin connector, under the front passenger seat, black
- T75 75-pin connector, yellow

475 Airbag ground connection (in main wiring harness)

* Only for Audi R8 Spyder



Protected by copyright. Copying for private or commercial purposes, in part or in whole, is not permitted unless authorised by AUDI AG. AUDI AG does not guarantee or accept any liability with respect to the correctness of information in this document. Copyright by AUDI AG.

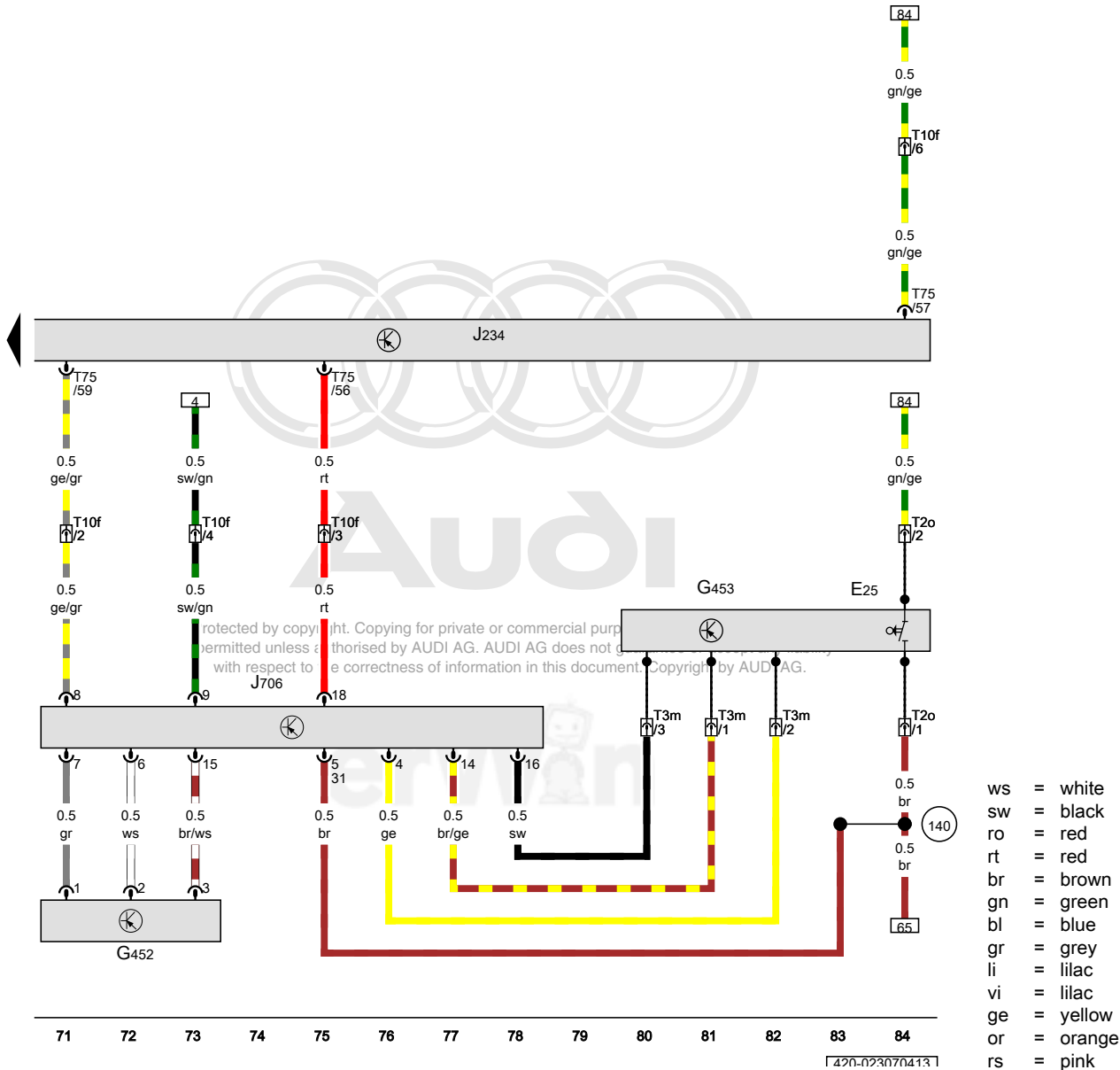
- ws = white
- sw = black
- ro = red
- rt = red
- br = brown
- gn = green
- bl = blue
- gr = grey
- li = lilac
- vi = lilac
- ge = yellow
- or = orange
- rs = pink

57 58 59 60 61 62 63 64 65 66 67 68 69 70

420-023060413

Front passenger seat belt switch, Passenger occupant detection system pressure sensor, Passenger occupant detection system seat belt force sensor, Airbag control module, Passenger occupant detection system control module

- E25 Front passenger seat belt switch
 - G452 Passenger occupant detection system pressure sensor
 - G453 Passenger occupant detection system seat belt force sensor
 - J234 Airbag control module
 - J706 Passenger occupant detection system control module
 - T2o Double connector, in the front passenger seat
 - T3m 3-pin connector, in the front passenger seat
 - T10f 10-pin connector, under the front passenger seat, black
 - T75 75-pin connector, yellow
- (140) Ground connection 2 (in seat adjustment wiring harness)



- ws = white
- sw = black
- ro = red
- rt = red
- br = brown
- gn = green
- bl = blue
- gr = grey
- li = lilac
- vi = lilac
- ge = yellow
- or = orange
- rs = pink

Radio with Standard Sound system, Satellite
from May 2006



Audi

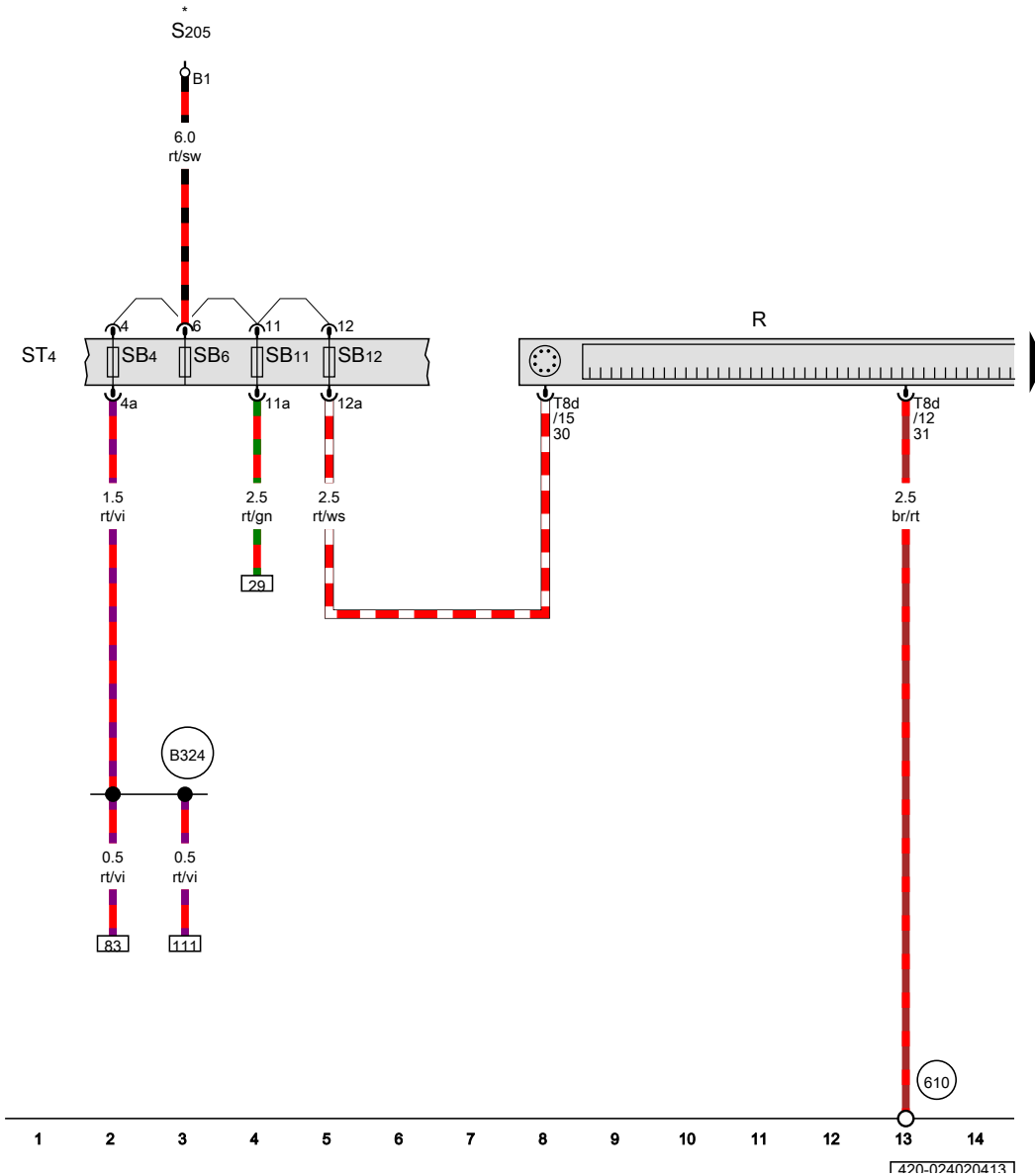
Protected by copyright. Copying for private or commercial purposes, in part or in whole, is not permitted unless authorised by AUDI AG. AUDI AG does not guarantee or accept any liability with respect to the correctness of information in this document. Copyright by AUDI AG.



Radio

- R Radio
- SB4 Fuse 4 (on fuse panel B)
- ST4 Fuse panel 4
- SB6 Fuse 6 (on fuse panel B)
- SB11 Fuse 11 (on fuse panel B)
- SB12 Fuse 12 (on fuse panel B)
- S205 Fuse 2 (terminal 30)
- T8d 8-pin connector, black

- 610 Audio ground connection under front center console
- B324 Positive connection 10 (30a) (in main wiring harness)
- * Main distribution in the right front footwell



Audi

Protected by copyright. Copying for private or commercial purposes, in part or in whole, is not permitted unless authorised by AUDI AG. AUDI AG does not guarantee or accept any liability with respect to the correctness of information in this document. Copyright by AUDI AG.



Digital sound system control module, Data bus on board diagnostic interface, Radio

- J525 Digital sound system control module
- J533 Data bus on board diagnostic interface
- R Radio
- T8d 8-pin connector, black
- T12k 12-pin connector, black
- T17 17-pin connector, Right front center console, red
- T20 20-pin connector, red
- T32c 32-pin connector, black

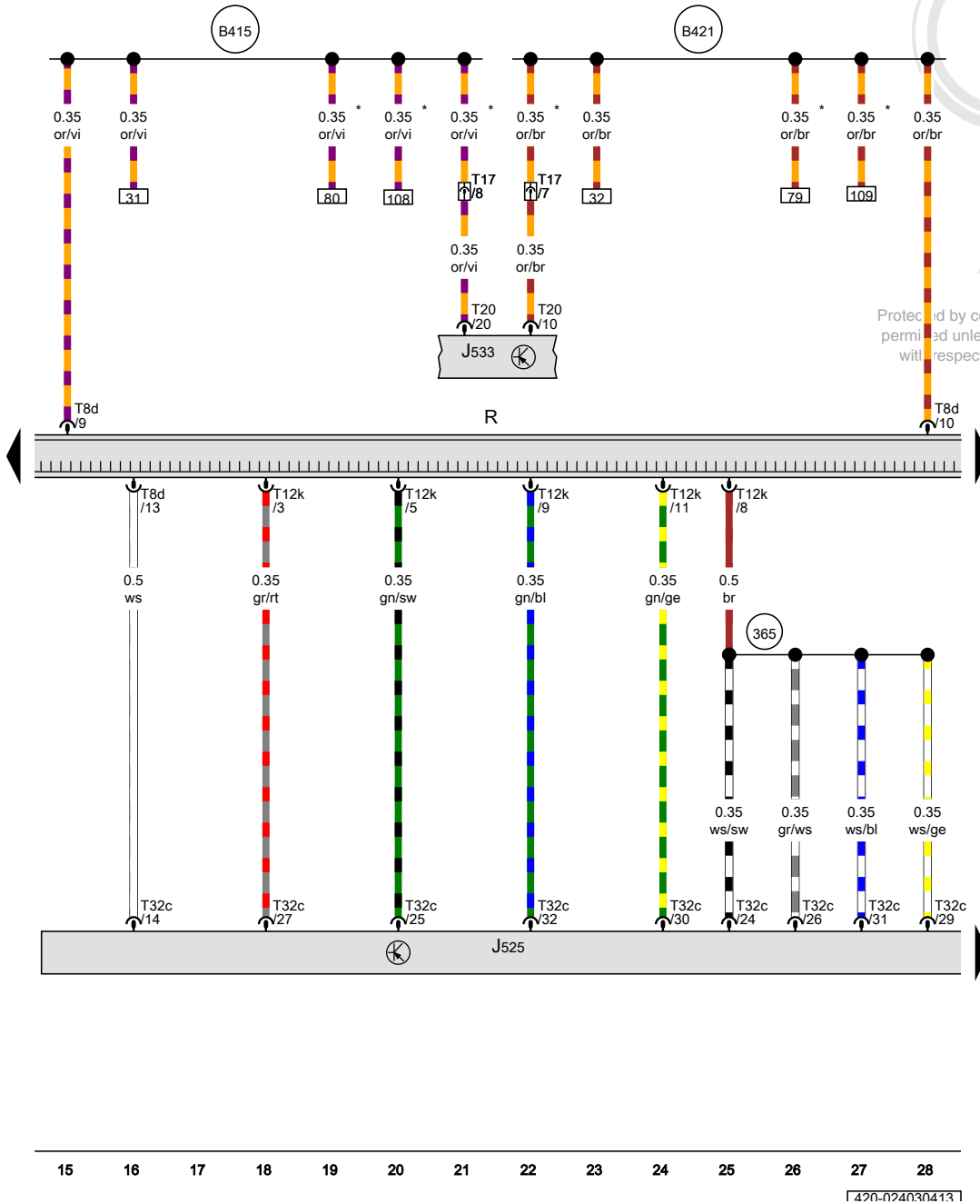
365 Low frequency ground connection 2 (in instrument panel wiring harness)

B415 Infotainment CAN Bus high connection 1 (in main wiring harness)

Protected by copyright. Copying for private or commercial use without permission is prohibited unless authorised by AUDI AG. AUDI AG does not guarantee or accept any liability with respect to the correctness of information in this document. Copyright by AUDI AG.

B421 Infotainment CAN bus low connection 1 (in main wiring harness)

* Data bus wire (CAN bus)

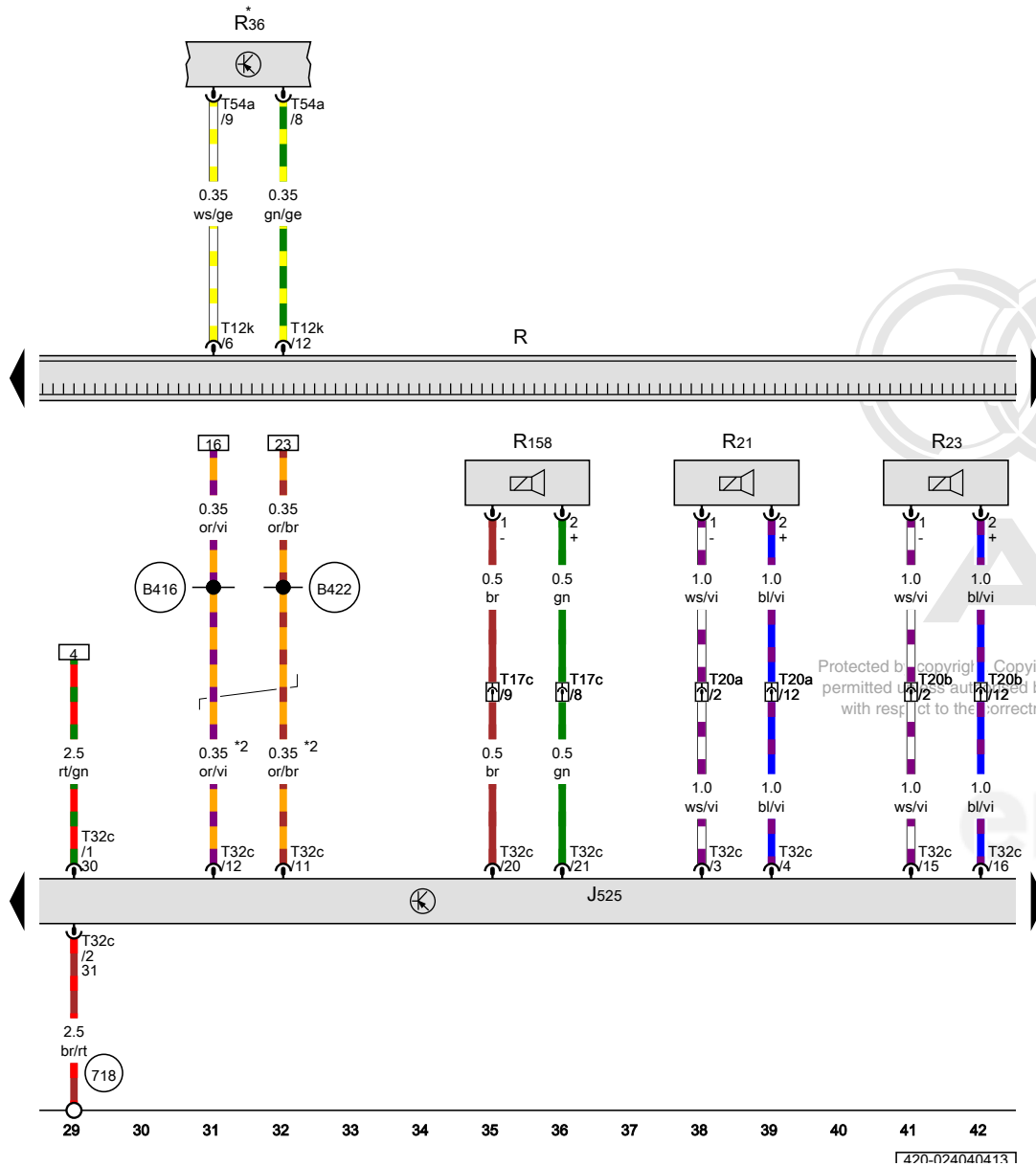


Digital sound system control module, Radio, Left front bass speaker, Right front bass speaker, Center mid-treble speaker

- J525 Digital sound system control module
- R Radio
- R21 Left front bass speaker
- R23 Right front bass speaker
- R36 Telephone transceiver
- R158 Center mid-treble speaker
- T12k 12-pin connector, black
- T17c 17-pin connector, Right front center console, blue
- T20a 20-pin connector, in the left front door, black
- T20b 20-pin connector, in the right front door, black
- T32c 32-pin connector, black
- T54a 54-pin connector, black

- 718 Audio ground connection under rear shelf
- B416 Infotainment CAN Bus high connection 2 (in main wiring harness)
- B422 Infotainment CAN bus low connection 2 (in main wiring harness)

* Only for vehicles with cell phone preparation
 *2 Data bus wire (CAN bus)



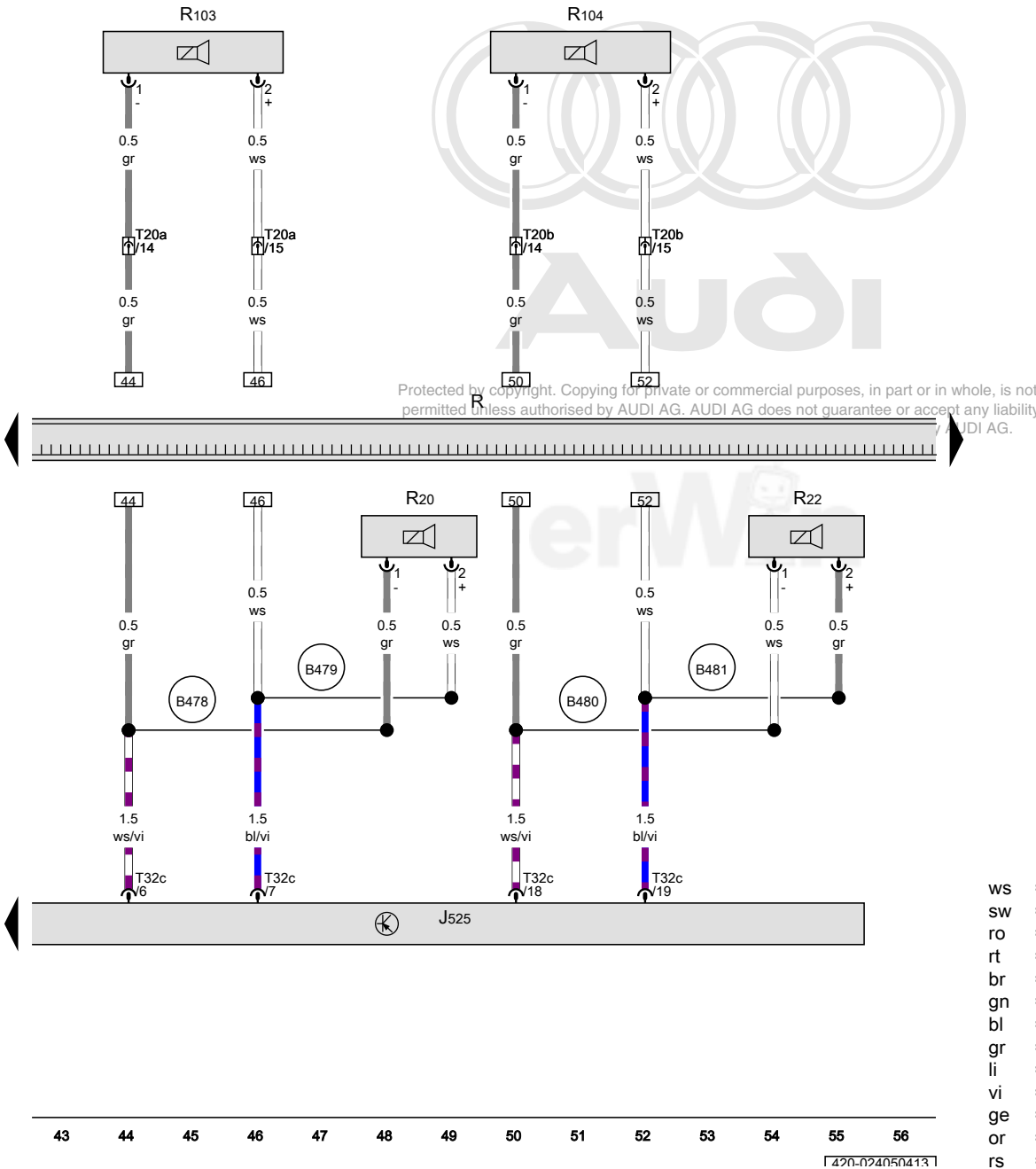
Protected by copyright. Copying for private or commercial purposes, in part or in whole, is not permitted without the written authorization of AUDI AG. AUDI AG does not guarantee or accept any liability with respect to the correctness of information in this document. Copyright by AUDI AG.

- ws = white
- sw = black
- ro = red
- rt = red
- br = brown
- gn = green
- bl = blue
- gr = grey
- li = lilac
- vi = lilac
- ge = yellow
- or = orange
- rs = pink

Digital sound system control module, Radio, Left front treble speaker, Right front treble speaker, Left front midrange speaker, Right front midrange speaker

- J525 Digital sound system control module
- R Radio
- R20 Left front treble speaker
- R22 Right front treble speaker
- R103 Left front midrange speaker
- R104 Right front midrange speaker
- T20a 20-pin connector, in the left front door, black
- T20b 20-pin connector, in the right front door, black
- T32c 32-pin connector, black

- (B478) Connection 14 (in main wiring harness)
- (B479) Connection 15 (in main wiring harness)
- (B480) Connection 16 (in main wiring harness)
- (B481) Connection 17 (in main wiring harness)



- ws = white
- sw = black
- ro = red
- rt = red
- br = brown
- gn = green
- bl = blue
- gr = grey
- li = lilac
- vi = lilac
- ge = yellow
- or = orange
- rs = pink



Audi

Protected by copyright. Copying for private or commercial purposes, in part or in whole, is not permitted unless authorised by AUDI AG. AUDI AG does not guarantee or accept any liability with respect to the correctness of information in this document. Copyright by AUDI AG.

Radio, CD changer

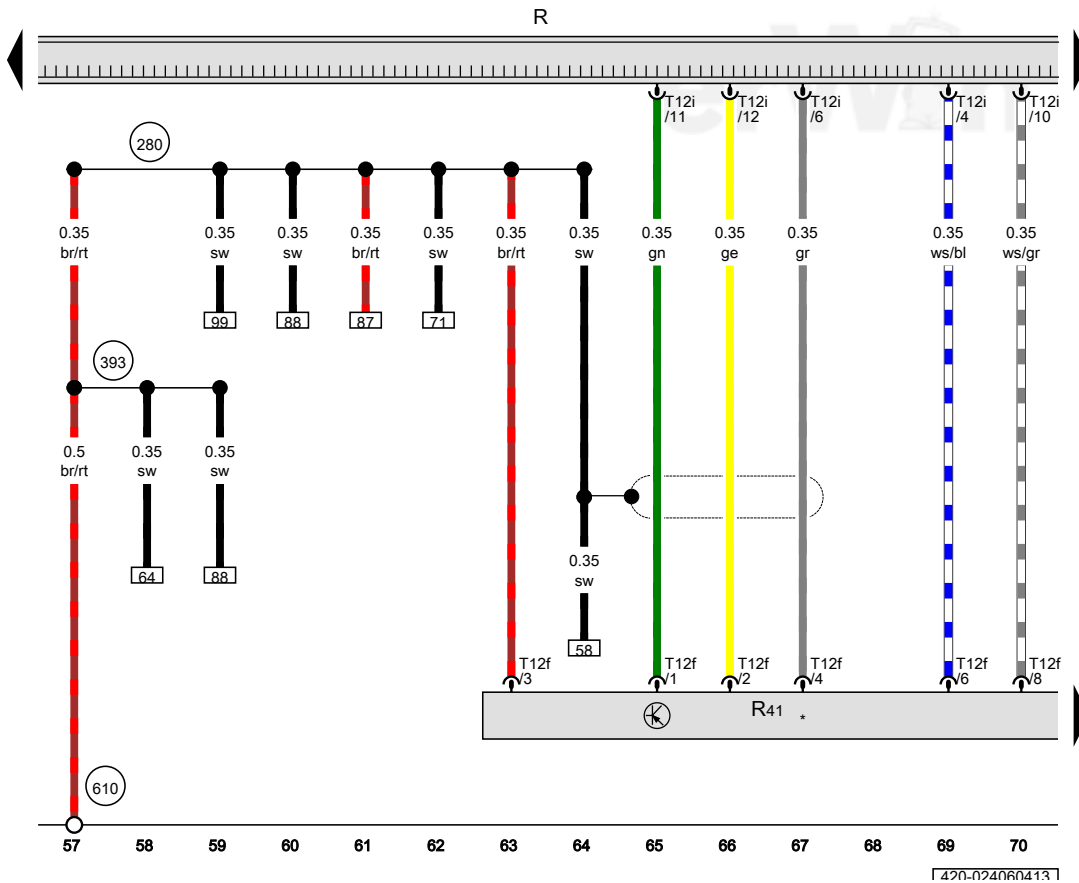
- R Radio
- R41 CD changer
- T12f 12-pin connector, black
- T12i 12-pin connector, black

280 Ground connection (in communication wiring harness)

393 Ground connection 28 (in main wiring harness)

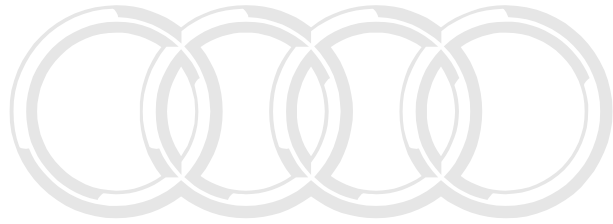
610 Audio ground connection under front center console

* Only for vehicles with CD changer



- ws = white
- sw = black
- ro = red
- rt = red
- br = brown
- gn = green
- bl = blue
- gr = grey
- li = lilac
- vi = lilac
- ge = yellow
- or = orange
- rs = pink

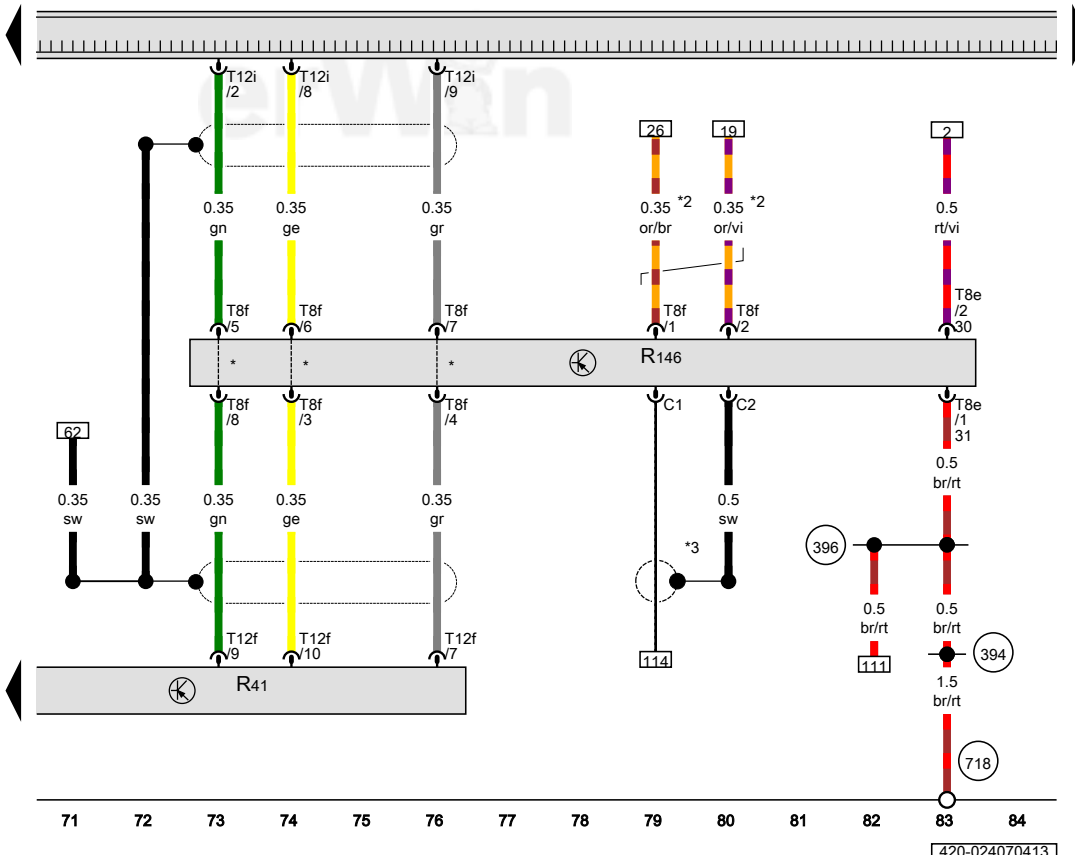
1420-024060413



Audi

Protected by copyright. Copying for private or commercial purposes, in part or in whole, is not permitted unless authorised by AUDI AG. AUDI AG does not guarantee or accept any liability with respect to the correctness of information in this document. Copyright by AUDI AG.

R



- ws = white
- sw = black
- ro = red
- rt = red
- br = brown
- gn = green
- bl = blue
- gr = grey
- li = lilac
- vi = lilac
- ge = yellow
- or = orange
- rs = pink

Radio, CD changer, Satellite radio

- R Radio
- R41 CD changer
- R146 Satellite radio
- T8e 8-pin connector, black
- T8f 8-pin connector, black
- T12f 12-pin connector, black
- T12i 12-pin connector, black

394 Ground connection 29 (in main wiring harness)

396 Ground connection 31 (in main wiring harness)

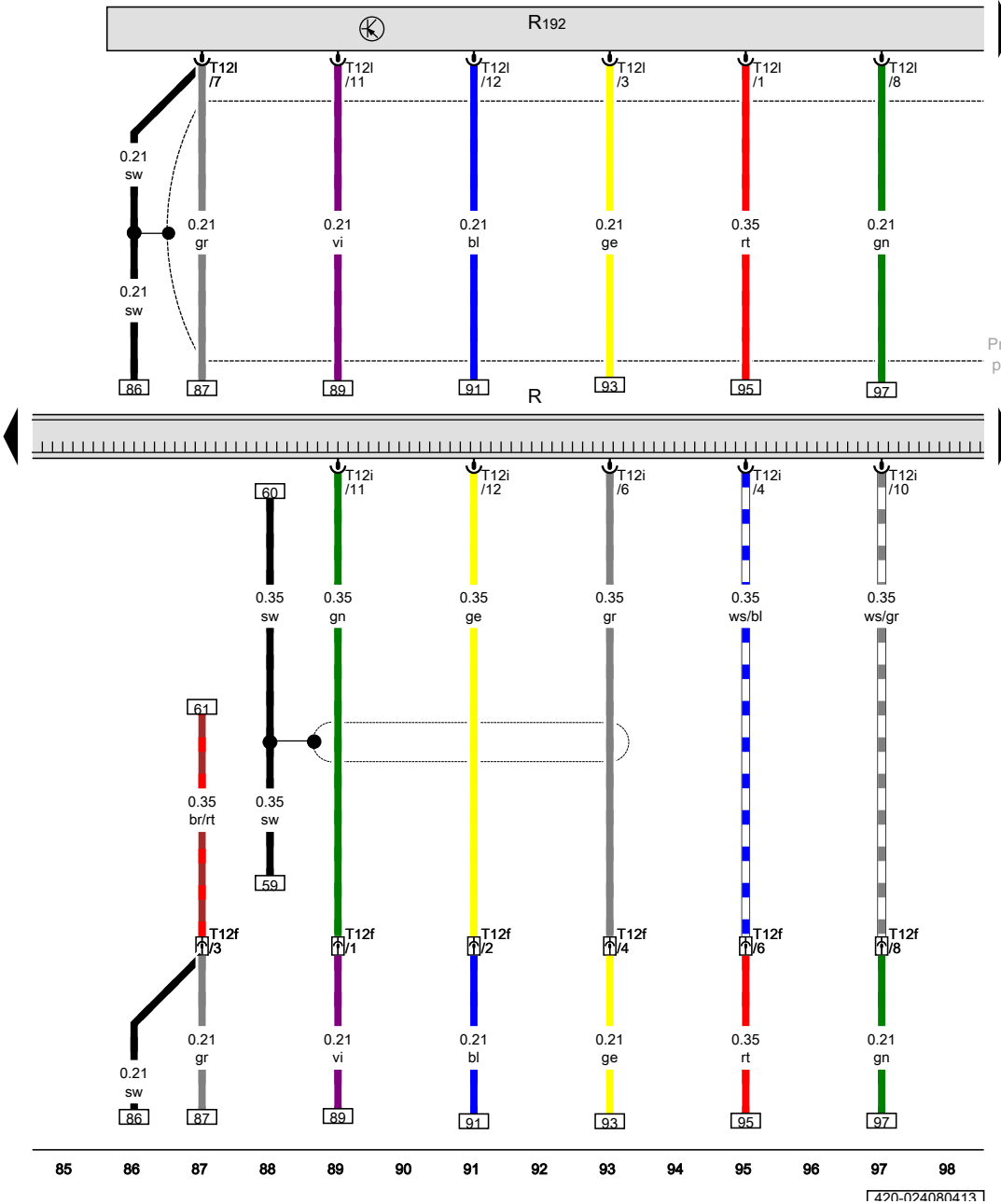
718 Audio ground connection under rear shelf

- * Only for vehicles without satellite radio
- *2 Data bus wire (CAN bus)
- *3 Only for vehicles with CD changer

42n-024070413

Radio, iPod baseplate

- R Radio
- R192 iPod baseplate
- T12f 12-pin connector, in the rear center console, black
- T12i 12-pin connector, black
- T12l 12-pin connector



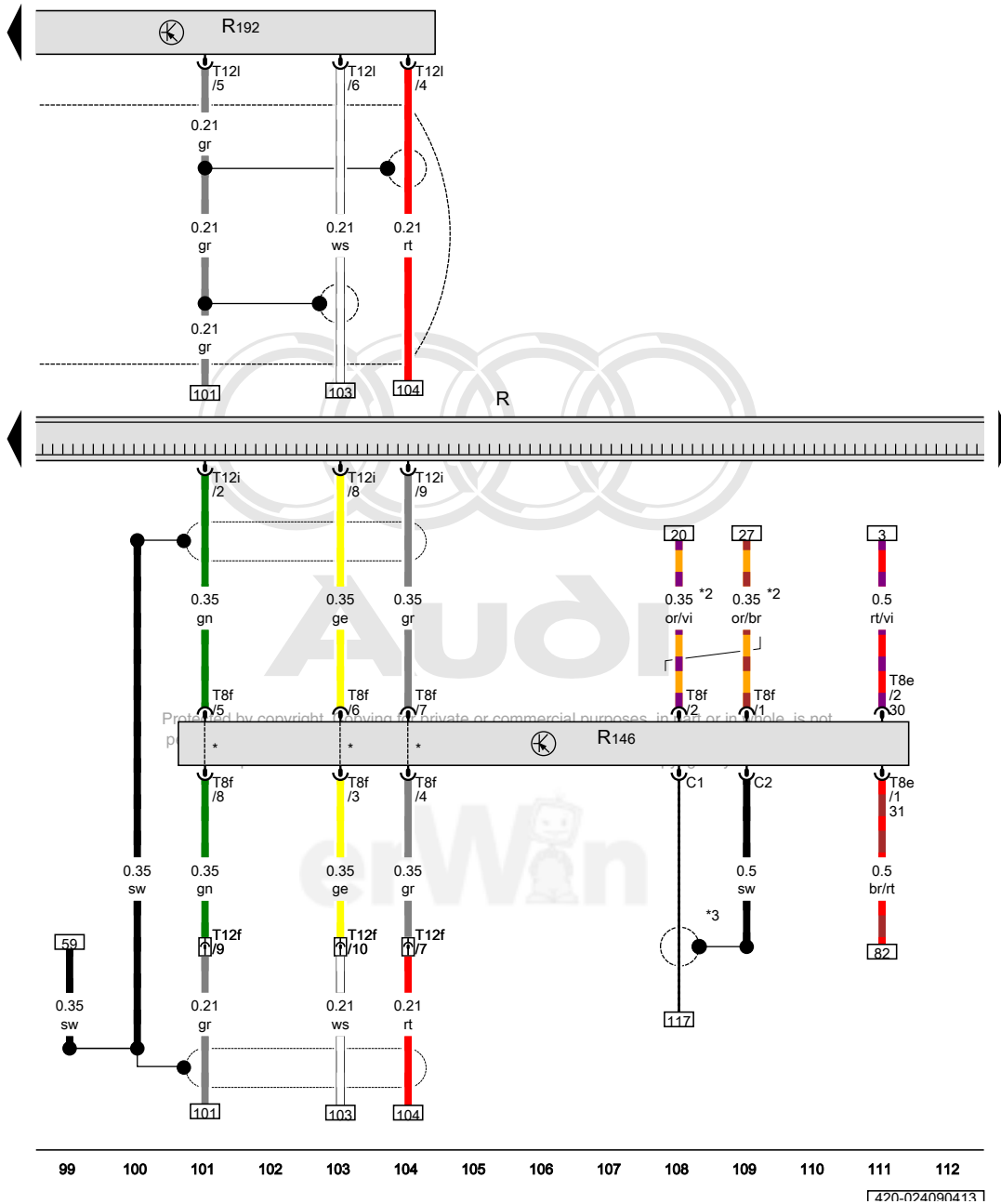
Protected by copyright. Copying for private or commercial purposes, in part or in whole, is not permitted unless authorised by AUDI AG. AUDI AG does not guarantee or accept any liability with respect to the correctness of information in this document. Copyright by AUDI AG.

- ws = white
- sw = black
- ro = red
- rt = red
- br = brown
- gn = green
- bl = blue
- gr = grey
- li = lilac
- vi = lilac
- ge = yellow
- or = orange
- rs = pink

420-024080413

Radio, Satellite radio, iPod baseplate

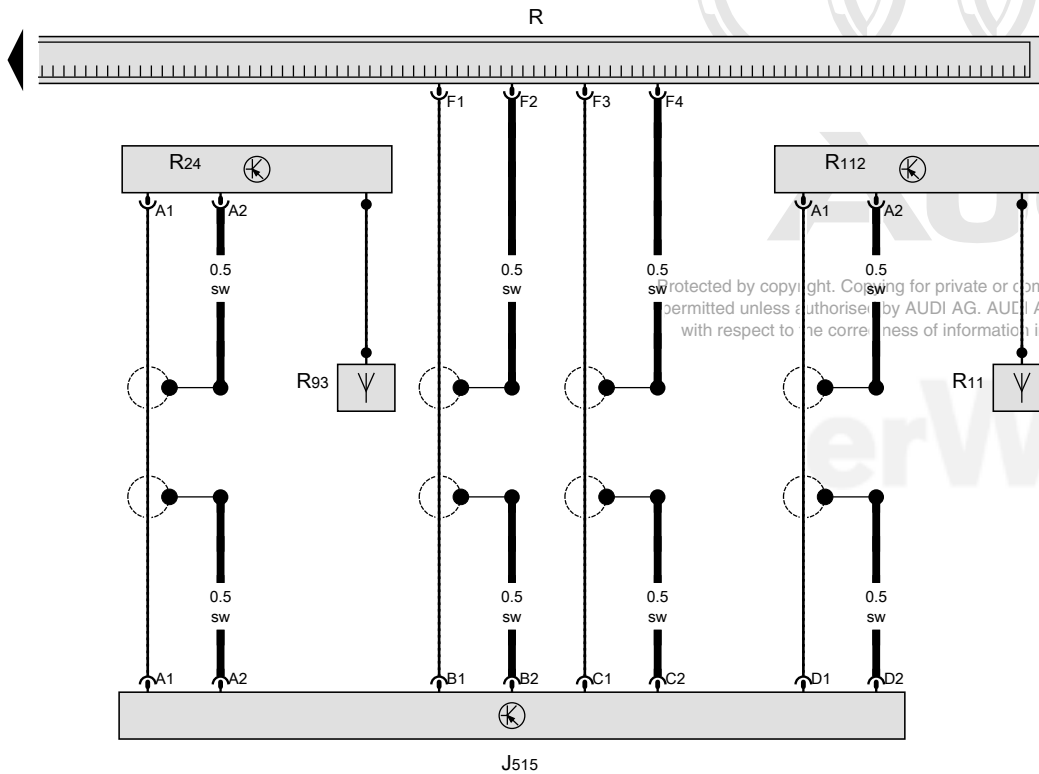
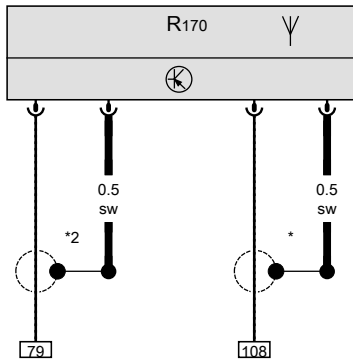
- R Radio
- R146 Satellite radio
- R192 iPod baseplate
- T8e 8-pin connector, black
- T8f 8-pin connector, black
- T12f 12-pin connector, in the rear center console, black
- T12i 12-pin connector, black
- T12l 12-pin connector
- * Only for vehicles without satellite radio
- *2 Data bus wire (CAN bus)
- *3 Only for vehicles with iPod bracket



- ws = white
- sw = black
- ro = red
- rt = red
- br = brown
- gn = green
- bl = blue
- gr = grey
- li = lilac
- vi = lilac
- ge = yellow
- or = orange
- rs = pink

Antenna selection control module, Radio, Antenna, Antenna amplifier, Radio antenna 2, Antenna amplifier 3, Satellite antenna

- J515 Antenna selection control module
- R Radio
- R11 Antenna
- R24 Antenna amplifier
- R93 Radio antenna 2
- R112 Antenna amplifier 3
- R170 Satellite antenna, in the rear lid
- * Only for vehicles with iPod bracket
- *2 Only for vehicles with CD changer



protected by copyright. Copying for private or commercial purposes, in part or in whole, is not permitted unless authorised by AUDI AG. AUDI AG does not guarantee or accept any liability with respect to the correctness of information in this document. Copyright by AUDI AG.

- ws = white
- sw = black
- ro = red
- rt = red
- br = brown
- gn = green
- bl = blue
- gr = grey
- li = lilac
- vi = lilac
- ge = yellow
- or = orange
- rs = pink

Radio with Bang & Olufsen Sound System, satellite
from May 2006



Audi

Protected by copyright. Copying for private or commercial purposes, in part or in whole, is not permitted unless authorised by AUDI AG. AUDI AG does not guarantee or accept any liability with respect to the correctness of information in this document. Copyright by AUDI AG.

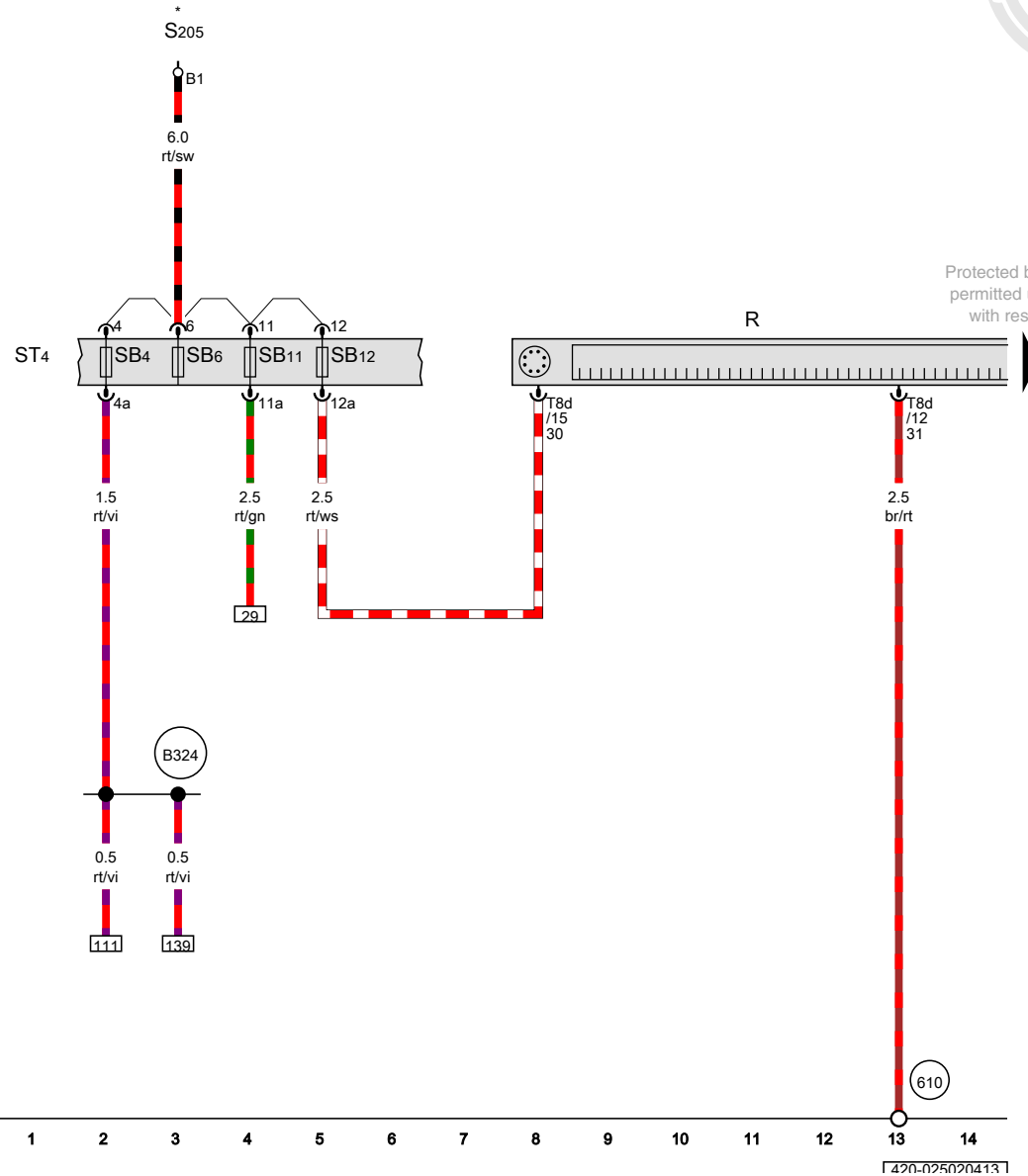


Radio

- R Radio
- SB4 Fuse 4 (on fuse panel B)
- ST4 Fuse panel 4
- SB6 Fuse 6 (on fuse panel B)
- SB11 Fuse 11 (on fuse panel B)
- SB12 Fuse 12 (on fuse panel B)
- S205 Fuse 2 (terminal 30)
- T8d 8-pin connector, black

- 610 Audio ground connection under front center console
- B324 Positive connection 10 (30a) (in main wiring harness)
- * Main distribution in the right front footwell

Protected by copyright. Copying for private or commercial purposes, in part or in whole, is not permitted unless authorised by AUDI AG. AUDI AG does not guarantee or accept any liability with respect to the correctness of information in this document. Copyright by AUDI AG.



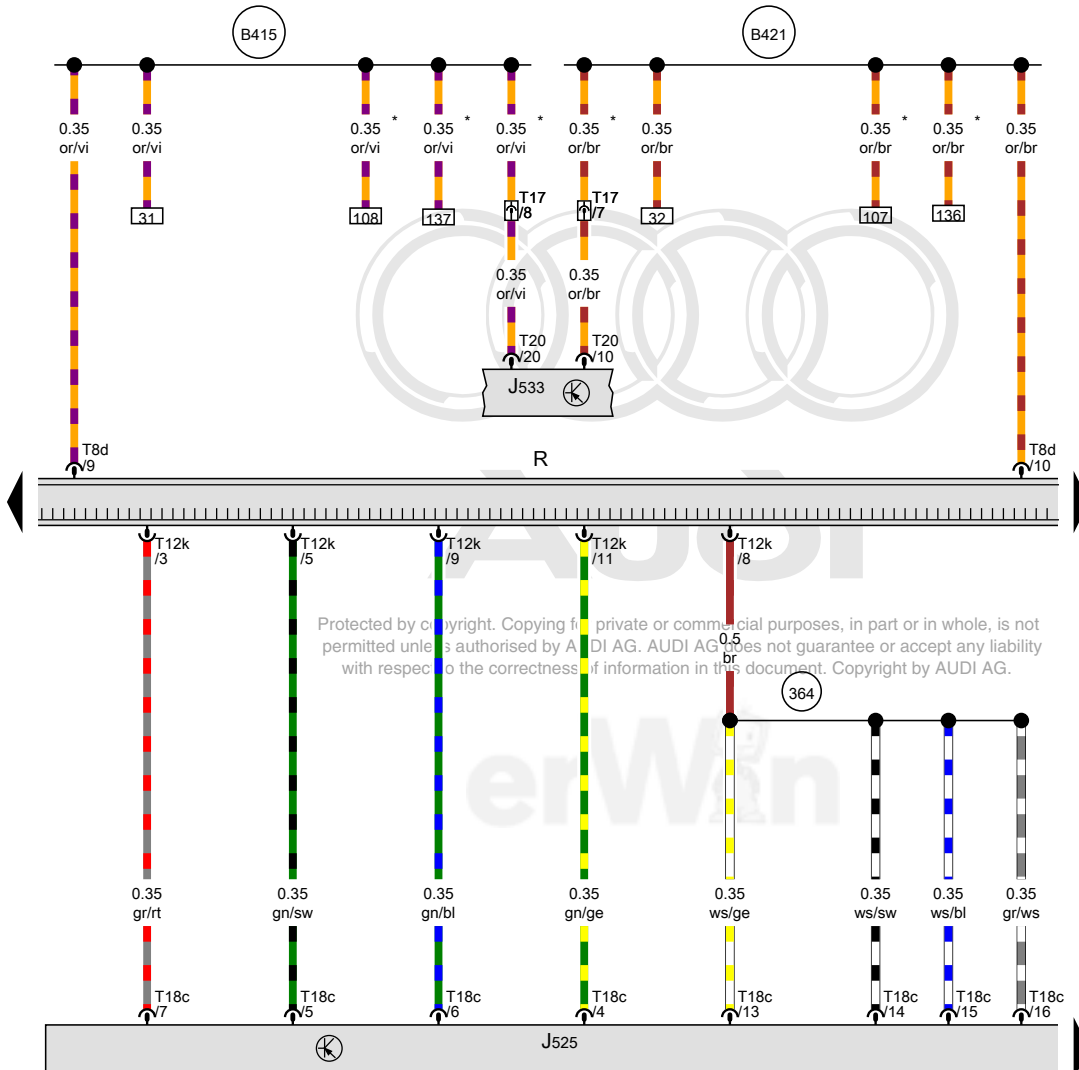
- ws = white
- sw = black
- ro = red
- rt = red
- br = brown
- gn = green
- bl = blue
- gr = grey
- li = lilac
- vi = lilac
- ge = yellow
- or = orange
- rs = pink

Digital sound system control module, Data bus on board diagnostic interface, Radio

- J525 Digital sound system control module
- J533 Data bus on board diagnostic interface
- R Radio
- T8d 8-pin connector, black
- T12k 12-pin connector, black
- T17 17-pin connector, Right front center console, red
- T18c 18-pin connector, black
- T20 20-pin connector, red

- 364 Low frequency ground connection 1 (in instrument panel wiring harness)
- B415 Infotainment CAN Bus high connection 1 (in main wiring harness)
- B421 Infotainment CAN bus low connection 1 (in main wiring harness)

* Data bus wire (CAN bus)



Protected by copyright. Copying for private or commercial purposes, in part or in whole, is not permitted unless authorised by AUDI AG. AUDI AG does not guarantee or accept any liability with respect to the correctness of information in this document. Copyright by AUDI AG.

- ws = white
- sw = black
- ro = red
- rt = red
- br = brown
- gn = green
- bl = blue
- gr = grey
- li = lilac
- vi = lilac
- ge = yellow
- or = orange
- rs = pink

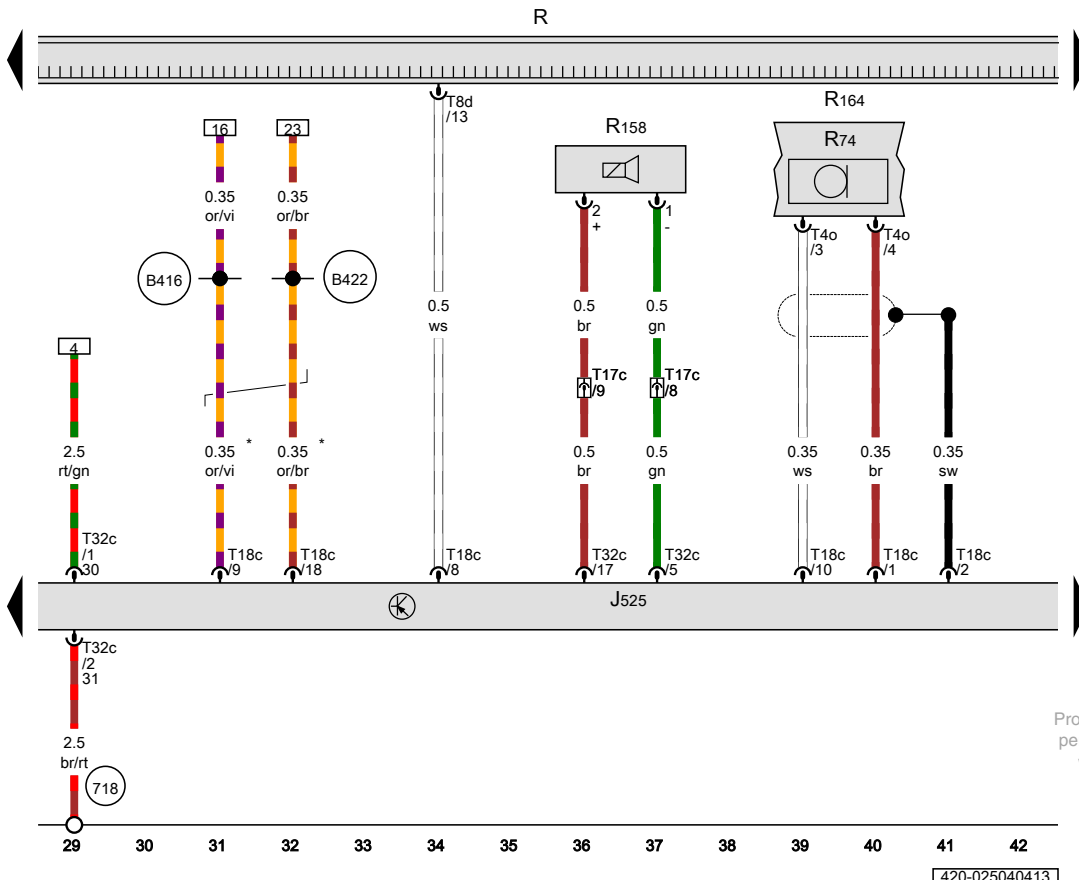
15 16 17 18 19 20 21 22 23 24 25 26 27 28

1420-025030413

Digital sound system control module, Radio, Interior microphone, Center mid-treble speaker, Microphone unit in front roof module

- J525 Digital sound system control module
- R Radio
- R74 Interior microphone
- R158 Center mid-treble speaker
- R164 Microphone unit in front roof module
- T4o 4-pin connector, black
- T8d 8-pin connector, black
- T17c 17-pin connector, blue
- T18c 18-pin connector, black
- T32c 32-pin connector, black

- 718 Audio ground connection under rear shelf
- B416 Infotainment CAN Bus high connection 2 (in main wiring harness)
- B422 Infotainment CAN bus low connection 2 (in main wiring harness)
- * Data bus wire (CAN bus)



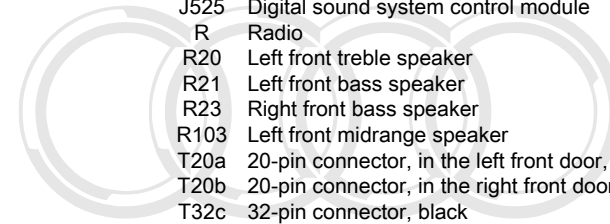
- ws = white
- sw = black
- ro = red
- rt = red
- br = brown
- gn = green
- bl = blue
- gr = grey
- li = lilac
- vi = lilac
- ge = yellow
- or = orange
- rs = pink

Protected by copyright. Copying for private or commercial purposes, in part or in whole, is not permitted unless authorised by AUDI AG. AUDI AG does not guarantee or accept any liability with respect to the correctness of information in this document. Copyright by AUDI AG.

1420-025040413

Digital sound system control module, Radio, Left front treble speaker, Left front bass speaker, Right front bass speaker, Left front midrange speaker

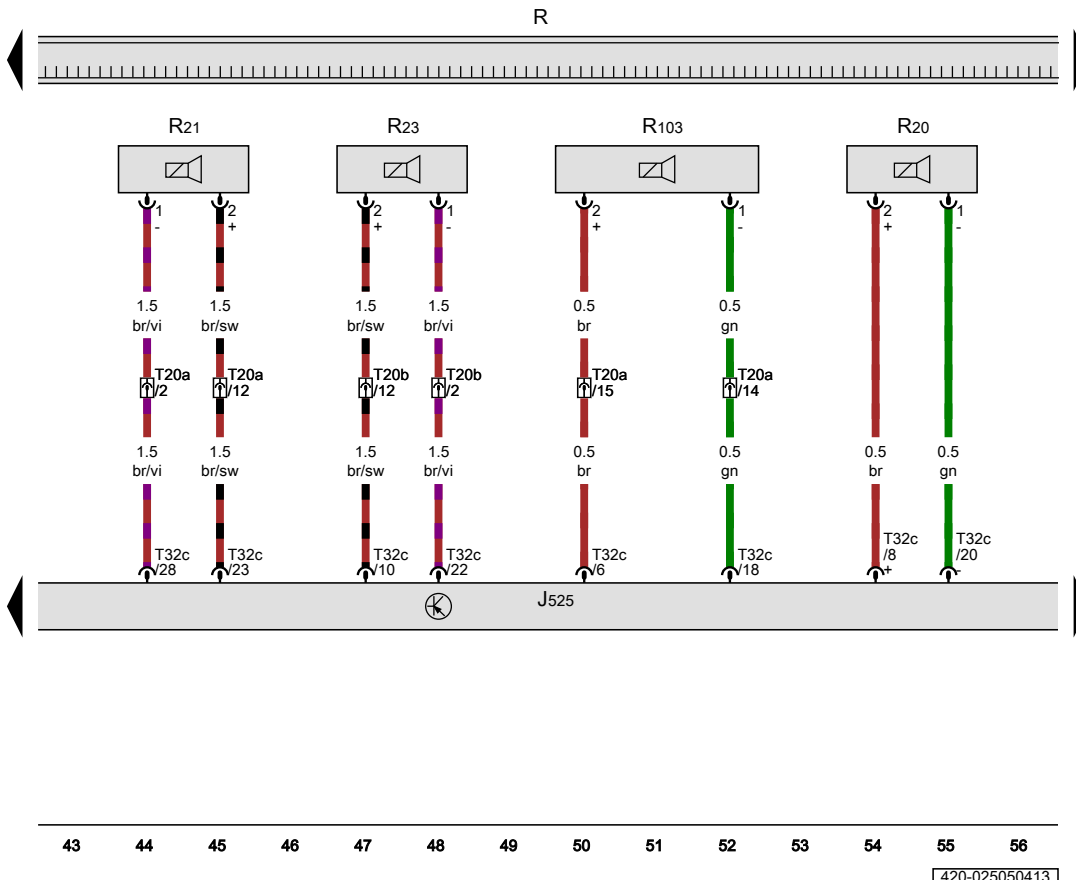
- J525 Digital sound system control module
- R Radio
- R20 Left front treble speaker
- R21 Left front bass speaker
- R23 Right front bass speaker
- R103 Left front midrange speaker
- T20a 20-pin connector, in the left front door, black
- T20b 20-pin connector, in the right front door, black
- T32c 32-pin connector, black



Audi

Protected by copyright. Copying for private or commercial purposes, in part or in whole, is not permitted unless authorised by AUDI AG. AUDI AG does not guarantee or accept any liability with respect to the correctness of information in this document. Copyright by AUDI AG.

erWin



- ws = white
- sw = black
- ro = red
- rt = red
- br = brown
- gn = green
- bl = blue
- gr = grey
- li = lilac
- vi = lilac
- ge = yellow
- or = orange
- rs = pink

43 44 45 46 47 48 49 50 51 52 53 54 55 56

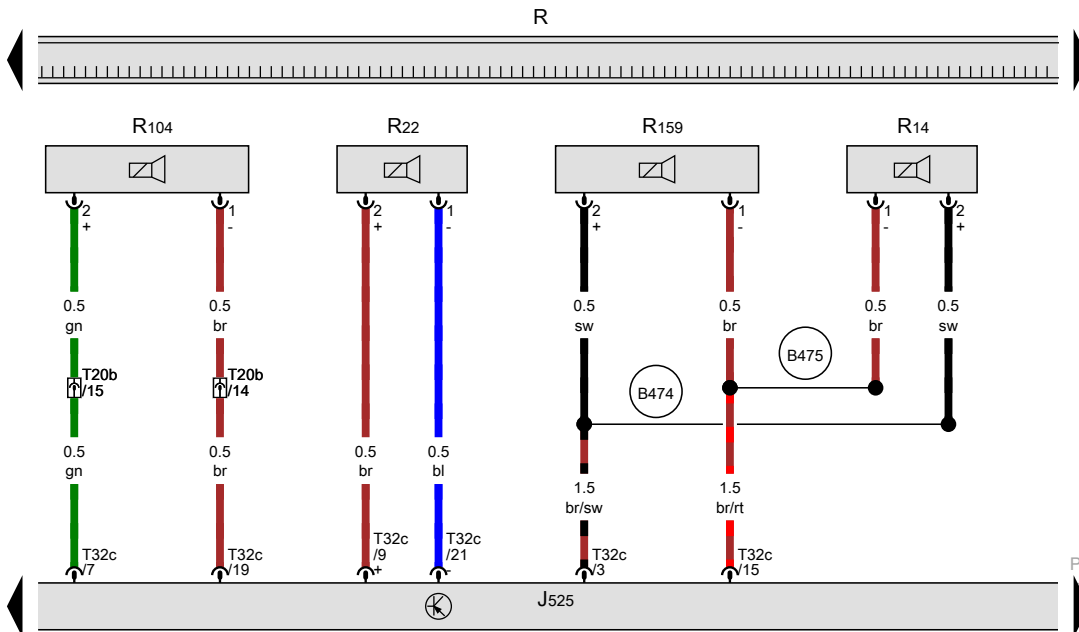
1420-025050413

Digital sound system control module, Radio, Left rear treble speaker, Right front treble speaker, Right front midrange speaker, Left rear mid-bass speaker

- J525 Digital sound system control module
- R Radio
- R14 Left rear treble speaker
- R22 Right front treble speaker
- R104 Right front midrange speaker
- R159 Left rear mid-bass speaker
- T20b 20-pin connector, in the right front door, black
- T32c 32-pin connector, black

(B474) Connection 10 (in main wiring harness)

(B475) Connection 11 (in main wiring harness)



Protected by copyright. Copying for private or commercial purposes, in part or in whole, is not permitted unless authorised by AUDI AG. AUDI AG does not guarantee or accept any liability with respect to the correctness of information in this document. Copyright by AUDI AG.

- ws = white
- sw = black
- ro = red
- rt = red
- br = brown
- gn = green
- bl = blue
- gr = grey
- li = lilac
- vi = lilac
- ge = yellow
- or = orange
- rs = pink

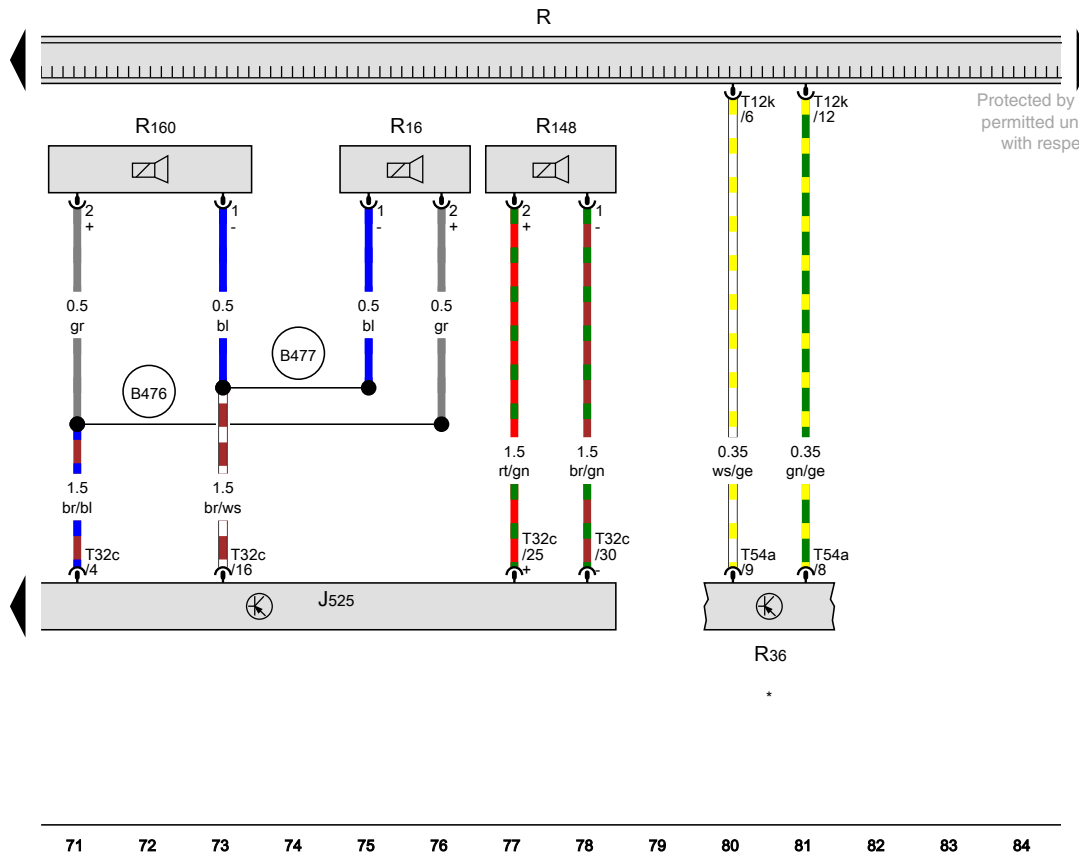
Digital sound system control module, Radio, Right rear treble speaker, Speaker in center, Right rear mid-bass speaker

- J525 Digital sound system control module
- R Radio
- R16 Right rear treble speaker
- R36 Telephone transceiver
- R148 Speaker in center
- R160 Right rear mid-bass speaker
- T12k 12-pin connector, black
- T32c 32-pin connector, black
- T54a 54-pin connector, black

B476 Connection 12 (in main wiring harness)

B477 Connection 13 (in main wiring harness)

* Only for vehicles with cell phone preparation



Protected by copyright. Copying for private or commercial purposes, in part or in whole, is not permitted unless authorised by AUDI AG. AUDI AG does not guarantee or accept any liability with respect to the correctness of information in this document. Copyright by AUDI AG.



71 72 73 74 75 76 77 78 79 80 81 82 83 84

1420-025070413

Radio, CD changer

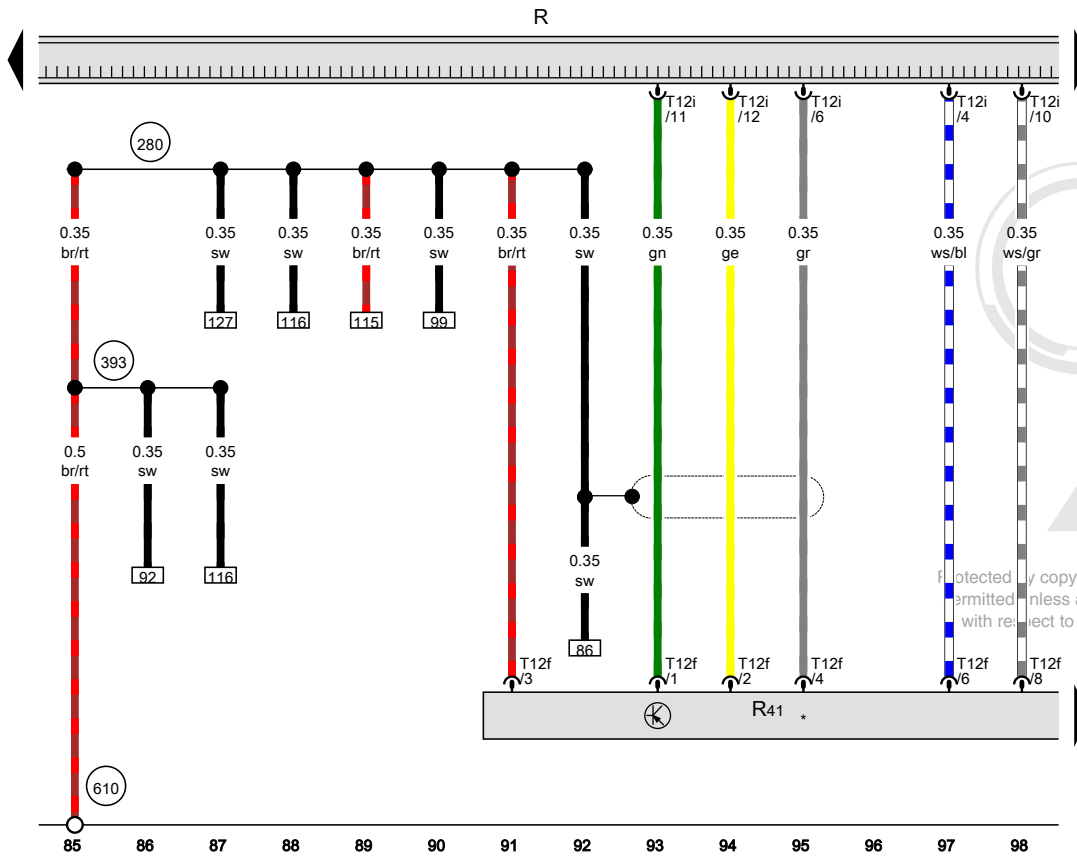
- R Radio
- R41 CD changer
- T12f 12-pin connector, black
- T12i 12-pin connector, black

280 Ground connection (in communication wiring harness)

393 Ground connection 28 (in main wiring harness)

610 Audio ground connection under front center console

* Only for vehicles with CD changer



Protected by copyright. Copying for private or commercial purposes, in part or in whole, is not permitted unless authorized by Audi AG. Audi AG does not guarantee or accept any liability with respect to the correctness of the information in this document. Copyright by Audi AG.

- ws = white
- sw = black
- ro = red
- rt = red
- br = brown
- gn = green
- bl = blue
- gr = grey
- li = lilac
- vi = lilac
- ge = yellow
- or = orange
- rs = pink

420-025080413

Radio, CD changer, Satellite radio

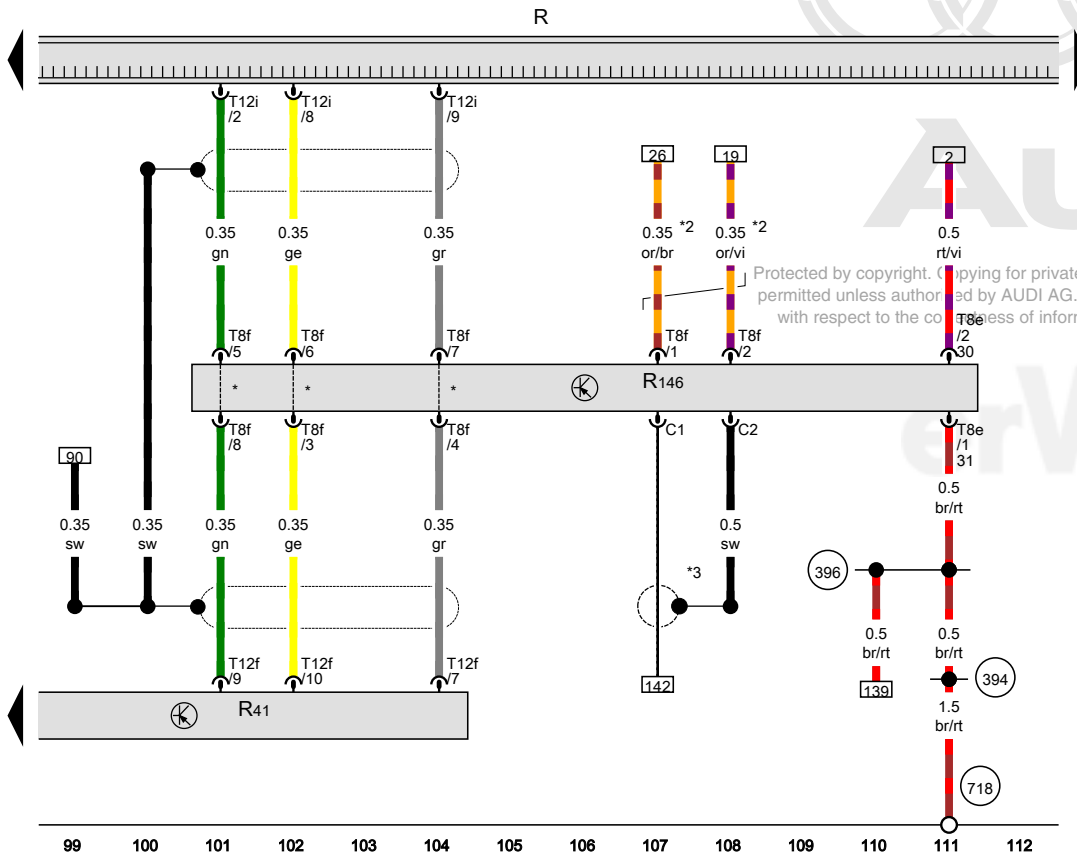
- R Radio
- R41 CD changer
- R146 Satellite radio
- T8e 8-pin connector, black
- T8f 8-pin connector, black
- T12f 12-pin connector, black
- T12i 12-pin connector, black

394 Ground connection 29 (in main wiring harness)

396 Ground connection 31 (in main wiring harness)

718 Audio ground connection under rear shelf

- * Only for vehicles without satellite radio
- *2 Data bus wire (CAN bus)
- *3 Only for vehicles with CD changer



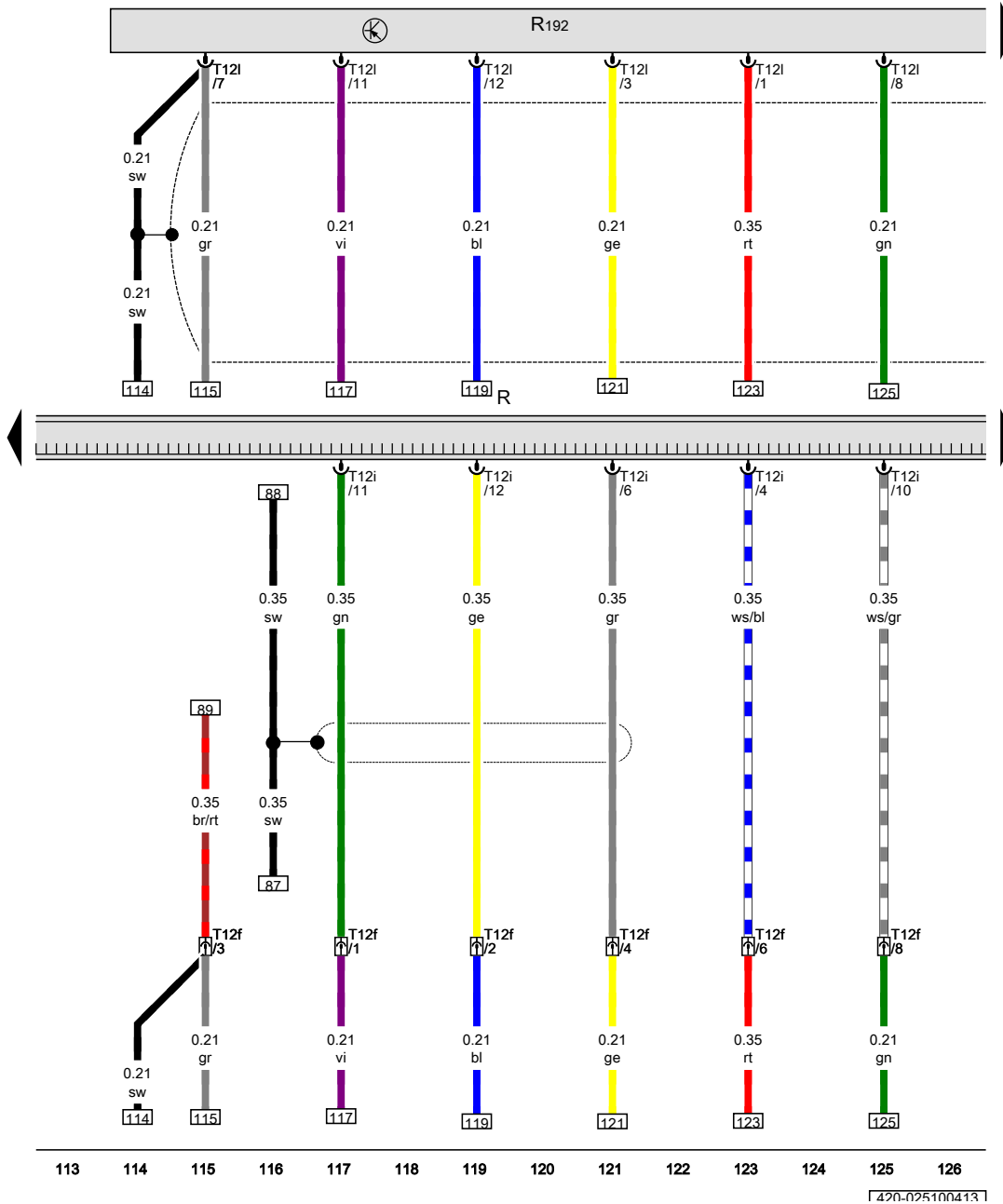
Protected by copyright. Copying for private or commercial purposes, in part or in whole, is not permitted unless authorized by AUDI AG. AUDI AG does not guarantee or accept any liability with respect to the correctness of information in this document. Copyright by AUDI AG.

- ws = white
- sw = black
- ro = red
- rt = red
- br = brown
- gn = green
- bl = blue
- gr = grey
- li = lilac
- vi = lilac
- ge = yellow
- or = orange
- rs = pink

426-025090413

Radio, iPod baseplate

- R Radio
- R192 iPod baseplate
- T12f 12-pin connector, in the rear center console, black
- T12i 12-pin connector, black
- T12l 12-pin connector



- ws = white
- sw = black
- ro = red
- rt = red
- br = brown
- gn = green
- bl = blue
- gr = grey
- li = lilac
- vi = lilac
- ge = yellow
- or = orange
- rs = pink



Audi

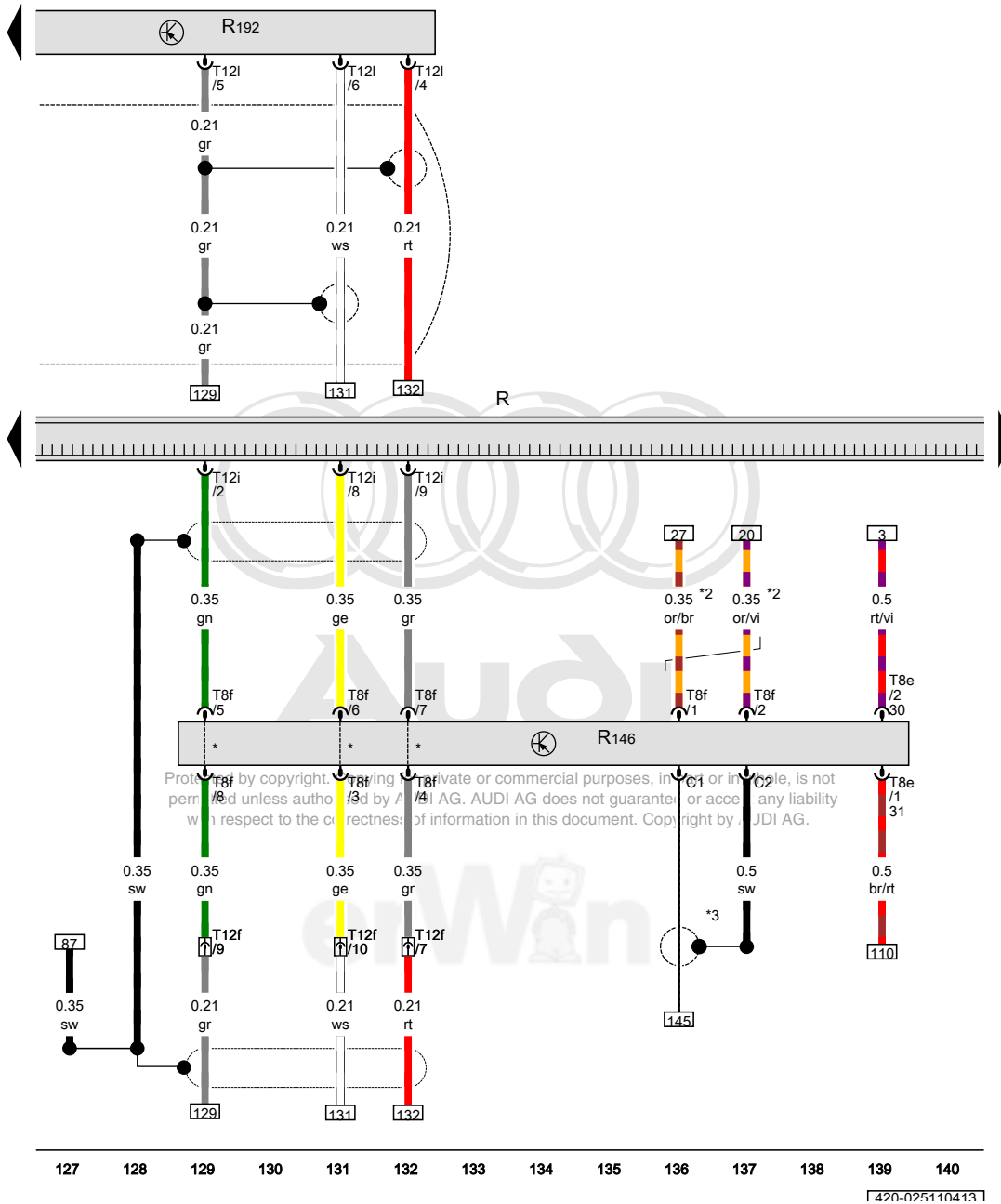
Protected by copyright. Copying for private or commercial purposes, in part or in whole, is not permitted unless authorised by AUDI AG. AUDI AG does not guarantee or accept any liability with respect to the correctness of information in this document. Copyright by AUDI AG.



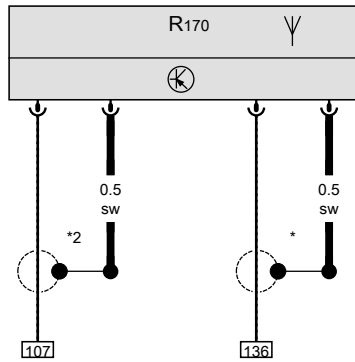
426-025100413

Radio, Satellite radio, iPod baseplate

- R Radio
- R146 Satellite radio
- R192 iPod baseplate
- T8e 8-pin connector, black
- T8f 8-pin connector, black
- T12f 12-pin connector, in the rear center console, black
- T12i 12-pin connector, black
- T12l 12-pin connector
- * Only for vehicles without satellite radio
- *2 Data bus wire (CAN bus)
- *3 Only for vehicles with iPod bracket



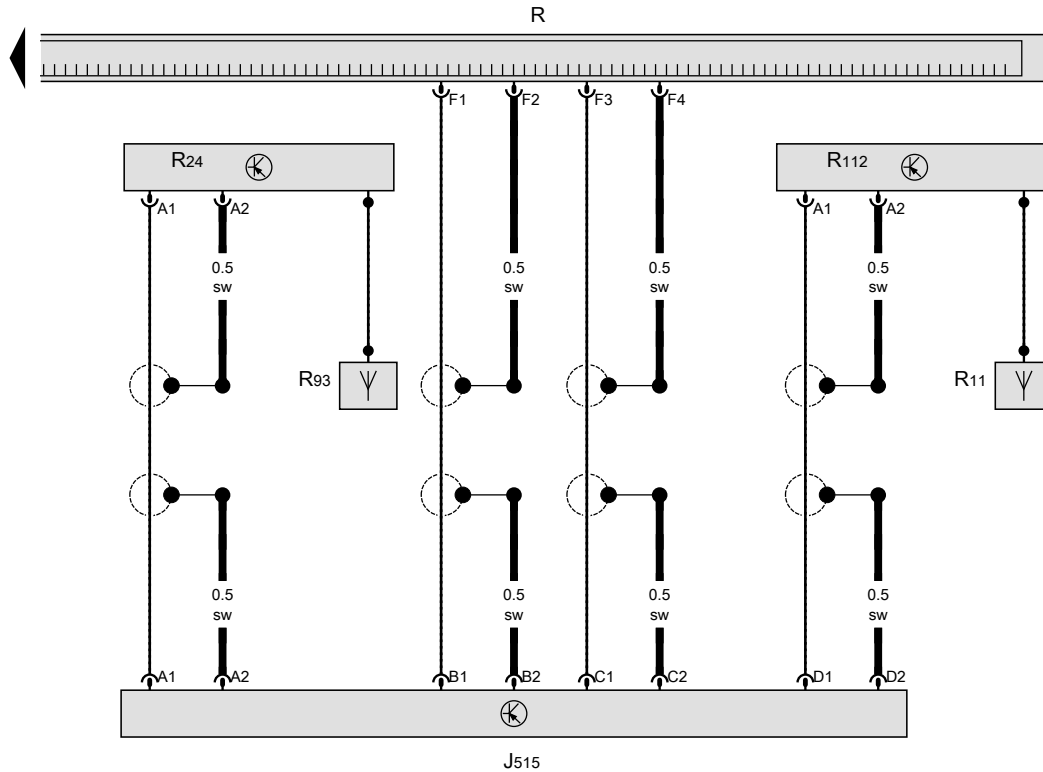
- ws = white
- sw = black
- ro = red
- rt = red
- br = brown
- gn = green
- bl = blue
- gr = grey
- li = lilac
- vi = lilac
- ge = yellow
- or = orange
- rs = pink



Antenna selection control module, Radio, Antenna, Antenna amplifier, Radio antenna 2, Antenna amplifier 3, Satellite antenna

- J515 Antenna selection control module
- R Radio
- R11 Antenna
- R24 Antenna amplifier
- R93 Radio antenna 2
- R112 Antenna amplifier 3
- R170 Satellite antenna, in the rear lid
- * Only for vehicles with iPod bracket
- *2 Only for vehicles with CD changer

Protected by copyright. Copying for private or commercial purposes, in part or in whole, is not permitted unless authorised by AUDI AG. AUDI AG does not guarantee or accept any liability with respect to the correctness of information in this document. Copyright by AUDI AG.

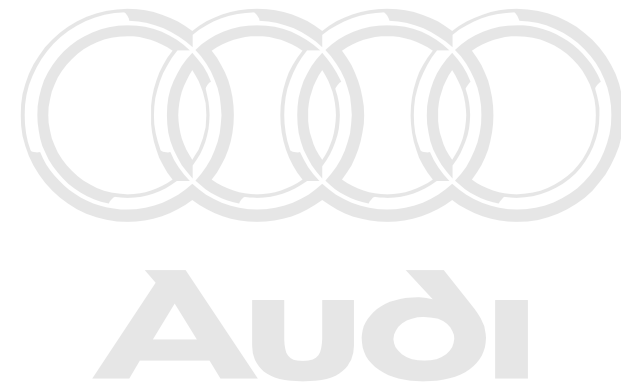


- ws = white
- sw = black
- ro = red
- rt = red
- br = brown
- gn = green
- bl = blue
- gr = grey
- li = lilac
- vi = lilac
- ge = yellow
- or = orange
- rs = pink

141 142 143 144 145 146 147 148 149 150 151 152 153 154

[426-025120413]

Radio navigation system, satellite radio
from May 2006



Protected by copyright. Copying for private or commercial purposes, in part or in whole, is not permitted unless authorised by AUDI AG. AUDI AG does not guarantee or accept any liability with respect to the correctness of information in this document. Copyright by AUDI AG.

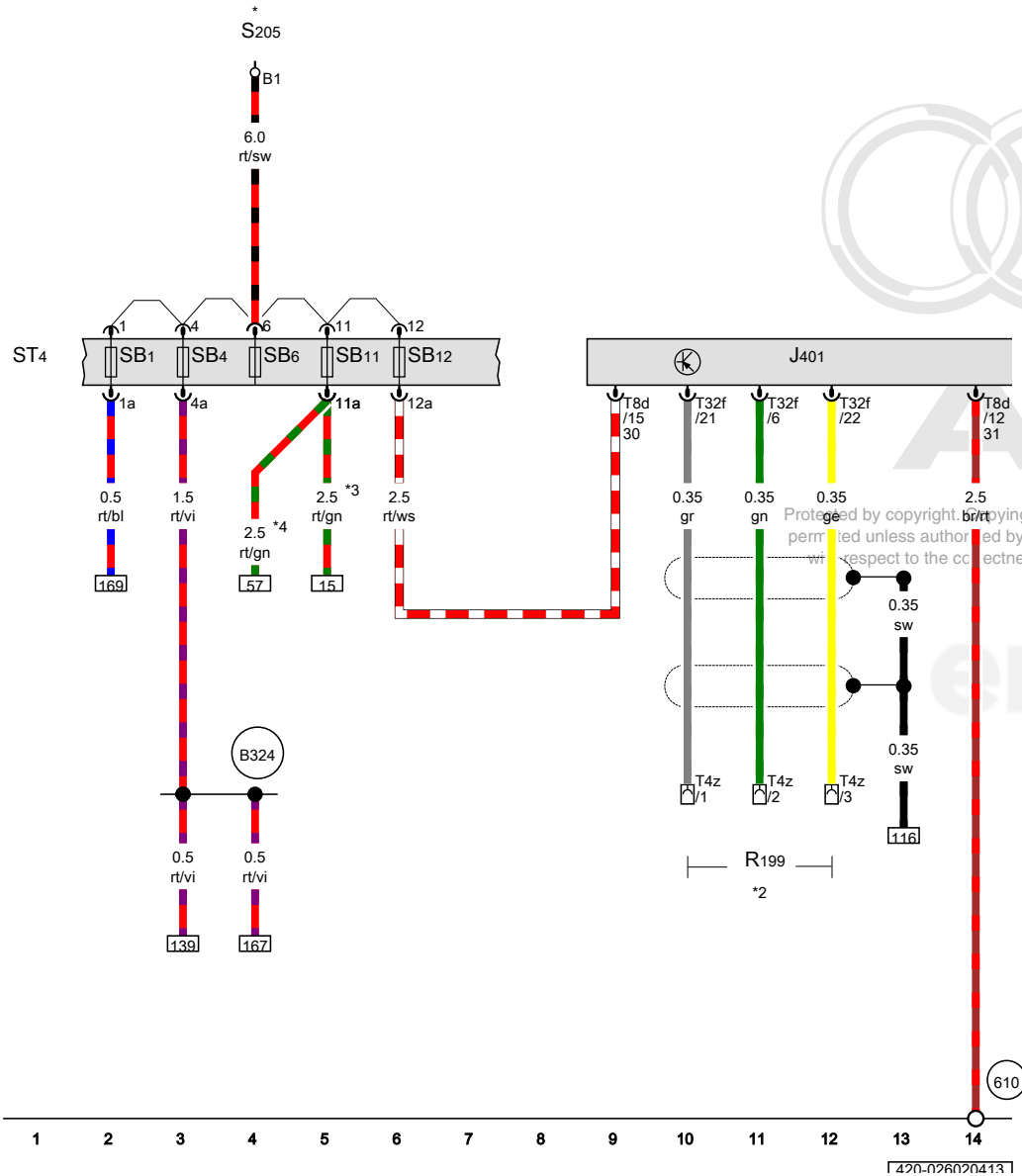


Navigation system with CD drive control module, External audio source connection

- J401 Navigation system with CD drive control module
- R199 External audio source connection
- SB1 Fuse 1 (on fuse panel B)
- ST4 Fuse panel 4
- SB4 Fuse 4 (on fuse panel B)
- SB6 Fuse 6 (on fuse panel B)
- SB11 Fuse 11 (on fuse panel B)
- SB12 Fuse 12 (on fuse panel B)
- S205 Fuse 2 (terminal 30)
- T4z 4-pin connector, in the center console, black
- T8d 8-pin connector, black
- T32f 32-pin connector, gray

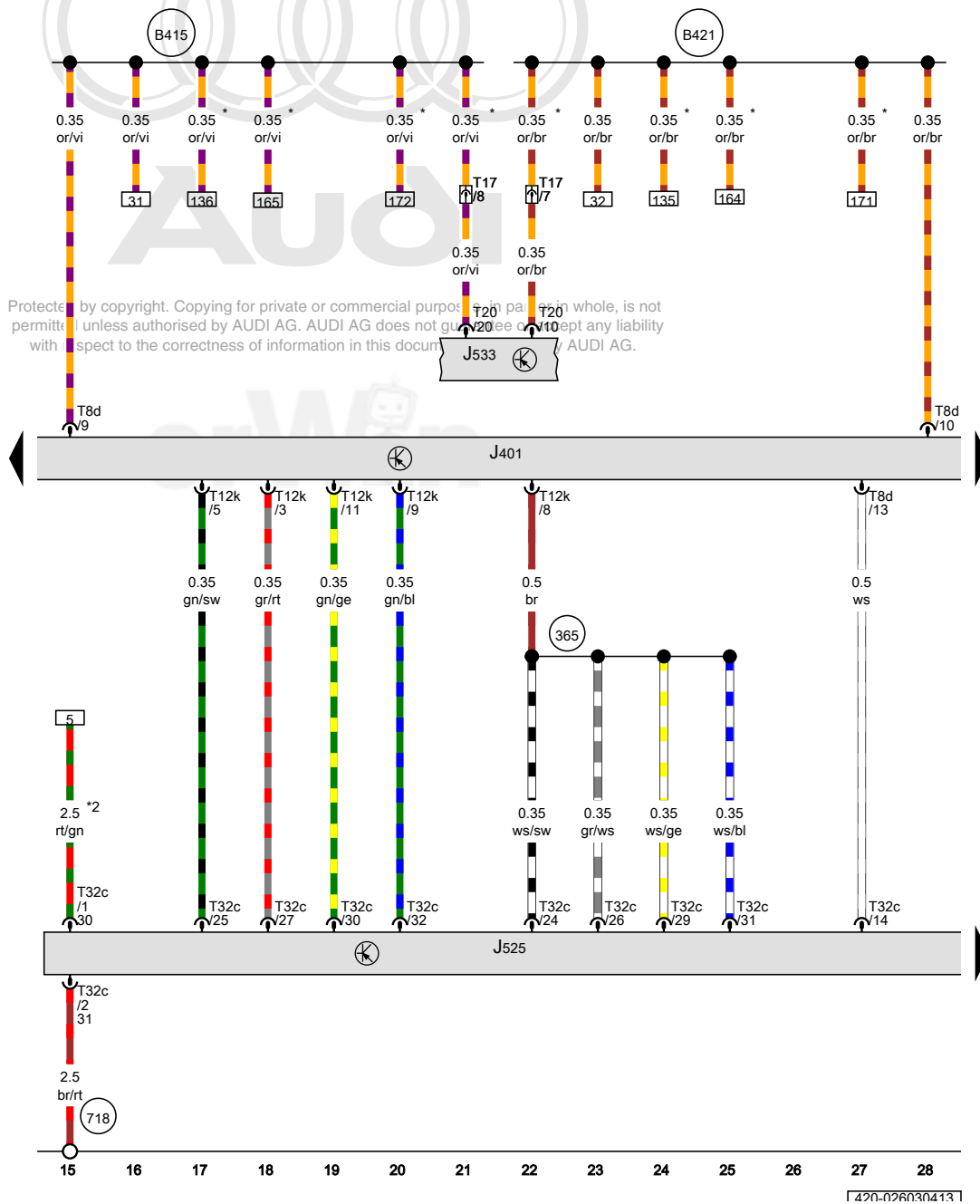
- 610 Audio ground connection under front center console
- B324 Positive connection 10 (30a) (in main wiring harness)

- * Main distribution in the right front footwell
- *2 Only for vehicles with external audio source connection - AUX-In connection
- *3 Only for vehicles with standard sound system
- *4 Only for vehicles with Bang & Olufsen sound system



Protected by copyright. Copying for private or commercial purposes, in part or in whole, is not permitted unless authorized by AUDI AG. AUDI AG does not guarantee or accept any liability with respect to the correctness of information in this document. Copyright by AUDI AG.

1420-026020413



Navigation system with CD drive control module, Digital sound system control module, Data bus on board diagnostic interface

- J401 Navigation system with CD drive control module
- J525 Digital sound system control module
- J533 Data bus on board diagnostic interface
- T8d 8-pin connector, black
- T12k 12-pin connector, black
- T17 17-pin connector, Right front center console, red
- T20 20-pin connector, red
- T32c 32-pin connector, black

- 365 Low frequency ground connection 2 (in instrument panel wiring harness)
- 718 Audio ground connection under rear shelf
- B415 Infotainment CAN Bus high connection 1 (in main wiring harness)
- B421 Infotainment CAN bus low connection 1 (in main wiring harness)

- * Data bus wire (CAN bus)
- *2 Only for vehicles with standard sound system

- ws = white
- sw = black
- ro = red
- rt = red
- br = brown
- gn = green
- bl = blue
- gr = grey
- li = lilac
- vi = lilac
- ge = yellow
- or = orange
- rs = pink

Protected by copyright. Copying for private or commercial purposes without the written permission of Audi AG is prohibited. Audi AG does not accept any liability with respect to the correctness of information in this document.

1420-026030413

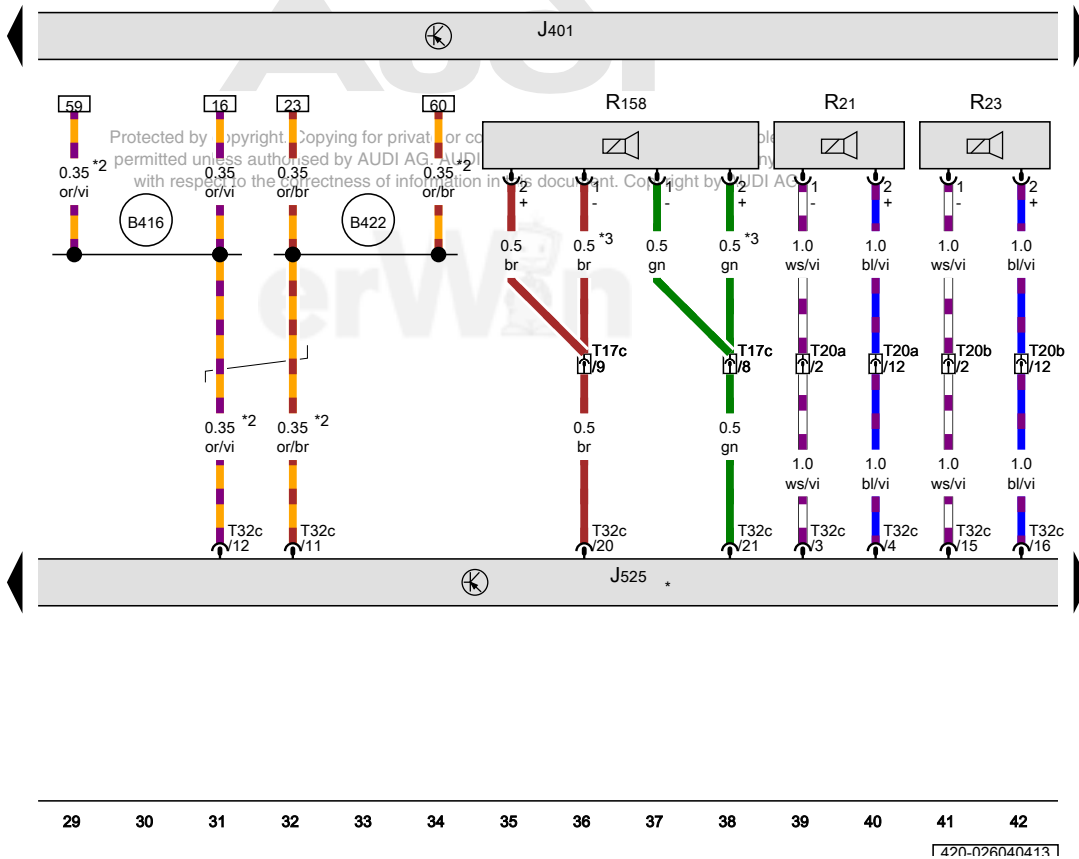
Navigation system with CD drive control module, Digital sound system control module, Left front bass speaker, Right front bass speaker, Center mid-treble speaker

- J401 Navigation system with CD drive control module
- J525 Digital sound system control module
- R21 Left front bass speaker
- R23 Right front bass speaker
- R158 Center mid-treble speaker
- T17c 17-pin connector, Right front center console, blue
- T20a 20-pin connector, in the left front door, black
- T20b 20-pin connector, in the right front door, black
- T32c 32-pin connector, black

B416 Infotainment CAN Bus high connection 2 (in main wiring harness)

B422 Infotainment CAN bus low connection 2 (in main wiring harness)

- * Only for vehicles with standard sound system
- *2 Data bus wire (CAN bus)
- *3 Running change



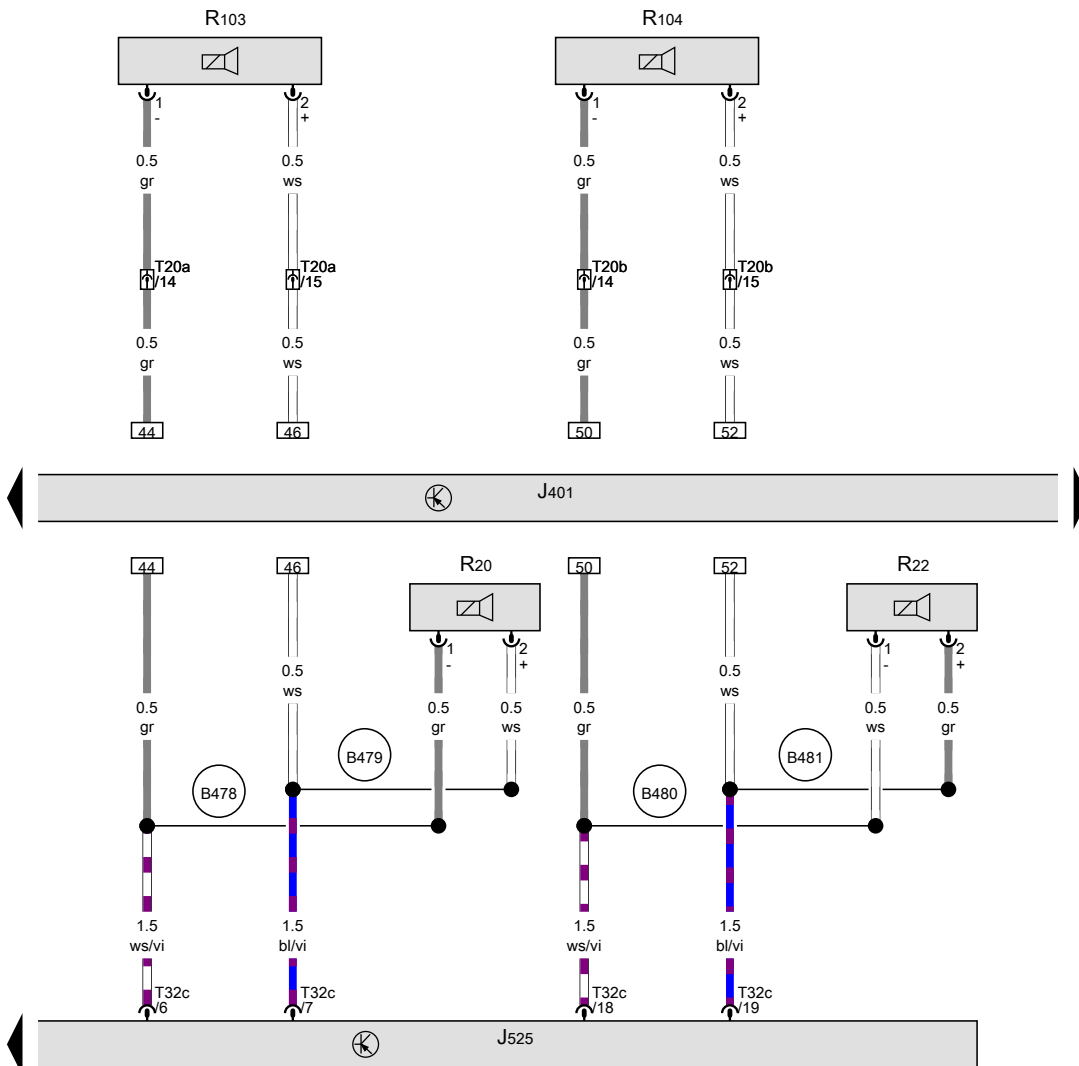
- ws = white
- sw = black
- ro = red
- rt = red
- br = brown
- gn = green
- bl = blue
- gr = grey
- li = lilac
- vi = lilac
- ge = yellow
- or = orange
- rs = pink

1420-026040413

Navigation system with CD drive control module, Digital sound system control module, Left front treble speaker, Right front treble speaker, Left front midrange speaker, Right front midrange speaker

- J401 Navigation system with CD drive control module
- J525 Digital sound system control module
- R20 Left front treble speaker
- R22 Right front treble speaker
- R103 Left front midrange speaker
- R104 Right front midrange speaker
- T20a 20-pin connector, in the left front door, black
- T20b 20-pin connector, in the right front door, black
- T32c 32-pin connector, black

- (B478) Connection 14 (in main wiring harness)
- (B479) Connection 15 (in main wiring harness)
- (B480) Connection 16 (in main wiring harness)
- (B481) Connection 17 (in main wiring harness)



- ws = white
- sw = black
- ro = red
- rt = red
- br = brown
- gn = green
- bl = blue
- gr = grey
- li = lilac
- vi = lilac
- ge = yellow
- or = orange
- rs = pink

Protected by copyright. Copying for private or commercial purposes, in part or in whole, is not permitted unless authorised by AUDI AG. AUDI AG does not guarantee or accept any liability with respect to the correctness of information in this document. Copyright by AUDI AG.

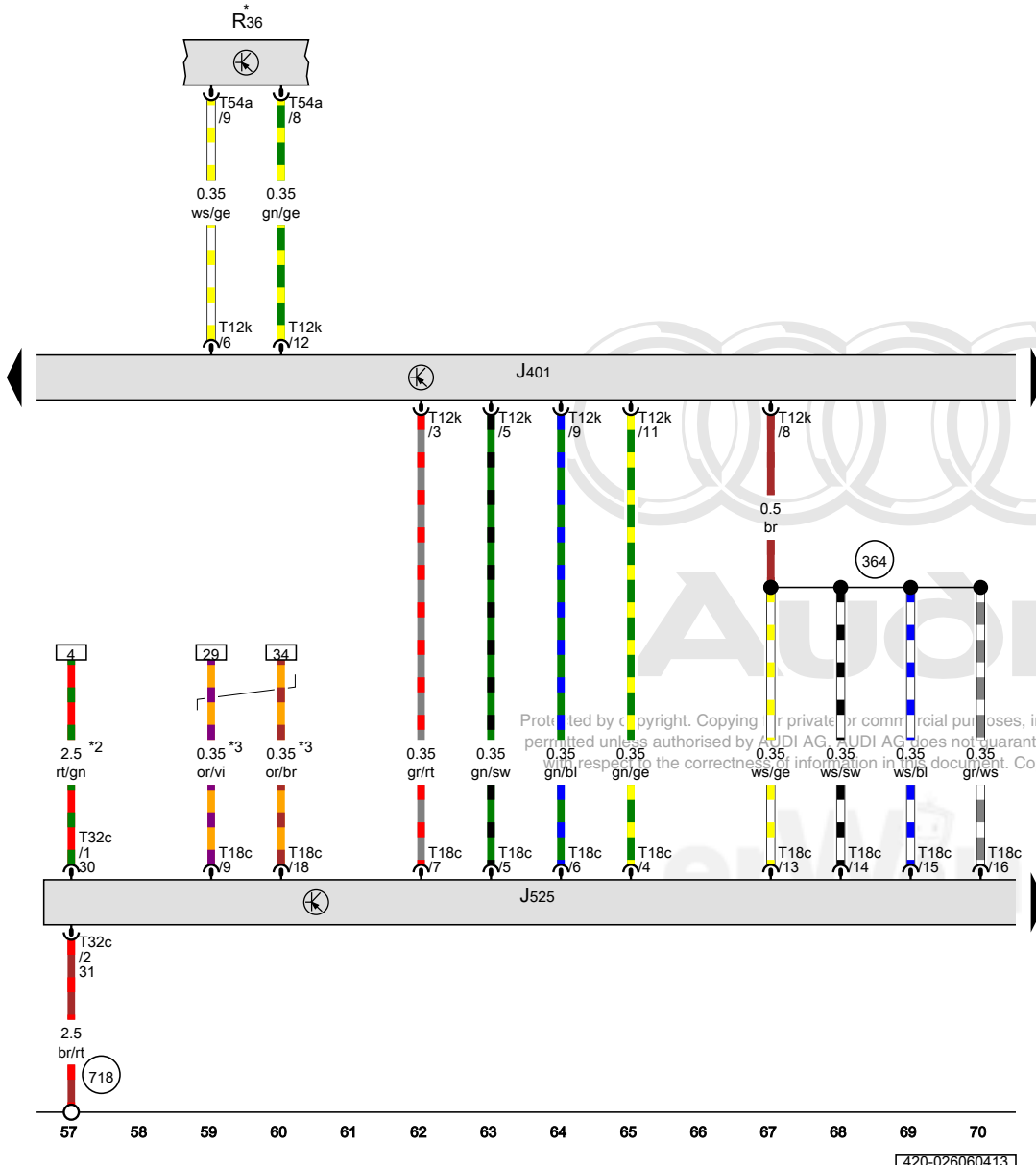
Navigation system with CD drive control module, Digital sound system control module

- J401 Navigation system with CD drive control module
- J525 Digital sound system control module
- R36 Telephone transceiver
- T12k 12-pin connector, black
- T18c 18-pin connector, black
- T32c 32-pin connector, black
- T54a 54-pin connector, black

364 Low frequency ground connection 1 (in instrument panel wiring harness)

718 Audio ground connection under rear shelf

- * Only for vehicles with cell phone preparation
- *2 Only for vehicles with Bang & Olufsen sound system
- *3 Data bus wire (CAN bus)

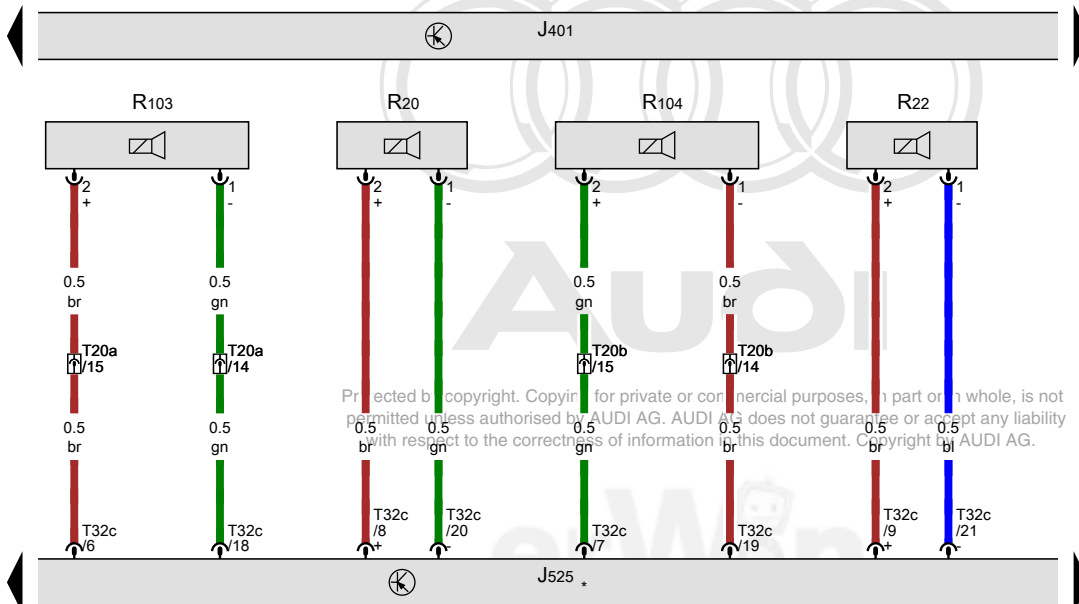


- ws = white
- sw = black
- ro = red
- rt = red
- br = brown
- gn = green
- bl = blue
- gr = grey
- li = lilac
- vi = lilac
- ge = yellow
- or = orange
- rs = pink

1420-026060413

Navigation system with CD drive control module, Digital sound system control module, Left front treble speaker, Right front treble speaker, Left front midrange speaker, Right front midrange speaker

- J401 Navigation system with CD drive control module
- J525 Digital sound system control module
- R20 Left front treble speaker
- R22 Right front treble speaker
- R103 Left front midrange speaker
- R104 Right front midrange speaker
- T20a 20-pin connector, in the left front door, black
- T20b 20-pin connector, in the right front door, black
- T32c 32-pin connector, black
- * Only for vehicles with Bang & Olufsen sound system



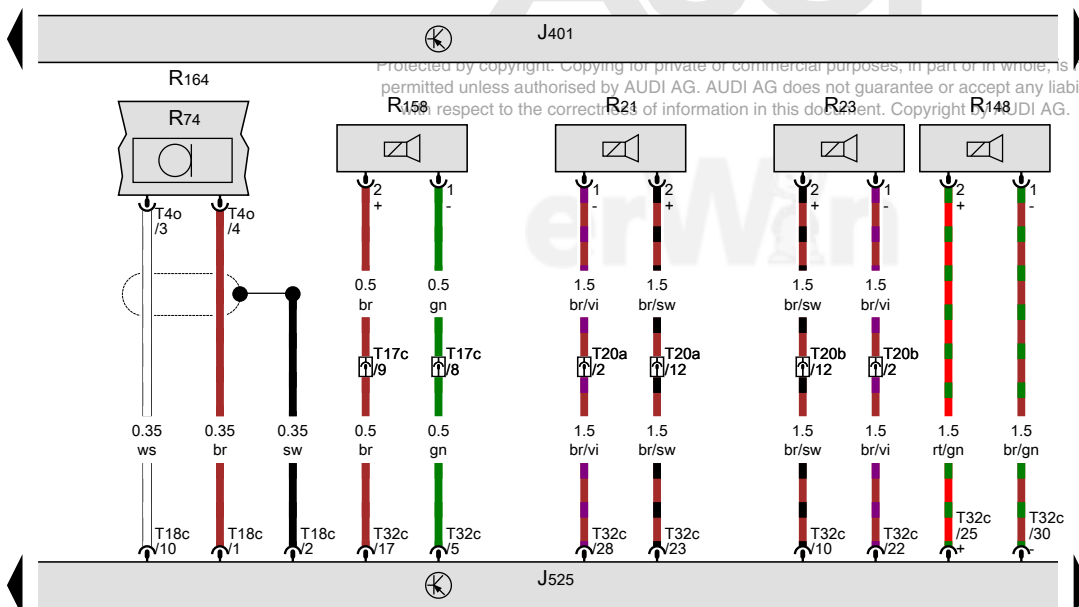
Protected by copyright. Copying for private or commercial purposes, in part or in whole, is not permitted unless authorised by AUDI AG. AUDI AG does not guarantee or accept any liability with respect to the correctness of information in this document. Copyright by AUDI AG.

- ws = white
- sw = black
- ro = red
- rt = red
- br = brown
- gn = green
- bl = blue
- gr = grey
- li = lilac
- vi = lilac
- ge = yellow
- or = orange
- rs = pink

Navigation system with CD drive control module, Digital sound system control module, Left front bass speaker, Right front bass speaker, Interior microphone, Speaker in center, Center mid-treble speaker, Microphone unit in front roof module

- J401 Navigation system with CD drive control module
- J525 Digital sound system control module
- R21 Left front bass speaker
- R23 Right front bass speaker
- R74 Interior microphone
- R148 Speaker in center
- R158 Center mid-treble speaker
- R164 Microphone unit in front roof module
- T4o 4-pin connector, black
- T17c 17-pin connector, blue
- T18c 18-pin connector, black
- T20a 20-pin connector, in the left front door, black
- T20b 20-pin connector, in the right front door, black
- T32c 32-pin connector, black

Protected by copyright. Copying for private or commercial purposes, in part or in whole, is not permitted unless authorised by AUDI AG. AUDI AG does not guarantee or accept any liability respect to the correctness of information in this document. Copyright by AUDI AG.

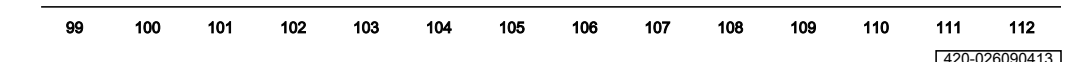
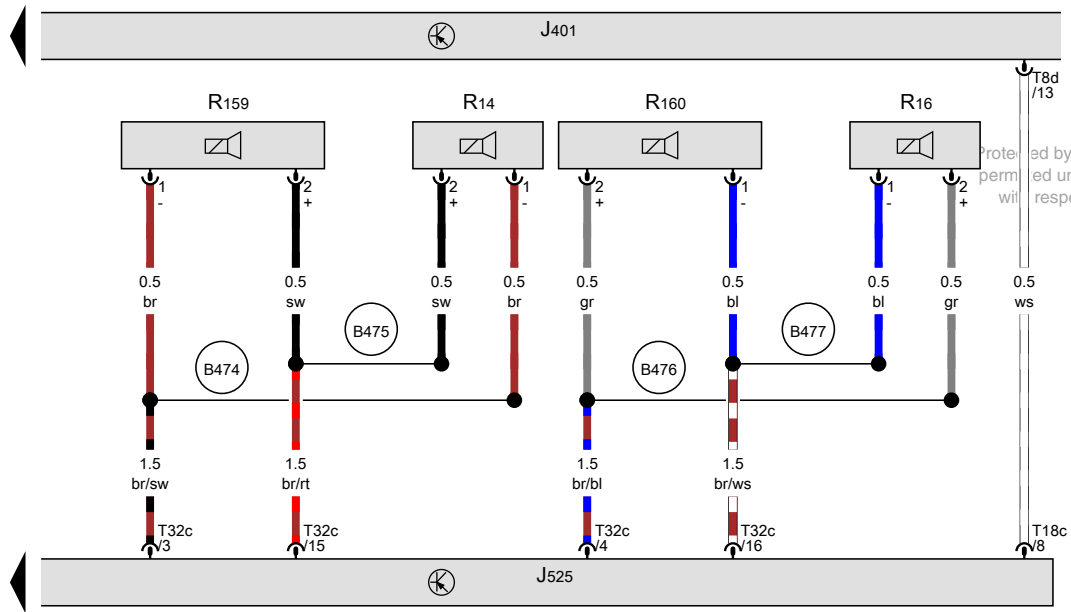


- ws = white
- sw = black
- ro = red
- rt = red
- br = brown
- gn = green
- bl = blue
- gr = grey
- li = lilac
- vi = lilac
- ge = yellow
- or = orange
- rs = pink

Navigation system with CD drive control module, Digital sound system control module, Left rear treble speaker, Right rear treble speaker, Left rear mid-bass speaker, Right rear mid-bass speaker

- J401 Navigation system with CD drive control module
- J525 Digital sound system control module
- R14 Left rear treble speaker
- R16 Right rear treble speaker
- R159 Left rear mid-bass speaker
- R160 Right rear mid-bass speaker
- T8d 8-pin connector, black
- T18c 18-pin connector, black
- T32c 32-pin connector, black

- B474 Connection 10 (in main wiring harness)
- B475 Connection 11 (in main wiring harness)
- B476 Connection 12 (in main wiring harness)
- B477 Connection 13 (in main wiring harness)



Protected by copyright. Copying for private or commercial purposes, in part or in whole, is not permitted unless authorised by AUDI AG. AUDI AG does not guarantee or accept any liability with respect to the correctness of information in this document. Copyright by AUDI AG.

- ws = white
- sw = black
- ro = red
- rt = red
- br = brown
- gn = green
- bl = blue
- gr = grey
- li = lilac
- vi = lilac
- ge = yellow
- or = orange
- rs = pink

Navigation system with CD drive control module, CD changer

- J401 Navigation system with CD drive control module
- R41 CD changer
- T12f 12-pin connector, black
- T12i 12-pin connector, black

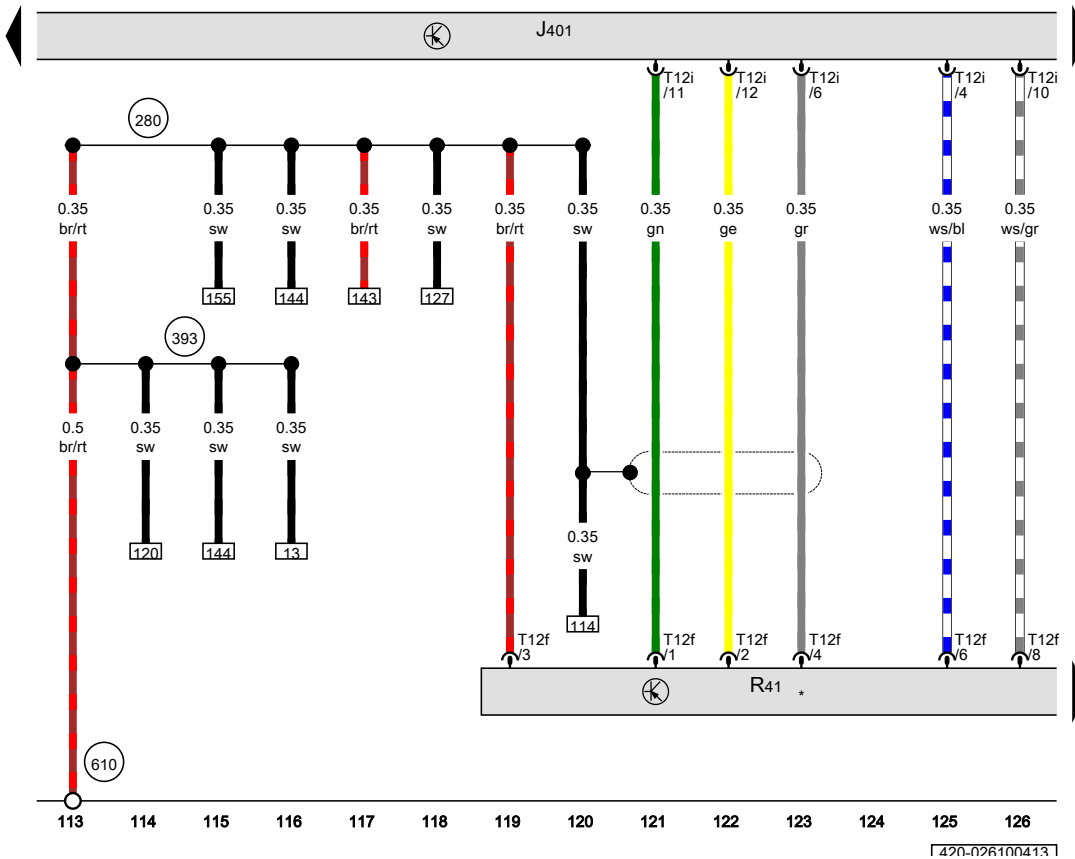
280 Ground connection (in communication wiring harness)

393 Ground connection 28 (in main wiring harness)

610 Audio ground connection under front center console

* Only for vehicles with CD changer

Protected by copyright. Copying for private or commercial purposes, in part or in whole, is not permitted unless authorised by AUDI AG. AUDI AG does not guarantee or accept any liability with respect to the correctness of information in this document. Copyright by AUDI AG.



- ws = white
- sw = black
- ro = red
- rt = red
- br = brown
- gn = green
- bl = blue
- gr = grey
- li = lilac
- vi = lilac
- ge = yellow
- or = orange
- rs = pink

420-026100413

Navigation system with CD drive control module, CD changer, Satellite radio

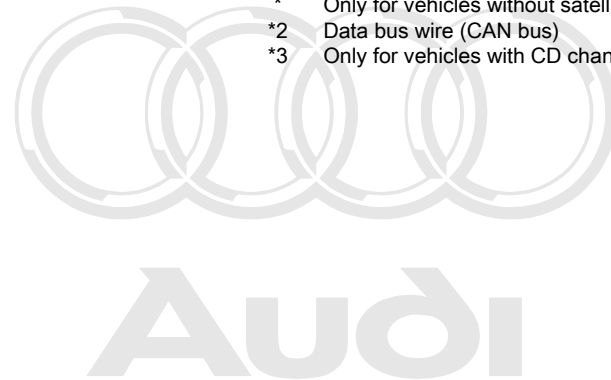
- J401 Navigation system with CD drive control module
- R41 CD changer
- R146 Satellite radio
- T8e 8-pin connector, black
- T8f 8-pin connector, black
- T12f 12-pin connector, black
- T12i 12-pin connector, black

394 Ground connection 29 (in main wiring harness)

396 Ground connection 31 (in main wiring harness)

718 Audio ground connection under rear shelf

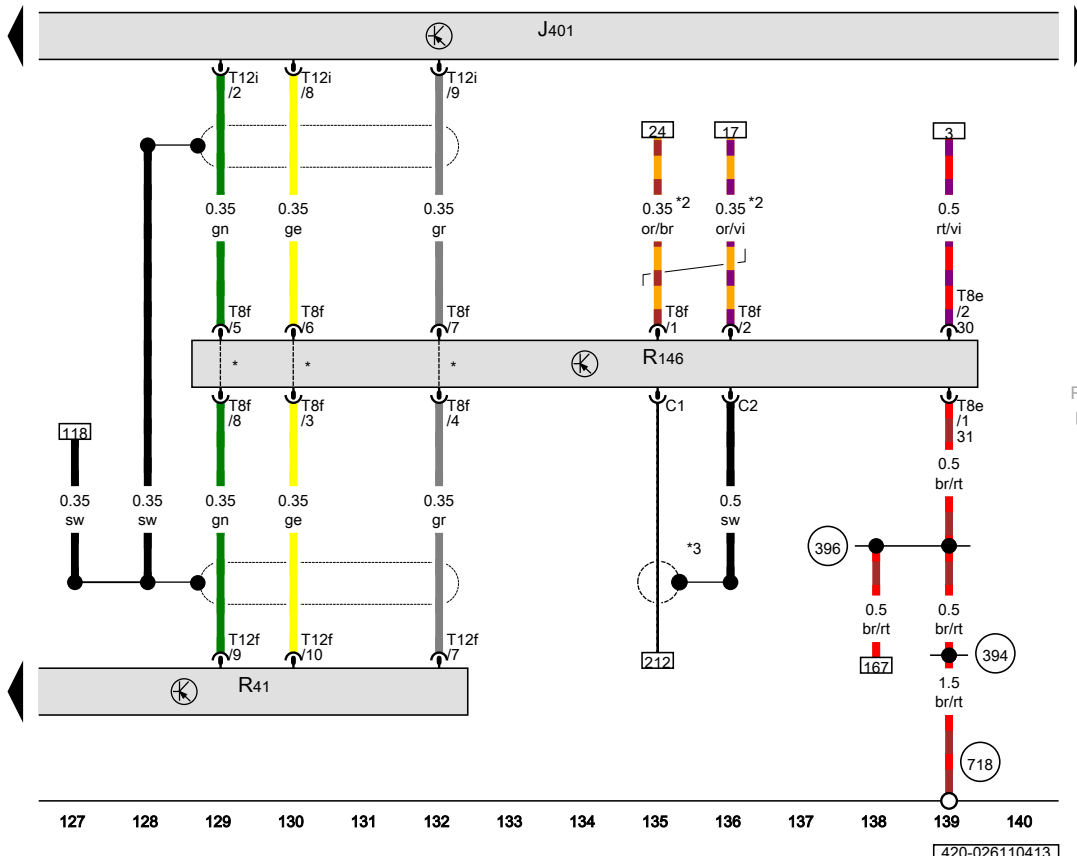
- * Only for vehicles without satellite radio
- *2 Data bus wire (CAN bus)
- *3 Only for vehicles with CD changer



Protected by copyright. Copying for private or commercial purposes, in part or in whole, is not permitted unless authorised by AUDI AG. AUDI AG does not guarantee or accept any liability with respect to the correctness of information in this document. Copyright by AUDI AG.



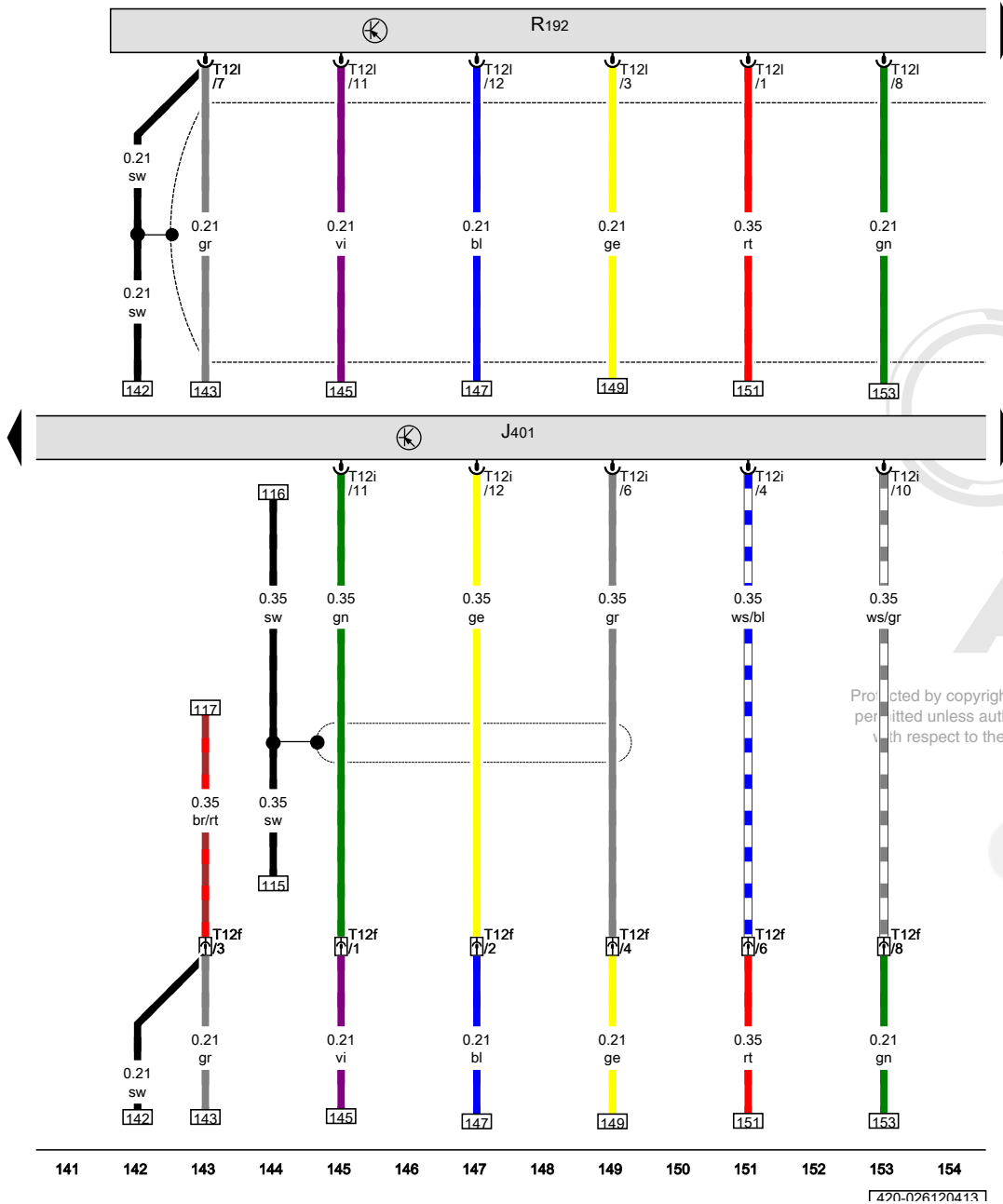
- ws = white
- sw = black
- ro = red
- rt = red
- br = brown
- gn = green
- bl = blue
- gr = grey
- li = lilac
- vi = lilac
- ge = yellow
- or = orange
- rs = pink



420-026110413

Navigation system with CD drive control module, iPod baseplate

- J401 Navigation system with CD drive control module
- R192 iPod baseplate
- T12f 12-pin connector, in the rear center console, black
- T12i 12-pin connector, black
- T12l 12-pin connector

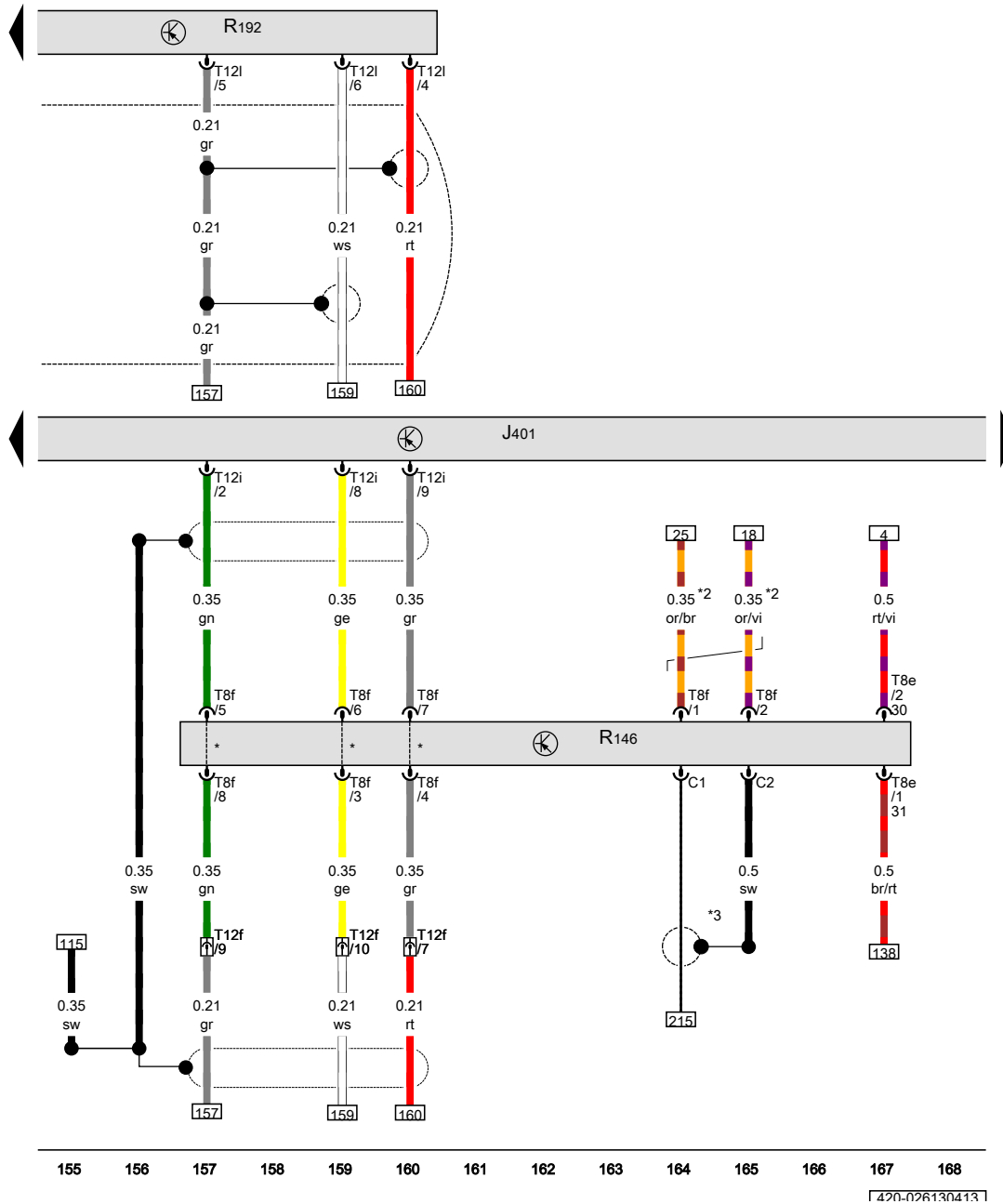


Protected by copyright. Copying for private or commercial purposes, in part or in whole, is not permitted unless authorised by AUDI AG. AUDI AG does not guarantee or accept any liability with respect to the correctness of information in this document. Copyright by AUDI AG.

- ws = white
- sw = black
- ro = red
- rt = red
- br = brown
- gn = green
- bl = blue
- gr = grey
- li = lilac
- vi = lilac
- ge = yellow
- or = orange
- rs = pink

Navigation system with CD drive control module, Satellite radio, iPod baseplate

- J401 Navigation system with CD drive control module
- R146 Satellite radio
- R192 iPod baseplate
- T8e 8-pin connector, black
- T8f 8-pin connector, black
- T12f 12-pin connector, in the rear center console, black
- T12i 12-pin connector, black
- T12l 12-pin connector
- * Only for vehicles without satellite radio
- *2 Data bus wire (CAN bus)
- *3 Only for vehicles with iPod bracket

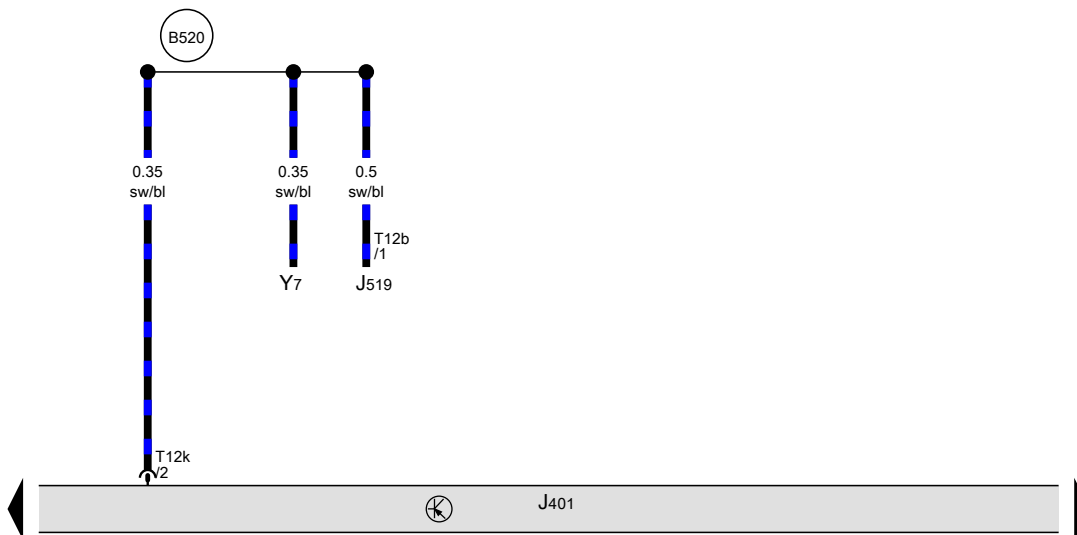


Audi

Protected by copyright. Copying for private or commercial purposes, in part or in whole, is not permitted unless authorised by AUDI AG. AUDI AG does not guarantee or accept any liability with respect to the correctness of information in this document. Copyright by AUDI AG.



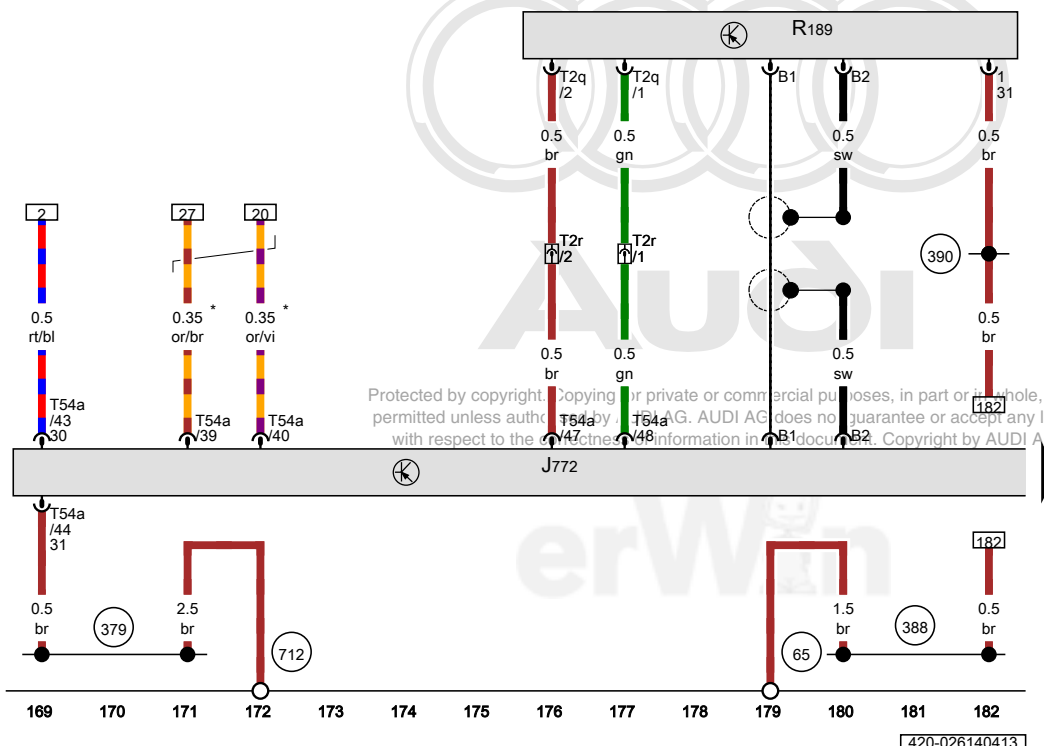
- ws = white
- sw = black
- ro = red
- rt = red
- br = brown
- gn = green
- bl = blue
- gr = grey
- li = lilac
- vi = lilac
- ge = yellow
- or = orange
- rs = pink



Navigation system with CD drive control module, Rearview camera system control module, Rearview camera

- J401 Navigation system with CD drive control module
- J519 Vehicle electrical system control module
- J772 Rearview camera system control module
- R189 Rearview camera
- T2q Double connector, brown
- T2r Double connector, on the left B-pillar, black
- T12b 12-pin connector, black
- T12k 12-pin connector, black
- T54a 54-pin connector, black
- Y7 Automatic dimming interior rearview mirror

- 65 Ground connection on left rear longitudinal member
- 379 Ground connection 14 (in main wiring harness)
- 388 Ground connection 23 (in main wiring harness)
- 390 Ground connection 25 (in main wiring harness)
- 712 Ground connection under rear shelf, left
- B520 Connection RF (in main wiring harness)
- * Data bus wire (CAN bus)



- ws = white
- sw = black
- ro = red
- rt = red
- br = brown
- gn = green
- bl = blue
- gr = grey
- li = lilac
- vi = lilac
- ge = yellow
- or = orange
- rs = pink

426-026140413

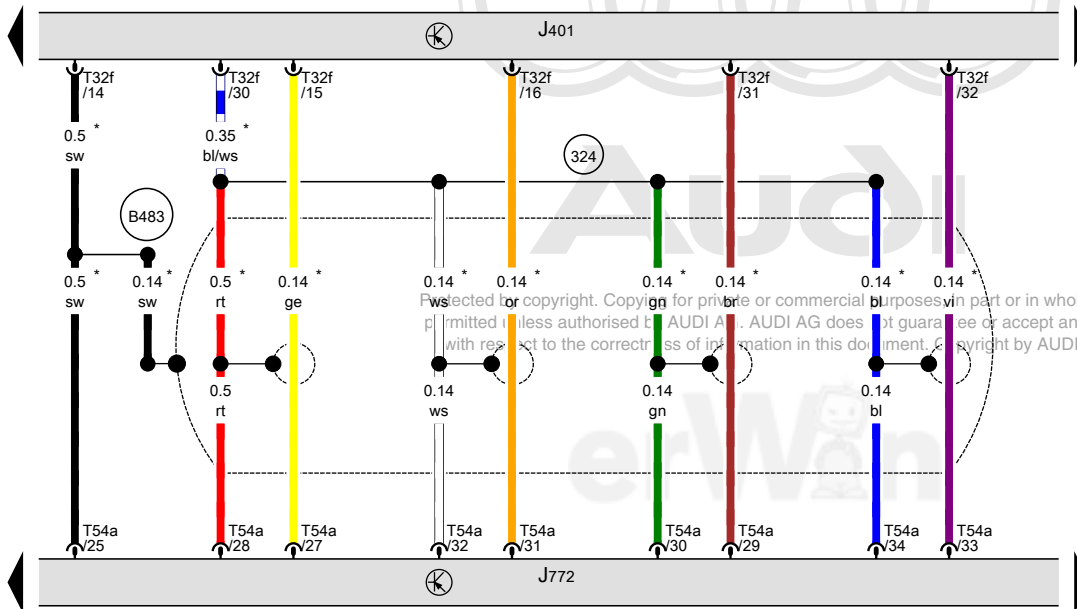
Navigation system with CD drive control module, Rearview camera system control module

- J401 Navigation system with CD drive control module
- J772 Rearview camera system control module
- T32f 32-pin connector, gray
- T54a 54-pin connector, black

324 Navigation shielding 1 ground connection (in communication wiring harness)

B483 Connection 19 (in main wiring harness)

* Through May 2007



- ws = white
- sw = black
- ro = red
- rt = red
- br = brown
- gn = green
- bl = blue
- gr = grey
- li = lilac
- vi = lilac
- ge = yellow
- or = orange
- rs = pink

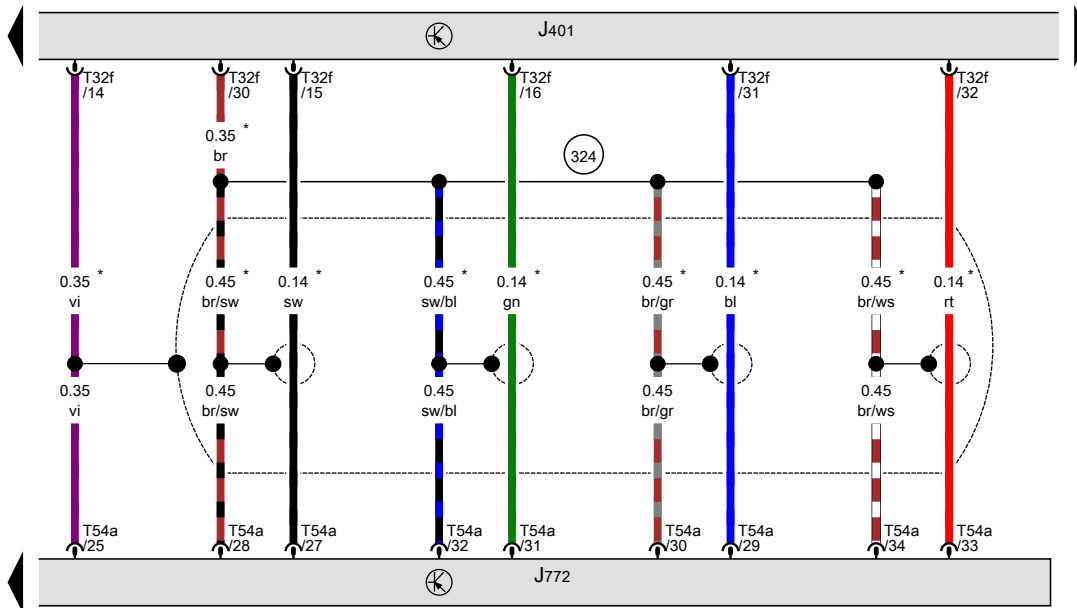
183 184 185 186 187 188 189 190 191 192 193 194 195 196

[420-026150413]

Navigation system with CD drive control module, Rearview camera system control module

- J401 Navigation system with CD drive control module
- J772 Rearview camera system control module
- T32f 32-pin connector, gray
- T54a 54-pin connector, black

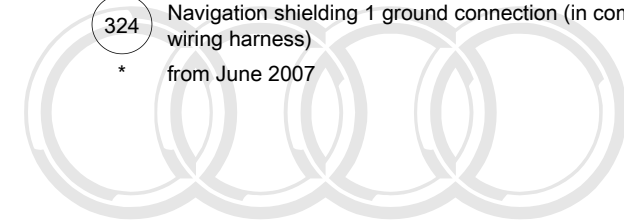
324 Navigation shielding 1 ground connection (in communication wiring harness)
 * from June 2007



- ws = white
- sw = black
- ro = red
- rt = red
- br = brown
- gn = green
- bl = blue
- gr = grey
- li = lilac
- vi = lilac
- ge = yellow
- or = orange
- rs = pink

197 198 199 200 201 202 203 204 205 206 207 208 209 210

[420-026160413]



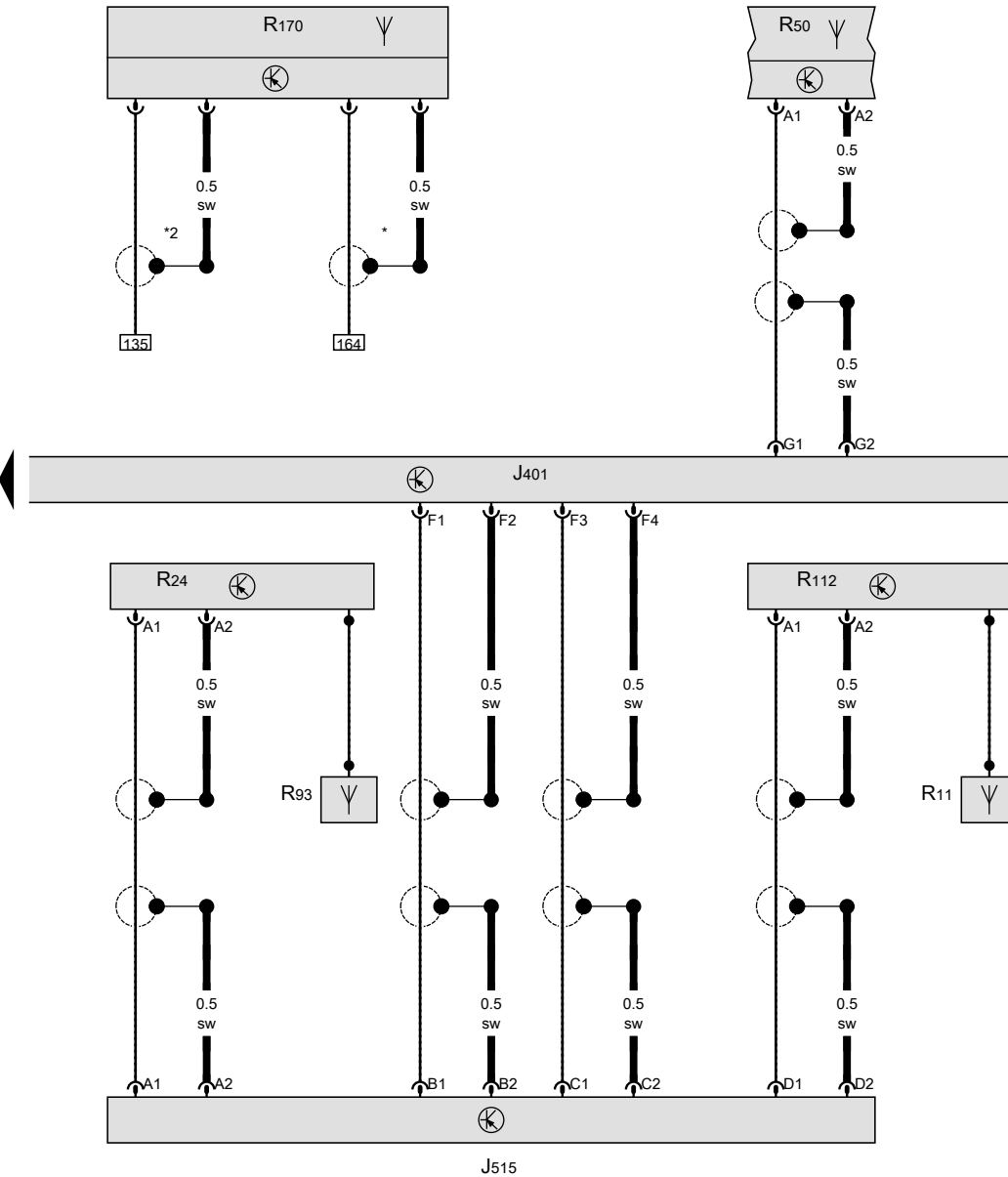
Audi

Protected by copyright. Copying for private or commercial purposes, in part or in whole, is not permitted unless authorised by AUDI AG. AUDI AG does not guarantee or accept any liability with respect to the correctness of information in this document. Copyright by AUDI AG.

erWin

Navigation system with CD drive control module, Antenna selection control module, Antenna, Antenna amplifier, GPS antenna, Radio antenna 2, Antenna amplifier 3, Satellite antenna

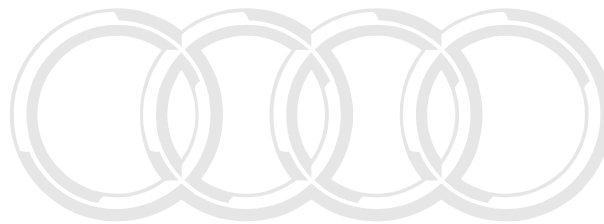
- J401 Navigation system with CD drive control module
- J515 Antenna selection control module
- R11 Antenna
- R24 Antenna amplifier
- R50 GPS antenna, in the instrument panel, center
- R93 Radio antenna 2
- R112 Antenna amplifier 3
- R170 Satellite antenna, in the rear lid
- * Only for vehicles with iPod bracket
- *2 Only for vehicles with CD changer



Protected by copyright. Copying for private or commercial purposes, in part or in whole, is not permitted unless authorised by AUDI AG. AUDI AG does not guarantee or accept any liability with respect to the correctness of information in this document. Copyright by AUDI AG.

- ws = white
- sw = black
- ro = red
- rt = red
- br = brown
- gn = green
- bl = blue
- gr = grey
- li = lilac
- vi = lilac
- ge = yellow
- or = orange
- rs = pink

Headlamps LED
from June 2008



Audi

Protected by copyright. Copying for private or commercial purposes, in part or in whole, is not permitted unless authorised by AUDI AG. AUDI AG does not guarantee or accept any liability with respect to the correctness of information in this document. Copyright by AUDI AG.

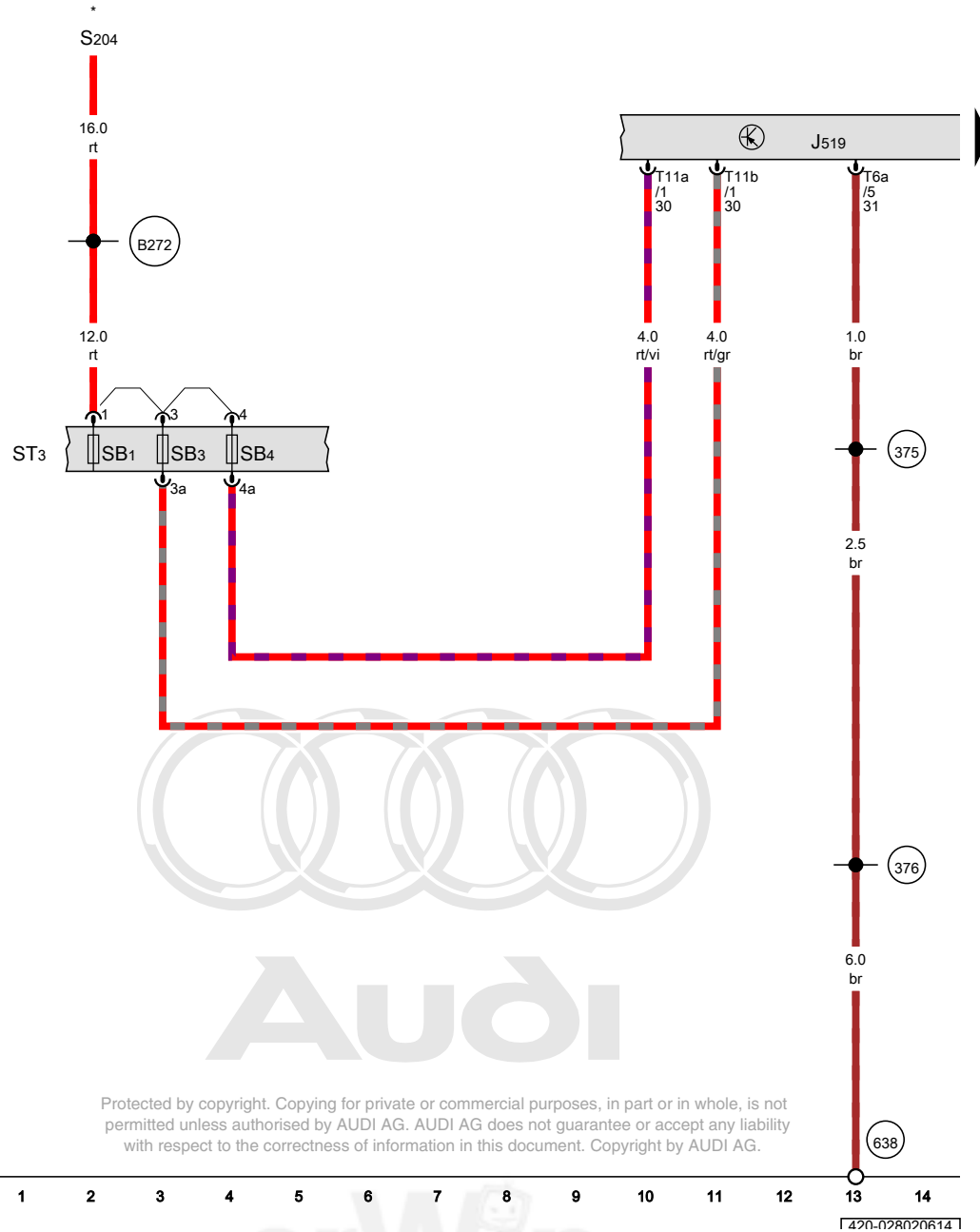


Vehicle electrical control module system

- J519 Vehicle electrical control module system
- SB1 Fuse 1 (on fuse panel B)
- SB3 Fuse 3 (on fuse panel B)
- ST3 Fuse panel 3
- SB4 Fuse 4 (on fuse panel B)
- S204 Fuse 1 (terminal 30)
- T6a 6-pin connector, black
- T11a 11-pin connector, black
- T11b 11-pin connector, brown

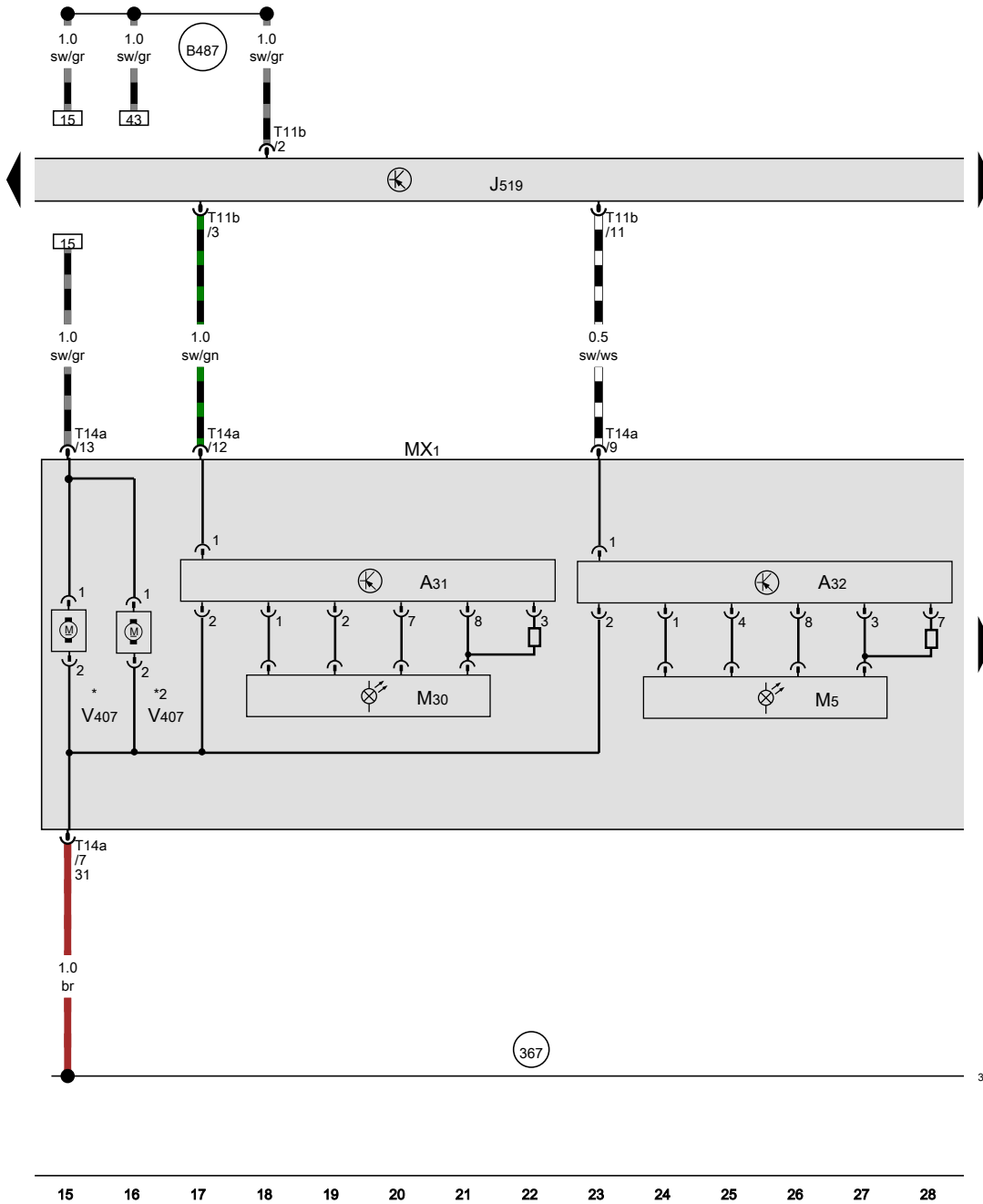
- 375 Ground connection 10 (in main wiring harness)
- 376 Ground connection 11 (in main wiring harness)
- 638 Ground connection on right A-pillar
- B272 Positive connection (30) (in main wiring harness)

* Main distribution in the right front footwell



- ws = white
- sw = black
- ro = red
- rt = red
- br = brown
- gn = green
- bl = blue
- gr = grey
- li = lilac
- vi = lilac
- ge = yellow
- or = orange
- rs = pink

Protected by copyright. Copying for private or commercial purposes, in part or in whole, is not permitted unless authorised by AUDI AG. AUDI AG does not guarantee or accept any liability with respect to the correctness of information in this document. Copyright by AUDI AG.



Vehicle electrical control module system, Left front headlamp

- A31 Left LED headlamp power output module 1
- A32 Left LED headlamp power output module 2
- J519 Vehicle electrical control module system
- MX1 Left front headlamp
- M5 Left front turn signal bulb
- M30 Left high beam headlamp bulb
- T11b 11-pin connector, brown
- T14a 14-pin connector, black
- V407 Left headlamp fan

367 Ground connection 2 (in main wiring harness)

B487 Connection 23 (in main wiring harness)

- * Low beam fan
- *2 High beam fan

Protected by copyright. Copying for private or commercial purposes, in part or in whole, is not permitted unless authorised by AUDI AG. AUDI AG does not guarantee or accept any liability with respect to the correctness of information in this document. Copyright by AUDI AG.

- ws = white
- sw = black
- ro = red
- rt = red
- br = brown
- gn = green
- bl = blue
- gr = grey
- li = lilac
- vi = lilac
- ge = yellow
- or = orange
- rs = pink

1420-028030614

Vehicle electrical control module system, Left front headlamp

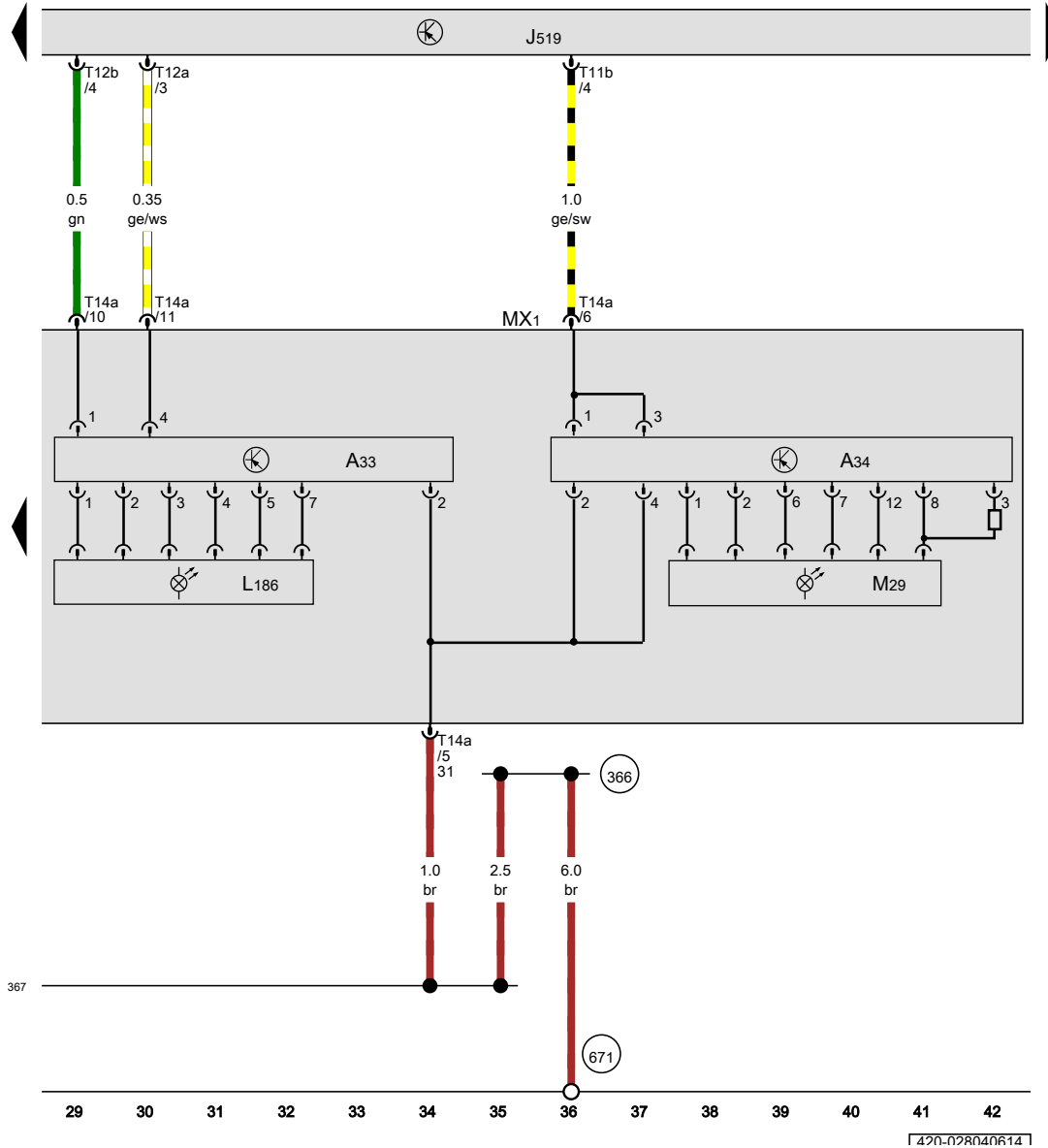
- A33 Left LED headlamp power output module 3
- A34 Left LED headlamp power output module 4
- J519 Vehicle electrical control module system
- L186 Left daytime running lamp and position lamp bulb
- MX1 Left front headlamp
- M29 Left low beam headlamp bulb
- T11b 11-pin connector, brown
- T12a 12-pin connector, black
- T12b 12-pin connector, black
- T14a 14-pin connector, black

Protected by copyright. Copying for private or commercial purposes, in part or in whole, is not permitted unless authorized by AUDI AG. AUDI AG does not guarantee or accept any liability with respect to the correctness of information in this document. Copyright by AUDI AG.

366 Ground connection 1 (in main wiring harness)

367 Ground connection 2 (in main wiring harness)

671 Ground connection 1 on left front longitudinal member

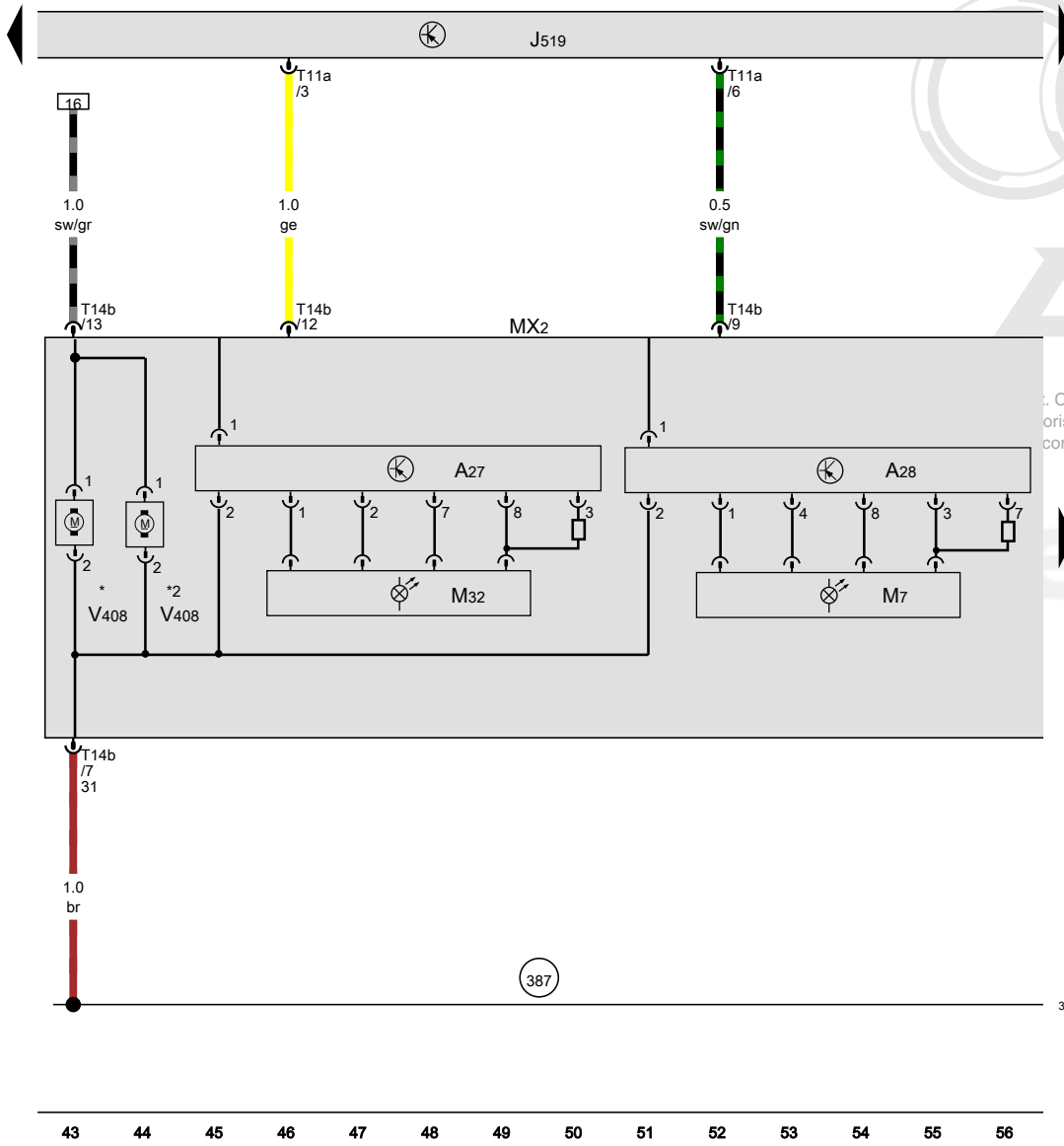


- ws = white
- sw = black
- ro = red
- rt = red
- br = brown
- gn = green
- bl = blue
- gr = grey
- li = lilac
- vi = lilac
- ge = yellow
- or = orange
- rs = pink

1420-028040614

Vehicle electrical control module system, Right front headlamp

- A27 Right LED headlamp power output module 1
- A28 Right LED headlamp power output module 2
- J519 Vehicle electrical control module system
- MX2 Right front headlamp
- M7 Right front turn signal bulb
- M32 Right high beam headlamp bulb
- T11a 11-pin connector, black
- T14b 14-pin connector, black
- V408 Right headlamp fan
- 387 Ground connection 22 (in main wiring harness)
- * Low beam fan
- *2 High beam fan



Copying for private or commercial purposes, in part or in whole, is not authorised by AUDI AG. AUDI AG does not guarantee or accept any liability for the correctness of information in this document. Copyright by AUDI AG.

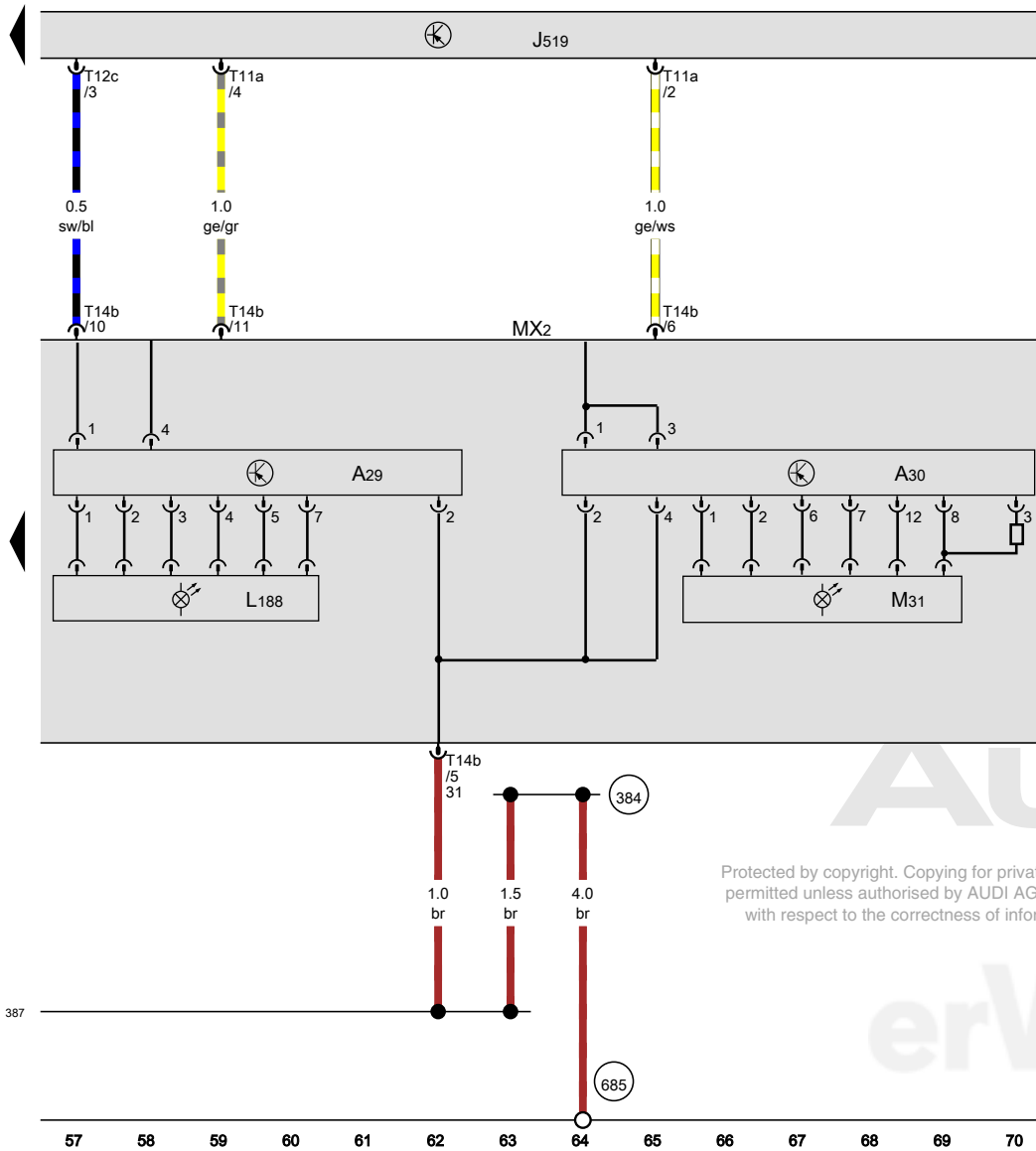
- ws = white
- sw = black
- ro = red
- rt = red
- br = brown
- gn = green
- bl = blue
- gr = grey
- li = lilac
- vi = lilac
- ge = yellow
- or = orange
- rs = pink

1420-028050614

Vehicle electrical control module system, Right front headlamp

- A29 Right LED headlamp power output module 3
- A30 Right LED headlamp power output module 4
- J519 Vehicle electrical control module system
- L188 Right daytime running lamp and position lamp bulb
- MX2 Right front headlamp
- M31 Right low beam headlamp bulb
- T11a 11-pin connector, black
- T12c 12-pin connector, brown
- T14b 14-pin connector, black

- 384 Ground connection 19 (in main wiring harness)
- 387 Ground connection 22 (in main wiring harness)
- 685 Ground connection 1 on right front longitudinal member

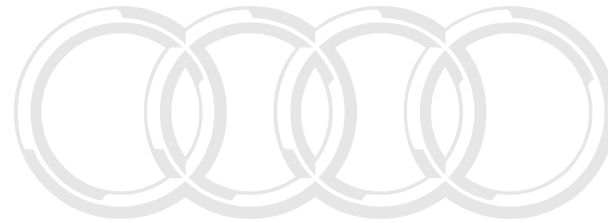


Protected by copyright. Copying for private or commercial purposes, in part or in whole, is not permitted unless authorised by AUDI AG. AUDI AG does not guarantee or accept any liability with respect to the correctness of information in this document. Copyright by AUDI AG.

- ws = white
- sw = black
- ro = red
- rt = red
- br = brown
- gn = green
- bl = blue
- gr = grey
- li = lilac
- vi = lilac
- ge = yellow
- or = orange
- rs = pink

420-028060614

Special functions interface
from November 2008

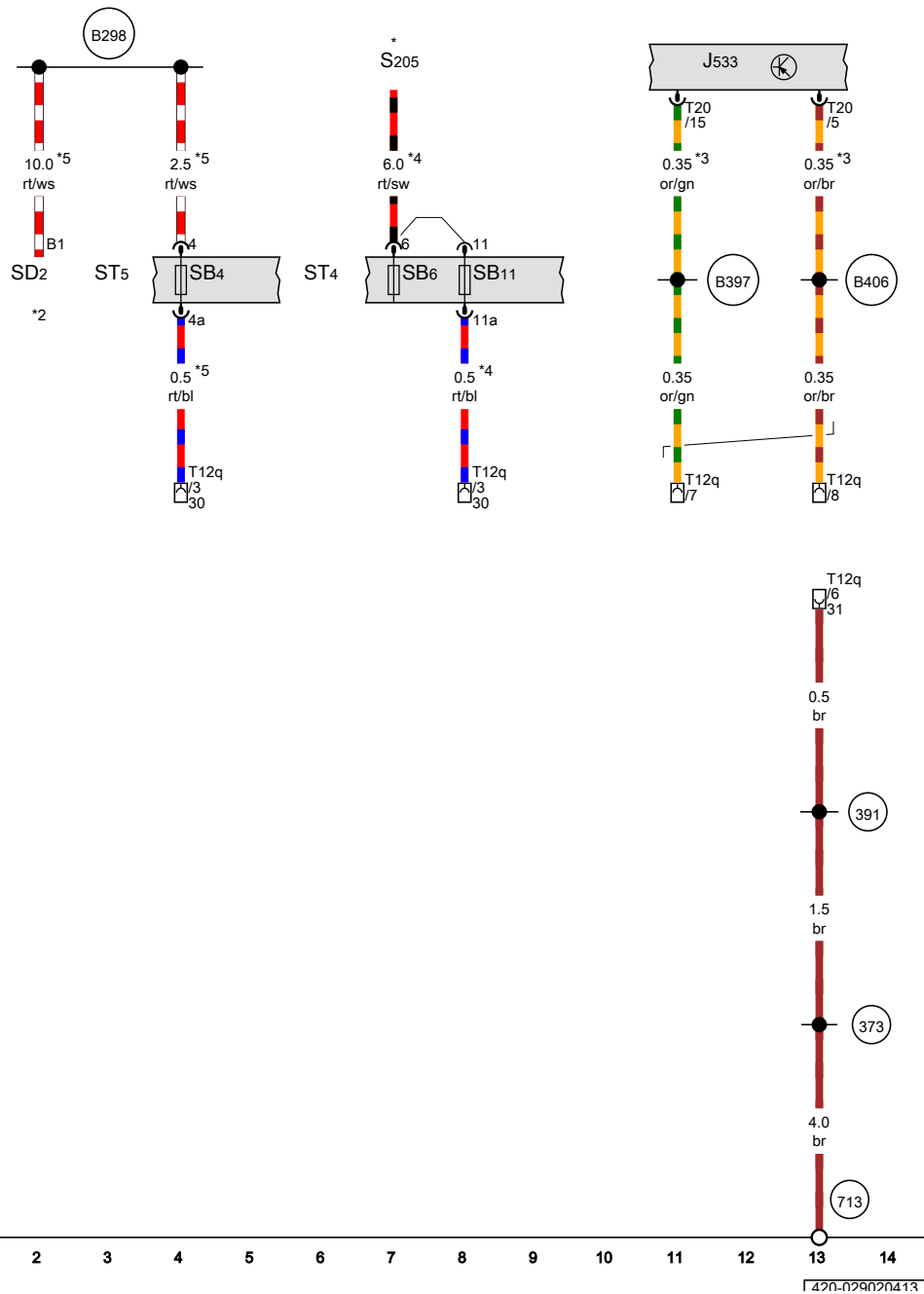


Audi

Protected by copyright. Copying for private or commercial purposes, in part or in whole, is not permitted unless authorised by AUDI AG. AUDI AG does not guarantee or accept any liability with respect to the correctness of information in this document. Copyright by AUDI AG.



Fuse 2 (on fuse panel D), Fuse 2 (terminal 30), 12-pin connector



- J533 Data bus on board diagnostic interface
- SD2 Fuse 2 (on fuse panel D)
- ST4 Fuse panel 4
- SB4 Fuse 4 (on fuse panel B)
- ST5 Fuse panel 5
- SB6 Fuse 6 (on fuse panel B)
- SB11 Fuse 11 (on fuse panel B)
- S205 Fuse 2 (terminal 30)
- T12q 12-pin connector, under the right front seat, brown
- T20 20-pin connector, red

- 373 Ground connection 8 (in main wiring harness)
- 391 Ground connection 26 (in main wiring harness)
- 713 Ground connection under rear shelf, right
- B298 Positive connection 2 (30) (in main wiring harness)
- B397 Comfort system CAN bus high connection 1 (in main wiring harness)
- B406 Comfort system CAN bus low connection 1 (in main wiring harness)

Protected by copyright. Copying for private or commercial purposes, in part or in whole, is not permitted unless authorized by AUDI AG. AUDI AG does not guarantee or accept any liability with respect to the correctness of information in this document. Copyright by AUDI AG.

- * Main distribution in the right front footwell
- *2 Main fuse box in the right front footwell
- *3 Data bus wire (CAN bus) from June 2009
- *4 from June 2009
- *5 Through May 2009

- ws = white
- sw = black
- ro = red
- rt = red
- br = brown
- gn = green
- bl = blue
- gr = grey
- li = lilac
- vi = lilac
- ge = yellow
- or = orange
- rs = pink

12-pin connector

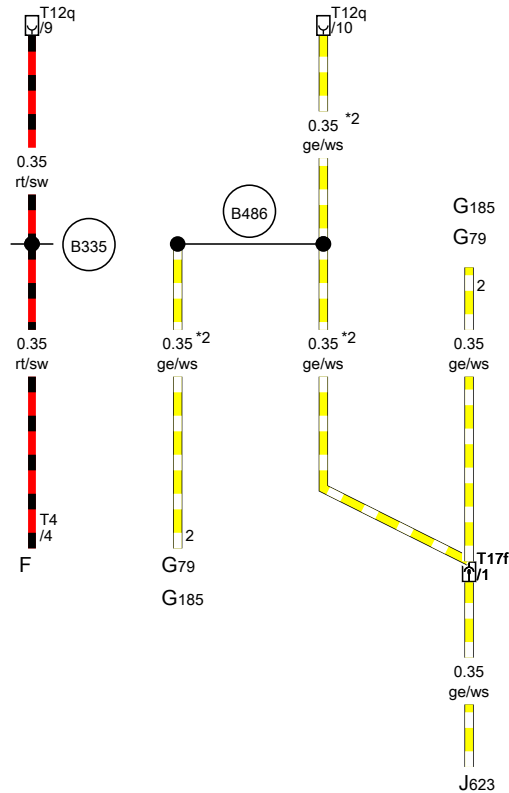
- F Brake lamp switch
- G79 Accelerator pedal position sensor
- G185 Accelerator pedal position sensor 2
- J623 Engine control module
- T4 4-pin connector, black
- T12q 12-pin connector, under the right front seat, brown
- T17f 17-pin connector, Connector station under the rear shelf, right, white

B335 Connection 54 (in main wiring harness) 1

B486 Connection 22 (in main wiring harness)

* Refer to applicable engine wiring diagram

*2 Only for vehicles with special functions interface



Audi

Protected by copyright. Copying for private or commercial purposes, in part or in whole, is not permitted unless authorised by AUDI AG. AUDI AG does not guarantee or accept any liability with respect to the correctness of information in this document. Copyright by AUDI AG.



- ws = white
- sw = black
- ro = red
- rt = red
- br = brown
- gn = green
- bl = blue
- gr = grey
- li = lilac
- vi = lilac
- ge = yellow
- or = orange
- rs = pink

15 16 17 18 19 20 21 22 23 24 25 26 27 28

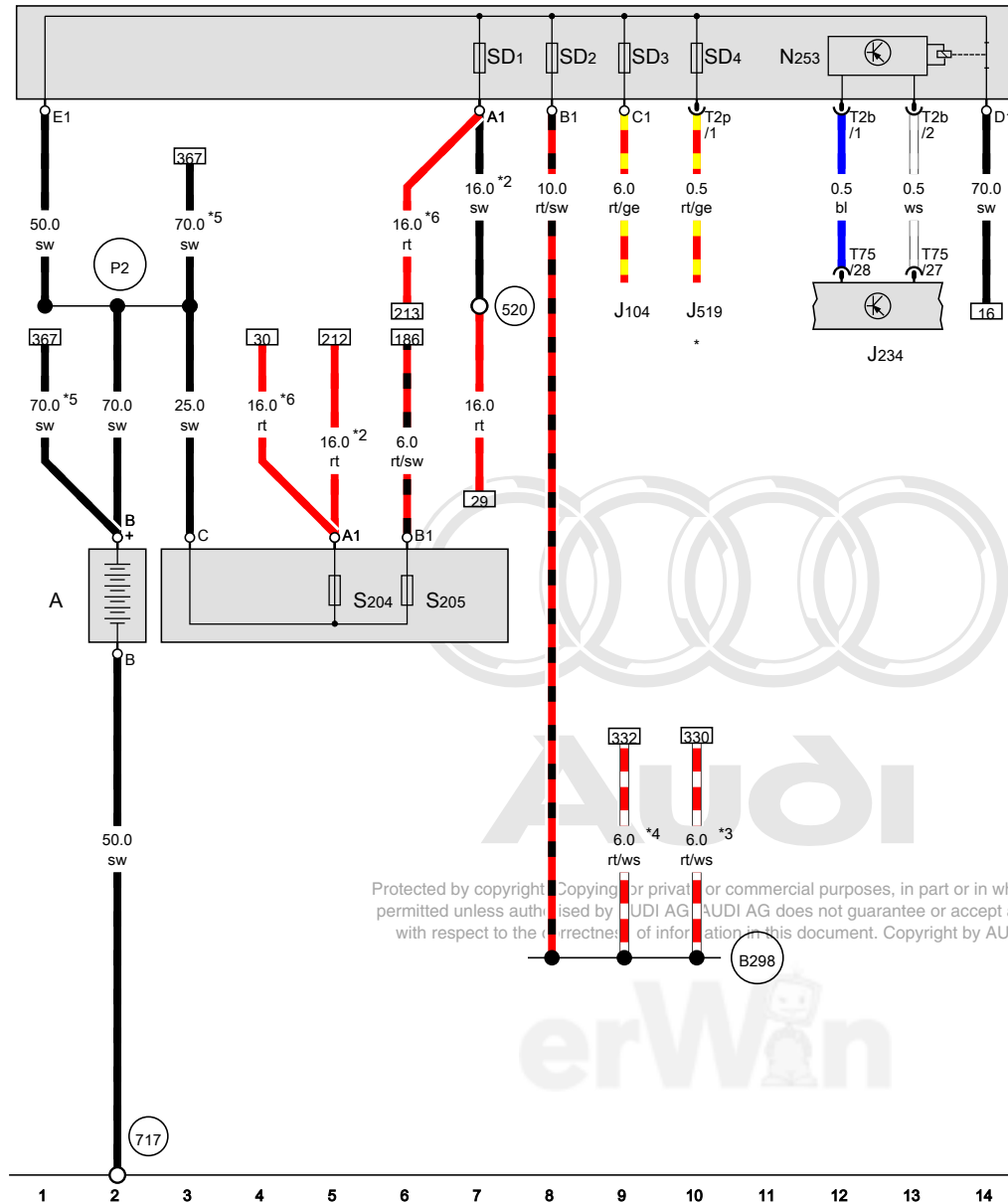
1420-029030413

5.2L gasoline engine , BUJ,CMPA,CTPA,CTYA,CJJA,CTPB
from September 2008



Protected by copyright. Copying for private or commercial purposes, in part or in whole, is not permitted unless authorised by AUDI AG. AUDI AG does not guarantee or accept any liability with respect to the correctness of information in this document. Copyright by AUDI AG.





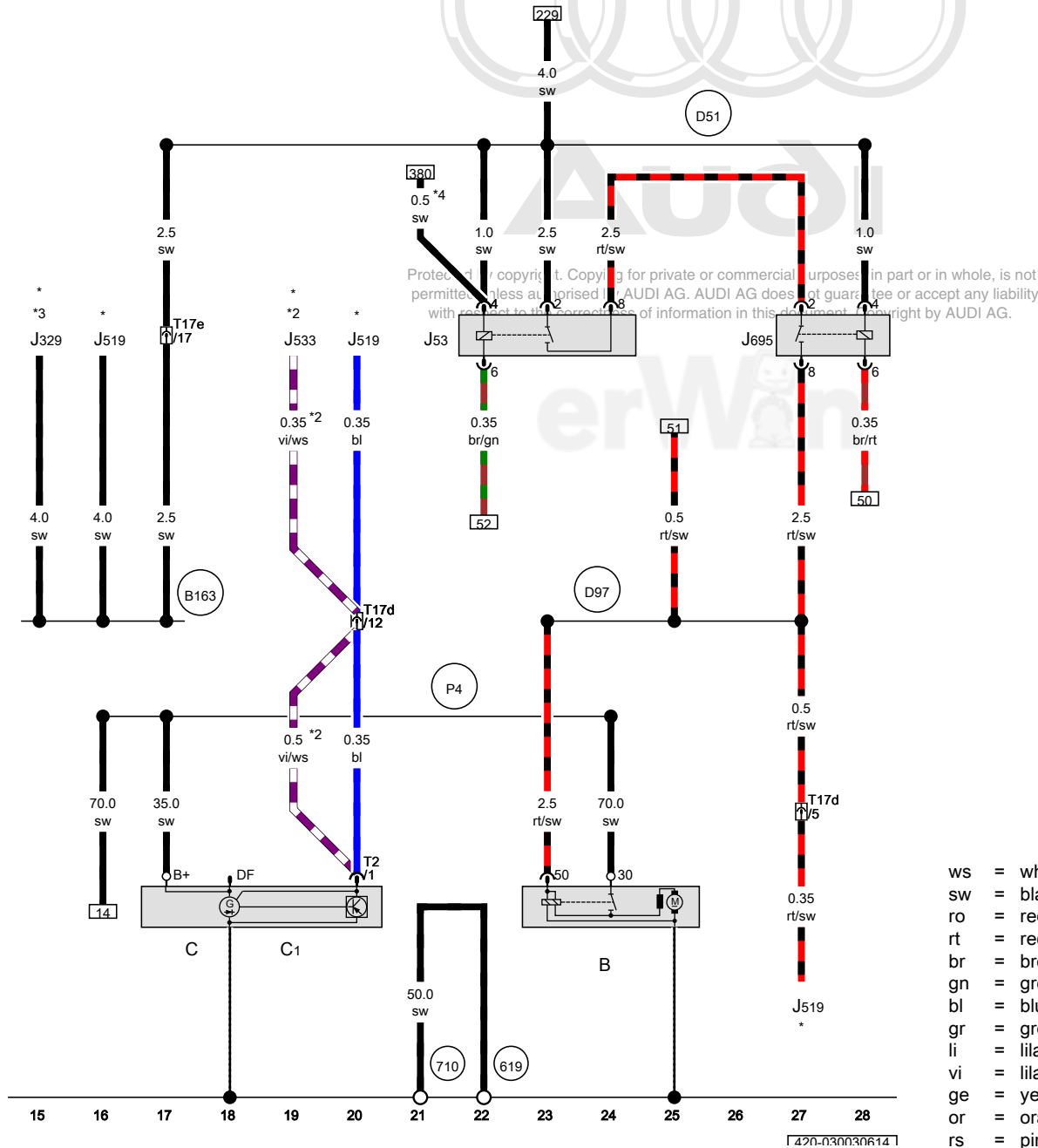
Battery interrupt igniter

- A Battery
- J104 ABS control module
- J234 Airbag control module
- J519 Vehicle electrical control module system
- N253 Battery interrupt igniter, in the right front footwell
- SD1 Fuse 1 (on fuse panel D)
- SD2 Fuse 2 (on fuse panel D)
- SD3 Fuse 3 (on fuse panel D)
- SD4 Fuse 4 (on fuse panel D)
- S204 Fuse 1 (terminal 30), in the right front footwell
- S205 Fuse 2 (terminal 30), in the right front footwell
- T2b Double connector
- T2p Double connector
- T75 75-pin connector
- 520 Threaded connection on the coupling station, Connector station under the rear shelf, right
- 717 Ground connection on right front crossmember
- B298 Positive connection 2 (30) (in main wiring harness)
- P2 Positive connection (30) (in battery wiring harness)
- * Refer to applicable standard equipment wiring diagram
- *2 Through October 2011
- *3 from June 2009
- *4 Through May 2009
- *5 Only for Audi R8 GT
- *6 from November 2011

Protected by copyright. Copying for private or commercial purposes, in part or in whole, is not permitted unless authorised by AUDI AG. AUDI AG does not guarantee or accept any liability with respect to the correctness of information in this document. Copyright by AUDI AG.

- ws = white
- sw = black
- ro = red
- rt = red
- br = brown
- gn = green
- bl = blue
- gr = grey
- li = lilac
- vi = lilac
- ge = yellow
- or = orange
- rs = pink

1420-030020614



Starter, Generator, Starter relay, Relay 2 for starter

- B Starter
- C Generator
- C1 Voltage regulator
- J53 Starter relay, 9-pin relay and fuse panel C under the rear shelf, right
- J329 Terminal 15 power supply relay
- J519 Vehicle electrical control module system
- J533 Data bus on board diagnostic interface
- J695 Relay 2 for starter, 9-pin relay and fuse panel C under the rear shelf, right
- T2 Double connector
- T17d 17-pin connector, Connector station under the rear shelf, right
- T17e 17-pin connector, Connector station under the rear shelf, right

- 619 Ground connection on engine block, lower left
- 710 Ground connection 2 on left rear chassis side member
- B163 Positive connection 1 (15) (in interior wiring harness)
- D51 Positive connection 1 (15) (in engine compartment wiring harness)
- D97 Connection 50 (in right engine compartment wiring harness)
- P4 Positive connection 2 (30) (in battery wiring harness)

- * Refer to applicable standard equipment wiring diagram
- *2 from June 2010
- *3 from June 2009
- *4 Only for Audi R8 GT

- ws = white
- sw = black
- ro = red
- rt = red
- br = brown
- gn = green
- bl = blue
- gr = grey
- li = lilac
- vi = lilac
- ge = yellow
- or = orange
- rs = pink

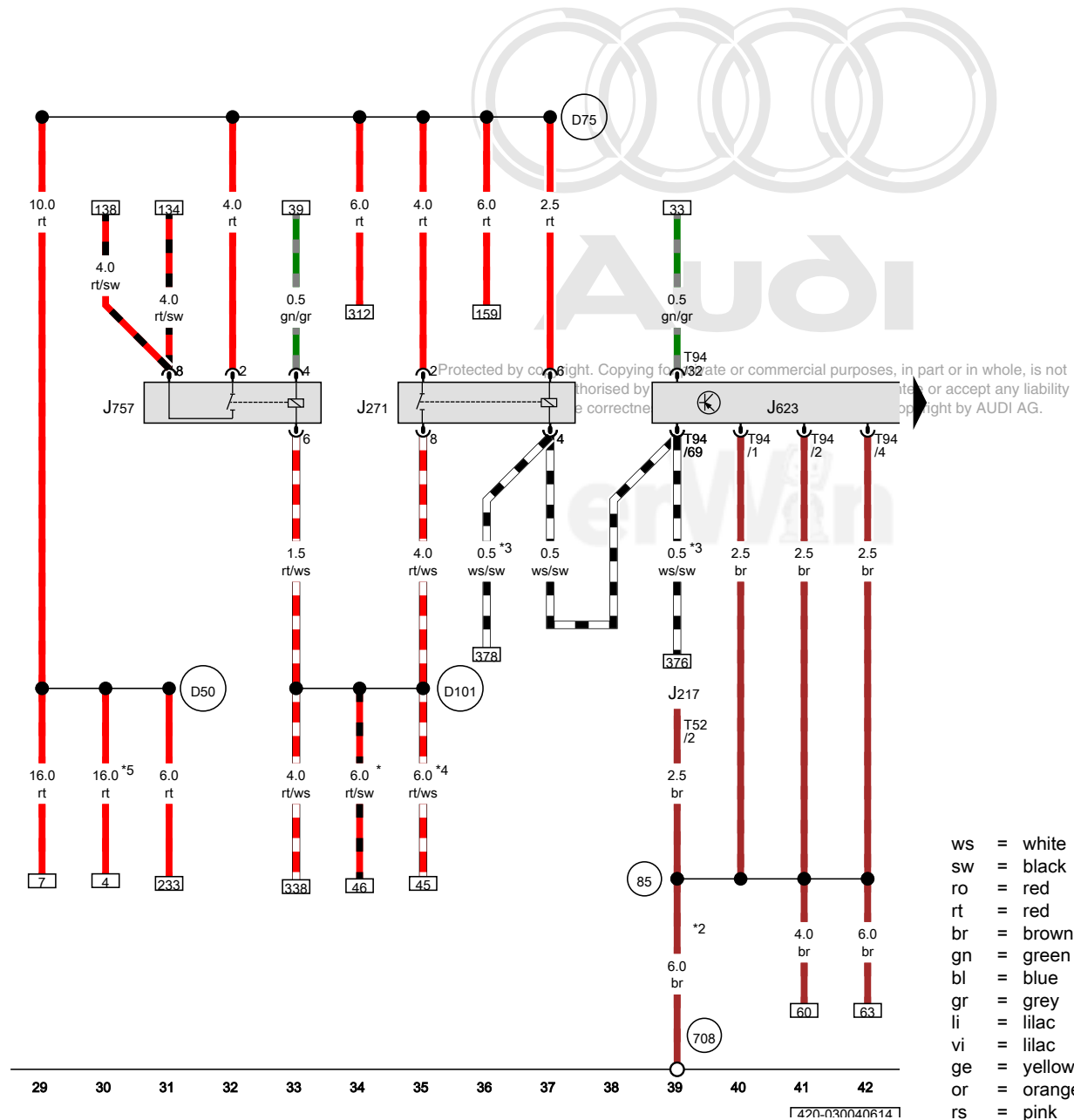
1420-030030614

Motronic engine control module power supply relay, Engine control module, Engine component power supply relay

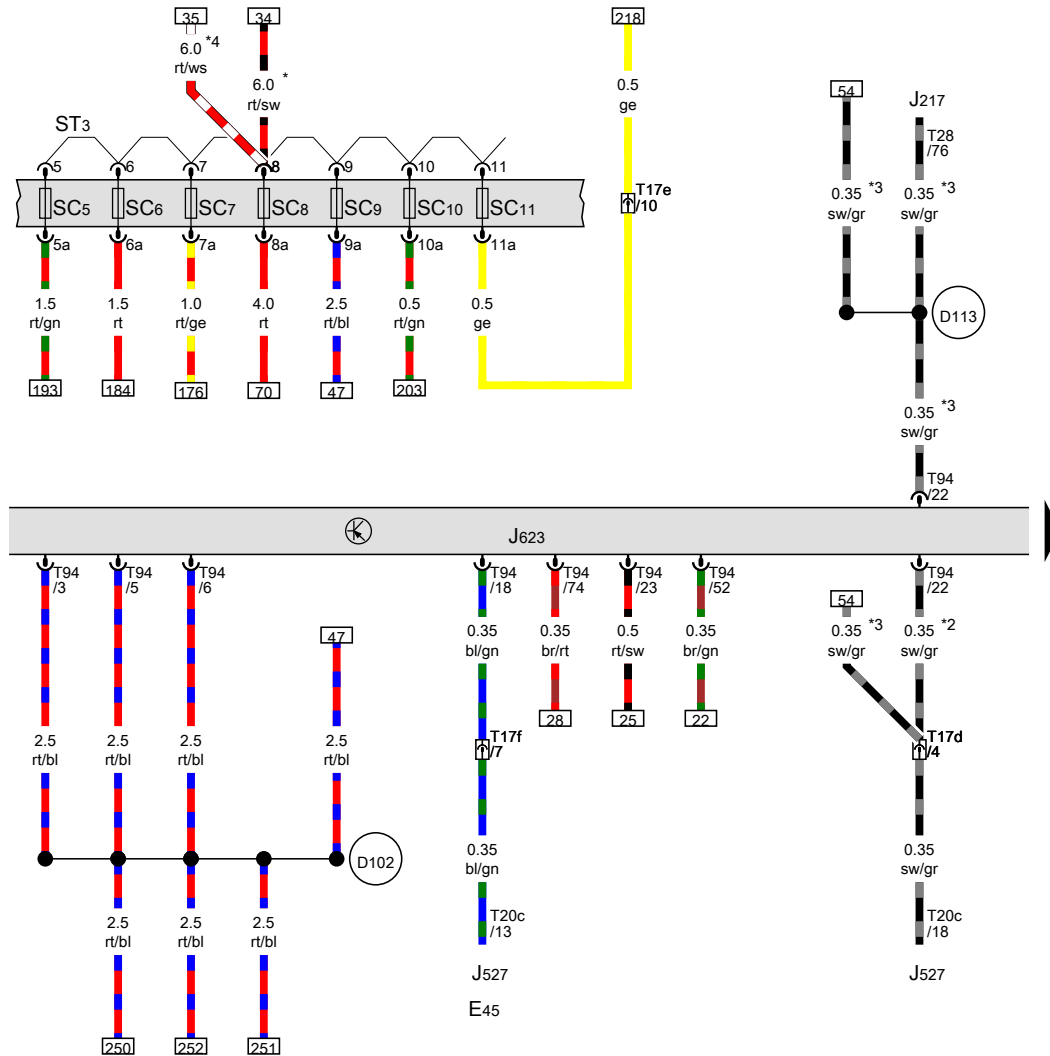
- J217 Transmission control module
- J271 Motronic engine control module power supply relay
- J623 Engine control module
- J757 Engine component power supply relay, 9-pin relay and fuse panel C under the rear shelf, right
- T52 52-pin connector
- T94 94-pin connector

- (85) Ground connection 1 (in engine compartment wiring harness)
- (708) Ground connection 2 on right rear chassis side member
- (D50) Positive connection (30) (in engine compartment wiring harness)
- (D75) Positive connection 2 (30) (in engine compartment wiring harness)
- (D101) Connection 1 (in engine compartment wiring harness)

- * Through May 2012
- *2 from July 2010
- *3 Only for Audi R8 GT
- *4 from June 2012
- *5 from November 2011



1420-030040614



Engine control module

- E45 Cruise control switch
- J217 Transmission control module
- J527 Steering column electronics control module
- J623 Engine control module
- ST3 Fuse panel 3
- SC5 Fuse 5 (on fuse panel C)
- SC6 Fuse 6 (on fuse panel C)
- SC7 Fuse 7 (on fuse panel C)
- SC8 Fuse 8 (on fuse panel C)
- SC9 Fuse 9 (on fuse panel C)
- SC10 Fuse 10 (on fuse panel C)
- SC11 Fuse 11 (on fuse panel C)
- T17d 17-pin connector, Connector station under the rear shelf, right
- T17e 17-pin connector, Connector station under the rear shelf, right
- T17f 17-pin connector, Connector station under the rear shelf, right
- T20c 20-pin connector
- T28 28-pin connector
- T94 94-pin connector

(D102) Connection 2 (in engine compartment wiring harness)

(D113) Connection 11 (in engine compartment wiring harness)

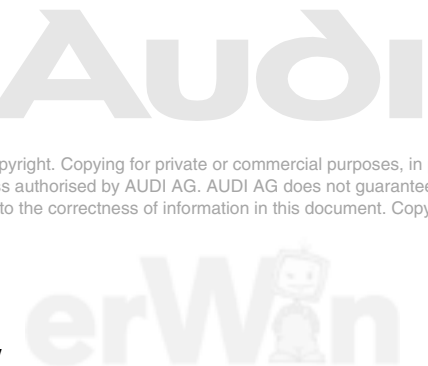
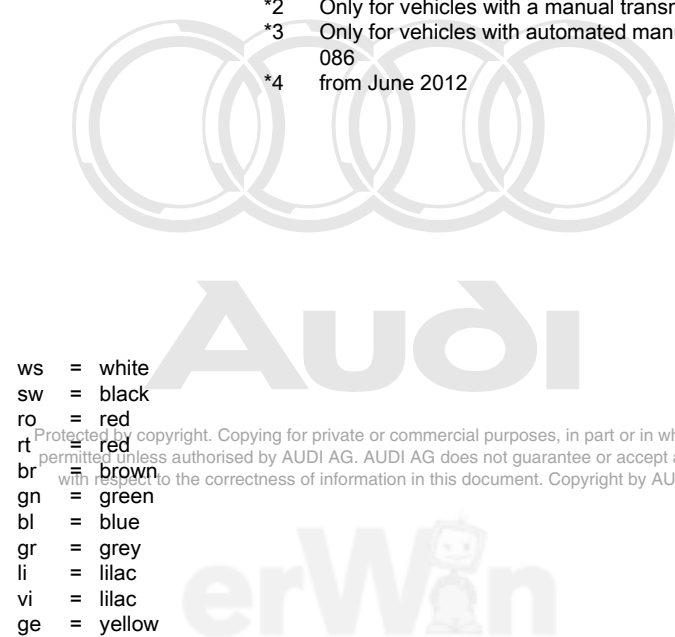
* Through May 2012

*2 Only for vehicles with a manual transmission

*3 Only for vehicles with automated manual transmission (R tronic) 086

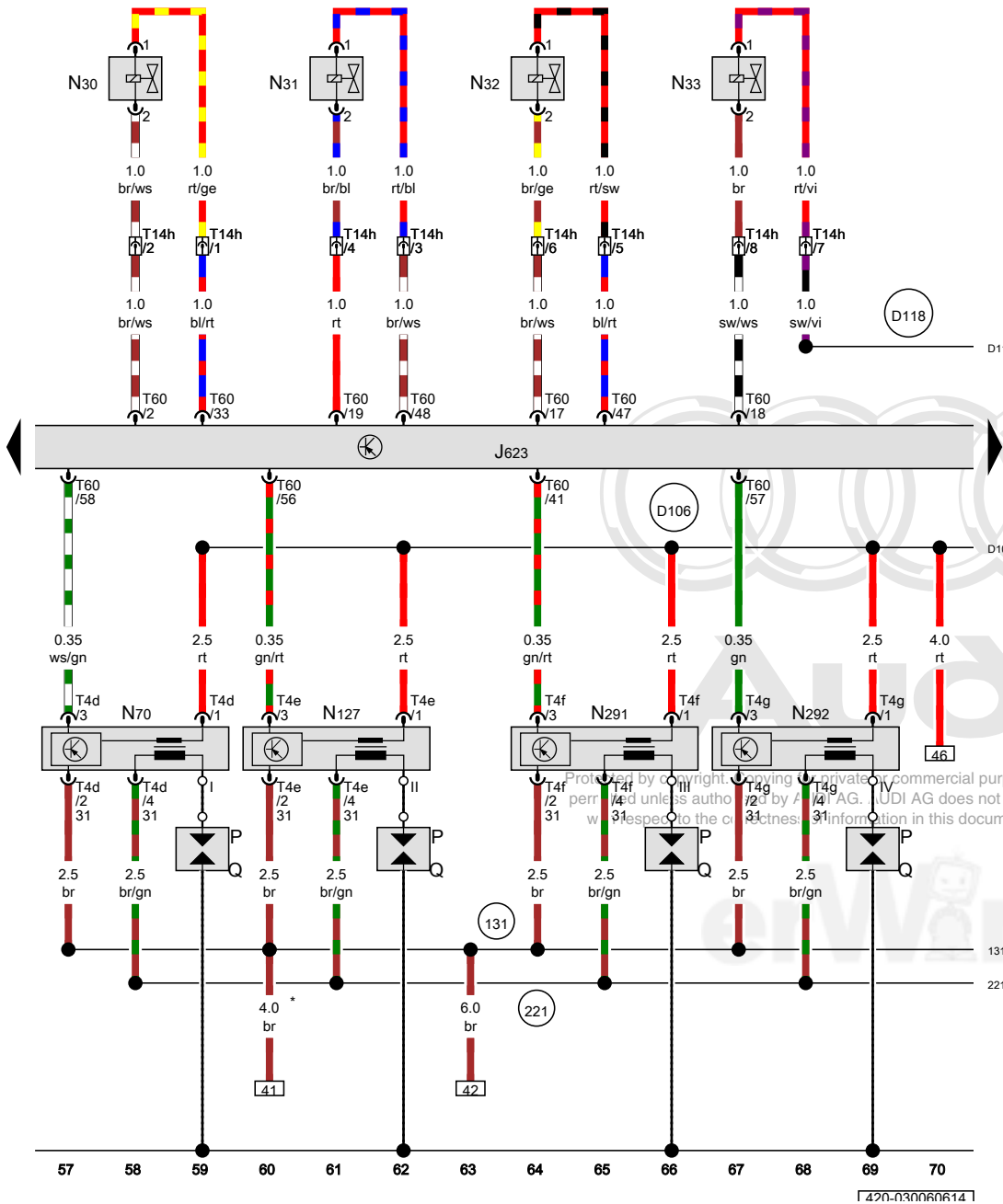
*4 from June 2012

- ws = white
- sw = black
- ro = red
- rt = red
- br = brown
- gn = green
- bl = blue
- gr = grey
- li = lilac
- vi = lilac
- ge = yellow
- or = orange
- rs = pink



Protected by copyright. Copying for private or commercial purposes, in part or in whole, is not permitted unless authorised by AUDI AG. AUDI AG does not guarantee or accept any liability with respect to the correctness of information in this document. Copyright by AUDI AG.

Engine control module, Cylinder 1 fuel injector, Cylinder 2 fuel injector, Cylinder 3 fuel injector, Cylinder 4 fuel injector, Ignition coil 1 with power output stage, Ignition coil 2 with power output stage, Ignition coil 3 with power output stage, Ignition coil 4 with power output stage



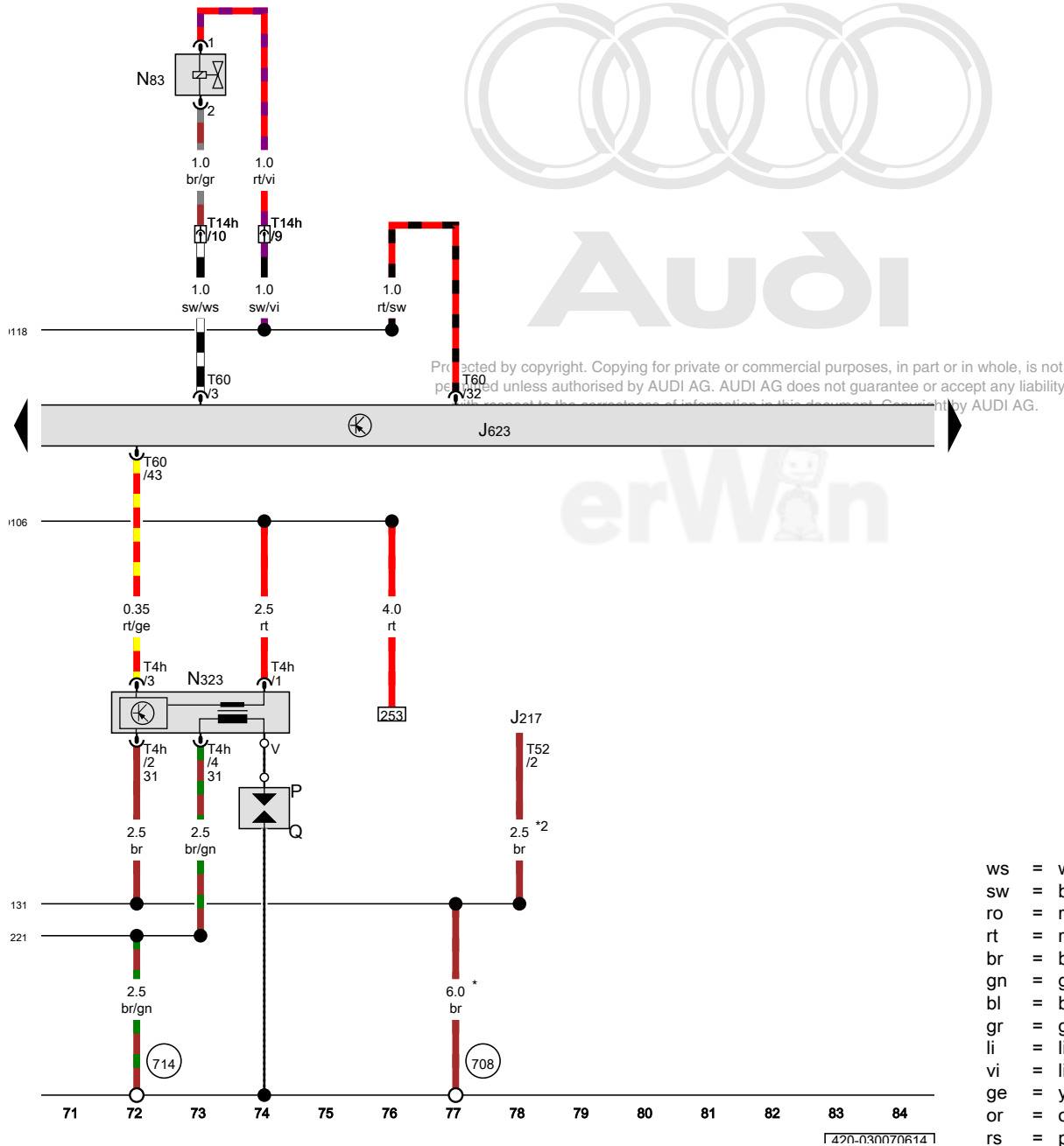
- J623 Engine control module
- N30 Cylinder 1 fuel injector
- N31 Cylinder 2 fuel injector
- N32 Cylinder 3 fuel injector
- N33 Cylinder 4 fuel injector
- N70 Ignition coil 1 with power output stage
- N127 Ignition coil 2 with power output stage
- N291 Ignition coil 3 with power output stage
- N292 Ignition coil 4 with power output stage
- P Spark plug connectors
- Q Spark plugs
- T4d 4-pin connector
- T4e 4-pin connector
- T4f 4-pin connector
- T4g 4-pin connector
- T14h 14-pin connector, in the engine compartment
- T60 60-pin connector

- (131) Ground connection 2 (in engine compartment wiring harness)
- (221) Engine ground connection (in engine wiring harness)
- (D106) Connection 4 (in engine compartment wiring harness)
- (D118) Connection 16 (in engine compartment wiring harness)

* from July 2010

- ws = white
- sw = black
- ro = red
- rt = red
- br = brown
- gn = green
- bl = blue
- gr = grey
- li = lilac
- vi = lilac
- ge = yellow
- or = orange
- rs = pink

1420-030060814



Engine control module

- J217 Transmission control module
- J623 Engine control module
- N83 Cylinder 5 fuel injector
- N323 Ignition coil 5 with power output stage
- P Spark plug connectors
- Q Spark plugs
- T4h 4-pin connector
- T14h 14-pin connector, in the engine compartment
- T52 52-pin connector
- T60 60-pin connector

- 131 Ground connection 2 (in engine compartment wiring harness)
- 221 Engine ground connection (in engine wiring harness)
- 708 Ground connection 2 on right rear chassis side member
- 714 Ground connection on engine, right
- D106 Connection 4 (in engine compartment wiring harness)
- D118 Connection 16 (in engine compartment wiring harness)
- * Depending on equipment
- *2 Only for vehicles with an automated manual transmission

- ws = white
- sw = black
- ro = red
- rt = red
- br = brown
- gn = green
- bl = blue
- gr = grey
- li = lilac
- vi = lilac
- ge = yellow
- or = orange
- rs = pink

1420-030070614

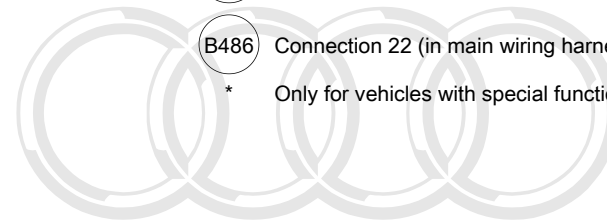
Accelerator pedal position sensor, Throttle valve control module, Engine control module

- G61 Knock sensor 1
- G66 Knock sensor 2
- G79 Accelerator pedal position sensor
- G185 Accelerator pedal position sensor 2
- G186 EPC throttle drive
- G187 EPC throttle drive angle sensor 1
- G188 EPC throttle drive angle sensor 2
- J338 Throttle valve control module
- J623 Engine control module
- T3n 3-pin connector
- T3o 3-pin connector
- T12q 12-pin connector
- T17f 17-pin connector, Connector station under the rear shelf, right
- T60 60-pin connector
- T94 94-pin connector

200 Ground connection shielding (in engine compartment wiring harness)

B486 Connection 22 (in main wiring harness)

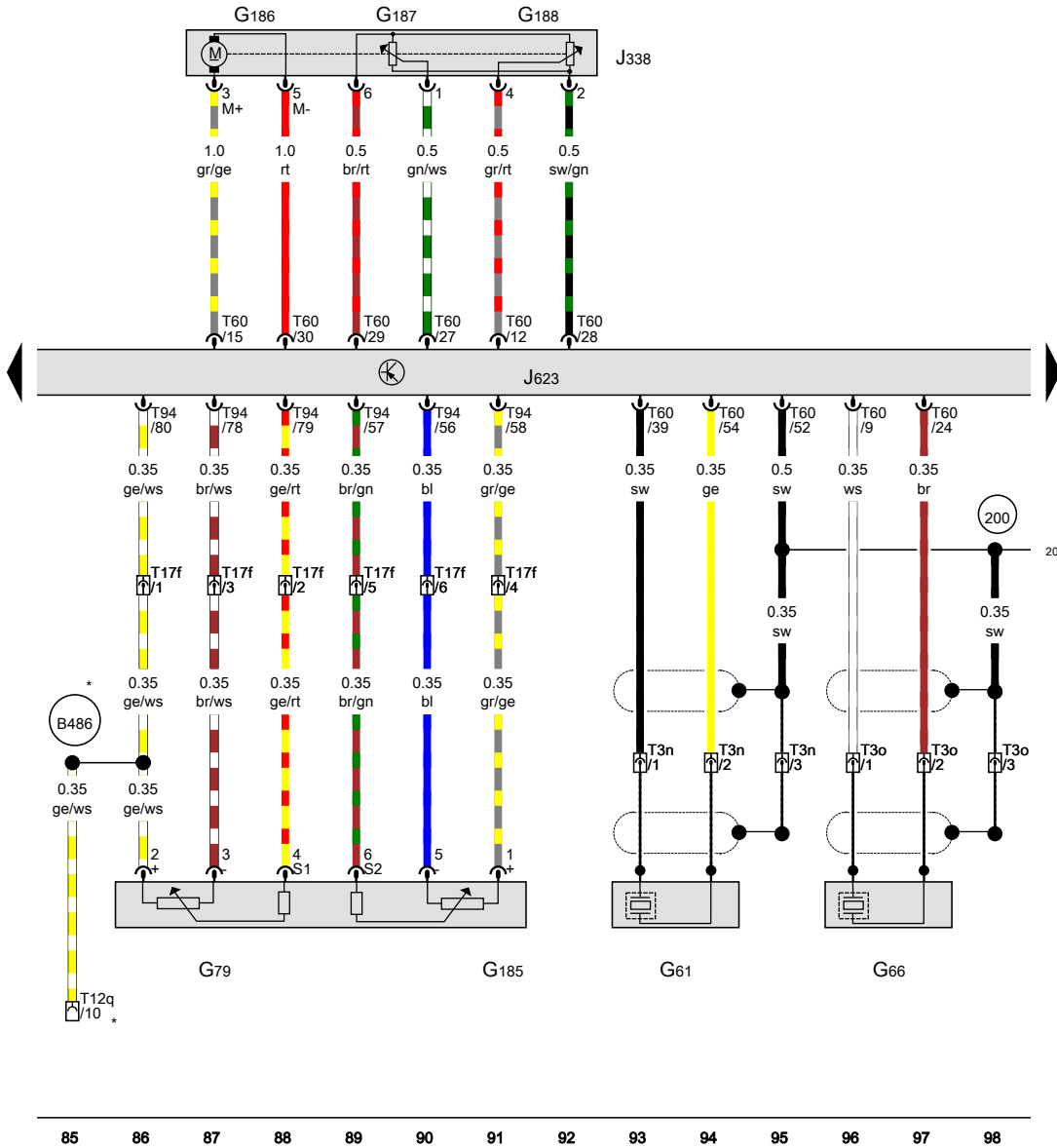
* Only for vehicles with special functions interface



Audi

Protected by copyright. Copying for private or commercial purposes, in part or in whole, is not permitted unless authorised by AUDI AG. AUDI AG does not guarantee or accept any liability with respect to the correctness of information in this document. Copyright by AUDI AG.

- ws = white
- sw = black
- ro = red
- rt = red
- br = brown
- gn = green
- bl = blue
- gr = grey
- li = lilac
- vi = lilac
- ge = yellow
- or = orange
- rs = pink



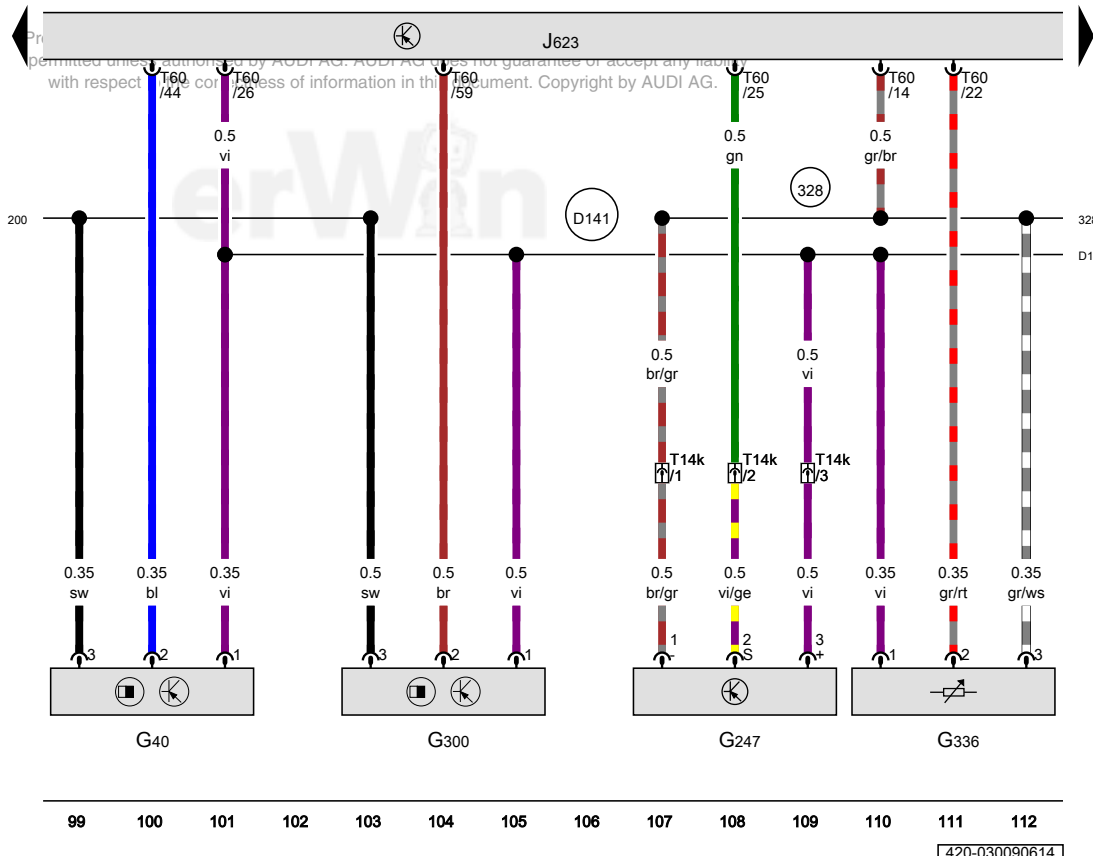
1420-030080614



Audi

Camshaft position sensor, Fuel pressure sensor, Intake manifold runner position sensor, Engine control module

- G40 Camshaft position sensor
- G247 Fuel pressure sensor
- G300 Camshaft position sensor 3
- G336 Intake manifold runner position sensor
- J623 Engine control module
- T14k 14-pin connector, in the engine compartment, left
- T60 60-pin connector
- 200 Ground connection shielding (in engine compartment wiring harness)
- 328 Sensor ground connection 2 (in engine compartment wiring harness)
- D141 Connection 5V (in engine pre-wiring harness)

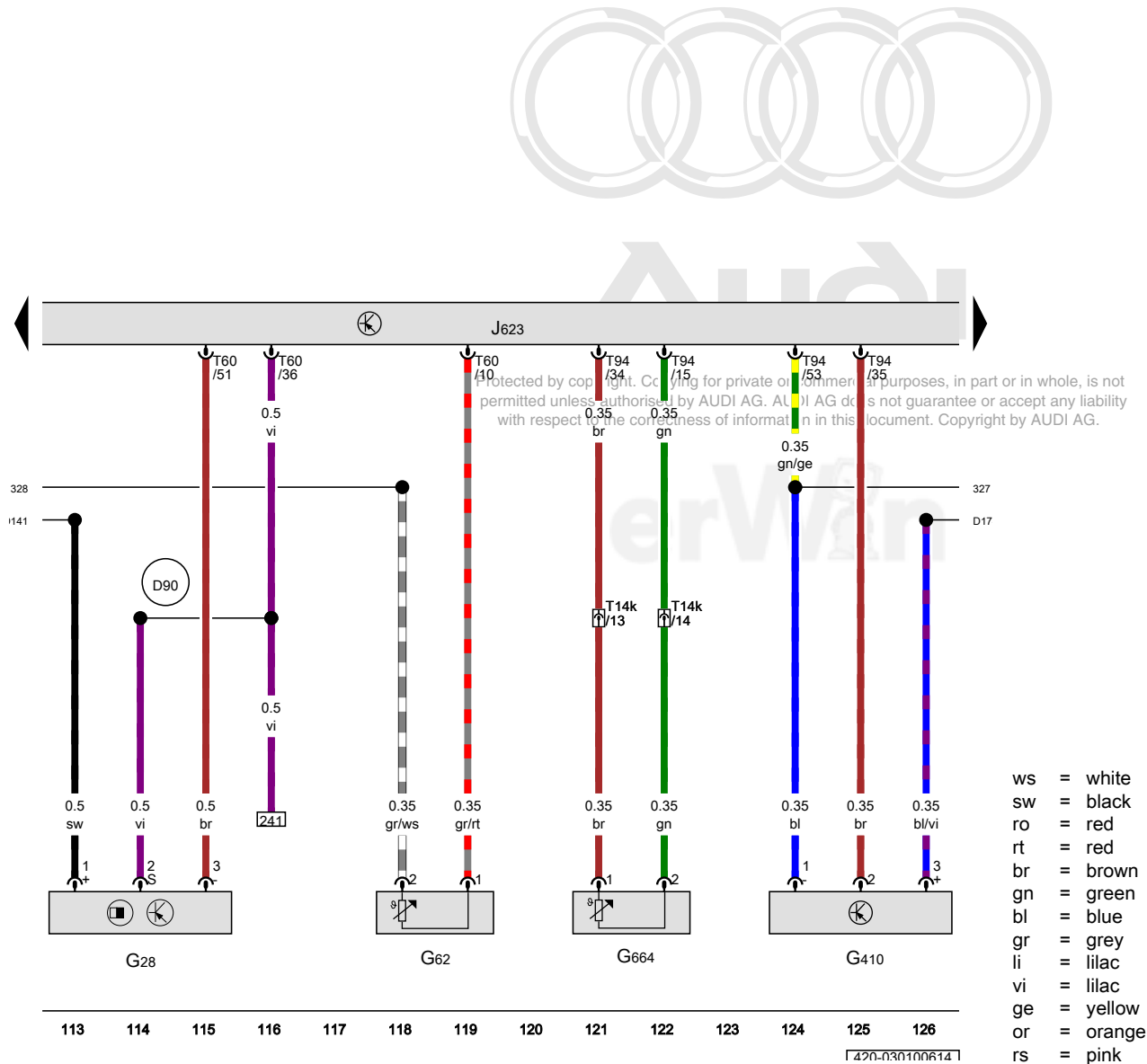


- ws = white
- sw = black
- ro = red
- rt = red
- br = brown
- gn = green
- bl = blue
- gr = grey
- li = lilac
- vi = lilac
- ge = yellow
- or = orange
- rs = pink

Engine speed sensor, Engine coolant temperature sensor, Low fuel pressure sensor, Engine control module

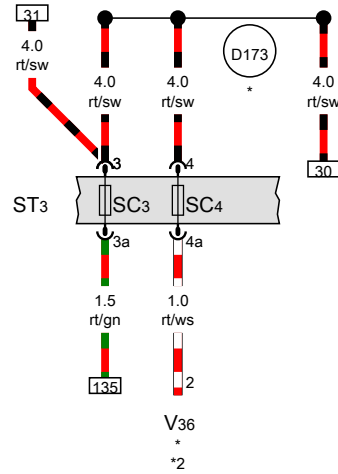
- G28 Engine speed sensor
- G62 Engine coolant temperature sensor
- G410 Low fuel pressure sensor
- G664 Oil temperature sensor 2
- J623 Engine control module
- T14k 14-pin connector, in the engine compartment, left
- T60 60-pin connector
- T94 94-pin connector

- 327 Sensor ground connection (in engine compartment wiring harness)
- 328 Sensor ground connection 2 (in engine compartment wiring harness)
- D90 RPM signal connection (in engine compartment wiring harness)
- D141 Connection 5V (in engine pre-wiring harness)
- D174 Connection 2 (5V) (in engine pre-wiring harness)



- ws = white
- sw = black
- ro = red
- rt = red
- br = brown
- gn = green
- bl = blue
- gr = grey
- li = lilac
- vi = lilac
- ge = yellow
- or = orange
- rs = pink

1420-030100614

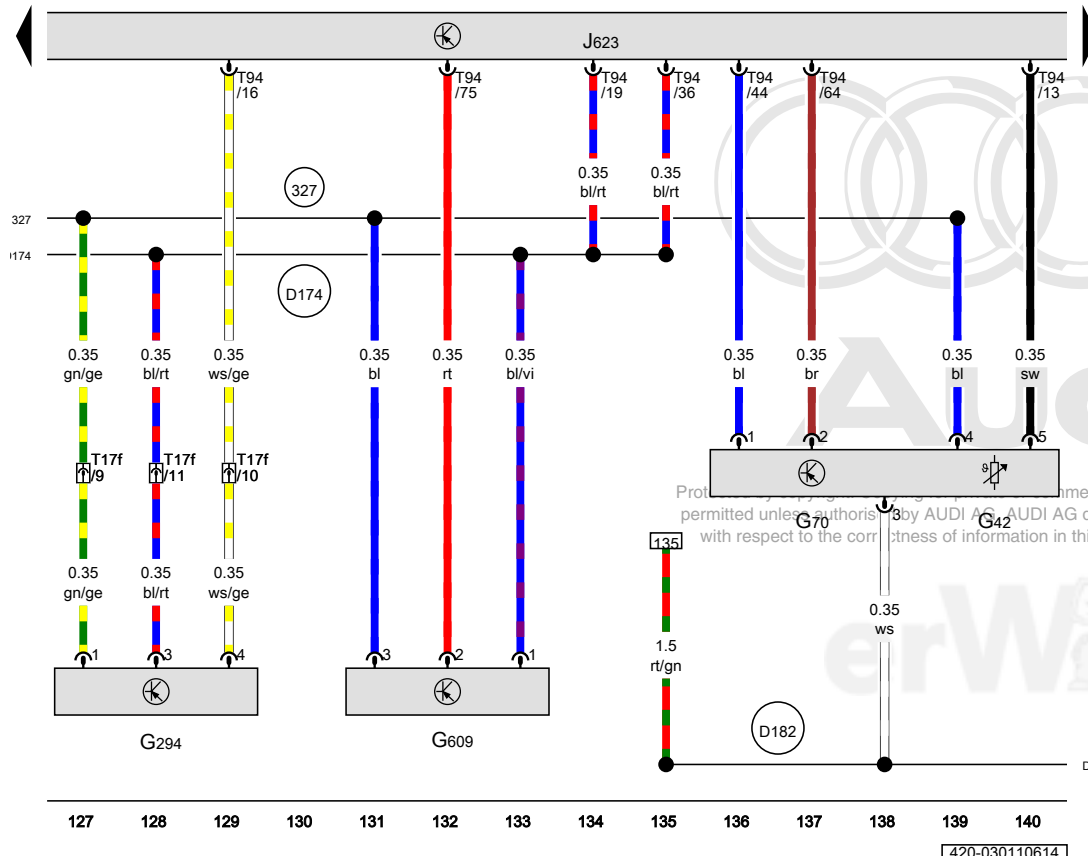


Intake air temperature sensor, Mass airflow sensor, Brake booster pressure sensor, Engine control module

- G42 Intake air temperature sensor
- G70 Mass airflow sensor
- G294 Brake booster pressure sensor
- G609 Secondary air injection sensor 1
- J623 Engine control module
- SC3 Fuse 3 (on fuse panel C)
- ST3 Fuse panel 3
- SC4 Fuse 4 (on fuse panel C)
- T17f 17-pin connector, Connector station under the rear shelf, right
- T94 94-pin connector
- V36 Water pump

- 327 Sensor ground connection (in engine compartment wiring harness)
- D173 Connection 87 (in engine pre-wiring harness)
- D174 Connection 2 (5V) (in engine pre-wiring harness)
- D182 Connection 3 (87a) (in engine compartment wiring harness)

* Depending on equipment
 *2 Refer to applicable transmission wiring diagram



- ws = white
- sw = black
- ro = red
- rt = red
- br = brown
- gn = green
- bl = blue
- gr = grey
- li = lilac
- vi = lilac
- ge = yellow
- or = orange
- rs = pink

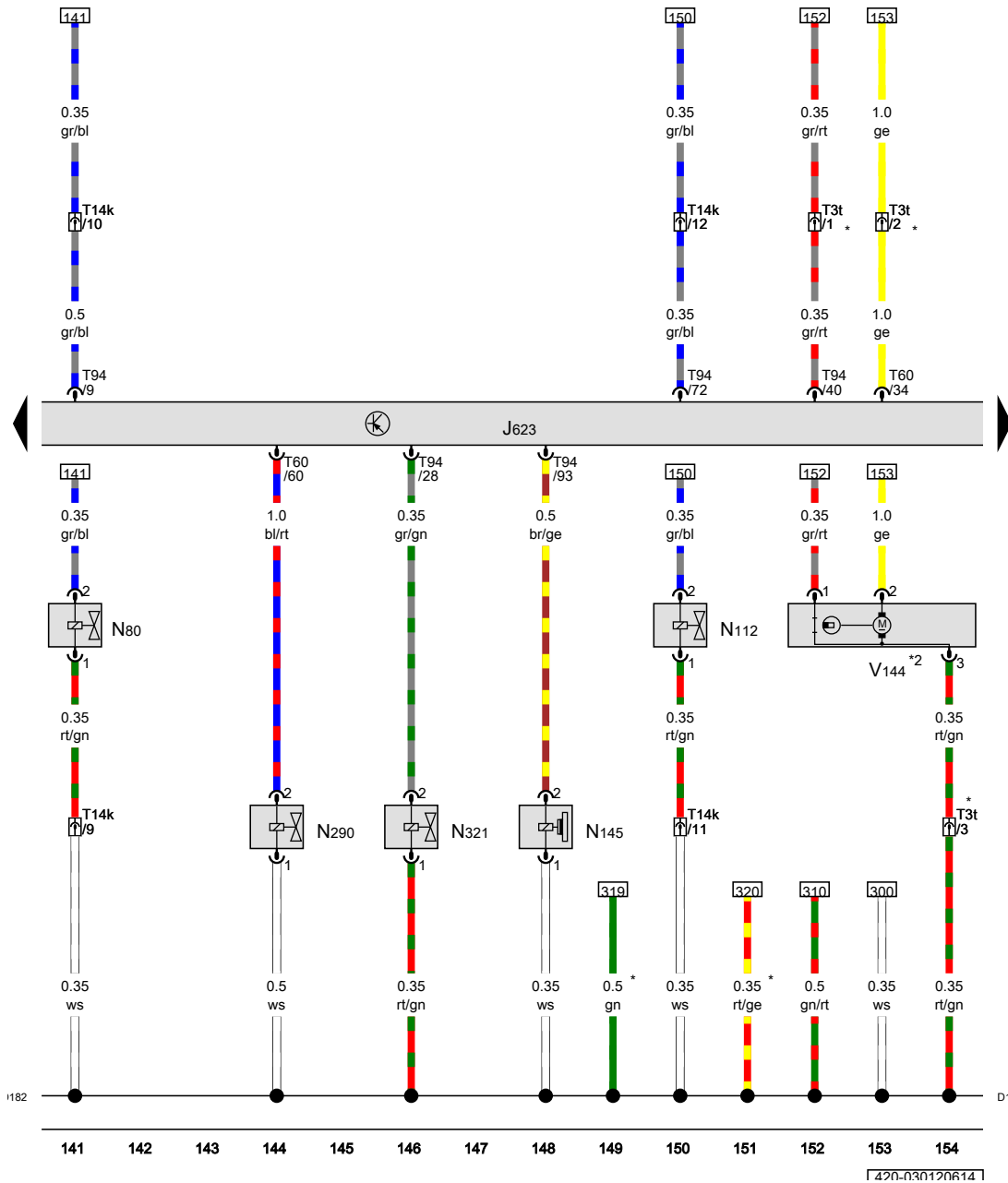
1420-030110614

Engine control module, EVAP canister purge regulator valve 1, Secondary air injection solenoid valve, Right electrohydraulic engine mount solenoid valve, Fuel metering valve, Exhaust door valve 1

- J623 Engine control module
- N80 EVAP canister purge regulator valve 1
- N112 Secondary air injection solenoid valve
- N145 Right electrohydraulic engine mount solenoid valve
- N290 Fuel metering valve
- N321 Exhaust door valve 1
- T3t 3-pin connector
- T14k 14-pin connector, in the engine compartment, left
- T60 60-pin connector
- T94 94-pin connector
- V144 Leak detection pump

D182 Connection 3 (87a) (in engine compartment wiring harness)

- * Depending on equipment
- *2 Only for vehicles with a fuel system diagnostic pump



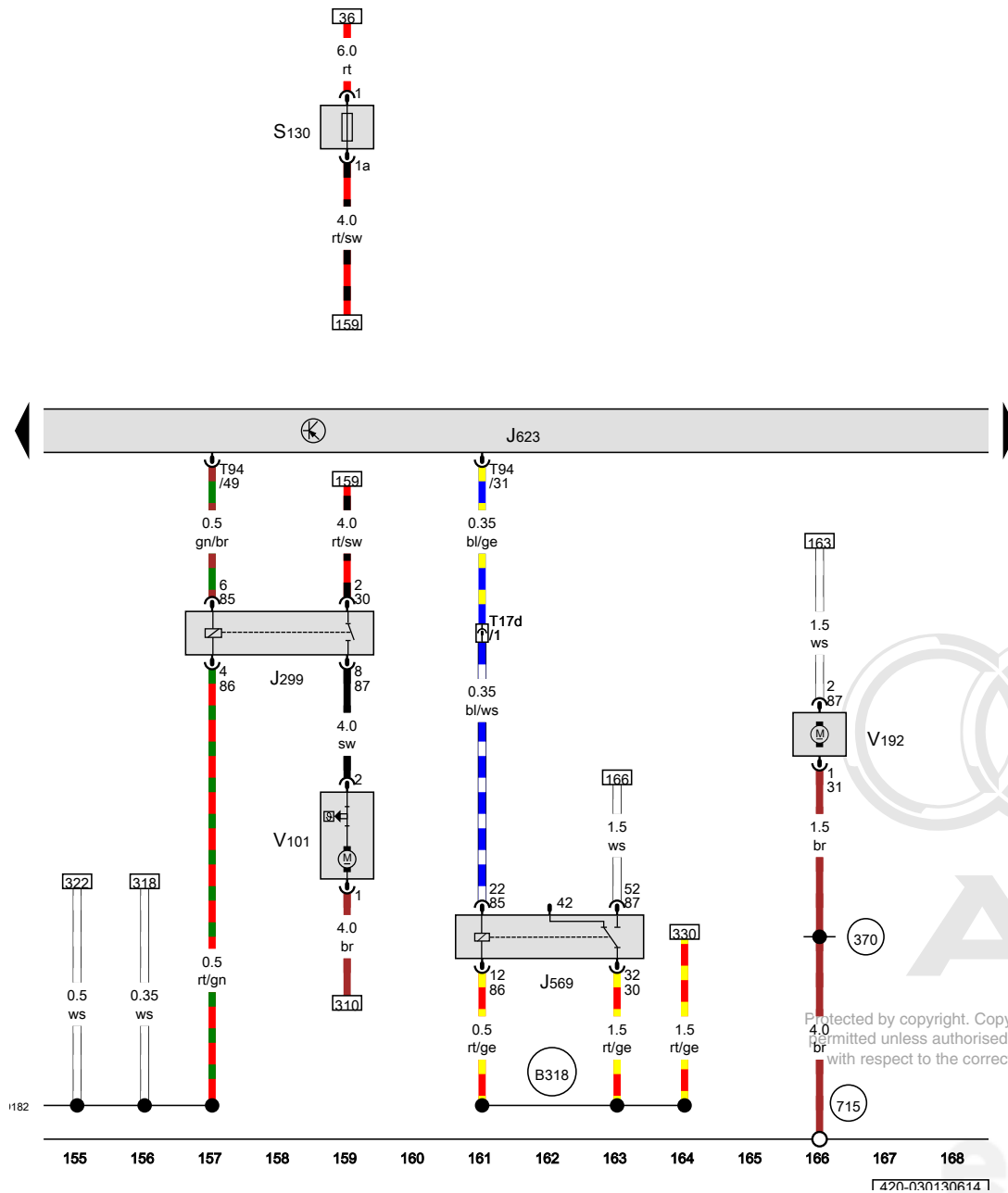
- ws = white
- wb = black
- ro = red
- rt = red
- br = brown
- gn = green
- bl = blue
- gr = grey
- li = lilac
- vi = lilac
- ge = yellow
- or = orange
- rs = pink

Protected by copyright. Copying for private or commercial purposes, in part or in whole, is not permitted unless authorised by AUDI AG. AUDI AG does not guarantee or accept any liability with respect to the correctness of information in this document. Copyright by AUDI AG.

Secondary air injection pump relay, Brake booster relay, Engine control module, Secondary air injection pump motor, Brake system vacuum pump

- J299 Secondary air injection pump relay
- J569 Brake booster relay, Relay and fuse holder B on the vehicle electrical system control module in the right front footwell
- J623 Engine control module
- S130 Secondary air injection pump fuse, 9-pin relay and fuse panel C under the rear shelf, right
- T17d 17-pin connector, Connector station under the rear shelf, right
- T94 94-pin connector
- V101 Secondary air injection pump motor
- V192 Brake system vacuum pump

- (370) Ground connection 5 (in main wiring harness)
- (715) Ground connection on left crossmember
- (B318) Positive connection 4 (30a) (in main wiring harness)
- (D182) Connection 3 (87a) (in engine compartment wiring harness)

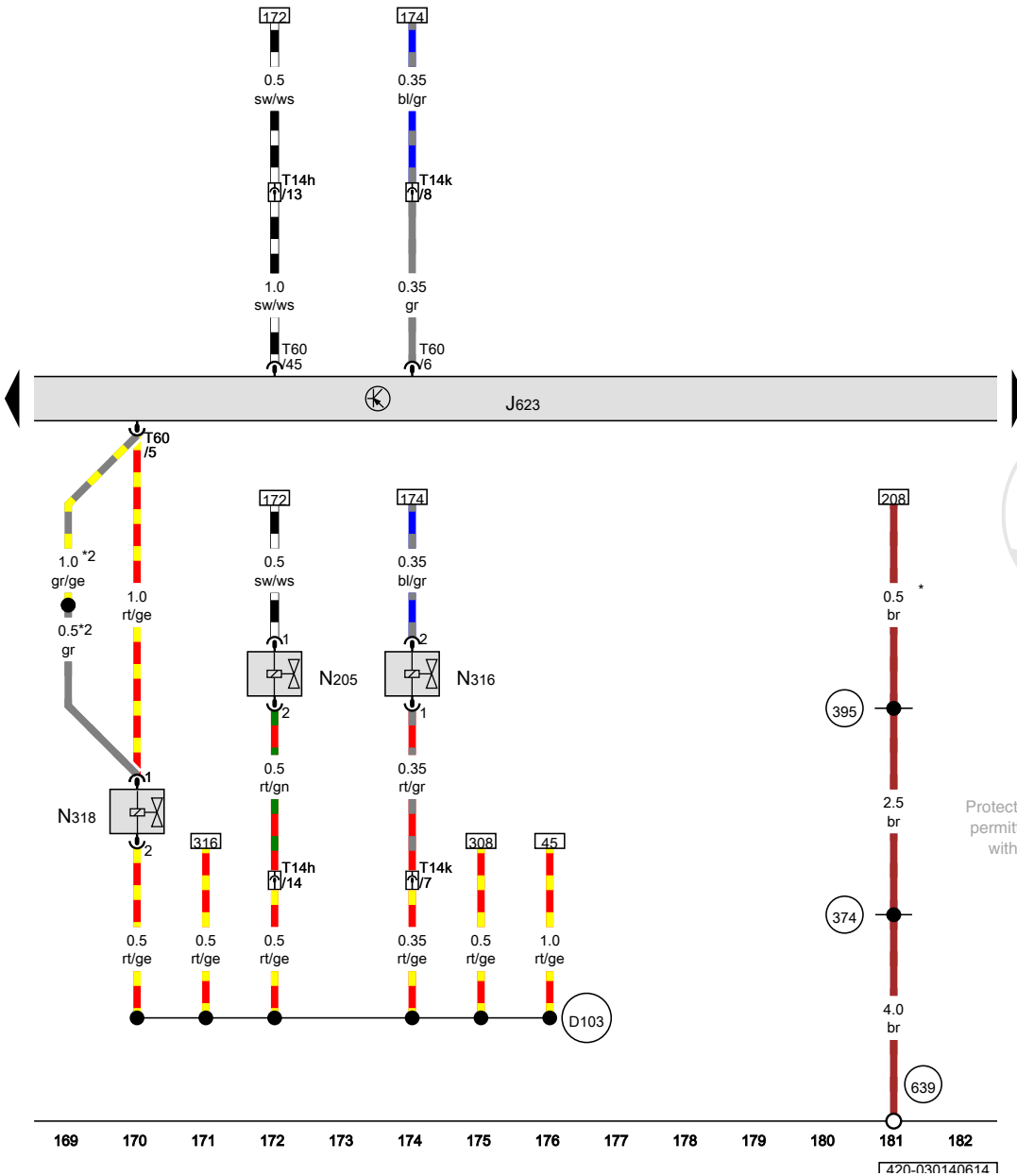


Protected by copyright. Copying for private or commercial purposes, in part or in whole, is not permitted unless authorised by AUDI AG. AUDI AG does not guarantee or accept any liability with respect to the correctness of information in this document. Copyright by AUDI AG.

Engine control module

- J623 Engine control module
- N205 Camshaft adjustment valve 1
- N316 Intake manifold runner control valve
- N318 Exhaust camshaft adjustment valve 1
- T14h 14-pin connector, in the engine compartment, right
- T14k 14-pin connector, in the engine compartment, left
- T60 60-pin connector

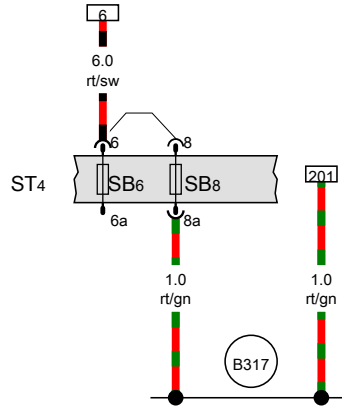
- 374 Ground connection 9 (in main wiring harness)
- 395 Ground connection 30 (in main wiring harness)
- 639 Ground connection on left A-pillar
- D103 Connection 3 (in engine compartment wiring harness)
- * Only for vehicles with a manual transmission
- *2 From December 2010



Audi

Protected by copyright. Copying for private or commercial purposes, in part or in whole, is not permitted unless authorised by AUDI AG. AUDI AG does not guarantee or accept any liability with respect to the correctness of information in this document. Copyright by AUDI AG.

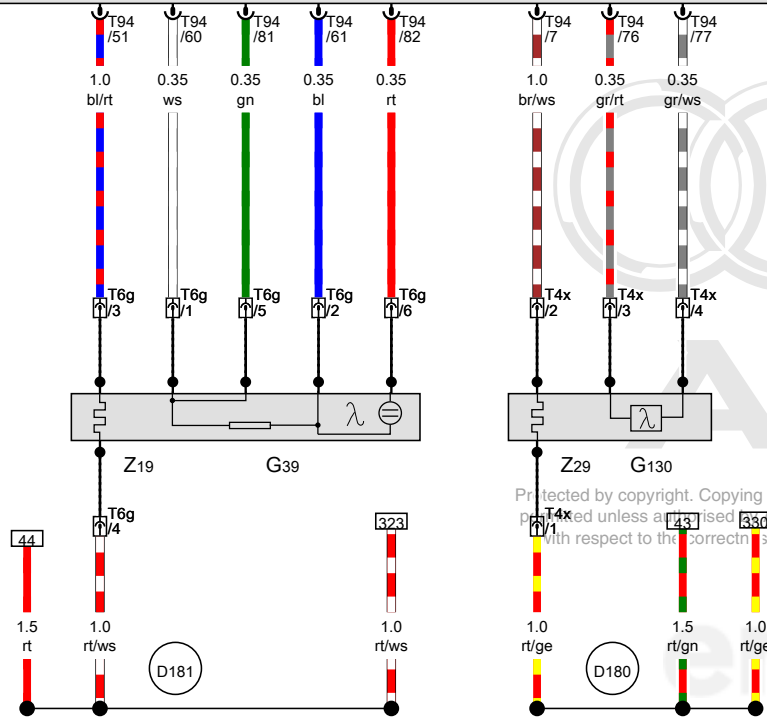
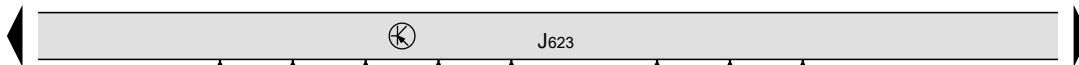
- ws = white
- sw = black
- ro = red
- rt = red
- br = brown
- gn = green
- bl = blue
- gr = grey
- li = lilac
- vi = lilac
- ge = yellow
- or = orange
- rs = pink



Heated oxygen sensor, Oxygen sensor after three way catalytic converter, Engine control module

- G39 Heated oxygen sensor
- G130 Oxygen sensor after three way catalytic converter
- J623 Engine control module
- ST4 Fuse panel 4
- SB6 Fuse 6 (on fuse panel B)
- SB8 Fuse 8 (on fuse panel B)
- T4x 4-pin connector, brown
- T6g 6-pin connector, black
- T94 94-pin connector
- Z19 Oxygen sensor heater
- Z29 Heater for oxygen sensor 1 after catalytic converter

- B317 Positive connection 3 (30a) (in main wiring harness)
- D180 Connection 87a (in engine compartment wiring harness)
- D181 Connection 2 (87a) (in engine compartment wiring harness)



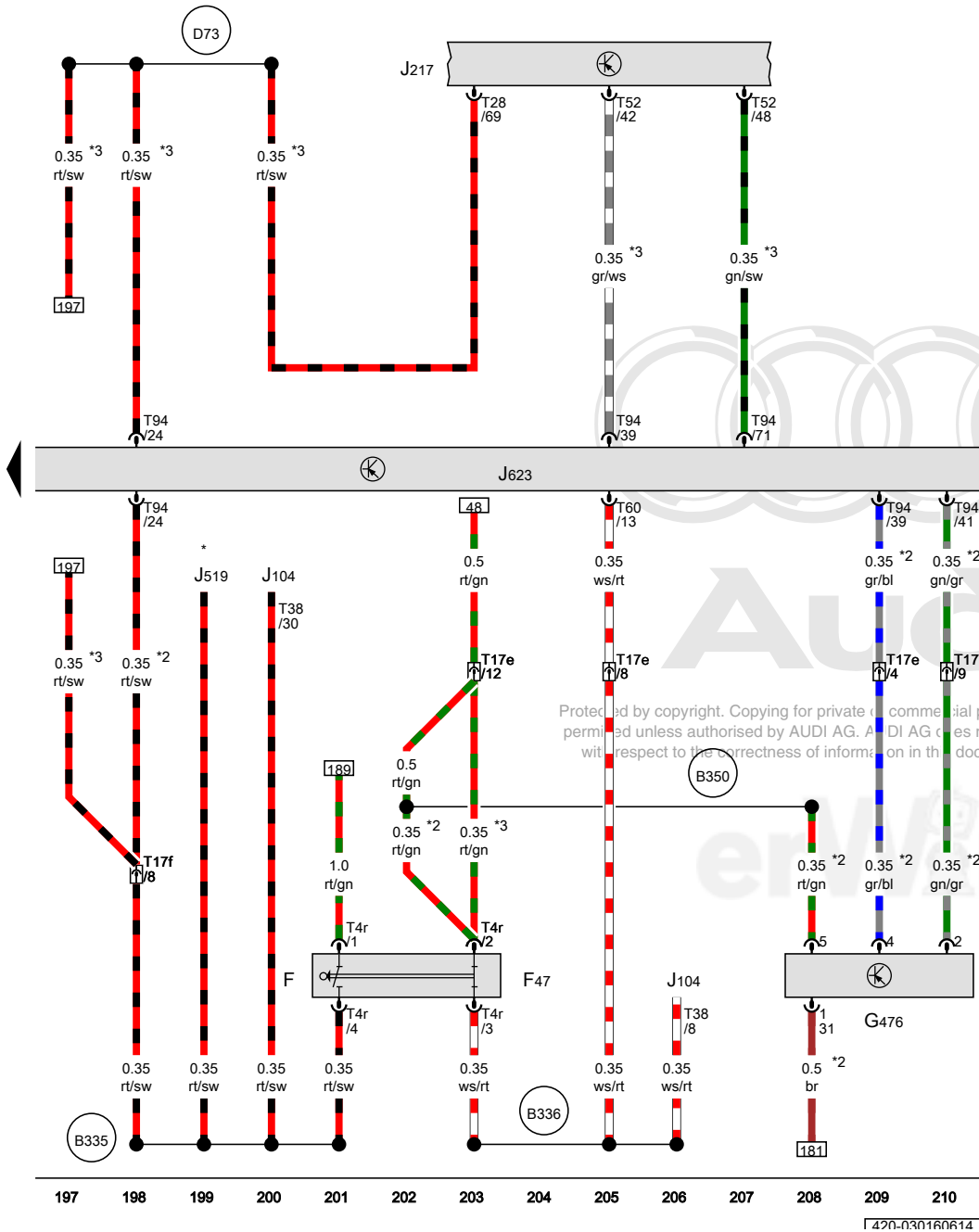
Protected by copyright. Copying for private or commercial purposes, in part or in whole, is not permitted unless authorised by AUDI AG. AUDI AG does not guarantee or accept any liability with respect to the correctness of information in this document. Copyright by AUDI AG.

- ws = white
- sw = black
- ro = red
- rt = red
- br = brown
- gn = green
- bl = blue
- gr = grey
- li = lilac
- vi = lilac
- ge = yellow
- or = orange
- rs = pink

183 184 185 186 187 188 189 190 191 192 193 194 195 196

1420-030150614

Brake pedal switch, Clutch position sensor, Engine control module

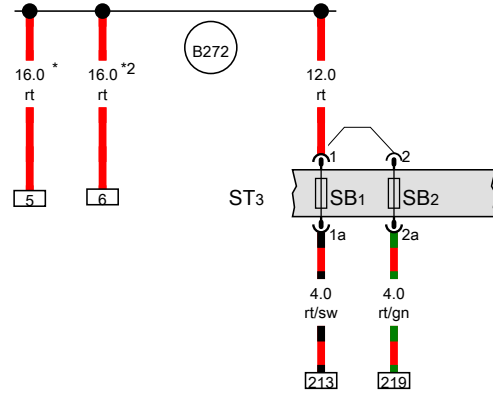


- F Brake lamp switch
- F47 Brake pedal switch
- G476 Clutch position sensor
- J104 ABS control module
- J217 Transmission control module
- J519 Vehicle electrical control module system
- J623 Engine control module
- T4r 4-pin connector
- T17e 17-pin connector, Connector station under the rear shelf, right
- T17f 17-pin connector, Connector station under the rear shelf, right
- T28 28-pin connector
- T38 38-pin connector
- T52 52-pin connector
- T60 60-pin connector
- T94 94-pin connector

- (B335) Connection 54 (in main wiring harness) 1
- (B336) Connection 54 (in main wiring harness) 2
- (B350) Positive connection 1 (87a) (in main wiring harness)
- (D73) Positive connection (54) (in engine compartment wiring harness)
- * Refer to applicable standard equipment wiring diagram
- *2 Only for vehicles with a manual transmission
- *3 Only for vehicles with automated manual transmission (R tronic)

- ws = white
- sw = black
- ro = red
- rt = red
- br = brown
- gn = green
- bl = blue
- gr = grey
- li = lilac
- vi = lilac
- ge = yellow
- or = orange
- rs = pink

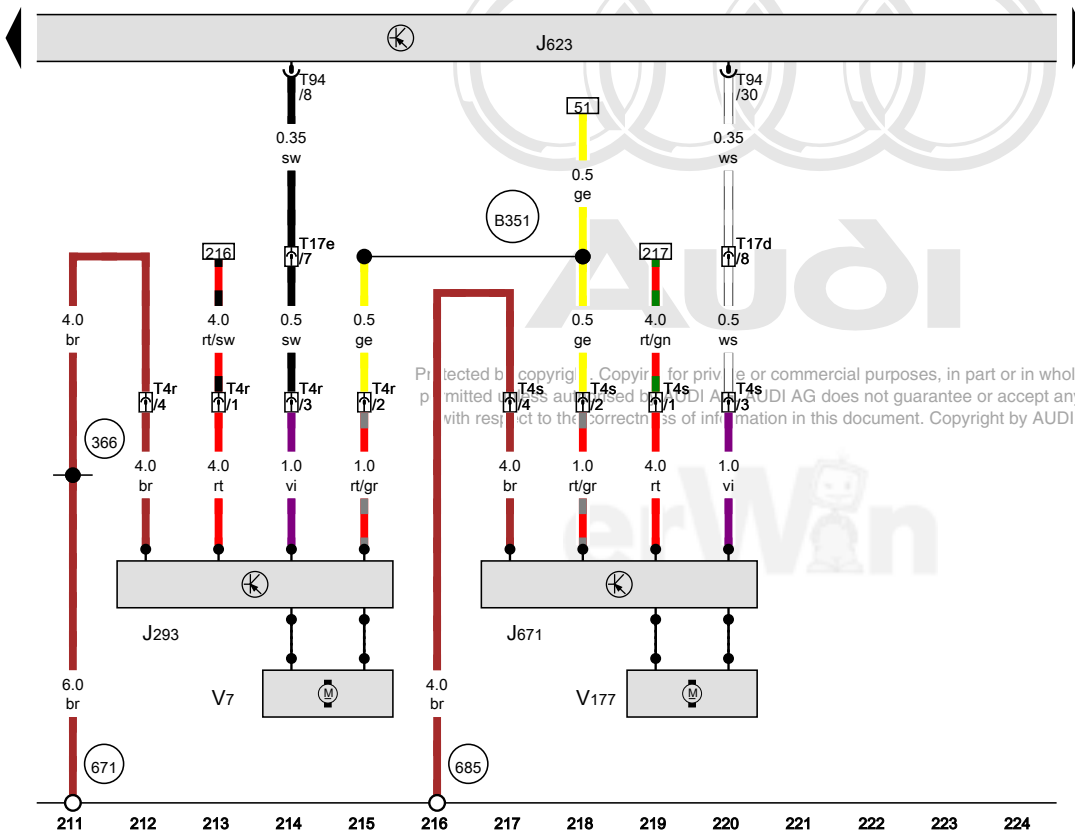
Protected by copyright. Copying for private or commercial purposes, in part or in whole, is not permitted unless authorised by AUDI AG. AUDI AG does not guarantee or accept any liability with respect to the correctness of information in this document. Copyright by AUDI AG.



Coolant fan control module, Engine control module, Coolant fan

- J293 Coolant fan control module
- J623 Engine control module
- J671 Coolant fan control module 2
- SB1 Fuse 1 (on fuse panel B)
- SB2 Fuse 2 (on fuse panel B)
- ST3 Fuse panel 3
- T4r 4-pin connector, on the coolant fan
- T4s 4-pin connector, on the coolant fan
- T17d 17-pin connector, Connector station under the rear shelf, right
- T17e 17-pin connector, Connector station under the rear shelf, right
- T94 94-pin connector
- V7 Coolant fan
- V177 Coolant fan 2

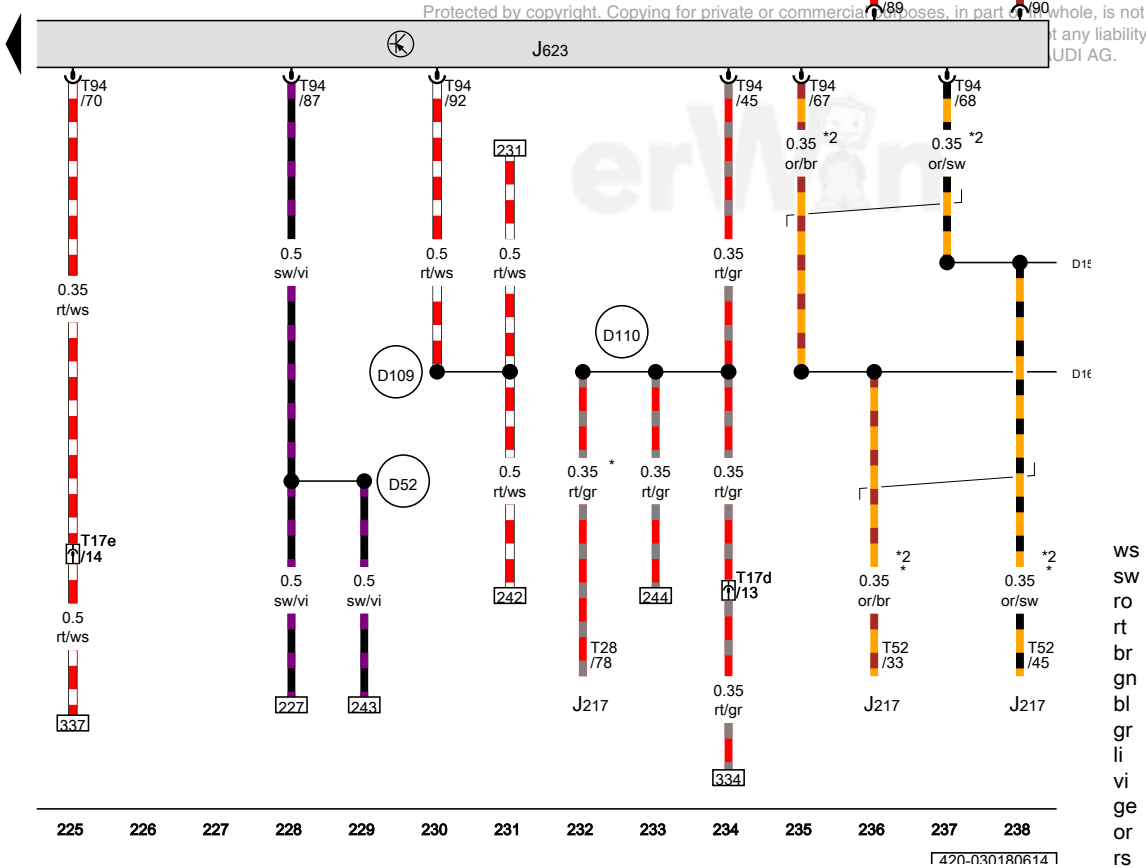
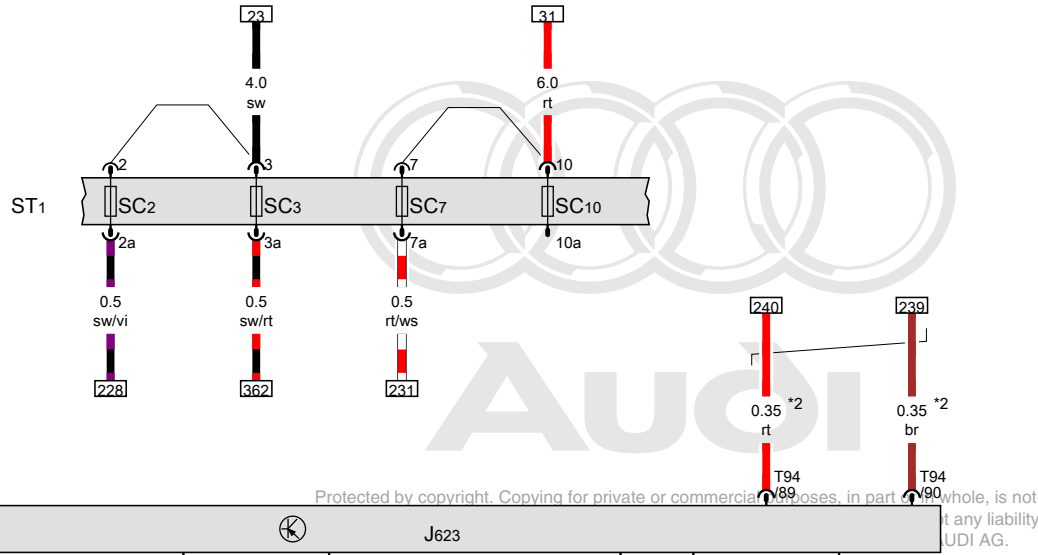
- 366 Ground connection 1 (in main wiring harness)
- 671 Ground connection 1 on left front longitudinal member
- 685 Ground connection 1 on right front longitudinal member
- B272 Positive connection (30) (in main wiring harness)
- B351 Positive connection 2 (87a) (in main wiring harness)
- * Through October 2011
- *2 from November 2011



Protected by copyright. Copying for private or commercial purposes, in part or in whole, is not permitted. This is authorised by AUDI AG. AUDI AG does not guarantee or accept any liability with respect to the correctness of information in this document. Copyright by AUDI AG.

- ws = white
- sw = black
- ro = red
- rt = red
- br = brown
- gn = green
- bl = blue
- gr = grey
- li = lilac
- vi = lilac
- ge = yellow
- or = orange
- rs = pink

420-030170614



- ws = white
- sw = black
- ro = red
- rt = red
- br = brown
- gn = green
- bl = blue
- gr = grey
- li = lilac
- vi = lilac
- ge = yellow
- or = orange
- rs = pink

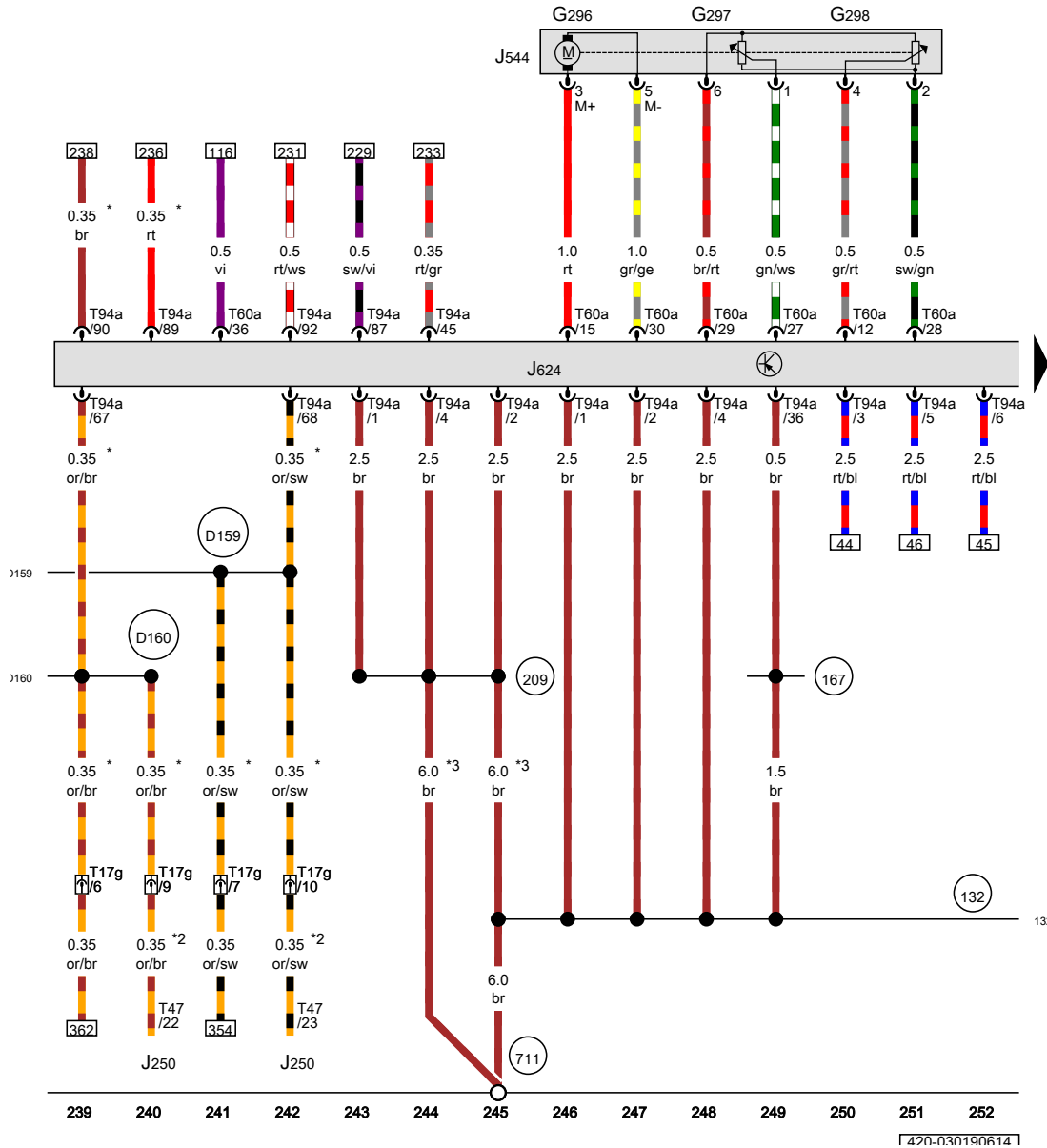
Engine control module

- J217 Transmission control module
- J623 Engine control module
- ST1 Fuse panel 1
- SC2 Fuse 2 (on fuse panel C)
- SC3 Fuse 3 (on fuse panel C)
- SC7 Fuse 7 (on fuse panel C)
- SC10 Fuse 10 (on fuse panel C)
- T17d 17-pin connector, Connector station under the rear shelf, right
- T17e 17-pin connector, Connector station under the rear shelf, right
- T28 28-pin connector
- T52 52-pin connector
- T94 94-pin connector

- (D52) Positive connection (15a) (in engine compartment wiring harness)
- (D109) Connection 7 (in engine compartment wiring harness)
- (D110) Connection 8 (in engine compartment wiring harness)
- (D159) High bus connection (in engine compartment wiring harness)
- (D160) Low bus positive connection (in engine compartment wiring harness)
- * Only for vehicles with automated manual transmission (R tronic) 086
- *2 Data bus wire (CAN bus)

420-030180614

Throttle valve control module 2, Engine control module 2



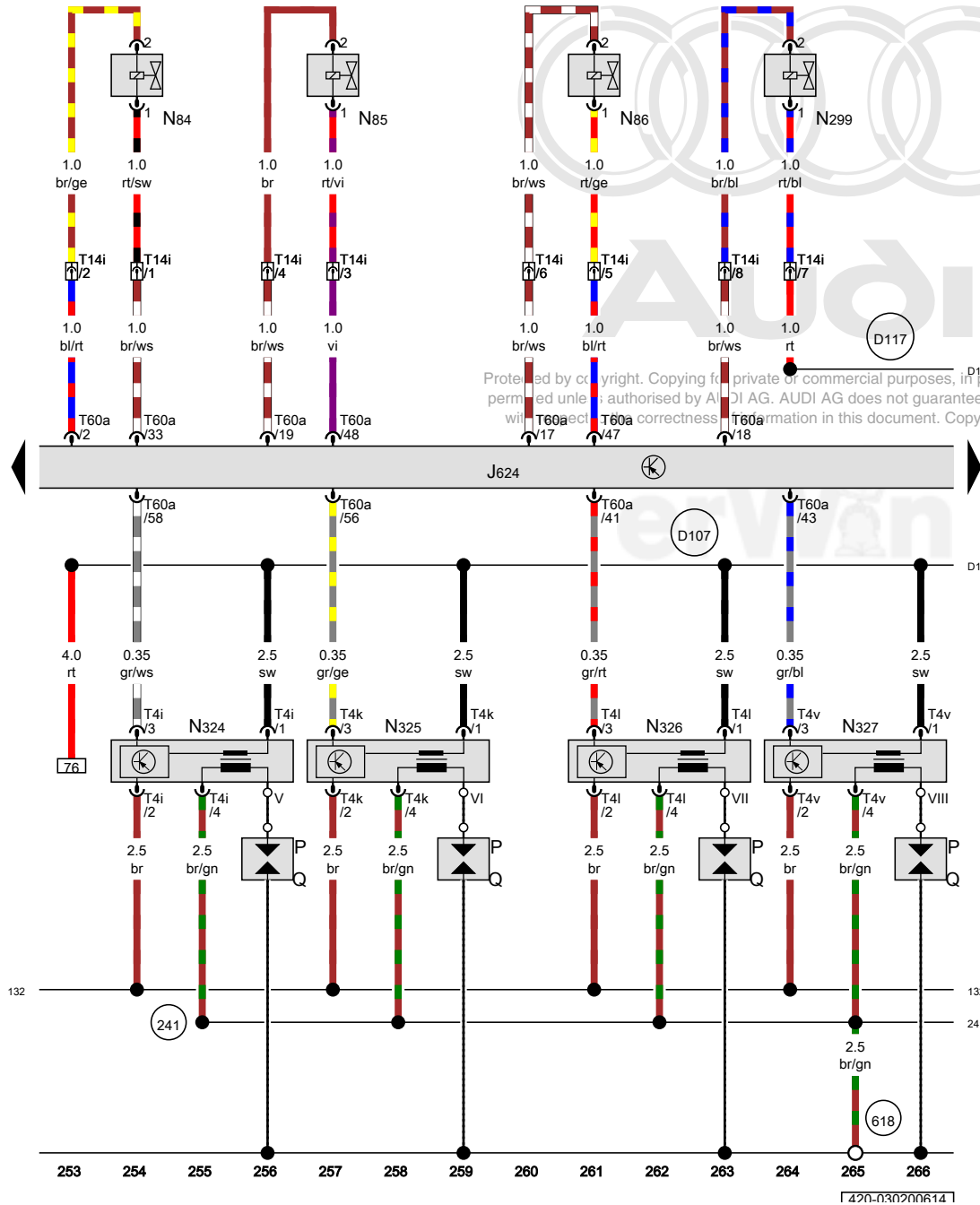
- G296 Throttle drive 2
- G297 Throttle drive 2 angle sensor 1
- G298 Throttle drive 2 angle sensor 2
- J250 Electronic damping control module
- J544 Throttle valve control module 2
- J624 Engine control module 2
- T17g 17-pin connector, Connector station under the rear shelf, right
- T47 47-pin connector
- T60a 60-pin connector
- T94a 94-pin connector

- (132) Ground connection 3 (in engine compartment wiring harness)
- (167) Ground connection 4 (in engine compartment wiring harness)
- (209) Ground connection 6 (in engine compartment wiring harness)
- (711) Ground connection 3 on left rear chassis side member
- (D159) High bus connection (in engine compartment wiring harness)
- (D160) Low bus positive connection (in engine compartment wiring harness)
- * Data bus wire (CAN bus)
- *2 Only for vehicles with electronic damping
- *3 Depending on equipment

- ws = white
- sw = black
- ro = red
- rt = red
- br = brown
- gn = green
- bl = blue
- gr = grey
- li = lilac
- vi = lilac
- ge = yellow
- or = orange
- rs = pink

Copyrighted by copyright. Copying for private or commercial purposes, in part or in whole, is not permitted unless authorised by AUDI AG. AUDI AG does not guarantee or accept any liability for errors or omissions with respect to the correctness of information in this document. Copyright by AUDI AG.

420-030190614

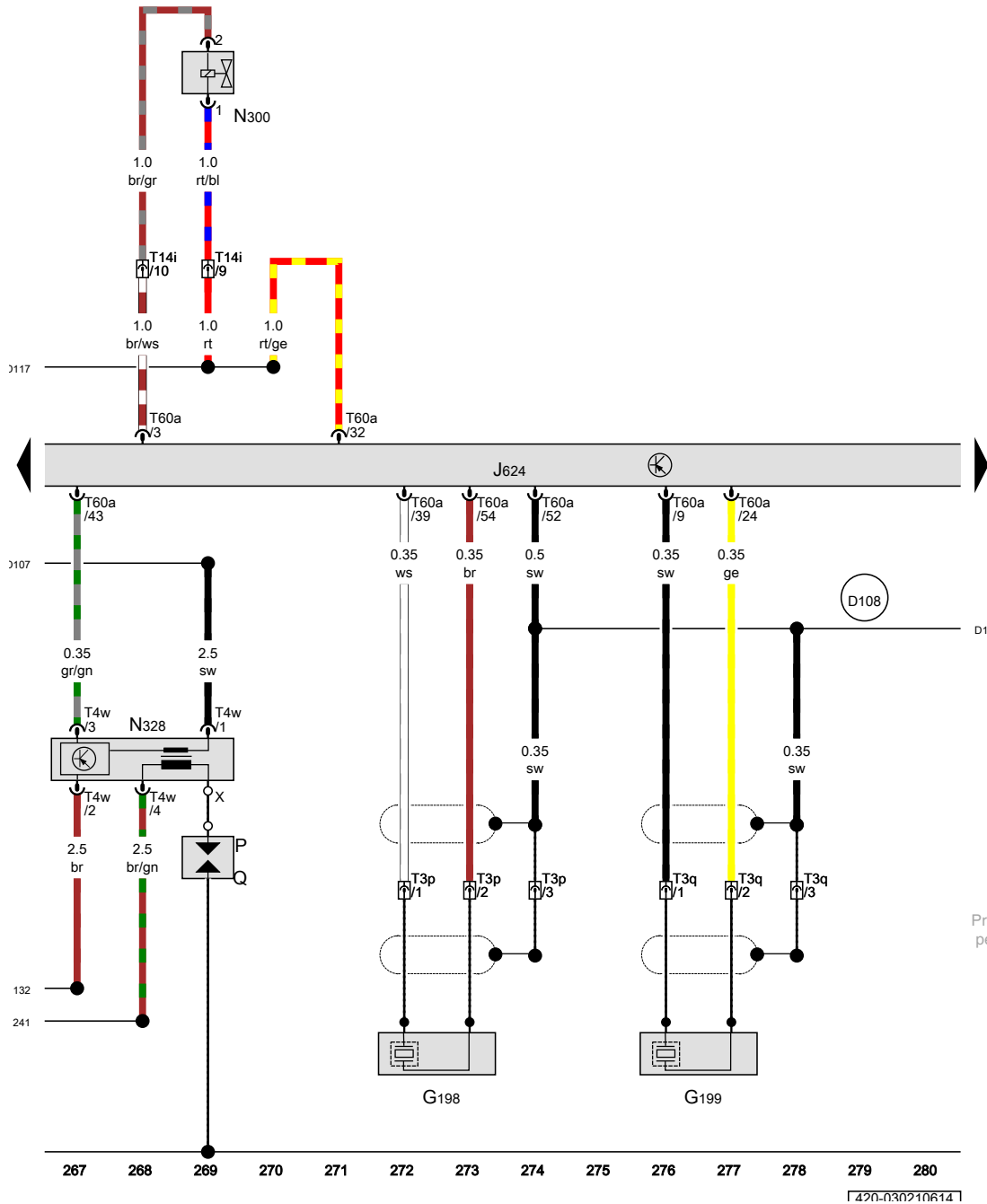


Engine control module 2, Cylinder 6 fuel injector, Cylinder 7 fuel injector, Cylinder 8 fuel injector, Cylinder 9 fuel injector, Ignition coil 6 with power output stage, Ignition coil 7 with power output stage, Ignition coil 8 with power output stage, Ignition coil 9 with power output stage

- J624 Engine control module 2
- N84 Cylinder 6 fuel injector
- N85 Cylinder 7 fuel injector
- N86 Cylinder 8 fuel injector
- N299 Cylinder 9 fuel injector
- N324 Ignition coil 6 with power output stage
- N325 Ignition coil 7 with power output stage
- N326 Ignition coil 8 with power output stage
- N327 Ignition coil 9 with power output stage
- P Spark plug connectors
- Q Spark plugs
- T4i 4-pin connector
- T4k 4-pin connector
- T4l 4-pin connector
- T4v 4-pin connector
- T14i 14-pin connector, in the engine compartment, left
- T60a 60-pin connector

- (132) Ground connection 3 (in engine compartment wiring harness)
- (241) Engine ground connection 2 (in engine wiring harness)
- (618) Ground connection on engine, left
- (D107) Connection 5 (in engine compartment wiring harness)
- (D117) Connection 15 (in engine compartment wiring harness)

- ws = white
- sw = black
- ro = red
- rt = red
- br = brown
- gn = green
- bl = blue
- gr = grey
- li = lilac
- vi = lilac
- ge = yellow
- or = orange
- rs = pink



Knock sensor 3, Knock sensor 4, Engine control module 2

- G198 Knock sensor 3
- G199 Knock sensor 4
- J624 Engine control module 2
- N300 Cylinder 10 fuel injector
- N328 Ignition coil 10 with power output stage
- P Spark plug connectors
- Q Spark plugs
- T3p 3-pin connector, on the knock sensor 3
- T3q 3-pin connector, on the knock sensor 4
- T4w 4-pin connector
- T14i 14-pin connector, in the engine compartment, left
- T60a 60-pin connector

- 132 Ground connection 3 (in engine compartment wiring harness)
- 241 Engine ground connection 2 (in engine wiring harness)
- D107 Connection 5 (in engine compartment wiring harness)
- D108 Connection 6 (in engine compartment wiring harness)
- D117 Connection 15 (in engine compartment wiring harness)

Protected by copyright. Copying for private or commercial purposes, in part or in whole, is not permitted unless authorised by AUDI AG. AUDI AG does not guarantee or accept any liability with respect to the correctness of information in this document. Copyright by AUDI AG.

- ws = white
- sw = black
- ro = red
- rt = red
- br = brown
- gn = green
- bl = blue
- gr = grey
- li = lilac
- vi = lilac
- ge = yellow
- or = orange
- rs = pink

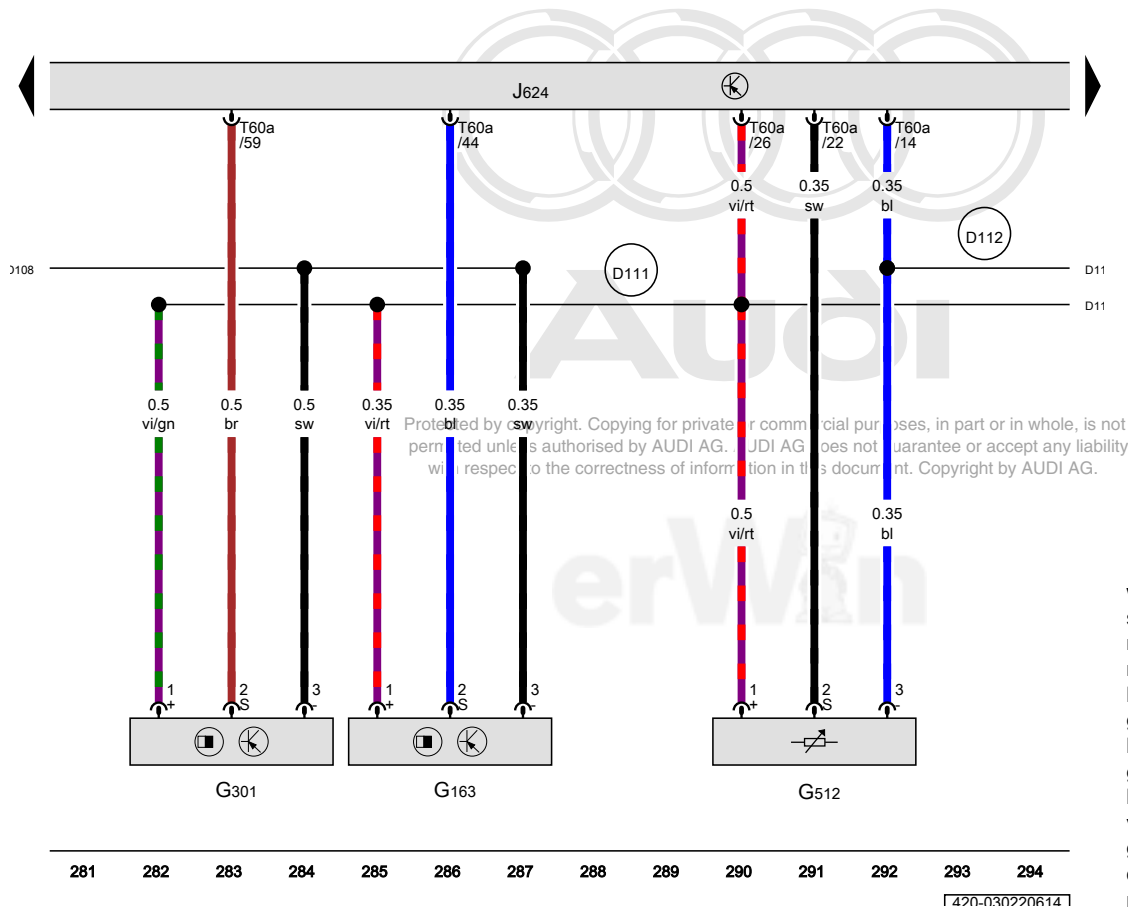
Camshaft position sensor 2, Camshaft position sensor 4, Intake manifold runner position sensor 2, Engine control module 2

- G163 Camshaft position sensor 2
- G301 Camshaft position sensor 4
- G512 Intake manifold runner position sensor 2
- J624 Engine control module 2
- T60a 60-pin connector

D108 Connection 6 (in engine compartment wiring harness)

D111 Connection 9 (in engine compartment wiring harness)

D112 Connection 10 (in engine compartment wiring harness)



Protected by copyright. Copying for private or commercial purposes, in part or in whole, is not permitted unless authorised by AUDI AG. AUDI AG does not guarantee or accept any liability with respect to the correctness of information in this document. Copyright by AUDI AG.

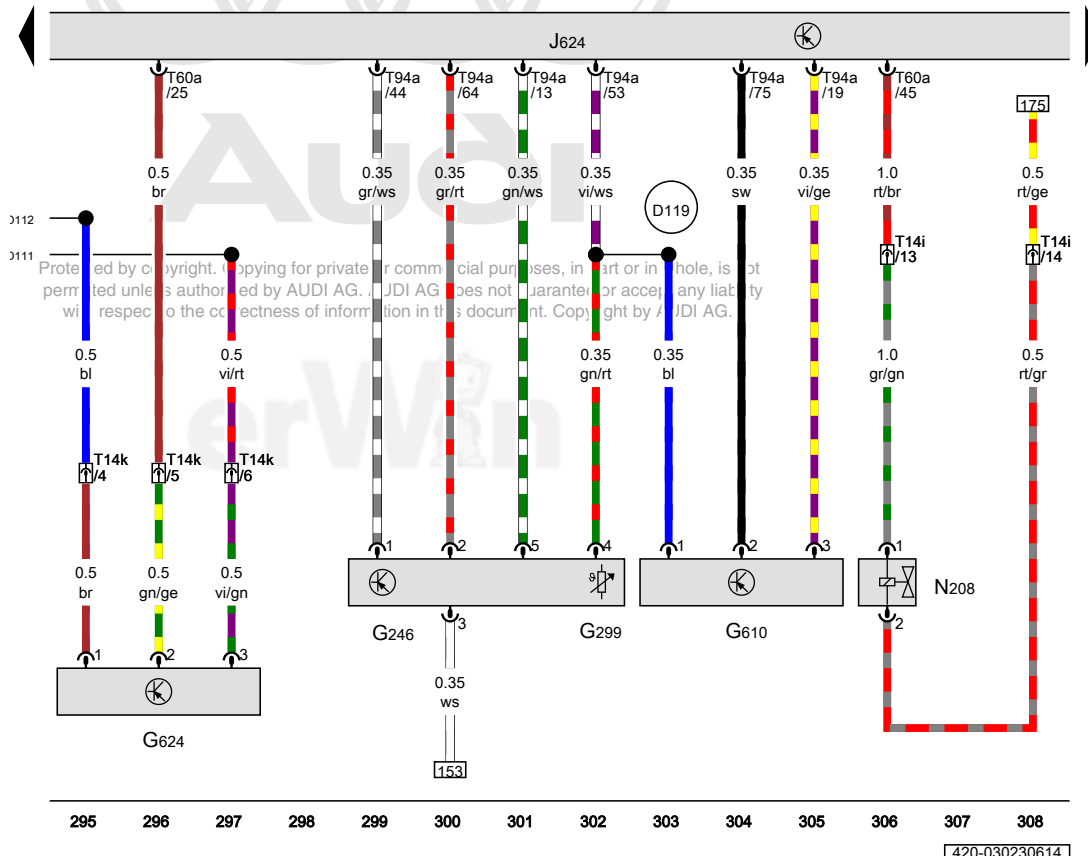
- ws = white
- sw = black
- ro = red
- rt = red
- br = brown
- gn = green
- bl = blue
- gr = grey
- li = lilac
- vi = lilac
- ge = yellow
- or = orange
- rs = pink

420-030220614

Mass airflow sensor 2, Secondary air injection sensor 2, Engine control module 2, Camshaft adjustment valve 2

- G246 Mass airflow sensor 2
- G299 Intake air temperature sensor 2
- G610 Secondary air injection sensor 2
- G624 Fuel pressure sensor 2
- J624 Engine control module 2
- N208 Camshaft adjustment valve 2
- T14i 14-pin connector, in the engine compartment, left
- T14k 14-pin connector, in the engine compartment, left
- T60a 60-pin connector
- T94a 94-pin connector

- (D111) Connection 9 (in engine compartment wiring harness)
- (D112) Connection 10 (in engine compartment wiring harness)
- (D119) Connection 17 (in engine compartment wiring harness)



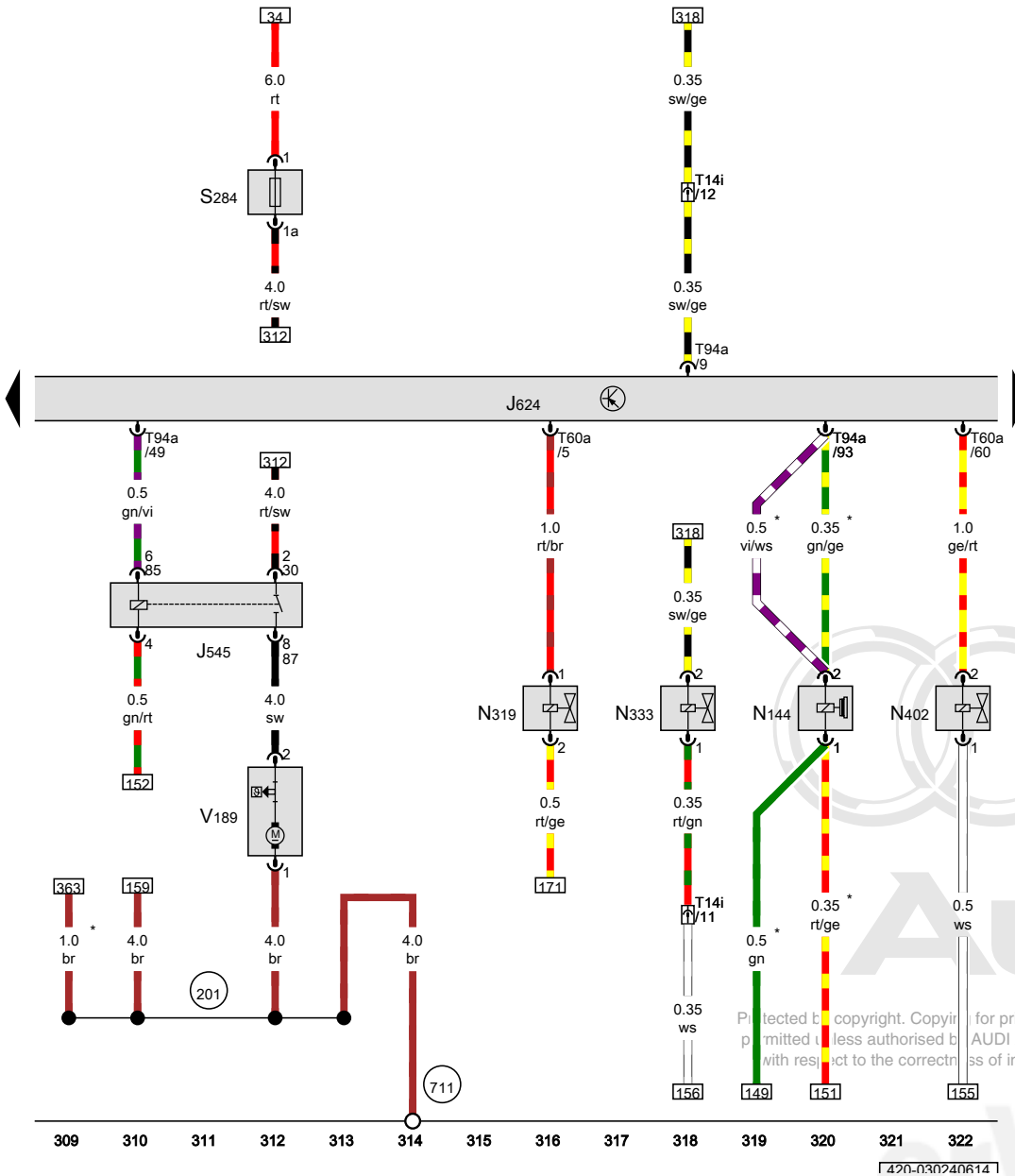
Secondary air injection pump relay 2, Engine control module 2, EVAP system purge regulator valve 2, Fuel metering valve 2, Secondary air injection pump motor 2

- J545 Secondary air injection pump relay 2
- J624 Engine control module 2
- N144 Left electrohydraulic engine mount solenoid valve
- N319 Exhaust camshaft adjustment valve 2
- N333 EVAP system purge regulator valve 2
- N402 Fuel metering valve 2
- S284 Secondary air injection pump fuse 2
- T14i 14-pin connector, in the engine compartment, left
- T60a 60-pin connector
- T94a 94-pin connector
- V189 Secondary air injection pump motor 2

201 Ground connection 5 (in engine compartment wiring harness)

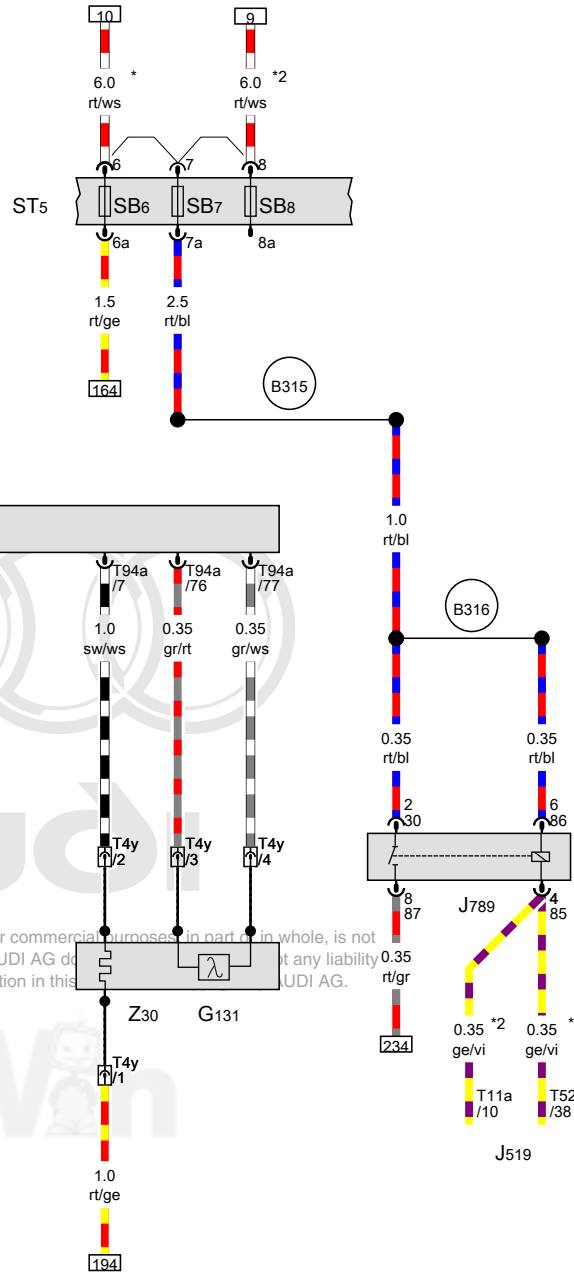
711 Ground connection 3 on left rear chassis side member

* Depending on equipment



- ws = white
- sw = black
- ro = red
- rt = red
- br = brown
- gn = green
- bl = blue
- gr = grey
- li = lilac
- vi = lilac
- ge = yellow
- or = orange
- rs = pink

Protected by copyright. Copying for private or commercial purposes, in part or in whole, is not permitted without the express written consent of AUDI AG. AUDI AG does not guarantee or accept any liability with respect to the correctness of information in this document. Copyright by AUDI AG.



Heated oxygen sensor 2, Oxygen sensor 2 after catalytic converter, Engine control module 2, Control relay

- G108 Heated oxygen sensor 2
- G131 Oxygen sensor 2 after catalytic converter
- J519 Vehicle electrical control module system
- J624 Engine control module 2
- J789 Control relay, Relay and fuse holder B on the vehicle electrical system control module in the right front footwell
- ST5 Fuse panel 5
- SB6 Fuse 6 (on fuse panel B)
- SB7 Fuse 7 (on fuse panel B)
- SB8 Fuse 8 (on fuse panel B)
- T4y 4-pin connector, black
- T6h 6-pin connector, brown
- T11a 11-pin connector
- T52b 52-pin connector
- T94a 94-pin connector
- Z28 Oxygen sensor 2 heater
- Z30 Heater for oxygen sensor 2 after catalytic converter

B315 Positive connection 1 (30a) (in main wiring harness)

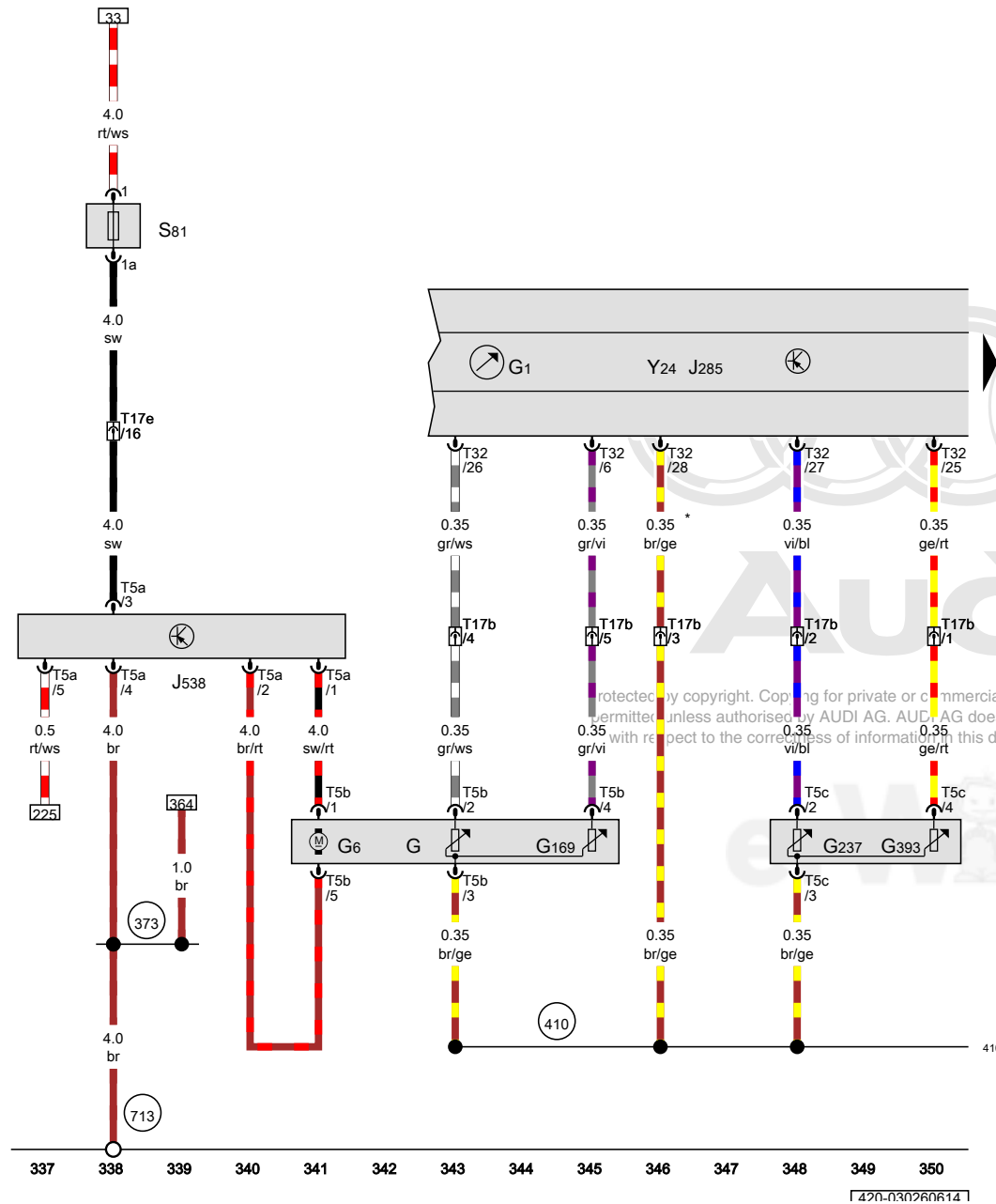
B316 Positive connection 2 (30a) (in main wiring harness)

* from June 2009
 *2 Through May 2009

- ws = white
- sw = black
- ro = red
- rt = red
- br = brown
- gn = green
- bl = blue
- gr = grey
- li = lilac
- vi = lilac
- ge = yellow
- or = orange
- rs = pink

420-030250614

Fuel level sensor, Transfer fuel pump, Instrument cluster control module



- G Fuel level sensor
- G1 Fuel gauge
- G6 Transfer fuel pump
- G169 Fuel level sensor 2
- G237 Fuel level sensor 3
- G393 Fuel level sensor 4
- J285 Instrument cluster control module
- J538 Fuel pump control module
- S81 Fuel pump fuse, 9-pin relay and fuse panel C under the rear shelf, right
- T5a 5-pin connector
- T5b 5-pin connector
- T5c 5-pin connector
- T17b 17-pin connector, Inside the center console connector station on the right side
- T17e 17-pin connector, Connector station under the rear shelf, right
- T32 32-pin connector
- Y24 Display unit in instrument cluster
- 373 Ground connection 8 (in main wiring harness)
- 410 Sensor ground connection 1 (in main wiring harness)
- 713 Ground connection under rear shelf, right
- * Sensor ground output

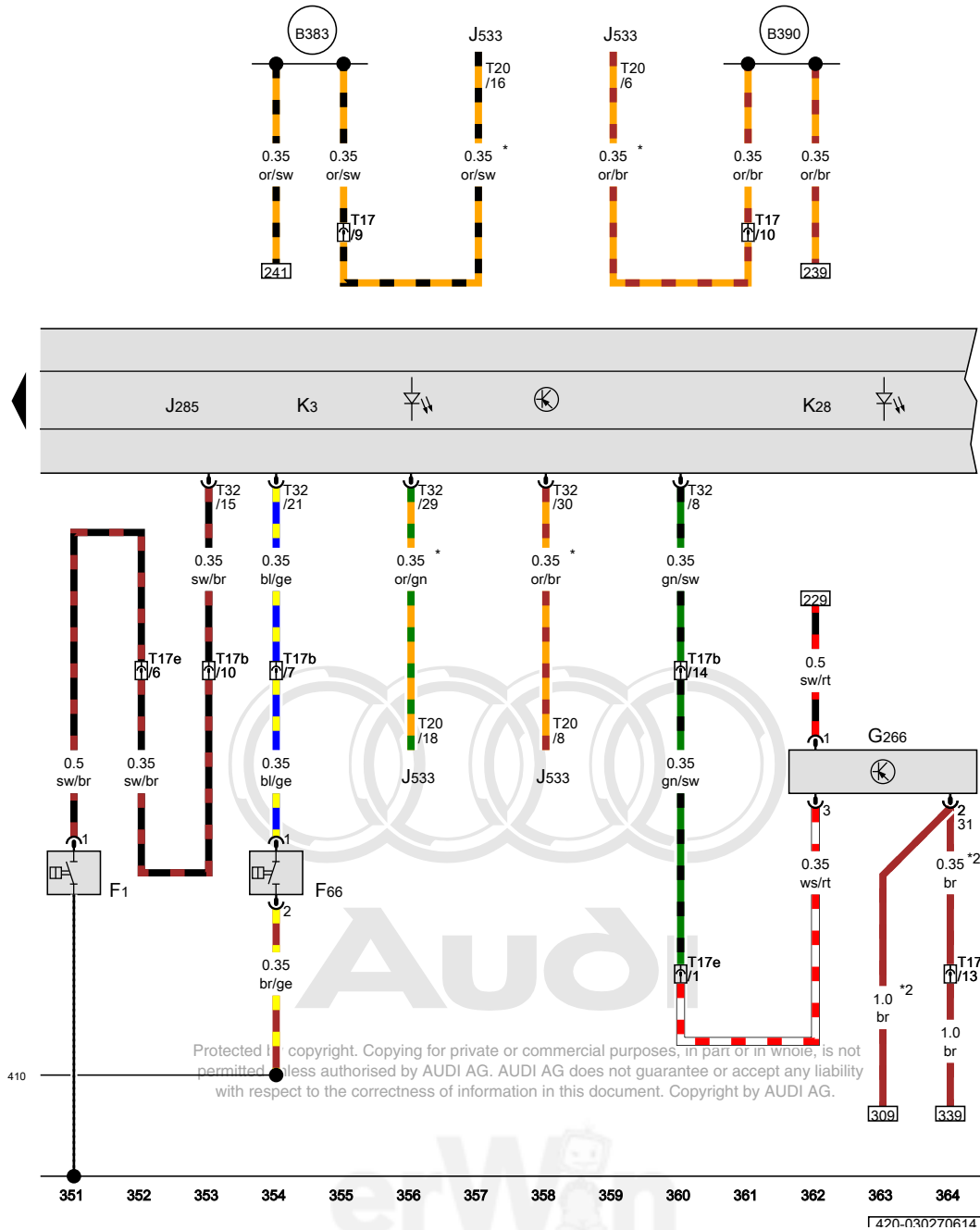
- ws = white
- sw = black
- ro = red
- rt = red
- br = brown
- gn = green
- bl = blue
- gr = grey
- li = lilac
- vi = lilac
- ge = yellow
- or = orange
- rs = pink

420-030260614

Oil pressure switch, Engine coolant level warning switch, Oil level thermal sensor, Instrument cluster control module

- F1 Oil pressure switch
- F66 Engine coolant level warning switch
- G266 Oil level thermal sensor
- J285 Instrument cluster control module
- J533 Data bus on board diagnostic interface
- K3 Oil pressure indicator lamp
- K28 Engine coolant level/temperature indicator lamp
- T17 17-pin connector, Inside the center console connector station on the right side
- T17b 17-pin connector, Inside the center console connector station on the right side
- T17e 17-pin connector, Connector station under the rear shelf, right
- T17f 17-pin connector, Connector station under the rear shelf, right
- T20 20-pin connector
- T32 32-pin connector

- 410 Sensor ground connection 1 (in main wiring harness)
- B383 Powertrain CAN bus high connection 1 (in main wiring harness)
- B390 Powertrain CAN bus low connection 1 (in main wiring harness)
- * Data bus wire (CAN bus)
- *2 Depending on equipment

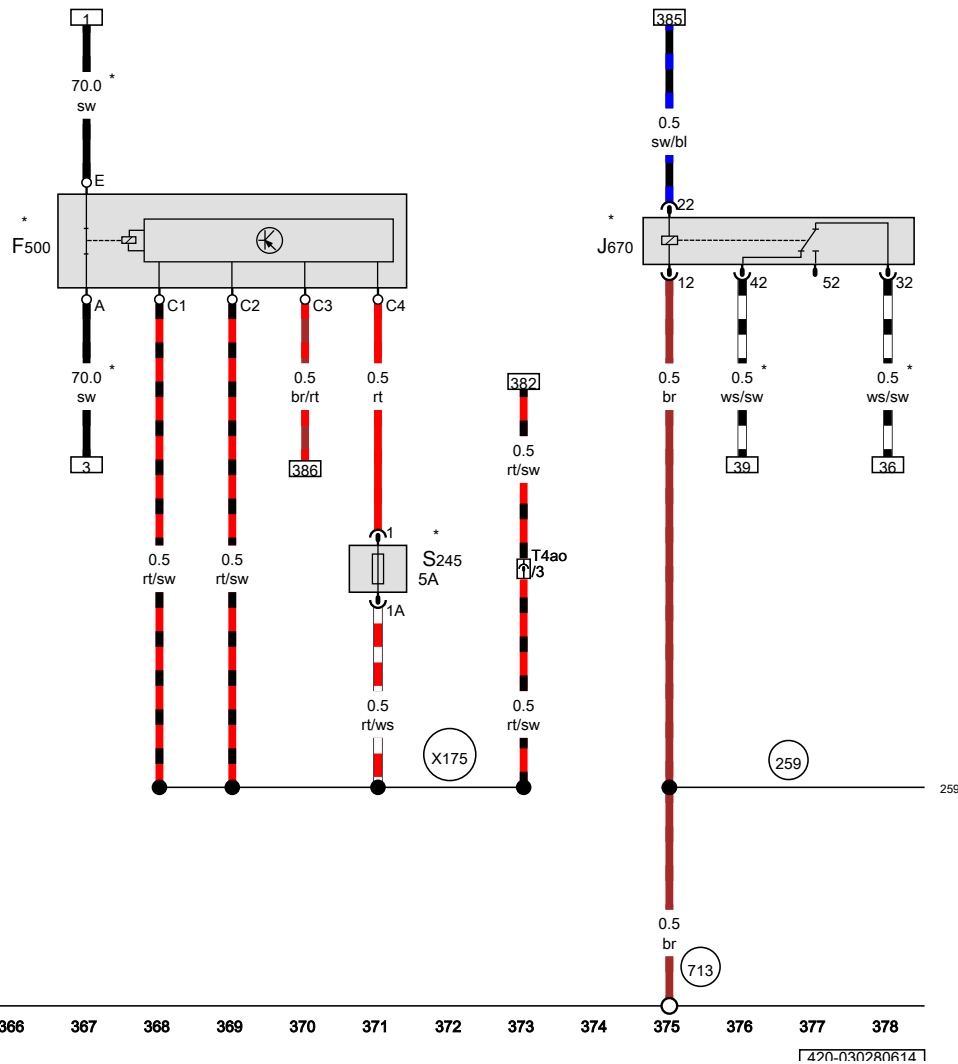


Battery cut-out relay 2, Motronic engine control module power supply relay 2, Optional equipment main fuse

- F500 Battery cut-out relay 2, near the battery
- J670 Motronic engine control module power supply relay 2, 9-pin relay and fuse panel C under the rear shelf, right
- S245 Optional equipment main fuse, near the battery
- T4ao 4-pin connector, in the right front wheel housing

- (259) Ground connection 2 (in optional equipment wiring harness)
- (713) Ground connection under rear shelf, right
- (X175) Positive connection (30a) (in optional equipment wiring harness)

* Only for Audi R8 GT



- ws = white
- sw = black
- ro = red
- rt = red
- br = brown
- gn = green
- bl = blue
- gr = grey
- li = lilac
- vi = lilac
- ge = yellow
- or = orange
- rs = pink

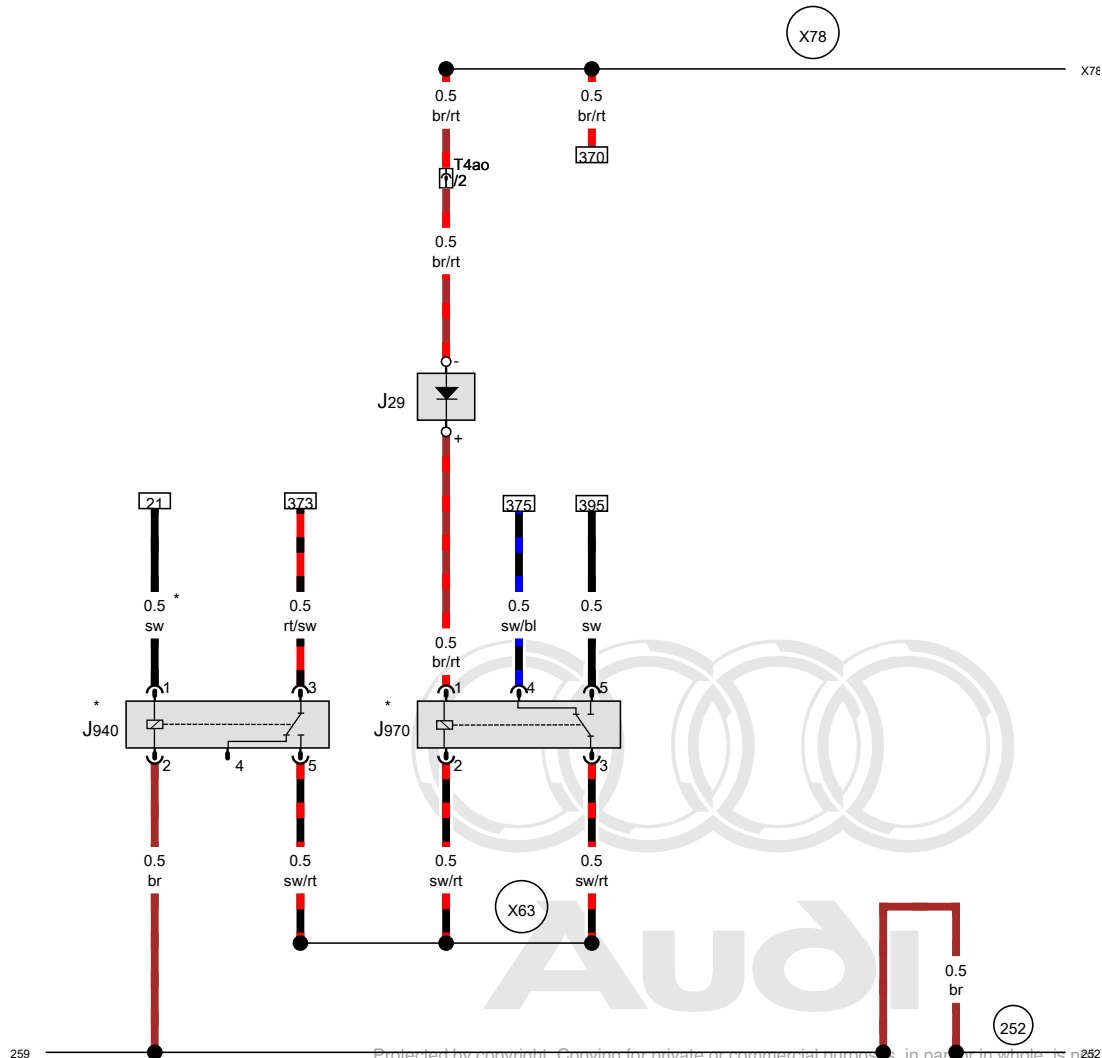


Audi

erWin

Protected by copyright. Copying for private or commercial purposes, in part or in whole, is not permitted unless authorised by AUDI AG. AUDI AG does not guarantee or accept any liability with respect to the correctness of information in this document. Copyright by AUDI AG.

420-030280614



Blocking diode, Terminal 15 relay, Emergency off relay

- J29 Blocking diode
- J940 Terminal 15 relay, 9-pin relay and fuse panel C under the rear shelf, right
- J970 Emergency off relay, 9-pin relay and fuse panel C under the rear shelf, right
- T4ao 4-pin connector, in the right front wheel housing

- (252) Ground connection (in optional equipment wiring harness)
- (259) Ground connection 2 (in optional equipment wiring harness)
- (X63) Positive connection 1 (15a) (in optional equipment wiring harness)
- (X78) Connection 1 (in optional equipment wiring harness)

* Only for Audi R8 GT

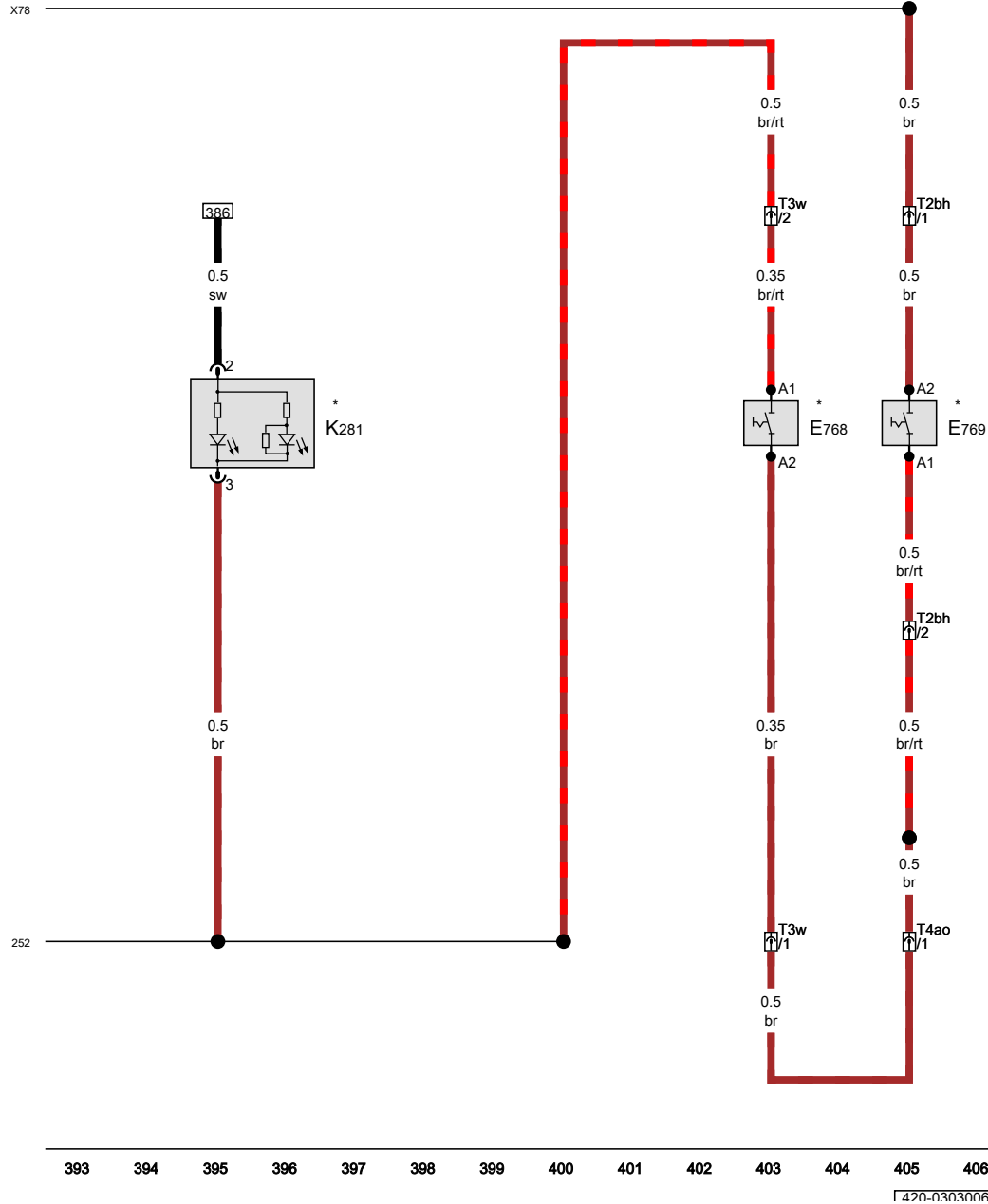
- ws = white
- sw = black
- ro = red
- rt = red
- br = brown
- gn = green
- bl = blue
- gr = grey
- li = lilac
- vi = lilac
- ge = yellow
- or = orange
- rs = pink

Protected by copyright. Copying for private or commercial purposes, in part or in whole, is not permitted unless authorised by AUDI AG. AUDI AG does not guarantee or accept any liability with respect to the correctness of information in this document. Copyright by AUDI AG.

379 380 381 382 383 384 385 386 387 388 389 390 391 392

[420-030290614]

Transmission temperature limit switch 1, Transmission temperature limit switch 2, Emergency off indicator lamp



- E768 Transmission temperature limit switch 1, in the center console on the selector lever bracket
- E769 Transmission temperature limit switch 2, in the left plenum chamber
- K281 Emergency off indicator lamp
- T2bh Double connector, in the left front wheel housing
- T3w 3-pin connector, in the center console
- T4ao 4-pin connector, in the right front wheel housing
- 252 Ground connection (in optional equipment wiring harness)
- X78 Connection 1 (in optional equipment wiring harness)
- * Only for Audi R8 GT

Protected by copyright. Copying for private or commercial purposes, in part or in whole, is not permitted unless authorised by AUDI AG. AUDI AG does not guarantee or accept any liability with respect to the correctness of information in this document. Copyright by AUDI AG.

- ws = white
- sw = black
- ro = red
- rt = red
- br = brown
- gn = green
- bl = blue
- gr = grey
- li = lilac
- vi = lilac
- ge = yellow
- or = orange
- rs = pink

393 394 395 396 397 398 399 400 401 402 403 404 405 406

420-030300614

Standard equipment
from June 2009

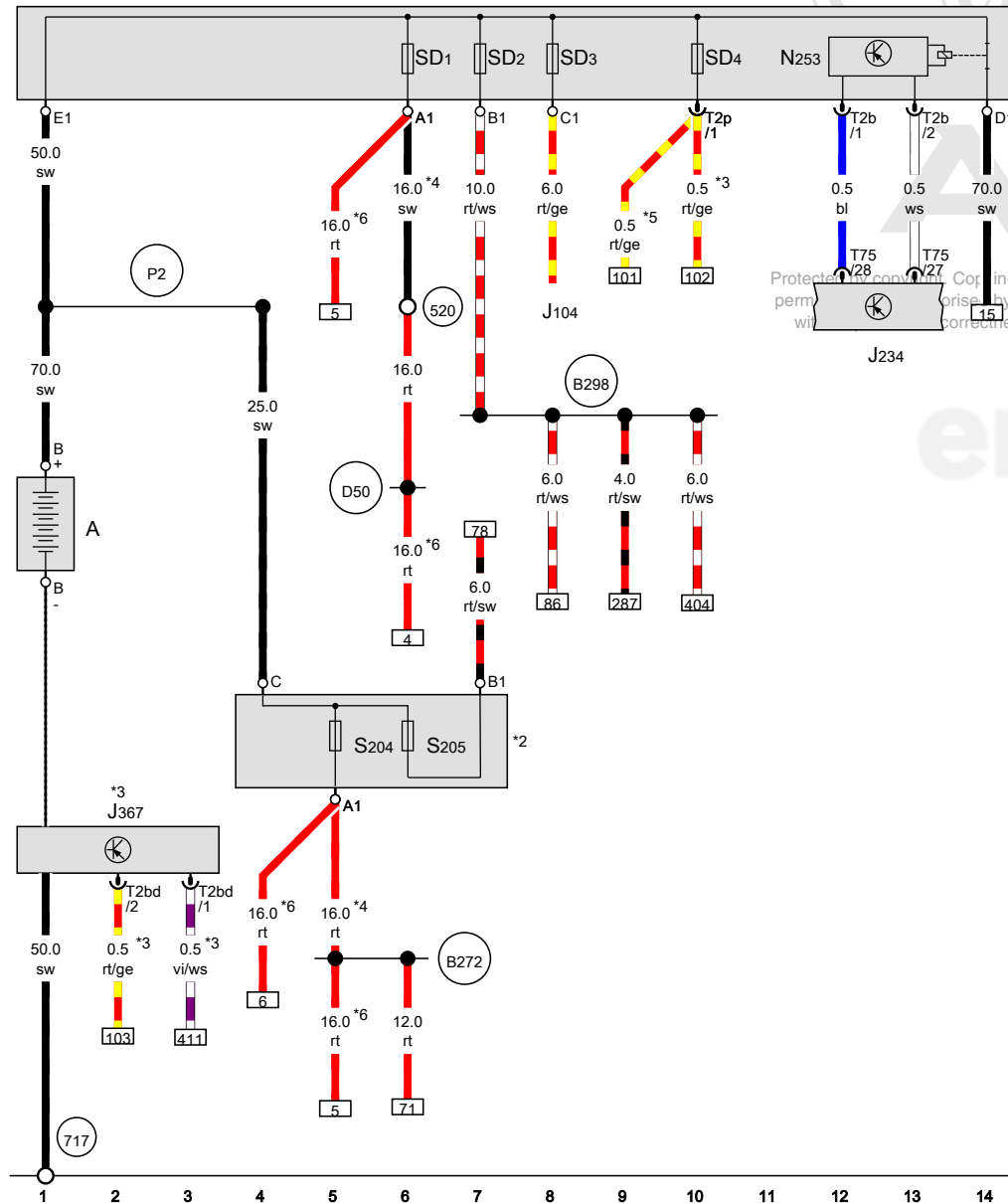


Audi

Protected by copyright. Copying for private or commercial purposes, in part or in whole, is not permitted unless authorised by AUDI AG. AUDI AG does not guarantee or accept any liability with respect to the correctness of information in this document. Copyright by AUDI AG.



Battery, Battery monitoring control module, Battery interrupt igniter



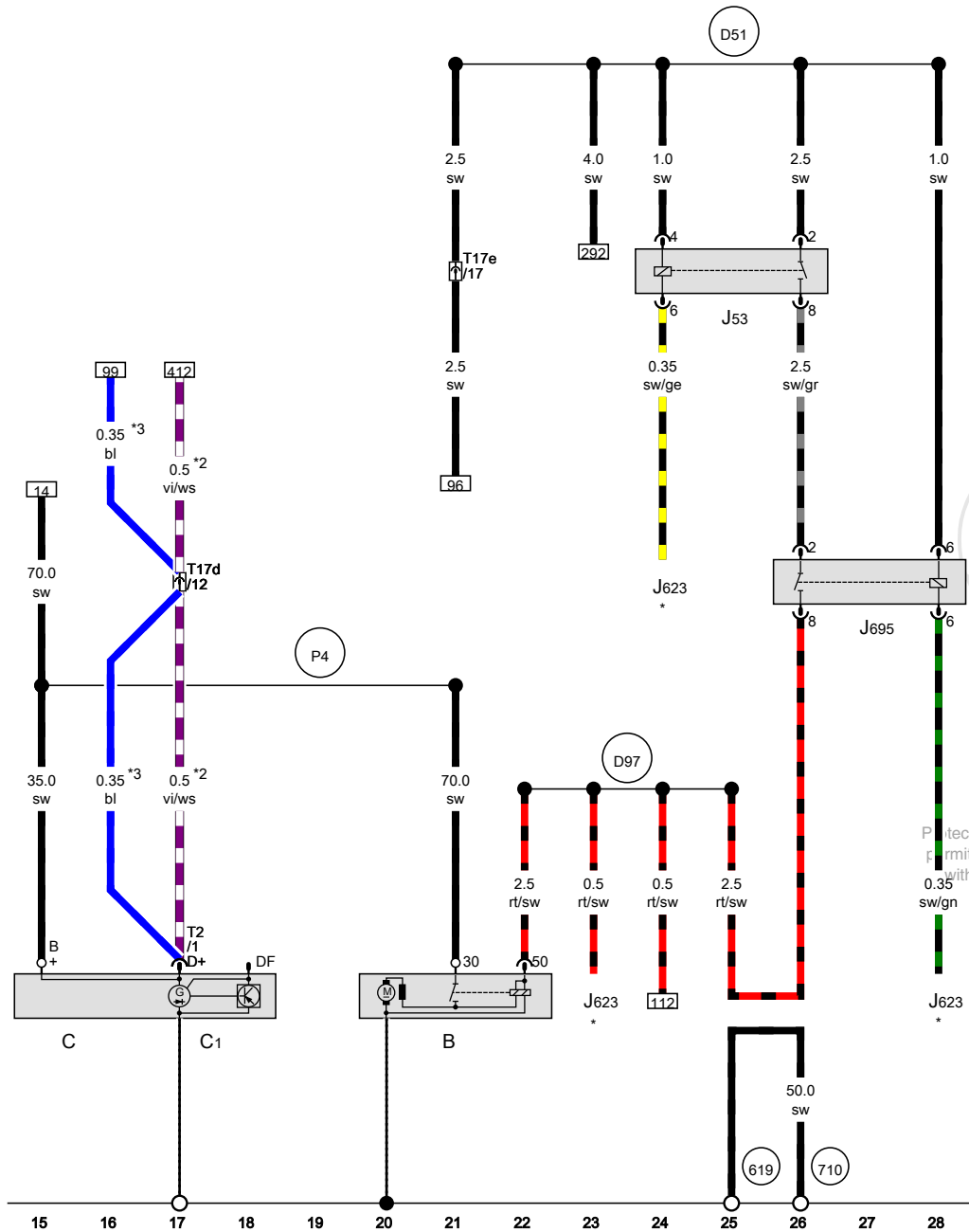
- A Battery
- J104 ABS control module
- J234 Airbag control module
- J367 Battery monitoring control module
- N253 Battery interrupt igniter
- SD1 Fuse 1 (on fuse panel D)
- SD2 Fuse 2 (on fuse panel D)
- SD3 Fuse 3 (on fuse panel D)
- SD4 Fuse 4 (on fuse panel D)
- S204 Fuse 1 (terminal 30)
- S205 Fuse 2 (terminal 30), in the right front footwell
- T2b Double connector
- T2bd Double connector
- T2p Double connector
- T75 75-pin connector
- 520 Threaded connection on the coupling station, Connector station under the rear shelf, right
- 717 Ground connection on right front crossmember
- B272 Positive connection (30) (in main wiring harness)
- B298 Positive connection 2 (30) (in main wiring harness)
- D50 Positive connection (30) (in engine compartment wiring harness)
- P2 Positive connection (30) (in battery wiring harness)
- * Main fuse box in the right front footwell
- *2 Main distribution in the right front footwell
- *3 from June 2010
- *4 Through October 2011
- *5 Through May 2010
- *6 from November 2011

- ws = white
- sw = black
- ro = red
- rt = red
- br = brown
- gn = green
- bl = blue
- gr = grey
- li = lilac
- vi = lilac
- ge = yellow
- or = orange
- rs = pink

1420-031020614

Starter, Generator, Starter relay

- B Starter
- C Generator
- C1 Voltage regulator
- J53 Starter relay, 9-pin relay and fuse panel C under the rear shelf, right
- J623 Engine control module
- J695 Relay 2 for starter, 9-pin relay and fuse panel C under the rear shelf, right
- T2 Double connector
- T17d 17-pin connector, Connector station under the rear shelf, right
- T17e 17-pin connector, Connector station under the rear shelf, right
- 619 Ground connection on engine block, lower left
- 710 Ground connection 2 on left rear chassis side member
- D51 Positive connection 1 (15) (in engine compartment wiring harness)
- D97 Connection 50 (in right engine compartment wiring harness)
- P4 Positive connection 2 (30) (in battery wiring harness)
- * Refer to applicable engine wiring diagram
- *2 from June 2010
- *3 Through May 2010



Protected by copyright. Copying for private or commercial purposes, in part or in whole, is not permitted unless authorised by AUDI AG. AUDI AG does not guarantee or accept any liability with respect to the correctness of information in this document. Copyright by AUDI AG.

- ws = white
- sw = black
- ro = red
- rt = red
- br = brown
- gn = green
- bl = blue
- gr = grey
- li = lilac
- vi = lilac
- ge = yellow
- or = orange
- rs = pink

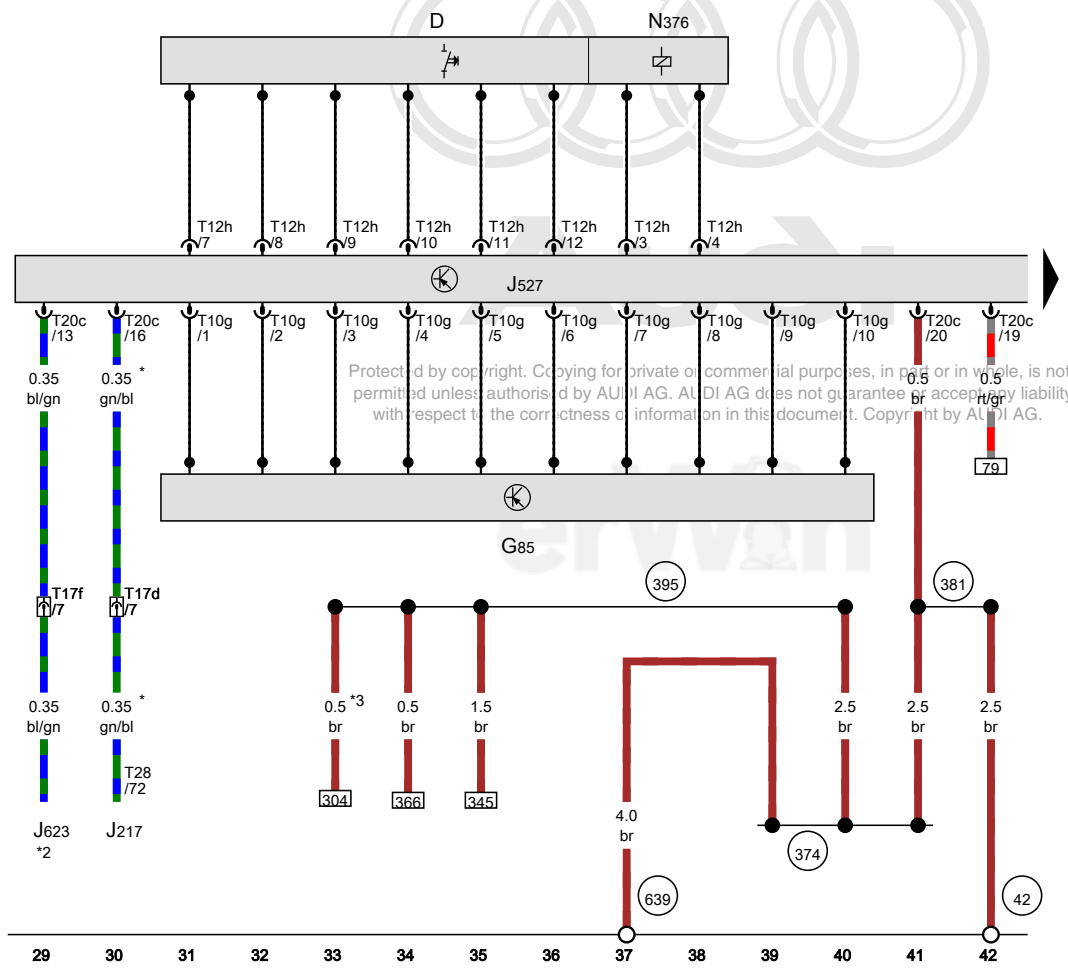
420-031030614

Ignition/starter switch, Steering column electronics control module

- D Ignition/starter switch
- G85 Steering angle sensor
- J217 Transmission control module
- J527 Steering column electronics control module
- J623 Engine control module
- N376 Ignition switch key lock solenoid
- T10g 10-pin connector
- T12h 12-pin connector
- T17d 17-pin connector, Connector station under the rear shelf, right
- T17f 17-pin connector, Connector station under the rear shelf, right
- T20c 20-pin connector
- T28 28-pin connector

- 42 Ground connection near steering column
- 374 Ground connection 9 (in main wiring harness)
- 381 Ground connection 16 (in main wiring harness)
- 395 Ground connection 30 (in main wiring harness)
- 639 Ground connection on left A-pillar

- * Only for vehicles with automated manual transmission (R tronic) 086
- *2 Refer to applicable engine wiring diagram
- *3 Only for vehicles with a manual transmission

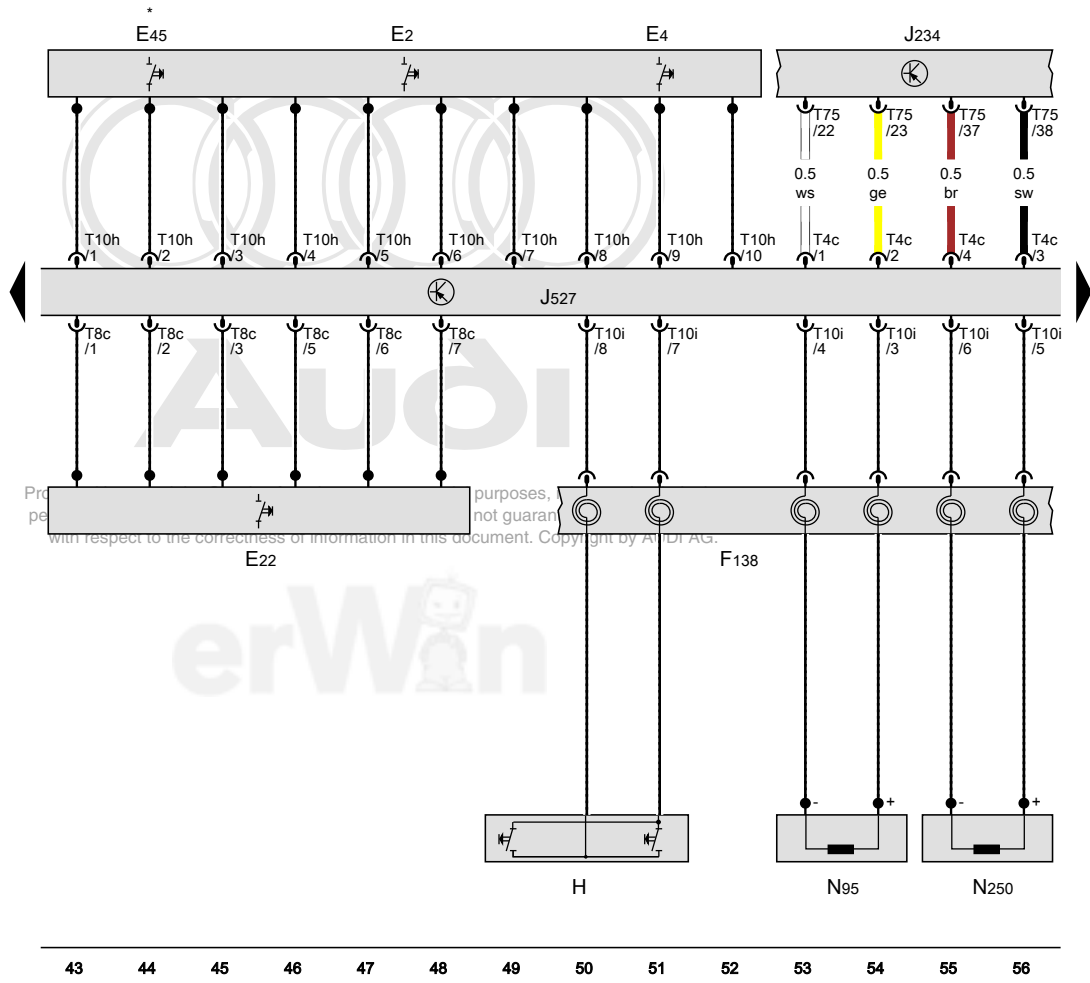


- ws = white
- sw = black
- ro = red
- rt = red
- br = brown
- gn = green
- bl = blue
- gr = grey
- li = lilac
- vi = lilac
- ge = yellow
- or = orange
- rs = pink

420-031040614

Turn signal switch, Headlamp dimmer/flasher switch, Windshield wiper intermittent mode switch, Cruise control switch, Signal horn activation, Steering column electronics control module

- E2 Turn signal switch
- E4 Headlamp dimmer/flasher switch
- E22 Windshield wiper intermittent mode switch
- E45 Cruise control switch
- F138 Airbag spiral spring/return spring with slip ring
- H Signal horn activation
- J234 Airbag control module
- J527 Steering column electronics control module
- N95 Driver airbag igniter
- N250 Driver airbag igniter 2
- T4c 4-pin connector
- T8c 8-pin connector
- T10h 10-pin connector
- T10i 10-pin connector
- T75 75-pin connector
- * Only for vehicles with cruise control



- ws = white
- sw = black
- ro = red
- rt = red
- br = brown
- gn = green
- bl = blue
- gr = grey
- li = lilac
- vi = lilac
- ge = yellow
- or = orange
- rs = pink

43 44 45 46 47 48 49 50 51 52 53 54 55 56

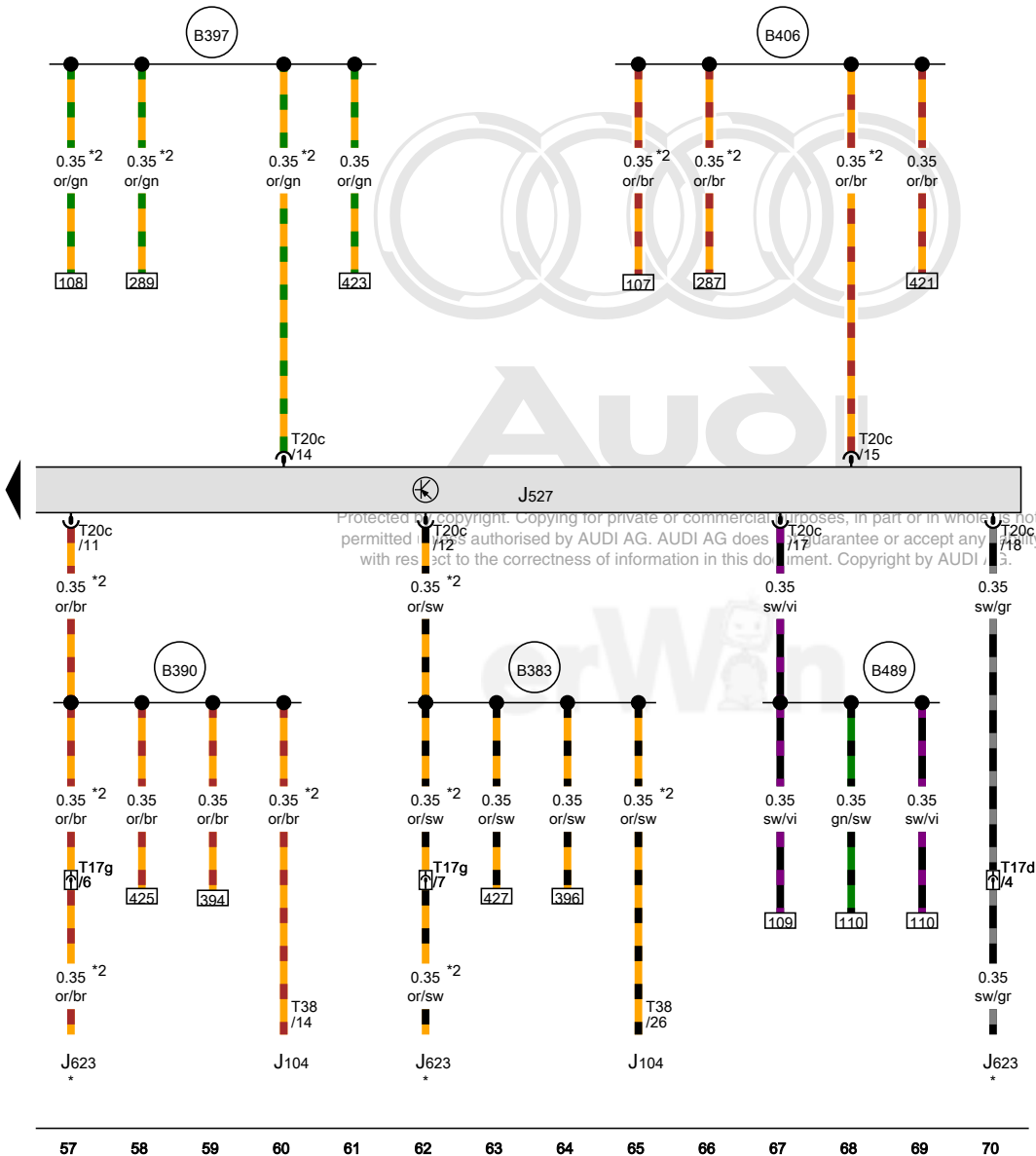
[420-031050614]

Steering column electronics control module

- J104 ABS control module
- J527 Steering column electronics control module
- J623 Engine control module
- T17d 17-pin connector, Connector station under the rear shelf, right
- T17g 17-pin connector, Connector station under the rear shelf, right
- T20c 20-pin connector
- T38 38-pin connector

- B383 Powertrain CAN bus high connection 1 (in main wiring harness)
- B390 Powertrain CAN bus low connection 1 (in main wiring harness)
- B397 Comfort system CAN bus high connection 1 (in main wiring harness)
- B406 Comfort system CAN bus low connection 1 (in main wiring harness)
- B489 Connection 25 (in main wiring harness)

* Refer to applicable engine wiring diagram
 *2 Data bus wire (CAN bus)



- ws = white
- sw = black
- ro = red
- rt = red
- br = brown
- gn = green
- bl = blue
- gr = grey
- li = lilac
- vi = lilac
- ge = yellow
- or = orange
- rs = pink

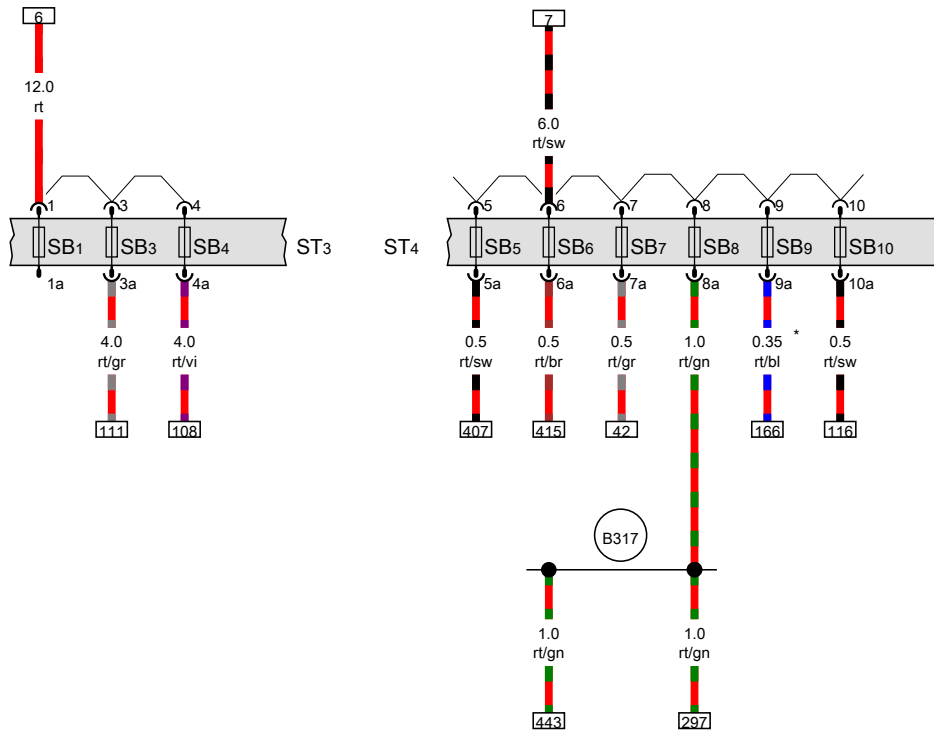
[420-031060614]

Fuse panel 3, Fuse panel 4

- SB1 Fuse 1 (on fuse panel B)
- SB3 Fuse 3 (on fuse panel B)
- ST3 Fuse panel 3
- ST4 Fuse panel 4
- SB4 Fuse 4 (on fuse panel B)
- SB5 Fuse 5 (on fuse panel B)
- SB6 Fuse 6 (on fuse panel B)
- SB7 Fuse 7 (on fuse panel B)
- SB8 Fuse 8 (on fuse panel B)
- SB9 Fuse 9 (on fuse panel B)
- SB10 Fuse 10 (on fuse panel B)

B317 Positive connection 3 (30a) (in main wiring harness)

Protected by copyright. Copying for private or commercial purposes, in part or in whole, is not permitted unless authorised by AUDI AG. AUDI AG does not guarantee or accept any liability with respect to the correctness of information contained herein. *** Only for vehicles with rain/light recognition sensor**



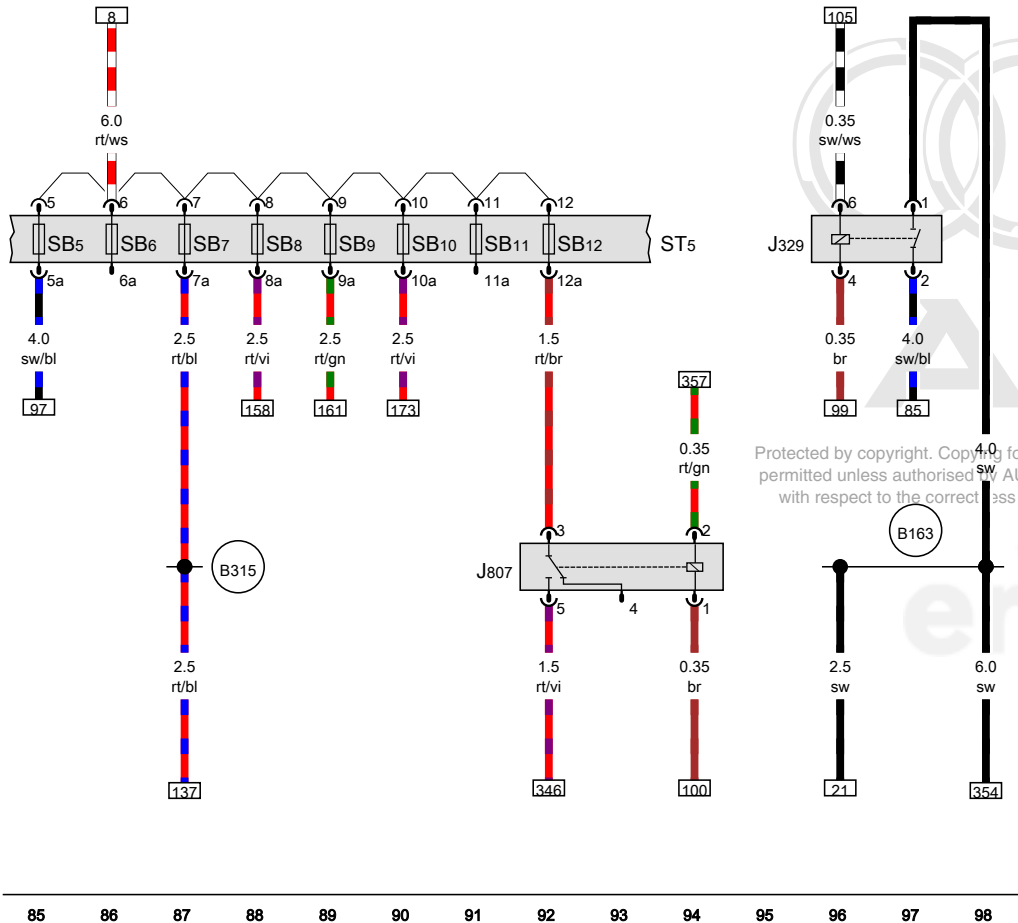
- ws = white
- sw = black
- ro = red
- rt = red
- br = brown
- gn = green
- bl = blue
- gr = grey
- li = lilac
- vi = lilac
- ge = yellow
- or = orange
- rs = pink

Terminal 15 power supply relay, Sockets relay

- J329 Terminal 15 power supply relay, Relay carrier in the right front footwell
- J807 Sockets relay, Relay carrier in the right front footwell
- ST5 Fuse panel 5
- SB5 Fuse 5 (on fuse panel B)
- SB6 Fuse 6 (on fuse panel B)
- SB7 Fuse 7 (on fuse panel B)
- SB8 Fuse 8 (on fuse panel B)
- SB9 Fuse 9 (on fuse panel B)
- SB10 Fuse 10 (on fuse panel B)
- SB11 Fuse 11 (on fuse panel B)
- SB12 Fuse 12 (on fuse panel B)

(B163) Positive connection 1 (15) (in interior wiring harness)

(B315) Positive connection 1 (30a) (in main wiring harness)

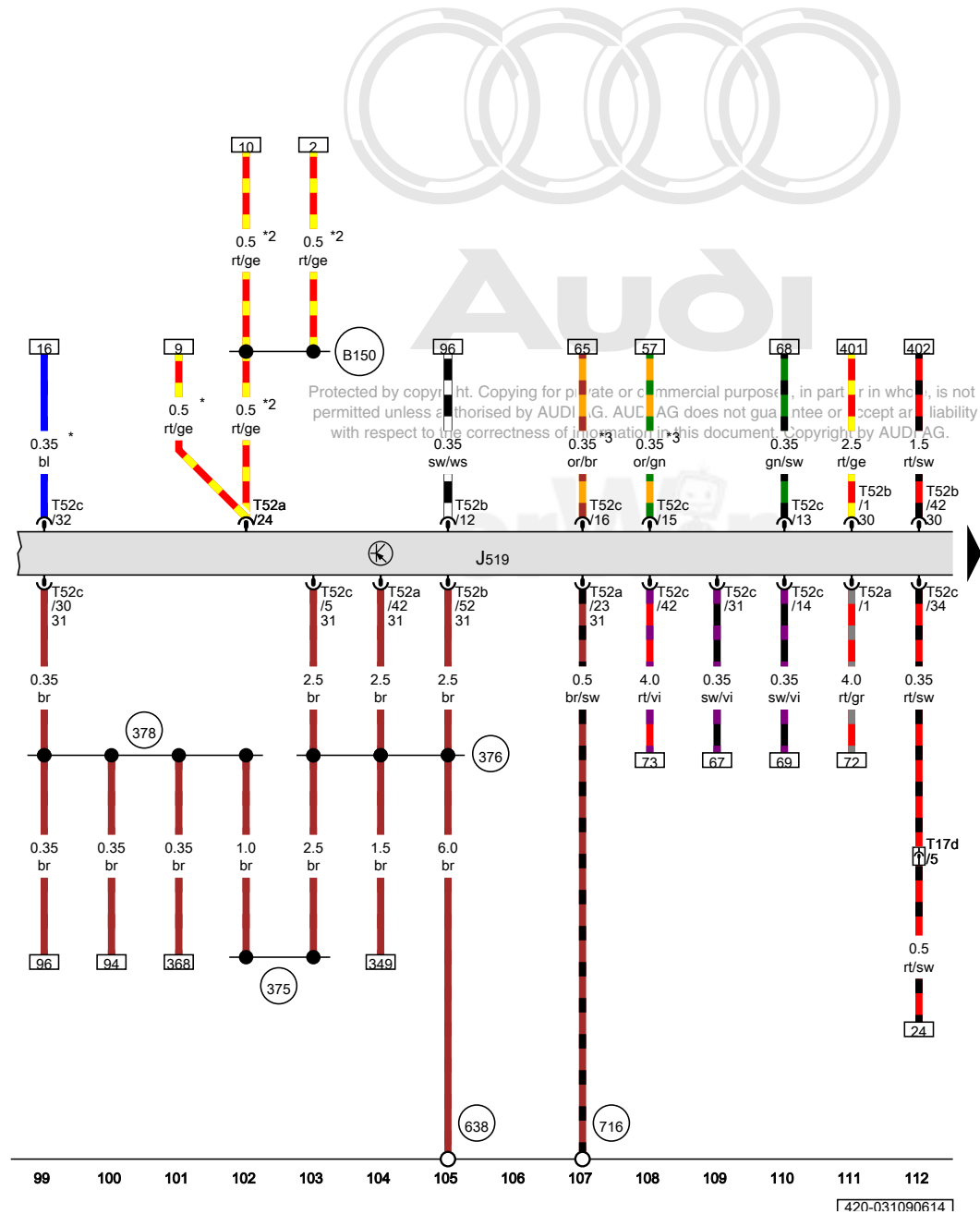


Protected by copyright. Copying for private or commercial purposes, in part or in whole, is not permitted unless authorised by AUDI AG. AUDI AG does not guarantee or accept any liability with respect to the correctness of information in this document. Copyright by AUDI AG.

- ws = white
- sw = black
- ro = red
- rt = red
- br = brown
- gn = green
- bl = blue
- gr = grey
- li = lilac
- vi = lilac
- ge = yellow
- or = orange
- rs = pink

85 86 87 88 89 90 91 92 93 94 95 96 97 98

[420-031080614]



Vehicle electrical control module system

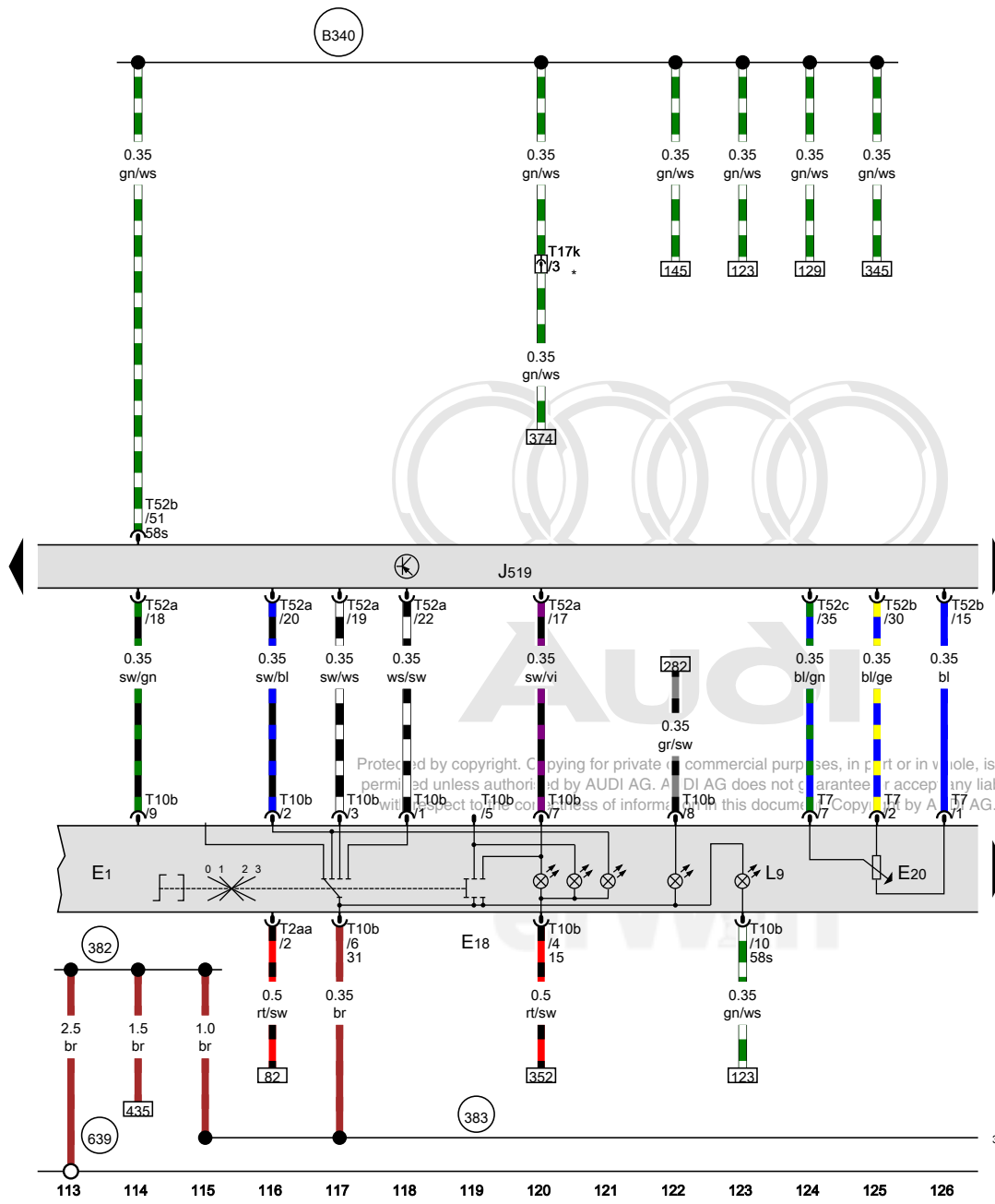
- J519 Vehicle electrical control module system
- T17d 17-pin connector, Connector station under the rear shelf, right
- T52a 52-pin connector
- T52b 52-pin connector
- T52c 52-pin connector

- 375 Ground connection 10 (in main wiring harness)
- 376 Ground connection 11 (in main wiring harness)
- 378 Ground connection 13 (in main wiring harness)
- 638 Ground connection on right A-pillar
- 716 Ground connection on right crossmember
- B150 Positive connection 2 (30a) (in interior wiring harness)

- * Through May 2010
- *2 from June 2010
- *3 Data bus wire (CAN bus)

[420-031090614]

Light switch, Instrument panel and switch illumination dimmer switch, Vehicle electrical control module system



- E1 Light switch
- E18 Rear fog lamp switch
- E20 Instrument panel and switch illumination dimmer switch
- J519 Vehicle electrical control module system
- L9 Headlamp switch illumination bulb
- T2aa Double connector
- T7 7-pin connector
- T10b 10-pin connector
- T17k 17-pin connector, on the left A-pillar
- T52a 52-pin connector
- T52b 52-pin connector
- T52c 52-pin connector

- 382 Ground connection 17 (in main wiring harness)
- 383 Ground connection 18 (in main wiring harness)
- 639 Ground connection on left A-pillar
- B340 Connection 58d (in main wiring harness) 1

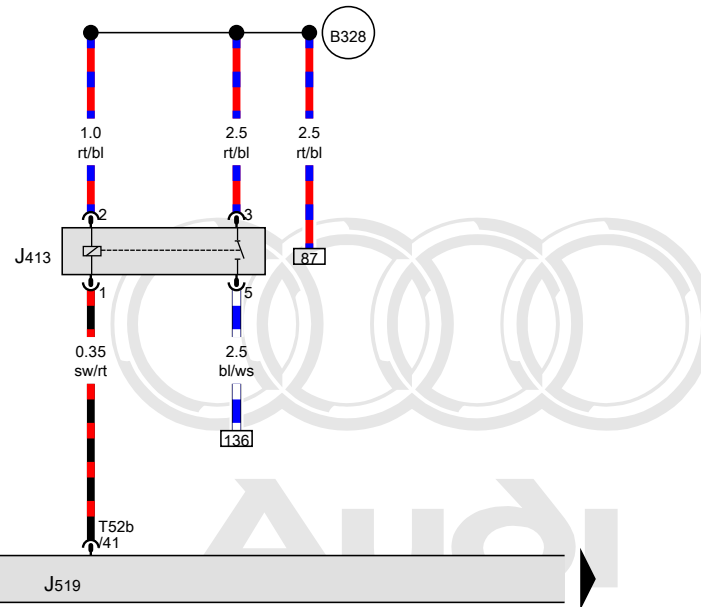
* Depending on equipment

- ws = white
- sw = black
- ro = red
- rt = red
- br = brown
- gn = green
- bl = blue
- gr = grey
- li = lilac
- vi = lilac
- ge = yellow
- or = orange
- rs = pink

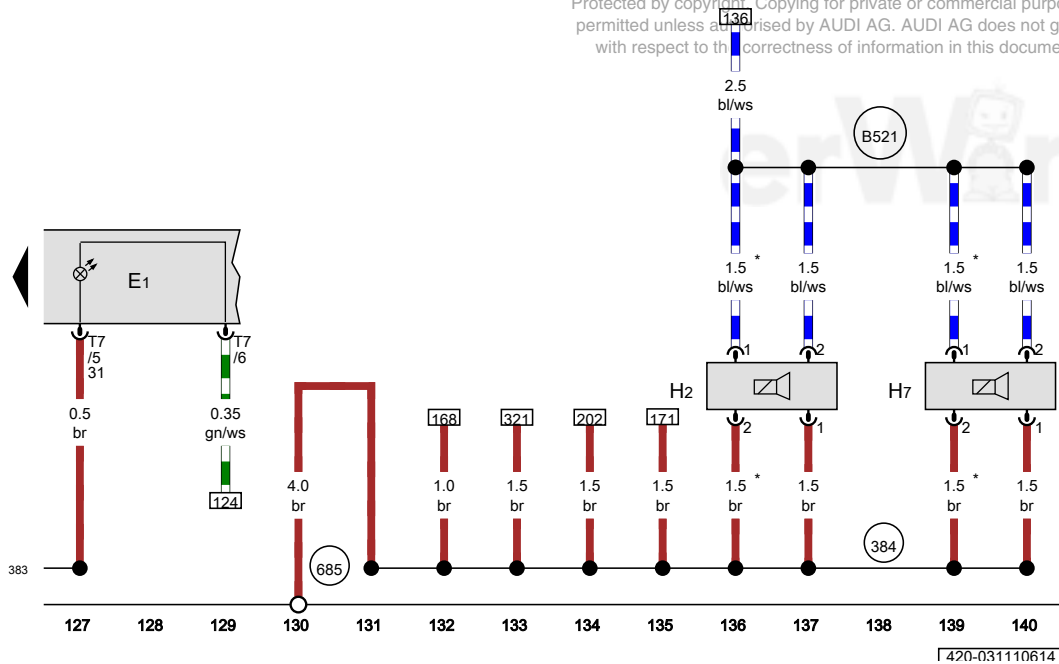
Light switch, High tone horn, Low tone horn, Horn relay, Vehicle electrical control module system

- E1 Light switch
- H2 High tone horn
- H7 Low tone horn
- J413 Horn relay, Relay carrier in the right front footwell
- J519 Vehicle electrical control module system
- T7 7-pin connector
- T52b 52-pin connector

- 383 Ground connection 18 (in main wiring harness)
- 384 Ground connection 19 (in main wiring harness)
- 685 Ground connection 1 on right front longitudinal member
- B328 Positive connection 14 (30a) (in main wiring harness)
- B521 Dual tone horn connection (in main wiring harness)
- * from March 2013



Protected by copyright. Copying for private or commercial purposes, in part or in whole, is not permitted unless authorised by AUDI AG. AUDI AG does not guarantee or accept any liability with respect to the correctness of information in this document. Copyright by AUDI AG.



- ws = white
- sw = black
- ro = red
- rt = red
- br = brown
- gn = green
- bl = blue
- gr = grey
- li = lilac
- vi = lilac
- ge = yellow
- or = orange
- rs = pink

420-031110614

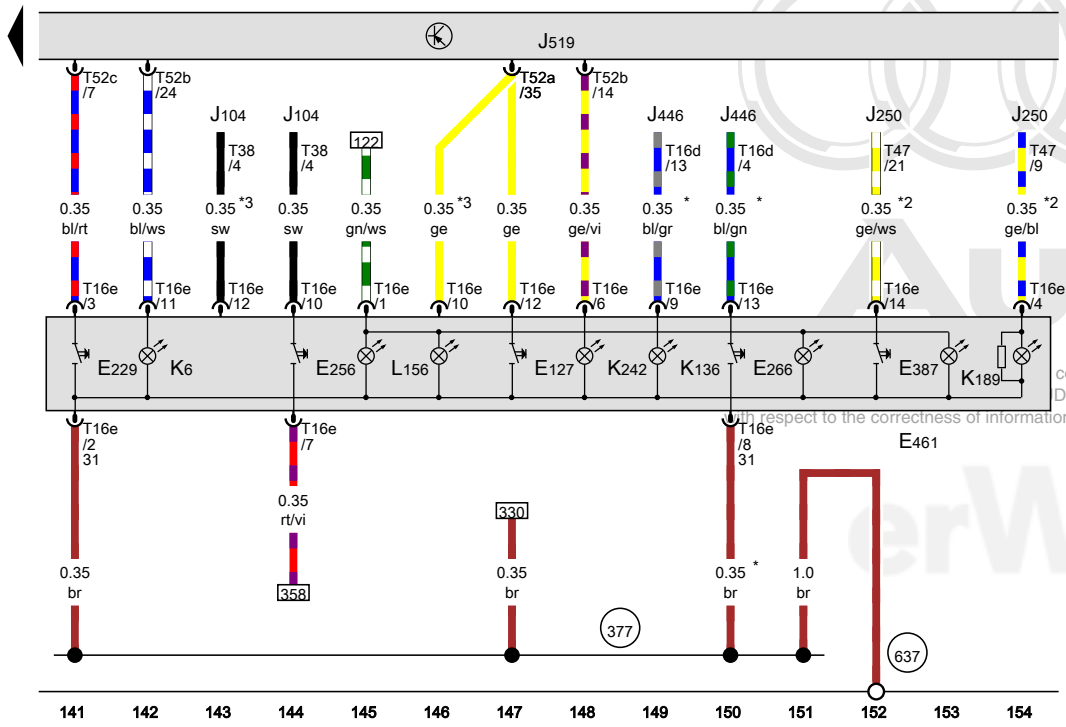
Front center console control head, Vehicle electrical control module system

- E127 Rear spoiler adjustment switch
- E229 Emergency flasher button
- E256 ASR/ESP button
- E266 Parking aid button
- E387 Damping adjustment button
- E461 Front center console control head
- J104 ABS control module
- J250 Electronic damping control module
- J446 Parking aid control module
- J519 Vehicle electrical control module system
- K6 Emergency flasher indicator lamp
- K136 Parking aid indicator lamp
- K189 Damping adjustment indicator lamp
- K242 Rear spoiler adjustment indicator lamp
- L156 Switch illumination bulb
- T16d 16-pin connector
- T16e 16-pin connector
- T38 38-pin connector
- T47 47-pin connector
- T52a 52-pin connector
- T52b 52-pin connector
- T52c 52-pin connector

377 Ground connection 12 (in main wiring harness)

637 Airbag control module ground connection

- * Only for vehicles with park distance control (PDC)
- *2 Only for vehicles with electronic damping
- *3 Only for right-hand drive vehicles



commercial purposes, in part or in whole, is not
 DI AG does not guarantee or accept any liability
 with respect to the correctness of information in this document. Copyright by AUDI AG.

- ws = white
- sw = black
- ro = red
- rt = red
- br = brown
- gn = green
- bl = blue
- gr = grey
- li = lilac
- vi = lilac
- ge = yellow
- or = orange
- rs = pink

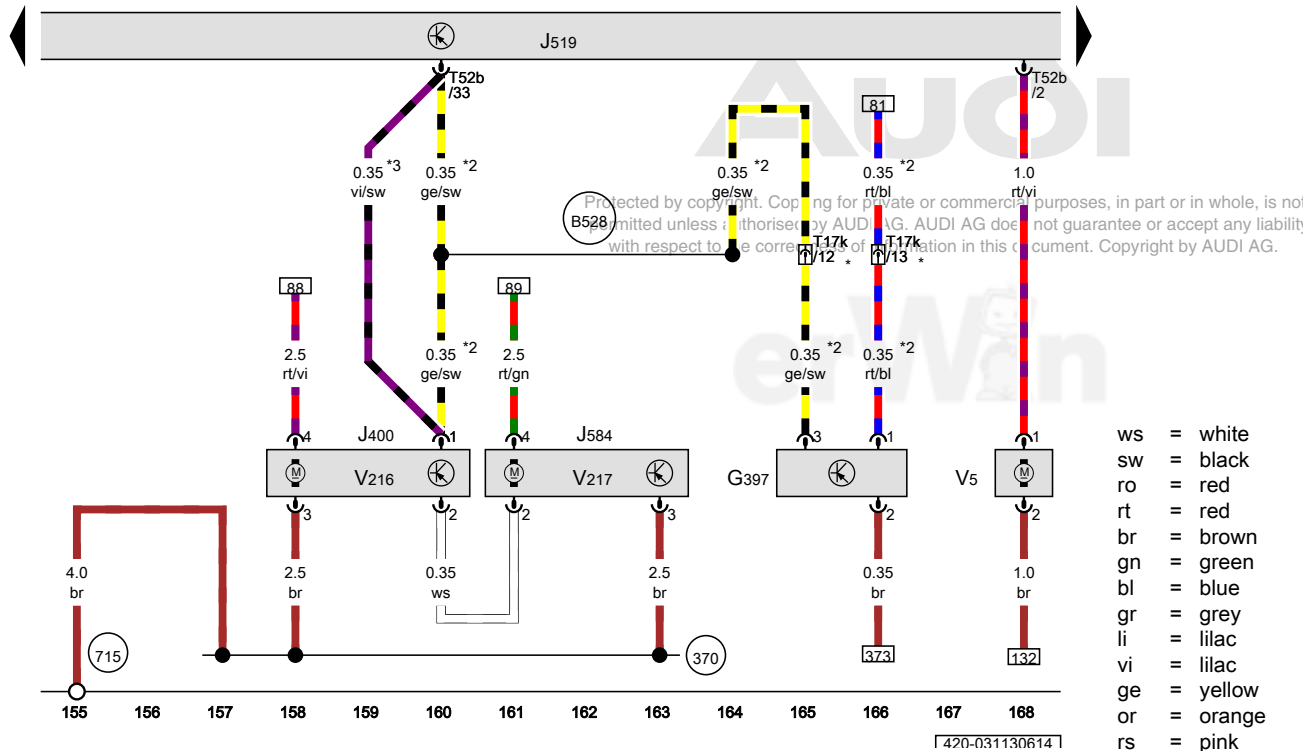
420-031120614

Rain/light recognition sensor, Wiper motor control module, Vehicle electrical control module system, Front passenger windshield wiper motor control module, Windshield washer pump

- G397 Rain/light recognition sensor
- J400 Wiper motor control module
- J519 Vehicle electrical control module system
- J584 Front passenger windshield wiper motor control module
- T17k 17-pin connector, on the left A-pillar
- T52b 52-pin connector
- V5 Windshield washer pump
- V216 Driver windshield wiper motor
- V217 Front passenger windshield wiper motor

- 370 Ground connection 5 (in main wiring harness)
- 715 Ground connection on left crossmember
- B528 LIN bus connection 1 (in main wiring harness)

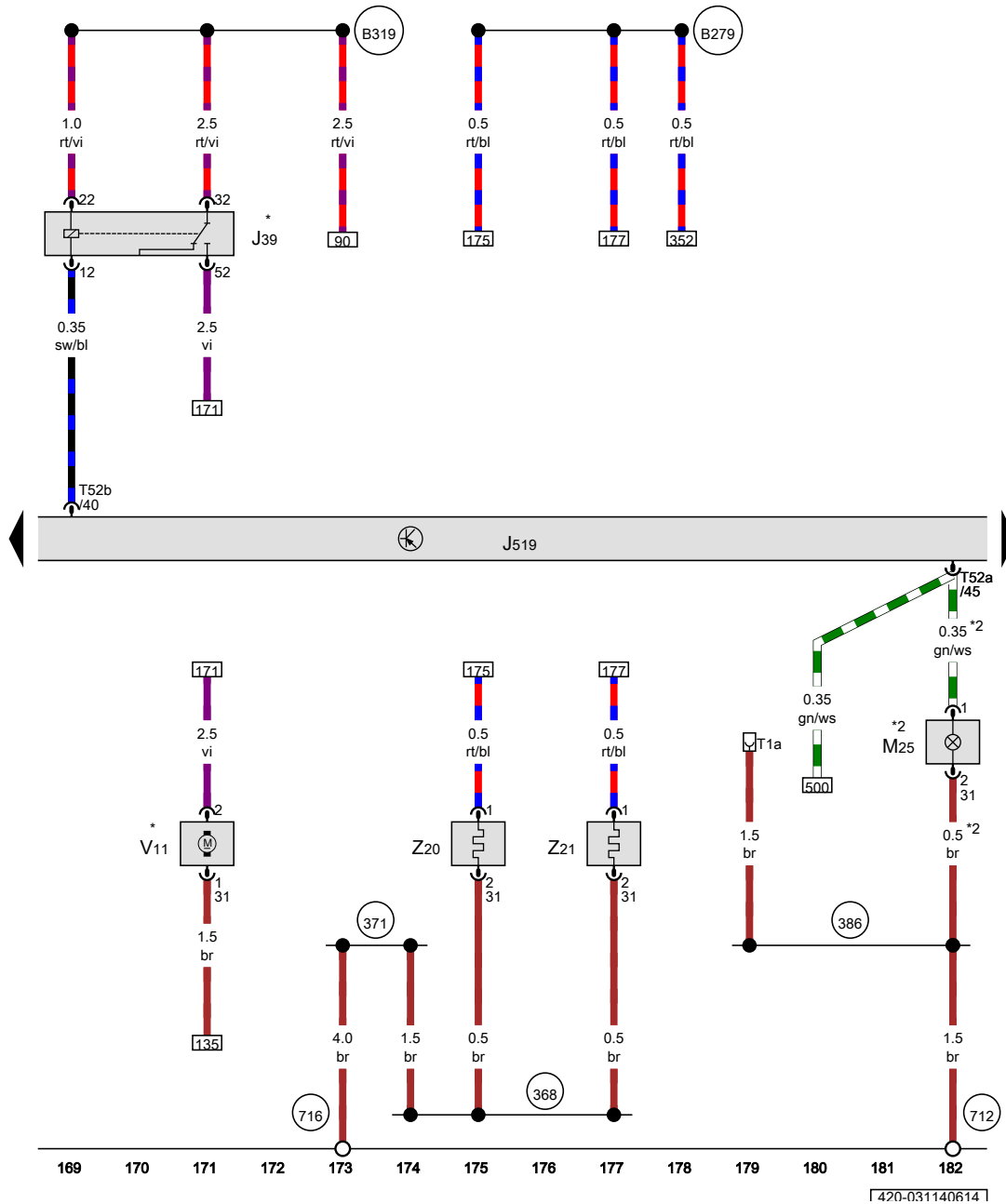
- * Depending on equipment
- *2 Only for vehicles with rain/light recognition sensor
- *3 Only for vehicles without rain/light recognition sensor



- ws = white
- sw = black
- ro = red
- rt = red
- br = brown
- gn = green
- bl = blue
- gr = grey
- li = lilac
- vi = lilac
- ge = yellow
- or = orange
- rs = pink

420-031130614

Headlamp washer relay, Vehicle electrical control module system, High-mounted brake lamp bulb, Left washer nozzle heater



- J39 Headlamp washer relay, Relay carrier in the right front footwell
- J519 Vehicle electrical control module system
- M25 High-mounted brake lamp bulb
- T1a Single connector, on the left fuel tank
- T52a 52-pin connector
- T52b 52-pin connector
- V11 Headlamp washer pump
- Z20 Left washer nozzle heater
- Z21 Right washer nozzle heater

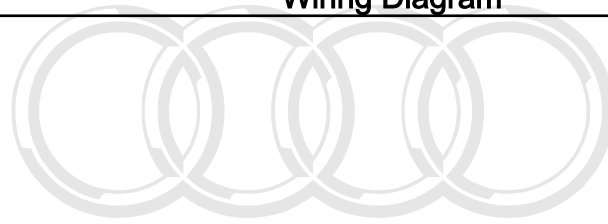
- 368 Ground connection 3 (in main wiring harness)
- 371 Ground connection 6 (in main wiring harness)
- 386 Ground connection 21 (in main wiring harness)
- 712 Ground connection under rear shelf, left
- 716 Ground connection on right crossmember
- B279 Positive connection 3 (15a) (in main wiring harness)
- B319 Positive connection 5 (30a) (in main wiring harness)

* Only for vehicles with a headlamp washer system
 *2 Coupe

Protected by copyright. Copying or reproduction for commercial purposes, in whole or in part, is not permitted unless authorised by AUDI AG. AUDI AG does not guarantee or accept any liability with respect to the correctness of information in this document. Copyright by AUDI AG.

- ws = white
- sw = black
- ro = red
- rt = red
- br = brown
- gn = green
- bl = blue
- gr = grey
- li = lilac
- vi = lilac
- ge = yellow
- or = orange
- rs = pink

[420-031140614]



Audi

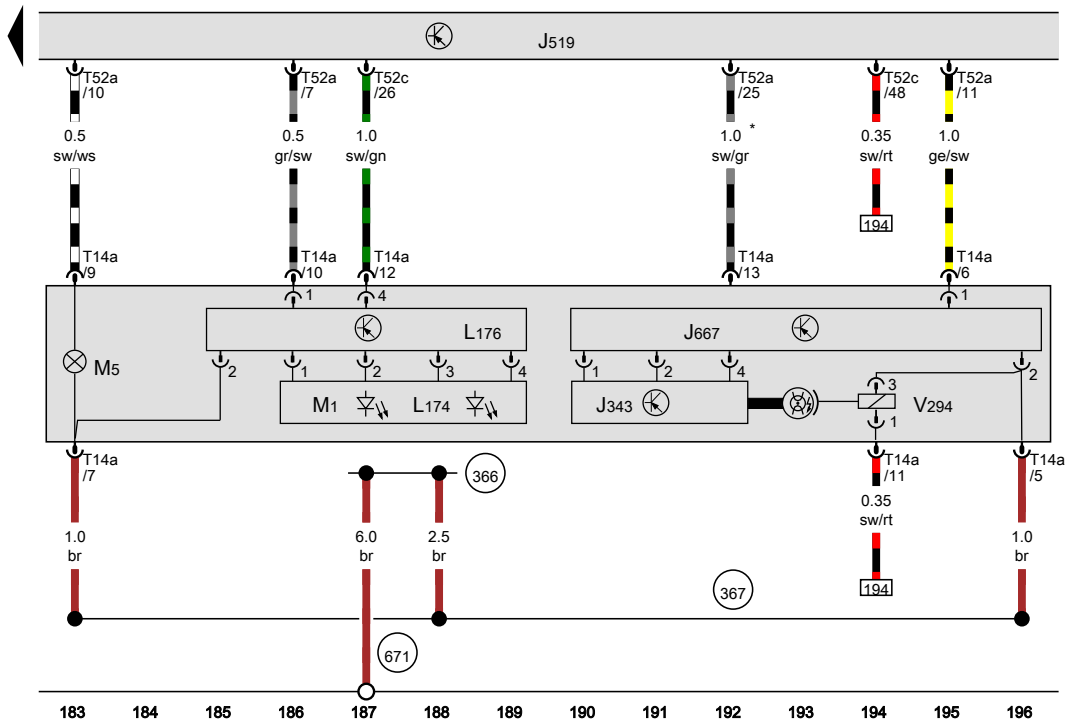
Protected by copyright. Copying for private or commercial purposes, in part or in whole, is not permitted unless authorised by AUDI AG. AUDI AG does not guarantee or accept any liability with respect to the correctness of information in this document. Copyright by AUDI AG.

erWin

Vehicle electrical control module system, Left headlamp power output stage

- J343 Left HID headlamp control module
- J519 Vehicle electrical control module system
- J667 Left headlamp power output stage, on the left headlamp
- L174 Left daytime running lamp bulb
- L176 Left daytime running lamp and position lamp LED module
- M1 Left position lamp bulb
- M5 Left front turn signal bulb
- T14a 14-pin connector
- T52a 52-pin connector
- T52c 52-pin connector
- V294 Left low beam headlamp reflector motor

- 366 Ground connection 1 (in main wiring harness)
- 367 Ground connection 2 (in main wiring harness)
- 671 Ground connection 1 on left front longitudinal member
- * Depending on equipment



- ws = white
- sw = black
- ro = red
- rt = red
- br = brown
- gn = green
- bl = blue
- gr = grey
- li = lilac
- vi = lilac
- ge = yellow
- or = orange
- rs = pink

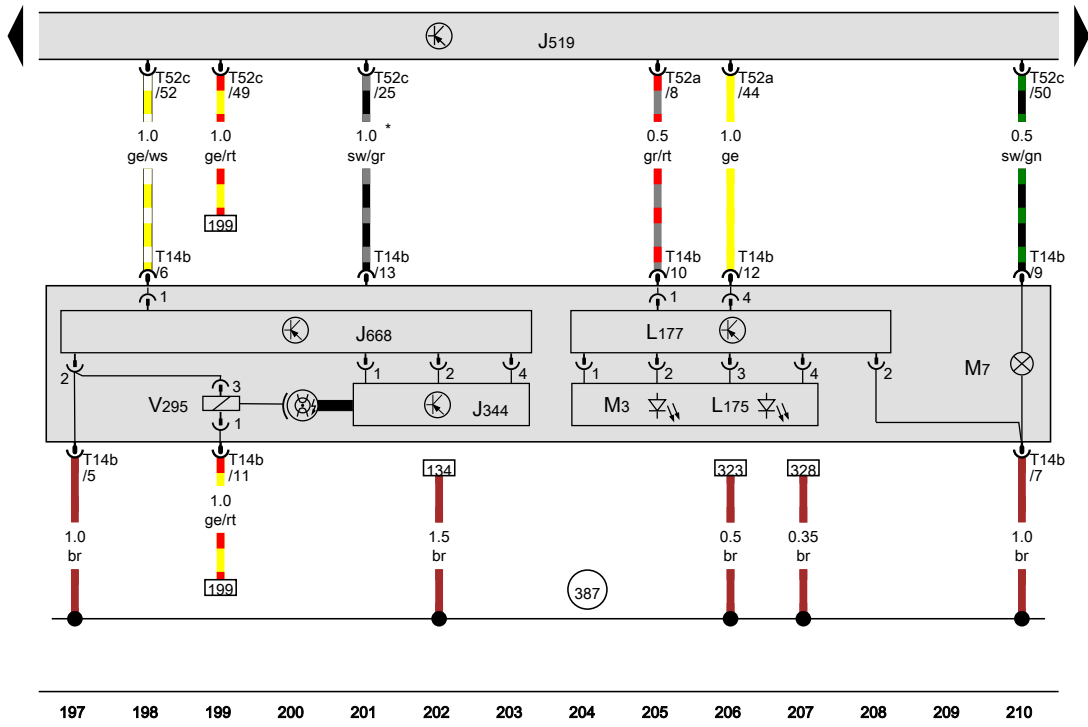
420-031150614

Vehicle electrical control module system, Right headlamp power output stage

- J344 Right HID headlamp control module
- J519 Vehicle electrical control module system
- J668 Right headlamp power output stage, on the right headlamp
- L175 Right daytime running lamp bulb
- L177 Right daytime running lamp and position lamp LED module
- M3 Right position lamp bulb
- M7 Right front turn signal bulb
- T14b 14-pin connector
- T52a 52-pin connector
- T52c 52-pin connector
- V295 Right low beam headlamp reflector motor

387 Ground connection 22 (in main wiring harness)

* Depending on equipment



- ws = white
- sw = black
- ro = red
- rt = red
- br = brown
- gn = green
- bl = blue
- gr = grey
- li = lilac
- vi = lilac
- ge = yellow
- or = orange
- rs = pink

420-031160614

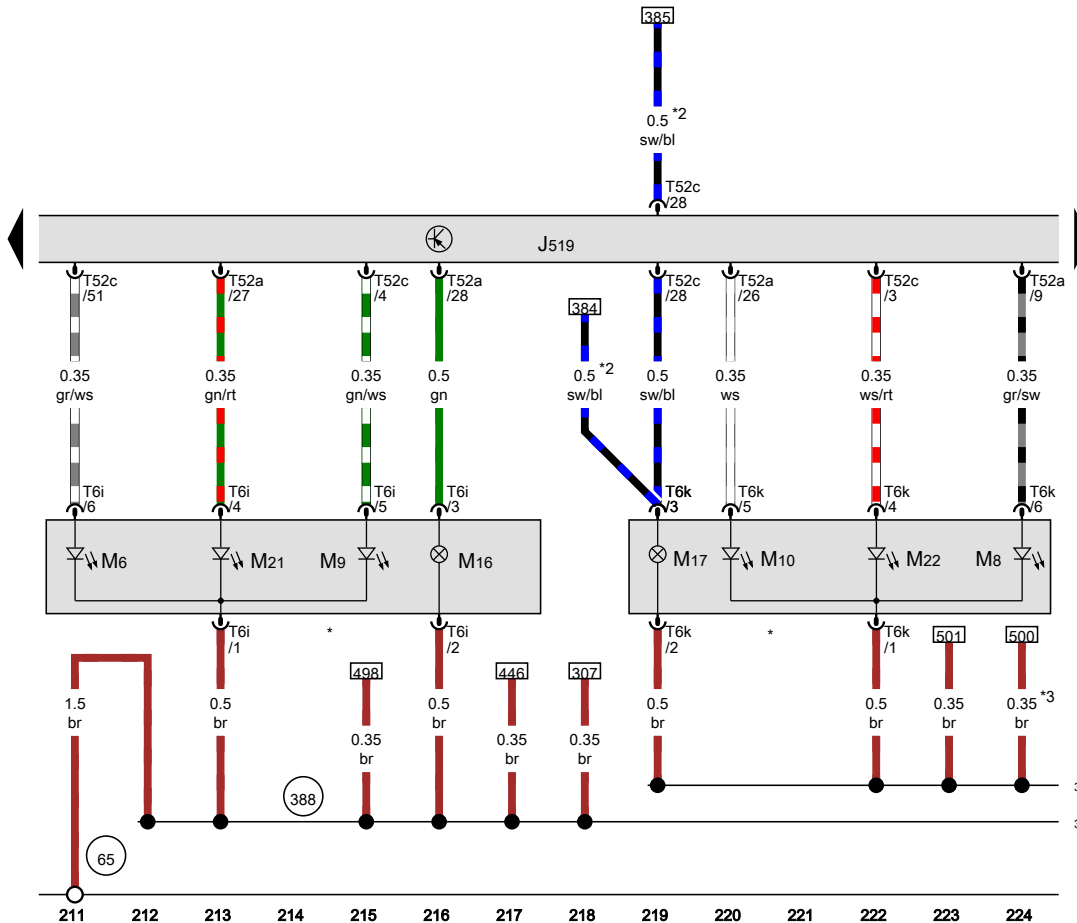
Protected by copyright. Copying for private or commercial purposes, in part or in whole, is not permitted unless authorised by AUDI AG. AUDI AG does not guarantee or accept any liability with respect to the correctness of information in this document. Copyright by AUDI AG.

Vehicle electrical control module system, Left brake/tail lamp bulb, Right brake/tail lamp bulb

- J519 Vehicle electrical control module system
- M6 Left rear turn signal bulb
- M8 Right rear turn signal bulb
- M9 Left brake lamp bulb
- M10 Right brake lamp bulb
- M16 Left back-up lamp bulb
- M17 Right back-up lamp bulb
- M21 Left brake/tail lamp bulb
- M22 Right brake/tail lamp bulb
- T6i 6-pin connector
- T6k 6-pin connector
- T52a 52-pin connector
- T52c 52-pin connector

- 65 Ground connection on left rear longitudinal member
- 388 Ground connection 23 (in main wiring harness)
- 389 Ground connection 24 (in main wiring harness)

- * Through May 2012
- *2 Only for vehicles with automatic dimming interior rearview mirror
- *3 Through May 2010



- ws = white
- sw = black
- ro = red
- rt = red
- br = brown
- gn = green
- bl = blue
- gr = grey
- li = lilac
- vi = lilac
- ge = yellow
- or = orange
- rs = pink

Protected by copyright. Copying for private or commercial purposes, in part or in whole, is not permitted unless authorised by AUDI AG. AUDI AG does not guarantee or accept any liability with respect to the correctness of information in this document. Copyright by AUDI AG.

420-031170614

Vehicle electrical control module system, Right back-up lamp bulb, Right brake lamp/turn signal bulb, Left brake lamp/turn signal/tail lamp bulb

- J519 Vehicle electrical control module system
- M16 Left back-up lamp bulb
- M17 Right back-up lamp bulb
- M56 Left brake lamp/turn signal bulb
- M57 Right brake lamp/turn signal bulb
- M69 Left brake lamp/turn signal/tail lamp bulb
- M70 Right brake lamp/turn signal/tail lamp bulb
- T6i 6-pin connector
- T6k 6-pin connector
- T52a 52-pin connector
- T52c 52-pin connector

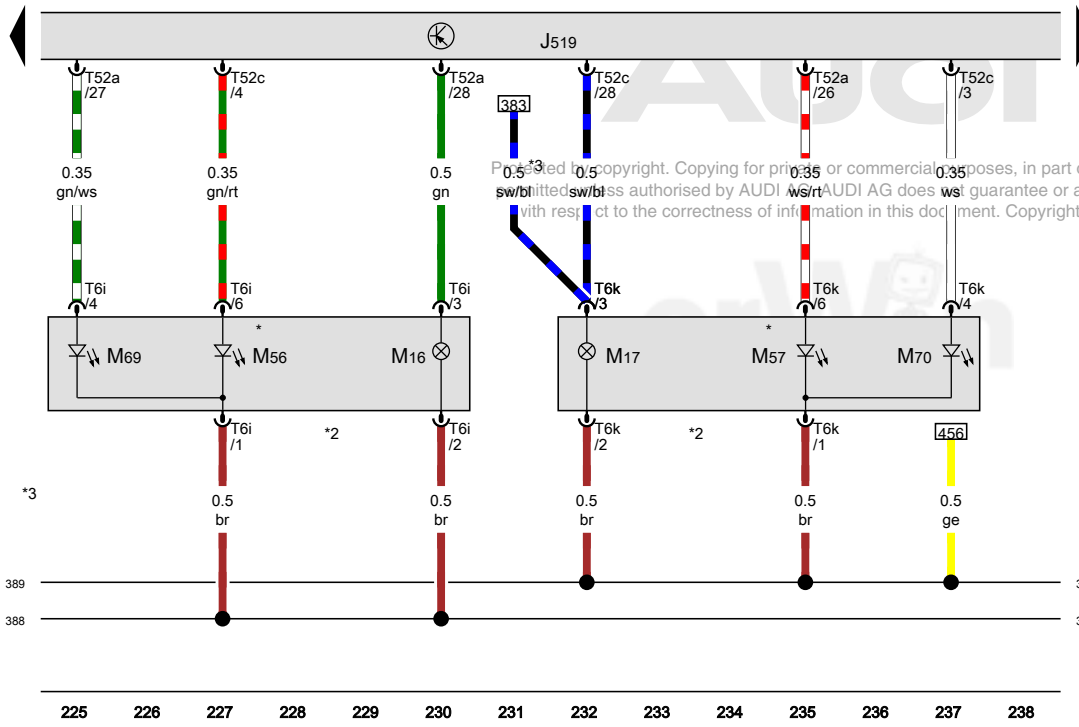
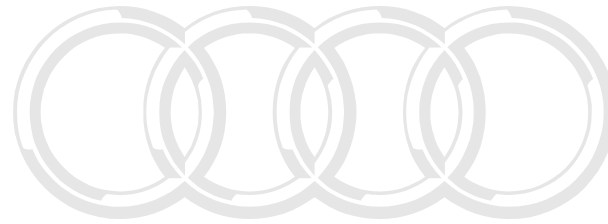
388 Ground connection 23 (in main wiring harness)

389 Ground connection 24 (in main wiring harness)

* Only for vehicles with US equipment

*2 Through May 2012

*3 Only for vehicles with automatic dimming interior rearview mirror



- ws = white
- sw = black
- ro = red
- rt = red
- br = brown
- gn = green
- bl = blue
- gr = grey
- li = lilac
- vi = lilac
- ge = yellow
- or = orange
- rs = pink

420-031180614



Audi

Protected by copyright. Copying for private or commercial purposes, in part or in whole, is not permitted unless authorised by AUDI AG. AUDI AG does not guarantee or accept any liability with respect to the correctness of information in this document. Copyright by AUDI AG.

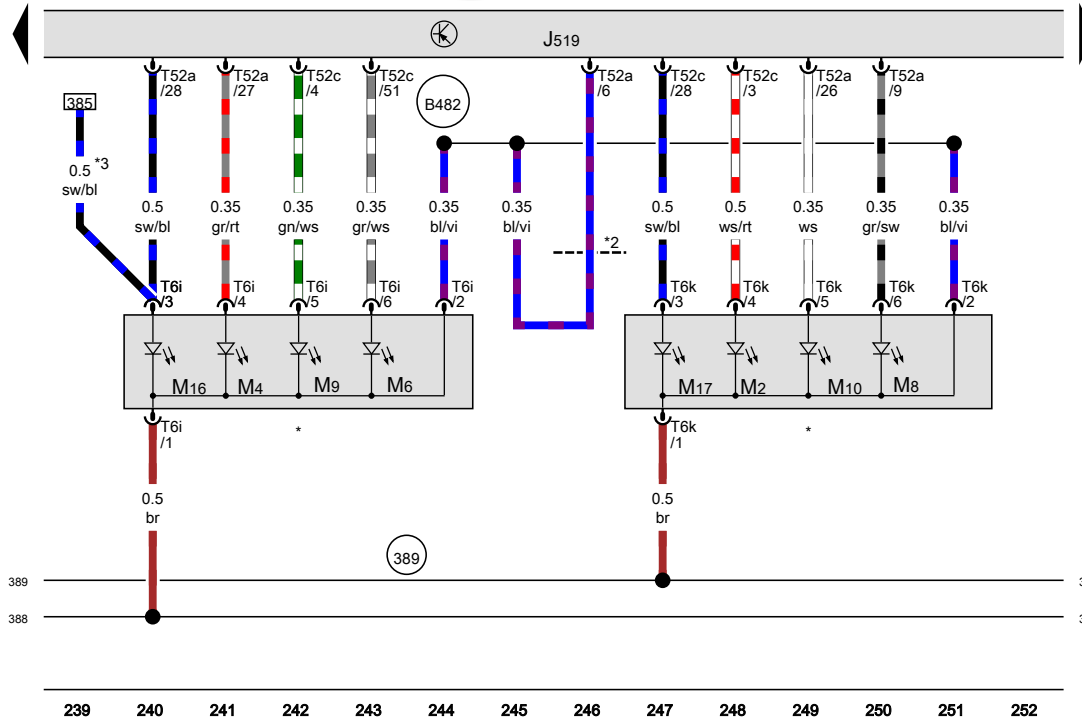


Vehicle electrical control module system, Right tail lamp bulb, Left tail lamp bulb

- J519 Vehicle electrical control module system
- M2 Right tail lamp bulb
- M4 Left tail lamp bulb
- M6 Left rear turn signal bulb
- M8 Right rear turn signal bulb
- M9 Left brake lamp bulb
- M10 Right brake lamp bulb
- M16 Left back-up lamp bulb
- M17 Right back-up lamp bulb
- T6i 6-pin connector
- T6k 6-pin connector
- T52a 52-pin connector
- T52c 52-pin connector

- 388 Ground connection 23 (in main wiring harness)
- 389 Ground connection 24 (in main wiring harness)
- B482 Connection 18 (in main wiring harness)

- * from June 2012
- *2 Magnetic core
- *3 Only for vehicles with automatic dimming interior rearview mirror



- ws = white
- sw = black
- ro = red
- rt = red
- br = brown
- gn = green
- bl = blue
- gr = grey
- li = lilac
- vi = lilac
- ge = yellow
- or = orange
- rs = pink

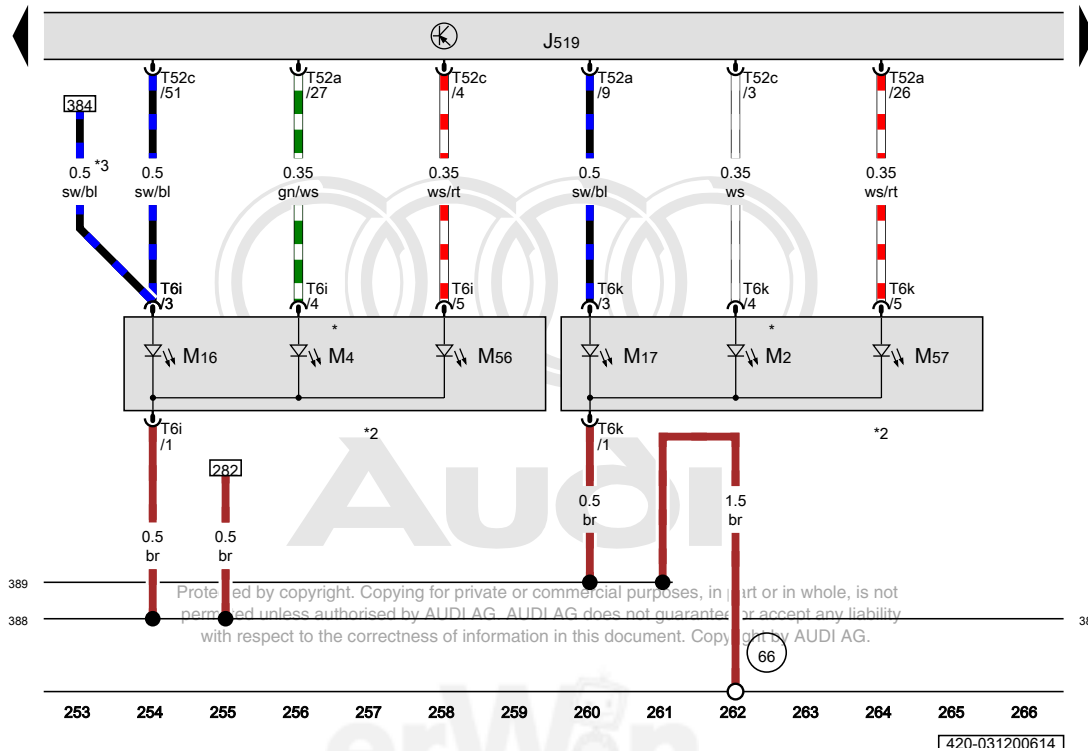
[420-031190614]

Vehicle electrical control module system, Right brake lamp/turn signal bulb

- J519 Vehicle electrical control module system
- M2 Right tail lamp bulb
- M4 Left tail lamp bulb
- M16 Left back-up lamp bulb
- M17 Right back-up lamp bulb
- M56 Left brake lamp/turn signal bulb
- M57 Right brake lamp/turn signal bulb
- T6i 6-pin connector
- T6k 6-pin connector
- T52a 52-pin connector
- T52c 52-pin connector

- 66 Ground connection on right rear longitudinal member
- 388 Ground connection 23 (in main wiring harness)
- 389 Ground connection 24 (in main wiring harness)

- * Only for vehicles with US equipment
- *2 from June 2012
- *3 Only for vehicles with automatic dimming interior rearview mirror



- ws = white
- sw = black
- ro = red
- rt = red
- br = brown
- gn = green
- bl = blue
- gr = grey
- li = lilac
- vi = lilac
- ge = yellow
- or = orange
- rs = pink

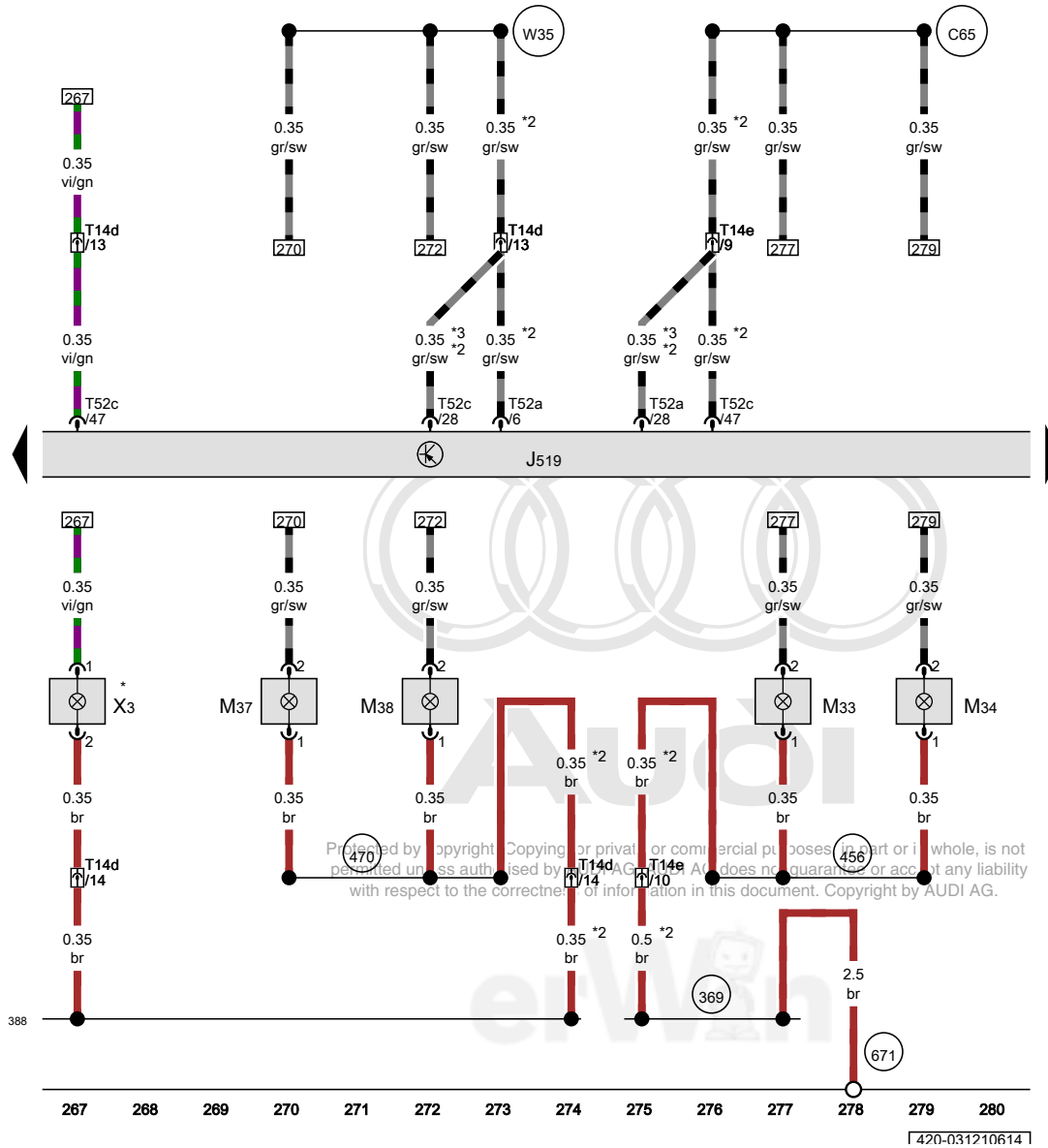
Protected by copyright. Copying for private or commercial purposes, in part or in whole, is not permitted unless authorised by AUDI AG. AUDI AG does not guarantee or accept any liability with respect to the correctness of information in this document. Copyright by AUDI AG.

Vehicle electrical control module system, Left front side marker lamp bulb, Left rear side marker lamp bulb, Rear fog lamp

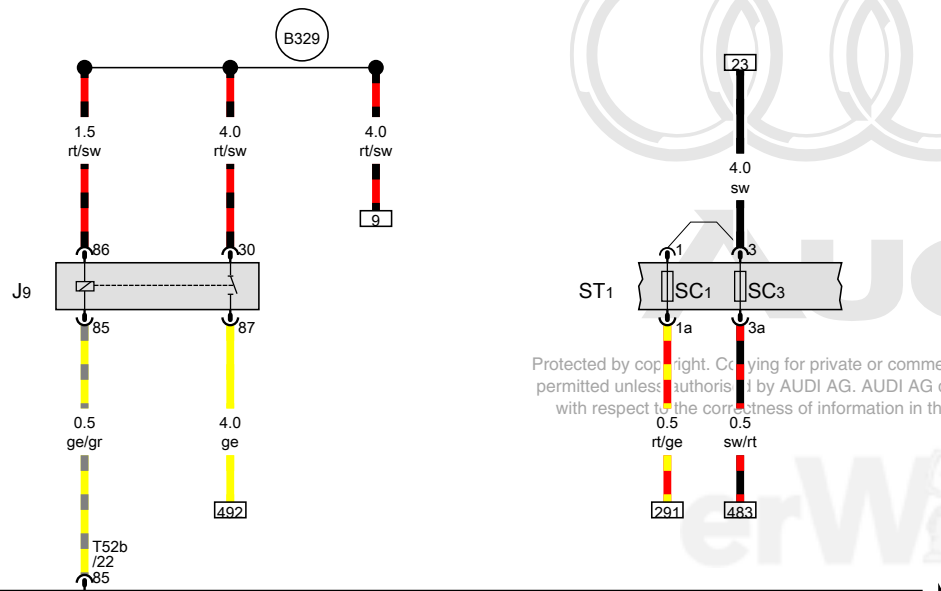
- J519 Vehicle electrical control module system
- M33 Left front side marker lamp bulb
- M34 Right front side marker lamp bulb
- M37 Left rear side marker lamp bulb
- M38 Right rear side marker lamp bulb
- T14d 14-pin connector, behind the left rear bumper
- T14e 14-pin connector, behind the bumper, left front
- T52a 52-pin connector
- T52c 52-pin connector
- X3 Rear fog lamp

- 369 Ground connection 4 (in main wiring harness)
- 388 Ground connection 23 (in main wiring harness)
- 456 Ground connection 1 (in front bumper wiring harness)
- 470 Ground connection 1 (in rear bumper wiring harness)
- 671 Ground connection 1 on left front longitudinal member
- C65 Side marker lamp positive connection 1
- W35 Side marker lamp connection (in rear wiring harness)
- * Only for vehicles without US equipment
- *2 Only for vehicles with US equipment
- *3 from June 2012

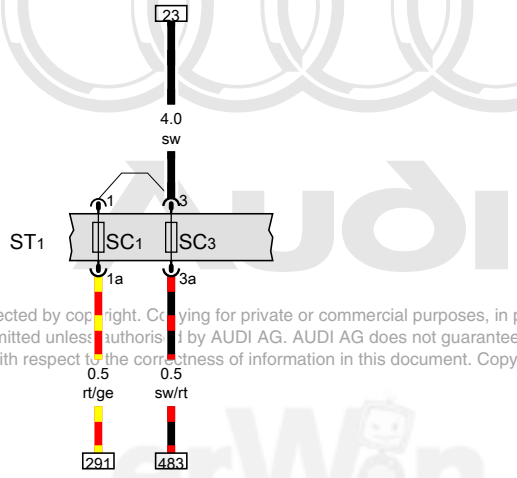
- ws = white
- sw = black
- ro = red
- rt = red
- br = brown
- gn = green
- bl = blue
- gr = grey
- li = lilac
- vi = lilac
- ge = yellow
- or = orange
- rs = pink



Projected by copyright. Copying for private or commercial purposes in part or in whole, is not permitted unless authorized by Audi AG. Audi AG does not guarantee or accept any liability with respect to the correctness of information in this document. Copyright by AUDI AG.



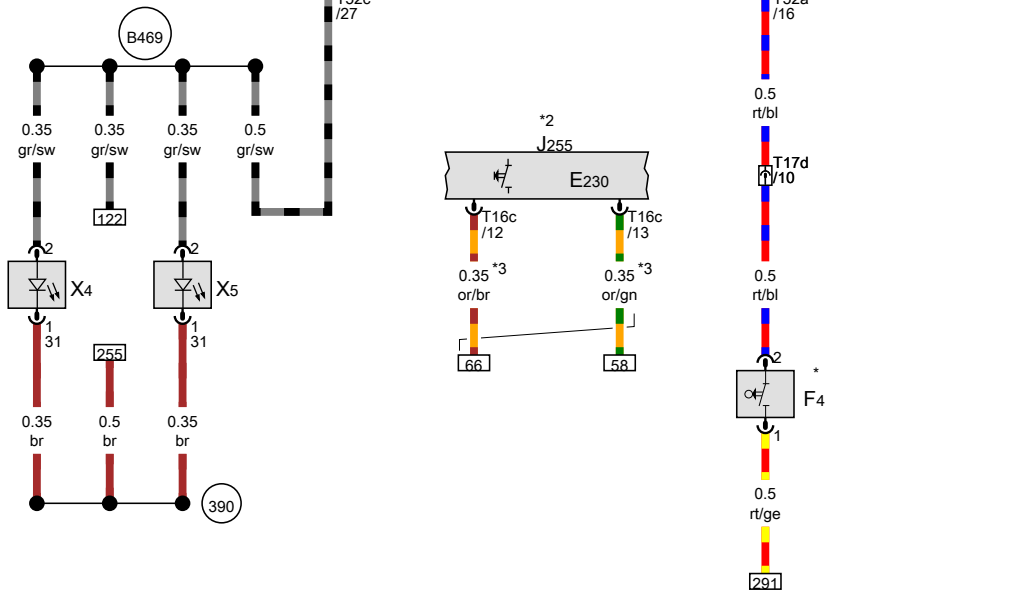
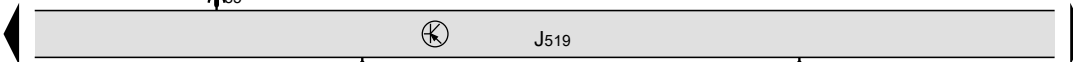
Protected by copyright. Copying for private or commercial purposes, in part or in whole, is not permitted unless authorized by AUDI AG. AUDI AG does not guarantee or accept any liability with respect to the correctness of information in this document. Copyright by AUDI AG.



Back-up lamp switch, Rear window defogger relay, Vehicle electrical control module system, Left license plate lamp, Right license plate lamp

- E230 Rear window defogger button
- F4 Back-up lamp switch
- J9 Rear window defogger relay, Relay carrier in the right front footwell
- J255 Climatronic control module
- J519 Vehicle electrical control module system
- ST1 Fuse panel 1
- SC1 Fuse 1 (on fuse panel C)
- SC3 Fuse 3 (on fuse panel C)
- T16c 16-pin connector
- T17d 17-pin connector, Connector station under the rear shelf, right
- T52a 52-pin connector
- T52b 52-pin connector
- T52c 52-pin connector
- X4 Left license plate lamp
- X5 Right license plate lamp

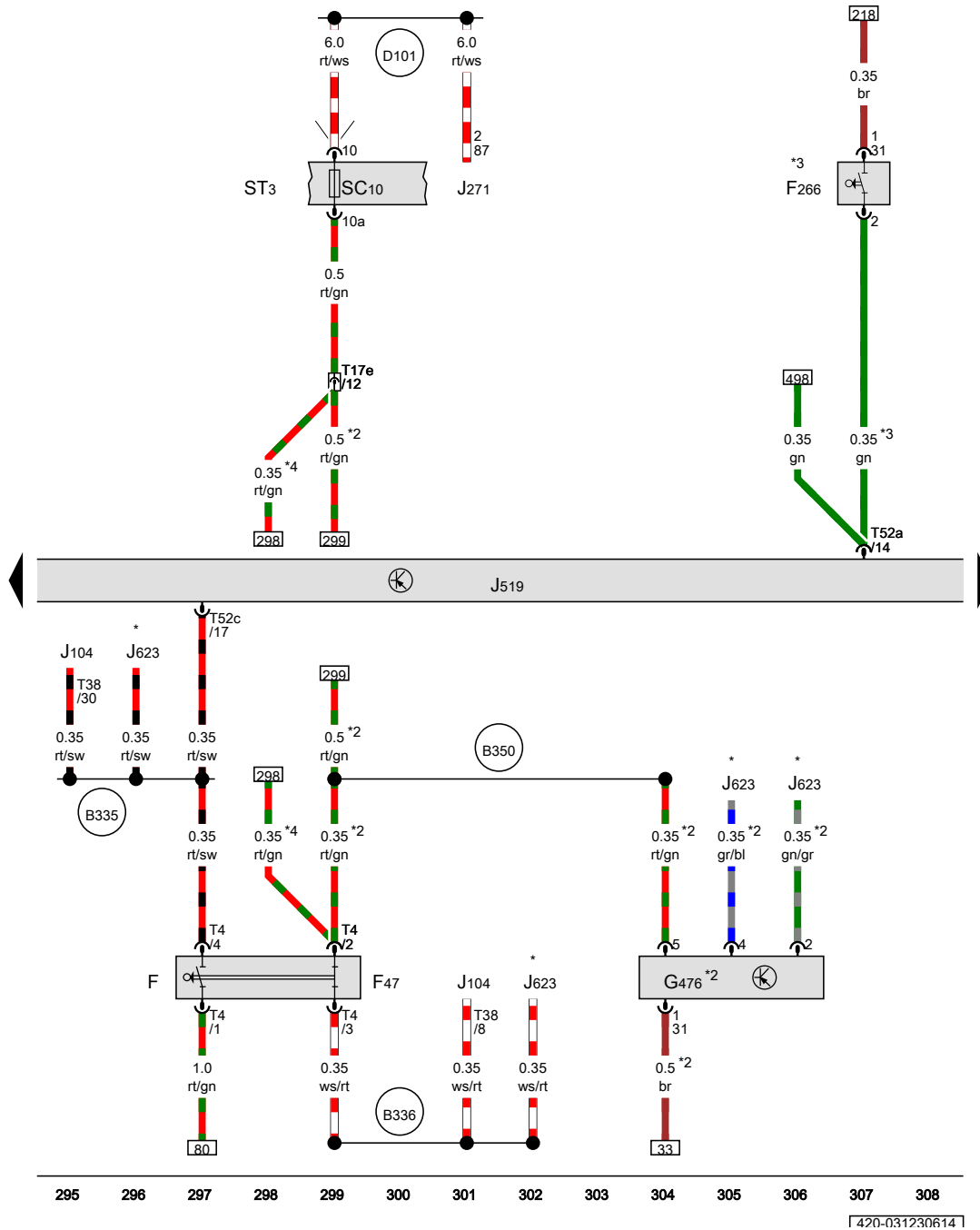
- 390 Ground connection 25 (in main wiring harness)
- B329 Positive connection 15 (30a) (in main wiring harness)
- B469 Connection 5 (in main wiring harness)
- * Only for vehicles with a manual transmission
- *2 Rear window defogger activation via CAN bus
- *3 Data bus wire (CAN bus)



- ws = white
- sw = black
- ro = red
- rt = red
- br = brown
- gn = green
- bl = blue
- gr = grey
- li = lilac
- vi = lilac
- ge = yellow
- or = orange
- rs = pink

281 282 283 284 285 286 287 288 289 290 291 292 293 294

[420-031220614]



Brake lamp switch, Brake pedal switch, Engine hood contact switch, Clutch position sensor, Vehicle electrical control module system

- F Brake lamp switch
- F47 Brake pedal switch
- F266 Engine hood contact switch
- G476 Clutch position sensor
- J104 ABS control module
- J271 Motronic engine control module power supply relay, 9-pin relay and fuse panel C under the rear shelf, right
- J519 Vehicle electrical control module system
- J623 Engine control module
- ST3 Fuse panel 3
- SC10 Fuse 10 (on fuse panel C)
- T4 4-pin connector
- T17e 17-pin connector, Connector station under the rear shelf, right
- T38 38-pin connector
- T52a 52-pin connector
- T52c 52-pin connector

B335 Connection 54 (in main wiring harness) 1

Protected by copyright. Copying for private or commercial purposes, in part or in whole, is not permitted unless authorized by AUDI AG. AUDI AG does not guarantee or accept any liability with respect to the correctness of information in this document. Copyright by AUDI AG.

B336 Connection 54 (in main wiring harness) 2

B350 Positive connection 1 (87a) (in main wiring harness)

D101 Connection 1 (in engine compartment wiring harness)

- * Refer to applicable engine wiring diagram
- *2 Only for vehicles with a manual transmission
- *3 Coupe
- *4 Only for vehicles with automated manual transmission (R tronic)

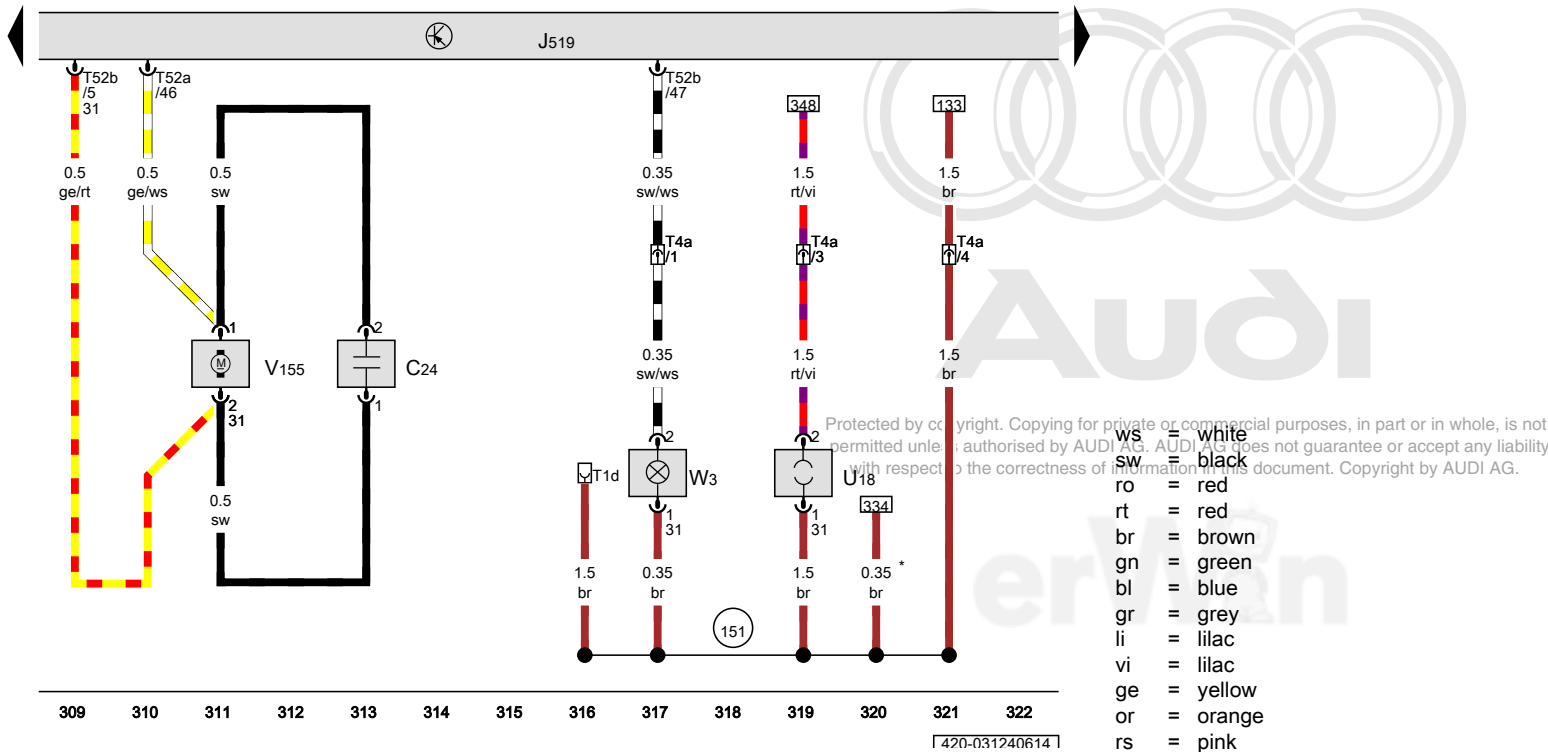
- ws = white
- sw = black
- ro = red
- rt = red
- br = brown
- gn = green
- bl = blue
- gr = grey
- li = lilac
- vi = lilac
- ge = yellow
- or = orange
- rs = pink

Vehicle electrical control module system, 12 V socket 2,
Fuel filler door unlock motor, Luggage compartment lamp

- C24 Suppressor
- J519 Vehicle electrical control module system
- T1d Single connector, in the luggage compartment
- T4a 4-pin connector, in the luggage compartment, right
- T52a 52-pin connector
- T52b 52-pin connector
- U18 12 V socket 2
- V155 Fuel filler door unlock motor
- W3 Luggage compartment lamp

151 Ground connection 1 (in front wiring harness)

* USA only



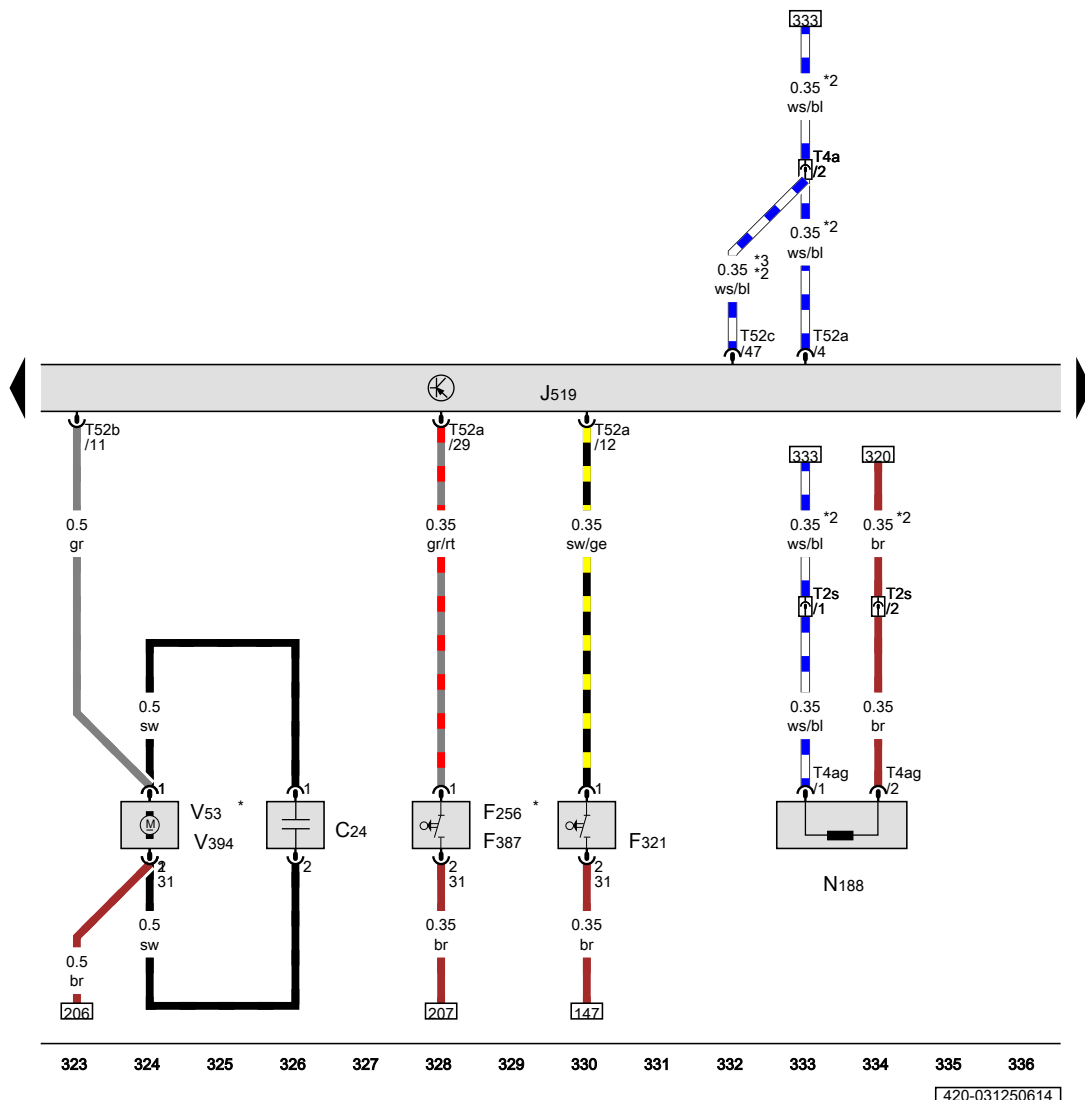
420-031240614

Rear lid lock unit, Parking brake contact switch, Hood contact switch, Vehicle electrical control module system, Luggage compartment release solenoid, Rear lid central locking system motor, Hood release motor

- C24 Suppressor
- F256 Rear lid lock unit
- F321 Parking brake contact switch
- F387 Hood contact switch
- J519 Vehicle electrical control module system
- N188 Luggage compartment release solenoid
- T2s Double connector
- T4a 4-pin connector, in the luggage compartment, right
- T4ag 4-pin connector
- T52a 52-pin connector
- T52b 52-pin connector
- T52c 52-pin connector
- V53 Rear lid central locking system motor
- V394 Hood release motor

Protected by copyright. This document, in part or in whole, is not permitted unless authorized by Audi AG. Audi AG does not accept any liability with respect to the completeness of information in this document. Copyright by AUDI AG.

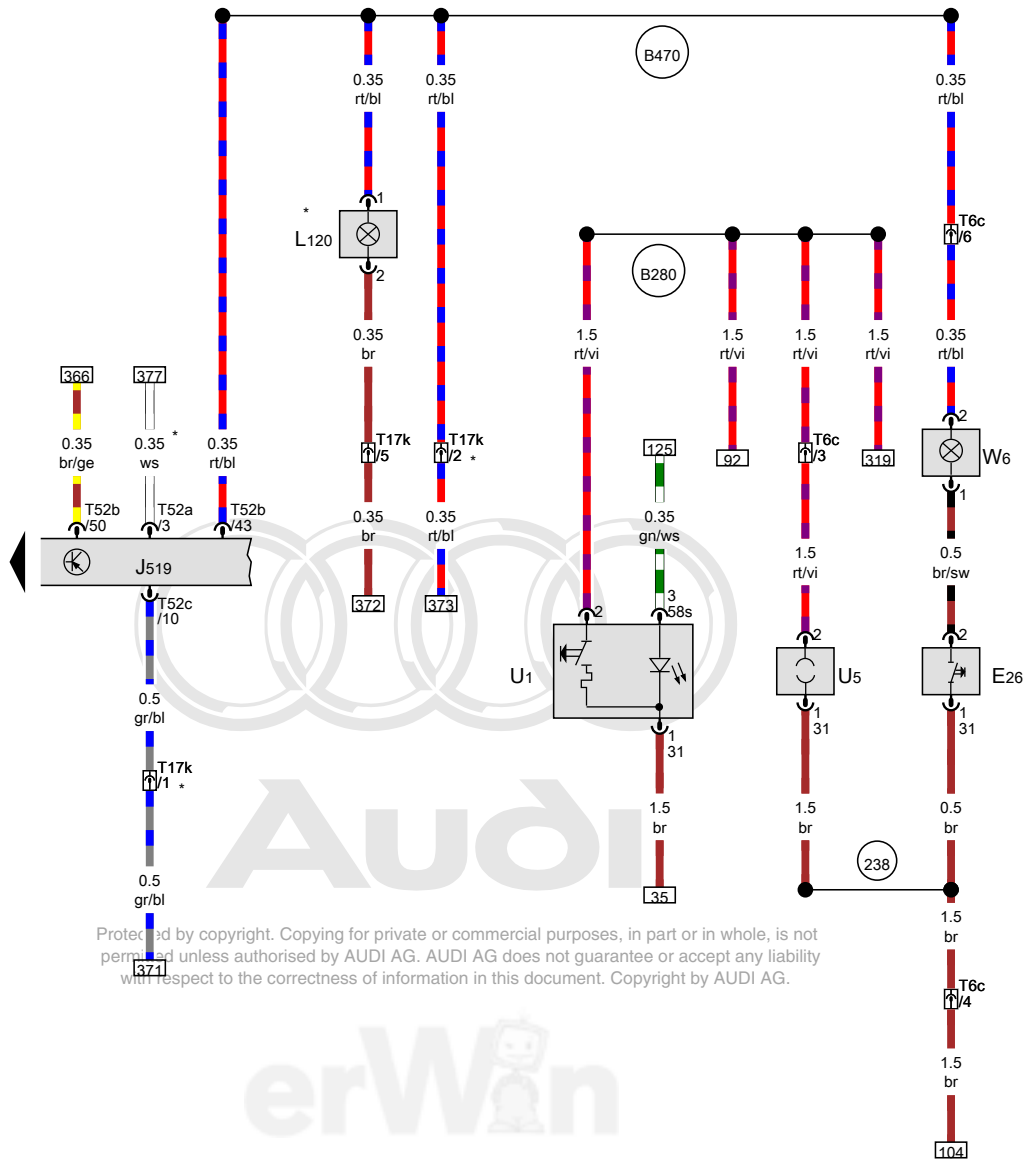
*2 USA only
*3 from June 2012



- ws = white
- sw = black
- ro = red
- rt = red
- br = brown
- gn = green
- bl = blue
- gr = grey
- li = lilac
- vi = lilac
- ge = yellow
- or = orange
- rs = pink

[420-031250614]

Glove compartment lamp switch, Vehicle electrical control module system, Storage compartment illumination bulb, Cigarette lighter, Power socket 12V, Glove compartment lamp

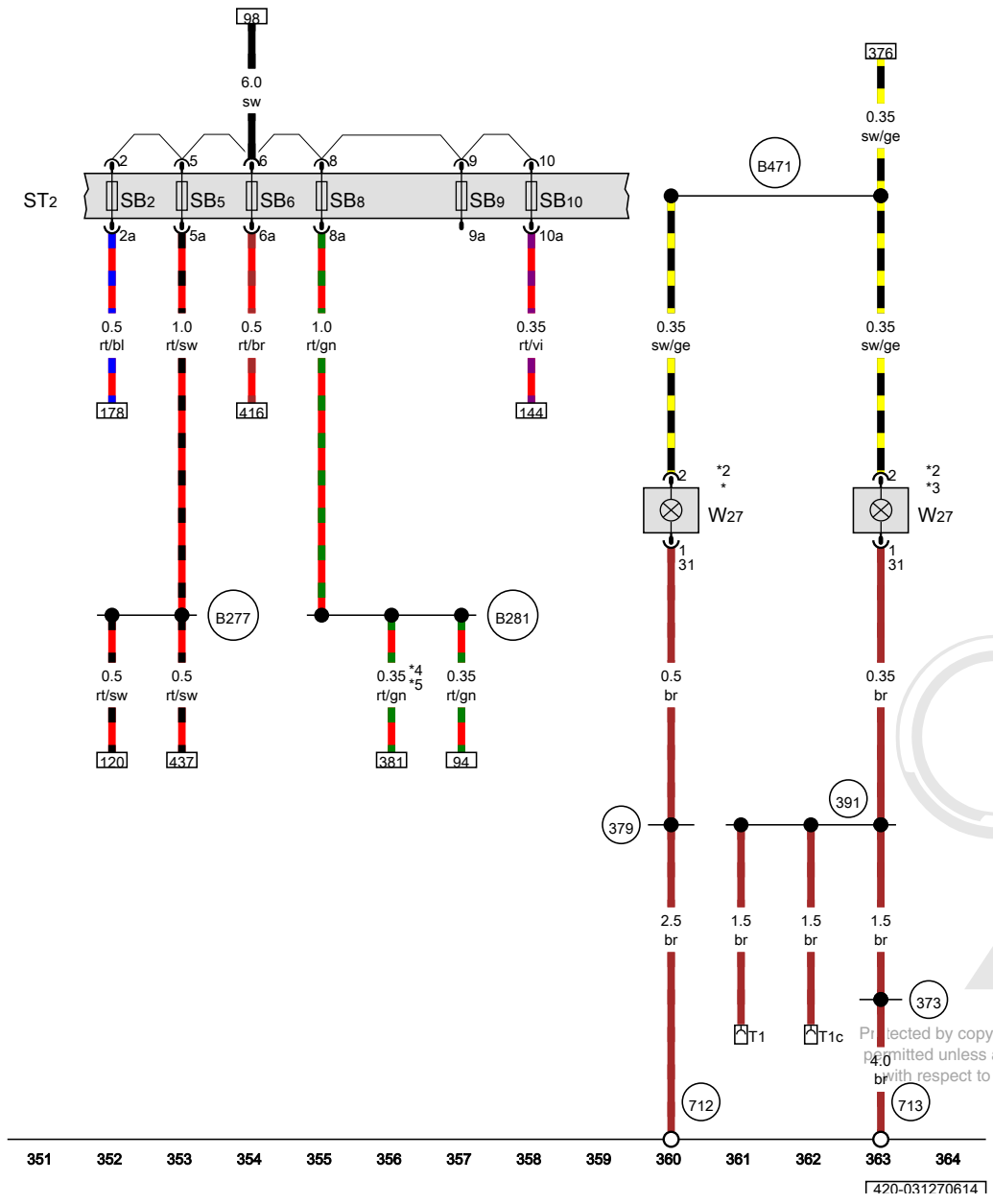


- E26 Glove compartment lamp switch
 - J519 Vehicle electrical control module system
 - L120 Storage compartment illumination bulb
 - T6c 6-pin connector, behind the glove compartment
 - T17k 17-pin connector, on the left A-pillar
 - T52a 52-pin connector
 - T52b 52-pin connector
 - T52c 52-pin connector
 - U1 Cigarette lighter
 - U5 Power socket 12V
 - W6 Glove compartment lamp
- (238) Ground connection 1 (in interior wiring harness)
- (B280) Positive connection 4 (15a) (in main wiring harness)
- (B470) Connection 6 (in main wiring harness)
- * Depending on equipment

- ws = white
- sw = black
- ro = red
- rt = red
- br = brown
- gn = green
- bl = blue
- gr = grey
- li = lilac
- vi = lilac
- ge = yellow
- or = orange
- rs = pink

Engine compartment lamp

- SB2 Fuse 2 (on fuse panel B)
- ST2 Fuse panel 2
- SB5 Fuse 5 (on fuse panel B)
- SB6 Fuse 6 (on fuse panel B)
- SB8 Fuse 8 (on fuse panel B)
- SB9 Fuse 9 (on fuse panel B)
- SB10 Fuse 10 (on fuse panel B)
- T1 Single connector, on the fuel tank filler neck
- T1c Single connector, on the right fuel tank
- W27 Engine compartment lamp
- 373 Ground connection 8 (in main wiring harness)
- 379 Ground connection 14 (in main wiring harness)
- 391 Ground connection 26 (in main wiring harness)
- 712 Ground connection under rear shelf, left
- 713 Ground connection under rear shelf, right
- B277 Positive connection 1 (15a) (in main wiring harness)
- B281 Positive connection 5 (15a) (in main wiring harness)
- B471 Connection 7 (in main wiring harness)
- * Left
- *2 Only for vehicles with engine compartment lamp
- *3 Right
- *4 Only for vehicles with automatic dimming interior rearview mirror
- *5 The color of the wires depends on vehicle equipment



- ws = white
- sw = black
- ro = red
- rt = red
- br = brown
- gn = green
- bl = blue
- gr = grey
- li = lilac
- vi = lilac
- ge = yellow
- or = orange
- rs = pink

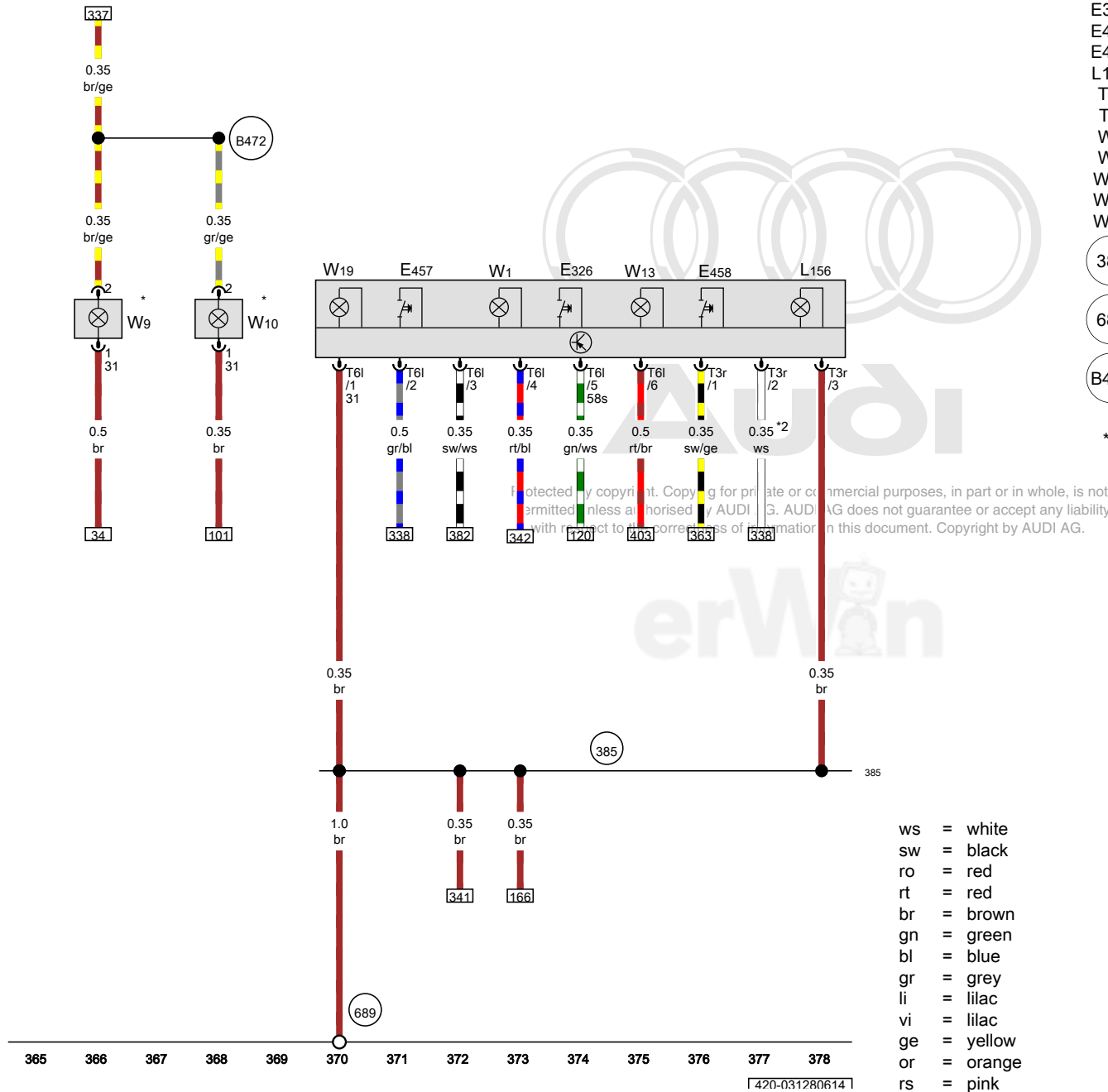
Protected by copyright. Copying for private or commercial purposes, in part or in whole, is not permitted unless authorised by AUDI AG. AUDI AG does not guarantee or accept any liability with respect to the correctness of information in this document. Copyright by AUDI AG.

[420-031270614]

Front interior lamp, Left footwell lamp, Right footwell lamp

- E326 Front interior lamp button
- E457 Driver reading lamp button
- E458 Front passenger reading lamp button
- L156 Switch illumination bulb
- T3r 3-pin connector
- T6l 6-pin connector
- W1 Front interior lamp
- W9 Left footwell lamp
- W10 Right footwell lamp
- W13 Front passenger reading lamp
- W19 Driver reading lamp

- 385 Ground connection 20 (in main wiring harness)
- 689 Ground connection on roof, center front
- B472 Connection 8 (in main wiring harness)
- * Only for vehicles with footwell lamp
- *2 Depending on equipment



- ws = white
- sw = black
- ro = red
- rt = red
- br = brown
- gn = green
- bl = blue
- gr = grey
- li = lilac
- vi = lilac
- ge = yellow
- or = orange
- rs = pink

[420-031280614]

Humidity sensor, Light recognition sensor, Automatic dimming interior rearview mirror

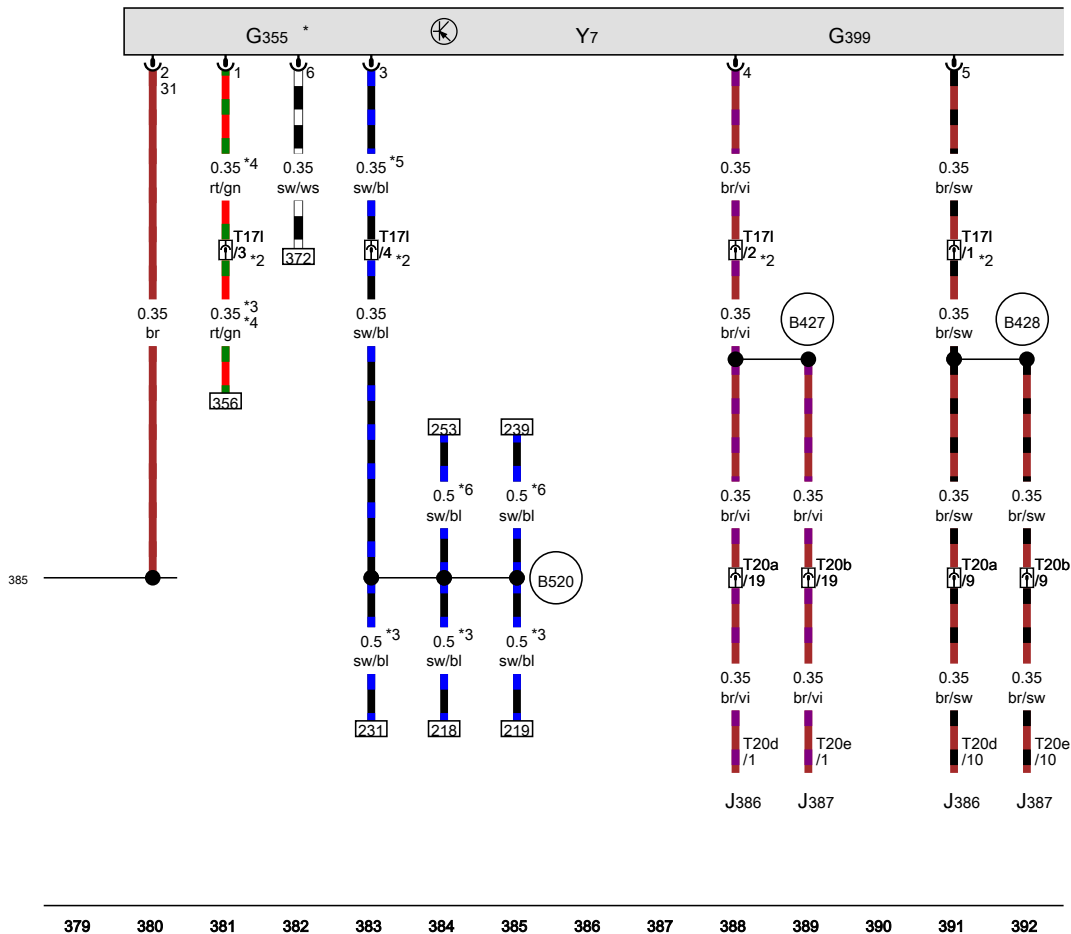
- G355 Humidity sensor
- G399 Light recognition sensor
- J386 Driver door control module
- J387 Front passenger door control module
- T171 17-pin connector, on the left A-pillar
- T20a 20-pin connector, on the left A-pillar
- T20b 20-pin connector, on the right A-pillar
- T20d 20-pin connector
- T20e 20-pin connector
- Y7 Automatic dimming interior rearview mirror

- 385 Ground connection 20 (in main wiring harness)
- B427 Mirror auto-dimming signal connection 1 (in main wiring harness)
- B428 Mirror auto-dimming signal connection 2 (in main wiring harness)

B520 Connection RF (in main wiring harness)

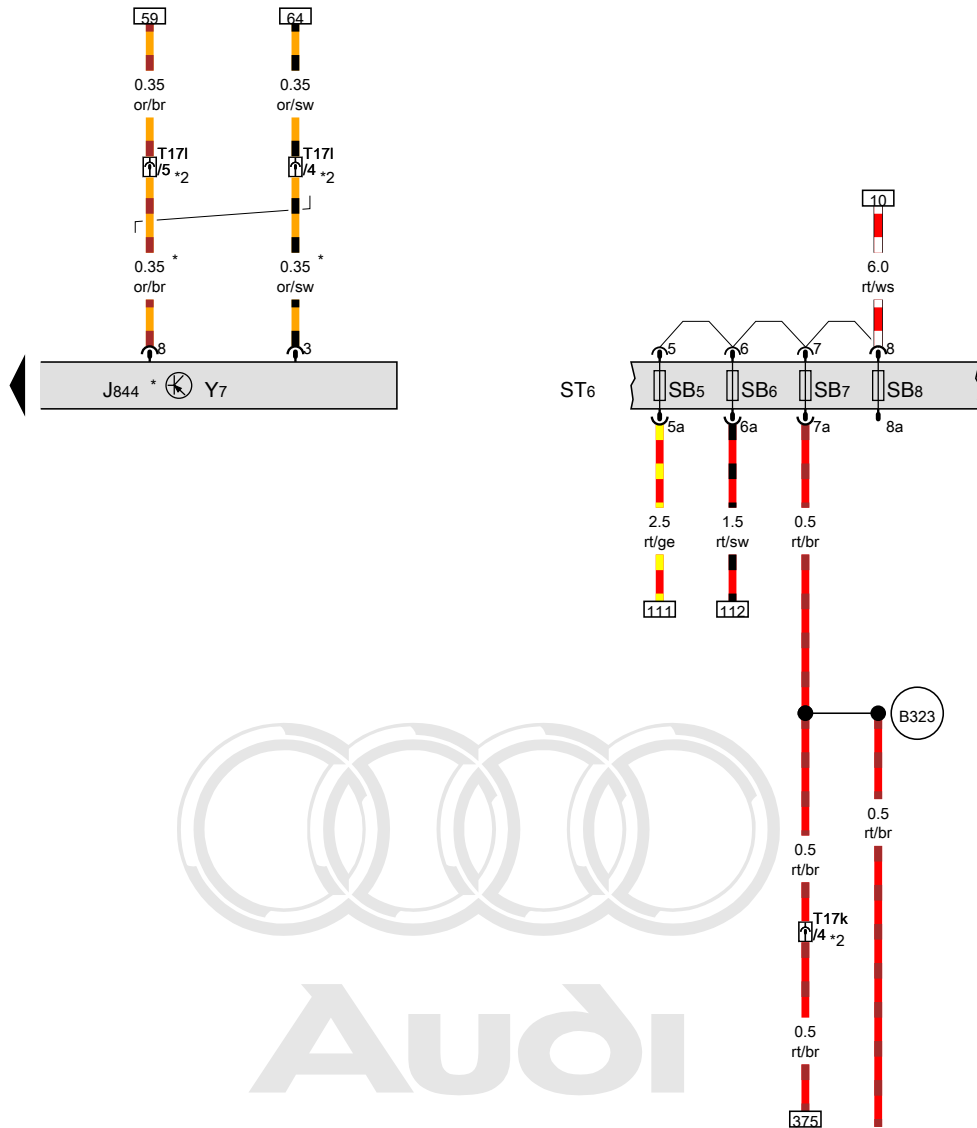
Protected by copyright. Copying for private or commercial purposes, in part or in whole, is not permitted unless authorised by AUDI AG. AUDI AG does not guarantee or accept any liability with respect to the correctness of information in this document. Copyright by AUDI AG.

- * Only for vehicles with a humidity sensor
- *2 Depending on equipment
- *3 Only for vehicles with automatic dimming interior rearview mirror
- *4 The color of the wires depends on vehicle equipment
- *5 Only for vehicles without high beam assist
- *6 Only for vehicles with automatic dimming interior rearview mirror



- ws = white
- sw = black
- ro = red
- rt = red
- br = brown
- gn = green
- bl = blue
- gr = grey
- li = lilac
- vi = lilac
- ge = yellow
- or = orange
- rs = pink

[420-031290614]



Automatic high beam assist control module, Automatic dimming interior rearview mirror

- H12 Alarm horn
- J844 Automatic high beam assist control module
- SB5 Fuse 5 (on fuse panel B)
- ST6 Fuse panel 6
- SB6 Fuse 6 (on fuse panel B)
- SB7 Fuse 7 (on fuse panel B)
- SB8 Fuse 8 (on fuse panel B)
- T17k 17-pin connector, on the left A-pillar
- T171 17-pin connector, on the left A-pillar
- Y7 Automatic dimming interior rearview mirror

B323 Positive connection 9 (30a) (in main wiring harness)

- * Only for vehicles with high beam assist
- *2 Depending on equipment
- *3 Refer to applicable convenience system wiring diagram



- ws = white
- sw = black
- ro = red
- rt = red
- br = brown
- gn = green
- bl = blue
- gr = grey
- li = lilac
- vi = lilac
- ge = yellow
- or = orange
- rs = pink

Protected by copyright. Copying for private or commercial purposes, in part or in whole, is not permitted unless authorised by AUDI AG. AUDI AG does not guarantee or accept any liability with respect to the correctness of information in this document. Copyright by AUDI AG.

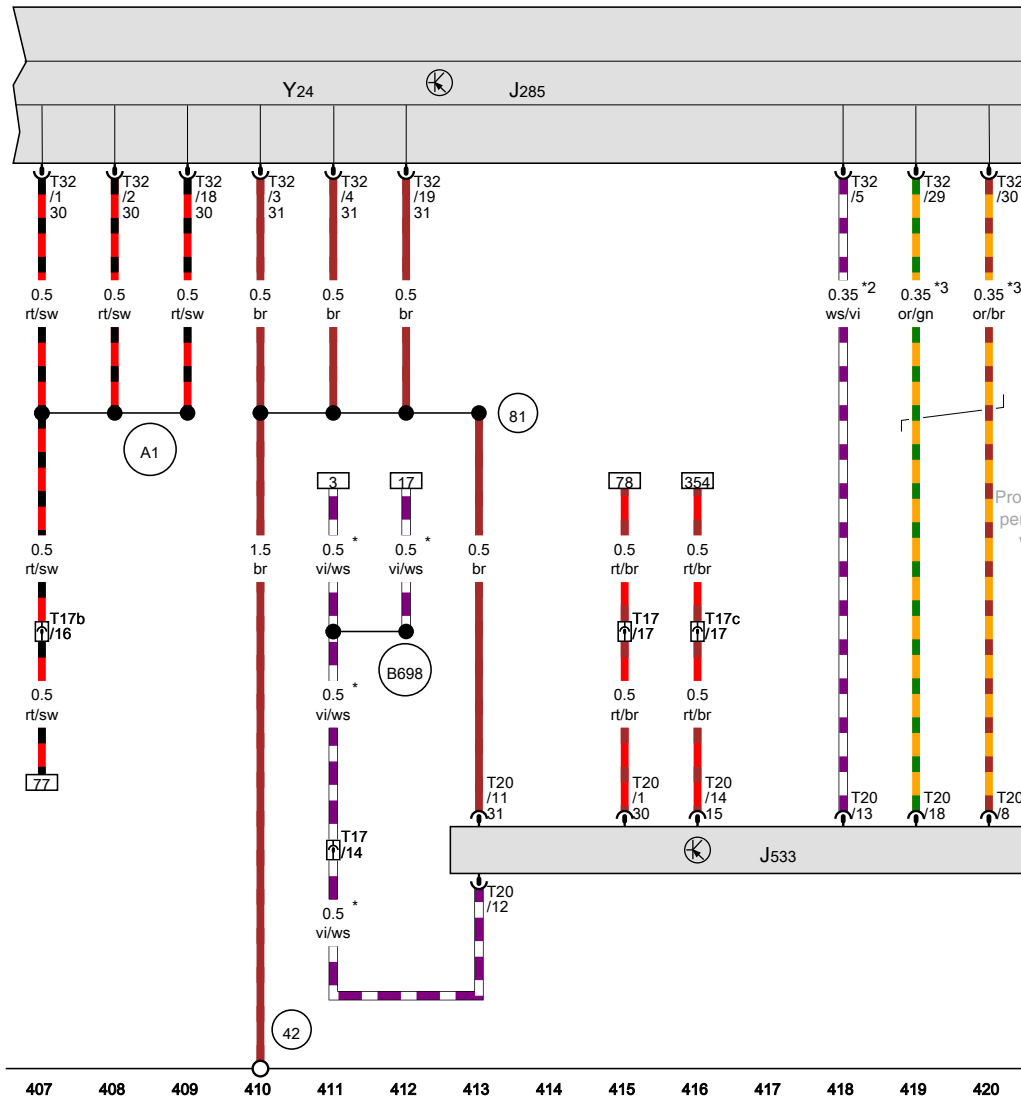
Instrument cluster control module, Data bus on board diagnostic interface

- J285 Instrument cluster control module
- J533 Data bus on board diagnostic interface
- T17 17-pin connector, Inside the center console connector station on the right side
- T17b 17-pin connector, Inside the center console connector station on the right side
- T17c 17-pin connector, Inside the center console connector station on the right side
- T20 20-pin connector
- T32 32-pin connector
- Y24 Display unit in instrument cluster

- 42 Ground connection near steering column
- 81 Ground connection 1 (in instrument panel wiring harness)
- A1 Positive connection (30a) (in instrument panel wiring harness)
- B698 LIN bus connection 3 (in main wiring harness)

- * from June 2010
- *2 Prompt wire
- *3 Data bus wire (CAN bus)

Protected by copyright. Copying for private or commercial purposes, in part or in whole, is not permitted unless authorised by AUDI AG. AUDI AG does not guarantee or accept any liability with respect to the correctness of information in this document. Copyright by AUDI AG.



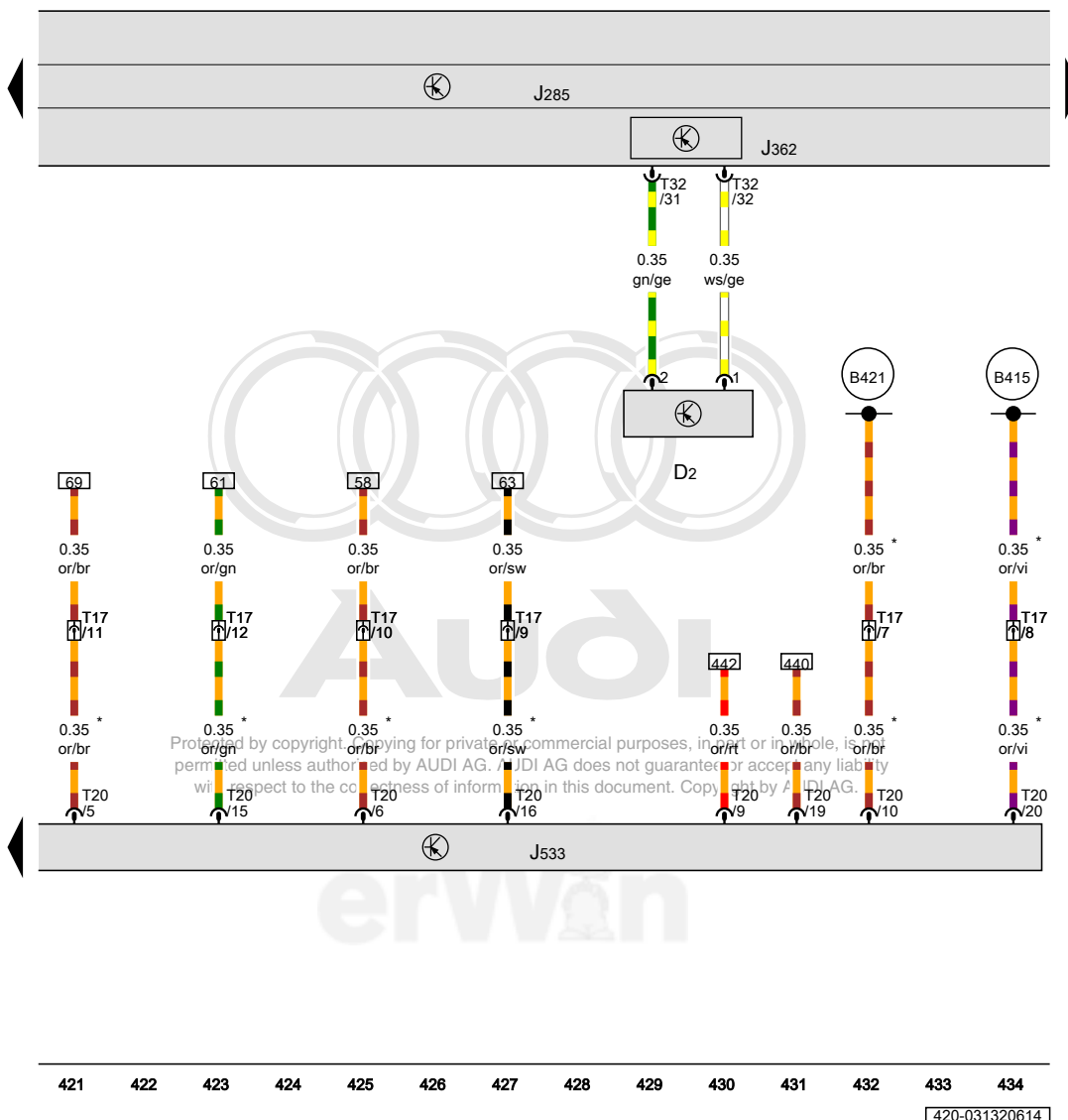
- ws = white
- sw = black
- ro = red
- rt = red
- br = brown
- gn = green
- bl = blue
- gr = grey
- li = lilac
- vi = lilac
- ge = yellow
- or = orange
- rs = pink

420-031310614

Anti-theft immobilizer reader coil, Instrument cluster control module, Data bus on board diagnostic interface

- D2 Anti-theft immobilizer reader coil
- J285 Instrument cluster control module
- J362 Anti-theft immobilizer control module
- J533 Data bus on board diagnostic interface
- T17 17-pin connector, Inside the center console connector station on the right side
- T20 20-pin connector
- T32 32-pin connector

- B415 Infotainment CAN Bus high connection 1 (in main wiring harness)
- B421 Infotainment CAN bus low connection 1 (in main wiring harness)
- * Data bus wire (CAN bus)

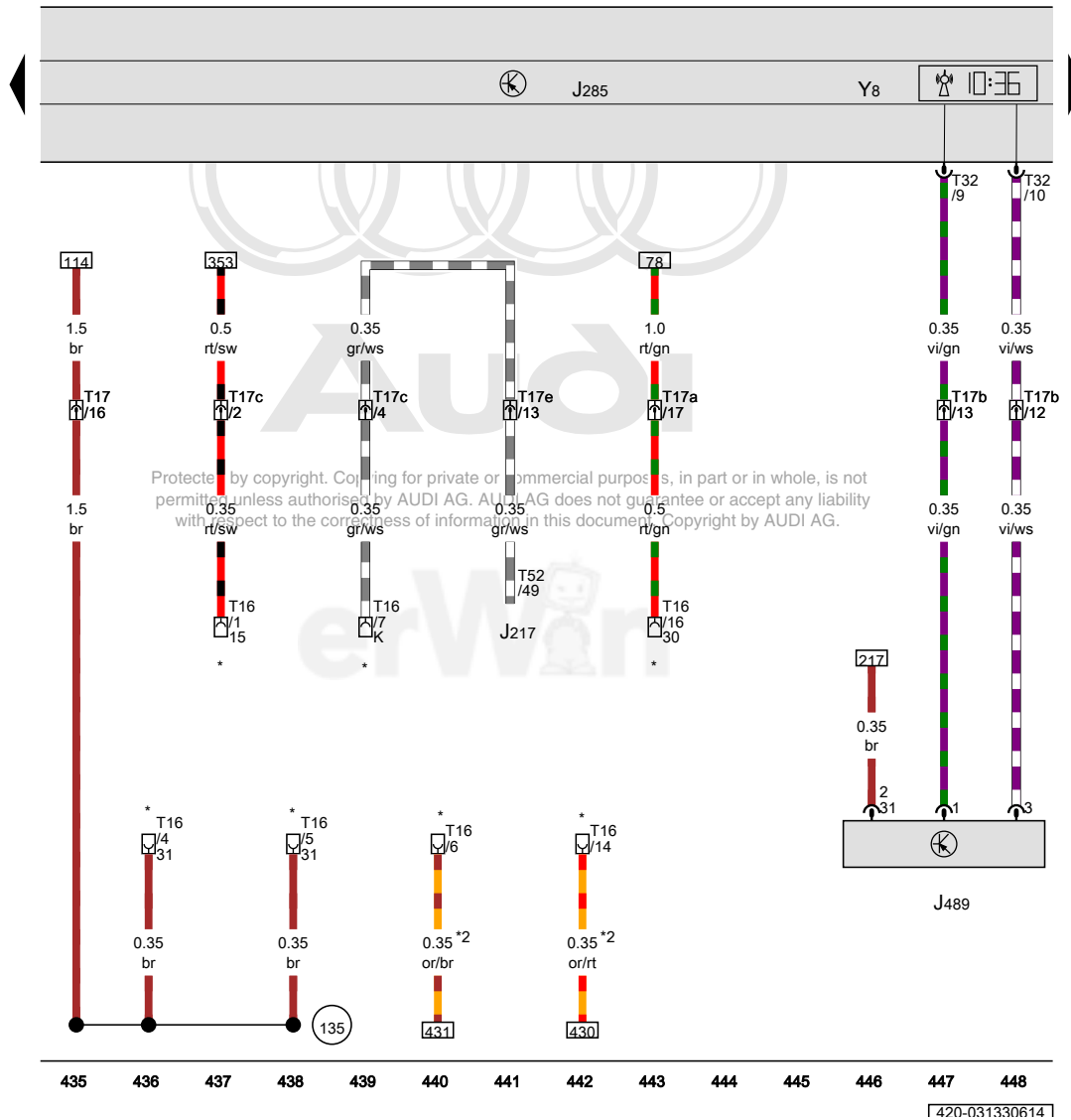


- ws = white
- sw = black
- ro = red
- rt = red
- br = brown
- gn = green
- bl = blue
- gr = grey
- li = lilac
- vi = lilac
- ge = yellow
- or = orange
- rs = pink

[420-031320614]

Instrument cluster control module, Radio frequency controlled clock receiver

- J217 Transmission control module
- J285 Instrument cluster control module
- J489 Radio frequency controlled clock receiver
- T16 16-pin connector, under the instrument panel, left
- T17 17-pin connector, Inside the center console connector station on the right side
- T17a 17-pin connector, Inside the center console connector station on the right side
- T17b 17-pin connector, Inside the center console connector station on the right side
- T17c 17-pin connector, Inside the center console connector station on the right side
- T17e 17-pin connector, Connector station under the rear shelf, right
- T32 32-pin connector
- T52 52-pin connector
- Y8 Radio frequency controlled clock
- 135 Ground connection 2 (in instrument panel wiring harness)
- * Diagnostic connector
- *2 Data bus wire (CAN bus)



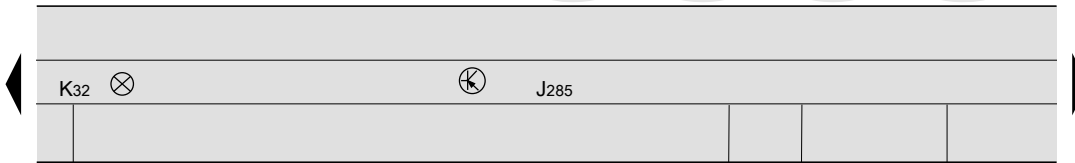
- ws = white
- sw = black
- ro = red
- rt = red
- br = brown
- gn = green
- bl = blue
- gr = grey
- li = lilac
- vi = lilac
- ge = yellow
- or = orange
- rs = pink

420-031330614

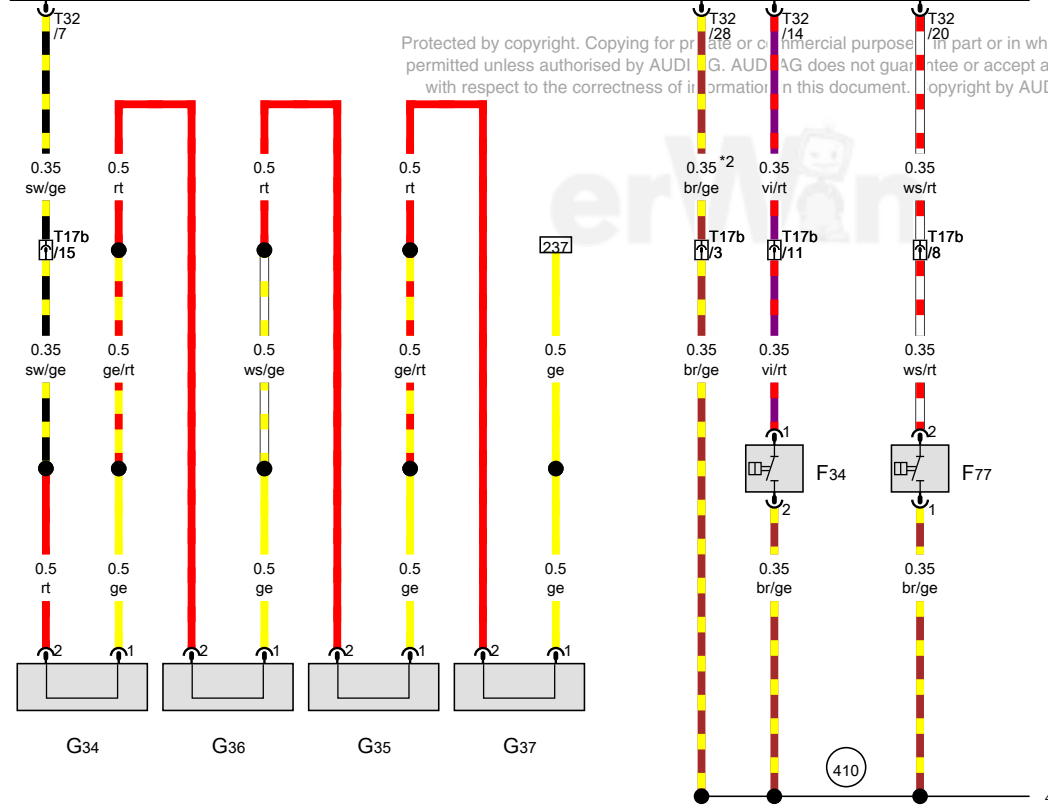


Brake fluid level warning switch, Windshield washer fluid level warning switch, Left front brake pad wear sensor, Right front brake pad wear sensor, Instrument cluster control module, Brake pad wear indicator lamp

- F34 Brake fluid level warning switch
- F77 Windshield washer fluid level warning switch
- G34 Left front brake pad wear sensor
- G35 Right front brake pad wear sensor
- G36 Left rear brake pad wear sensor
- G37 Right rear brake pad wear sensor
- J285 Instrument cluster control module
- K32 Brake pad wear indicator lamp
- T17b 17-pin connector, Inside the center console connector station on the right side
- T32 32-pin connector



Protected by copyright. Copying for private or commercial purposes, in part or in whole, is not permitted unless authorised by AUDI AG. AUDI AG does not guarantee the accuracy or accept any liability with respect to the correctness of the information in this document. Copyright by AUDI AG.



- 410 Sensor ground connection 1 (in main wiring harness)
- * Data bus wire (CAN bus)
- *2 Sensor ground output

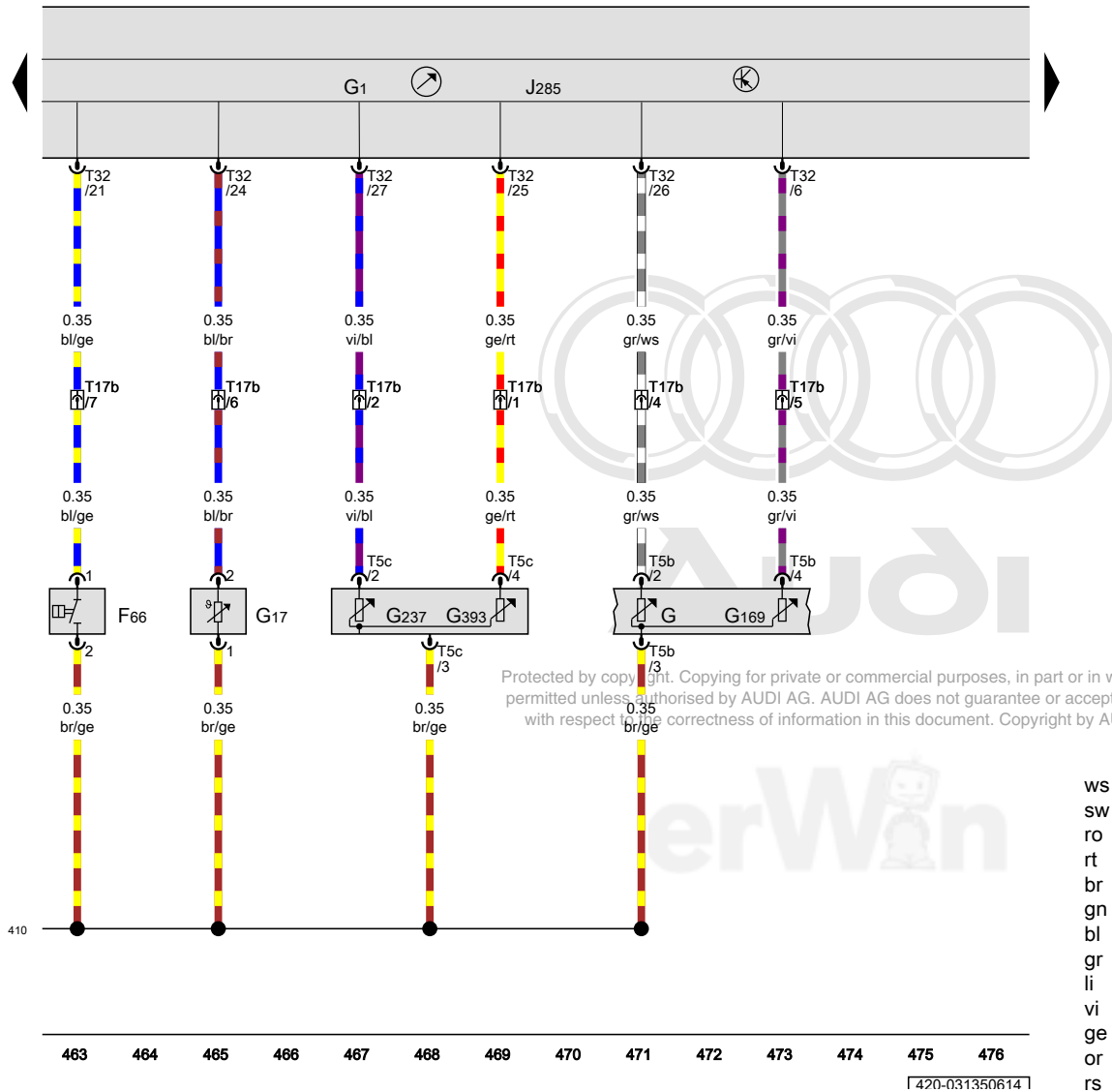
- ws = white
- sw = black
- ro = red
- rt = red
- br = brown
- gn = green
- bl = blue
- gr = grey
- li = lilac
- vi = lilac
- ge = yellow
- or = orange
- rs = pink

449 450 451 452 453 454 455 456 457 458 459 460 461 462

[420-031340614]

Engine coolant level warning switch, Fuel level sensor, Fuel gauge, Outside air temperature sensor, Instrument cluster control module

- F66 Engine coolant level warning switch
- G Fuel level sensor
- G1 Fuel gauge
- G17 Outside air temperature sensor
- G169 Fuel level sensor 2
- G237 Fuel level sensor 3
- G393 Fuel level sensor 4
- J285 Instrument cluster control module
- T5b 5-pin connector
- T5c 5-pin connector
- T17b 17-pin connector, Inside the center console connector station on the right side
- T32 32-pin connector
- 410 Sensor ground connection 1 (in main wiring harness)

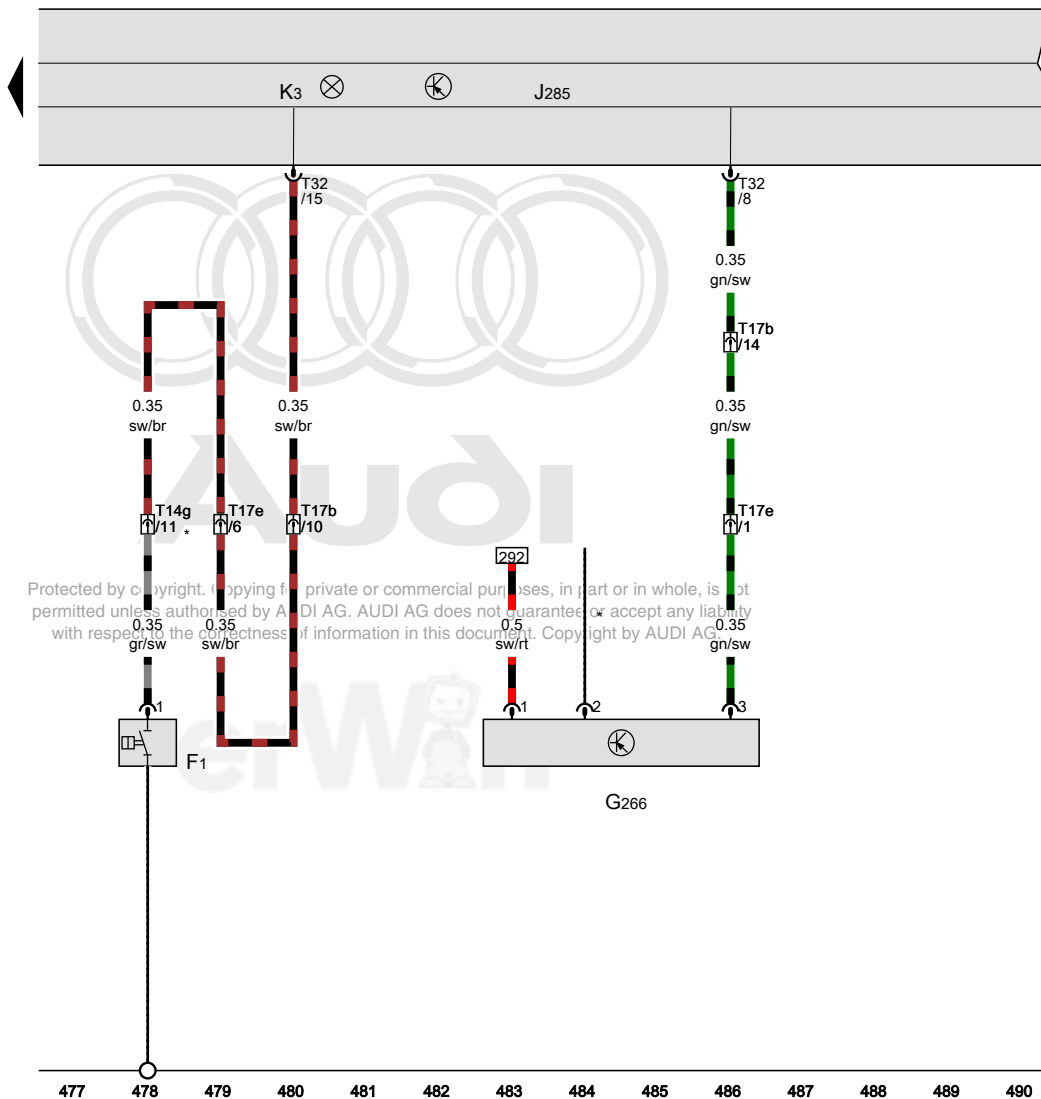


Protected by copyright. Copying for private or commercial purposes, in part or in whole, is not permitted unless authorised by AUDI AG. AUDI AG does not guarantee or accept any liability with respect to the correctness of information in this document. Copyright by AUDI AG.

- ws = white
- sw = black
- ro = red
- rt = red
- br = brown
- gn = green
- bl = blue
- gr = grey
- li = lilac
- vi = lilac
- ge = yellow
- or = orange
- rs = pink

Oil pressure switch, Oil level thermal sensor, Instrument cluster control module

- F1 Oil pressure switch
- G266 Oil level thermal sensor
- J285 Instrument cluster control module
- K3 Oil pressure indicator lamp
- T14g 14-pin connector, in the engine compartment
- T17b 17-pin connector, Inside the center console connector station on the right side
- T17e 17-pin connector, Connector station under the rear shelf, right
- T32 32-pin connector
- * Refer to applicable engine wiring diagram



Protected by copyright. Copying for private or commercial purposes, in part or in whole, is not permitted unless authorized by AUDI AG. AUDI AG does not guarantee or accept any liability with respect to the correctness of information in this document. Copyright by AUDI AG.

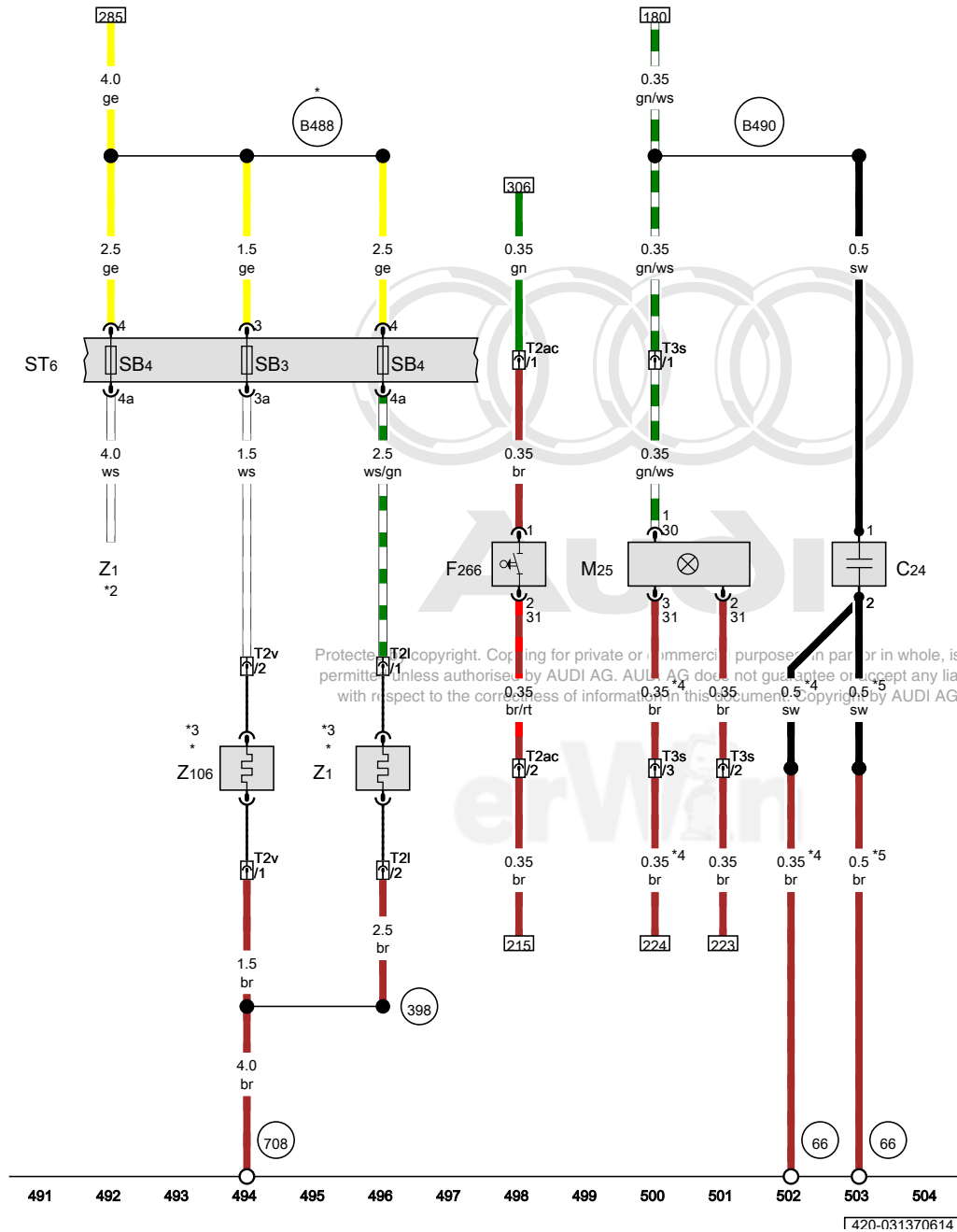
- ws = white
- sw = black
- ro = red
- rt = red
- br = brown
- gn = green
- bl = blue
- gr = grey
- li = lilac
- vi = lilac
- ge = yellow
- or = orange
- rs = pink

[420-031360614]

Engine hood contact switch, High-mounted brake lamp bulb, Partition window defogger

- C24 Suppressor
- F266 Engine hood contact switch
- M25 High-mounted brake lamp bulb
- SB3 Fuse 3 (on fuse panel B)
- SB4 Fuse 4 (on fuse panel B)
- ST6 Fuse panel 6
- T2ac Double connector, in the rear bumper, left
- T2I Double connector
- T2v Double connector
- T3s 3-pin connector, Inner right rear cross panel
- Z1 Rear window defogger
- Z106 Partition window defogger

- 66 Ground connection on right rear longitudinal member
- 398 Ground connection 33 (in main wiring harness)
- 708 Ground connection 2 on right rear chassis side member
- B488 Connection 24 (in main wiring harness)
- B490 Connection 26 (in main wiring harness)
- * Only for Audi R8 GT
- *2 Refer to the applicable convertible top wiring diagram
- *3 Coupe
- *4 Through May 2010
- *5 from June 2010



- ws = white
- sw = black
- ro = red
- rt = red
- br = brown
- gn = green
- bl = blue
- gr = grey
- li = lilac
- vi = lilac
- ge = yellow
- or = orange
- rs = pink

[420-031370614]

Radio navigation system

From June 2009



Audi

Protected by copyright. Copying for private or commercial purposes, in part or in whole, is not permitted unless authorised by AUDI AG. AUDI AG does not guarantee or accept any liability with respect to the correctness of information in this document. Copyright by AUDI AG.

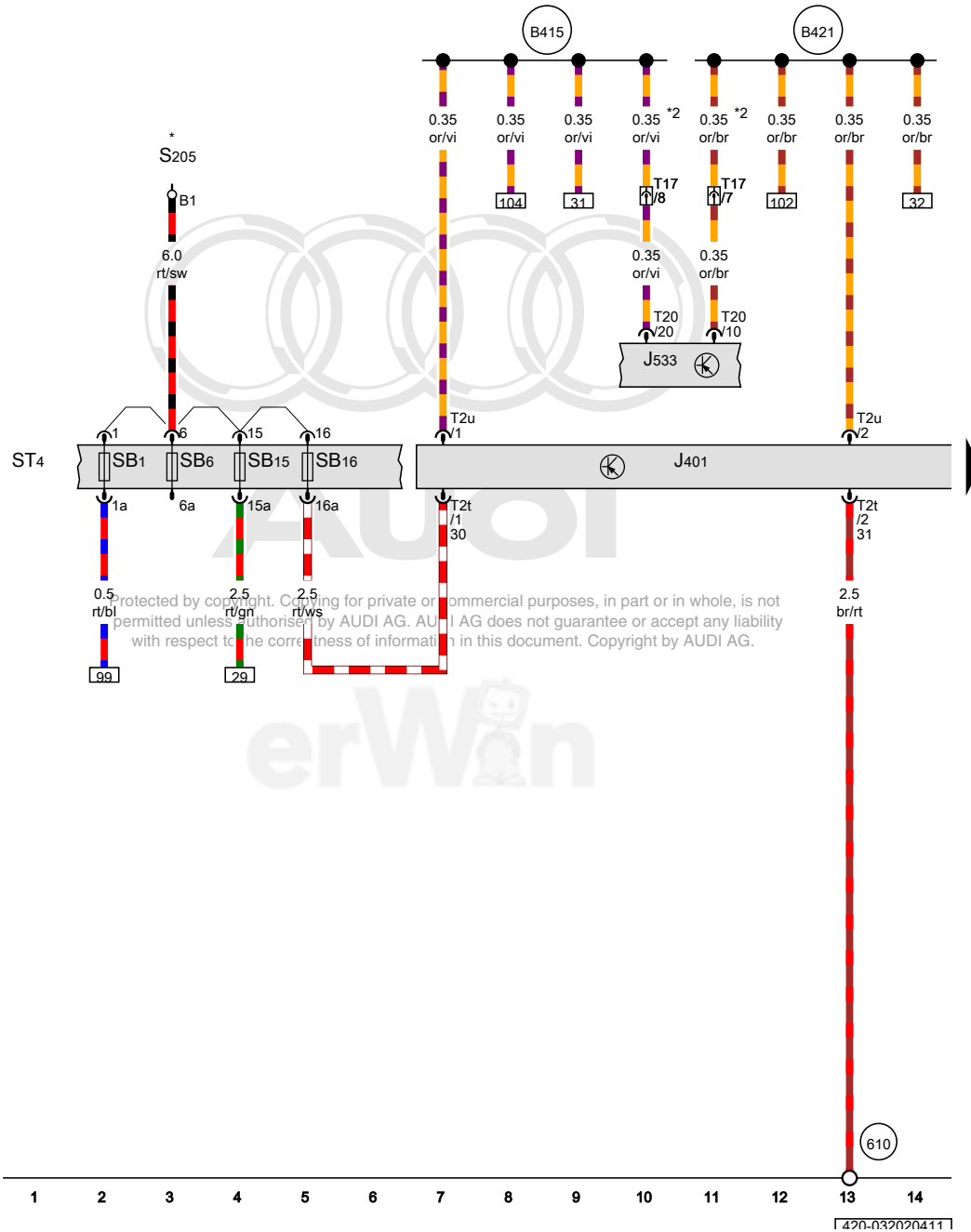


Navigation system with CD drive control module, Data bus on board diagnostic interface

- J401 Navigation system with CD drive control module
- J533 Data bus on board diagnostic interface
- SB1 Fuse 1 (on fuse panel B)
- ST4 Fuse panel 4
- SB6 Fuse 6 (on fuse panel B)
- SB15 Fuse 15 (on fuse panel B)
- SB16 Fuse 16 (on fuse panel B)
- S205 Fuse 2 (terminal 30)
- T2t Double connector
- T2u Double connector
- T17 17-pin connector, Inside the center console connector station on the right side
- T20 20-pin connector

- 610 Audio ground connection under front center console
- B415 Infotainment CAN Bus high connection 1 (in main wiring harness)
- B421 Infotainment CAN bus low connection 1 (in main wiring harness)

- * Main distribution in the right front footwell
- *2 Data bus wire (CAN bus)



protected by copyright. Copying for private or commercial purposes, in part or in whole, is not permitted unless authorized by AUDI AG. AUDI AG does not guarantee or accept any liability with respect to the correctness of information in this document. Copyright by AUDI AG.

- ws = white
- sw = black
- ro = red
- rt = red
- br = brown
- gn = green
- bl = blue
- gr = grey
- li = lilac
- vi = lilac
- ge = yellow
- or = orange
- rs = pink

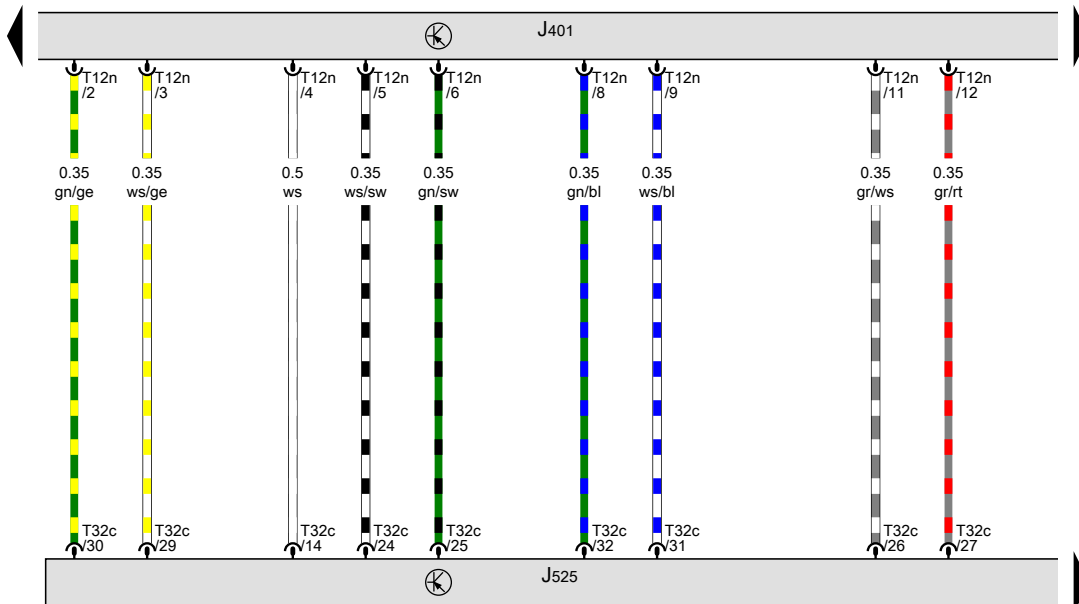
1420-032020411

Navigation system with CD drive control module, Digital sound system control module

- J401 Navigation system with CD drive control module
- J525 Digital sound system control module
- T12n 12-pin connector
- T32c 32-pin connector



Protected by copyright. Copying for private or commercial purposes, in part or in whole, is not permitted unless authorised by AUDI AG. AUDI AG does not guarantee or accept any liability with respect to the correctness of information in this document. Copyright by AUDI AG.



- ws = white
- sw = black
- ro = red
- rt = red
- br = brown
- gn = green
- bl = blue
- gr = grey
- li = lilac
- vi = lilac
- ge = yellow
- or = orange
- rs = pink

15 16 17 18 19 20 21 22 23 24 25 26 27 28

1420-032030411

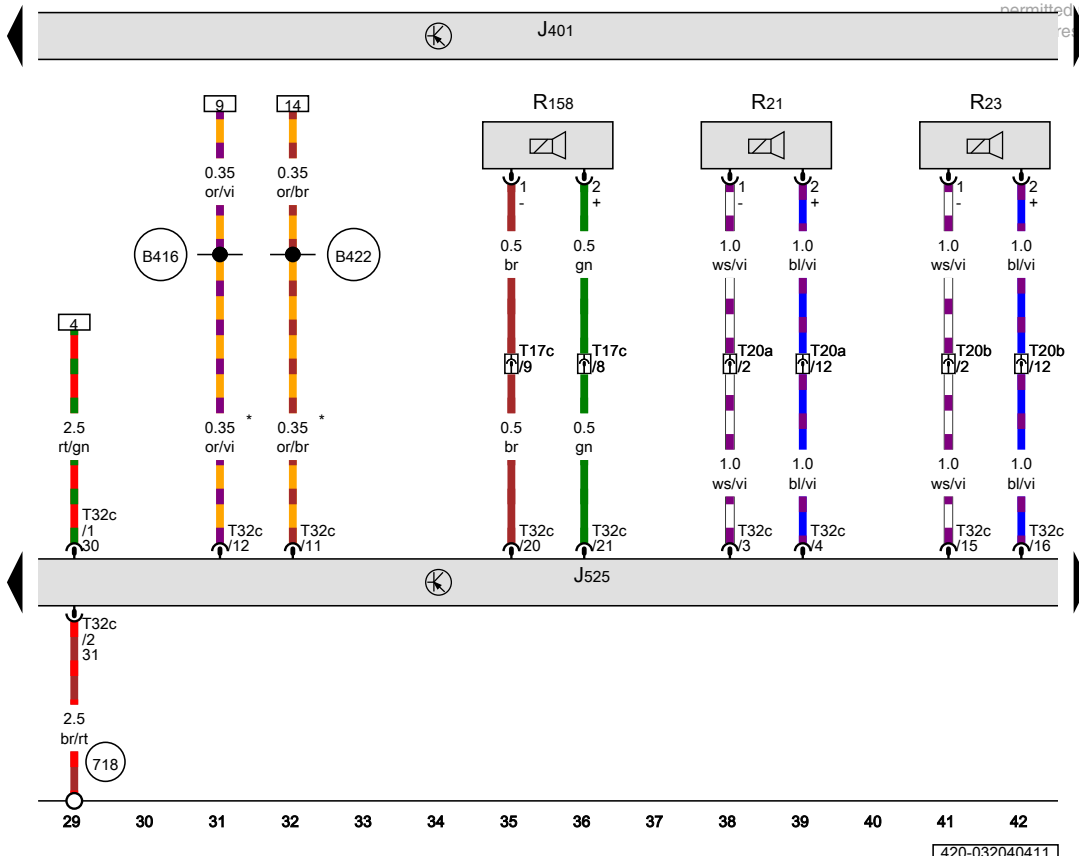
Navigation system with CD drive control module, Digital sound system control module, Left front bass speaker, Right front bass speaker, Center mid-treble speaker

- J401 Navigation system with CD drive control module
- J525 Digital sound system control module
- R21 Left front bass speaker
- R23 Right front bass speaker
- R158 Center mid-treble speaker
- T17c 17-pin connector, Inside the center console connector station on the right side
- T20a 20-pin connector, in the left front door
- T20b 20-pin connector, in the right front door
- T32c 32-pin connector

- 718 Audio ground connection under rear shelf
- B416 Infotainment CAN Bus high connection 2 (in main wiring harness)
- B422 Infotainment CAN bus low connection 2 (in main wiring harness)

Protected by copyright. Copying for private or commercial purposes, in part or in whole, is not permitted unless authorised by AUDI AG. AUDI AG does not guarantee or accept any liability for the correctness of information in this document. Copyright AUDI AG.

* Data bus wire (CAN bus)



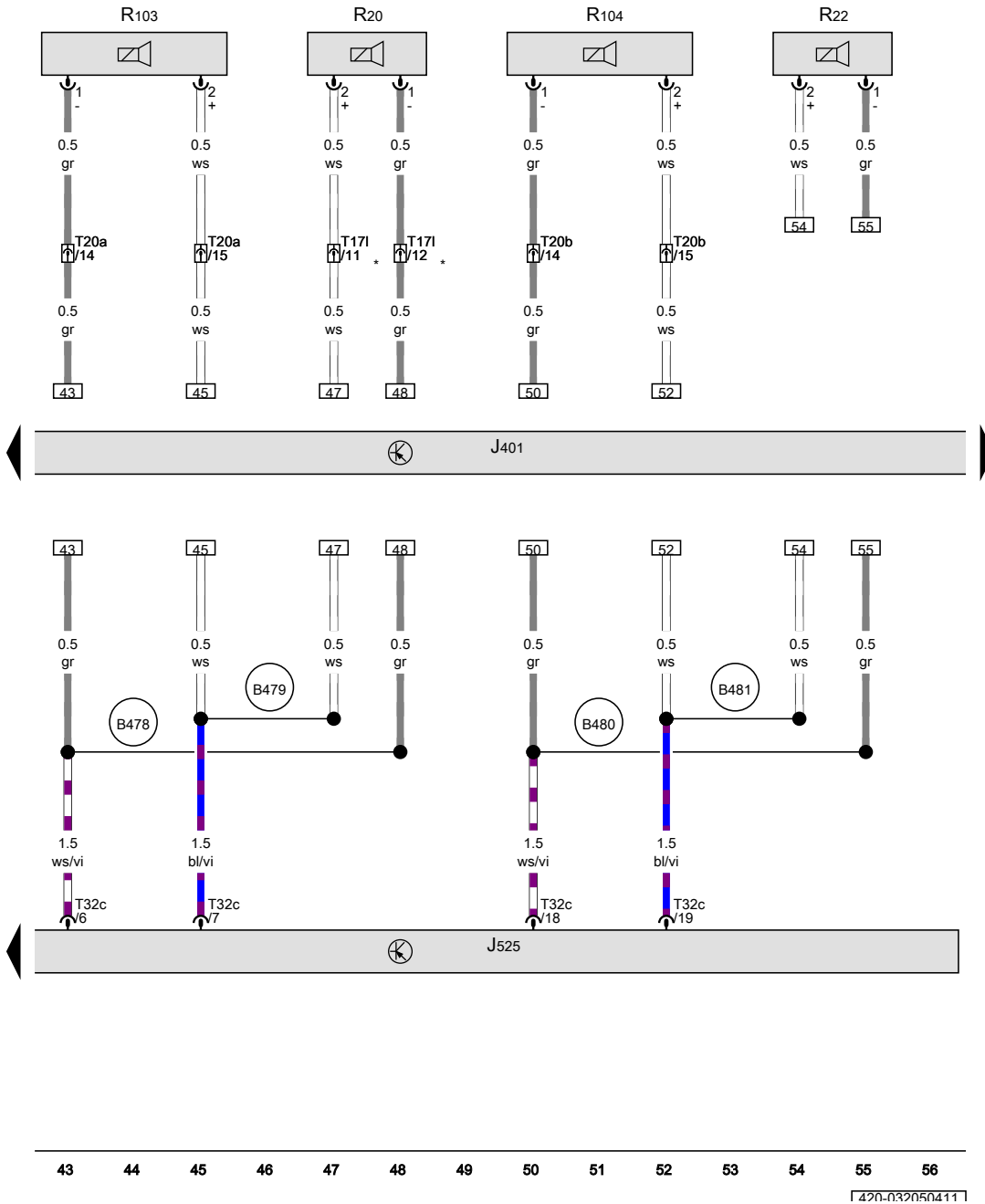
- ws = white
- sw = black
- ro = red
- rt = red
- br = brown
- gn = green
- bl = blue
- gr = grey
- li = lilac
- vi = lilac
- ge = yellow
- or = orange
- rs = pink

1420-032040411

Navigation system with CD drive control module, Digital sound system control module, Left front treble speaker, Right front treble speaker, Left front midrange speaker, Right front midrange speaker

- J401 Navigation system with CD drive control module
- J525 Digital sound system control module
- R20 Left front treble speaker
- R22 Right front treble speaker
- R103 Left front midrange speaker
- R104 Right front midrange speaker
- T171 17-pin connector, on the left A-pillar
- T20a 20-pin connector, in the left front door
- T20b 20-pin connector, in the right front door
- T32c 32-pin connector

Protected by copyright. Copying for private or commercial purposes, in part or in whole, is not permitted unless authorised by AUDI AG. AUDI AG does not guarantee or accept any liability with respect to the correctness of information in this document. Copyright by AUDI AG.



B478 Connection 14 (in main wiring harness)

B479 Connection 15 (in main wiring harness)

B480 Connection 16 (in main wiring harness)

B481 Connection 17 (in main wiring harness)

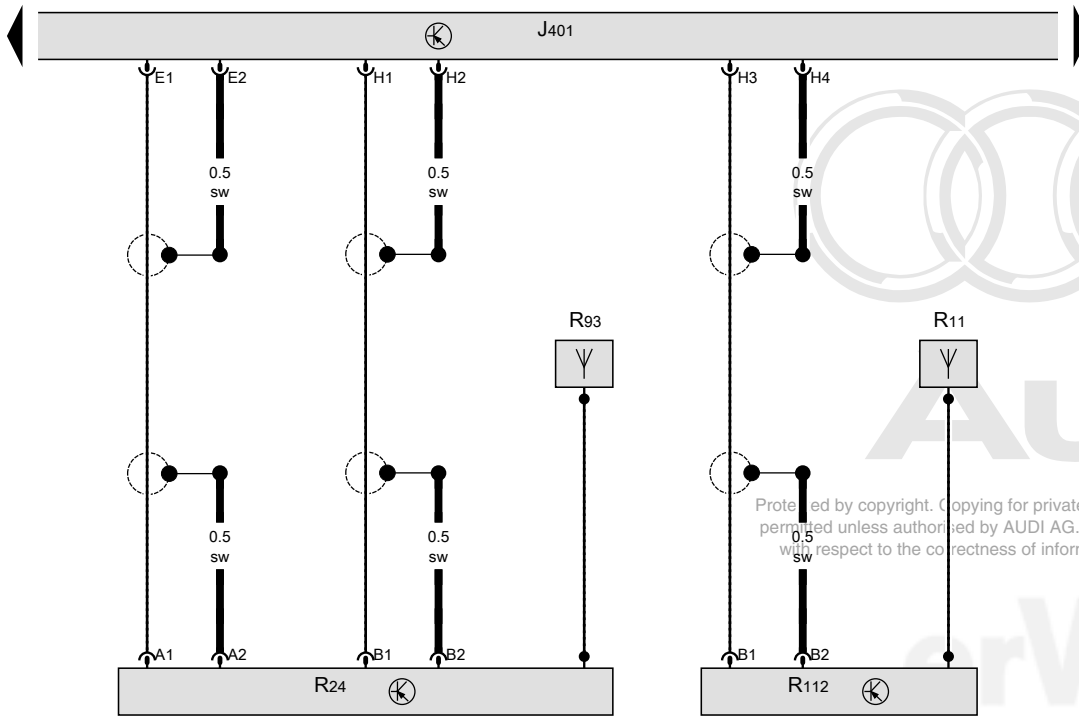
* Depending on equipment

- ws = white
- sw = black
- ro = red
- rt = red
- br = brown
- gn = green
- bl = blue
- gr = grey
- li = lilac
- vi = lilac
- ge = yellow
- or = orange
- rs = pink

1420-032050411

Navigation system with CD drive control module, Antenna, Antenna amplifier, Radio antenna 2, Antenna amplifier 3

- J401 Navigation system with CD drive control module
- R11 Antenna
- R24 Antenna amplifier, near the left tail lamp
- R93 Radio antenna 2
- R112 Antenna amplifier 3, on the right A-pillar

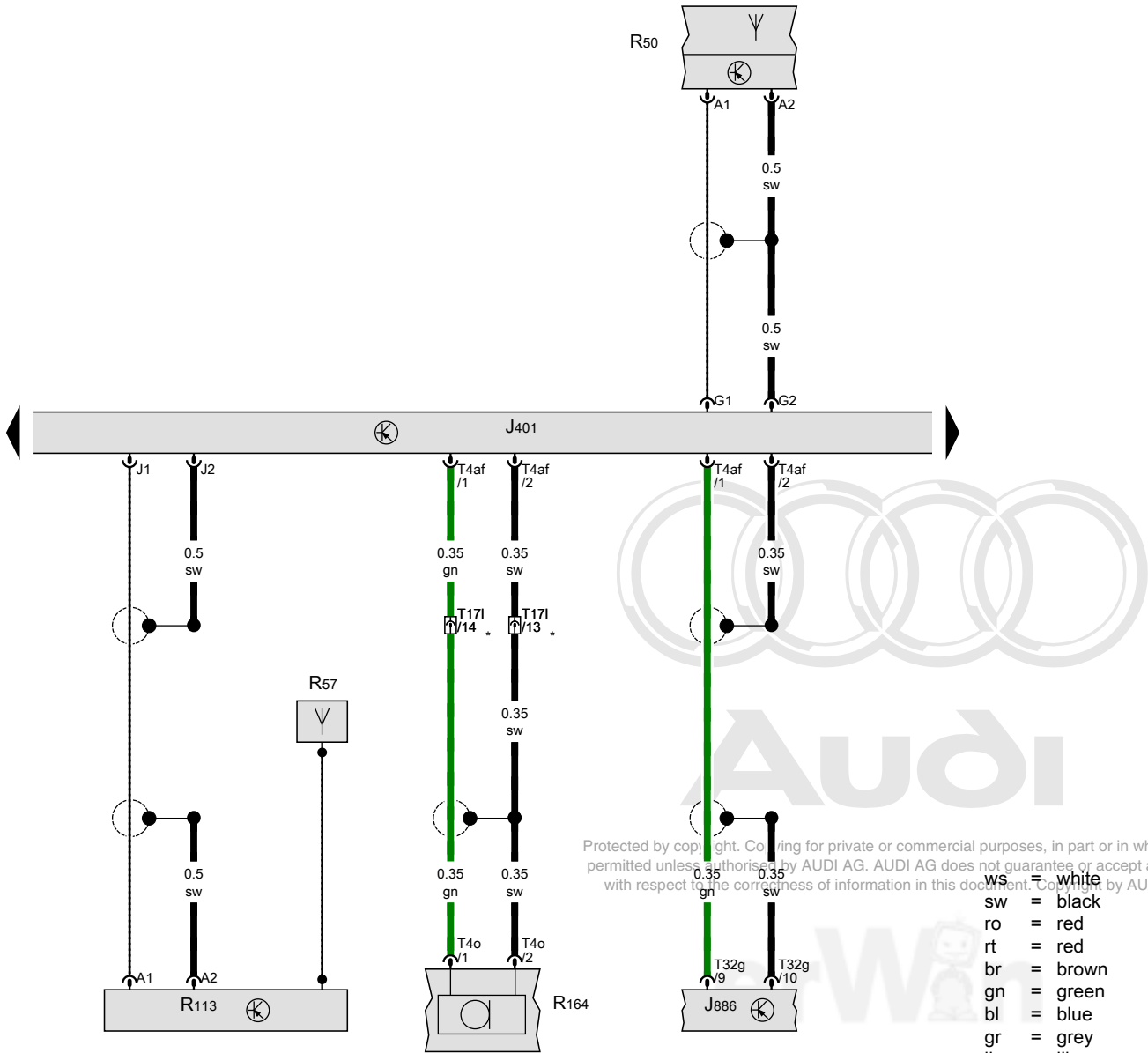


Protected by copyright. Copying for private or commercial purposes, in part or in whole, is not permitted unless authorized by AUDI AG. AUDI AG does not guarantee or accept any liability with respect to the correctness of information in this document. Copyright by AUDI AG.

- ws = white
- sw = black
- ro = red
- rt = red
- br = brown
- gn = green
- bl = blue
- gr = grey
- li = lilac
- vi = lilac
- ge = yellow
- or = orange
- rs = pink

Navigation system with CD drive control module, GPS antenna, TV antenna 3, Antenna amplifier 4, Microphone unit in front roof module

- J401 Navigation system with CD drive control module
- J886 Seat belt microphone control module
- R50 GPS antenna, under the instrument panel, center
- R57 TV antenna 3
- R113 Antenna amplifier 4, near the right tail lamp
- R164 Microphone unit in front roof module
- T4af 4-pin connector
- T4o 4-pin connector
- T171 17-pin connector, on the left A-pillar
- T32g 32-pin connector
- * Depending on equipment

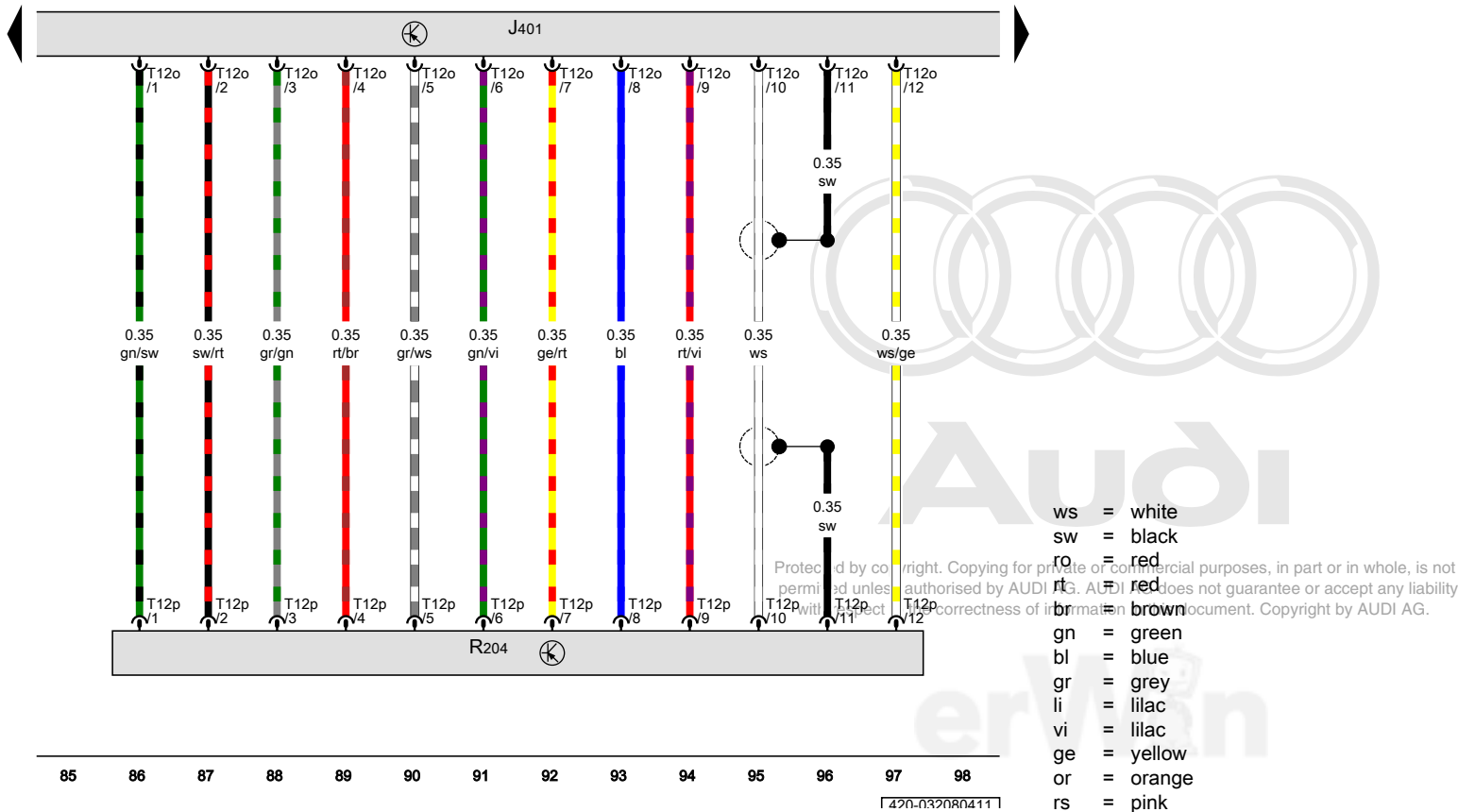


Protected by copyright. Copying for private or commercial purposes, in part or in whole, is not permitted unless authorized by AUDI AG. AUDI AG does not guarantee or accept any liability with respect to the correctness of information in this document. Copyright by AUDI AG.

- ws = white
- sw = black
- ro = red
- rt = red
- br = brown
- gn = green
- bl = blue
- gr = grey
- li = lilac
- vi = lilac
- ge = yellow
- or = orange
- rs = pink

Navigation system with CD drive control module, TV card reader

- J401 Navigation system with CD drive control module
- R204 TV card reader
- T12o 12-pin connector
- T12p 12-pin connector



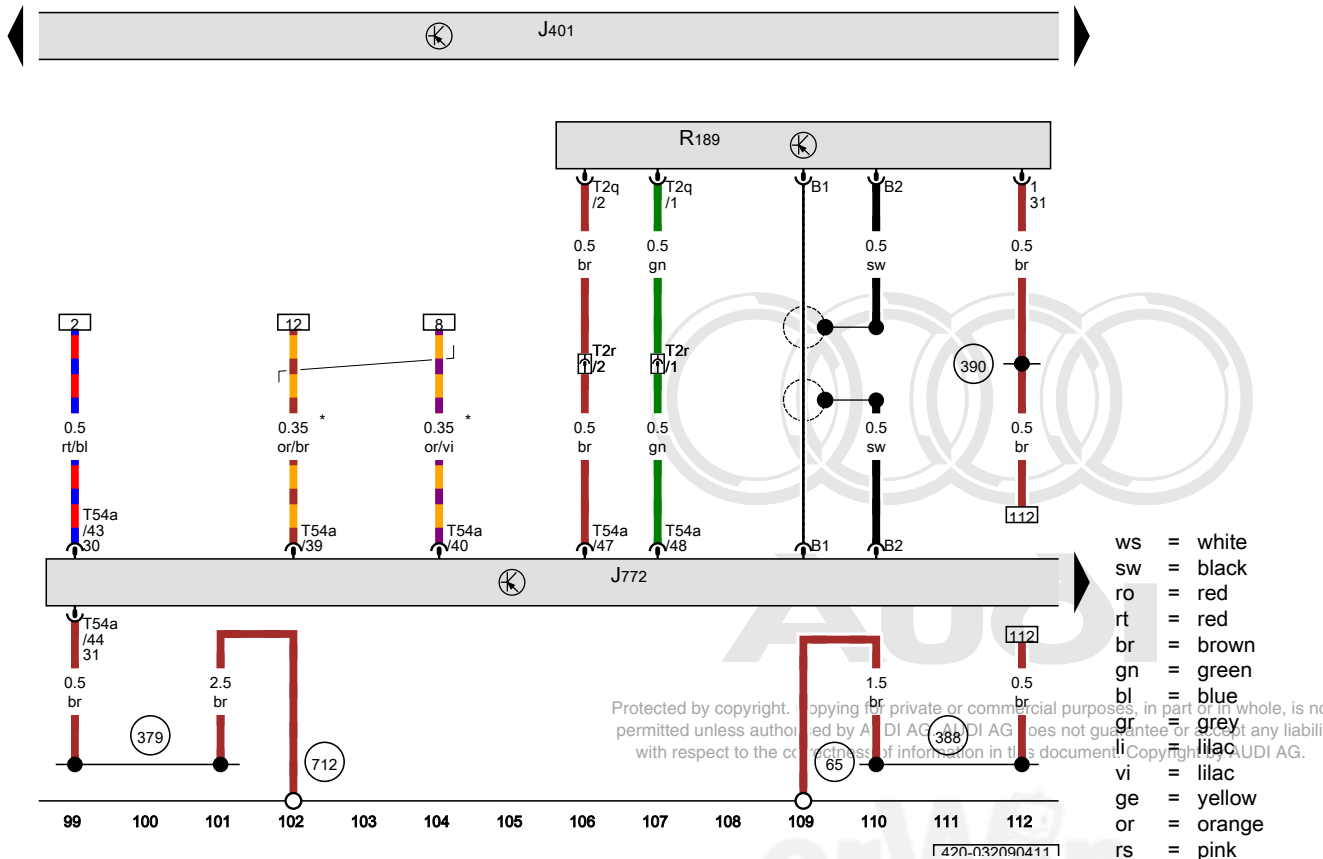
[420-032080411]

Navigation system with CD drive control module, Rearview camera system control module, Rearview camera

- J401 Navigation system with CD drive control module
- J772 Rearview camera system control module
- R189 Rearview camera
- T2q Double connector
- T2r Double connector, on the left B-pillar
- T54a 54-pin connector

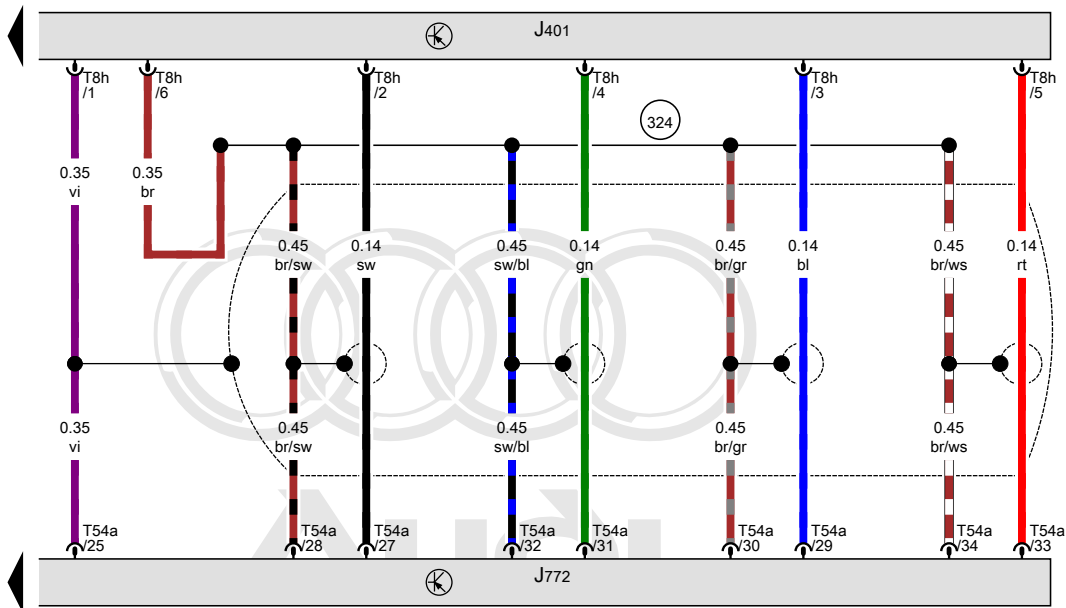
- 65 Ground connection on left rear longitudinal member
- 379 Ground connection 14 (in main wiring harness)
- 388 Ground connection 23 (in main wiring harness)
- 390 Ground connection 25 (in main wiring harness)
- 712 Ground connection under rear shelf, left

* Data bus wire (CAN bus)



Navigation system with CD drive control module, Rearview camera system control module

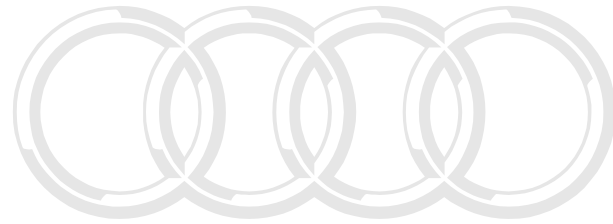
- J401 Navigation system with CD drive control module
- J772 Rearview camera system control module
- T8h 8-pin connector
- T54a 54-pin connector
- 324 Navigation shielding 1 ground connection (in communication wiring harness)



- ws = white
- sw = black
- ro = red
- rt = red
- br = brown
- gn = green
- bl = blue
- gr = grey
- li = lilac
- vi = lilac
- ge = yellow
- or = orange
- rs = pink

Protected by copyright. Copying for private or commercial purposes, in part or in whole, is not permitted unless authorised by AUDI AG. AUDI AG does not guarantee or accept any liability with respect to the correctness of information in this document. Copyright by AUDI AG.

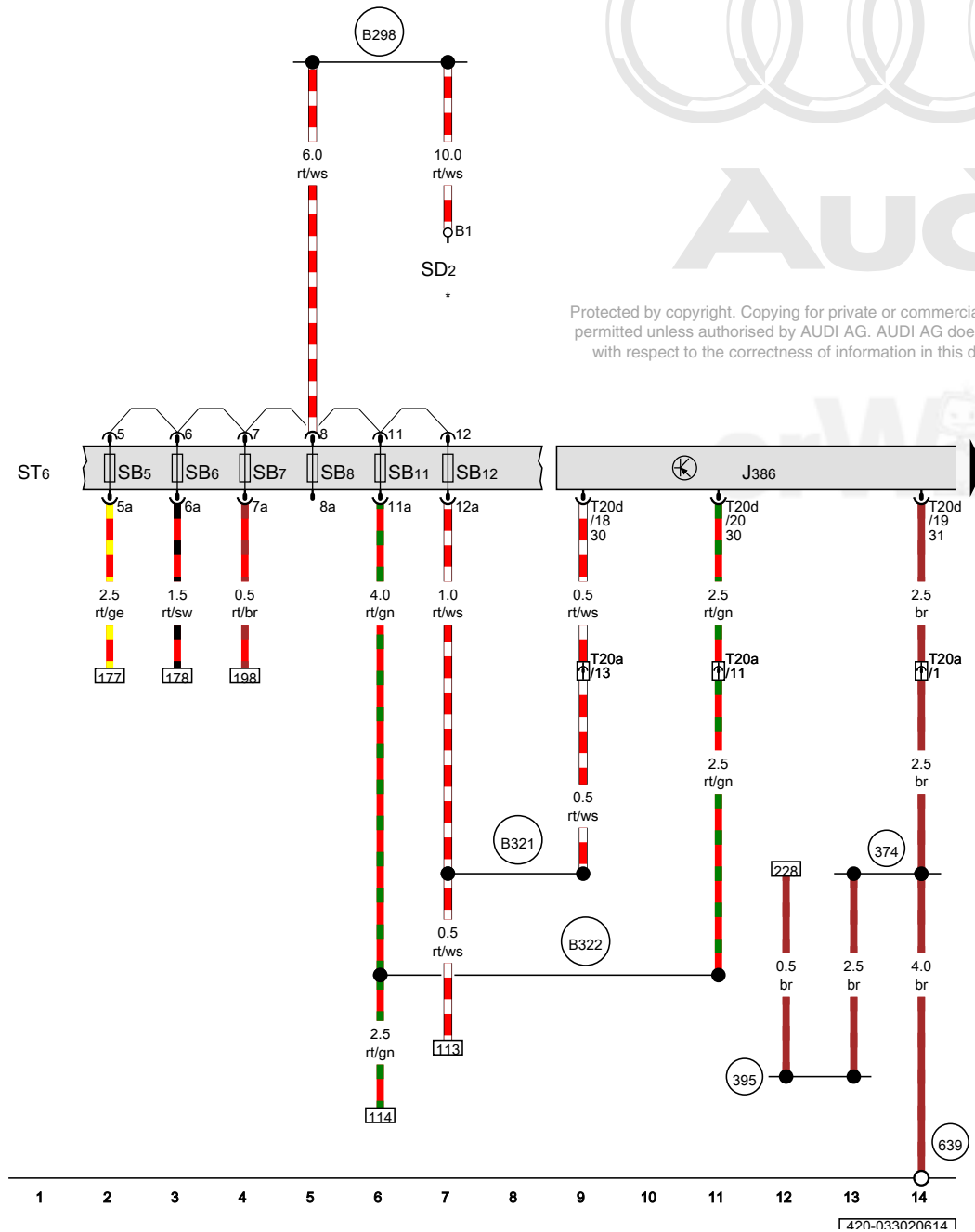
Convenience system
from June 2009



Audi

Protected by copyright. Copying for private or commercial purposes, in part or in whole, is not permitted unless authorised by AUDI AG. AUDI AG does not guarantee or accept any liability with respect to the correctness of information in this document. Copyright by AUDI AG.





Driver door control module

- J386 Driver door control module
- SD2 Fuse 2 (on fuse panel D)
- SB5 Fuse 5 (on fuse panel B)
- ST6 Fuse panel 6
- SB6 Fuse 6 (on fuse panel B)
- SB7 Fuse 7 (on fuse panel B)
- SB8 Fuse 8 (on fuse panel B)
- SB11 Fuse 11 (on fuse panel B)
- SB12 Fuse 12 (on fuse panel B)
- T20a 20-pin connector, in the left front door
- T20d 20-pin connector

- 374 Ground connection 9 (in main wiring harness)
- 395 Ground connection 30 (in main wiring harness)
- 639 Ground connection on left A-pillar
- B298 Positive connection 2 (30) (in main wiring harness)
- B321 Positive connection 7 (30a) (in main wiring harness)
- B322 Positive connection 8 (30a) (in main wiring harness)

* Main fuse box in the right front footwell

- ws = white
- sw = black
- ro = red
- rt = red
- br = brown
- gn = green
- bl = blue
- gr = grey
- li = lilac
- vi = lilac
- ge = yellow
- or = orange
- rs = pink

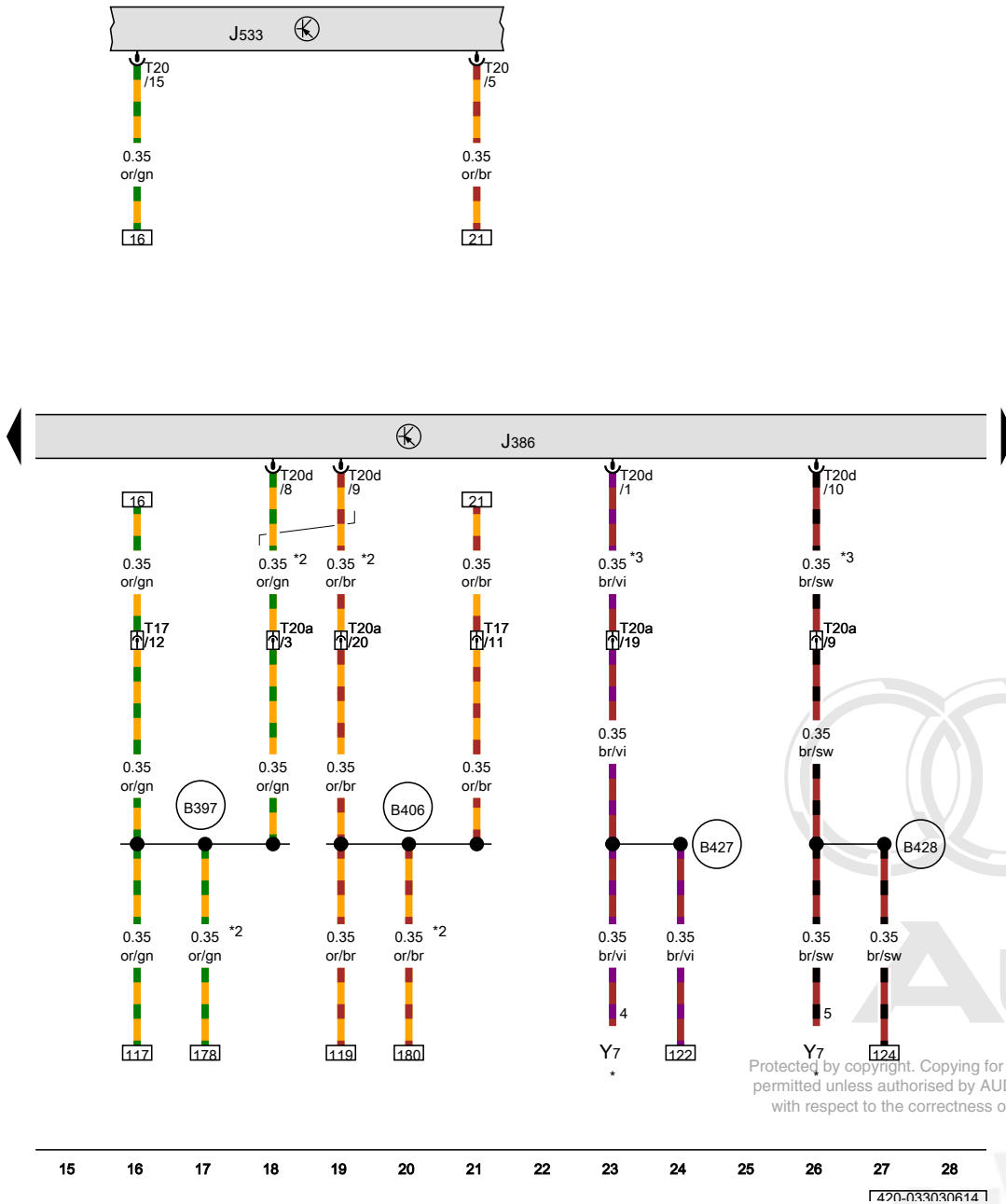
Protected by copyright. Copying for private or commercial purposes, in part or in whole, is not permitted unless authorised by AUDI AG. AUDI AG does not guarantee or accept any liability with respect to the correctness of information in this document. Copyright by AUDI AG.

Driver door control module

- J386 Driver door control module
- J533 Data bus on board diagnostic interface
- T17 17-pin connector, Inside the center console connector station on the right side
- T20 20-pin connector
- T20a 20-pin connector, in the left front door
- T20d 20-pin connector
- Y7 Automatic dimming interior rearview mirror

- (B397) Comfort system CAN bus high connection 1 (in main wiring harness)
- (B406) Comfort system CAN bus low connection 1 (in main wiring harness)
- (B427) Mirror auto-dimming signal connection 1 (in main wiring harness)
- (B428) Mirror auto-dimming signal connection 2 (in main wiring harness)

- * Refer to applicable standard equipment wiring diagram
- *2 Data bus wire (CAN bus)
- *3 Only for vehicles with automatic dimming interior rearview mirror



- ws = white
- sw = black
- ro = red
- rt = red
- br = brown
- gn = green
- bl = blue
- gr = grey
- li = lilac
- vi = lilac
- ge = yellow
- or = orange
- rs = pink

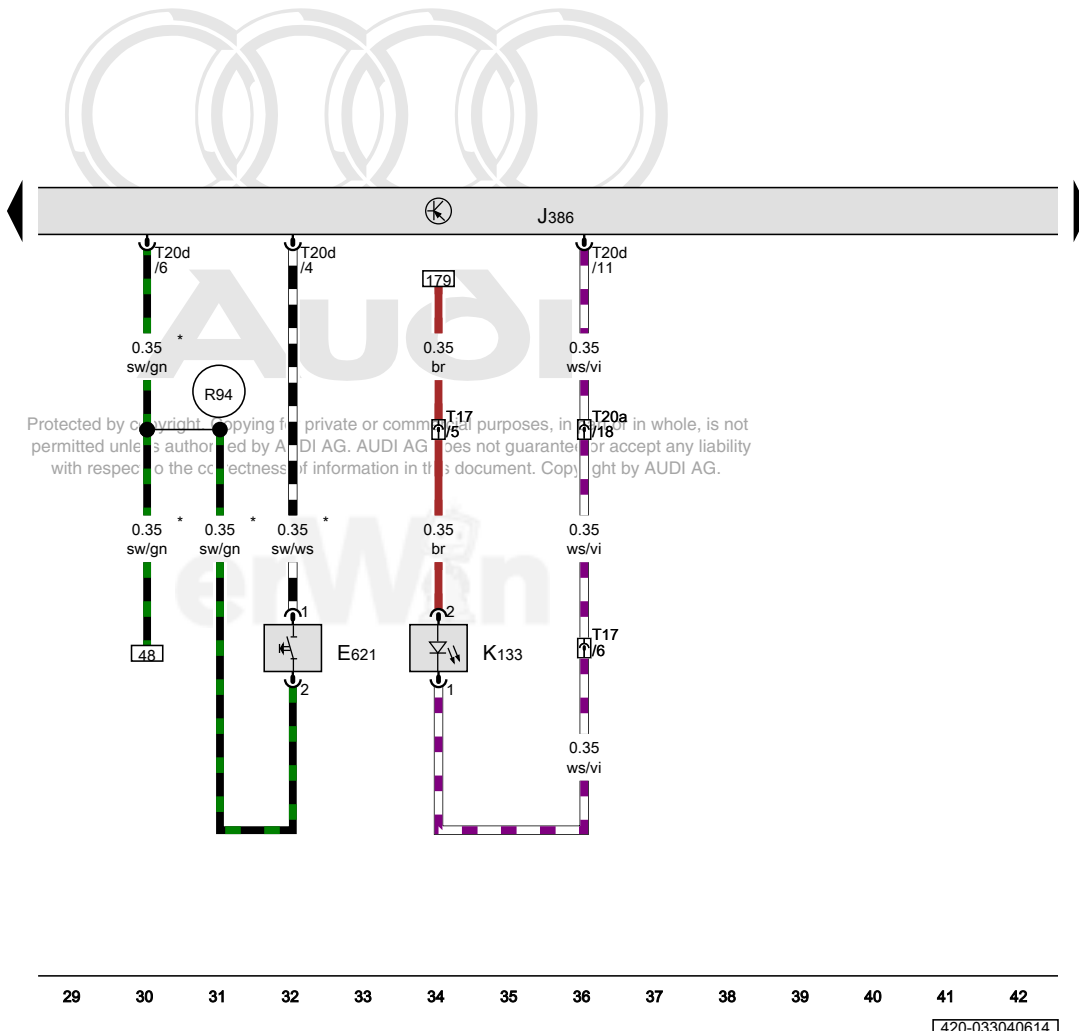
Protected by copyright. Copying for private or commercial purposes, in part or in whole, is not permitted unless authorised by AUDI AG. AUDI AG does not guarantee or accept any liability with respect to the correctness of information in this document. Copyright by AUDI AG.

Driver window lowering microswitch, Driver door control module, Central locking -SAFE- indicator lamp

- E621 Driver window lowering microswitch
- J386 Driver door control module
- K133 Central locking -SAFE- indicator lamp
- T17 17-pin connector, Inside the center console connector station on the right side
- T20a 20-pin connector, in the left front door
- T20d 20-pin connector

R94 Connection 1 (in driver door wiring harness)

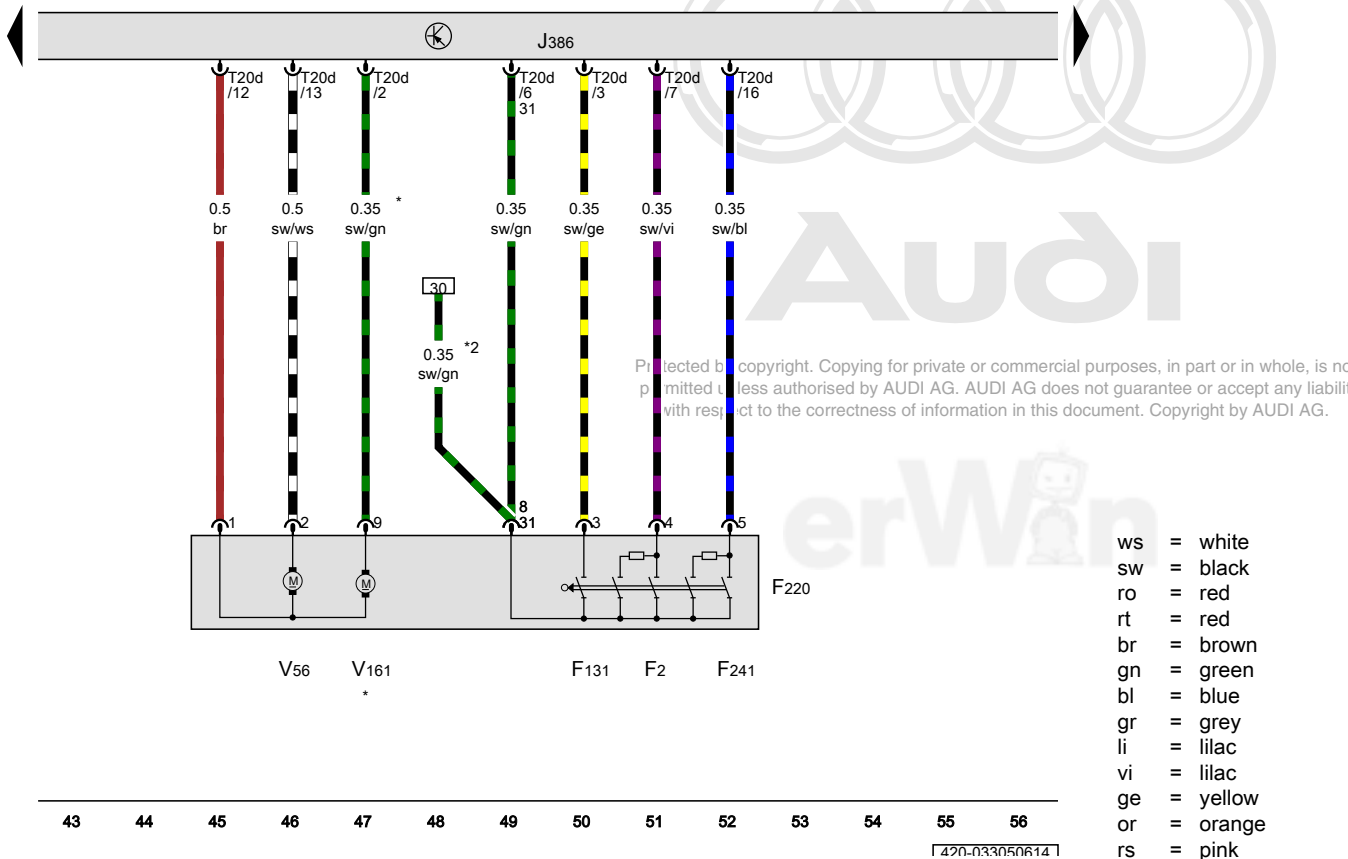
* Depending on equipment



- ws = white
- sw = black
- ro = red
- rt = red
- br = brown
- gn = green
- bl = blue
- gr = grey
- li = lilac
- vi = lilac
- ge = yellow
- or = orange
- rs = pink

Driver central locking lock unit, Driver door control module

- F2 Driver door contact switch
- F131 Left front central locking system actuator
- F220 Driver central locking lock unit
- F241 Driver lock cylinder contact switch
- J386 Driver door control module
- T20d 20-pin connector
- V56 Driver door central locking system motor
- V161 Driver door central locking -SAFE- motor
- * Not for USA
- *2 Depending on equipment



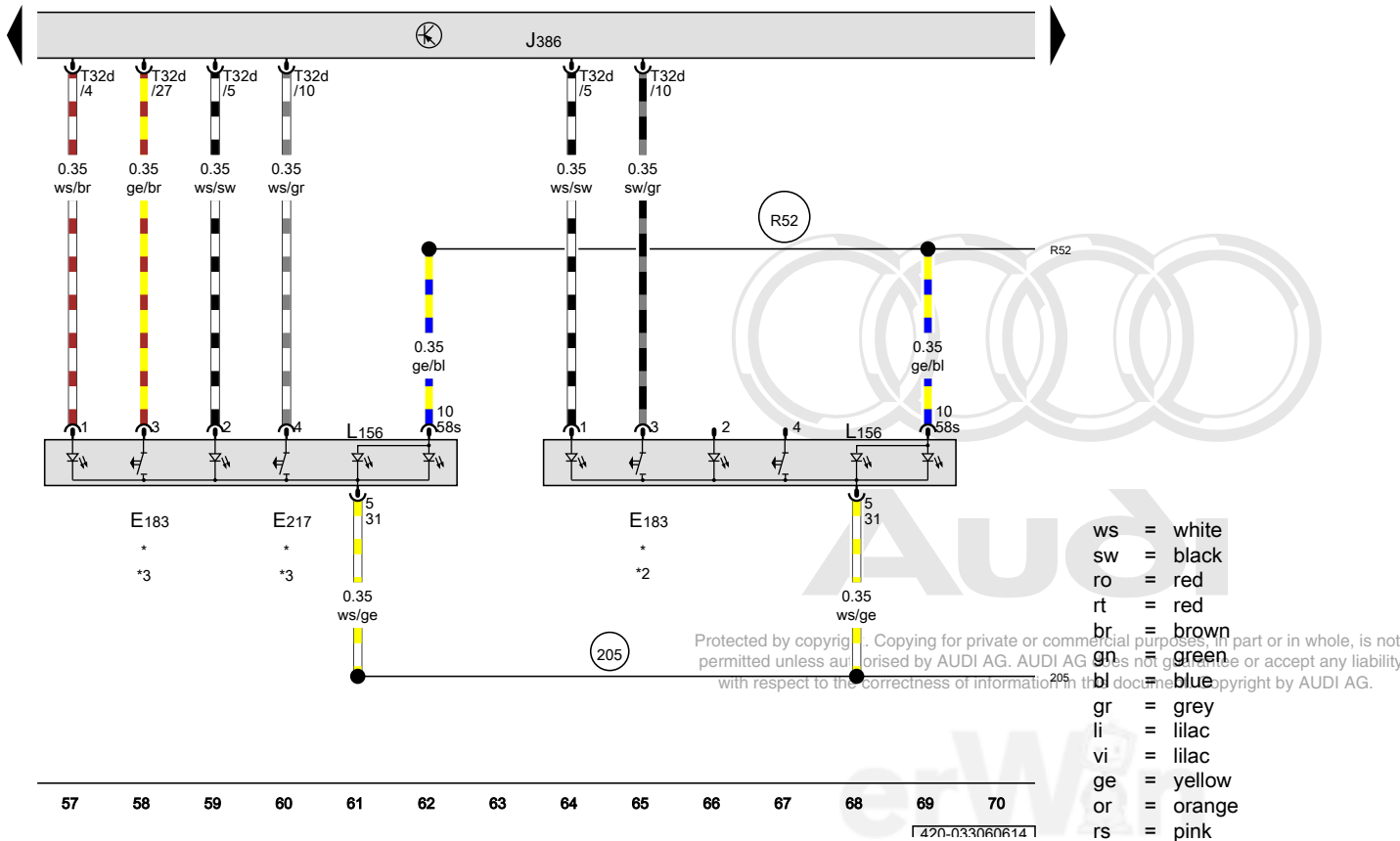
Alarm system deactivation switch, Driver door control module

- E183 Interior monitoring switch
- E217 Alarm system deactivation switch
- J386 Driver door control module
- L156 Switch illumination bulb
- T32d 32-pin connector

205 Ground connection (in driver door wiring harness)

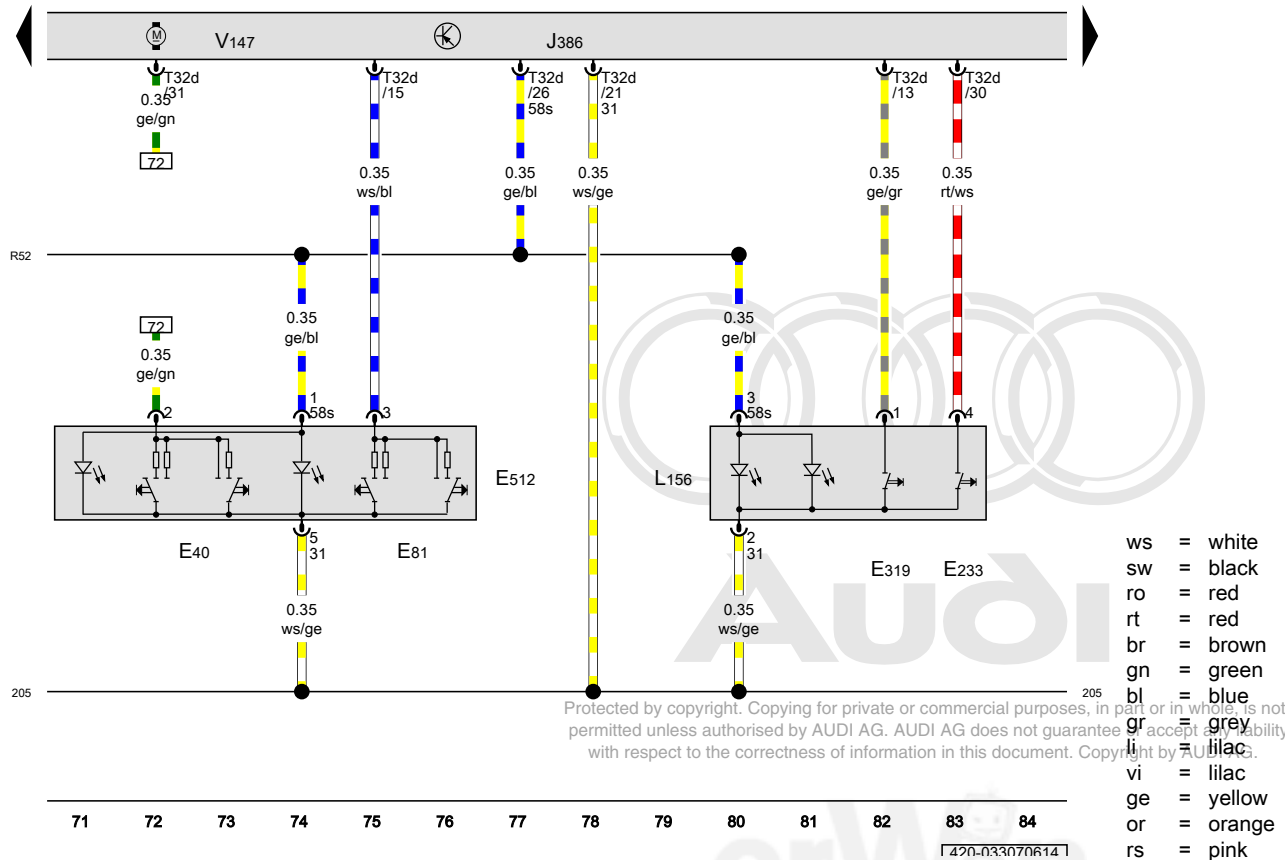
R52 Connection 58s (in driver door wiring harness)

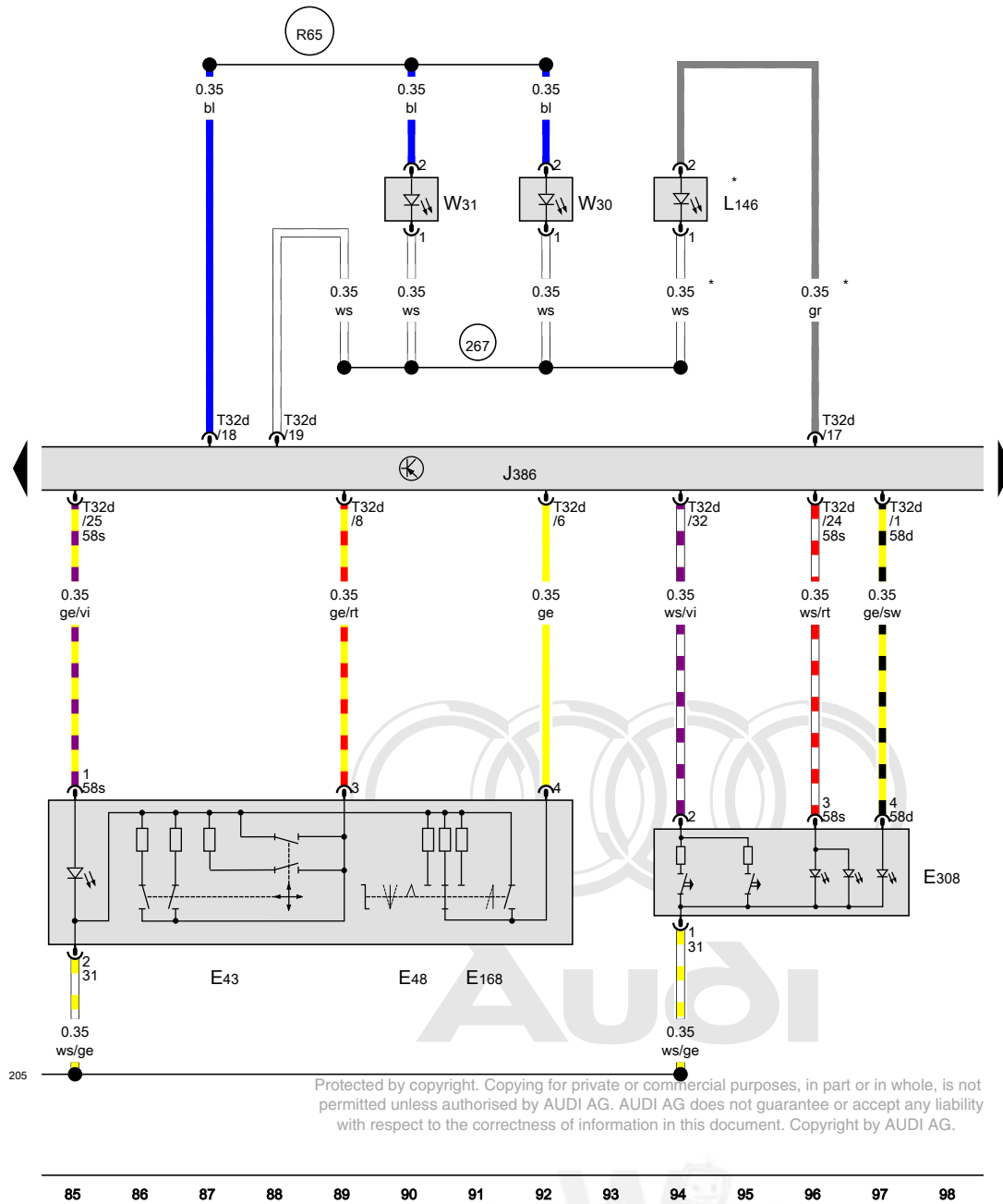
- * Not for USA
- *2 from June 2010
- *3 Through May 2010



Rear lid remote release button, Fuel filler door release button, Power window control head in driver door, Driver door control module, Driver window regulator motor

- E40 Left front window regulator switch
 - E81 Right front power window switch in driver door
 - E233 Rear lid remote release button
 - E319 Fuel filler door release button
 - E512 Power window control head in driver door
 - J386 Driver door control module
 - L156 Switch illumination bulb
 - T32d 32-pin connector
 - V147 Driver window regulator motor
- (205) Ground connection (in driver door wiring harness)
- (R52) Connection 58s (in driver door wiring harness)





Mirror adjusting switch, Driver interior locking button, Driver door control module, Driver interior door handle illumination bulb, Driver door warning lamp, Left front entry lamp

- E43 Mirror adjusting switch
- E48 Mirror selector switch
- E168 Folding mirror adjustment switch
- E308 Driver interior locking button
- J386 Driver door control module
- L146 Driver interior door handle illumination bulb
- T32d 32-pin connector
- W30 Driver door warning lamp
- W31 Left front entry lamp

- 205 Ground connection (in driver door wiring harness)
- 267 Ground connection 2 (in driver door wiring harness)
- R65 Positive connection (58) (in driver door wiring harness)

* Only for vehicles with auxiliary lamps

- ws = white
- sw = black
- ro = red
- rt = red
- br = brown
- gn = green
- bl = blue
- gr = grey
- li = lilac
- vi = lilac
- ge = yellow
- or = orange
- rs = pink

Protected by copyright. Copying for private or commercial purposes, in part or in whole, is not permitted unless authorised by AUDI AG. AUDI AG does not guarantee or accept any liability with respect to the correctness of information in this document. Copyright by AUDI AG.

85 86 87 88 89 90 91 92 93 94 95 96 97 98

1420-033080614

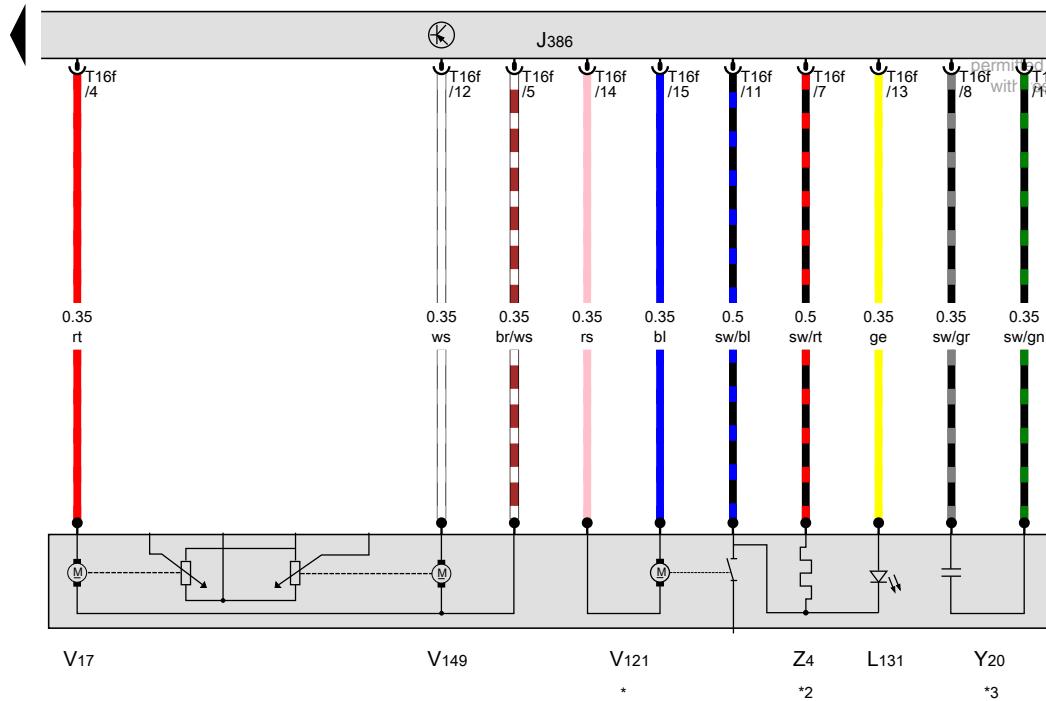
Driver door control module, Driver mirror adjustment motor

- J386 Driver door control module
- L131 Driver exterior rearview mirror turn signal bulb
- T16f 16-pin connector
- V17 Driver mirror adjustment motor
- V121 Driver exterior rearview mirror folding motor
- V149 Driver mirror adjustment motor
- Y20 Driver automatic dimming exterior rearview mirror
- Z4 Heated driver exterior rearview mirror
- * Only for vehicles with folding mirrors
- *2 Only for vehicles with heated exterior rearview mirrors
- *3 Only for vehicles with automatic dimming exterior rearview mirror



Audi

erWin



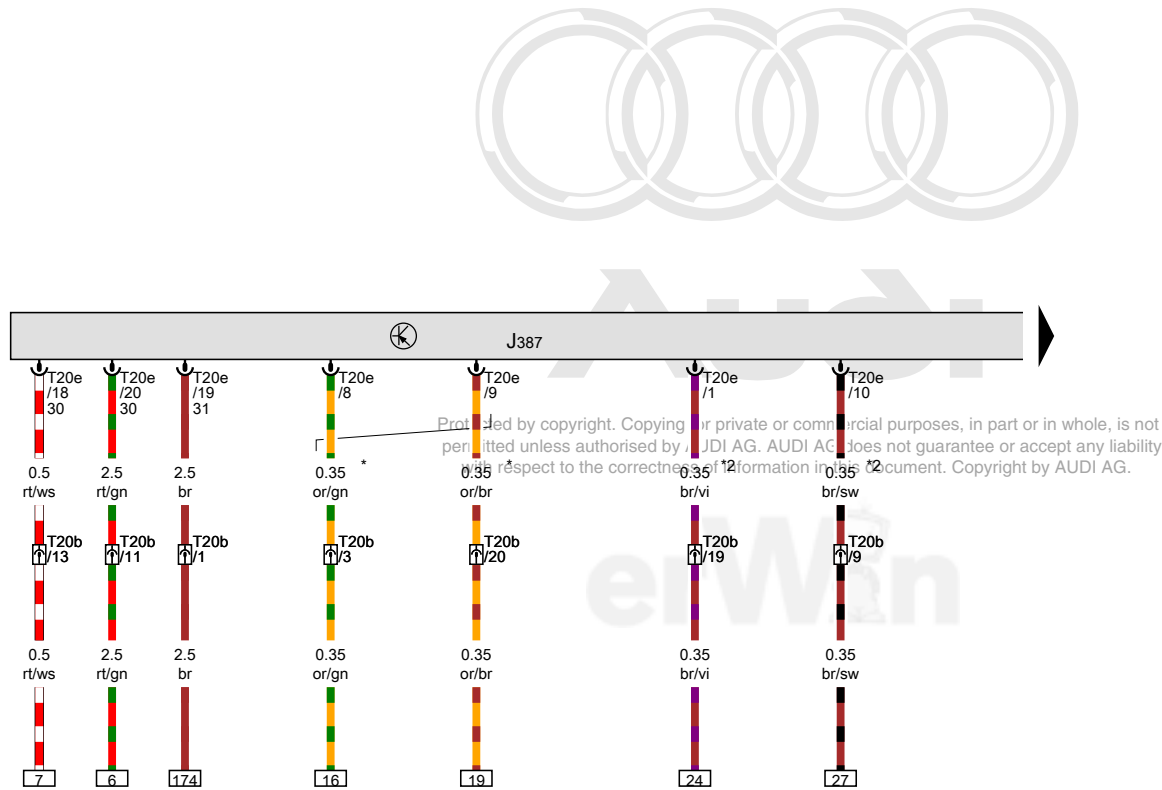
- ws = white
- sw = black
- ro = red
- rt = red
- br = brown
- gn = green
- bl = blue
- gr = grey
- li = lilac
- vi = lilac
- ge = yellow
- or = orange
- rs = pink

99 100 101 102 103 104 105 106 107 108 109 110 111 112

1420-033090614

Front passenger door control module

- J387 Front passenger door control module
- T20b 20-pin connector, in the right front door
- T20e 20-pin connector
- * Data bus wire (CAN bus)
- *2 Only for vehicles with automatic dimming interior rearview mirror



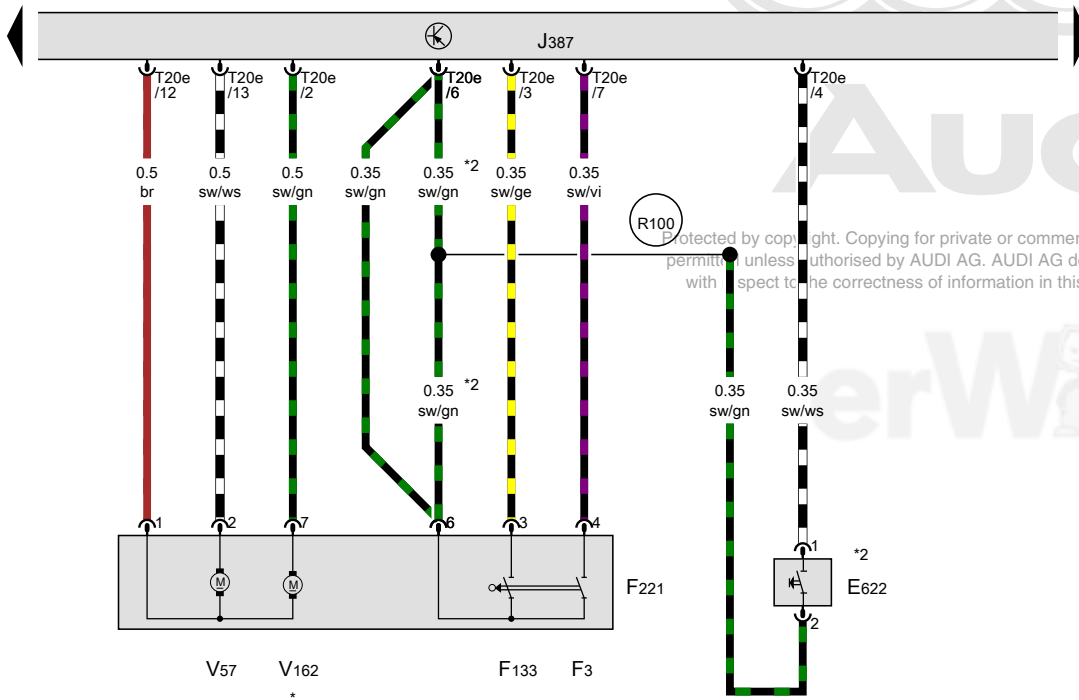
- ws = white
- sw = black
- ro = red
- rt = red
- br = brown
- gn = green
- bl = blue
- gr = grey
- li = lilac
- vi = lilac
- ge = yellow
- or = orange
- rs = pink

113 114 115 116 117 118 119 120 121 122 123 124 125 126

1420-033100614

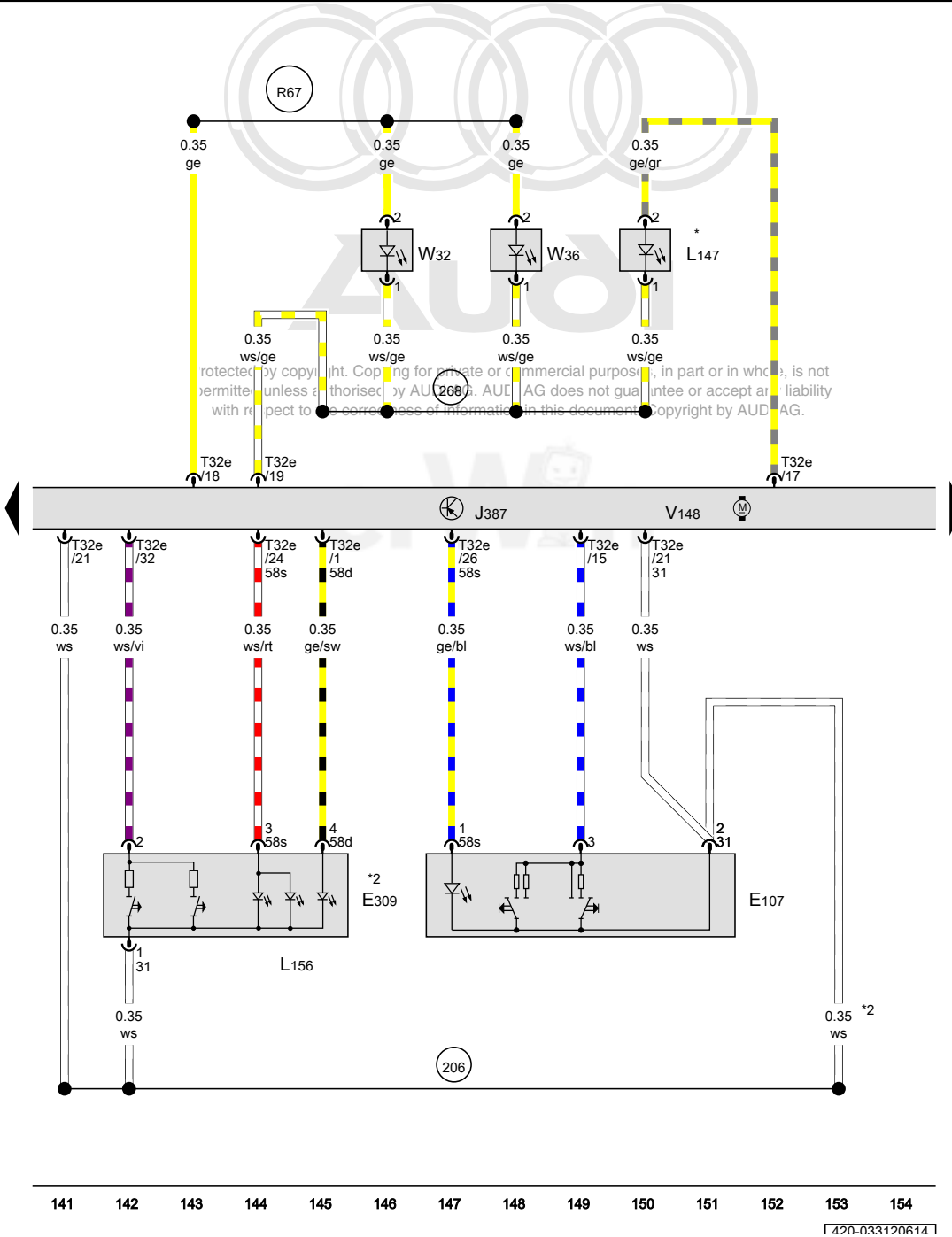
Front passenger window lowering microswitch, Front passenger central locking lock unit, Front passenger door control module

- E622 Front passenger window lowering microswitch
- F3 Front passenger door contact switch
- F133 Right front central locking system actuator
- F221 Front passenger central locking lock unit
- J387 Front passenger door control module
- T20e 20-pin connector
- V57 Front passenger door central locking system motor
- V162 Front passenger central locking -SAFE- motor
- R100 Connection 3 (in front passenger door wiring harness)
- * Not for USA
- *2 Depending on equipment



Protected by copyright. Copying for private or commercial purposes, in part or in whole, is not permitted unless authorised by AUDI AG. AUDI AG does not guarantee or accept any liability with respect to the correctness of information in this document. Copyright by AUDI AG.

- ws = white
- sw = black
- ro = red
- rt = red
- br = brown
- gn = green
- bl = blue
- gr = grey
- li = lilac
- vi = lilac
- ge = yellow
- or = orange
- rs = pink



Front passenger door window regulator switch, Front passenger interior locking button, Front passenger door control module, Front passenger interior door handle illumination bulb, Right front entry lamp, Front passenger door warning lamp

- E107 Front passenger door window regulator switch
- E309 Front passenger interior locking button
- J387 Front passenger door control module
- L147 Front passenger interior door handle illumination bulb
- L156 Switch illumination bulb
- T32e 32-pin connector
- V148 Front passenger window regulator motor
- W32 Right front entry lamp
- W36 Front passenger door warning lamp

- 206 Ground connection (in front passenger door wiring harness)
- 268 Ground connection 2 (in front passenger door wiring harness)
- R67 Positive connection (58) (in front passenger door wiring harness)

- * Only for vehicles with auxiliary lamps
- *2 USA only

- ws = white
- sw = black
- ro = red
- rt = red
- br = brown
- gn = green
- bl = blue
- gr = grey
- li = lilac
- vi = lilac
- ge = yellow
- or = orange
- rs = pink

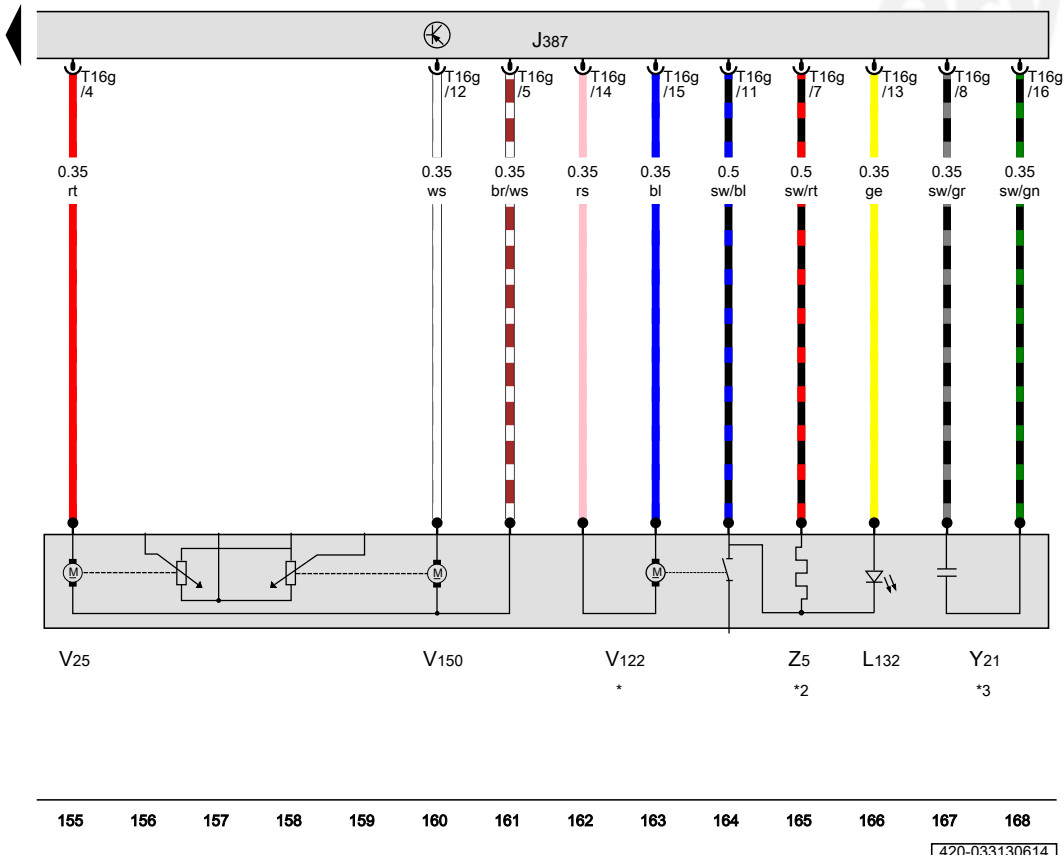
141 142 143 144 145 146 147 148 149 150 151 152 153 154

420-033120614

Front passenger door control module, Front passenger mirror adjustment motor, Front passenger automatic dimming exterior rearview mirror, Heated front passenger exterior rearview mirror

- J387 Front passenger door control module
- L132 Front passenger exterior rearview mirror turn signal bulb
- T16g 16-pin connector
- V25 Front passenger mirror adjustment motor
- V122 Front passenger exterior rearview mirror folding motor
- V150 Front passenger mirror adjustment motor
- Y21 Front passenger automatic dimming exterior rearview mirror
- Z5 Heated front passenger exterior rearview mirror
- *1 Only for vehicles with folding mirrors
- *2 Only for vehicles with heated exterior rearview mirrors
- *3 Only for vehicles with automatic dimming exterior rearview mirror

Protected by copyright. Copying for private or commercial purposes, in part or in whole, is not permitted unless authorised by AUDI AG. AUDI AG does not guarantee or accept any liability with respect to the correctness of information in this document. Copyright by Audi AG



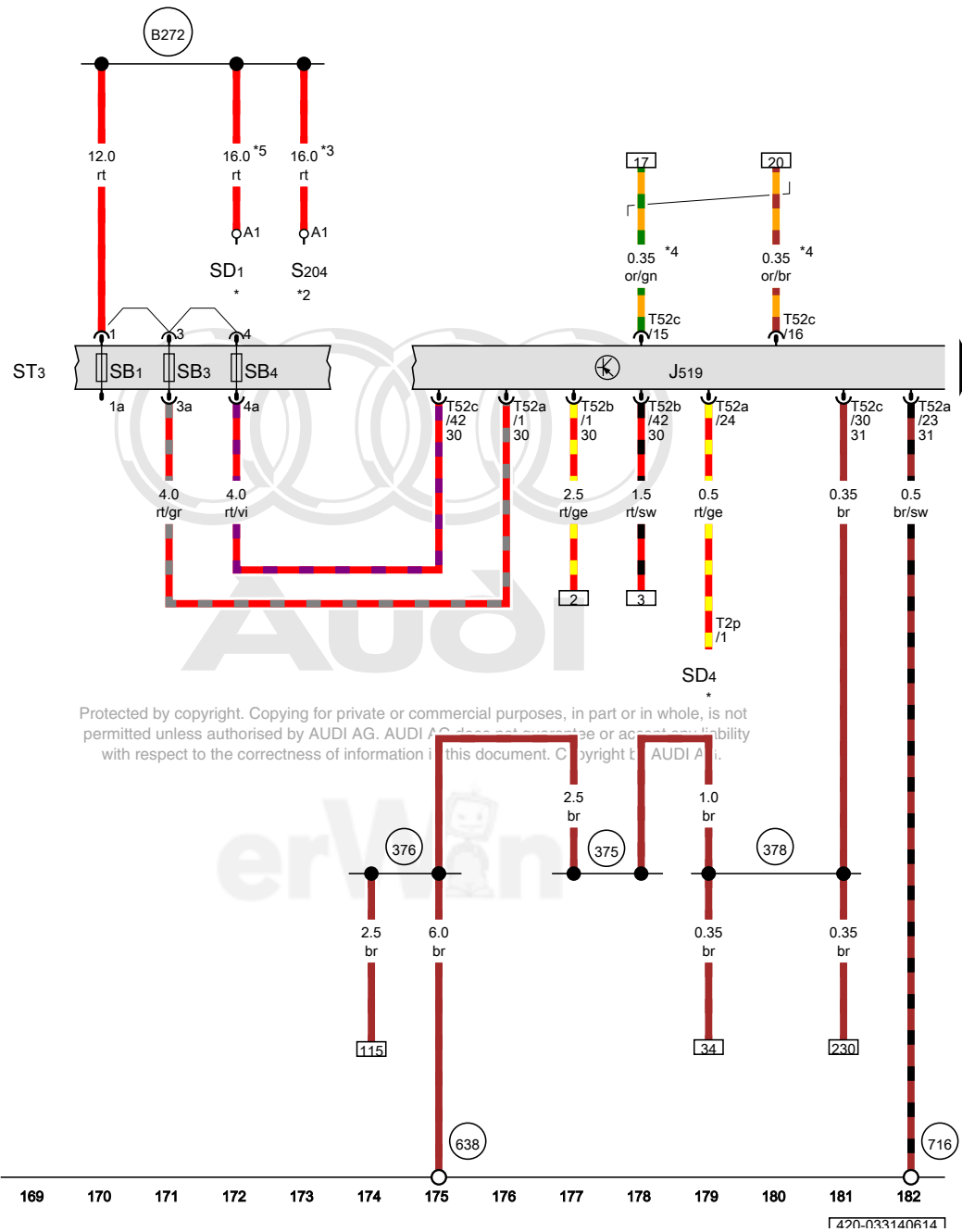
Vehicle electrical control module system

- J519 Vehicle electrical control module system
- SB1 Fuse 1 (on fuse panel B)
- SD1 Fuse 1 (on fuse panel D)
- ST3 Fuse panel 3
- SB3 Fuse 3 (on fuse panel B)
- SB4 Fuse 4 (on fuse panel B)
- SD4 Fuse 4 (on fuse panel D)
- S204 Fuse 1 (terminal 30)
- T2p Double connector
- T52a 52-pin connector
- T52b 52-pin connector
- T52c 52-pin connector

- 375 Ground connection 10 (in main wiring harness)
- 376 Ground connection 11 (in main wiring harness)
- 378 Ground connection 13 (in main wiring harness)
- 638 Ground connection on right A-pillar
- 716 Ground connection on right crossmember
- B272 Positive connection (30) (in main wiring harness)

- * Main fuse box in the right front footwell
- *2 Main distribution in the right front footwell
- *3 Through October 2011
- *4 Data bus wire (CAN bus)
- *5 from November 2011

- ws = white
- sw = black
- ro = red
- rt = red
- br = brown
- gn = green
- bl = blue
- gr = grey
- li = lilac
- vi = lilac
- ge = yellow
- or = orange
- rs = pink



Protected by copyright. Copying for private or commercial purposes, in part or in whole, is not permitted unless authorised by AUDI AG. AUDI AG does not assume any liability with respect to the correctness of information in this document. Copyright © AUDI AG.

169 170 171 172 173 174 175 176 177 178 179 180 181 182

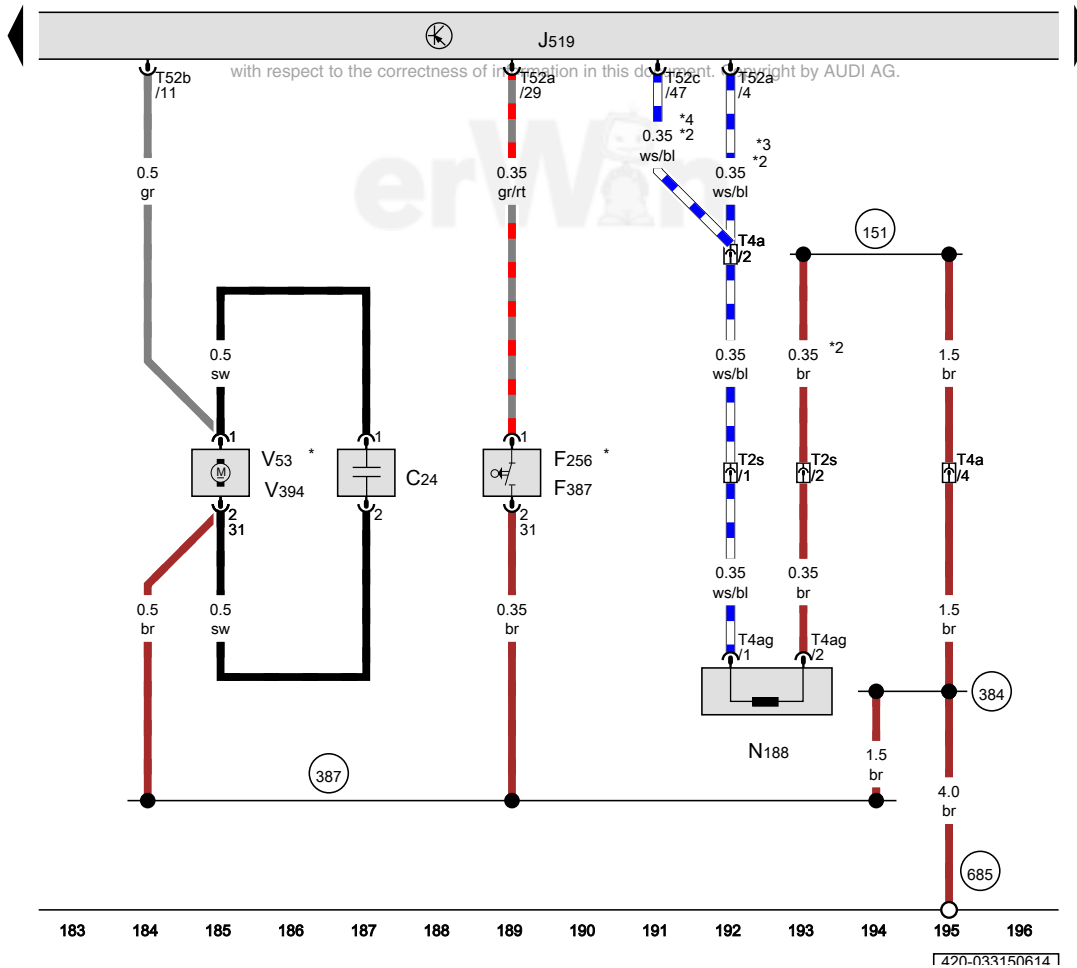
420-033140614



Audi

Rear lid lock unit, Hood contact switch, Vehicle electrical control module system, Luggage compartment release solenoid, Rear lid central locking system motor, Hood release motor

- C24 Suppressor
- F256 Rear lid lock unit
- F387 Hood contact switch
- J519 Vehicle electrical control module system
- N188 Luggage compartment release solenoid
- T2s Double connector
- T4a 4-pin connector, in the luggage compartment, right
- T4ag 4-pin connector
- T52a 52-pin connector
- T52b 52-pin connector
- T52c 52-pin connector
- V53 Rear lid central locking system motor
- V394 Hood release motor

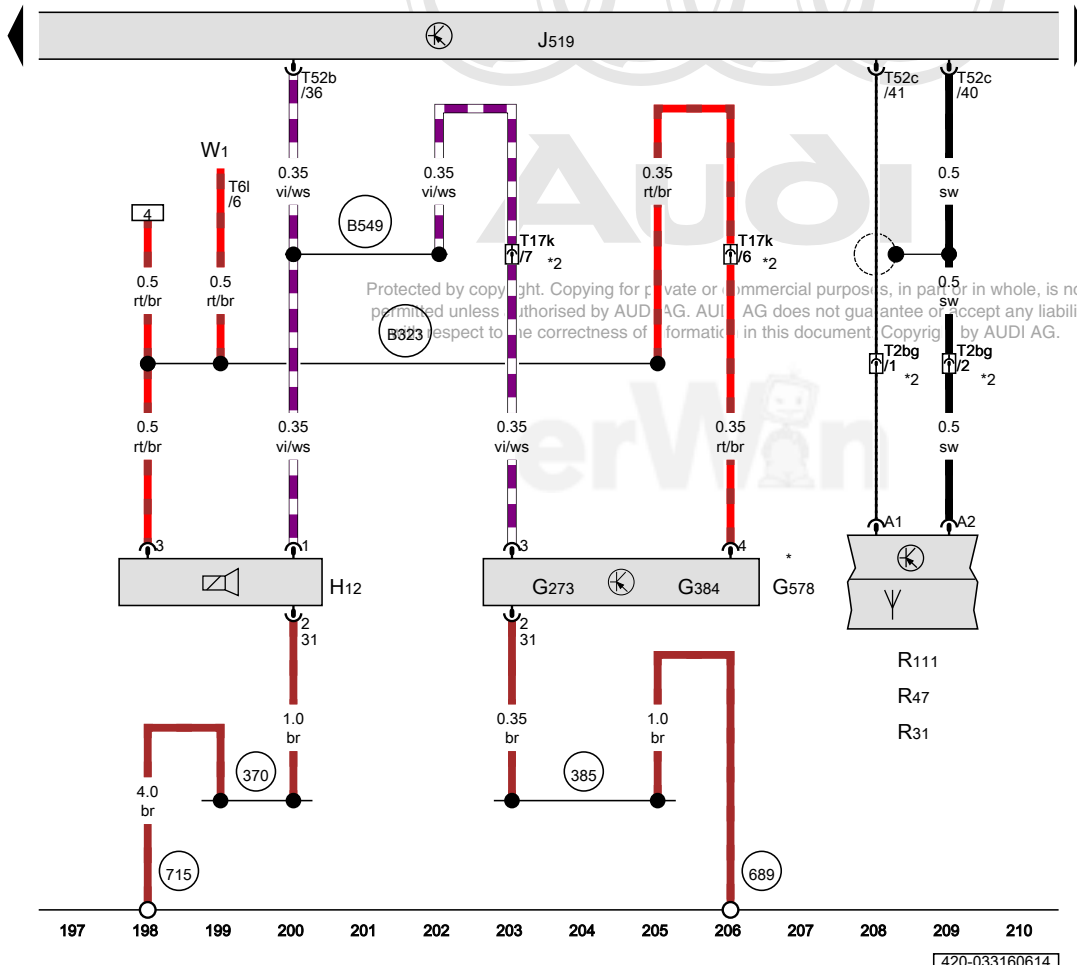


- 151 Ground connection 1 (in front wiring harness)
 - 384 Ground connection 19 (in main wiring harness)
 - 387 Ground connection 22 (in main wiring harness)
 - 685 Ground connection 1 on right front longitudinal member
- * Designation in Guided Fault Finding
 USA only
 *2 Through May 2012
 *3 Through May 2012
 *4 from June 2012

- ws = white
- sw = black
- ro = red
- rt = red
- br = brown
- gn = green
- bl = blue
- gr = grey
- li = lilac
- vi = lilac
- ge = yellow
- or = orange
- rs = pink

Anti-theft alarm system sensor, Alarm horn, Vehicle electrical control module system, Central locking and anti-theft alarm system antenna

- G273 Interior monitoring sensor
- G384 Vehicle inclination sensor
- G578 Anti-theft alarm system sensor
- H12 Alarm horn
- J519 Vehicle electrical control module system
- R31 Window antenna
- R47 Central locking and anti-theft alarm system antenna
- R111 Antenna amplifier 2
- T2bg Double connector, on the left A-pillar
- T6l 6-pin connector
- T17k 17-pin connector, on the left A-pillar
- T52b 52-pin connector
- T52c 52-pin connector
- W1 Front interior lamp



- 370 Ground connection 5 (in main wiring harness)
- 385 Ground connection 20 (in main wiring harness)
- 689 Ground connection on roof, center front
- 715 Ground connection on left crossmember
- B323 Positive connection 9 (30a) (in main wiring harness)
- B549 LIN bus connection 2 (in main wiring harness)
- * Anti-theft alarm system with interior monitoring
- *2 Depending on equipment

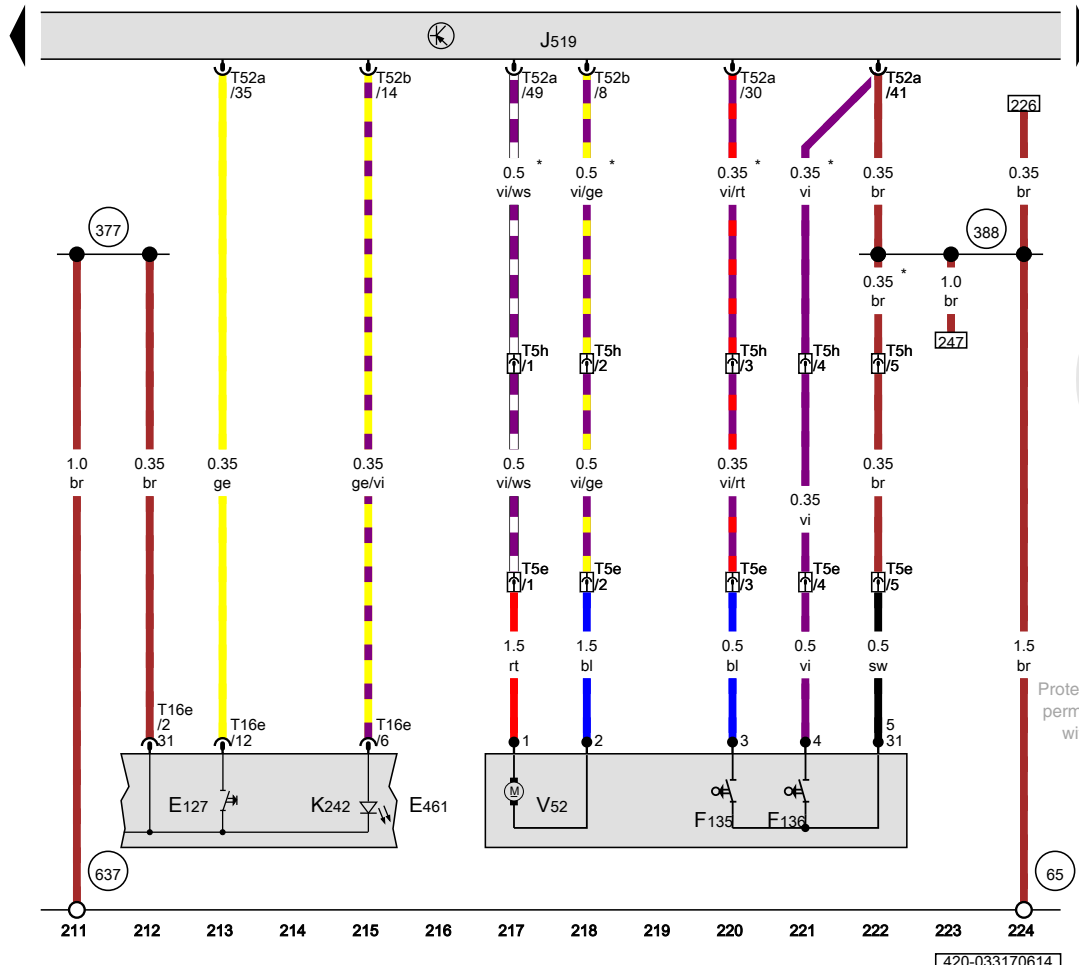
- ws = white
- sw = black
- ro = red
- rt = red
- br = brown
- gn = green
- bl = blue
- gr = grey
- li = lilac
- vi = lilac
- ge = yellow
- or = orange
- rs = pink

420-033160614

Rear spoiler adjustment switch, Vehicle electrical control module system

- E127 Rear spoiler adjustment switch
- E461 Front center console control head
- F135 Rear spoiler stop switch 1
- F136 Rear spoiler stop switch 2
- J519 Vehicle electrical control module system
- K242 Rear spoiler adjustment indicator lamp
- T5e 5-pin connector, on the rear spoiler
- T5h 5-pin connector, near the left tail lamp
- T16e 16-pin connector
- T52a 52-pin connector
- T52b 52-pin connector
- V52 Rear spoiler motor

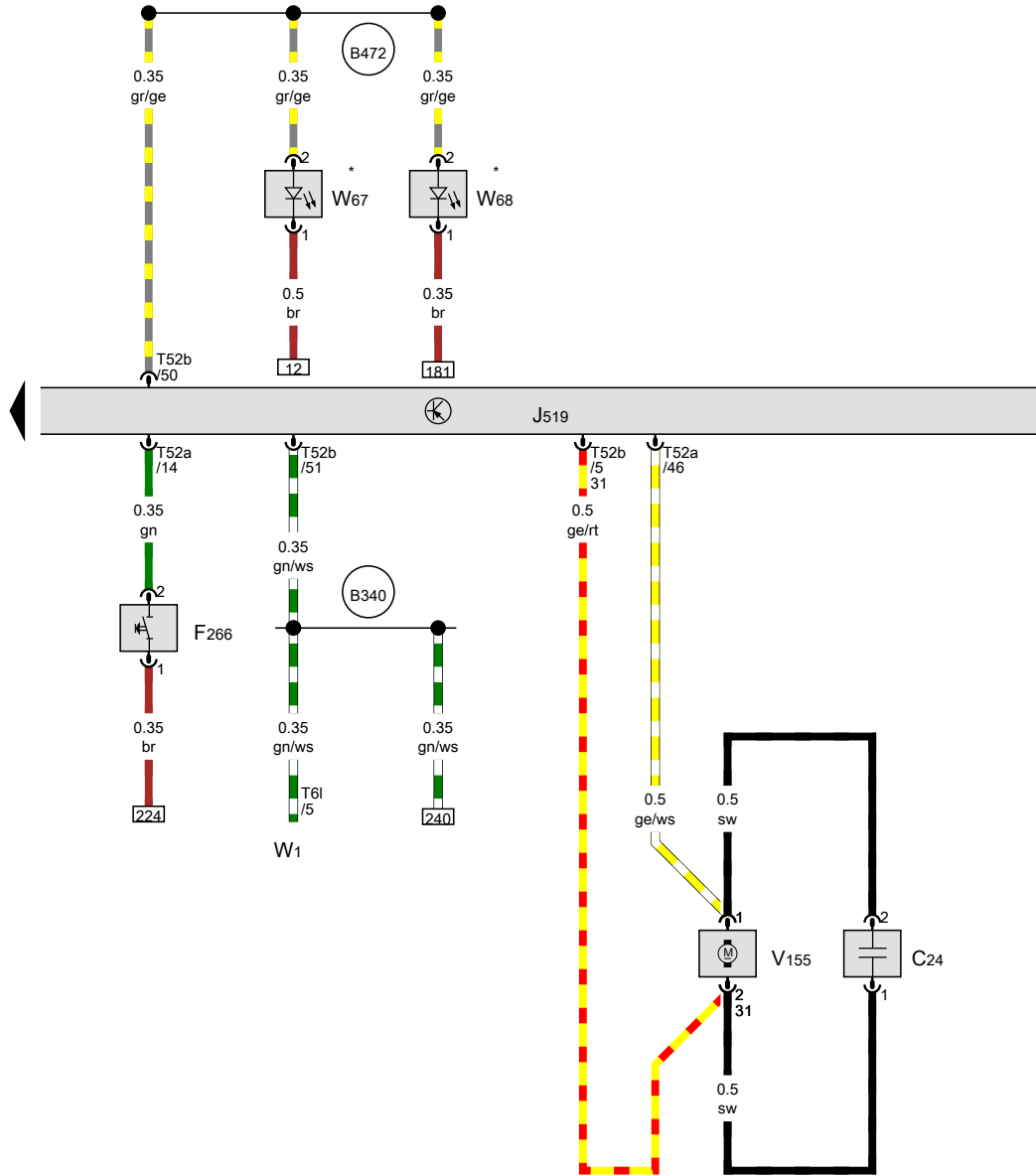
- 65 Ground connection on left rear longitudinal member
- 377 Ground connection 12 (in main wiring harness)
- 388 Ground connection 23 (in main wiring harness)
- 637 Airbag control module ground connection
- * Only for vehicles with power rear spoiler



Audi

Protected by copyright. Copying for private or commercial purposes, in part or in whole, is not permitted unless authorized by AUDI AG. AUDI AG does not guarantee or accept any liability with respect to the correctness of information in this document. Copyright by AUDI AG.

ws = white
 sw = black
 to = red
 rt = red
 br = brown
 gn = green
 bl = blue
 gr = grey
 li = lilac
 vi = lilac
 ge = yellow
 or = orange
 rs = pink



Engine hood contact switch, Vehicle electrical control module system, Fuel filler door unlock motor, Fiber optic cable for left front sill panel ambient lighting, Fiber optic cable for right front sill panel ambient lighting

- C24 Suppressor
- F266 Engine hood contact switch
- J519 Vehicle electrical control module system
- T6l 6-pin connector
- T52a 52-pin connector
- T52b 52-pin connector
- V155 Fuel filler door unlock motor
- W1 Front interior lamp
- W67 Fiber optic cable for left front sill panel ambient lighting
- W68 Fiber optic cable for right front sill panel ambient lighting

B340 Connection 58d (in main wiring harness) 1

B472 Connection 8 (in main wiring harness)

* Only for vehicles with auxiliary lamps

Protected by copyright. Copying for private or commercial purposes, in part or in whole, is not permitted unless authorised by AUDI AG. AUDI AG does not guarantee or accept any liability with respect to the correctness of information in this document. Copyright by AUDI AG.

- ws = white
- sw = black
- ro = red
- rt = red
- br = brown
- gn = green
- bl = blue
- gr = grey
- li = lilac
- vi = lilac
- ge = yellow
- or = orange
- rs = pink

225 226 227 228 229 230 231 232 233 234 235 236 237 238

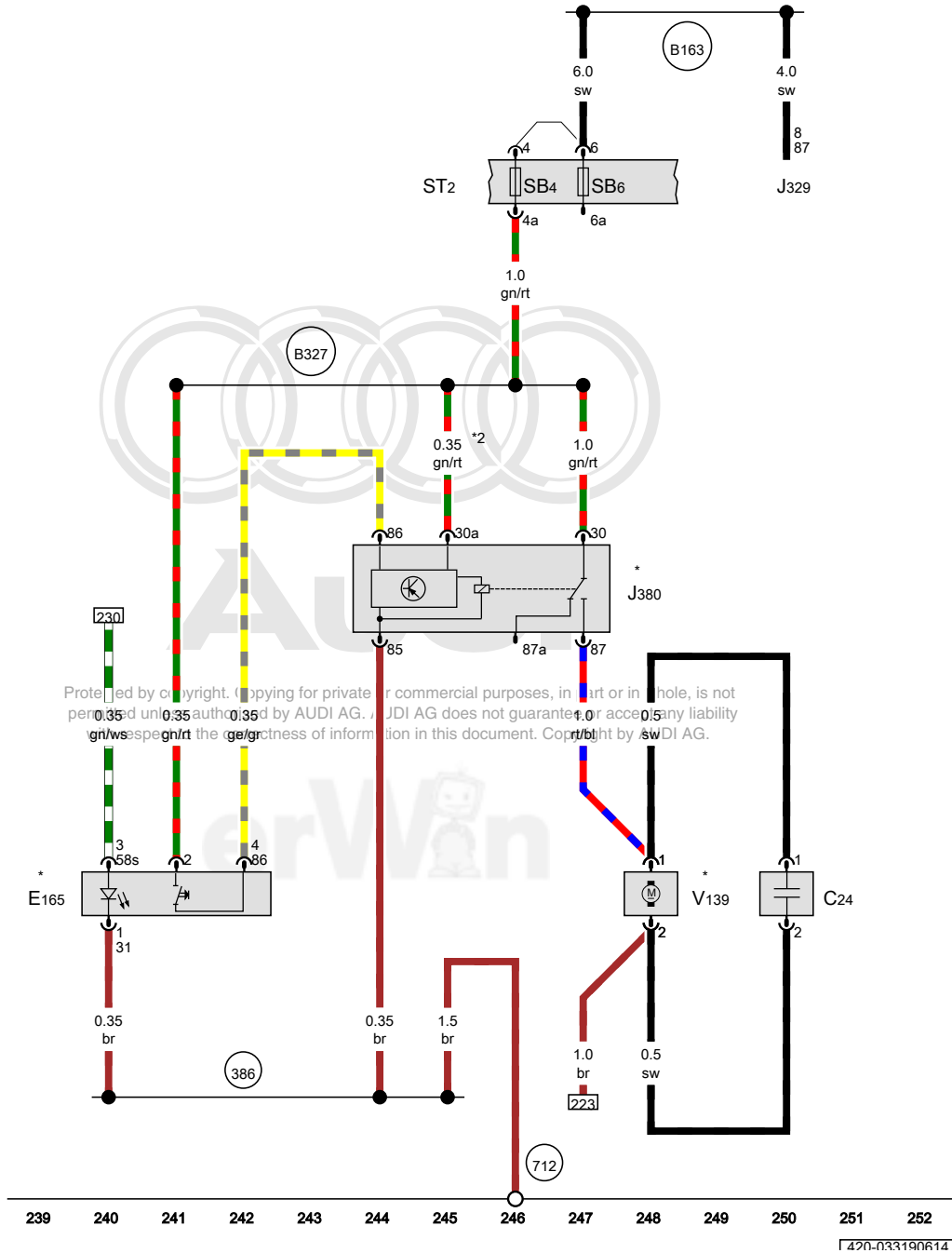
420-033180614

Rear lid unlock switch, Rear lid central locking relay, Rear lid unlock motor

- C24 Suppressor
- E165 Rear lid unlock switch
- J329 Terminal 15 power supply relay, Relay and fuse holder B on the vehicle electrical system control module in the right front footwell
- J380 Rear lid central locking relay, Relay and fuse holder B on the vehicle electrical system control module in the right front footwell
- ST2 Fuse panel 2
- SB4 Fuse 4 (on fuse panel B)
- SB6 Fuse 6 (on fuse panel B)
- V139 Rear lid unlock motor

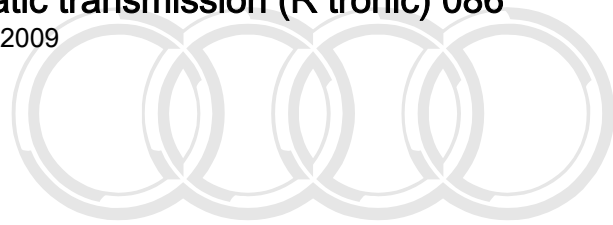
- 386 Ground connection 21 (in main wiring harness)
- 712 Ground connection under rear shelf, left
- B163 Positive connection 1 (15) (in interior wiring harness)
- B327 Positive connection 13 (30a) (in main wiring harness)

* Only for vehicles with electronic rear lid opener
 *2 Through May 2010



420-033190614

Automatic transmission (R tronic) 086
from May 2009



Audi

Protected by copyright. Copying for private or commercial purposes, in part or in whole, is not permitted unless authorised by AUDI AG. AUDI AG does not guarantee or accept any liability with respect to the correctness of information in this document. Copyright by AUDI AG.

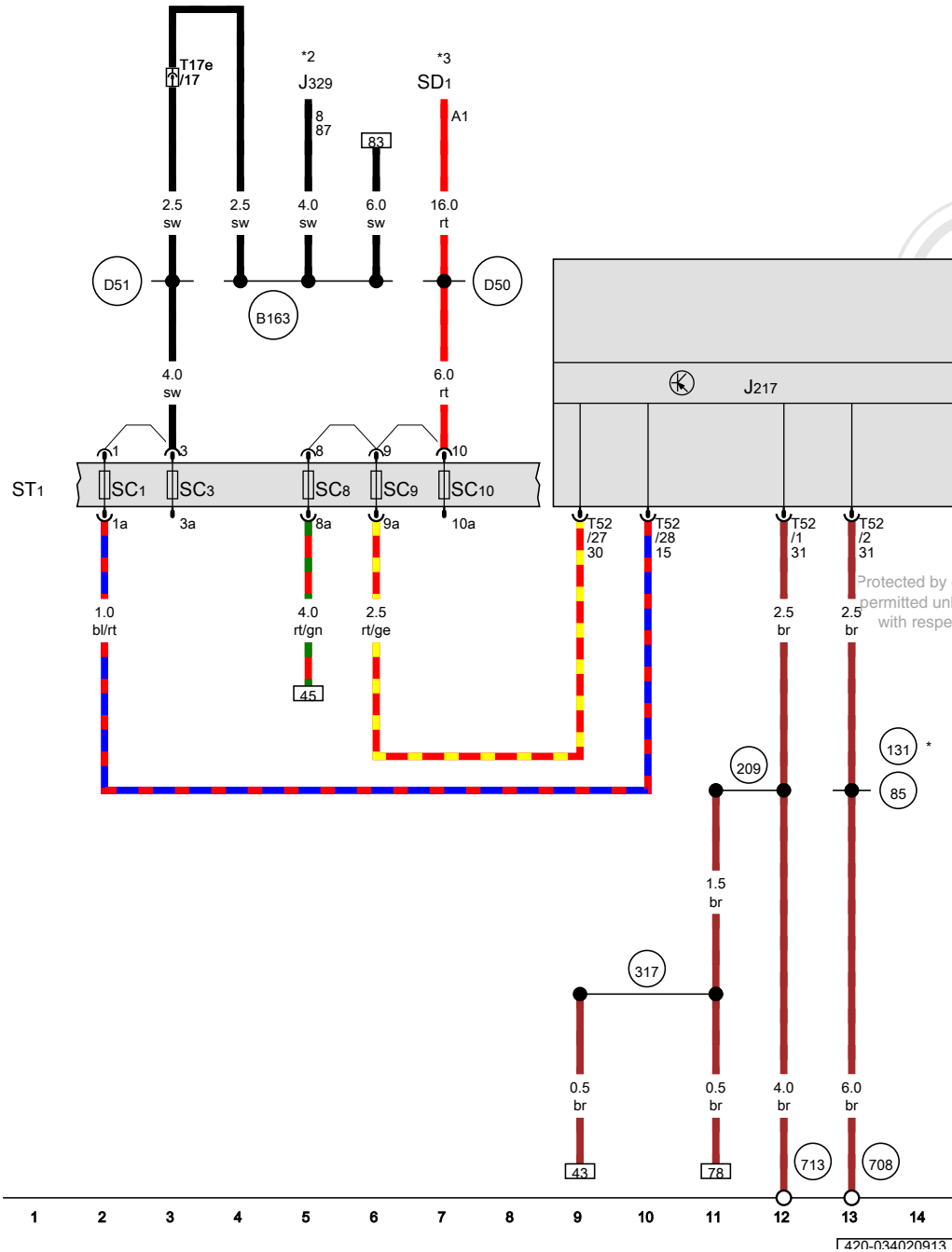


Transmission control module, Fuse panel 1

- J217 Transmission control module
- J329 Terminal 15 power supply relay
- SC1 Fuse 1 (on fuse panel C)
- ST1 Fuse panel 1
- SD1 Fuse 1 (on fuse panel D)
- SC3 Fuse 3 (on fuse panel C)
- SC8 Fuse 8 (on fuse panel C)
- SC9 Fuse 9 (on fuse panel C)
- SC10 Fuse 10 (on fuse panel C)
- T17e 17-pin connector, Connector station under the rear shelf, right, red

- T52 52-pin connector, black
- 85 Ground connection 1 (in engine compartment wiring harness)
- 131 Ground connection 2 (in engine compartment wiring harness)
- 209 Ground connection 6 (in engine compartment wiring harness)
- 317 Ground connection 7 (in engine compartment wiring harness)
- 708 Ground connection 2 on right rear chassis side member
- 713 Ground connection under rear shelf, right
- B163 Positive connection 1 (15) (in interior wiring harness)
- D50 Positive connection (30) (in engine compartment wiring harness)
- D51 Positive connection 1 (15) (in engine compartment wiring harness)

- * Only in vehicles with 10-cylinder engine
- *2 Relay carrier in the right front footwell
- *3 Main fuse box in the right front footwell



- ws = white
- sw = black
- ro = red
- rt = red
- br = brown
- gn = green
- bl = blue
- gr = grey
- li = lilac
- vi = lilac
- ge = yellow
- or = orange
- rs = pink

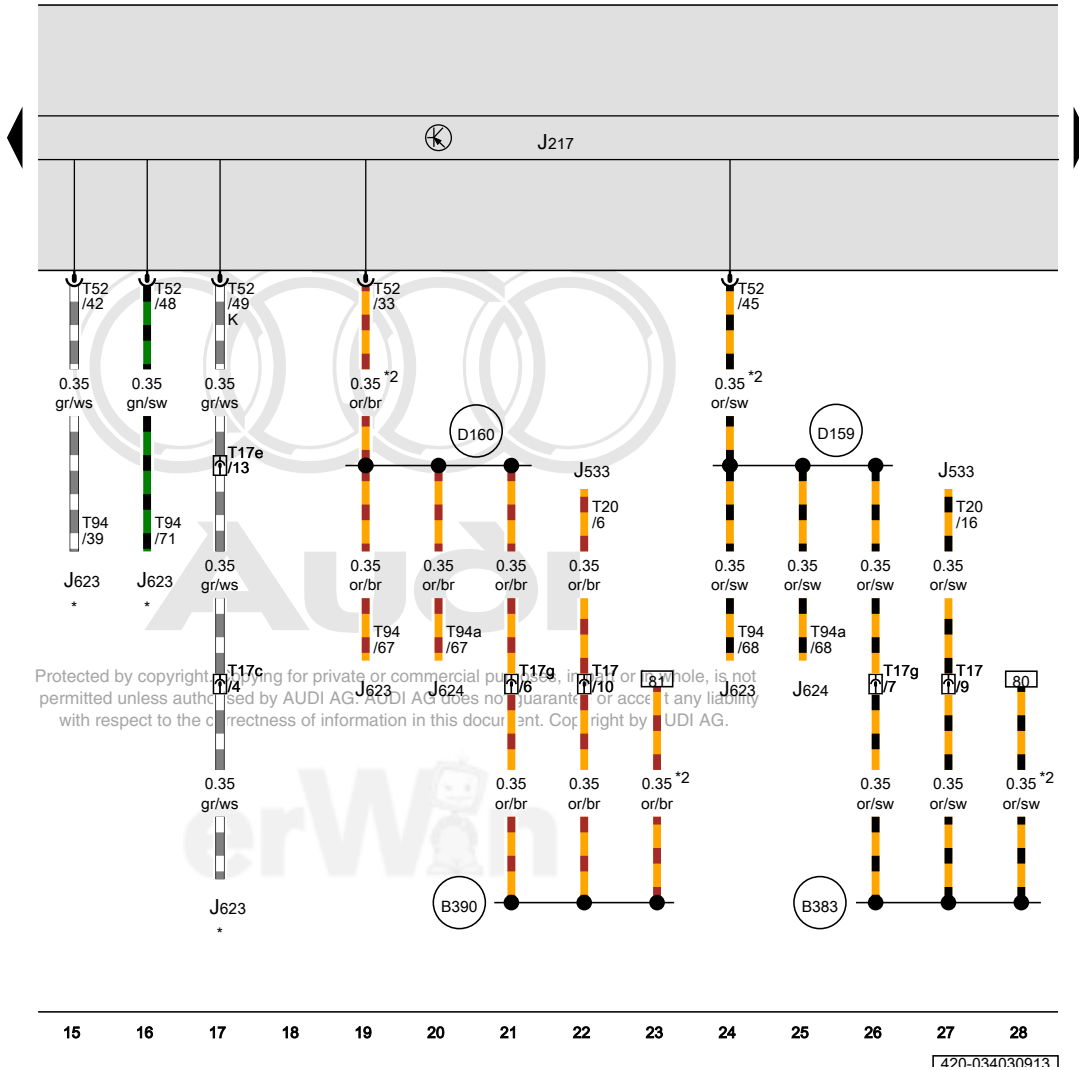
1470-034020913

Transmission control module

- J217 Transmission control module
- J533 Data bus on board diagnostic interface
- J623 Engine control module
- J624 Engine control module 2
- T17 17-pin connector, Inside the center console connector station on the right side, red
- T17c 17-pin connector, Inside the center console connector station on the right side, blue
- T17e 17-pin connector, Connector station under the rear shelf, right, red
- T17g 17-pin connector, Connector station under the rear shelf, right, black
- T20 20-pin connector, red
- T52 52-pin connector, black
- T94 94-pin connector, black
- T94a 94-pin connector, black

- (B383) Powertrain CAN bus high connection 1 (in main wiring harness)
- (B390) Powertrain CAN bus low connection 1 (in main wiring harness)
- (D159) High bus connection (in engine compartment wiring harness)
- (D160) Low bus positive connection (in engine compartment wiring harness)

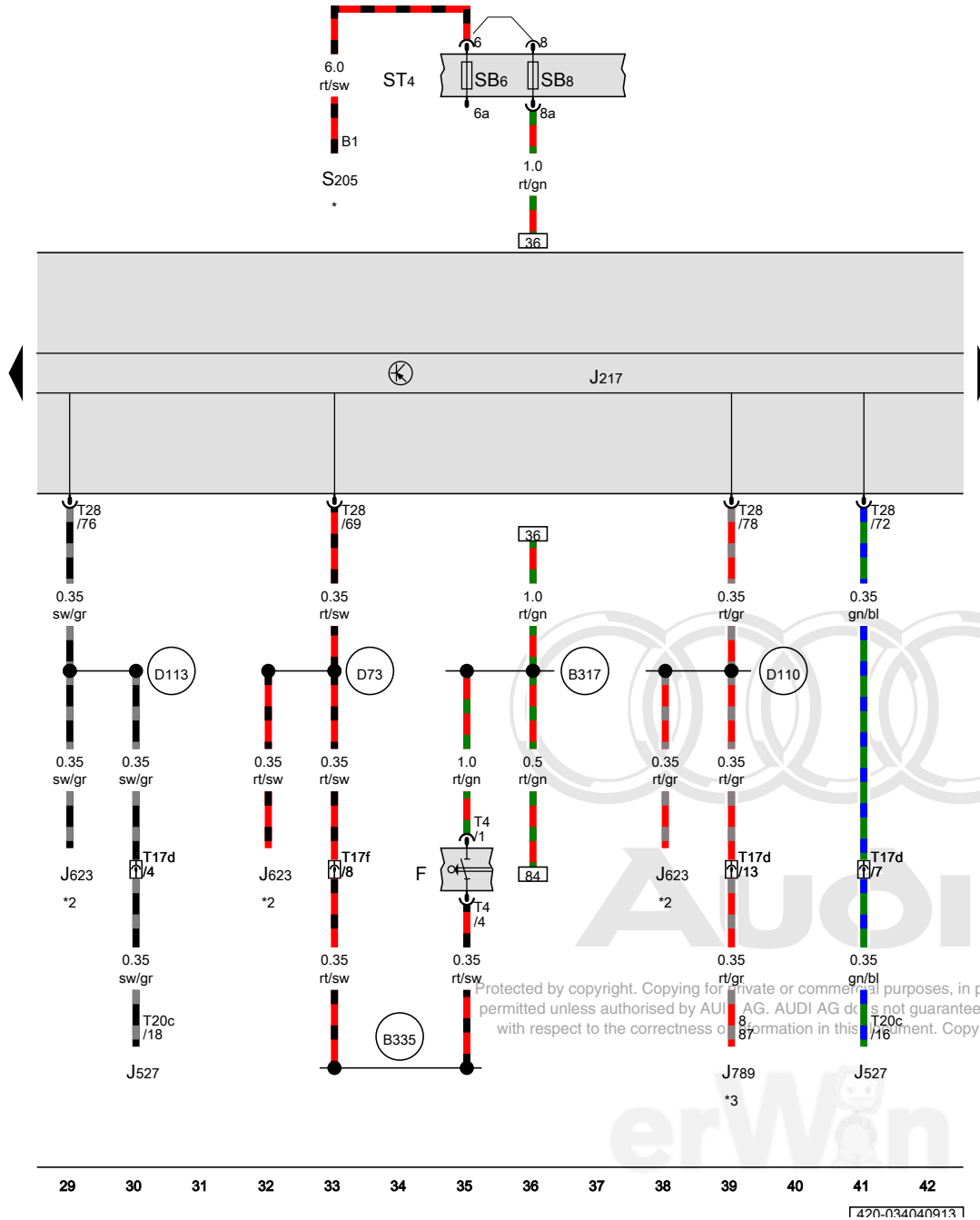
* Refer to applicable engine wiring diagram
 *2 Data bus wire (CAN bus)



Protected by copyright. Copying for private or commercial purposes, in whole or in part, is not permitted unless authorized by AUDI AG. AUDI AG does not warrant or accept any liability with respect to the correctness of information in this document. Copyright by AUDI AG.

1 420 034 030 913

Brake lamp switch, Transmission control module



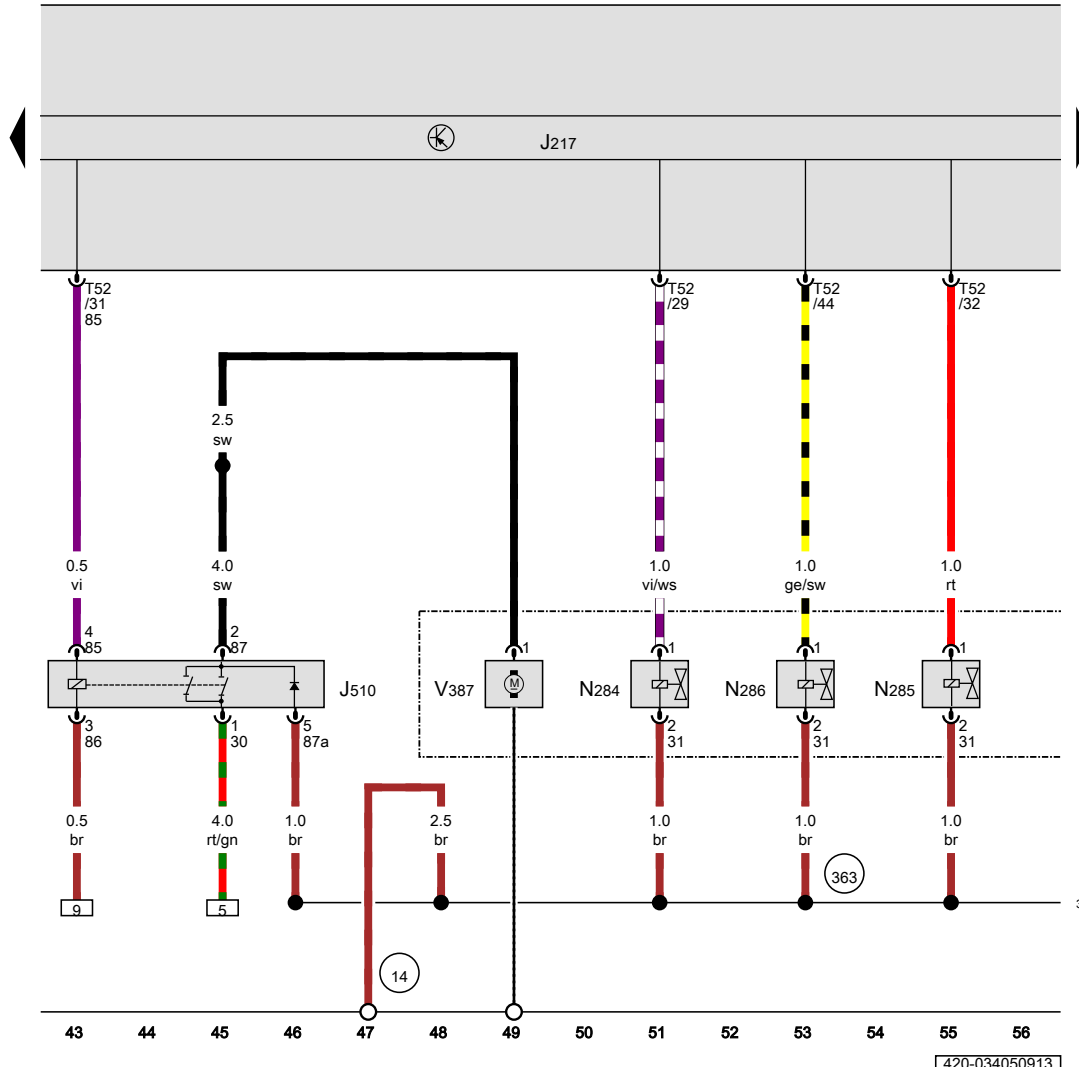
- F Brake lamp switch
- J217 Transmission control module
- J527 Steering column electronics control module
- J623 Engine control module
- J789 Control relay
- ST4 Fuse panel 4
- SB6 Fuse 6 (on fuse panel B)
- SB8 Fuse 8 (on fuse panel B)
- S205 Fuse 2 (terminal 30)
- T4 4-pin connector, black
- T17d 17-pin connector, Connector station under the rear shelf, right, brown
- T17f 17-pin connector, Connector station under the rear shelf, right, white
- T20c 20-pin connector, black
- T28 28-pin connector, black
- (B317) Positive connection 3 (30a) (in main wiring harness)
- (B335) Connection 54 (in main wiring harness) 1
- (D73) Positive connection (54) (in engine compartment wiring harness)
- (D110) Connection 8 (in engine compartment wiring harness)
- (D113) Connection 11 (in engine compartment wiring harness)
- * Main distribution in the right front footwell
- *2 Refer to applicable engine wiring diagram
- *3 Relay and fuse holder B on the vehicle electrical system control module in the right front footwell

- ws = white
- sw = black
- ro = red
- rt = red
- br = brown
- gn = green
- bl = blue
- gr = grey
- li = lilac
- vi = lilac
- ge = yellow
- or = orange
- rs = pink

Protected by copyright. Copying for private or commercial purposes, in part or in whole, is not permitted unless authorised by AUDI AG. AUDI AG does not guarantee or accept any liability with respect to the correctness of information in this document. Copyright © AUDI AG

Transmission control module, Transmission hydraulic pump relay, Gear selection valve 1, Gear selection valve 2, Gear selection valve 3, Transmission hydraulic pump

- J217 Transmission control module
- J510 Transmission hydraulic pump relay, 9-pin relay and fuse panel C under the rear shelf, right
- N284 Gear selection valve 1
- N285 Gear selection valve 2
- N286 Gear selection valve 3
- T52 52-pin connector, black
- V387 Transmission hydraulic pump
- 14 Ground connection on transmission
- 363 Ground connection 8 (in engine compartment wiring harness)



Protected by copyright. Copying for private or commercial purposes, in part or in whole, is not permitted unless authorised by AUDI AG. AUDI AG does not guarantee or accept any liability with respect to the correctness of information in this document. Copyright by AUDI AG.

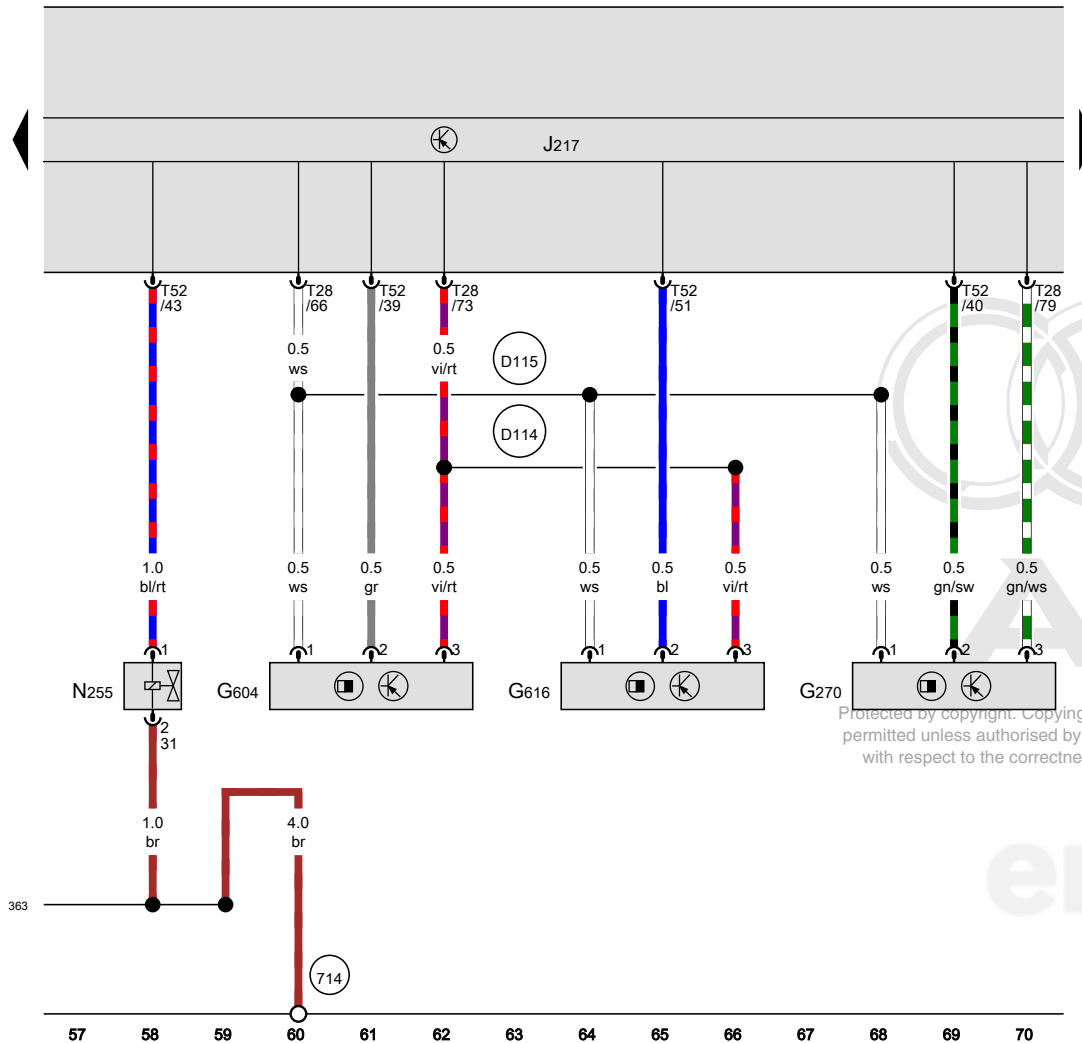
- ws = white
- sw = black
- ro = red
- rt = red
- br = brown
- gn = green
- bl = blue
- gr = grey
- li = lilac
- vi = lilac
- ge = yellow
- or = orange
- rs = pink

420-034050913

Hydraulic pressure sensor, Gear recognition sensor, Gear recognition sensor 2, Transmission control module, Clutch actuator valve

- G270 Hydraulic pressure sensor
- G604 Gear recognition sensor
- G616 Gear recognition sensor 2
- J217 Transmission control module
- N255 Clutch actuator valve
- T28 28-pin connector, black
- T52 52-pin connector, black

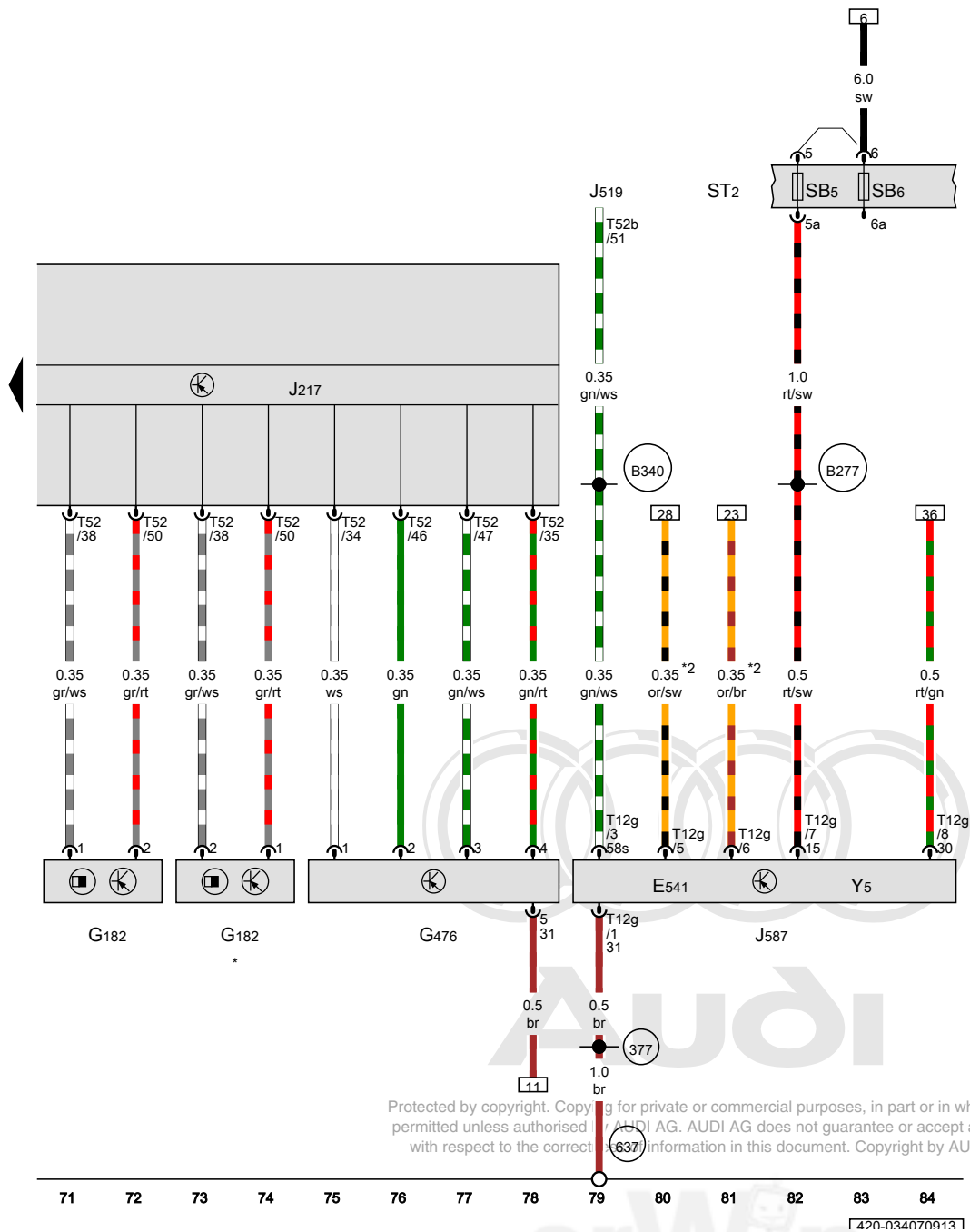
- 363 Ground connection 8 (in engine compartment wiring harness)
- 714 Ground connection on engine, right
- D114 Connection 12 (in engine compartment wiring harness)
- D115 Connection 13 (in engine compartment wiring harness)



Protected by copyright. Copying for private or commercial purposes, in part or in whole, is not permitted unless authorised by AUDI AG. AUDI AG does not guarantee or accept any liability with respect to the correctness of information in this document. Copyright by AUDI AG.

- ws = white
- sw = black
- ro = red
- rt = red
- br = brown
- gn = green
- bl = blue
- gr = grey
- li = lilac
- vi = lilac
- ge = yellow
- or = orange
- rs = pink

420-034060913



Sport program button, Transmission input speed sensor, Clutch position sensor, Transmission control module, Selector lever sensor system control module, Selector lever transmission range display

- E541 Sport program button
- G182 Transmission input speed sensor
- G476 Clutch position sensor
- J217 Transmission control module
- J519 Vehicle electrical system control module
- J587 Selector lever sensor system control module
- ST2 Fuse panel 2
- SB5 Fuse 5 (on fuse panel B)
- SB6 Fuse 6 (on fuse panel B)
- T12g 12-pin connector
- T52 52-pin connector, black
- T52b 52-pin connector, yellow
- Y5 Selector lever transmission range display

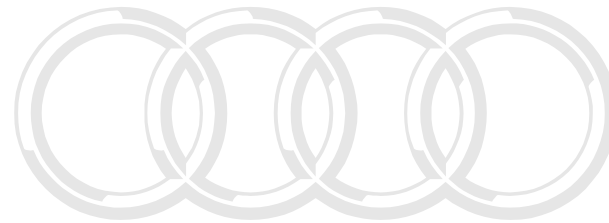
- 377 Ground connection 12 (in main wiring harness)
- 637 Airbag control module ground connection
- B277 Positive connection 1 (15a) (in main wiring harness)
- B340 Connection 58d (in main wiring harness) 1
- * Only in vehicles with 10-cylinder engine
- *2 Data bus wire (CAN bus)

- ws = white
- sw = black
- ro = red
- rt = red
- br = brown
- gn = green
- bl = blue
- gr = grey
- vi = lilac
- ge = yellow
- or = orange
- rs = pink

Protected by copyright. Copying for private or commercial purposes, in part or in whole, is not permitted unless authorised by AUDI AG. AUDI AG does not guarantee or accept any liability with respect to the correctness of the information in this document. Copyright by AUDI AG.

Radio with standard sound system

From June 2009



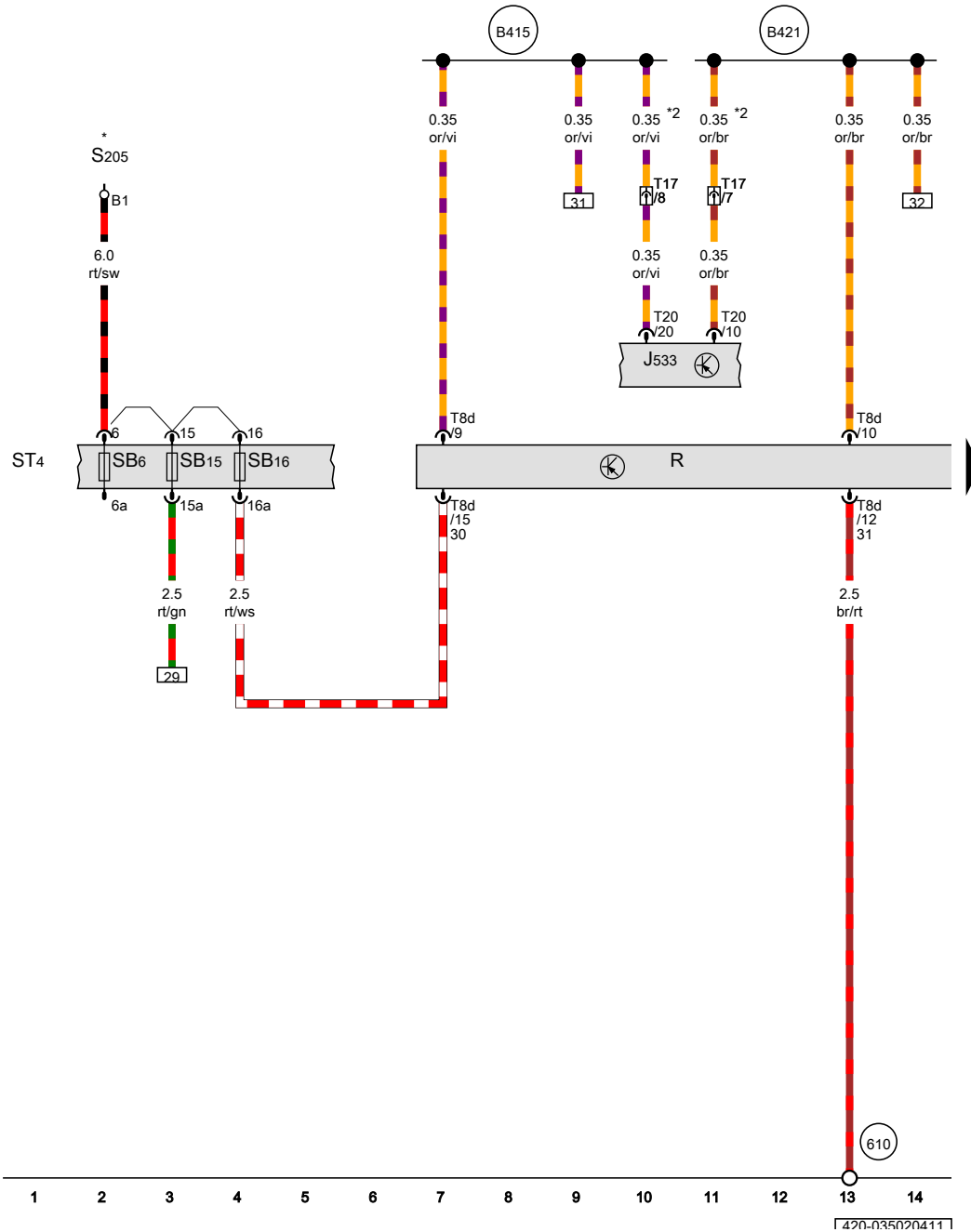
Audi

Protected by copyright. Copying for private or commercial purposes, in part or in whole, is not permitted unless authorised by AUDI AG. AUDI AG does not guarantee or accept any liability with respect to the correctness of information in this document. Copyright by AUDI AG.

erWin 

Data bus on board diagnostic interface, Radio

- J533 Data bus on board diagnostic interface
- R Radio
- ST4 Fuse panel 4
- SB6 Fuse 6 (on fuse panel B)
- SB15 Fuse 15 (on fuse panel B)
- SB16 Fuse 16 (on fuse panel B)
- S205 Fuse 2 (terminal 30)
- T8d 8-pin connector
- T17 17-pin connector, Inside the center console connector station on the right side
- T20 20-pin connector
- 610 Audio ground connection under front center console
- B415 Infotainment CAN Bus high connection 1 (in main wiring harness)
- B421 Infotainment CAN bus low connection 1 (in main wiring harness)
- * Main distribution in the right front footwell
- *2 Data bus wire (CAN bus)

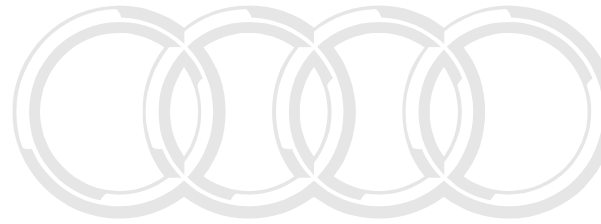


Protected by copyright. Copying for private or commercial purposes, in part or in whole, is not permitted unless authorised by AUDI AG. AUDI AG does not guarantee or accept any liability with respect to the correctness of information in this document. Copyright by AUDI AG.

- ws = white
- sw = black
- ro = red
- rt = red
- br = brown
- gn = green
- bl = blue
- gr = grey
- li = lilac
- vi = lilac
- ge = yellow
- or = orange
- rs = pink

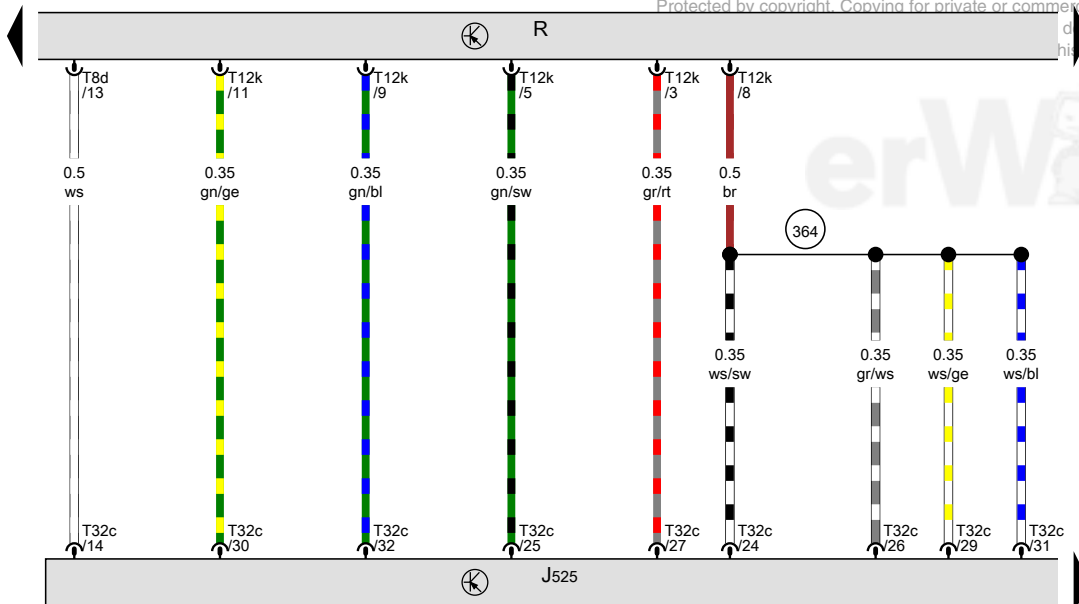
Digital sound system control module, Radio

- J525 Digital sound system control module
- R Radio
- T8d 8-pin connector
- T12k 12-pin connector
- T32c 32-pin connector
- 364 Low frequency ground connection 1 (in instrument panel wiring harness)



Audi

Protected by copyright. Copying for private or commercial purposes, in part or in whole, is not permitted. Audi AG does not guarantee or accept any liability for the content of this document. Copyright by AUDI AG.



- ws = white
- sw = black
- ro = red
- rt = red
- br = brown
- gn = green
- bl = blue
- gr = grey
- li = lilac
- vi = lilac
- ge = yellow
- or = orange
- rs = pink

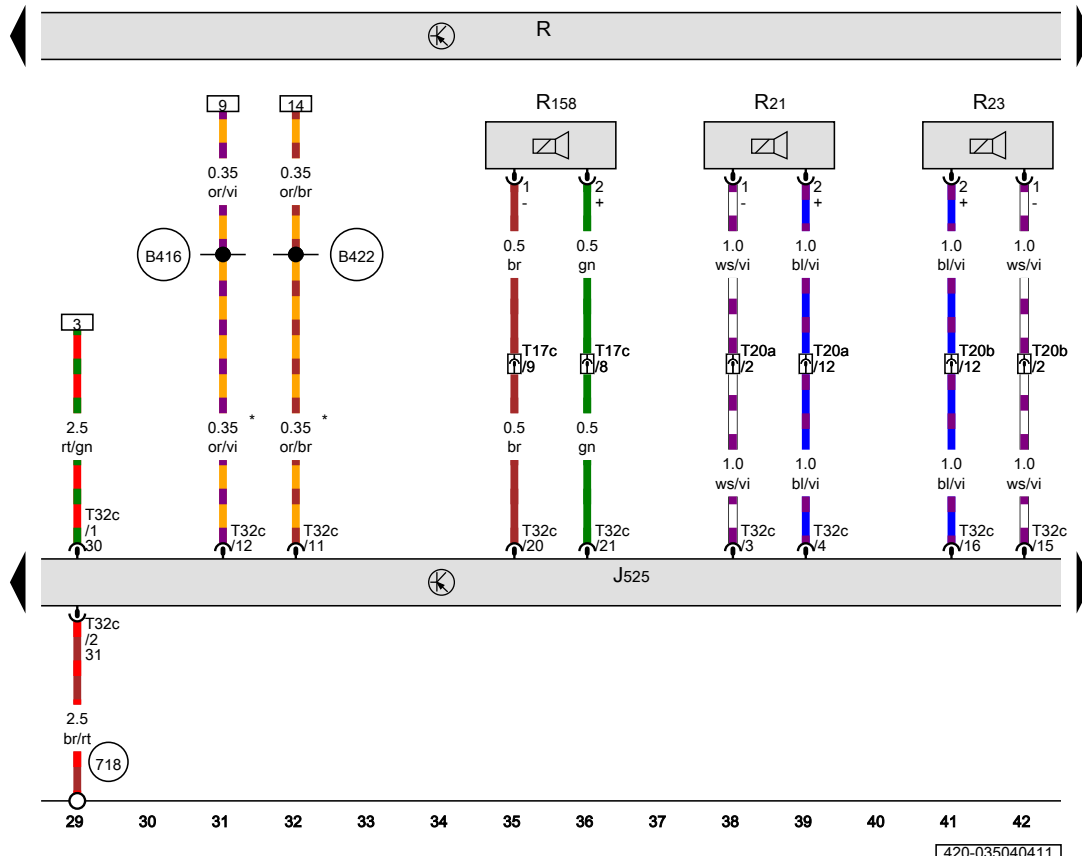
15 16 17 18 19 20 21 22 23 24 25 26 27 28

[420-035030411]

Digital sound system control module, Radio, Left front bass speaker, Right front bass speaker, Center mid-treble speaker

- J525 Digital sound system control module
- R Radio
- R21 Left front bass speaker
- R23 Right front bass speaker
- R158 Center mid-treble speaker
- T17c 17-pin connector, Inside the center console connector station on the right side
- T20a 20-pin connector, in the left front door
- T20b 20-pin connector, in the right front door
- T32c 32-pin connector

- 718 Audio ground connection under rear shelf
- B416 Infotainment CAN Bus high connection 2 (in main wiring harness)
- B422 Infotainment CAN bus low connection 2 (in main wiring harness)
- * Data bus wire (CAN bus)



Protected by copyright. Copying for private or commercial purposes, in part or in whole, is not permitted unless authorised by AUDI AG. AUDI AG does not guarantee or accept any liability with respect to the correctness of information in this document. Copyright by AUDI AG.

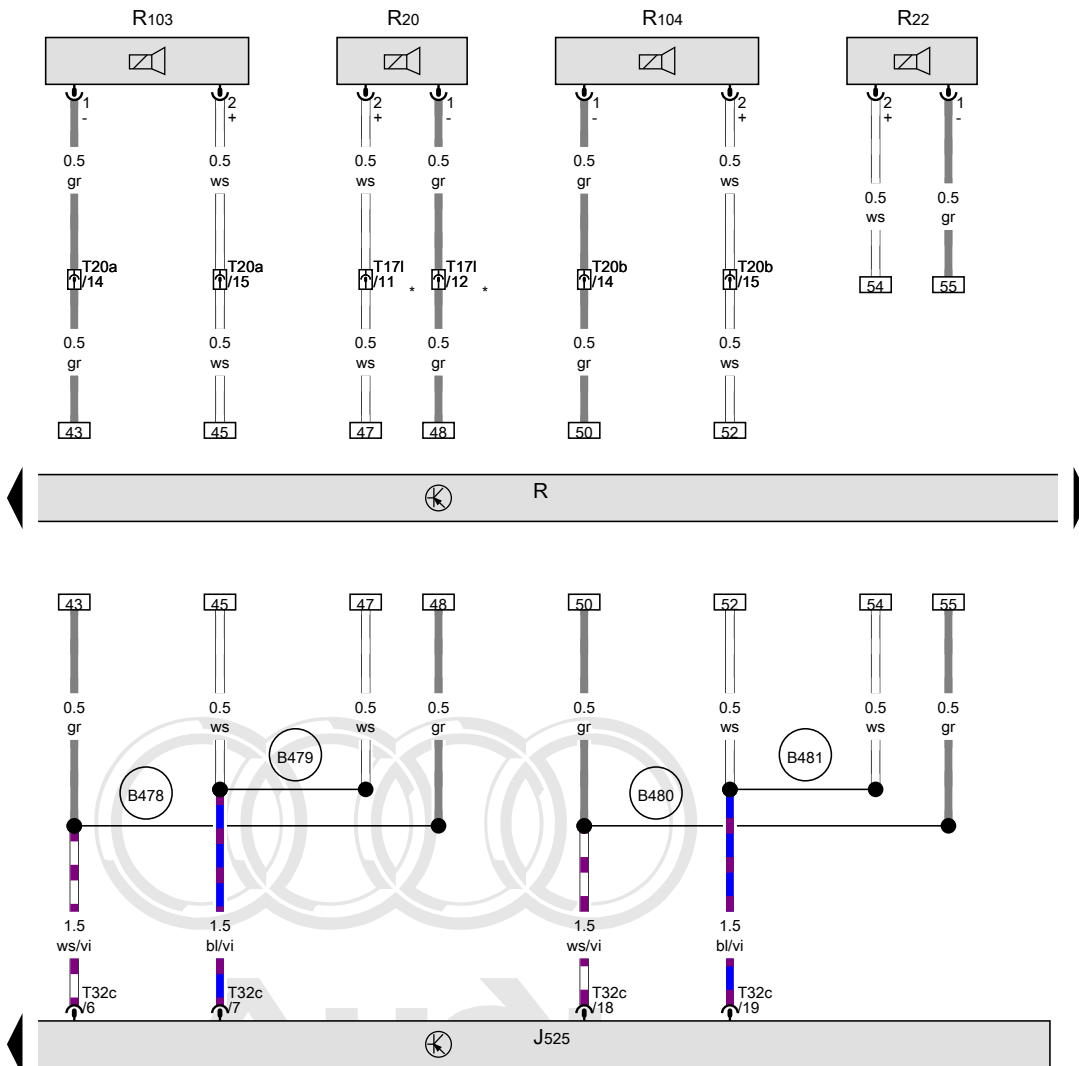
- ws = white
- sw = black
- ro = red
- rt = red
- br = brown
- gn = green
- bl = blue
- gr = grey
- li = lilac
- vi = lilac
- ge = yellow
- or = orange
- rs = pink

1420-035040411

Digital sound system control module, Radio, Left front treble speaker, Right front treble speaker, Left front midrange speaker, Right front midrange speaker

- J525 Digital sound system control module
- R Radio
- R20 Left front treble speaker
- R22 Right front treble speaker
- R103 Left front midrange speaker
- R104 Right front midrange speaker
- T171 17-pin connector, on the left A-pillar
- T20a 20-pin connector, in the left front door
- T20b 20-pin connector, in the right front door
- T32c 32-pin connector

- B478** Connection 14 (in main wiring harness)
- B479** Connection 15 (in main wiring harness)
- B480** Connection 16 (in main wiring harness)
- B481** Connection 17 (in main wiring harness)
- * Depending on equipment



- ws = white
- sw = black
- ro = red
- rt = red
- br = brown
- gn = green
- bl = blue
- gr = grey
- li = lilac
- vi = lilac
- ge = yellow
- or = orange
- rs = pink

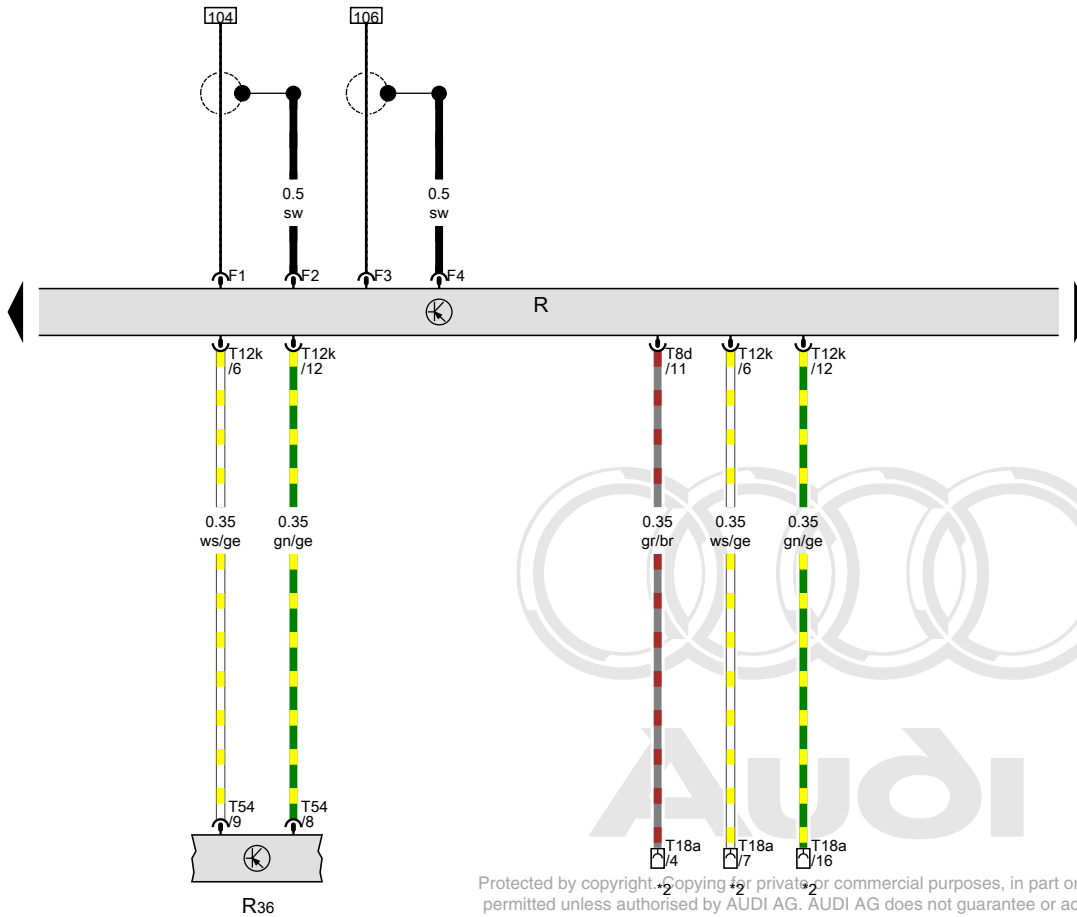
Protected by copyright. Copying for private or commercial purposes, in part or in whole, is not permitted unless authorised by AUDI AG. AUDI AG does not guarantee or accept any liability with respect to the correctness of information in this document. Copyright by AUDI AG.

43 44 45 46 47 48 49 50 51 52 53 54 55 56

1420-035050411

Radio

- R Radio
- R36 Telephone transceiver
- T8d 8-pin connector
- T12k 12-pin connector
- T18a 18-pin connector, behind the glove compartment
- T54 54-pin connector
- * Only for vehicles with cell phone preparation
- *2 Only with cell phone preparation without hands-free system



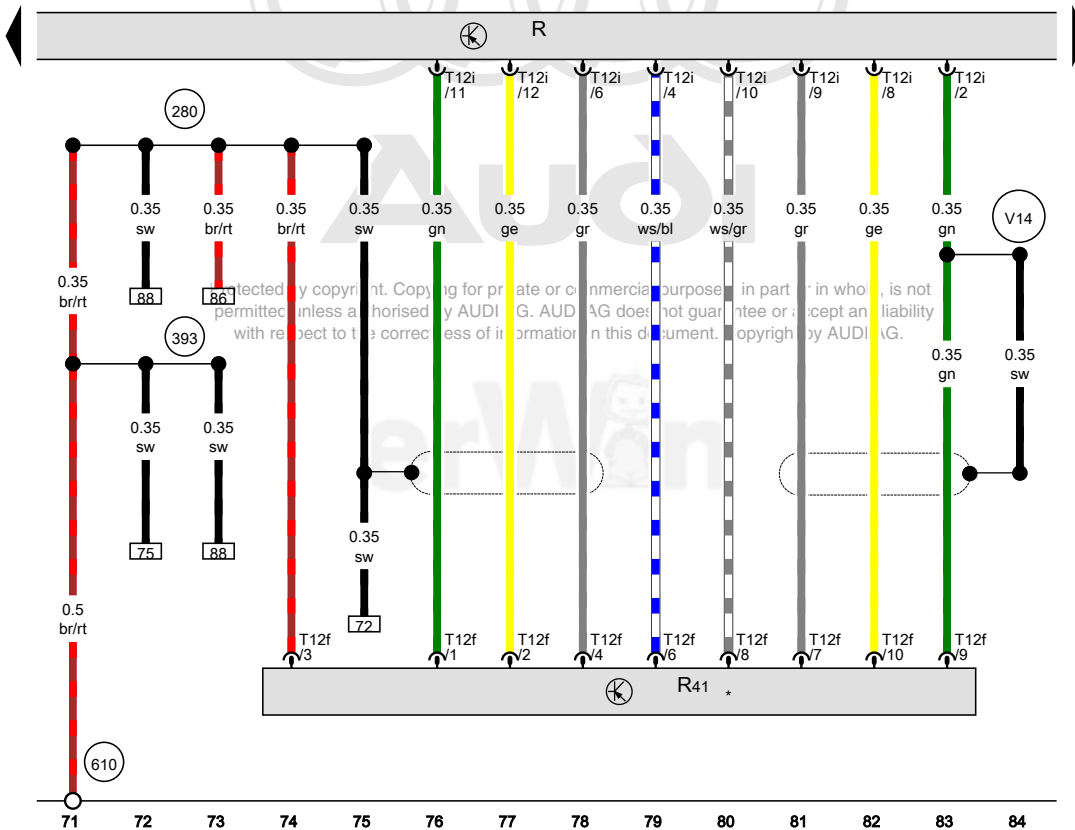
Protected by copyright. Copying for private or commercial purposes, in part or in whole, is not permitted unless authorised by AUDI AG. AUDI AG does not guarantee or accept any liability with respect to the correctness of information in this document. Copyright by AUDI AG.

- ws = white
- sw = black
- ro = red
- rt = red
- br = brown
- gn = green
- bl = blue
- gr = grey
- li = lilac
- vi = lilac
- ge = yellow
- or = orange
- rs = pink

Radio, CD changer

- R Radio
- R41 CD changer
- T12f 12-pin connector
- T12i 12-pin connector

- (280) Ground connection (in communication wiring harness)
- (393) Ground connection 28 (in main wiring harness)
- (610) Audio ground connection under front center console
- (V14) Shielding connection (in CD changer wiring harness)
- * Only for vehicles with CD changer

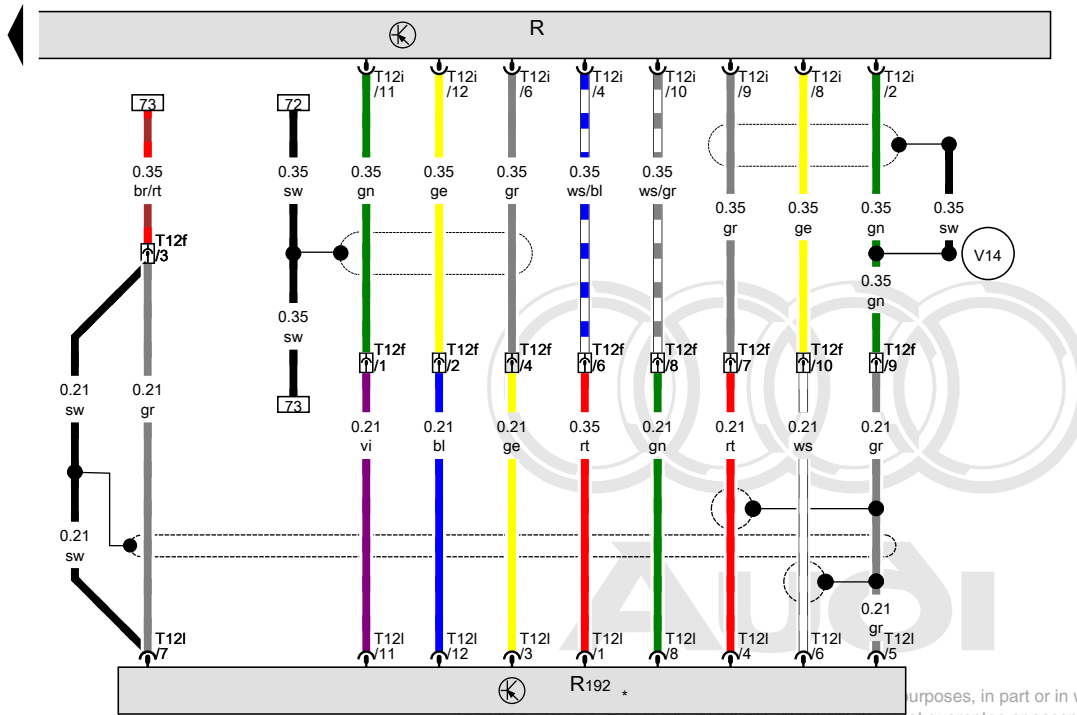


- ws = white
- sw = black
- ro = red
- rt = red
- br = brown
- gn = green
- bl = blue
- gr = grey
- li = lilac
- vi = lilac
- ge = yellow
- or = orange
- rs = pink

[420-035070411]

Radio

- R Radio
- R192 iPod baseplate
- T12f 12-pin connector, in the rear center console
- T12i 12-pin connector
- T12l 12-pin connector
- V14 Shielding connection (in CD changer wiring harness)
- * Only for vehicles with iPod bracket

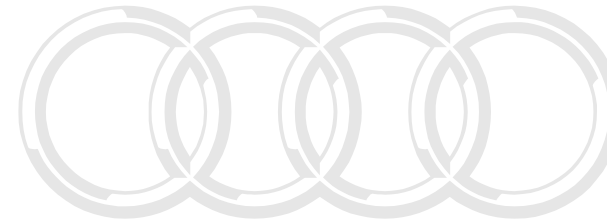
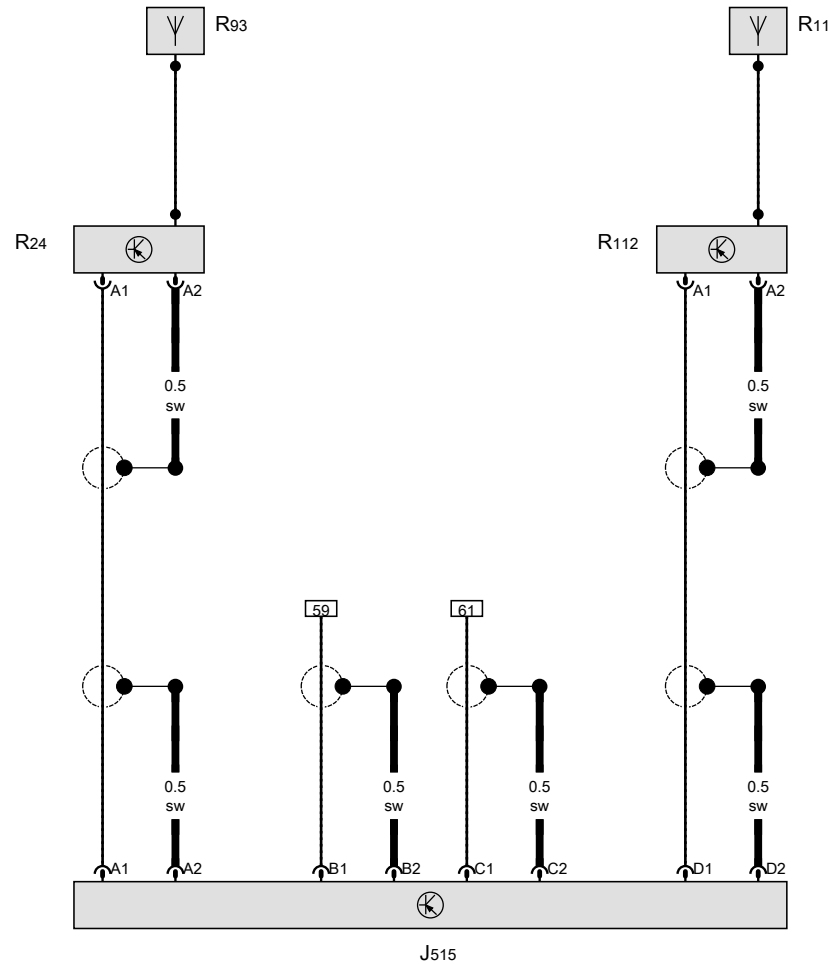


- ws = white
- sw = black
- ro = red
- rt = red
- br = brown
- gn = green
- bl = blue
- gr = grey
- li = lilac
- vi = lilac
- ge = yellow
- or = orange
- rs = pink

is not permitted unless authorised by AUDI AG. AUDI AG does not guarantee or accept any liability with respect to the correctness of information in this document. Copyright by AUDI AG.

Antenna selection control module, Antenna, Antenna amplifier, Radio antenna 2, Antenna amplifier 3

- J515 Antenna selection control module
- R11 Antenna
- R24 Antenna amplifier
- R93 Radio antenna 2
- R112 Antenna amplifier 3



Audi

Protected by copyright. Copying for private or commercial purposes, in part or in whole, is not permitted unless authorised by AUDI AG. AUDI AG does not guarantee or accept any liability with respect to the correctness of information in this document. Copyright by AUDI AG.



- ws = white
- sw = black
- ro = red
- rt = red
- br = brown
- gn = green
- bl = blue
- gr = grey
- li = lilac
- vi = lilac
- ge = yellow
- or = orange
- rs = pink

Radio with Bang & Olufsen sound system

From June 2009



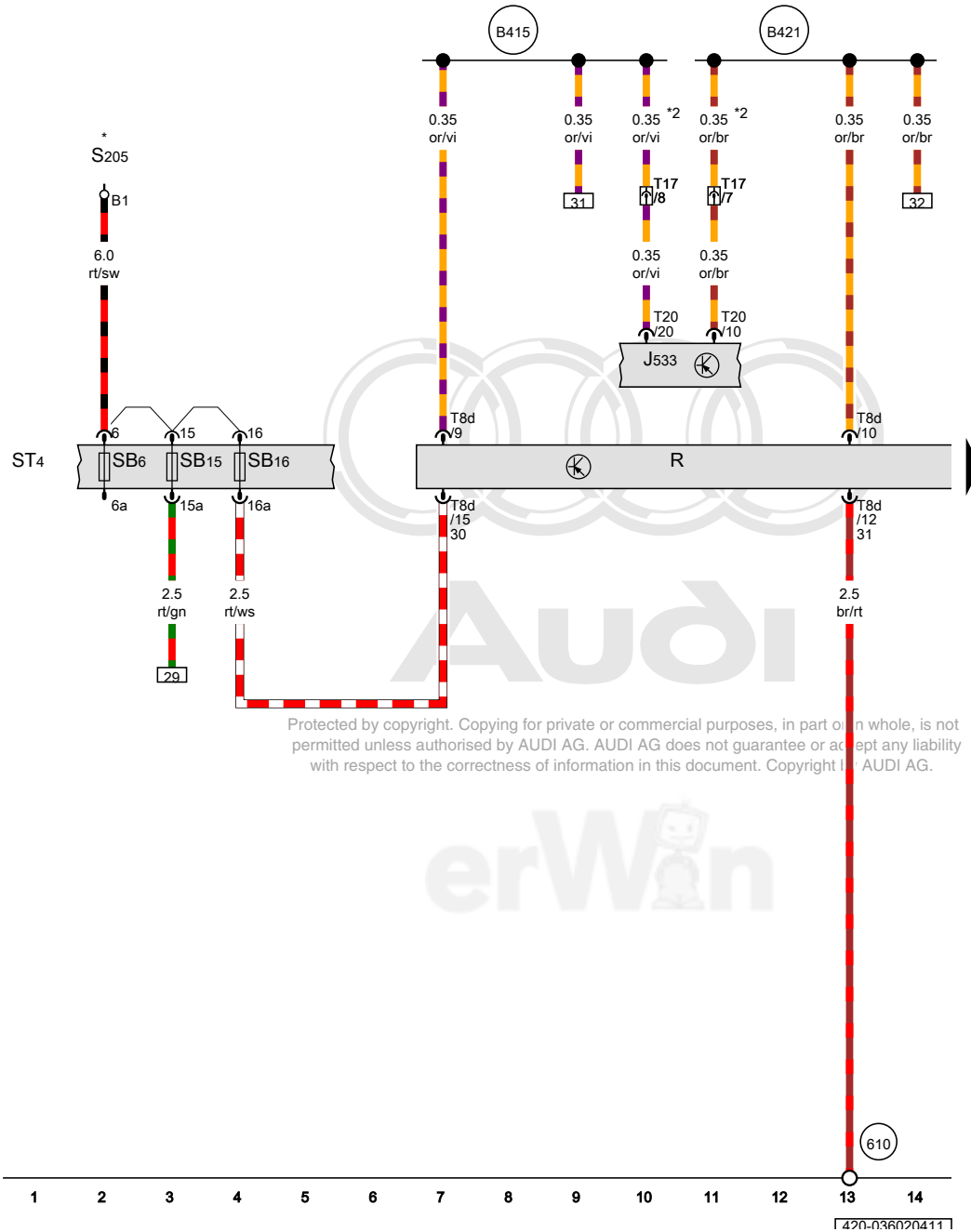
Audi

Protected by copyright. Copying for private or commercial purposes, in part or in whole, is not permitted unless authorised by AUDI AG. AUDI AG does not guarantee or accept any liability with respect to the correctness of information in this document. Copyright by AUDI AG.



Data bus on board diagnostic interface, Radio

- J533 Data bus on board diagnostic interface
- R Radio
- ST4 Fuse panel 4
- SB6 Fuse 6 (on fuse panel B)
- SB15 Fuse 15 (on fuse panel B)
- SB16 Fuse 16 (on fuse panel B)
- S205 Fuse 2 (terminal 30)
- T8d 8-pin connector
- T17 17-pin connector, Inside the center console connector station on the right side
- T20 20-pin connector
- 610 Audio ground connection under front center console
- B415 Infotainment CAN Bus high connection 1 (in main wiring harness)
- B421 Infotainment CAN bus low connection 1 (in main wiring harness)
- * Main distribution in the right front footwell
- *2 Data bus wire (CAN bus)



Protected by copyright. Copying for private or commercial purposes, in part or in whole, is not permitted unless authorised by AUDI AG. AUDI AG does not guarantee or accept any liability with respect to the correctness of information in this document. Copyright © AUDI AG.

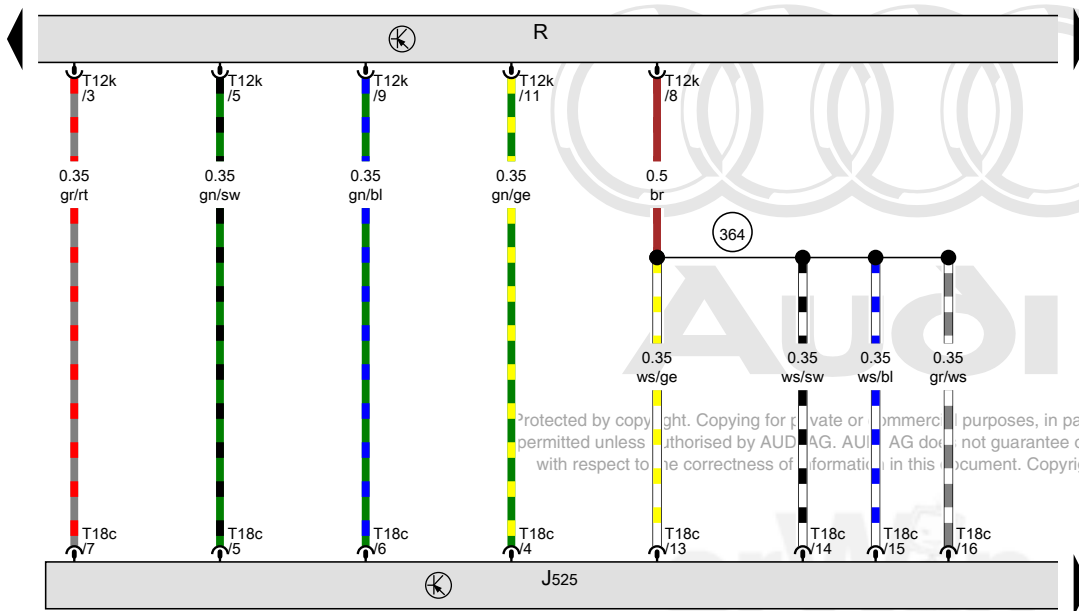
- ws = white
- sw = black
- ro = red
- rt = red
- br = brown
- gn = green
- bl = blue
- gr = grey
- li = lilac
- vi = lilac
- ge = yellow
- or = orange
- rs = pink

1420-036020411

Digital sound system control module, Radio

- J525 Digital sound system control module
- R Radio
- T12k 12-pin connector
- T18c 18-pin connector

364 Low frequency ground connection 1 (in instrument panel wiring harness)



Protected by copyright. Copying for private or commercial purposes, in part or in whole, is not permitted unless authorised by AUDI AG. AUDI AG does not guarantee or accept any liability with respect to the correctness of information in this document. Copyright by AUDI AG.

- ws = white
- sw = black
- ro = red
- rt = red
- br = brown
- gn = green
- bl = blue
- gr = grey
- li = lilac
- vi = lilac
- ge = yellow
- or = orange
- rs = pink

15 16 17 18 19 20 21 22 23 24 25 26 27 28

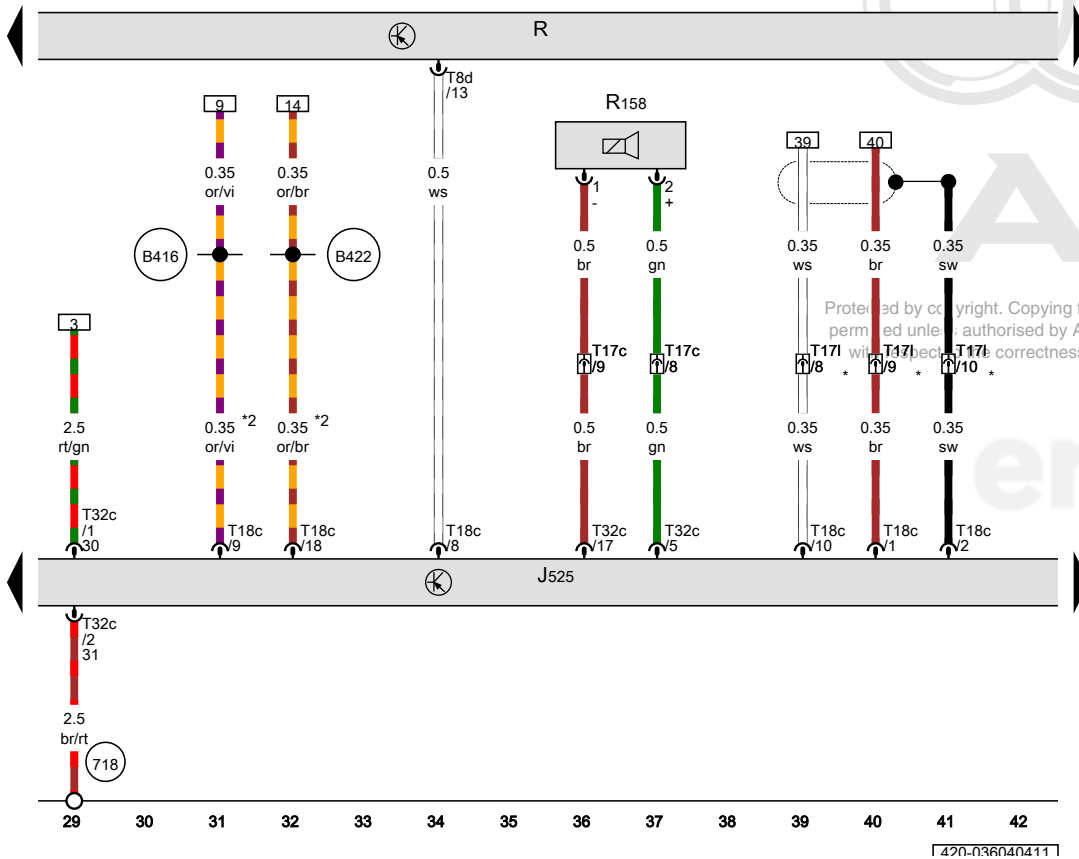
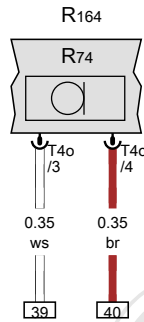
1420-036030411

Digital sound system control module, Radio, Interior microphone, Center mid-treble speaker, Microphone unit in front roof module

- J525 Digital sound system control module
- R Radio
- R74 Interior microphone
- R158 Center mid-treble speaker
- R164 Microphone unit in front roof module
- T4o 4-pin connector
- T8d 8-pin connector
- T17c 17-pin connector, Inside the center console connector station on the right side
- T17l 17-pin connector, on the left A-pillar
- T18c 18-pin connector
- T32c 32-pin connector

- 718 Audio ground connection under rear shelf
- B416 Infotainment CAN Bus high connection 2 (in main wiring harness)
- B422 Infotainment CAN bus low connection 2 (in main wiring harness)

* Depending on equipment
 *2 Data bus wire (CAN bus)



Protected by copyright. Copying for private or commercial purposes, in part or in whole, is not permitted unless authorised by AUDI AG. AUDI AG does not guarantee or accept any liability for the correctness of information in this document. Copyright by AUDI AG.

- ws = white
- sw = black
- ro = red
- rt = red
- br = brown
- gn = green
- bl = blue
- gr = grey
- li = lilac
- vi = lilac
- ge = yellow
- or = orange
- rs = pink

1420-036040411



Audi

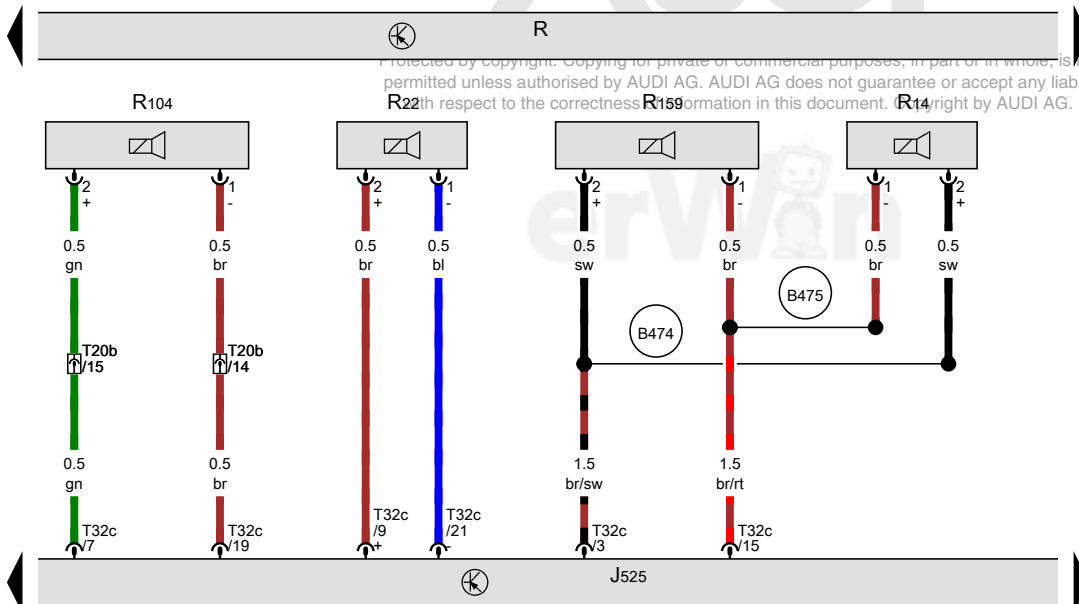
Digital sound system control module, Radio, Left rear treble speaker, Right front treble speaker, Right front midrange speaker, Left rear mid-bass speaker

- J525 Digital sound system control module
- R Radio
- R14 Left rear treble speaker
- R22 Right front treble speaker
- R104 Right front midrange speaker
- R159 Left rear mid-bass speaker
- T20b 20-pin connector, in the right front door
- T32c 32-pin connector

(B474) Connection 10 (in main wiring harness)

(B475) Connection 11 (in main wiring harness)

Protected by copyright. Copying for private or commercial purposes, in part or in whole, is not permitted unless authorised by AUDI AG. AUDI AG does not guarantee or accept any liability with respect to the correctness of the information in this document. Audi AG.



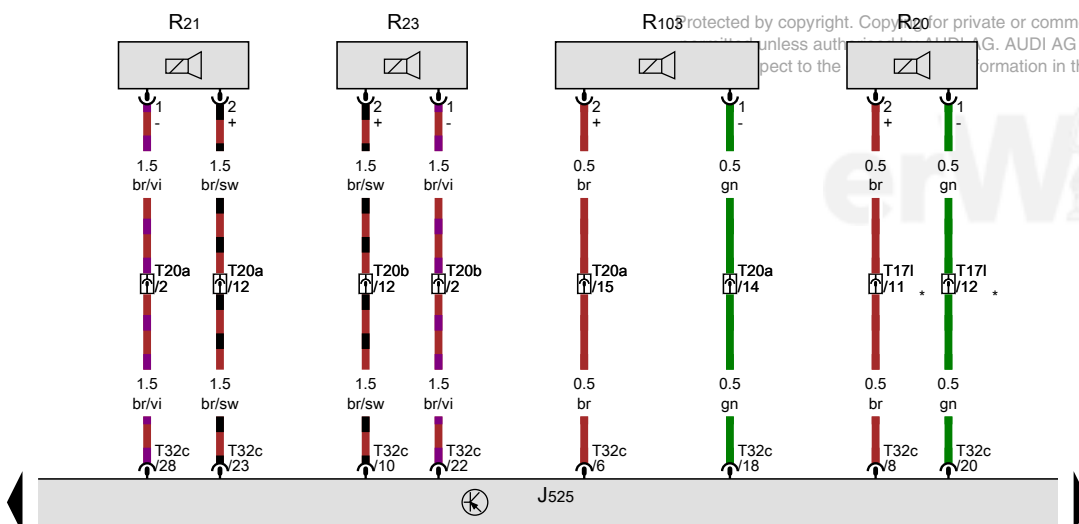
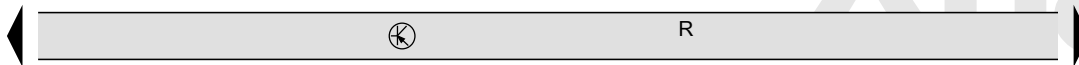
- ws = white
- sw = black
- ro = red
- rt = red
- br = brown
- gn = green
- bl = blue
- gr = grey
- li = lilac
- vi = lilac
- ge = yellow
- or = orange
- rs = pink

43 44 45 46 47 48 49 50 51 52 53 54 55 56

[420-036050411]

Digital sound system control module, Radio, Left front treble speaker, Left front bass speaker, Right front bass speaker, Left front midrange speaker

- J525 Digital sound system control module
- R Radio
- R20 Left front treble speaker
- R21 Left front bass speaker
- R23 Right front bass speaker
- R103 Left front midrange speaker
- T171 17-pin connector, on the left A-pillar
- T20a 20-pin connector, in the left front door
- T20b 20-pin connector, in the right front door
- T32c 32-pin connector
- * Depending on equipment



- ws = white
- sw = black
- ro = red
- rt = red
- br = brown
- gn = green
- bl = blue
- gr = grey
- li = lilac
- vi = lilac
- ge = yellow
- or = orange
- rs = pink

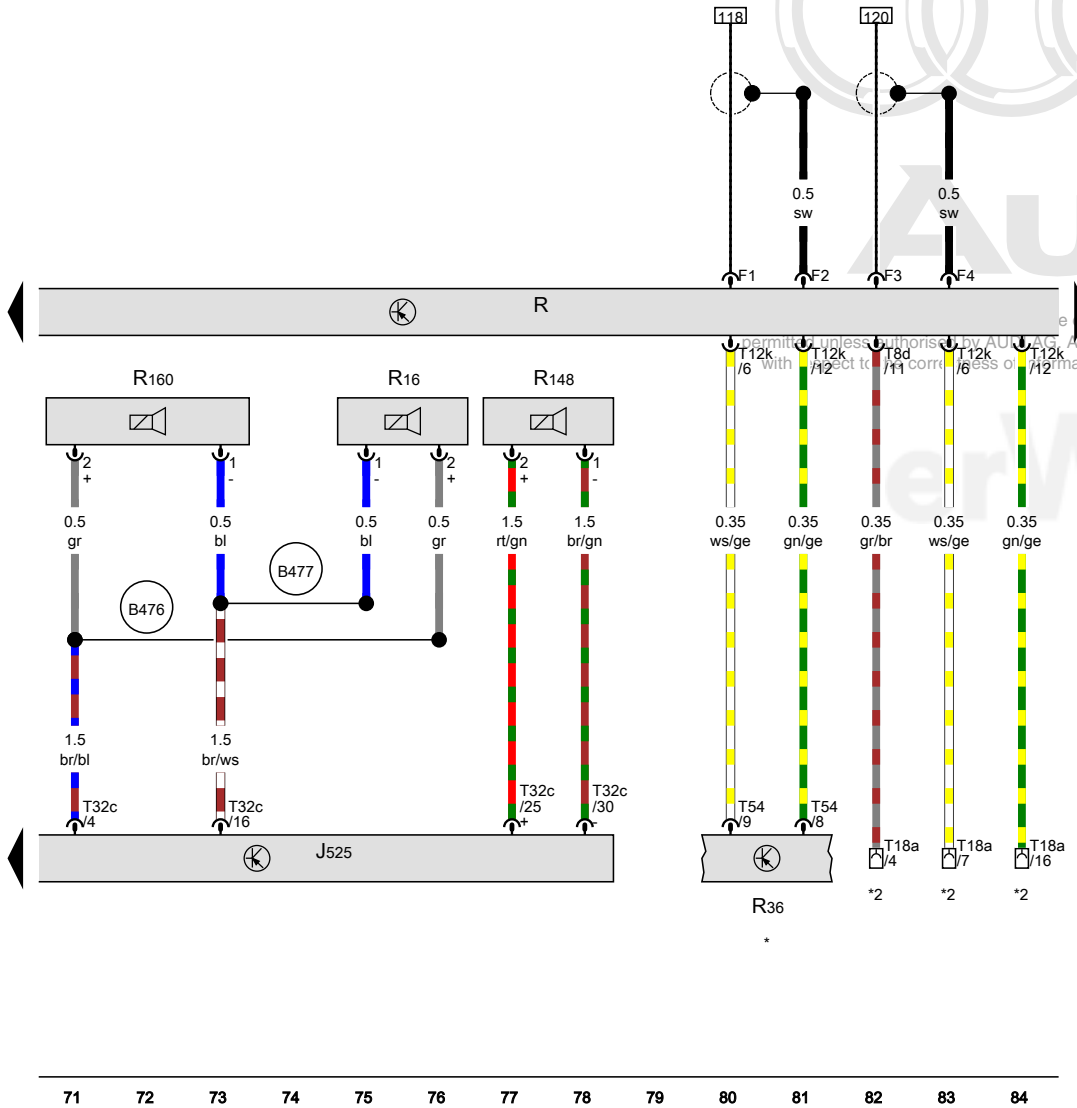
Digital sound system control module, Radio, Right rear treble speaker, Speaker in center, Right rear mid-bass speaker

- J525 Digital sound system control module
- R Radio
- R16 Right rear treble speaker
- R36 Telephone transceiver
- R148 Speaker in center
- R160 Right rear mid-bass speaker
- T8d 8-pin connector
- T12k 12-pin connector
- T18a 18-pin connector, behind the glove compartment
- T32c 32-pin connector
- T54 54-pin connector

B476 Connection 12 (in main wiring harness)

B477 Connection 13 (in main wiring harness)

* Only for vehicles with cell phone preparation
 *2 Only with cell phone preparation without hands-free system



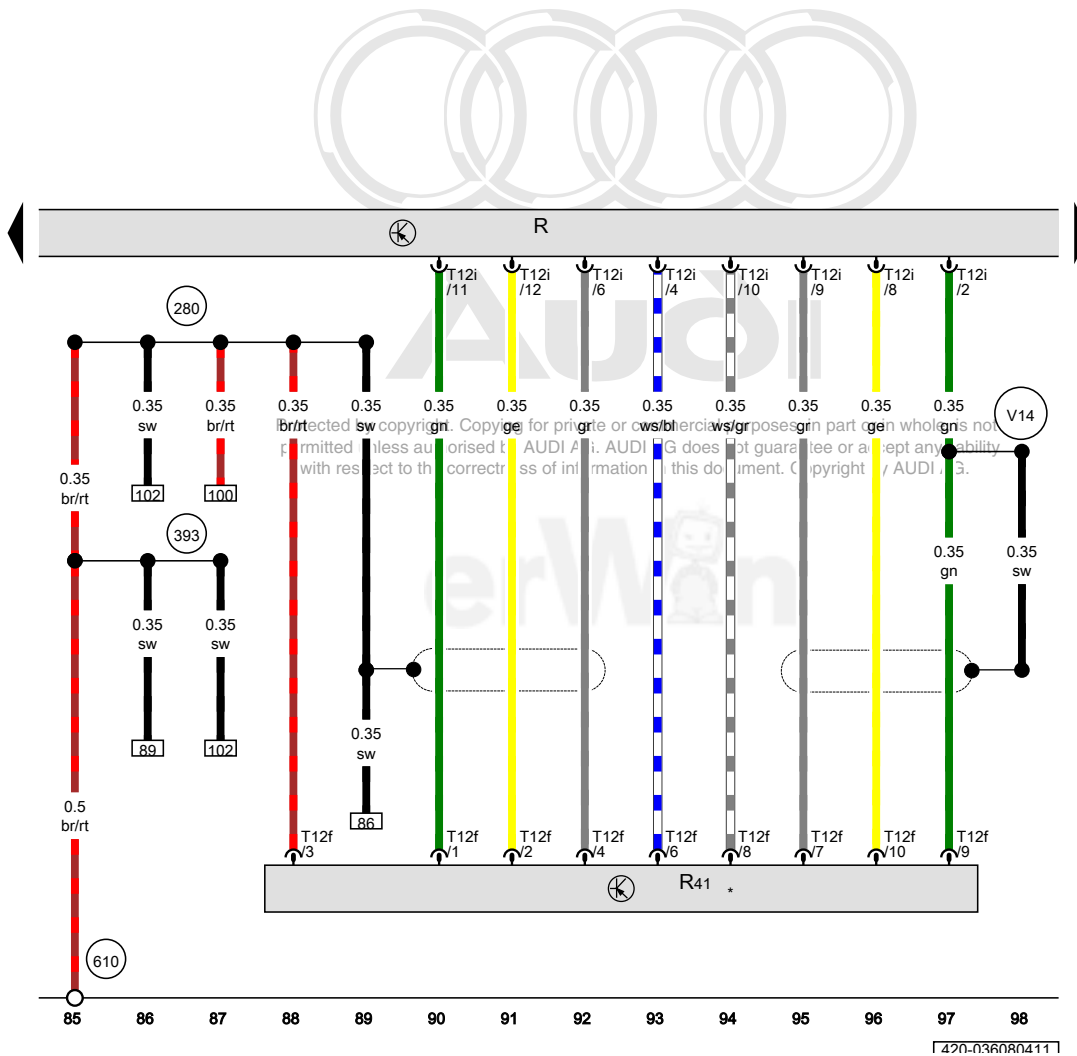
- ws = white
- sw = black
- ro = red
- rt = red
- br = brown
- gn = green
- bl = blue
- gr = grey
- li = lilac
- vi = lilac
- ge = yellow
- or = orange
- rs = pink

[420-036070411]

Radio, CD changer

- R Radio
- R41 CD changer
- T12f 12-pin connector
- T12i 12-pin connector

- 280 Ground connection (in communication wiring harness)
- 393 Ground connection 28 (in main wiring harness)
- 610 Audio ground connection under front center console
- V14 Shielding connection (in CD changer wiring harness)
- * Only for vehicles with CD changer

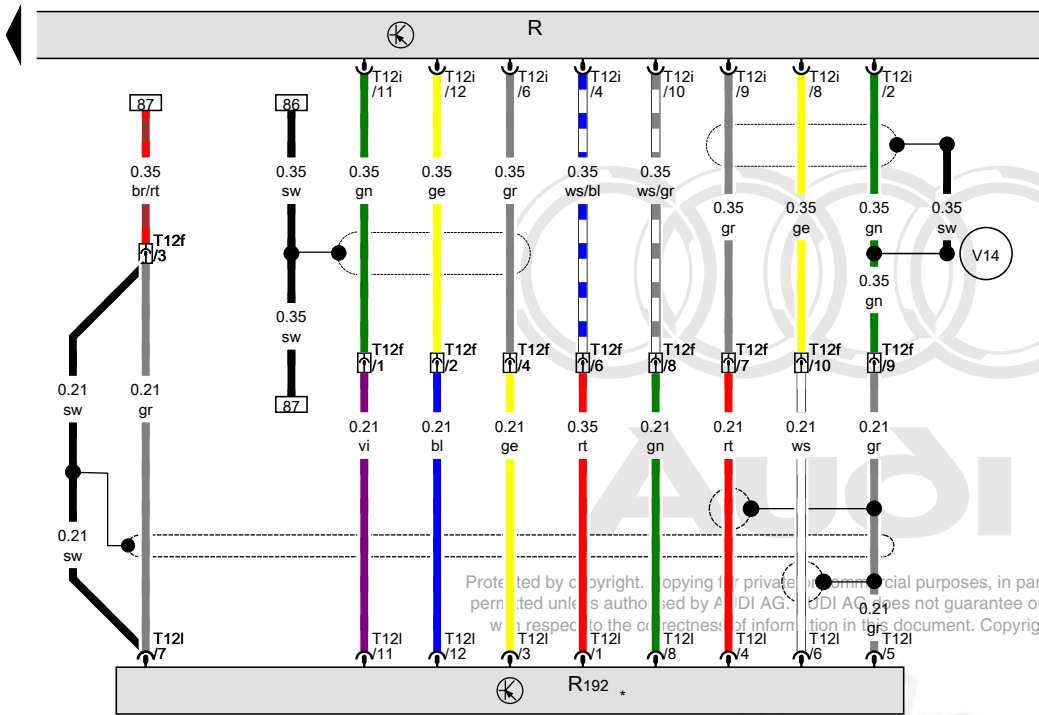


- ws = white
- sw = black
- ro = red
- rt = red
- br = brown
- gn = green
- bl = blue
- gr = grey
- li = lilac
- vi = lilac
- ge = yellow
- or = orange
- rs = pink

[420-036080411]

Radio

- R Radio
- R192 iPod baseplate
- T12f 12-pin connector, in the rear center console
- T12i 12-pin connector
- T12l 12-pin connector
- V14 Shielding connection (in CD changer wiring harness)
- * Only for vehicles with iPod bracket



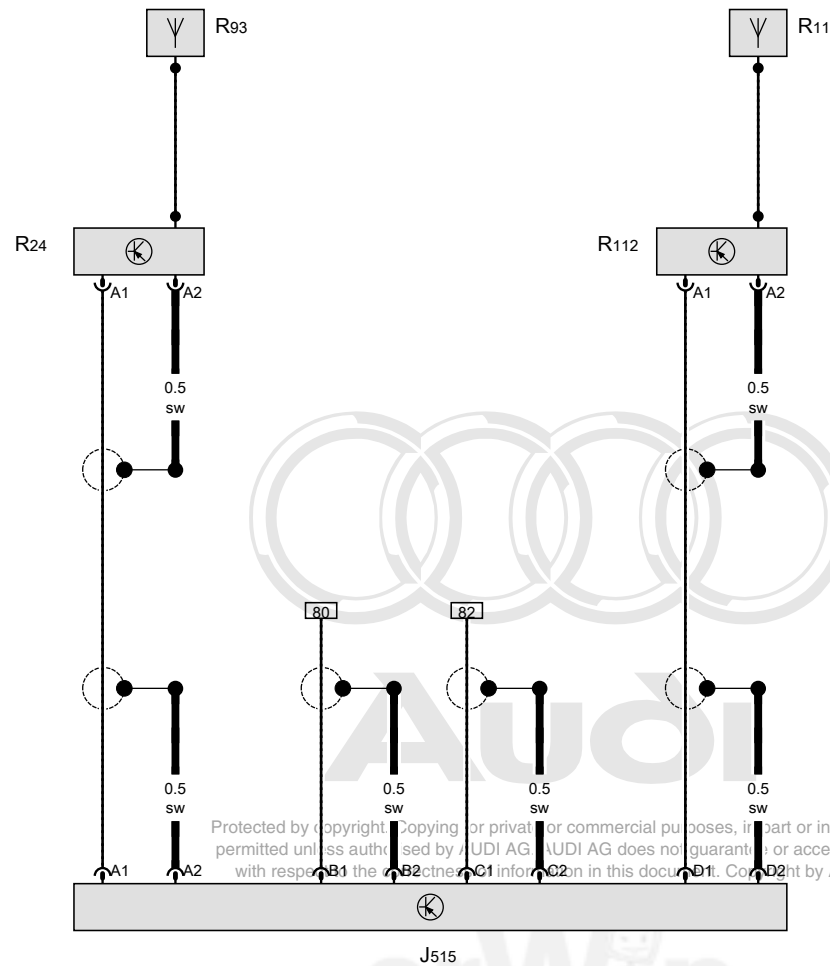
- ws = white
- sw = black
- ro = red
- rt = red
- br = brown
- gn = green
- bl = blue
- gr = grey
- li = lilac
- vi = lilac
- ge = yellow
- or = orange
- rs = pink

99 100 101 102 103 104 105 106 107 108 109 110 111 112

[420-036090411]

Antenna selection control module, Antenna, Antenna amplifier, Radio antenna 2, Antenna amplifier 3

- J515 Antenna selection control module
- R11 Antenna
- R24 Antenna amplifier
- R93 Radio antenna 2
- R112 Antenna amplifier 3



Protected by copyright. Copying for private or commercial purposes, in part or in whole, is not permitted unless authorized by AUDI AG. AUDI AG does not guarantee or accept any liability with respect to the correctness of information in this document. Copyright by AUDI AG.

- ws = white
- sw = black
- ro = red
- rt = red
- br = brown
- gn = green
- bl = blue
- gr = grey
- li = lilac
- vi = lilac
- ge = yellow
- or = orange
- rs = pink

113 114 115 116 117 118 119 120 121 122 123 124 125 126

[420-036100411]

CAN bus network
from May 2009



Audi

Protected by copyright. Copying for private or commercial purposes, in part or in whole, is not permitted unless authorised by AUDI AG. AUDI AG does not guarantee or accept any liability with respect to the correctness of information in this document. Copyright by AUDI AG.



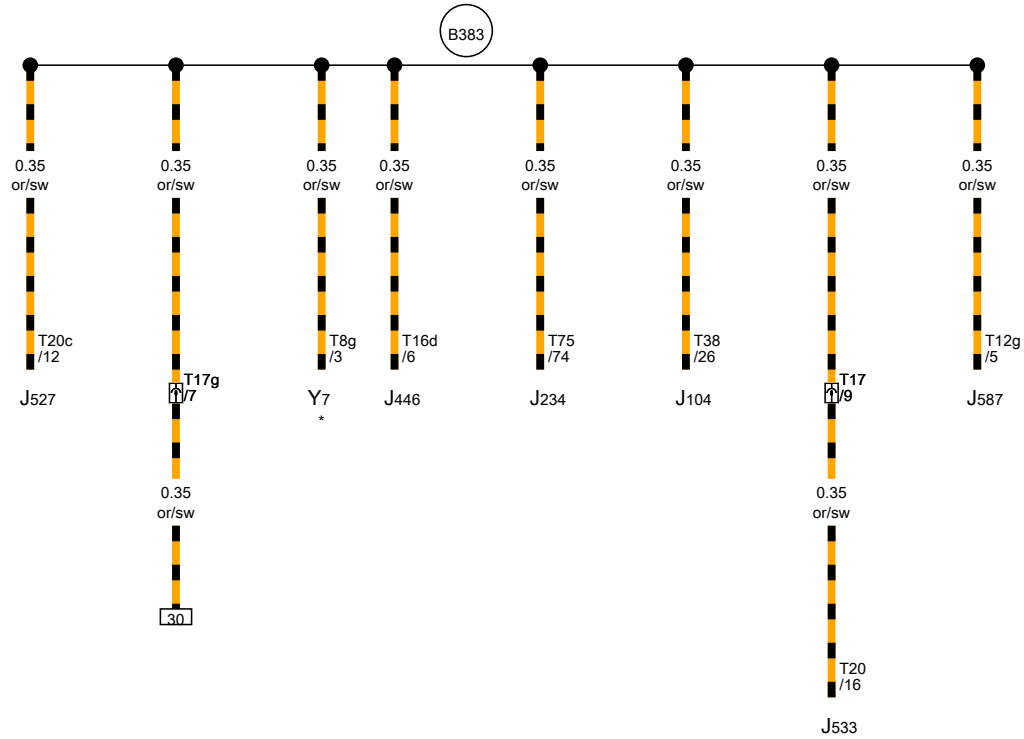
Powertrain CAN bus high connection 1 (in main wiring harness)

- J104 ABS control module
- J234 Airbag control module
- J446 Parking aid control module
- J527 Steering column electronics control module
- J533 Data bus on board diagnostic interface
- J587 Selector lever sensor system control module
- T8g 8-pin connector, black
- T12g 12-pin connector
- T16d 16-pin connector, brown
- T17 17-pin connector, Inside the center console connector station on the right side, red
- T17g 17-pin connector, Connector station under the rear shelf, right, black
- T20 20-pin connector, red
- T20c 20-pin connector, black
- T38 38-pin connector, gray
- T75 75-pin connector, yellow
- Y7 Automatic dimming interior rearview mirror

Protected by copyright. Copying for private or commercial purposes, in part or in whole, is not permitted without the written permission of AUDI AG. AUDI AG does not guarantee or accept any liability with respect to the correctness of this document. Copyright by AUDI AG.

B383 Powertrain CAN bus high connection 1 (in main wiring harness)

* Only for vehicles with high beam assist

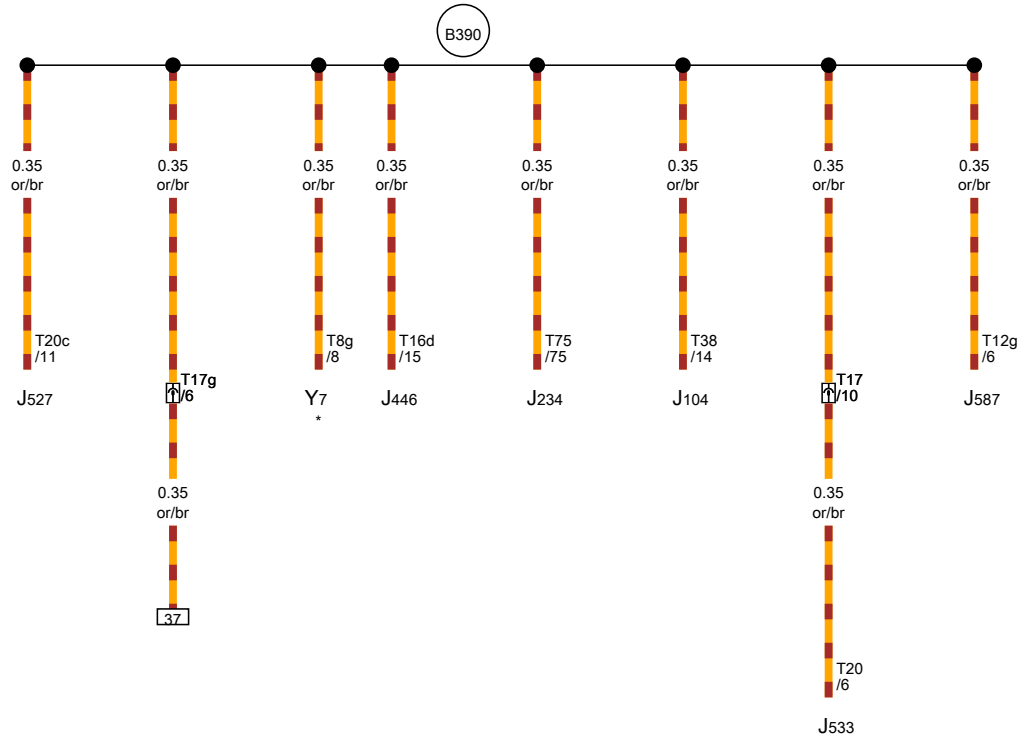


- ws = white
- sw = black
- ro = red
- rt = red
- br = brown
- gn = green
- bl = blue
- gr = grey
- li = lilac
- vi = lilac
- ge = yellow
- or = orange
- rs = pink

1 2 3 4 5 6 7 8 9 10 11 12 13 14

[420-037020913]

Powertrain CAN bus low connection 1 (in main wiring harness)



- J104 ABS control module
- J234 Airbag control module
- J446 Parking aid control module
- J527 Steering column electronics control module
- J533 Data bus on board diagnostic interface
- J587 Selector lever sensor system control module
- T8g 8-pin connector, black
- T12g 12-pin connector
- T16d 16-pin connector, brown
- T17 17-pin connector, Inside the center console connector station on the right side, red
- T17g 17-pin connector, Connector station under the rear shelf, right, black
- T20 20-pin connector, red
- T20c 20-pin connector, black
- T38 38-pin connector, gray
- T75 75-pin connector, yellow
- Y7 Automatic dimming interior rearview mirror

Protected by copyright. Copying for private or commercial purposes, in part or in whole, is not permitted unless authorised by AUDI AG. AUDI AG does not guarantee or accept any liability with respect to the correctness of information in this document. Copyright by AUDI AG.

B390 Powertrain CAN bus low connection 1 (in main wiring harness)

* Only for vehicles with high beam assist

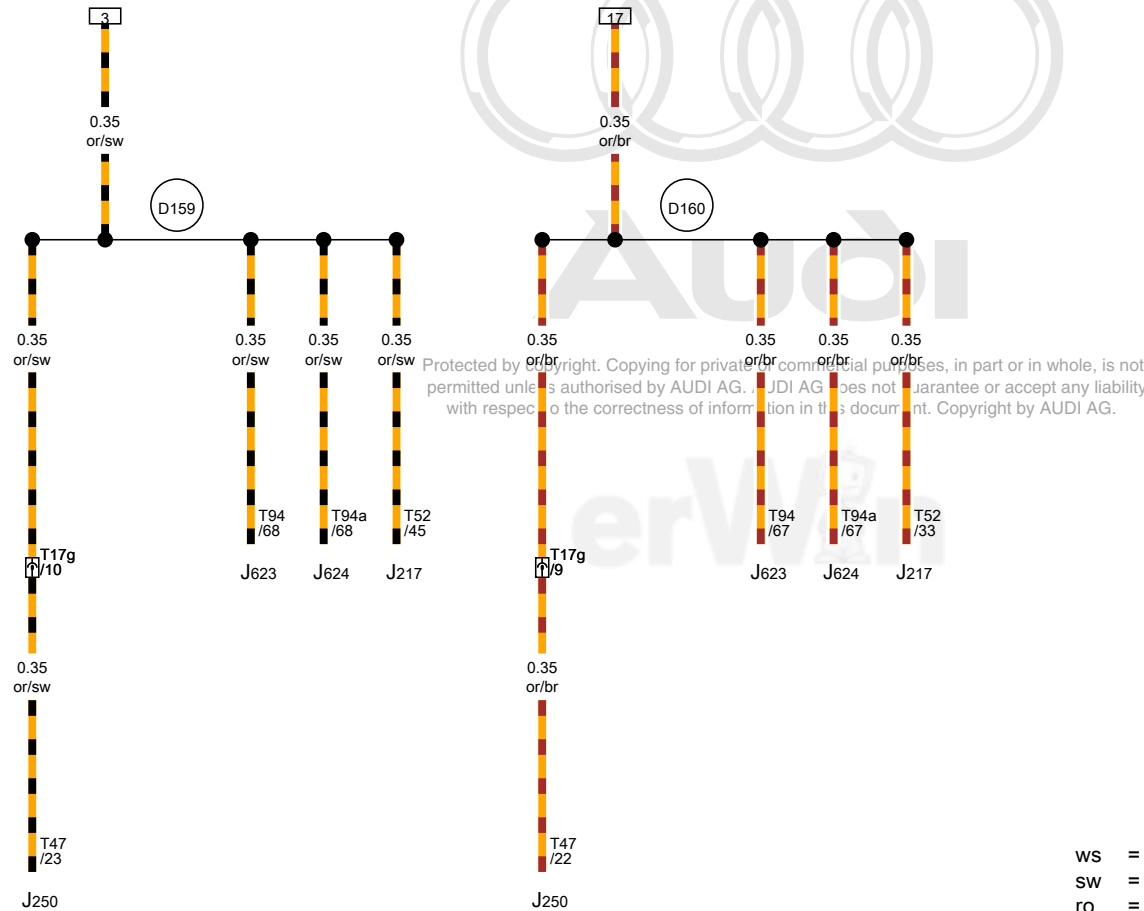
- ws = white
- sw = black
- ro = red
- rt = red
- br = brown
- gn = green
- bl = blue
- gr = grey
- li = lilac
- vi = lilac
- ge = yellow
- or = orange
- rs = pink

High bus connection (in engine compartment wiring harness), Low bus positive connection (in engine compartment wiring harness)

- J217 Transmission control module
- J250 Electronic damping control module
- J623 Engine control module
- J624 Engine control module 2
- T17g 17-pin connector, Connector station under the rear shelf, right, black
- T47 47-pin connector, black
- T52 52-pin connector, black
- T94 94-pin connector, black
- T94a 94-pin connector, black

D159 High bus connection (in engine compartment wiring harness)

D160 Low bus positive connection (in engine compartment wiring harness)



- ws = white
- sw = black
- ro = red
- rt = red
- br = brown
- gn = green
- bl = blue
- gr = grey
- li = lilac
- vi = lilac
- ge = yellow
- or = orange
- rs = pink

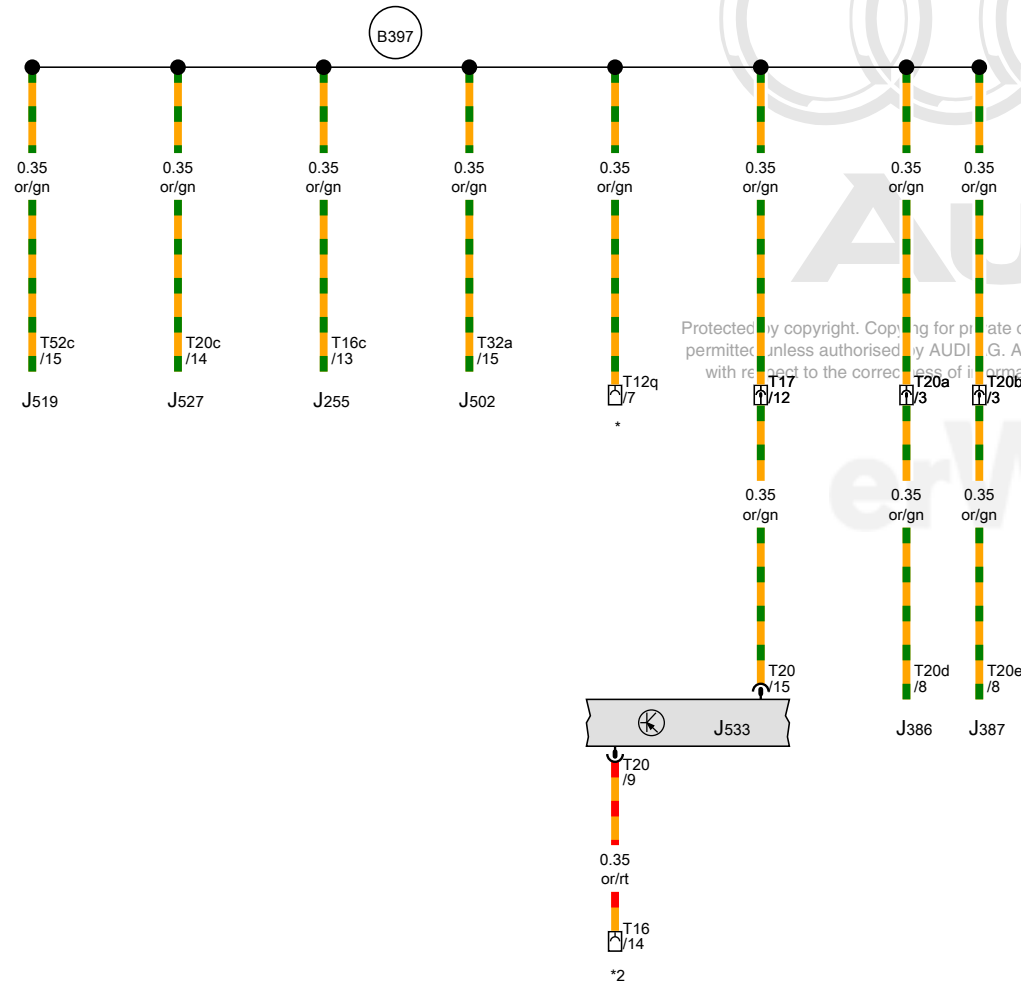
29 30 31 32 33 34 35 36 37 38 39 40 41 42

1420-037040913

Comfort system CAN bus high connection 1 (in main wiring harness)

- J255 Climatronic control module
- J386 Driver door control module
- J387 Front passenger door control module
- J502 Tire pressure monitoring control module
- J519 Vehicle electrical system control module
- J527 Steering column electronics control module
- J533 Data bus on board diagnostic interface
- T12q 12-pin connector, brown
- T16 16-pin connector, black
- T16c 16-pin connector, brown
- T17 17-pin connector, Inside the center console connector station on the right side, red
- T20 20-pin connector, red
- T20a 20-pin connector, in the left front door, black
- T20b 20-pin connector, in the right front door, black
- T20c 20-pin connector, black
- T20d 20-pin connector, black
- T20e 20-pin connector, black
- T32a 32-pin connector, black
- T52c 52-pin connector, brown

- B397** Comfort system CAN bus high connection 1 (in main wiring harness)
- * Only for vehicles with special functions interface
- *2 Diagnostic connector



- ws = white
- sw = black
- ro = red
- rt = red
- br = brown
- gn = green
- bl = blue
- gr = grey
- li = lilac
- vi = lilac
- ge = yellow
- or = orange
- rs = pink

43 44 45 46 47 48 49 50 51 52 53 54 55 56

1420-037050913

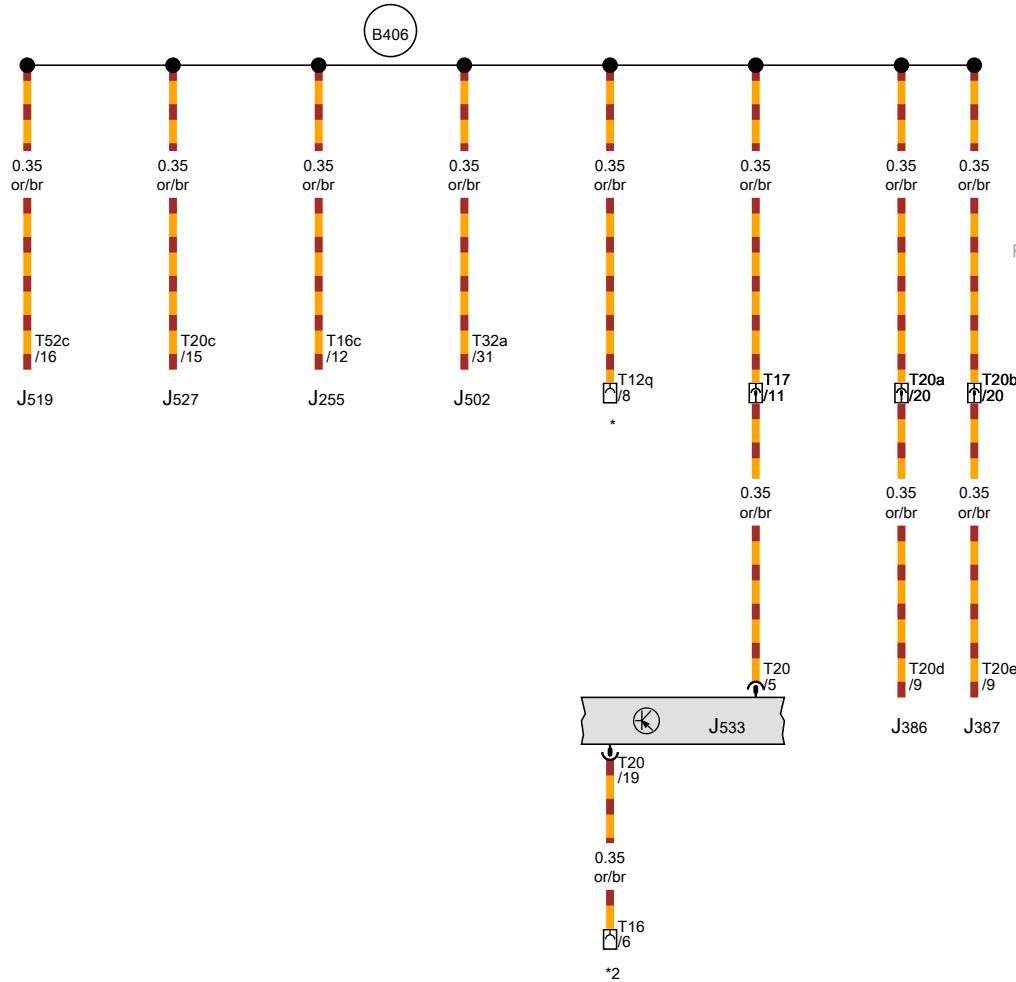
Comfort system CAN bus low connection 1 (in main wiring harness)

- J255 Climatron control module
- J386 Driver door control module
- J387 Front passenger door control module
- J502 Tire pressure monitoring control module
- J519 Vehicle electrical system control module
- J527 Steering column electronics control module
- J533 Data bus on board diagnostic interface
- T12q 12-pin connector, brown
- T16 16-pin connector, black
- T16c 16-pin connector, brown
- T17 17-pin connector, Inside the center console connector station on the right side, red
- T20 20-pin connector, red
- T20a 20-pin connector, in the left front door, black
- T20b 20-pin connector, in the right front door, black
- T20c 20-pin connector, black
- T20d 20-pin connector, black
- T20e 20-pin connector, black
- T32a 32-pin connector, black
- T52c 52-pin connector, brown

B406 Comfort system CAN bus low connection 1 (in main wiring harness)

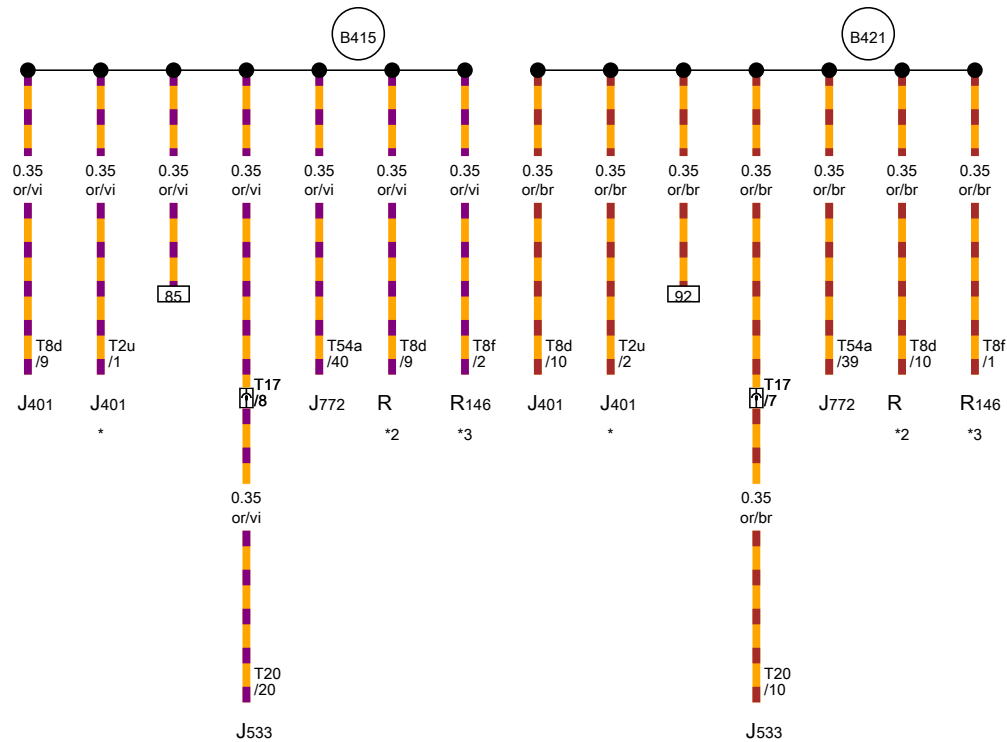
- * Only for vehicles with special functions interface
- *2 Diagnostic connector

Protected by copyright. Copying for private or internal use, or for the private or internal use of specific clients, is permitted unless authorised by AUDI AG. Any other kind of copying, in particular for general distribution, for advertising or promotional purposes, for creating new collective works, or for resale, is prohibited. The copyright holder takes no responsibility with respect to the correctness of information contained in this document. Copyright © AUDI AG.



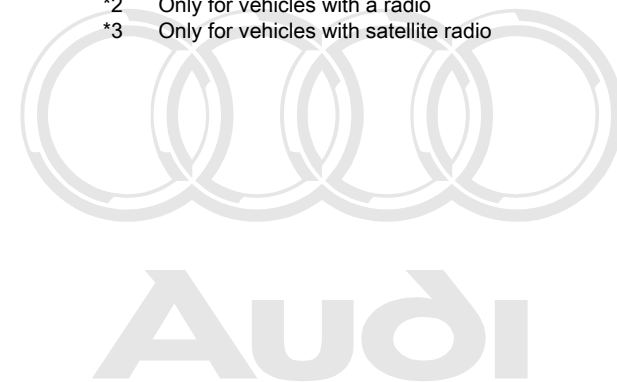
57 58 59 60 61 62 63 64 65 66 67 68 69 70

1420-037060913



Infotainment CAN Bus high connection 1 (in main wiring harness), Infotainment CAN bus low connection 1 (in main wiring harness)

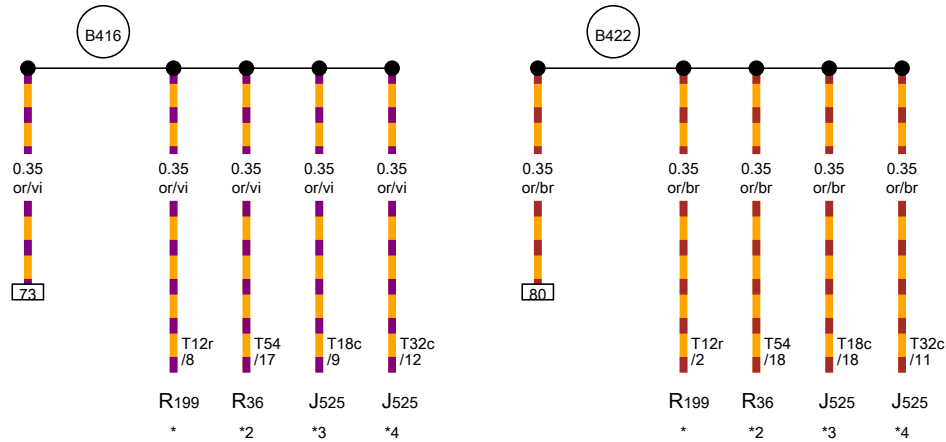
- J401 Navigation system with CD drive control module
- J533 Data bus on board diagnostic interface
- J772 Rearview camera system control module
- R Radio
- R146 Satellite radio
- T2u Double connector, black
- T8d 8-pin connector, black
- T8f 8-pin connector, black
- T17 17-pin connector, Inside the center console connector station on the right side, red
- T20 20-pin connector, red
- T54a 54-pin connector, black
- B415 Infotainment CAN Bus high connection 1 (in main wiring harness)
- B421 Infotainment CAN bus low connection 1 (in main wiring harness)
- * Only for vehicles with Japan equipment
- *2 Only for vehicles with a radio
- *3 Only for vehicles with satellite radio



Protected by copyright. Copying for private or commercial purposes, in part or in whole, is not permitted unless authorised by AUDI AG. AUDI AG does not guarantee or accept any liability with respect to the correctness of information in this document. Copyright by AUDI AG.

- ws = white
- sw = black
- ro = red
- rt = red
- br = brown
- gn = green
- bl = blue
- gr = grey
- li = lilac
- vi = lilac
- ge = yellow
- or = orange
- rs = pink





Infotainment CAN Bus high connection 2 (in main wiring harness), Infotainment CAN bus low connection 2 (in main wiring harness)

- J525 Digital sound system control module
- R36 Telephone transceiver
- R199 External audio source connection
- T12r 12-pin connector, black
- T18c 18-pin connector, black
- T32c 32-pin connector, black
- T54 54-pin connector, black

B416 Infotainment CAN Bus high connection 2 (in main wiring harness)

B422 Infotainment CAN bus low connection 2 (in main wiring harness)

Protected by copyright. Copying for private or commercial purposes in part or in whole is not permitted unless authorised by AUDI AG. AUDI AG does not guarantee or accept any liability with respect to the correctness of information in this document. Copyright by AUDI AG.

- * Only for vehicles with external audio source connection - Audi music interface
- *2 Only for vehicles with cell phone preparation
- *3 Only for vehicles with Bang & Olufsen sound system
- *4 Only for vehicles with standard sound system

- ws = white
- sw = black
- ro = red
- rt = red
- br = brown
- gn = green
- bl = blue
- gr = grey
- li = lilac
- vi = lilac
- ge = yellow
- or = orange
- rs = pink

Multifunction steering wheel

from May 2009



Audi

Protected by copyright. Copying for private or commercial purposes, in part or in whole, is not permitted unless authorised by AUDI AG. AUDI AG does not guarantee or accept any liability with respect to the correctness of information in this document. Copyright by AUDI AG.

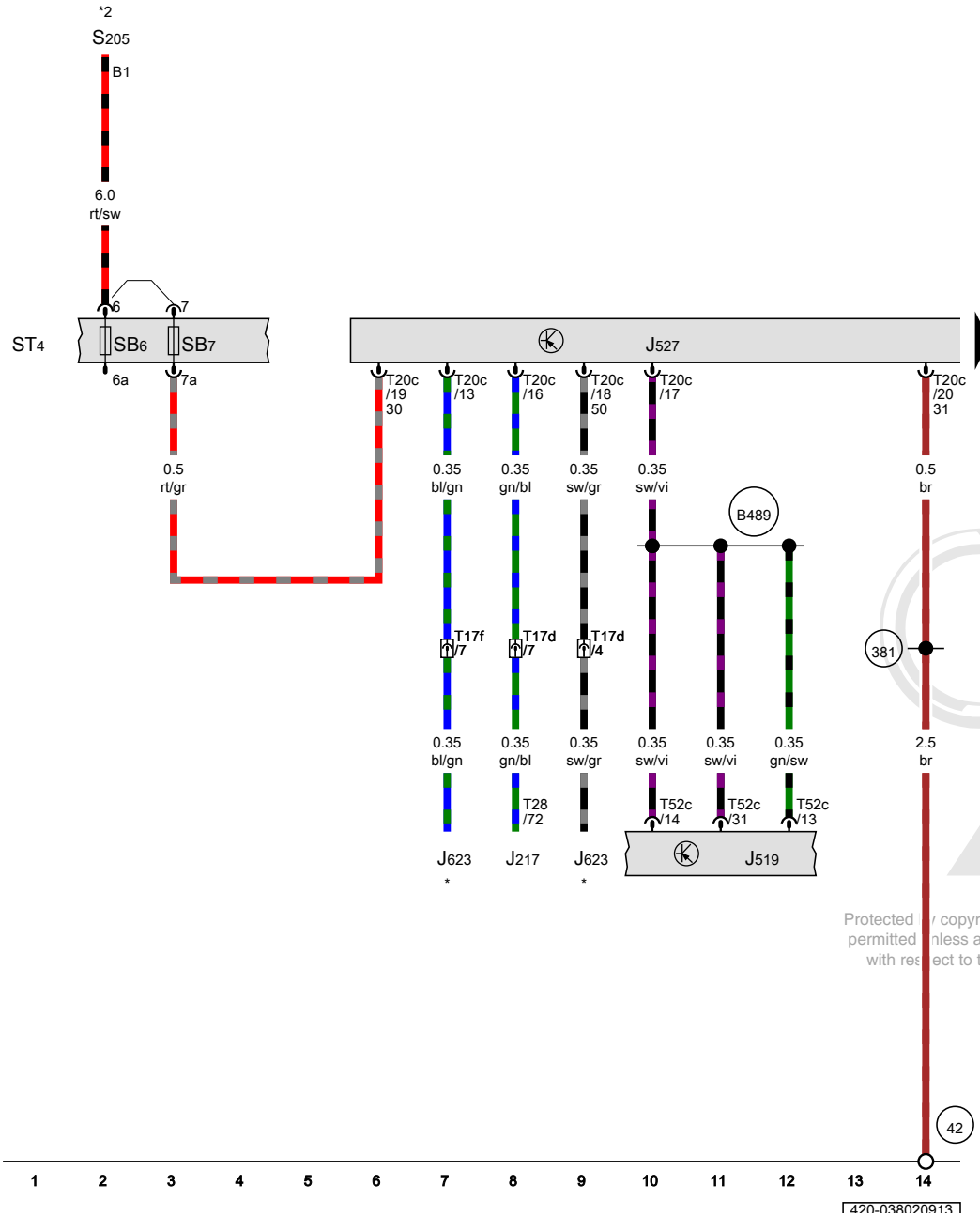


Steering column electronics control module

- J217 Transmission control module
- J519 Vehicle electrical system control module
- J527 Steering column electronics control module
- J623 Engine control module
- ST4 Fuse panel 4
- SB6 Fuse 6 (on fuse panel B)
- SB7 Fuse 7 (on fuse panel B)
- S205 Fuse 2 (terminal 30)
- T17d 17-pin connector, Connector station under the rear shelf, right, brown
- T17f 17-pin connector, Connector station under the rear shelf, right, white
- T20c 20-pin connector, black
- T28 28-pin connector
- T52c 52-pin connector, brown

- 42 Ground connection near steering column
- 381 Ground connection 16 (in main wiring harness)
- B489 Connection 25 (in main wiring harness)

* Refer to applicable engine wiring diagram
 *2 Main distribution in the right front footwell



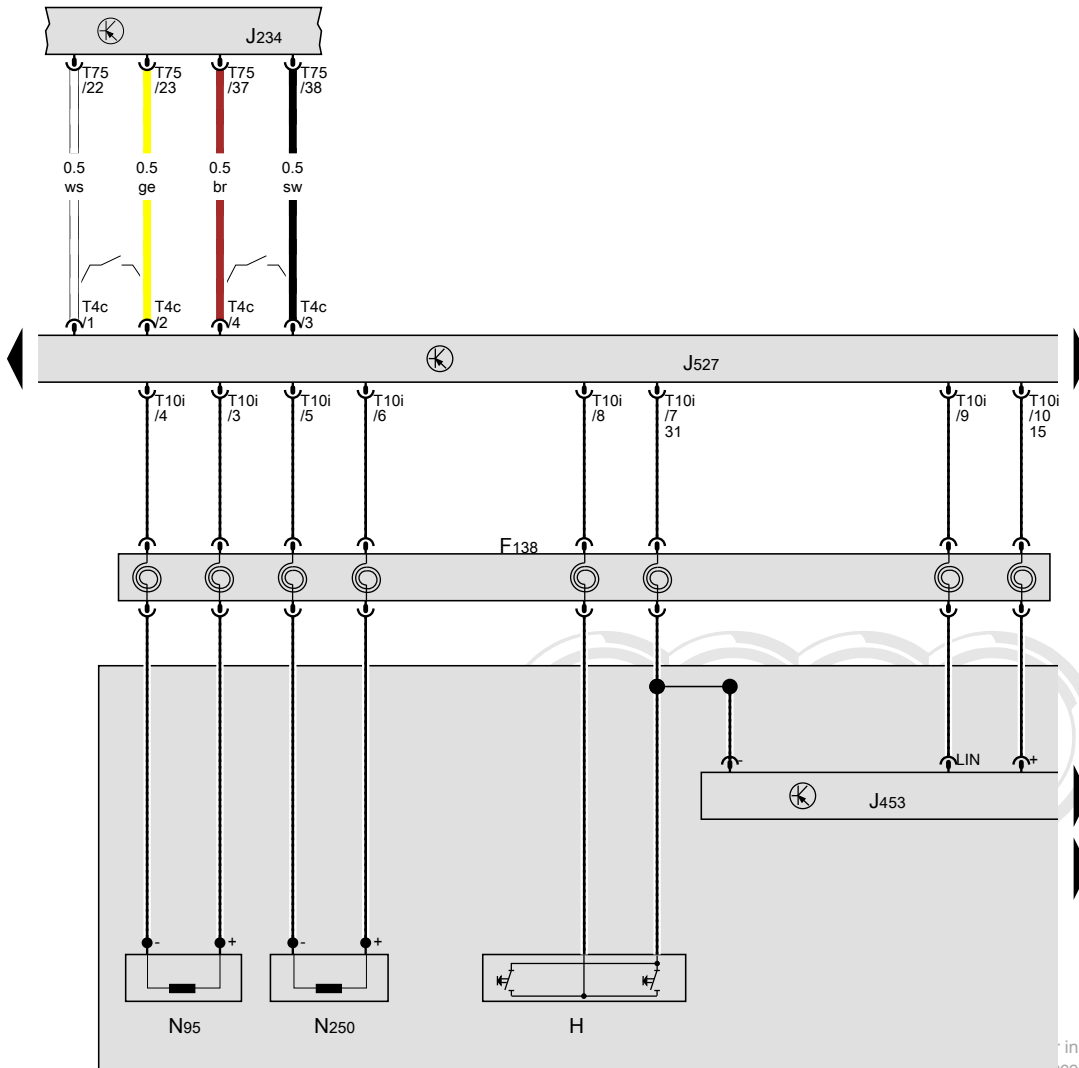
Protected by copyright. Copying for private or commercial purposes, in part or in whole, is not permitted without the written permission of Audi AG. Audi AG does not guarantee or accept any liability with respect to the correctness of information in this document. Copyright by AUDI AG.

- ws = white
- sw = black
- ro = red
- rt = red
- br = brown
- gn = green
- bl = blue
- gr = grey
- li = lilac
- vi = lilac
- ge = yellow
- or = orange
- rs = pink

1470-038020913

Control unit in steering wheel, Signal horn activation, Steering column electronics control module, Driver airbag igniter, Driver airbag igniter 2

- E221 Control unit in steering wheel
- F138 Airbag spiral spring/return spring with slip ring
- H Signal horn activation
- J234 Airbag control module
- J453 Multifunction steering wheel control module
- J527 Steering column electronics control module
- N95 Driver airbag igniter
- N250 Driver airbag igniter 2
- T4c 4-pin connector, yellow
- T10i 10-pin connector
- T75 75-pin connector, yellow

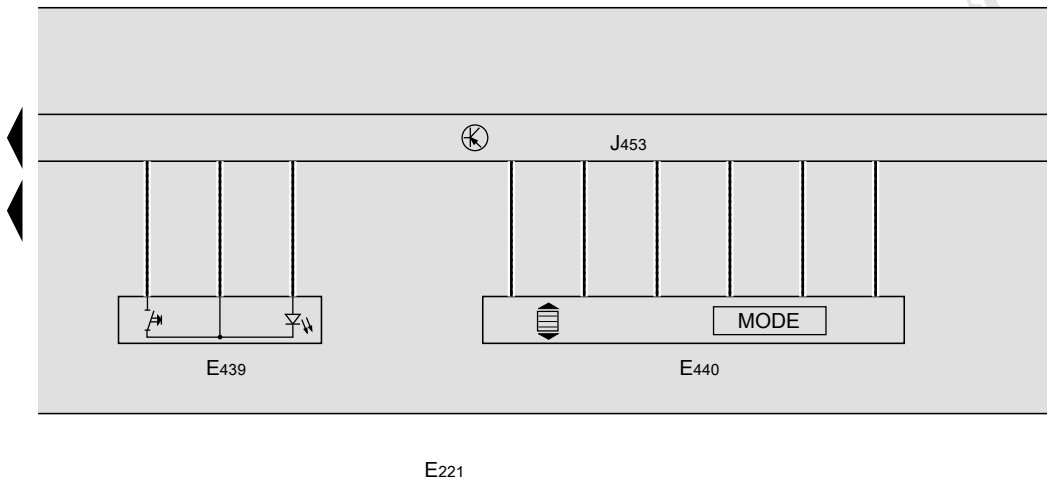
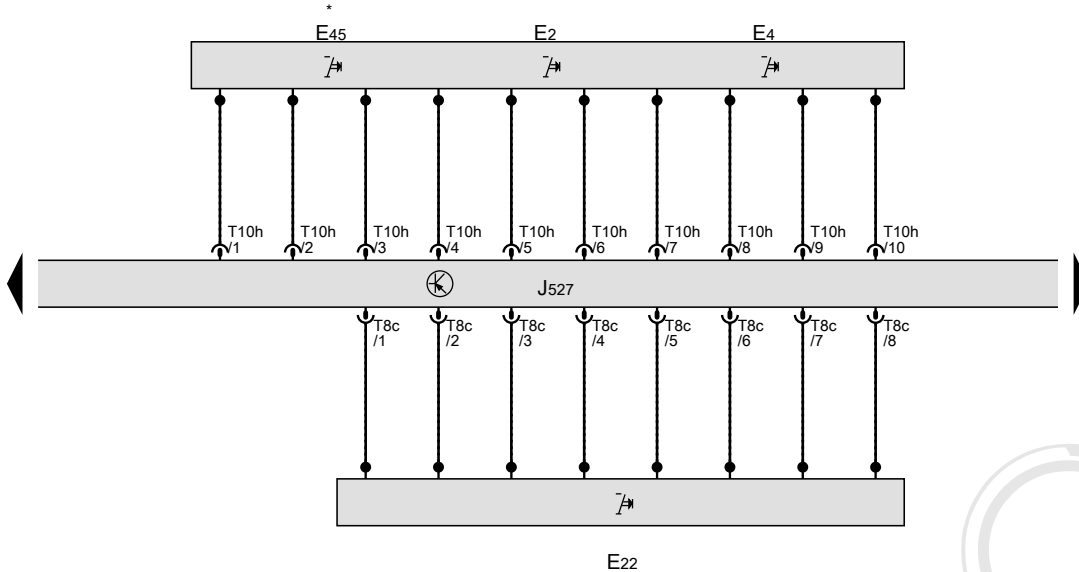


- ws = white
- sw = black
- ro = red
- rt = red
- br = brown
- gn = green
- bl = blue
- gr = grey
- li = lilac
- vi = lilac
- ge = yellow
- or = orange
- rs = pink

with respect to the correctness of information in this document. Copyright by AUDI AG.

Turn signal switch, Headlamp dimmer/flasher switch, Windshield wiper intermittent mode switch, Cruise control switch, Control unit in steering wheel, tiptronic downshift button on steering wheel, Steering column electronics control module

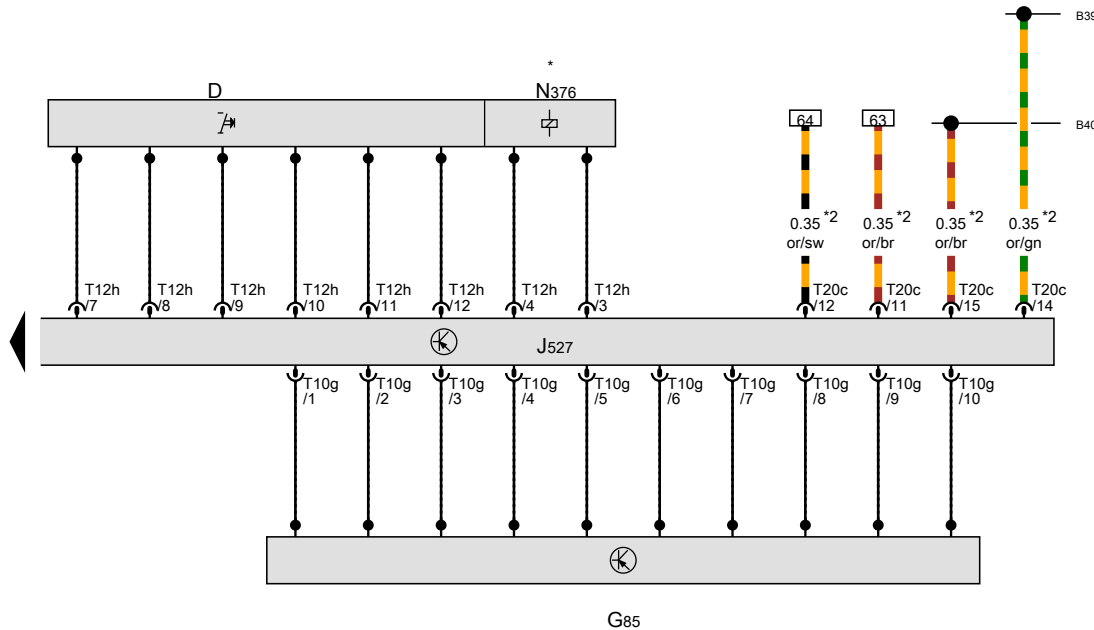
- E2 Turn signal switch
- E4 Headlamp dimmer/flasher switch
- E22 Windshield wiper intermittent mode switch
- E45 Cruise control switch
- E221 Control unit in steering wheel
- E439 tiptronic downshift button on steering wheel
- E440 Left multifunction buttons on steering wheel
- J453 Multifunction steering wheel control module
- J527 Steering column electronics control module
- T8c 8-pin connector
- T10h 10-pin connector
- * Only for vehicles with cruise control



Copyright. Copying for private or commercial purposes, in part or in whole, is not authorised by AUDI AG. AUDI AG does not guarantee or accept any liability for the correctness of the information in this document. Copyright by AUDI AG.

- ws = white
- sw = black
- ro = red
- rt = red
- br = brown
- gn = green
- bl = blue
- gr = grey
- li = lilac
- vi = lilac
- ge = yellow
- or = orange
- rs = pink

Ignition/starter switch, Control unit in steering wheel, tiptronic upshift button on steering wheel, Right multifunction buttons on steering wheel, Steering angle sensor, Steering column electronics control module, Ignition switch key lock solenoid



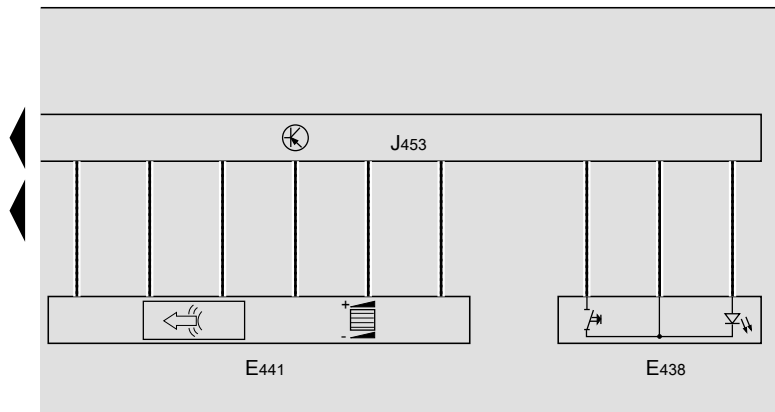
- D Ignition/starter switch
- E221 Control unit in steering wheel
- E438 tiptronic upshift button on steering wheel
- E441 Right multifunction buttons on steering wheel
- G85 Steering angle sensor
- J453 Multifunction steering wheel control module
- J527 Steering column electronics control module
- N376 Ignition switch key lock solenoid
- T10g 10-pin connector
- T12h 12-pin connector
- T20c 20-pin connector, black

(B397) Comfort system CAN bus high connection 1 (in main wiring harness)

(B406) Comfort system CAN bus low connection 1 (in main wiring harness)

* Only for vehicles with automated manual transmission (R tronic) 086

*2 Data bus wire (CAN bus)



E221



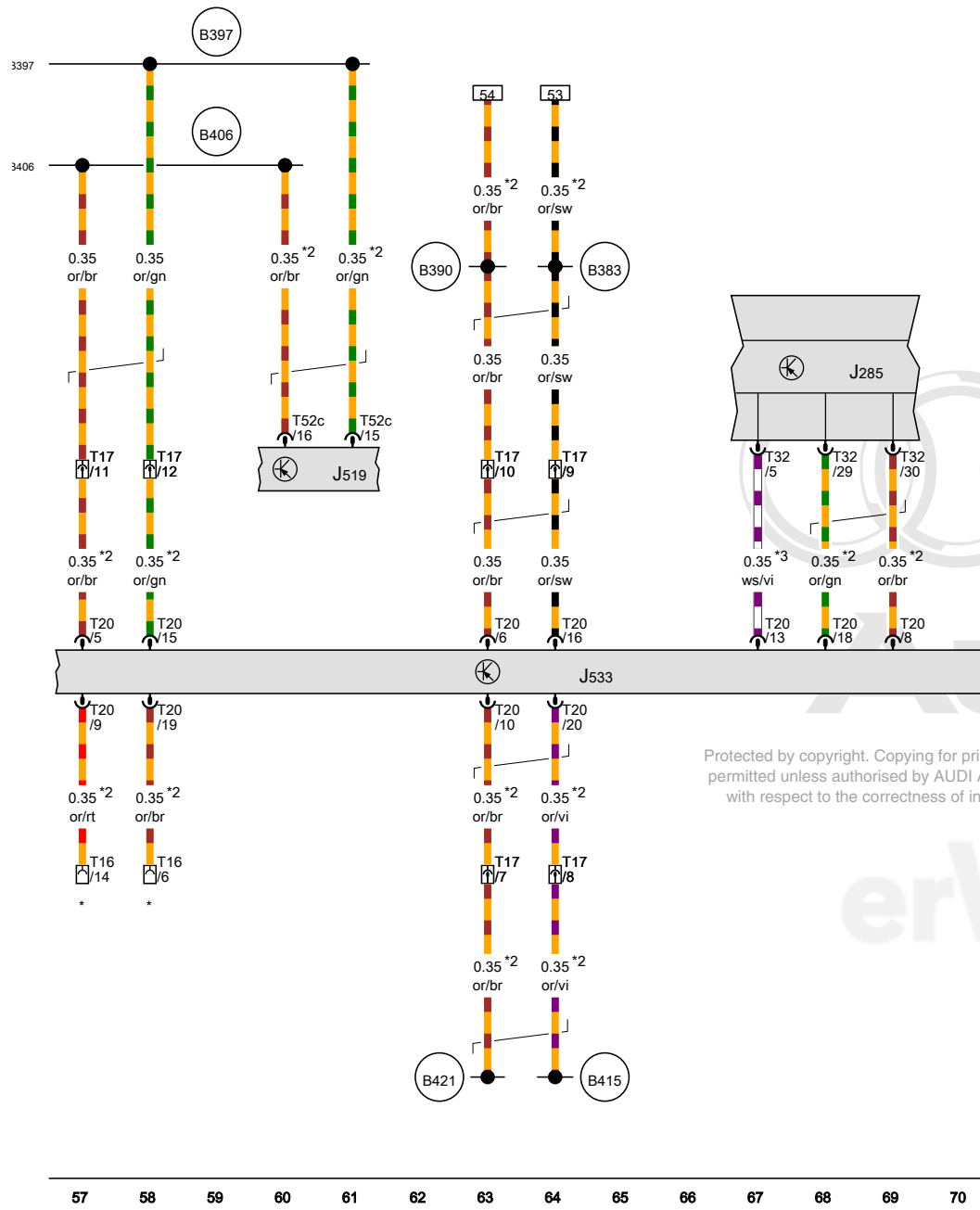
Audi

- ws = white
- sw = black
- ro = red
- rt = red
- br = brown
- gn = green
- bl = blue
- gr = grey
- li = lilac
- vi = lilac
- ge = yellow
- or = orange
- rs = pink



43 44 45 46 47 48 49 50 51 52 53 54 55 56

420-038050913



Instrument cluster control module, Data bus on board diagnostic interface

- J285 Instrument cluster control module
- J519 Vehicle electrical system control module
- J533 Data bus on board diagnostic interface
- T16 16-pin connector, black
- T17 17-pin connector, Inside the center console connector station on the right side, red
- T20 20-pin connector, red
- T32 32-pin connector
- T52c 52-pin connector, brown
- B383 Powertrain CAN bus high connection 1 (in main wiring harness)
- B390 Powertrain CAN bus low connection 1 (in main wiring harness)
- B397 Comfort system CAN bus high connection 1 (in main wiring harness)
- B406 Comfort system CAN bus low connection 1 (in main wiring harness)
- B415 Infotainment CAN Bus high connection 1 (in main wiring harness)
- B421 Infotainment CAN bus low connection 1 (in main wiring harness)
- * Diagnostic connector
- *2 Data bus wire (CAN bus)
- *3 Prompt wire

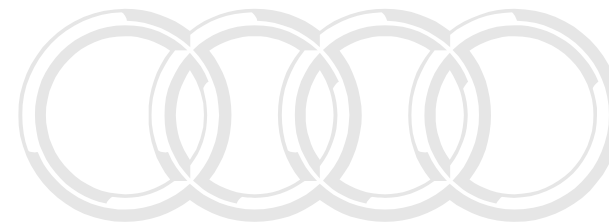
Protected by copyright. Copying for private or commercial purposes, in part or in whole, is not permitted unless authorised by AUDI AG. AUDI AG does not guarantee or accept any liability with respect to the correctness of information in this document. Copyright by AUDI AG.

- ws = white
- sw = black
- ro = red
- rt = red
- br = brown
- gn = green
- bl = blue
- gr = grey
- li = lilac
- vi = lilac
- ge = yellow
- or = orange
- rs = pink

57 58 59 60 61 62 63 64 65 66 67 68 69 70

[420-038060913]

Steering wheel with toggle switches
from May 2009



Audi

Protected by copyright. Copying for private or commercial purposes, in part or in whole, is not permitted unless authorised by AUDI AG. AUDI AG does not guarantee or accept any liability with respect to the correctness of information in this document. Copyright by AUDI AG.



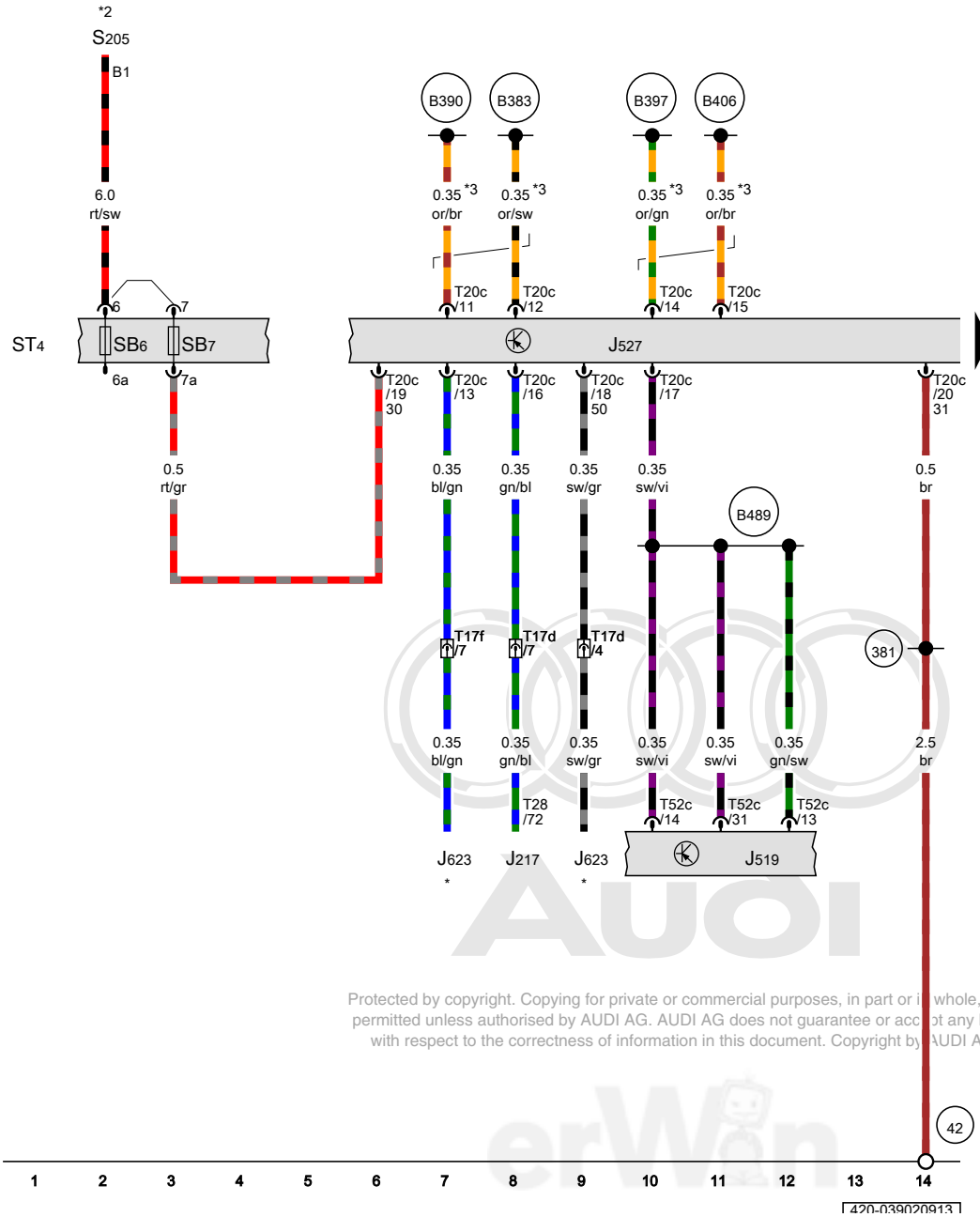
Steering column electronics control module

- J217 Transmission control module
- J519 Vehicle electrical system control module
- J527 Steering column electronics control module
- J623 Engine control module
- ST4 Fuse panel 4
- SB6 Fuse 6 (on fuse panel B)
- SB7 Fuse 7 (on fuse panel B)
- S205 Fuse 2 (terminal 30)
- T17d 17-pin connector, Connector station under the rear shelf, right, brown
- T17f 17-pin connector, Connector station under the rear shelf, right, white
- T20c 20-pin connector, black
- T28 28-pin connector
- T52c 52-pin connector, brown

- (42) Ground connection near steering column
- (381) Ground connection 16 (in main wiring harness)
- (B383) Powertrain CAN bus high connection 1 (in main wiring harness)
- (B390) Powertrain CAN bus low connection 1 (in main wiring harness)
- (B397) Comfort system CAN bus high connection 1 (in main wiring harness)
- (B406) Comfort system CAN bus low connection 1 (in main wiring harness)
- (B489) Connection 25 (in main wiring harness)

- * Refer to applicable engine wiring diagram
- *2 Main distribution in the right front footwell
- *3 Data bus wire (CAN bus)

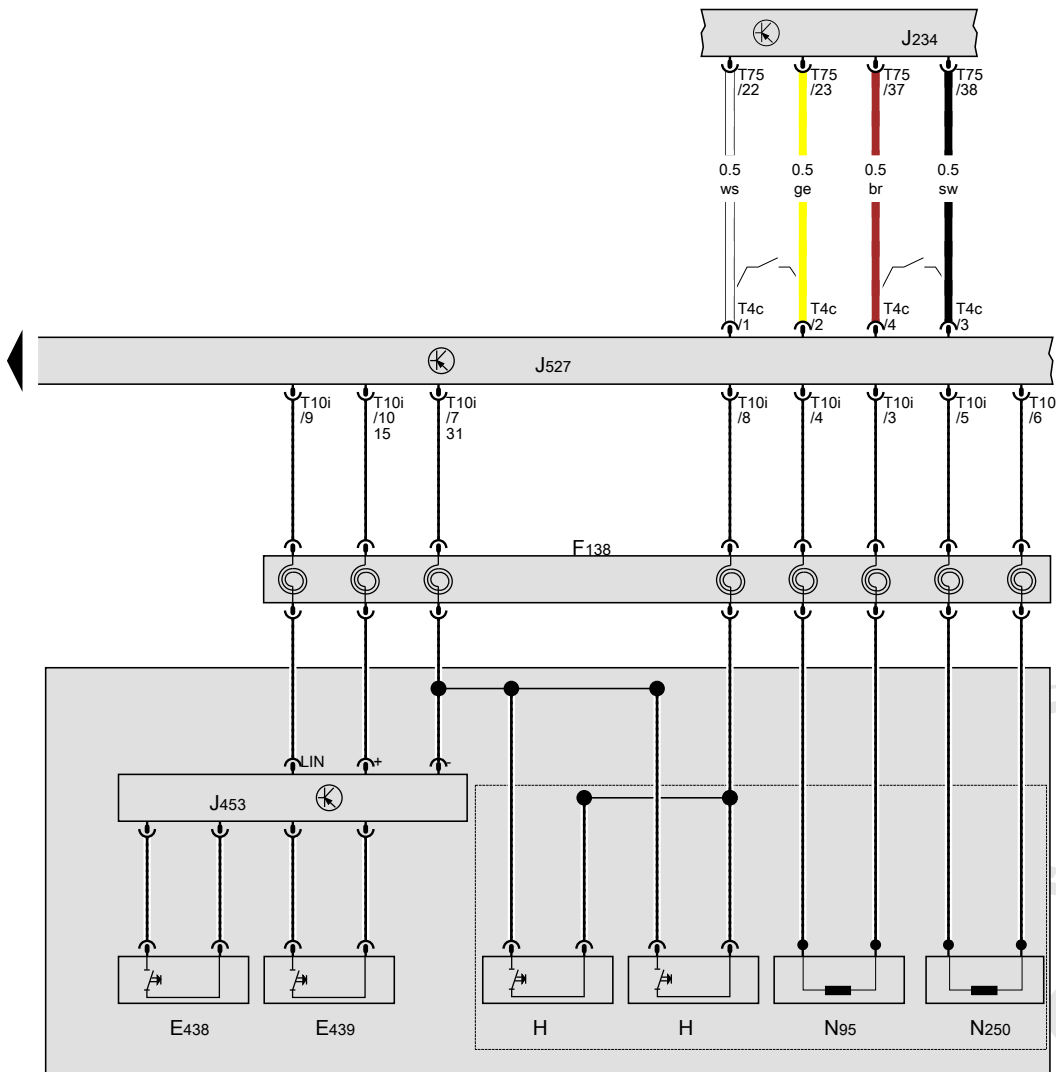
- ws = white
- sw = black
- ro = red
- rt = red
- br = brown
- gn = green
- bl = blue
- gr = grey
- li = lilac
- vi = lilac
- ge = yellow
- or = orange
- rs = pink



Protected by copyright. Copying for private or commercial purposes, in part or in whole, is not permitted unless authorised by AUDI AG. AUDI AG does not guarantee or accept any liability with respect to the correctness of information in this document. Copyright by AUDI AG.

Control unit in steering wheel, tiptronic upshift button on steering wheel, tiptronic downshift button on steering wheel, Signal horn activation, Steering column electronics control module, Driver airbag igniter, Driver airbag igniter 2

- E221 Control unit in steering wheel
- E438 tiptronic upshift button on steering wheel
- E439 tiptronic downshift button on steering wheel
- F138 Airbag spiral spring/return spring with slip ring
- H Signal horn activation
- J234 Airbag control module
- J453 Multifunction steering wheel control module
- J527 Steering column electronics control module
- N95 Driver airbag igniter
- N250 Driver airbag igniter 2
- T4c 4-pin connector, yellow
- T10i 10-pin connector
- T75 75-pin connector, yellow



- ws = white
- sw = black
- ro = red
- rt = red
- br = brown
- gn = green
- bl = blue
- gr = grey
- li = lilac
- vi = lilac
- ge = yellow
- or = orange
- rs = pink

Protected by copyright. Copying for private or commercial purposes, in part or in whole, is not permitted unless authorised by AUDI AG. AUDI AG does not guarantee or accept any liability with respect to the correctness of information in this document. Copyright by AUDI AG.

E221

15 16 17 18 19 20 21 22 23 24 25 26 27 28

[420-039030913]

A/C system
from May 2009



Audi

Protected by copyright. Copying for private or commercial purposes, in part or in whole, is not permitted unless authorised by AUDI AG. AUDI AG does not guarantee or accept any liability with respect to the correctness of information in this document. Copyright by AUDI AG.

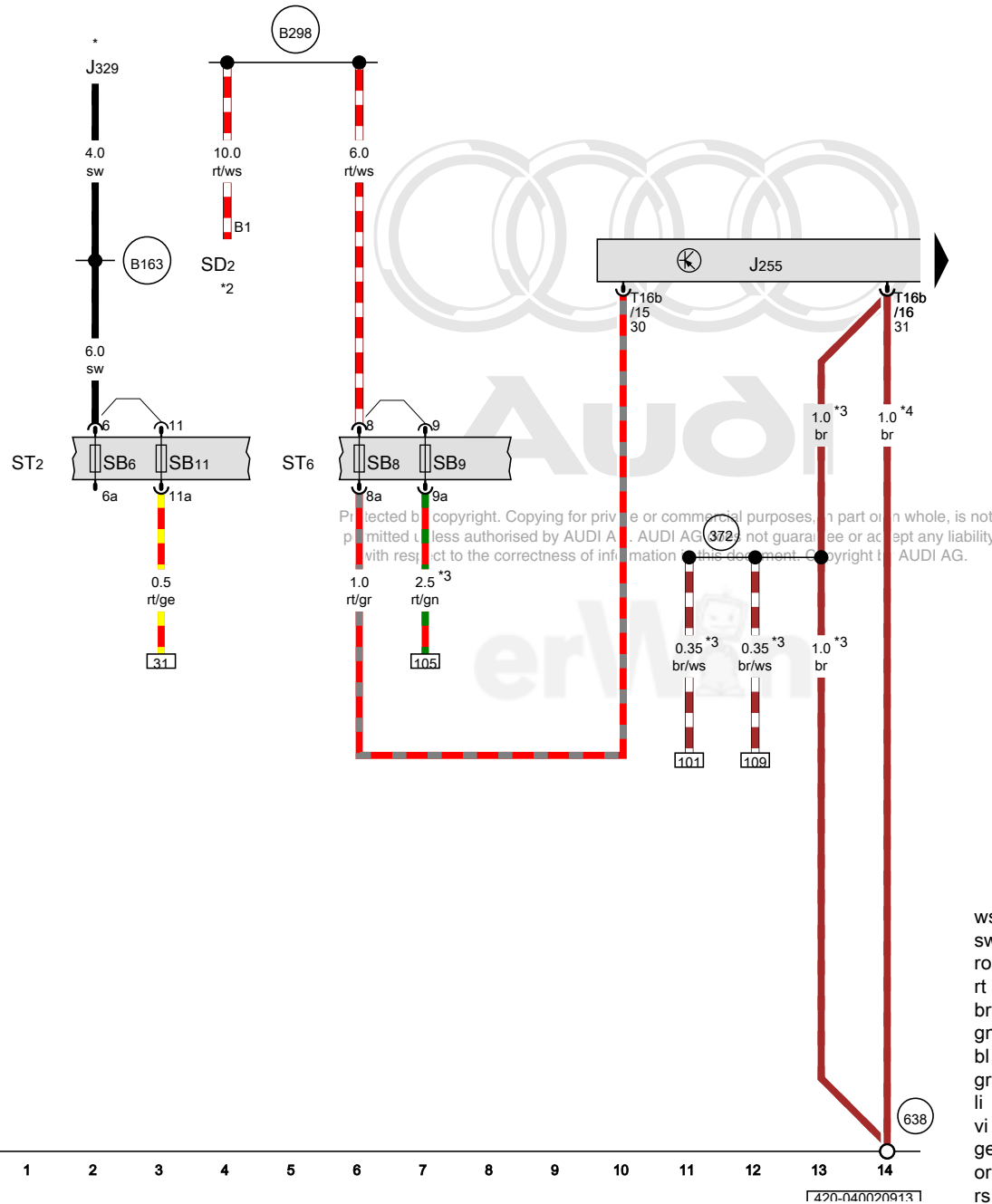


Climatronic control module

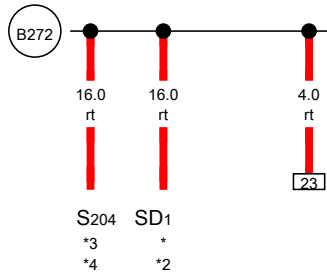
- J255 Climatronic control module
- J329 Terminal 15 power supply relay
- SD2 Fuse 2 (on fuse panel D)
- ST2 Fuse panel 2
- ST6 Fuse panel 6
- SB6 Fuse 6 (on fuse panel B)
- SB8 Fuse 8 (on fuse panel B)
- SB9 Fuse 9 (on fuse panel B)
- SB11 Fuse 11 (on fuse panel B)
- T16b 16-pin connector, black

- 372 Ground connection 7 (in main wiring harness)
- 638 Ground connection on right A-pillar
- B163 Positive connection 1 (15) (in interior wiring harness)
- B298 Positive connection 2 (30) (in main wiring harness)

- * Relay carrier in the right front footwell
- *2 Main fuse box in the right front footwell
- *3 Only for vehicles with an auxiliary heater
- *4 Only for vehicles without heated seats



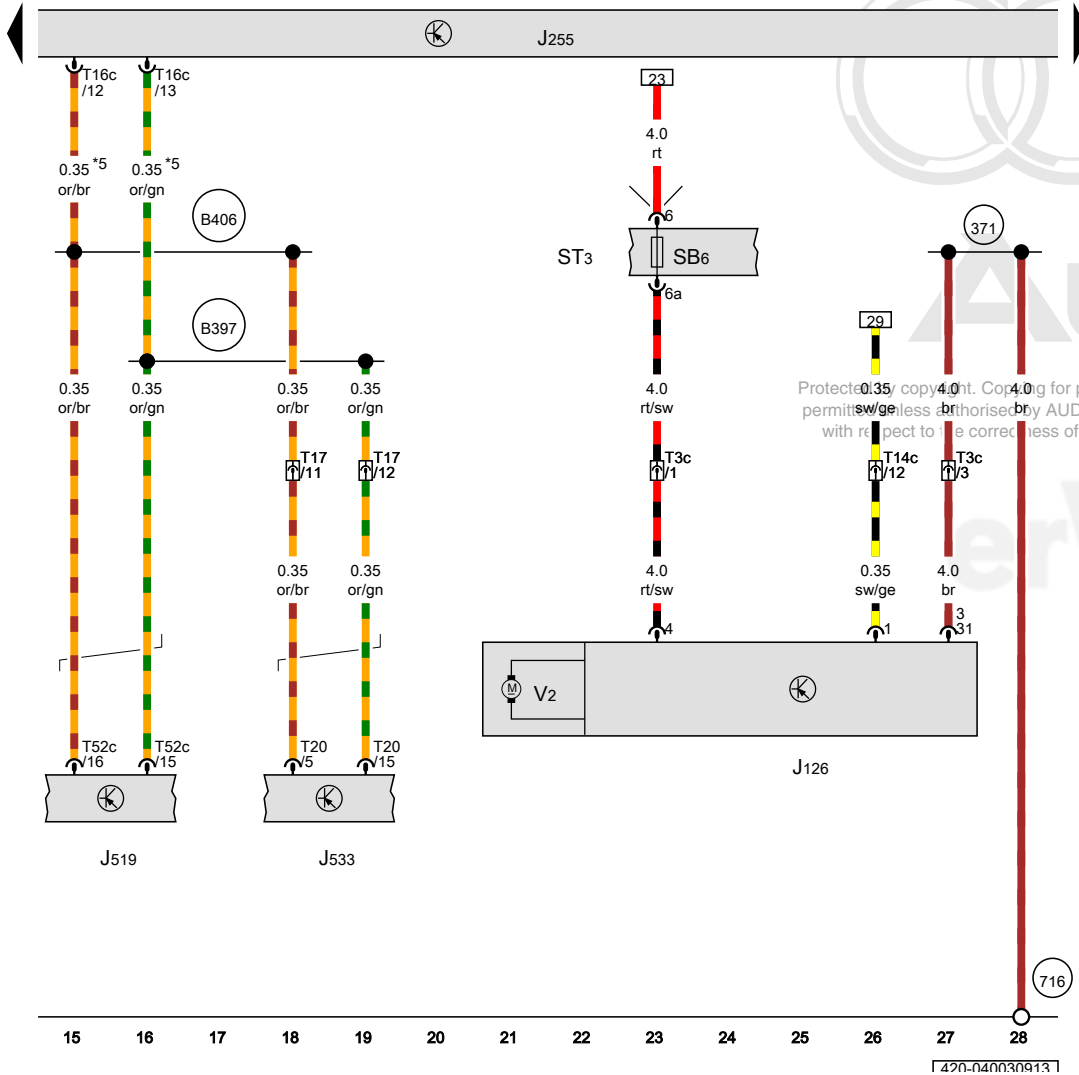
- ws = white
- sw = black
- ro = red
- rt = red
- br = brown
- gn = green
- bl = blue
- gr = grey
- li = lilac
- vi = lilac
- ge = yellow
- or = orange
- rs = pink



Fresh air blower control module, Climatronic control module, Fuse 6 (on fuse panel B), Fresh air blower

- J126 Fresh air blower control module
- J255 Climatronic control module
- J519 Vehicle electrical system control module
- J533 Data bus on board diagnostic interface
- SD1 Fuse 1 (on fuse panel D)
- ST3 Fuse panel 3
- SB6 Fuse 6 (on fuse panel B)
- S204 Fuse 1 (terminal 30)
- T3c 3-pin connector, near the right headlamp, black
- T14c 14-pin connector, near the right headlamp, black
- T16c 16-pin connector, brown
- T17 17-pin connector, inside the center console connector station on the right side, red
- T20 20-pin connector, red
- T52c 52-pin connector, brown
- V2 Fresh air blower

- 371 Ground connection 6 (in main wiring harness)
- 716 Ground connection on right crossmember
- B272 Positive connection (30) (in main wiring harness)
- B397 Comfort system CAN bus high connection 1 (in main wiring harness)
- B406 Comfort system CAN bus low connection 1 (in main wiring harness)
- * Main fuse box in the right front footwell
- *2 from November 2011
- *3 Main distribution in the right front footwell
- *4 Through November 2011
- *5 Data bus wire (CAN bus)



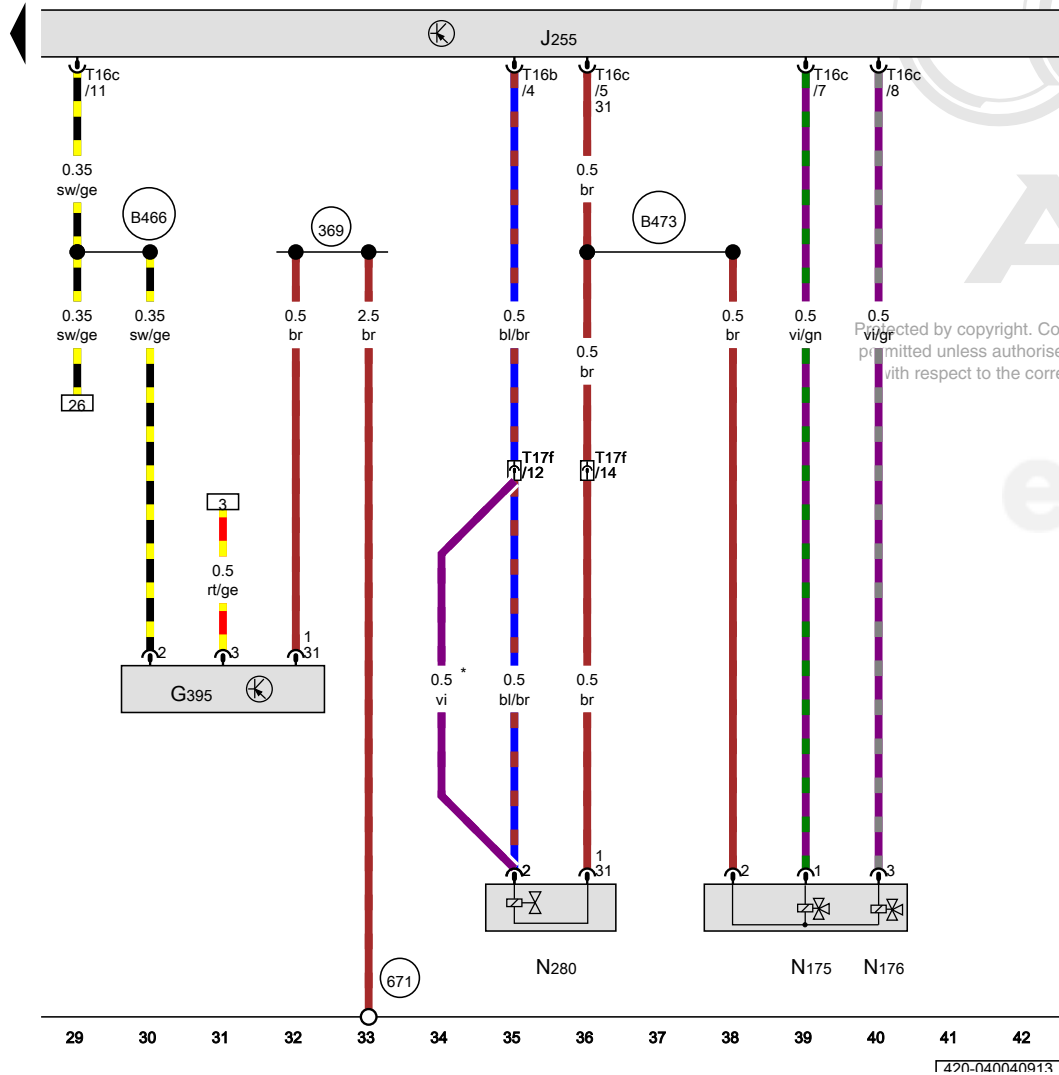
- ws = white
- sw = black
- ro = red
- rt = red
- br = brown
- gn = green
- bl = blue
- gr = grey
- li = lilac
- vi = lilac
- ge = yellow
- or = orange
- rs = pink

A/C pressure/temperature sensor, Climatronic control module, Left heat regulating valve, Right heat regulating valve, A/C compressor regulator valve

- G395 A/C pressure/temperature sensor
- J255 Climatronic control module
- N175 Left heat regulating valve
- N176 Right heat regulating valve
- N280 A/C compressor regulator valve
- T16b 16-pin connector, black
- T16c 16-pin connector, brown
- T17f 17-pin connector, Connector station under the rear shelf, right, white

- 369 Ground connection 4 (in main wiring harness)
- 671 Ground connection 1 on left front longitudinal member
- B466 Connection 2 (in main wiring harness)
- B473 Connection 9 (in main wiring harness)

Protected by copyright. Copying for private or commercial purposes, in part or in whole, is not permitted unless authorised by AUDI AG. AUDI AG does not guarantee the accuracy of information with respect to the correctness of information in this document. Copyright by AUDI AG.



- ws = white
- sw = black
- ro = red
- rt = red
- br = brown
- gn = green
- bl = blue
- gr = grey
- li = lilac
- vi = lilac
- ge = yellow
- or = orange
- rs = pink

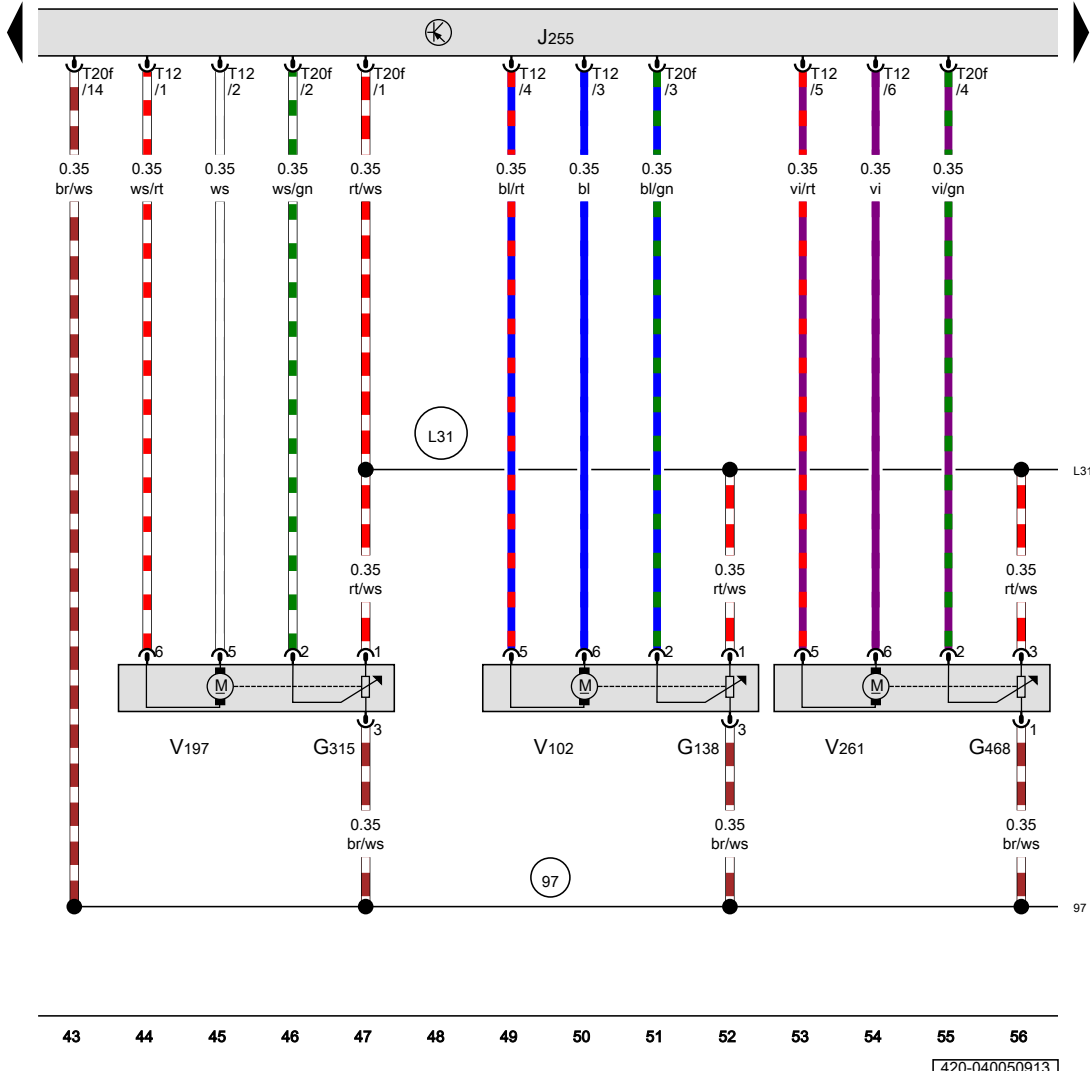
14270-0400020913

Climatronic control module, Center vent adjustment motor, Front cold air door motor, Footwell door motor

- G138 Center vent motor position sensor
- G315 Front cold air door motor position sensor
- G468 Footwell door motor position sensor
- J255 Climatronic control module
- T12 12-pin connector
- T20f 20-pin connector
- V102 Center vent adjustment motor
- V197 Front cold air door motor
- V261 Footwell door motor

97 Ground connection 1 (in A/C wiring harness)

L31 Connection (5 Volt) (in A/C system wiring harness)



Audi

- ws = white
- sw = black
- ro = red
- rt = red
- br = brown
- gn = green
- bl = blue
- gr = grey
- li = lilac
- vi = lilac
- ge = yellow
- or = orange
- rs = pink

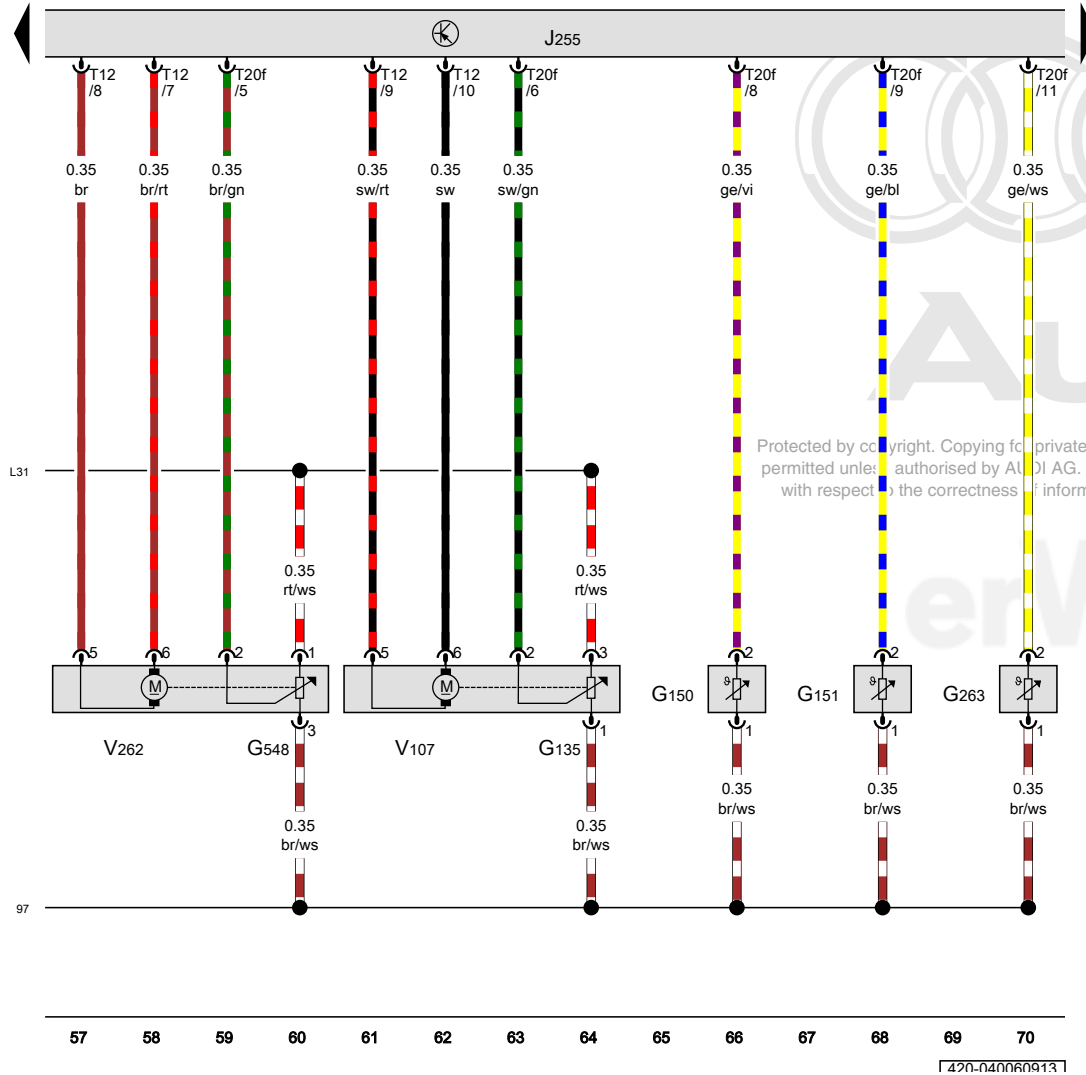
97 Protected by copyright. Copying for private or commercial purposes, in part or in whole, is not permitted unless authorised by AUDI AG. AUDI AG does not guarantee or accept any liability with respect to the correctness of information in this document. Copyright by AUDI AG.

Left vent temperature sensor, Evaporator vent temperature sensor, Climatronic control module, Defroster door motor, Side vent motor

- G135 Defroster door motor position sensor
- G150 Left vent temperature sensor
- G151 Right vent temperature sensor
- G263 Evaporator vent temperature sensor
- G548 Side vent motors position sensor
- J255 Climatronic control module
- T12 12-pin connector
- T20f 20-pin connector
- V107 Defroster door motor
- V262 Side vent motor

97 Ground connection 1 (in A/C wiring harness)

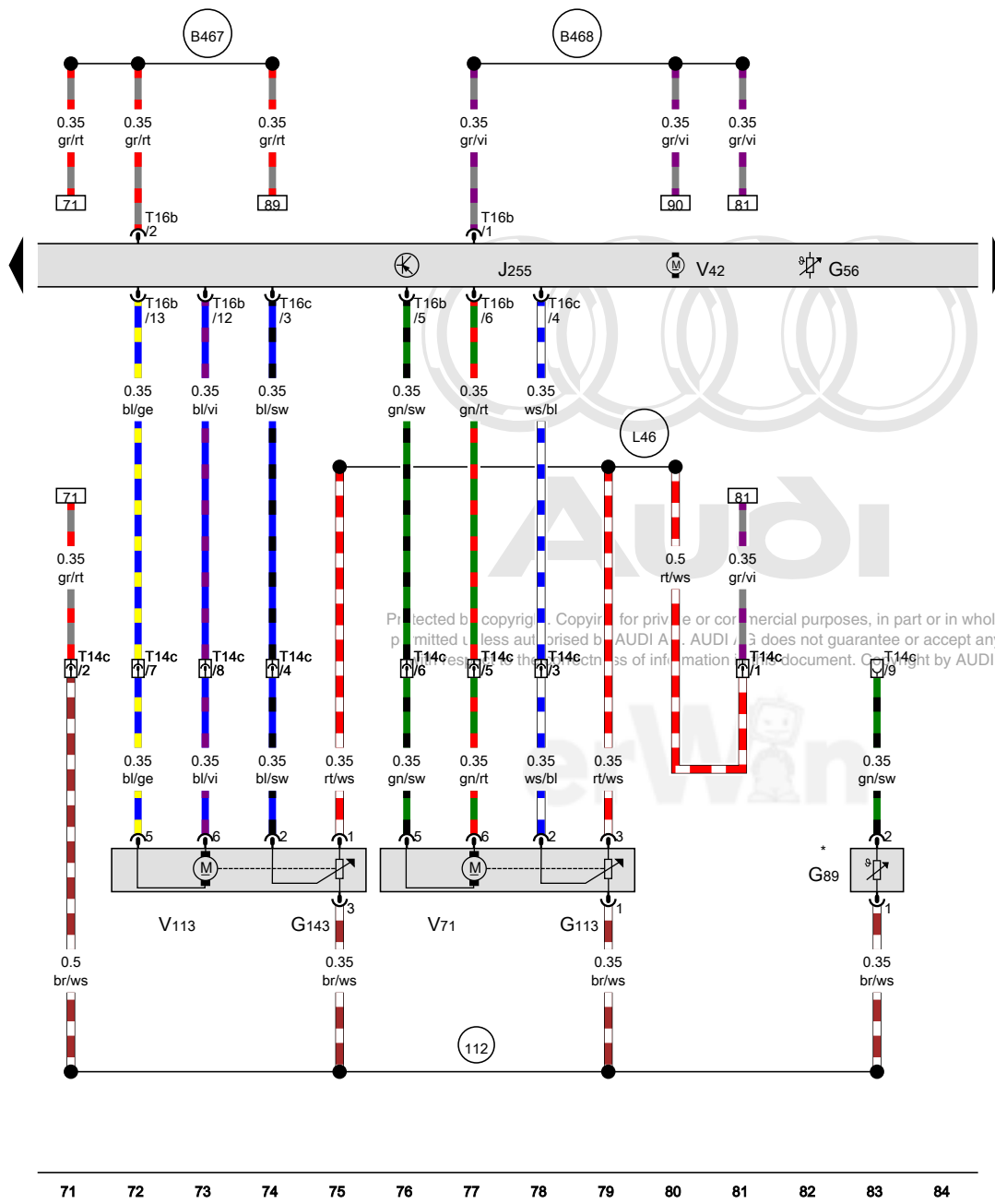
L31 Connection (5 Volt) (in A/C system wiring harness)



Protected by copyright. Copying for private or commercial purposes, in part or in whole, is not permitted unless authorised by AUDI AG. AUDI AG does not guarantee or accept any liability with respect to the correctness of information in this document. Copyright by AUDI AG.

- ws = white
- sw = black
- ro = red
- rt = red
- br = brown
- gn = green
- bl = blue
- gr = grey
- li = lilac
- vi = lilac
- ge = yellow
- or = orange
- rs = pink

14270-0400060913



Fresh air intake duct temperature sensor, Climatronic control module, Airflow door motor, Recirculation door motor

- G56 Instrument panel temperature sensor
- G89 Fresh air intake duct temperature sensor
- G113 Back pressure door motor position sensor
- G143 Recirculation door motor position sensor
- J255 Climatronic control module
- T14c 14-pin connector, near the right headlamp, black
- T16b 16-pin connector, black
- T16c 16-pin connector, brown
- V42 Interior temperature sensor fan
- V71 Airflow door motor
- V113 Recirculation door motor

- 112 Ground connection 2 (in A/C wiring harness)
- B467 Connection 3 (in main wiring harness)
- B468 Connection 4 (in main wiring harness)
- L46 Connection (5 Volt) (in Climatronic controls wiring harness)
- * If available

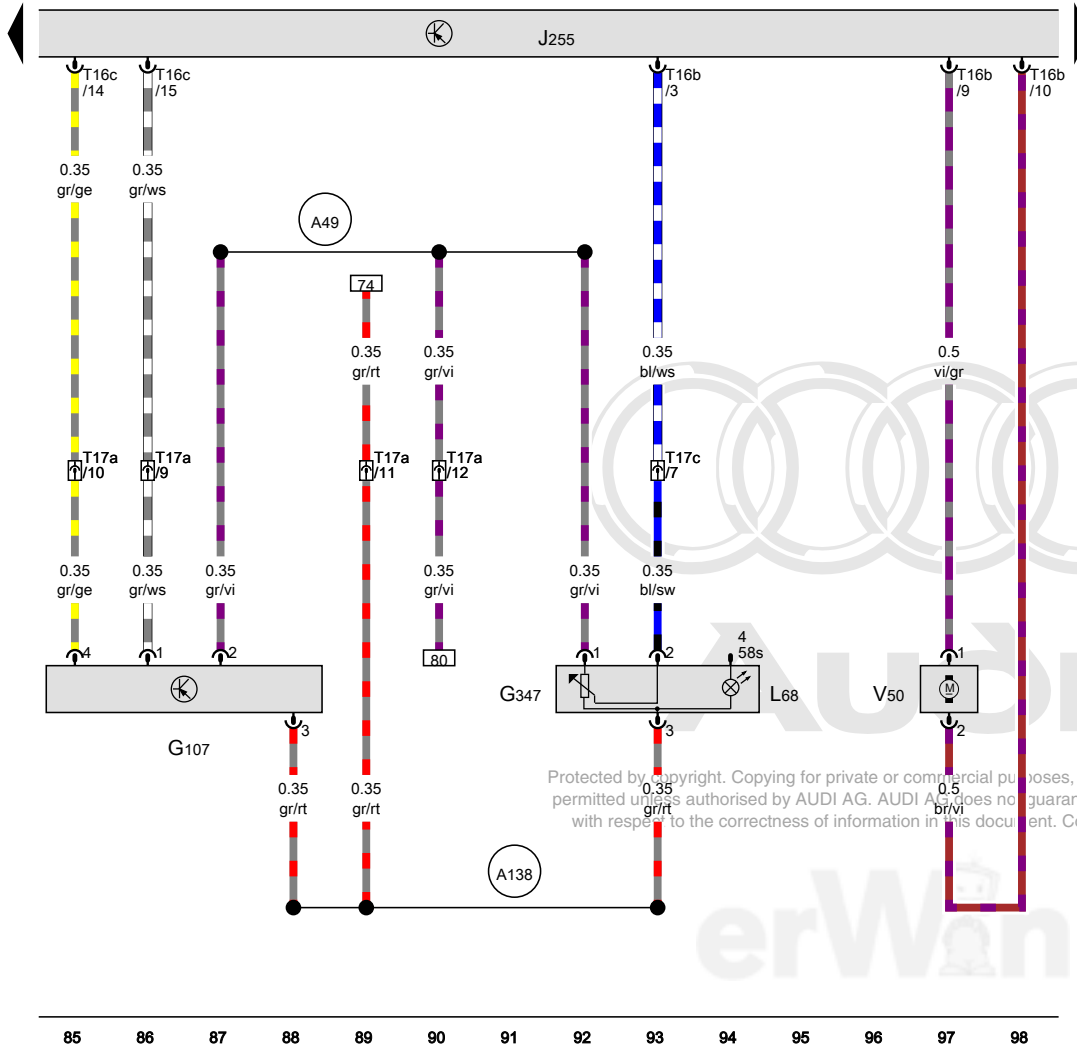
- ws = white
- sw = black
- ro = red
- rt = red
- br = brown
- gn = green
- bl = blue
- gr = grey
- li = lilac
- vi = lilac
- ge = yellow
- or = orange
- rs = pink

Sunlight photo sensor, Left center air vent sensor, Climatronic control module, Coolant recirculation pump

- G107 Sunlight photo sensor
- G347 Left center air vent sensor
- J255 Climatronic control module
- L68 Center instrument panel vent illumination bulb
- T16b 16-pin connector, black
- T16c 16-pin connector, brown
- T17a 17-pin connector, Inside the center console connector station on the right side, black
- T17c 17-pin connector, Inside the center console connector station on the right side, blue
- V50 Coolant recirculation pump

(A49) Connection 1 (in instrument panel wiring harness)

(A138) Connection 2 (in instrument panel wiring harness)



Protected by copyright. Copying for private or commercial purposes, in part or in whole, is not permitted unless authorised by AUDI AG. AUDI AG does not guarantee or accept any liability with respect to the correctness of information in this document. Copyright by AUDI AG.

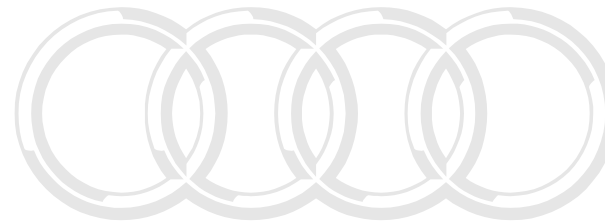
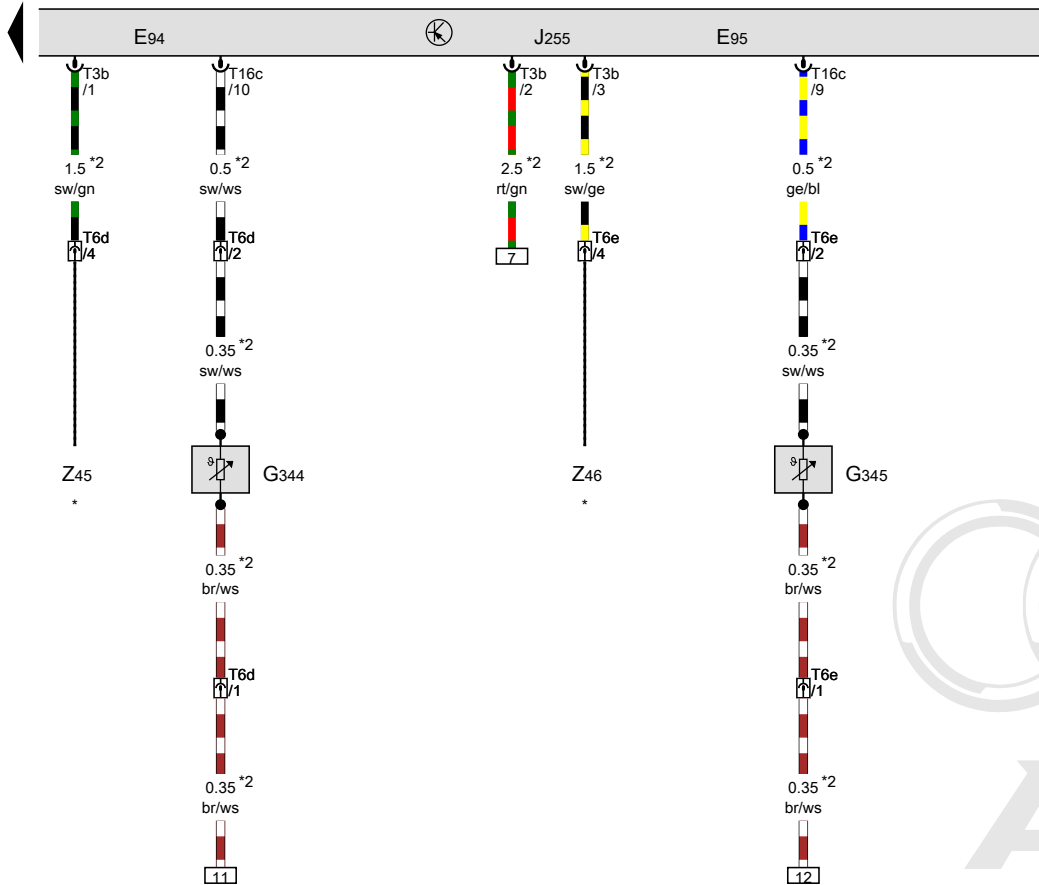
- ws = white
- sw = black
- ro = red
- rt = red
- br = brown
- gn = green
- bl = blue
- gr = grey
- li = lilac
- vi = lilac
- ge = yellow
- or = orange
- rs = pink

85 86 87 88 89 90 91 92 93 94 95 96 97 98

[420-040080913]

Left front seat temperature sensor, Right front seat temperature sensor, Climatronic control module

- E94 Heated driver seat adjuster
- E95 Heated front passenger seat adjuster
- G344 Left front seat temperature sensor
- G345 Right front seat temperature sensor
- J255 Climatronic control module
- T3b 3-pin connector, black
- T6d 6-pin connector, under the driver seat, green
- T6e 6-pin connector, under the front passenger seat, green
- T16c 16-pin connector, brown
- Z45 Left front seat heating element
- Z46 Right front seat heating element
- * Refer to the applicable heated seats wiring diagram
- *2 Only for vehicles with an auxiliary heater



- ws = white
- sw = black
- ro = red
- rt = red
- br = brown
- gn = green
- bl = blue
- gr = grey
- li = lilac
- vi = lilac
- ge = yellow
- or = orange
- rs = pink

Protected by copyright. Copying for private or commercial purposes, in part or in whole, is not permitted unless authorised by Audi AG. Audi AG does not guarantee or accept any liability with respect to the correctness of information in this document. Copyright by AUDI AG.

Headlamps, LED
from May 2009



Audi

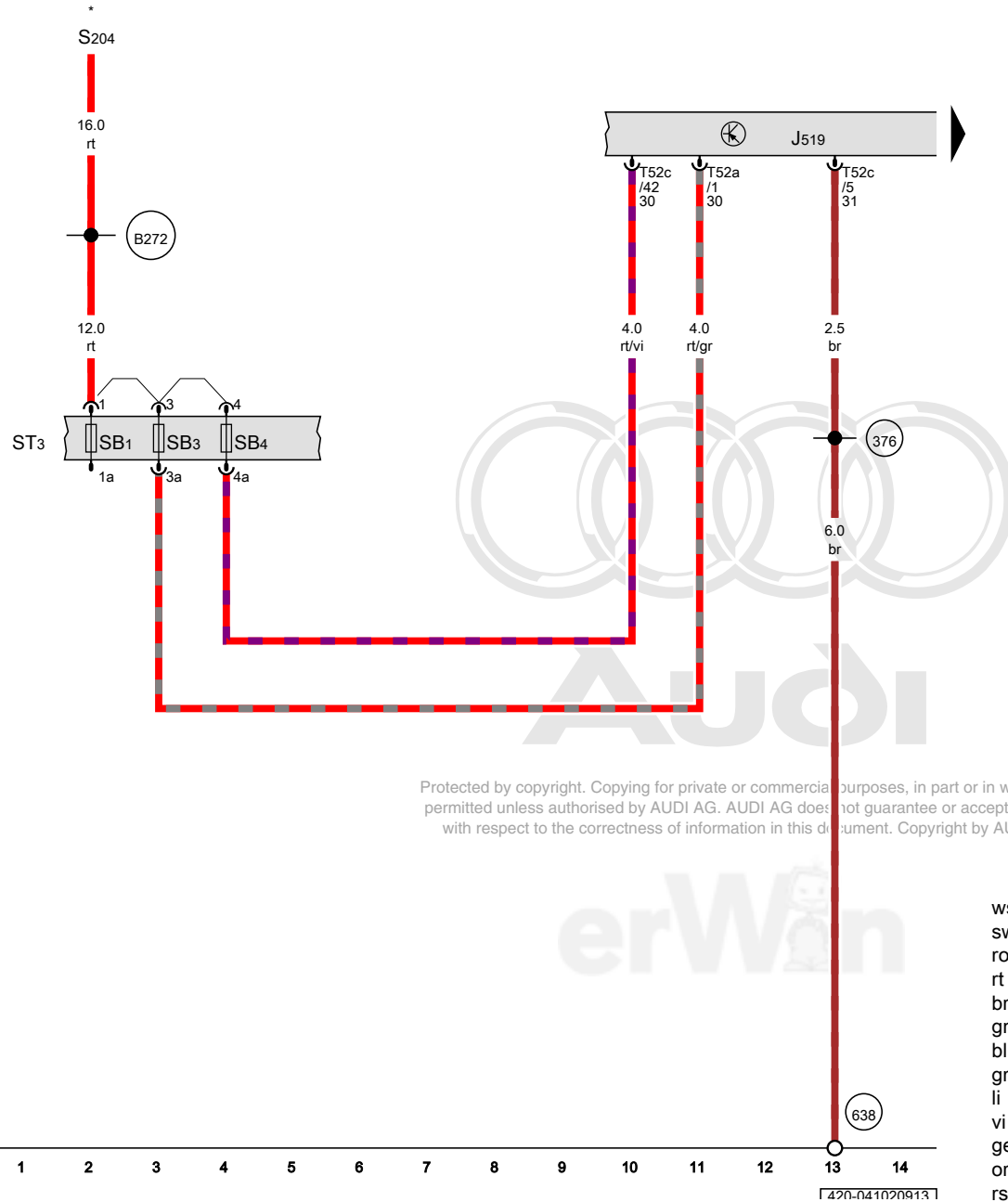
Protected by copyright. Copying for private or commercial purposes, in part or in whole, is not permitted unless authorised by AUDI AG. AUDI AG does not guarantee or accept any liability with respect to the correctness of information in this document. Copyright by AUDI AG.



Vehicle electrical system control module

- J519 Vehicle electrical system control module
- SB1 Fuse 1 (on fuse panel B)
- SB3 Fuse 3 (on fuse panel B)
- ST3 Fuse panel 3
- SB4 Fuse 4 (on fuse panel B)
- S204 Fuse 1 (terminal 30)
- T52a 52-pin connector, black
- T52c 52-pin connector, brown

- 376 Ground connection 11 (in main wiring harness)
- 638 Ground connection on right A-pillar
- B272 Positive connection (30) (in main wiring harness)
- * Main distribution in the right front footwell

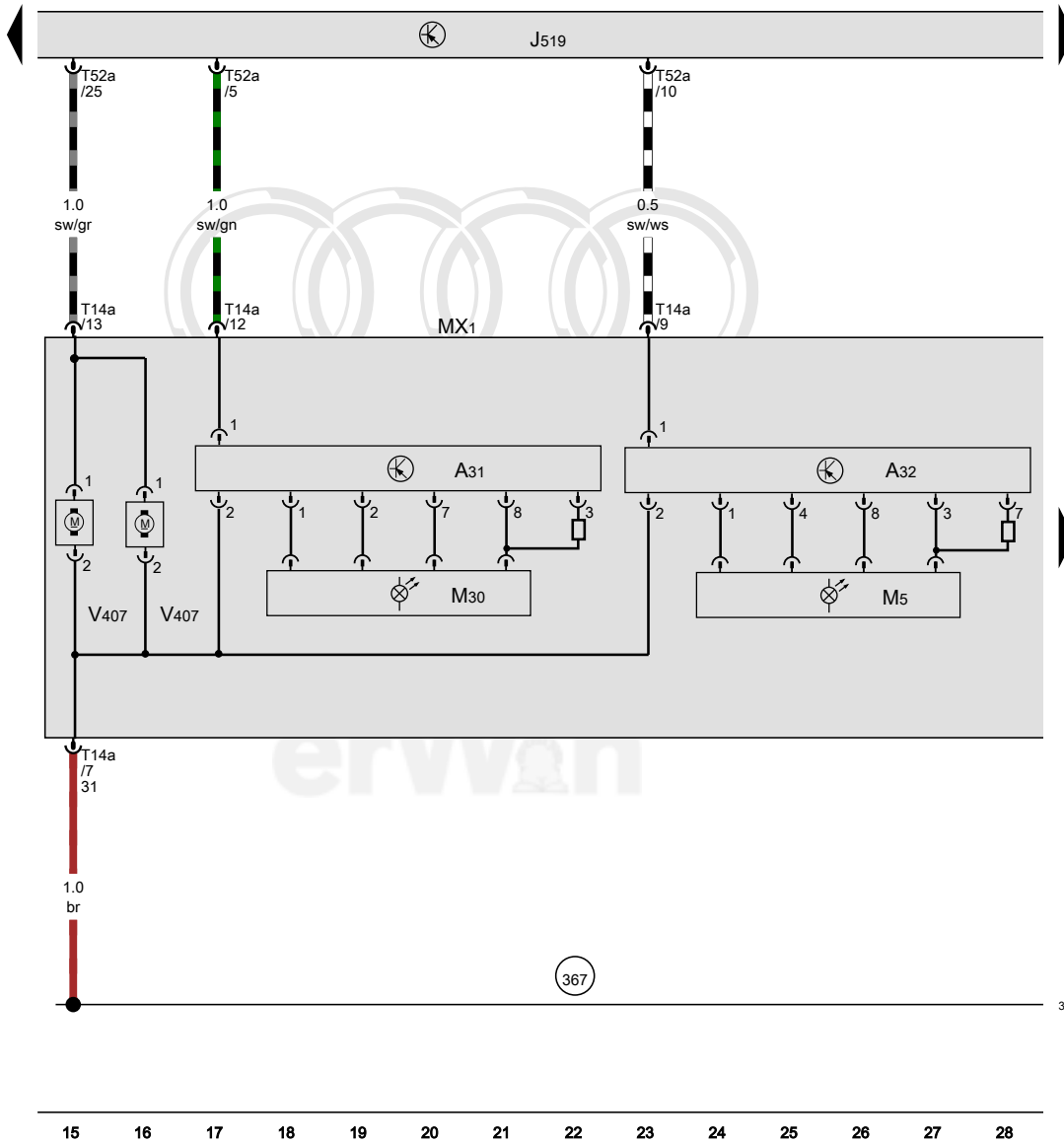


Protected by copyright. Copying for private or commercial purposes, in part or in whole, is not permitted unless authorised by AUDI AG. AUDI AG does not guarantee or accept any liability with respect to the correctness of information in this document. Copyright by AUDI AG.

1420-041020913

Vehicle electrical system control module, Left front headlamp

- A31 Left LED headlamp power output module 1
- A32 Left LED headlamp power output module 2
- J519 Vehicle electrical system control module
- MX1 Left front headlamp
- M5 Left front turn signal bulb
- M30 Left high beam headlamp bulb
- T14a 14-pin connector, black
- T52a 52-pin connector, black
- V407 Left headlamp fan
- 367 Ground connection 2 (in main wiring harness)

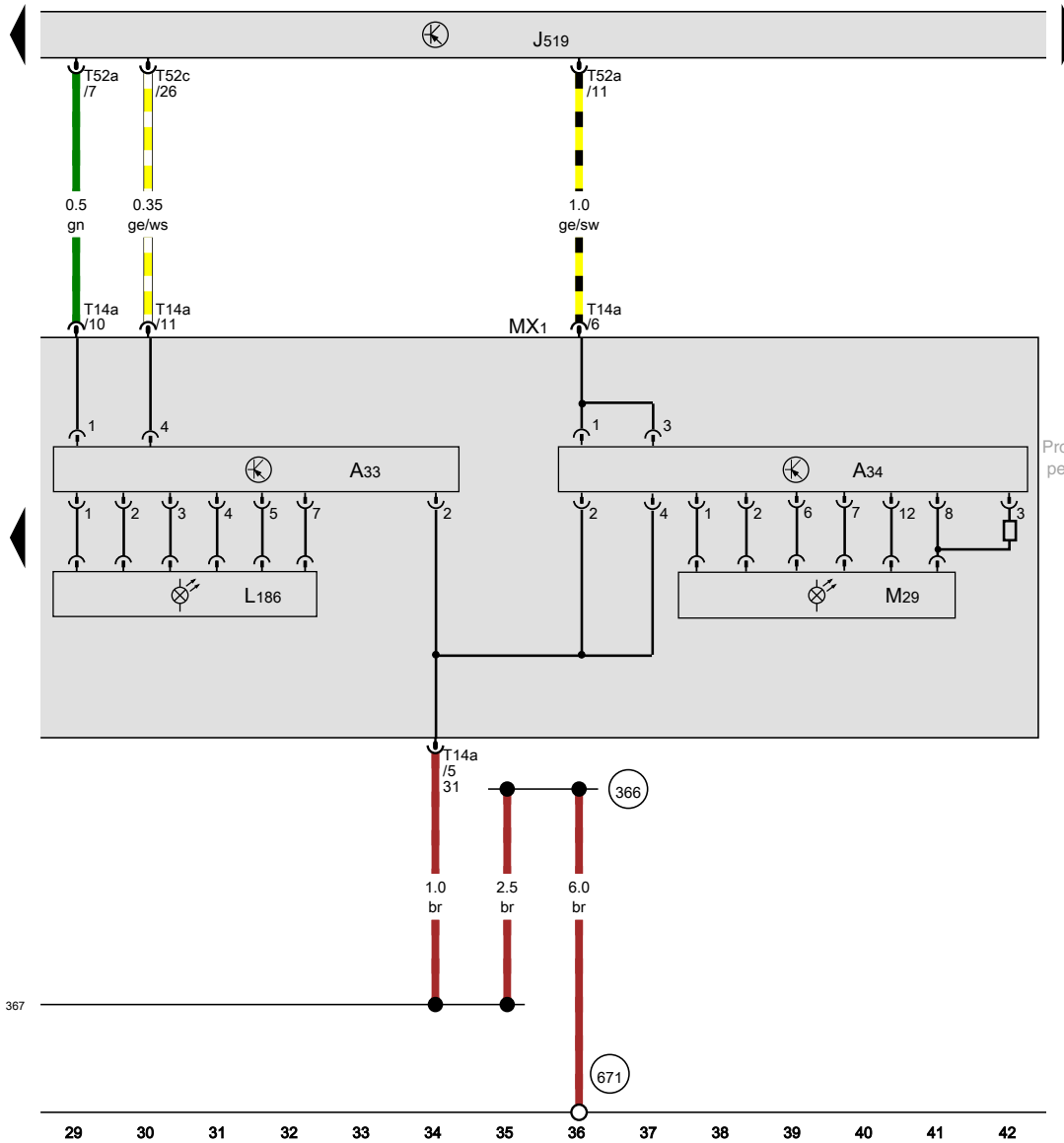


- ws = white
- sw = black
- ro = red
- rt = red
- br = brown
- gn = green
- bl = blue
- gr = grey
- li = lilac
- vi = lilac
- ge = yellow
- or = orange
- rs = pink

1420-041030913

Vehicle electrical system control module, Left front headlamp

- A33 Left LED headlamp power output module 3
- A34 Left LED headlamp power output module 4
- J519 Vehicle electrical system control module
- L186 Left daytime running lamp and position lamp bulb
- MX1 Left front headlamp
- M29 Left low beam headlamp bulb
- T14a 14-pin connector, black
- T52a 52-pin connector, black
- T52c 52-pin connector, brown
- 366 Ground connection 1 (in main wiring harness)
- 367 Ground connection 2 (in main wiring harness)
- 671 Ground connection 1 on left front longitudinal member



Protected by copyright. Copying for private or commercial purposes, in part or in whole, is not permitted unless authorised by AUDI AG. AUDI AG does not guarantee or accept any liability with respect to the correctness of information in this document. Copyright by AUDI AG.

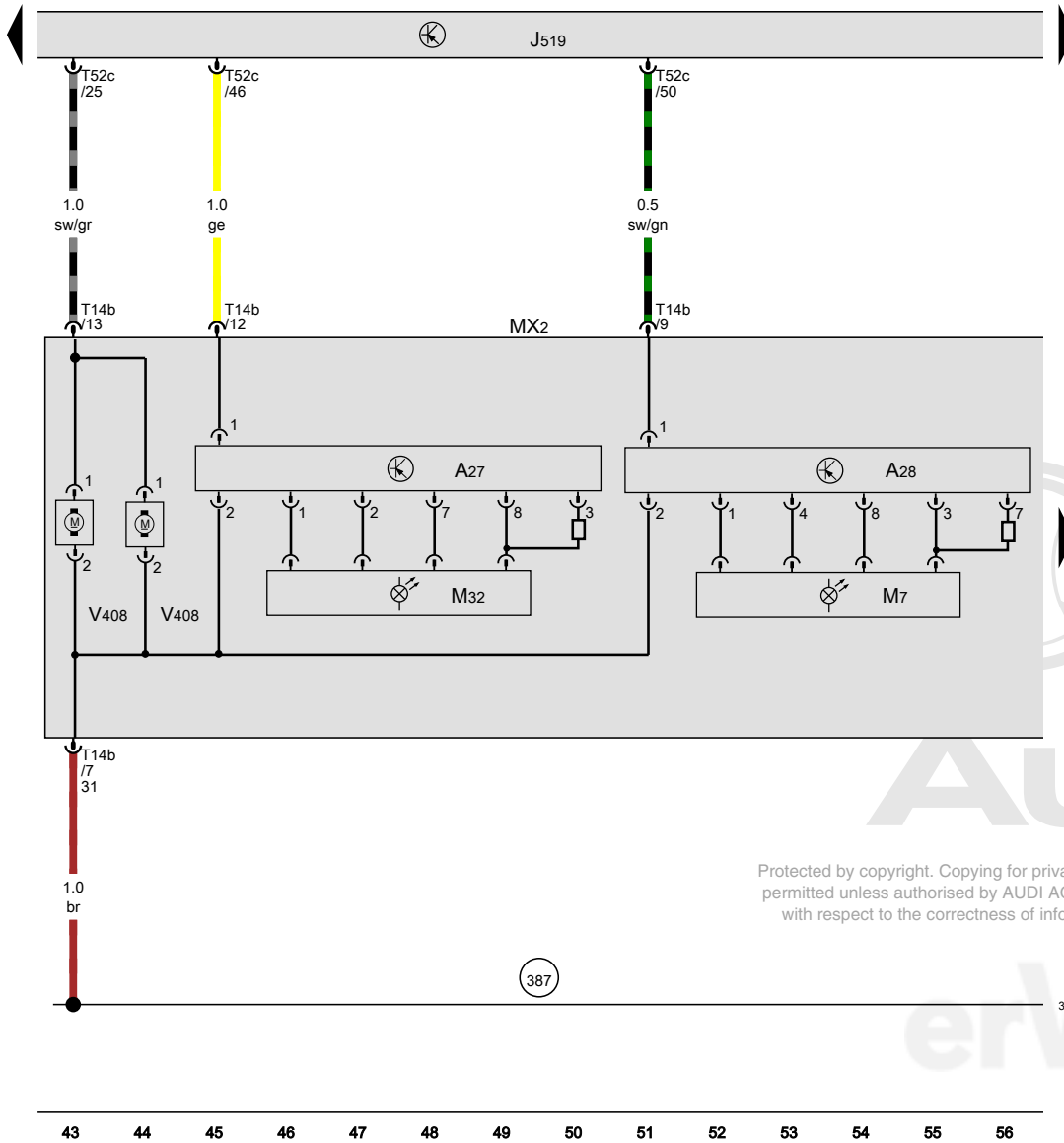
- ws = white
- sw = black
- ro = red
- rt = red
- br = brown
- gn = green
- bl = blue
- gr = grey
- li = lilac
- vi = lilac
- ge = yellow
- or = orange
- rs = pink

1420-041020913

Vehicle electrical system control module, Right front headlamp

- A27 Right LED headlamp power output module 1
- A28 Right LED headlamp power output module 2
- J519 Vehicle electrical system control module
- MX2 Right front headlamp
- M7 Right front turn signal bulb
- M32 Right high beam headlamp bulb
- T14b 14-pin connector, black
- T52c 52-pin connector, brown
- V408 Right headlamp fan

387 Ground connection 22 (in main wiring harness)



Protected by copyright. Copying for private or commercial purposes, in part or in whole, is not permitted unless authorised by AUDI AG. AUDI AG does not guarantee or accept any liability with respect to the correctness of information in this document. Copyright by AUDI AG.

- ws = white
- sw = black
- ro = red
- rt = red
- br = brown
- gn = green
- bl = blue
- gr = grey
- li = lilac
- vi = lilac
- ge = yellow
- or = orange
- rs = pink

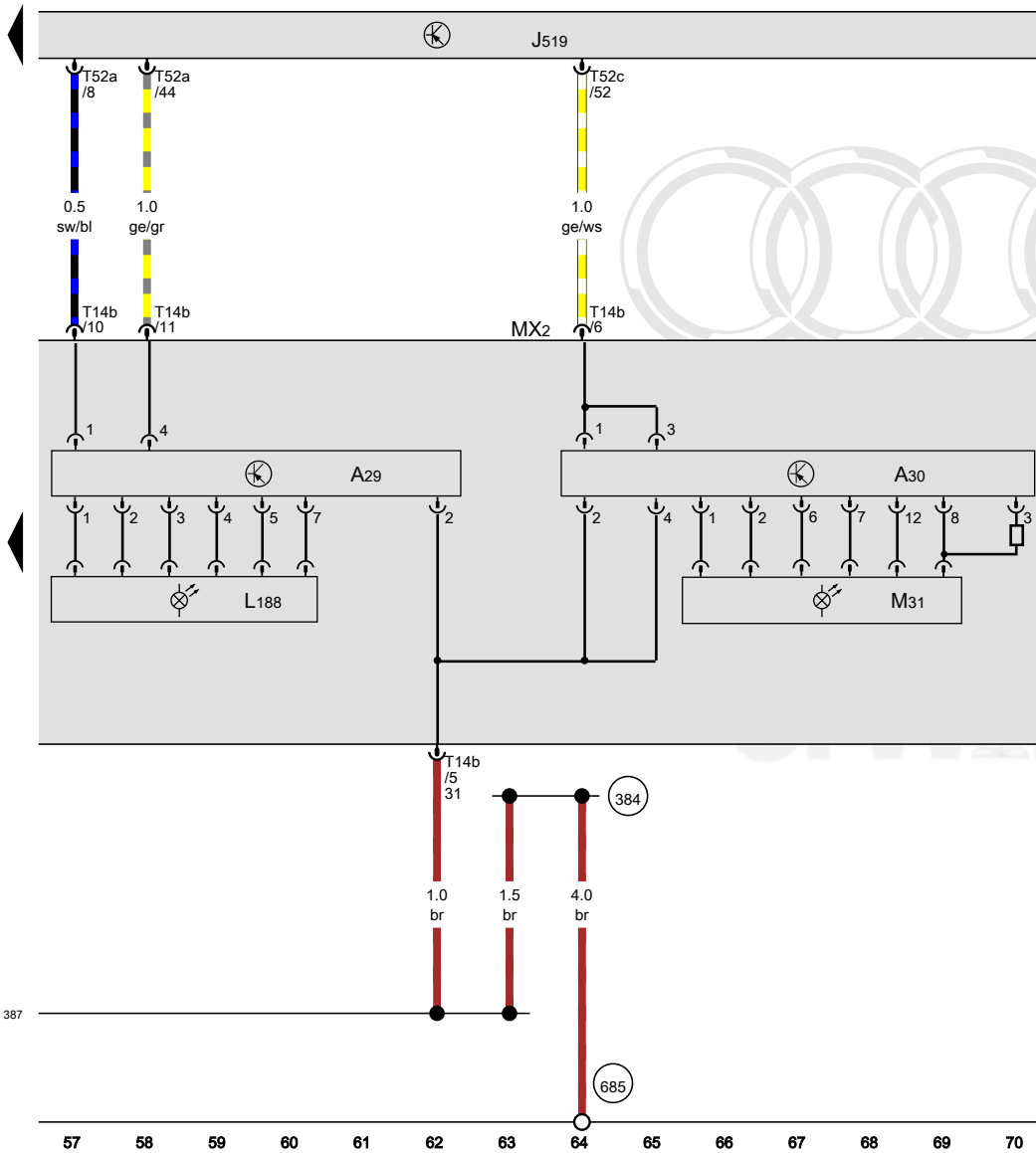
43 44 45 46 47 48 49 50 51 52 53 54 55 56

1420-041050913

Vehicle electrical system control module, Right front headlamp

- A29 Right LED headlamp power output module 3
- A30 Right LED headlamp power output module 4
- J519 Vehicle electrical system control module
- L188 Right daytime running lamp and position lamp bulb
- MX2 Right front headlamp
- M31 Right low beam headlamp bulb
- T14b 14-pin connector, black
- T52a 52-pin connector, black
- T52c 52-pin connector, brown

- 384 Ground connection 19 (in main wiring harness)
- 387 Ground connection 22 (in main wiring harness)
- 685 Ground connection 1 on right front longitudinal member



...poses, in part or in whole, is not
 ...t guarantee or accept any liability
 ...ment. Copyright by AUDI AG.

- ws = white
- sw = black
- ro = red
- rt = red
- br = brown
- gn = green
- bl = blue
- gr = grey
- li = lilac
- vi = lilac
- ge = yellow
- or = orange
- rs = pink

420-041060913

Anti-Lock Brake System (ABS) with EDL and ASR and ESP

from May 2009

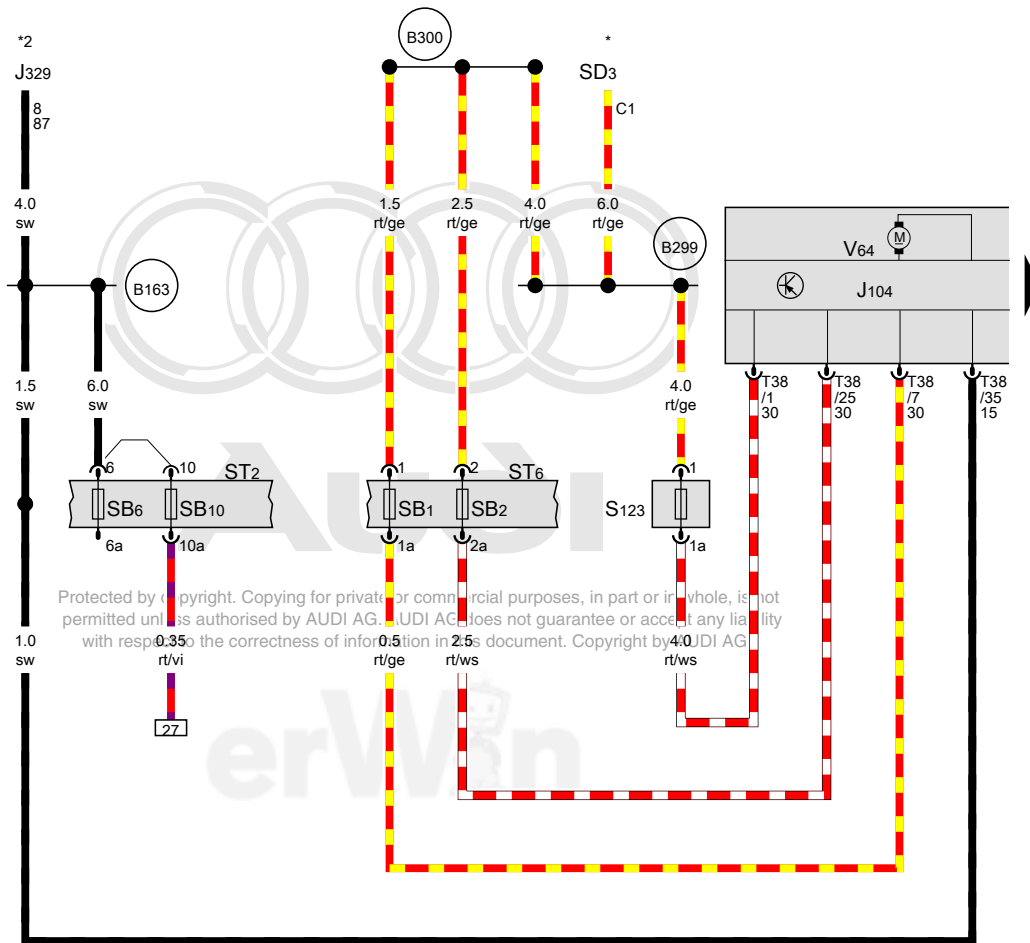


Audi

Protected by copyright. Copying for private or commercial purposes, in part or in whole, is not permitted unless authorised by AUDI AG. AUDI AG does not guarantee or accept any liability with respect to the correctness of information in this document. Copyright by AUDI AG.



ABS control module, ABS control module fuse 1



- J104 ABS control module
- J329 Terminal 15 power supply relay
- SB1 Fuse 1 (on fuse panel B)
- ST2 Fuse panel 2
- SB2 Fuse 2 (on fuse panel B)
- SD3 Fuse 3 (on fuse panel D)
- ST6 Fuse panel 6
- SB6 Fuse 6 (on fuse panel B)
- SB10 Fuse 10 (on fuse panel B)
- S123 ABS control module fuse 1, on the vehicle electrical system control module
- T38 38-pin connector, gray
- V64 ABS hydraulic pump
- B163 Positive connection 1 (15) (in interior wiring harness)
- B299 Positive connection 3 (30) (in main wiring harness)
- B300 Positive connection 4 (30) (in main wiring harness)
- * Main fuse box in the right front footwell
- *2 Relay carrier in the right front footwell

Protected by copyright. Copying for private or commercial purposes, in part or in whole, is not permitted unless authorised by AUDI AG. AUDI AG does not guarantee or accept any liability with respect to the correctness of information in this document. Copyright by AUDI AG.

- ws = white
- sw = black
- ro = red
- rt = red
- br = brown
- gn = green
- bl = blue
- gr = grey
- li = lilac
- vi = lilac
- ge = yellow
- or = orange
- rs = pink

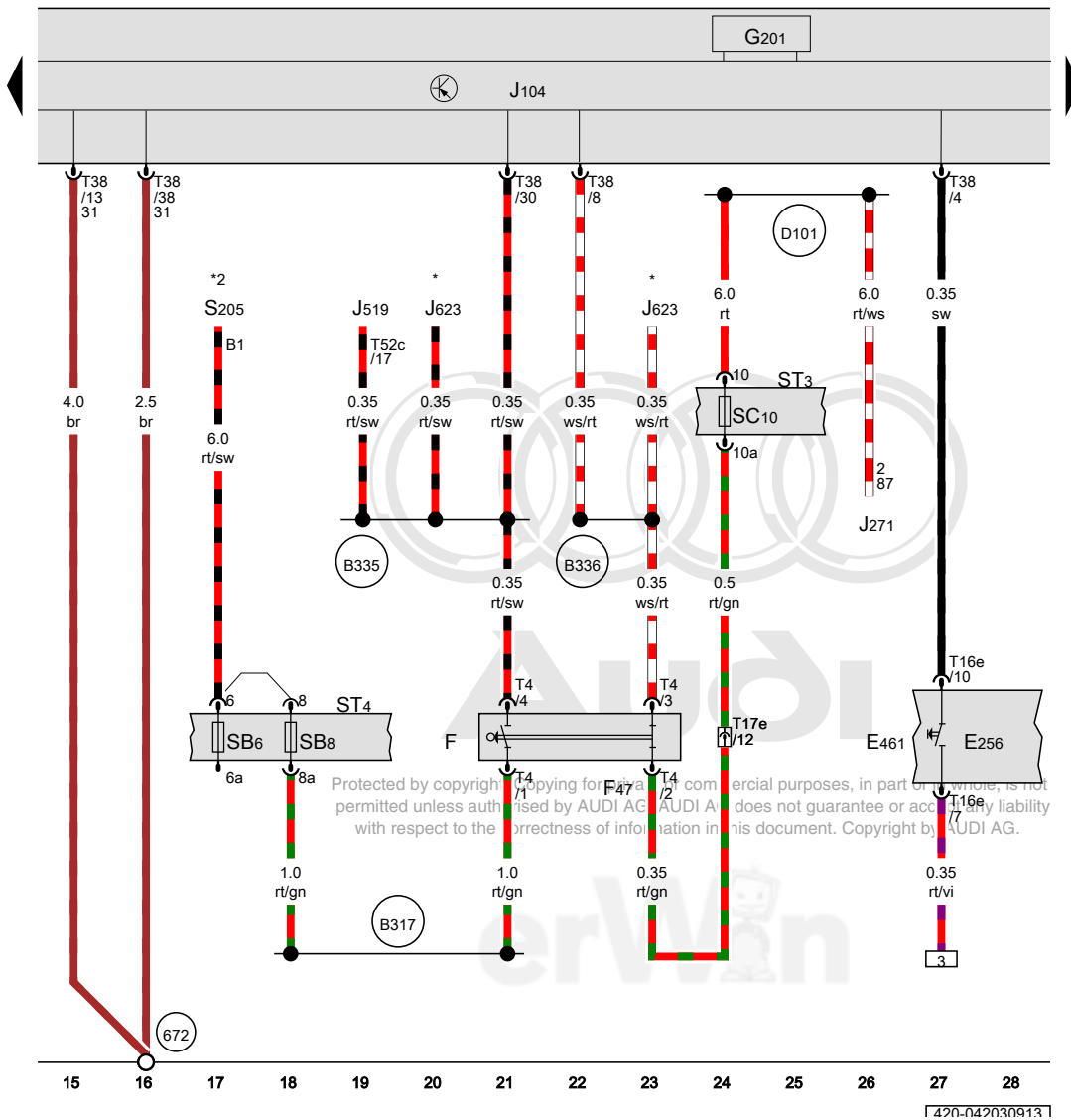
ASR/ESP button, Brake lamp switch, Brake pressure sensor 1, ABS control module

- E256 ASR/ESP button
- E461 Front center console control head
- F Brake lamp switch
- F47 Brake pedal switch
- G201 Brake pressure sensor 1
- J104 ABS control module
- J271 Motronic engine control module power supply relay, 9-pin relay and fuse panel C under the rear shelf, right
- J519 Vehicle electrical system control module
- J623 Engine control module
- ST3 Fuse panel 3
- ST4 Fuse panel 4
- SB6 Fuse 6 (on fuse panel B)
- SB8 Fuse 8 (on fuse panel B)
- SC10 Fuse 10 (on fuse panel C)
- S205 Fuse 2 (terminal 30)
- T4 4-pin connector, black
- T16e 16-pin connector, brown
- T17e 17-pin connector, Connector station under the rear shelf, right
- T38 38-pin connector, gray
- T52c 52-pin connector, brown

- 672 Ground connection 2 on left front longitudinal member
- B317 Positive connection 3 (30a) (in main wiring harness)
- B335 Connection 54 (in main wiring harness) 1
- B336 Connection 54 (in main wiring harness) 2
- D101 Connection 1 (in engine compartment wiring harness)

* Refer to applicable engine wiring diagram
 *2 Main distribution in the right front footwell

- ws = white
- sw = black
- ro = red
- rt = red
- br = brown
- gn = green
- bl = blue
- gr = grey
- li = lilac
- vi = lilac
- ge = yellow
- or = orange
- rs = pink



Protected by copyright. Copying for private commercial purposes, in part or in whole, is not permitted unless authorized by AUDI AG. AUDI AG does not guarantee or accept any liability with respect to the correctness of information in this document. Copyright by AUDI AG.

1420-042030913

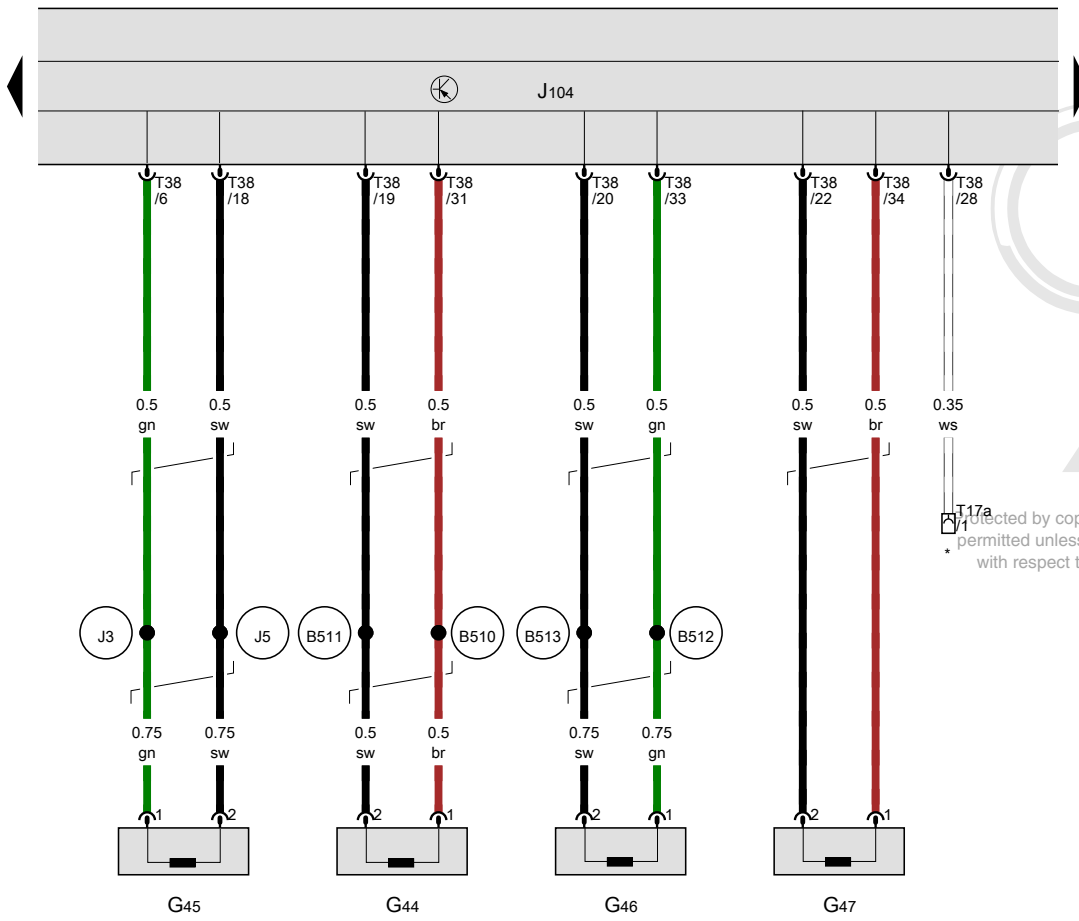
Left rear ABS wheel speed sensor, Left front ABS wheel speed sensor, ABS control module

- G44 Right rear ABS wheel speed sensor
- G45 Right front ABS wheel speed sensor
- G46 Left rear ABS wheel speed sensor
- G47 Left front ABS wheel speed sensor
- J104 ABS control module
- T17a 17-pin connector, Inside the center console connector station on the right side, black
- T38 38-pin connector, gray

- (B510) Right rear speed sensor connection 1 (in interior wiring harness)
- (B511) Right rear speed sensor connection 2 (in interior wiring harness)
- (B512) Left rear speed sensor connection 1 (in interior wiring harness)
- (B513) Left rear speed sensor connection 2 (in interior wiring harness)
- (J3) Connection 1 (in ABS wiring harness)
- (J5) Connection 2 (in ABS wiring harness)

* Speed signal output for retrofitted equipment

Protected by copyright. Copying for private or commercial purposes, in part or in whole, is not permitted unless authorised by AUDI AG. AUDI AG does not guarantee or accept any liability with respect to the correctness of information in this document. Copyright by AUDI AG.



- ws = white
- sw = black
- ro = red
- rt = red
- br = brown
- gn = green
- bl = blue
- gr = grey
- li = lilac
- vi = lilac
- ge = yellow
- or = orange
- rs = pink

29 30 31 32 33 34 35 36 37 38 39 40 41 42

1420-042040913

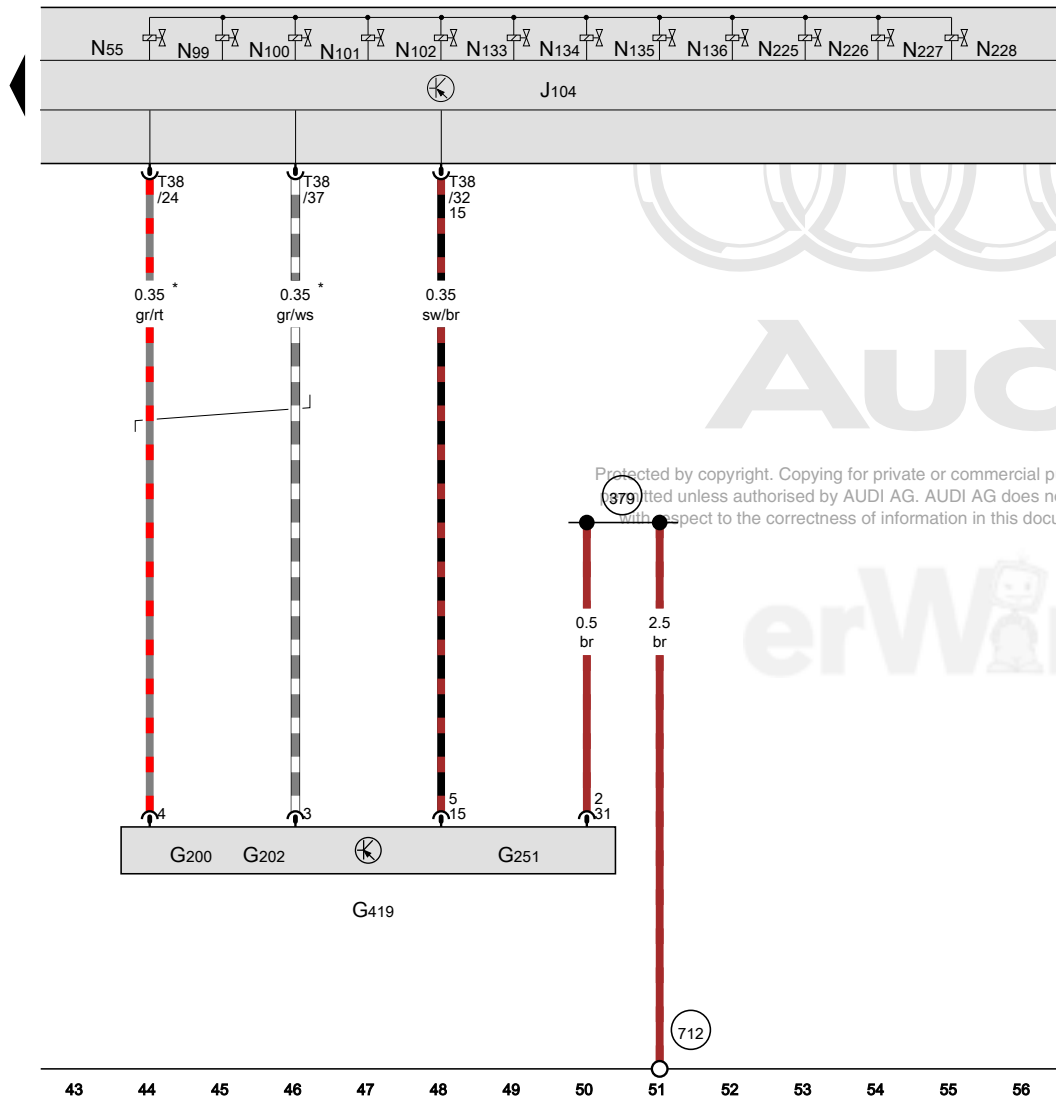
ESP sensor unit, ABS control module, ABS hydraulic unit

- G200 Transverse acceleration sensor
- G202 Rotation rate sensor
- G251 Longitudinal acceleration sensor
- G419 ESP sensor unit
- J104 ABS control module
- N55 ABS hydraulic unit
- N99 Right front ABS inlet valve
- N100 Right front ABS outlet valve
- N101 Left front ABS inlet valve
- N102 Left front ABS outlet valve
- N133 Right rear ABS inlet valve
- N134 Left rear ABS inlet valve
- N135 Right rear ABS outlet valve
- N136 Left rear ABS outlet valve
- N225 Driving dynamics regulation switch valve 1
- N226 Driving dynamics regulation switch valve 2
- N227 Driving dynamics regulation high pressure switch valve 1
- N228 Driving dynamics regulation high pressure switch valve 2
- T38 38-pin connector, gray

379 Ground connection 14 (in main wiring harness)

712 Ground connection under rear shelf, left

* Data bus wire (CAN bus)



- ws = white
- sw = black
- ro = red
- rt = red
- br = brown
- gn = green
- bl = blue
- gr = grey
- li = lilac
- vi = lilac
- ge = yellow
- or = orange
- rs = pink

420-042050913

ABS control module

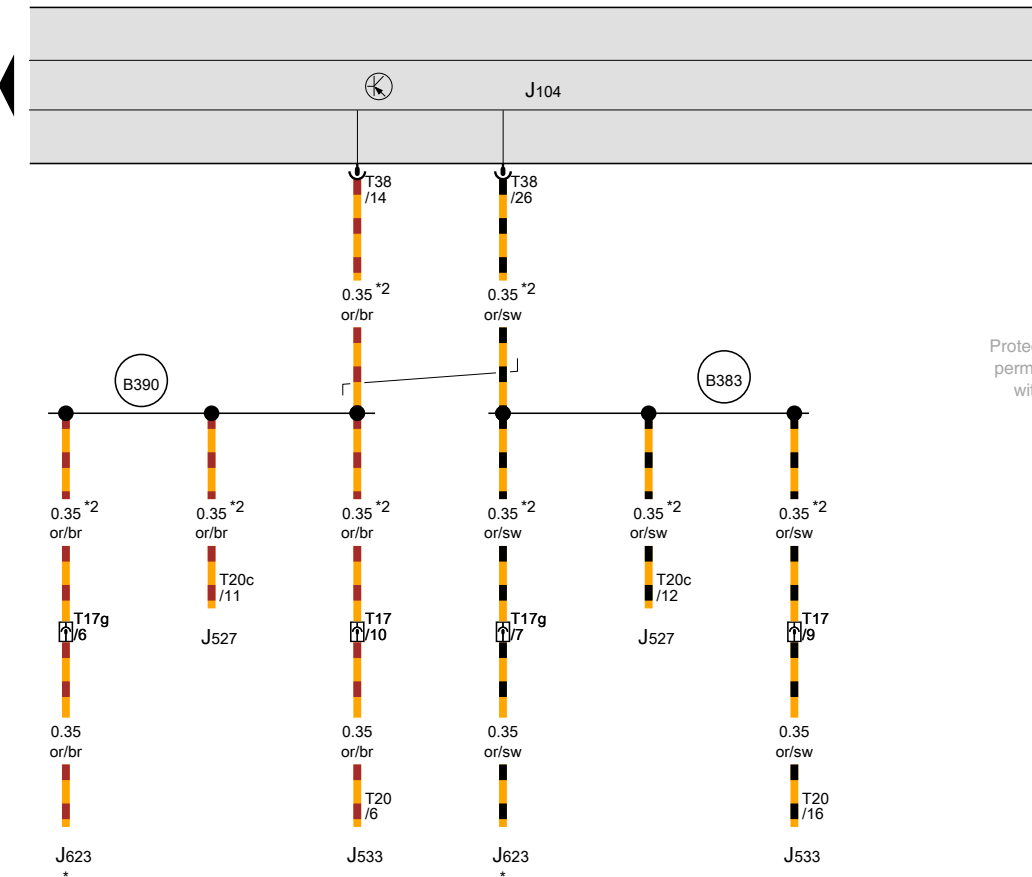
- J104 ABS control module
- J527 Steering column electronics control module
- J533 Data bus on board diagnostic interface
- J623 Engine control module
- T17 17-pin connector, Inside the center console connector station on the right side, red
- T17g 17-pin connector, Connector station under the rear shelf, right, black
- T20 20-pin connector, red
- T20c 20-pin connector
- T38 38-pin connector, gray

B383 Powertrain CAN bus high connection 1 (in main wiring harness)

B390 Powertrain CAN bus low connection 1 (in main wiring harness)

* Refer to applicable engine wiring diagram
 *2 Data bus wire (CAN bus)

Protected by copyright. Copying for private or commercial purposes, in part or in whole, is not permitted unless authorised by AUDI AG. AUDI AG does not guarantee or accept any liability with respect to the correctness of information in this document. Copyright by AUDI AG.



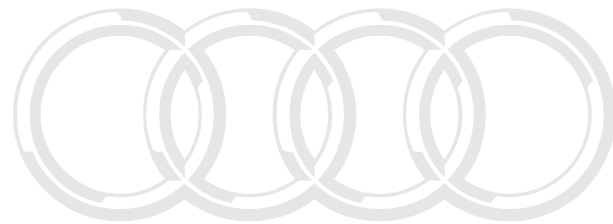
- ws = white
- sw = black
- ro = red
- rt = red
- br = brown
- gn = green
- bl = blue
- gr = grey
- li = lilac
- vi = lilac
- ge = yellow
- or = orange
- rs = pink

57 58 59 60 61 62 63 64 65 66 67 68 69 70

[420-042060913]

Garage door opener

From June 2009



Audi

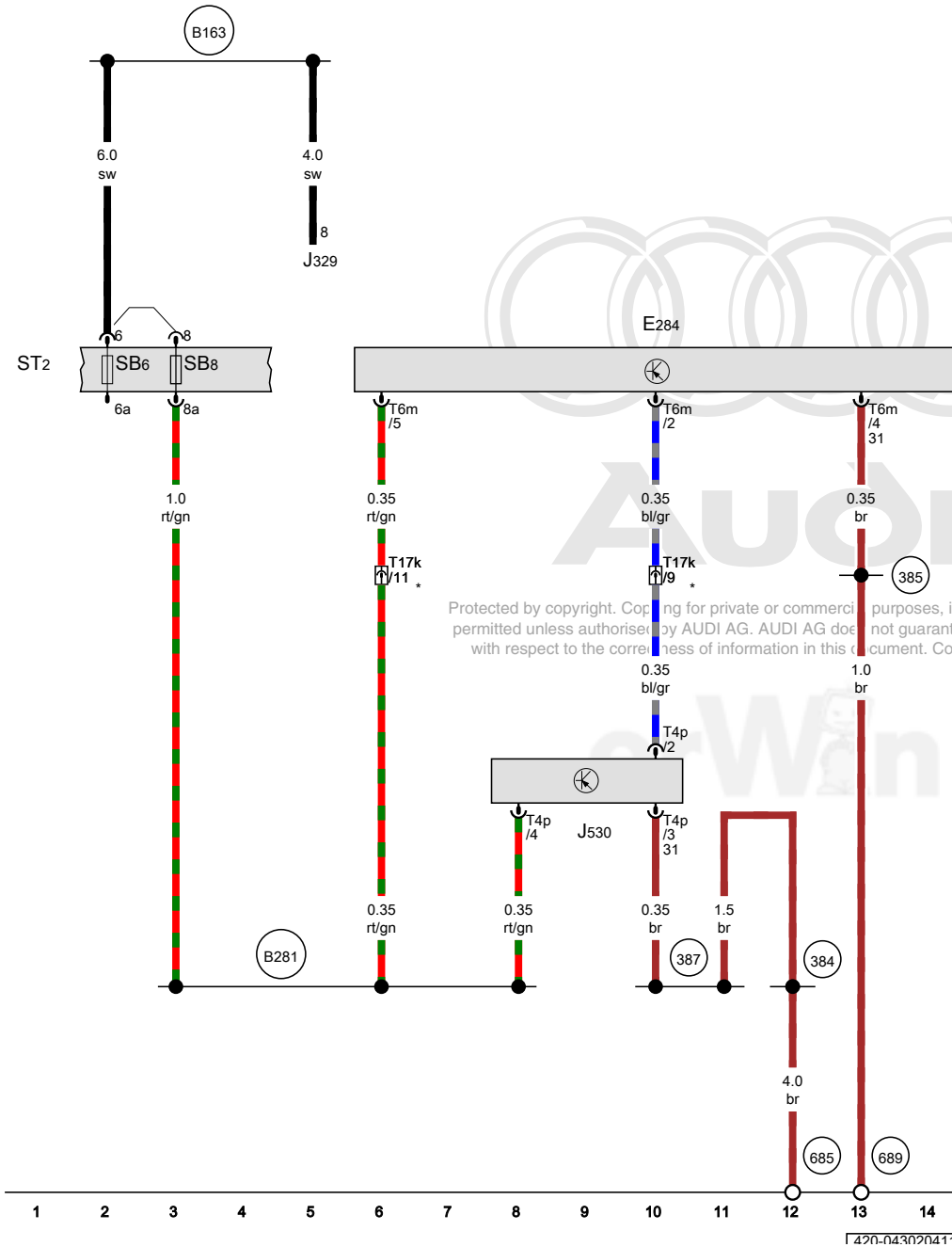
Protected by copyright. Copying for private or commercial purposes, in part or in whole, is not permitted unless authorised by AUDI AG. AUDI AG does not guarantee or accept any liability with respect to the correctness of information in this document. Copyright by AUDI AG.



Garage door opener control head, Garage door opener control module

- E284 Garage door opener control head
- J329 Terminal 15 power supply relay, Relay carrier in the right front footwell
- J530 Garage door opener control module
- ST2 Fuse panel 2
- SB6 Fuse 6 (on fuse panel B)
- SB8 Fuse 8 (on fuse panel B)
- T4p 4-pin connector
- T6m 6-pin connector
- T17k 17-pin connector, on the left A-pillar

- 384 Ground connection 19 (in main wiring harness)
- 385 Ground connection 20 (in main wiring harness)
- 387 Ground connection 22 (in main wiring harness)
- 685 Ground connection 1 on right front longitudinal member
- 689 Ground connection on roof, center front
- B163 Positive connection 1 (15) (in interior wiring harness)
- B281 Positive connection 5 (15a) (in main wiring harness)
- * Depending on equipment



- ws = white
- sw = black
- ro = red
- rt = red
- br = brown
- gn = green
- bl = blue
- gr = grey
- li = lilac
- vi = lilac
- ge = yellow
- or = orange
- rs = pink

1420-043020411

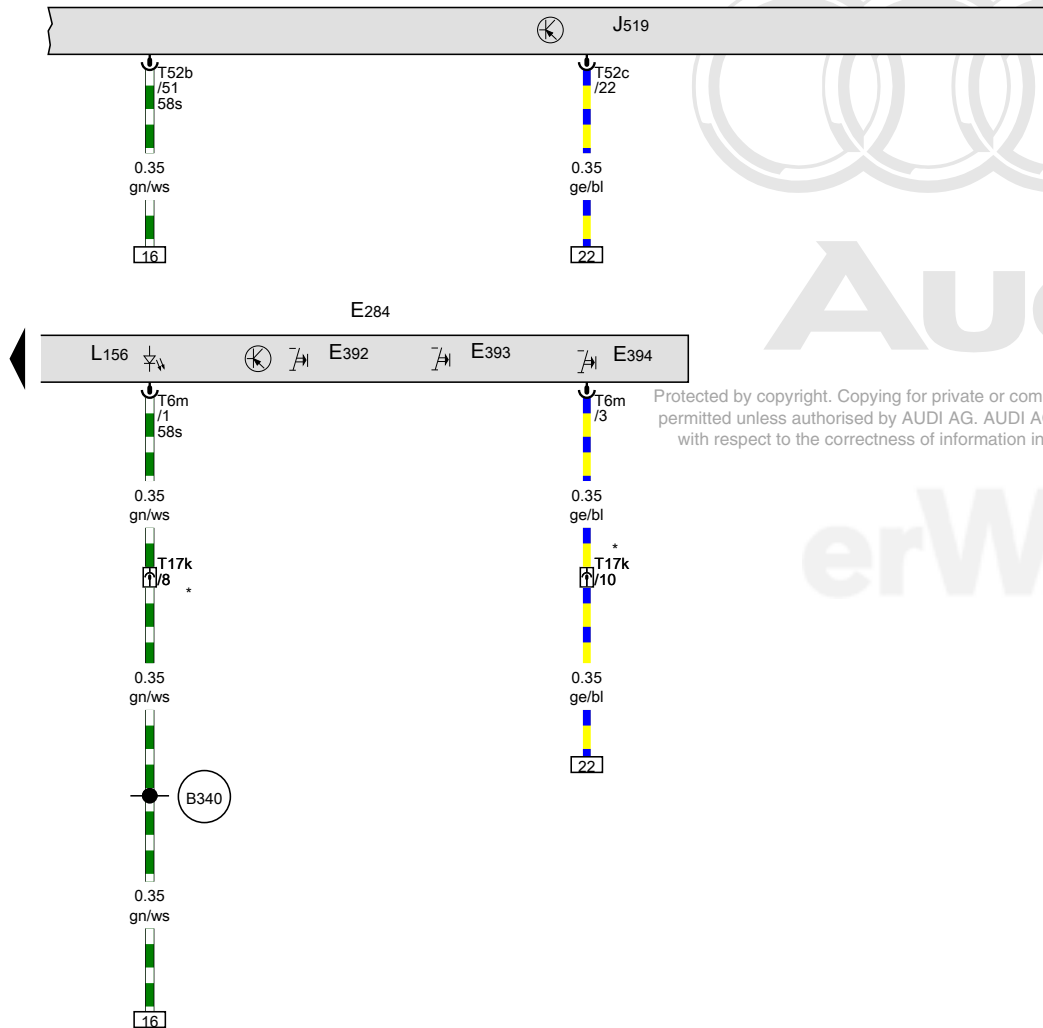
Garage door opener control head, Garage door opener button 1, Vehicle electrical system control module

- E284 Garage door opener control head
- E392 Garage door opener button 1
- E393 Garage door opener button 2
- E394 Garage door opener button 3
- J519 Vehicle electrical system control module
- L156 Switch illumination bulb
- T6m 6-pin connector
- T17k 17-pin connector, on the left A-pillar
- T52b 52-pin connector
- T52c 52-pin connector

B340 Connection 1 (58d) (in main wiring harness)

* Depending on equipment

Protected by copyright. Copying for private or commercial purposes, in part or in whole, is not permitted unless authorised by AUDI AG. AUDI AG does not guarantee or accept any liability with respect to the correctness of information in this document. Copyright by AUDI AG.



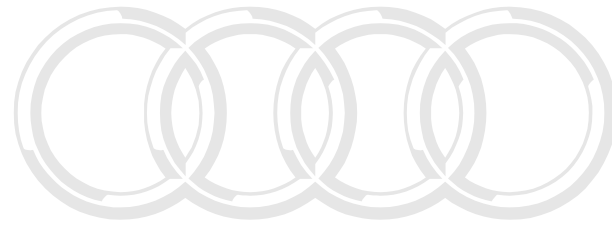
- ws = white
- sw = black
- ro = red
- rt = red
- br = brown
- gn = green
- bl = blue
- gr = grey
- li = lilac
- vi = lilac
- ge = yellow
- or = orange
- rs = pink

15 16 17 18 19 20 21 22 23 24 25 26 27 28

[420-043030411]

Front and rear parking aid (PDC)

from May 2009



Audi

Protected by copyright. Copying for private or commercial purposes, in part or in whole, is not permitted unless authorised by AUDI AG. AUDI AG does not guarantee or accept any liability with respect to the correctness of information in this document. Copyright by AUDI AG.



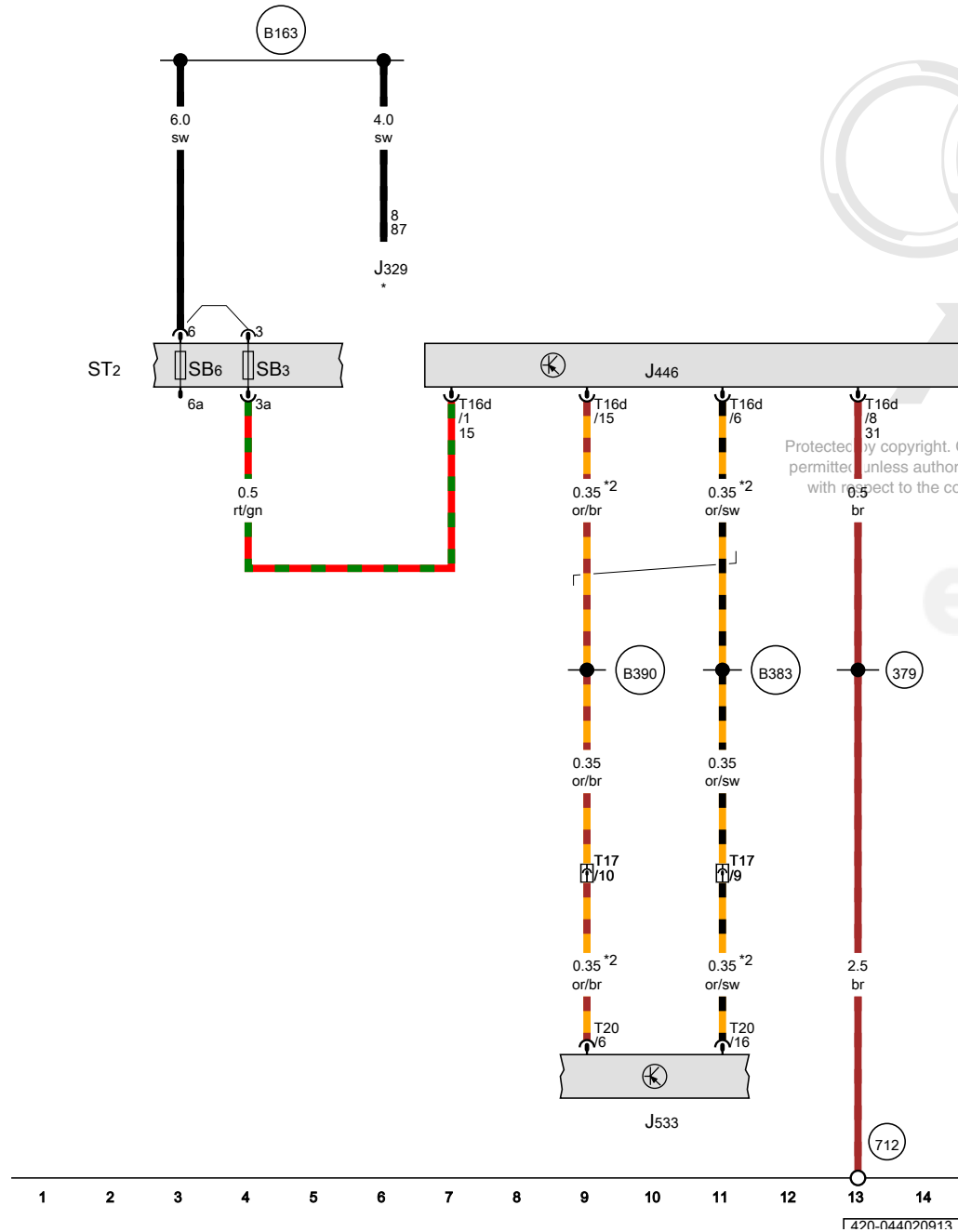
Parking aid control module, Fuse panel 2

- J329 Terminal 15 power supply relay
- J446 Parking aid control module
- J533 Data bus on board diagnostic interface
- ST2 Fuse panel 2
- SB3 Fuse 3 (on fuse panel B)
- SB6 Fuse 6 (on fuse panel B)
- T16d 16-pin connector, brown
- T17 17-pin connector, Inside the center console connector station on the right side, red
- T20 20-pin connector, red

- 379 Ground connection 14 (in main wiring harness)
- 712 Ground connection under rear shelf, left
- B163 Positive connection 1 (15) (in interior wiring harness)
- B383 Powertrain CAN bus high connection 1 (in main wiring harness)
- B390 Powertrain CAN bus low connection 1 (in main wiring harness)

- * Relay carrier in the right front footwell
- *2 Data bus wire (CAN bus)

Protected by copyright. Copying for private or commercial purposes, in part or in whole, is not permitted unless authorised by AUDI AG. AUDI AG does not accept any liability with respect to the correctness of information in this document. Copyright by AUDI AG.



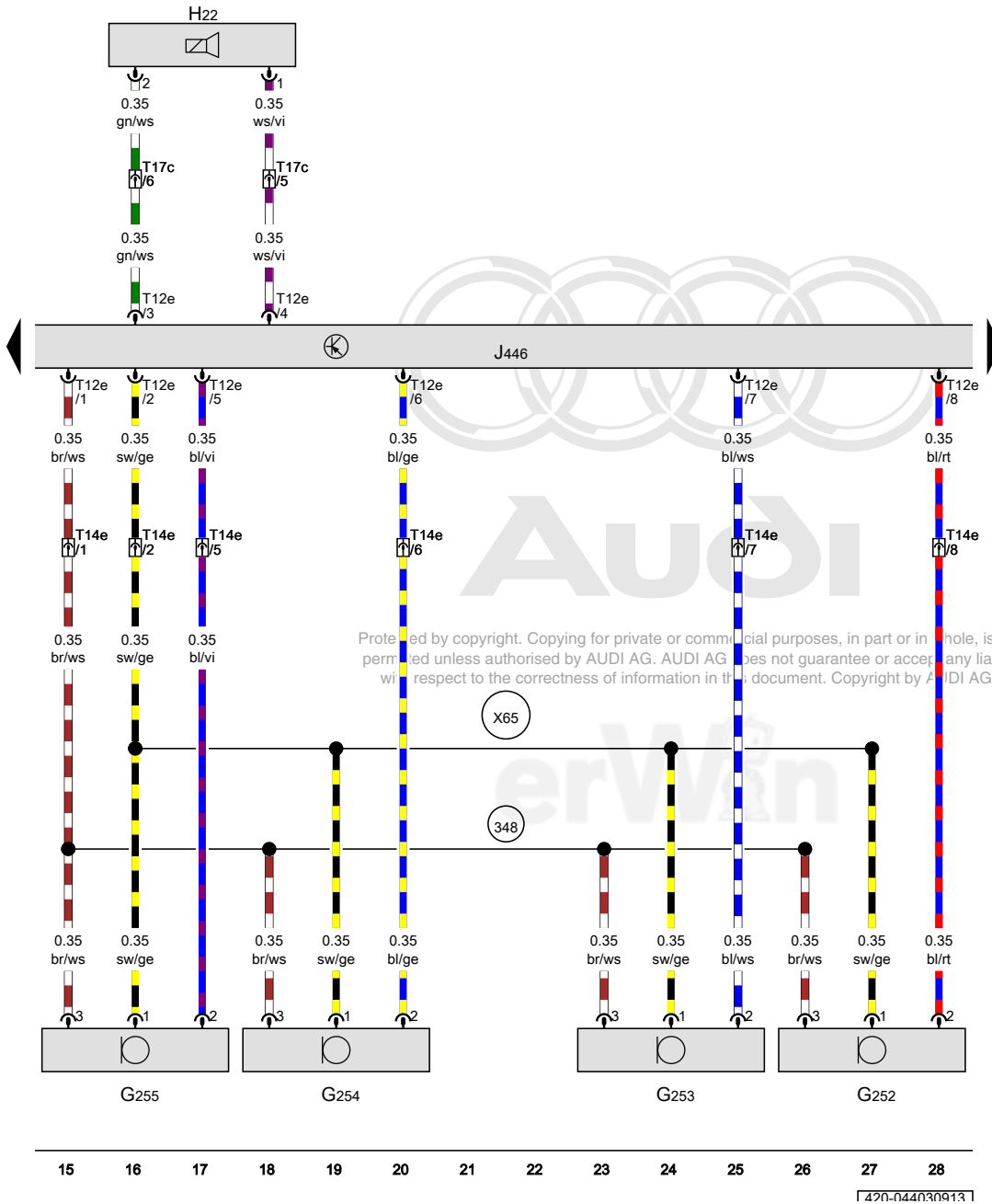
- ws = white
- sw = black
- ro = red
- rt = red
- br = brown
- gn = green
- bl = blue
- gr = grey
- li = lilac
- vi = lilac
- ge = yellow
- or = orange
- rs = pink

1420-044020913

Right front parking aid sensor, Left front center parking aid sensor, Left front parking aid sensor, Front parking aid warning buzzer, Parking aid control module

- G252 Right front parking aid sensor
- G253 Right front center parking aid sensor
- G254 Left front center parking aid sensor
- G255 Left front parking aid sensor
- H22 Front parking aid warning buzzer
- J446 Parking aid control module
- T12e 12-pin connector
- T14e 14-pin connector, behind the right front bumper, black
- T17c 17-pin connector, Inside the center console connector station on the right side, blue

- (348) Parking aid ground connection (in front bumper wiring harness)
- (X65) Parking aid connection (in front bumper wiring harness)



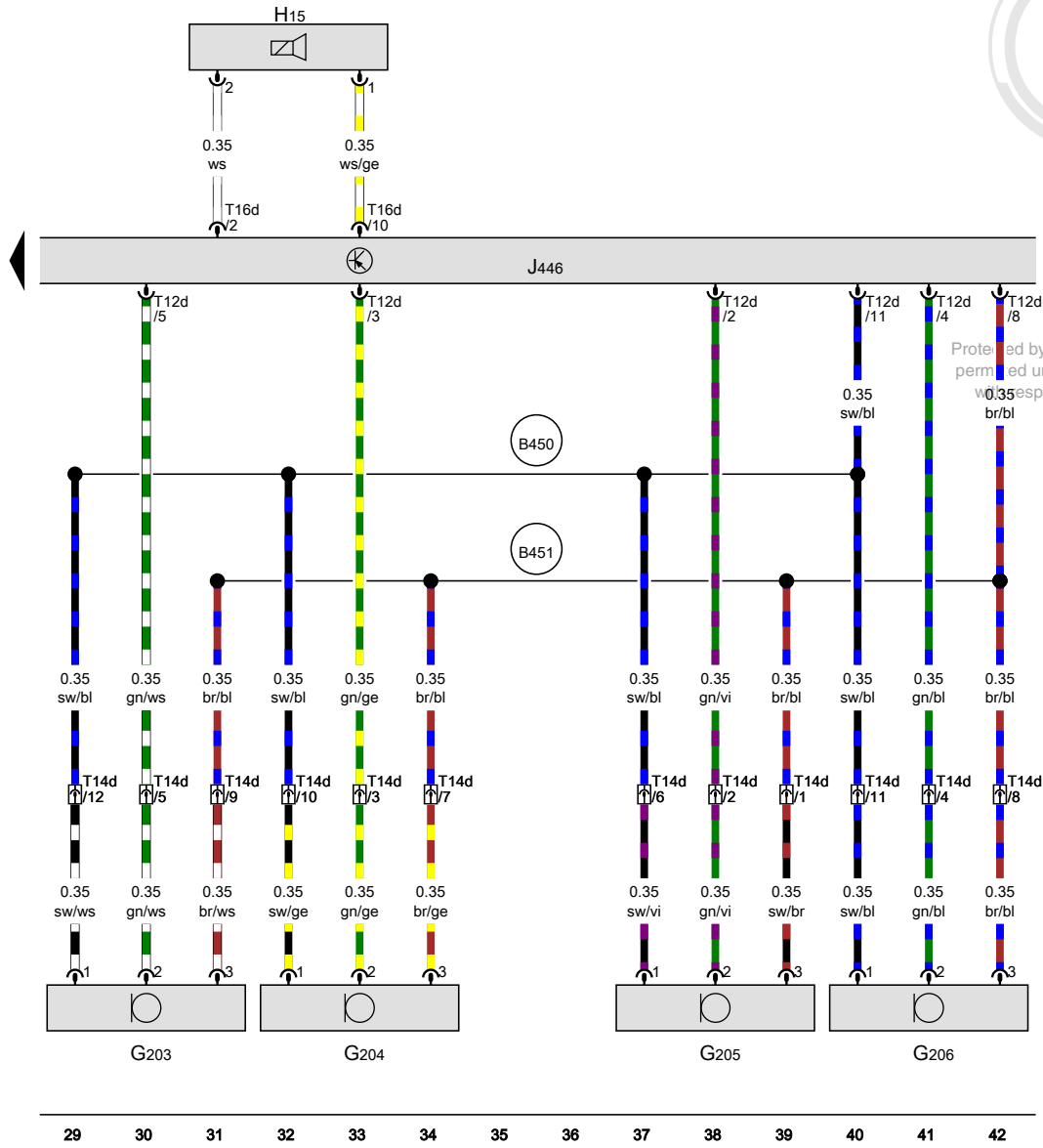
Protected by copyright. Copying for private or commercial purposes, in part or in whole, is not permitted unless authorised by AUDI AG. AUDI AG does not guarantee or accept any liability with respect to the correctness of information in this document. Copyright by AUDI AG.

- ws = white
- sw = black
- ro = red
- rt = red
- br = brown
- gn = green
- bl = blue
- gr = grey
- li = lilac
- vi = lilac
- ge = yellow
- or = orange
- rs = pink

1420-044030913

Left rear center parking aid sensor, Right rear parking aid sensor, Rear parking aid warning buzzer, Parking aid control module

- G203 Left rear parking aid sensor
- G204 Left rear center parking aid sensor
- G205 Right rear center parking aid sensor
- G206 Right rear parking aid sensor
- H15 Rear parking aid warning buzzer
- J446 Parking aid control module
- T12d 12-pin connector, black
- T14d 14-pin connector, behind the left rear bumper, black
- T16d 16-pin connector, brown
- B450 Park distance control connection 1 (in main wiring harness)
- B451 Park distance control connection 2 (in main wiring harness)



Protected by copyright. Copying for private or commercial purposes, in part or in whole, is not permitted unless authorised by AUDI AG. AUDI AG does not guarantee or accept any liability with respect to the correctness of information in this document. Copyright by AUDI AG.

- ws = white
- sw = black
- ro = red
- rt = red
- br = brown
- gn = green
- bl = blue
- gr = grey
- li = lilac
- vi = lilac
- ge = yellow
- or = orange
- rs = pink

29 30 31 32 33 34 35 36 37 38 39 40 41 42

1420-044040913

Cell phone preparation (Bluetooth)

from May 2009

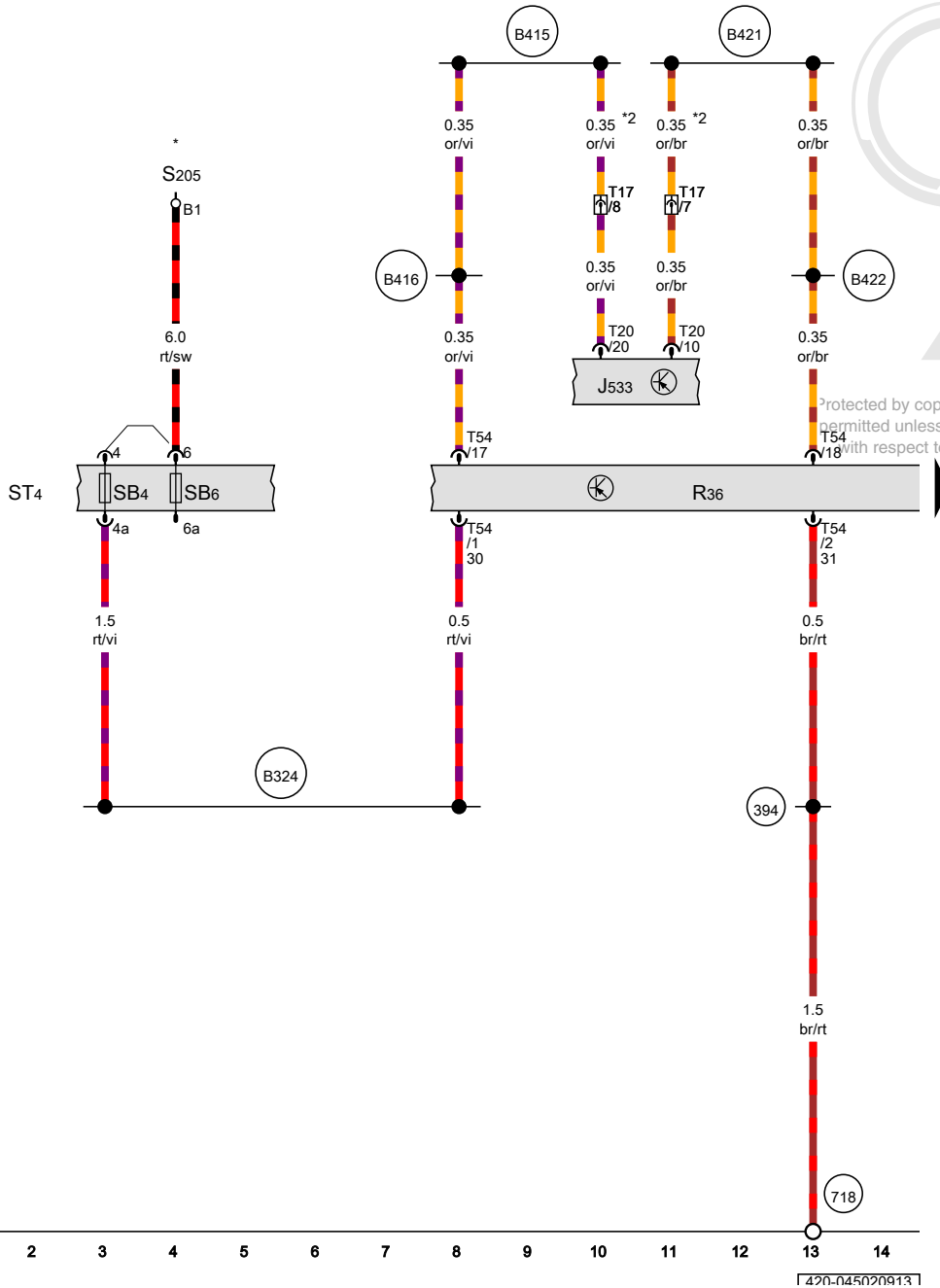


Audi

Protected by copyright. Copying for private or commercial purposes, in part or in whole, is not permitted unless authorised by AUDI AG. AUDI AG does not guarantee or accept any liability with respect to the correctness of information in this document. Copyright by AUDI AG.



Data bus on board diagnostic interface, Telephone transceiver



- J533 Data bus on board diagnostic interface
- R36 Telephone transceiver
- ST4 Fuse panel 4
- SB4 Fuse 4 (on fuse panel B)
- SB6 Fuse 6 (on fuse panel B)
- S205 Fuse 2 (terminal 30)
- T17 17-pin connector, Right front center console, red
- T20 20-pin connector, red
- T54 54-pin connector, black

- 394 Ground connection 29 (in main wiring harness)
- 718 Audio ground connection under rear shelf
- B324 Positive connection 10 (30a) (in main wiring harness)

- B415 Infotainment CAN Bus high connection 1 (in main wiring harness)
- B416 Infotainment CAN Bus high connection 2 (in main wiring harness)
- B421 Infotainment CAN bus low connection 1 (in main wiring harness)
- B422 Infotainment CAN bus low connection 2 (in main wiring harness)

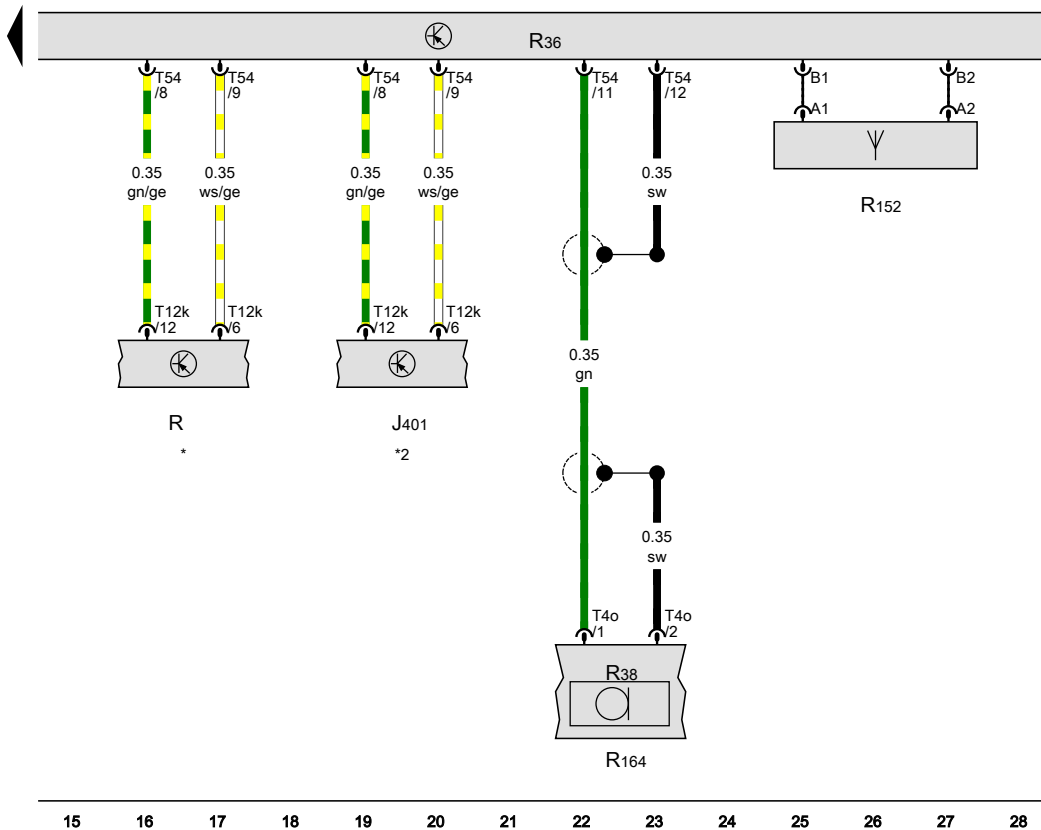
- * Main distribution in the right front footwell
- *2 Data bus wire (CAN bus)

- ws = white
- sw = black
- ro = red
- rt = red
- br = brown
- gn = green
- bl = blue
- gr = grey
- li = lilac
- vi = lilac
- ge = yellow
- or = orange
- rs = pink

1 2 3 4 5 6 7 8 9 10 11 12 13 14

Telephone transceiver, Telephone microphone, Bluetooth antenna, Microphone unit in front roof module

- J401 Navigation system with CD drive control module
- R Radio
- R36 Telephone transceiver
- R38 Telephone microphone
- R152 Bluetooth antenna
- R164 Microphone unit in front roof module
- T4o 4-pin connector, black
- T12k 12-pin connector, black
- T54 54-pin connector, black
- * Only for vehicles with a radio
- *2 Only for vehicles with radio navigation system



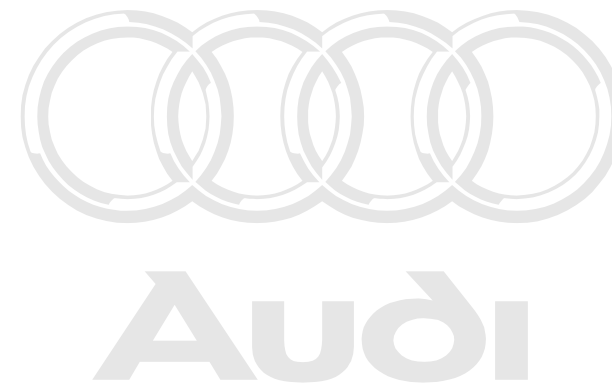
- ws = white
- sw = black
- ro = red
- rt = red
- br = brown
- gn = green
- bl = blue
- gr = grey
- li = lilac
- vi = lilac
- ge = yellow
- or = orange
- rs = pink



Protected by copyright. Copying for private or commercial purposes, in part or in whole, is not permitted unless authorised by AUDI AG. AUDI AG does not guarantee or accept any liability with respect to the correctness of information in this document. Copyright by AUDI AG.



Radio navigation system, satellite radio
from May 2009



Protected by copyright. Copying for private or commercial purposes, in part or in whole, is not permitted unless authorised by AUDI AG. AUDI AG does not guarantee or accept any liability with respect to the correctness of information in this document. Copyright by AUDI AG.



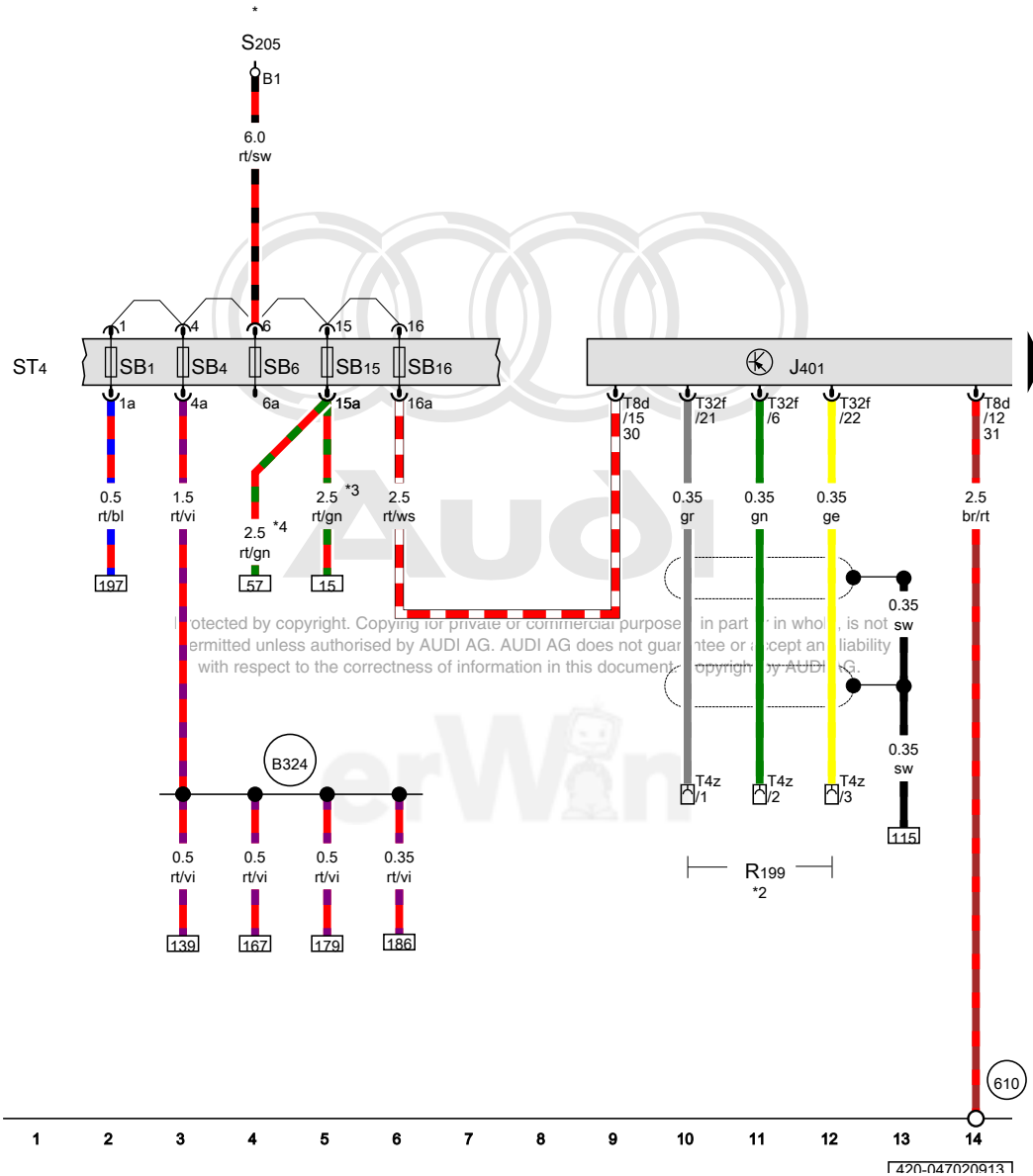
Navigation system with CD drive control module, External audio source connection

- J401 Navigation system with CD drive control module
- R199 External audio source connection
- SB1 Fuse 1 (on fuse panel B)
- ST4 Fuse panel 4
- SB4 Fuse 4 (on fuse panel B)
- SB6 Fuse 6 (on fuse panel B)
- SB15 Fuse 15 (on fuse panel B)
- SB16 Fuse 16 (on fuse panel B)
- S205 Fuse 2 (terminal 30)
- T4z 4-pin connector, in the center console, black
- T8d 8-pin connector, black
- T32f 32-pin connector, gray

610 Audio ground connection under front center console

B324 Positive connection 10 (30a) (in main wiring harness)

- * Main distribution in the right front footwell
- *2 Only for vehicles with external audio source connection - AUX-In connection
- *3 Only for vehicles with standard sound system
- *4 Only for vehicles with Bang & Olufsen sound system



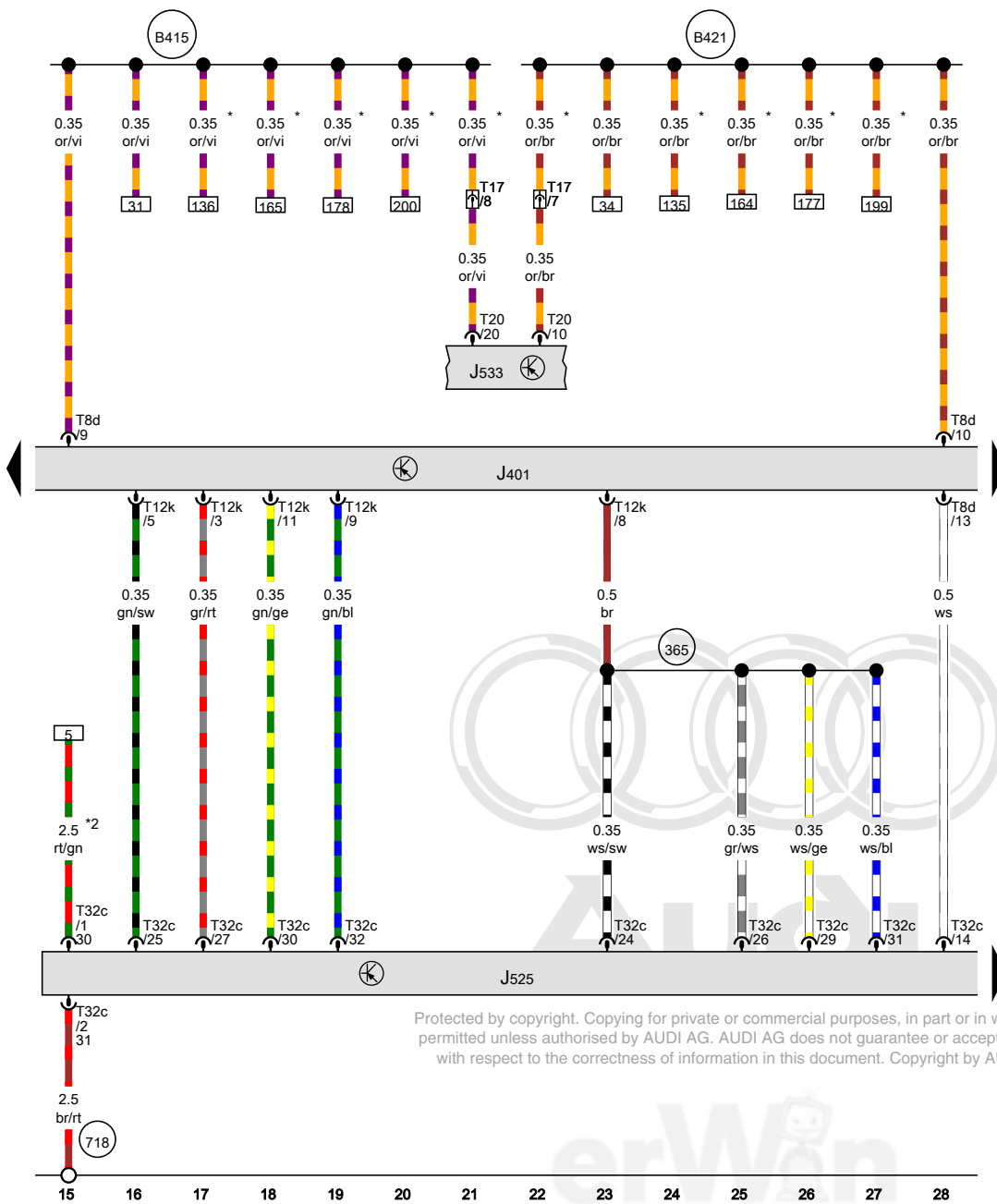
1470-047020913

Navigation system with CD drive control module, Digital sound system control module, Data bus on board diagnostic interface

- J401 Navigation system with CD drive control module
- J525 Digital sound system control module
- J533 Data bus on board diagnostic interface
- T8d 8-pin connector, black
- T12k 12-pin connector, black
- T17 17-pin connector, Right front center console, red
- T20 20-pin connector, red
- T32c 32-pin connector, black

- 365 Low frequency ground connection 2 (in instrument panel wiring harness)
- 718 Audio ground connection under rear shelf
- B415 Infotainment CAN Bus high connection 1 (in main wiring harness)
- B421 Infotainment CAN bus low connection 1 (in main wiring harness)

- * Data bus wire (CAN bus)
- *2 Only for vehicles with standard sound system



- ws = white
- sw = black
- ro = red
- rt = red
- br = brown
- gn = green
- bl = blue
- gr = grey
- li = lilac
- vi = lilac
- ge = yellow
- or = orange
- rs = pink

Protected by copyright. Copying for private or commercial purposes, in part or in whole, is not permitted unless authorised by AUDI AG. AUDI AG does not guarantee or accept any liability with respect to the correctness of information in this document. Copyright by AUDI AG.

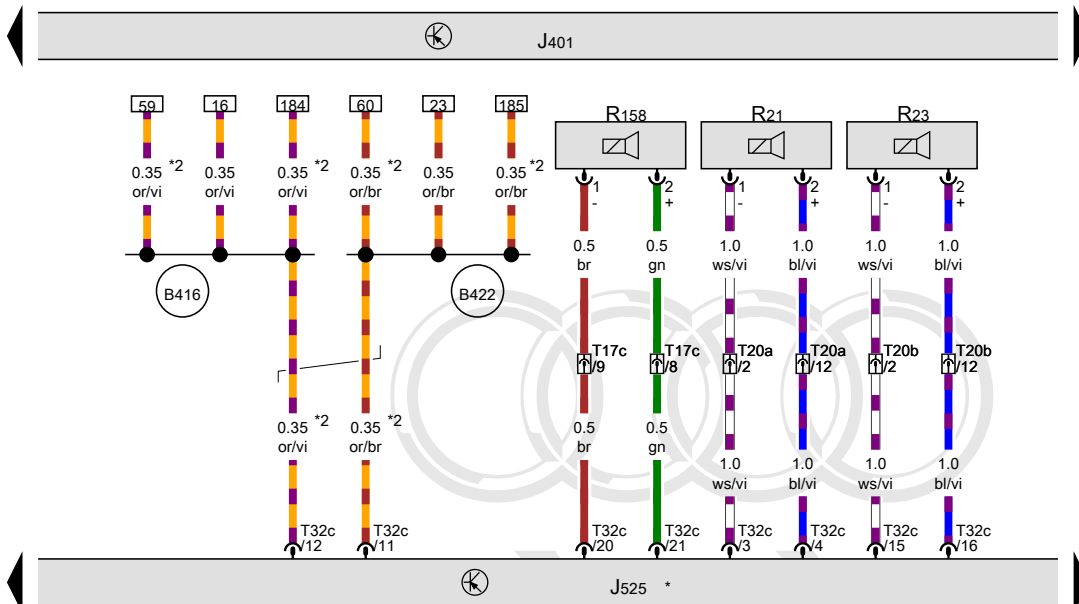
Navigation system with CD drive control module, Digital sound system control module, Left front bass speaker, Right front bass speaker, Center mid-treble speaker

- J401 Navigation system with CD drive control module
- J525 Digital sound system control module
- R21 Left front bass speaker
- R23 Right front bass speaker
- R158 Center mid-treble speaker
- T17c 17-pin connector, Right front center console, blue
- T20a 20-pin connector, in the left front door, black
- T20b 20-pin connector, in the right front door, black
- T32c 32-pin connector, black

B416 Infotainment CAN Bus high connection 2 (in main wiring harness)

B422 Infotainment CAN bus low connection 2 (in main wiring harness)

- * Only for vehicles with standard sound system
- *2 Data bus wire (CAN bus)



- ws = white
- sw = black
- ro = red
- rt = red
- br = brown
- gn = green
- bl = blue
- gr = grey
- li = lilac
- vi = lilac
- ge = yellow
- or = orange
- rs = pink

Protected by copyright. Copying for private or commercial purposes, in part or in whole, is not permitted unless authorised by AUDI AG. AUDI AG does not guarantee or accept any liability with respect to the correctness of information in this document. Copyright by AUDI AG.

Navigation system with CD drive control module, Digital sound system control module, Left front treble speaker, Right front treble speaker, Left front midrange speaker, Right front midrange speaker

- J401 Navigation system with CD drive control module
- J525 Digital sound system control module
- R20 Left front treble speaker
- R22 Right front treble speaker
- R103 Left front midrange speaker
- R104 Right front midrange speaker
- T20a 20-pin connector, in the left front door, black
- T20b 20-pin connector, in the right front door, black
- T32c 32-pin connector, black

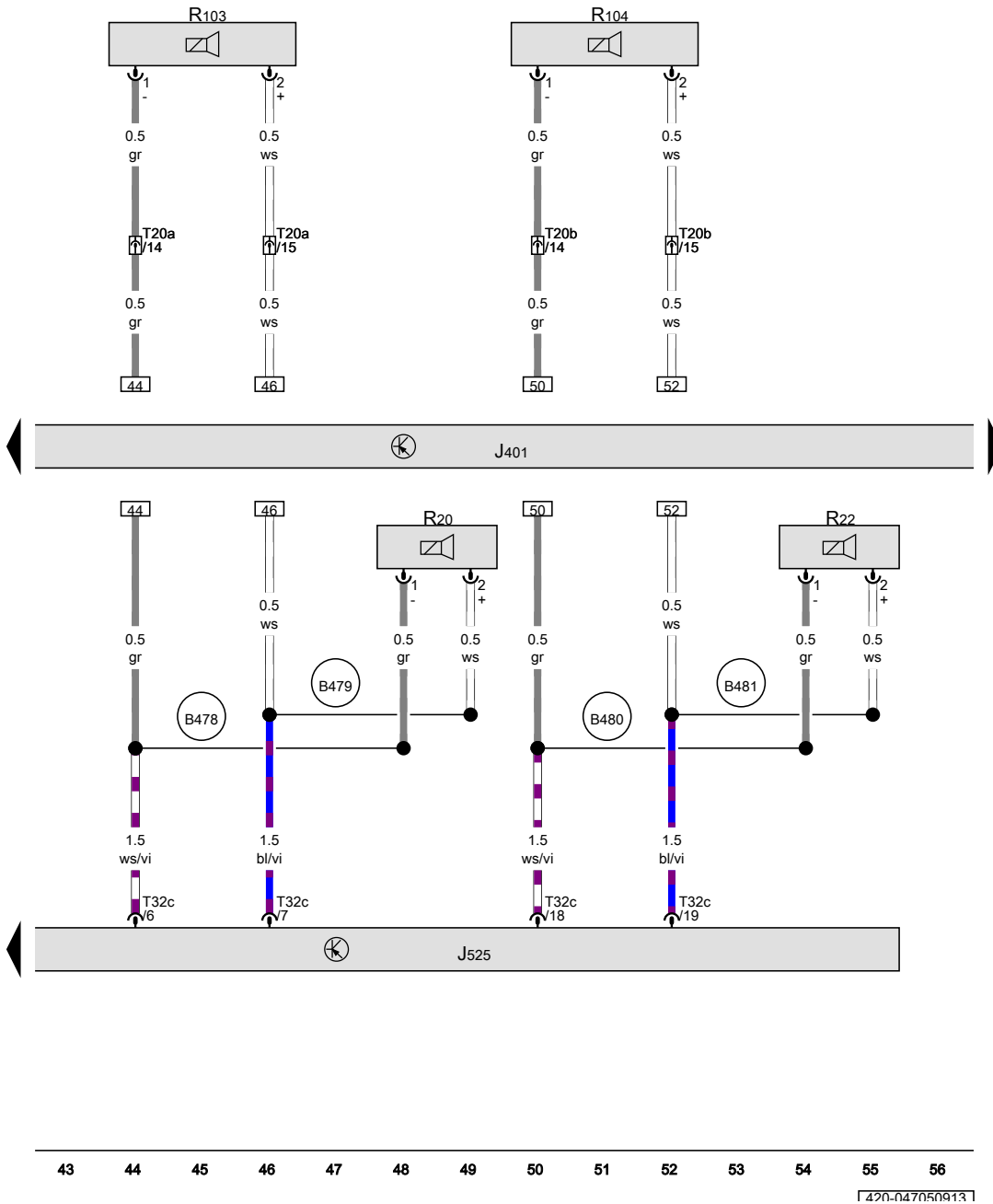
Protected by copyright. Copying for private or commercial purposes, in part or in whole, is not permitted unless authorised by AUDI AG. AUDI AG does not guarantee or accept any liability with respect to the correctness of information in this document. Copyright by AUDI AG.

B478 Connection 14 (in main wiring harness)

B479 Connection 15 (in main wiring harness)

B480 Connection 16 (in main wiring harness)

B481 Connection 17 (in main wiring harness)



- ws = white
- sw = black
- ro = red
- rt = red
- br = brown
- gn = green
- bl = blue
- gr = grey
- li = lilac
- vi = lilac
- ge = yellow
- or = orange
- rs = pink

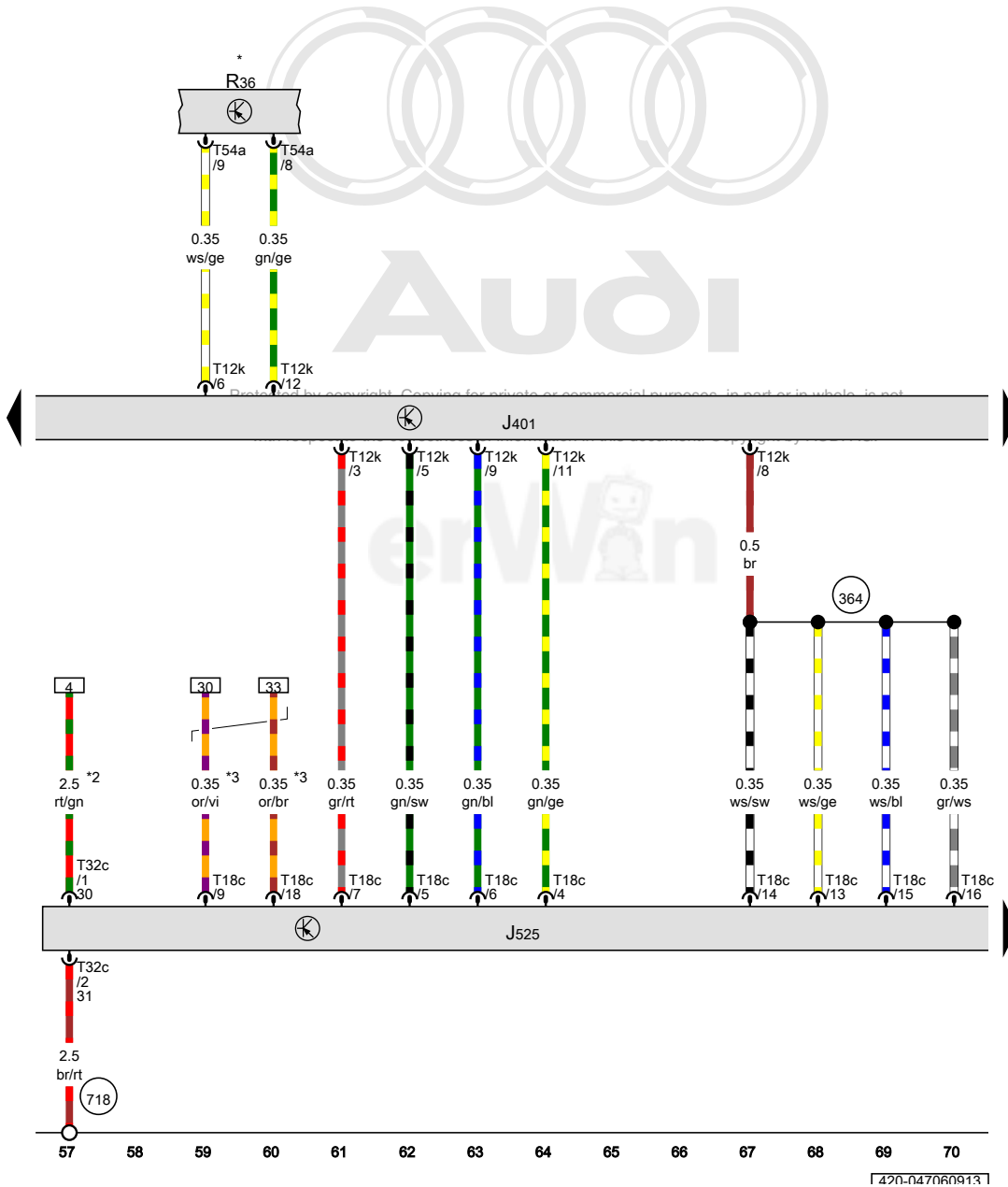
Navigation system with CD drive control module, Digital sound system control module

- J401 Navigation system with CD drive control module
- J525 Digital sound system control module
- R36 Telephone transceiver
- T12k 12-pin connector, black
- T18c 18-pin connector, black
- T32c 32-pin connector, black
- T54a 54-pin connector, black

364 Low frequency ground connection 1 (in instrument panel wiring harness)

718 Audio ground connection under rear shelf

- * Only for vehicles with cell phone preparation
- *2 Only for vehicles with Bang & Olufsen sound system
- *3 Data bus wire (CAN bus)

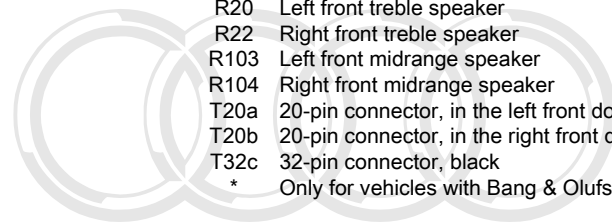


- ws = white
- sw = black
- ro = red
- rt = red
- br = brown
- gn = green
- bl = blue
- gr = grey
- li = lilac
- vi = lilac
- ge = yellow
- or = orange
- rs = pink

1420-047060913

Navigation system with CD drive control module, Digital sound system control module, Left front treble speaker, Right front treble speaker, Left front midrange speaker, Right front midrange speaker

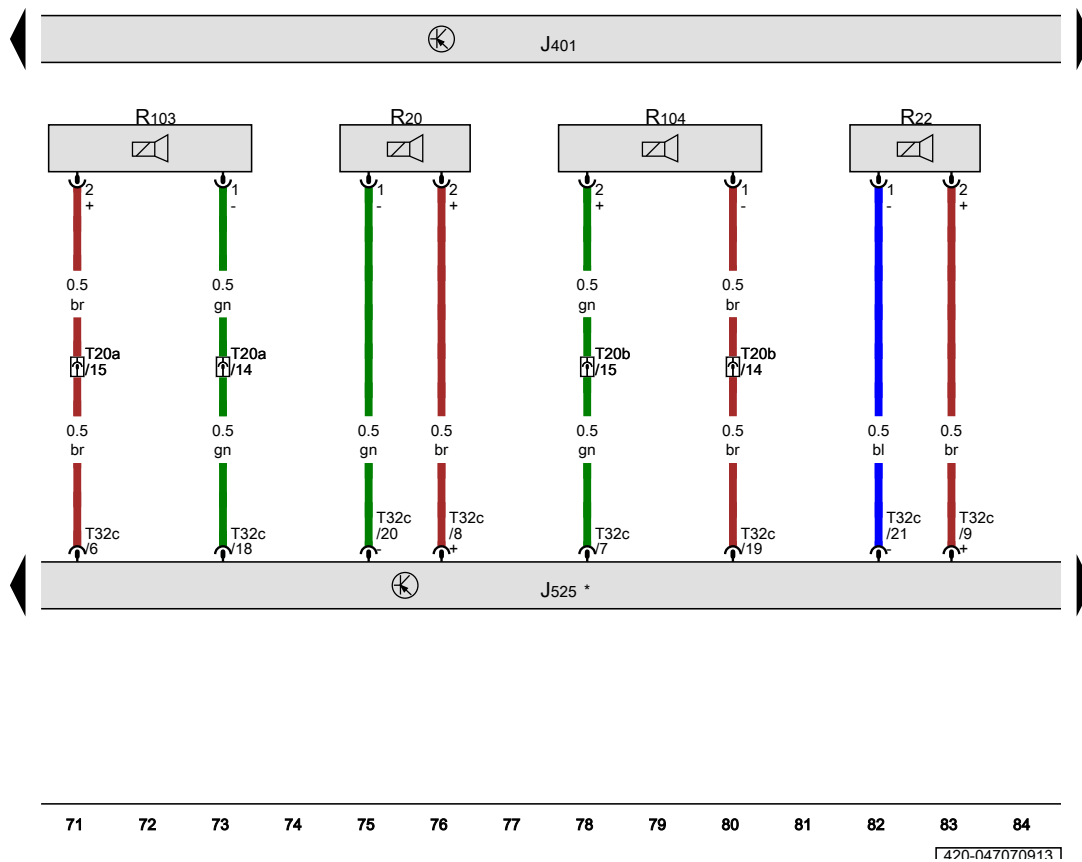
- J401 Navigation system with CD drive control module
- J525 Digital sound system control module
- R20 Left front treble speaker
- R22 Right front treble speaker
- R103 Left front midrange speaker
- R104 Right front midrange speaker
- T20a 20-pin connector, in the left front door, black
- T20b 20-pin connector, in the right front door, black
- T32c 32-pin connector, black
- * Only for vehicles with Bang & Olufsen sound system



Audi

Protected by copyright. Copying for private or commercial purposes, in part or in whole, is not permitted unless authorised by AUDI AG. AUDI AG does not guarantee or accept any liability with respect to the correctness of information in this document. Copyright by AUDI AG.

erWin



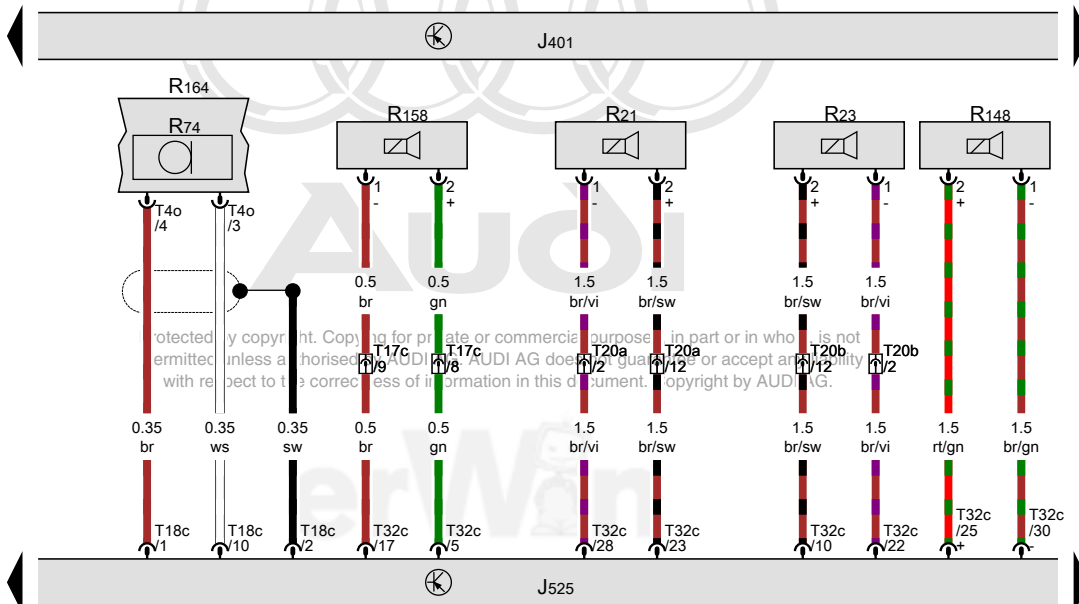
- ws = white
- sw = black
- ro = red
- rt = red
- br = brown
- gn = green
- bl = blue
- gr = grey
- li = lilac
- vi = lilac
- ge = yellow
- or = orange
- rs = pink

71 72 73 74 75 76 77 78 79 80 81 82 83 84

1420-047070913

Navigation system with CD drive control module, Digital sound system control module, Left front bass speaker, Right front bass speaker, Interior microphone, Speaker in center, Center mid-treble speaker, Microphone unit in front roof module

- J401 Navigation system with CD drive control module
- J525 Digital sound system control module
- R21 Left front bass speaker
- R23 Right front bass speaker
- R74 Interior microphone
- R148 Speaker in center
- R158 Center mid-treble speaker
- R164 Microphone unit in front roof module
- T4o 4-pin connector
- T17c 17-pin connector, blue
- T18c 18-pin connector, black
- T20a 20-pin connector, in the left front door, black
- T20b 20-pin connector, in the right front door, black
- T32c 32-pin connector, black



- ws = white
- sw = black
- ro = red
- rt = red
- br = brown
- gn = green
- bl = blue
- gr = grey
- li = lilac
- vi = lilac
- ge = yellow
- or = orange
- rs = pink

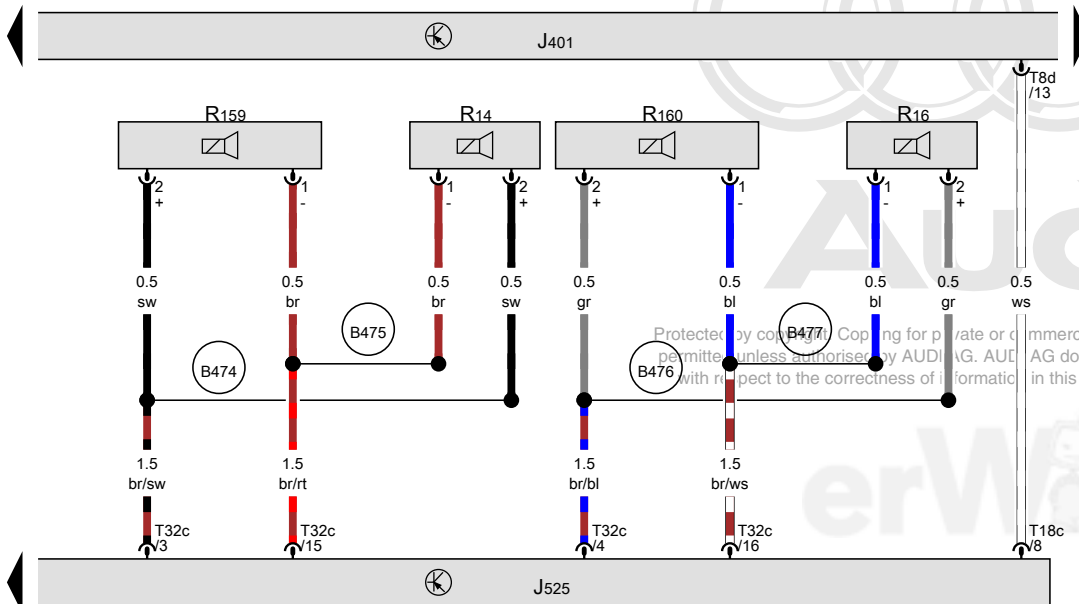
85 86 87 88 89 90 91 92 93 94 95 96 97 98

1420-047080913

Navigation system with CD drive control module, Digital sound system control module, Left rear treble speaker, Right rear treble speaker, Left rear mid-bass speaker, Right rear mid-bass speaker

- J401 Navigation system with CD drive control module
- J525 Digital sound system control module
- R14 Left rear treble speaker
- R16 Right rear treble speaker
- R159 Left rear mid-bass speaker
- R160 Right rear mid-bass speaker
- T8d 8-pin connector, black
- T18c 18-pin connector, black
- T32c 32-pin connector, black

- (B474) Connection 10 (in main wiring harness)
- (B475) Connection 11 (in main wiring harness)
- (B476) Connection 12 (in main wiring harness)
- (B477) Connection 13 (in main wiring harness)



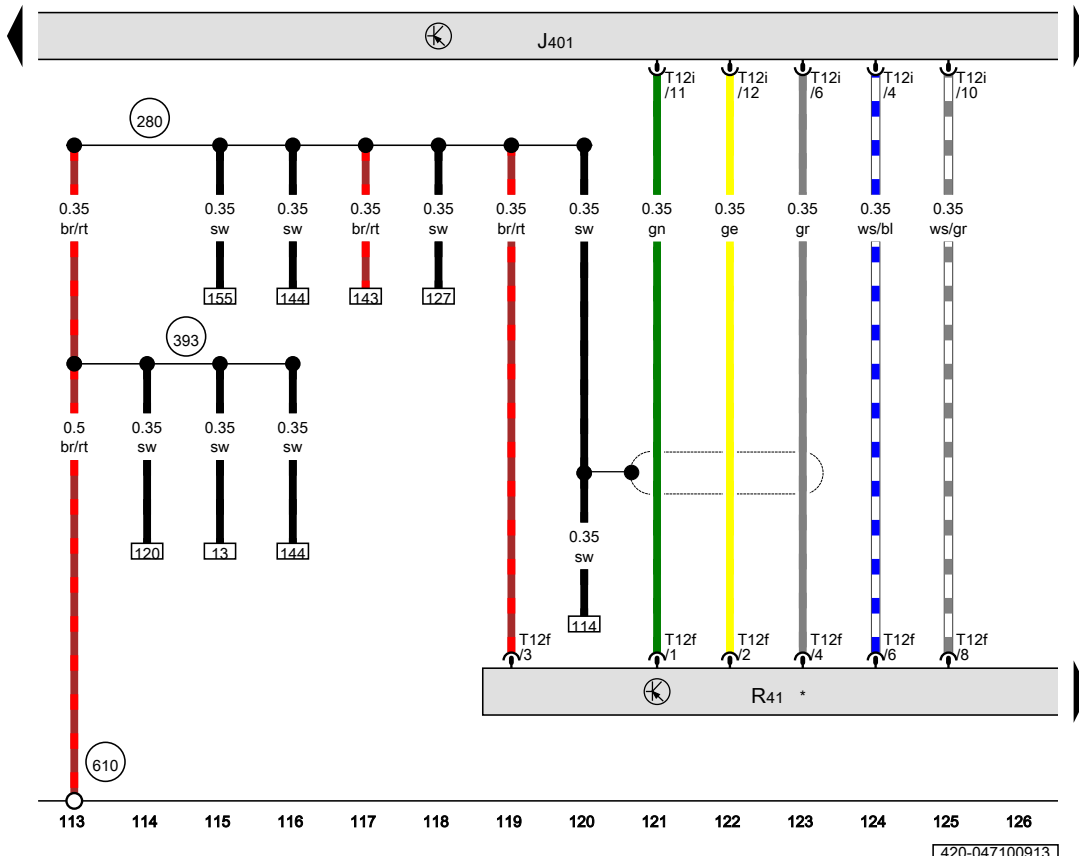
Protected by copyright. Copying for private or commercial purposes, in part or in whole, is not permitted unless authorised by AUDI AG. AUDI AG does not guarantee or accept any liability with respect to the correctness of information in this document. Copyright by AUDI AG.

- ws = white
- sw = black
- ro = red
- rt = red
- br = brown
- gn = green
- bl = blue
- gr = grey
- li = lilac
- vi = lilac
- ge = yellow
- or = orange
- rs = pink

Navigation system with CD drive control module, CD changer

- J401 Navigation system with CD drive control module
- R41 CD changer
- T12f 12-pin connector, black
- T12i 12-pin connector, black

- 280 Ground connection (in communication wiring harness)
- 393 Ground connection 28 (in main wiring harness)
- 610 Audio ground connection under front center console
- * Only for vehicles with CD changer



- ws = white
- ro = black
- ro = red
- rt = red
- br = brown
- gn = green
- bl = blue
- gr = grey
- li = lilac
- vi = lilac
- ge = yellow
- or = orange
- rs = pink



Audi

Protected by copyright. Copying for private or commercial purposes, in part or in whole, is not permitted unless authorised by AUDI AG. AUDI AG does not guarantee or accept any liability with respect to the correctness of information in this document. Copyright by AUDI AG.



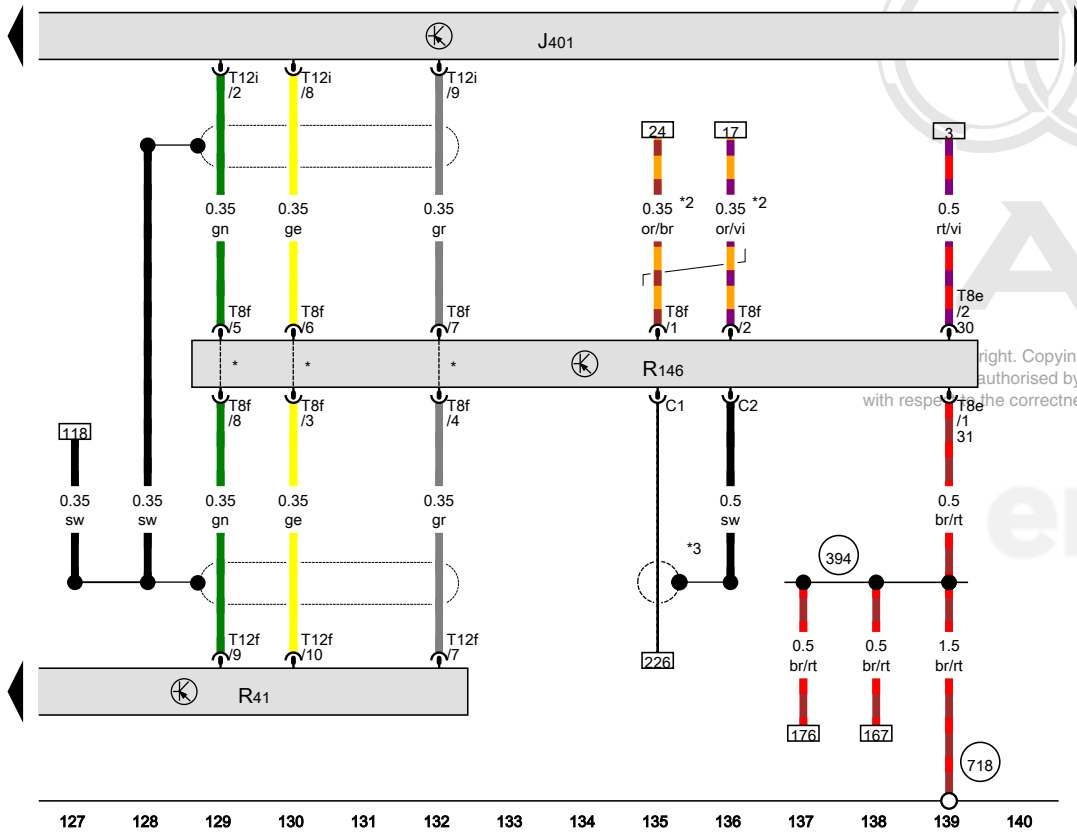
Navigation system with CD drive control module, CD changer, Satellite radio

- J401 Navigation system with CD drive control module
- R41 CD changer
- R146 Satellite radio
- T8e 8-pin connector, black
- T8f 8-pin connector, black
- T12f 12-pin connector, black
- T12i 12-pin connector, black

394 Ground connection 29 (in main wiring harness)

718 Audio ground connection under rear shelf

- * Only for vehicles without satellite radio
- *2 Data bus wire (CAN bus)
- *3 Only for vehicles with CD changer



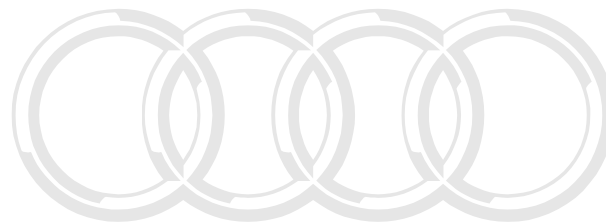
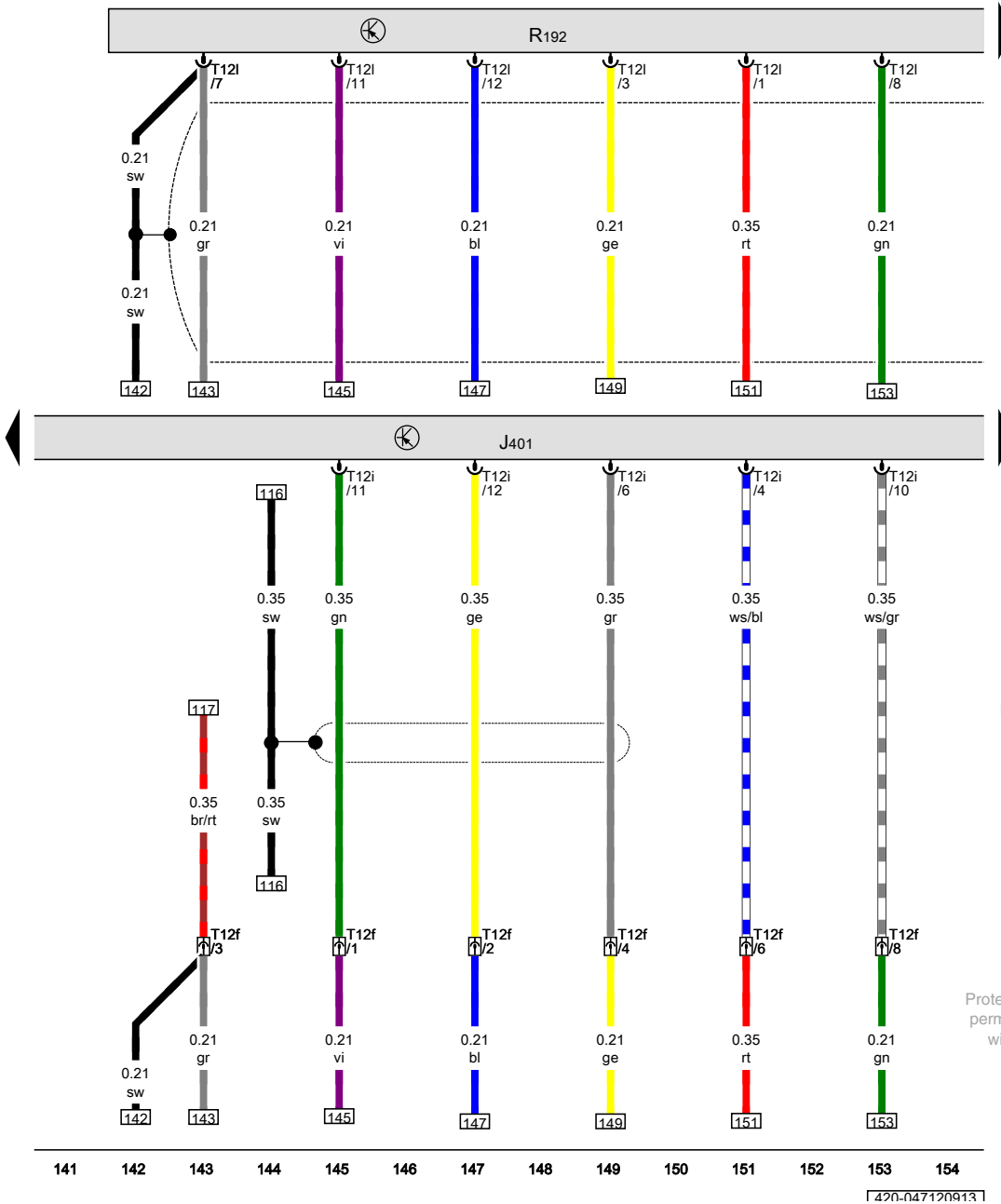
Right. Copying for private or commercial purposes, in part or in whole, is not authorised by AUDI AG. AUDI AG does not guarantee or accept any liability with respect to the correctness of information in this document. Copyright by AUDI AG.

- ws = white
- sw = black
- ro = red
- rt = red
- br = brown
- gn = green
- bl = blue
- gr = grey
- li = lilac
- vi = lilac
- ge = yellow
- or = orange
- rs = pink

420-047110913

Navigation system with CD drive control module, iPod baseplate

- J401 Navigation system with CD drive control module
- R192 iPod baseplate
- T12f 12-pin connector, in the rear center console, black
- T12i 12-pin connector, black
- T12l 12-pin connector



Audi

- ws = white
- sw = black
- ro = red
- rt = red
- br = brown
- gn = green
- bl = blue
- gr = grey
- li = lilac
- vi = lilac
- ge = yellow
- or = orange
- rs = pink

Protected by copyright. Copying for private or commercial purposes, in part or in whole, is not permitted unless authorised by AUDI AG. AUDI AG does not guarantee or accept any liability with respect to the correctness of information in this document. Copyright by AUDI AG.



141 142 143 144 145 146 147 148 149 150 151 152 153 154

420-047120913

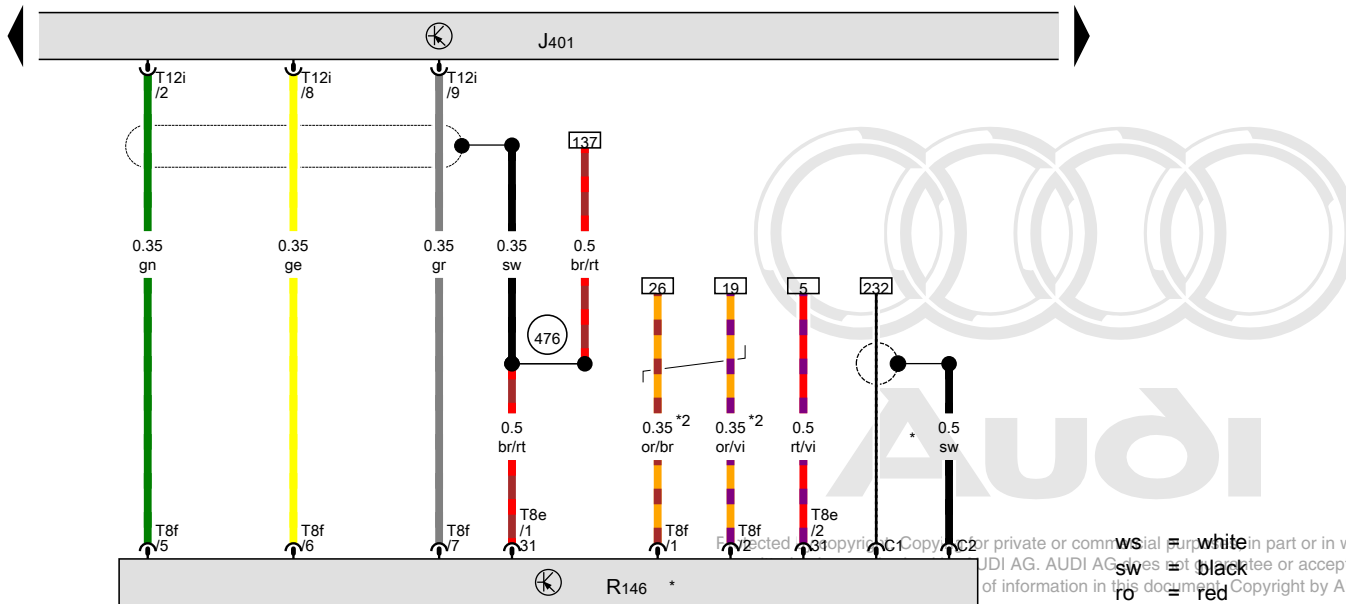
Navigation system with CD drive control module, Satellite radio

- J401 Navigation system with CD drive control module
- R146 Satellite radio
- T8e 8-pin connector, black
- T8f 8-pin connector, black
- T12i 12-pin connector, black

476 Ground connection (in audio wiring harness)

* Only for vehicles without a CD changer or bracket for iPod/USB connection

*2 Data bus wire (CAN bus)



Copyright © Audi AG. Audi AG does not warrant or accept any liability of information in this document. Copyright by Audi AG.

- ws = white
- sw = black
- ro = red
- rt = red
- br = brown
- gn = green
- bl = blue
- gr = grey
- li = lilac
- vi = lilac
- ge = yellow
- or = orange
- rs = pink

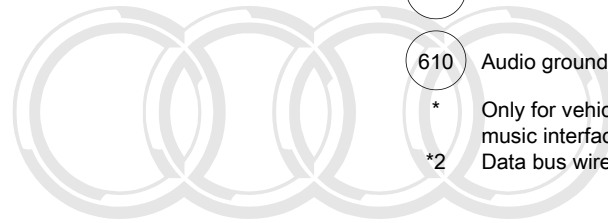
Navigation system with CD drive control module

- J401 Navigation system with CD drive control module
- R199 External audio source connection
- T12r 12-pin connector, under the rear shelf, black
- T32f 32-pin connector, gray

399 Ground connection 34 (in main wiring harness)

610 Audio ground connection under front center console

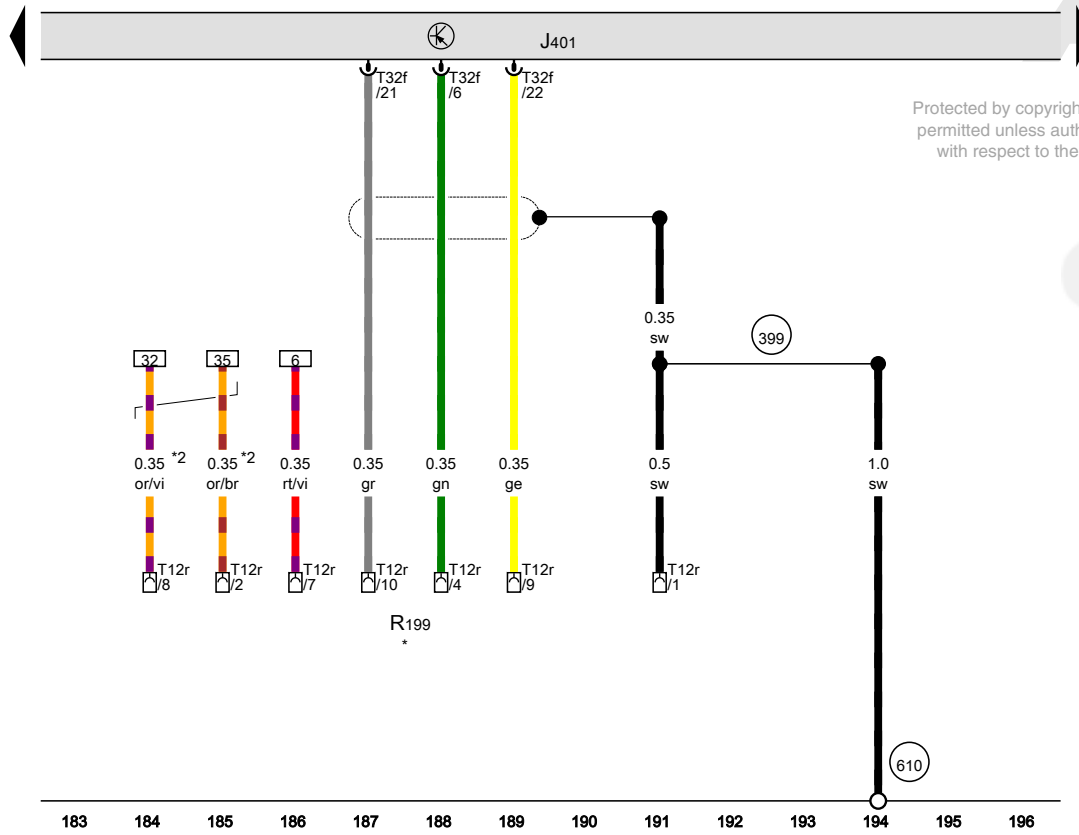
- * Only for vehicles with external audio source connection - Audi music interface
- *2 Data bus wire (CAN bus)



Audi

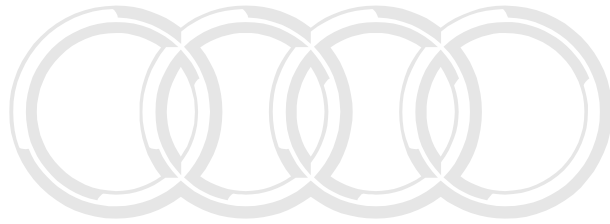
Protected by copyright. Copying for private or commercial purposes, in part or in whole, is not permitted unless authorised by AUDI AG. AUDI AG does not guarantee or accept any liability with respect to the correctness of information in this document. Copyright by AUDI AG.

erWin

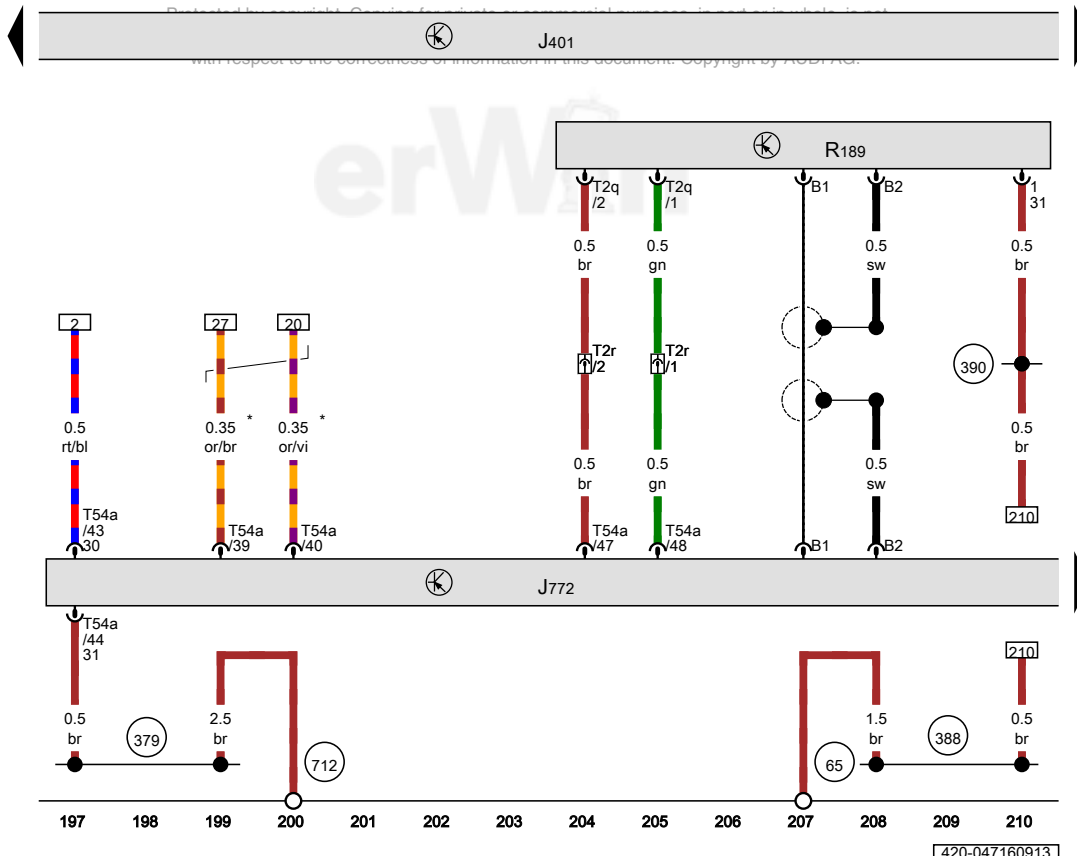


- ws = white
- sw = black
- ro = red
- rt = red
- br = brown
- gn = green
- bl = blue
- gr = grey
- li = lilac
- vi = lilac
- ge = yellow
- or = orange
- rs = pink

420-047150913



Audi



Navigation system with CD drive control module, Rearview camera system control module, Rearview camera

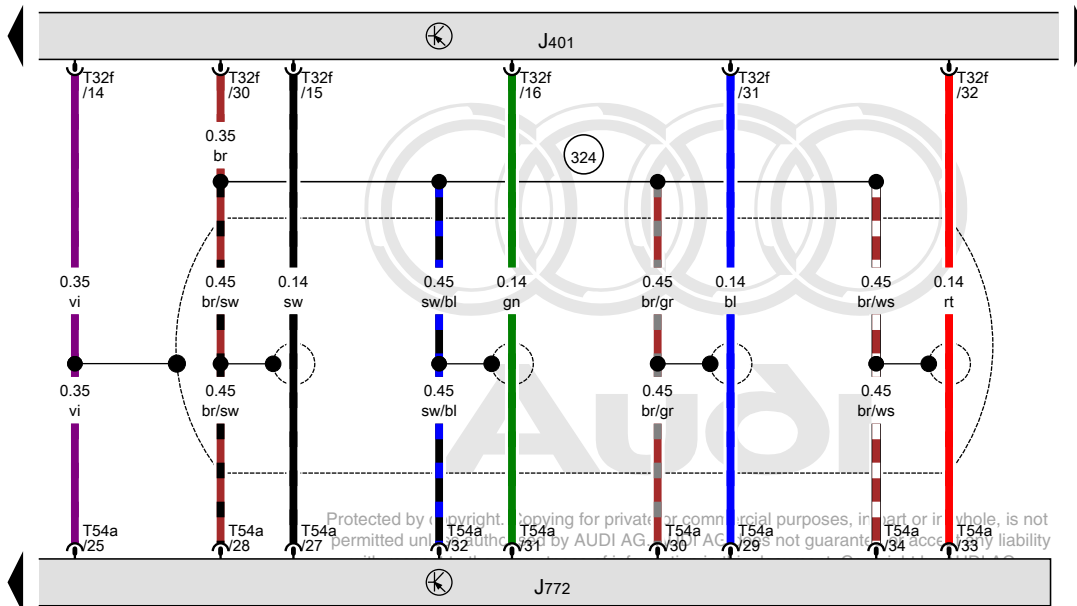
- J401 Navigation system with CD drive control module
- J772 Rearview camera system control module
- R189 Rearview camera
- T2q Double connector, brown
- T2r Double connector, on the left B-pillar, black
- T54a 54-pin connector, black

- 65 Ground connection on left rear longitudinal member
- 379 Ground connection 14 (in main wiring harness)
- 388 Ground connection 23 (in main wiring harness)
- 390 Ground connection 25 (in main wiring harness)
- 712 Ground connection under rear shelf, left
- * Data bus wire (CAN bus)

Navigation system with CD drive control module, Rearview camera system control module

- J401 Navigation system with CD drive control module
- J772 Rearview camera system control module
- T32f 32-pin connector, gray
- T54a 54-pin connector, black

324 Navigation shielding 1 ground connection (in communication wiring harness)



Protected by copyright. Copying for private or commercial purposes, in part or in whole, is not permitted without the written permission of AUDI AG. AUDI AG does not guarantee accuracy of liability.

- ws = white
- sw = black
- ro = red
- rt = red
- br = brown
- gn = green
- bl = blue
- gr = grey
- li = lilac
- vi = lilac
- ge = yellow
- or = orange
- rs = pink

211 212 213 214 215 216 217 218 219 220 221 222 223 224

[420-047170913]

Navigation system with CD drive control module, Antenna selection control module, Antenna, Antenna amplifier, GPS antenna, Radio antenna 2, Antenna amplifier 3, Satellite antenna

- J401 Navigation system with CD drive control module
- J515 Antenna selection control module
- R11 Antenna
- R24 Antenna amplifier
- R50 GPS antenna, in the instrument panel, center
- R93 Radio antenna 2
- R112 Antenna amplifier 3
- R170 Satellite antenna, in the rear lid
- * Only for vehicles without a CD changer or bracket for iPod/USB connection
- *2 Only for vehicles with iPod bracket
- *3 Only for vehicles with CD changer

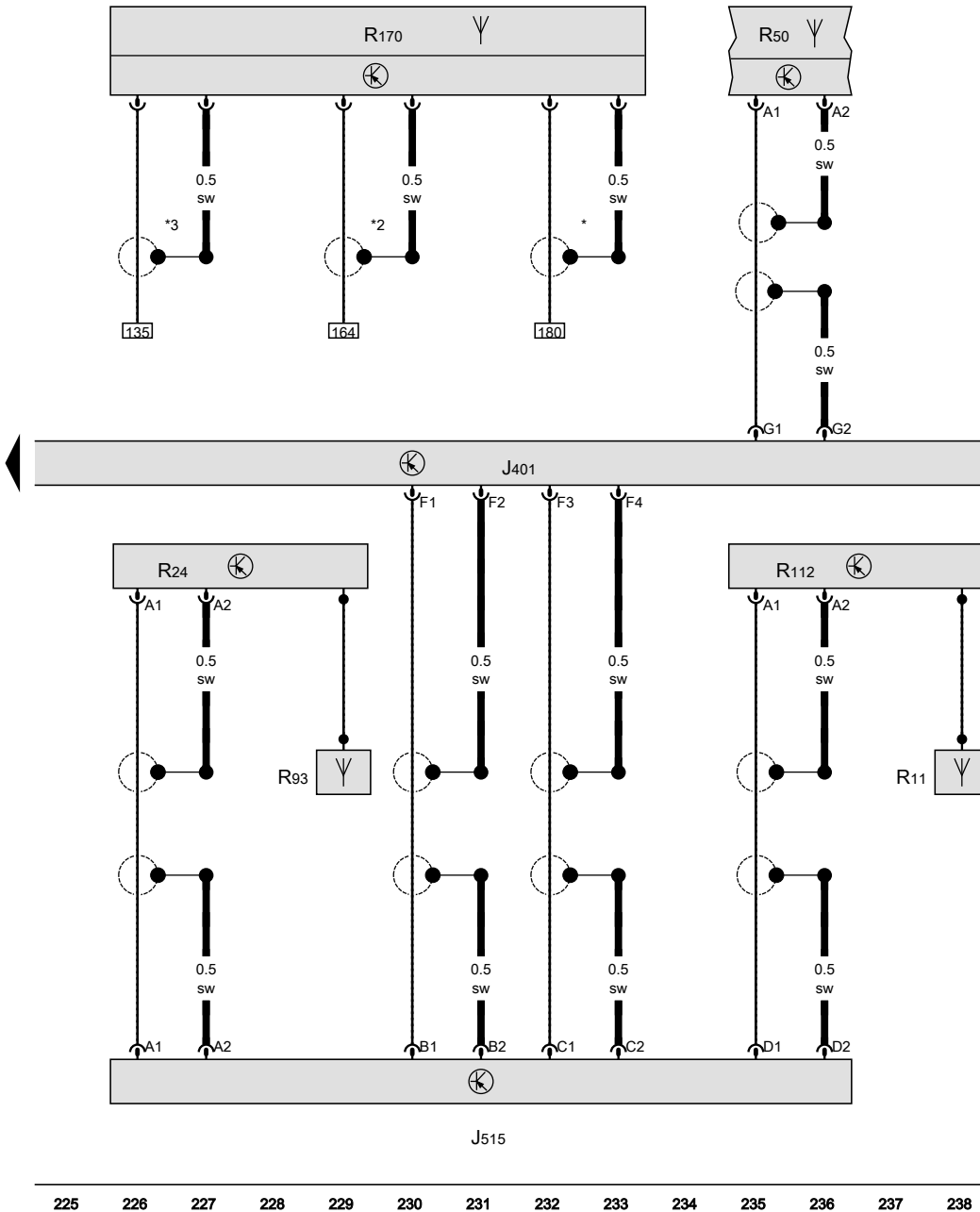


Audi

Protected by copyright. Copying for private or commercial purposes, in part or in whole, is not permitted unless authorised by AUDI AG. AUDI AG does not guarantee or accept any liability with respect to the correctness of information in this document. Copyright by AUDI AG.



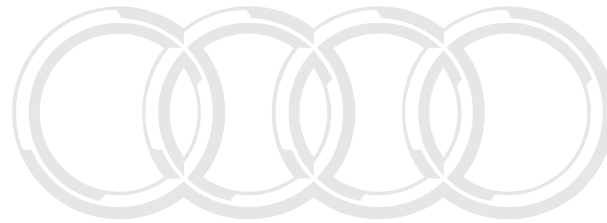
- ws = white
- sw = black
- ro = red
- rt = red
- br = brown
- gn = green
- bl = blue
- gr = grey
- li = lilac
- vi = lilac
- ge = yellow
- or = orange
- rs = pink



[420-047180913]

Radio with Bang & Olufsen Sound System with satellite radio

From June 2009



Audi

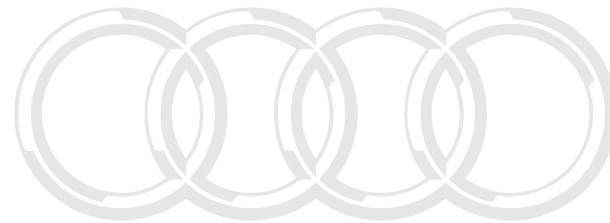
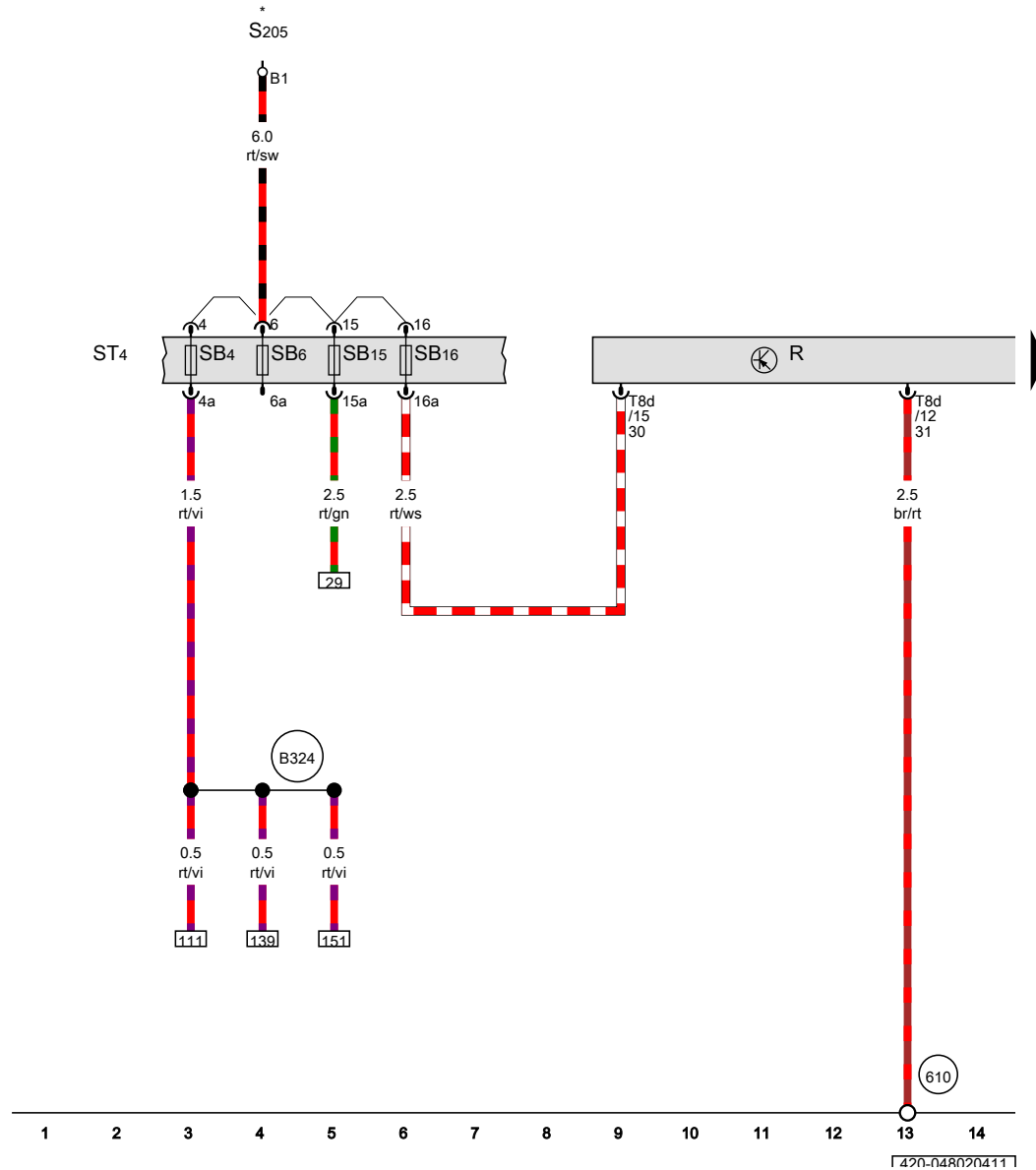
Protected by copyright. Copying for private or commercial purposes, in part or in whole, is not permitted unless authorised by AUDI AG. AUDI AG does not guarantee or accept any liability with respect to the correctness of information in this document. Copyright by AUDI AG.



Radio

- R Radio
- SB4 Fuse 4 (on fuse panel B)
- ST4 Fuse panel 4
- SB6 Fuse 6 (on fuse panel B)
- SB15 Fuse 15 (on fuse panel B)
- SB16 Fuse 16 (on fuse panel B)
- S205 Fuse 2 (terminal 30)
- T8d 8-pin connector

- 610 Audio ground connection under front center console
- B324 Positive connection 10 (30a) (in main wiring harness)
- * Main distribution in the right front footwell



Audi

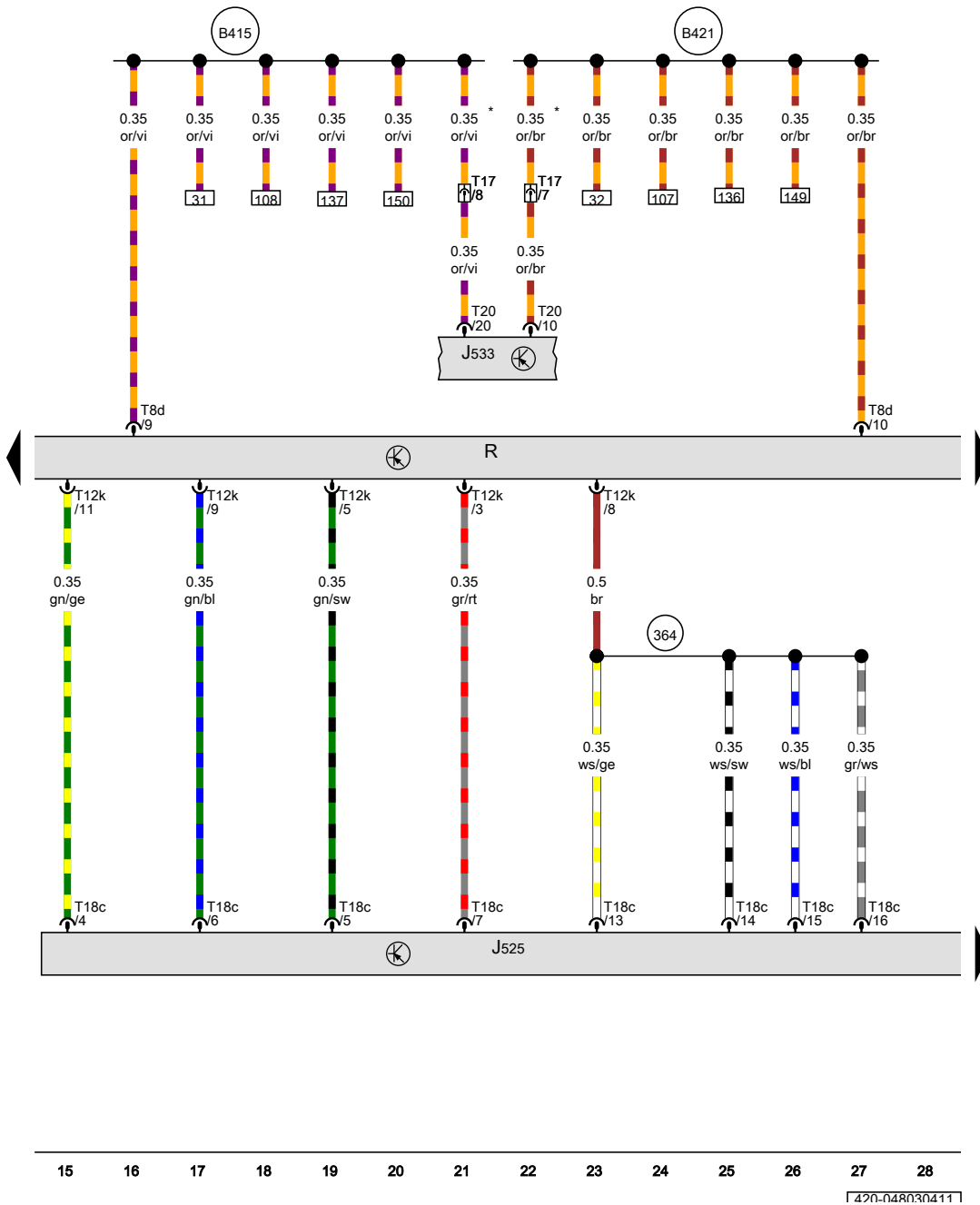
- ws = white
- sw = black
- ro = red
- rt = red
- br = brown
- gn = green
- bl = blue
- gr = grey
- li = lilac
- vi = lilac
- ge = yellow
- or = orange
- rs = pink

Protected by copyright. Copying for private or commercial purposes, in part or in whole, is not permitted unless authorised by AUDI AG. AUDI AG does not guarantee or accept any liability with respect to the correctness of information in this document. Copyright by AUDI AG.



Digital sound system control module, Data bus on board diagnostic interface, Radio

- J525 Digital sound system control module
- J533 Data bus on board diagnostic interface
- R Radio
- T8d 8-pin connector
- T12k 12-pin connector
- T17 17-pin connector, Inside the center console connector station on the right side
- T18c 18-pin connector
- T20 20-pin connector
- 364 Low frequency ground connection 1 (in instrument panel wiring harness)
- B415 Infotainment CAN Bus high connection 1 (in main wiring harness)
- B421 Infotainment CAN bus low connection 1 (in main wiring harness)
- * Data bus wire (CAN bus)

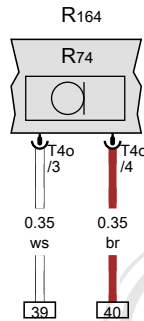


- ws = white
- sw = black
- ro = red
- rt = red
- br = brown
- gn = green
- bl = blue
- gr = grey
- li = lilac
- vi = lilac
- ge = yellow
- or = orange
- rs = pink

Protected by copyright. Copying for private or commercial purposes, in part or in whole, is not permitted unless authorised by AUDI AG. AUDI AG does not guarantee or accept any liability with respect to the correctness of information in this document. Copyright by AUDI AG.

1420-048030411

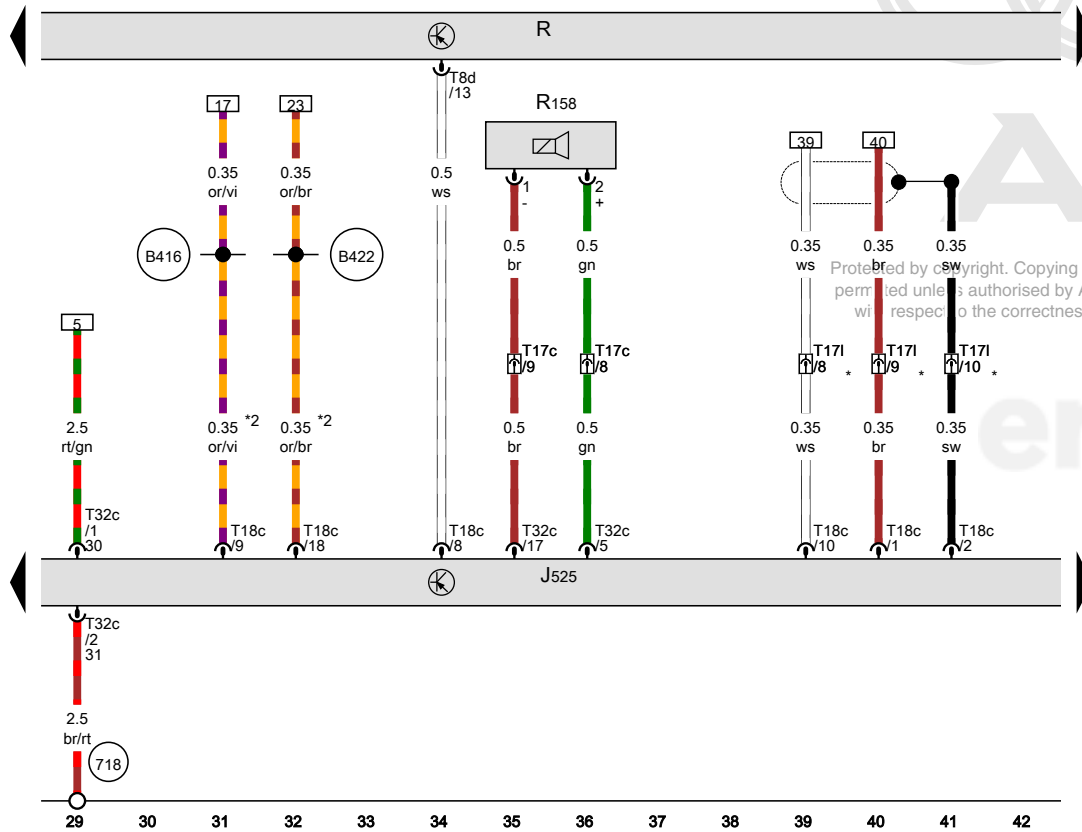
Digital sound system control module, Radio, Interior microphone, Center mid-treble speaker, Microphone unit in front roof module



- J525 Digital sound system control module
- R Radio
- R74 Interior microphone
- R158 Center mid-treble speaker
- R164 Microphone unit in front roof module
- T4o 4-pin connector
- T8d 8-pin connector
- T17c 17-pin connector, Inside the center console connector station on the right side
- T17l 17-pin connector, on the left A-pillar
- T18c 18-pin connector
- T32c 32-pin connector

- 718 Audio ground connection under rear shelf
- B416 Infotainment CAN Bus high connection 2 (in main wiring harness)
- B422 Infotainment CAN bus low connection 2 (in main wiring harness)

* Depending on equipment
 *2 Data bus wire (CAN bus)



Protected by copyright. Copying for private or commercial purposes, in part or in whole, is not permitted unless authorized by AUDI AG. AUDI AG does not guarantee or accept any liability with respect to the correctness of information in this document. Copyright by AUDI AG.

- ws = white
- sw = black
- ro = red
- rt = red
- br = brown
- gn = green
- bl = blue
- gr = grey
- li = lilac
- vi = lilac
- ge = yellow
- or = orange
- rs = pink

1 420 048 040 411

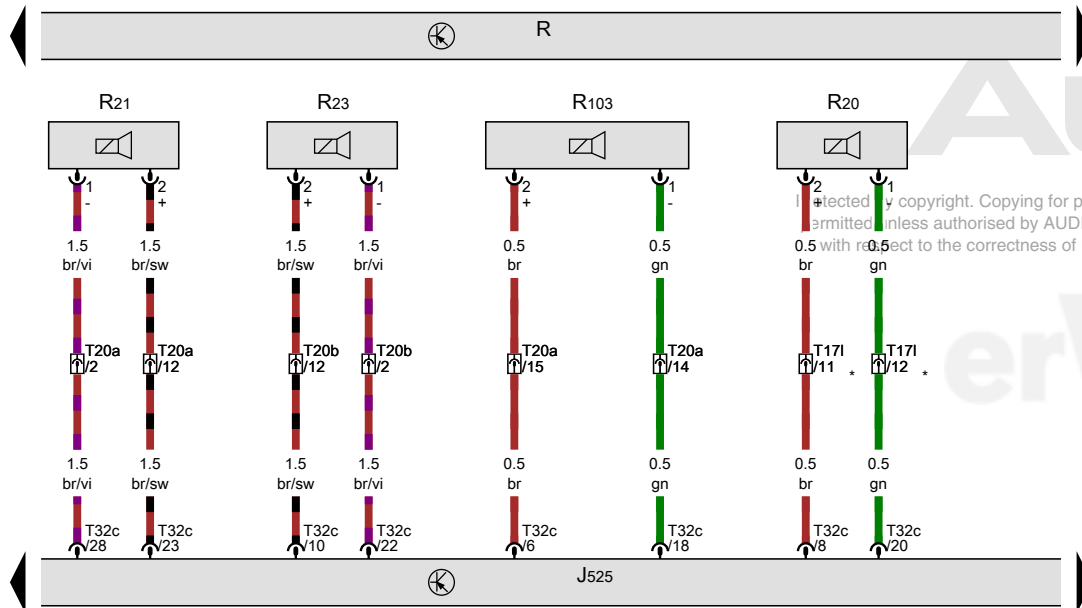
Digital sound system control module, Radio, Left front treble speaker, Left front bass speaker, Right front bass speaker, Left front midrange speaker

- J525 Digital sound system control module
- R Radio
- R20 Left front treble speaker
- R21 Left front bass speaker
- R23 Right front bass speaker
- R103 Left front midrange speaker
- T171 17-pin connector, on the left A-pillar
- T20a 20-pin connector, in the left front door
- T20b 20-pin connector, in the right front door
- T32c 32-pin connector
- * Depending on equipment



Audi

erWin



Protected by copyright. Copying for private or commercial purposes, in part or in whole, is not permitted unless authorised by AUDI AG. AUDI AG does not guarantee or accept any liability with respect to the correctness of information in this document. Copyright by AUDI AG.

- ws = white
- sw = black
- ro = red
- rt = red
- br = brown
- gn = green
- bl = blue
- gr = grey
- li = lilac
- vi = lilac
- ge = yellow
- or = orange
- rs = pink

43 44 45 46 47 48 49 50 51 52 53 54 55 56

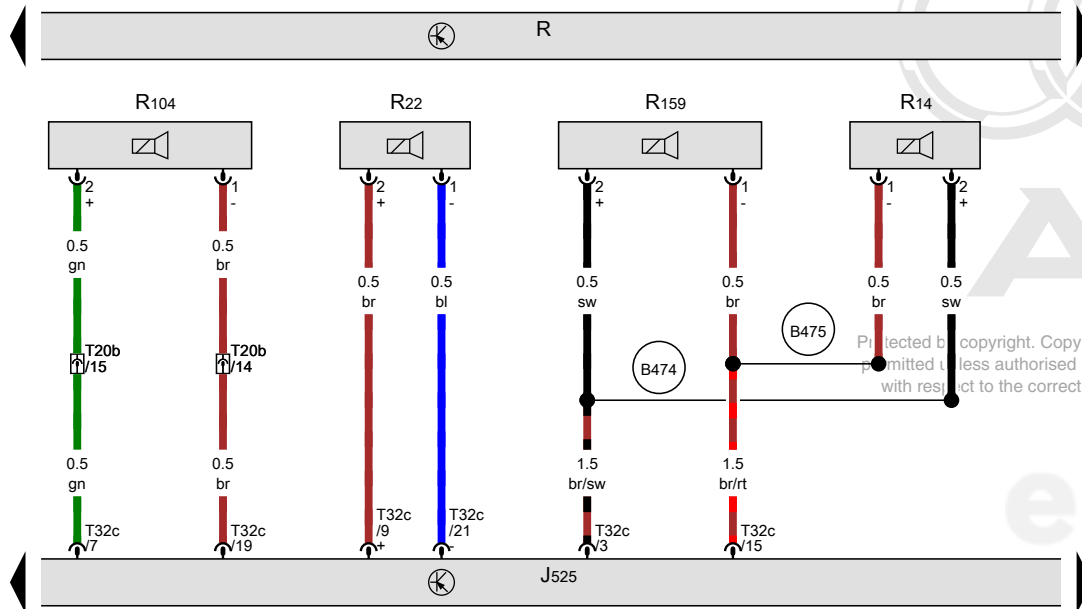
1420-048050411

Digital sound system control module, Radio, Left rear treble speaker, Right front treble speaker, Right front midrange speaker, Left rear mid-bass speaker

- J525 Digital sound system control module
- R Radio
- R14 Left rear treble speaker
- R22 Right front treble speaker
- R104 Right front midrange speaker
- R159 Left rear mid-bass speaker
- T20b 20-pin connector, in the right front door
- T32c 32-pin connector

B474 Connection 10 (in main wiring harness)

B475 Connection 11 (in main wiring harness)



Protected by copyright. Copying for private or commercial purposes, in part or in whole, is not permitted unless authorised by AUDI AG. AUDI AG does not guarantee or accept any liability with respect to the correctness of information in this document. Copyright by AUDI AG.

- ws = white
- sw = black
- ro = red
- rt = red
- br = brown
- gn = green
- bl = blue
- gr = grey
- li = lilac
- vi = lilac
- ge = yellow
- or = orange
- rs = pink

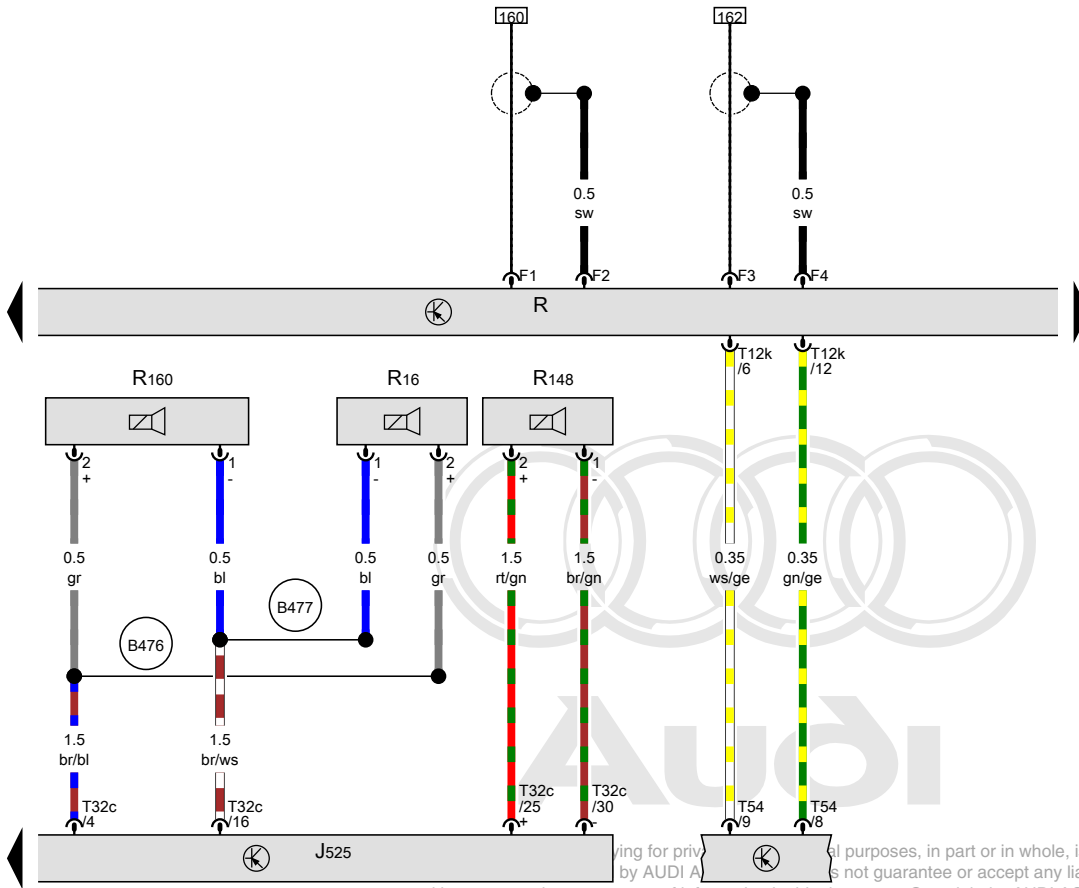
Digital sound system control module, Radio, Right rear treble speaker, Speaker in center, Right rear mid-bass speaker

- J525 Digital sound system control module
- R Radio
- R16 Right rear treble speaker
- R36 Telephone transceiver
- R148 Speaker in center
- R160 Right rear mid-bass speaker
- T12k 12-pin connector
- T32c 32-pin connector
- T54 54-pin connector

B476 Connection 12 (in main wiring harness)

B477 Connection 13 (in main wiring harness)

* Only for vehicles with cell phone preparation



- ws = white
- sw = black
- ro = red
- rt = red
- br = brown
- gn = green
- bl = blue
- gr = grey
- li = lilac
- vi = lilac
- ge = yellow
- or = orange
- rs = pink

Radio, CD changer

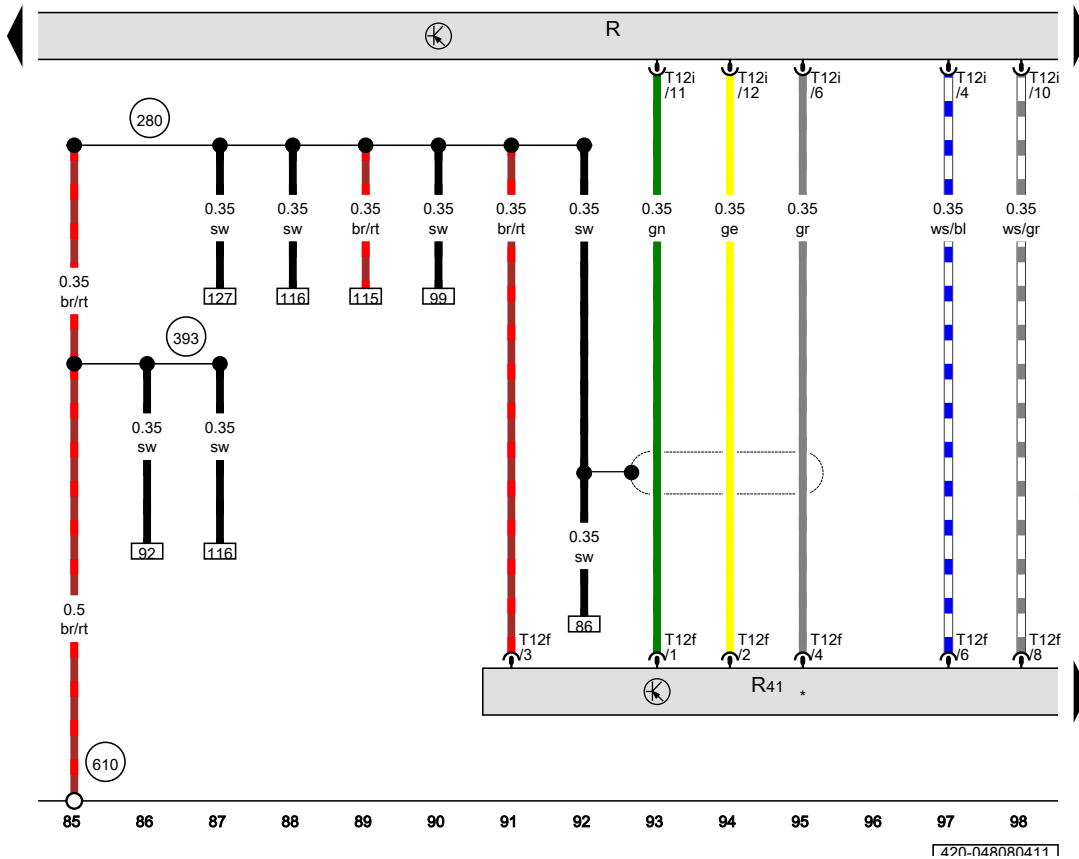
- R Radio
- R41 CD changer
- T12f 12-pin connector
- T12i 12-pin connector

280 Ground connection (in communication wiring harness)

393 Ground connection 28 (in main wiring harness)

610 Audio ground connection under front center console

* Only for vehicles with CD changer



Protected by copyright. Copying for private or commercial purposes, in part or in whole, is not permitted unless authorised by AUDI AG. AUDI AG does not guarantee or accept any liability with respect to the correctness of information in this document. Copyright by AUDI AG.

- ws = white
- sw = black
- ro = red
- rt = red
- br = brown
- gn = green
- bl = blue
- gr = grey
- li = lilac
- vi = lilac
- ge = yellow
- or = orange
- rs = pink



Audi

Protected by copyright. Copying for private or commercial purposes, in part or in whole, is not permitted unless authorised by AUDI AG. AUDI AG does not guarantee or accept any liability with respect to the correctness of information in this document. Copyright by AUDI AG.

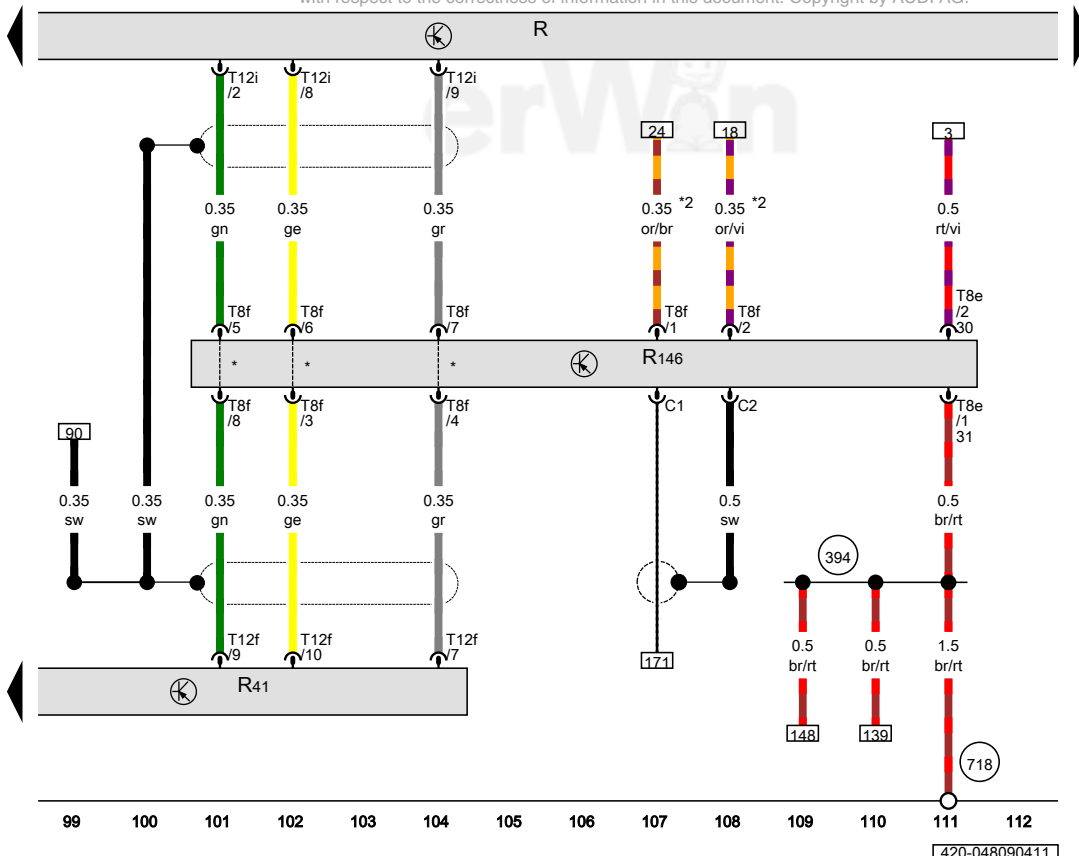
Radio, CD changer, Satellite radio

- R Radio
- R41 CD changer
- R146 Satellite radio
- T8e 8-pin connector
- T8f 8-pin connector
- T12f 12-pin connector
- T12i 12-pin connector

394 Ground connection 29 (in main wiring harness)

718 Audio ground connection under rear shelf

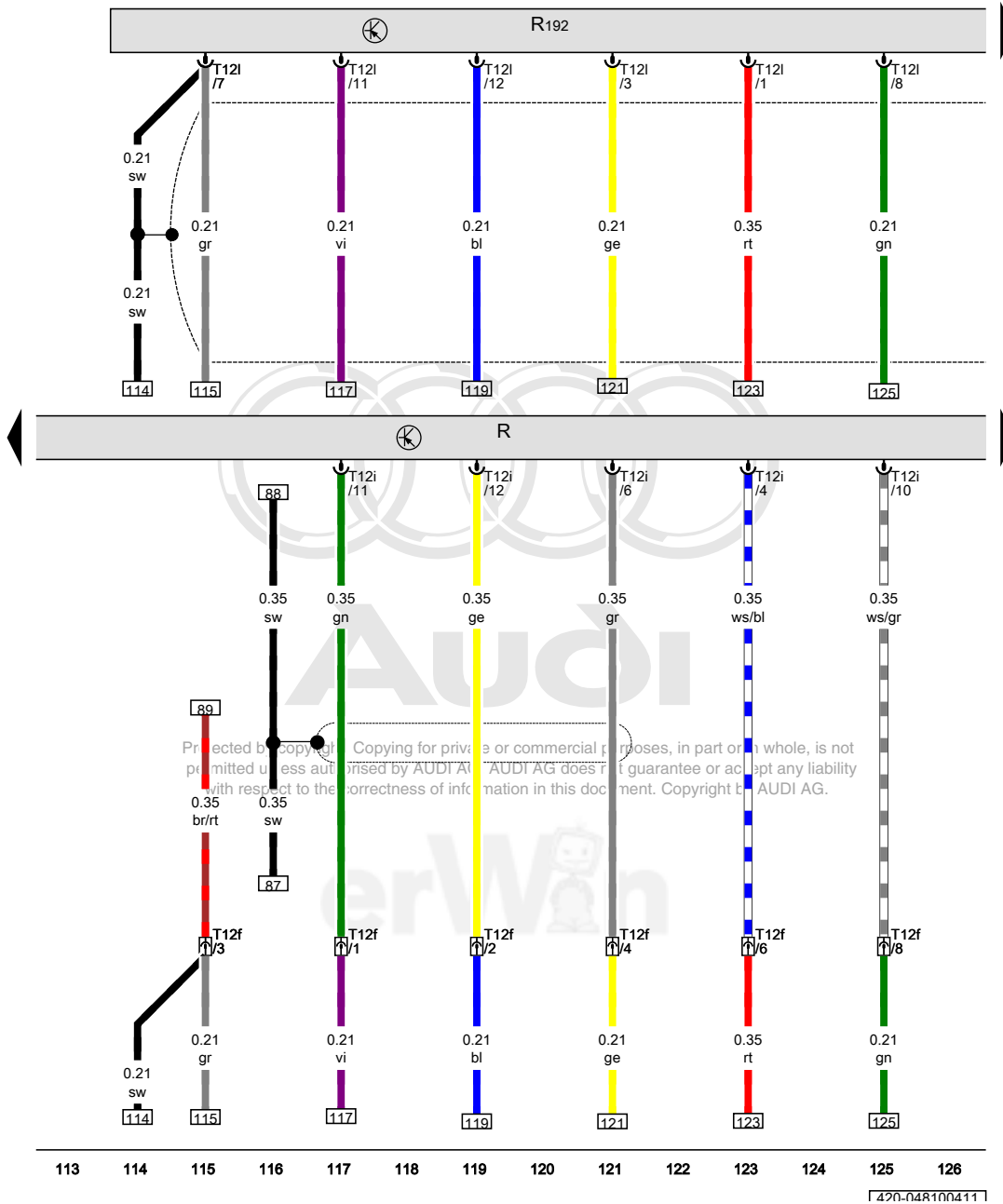
- * Only for vehicles without satellite radio
- *2 Data bus wire (CAN bus)



- ws = white
- sw = black
- ro = red
- rt = red
- br = brown
- gn = green
- bl = blue
- gr = grey
- li = lilac
- vi = lilac
- ge = yellow
- or = orange
- rs = pink

Radio

- R Radio
- R192 iPod baseplate
- T12f 12-pin connector, in the rear center console
- T12i 12-pin connector
- T12l 12-pin connector
- * Only for vehicles with iPod bracket

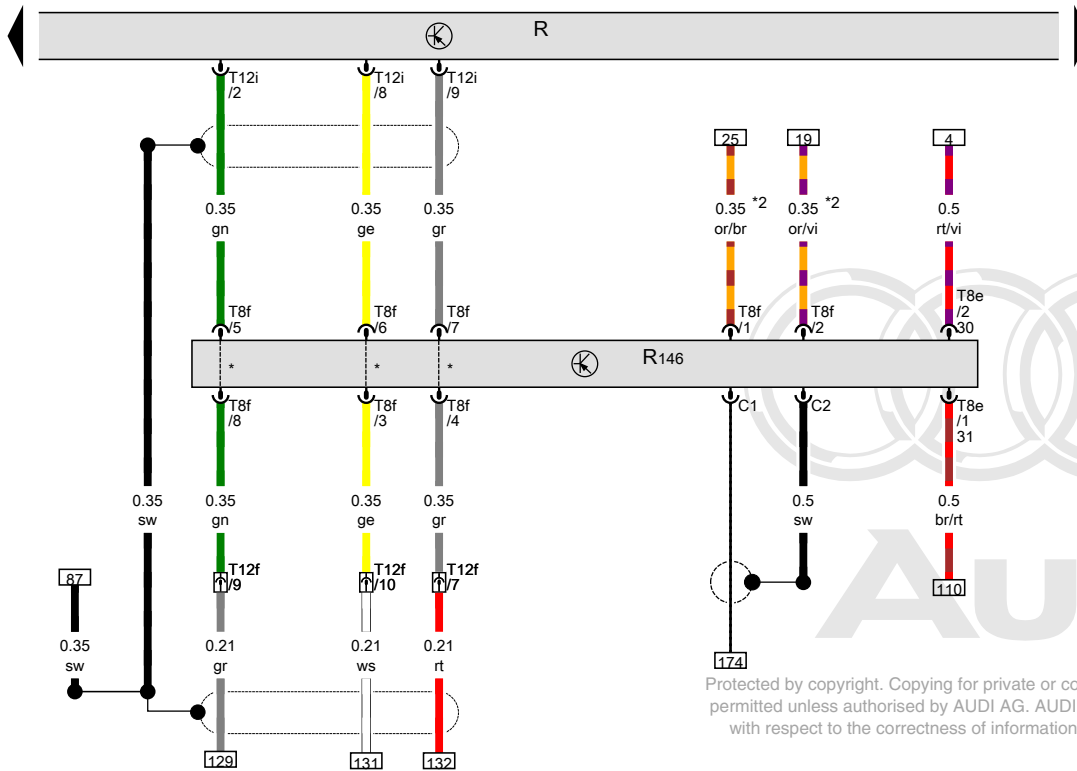
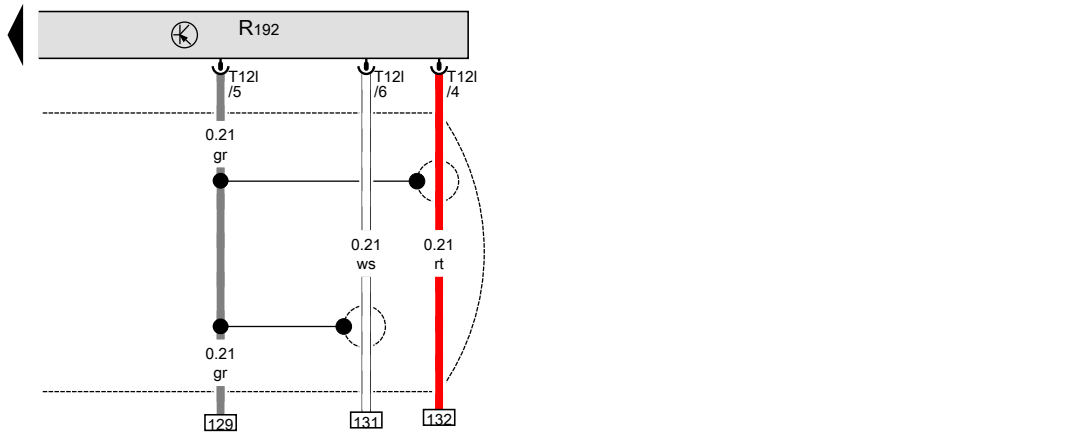


- ws = white
- sw = black
- ro = red
- rt = red
- br = brown
- gn = green
- bl = blue
- gr = grey
- li = lilac
- vi = lilac
- ge = yellow
- or = orange
- rs = pink

[420-048100411]

Radio, Satellite radio

- R Radio
- R146 Satellite radio
- R192 iPod baseplate
- T8e 8-pin connector
- T8f 8-pin connector
- T12f 12-pin connector, in the rear center console
- T12i 12-pin connector
- T12l 12-pin connector
- * Only for vehicles without satellite radio
- *2 Data bus wire (CAN bus)



Protected by copyright. Copying for private or commercial purposes, in part or in whole, is not permitted unless authorised by AUDI AG. AUDI AG does not guarantee or accept any liability with respect to the correctness of information in this document. Copyright by AUDI AG.

127 128 129 130 131 132 133 134 135 136 137 138 139 140

[420-04R110411]

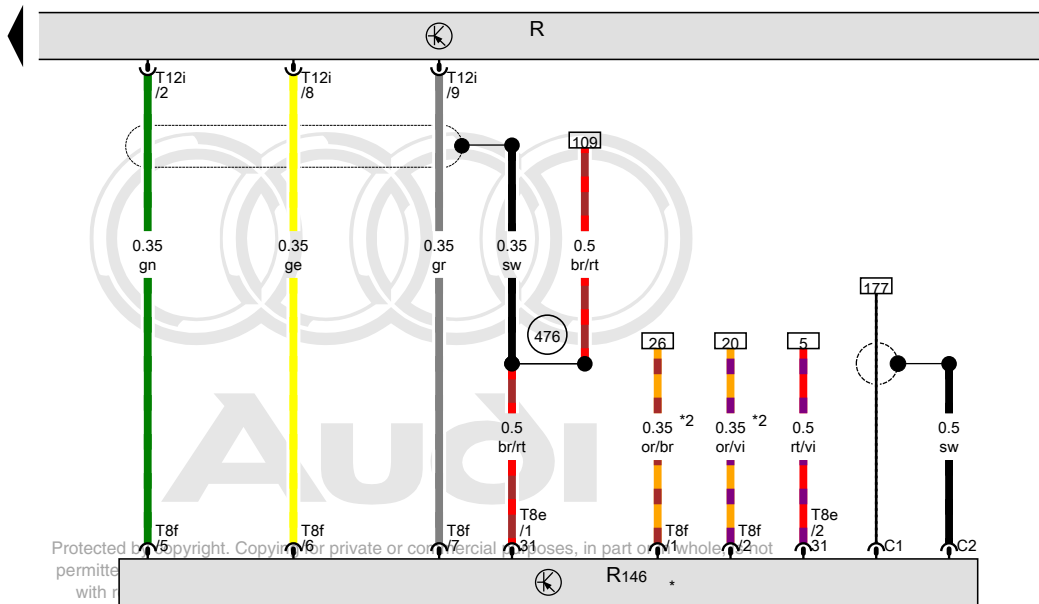
Radio, Satellite radio

- R Radio
- R146 Satellite radio
- T8e 8-pin connector
- T8f 8-pin connector
- T12i 12-pin connector

476 Ground connection (in audio wiring harness)

* Only for vehicles without a CD changer or bracket for iPod/USB connection

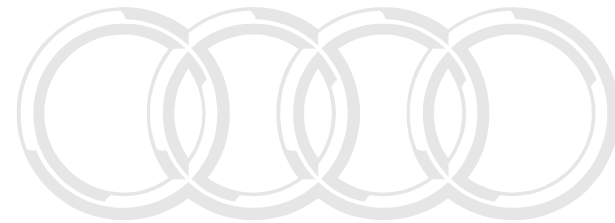
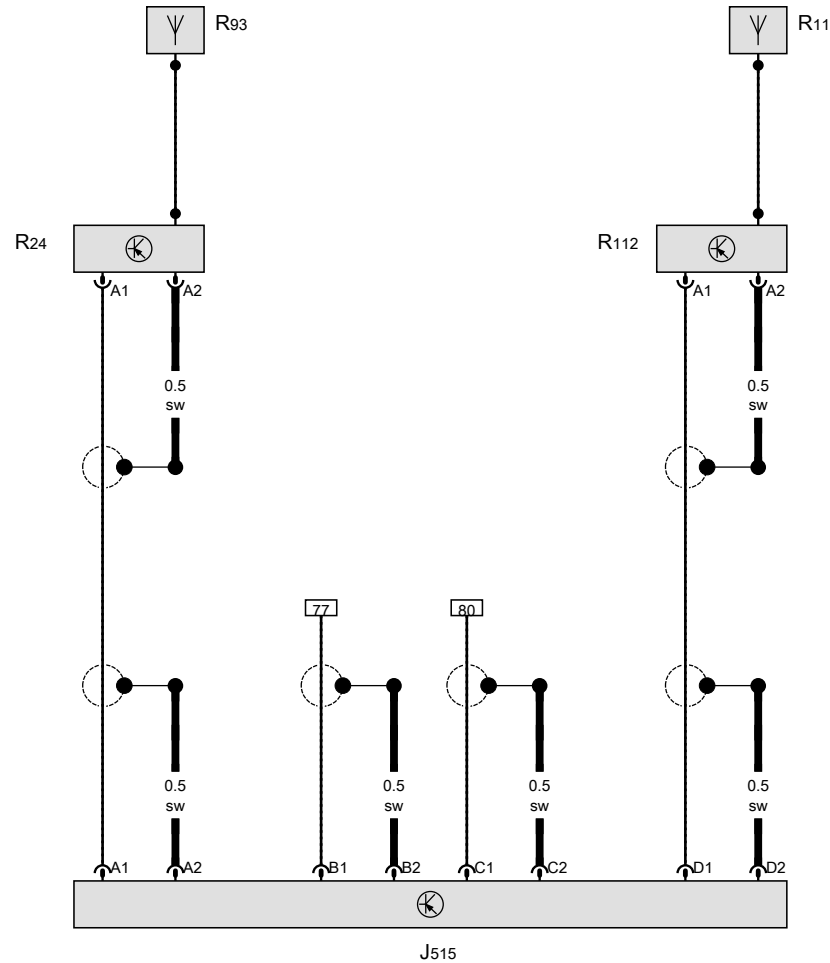
*2 Data bus wire (CAN bus)



- ws = white
- sw = black
- ro = red
- rt = red
- br = brown
- gn = green
- bl = blue
- gr = grey
- li = lilac
- vi = lilac
- ge = yellow
- or = orange
- rs = pink

Antenna selection control module, Antenna, Antenna amplifier, Radio antenna 2, Antenna amplifier 3

- J515 Antenna selection control module
- R11 Antenna
- R24 Antenna amplifier
- R93 Radio antenna 2
- R112 Antenna amplifier 3



Audi

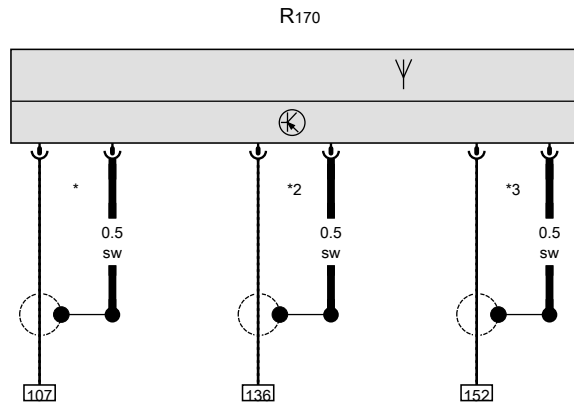
- ws = white
- sw = black
- ro = red
- rt = red
- br = brown
- gn = green
- bl = blue
- gr = grey
- li = lilac
- vi = lilac
- ge = yellow
- or = orange
- rs = pink

Protected by copyright. Copying for private or commercial purposes, in part or in whole, is not permitted unless authorised by AUDI AG. AUDI AG does not guarantee or accept any liability with respect to the correctness of information in this document. Copyright by AUDI AG.



Satellite antenna

- R170 Satellite antenna, in the rear lid
- * Only for vehicles with CD changer
- *2 Only for vehicles with iPod bracket
- *3 Only for vehicles without a CD changer or bracket for iPod/USB connection



Audi

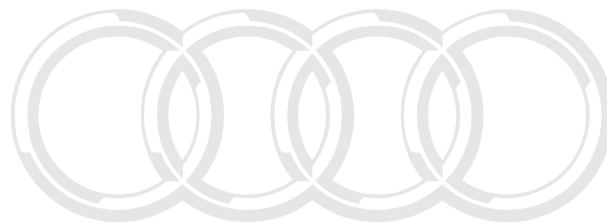
Protected by copyright. Copying for private or commercial purposes, in part or in whole, is not permitted unless authorised by AUDI AG. AUDI AG does not guarantee or accept any liability with respect to the correctness of information in this document. Copyright by AUDI AG.



- ws = white
- sw = black
- ro = red
- rt = red
- br = brown
- gn = green
- bl = blue
- gr = grey
- li = lilac
- vi = lilac
- ge = yellow
- or = orange
- rs = pink

Radio with Standard Sound System with satellite radio

From June 2009



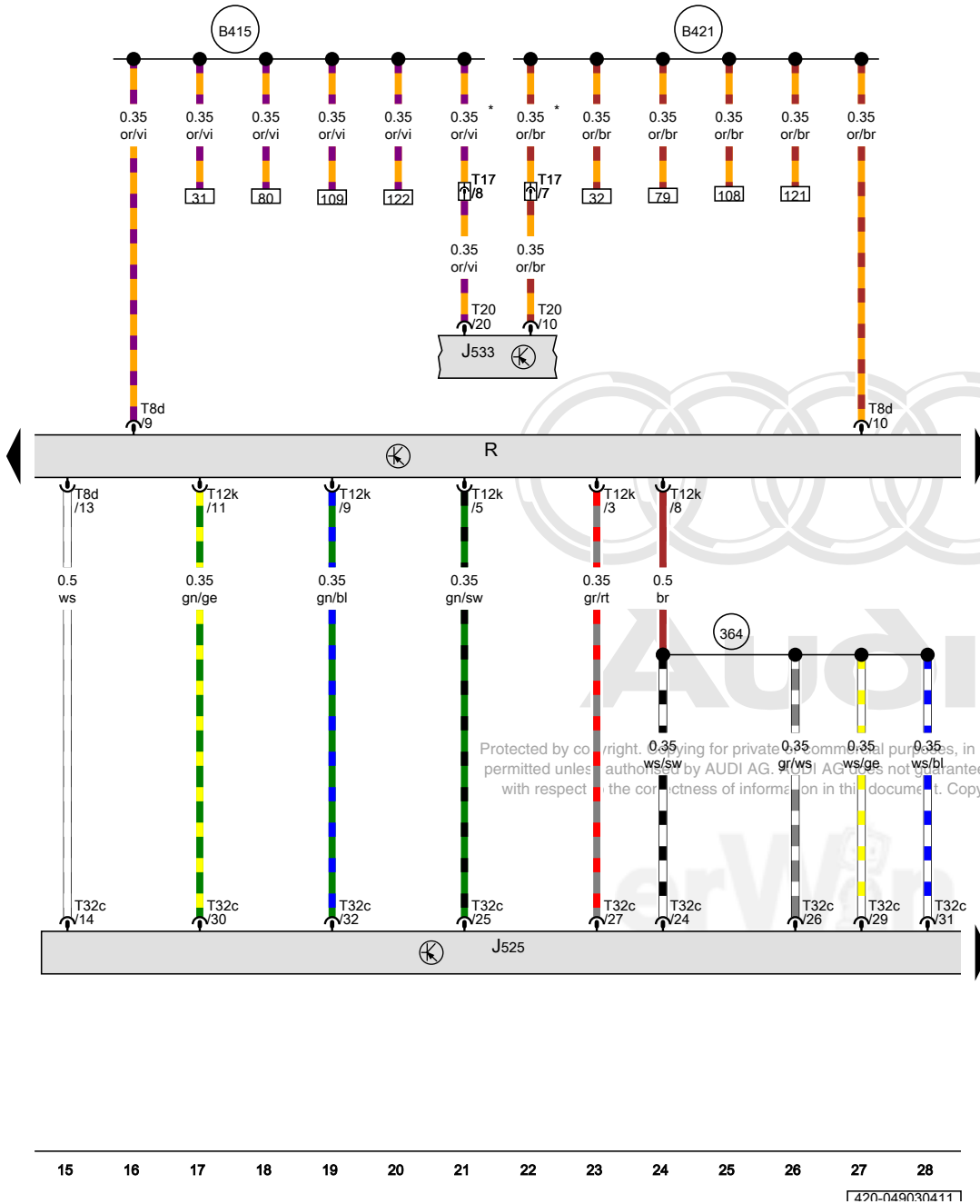
Audi

Protected by copyright. Copying for private or commercial purposes, in part or in whole, is not permitted unless authorised by AUDI AG. AUDI AG does not guarantee or accept any liability with respect to the correctness of information in this document. Copyright by AUDI AG.



Digital sound system control module, Data bus on board diagnostic interface, Radio

- J525 Digital sound system control module
- J533 Data bus on board diagnostic interface
- R Radio
- T8d 8-pin connector
- T12k 12-pin connector
- T17 17-pin connector, Inside the center console connector station on the right side
- T20 20-pin connector
- T32c 32-pin connector
- 364 Low frequency ground connection 1 (in instrument panel wiring harness)
- B415 Infotainment CAN Bus high connection 1 (in main wiring harness)
- B421 Infotainment CAN bus low connection 1 (in main wiring harness)
- * Data bus wire (CAN bus)



Protected by copyright. Copying for private or commercial purposes, in part or in whole, is not permitted unless authorized by AUDI AG. AUDI AG does not guarantee or accept any liability with respect to the correctness of information in this document. Copyright by AUDI AG.

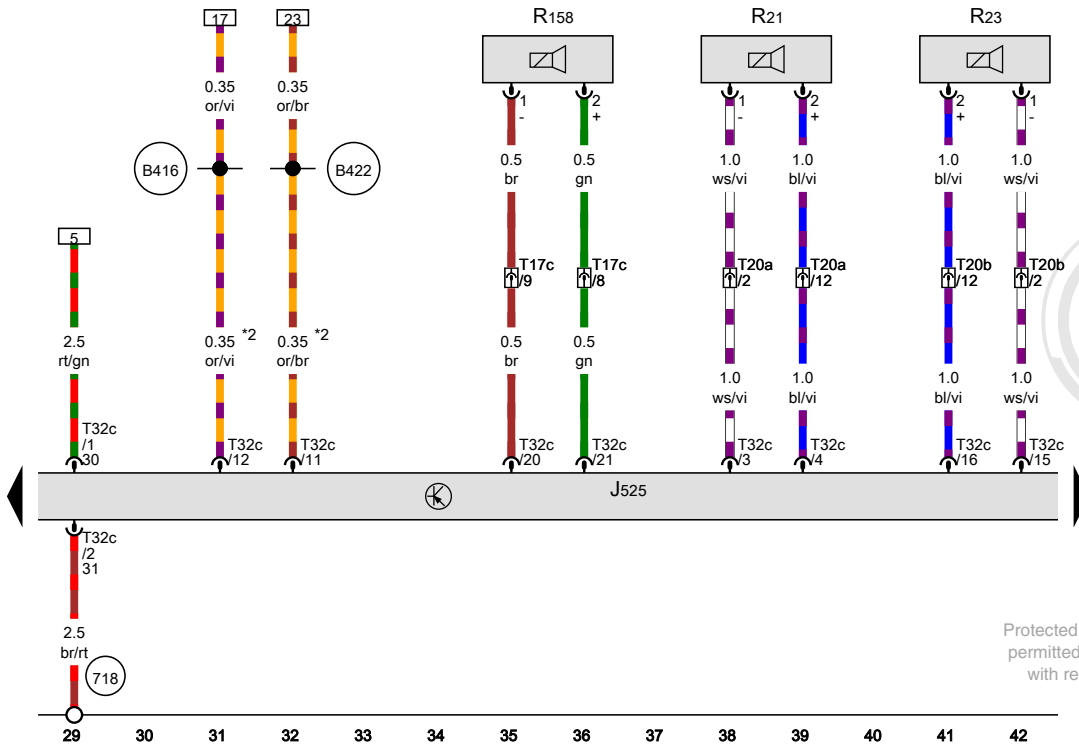
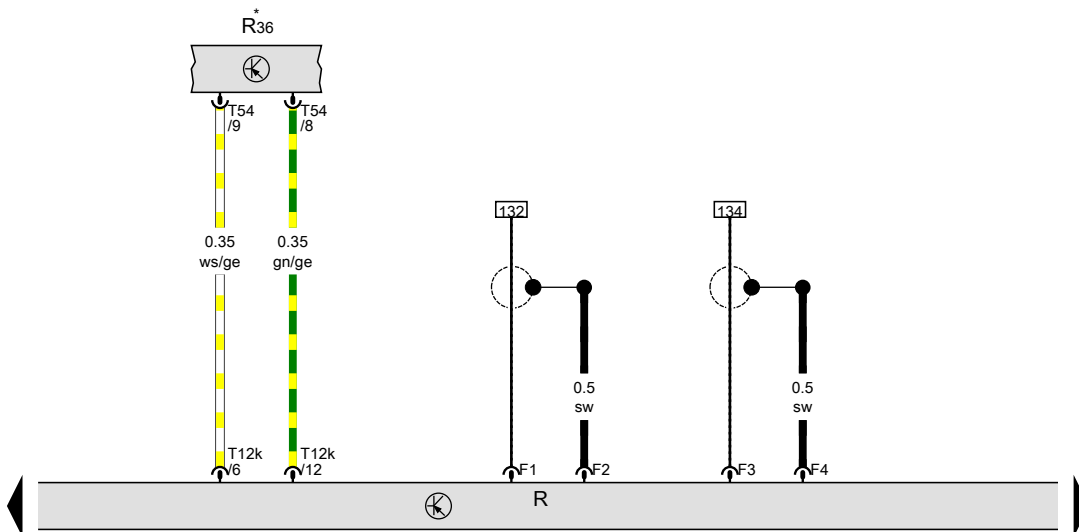
- ws = white
- sw = black
- ro = red
- rt = red
- br = brown
- gn = green
- bl = blue
- gr = grey
- li = lilac
- vi = lilac
- ge = yellow
- or = orange
- rs = pink

1420-049030411

Digital sound system control module, Radio, Left front bass speaker, Right front bass speaker, Center mid-treble speaker

- J525 Digital sound system control module
- R Radio
- R21 Left front bass speaker
- R23 Right front bass speaker
- R36 Telephone transceiver
- R158 Center mid-treble speaker
- T12k 12-pin connector
- T17c 17-pin connector, Inside the center console connector station on the right side
- T20a 20-pin connector, in the left front door
- T20b 20-pin connector, in the right front door
- T32c 32-pin connector
- T54 54-pin connector

- 718 Audio ground connection under rear shelf
- B416 Infotainment CAN Bus high connection 2 (in main wiring harness)
- B422 Infotainment CAN bus low connection 2 (in main wiring harness)
- * Only for vehicles with cell phone preparation
- *2 Data bus wire (CAN bus)



- ws = white
- sw = black
- ro = red
- rt = red
- br = brown
- gn = green
- bl = blue
- gr = grey
- li = lilac
- vi = lilac
- ge = yellow
- or = orange
- rs = pink

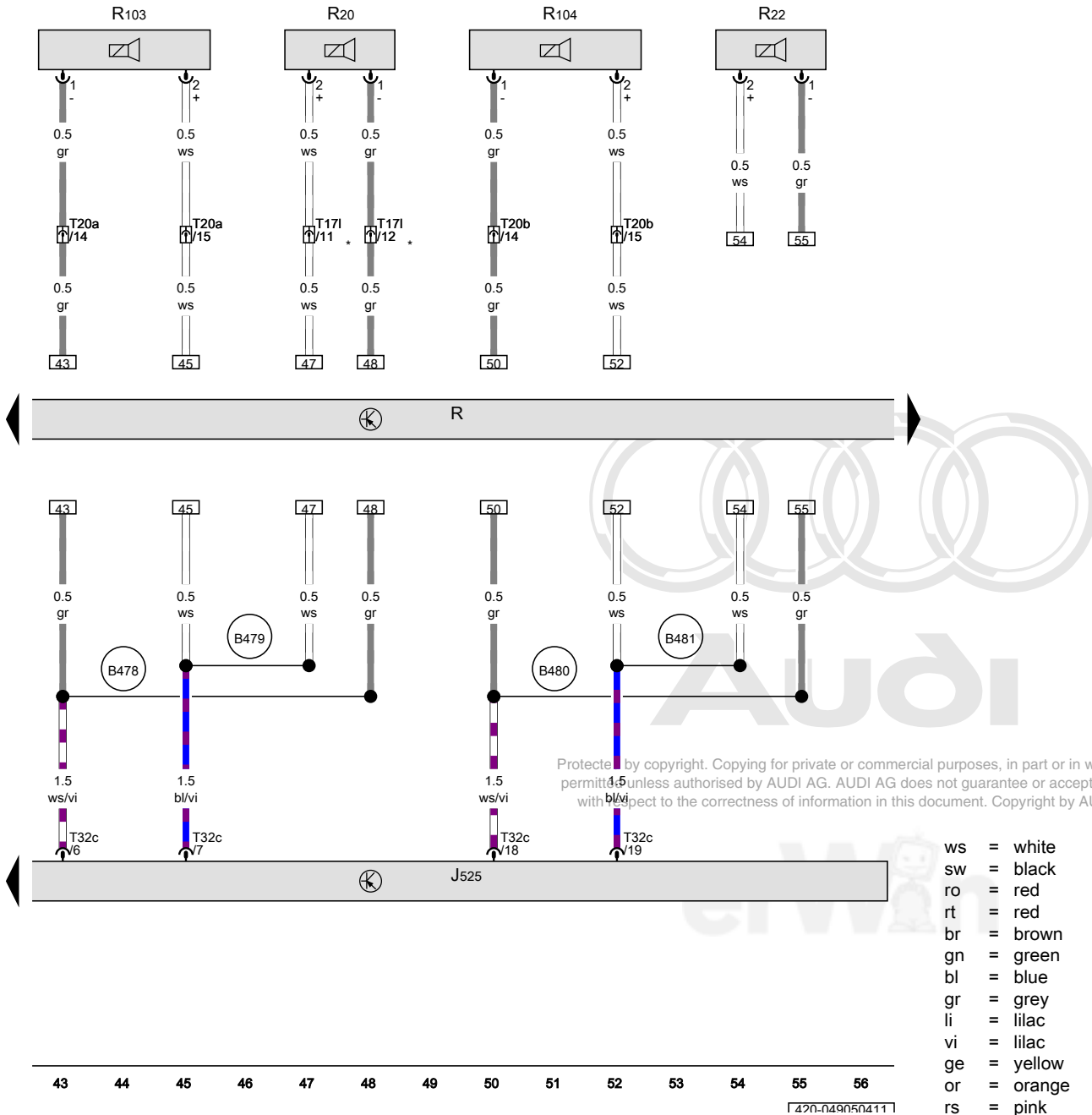
Protected by copyright. Copying for private or commercial purposes, in part or in whole, is not permitted unless authorized by AUDI AG. AUDI AG does not guarantee or accept any liability with respect to the correctness of information in this document. Copyright by AUDI AG.

1420-04900411

Digital sound system control module, Radio, Left front treble speaker, Right front treble speaker, Left front midrange speaker, Right front midrange speaker

- J525 Digital sound system control module
- R Radio
- R20 Left front treble speaker
- R22 Right front treble speaker
- R103 Left front midrange speaker
- R104 Right front midrange speaker
- T171 17-pin connector, on the left A-pillar
- T20a 20-pin connector, in the left front door
- T20b 20-pin connector, in the right front door
- T32c 32-pin connector

- (B478) Connection 14 (in main wiring harness)
- (B479) Connection 15 (in main wiring harness)
- (B480) Connection 16 (in main wiring harness)
- (B481) Connection 17 (in main wiring harness)
- * Depending on equipment



Protected by copyright. Copying for private or commercial purposes, in part or in whole, is not permitted unless authorised by AUDI AG. AUDI AG does not guarantee or accept any liability with respect to the correctness of information in this document. Copyright by AUDI AG.

- ws = white
- sw = black
- ro = red
- rt = red
- br = brown
- gn = green
- bl = blue
- gr = grey
- li = lilac
- vi = lilac
- ge = yellow
- or = orange
- rs = pink

43 44 45 46 47 48 49 50 51 52 53 54 55 56

1420-049050411

Radio, CD changer

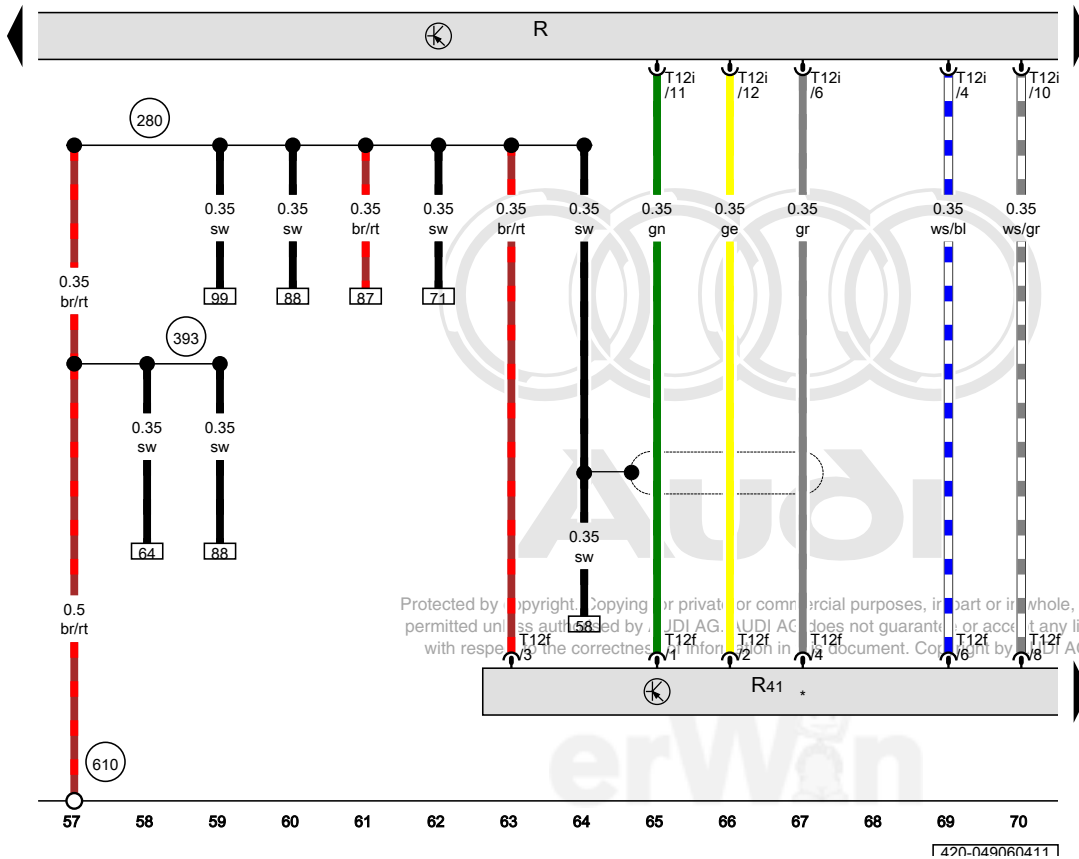
- R Radio
- R41 CD changer
- T12f 12-pin connector
- T12i 12-pin connector

280 Ground connection (in communication wiring harness)

393 Ground connection 28 (in main wiring harness)

610 Audio ground connection under front center console

* Only for vehicles with CD changer



- ws = white
- sw = black
- ro = red
- rt = red
- br = brown
- gn = green
- bl = blue
- gr = grey
- li = lilac
- vi = lilac
- ge = yellow
- or = orange
- rs = pink

Radio, CD changer, Satellite radio

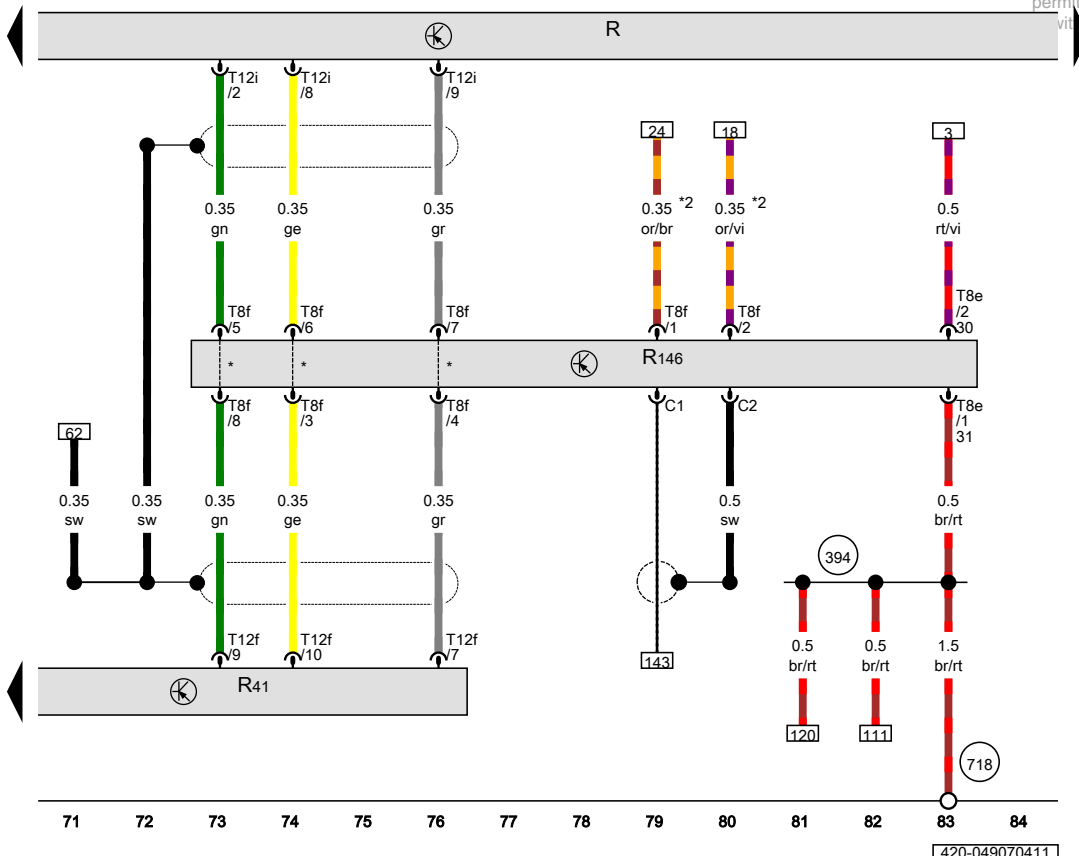
- R Radio
- R41 CD changer
- R146 Satellite radio
- T8e 8-pin connector
- T8f 8-pin connector
- T12f 12-pin connector
- T12i 12-pin connector

394 Ground connection 29 (in main wiring harness)

718 Audio ground connection under rear shelf

- * Only for vehicles without satellite radio
- *2 Data bus wire (CAN bus)

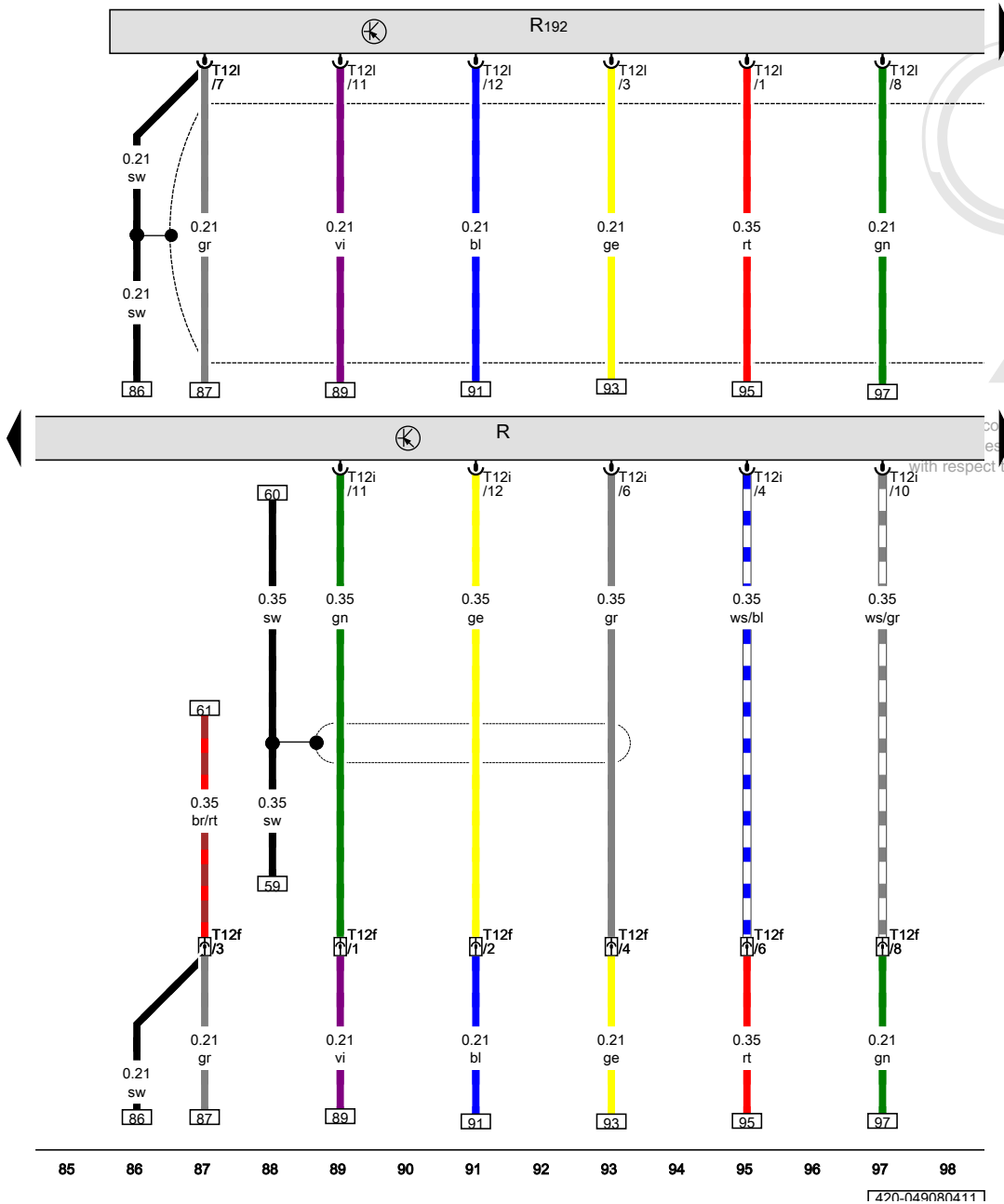
Protected by copyright. Copying for private or commercial purposes, in part or in whole, is not permitted unless authorised by AUDI AG. AUDI AG does not guarantee or accept any liability with respect to the correctness of information in this document. Copyright by AUDI AG.



- ws = white
- sw = black
- ro = red
- rt = red
- br = brown
- gn = green
- bl = blue
- gr = grey
- li = lilac
- vi = lilac
- ge = yellow
- or = orange
- rs = pink

Radio

- R Radio
- R192 iPod baseplate
- T12f 12-pin connector, in the rear center console
- T12i 12-pin connector
- T12l 12-pin connector
- * Only for vehicles with iPod bracket



Copyright. Copying for private or commercial purposes, in part or in whole, is not authorized by AUDI AG. AUDI AG does not guarantee or accept any liability with respect to the correctness of information in this document. Copyright by AUDI AG.

- ws = white
- sw = black
- ro = red
- rt = red
- br = brown
- gn = green
- bl = blue
- gr = grey
- li = lilac
- vi = lilac
- ge = yellow
- or = orange
- rs = pink

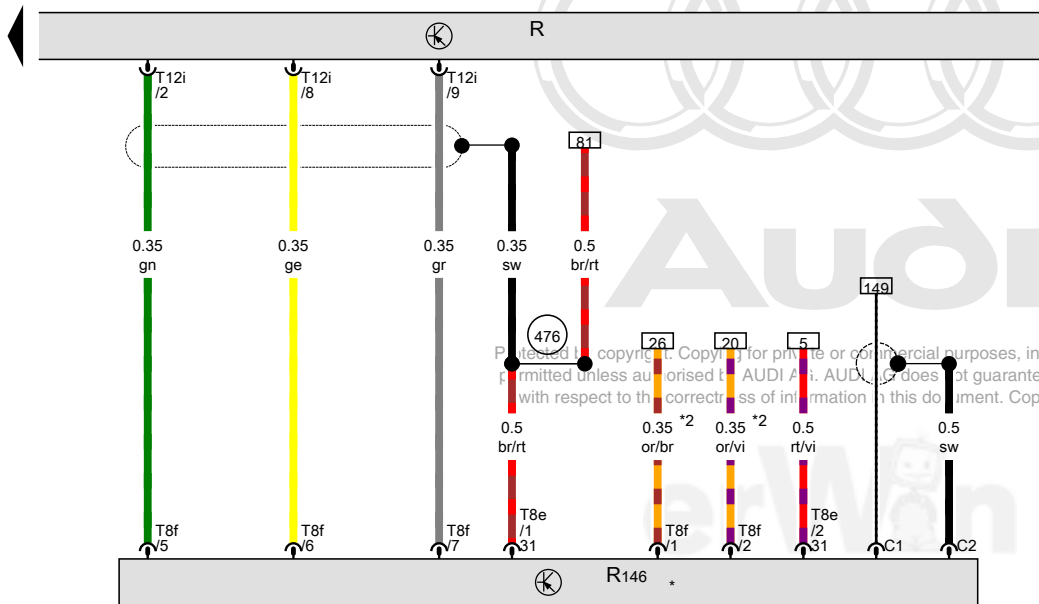
Radio, Satellite radio

- R Radio
- R146 Satellite radio
- T8e 8-pin connector
- T8f 8-pin connector
- T12i 12-pin connector

476 Ground connection (in audio wiring harness)

* Only for vehicles without a CD changer or bracket for iPod/USB connection

*2 Data bus wire (CAN bus)



Published with copyright. Copying for private or commercial purposes, in part or in whole, is not permitted unless authorised by AUDI AG. AUDI AG does not guarantee or accept any liability with respect to the correctness of information in this document. Copyright by AUDI AG.

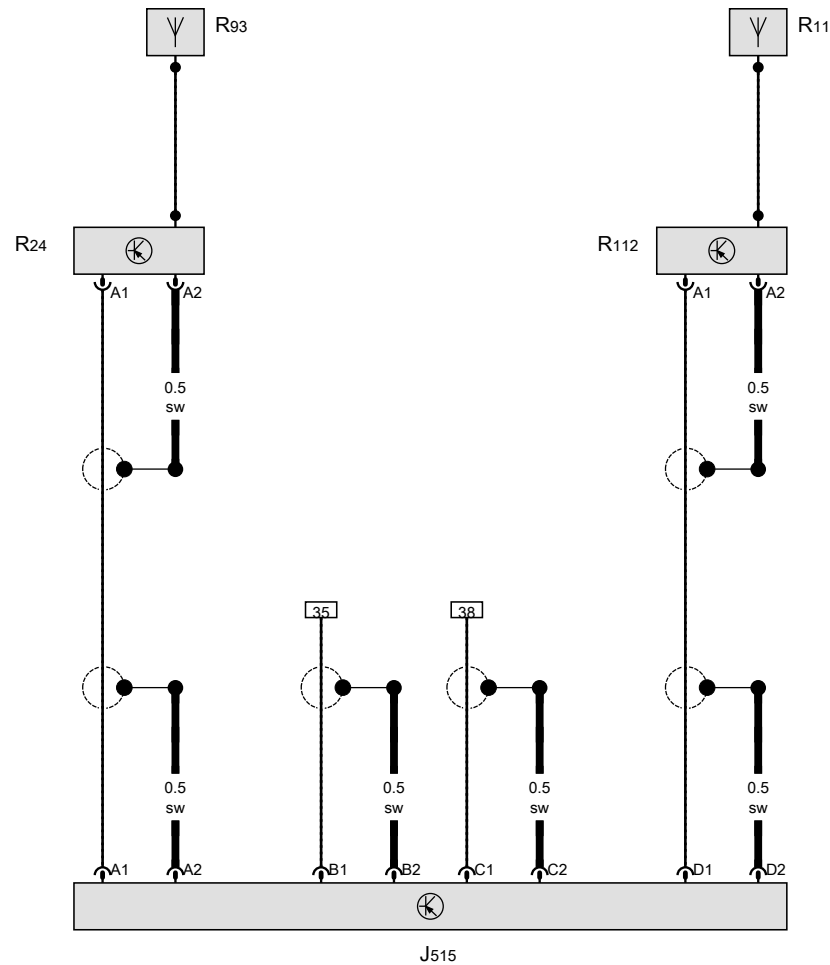
- ws = white
- sw = black
- ro = red
- rt = red
- br = brown
- gn = green
- bl = blue
- gr = grey
- li = lilac
- vi = lilac
- ge = yellow
- or = orange
- rs = pink

113 114 115 116 117 118 119 120 121 122 123 124 125 126

[420-049100411]

Antenna selection control module, Antenna, Antenna amplifier, Radio antenna 2, Antenna amplifier 3

- J515 Antenna selection control module
- R11 Antenna
- R24 Antenna amplifier
- R93 Radio antenna 2
- R112 Antenna amplifier 3



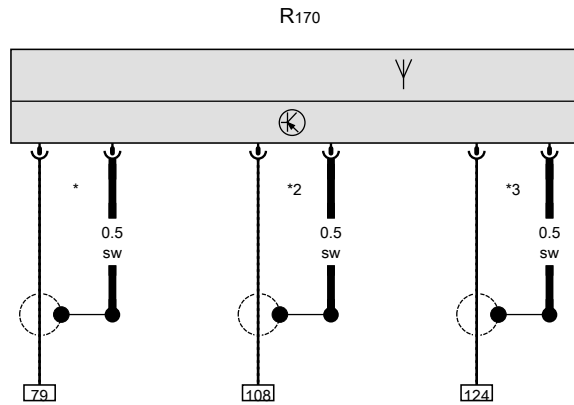
Protected by copyright. Copying for private or commercial purposes, in part or in whole, is not permitted unless authorised by AUDI AG. AUDI AG does not guarantee or accept any liability with respect to the correctness of information in this document. Copyright by AUDI AG.



- ws = white
- sw = black
- ro = red
- rt = red
- br = brown
- gn = green
- bl = blue
- gr = grey
- li = lilac
- vi = lilac
- ge = yellow
- or = orange
- rs = pink

Satellite antenna

- R170 Satellite antenna, in the rear lid
- * Only for vehicles with CD changer
- *2 Only for vehicles with iPod bracket
- *3 Only for vehicles without a CD changer or bracket for iPod/USB connection



Protected by copyright. Copying for private or commercial purposes, in part or in whole, is not permitted unless authorised by AUDI AG. AUDI AG does not guarantee or accept any liability with respect to the correctness of information in this document. Copyright by AUDI AG.



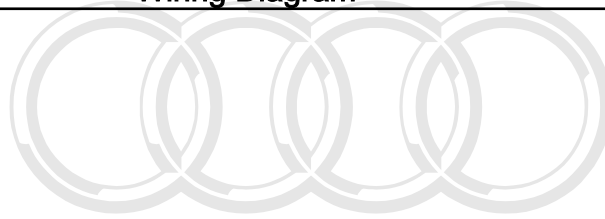
- ws = white
- sw = black
- ro = red
- rt = red
- br = brown
- gn = green
- bl = blue
- gr = grey
- li = lilac
- vi = lilac
- ge = yellow
- or = orange
- rs = pink

141 142 143 144 145 146 147 148 149 150 151 152 153 154

[420-049120411]



Convertible top
from September 2009



Audi

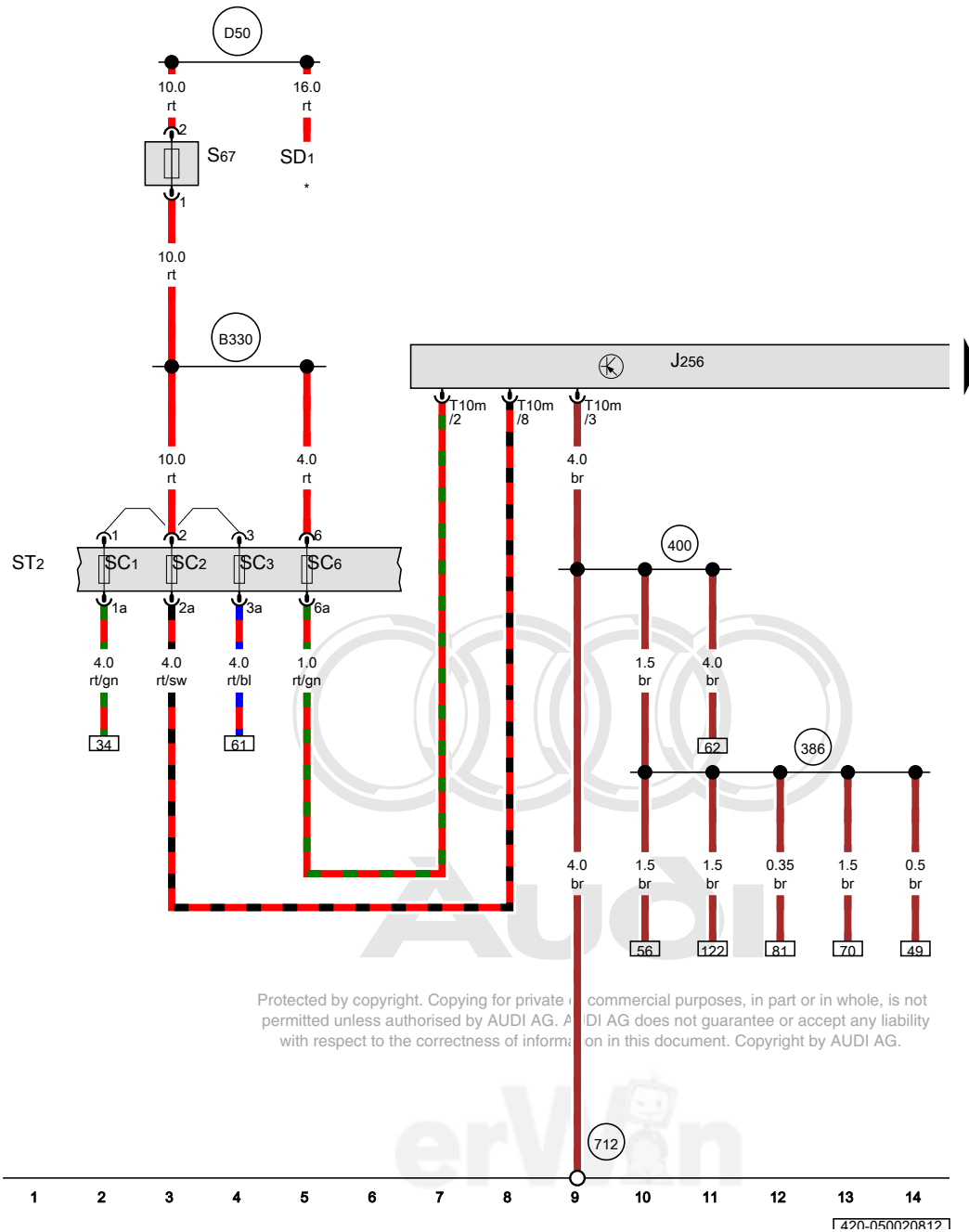
Protected by copyright. Copying for private or commercial purposes, in part or in whole, is not permitted unless authorised by AUDI AG. AUDI AG does not guarantee or accept any liability with respect to the correctness of information in this document. Copyright by AUDI AG.



Convertible top control module

- J256 Convertible top control module
- SD1 Fuse 1 (on fuse panel D)
- SC1 Fuse 1 (on fuse panel C)
- SC2 Fuse 2 (on fuse panel C)
- ST2 Fuse panel 2
- SC3 Fuse 3 (on fuse panel C)
- SC6 Fuse 6 (on fuse panel C)
- S67 Convertible top operation fuse
- T10m 10-pin connector

- 386 Ground connection 21 (in main wiring harness)
- 400 Ground connection 35 (in main wiring harness)
- 712 Ground connection under rear shelf, left
- B330 Positive connection 16 (30a) (in main wiring harness)
- D50 Positive connection (30) (in engine compartment wiring harness)
- * Main fuse box in the right front footwell

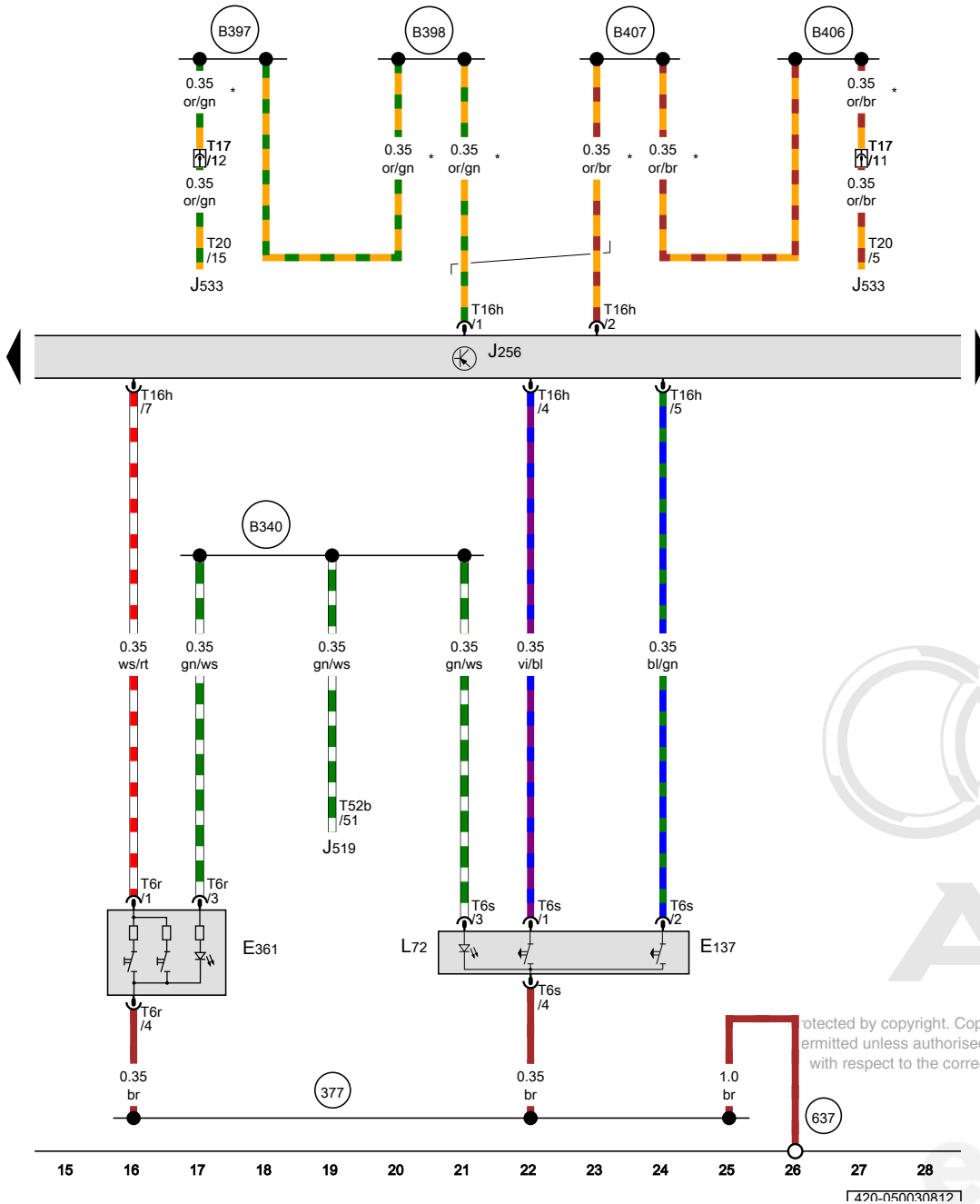


- ws = white
- sw = black
- ro = red
- rt = red
- br = brown
- gn = green
- bl = blue
- gr = grey
- li = lilac
- vi = lilac
- ge = yellow
- or = orange
- rs = pink

Power top operation switch, Rear window opening button, Convertible top control module

- E137 Power top operation switch
- E361 Rear window opening button
- J256 Convertible top control module
- J519 Vehicle electrical system control module
- J533 Data bus on board diagnostic interface
- L72 Convertible top switch illumination bulb
- T6r 6-pin connector
- T6s 6-pin connector
- T16h 16-pin connector
- T17 17-pin connector, behind the instrument panel, center
- T20 20-pin connector
- T52b 52-pin connector

- 377 Ground connection 12 (in main wiring harness)
- 637 Airbag control module ground connection
- B340 Connection 58d (in main wiring harness) 1
- B397 Comfort system CAN bus high connection 1 (in main wiring harness)
- B398 Comfort system CAN bus high connection 2 (in main wiring harness)
- B406 Comfort system CAN bus low connection 1 (in main wiring harness)
- B407 Comfort system CAN bus low connection 2 (in main wiring harness)
- * Data bus wire (CAN bus)



protected by copyright. Copying for private or commercial purposes, in part or in whole, is not permitted unless authorised by AUDI AG. AUDI AG does not guarantee or accept any liability with respect to the correctness of information in this document. Copyright by AUDI AG.

- ws = white
- sw = black
- ro = red
- rt = red
- br = brown
- gn = green
- bl = blue
- gr = grey
- li = lilac
- vi = lilac
- ge = yellow
- or = orange
- rs = pink

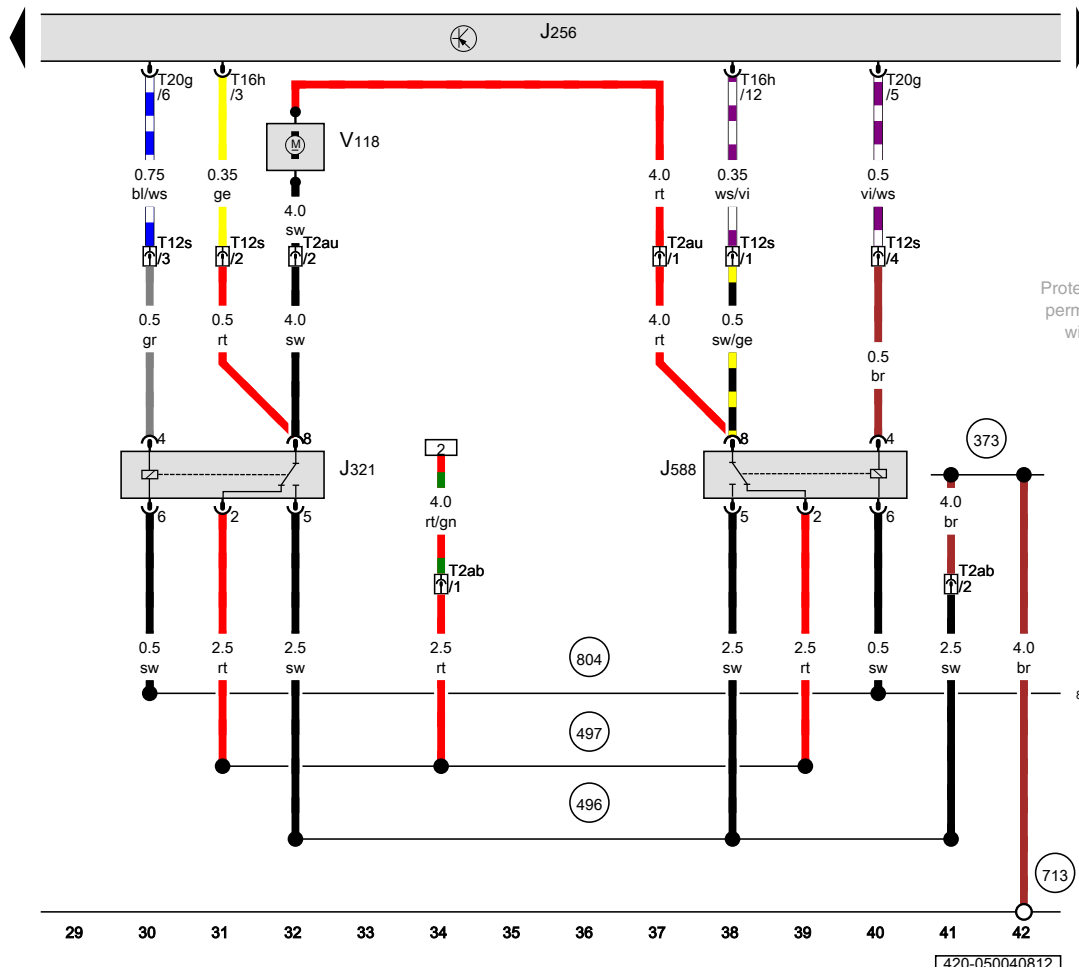
1420-050030R12

Convertible top control module, Convertible top hydraulic pump relay, Convertible top hydraulic pump relay 2, Convertible top hydraulic pump

- J256 Convertible top control module
- J321 Convertible top hydraulic pump relay
- J588 Convertible top hydraulic pump relay 2
- T2ab Double connector, near the convertible top hydraulic pump
- T2au Double connector, near the convertible top hydraulic pump
- T12s 12-pin connector, near the convertible top hydraulic pump
- T16h 16-pin connector
- T20g 20-pin connector
- V118 Convertible top hydraulic pump

- 373 Ground connection 8 (in main wiring harness)
- 496 Hydraulic motor connection 1 (in convertible top wiring harness)
- 497 Hydraulic motor connection 2 (in convertible top wiring harness)
- 713 Ground connection under rear shelf, right
- 804 Ground connection 3 (in convertible top wiring harness)

Protected by copyright. Copying for private or commercial purposes, in part or in whole, is not permitted unless authorised by AUDI AG. AUDI AG does not guarantee or accept any liability with respect to the correctness of information in this document. Copyright by AUDI AG.



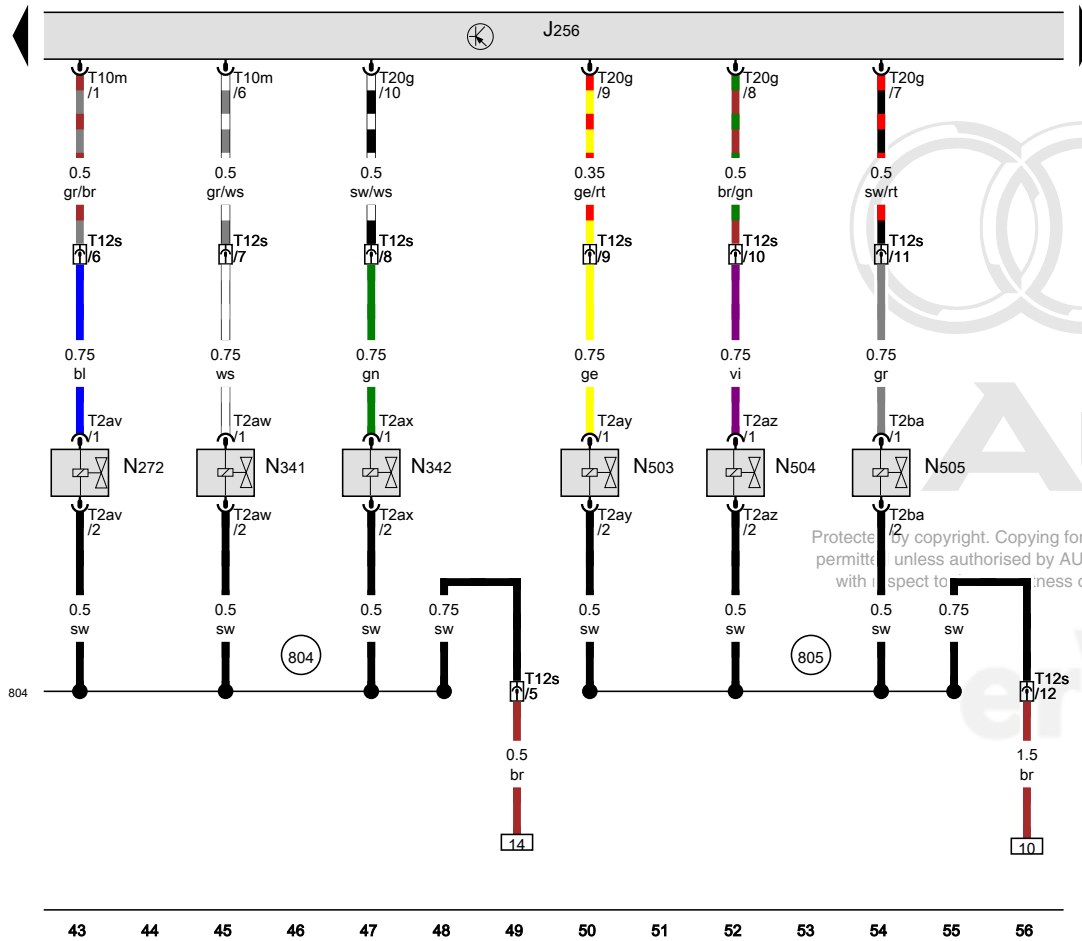
- ws = white
- sw = black
- ro = red
- rt = red
- br = brown
- gn = green
- bl = blue
- gr = grey
- li = lilac
- vi = lilac
- ge = yellow
- or = orange
- rs = pink

420-050040R17

Convertible top control module, Power convertible top valve 1

- J256 Convertible top control module
- N272 Power convertible top valve 1
- N341 Power convertible top valve 2
- N342 Power convertible top valve 3
- N503 Power convertible top valve 4
- N504 Power convertible top valve 5
- N505 Power convertible top valve 6
- T2av Double connector
- T2aw Double connector
- T2ax Double connector
- T2ay Double connector
- T2az Double connector
- T2ba Double connector
- T10m 10-pin connector
- T12s 12-pin connector, near the convertible top hydraulic pump
- T20g 20-pin connector

- 804 Ground connection 3 (in convertible top wiring harness)
- 805 Ground connection 4 (in convertible top wiring harness)

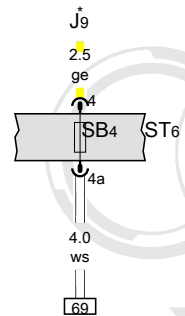


Protected by copyright. Copying for private or commercial purposes, in part or in whole, is not permitted unless authorised by AUDI AG. AUDI AG does not guarantee or accept any liability with respect to the correctness of information in this document. Copyright by AUDI AG.

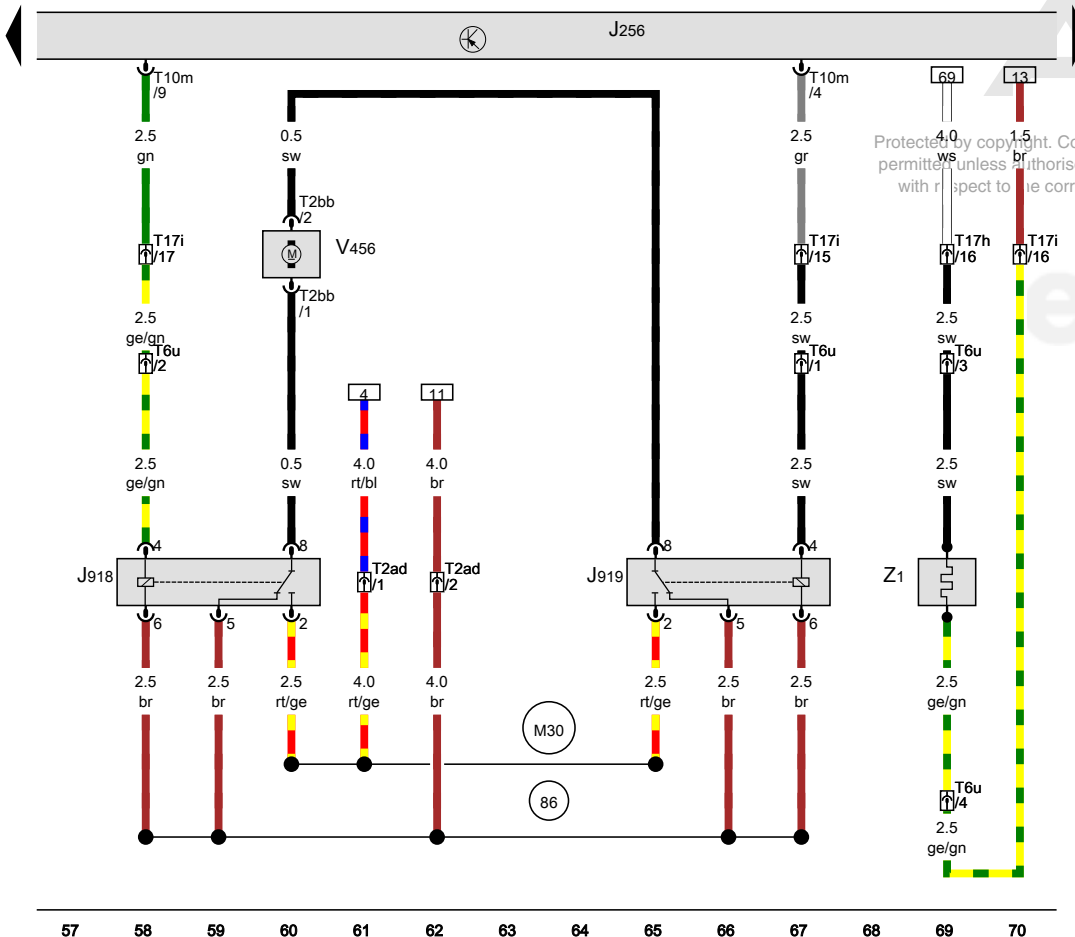
- ws = white
- sw = black
- ro = red
- rt = red
- br = brown
- gn = green
- bl = blue
- gr = grey
- li = lilac
- vi = lilac
- ge = yellow
- or = orange
- rs = pink

[420-050050R12]

Convertible top control module, Rear window motor relay 1, Rear window motor relay 2, Rear window motor, Rear window defogger



- J9 Rear window defogger relay
- J256 Convertible top control module
- J918 Rear window motor relay 1
- J919 Rear window motor relay 2
- SB4 Fuse 4 (on fuse panel B)
- ST6 Fuse panel 6
- T2ad Double connector, in the convertible top wiring harness
- T2bb Double connector
- T6u 6-pin connector, in the convertible top wiring harness
- T10m 10-pin connector
- T17h 17-pin connector, near the fuse panel
- T17i 17-pin connector, near the fuse panel
- V456 Rear window motor
- Z1 Rear window defogger



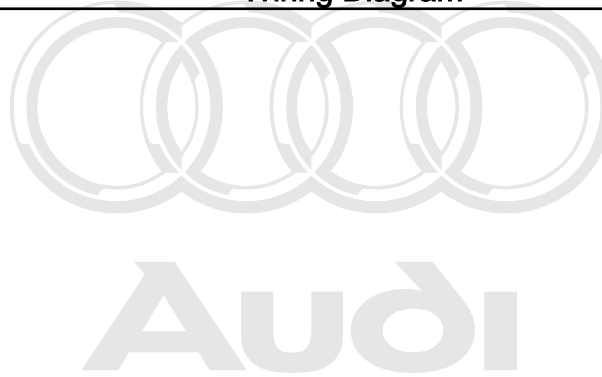
Protected by copyright. Copying for private or commercial purposes, in part or in whole, is not permitted unless authorised by AUDI AG. AUDI AG does not guarantee or accept any liability with respect to the correctness of information in this document. Copyright by AUDI AG.

- (86) Ground connection 1 (in rear wiring harness)
- (M30) Positive connection (30) (in convertible top wiring harness)
- * Refer to applicable standard equipment wiring diagram

- ws = white
- sw = black
- ro = red
- rt = red
- br = brown
- gn = green
- bl = blue
- gr = grey
- li = lilac
- vi = lilac
- ge = yellow
- or = orange
- rs = pink

57 58 59 60 61 62 63 64 65 66 67 68 69 70

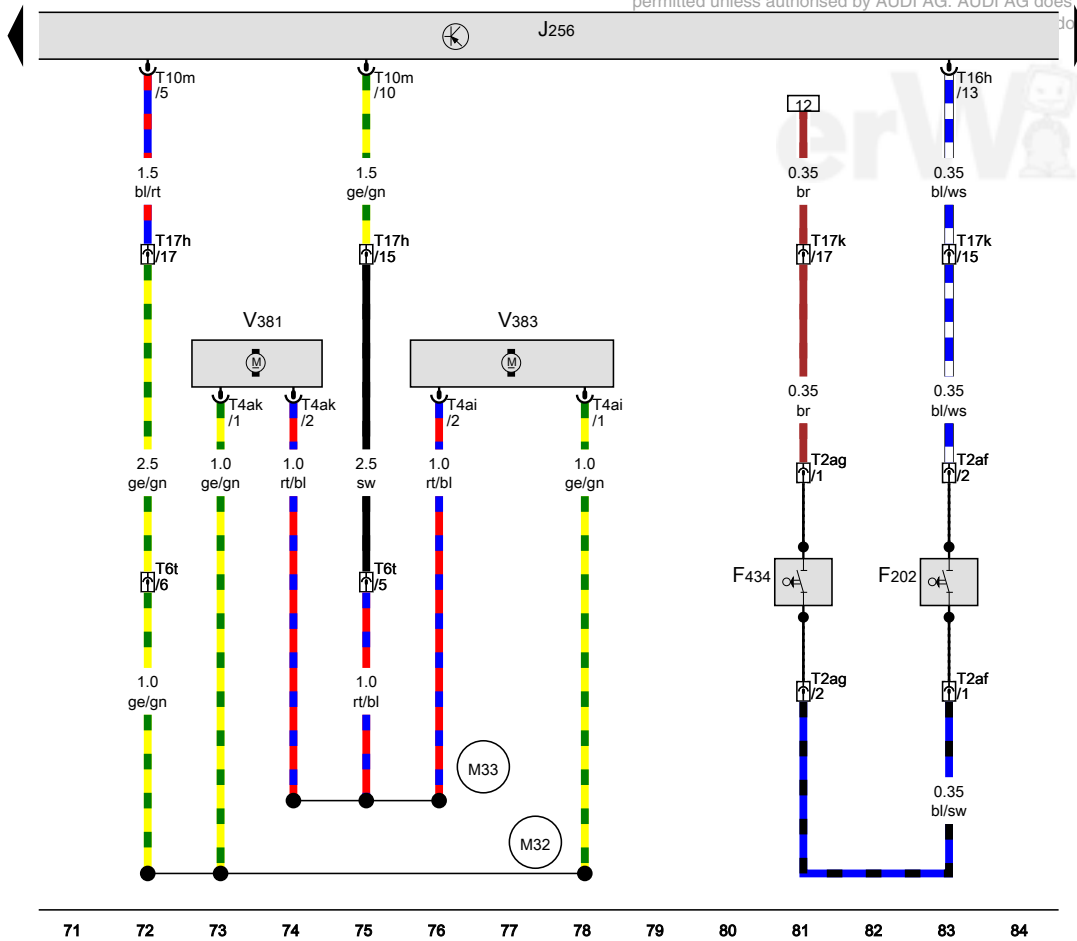
[420-050060R12]



Convertible top front closed position switch, Right front convertible top switch, Convertible top control module, Right convertible top flap motor, Left convertible top flap motor

- F202 Convertible top front closed position switch
- F434 Right front convertible top switch
- J256 Convertible top control module
- T2af Double connector
- T2ag Double connector
- T4ai 4-pin connector
- T4ak 4-pin connector
- T6t 6-pin connector, in the convertible top wiring harness
- T10m 10-pin connector
- T16h 16-pin connector
- T17h 17-pin connector, near the fuse panel
- T17k 17-pin connector, on the left A-pillar
- V381 Right convertible top flap motor
- V383 Left convertible top flap motor

Protected by copyright. Copying for private or commercial purposes, in part or in whole, is not permitted unless authorised by AUDI AG. AUDI AG does not guarantee or accept any liability for the content of this document. Copyright by AUDI AG.

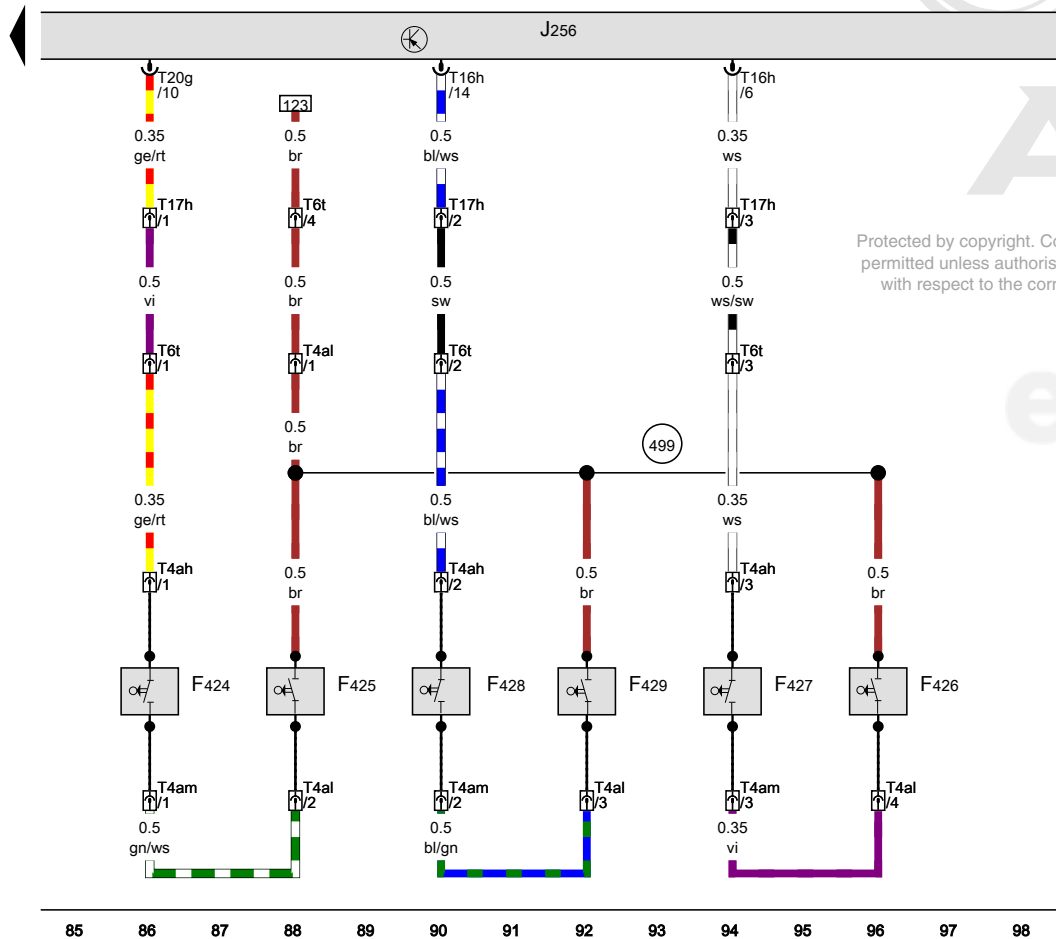


- ws = white
- sw = black
- ro = red
- rt = red
- br = brown
- gn = green
- bl = blue
- gr = grey
- li = lilac
- vi = lilac
- ge = yellow
- or = orange
- rs = pink

[420-050070812]

Left convertible top flap retracted position switch, Left convertible top flap extended position switch, Left convertible top compartment center position switch, Convertible top control module

- F424 Left convertible top flap retracted position switch
- F425 Right convertible top flap retracted position switch
- F426 Right convertible top flap extended position switch
- F427 Left convertible top flap extended position switch
- F428 Left convertible top compartment center position switch
- F429 Right convertible top compartment center position switch
- J256 Convertible top control module
- T4ah 4-pin connector
- T4al 4-pin connector
- T4am 4-pin connector
- T6t 6-pin connector, in the convertible top wiring harness
- T16h 16-pin connector
- T17h 17-pin connector, near the fuse panel
- T20g 20-pin connector
- 499 Sensor ground connection 2 (in convertible top wiring harness)



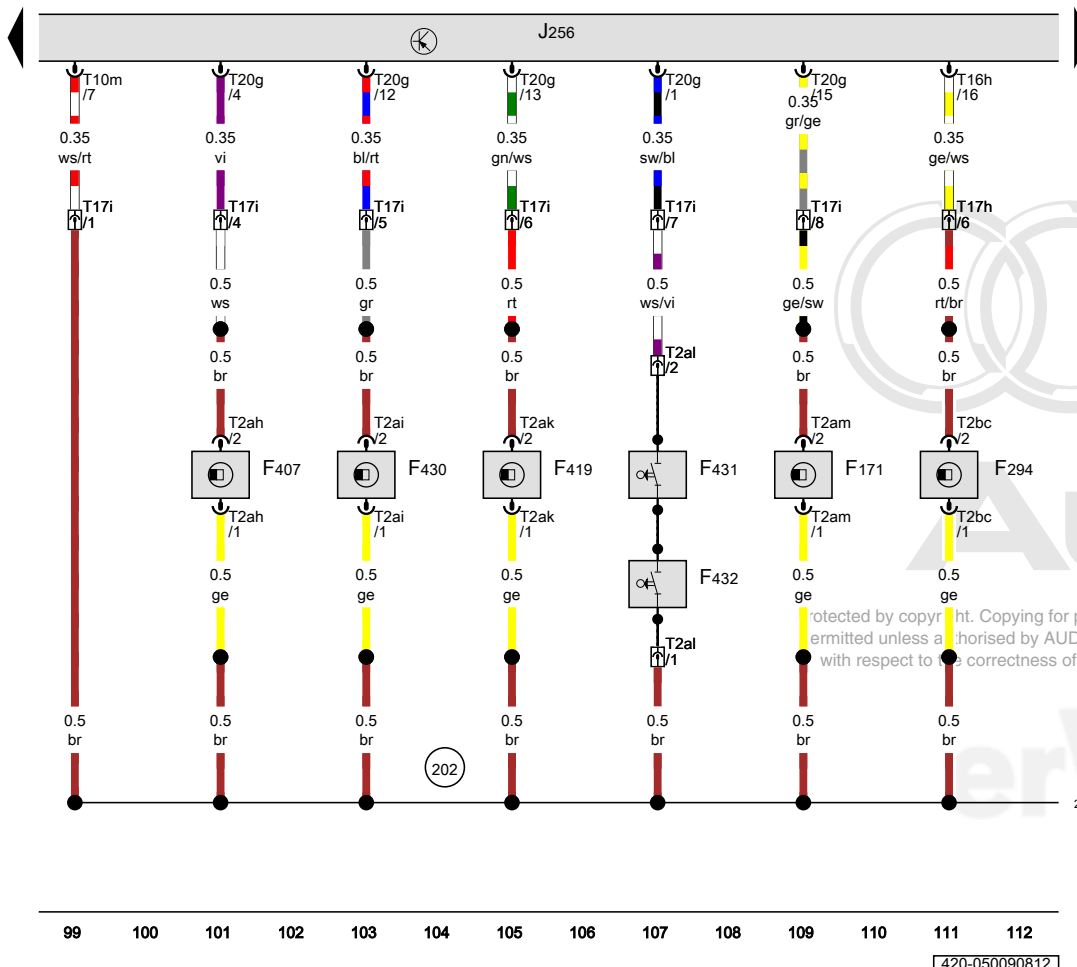
Protected by copyright. Copying for private or commercial purposes, in part or in whole, is not permitted unless authorised by AUDI AG. AUDI AG does not guarantee or accept any liability with respect to the correctness of information in this document. Copyright by AUDI AG.

- ws = white
- sw = black
- ro = red
- rt = red
- br = brown
- gn = green
- bl = blue
- gr = grey
- li = lilac
- vi = lilac
- ge = yellow
- or = orange
- rs = pink

420-050080812

Convertible top open position switch, Convertible top latch -open- switch, Convertible top compartment -open- switch, Left tensioning bow lowered position switch, Upper right tensioning bow switch, Convertible top control module

- F171 Convertible top open position switch
- F294 Convertible top latch -open- switch
- F407 Convertible top compartment -open- switch
- F419 Left tensioning bow lowered position switch
- F430 Lower convertible top compartment cover switch
- F431 Upper right tensioning bow switch
- F432 Upper left tensioning bow switch
- J256 Convertible top control module
- T2ah Double connector
- T2ai Double connector
- T2ak Double connector
- T2al Double connector
- T2am Double connector
- T2bc Double connector
- T10m 10-pin connector
- T16h 16-pin connector
- T17h 17-pin connector, near the fuse panel
- T17i 17-pin connector, near the fuse panel
- T20g 20-pin connector
- 202 Ground connection (in convertible top wiring harness)



- ws = white
- sw = black
- ro = red
- rt = red
- br = brown
- gn = green
- bl = blue
- gr = grey
- li = lilac
- vi = lilac
- ge = yellow
- or = orange
- rs = pink

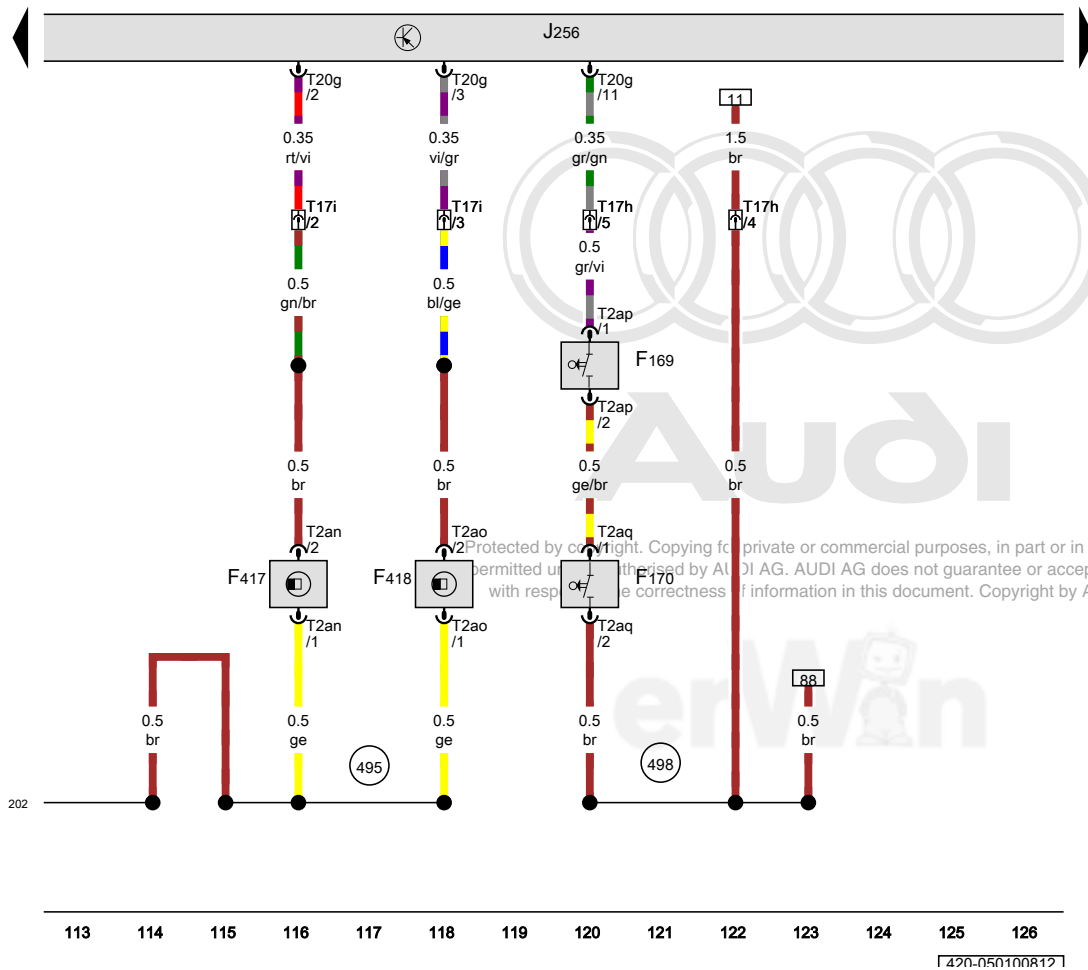
Protected by copyright. Copying for private or commercial purposes, in part or in whole, is not permitted unless authorized by AUDI AG. AUDI AG does not guarantee or accept any liability with respect to the correctness of information in this document. Copyright by AUDI AG.

420-050090R12

Convertible top left lock switch, Convertible top right lock switch, Left convertible top compartment -locked- switch, Convertible top control module

- F169 Convertible top left lock switch
- F170 Convertible top right lock switch
- F417 Left convertible top compartment -locked- switch
- F418 Left convertible top compartment -unlocked- switch
- J256 Convertible top control module
- T2an Double connector
- T2ao Double connector
- T2ap Double connector
- T2aq Double connector
- T17h 17-pin connector, near the fuse panel
- T17i 17-pin connector, near the fuse panel
- T20g 20-pin connector

- 202 Ground connection (in convertible top wiring harness)
- 495 Ground connection 2 (in convertible top wiring harness)
- 498 Sensor ground connection 1 (in convertible top wiring harness)

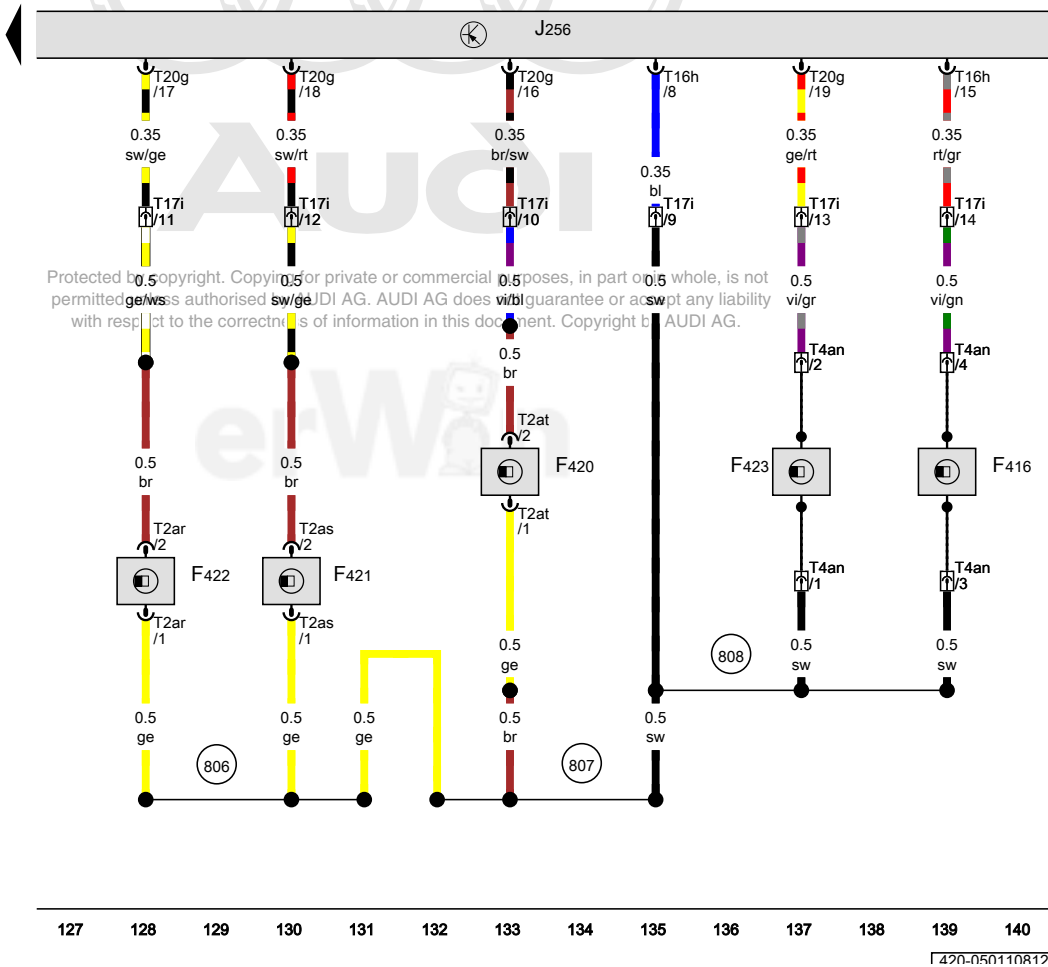


- ws = white
- sw = black
- ro = red
- rt = red
- br = brown
- gn = green
- bl = blue
- gr = grey
- li = lilac
- vi = lilac
- ge = yellow
- or = orange
- rs = pink

Lower rear window switch, Right tensioning bow lowered position switch, Right convertible top compartment -unlocked- switch, Convertible top control module

- F416 Lower rear window switch
- F420 Right tensioning bow lowered position switch
- F421 Right convertible top compartment -locked- switch
- F422 Right convertible top compartment -unlocked- switch
- F423 Center rear window switch
- J256 Convertible top control module
- T2ar Double connector
- T2as Double connector
- T2at Double connector
- T4an 4-pin connector
- T16h 16-pin connector
- T17i 17-pin connector, near the fuse panel
- T20g 20-pin connector

- 806 Sensor ground connection 3 (in convertible top wiring harness)
- 807 Sensor ground connection 4 (in convertible top wiring harness)
- 808 Sensor ground connection 5 (in convertible top wiring harness)



420-050110R12

Cell phone preparation

From September 2009



Audi

Protected by copyright. Copying for private or commercial purposes, in part or in whole, is not permitted unless authorised by AUDI AG. AUDI AG does not guarantee or accept any liability with respect to the correctness of information in this document. Copyright by AUDI AG.

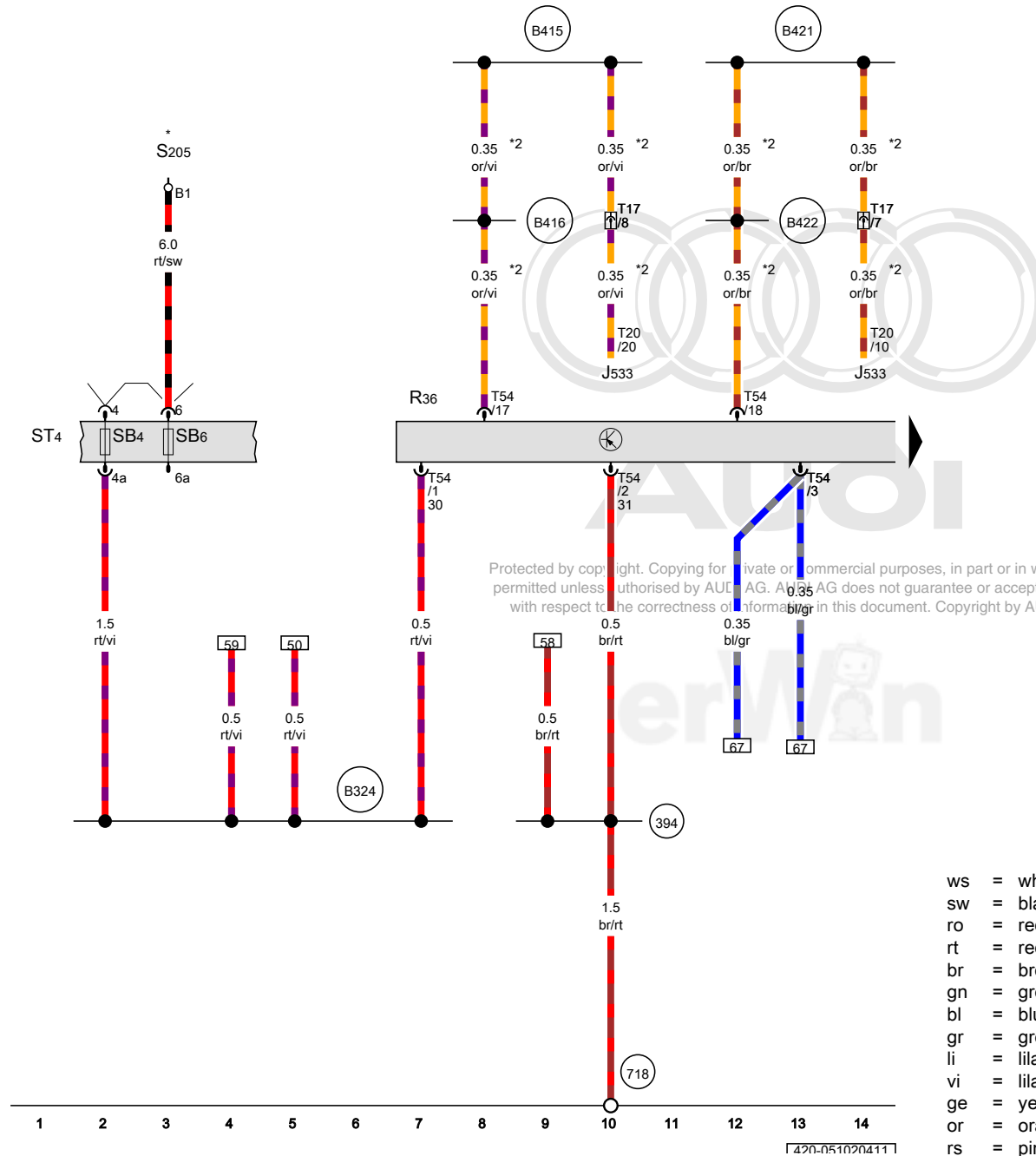


Telephone transceiver

- J533 Data bus on board diagnostic interface
- R36 Telephone transceiver
- ST4 Fuse panel 4
- SB4 Fuse 4 (on fuse panel B)
- SB6 Fuse 6 (on fuse panel B)
- S205 Fuse 2 (terminal 30)
- T17 17-pin connector, behind the instrument panel, center
- T20 20-pin connector
- T54 54-pin connector

- 394 Ground connection 29 (in main wiring harness)
- 718 Audio ground connection under rear shelf
- B324 Positive connection 10 (30a) (in main wiring harness)
- B415 Infotainment CAN Bus high connection 1 (in main wiring harness)
- B416 Infotainment CAN Bus high connection 2 (in main wiring harness)
- B421 Infotainment CAN bus low connection 1 (in main wiring harness)
- B422 Infotainment CAN bus low connection 2 (in main wiring harness)

- * Main distribution in the right front footwell
- *2 Infotainment CAN bus

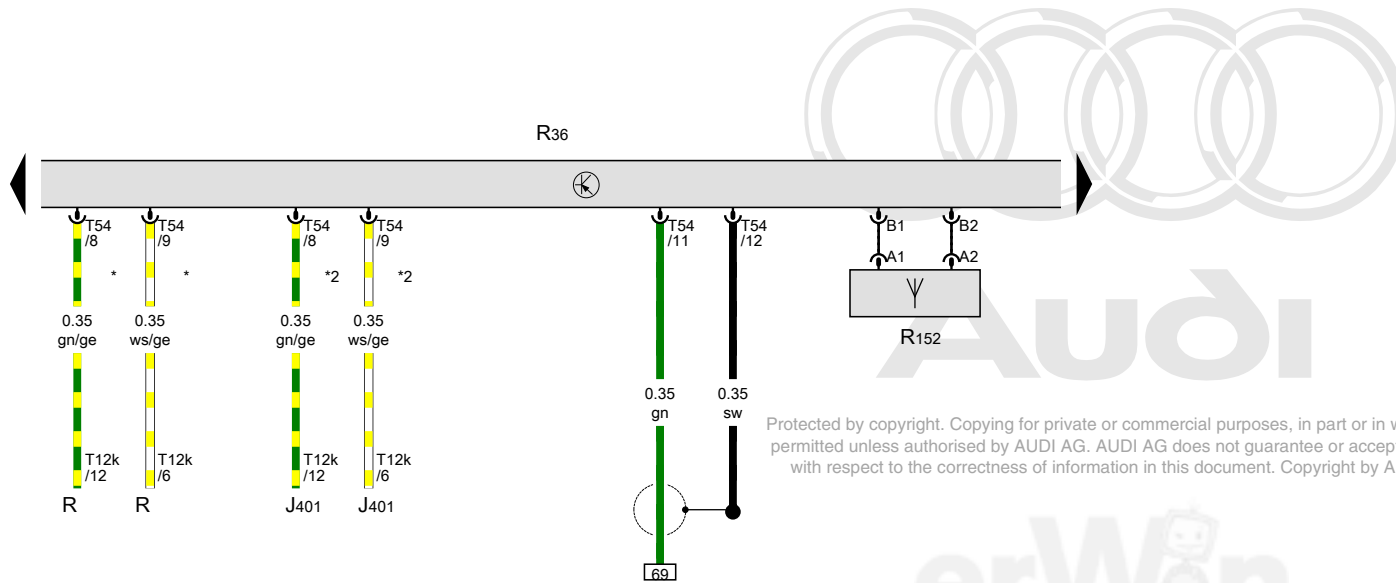


- ws = white
- sw = black
- ro = red
- rt = red
- br = brown
- gn = green
- bl = blue
- gr = grey
- li = lilac
- vi = lilac
- ge = yellow
- or = orange
- rs = pink

1420-051020411

Telephone transceiver, Bluetooth antenna

- J401 Navigation system with CD drive control module
- R Radio
- R36 Telephone transceiver
- R152 Bluetooth antenna
- T12k 12-pin connector
- T54 54-pin connector
- * Only for vehicles with a radio
- *2 Only for vehicles with radio navigation system



Protected by copyright. Copying for private or commercial purposes, in part or in whole, is not permitted unless authorised by AUDI AG. AUDI AG does not guarantee or accept any liability with respect to the correctness of information in this document. Copyright by AUDI AG.

- ws = white
- sw = black
- ro = red
- rt = red
- br = brown
- gn = green
- bl = blue
- gr = grey
- li = lilac
- vi = lilac
- ge = yellow
- or = orange
- rs = pink

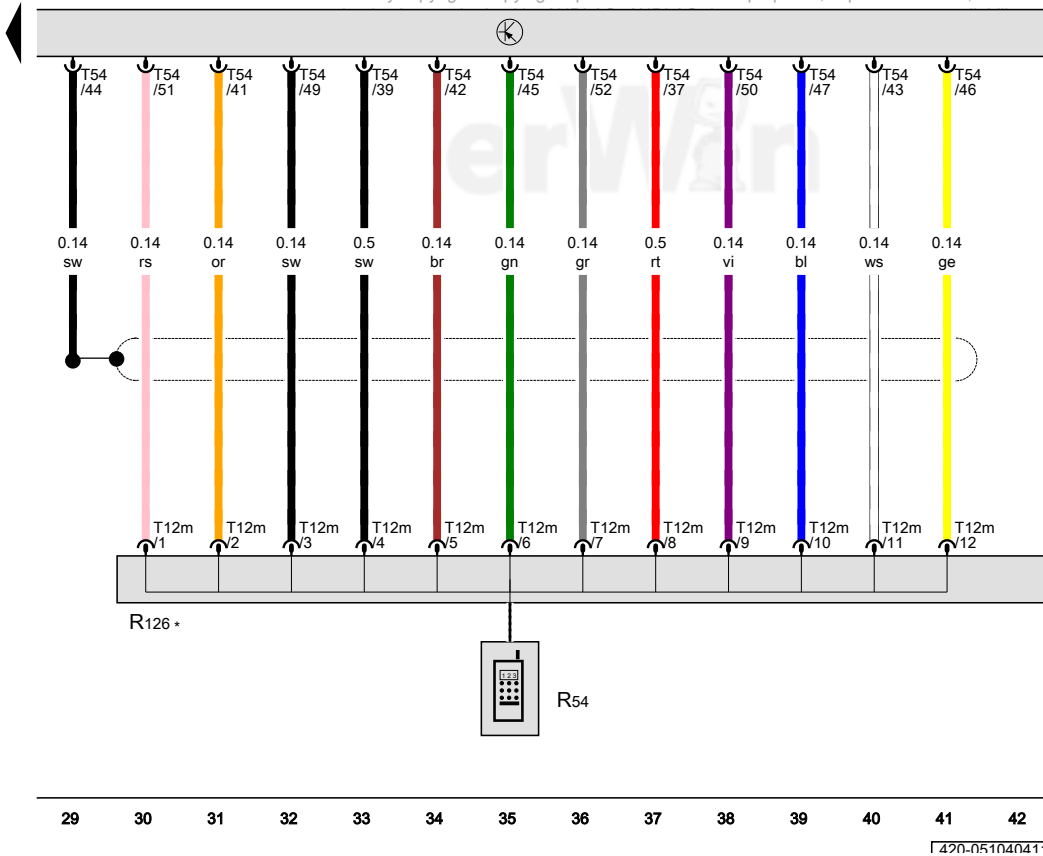


Audi

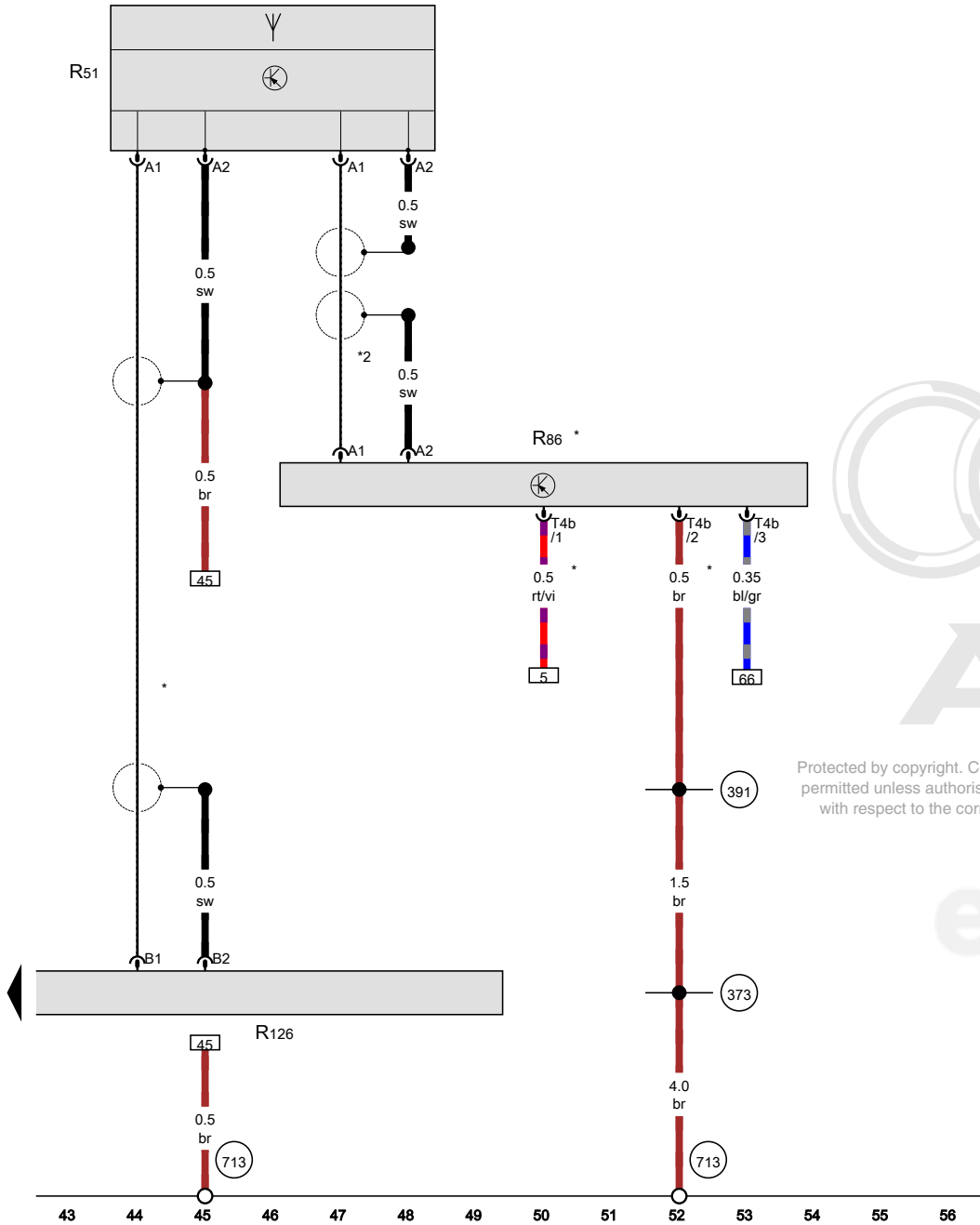
Telephone transceiver, Cellular telephone, Telephone baseplate

- R36 Telephone transceiver
- R54 Cellular telephone
- R126 Telephone baseplate
- T12m 12-pin connector
- T54 54-pin connector
- * Not for USA

Protected by copyright. Copying for private or commercial purposes, in part or in whole, is not



[420-051040411]



Radio/telephone antenna, Cellular telephone amplifier, Telephone baseplate

- R51 Radio/telephone antenna
- R86 Cellular telephone amplifier
- R126 Telephone baseplate
- T4b 4-pin connector

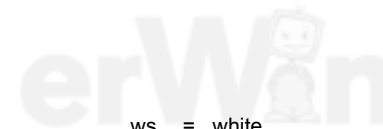
- 373 Ground connection 8 (in main wiring harness)
- 391 Ground connection 26 (in main wiring harness)
- 713 Ground connection under rear shelf, right

* Not for USA
*2 USA only



Audi

Protected by copyright. Copying for private or commercial purposes, in part or in whole, is not permitted unless authorised by AUDI AG. AUDI AG does not guarantee or accept any liability with respect to the correctness of information in this document. Copyright by AUDI AG.



- ws = white
- sw = black
- ro = red
- rt = red
- br = brown
- gn = green
- bl = blue
- gr = grey
- li = lilac
- vi = lilac
- ge = yellow
- or = orange
- rs = pink

[420-051050411]

Seat belt microphone control module, Microphone unit in front roof module

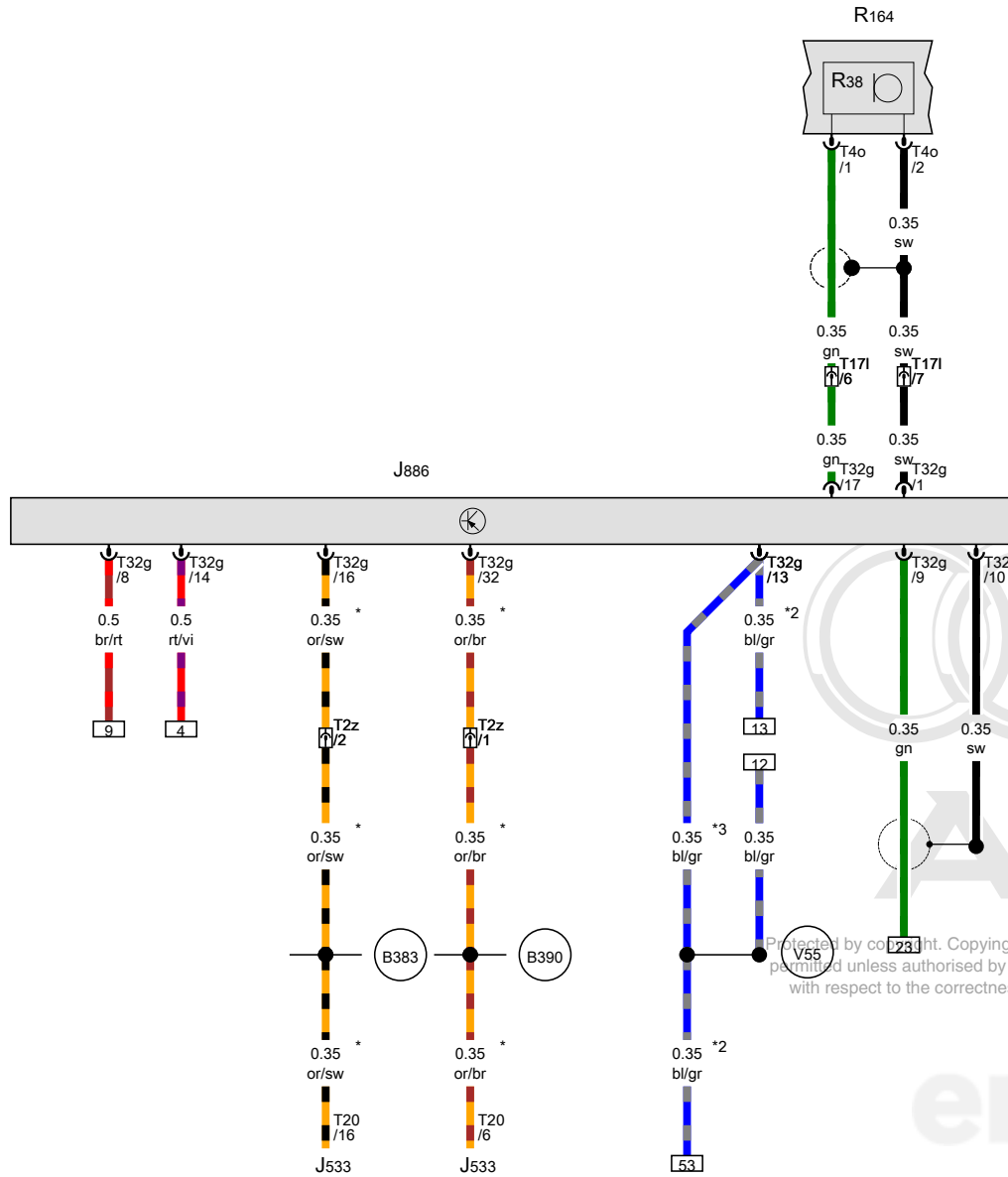
- J533 Data bus on board diagnostic interface
- J886 Seat belt microphone control module
- R38 Telephone microphone
- R164 Microphone unit in front roof module
- T2z Double connector
- T4o 4-pin connector
- T171 17-pin connector, on the left A-pillar
- T20 20-pin connector
- T32g 32-pin connector

(B383) Powertrain CAN bus high connection 1 (in main wiring harness)

(B390) Powertrain CAN bus low connection 1 (in main wiring harness)

(V55) Telephone connection 2 (in main wiring harness)

- * Powertrain CAN bus
- *2 Not for USA
- *3 USA only



Protected by copyright. Copying for private or commercial purposes, in part or in whole, is not permitted unless authorised by AUDI AG. AUDI AG does not guarantee or accept any liability with respect to the correctness of information in this document. Copyright by AUDI AG.

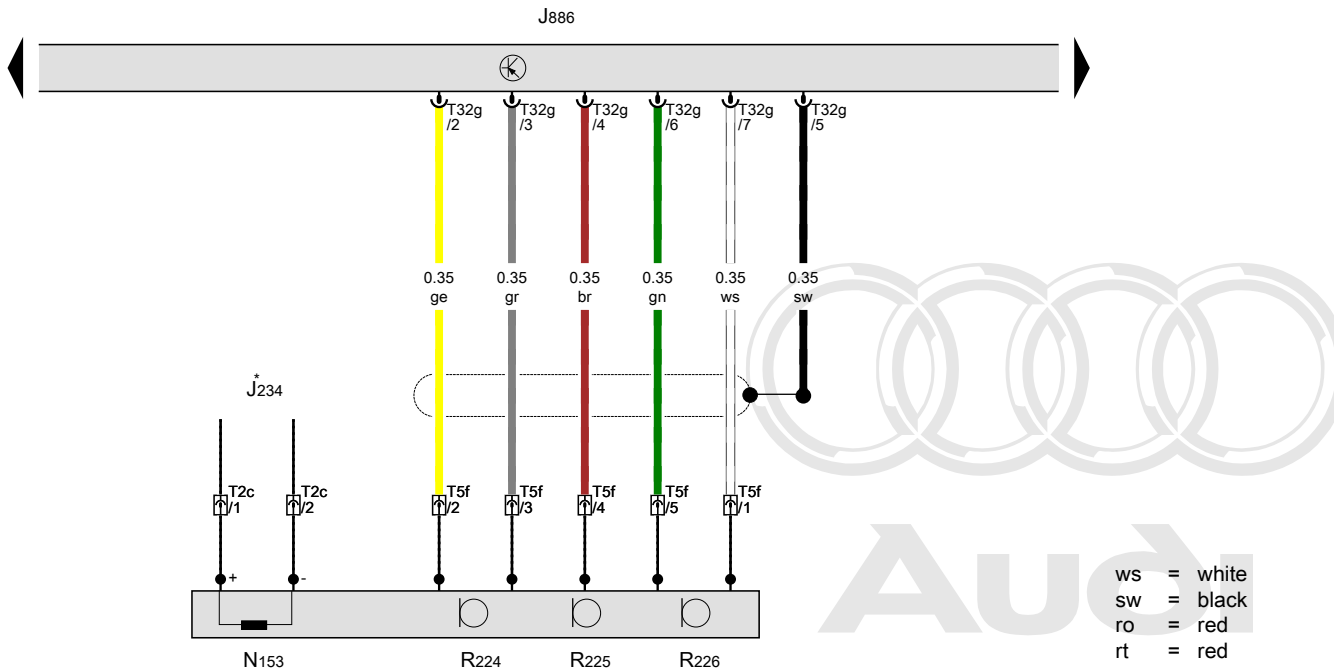
- ws = white
- sw = black
- ro = red
- rt = red
- br = brown
- gn = green
- bl = blue
- gr = grey
- li = lilac
- vi = lilac
- ge = yellow
- or = orange
- rs = pink

57 58 59 60 61 62 63 64 65 66 67 68 69 70

[420-051060411]

Seat belt microphone control module, Driver seat belt tensioner igniter 1, Driver microphone 1, Driver microphone 2, Driver microphone 3

- J234 Airbag control module
- J886 Seat belt microphone control module
- N153 Driver seat belt tensioner igniter 1
- R224 Driver microphone 1
- R225 Driver microphone 2
- R226 Driver microphone 3
- T2c Double connector
- T5f 5-pin connector
- T32g 32-pin connector
- * Refer to applicable airbag wiring diagram



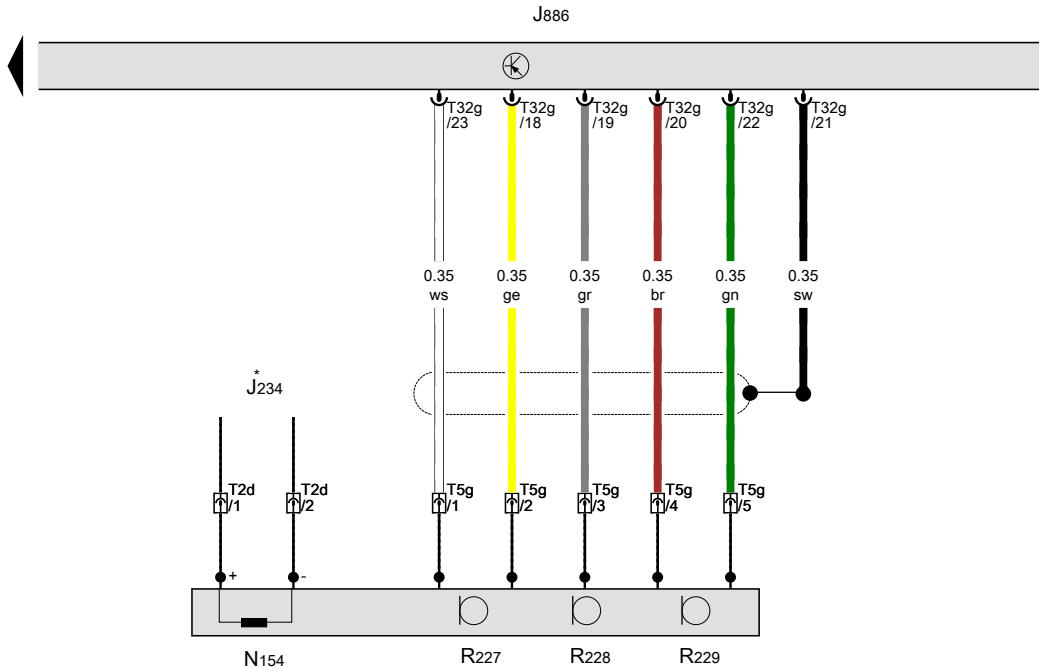
- ws = white
- sw = black
- ro = red
- rt = red
- br = brown
- gn = green
- bl = blue
- gr = grey
- li = lilac
- vi = lilac
- ge = yellow
- or = orange
- rs = pink

Protected by copyright. Copying for private or commercial purposes, in part or in whole, is not permitted unless authorised by AUDI AG. AUDI AG does not guarantee or accept any liability with respect to the correctness of information in this document. Copyright by AUDI AG.

Seat belt microphone control module, Front passenger seat belt tensioner igniter 1, Front passenger microphone 1, Front passenger microphone 2, Front passenger microphone 3

- J234 Airbag control module
- J886 Seat belt microphone control module
- N154 Front passenger seat belt tensioner igniter 1
- R227 Front passenger microphone 1
- R228 Front passenger microphone 2
- R229 Front passenger microphone 3
- T2d Double connector
- T5g 5-pin connector
- T32g 32-pin connector
- * Refer to applicable airbag wiring diagram

Protected by copyright. Copying for private or commercial purposes, in part or in whole, is not permitted unless authorised by AUDI AG. AUDI AG does not guarantee or accept any liability with respect to the correctness of information in this document. Copyright by AUDI AG.



- ws = white
- sw = black
- ro = red
- rt = red
- br = brown
- gn = green
- bl = blue
- gr = grey
- li = lilac
- vi = lilac
- ge = yellow
- or = orange
- rs = pink

4.2L gasoline engine , CNDA
from September 2010



Audi

Protected by copyright. Copying for private or commercial purposes, in part or in whole, is not permitted unless authorised by AUDI AG. AUDI AG does not guarantee or accept any liability with respect to the correctness of information in this document. Copyright by AUDI AG.

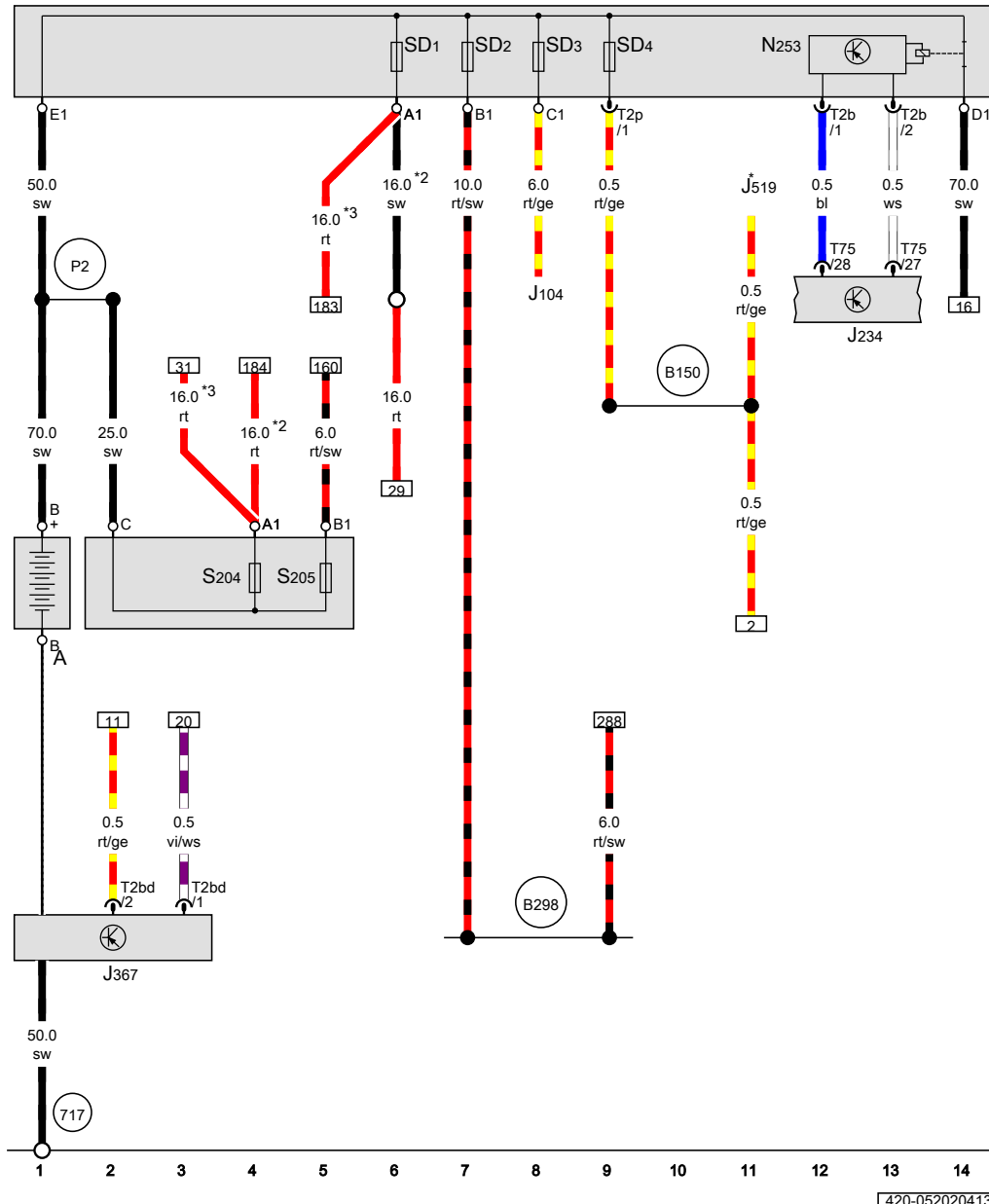


Battery interrupt igniter

- A Battery
- J104 ABS control module
- J234 Airbag control module
- J367 Battery monitoring control module
- N519 Vehicle electrical system control module
- N253 Battery interrupt igniter, in the right front footwell
- SD1 Fuse 1 (on fuse panel D)
- SD2 Fuse 2 (on fuse panel D)
- SD3 Fuse 3 (on fuse panel D)
- SD4 Fuse 4 (on fuse panel D)
- S204 Fuse 1 (terminal 30), in the right front footwell
- S205 Fuse 2 (terminal 30), in the right front footwell
- T2b Double connector
- T2bd Double connector
- T2p Double connector
- T75 75-pin connector

Protected by copyright. Copying, reprinting, or other use, in whole or in part, is not permitted unless authorised by AUDI AG. AUDI AG does not guarantee or accept any liability with respect to the correctness of information in this document. Copyright by AUDI AG.

- 717 Ground connection on right front crossmember
- B150 Positive connection 2 (30a) (in interior wiring harness)
- B298 Positive connection 2 (30) (in main wiring harness)
- P2 Positive connection (30) (in battery wiring harness)
- * Refer to applicable standard equipment wiring diagram
- *2 Through October 2011
- *3 from November 2011

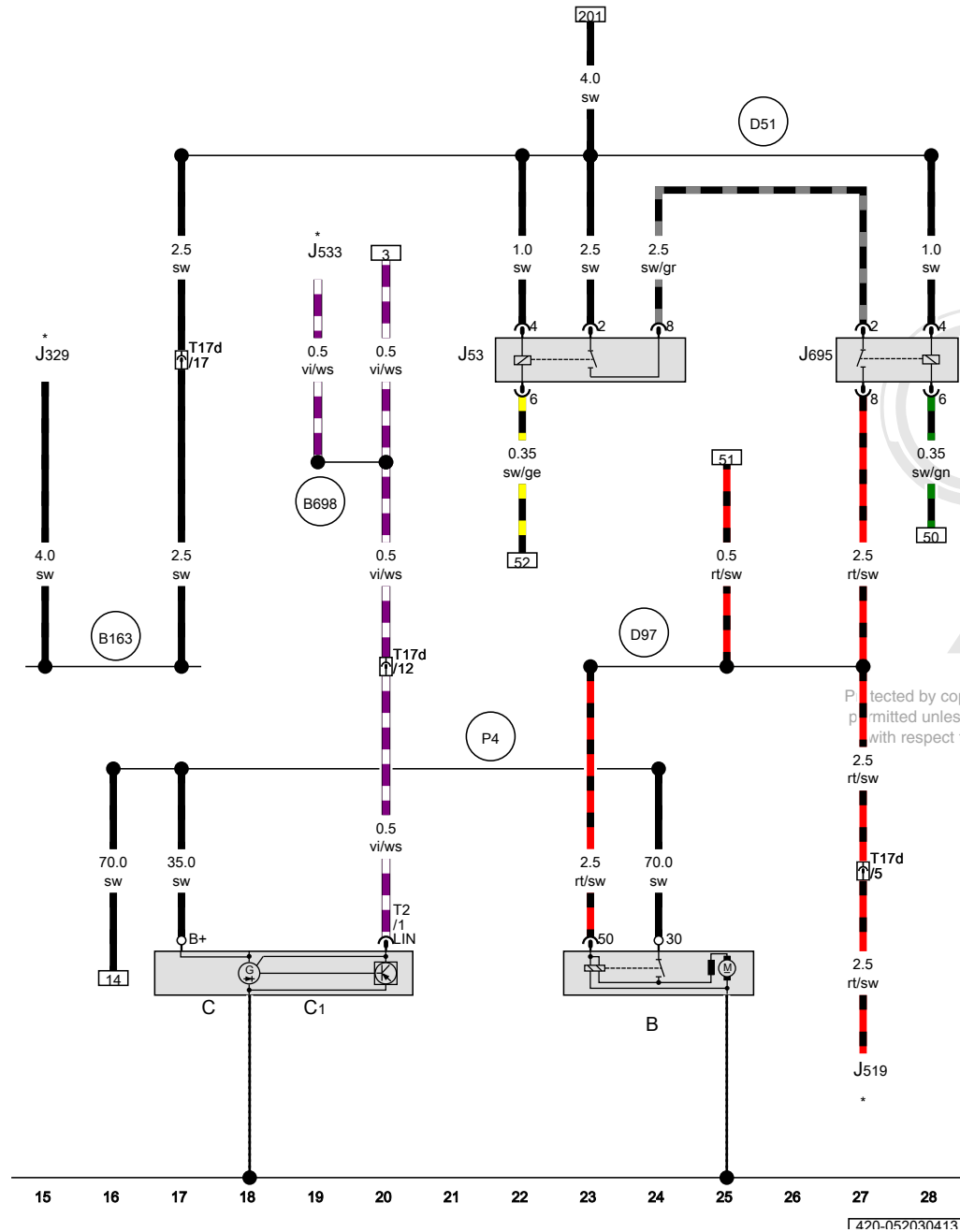


- ws = white
- sw = black
- ro = red
- rt = red
- br = brown
- gn = green
- bl = blue
- gr = grey
- li = lilac
- vi = lilac
- ge = yellow
- or = orange
- rs = pink

1420-052020413

Starter, Generator, Starter relay, Relay 2 for starter

- B Starter
- C Generator
- C1 Voltage regulator
- J53 Starter relay, 9-pin relay and fuse panel C under the rear shelf, right
- J329 Terminal 15 power supply relay
- J519 Vehicle electrical system control module
- J533 Data bus on board diagnostic interface
- J695 Relay 2 for starter, 9-pin relay and fuse panel C under the rear shelf, right
- T2 Double connector
- T17d 17-pin connector, Connector station under the rear shelf, right
- B163 Positive connection 1 (15) (in interior wiring harness)
- B698 LIN bus connection 3 (in main wiring harness)
- D51 Positive connection 1 (15) (in engine compartment wiring harness)
- D97 Connection 50 (in right engine compartment wiring harness)
- P4 Positive connection 2 (30) (in battery wiring harness)
- * Refer to applicable standard equipment wiring diagram



Protected by copyright. Copying for private or commercial purposes, in part or in whole, is not permitted unless authorised by AUDI AG. AUDI AG does not guarantee or accept any liability with respect to the correctness of information in this document. Copyright by AUDI AG.

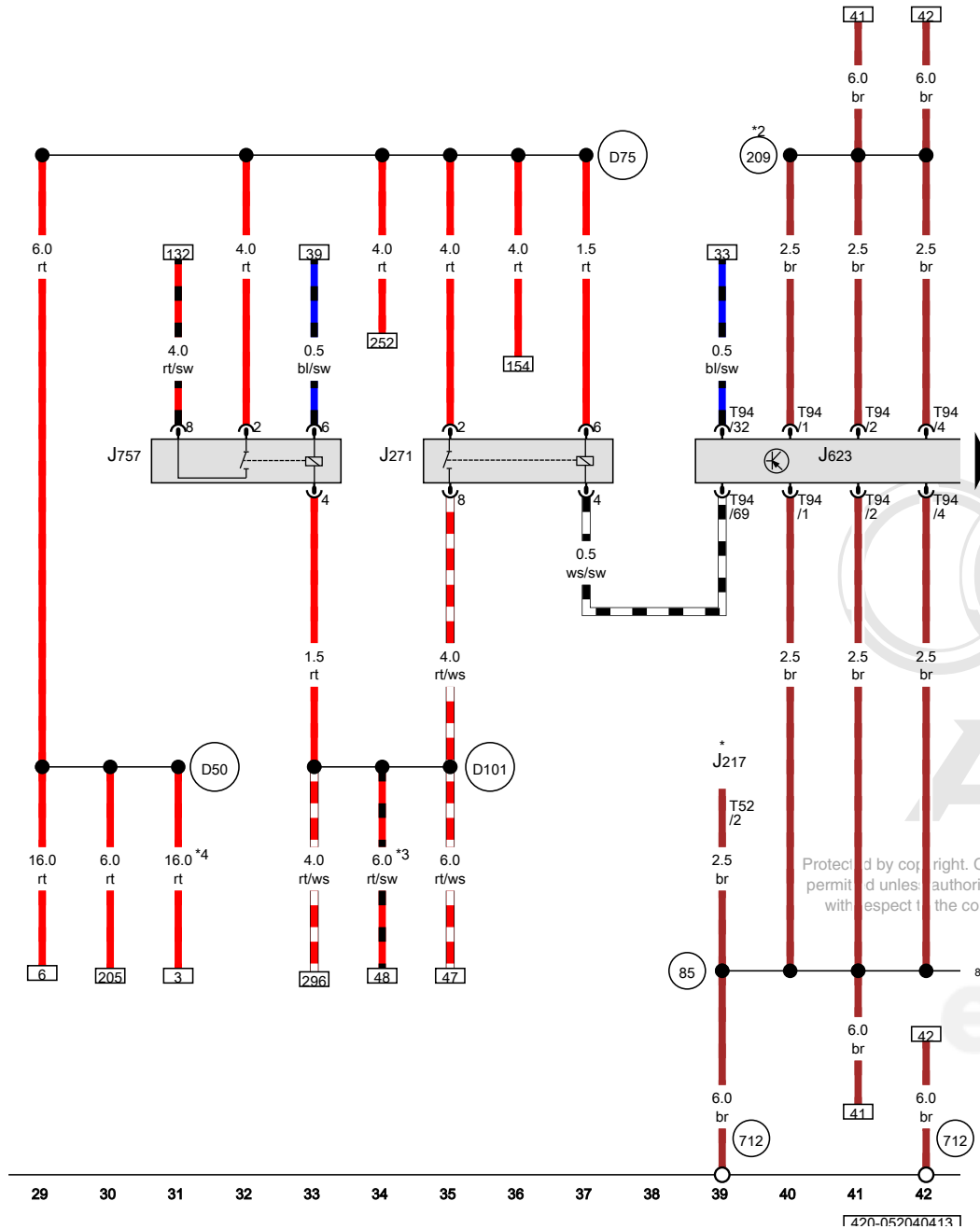
- ws = white
- sw = black
- ro = red
- rt = red
- br = brown
- gn = green
- bl = blue
- gr = grey
- li = lilac
- vi = lilac
- ge = yellow
- or = orange
- rs = pink

1420-052030413

Motronic engine control module power supply relay, Engine control module, Engine component power supply relay

- J217 Transmission control module
- J271 Motronic engine control module power supply relay
- J623 Engine control module
- J757 Engine component power supply relay, 9-pin relay and fuse panel C under the rear shelf, right
- T52 52-pin connector
- T94 94-pin connector

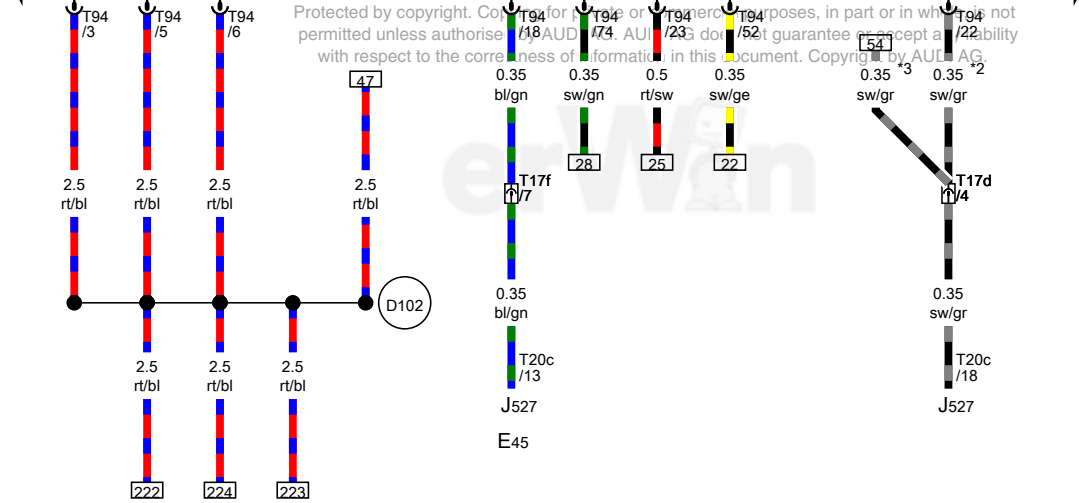
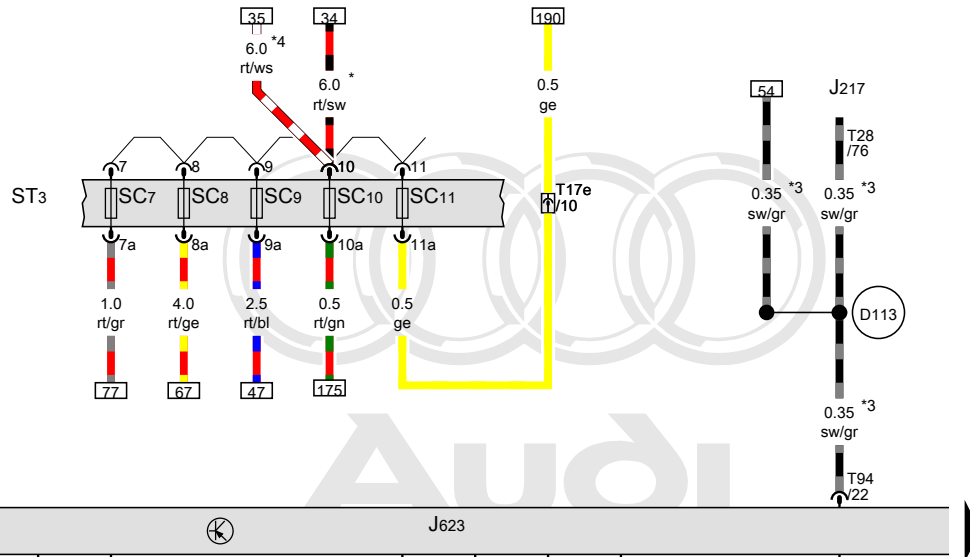
- (85) Ground connection 1 (in engine compartment wiring harness)
- (209) Ground connection 6 (in engine compartment wiring harness)
- (712) Ground connection under rear shelf, left
- (D50) Positive connection (30) (in engine compartment wiring harness)
- (D75) Positive connection 2 (30) (in engine compartment wiring harness)
- (D101) Connection 1 (in engine compartment wiring harness)
- * Only for vehicles with automated manual transmission (R tronic) 086
- *2 Depending on equipment
- *3 Through May 2012
- *4 from November 2011



Protected by copyright. Copying for private or commercial purposes, in part or in whole, is not permitted unless authorised by AUDI AG. AUDI AG does not guarantee or accept any liability with respect to the correctness of information in this document. Copyright by AUDI AG.

- ws = white
- sw = black
- ro = red
- rt = red
- br = brown
- gn = green
- bl = blue
- gr = grey
- li = lilac
- vi = lilac
- ge = yellow
- or = orange
- rs = pink

1420-052040413



Engine control module

- E45 Cruise control switch
- J217 Transmission control module
- J527 Steering column electronics control module
- J623 Engine control module
- ST3 Fuse panel 3
- SC7 Fuse 7 (on fuse panel C)
- SC8 Fuse 8 (on fuse panel C)
- SC9 Fuse 9 (on fuse panel C)
- SC10 Fuse 10 (on fuse panel C)
- SC11 Fuse 11 (on fuse panel C)
- T17d 17-pin connector, Connector station under the rear shelf, right
- T17e 17-pin connector, Connector station under the rear shelf, right
- T17f 17-pin connector, Connector station under the rear shelf, right
- T20c 20-pin connector
- T28 28-pin connector
- T94 94-pin connector

85 Ground connection 1 (in engine compartment wiring harness)

D102 Connection 2 (in engine compartment wiring harness)

D113 Connection 11 (in engine compartment wiring harness)

- * Through May 2012
- *2 Only for vehicles with a manual transmission
- *3 Only for vehicles with automated manual transmission (R tronic) 086
- *4 from June 2012

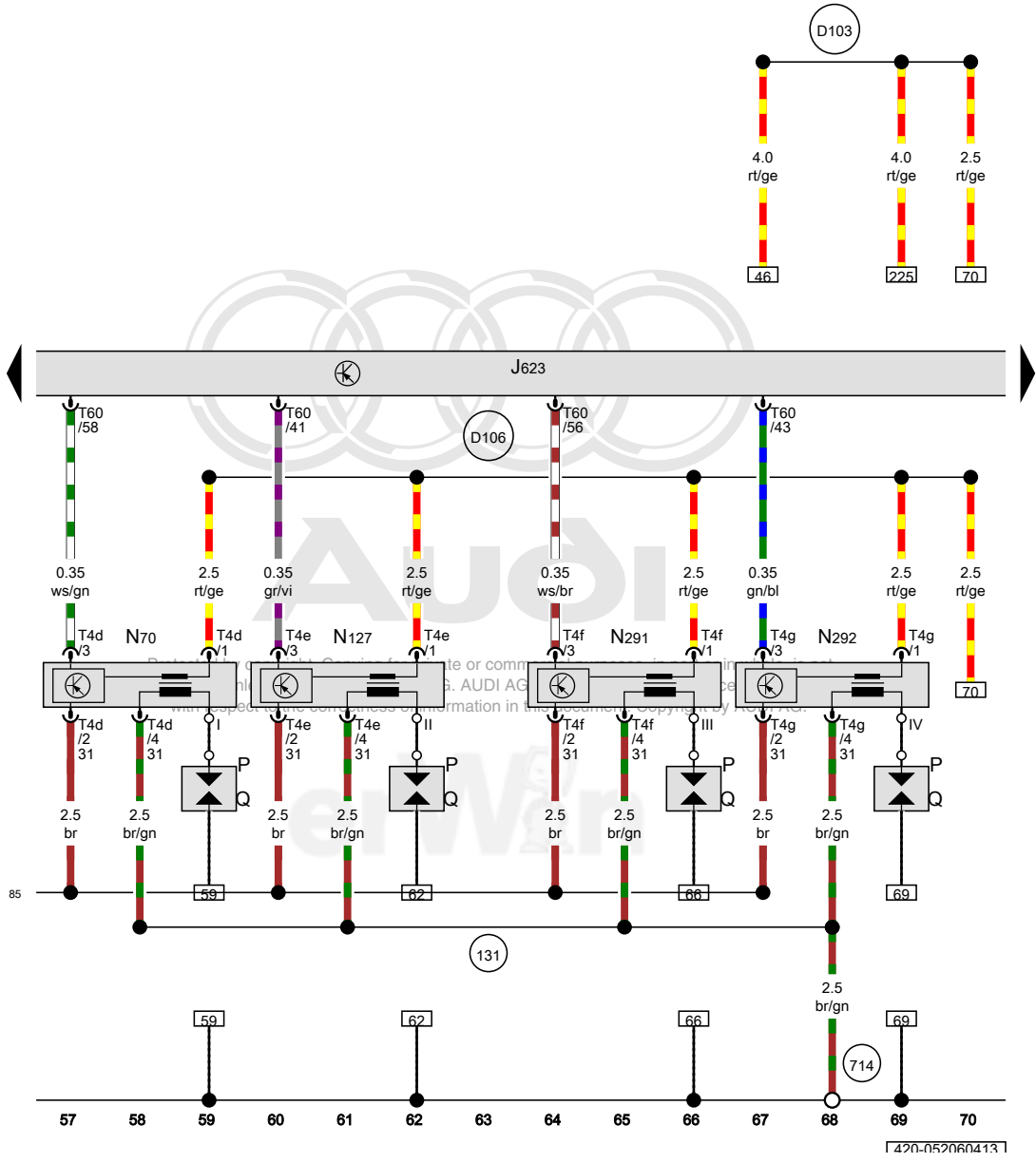
- ws = white
- sw = black
- ro = red
- rt = red
- br = brown
- gn = green
- bl = blue
- gr = grey
- li = lilac
- vi = lilac
- ge = yellow
- or = orange
- rs = pink

Engine control module, Ignition coil 1 with power output stage, Ignition coil 2 with power output stage, Ignition coil 3 with power output stage, Ignition coil 4 with power output stage

- J623 Engine control module
- N70 Ignition coil 1 with power output stage
- N127 Ignition coil 2 with power output stage
- N291 Ignition coil 3 with power output stage
- N292 Ignition coil 4 with power output stage
- P Spark plug connectors
- Q Spark plugs
- T4d 4-pin connector
- T4e 4-pin connector
- T4f 4-pin connector
- T4g 4-pin connector
- T60 60-pin connector

- 85 Ground connection 1 (in engine compartment wiring harness)
- 131 Ground connection 2 (in engine compartment wiring harness)
- 714 Ground connection on engine, right
- D103 Connection 3 (in engine compartment wiring harness)
- D106 Connection 4 (in engine compartment wiring harness)
- * from June 2012

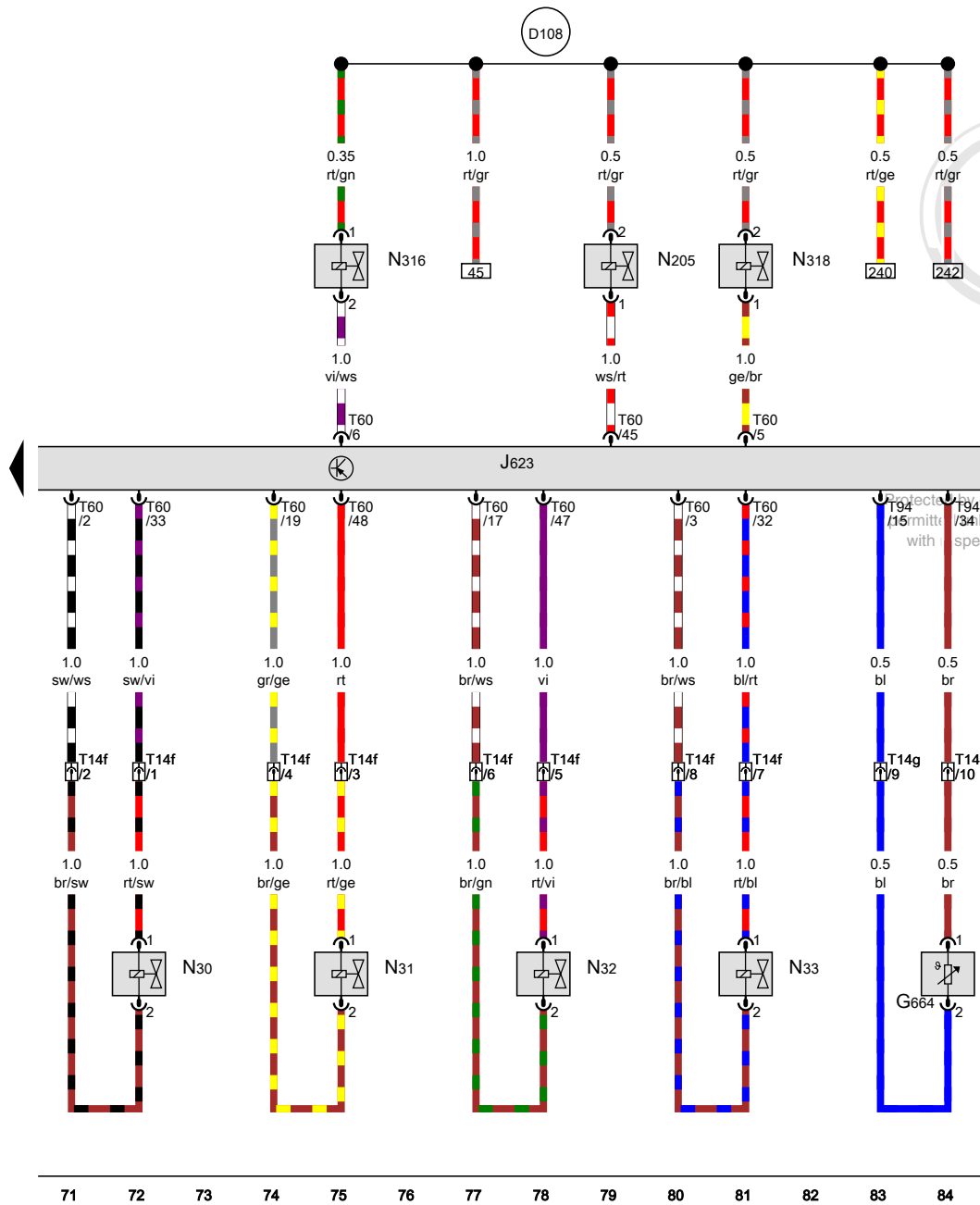
- ws = white
- sw = black
- ro = red
- rt = red
- br = brown
- gn = green
- bl = blue
- gr = grey
- li = lilac
- vi = lilac
- ge = yellow
- or = orange
- rs = pink



Oil temperature sensor 2, Engine control module, Cylinder 1 fuel injector, Cylinder 2 fuel injector, Cylinder 3 fuel injector, Cylinder 4 fuel injector, Camshaft adjustment valve 1, Intake manifold runner control valve, Exhaust camshaft adjustment valve 1

- G664 Oil temperature sensor 2
- J623 Engine control module
- N30 Cylinder 1 fuel injector
- N31 Cylinder 2 fuel injector
- N32 Cylinder 3 fuel injector
- N33 Cylinder 4 fuel injector
- N205 Camshaft adjustment valve 1
- N316 Intake manifold runner control valve
- N318 Exhaust camshaft adjustment valve 1
- T14f 14-pin connector, in the engine compartment
- T14g 14-pin connector, in the engine compartment
- T60 60-pin connector
- T94 94-pin connector

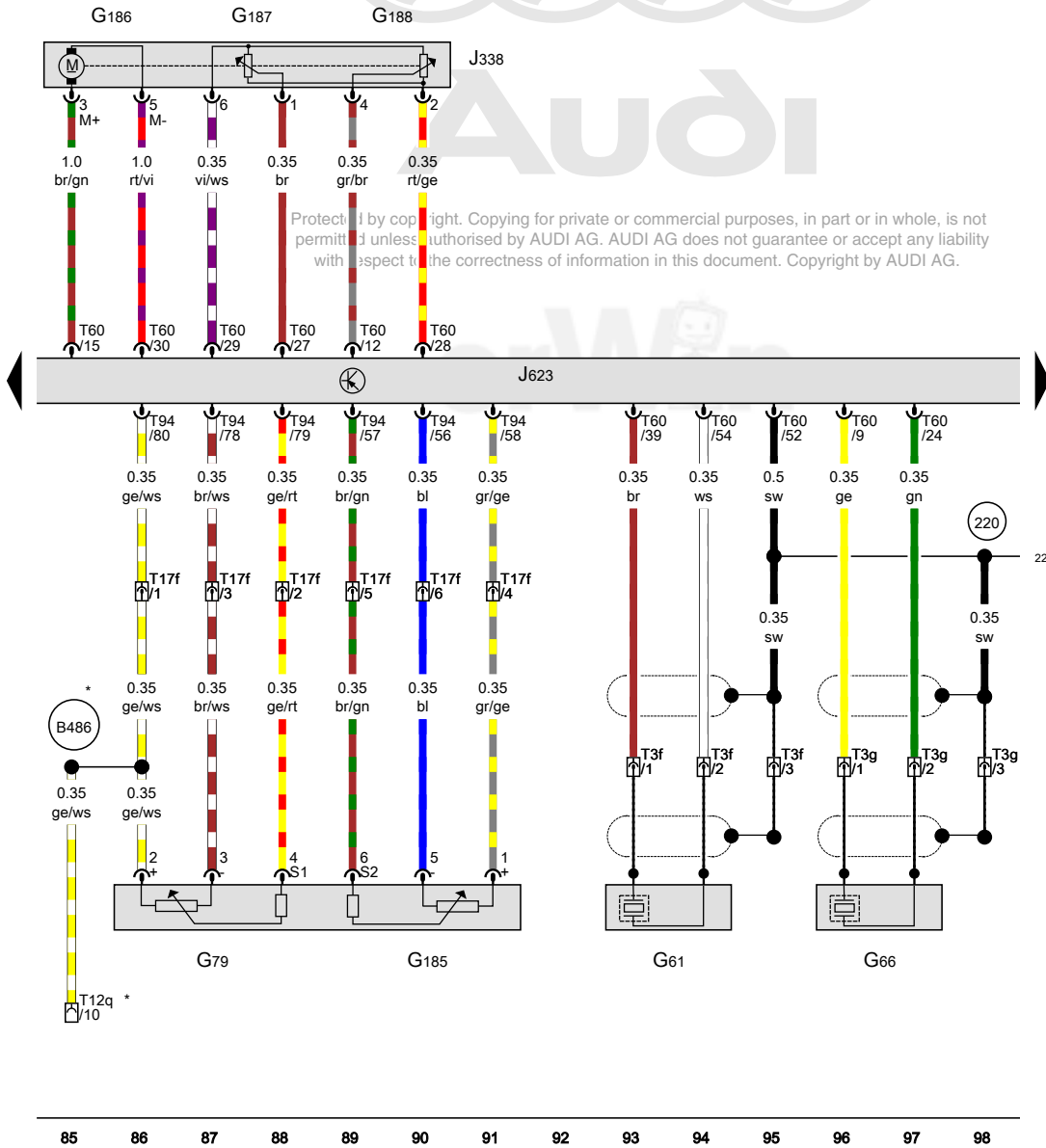
D108 Connection 6 (in engine compartment wiring harness)



Copyright. Copying for private or commercial purposes, in part or in whole, is not less authorised by AUDI AG. AUDI AG does not guarantee or accept any liability with respect to the correctness of information in this document. Copyright by AUDI AG.

- ws = white
- sw = black
- ro = red
- rt = red
- br = brown
- gn = green
- bl = blue
- gr = grey
- li = lilac
- vi = lilac
- ge = yellow
- or = orange
- rs = pink

1420-052070413



Accelerator pedal position sensor, Throttle valve control module, Engine control module

- G61 Knock sensor 1
- G66 Knock sensor 2
- G79 Accelerator pedal position sensor
- G185 Accelerator pedal position sensor 2
- G186 EPC throttle drive
- G187 EPC throttle drive angle sensor 1
- G188 EPC throttle drive angle sensor 2
- J338 Throttle valve control module
- J623 Engine control module
- T3f 3-pin connector
- T3g 3-pin connector
- T12q 12-pin connector
- T17f 17-pin connector, Connector station under the rear shelf, right
- T60 60-pin connector
- T94 94-pin connector

220 Sensor ground connection (in engine wiring harness)

B486 Connection 22 (in main wiring harness)

* Only for vehicles with special functions interface

- ws = white
- sw = black
- ro = red
- rt = red
- br = brown
- gn = green
- bl = blue
- gr = grey
- li = lilac
- vi = lilac
- ge = yellow
- or = orange
- rs = pink

1420-052080413

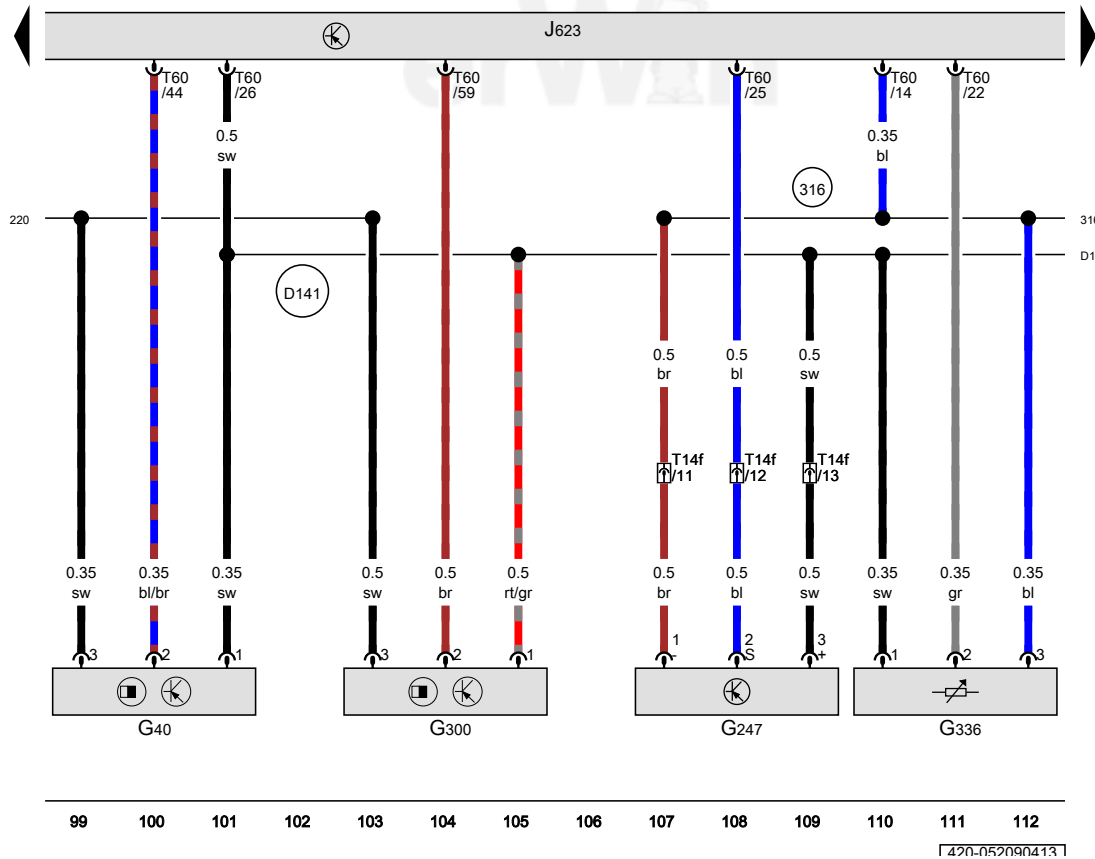


Protected by copyright. Copying for private or commercial purposes, in part or in whole, is not permitted unless authorised by AUDI AG. AUDI AG does not guarantee or accept any liability with respect to the correctness of information in this document. Copyright by AUDI AG.

Camshaft position sensor, Fuel pressure sensor, Intake manifold runner position sensor, Engine control module

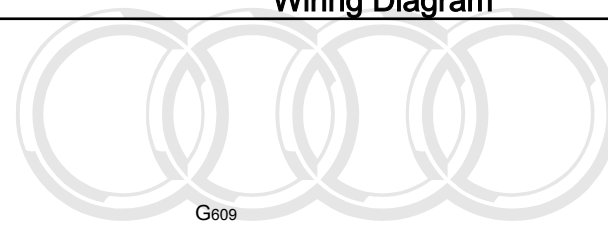
- G40 Camshaft position sensor
- G247 Fuel pressure sensor
- G300 Camshaft position sensor 3
- G336 Intake manifold runner position sensor
- J623 Engine control module
- T14f 14-pin connector, in the engine compartment
- T60 60-pin connector

- 220 Sensor ground connection (in engine wiring harness)
- 316 Sensor ground connection 2 (in engine wiring harness)
- D141 Connection 5V (in engine pre-wiring harness)



- ws = white
- sw = black
- ro = red
- rt = red
- br = brown
- gn = green
- bl = blue
- gr = grey
- li = lilac
- vi = lilac
- ge = yellow
- or = orange
- rs = pink

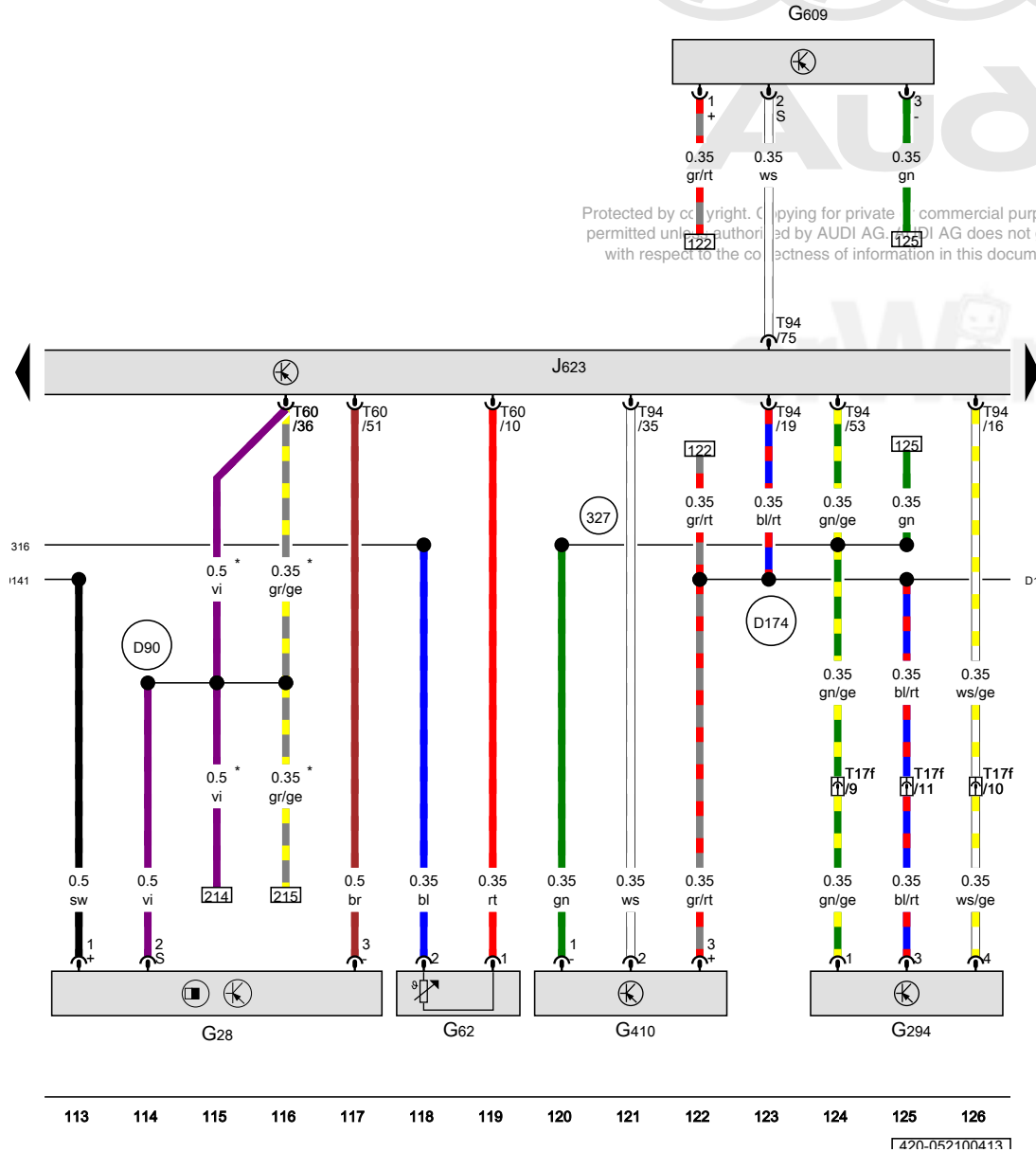
1420-052090413



Engine speed sensor, Engine coolant temperature sensor, Brake booster pressure sensor, Low fuel pressure sensor, Secondary air injection sensor 1, Engine control module

- G28 Engine speed sensor
- G62 Engine coolant temperature sensor
- G294 Brake booster pressure sensor
- G410 Low fuel pressure sensor
- G609 Secondary air injection sensor 1
- J623 Engine control module
- T17f 17-pin connector, Connector station under the rear shelf, right
- T60 60-pin connector
- T94 94-pin connector

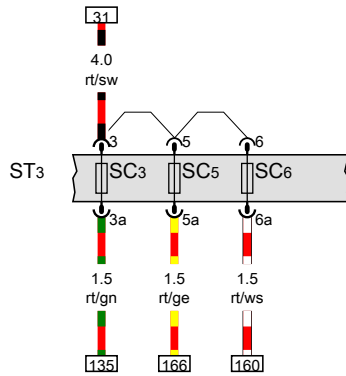
Protected by copyright. Copying for private or commercial purposes, in part or in whole, is not permitted unless authorized by AUDI AG. AUDI AG does not guarantee or accept any liability with respect to the correctness of information in this document. Copyright by AUDI AG.



- 316 Sensor ground connection 2 (in engine wiring harness)
- 327 Sensor ground connection (in engine compartment wiring harness)
- D90 RPM signal connection (in engine compartment wiring harness)
- D141 Connection 5V (in engine pre-wiring harness)
- D174 Connection 5V (in engine pre-wiring harness) 2
- * Depending on equipment

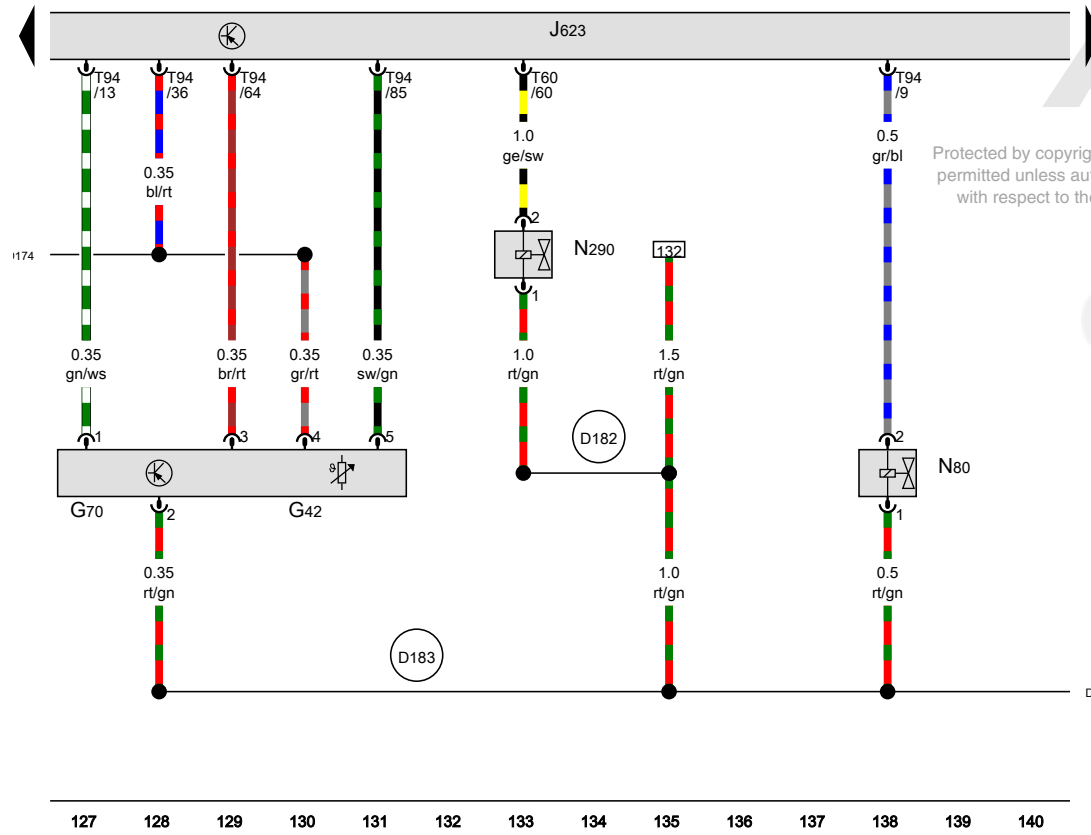
1420-052100413

Intake air temperature sensor, Mass airflow sensor, Engine control module, EVAP canister purge regulator valve 1, Fuel metering valve



- G42 Intake air temperature sensor
- G70 Mass airflow sensor
- J623 Engine control module
- N80 EVAP canister purge regulator valve 1
- N290 Fuel metering valve
- ST3 Fuse panel 3
- SC3 Fuse 3 (on fuse panel C)
- SC5 Fuse 5 (on fuse panel C)
- SC6 Fuse 6 (on fuse panel C)
- T60 60-pin connector
- T94 94-pin connector

- D174 Connection 5V (in engine pre-wiring harness) 2
- D182 Connection 87a (in engine compartment wiring harness) 3
- D183 Connection 87a (in engine compartment wiring harness) 4



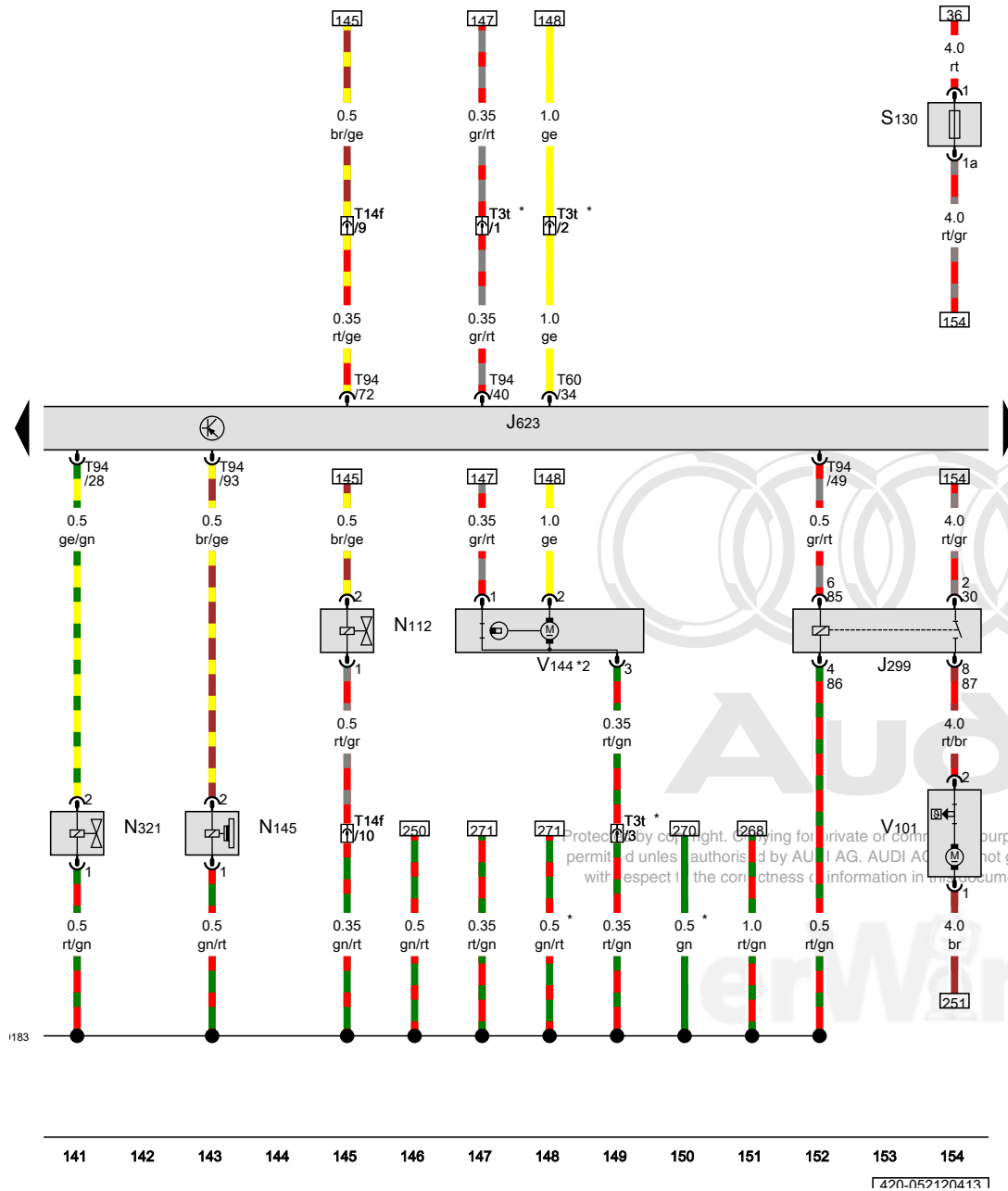
Protected by copyright. Copying for private or commercial purposes, in part or in whole, is not permitted unless authorised by AUDI AG. AUDI AG does not guarantee or accept any liability with respect to the correctness of information in this document. Copyright by AUDI AG.

- ws = white
- sw = black
- ro = red
- rt = red
- br = brown
- gn = green
- bl = blue
- gr = grey
- li = lilac
- vi = lilac
- ge = yellow
- or = orange
- rs = pink

127 128 129 130 131 132 133 134 135 136 137 138 139 140

[420-052110413]

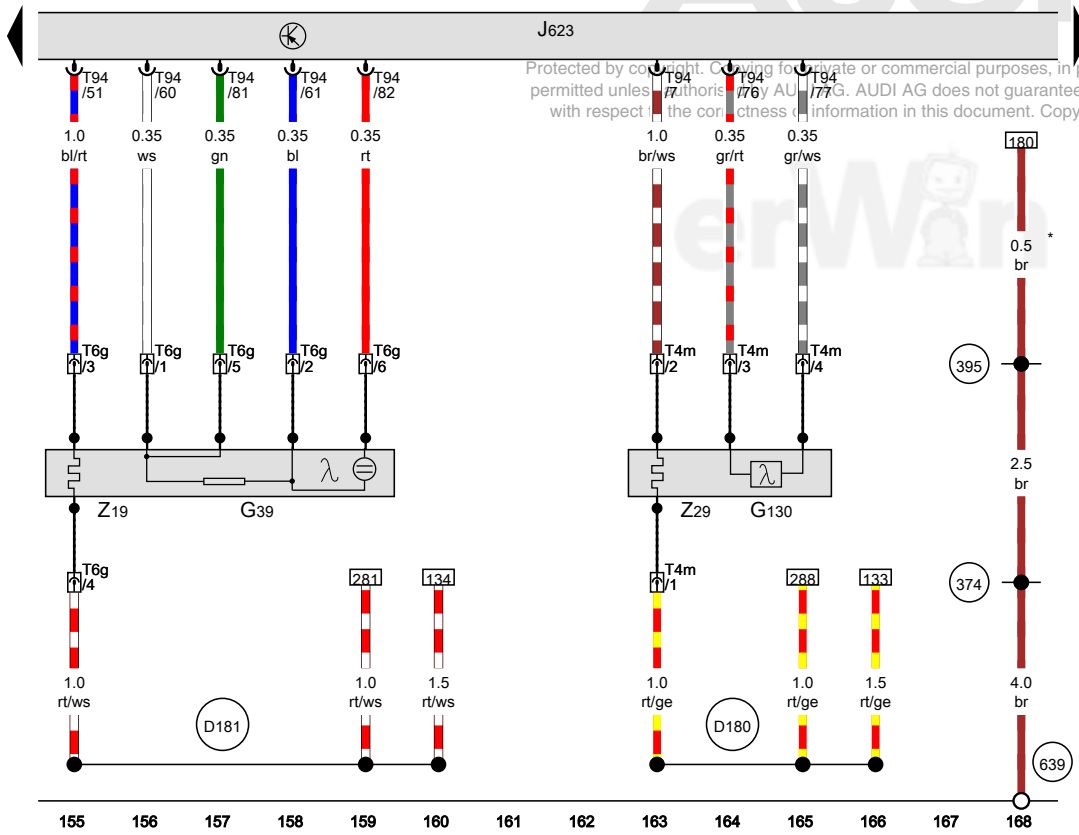
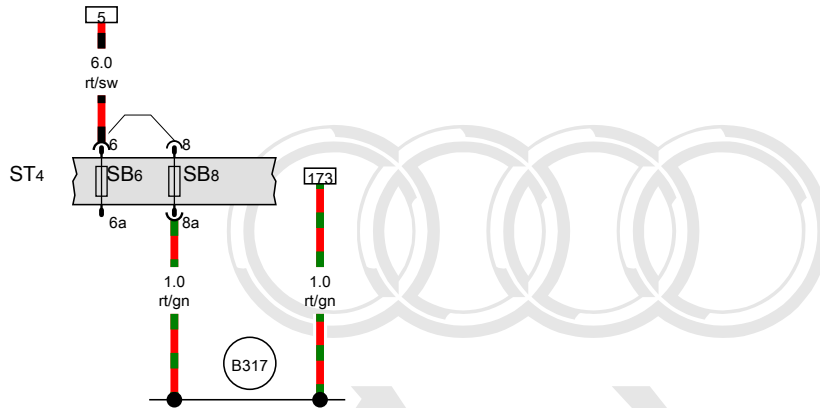
Secondary air injection pump relay, Engine control module, Secondary air injection solenoid valve, Right electrohydraulic engine mount solenoid valve, Exhaust door valve 1, Secondary air injection pump motor



- J299 Secondary air injection pump relay
- J623 Engine control module
- N112 Secondary air injection solenoid valve
- N145 Right electrohydraulic engine mount solenoid valve
- N321 Exhaust door valve 1
- S130 Secondary air injection pump fuse, 9-pin relay and fuse panel C under the rear shelf, right
- T3t 3-pin connector
- T14f 14-pin connector, in the engine compartment
- T60 60-pin connector
- T94 94-pin connector
- V101 Secondary air injection pump motor
- V144 Leak detection pump
- D183 Connection 87a (in engine compartment wiring harness) 4
- * Depending on equipment
- *2 Only for vehicles with a fuel system diagnostic pump

- ws = white
- sw = black
- ro = red
- rt = red
- br = brown
- gn = green
- bl = blue
- gr = grey
- li = lilac
- vi = lilac
- ge = yellow
- or = orange
- rs = pink

1420-052120413



Protected by copyright. Copying for private or commercial purposes, in part or in whole, is not permitted unless authorized by AUDI AG. AUDI AG does not guarantee or accept any liability with respect to the correctness of information in this document. Copyright by AUDI AG.

Heated oxygen sensor, Oxygen sensor after three way catalytic converter, Engine control module

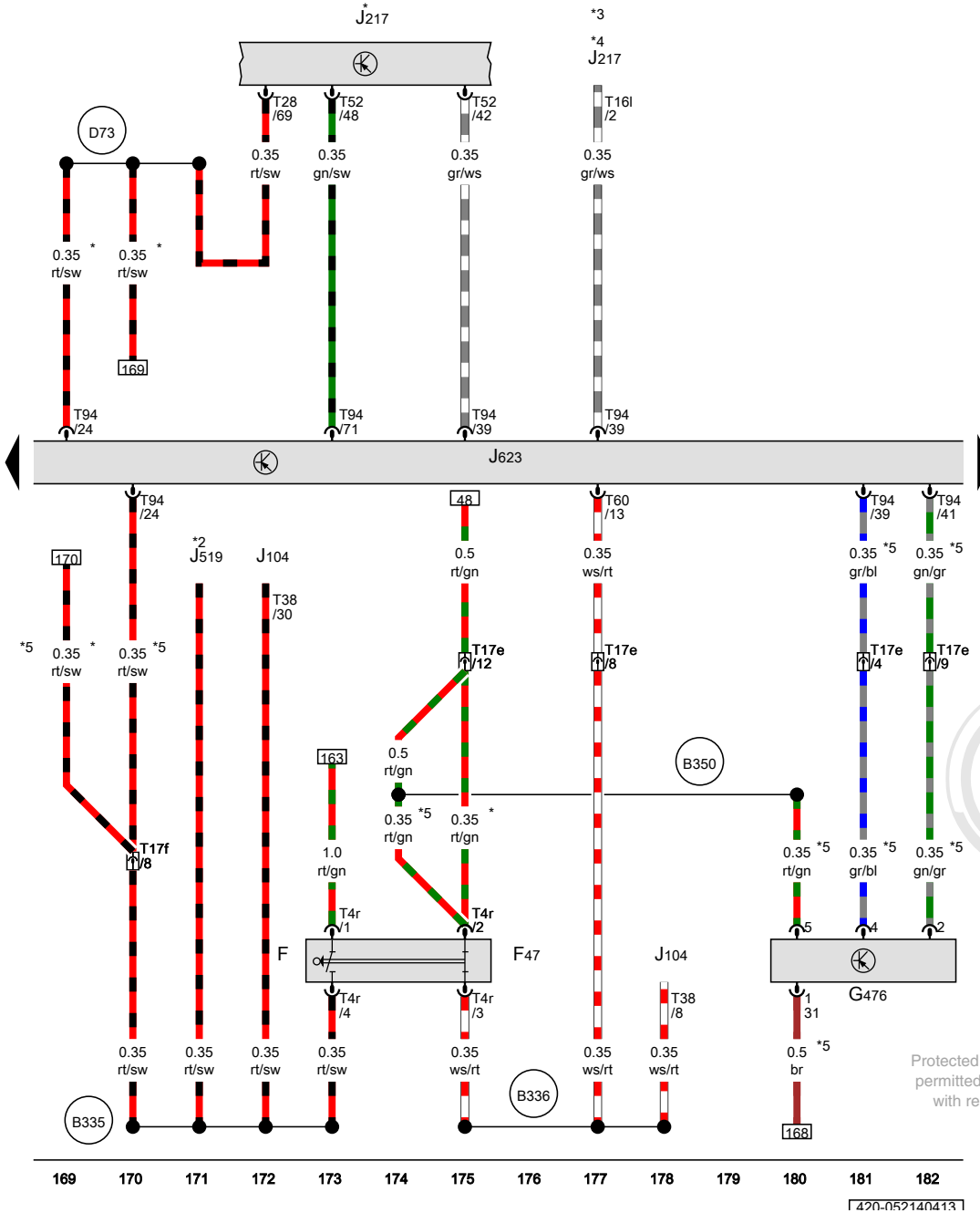
- G39 Heated oxygen sensor
- G130 Oxygen sensor after three way catalytic converter
- J623 Engine control module
- ST4 Fuse panel 4
- SB6 Fuse 6 (on fuse panel B)
- SB8 Fuse 8 (on fuse panel B)
- T4m 4-pin connector
- T6g 6-pin connector
- T94 94-pin connector
- Z19 Oxygen sensor heater
- Z29 Heater for oxygen sensor 1 after catalytic converter

- 374 Ground connection 9 (in main wiring harness)
- 395 Ground connection 30 (in main wiring harness)
- 639 Ground connection on left A-pillar
- B317 Positive connection 3 (30a) (in main wiring harness)
- D180 Connection 87a (in engine compartment wiring harness)
- D181 Connection 87a (in engine compartment wiring harness) 2

* Only for vehicles with a manual transmission

- ws = white
- sw = black
- ro = red
- rt = red
- br = brown
- gn = green
- bl = blue
- gr = grey
- li = lilac
- vi = lilac
- ge = yellow
- or = orange
- rs = pink

1420-052130413



Brake pedal switch, Clutch position sensor, Engine control module

- F Brake lamp switch
- F47 Brake pedal switch
- G476 Clutch position sensor
- J104 ABS control module
- J217 Transmission control module
- J519 Vehicle electrical system control module
- J623 Engine control module
- T4r 4-pin connector
- T16l 16-pin connector
- T17f 17-pin connector, Connector station under the rear shelf, right
- T28 28-pin connector
- T38 38-pin connector
- T52 52-pin connector
- T60 60-pin connector
- T94 94-pin connector

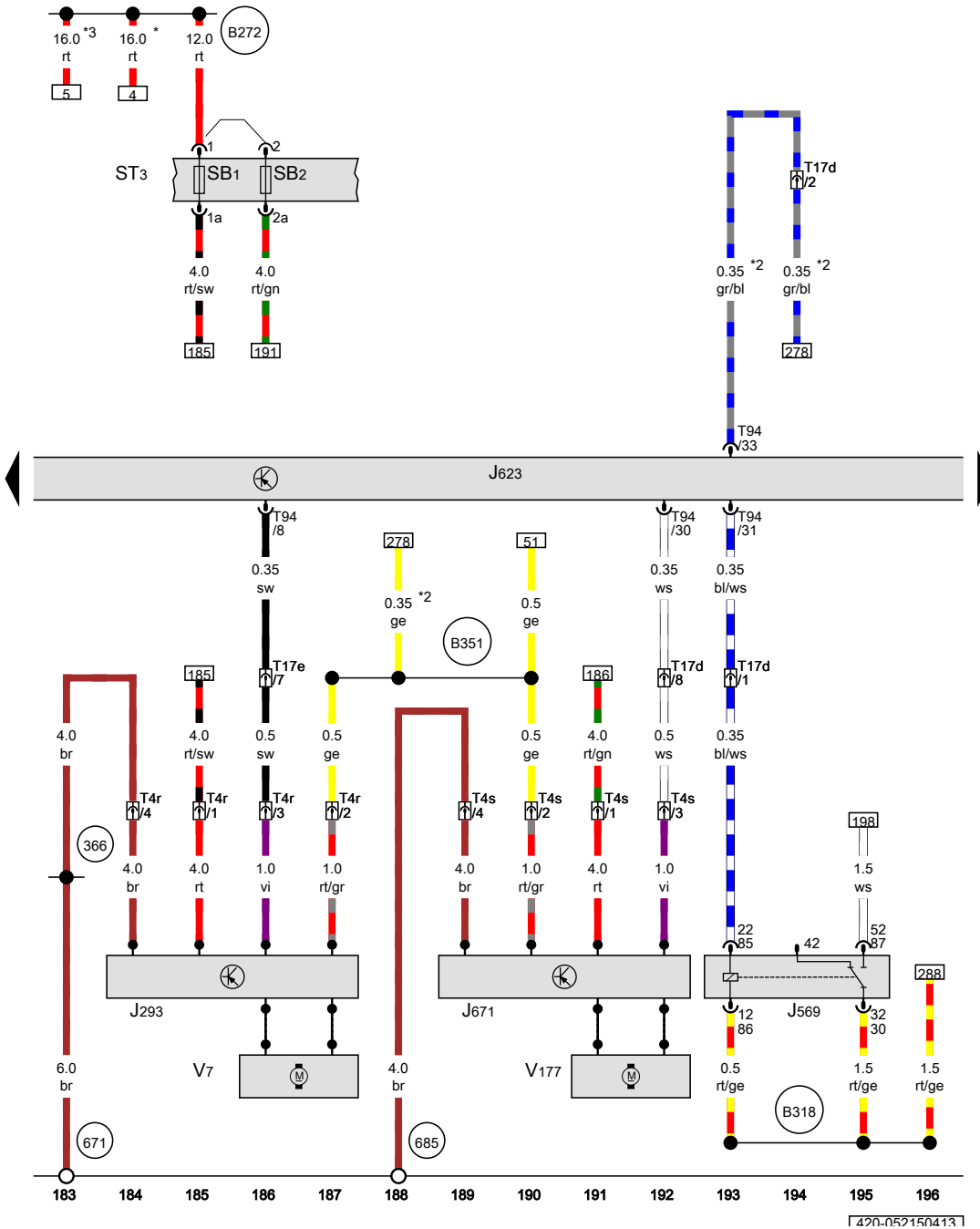
- (B335) Connection 54 (in main wiring harness) 1
- (B336) Connection 54 (in main wiring harness) 2
- (B350) Positive connection 1 (87a) (in main wiring harness)
- (D73) Positive connection (54) (in engine compartment wiring harness)

- * Only for vehicles with automated manual transmission (R tronic) 086
- *2 Refer to applicable standard equipment wiring diagram
- *3 Refer to applicable transmission wiring diagram
- *4 Depending on equipment
- *5 Only for vehicles with a manual transmission

- ws = white
- sw = black
- ro = red
- rt = red
- br = brown
- gn = green
- bl = blue
- gr = grey
- li = lilac
- vi = lilac
- ge = yellow
- or = orange
- rs = pink

Protected by copyright. Copying for private or commercial purposes, in part or in whole, is not permitted unless authorised by AUDI AG. AUDI AG does not guarantee or accept any liability with respect to the correctness of information in this document. Copyright by AUDI AG.

420-052140413



Coolant fan control module, Brake booster relay, Engine control module, Coolant fan

- J293 Coolant fan control module
- J569 Brake booster relay, Relay and fuse holder B on the vehicle electrical system control module in the right front footwell
- J623 Engine control module
- J671 Coolant fan control module 2
- SB1 Fuse 1 (on fuse panel B)
- SB2 Fuse 2 (on fuse panel B)
- ST3 Fuse panel 3
- T4r 4-pin connector, on the coolant fan
- T4s 4-pin connector, on the coolant fan
- T17d 17-pin connector, Connector station under the rear shelf, right
- T17e 17-pin connector, Connector station under the rear shelf, right
- T94 94-pin connector
- V7 Coolant fan
- V177 Coolant fan 2

- 366 Ground connection 1 (in main wiring harness)
- 671 Ground connection 1 on left front longitudinal member
- 685 Ground connection 1 on right front longitudinal member
- B272 Positive connection (30) (in main wiring harness)
- B318 Positive connection 4 (30a) (in main wiring harness)
- B351 Positive connection 2 (87a) (in main wiring harness)

* Through October 2011
 *2 Version for hot climates
 *3 from November 2011

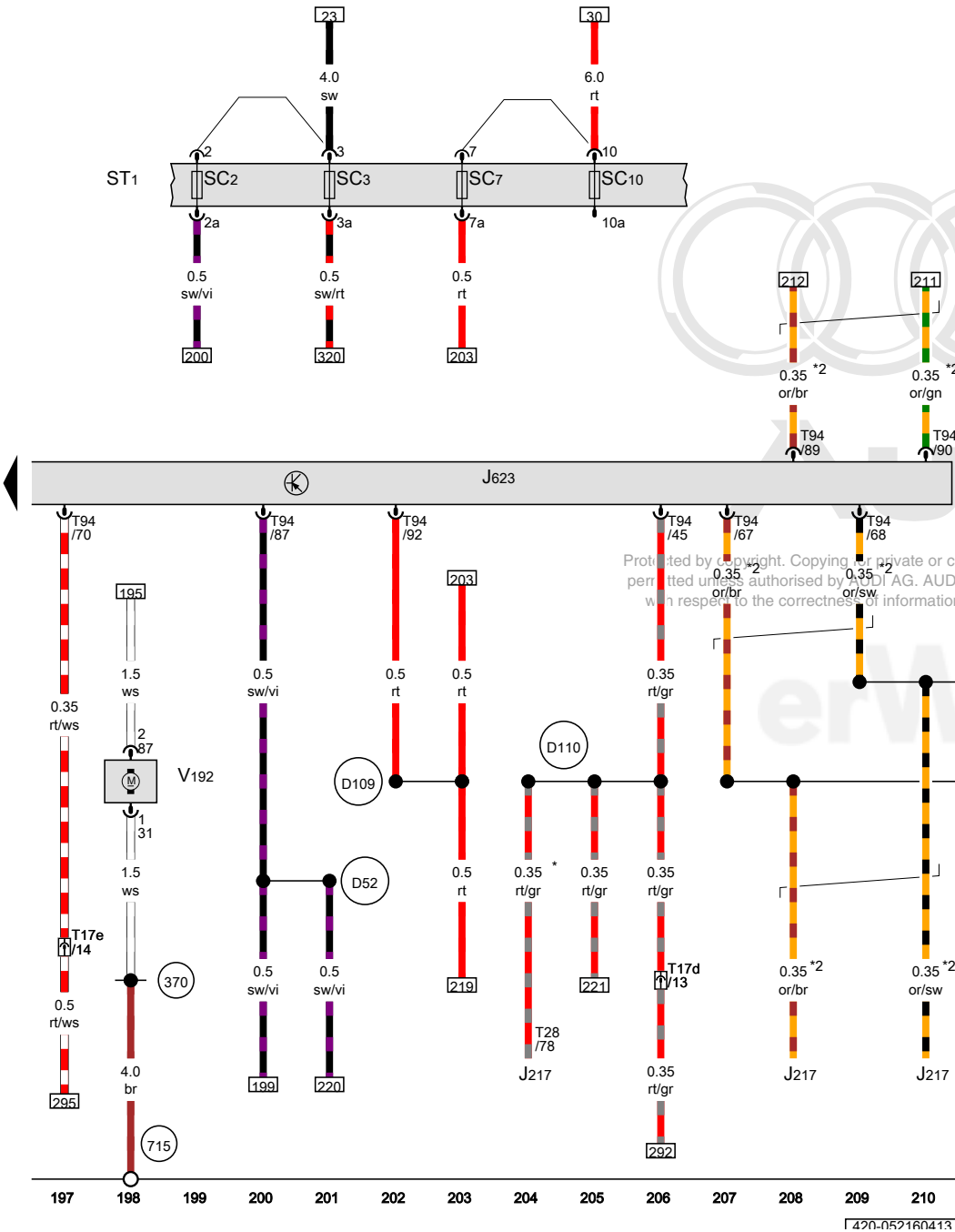
- ws = white
- sw = black
- ro = red
- rt = red
- br = brown
- gn = green
- bl = blue
- gr = grey
- li = lilac
- vi = lilac
- ge = yellow
- or = orange
- rs = pink

420-052150413

Engine control module, Brake system vacuum pump

- J217 Transmission control module
- J623 Engine control module
- ST1 Fuse panel 1
- SC2 Fuse 2 (on fuse panel C)
- SC3 Fuse 3 (on fuse panel C)
- SC7 Fuse 7 (on fuse panel C)
- SC10 Fuse 10 (on fuse panel C)
- T17d 17-pin connector, Connector station under the rear shelf, right
- T17e 17-pin connector, Connector station under the rear shelf, right
- T28 28-pin connector
- T94 94-pin connector
- V192 Brake system vacuum pump

- 370 Ground connection 5 (in main wiring harness)
- 715 Ground connection on left crossmember
- D52 Positive connection (15a) (in engine compartment wiring harness)
- D109 Connection 7 (in engine compartment wiring harness)
- D110 Connection 8 (in engine compartment wiring harness)
- D159 High bus connection (in engine compartment wiring harness)
- D160 Low bus positive connection (in engine compartment wiring harness)
- * Only for vehicles with automated manual transmission (R tronic) 086
- *2 Data bus wire (CAN bus)



- ws = white
- sw = black
- ro = red
- rt = red
- br = brown
- gn = green
- bl = blue
- gr = grey
- li = lilac
- vi = lilac
- ge = yellow
- or = orange
- rs = pink

[420-052160413]



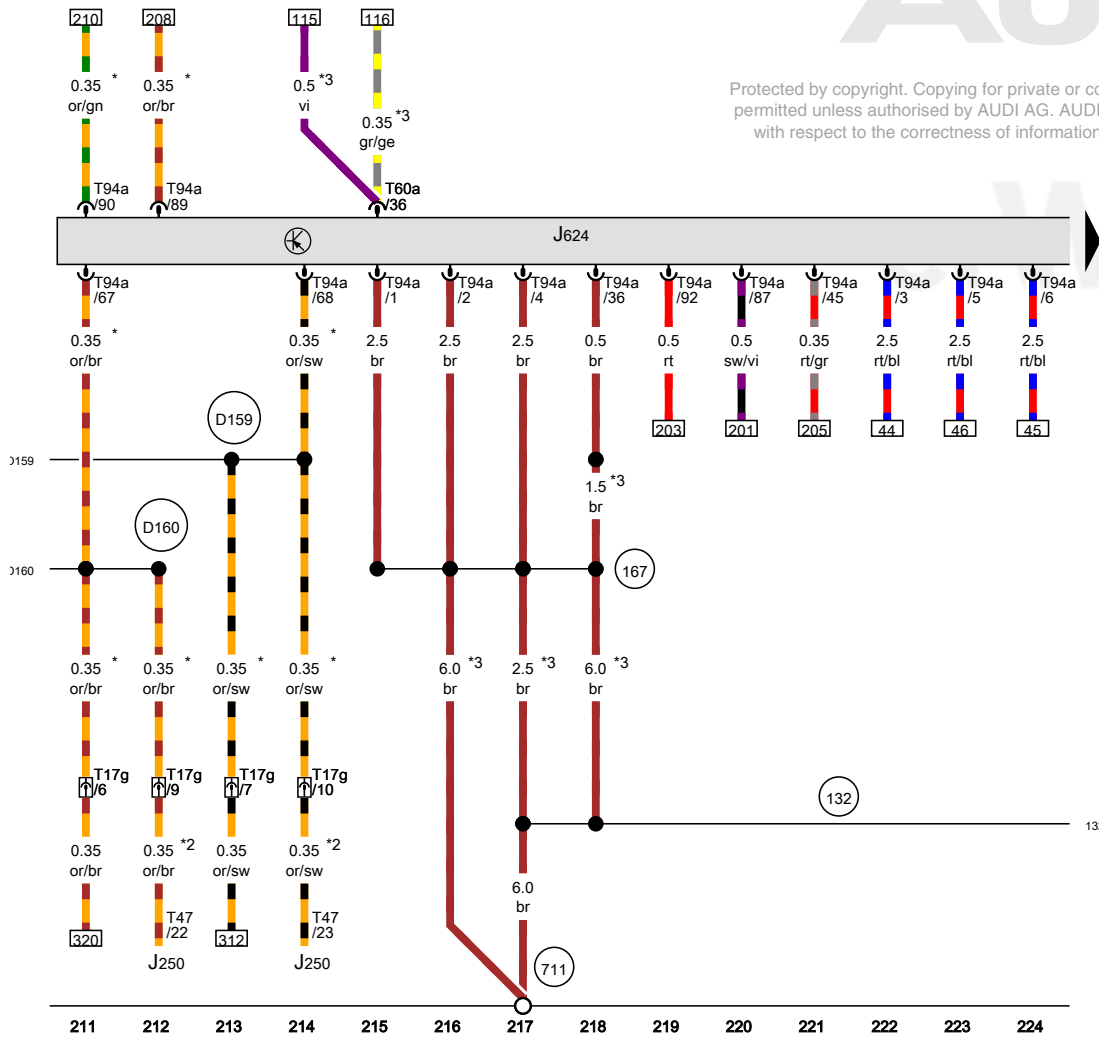
Audi

Engine control module 2

- J250 Electronic damping control module
- J624 Engine control module 2
- T17g 17-pin connector, Connector station under the rear shelf, right
- T47 47-pin connector
- T60a 60-pin connector
- T94a 94-pin connector

- 132 Ground connection 3 (in engine compartment wiring harness)
- 167 Ground connection 4 (in engine compartment wiring harness)
- 711 Ground connection 3 on left rear chassis side member
- D159 High bus connection (in engine compartment wiring harness)
- D160 Low bus positive connection (in engine compartment wiring harness)

Protected by copyright. Copying for private or commercial purposes, in part or in whole, is not permitted unless authorised by AUDI AG. AUDI AG does not guarantee or accept any liability with respect to the correctness of information in this document. Copyright by AUDI AG.



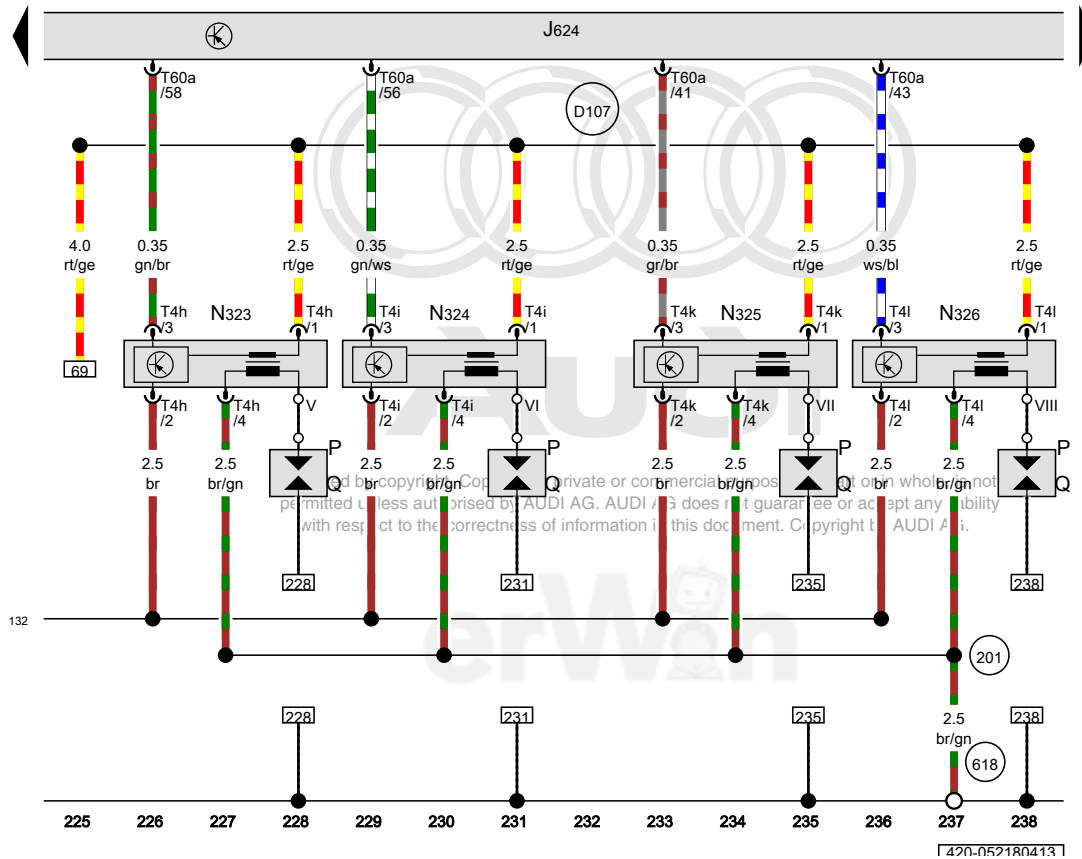
- ws = white
- sw = black
- ro = red
- rt = red
- br = brown
- gn = green
- bl = blue
- gr = grey
- li = lilac
- vi = lilac
- ge = yellow
- or = orange
- rs = pink

420-052170413

Engine control module 2, Ignition coil 5 with power output stage, Ignition coil 6 with power output stage, Ignition coil 7 with power output stage, Ignition coil 8 with power output stage

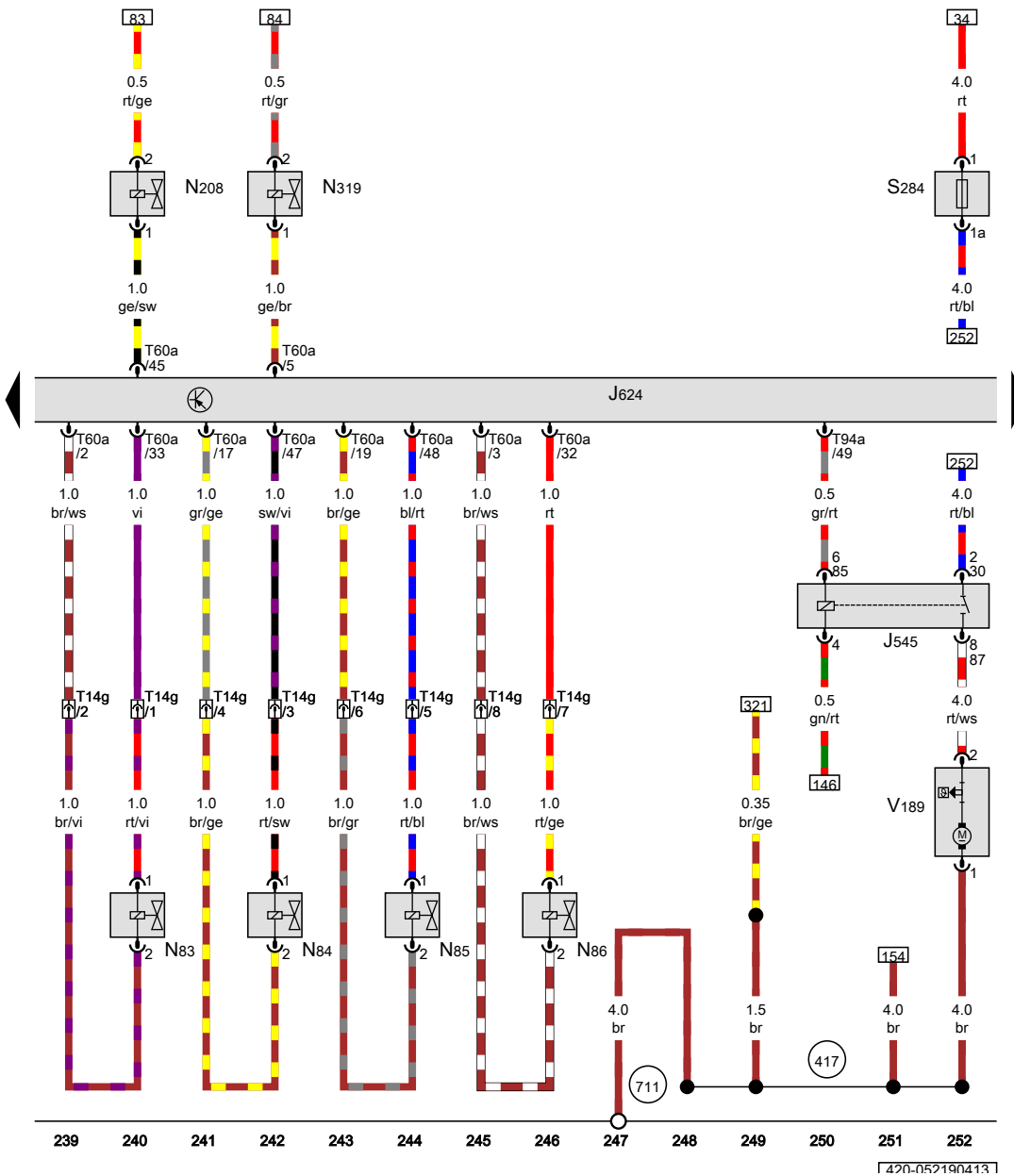
- J624 Engine control module 2
- N323 Ignition coil 5 with power output stage
- N324 Ignition coil 6 with power output stage
- N325 Ignition coil 7 with power output stage
- N326 Ignition coil 8 with power output stage
- P Spark plug connectors
- Q Spark plugs
- T4h 4-pin connector
- T4i 4-pin connector
- T4k 4-pin connector
- T4l 4-pin connector
- T60a 60-pin connector

- 132 Ground connection 3 (in engine compartment wiring harness)
- 201 Ground connection 5 (in engine compartment wiring harness)
- 618 Ground connection on engine, left
- D107 Connection 5 (in engine compartment wiring harness)



- ws = white
- sw = black
- ro = red
- rt = red
- br = brown
- gn = green
- bl = blue
- gr = grey
- li = lilac
- vi = lilac
- ge = yellow
- or = orange
- rs = pink

Secondary air injection pump relay 2, Engine control module 2, Cylinder 5 fuel injector, Cylinder 6 fuel injector, Cylinder 7 fuel injector, Cylinder 8 fuel injector, Camshaft adjustment valve 2, Exhaust camshaft adjustment valve 2, Secondary air injection pump motor 2



- J545 Secondary air injection pump relay 2
- J624 Engine control module 2
- N83 Cylinder 5 fuel injector
- N84 Cylinder 6 fuel injector
- N85 Cylinder 7 fuel injector
- N86 Cylinder 8 fuel injector
- N208 Camshaft adjustment valve 2
- N319 Exhaust camshaft adjustment valve 2
- S284 Secondary air injection pump fuse 2
- T14g 14-pin connector, in the engine compartment
- T60a 60-pin connector
- T94a 94-pin connector
- V189 Secondary air injection pump motor 2
- 417 Ground connection 9 (in engine compartment wiring harness)

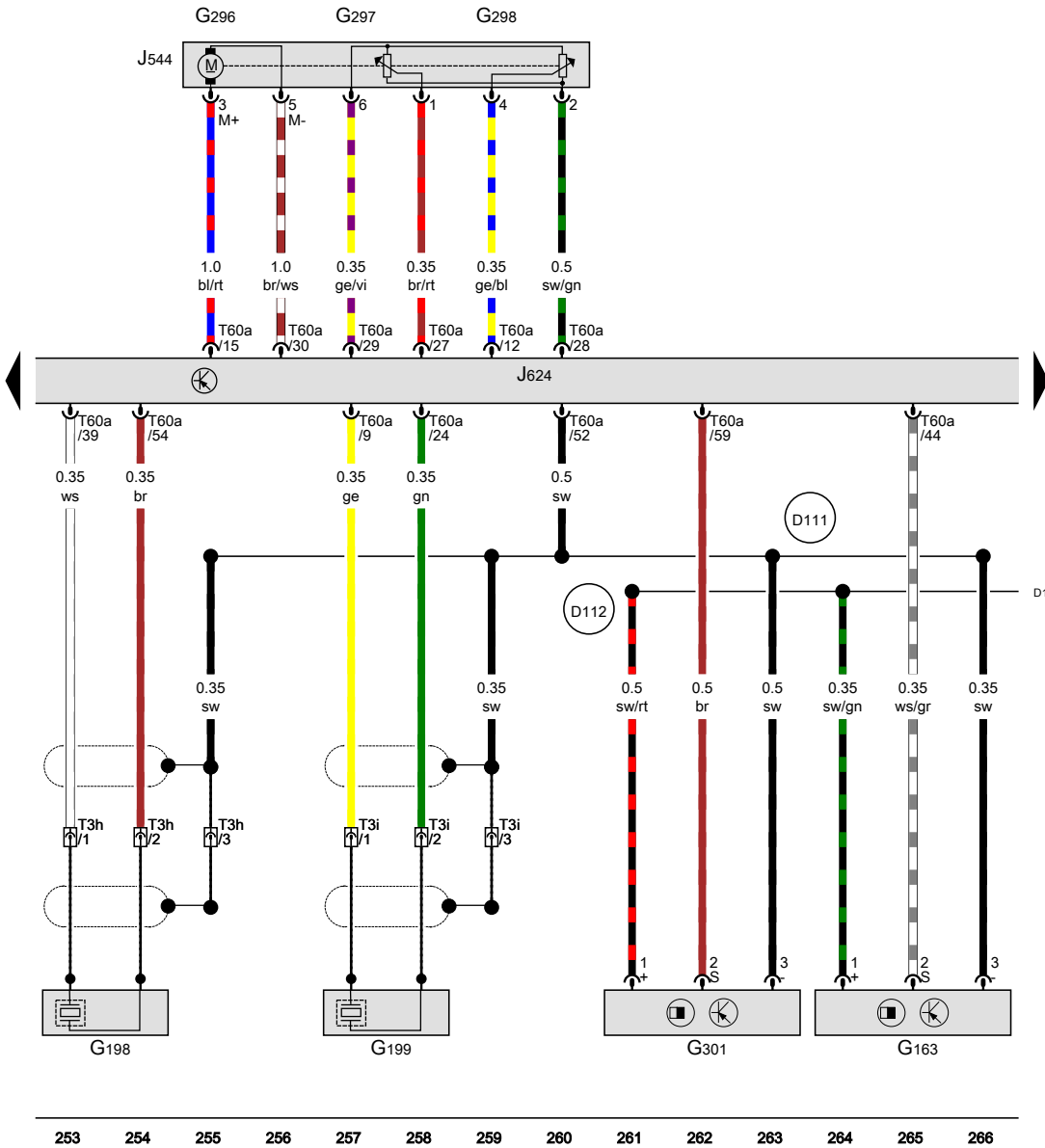
Protected by copyright. Copying for private or commercial purposes, in part or in whole, is not permitted unless authorized by AUDI AG. AUDI AG does not guarantee or accept any liability with respect to the correctness of information in this document. Copyright by AUDI AG.

- ws = white
- sw = black
- ro = red
- rt = red
- br = brown
- gn = green
- bl = blue
- gr = grey
- li = lilac
- vi = lilac
- ge = yellow
- or = orange
- rs = pink

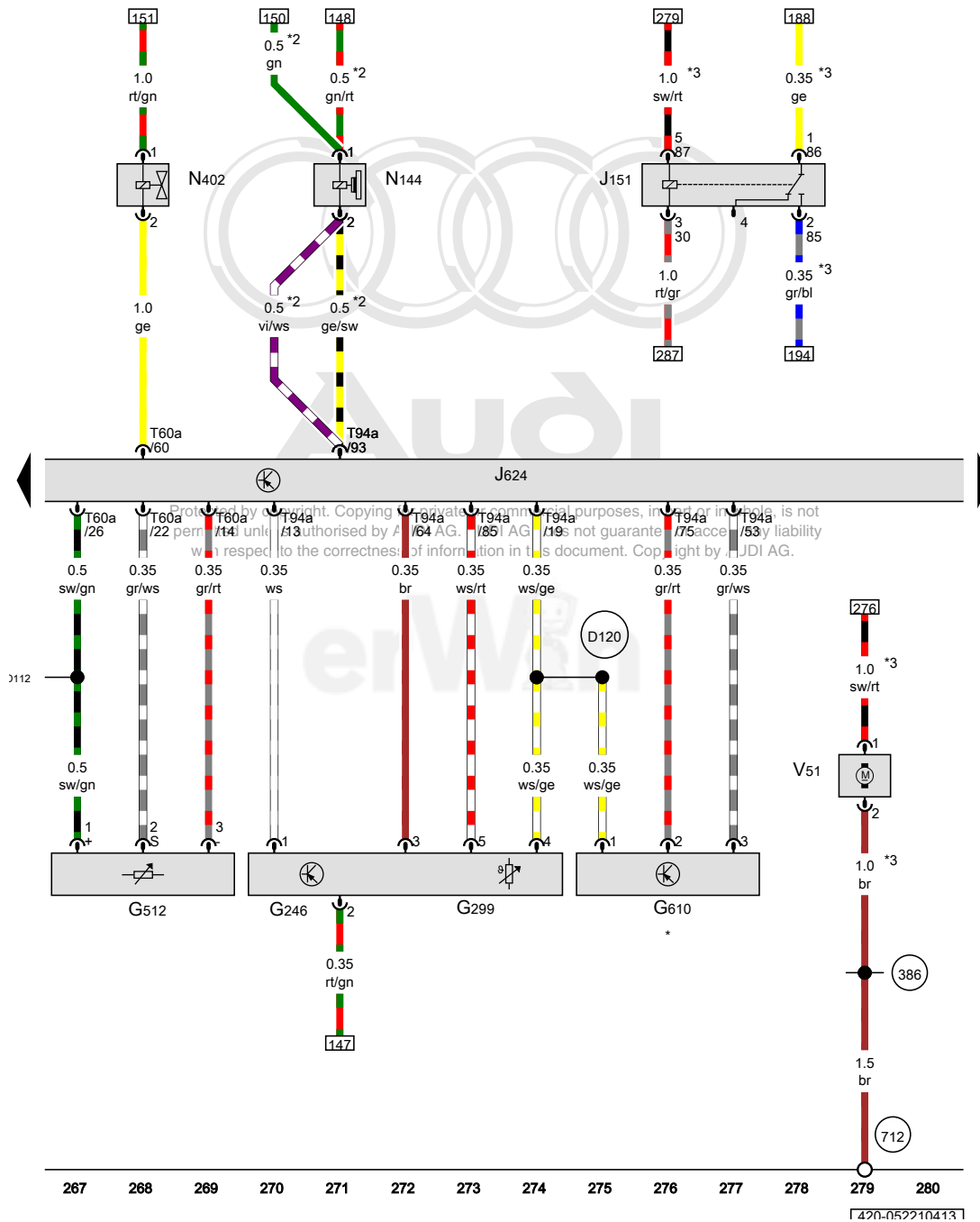
Camshaft position sensor 2, Knock sensor 3, Knock sensor 4, Camshaft position sensor 4, Throttle valve control module 2, Engine control module 2

- G163 Camshaft position sensor 2
- G198 Knock sensor 3
- G199 Knock sensor 4
- G296 Throttle drive 2
- G297 Throttle drive 2 angle sensor 1
- G298 Throttle drive 2 angle sensor 2
- G301 Camshaft position sensor 4
- J544 Throttle valve control module 2
- J624 Engine control module 2
- T3h 3-pin connector, on the knock sensor 3
- T3i 3-pin connector, on the knock sensor 4
- T60a 60-pin connector

- (D111) Connection 9 (in engine compartment wiring harness)
- (D112) Connection 10 (in engine compartment wiring harness)



Protected by copyright. Copying for private or commercial purposes, in part or in whole, is not permitted unless authorised by AUDI AG. AUDI AG does not guarantee or accept any liability with respect to the correctness of information in this document. Copyright by AUDI AG.



Mass airflow sensor 2, Intake manifold runner position sensor 2, Secondary air injection sensor 2, Coolant circulation pump relay, Engine control module 2, Left electrohydraulic engine mount solenoid valve, Fuel metering valve 2

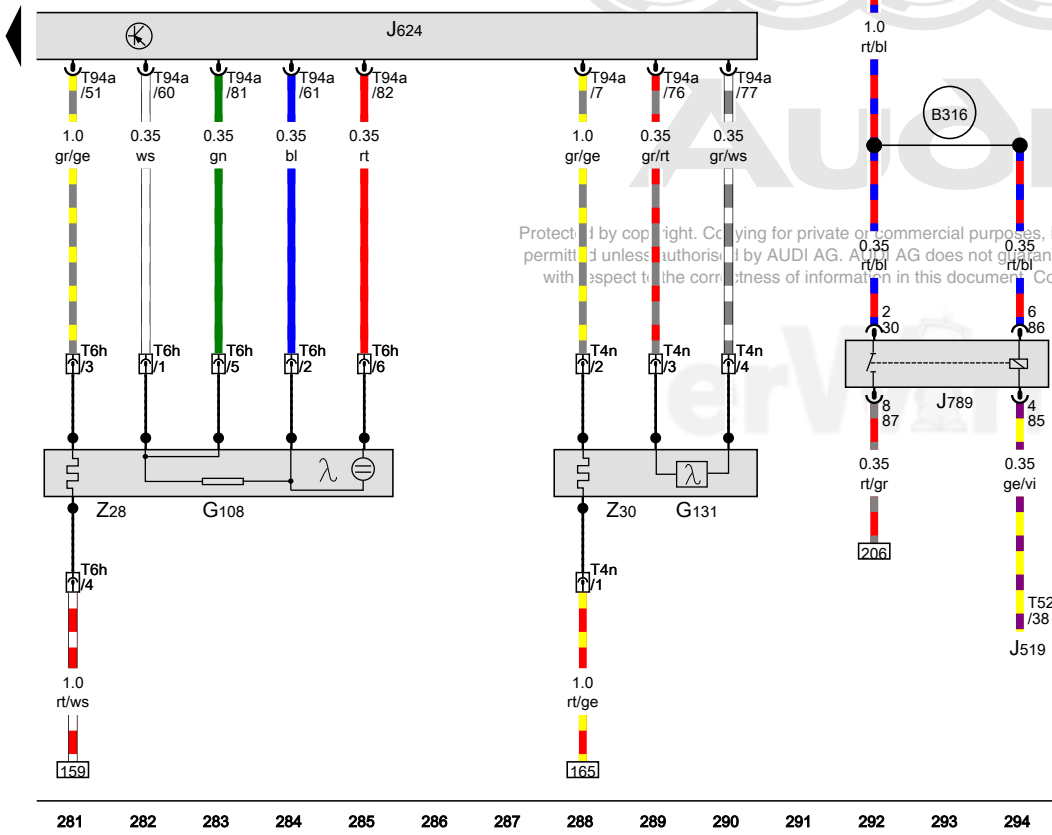
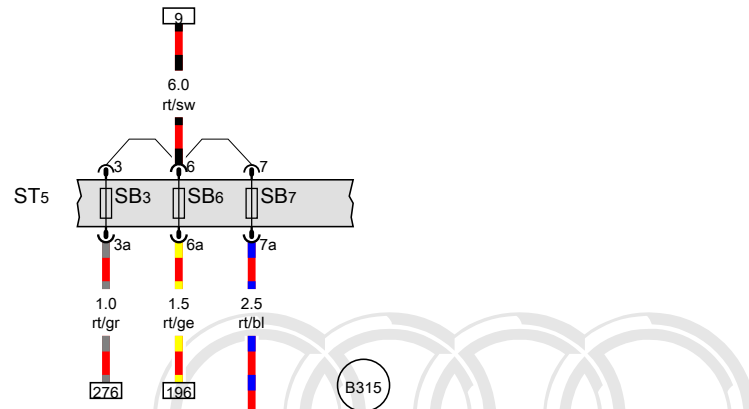
- G246 Mass airflow sensor 2
- G299 Intake air temperature sensor 2
- G512 Intake manifold runner position sensor 2
- G610 Secondary air injection sensor 2
- J151 Coolant circulation pump relay
- J624 Engine control module 2
- N144 Left electrohydraulic engine mount solenoid valve
- N402 Fuel metering valve 2
- T60a 60-pin connector
- T94a 94-pin connector
- V51 After-run coolant pump

- 386 Ground connection 21 (in main wiring harness)
- 712 Ground connection under rear shelf, left
- D112 Connection 10 (in engine compartment wiring harness)
- D120 Connection 18 (in engine compartment wiring harness)

- * USA only
- *2 Depending on equipment
- *3 Version for hot climates

- ws = white
- sw = black
- ro = red
- rt = red
- br = brown
- gn = green
- bl = blue
- gr = grey
- li = lilac
- vi = lilac
- ge = yellow
- or = orange
- rs = pink

420-052210413



Heated oxygen sensor 2, Oxygen sensor 2 after catalytic converter, Engine control module 2, Control relay

- G108 Heated oxygen sensor 2
- G131 Oxygen sensor 2 after catalytic converter
- J519 Vehicle electrical system control module
- J624 Engine control module 2
- J789 Control relay, Relay and fuse holder B on the vehicle electrical system control module in the right front footwell
- SB3 Fuse 3 (on fuse panel B)
- ST5 Fuse panel 5
- SB6 Fuse 6 (on fuse panel B)
- SB7 Fuse 7 (on fuse panel B)
- T4n 4-pin connector
- T6h 6-pin connector
- T52k 52-pin connector
- T94a 94-pin connector
- Z28 Oxygen sensor 2 heater
- Z30 Heater for oxygen sensor 2 after catalytic converter
- B315 Positive connection 1 (30a) (in main wiring harness)
- B316 Positive connection 2 (30a) (in main wiring harness)

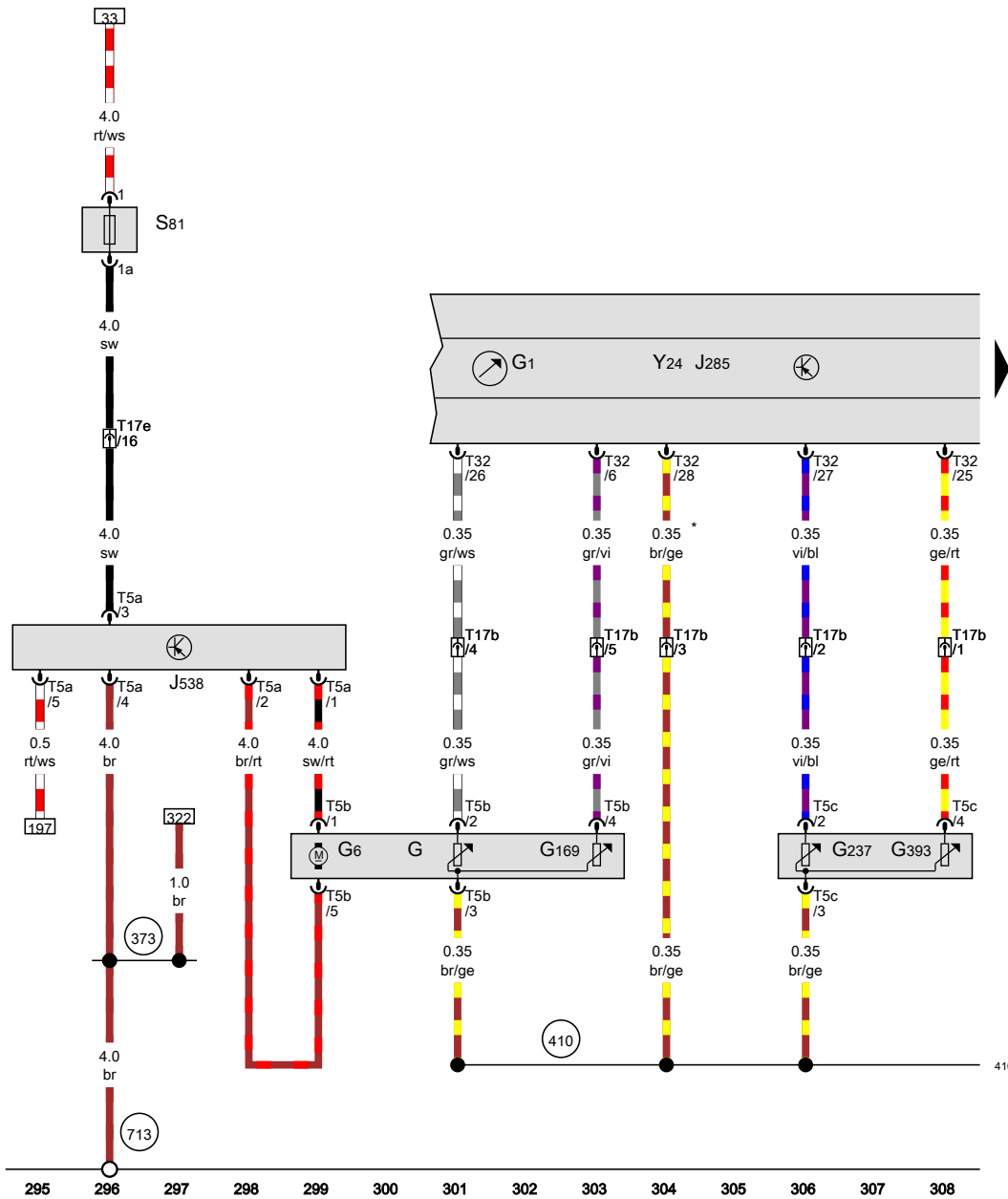
- ws = white
- sw = black
- ro = red
- rt = red
- br = brown
- gn = green
- bl = blue
- gr = grey
- li = lilac
- vi = lilac
- ge = yellow
- or = orange
- rs = pink

[420-052220413]

Fuel level sensor, Transfer fuel pump, Instrument cluster control module

- G Fuel level sensor
- G1 Fuel gauge
- G6 Transfer fuel pump
- G169 Fuel level sensor 2
- G237 Fuel level sensor 3
- G393 Fuel level sensor 4
- J285 Instrument cluster control module
- J538 Fuel pump control module
- S81 Fuel pump fuse, 9-pin relay and fuse panel C under the rear shelf, right
- T5a 5-pin connector
- T5b 5-pin connector
- T5c 5-pin connector
- T17b 17-pin connector, in the center console
- T17e 17-pin connector, Connector station under the rear shelf, right
- T32 32-pin connector
- Y24 Display unit in instrument cluster

- 373 Ground connection 8 (in main wiring harness)
- 410 Sensor ground connection 1 (in main wiring harness)
- 713 Ground connection under rear shelf, right
- * Sensor ground output



- ws = white
- sw = black
- ro = red
- rt = red
- br = brown
- gn = green
- bl = blue
- gr = grey
- li = lilac
- vi = lilac
- ge = yellow
- or = orange
- rs = pink

Protected by copyright. Copying for private or commercial purposes, in part or in whole, is not permitted without express authorization by AUDI AG. AUDI AG does not guarantee or accept any liability with respect to the correctness of information in this document. Copyright by AUDI AG.

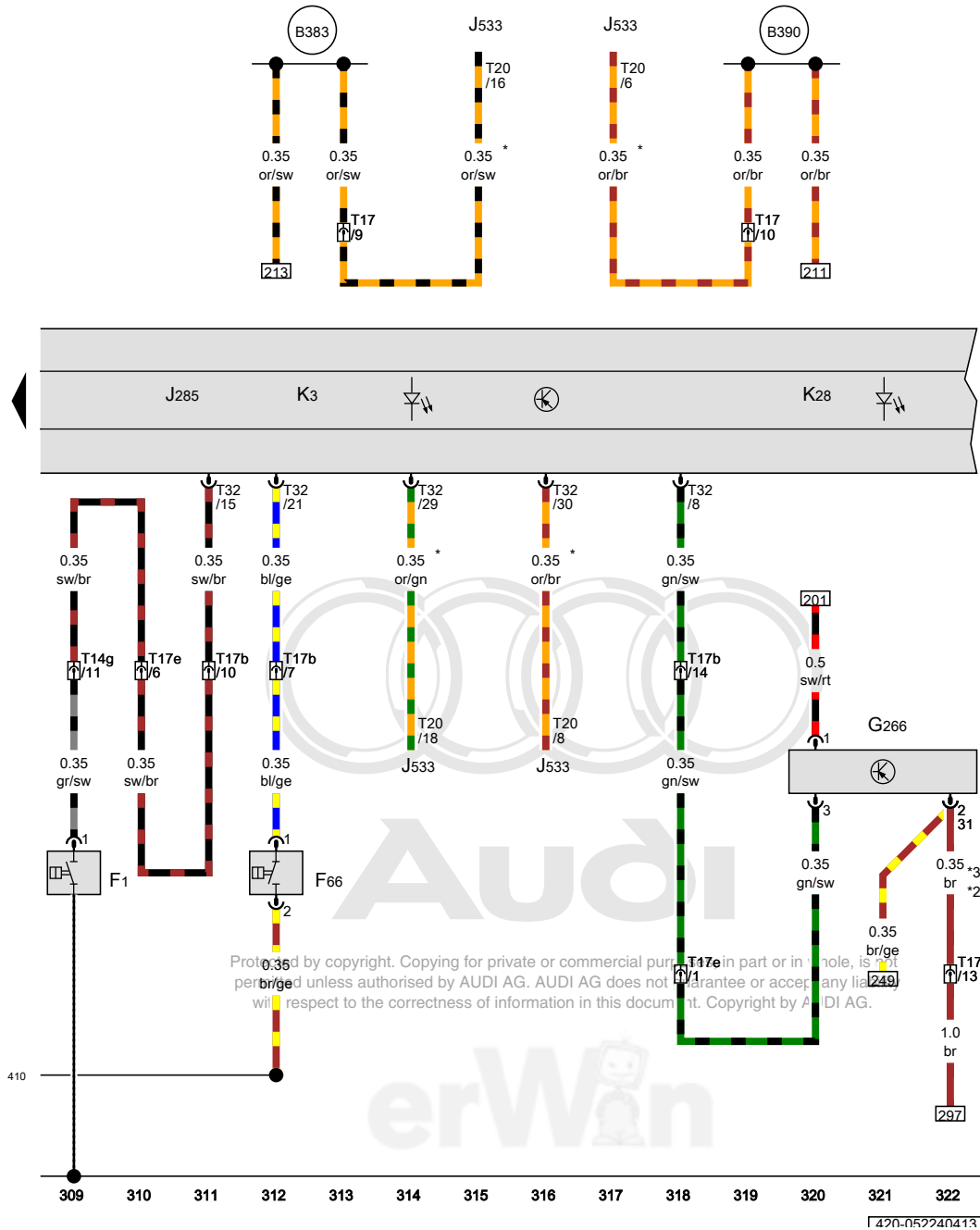
420-052230413

Oil pressure switch, Engine coolant level warning switch, Oil level thermal sensor, Instrument cluster control module

- F1 Oil pressure switch
- F66 Engine coolant level warning switch
- G266 Oil level thermal sensor
- J285 Instrument cluster control module
- J533 Data bus on board diagnostic interface
- K3 Oil pressure indicator lamp
- K28 Engine coolant level/temperature indicator lamp
- T14g 14-pin connector, in the engine compartment
- T17 17-pin connector, in the center console
- T17b 17-pin connector, in the center console
- T17e 17-pin connector, Connector station under the rear shelf, right
- T17f 17-pin connector, Connector station under the rear shelf, right
- T20 20-pin connector
- T32 32-pin connector

- 410 Sensor ground connection 1 (in main wiring harness)
- B383 Powertrain CAN bus high connection 1 (in main wiring harness)
- B390 Powertrain CAN bus low connection 1 (in main wiring harness)

- * Data bus wire (CAN bus)
- *2 Running change
- *3 The color of the wires depends on vehicle equipment



- ws = white
- sw = black
- ro = red
- rt = red
- br = brown
- gn = green
- bl = blue
- gr = grey
- li = lilac
- vi = lilac
- ge = yellow
- or = orange
- rs = pink

Protected by copyright. Copying for private or commercial purposes, in part or in whole, is prohibited unless authorised by AUDI AG. AUDI AG does not warrant or accept any liability with respect to the correctness of information in this document. Copyright by AUDI AG.

426-052240413

Automatic transmission - 7-speed DSG 0BZ

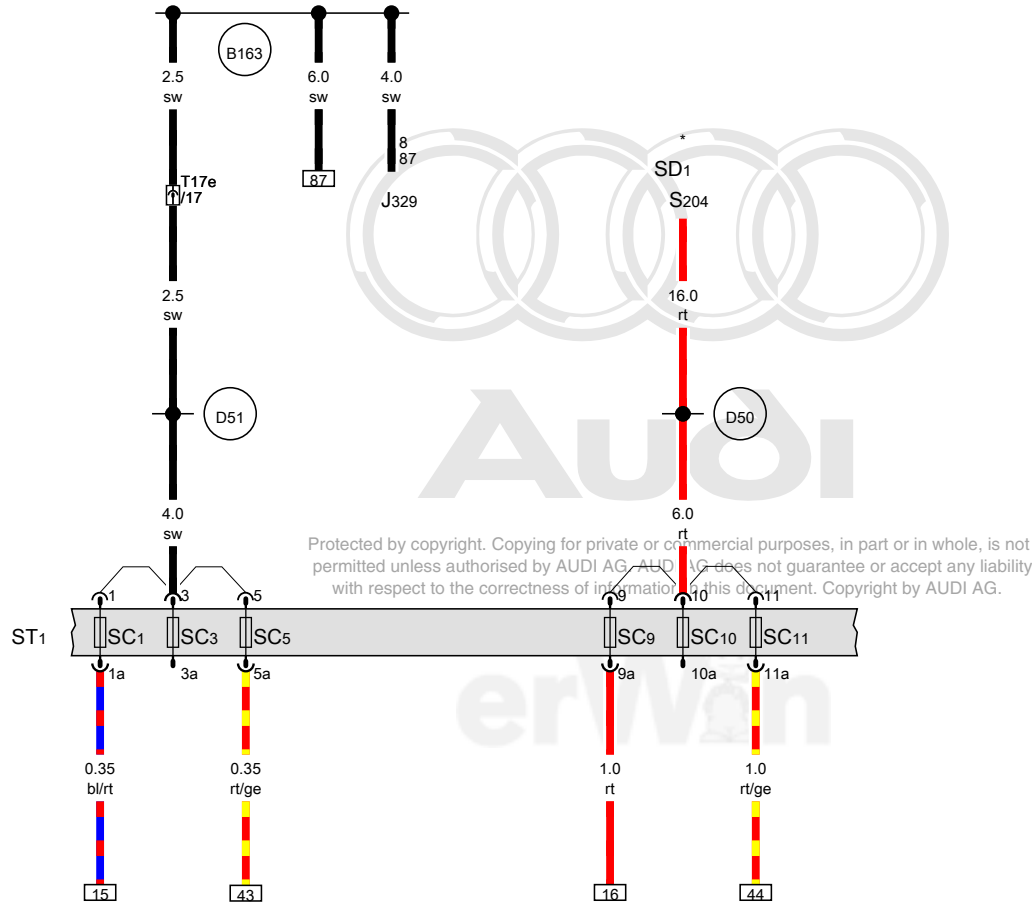
from June 2012



Audi

Protected by copyright. Copying for private or commercial purposes, in part or in whole, is not permitted unless authorised by AUDI AG. AUDI AG does not guarantee or accept any liability with respect to the correctness of information in this document. Copyright by AUDI AG.





Fuse panel 1

- J329 Terminal 15 power supply relay, Relay carrier in the right front footwell
- SD1 Fuse 1 (on fuse panel D)
- SC1 Fuse 1 (on fuse panel C)
- ST1 Fuse panel 1
- SC3 Fuse 3 (on fuse panel C)
- SC5 Fuse 5 (on fuse panel C)
- SC9 Fuse 9 (on fuse panel C)
- SC10 Fuse 10 (on fuse panel C)
- SC11 Fuse 11 (on fuse panel C)
- S204 Fuse 1 (terminal 30)
- T17e 17-pin connector, Connector station under the rear shelf, right

- B163 Positive connection 1 (15) (in interior wiring harness)
- D50 Positive connection (30) (in engine compartment wiring harness)
- D51 Positive connection 1 (15) (in engine compartment wiring harness)
- * Refer to applicable engine wiring diagram

- ws = white
- sw = black
- ro = red
- rt = red
- br = brown
- gn = green
- bl = blue
- gr = grey
- li = lilac
- vi = lilac
- ge = yellow
- or = orange
- rs = pink

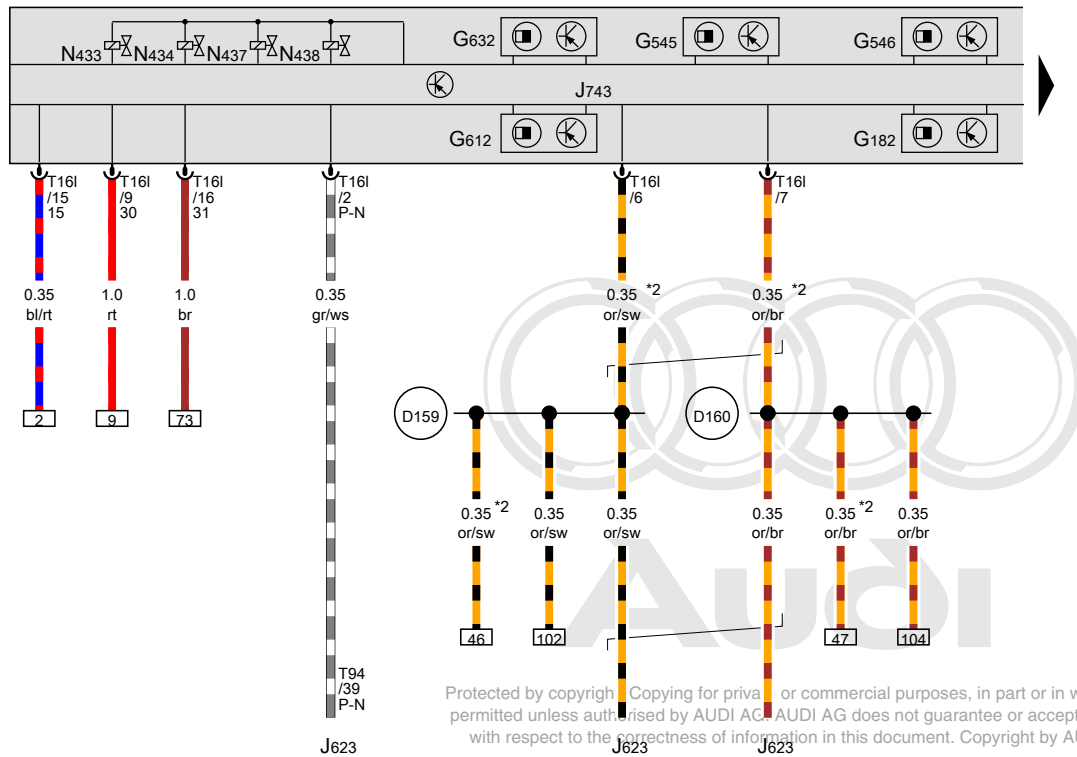
1 2 3 4 5 6 7 8 9 10 11 12 13 14

1420-055020614

Transmission input speed sensor, Hydraulic pressure sensor 1, DSG transmission Mechatronic

- G182 Transmission input speed sensor
- G545 Hydraulic pressure sensor 1
- G546 Hydraulic pressure sensor 2
- G612 Transmission input speed sensor 2
- G632 Transmission input speed sensor 1
- J623 Engine control module
- J624 Engine control module 2
- J743 DSG transmission Mechatronic
- N433 Sub-transmission 1 valve 1
- N434 Sub-transmission 1 valve 2
- N437 Sub-transmission 1 valve 1
- N438 Sub-transmission 2 valve 2
- T161 16-pin connector
- T94 94-pin connector

- (D159) High bus connection (in engine compartment wiring harness)
- (D160) Low bus positive connection (in engine compartment wiring harness)
- * Refer to applicable engine wiring diagram
- *2 Data bus wire (CAN bus)



Protected by copyright. Copying for private or commercial purposes, in part or in whole, is not permitted unless authorised by AUDI AG. AUDI AG does not guarantee or accept any liability with respect to the correctness of information in this document. Copyright by AUDI AG.

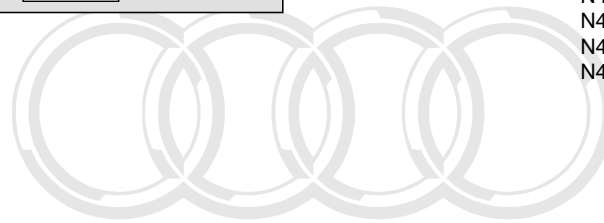
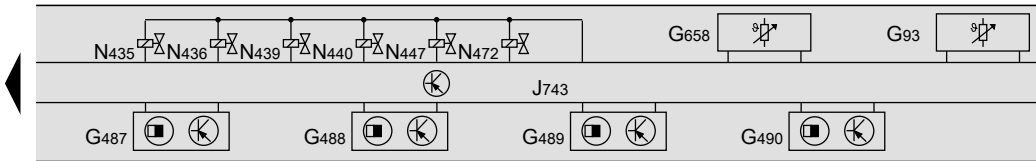
- ws = white
- sw = black
- ro = red
- rt = red
- br = brown
- gn = green
- bl = blue
- gr = grey
- li = lilac
- vi = lilac
- ge = yellow
- or = orange
- rs = pink

15 16 17 18 19 20 21 22 23 24 25 26 27 28

1420-055030614

Transmission fluid temperature sensor, Gear position distance sensor 1, Clutch temperature sensor 1, DSG transmission Mechatronic, Clutch cooling valve 1, Main pressure valve

- G93 Transmission fluid temperature sensor
- G487 Gear position distance sensor 1
- G488 Gear position distance sensor 2
- G489 Gear position distance sensor 3
- G490 Gear position distance sensor 4
- G658 Clutch temperature sensor 1
- J743 DSG transmission Mechatronic
- N435 Sub-transmission 1 valve 3
- N436 Sub-transmission 1 valve 4
- N439 Sub-transmission 2 valve 3
- N440 Sub-transmission 2 valve 4
- N447 Clutch cooling valve 1
- N472 Main pressure valve



Audi

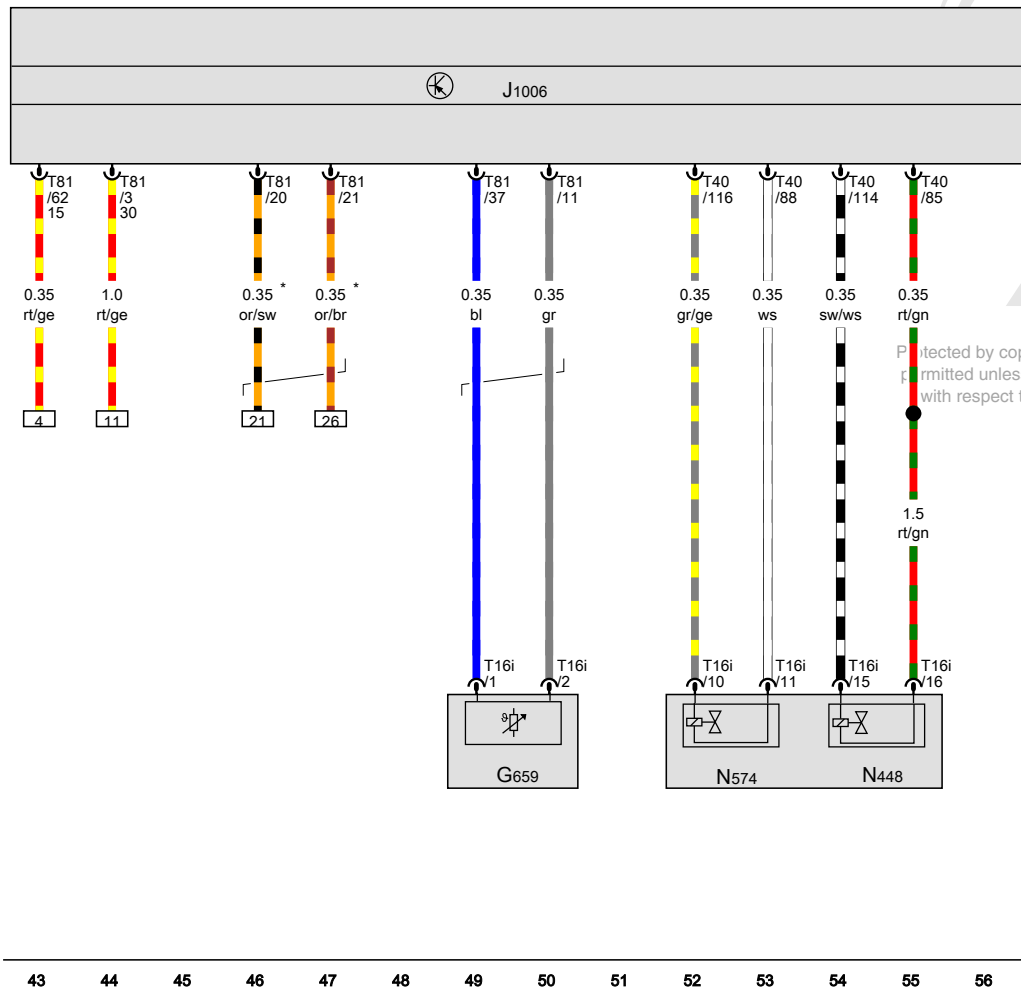
Protected by copyright. Copying for private or commercial purposes, in part or in whole, is not permitted unless authorised by AUDI AG. AUDI AG does not guarantee or accept any liability with respect to the correctness of information in this document. Copyright by AUDI AG.



- ws = white
- sw = black
- ro = red
- rt = red
- br = brown
- gn = green
- bl = blue
- gr = grey
- li = lilac
- vi = lilac
- ge = yellow
- or = orange
- rs = pink

Automatic transmission control module 2, Clutch cooling valve 2, Parking lock solenoid valve 2

- G659 Clutch temperature sensor 2
- J1006 Automatic transmission control module 2
- N448 Clutch cooling valve 2
- N574 Parking lock solenoid valve 2
- T16i 16-pin connector
- T40 40-pin connector
- T81 81-pin connector
- * Data bus wire (CAN bus)

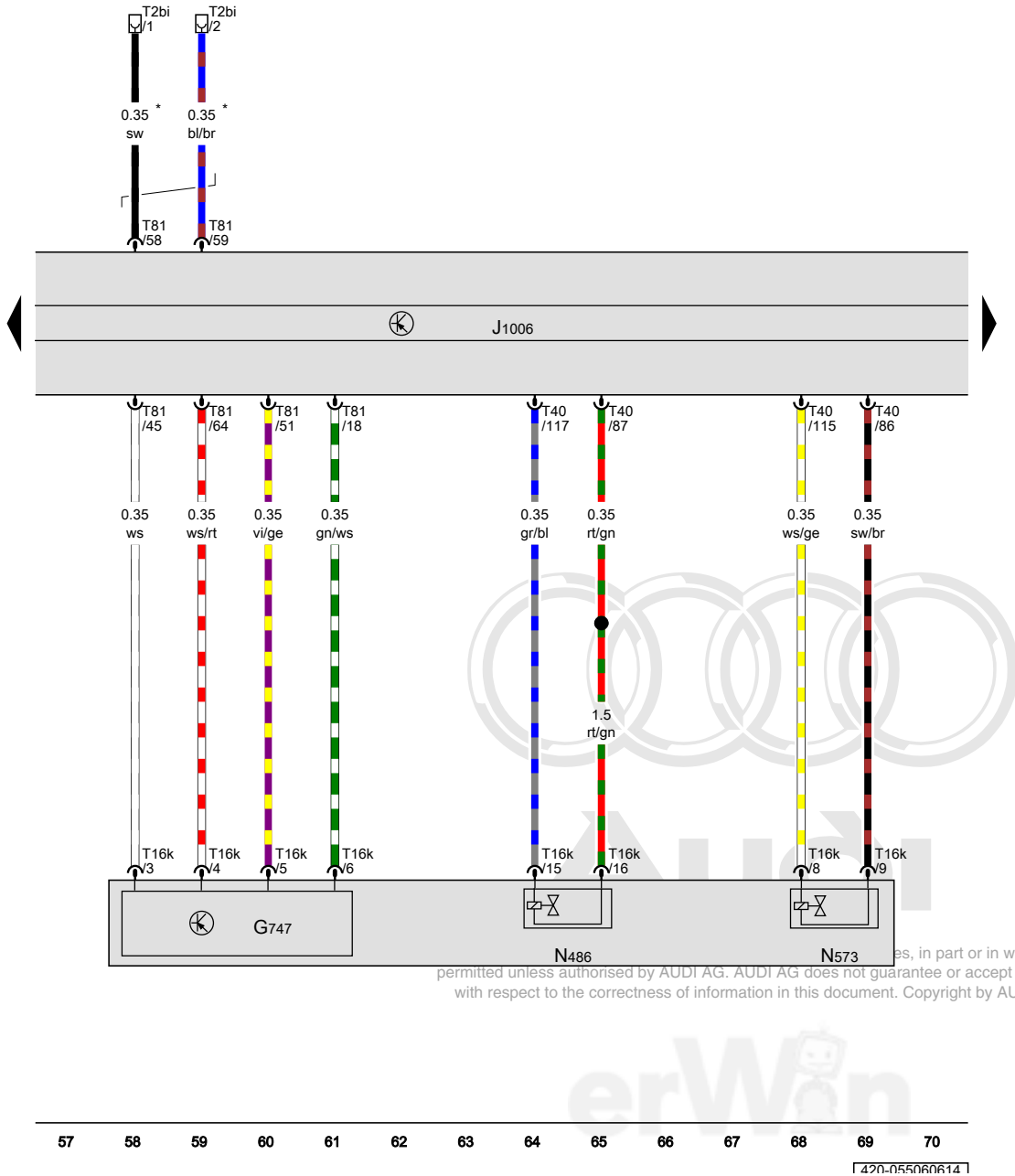


Protected by copyright. Copying for private or commercial purposes, in part or in whole, is not permitted unless authorised by AUDI AG. AUDI AG does not guarantee or accept any liability with respect to the correctness of information in this document. Copyright by AUDI AG.

- ws = white
- sw = black
- ro = red
- rt = red
- br = brown
- gn = green
- bl = blue
- gr = grey
- li = lilac
- vi = lilac
- ge = yellow
- or = orange
- rs = pink

Parking lock sensor, Automatic transmission control module 2, Parking lock solenoid, Parking lock solenoid valve

- G747 Parking lock sensor
- J1006 Automatic transmission control module 2
- N486 Parking lock solenoid
- N573 Parking lock solenoid valve
- T2bi Double connector
- T16k 16-pin connector
- T40 40-pin connector
- T81 81-pin connector
- * Omitted as a running change



- ws = white
- sw = black
- ro = red
- br = brown
- gn = green
- bl = blue
- gr = grey
- li = lilac
- vi = lilac
- ge = yellow
- or = orange
- rs = pink

57 58 59 60 61 62 63 64 65 66 67 68 69 70

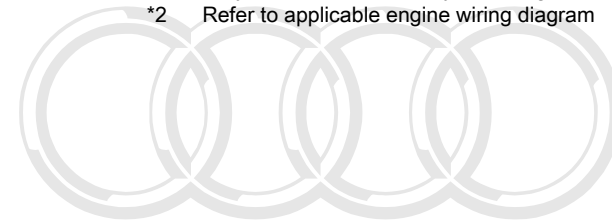
[420-055060614]

Automatic transmission control module 2, Fuse panel 3, Transmission coolant pump

- J757 Engine component power supply relay
- J1006 Automatic transmission control module 2
- ST3 Fuse panel 3
- SC4 Fuse 4 (on fuse panel C)
- T3v 3-pin connector
- T81 81-pin connector
- V532 Transmission coolant pump

- (417) Ground connection 9 (in engine compartment wiring harness)
- (713) Ground connection under rear shelf, right
- (D173) Connection 87 (in engine pre-wiring harness)

* Only in vehicles with 10-cylinder engine
 *2 Refer to applicable engine wiring diagram

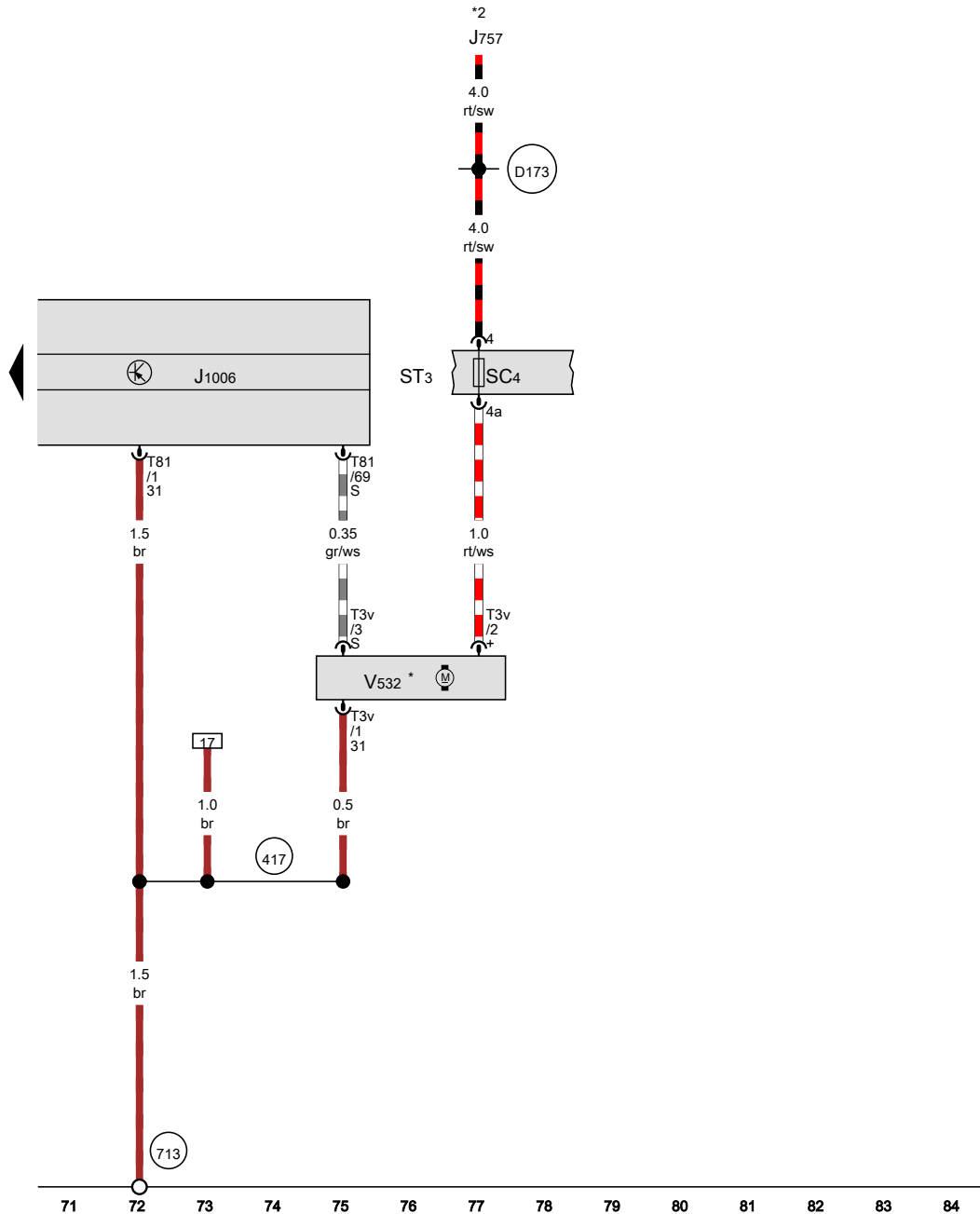


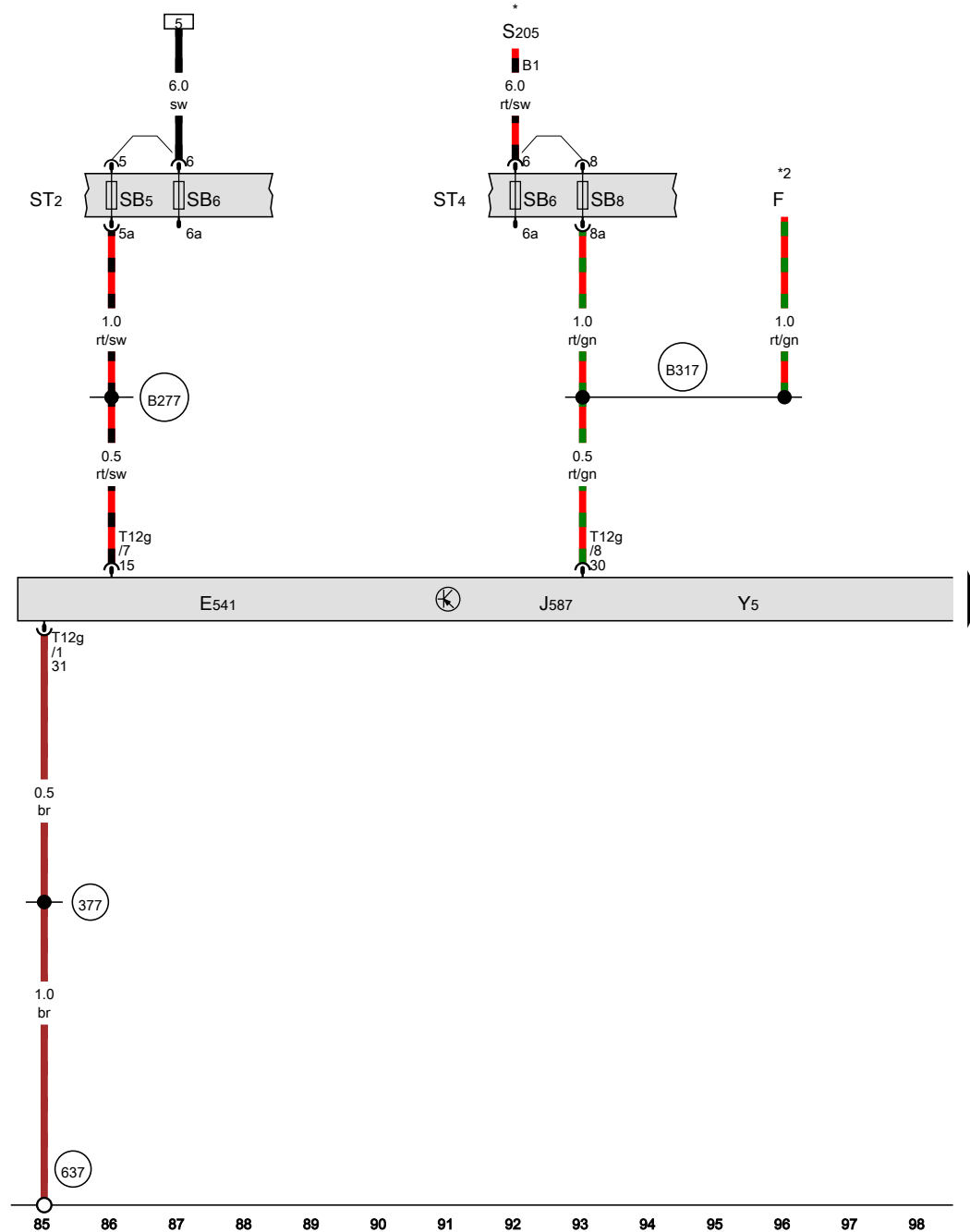
Audi

Protected by copyright. Copying for private or commercial purposes, in part or in whole, is not permitted unless authorised by AUDI AG. AUDI AG does not guarantee or accept any liability with respect to the correctness of information in this document. Copyright by AUDI AG.

erWin

- ws = white
- sw = black
- ro = red
- rt = red
- br = brown
- gn = green
- bl = blue
- gr = grey
- li = lilac
- vi = lilac
- ge = yellow
- or = orange
- rs = pink





Selector lever sensor system control module

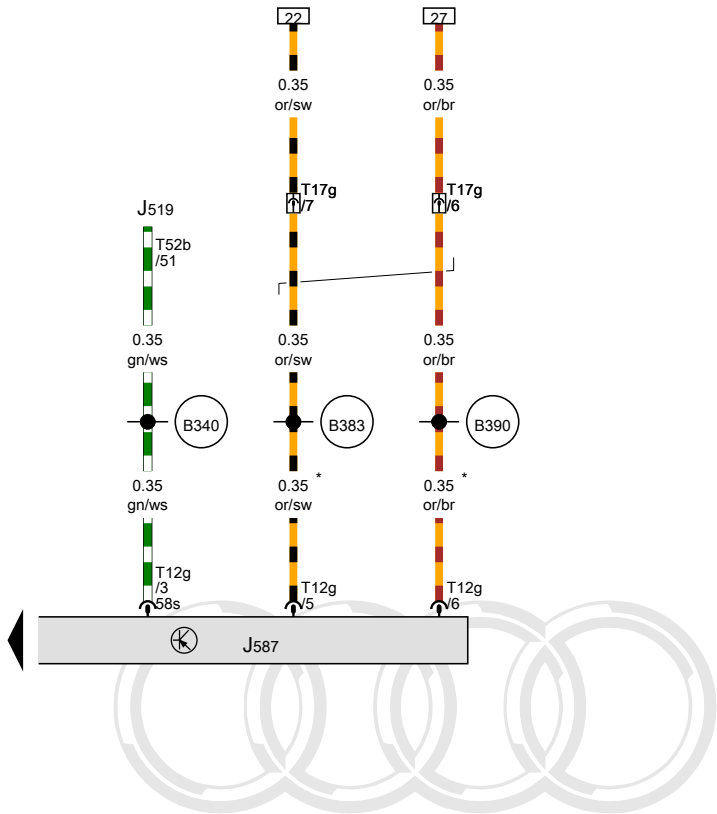
- E541 Sport program button
- F Brake lamp switch
- J587 Selector lever sensor system control module
- ST2 Fuse panel 2
- ST4 Fuse panel 4
- SB5 Fuse 5 (on fuse panel B)
- SB6 Fuse 6 (on fuse panel B)
- SB8 Fuse 8 (on fuse panel B)
- S205 Fuse 2 (terminal 30)
- T12g 12-pin connector
- Y5 Selector lever transmission range display

- 377 Ground connection 12 (in main wiring harness)
- 637 Airbag control module ground connection
- B277 Positive connection 1 (15a) (in main wiring harness)
- B317 Positive connection 3 (30a) (in main wiring harness)
- * Main distribution in the right front footwell
- *2 Refer to applicable engine wiring diagram

- ws = white
- sw = black
- ro = red
- rt = red
- br = brown
- gn = green
- bl = blue
- gr = grey
- li = lilac
- vi = lilac
- ge = yellow
- or = orange
- rs = pink

Protected by copyright. Copying for private or commercial purposes, in part or in whole, is not permitted unless authorised by AUDI AG. AUDI AG does not guarantee or accept any liability with respect to the correctness of information in this document. Copyright by AUDI AG.

420-055080614



Selector lever sensor system control module

- J519 Vehicle electrical control module system
- J587 Selector lever sensor system control module
- T12g 12-pin connector
- T17g 17-pin connector, Connector station under the rear shelf, right
- T52b 52-pin connector

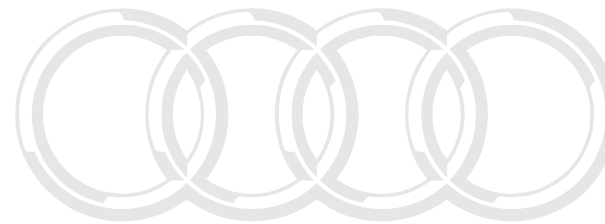
- B340** Connection 58d (in main wiring harness) 1
- B383** Powertrain CAN bus high connection 1 (in main wiring harness)
- B390** Powertrain CAN bus low connection 1 (in main wiring harness)

* Data bus wire (CAN bus)

Protected by copyright. Copying for private or commercial purposes, in part or in whole, is not permitted unless authorised by AUDI AG. AUDI AG does not guarantee or accept any liability with respect to the correctness of information in this document. Copyright by AUDI AG.

- ws = white
- sw = black
- ro = red
- rt = red
- br = brown
- gn = green
- bl = blue
- gr = grey
- li = lilac
- vi = lilac
- ge = yellow
- or = orange
- rs = pink

Headlamps, LED
from June 2012

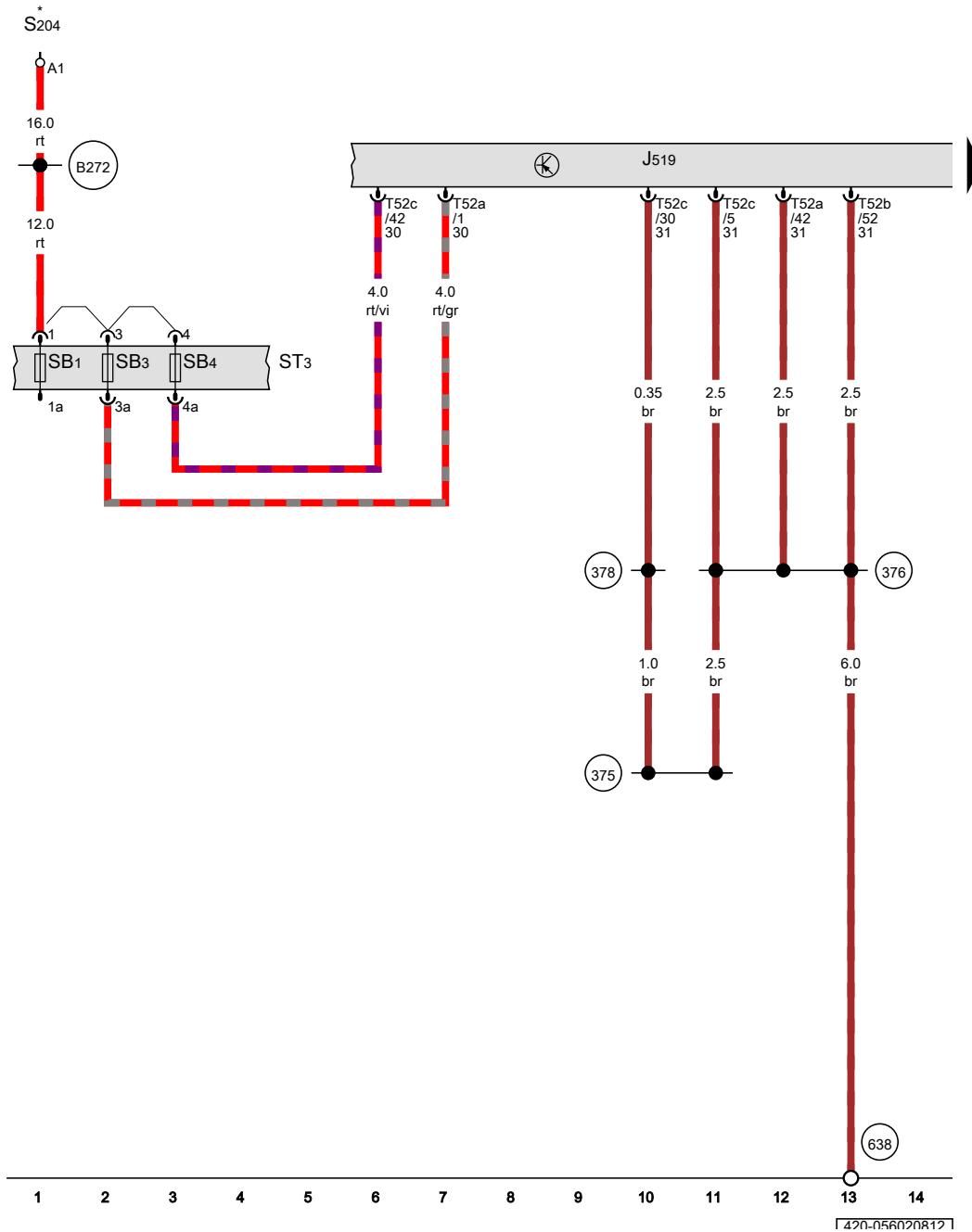


Audi

Protected by copyright. Copying for private or commercial purposes, in part or in whole, is not permitted unless authorised by AUDI AG. AUDI AG does not guarantee or accept any liability with respect to the correctness of information in this document. Copyright by AUDI AG.



Vehicle electrical system control module, Fuse panel 3



- J519 Vehicle electrical system control module
- SB1 Fuse 1 (on fuse panel B)
- ST3 Fuse panel 3
- SB3 Fuse 3 (on fuse panel B)
- SB4 Fuse 4 (on fuse panel B)
- S204 Fuse 1 (terminal 30)
- T52a 52-pin connector
- T52b 52-pin connector
- T52c 52-pin connector

- 375 Ground connection 10 (in main wiring harness)
- 376 Ground connection 11 (in main wiring harness)
- 378 Ground connection 13 (in main wiring harness)
- 638 Ground connection on right A-pillar

Protected by copyright. Copying for private or commercial purposes, in part or in whole, is not permitted unless authorised by AUDI AG. AUDI AG does not guarantee or accept any liability with respect to the correctness of information in this document. Copyright by AUDI AG.
 B272 Positive connection (30) (in main wiring harness)
 * Main distribution in the right front footwell

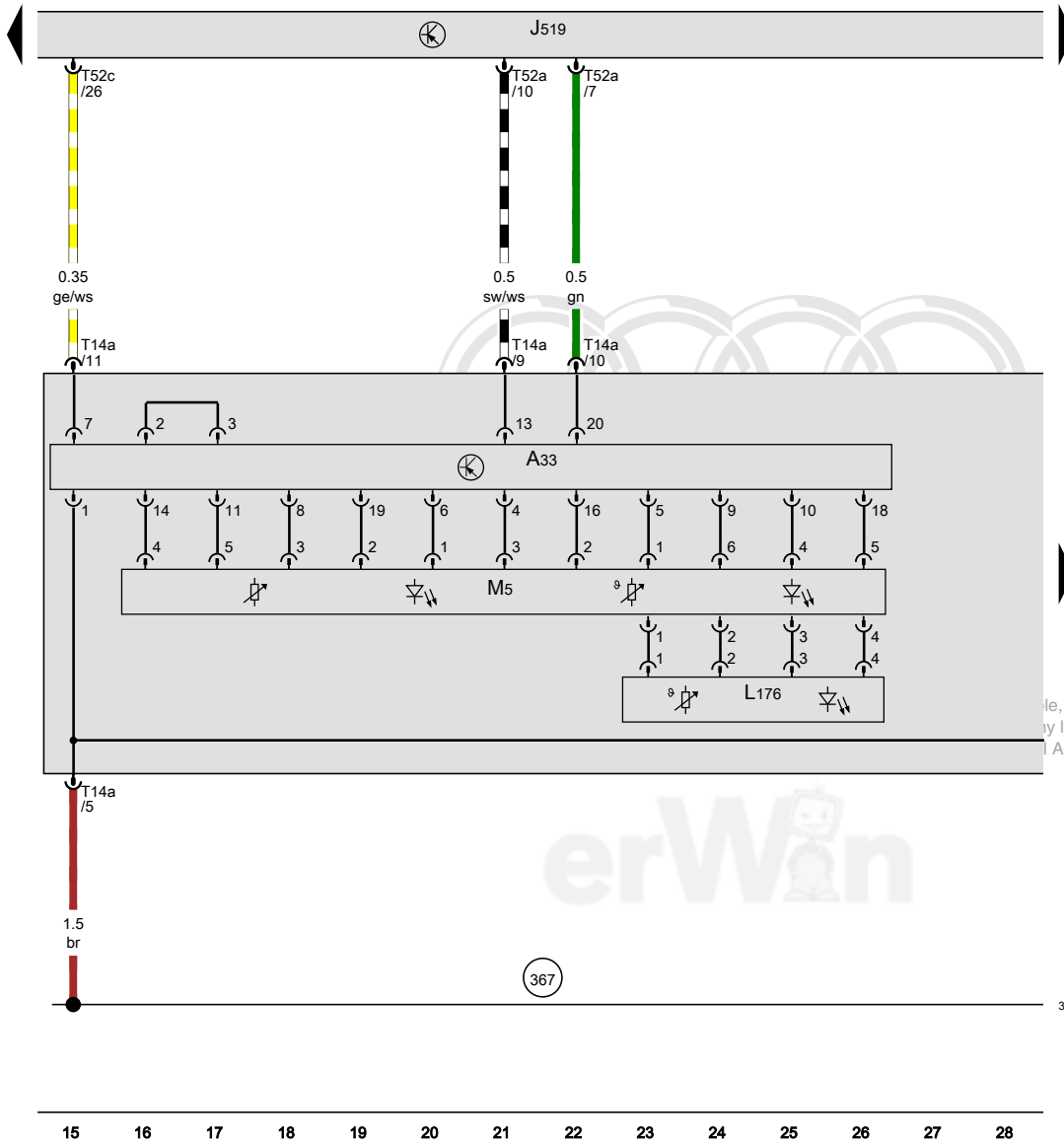
- ws = white
- sw = black
- ro = red
- rt = red
- br = brown
- gn = green
- bl = blue
- gr = grey
- li = lilac
- vi = lilac
- ge = yellow
- or = orange
- rs = pink

1420-056020R12

Left LED headlamp power output module 3, Vehicle electrical system control module, Left daytime running lamp and parking lamp LED module, Left front turn signal bulb

- A33 Left LED headlamp power output module 3
- J519 Vehicle electrical system control module
- L176 Left daytime running lamp and parking lamp LED module
- M5 Left front turn signal bulb
- T14a 14-pin connector
- T52a 52-pin connector
- T52c 52-pin connector

367 Ground connection 2 (in main wiring harness)



le, is not
y liability
AG.



- ws = white
- sw = black
- ro = red
- rt = red
- br = brown
- gn = green
- bl = blue
- gr = grey
- li = lilac
- vi = lilac
- ge = yellow
- or = orange
- rs = pink

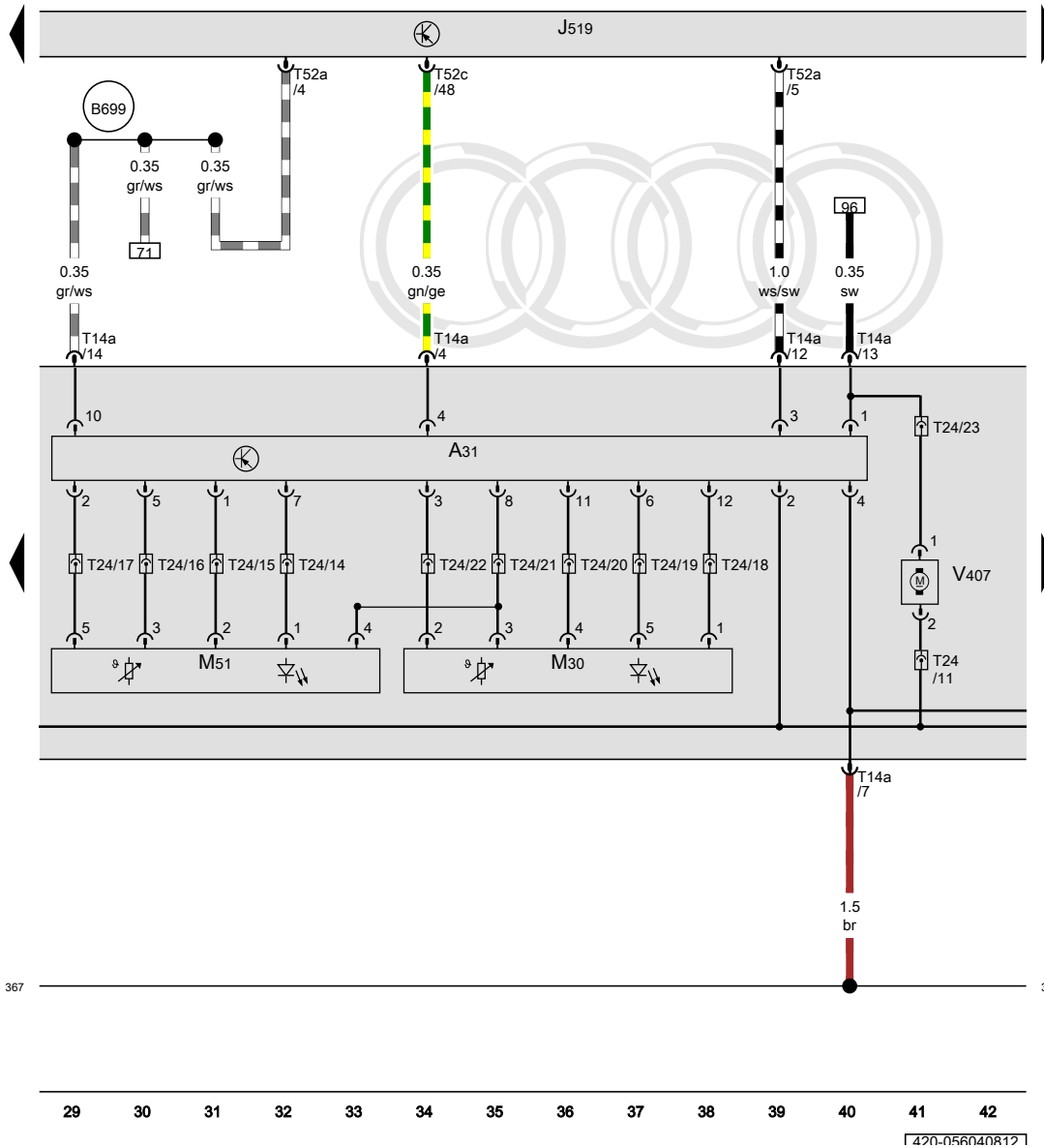
15 16 17 18 19 20 21 22 23 24 25 26 27 28

1420-056030R12

Left LED headlamp power output module 1, Vehicle electrical system control module, Left high beam headlamp bulb, Left stationary cornering lamp, Left headlamp fan

- A31 Left LED headlamp power output module 1
- J519 Vehicle electrical system control module
- M30 Left high beam headlamp bulb
- M51 Left stationary cornering lamp
- T14a 14-pin connector
- T24 24-pin connector, in the left headlamp
- T52a 52-pin connector
- T52c 52-pin connector
- V407 Left headlamp fan

- 367 Ground connection 2 (in main wiring harness)
- B699 LIN bus connection 4 (in main wiring harness)



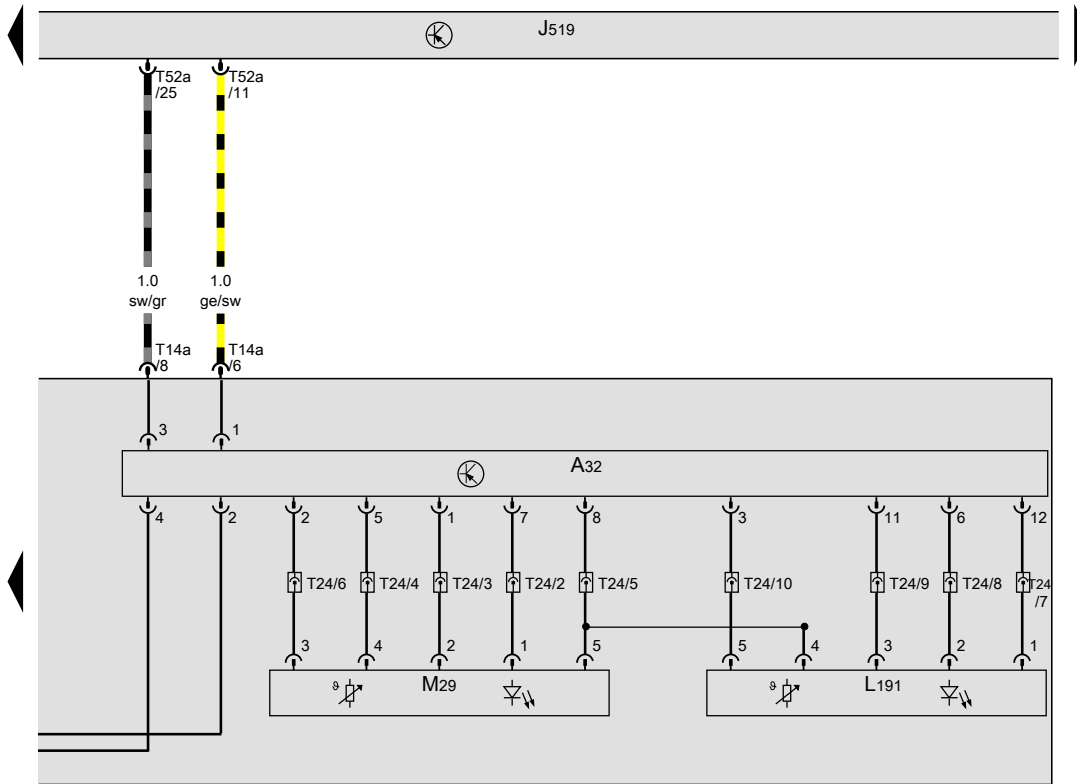
- ws = white
- sw = black
- ro = red
- rt = red
- br = brown
- gn = green
- bl = blue
- gr = grey
- li = lilac
- vi = lilac
- ge = yellow
- or = orange
- rs = pink

[420-056040R12]

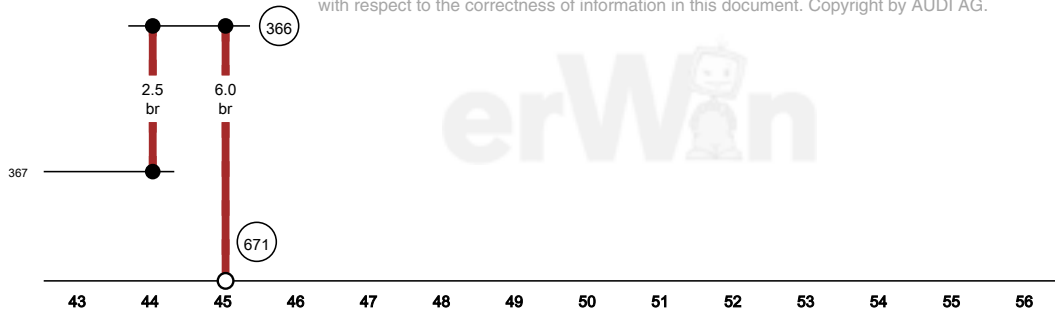
Left LED headlamp power output module 2, Vehicle electrical system control module, Left low beam headlamp bulb 2, Left low beam headlamp bulb

- A32 Left LED headlamp power output module 2
- J519 Vehicle electrical system control module
- L191 Left low beam headlamp bulb 2
- M29 Left low beam headlamp bulb
- T14a 14-pin connector
- T24 24-pin connector, in the left headlamp
- T52a 52-pin connector

- 366 Ground connection 1 (in main wiring harness)
- 367 Ground connection 2 (in main wiring harness)
- 671 Ground connection 1 on left front longitudinal member



Protected by copyright. Copying for private or commercial purposes, in part or in whole, is not permitted unless authorised by AUDI AG. AUDI AG does not guarantee or accept any liability with respect to the correctness of information in this document. Copyright by AUDI AG.



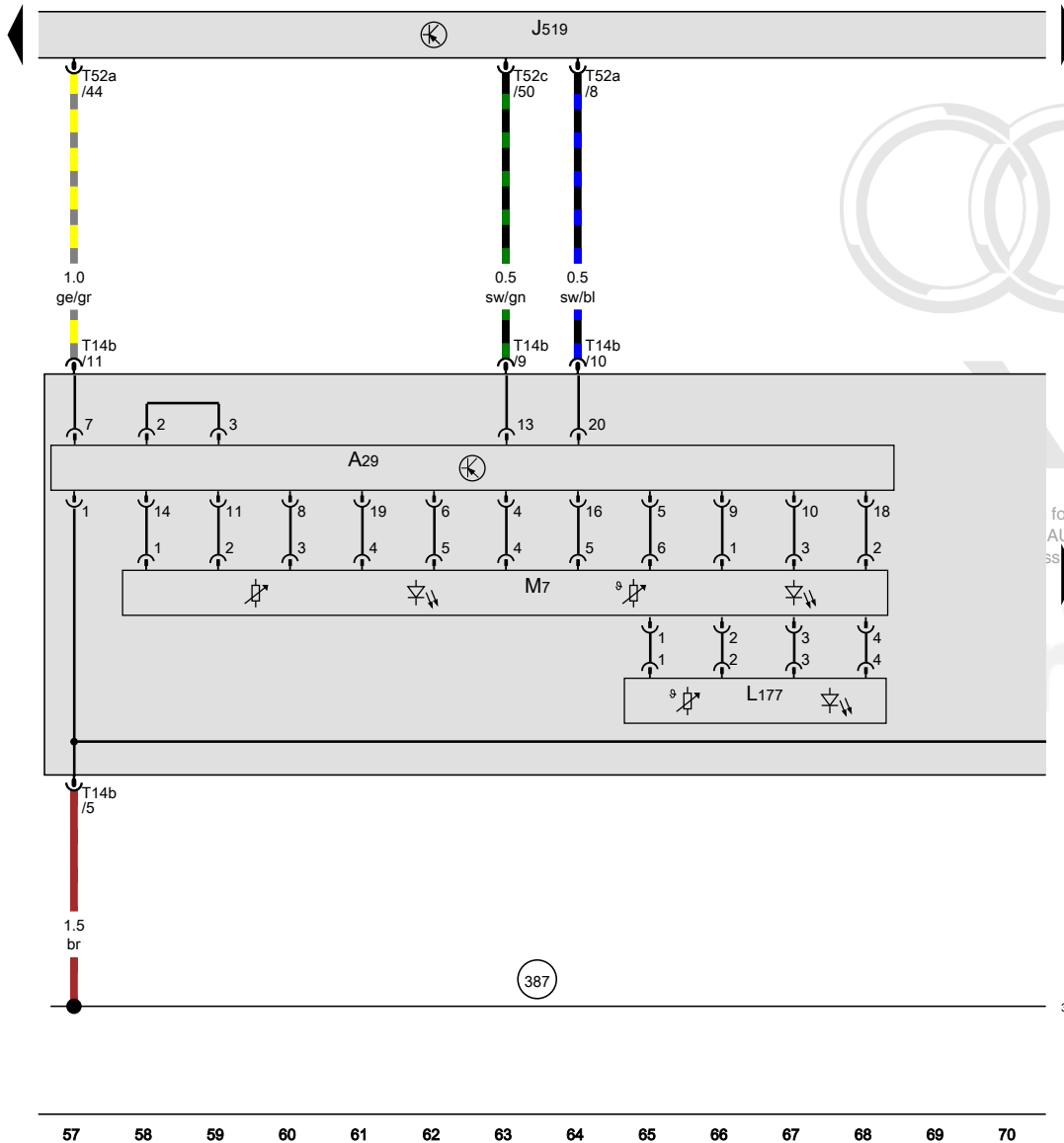
- ws = white
- sw = black
- ro = red
- rt = red
- br = brown
- gn = green
- bl = blue
- gr = grey
- li = lilac
- vi = lilac
- ge = yellow
- or = orange
- rs = pink

420-056050812

Right LED headlamp power output module 3, Vehicle electrical system control module, Right daytime running lamp and parking lamp LED module, Right front turn signal bulb

- A29 Right LED headlamp power output module 3
- J519 Vehicle electrical system control module
- L177 Right daytime running lamp and parking lamp LED module
- M7 Right front turn signal bulb
- T14b 14-pin connector
- T52a 52-pin connector
- T52c 52-pin connector

387 Ground connection 22 (in main wiring harness)



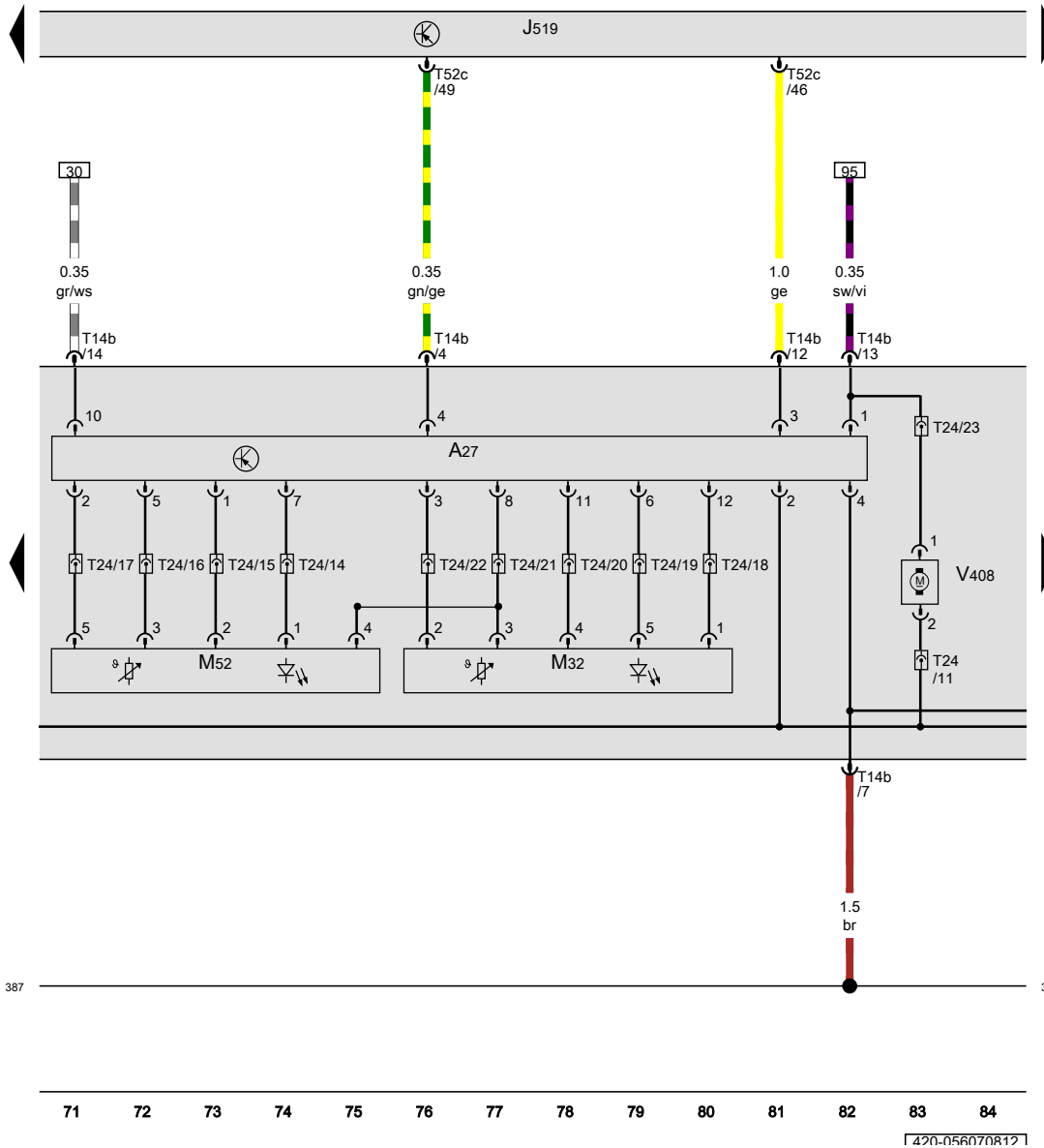
for private or commercial purposes, in part or in whole, is not AUDI AG. AUDI AG does not guarantee or accept any liability for information in this document. Copyright by AUDI AG.

- ws = white
- sw = black
- ro = red
- rt = red
- br = brown
- gn = green
- bl = blue
- gr = grey
- li = lilac
- vi = lilac
- ge = yellow
- or = orange
- rs = pink

420-056060R12

Right LED headlamp power output module 1, Vehicle electrical system control module, Right high beam headlamp bulb, Right stationary cornering lamp, Right headlamp fan

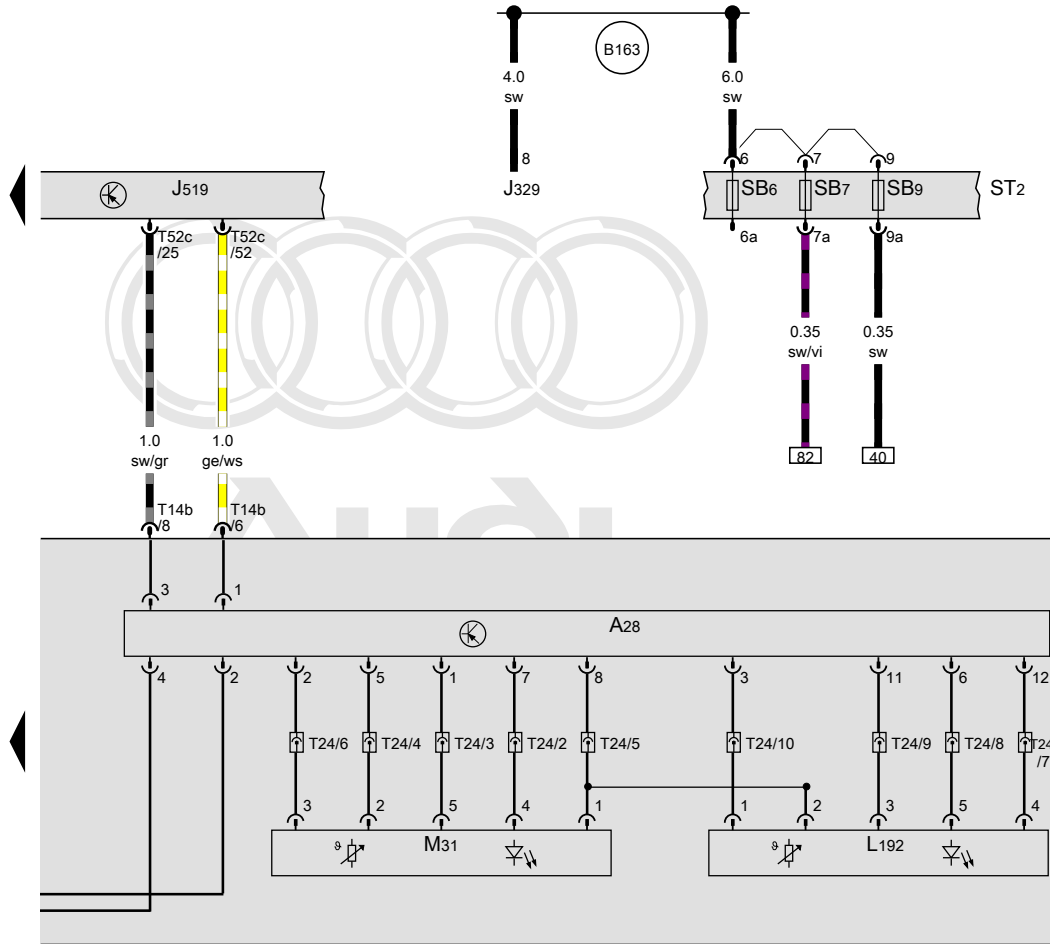
- A27 Right LED headlamp power output module 1
- J519 Vehicle electrical system control module
- M32 Right high beam headlamp bulb
- M52 Right stationary cornering lamp
- T14b 14-pin connector
- T24 24-pin connector, in the right headlamp
- T52c 52-pin connector
- V408 Right headlamp fan
- 387 Ground connection 22 (in main wiring harness)



- ws = white
- sw = black
- ro = red
- rt = red
- br = brown
- gn = green
- bl = blue
- gr = grey
- li = lilac
- vi = lilac
- ge = yellow
- or = orange
- rs = pink

Protected by copyright. Copying for private or commercial purposes, in part or in whole, is not permitted unless authorised by AUDI AG. AUDI AG does not guarantee or accept any liability with respect to the correctness of information in this document. Copyright by AUDI AG.

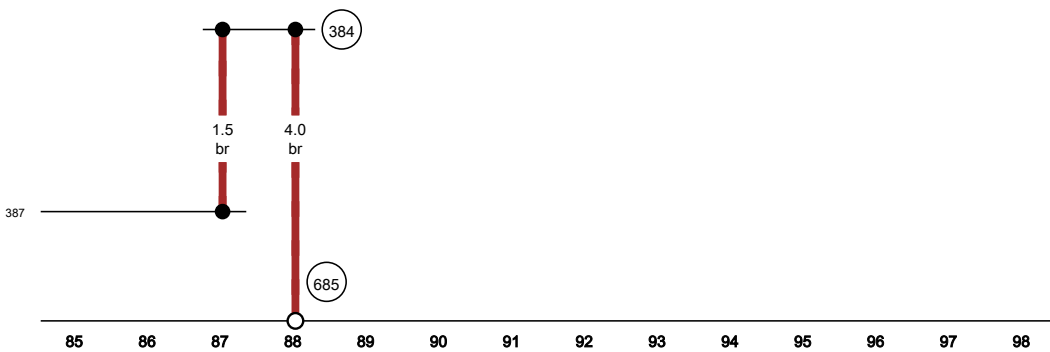
[420-056070812]



Right LED headlamp power output module 2, Vehicle electrical system control module, Right low beam headlamp bulb 2, Right low beam headlamp bulb, Fuse panel 2

- A28 Right LED headlamp power output module 2
- J329 Terminal 15 power supply relay, Relay carrier in the right front footwell
- J519 Vehicle electrical system control module
- L192 Right low beam headlamp bulb 2
- M31 Right low beam headlamp bulb
- ST2 Fuse panel 2
- SB6 Fuse 6 (on fuse panel B)
- SB7 Fuse 7 (on fuse panel B)
- SB9 Fuse 9 (on fuse panel B)
- T14b 14-pin connector
- T24 24-pin connector, in the right headlamp
- T52c 52-pin connector

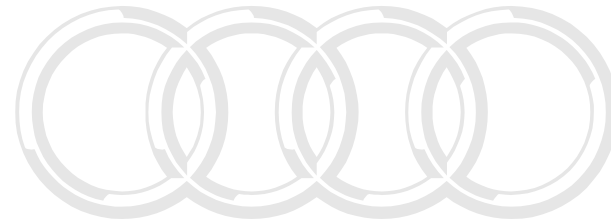
- 384 Ground connection 19 (in main wiring harness)
- 387 Ground connection 22 (in main wiring harness)
- 685 Ground connection 1 on right front longitudinal member
- B163 Positive connection 1 (15) (in interior wiring harness)



- ws = white
- sw = black
- ro = red
- rt = red
- br = brown
- gn = green
- bl = blue
- gr = grey
- li = lilac
- vi = lilac
- ge = yellow
- or = orange
- rs = pink

420-056080R12

Headlamps, LED with laser high beams
from July 2014

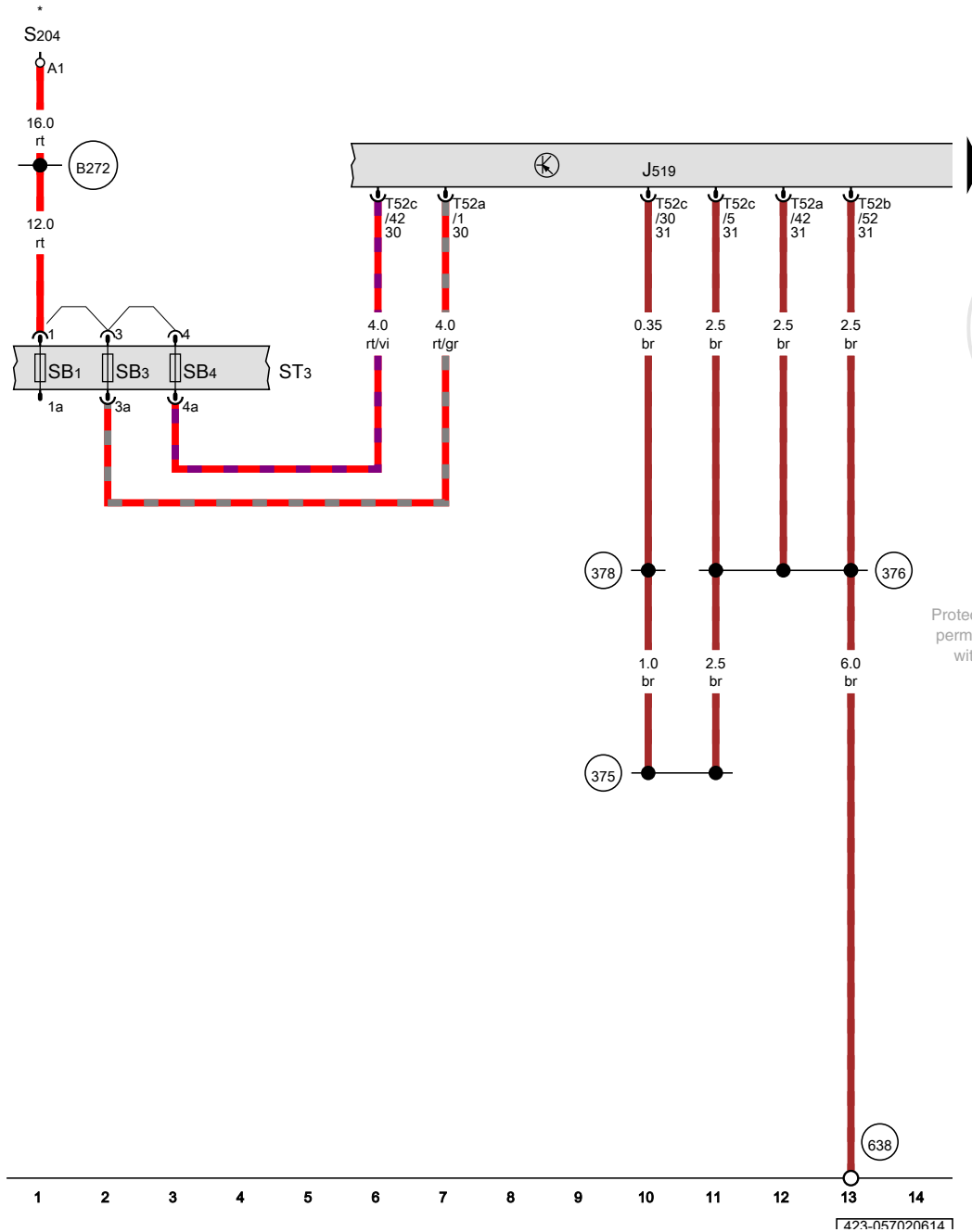


Audi

Protected by copyright. Copying for private or commercial purposes, in part or in whole, is not permitted unless authorised by AUDI AG. AUDI AG does not guarantee or accept any liability with respect to the correctness of information in this document. Copyright by AUDI AG.



Vehicle electrical control module system, Fuse panel 3



- J519 Vehicle electrical control module system
- SB1 Fuse 1 (on fuse panel B)
- ST3 Fuse panel 3
- SB3 Fuse 3 (on fuse panel B)
- SB4 Fuse 4 (on fuse panel B)
- S204 Fuse 1 (terminal 30)
- T52a 52-pin connector
- T52b 52-pin connector
- T52c 52-pin connector

- 375 Ground connection 10 (in main wiring harness)
- 376 Ground connection 11 (in main wiring harness)
- 378 Ground connection 13 (in main wiring harness)
- 638 Ground connection on right A-pillar
- B272 Positive connection (30) (in main wiring harness)
- * Main distribution in the right front footwell

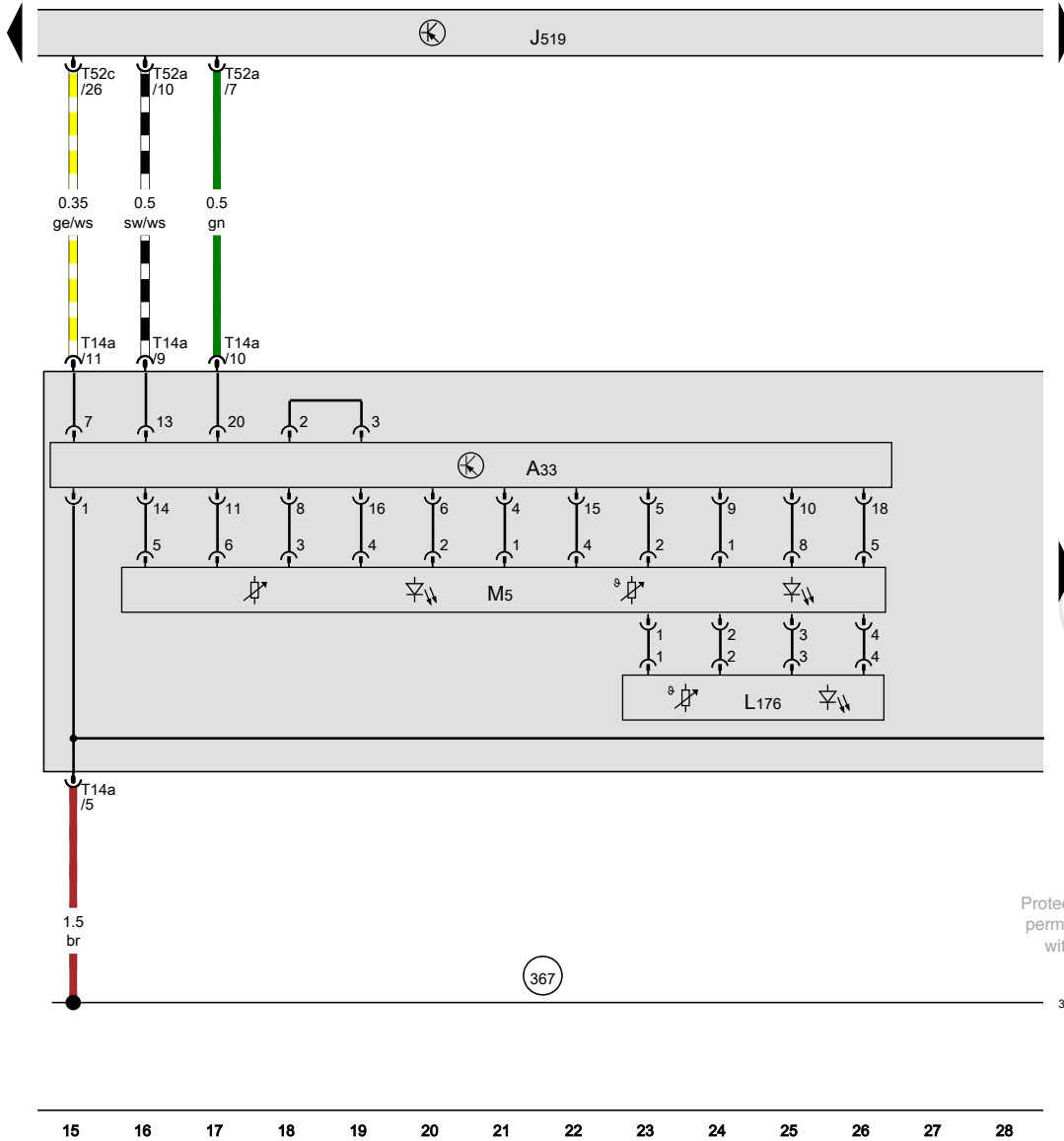
Protected by copyright. Copying for private or commercial purposes, in part or in whole, is not permitted unless authorised by AUDI AG. AUDI AG does not guarantee or accept any liability with respect to the correctness of information in this document. Copyright by AUDI AG.

- ws = white
- sw = black
- ro = red
- rt = red
- br = brown
- gn = green
- bl = blue
- gr = grey
- li = lilac
- vi = lilac
- ge = yellow
- or = orange
- rs = pink

Left LED headlamp power output module 3, Vehicle electrical control module system, Left daytime running lamp and position lamp LED module, Left front turn signal bulb

- A33 Left LED headlamp power output module 3
- J519 Vehicle electrical control module system
- L176 Left daytime running lamp and position lamp LED module
- M5 Left front turn signal bulb
- T14a 14-pin connector
- T52a 52-pin connector
- T52c 52-pin connector

367 Ground connection 2 (in main wiring harness)



ws = white
 sw = black
 ro = red
 rt = red
 br = brown
 gn = green
 bl = blue
 gr = grey
 li = lilac
 vi = lilac
 ge = yellow
 or = orange
 rs = pink

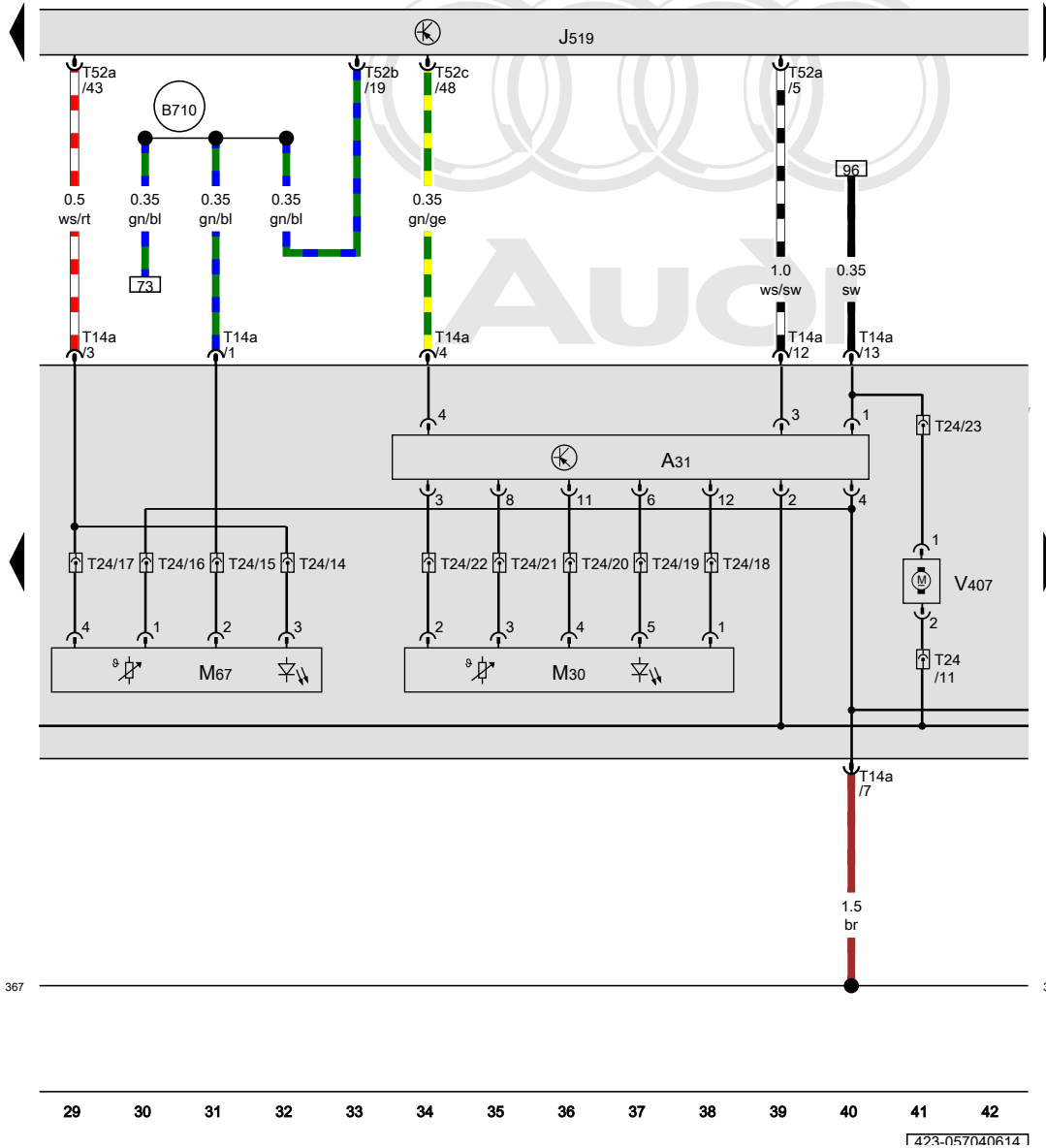
Protected by copyright. Copying for private or commercial purposes, in part or in whole, is not permitted unless authorized by AUDI AG. AUDI AG does not guarantee or accept any liability with respect to the correctness of information in this document. Copyright by AUDI AG.

Left LED headlamp power output module 1, Vehicle electrical control module system, Left high beam headlamp bulb, Left auxiliary high beam bulb, Left headlamp fan

- A31 Left LED headlamp power output module 1
- J519 Vehicle electrical control module system
- M30 Left high beam headlamp bulb
- M67 Left auxiliary high beam bulb
- T14a 14-pin connector
- T24 24-pin connector, in the left headlamp
- T52a 52-pin connector
- T52b 52-pin connector
- T52c 52-pin connector
- V407 Left headlamp fan

367 Ground connection 2 (in main wiring harness)

B710 LIN bus connection 5 (in main wiring harness)



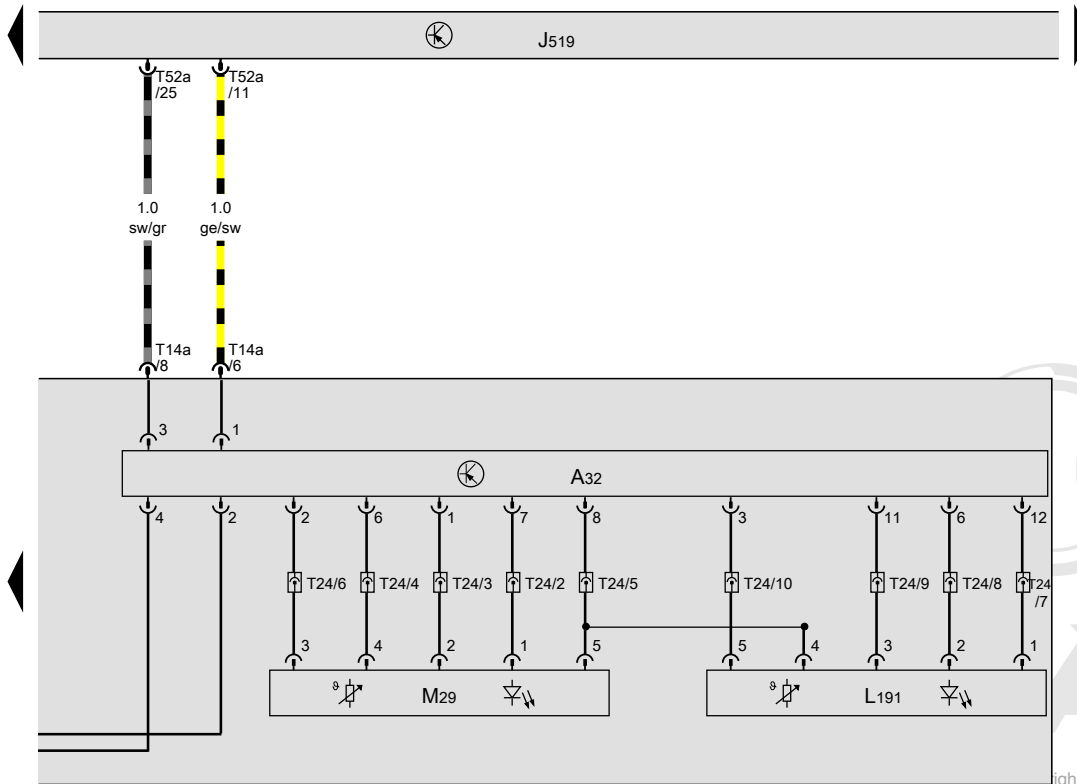
- ws = white
- sw = black
- ro = red
- rt = red
- br = brown
- gn = green
- bl = blue
- gr = grey
- li = lilac
- vi = lilac
- ge = yellow
- or = orange
- rs = pink

423-057040614

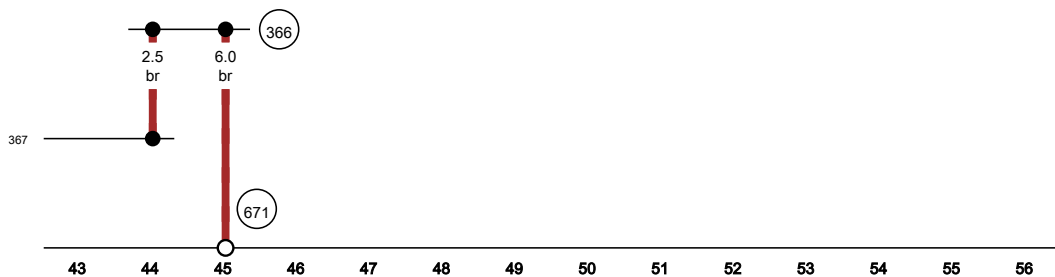
Left LED headlamp power output module 2, Vehicle electrical control module system, Left low beam headlamp bulb 2, Left low beam headlamp bulb

- A32 Left LED headlamp power output module 2
- J519 Vehicle electrical control module system
- L191 Left low beam headlamp bulb 2
- M29 Left low beam headlamp bulb
- T14a 14-pin connector
- T24 24-pin connector, in the left headlamp
- T52a 52-pin connector

- 366 Ground connection 1 (in main wiring harness)
- 367 Ground connection 2 (in main wiring harness)
- 671 Ground connection 1 on left front longitudinal member



...right. Copying for private or commercial purposes, in part or in whole, is not permitted unless authorised by AUDI AG. AUDI AG does not guarantee or accept any liability with respect to the correctness of information in this document. Copyright by AUDI AG.



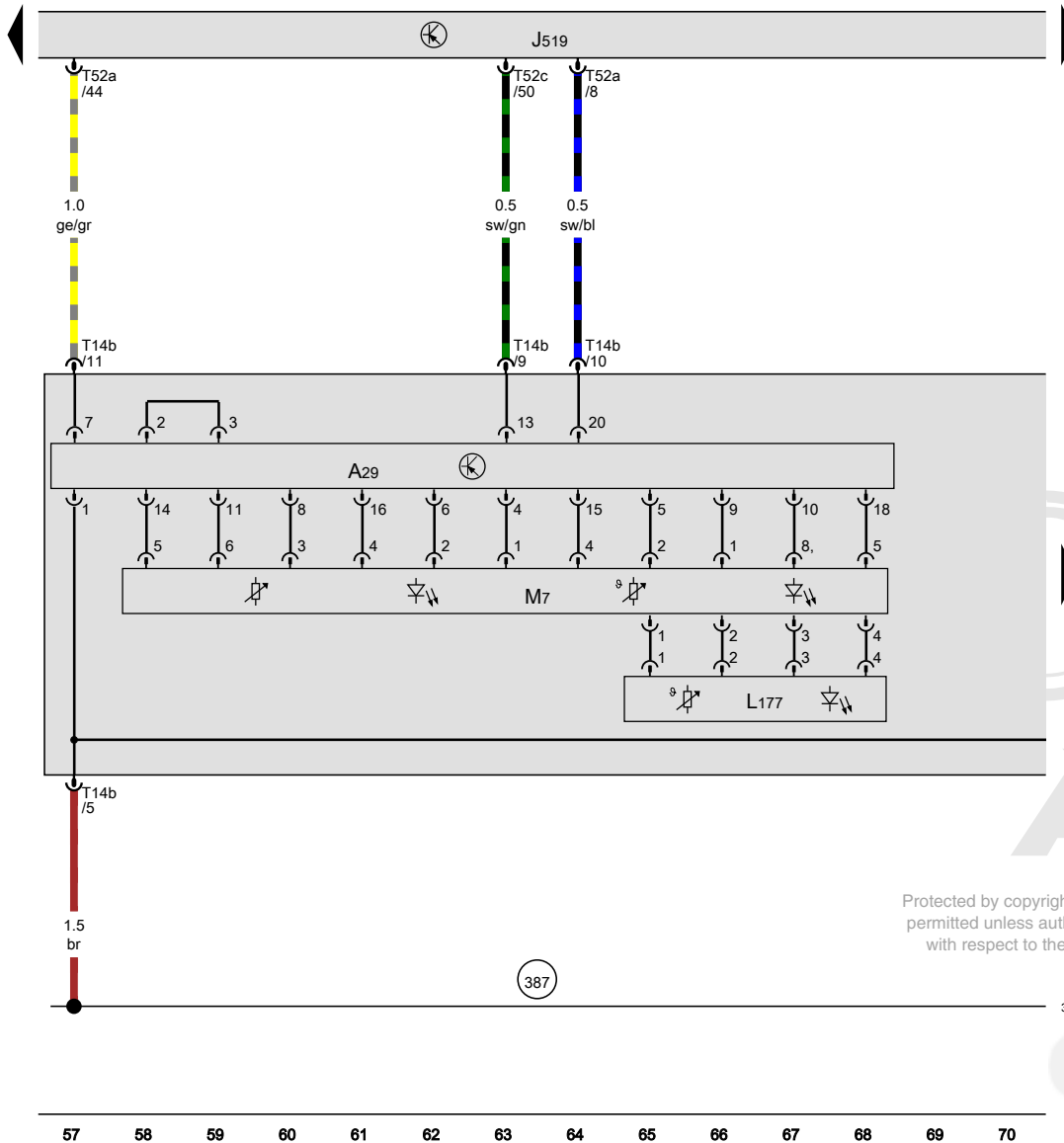
- ws = white
- sw = black
- ro = red
- rt = red
- br = brown
- gn = green
- bl = blue
- gr = grey
- li = lilac
- vi = lilac
- ge = yellow
- or = orange
- rs = pink

423-057050614

Right LED headlamp power output module 3, Vehicle electrical control module system, Right daytime running lamp and position lamp LED module, Right front turn signal bulb

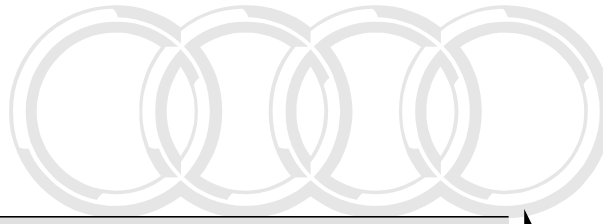
- A29 Right LED headlamp power output module 3
- J519 Vehicle electrical control module system
- L177 Right daytime running lamp and position lamp LED module
- M7 Right front turn signal bulb
- T14b 14-pin connector
- T52a 52-pin connector
- T52c 52-pin connector

387 Ground connection 22 (in main wiring harness)

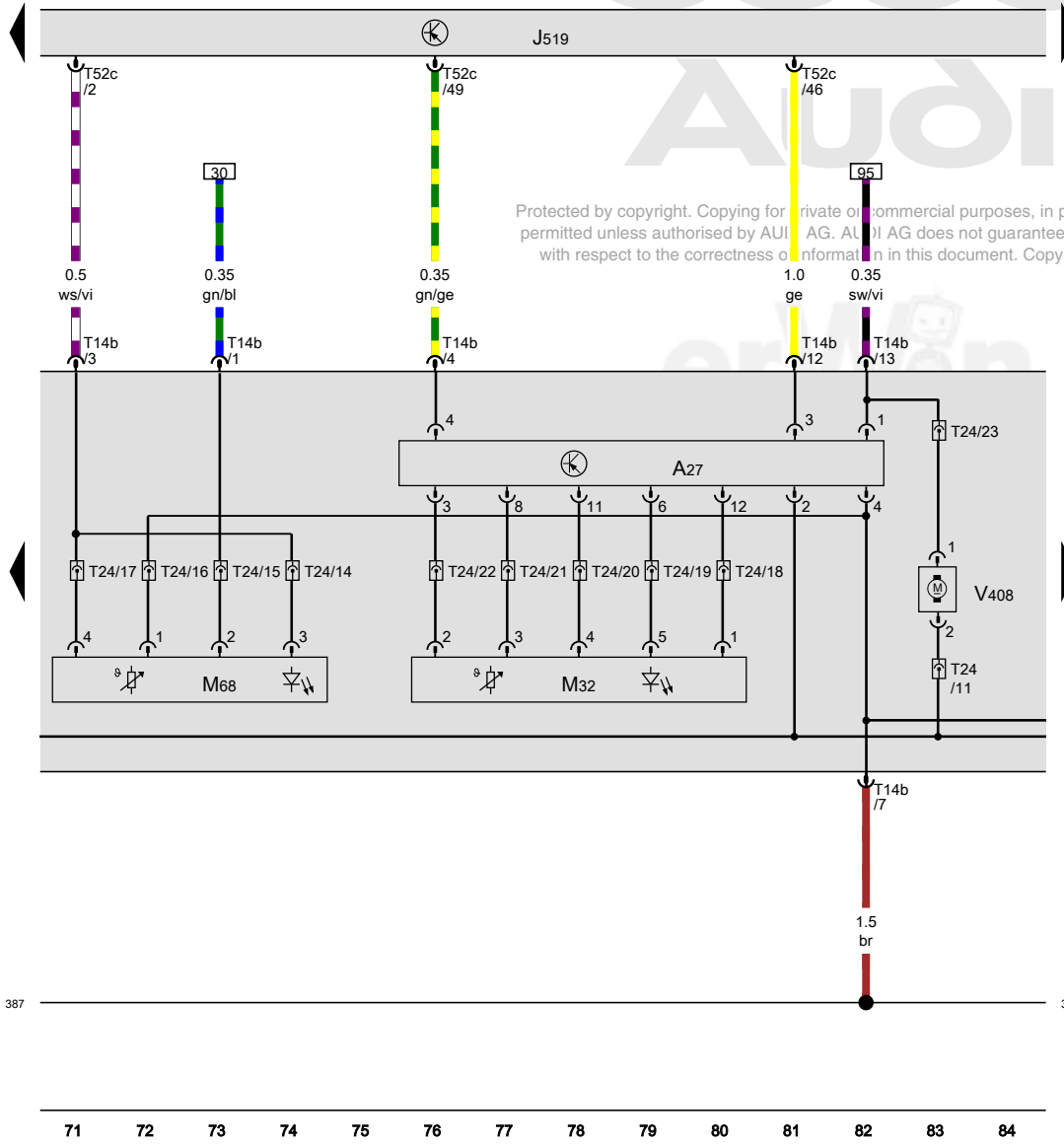


- ws = white
- sw = black
- ro = red
- br = brown
- gn = green
- bl = blue
- gr = grey
- li = lilac
- vi = lilac
- ge = yellow
- or = orange
- rs = pink

Protected by copyright. Copying for private or commercial purposes, in part or in whole, is not permitted unless authorised by AUDI AG. AUDI AG does not guarantee or accept any liability with respect to the correctness of information in this document. Copyright by AUDI AG.



Protected by copyright. Copying for private or commercial purposes, in part or in whole, is not permitted unless authorised by AUDI AG. AUDI AG does not guarantee or accept any liability with respect to the correctness of information in this document. Copyright by AUDI AG.



Right LED headlamp power output module 1, Vehicle electrical control module system, Right high beam headlamp bulb, Right auxiliary high beam bulb, Right headlamp fan

- A27 Right LED headlamp power output module 1
- J519 Vehicle electrical control module system
- M32 Right high beam headlamp bulb
- M68 Right auxiliary high beam bulb
- T14b 14-pin connector
- T24 24-pin connector, in the right headlamp
- T52c 52-pin connector
- V408 Right headlamp fan
- 387 Ground connection 22 (in main wiring harness)

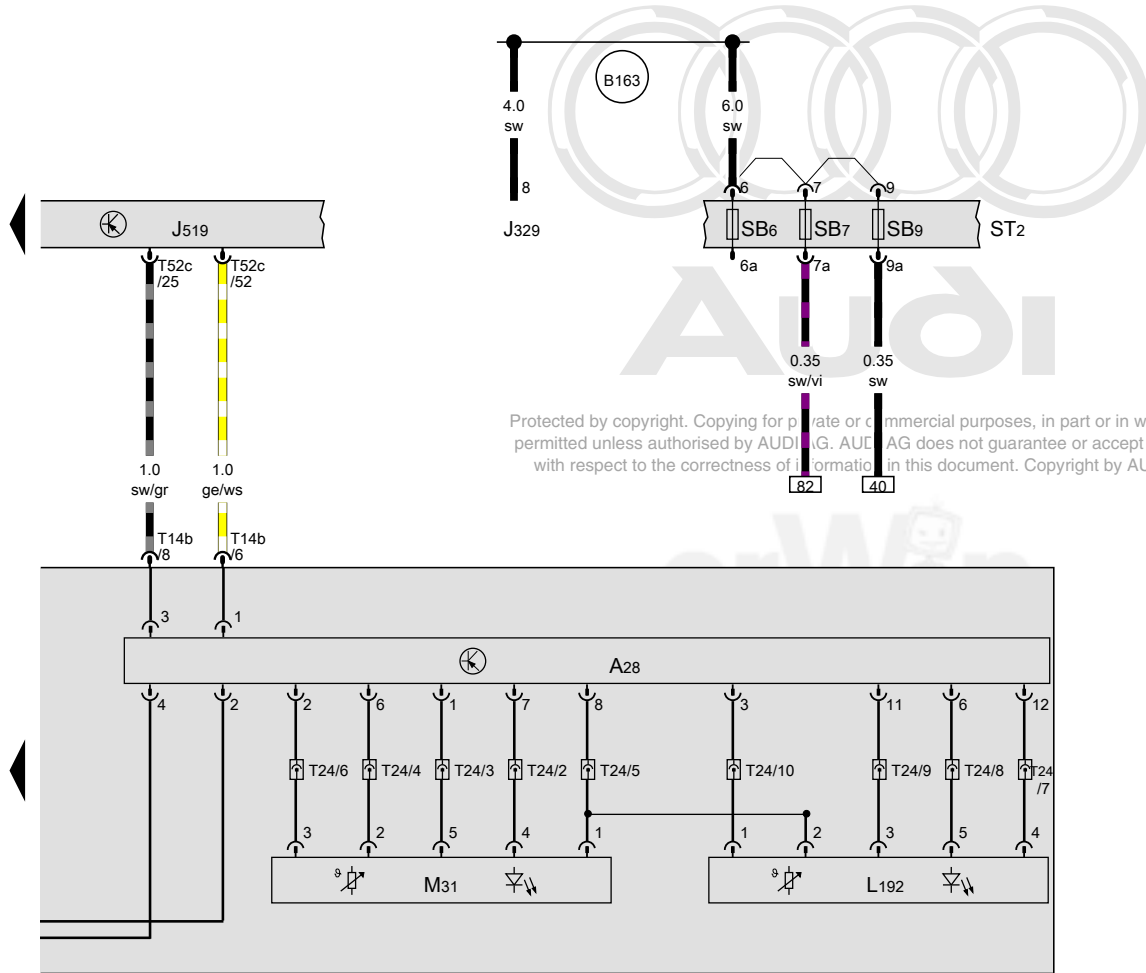
- ws = white
- sw = black
- ro = red
- rt = red
- br = brown
- gn = green
- bl = blue
- gr = grey
- li = lilac
- vi = lilac
- ge = yellow
- or = orange
- rs = pink

387

387

71 72 73 74 75 76 77 78 79 80 81 82 83 84

[423-057070614]

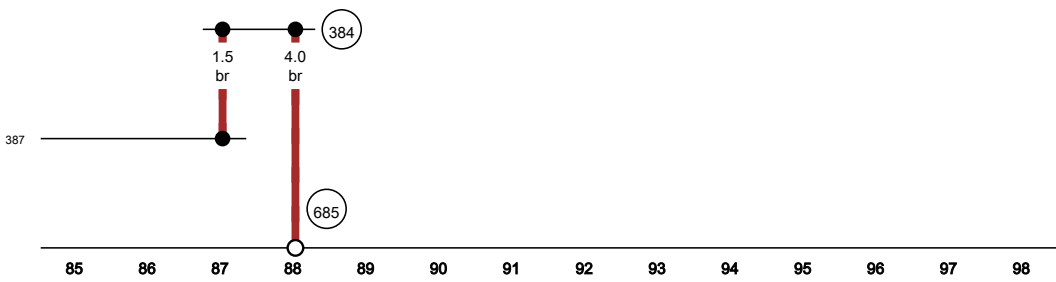


Protected by copyright. Copying for private or commercial purposes, in part or in whole, is not permitted unless authorised by AUDI AG. AUDI AG does not guarantee or accept any liability with respect to the correctness of information in this document. Copyright by AUDI AG.

Right LED headlamp power output module 2, Vehicle electrical control module system, Right low beam headlamp bulb 2, Right low beam headlamp bulb, Fuse panel 2

- A28 Right LED headlamp power output module 2
- J329 Terminal 15 power supply relay, Relay carrier in the right front footwell
- J519 Vehicle electrical control module system
- L192 Right low beam headlamp bulb 2
- M31 Right low beam headlamp bulb
- ST2 Fuse panel 2
- SB6 Fuse 6 (on fuse panel B)
- SB7 Fuse 7 (on fuse panel B)
- SB9 Fuse 9 (on fuse panel B)
- T14b 14-pin connector
- T24 24-pin connector, in the right headlamp
- T52c 52-pin connector

- 384 Ground connection 19 (in main wiring harness)
- 387 Ground connection 22 (in main wiring harness)
- 685 Ground connection 1 on right front longitudinal member
- B163 Positive connection 1 (15) (in interior wiring harness)



- ws = white
- sw = black
- ro = red
- rt = red
- br = brown
- gn = green
- bl = blue
- gr = grey
- li = lilac
- vi = lilac
- ge = yellow
- or = orange
- rs = pink

423-057080614

1 Fuses

1.1 Overview of Fuses

1 -

Fuses (SB) on fuse panel B

- Component Location ⇒ [page 2](#)
- Position of fuses through May 2009 ⇒ [page 2](#)
- Fuse Arrangements, from June 2009 ⇒ [page 7](#)

2 -

Fuses (SD) on main fuse panel

- Component Location and Position of Fuses ⇒ [page 12](#)

3 -

Fuses (S) on main distribution

- Component Location and Position of Fuses ⇒ [page 15](#)

4 - Fuses (SC) on fuse panel C

- Component Location ⇒ [page 17](#)
- Position of fuses, Coupé ⇒ [page 17](#)
- Position of fuses, Spyder ⇒ [page 21](#)

5 -

Fuses on 9-point relay and fuse carrier

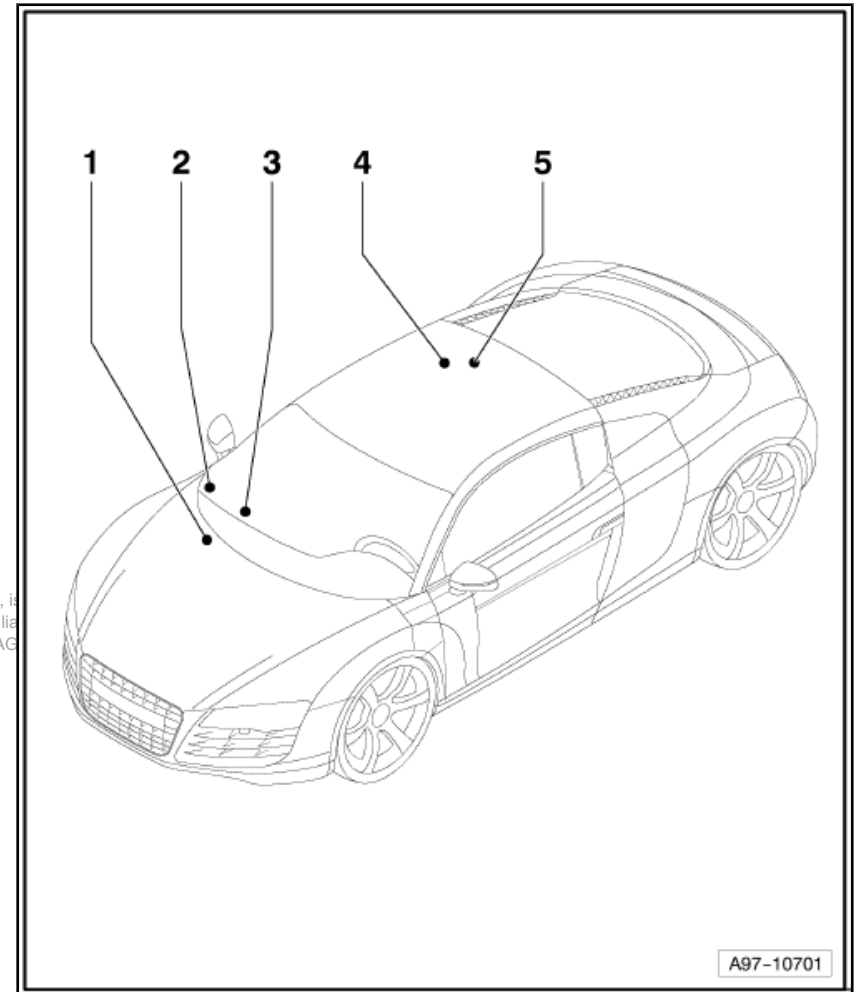
- Component Location and Position of Fuses ⇒ [page 26](#)



Audi

erWin

Protected by copyright. Copying for private or commercial purposes, in part or in whole, is permitted unless authorised by AUDI AG. AUDI AG does not guarantee or accept any liability for the correctness of information in this document. Copyright by AUDI AG



A97-10701

1.2 Fuses (SB) on fuse panel B

Component Location

In front right footwell -6-

Fuse Colours

40 A - orange

30 A - green

25 A - white

20 A - yellow

15 A - blue

10 A - red

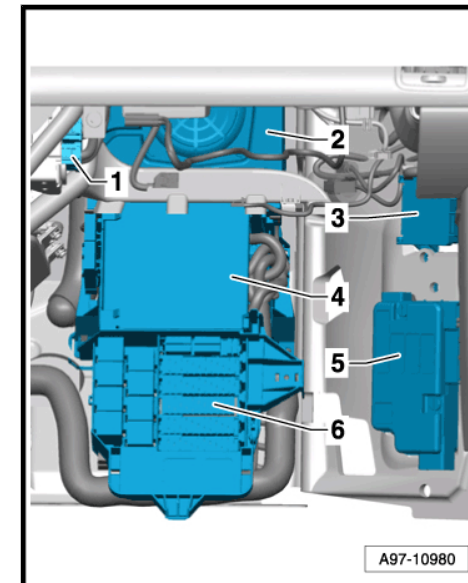
7,5 A - brown

5 A - beige

Back to overview ⇒ [page 1](#) .

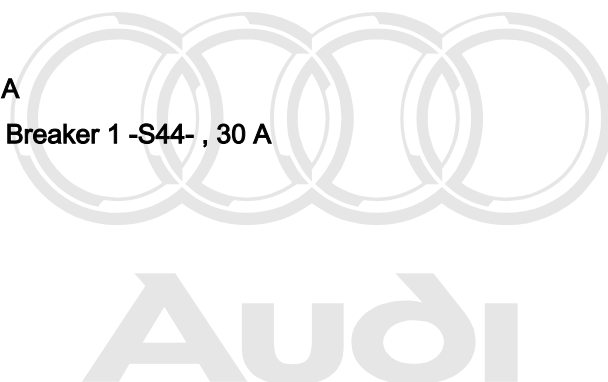


Protected by copyright. Copying for private or commercial purposes, in part or in whole, is not permitted unless authorised by AUDI AG. AUDI AG does not guarantee or accept any liability with respect to the correctness of information in this document. Copyright by AUDI AG.

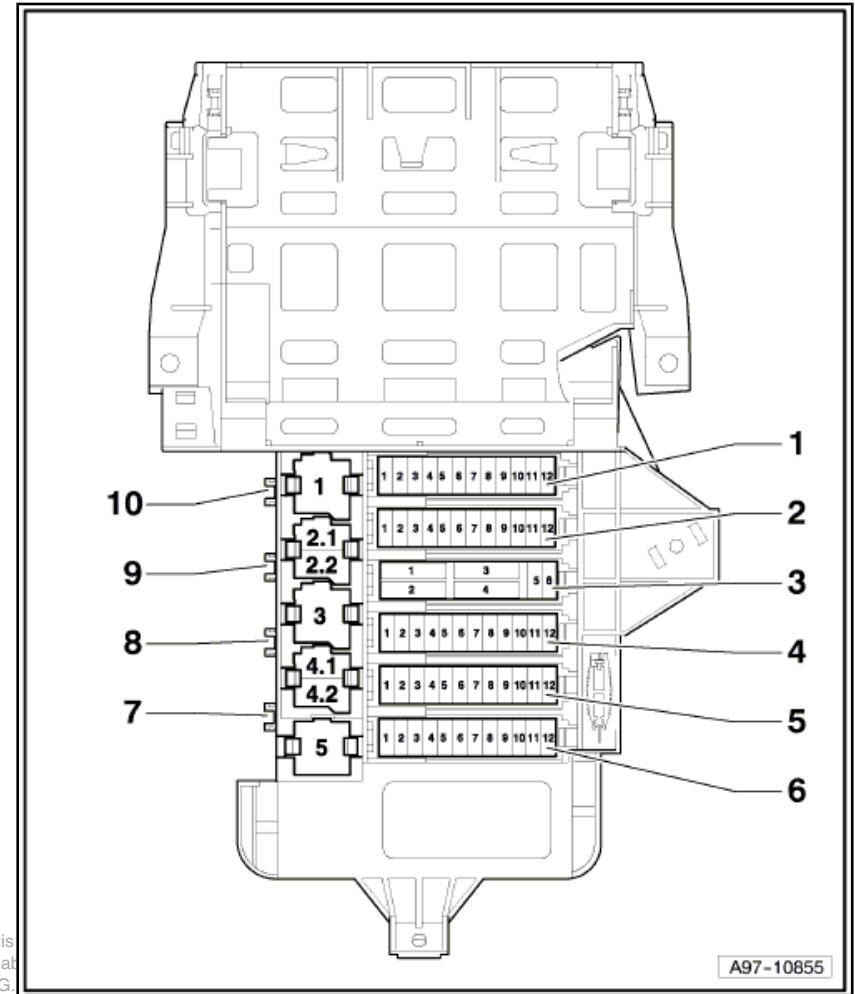


1.2.1 Fuse Arrangements (on fuse panel B), through May 2009

- 1 - Fuse Carrier ST1, red
 - ❑ Not used
- 2 - Fuse Carrier ST2 (brown)
 - ❑ Position of fuses ⇒ [page 3](#)
- 3 - Fuse Carrier ST3 (black)
 - ❑ Position of fuses ⇒ [page 4](#)
- 4 - Fuse Carrier ST4 (red)
 - ❑ Position of fuses ⇒ [page 4](#)
- 5 - Fuse Carrier ST5 (brown)
 - ❑ Position of fuses ⇒ [page 5](#)
- 6 - Fuse Carrier ST6 (black)
 - ❑ Position of fuses ⇒ [page 6](#)
- 7 - Not used
- 8 - Not used
- 9 - ABS Control Module Fuse 1 -S123- , 40 A
- 10 - Driver's Power Seat Adjustment Circuit Breaker 1 -S44- , 30 A



Protected by copyright. Copying for private or commercial purposes, in part or in whole, is permitted unless authorised by AUDI AG. AUDI AG does not guarantee or accept any liability with respect to the correctness of information in this document. Copyright by AUDI AG.



[Back to overview ⇒ page 2 .](#)

1.2.2 Position of Fuses Fuse Carrier ST2 (brown)

No.	Designation in Wiring Diagram	Nominal Value	Function/Component	Terminal
1	- Fuse 1 (on fuse panel B) -SB1-	5 A	- Cellular Telephone Preparation	15
2	- Fuse 2 (on fuse panel B) -SB2-	5 A	- Left Washer Nozzle Heater -Z20- Right Washer Nozzle Heater -Z21-	15

3	-	Fuse 3 (on fuse panel B) -SB3-	10 A	-	Parking Aid Control Module -J446-	15
4	-	Not used				
5	-	Fuse 5 (on fuse panel B) -SB5-	10 A	-	Light Switch -E1- Selector Lever Sensor Control Module -J587- Front Passenger Airbag Disabled Indicator Lamp -K145- 16-Pin Connector, Diagnostic Connector -T16-	15
6	-	Fuse 6 (on fuse panel B) -SB6-	5 A	-	Data Bus On Board Diagnostic Interface -J533-	15
7	-	Not used				
8	-	Fuse 8 (on fuse panel B) -SB8-	10 A	-	Automatic Day/Night Interior Mirror -Y7- Garage Door Opener Control Module -J530- Garage Door Opener Control Head -E284- Vehicle Electrical System Control Module -J519- Windshield Washer Pump Relay -J576- Sockets Relay -J807-	15
9	-	Fuse 9 (on fuse panel B) -SB9-	15 A	-	Windshield Washer Pump -V5-	15
10	-	Fuse 10 (on fuse panel B) -SB10-	10 A	-	ASR/ESP Button -E256-	15
11	-	Fuse 11 (on fuse panel B) -SB11-	5 A	-	A/C Pressure/Temperature Sensor -G395-	15
12	-	Fuse 12 (on fuse panel B) -SB12-	5 A	-	Airbag Control Module -J234-	15

[Back to overview](#) ⇒ [page 2](#) .

1.2.3 Position of Fuses Fuse Carrier ST3 (black)

No.		Designation in Wiring Diagram	Nominal Value		Function/Component	Terminal
1	-	Fuse 1 (on fuse panel B) -SB1-	40 A	-	Coolant Fan -V7-	30
2	-	Fuse 2 (on fuse panel B) -SB2-	40 A	-	Coolant Fan 2 -V177-	30
3	-	Fuse 3 (on fuse panel B) -SB3-	40 A	-	Vehicle Electrical System Control Module -J519-	30
4	-	Fuse 4 (on fuse panel B) -SB4-	40 A	-	Vehicle Electrical System Control Module -J519-	30
5	-	Not used				
6	-	Fuse 6 (on fuse panel B) -SB6-	40 A	-	Fresh Air Blower Control Module -J126- Fresh Air Blower -V2-	30

Protected by copyright. Copying for private or commercial purposes, in part or in whole, is not permitted, unless authorised by AUDI AG. AUDI AG does not guarantee or accept any liability with respect to the correctness of information in this document. Copyright by AUDI AG.

[Back to overview](#) ⇒ [page 2](#) .

1.2.4 Position of Fuses Fuse Carrier ST4 (red)

No.		Designation in Wiring Diagram	Nominal Value		Function/Component	Terminal
-----	--	-------------------------------	---------------	--	--------------------	----------

1	-	Fuse 1 (on fuse panel B) -SB1-	5 A	-	Rear View Camera System Control Module -J772-	30
2	-	Fuse 2 (on fuse panel B) -SB2-	10 A	-	Tire Pressure Monitoring Control Module -J502-	30
3	-	Fuse 3 (on fuse panel B) -SB3-	5 A	-	Parking Aid Control Module -J446-	30
4	-	Fuse 4 (on fuse panel B) -SB4-	5 A	-	Telephone Transceiver -R36- Cellular Telephone Preparation	30
5	-	Fuse 5 (on fuse panel B) -SB5-	5 A	-	Instrument Cluster Control Module -J285-	30
6	-	Fuse 6 (on fuse panel B) -SB6-	5 A	-	Data Bus On Board Diagnostic Interface -J533-	30
7	-	Fuse 7 (on fuse panel B) -SB7-	5 A	-	Steering Column Electronic Systems Control Module -J527-	30
8	-	Fuse 8 (on fuse panel B) -SB8-	10 A	-	Brake Light Switch -F- Brake Pedal Switch -F47- 16-Pin Connector -T16- , diagnostic connector	30
9	-	Fuse 9 (on fuse panel B) -SB9-	5 A	-	Rain/Light Recognition Sensor -G397-	30
10	-	Fuse 10 (on fuse panel B) -SB10-	5 A	-	Vehicle Electrical System Control Module -J519- Front Interior Light -W1-	30
11	-	Fuse 11 (on fuse panel B) -SB11-	30 A	-	Digital Sound System Control Module -J525-	30
12	-	Fuse 12 (on fuse panel B) -SB12-	20 A	-	Navigation System Control Module with CD Drive -J401- Radio -R-	30

Protected by copyright. Copying for private or commercial purposes, in part or in whole, is not permitted unless authorised by AUDI AG. AUDI AG does not guarantee or accept any liability with respect to the correctness of information in this document. Copyright by AUDI AG.

Back to overview ⇒ [page 2](#) .

1.2.5 Position of Fuses Fuse Carrier ST5 (brown)

No.		Designation in Wiring Diagram	Nominal Value		Function/Component	Terminal
1	-	Not used				
2	-	Fuse 2 (on fuse panel B) -SB2-	10 A	-	Rear Lid Central Locking Relay -J380- Rear Lid Unlock Motor -V139-	30
3	-	Fuse 3 (on fuse panel B) -SB3-	10 A	-	Coolant Circulation Pump Relay -J151- ¹ After-Run Coolant Pump -V51- ¹	30
4	-	Fuse 4 (on fuse panel B) -SB4-	5 A	-	Special Functions Interface	30
5	-	Fuse 5 (on fuse panel B) -SB5-	30 A	-	Vehicle Electrical System Control Module -J519-	30
6	-	Fuse 6 (on fuse panel B) -SB6-	15 A	-	Brake Booster Relay -J569- Brake System Vacuum Pump -V192-	30
7	-	Fuse 7 (on fuse panel B) -SB7-	20 A	-	High Tone Horn -H2- Low Tone Horn -H7- Vehicle Electrical System Control Module -J519- Control Relay -J789-	30

8	- Fuse 8 (on fuse panel B) -SB8-	30 A	- Wiper Motor Control Module -J400- Driver's Windshield Wiper Motor -V216-	30
9	- Fuse 9 (on fuse panel B) -SB9-	30 A	- Front Passenger Windshield Wiper Motor Control Module -J584- Front Passenger's Windshield Wiper Motor -V217-	30
10	- Fuse 10 (on fuse panel B) -SB10-	30 A	- Headlamp Washer Relay -J39- Headlamp Washer Pump -V11-	30
11	- Fuse 11 (on fuse panel B) -SB11-	30 A	- Vehicle Electrical System Control Module -J519- Heated Rear Window -Z1-	30
12	- Fuse 12 (on fuse panel B) -SB12-	20 A	- Cigarette Lighter -U1- 12 V Socket -U5- 12 V Socket 2 -U18-	30


Note

¹ Only models with 8-cylinder engine

[Back to overview](#) ⇒ [page 2](#) .

1.2.6 Position of Fuses Fuse Carrier ST6 (black)

No.	Designation in Wiring Diagram	Nominal Value	Function/Component	Terminal
1	- Fuse 1 (on fuse panel B) -SB1-	10 A	- ABS Control Module -J104-	30
2	- Fuse 2 (on fuse panel B) -SB2-	25 A	- ABS Control Module -J104-	30
3	- Fuse 3 (on fuse panel B) -SB3-	15 A	- Partition Window Defogger Relay -J884- Heated Partition Window -Z106-	30
4	- Not used			
5	- Fuse 5 (on fuse panel B) -SB5-	20 A	- Comfort System Central Control Module -J393-	30
6	- Fuse 6 (on fuse panel B) -SB6-	20 A	- Comfort System Central Control Module -J393-	30
7	- Fuse 7 (on fuse panel B) -SB7-	5 A	- Interior Monitoring Sensor -G273- Vehicle Inclination Sensor -G384- Anti-Theft Alarm System Sensor -G578- Alarm Horn -H12-	30
8	- Fuse 8 (on fuse panel B) -SB8-	10 A	- Climatronic Control Module -J255-	30
9	- Fuse 9 (on fuse panel B) -SB9-	25 A	- Climatronic Control Module -J255- Front Left Heated Seat -Z45- Front Right Heated Seat -Z46-	30

10	- Fuse 10 (on fuse panel B) -SB10-	10 A	- Driver's Seat Lumbar Support Adjustment Switch -E176- Front Passenger's Seat Lumbar Support Adjustment Switch -E177-	30
11	- Fuse 11 (on fuse panel B) -SB11-	30 A	- Driver's Door Control Module -J386- Front Passenger's Door Control Module -J387-	30
12	- Fuse 12 (on fuse panel B) -SB12-	10 A	- Driver's Door Control Module -J386- Front Passenger's Door Control Module -J387-	30

Back to overview ⇒ [page 2](#) .

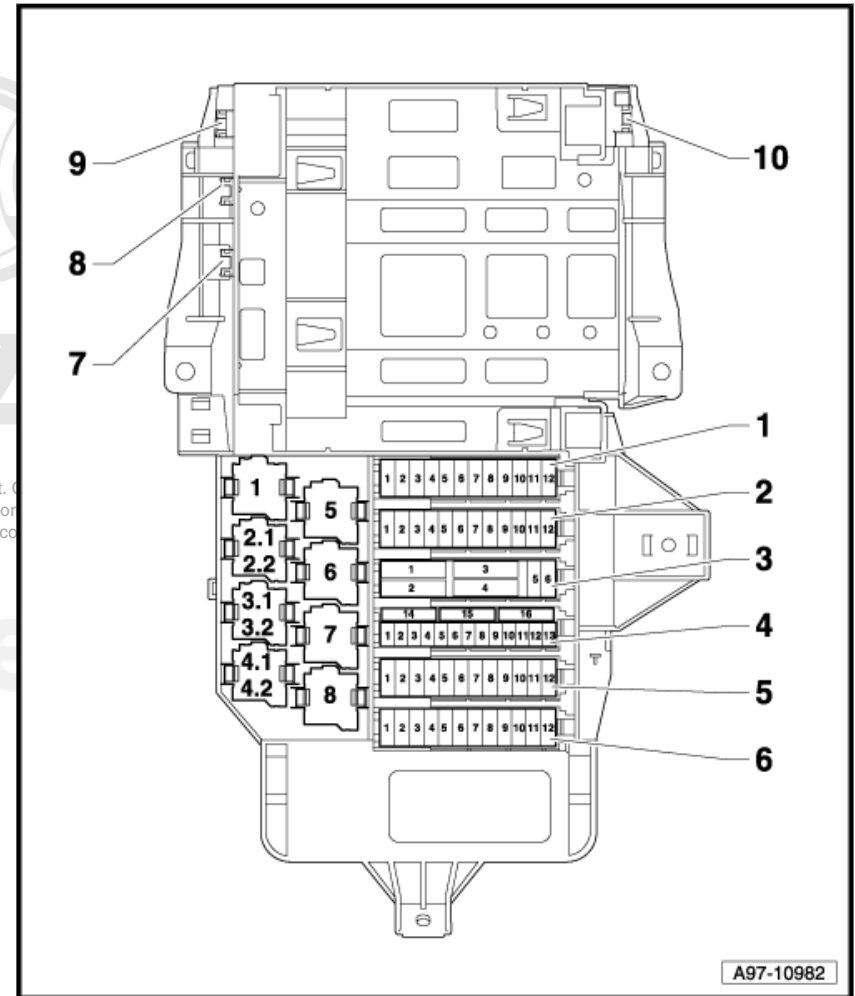
1.2.7 Fuse Arrangements (on fuse panel B), from June 2009



Protected by copyright. Copying for private or commercial purposes, in part or in whole, is not permitted unless authorised by AUDI AG. AUDI AG does not guarantee or accept any liability with respect to the correctness of information in this document. Copyright by AUDI AG.



- 1 - Fuse Carrier ST1, red
 - ❑ Not used
- 2 - Fuse Carrier ST2 (brown)
 - ❑ Position of fuses ⇒ [page 8](#)
- 3 - Fuse Carrier ST3 (black)
 - ❑ Position of fuses ⇒ [page 9](#)
- 4 - Fuse Carrier ST4 (red)
 - ❑ Position of fuses ⇒ [page 10](#)
- 5 - Fuse Carrier ST5 (brown)
 - ❑ Position of fuses ⇒ [page 10](#)
- 6 - Fuse Carrier ST6 (black)
 - ❑ Position of fuses ⇒ [page 11](#)
- 7 - Not used
- 8 - Not used
- 9 - Driver's Power Seat Adjustment Circuit Breaker 1 -S44- , 30 A
- 10 - ABS Control Module Fuse 1 -S123- , 40 A



Back to overview ⇒ [page 2](#) .

1.2.8 Position of Fuses Fuse Carrier ST2 (brown)

No.	-	Designation in Wiring Diagram	Nominal Value	-	Function/Component	Terminal
1	-	Fuse 1 (on fuse panel B) -SB1-	5 A	-	Cellular Telephone Preparation	15
2	-	Fuse 2 (on fuse panel B) -SB2-	5 A	-	Left Washer Nozzle Heater -Z20- Right Washer Nozzle Heater -Z21-	15

3	-	Fuse 3 (on fuse panel B) -SB3-	5 A	-	Parking Aid Control Module -J446-	15
4	-	Fuse 4 (on fuse panel B) -SB4-	10 A	-	Rear Lid Central Locking Relay -J380- Rear Lid Unlock Motor -V139-	15
5	-	Fuse 5 (on fuse panel B) -SB5-	10 A	-	Light Switch -E1- Selector Lever Sensor Control Module -J587- Front Passenger Airbag Disabled Indicator Lamp -K145- 16-Pin Connector -T16- , diagnostic connector	15
6	-	Fuse 6 (on fuse panel B) -SB6-	5 A	-	Data Bus On Board Diagnostic Interface -J533-	15
7	-	Not used				
8	-	Fuse 8 (on fuse panel B) -SB8-	10 A	-	Automatic Day/Night Interior Mirror -Y7- Garage Door Opener Control Module -J530- Garage Door Opener Control Head -E284- Vehicle Electrical System Control Module -J519- Windshield Washer Pump Relay -J576- Sockets Relay -J807-	15
9	-	Not used				
10	-	Fuse 10 (on fuse panel B) -SB10-	10 A	-	ASR/ESP Button -E256-	15
11	-	Fuse 11 (on fuse panel B) -SB11-	5 A	-	A/C Pressure/Temperature Sensor -G395-	15
12	-	Fuse 12 (on fuse panel B) -SB12-	5 A	-	Airbag Control Module -J234-	15

Protected by copyright. Copying for private or commercial purposes, in part or in whole, is not permitted unless authorised by AUDI AG. AUDI AG does not guarantee or accept any liability with respect to the correctness of information in this document. Copyright by AUDI AG.

Back to overview ⇒ [page 7](#) .

1.2.9 Position of Fuses Fuse Carrier ST3 (black)

No.		Designation in Wiring Diagram	Nominal Value		Function/Component	Terminal
1	-	Fuse 1 (on fuse panel B) -SB1-	40 A	-	Coolant Fan -V7-	30
2	-	Fuse 2 (on fuse panel B) -SB2-	40 A	-	Coolant Fan 2 -V177-	30
3	-	Fuse 3 (on fuse panel B) -SB3-	40 A	-	Vehicle Electrical System Control Module -J519-	30
4	-	Fuse 4 (on fuse panel B) -SB4-	40 A	-	Vehicle Electrical System Control Module -J519-	30
5	-	Not used				
6	-	Fuse 6 (on fuse panel B) -SB6-	40 A	-	Fresh Air Blower Control Module -J126- Fresh Air Blower -V2-	30

[Back to overview ⇒ page 7 .](#)
1.2.10 Position of Fuses Fuse Carrier ST4 (red)

No.	Designation in Wiring Diagram	Nominal Value	Function/Component	Terminal
1	- Fuse 1 (on fuse panel B) -SB1-	5 A	- Rear View Camera System Control Module -J772-	30
2	- Fuse 2 (on fuse panel B) -SB2-	10 A	- Tire Pressure Monitoring Control Module -J502-	30
3	- Not used			
4	- Fuse 4 (on fuse panel B) -SB4-	7,5 A	- Telephone Transceiver -R36- Amplifier for Telephone -R86- Cellular Telephone Preparation External Audio Source Connector -R199- , AMI	30
5	- Fuse 5 (on fuse panel B) -SB5-	5 A	- Instrument Cluster Control Module -J285-	30
6	- Fuse 6 (on fuse panel B) -SB6-	5 A	- Data Bus On Board Diagnostic Interface -J533-	30
7	- Fuse 7 (on fuse panel B) -SB7-	5 A	- Steering Column Electronic Systems Control Module -J527-	30
8	- Fuse 8 (on fuse panel B) -SB8-	10 A	- Brake Light Switch -F- Brake Pedal Switch -F47- 16-Pin Connector -T16- , diagnostic connector	30
9	- Fuse 9 (on fuse panel B) -SB9-	5 A	- Rain/Light Recognition Sensor -G397-	30
10	- Fuse 10 (on fuse panel B) -SB10-	5 A	- Light Switch -E1-	30
11	- Fuse 11 (on fuse panel B) -SB11-	5 A	- Special Functions Interface	30
12	- Not used			
13	- Not used			
14	- Not used			
15	- Fuse 15 (on fuse panel B) -SB15-	30 A	- Digital Sound System Control Module -J525-	30
16	- Fuse 16 (on fuse panel B) -SB16-	20 A	- Radio -R-	30

[Back to overview ⇒ page 7 .](#)
1.2.11 Position of Fuses Fuse Carrier ST5 (brown)

No.	Designation in Wiring Diagram	Nominal Value	Function/Component	Terminal
1	- Not used			
2	- Not used			
3	- Fuse 3 (on fuse panel B) -SB3-	10 A	- Coolant Circulation Pump Relay -J151- ¹ After-Run Coolant Pump -V51- ¹	30

4	-	Not used				
5	-	Fuse 5 (on fuse panel B) -SB5-	30 A	-	Vehicle Electrical System Control Module -J519- Power Supply Relay (terminal 15) -J329-	30
6	-	Fuse 6 (on fuse panel B) -SB6-	15 A	-	Brake Booster Relay -J569- Brake System Vacuum Pump -V192-	30
7	-	Fuse 7 (on fuse panel B) -SB7-	20 A	-	High Tone Horn -H2- Low Tone Horn -H7- Vehicle Electrical System Control Module -J519- Control Relay -J789-	30
8	-	Fuse 8 (on fuse panel B) -SB8-	30 A	-	Wiper Motor Control Module -J400- Driver's Windshield Wiper Motor -V216-	30
9	-	Fuse 9 (on fuse panel B) -SB9-	30 A	-	Front Passenger Windshield Wiper Motor Control Module -J584- Front Passenger's Windshield Wiper Motor -V217-	30
10	-	Fuse 10 (on fuse panel B) -SB10-	30 A	-	Headlamp Washer Relay -J39- Headlamp Washer Pump -V11-	30
11	-	Not used				
12	-	Fuse 12 (on fuse panel B) -SB12-	20 A	-	Cigarette Lighter -U1- 12 V Socket -U5- 12 V Socket 2 -U18-	30


Note

¹ Only models with 8-cylinder engine

[Back to overview](#) ⇒ [page 7](#) .

1.2.12 Position of Fuses Fuse Carrier ST6 (black)

No.		Designation in Wiring Diagram	Nominal Value	Function/Component	Terminal	
1	-	Fuse 1 (on fuse panel B) -SB1-	10 A	-	ABS Control Module -J104-	30
2	-	Fuse 2 (on fuse panel B) -SB2-	25 A	-	ABS Control Module -J104-	30
3	-	Fuse 3 (on fuse panel B) -SB3-	15 A	-	Partition Window Defogger Relay -J884- Heated Partition Window -Z106-	30
4	-	Fuse 4 (on fuse panel B) -SB4-	30 A 20 A	-	Heated Rear Window -Z1- , Coupé Heated Rear Window -Z1- , Spyder	30
5	-	Fuse 5 (on fuse panel B) -SB5-	20 A	-	Vehicle Electrical System Control Module -J519-	30
6	-	Fuse 6 (on fuse panel B) -SB6-	20 A	-	Vehicle Electrical System Control Module -J519-	30

7	- Fuse 7 (on fuse panel B) -SB7-	5 A	- Interior Monitoring Sensor -G273- Vehicle Inclination Sensor -G384- Anti-Theft Alarm System Sensor -G578- Alarm Horn -H12- Front Interior Light -W1-	30
8	- Fuse 8 (on fuse panel B) -SB8-	10 A	- Climatronic Control Module -J255-	30
9	- Fuse 9 (on fuse panel B) -SB9-	25 A	- Climatronic Control Module -J255- Front Left Heated Seat -Z45- Front Right Heated Seat -Z46-	30
10	- Fuse 10 (on fuse panel B) -SB10-	10 A	- Driver's Seat Lumbar Support Adjustment Switch -E176- Front Passenger's Seat Lumbar Support Adjustment Switch -E177-	30
11	- Fuse 11 (on fuse panel B) -SB11-	30 A	- Driver's Door Control Module -J386- Front Passenger's Door Control Module -J387-	30
12	- Fuse 12 (on fuse panel B) -SB12-	10 A	- Driver's Door Control Module -J386- Front Passenger's Door Control Module -J387-	30

Back to overview ⇒ [page 7](#) .

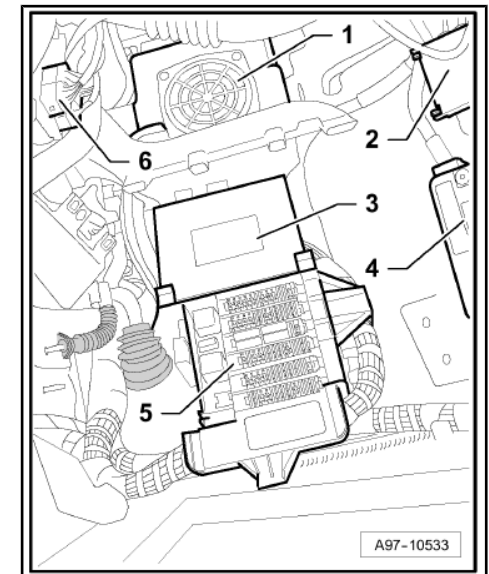
1.3 Fuses (SD) on main fuse panel

Component Location, through May 2009

In front right footwell -4-.

- 1 - Center Speaker -R148-
- 2 - Main Distribution
- 3 - Vehicle Electrical System Control Module -J519-
- 4 - Main Fuse Panel
- 5 - Relay and fuse carrier (in front right footwell)
- 6 - Connector station behind right center console

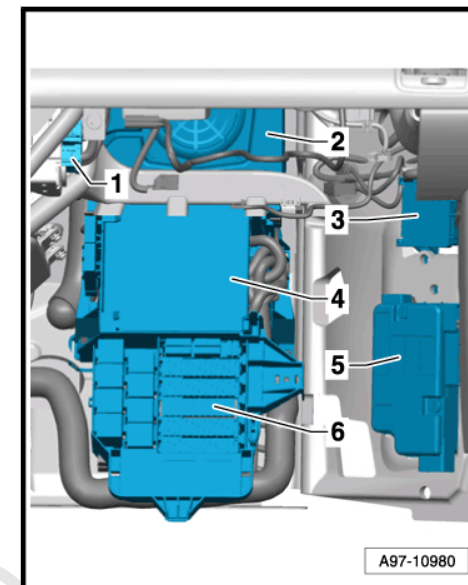
Component Location, from June 2009



In front right footwell -5-

- 1 - Connector station behind right center console
- 2 - Center Speaker -R148-
- 3 - Main Distribution
- 4 - Vehicle Electrical System Control Module -J519-
- 5 - Main Fuse Panel
- 6 - Relay and fuse carrier (in front right footwell)

Position of fuses

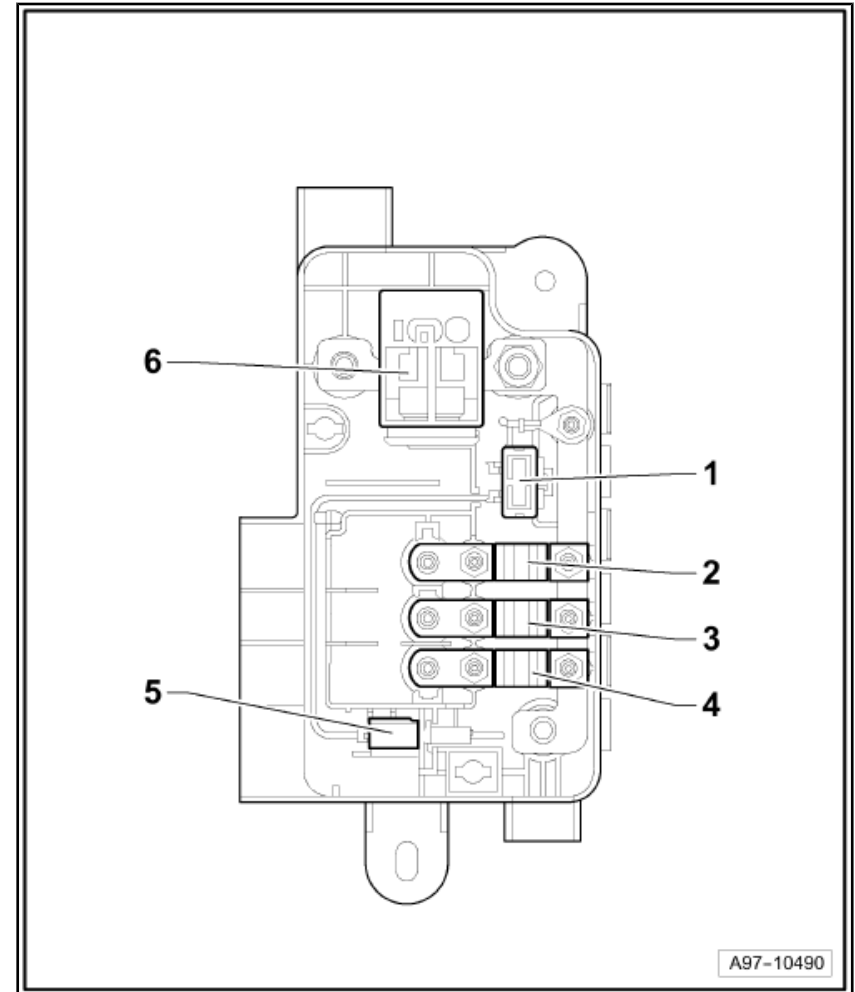


Audi

Protected by copyright. Copying for private or commercial purposes, in part or in whole, is not permitted unless authorised by AUDI AG. AUDI AG does not guarantee or accept any liability with respect to the correctness of information in this document. Copyright by AUDI AG.



- 1 - Fuse 4 (on fuse panel D) -SD4- , 5 A for vehicle electrical system control module -J519-
- 2 - Fuse 1 (on fuse panel D) -SD1- , 100 A, terminal 30 supply fuse panel in relay and fuse carrier front right footwell, through May 2008
- 2 - Fuse 1 (on fuse panel D) -SD1- , 150 A, terminal 30 supply fuse panel in relay and fuse carrier front right footwell, from June 2008
- 3 - Fuse 2 (on fuse panel D) -SD2- ,100 A, terminal 30 supply fuse panel in relay and fuse carrier front right footwell
- 4 - Fuse 3 (on fuse panel D) -SD3- , 60 A, for ABS control module -J104-
- 5 - Reference voltage terminal 30 (Double Connector -T2p-), 5 A, black
- 6 - Battery Interrupt Igniter -N253- / Double Connector -T2b-



Protected by copyright. Copying for private or commercial purposes, in part or in whole, is not permitted unless authorised by AUDI AG. AUDI AG does not guarantee or accept any liability with respect to the correctness of information in this document. Copyright by AUDI AG.



Back to overview ⇒ [page 1](#) .

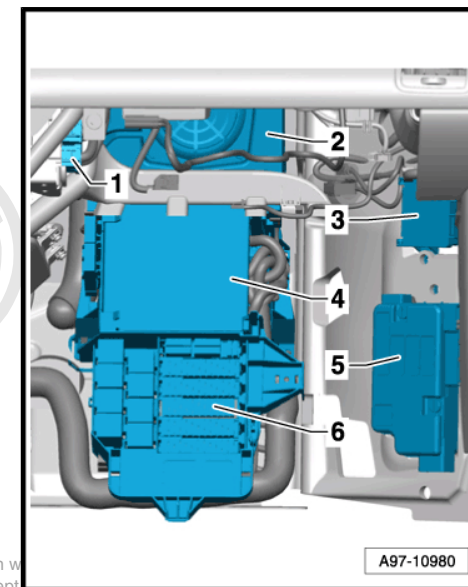
1.4 Fuses (S) on main distribution

Component Location

In front right footwell -3-.

- 1 - Connector station behind right center console
- 2 - Center Speaker -R148-
- 3 - Main Distribution
- 4 - Vehicle Electrical System Control Module -J519-
- 5 - Main Fuse Panel
- 6 - Relay and fuse carrier (in front right footwell)

Position of fuses



Protected by copyright. Copying for private or commercial purposes, in part or in whole, is not permitted unless authorised by AUDI AG. AUDI AG does not guarantee or accept any liability with respect to the correctness of information in this document. Copyright by AUDI AG.



1 - Wire connector from battery -A-

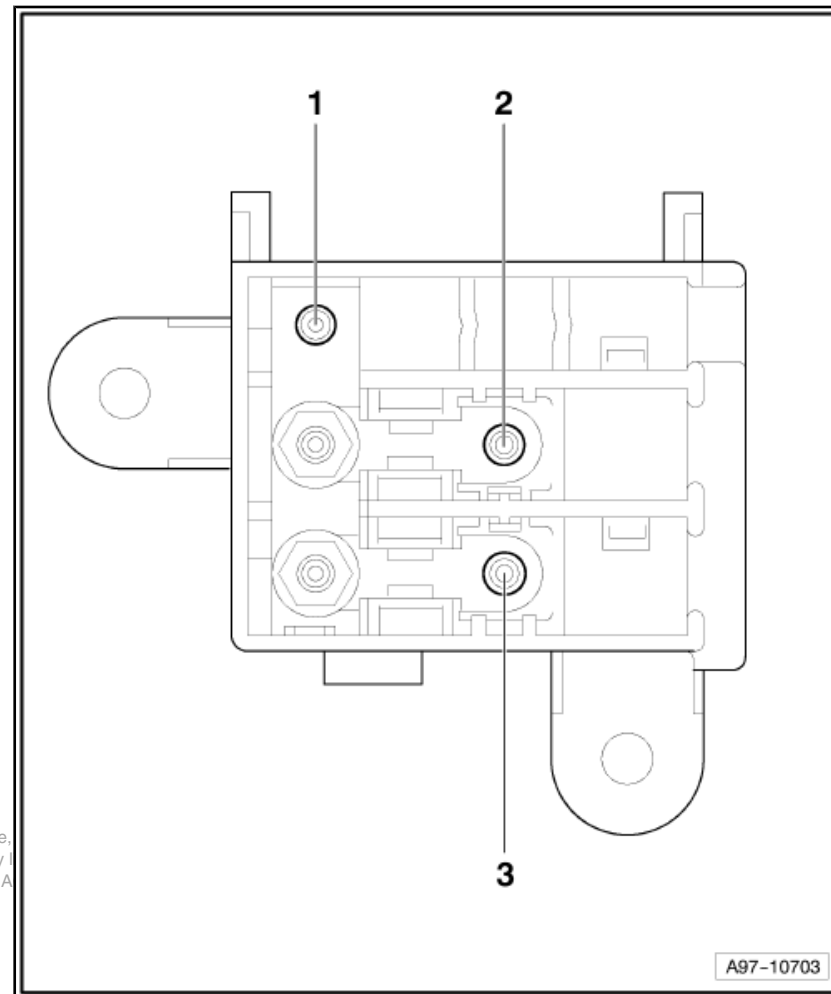
2 - Fuse 2 - terminal 30 -S205- , strip fuse 60 A, supply fuse carrier ST3 on relay and fuse carrier in front right footwell

3 - Fuse 1 - terminal 30 -S204- , strip fuse 150 A, supply fuse carrier ST3 on relay and fuse carrier in front right footwell



Audi

Protected by copyright. Copying for private or commercial purposes, in part or in whole, permitted unless authorised by AUDI AG. AUDI AG does not guarantee or accept any liability with respect to the correctness of information in this document. Copyright by AUDI AG



[Back to overview ⇒ page 1 .](#)

1.5 Position of fuses (SC) on fuse panel C

Component Location

Below right parcel shelf -1-, Coupé.

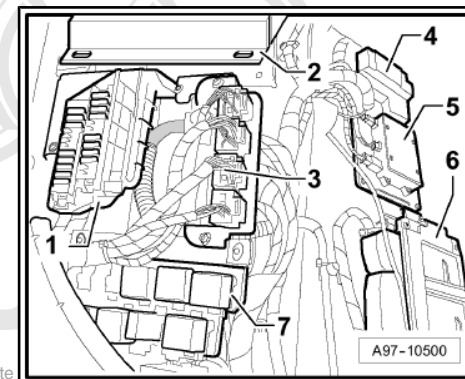
Behind the right rear wall -1-, Spyder.

Fuse Colours

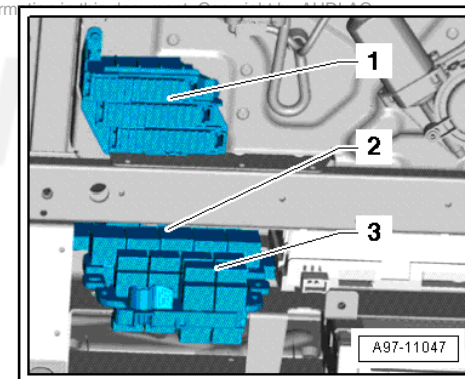
- 100 A - blue
- 60 A - yellow
- 40 A - orange
- 30 A - green
- 25 A - white
- 20 A - yellow
- 15 A - blue
- 10 A - red
- 7,5 A - brown
- 5 A - beige

[Back to overview ⇒ page 1 .](#)

1.5.1 Position of fuses, Coupé



Protected by copyright. Copying for private use is permitted unless authorised by AUDI AG. AUDI AG does not guarantee or accept any liability with respect to the correctness of information.



1 - Fuse Carrier ST1 (black)

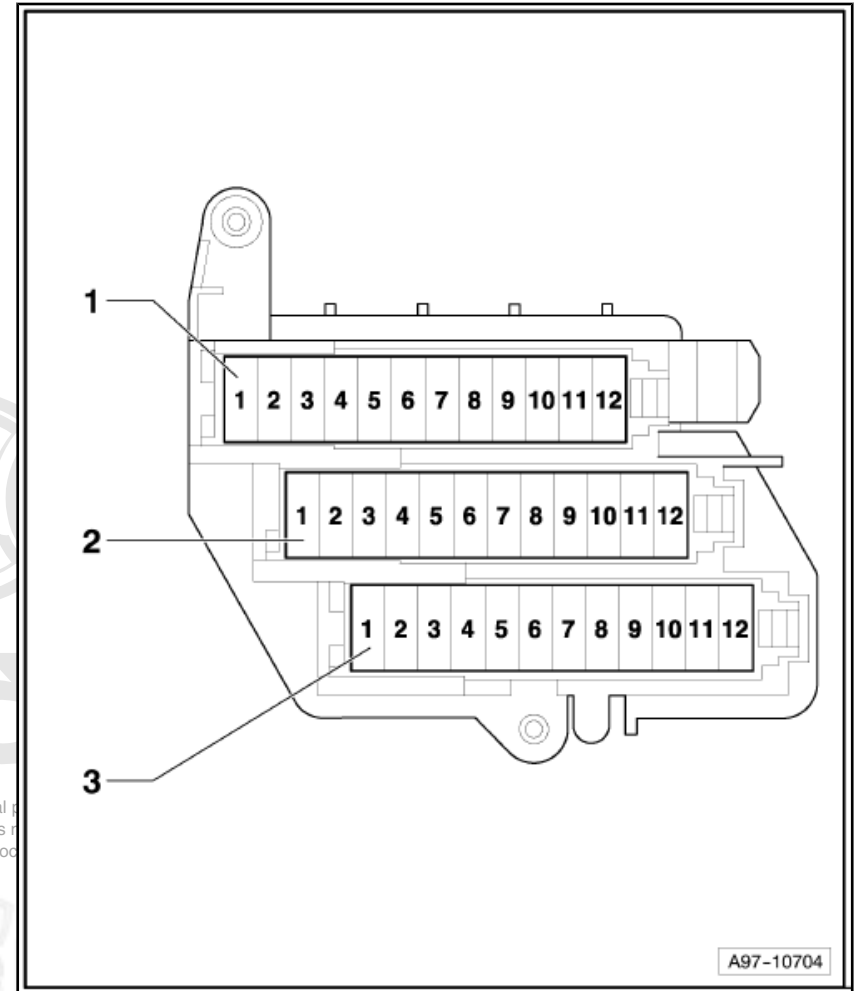
- Position of fuses ⇒ [page 18](#)

2 - Fuse Carrier ST2 (red)

- Not used

3 - Fuse Carrier ST3 (black)

- Position of fuses, V8 engine ⇒ [page 19](#)
- Position of fuses, V10 engine ⇒ [page 20](#)



Protected by copyright. Copying for private or commercial purposes is not permitted unless authorised by AUDI AG. AUDI AG does not accept any liability with respect to the correctness of information in this document.

A97-10704

Back to overview ⇒ [page 17](#) .

1.5.2 Position of Fuses Fuse Carrier ST1 (black)

No.	Designation in Wiring Diagram	Nominal Value	Function/Component	Terminal
1	- Fuse 1 (on fuse panel C) -SC1-	10 A 5 A	- Transmission Control Module (TCM) -J217- Back-Up Light Switch -F4-	15

2	-	Fuse 2 (on fuse panel C) -SC2-	5 A	-	Engine Control Module (ECM) -J623- Engine Control Module (ECM) 2 -J624-	15
3	-	Fuse 3 (on fuse panel C) -SC3-	5 A	-	Oil Level Thermal Sensor -G266-	15
4	-	Fuse 4 (on fuse panel C) -SC4-	5 A	-	Electronic Damping Control Module -J250-	15
5	-	Not used				
6	-	Not used				
7	-	Fuse 7 (on fuse panel C) -SC7-	5 A	-	Engine Control Module (ECM) -J623- Engine Control Module (ECM) 2 -J624-	30
8	-	Fuse 8 (on fuse panel C) -SC8-	30 A	-	Transmission Hydraulic Pump Relay -J510- Transmission Hydraulic Pump -V387-	30
9	-	Fuse 9 (on fuse panel C) -SC9-	25 A	-	Transmission Control Module (TCM) -J217-	30
10	-	Fuse 10 (on fuse panel C) -SC10-	30 A	-	Electronic Damping Control Module -J250-	30
11	-	Not used				
12	-	Not used				

Protected by copyright. Copying for private or commercial purposes, in part or in whole, is not permitted unless authorised by AUDI AG. AUDI AG does not guarantee or accept any liability with respect to the correctness of information in this document. Copyright by AUDI AG.

[Back to overview](#) ⇒ [page 17](#) .

1.5.3 Position of Fuses Fuse Carrier ST3, black, V8 engine

No.		Designation in Wiring Diagram	Nominal Value		Function/Component	Terminal
1	-	Fuse 1 (on fuse panel C) -SC1-	15 A	-	Oxygen Sensor (O2S) Behind Three Way Catalytic Converter (TWC) -G130- ¹ Oxygen Sensor (O2S) Heater 1 (behind Three Way Catalytic Converter (TWC) -Z29- ¹	87
2	-	Fuse 2 (on fuse panel C) -SC2-	15 A	-	Heated Oxygen Sensor (HO2S) -G39- ¹ Oxygen Sensor (O2S) Heater -Z19- ¹	87
3	-	Fuse 3 (on fuse panel C) -SC3-	15 A	-	Mass Air Flow (MAF) Sensor -G70- Evaporative Emission (EVAP) Canister Purge Regulator Valve 1 -N80- Secondary Air Injection (AIR) Solenoid Valve -N112- Right Electrohydraulic Engine Mounting Regulator Valve -N145- Fuel Metering Valve -N290- Intake Manifold Runner Control (IMRC) Valve -N316- Exhaust Flap Valve 1 -N321- Leak Detection Pump (LDP) -V144-	87
4	-	Not used				

5	-	Fuse 5 (on fuse panel C) -SC5-	15 A	-	Oxygen Sensor (O2S) Behind Three Way Catalytic Converter (TWC) -G130- ² Oxygen Sensor (O2S) Heater 1 (behind Three Way Catalytic Converter (TWC) -Z29- ²	
6	-	Fuse 6 (on fuse panel C) -SC6-	15 A	-	Heated Oxygen Sensor (HO2S) -G39- ² Oxygen Sensor (O2S) Heater -Z19- ²	
7	-	Fuse 7 (on fuse panel C) -SC7-	10 A	-	Camshaft Adjustment Valve 1 -N205- Camshaft Adjustment Valve 2 -N208- Camshaft Adjustment Valve 1 (exhaust) -N318- Camshaft Adjustment Valve 2 (exhaust) -N319-	87
8	-	Fuse 8 (on fuse panel C) -SC8-	30 A	-	Ignition Coils -N....-	87
9	-	Fuse 9 (on fuse panel C) -SC9-	15 A	-	Injectors -N....-	87
10	-	Fuse 10 (on fuse panel C) -SC10-	5 A	-	Brake Light Switch -F- Brake Pedal Switch -F47- Clutch Position Sensor -G476-	87
11	-	Fuse 11 (on fuse panel C) -SC11-	5 A	-	Coolant Fan -V7- Coolant Fan 2 -V177-	87
12	-	Not used				


Note

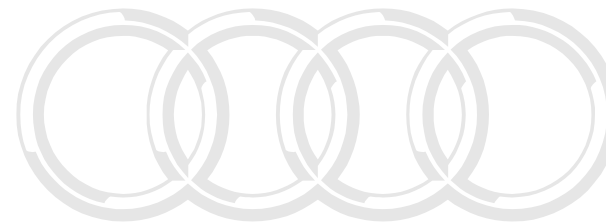
◆ ¹ Through June 2010

◆ ² From July 2010

[Back to overview](#) ⇒ [page 17](#) .

1.5.4 Position of Fuses Fuse Carrier ST3, black, V10 engine

No.		Designation in Wiring Diagram	Nominal Value	Function/Component	Terminal
1	-	Not used			
2	-	Not used			



Audi

erWin

3	- Fuse 3 (on fuse panel C) -SC3-	15 A	- Intake Air Temperature (IAT) Sensor -G42- Mass Air Flow (MAF) Sensor -G70- Mass Air Flow (MAF) Sensor 2 -G246- Intake Air Temperature (IAT) Sensor 2 -G299- Secondary Air Injection (AIR) Pump Relay -J299- Evaporative Emission (EVAP) Canister Purge Regulator Valve 1 -N80- Secondary Air Injection (AIR) Solenoid Valve -N112- Evaporative Emission (EVAP) Canister Purge Regulator Valve 2 -N115- Left Electrohydraulic Engine Mounting Regulator Valve -N144- Right Electrohydraulic Engine Mounting Regulator Valve -N145- Fuel Metering Valve -N290- Intake Manifold Change-Over Valve -N335- Fuel Metering Valve 2 -N402- Leak Detection Pump (LDP) -V144-	87
4	- Not used			
5	- Fuse 5 (on fuse panel C) -SC5-	15 A	- Oxygen Sensor (O2S) Heater 1 (behind Three Way Catalytic Converter (TWC) -Z29- Oxygen Sensor (O2S) Heater 2 (behind Three Way Catalytic Converter (TWC) -Z30-	87
6	- Fuse 6 (on fuse panel C) -SC6-	15 A	- Oxygen Sensor (O2S) Heater -Z19- Oxygen Sensor (O2S) Heater 2 -Z28-	87
7	- Fuse 7 (on fuse panel C) -SC7-	10 A	- Camshaft Adjustment Valve 1 -N205- Camshaft Adjustment Valve 2 -N208- Intake Manifold Runner Control (IMRC) Valve -N316- Camshaft Adjustment Valve 1 (exhaust) -N318- Camshaft Adjustment Valve 2 (exhaust) -N319-	87
8	- Fuse 8 (on fuse panel C) -SC8-	30 A	- Ignition Coils -N....-	87
9	- Fuse 9 (on fuse panel C) -SC9-	15 A	- Injectors -N....-	87
10	- Fuse 10 (on fuse panel C) -SC10-	5 A	- Brake Light Switch -F- Brake Pedal Switch -F47- Clutch Position Sensor -G476-	87
11	- Fuse 11 (on fuse panel C) -SC11-	5 A	- Coolant Fan -V7- Coolant Fan 2 -V177-	87
12	- Not used			

Protected by copyright. Copying for private or commercial purposes, in part or in whole, is not permitted unless authorised by AUDI AG. AUDI AG does not guarantee or warrant the accuracy with respect to the correctness of information in this document. Copyright © Audi AG

[Back to overview](#) ⇒ [page 17](#) .

1.5.5 Position of fuses, Spyder:

1 - Fuse Carrier ST1 (black)

- ❑ Position of fuses ⇒ [page 22](#)

2 - Fuse Carrier ST2 (black)

- ❑ Position of fuses ⇒ [page 23](#)

3 - Fuse Carrier ST3 (black)

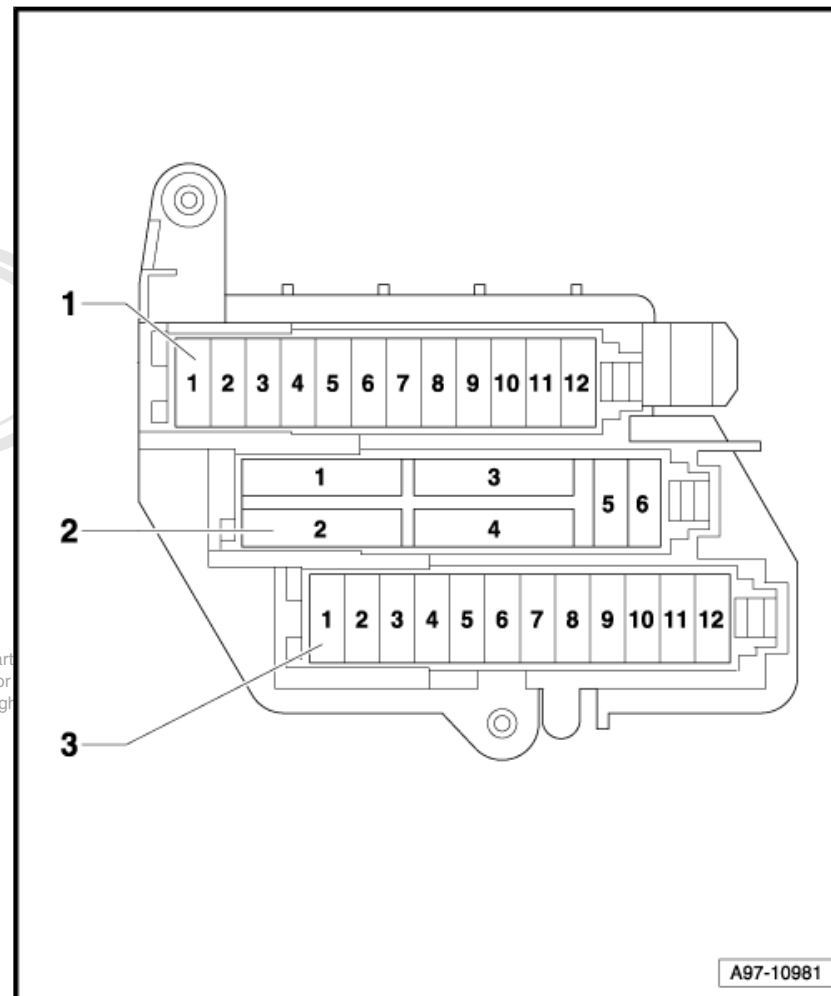
- ❑ Position of fuses, V8 engine ⇒ [page 24](#)
- ❑ Position of fuses, V10 engine ⇒ [page 25](#)



Audi

Protected by copyright. Copying for private or commercial purposes, in part permitted unless authorised by AUDI AG. AUDI AG does not guarantee or with respect to the correctness of information in this document. Copyright

erWin



Back to overview ⇒ [page 17](#) .

1.5.6 Position of Fuses Fuse Carrier ST1 (black)

No.	Designation in Wiring Diagram	Nominal Value	Function/Component	Terminal
1	- Fuse 1 (on fuse panel C) -SC1-	10 A 5 A	- Transmission Control Module (TCM) -J217- Back-Up Light Switch -F4-	15

2	-	Fuse 2 (on fuse panel C) -SC2-	5 A	-	Engine Control Module (ECM) -J623- Engine Control Module (ECM) 2 -J624-	15
3	-	Fuse 3 (on fuse panel C) -SC3-	5 A	-	Oil Level Thermal Sensor -G266-	15
4	-	Fuse 4 (on fuse panel C) -SC4-	5 A	-	Electronic Damping Control Module -J250-	15
5	-	Not used				
6	-	Not used				
7	-	Fuse 7 (on fuse panel C) -SC7-	5 A	-	Engine Control Module (ECM) -J623- Engine Control Module (ECM) 2 -J624-	30
8	-	Fuse 8 (on fuse panel C) -SC8-	30 A	-	Transmission Hydraulic Pump Relay -J510- Transmission Hydraulic Pump -V387-	30
9	-	Fuse 9 (on fuse panel C) -SC9-	25 A	-	Transmission Control Module (TCM) -J217-	30
10	-	Fuse 10 (on fuse panel C) -SC10-	30 A	-	Electronic Damping Control Module -J250-	30
11	-	Not used				
12	-	Not used				

[Back to overview](#) ⇒ [page 21](#) .

1.5.7 Position of Fuses Fuse Carrier ST2 (black)

No.		Designation in Wiring Diagram	Nominal Value		Function/Component	Terminal
1	-	Fuse 1 (on fuse panel C) -SC1-	40 A	-	Convertible Top Hydraulic Pump Relay -J321- Convertible Top Hydraulic Pump Relay 2 -J588- Convertible Top Hydraulic Pump -V118-	30
2	-	Fuse 2 (on fuse panel C) -SC2-	30 A	-	Convertible Top Control Module -J256-	30
3	-	Fuse 3 (on fuse panel C) -SC3-	30 A	-	Rear Window Motor -V456-	30
4	-	Not used				
5	-	Not used				
6	-	Fuse 6 (on fuse panel C) -SC6-	10 A	-	Convertible Top Control Module -J256-	30
7	-	Not used				
8	-	Not used				
9	-	Not used				
10	-	Not used				
11	-	Not used				
12	-	Not used				

[Back to overview ⇒ page 21 .](#)
1.5.8 Position of Fuses Fuse Carrier ST3, black, V8 engine

No.		Designation in Wiring Diagram	Nominal Value	Function/Component	Terminal
1	-	Fuse 1 (on fuse panel C) -SC1-	15 A	- Oxygen Sensor (O2S) Behind Three Way Catalytic Converter (TWC) -G130- ¹ Oxygen Sensor (O2S) Heater 1 (behind Three Way Catalytic Converter (TWC) -Z29- ¹	87
2	-	Fuse 2 (on fuse panel C) -SC2-	15 A	- Heated Oxygen Sensor (HO2S) -G39- ¹ Oxygen Sensor (O2S) Heater -Z19- ¹	87
3	-	Fuse 3 (on fuse panel C) -SC3-	15 A	- Mass Air Flow (MAF) Sensor -G70- Evaporative Emission (EVAP) Canister Purge Regulator Valve 1 -N80- Secondary Air Injection (AIR) Solenoid Valve -N112- Right Electrohydraulic Engine Mounting Regulator Valve -N145- Fuel Metering Valve -N290- Fuse 6 (on fuse panel C) -SC6- Intake Manifold Runner Control (IMRC) Valve -N316- Exhaust Flap Valve 1 -N321- Leak Detection Pump (LDP) -V144-	87
4	-	Not used			
5	-	Fuse 5 (on fuse panel C) -SC5-	15 A	- Oxygen Sensor (O2S) Behind Three Way Catalytic Converter (TWC) -G130- ² Oxygen Sensor (O2S) Heater 1 (behind Three Way Catalytic Converter (TWC) -Z29- ²	87
6	-	Fuse 6 (on fuse panel C) -SC6-	15 A	- Heated Oxygen Sensor (HO2S) -G39- ² Oxygen Sensor (O2S) Heater -Z19- ²	87
7	-	Fuse 7 (on fuse panel C) -SC7-	10 A	- Camshaft Adjustment Valve 1 -N205- Camshaft Adjustment Valve 2 -N208- Camshaft Adjustment Valve 1 (exhaust) -N318- Camshaft Adjustment Valve 2 (exhaust) -N319-	87
8	-	Fuse 8 (on fuse panel C) -SC8-	30 A	- Ignition Coils -N....-	87
9	-	Fuse 9 (on fuse panel C) -SC9-	15 A	- Injectors -N....-	87
10	-	Fuse 10 (on fuse panel C) -SC10-	5 A	- Brake Light Switch -F- Brake Pedal Switch -F47- Clutch Position Sensor -G476-	87
11	-	Fuse 11 (on fuse panel C) -SC11-	5 A	- Coolant Fan -V7- Coolant Fan 2 -V177-	87
12	-	Not used			

Protected by copyright. Copying for private or commercial purposes, in part or in whole, is not permitted unless authorised by AUDI AG. AUDI AG does not guarantee or accept any liability with respect to the correctness of information in this document. Copyright by AUDI AG.


Note

- ◆ ¹ Through June 2010
- ◆ ² From July 2010

Back to overview ⇒ [page 21](#) .

1.5.9 Position of Fuses Fuse Carrier ST3, black, V10 engine

No.		Designation in Wiring Diagram	Nominal Value	Function/Component	Terminal
1	-	Not used			
2	-	Not used			
3	-	Fuse 3 (on fuse panel C) -SC3-	15 A	- Intake Air Temperature (IAT) Sensor -G42- - Mass Air Flow (MAF) Sensor -G70- - Mass Air Flow (MAF) Sensor 2 -G246- - Intake Air Temperature (IAT) Sensor 2 -G299- - Secondary Air Injection (AIR) Pump Relay -J299- - Evaporative Emission (EVAP) Canister Purge Regulator Valve 1 -N80- - Secondary Air Injection (AIR) Solenoid Valve -N112- - Evaporative Emission (EVAP) Canister Purge Regulator Valve 2 -N115- - Left Electrohydraulic Engine Mounting Regulator Valve -N144- - Right Electrohydraulic Engine Mounting Regulator Valve -N145- - Fuel Metering Valve -N290- - Intake Manifold Change-Over Valve -N335- - Fuel Metering Valve 2 -N402- - Leak Detection Pump (LDP) -V144-	87
4	-	Not used			
5	-	Fuse 5 (on fuse panel C) -SC5-	15 A	- Oxygen Sensor (O2S) Heater 1 (behind Three Way Catalytic Converter (TWC) -Z29- - Oxygen Sensor (O2S) Heater 2 (behind Three Way Catalytic Converter (TWC) -Z30-	87
6	-	Fuse 6 (on fuse panel C) -SC6-	15 A	- Oxygen Sensor (O2S) Heater -Z19- - Oxygen Sensor (O2S) Heater 2 -Z28-	87
7	-	Fuse 7 (on fuse panel C) -SC7-	10 A	- Camshaft Adjustment Valve 1 -N205- - Camshaft Adjustment Valve 2 -N208- - Intake Manifold Runner Control (IMRC) Valve -N316- - Camshaft Adjustment Valve 1 (exhaust) -N318- - Camshaft Adjustment Valve 2 (exhaust) -N319-	87

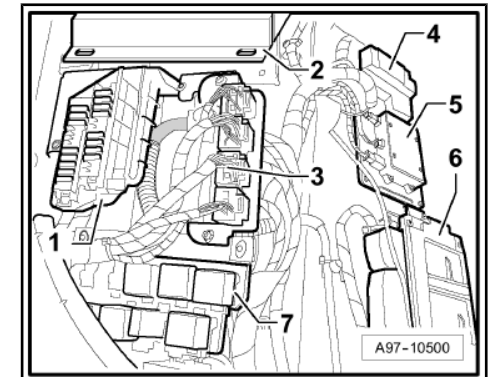
8	-	Fuse 8 (on fuse panel C) -SC8-	30 A	-	Ignition Coils -N....-	87
9	-	Fuse 9 (on fuse panel C) -SC9-	15 A	-	Injectors -N....-	87
10	-	Fuse 10 (on fuse panel C) -SC10-	5 A	-	Brake Light Switch -F- Brake Pedal Switch -F47- Clutch Position Sensor -G476-	87
11	-	Fuse 11 (on fuse panel C) -SC11-	5 A	-	Coolant Fan -V7- Coolant Fan 2 -V177-	87
12	-	Not used				

Back to overview ⇒ [page 21](#) .

1.6 Fuses on 9-point relay and fuse carrier

Component Location

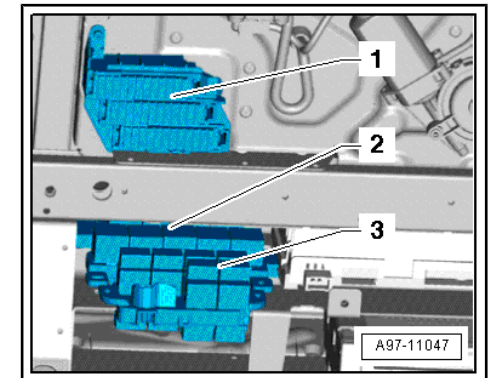
Below right parcel shelf -7-, Coupé.



Behind the right rear wall -2-, Spyder.

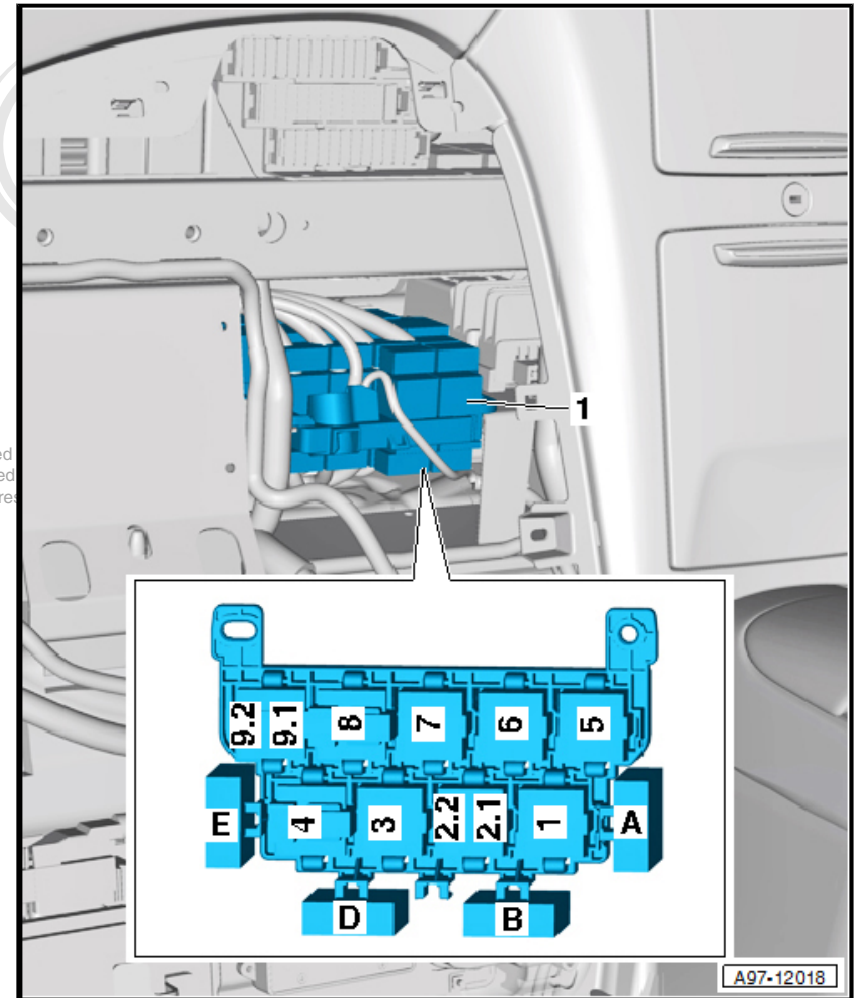
Position of fuses

Protected by copyright. Copying for private or commercial purposes, in part or in whole, is not permitted unless authorised by AUDI AG. AUDI AG does not guarantee or accept any liability with respect to the correctness of information in this document. Copyright by AUDI AG.



- A - Secondary Air Injection (AIR) Pump Fuse -S130- , 50 A
- B - Fuel Pump (FP) Fuse -S81- , 40 A
- D - Secondary Air Injection (AIR) Pump Fuse 2 -S284- , 50 A
- E - Not used, Coupé
- E - Convertible Top Fuse -S67- , 80 A Spyder

Protected
permitted
with re



Back to overview ⇒ [page 1](#) .

1 Connector stations and connectors of wiring harnesses

1.1 Overview of connector stations and pin connectors

1 - Connector station glove compartment

- Connector -T6c-
- Component Location [⇒ page 6](#)

2 - Connector station behind right center console

- Pin Connectors -T17- , -T17a- , -T17b- , -T17c-
- Component Location [⇒ page 4](#)

3 - Connector station below right front seat

- Pin Connectors -T10f- , -T6e- , -T10d- , -T3e-
- Component Location [⇒ page 2](#)

4 - Connector stations below right parcel shelf

- Pin Connectors -T17d- , -T17e- , -T17f- , -T17g-
- Component Location [⇒ page 2](#)

5 - Connector station, rear bumper

- Connector -T14d-
- Component Location [⇒ page 7](#)

6 - Connector station below left front seat

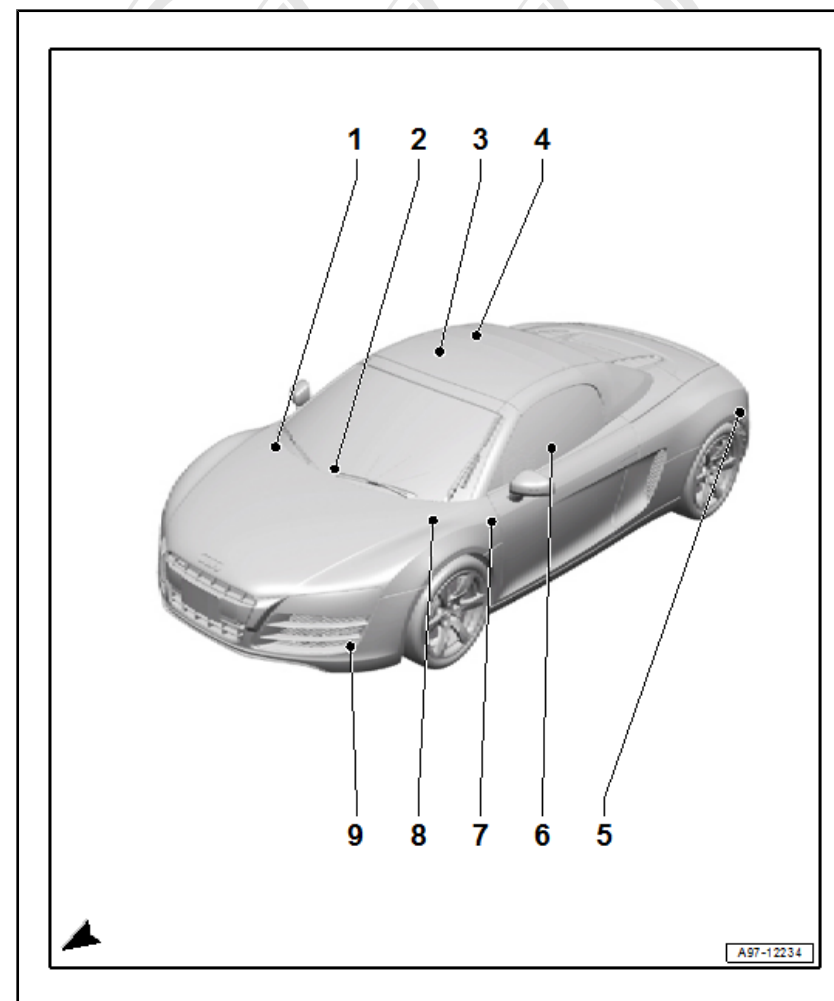
- Pin Connectors -T10e- , -T6d- , -T10c- , -T3d-
- Component Location [⇒ page 3](#)

7 - Connector station A-pillar, left

- Pin Connectors -T17k- , -T17l-
- Component Location [⇒ page 5](#)

8 - Diagnostic Coupling

- Connector -T16-
- Component Location [⇒ page 4](#)



9 - Connector station, front bumper

- Connector -T14e-
- Component Location ⇒ [page 8](#)

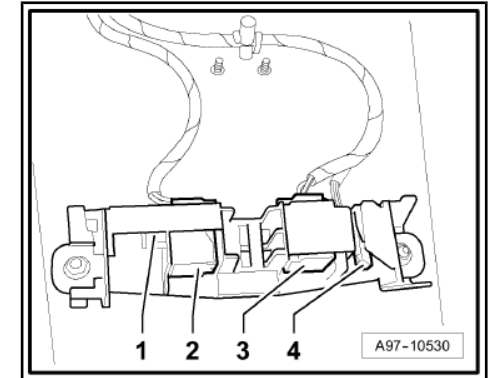
1.2 Connector station below right front seat

Component Location

Below right front seat.

- 1 - 10-Pin Connector -T10f- , black
- 2 - 6-Pin Connector -T6e- , green
- 3 - 10-Pin Connector -T10d- , red
- 4 - 3-Pin Connector -T3e- , yellow

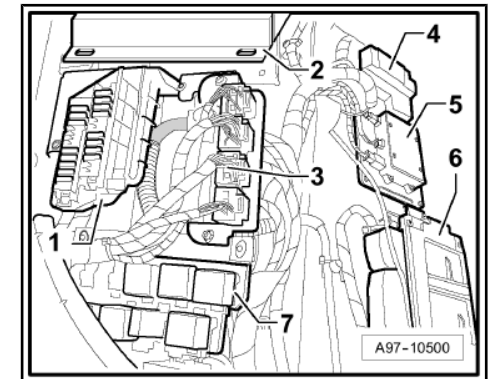
Back to overview ⇒ [page 1](#) .



1.3 Connector stations below right parcel shelf

Component Location

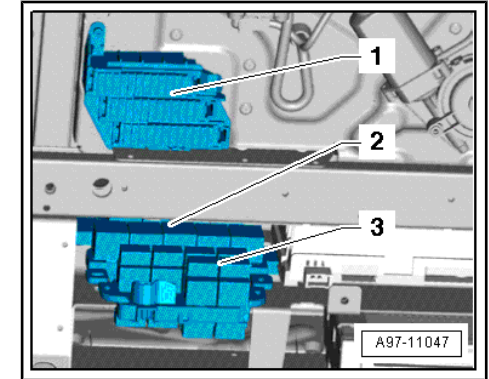
Below right parcel shelf -3-, Coupé.



Protected by copyright. Copying for private or commercial purposes, in part or in whole, is not permitted unless authorised by AUDI AG. AUDI AG does not guarantee or accept any liability with respect to the correctness of information in this document. Copyright by AUDI AG.



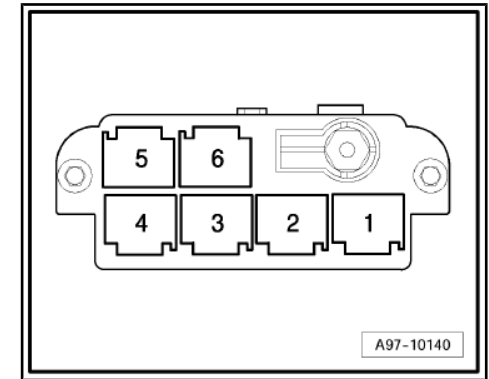
Behind the right rear wall -3-, Spyder.



Assignment

- 1 - 17-Pin Connector -T17d- , brown
- 2 - 17-Pin Connector -T17e- , red
- 3 - 17-Pin Connector -T17f- , white
- 4 - 17-Pin Connector -T17g- , black
- 5 - Not used
- 6 - Not used

Back to overview ⇒ [page 1](#) .



1.4 Connector station below left front seat

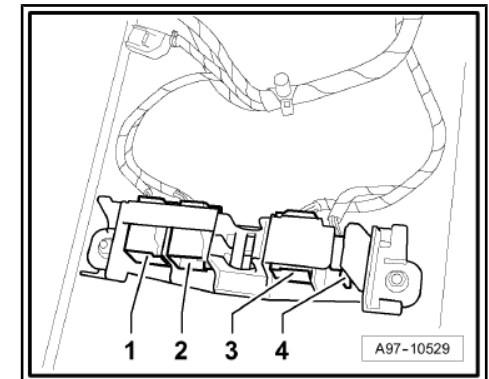
Component Location

Below left front seat.

Copyright © Audi AG. All rights reserved. Copying for private or commercial purposes, in part or in whole, is not permitted unless authorised by AUDI AG. AUDI AG does not guarantee or accept any liability for the correctness of information in this document. Copyright by AUDI AG.

- 1 - 10-Pin Connector -T10e- , black
- 2 - 6-Pin Connector -T6d- , green
- 3 - 10-Pin Connector -T10c- , red
- 4 - 3-Pin Connector -T3d- , yellow

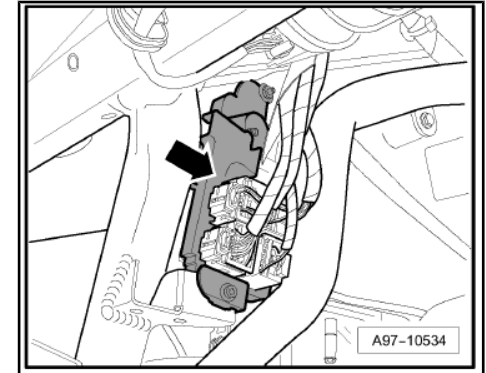
Back to overview ⇒ [page 1](#) .



1.5 Connector station behind right center console

Component Location

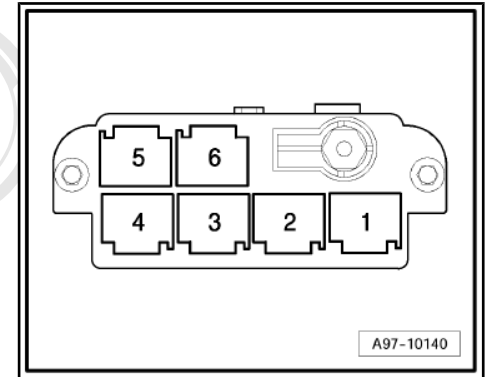
Behind glove compartment, left -Arrow-.



Assignment

- 1 - Not used
- 2 - Not used
- 3 - 17-Pin Connector -T17- , red
- 4 - 17-Pin Connector -T17a- , black
- 5 - 17-Pin Connector -T17b- , brown
- 6 - 17-Pin Connector -T17c- , blue

[Back to overview](#) ⇒ [page 1](#) .



1.6 Diagnostic Coupling

Component Location

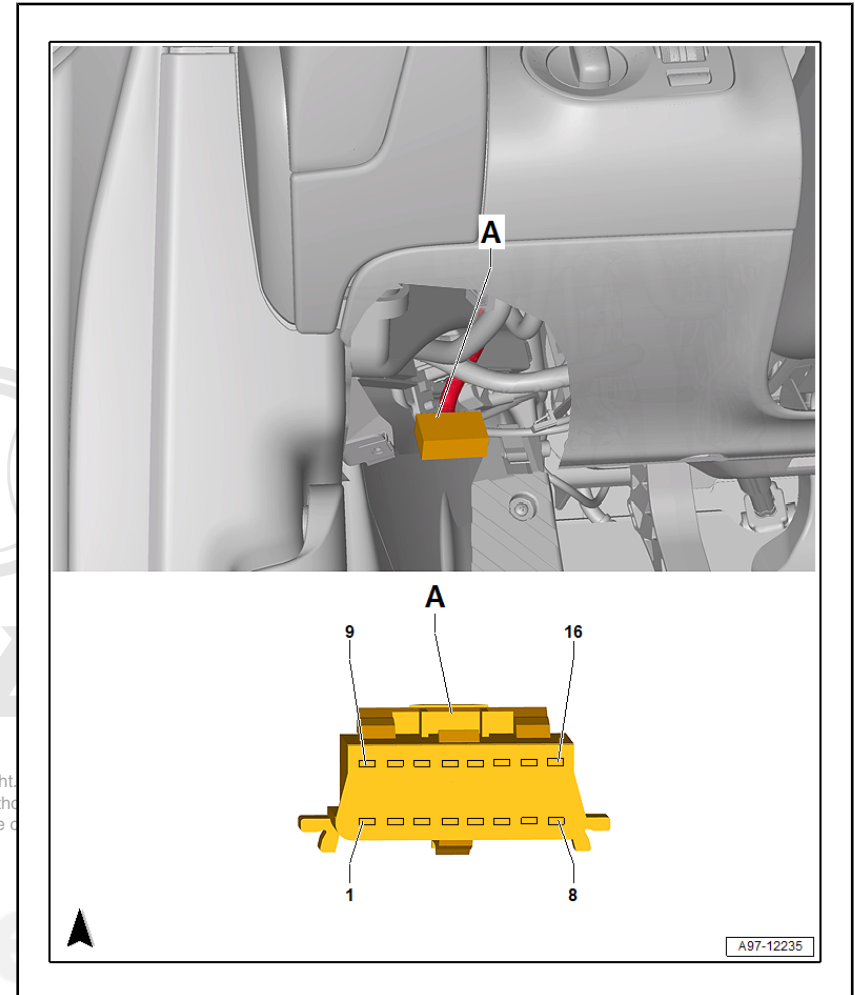
Behind driver's stowage compartment.

Connector

Protected by copyright. Copying for private or commercial purposes, in part or in whole, is not permitted unless authorised by AUDI AG. AUDI AG does not guarantee or accept any liability with respect to the correctness of information in this document. Copyright by AUDI AG.



A - 16-Pin Connector -T16-



Protected by copyright.
permitted unless authori
with respect to the c

Back to overview ⇒ [page 1](#) .

1.7 Connector station A-pillar, left

Component Location

Behind left A-pillar trim.

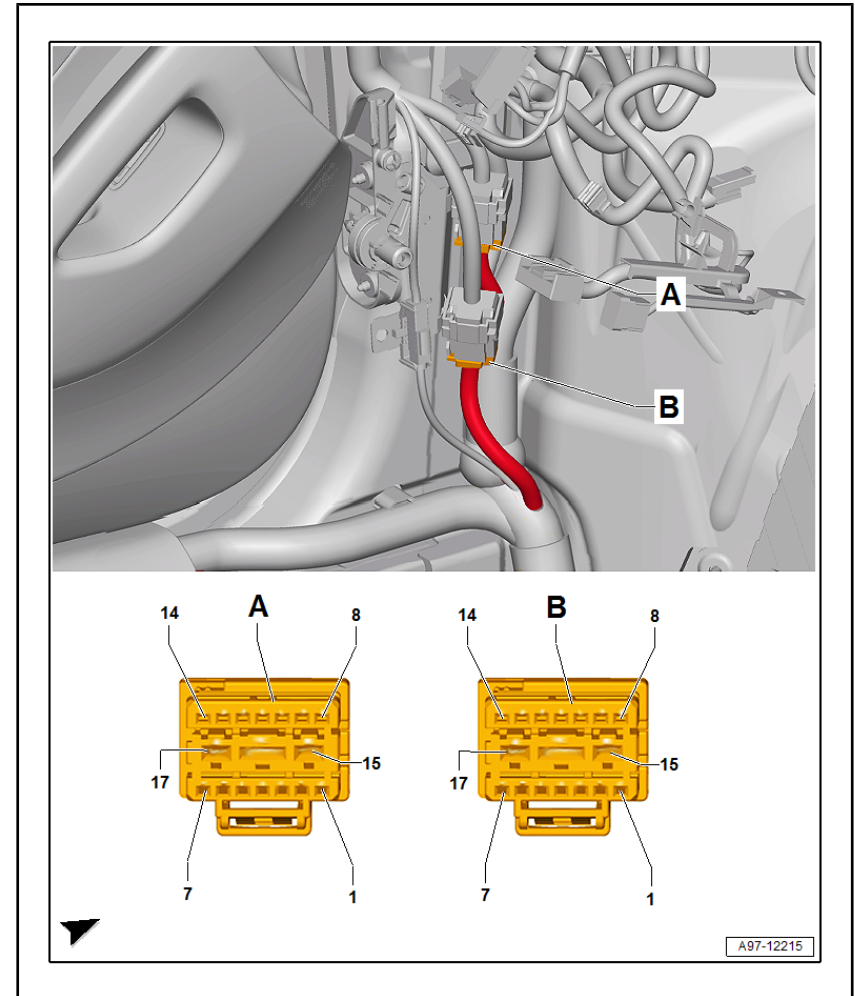
Pin Connectors

A - 17-Pin Connector -T17k-

B - 17-Pin Connector -T17l-



Protected by copyright. Copying for private or commercial purposes, in part or in whole, is not permitted unless authorised by AUDI AG. AUDI AG does not guarantee or accept any liability with respect to the correctness of information in this document. Copyright by AUDI AG.



Back to overview => [page 1](#) .

1.8 Connector station glove compartment

Component Location

Behind glove compartment, right.

Connector

A - 6-Pin Connector -T6c- , black



Protected by copyright. Copying for private or commercial purposes, in part or in whole, is not permitted unless authorised by AUDI AG. AUDI AG does not guarantee or accept any liability with respect to the correctness of information in this document. Copyright by AUDI AG.

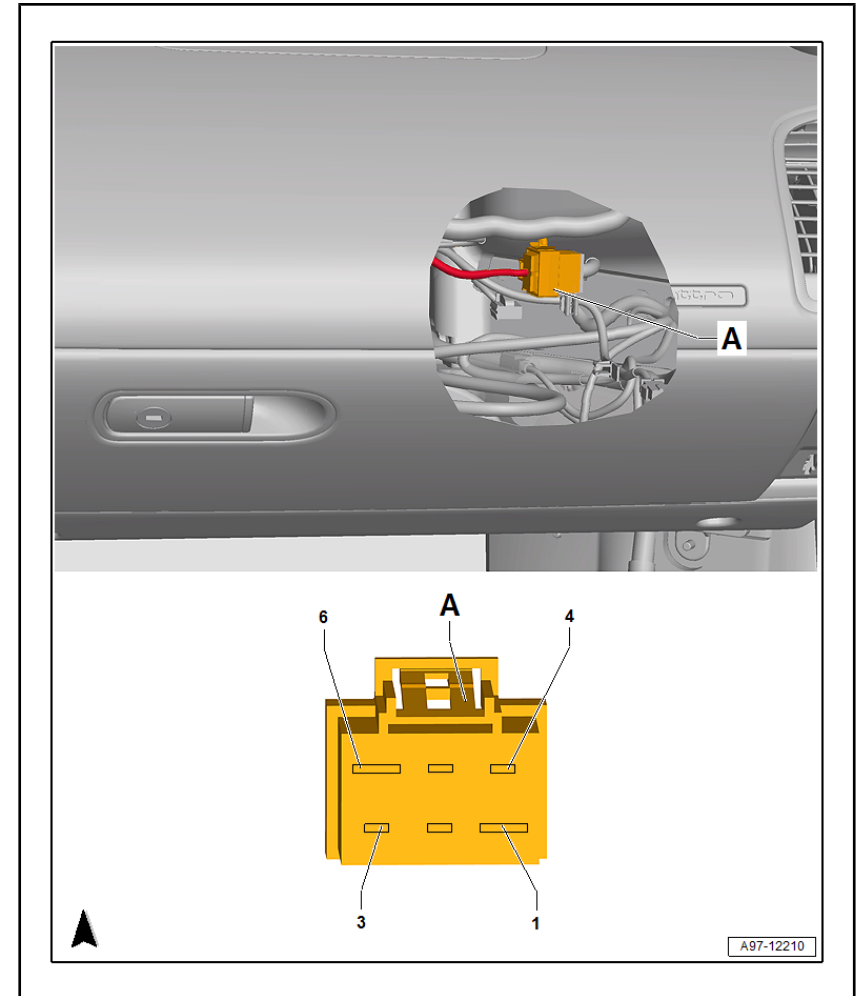


[Back to overview](#) ⇒ [page 1](#) .

1.9 Connector station, rear bumper

Component Location

Behind left rear bumper trim.



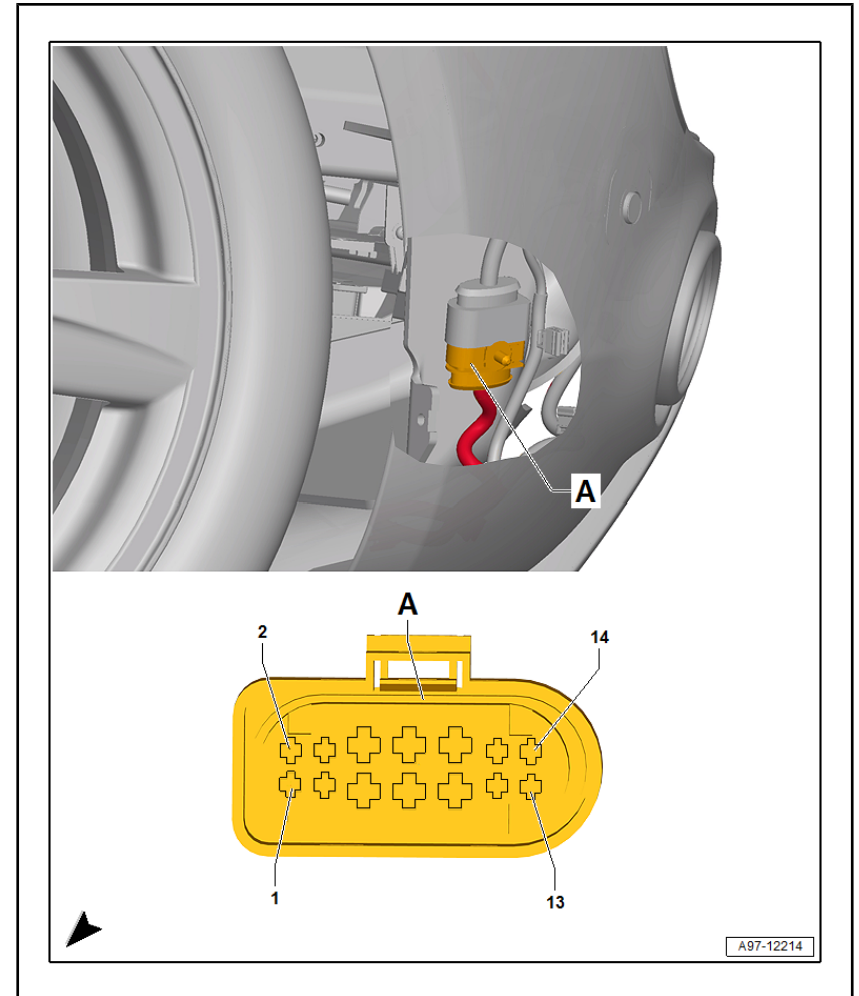
Connector

A - 14-Pin Connector -T14d- , black



Audi

Protected by copyright. Copying for private or commercial purposes, in part or in whole, is not permitted unless authorised by AUDI AG. AUDI AG does not guarantee or accept any liability with respect to the correctness of information in this document. Copyright by AUDI AG.



Back to overview ⇒ [page 1](#) .

1.10 Connector station, front bumper

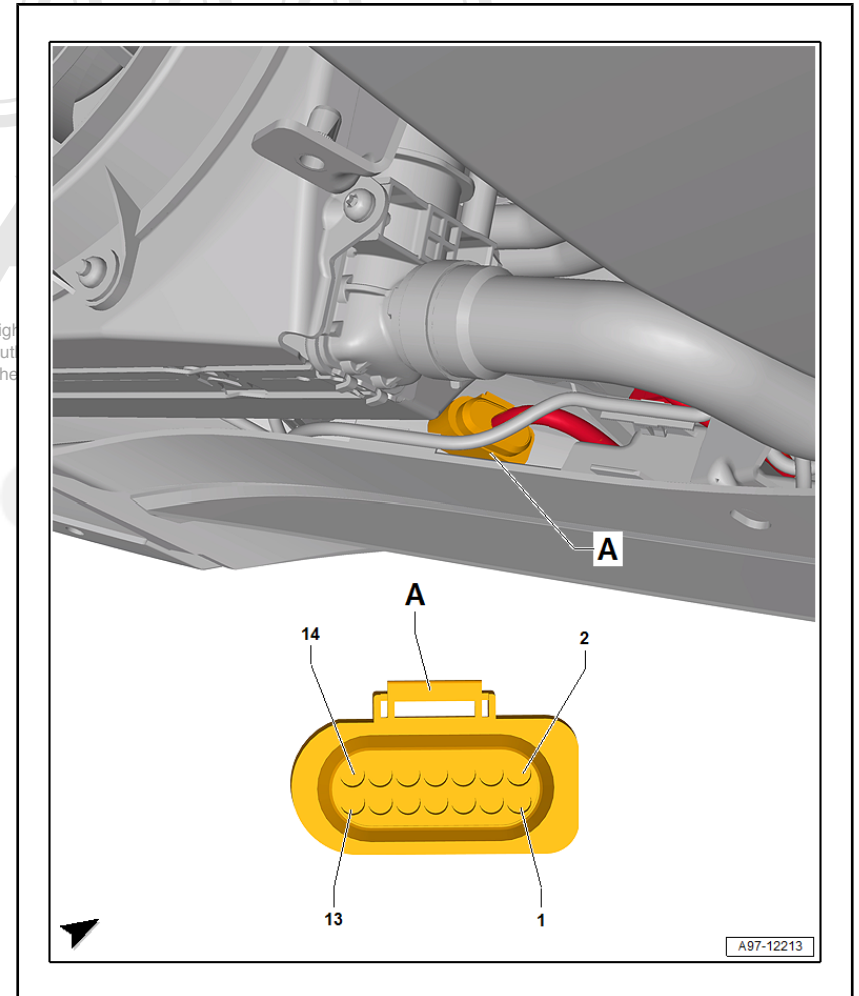
Component Location

Behind left front bumper trim.

Connector

A - 14-Pin Connector -T14e- , black

Protected by copyright
permitted unless aut
with respect to the



Back to overview ⇒ [page 1](#) .

1 Ground Connections

1.1 Overview of ground connections in rear part of vehicle

1 - **708 Ground Connection 2 (on right rear long member)**
 Component Location ⇒ [page 2](#)

2 - **611 Ground Connection (on fuel filler neck)**
 Component Location ⇒ [page 2](#)

3 - **714 Ground connection on engine, right**
 Component Location ⇒ [page 2](#)

4 - **66 Ground Connection (on right rear long member)**
 Component Location ⇒ [page 3](#)

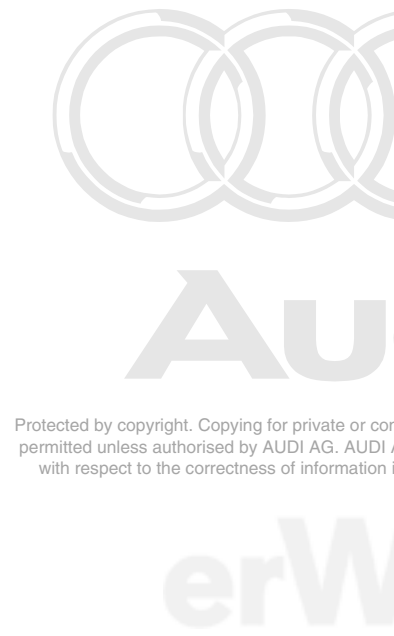
5 - **619 Ground Connection, on lower left engine block**
 Component Location ⇒ [page 3](#)
 Ground wire transmission-body ⇒ [page 3](#)

6 - **65 Ground Connection (on left rear long member)**
 Component Location ⇒ [page 4](#)

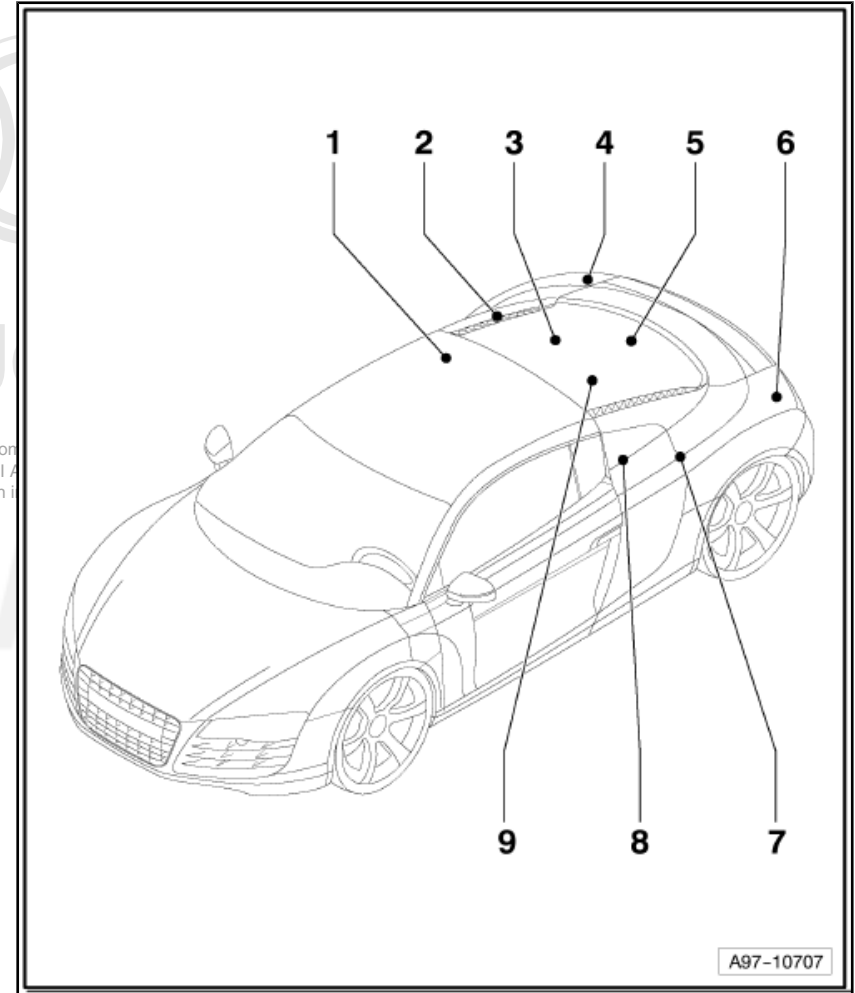
7 - **710 Ground Connection 2 (on left rear long member)**
 Component Location ⇒ [page 4](#)

8 - **711 Ground Connection 3 (on left rear long member)**
 Component Location ⇒ [page 5](#)

9 - **618 Ground connection on engine, left**
 Component Location ⇒ [page 4](#)



Protected by copyright. Copying for private or commercial use is not permitted unless authorised by AUDI AG. AUDI AG is not liable with respect to the correctness of information.



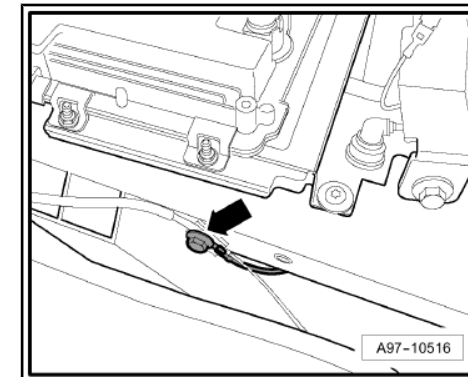
708 - Ground Connection 2 (on right rear long member) -Arrow-

Component Location

On right rear long member.

Torque Setting

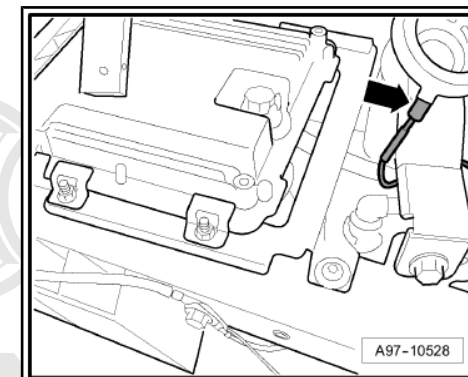
9 Nm



611 - Ground Connection, on fuel filler neck, Single Connector -T1- -Arrow-

Component Location

On fuel filler neck, tank module.



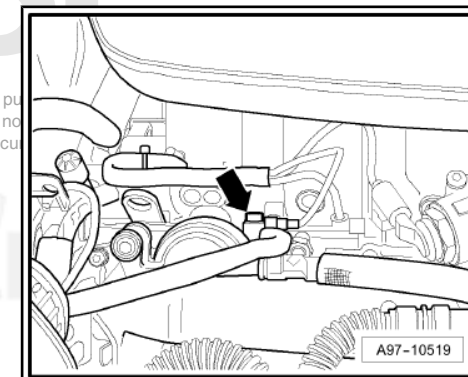
714 - Ground connection on engine, right -Arrow-

Component Location

On engine, right.

Torque Setting

9 Nm



Protected by copyright. Copying for private or commercial purposes is not permitted unless authorised by AUDI AG. AUDI AG does not accept any liability with respect to the correctness of information in this document.

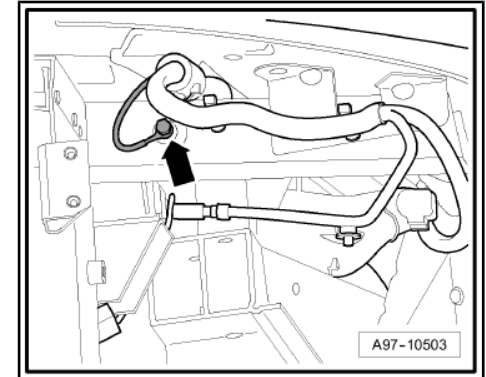
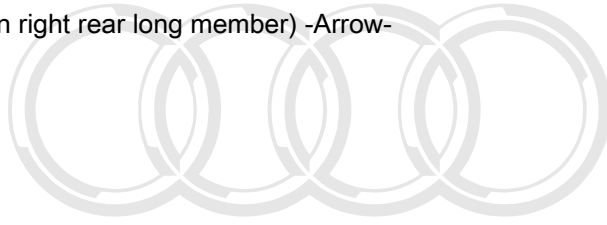
66 - Ground Connection (on right rear long member) -Arrow-

Component Location

On right rear long member.

Torque Setting

9 Nm



619 - Ground Connection (on lower left engine block) -Arrow-

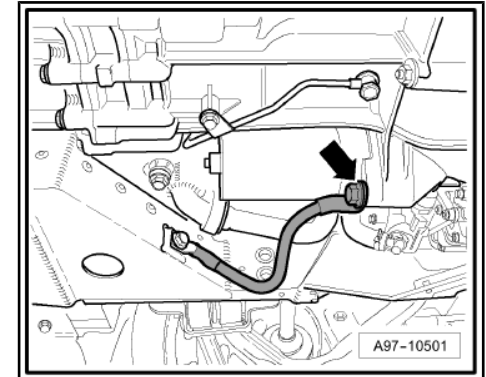
Component Location

On engine, lower left

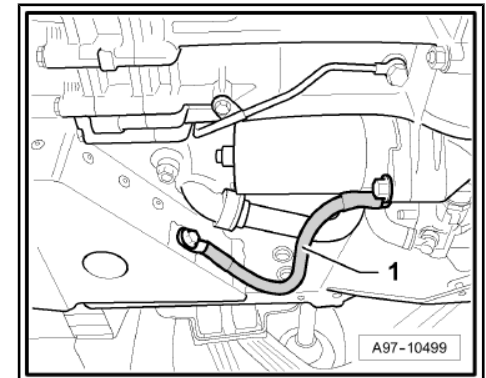
Torque Setting

20 Nm

Protected by copyright. Copying for private or commercial purposes, in part or in whole, is not permitted unless otherwise stated. AUDI AG does not guarantee or accept any liability with respect to the correctness of information in this document. Copyright by AUDI AG.



Ground wire transmission-body -1-



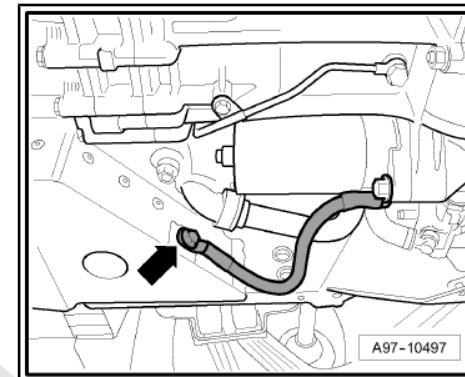
710 - Ground Connection 2 on left rear long member -Arrow-

Component Location

On left rear long member.

Torque Setting

20 Nm



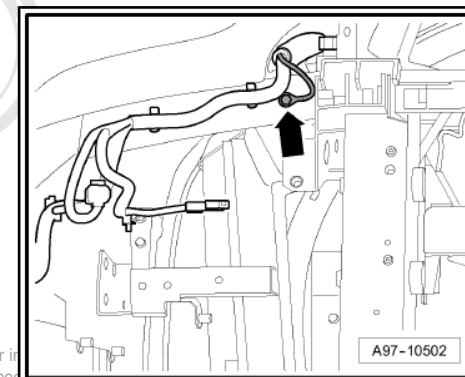
65 - Ground Connection (on left rear long member) -Arrow-

Component Location

On left rear long member.

Torque Setting

9 Nm



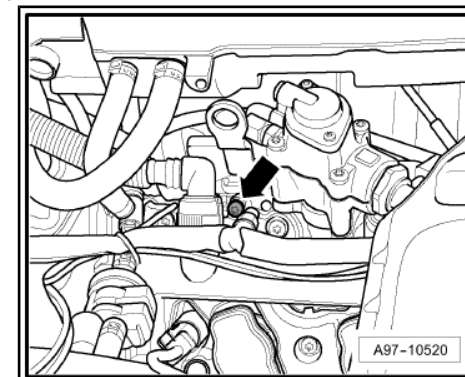
618 - Ground connection on engine, left -Arrow-

Component Location

On engine, left.

Torque Setting

9 Nm



Protected by copyright. Copying for private or commercial purposes, in part or in full, is not permitted unless authorised by AUDI AG. AUDI AG does not guarantee or accept any liability with respect to the correctness of information in this document. Copyright by AUDI AG.

711 - Ground Connection 3 on left rear long member -Arrow-

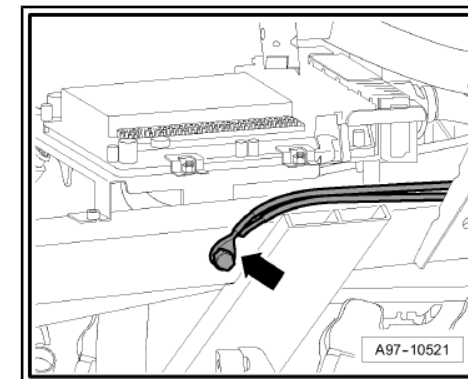
Component Location

On left rear long member.

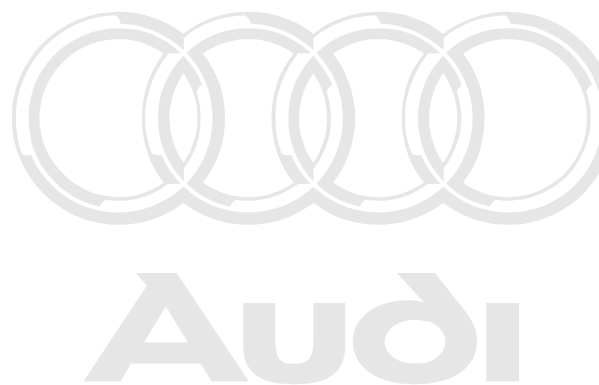
Torque Setting

9 Nm

Back to overview ⇒ [page 1](#) .



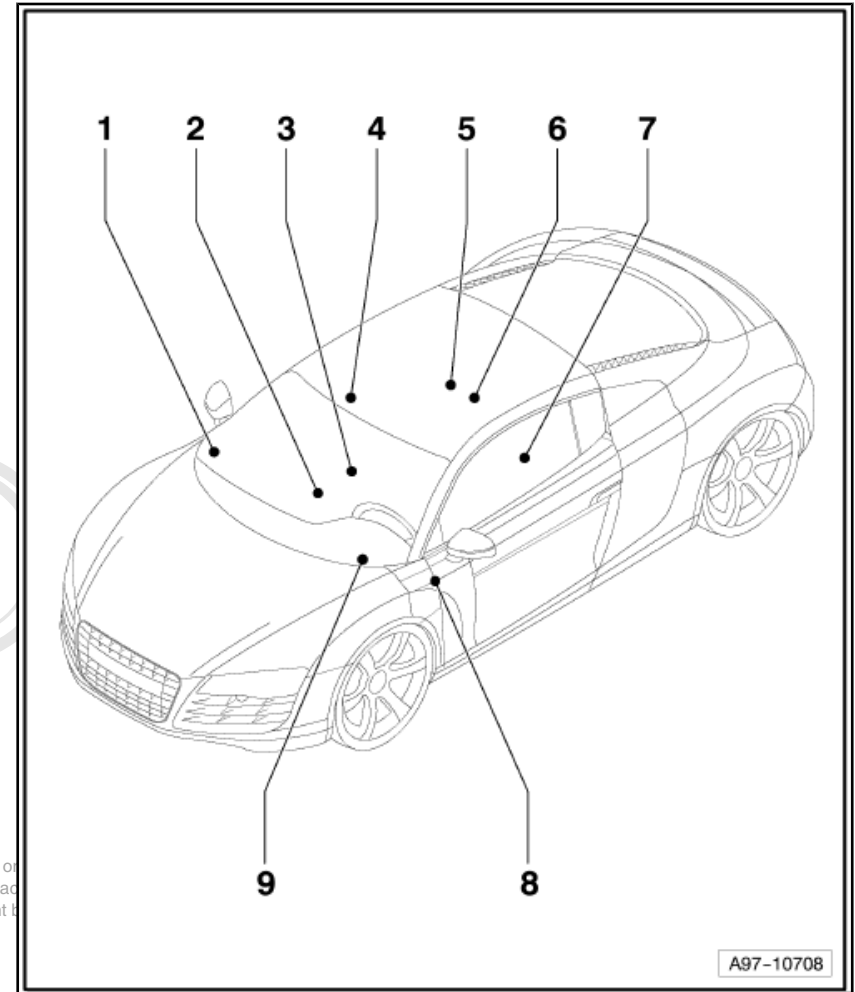
1.2 Overview of Ground Connections in-Cabin



Protected by copyright. Copying for private or commercial purposes, in part or in whole, is not permitted unless authorised by AUDI AG. AUDI AG does not guarantee or accept any liability with respect to the correctness of information in this document. Copyright by AUDI AG.



- 1 - **638 Ground Connection (on right A-pillar)**
 Component Location ⇒ [page 7](#)
- 2 - **637 Airbag Control Module Ground Connection**
 Component Location ⇒ [page 7](#)
- 3 - **610 Ground Connection (Audio) (under center console, front)**
 Component Location ⇒ [page 7](#)
- 4 - **689 Ground Connection (on center/front roof)**
 Component Location ⇒ [page 8](#)
- 5 - **713 Ground Connection (under right rear parcel shelf)**
 Component Location ⇒ [page 8](#)
- 6 - **718 Ground Connection (Audio) (under rear parcel shelf)**
 Component Location ⇒ [page 8](#)
- 7 - **712 Ground Connection (under left rear parcel shelf)**
 Component Location ⇒ [page 9](#)
- 8 - **639 Ground Connection (on left A-pillar)**
 Component Location ⇒ [page 9](#)
- 9 - **42 Ground Connection (beside steering column)**
 Component Location ⇒ [page 9](#)



Protected by copyright. Copying for private or commercial purposes, in part or in full, is not permitted unless authorised by AUDI AG. AUDI AG does not guarantee or accept any liability with respect to the correctness of information in this document. Copyright © 2013 Audi AG



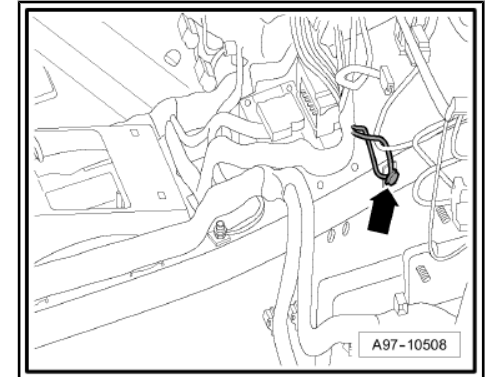
637 - Airbag Control Module Ground Connection -Arrow-

Component Location

Near Airbag Control Module -J234- .

Torque Setting

9 Nm



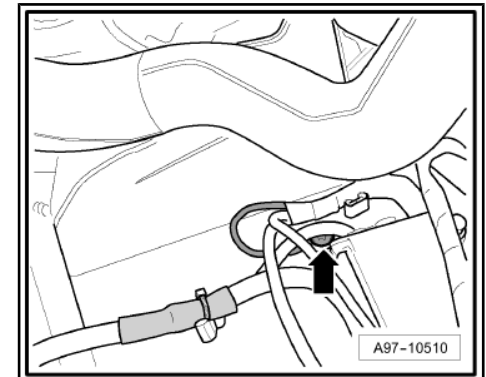
638 - Ground Connection (on right A-pillar) -Arrow-

Component Location

On right lower A-pillar.

Torque Setting

9 Nm



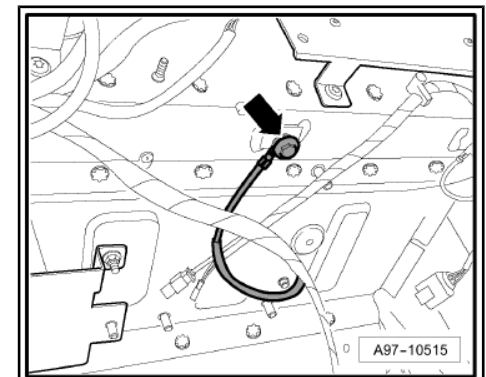
610 - Ground Connection (Audio) (under center console, front) -Arrow-

Component Location

Below front center console.

Torque Setting

9 Nm



Protected by copyright. Copying for private or commercial purposes, in part or in whole, is not permitted unless authorised by AUDI AG. AUDI AG does not guarantee or accept any liability with respect to the correctness of information in this document. Copyright by AUDI AG.



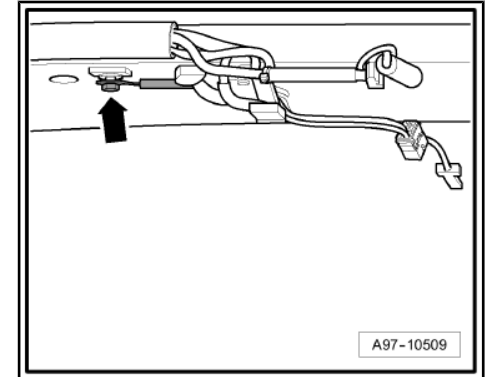
689 - Ground Connection (on center/front roof) -Arrow-

Component Location

On center/front roof.

Torque Setting

9 Nm



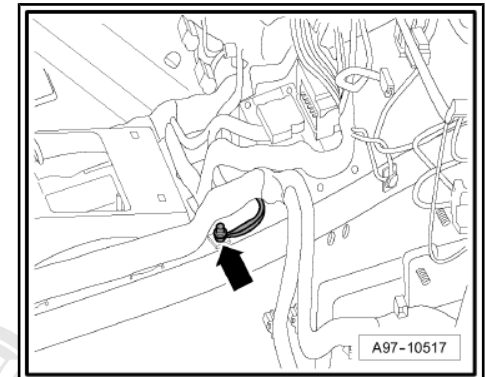
713 - Ground Connection (under right rear parcel shelf) -Arrow-

Component Location

Under right rear parcel shelf.

Torque Setting

9 Nm



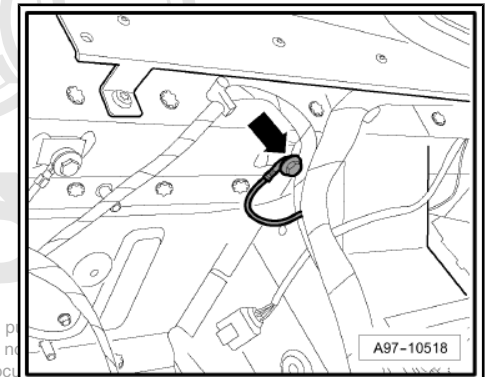
718 - Ground Connection (Audio) (under rear parcel shelf) -Arrow-

Component Location

Under rear parcel shelf.

Torque Setting

9 Nm



Protected by copyright. Copying for private or commercial purposes is not permitted unless authorised by AUDI AG. AUDI AG does not accept any liability with respect to the correctness of information in this document.



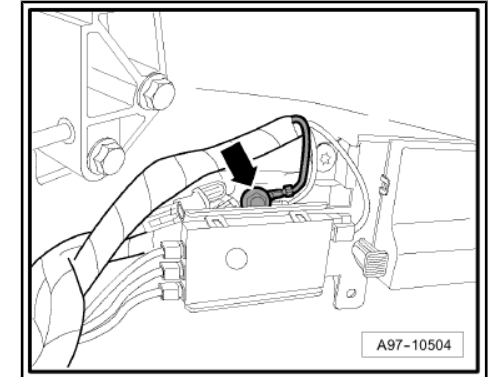
639 - Ground Connection (on left A-pillar) -Arrow-

Component Location

On left lower A-pillar.

Torque Setting

9 Nm



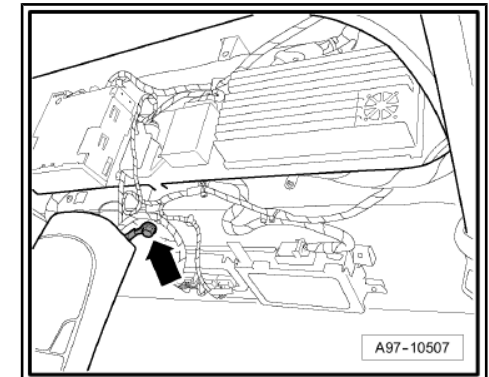
712 - Ground Connection (under left rear parcel shelf) -Arrow-

Component Location

Under rear left parcel shelf.

Torque Setting

9 Nm



42 - Ground Connection (beside steering column) -Arrow-

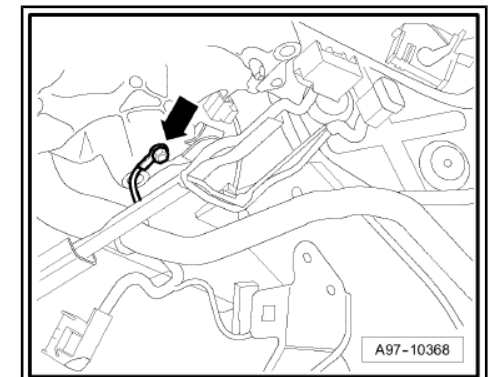
Component Location

On steering column.

Torque Setting

9 Nm

Back to overview ⇒ [page 5](#) .



Protected by copyright. Copying for private or commercial purposes, in part or in whole, is not permitted unless authorised by AUDI AG. AUDI AG does not guarantee or accept any liability with respect to the correctness of information in this document. Copyright by AUDI AG.

1.3 Overview of ground connections in front part of vehicle

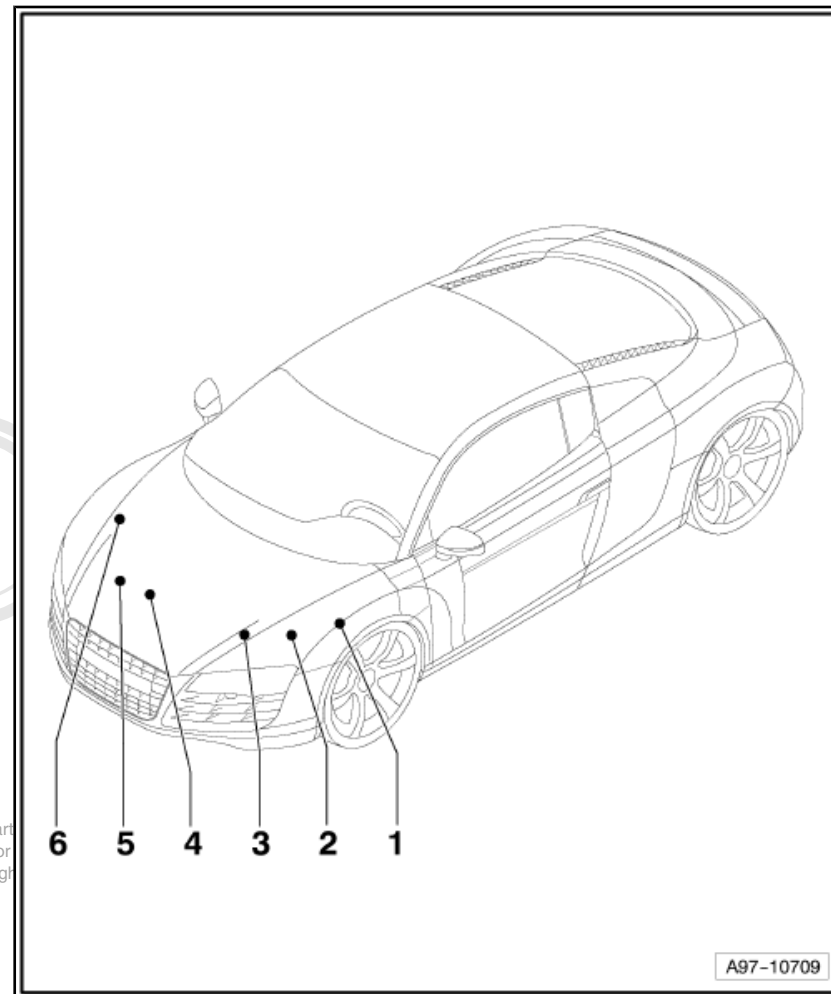


- 1 - **672** Ground Connection 2 (on left front long member)
 Component Location ⇒ [page 11](#)
- 2 - **671** Ground Connection 1 (on left front long member)
 Component Location ⇒ [page 11](#)
- 3 - **715** Ground Connection (on left cross member)
 Component Location ⇒ [page 11](#)
- 4 - **717** Ground Connection (on right front cross member)
 Component Location ⇒ [page 12](#)
- 5 - **716** Ground Connection (on right cross member)
 Component Location ⇒ [page 12](#)
- 6 - **685** Ground Connection 1 (on right front long member)
 Component Location ⇒ [page 12](#)



Audi

Protected by copyright. Copying for private or commercial purposes, in part permitted unless authorised by AUDI AG. AUDI AG does not guarantee or with respect to the correctness of information in this document. Copyright



A97-10709

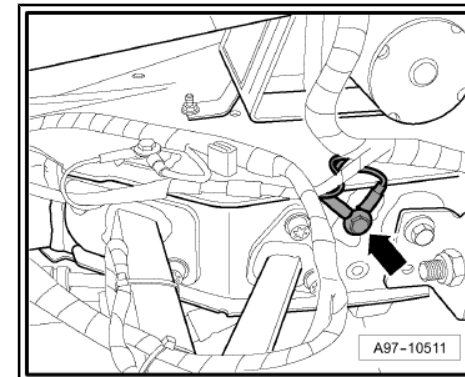
672 - Ground Connection 2 on left front long member -Arrow-

Component Location

On left lower front long member.

Torque Setting

9 Nm



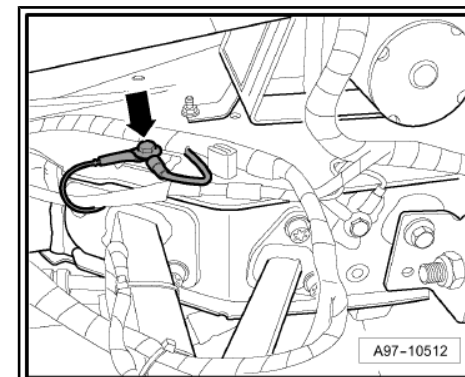
671 - Ground Connection 1 on left front long member -Arrow-

Component Location

On left front long member.

Torque Setting

9 Nm



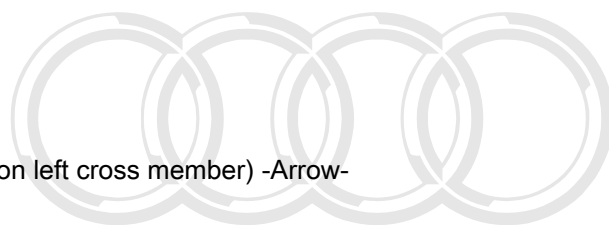
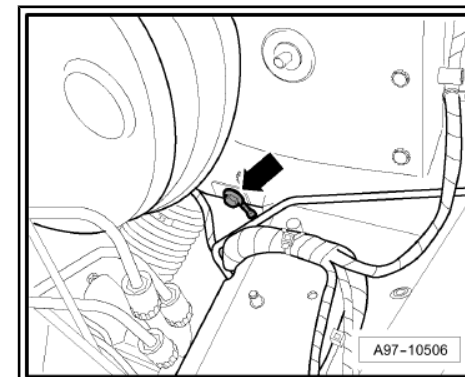
715 - Ground Connection (on left cross member) -Arrow-

Component Location

On left cross member.

Torque Setting

9 Nm



Audi

Protected by copyright. Copying for private or commercial purposes, in part or in whole, is not permitted unless authorised by AUDI AG. AUDI AG does not guarantee or accept any liability with respect to the correctness of information in this document. Copyright by AUDI AG.



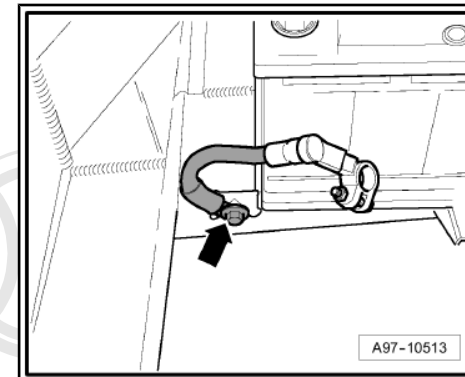
717 - Ground Connection (on right front cross member) -Arrow-

Component Location

On right front cross member.

Torque Setting

20 Nm



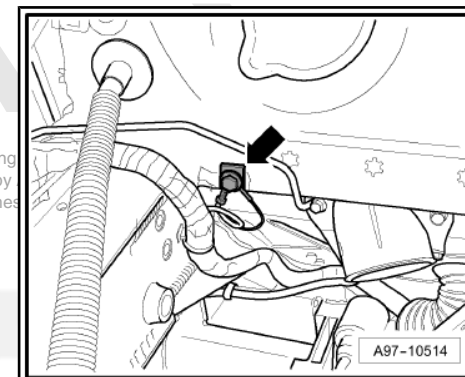
716 - Ground Connection (on right cross member) -Arrow-

Component Location

On right front cross member.

Torque Setting

9 Nm



Protected by copyright. Copying permitted unless authorised by with respect to the correctness

685 - Ground Connection 1 (on right front long member) -Arrow-

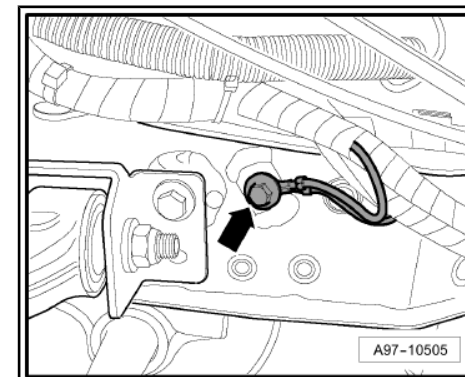
Component Location

On lower right front long member.

Torque Setting

9 Nm

Back to overview ⇒ [page 9](#) .



1 Control Modules

1.1 Overview of Control Modules

1 - Battery Monitoring Control Module -J367-

- ❑ Component Location and Pin Arrangements ⇒ [page 35](#)

2 - Vehicle Electrical System Control Module -J519-

- ❑ Component Location and Pin Arrangements, through May 2009 ⇒ [page 4](#)
- ❑ Component Location and Pin Arrangements, from June 2009 ⇒ [page 6](#)

3 - Climatronic Control Module -J255-

- ❑ Component: -G56- , -V42- , -E94- , -E95- , -E230-
- ❑ Component Location and Pin Arrangements ⇒ [page 34](#)

4 - Navigation System Control Module with CD Drive -J401- / Radio -R-

5 - Front Passenger's Door Control Module -J387-

- ❑ Component: -V148-
- ❑ Component Location and Pin Arrangements ⇒ [page 7](#)

6 - Instrument Cluster Control Module -J285-

- ❑ Component: -J362- , -Y24- , -Y8- , -K32- , -G1- , -K3- , -K28-
- ❑ Component Location and Pin Arrangements ⇒ [page 32](#)

- Steering Column Electronic Systems Control Module -J527-

- ❑ Component: -E22- , -F138- , -H- , -E2- , -E4- , -E45- , -N95- , -N250- , -D- , -G85- , -N376-
- ❑ Component Location and Pin Arrangements ⇒ [page 25](#)

7 - Transmission Control Module (TCM) -J217-

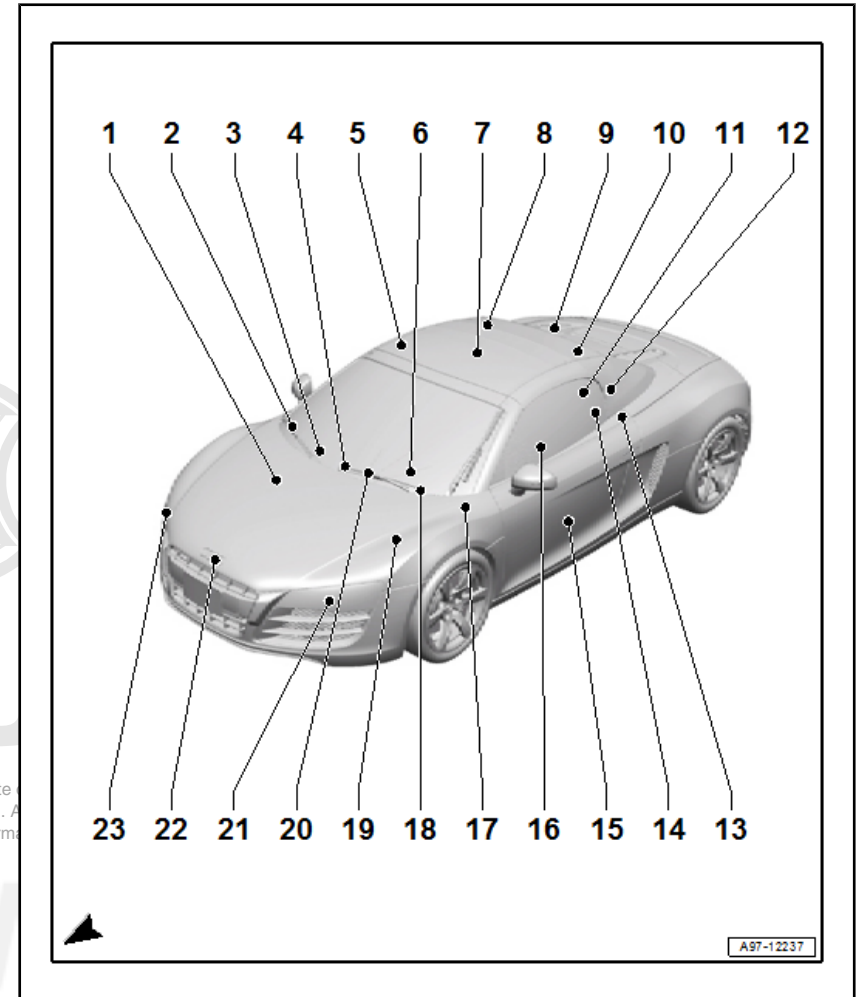
- ❑ Component Location and Pin Arrangements ⇒ [page 9](#)

8 - Engine Control Module (ECM) -J623-

- ❑ Component Location and Pin Arrangements ⇒ [page 12](#)

9 - Electronic Damping Control Module -J250-

- ❑ Component Location and Pin Arrangements ⇒ [page 13](#)



10 - Engine Control Module (ECM) 2 -J624-

- Component Location and Pin Arrangements ⇒ [page 12](#)

**11 -
Digital Sound System Control Module -J525-**

- Component Location and Pin Arrangements ⇒ [page 16](#)

**12 -
Tire Pressure Monitoring Control Module -J502-**

- Component Location and Pin Arrangements ⇒ [page 16](#)

13 - Convertible Top Control Module -J256-

- Component Location and Pin Arrangements ⇒ [page 31](#)

14 - Comfort System Central Control Module -J393-

- Component Location and Pin Arrangements, through May 2009 ⇒ [page 18](#)

15 - Parking Aid Control Module -J446-

- Component Location and Pin Arrangements ⇒ [page 22](#)

**16 -
Driver's Door Control Module -J386-**

- Component: -V147-
- Component Location and Pin Arrangements ⇒ [page 19](#)

17 - Data Bus On Board Diagnostic Interface -J533-

- Component Location and Pin Arrangements ⇒ [page 24](#)

**18 -
Wiper Motor Control Module -J400- / Front Passenger Windshield Wiper Motor Control Module -J584-**

- Component: -V216-, -V217-
- Component Location and Pin Arrangements ⇒ [page 37](#)

19 - ABS Control Module -J104-

- Component Location and Pin Arrangements ⇒ [page 27](#)

20 - Airbag Control Module -J234-

- Component Location and Pin Arrangements ⇒ [page 29](#)

**21 -
Left High-intensity Gas Discharge Lamp Control Module -J343- / Right High-intensity Gas Discharge Lamp Control Module -J344-**

- Component: -L177-, -J667-, -J668-
- Component Location and Pin Arrangements ⇒ [page 38](#)

22 - Garage Door Opener Control Module -J530-

- Component Location and Pin Arrangements ⇒ [page 36](#)

Copyrighted by copyright. Copying for private or commercial purposes, in part or in whole, is not permitted unless authorised by AUDI AG. AUDI AG does not guarantee or accept any liability with respect to the correctness of information in this document. Copyright by AUDI AG.

23 -

Left LED Headlamp Power Output Stage 1 -A31- / Right LED Headlamp Power Output Stage 1 -A27-

- Component: -A32- , -A28- , -A33- , -A29- , -A34- , -A30-
- Component Location and Pin Arrangements ⇒ [page 39](#)



Audi

Protected by copyright. Copying for private or commercial purposes, in part or in whole, is not permitted unless authorised by AUDI AG. AUDI AG does not guarantee or accept any liability with respect to the correctness of information in this document. Copyright by AUDI AG.



1.2 Vehicle Electrical System Control Module -J519-

1.2.1 Component Location and Pin Arrangements, through May 2009

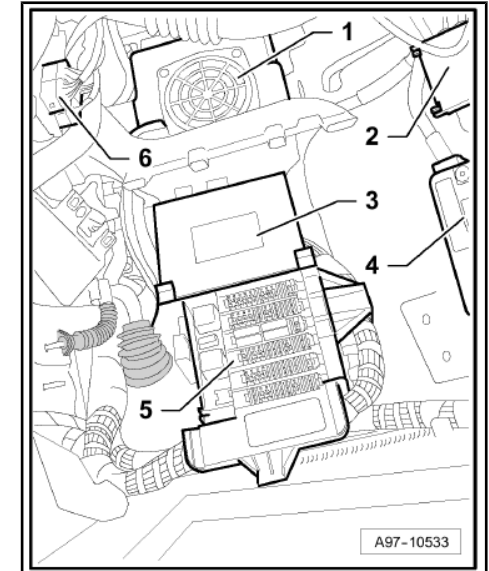
Component Location

In front right footwell -3-.

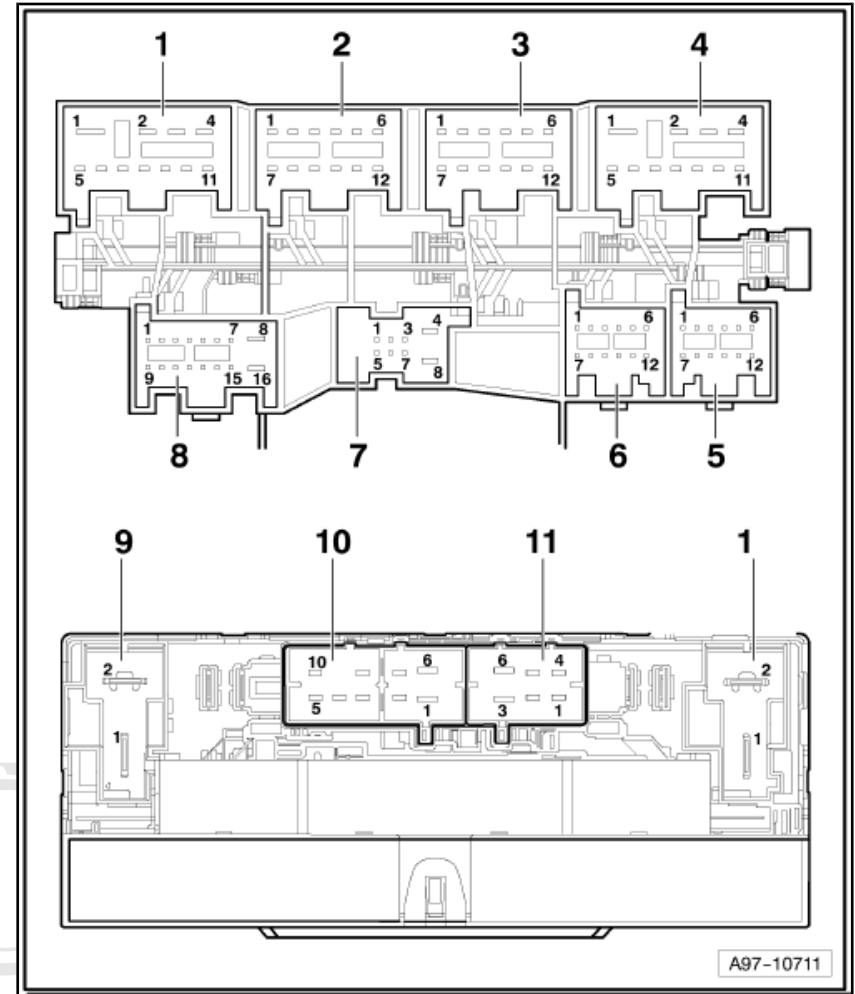
- 1 - Center Speaker -R148-
- 2 - Main Distribution
- 3 - Vehicle Electrical System Control Module -J519-
- 4 - Main Fuse Panel
- 5 - Relay and fuse carrier (in front right footwell)
- 6 - Connector station behind right center console

Protected by copyright. Copying for private or commercial purposes, in part or in whole, is not permitted unless authorised by AUDI AG. AUDI AG does not guarantee or accept any liability with respect to the correctness of information in this document. Copyright by AUDI AG.

Pin Arrangements



- 1 - 11-Pin Connector -T11a- , black
- 2 - 12-Pin Connector -T12b- , black
- 3 - 12-Pin Connector -T12c- , brown
- 4 - 11-Pin Connector -T11b- , brown
- 5 - 16-Pin Connector -T16a- , black
- 6 - 8-Pin Connector -T8a- , black
- 7 - 12-Pin Connector -T12a- , black
- 8 - Not used
- 9 - Not used
- 10 - 10-Pin Connector -T10a- , black
- 11 - 6-Pin Connector -T6a- , black
- 12 - Double Connector -T2a- , black





Protected by copyright. Copying for private or commercial purposes, in part or in whole, is not permitted unless authorised by AUDI AG. AUDI AG does not guarantee or accept any liability with respect to the correctness of information in this document. Copyright by AUDI AG.



Back to overview ⇒ [page 1](#) .

1.2.2 Component Location and Pin Arrangements, from June 2009

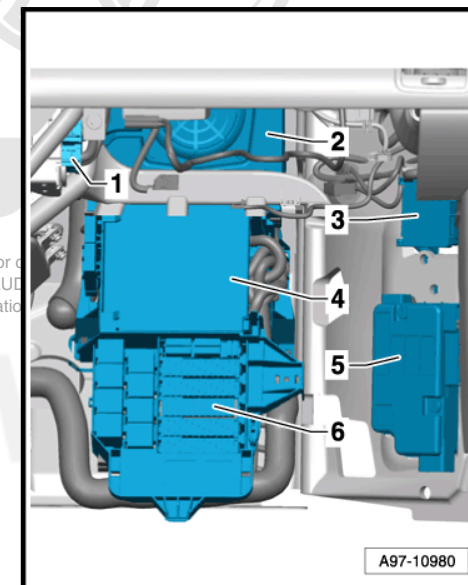
Component Location

In front right footwell -4-.

- 1 - Connector station behind right center console
- 2 - Center Speaker -R148-
- 3 - Main Distribution
- 4 - Vehicle Electrical System Control Module -J519-
- 5 - Main Fuse Panel
- 6 - Relay and fuse carrier (in front right footwell)

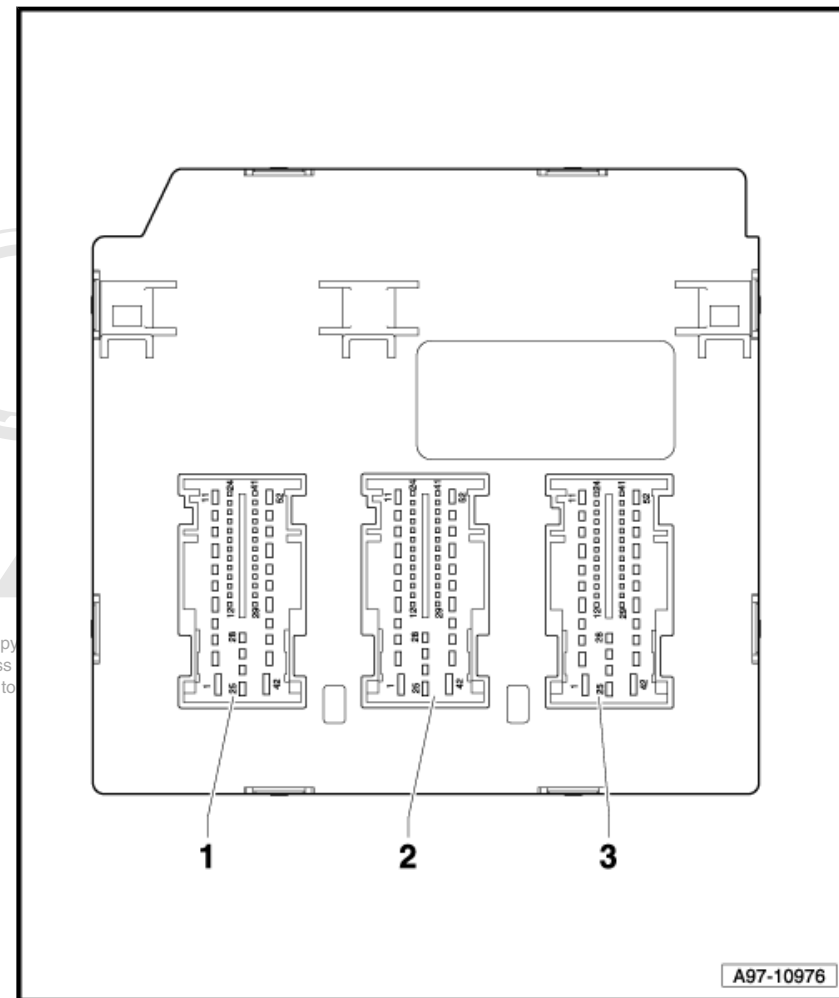
Pin Arrangements

Protected by copyright. Copying for private or commercial use is not permitted unless authorised by AUDI AG. AUDI AG is not responsible with respect to the correctness of information.



- 1 - 52-Pin Connector -T52a- , black
- 2 - 52-Pin Connector -T52b- , yellow
- 3 - 52-Pin Connector -T52c- , brown

Protected by copy
permitted unless
with respect to



Back to overview ⇒ [page 1](#) .

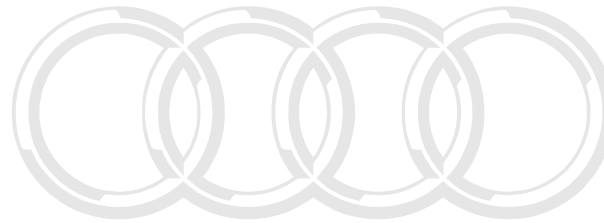
1.3 Front Passenger's Door Control Module -J387-

Illustration be valid for left and right-hand drive.

Component Location

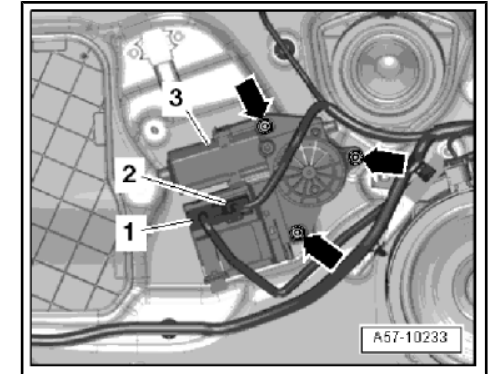
In front passenger's door -3-

Pin Arrangements

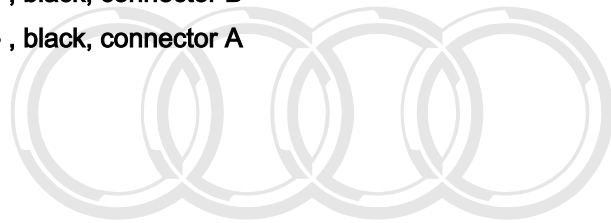


Audi

Protected by copyright. Copying for private or commercial purposes, in part or in whole, is not permitted unless authorised by AUDI AG. AUDI AG does not guarantee or accept any liability with respect to the correctness of information in this document. Copyright by AUDI AG.



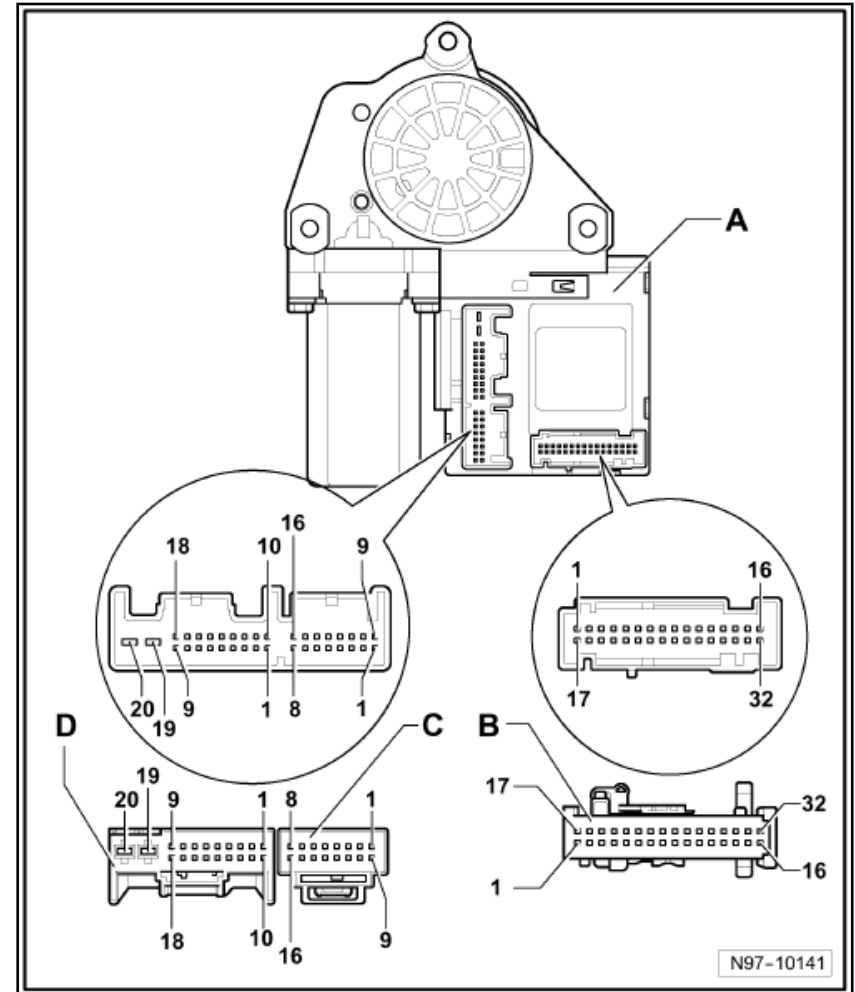
- A - Front Passenger's Door Control Module -J387-
- B - 32-Pin Connector -T32e- , grey, connector C
- C - 16-Pin Connector -T16g- , black, connector B
- D - 20-Pin Connector -T20e- , black, connector A



Audi

Protected by copyright. Copying for private or commercial purposes, in part or in whole, is not permitted unless authorised by AUDI AG. AUDI AG does not guarantee or accept any liability with respect to the correctness of information in this document. Copyright by AUDI AG.

erWin



Back to overview ⇒ [page 1](#) .

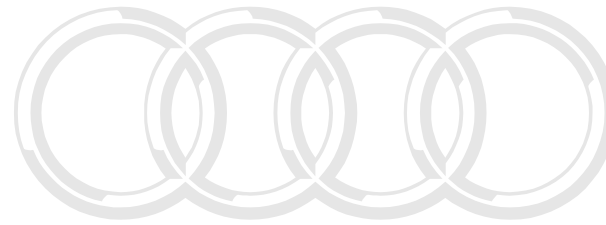
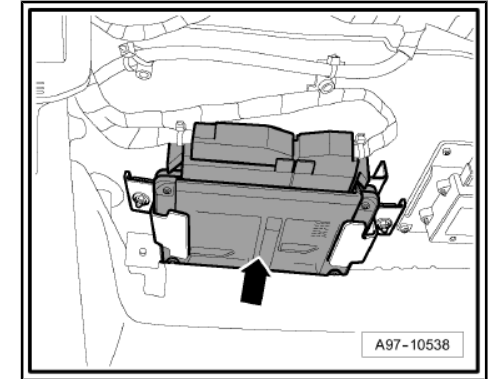
1.4 Transmission Control Module (TCM) -J217-

Component Location

Below right parcel shelf -Arrow-, Coupé.

Behind the right rear wall -Arrow-, Spyder.

Pin Arrangements



Audi

Protected by copyright. Copying for private or commercial purposes, in part or in whole, is not permitted unless authorised by AUDI AG. AUDI AG does not guarantee or accept any liability with respect to the correctness of information in this document. Copyright by AUDI AG.



A - Transmission Control Module (TCM) -J217- , Automatic Gearbox 086, Rtronic

B - 28-Pin Connector -T28- , black

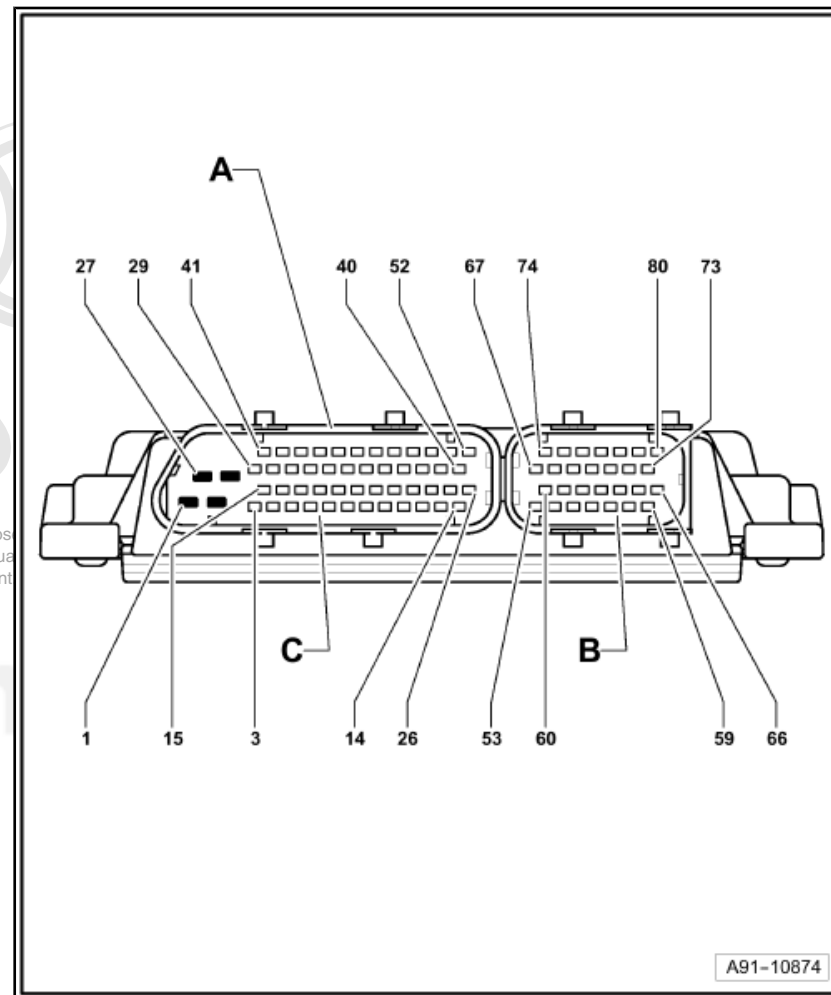
C - 52-Pin Connector -T52- , black



Audi

Protected by copyright. Copying for private or commercial purposes is not permitted unless authorised by AUDI AG. AUDI AG does not guarantee the correctness of information in this document.

erWin



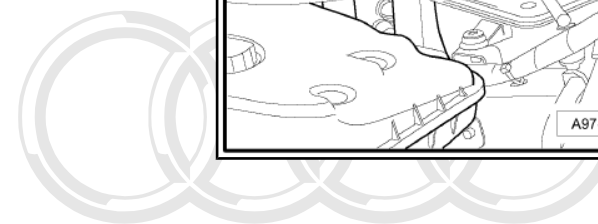
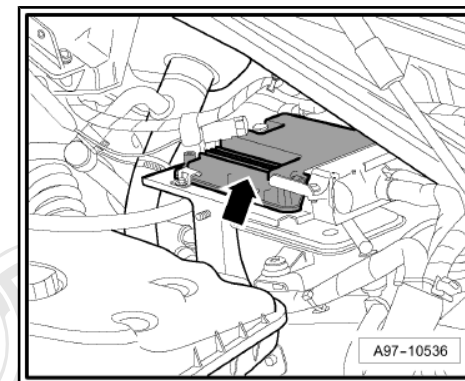
Back to overview ⇒ [page 1](#) .

1.5 Engine Control Module (ECM) -J623- (right)/ Engine Control Module (ECM) 2 -J624- (left)

Component Location

In engine compartment, front left and rights -Arrow-.

Pin Arrangements



Audi

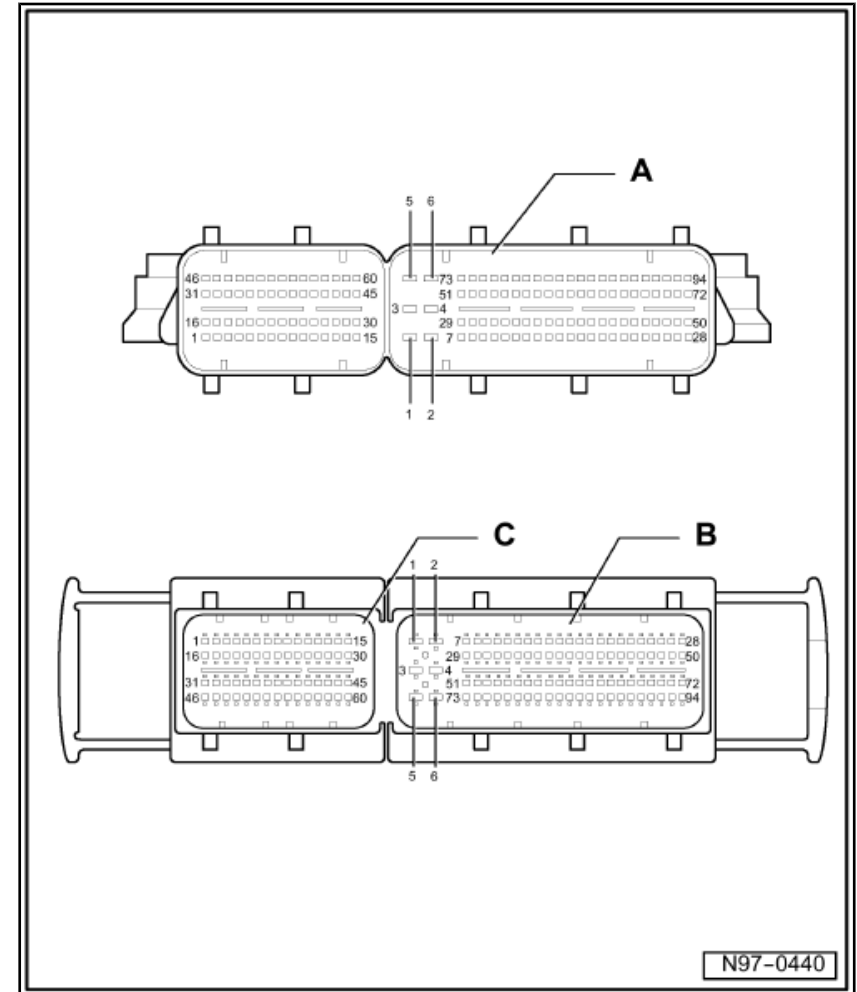
Protected by copyright. Copying for private or commercial purposes, in part or in whole, is not permitted unless authorised by AUDI AG. AUDI AG does not guarantee or accept any liability with respect to the correctness of information in this document. Copyright by AUDI AG.

erWin

A - Engine Control Module (ECM) -J623- / Engine Control Module (ECM) 2 -J624-

B - 94-Pin Connector -T94- / 94-Pin Connector -T94a- , black

C - 60-Pin Connector -T60- / 60-Pin Connector -T60a- , black



Back to overview ⇒ [page 1](#) .

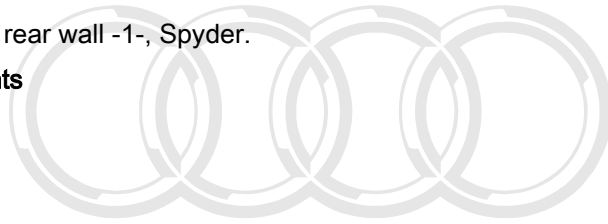
1.6 Electronic Damping Control Module -J250-

Component Location

Below right parcel shelf -1-, Coupé.

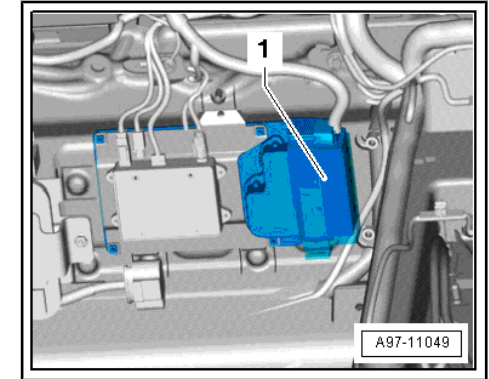
Behind the right rear wall -1-, Spyder.

Pin Arrangements

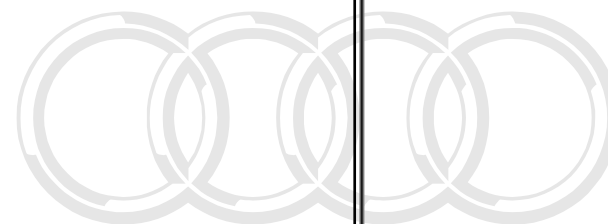
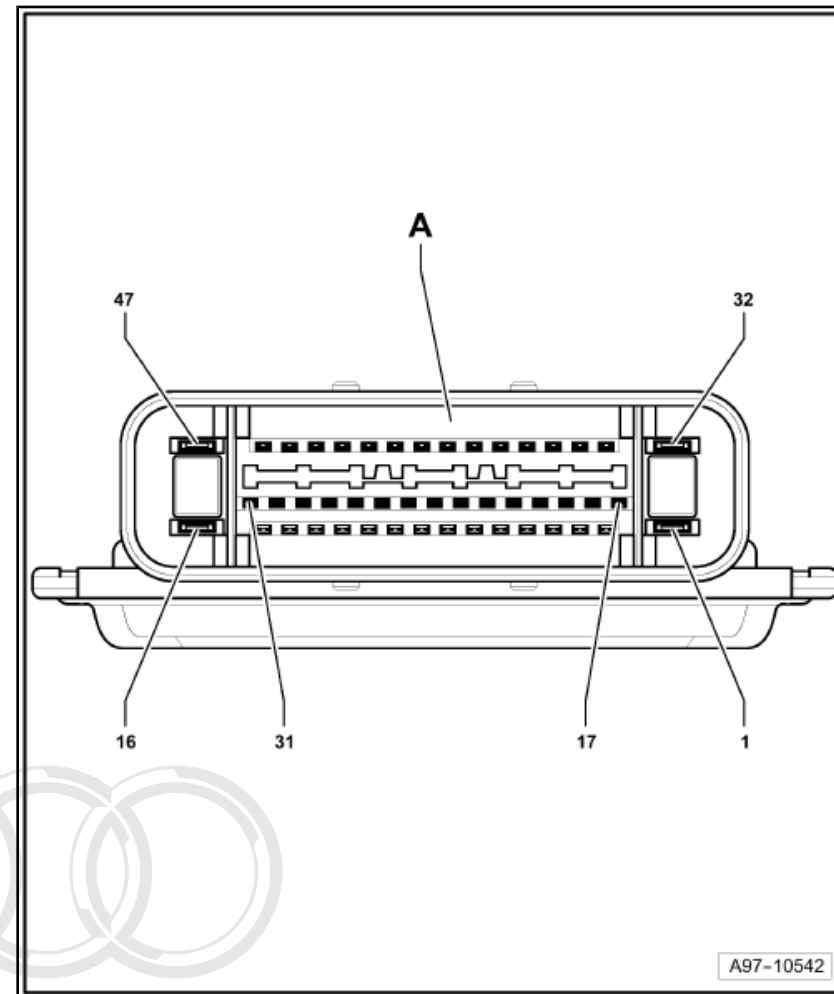


Audi

Protected by copyright. Copying for private or commercial purposes, in part or in whole, is not permitted unless authorised by AUDI AG. AUDI AG does not guarantee or accept any liability with respect to the correctness of information in this document. Copyright by AUDI AG.



A - 47-Pin Connector -T47- , black



Audi

Protected by copyright. Copying for private or commercial purposes, in part or in whole, is not permitted unless authorised by AUDI AG. AUDI AG does not guarantee or accept any liability with respect to the correctness of information in this document. Copyright by AUDI AG.



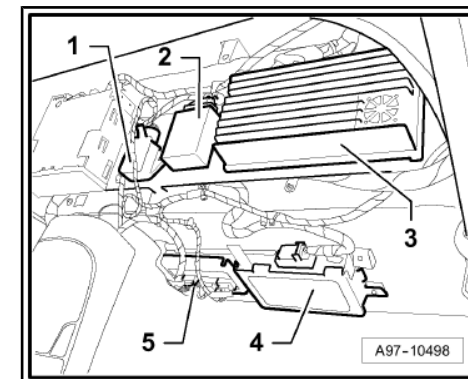
Back to overview ⇒ [page 1](#) .

1.7 Tire Pressure Monitoring Control Module -J502- / Digital Sound System Control Module -J525-

Component Location

Below left parcel shelf, Coupé.

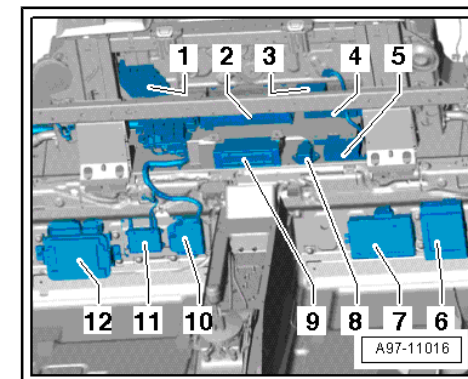
- 1 - ESP Sensor Unit -G419-
- 2 - Tire Pressure Monitoring Control Module -J502-
- 3 - Digital Sound System Control Module -J525-
- 4 - Telephone Transceiver -R36-
- 5 - Comfort System Central Control Module -J393- , through May 2009



Behind the left rear wall, Spyder.

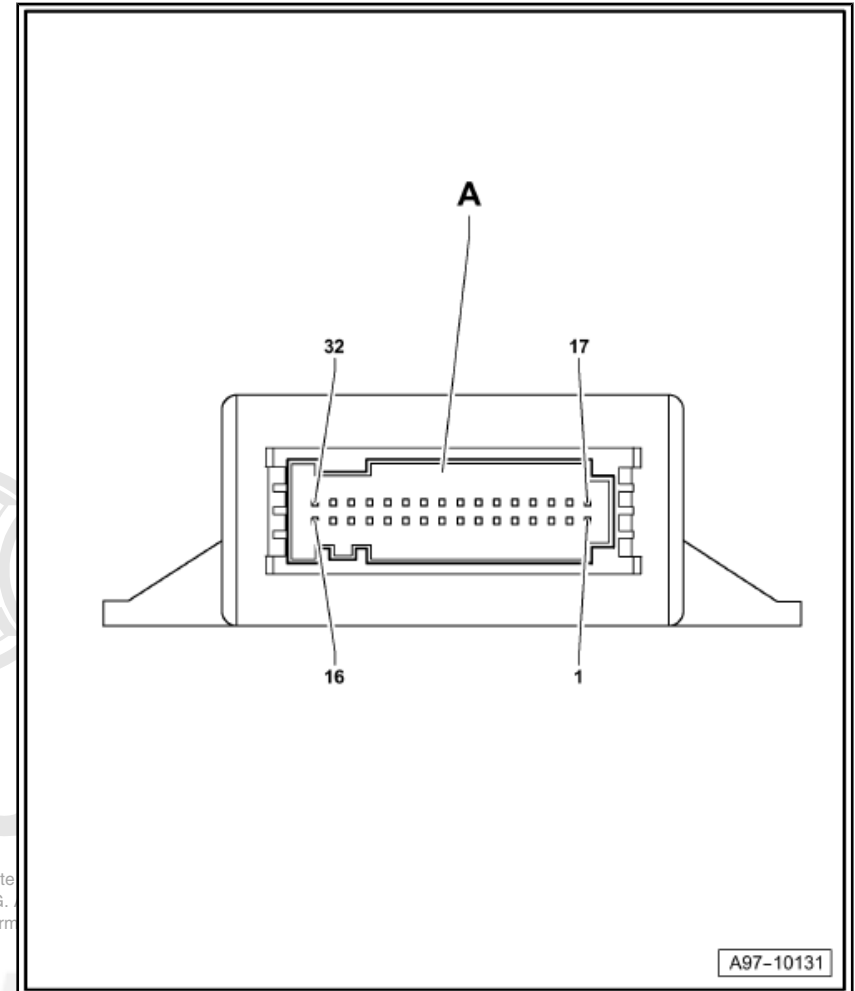
- 1 - Fuse Panel C
- 2 - Digital Sound System Control Module -J525-
- 3 - Tire Pressure Monitoring Control Module -J502-
- 4 - Convertible Top Control Module -J256-
- 5 - Seat Belt Microphone Control Module -J886-
- 6 - Rear View Camera System Control Module -J772-
- 7 - Telephone Transceiver -R36-
- 8 - ESP Sensor Unit -G419-
- 9 - CD Changer -R41-
- 10 - Electronic Damping Control Module -J250-
- 11 - Amplifier for Telephone -R86-
- 12 - Transmission Control Module (TCM) -J217-

Protected by copyright. Copying for private or commercial purposes, in part or in whole, is not permitted unless authorised by AUDI AG. AUDI AG does not guarantee or accept any liability with respect to the correctness of information in this document. Copyright by AUDI AG.



Pin Arrangements Tire Pressure Monitoring Control Module -J502-

A - 32-Pin Connector -T32a- , black



Protected by copyright. Copying for private use is permitted unless authorised by AUDI AG. ... with respect to the correctness of inform...

A97-10131

Pin Arrangements Digital Sound System Control Module -J525-

◆ ⇒ Wiring diagrams, Troubleshooting & Component locations

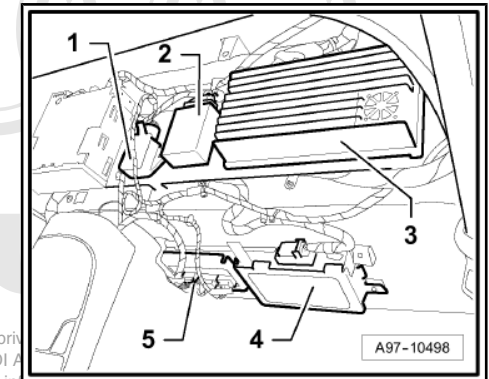
Back to overview ⇒ [page 1](#) .

1.8 Comfort System Central Control Module -J393- , not applicable from June 2009

Component Location

Under left parcel shelf -5-

Pin Arrangements



Protected by copyright. Copying for private use is permitted unless authorised by AUDI AG. The copyright holder is not liable for any damage with respect to the correctness of information in this document. Copyright by AUDI AG.



1 - Comfort System Central Control Module -J393-

A - 18-Pin Connector -T18b- , brown

B - 8-Pin Connector -T8b- , black

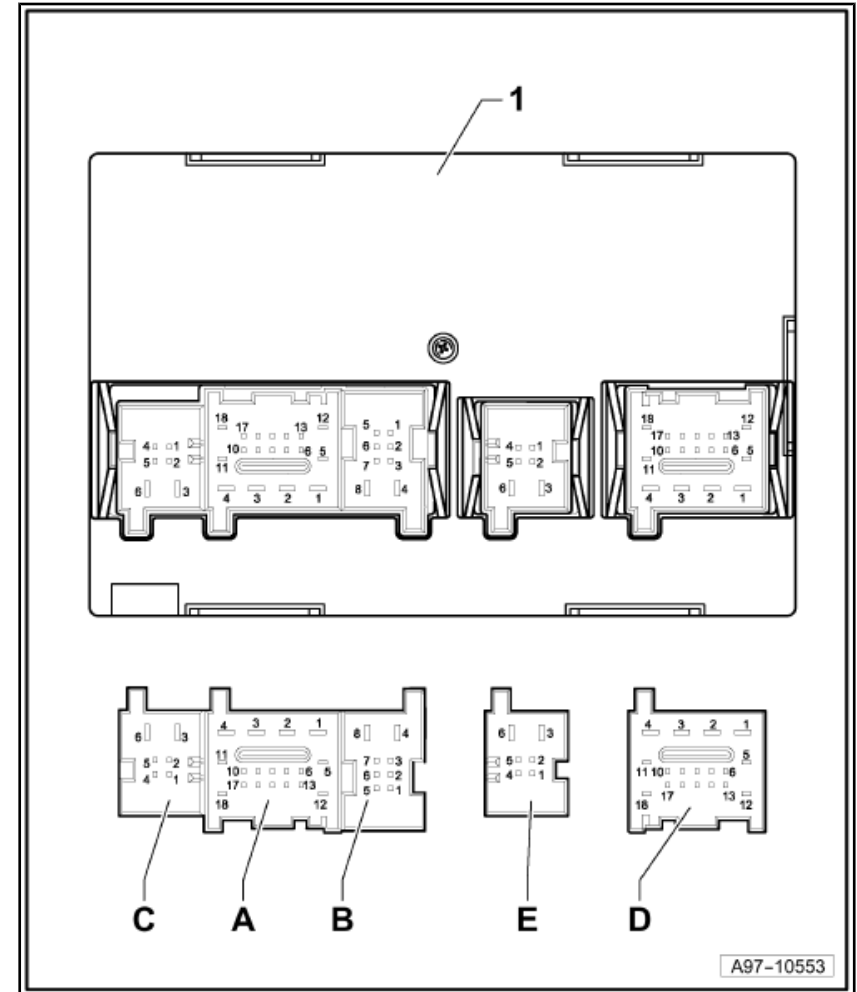
C - Not used

D - 18-Pin Connector -T18d- , black

E - 6-Pin Connector -T6f- , black



Protected by copyright. Copying for private or commercial purposes, in part or in whole, is not permitted unless authorised by AUDI AG. AUDI AG does not guarantee or accept any liability with respect to the correctness of information in this document. Copyright by AUDI AG.



[Back to overview](#) ⇒ [page 1](#) .

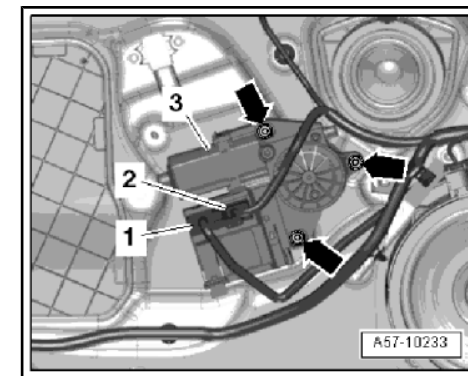
1.9 Driver's Door Control Module -J386-

Illustration be valid for left and right-hand drive.

Component Location

In driver's door -3-

Pin Arrangements



Audi

Protected by copyright. Copying for private or commercial purposes, in part or in whole, is not permitted unless authorised by AUDI AG. AUDI AG does not guarantee or accept any liability with respect to the correctness of information in this document. Copyright by AUDI AG.

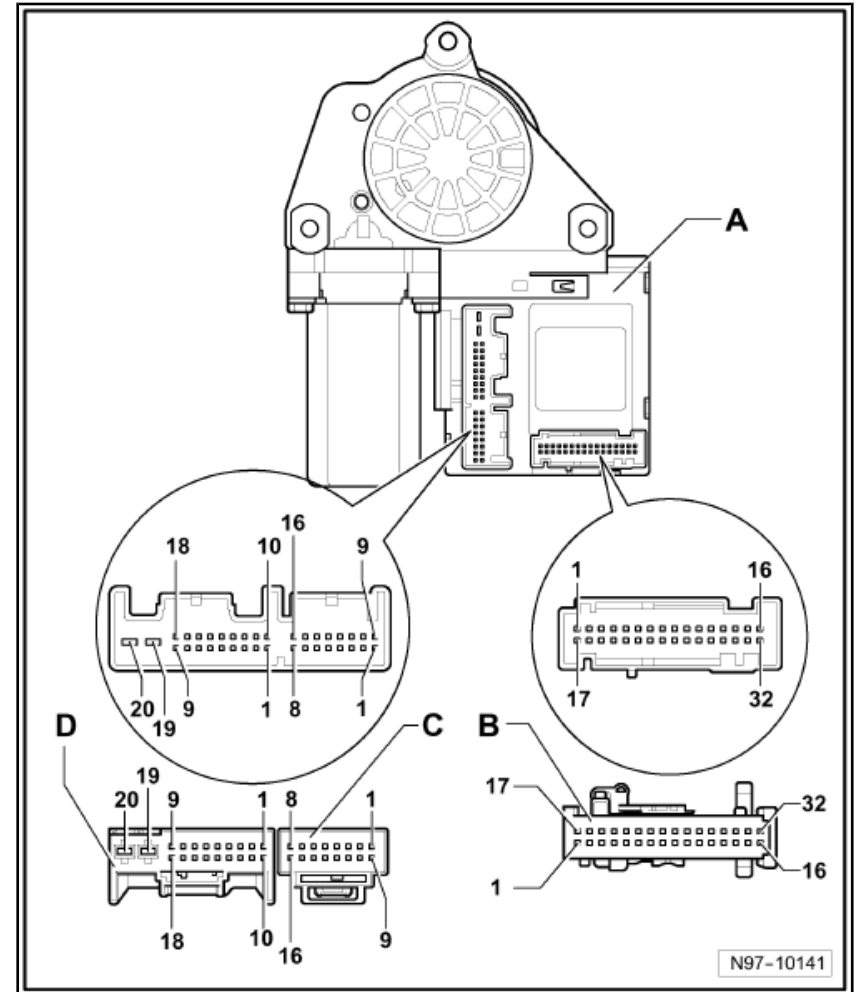


A - Driver's Door Control Module -J386-

B - 32-Pin Connector -T32d- , grey, connector C

C - 16-Pin Connector -T16f- , black, connector B

D - 20-Pin Connector -T20d- , black, connector A



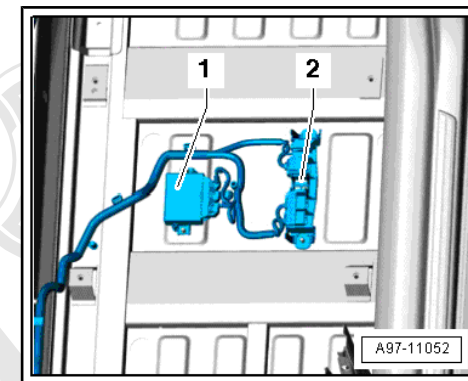
Back to overview ⇒ [page 1](#) .

1.10 Parking Aid Control Module -J446-

Component Location

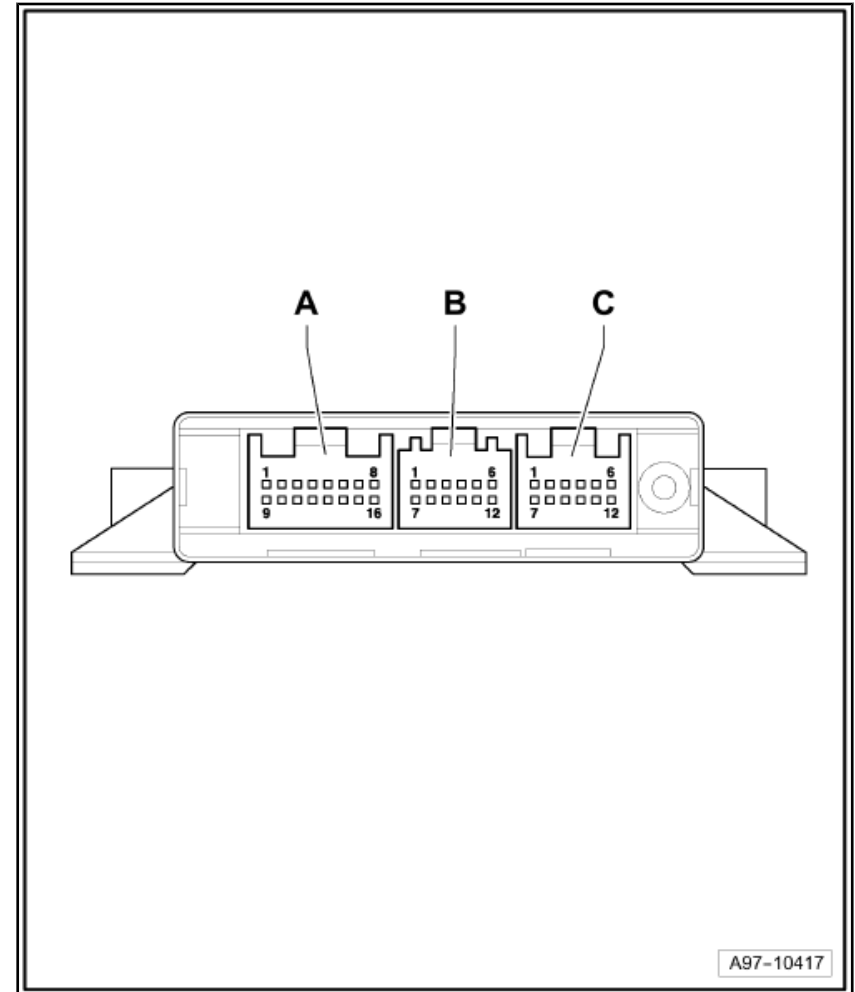
Below left seat -1-

Pin Arrangements



Protected by copyright. Copying for private or commercial purposes, in part or in whole, is not permitted unless authorised by AUDI AG. AUDI AG does not guarantee or accept any liability with respect to the correctness of information in this document. Copyright by AUDI AG.

- A - 16-Pin Connector -T16d- , brown
- B - 12-Pin Connector -T12e- , brown
- C - 12-Pin Connector -T12d- , black



Audi

Protected by copyright. Copying for private or commercial purposes, in part or in whole, is not permitted unless authorised by AUDI AG. AUDI AG does not guarantee or accept any liability with respect to the correctness of information in this document. Copyright by AUDI AG.



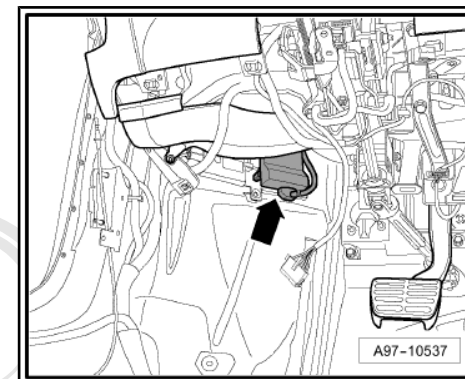
Back to overview ⇒ [page 1](#) .

1.11 Data Bus On Board Diagnostic Interface -J533-

Component Location

Behind driver's right stowage compartment, near A-pillar
-Arrow-

Pin Arrangements



Audi

Protected by copyright. Copying for private or commercial purposes, in part or in whole, is not permitted unless authorised by AUDI AG. AUDI AG does not guarantee or accept any liability with respect to the correctness of information in this document. Copyright by AUDI AG.

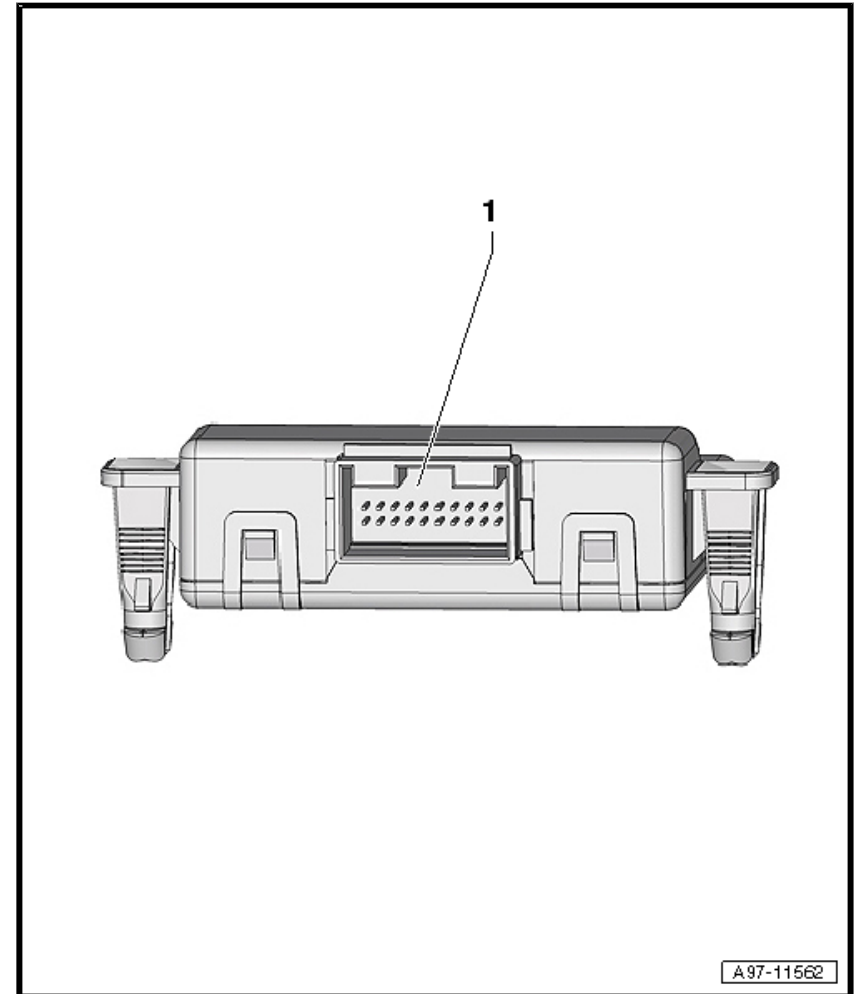


1 - 20-Pin Connector -T20- , black



Audi

Protected by copyright. Copying for private or commercial purposes, in part or in whole, is not permitted unless authorised by AUDI AG. AUDI AG does not guarantee or accept any liability with respect to the correctness of information in this document. Copyright by AUDI AG.



[Back to overview](#) ⇒ [page 1](#) .

1.12 Steering Column Electronic Systems Control Module -J527-

Component Location

On steering column on steering column switch.

Pin Arrangements

A - Not used

B - 10-Pin Connector -T10h- , Charging Turn Signal Switch -E2- / Cruise Control Switch -E45- / Headlamp Dimmer/Flasher Switch -E4- / Cruise Control -SET- Button -E227-

C - 20-Pin Connector -T20c- , black

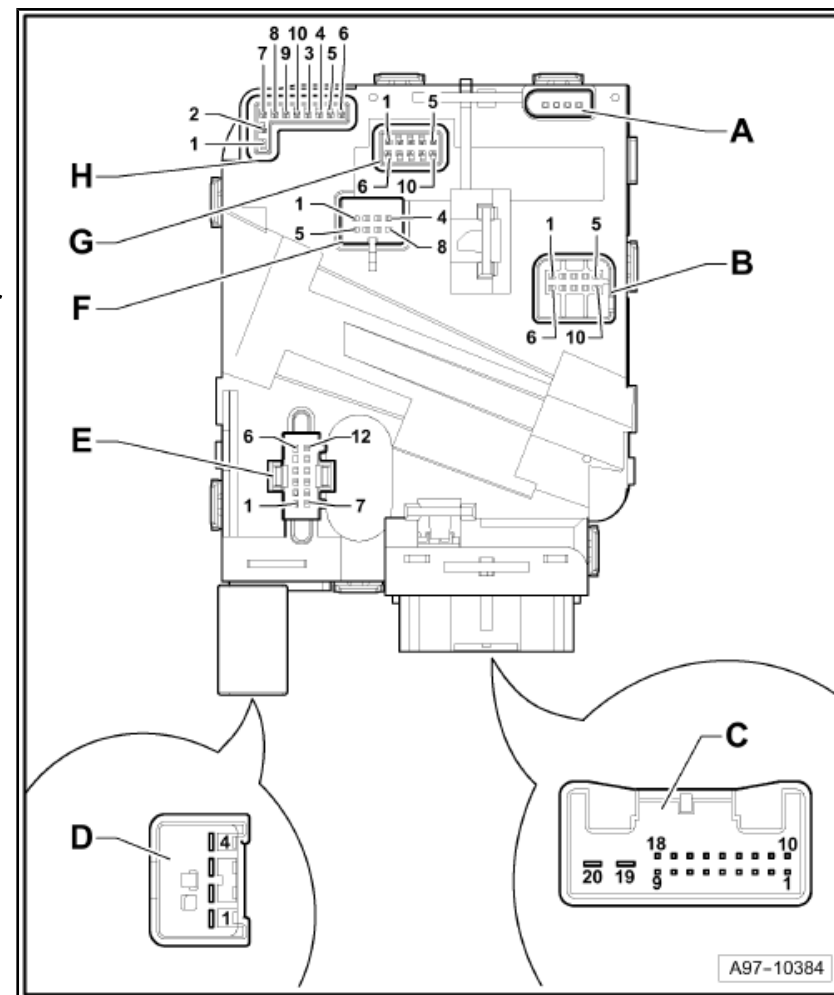
D - 4-Pin Connector -T4c- , yellow

E - 12-Pin Connector -T12h- , Charging Ignition/Starter Switch -D- / Ignition Switch Key Lock Solenoid -N376-

F - 8-Pin Connector -T8c- , Charging Windshield Wiper Intermittent Switch -E22- / Windshield Washer Pump Switch (automatic wash/wipe and headlamp washer system) -E44- / Windshield Wiper Intermittent Regulator -E38- / Multi-function Indicator Call-up Button -E86-

G - 10-Pin Connector -T10g- , Charging Steering Angle Sensor -G85-

H - 10-Pin Connector -T10i- , Charging Airbag Spiral Spring/Return Spring With Slip Ring -F138-



Audi

Protected by copyright. Copying for private or commercial purposes, in part or in whole, is not permitted unless authorised by AUDI AG. AUDI AG does not guarantee or accept any liability with respect to the correctness of information in this document. Copyright by AUDI AG.



Back to overview ⇒ [page 1](#) .

1.13 ABS Control Module -J104-

Component Location

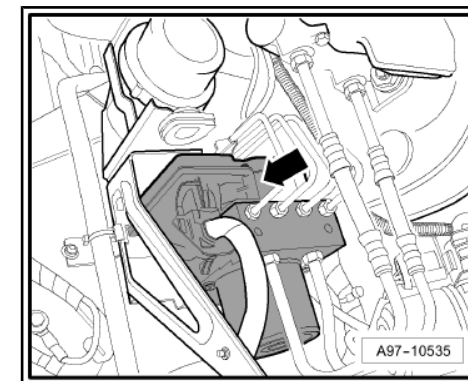
On left front long member -Arrow-.

Pin Arrangements



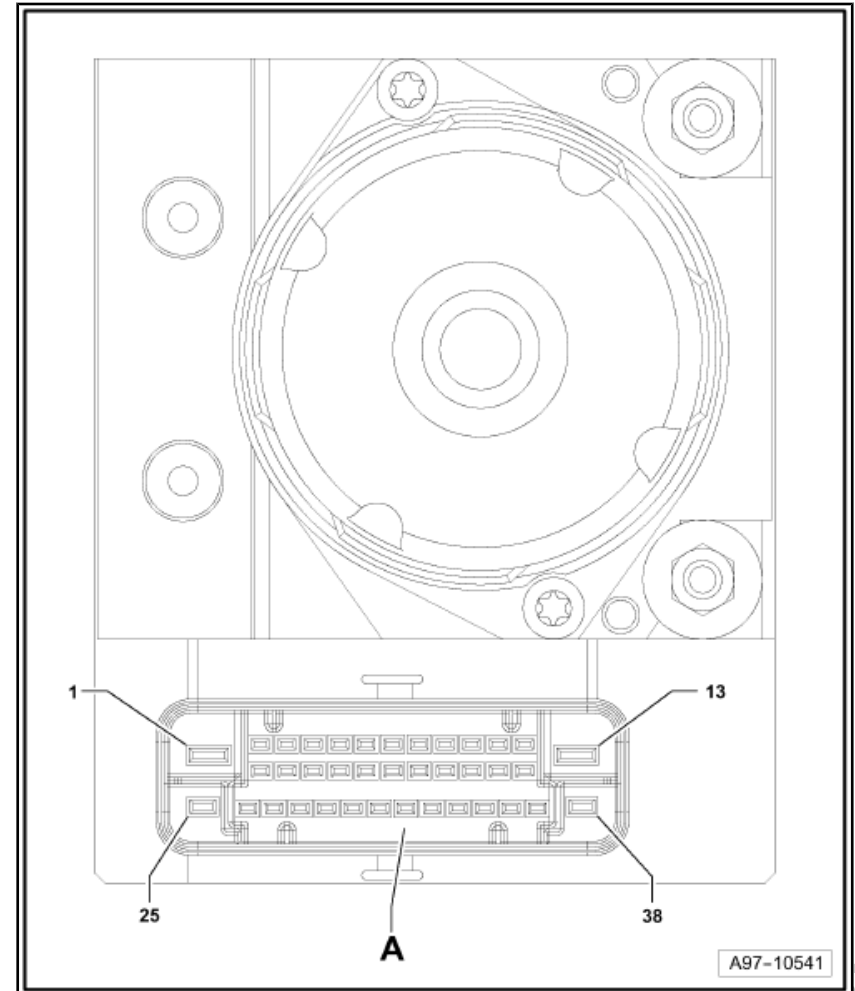
Audi

Protected by copyright. Copying for private or commercial purposes, in part or in whole, is not permitted unless authorised by AUDI AG. AUDI AG does not guarantee or accept any liability with respect to the correctness of information in this document. Copyright by AUDI AG.



A - ABS Control Module -J104-

A - 38-Pin Connector -T38- , black



with respect to the correctness of information in this document. Copyright by AUDI AG.



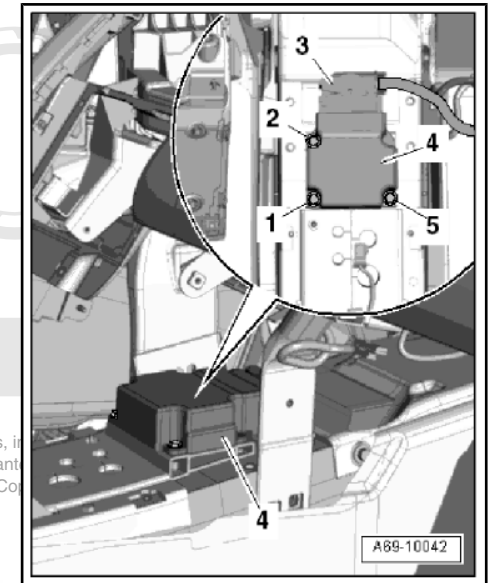
Back to overview ⇒ [page 1](#) .

1.14 Airbag Control Module -J234-

Component Location

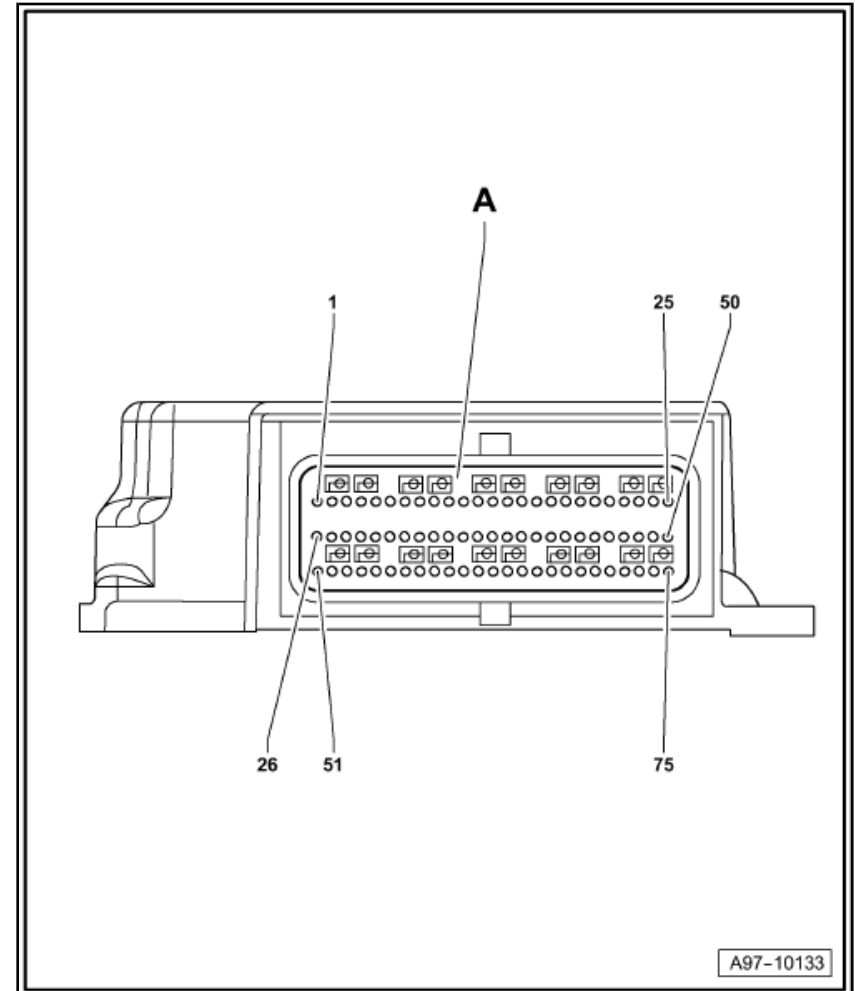
Under centre console on tunnel -4-.

Pin Arrangements



Protected by copyright. Copying for private or commercial purposes, in whole or in part, is not permitted unless authorised by AUDI AG. AUDI AG does not guarantee the accuracy of the information with respect to the correctness of information in this document. Copyright © 2013 Audi AG

A - 75-Pin Connector -T75- , yellow



Protected by copyright. Copying for private or commercial purposes, in part or in whole, is not permitted unless authorised by AUDI AG. AUDI AG does not guarantee or accept any liability with respect to the correctness of information in this document. Copyright by AUDI AG.



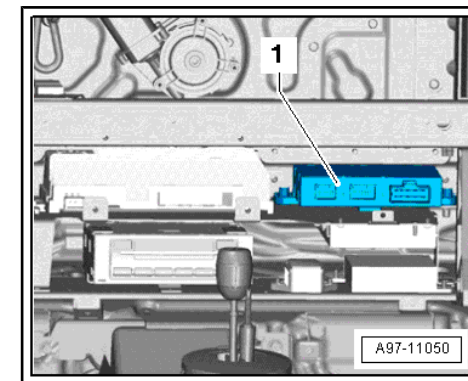
Back to overview ⇒ [page 1](#) .

1.15 Convertible Top Control Module -J256-

Component Location

Behind the left rear wall -1-.

Pin Arrangements



Audi

Protected by copyright. Copying for private or commercial purposes, in part or in whole, is not permitted unless authorised by AUDI AG. AUDI AG does not guarantee or accept any liability with respect to the correctness of information in this document. Copyright by AUDI AG.

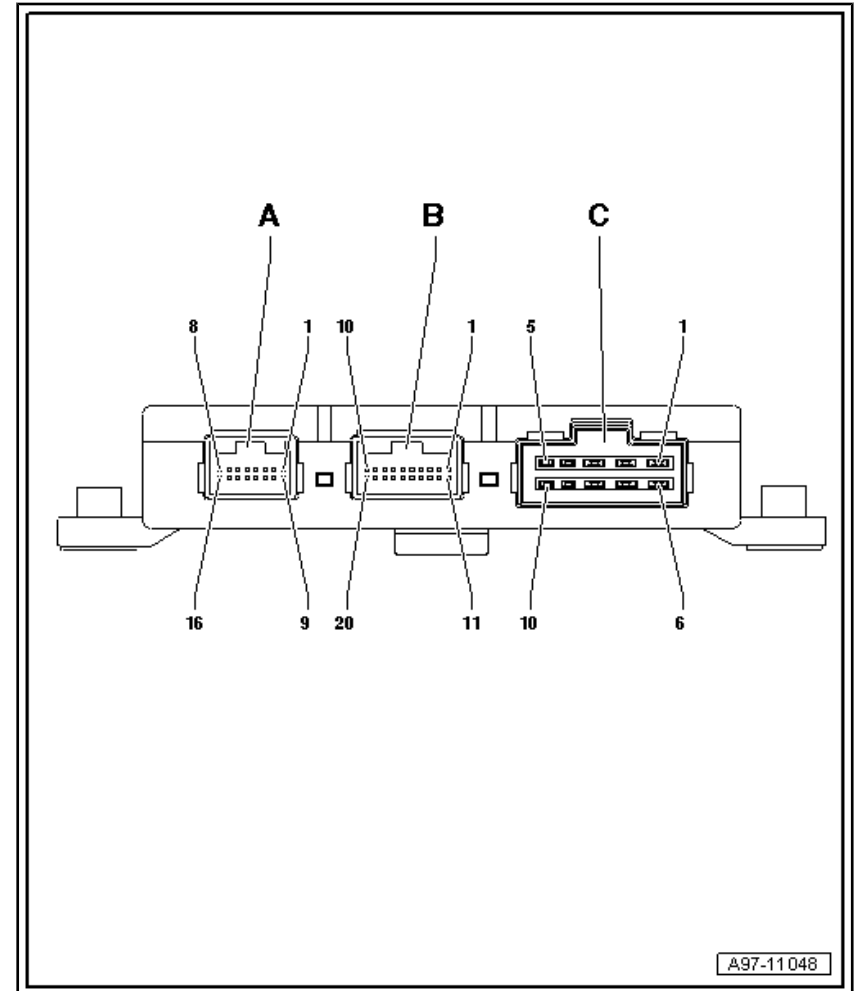


- A - 16-Pin Connector -T16h- , black
- B - 20-Pin Connector -T20g- , black
- C - 10-Pin Connector -T10m- , black



Audi

Protected by copyright. Copying for private or commercial purposes, in part or in whole, is not permitted unless authorised by AUDI AG. AUDI AG does not guarantee or accept any liability with respect to the correctness of information in this document. Copyright by AUDI AG.



Back to overview ⇒ [page 1](#) .

1.16 Instrument Cluster Control Module -J285-

Component Location

In driver's instrument panel.

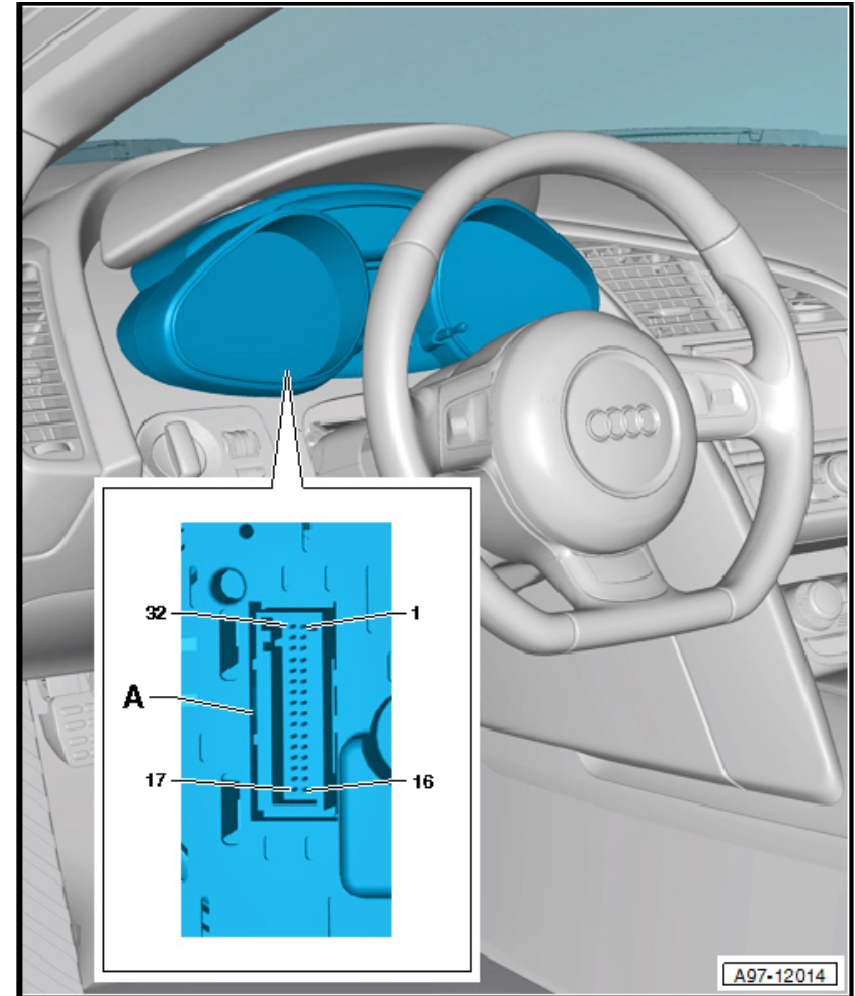
Instrument Cluster Control Module -J285- also includes Anti-Theft Immobilizer Control Module -J362- .

A - 32-Pin Connector -T32- , blue



Audi

Protected by copyright. Copying for private or commercial purposes, in part or in whole, is not permitted unless authorised by AUDI AG. AUDI AG does not guarantee or accept any liability with respect to the correctness of information in this document. Copyright by AUDI AG.



Back to overview ⇒ [page 1](#) .

1.17 Climatronic Control Module -J255-

Component Location

In lower instrument panel, center. -1-.

1 - Climatronic Control Module -J255-

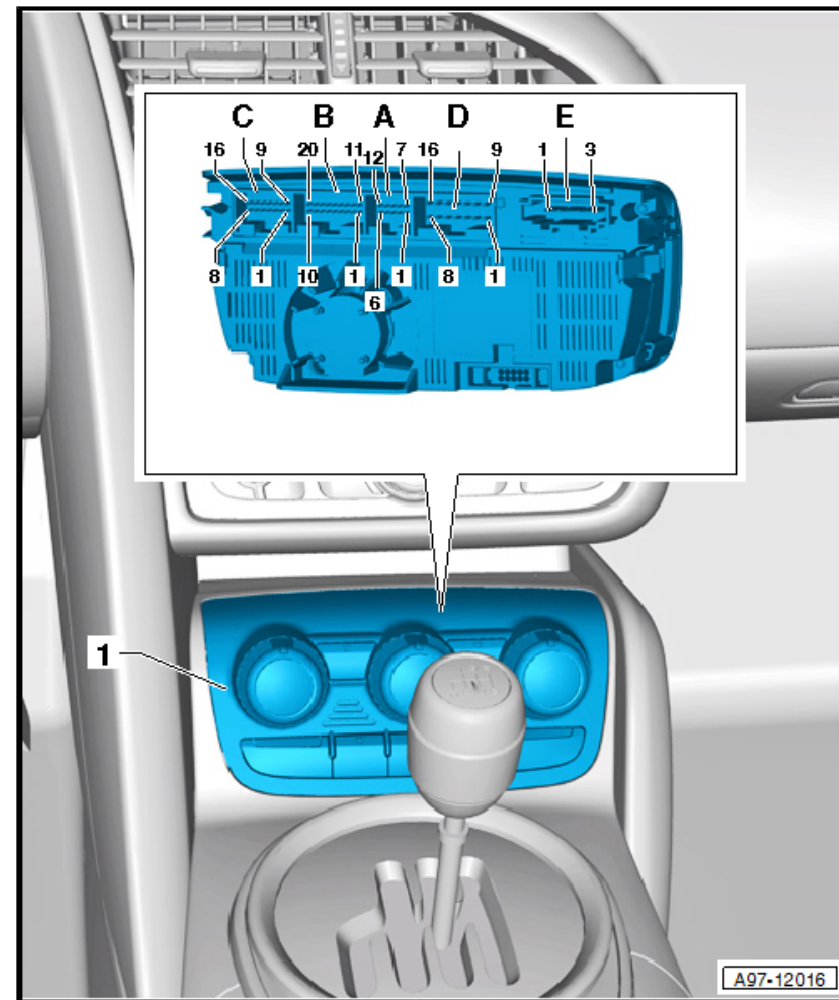
A - 12-Pin Connector -T12-

B - 20-Pin Connector -T20f-

C - 16-Pin Connector -T16c- , brown

D - 16-Pin Connector -T16b- , black

E - 3-Pin Connector -T3b- , black



Back to overview ⇒ [page 1](#) .

1.18 Battery Monitoring Control Module -J367-

Component Location

On Battery -A- -1-.

1 - Battery Monitoring Control Module -J367-

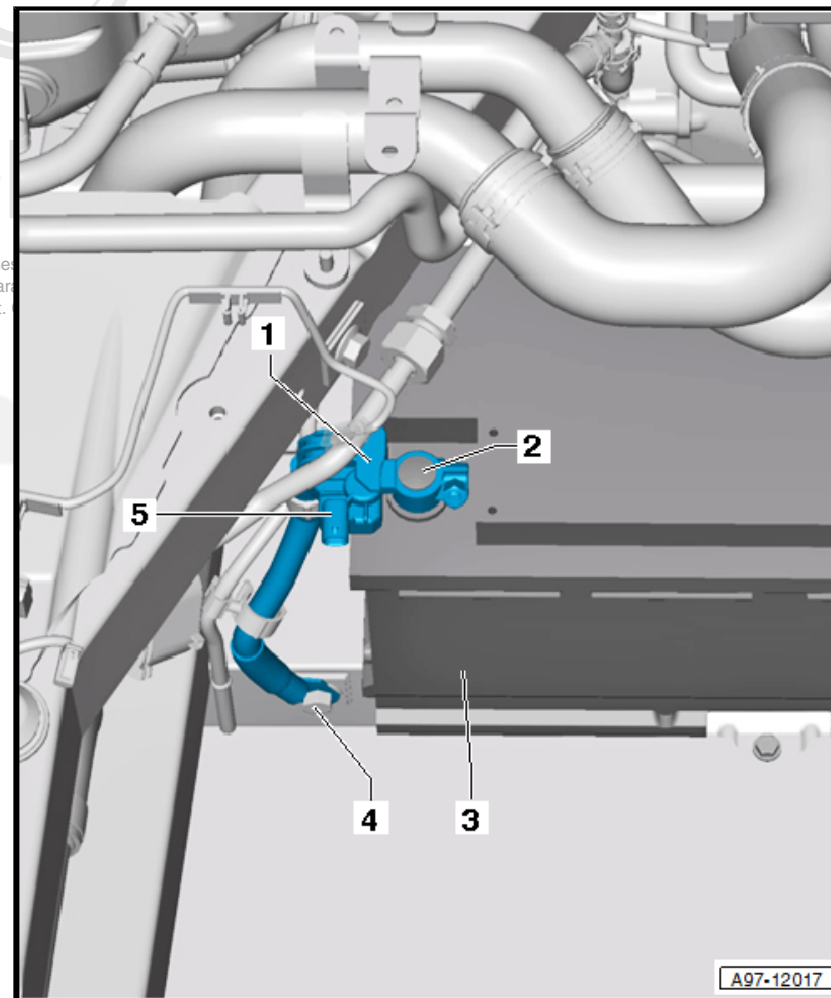
2 - negative terminal

3 - Battery -A-

4 -  Ground Connection (on right front cross member)

5 - Double Connector -T2bd-

Protected by copyright. Copying for private or commercial purposes is not permitted unless authorised by AUDI AG. AUDI AG does not guarantee the correctness of information in this document.



A97-12017

Back to overview ⇒ [page 1](#) .

1.19 Garage Door Opener Control Module -J530-

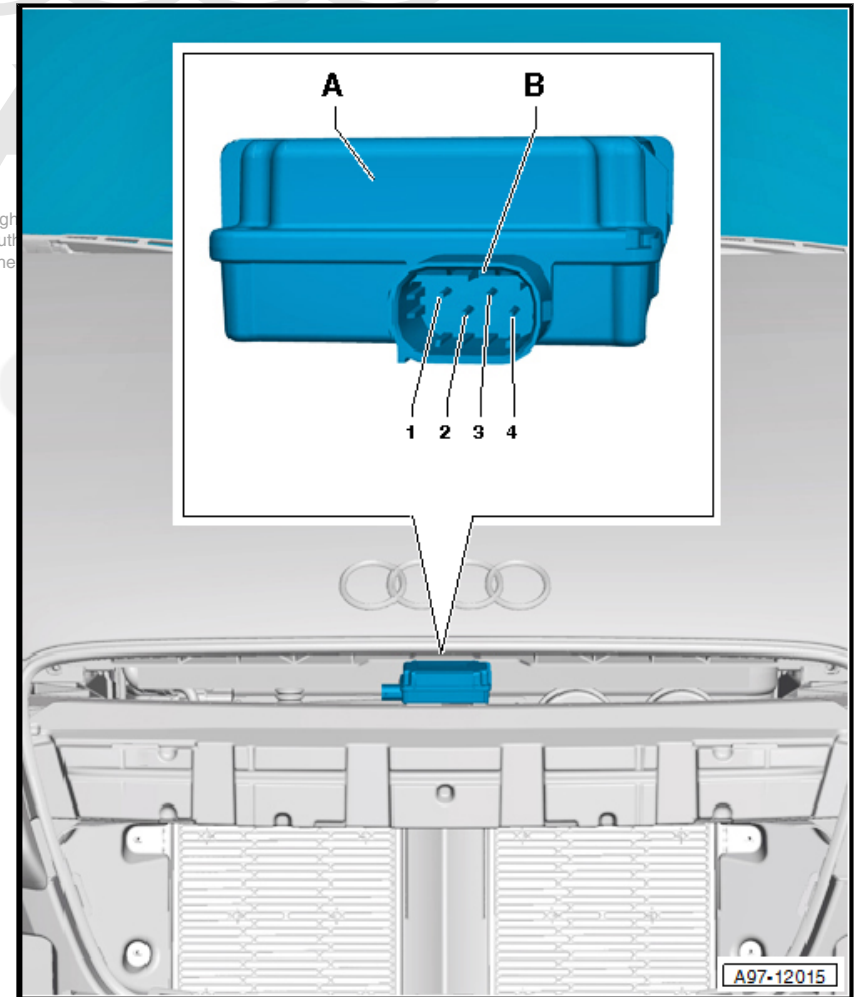
Component Location

Behind front bumper trim.

A - Garage Door Opener Control Module -J530-

B - 4-Pin Connector -T4p-

Protected by copyright
permitted unless auth
with respect to the



Back to overview ⇒ [page 1](#) .

1.20 Wiper Motor Control Module -J400- / Front Passenger Windshield Wiper Motor Control Module -J584-

Component Location

In plenum chamber.

1 - Wiper Motor Control Module -J400-

- with Driver's Windshield Wiper Motor -V216-

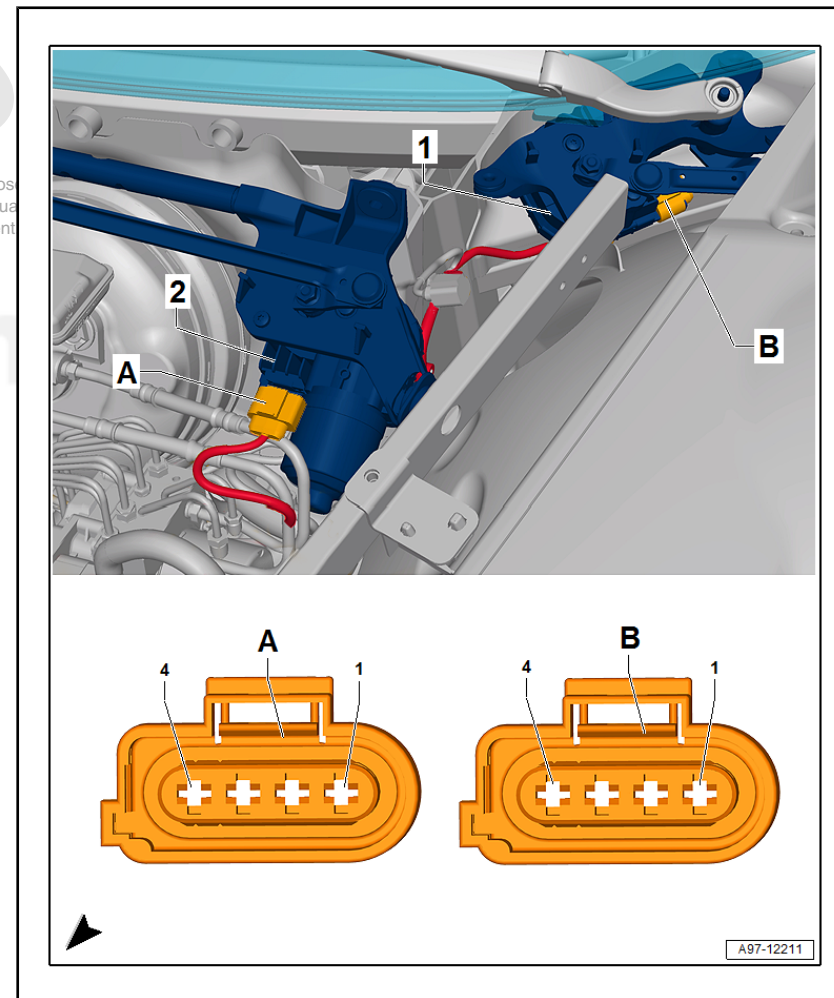
2 - Front Passenger Windshield Wiper Motor Control Module -J584-

- with Front Passenger Windshield Wiper Motor -V217-

A - 4-Pin Connector -T4-

B - 4-Pin Connector -T4-

Protected by copyright. Copying for private or commercial purposes permitted unless authorised by AUDI AG. AUDI AG does not guarantee with respect to the correctness of information in this document



Back to overview ⇒ [page 1](#) .

1.21 Left High-intensity Gas Discharge Lamp Control Module -J343- / Right High-intensity Gas Discharge Lamp Control Module -J344-

Component Location

On headlamp.

1 - Headlamp

- In headlamp: Left Headlamp Power Output Stage -J667- / Right Headlamp Power Output Stage -J668- ,

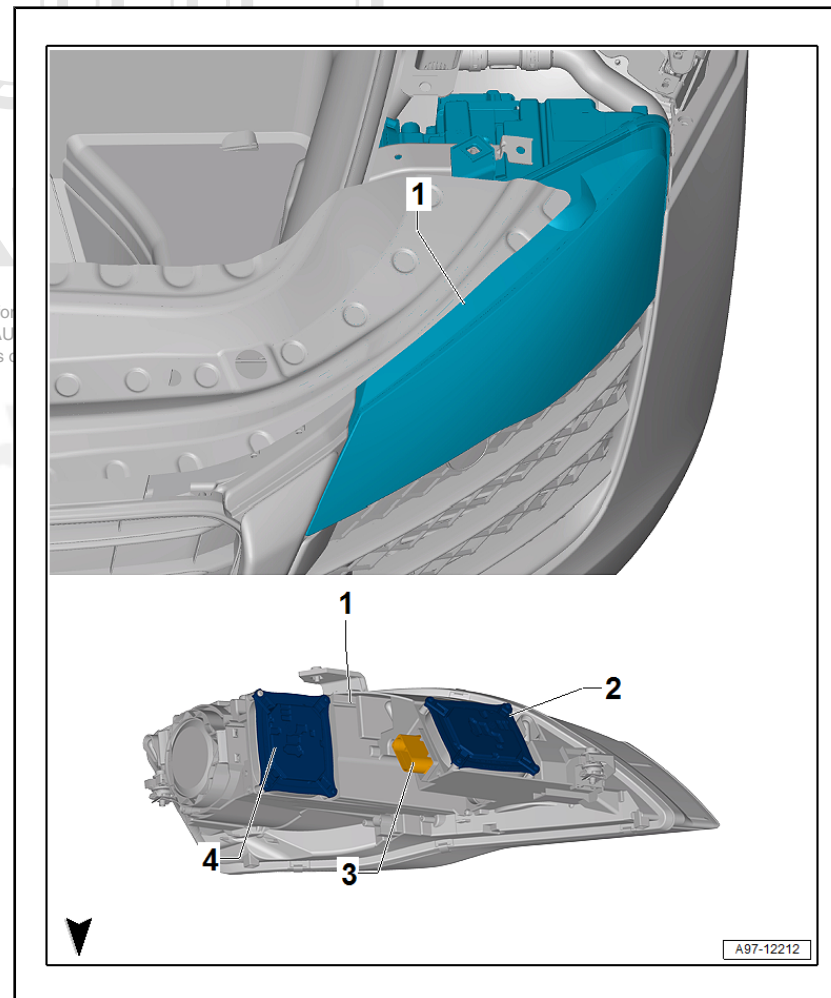
2 - Left LED Parking Lamp/DRL Module -L176- / Right LED Parking Lamp/DRL Module -L177-

3 -

14-Pin Connector -T14a- / 14-Pin Connector -T14b- , black

4 - Left High-intensity Gas Discharge Lamp Control Module -J343- / Right High-intensity Gas Discharge Lamp Control Module -J344-

Protected by copyright. Copying for
permitted unless authorised by AU
with respect to the correctness of



Back to overview ⇒ [page 1](#) .

1.22 Left LED Headlamp Power Output Stage 1 -A31- / Right LED Headlamp Power Output Stage 1 -A27-

Component Location

On headlamp.

1 - LED headlamp

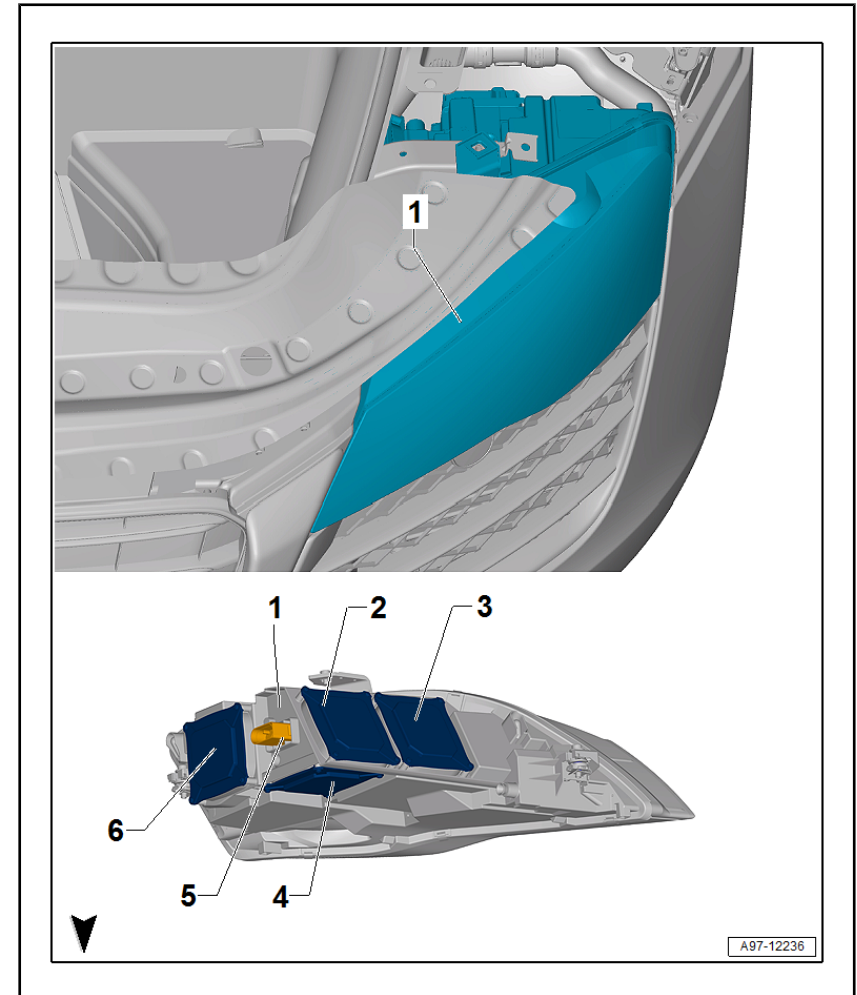
2 - Left LED Headlamp Power Output Stage 1 -A31- / Right LED Headlamp Power Output Stage 1 -A27-

3 - Left LED Headlamp Power Output Stage 2 -A32- / Right LED Headlamp Power Output Stage 2 -A28-

4 - Left LED Headlamp Power Output Stage 3 -A33- / Right LED Headlamp Power Output Stage 3 -A29-

5 - 14-Pin Connector -T14a- / 14-Pin Connector -T14b- , black

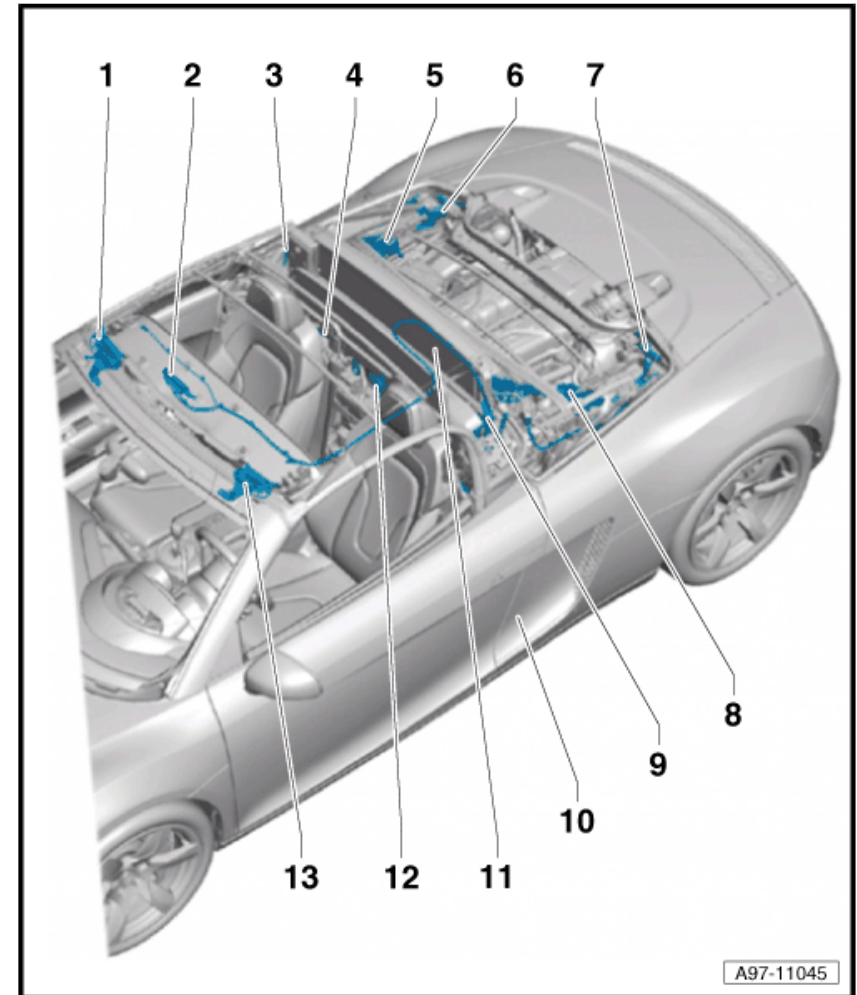
6 - Left LED Headlamp Power Output Stage 4 -A34- / Right LED Headlamp Power Output Stage 4 -A30-



Back to overview ⇒ [page 1](#) .

1.23 Convertible Top Control Modules

Overview of Control Modules



Protected by copyright. Copying for private or commercial purposes, in part or in whole, is not permitted unless authorised by AUDI AG. AUDI AG does not guarantee or accept any liability with respect to the correctness of information in this document. Copyright by AUDI AG.



1 - Right front convertible top switch -F434-

- Component Location ⇒ [page 42](#)

**2 -
Convertible Top Lock Switch (open) -F294-**

- Component: -F169- , -F170-
- Component Location ⇒ [page 43](#)

**3 -
Right Convertible Top Main Cylinder, Right Inner Cylinder**

- Component: -F420- , -F431-
- Component Location ⇒ [page 43](#)

4 - Rear Window Motor -V456-

- Component Location ⇒ [page 48](#)

**5 -
Right Top Flap Motor -V381-**

- Component: -F425- , -F426- , -F429-
- Component Location ⇒ [page 44](#)

**6 -
Right Convertible Top Compartment Cover Cylinder**

- Component: -F421- , -F422-
- Component Location ⇒ [page 44](#)

**7 -
Left Convertible Top Compartment Cover Cylinder**

- Component: -F407- , -F417- , -F418- , -F430-
- Component Location ⇒ [page 45](#)

**8 -
Left Convertible Top Main Cylinder, Left Inner Cylinder**

- with -F171- / -F419- / -F432-
- Component Location ⇒ [page 45](#)

**9 -
Left Top Flap Motor -V383-**

- Component: -F424- , -F427- , -F428-
- Component Location ⇒ [page 46](#)

10 - Convertible Top Hydraulic Pump -V118-

- Component Location ⇒ [page 46](#)



Audi

Protected by copyright. Copying for private or commercial purposes, in part or in whole, is not permitted unless authorised by AUDI AG. AUDI AG does not guarantee or accept any liability with respect to the correctness of information in this document. Copyright by AUDI AG.

erWin

11 -
Valve Block

- Component: -N272- , -N341- , -N342- , -N503- , -N504- , -N505-
- Component Location ⇒ [page 47](#)

12 -
Lower Rear Window Switch -F416- / Center Rear Window Switch -F423-

- Component Location ⇒ [page 47](#)

13 - Convertible top front switch -F202- , left

- Component Location ⇒ [page 48](#)

1.23.1 Right front convertible top switch -F434-

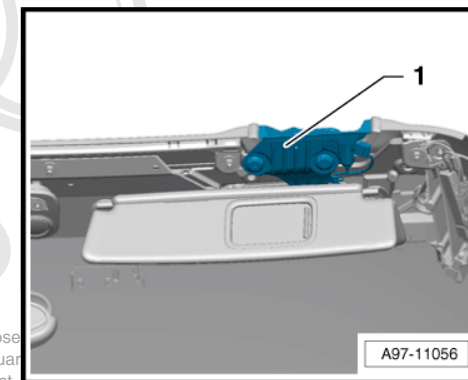
Component Location

On right front roof frame -1-.

[Back to overview](#) ⇒ [page 40](#) .



Aud



Protected by copyright. Copying for private or commercial purpose permitted unless authorised by AUDI AG. AUDI AG does not guarantee with respect to the correctness of information in this document.

erWin

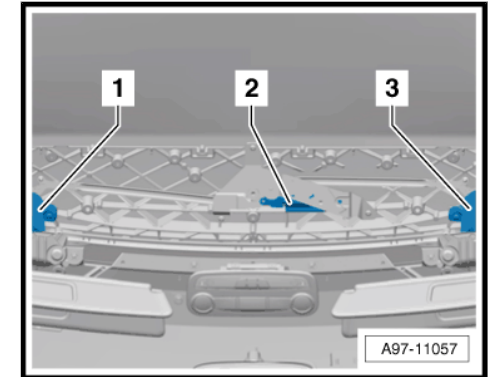
1.23.2 Convertible Top Lock Switch (open) -F294-

Component Location

On Front Convertible Top.

- 1 - Convertible Top Left Lock Switch -F169-
- 2 - Convertible Top Lock Switch (open) -F294-
- 3 - Convertible Top Right Lock Switch -F170-

Back to overview ⇒ [page 40](#) .



1.23.3 Right Convertible Top Main Cylinder, Right Inner Cylinder

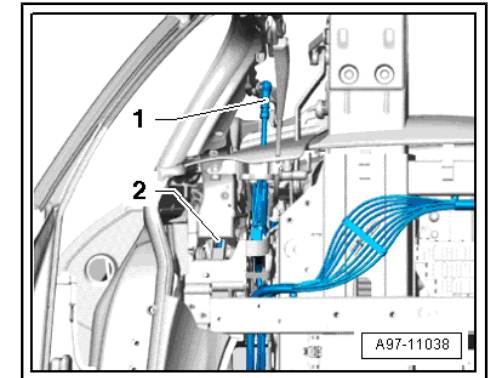
Component Location

In Front Right Convertible Top Housing.

- 1 - Inner Cylinder, right
- Right Tensioning Bow Switch -F420-
- 2 - Right Convertible Top Main Cylinder
- Upper Right Tensioning Bow Switch -F431-

Protected by copyright. Copying for private or commercial purposes, in part or in whole, is not permitted unless authorized by AUDI AG. AUDI AG does not guarantee or accept any liability with respect to the correctness of information in this document. Copyright by AUDI AG.

Back to overview ⇒ [page 40](#) .



1.23.4 Right Top Flap Motor -V381-

Component Location

In Front Upper Right Convertible Top Housing.

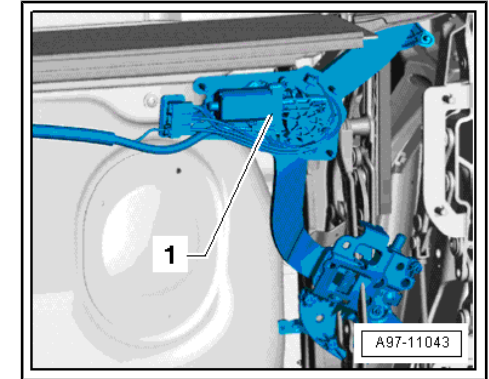
1 - Right Top Flap Motor -V381-

- Convertible Roof Flap Retracted Switch, right -F425-

- Convertible Roof Flap Extended Switch, right -F426-

- Convertible Roof Flap Centre Position Switch, right -F429-

Back to overview ⇒ [page 40](#) .



1.23.5 Right Convertible Top Compartment Cover Cylinder

Component Location

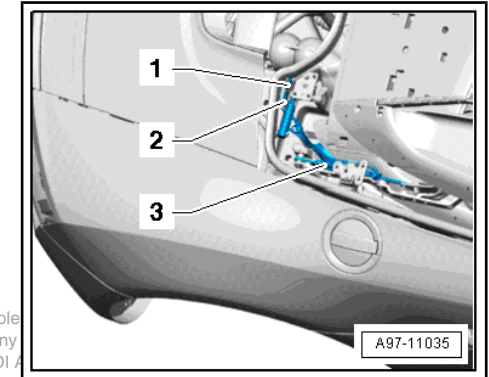
In Rear Right Convertible Top Housing.

1 - Convertible Top Compartment Locked Switch, right -F421-

2 - Convertible Top Compartment Unlocked Switch, right -F422-

3 - Right Convertible Top Compartment Cover Cylinder

Back to overview ⇒ [page 40](#) .



Protected by copyright. Copying for private or commercial purposes, in part or in whole permitted unless authorised by AUDI AG. AUDI AG does not guarantee or accept any with respect to the correctness of information in this document. Copyright by AUDI AG



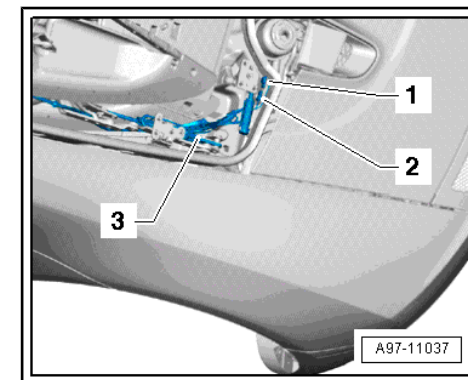
1.23.6 Left Convertible Top Compartment Cover Cylinder

Component Location

In Rear Left Convertible Top Housing.

- 1 - Left Convertible Top Compartment Locked Switch -F417-
- 2 - Left Convertible Top Compartment Unlocked Switch -F418-
- 3 - Left Convertible Top Compartment Cover Cylinder
- Convertible Top Compartment Open Switch -F407-
- Lower Convertible Top Compartment Cover Switch -F430-

[Back to overview](#) ⇒ [page 40](#) .



1.23.7 Left Convertible Top Main Cylinder, Left Inner Cylinder

Component Location

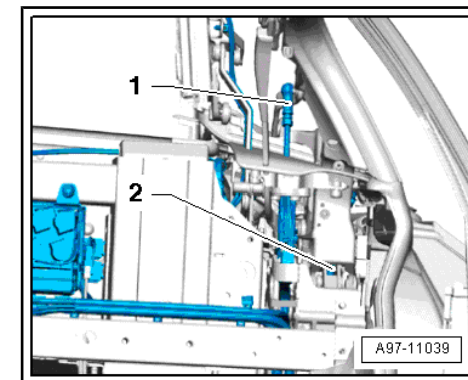
In Front Left Convertible Top Housing.

- 1 - Left Convertible Top Main Cylinder
- Convertible Top Open Position Switch -F171-
- 2 - Inner Cylinder, left
- Left Tensioning Bow Switch -F419-
- Upper Left Tensioning Bracket Switch -F432-

[Back to overview](#) ⇒ [page 40](#) .



Audi



Protected by copyright. Copying for private or commercial purposes, in part or in whole, is not permitted unless authorised by AUDI AG. AUDI AG does not guarantee or accept any liability with respect to the correctness of information in this document. Copyright by AUDI AG.



1.23.8 Left Top Flap Motor -V383-

Component Location

In Front Upper Left Convertible Top Housing.

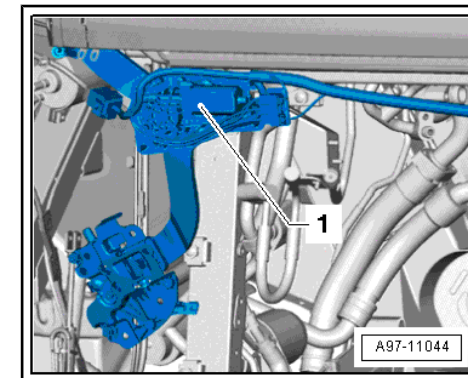
1 - Left Top Flap Motor -V383-

- Convertible Roof Flap Retracted Switch, left -F424-

- Convertible Roof Flap Extended Switch, left -F427-

- Left Convertible Top Compartment Center Position Switch -F428-

[Back to overview](#) ⇒ [page 40](#) .



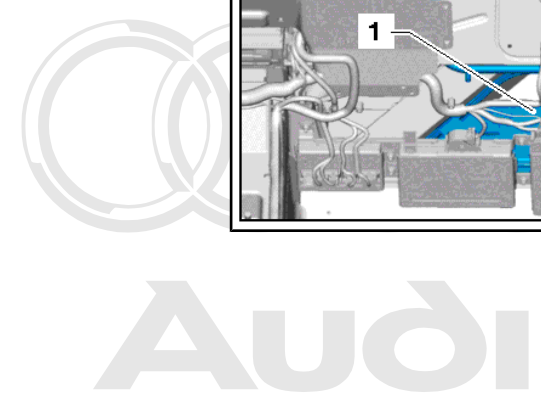
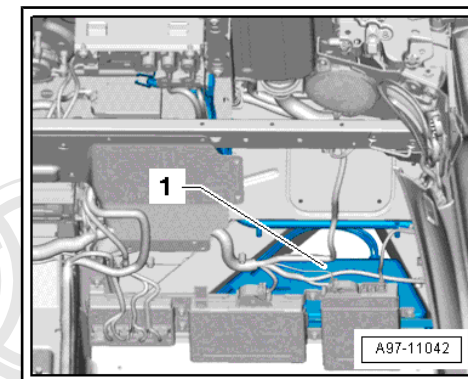
1.23.9 Convertible Top Hydraulic Pump -V118-

Component Location

On rear left cross member.

1 - Convertible Top Hydraulic Pump -V118-

[Back to overview](#) ⇒ [page 40](#) .



Protected by copyright. Copying for private or commercial purposes, in part or in whole, is not permitted unless authorised by AUDI AG. AUDI AG does not guarantee or accept any liability with respect to the correctness of information in this document. Copyright by AUDI AG.



1.23.10 Valve Block

Component Location

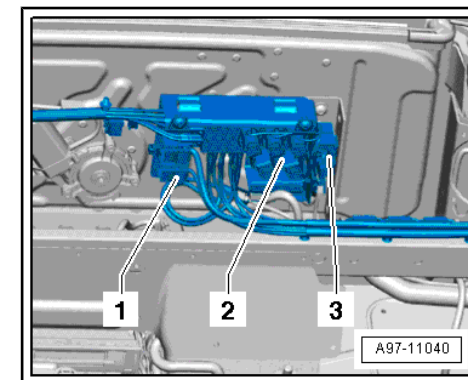
Behind the left rear wall.

- 1 - 12-Pin Connector -T12s-
- 12-Pin Connector -T12au-
- 2 - Valve Block
- Power Convertible Top Valve 1 -N272-
- Power Convertible Top Valve 2 -N341-
- Power Convertible Top Valve 3 -N342-
- Power Convertible Top Valve 4 -N503-
- Power Convertible Top Valve 5 -N504-
- Power Convertible Top Valve 6 -N505-
- 3 - Valves Connections

Back to overview ⇒ [page 40](#) .



Protected by copyright. Copying for private or commercial purposes, in part or in whole, is not permitted unless authorised by AUDI AG. AUDI AG does not guarantee or accept any liability with respect to the correctness of information in this document. Copyright by Audi AG.



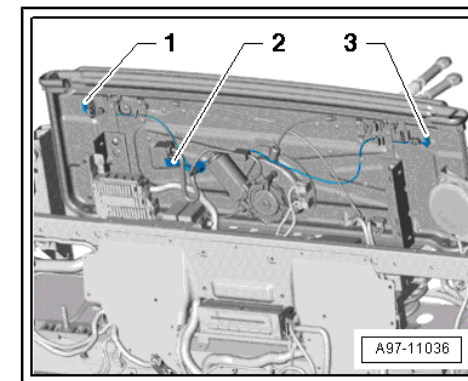
1.23.11 Lower Rear Window Switch -F416- / Center Rear Window Switch -F423-

Component Location

On Rear Window Module.

- 1 - Center Rear Window Switch -F423-
- 2 - 4-Pin Connector -T4an-
- 3 - Lower Rear Window Switch -F416-

Back to overview ⇒ [page 40](#) .



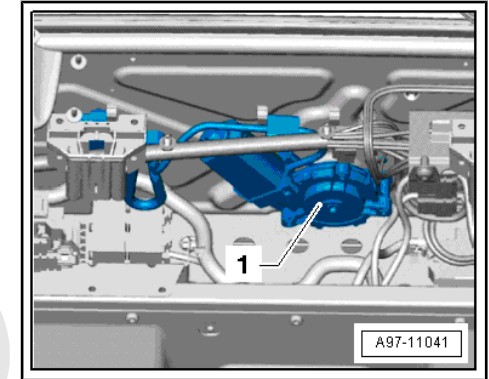
1.23.12 Rear Window Motor -V456-

Component Location

Behind the centre rear wall, on rear window module.

1 - Rear Window Motor -V456-

[Back to overview](#) ⇒ [page 40](#) .



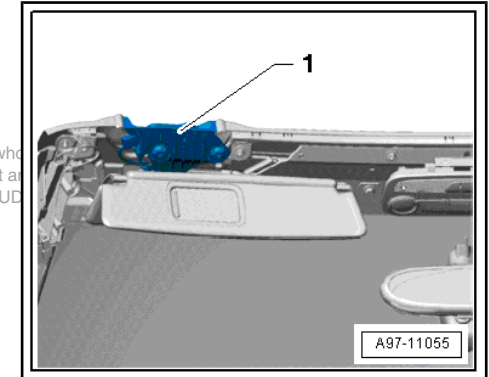
1.23.13 Convertible top front switch -F202- , left

Component Location

On left front roof frame.

1 - Convertible top front switch -F202- , left

[Back to overview](#) ⇒ [page 40](#) .



Protected by copyright. Copying for private or commercial purposes, in part or in whole, is not permitted unless authorised by AUDI AG. AUDI AG does not guarantee or accept any liability with respect to the correctness of information in this document. Copyright by AUDI AG.

1 Relay

1.1 Overview of Relay Carrier

1 - Relay Carrier (in front right footwell)

- Component Location and Relay Arrangements, through May 2009 ⇒ [page 2](#)
- Component Location and Relay Arrangements, from June 2009 ⇒ [page 4](#)

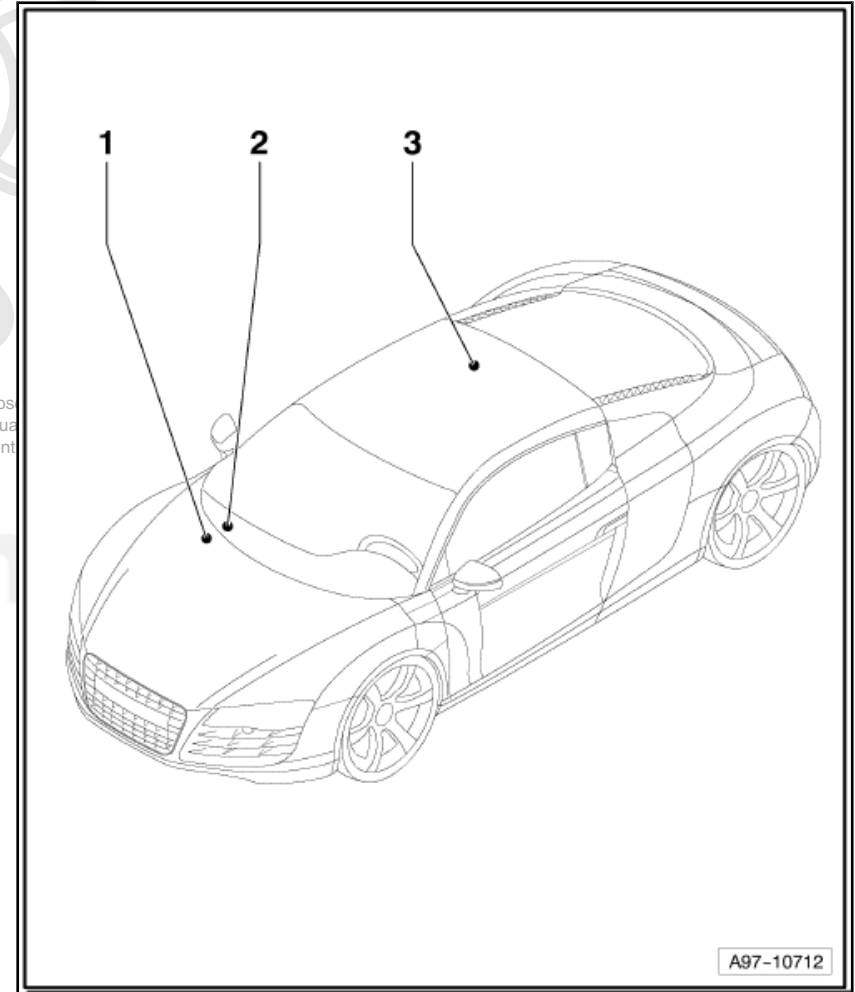
2 - Position of Relays on Vehicle Electrical System Control Module -J519-

- Component Location and Relay Arrangements, through May 2009 ⇒ [page 6](#)

3 - 9-point relay and fuse carrier

- Component Location and Position of Relays ⇒ [page 7](#)

Protected by copyright. Copying for private or commercial purposes is not permitted unless authorised by AUDI AG. AUDI AG does not guarantee the accuracy with respect to the correctness of information in this document.



1.2 Relay Carrier (in front right footwell)

1.2.1 Component Location and Relay Arrangements, through May 2009

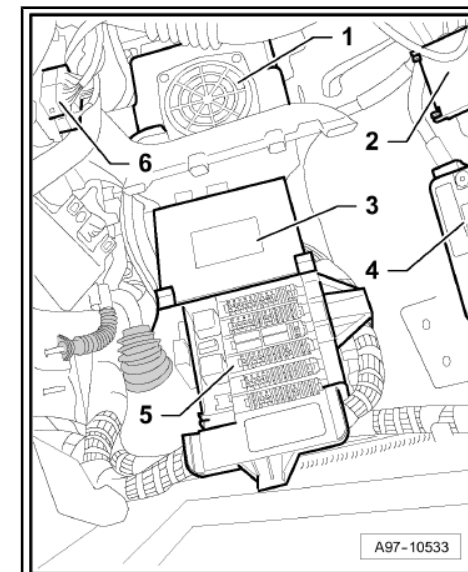
Component Location

In front right footwell -5-

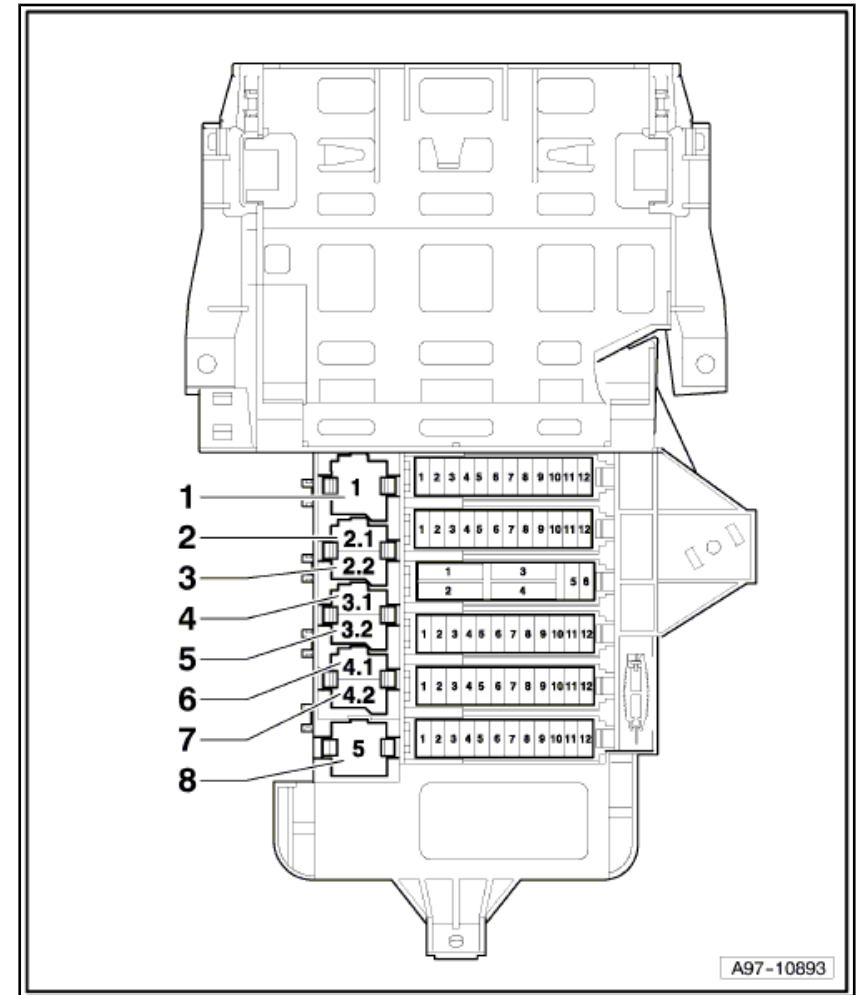
- 1 - Center Speaker -R148-
- 2 - Main Distribution
- 3 - Vehicle Electrical System Control Module -J519-
- 4 - Main Fuse Panel
- 5 - Relay and fuse carrier (in front right footwell)
- 6 - Connector station behind right center console

Information in this document is intended for private use only. It is not to be used for private or commercial purposes, in part or in whole, is not permitted unless authorised by AUDI AG. AUDI AG does not guarantee or accept any liability for the accuracy or completeness of the information in this document. Copyright by AUDI AG.

Position of Relays



- 1 - Control Relay -J789-
 - Connection 1
- 2 - Sockets Relay -J807-
 - Connection 2.1
- 3 - Brake Booster Relay -J569-
 - Connection 2.2
- 4 - Headlamp Washer Relay -J39-
 - Through May 2008
 - Connection 3
- 4 - Partition Window Defogger Relay -J884-
 - from June 2008
 - Connection 3.1
- 5 - Headlamp Washer Relay -J39-
 - from June 2008
 - Connection 3.2
- 6 - Coolant Circulation Pump Relay -J151-
 - only super hot countries 8Z9
 - Connection 4.1
- 7 - Not used
 - Connection 4.2
- 8 - Not used
 - Through May 2008
- 8 - Rear Lid Central Locking Relay -J380-
 - from June 2008
 - Connection 5



Back to overview ⇒ [page 1](#) .

1.2.2 Component Location and Relay Arrangements, from June 2009

Component Location

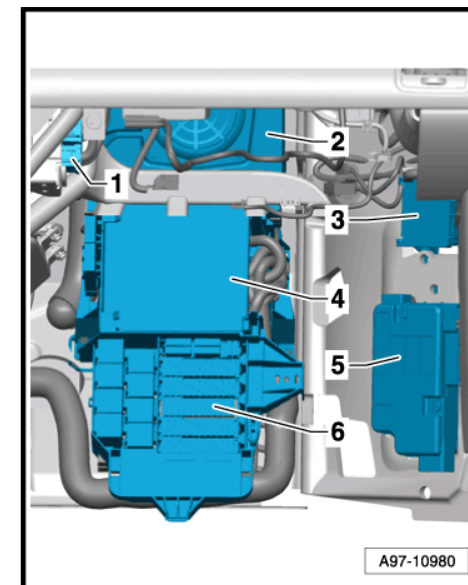
In front right footwell -6-.

- 1 - Connector station behind right center console
- 2 - Center Speaker -R148-
- 3 - Main Distribution
- 4 - Vehicle Electrical System Control Module -J519-
- 5 - Main Fuse Panel
- 6 - Relay and fuse carrier (in front right footwell)

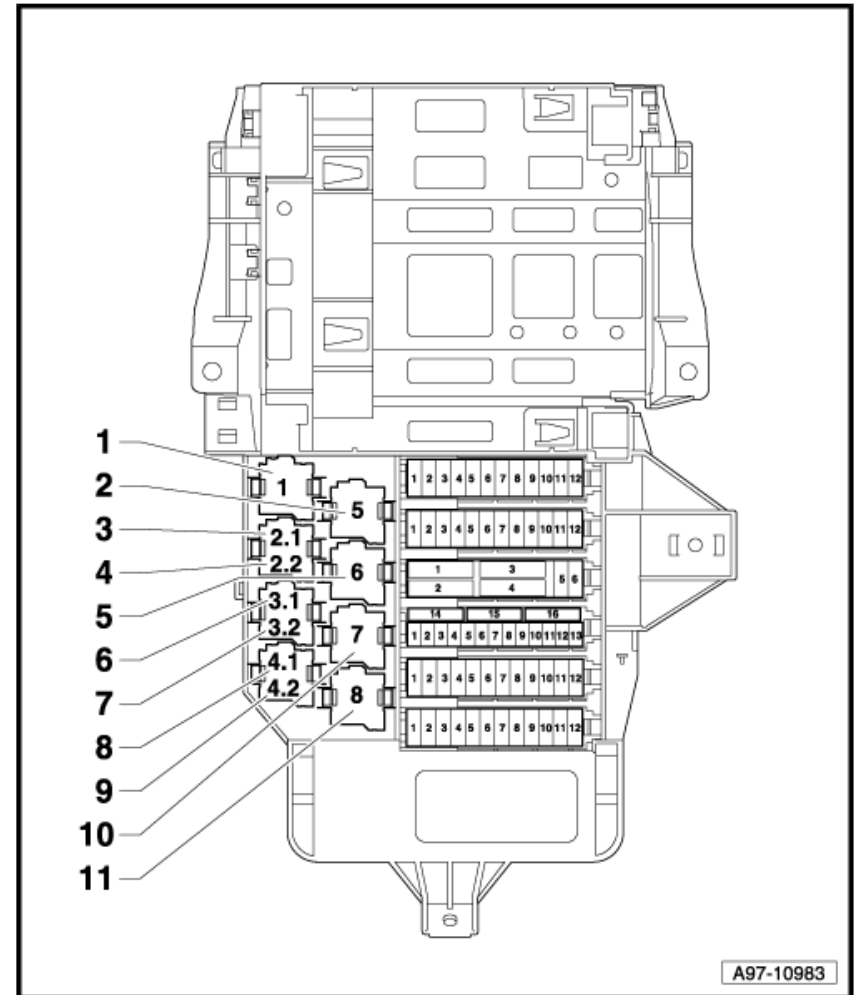
Position of Relays



Protected by copyright. Copying for private or commercial purposes, in part or in whole, is not permitted unless authorised by AUDI AG. AUDI AG does not guarantee or accept any liability with respect to the correctness of information in this document. Copyright by AUDI AG.



- 1 - Control Relay -J789-
 - Connection 1
- 2 - Rear Lid Central Locking Relay -J380-
 - Connection 5
- 3 - Sockets Relay -J807-
 - Connection 2.1
- 4 - Brake Booster Relay -J569- / Auxiliary Engine Coolant (EC) Pump Relay -J496-
 - Connection 2.2
- 5 - Power Supply Relay (terminal 15) -J329-
 - Connection 6
- 6 - Horn Relay -J413-
 - Connection 3.1
- 7 - Headlamp Washer Relay -J39-
 - Connection 3.2
- 8 - Coolant Circulation Pump Relay -J151-
 - Connection 4.1
- 9 - Not used
 - Connection 4.2
- 10 - Rear Window Defogger Relay -J9-
 - Connection 7
- 11 - Not used
 - Connection 8



Copyright. Copying for private or commercial purposes, in part or in whole, is not permitted unless authorised by AUDI AG. AUDI AG does not guarantee or accept any liability with respect to the correctness of information in this document. Copyright by AUDI AG.



Back to overview ⇒ [page 1](#) .

1.3 Relay on Vehicle Electrical System Control Module -J519- , through May 2009

1 - Power Supply Relay 2 (terminal 15) -J681-

- Connection B1

2 - Not used

- Connection B2

3 - Rear Window Defogger Relay -J9-

- Connection B5

4 - Horn Relay -J413-

- Connection B6

5 - Not used

- Connection B9

6 - Windshield Washer Pump Relay -J576-

- Connection B8

7 - Not used

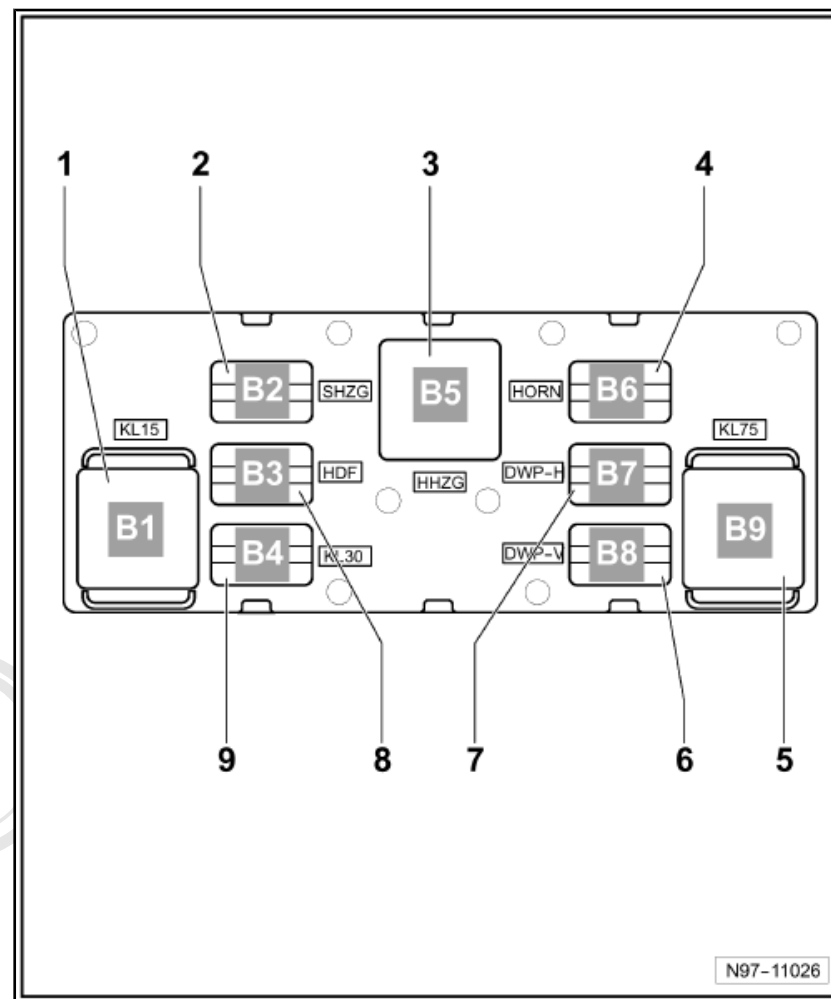
- Connection B7

8 - Not used

- Connection B3

9 - Power Supply Relay 2 (terminal 30) -J689-

- Connection B4



Protected by copyright. Copying for private or commercial purposes, in part or in whole, is not permitted unless authorised by AUDI AG. AUDI AG does not guarantee or accept any liability with respect to the correctness of information in this document. Copyright by AUDI AG.



Back to overview ⇒ [page 1](#) .

1.4 Relays on 9-point relay and fuse carrier

Component Location

Below right parcel shelf -7-, Coupé

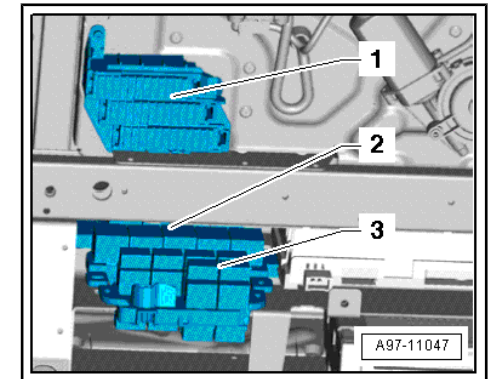
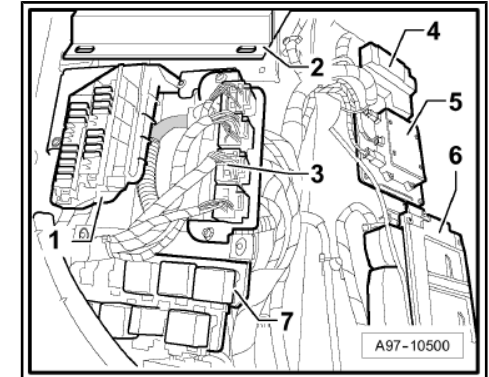


Behind the right rear wall -2-, Spyder

Position of Relays



Protected by copyright. Copying for private or commercial purposes, in part or in whole, is not permitted unless authorised by AUDI AG. AUDI AG does not guarantee or accept any liability with respect to the correctness of information in this document. Copyright by AUDI AG.



1 - Motronic Engine Control Module (ECM) Power Supply Relay -J271-

2.1 - Terminal 15 Relay -J940-

- Only Audi R8 GT with Race Package

2.2 - Not used

3 - Starter Relay -J53-

4 - Starter Relay 2 -J695-

5 - Secondary Air Injection (AIR) Pump Relay -J299-

6 - Engine Component Power Supply Relay -J757-

7 - Transmission Hydraulic Pump Relay -J510-

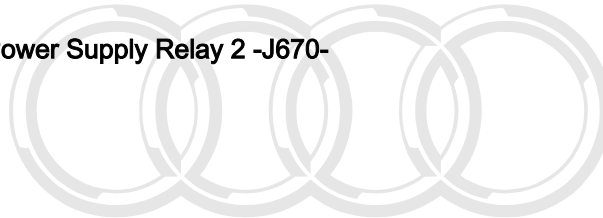
8 - Secondary Air Injection (AIR) Pump Relay 2 -J545-

9.1 - Emergency Off Relay -J970-

- Only Audi R8 GT with Race Package

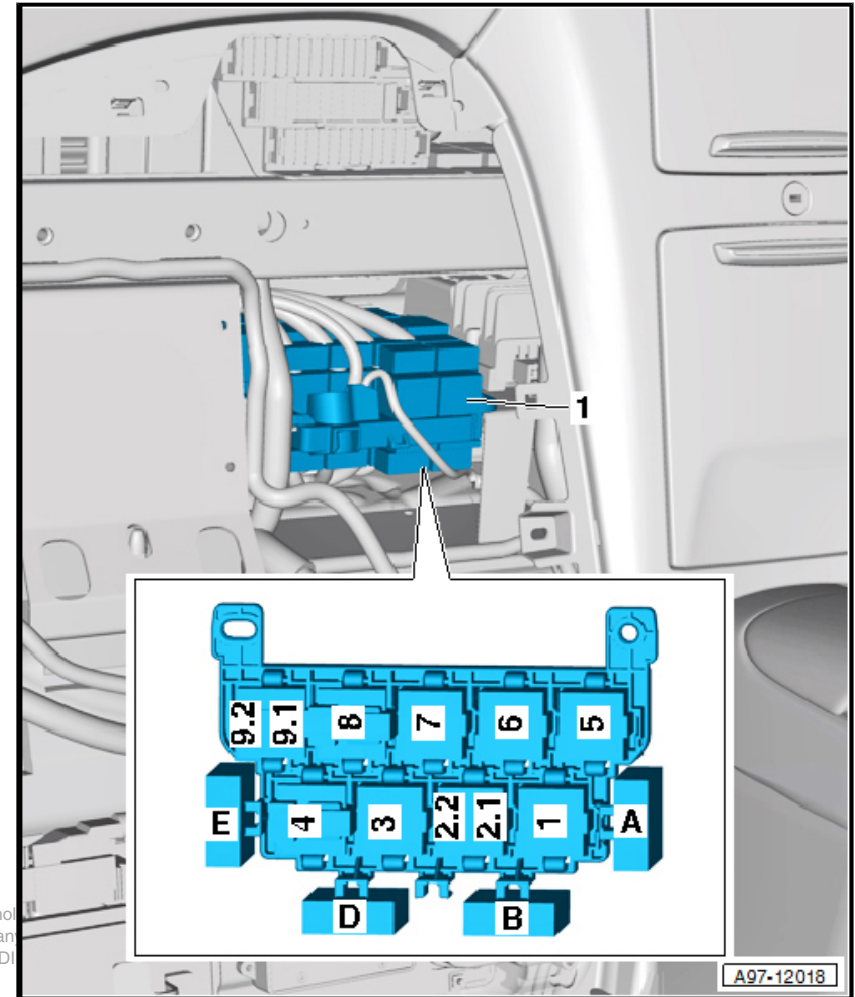
9.2 - Motronic Engine Control Module (ECM) Power Supply Relay 2 -J670-

- Only Audi R8 GT with Race Package



Audi

Protected by copyright. Copying for private or commercial purposes, in part or in whole, is not permitted unless authorised by AUDI AG. AUDI AG does not guarantee or accept any liability with respect to the correctness of information in this document. Copyright by AUDI AG.

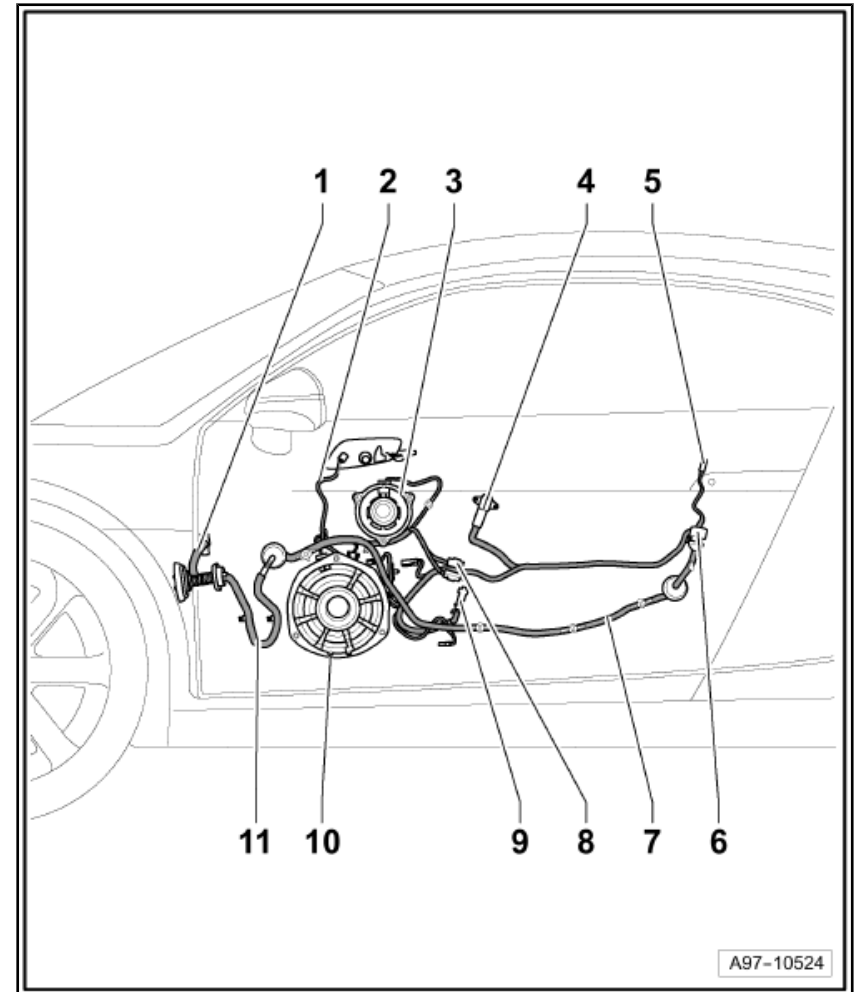


Back to overview ⇒ [page 1](#) .

1 Harness routing

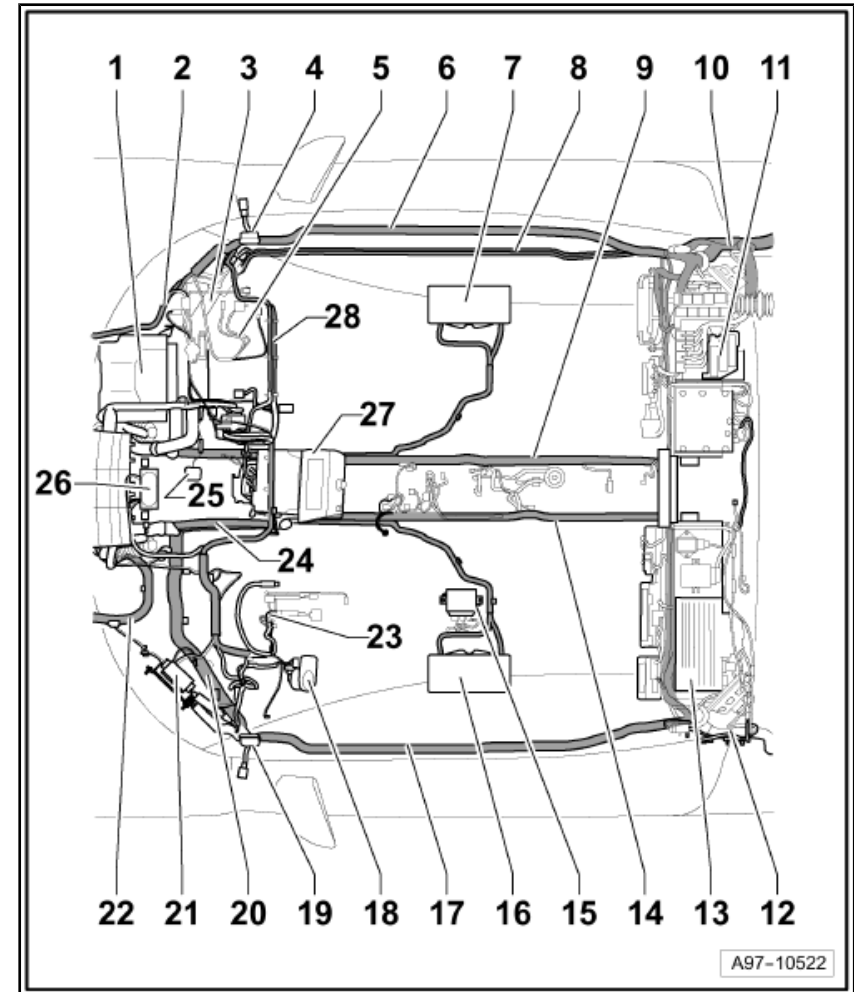
1.1 Harness door routing

- 1 - Door coupling - A-pillar
- 2 - Wire to Driver's Interior Locking Button -E308- / Front Passenger's Interior Locking Button -E309-
- 3 - Left Front Midrange Speaker -R103- / Right Front Midrange Speaker -R104- in doors, central
- 4 - Driver's Side Airbag Crash Sensor -G179- / Front Passenger's Side Airbag Crash Sensor -G180-
- 5 - Alarm System -Off- Switch -E217- / Interior Monitoring Switch -E183-
- 6 - Driver's Door Central Locking Lock Unit -F220- / Left Rear Central Locking Lock Unit -F222-
- 7 - Wiring to lock unit
- 8 - Driver's Door Control Module -J386- / Front Passenger's Door Control Module -J387-
- 9 - Driver's Door Control Module -J386- / Front Passenger's Door Control Module -J387-
- 10 - Left Front Bass Speaker -R21- / Right Front Bass Speaker -R23- in doors, lower
- 11 - Wiring from door coupling to the door control modules



1.2 Harness interior routing

- 1 - Center Speaker -R148-
- 2 - Starter wire duct
- 3 - Wiring harness to A-pillar right
- 4 - Door connector station
- 5 - wiring harness glove compartment
- 6 - Wiring harness to control modules below right parcel shelf
- 7 - Connector station below front passenger's seat
- 8 - Starter wire below vehicle floor
- 9 - Wiring harness from center console to right rear
- 10 - Duct wiring harness to engine compartment
- 11 - Control modules below right parcel shelf
- 12 - Duct wiring harness to engine compartment
- 13 - Control modules below left parcel shelf
- 14 - Wiring harness from center console to left rear
- 15 - Parking Aid Control Module -J446-
- 16 - Connector station below driver's seat
- 17 - Wiring harness to control modules below left parcel shelf
- 18 - Light Switch -E1-
- 19 - Door connector station
- 20 - Wiring harness to A-pillar left
- 21 - Data-Bus On Board Diagnostic Interface -J533-
- 22 - Wiring harness to front left luggage compartment
- 23 - Steering column connectors
- 24 - Wiring harness to left instrument panel
- 25 - Navigation System Antenna -R50-
- 26 - Center Midrange Speaker -R158-
- 27 - Navigation System Control Module with CD Drive -J401-
- 28 - Navigation System Control Module with CD Drive -J401-

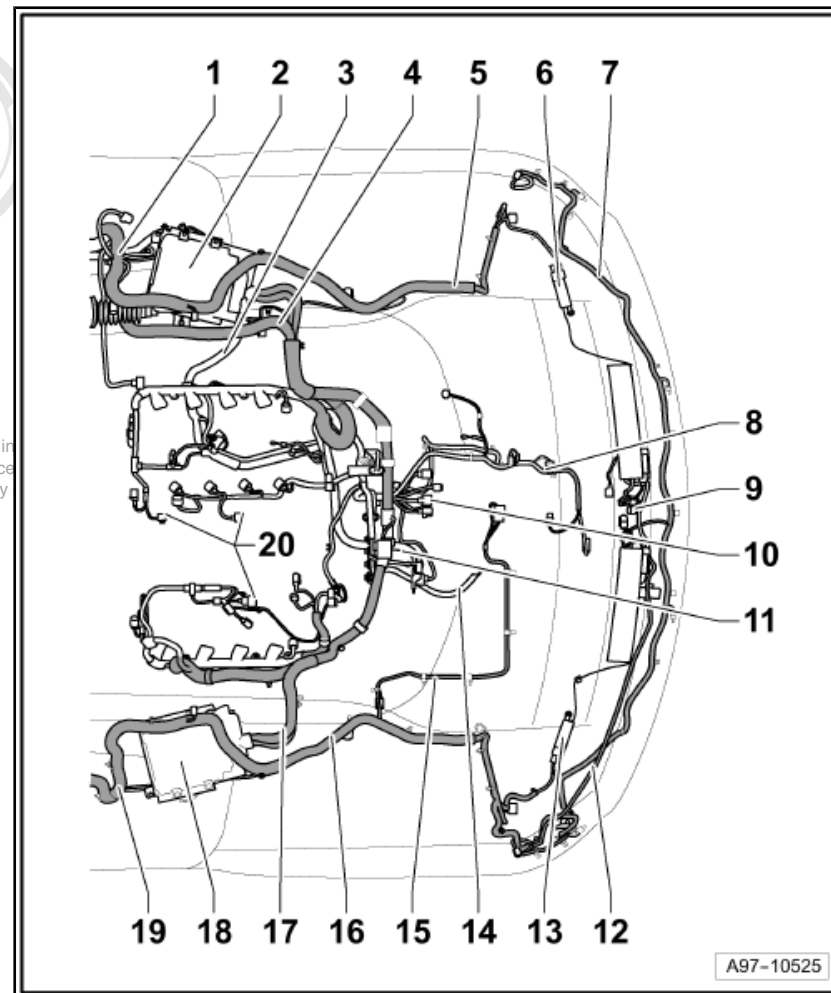


28 - Right instrument panel wiring harness

1.3 Wiring harness routing engine compartment

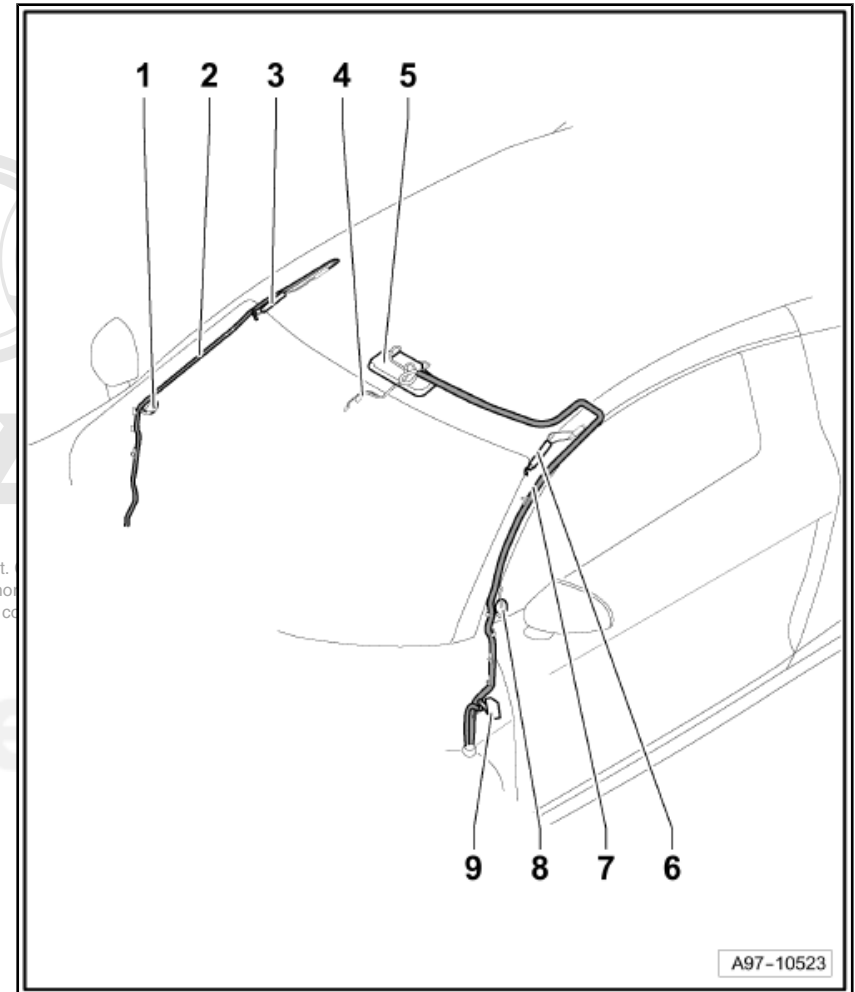
- 1 - Duct to interior
- 2 - Engine Control Module (ECM) -J623-
- 3 - Starter wire from models underbody
- 4 - Engine compartment to engine pre-wiring wiring harness
- 5 - Wiring harness right engine compartment to rear taillamp
- 6 - Antenna Amplifier 4 -R113-
- 7 - Rear bumper wiring harness
- 8 - Generator, A/C compressor, transmission wiring harness
- 9 - Connectors rear spoiler, Rear View
- 10 - Coupling to transmission
- 11 - Heated oxygen sensor (HO2S) coupling
- 12 - Wiring harness to rear spoiler, Rear View
- 13 - Antenna Amplifier -R24-
- 14 - Starter wire on Starter -B-
- 15 - Wiring harness to front hood switch
- 16 - Wiring harness left engine compartment to rear taillamp
- 17 - Wiring harness from Engine Control Module 2 -J624-
- 18 - Engine Control Module (ECM) 2 -J624-
- 19 - Duct to interior
- 20 - Engine pre-wiring

Protected by copyright. Copying for private or commercial purposes, in part or in full, is not permitted unless authorised by AUDI AG. AUDI AG does not guarantee or accept any liability with respect to the correctness of information in this document. Copyright by Audi AG.



1.4 Harness roof / A-pillar routing

- 1 - Connector Right Front Treble Speaker -R22-
- 2 - Right A-pillar wire
- 3 - Antenna Amplifier 3 -R112-
- 4 - Mirror wire
- 5 - Front Interior Light -W1-
- 6 - Antenna Amplifier 2 -R111-
- 7 - Left A-pillar wire
- 8 - Connector Left Front Treble Speaker -R20-
- 9 - Left door coupling



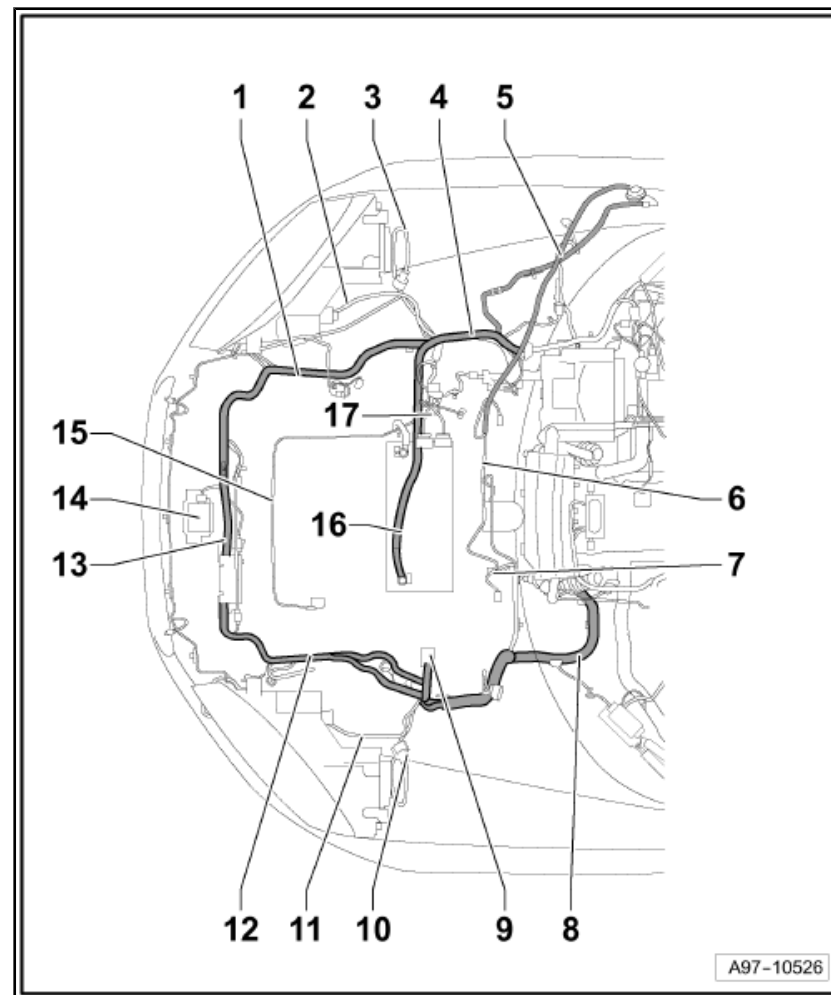
1.5 Harness luggage compartment routing

- 1 - Wire on right front long member
- 2 - Right headlamp connector
- 3 - Fan connector
- 4 - Wire from battery + to main distribution (in front right footwell)
- 5 - Wire to front hood
- 6 - Heated windshield washer nozzle wire
- 7 - Windshield wiper connector
- 8 - Wiring from interior to left front long member
- 9 - Conector ABS Control Module -J104-
- 10 - Fan connector
- 11 - Left headlamp connector
- 12 - Wire on left front long member
- 13 - Wire on front cross member
- 14 - Garage Door Opener Control Module -J530-
- 15 - Wire to condenser refrigerant circuit left
- 16 - Battery positive connector
- 17 - A/C wiring connector



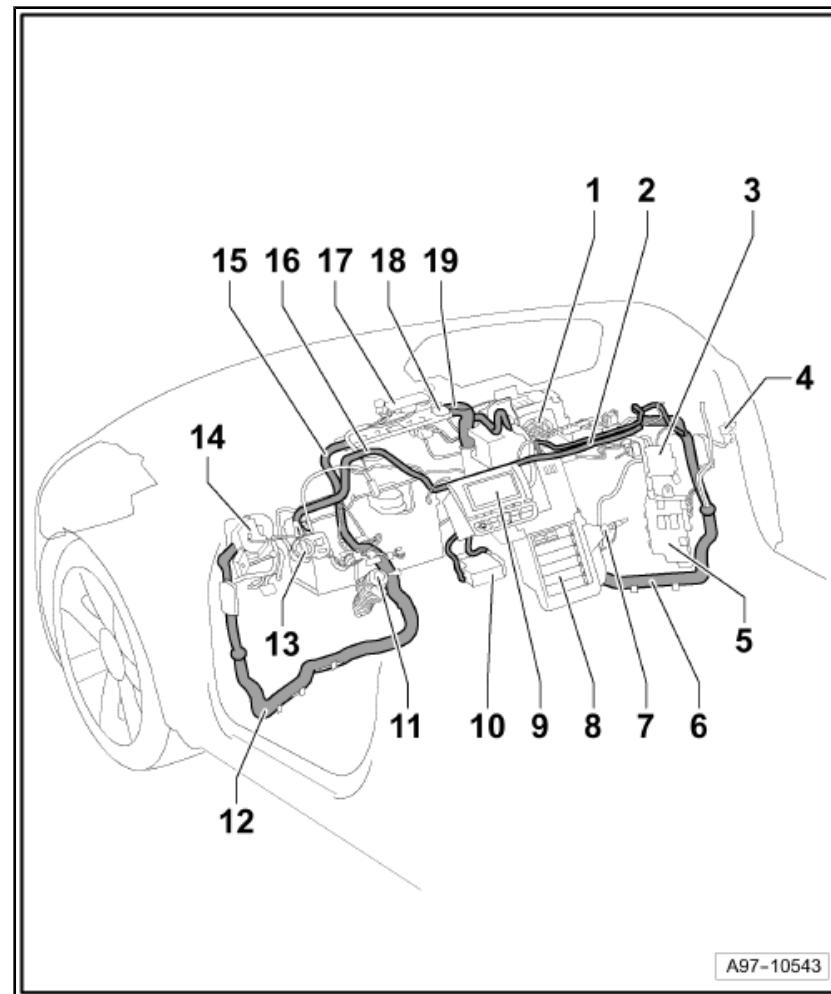
Audi

Protected by copyright. Copying for private or commercial purposes, in part or in whole, is not permitted unless authorised by AUDI AG. AUDI AG does not guarantee or accept any liability with respect to the correctness of information in this document. Copyright by AUDI AG.



1.6 Harness instrument panel routing

- 1 - Center Speaker -R148-
- 2 - Wiring harness behind glove compartment
- 3 - Main Distribution (in front right footwell)
- 4 - Right door coupling
- 5 - Main Fuse Panel (in front right footwell)
- 6 - Wiring harness in right footwell
- 7 - Grommet, transition luggage compartment
- 8 - Relay and fuse carrier (in front right footwell)
- 9 - Radio -R- / Navigation System Control Module with CD Drive -J401-
- 10 - Airbag Control Module -J234-
- 11 - Grommet, transition luggage compartment
- 12 - Wiring harness in left footwell
- 13 - Light Switch -E1-
- 14 - Data Bus On Board Diagnostic Interface -J533-
- 15 - Wiring harness along left module carrier
- 16 - Wiring harness to center console
- 17 - Center Midrange Speaker -R158-
- 18 - Navigation System Antenna -R50-
- 19 - Wiring harness along right center module carrier

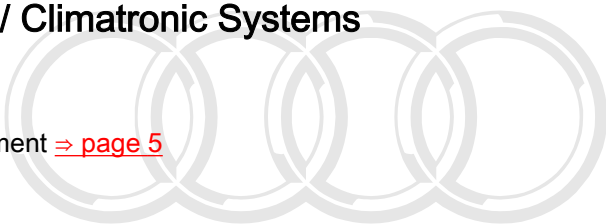


Protected by copyright. Copying for private or commercial purposes, in part or in whole, is not permitted without the prior written consent of AUDI AG. AUDI AG does not guarantee or accept any liability with respect to the correctness of information in this document. Copyright by AUDI AG.

A97-10543

1 Component Locations: Climate / Climatronic Systems

- ◆ Outside Passenger Compartment Overview ⇒ [page 2](#)
- ◆ A/C System Components Inside Passenger Compartment ⇒ [page 5](#)
- ◆ A/C Distribution Components ⇒ [page 7](#)



Protected by copyright. Copying for private or commercial purposes, in part or in whole, is not permitted unless authorised by AUDI AG. AUDI AG does not guarantee or accept any liability with respect to the correctness of information in this document. Copyright by AUDI AG.



erWin

1.1 Outside Passenger Compartment Overview

Component Group 1

1 - Coolant Fan 2 -V177-

2 - Cowl Panel Trim Seal

3 - Cowl Panel Trim

4 - Water Drain

5 - Air Intake Unit

The following components are installed or removed in the air intake unit:

◆ Recirculation Flap Motor -V113- with Recirculation Flap Motor Position Sensor -G143-

◆ Fresh Air Intake Duct Temperature Sensor -G89-

◆ Air Flow Flap Motor -V71- with Back Pressure Flap Motor Position Sensor -G113-

◆ Fresh air blower -V2-

◆ Fresh Air Blower Control Module -J126-

6 - Coolant Pump -V50-

Location : under center tunnel cover ⇒ [page 3](#)

7 - Heat Regulating Valve Unit

With the Left Heat Regulating Valve -N175- and Right Heat Regulating Valve -N176-

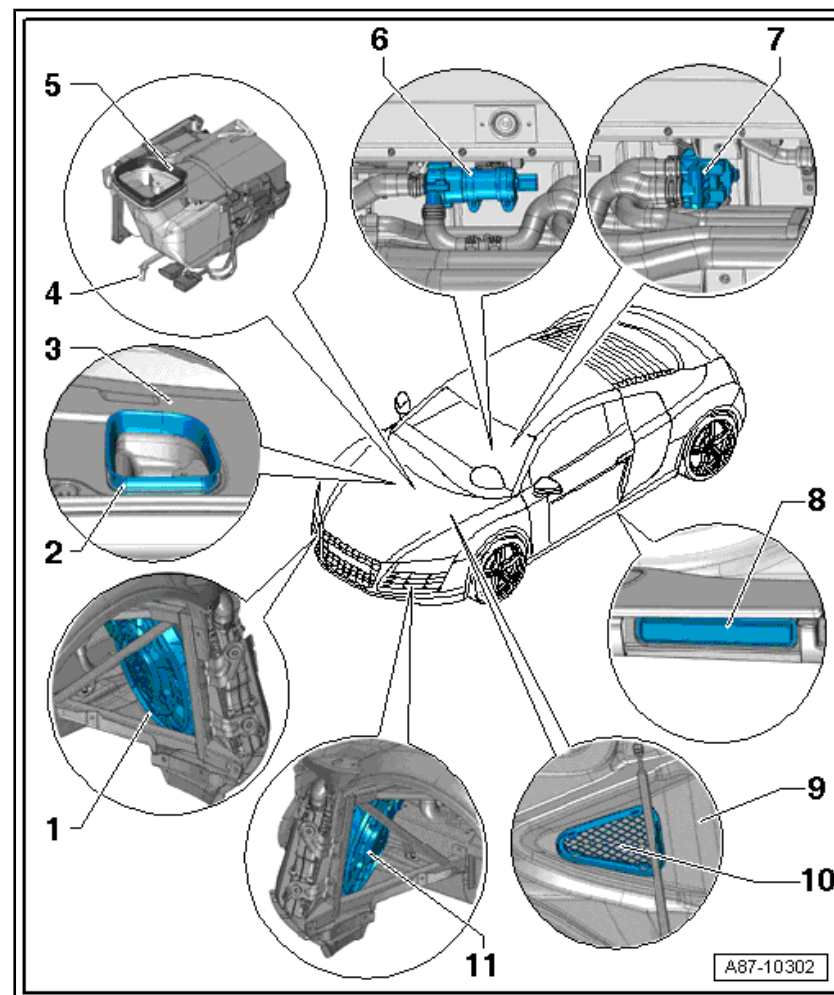
8 - Forced Air Extractor

Installed on the left and right B-pillars under the sill panel trim panel

9 - Front Lid

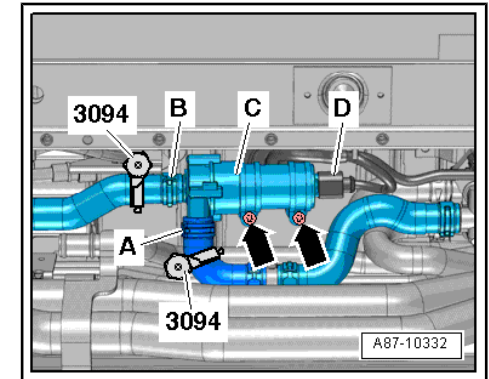
10 - Fresh Air Intake Grille

11 - Coolant Fan -V7-



Coolant Pump

C - Coolant Pump -V50-



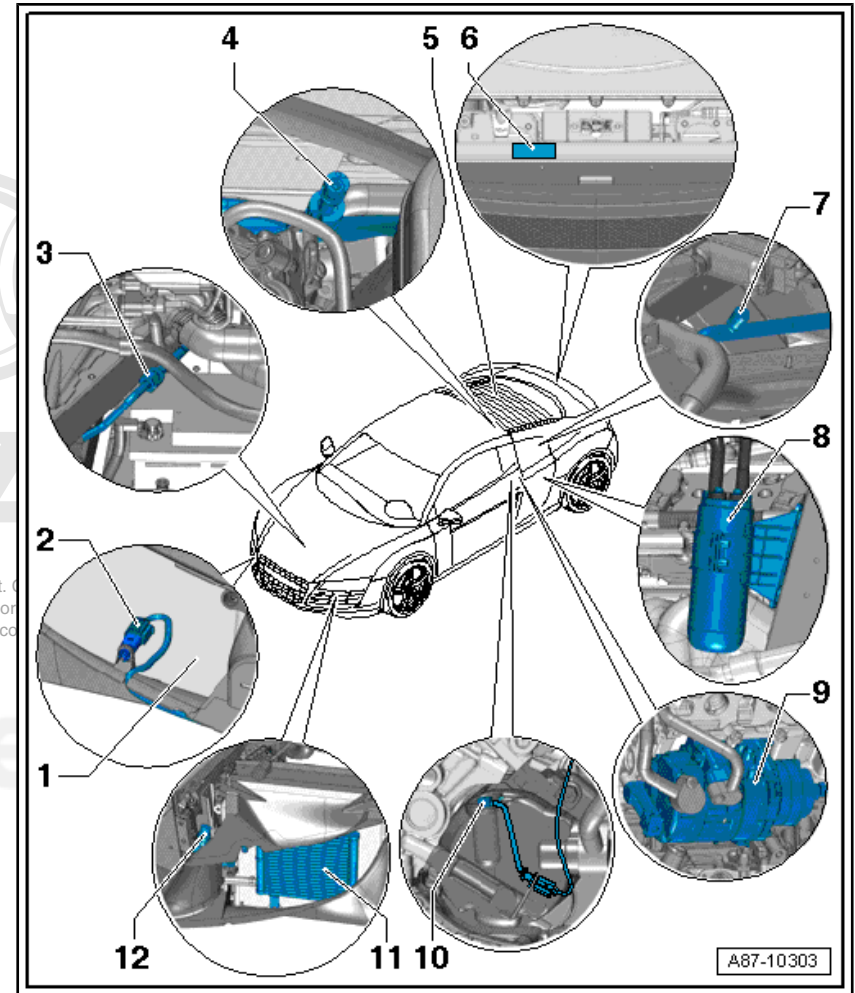
Audi

Protected by copyright. Copying for private or commercial purposes, in part or in whole, is not permitted unless authorised by AUDI AG. AUDI AG does not guarantee or accept any liability with respect to the correctness of information in this document. Copyright by AUDI AG.



Component Group 2

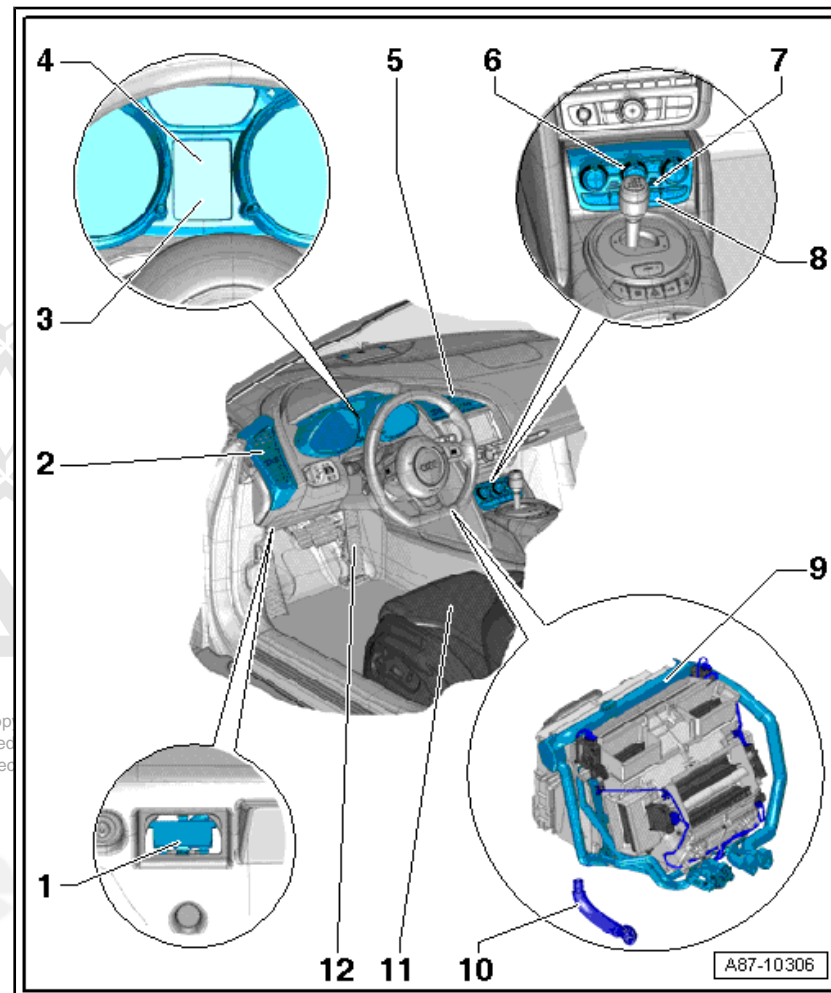
- 1 - Condenser 2
 - Right side of vehicle
- 2 - Outside Air Temperature Sensor -G17-
- 3 - Union In Refrigerant Pipe (With Restrictor)
- 4 - High Pressure Side Service Connection
- 5 - Heated Rear Window -Z1-
- 6 - Label
- 7 - Low Pressure Side Service Connection
- 8 - Reservoir
- 9 - A/C Compressor
- 10 - A/C Compressor Regulator Valve -N280-
 - Installed inside the a/c compressor
- 11 - Condenser 1
 - Left side of vehicle
- 12 - A/C Pressure/Temperature Sensor -G395-



1.2 A/C System Components Inside Passenger Compartment

Group 1

- 1 - 16-Pin Connector -T16- Diagnostic Connection**
- 2 - Instrument Panel Vent, Left**
- 3 - Instrument Cluster Control Module -J285-**
 - With Outside Air Temperature Display -G106-
- 4 - Outside Air Temperature Display -G106-**
- 5 - Left Center Air Outlet Sensor -G347- with Center Instrument Panel Vent Illumination -L68-**
- 6 - Climatronic Control Module -J255-**
- 7 - Interior Temperature Sensor Fan -V42-**
 - Installed in the Climatronic Control Module -J255- control head
- 8 - Instrument Panel Interior Temperature Sensor -G56-**
 - Integrated in the Climatronic Control Module -J255- control head cannot be replaced separately
- 9 - A/C Unit (View From Left)**
- 10 - Left Condensation Water Drain Hose**
- 11 - Left Front Seat Temperature Sensor -G344- and Left Front Heated Seat -Z45-**

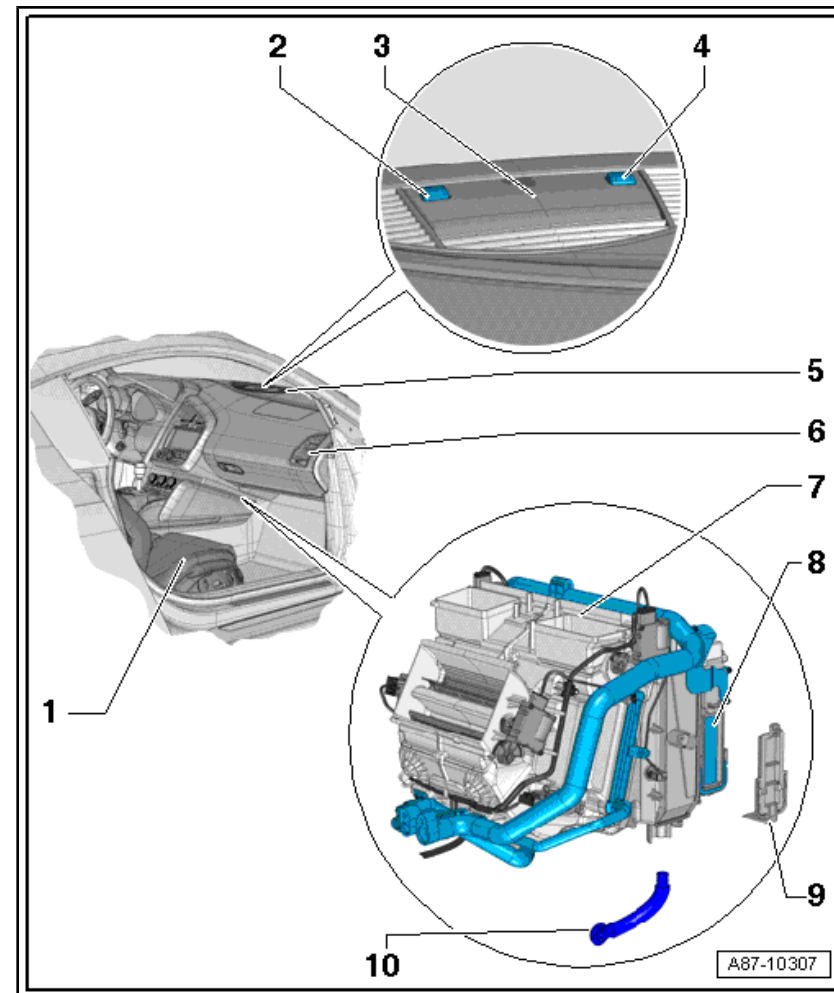


Protected by copyright. Copying is permitted unless authorised otherwise with respect to the correct use.

Group 1

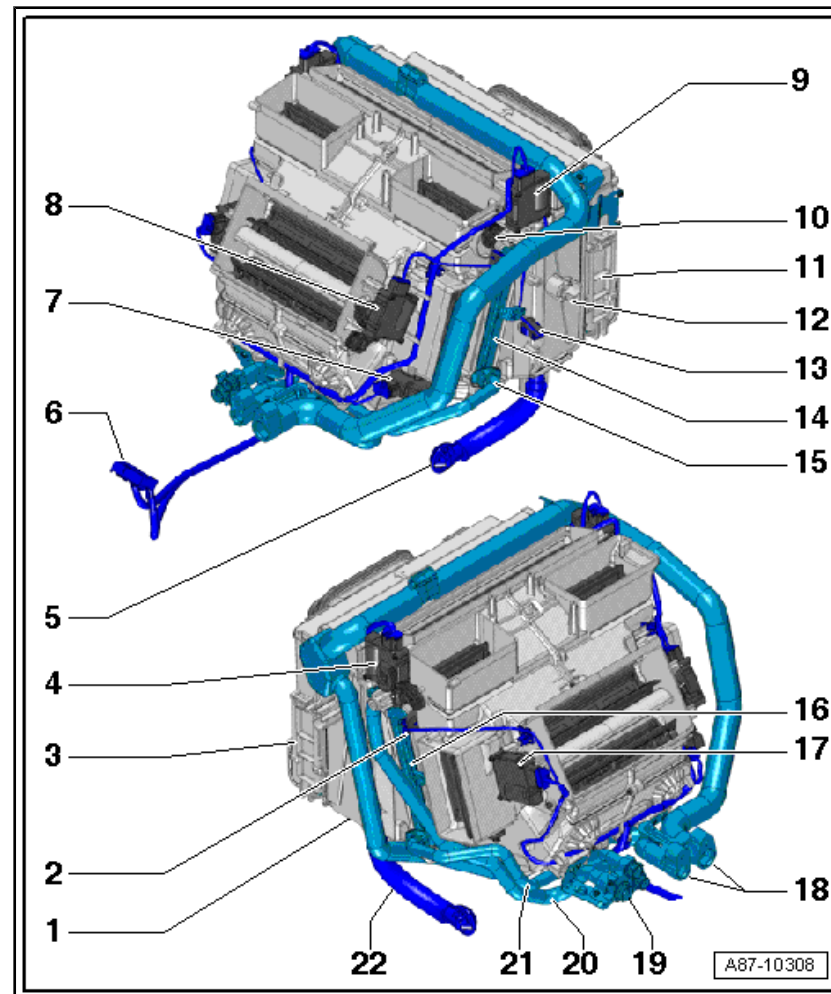
- 1 - Right Front Seat Temperature Sensor -G345- and Right Front Heated Seat -Z46-
- 2 - Sunlight Photo Sensor -G107-
- 3 - Center Speaker Trim
- 4 - Central Locking -SAFE- Indicator Lamp -K133-
- 5 - Windshield Defroster Outlet
- 6 - Instrument Panel Vent, Right
- 7 - A/C Unit (View From Right)
- 8 - Dust And Pollen Filter
- 9 - Dust And Pollen Filter Shaft Cover
- 10 - Right Condensation Water Drain Hose

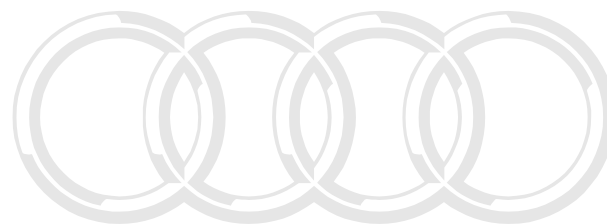
Information in this document is for private or commercial purposes, in part or in whole, is not permitted unless authorised by AUDI AG. AUDI AG does not guarantee or accept any liability for the information in this document. Copyright by AUDI AG.



1.3 A/C Distribution Components

- 1 - Air Conditioner Unit**
- 2 - Left Vent Temperature Sensor -G150-**
- 3 - Left cap**
- 4 - Side Vent Motor -V262-**
 - With the Side Window Outlet Motor Position Sensor -G548-
- 5 - Right Condensation Water Drain Connection**
- 6 - Electrical Connector**
 - To the Climatronic Control Module -J255-
- 7 - Footwell Door Motor -V261-**
 - With the Footwell Door Motor Position Sensor -G468-
- 8 - Front Cold Air Door Motor -V197-**
 - With the Front Cold Air Flap Motor Position Sensor -G315-
- 9 - Defroster Door Motor -V107-**
 - With the Defroster Door Motor Position Sensor -G135-
- 10 - Right Vent Temperature Sensor -G151-**
- 11 - Right Cap**
- 12 - Evaporator**
- 13 - Evaporator Vent Temperature Sensor -G263-**
- 14 - Heater Unit Heat Exchanger**
- 15 - Coolant Pipe**
- 16 - Heater Unit Heat Exchanger**
- 17 - Center Vent Adjustment Motor -V102-**
 - With the Center Vent Motor Position Sensor -G138-
- 18 - Refrigerant Lines To The Evaporator**
- 19 - Central Connection**
- 20 - Coolant Pipe**
- 21 - Coolant Pipe**
- 22 - Left Condensation Water Drain Connection**





Audi

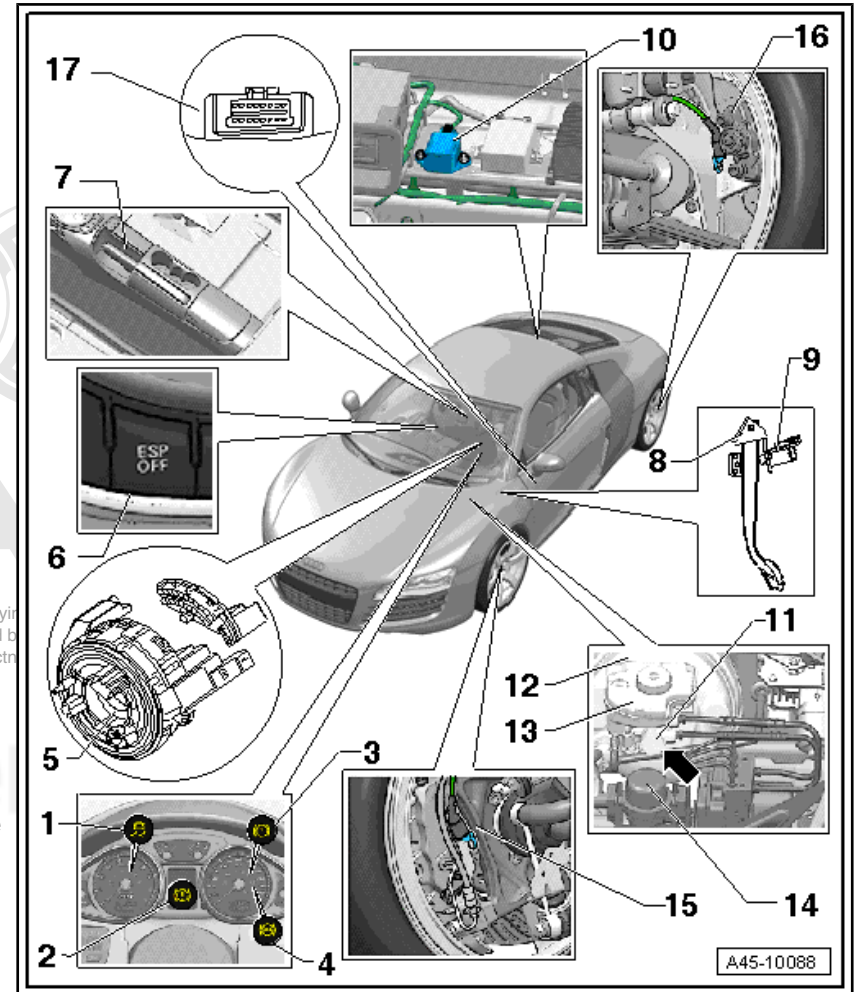
Protected by copyright. Copying for private or commercial purposes, in part or in whole, is not permitted unless authorised by AUDI AG. AUDI AG does not guarantee or accept any liability with respect to the correctness of information in this document. Copyright by AUDI AG.



1 Component Locations: Anti-Lock Brake Systems

1.1 ABS/ESP, Bosch 8.0, Component Overview and Locations

- 1 - ASR/ESP Control Lamp -K155-**
 - ❑ Component location: in the tachometer
- 2 - Brake Pad Wear Indicator Lamp -K32-**
 - ❑ Located in the driver information system, center display field
- 3 - Brake System Warning Lamp -K118-**
 - ❑ Located in the speedometer
- 4 - ABS Warning Lamp -K47-**
 - ❑ Located in the speedometer
- 5 - Steering Angle Sensor -G85-**
 - ❑ Component location: The steering angle sensor is installed between the steering wheel and steering column switch ⇒ [page 7](#)
- 6 - ASR/ESP Button -E256-**
 - ❑ Component location: in center console
- 7 - Parking Brake Lever With Contact Switch**
 - ❑ Component location: in center console
- 8 - Brake Pedal**
 - ❑ With a mount for the brake pedal switch
- 9 - Brake Pedal Switch -F47- / Brake Light Switch -F-**
 - ❑ Component location: on the brake pedal ⇒ [page 6](#)
- 10 - ESP Sensor Unit -G419-**
 - ❑ Component location: The ESP sensor unit is installed under the rear bulkhead trim behind the seats ⇒ [page 3](#)
 - ❑ Combined Transverse Acceleration Sensor -G200- , Rotation Rate Sensor -G202- and Longitudinal Acceleration Sensor -G251- .
- 11 - Master Brake Cylinder**
- 12 - Brake Booster**
- 13 - Brake Fluid Reservoir**
 - ❑ With the Brake Fluid Level Warning Switch -F34-



14 - Brake System Vacuum Pump -V192-

- ❑ Location view ⇒ [Item 11 \(page 8\)](#)

15 - Right Front ABS Wheel Speed Sensor -G45- and Left Front ABS Wheel Speed Sensor -G47-

- ❑ The sensor ring/rotor is installed in the respective wheel bearing unit and cannot be replaced. ⇒ [page 5](#)

16 - Right Rear ABS Wheel Speed Sensor -G44- and Left Rear ABS Wheel Speed Sensor -G46-

- ❑ The sensor ring/rotor is installed in the respective wheel bearing unit and cannot be replaced. ⇒ [page 4](#)

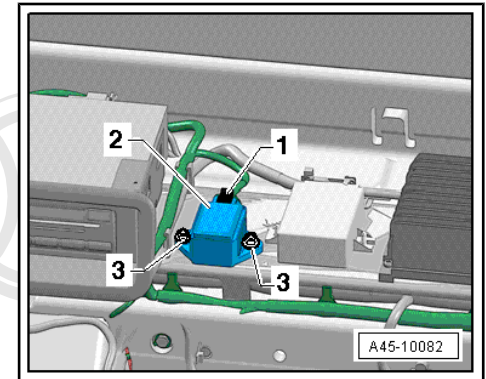
17 - Data Bus On Board Diagnostic Interface -J533-

Audi

Protected by copyright. Copying for private or commercial purposes, in part or in whole, is not permitted unless authorised by AUDI AG. AUDI AG does not guarantee or accept any liability with respect to the correctness of information in this document. Copyright by AUDI AG.

erWin

Electronic Stabilization Program Sensor Unit



Protected by copyright. Copying for private or commercial purposes, in part or in whole, is not permitted unless authorised by AUDI AG. AUDI AG does not guarantee or accept any liability with respect to the correctness of information in this document. Copyright by AUDI AG.

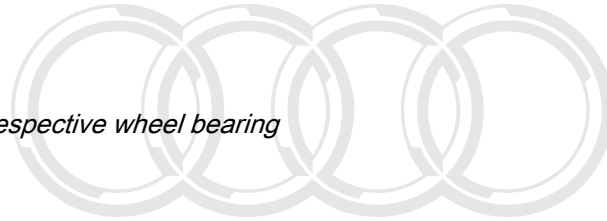
ESP Sensor Unit -G419- , The ESP sensor unit is installed under the rear bulkhead trim behind the seats

Rear ABS Wheel Speed Sensors

Right Rear ABS Wheel Speed Sensor -G44- and Left Rear ABS Wheel Speed Sensor -G46-

 **Note**

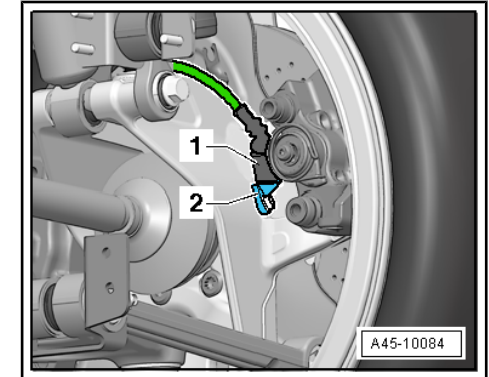
The sensor ring/rotor is installed in the respective wheel bearing unit and cannot be replaced



Audi

Protected by copyright. Copying for private or commercial purposes, in part or in whole, is not permitted unless authorised by AUDI AG. AUDI AG does not guarantee or accept any liability with respect to the correctness of information in this document. Copyright by AUDI AG.

erWin

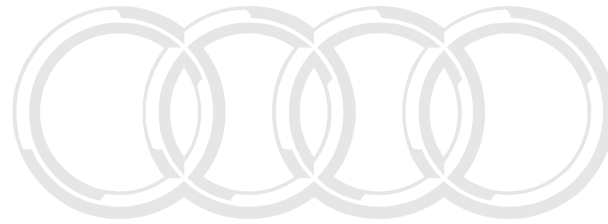
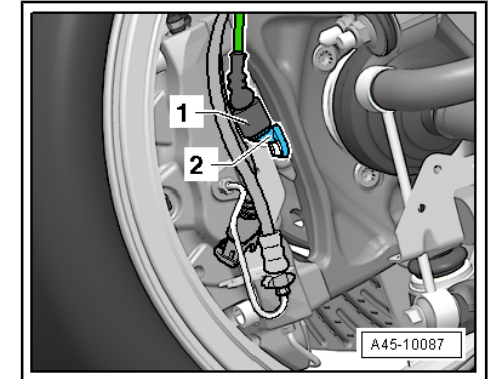


Front ABS Wheel Speed Sensors

Right Front ABS Wheel Speed Sensor -G45- and Left Front ABS Wheel Speed Sensor -G47-

 Note

The sensor ring/rotor is installed in the respective wheel bearing unit and cannot be replaced

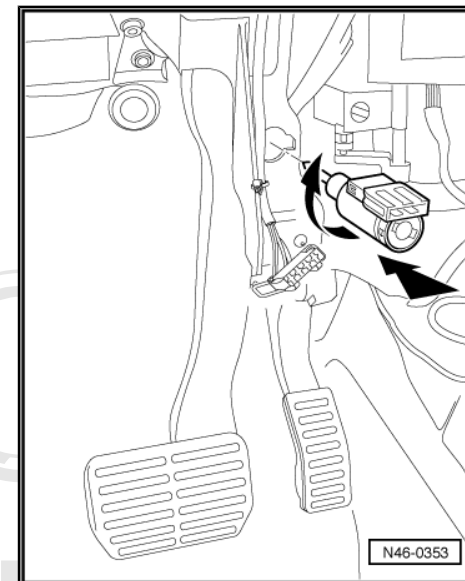


Audi

Protected by copyright. Copying for private or commercial purposes, in part or in whole, is not permitted unless authorised by AUDI AG. AUDI AG does not guarantee or accept any liability with respect to the correctness of information in this document. Copyright by AUDI AG.



Brake Pedal Switch

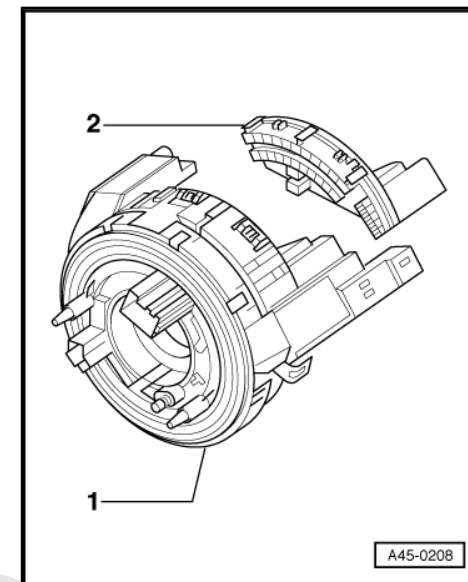


Protected by copyright. Copying for private or commercial purposes, in part or in whole, is not permitted unless authorised by AUDI AG. AUDI AG does not guarantee or accept any liability with respect to the correctness of information in this document. Copyright by AUDI AG.

Brake Pedal Switch -F47- / Brake Light Switch -F-

Steering Angle Sensor

-2- Steering Angle Sensor -G85- , Airbag Spiral Spring/Return Spring With Slip Ring -F138- connected to Multi-function Steering Wheel Control Module -J453-



Audi

Protected by copyright. Copying for private or commercial purposes, in part or in whole, is not permitted unless authorised by AUDI AG. AUDI AG does not guarantee or accept any liability with respect to the correctness of information in this document. Copyright by AUDI AG.



1.2 ABS Hydraulic Unit and Control Module Assembly Overview

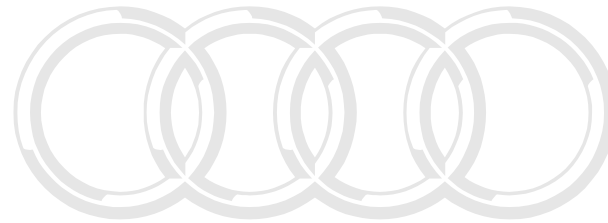
1 - Master brake cylinder

2 - Brake booster

6 - ABS Hydraulic Unit -N55- with ABS Control Module -J104-

- Component location: in the front left of the luggage compartment
- The following items are integrated :

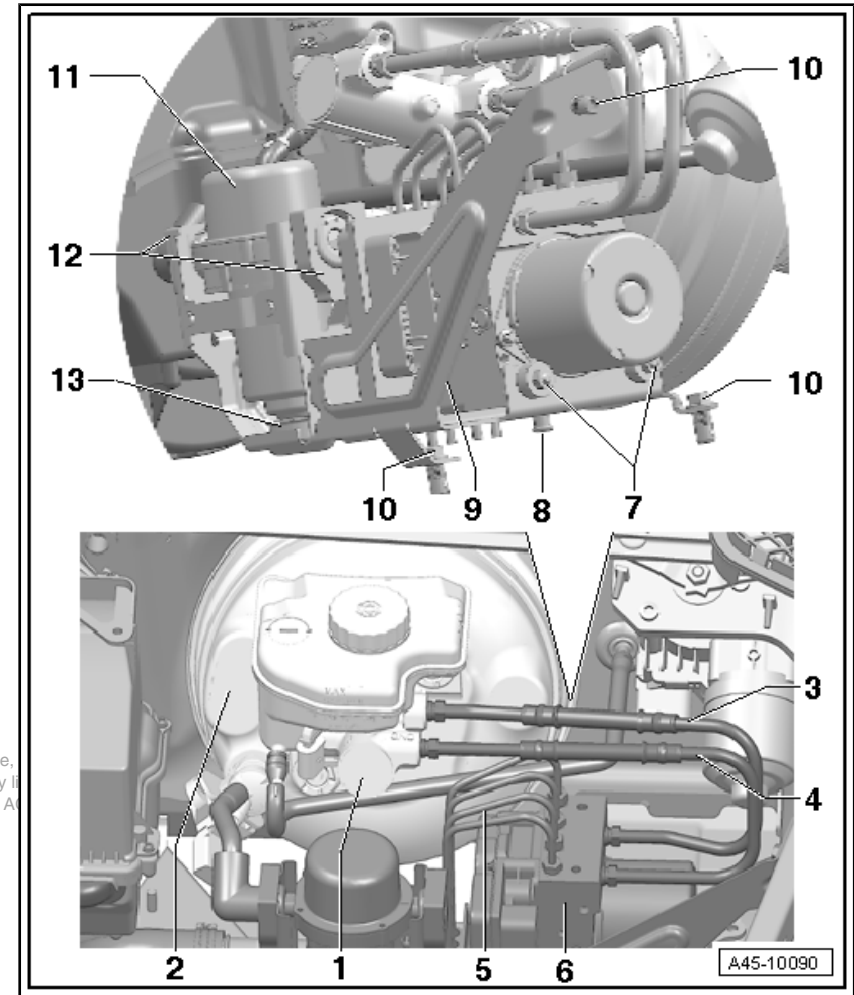
- ◆ Brake Pressure Sensor 1 -G201-
 - ◆ Right Front ABS Inlet Valve -N99-
 - ◆ Right Front ABS Outlet Valve -N100-
 - ◆ Left Front ABS Inlet Valve -N101-
 - ◆ Left Front ABS Outlet Valve -N102-
 - ◆ Right Rear ABS Inlet Valve -N133-
 - ◆ Left Rear ABS Inlet Valve -N134-
 - ◆ Right Rear ABS Outlet Valve -N135-
 - ◆ Left Rear ABS Outlet Valve -N136-
 - ◆ Driving Dynamics Regulation Switch Valve 1 -N225-
 - ◆ Driving Dynamics Regulation Switch Valve 2 -N226-
 - ◆ Driving Dynamics Regulation High Pressure Switch Valve 1 -N227-
 - ◆ Driving Dynamics Regulation High Pressure Switch Valve 2 -N228-
 - ◆ ABS Hydraulic Pump -V64-
- 11 - Brake System Vacuum Pump -V192-**



Audi

Protected by copyright. Copying for private or commercial purposes, in part or in whole, is prohibited. Audi AG does not guarantee or accept any liability with respect to the correctness of information in this document. Copyright by Audi AG.

erWin

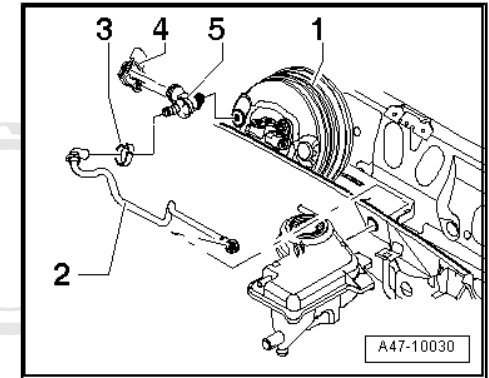


Brake Booster Pressure Sensor

- 1 - Brake booster
- 2 - Vacuum line
- 3 - Hose clamp
- 4 - Brake Booster Pressure Sensor -G294-
- 5 - Check valve

 **Note**

The pressure sensor is installed on the vacuum line to the brake booster and brake system vacuum pump.



Protected by copyright. Copying for private or commercial purposes, in part or in whole, is not permitted unless authorised by AUDI AG. AUDI AG does not guarantee or accept any liability with respect to the correctness of information in this document. Copyright by AUDI AG.

1 Component Locations: Airbag Systems

- ◆ Airbag Systems Component Location Overview ⇒ [page 2](#)
- ◆ Airbag Crash Sensors Overview ⇒ [page 4](#)
- ◆ Passenger Occupant Detection System Assembly Overview ⇒ [page 7](#)
- ◆ Seat Belt and Igniter Assembly Overview ⇒ [page 8](#)



Audi

Protected by copyright. Copying for private or commercial purposes, in part or in whole, is not permitted unless authorised by AUDI AG. AUDI AG does not guarantee or accept any liability with respect to the correctness of information in this document. Copyright by AUDI AG.



1.1 Airbag Systems Component Location Overview

1 - Battery Interrupt Igniter -N253-

- ❑ Location: in the main fuse box in the passenger footwell on the A-pillar under the floor covering
⇒ [page 3](#)

2 - Front Passenger Airbag -Off- Key Switch -E224-

- ❑ Not for North American market

3 - Passenger Side Knee Airbag

- ❑ With the Front Passenger Knee Airbag Igniter -N296-

4 - Front Passenger Airbag Unit

- ❑ With the Front Passenger Airbag Igniter 1 -N131- and Front Passenger Airbag Igniter 2 -N132-

5 - Front Passenger Airbag Disabled Indicator Lamp -K145-

6 - Side Airbag, Front Passenger Side

- ❑ With the Front Passenger Side Airbag Igniter -N200-

7 - Side Airbag, Driver Side

- ❑ With the Driver Side Airbag Igniter -N199-

8 - Driver Airbag Unit

- ❑ With the Driver Airbag Igniter -N95- and Driver Airbag Igniter 2 -N250-

9 - Airbag Spiral Spring/Return Spring With Slip Ring -F138-

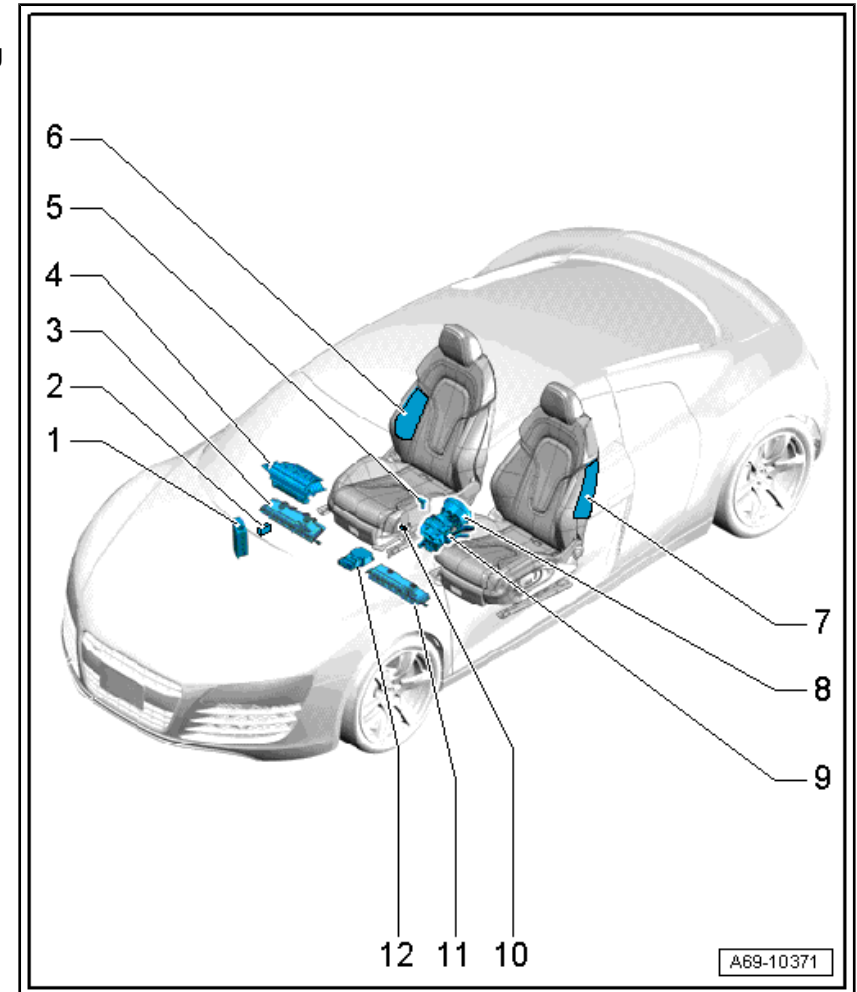
10 - Airbag Malfunction Indicator Lamp (MIL) -K75-

- ❑ Location: in instrument panel

11 - Driver Side Knee Airbag

- ❑ With the Driver Knee Airbag Igniter -N295-

12 - Airbag Control Module -J234-



Battery Interrupt Igniter Assembly Overview

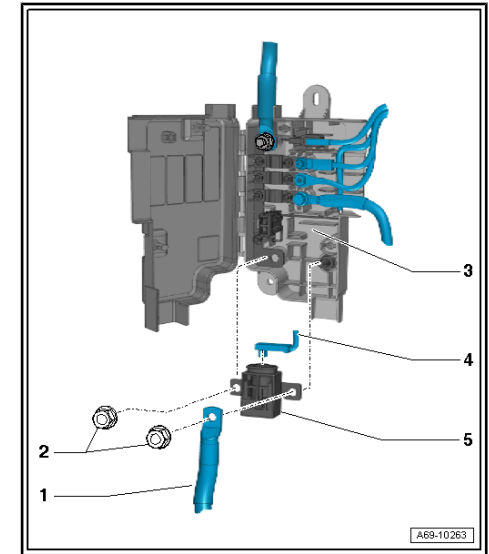
-3- Main Fuse Box

-5- Battery Interrupt Igniter -N253-

Location: in the passenger footwell on the A-pillar under the floor covering



Protected by copyright. Copying for private or commercial purposes, in part or in whole, is not permitted unless authorised by AUDI AG. AUDI AG does not guarantee or accept any liability with respect to the correctness of information in this document. Copyright by AUDI AG.



1.2 Airbag Crash Sensors Overview

1 - Driver Front Airbag Crash Sensor -G283-

- ❑ Location: On the upper impact member ⇒ [page 5](#)

2 - Front Passenger Front Airbag Crash Sensor -G284-

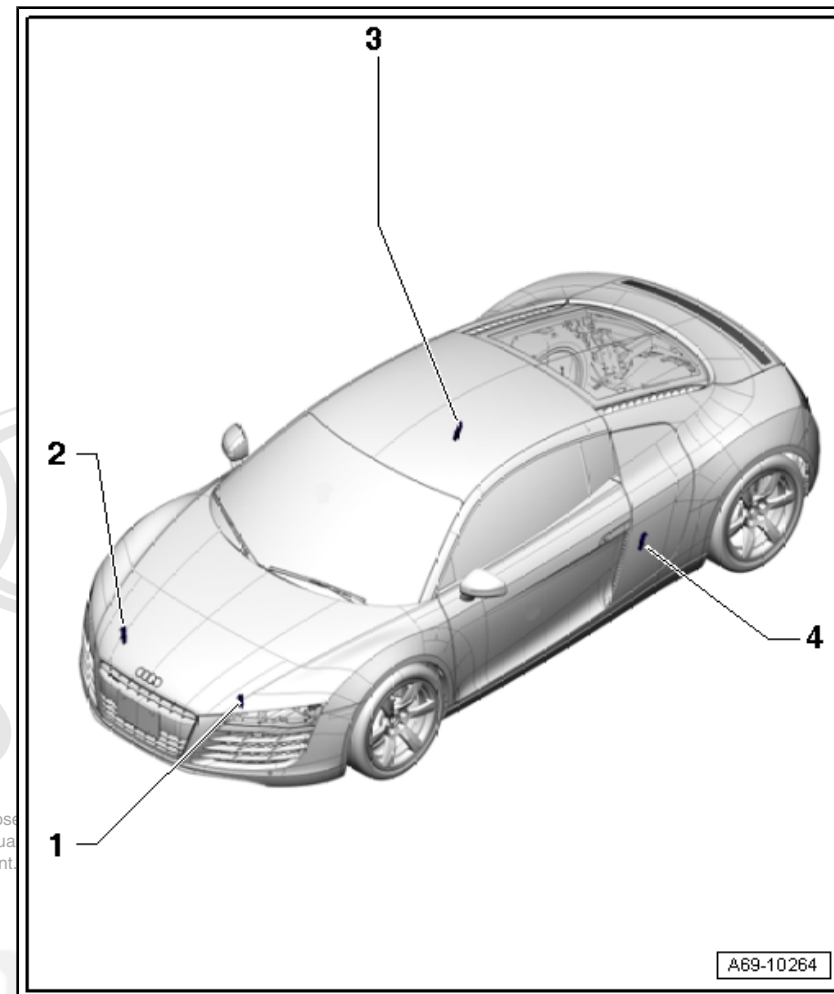
- ❑ Location: On the upper impact member ⇒ [page 5](#)

3 - Front Passenger Side Airbag Crash Sensor -G180-

- ❑ Location: on the B-pillar under the side trim ⇒ [page 6](#)

4 - Driver Side Airbag Crash Sensor -G179-

- ❑ Location: on the B-pillar under the side trim ⇒ [page 6](#)

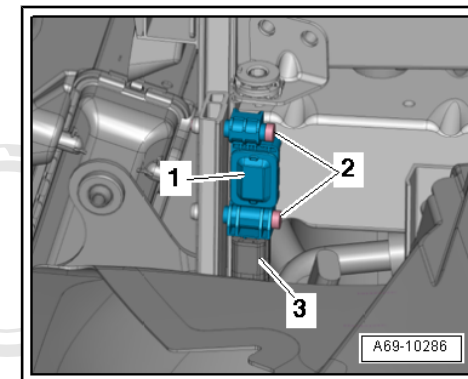


Protected by copyright. Copying for private or commercial purposes is not permitted unless authorised by AUDI AG. AUDI AG does not guarantee the correctness of information in this document.

Front Airbag Crash Sensor

-1- Driver Front Airbag Crash Sensor -G283- / Front Passenger
Front Airbag Crash Sensor -G284-

Installed position is similar for both sensors



Audi

Protected by copyright. Copying for private or commercial purposes, in part or in whole, is not permitted unless authorised by AUDI AG. AUDI AG does not guarantee or accept any liability with respect to the correctness of information in this document. Copyright by AUDI AG.

erWin

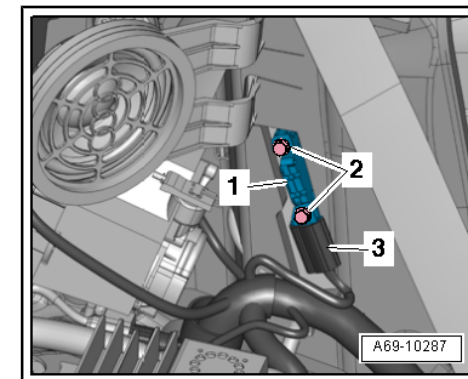
Side Airbag Crash Sensor

-1- Front Passenger Side Airbag Crash Sensor -G180- / Driver
Side Airbag Crash Sensor -G179-

Installed position is similar for both sensors



Audi



Protected by copyright. Copying for private or commercial purposes, in part or in whole, is not permitted unless authorised by AUDI AG. AUDI AG does not guarantee or accept any liability with respect to the correctness of information in this document. Copyright by AUDI AG.

erWin

1.3 Passenger Occupant Detection System Assembly Overview

This view is of the passenger seat bottom

1 - Seat Occupied Recognition Control Module -J706-

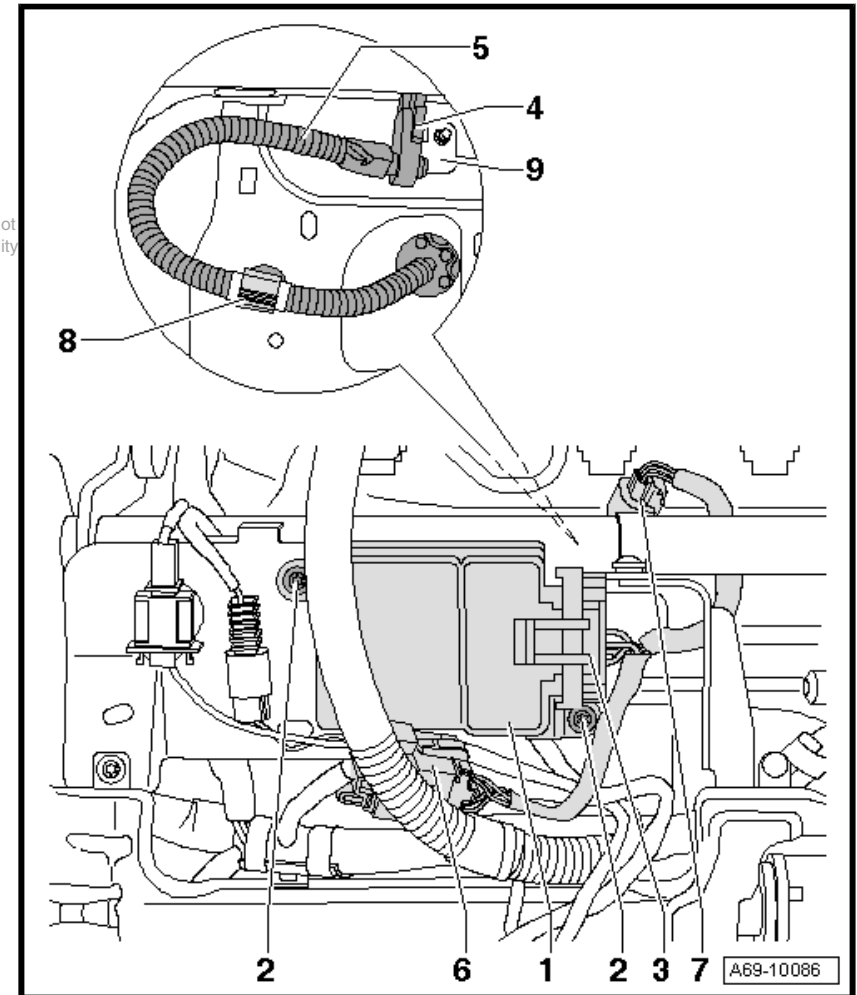
3 - Electrical Connection

- On the Seat Occupied Recognition Control Module -J706-

4 - Seat Occupied Recognition Pressure Sensor -G452-

7 - Electrical Connection

- On the Seat Occupied Recognition Pressure Sensor -G452-
- For information only. Copying or commercial purposes, in part or in whole, is not permitted unless authorised by AUDI AG. AUDI AG does not guarantee or accept any liability with respect to the correctness of information in this document. Copyright by AUDI AG.



1.4 Seat Belt and Igniter Assembly Overview

1 - Three-point Seat Belt

2 - Belt Guide Ring

3 - Belt Roller/Belt Tensioner

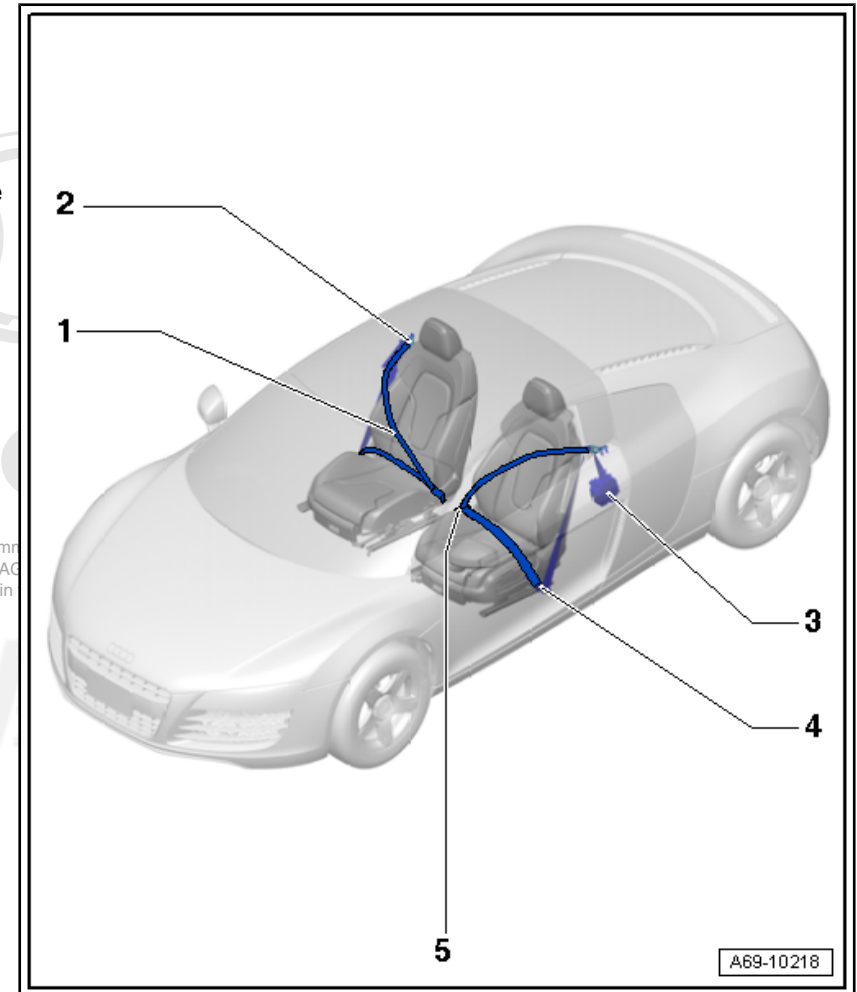
- Driver Seat Belt Tensioner Igniter 1 -N153-
- ◆ Contains: Driver Side Microphone 1 -R224- , Driver Side Microphone 2 -R225- , and Driver Side Microphone 3 -R226-
- Front Passenger Seat Belt Tensioner Igniter 1 -N154-
- ◆ Contains: Front Passenger Side Microphone 1 -R227- , Front Passenger Side Microphone 2 -R228- , and Front Passenger Side Microphone 3 -R229-

4 - Belt Anchor

5 - Seat Belt Latch Anchorage Point

- Latch contains:
- Driver Seat Belt Switch -E24-
- Front Passenger Seat Belt Switch -E25-
- Seat Occupied Recognition Seat Belt Force Sensor -G453-

Protected by copyright. Copying for private or commercial use is not permitted unless authorised by AUDI AG. AUDI AG assumes no liability with respect to the correctness of information in this document.



1 Component Locations: Camera System

1.1 Rearview Camera System Component Overview

1 - Rear View Camera -R189-

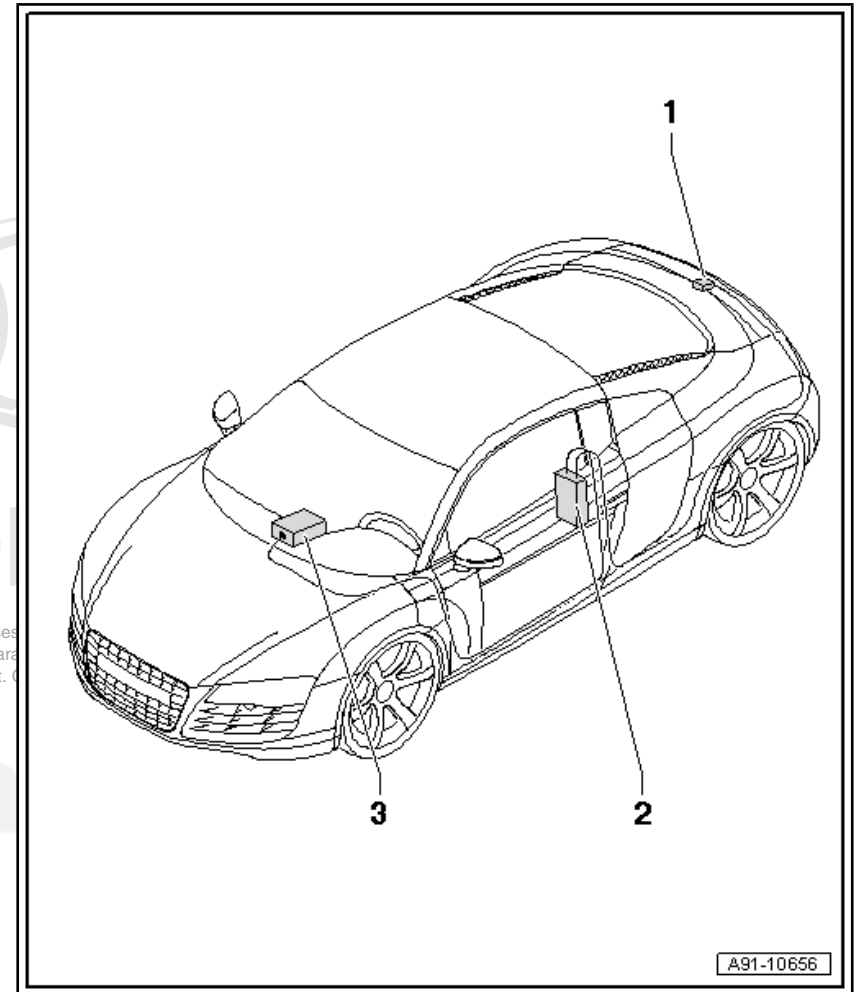
- In rear bumper between the license plate lights ⇒ [page 2](#)

2 - Rear View Camera System Control Module -J772-

- Located under the left side of rear shelf ⇒ [page 3](#)

3 - Navigation System with CD Drive Control Module -J401-

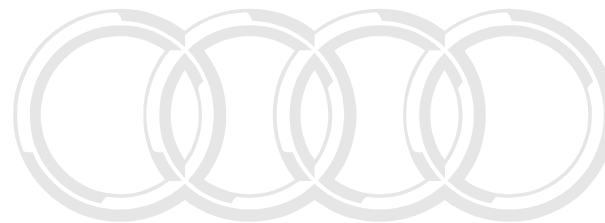
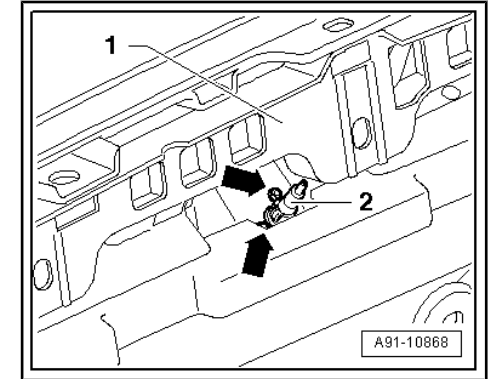
- In instrument panel



Protected by copyright. Copying for private or commercial purposes permitted unless authorised by AUDI AG. AUDI AG does not guarantee with respect to the correctness of information in this document.

Rearview Camera

-2- Rear View Camera -R189- in rear bumper -1-



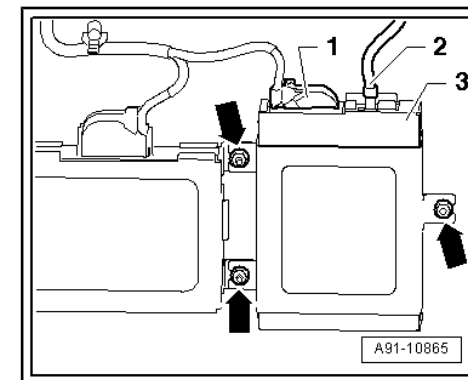
Audi

Protected by copyright. Copying for private or commercial purposes, in part or in whole, is not permitted unless authorised by AUDI AG. AUDI AG does not guarantee or accept any liability with respect to the correctness of information in this document. Copyright by AUDI AG.



Rearview Camera System Control Module

-3- Rear View Camera System Control Module -J772- is located under the left side of rear shelf



Audi

Protected by copyright. Copying for private or commercial purposes, in part or in whole, is not permitted unless authorised by AUDI AG. AUDI AG does not guarantee or accept any liability with respect to the correctness of information in this document. Copyright by AUDI AG.



1 Component Locations: Engine Management System

- ◆ 4.2L BYH and CNDA Component Locations ⇒ [page 4](#)
- ◆ 5.2L BUJ and CMPA/CTPA/CTYA Component Locations ⇒ [page 29](#)
- ◆ Oxygen Sensors ⇒ [page 39](#)
- ◆ Cooling Fans and Pumps ⇒ [page 44](#)
- ◆ Evap System Overviews ⇒ [page 47](#)
- ◆ Fuel Pump and Sensors ⇒ [page 48](#)
- ◆ Accelerator Pedal Module ⇒ [page 51](#)

1.1 Engine Component Location Views

Select system above or component ID below to navigate to a location view

<p>Oil Pressure Switch -F1-</p> <ul style="list-style-type: none"> ◆ 4.2L BYH and CNDA ⇒ Item 10 (page 5) ◆ 5.2L BUJ and CMPA/CTPA/CTYA ⇒ page 36 	<p>Mass Air Flow (MAF) Sensor -G70-</p> <ul style="list-style-type: none"> ◆ 4.2L BYH and CNDA ⇒ page 14 ◆ 5.2L BUJ and CMPA/CTPA/CTYA - Coupe ⇒ Item 14 (page 29) ◆ 5.2L BUJ and CMPA/CTPA/CTYA - Spyder ⇒ Item 13 (page 30) 	<p>Mass Air Flow (MAF) Sensor 2 -G246-</p> <ul style="list-style-type: none"> ◆ 4.2L BYH and CNDA ⇒ page 14 ◆ 5.2L BUJ and CMPA/CTPA/CTYA - Coupe ⇒ Item 1 (page 29) ◆ 5.2L BUJ and CMPA/CTPA/CTYA - Spyder ⇒ Item 14 (page 30) 	<p>Intake Manifold Runner Position Sensor 2 -G512-</p> <ul style="list-style-type: none"> ◆ 4.2L BYH and CNDA ⇒ Item 13 (page 5) ◆ 5.2L BUJ and CMPA/CTPA/CTYA ⇒ Item 7 (page 31) 	<p>Secondary Air Injection Sensor 1 -G609-</p> <ul style="list-style-type: none"> ◆ 4.2L BYH and CNDA ⇒ page 27 ◆ 5.2L BUJ and CMPA/CTPA/CTYA ⇒ Item 17 (page 31)
<p>Engine Speed (RPM) Sensor -G28-</p> <ul style="list-style-type: none"> ◆ 4.2L BYH and CNDA ⇒ page 12 ◆ 5.2L BUJ and CMPA/CTPA/CTYA - Coupe ⇒ Item 3 (page 29) ◆ 5.2L BUJ and CMPA/CTPA/CTYA - Spyder ⇒ Item 4 (page 30) 	<p>Intake Manifold Runner Position Sensor -G336-</p> <ul style="list-style-type: none"> ◆ 4.2L BYH and CNDA ⇒ Item 10 (page 5) ◆ 5.2L BUJ and CMPA/CTPA/CTYA ⇒ Item 9 (page 31) 	<p>Intake Manifold Runner Control (IMRC) Valve -N316-</p> <ul style="list-style-type: none"> ◆ 4.2L BYH and CNDA ⇒ Item 10 (page 5) ◆ 5.2L BUJ and CMPA/CTPA/CTYA ⇒ Item 18 (page 31) 	<p>Throttle Valve Control Module -J338-</p> <ul style="list-style-type: none"> ◆ 4.2L BYH and CNDA ⇒ Item 15 (page 7) ◆ 5.2L BUJ and CMPA/CTPA/CTYA - Coupe ⇒ Item 9 (page 29) ◆ 5.2L BUJ and CMPA/CTPA/CTYA - Spyder ⇒ Item 7 (page 30) 	<p>Secondary Air Injection Sensor 2 -G610-</p> <ul style="list-style-type: none"> ◆ 5.2L BUJ and CMPA/CTPA/CTYA ⇒ Item 20 (page 31)

<p>Oil Level Thermal Sensor -G266-</p> <ul style="list-style-type: none"> ◆ 4.2L BYH and CNDA ⇒ page 25 ◆ 5.2L BUJ and CMPA/CTPA/CTYA ⇒ page 37 	<p>Camshaft Position (CMP) Sensor -G40-</p> <ul style="list-style-type: none"> ◆ 4.2L BYH and CNDA ⇒ Item 4 (page 6) ◆ 5.2L BUJ and CMPA/CTPA/CTYA ⇒ Item 10 (page 31) 	<p>Camshaft Position (CMP) Sensor 3 -G300-</p> <ul style="list-style-type: none"> ◆ 4.2L BYH and CNDA ⇒ Item 7 (page 6) ◆ 5.2L BUJ and CMPA/CTPA/CTYA ⇒ Item 11 (page 31) 	<p>Throttle Valve Control Module 2 -J544-</p> <ul style="list-style-type: none"> ◆ 4.2L BYH and CNDA ⇒ Item 15 (page 5) ◆ 5.2L BUJ and CMPA/CTPA/CTYA - Coupe ⇒ Item 5 (page 29) ◆ 5.2L BUJ and CMPA/CTPA/CTYA - Spyder ⇒ Item 6 (page 30) 	<p>Secondary Air Injection (AIR) Solenoid Valve -N112-</p> <ul style="list-style-type: none"> ◆ 4.2L BYH and CNDA ⇒ Item 17 (page 7) ◆ 5.2L BUJ and CMPA/CTPA/CTYA ⇒ Item 19 (page 31)
<p>Engine Coolant Temperature (ECT) Sensor -G62-</p> <ul style="list-style-type: none"> ◆ 4.2L BYH and CNDA ⇒ Item 12 (page 7) ◆ 5.2L BUJ and CMPA/CTPA/CTYA ⇒ Item 8 (page 31) 	<p>Camshaft Position (CMP) Sensor 2 -G163-</p> <ul style="list-style-type: none"> ◆ 4.2L BYH and CNDA ⇒ Item 7 (page 4) ◆ 5.2L BUJ and CMPA/CTPA/CTYA ⇒ Item 6 (page 31) 	<p>Camshaft Position (CMP) Sensor 4 -G301-</p> <ul style="list-style-type: none"> ◆ 4.2L BYH and CNDA ⇒ Item 2 (page 4) ◆ 5.2L BUJ and CMPA/CTPA/CTYA ⇒ Item 5 (page 31) 	<p>Intake Air Temperature (IAT) Sensor -G42-</p> <ul style="list-style-type: none"> ◆ 4.2L BYH and CNDA ⇒ page 14 ◆ 5.2L BUJ and CMPA/CTPA/CTYA - Coupe ⇒ Item 14 (page 29) ◆ 5.2L BUJ and CMPA/CTPA/CTYA - Spyder ⇒ Item 13 (page 30) 	<p>Secondary Air Injection (AIR) Solenoid Valve 2 -N320-</p> <ul style="list-style-type: none"> ◆ 4.2L BYH and CNDA ⇒ page 26 ◆ 5.2L BUJ and CMPA/CTPA/CTYA ⇒ Item 19 (page 31)
<p>Knock Sensor 1 -G61-</p> <ul style="list-style-type: none"> ◆ 4.2L BYH and CNDA ⇒ Item 10 (page 5) ◆ 5.2L BUJ and CMPA/CTPA/CTYA ⇒ Item 13 (page 32) 	<p>Knock Sensor 3 -G198-</p> <ul style="list-style-type: none"> ◆ 4.2L BYH and CNDA ⇒ Item 10 (page 5) ◆ 5.2L BUJ and CMPA/CTPA/CTYA ⇒ Item 11 (page 32) 	<p>Camshaft Adjustment Valve 1 -N205-</p> <ul style="list-style-type: none"> ◆ 4.2L BYH and CNDA ⇒ Item 13 (page 7) ◆ 5.2L BUJ and CMPA/CTPA/CTYA ⇒ Item 16 (page 31) 	<p>Camshaft Adjustment Valve 1 (exhaust) -N318-</p> <ul style="list-style-type: none"> ◆ 4.2L BYH and CNDA ⇒ Item 8 (page 6) ◆ 5.2L BUJ and CMPA/CTPA/CTYA ⇒ Item 15 (page 31) 	<p>Exhaust Flap Valve 1 -N321-</p> <ul style="list-style-type: none"> ◆ 4.2L BYH and CNDA ⇒ page 28 ◆ 5.2L BUJ and CMPA/CTPA/CTYA - Coupe ⇒ Item 12 (page 29) ◆ 5.2L BUJ and CMPA/CTPA/CTYA - Spyder ⇒ Item 11 (page 30)
<p>Knock Sensor 2 -G66-</p> <ul style="list-style-type: none"> ◆ 4.2L BYH and CNDA ⇒ Item 16 (page 7) ◆ 5.2L BUJ and CMPA/CTPA/CTYA ⇒ Item 24 (page 33) 	<p>Knock Sensor 4 -G199-</p> <ul style="list-style-type: none"> ◆ 4.2L BYH and CNDA ⇒ Item 12 (page 5) ◆ 5.2L BUJ and CMPA/CTPA/CTYA ⇒ Item 32 (page 33) 	<p>Camshaft Adjustment Valve 2 -N208-</p> <ul style="list-style-type: none"> ◆ 4.2L BYH and CNDA ⇒ Item 17 (page 5) ◆ 5.2L BUJ and CMPA/CTPA/CTYA ⇒ Item 21 (page 31) 	<p>Camshaft Adjustment Valve 2 (exhaust) -N319-</p> <ul style="list-style-type: none"> ◆ 4.2L BYH and CNDA ⇒ Item 18 (page 5) ◆ 5.2L BUJ and CMPA/CTPA/CTYA ⇒ Item 1 (page 31) 	<p>Secondary Air Injection (AIR) Pump Motor -V101-</p> <ul style="list-style-type: none"> ◆ 4.2L BYH and CNDA ⇒ Item 3 (page 4) ◆ 5.2L BUJ and CMPA/CTPA/CTYA - Coupe ⇒ Item 13 (page 29) ◆ 5.2L BUJ and CMPA/CTPA/CTYA - Spyder ⇒ Item 12 (page 30)

<p>Low Fuel Pressure Sensor -G410-</p> <ul style="list-style-type: none"> ◆ 4.2L BYH and CNDA ⇒ Item 16 (page 5) ◆ 5.2L BUJ and CMPA/CTPA/CTYA ⇒ Item 30 (page 33) 	<p>Fuel Metering Valve -N290-</p> <ul style="list-style-type: none"> ◆ 4.2L BYH and CNDA ⇒ Item 5 (page 6) ◆ 5.2L BUJ and CMPA/CTPA/CTYA ⇒ Item 12 (page 31) <p>Fuel Metering Valve 2 -N402-</p> <ul style="list-style-type: none"> ◆ 4.2L BYH and CNDA ⇒ Item 6 (page 4) ◆ 5.2L BUJ and CMPA/CTPA/CTYA ⇒ Item 4 (page 31) 	<p>Fuel Pressure Sensor -G247-</p> <ul style="list-style-type: none"> ◆ 4.2L BYH and CNDA ⇒ Item 1 (page 6) ◆ 5.2L BUJ and CMPA/CTPA/CTYA ⇒ Item 25 (page 33) <p>Fuel Pressure Sensor 2 -G624-</p> <ul style="list-style-type: none"> ◆ 5.2L BUJ and CMPA/CTPA/CTYA ⇒ Item 31 (page 33) 	<p>Intake Air Temperature (IAT) Sensor 2 -G299-</p> <ul style="list-style-type: none"> ◆ 4.2L BYH and CNDA ⇒ page 14 ◆ 5.2L BUJ and CMPA/CTPA/CTYA - Coupe ⇒ Item 1 (page 29) ◆ 5.2L BUJ and CMPA/CTPA/CTYA - Spyder ⇒ Item 14 (page 30) 	<p>Secondary Air Injection (AIR) Pump Motor 2 -V189-</p> <ul style="list-style-type: none"> ◆ 5.2L BUJ and CMPA/CTPA/CTYA - Coupe ⇒ Item 7 (page 29) ◆ 5.2L BUJ and CMPA/CTPA/CTYA - Spyder ⇒ Item 1 (page 30)
<p>Fuel injectors, Cylinder bank 1</p> <ul style="list-style-type: none"> ◆ Cylinder 1 Fuel Injector -N30- ◆ Cylinder 2 Fuel Injector -N31- ◆ Cylinder 3 Fuel Injector -N32- ◆ Cylinder 4 Fuel Injector -N33- ◆ Cylinder 5 Fuel Injector -N83- (5.2L) ◆ 4.2L BYH and CNDA ⇒ page 21 ◆ 5.2L BUJ and CMPA/CTPA/CTYA ⇒ Item 1 (page 32) 	<p>Fuel injectors, Cylinder bank 2</p> <ul style="list-style-type: none"> ◆ Cylinder 5 Fuel Injector -N83- ◆ Cylinder 6 Fuel Injector -N84- ◆ Cylinder 7 Fuel Injector -N85- ◆ Cylinder 8 Fuel Injector -N86- ◆ Cylinder 9 Fuel Injector -N299- (5.2L) ◆ Cylinder 10 Fuel Injector -N300- (5.2L) ◆ 4.2L BYH and CNDA ⇒ page 22 ◆ 5.2L BUJ and CMPA/CTPA/CTYA ⇒ Item 1 (page 32) 	<p>Ignition Coils with Power Output Stage, Cylinder bank 1</p> <ul style="list-style-type: none"> ◆ Ignition Coil 1 -N70- ◆ Ignition Coil 2 -N127- ◆ Ignition Coil 3 -N291- ◆ Ignition Coil 4 -N292- ◆ Ignition Coil 5 -N323- (5.2L) ◆ 4.2L BYH and CNDA ⇒ Item 6 (page 6) ◆ 5.2L BUJ and CMPA/CTPA/CTYA ⇒ Item 1 (page 32) 	<p>Ignition Coils with Power Output Stage, Cylinder bank 2</p> <ul style="list-style-type: none"> ◆ Ignition Coil 5 -N323- ◆ Ignition Coil 6 -N324- ◆ Ignition Coil 7 -N325- ◆ Ignition Coil 8 -N326- ◆ Ignition Coil 9 -N327- (5.2L) ◆ Ignition Coil 10 -N328- (5.2L) ◆ 4.2L BYH and CNDA ⇒ Item 4 (page 4) ◆ 5.2L BUJ and CMPA/CTPA/CTYA ⇒ Item 1 (page 32) 	<p>Evaporative Emission (EVAP) Canister Purge Regulator Valve 1 -N80-</p> <ul style="list-style-type: none"> ◆ 4.2L BYH and CNDA ⇒ Item 10 (page 7) ◆ 5.2L BUJ and CMPA/CTPA/CTYA ⇒ Item 14 (page 31) <p>Evaporative Emission (EVAP) Canister Purge Regulator Valve 2 -N333-</p> <ul style="list-style-type: none"> ◆ 5.2L BUJ and CMPA/CTPA/CTYA ⇒ Item 2 (page 31)

Protected by copyright. Copying for private or commercial use without the written permission of Audi AG is prohibited. Audi AG does not guarantee or accept any liability with respect to the correctness of information in this document. Copyright by AUDI AG.



1.2 4.2L BYH and CNDA Component Locations

Engine Compartment, Left

1 - Engine Control Module (ECM) -J623-

- ❑ Component location view: [⇒ page 8](#)

2 - Camshaft Position (CMP) Sensor 4 -G301-

- ❑ Component location view: [⇒ page 20](#)

3 - Secondary Air Injection (AIR) Pump Motor -V101-

- ❑ Secondary Air Injection (AIR) Pump Relay -J299-

4 - Ignition Coils, Cylinder Bank 2

- ❑ Ignition Coil 5 with Power Output Stage -N323-
- ❑ Ignition Coil 6 with Power Output Stage -N324-
- ❑ Ignition Coil 7 with Power Output Stage -N325-
- ❑ Ignition Coil 8 with Power Output Stage -N326-
- ❑ Component location view: [⇒ page 20](#)

5 - High Pressure Pump Cylinder Bank 2

- ❑ Component location view: [⇒ page 20](#)

6 - Fuel Metering Valve 2 -N402-

- ❑ Component location view: [⇒ page 20](#)

7 - Camshaft Position (CMP) Sensor 2 -G163-

- ❑ Component location view: [⇒ page 20](#)

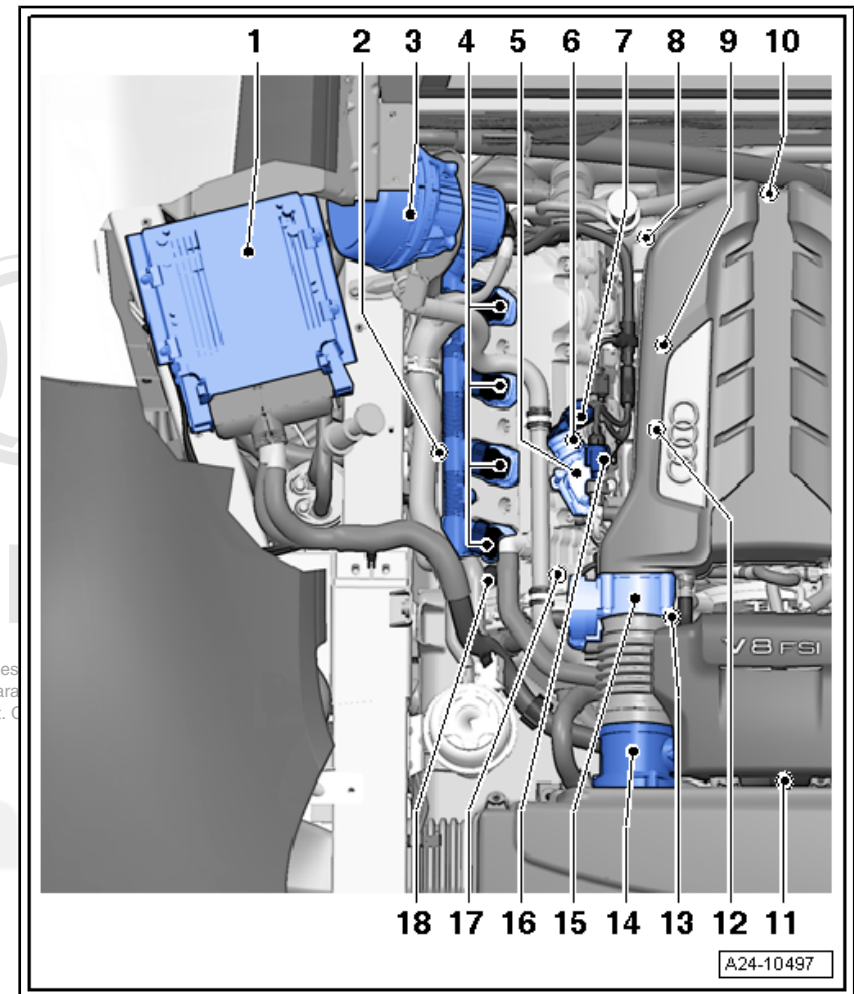
8 - Electrical Connectors on Knock Sensor 3 -G198- and Knock Sensor 4 -G199-

- ❑ Component location view: [⇒ page 23](#)

9 - Knock Sensor (KS) 3 -G198-

- ❑ Component location view: [⇒ page 23](#)

Protected by copyright. Copying for private or commercial purposes permitted unless authorised by AUDI AG. AUDI AG does not guarantee with respect to the correctness of information in this document. ©



Cont.

10 - Engine Viewed From Front

- Component location view: [⇒ page 23](#)
- Intake Manifold Runner Position Sensor -G336-
- Intake Manifold Runner Control (IMRC) Valve -N316-
- Oil Pressure Switch -F1-
- Knock Sensor 1 -G61-
- Knock Sensor 2 -G66-
- Knock Sensor 3 -G198-
- Knock Sensor 4 -G199-

11 - Oxygen Sensor Connectors

- Connector location view: [⇒ page 24](#)

12 - Knock Sensor 4 -G199-

- Component location view: [⇒ page 23](#)

13 - Intake Manifold Runner Position Sensor 2 -G512-

- Component location view: [⇒ page 13](#)

14 - Mass Air Flow (MAF) Sensor 2 -G246- / Intake Air Temperature (IAT) Sensor 2 -G299-

- Component location view: [⇒ page 14](#)

15 - Throttle Valve Control Module 2 -J544-

- Component location view: [⇒ page 13](#)

16 - Low Fuel Pressure Sensor -G410-

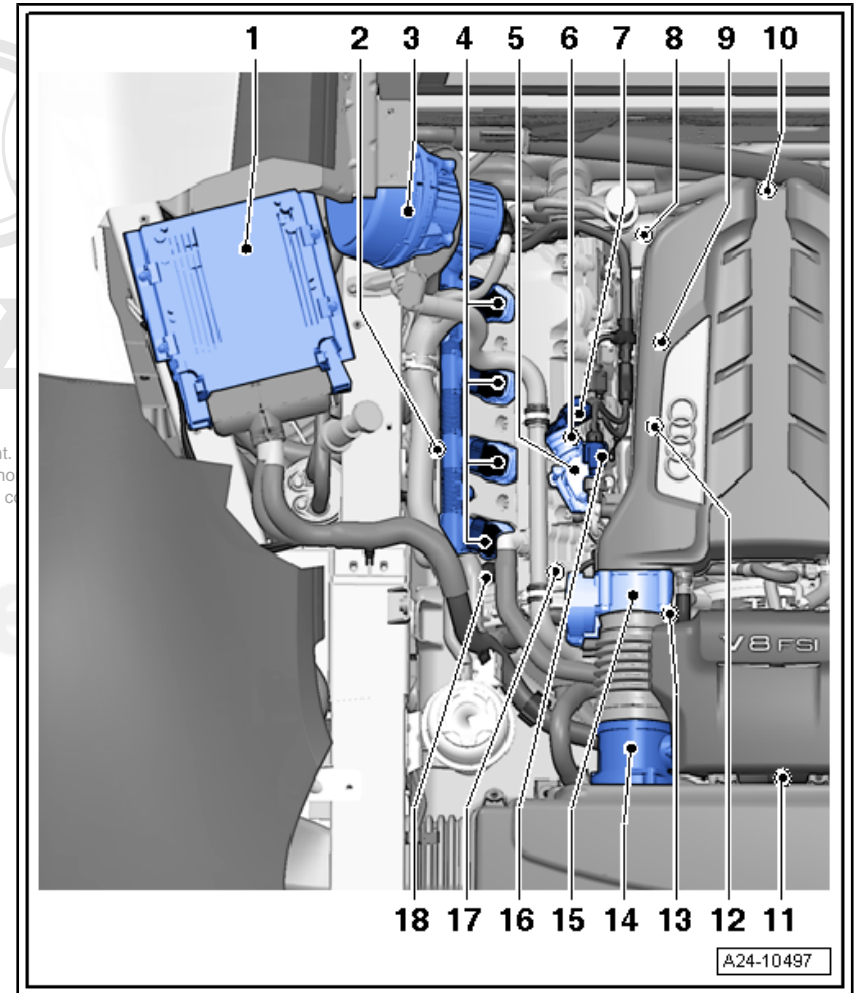
- Component location view: [⇒ page 20](#)

17 - Camshaft Adjustment Valve 2 -N208-

- Component location view: [⇒ page 20](#)

18 - Camshaft Adjustment Valve 2 (exhaust) -N319-

- Component location view: [⇒ page 20](#)



Protected by copyright.
permitted unless autho
with respect to the c

Engine Compartment, Right

1 - Fuel Pressure Sensor -G247-

❑ Component location view: [⇒ page 19](#)

2 - Knock Sensor 1 -G61-

❑ Component location view: [⇒ page 19](#)

3 - Electrical Connectors on Knock Sensor 1 -G61- and Knock Sensor 2 -G66-

❑ Connector location view: [⇒ page 23](#)

4 - Camshaft Position (CMP) Sensor -G40-

❑ Component location view: [⇒ page 19](#)

5 - Fuel Metering Valve -N290-

❑ Component location view: [⇒ page 19](#)

6 - Ignition coils, Cylinder bank 1

- ❑ Ignition Coil 1 with Power Output Stage -N70-
- ❑ Ignition Coil 2 with Power Output Stage -N127-
- ❑ Ignition Coil 3 with Power Output Stage -N291-
- ❑ Ignition Coil 4 with Power Output Stage -N292-
- ❑ Component location view: [⇒ page 19](#)

7 - Camshaft Position (CMP) Sensor 3 -G300-

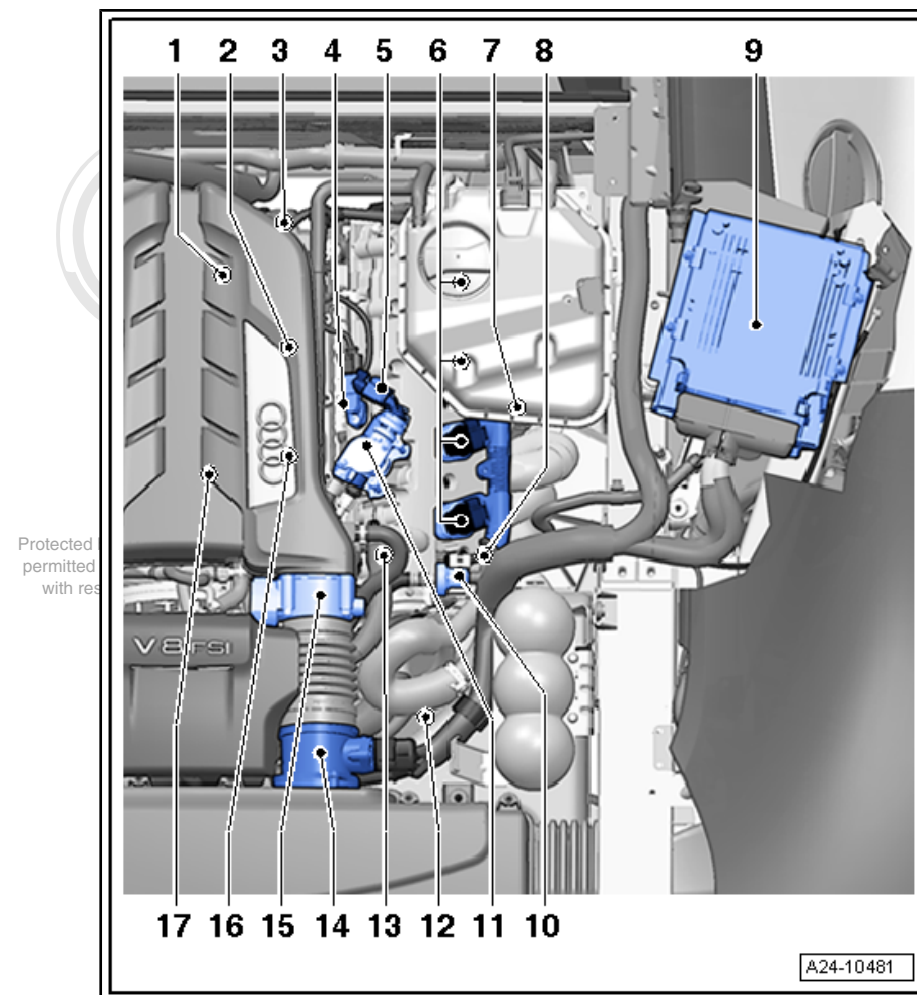
❑ Component location view: [⇒ page 19](#)

8 - Camshaft Adjustment Valve 1 (exhaust) -N318-

❑ Component location view: [⇒ page 19](#)

9 - Engine Control Module (ECM) 2 -J624-

❑ Component location view: [⇒ page 9](#)



Cont.

10 - Evaporative Emission (EVAP) Canister Purge Regulator Valve 1 -N80-

- Component location view: [⇒ page 18](#)

11 - High Pressure Pump Cylinder Bank 1

- With Fuel Metering Valve -N290-
- Component location view: [⇒ page 19](#)

12 - Engine Coolant Temperature (ECT) Sensor -G62-

- Component location view: [⇒ page 17](#)

13 - Camshaft Adjustment Valve 1 -N205-

- Component location view: [⇒ page 19](#)

14 - Mass Air Flow (MAF) Sensor -G70- / Intake Air Temperature (IAT) Sensor -G42-

- Component location view: [⇒ page 14](#)
- Protected by copyright. Copying for private or commercial purposes, in part or in whole, is not permitted without the written permission of AUDI AG. AUDI AG does not guarantee or accept any liability with respect to the correctness of information in this document. Copyright by AUDI AG.

15 - Throttle Valve Control Module -J338-

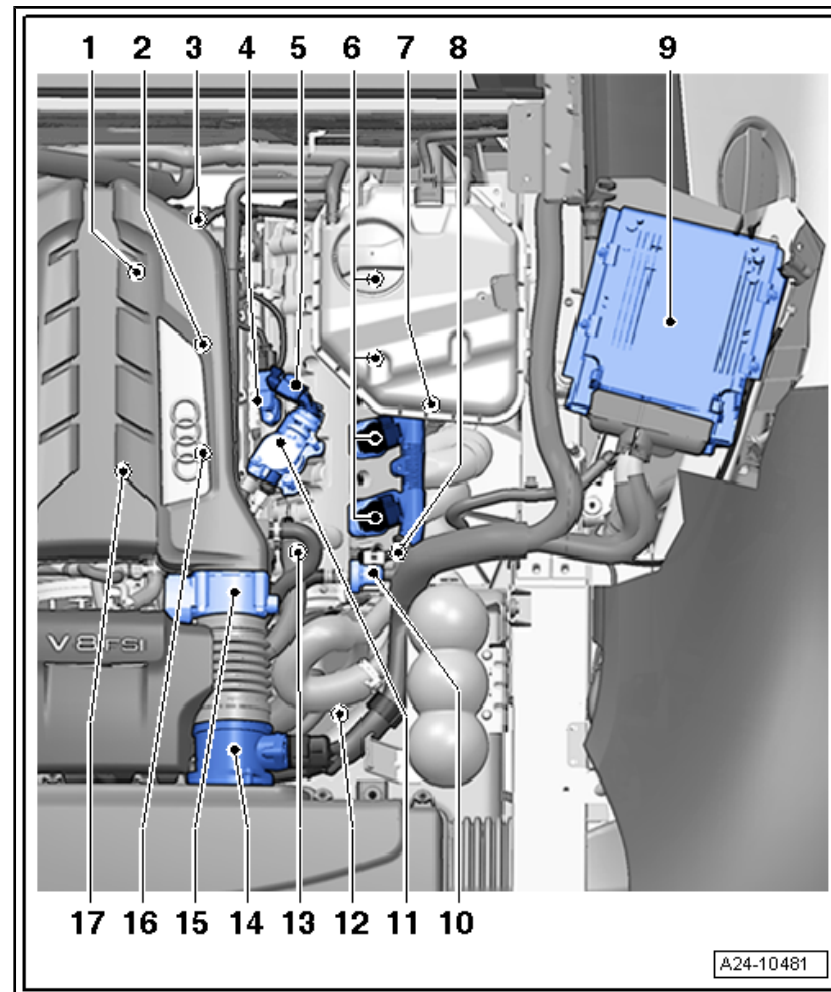
- Component location view: [⇒ page 14](#)

16 - Knock Sensor 2 -G66-

- Component location view: [⇒ page 23](#)

17 - Secondary Air Injection (AIR) Solenoid Valve -N112-

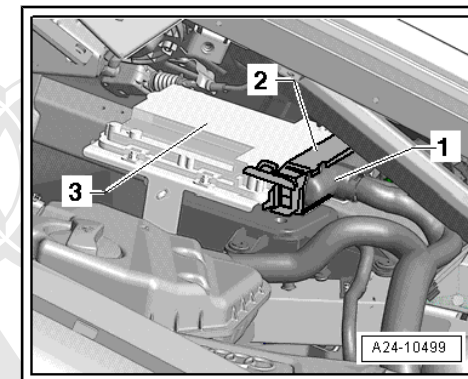
- Component location view: [⇒ page 22](#)



Location Engine Control Module (ECM) - Coupe

3 - Engine Control Module (ECM) -J623-

- ◆ Under right engine compartment trim

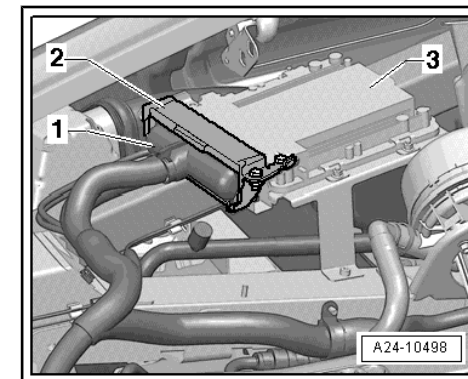


Protected by copyright. Copying for private or commercial purposes, in part or in whole, is not permitted unless authorised by AUDI AG. AUDI AG does not guarantee or accept any liability with respect to the correctness of information in this document. Copyright by AUDI AG.

Location Engine Control Module (ECM) 2 - Coupe

3 - Engine Control Module (ECM) 2 -J624-

- ◆ Under left engine compartment trim



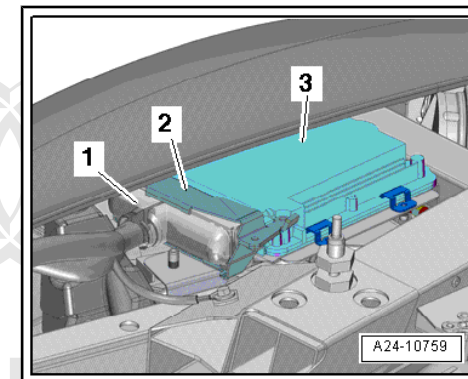
Audi

Protected by copyright. Copying for private or commercial purposes, in part or in whole, is not permitted unless authorised by AUDI AG. AUDI AG does not guarantee or accept any liability with respect to the correctness of information in this document. Copyright by AUDI AG.



Location Engine Control Module (ECM) - Spyder

3 - Engine Control Module (ECM) -J623-

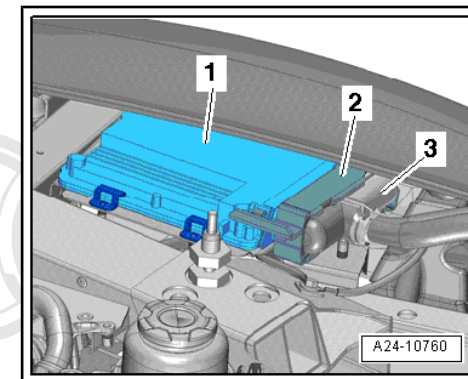


Protected by copyright. Copying for private or commercial purposes, in part or in whole, is not permitted unless authorised by AUDI AG. AUDI AG does not guarantee or accept any liability with respect to the correctness of information in this document. Copyright by AUDI AG.



Location Engine Control Module (ECM) 2 - Spyder

1 - Engine Control Module (ECM) 2 -J624-

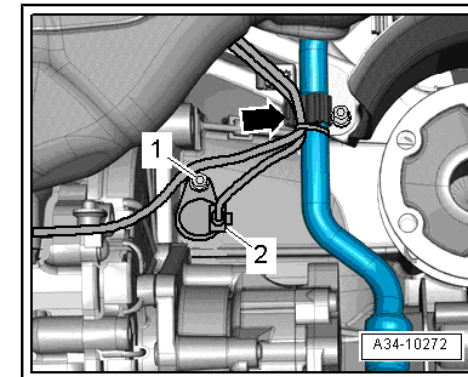


Protected by copyright. Copying for private or commercial purposes, in part or in whole, is not permitted unless authorised by AUDI AG. AUDI AG does not guarantee or accept any liability with respect to the correctness of information in this document. Copyright by AUDI AG.

Engine Speed (Rpm) Sensor

2 - Engine Speed (RPM) Sensor -G28-

- ◆ Location left side rear on trans near power steering pump



Audi

Protected by copyright. Copying for private or commercial purposes, in part or in whole, is not permitted unless authorised by AUDI AG. AUDI AG does not guarantee or accept any liability with respect to the correctness of information in this document. Copyright by AUDI AG.

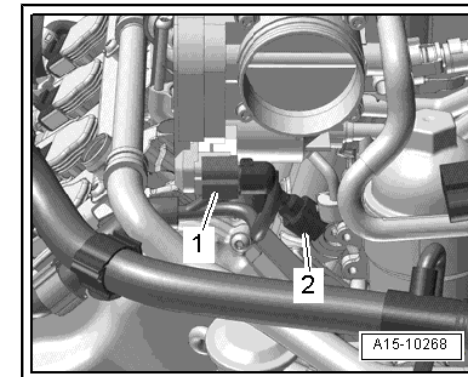


Intake Manifold Runner Position Sensor 2

1 - Throttle Valve Control Module 2 -J544-

2 - Intake Manifold Runner Position Sensor 2 -G512-

◆ Installed on the rear of the intake manifold



Audi

Protected by copyright. Copying for private or commercial purposes, in part or in whole, is not permitted unless authorised by AUDI AG. AUDI AG does not guarantee or accept any liability with respect to the correctness of information in this document. Copyright by AUDI AG.



Throttle Valves And Mass Air Flow Sensor

1 - Throttle Valve Control Module 2 -J544-

2 - Throttle Valve Control Module -J338-

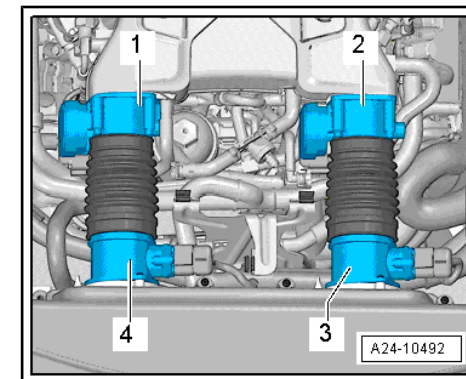
3 - Mass Air Flow (MAF) Sensor -G70- / Intake Air Temperature (IAT) Sensor -G42-

4 - Mass Air Flow (MAF) Sensor 2 -G246- / Intake Air Temperature (IAT) Sensor 2 -G299-



Audi

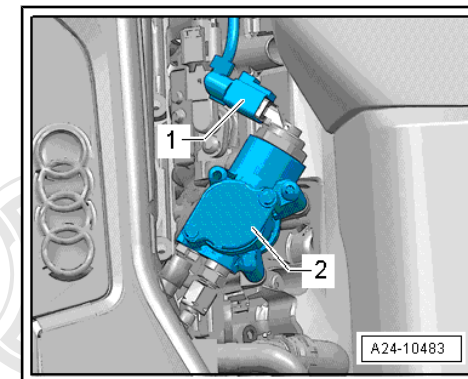
Protected by copyright. Copying for private or commercial purposes, in part or in whole, is not permitted unless authorised by AUDI AG. AUDI AG does not guarantee or accept any liability with respect to the correctness of information in this document. Copyright by AUDI AG.



High Pressure Pump, Cylinder Bank 1

1 - Fuel Metering Valve -N290-

2 - High Pressure Pump, Cylinder Bank 1



Protected by copyright. Copying for private or commercial purposes, in part or in whole, is not permitted unless authorised by AUDI AG. AUDI AG does not guarantee or accept any liability with respect to the correctness of information in this document. Copyright by AUDI AG.

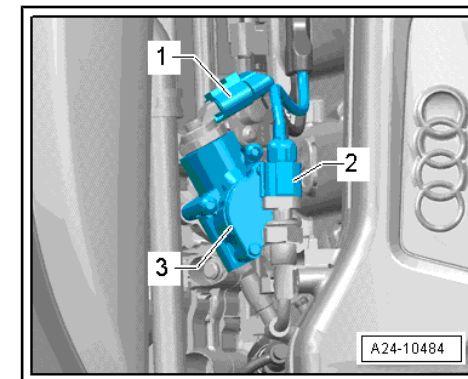
High Pressure Pump, Cylinder Bank 2

- 1 - Fuel Metering Valve 2 -N402-
- 2 - Low Fuel Pressure Sensor -G410-
- 3 - High Pressure Pump, Cylinder Bank 2



Audi

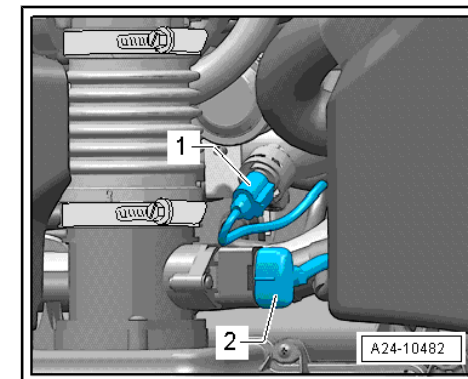
Protected by copyright. Copying for private or commercial purposes, in part or in whole, is not permitted unless authorised by AUDI AG. AUDI AG does not guarantee or accept any liability with respect to the correctness of information in this document. Copyright by AUDI AG.



Engine Coolant Temperature (ECT) Sensor

1 - Engine Coolant Temperature (ECT) Sensor -G62-

2 - Mass Air Flow (MAF) Sensor -G70- / Intake Air Temperature (IAT) Sensor -G42-

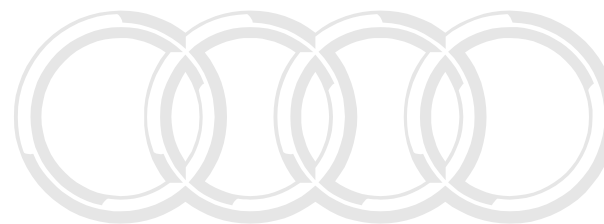


Protected by copyright. Copying for private or commercial purposes, in part or in whole, is not permitted unless authorised by AUDI AG. AUDI AG does not guarantee or accept any liability with respect to the correctness of information in this document. Copyright by AUDI AG.



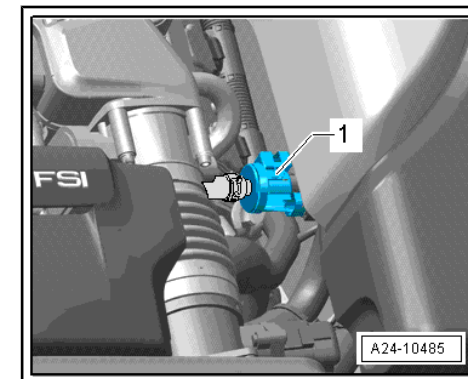
Evaporative Emission (EVAP) Canister Purge Regulator Valve

- 1 - Evaporative Emission (EVAP) Canister Purge Regulator Valve
- 1 -N80-



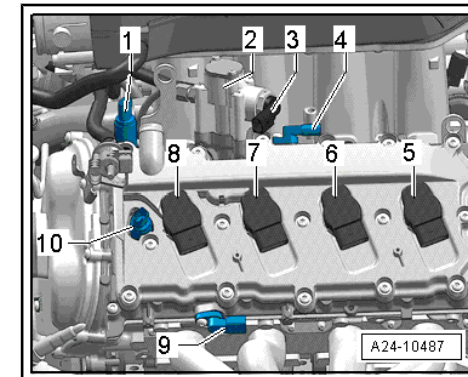
Audi

Protected by copyright. Copying for private or commercial purposes, in part or in whole, is not permitted unless authorised by AUDI AG. AUDI AG does not guarantee or accept any liability with respect to the correctness of information in this document. Copyright by AUDI AG.



Component Locations On Cylinder Bank 1

- 1 - Camshaft Adjustment Valve 1 -N205-
- 2 - High Pressure Pump Cylinder Bank 1
- 3 - Fuel Metering Valve -N290-
- 4 - Camshaft Position (CMP) Sensor -G40-
- 5 - Ignition Coil 1 with Power Output Stage -N70-
- 6 - Ignition Coil 2 with Power Output Stage -N127-
- 7 - Ignition Coil 3 with Power Output Stage -N291-
- 8 - Ignition Coil 4 with Power Output Stage -N292-
- 9 - Camshaft Position (CMP) Sensor 3 -G300-
- 10 - Camshaft Adjustment Valve 1 (exhaust) -N318-



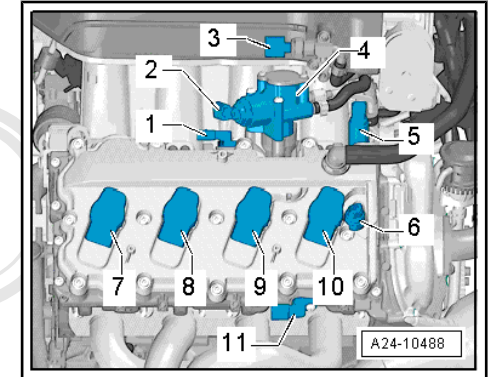
Audi

Protected by copyright. Copying for private or commercial purposes, in part or in whole, is not permitted unless authorised by AUDI AG. AUDI AG does not guarantee or accept any liability with respect to the correctness of information in this document. Copyright by AUDI AG.



Component Locations On Cylinder Bank 2

- 1 - Camshaft Position (CMP) Sensor 2 -G163-
- 2 - Fuel Metering Valve 2 -N402-
- 3 - Low Fuel Pressure Sensor -G410-
- 4 - High Pressure Pump Cylinder Bank 2
- 5 - Camshaft Adjustment Valve 2 -N208-
- 6 - Camshaft Adjustment Valve 2 (exhaust) -N319-
- 7 - Ignition Coil 5 with Power Output Stage -N323-
- 8 - Ignition Coil 6 with Power Output Stage -N324-
- 9 - Ignition Coil 7 with Power Output Stage -N325-
- 10 - Ignition Coil 8 with Power Output Stage -N326-
- 11 - Camshaft Position (CMP) Sensor 4 -G301-



Audi

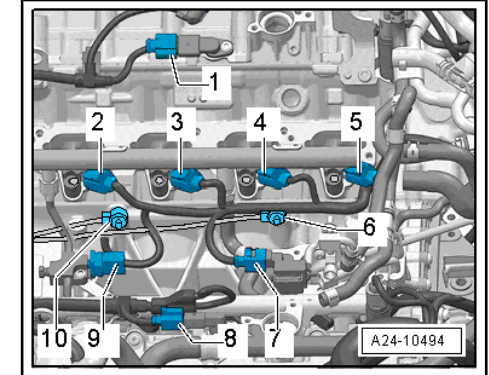
Protected by copyright. Copying for private or commercial purposes, in part or in whole, is not permitted unless authorised by AUDI AG. AUDI AG does not guarantee or accept any liability with respect to the correctness of information in this document. Copyright by AUDI AG.



Component locations, inside of cylinder bank 1

◆ Under intake manifold

- 1 - Camshaft Position (CMP) Sensor -G40-
- 2 - Cylinder 1 Fuel Injector -N30-
- 3 - Cylinder 2 Fuel Injector -N31-
- 4 - Cylinder 3 Fuel Injector -N32-
- 5 - Cylinder 4 Fuel Injector -N33-
- 6 - Knock Sensor 2 -G66-
- 7 - Secondary Air Injection (AIR) Solenoid Valve -N112-
- 8 - Camshaft Position (CMP) Sensor 2 -G163-
- 9 - Fuel Pressure Sensor -G247-
- 10 - Knock Sensor 1 -G61-



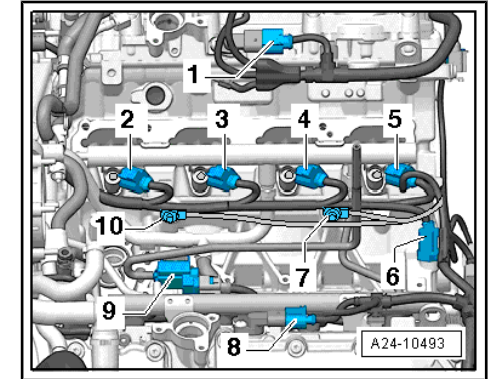
Protected by copyright. Copying for private or commercial purposes, in part or in whole, is not permitted unless authorised by AUDI AG. AUDI AG does not guarantee or accept any liability with respect to the correctness of information in this document. Copyright by AUDI AG.



Component Locations, Inside Of Cylinder Bank 2

◆ Under intake manifold

- 1 - Camshaft Position (CMP) Sensor 2 -G163-
- 2 - Cylinder 8 Fuel Injector -N86-
- 3 - Cylinder 7 Fuel Injector -N85-
- 4 - Cylinder 6 Fuel Injector -N84-
- 5 - Cylinder 5 Fuel Injector -N83-
- 6 - Oil Pressure Switch -F1-
- 7 - Knock Sensor 3 -G198-
- 8 - Camshaft Position (CMP) Sensor -G40-
- 9 - Secondary Air Injection (AIR) Solenoid Valve -N112-
- 10 - Knock Sensor 4 -G199-



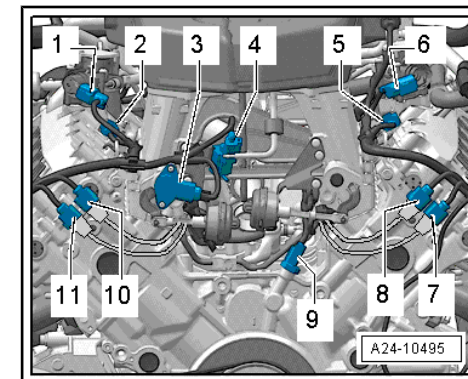
Audi

Protected by copyright. Copying for private or commercial purposes, in part or in whole, is not permitted unless authorised by AUDI AG. AUDI AG does not guarantee or accept any liability with respect to the correctness of information in this document. Copyright by AUDI AG.

The logo for erWin, featuring the text "erWin" in a stylized font with a small robot head icon integrated into the letter "i".

Component Locations, Engine From Front

- 1 - High pressure pump cylinder bank 1 with Fuel Metering Valve -N290-
- 2 - Camshaft Position (CMP) Sensor -G40-
- 3 - Intake Manifold Runner Position Sensor -G336-
- 4 - Intake Manifold Runner Control (IMRC) Valve -N316-
- 5 - Camshaft Position (CMP) Sensor 2 -G163-
- 6 - Fuel Metering Valve 2 -N402-
- 7 - Knock Sensor 4 -G199-
- 8 - Knock Sensor 3 -G198-
- 9 - Oil Pressure Switch -F1-
- 10 - Knock Sensor 2 -G66-
- 11 - Knock Sensor 1 -G61-



Protected by copyright. Copying for private or commercial purposes, in part or in whole, is not permitted unless authorised by AUDI AG. AUDI AG does not guarantee or accept any liability with respect to the correctness of information in this document. Copyright by AUDI AG.



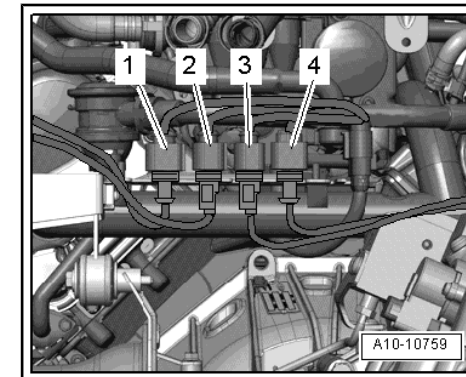
Oxygen Sensor Connector Bracket

1 - Oxygen Sensor (O2S) 2 Behind Three Way Catalytic Converter (TWC) -G131- ⇒ [page 40](#)

2 - Heated Oxygen Sensor (HO2S) 2 -G108- ⇒ [page 40](#)

3 - Heated Oxygen Sensor (HO2S) -G39- ⇒ [page 39](#)

4 - Oxygen Sensor (O2S) Behind Three Way Catalytic Converter (TWC) -G130- ⇒ [page 39](#)



Audi

Protected by copyright. Copying for private or commercial purposes, in part or in whole, is not permitted unless authorised by AUDI AG. AUDI AG does not guarantee or accept any liability with respect to the correctness of information in this document. Copyright by AUDI AG.



Oil Level Thermal Sensor

◆ Mounted on oil tank

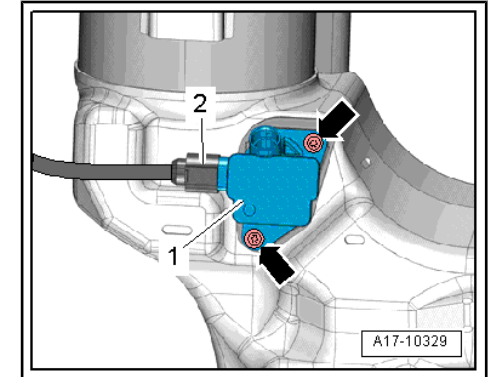
1 - Oil Level Thermal Sensor -G266-



Audi

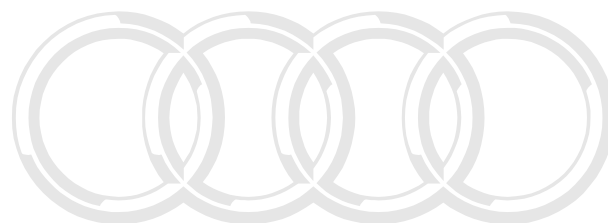
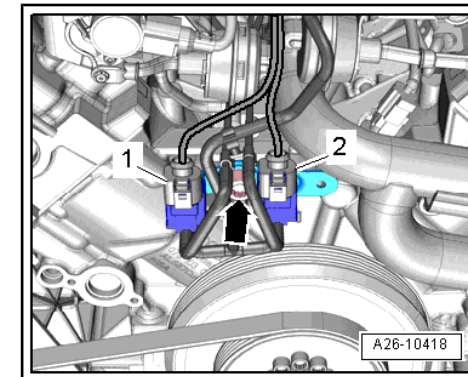
Protected by copyright. Copying for private or commercial purposes, in part or in whole, is not permitted unless authorised by AUDI AG. AUDI AG does not guarantee or accept any liability with respect to the correctness of information in this document. Copyright by AUDI AG.

erWin



Secondary Air Injection (AIR) Solenoid Valve Installation Location

- 1 - Secondary Air Injection (AIR) Solenoid Valve -N112-
- 2 - Secondary Air Injection (AIR) Solenoid Valve 2 -N320-



Audi

Protected by copyright. Copying for private or commercial purposes, in part or in whole, is not permitted unless authorised by AUDI AG. AUDI AG does not guarantee or accept any liability with respect to the correctness of information in this document. Copyright by AUDI AG.



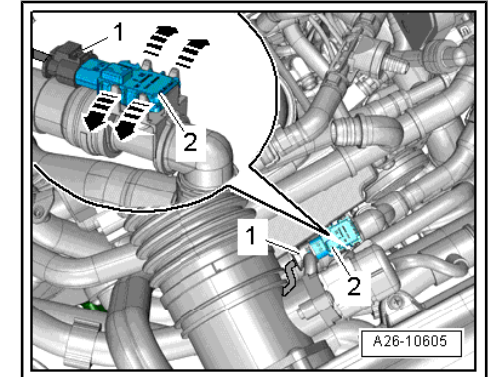
Secondary Air Injection Sensor 1

2 - Secondary Air Injection Sensor 1 -G609-



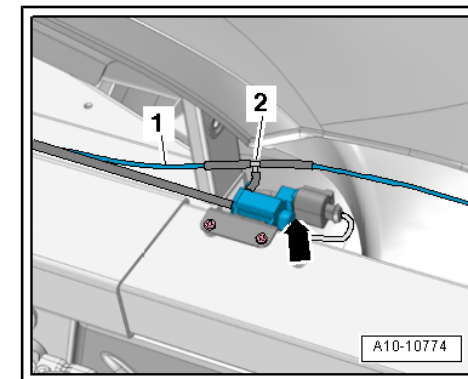
Audi

Protected by copyright. Copying for private or commercial purposes, in part or in whole, is not permitted unless authorised by AUDI AG. AUDI AG does not guarantee or accept any liability with respect to the correctness of information in this document. Copyright by AUDI AG.



Exhaust Flap Valve 1

-ARROW- Exhaust Flap Valve 1 -N321-



Audi

Protected by copyright. Copying for private or commercial purposes, in part or in whole, is not permitted unless authorised by AUDI AG. AUDI AG does not guarantee or accept any liability with respect to the correctness of information in this document. Copyright by AUDI AG.

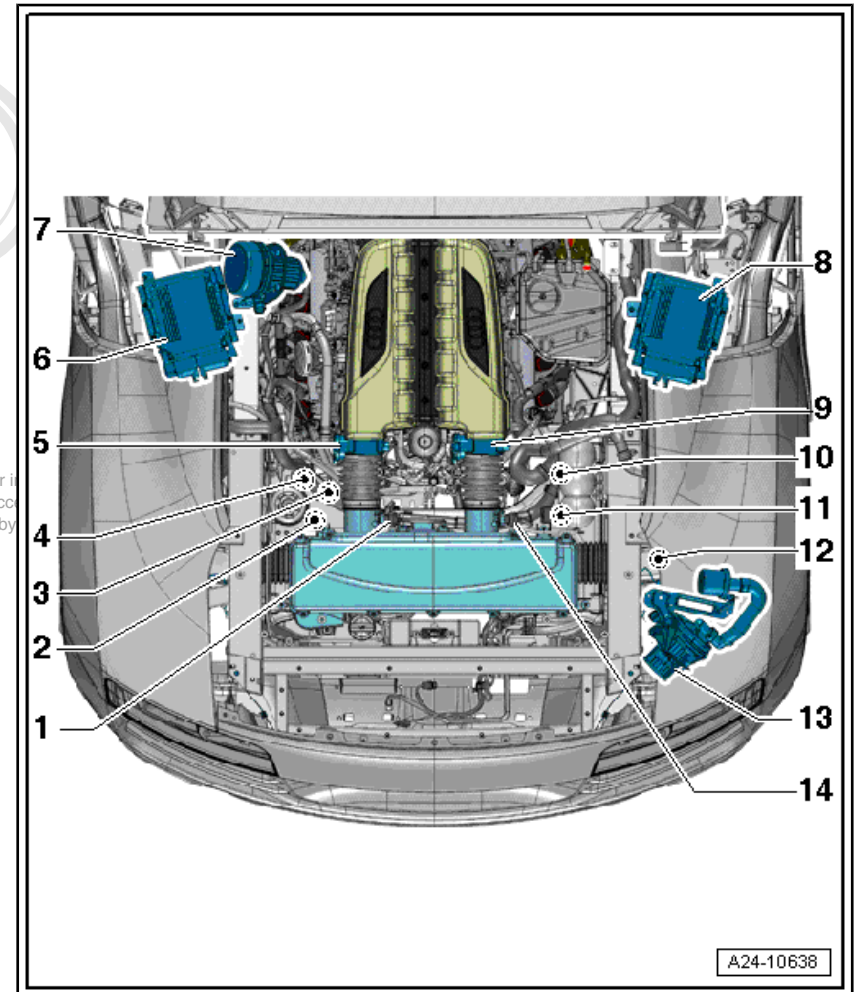


1.3 5.2L BUJ and CMPA/CTPA/CTYA Component Locations

Part 1 - Coupe

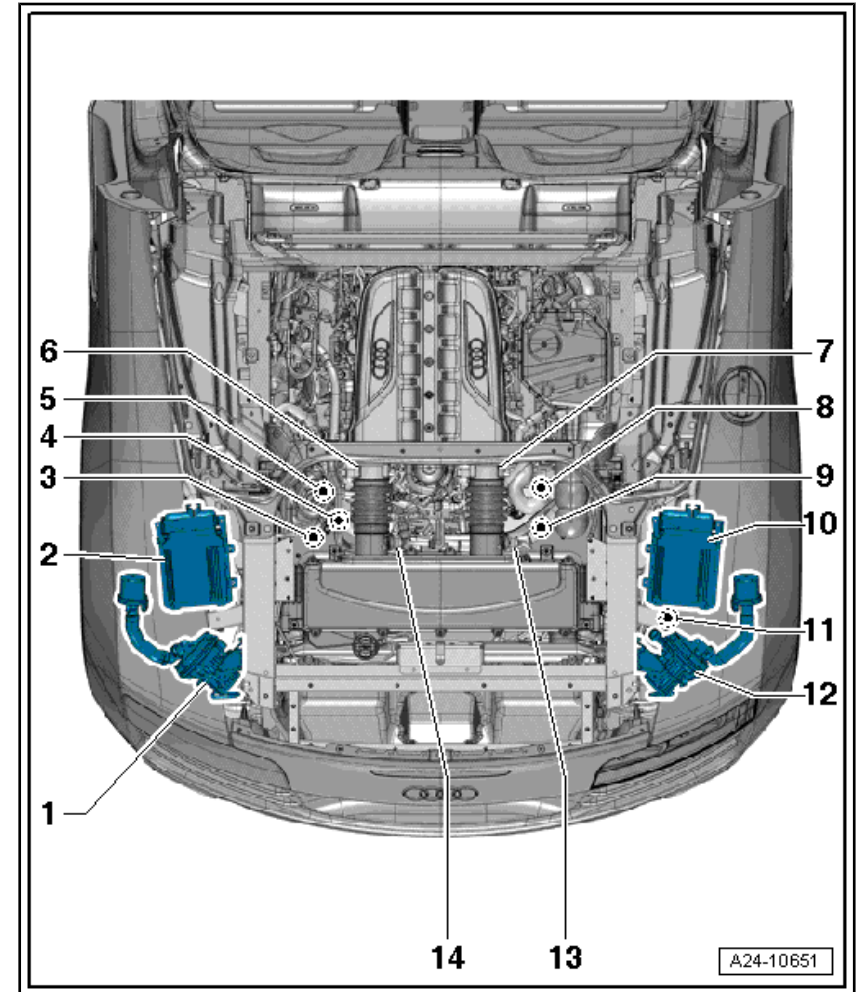
- 1 - Mass Air Flow (MAF) Sensor 2 -G246- / Intake Air Temperature (IAT) Sensor 2 -G299-
- 2 - Oxygen Sensor (O2S) 2 Behind Three Way Catalytic Converter (TWC) -G131-
 Component location ⇒ [page 40](#)
- 3 - Engine Speed (RPM) Sensor -G28-
 Component location ⇒ [page 34](#)
- 4 - Heated Oxygen Sensor (HO2S) 2 -G108-
 Component location ⇒ [page 40](#)
- 5 - Throttle Valve Control Module 2 -J544-
- 6 - Engine Control Module (ECM) 2 -J624-
 Component location ⇒ [page 9](#)
- 7 - Secondary Air Injection (AIR) Pump Motor 2 -V189-
- 8 - Engine Control Module (ECM) -J623-
 Component location ⇒ [page 8](#)
- 9 - Throttle Valve Control Module -J338-
- 10 - Heated Oxygen Sensor (HO2S) -G39-
 Component location ⇒ [page 39](#)
- 11 - Oxygen Sensor (O2S) Behind Three Way Catalytic Converter (TWC) -G130-
 Component location ⇒ [page 39](#)
- 12 - Exhaust Flap Valve 1 -N321-
- 13 - Secondary Air Injection (AIR) Pump Motor -V101-
- 14 - Mass Air Flow (MAF) Sensor -G70- / Intake Air Temperature (IAT) Sensor -G42-

Protected by copyright. Copying for private or commercial purposes, in part or in full, is not permitted unless authorised by AUDI AG. AUDI AG does not guarantee or accept any liability with respect to the correctness of information in this document. Copyright by Audi AG.



Part 1 - Spyder

- 1 - Secondary air injection pump motor 2 -V189-
- 2 - Engine control module 2 -J624-
 - ❑ Component location ⇒ [page 11](#)
- 3 - Oxygen sensor 2 after catalytic converter -G131-
 - ❑ Component location ⇒ [page 40](#)
- 4 - Engine speed sensor -G28-
 - ❑ Component location ⇒ [page 40](#)
- 5 - Heated oxygen sensor 2 -G108-
 - ❑ Component location ⇒ [page 40](#)
- 6 - Throttle valve control module 2 -J544-
- 7 - Throttle valve control module -J338-
- 8 - Heated oxygen sensor -G39-
- 9 - Oxygen sensor after three way catalytic converter -G130-
 - ❑ Component location ⇒ [page 39](#)
- 10 - Engine control module -J623-
 - ❑ Component location ⇒ [page 10](#)
- 11 - Exhaust door valve 1 -N321-
- 12 - Secondary air injection pump motor -V101-
- 13 - Mass airflow sensor -G70- / Intake air temperature sensor -G42-
- 14 - Mass airflow sensor 2 -G246- / Intake air temperature sensor 2 -G299-

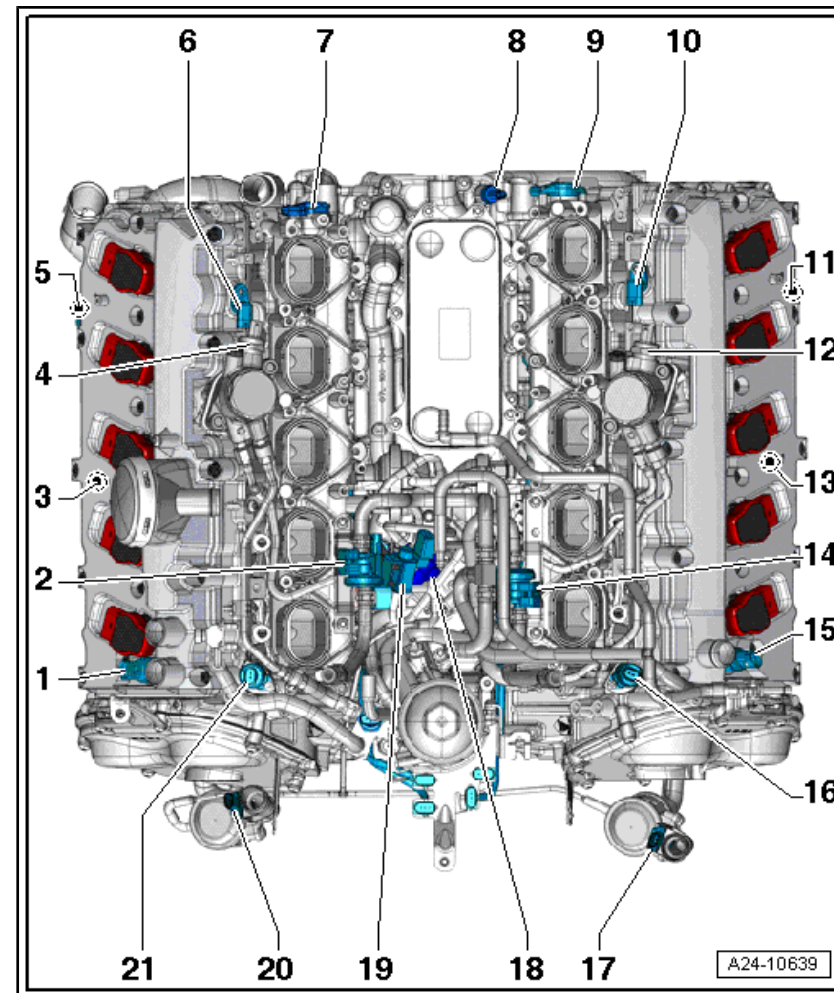


Protected by copyright. Copying for private or commercial purposes, in part or in whole, is not permitted unless authorised by AUDI AG. AUDI AG does not guarantee or accept any liability with respect to the correctness of information in this document. Copyright by AUDI AG.



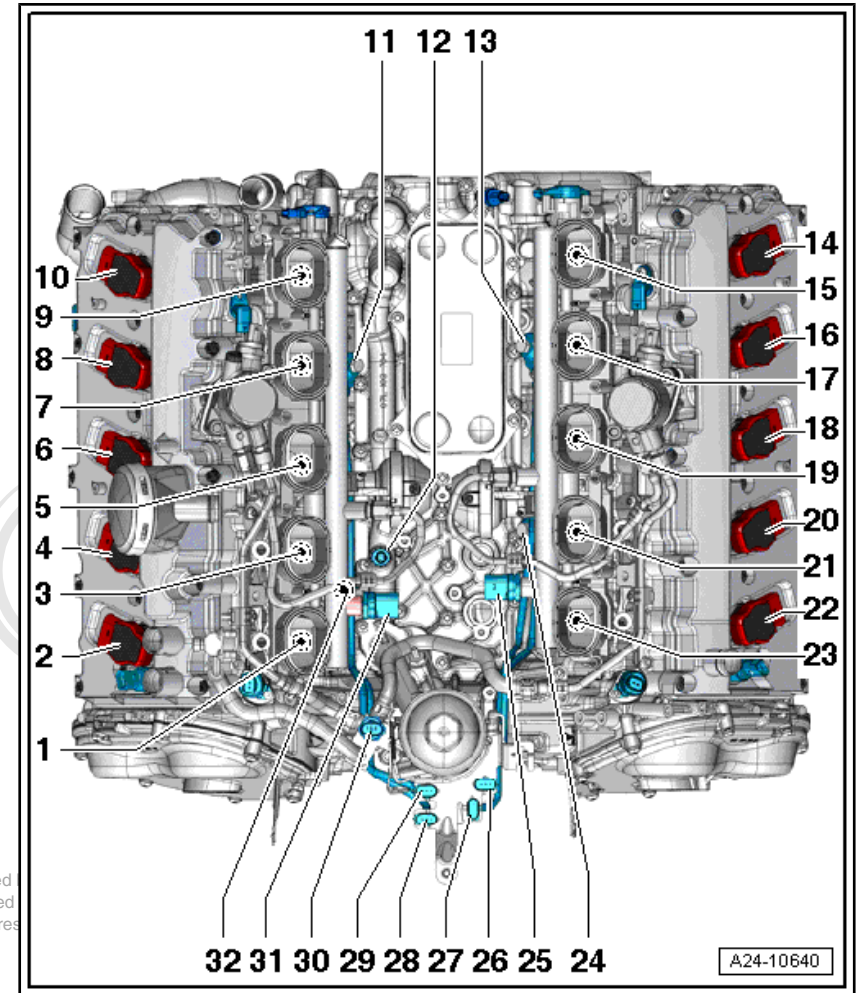
Part 2

- 1 - Camshaft Adjustment Valve 2 (exhaust) -N319-
- 2 - Evaporative Emission (EVAP) Canister Purge Regulator Valve 2 -N333-
- 3 - Left Electro-Hydraulic Engine Mount Solenoid Valve -N144-
 Component location ⇒ [page 38](#)
- 4 - Fuel Metering Valve 2 -N402-
- 5 - Camshaft Position (CMP) Sensor 4 -G301-
- 6 - Camshaft Position (CMP) Sensor 2 -G163-
- 7 - Intake Manifold Runner Position Sensor 2 -G512-
- 8 - Engine Coolant Temperature (ECT) Sensor -G62-
- 9 - Intake Manifold Runner Position Sensor -G336-
- 10 - Camshaft Position (CMP) Sensor -G40-
- 11 - Camshaft Position (CMP) Sensor 3 -G300-
- 12 - Fuel Metering Valve -N290-
- 13 - Right Electro-Hydraulic Engine Mount Solenoid Valve -N145-
 Component location ⇒ [page 38](#)
- 14 - Evaporative Emission (EVAP) Canister Purge Regulator Valve 1 -N80-
- 15 - Camshaft Adjustment Valve 1 (exhaust) -N318-
- 16 - Camshaft Adjustment Valve 1 -N205-
- 17 - Secondary Air Injection Sensor 1 -G609-
- 18 - Intake Manifold Runner Control (IMRC) Valve -N316-
- 19 - Secondary Air Injection (AIR) Solenoid Valve -N112-
 With Secondary Air Injection (AIR) Solenoid Valve 2 -N320-
- 20 - Secondary Air Injection Sensor 2 -G610-
- 21 - Camshaft Adjustment Valve 2 -N208-



Part 3

- 1 - Cylinder 10 Fuel Injector -N300-
- 2 - Ignition Coil 10 with Power Output Stage -N328-
- 3 - Cylinder 9 Fuel Injector -N299-
- 4 - Ignition Coil 9 with Power Output Stage -N327-
- 5 - Cylinder 8 Fuel Injector -N86-
- 6 - Ignition Coil 8 with Power Output Stage -N326-
- 7 - Cylinder 7 Fuel Injector -N85-
- 8 - Ignition Coil 7 with Power Output Stage -N325-
- 9 - Cylinder 6 Fuel Injector -N84-
- 10 - Ignition Coil 6 with Power Output Stage -N324-
- 11 - Knock Sensor 3 -G198-
 Location view
- 12 - Oil Temperature Sensor 2 -G664-
- 13 - Knock Sensor 1 -G61-
 Location view
- 14 - Ignition Coil 1 with Power Output Stage -N70-
- 15 - Cylinder 1 Fuel Injector -N30-
- 16 - Ignition Coil 2 with Power Output Stage -N127-
- 17 - Cylinder 2 Fuel Injector -N31-
- 18 - Ignition Coil 3 with Power Output Stage -N291-
- 19 - Cylinder 3 Fuel Injector -N32-
- 20 - Ignition Coil 4 with Power Output Stage -N292-
- 21 - Cylinder 4 Fuel Injector -N33-
- 22 - Ignition Coil 5 with Power Output Stage -N323-
- 23 - Cylinder 5 Fuel Injector -N83-



Protected
permitted
with res

Part 3, cont.

24 - Knock Sensor 2 -G66-

- Location view

25 - Fuel Pressure Sensor -G247-

26 - Electrical Harness Connector

- For Knock Sensor 1 -G61-

27 - Electrical Harness Connector

- For Knock Sensor 2 -G66-

28 - Electrical Harness Connector

- For Knock Sensor 4 -G199-

29 - Electrical Harness Connector

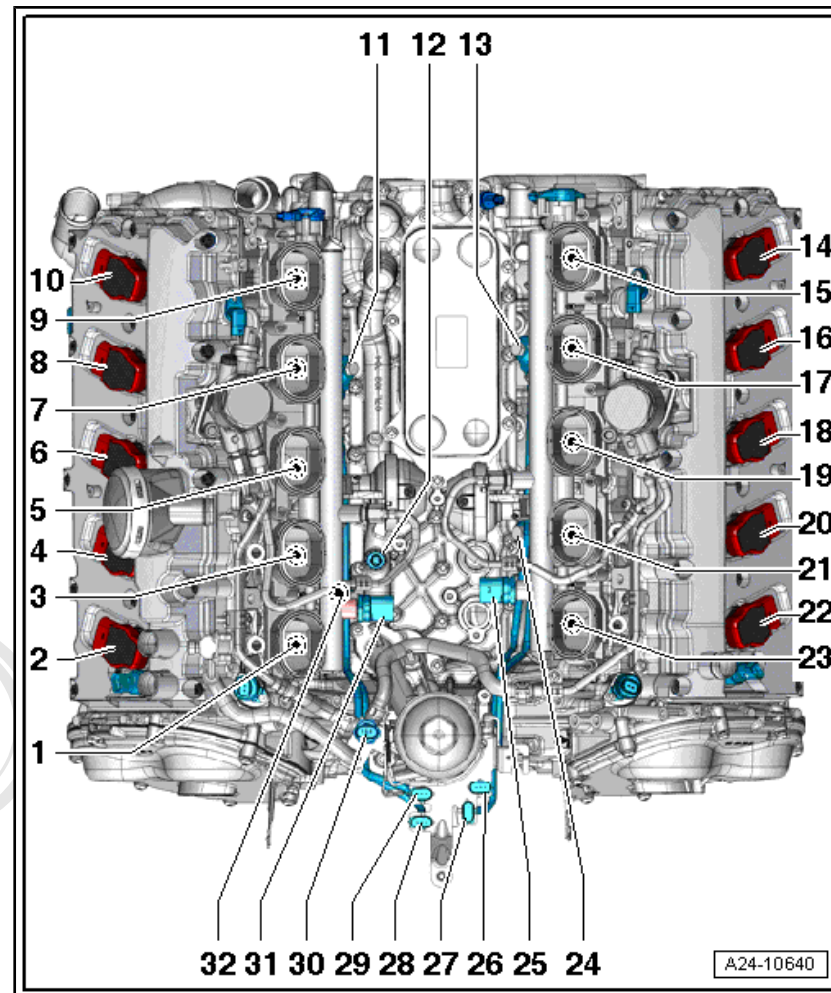
- For Knock Sensor 3 -G198-

30 - Low Fuel Pressure Sensor -G410-

31 - Fuel Pressure Sensor 2 -G624-

32 - Knock Sensor 4 -G199-

- Location view



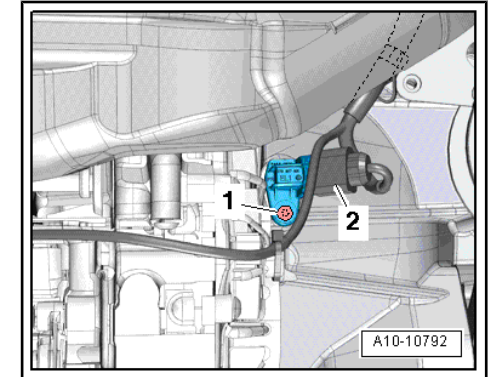
Protected by copyright. Copying for private or commercial purposes, in part or in whole, is not permitted unless authorised by AUDI AG. AUDI AG does not guarantee or accept any liability with respect to the correctness of information in this document. Copyright by AUDI AG.



Engine Speed (RPM) Sensor vehicles with manual transmissions/R tronic transmission 086

1 - Engine Speed (RPM) Sensor -G28-

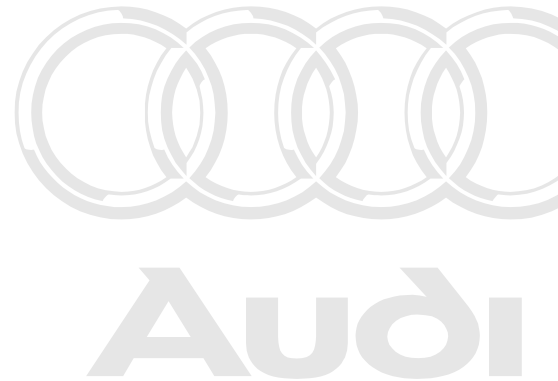
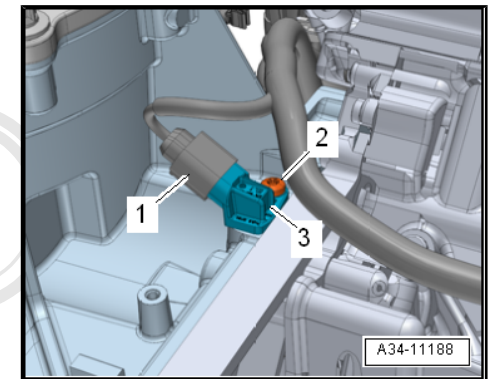
- ◆ On the left side of the transmission housing



Engine Speed (RPM) Sensor vehicles with dual-clutch transmission 0BZ

3 - Engine Speed (RPM) Sensor -G28-

- ◆ On top of the transmission housing



Protected by copyright. Copying for private or commercial purposes, in part or in whole, is not permitted unless authorised by AUDI AG. AUDI AG does not guarantee or accept any liability with respect to the correctness of information in this document. Copyright by AUDI AG.



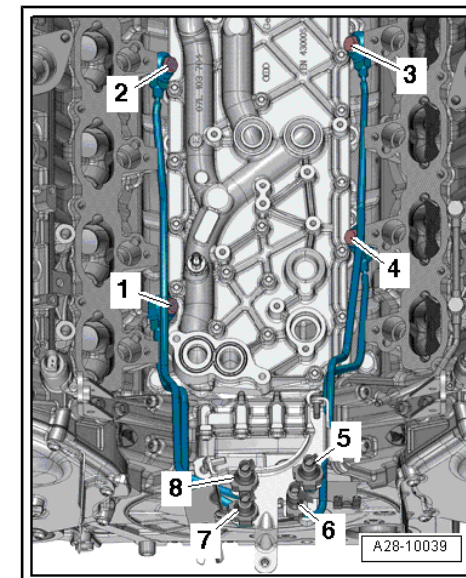
Knock Sensors

- 1 - Knock Sensor 4 -G199-
- 2 - Knock Sensor 3 -G198-
- 3 - Knock Sensor 1 -G61-
- 4 - Knock Sensor 2 -G66-
- 5 - Connector for Knock Sensor 1 -G61-
- 6 - Connector for Knock Sensor 2 -G66-
- 7 - Connector for Knock Sensor 3 -G198-
- 8 - Connector for Knock Sensor 4 -G199-



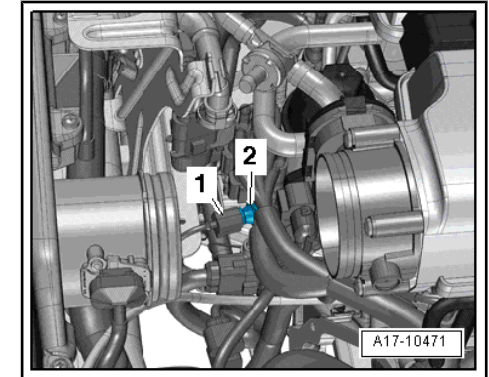
Audi

Protected by copyright. Copying for private or commercial purposes, in part or in whole, is not permitted unless authorised by AUDI AG. AUDI AG does not guarantee or accept any liability with respect to the correctness of information in this document. Copyright by AUDI AG.



Oil Pressure Switch

2 - Oil Pressure Switch -F1-



Audi

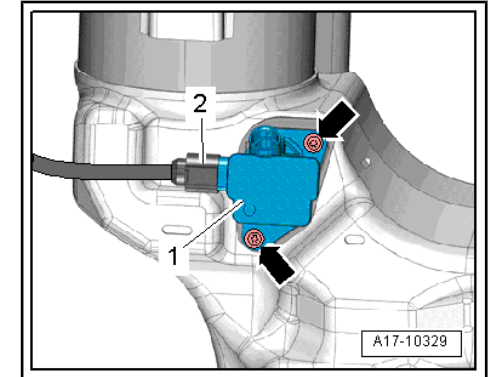
Protected by copyright. Copying for private or commercial purposes, in part or in whole, is not permitted unless authorised by AUDI AG. AUDI AG does not guarantee or accept any liability with respect to the correctness of information in this document. Copyright by AUDI AG.



Oil Level Thermal Sensor

1 - Oil Level Thermal Sensor -G266-

- ◆ Located on oil tank

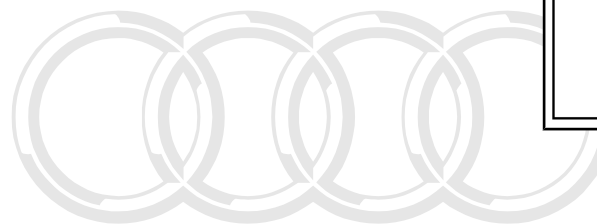
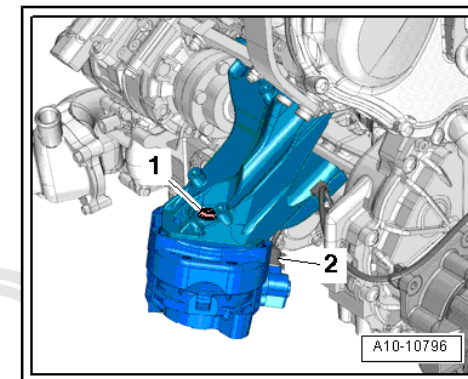


Audi

Protected by copyright. Copying for private or commercial purposes, in part or in whole, is not permitted unless authorised by AUDI AG. AUDI AG does not guarantee or accept any liability with respect to the correctness of information in this document. Copyright by AUDI AG.



Left electrohydraulic engine mount solenoid valve -N144- / Right
electrohydraulic engine mount solenoid valve -N145-



Audi

Protected by copyright. Copying for private or commercial purposes, in part or in whole, is not permitted unless authorised by AUDI AG. AUDI AG does not guarantee or accept any liability with respect to the correctness of information in this document. Copyright by AUDI AG.



1.4 Oxygen Sensors

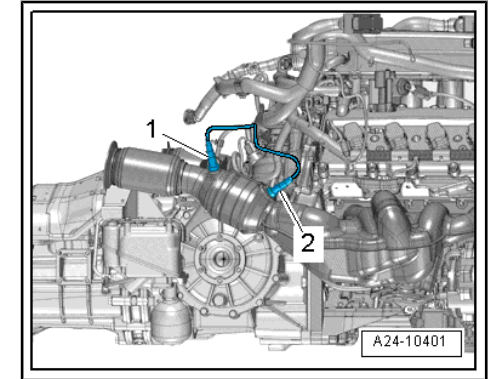
Heated Oxygen Sensors, Bank 1

◆ Installed position is the same for 4.2L and 5.2L

1 - Oxygen Sensor (O2S) Behind Three Way Catalytic Converter (TWC) -G130-

2 - Heated Oxygen Sensor (HO2S) -G39-

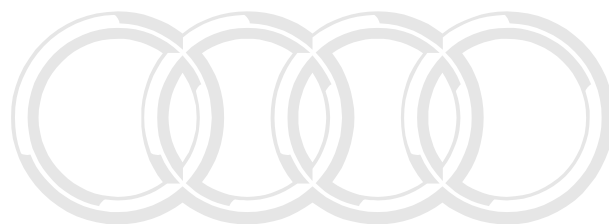
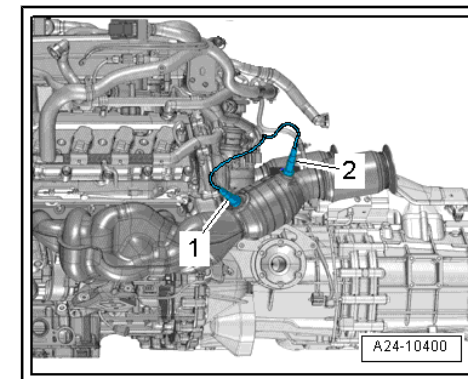
Protected by copyright. Copying for private or commercial purposes, in part or in whole, is not permitted unless authorised by AUDI AG. AUDI AG does not guarantee or accept any liability with respect to the correctness of information in this document. Copyright by AUDI AG.



Heated Oxygen Sensors, Bank 2

1 - Heated Oxygen Sensor (HO2S) 2 -G108-

2 - Oxygen Sensor (O2S) 2 Behind Three Way Catalytic Converter (TWC) -G131-



Audi

Protected by copyright. Copying for private or commercial purposes, in part or in whole, is not permitted unless authorised by AUDI AG. AUDI AG does not guarantee or accept any liability with respect to the correctness of information in this document. Copyright by AUDI AG.



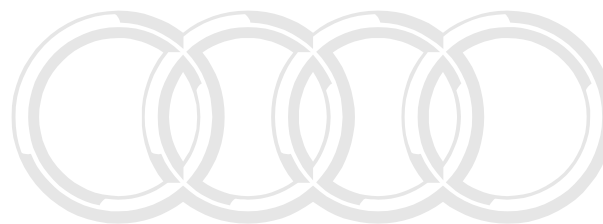
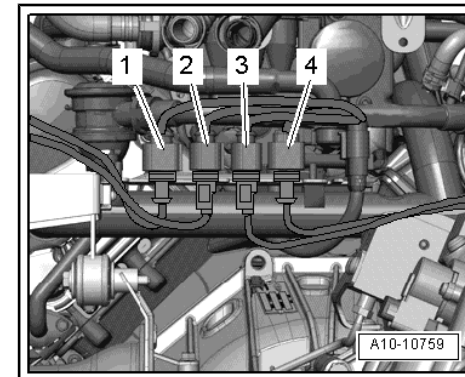
Oxygen sensor electrical connectors, 4.2L BYH and CNDA

1 - For Oxygen Sensor (O2S) 2 Behind Three Way Catalytic Converter (TWC) -G131-

2 - For Heated Oxygen Sensor (HO2S) 2 -G108-

3 - For Heated Oxygen Sensor (HO2S) -G39-

4 - For Oxygen Sensor (O2S) Behind Three Way Catalytic Converter (TWC) -G130-



Audi

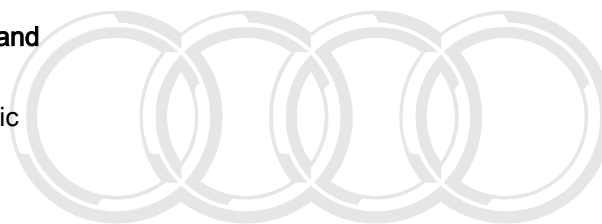
Protected by copyright. Copying for private or commercial purposes, in part or in whole, is not permitted unless authorised by AUDI AG. AUDI AG does not guarantee or accept any liability with respect to the correctness of information in this document. Copyright by AUDI AG.



Oxygen Sensor Connectors, Cylinder Bank 1, 5.2L BUJ and
CMPA/CTPA/CTYA

1 - For Oxygen Sensor (O2S) Behind Three Way Catalytic
Converter (TWC) -G130-

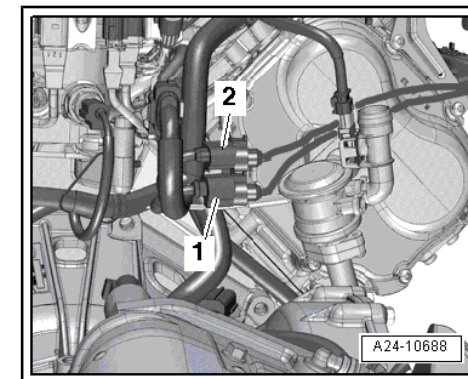
2 - For Heated Oxygen Sensor (HO2S) -G39-



Audi

Protected by copyright. Copying for private or commercial purposes, in part or in whole, is not permitted unless authorised by AUDI AG. AUDI AG does not guarantee or accept any liability with respect to the correctness of information in this document. Copyright by AUDI AG.

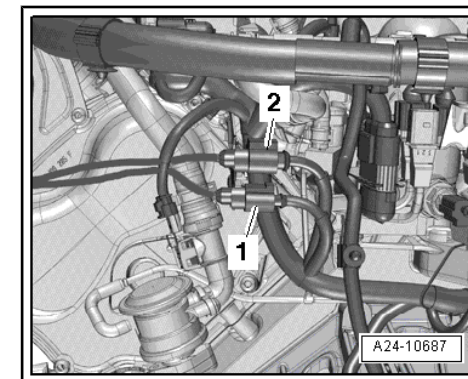
erWin



Oxygen Sensor Connectors, Cylinder Bank 2, 5.2L BUJ and
CMPA/CTPA/CTYA

1 - For Oxygen Sensor (O2S) 2 Behind Three Way Catalytic
Converter (TWC) -G131-

2 - For Heated Oxygen Sensor (HO2S) 2 -G108-



Audi

Protected by copyright. Copying for private or commercial purposes, in part or in whole, is not permitted unless authorised by AUDI AG. AUDI AG does not guarantee or accept any liability with respect to the correctness of information in this document. Copyright by AUDI AG.



1.5 Cooling Fans and Pumps

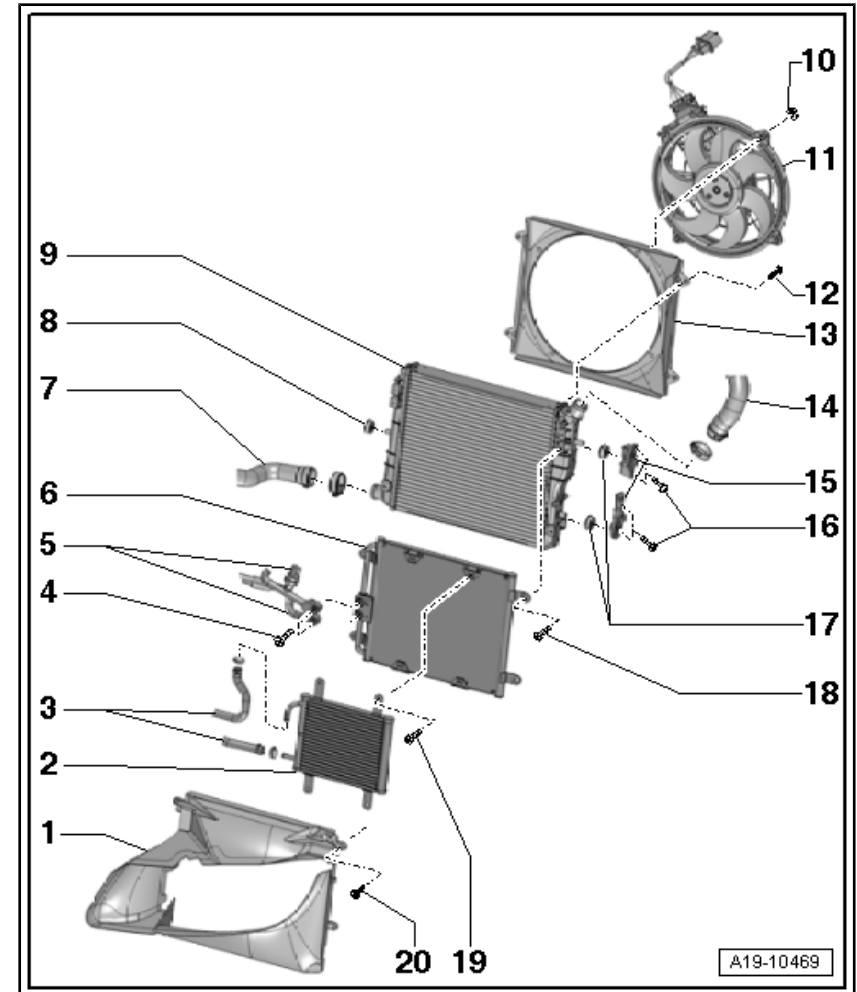
11 - Coolant Fan

- ❑ Left radiator: Coolant Fan -V7- with Coolant Fan Control (FC) Control Module -J293-
- ❑ Right radiator: Coolant Fan 2 -V177- with Coolant Fan Control (FC) Control Module 2 -J671-



Audi

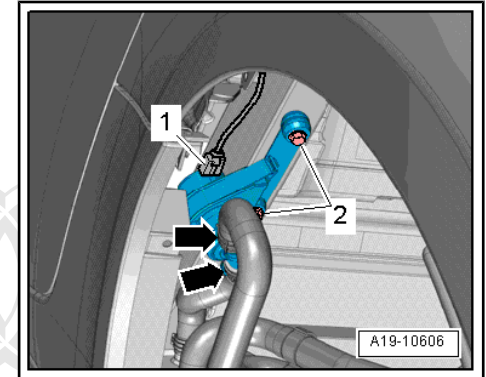
Protected by copyright. Copying for private or commercial purposes, in part or in whole, is not permitted unless authorised by AUDI AG. AUDI AG does not guarantee or accept any liability with respect to the correctness of information in this document. Copyright by AUDI AG.



A19-10469

After-Run Coolant Pump

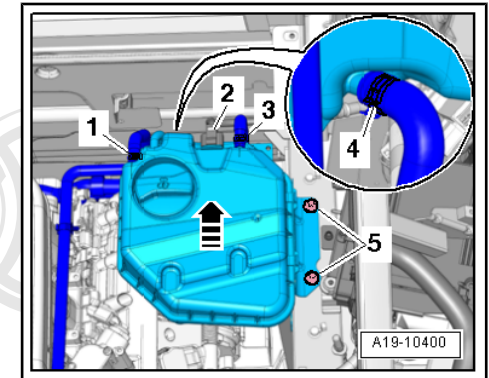
1 - After-Run Coolant Pump -V51-



Protected by copyright. Copying for private or commercial purposes, in part or in whole, is not permitted unless authorised by AUDI AG. AUDI AG does not guarantee or accept any liability with respect to the correctness of information in this document. Copyright by AUDI AG.

Engine Coolant Level (ECL) Warning Switch

2 - Engine Coolant Level (ECL) Warning Switch -F66-



Protected by copyright. Copying for private or commercial purposes, in part or in whole, is not permitted unless authorised by AUDI AG. AUDI AG does not guarantee or accept any liability with respect to the correctness of information in this document. Copyright by AUDI AG.



1.6 Evap System Overviews

5 - Air Filter Housing

- For Leak Detection Pump (LDP) -V144-

8 - EVAP Canister

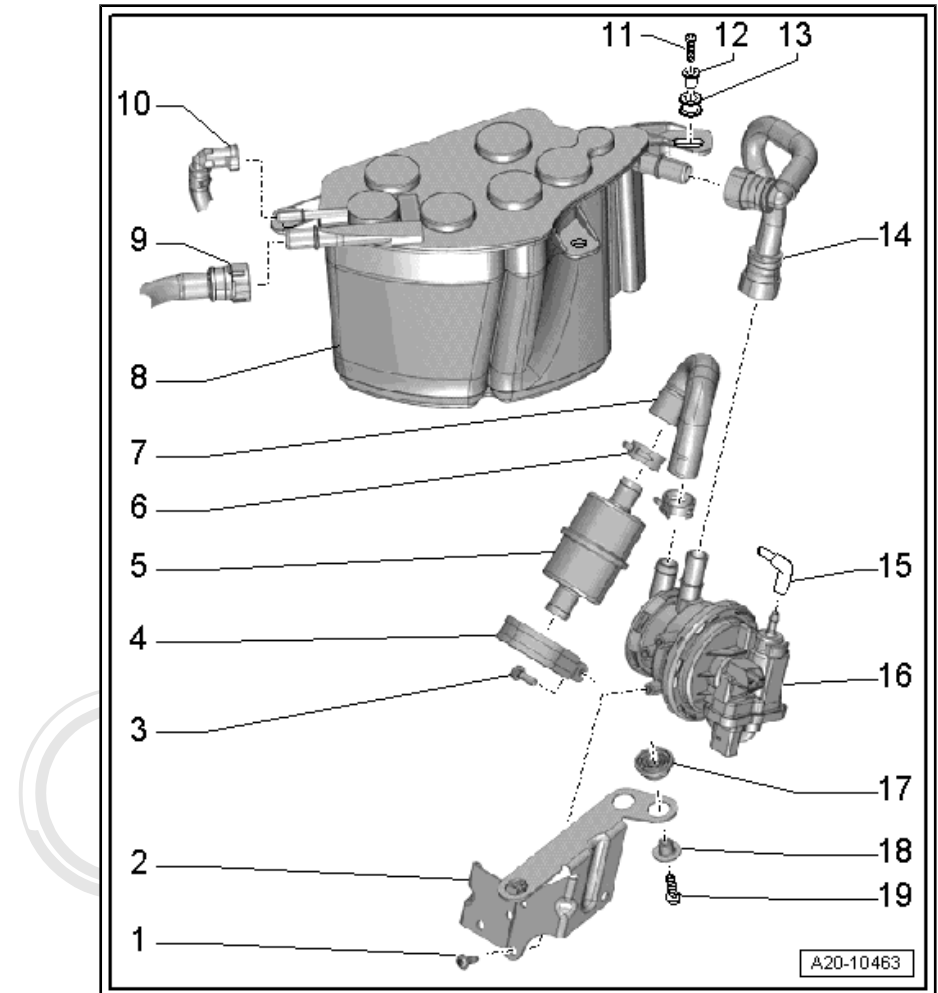
- Component location: Under the right engine compartment trim

10 - Vent Line

- To Evaporative Emission (EVAP) Canister Purge Regulator Valve 1 -N80-

16 - Leak Detection Pump (LDP) -V144-

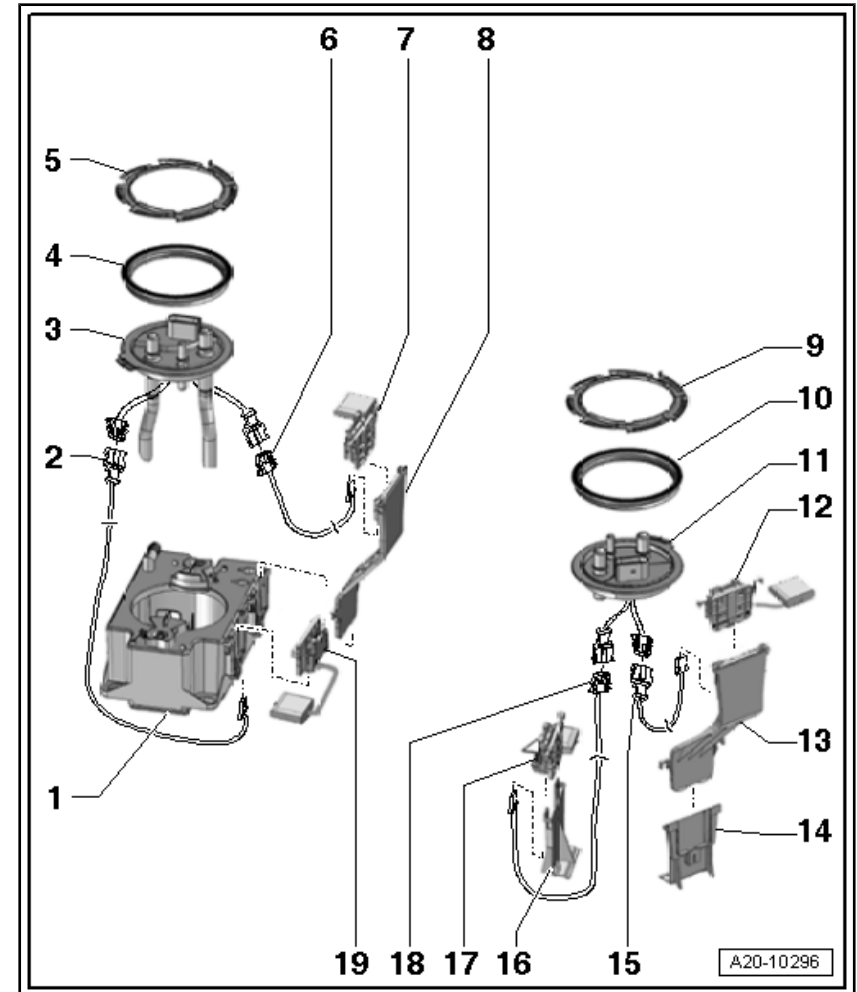
- Component location: Under wheel housing liner in right rear wheel housing



Protected by copyright. Copying for private or commercial purposes, in part or in whole, is not permitted unless authorised by AUDI AG. AUDI AG does not guarantee or accept any liability with respect to the correctness of information in this document. Copyright by AUDI AG.

1.7 Fuel Pump and Sensors

- 7 - Fuel Level Sensor 2 -G169-
- 12 - Fuel Level Sensor 4 -G393-
- 17 - Fuel Level Sensor 3 -G237-
- 19 - Fuel Level Sensor -G-



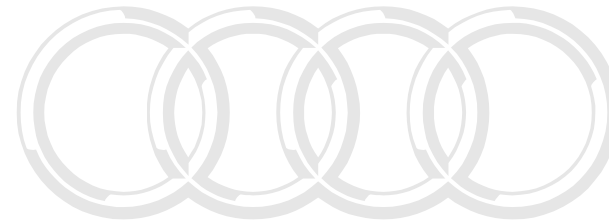
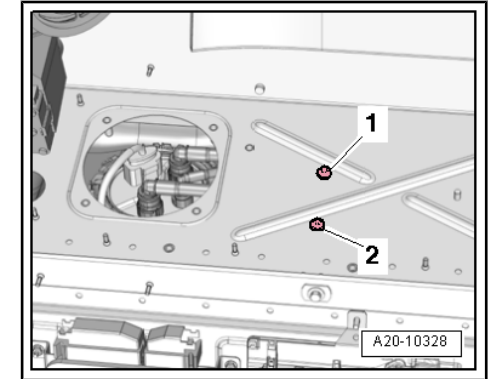
Audi

Protected by copyright. Copying for private or commercial purposes, in part or in whole, is not permitted unless authorised by AUDI AG. AUDI AG does not guarantee or accept any liability with respect to the correctness of information in this document. Copyright by AUDI AG.



Fuel Pump Control Unit

Fuel Pump (FP) Control Module -J538-



Audi

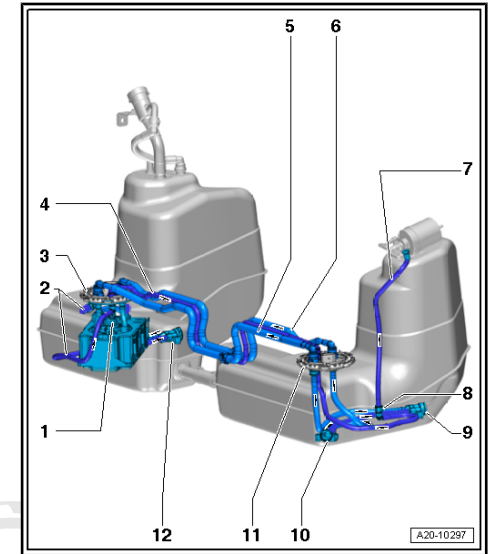
Protected by copyright. Copying for private or commercial purposes, in part or in whole, is not permitted unless authorised by AUDI AG. AUDI AG does not guarantee or accept any liability with respect to the correctness of information in this document. Copyright by AUDI AG.



Fuel Delivery Unit

1 - Fuel delivery unit

◆ With Transfer Fuel Pump (FP) -G6- and suction jet pump



Audi

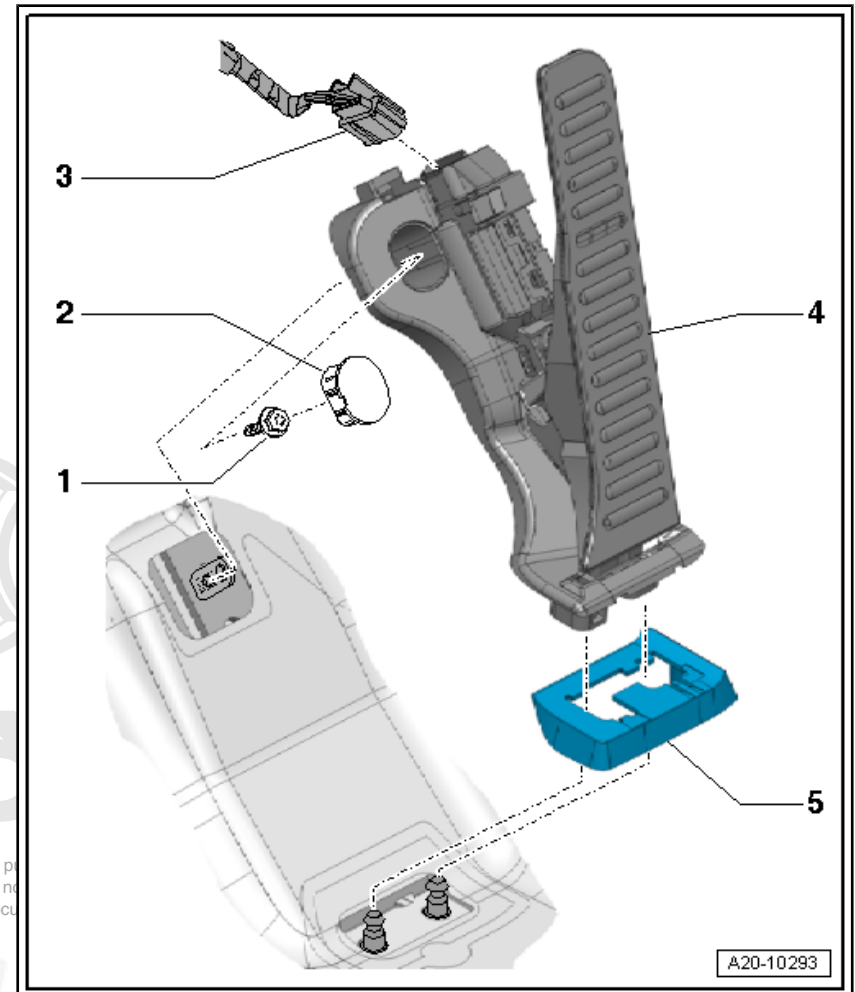
Protected by copyright. Copying for private or commercial purposes, in part or in whole, is not permitted unless authorised by AUDI AG. AUDI AG does not guarantee or accept any liability with respect to the correctness of information in this document. Copyright by AUDI AG.

erWin

1.8 Accelerator Pedal Module

4 - Accelerator Pedal Module

- With Throttle Position (TP) Sensor -G79- and Accelerator Pedal Position Sensor 2 -G185-

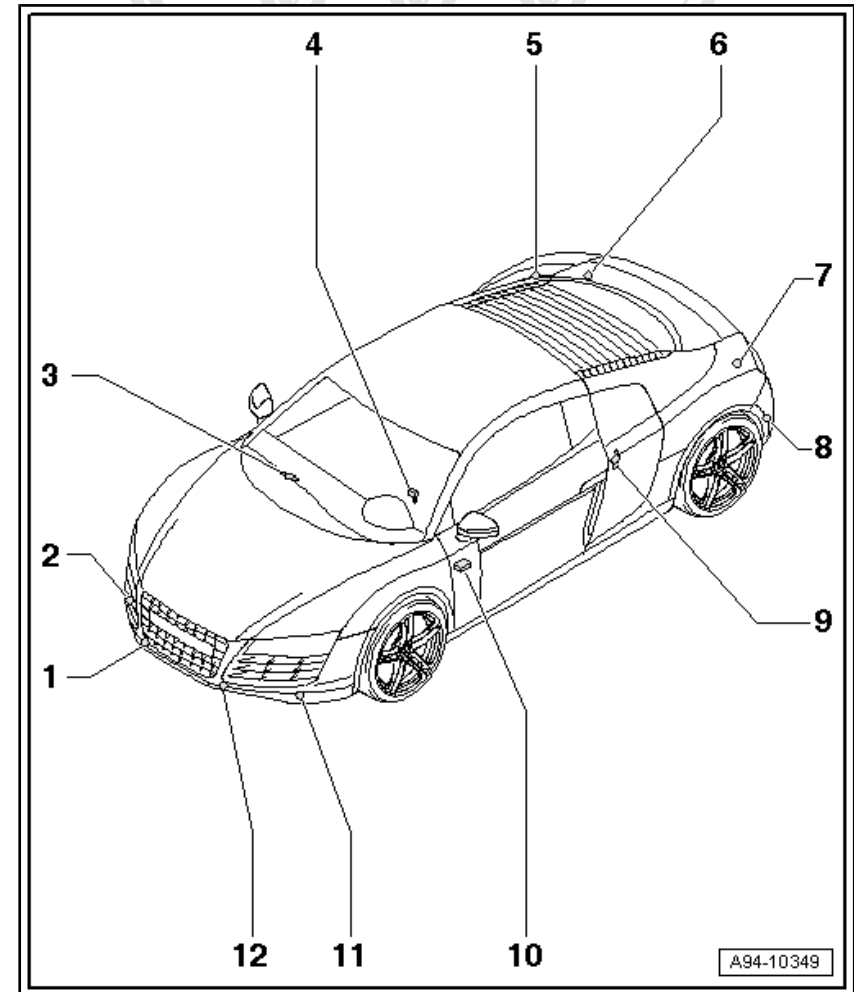


Protected by copyright. Copying for private or commercial purposes is not permitted unless authorised by AUDI AG. AUDI AG does not accept any liability with respect to the correctness of information in this document.

1 Component Locations: Parking Aid System

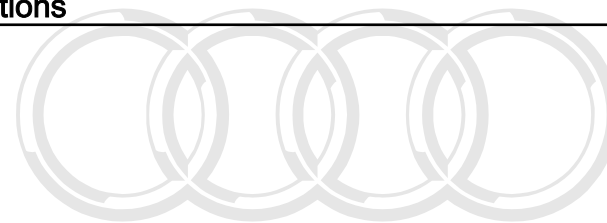
1.1 Parking Aid System Component Location

- 1 - Right Front Center Parking Aid Sensor -G253-**
 - In front bumper
- 2 - Right Front Parking Aid Sensor -G252-**
 - In front bumper
- 3 - Front Parking Aid Warning Buzzer -H22-**
 - Only with 8-channel parking aid
 - Behind glove compartment ⇒ [page 6](#)
- 4 - Parking Aid Button -E266-**
 - Only with 8-channel parking aid
 - With Parking Aid Switch Illumination -L117-
 - With Parking Aid Indicator Lamp -K136-
 - Location ⇒ [page 3](#)
- 5 - Right Rear Parking Aid Sensor -G206-**
 - In rear bumper
- 6 - Right Rear Center Parking Aid Sensor -G205-**
 - In rear bumper
- 7 - Left Rear Center Parking Aid Sensor -G204-**
 - In rear bumper
- 8 - Left Rear Parking Aid Sensor -G203-**
 - In rear bumper
- 9 - Rear Parking Aid Warning Buzzer -H15-**
 - Behind left rear speaker trim ⇒ [page 5](#)
- 10 - Parking Aid Control Module -J446-**
 - On left side of vehicle under seat ⇒ [page 4](#)
- 11 - Left Front Parking Aid Sensor -G255-**
 - In front bumper



12 - Left Front Center Parking Aid Sensor -G254-

- In front bumper



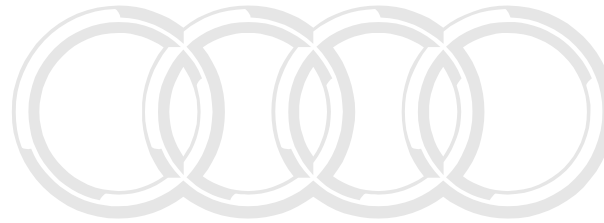
Audi

Protected by copyright. Copying for private or commercial purposes, in part or in whole, is not permitted unless authorised by AUDI AG. AUDI AG does not guarantee or accept any liability with respect to the correctness of information in this document. Copyright by AUDI AG.



Parking Aid Button

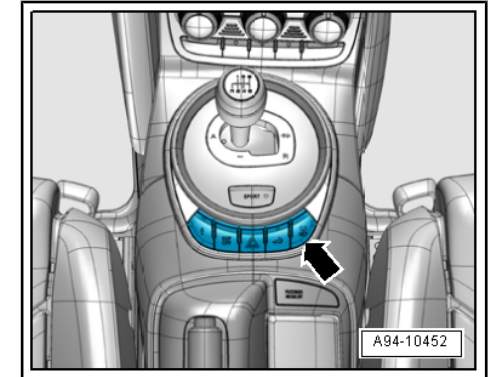
-ARROW- Front/Center Console Control Head -E461-



Audi

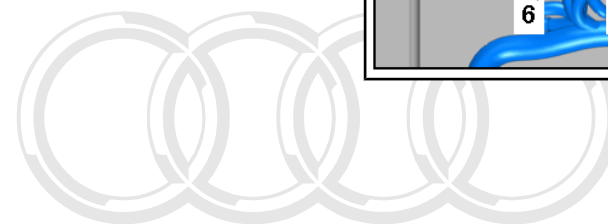
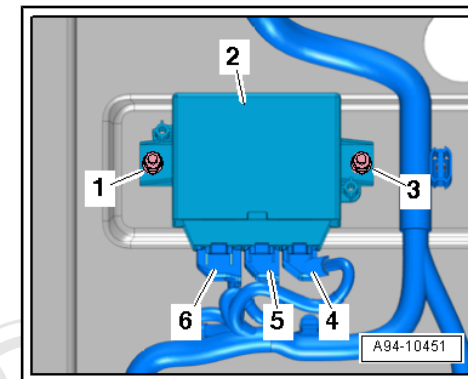
Protected by copyright. Copying for private or commercial purposes, in part or in whole, is not permitted unless authorised by AUDI AG. AUDI AG does not guarantee or accept any liability with respect to the correctness of information in this document. Copyright by AUDI AG.

erWin



Parking Aid Control Module

-2- Parking Aid Control Module -J446-



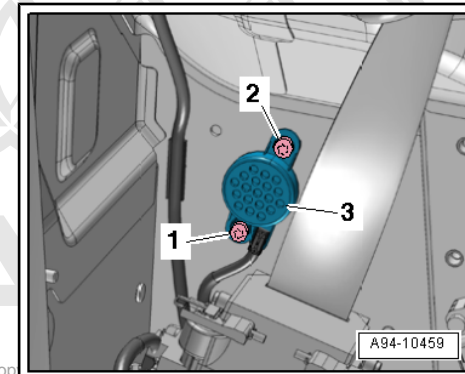
Audi

Protected by copyright. Copying for private or commercial purposes, in part or in whole, is not permitted unless authorised by AUDI AG. AUDI AG does not guarantee or accept any liability with respect to the correctness of information in this document. Copyright by AUDI AG.

erWin 

Rear Parking Aid Warning Buzzer

-3- Rear Parking Aid Warning Buzzer -H15-



Protected by copyright. Copying or reproduction in any form is not permitted unless authorised by AUDI AG. AUDI AG does not guarantee or accept any liability with respect to the correctness of information in this document. Copyright by AUDI AG.



Front Parking Aid Warning Buzzer

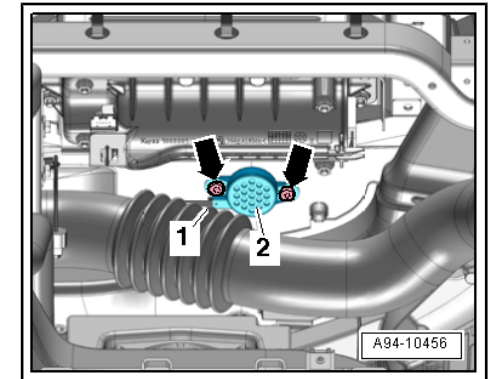
-2- Front Parking Aid Warning Buzzer -H22-



Audi

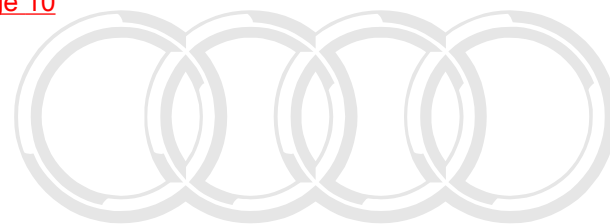
Protected by copyright. Copying for private or commercial purposes, in part or in whole, is not permitted unless authorised by AUDI AG. AUDI AG does not guarantee or accept any liability with respect to the correctness of information in this document. Copyright by AUDI AG.

erWin



1 Component Locations: Radio / Navigation Systems

- ◆ Radio System Component Overview ⇒ [page 2](#)
- ◆ RNS-E Component Overview ⇒ [page 6](#)
- ◆ Telephone System Component Overview ⇒ [page 8](#)
- ◆ Antenna Systems Component Overview ⇒ [page 10](#)



Audi

Protected by copyright. Copying for private or commercial purposes, in part or in whole, is not permitted unless authorised by AUDI AG. AUDI AG does not guarantee or accept any liability with respect to the correctness of information in this document. Copyright by AUDI AG.



1.1 Radio System Component Overview

1 - Antenna Amplifier 3 -R112-

- Behind right A-pillar ⇒ [page 11](#)

2 - Microphone Unit (in front roof module) -R164-

- In Front Interior Light -W1-

3 - Satellite Radio -R146-

- Below rear shelf, right ⇒ [page 4](#)

4 - CD Changer -R41-

- Below rear shelf

5 - Digital Sound System Control Module -J525-

- Below rear shelf, left ⇒ [page 5](#)

6 - Left Rear Treble Speaker -R14- / Right Rear Treble Speaker -R16-

- In upper right side trim

7 - Satellite Antenna -R170-

- In rear lid ⇒ [page 13](#)

8 - Antenna Amplifier -R24-

- AM/FM1
- Below left tail lamp ⇒ [page 12](#)

9 - Left Rear Mid/Low Range Speaker -R159- / Right Rear Mid/Low Range Speaker -R160-

- In rear side trim

10 - Left Front Midrange Speaker -R103- / Right Front Midrange Speaker -R104-

- In door trim

11 - Left Front Bass Speaker -R21- / Right Front Bass Speaker -R23-

- In lower door trim

12 - Left Front Treble Speaker -R20- / Right Front Treble Speaker -R22-

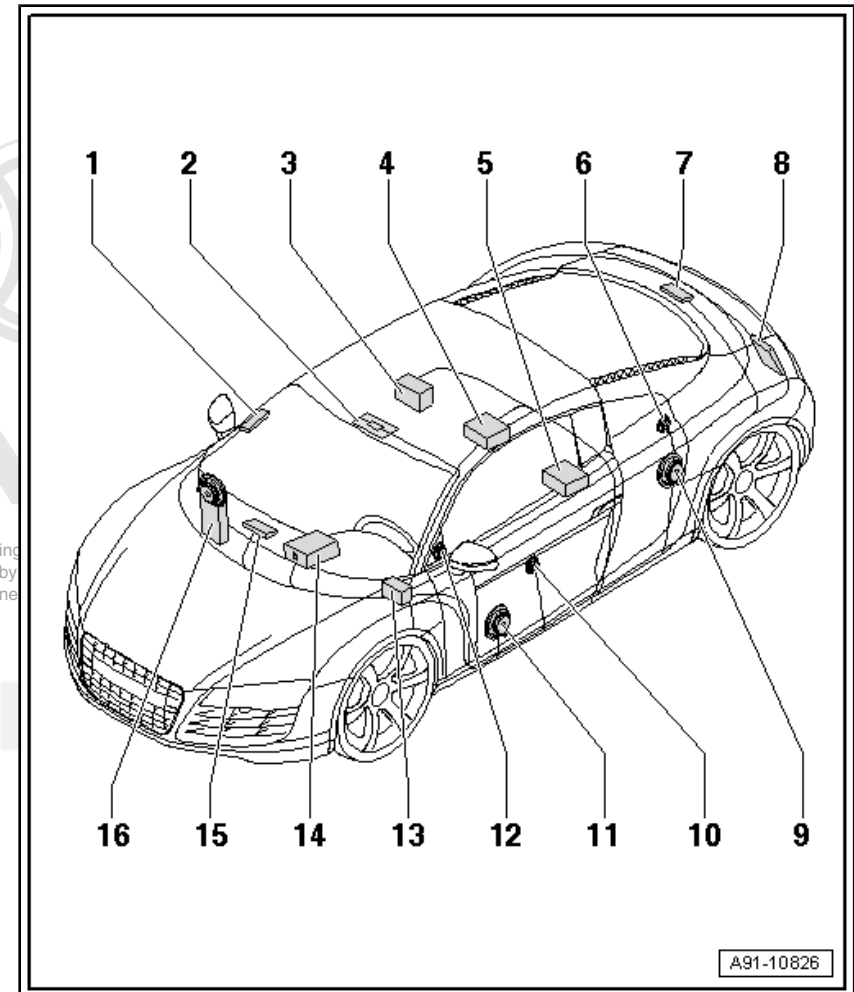
- In upper A-pillar trim

13 - Antenna Selection Control Module -J515-

- Behind left instrument panel cover ⇒ [page 16](#)

14 - Radio -R-

- In instrument panel

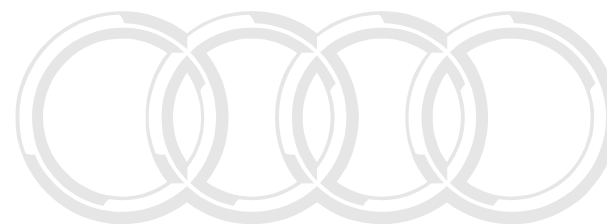


15 - Center Mid/High Range Speaker -R158-

- In instrument panel, center

16 - Center Speaker -R148-

- Behind glove compartment



Audi

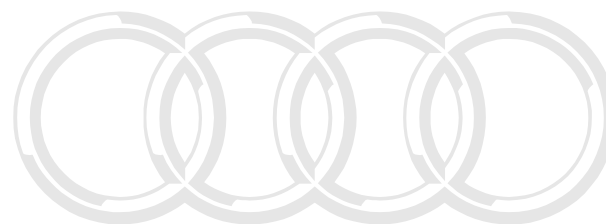
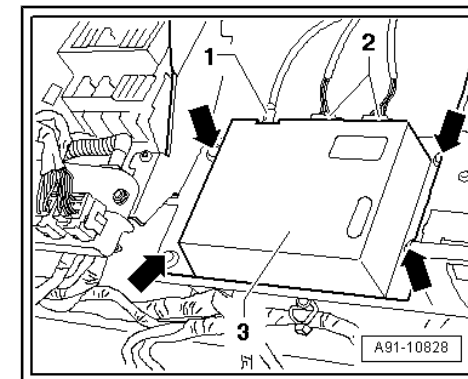
Protected by copyright. Copying for private or commercial purposes, in part or in whole, is not permitted unless authorised by AUDI AG. AUDI AG does not guarantee or accept any liability with respect to the correctness of information in this document. Copyright by AUDI AG.



Satellite Radio

3 - Satellite Radio -R146-

Located below rear shelf, right



Audi

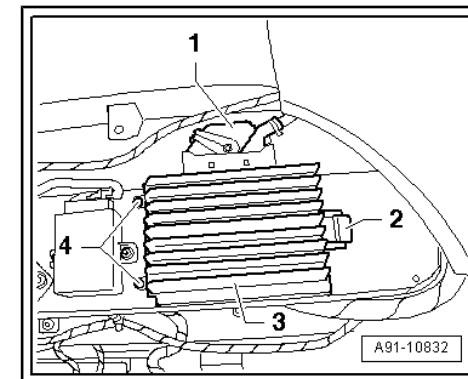
Protected by copyright. Copying for private or commercial purposes, in part or in whole, is not permitted unless authorised by AUDI AG. AUDI AG does not guarantee or accept any liability with respect to the correctness of information in this document. Copyright by AUDI AG.



Digital Sound System Control Module

3 - Digital Sound System Control Module -J525-

Located under the left side of rear shelf



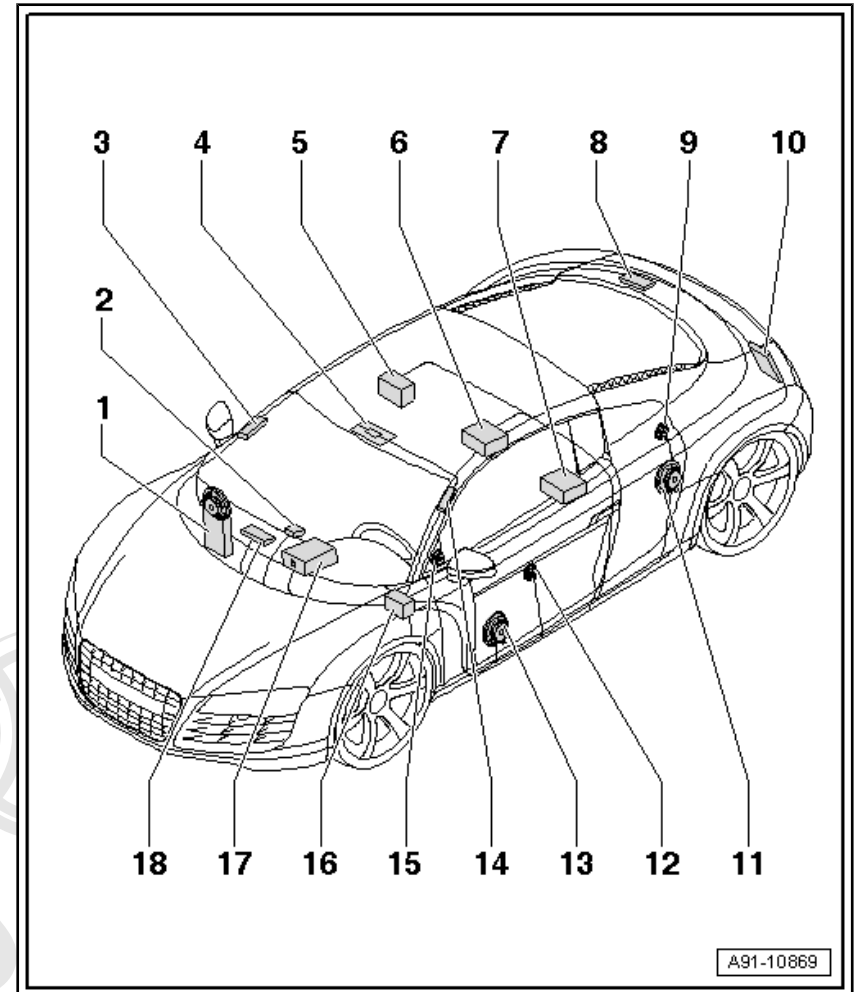
Audi

Protected by copyright. Copying for private or commercial purposes, in part or in whole, is not permitted unless authorised by AUDI AG. AUDI AG does not guarantee or accept any liability with respect to the correctness of information in this document. Copyright by AUDI AG.



1.2 RNS-E Component Overview

- 1 - Center Speaker -R148-**
 - ❑ Behind glove compartment
- 2 - Navigation System Antenna -R50-**
 - ❑ Under instrument panel, center ⇒ [page 15](#)
- 3 - Antenna Amplifier 3 -R112-**
 - ❑ Behind right A-pillar ⇒ [page 11](#)
 - ❑ Connected to Antenna -R11- (in front windshield)
- 4 - Microphone Unit (in front roof module) -R164-**
 - ❑ In Front Interior Light -W1-
- 5 - Satellite Radio -R146-**
 - ❑ Below rear shelf, right ⇒ [page 4](#)
- 6 - CD Changer -R41-**
 - ❑ Below rear shelf
- 7 - Digital Sound System Control Module -J525-**
 - ❑ Below rear shelf, left ⇒ [page 5](#)
- 8 - Satellite Antenna -R170-**
 - ❑ In rear lid ⇒ [page 13](#)
- 9 - Left Rear Treble Speaker -R14- / Right Rear Treble Speaker -R16-**
 - ❑ In upper right side trim
- 10 - Antenna Amplifier -R24-**
 - ❑ AM/FM1
 - ❑ Below left tail lamp ⇒ [page 12](#)
- 11 - Left Rear Mid/Low Range Speaker -R159- / Right Rear Mid/Low Range Speaker -R160-**
 - ❑ In rear side trim
- 12 - Left Front Midrange Speaker -R103- / Right Front Midrange Speaker -R104-**
 - ❑ In door trim
- 13 - Left Front Bass Speaker -R21- / Right Front Bass Speaker -R23-**
 - ❑ In lower door trim
- 14 - Antenna Amplifier 2 -R111-**
 - ❑ Behind left A-pillar ⇒ [page 11](#)



Protected by copyright. Copying for private or commercial purposes, in part or in whole, is not permitted unless authorised by AUDI AG. AUDI AG does not guarantee or accept any liability for the correctness of information in this document. Copyright by AUDI AG.

15 - Left Front Treble Speaker -R20- / Right Front Treble Speaker -R22-

- In upper A-pillar trim

16 - Antenna Selection Control Module -J515-

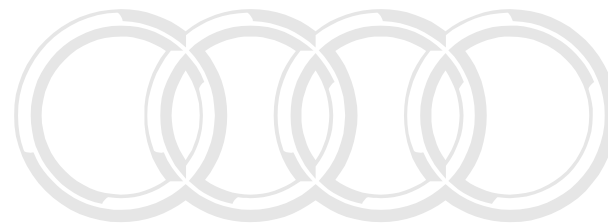
- Behind left instrument panel cover ⇒ [page 16](#)

17 - Navigation System with CD Drive Control Module -J401-

- In instrument panel

18 - Center Mid/High Range Speaker -R158-

- In instrument panel, center



Audi

Protected by copyright. Copying for private or commercial purposes, in part or in whole, is not permitted unless authorised by AUDI AG. AUDI AG does not guarantee or accept any liability with respect to the correctness of information in this document. Copyright by AUDI AG.



1.3 Telephone System Component Overview

1 - Telephone Baseplate -R126-

- In center console

2 - Microphone Unit (in front roof module) -R164-

- In Front Interior Light -W1-

3 - CD Changer -R41-

- Below rear shelf

4 - Telephone Transceiver -R36-

- With Bluetooth Antenna -R152-
- Below rear shelf, left [⇒ page 9](#)

5 - Radio/Telephone Antenna -R51-

- In rear lid [⇒ page 14](#)

6 - Rear Speakers

- In rear side trim

7 - Front Speakers

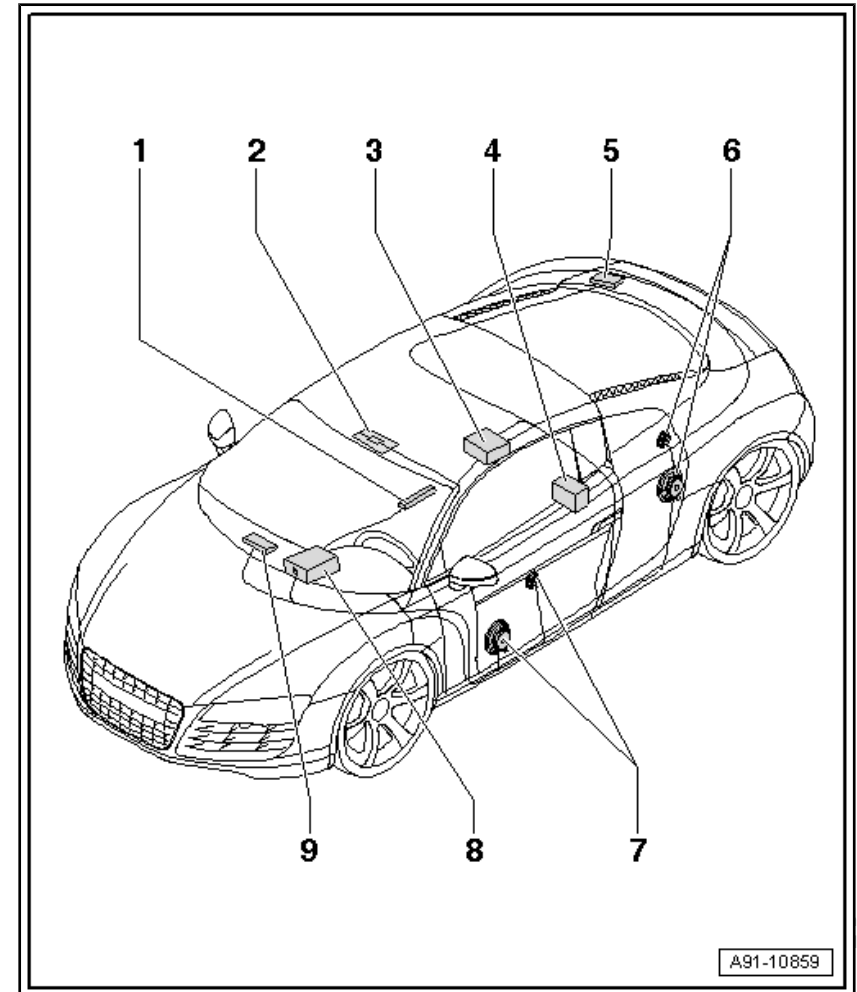
- In door trim

8 - Radio -R-

- In instrument panel

9 - Center Mid/High Range Speaker -R158-

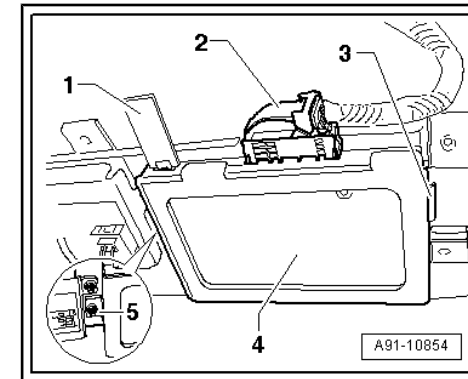
- In instrument panel, center



Telephone Transceiver

4 - Telephone Transceiver -R36-

Located under the left side of rear shelf



Audi

Protected by copyright. Copying for private or commercial purposes, in part or in whole, is not permitted unless authorised by AUDI AG. AUDI AG does not guarantee or accept any liability with respect to the correctness of information in this document. Copyright by AUDI AG.



1.4 Antenna Systems Component Overview

1 - Antenna Amplifier 3 -R112-

- FM2/TV2
- Connected to Antenna -R11- (in front windshield)
- Behind right A-pillar ⇒ [page 11](#)

2 - Antenna Amplifier 4 -R113-

- TV3
- Below right tail lamp ⇒ [page 12](#)

3 - Satellite Antenna -R170-

- Sat
- USA and Canada only
- In rear lid ⇒ [page 13](#)

4 - Radio/Telephone Antenna -R51-

- GSM
- In rear lid ⇒ [page 14](#)

5 - Antenna Amplifier -R24-

- AM/FM1/TV1
- Below left tail lamp ⇒ [page 12](#)

6 - Antenna Amplifier 2 -R111-

- FZV/DAB
- Connects to Central Locking and Anti-Theft Alarm System Antenna -R47-
- On the left A-pillar ⇒ [page 11](#)

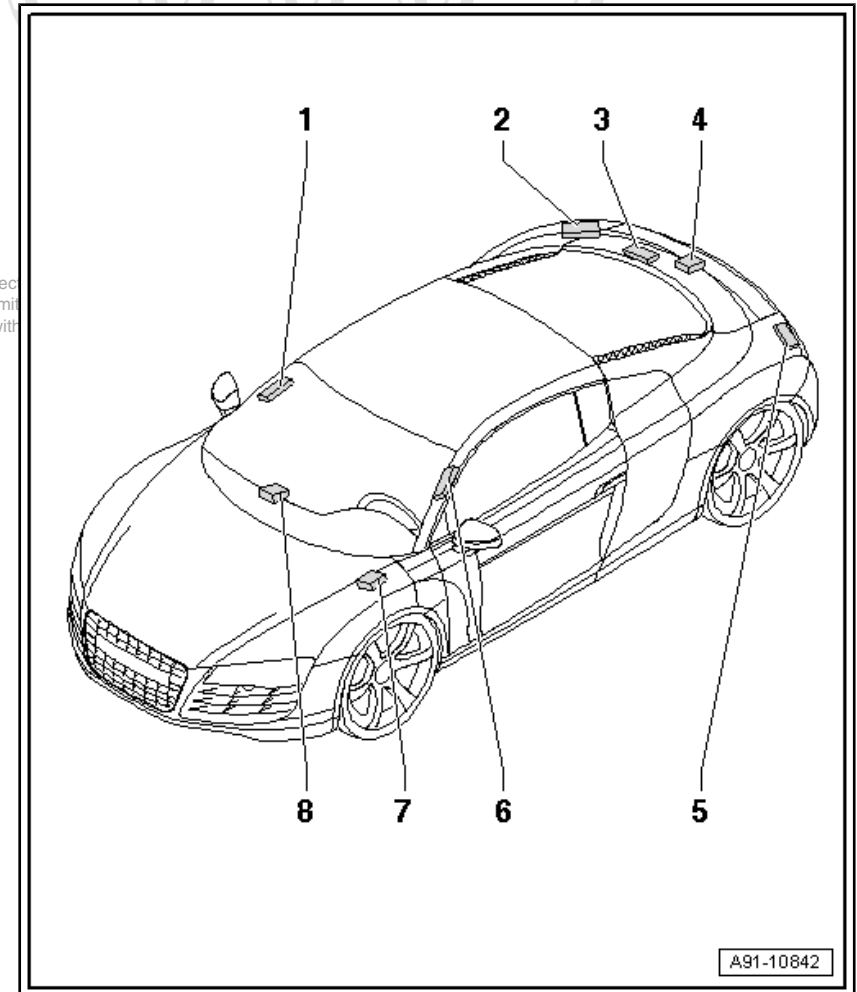
7 - Antenna Selection Control Module -J515-

- Behind left instrument panel cover ⇒ [page 16](#)

8 - Navigation System Antenna -R50-

- GPS
- Under instrument panel, center ⇒ [page 15](#)

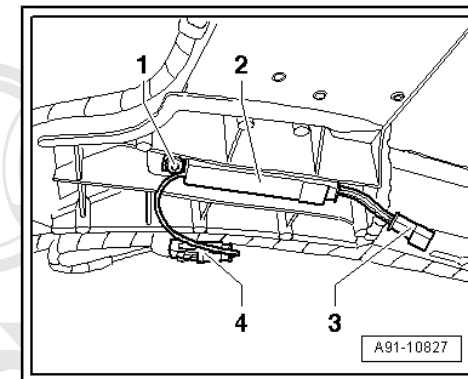
Protect
permi
with



Front Antenna Amplifiers

2 - Antenna Amplifier 2 -R111- / Antenna Amplifier 3 -R112-

Located on the left and right A-pillars



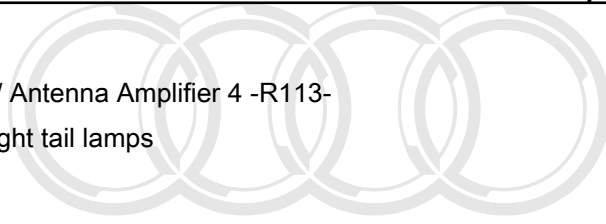
Protected by copyright. Copying for private or commercial purposes, in part or in whole, is not permitted unless authorised by AUDI AG. AUDI AG does not guarantee or accept any liability with respect to the correctness of information in this document. Copyright by AUDI AG.



Rear Antenna Amplifiers

2 - Antenna Amplifier -R24- / Antenna Amplifier 4 -R113-

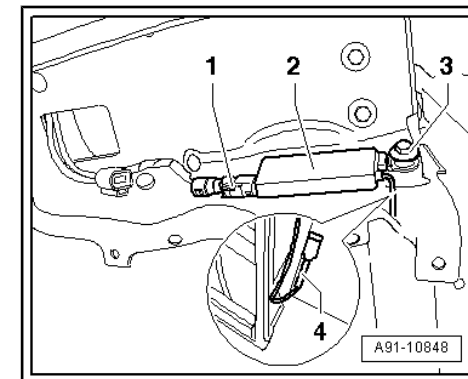
Located under the left and right tail lamps



Audi

Protected by copyright. Copying for private or commercial purposes, in part or in whole, is not permitted unless authorised by AUDI AG. AUDI AG does not guarantee or accept any liability with respect to the correctness of information in this document. Copyright by AUDI AG.

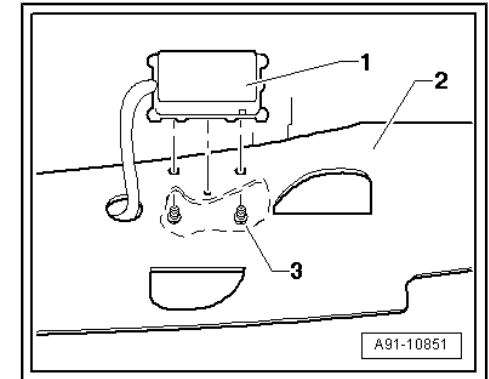
erWin 



Satellite Antenna

1 - Satellite Antenna -R170-

Located in the rear lid



Audi

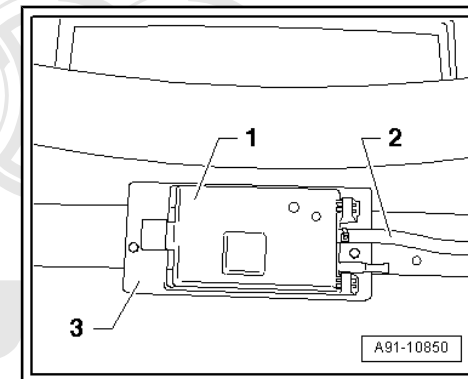
Protected by copyright. Copying for private or commercial purposes, in part or in whole, is not permitted unless authorised by AUDI AG. AUDI AG does not guarantee or accept any liability with respect to the correctness of information in this document. Copyright by AUDI AG.



Radio/Telephone Antenna

1 - Radio/Telephone Antenna -R51-

Located in the rear lid



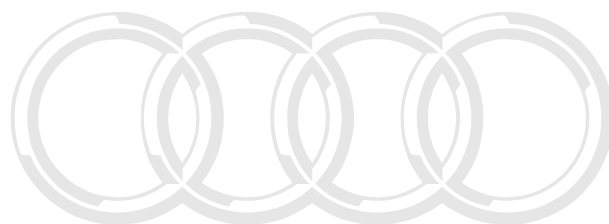
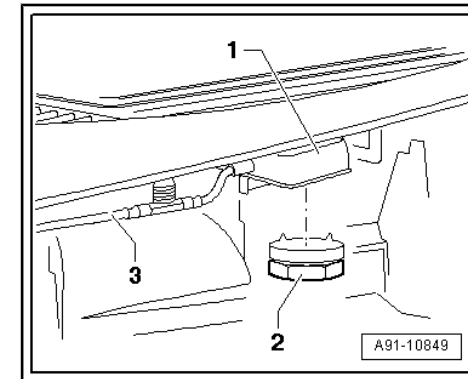
Protected by copyright. Copying for private or commercial purposes, in part or in whole, is not permitted unless authorised by AUDI AG. AUDI AG does not guarantee or accept any liability with respect to the correctness of information in this document. Copyright by AUDI AG.



Navigation System Antenna

1 - Navigation System Antenna -R50-

Located under the center of instrument panel



Audi

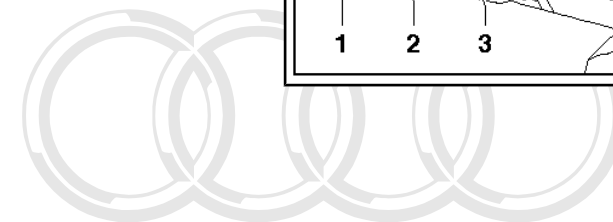
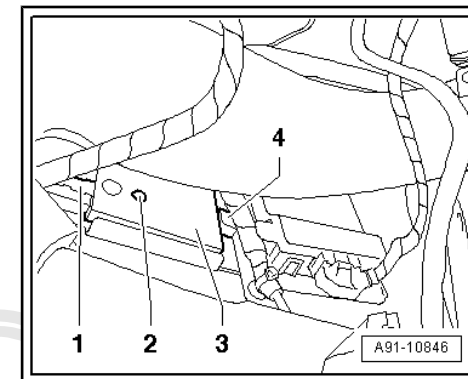
Protected by copyright. Copying for private or commercial purposes, in part or in whole, is not permitted unless authorised by AUDI AG. AUDI AG does not guarantee or accept any liability with respect to the correctness of information in this document. Copyright by AUDI AG.



Antenna Selection Control Module

3 - Antenna Selection Control Module -J515-

Located behind instrument panel cover, left



Audi

Protected by copyright. Copying for private or commercial purposes, in part or in whole, is not permitted unless authorised by AUDI AG. AUDI AG does not guarantee or accept any liability with respect to the correctness of information in this document. Copyright by AUDI AG.

erWin

1 Component Locations: Suspension System

1.1 Audi Magnetic Ride Electronically-Controlled Damping Assembly Overview

1 - Suspension Strut With The Right Front Dampening Adjustment Valve -N337-

2 - Right Front Level Control Sensor -G289-

- ❑ Component location: On the right track transverse link ⇒ [page 2](#)

3 - Dampening Adjustment Button -E387-

- ❑ Component location: The Dampening Adjustment Button -E387- is installed in the center console switch strip.

4 - Electronic Damping Control Module -J250-

- ❑ Component location: The Electronic Damping Control Module -J250- is behind the glove compartment on the right side. ⇒ [page 4](#)

5 - Suspension Strut With The Right Rear Dampening Adjustment Valve -N339-

6 - Right Rear Level Control System Sensor -G77-

- ❑ Component location: On the right track transverse link ⇒ [page 3](#)

7 - Left Rear Level Control System Sensor -G76-

- ❑ Component location: On the left track transverse link ⇒ [page 3](#)

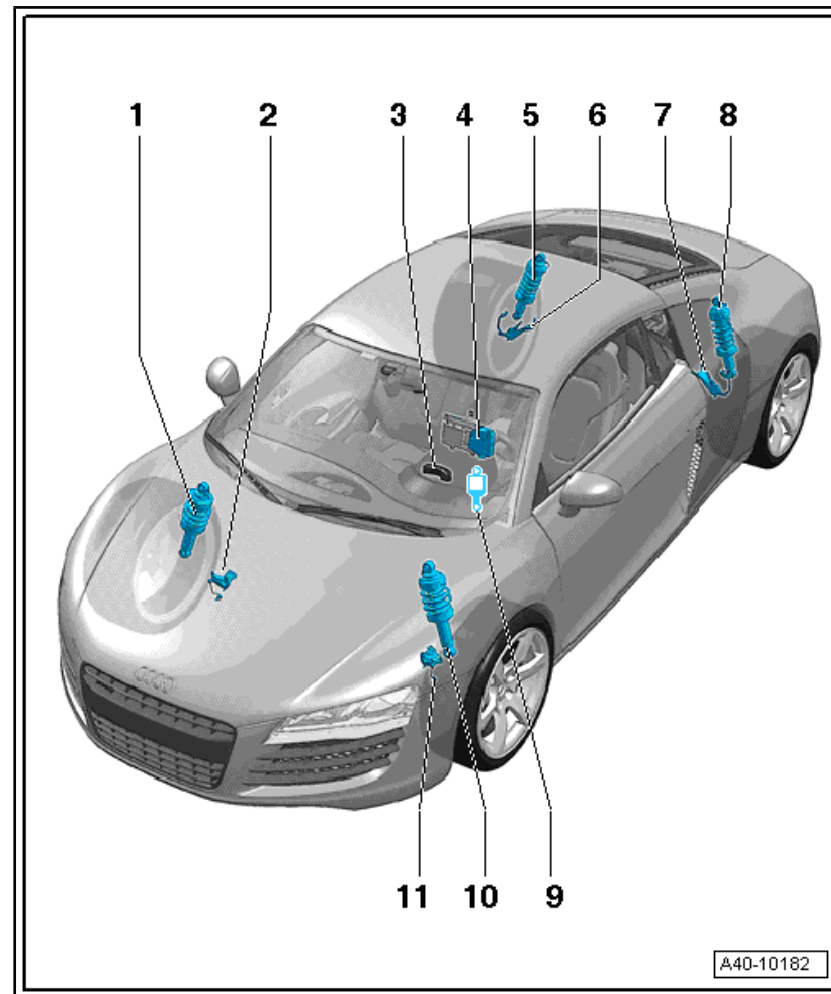
8 - Suspension Strut With The Left Rear Dampening Adjustment Valve -N338-

9 - Dampening Adjustment Indicator Lamp

10 - Suspension Strut With The Left Front Dampening Adjustment Valve -N336-

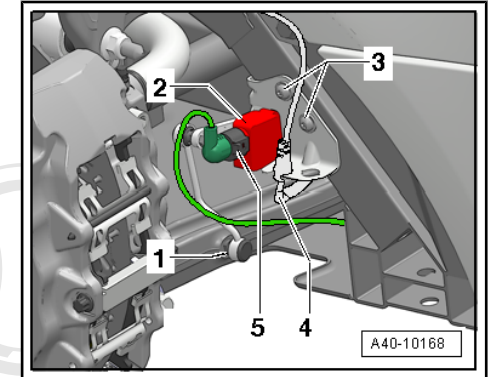
11 - Left Front Level Control System Sensor -G78-

- ❑ Component location: On the left track transverse link ⇒ [page 2](#)



Front Level Control System Sensor

-2- Right Front Level Control Sensor -G289- / Left Front Level Control System Sensor -G78-



Audi

Protected by copyright. Copying for private or commercial purposes, in part or in whole, is not permitted unless authorised by AUDI AG. AUDI AG does not guarantee or accept any liability with respect to the correctness of information in this document. Copyright by AUDI AG.

erWin

Rear Level Control System Sensor

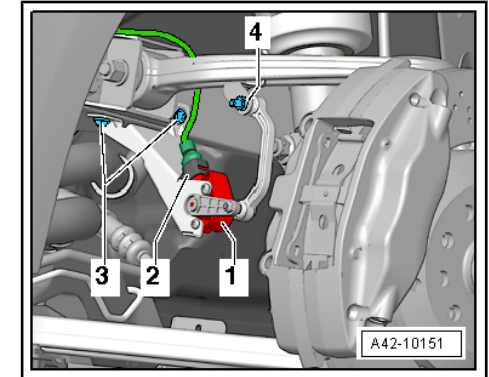
-1- Right Rear Level Control System Sensor -G77- / Left Rear
Level Control System Sensor -G76-



Audi

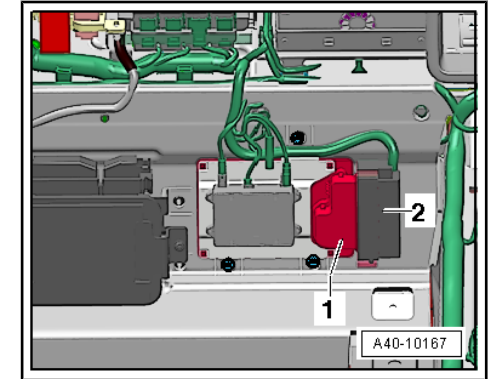
Protected by copyright. Copying for private or commercial purposes, in part or in whole, is not permitted unless authorised by AUDI AG. AUDI AG does not guarantee or accept any liability with respect to the correctness of information in this document. Copyright by AUDI AG.

erWin



Electronic Damping Control Module

-1- Electronic Damping Control Module -J250-



Audi

Protected by copyright. Copying for private or commercial purposes, in part or in whole, is not permitted unless authorised by AUDI AG. AUDI AG does not guarantee or accept any liability with respect to the correctness of information in this document. Copyright by AUDI AG.



1 Component Locations: Transmission Systems

- ◆ ⇒ [“1.1 Manual/Automatic R Tronic Transmission 086”, page 1](#)
- ◆ ⇒ [“1.2 Automatic DSG Transmission 0BZ”, page 8](#)
- ◆ ⇒ [“1.3 Selector Lever”, page 15](#)

Transmission input speed sensor -G182- ◆ Manual/Automatic R Tronic Transmission 086 ⇒ page 2 ◆ Automatic DSG Transmission 0BZ ⇒ page 12	Gear recognition sensor 2 -G616- ◆ Manual/Automatic R Tronic Transmission 086 ⇒ page 2	Gear recognition sensor -G604- ◆ Manual/Automatic R Tronic Transmission 086 ⇒ page 2
Gear selection valve 3 -N286- ◆ Manual/Automatic R Tronic Transmission 086 ⇒ page 3	Hydraulic pressure sensor -G270- ◆ Manual/Automatic R Tronic Transmission 086 ⇒ page 3	Gear selection valve 2 -N285- ◆ Manual/Automatic R Tronic Transmission 086 ⇒ page 3
Gear selection valve 1 -N284- ◆ Manual/Automatic R Tronic Transmission 086 ⇒ page 3	Clutch actuator valve -N255- ◆ Manual/Automatic R Tronic Transmission 086 ⇒ page 3	Transmission hydraulic pump -V387- ◆ Manual/Automatic R Tronic Transmission 086 ⇒ page 4
Transmission hydraulic pump relay -J510- ◆ Manual/Automatic R Tronic Transmission 086 ⇒ page 5	Clutch position sensor -G476- ◆ Manual/Automatic R Tronic Transmission 086 ⇒ page 6	DSG transmission Mechatronic -J743- ◆ Automatic DSG Transmission 0BZ ⇒ page 8
DSG transmission Mechatronic 2 -J1006- ◆ Automatic DSG Transmission 0BZ ⇒ page 9 <small>Protected by copyright. Copying for private or commercial purposes, in part or in whole, is not permitted unless authorised by AUDI AG. AUDI AG does not guarantee or accept any liability with respect to the correctness of information in this document. Copyright by AUDI AG.</small>	Parking lock sensor -G747- ◆ Automatic DSG Transmission 0BZ ⇒ page 10	Hydraulic stabilizer decoupling unit pressure sensor -G486- ◆ Automatic DSG Transmission 0BZ ⇒ page 10
Parking lock solenoid valve -N573- ◆ Automatic DSG Transmission 0BZ ⇒ page 10	Clutch cooling valve 2 -N448- ◆ Automatic DSG Transmission 0BZ ⇒ page 11	Parking lock solenoid valve 2 -N574- ◆ Automatic DSG Transmission 0BZ ⇒ page 11
Clutch temperature sensor 2 -G659- ◆ Automatic DSG Transmission 0BZ ⇒ page 12	Clutch temperature sensor 1 -G658- ◆ Automatic DSG Transmission 0BZ ⇒ page 12	

1.1 Manual/Automatic R Tronic Transmission 086

Transmission Sensors

1 - Transmission Input Speed (RPM) Sensor -G182-

◆ Location: On the rear of the transmission

2 - Gear Recognition Sensor 2 -G616-

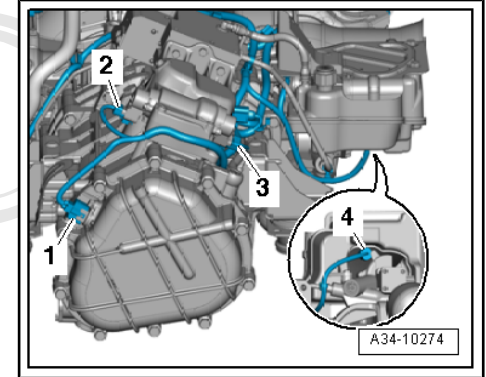
3 - Gear Recognition Sensor -G604-

◆ Location: On the R tronic shift actuator



Note

Ignore -4-

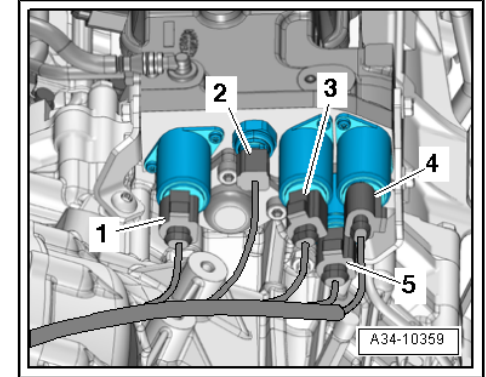


Protected by copyright. Copying for private or commercial purposes, in part or in whole, is not permitted unless authorised by AUDI AG. AUDI AG does not guarantee or accept any liability with respect to the correctness of information in this document. Copyright by AUDI AG.



Transmission Hydraulic Valves

- 1 - Gear Selection Valve 3 -N286-
- 2 - Hydraulic Pressure Sensor -G270-
- 3 - Gear Selection Valve 2 -N285-
- 4 - Clutch Actuator Valve -N255-
- 5 - Gear Selection Valve 1 -N284-
- ◆ Location: On the R tronic shift actuator



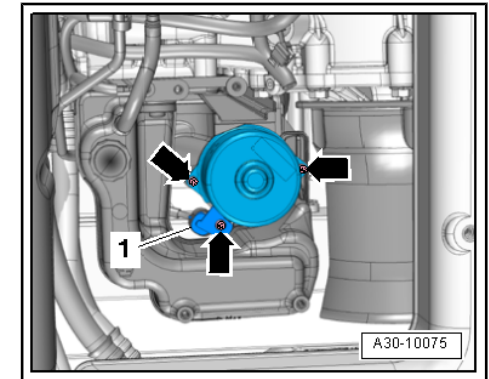
Protected by copyright. Copying for private or commercial purposes, in part or in whole, is not permitted unless authorised by AUDI AG. AUDI AG does not guarantee or accept any liability with respect to the correctness of information in this document. Copyright by AUDI AG.



Transmission Hydraulic Pump

1 - Transmission Hydraulic Pump -V387-

- ◆ Location: At the right on the transmission on the R tronic hydraulic unit.



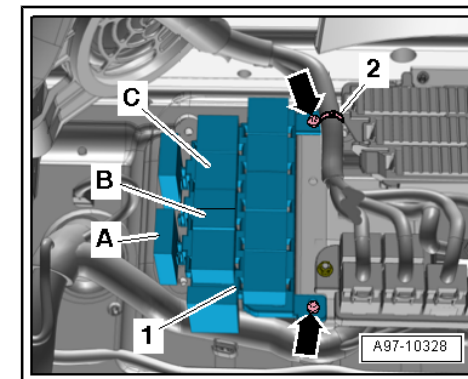
Audi

Protected by copyright. Copying for private or commercial purposes, in part or in whole, is not permitted unless authorised by AUDI AG. AUDI AG does not guarantee or accept any liability with respect to the correctness of information in this document. Copyright by AUDI AG.



Transmission Hydraulic Pump Relay

The Transmission Hydraulic Pump Relay -J510- is in the relay carrier under the rear shelf



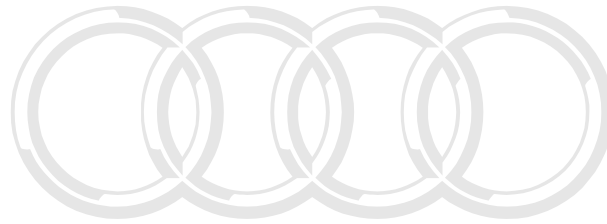
Audi

Protected by copyright. Copying for private or commercial purposes, in part or in whole, is not permitted unless authorised by AUDI AG. AUDI AG does not guarantee or accept any liability with respect to the correctness of information in this document. Copyright by AUDI AG.



Clutch Position Sensor

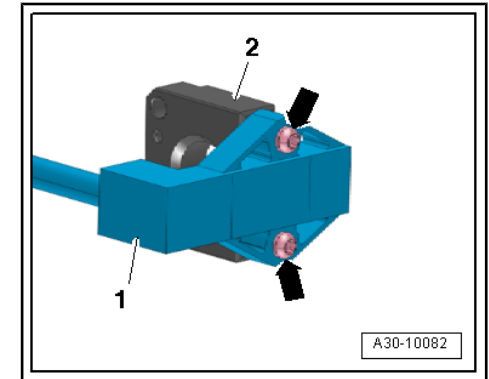
- 1 - Clutch Position Sensor -G476-
- 2 - Mounting Bracket
- ◆ Location: inside the clutch housing



Audi

Protected by copyright. Copying for private or commercial purposes, in part or in whole, is not permitted unless authorised by AUDI AG. AUDI AG does not guarantee or accept any liability with respect to the correctness of information in this document. Copyright by AUDI AG.

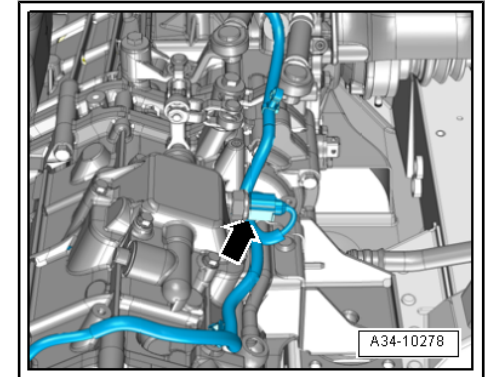
erWin



Back-Up Light Switch

ARROW - Back-Up Light Switch -F4-

- ◆ Location : at shifter input housing



Protected by copyright. Copying for private or commercial purposes, in part or in whole, is not permitted unless authorised by AUDI AG. AUDI AG does not guarantee or accept any liability with respect to the correctness of information in this document. Copyright by AUDI AG.



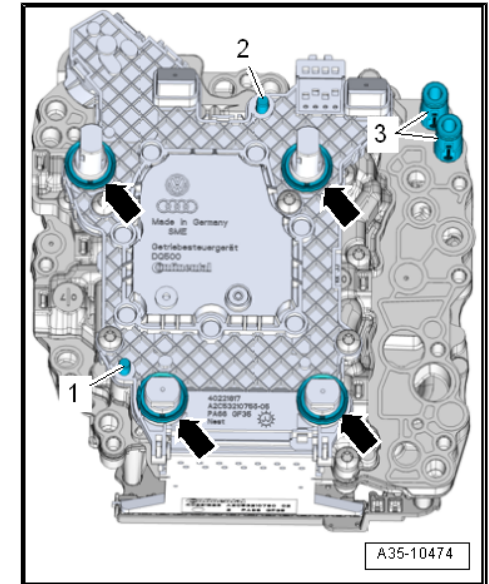
1.2 Automatic DSG Transmission 0BZ

DSG transmission Mechatronic -J743-

In the rear and on the left side of the transmission.

Includes:

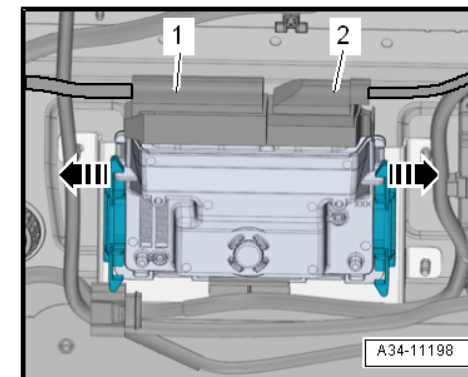
- ◆ Transmission fluid temperature sensor -G93-
- ◆ Gear position distance sensor 1 -G487-
- ◆ Gear position distance sensor 2 -G488-
- ◆ Gear position distance sensor 3 -G489-
- ◆ Gear position distance sensor 4 -G490-
- ◆ Hydraulic pressure sensor 1 -G545-
- ◆ Hydraulic pressure sensor 2 -G546-
- ◆ Transmission input speed sensor 2 -G612-
- ◆ Transmission input speed sensor 1 -G632-
- ◆ Sub-transmission 1 valve 1 -N433-
- ◆ Sub-transmission 1 valve 2 -N434-
- ◆ Sub-transmission 1 valve 3 -N435-
- ◆ Sub-transmission 1 valve 4 -N436-
- ◆ Sub-transmission 2 valve 1 -N437-
- ◆ Sub-transmission 2 valve 2 -N438-
- ◆ Sub-transmission 2 valve 3 -N439-
- ◆ Sub-transmission 2 valve 4 -N440-
- ◆ Clutch cooling valve 1 -N447-
- ◆ Main pressure valve -N472-



Protected by copyright. Copying for private or commercial purposes, in part or in whole, is not permitted unless authorised by AUDI AG. AUDI AG does not guarantee or accept any liability with respect to the correctness of information in this document. Copyright by AUDI AG.

DSG transmission Mechatronic 2 -J1006-

- ◆ Coupe installed location: behind the passenger seat underneath the rear shelf.
- ◆ Spyder installed location: behind the passenger seat behind the rear wall trim panel.



Audi

Protected by copyright. Copying for private or commercial purposes, in part or in whole, is not permitted unless authorised by AUDI AG. AUDI AG does not guarantee or accept any liability with respect to the correctness of information in this document. Copyright by AUDI AG.

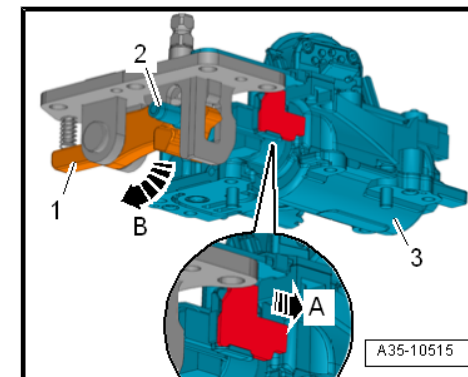


Parking Lock

Installed location: on top of the transmission housing.

Includes:

- ◆ Parking lock sensor -G747-
- ◆ Hydraulic stabilizer decoupling unit pressure sensor -G486-
- ◆ Parking lock solenoid valve -N573-



Protected by copyright. Copying for private or commercial purposes, in part or in whole, is not permitted unless authorised by AUDI AG. AUDI AG does not guarantee or accept any liability with respect to the correctness of information in this document. Copyright by AUDI AG.

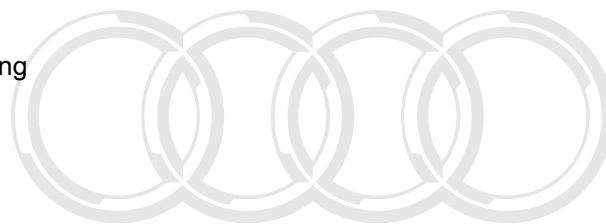


ATF Pump

Installed location: under the transmission housing

Includes:

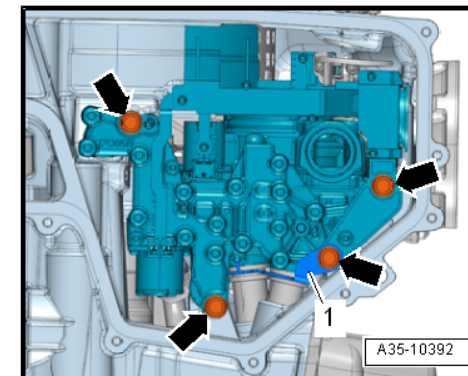
- ◆ Clutch cooling valve 2 -N448-
- ◆ Parking lock solenoid valve 2 -N574-



Audi

Protected by copyright. Copying for private or commercial purposes, in part or in whole, is not permitted unless authorised by AUDI AG. AUDI AG does not guarantee or accept any liability with respect to the correctness of information in this document. Copyright by AUDI AG.

erWin

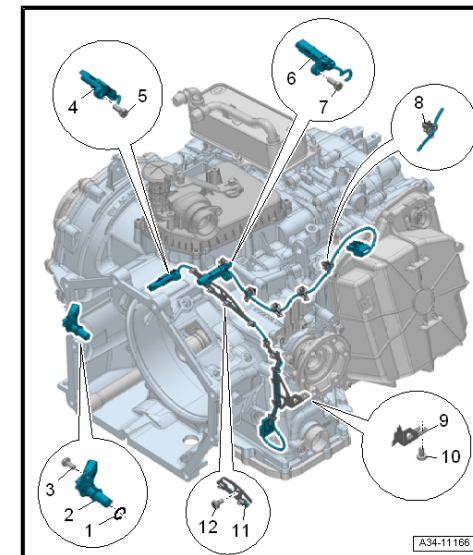


Transmission Housing Sensor Overview

2 - Engine speed sensor -G28-

4 - Clutch temperature sensor 2 -G659- → [page 13](#)

6 - Transmission input speed sensor -G182- / Clutch temperature sensor 1 -G658- → [page 14](#)



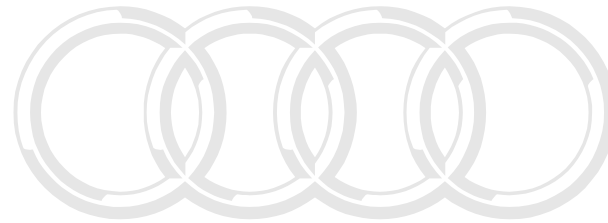
Audi

Protected by copyright. Copying for private or commercial purposes, in part or in whole, is not permitted unless authorised by AUDI AG. AUDI AG does not guarantee or accept any liability with respect to the correctness of information in this document. Copyright by AUDI AG.



Clutch temperature sensor 2 -G659-

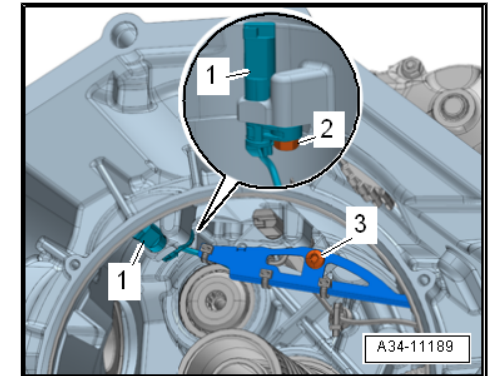
Installed location: in the transmission housing behind the dual clutch.



Audi

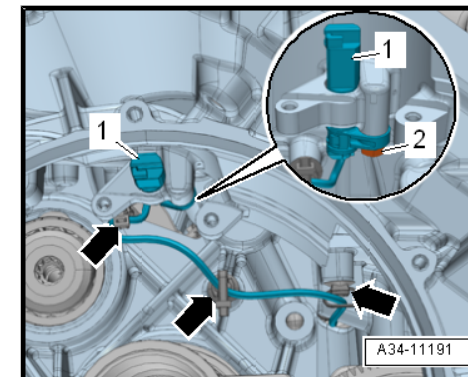
Protected by copyright. Copying for private or commercial purposes, in part or in whole, is not permitted unless authorised by AUDI AG. AUDI AG does not guarantee or accept any liability with respect to the correctness of information in this document. Copyright by AUDI AG.

erWin



Transmission input speed sensor -G182- / Clutch temperature sensor 1 -G658-

Installed location: in the transmission housing behind the dual clutch.



Protected by copyright. Copying for private or commercial purposes, in part or in whole, is not permitted unless authorised by AUDI AG. AUDI AG does not guarantee or accept any liability with respect to the correctness of information in this document. Copyright by AUDI AG.



1.3 Selector Lever

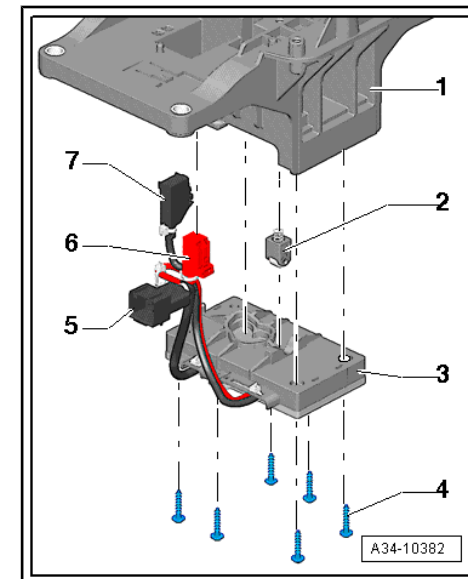
Selector Lever Sensor System Control Module

3 - Selector Lever Sensor System Control Module -J587-

◆ Location: in the shift mechanism -1-



Protected by copyright. Copying for private or commercial purposes, in part or in whole, is not permitted unless authorised by AUDI AG. AUDI AG does not guarantee or accept any liability with respect to the correctness of information in this document. Copyright by AUDI AG.



1 Component Locations: Tire Pressure Monitor Systems (TPMS)

1.1 Tire Pressure Monitoring System Component Overview

1 - Tire Pressure Monitoring Sensor

- Left Front Tire Pressure Monitoring Sensor -G222-
- Right Front Tire Pressure Monitoring Sensor -G223-
- Left Rear Tire Pressure Monitoring Sensor -G224-
- Right Rear Tire Pressure Monitoring Sensor -G225-

2 - Right Front Tire Pressure Monitoring Antenna -R60-

- Component location: Right front longitudinal member on the outer side

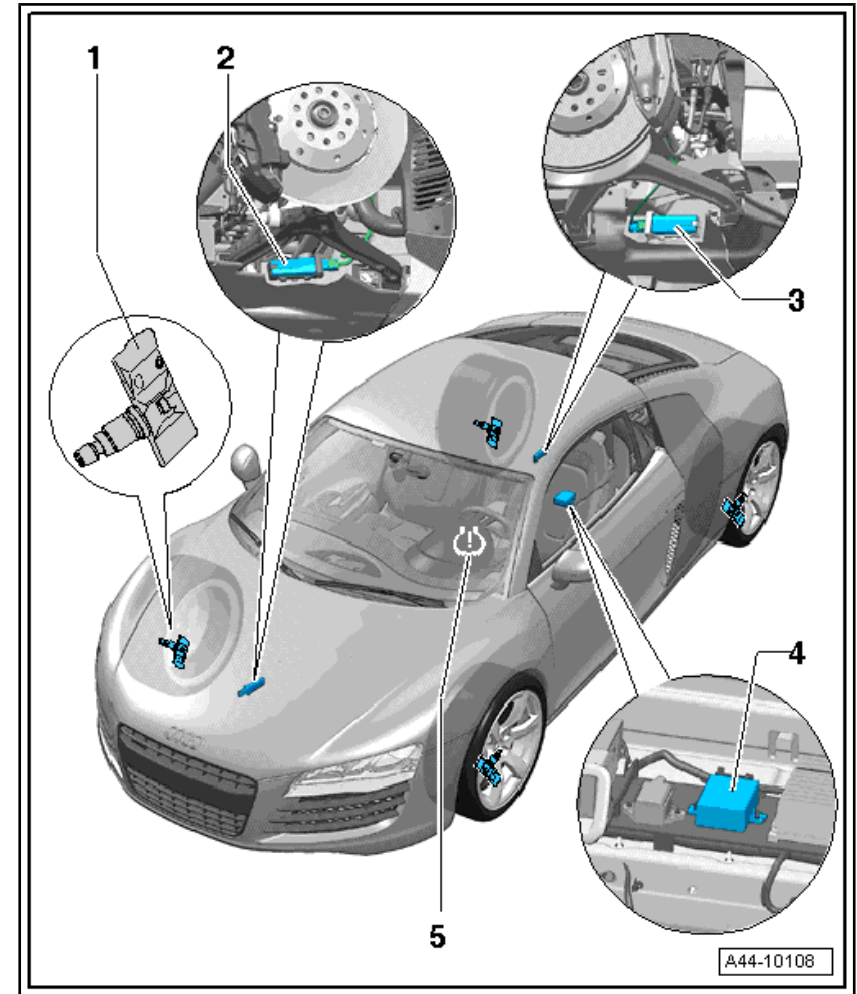
3 - Right Rear Tire Pressure Monitoring Antenna -R62-

- Component location: Right rear longitudinal member on the outer side

4 - Tire Pressure Monitoring Control Module -J502-

- Component location: Behind the rear shelf on the left side

5 - Display in instrument cluster

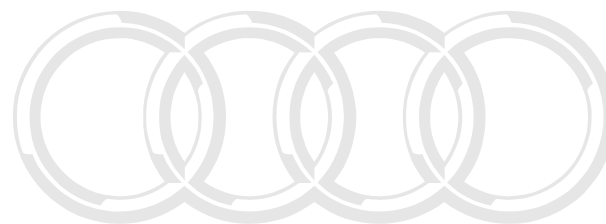


Protected by copyright. Copying for private or commercial purposes, in part or in whole, is not permitted unless authorised by AUDI AG. AUDI AG does not guarantee or accept any liability with respect to the correctness of information in this document. Copyright by AUDI AG.



1 Component Locations: Central Locking / Anti-Theft Systems

- ◆ Central Locking System Component Locations ⇒ [page 2](#)
- ◆ Ultrasonic Interior Monitoring Component Locations ⇒ [page 10](#)



Audi

Protected by copyright. Copying for private or commercial purposes, in part or in whole, is not permitted unless authorised by AUDI AG. AUDI AG does not guarantee or accept any liability with respect to the correctness of information in this document. Copyright by AUDI AG.



1.1 Central Locking System Component Locations

1 - Trunk Lock/Alarm/Central Locking Switch -F124-

❑ Installation location in the lid lock ⇒ [page 5](#)

2 - Rear Lid Central Locking System Motor -V53- / Front Hood Release Motor -V394-

❑ With Rear lid lock unit -F256- / Front Hood Contact Switch -F387-

❑ Installation location in the lid lock ⇒ [page 6](#)

3 - Central Locking -SAFE- Indicator Lamp -K133-

4 - Front Passenger Door Control Module -J387-

5 - Anti-Theft Alarm System Sensor -G578-

❑ In overhead light assembly ⇒ [Item 6 \(page 10\)](#)

6 - Fuel Tank Lid Unlock Motor -V155-

❑ Installation location in the lid lock ⇒ [page 3](#)

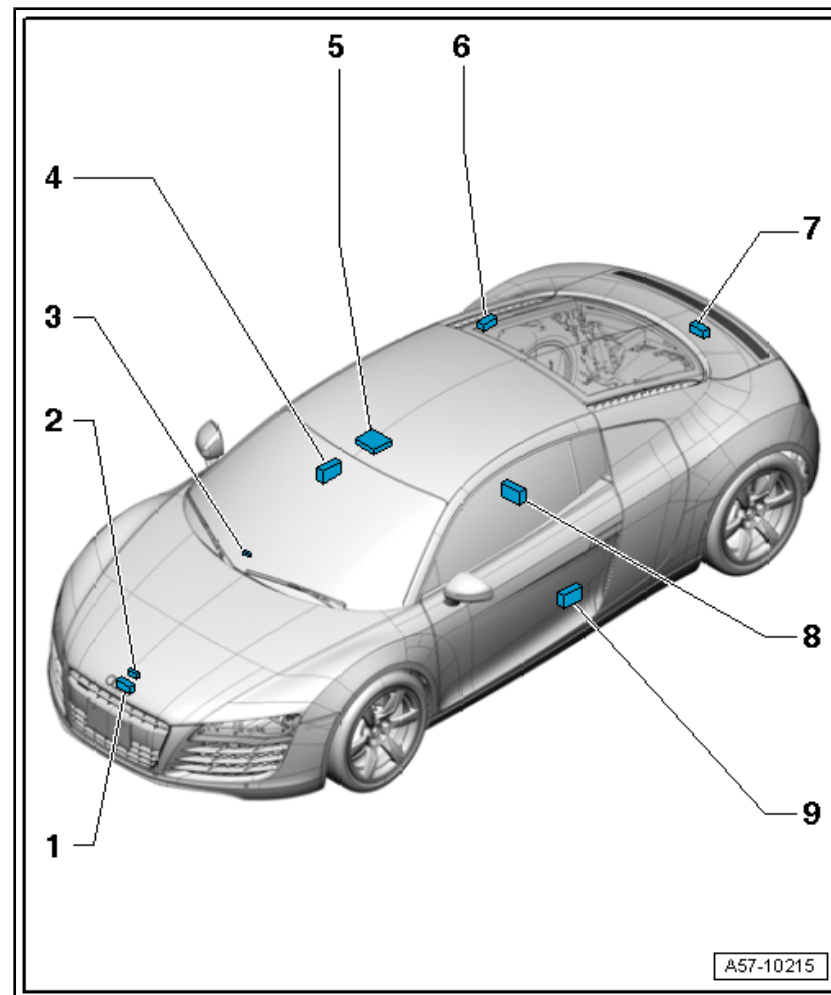
7 - Front Hood Switch -F266-

❑ Installation location in the lid lock ⇒ [page 7](#)

8 - Comfort System Central Control Module -J393-

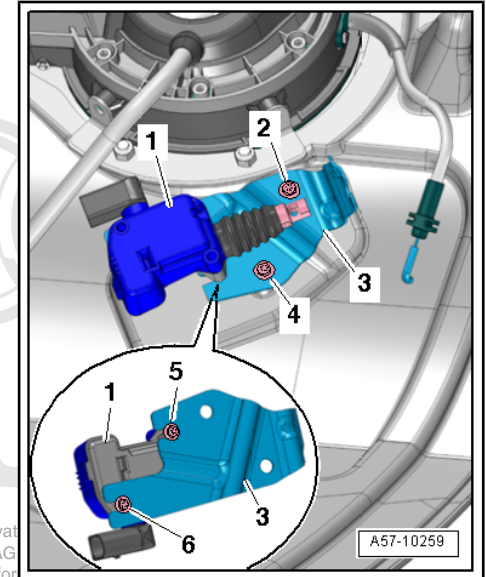
9 - Driver Door Control Module -J386-

Protected by copyright. Copying for private or commercial purposes, in part or in whole, is not permitted unless authorised by AUDI AG. AUDI AG does not guarantee or accept any liability with respect to the correctness of information in this document. Copyright by AUDI AG.



Fuel tank lid unlock motor

-1- Fuel Tank Lid Unlock Motor -V155-

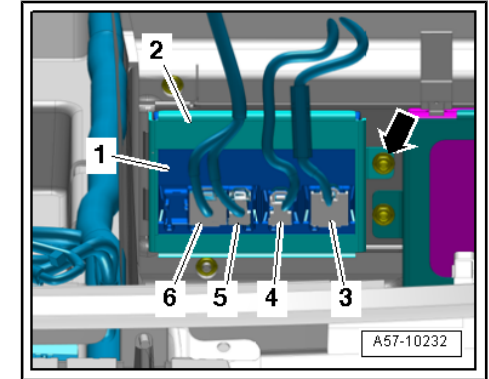


Protected by copyright. Copying for private use is permitted unless authorised by AUDI AG. The Audi logo is a trademark of Audi AG. All rights reserved. with respect to the correctness of information.

erWin

Comfort system central control module

-1- Comfort System Central Control Module -J393-



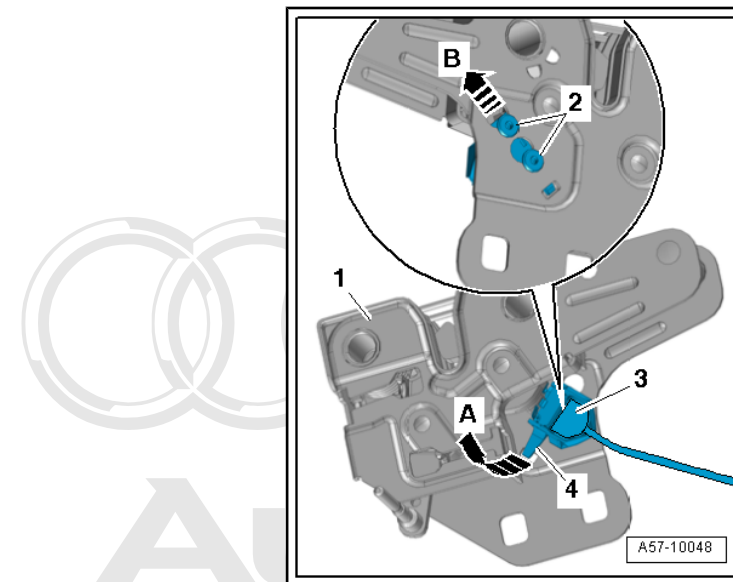
Audi

Protected by copyright. Copying for private or commercial purposes, in part or in whole, is not permitted unless authorised by AUDI AG. AUDI AG does not guarantee or accept any liability with respect to the correctness of information in this document. Copyright by AUDI AG.



Trunk Lock/Alarm/Central Locking Switch

-3- Trunk Lock/Alarm/Central Locking Switch -F124-

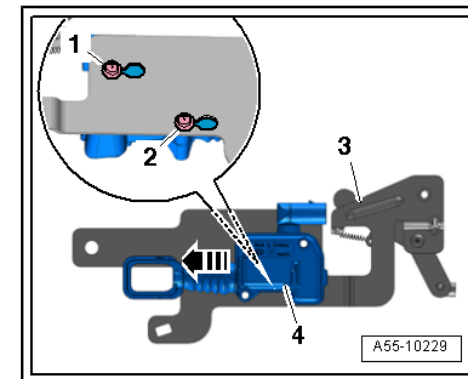


Protected by copyright. Copying for private or commercial purposes, in part or in whole, is not permitted unless authorised by AUDI AG. AUDI AG does not guarantee or accept any liability with respect to the correctness of information in this document. Copyright by AUDI AG.

Rear Lid Central Locking System Motor

-4- Rear Lid Central Locking System Motor -V53- / Front Hood Release Motor -V394-

With Rear lid lock unit -F256- / Front Hood Contact Switch -F387-



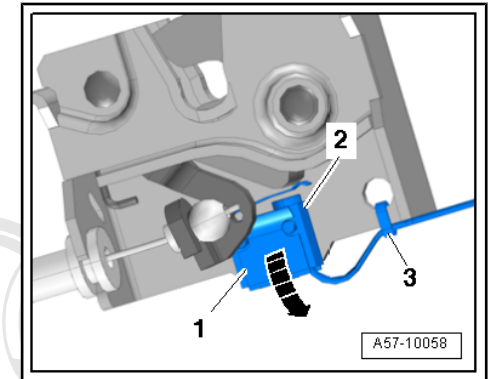
Audi

Protected by copyright. Copying for private or commercial purposes, in part or in whole, is not permitted unless authorised by AUDI AG. AUDI AG does not guarantee or accept any liability with respect to the correctness of information in this document. Copyright by AUDI AG.



Front Hood Switch

-2- Front Hood Switch -F266-



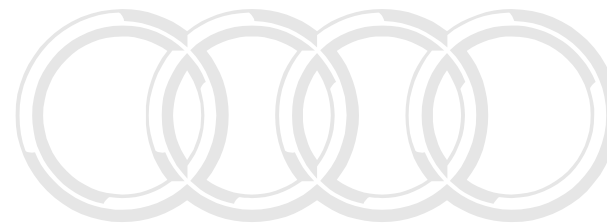
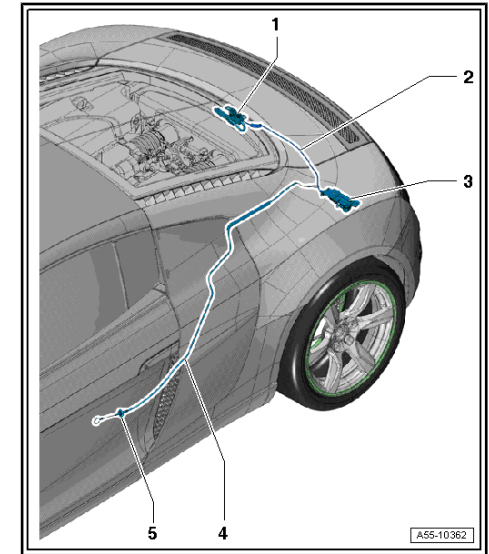
Protected by copyright. Copying for private or commercial purposes, in part or in whole, is not permitted unless authorised by AUDI AG. AUDI AG does not guarantee or accept any liability with respect to the correctness of information in this document. Copyright by AUDI AG.

erWin 

Rear Lid Unlock Motor

1 - Rear Lid Lock

3 - Rear Lid Unlock Motor -V139-



Audi

Protected by copyright. Copying for private or commercial purposes, in part or in whole, is not permitted unless authorised by AUDI AG. AUDI AG does not guarantee or accept any liability with respect to the correctness of information in this document. Copyright by AUDI AG.



1.2 Ultrasonic Interior Monitoring Component Locations

1 - Electrical Connection

2 - Alarm Horn -H12-

□ Location view => [page 11](#)

3 - Nut

4 - Comfort System Central Control Module -J393-

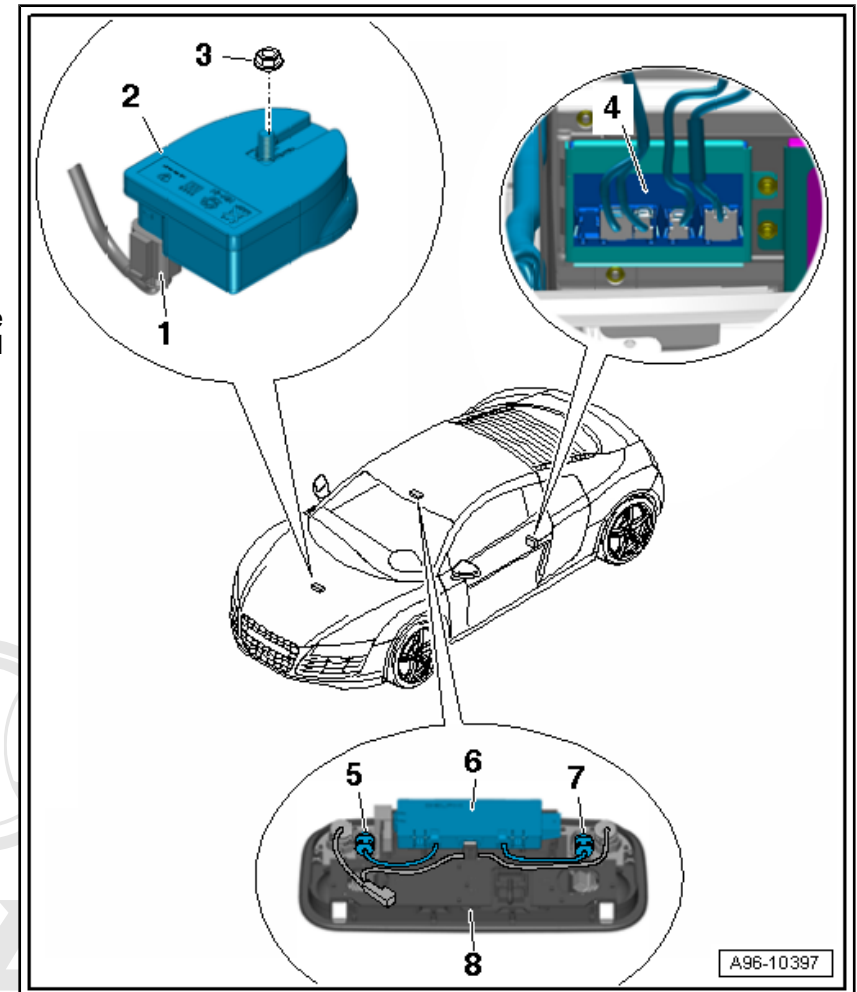
5 - Right Interior Monitoring Individual Sensor

6 - Anti-Theft Alarm System Sensor -G578-

□ Has Radar Interior Monitoring Control Module 1 -G303- / Inclination-/Anti-Theft Control Module -J529- , Interior Monitoring Sensor -G273- , and Vehicle Inclination Sensor -G384- integrated in one component

7 - Left Interior Monitoring Individual Sensor

8 - Front Interior Light -W1-

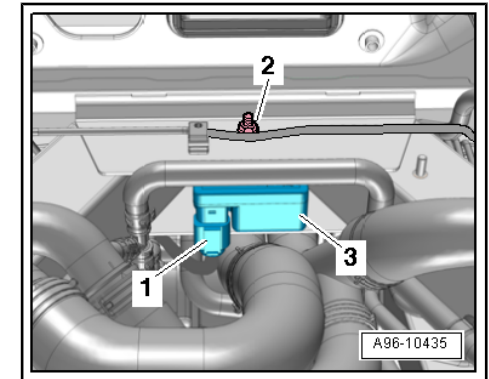


Protected by copyright. Copying for private or commercial purposes, in part or in whole, is not permitted unless authorised by AUDI AG. AUDI AG does not guarantee or accept any liability with respect to the correctness of information in this document. Copyright by AUDI AG.



Alarm Horn

-3- Alarm Horn -H12-



Audi

Protected by copyright. Copying for private or commercial purposes, in part or in whole, is not permitted unless authorised by AUDI AG. AUDI AG does not guarantee or accept any liability with respect to the correctness of information in this document. Copyright by AUDI AG.



1 Component Locations: Comfort System

- ◆ Seat Electrical Components Overview ⇒ [page 2](#)
- ◆ Seat Heater Components ⇒ [page 4](#)
- ◆ Horns Overview ⇒ [page 6](#)
- ◆ Engine Compartment Lid Spoiler Assembly Overview ⇒ [page 7](#)
- ◆ Interior Rearview Mirror Assembly Overview ⇒ [page 8](#)



Audi

Protected by copyright. Copying for private or commercial purposes, in part or in whole, is not permitted unless authorised by AUDI AG. AUDI AG does not guarantee or accept any liability with respect to the correctness of information in this document. Copyright by AUDI AG.



1.1 Seat Electrical Components Overview

1 - Seat Inclination Adjustment Motor

- Driver Seat Angle Adjustment Motor -V243-
- Front Passenger Seat Angle Adjustment Motor -V244-

2 - Seat Forward/Back Adjustment Motor -V288-

3 - Backrest Adjustment Motor

- Driver Backrest Adjustment Motor -V45-
- Front Passenger Backrest Adjustment Motor -V46-

4 - Lumbar Support Height Adjustment Motor

- Driver Seat Lumbar Support Height Adjustment Motor -V129-
- Front passenger Seat Lumbar Support Height Adjustment Motor -V130-

5 - Lumbar Support Curvature Adjustment Motor

- Driver Seat Lumbar Support Curvature Adjustment Motor -V125-
- Front Passenger Seat Lumbar Support Curvature Adjustment Motor -V126-

6 - Backrest Stop Switch

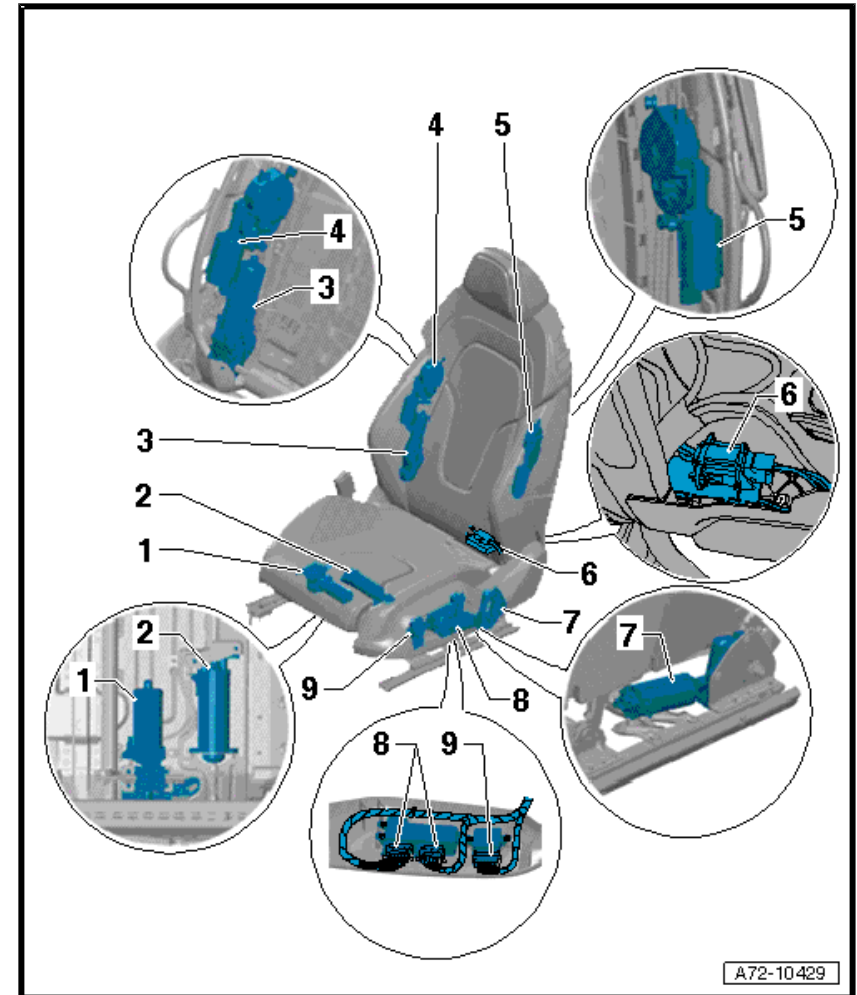
- Driver Backrest Stop Switch -E69-
- Front Passenger Backrest Stop Switch -E70-

7 - Seat Height Adjustment Motor

- Driver Seat Height Adjustment Motor -V245-
- Front Passenger Seat Height Adjustment Motor -V246-

8 - Seat Fore/Aft, Inclination, Height and Backrest Adjustment Switch

- Driver Seat Forward/Back Adjustment Switch -E363-
- Driver Backrest Adjustment Switch -E96-
- Driver Seat Angle Adjustment Switch -E222-
- Driver Seat Height Adjustment Switch -E364-
- Front Passenger Seat Forward/Back Adjustment Switch -E64-
- Passenger Backrest Adjustment Switch -E98-
- Front Passenger Seat Tilt Adjustment Button -E334-
- Front Passenger Seat Height Adjustment Switch -E365-



A72-10429

9 - Lumbar Support Adjustment Switch

- Driver Seat Lumbar Support Adjustment Switch -E176-
- Front Passenger Seat Lumbar Support Adjustment Switch -E177-

**Audi**

Protected by copyright. Copying for private or commercial purposes, in part or in whole, is not permitted unless authorised by AUDI AG. AUDI AG does not guarantee or accept any liability with respect to the correctness of information in this document. Copyright by AUDI AG.



1.2 Seat Heater Components

The complete seat heater (bottom cushion and backrest) assemblies are :

- ◆ Left Front Heated Seat -Z45-
- ◆ Right Front Heated Seat -Z46-

Seat Back

1 - Wiring

- Connected to the backrest heating element

2 - Backrest Side Bolster

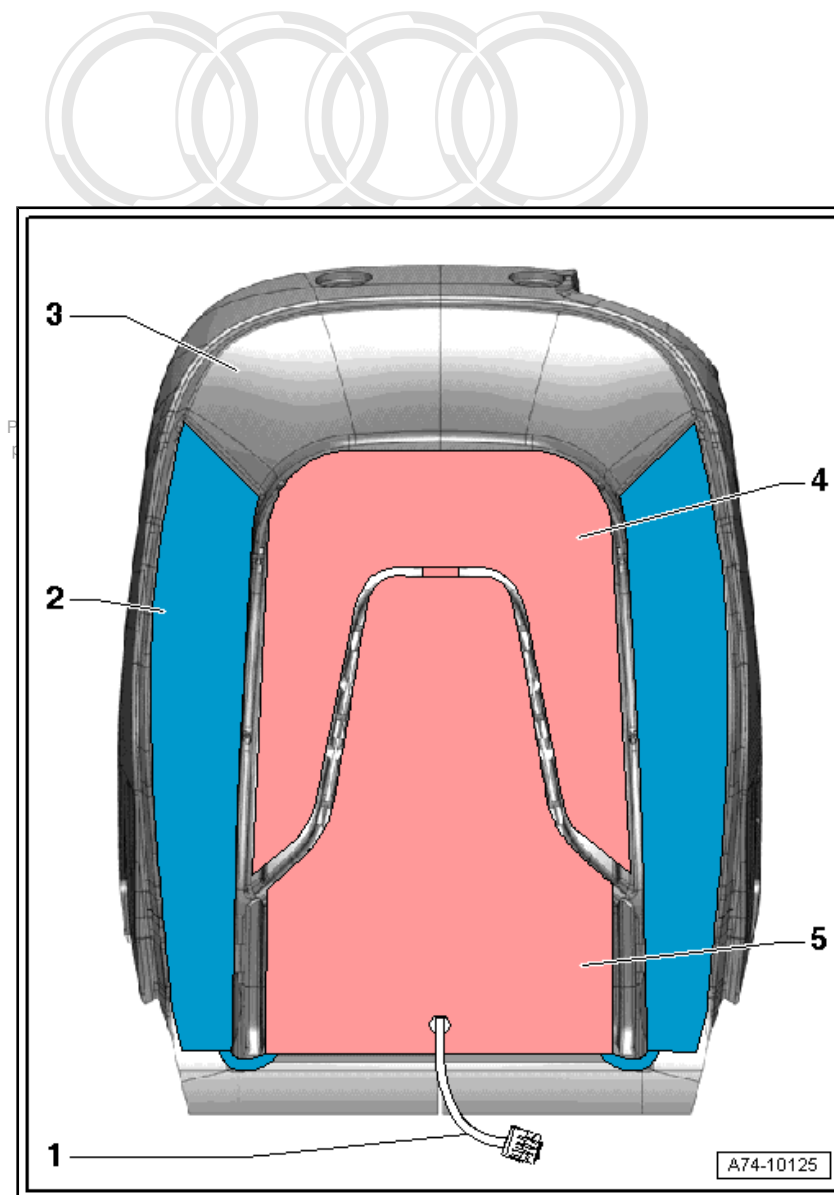
3 - Cushion

4 - Upper Backrest Heating Element

- Driver Backrest Heating Element -Z7-
- Front Passenger Backrest Heating Element -Z9-

5 - Lower Backrest Heating Element

- Driver Backrest Heating Element -Z7-
- Front Passenger Backrest Heating Element -Z9-



Seat Bottom

1 - Cushion

- For seat pan

2 - Seat Heating Elements

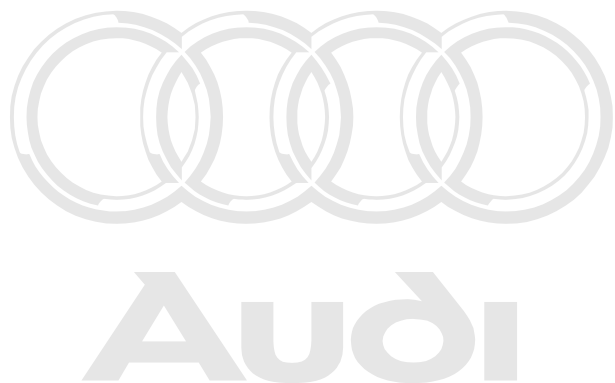
- ◆ Driver Seat Heating Element -Z6- with Left Front Seat Temperature Sensor -G344-
- ◆ Front Passenger Seat Heating Element -Z8- with Right Front Seat Temperature Sensor -G345-

3 - Wiring

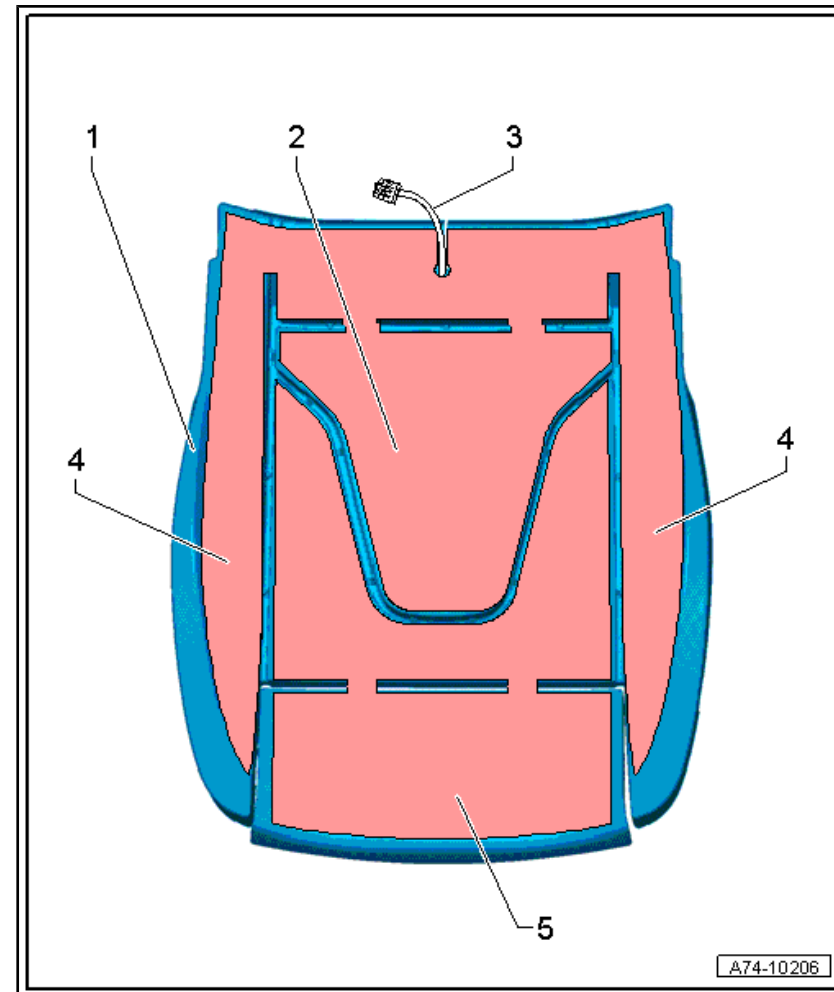
- Connected to the backrest heating element

4 - Seat Side Bolster

5 - Heating Element, Seat Cushion Extension



Protected by copyright. Copying for private or commercial purposes, in part or in whole, is not permitted unless authorised by AUDI AG. AUDI AG does not guarantee or accept any liability with respect to the correctness of information in this document. Copyright by AUDI AG.



A74-10206

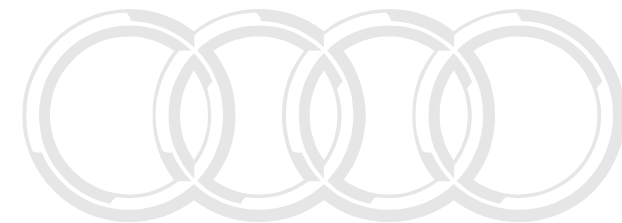
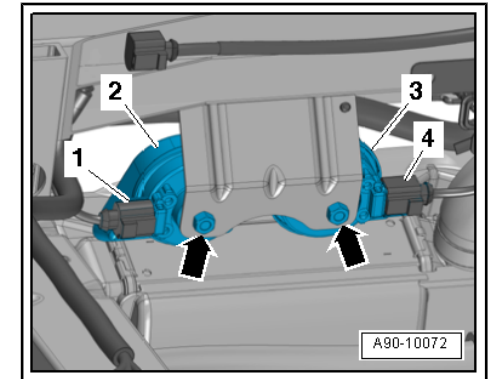
1.3 Horns Overview

Horns

2 - High Tone Horn -H2-

3 - Low Tone Horn -H7-

Behind front luggage compartment liner



Audi

Protected by copyright. Copying for private or commercial purposes, in part or in whole, is not permitted unless authorised by AUDI AG. AUDI AG does not guarantee or accept any liability with respect to the correctness of information in this document. Copyright by AUDI AG.



1.4 Engine Compartment Lid Spoiler Assembly Overview

2 - Mount With Drive Unit

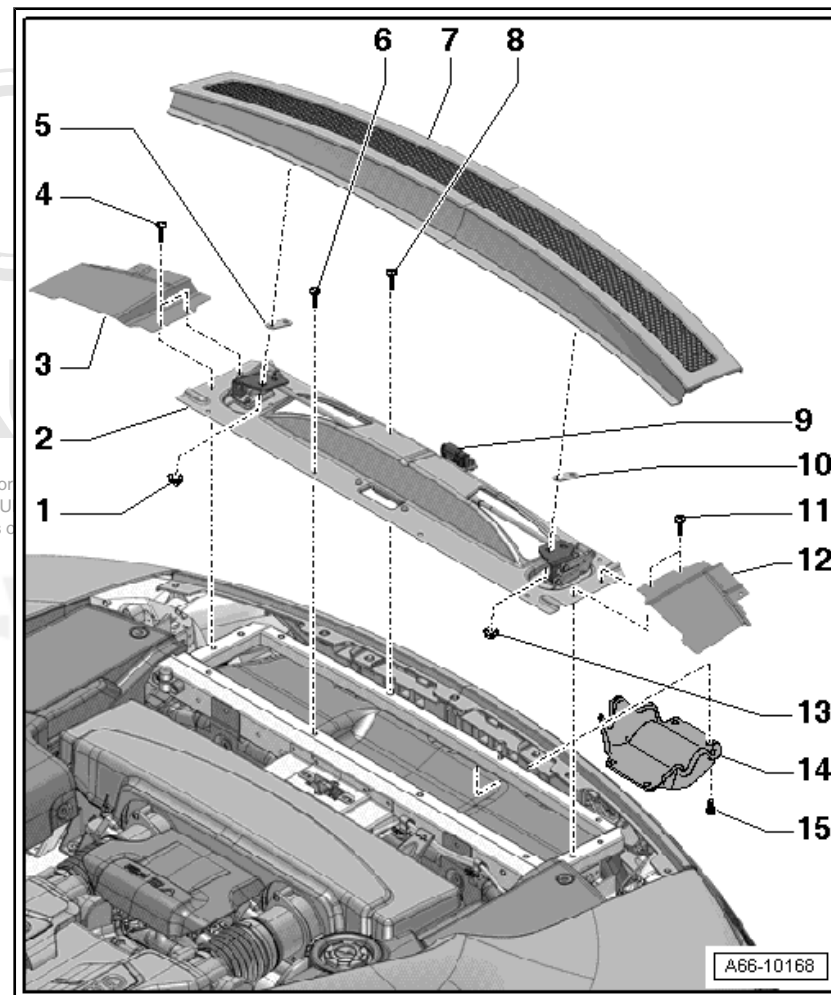
□ Rear Spoiler Motor -V52- contains :

- ◆ Rear Spoiler Stop Switch 1 -F135-
- ◆ Rear Spoiler Stop Switch 2 -F136-

7 - Rear Spoiler

9 - Electrical Connection for Rear Spoiler Motor -V52-

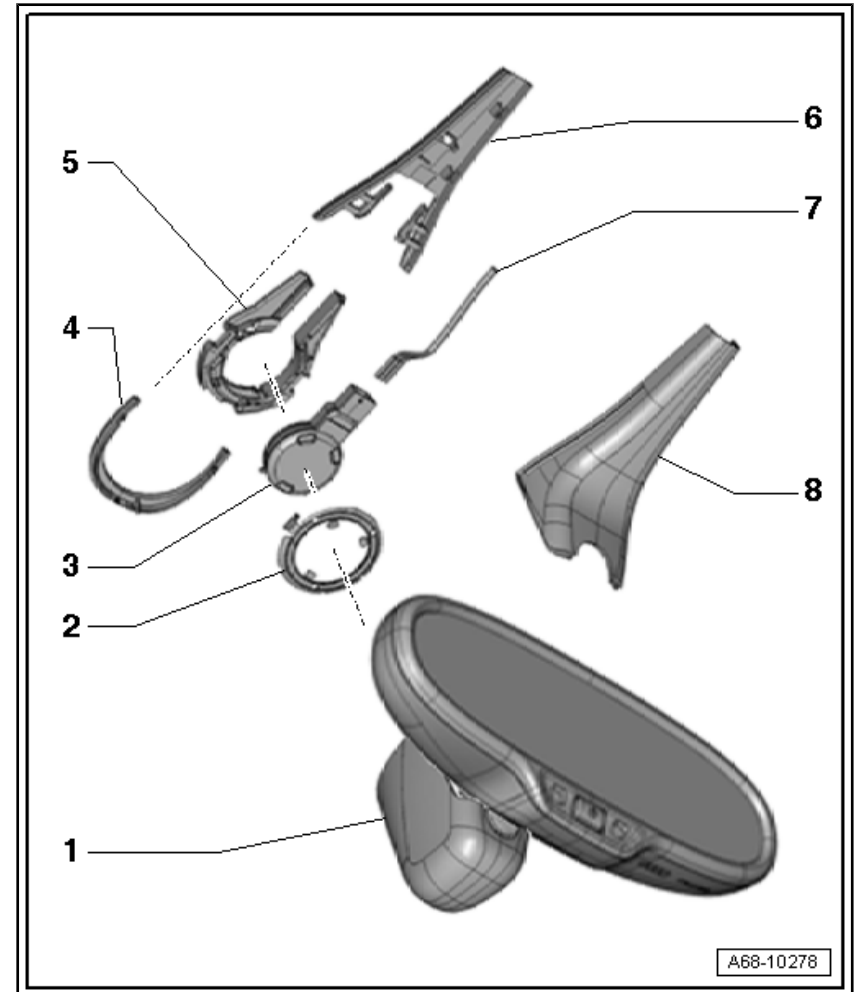
Protected by copyright. Copying for permitted unless authorised by AU with respect to the correctness of



1.5 Interior Rearview Mirror Assembly Overview

1 - Interior Rearview Mirror

3 - Rain/Light Recognition Sensor -G397-



Protected by copyright. Copying for private or commercial purposes, in part or in whole, is not permitted unless authorised by AUDI AG. AUDI AG does not guarantee or accept any liability with respect to the correctness of information in this document. Copyright by AUDI AG.



Cautions & Warnings

Please read these WARNINGS and CAUTIONS before proceeding with maintenance and repair work. You must answer that you have read and you understand these WARNINGS and CAUTIONS before you will be allowed to view this information.

- If you lack the skills, tools and equipment, or a suitable workshop for any procedure described in this manual, we suggest you leave such repairs to an authorized Audi retailer or other qualified shop. We especially urge you to consult an authorized Audi retailer before beginning repairs on any vehicle that may still be covered wholly or in part by any of the extensive warranties issued by Audi.

Protected by copyright. Copying for private or commercial purposes, in part or in whole, is not permitted unless authorised by AUDI AG. AUDI AG does not guarantee or accept any liability for the content of this document. Copyright by AUDI AG.

- Disconnect the battery negative terminal (ground strap) whenever you work on the fuel system or the electrical system. Do not smoke or work near heaters or other fire hazards. Keep an approved fire extinguisher handy.
- Audi is constantly improving its vehicles and sometimes these changes, both in parts and specifications, are made applicable to earlier models. Therefore, part numbers listed in this manual are for reference only. Always check with your authorized Audi retailer parts department for the latest information.
- Any time the battery has been disconnected on an automatic transmission vehicle, it will be necessary to reestablish Transmission Control Module (TCM) basic settings using the VAG 1551 Scan Tool (ST).
- Never work under a lifted vehicle unless it is solidly supported on stands designed for the purpose. Do not support a vehicle on cinder blocks, hollow tiles or other props that may crumble under continuous load. Never work under a vehicle that is supported solely by a jack. Never work under the vehicle while the engine is running.
- For vehicles equipped with an anti-theft radio, be sure of the correct radio activation code before disconnecting the battery or removing the radio. If the wrong code is entered when the power is restored, the radio may lock up and become inoperable, even if the correct code is used in a later attempt.
- If you are going to work under a vehicle on the ground, make sure that the ground is level. Block the wheels to keep the vehicle from rolling. Disconnect the battery negative terminal (ground strap) to prevent others from starting the vehicle while you are under it.
- Do not attempt to work on your vehicle if you do not feel well. You increase the danger of injury to yourself and others if you are tired, upset or have taken medicine or any other substances that may impair you or keep you from being fully alert.
- Never run the engine unless the work area is well ventilated. Carbon monoxide (CO) kills.
- Always observe good workshop practices. Wear goggles when you operate machine tools or work with acid. Wear goggles, gloves and other protective clothing whenever the job requires working with harmful substances.
- Tie long hair behind your head. Do not wear a necktie, a scarf, loose clothing, or a necklace when you work near machine tools or running engines. If your hair, clothing, or jewelry were to get caught in the machinery, severe injury could result.

Cautions & Warnings

- Do not re-use any fasteners that are worn or deformed in normal use. Some fasteners are designed to be used only once and are unreliable and may fail if used a second time. This includes, but is not limited to, nuts, bolts, washers, circlips and cotter pins. Always follow the recommendations in this manual - replace these fasteners with new parts where indicated, and any other time it is deemed necessary by inspection.
- Illuminate the work area adequately but safely. Use a portable safety light for working inside or under the vehicle. Make sure the bulb is enclosed by a wire cage. The hot filament of an accidentally broken bulb can ignite spilled fuel or oil.
- Friction materials such as brake pads and clutch discs may contain asbestos fibers. Do not create dust by grinding, sanding, or by cleaning with compressed air. Avoid breathing asbestos fibers and asbestos dust. Breathing asbestos can cause serious diseases such as asbestosis or cancer, and may result in death.
- Finger rings should be removed so that they cannot cause electrical shorts, get caught in running machinery, or be crushed by heavy parts.
- Before starting a job, make certain that you have all the necessary tools and parts on hand. Read all the instructions thoroughly, do not attempt shortcuts. Use tools that are appropriate to the work and use only replacement parts meeting Audi specifications. Makeshift tools, parts and procedures will not make good repairs.
- Catch draining fuel, oil or brake fluid in suitable containers. Do not use empty food or beverage containers that might mislead someone into drinking from them. Store flammable fluids away from fire hazards. Wipe up spills at once, but do not store the oily rags, which can ignite and burn spontaneously.
- Use pneumatic and electric tools only to loosen threaded parts and fasteners. Never use these tools to tighten fasteners, especially on light alloy parts. Always use a torque wrench to tighten fasteners to the tightening torque listed.
- Keep sparks, lighted matches, and open flame away from the top of the battery. If escaping hydrogen gas is ignited, it will ignite gas trapped in the cells and cause the battery to explode.
- Be mindful of the environment and ecology. Before you drain the crankcase, find out the proper way to dispose of the oil. Do not pour oil onto the ground, down a drain, or into a stream, pond, or lake. Consult local ordinances that govern the disposal of wastes.
- The air-conditioning (A/C) system is filled with a chemical refrigerant that is hazardous. The A/C system should be serviced only by trained automotive service technicians using approved refrigerant recovery/recycling equipment, trained in related safety precautions, and familiar with regulations governing the discharging and disposal of automotive chemical refrigerants.
- Before doing any electrical welding on vehicles equipped with anti-lock brakes (ABS), disconnect the battery negative terminal (ground strap) and the ABS control module connector.
- Do not expose any part of the A/C system to high temperatures such as open flame. Excessive heat will increase system pressure and may cause the system to burst.

Cautions & Warnings

- When boost-charging the battery, first remove the fuses for the Engine Control Module (ECM), the Transmission Control Module (TCM), the ABS control module, and the trip computer. In cases where one or more of these components is not separately fused, disconnect the control module connector(s).
- Some of the vehicles covered by this manual are equipped with a supplemental restraint system (SRS), that automatically deploys an airbag in the event of a frontal impact. The airbag is operated by an explosive device. Handled improperly or without adequate safeguards, it can be accidentally activated and cause serious personal injury. To guard against personal injury or airbag system failure, only trained Audi Service technicians should test, disassemble or service the airbag system.
- Do not quick-charge the battery (for boost starting) for longer than one minute, and do not exceed 16.5 volts at the battery with the boosting cables attached. Wait at least one minute before boosting the battery a second time.
- Never use a test light to conduct electrical tests of the airbag system. The system must only be tested by trained Audi Service technicians using the VAG 1551 Scan Tool (ST) or an approved equivalent. The airbag unit must never be electrically tested while it is not installed in the vehicle.
- Some aerosol tire inflators are highly flammable. Be extremely cautious when repairing a tire that may have been inflated using an aerosol tire inflator. Keep sparks, open flame or other sources of ignition away from the tire repair area. Inflate and deflate the tire at least four times before breaking the bead from the rim. Completely remove the tire from the rim before attempting any repair.
- When driving or riding in an airbag-equipped vehicle, never hold test equipment in your hands or lap while the vehicle is in motion. Objects between you and the airbag can increase the risk of injury in an accident.

I have read and I understand these Cautions and Warnings.



Audi

Protected by copyright. Copying for private or commercial purposes, in part or in whole, is not permitted unless authorised by AUDI AG. AUDI AG does not guarantee or accept any liability with respect to the correctness of information in this document. Copyright by AUDI AG.

erWin