

YMMS: 2007 Volvo S80

Engine: 4.4L Eng

VIN:

Mar 30, 2022

License:

Odometer:

ENGINE PERFORMANCE > 3.2L

Fig 1: 3.2L, Engine Performance Circuit (1 of 5)

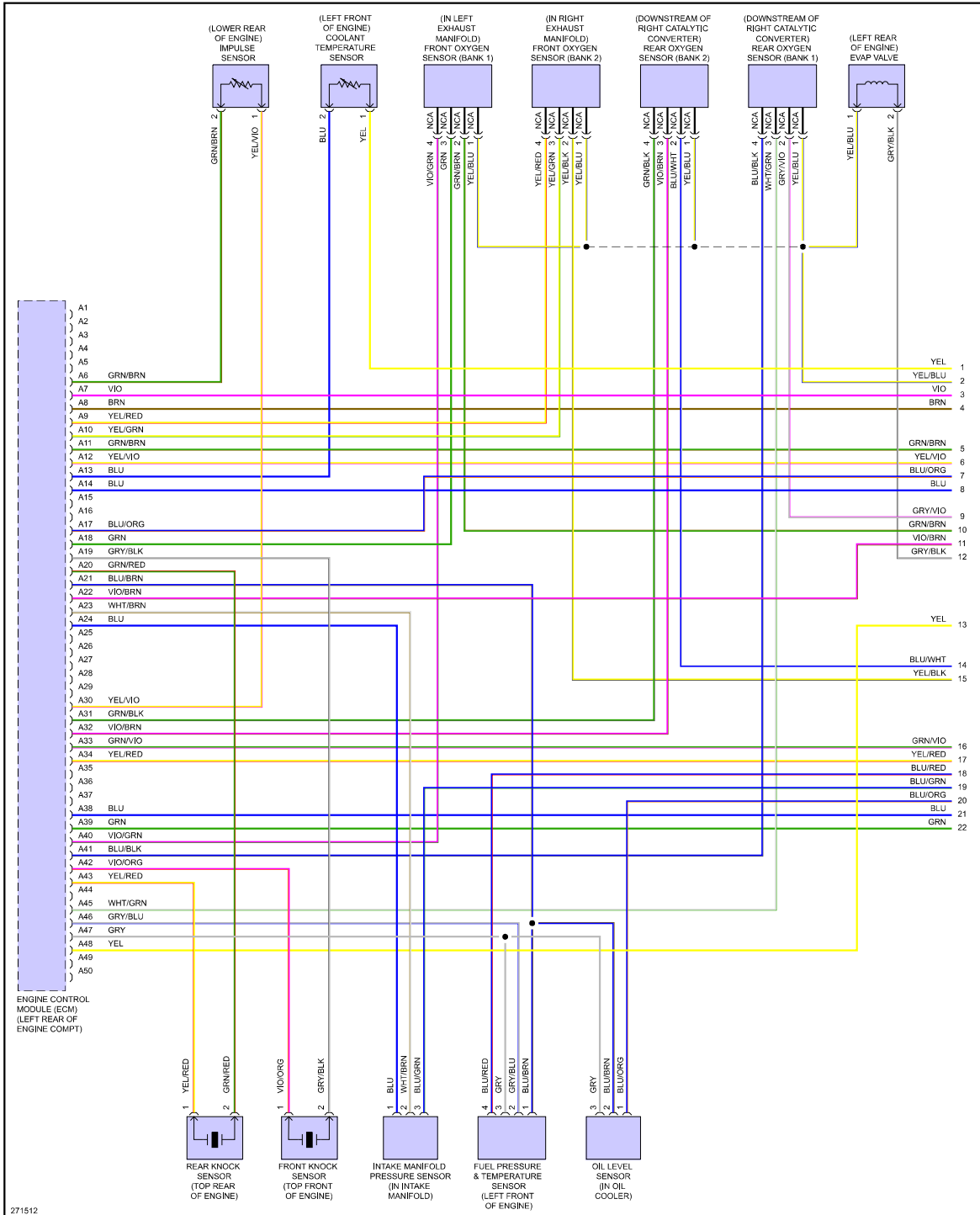


Fig 2: 3.2L, Engine Performance Circuit (2 of 5)

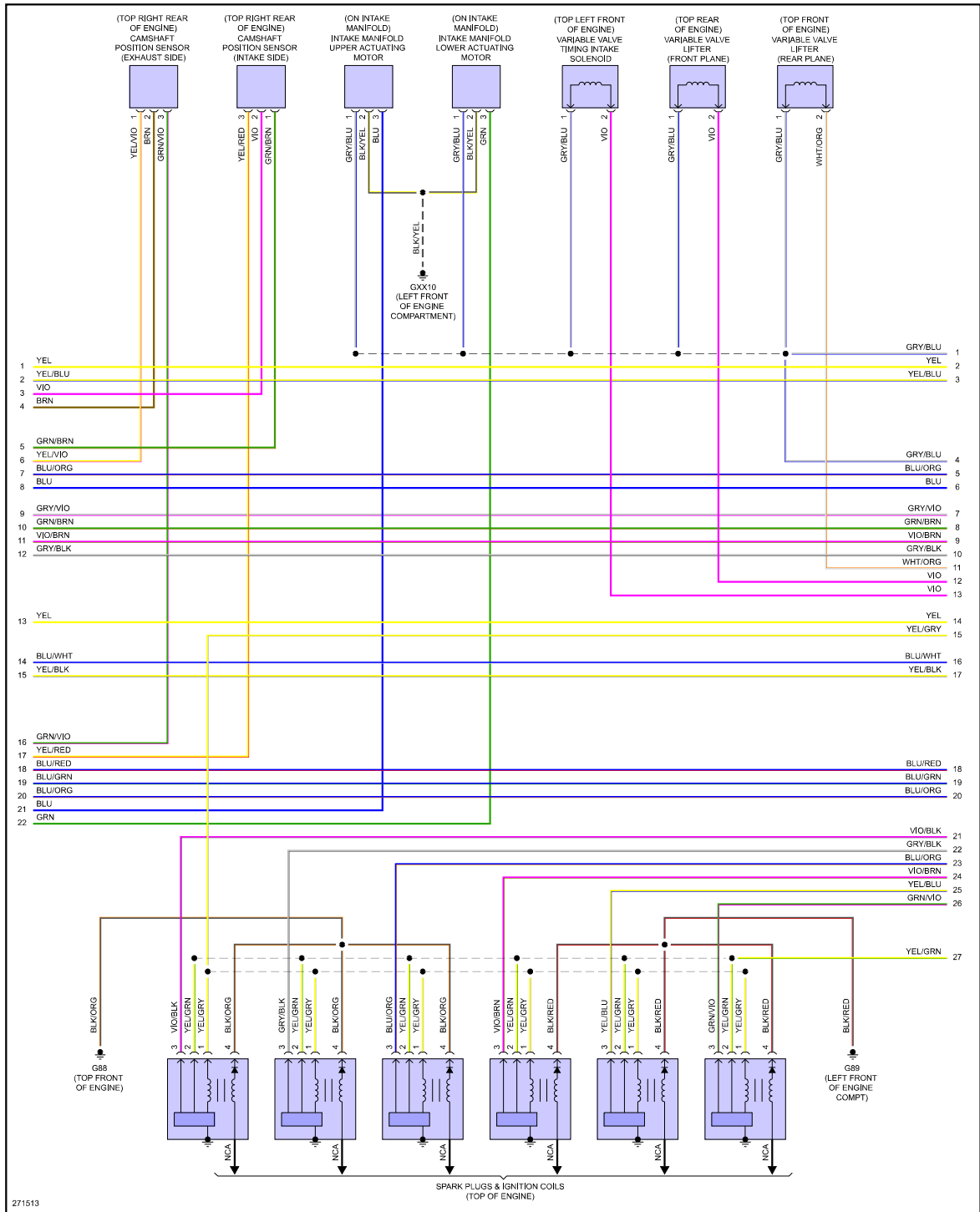


Fig 3: 3.2L, Engine Performance Circuit (3 of 5)

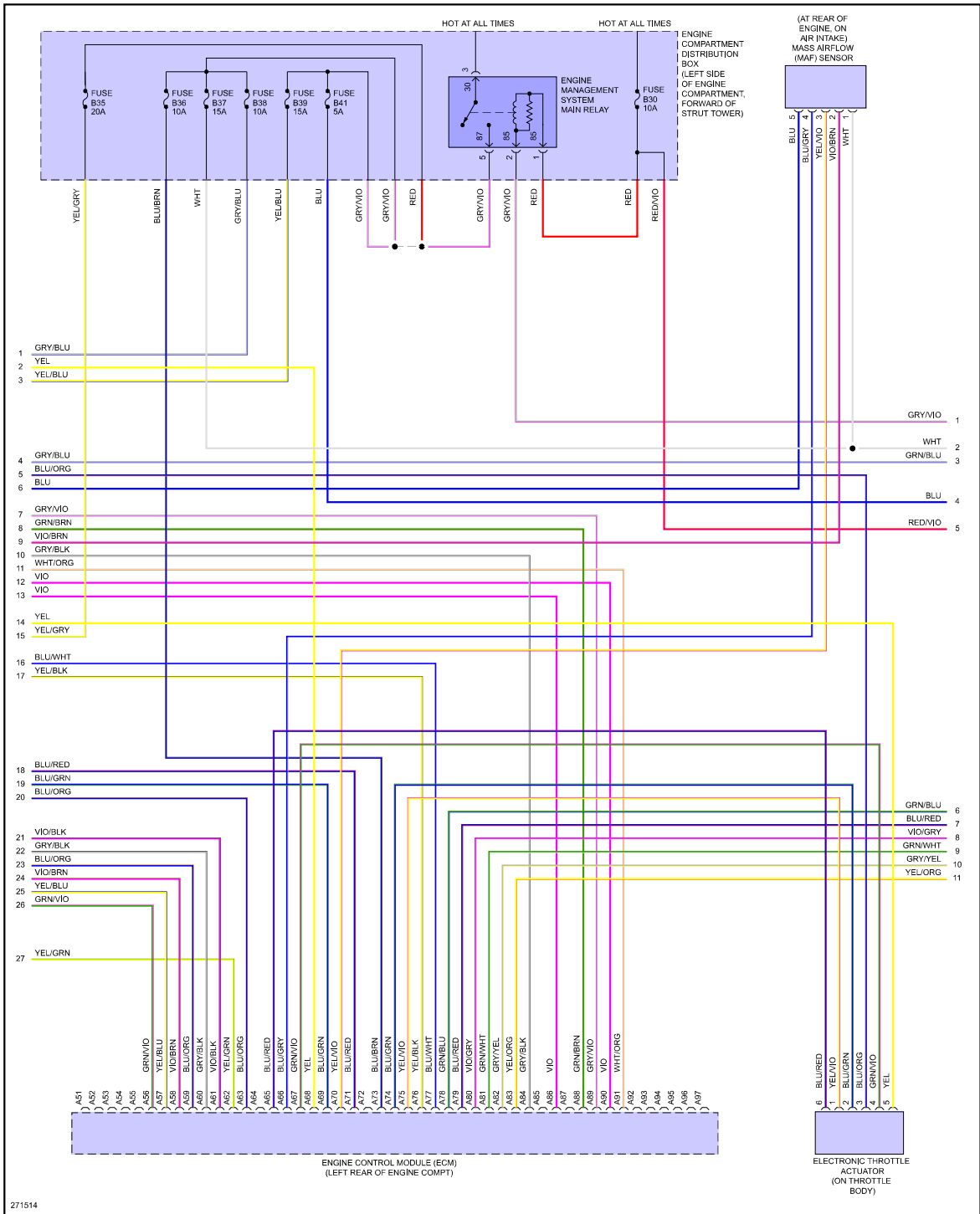


Fig 4: 3.2L, Engine Performance Circuit (4 of 5)

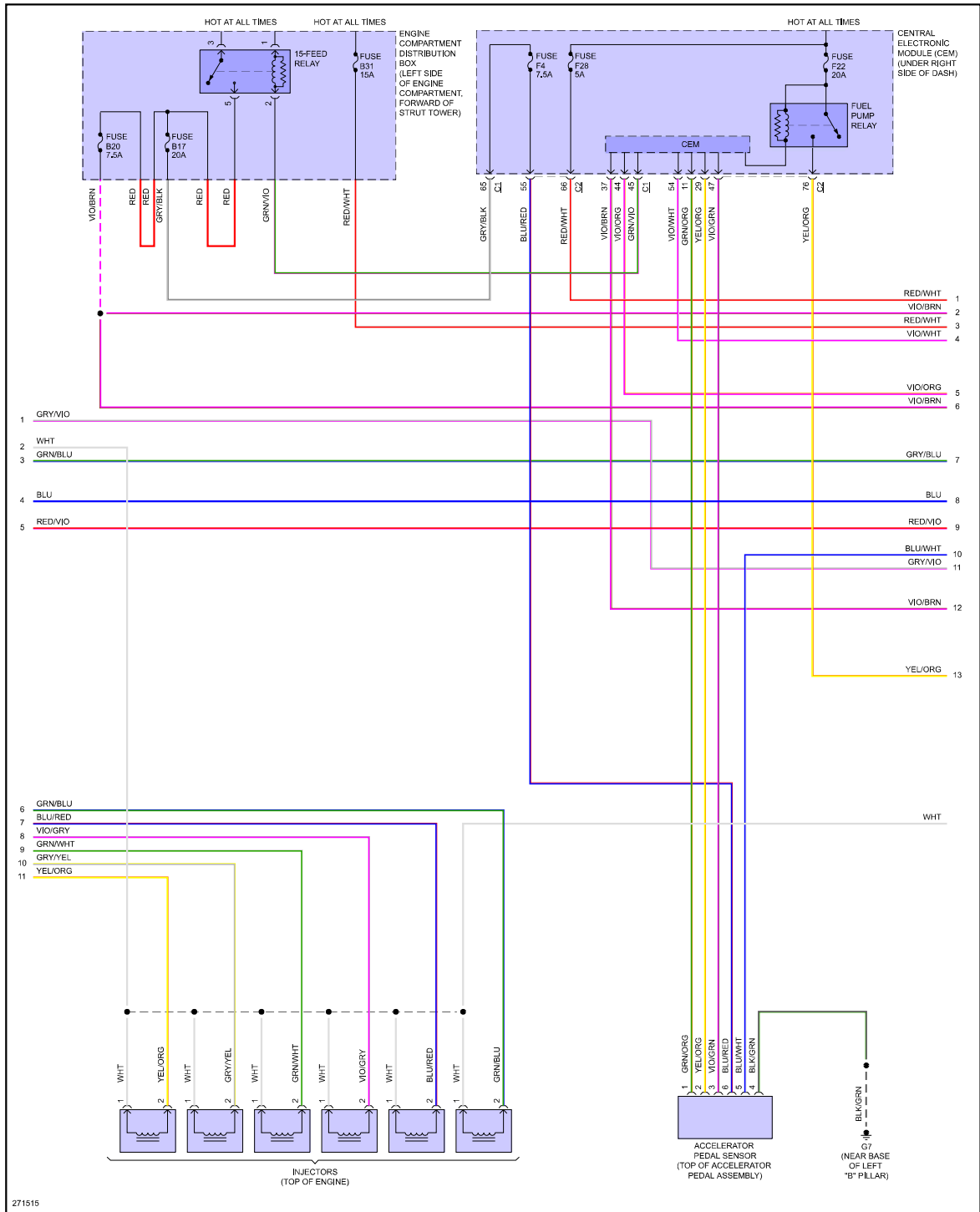
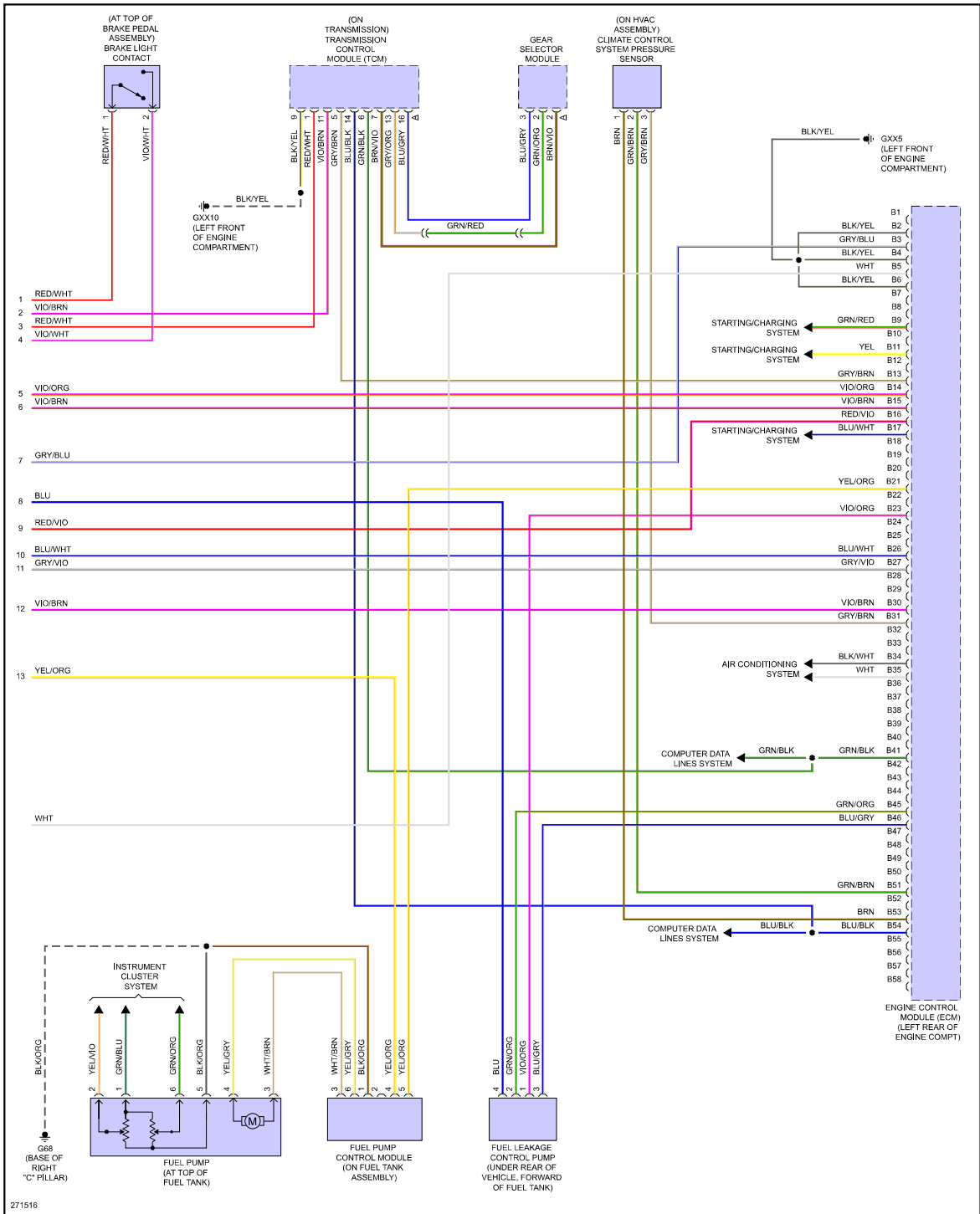


Fig 5: 3.2L, Engine Performance Circuit (5 of 5)



ENGINE PERFORMANCE > 4.4L

Fig 1: 4.4L, Engine Performance Circuit (1 of 5)

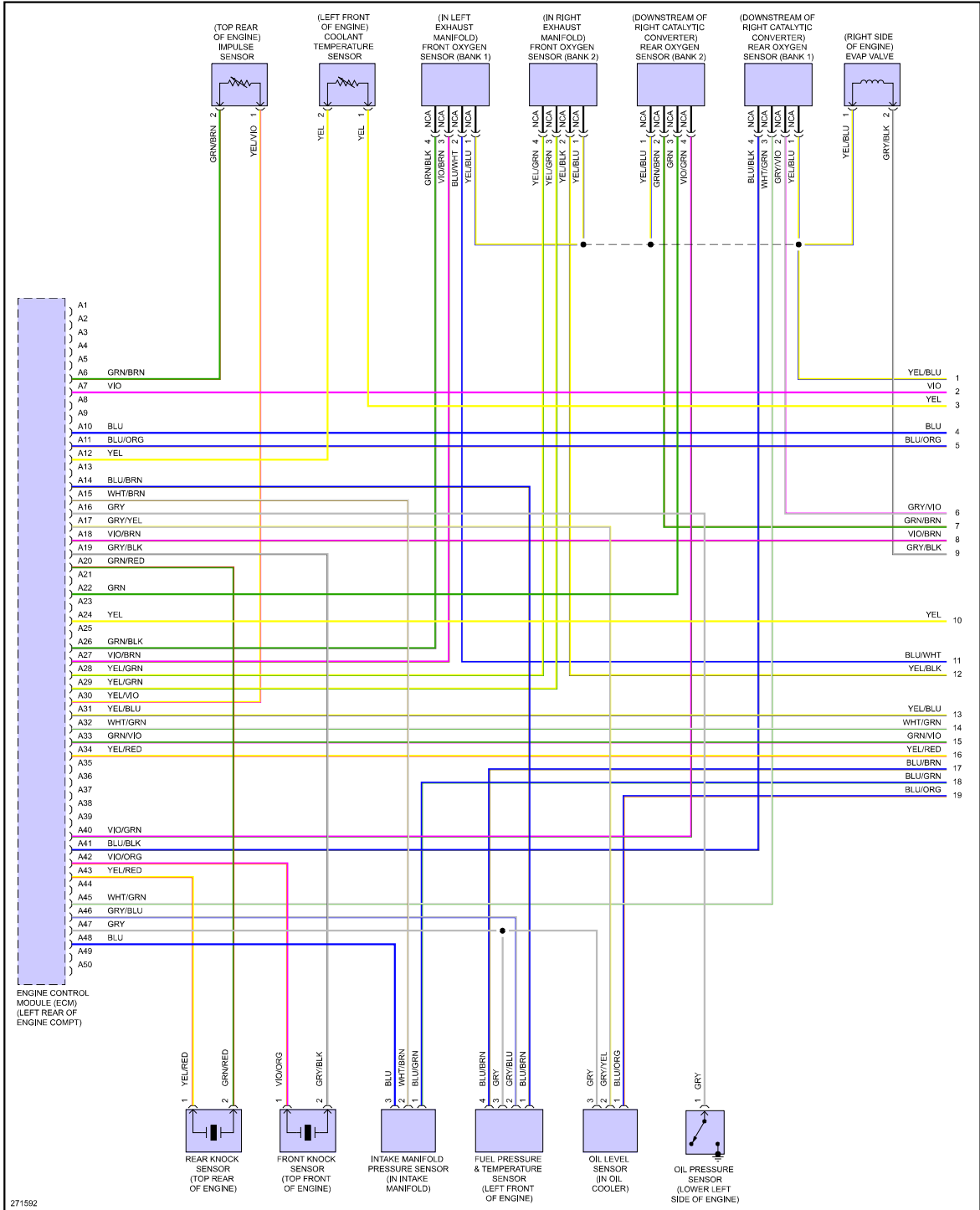


Fig 2: 4.4L, Engine Performance Circuit (2 of 5)

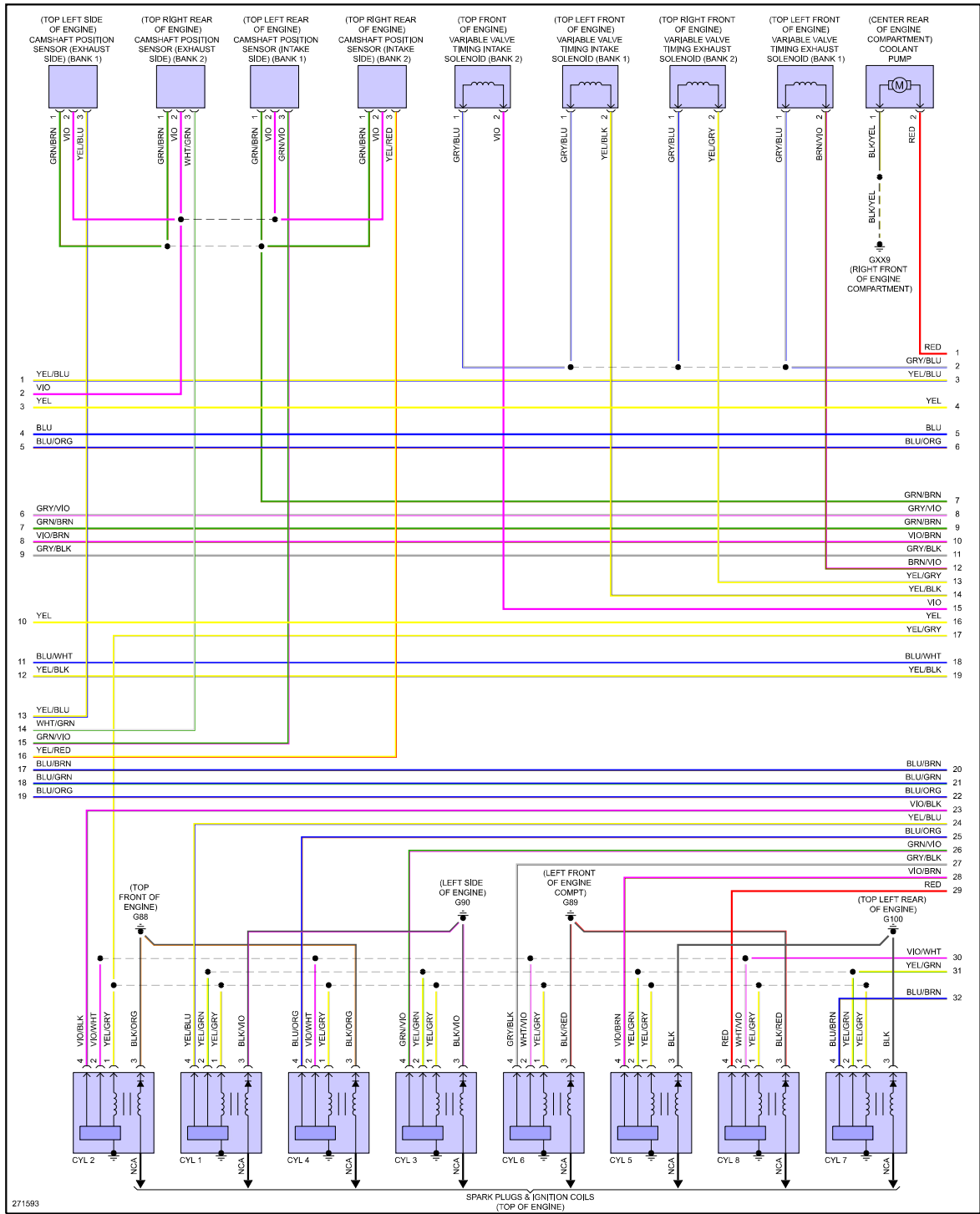


Fig 3: 4.4L, Engine Performance Circuit (3 of 5)

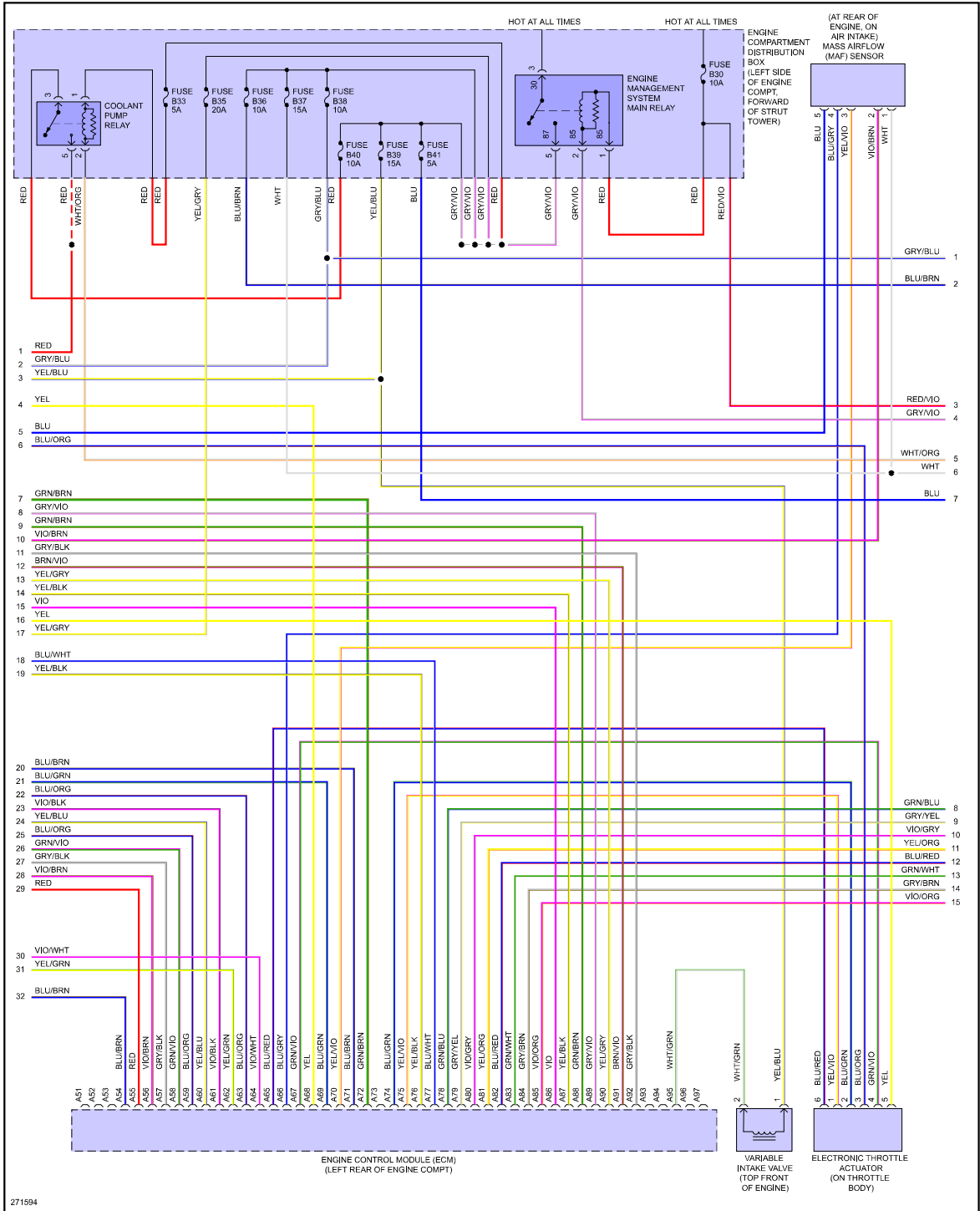


Fig 4: 4.4L, Engine Performance Circuit (4 of 5)

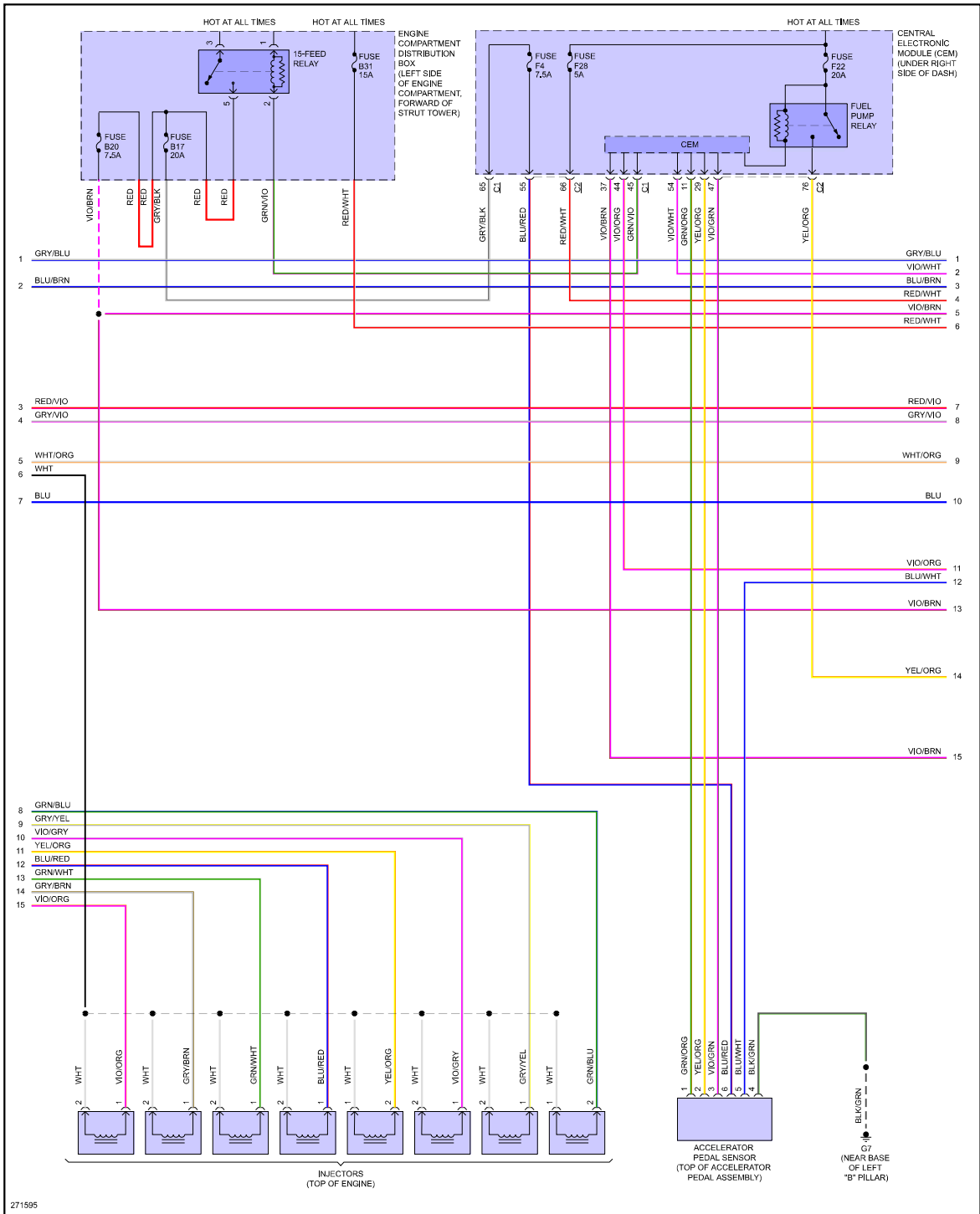


Fig 5: 4.4L, Engine Performance Circuit (5 of 5)

