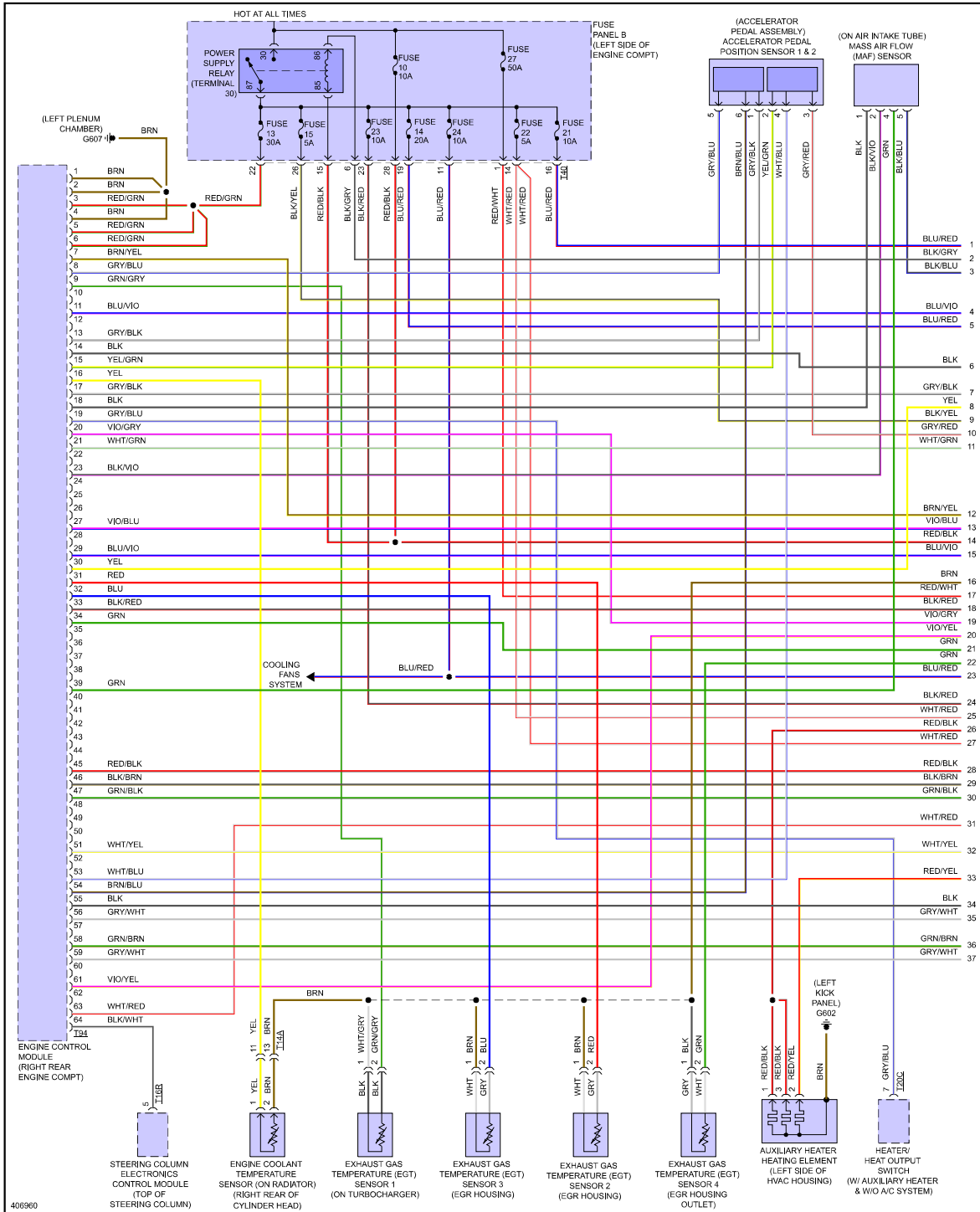


YMMS: 2014 Volkswagen Golf TDI
Engine: 2.0L Eng
VIN:

Jul 20, 2022
License:
Odometer:

ENGINE PERFORMANCE > 2.0L TURBO DIESEL

Fig 1: 2.0L Turbo Diesel, Engine Performance Circuit (1 of 6)



406960

Fig 2: 2.0L Turbo Diesel, Engine Performance Circuit (2 of 6)

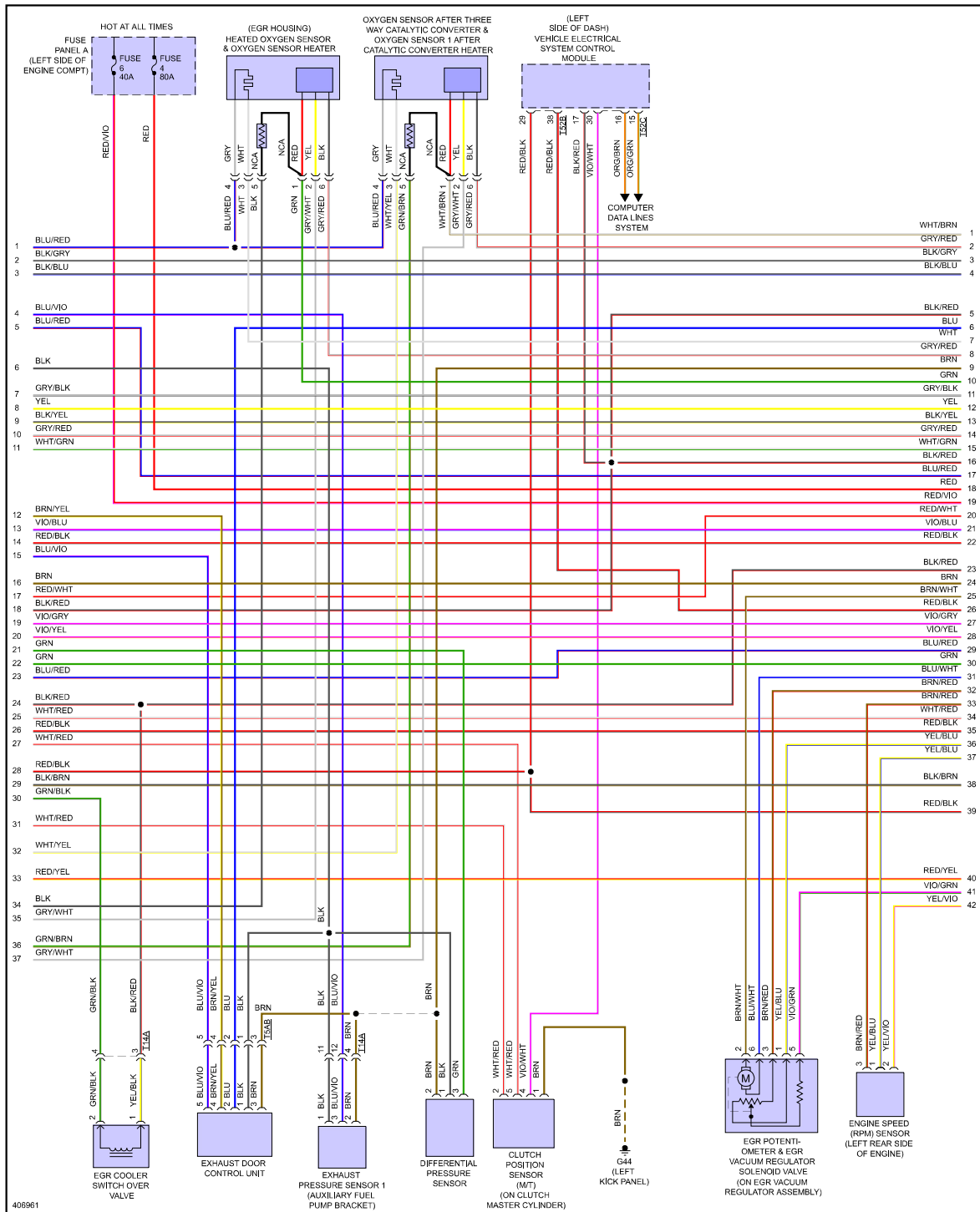


Fig 3: 2.0L Turbo Diesel, Engine Performance Circuit (3 of 6)

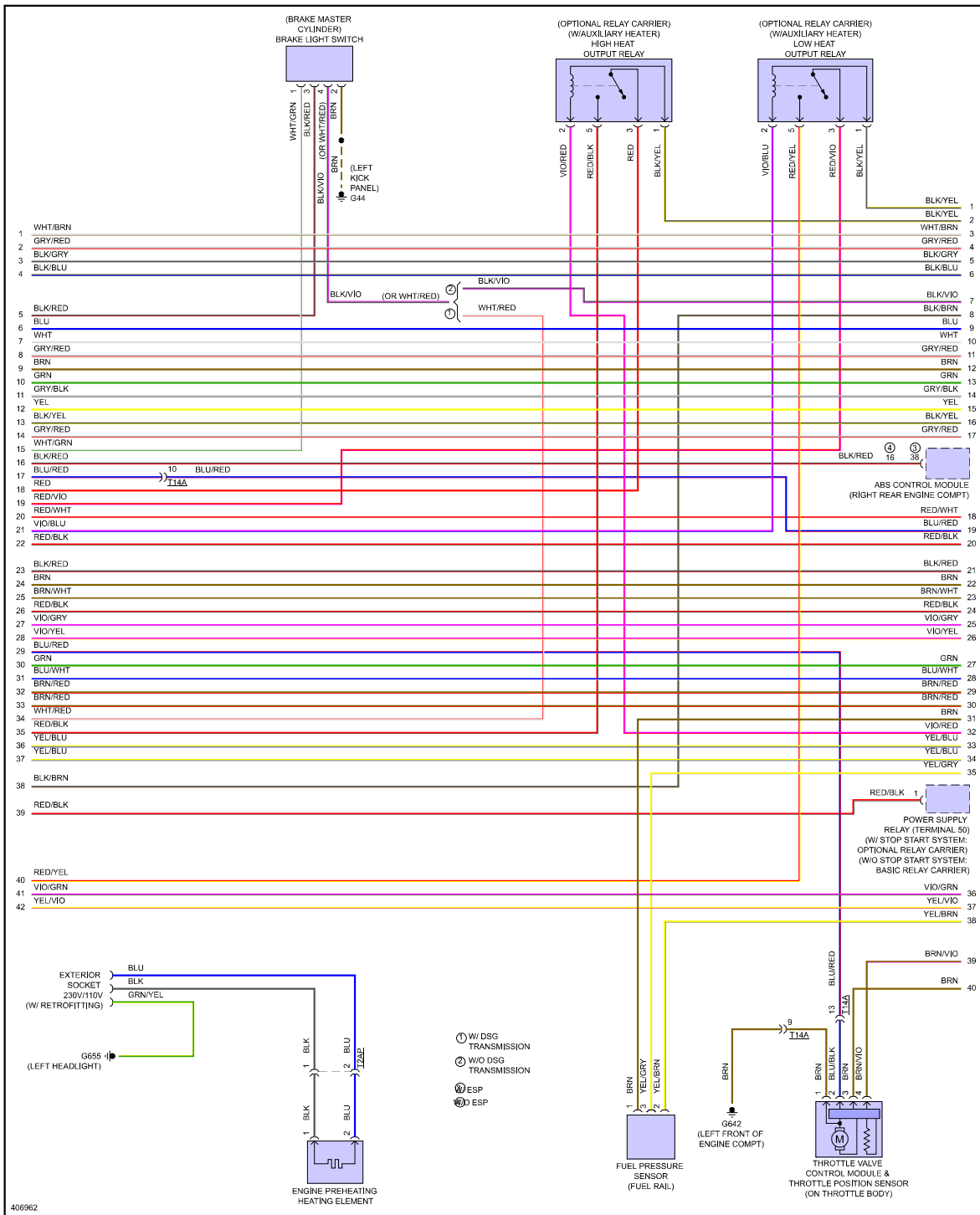


Fig 4: 2.0L Turbo Diesel, Engine Performance Circuit (4 of 6)

(IN FUEL TANK)

(OPTIONAL RELAY)

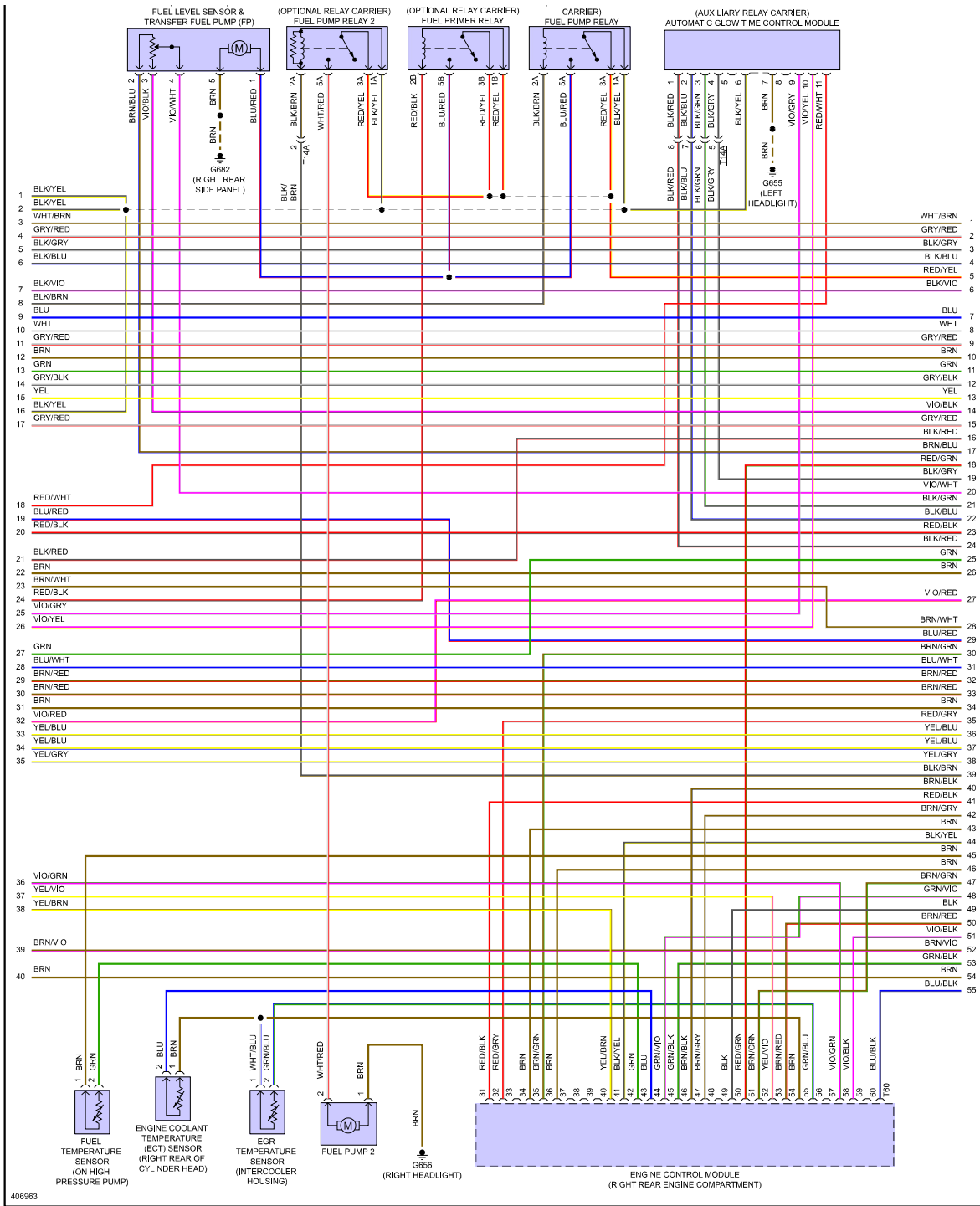
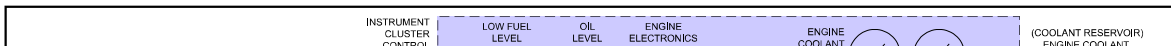
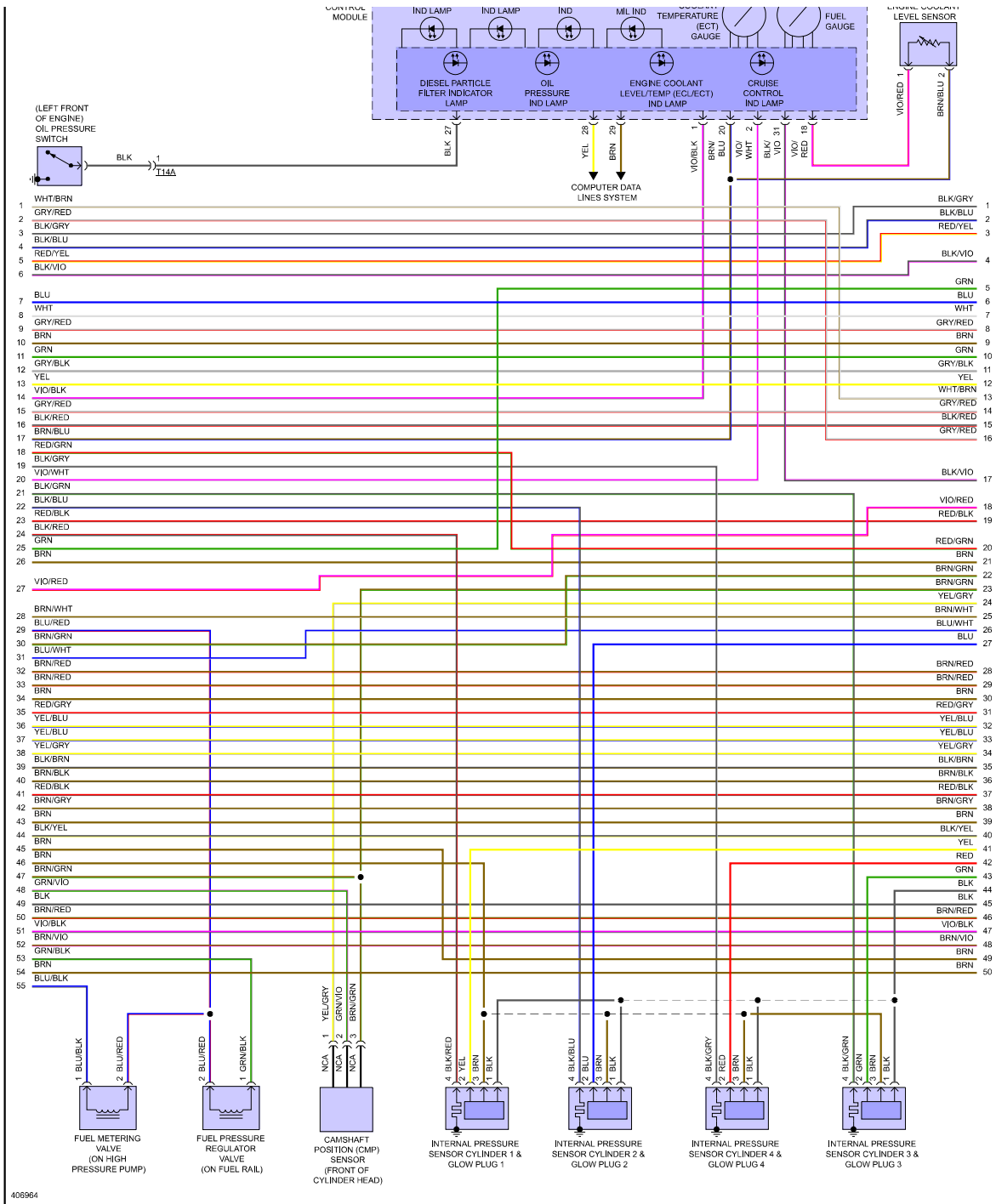


Fig 5: 2.0L Turbo Diesel, Engine Performance Circuit (5 of 6)





406964

Fig 6: 2.0L Turbo Diesel, Engine Performance Circuit (6 of 6)

