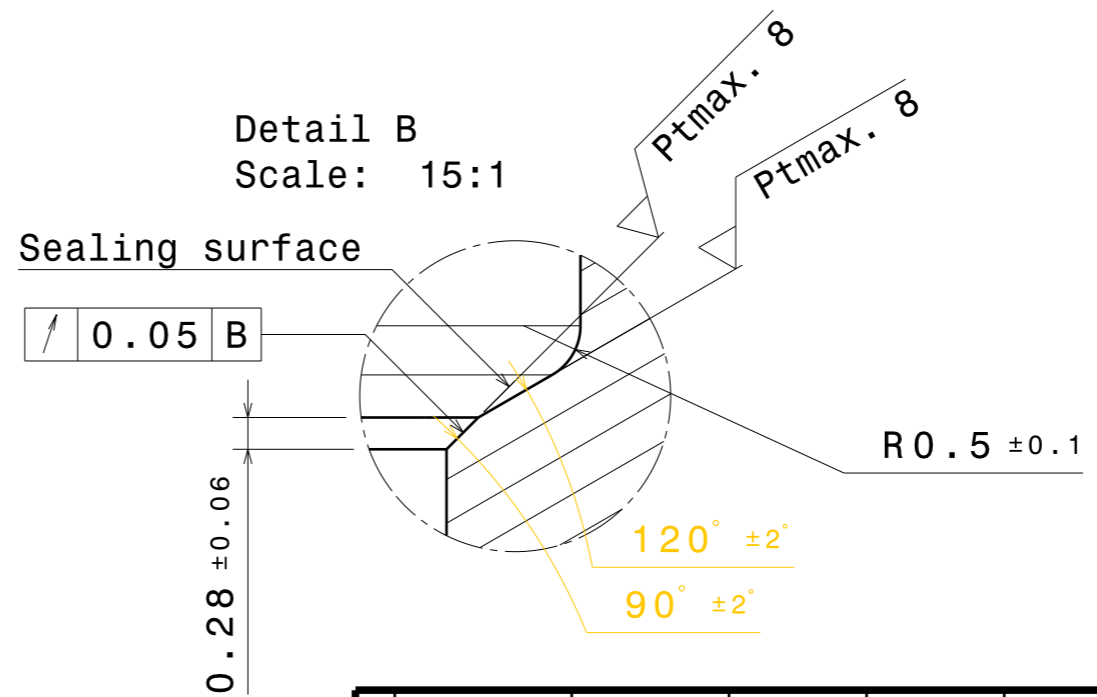
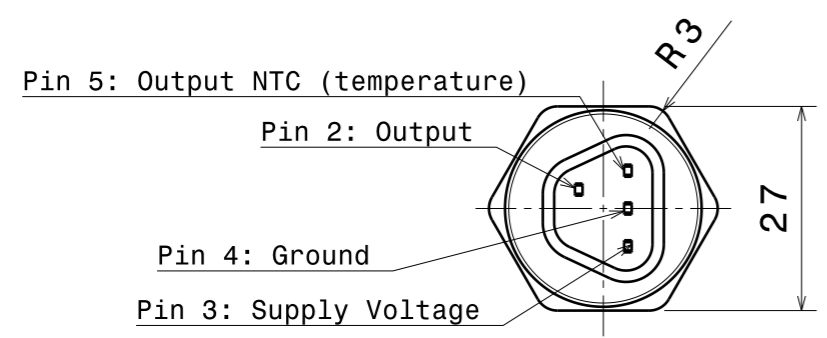
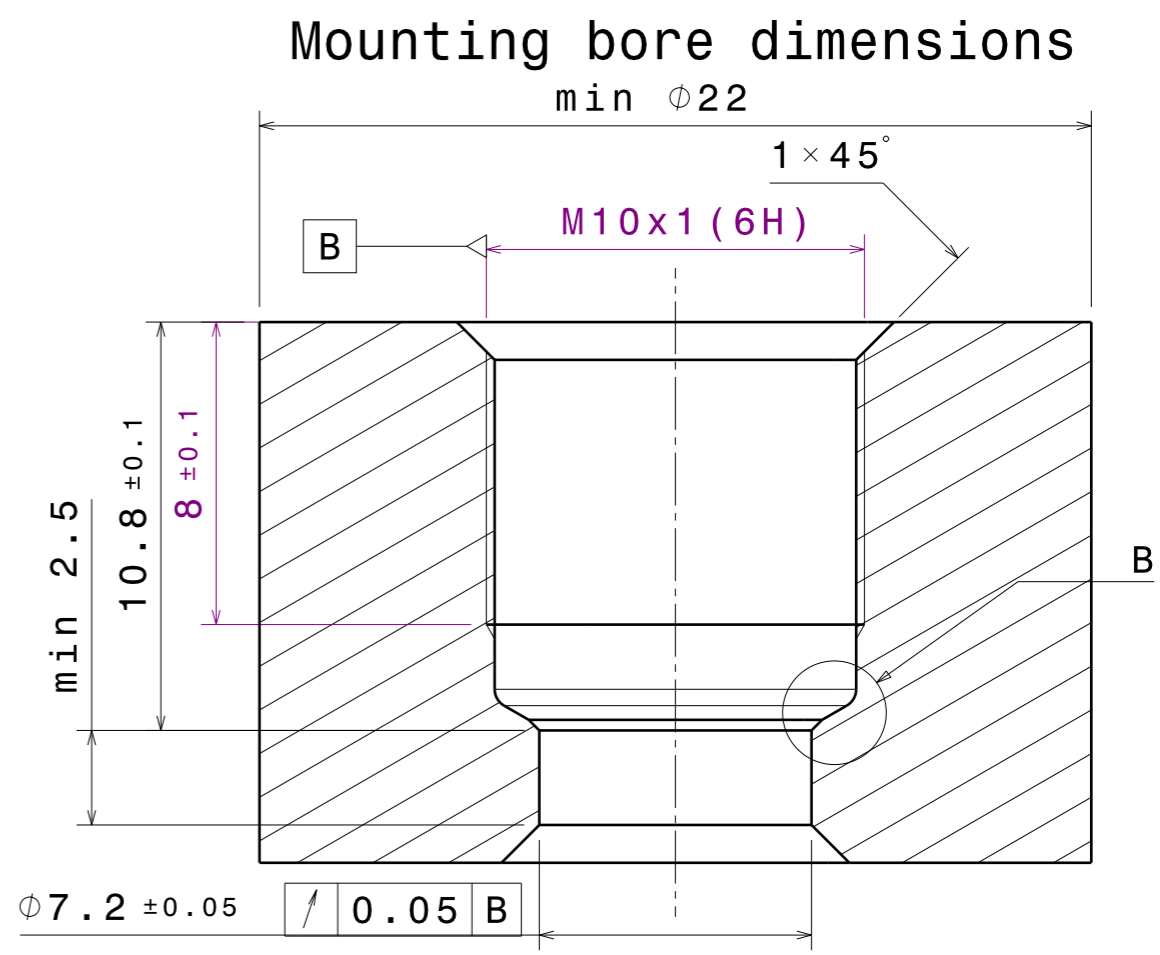
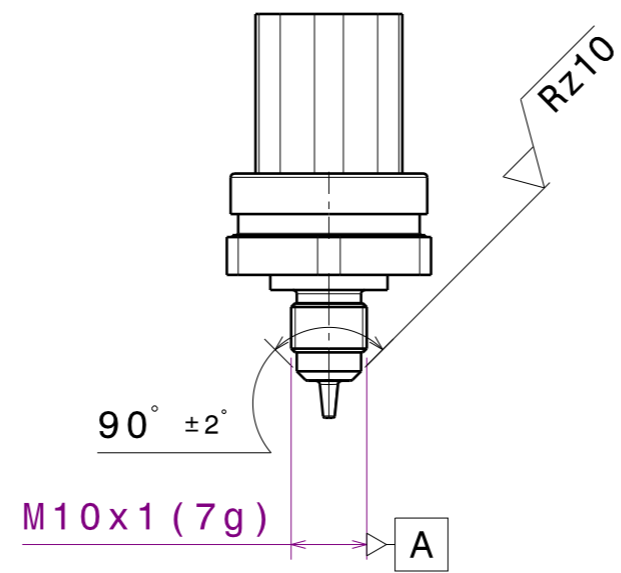
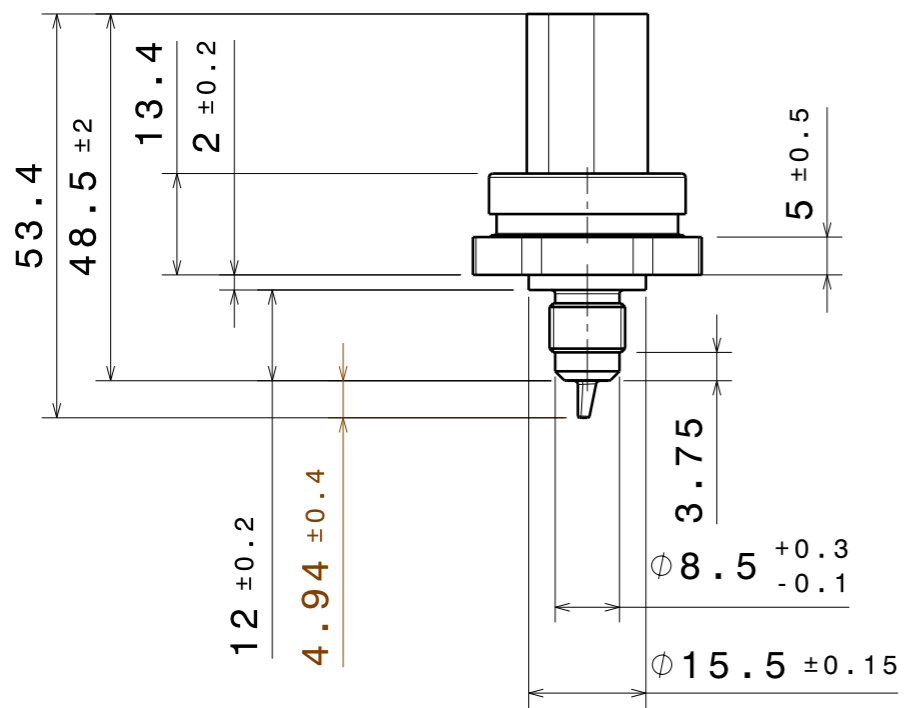


© Bosch Engineering GmbH. All rights reserved. Also regarding any disposal, exploitation, reproduction, editing, distribution, as well as in the event of applications for industrial property rights.



Mounting notes:
 -Tightening torque: 37.5 NM (+/-2.5 NM)
 -Lubrication required for thread surfaces, avoid allowing lubricant in pressure port
 -No contamination of surface sealing area allowed

general tolerances for/Allgemeintoleranzen fuer		
lin. dim./L.masse	radii/Radien	angles/Winkel
+/- 1 mm	+/- 1 mm	+/- 5 deg.
size acc. to/Masse nach		
ISO 14405-1:2010-12		
envelope principle		(E)

Order Number	Temperature Range	Pressure Range
F02U.V0U.194-01	-40 - +140 deg. C	0-1000 kPa (rel.)

01 Initial	20160316	JnP	MSD2	BEG/MSD2-NA
Ind. Change/Aend.	YYYYMMDD	Drawn/Gez.	Checked/Gepr.	Releas./Freig.
Lang./Spr.	Syst.	Wght./Gew.	Pressure Sensor	
en/de	CAT		Druckfuehler	
Scale/M.stab		1:1		Sheet/Bl.
MNR		OFFER DRAWING		1/1
		ANGEBOTSZEICHN.		Format
		Repl. for		A3
		Repl. by		