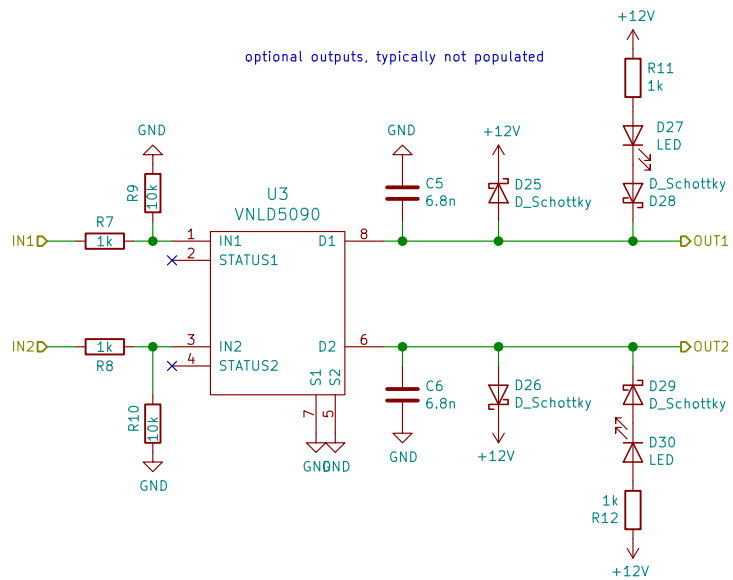
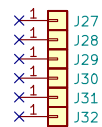
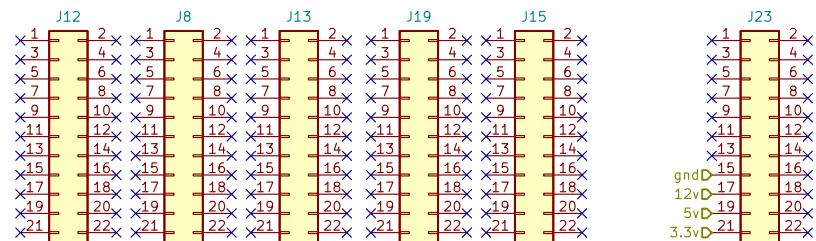


rusEFI	
Sheet: /LowSide1/	
File: pair.sch	
Title: 48 NA MRE PNP	
Size: A4	Date: 2020-05-30
KiCad E.D.A. kicad (5.1.5)-3	Rev: R0.2
	Id: 2/4



rusEFI	
Sheet: /LowSide2/	
File: pair.sch	
Title: 48 NA MRE PNP	
Size: A4	Date: 2020-05-30
KiCad E.D.A. kicad (5.1.5)-3	Rev: R0.2
	Id: 3/4



Sheet: /Proto/
File: Proto.sch

Title: 48 NA MRE PNP

Size: A4 Date: 2020-05-30

Rev: R0.2

KiCad E.D.A. kicad (5.1.5)-3

Id: 4/4