

# PRODEMAND

YMMS: 2022 Ford Mustang Shelby GT500  
Engine: 5.2L Eng  
VIN:

Nov 14, 2022  
License:  
Odometer:

## ENGINE PERFORMANCE > 5.0L

Fig 1: 5.0L, Engine Performance Circuit (1 of 11)

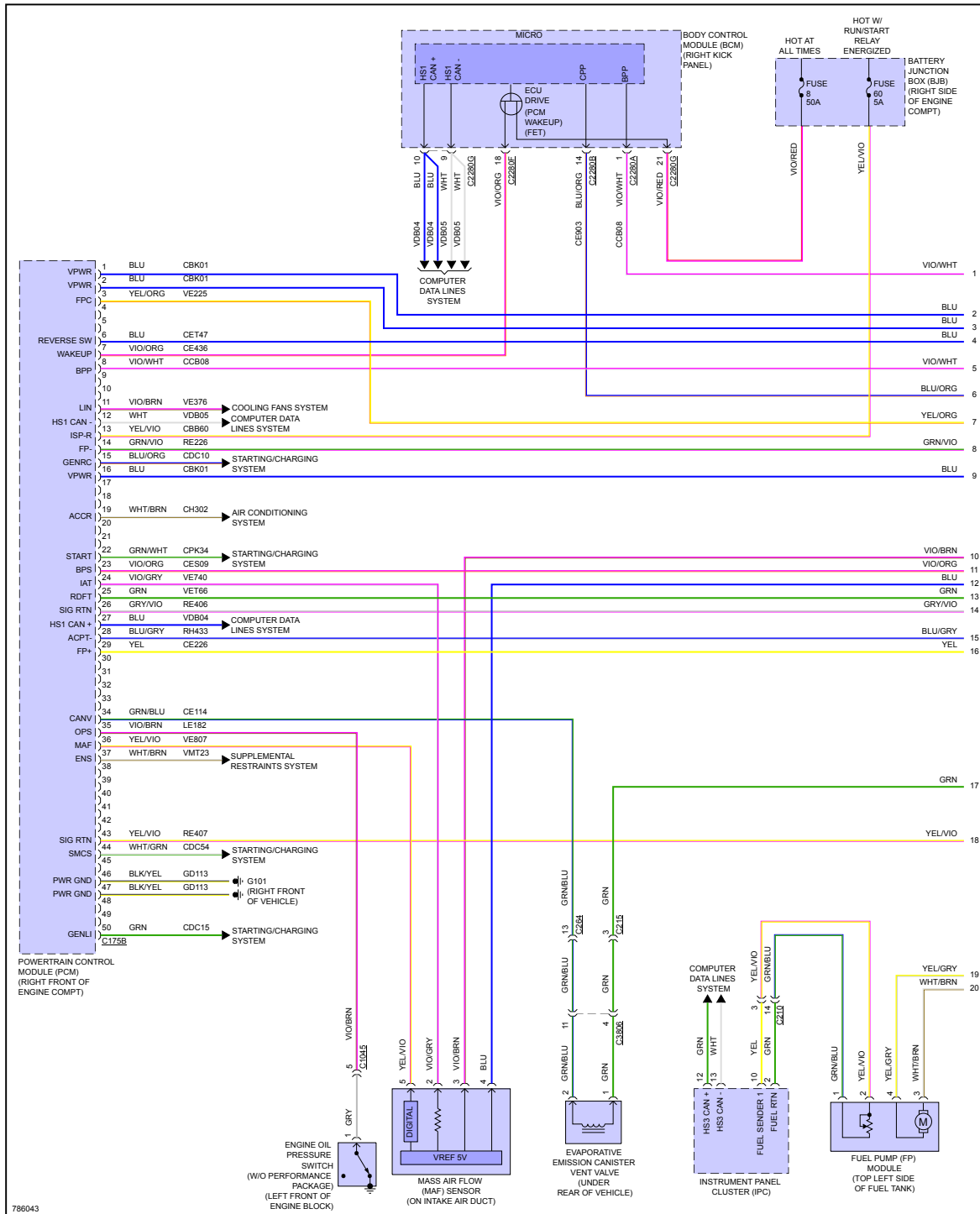


Fig 2: 5.0L, Engine Performance Circuit (2 of 11)

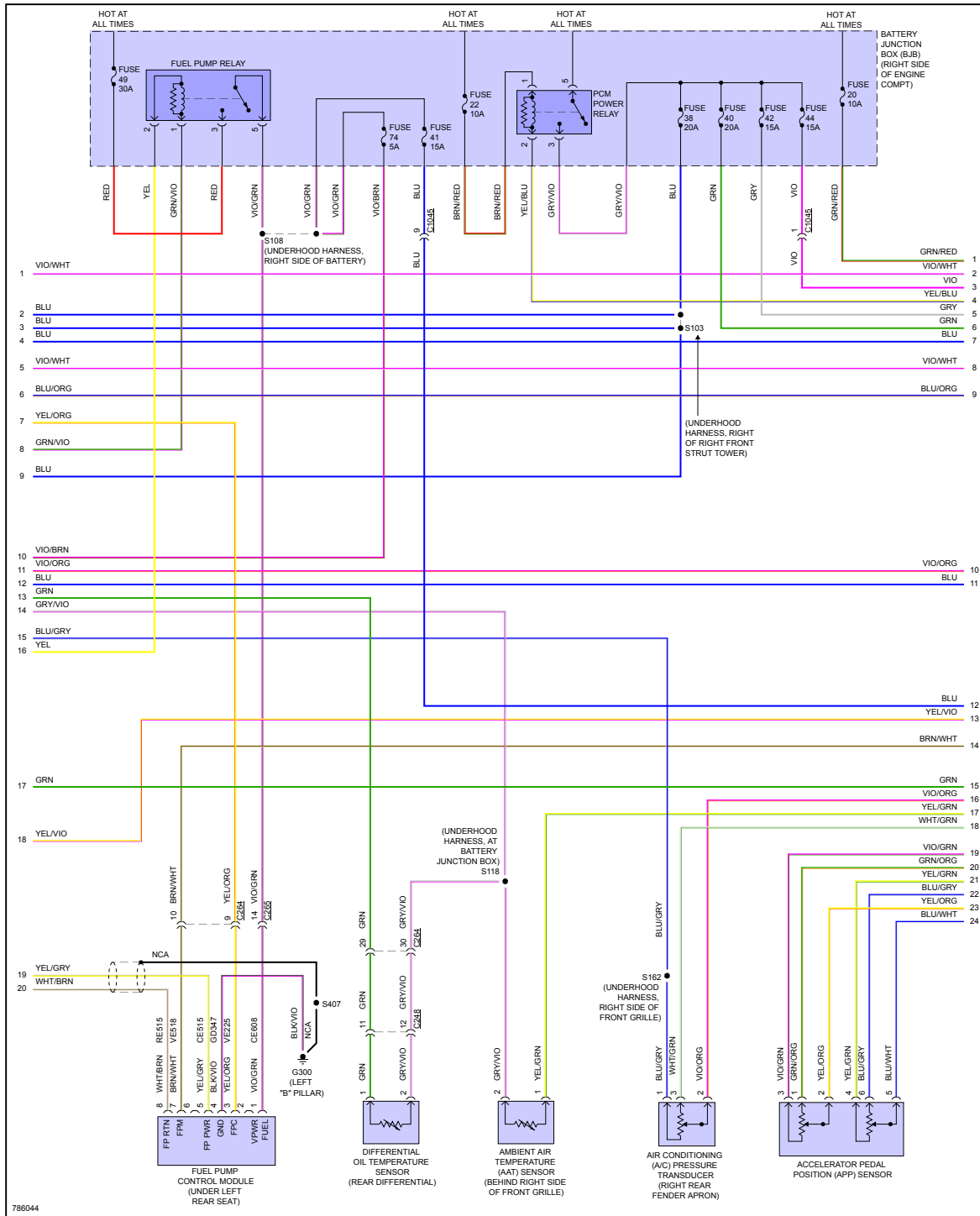


Fig 3: 5.0L, Engine Performance Circuit (3 of 11)

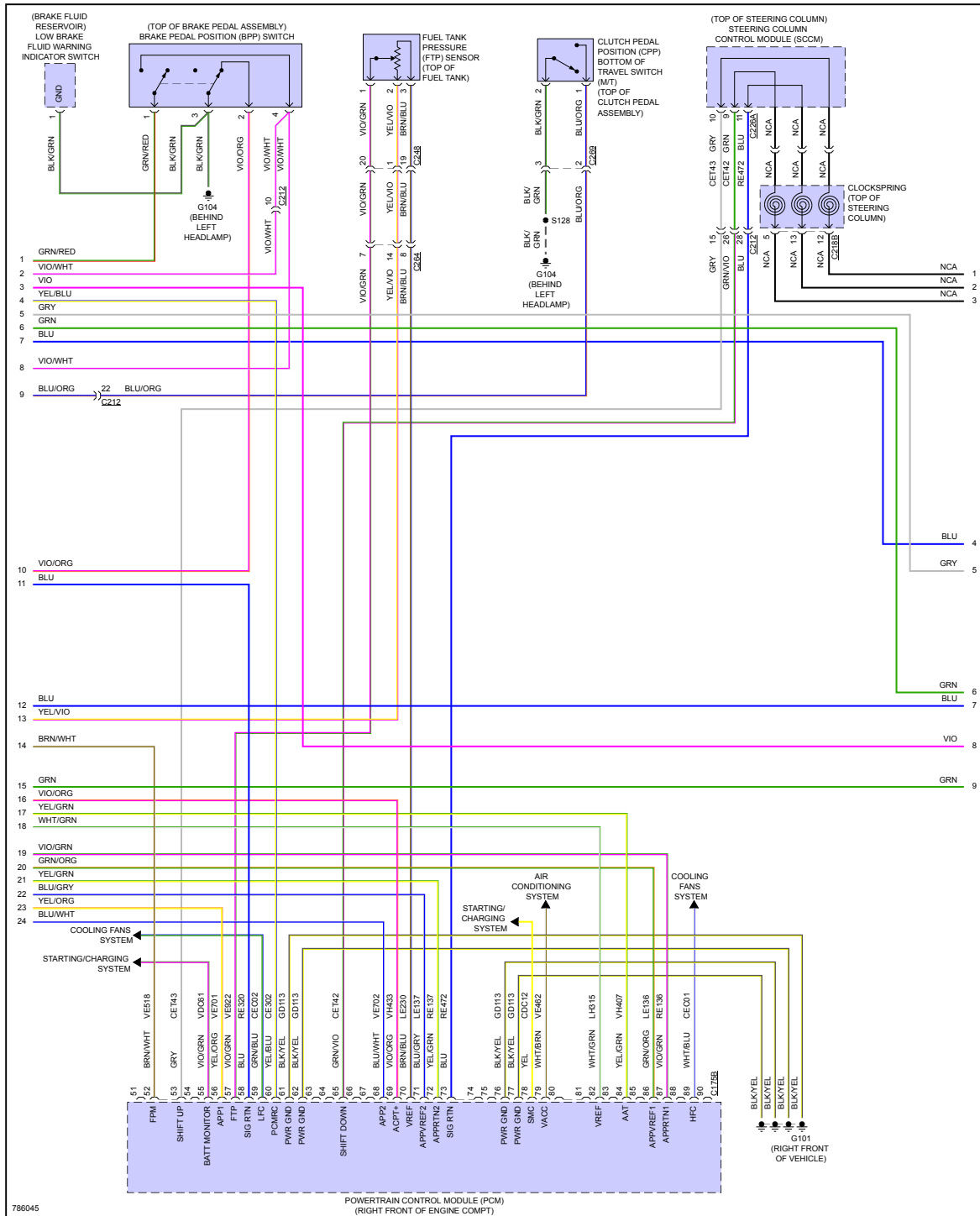


Fig 4: 5.0L, Engine Performance Circuit (4 of 11)

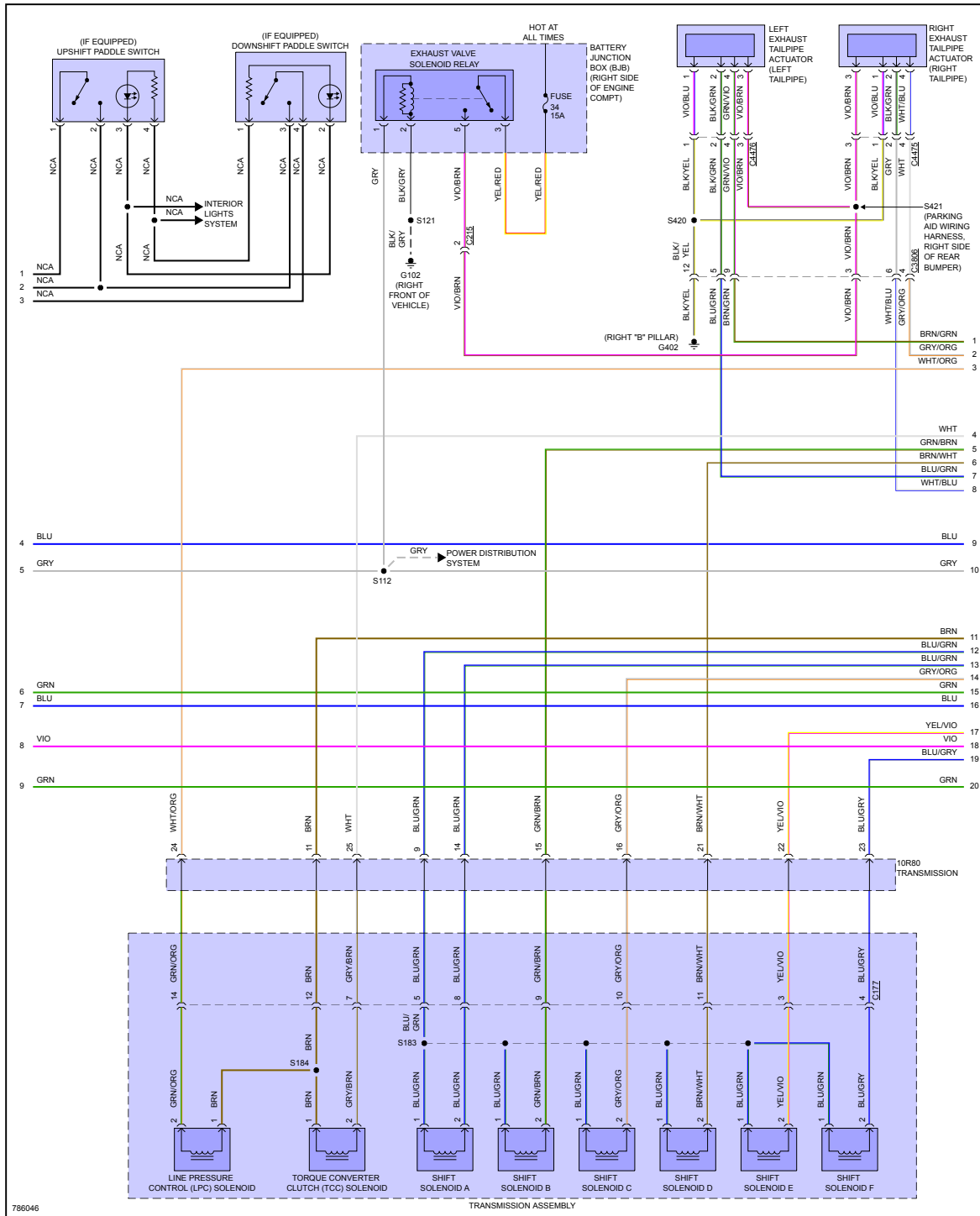


Fig 5: 5.0L, Engine Performance Circuit (5 of 11)

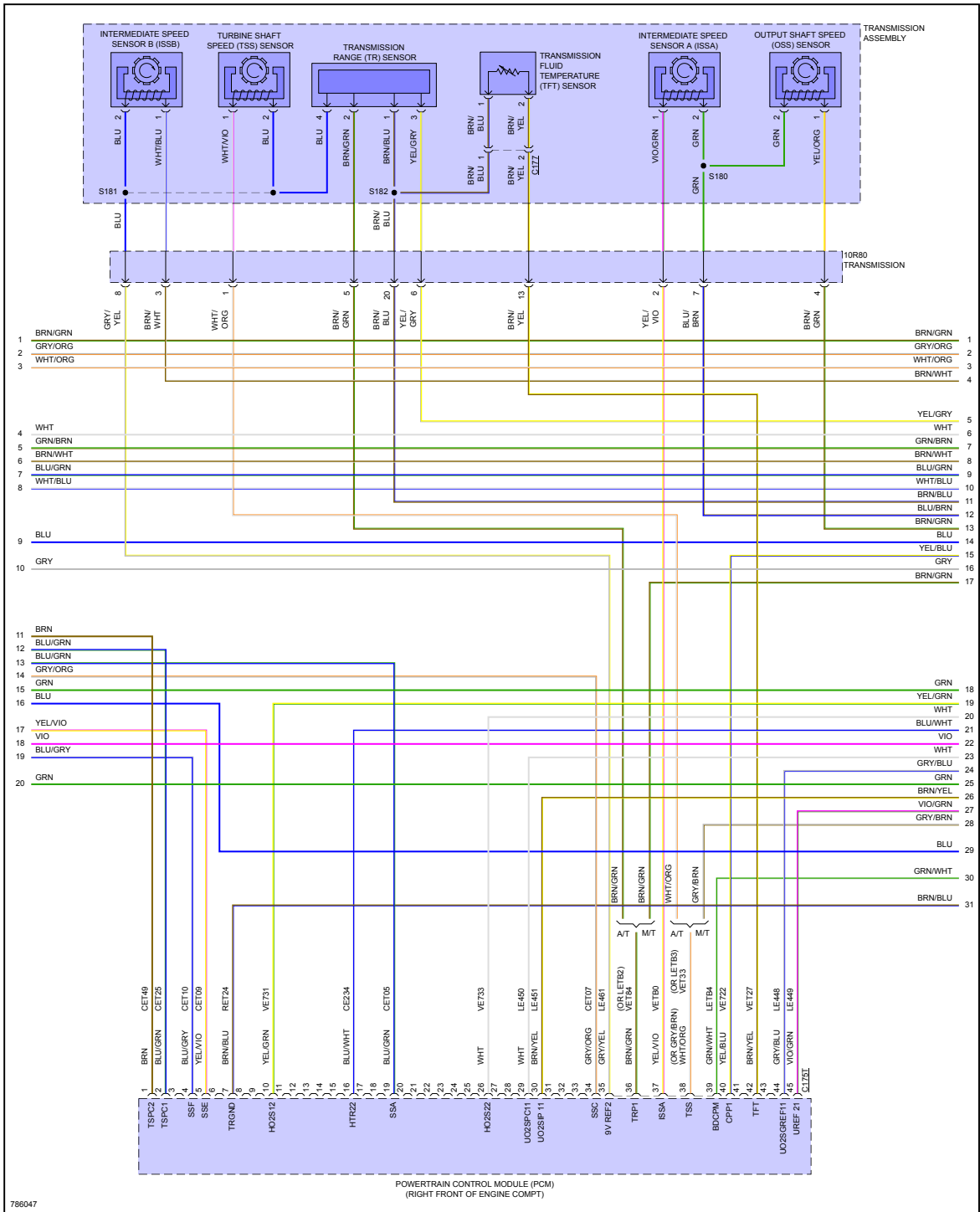
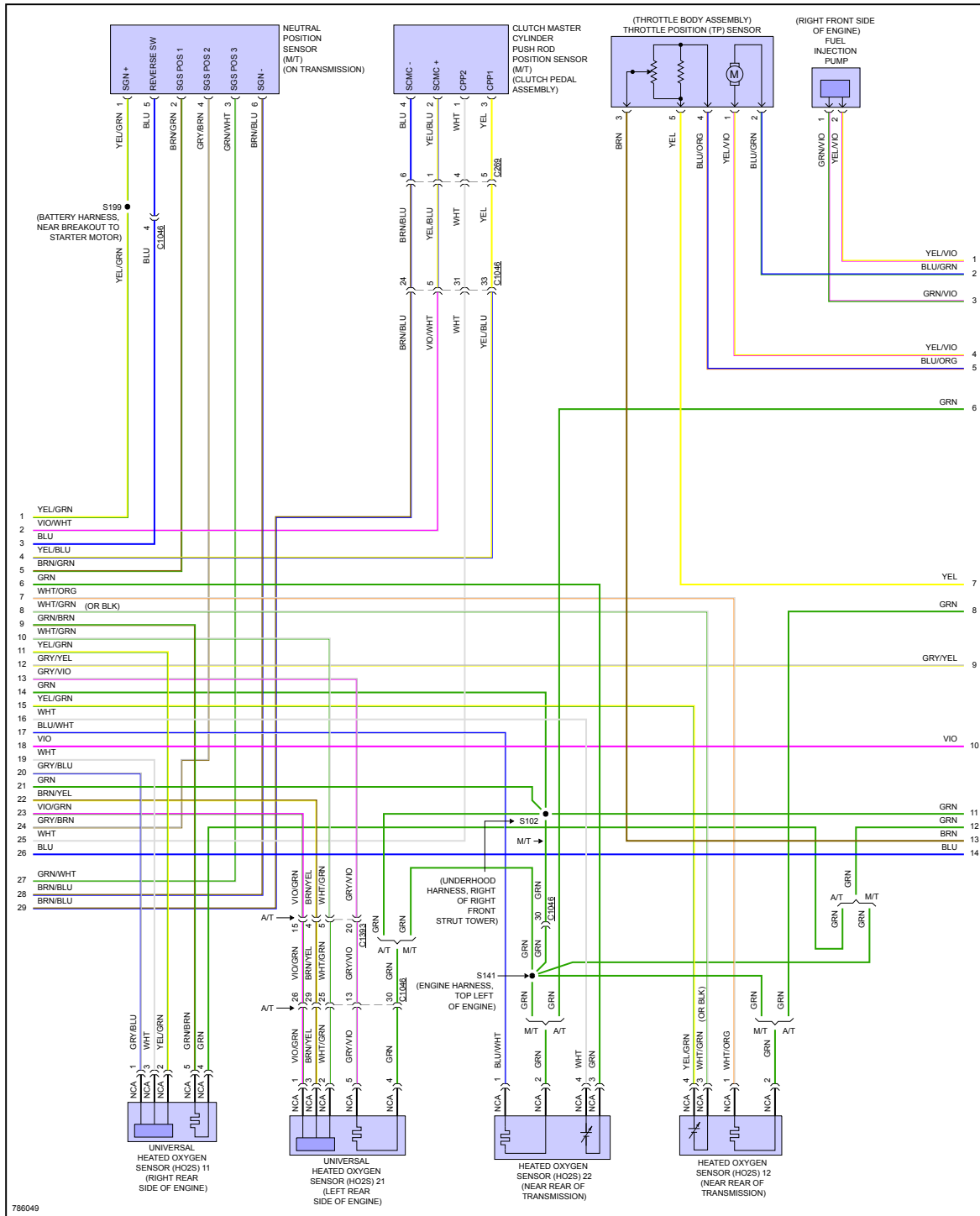




Fig 7: 5.0L, Engine Performance Circuit (7 of 11)



786049

Fig 8: 5.0L, Engine Performance Circuit (8 of 11)

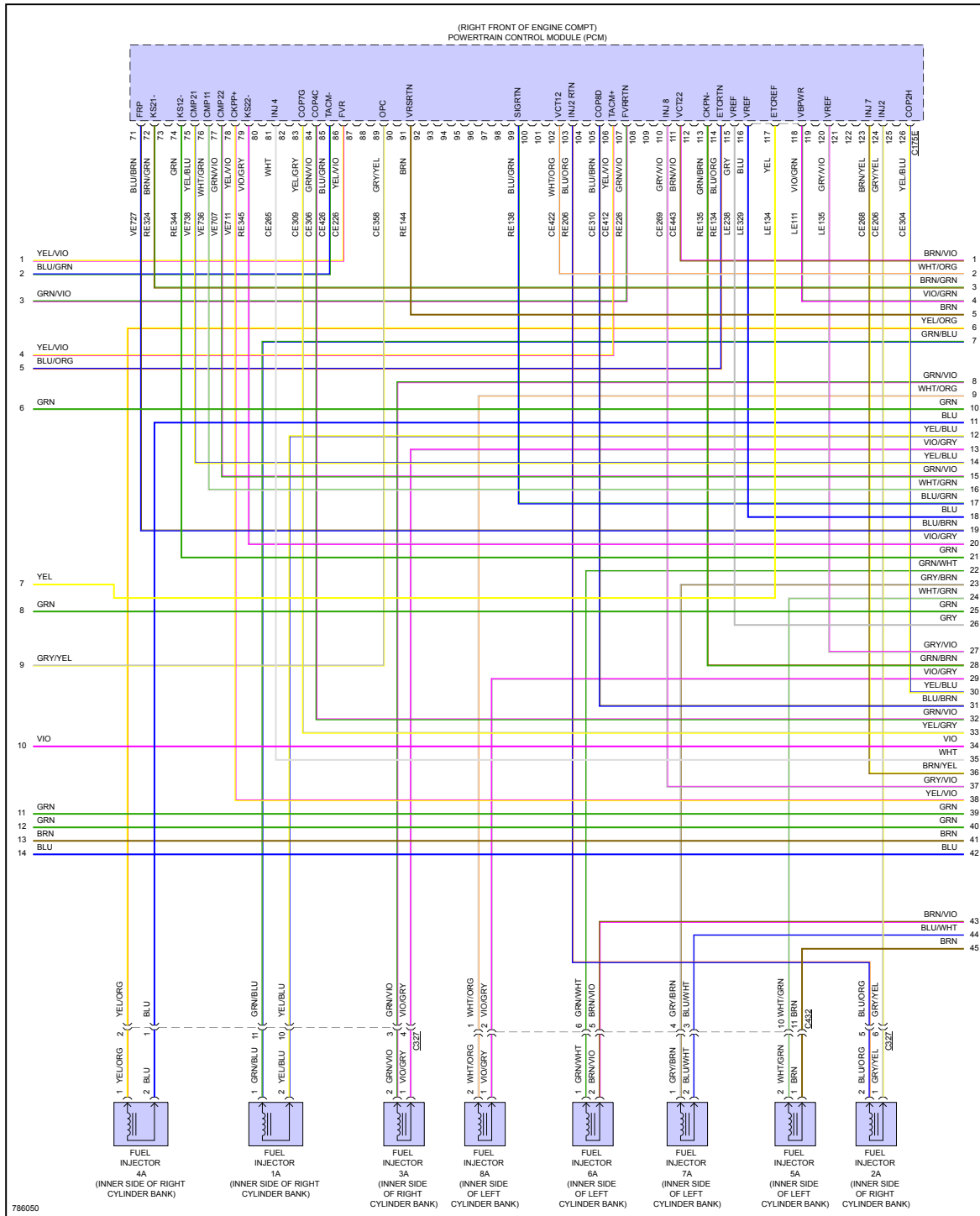
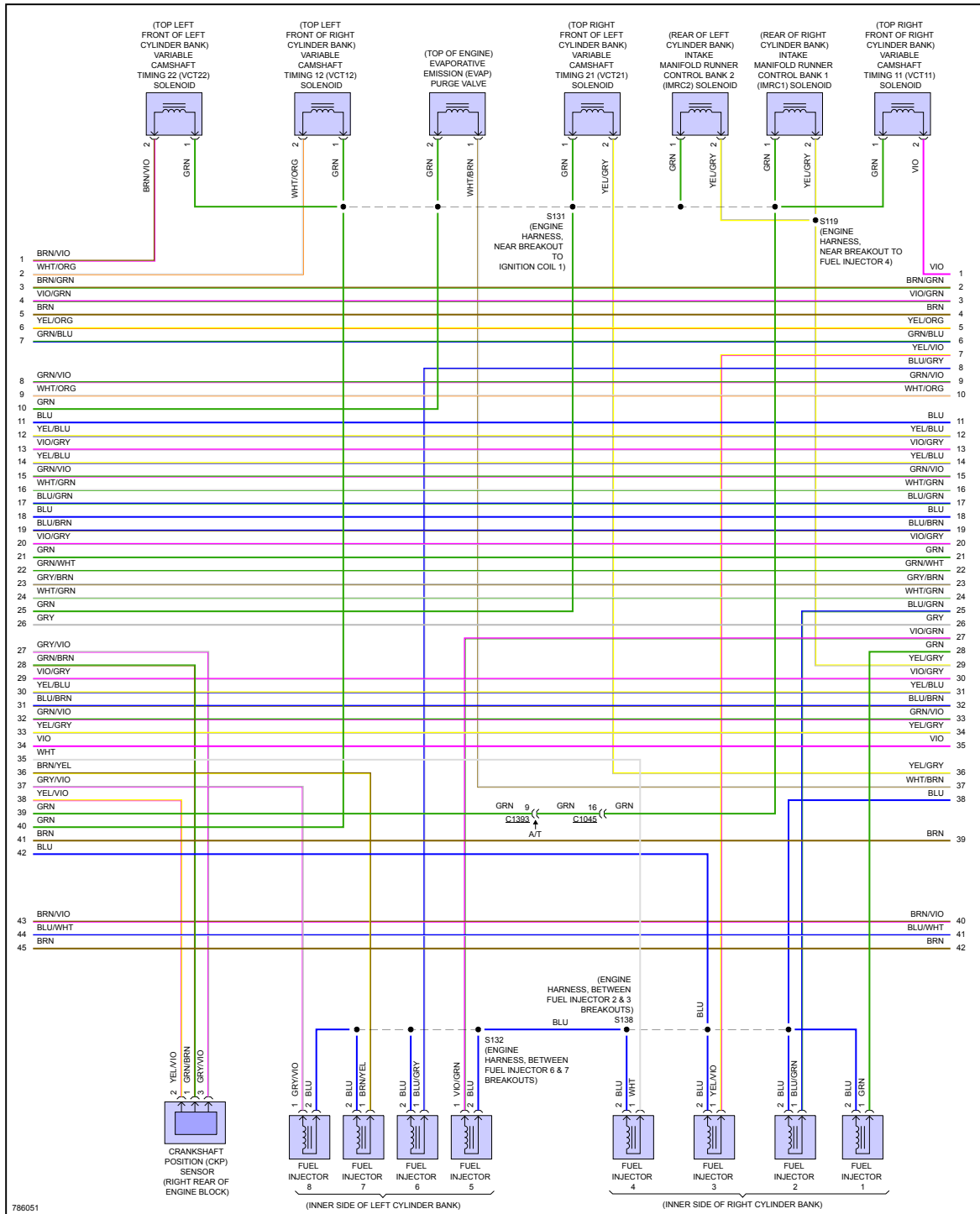




Fig 9: 5.0L, Engine Performance Circuit (9 of 11)



786051

Fig 10: 5.0L, Engine Performance Circuit (10 of 11)

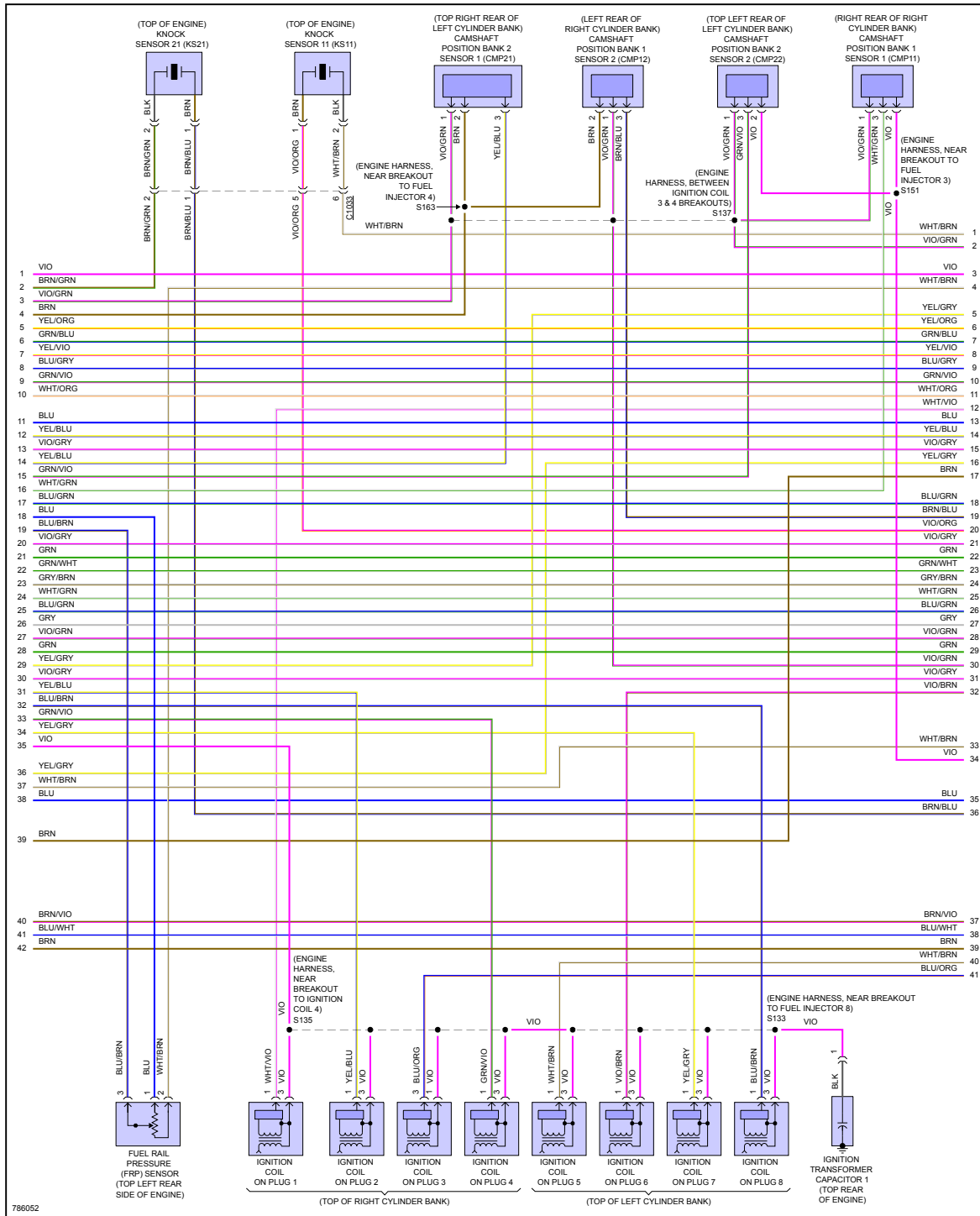
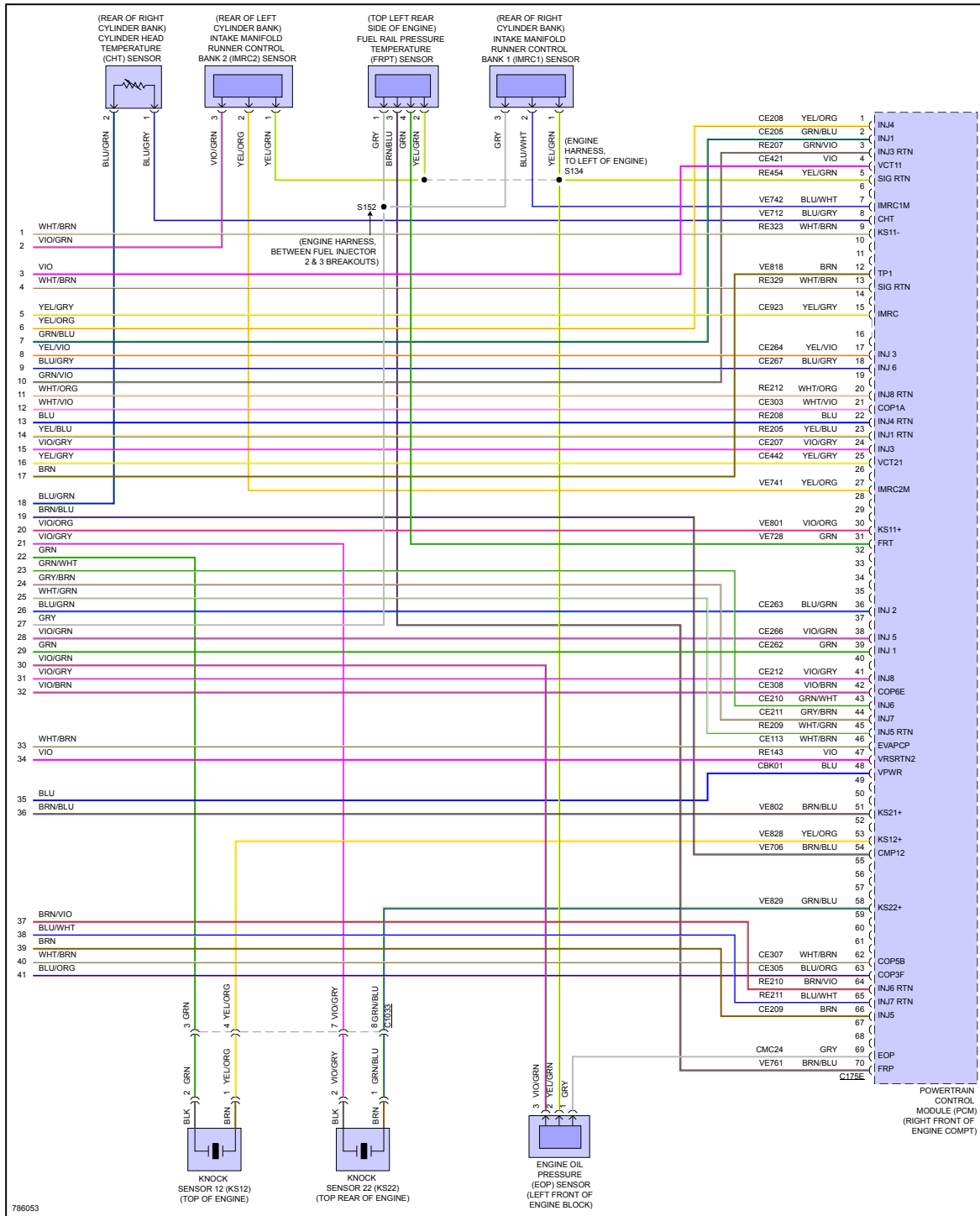


Fig 11: 5.0L, Engine Performance Circuit (11 of 11)



786053

