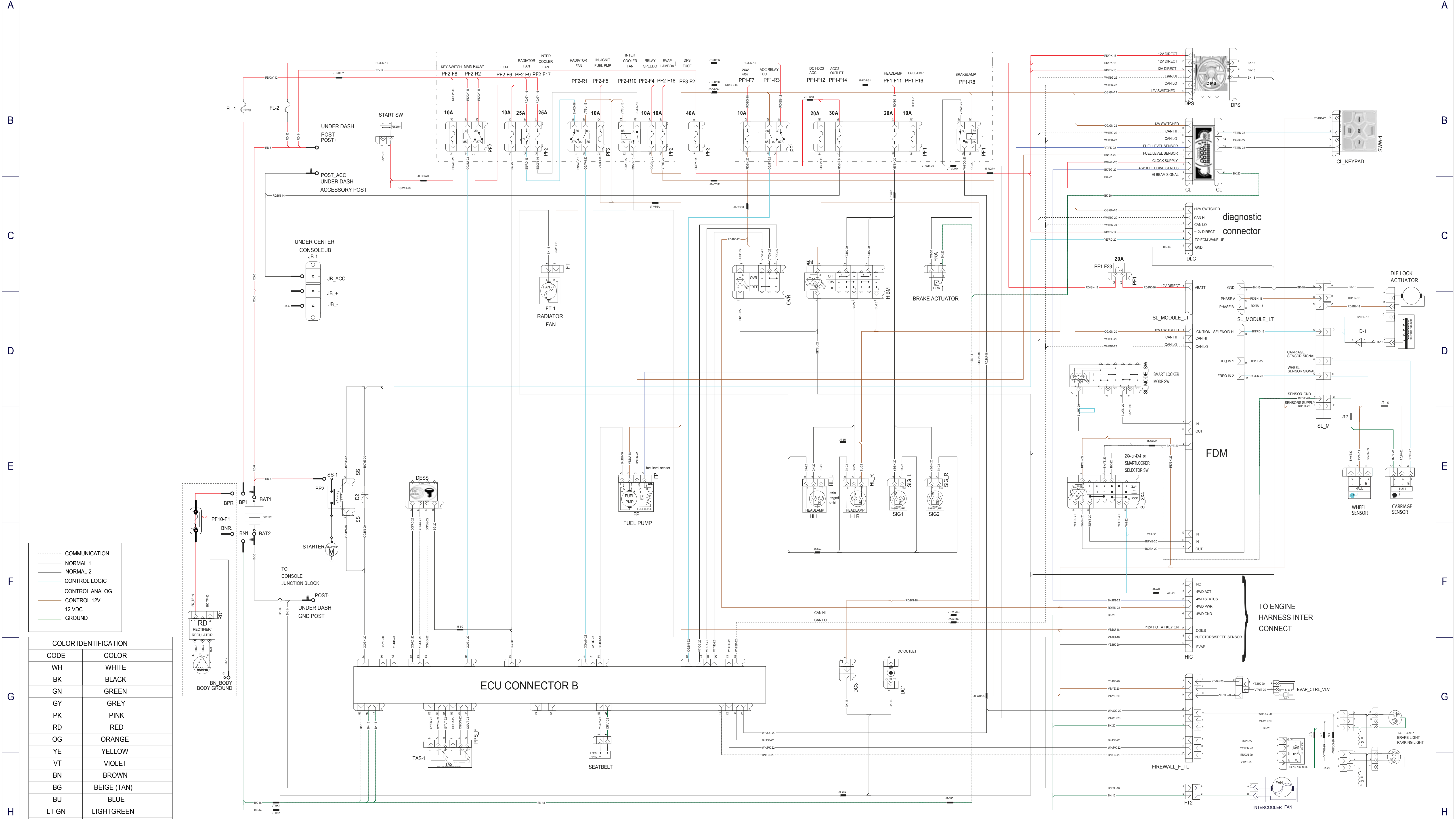


# 2022 Vehicle Main Harness

Maverick equipped with a 900 ACE Turbo engine

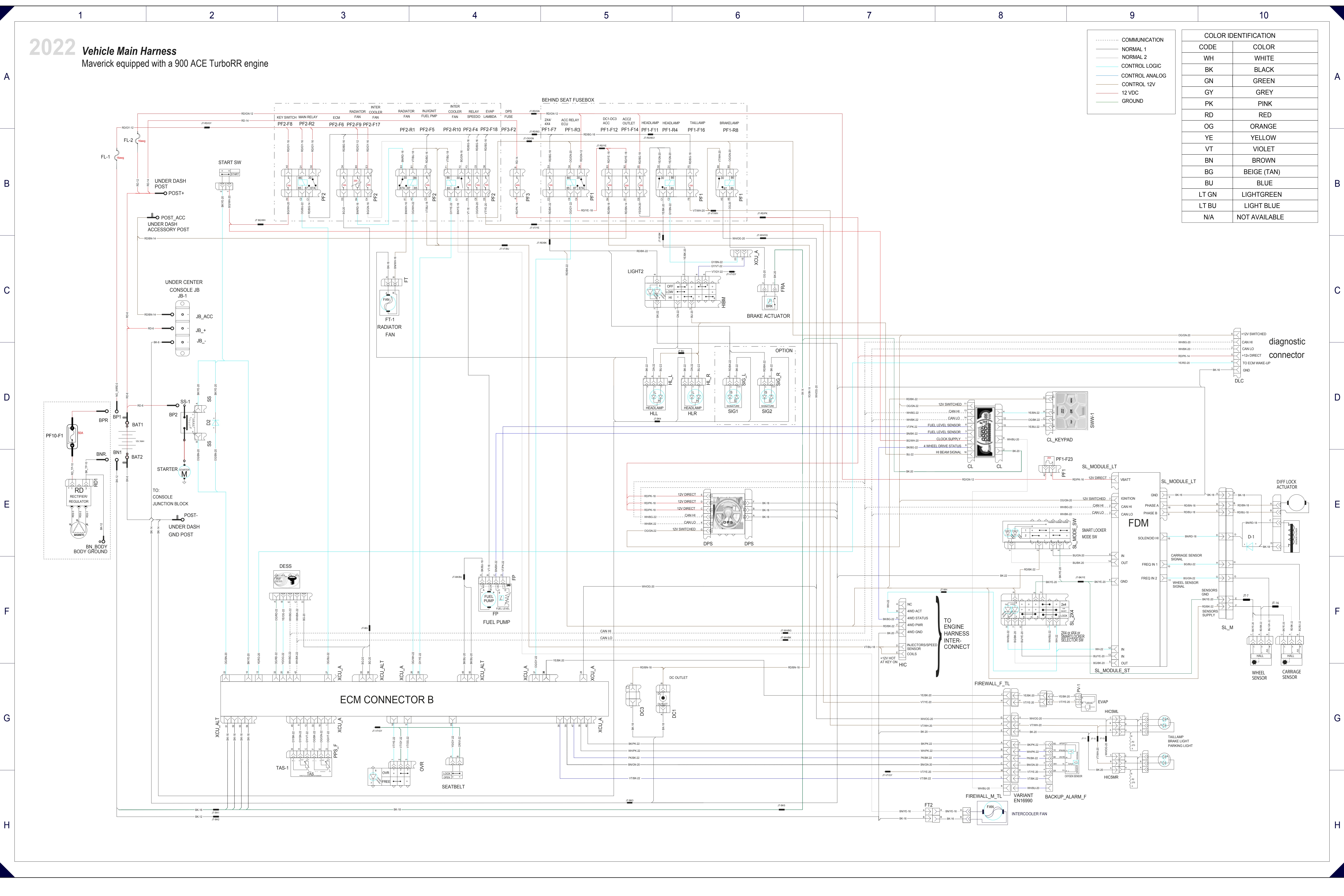


- ..... COMMUNICATION
- NORMAL 1
- NORMAL 2
- CONTROL LOGIC
- CONTROL ANALOG
- CONTROL 12V
- 12 VDC
- GROUND

COLOR IDENTIFICATION	
CODE	COLOR
WH	WHITE
BK	BLACK
GN	GREEN
GY	GREY
PK	PINK
RD	RED
OG	ORANGE
YE	YELLOW
VT	VIOLET
BN	BROWN
BG	BEIGE (TAN)
BU	BLUE
LT GN	LIGHTGREEN
LT BU	LIGHT BLUE
N/A	NOT AVAILABLE

**2022 Vehicle Main Harness**  
Maverick equipped with a 900 ACE TurboRR engine

COLOR IDENTIFICATION	
CODE	COLOR
WH	WHITE
BK	BLACK
GN	GREEN
GY	GREY
PK	PINK
RD	RED
OG	ORANGE
YE	YELLOW
VT	VIOLET
BN	BROWN
BG	BEIGE (TAN)
BU	BLUE
LT GN	LIGHTGREEN
LT BU	LIGHT BLUE
N/A	NOT AVAILABLE



diagnostic connector

DIFF LOCK ACTUATOR

TO ENGINE HARNESS INTER-CONNECT

FIREWALL\_F\_TL

FIREWALL\_M\_TL

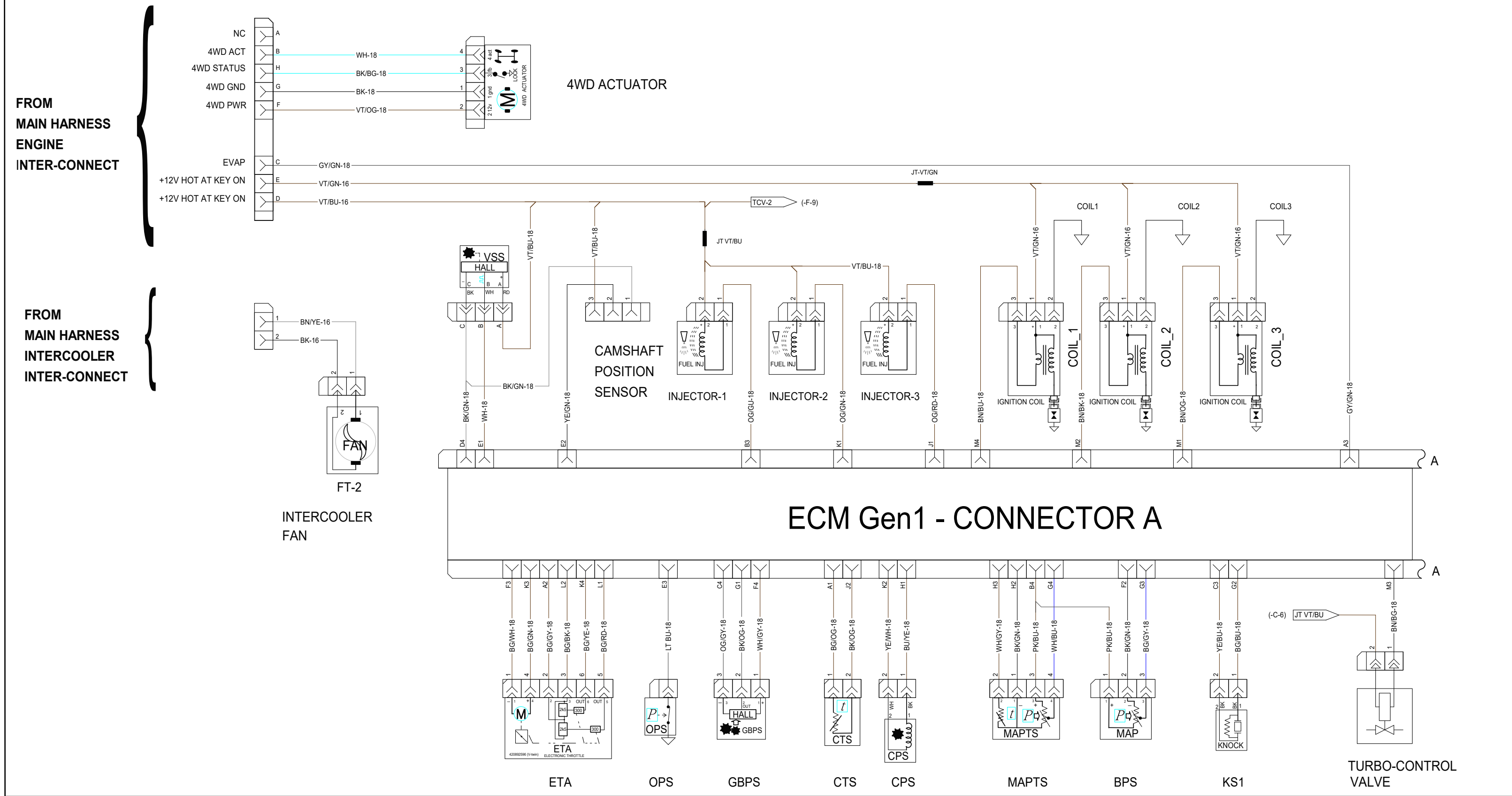
BACKUP\_ALARM\_F

INTERCOOLER FAN

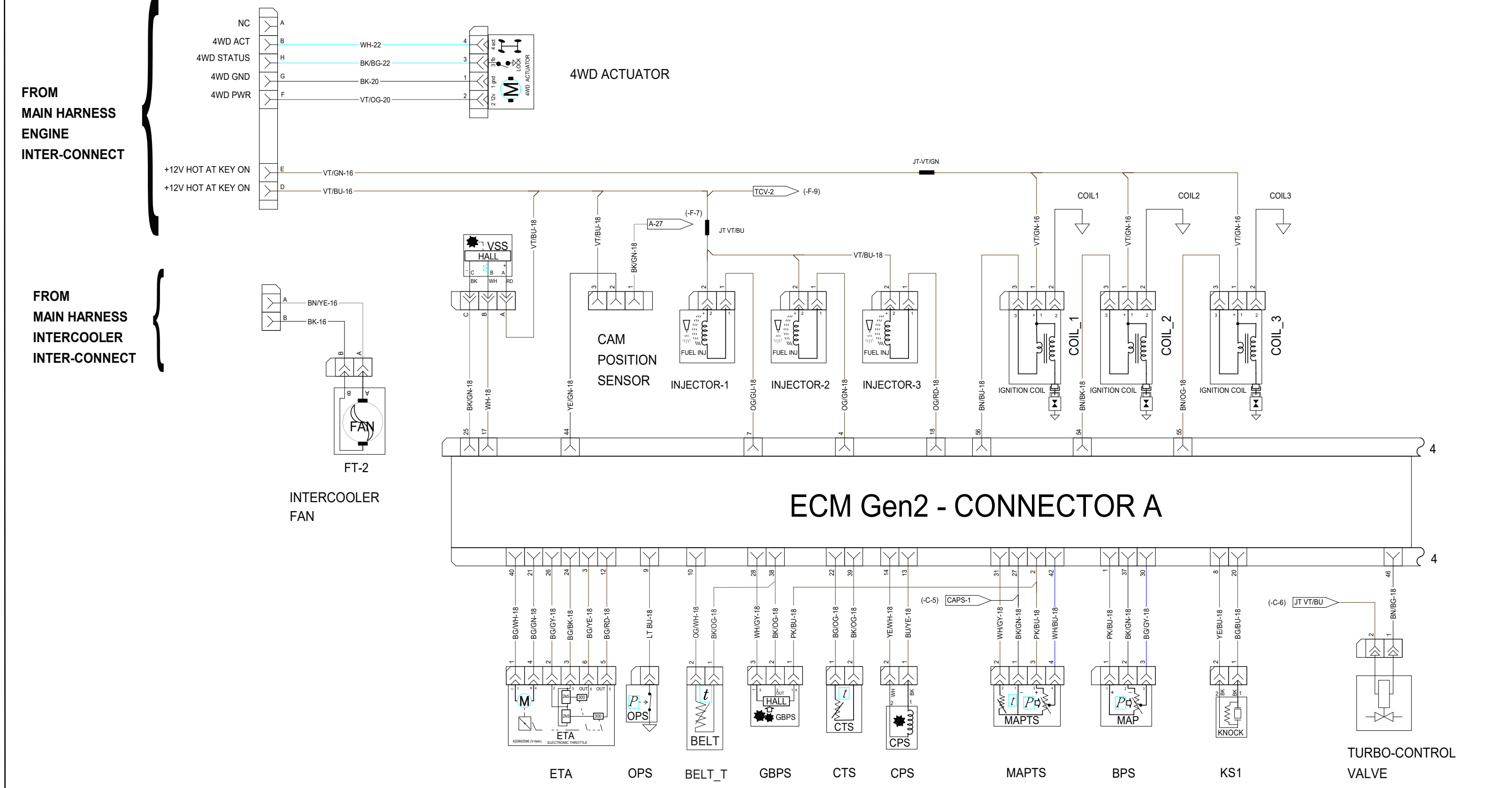
A  
B  
C  
D  
E  
F  
G  
H

A  
B  
C  
D  
E  
F  
G  
H

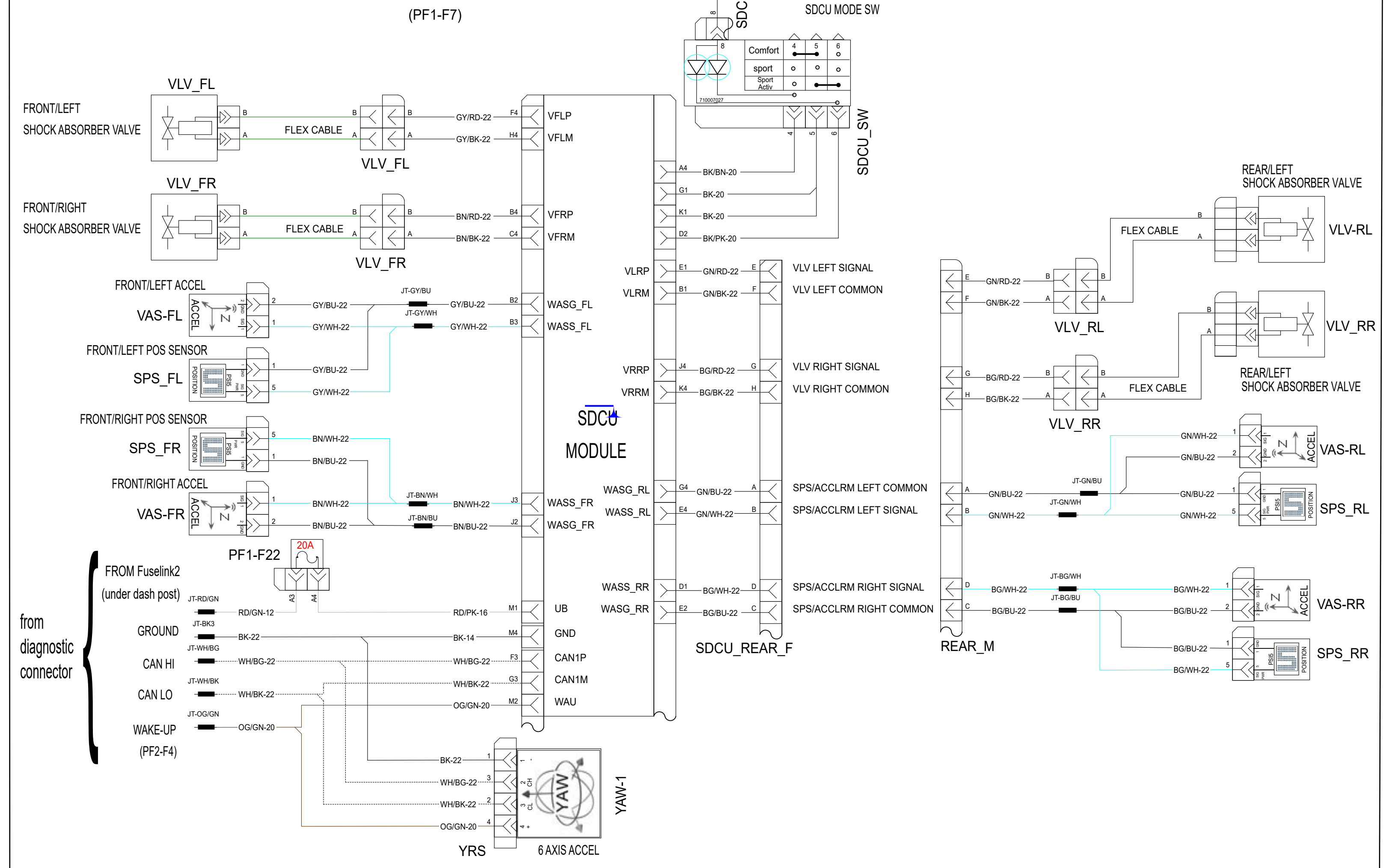
900 ACE TURBO



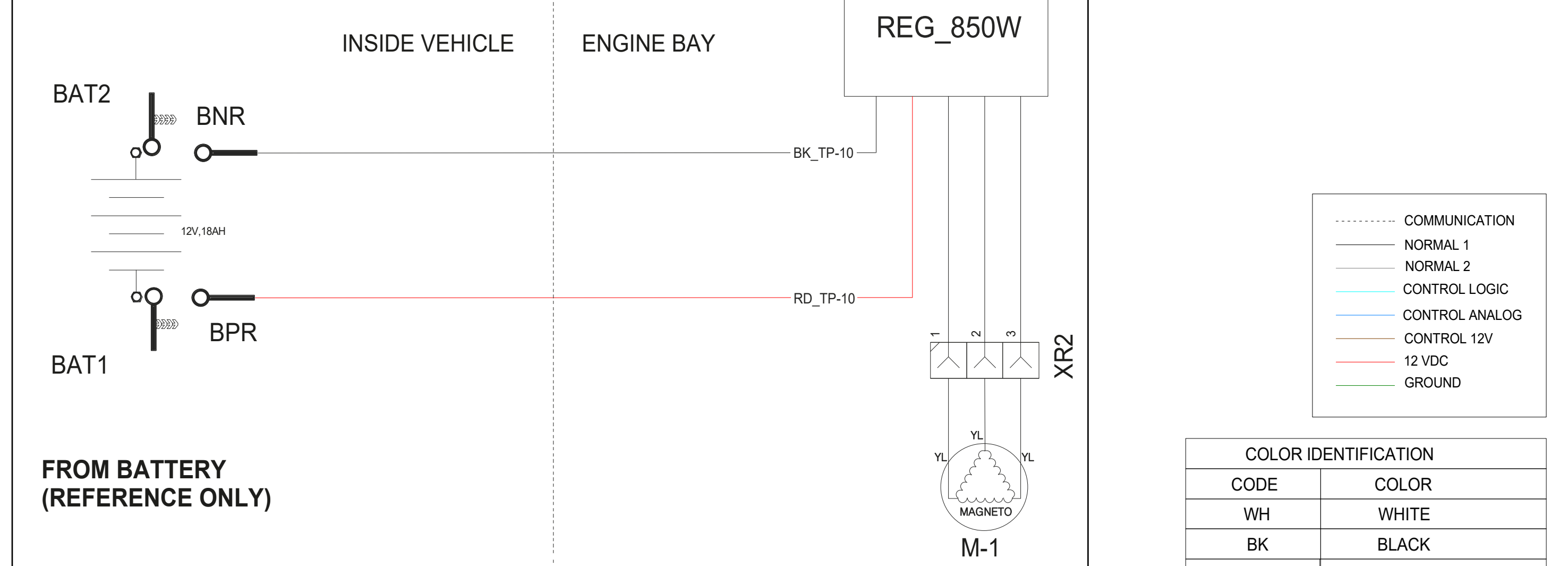
900 ACE TURBO RR



Smart Shox System

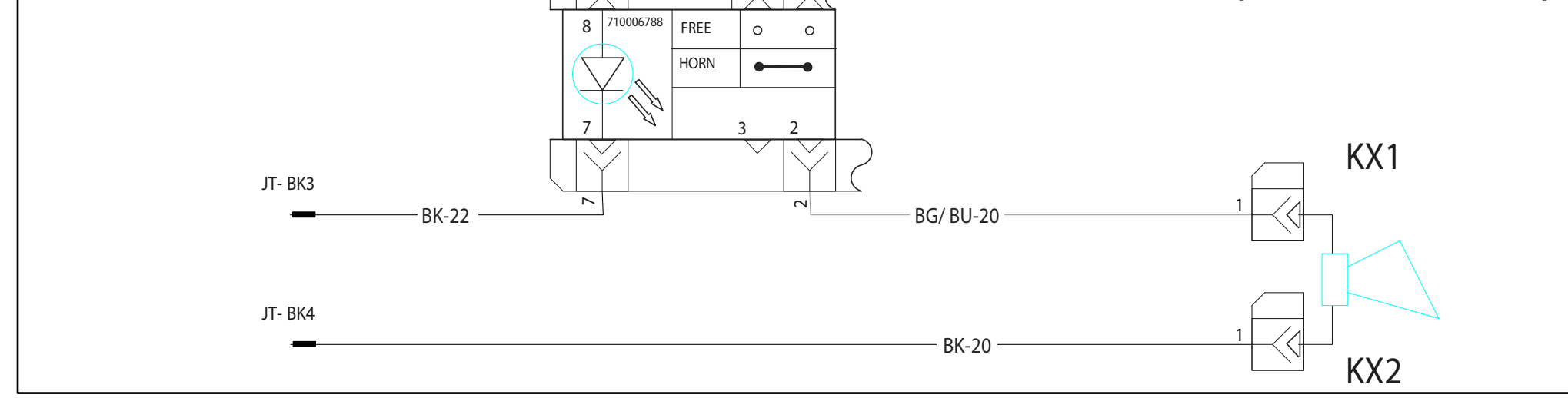


Voltage Regulator Harness (850W)



FROM BATTERY (REFERENCE ONLY)

HORN (EN16990 ONLY)



.....	COMMUNICATION
---	NORMAL 1
---	NORMAL 2
---	CONTROL LOGIC
---	CONTROL ANALOG
---	CONTROL 12V
---	12 VDC
---	GROUND

COLOR IDENTIFICATION	
CODE	COLOR
WH	WHITE
BK	BLACK
GN	GREEN
GY	GREY
PK	PINK
RD	RED
OG	ORANGE
YE	YELLOW
VT	VIOLET
BN	BROWN
BG	BEIGE (TAN)
BU	BLUE
LT GN	LIGHTGREEN
LT BU	LIGHT BLUE
N/A	NOT AVAILABLE