

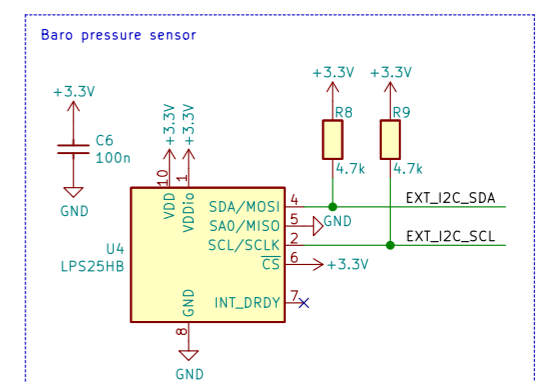
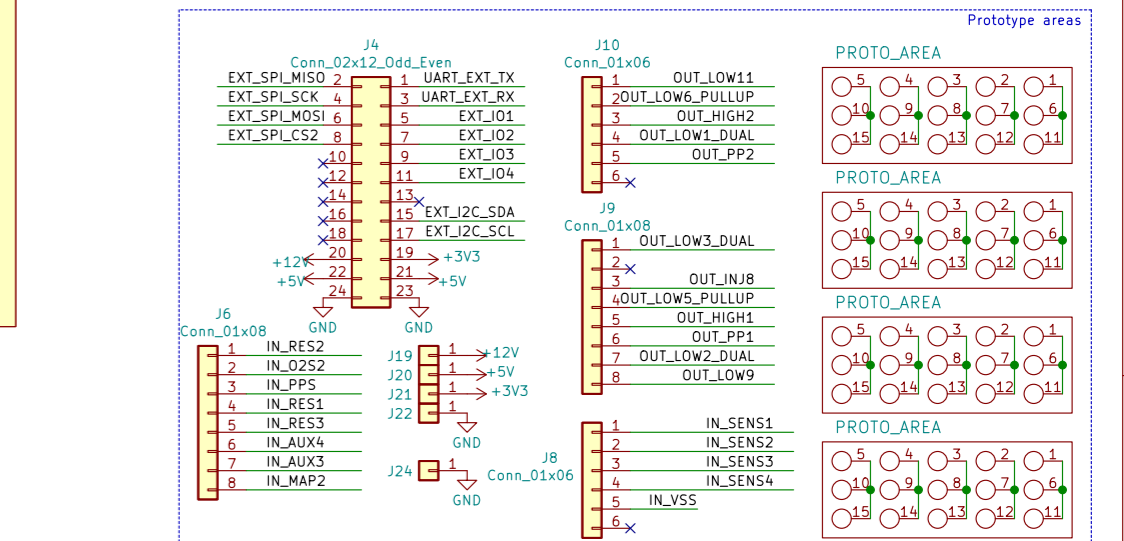
General purpose bus (Blue line)

Ignition (Red line)

Outputs (Green line)

Analog inputs (sensors) (Yellow line)

Discrete inputs (Purple line)



Board info

FOR OFF ROAD PURPOSES ONLY
This is not for applications with
emissions or safety regulations
(AKA not for street use). This is
for closed stages, track
and equipment.

http://rusefi.com/s/hellenNA6