

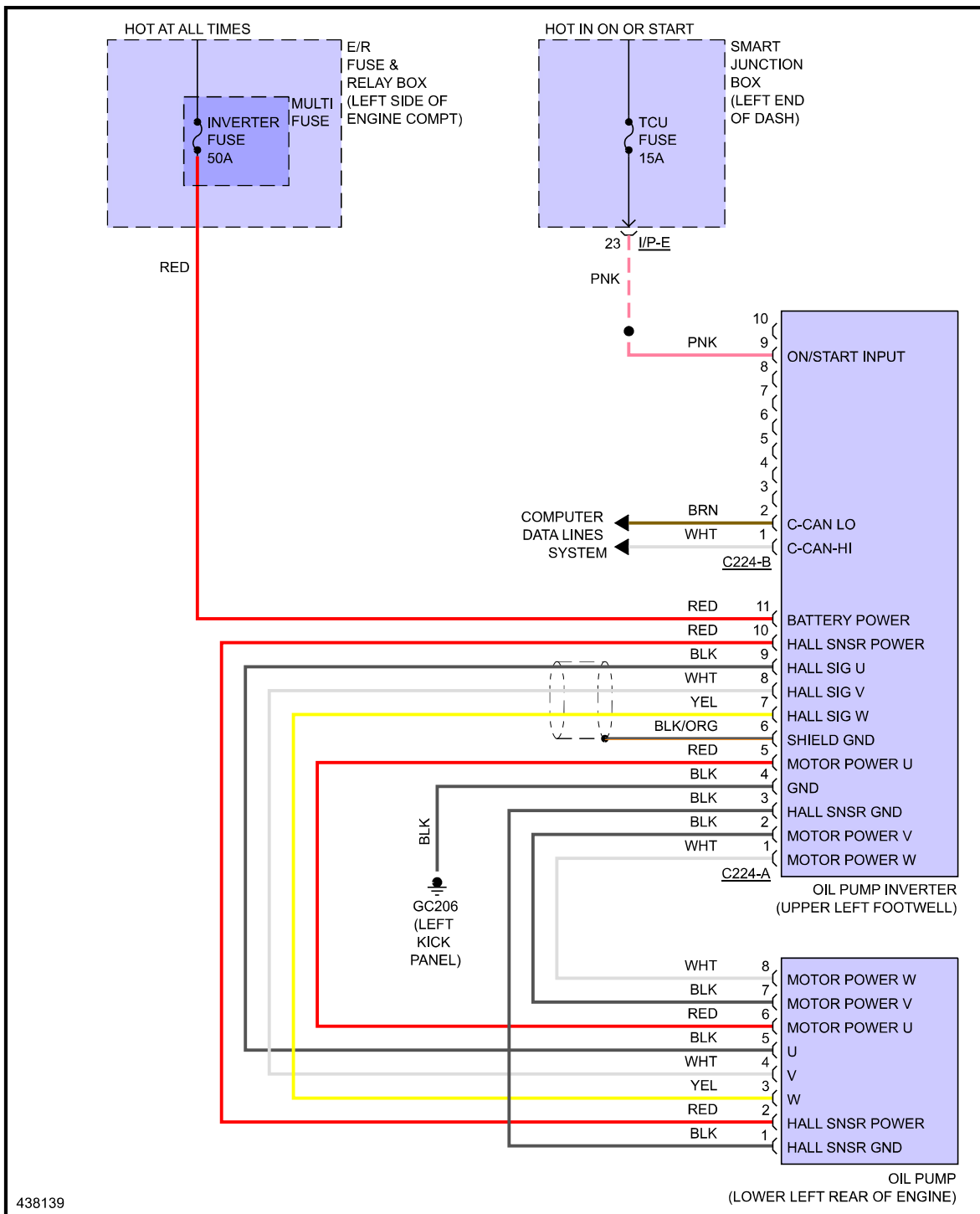
# PRODEMAND

YMMS: 2014 Kia Soul Base  
Engine: 1.6L Eng  
VIN:

Mar 20, 2023  
License:  
Odometer:

## ENGINE PERFORMANCE > 1.6L

Fig 1: 1.6L, Electric Oil Pump Circuit



438139

Fig 2: 1.6L, MFI Control Circuit, A/T (1 of 7)

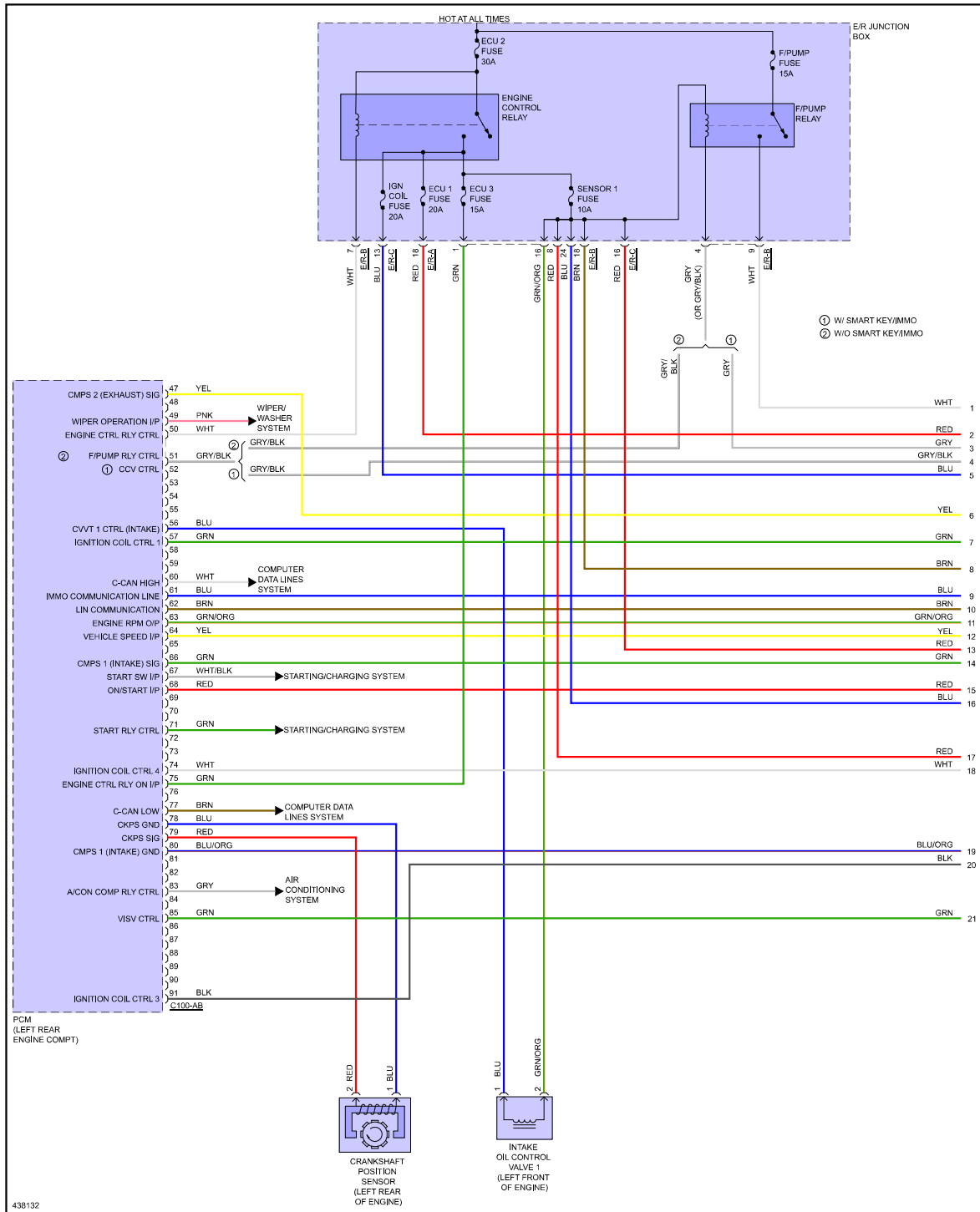


Fig 3: 1.6L, MFI Control Circuit, A/T (2 of 7)

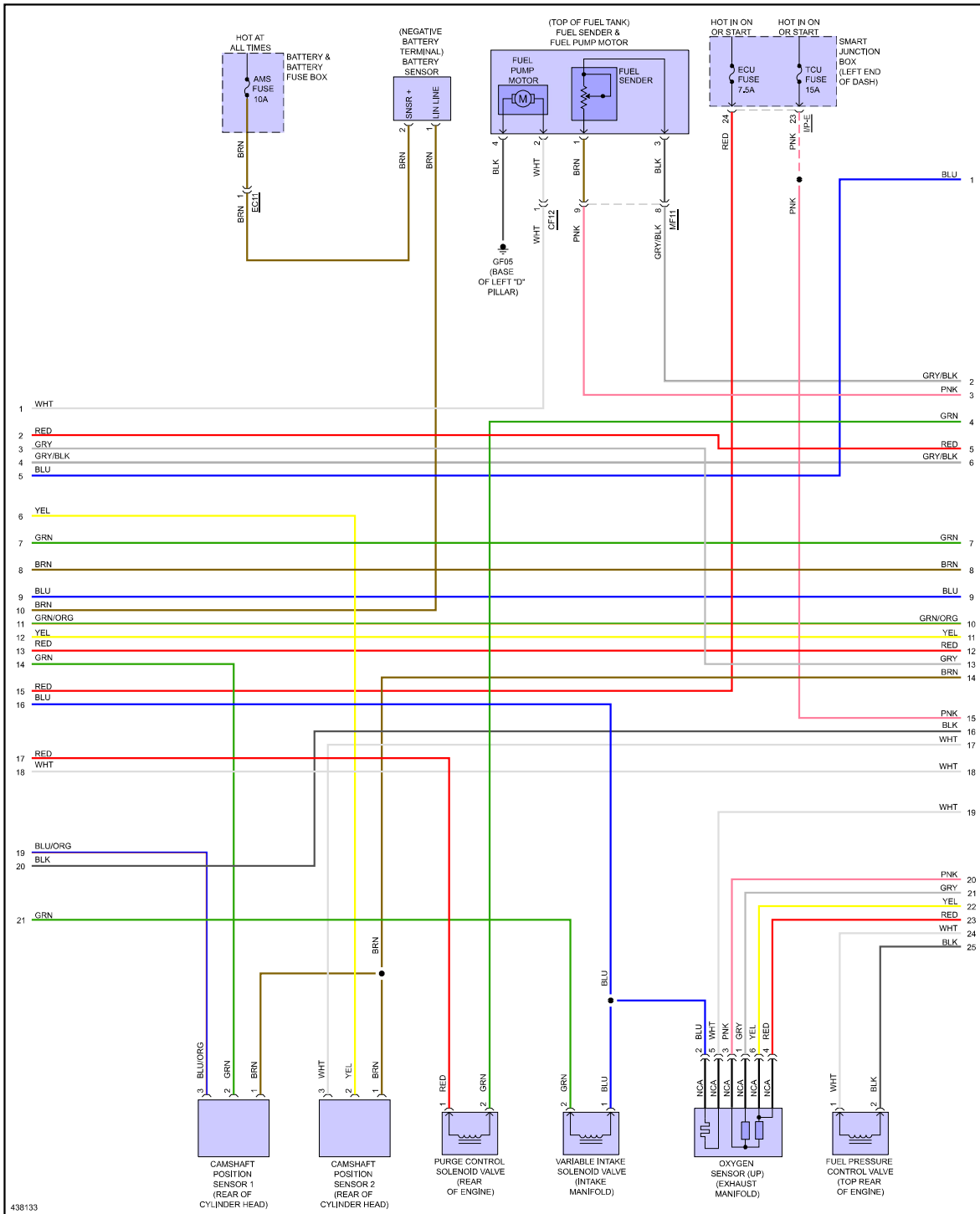


Fig 4: 1.6L, MFI Control Circuit, A/T (3 of 7)

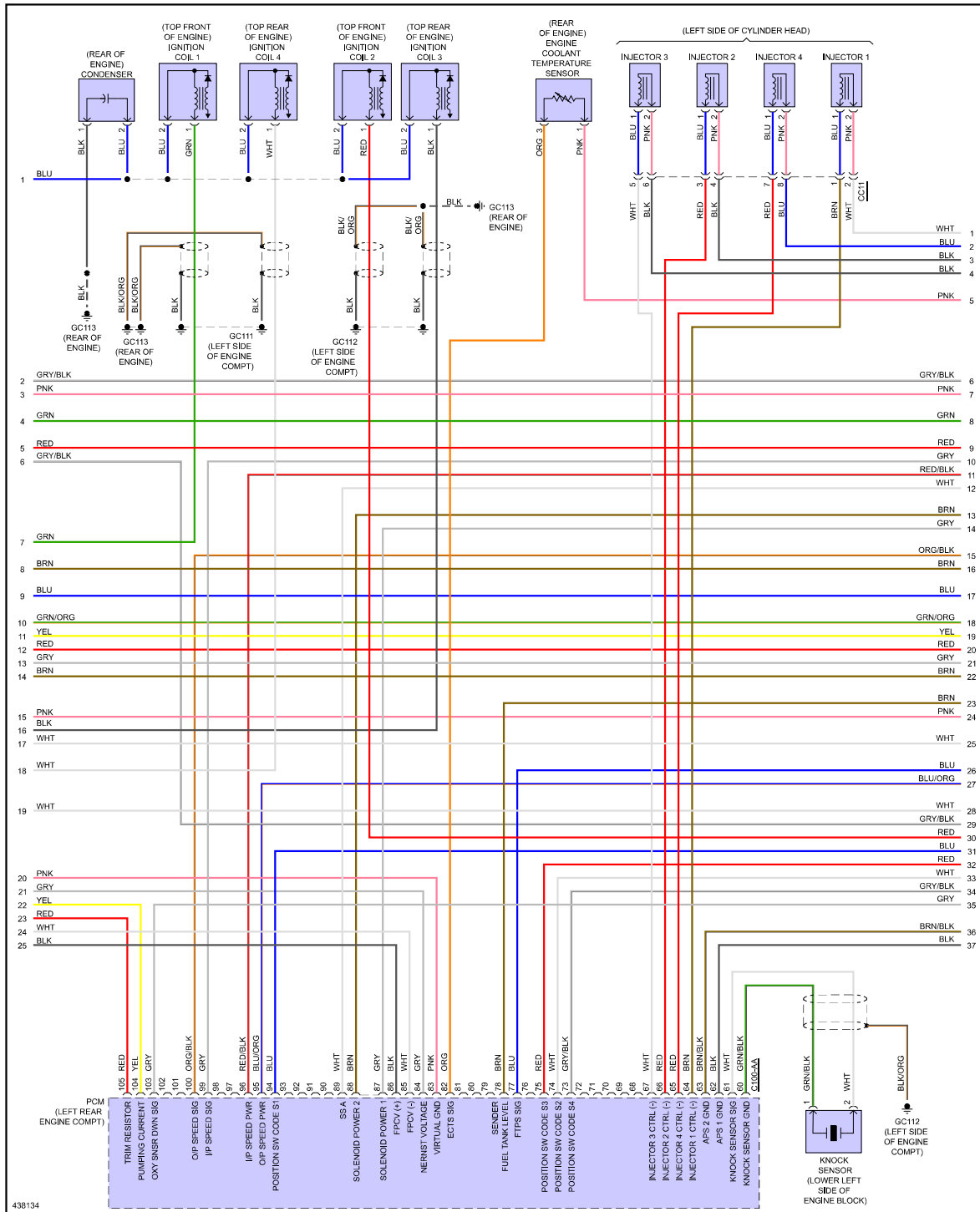
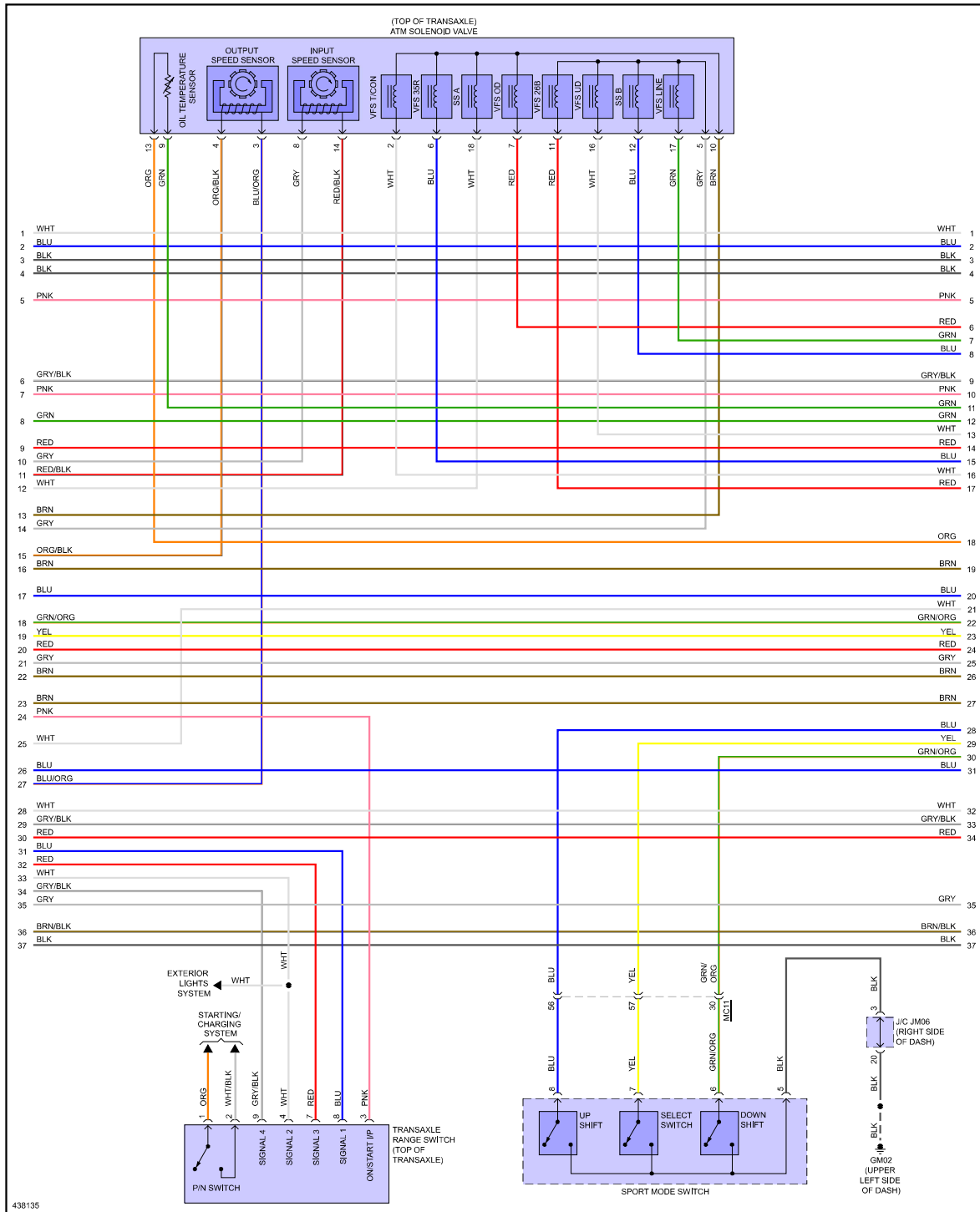


Fig 5: 1.6L, MFI Control Circuit, A/T (4 of 7)



438135

Fig 6: 1.6L, MFI Control Circuit, A/T (5 of 7)

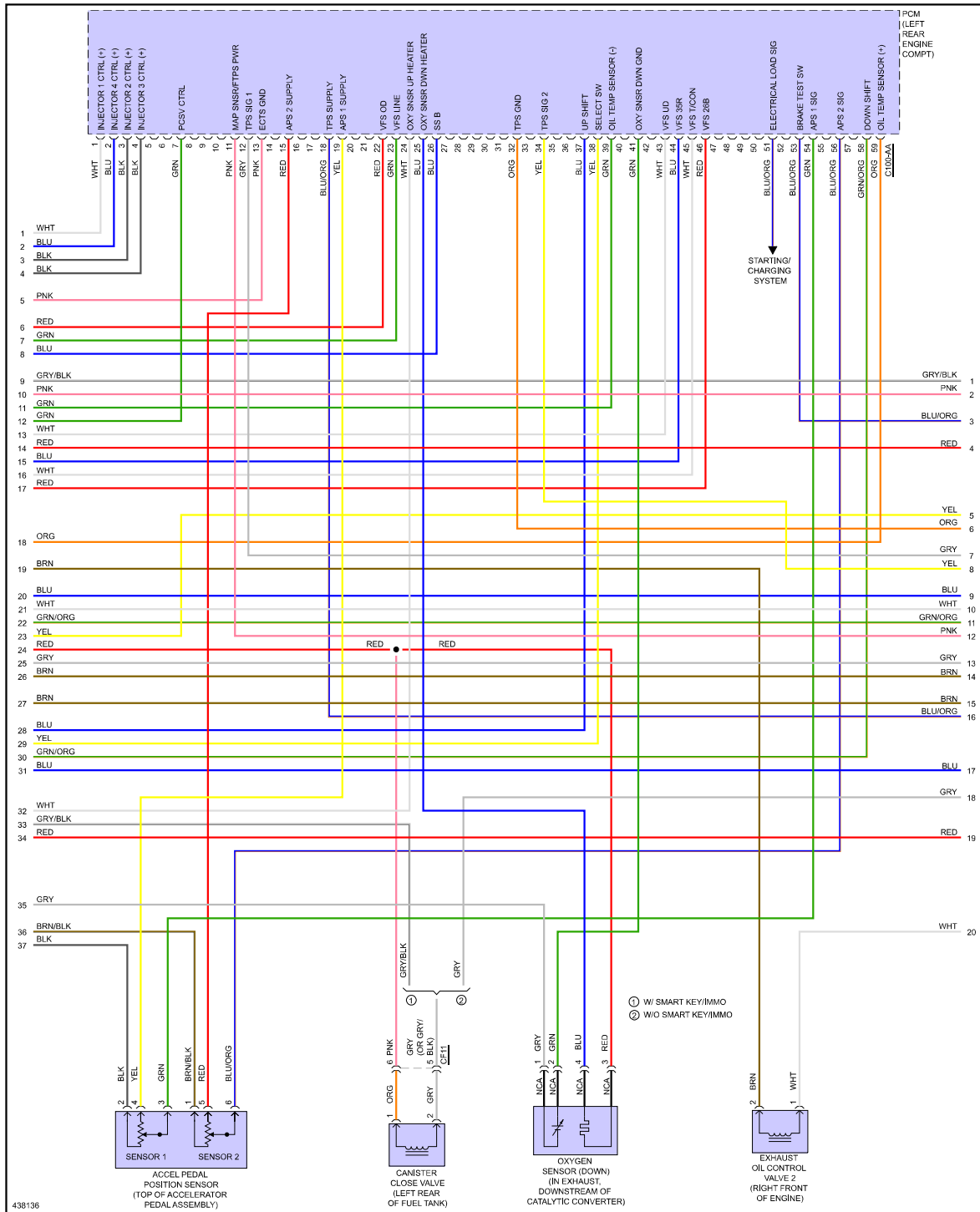


Fig 7: 1.6L, MFI Control Circuit, A/T (6 of 7)

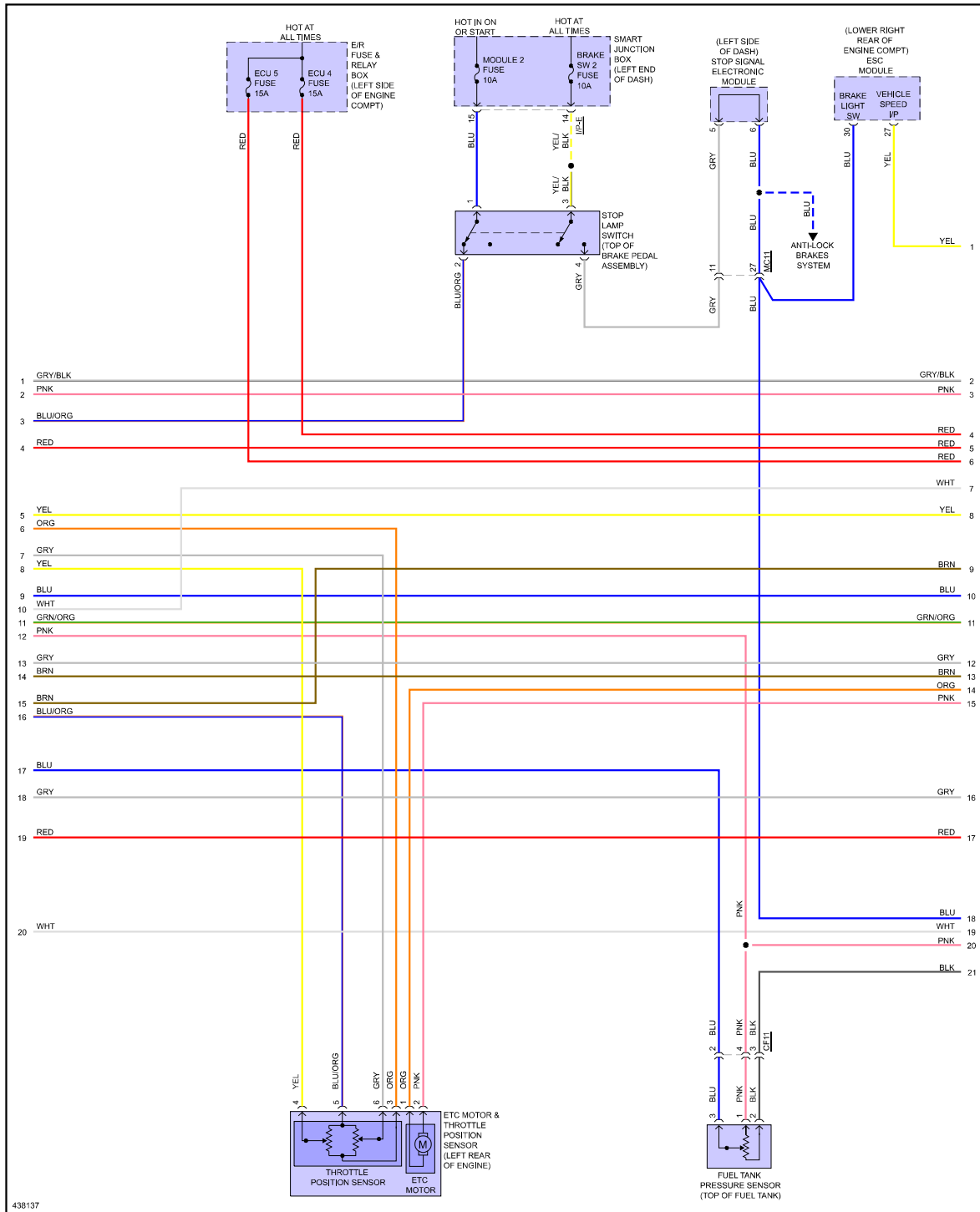


Fig 8: 1.6L, MFI Control Circuit, A/T (7 of 7)

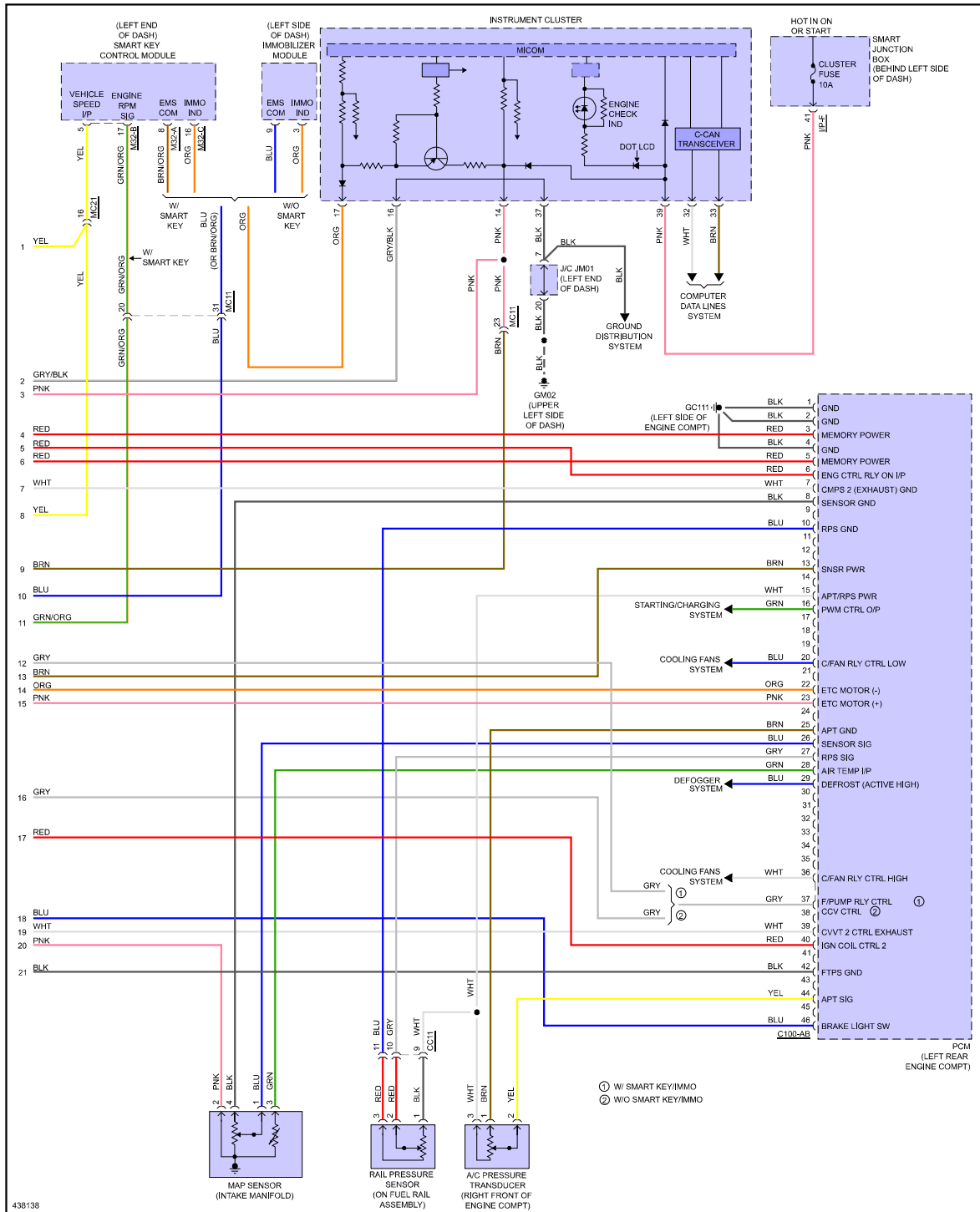




Fig 9: 1.6L, MFI Control Circuit, M/T (1 of 6)

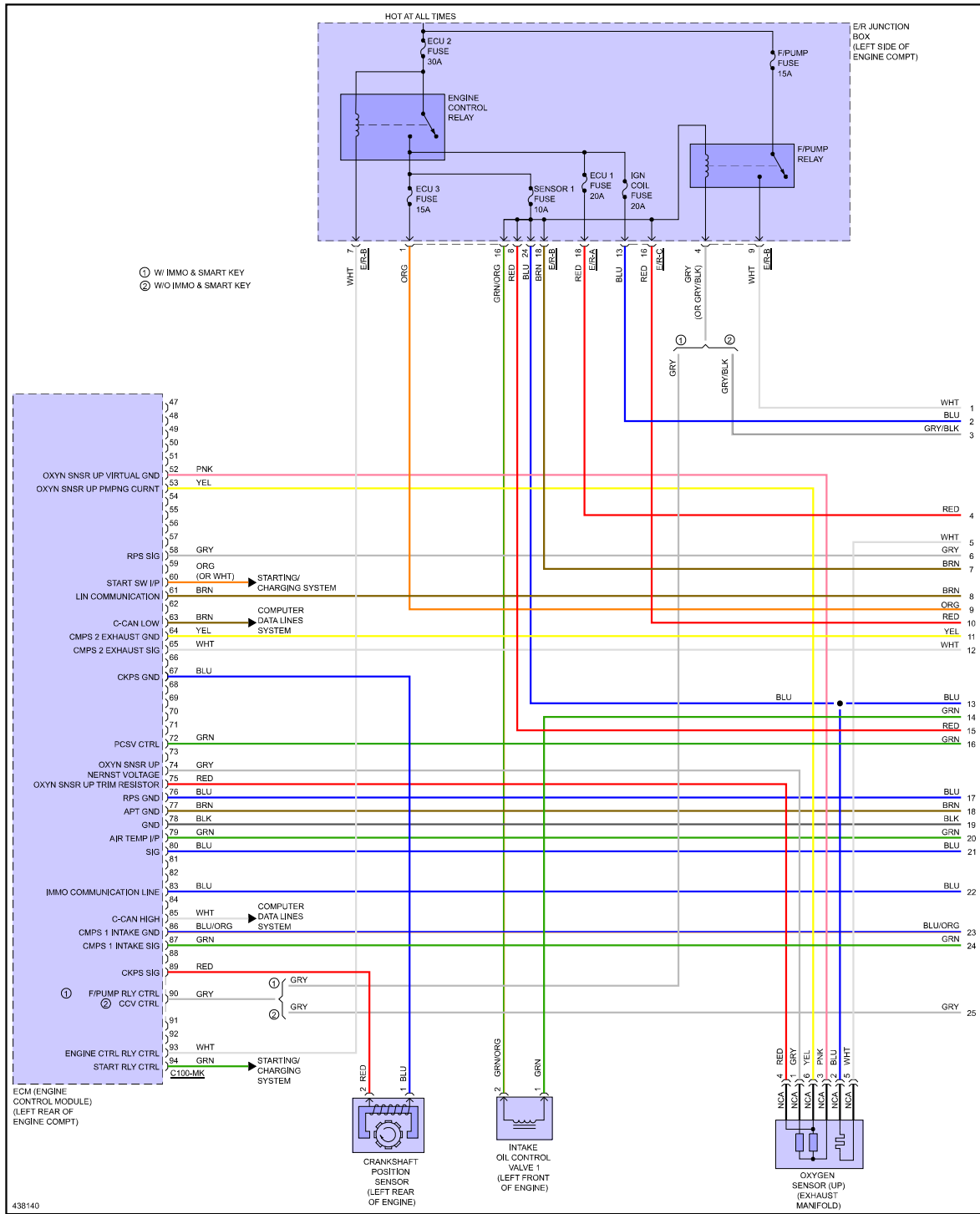


Fig 10: 1.6L, MFI Control Circuit, M/T (2 of 6)

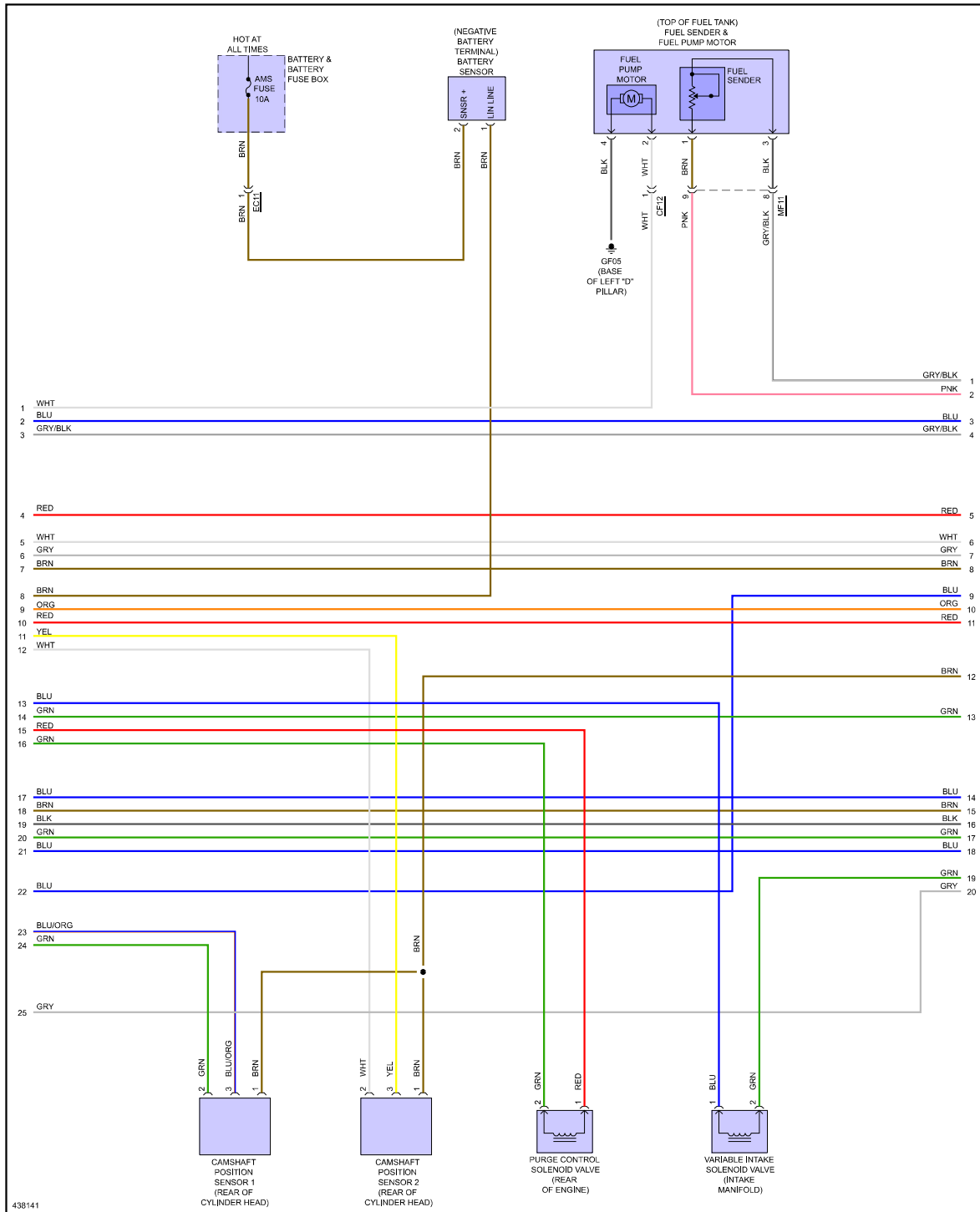
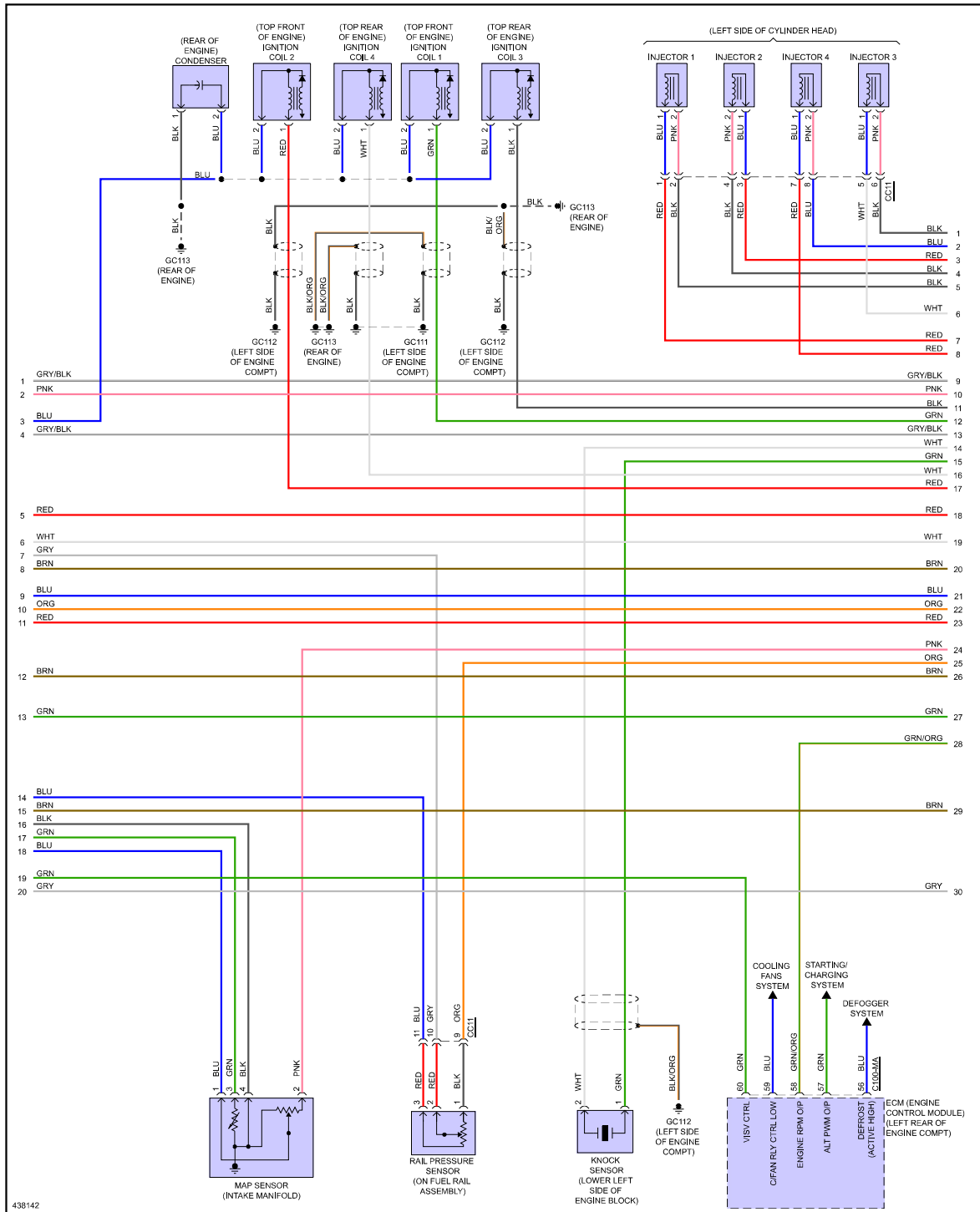


Fig 11: 1.6L, MFI Control Circuit, M/T (3 of 6)



438142

Fig 12: 1.6L, MFI Control Circuit, M/T (4 of 6)

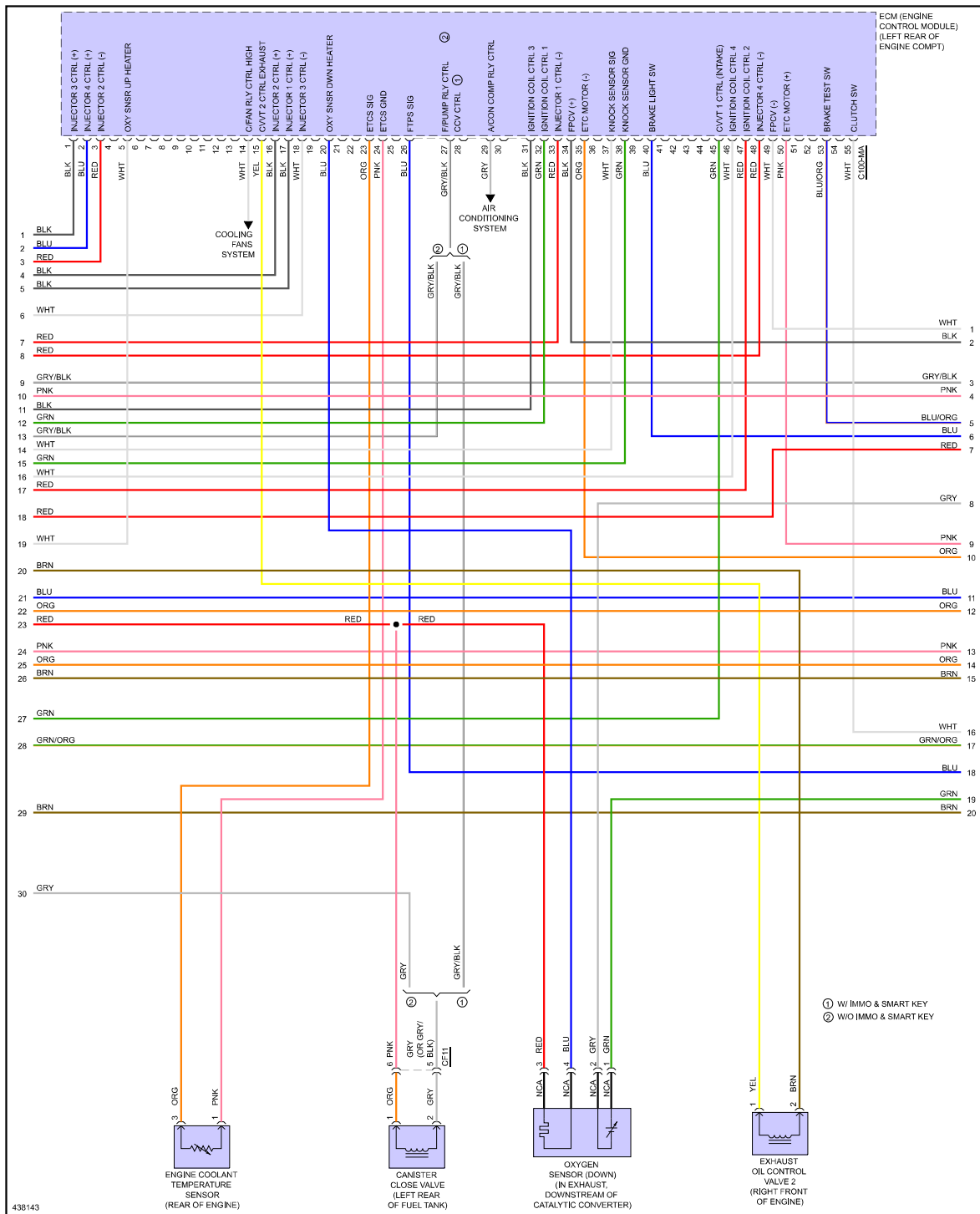


Fig 13: 1.6L, MFI Control Circuit, M/T (5 of 6)

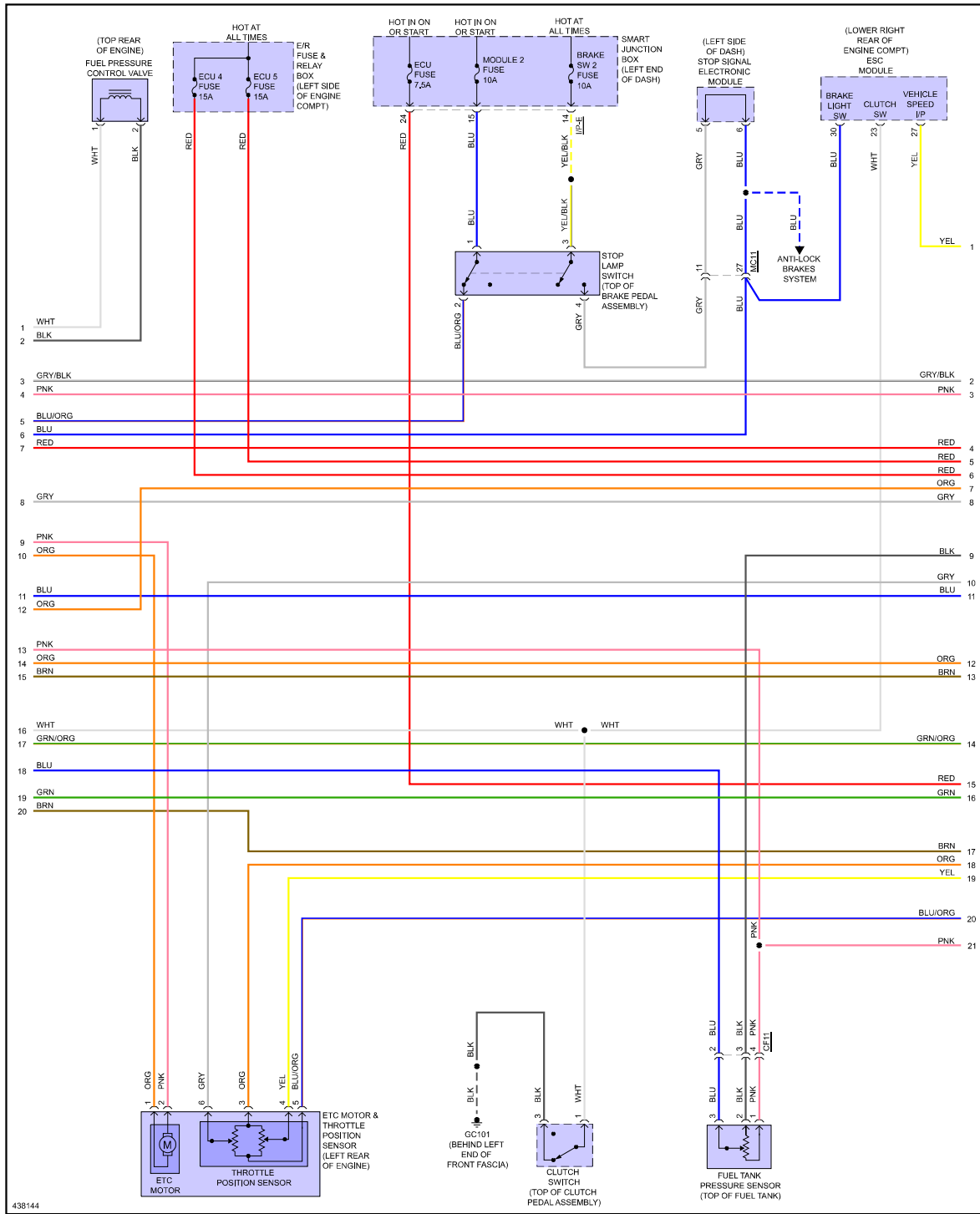


Fig 14: 1.6L, MFI Control Circuit, M/T (6 of 6)

