

General purpose bus

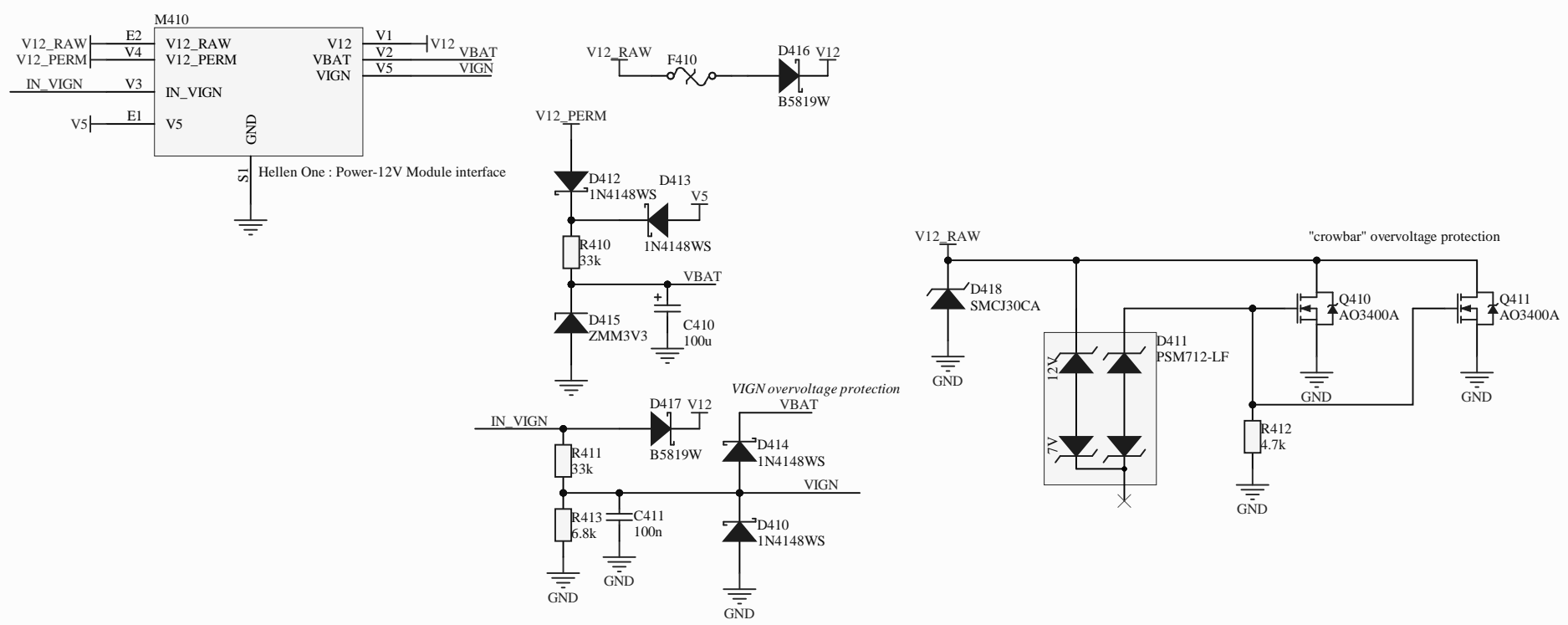
- Ignition (Red line)
- Injection (Blue line)
- Outputs (Green line)
- Analog inputs (Purple line)
- Discrete Inputs (Yellow line)

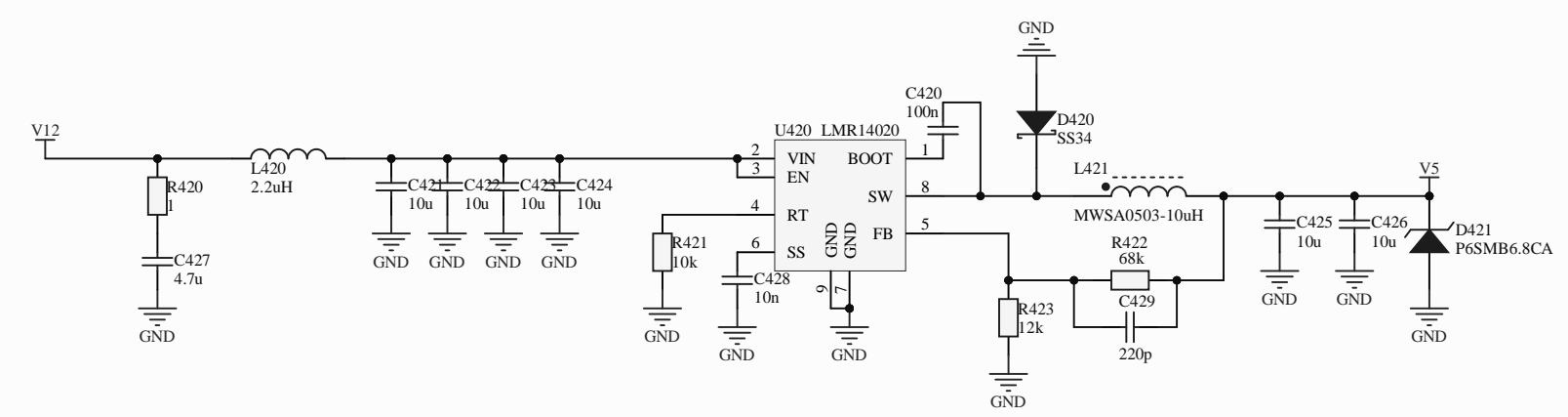
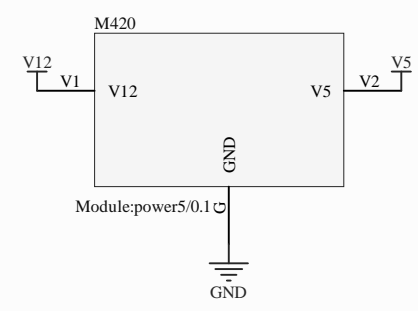
Board info

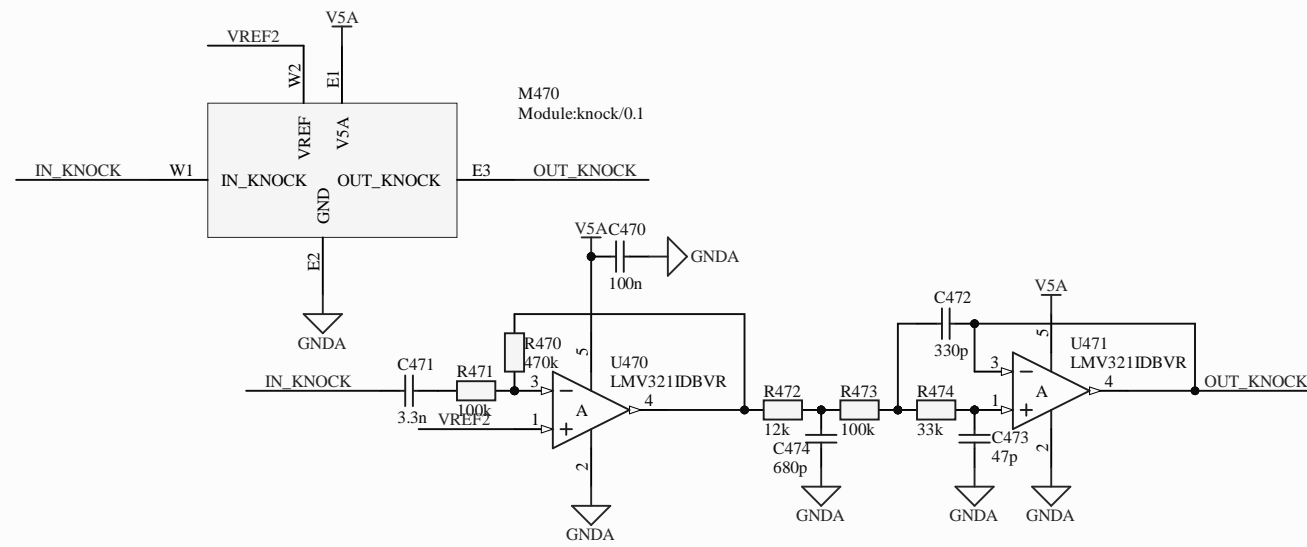
J1, J2, J3, J4: FOR OFF ROAD PURPOSES ONLY. This is not for applications with emissions or safety regulations (AKA not for street use). This is for closed stages, track and equipment.

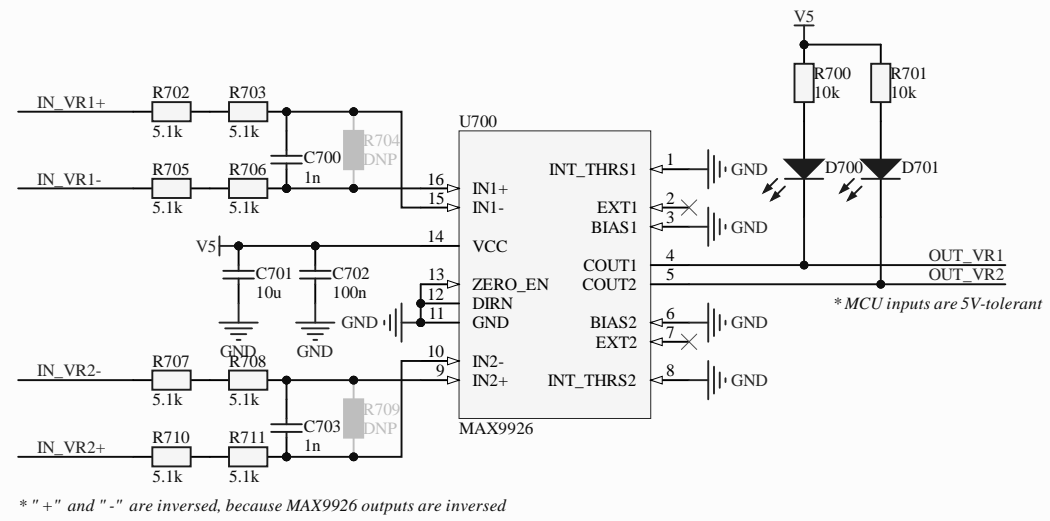
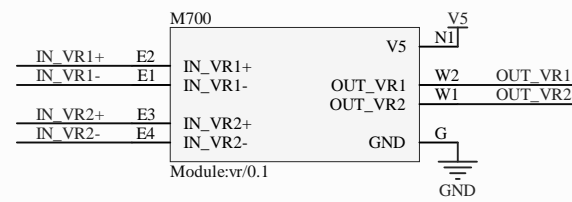
Hellen-One-PCB-logo

<https://rusefi.com/s/hellen128merc>



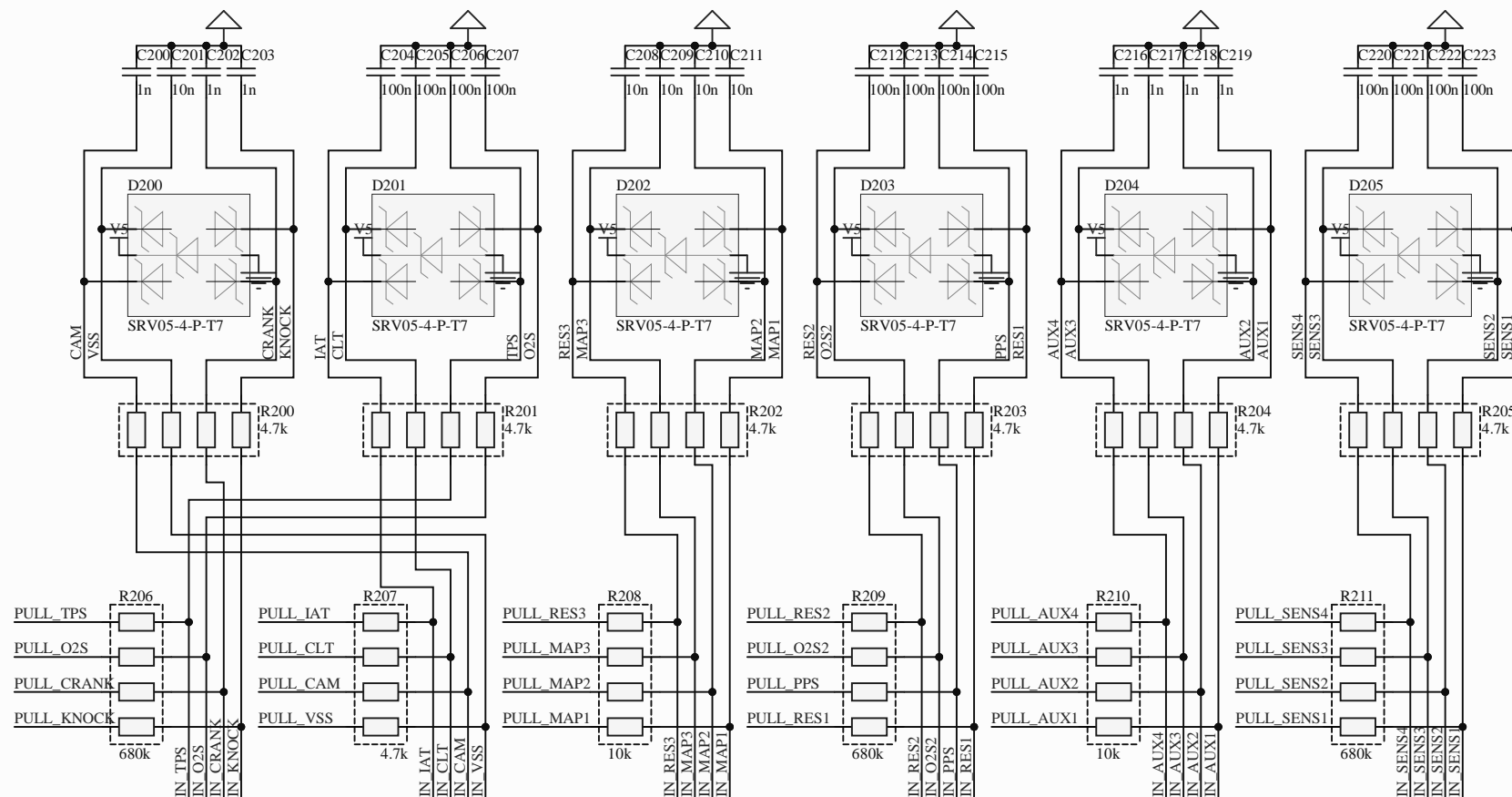






M200D			
PULL_CRANK J21	PULL_CRANK	PULL_MAP1	J14 PULL_MAP1
PULL_CAM J17	PULL_CAM	PULL_MAP2	J13 PULL_MAP2
PULL_VSS J18	PULL_VSS	PULL_MAP3	J12 PULL_MAP3
PULL_TPS J19	PULL_TPS	PULL_AUX1	J10 PULL_AUX1
PULL_PPS J5	PULL_PPS	PULL_AUX2	J9 PULL_AUX2
PULL_IAT J15	PULL_IAT	PULL_AUX3	J8 PULL_AUX3
PULL_CLT J16	PULL_CLT	PULL_AUX4	J7 PULL_AUX4
PULL_O2S J20	PULL_O2S	PULL_SENS1	J26 PULL_SENS1
PULL_O2S2 J4	PULL_O2S2	PULL_SENS2	J25 PULL_SENS2
PULL_RES1 J6	PULL_RES1	PULL_SENS3	J24 PULL_SENS3
PULL_RES2 J3	PULL_RES2	PULL_SENS4	J23 PULL_SENS4
PULL_RES3 J11	PULL_RES3	PULL_KNOCK	J22 PULL_KNOCK

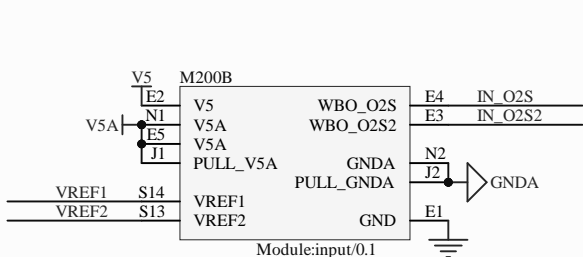
Module:input/0.1



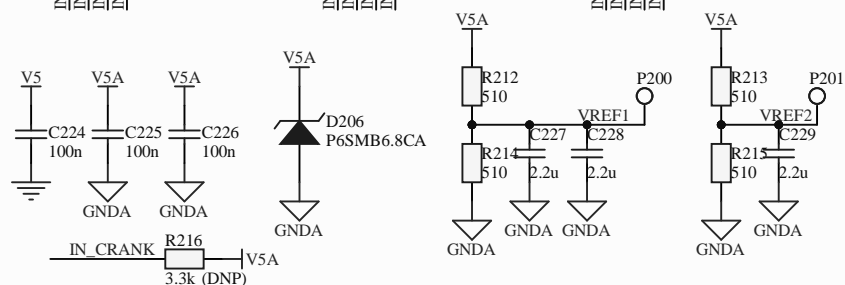
M200C		M200A	
IN_CRANK S8	IN_CRANK	N21	CRANK
IN_CAM S5	IN_CAM	N19	CAM
IN_VSS S6	IN_VSS	N20	VSS
IN_TPS S10	IN_TPS	N17	TPS
IN_PPS S24	IN_PPS	N5	PPS
IN_IAT S16	IN_IAT	N15	IAT
IN_CLT S15	IN_CLT	N16	CLT
IN_O2S S9	IN_O2S	N18	O2S
IN_O2S2 S25	IN_O2S2	N4	O2S2
IN_RES1 S23	IN_RES1	N6	RES1
IN_RES2 S26	IN_RES2	N3	RES2
IN_RES3 S22	IN_RES3	N11	RES3
IN_MAP1 S11	IN_MAP1	N14	MAP1
IN_MAP2 S12	IN_MAP2	N13	MAP2
IN_MAP3 S19	IN_MAP3	N12	MAP3
IN_AUX1 S17	IN_AUX1	N10	AUX1
IN_AUX2 S18	IN_AUX2	N9	AUX2
IN_AUX3 S20	IN_AUX3	N8	AUX3
IN_AUX4 S21	IN_AUX4	N7	AUX4
IN_SENS1 S1	IN_SENS1	N26	SENS1
IN_SENS2 S2	IN_SENS2	N25	SENS2
IN_SENS3 S3	IN_SENS3	N24	SENS3
IN_SENS4 S4	IN_SENS4	N23	SENS4
IN_KNOCK S7	IN_KNOCK	N22	KNOCK

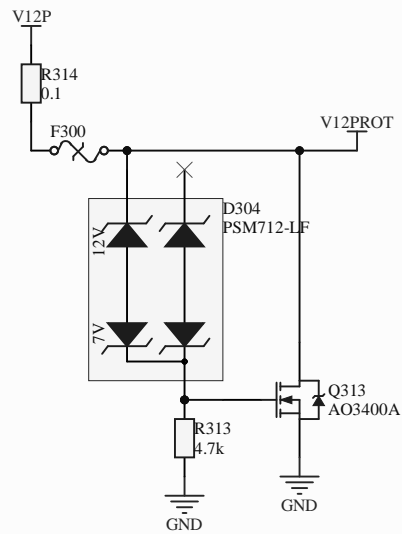
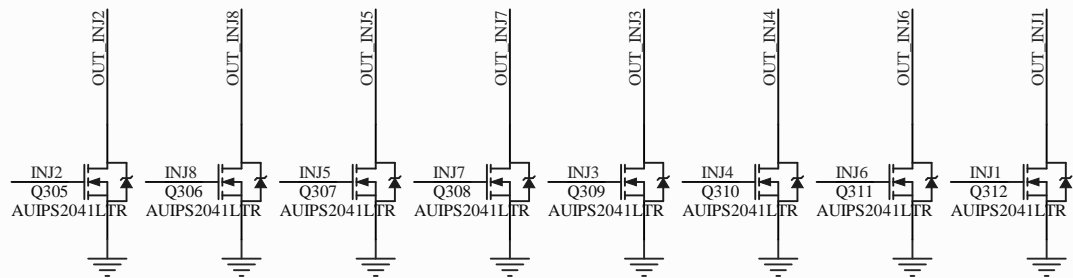
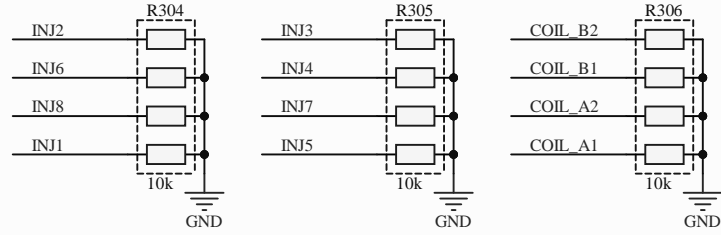
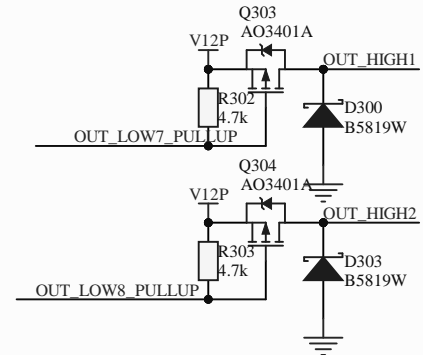
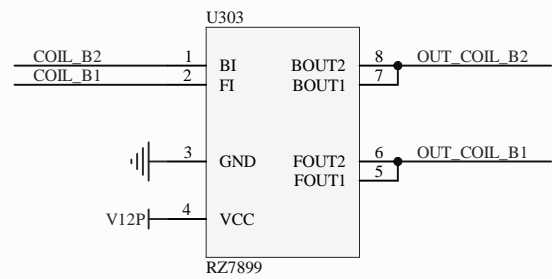
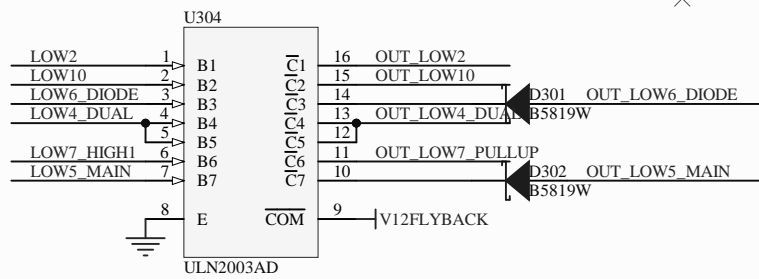
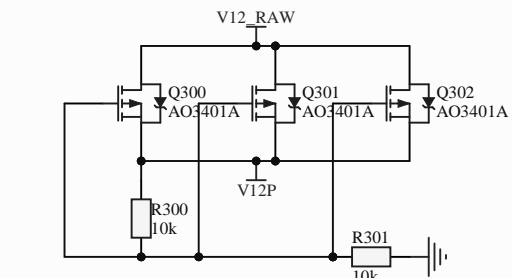
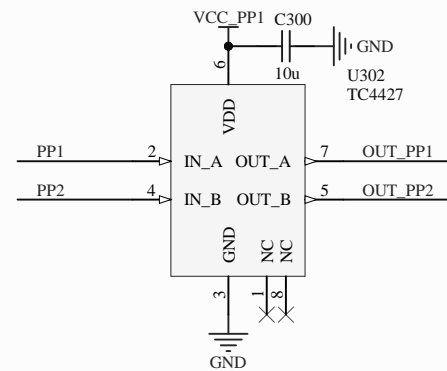
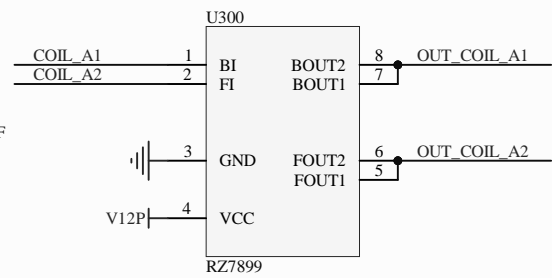
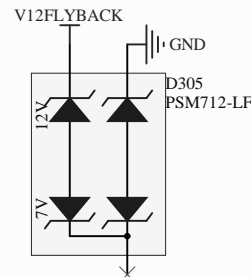
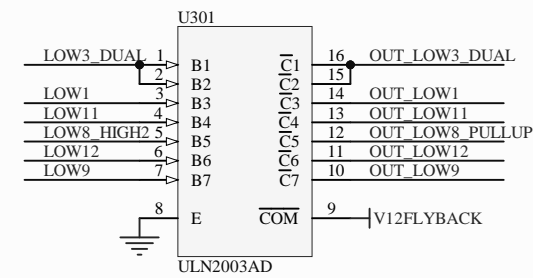
Module:input/0.1

Module:input/0.1

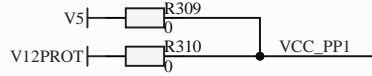
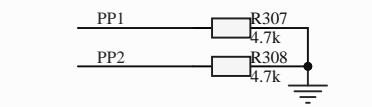
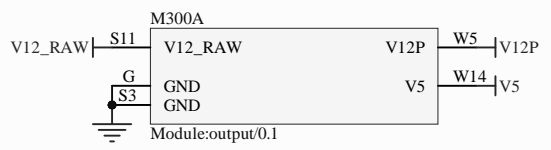
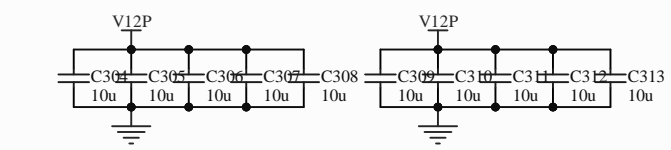


Module:input/0.1

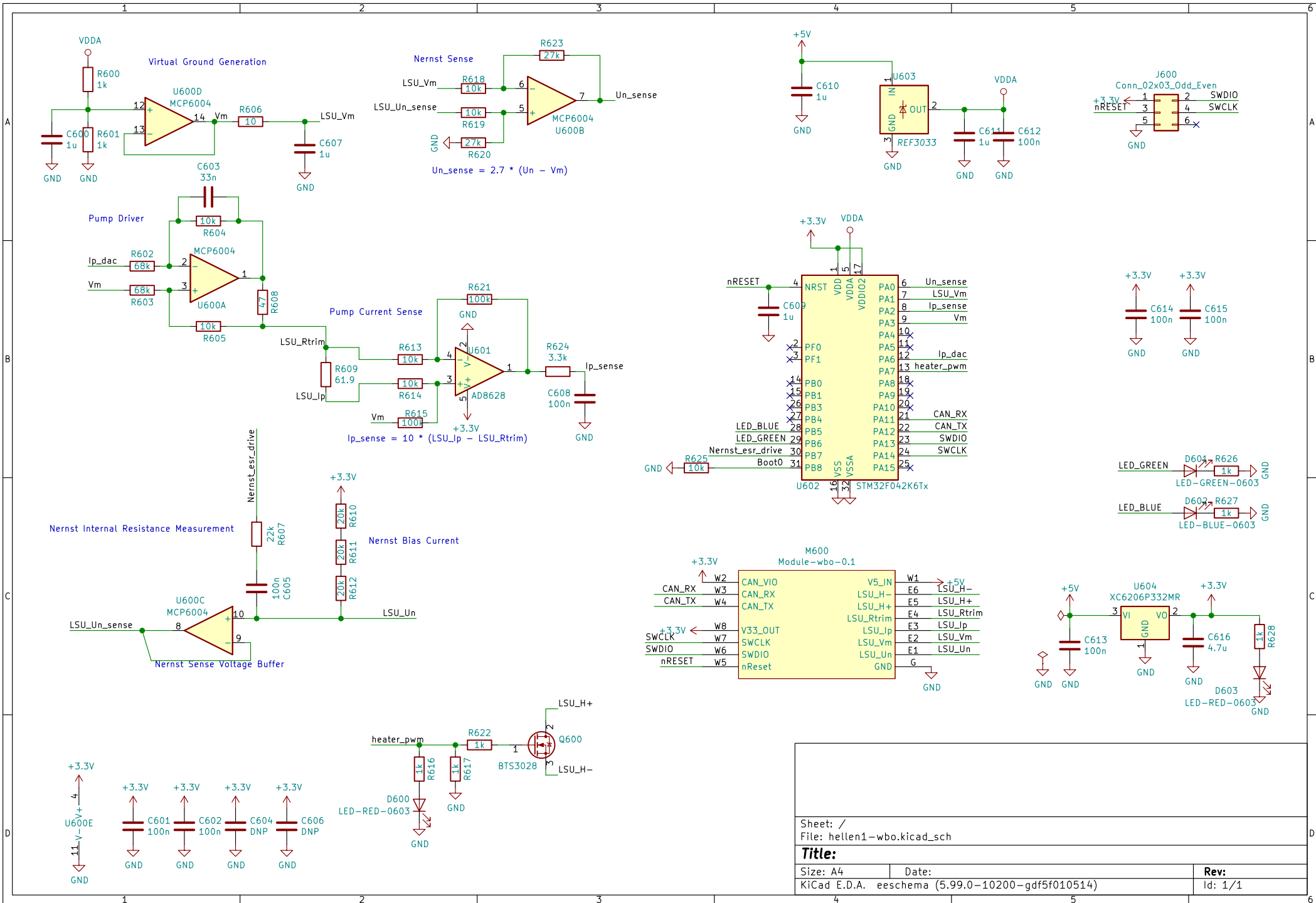




M300B		M300C	
INJ1	W24	OUT_INJ1	S18
INJ2	W23	OUT_INJ2	S16
INJ3	W20	OUT_INJ3	S17
INJ4	W19	OUT_INJ4	W7
INJ5	W18	OUT_INJ5	W10
INJ6	W17	OUT_INJ6	S15
INJ7	W16	OUT_INJ7	W12
INJ8	W15	OUT_INJ8	W11
PP1	W28	OUT_PP1	W6
PP2	W22	OUT_PP2	S6
COIL_A1	W33	OUT_SOLENOID_A1	S1
COIL_A2	W32	OUT_SOLENOID_A2	S2
COIL_B1	W31	OUT_SOLENOID_B1	S4
COIL_B2	W30	OUT_SOLENOID_B2	S5
LOW1	W21	OUT_LOW1	S8
LOW2	W29	OUT_LOW2	W1
LOW3_DUAL	W38	OUT_LOW3_DUAL	S7
LOW4_DUAL	W34	OUT_LOW4_DUAL	W4
LOW5_MAIN	W40	OUT_LOW4_DUAL	W13
LOW6_DIODE	W25	OUT_LOW5_MAIN	W3
LOW7_HIGH1	W39	OUT_LOW6_DIODE	W9
LOW8_HIGH2	W37	OUT_LOW7_PULLUP	S12
LOW9	W27	OUT_LOW8_PULLUP	S14
LOW10	W26	OUT_LOW9	W2
LOW11	W35	OUT_LOW10	S10
LOW12	W36	OUT_LOW11	S13
		OUT_LOW12	
		OUT_HIGH1	W8
		OUT_HIGH2	S9



* These can be removed in the board compilation file



Sheet: /		Date:	
File: hellen1-wbo.kicad_sch		Rev:	
Size: A4	KiCad E.D.A. eeschema (5.99.0-10200-gdf5f010514)		Id: 1/1

