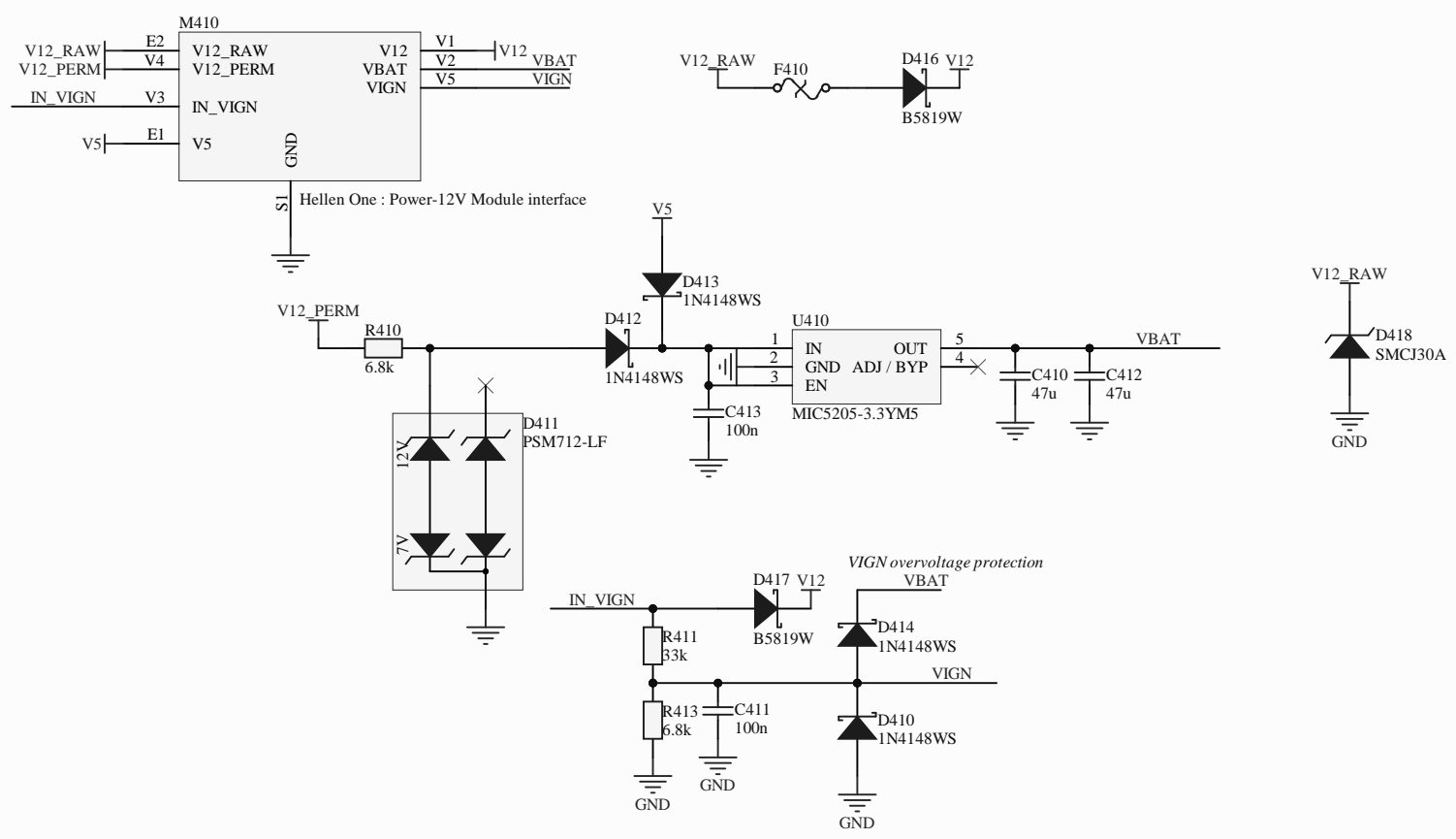
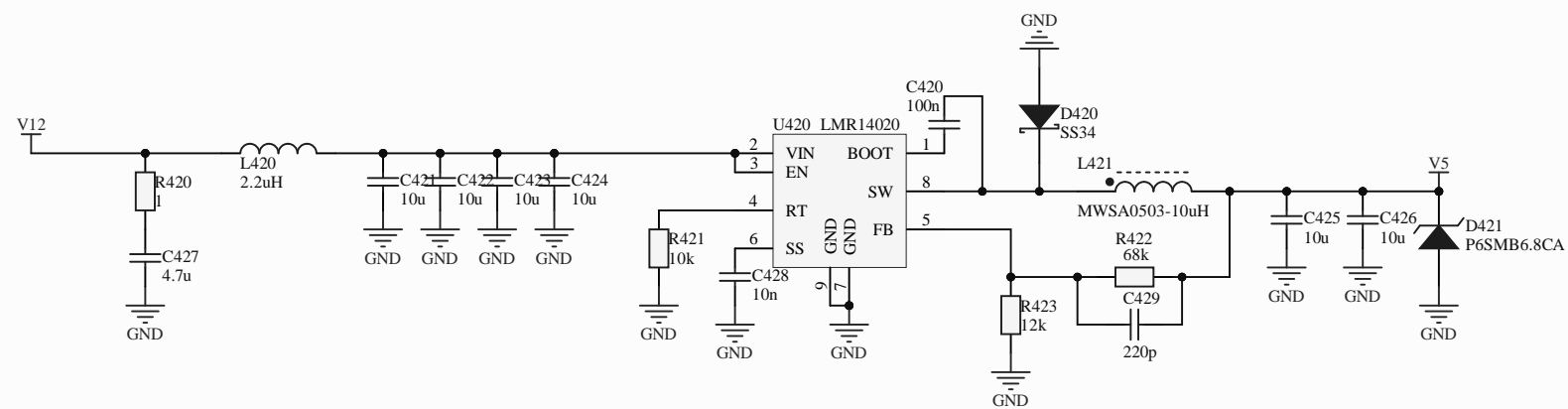
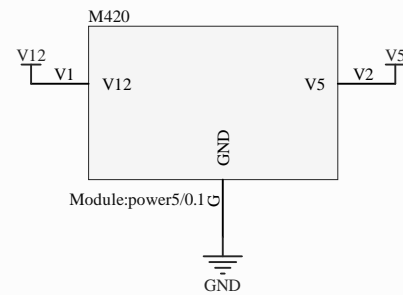
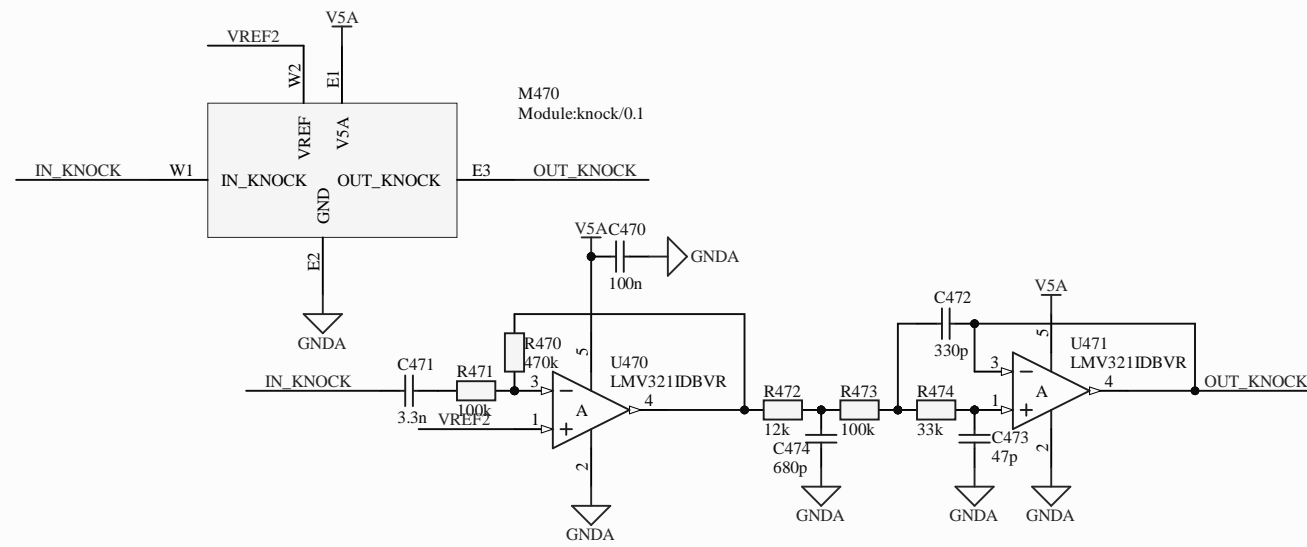


FOR OFF ROAD PURPOSES ONLY
This is not for applications with
emissions or safety regulations
(AKA not for street use). This is
for closed stages, track
and equipment.

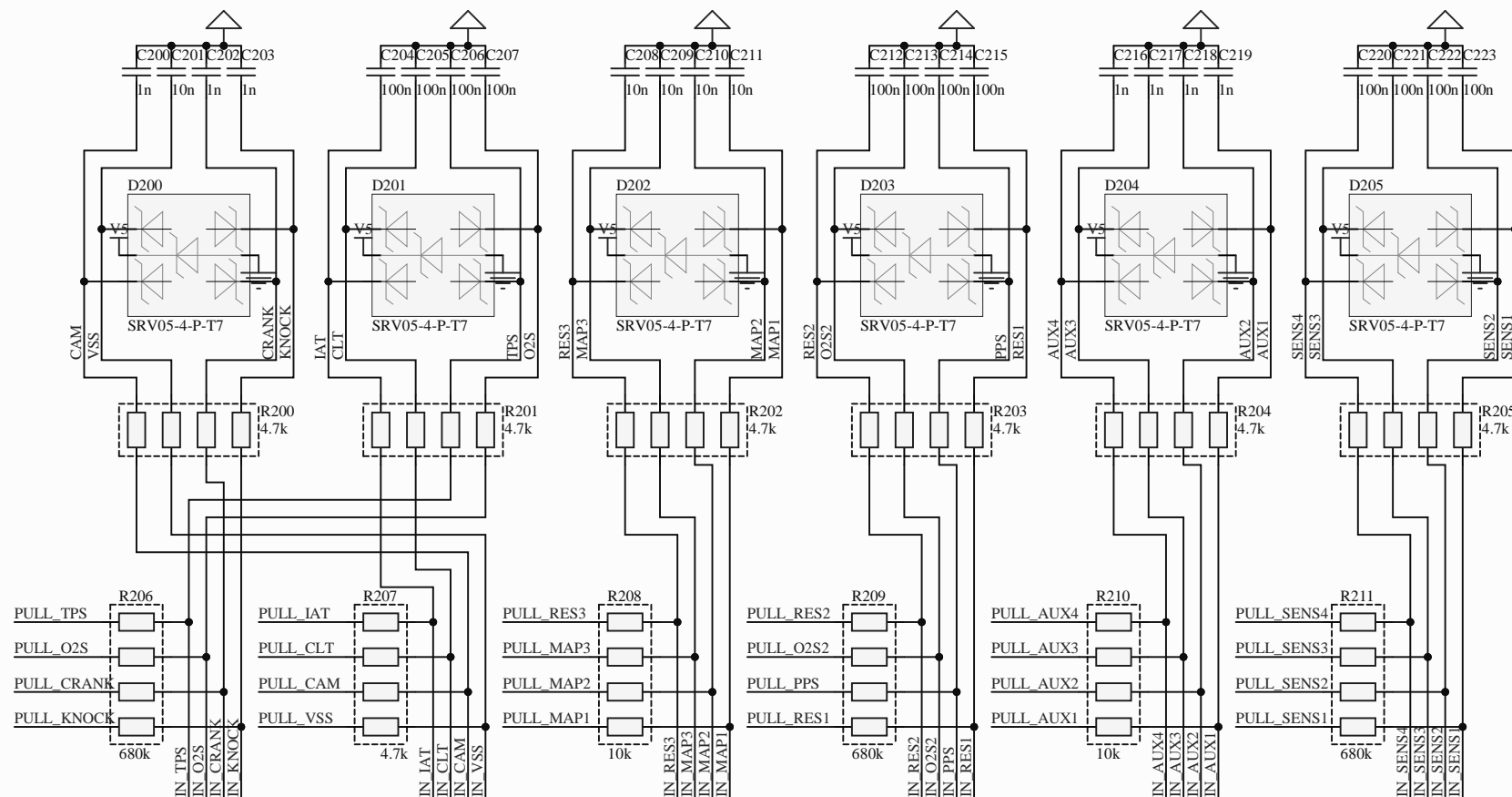






M200D			
PULL_CRANK J21	PULL_CRANK	PULL_MAP1	J14 PULL_MAP1
PULL_CAM J17	PULL_CAM	PULL_MAP2	J13 PULL_MAP2
PULL_VSS J18	PULL_VSS	PULL_MAP3	J12 PULL_MAP3
PULL_TPS J19	PULL_TPS	PULL_AUX1	J10 PULL_AUX1
PULL_PPS J5	PULL_PPS	PULL_AUX2	J9 PULL_AUX2
PULL_IAT J15	PULL_IAT	PULL_AUX3	J8 PULL_AUX3
PULL_CLT J16	PULL_CLT	PULL_AUX4	J7 PULL_AUX4
PULL_O2S J20	PULL_O2S	PULL_SENS1	J26 PULL_SENS1
PULL_O2S2 J4	PULL_O2S2	PULL_SENS2	J25 PULL_SENS2
		PULL_SENS3	J24 PULL_SENS3
		PULL_SENS4	J23 PULL_SENS4
PULL_RES1 J6	PULL_RES1		
PULL_RES2 J3	PULL_RES2		
PULL_RES3 J11	PULL_RES3	PULL_KNOCK	J22 PULL_KNOCK

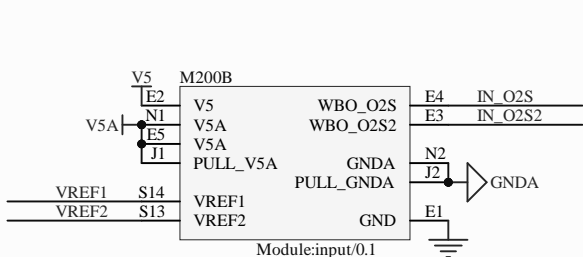
Module:input/0.1



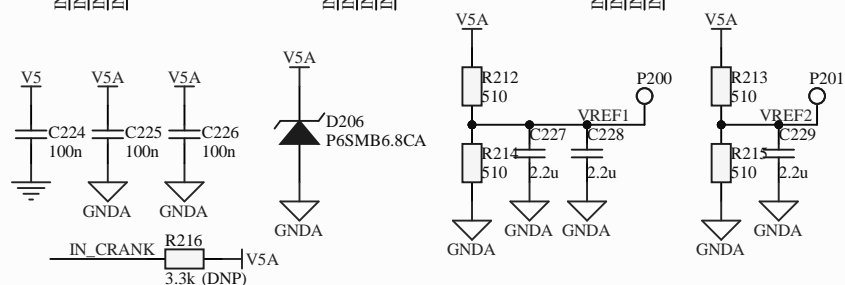
M200C		M200A	
IN_CRANK S8	IN_CRANK	N21 CRANK	CRANK
IN_CAM S5	IN_CAM	N19 CAM	CAM
IN_VSS S6	IN_VSS	N20 VSS	VSS
IN_TPS S10	IN_TPS	N17 TPS	TPS
IN_PPS S24	IN_PPS	N5 PPS	PPS
IN_IAT S16	IN_IAT	N15 IAT	IAT
IN_CLT S15	IN_CLT	N16 CLT	CLT
IN_O2S S9	IN_O2S	N18 O2S	O2S
IN_O2S2 S25	IN_O2S2	N4 O2S2	O2S2
IN_RES1 S23	IN_RES1	N6 RES1	RES1
IN_RES2 S26	IN_RES2	N3 RES2	RES2
IN_RES3 S22	IN_RES3	N11 RES3	RES3
IN_MAP1 S11	IN_MAP1	N14 MAP1	MAP1
IN_MAP2 S12	IN_MAP2	N13 MAP2	MAP2
IN_MAP3 S19	IN_MAP3	N12 MAP3	MAP3
IN_AUX1 S17	IN_AUX1	N10 AUX1	AUX1
IN_AUX2 S18	IN_AUX2	N9 AUX2	AUX2
IN_AUX3 S20	IN_AUX3	N8 AUX3	AUX3
IN_AUX4 S21	IN_AUX4	N7 AUX4	AUX4
IN_SENS1 S1	IN_SENS1	N26 SENS1	SENS1
IN_SENS2 S2	IN_SENS2	N25 SENS2	SENS2
IN_SENS3 S3	IN_SENS3	N24 SENS3	SENS3
IN_SENS4 S4	IN_SENS4	N23 SENS4	SENS4
IN_KNOCK S7	IN_KNOCK	N22 KNOCK	KNOCK

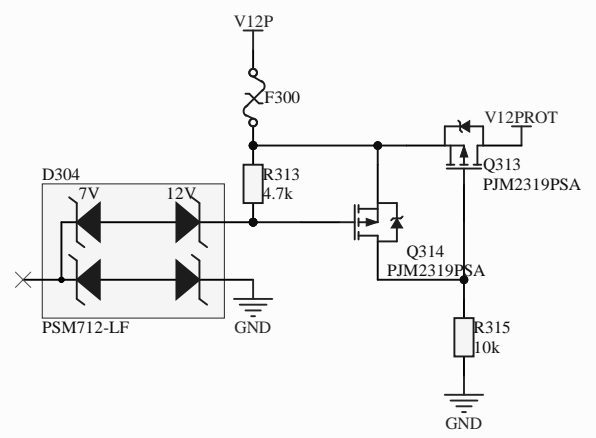
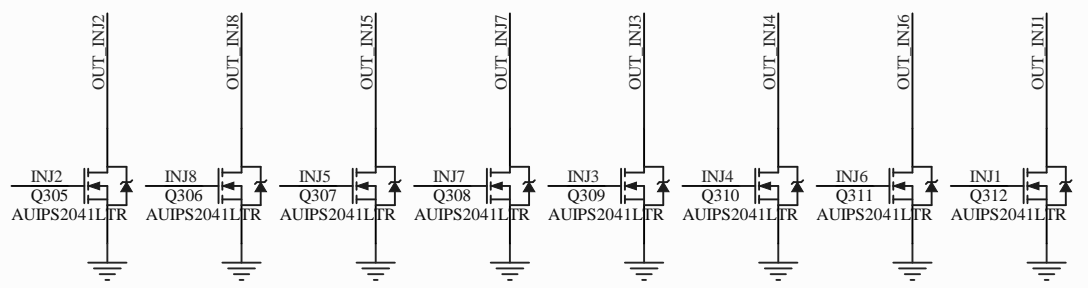
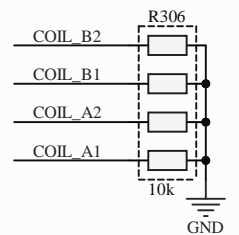
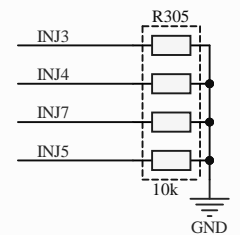
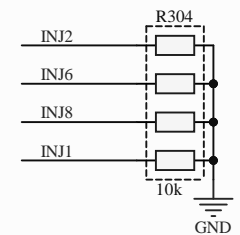
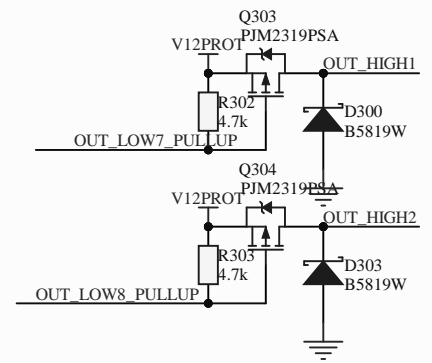
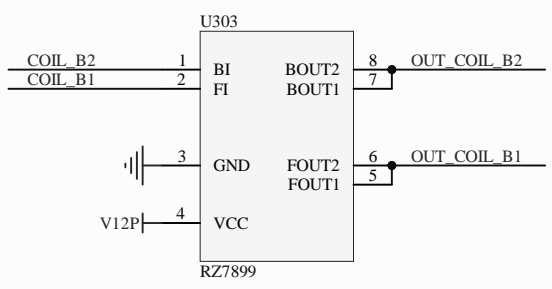
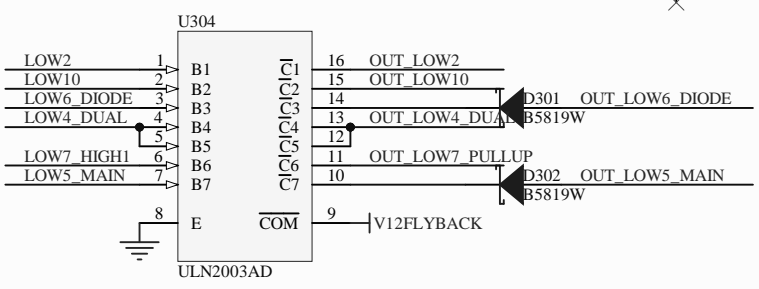
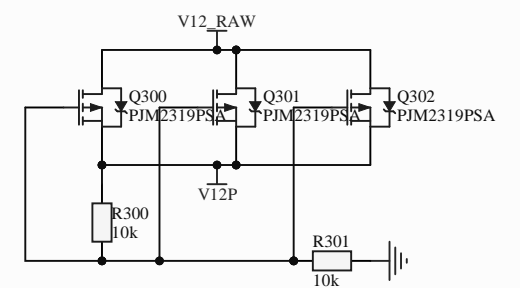
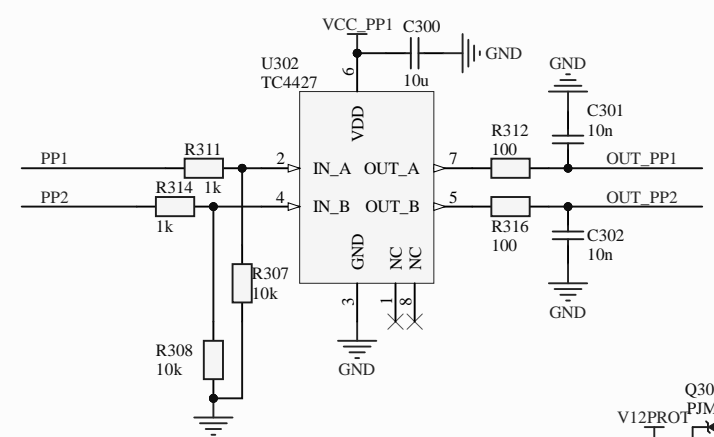
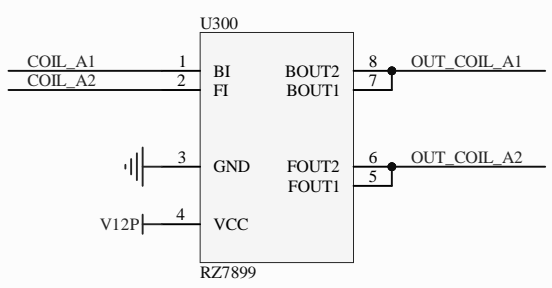
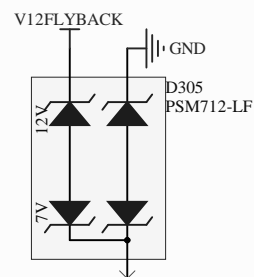
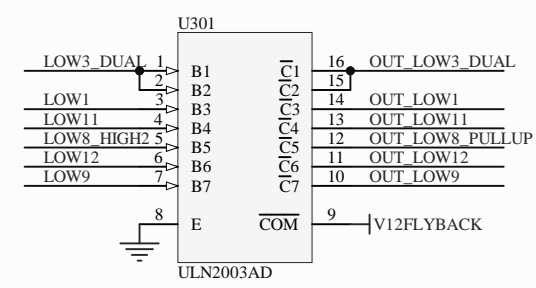
Module:input/0.1

Module:input/0.1

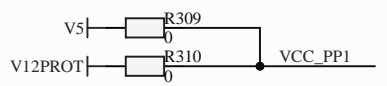
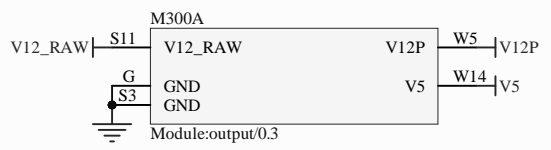
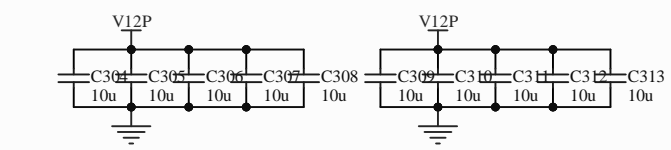


Module:input/0.1

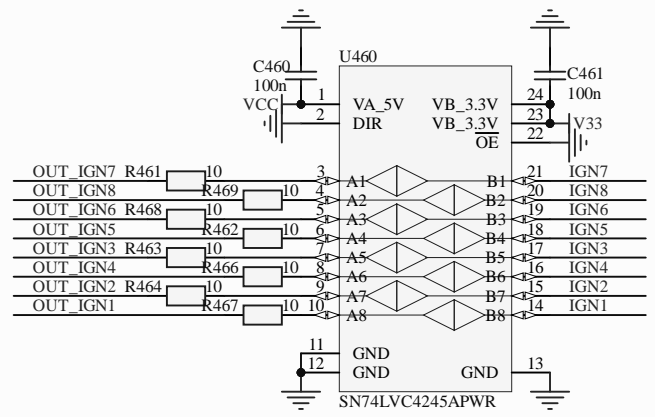
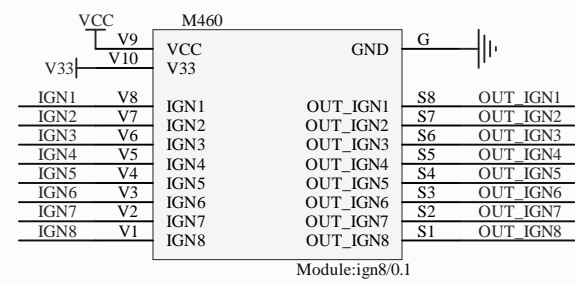


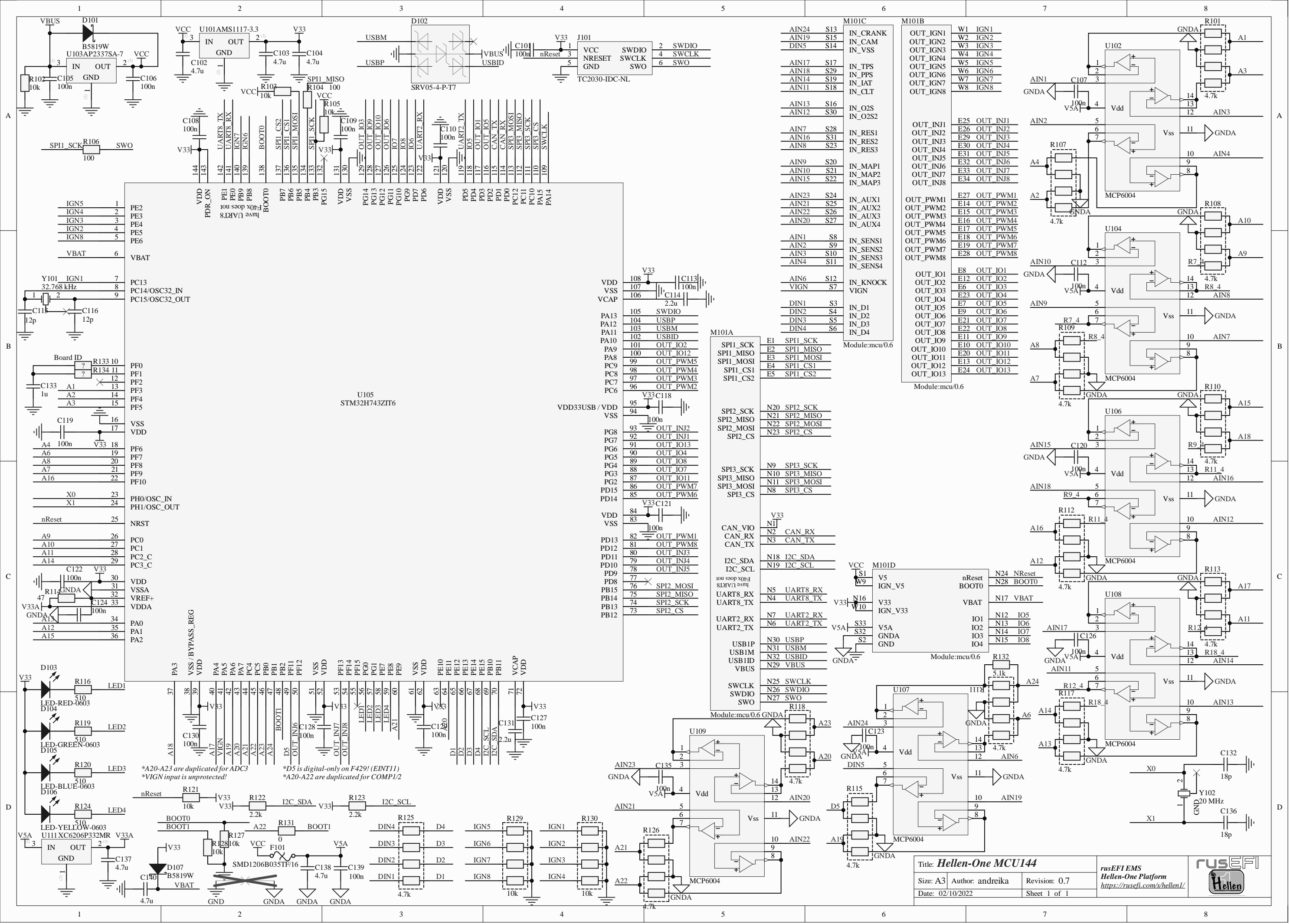


M300B		M300C	
INJ1	W24	OUT_INJ1	S18
INJ2	W23	OUT_INJ2	S16
INJ3	W20	OUT_INJ3	S17
INJ4	W19	OUT_INJ4	W7
INJ5	W18	OUT_INJ5	W10
INJ6	W17	OUT_INJ6	S15
INJ7	W16	OUT_INJ7	W12
INJ8	W15	OUT_INJ8	W11
PP1	W28	OUT_PP1	W6
PP2	W22	OUT_PP2	S6
COIL_A1	W33	OUT_SOLENOID_A1	S1
COIL_A2	W32	OUT_SOLENOID_A2	S2
COIL_B1	W31	OUT_SOLENOID_B1	S4
COIL_B2	W30	OUT_SOLENOID_B2	S5
LOW1	W21	OUT_LOW1	S8
LOW2	W29	OUT_LOW2	W1
LOW3_DUAL	W38	OUT_LOW3_DUAL	S7
LOW4_DUAL	W34	OUT_LOW4_DUAL	W4
LOW5_MAIN	W40	OUT_LOW5_MAIN	W13
LOW6_DIODE	W25	OUT_LOW6_DIODE	W3
LOW7_HIGH1	W39	OUT_LOW7_PULLUP	W9
LOW8_HIGH2	W37	OUT_LOW8_PULLUP	S12
LOW9	W27	OUT_LOW9	S14
LOW10	W26	OUT_LOW10	W2
LOW11	W35	OUT_LOW11	S10
LOW12	W36	OUT_LOW12	S13
		OUT_HIGH1	W8
		OUT_HIGH2	S9



* These can be removed in the board compilation file

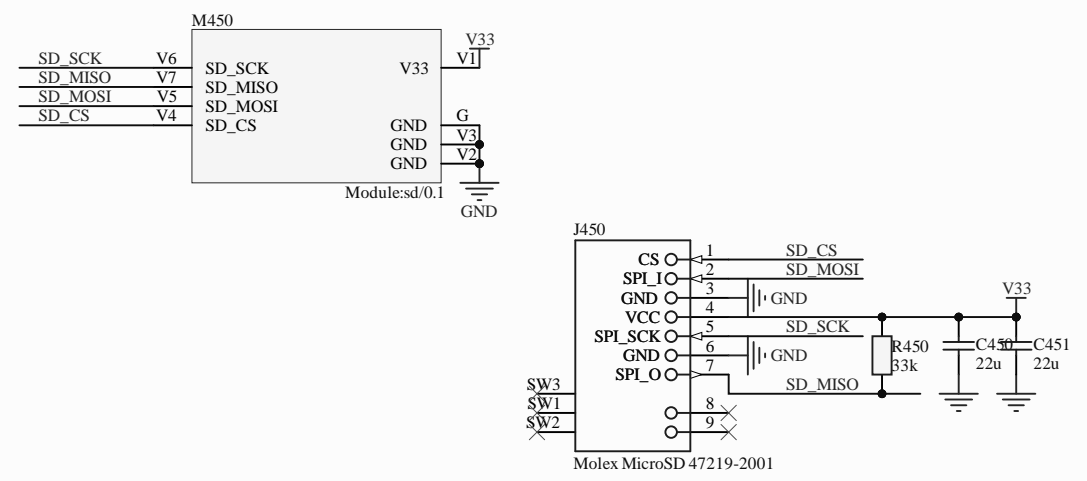


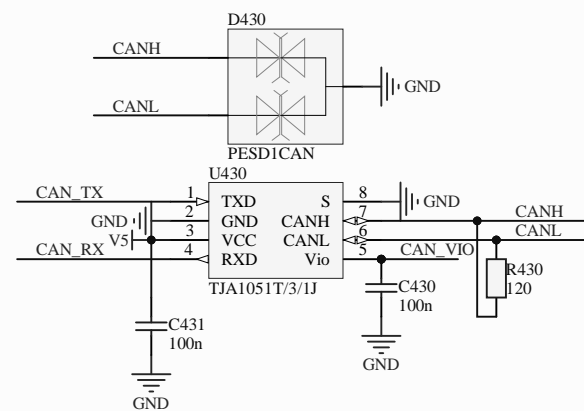
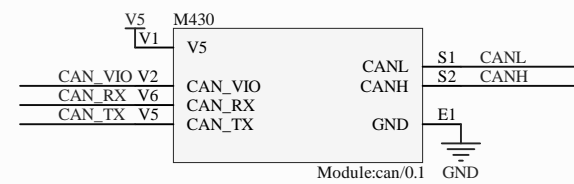


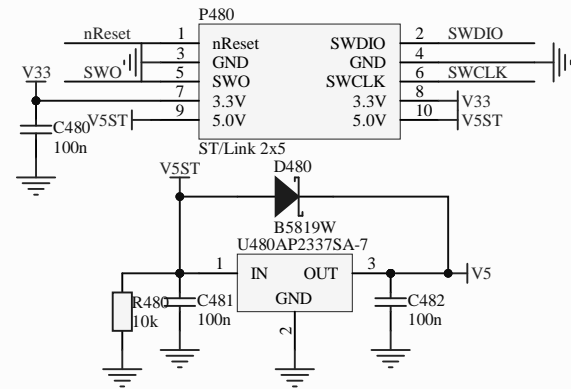
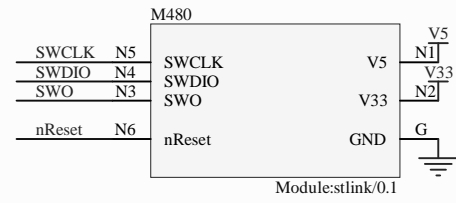
IGN5	1	PE2	VDD_ON
IGN4	2	PE3	PDR_IN
IGN3	3	PE4	PE1
IGN2	4	PE5	PE0
IGN8	5	PE6	PE8
VBAT	6	VBAT	have UART8
Y101_IGN1	7	PC13	BOOT0
PC14/OSC32_IN	8	PC14	PB7
PC15/OSC32_OUT	9	PC15	PB6
PF0	10	PF0	PB5
PF1	11	PF1	PB4
PF2	12	PF2	PB3
PF3	13	PF3	PB3
PF4	14	PF4	PG15
PF5	15	PF5	VDD
VSS	16	VSS	VSS
VDD	17	VDD	PG14
PF6	18	PF6	PG13
PF7	19	PF7	PG12
PF8	20	PF8	PG11
PF9	21	PF9	PG10
PF10	22	PF10	PG9
PH0/OSC_IN	23	PH0	PD6
PH1/OSC_OUT	24	PH1	VDD
NRST	25	NRST	VSS
PC0	26	PC0	PD5
PC1	27	PC1	PD4
PC2_C	28	PC2_C	PD3
PC3_C	29	PC3_C	PD2
VDD	30	VDD	PD1
VSSA	31	VSSA	PD0
VREF+	32	VREF+	PC12
VDDA	33	VDDA	PC11
PA0	34	PA0	PC10
PA1	35	PA1	PA15
PA2	36	PA2	PA14

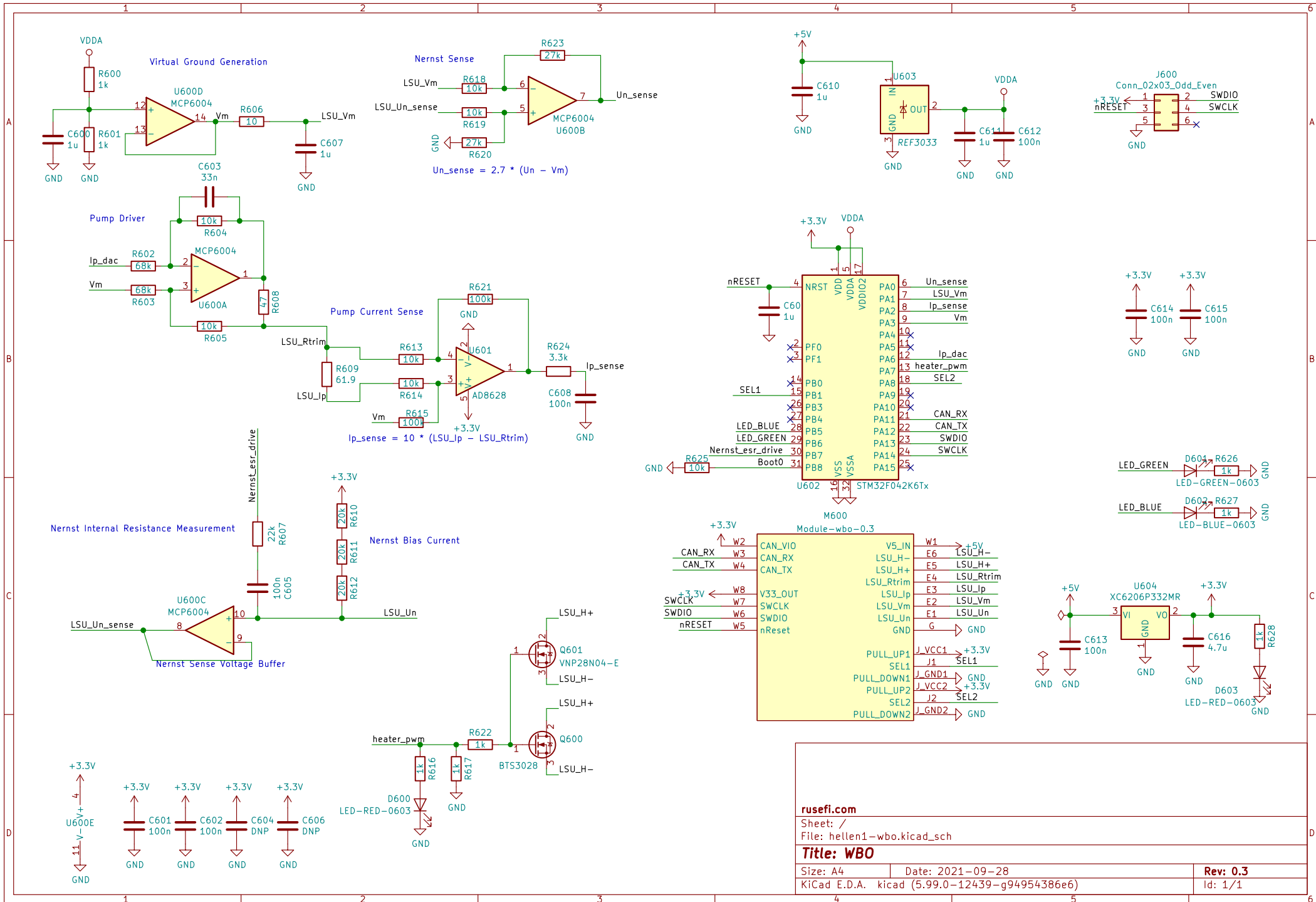
PA13	105	SWDIO	V33
PA12	104	USBP	C113
PA11	103	USBM	100n
PA10	102	USBID	C114
PA9	101	OUT_IO2	2.2u
PA8	100	OUT_IO12	V33
PA7	99	OUT_PWM5	C118
PC9	98	OUT_PWM4	100n
PC8	97	OUT_PWM3	V33
PC7	96	OUT_PWM2	C121
PC6	95	OUT_PWM1	100n
PG8	93	OUT_INJ2	V33
PG7	92	OUT_INJ1	C122
PG6	91	OUT_IO13	100n
PG5	90	OUT_IO4	V33
PG4	89	OUT_IO8	C124
PG3	88	OUT_IO7	100n
PG2	87	OUT_IO11	V33
PD15	86	OUT_PWM7	C127
PD14	85	OUT_PWM6	100n
PD13	82	OUT_PWM8	V33
PD12	81	OUT_PWM8	C128
PD11	80	OUT_INJ3	100n
PD10	79	OUT_INJ4	V33
PD9	78	OUT_INJ5	C131
PD8	77	SPI2_MOSI	100n
PB15	75	SPI2_MISO	V33
PB14	74	SPI2_SCK	C132
PB13	74	SPI2_SCK	100n
PB12	73	SPI2_CS	V33

SPI1_SCK	E1	SPI1_SCK	Module:mcu/0.6
SPI1_MISO	E2	SPI1_MISO	
SPI1_MOSI	E3	SPI1_MOSI	
SPI1_CS1	E4	SPI1_CS1	
SPI1_CS2	E5	SPI1_CS2	
SPI2_SCK	N20	SPI2_SCK	
SPI2_MISO	N21	SPI2_MISO	
SPI2_MOSI	N22	SPI2_MOSI	
SPI2_CS	N23	SPI2_CS	
SPI3_SCK	N9	SPI3_SCK	
SPI3_MISO	N10	SPI3_MISO	
SPI3_MOSI	N11	SPI3_MOSI	
SPI3_CS	N8	SPI3_CS	
CAN_VIO	N1	CAN_RX	
CAN_RX	N2	CAN_RX	
CAN_TX	N3	CAN_TX	
I2C_SDA	N18	I2C_SDA	
I2C_SCL	N19	I2C_SCL	
UART8_RX	N5	UART8_RX	
UART8_TX	N4	UART8_TX	
UART2_RX	N7	UART2_RX	
UART2_TX	N6	UART2_TX	
USB1P	N30	USBP	
USB1M	N31	USBM	
USB1ID	N32	USBID	
VBUS	N29	VBUS	
SWCLK	N25	SWCLK	
SWDIO	N26	SWDIO	
SWO	N27	SWO	









rusefi.com

Sheet: /
 File: hellen1-wbo.kicad_sch

Title: WBO

Size: A4 Date: 2021-09-28
 KiCad E.D.A. kicad (5.99.0-12439-g94954386e6)

Rev: 0.3
 Id: 1/1