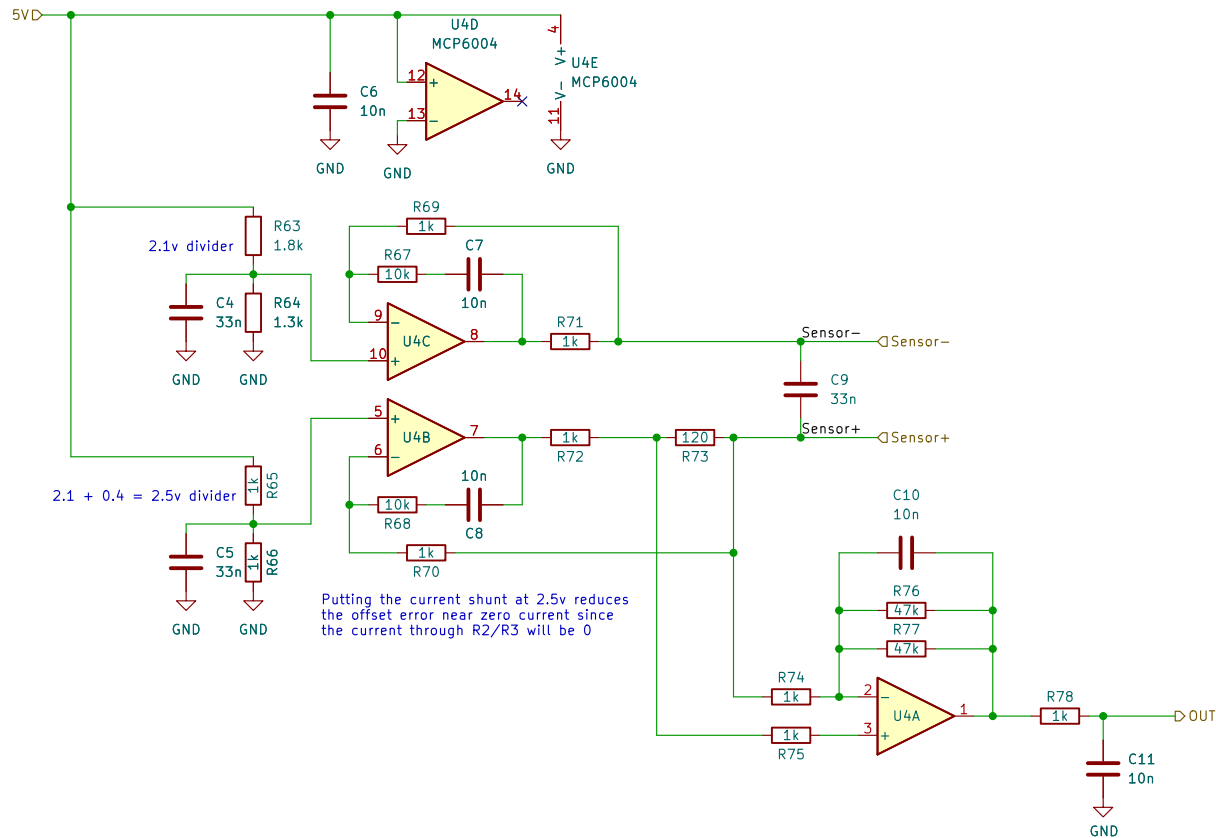


FOR OFF ROAD PURPOSES ONLY
 This is not for applications with
 emissions or safety regulations
 (AKA not for street use). This is
 for closed stages, track
 and equipment.
<https://rusefi.com/s/hellen125honda>

Board Info
 Hellen-One-PCB-Logo
rusefi
 Sheet: /
 File: hellen125honda.kicad_sch
Title: hellen125honda
 Size: A2 Date: 2021-09-03 Rev: a
 Kicad E.D.A. kicad (6.0.9) Id: 1/2



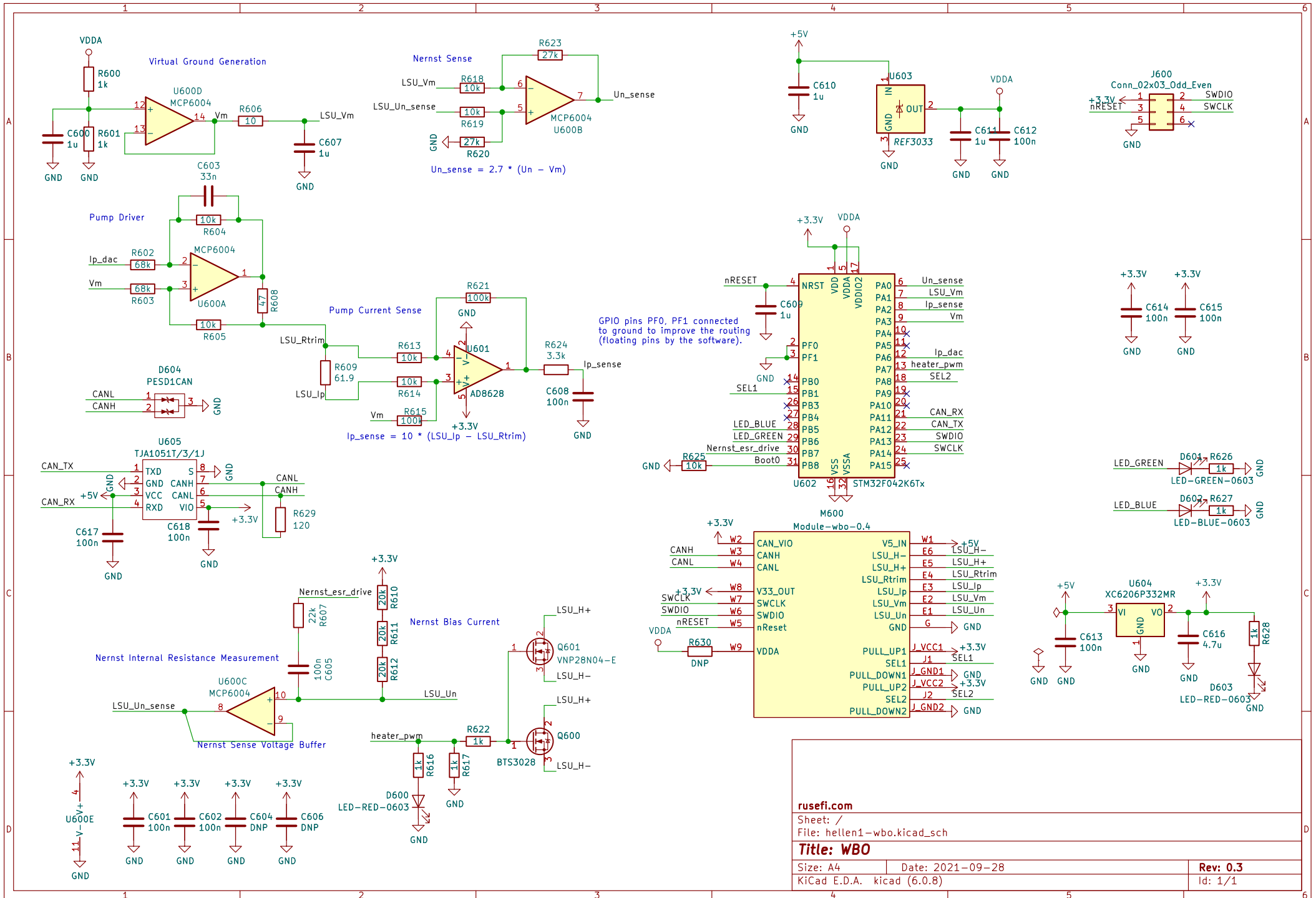
Sheet: /DENSO/
 File: denso.kicad_sch

Title:

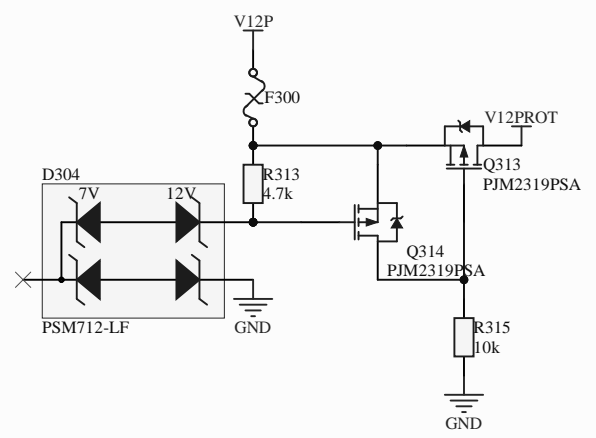
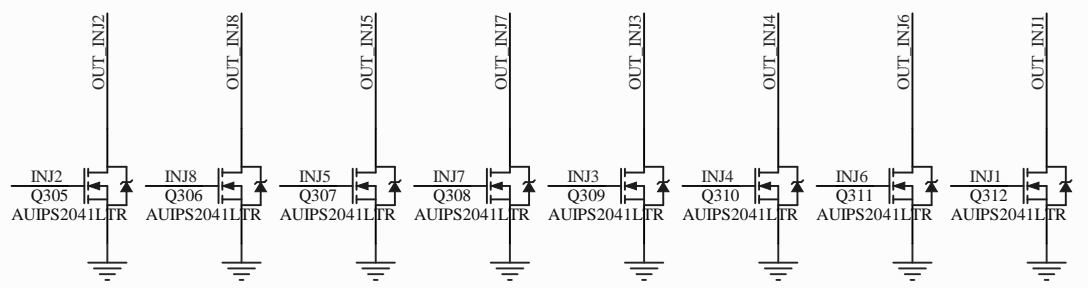
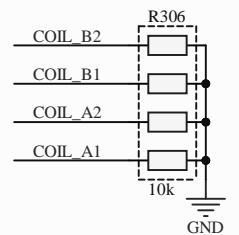
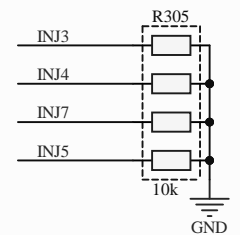
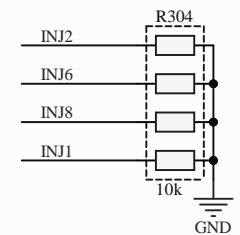
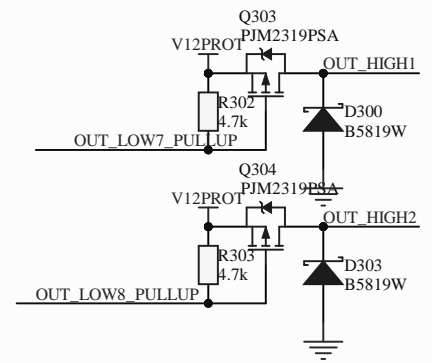
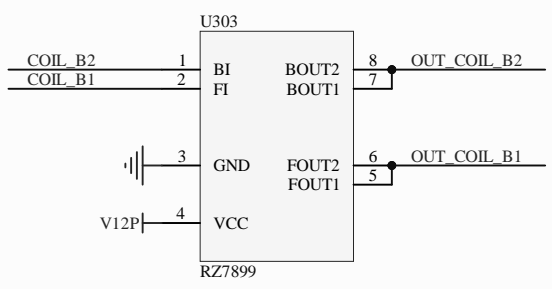
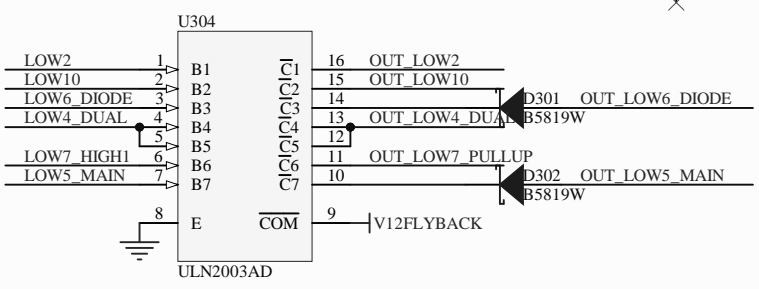
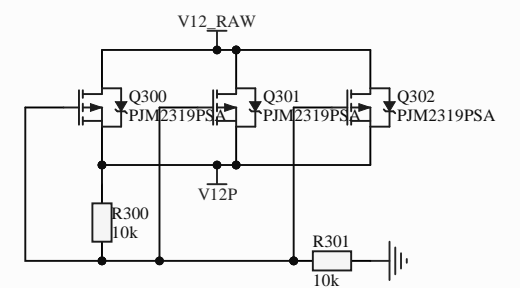
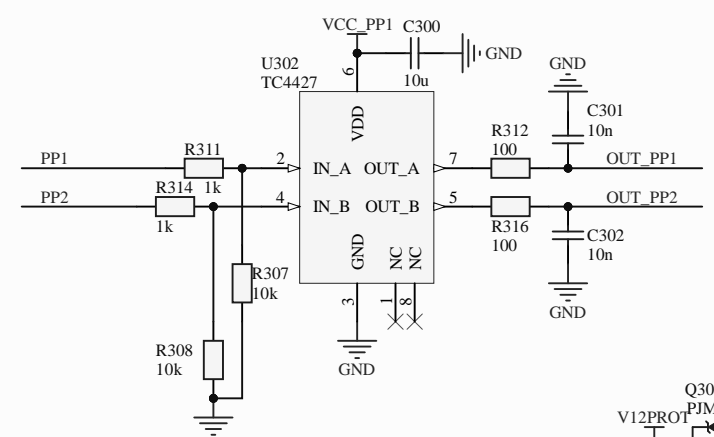
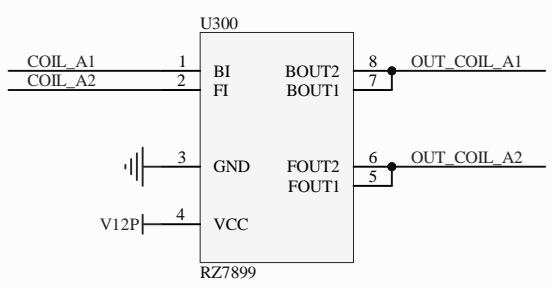
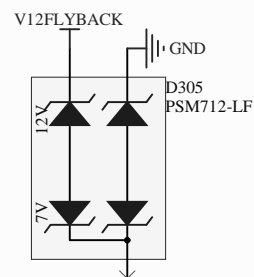
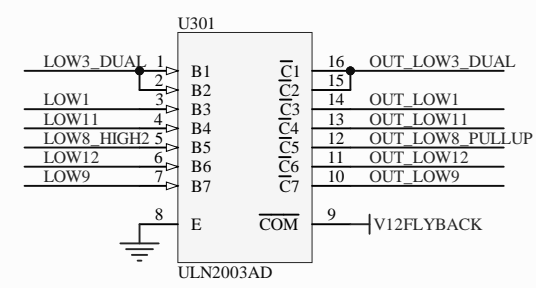
Size: A4
 KiCad E.D.A. kicad (6.0.9)

Date:

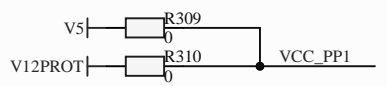
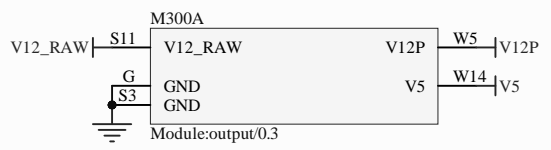
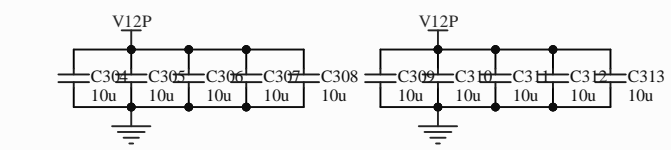
Rev:
 Id: 2/2



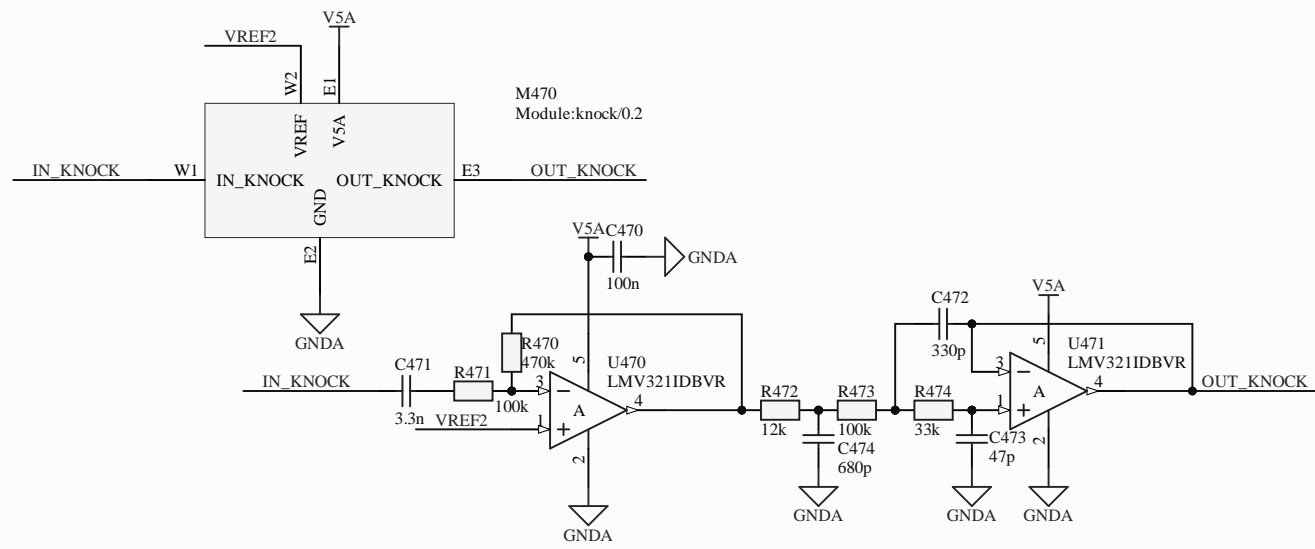
rusefi.com	
Sheet: /	
File: hellen1-wbo.kicad_sch	
Title: WBO	
Size: A4	Date: 2021-09-28
KiCad E.D.A. kicad (6.0.8)	Rev: 0.3
	Id: 1/1

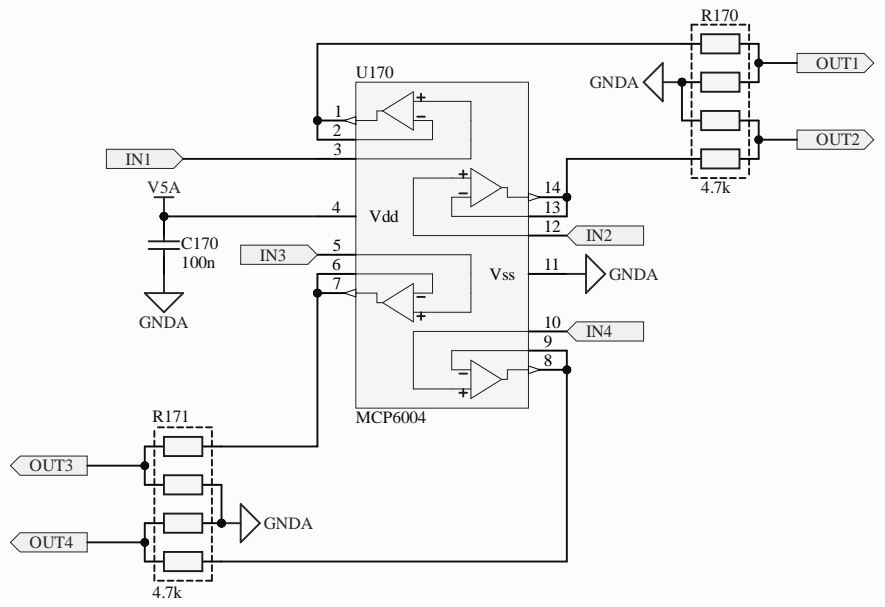


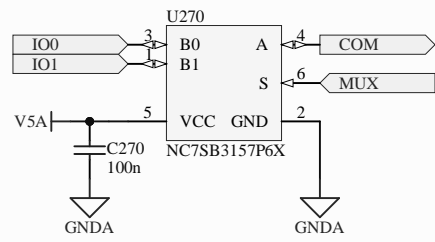
M300B		M300C	
INJ1	W24	OUT_INJ1	S18
INJ2	W23	OUT_INJ2	S16
INJ3	W20	OUT_INJ3	S17
INJ4	W19	OUT_INJ4	W7
INJ5	W18	OUT_INJ5	W10
INJ6	W17	OUT_INJ6	S15
INJ7	W16	OUT_INJ7	W12
INJ8	W15	OUT_INJ8	W11
PP1	W28	OUT_PP1	W6
PP2	W22	OUT_PP2	S6
COIL_A1	W33	OUT_SOLENOID_A1	S1
COIL_A2	W32	OUT_SOLENOID_A2	S2
COIL_B1	W31	OUT_SOLENOID_B1	S4
COIL_B2	W30	OUT_SOLENOID_B2	S5
LOW1	W21	OUT_LOW1	S8
LOW2	W29	OUT_LOW2	W1
LOW3_DUAL	W38	OUT_LOW3_DUAL	S7
LOW4_DUAL	W34	OUT_LOW4_DUAL	W4
LOW5_MAIN	W40	OUT_LOW4_DUAL	W13
LOW6_DIODE	W25	OUT_LOW5_MAIN	W3
LOW7_HIGH1	W39	OUT_LOW6_DIODE	W9
LOW8_HIGH2	W37	OUT_LOW7_PULLUP	S12
LOW9	W27	OUT_LOW8_PULLUP	S14
LOW10	W26	OUT_LOW9	W2
LOW11	W35	OUT_LOW10	S10
LOW12	W36	OUT_LOW11	S13
		OUT_LOW12	
		OUT_HIGH1	W8
		OUT_HIGH2	S9

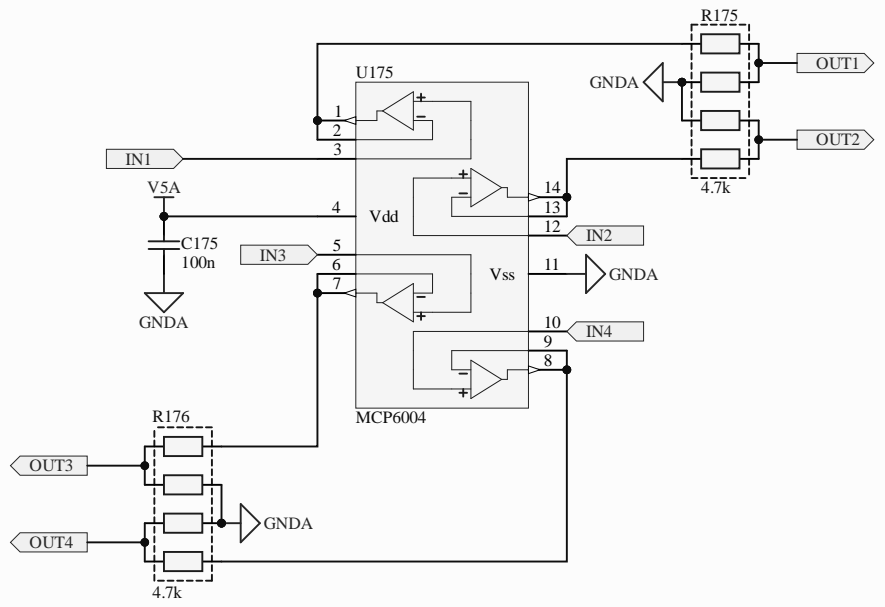


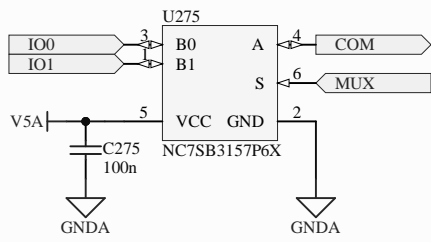
* These can be removed in the board compilation file

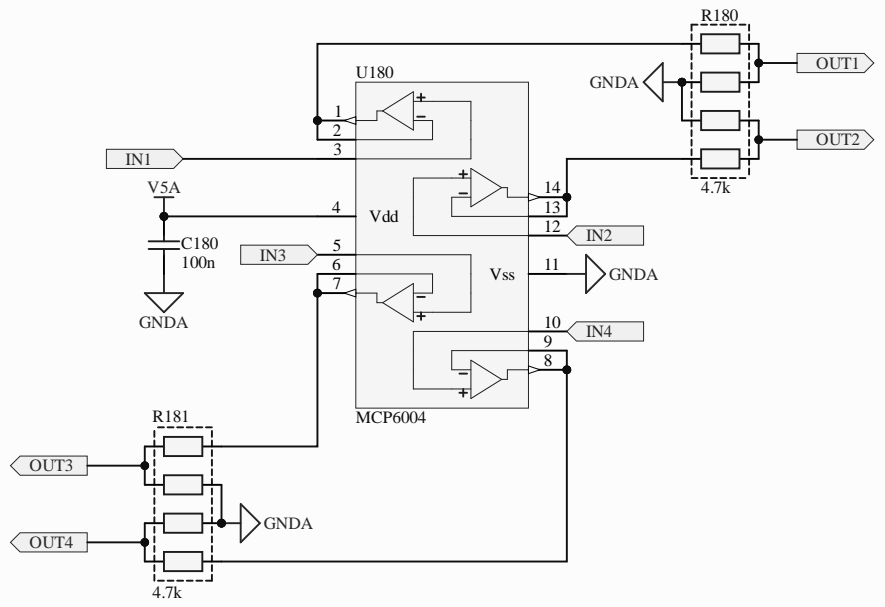


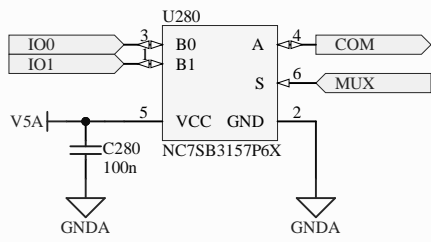


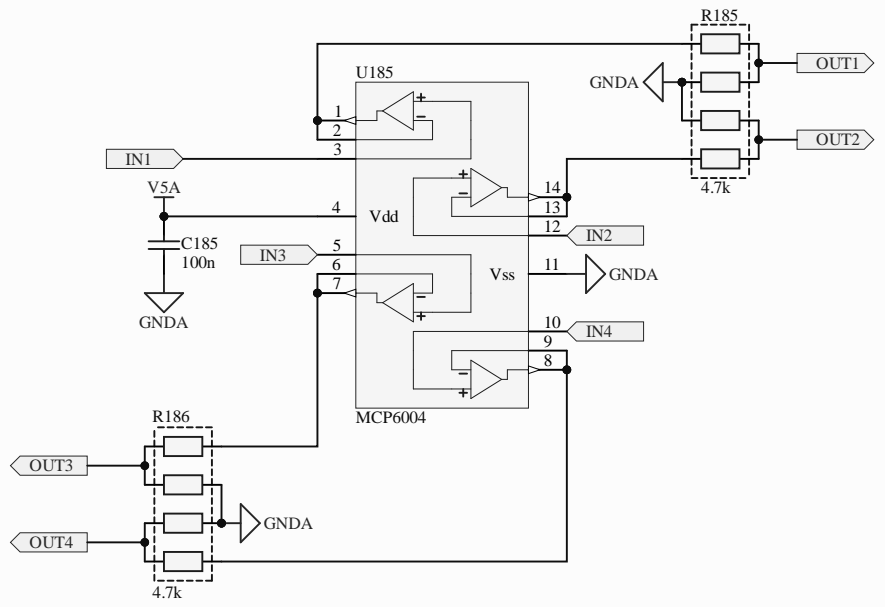


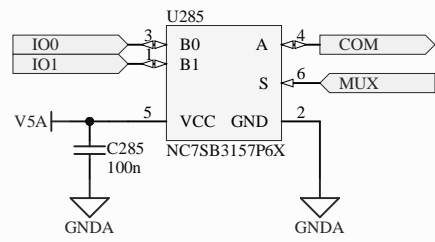


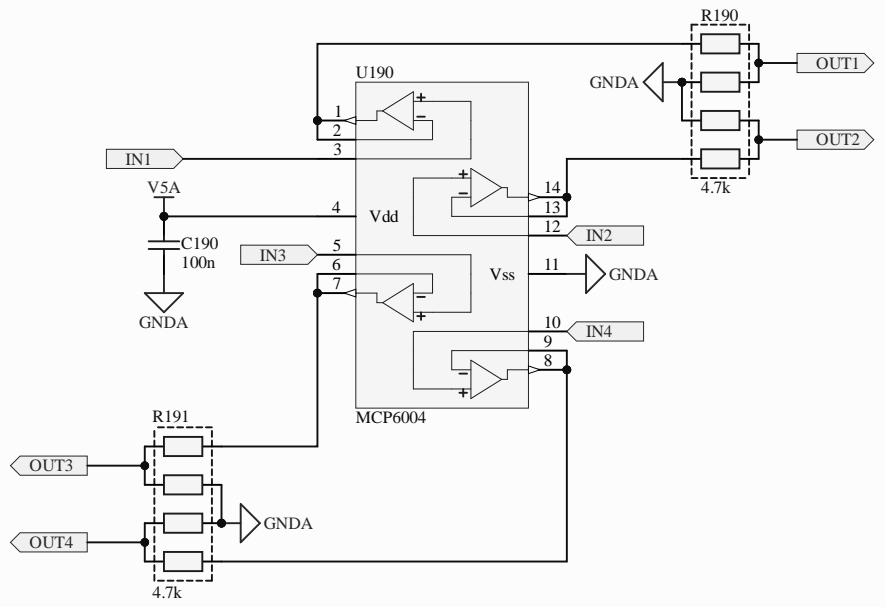


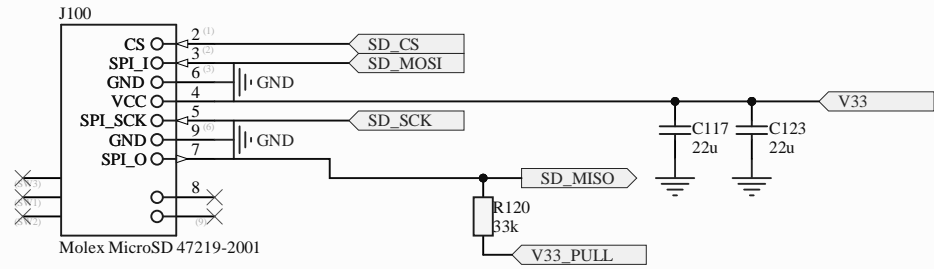


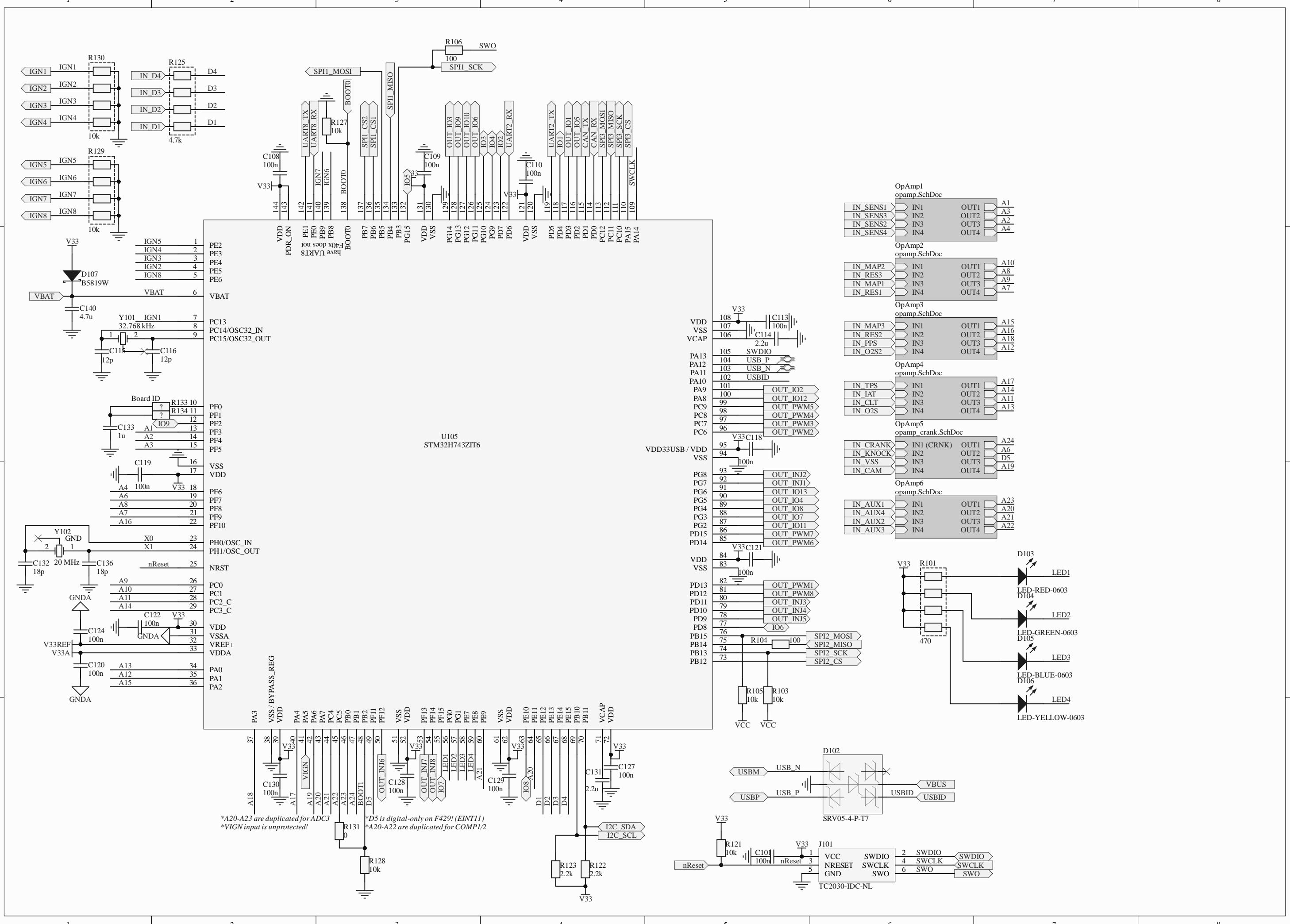








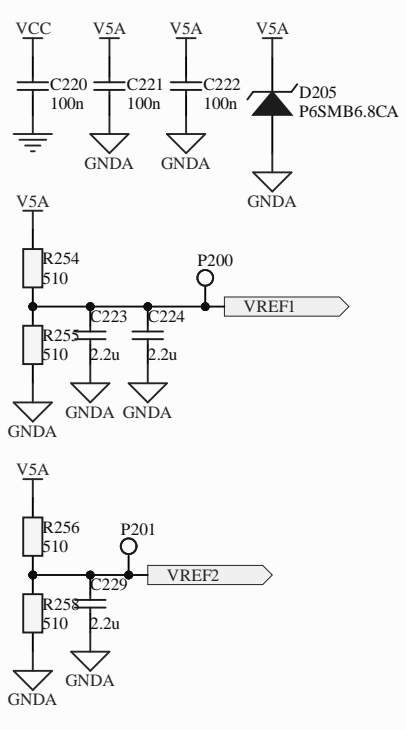
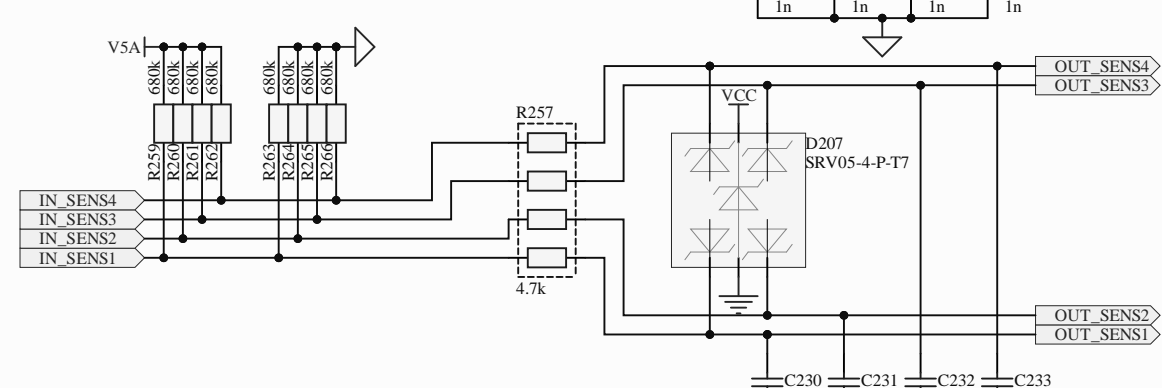
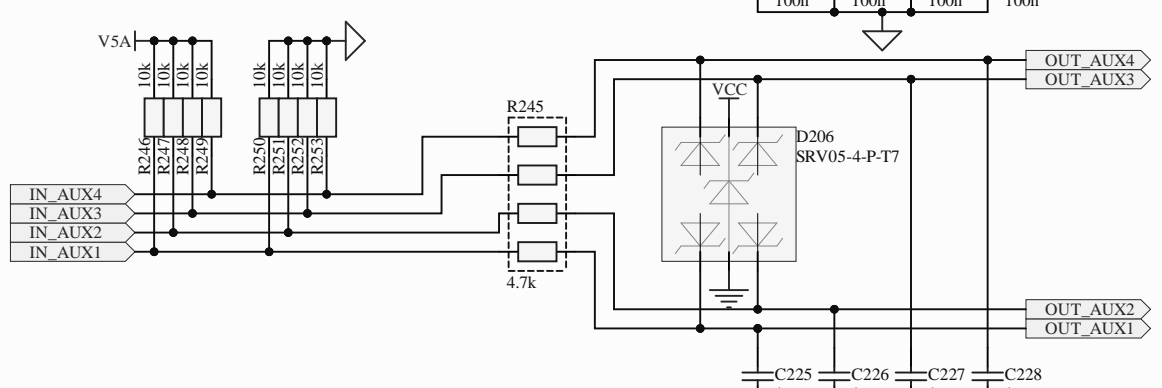
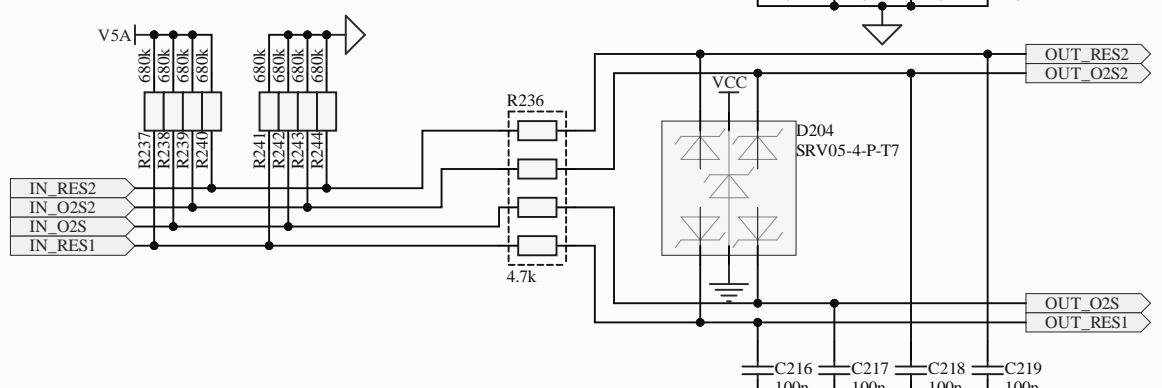
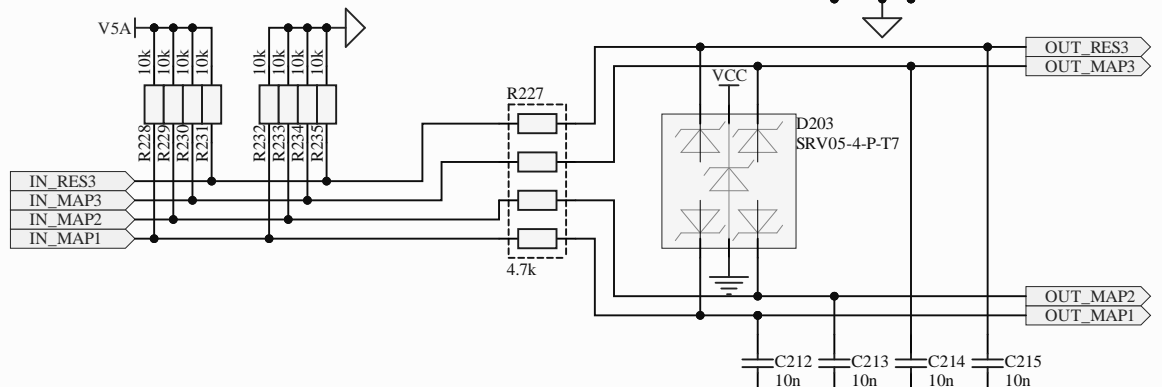
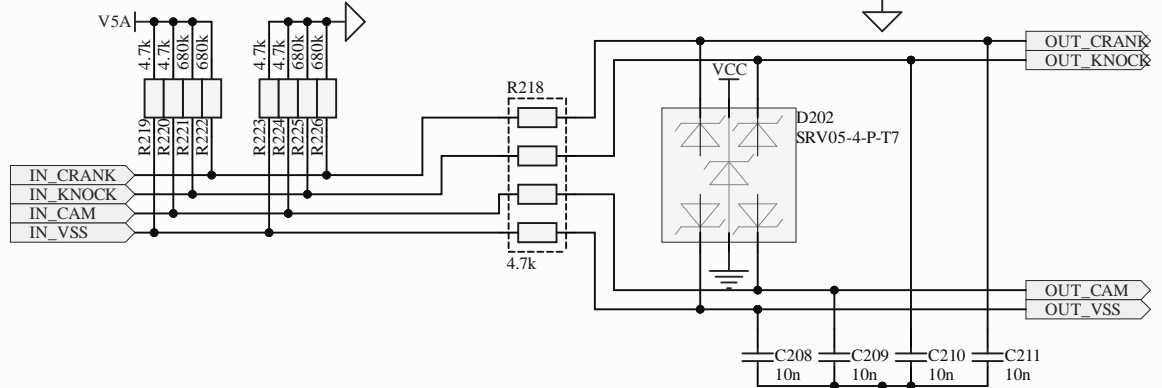
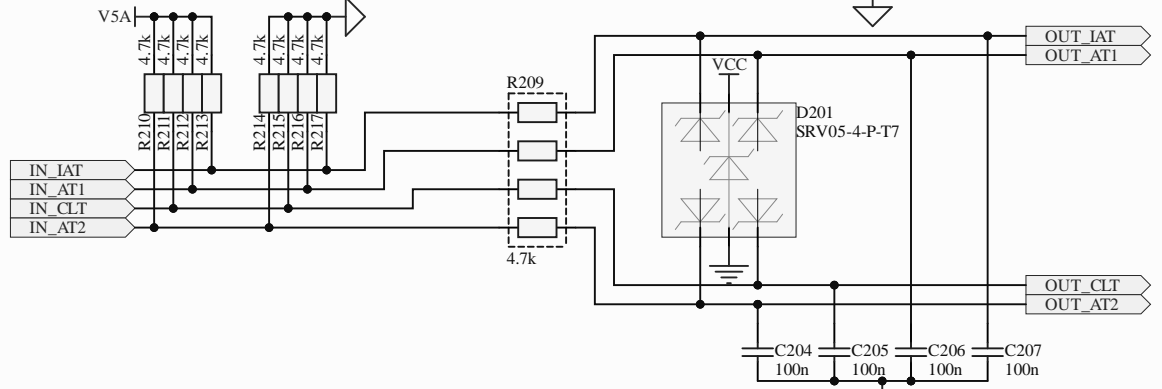
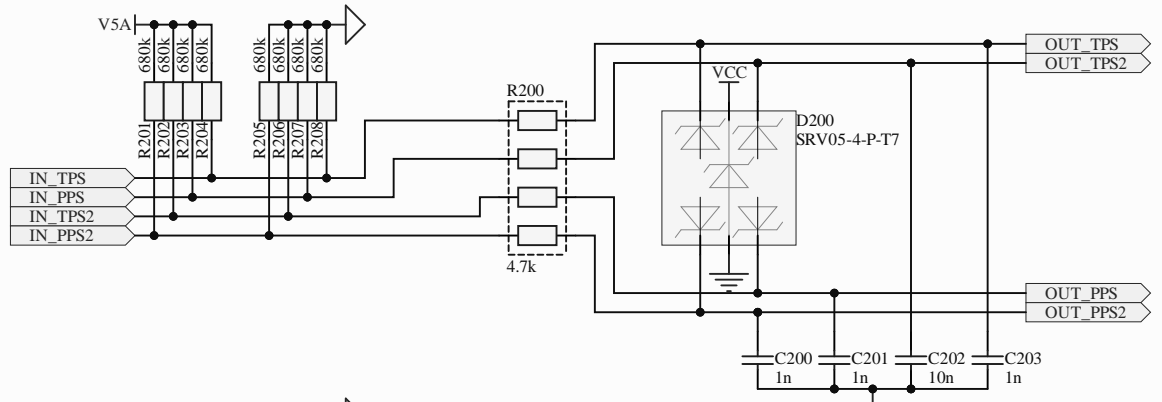


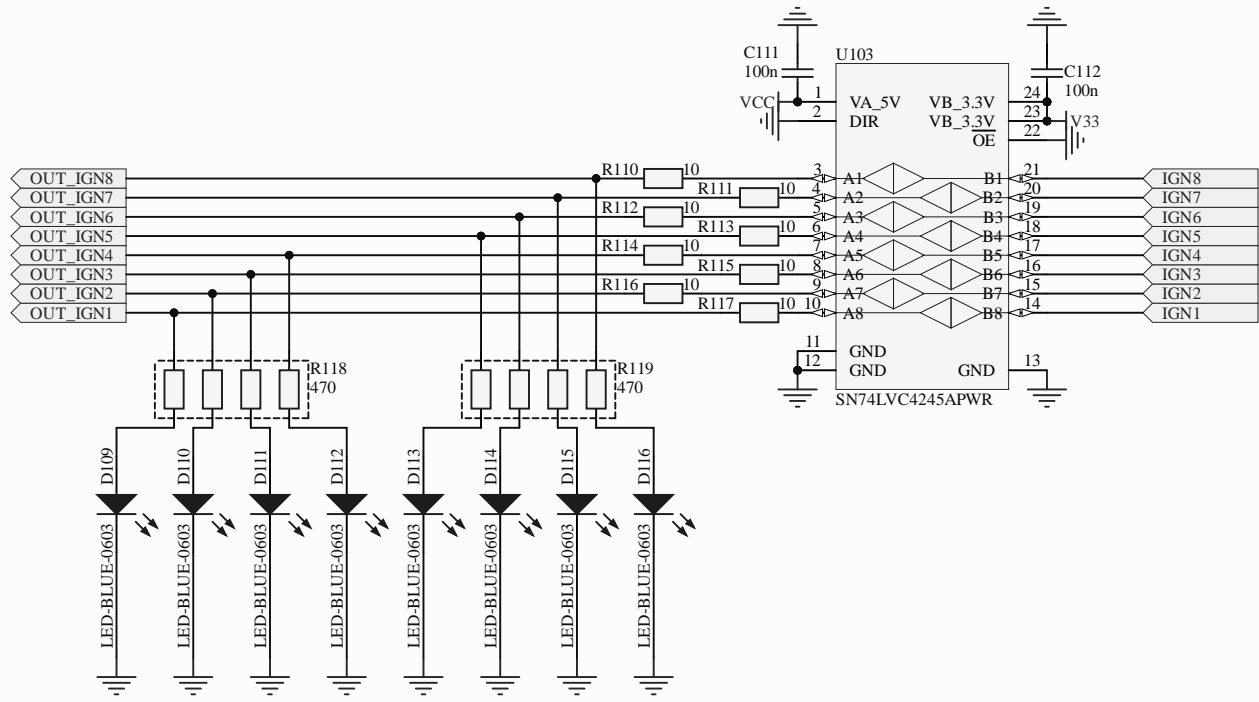


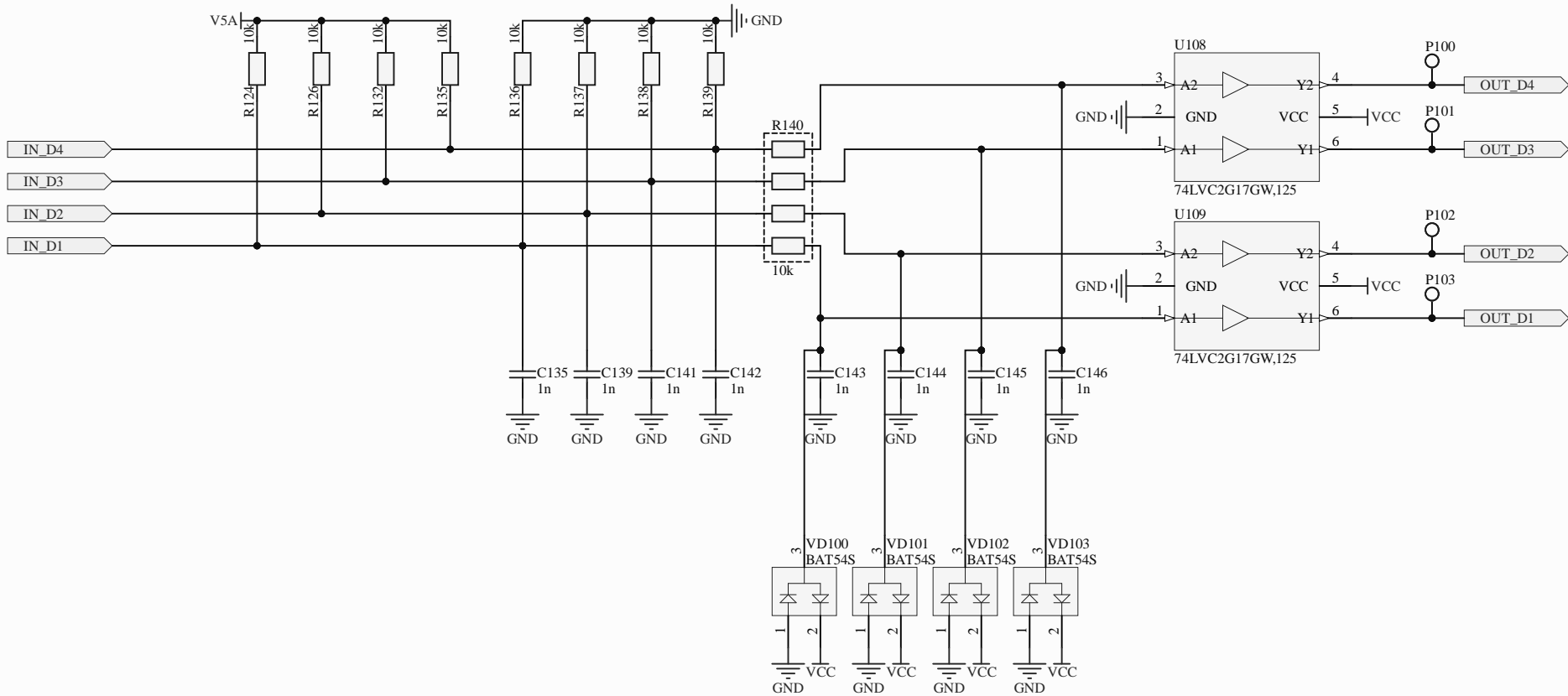
*A20-A23 are duplicated for ADC3
 *VIGN input is unprotected!
 *D5 is digital-only on F429! (EINT11)
 *A20-A22 are duplicated for COMP1/2

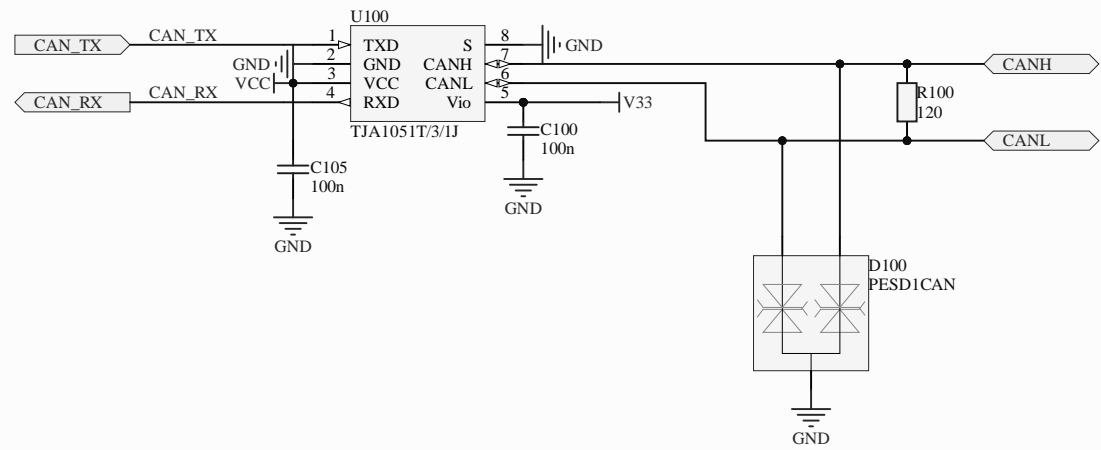
A
B
C
D
E
F
G
H

A
B
C
D
E
F
G
H

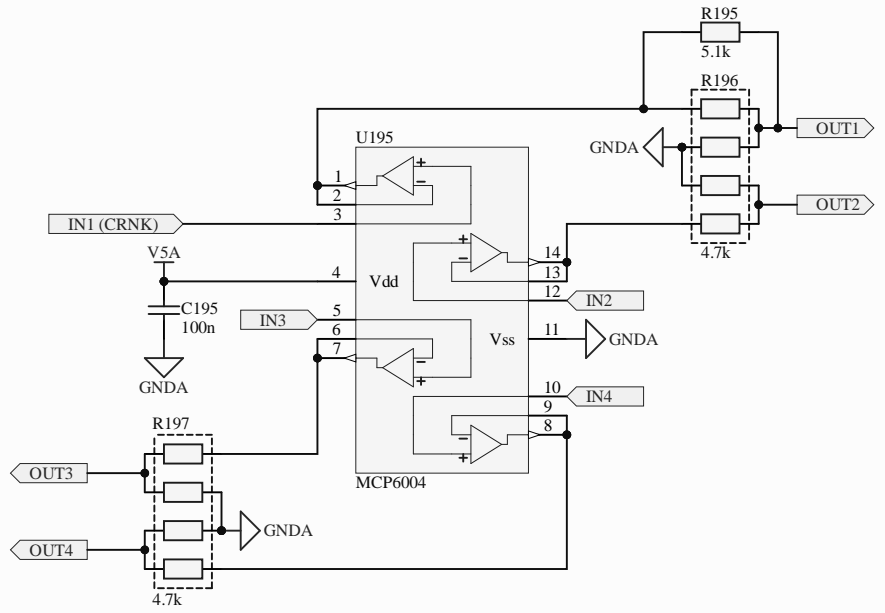


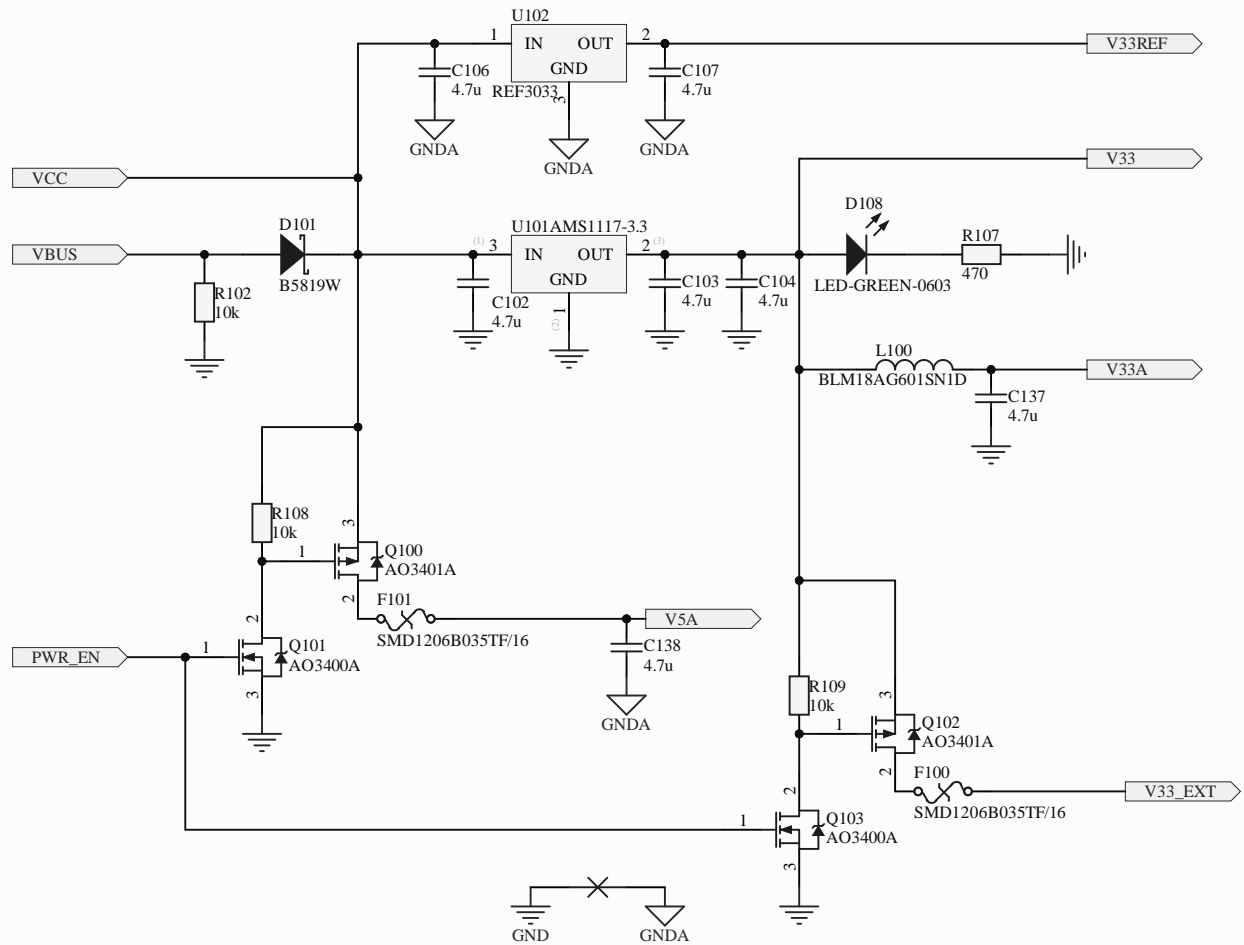






More accurate threshold for "raw" connection of VR sensors





Title		
Size	Number	Revision
A4		
Date:	2.01.2023	Sheet of
File:	C:\Work\...\power.SchDoc	Drawn By:

