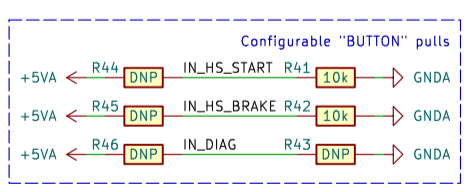
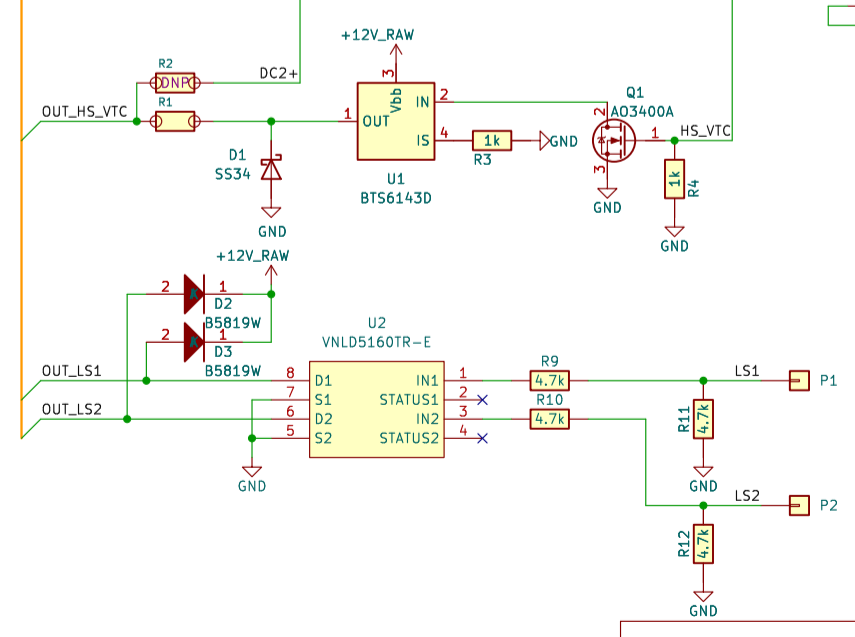
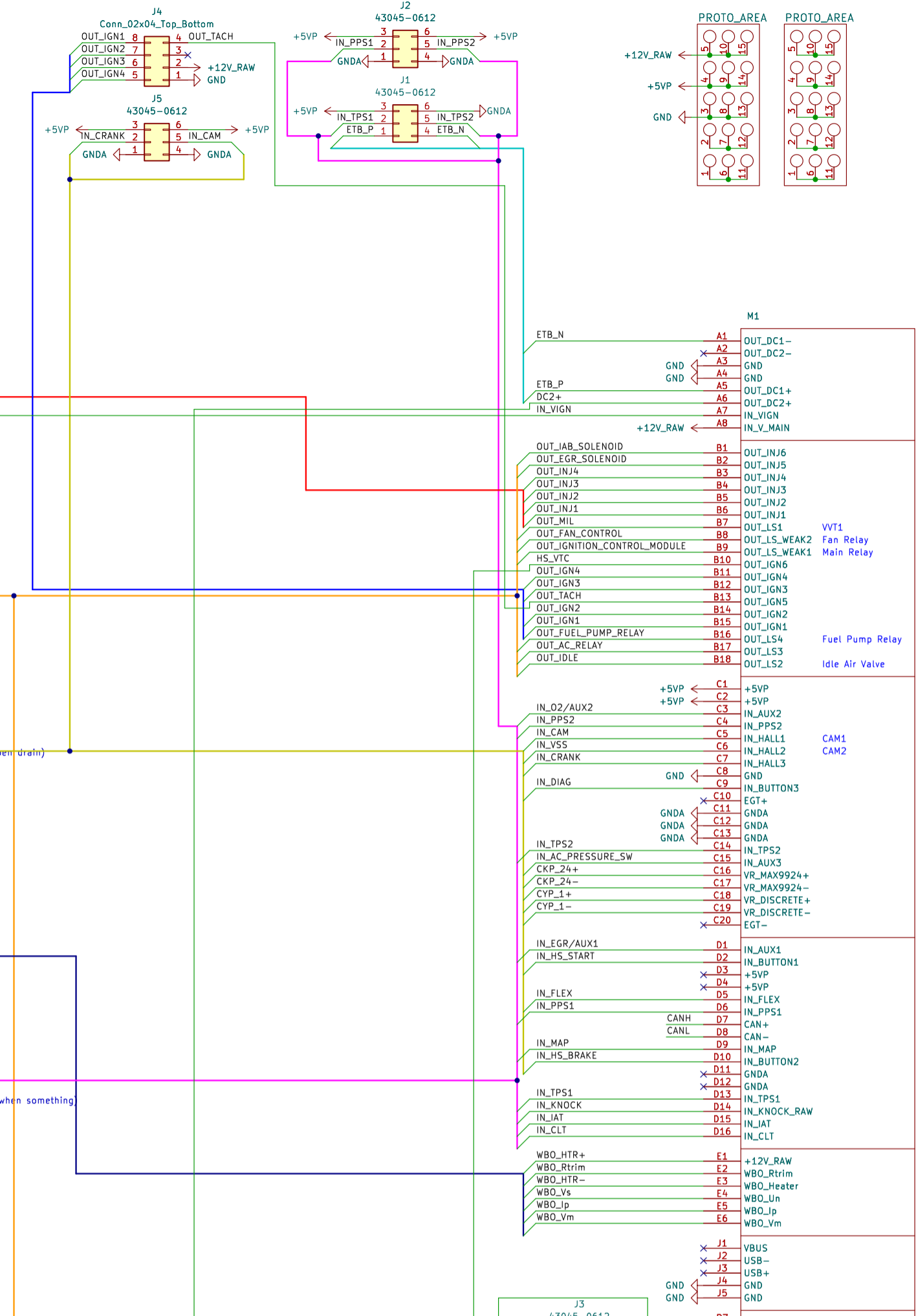
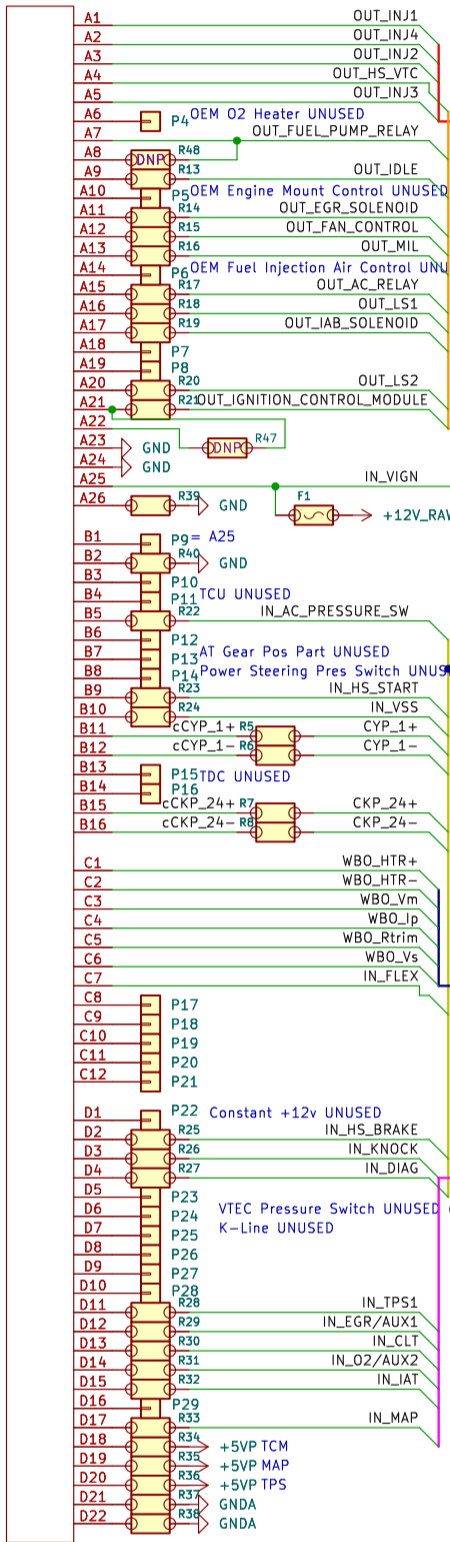


J6
178780-1_OBD1



| M801 | | |
|------------------|---|--------------|
| Module:uaefi/0.2 | | |
| P806 | 1 | OUT_DC1- |
| P807 | 1 | OUT_DC2- |
| P808 | 1 | GND_A3 |
| P809 | 1 | GND_A4 |
| P810 | 1 | OUT_DC1+ |
| P811 | 1 | OUT_DC2+ |
| P812 | 1 | 12V_KEY |
| P813 | 1 | 12V |
| P814 | 1 | OUT_INJ6 |
| P815 | 1 | OUT_INJ5 |
| P816 | 1 | OUT_INJ4 |
| P817 | 1 | OUT_INJ3 |
| P818 | 1 | OUT_INJ2 |
| P819 | 1 | OUT_INJ1 |
| P820 | 1 | OUT_LS1 |
| P821 | 1 | OUT_LS_HOT2 |
| P822 | 1 | OUT_LS_HOT1 |
| P823 | 1 | OUT_IGN6 |
| P824 | 1 | OUT_IGN4 |
| P825 | 1 | OUT_IGN3 |
| P826 | 1 | OUT_IGN5 |
| P827 | 1 | OUT_IGN2 |
| P828 | 1 | OUT_IGN1 |
| P829 | 1 | OUT_LS4 |
| P830 | 1 | OUT_LS3 |
| P831 | 1 | OUT_LS2 |
| P832 | 1 | 5VP_C1 |
| P833 | 1 | 5VP_C2 |
| P834 | 1 | IN_AUX2 |
| P835 | 1 | IN_PPS2 |
| P836 | 1 | IN_HALL1 |
| P837 | 1 | IN_HALL2 |
| P838 | 1 | IN_HALL3 |
| P839 | 1 | GND_C8 |
| P840 | 1 | IN_BUTTON3 |
| P841 | 1 | EGT+ |
| P842 | 1 | GND_C11 |
| P843 | 1 | GND_C12 |
| P844 | 1 | GND_C13 |
| P845 | 1 | IN_TPS2 |
| P846 | 1 | IN_AUX3 |
| P847 | 1 | VR2+ |
| P848 | 1 | VR2- |
| P849 | 1 | VR1+ |
| P850 | 1 | VR1- |
| P851 | 1 | EGT- |
| P852 | 1 | IN_AUX1 |
| P853 | 1 | IN_BUTTON1 |
| P854 | 1 | 5VP_D3 |
| P855 | 1 | 5VP_D4 |
| P856 | 1 | IN_FLEX |
| P857 | 1 | IN_PPS1 |
| P858 | 1 | CAN+ |
| P859 | 1 | CAN- |
| P860 | 1 | IN_MAP |
| P861 | 1 | IN_BUTTON2 |
| P862 | 1 | GND_D11 |
| P863 | 1 | GND_D12 |
| P864 | 1 | IN_TPS1 |
| P865 | 1 | IN_KNOCK_RAW |
| P866 | 1 | IN_JAT |
| P867 | 1 | IN_CLT |
| P868 | 1 | WBO_12V |
| P869 | 1 | WBO_Rtrim |
| P870 | 1 | WBO_Heater |
| P871 | 1 | WBO_Un |
| P872 | 1 | WBO_Ip |
| P873 | 1 | WBO_Vm |
| J801 | 1 | J1 |
| J801 | 2 | J2 |
| J801 | 3 | J3 |
| J801 | 4 | J4 |
| J801 | 5 | J5 |
| P801 | 1 | P7 |
| P802 | 1 | P8 |
| P803 | 1 | P3 |
| P804 | 1 | P4 |
| J802 | 1 | P15 |
| J802 | 2 | P17 |
| J802 | 3 | P16 |
| P805 | 1 | P18 |

