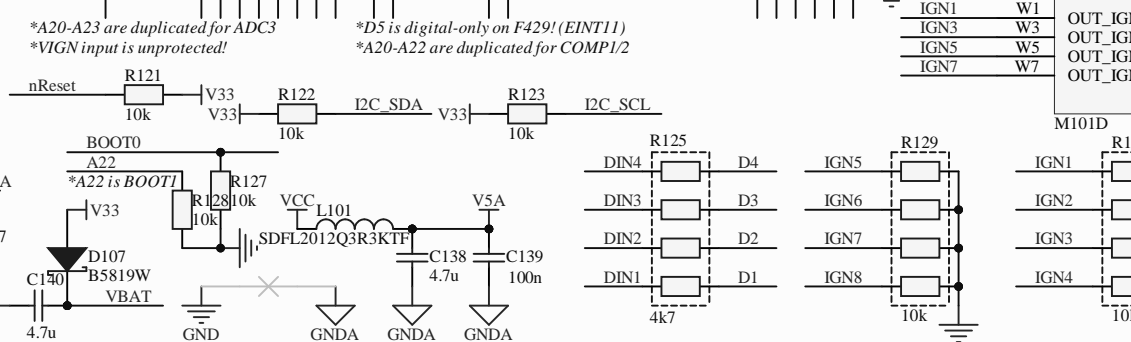


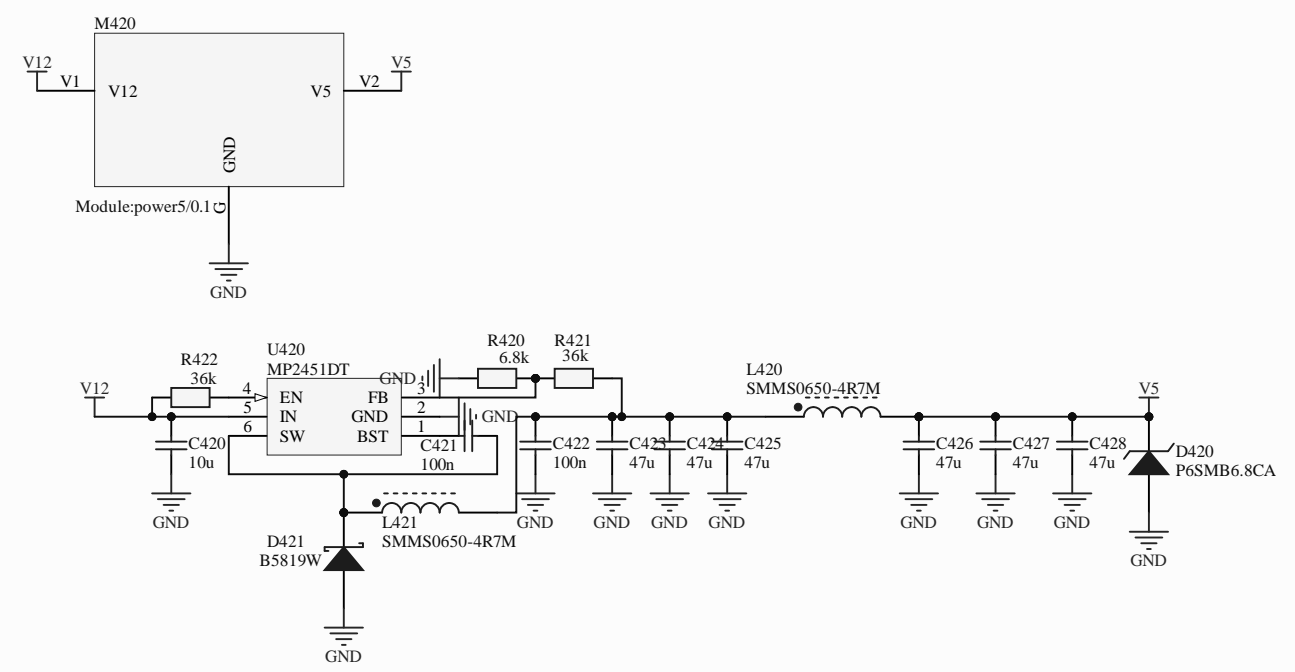
Pin	Signal
1	PE2
2	PE3
3	PE4
4	PE5
5	PE6
6	VBAT
7	PI8
8	PC13
9	PC14/OSC32_IN
10	PC15/OSC32_OUT
11	PI9
12	PI10
13	PI11
14	VSS
15	VDD
16	PF0
17	PF1
18	PF2
19	PF3
20	PF4
21	PF5
22	VSS
23	VDD
24	PF6
25	PF7
26	PF8
27	PF9
28	PF10
29	PH0/OSC_IN
30	PH1/OSC_OUT
31	NRST
32	PC0
33	PC1
34	PC2_C
35	PC3_C
36	VDD
37	VSSA
38	VREF+
39	VDDA
40	PA0
41	PA1
42	PA2
43	PH2
44	PH3
45	PH4
46	PH5
47	PA3
48	VSS / BYPASS_REG
49	VDD
50	PA4
51	PA5
52	PA6
53	PA7
54	PA8
55	PA9
56	PC5
57	PB0
58	PB1
59	PB2
60	PB3
61	PB4
62	PB5
63	PF13
64	PF14
65	PF15
66	PG0
67	PG1
68	PG2
69	PG3
70	PG4
71	VSS
72	VDD
73	PE10
74	PE11
75	PE12
76	PE13
77	PE14
78	PE15
79	PG10
80	PB10
81	VCAP
82	VDD
83	PH6
84	PH7
85	PH8
86	PH9
87	PH10
88	PH11
89	PH12
90	VSS
91	VDD
92	PB12
93	PB13
94	PB14
95	PB15
96	PD8
97	PD9
98	PD10
99	PD11
100	PD12
101	PD13
102	VSS
103	VDD
104	OUT_PWM5
105	OUT_PWM6
106	OUT_IO9
107	OUT_IO10
108	OUT_IO11
109	OUT_IO12
110	OUT_IO13
111	OUT_INJ1
112	OUT_INJ2
113	VSS
114	VDD
115	OUT_PWM1
116	OUT_PWM2
117	OUT_PWM3
118	OUT_PWM4
119	OUT_IO8
120	OUT_IO7
121	USBID
122	USBM
123	USBP
124	SWDIO
125	VCAP
126	VSS
127	VDD
128	OUT_IO2
129	OUT_IO3
130	OUT_IO4
131	OUT_IO5
132	OUT_IO6
133	OUT_IO1
134	VSS
135	VDD
136	PA14
137	PA15
138	PC10
139	PC11
140	PC12
141	PD0
142	CAN_RX
143	CAN_TX
144	IO3
145	IO4
146	IO5
147	UART_TX
148	VSS
149	VDD
150	UART_RX
151	PG9
152	IO8
153	IO7
154	PG11
155	PG12
156	PG13
157	PG14
158	VSS
159	VDD
160	PG15
161	PB3
162	PB4
163	PB5
164	PB6
165	PB7
166	BOOT0
167	PB8
168	PB9
169	PE0
170	PE1
171	VDD_ON
172	VSS
173	IGN6
174	IGN7
175	IGN8
176	IGN5
177	PE6
178	PE5
179	PE4
180	PE3
181	PE2

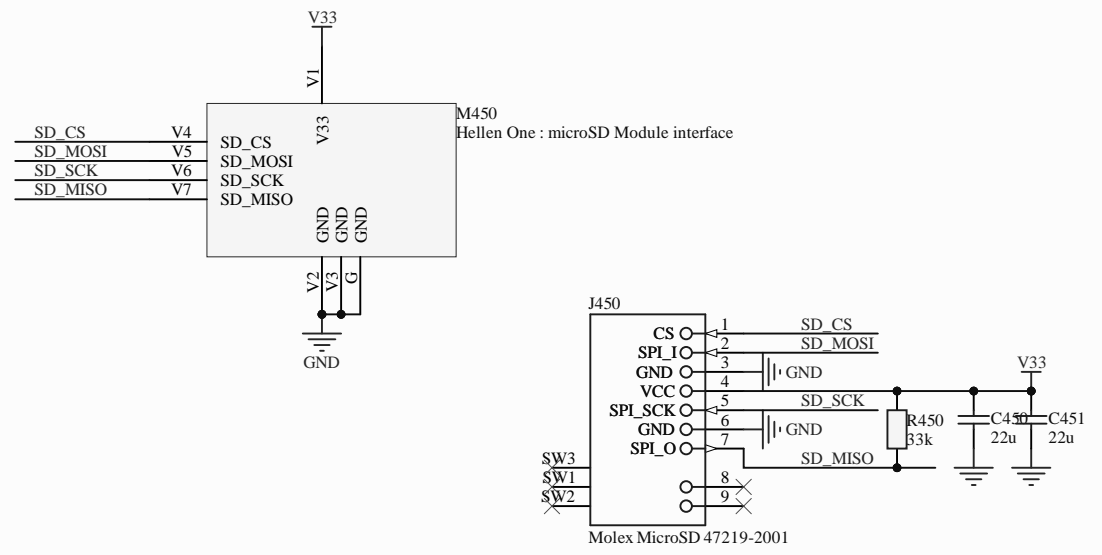
Signal	Pin
SPL_SCK	E1
SPL_MOSI	E3
SPL_CS2	E5
OUT_IO2	E7
OUT_IO4	E9
OUT_IO6	E11
OUT_IO8	E13
OUT_PWM2	E15
OUT_PWM4	E17
OUT_PWM6	E19
OUT_IO10	E21
OUT_IO12	E23
OUT_INJ1	E25
OUT_PWM7	E27
OUT_INJ3	E29
OUT_INJ5	E31
OUT_INJ7	E33
SPL_MISO	E4
SPL_CS1	E6
OUT_IO1	E8
OUT_IO3	E10
OUT_IO5	E12
OUT_IO7	E14
OUT_PWM1	E16
OUT_PWM3	E18
OUT_PWM5	E20
OUT_IO9	E22
OUT_IO11	E24
OUT_IO13	E26
OUT_INJ2	E28
OUT_PWM8	E30
OUT_INJ4	E32
OUT_INJ6	E34

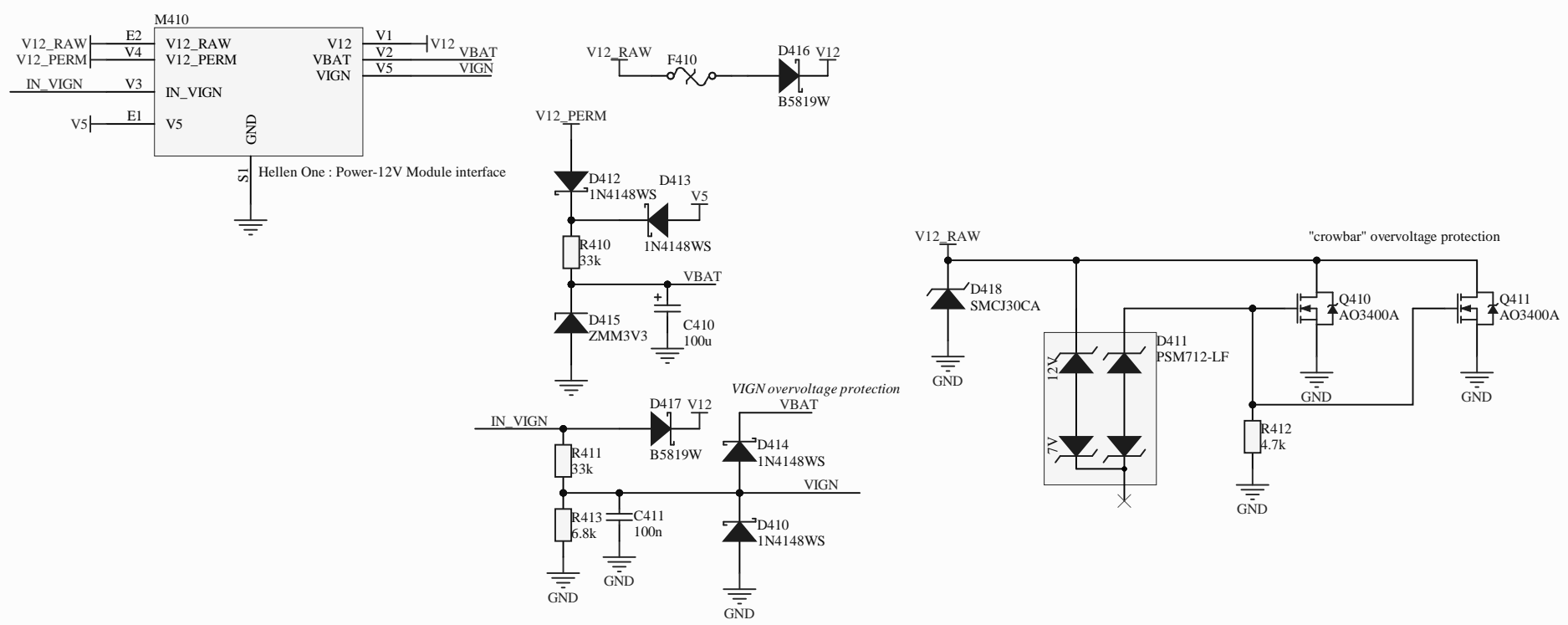
Signal	Pin
CAN_TX	N1
CAN_RX	N3
UART_RX	N5
IO2	N7
IO4	N9
IO6	N11
IO8	N13
VBAT	N15
I2C_SCL	N17
SPL_SD_MISO	N19
SPL_SD_CS	N21
SWCLK	N23
SWO	N25
VBUS	N27
USBM	N29
CAN_VIO	N2
CAN_TX	N4
UART_RX	N6
IO1	N8
IO3	N10
IO5	N12
IO7	N14
VBAT	N16
I2C_SCL	N18
SD_MISO	N20
SD_CS	N22
nReset	N24
SWDIO	N26
BOOT0	N28
VBUS	N30
UART_TX	N4
IO1	N6
IO3	N8
IO5	N10
IO7	N12
I2C_SDA	N16
SPL_SD_SCK	N18
SPL_SD_MOSI	N22
SD_MOSI	N24
nReset	N26
SWDIO	N28
BOOT0	N30

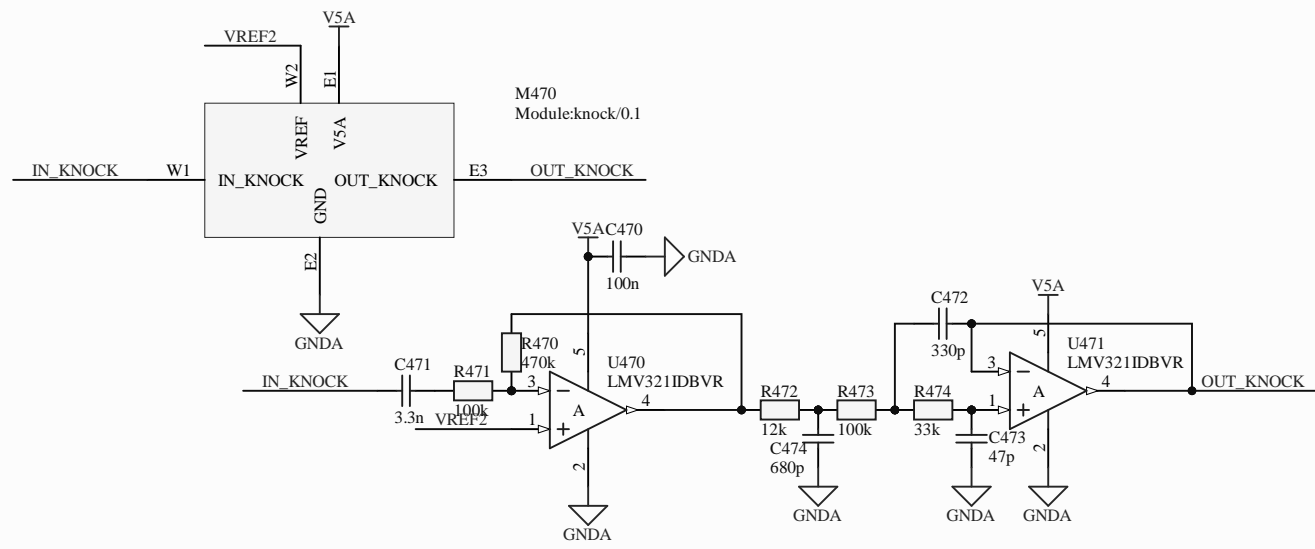
Signal	Pin
DIN1	S1
DIN3	S3
VIGN	S7
AIN2	S9
AIN4	S11
AIN24	S13
AIN19	S15
AIN17	S17
AIN14	S19
AIN10	S21
AIN8	S23
AIN21	S25
AIN20	S27
AIN18	S29
AIN16	S31
V5	S5
IN_D1	S4
IN_D3	S6
VIGN	S8
IN_SENS1	S10
IN_SENS3	S12
IN_KNOCK	S14
IN_VSS	S16
IN_O2S	S18
IN_CLT	S20
IN_MAP1	S22
IN_MAP2	S24
IN_AUX1	S26
IN_AUX2	S28
IN_AUX4	S30
IN_PPS	S32
IN_RES2	S33
GND	S2
IN_D2	S4
IN_D4	S6
AIN1	S8
AIN3	S10
DIN5	S12
AIN3	S14
AIN13	S16
AIN11	S18
AIN9	S20
AIN15	S22
AIN23	S24
AIN22	S26
AIN7	S28
AIN12	S30
GND	S32



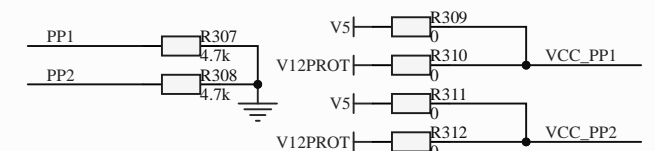
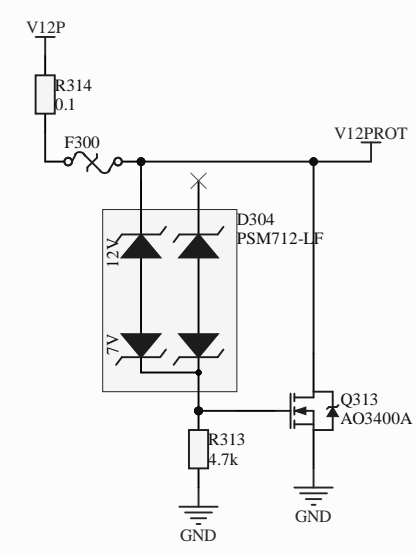
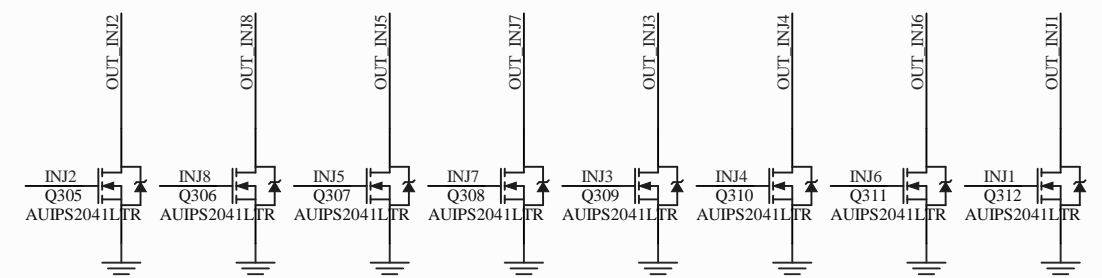
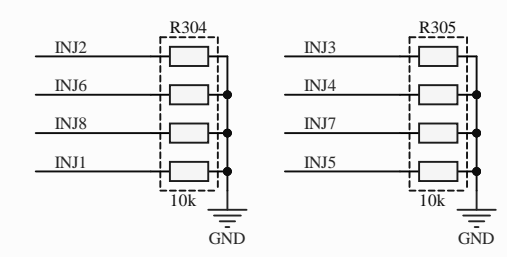
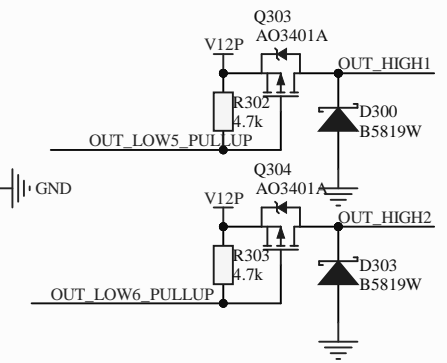
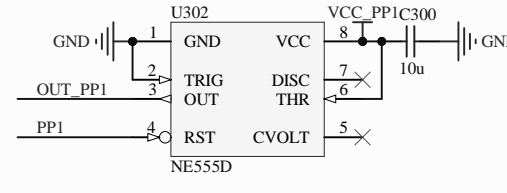
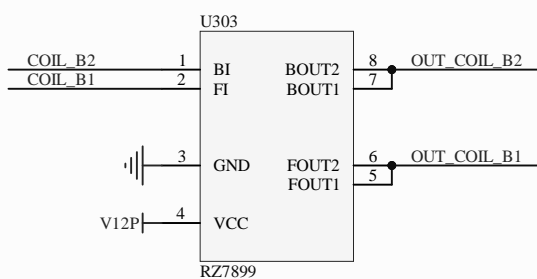
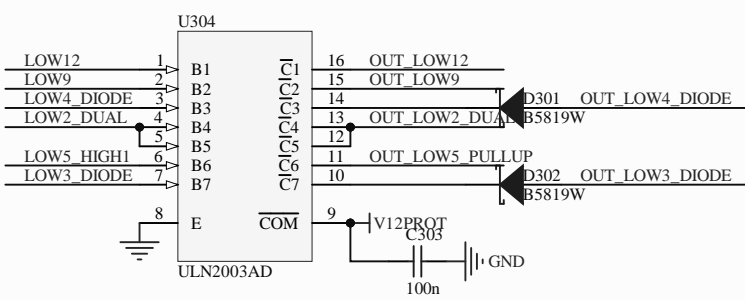
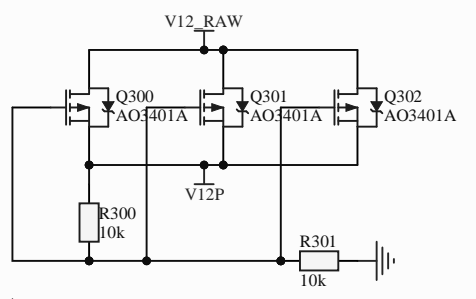
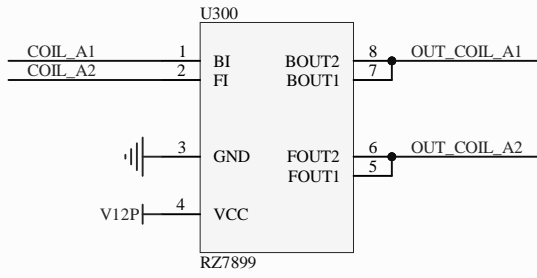
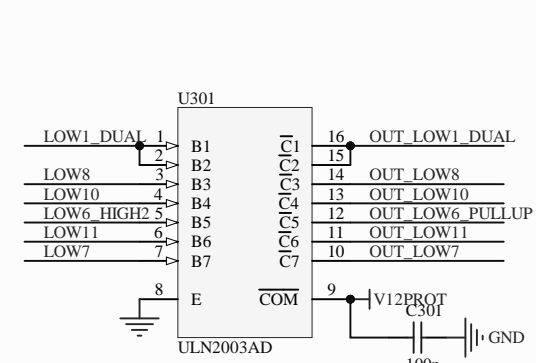




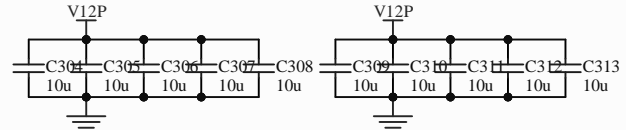






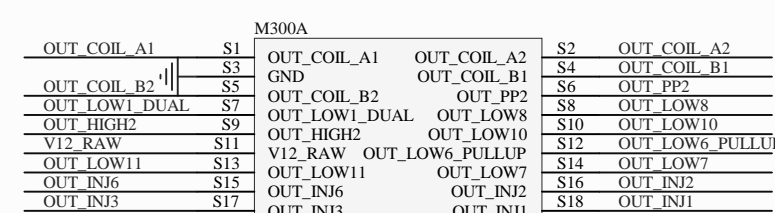


\*These can be removed in the board compilation file



M300B		M300A	
OUT_LOW12	W1	OUT_COIL_A1	S1
OUT_LOW4_DIODE	W3	GND	S3
OUT_INJ4	W5	OUT_COIL_B2	S5
OUT_INJ8	W7	OUT_LOW1_DUAL	S7
OUT_LOW3_DIODE	W9	OUT_HIGH2	S9
INJ8	W11	V12_RAW	S11
INJ6	W13	OUT_LOW11	S13
INJ4	W15	OUT_INJ6	S15
INJ2	W17	OUT_INJ3	S17
LOW8	W19		
LOW4_DIODE	W21		
LOW7	W23		
LOW12	W25		
COIL_B1	W27		
COIL_A1	W29		
COIL_A2	W31		
LOW2_DUAL	W33		
LOW10	W35		
LOW6_HIGH2	W37		
LOW5_HIGH1	W39		
OUT_LOW9	W2	OUT_COIL_A2	S2
OUT_LOW2_DUAL	W4	OUT_COIL_B1	S4
OUT_PP1	W6	OUT_PP2	S6
OUT_HIGH1	W8	OUT_LOW8	S8
OUT_INJ5	W10	OUT_LOW10	S10
OUT_INJ7	W12	OUT_LOW6_PULLUP	S12
V5	W14	OUT_LOW7	S14
INJ7	W16	OUT_INJ2	S16
INJ5	W18	OUT_INJ1	S18
INJ3	W20		
INJ1	W22		
PP2	W24		
INJ1	W26		
LOW9	W28		
PP1	W30		
COIL_B2	W32		
COIL_A2	W34		
LOW2_DUAL	W36		
LOW11	W38		
LOW1_DUAL	W40		
LOW3_DIODE			

Hellen One : Output Module interface



Hellen One : Output Module interface

